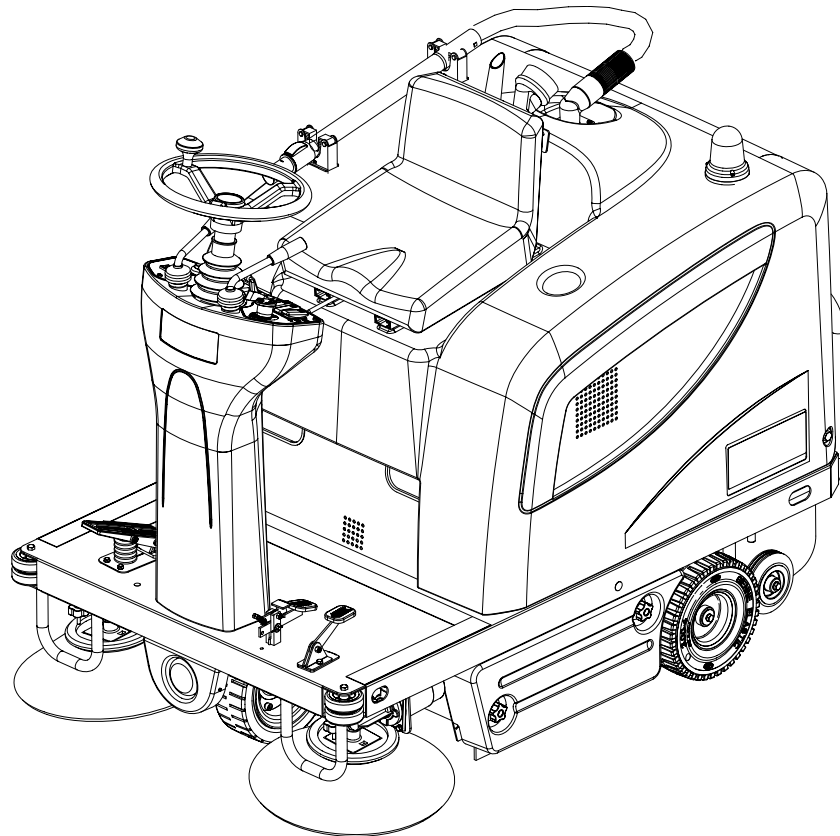


Terra™ 4300B



PARTS LIST

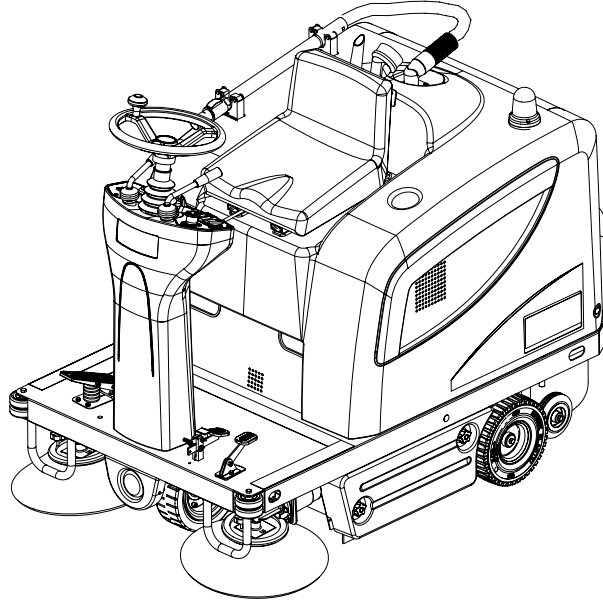
Advance model: 908 4309 010



Advance

by Nilfisk-Advance

146 2811 000(3)2008-07



DESCRIPTION

PLAN

GENERAL VIEW	2 - 3
CHASSIS LOWER	4 - 5
CHASSIS SIDE ASSEMBLY	6 - 7
BONNET SYSTEM	8 - 9
MAIN BROOM ASSEMBLY	10 - 11
RIGHT SIDE BROOM ASSEMBLY	12 - 13
LEFT SIDE BROOM ASSEMBLY	14 - 15
STEERING SYSTEM	16 - 19
FRONT WHEEL ASSEMBLY	20 - 21
PEDAL ASSEMBLIES	22 - 23
CONTROL SPEED PEDAL ASSEMBLY	24 - 25
CONTROL PANEL ASSEMBLIES	26 - 27
DRIVE SYSTEM	28 - 29
DUST CONTROL SYSTEM	30 - 31
WASTE CONTAINER ASSEMBLY	32 - 33
ELECTRICAL COMPONENTS	34 - 35
BATTERY CHARGER ASSEMBLY	36 - 37
ACCESSORIES	38 - 43
WIRING DIAGRAM	44
RECOMMENDED SPARE PARTS	45

WHEN ORDERING PARTS

- * Use the 8, 9 or 10 digit numbers from the "Ref. No." columns in this parts list.
- * Specify the model and serial number of the machine.
- * Use the space below to record the model and serial number for future reference.

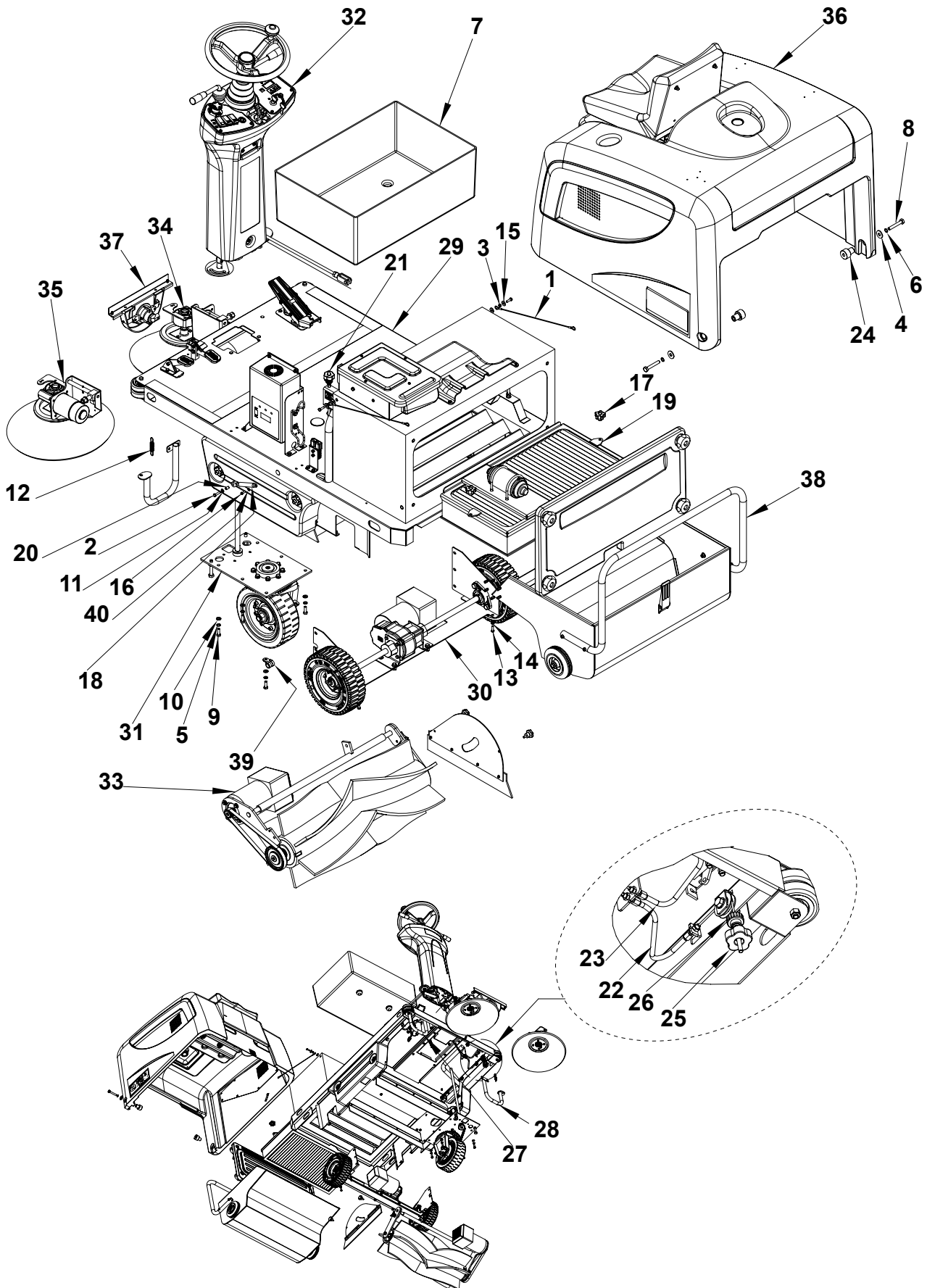
Model _____ Serial No. _____

*** = Optional**

= Modified item No. or New item No.

[] = Not shown

xxxxxx = Contained in a Kit



2005-05

GENERAL VIEW

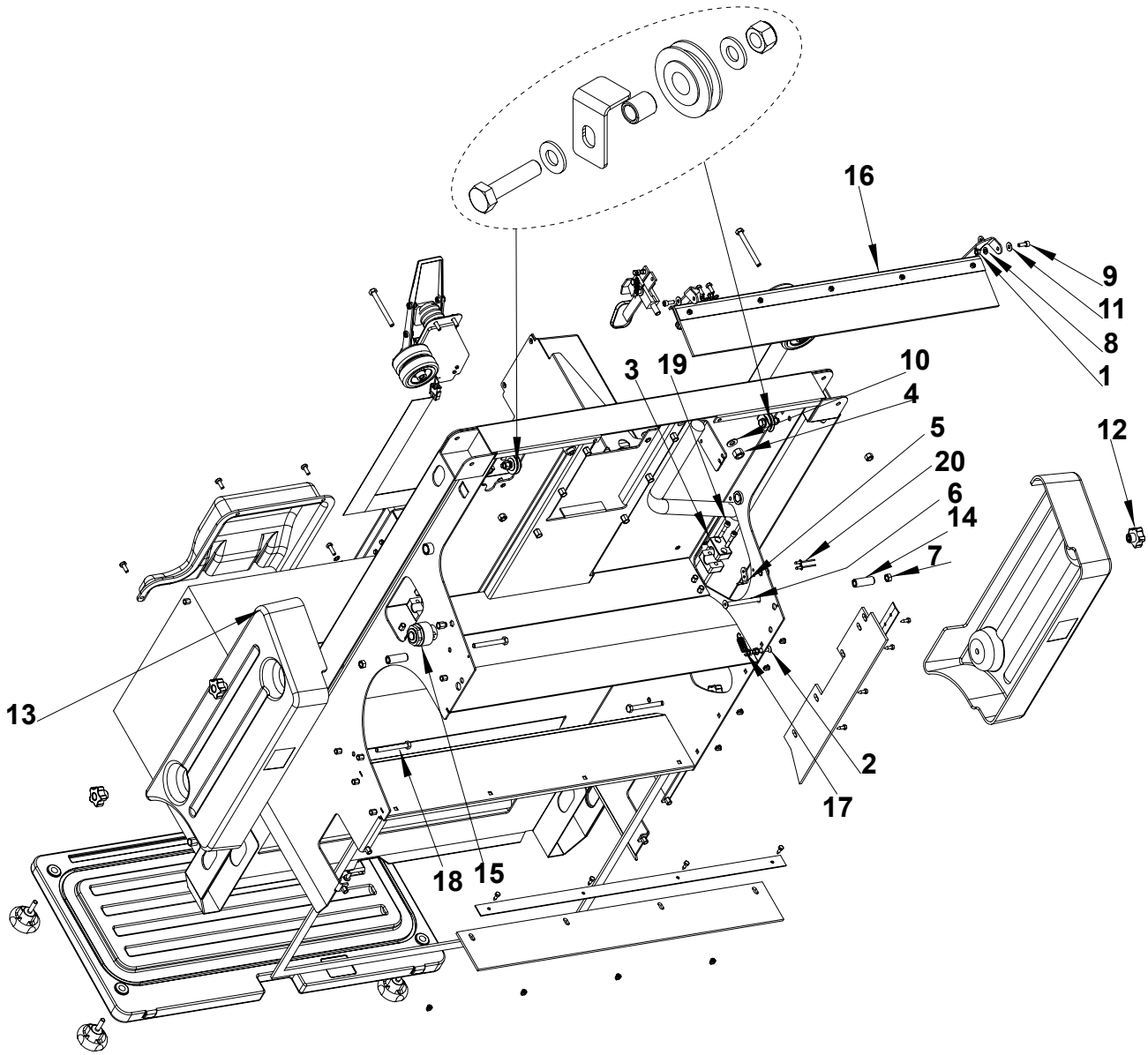
2008-07

Terra™ 4300B

3

Item No.	Ref. No.	Qty	Description
1	56325711	2	CABLE
2	xxxxxxxxxx	1	SCREW HEX HD M6X12 (MAIN BROOM ASSEMBLY HARDWARE KIT)
3	145 1252 000	1	SPACER 6.5X10X4.5
4	xxxxxxxxxx	2	WASHER FLAT 10X30 (BONNET SYSTEM HARDWARE KIT)
5	xxxxxxxxxx	6	WASHER SPLIT 8 (FRONT WHEEL HARDWARE KIT)
6	xxxxxxxxxx	2	WASHER TOOTHED 10 (BONNET SYSTEM HARDWARE KIT)
7	145 4692 000	1	CONTAINER BATTERY
8	xxxxxxxxxx	2	SCREW HEX HD M10X65 (BONNET SYSTEM HARDWARE KIT)
9	xxxxxxxxxx	6	SCREW HEX HD M8X25 (FRONT WHEEL HARDWARE KIT)
10	xxxxxxxxxx	6	WASHER FLAT 8X17 (FRONT WHEEL HARDWARE KIT)
11	xxxxxxxxxx	12	WASHER FLAT 6X12.5 (MAIN BROOM ASSEMBLY HARDWARE KIT)
12	145 9184 000	2	SPRING
13	xxxxxxxxxx	12	SCREW HEX HD M6X20(DRIVE SYSTEM HARDWARE KIT)
14	xxxxxxxxxx	9	WASHER SPLIT 6 (DRIVE SYSTEM HARDWARE KIT)
15	xxxxxxxxxx	4	WASHER FLAT 6X18 (BONNET SYSTEM HARDWARE KIT)
16	xxxxxxxxxx	1	SCREW HEX HD M5X16 (MAIN BROOM ASSEMBLY HARDWARE KIT)
17	146 1851 000	2	KNOB M8
18#	1463147000	1	GAS SPRING 30 KG - SEE TSB IT 2007-006
19	xxxxxxxxxx	1	FILTER ASSEMBLY
20	146 2465 000	1	SPACER 8X6X13
21	146 2469 000	1	CABLE MAIN BROOM
22	146 2520 000	1	CABLE LEFT SIDE BROOM
23	146 2475 000	1	CABLE RIGHT SIDE BROOM
24	146 2423 000	2	PIN
25	146 2470 000	2	KNOB M6
26	146 2471 000	2	HANDWHEEL
27*	146 2736 000	1	KIT BROOM BUMPER RIGHT
28*	146 2737 000	1	KIT BROOM BUMPER LEFT
29	xxxxxxxxxx	1	CHASSIS ASSEMBLY
30	xxxxxxxxxx	1	DRIVE SYSTEM
31	xxxxxxxxxx	1	FRONT WHEEL ASSEMBLY
32	xxxxxxxxxx	1	STEERING SYSTEM
33	xxxxxxxxxx	1	MAIN BROOM ASSEMBLY
34	xxxxxxxxxx	1	RIGHT SIDE BROOM ASSY
35	xxxxxxxxxx	1	LEFT SIDE BROOM ASSY
36	xxxxxxxxxx	1	BONNET SYSTEM
37	xxxxxxxxxx	1	ACCESSORIES
38	xxxxxxxxxx	1	WASTE CONTAINER ASSY
39	146 2517 000	1	CHOCK RUBBER
40	xxxxxxxxxx	1	WASHER FLAT 5X10 (MAIN BROOM ASSEMBLY HARDWARE KIT)
[41]	146 2851 000	1	FRONT WHEEL HARDWARE KIT [PAGE 3 (5,9,10) PAGE 21(2,3,4,6,7,8,9,10,11,12,13,15,16,17,29,31)]
[42]	146 2855 000	1	DRIVE SYSTEM HARDWARE KIT [PAGE 3 (13,14) PAGE 27(1,2,3,4,5,6,7,9,14)]
[43]	146 2847 000	1	BONNET SYSTEM HARDWARE KIT [PAGE 3 (4,6,8,15) PAGE 11(1,3,4,5,6,15,16,18)]
[44]	146 2848 000	1	MAIN BROOM ASSEMBLY HARDWARE KIT [PAGE 3 (2,11,16,40) PAGE 11(1,4,5,6,9,14,18,20,25,27,28,29,35,38)]

SEE SIDE BROOM ASSEMBLIES



2005-05	CHASSIS LOWER			
2007-03	Terra™ 4300B			5

Item No.	Ref. No.	Qty	Description
1	33005604	4	NUT HEX SELF LOCK LOW M6
2	33004579	1	SCREW M6X25
3	145 1891 000	2	COLLAR PIPE FIXING Ø18
4	145 4518 000	2	NUT HEX SELF LOCK M10
5	145 5126 000	1	BRACKET
6	145 8946 000	1	SCREW M8X80
7	145 9123 000	4	NUT HEX M8
8	33005913	5	WASHER FLAT 6X12.5
9	33004345	1	SCREW CYL HD M6X16
10	33005916	1	WASHER FLAT 10X21
11	146 0250 000	2	WASHER FLAT 6X16
12	146 1851 000	4	KNOB M8
13	146 2210 000	1	HATCH RIGHT
14	146 2426 000	4	SPACER 9X15X42.2
15	146 2487 000	1	BUZZER
16	xxxxxxxxxx	1	SKIRT RAISING DEVICE ASSY
17	145 9579 000	1	SPRING
18	146 2425 000	3	SCREW HEX HD M8X70
19	33004350	4	SCREW CYL HD M6X40
20	145 0491 000	2	RIVET 4

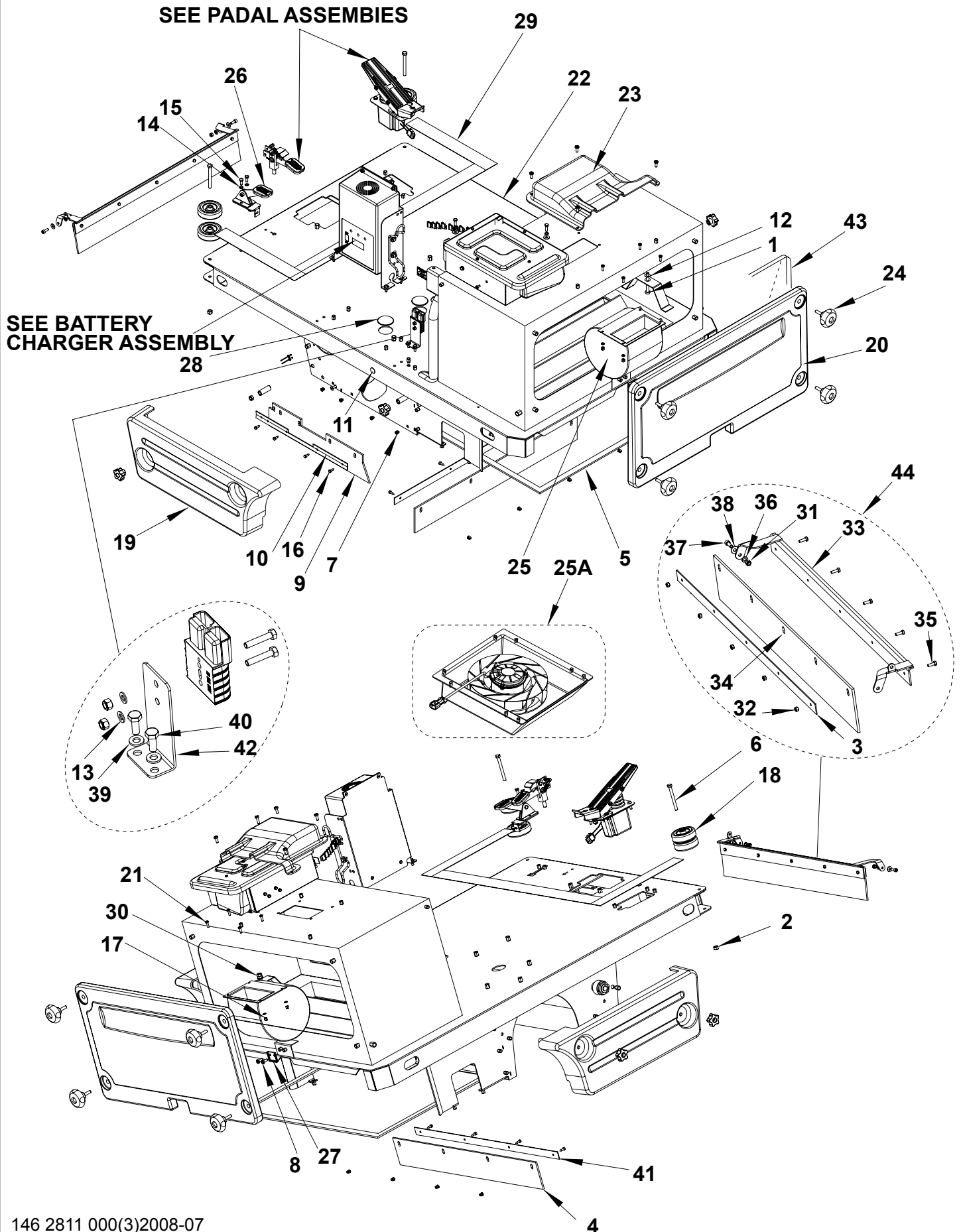
CHASSIS SIDE ASSEMBLY

2005-05

6

Terra™ 4300B - BEFORE S/N 072820296

2008-07



2005-05

CHASSIS SIDE ASSEMBLY

2008-07

Terra™ 4300B - BEFORE S/N 072820296

7

Item No.	Ref. No.	Qty	Description
1	33004004	2	SCREW HEX HD M8X70
2	33005607	2	NUT HEX SELF LOCK LOW M8
3	145 1970 000	4	FRONT SKIRT PLATE
4	145 1971 000	1	REAR SKIRT
5	146 2730 000	1	KIT WASTE CONT. GASKET
6	145 4477 000	2	SCREW HEX HD M8X80
7	145 4652 000	8	SCREW NUT
8	145 5040 000	6	SCREW PAN HD M6X16
9	145 5927 000	1	SIDE SKIRT
10	145 5929 000	1	PLATE SIDE SKIRT
11	145 8008 000	1	CAP Ø. 18.2
12	33005915	4	WASHER FLAT 8X17
13	145 9133 000	4	WASHER FLAT 5X10
14	33005851	2	WASHER SPLIT 6
15	33003974	2	SCREW HEX HD M6X16
16	145 9337 000	8	SCREW HEX HD 4.8X16
17	33005561	4	NUT HEX SELF LOCK M8
18	146 0945 000	4	ROLLER BUMPER
19	146 2209 000	1	HATCH LEFT
20	146 2211 000	1	HATCH FILTER CLOSURE
21	146 2090 000	4	SCREW PAN HD M5X16
22	146 2382 000	1	CHASSIS
23	146 2429 000	1	DEFLECTOR AIR
24	146 2427 000	4	KNOB M8X40
25	146 2794 000	1	KIT VACUUM MOTOR
25#	1463195000	1	KIT VACUUM MOTOR POWERED - SEE TSB IT 2007-004
26	xxxxxxxxxx	1	PEDAL SKIRT RAISING DEVICE ASSEMBLY
27	145 9333 000	1	PLATE
28	146 2418 000	2	CAP Ø 40.4
29	146 2798 000	1	KIT ANTISLIP
30	145 9123 000	4	NUT M8
31	xxxxxxxxxx	1	NUT HEX SELF LOCK LOW M6 (SKIRT RAISING DEVICE KIT)
32	xxxxxxxxxx	5	NUT HEX SELF LOCK LOW M5 (SKIRT RAISING DEVICE KIT)
33	145 1840 000	1	SKIRT RAISING DEVICE
34	145 1969 000	1	FRONT SKIRT
35	xxxxxxxxxx	5	SCREW HEX HD M5X15 (SKIRT RAISING DEVICE KIT)
36	xxxxxxxxxx	1	WASHER FLAT 6X12.5 (SKIRT RAISING DEVICE KIT)
37	xxxxxxxxxx	1	SCREW CYL HD M6X16 (SKIRT RAISING DEVICE KIT)
38	xxxxxxxxxx	1	WASHER FLAT 6X16 (SKIRT RAISING DEVICE KIT)
39	33005913	2	WASHER FLAT 6X12.5
40	33003974	2	SCREW HEX HD M6X16
41	145 1972 000	1	REAR SKIRT PLATE
42	146 2384 000	1	BRACKET
43	146 0630 000	1	GASKET L=1850 MM
44	1463190000	1	SKIRT RAISING DEVICE KIT (3-31-32-33-34-35-36-37-38)
[45]*	146 2744 000	1	KIT NON MARKING SKIRTS
[46]#	1463196000	1	INSTALLATION INSTRUCTION F KIT VACUUM MOTOR POWERED - SEE TSB IT 2007-004

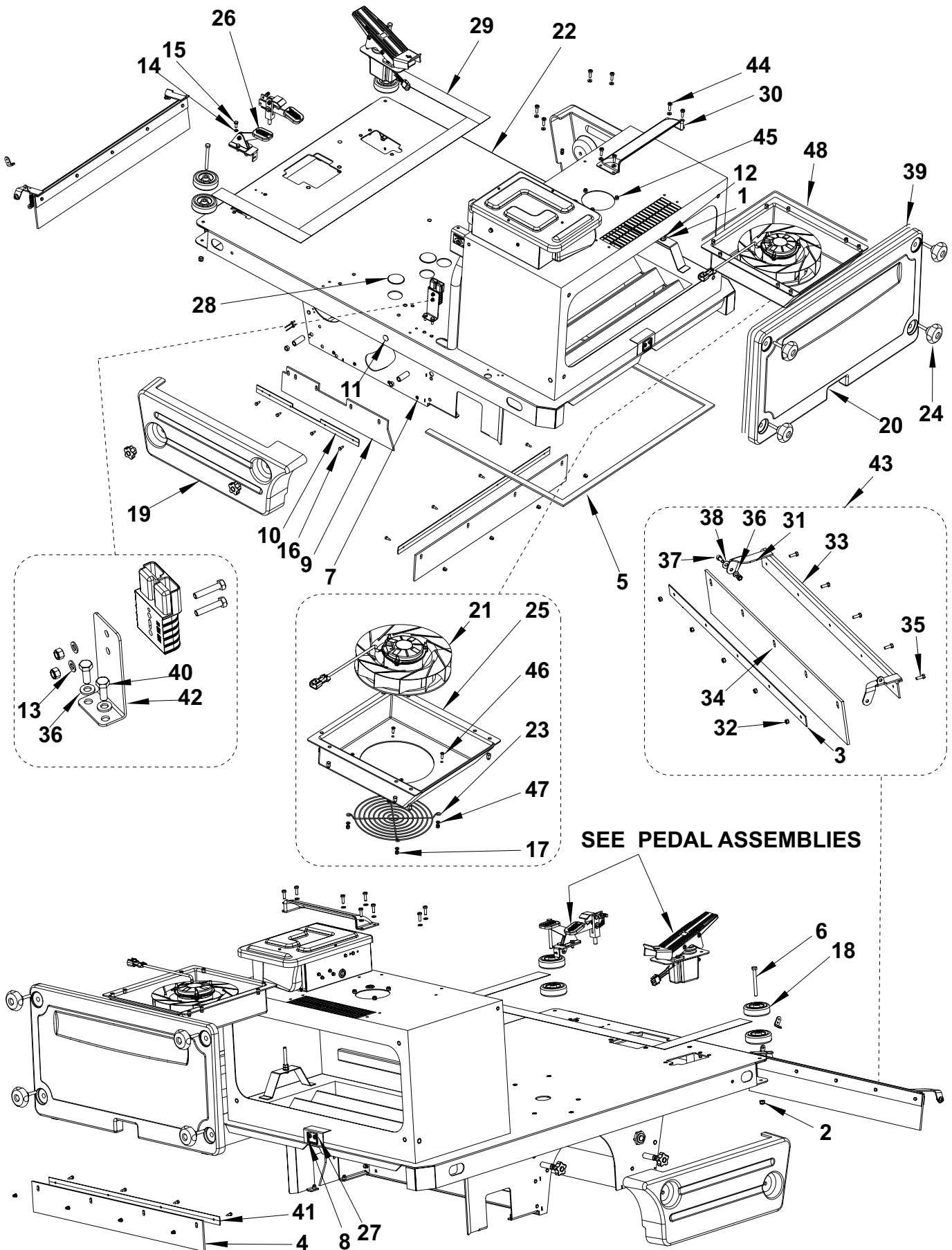
CHASSIS SIDE ASSEMBLY

2005-05

8

Terra™ 4300B - STARTING FROM S/N 072820296

2008-07



2005-05

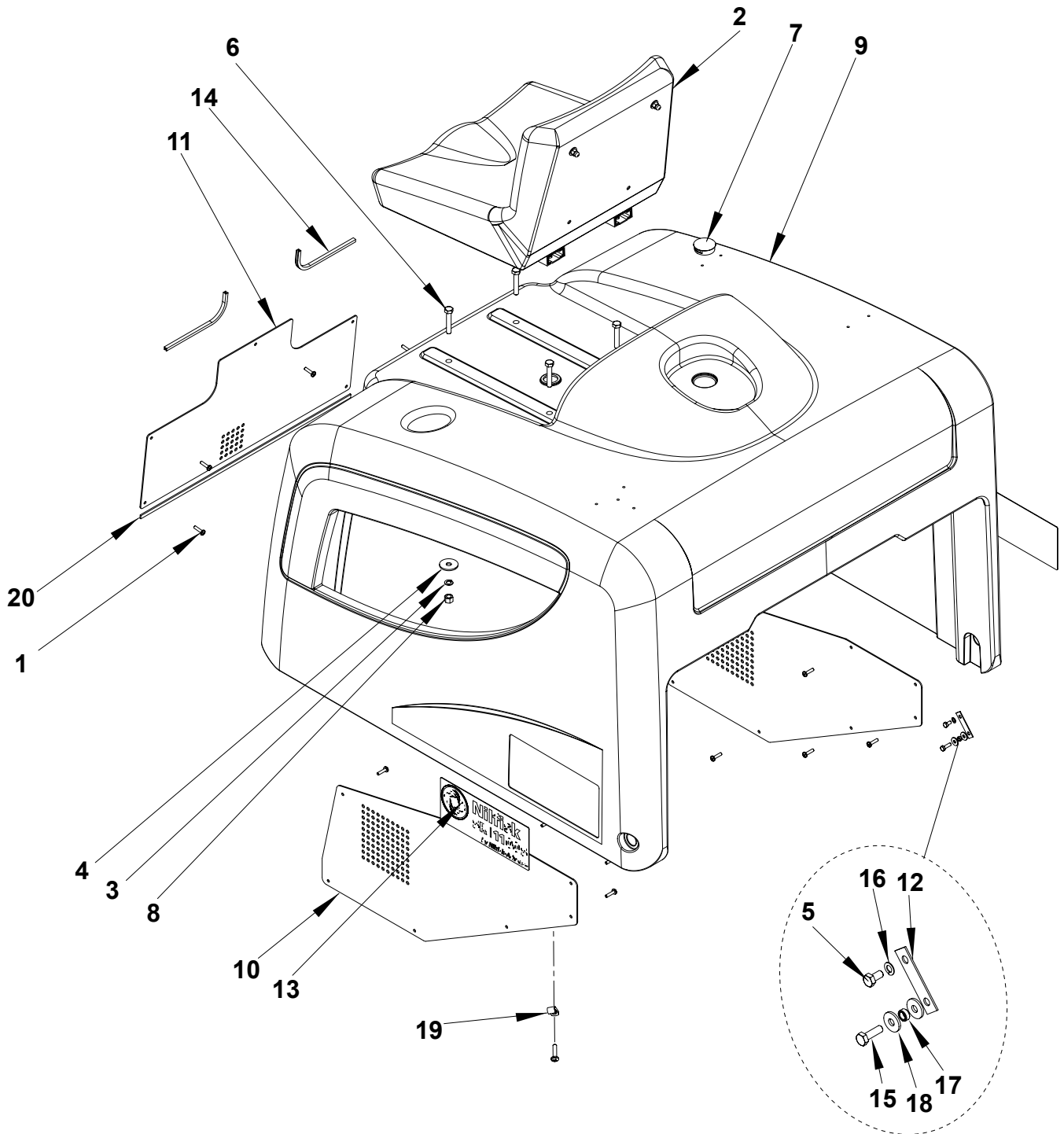
CHASSIS SIDE ASSEMBLY

2008-07

Terra™ 4300B - STARTING FROM S/N 072820296

9

Item No.	Ref. No.	Qty	Description
1	33004004	2	SCREW HEX HD M8X70
2	33005607	2	NUT HEX SELF LOCK LOW M8
3	145 1970 000	1	FRONT SKIRT PLATE
4	145 1971 000	1	REAR SKIRT
5	146 2730 000	1	KIT WASTE CONT. GASKET
6	145 4477 000	2	SCREW HEX HD M8X80
7	145 4652 000	8	SCREW NUT
8	145 5040 000	6	SCREW PAN HD M6X16
9	145 5927 000	1	SIDE SKIRT
10	145 5929 000	1	PLATE SIDE SKIRT
11	145 8008 000	1	CAP Ø. 18.2
12	33005915	4	WASHER FLAT 8X17
13	145 9133 000	4	WASHER FLAT 5X10
14	33005851	2	WASHER SPLIT 6
15	33003974	2	SCREW HEX HD M6X16
16	145 9337 000	8	SCREW HEX HD 4.8X16
17	33005561	4	NUT HEX SELF LOCK M5
18	146 0945 000	4	ROLLER BUMPER
19	146 2715 000	1	HATCH LEFT
20	146 2714 000	1	HATCH FILTER CLOSURE
21#	1463146000	1	ELECTROFAN
22#	1463158000	1	CHASSIS
23#	1463182000	1	GRATING
24	146 2427 000	4	KNOB M8X40
25#	1463217000	1	CONVEYOR
26	xxxxxxxxxx	1	PEDAL SKIRT RAISING DEVICE ASSEMBLY
27	145 9333 000	1	PLATE
28	146 2418 000	2	CAP Ø 40.4
29	146 2798 000	1	KIT ANTISLIP
30#	1463218000	1	CONVEYOR
31	xxxxxxxxxx	1	NUT HEX SELF LOCK LOW M6 (SKIRT RAISING DEVICE KIT)
32	xxxxxxxxxx	5	NUT HEX SELF LOCK LOW M5 (SKIRT RAISING DEVICE KIT)
33	145 1840 000	1	SKIRT RAISING DEVICE
34	145 1969 000	1	FRONT SKIRT
35	xxxxxxxxxx	5	SCREW HEX HD M5X15 (SKIRT RAISING DEVICE KIT)
36	xxxxxxxxxx	14	WASHER FLAT 6X12.5 (SKIRT RAISING DEVICE KIT)
37	xxxxxxxxxx	1	SCREW CYL HD M6X16 (SKIRT RAISING DEVICE KIT)
38	xxxxxxxxxx	1	WASHER FLAT 6X16 (SKIRT RAISING DEVICE KIT)
39	146 0630 000	1	GASKET L=1850 MM
40	33003974	2	SCREW HEX HD M6X16
41	145 1972 000	1	REAR SKIRT PLATE
42	146 2384 000	1	BRACKET
43	1463190000	1	SKIRT RAISING DEVICE KIT (3-31-32-33-34-35-36-37-38)
44#	909 6440 000	8	SCREW 6X20
45#	33005562	3	SELF-LOCKING NUT M6
46#	145 5808 000	4	SCREW TPS M5X16
47#	33005912	4	WASHER M5
48#	1463173000	4	GASKET
[45]*	146 2744 000	1	KIT NON MARKING SKIRTS



2005-05

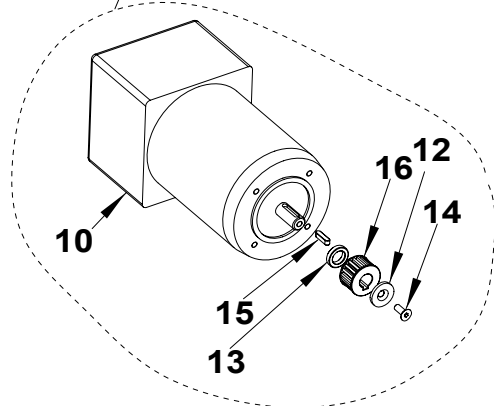
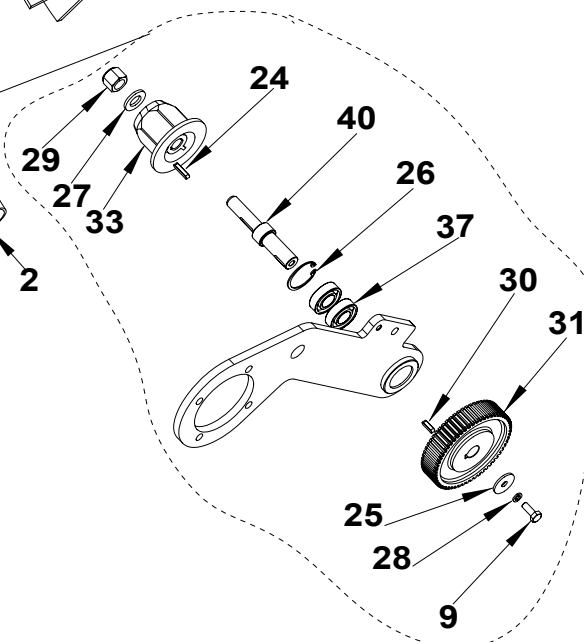
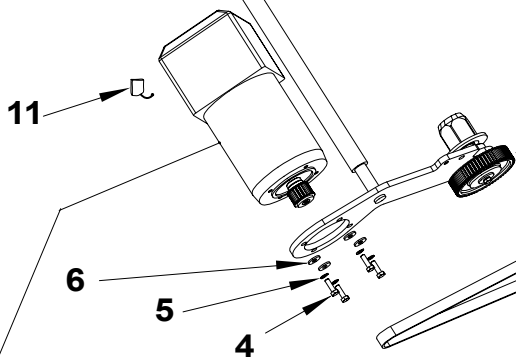
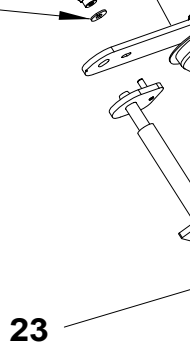
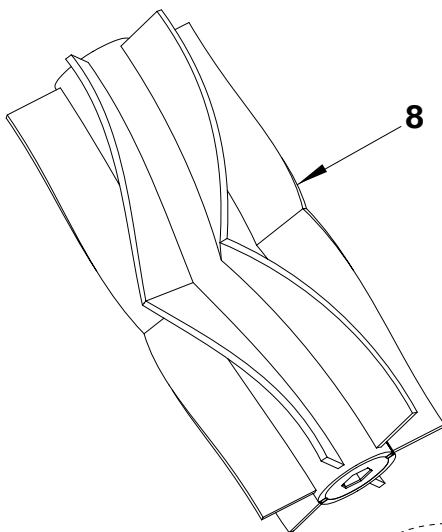
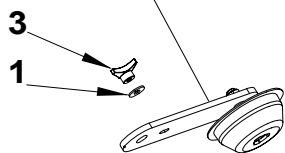
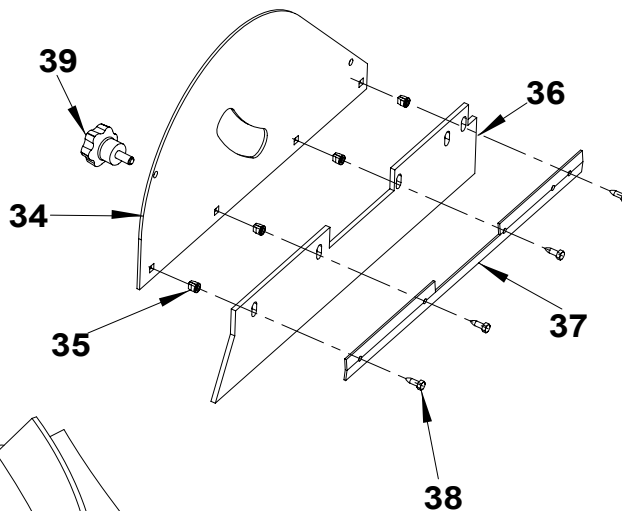
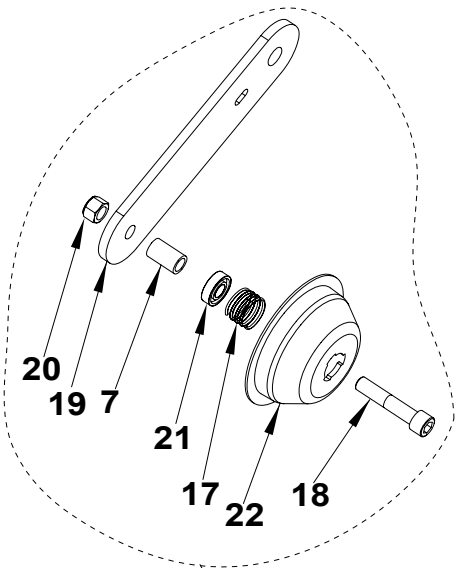
BONNET SYSTEM

2007-03

Terra™ 4300B

11

Item No.	Ref. No.	Qty	Description
1	xxxxxxxxxx	19	SCREW PAN HD 4.6X19.2 (BONNET SYSTEM HARDWARE KIT)
2	145 1782 000	1	SEAT W/MICROSWITCH
3	xxxxxxxxxx	4	WASHER SPLIT 8 (BONNET SYSTEM HARDWARE KIT)
4	xxxxxxxxxx	4	WASHER FLAT 8X32 (BONNET SYSTEM HARDWARE KIT)
5	xxxxxxxxxx	2	SCREW HEX HD M6X12 (BONNET SYSTEM HARDWARE KIT)
6	xxxxxxxxxx	4	SCREW HEX HD M8X50 (BONNET SYSTEM HARDWARE KIT)
7	145 9835 000	1	CAP Ø38.1
8	146 1567 000	4	NUT HEX M8
9	146 2208 000	1	SEAT HOLDER BONNET
10	146 2421 000	2	GRATE SIDE
11	146 2422 000	1	GRATE FRONT
12	146 2424 000	2	PLATE CABLE FIXING
13	146 2858 000	1	KIT DECALS TERRA™ 4300B (DECAL E-COAT, DECAL ADVANCE TERRA™ 4300B, DECAL NILFISK RECTANGULAR, DECAL MAIN BROOM, DECAL SOUND POWER LEVEL, DECAL PARKING BRAKE, DECAL SKIRT, DECAL BATTERY, DECAL FUSES)
14	146 2801 000	1	KIT BONNET GASKETS
15	xxxxxxxxxx	2	SCREW HEX HD M6X20 (BONNET SYSTEM HARDWARE KIT)
16	xxxxxxxxxx	2	WASHER SPLIT 6 (BONNET SYSTEM HARDWARE KIT)
17	145 1252 000	2	SPACER 6.5X10X4.5
18	xxxxxxxxxx	4	WASHER FLAT 6X18 (BONNET SYSTEM HARDWARE KIT)
19	L08603845	6	CABLE CLAMP
20	146 2803 000	1	GASKET L=500 MM
[21]	146 2488 000	1	HARNESS BONNET
[22]	146 0336 000	1	MICROSWITCH



2005-05

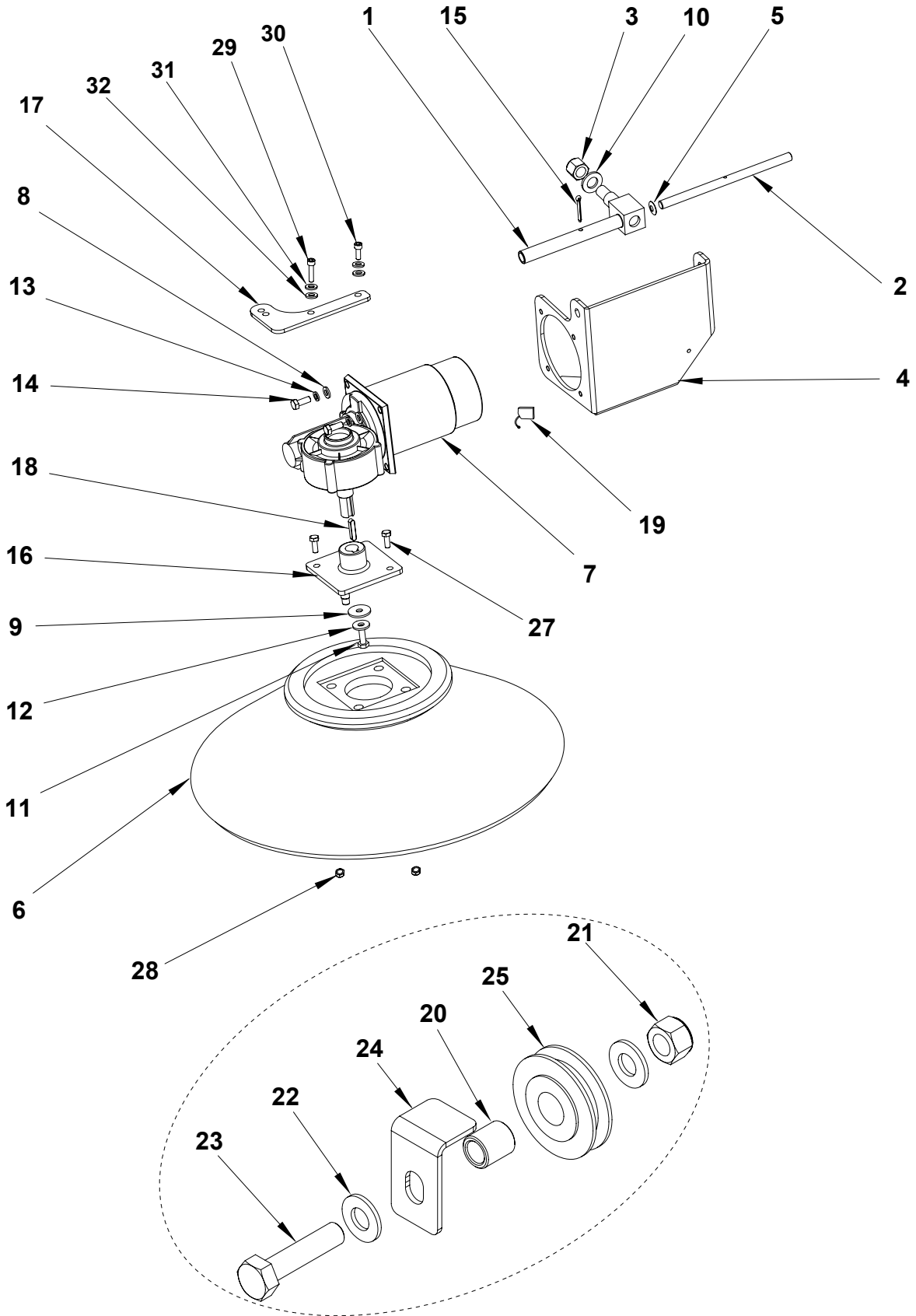
MAIN BROOM ASSEMBLY

2008-07

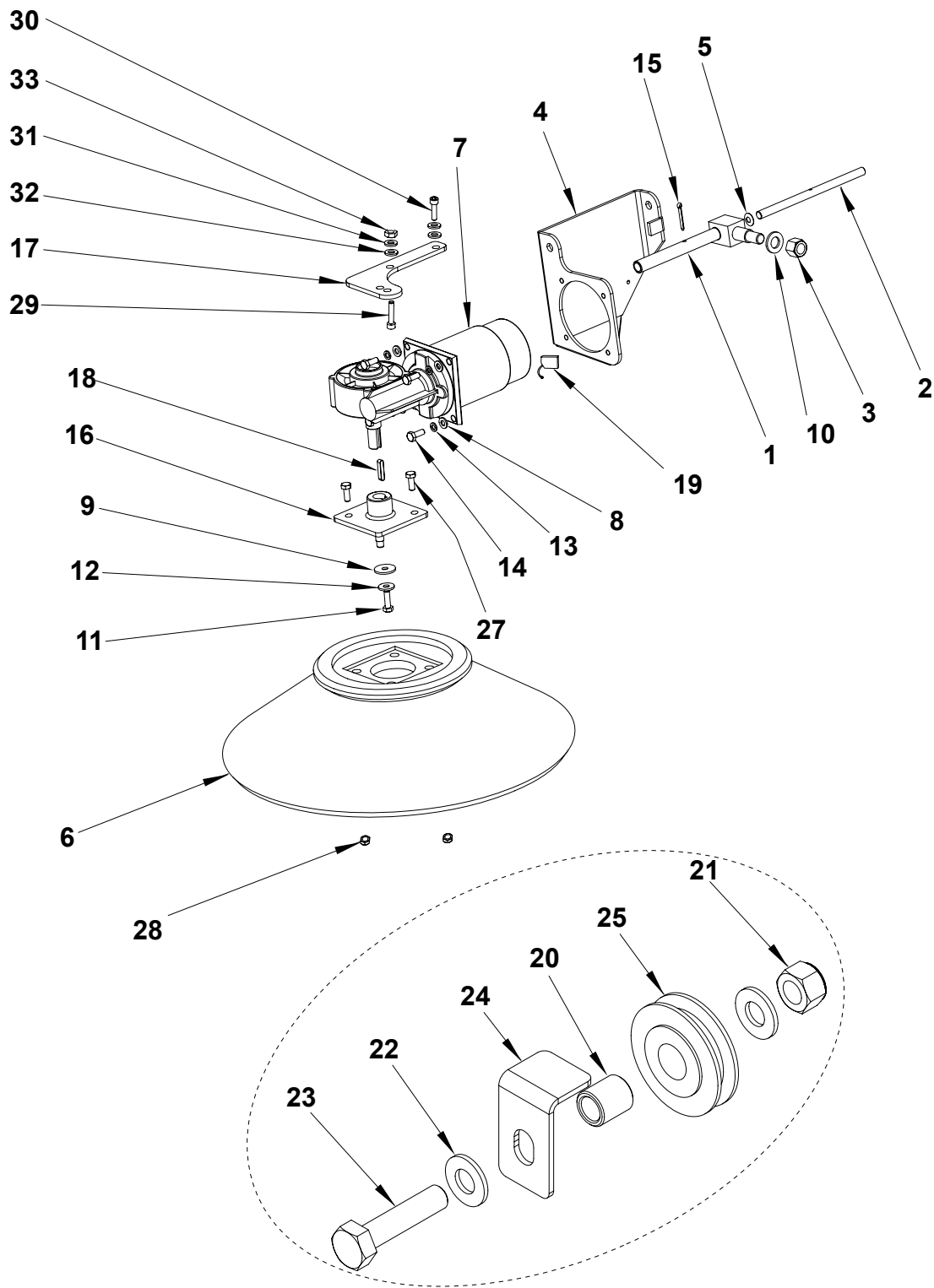
Terra™ 4300B

13

Item No.	Ref. No.	Qty	Description
1	xxxxxxxxxx	1	WASHER FLAT 8X24 (MAIN BROOM ASSEMBLY HARDWARE KIT)
2	145 1851 000	1	BELT
3	145 5035 000	1	KNOB M8
4	xxxxxxxxxx	4	SCREW HEX HD M6X20 (MAIN BROOM ASSEMBLY HARDWARE KIT)
5	xxxxxxxxxx	4	WASHER SPLIT 6 (MAIN BROOM ASSEMBLY HARDWARE KIT)
6	xxxxxxxxxx	4	WASHER FLAT 6X18 (MAIN BROOM ASSEMBLY HARDWARE KIT)
7	145 2662 000	1	SPACER 12X17X28
8	145 4879 000	1	MAIN BROOM 300X700 STD
8*	145 4957 000	1	MAIN BROOM STEEL MIX
8*	145 6080 000	1	MAIN BROOM NAT.FIBRE
9	xxxxxxxxxx	1	SCREW HEX HD M6X16 (MAIN BROOM ASSEMBLY HARDWARE KIT)
10	146 2792 000	1	KIT MAIN BROOM MOTOR
11	145 8360 000	4	CARBON BRUSHES
12	145 5828 000	1	SPACER 6.5X25X2.5
13	145 1950 000	1	SPACER 14X23X5
14	xxxxxxxxxx	1	SCREW M6X16 (MAIN BROOM ASSEMBLY HARDWARE KIT)
15	145 9774 000	1	KEY 5X5X20
16	145 1849 000	1	PULLEY HTD 20 5M 15 6F
17	145 0271 000	1	SPRING
18	xxxxxxxxxx	1	SCREW CYL HD M12X60 (MAIN BROOM ASSEMBLY HARDWARE KIT)
19	145 1845 000	1	LEVER MAIN BROOM
20	xxxxxxxxxx	1	NUT HEX SELF LOCK LOW M12 (MAIN BROOM ASSEMBLY HARDWARE KIT)
21	145 0270 000	1	BALL BEARING 6001-2RS
22	145 0269 000	1	HUB
23	146 2464 000	1	MAIN BROOM SHAFT
24	145 8197 000	1	KEY 4X4X20
25	xxxxxxxxxx	1	WASHER FLAT 6X24 (MAIN BROOM ASSEMBLY HARDWARE KIT)
26	33006162	1	RING RETAINING
27	xxxxxxxxxx	2	WASHER FLAT 12X24 (MAIN BROOM ASSEMBLY HARDWARE KIT)
28	xxxxxxxxxx	1	WASHER TOOTHED D.6 (MAIN BROOM ASSEMBLY HARDWARE KIT)
29#	xxxxxxxxxx	1	NUT HEX SELF LOCK M12 (MAIN BROOM ASSEMBLY HARDWARE KIT)
30	146 1489 000	1	KEY 4X4X15
31	145 1850 000	1	PULLEY HTD 60 5M 15 6W
32	145 8196 000	2	BALL BEARING 6002 2RS
33	145 4769 000	1	MAIN BROOM HUB
34	145 1827 000	1	HATCH MAIN BROOM
35	xxxxxxxxxx	4	SCREW NUT (MAIN BROOM ASSEMBLY HARDWARE KIT)
36	145 5927 000	1	SIDE SKIRT
37	145 5929 000	1	SIDE SKIRT PLATE
38	xxxxxxxxxx	4	SCREW HEX HD 4.8X16 (MAIN BROOM ASSEMBLY HARDWARE KIT)
39	145 2244 000	2	KNOB M6X15
40	145 1791 000	1	MAIN BROOM PIN



Item No.	Ref. No.	Qty	Description
1	145 1792 000	1	PIN SIDE BROOM
2	145 1951 000	1	PIN SIDE BROOM
3	xxxxxxxxxx	1	NUT HEX SELF LOCK M12 (RIGHT/LEFT BROOM HARDWARE KIT)
4#	1463150000	1	SUPP. RIGHT SIDE BROOM - SEE TSB IT 2007-007
5	145 2644 000	1	SPRING 6.2X15X0.5
6	145 4976 000	1	SIDE BROOM NATURAL FIBRE
6*	145 4959 000	1	SIDE BROOM STEEL MIX
7#	1463198000	1	REDUCTION MOTOR 60W - SEE TSB IT 2007-007
8	xxxxxxxxxx	4	WASHER FLAT 6X12.5 (RIGHT/LEFT BROOM HARDWARE KIT)
9	xxxxxxxxxx	1	WASHER FLAT 6X24 (RIGHT/LEFT BROOM HARDWARE KIT)
10	xxxxxxxxxx	1	WASHER FLAT 12X24 (RIGHT/LEFT BROOM HARDWARE KIT)
11	xxxxxxxxxx	1	SCREW HEX. HD M6X20 (RIGHT/LEFT BROOM HARDWARE KIT)
12	xxxxxxxxxx	1	WASHER FLAT 6X18 (RIGHT/LEFT BROOM HARDWARE KIT)
13	xxxxxxxxxx	4	WASHER TOOTHED D.6 (RIGHT/LEFT BROOM HARDWARE KIT)
14	xxxxxxxxxx	4	SCREW HEX. HD M6X16 (RIGHT/LEFT BROOM HARDWARE KIT)
15	145 9624 000	1	SPLIT PIN 3X20
16	146 0402 000	1	FLANGE BROOM HOLDING
17#	1463160000	1	FLANGE - SEE TSB IT 2007-007
18	145 8024 000	1	KEY 5X5X25
19	145 5125 000	2	CARBON BRUSH
20	909 5312 000	1	SPACER 8.2X12X13.5
21	xxxxxxxxxx	1	NUT HEX SELF LOCK LOW M8 (RIGHT/LEFT BROOM HARDWARE KIT)
22	xxxxxxxxxx	2	WASHER FLAT 8X17 (RIGHT/LEFT BROOM HARDWARE KIT)
23	xxxxxxxxxx	1	SCREW HEX. HD M8X35 (RIGHT/LEFT BROOM HARDWARE KIT)
24	146 2476 000	1	BRACKET CABLE FIXING
25	145 2612 000	1	PULLEY
[26]	146 2849 000	1	RIGHT/LEFT BROOM HARDWARE KIT (3,8,9,10,11,12,13,14,21,22,23,27,28,29,30,31,32-PAGE 17, 33)
27	xxxxxxxxxx	1	SCREW HEX HD M8X25 (RIGHT/LEFT BROOM HARDWARE KIT)
28	xxxxxxxxxx	1	NUT SELF LOCKING M8 (RIGHT/LEFT BROOM HARDWARE KIT)
29	xxxxxxxxxx	2	SCREW CYL HD M5X45 (RIGHT/LEFT BROOM HARDWARE KIT)
30	xxxxxxxxxx	2	SCREW CYL HD M5X12 (RIGHT/LEFT BROOM HARDWARE KIT)
31	xxxxxxxxxx	1	WASHER GROWER M5 (RIGHT/LEFT BROOM HARDWARE KIT)
32	xxxxxxxxxx	1	WASHER FLAT M5 (RIGHT/LEFT BROOM HARDWARE KIT)



2005-05

LEFT SIDE BROOM ASSEMBLY

2008-07

Terra™ 4300B

17

Item No.	Ref. No.	Qty	Description
1	145 1792 000	1	PIN SIDE BROOM
2	145 1951 000	1	PIN SIDE BROOM
3	xxxxxxxxxx	1	NUT HEX SELF LOCK M12 (RIGHT/LEFT BROOM HARDWARE KIT)
4#	1463152000	1	SUPP. LEFT SIDE BROOM - SEE TSB IT 2007-007
5	145 2644 000	1	SPRING 6.2X15X0.5
6	145 4976 000	1	SIDE BROOM NATURAL FIBRE
6*	145 4959 000	1	SIDE BROOM STEEL MIX
7#	1463197000	1	REDUCTION MOTOR 60W - SEE TSB IT 2007-007
8	xxxxxxxxxx	4	WASHER FLAT 6X12.5 (RIGHT/LEFT BROOM HARDWARE KIT)
9	xxxxxxxxxx	1	WASHER FLAT 6X24 (RIGHT/LEFT BROOM HARDWARE KIT)
10	xxxxxxxxxx	1	WASHER FLAT 12X24 (RIGHT/LEFT BROOM HARDWARE KIT)
11	xxxxxxxxxx	1	SCREW HEX. HD M6X20 (RIGHT/LEFT BROOM HARDWARE KIT)
12	xxxxxxxxxx	1	WASHER FLAT 6X18 (RIGHT/LEFT BROOM HARDWARE KIT)
13	xxxxxxxxxx	4	WASHER, TOOTHED D.6 (RIGHT/LEFT BROOM HARDWARE KIT)
14	xxxxxxxxxx	4	SCREW HEX. HD M6X16 (RIGHT/LEFT BROOM HARDWARE KIT)
15	145 9624 000	1	SPLIT PIN 3X20
16	146 0402 000	1	FLANGE BROOM HOLDING
17#	1463160000	1	FLANGE - SEE TSB IT 2007-007
18	145 8024 000	1	KEY 5X5X25
19	145 5125 000	2	CARBON BRUSH
20	909 5312 000	1	SPACER 8.2X12X13.5
21	xxxxxxxxxx	1	NUT HEX SELF LOCK LOW M8 (RIGHT/LEFT BROOM HARDWARE KIT)
22	xxxxxxxxxx	2	WASHER FLAT 8X17 (RIGHT/LEFT BROOM HARDWARE KIT)
23	xxxxxxxxxx	1	SCREW HEX. HD M8X35 (RIGHT/LEFT BROOM HARDWARE KIT)
24	146 2476 000	1	BRACKET CABLE FIXING
25	145 2612 000	1	PULLEY
26	146 2849 000	1	RIGHT/LEFT BROOM HARDWARE KIT (3,8,9,10,11,12,13,14,21,22,23,27,28,29,30,31,32,33)
27	xxxxxxxxxx	1	SCREW HEX HD M8X25 (RIGHT/LEFT BROOM HARDWARE KIT)
28	xxxxxxxxxx	1	NUT SELF LOCKING M8 (RIGHT/LEFT BROOM HARDWARE KIT)
29	xxxxxxxxxx	2	SCREW CYL HD M5X45 (RIGHT/LEFT BROOM HARDWARE KIT)
30	xxxxxxxxxx	2	SCREW CYL HD M5X16 (RIGHT/LEFT BROOM HARDWARE KIT)
31	xxxxxxxxxx	1	WASHER GROWER M5 (RIGHT/LEFT BROOM HARDWARE KIT)
32	xxxxxxxxxx	1	WASHER FLAT M5 (RIGHT/LEFT BROOM HARDWARE KIT)
33	xxxxxxxxxx	1	NUT HEX M5 (RIGHT/LEFT BROOM HARDWARE KIT)

STEERING SYSTEM

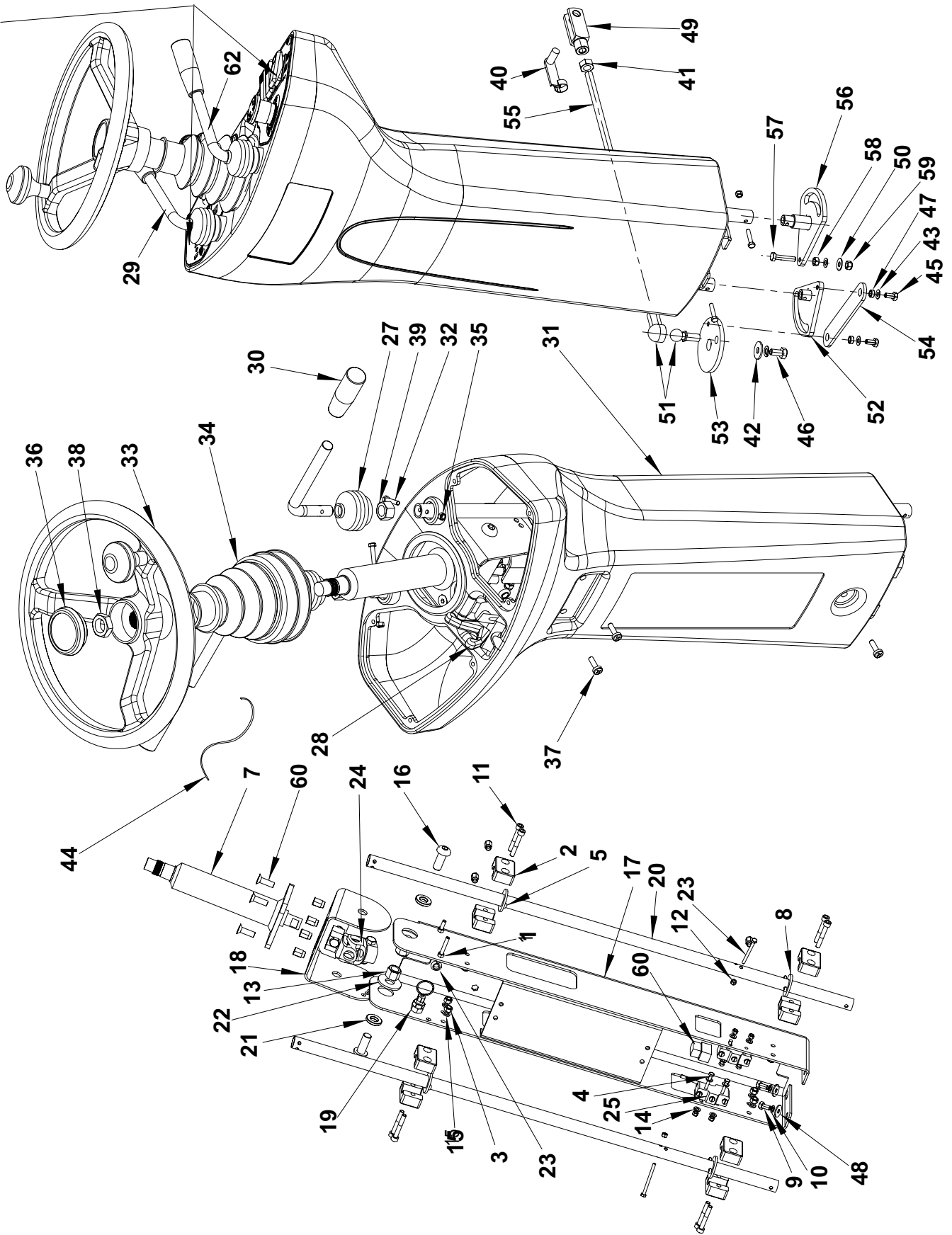
2005-05

18

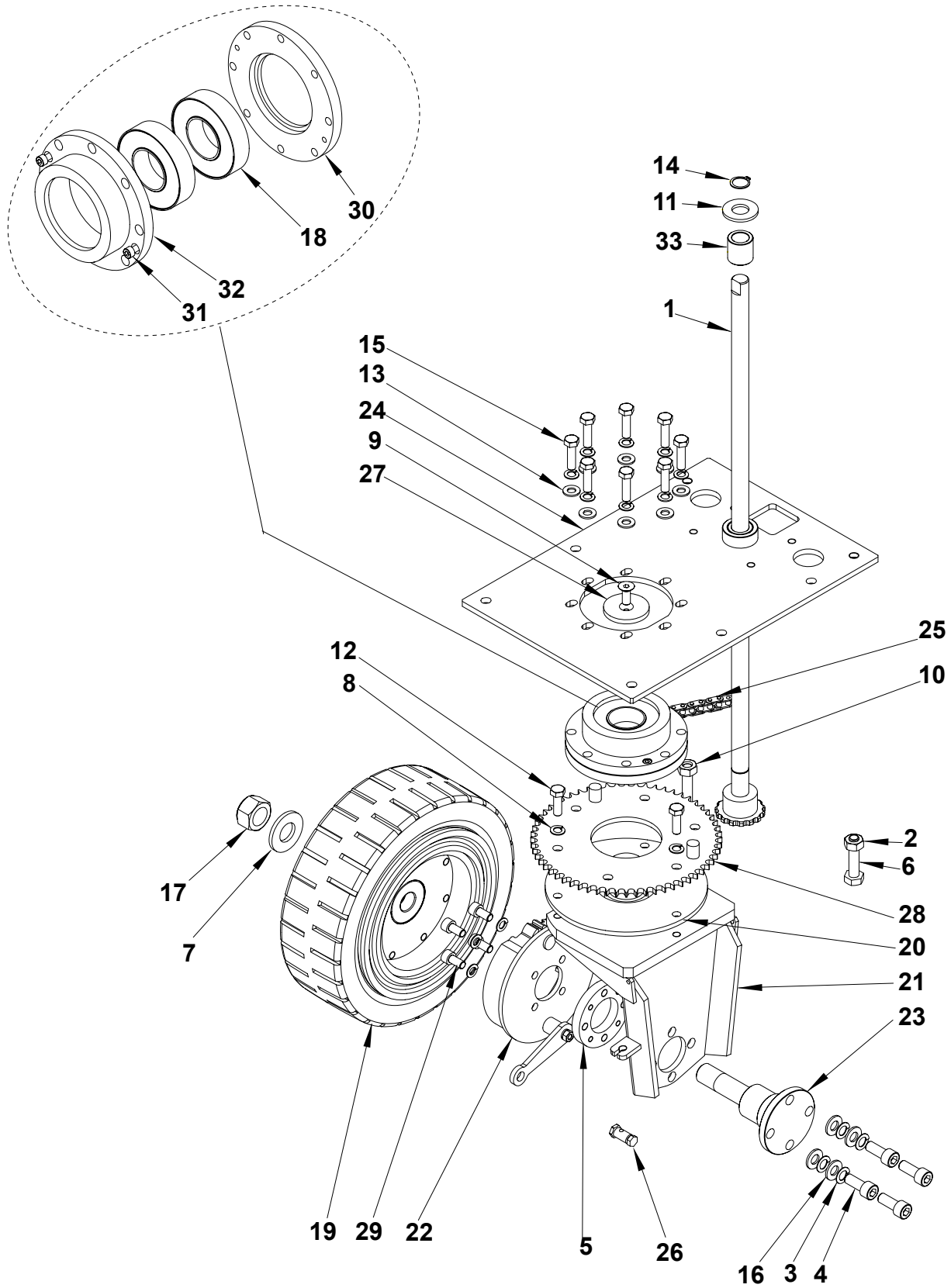
Terra™ 4300B

2008-07

SEE CONTROL PANEL SYSTEM



Item No.	Ref. No.	Qty	Description
1	xxxxxxxxxx	4	NUT HEX M5
2	145 1891 000	4	COLLAR PIPE FIXING Ø18
3	xxxxxxxxxx	8	NUT HEX SELF LOCK LOW M6
4	xxxxxxxxxx	4	SCREW HEX HD M4X30
5	33005786	4	SPLIT PIN 4X25
6	xxxxxxxxxx	4	SCREW M8X25
7	145 1946 000	1	STEERING COLUMN
8	33005920	4	WASHER FLAT 18X36
9	xxxxxxxxxx	4	SCREW HEX HD M8X20
10	xxxxxxxxxx	5	WASHER SPLIT 8
11	xxxxxxxxxx	8	SCREW CYL HD M6X40
12	xxxxxxxxxx	6	NUT HEX SELF LOCK LOW M4
13	xxxxxxxxxx	2	NUT HEX SELF LOCK M12X1.5
14	xxxxxxxxxx	8	WASHER FLAT 5X10
15	xxxxxxxxxx	8	WASHER FLAT 6X12.5
16	xxxxxxxxxx	2	SCREW M12X30
17	146 2445 000	1	STEERING COLUMN
18	146 2446 000	1	SUPPORT
19	146 2449 000	1	PISTON
20	146 2452 000	2	SUPPORT
21	146 2448 000	2	SPACER 12.2X24X4
22	xxxxxxxxxx	2	WASHER FLAT 12X36
23	146 2450 000	2	ROD TENSION M5X52
24	145 9619 000	1	JOINT
25	145 9679 000	2	MICROSWITCH 16A 250V
26	xxxxxxxxxx	2	SCREW HEX HD M4X50
27	146 2456 000	2	BELLOW RUBBER
28	146 2458 000	1	LEVER
29#	1463804000	1	RIGHT LEVER
30	146 2453 000	2	HANDLE LEVER
31	146 2212 000	1	FRONT COVER
32	xxxxxxxxxx	4	SCREW HEX HD M5X25
33#	146 2106 000	1	WHEEL STEERING
34	146 2457 000	1	BELLOW RUBBER
35	xxxxxxxxxx	4	NUT HEX SELF LOCK LOW M5
36	145 8753 000	1	CAP
37	xxxxxxxxxx	3	SCREW PAN HD M6X20
38	xxxxxxxxxx	1	NUT HEX LOW M18X1.5
39	xxxxxxxxxx	2	NUT HEX M14
40	145 4540 000	1	CIRCLIP M10
41	xxxxxxxxxx	2	NUT HEX M10
42#	xxxxxxxxxx	1	WASHER FLAT 8X24
43	xxxxxxxxxx	2	WASHER FLAT 6X12.5
44	146 2451 000	1	CABLE
45	xxxxxxxxxx	2	SCREW HEX HD M6X12
46	xxxxxxxxxx	1	SCREW HEX HD M8X16
47	145 1252 000	2	SPACER 6,5X10X4,5
48	xxxxxxxxxx	4	WASHER FLAT 8X17
49	145 9666 000	1	FORK M10
50	xxxxxxxxxx	1	WASHER FLAT 6X16
51	145 9769 000	2	DOWEL M4X6
52	146 2466 000	1	LEVER MAIN BROOM
53	146 2505 000	1	PLATE MAIN BROOM
54	146 2467 000	1	LEVER MAIN BROOM
55	146 2468 000	1	BAR M10X410
56	146 2474 000	1	LEVER SIDE BROOM
57	xxxxxxxxxx	1	SCREW HEX HD M6X30
58	xxxxxxxxxx	1	NUT HEX M6
59	xxxxxxxxxx	1	NUT HEX LOW M6
60	146 1646 000	1	MICRO RELAIS 24V
[61]	146 2850 000	1	STEERING SYSTEM HARDWARE KIT (1,3,4,6,9,10,11,12,13,14,15,16,22,26,32,35,37,38,39,41,42,43,45,46,48,50,57,58,59)
62#	1463803000	1	LEFT LEVER



2005-05

FRONT WHEEL ASSEMBLY

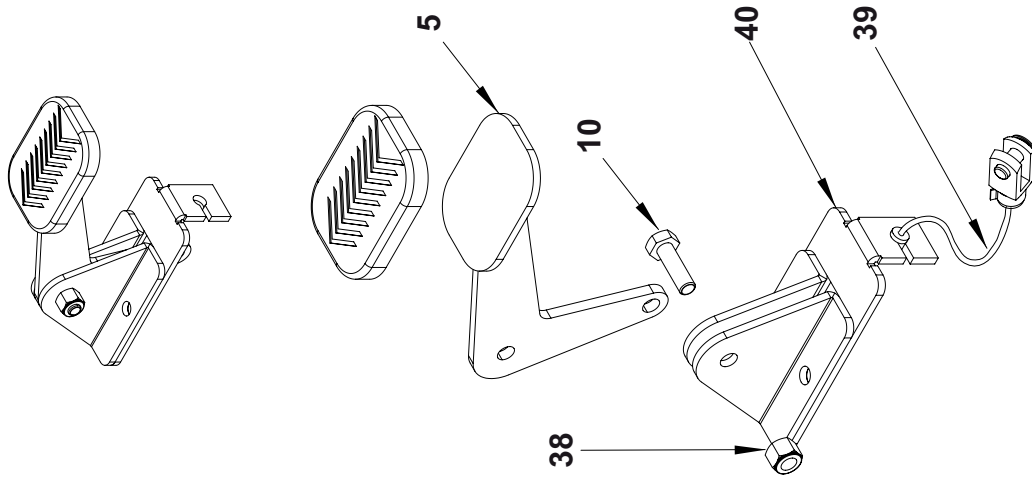
2007-03

Terra™ 4300B

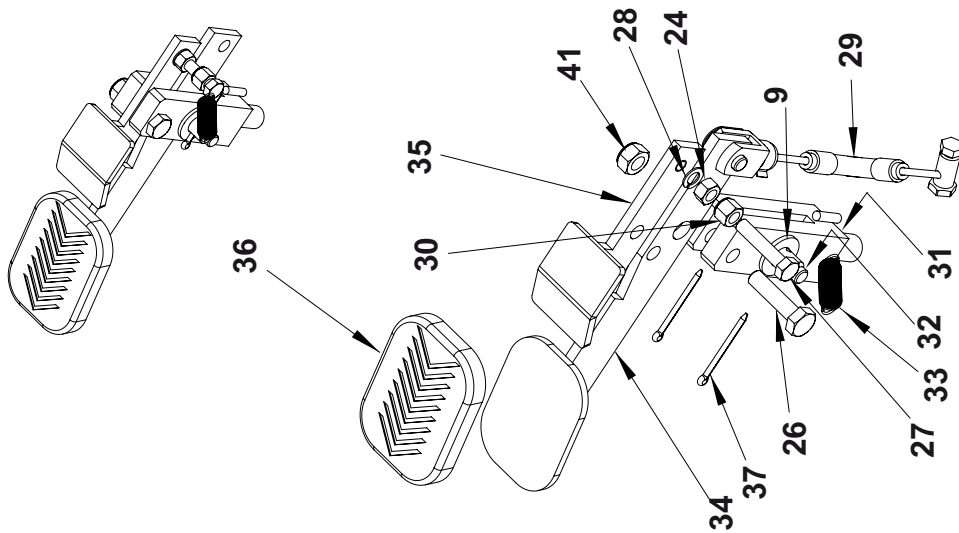
21

Item No.	Ref. No.	Qty	Description
1	146 0960 000	1	STEERING SHAFT
2	xxxxxxxxxx	2	NUT HEX M10 (FRONT WHEEL HARDWARE KIT)
3	xxxxxxxxxx	4	WASHER SPLIT 10 (FRONT WHEEL HARDWARE KIT)
4	xxxxxxxxxx	4	SCREW CYL HD M10X25 (FRONT WHEEL HARDWARE KIT)
5	145 1747 000	1	FLANGE BRAKE FR. WHEEL
6	xxxxxxxxxx	1	SCREW HEX HD M10X45 (FRONT WHEEL HARDWARE KIT)
7	xxxxxxxxxx	1	WASHER FLAT 20X43 (FRONT WHEEL HARDWARE KIT)
8	xxxxxxxxxx	15	WASHER SPLIT 8 (FRONT WHEEL HARDWARE KIT)
9	xxxxxxxxxx	1	SCREW M8X20 (FRONT WHEEL HARDWARE KIT)
10	xxxxxxxxxx	1	SCREW HEX HD M10X65 (FRONT WHEEL HARDWARE KIT)
11	xxxxxxxxxx	1	WASHER FLAT 17X35 (FRONT WHEEL HARDWARE KIT)
12	xxxxxxxxxx	3	SCREW HEX HD M8X25 (FRONT WHEEL HARDWARE KIT)
13	xxxxxxxxxx	9	WASHER FLAT 8X17
14	33006056	1	RING RETAINING E 17
15	xxxxxxxxxx	8	SCREW HEX HD M8X30 (FRONT WHEEL HARDWARE KIT)
16	xxxxxxxxxx	4	WASHER FLAT 10X21 (FRONT WHEEL HARDWARE KIT)
17	xxxxxxxxxx	1	NUT HEX SELFLOCK LOW M20 (FRONT WHEEL HARDWARE KIT)
18	145 2357 000	2	BALL BEARING
19	146 2442 000	1	FRONT WHEEL
19*	146 2745 000	1	NON MARKING FRONT WHEEL
20	146 2438 000	1	SPACER
21	146 2437 000	1	SUPPORT FRONT WHEEL
22	146 2441 000	1	BLOCK FOR BRAKE
23	146 2440 000	1	PIN FRONT WHEEL
24	146 2439 000	1	PLATE SUPPORTING
25	146 2443 000	1	CHAIN 3/8" - 73 PITCHES
26	xxxxxxxxxx	1	CLAMP CABLE (BRAKE PEDAL KIT)
27	145 2585 000	1	WASHER
28	145 2714 000	1	CROWN
29	xxxxxxxxxx	4	SCREW CYL HD M8X16 (FRONT WHEEL HARDWARE KIT)
30	145 2587 000	1	FLANGE
31	xxxxxxxxxx	2	SCREW CYL HD M5X12 (FRONT WHEEL HARDWARE KIT)
32	145 2586 000	1	FLANGE
33	145 9505 000	1	BUSH BBB 17X25X25
[34]	146 2851 000	1	FRONT WHEEL HARDWARE KIT [PAGE 3 (5,9,10) PAGE 21(2,3,4,6,7,8,9,10,11,12,13,15,16,17,29,31)]

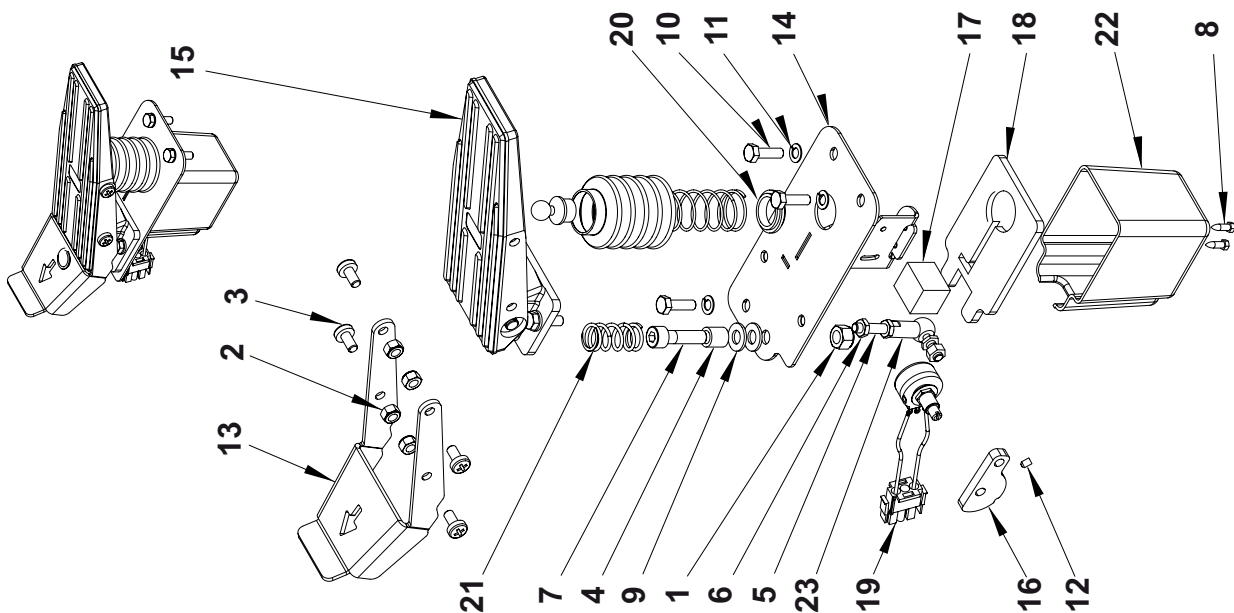
42



43



44



Item No.	Ref. No.	Qty	Description
1	XXXXXXXXXX	1	NUT HEX SELFLOCK LOW M8 (SPEED CONTROL PEDAL KIT)
2	XXXXXXXXXX	6	NUT HEX SELFLOCK LOW M6 (SPEED CONTROL PEDAL KIT)
3	XXXXXXXXXX	4	SCREW PAN HD M6X16 (SPEED CONTROL PEDAL KIT)
4	XXXXXXXXXX	1	SPACER 8X12X12.5 (SPEED CONTROL PEDAL KIT)
5	XXXXXXXXXX	1	ROD TENSION M6X32 (SPEED CONTROL PEDAL KIT)
6	XXXXXXXXXX	2	NUT HEX LOW M6 (SPEED CONTROL PEDAL KIT)
7	XXXXXXXXXX	1	SCREW CYL HD M8X25 (SPEED CONTROL PEDAL KIT)
8	XXXXXXXXXX	2	SCREW HEX HD 3.9X13 (SPEED CONTROL PEDAL KIT)
9	XXXXXXXXXX	4	WASHER FLAT 8X17 (SPEED CONTROL PEDAL KIT)
10	XXXXXXXXXX	4	SCREW HEX HD M6X20 (SPEED CONTROL PEDAL KIT-SKIRT RAISING DEVICE KIT)
11	XXXXXXXXXX	3	WASHER SPLIT 6 (SPEED CONTROL PEDAL KIT)
12	XXXXXXXXXX	1	DOWEL M4X6 (SPEED CONTROL PEDAL KIT)
13	XXXXXXXXXX	1	SPEED CONTROL PEDAL BRACKET (SPEED CONTROL PEDAL KIT)
14	XXXXXXXXXX	1	SPEED CONTROL PEDAL SUPPORT (SPEED CONTROL PEDAL KIT)
15	XXXXXXXXXX	1	SPEED CONTROL PEDAL (SPEED CONTROL PEDAL KIT)
16	XXXXXXXXXX	1	LEVER (SPEED CONTROL PEDAL KIT)
17	XXXXXXXXXX	1	GASKET L=24 MM (SPEED CONTROL PEDAL KIT)
18	XXXXXXXXXX	1	PEDAL GASKET (SPEED CONTROL PEDAL KIT)
19	XXXXXXXXXX	1	HARNESS DRIVE PEDAL (SPEED CONTROL PEDAL KIT)
20	XXXXXXXXXX	1	WASHER (SPEED CONTROL PEDAL KIT)
21	XXXXXXXXXX	1	SPRING L=35 (SPEED CONTROL PEDAL KIT)
22	XXXXXXXXXX	1	PEDAL COVER (SPEED CONTROL PEDAL KIT)
23	XXXXXXXXXX	1	DOWEL M6 (SPEED CONTROL PEDAL KIT)
24	XXXXXXXXXX	1	NUT HEX M5 (BRAKE PEDAL KIT)
25	XXXXXXXXXX	1	PEDAL SKIRT RAISING DEVICE (SKIRT RAISING DEVICE KIT)
26	XXXXXXXXXX	1	SCREW HEX HD M6X25 (BRAKE PEDAL KIT)
27	XXXXXXXXXX	1	SCREW HEX HD M5X25(BRAKE PEDAL KIT)
28	XXXXXXXXXX	1	WASHER SPLIT 5(BRAKE PEDAL KIT)
29	XXXXXXXXXX	1	CABLE BRAKE (BRAKE PEDAL KIT)
30	XXXXXXXXXX	1	NUT HEX SELFLOCK M5 (BRAKE PEDAL KIT)
31	XXXXXXXXXX	1	SUPPOT PEDAL (BRAKE PEDAL KIT)
32	XXXXXXXXXX	1	PIN PEDAL (BRAKE PEDAL KIT)
33	XXXXXXXXXX	1	SPRING (BRAKE PEDAL KIT)
34	XXXXXXXXXX	1	PEDAL (BRAKE PEDAL KIT)
35	XXXXXXXXXX	1	PEDAL BRAKE(BRAKE PEDAL KIT)
36	XXXXXXXXXX	2	PEDAL COVER (SKIRT RAISING DEVICE KIT - BRAKE PEDAL KIT)
37	XXXXXXXXXX	2	SPLIT PIN 2X25 (BRAKE PEDAL KIT)
38	XXXXXXXXXX	1	NUT HEX SELFLOCK M6 (SKIRT RAISING DEVICE KIT)
39	XXXXXXXXXX	1	CABLE SKIRT RAISING DEVICE (SKIRT RAISING DEVICE KIT)
40	XXXXXXXXXX	1	PEDAL SUPPORT (SKIRT RAISING DEVICE KIT)
41	XXXXXXXXXX	1	NUT M6 (BRAKE PEDAL KIT)
[42]	146 2852 000	1	SKIRT RAISING DEVICE KIT (10,25,36,38,39,40)
[43]	146 2853 000	1	BRAKE PEDAL KIT [PAGE 23(24,26,27,28,29,30,31,32,33,34,35,36,37,41) PAGE 21 (26)]
[44]	146 2570 000	1	SPEED CONTROL PEDAL KIT (1,2,3,4,5,6,7,8,9,10,11,12,13,14,15,16,17,18,19,20,21,22,23) - BEFORE S/N 062110674

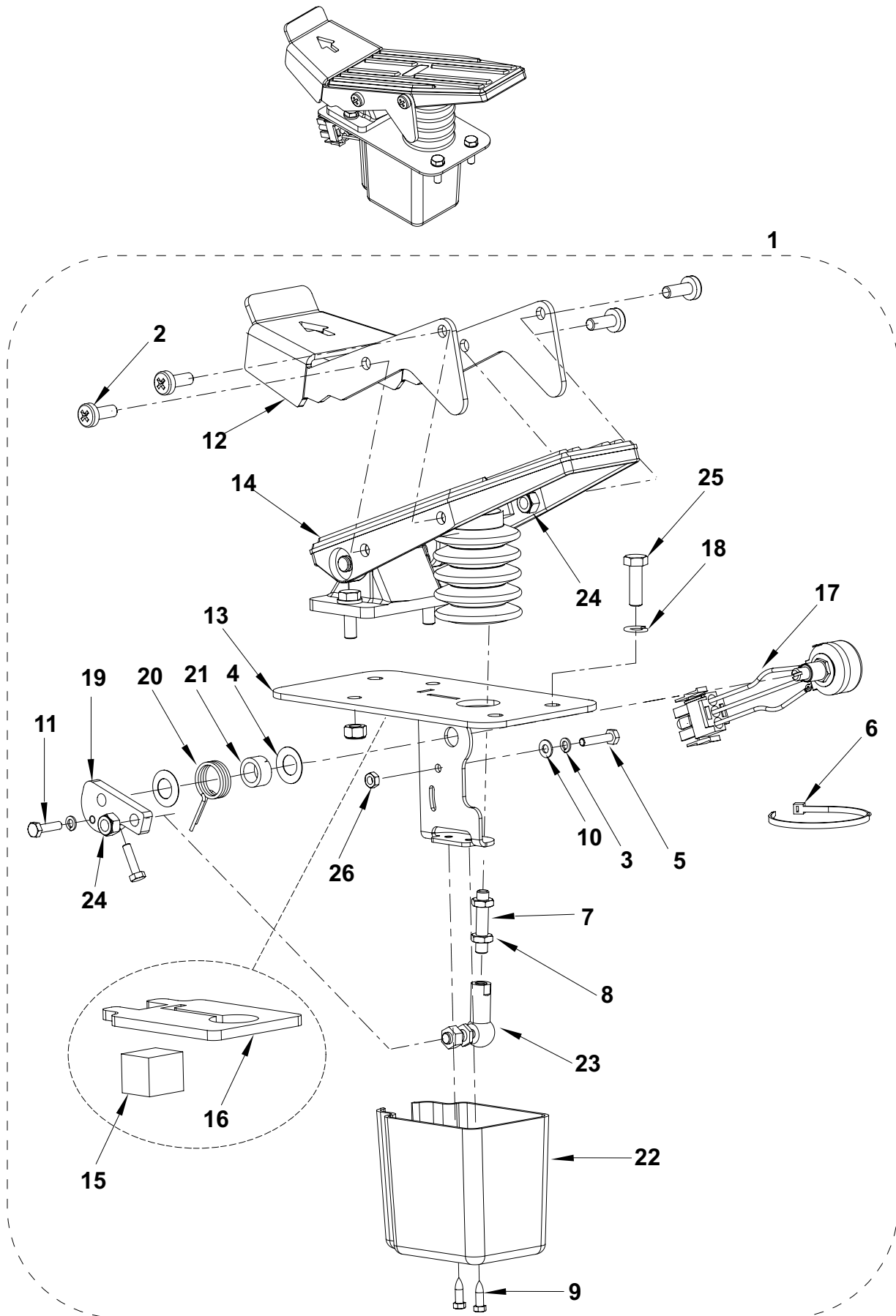
SPEED CONTROL PEDAL ASSEMBLY

2005-05

24

Terra™ 4300B - STARTING FROM S/N 062110674

2007-03



2005-05

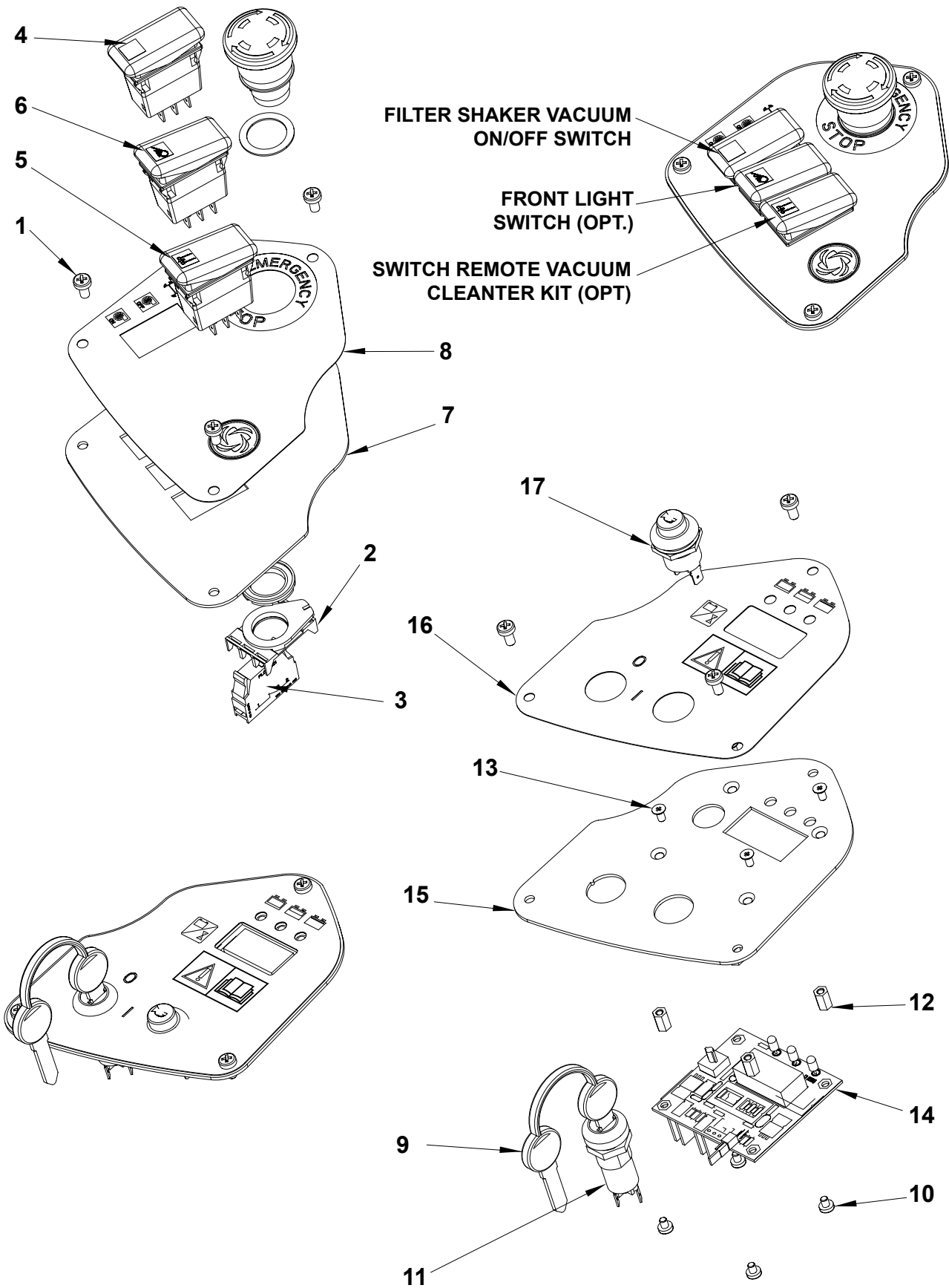
SPEED CONTROL PEDAL ASSEMBLY

2007-03

Terra™ 4300B - STARTING FROM S/N 062110674

25

Item No.	Ref. No.	Qty	Description
1	146 2952 000	1	SPEED CONTROL PEDAL COMPLETE KIT - see TSB IT 2007-003
2	xxxxxxxxxx	4	SCREW M6X16 (PEDAL ASSEMBLY HARDWARE KIT)
3	xxxxxxxxxx	2	WASHER SPLIT 4 (PEDAL ASSEMBLY HARDWARE KIT)
4	145 1147 000	2	SPRING WASHER
5	xxxxxxxxxx	1	SCREW HEX HD M4X20 (PEDAL ASSEMBLY HARDWARE KIT)
6	xxxxxxxxxx	1	CLAMP (PEDAL ASSEMBLY HARDWARE KIT)
7	xxxxxxxxxx	1	ROD TENSION M6X32 (PEDAL ASSEMBLY HARDWARE KIT)
8	xxxxxxxxxx	2	NUT HEX LOW M6 (PEDAL ASSEMBLY HARDWARE KIT)
9	xxxxxxxxxx	2	SCREW HEX HD 3,9X13 (PEDAL ASSEMBLY HARDWARE KIT)
10	xxxxxxxxxx	1	WASHER FLAT 4X9 (PEDAL ASSEMBLY HARDWARE KIT)
11	xxxxxxxxxx	2	SCREW HEX HD M4X16 (PEDAL ASSEMBLY HARDWARE KIT)
12	146 2929 000	1	SPEED CONTROL PEDAL BRACKET
13	146 2930 000	1	SPEED CONTROL PEDAL SUPPORT
14	146 2910 000	1	SPEED CONTROL PEDAL
15	146 2062 000	1	GASKET
16	146 2315 000	1	PEDAL GASKET
17	146 2480 000	1	HARNESS DRIVE PEDAL
18	xxxxxxxxxx	3	WASHER SPLIT 6 (PEDAL ASSEMBLY HARDWARE KIT)
19	146 2882 000	1	LEVER
20	146 2883 000	1	SPRING
21	146 2884 000	1	SPACER
22	145 4086 000	1	PEDAL COVER
23	xxxxxxxxxx	1	DOWEL M6 (PEDAL ASSEMBLY HARDWARE KIT)
24	xxxxxxxxxx	6	NUT HEX SELFLOCK LOW M6 (PEDAL ASSEMBLY HARDWARE KIT)
25	xxxxxxxxxx	3	SCREW HEX HD M6X20 (PEDAL ASSEMBLY HARDWARE KIT)
26	xxxxxxxxxx	1	NUT M4 (PEDAL ASSEMBLY HARDWARE KIT)
[27]	909 6834 000	1	PEDAL ASSEMBLY HARDWARE KIT (2,3,5,6,7,8,9,10,11,18,23,24,25,26)



2005-05

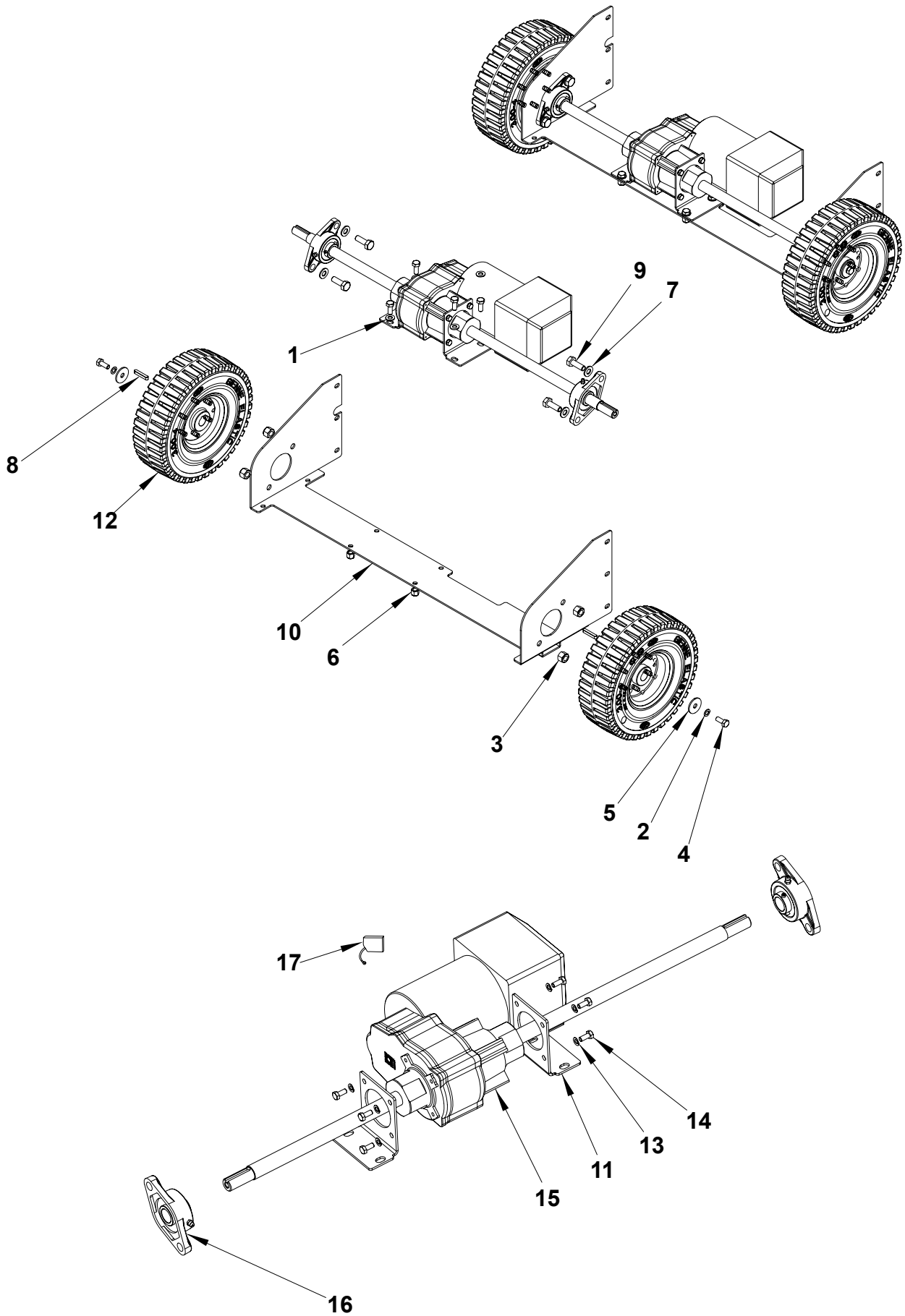
CONTROL PANEL SYSTEMS

2007-03

Terra™ 4300B

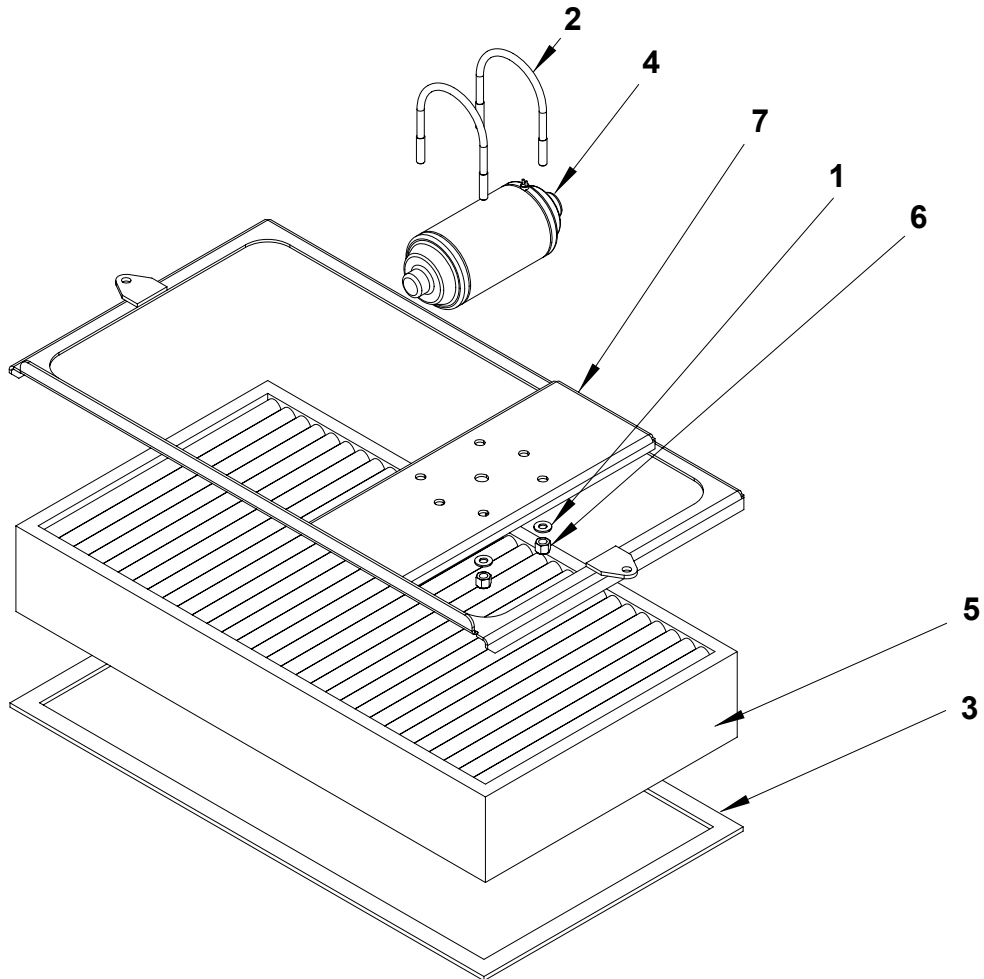
27

Item No.	Ref. No.	Qty	Description
1	xxxxxxxxxx	6	SCREW PAN HD M5X10 (CONTROL PANEL HARDWARE KIT)
2	146 1727 000	1	EMERGENCY SWITCH
3	146 1728 000	1	CONTACT
4	146 2532 000	1	SWITCH
5	146 1973 000	1	SWITCH
6	146 1974 000	1	SWITCH
7	146 2460 000	1	CONTROL PANEL LEFT
8	146 2462 000	1	DECAL CONTROL PANEL LEFT
9	146 2887 000	1	KEY
10	xxxxxxxxxx	4	SCREW PAN HD M4X5 (CONTROL PANEL HARDWARE KIT)
11	146 2888 000	1	KEY SWITCH
12	xxxxxxxxxx	4	SPACER (CONTROL PANEL HARDWARE KIT)
13	xxxxxxxxxx	4	SCREW M4X8 (CONTROL PANEL HARDWARE KIT)
14	146 1721 000	1	ELECTRONIC BOARD
15	146 2459 000	1	CONTROL PANEL RIGHT
16	146 2461 000	1	DECAL CONTROL PANEL RIGHT
17	145 9678 000	1	BUTTON HORN
[18]	146 2489 000	1	HARNESS CONTROL PANEL
[19]	146 2854 000	1	CONTROL PANEL HARDWARE KIT (1,10,12,13)



2005-05	DRIVE SYSTEM		
2008-07	Terra™ 4300B		29

Item No.	Ref. No.	Qty	Description
1	xxxxxxxxxx	4	WASHER FLAT 8X17 (DRIVE SYSTEM HARDWARE KIT)
2	xxxxxxxxxx	2	WASHER SPLIT 8 (DRIVE SYSTEM HARDWARE KIT)
3	xxxxxxxxxx	4	NUT HEX SELFLOCK M10 (DRIVE SYSTEM HARDWARE KIT)
4	xxxxxxxxxx	6	SCREW HEX HD M8X20 (DRIVE SYSTEM HARDWARE KIT)
5	xxxxxxxxxx	2	WASHER FLAT 8X32 (DRIVE SYSTEM HARDWARE KIT)
6	xxxxxxxxxx	4	NUT HEX SELFLOCK M8 (DRIVE SYSTEM HARDWARE KIT)
7	xxxxxxxxxx	4	WASHER FLAT 10X21 (DRIVE SYSTEM HARDWARE KIT)
8	145 9776 000	2	KEY 6X6X35
9	xxxxxxxxxx	4	SCREW HEX HD M10X30 (DRIVE SYSTEM HARDWARE KIT)
10	146 2432 000	1	BRIDGE REAR WHEELS
11	146 2435 000	2	DRIVE MOTOR SUPPORT
12	146 2433 000	2	WHEEL REAR
12*	146 2746 000	1	NON MARKING REAR WHEEL
13	33005851	8	WASHER SPLIT 6
14	xxxxxxxxxx	8	SCREW HEX HD M6X14 (DRIVE SYSTEM HARDWARE KIT)
15#	1463228000	1	KIT DRIVE MOTOR - STARTING FROM S/N 072719684
16	146 2436 000	2	BALL BEARING WITH FLANGE
17	L08603949	1	KIT CARBON BRUSHES
[18]	146 2855 000	1	DRIVE SYSTEM HARDWARE KIT [PAGE 3 (13,14) PAGE 27(1,2,3,4,5,6,7,9,14)]
[19]#	1463232000	1	KIT DRIVE MOTOR WITH HARNESS MACHINE - SEE TSB IT 2007-010



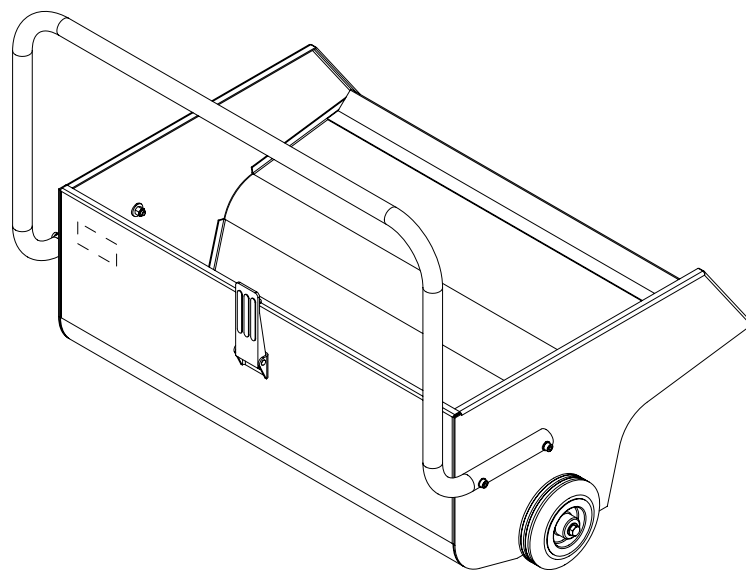
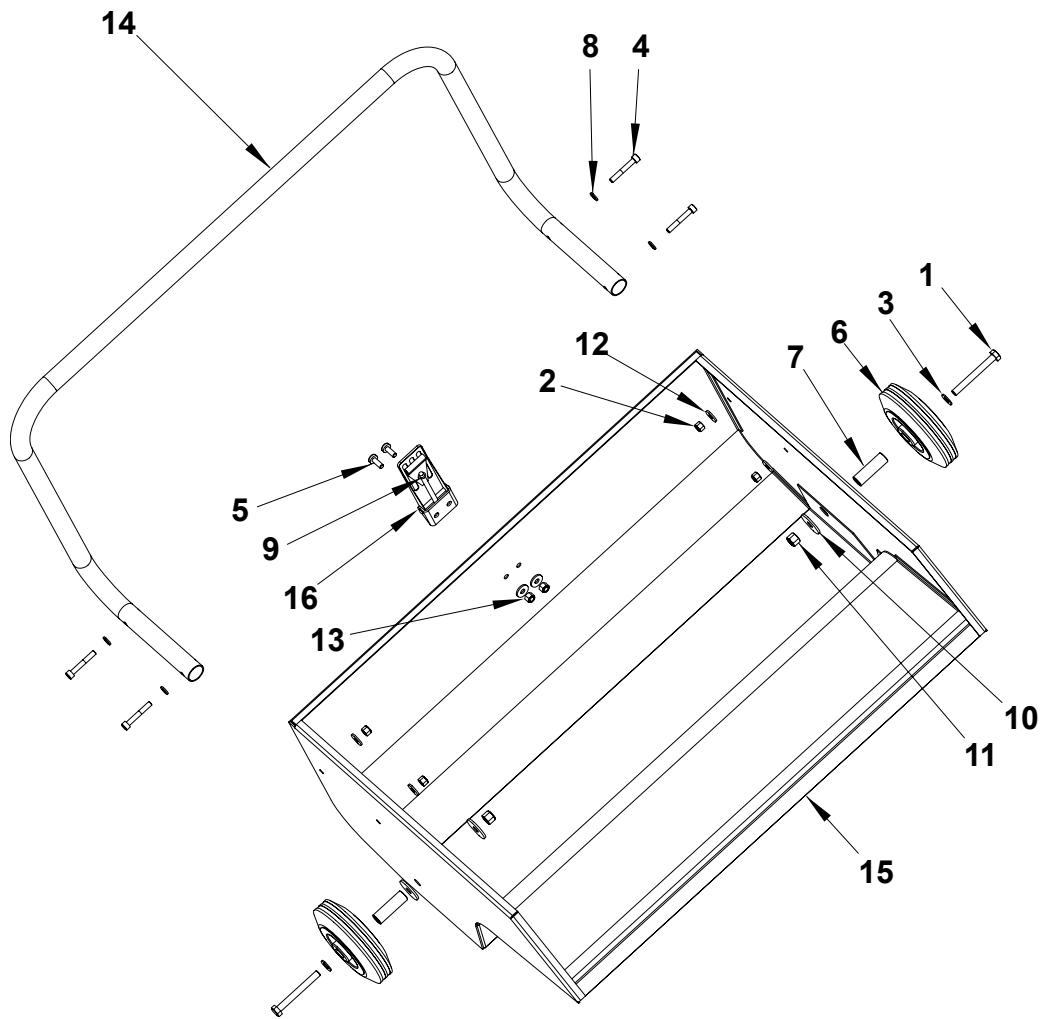
2005-05

DUST CONTROL SYSTEM

2007-03

Terra™ 4300B**31**

Item No.	Ref. No.	Qty	Description
1	56325587	4	WASHER FLAT 8X17
2	146 0072 00	2	CLAMP
3	146 2729 000	1	KIT FILTER GASKETS
4	146 2795 000	1	KIT FILTER SHAKER
5	145 5665 000	1	FILTER PAPER
5*	145 6013 000	1	POLYESTER FILTER ANTISTATIC
5*	146 2759 000	1	POLYESTER FILTER
6	33005565	4	NUT HEX SELFLOCK M8
7	146 2428 000	1	FILTER SHAKER FRAME
0*	146 2731 000	1	PRE-FILTER GRID



2005-05

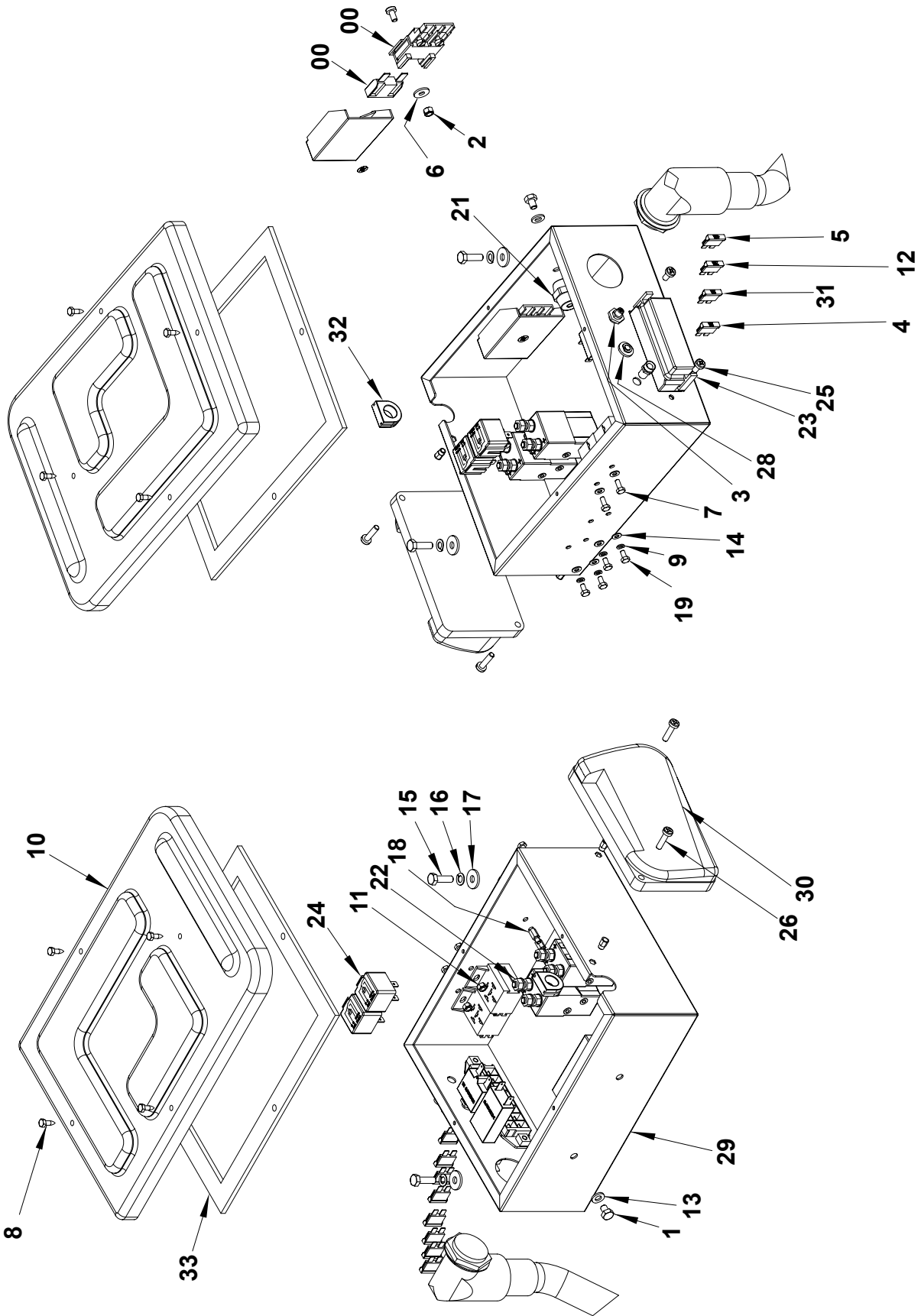
WASTE CONTAINER ASSEMBLY

2007-03

Terra™ 4300B

33

Item No.	Ref. No.	Qty	Description
1	xxxxxxxxxx	2	SCREW HEX HD M8X70 (WASTE CONTAINER HARDWARE KIT)
2	xxxxxxxxxx	4	NUT HEX SELFLOCK M6 (WASTE CONTAINER HARDWARE KIT)
3	xxxxxxxxxx	2	WASHER FLAT 8X17 (WASTE CONTAINER HARDWARE KIT)
4	xxxxxxxxxx	4	SCREW CYL HD M6X40 (WASTE CONTAINER HARDWARE KIT)
5	xxxxxxxxxx	2	SCREW PAN HD M6X16 (WASTE CONTAINER HARDWARE KIT)
6	145 5116 000	2	WHEEL
7	145 5118 000	2	BUSHING
8	xxxxxxxxxx	4	WASHER FLAT 6X12.5 (WASTE CONTAINER HARDWARE KIT)
9	xxxxxxxxxx	1	NUT HEX M6 (WASTE CONTAINER HARDWARE KIT)
10	xxxxxxxxxx	4	WASHER FLAT 8X32 (WASTE CONTAINER HARDWARE KIT)
11	xxxxxxxxxx	2	NUT HEX SELFLOCK M8 (WASTE CONTAINER HARDWARE KIT)
12	xxxxxxxxxx	6	WASHER FLAT 6X18 (WASTE CONTAINER HARDWARE KIT)
13	xxxxxxxxxx	2	NUT HEX SELFLOCK M8 SS (WASTE CONTAINER HARDWARE KIT)
14	146 2431 000	1	HANDLE WASTE CONTAINER
15	146 2430 000	1	CONTAINER WASTE
16	145 9330 000	1	HOOK
[17]	146 2856 000	1	WASTE CONTAINER HARDWARE KIT (1,2,3,4,5,8,9,10,11,12,13)
0*	146 2699 000	1	MINI DIRT CONTAINERS KIT



2005-05

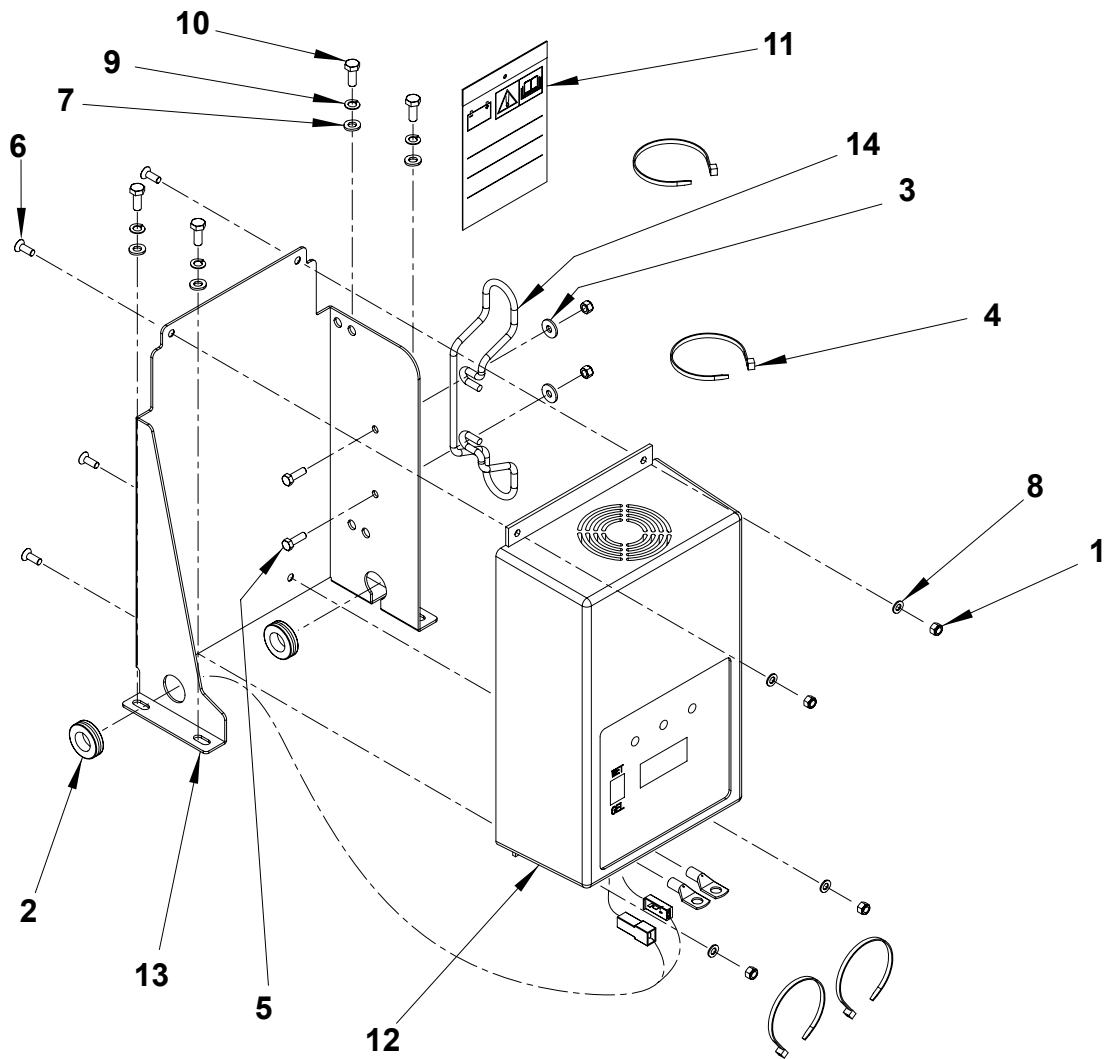
ELECTRICAL COMPONENTS

2008-07

Terra™ 4300B

35

Item No.	Ref. No.	Qty	Description
1	xxxxxxxxxx	1	SCREW HEX HD M6X8 (ELECTRICAL COMPONENTS HARDWARE KIT)
2	xxxxxxxxxx	1	NUT HEX SELFLOCK LOW M5 (ELECTRICAL COMPONENTS HARDWARE KIT)
3	56325757	1	FUSE 10A
4#	146 0068 00	3	FUSE 10A - BEFORE S/N 072820287
4#	145 8513 000	1	FUSE 30A - STARTING FROM S/N 072820287
5	145 0227 000	1	FUSE 40A
6	xxxxxxxxxx	1	WASHER FLAT 5X15 (ELECTRICAL COMPONENTS HARDWARE KIT)
7	xxxxxxxxxx	2	SCREW HEX HD M4X10 (ELECTRICAL COMPONENTS HARDWARE KIT)
8	xxxxxxxxxx	4	SCREW HEX HD 4.2X9.5 (ELECTRICAL COMPONENTS HARDWARE KIT)
9	xxxxxxxxxx	4	WASHER SPLIT 5 (ELECTRICAL COMPONENTS HARDWARE KIT)
10	146 2484 000	1	COVER BOX ELECTRICAL COMPONENTS
11	xxxxxxxxxx	2	NUT HEX SELFLOCK LOW M4 (ELECTRICAL COMPONENTS HARDWARE KIT)
12	145 8514 000	2	FUSE 25A
13	xxxxxxxxxx	1	WASHER FLAT 6X12.5 (ELECTRICAL COMPONENTS HARDWARE KIT)
14	xxxxxxxxxx	6	WASHER FLAT 4X9 (ELECTRICAL COMPONENTS HARDWARE KIT)
15	xxxxxxxxxx	2	SCREW HEX HD M6X20 (ELECTRICAL COMPONENTS HARDWARE KIT)
16	xxxxxxxxxx	2	WASHER SPLIT 6 (ELECTRICAL COMPONENTS HARDWARE KIT)
17	xxxxxxxxxx	2	WASHER FLAT 6X18 (ELECTRICAL COMPONENTS HARDWARE KIT)
18	146 0627 000	2	SPACER M4 L.10
19	xxxxxxxxxx	2	SCREW HEX HD M4X8 (ELECTRICAL COMPONENTS HARDWARE KIT)
20	146 0659 000	1	FUSE HOLDER
21	146 0708 000	1	INSULATOR M6
22	146 0719 000	1	ELECTROMAGNETIC SWITCH 24V
23	146 1170 000	1	FUSE 8 WAYS HOLDER
24	145 3712 000	2	RELAY 24V
25	xxxxxxxxxx	3	SCREW PAN HD M5X10 (ELECTRICAL COMPONENTS HARDWARE KIT)
26	xxxxxxxxxx	2	SCREW PAN HD M4X20 (ELECTRICAL COMPONENTS HARDWARE KIT)
27	146 2486 000	1	FUSE 70A
28	909 5706 000	1	FUSE 30A
29#	146 2482 000	1	BOX ELECTRIC COMPONENTS - BEFORE S/N 072820287
29#	1463155000	1	BOX ELECTRIC COMPONENTS - STARTING FROM S/N 072820287
30	146 2483 000	1	ELECTRONIC BOARD
31	145 9853 000	2	FUSE 15A
32	146 2485 000	2	GROMMET
33	146 2802 000	1	GASKET ELECTRIC BOX
[34]#	146 2490 000	1	HARNESS ELECTRIC BOX - BEFORE S/N 072820287
[34]#	1463180000	1	HARNESS ELECTRIC BOX - STARTING FROM S/N 072820287
[35]	146 2790 000	1	HARNESS BATTERY
[36]	146 2491 000	1	HARNESS MACHINE
[37]	146 1986 000	1	CONNECTOR 120A
[38]	146 2857 000	1	ELECTRICAL COMPONENTS HARDWARE KIT (1,2,6,7,8,9,11,13,14,15,16,17,19,25,26)
[39]#	1463157000	1	GROMMET - STARTING FROM S/N 072820287



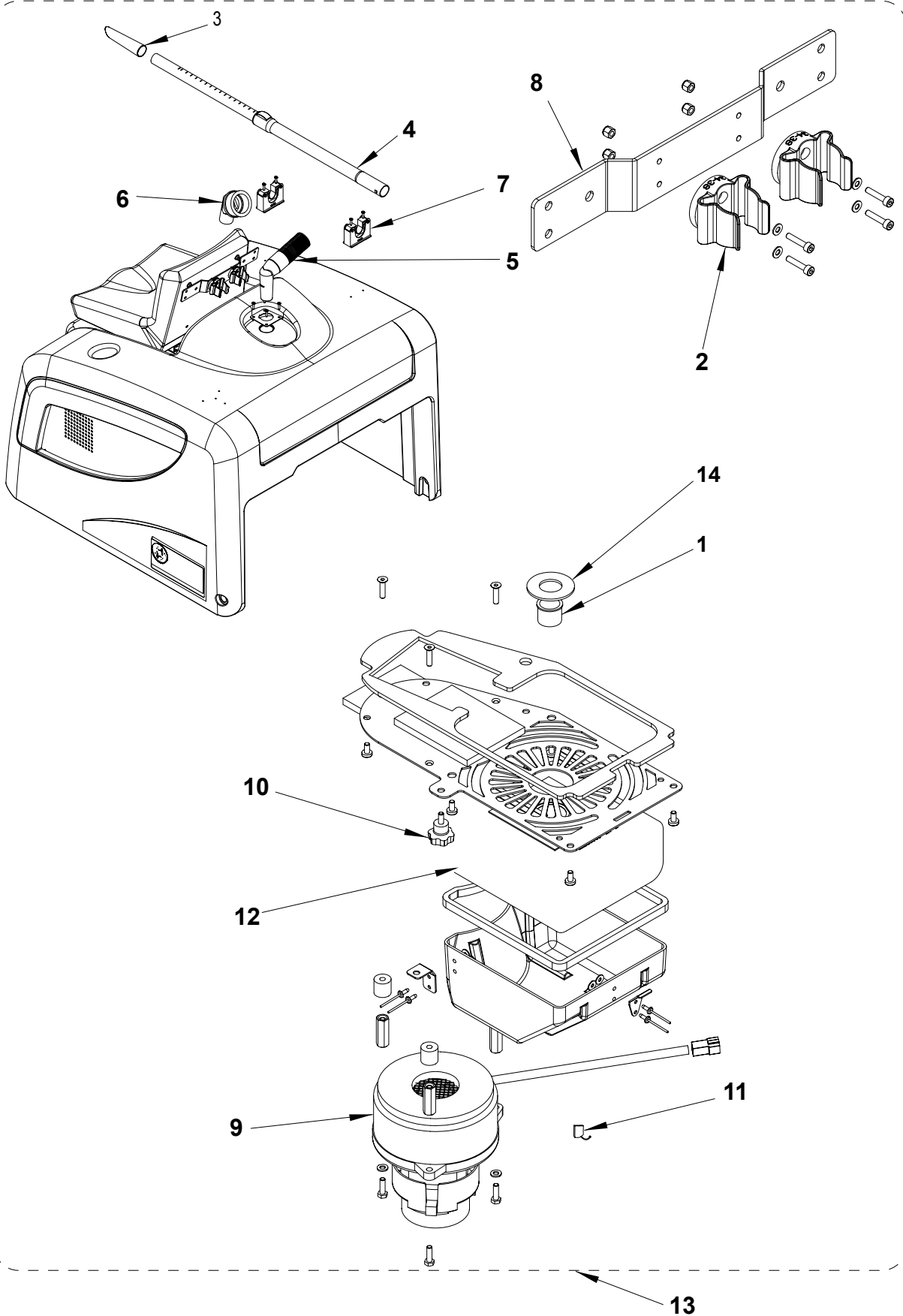
2005-05

BATTERY CHARGER ASSEMBLY

2007-03

Terra™ 4300B**37**

Item No.	Ref. No.	Qty	Description
1	33005603	6	NUT HEX SELFLOCK LOW M5
2	145 1237 000	2	CHOCK Ø22
3	145 1261 000	2	WASHER FLAT 5X15
4	145 1449 000	4	CLAMP 3.4X140
5	33003962	2	SCREW HEX HD M5X16
6	33004562	4	SCREW M5X14
7	33005913	4	WASHER FLAT 6X12.5
8	145 9133 000	4	WASHER FLAT 5X10
9	33005851	4	WASHER SPLIT 6
10	33003974	4	SCREW HEX HD M6X16
11	146 0803 000	1	CARD INSTRUCTION
12	146 2132 000	1	BATTERY CHARGER COMPLETE 115V
13	146 2311 000	1	BRACKET
14	909 5149 000	1	CABLE SUPPORT
			SPARES FOR BATTERY CHARGER 115V - 146 2132 000
[15]	146 2141 000	1	FUSE 15A
[16]	146 2140 000	1	ELECTRONIC BOARD
[17]	146 2143 000	1	DISPLAY CARD
[18]	146 2145 000	1	CABLE
[19]	146 2142 000	1	COOLING FAN
[20]	146 0801 000	1	SWITCH WET/GEL



2005-05

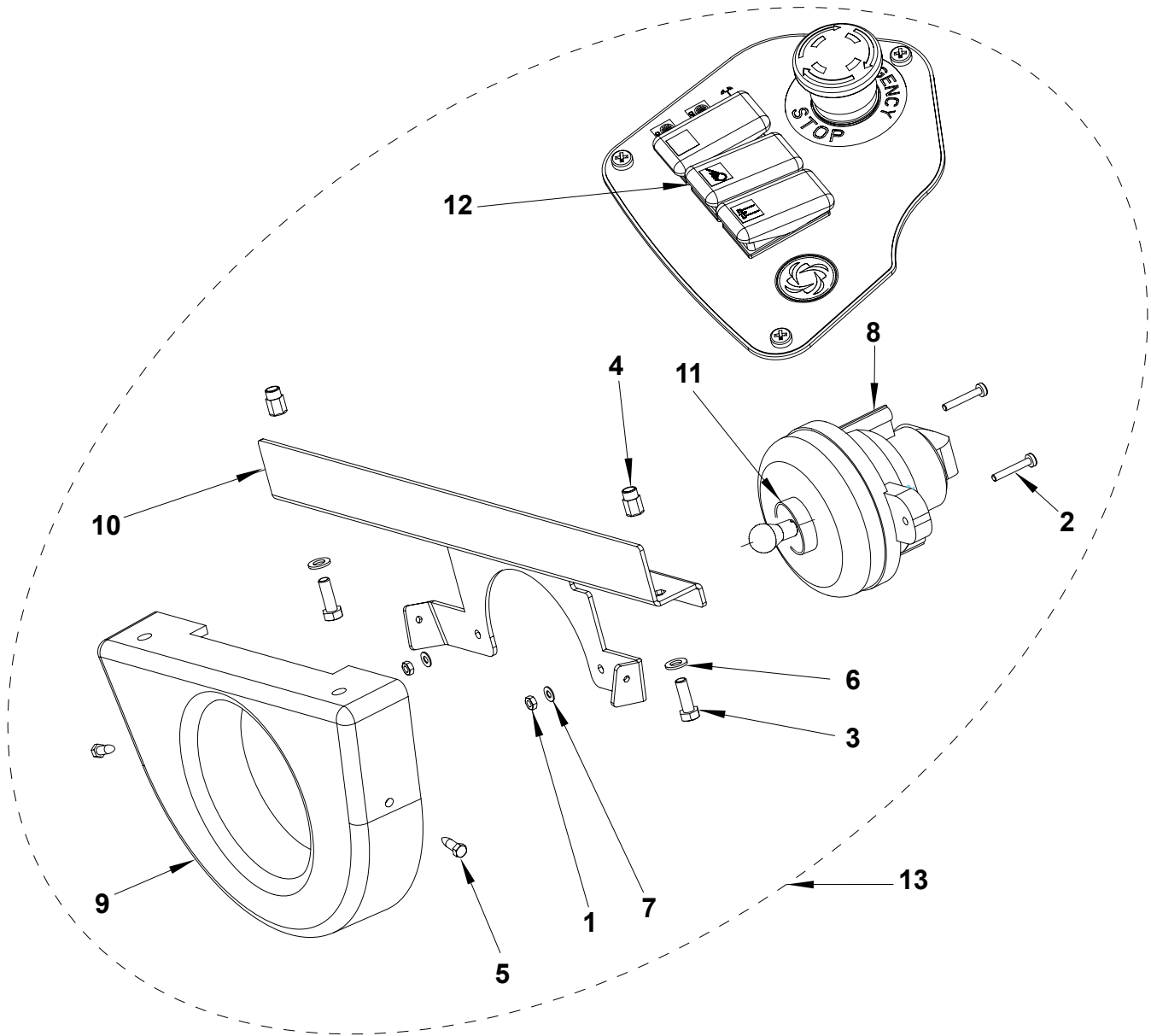
ACCESSORIES

2007-03

Terra™ 4300B

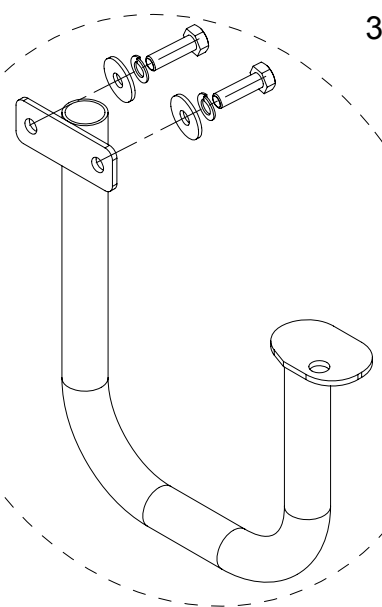
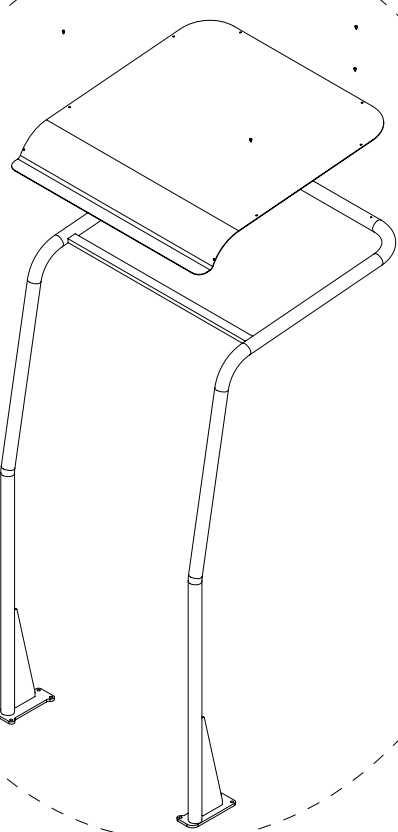
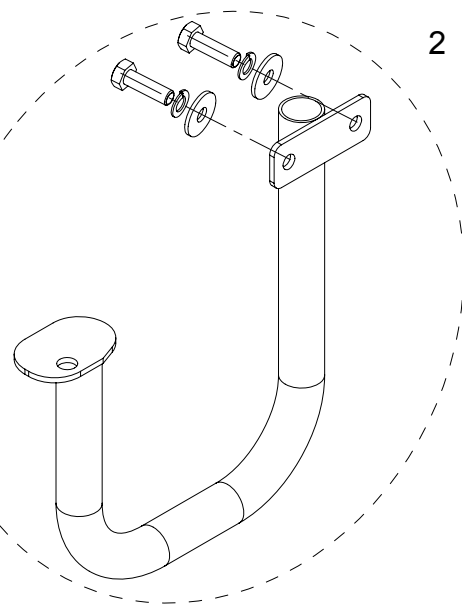
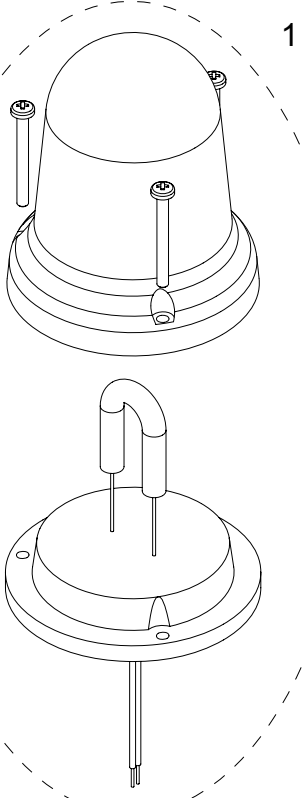
39

Item No.	Ref. No.	Qty	Description
1	56325536	1	SPACER (KIT VACUUM CLEANER)
2	146 2288 000	2	HOSE CLAMP Ø34-38 (KIT VACUUM CLEANER)
3	81140900	1	NOZZLE FLEXIBLE (KIT VACUUM CLEANER)
4	011 8130 500	1	TELESCOPIC TUBE (KIT VACUUM CLEANER)
5	140 5691 000	1	PIPE (KIT VACUUM CLEANER)
6	140 8244 000	1	BRUSH NOZZLE (KIT VACUUM CLEANER)
7	146 2289 000	2	HOSE CLAMP Ø 30-40 (KIT VACUUM CLEANER)
8	146 2291 000	1	TOOL MOUNTING BRACKET (KIT VACUUM CLEANER)
9	146 2133 000	1	VACUUM MOTOR CPL (KIT VACUUM CLEANER)
10	145 2244 000	2	KNOB M6X15 (KIT VACUUM CLEANER)
11	909 5074 000	1	KIT CARBON BRUSHES (KIT VACUUM CLEANER)
12	22380901	1	DUST BAG (KIT VACUUM CLEANER)
13*	146 2524 000	1	KIT VACUUM CLEANER (1,2,3,4,5,6,7,8,9,10,11,12,14,0,0,0)
14	146 2898 000	1	GASKET
0	146 2522 000	1	HARNES VACUUM CLEANER (KIT VACUUM CLEANER)
0	146 2523 000	1	INSTALLATION INSTRUCTIONS FOR KIT VACUUM CLEANER (KIT VACUUM CLEANER)
0	146 0719 000	1	ELECTROMAGNETIC SWITCH (KIT VACUUM CLEANER)



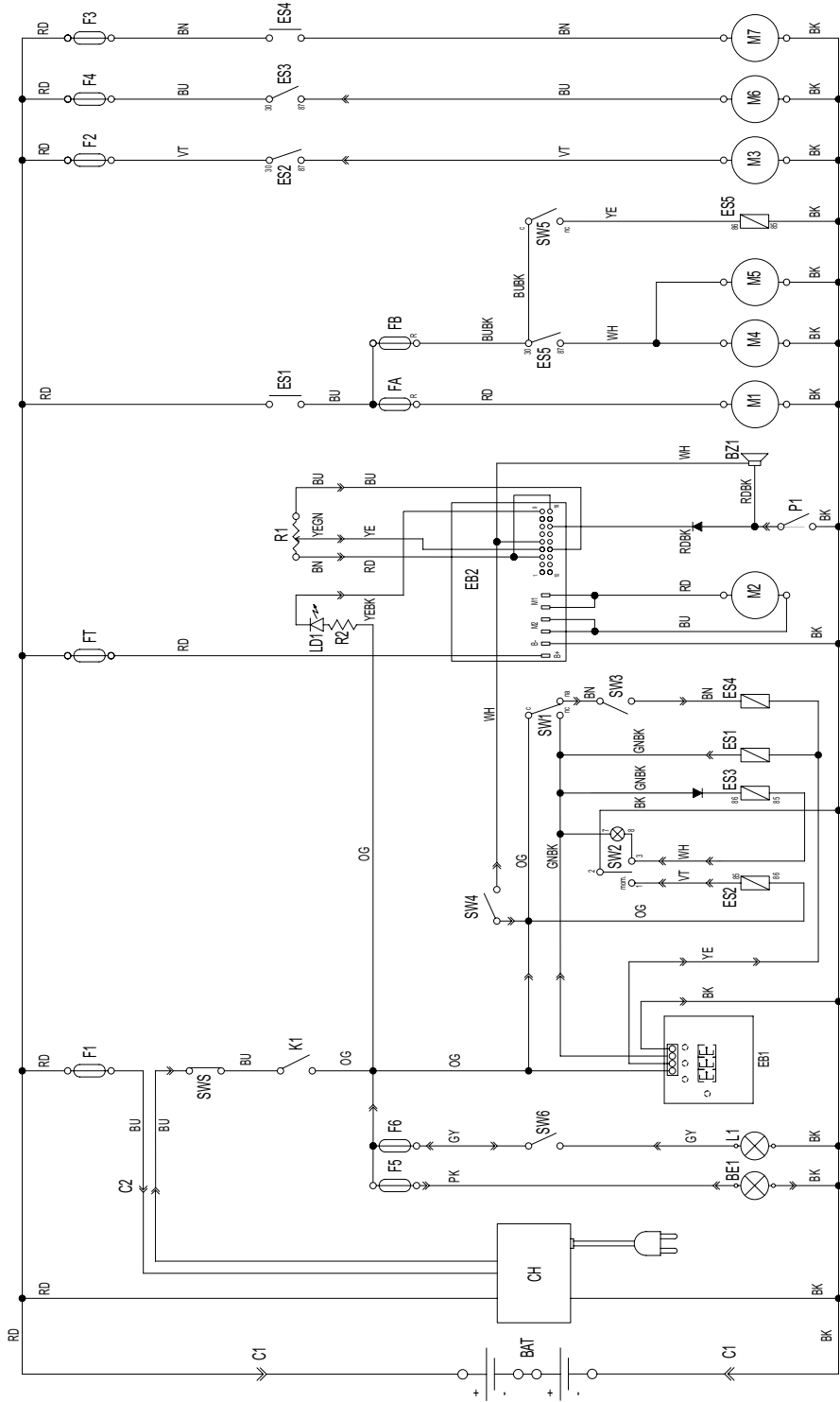
2005-05	ACCESSORIES			
2007-03	Terra™ 4300B			41

Item No.	Ref. No.	Qty	Description
1	33005499	2	NUT HEX M3 (KIT WORKING LIGHT)
2	L08603897	2	SCREW PAN HD M3X20 (KIT WORKING LIGHT)
3	33003961	2	SCREW HEX HD M5X14 (KIT WORKING LIGHT)
4	145 4771 000	2	INSERT M5 (KIT WORKING LIGHT)
5	145 5867 000	2	SCREW HEX HD 3.9X13 (KIT WORKING LIGHT)
6	145 9133 000	2	WASHER FLAT 5X10 (KIT WORKING LIGHT)
7	145 9138 000	2	WASHER FLAT 3X7 (KIT WORKING LIGHT)
8	146 1985 000	1	LIGHT (KIT WORKING LIGHT)
9	146 2528 000	1	PROTECTION WORKING LIGHT (KIT WORKING LIGHT)
10	146 2527 000	1	LIGHT SUPPORT PLATE (KIT WORKING LIGHT)
11	145 5518 000	1	LAMP 24V (KIT WORKING LIGHT)
12	146 1974 000	1	SWITCH (KIT WORKING LIGHT)
13*	146 2525 000	1	KIT WORKING LIGHT (1,2,3,4,5,6,7,8,9,10,11,12,0,0)
0	146 2526 000	1	INSTALLATION INSTRUCTIONS FOR WORKING LIGHT KIT (KIT WORKING LIGHT)
0	146 0068 00	1	FUSE 10A (KIT WORKING LIGHT)



Item No.	Ref. No.	Qty	Description
1*	146 2692 000	1	KIT FLASHING BEACON
0	145 3738 000	1	TERMINAL
0	146 2693 000	1	INSTALLATION INSTRUCTION F KIT FLASHING BEACON
2*	146 2736 000	1	KIT BROOM BUMPER RIGHT
3*	146 2737 000	1	KIT BROOM BUMPER LEFT
0	146 2698 000	1	INSTAL.INSTRUTIONS F KIT BROOM BUMPERS
4*	146 2735 000	1	KIT OVERHEAD GUARD
0	146 2738 000	1	INSTAL.INSTRUTIONS F KIT OVERHEAD GUARD

WIRING DIAGRAM
Terra™ 4300B Rel.A
146 2566 000



COMPONENTS					
BAT	24V BATTERY	F1	SERVICES (MAIN) FUSE (15A)	P1	HORN BUTTON
BE1	BEACON (OPT)	F2	SHEAKER FUSE (25A)	R1	DRIVE SPEED POTENTIOMETER
BZ1	BACK-UP ALLARM / HORN	F3	REMOTE VAC. FUSE (40A) (OPT)	R2	LED RESISTOR
C1	BATTERY CONNECTOR	F4#	VACUUM FUSE (10A) (A) (30A) (B)	SWS	SAFETY SWITCH
C2	CHARGER SECONDARY CONNECTOR	F5	ALARM AND BEACON FUSE (10A)	SW1	BRUSH MICROSWITCH
CH1	BATTERY CHARGER (OPT)	F6	WORKING LIGHT FUSE (10A) (OPT)	SW2	VACUUM/SHEAKER SWITCH
EB1	HOUR METER & BATT. DISPLAY	K1	KEY	SW3	REMOTE VAC. SWITCH (OPT)
EB2	DRIVE ELECTRONIC BOARD	LD1	DRIVE DIAGNOSTIC LED	SW4	SEAT MICROSWITCH
ES1	MAIN BRUSH ELECTROM. SWITCH	L1	WORKING LIGHT (OPT)	SW5	SIDE BRUSHES MICROSWITCH
ES2	SHAKER RELAIS	M1	MAIN BRUSH MOTOR	SW6	WORKING LIGHT SWITCH (OPT)
ES3	VACUUM RELAIS	M2	DRIVE MOTOR		
ES4	REMOTE VAC. EL. SWITCH (OPT)	M3	SHEAKER MOTOR		
ES5	SIDE BRUSHES RELAIS	M4	RIGHT BRUSH MOTOR		
FA	MAIN BRUSH CIRCUIT BREAKER	M5	LEFT BRUSH MOTOR (OPT)		
FB	SIDE BRUSHES CIRCUIT BREAKER	M6	VACUUM MOTOR		
FT	DRIVE FUSE (70A)	M7	REMOTE VACUUM MOTOR (OPT)		

Item No.	Ref. No.	Qty	Description
WEAR PARTS			
1	145 4976 000	1	SIDE BROOM NATURAL FIBRE
2	145 4879 000	1	MAIN BROOM PPL
3	145 1969 000	1	FRONT SKIRT
4	145 5927 000	2	SIDE SKIRT
5	145 1971 000	1	REAR SKIRT
6	145 5665 000	1	PANEL FILTER
ORDINARY MAINTENANCE			
7	145 1851 000	1	MAIN BROOM BELT
8	146 2477 000	1	CABLE SKIRT RAISING DEVICE
9	146 2520 000	1	CABLE SIDE BROOM LEFT
10	146 2475 000	1	CABLE SIDE BROOM RIGHT
11	146 2469 000	1	CABLE MAIN BROOM
12	146 2729 000	1	KIT FILTER GASKETS
13	146 0630 000	1	GASKET FILTER HATCH
14	146 2730 000	1	KIT GASKETS WASTE CONTAINER
15	146 2486 000	1	FUSE 70A
16	145 0227 000	1	FUSE 40A
17	145 8514 000	1	FUSE 25A
18#	145 8513 000	1	FUSE 30A
EXTRAORDINARY MAINTENANCE			
19	146 0945 000	2	BUMPER ROLLER
20	146 2433 000	2	REAR WHEEL
21	146 2442 000	1	FRONT WHEEL
22	146 2795 000	1	KIT FILTER SHAKER MOTOR
23#	1463198000	1	RIGHT SIDE BROOM MOTOR
24#	9093147000	1	MAIN BROOM SHOCK ABSORBER 30KG
25	146 0402 000	1	HUB SIDE BROOM HOLDER
26	146 1721 000	1	DISPLAY ELECTRONIC BOARD
27	146 2887 000	1	KEY
28	146 2483 000	1	POWER ELECTRONIC BOARD
29	145 9679 000	1	BROOM MICROSWITCH
30	146 2532 000	1	SWITCH WITH VACUUM
31	909 5706 000	1	CIRCUIT BREAKER 30A
32	56325757	1	CIRCUIT BREAKER 10A
33#	1463197000	1	LEFT SIDE BROOM MOTOR
OPTIONS			
33	145 4959 000	1	SIDE BROOM STEEL MIX
34	145 4957 000	1	MAIN BROOM PPL+STEEL 300X700
35	145 6080 000	1	MAIN BROOM NATURAL FIBRE 300X700
36	146 2746 000	2	NON MARKING REAR WHEEL
37	146 2745 000	1	NON MARKING FRONT WHEEL
38	146 2731 000	1	PRE-FILTER GRID
39	145 6013 000	1	POLYESTER FILTER - ANTISTATIC
40	146 2759 000	1	POLYESTER FILTER
41	146 2735 000	1	KIT OVERHEAD GUARD
42	146 2737 000	1	KIT BROOM BUMPER LEFT
43	146 2736 000	1	KIT BROOM BUMPER RIGHT
44	146 2692 000	1	KIT FLASHING BEACON
45	146 2744 000	1	KIT NON MARKING SKIRTS
46	146 2525 000	1	KIT WORKING LIGHT
47	146 2699 000	1	KIT MINI CONTAINERS
48	146 2524 000	1	KIT VACUUM CLEANER
49	146 2900 000	1	KIT SEAT WITH BELTS



Nilfisk-Advance, Inc.

14600 21st Avenue North
Plymouth, MN, 55447-3408
www.nilfisk-advance.com

Phone: 800-989-2235

Fax: 800-989-6566

©2008 Nilfisk-Advance, Inc.,
Plymouth, MN 55447-3408

Printed in Italy