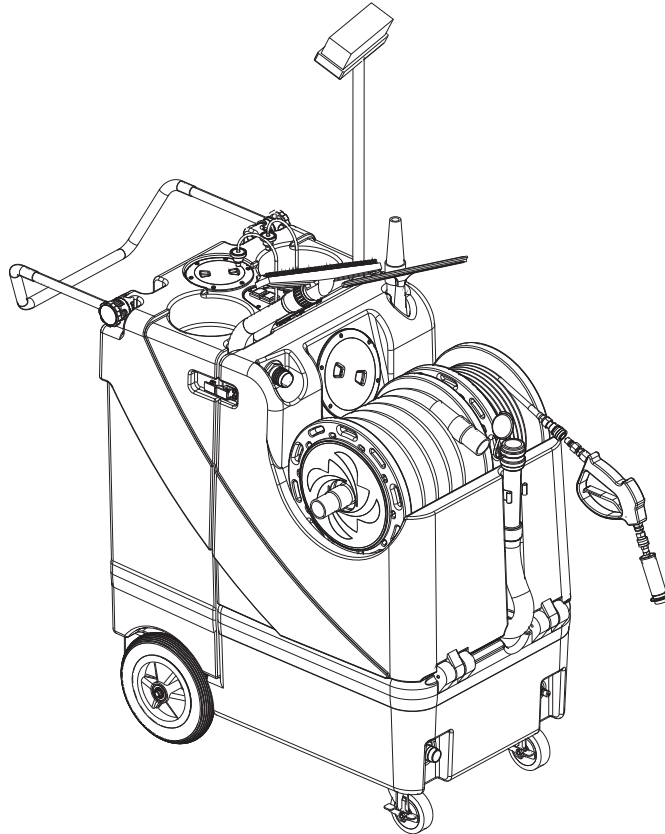


# Reel Cleaner™

---



---

## **PARTS LIST**

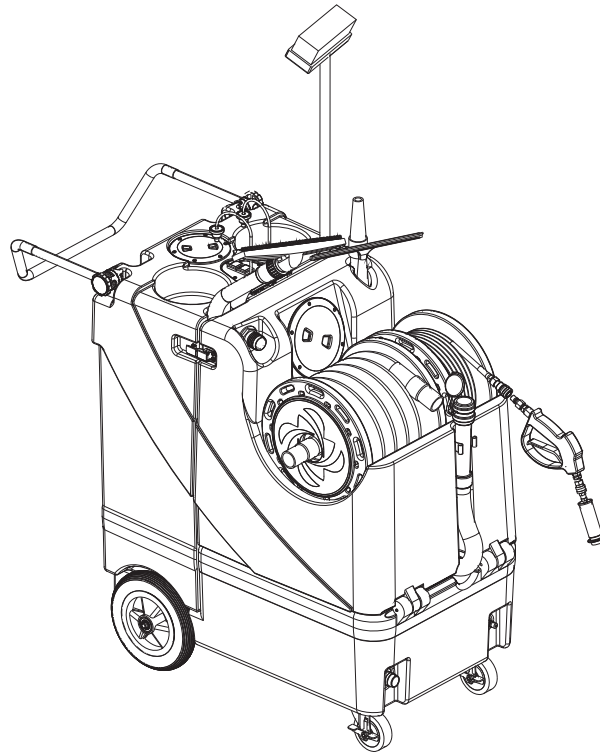
### **Advance MODEL 56108050**



**Advance**

4/03 revised 12/10 FORM NO. 56042442



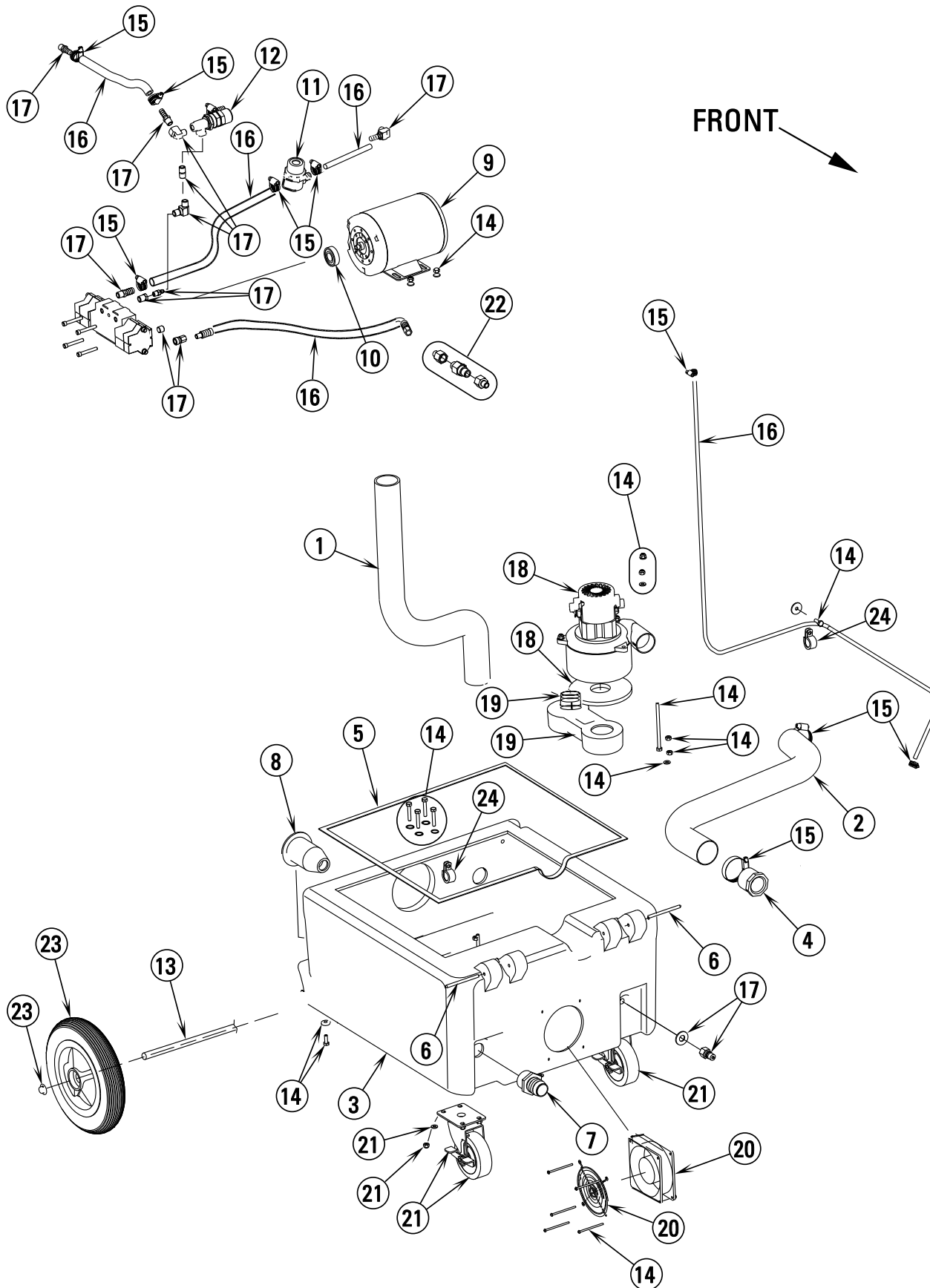


<b>DESCRIPTION</b>	<b>PAGE</b>
Base Assembly.....	2-3
Recovery Tank.....	4-5
Solution Tank.....	6-7
Tools / Accessories.....	8-9
Wiring Diagram .....	9

#### WHEN ORDERING PARTS

- \* Use the part numbers from the "Ref. No." columns in this parts list.
- \* Specify the model and serial number of the machine.
- \* Use the space below to record the model and serial number for future reference.

Model \_\_\_\_\_ Serial No. \_\_\_\_\_

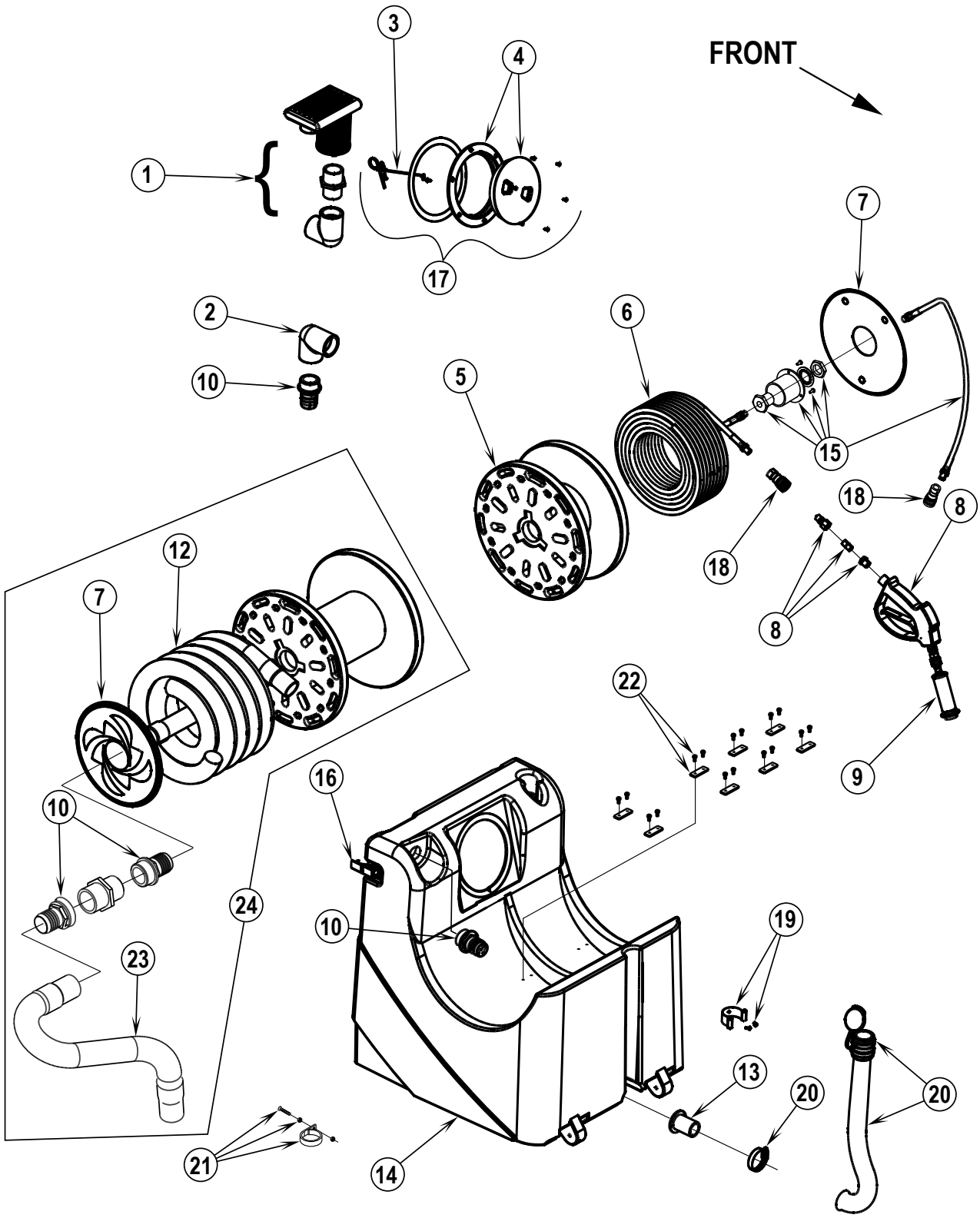


Item	Ref. No.	Qty	Description	Item	Ref. No.	Qty	Description
1#	1076	1	Hose Vacuum, 38" with Cuffs	18#	FP299	1	Vacuum Motor Kit (kit includes)
2#	430E	1	Hose Vacuum		NA	1	Vacuum Motor, 3 Stage
3#	B-APC	1	Base		NA	1	Gasket, Vacuum
4#	1077	1	PVC Adapter	*	56260950	1	Replacement Carbon Brushes for Vacuum Motor (set of 2)
5#	FP228	1	Gasket-Poron-1/8x1/2x7-Ft-Q	19#	FP300	1	Vacuum Manifold Kit (kit includes)
6#	801A	2	Hinge Pin		NA	1	Manifold, Vacuum
7#	973	1	Adapter Pvc 1 1/4 X Mipt S		NA	1	Boss, 1-1/2" Spin Weld
8#	1062	1	Electrical Inlet Twist Lock Ne	20#	FP301	1	Fan Kit (kit includes)
9#	2060	1	Motor, Pump, 120V		NA	1	Fan, 100 CFM, 120V
10#	950A	1	Bearing & Cam Assembly Size 1		NA	1	Guard, Fan
11#	1050	1	Filter Water In-Line	21#	FP302	1	Caster Kit (kit includes)
12#	945A	1	Bypass Valve W/ 0-600 Psi Spri		NA	1	Caster, 4"
13#	FP549	1	Apc-S.S. Axle 22.81 Inches <b>TSBUS2008-1022</b>		NA	4	Washer, Flat, 3/16
14#	FP295	1	Base Hardware Kit (kit includes)		NA	4	Lock Nut
	NA	3	Bolt, 1/4-20 x 5"		NA	1	Brake, Caster
	NA	3	Washer, Split Lock, 1/4	22#	FP303	1	Injector Kit (kit includes)
	NA	16	Bolt 1/4-20 x 3/4"		NA	1	Injector, Chemical
	NA	4	Screw, 6-32 x 2"		NA	2	Reducer, Brass, 3/8 P.T.
	NA	22	Lock Nut	23#	FP304	1	Wheel Kit APC (kit includes)
	NA	3	Nut, Finish, 1/4-20		NA	1	Wheel, 10"
	NA	28	Washer, Flat		NA	1	Axle Cap
	NA	1	Washer, Flat	24#	196	2	Clamp-Wire
15#	FP296	1	Clamp Kit (kit includes)	*#	APC-LABEL	2	Decal-Advance Reel Cleaner
	NA	2	Hose Clamp	**#	229	1	Rebuild Kit Pump Valves & O-
	NA	3	Hose Clamp	**#	250	1	Rebuild Kit Pump Piston & S
	NA	6	Hose Clamp	**#	FP270	1	Pump Complete No Motor Apc (kit includes #10, 12 & items below)
16#	FP297	1	Hose Kit (kit includes)		NA	1	Pump, No Brass 300 PSI
	NA	1	Hose, Solution 1/4" I.D. x 61"		NA	1	Plug, Brass 1/4 NPT
	NA	1	Hose, Outlet, 1/4" x 49"		NA	1	Quick Disconnect, Male 1/8 NPT
	NA	1	Hose, Inlet, 1/2" x 9"		NA	1	Bushing, Brass 1/4 NPT Male
	NA	1	Hose, 3/8" x 20"		NA	1	Hose Barb 1/4 Pipe x 1/2
	NA	1	Hose, Inlet, 1/2" x 15"		NA	2	Elbow, Brass 90° 1/4 M
17#	FP298	1	Quick Disconnect Kit (kit includes)		NA	1	Nipple, SS 1/4 NPT
	NA	2	Washer, Brass		NA	2	Hose Barb, Brass Male 1/4
	NA	1	Quick Disconnect, Male, 1/4 NPT				
	NA	2	Hose Barb / Elbow, Nylon				
	NA	1	Quick Disconnect, Female, 1/8 NPT				
	NA	1	Plug, Brass, 1/4 NPT				
	NA	1	Quick Disconnect, Male, 1/8 NPT				
	NA	1	Bushing, Brass, 1/4 NPT				
	NA	1	Hose Barb, 1/4 Pipe x 1/2				
	NA	2	Elbow Brass, 90 Degree, 1/4 M				
	NA	1	Nipple SS, 1/4 NPT				
	NA	2	Hose Barb, Brass				
	NA	1	Hose Barb, Nylon				

\* = Not Shown

\*\* = Optional

# = Revised or new since last update



Item	Ref. No.	Qty	Description
1#	FP193	1	Ball Float Assembly
2#	922	1	PVC Elbow
3#	805	1	Chain, 8"
4#	2086A	1	Lid-Clear With Ring
5#	FP274	1	Reel For Solution Hose Apc
6#	2016D	1	Hose Power Clean 1/4 Id X 5 (for replacement on machines before SN 1689362 order Kit FP310)
7#	1064	2	Hubcap For Reels W/Center Hole
8	56108072	1	Spray Gun, Complete
9	56108060	1	Spray Tip, Variable
10#	907	4	Hose Barb Fitting Black Abs
12#	FP306A	1	Hose Vac 5 To 1 Stretch W/Cu
13#	1063	1	Boss 1 1/2 Spin Weld
14#	V-APC	1	Vacuum Tank Apc Light Grey
15#	FP306	1	Swivel Hose Kit (kit includes)
	NA	1	Bulkhead Fitting, 1/4 Male & Female NPT
	NA	3	Screw, Hi-Low #8 x 1/2
	NA	1	Swivel Cup, Flanged
	NA	1	Hose, Solution 1/4 I.D. x 40"
	NA	1	Quick Disconnect Female, 1/4 NPT
	NA	1	Tubing, Black 3/4" I.D. x 1" O.D. x 4" Lg.
16	56108074	2	Latch, Rubber, Black, with Strike <b>Note #1</b>
17#	FP285	1	Recovery Lid Kit (kit includes items #3, #4 & below)
	NA	1	Chain, 8" (item #3)
	NA	1	Gasket
	NA	1	Lid, 6" with Clear Center, and Ring (item #4)
	NA	6	Screw, Lid Ring, 8-32 x 7/8"
18#	46	2	Quick Disconnect, Female 1/4 NPT
19#	FP287	1	Recovery Hose Clamp Kit (kit includes)
	NA	1	Hose Clamp, Plastic
	NA	2	Screw, Tapping #8 x 5/8"
20#	FP288	1	Dump Hose Kit (kit includes)
	NA	1	Hose Clamp 2 1/4"
	NA	1	Cap, Dump Hose 1 1/2"
	NA	1	Hose, Dump 1-1/2" x 24"
21#	FP307	1	Recovery Hose Clamp Kit
	NA	1	Screw, 8-32 x 7/8", SS
	NA	2	Lock nut, 8-32, SS
	NA	1	Clamp, Self closing, 1-1/2"
**#	FP275	1	Solution-Hose-Qd-Apc
*#	1093	1	Label N/A & Kent Warning 6 Lo
22#	FP342	1	Teflon Glides Kit 8ea.& Screws (kit includes)
	NA	8	Glide, 1/2" Wide
	NA	16	Screws #6 x 1/4 Panhead
**#	FP310	1	Hose-Assembly-Solution-50-Ft-A (kit includes #6 and items below)
	NA	1	Bulkhead Fitting, 1/4 Male & Female NPT
	NA	1	Swivel Cup, Flange
	NA	1	Hose, Solution 1/4 ID x 40" 2750 PSI @ 212° F (black)
	NA	1	Tubing, Black 3/4" ID x 1" OD x 4" LG
23#	919F	1	Hose Vacuum 1-1/2 X 21 Black
24#	FP377	1	Vac Hose & Reel Kit Assembled (kit includes #7, 12, 23 and items below) <b>NOTE #2</b>
	NA	2	Hose Barb Fitting, Plastic
	NA	1	Coupling, 1-1/2 x 1-1/2FPT, PVC
	NA	1	Reel, Vacuum Hose

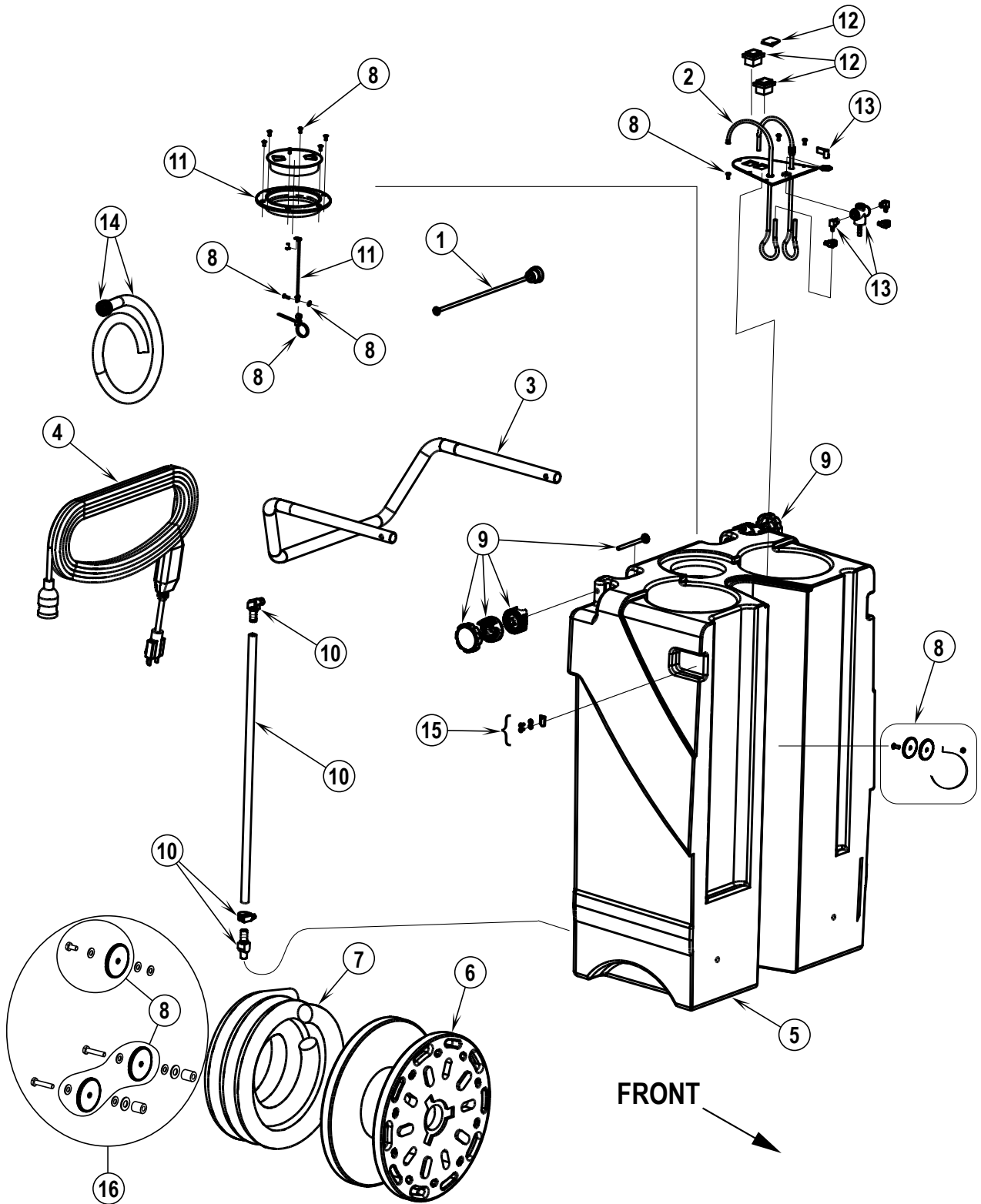
\* = Not Shown

\*\* = Optional

# = Revised or new since last update

**Note #1:** The latch is shown in this assembly drawing, the strike is shown in "Solution Tank" drawing.

**Note #2:** The Recovery Hose & Reel Kit is used as of serial number 1776131 but can be used on prior models.





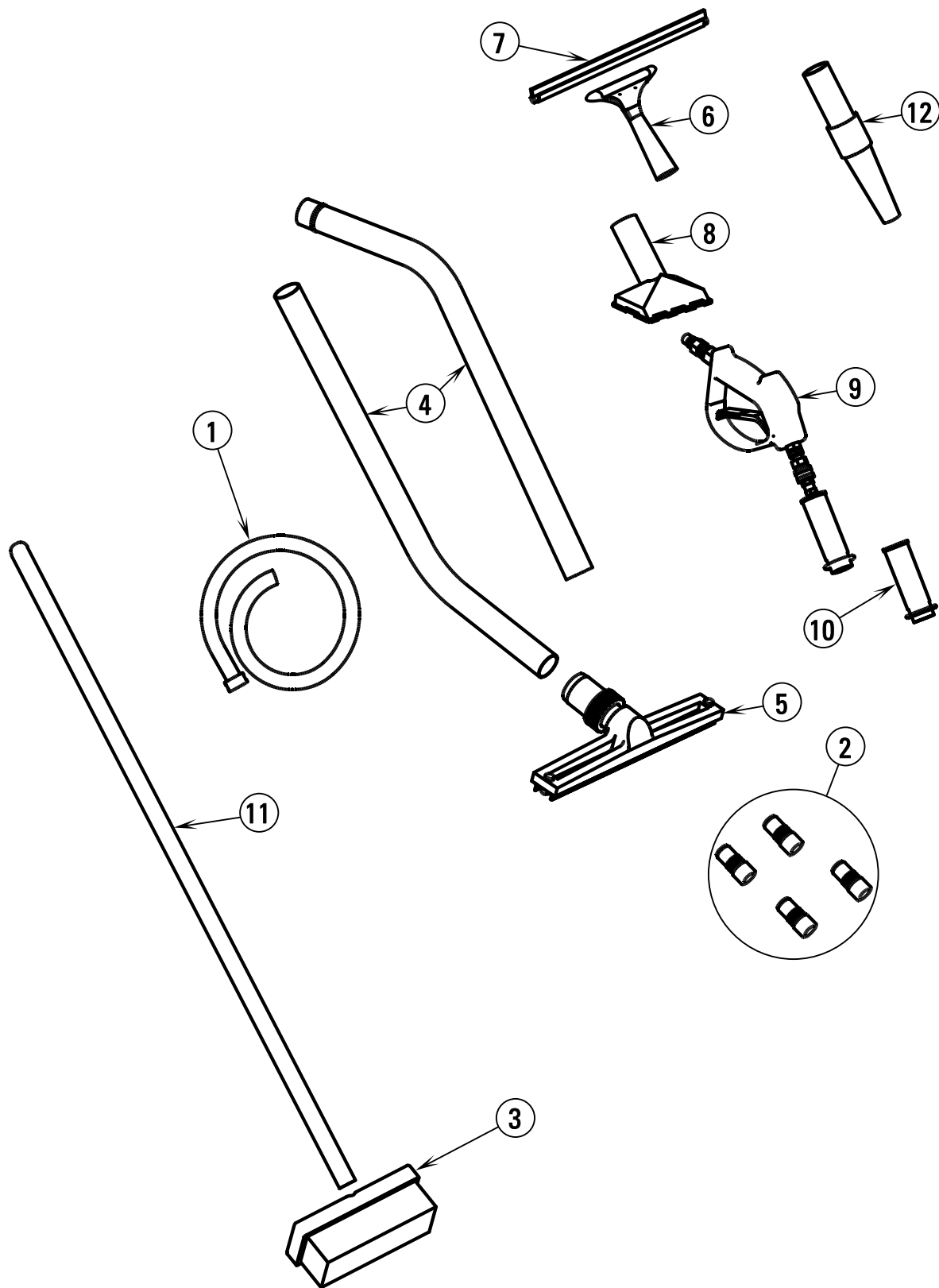
Item	Ref. No.	Qty	Description
1#	1079	2	Chemical Feed Cap & Tube W/Ff
2#	FP280	2	Hose, 1/4" I.D. x 30"
3#	FP271	1	Handle, Pivoting
4#	FP438	1	Power Cord 50 Ft W/Gfci Inst
5#	FP558	1	Vacuum Tank Apc Replacement Dr
6#	FP272	1	Reel For Blower Hose Apc
7#	1058	1	Hose Vacuum Black 1.25 X 13
8#	FP289	1	Solution Tank Hardware Kit (kit includes)
	NA	1	Washer, Flat, Rubber, 1/4" I.D. x 3/4" O.D.
	NA	1	Washer, Flat, 1/4" I.D. x 1" O.D.
	NA	1	Lock Nut
	NA	6	Screw, Lid Ring 8-32 x 7/8"
	NA	1	Clamp, SS, Insulated
	NA	1	Screw, 10-32 x 5/8"
	NA	1	Wire Tie
	NA	5	Screw, #4 x 3/8
	NA	3	Retainer, Reel
	NA	3	Washer, Flat
	NA	3	Bolt, 1/4-20 x 3/4"
9#	FP290	1	Handle Knob Kit (kit includes)
	NA	2	Bolt, Carriage, 5/16-18 x 3-1/2"
	NA	2	Locking Mechanism, Tank
	NA	2	Locking Mechanism, Handle
	NA	2	Knob, Handle Lock
10#	FP291	1	Solution Hose Kit (kit includes)
	NA	1	Hose Barb, Nylon Straight 1/2" NPT
	NA	1	Hose Barb / Elbow, 90 Degrees, Nylon, 1/2" Barb
	NA	1	Hose, 1/2 I.D. x 3/4 O.D. x 24.5"
	NA	1	Hose Clamp 3/8" - 7/8"
11#	FP292	1	Solution Lid Kit (kit includes)
	NA	1	Lid, 4" with Clear Center, and Ring
	NA	1	Chain, 8"
12#	FP293	1	Switch Kit (kit includes)
	NA	2	Switch, 120V
	NA	2	Splash Guard, Switch Cover
13#	FP294	1	Solution Valve Kit (kit includes)
	NA	1	Valve, with Position Knob
	NA	2	Elbow / Hose Barb, Brass
14#	FP305	1	Hose Fill Kit (kit includes)
	NA	1	Hose, Fill White 1/2 I.D. x 3/4 O.D. x 5 ft.
	NA	1	Adapter, Faucet
15#	908A	2	Latch & Strike Draw Rubber Ma <b>Note 1</b>
16#	FP378	1	Keeper Reel Swivel Kit (kit includes)
	NA	3	Retainer, Reel
	NA	3	Washer, Flat 3/16
	NA	1	Bolt, 1/4-20 x 3/4"
	NA	2	Bolt, 1/4-20 x 1-3/4"
	NA	4	Washer, Nylon Black, 1/4" ID
	NA	2	Retainer Spacer, 3/4" OD x .035W x 1" LG
	NA	2	Washer, Flat 1/4" ID x 1" OD
	NA	1	Instruction Sheet for retainer

\* = Not Shown

\*\* = Optional

# = Revised or new since last update

**Note 1:** The strike is shown in this assembly drawing, the latch is shown in "Recovery Tank" drawing.



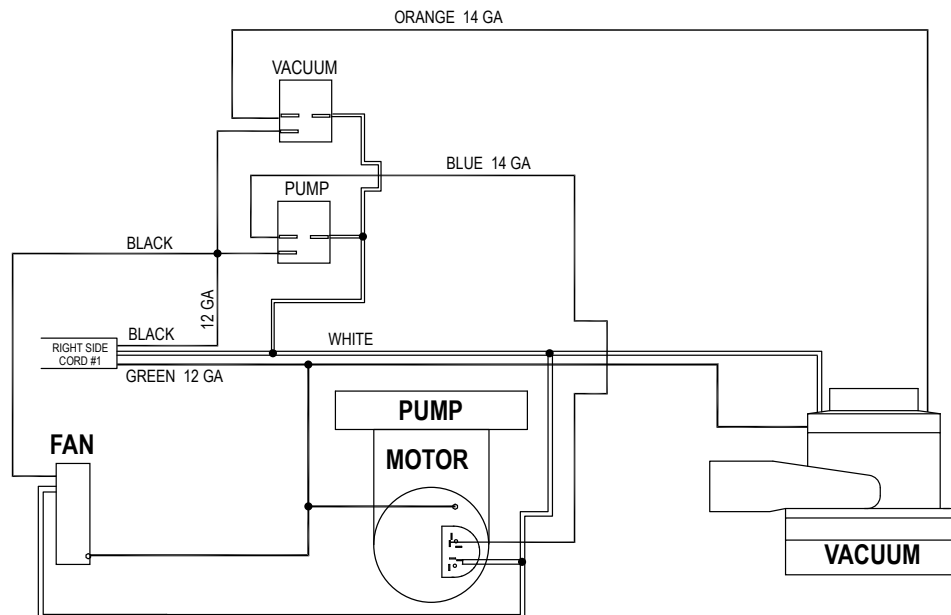
Item	Ref. No.	Qty	Description
1#	SUBSYP1	1	Syphon Hose For Hhp-12
2	56108030	1	Metering Tip Kit (4 pieces) <b>Table 1</b> below
3	56108026	1	Brush, Scrub
4	56108027	1	Wand, 2 pieces, Aluminum
5	56108028	1	Floor Squeegee Tool, 14"
6	56108018	1	Quick Release Aluminum Squeegee Handle
7	56108017	1	12" Aluminum Channel w/ Rubber Blade
8	56108029	1	Drain Tool, 5"
9	56108072	1	Spray Gun Complete
10	56108060	1	Spray Tip, Variable
11	56108022	1	Handle, Aluminum, 4ft.
12	56108066	1	Nozzle, Blower, Rubber
**	56108094	1	Grout Scrub Brush
**	56108021	1	Dry Caddy Bag
**	56108025	1	Extraction Tool Adapter Kit
**	56108016	1	Replacement Rubber Soft Blade – 12 Pack
**	56108011	1	Squeegee Service Kit

\*\* = Optional

# = Revised or new since last update

Table 1

Metering Tips		
Color	Size	Flow Rate
Red Purple	0.007	1/2 oz. per gallon
Light Purple	0.009	1 oz. per gallon
Purple	0.014	2 oz. per gallon
Yellow	0.020	4 oz. per gallon



Item	Ref. No.	Qty	Description
#	FP301	1	Fan Kit
#	2060	1	Motor, Pump, 120V
#	FP299	1	Vacuum Motor Kit
*	56260950	1	Replacement Carbon Brushes for Vacuum Motor (set of 2) (not shown)
#	FP293	1	Switch Kit (includes two switches: one pump switch & one vacuum switch)
*#	FP438	1	Power Cord 50 Ft W/Gfci Inst

\* = Not Shown

# = Revised or new since last update



**Advance**

14600 21st Avenue North  
Plymouth, MN 55447-3408

[www.advance-us.com](http://www.advance-us.com)

Phone: 800-989-2235

Fax: 800-989-6566

©2010 Nilfisk-Advance, Inc.

---

**A Nilfisk-Advance Brand**