



IPC Integrated Professional Cleaning

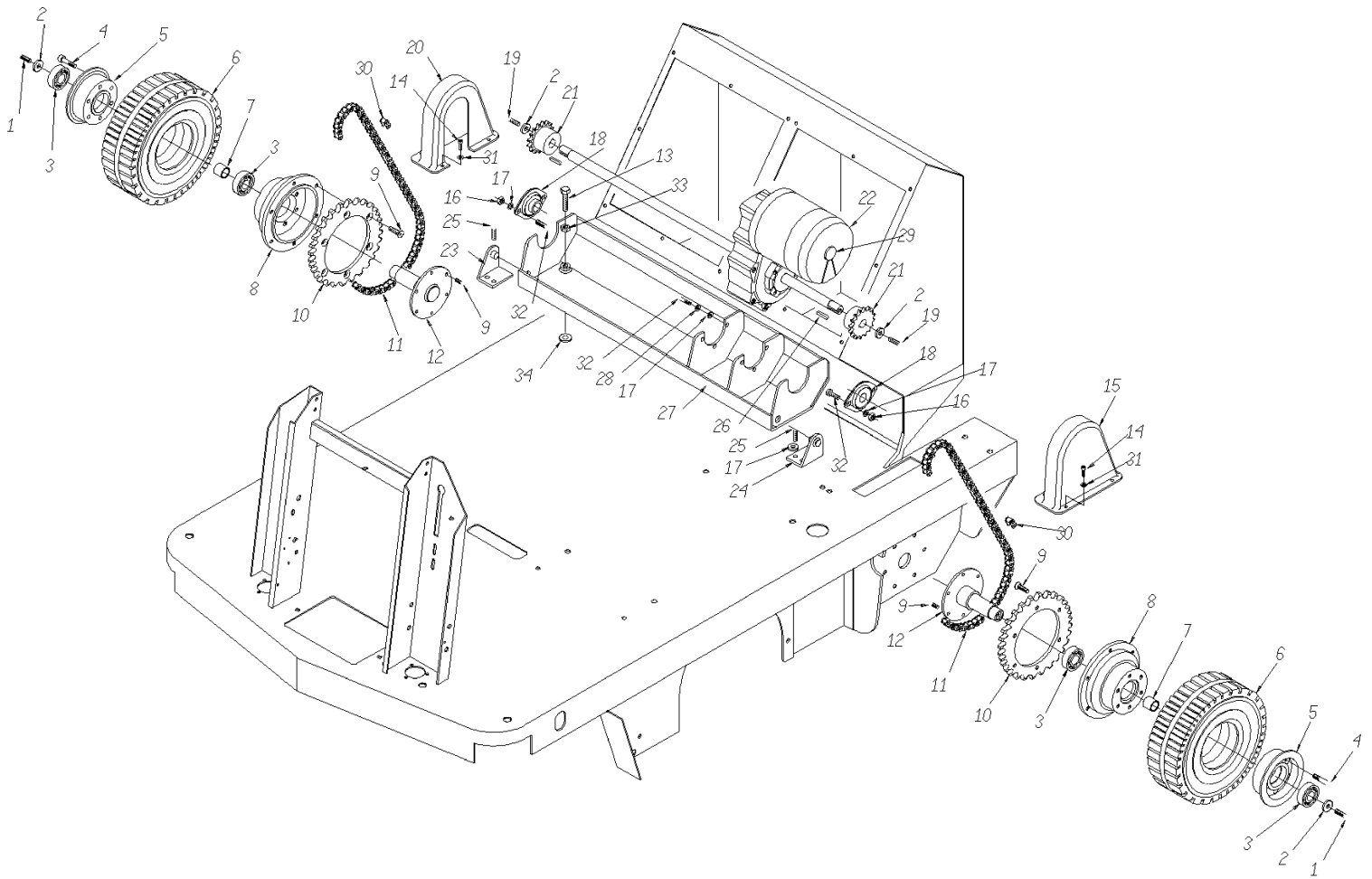
IPC Gansow

Spare Parts List

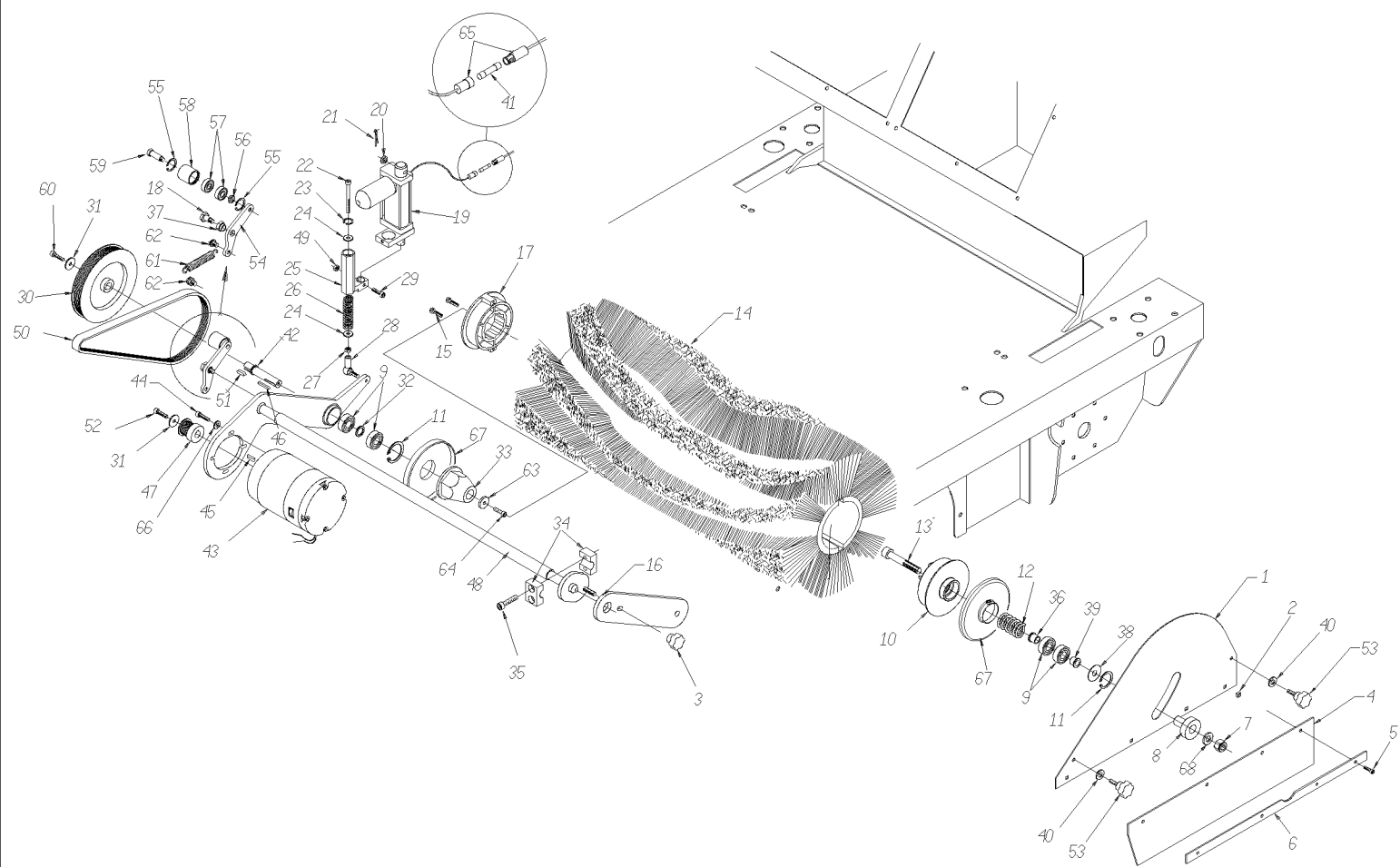
IPC EAGLE

Ref: MSUB00579

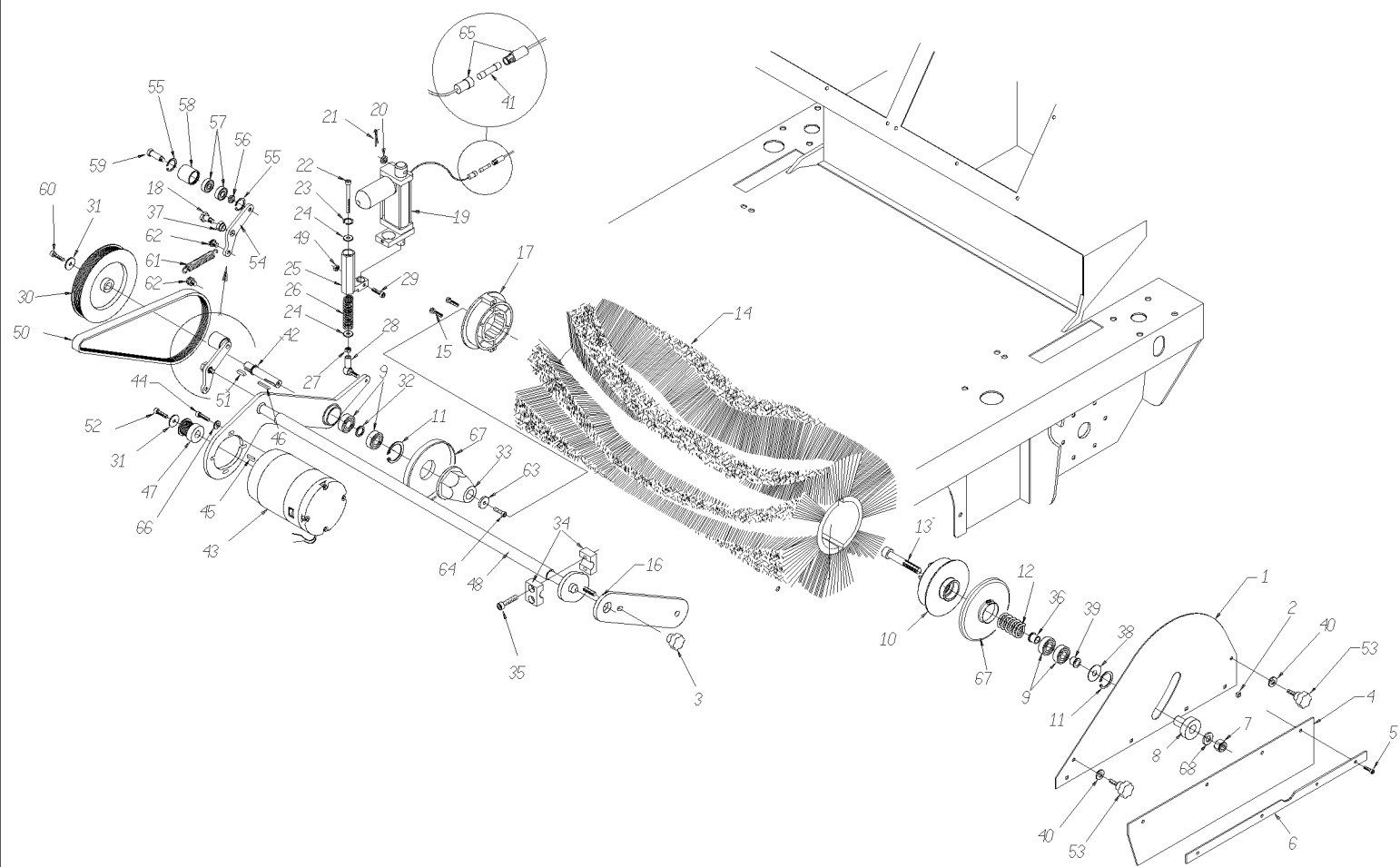
Model: 1404 E GR/VE 2SP IPC



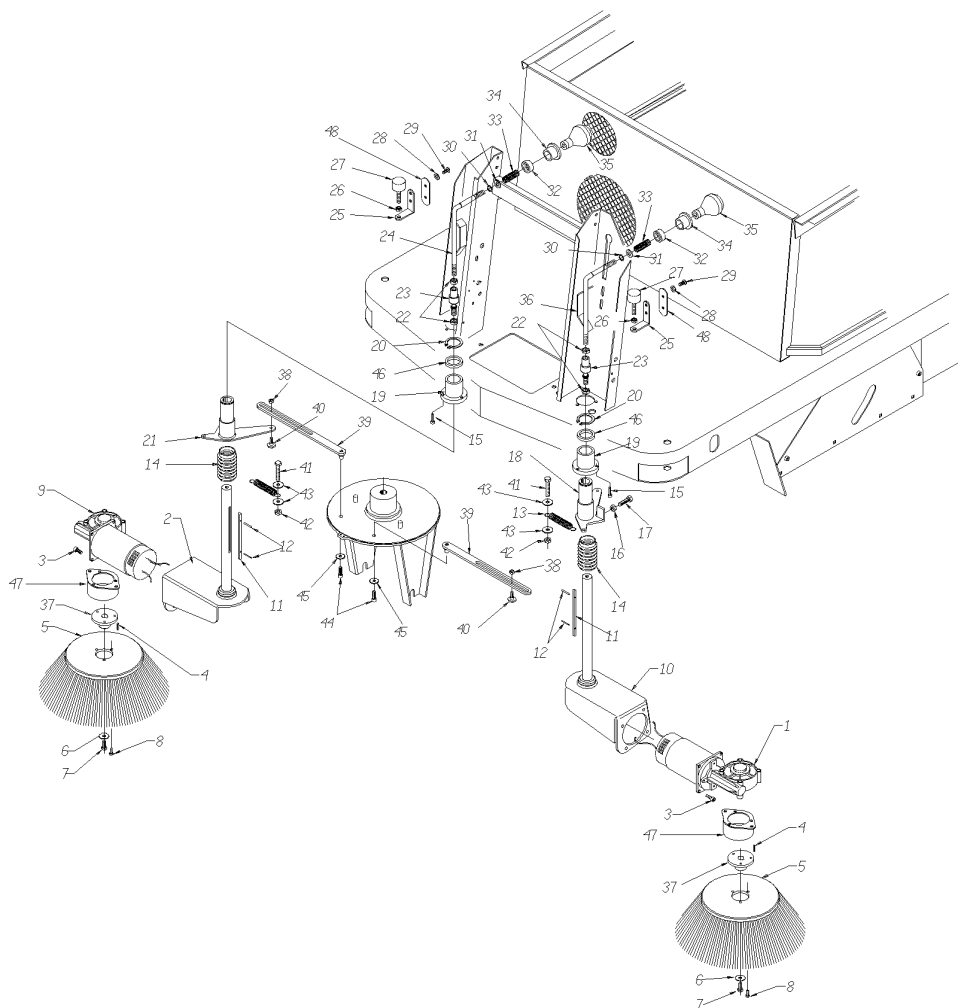
Ref. K	Part N.	Customer Part N.	Description	Qty	Validity:		Price
					From	To	
0001	VTVT87271		SCREW TBEI M 8X 16 ISO 7380	2,00			--
0002	VTRS00513		WASHER D. 8 X32 P.	4,00			--
0003	CUVR08998		BALL BEARING 6204 2RS1	4,00			--
0004	VTVT01119		SCREW TCEI 8X20 UNI5931	12,00			--
0005	LAFN45083		HUB TK1400 AN/PST.	2,00			--
0006	RTRT45132		WHEEL D.306 4.00-4 S.EL.	2,00			--
0007	LAFN45336		SPACER D. 20-24 L=22	2,00			--
0008	LAFN45084		HUB TK1400 PST.	2,00			--
0009	VTVT01534		SCREW TSPEI 8X30 UNI5933	18,00			--
0010	MTCR45337		TOOTHED WHEEL Z. 45 P 1/2"	2,00			--
0011	MTCR45085		CHAIN 1/2 TK1400 TRZ.	2,00			--
0012	LAFN45086		WHEEL SUPPORT TK1400 PST.	2,00			--
0013	VTVT01536		SCREW TE 10X45 UNI5739	2,00			--
0014	VTVT75726		SCREW TBEI M 6X 16 ISO 7380 ZB	4,00			--
0015	MPVR45338		CRANKCASE L.14 SX	1,00			--
0016	VTDD00124		NUT M 8 BASSO	4,00			--
0017	VTRS00504		WASHER D. 8 TE ZC. UNI 6592	14,00			--
0018	CUVR00105		SUPPORT	2,00	11/2010		--
0018	LAFN87166		SUPPORT	2,00		11/2010	--
0019	VTVT87271		SCREW TBEI M 8X 16 ISO 7380	2,00			--
0020	MPVR45396		CRANKCASE L.14 DX	1,00			--
0021	MTCR45897		PINION Z.12 P 1/2	2,00			--
0022	MEVR33562		CARBON 10X18X18 400W 12V	4,00			--
0022	RDGR45088		MOTOR.GEARBOX DV 1400 24V	1,00			--
0023	LAFN45397		SUPPORT L.14 DX	1,00			--
0024	LAFN45398		SUPPORT L.14 SX	1,00			--
0025	VTVT00066		SCREW TCCE UNI 5931 8X25 ZB	4,00			--
0026	VTVR23472		KEY 6X6X25	2,00			--
0027	MPVR45399		SHAFT SUPPORT L.14	1,00			--
0028	VTRS01080		WASHER D. 8 GRW	6,00			--
0029	MECI00035		DASHBOARD DI TEMPERATURA F11-95 NC	1,00			--
0030	MTCR45401		WARP KNITTING 1/2	2,00			--
0031	VTRS00503		WASHER D. 6 TE UNI 6798	2,00			--
0032	VTVT29810		SCREW TCEI M 8X20 UNI 5931	10,00			--
0033	VTDD00484		NUT M10 ZIN UNI 5588	2,00			--
0034	LAFN47016		SPACER L.14	2,00			--



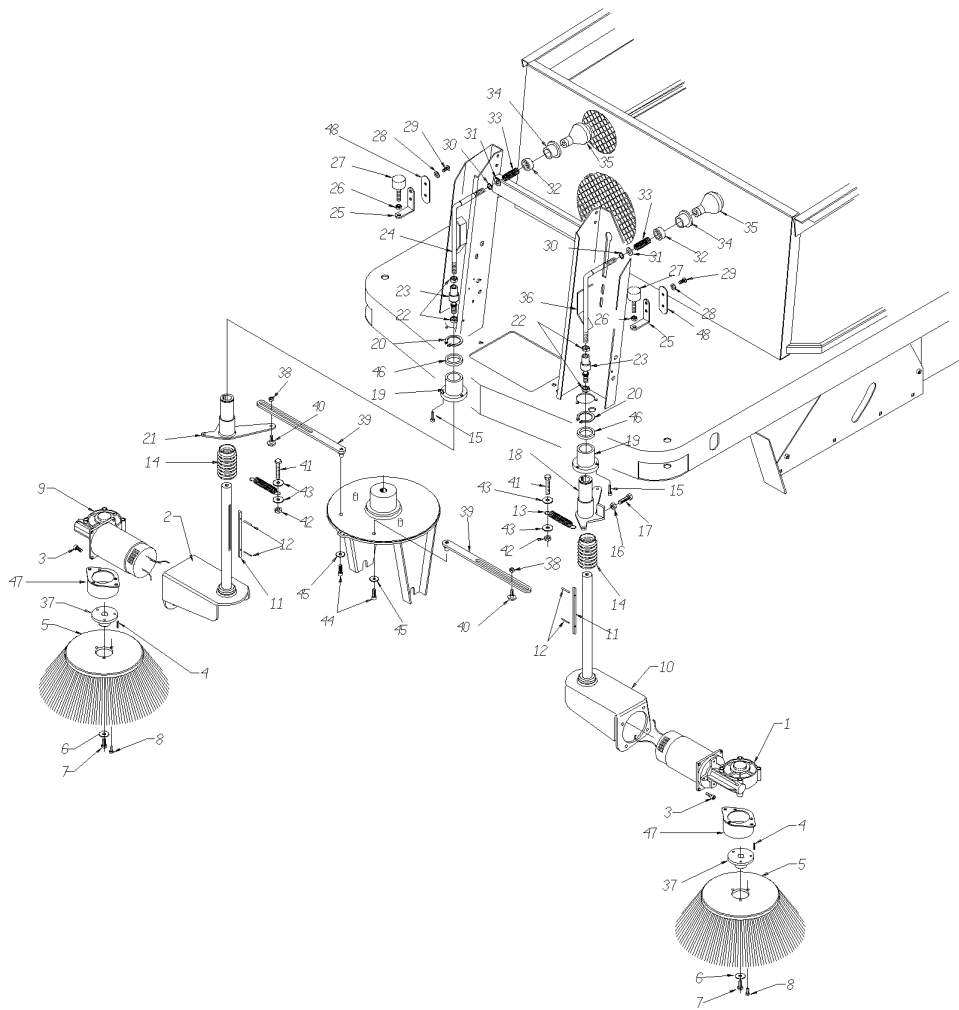
Ref.	K	Part N.	Customer Part N.	Description	Qty	Validity:		Price
						From	To	
0001		LAFN06600		BUMPER FRONTALE F1150	1,00			--
0002		VTVR47015		INSERT PLS. D.3	4,00			--
0003		VTVR00047		HANDWHEEL D.50 M8	1,00			--
0004		MPVR04669		FLAP LATERALE	1,00			--
0005		VTVT00044		SCREW TC AF.X PLAS UNI9707 4X16	4,00			--
0006		LAFN06601		PLATE FISSA FLAP	1,00			--
0007		VTDD00012		NUT AUTOBLOK DIN 985 M12 ZB	1,00			--
0008		LAFN06836		PIN CENTRAGGIO PROTEZIONE	1,00			--
0009		CUVR17004		BALL BEARING 6202 -2RS1	4,00			--
0010		MPVR04923		SUPPORT SPAZZOLA CENTRALE	1,00			--
0011		VTAE00076		CIRCLIP D.37 DIN 472	2,00			--
0012		MLML00295		SPRING SPAZZOLA CENTRALE	1,00			--
0013		VTVT01128		SCREW TCCE UNI 5931 12X120 ZB	1,00			--
0014		SPPV43840		BRUSH D.330x800 ST.MD.	1,00			--
0015		VTVT47049		SCREW ATF TSP-TC 3,5X45 U.6955	2,00			--
0016		LAFN47050		LATERAL ARM L.14	1,00			--
0017		LAFN45099		DRIVE DISK TK1400	1,00			--
0018		LAFN47051		PIN L.14	1,00			--
0019		MECB00956		WIRING ATTUATORE	1,00			--
0020		VTRS00503		WASHER D. 6 TE UNI 6798	1,00			--
0021		VTVR47052		SPLIT PIN "R" D. 2 X 43 ZC	1,00			--
0022		VTVT37013		SCREW TE M 6X100 UNI 5737	1,00			--
0023		VTAE00009		SEEGER INTERNO DIN 472 D.20	1,00			--
0024		LAFN00124		BUSHING BATTUTA CILINDRO	2,00			--
0025		MPVR45279		CASE TK1400	1,00			--
0026		MLML45281		SPRING TK1400	1,00			--
0027		VTDD00482		NUT M 6 ZIN UNI 5588	1,00			--
0028		VTVR45280		ARTICULATION AS M6	1,00			--
0029		VTVT00008		SCREW TE UNI 5739 6X30 ZB	1,00			--
0030		MTPL47054		PULLEY POLY-V J8 D. 155	1,00			--
0031		VTRS63242		WASHER D. 6 X24 ZC	2,00			--
0032		LAFN06823		SPACER L.14	1,00			--
0033		MPVR04915		HUB TRASCINATORE SPAZZ. CENT.	1,00			--
0034		LAFN47055		HOSE COLLAR C3 D.18	4,00			--
0035		VTVT06236		SCREW TCEI 6X40 UNI5931	4,00			--
0036		LAFN06782		BUSHING PER CUSCINETTO	1,00			--
0037		LAFN47033		BUSHING L.14	1,00			--
0038		VTRS00553		WASHER PARAPOLVERE	1,00			--
0039		LAFN06783		BUSHING PER CUSCINETTO 1	1,00			--



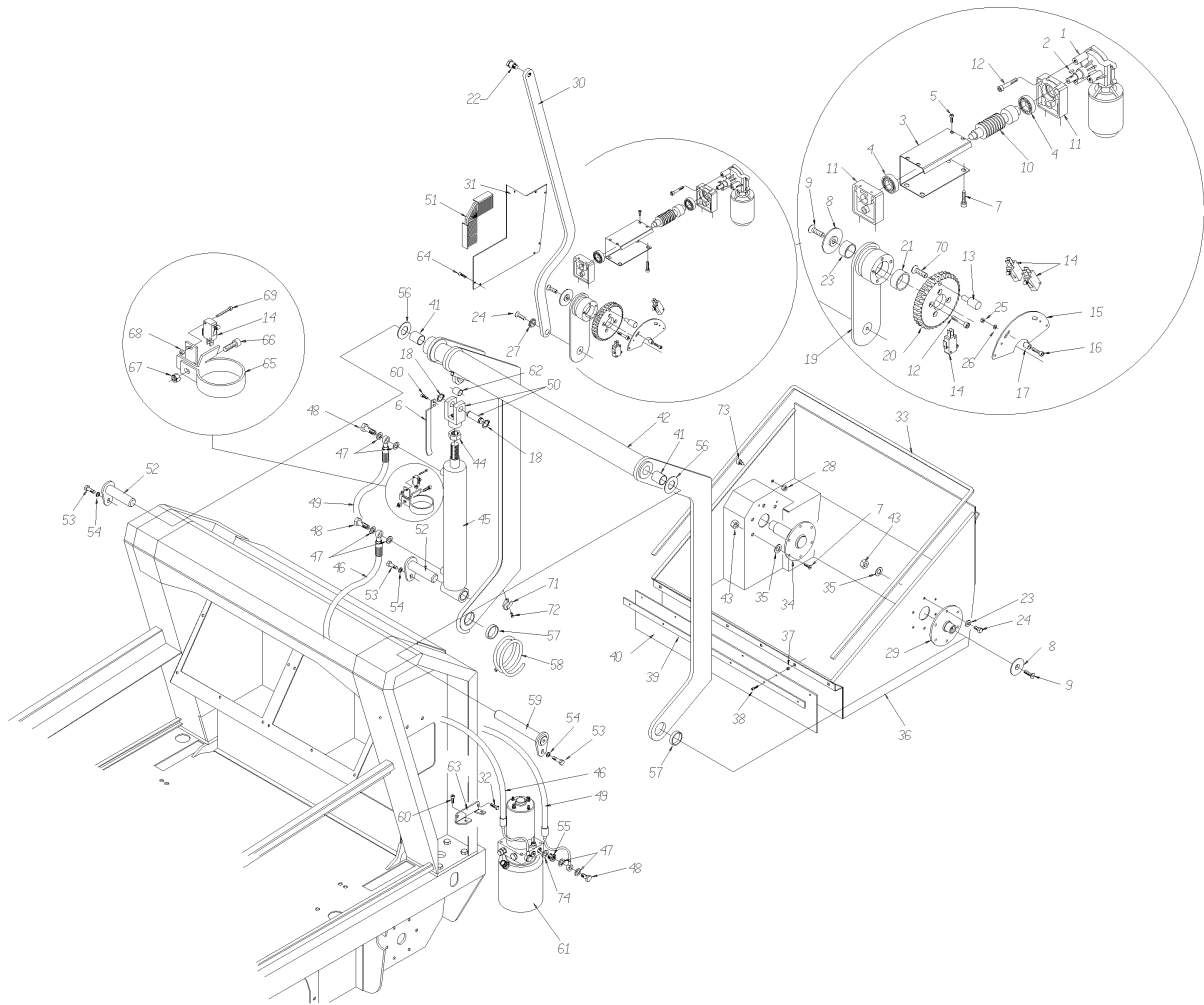
Ref. K	Part N.	Customer Part N.	Description	Qty	Validity:		Price
					From	To	
0040	VTRS00504		WASHER D. 8 TE ZC. UNI 6592	2,00			--
0041	MEVR00079		FUSE 3.15A 250V 5X20	1,00			--
0042	LAFN06687		PIN S.C. 1404	1,00			--
0043	MOCC00275		MOTOR SPAZZOLA CENTRALE	1,00			--
0044	VTVT06237		SCREW TCEI 6X20 UNI5931	4,00			--
0045	VTVR13165		KEY 5X5X20	1,00			--
0046	VTVR00006		KEY UNI 6604 4X4X35	1,00			--
0047	MTPL45101		PULLEY POLY-V J8 TK1400	1,00			--
0048	LAFN06828		ARM MAIN BRUSH 1404	1,00			--
0049	VTDD19688		NUT M6 UNI 7473	1,00			--
0050	MTCG44767		BELT POLY-V J8 864-340	1,00			--
0051	VTVR13165		KEY 5X5X20	1,00			--
0052	VTVT24209		SCREW TCEI 6X12 UNI5931	1,00			--
0053	RTRT00022		HANDWHEEL D.30 M6X15	2,00			--
0054	LAFN47059		BELT-STRETCHER L.14	1,00			--
0055	VTAE00008		SEEGER INTERNO DIN 472 D.26	2,00			--
0056	LAFN47060		SPACER L.14	1,00			--
0057	CUVR86373		BEARING 6000 2RS	2,00			--
0058	MTPL47061		ROLLER L.14	1,00			--
0059	LAFN47062		PIN L.14	1,00			--
0060	VTVT24209		SCREW TCEI 6X12 UNI5931	1,00			--
0061	MLML75961		SPRING D. 16 L.80	1,00			--
0062	VTVT45395		SCREW TBEI M 8X 10 ISO 7380 ZB	2,00			--
0063	VTRS04026		WASHER D. 6X18X2.38	1,00			--
0064	VTVT24209		SCREW TCEI 6X12 UNI5931	1,00			--
0065	MEVR00080		FUSE-HOLDER PV610 10A	1,00			--
0066	VTRS04026		WASHER D. 6X18X2.38	4,00			--
0067	LAFN06837		PROTECTION SPAZZOLA CENTRALE	2,00			--
0068	VTRS00506		WASHER D.12 UNI 6592	1,00			--



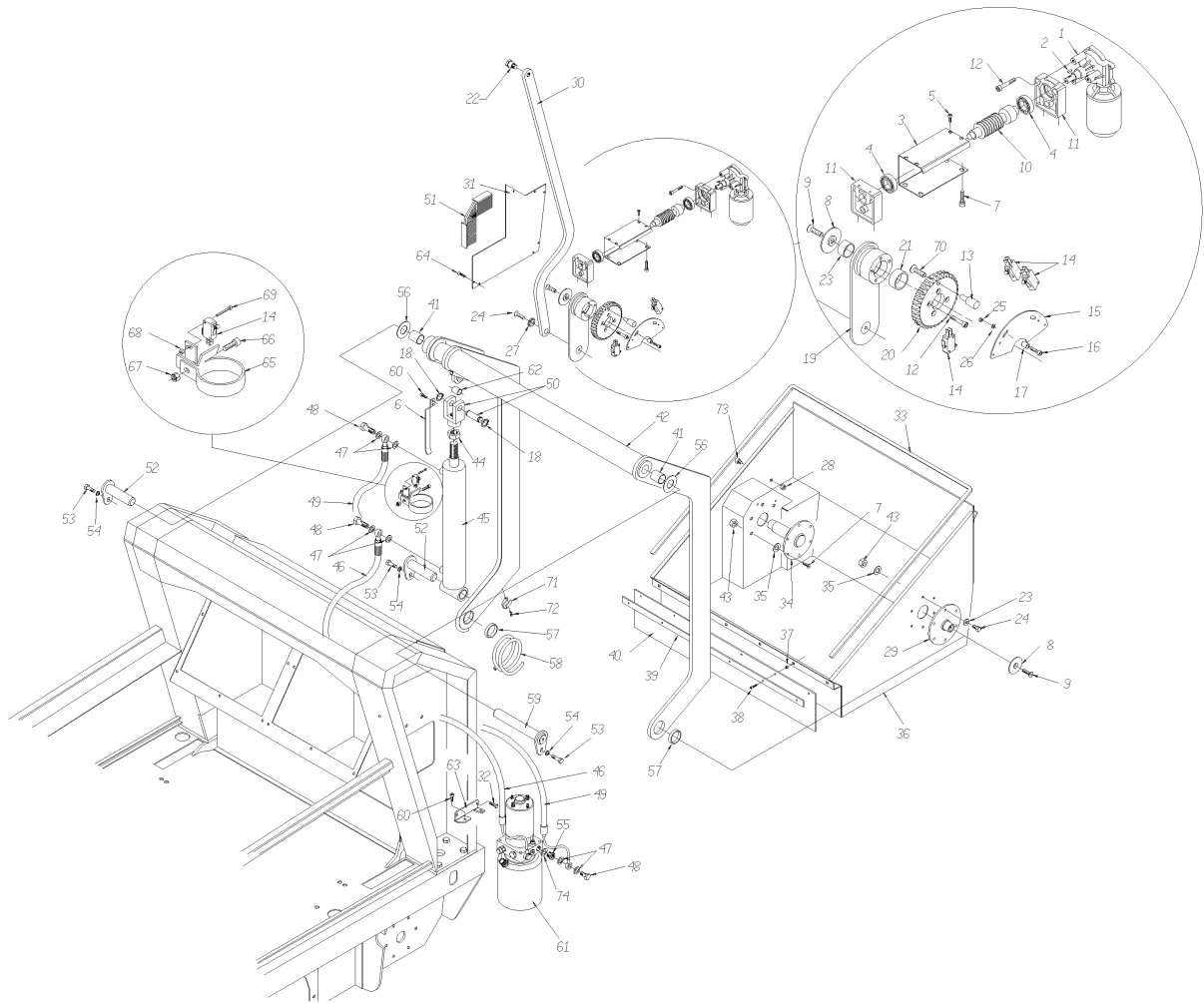
Ref.	K	Part N.	Customer Part N.	Description	Qty	Validity:		Price
						From	To	
0001		RDGR44777		MOTOR.GEARBOX AOMP140 24V 90W SX	1,00			--
0002		LAFN47063		MOTOR SUPPORT L.14 DX	1,00			--
0003		VTVT06237		SCREW TCEI 6X20 UNI5931	8,00			--
0004		VTVR33667		KEY 5x 5x25 UNI 6604A	2,00			--
0005		SPPV43844		SIDE-BRUSH D. 500 ST.MD.	2,00			--
0006		VTRS63242		WASHER D. 6 X24 ZC	2,00			--
0007		VTVT75719		SCREW TE F/ROND. M 6 X 10	2,00			--
0008		VTVT62920		SCREW TE F/ROND. M 6X 16 ZB	6,00			--
0009		RDGR44776		MOTOR.GEARBOX AOMP140 24V 90W DX	1,00			--
0010		LAFN47064		MOTOR SUPPORT L.14 SX	1,00			--
0011		VTVR47065		KEY 6X 6X130 UNI 6604	2,00			--
0012		VTVR00009		ELASTIC PLUG DIN 1481 3X20	4,00			--
0013		MLML45102		SPRING TR	2,00			--
0014		MPVR47066		PROTECTOR L.14	2,00			--
0015		VTVT09913		SCREW TCEI 6X16 UNI5931	6,00			--
0016		VTDD00483		NUT M 8 ZIN UNI 5588	6,00			--
0017		VTVT00017		SCREW TE UNI 5739 8X35 ZB	2,00			--
0018		LAFN47067		GUIDE L.14 SX	1,00			--
0019		LAFN47070		FLANGE L.14 LT.	2,00			--
0020		VTAE12644		CIRCLIP D. 30 UNI 7435	2,00			--
0021		LAFN47071		GUIDE L.14 DX	1,00			--
0022		VTDD00484		NUT M10 ZIN UNI 5588	4,00			--
0023		VTVR47072		ARTICULATION AS M10	2,00			--
0024		LAFN47073		ARM L.14 DX	1,00			--
0025		MPVR86579		SUPPORT TK	2,00			--
0026		VTDD00482		NUT M 6 ZIN UNI 5588	2,00			--
0027		ABGO00008		VIBRATION DAMP.PM 20X20 M6X20	2,00	11/2012		--
0027		MPVR75799		FOOT 20x9 M 6x18	2,00		11/2012	--
0028		VTRS04026		WASHER D. 6X18X2.38	4,00			--
0029		VTVT75726		SCREW TBEI M 6X 16 ISO 7380 ZB	4,00			--
0030		VTAE87276		SEEGER EXT. D10 DIN471	2,00			--
0031		VTRS00505		WASHER D.10 TE UNI 6592	2,00			--
0032		MPVR47074		BUSHING L.14 INT.	2,00			--
0033		MLML47075		SPRING D.15X 24 X1.5	2,00			--
0034		MPVR47076		BUSHING L.14 EXT.	2,00			--
0035		MPVR47077		KNOB L.14	2,00			--
0036		LAFN47078		ARM L.14 SX	1,00			--
0037		LAFN45010		FLANGE L.1400 LT.	2,00			--
0038		VTDD00491		NUT M 6 TEF	2,00			--



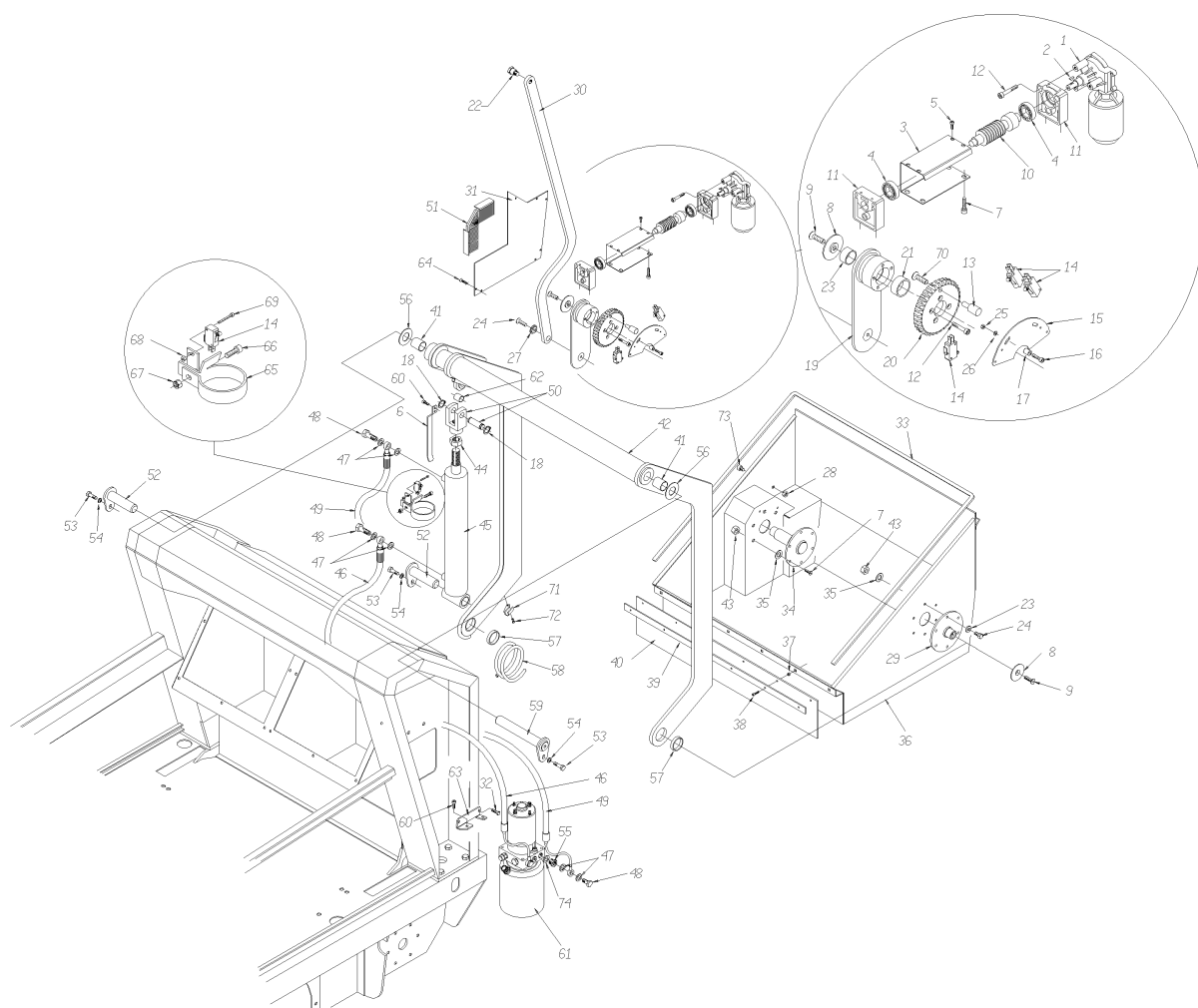
Ref. K	Part N.	Customer Part N.	Description	Qty	Validity:		Price
					From	To	
0039	LAFN47079		ROD L.14	2,00			--
0040	LAFN47080		SCREW L.14	2,00			--
0041	VTVT00450		SCREW TE 8X40 UNI5739	2,00			--
0042	VTDD00124		NUT M 8 BASSO	2,00			--
0043	VTRS00512		WASHER D. 8 X24 ZC.	4,00			--
0044	VTVT00058		SCREW TCEI M 5X12 ZB U.5931	2,00			--
0045	VTRS00291		WASHER D. 5 X20 ZC UNI 6593	2,00			--
0046	LAFN47081		SPACER L.14	2,00			--
0047	LAFN06834		PROTECTION SPAZZOLA LATERALE	2,00			--
0048	LAFN06795		BRACKET LEVE SPAZZOLE LATERALI	2,00			--



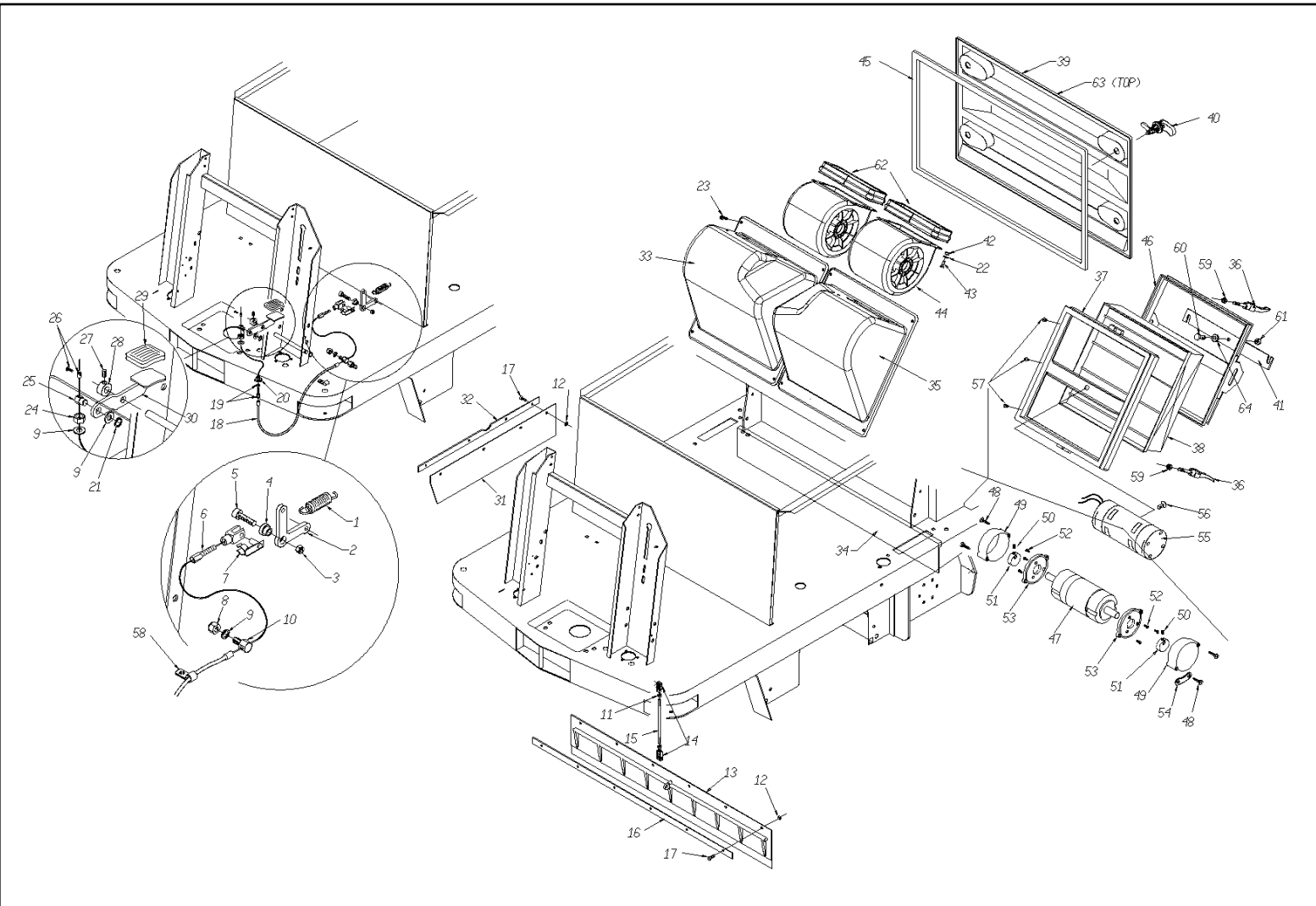
Ref.	K	Part N.	Customer Part N.	Description	Qty	Validity:		Price
						From	To	
0001		RDGR31335		MOTOR.GEARBOX L. 70TE	1,00			--
0002		VTVR75730		KEY UNI 6606 3 X 3,7	1,00			--
0003		LAFN45321		COVER L.14	1,00			--
0004		CUVR06174		BALL BEARING 6002-2RS1	2,00			--
0005		VTVT00098		SCREW AUTOF.TC UNI 6954 3,9X9,5	4,00			--
0006		LAFN47093		ECCENTRIC CAM L.14	1,00			--
0007		VTVT62920		SCREW TE F/ROND. M 6X 16 ZB	10,00			--
0008		LAFN47094		SPACER L.14	2,00			--
0009		VTVT45340		SCREW TSPEI 8X16 UNI5933	2,00			--
0010		MTIG45320		TOOTHED WHEEL L.14	1,00			--
0011		LAFN45319		SUPPORT L.14	2,00			--
0012		VTVT06237		SCREW TCEI 6X20 UNI5931	7,00			--
0013		LAFN45233		PAWL TK1400	1,00			--
0014		MECI44780		MICROSWITCH D2VW-5L2A-1M OMR	4,00			--
0015		LAFN45283		PLATE TK1400	1,00			--
0016		VTVT19236		SCREW TCEI 5X20 UNI 5931	2,00			--
0017		LAFN47095		SPACER D. 6-10 L= 8	2,00			--
0018		VTAE17003		CIRCLIP D. 15 UNI 7435	2,00			--
0019		LAFN47096		CONNECTING ROD L.14 CASS.	1,00			--
0020		MTCR46479		TOOTHED WHEEL L.14 EL.	1,00			--
0021		MPVR47097		BUSHING D. 30X34X15 GLYC.	1,00			--
0022		LAFN47098		PIN L.14 PARALL.	1,00			--
0023		MPVR00006		BUSHING GLYCODUR GLY.PG 25-28-15F	1,00			--
0024		VTVT62920		SCREW TE F/ROND. M 6X 16 ZB	6,00			--
0025		VTDD00040		NUT M5 UNI7474	2,00			--
0026		VTRS00502		WASHER D. 5 0.466 UNI 6592	4,00			--
0027		LAFN47099		SPACER L.14	1,00			--
0028		VTDD00124		NUT M 8 BASSO	2,00			--
0029		LAFN47100		PIN L.14 SX	1,00			--
0030		LAFN47101		ARM L.14	1,00			--
0031		LAFN45284		BOX COVER TK1400	1,00			--
0032		VTVT75719		SCREW TE F/ROND. M 6 X 10	2,00			--
0033		GUVR45103		GASKET TK1400	1,00			--
0034		LAFN47102		PIN L.14 DX	1,00			--
0035		VTRS00503		WASHER D. 6 TE UNI 6798	18,00			--
0036		LAFN47103		DRAWER L.14	1,00			--
0037		VTVR47015		INSERT PLS. D.3	6,00			--
0038		VTVT00106		SCREW AUTOFIL. TC 3,5X14,5	6,00			--
0039		LAFN47104		DUCT LOCK FLAP	1,00			--



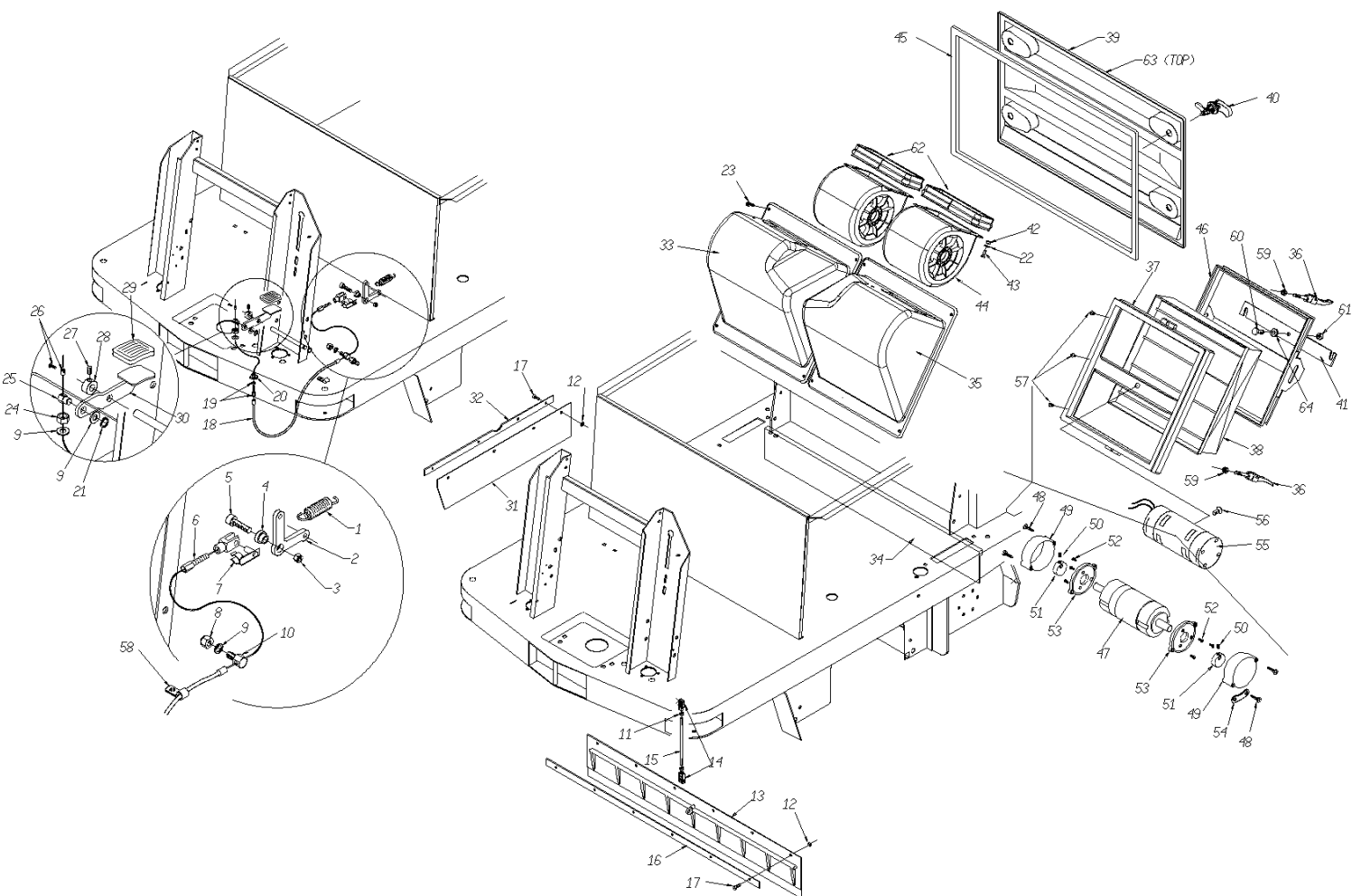
Ref.	K	Part N.	Customer Part N.	Description	Qty	Validity:		Price
						From	To	
0040		MPVR45104		RUBBER FLAP L.1400	1,00			--
0041		MPVR47105		BUSHING D. 25X28X25 GLYC.	2,00			--
0042		LAFN47106		ARM L.14	1,00			--
0043		VTDD00491		NUT M 6 TEF	12,00			--
0044		VTDD46131		NUT M20 ZC UNI 5589 PG	1,00			--
0045		PIID45105		PISTON D.50 ST25	1,00			--
0046		TBAP45106		HOSE-FITTING 3/16 L.14	1,00			--
0047		VTRS00037		WASHER IN DAWTY 1/8	8,00			--
0048		RCDS47107		SCREW G 1/8	4,00			--
0049		TBAP45107		HOSE-FITTING 3/16 L.14	1,00			--
0050		CMCV47108		FORK M20 X15 +PN.	1,00			--
0051		LAFN01089		PROTECTION ANTIPOLVERE TK1400	1,00			--
0052		LAFN47110		PIN L.14 DX	2,00			--
0053		VTVT09916		SCREW TBEI M 6X 20 ISO 7380 ZB	3,00			--
0054		VTRS63242		WASHER D. 6 X24 ZC	3,00			--
0055		RCVR00081		REDUCTION X CENTRALINA IDRAUL.1400	2,00	01/2009		--
0055		RCVR00081		REDUCTION X CENTRALINA IDRAUL.1400	2,00		07/2007	--
0055		RCVR00191		REDUCTION 1/4"M-1/8"F L=25	2,00	08/2007	01/2009	--
0056		VTRS47111		WASHER D.25 X50 X1.5 PVC	2,00			--
0057		LAFN47123		BUSHING L.14	2,00			--
0058		MPVR45285		SHEATH TK1400	1,00			--
0059		LAFN47124		PIN L.14 SX	1,00			--
0060		VTVT17639		SCREW TCEI M 5X10 UNI 5931	2,00	01/2009		--
0060		VTVT17639		SCREW TCEI M 5X10 UNI 5931	4,00		07/2007	--
0060		VTVT75725		SCREW TBEI M 6X 10 ISO 7380 ZB	2,00	08/2007	01/2009	--
0061		PPEL00023		MOTOR-DRIV.PUMPIDR.24V UP50K5 ON 130	1,00	08/2007	01/2009	--
0061		PPEL45108		MOTOR-DRIV.PUMPIDR. 24V L.14	1,00	01/2009		--
0061		PPEL45108		MOTOR-DRIV.PUMPIDR. 24V L.14	1,00		07/2007	--
0062		MPVR47125		BUSHING D. 16X18X20 GLYC.	1,00			--
0063		LAFN07405		BRACKET ELETTROPOMPA 1404	1,00	08/2007	01/2009	--
0063		LAFN47126		SUPPORT BRACKETL.14	1,00	01/2009		--
0063		LAFN47126		SUPPORT BRACKETL.14	1,00		07/2007	--
0064		VTVT00099		SCREW AUTOF.TC UNI 6954 3,9X13	4,00			--
0065		LAFN47127		SUPPORT MICRO.L.14	1,00			--
0066		VTVT09916		SCREW TBEI M 6X 20 ISO 7380 ZB	1,00			--
0067		VTDD19688		NUT M6 UNI 7473	1,00			--
0068		VTDD00001		NUT UNI 5588 M3 ZB	1,00			--
0069		VTVT00019		SCREW TE UNI 5739 3X20 ZB	4,00			--
0070		VTVT00299		SCREW TSPEI M6x25 UNI5933	1,00			--



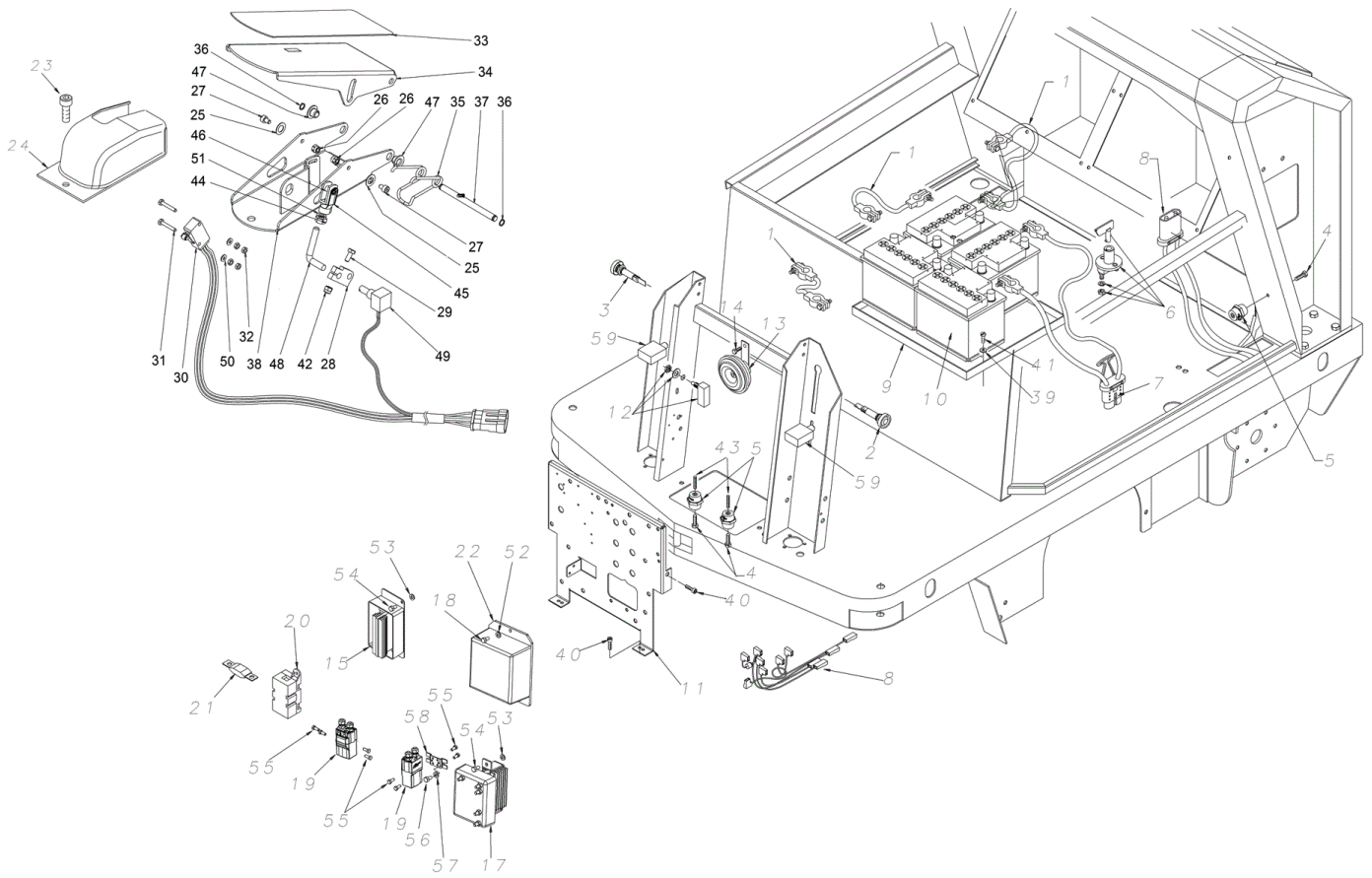
Ref.	K	Part N.	Customer Part N.	Description	Qty	Validity:		Price
						From	To	
0071		LAFN45717		PLATE L.14	1,00			--
0072		VTVT00089		SCREW TCCE UNI 5931 4X10 ZB	1,00			--
0073		VTVT19472		SCREW TCEI M 8X10 UNI 5931	2,00			--
0074		VTRS04931		WASHER COPPER D.13X19X1.5	2,00	08/2007		--



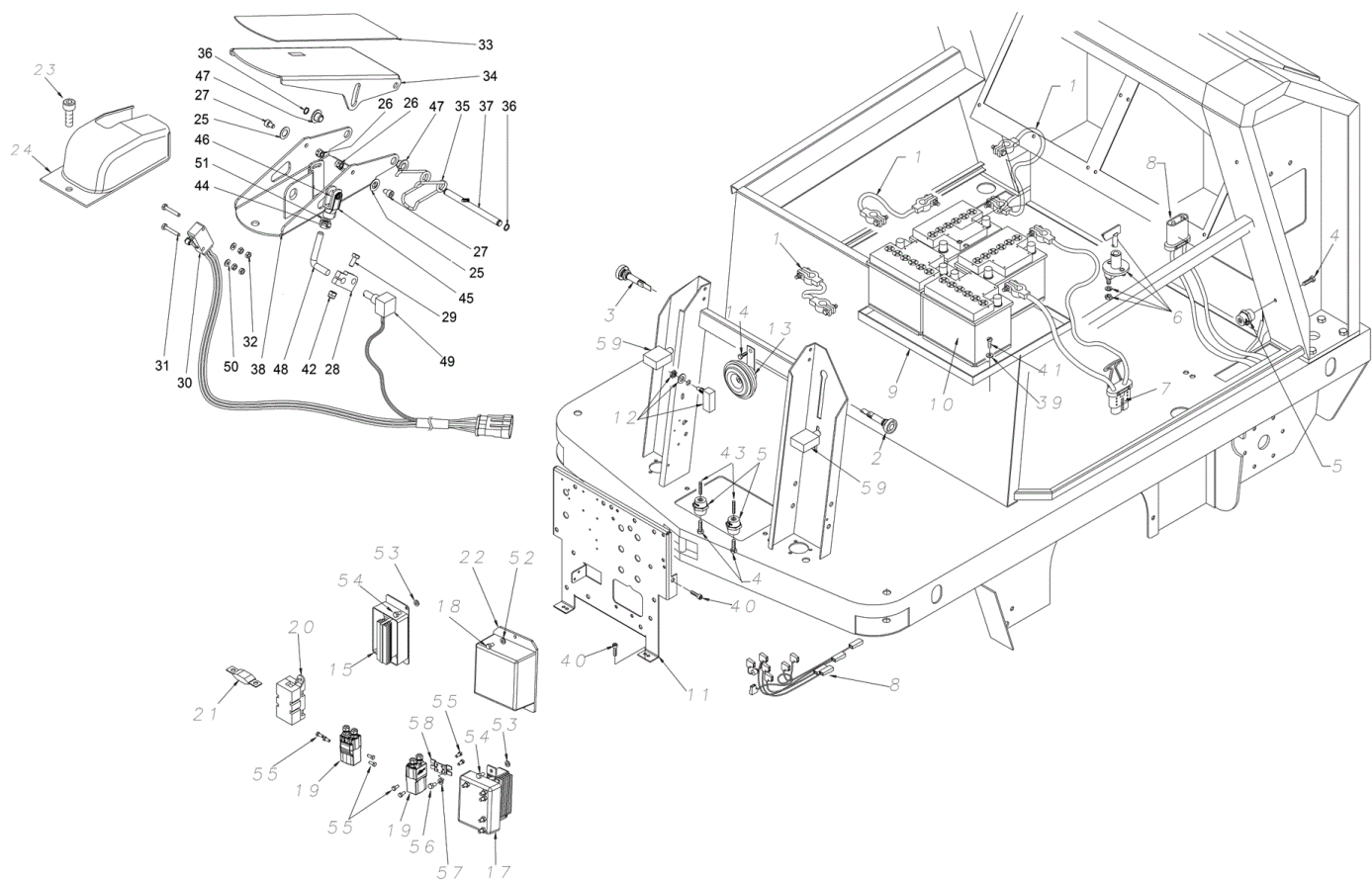
Ref.	K	Part N.	Customer Part N.	Description	Qty	Validity:		Price
						From	To	
0001		MLML45109		SPRING TR D. 12X1.7X79.5	1,00			--
0002		LAFN47128		LEVER L.14	1,00			--
0003		VTDD00124		NUT M 8 BASSO	1,00			--
0004		LAFN47129		BUSHING L.14 A.FLAP	1,00			--
0005		VTVT00448		SCREW TE 8X30 UNI5739	1,00			--
0006		CMCV87172		CABLE ALZA FLAP 2125404	1,00			--
0007		CMCV75717		CLIP UNI 1676 M6	3,00			--
0008		VTDD00012		NUT AUTOBLOK DIN 985 M12 ZB	1,00			--
0009		VTRS00506		WASHER D.12 UNI 6592	4,00			--
0010		LAFN75976		SPRING GUIDE TK 1000	1,00			--
0011		VTDD00482		NUT M 6 ZIN UNI 5588	2,00			--
0012		VTVR47015		INSERT PLS. D.3	10,00			--
0013		MPVR44781		RUBBER FLAP FRONT G1404-G1400	1,00			--
0014		CMCV75717		CLIP UNI 1676 M6	2,00			--
0014		CMCV76639		FORK M 6 UNI 1676	2,00			--
0015		LAFN47130		PIN L.14 A.FLAP	1,00			--
0016		LAFN47131		SHEET METAL PA.FLAP ANTERIORE	1,00			--
0017		VTVT00044		SCREW TC AF.X PLAS UNI9707 4X16	6,00			--
0018		CMCV47132		SHEATH L.14 A.FLAP	1,00			--
0019		CMCV75723		REGISTER D.7	1,00			--
0020		LAFN75975		PIN TK	1,00			--
0021		VTAE14016		CIRCLIP D. 12 UNI 7435	1,00			--
0022		VTRS04026		WASHER D. 6X18X2.38	8,00			--
0023		VTVT00092		SCREW TBCE ISO 7380 6X22 ZB	8,00			--
0024		VTDD01682		NUT M12 ZC UNI 5588	1,00			--
0025		LAFN75973		PIN FLAP TK	1,00			--
0026		CMCV75737		CLAMP D.7 art.857	1,00			--
0027		VTVT75731		SCREW UNI 5923 6 X5	4,00			--
0028		LAFN47030		BUSHING L.14	1,00			--
0029		MPVR45096		RUBBER V 1201 GR.	1,00			--
0030		LAFN47133		PEDALE L.14 FLAP	1,00			--
0031		MPVR04669		FLAP LATERALE	1,00			--
0032		LAFN06601		PLATE FISSA FLAP	1,00			--
0033		MPVR04898		SUPPORT ASPIRATORE DX	1,00			--
0034		MPVR45327		RUBBER L.1400 PST	1,00			--
0035		MPVR04896		SUPPORT ASPIRATORE SX	1,00			--
0036		PMVR01208		LEVER FISSA FILTRO G1404	4,00			--
0037		LAFN47137		FRAME PORTA FILTRO	2,00			--
0038		FTDP48536		FILTER L.14000 CAR. 2V.	2,00			--



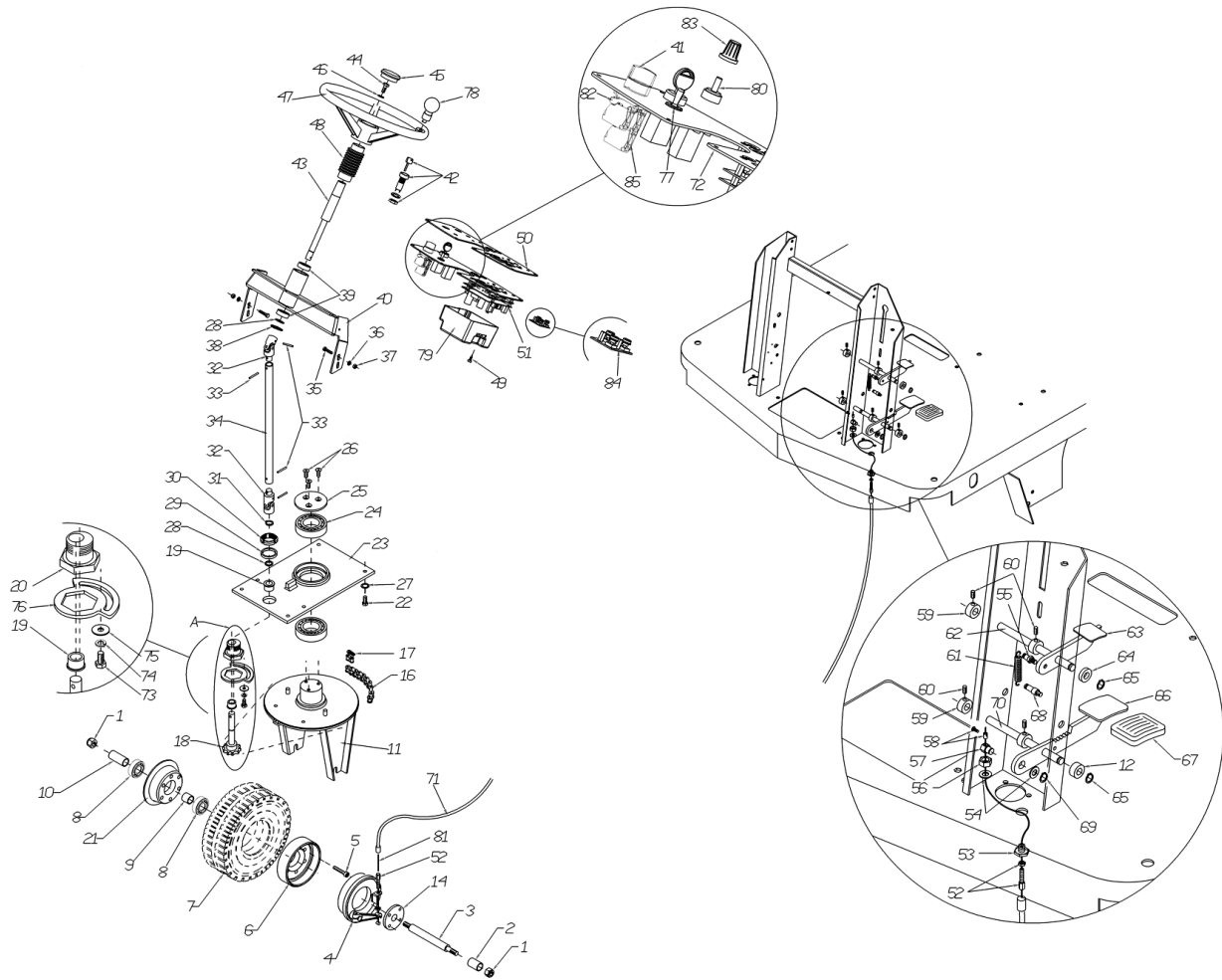
Ref.	K	Part N.	Customer Part N.	Description	Qty	Validity:		Price
						From	To	
0039		MPVR45784		COVER CHIUSURA FILTRO	1,00			--
0040		CHVR26517		DRAWER CLOSURE LOLY 50	4,00			--
0041		LAFN06599		PLATE FISSA FILTRO	2,00			--
0042		VTDD00491		NUT M 6 TEF	8,00			--
0043		VTVT75726		SCREW TBEI M 6X 16 ISO 7380 ZB	8,00			--
0044		MOCC00008		MOTOR SUCTION GENIUS SWEEPER	2,00			--
0045		GUVR46899		GASKET COPERCHIO	1,00			--
0046		LAFN01031		FRAME FISSA FILTRO	2,00			--
0047		MOCC00004		MOTOR D.63 24V G3800 W35	2,00			--
0048		VTVT47138		SCREW TSP-TC 3,9X32 ZC. UNI6955	8,00			--
0049		LAFN47139		MOTOR COVER L.14 FILT.	4,00			--
0050		VTVT75731		SCREW UNI 5923 6 X5	4,00			--
0051		LAFN47140		BUSHING L.14	4,00			--
0052		VTVT76616		SCREW M 4x18 STEAM GUN	12,00			--
0053		MFVR47141		FLANGE MOTOR L.14	4,00			--
0054		MPVR00765		RUBBER FISSAGGIO FILO SCUOTIFIL.	2,00			--
0055		MOCC45112		MOTOR 24V CC ECC.	2,00			--
0056		VTVT47143		SCREW TSPEI M 10X 16 ZC UNI5933	2,00			--
0057		VTVT13515		SCREW TSPEI M6x16 UNI5933 10.9	8,00			--
0058		FSVR00005		CLAMP TIPO "ECO"FORO MM8 D.1 W0	1,00			--
0059		VTDD00483		NUT M 8 ZIN UNI 5588	4,00			--
0060		VTVT75724		SCREW TBEI M 8X 22 ISO 7380 ZB	2,00			--
0061		VTDD00124		NUT M 8 BASSO	2,00			--
0062		GUGO00305		GASKET ASPIRATORE	2,00			--
0063		ETET01404		LABEL PLANCIA	1,00			--
0064		VTRS00504		WASHER D. 8 TE ZC. UNI 6592	2,00			--



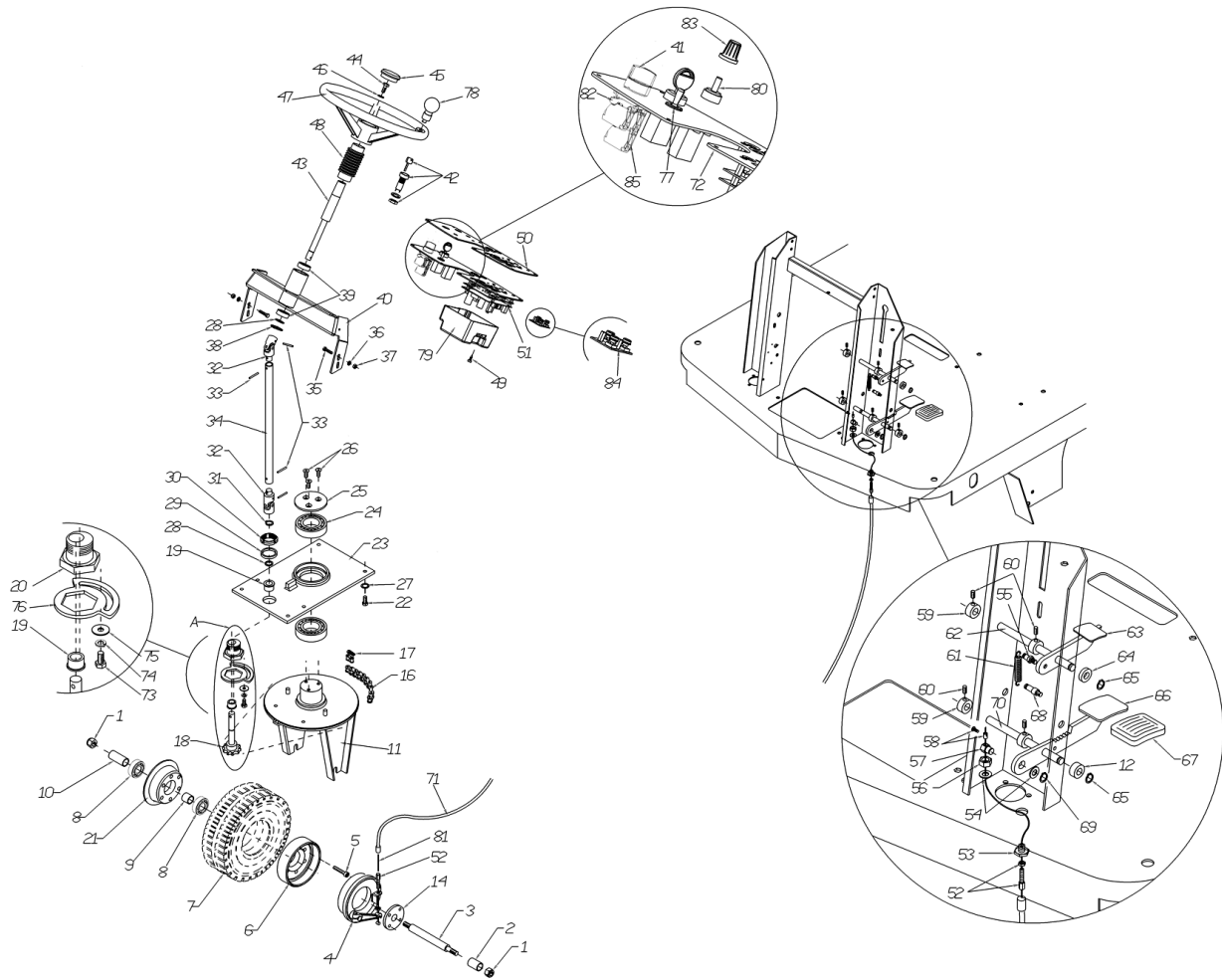
Ref.	K	Part N.	Customer Part N.	Description	Qty	Validity:		Price
						From	To	
0001		MEVR34820		WIRING B 450 BT	3,00			--
0002		MECI00026		BUTTON PIATTO ROTONDO D.22 ROSSO	1,00			--
0003		MECI00028		BUTTON DI EMERGENZA TK1400 24V	1,00			--
0004		VTVT75719		SCREW TE F/ROND. M 6 X 10	2,00			--
0005		MEVR47082		INSULATOR M6 35-CH32	3,00			--
0006		AZMC75803		DIASS.SPANNERSW 1000	1,00			--
0007		MECB44780		WIRING BATTERIA	1,00			--
0008		MECB00948		WIRING 1404 E	1,00		04/2012	--
0008		MECB01290		CABLE FLAT CT30	1,00	04/2012		--
0009		LAFN46836		BATTERY SUPPORTL.14000 TK	1,00			--
0011		LAFN06784		PLATE SUPPORTO ELETTRONICA	1,00		04/2012	--
0011		LAFN09188		BRACKET -	1,00	04/2012		--
0012		MECI75801		MICROSWITCH TK	2,00			--
0013		MEVR47083		KLAXON L.14 24V	1,00			--
0014		VTVT85116		SCREW TE FR 6,3X19 ZIN	1,00			--
0015		MECE00420		BOARD POTENZA CASSETTO COMPL.	1,00			--
0017		MECE00552		BOARD 1404	1,00			--
0018		VTVT14062		SCREW TE 5X16 UNI5739	3,00			--
0019		METT00085		CONTACTOR 100A	2,00			--
0020		MEVR00146		FUSE-HOLDER MEGA	1,00			--
0021		MEVR01925		FUSE 150A	1,00			--
0022		MECE00555		BOARD CURTIS 1227-2102	1,00			--
0023		VTVT62920		SCREW TE F/ROND. M 6X 16 ZB	1,00			--
0024		MPVR00302		CRANKCASE PEDALE AVANZAMENTO	1,00			--
0025		MPVR05528		WASHER -	2,00			--
0026		VTDD04369		NUT M 4 TEF UNI 7473	2,00			--
0027		VTVT00089		SCREW TCCE UNI 5931 4X10 ZB	2,00			--
0028		LAFN01149		CONNECTING ROD PEDALE AVANZAMENTO G1050	1,00			--
0029		VTVT00727		SCREW TE M. 4-20	1,00			--
0030		MECB01228		WIRING -	1,00			--
0031		VTVT01350		SCREW M3-20 INOX	2,00			--
0032		VTDD21115		NUT M 3 INOX	2,00			--
0033		MPVR00866		PLANE ANTISDRUCCIOLO G1050	1,00			--
0034		LAFN06474		SHEET METAL PA.PEDALE	1,00			--
0035		MLML00034		SPRING PEDALE AVANZAMENTO G1050	1,00			--
0036		VTAE48552		CIRCLIP D. 6 UNI 7435	2,00			--
0037		LAFN00524		PIN PEDALE TK 1050	1,00			--
0038		LAFN07532		BUSHING -	1,00			--
0039		VTRS00503		WASHER D. 6 TE UNI 6798	4,00			--



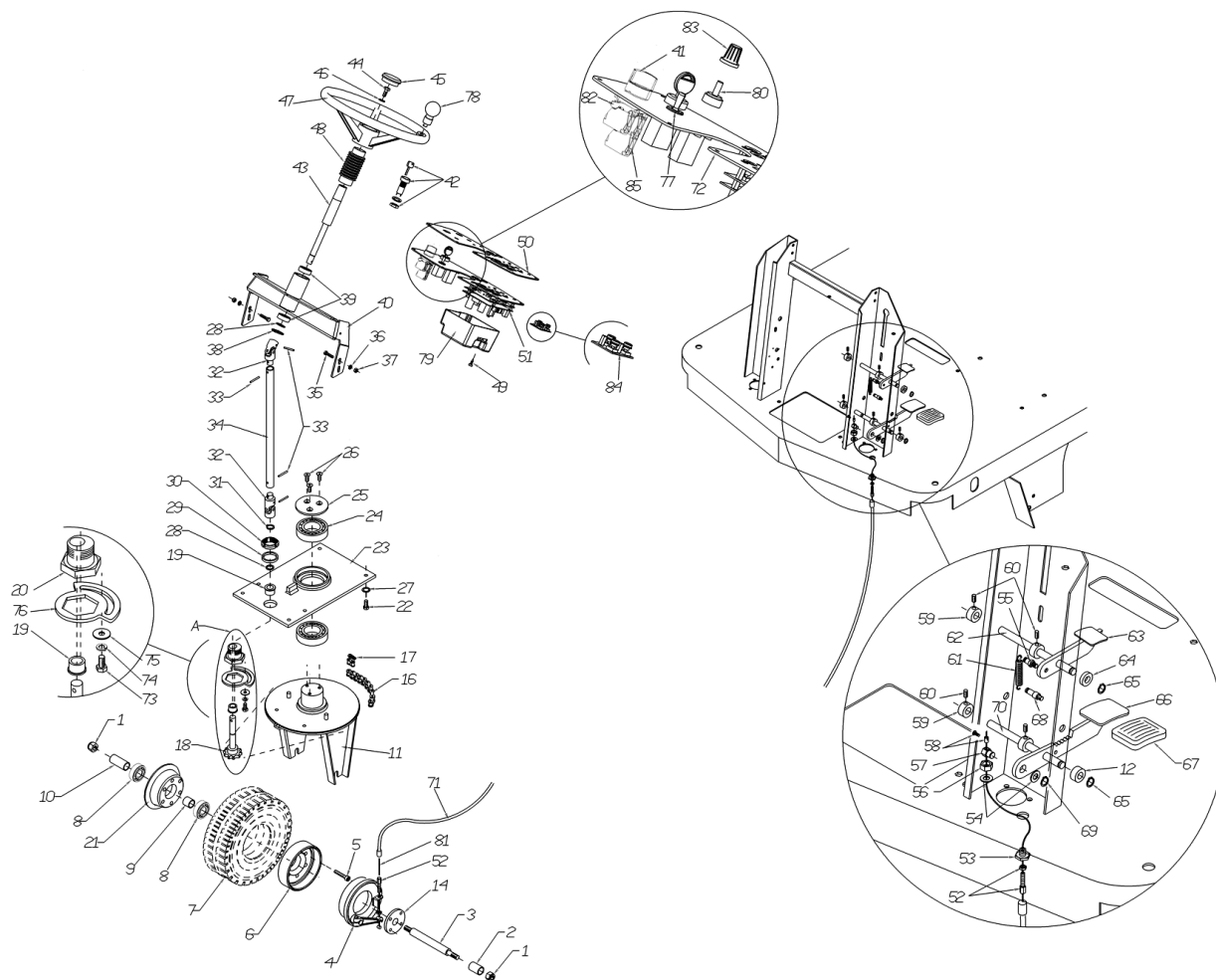
Ref. K	Part N.	Customer Part N.	Description	Qty	Validity:		Price
					From	To	
0040	VTVT62920		SCREW TE F/ROND. M 6X 16 ZB	4,00			--
0041	VTVT75726		SCREW TBEI M 6X 16 ISO 7380 ZB	4,00			--
0042	VTDD04369		NUT M 4 TEF UNI 7473	1,00			--
0043	VTVT47088		SCREW EI-ST 6X30 UNI5923 ZC	2,00			--
0044	VTDD00482		NUT M 6 ZIN UNI 5588	1,00			--
0045	CMCV75717		CLIP UNI 1676 M6	1,00			--
0046	CMCV76639		FORK M 6 UNI 1676	1,00			--
0047	CUVR00183		BUSHING -	2,00			--
0048	LAFN00909		BRACKET BIELLETTA PEDALE	1,00			--
0049	MECB01227		WIRING ACCELERATOR	1,00			--
0050	VTRS00117		WASHER 3.2X7 UNI6592	4,00			--
0051	VTRS01079		WASHER D. 6 GROWER	1,00			--
0052	VTRS00502		WASHER D. 5 0.466 UNI 6592	3,00			--
0053	VTRS00365		THICKNESS 18X25X1	4,00			--
0054	VTVT01127		SCREW TE M6x20	4,00			--
0055	VTVT62916		SCREW TE M5X12 ZN UNI 5739-8.8	8,00			--
0056	VTVT21295		SCREW TE M5X20 ZINC. UNI 5739	2,00			--
0057	VTRS08013		WASHER D. 5 GRW	2,00			--
0058	LAFN07345		BRACKET TL10	1,00			--
0059	METT00044		CARRYNG BAG	2,00	10/2012		--



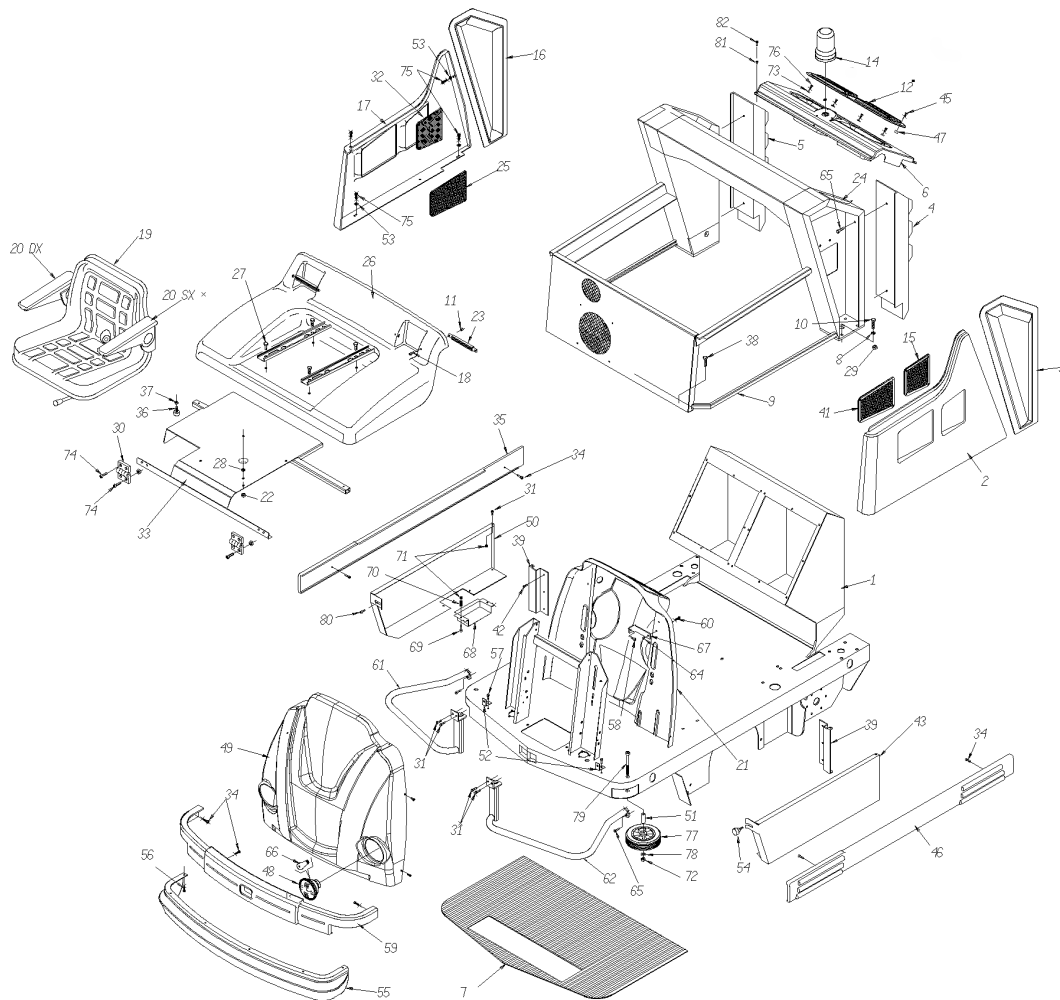
Ref.	K	Part N.	Customer Part N.	Description	Qty	Validity:		Price
						From	To	
0001		VTDD00012		NUT AUTOBLOK DIN 985 M12 ZB	2,00			--
0002		LAFN47017		SPACER D. 20-24 L=55	1,00			--
0003		LAFN45089		WHEEL PIN TK1400 ANT.	1,00			--
0004		RTRT45090		BLOCK BRAKE D.125 TK	1,00			--
0005		VTVT00066		SCREW TCCE UNI 5931 8X25 ZB	6,00			--
0006		LAFN45091		HUB TK1400 FRN.	1,00			--
0007		RTRT45132		WHEEL D.306 4.00-4 S.EL.	1,00			--
0008		CUVR08998		BALL BEARING 6204 2RS1	2,00			--
0009		LAFN45336		SPACER D. 20-24 L=22	1,00			--
000A		KTRI46514		PIN TK 1000 + BUSCH.	1,00			--
0010		LAFN47018		SPACER D. 20-24 L=35	1,00			--
0011		LAFN45092		WHEEL SUPPORT TK1400 ANT.	1,00			--
0012		LAFN47019		BUSHING L.14	1,00			--
0014		LAFN45872		FLANGE L.14	1,00			--
0016		MTCR45093		CHAIN 3/8 TK1400 STE.	1,00			--
0017		MTCR47037		WARP KNITTING 3/8	1,00			--
0018		LAFN75974		PIN TK 1000	1,00			--
0019		LAFN75841		BUSHING TK 1000	2,00			--
0020		LAFN75842		BUSHING TK 1000	1,00			--
0021		LAFN45083		HUB TK1400 AN/PST.	1,00			--
0022		VTVT00447		SCREW TE 8X25 UNI5739	6,00			--
0023		LAFN45094		FLANGE TK1400	1,00			--
0024		CUVR75816		BEARING 51112	2,00			--
0025		LAFN47004		FLANGE TK1400	1,00			--
0026		VTVT00014		SCREW TE UNI 5739 8X20 CL.10.9	3,00			--
0027		VTRS01080		WASHER D. 8 GRW	6,00			--
0028		LAFN47020		THICKNESS D.15X22X1.0	2,00			--
0029		LAFN75913		SPACER TK	1,00			--
0030		VTVR75747		RING NUT AUTOBLOK M 35 X 1,5 GUK	1,00			--
0031		VTAE17003		CIRCLIP D. 15 UNI 7435	1,00			--
0032		VTVR47021		ARTICULATION D. 5-15	2,00			--
0033		VTVR46987		ELASTIC PLUG 5X25 UNI 6873	4,00			--
0034		LAFN47022		LOW STEERING L.14	1,00			--
0035		VTVT62920		SCREW TE F/ROND. M 6X 16 ZB	4,00			--
0036		VTRS04026		WASHER D. 6X18X2.38	4,00			--
0037		VTDD00491		NUT M 6 TEF	4,00			--
0038		VTAE17003		CIRCLIP D. 15 UNI 7435	1,00			--
0039		CUVR00005		BEARING 6202 2RS	2,00			--
0040		LAFN06791		ASSEMBLED SUPPORTO PIANTONE	1,00			--



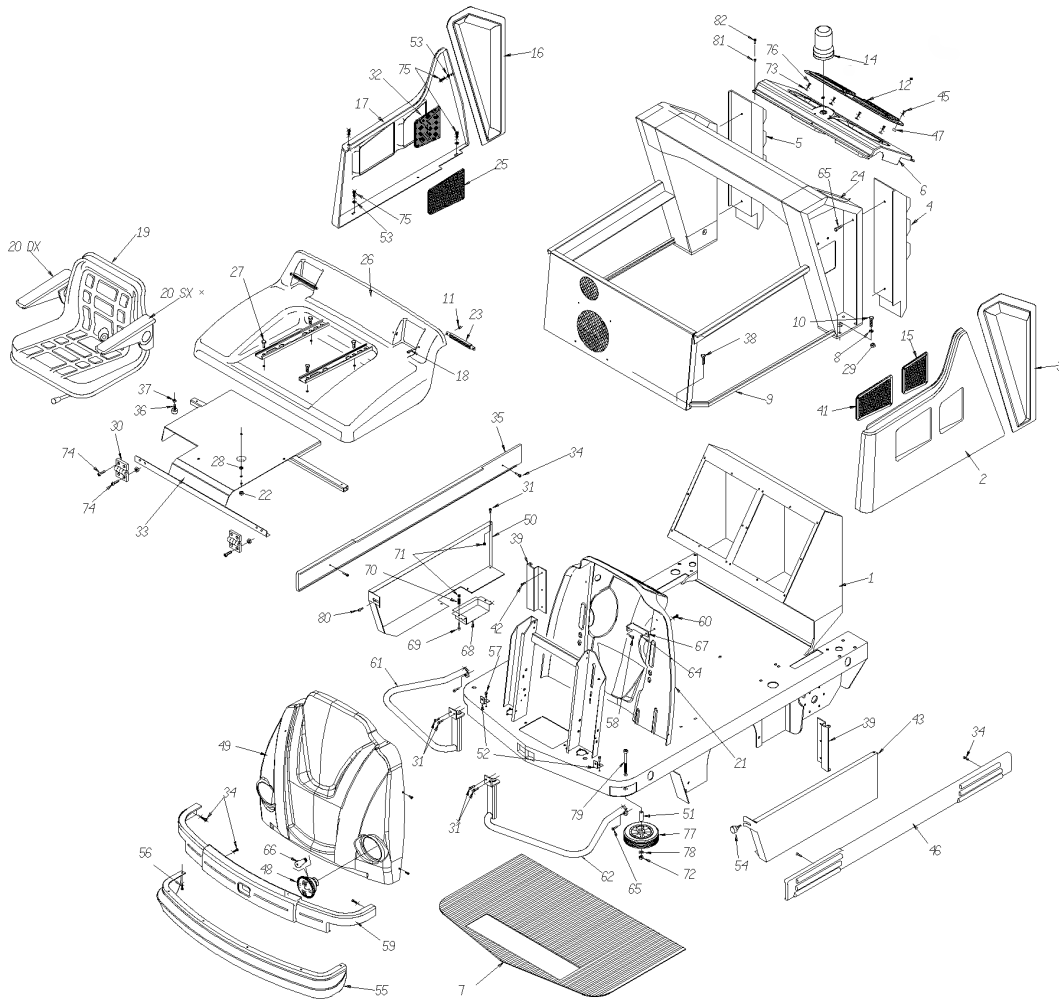
Ref.	K	Part N.	Customer Part N.	Description	Qty	Validity:		Price
						From	To	
0041		MEVR02011		SELECTOR -	1,00			--
0042		MECI75805		SWITCH TK	1,00			--
0043		LAFN47024		UP STEERING L.14	1,00			--
0044		VTVT47025		SCREW TBEI M 10X 16 ISO 7380 ZB	1,00			--
0045		MPVR47026		BLACK CAP L.14	1,00			--
0046		VTRS44254		WASHER D.10 X40X2.5 UNI6593	1,00			--
0047		MPVR47027		STEERING WHEEL D. 320 L.14	1,00			--
0048		MPVR47066		PROTECTOR L.14	1,00			--
0049		VTVT00288		SCREW TCTC 4X10	2,00			--
0050		ETET01722		LABEL PLANCIA	1,00			--
0051		MECE00557		BOARD DISPLAY LOGIC 1404 CURTIS	1,00			--
0052		CMCV75723		REGISTER D.7	1,00			--
0053		LAFN75975		PIN TK	1,00			--
0054		VTRS00506		WASHER D.12 UNI 6592	2,00			--
0055		LAFN47029		PIN CH.10 H.16	1,00			--
0056		VTDD01682		NUT M12 ZC UNI 5588	1,00			--
0057		LAFN75973		PIN FLAP TK	11,00			--
0058		VTVR00031		CLAMP FRENO TK1400	1,00			--
0059		LAFN47030		BUSHING L.14	4,00			--
0060		VTVT75731		SCREW UNI 5923 6 X5	3,00			--
0061		MLML75960		SPRING D. 8 X1 X32	1,00			--
0062		LAFN47031		PIN L.14	1,00			--
0063		LAFN47032		PEDALE L.14	1,00			--
0064		LAFN47033		BUSHING L.14	1,00			--
0065		VTAE87276		SEEGER EXT. D10 DIN471	2,00			--
0066		LAFN47034		BRAKE PEDAL L.14	1,00			--
0067		MPVR45096		RUBBER V 1201 GR.	1,00			--
0068		LAFN47035		PIN CH.10 H.26	1,00			--
0069		VTAE14016		CIRCLIP D. 12 UNI 7435	1,00			--
0070		LAFN47036		PIN BRK.+FLAP L.14	1,00			--
0071		CMCV87173		SHEATH CAVO FRENO 21251013	1,00			--
0072		LAFN06792		BOARD COMANDI	1,00			--
0073		VTVT01110		SCREW TE 8X16 UNI5739	5,00			--
0074		VTRS01080		WASHER D. 8 GRW	1,00			--
0075		VTRS87283		WASHER D.8X24X2,5 ZB UNI 6593	1,00			--
0076		LAFN47039		FLANGE L.14	1,00			--
0077		MECI76658		COMMUTAT.SWITCH2 P. TK	1,00			--
0078		MPVR47040		KNOB L.14	1,00			--
0079		MPVR04902		COVER SCHEDA MICRO	1,00			--



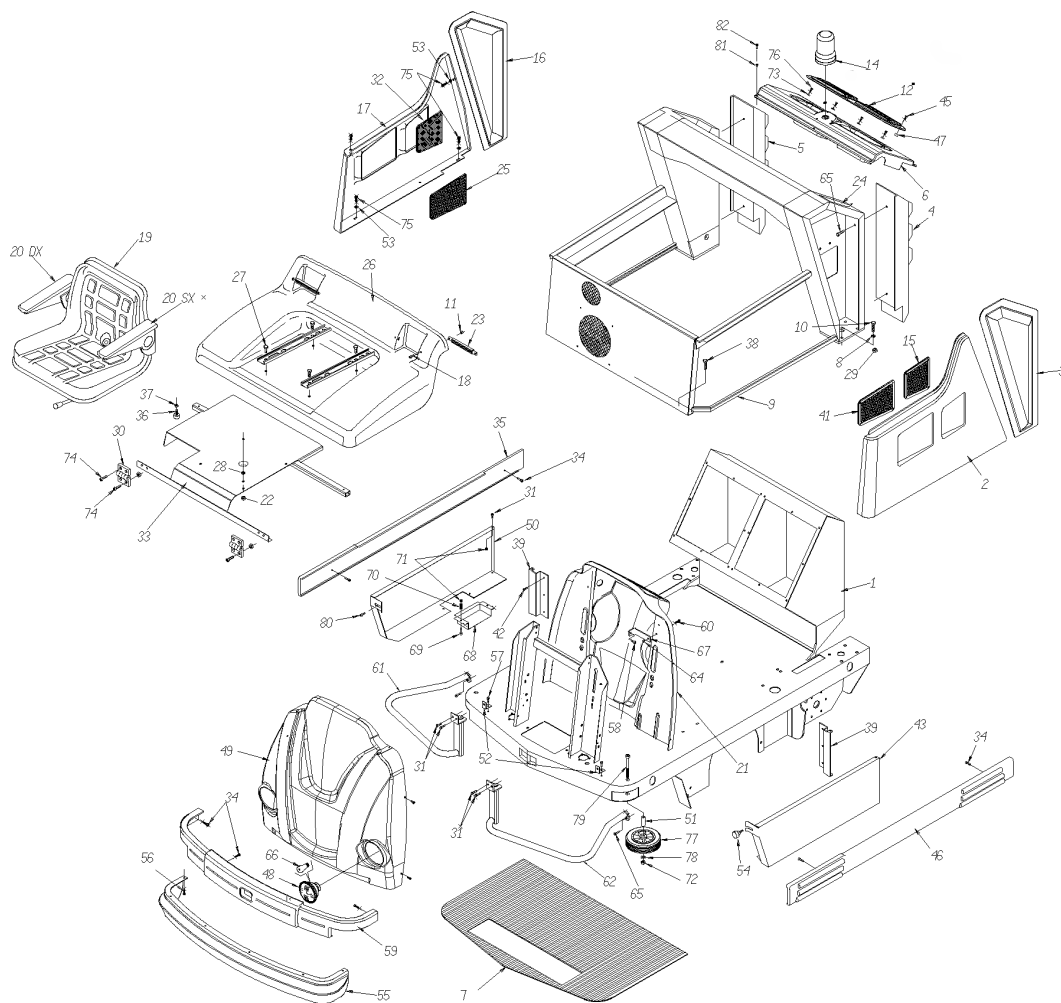
Ref.	K	Part N.	Customer Part N.	Description	Qty	Validity:		Price
						From	To	
0080		KTRIO1935		KIT 1050-1202	1,00			--
0081		CMCV85320		CABLE D.2,5 L.760 21251003	1,00			--
0082		MEVR02000		CONTACT -	1,00			--
0083		KTRIO1935		KIT 1050-1202	1,00			--
0084		MECE00426		BOARD PULSANTIERA	1,00			--
0085		MEVR02012		CONTACT -	1,00			--



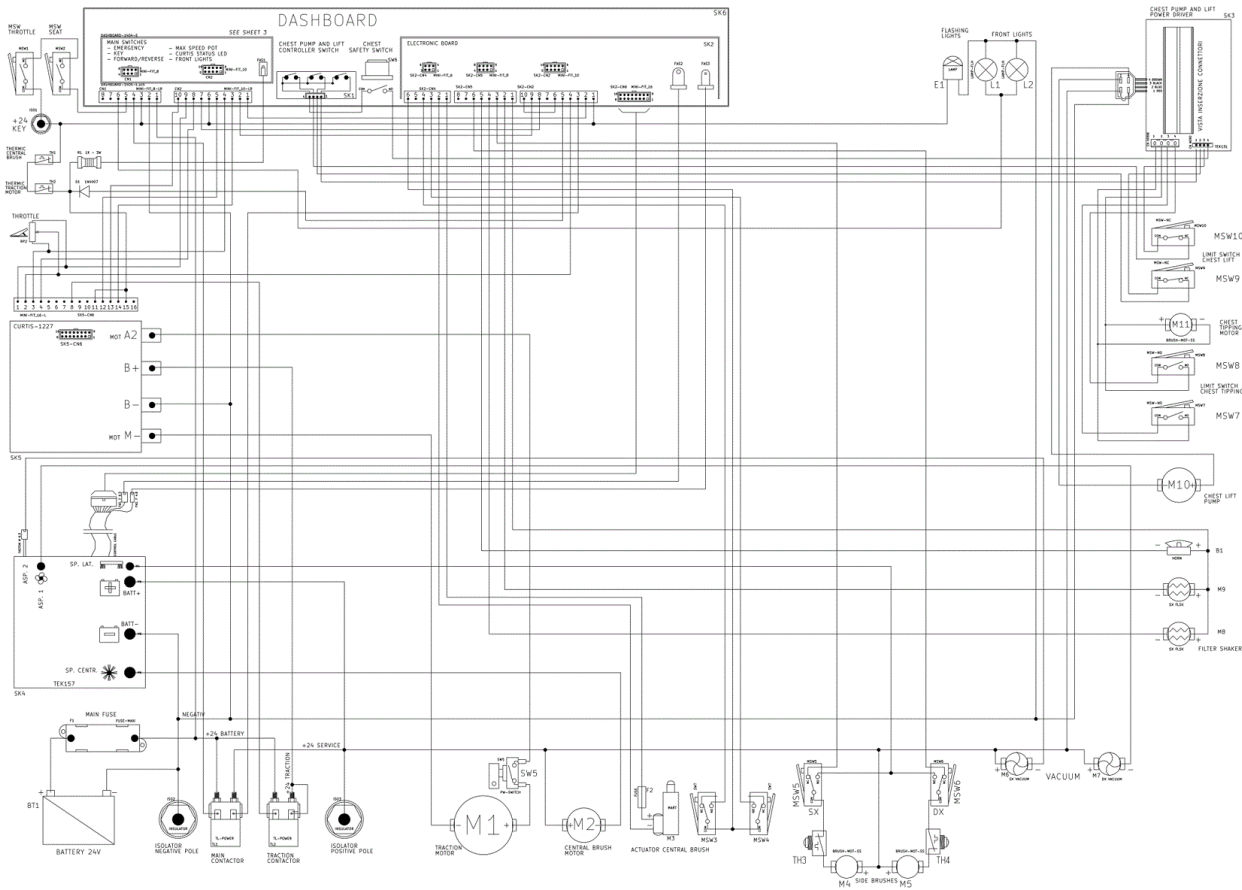
Ref.	K	Part N.	Customer Part N.	Description	Qty	Validity: From To	Price
0001		LAFN45969		BODY LION 14000	1,00		--
0002		MPVR04992		BODY SIDE SX	1,00		--
0003		MPVR00234		UPRIGHT SPALLA SX	1,00		--
0004		MPVR00229		BUMPER POSTERIORE SX TK1400	1,00		--
0005		MPVR00227		BUMPER POSTERIORE DX TK1400	1,00		--
0006		MPVR04988		COVER SUCTION MOTORS	1,00		--
0007		MPVR05057		PLANE MILLERIGHE CON BIADESIVO	1,00		--
0008		VTRS00505		WASHER D.10 TE UNI 6592	8,00		--
0009		LAFN45976		SUPPORT L.14	1,00		--
0010		VTVT01535		SCREW TCEI M10X 40 UNI 5931 ZB	8,00		--
0011		VTDD00491		NUT M 6 TEF	6,00		--
0012		MPVR04916		BRACKET COPERCHIO ASPIRATORI	1,00		--
0014		MEVR00935		FLASHING LIGHT G1050	1,00		--
0015		LAFN06590		BRACKET FIANCATA	1,00		--
0016		MPVR00235		UPRIGHT SPALLA DX	1,00		--
0017		MPVR04995		BODY SIDE DX	1,00		--
0018		VTVT75726		SCREW TBEI M 6X 16 ISO 7380 ZB	4,00		--
0019		SESD45981		SEAT SC 73 L.14	1,00		--
0020		SESD00001		KIT BRACCIOLO DX	1,00		--
0020		SESD00002		KIT BRACCIOLO SX	1,00		--
0021		MPVR04891		HOOD POSTERIORE G1404	1,00		--
0022		VTDD00124		NUT M 8 BASSO	4,00		--
0023		KTRI01632		HANDLE COFANO PORTASEDILE	2,00		--
0024		ETET00100		LABEL ADESIVA BENZINA VERDE	1,00		--
0025		LAFN06587		BRACKET FIANCATA	1,00		--
0026		MPVR04991		HOOD SUPERIORE 1400 VERDE	1,00		--
0027		VTVT00447		SCREW TE 8X25 UNI5739	4,00		--
0028		VTRS00512		WASHER D. 8 X24 ZC.	8,00		--
0029		VTDD00042		NUT AUT.M10 UNI7474	8,00		--
0030		CEVR85332		HINGE MEB F D.6 TK	2,00		--
0031		VTVT62920		SCREW TE F/ROND. M 6X 16 ZB	6,00		--
0032		LAFN06588		BRACKET FIANCATA	1,00		--
0033		LAFN01018		FRAME PORTASED.TK1400 DIESEL ZN	1,00		--
0034		VTVT01118		SCREW TCEI M 8X16 ZC. UNI 5931	4,00		--
0035		MPVR00225		BUMPER LATERALE DX TK1400	1,00		--
0036		ABGO00008		VIBRATION DAMP.PM 20X20 M6X20	2,00		--
0037		VTDD00482		NUT M 6 ZIN UNI 5588	2,00		--
0038		VTVT62920		SCREW TE F/ROND. M 6X 16 ZB	4,00		--
0039		CEVR45986		HINGE L.14	2,00		--



Ref.	K	Part N.	Customer Part N.	Description	Qty	Validity:		Price
						From	To	
0041		LAFN06589		BRACKET FIANCATA	1,00			--
0042		VTVT75719		SCREW TE F/ROND. M 6 X 10	6,00			--
0043		LAFN00724		PLANE LATERALE SX	1,00			--
0045		VTVT72043		SCREW M 4 X16 TC UNI7687	4,00			--
0046		MPVR00226		BUMPER LATERALE SX 1400	1,00			--
0047		VTVR00015		INSERT FILETTATO M4X10 ZIGRINATO	4,00			--
0048		MELF00052		LANTERN -	2,00	06/2011		--
0048		MEVR00135		LANTERN G1400	2,00		06/2011	--
0049		MPVR08031		HOOD ANTERIORE G1404	1,00			--
0050		LAFN00723		PLANE LATERALE DX	1,00			--
0051		LAFN47011		BUSHING L.14	2,00			--
0052		LAFN06793		BRACKET FISSA FRONTALE	2,00			--
0053		VTRS04026		WASHER D. 6X18X2.38	8,00			--
0054		RTRT00022		HANDWHEEL D.30 M6X15	1,00			--
0055		MPVR00240		CRANKCASE SPOILER ANTERIORE	1,00			--
0056		VTVT00100		SCREW AUTOF.TC UNI 6954 3.9X16	6,00			--
0057		VTVT09916		SCREW TBEI M 6X 20 ISO 7380 ZB	2,00			--
0058		VTVT62920		SCREW TE F/ROND. M 6X 16 ZB	2,00			--
0059		MPVR87170		BUMPER GRIGIO CPL 21201056	1,00			--
0060		VTVT75726		SCREW TBEI M 6X 16 ISO 7380 ZB	2,00			--
0061		LAFN01102		BUMPER ANTERIORE DX	1,00			--
0062		LAFN01103		BUMPER ANTERIORE SX	1,00			--
0064		VTDD00491		NUT M 6 TEF	2,00			--
0065		VTVT63129		SCREW TE F/ROND. M 8X16 ZB	6,00			--
0066		MELF00050		LAMP -	2,00	06/2011		--
0066		MELF87169		LAMP 12V 35W	2,00		06/2011	--
0067		LAFN06794		BRACKET FISSA FRONTALE G1404	2,00			--
0068		LAFN46645		PROTECTION L.14 DX	1,00			--
0069		VTVT63029		SCREW TCEI M 6X 35 UNI 5931 ZB	2,00			--
0070		MLML46644		SPRING D. 6	1,00			--
0071		VTDD00491		NUT M 6 TEF	3,00			--
0072		VTDD00042		NUT AUT.M10 UNI7474	2,00			--
0073		VTVR47015		INSERT PLS. D.3	4,00			--
0074		VTVT12255		SCREW TCEI 6X25 UNI5931	4,00			--
0075		VTVT06237		SCREW TCEI 6X20 UNI5931	8,00			--
0076		VTVT00044		SCREW TC AF.X PLAS UNI9707 4X16	4,00			--
0077		RTRT31046		WHEEL D.150 E 350	2,00			--
0078		VTRS00505		WASHER D.10 TE UNI 6592	2,00			--
0079		VTVT04857		SCREW TCEI M 10X70 UNI 5931	2,00			--

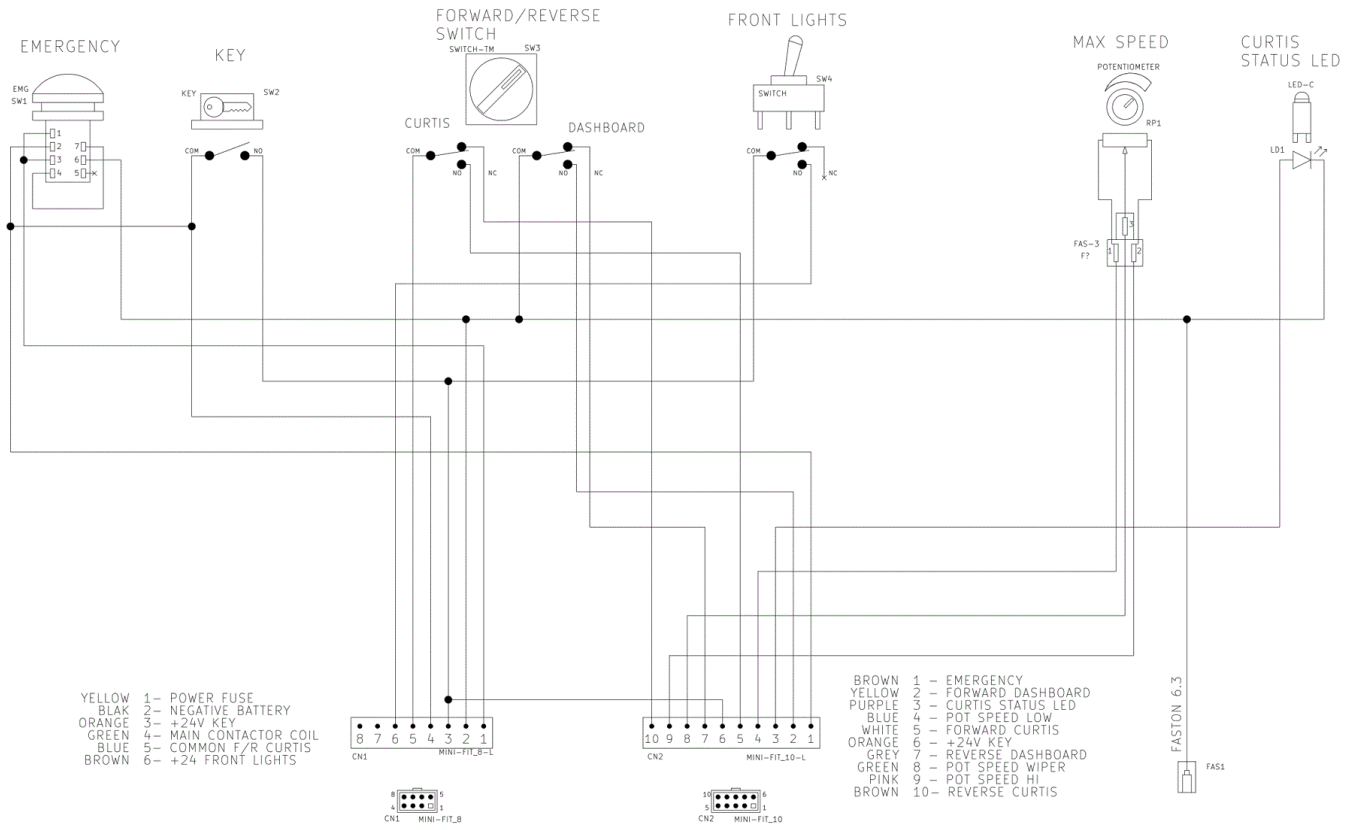


Ref. K	Part N.	Customer Part N.	Description	Qty	Validity:		Price
					From	To	
0080	VTVT62920		SCREW TE F/ROND. M 6X 16 ZB	1,00			--
0081	VTVR00309		INSERT FILETTATO M5	4,00			--
0082	VTVT45339		SCREW TBEI M 5X 16 ISO 7380 ZB	4,00			--



PLDC01994_2

Ref.	K	Part N.	Customer Part N.	Description	Qty	Validity:		Price
						From	To	
M1		RDGR45088		MOTOR.GEARBOX DV 1400 24V	1,00			--
M10		PPEL45108		MOTOR-DRIV.PUMPIDR. 24V L.14	1,00			--
M11		RDGR31335		MOTOR.GEARBOX L. 70TE	1,00			--
M2		MOCC00275		MOTOR SPAZZOLA CENTRALE	1,00			--
M3		MECB00956		WIRING ATTUATORE	1,00			--
M4		RDGR44777		MOTOR.GEARBOX AOMP140 24V 90W SX	1,00			--
M5		RDGR44776		MOTOR.GEARBOX AOMP140 24V 90W DX	1,00			--
M6		MOCC00008		MOTOR SUCTION GENIUS SWEEPER	1,00			--
M7		MOCC00008		MOTOR SUCTION GENIUS SWEEPER	1,00			--
M8		MOCC00004		MOTOR D.63 24V G3800 W35	1,00			--
M9		MOCC00004		MOTOR D.63 24V G3800 W35	1,00			--
MSW1		MECI44780		MICROSWITCH D2VW-5L2A-1M OMR	1,00			--
MSW5		MECI75801		MICROSWITCH TK	1,00			--
MSW6		MECI75801		MICROSWITCH TK	1,00			--
MSW7		MECI44780		MICROSWITCH D2VW-5L2A-1M OMR	1,00			--
MSW8		MECI44780		MICROSWITCH D2VW-5L2A-1M OMR	1,00			--
MSW9		MECI44780		MICROSWITCH D2VW-5L2A-1M OMR	1,00			--
RP2		MECB01227		WIRING ACCELERATOR	1,00			--
SK3		MECE00420		BOARD POTENZA CASSETTO COMPL.	1,00			--
SK4		MECE00552		BOARD 1404	1,00			--
SK5		MECE00555		BOARD CURTIS 1227-2102	1,00			--
SK6		MECE00557		BOARD DISPLAY LOGIC 1404 CURTIS	1,00			--
SW1		MECI00028		BUTTON DI EMERGENZA TK1400 24V	1,00			--
SW2		MECI75805		SWITCH TK	1,00			--
SW3		MEVR02011		SELECTOR -	1,00			--
SW4		MECI76658		COMMUTAT.SWITCH2 P. TK	1,00			--
TL1		METT00085		CONTACTOR 100A	1,00			--
TL2		METT00085		CONTACTOR 100A	1,00			--



MAIN SWITCHES

PLDC01994_2

Ref.	K	Part N.	Customer Part N.	Description	Qty	Validity: From	To	Price
M1		RDGR45088		MOTOR.GEARBOX DV 1400 24V	1,00			--
M10		PPEL45108		MOTOR-DRIV.PUMPIDR. 24V L.14	1,00			--
M11		RDGR31335		MOTOR.GEARBOX L. 70TE	1,00			--
M2		MOCC00275		MOTOR SPAZZOLA CENTRALE	1,00			--
M3		MECB00956		WIRING ATTUATORE	1,00			--
M4		RDGR44777		MOTOR.GEARBOX AOMP140 24V 90W SX	1,00			--
M5		RDGR44776		MOTOR.GEARBOX AOMP140 24V 90W DX	1,00			--
M6		MOCC00008		MOTOR SUCTION GENIUS SWEEPER	1,00			--
M7		MOCC00008		MOTOR SUCTION GENIUS SWEEPER	1,00			--
M8		MOCC00004		MOTOR D.63 24V G3800 W35	1,00			--
M9		MOCC00004		MOTOR D.63 24V G3800 W35	1,00			--
MSW1		MECI44780		MICROSWITCH D2VW-5L2A-1M OMR	1,00			--
MSW5		MECI75801		MICROSWITCH TK	1,00			--
MSW6		MECI75801		MICROSWITCH TK	1,00			--
MSW7		MECI44780		MICROSWITCH D2VW-5L2A-1M OMR	1,00			--
MSW8		MECI44780		MICROSWITCH D2VW-5L2A-1M OMR	1,00			--
MSW9		MECI44780		MICROSWITCH D2VW-5L2A-1M OMR	1,00			--
RP2		MECB01227		WIRING ACCELERATOR	1,00			--
SK3		MECE00420		BOARD POTENZA CASSETTO COMPL.	1,00			--
SK4		MECE00552		BOARD 1404	1,00			--
SK5		MECE00555		BOARD CURTIS 1227-2102	1,00			--
SK6		MECE00557		BOARD DISPLAY LOGIC 1404 CURTIS	1,00			--
SW1		MECI00028		BUTTON DI EMERGENZA TK1400 24V	1,00			--
SW2		MECI75805		SWITCH TK	1,00			--
SW3		MEVR02011		SELECTOR -	1,00			--
SW4		MECI76658		COMMUTAT.SWITCH2 P. TK	1,00			--
TL1		METT00085		CONTACTOR 100A	1,00			--
TL2		METT00085		CONTACTOR 100A	1,00			--

1404 II E - COMPONENTS TABLE

B1	HORN
BT1	+24V MAIN BATTERY
CN1	MAIN FUNCTION CONNECTOR
CN2	CONTROL CONNECTION
D1	1N4007 DIODE THERMAL DETECTION
E1	FLASHING LIGHT
F1	MAIN FUSE 150A
F2	ACTUATOR CENTRA BRUSH FUSE
FAS1	THERMAL EMG CONNECTOR
FAS2	BATTERY NEGATIVE BOARD CONNECTOR
FAS3	POWER SUPPLY BOARD CONNECTOR
ISO1	+24V KEY
ISO2	BATTERY NEGATIVE POLE
ISO3	MAIN POSITIVE POLE
L1	LEFT FRONT LIGHT
L2	RIGHT FRONT LIGHT
LD1	CURTIS STATUS LED
M1	TRACTION MOTOR
M10	CHEST LIFT PUMP
M11	CHEST TIPPING MOTOR
M2	CENTRAL BRUSH MOTOR
M3	ACTUATOR CENTRA BRUSH
M4	LEFT SIDE BRUSH MOTOR
M5	RIGHT SIDE BRUSH MOTOR
M6	LEFT VACUUM MOTOR
M7	RIGHT VACUUM MOTOR
M8	FILTER SHAKER LEFT MOTOR
M9	FILTER SHAKER RIGHT MOTOR
MSW1	MICROSWITCH THROTTLE
MSW10	LOW LIMIT SWITCH CHEST LIFT
MSW2	MICROSWITCH SEAT
MSW3	ACTUATOR HI MICROSWITCH
MSW4	ACTUATOR LOW MICROSWITC
MSW5	LEFT SIDE BRUSH MICROSWITCH
MSW6	RIGHT SIDE BRUSH MICROSWITCH
MSW7	HI LIMIT SWITCH CHEST TIPPING
MSW8	LOW LIMIT SWITCH CHEST TIPPING
MSW9	HI LIMIT SWITCH CHEST LIFT
R1	1K 3W RESISTOR THERMAL DETECTION
RP1	MAX SPEED POT
RP2	THROTTLE POTENTIOMETER
SK1	MECF00426 - PUSH BUTTON BOARD
SK2	MECF00557 - MAIN ELECTRONIC BOARD
SK2-CN2	SERVICE SIGNAL CONNECTOR
SK2-CN4	CENTRAL BRUSH ACTUATOR CONNECTOR
SK2-CN5	FILTER SHAKER CONTROL CONNECTOR
SK2-CN6	SERVICE MOTOR CONTROL CONNECTOR
SK3	MECF00420 - CHEST POWER DRIVER
SK4	MECF00552 - SERVICE MOTOR DRIVER
SK5	MECF00555 - CURTIS MOTOR DRIVER 1227
SK5-CN6	CURTIS CONTROL CONNECTOR
SK6	MECF00570 - MAIN DASHBOARD
SW1	EMERGENCY
SW2	KEY SWITCH
SW3	FORWARD/REVERSE SWITCH
SW4	FRONT LIGHTS
SW5	TRACTION MAIN SWITCH
SW6	CHEST SAFETY SWITCH
TH1	CENTRAL BRUSH THERMAL SWITCH
TH2	TRACTIONMOTOR THERMAL SWITCH
TH3	LEFT SIDE BRUSH THERMAL SWITCH
TH4	RIGHT SIDE BRUSH THERMAL SWITCH
TL1	MAIN CONTACTOR
TL2	TRACTION CONTACTOR

PLDC01994_2

Ref.	K	Part N.	Customer Part N.	Description	Qty	Validity:		Price
						From	To	
M1		RDGR45088		MOTOR.GEARBOX DV 1400 24V	1,00			--
M10		PPEL45108		MOTOR-DRIV.PUMPIDR. 24V L.14	1,00			--
M11		RDGR31335		MOTOR.GEARBOX L. 70TE	1,00			--
M2		MOCC00275		MOTOR SPAZZOLA CENTRALE	1,00			--
M3		MECB00956		WIRING ATTUATORE	1,00			--
M4		RDGR44777		MOTOR.GEARBOX AOMP140 24V 90W SX	1,00			--
M5		RDGR44776		MOTOR.GEARBOX AOMP140 24V 90W DX	1,00			--
M6		MOCC00008		MOTOR SUCTION GENIUS SWEEPER	1,00			--
M7		MOCC00008		MOTOR SUCTION GENIUS SWEEPER	1,00			--
M8		MOCC00004		MOTOR D.63 24V G3800 W35	1,00			--
M9		MOCC00004		MOTOR D.63 24V G3800 W35	1,00			--
MSW1		MECI44780		MICROSWITCH D2VW-5L2A-1M OMR	1,00			--
MSW5		MECI75801		MICROSWITCH TK	1,00			--
MSW6		MECI75801		MICROSWITCH TK	1,00			--
MSW7		MECI44780		MICROSWITCH D2VW-5L2A-1M OMR	1,00			--
MSW8		MECI44780		MICROSWITCH D2VW-5L2A-1M OMR	1,00			--
MSW9		MECI44780		MICROSWITCH D2VW-5L2A-1M OMR	1,00			--
RP2		MECB01227		WIRING ACCELERATOR	1,00			--
SK3		MECE00420		BOARD POTENZA CASSETTO COMPL.	1,00			--
SK4		MECE00552		BOARD 1404	1,00			--
SK5		MECE00555		BOARD CURTIS 1227-2102	1,00			--
SK6		MECE00557		BOARD DISPLAY LOGIC 1404 CURTIS	1,00			--
SW1		MECI00028		BUTTON DI EMERGENZA TK1400 24V	1,00			--
SW2		MECI75805		SWITCH TK	1,00			--
SW3		MEVR02011		SELECTOR -	1,00			--
SW4		MECI76658		COMMUTAT.SWITCH2 P. TK	1,00			--
TL1		METT00085		CONTACTOR 100A	1,00			--
TL2		METT00085		CONTACTOR 100A	1,00			--