



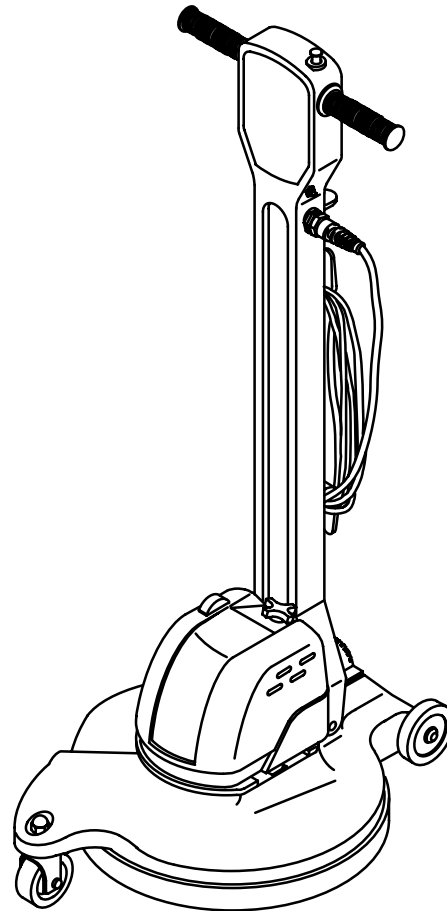
# Integrity™

Dust Control Burnisher  
Máquina de Pisos

U.S. PATENT NO.: D.345,035 & 5,608,939

**Model No.:**  
**608346**

**Operator and Parts Manual**  
**Manual del Operador y Piezas**



**NOBLES**  
12875 RANSOM STREET  
HOLLAND MI 49424 U.S.A.

**CUSTOMER SERVICE: 1-800-365-6625**  
**FAX: 1-800-678-4240**

**608393**  
**Rev. 03 (09-02)**

# IMPORTANT SAFETY INSTRUCTIONS

When using an electrical appliance, basic precautions should always be followed, including the following:

### **READ ALL INSTRUCTIONS BEFORE USING (THIS APPLIANCE)**

#### **⚠ WARNING - To reduce the risk of fire, explosion, electric shock, or injury:**

1. Do not use appliance with flammable or combustible liquids/fumes such as gasoline or use in areas where they may be present.
2. Do not handle plug or appliance with wet hands, electric shock or personal injury may occur.
3. Do not use with damaged cord or plug, electric shock or personal injury may occur. If appliance is not working as it should, has been dropped, damaged, left outdoors, or dropped into water, return it to a service center.
4. Do not leave appliance when plugged in. Unplug from outlet when not in use and before servicing.
5. Use only commercially available floor cleaners and waxes intended for machine application.
6. Do not allow to be used as a toy. Close attention is necessary when used by or near children.
7. Use only as described in this manual. Use only manufacturer's recommended attachments.
8. Do not pull or carry by cord, use cord as a handle, close a door on cord, or pull cord around sharp edges or corners. Do not run appliance over cord. Keep cord away from heated surfaces.
9. Do not unplug by pulling on cord. To unplug, grasp the plug, not the cord.
10. Do not put any object into openings. Do not use with any opening blocked; keep free of dust, lint, hair, and anything that may reduce air flow.
11. Keep hair, loose clothing, fingers, and all parts of body away from openings and moving parts.
12. Turn off all controls before unplugging.
13. Use extra care when cleaning on stairs.
14. Use indoors only. Do not use outdoors and do not expose to rain.

## **SAVE THESE INSTRUCTIONS**

# LIRE TOUTES LES INSTRUCTIONS AVANT DE FAIRE FONCTIONNER

(CET APPAREIL)

**⚠ ADVERTISSEMENT** - Pour réduire les risques d'incendie, l'explosion, de choc électrique ou de blessure:

1. Ne pas aspirer des liquides/vapeurs inflammables ou combustibles, comme de l'essence, et ne pas faire fonctionner dans des endroits où peuvent se trouver de tels liquides.
2. Ne pas toucher la fiche ou l'appareil lorsque vos mains sont humides, la décharge électrique ou blessures peut se produire.
3. Ne pas utiliser si le cordon ou la fiche est endommagé, la décharge électrique ou blessures peut se produire. Retourner l'appareil à un atelier de réparation s'il ne fonctionne pas bien, s'il est tombé ou s'il a été endommagé, oublié à l'extérieur ou immergé.
4. Ne pas laisser l'appareil sans surveillance lorsqu'il est branché. Débrancher lorsque l'appareil n'est pas utilisé et avant l'entretien.
5. Utiliser des produits nettoyants et des cires offerts sur le marché pour l'application à la machine.
6. Ne pas permettre aux enfants de jouer avec l'appareil. Une attention particulière est nécessaire lorsque l'appareil est utilisé par des enfants ou à proximité de ces derniers.
7. Utiliser que conformément à cette notice avec les accessoires recommandés par le fabricant.
8. Ne pas tirer, soulever ou traîner l'appareil par le cordon. Ne pas utiliser le cordon comme une poignée, le coincer dans l'embrasement d'une porte ou l'appuyer contre des arêtes vives ou des coins. Ne pas faire rouler l'appareil sur le cordon. Garder le cordon à l'écart des surfaces chaudes.
9. Ne pas débrancher en tirant sur le cordon. Tirer plutôt la fiche.
10. N'insérer aucun objet dans les ouvertures. Ne pas utiliser l'appareil lorsqu'une ouverture est bloquée. S'assurer que de la poussière, de la peluche, des cheveux ou d'autres matières ne réduisent pas le débit d'air.
11. Maintenir les cheveux, les vêtements amples, les doigts et toutes les parties du corps à l'écart des ouvertures et des pièces mobiles.
12. Mettre toutes les commandes à la position ARRÊT avant de débrancher l'appareil.
13. User de prudence lors du nettoyage des escaliers.
14. Utiliser à l'intérieur seulement. N'entreposez pas la machine à l'extérieur et évitez qu'elle ne soit mouillée.

## **INSTRUCCIONES IMPORTANTES DE SEGURIDAD**

Deben observarse siempre instrucciones básicas de seguridad al usar artefactos eléctricos incluyendo las siguientes:

### **LEER TODAS LAS INSTRUCCIONES DE SEGURIDAD ANTES DE USAR (ESTE ARTEFACTO)**

#### **⚠ ADVERTENCIA – Para reducir el riesgo de incendio, choque eléctrico o lesiones:**

1. No use el artefacto con líquidos/humos inflamables o combustibles tales como gasolina o usar en áreas donde pueden estar presentes.
2. No maneje el enchufe o el artefacto con manos mojadas, ya que puede ocurrir choque eléctrico o lesiones personales.
3. No use con cordón o enchufe dañados, ya que puede ocurrir choque eléctrico o lesiones personales. Si el artefacto no está funcionando bien, se ha dejado caer, se ha dañado, dejado al aire libre, o dejado caer al agua, devuélvalo al centro de servicio.
4. No dejar el artefacto desatendido cuando está enchufado. Desenchufar del tomacorrientes cuando no se usa y antes de prestar servicio.
5. Usar sólo limpiadores de piso y ceras comercialmente disponibles destinadas para aplicación a máquina.
6. No permitir que se use como un juguete. Se requiere mucha atención cuando se usa por o cerca de los niños.
7. Usar sólo según se describe en este manual. Usar sólo los aditamentos recomendados por el fabricante.
8. No tirar de ni arrastrar por el cordón, no usar el cordón como un mango, no cerrar la puerta sobre el cordón ni tirar del cordón sobre bordes o esquinas aguzadas. No pasar el artefacto sobre el cordón. Mantener el cordón alejado de superficies calientes.
9. No desenchufar tirando del cordón. Para desenchufar, sujetar el enchufe, no el cordón.
10. No colocar objetos en las aberturas. No usar con aberturas bloqueadas, mantener libre de polvo, pelusa, cabellos y todo lo que pueda reducir el flujo de aire.
11. Mantener el cabello, ropas holgadas, dedos, y todas las partes del cuerpo alejadas de las aberturas y piezas móviles.
12. Antes de desenchufar apagar todos los controles.
13. Ser muy precavido al limpiar sobre escaleras.
14. Usar siempre bajo techo. No usar al aire libre ni sobre superficies mojadas.

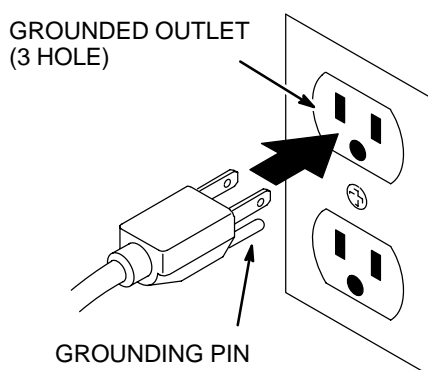
### **MANTENER ESTE INSTRUCCIONES**

## GROUNDING INSTRUCTIONS

This appliance must be grounded. If it should malfunction or breakdown, grounding provides a path of least resistance for electric current to reduce the risk of electric shock. This appliance is equipped with a cord having an equipment–grounding conductor and grounding plug. The plug must be plugged into an appropriate outlet that is properly installed and grounded in accordance with all local codes and ordinances.

**⚠ WARNING – Improper connection of the equipment–grounding conductor can result in a risk of electric shock. Check with a qualified electrician or service person if you are in doubt as to whether the outlet is properly grounded. Do not modify the plug provided with the appliance – if it will not fit the outlet, have a proper outlet installed by a qualified electrician.**

This appliance is for use on a nominal 120–volt circuit and has a grounding attachment plug that looks like the plug illustrated in sketch. Make sure that the appliance is connected to an outlet having the same configuration as the plug. No adaptor should be used with this appliance.



## INSTRUCTIONS VISANT LA MISE ‘A LA TERRE

Cet appareil doit être mis à la terre. En cas de défaillance ou de panne éventuelles, la mise à la terre fournit au courant un chemin de moindre résistance qui réduit le risque de choc électrique. Cet appareil est pourvu d’un cordon muni d’un conducteur de terre et d’une fiche avec broche de terre. La fiche doit être branchée dans une prise appropriée correctement installée et mise à la terre conformément aux règlements et ordonnances municipaux.

**AVERTISSEMENT. Un conducteur de terre mal raccordé peut entraîner un risque de choc électrique. Consulter un électricien ou un technicien d’entretien qualifié si vous n’êtes pas certain que la prise est correctement mise à la terre. Ne pas modifier la fiche fournie avec l’appareil – si elle ne peut être insérée dans la prise, faire installer une prise adéquate par un électricien qualifié.**

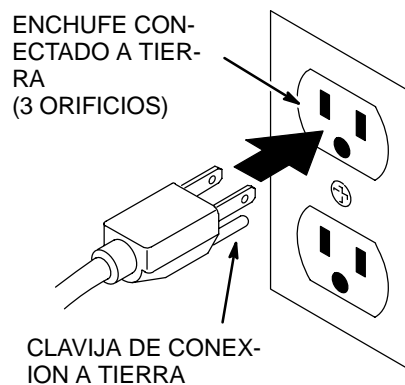
Cet appareil est destiné à un circuit de 120 v et est muni d’une fiche de mise à la terre semblable à celle illustrée par le croquis. S’assurer que l’appareil est branché à une prise de courant ayant la même configuration que la fiche. Aucun adaptateur ne devrait être utilisé avec cet appareil.

# INSTRUCCIONES DE CONEXION A TIERRA

Este artefacto debe conectarse a tierra. Si funciona mal o se descompone, la conexión a tierra provee una trayectoria de menor resistencia para la corriente eléctrica, para reducir el riesgo de choque eléctrico. Este artefacto está provisto con un cordón que tiene un conductor de conexión a tierra del equipo y un enchufe de conexión a tierra. El enchufe debe enchufarse a un tomacorrientes apropiado que esté correctamente instalado y conectado a tierra de acuerdo con todos los códigos y ordenanzas locales.

**⚠ ADVERTENCIA:** La conexión incorrecta del conductor de conexión a tierra del equipo puede resultar en un riesgo de choque eléctrico. Consultar con un electricista calificado o persona de servicio si existen dudas acerca de si el tomacorrientes está correctamente conectado a tierra. No se debe modificar el enchufe provisto con el artefacto – si no se inserta en el tomacorrientes hacer que un electricista calificado instale un tomacorrientes correcto.

Este artefacto es para usar en un circuito nominal de 120 voltios y tiene un enchufe de aditamento para conectar a tierra que se parece al enchufe ilustrado en la figura. Asegurarse que el artefacto esté conectado a un tomacorrientes con la misma configuración que el enchufe. No se debe usar un adaptador con este artefacto.



This manual is furnished with each new model . It provides necessary operation and maintenance instructions and an illustrated parts list.

**Read this manual completely and understand the machine before operating or servicing it.**

When ordering replacement parts, use the parts list section in this manual. Before ordering parts or supplies, be sure to have your machine model number and serial number available. Parts and supplies may be ordered by phone or mail from any authorized Service Center or Distributor.

This machine will provide excellent service. However, the best results will be obtained at minimum costs if:

- The machine is operated with reasonable care.
- The machine is maintained regularly - per the machine care instructions provided.
- The machine is maintained with manufacturer supplied or equivalent parts.

---

**MACHINE DATA**

---

Please fill out at time of installation for future reference.	
Model No.-	_____
Install. Date -	_____
Serial No.-	_____

©2001, 2002 Tennant Company

Printed in U.S.A.

Nobles is a registered United States trademark of Tennant Company.

Integrity is a United States trademark of Tennant Company.

---

**TABLE OF CONTENTS**

---

<b>SAFETY PRECAUTIONS</b> .....	<b>8</b>
GROUNDING INSTRUCTIONS .....	9
<b>WARNING LABELS</b> .....	<b>9</b>
<b>MACHINE COMPONENTS</b> .....	<b>10</b>
<b>MACHINE SETUP</b> .....	<b>10</b>
<b>MACHINE OPERATION</b> .....	<b>11</b>
<b>MACHINE MAINTENANCE</b> .....	<b>12</b>
<b>STORING MACHINE</b> .....	<b>13</b>
<b>TRANSPORTING MACHINE</b> .....	<b>13</b>
<b>RECOMMENDED STOCK ITEMS</b> .....	<b>13</b>
<b>TROUBLE SHOOTING</b> .....	<b>14</b>
<b>SPECIFICATIONS</b> .....	<b>14</b>
<b>ELECTRICAL DIAGRAM</b> .....	<b>25</b>
<b>PARTS LIST</b> .....	<b>26</b>
UPPER UNIT .....	26
LOWER UNIT .....	28

# OPERATION

---

---


## SAFETY PRECAUTIONS

---

This machine is intended for commercial use only. It is designed exclusively to burnish hard floors in an indoor environment and is not constructed for any other use. Use only recommended burnishing pads and commercially available floor cleaners and waxes intended for machine application.

All operators must read, understand and practice the following safety precautions.

The following warning alert symbol and the "FOR SAFETY" heading are used throughout this manual as indicated in their description:

 **WARNING:** To warn of hazards or unsafe practices which could result in severe personal injury or death.


**FOR SAFETY:** To identify actions which must be followed for safe operation of equipment.

---


Failure to follow these warnings may result in: personal injury, electrocution, electric shock, fire or explosion:

 **WARNING:** Do Not Use Flammable Liquids Or Operate Machine In Or Near Flammable Liquids, Vapors Or Combustible Dusts.

This machine is not equipped with an explosion proof motor. The electric motor will spark upon start up and during operation which could cause a flash fire or explosion if machine is used in an area where flammable vapors/liquids or combustible dusts are present.

 **WARNING:** Do Not Operate With Damaged Power Cord. Do Not Modify Plug. Unplug Power Cord Before Servicing Machine.

If the supply cord is damaged or broken, it must be replaced by the manufacturer or it's service agent or a similarly qualified person in order to avoid a hazard.

 **WARNING:** Do Not Use Outdoors Or On Wet Surfaces. Do Not Expose to Rain. Store Indoors.

---

The following information signals potentially dangerous conditions to the operator or equipment:

**FOR SAFETY:**

1. Do not operate machine:
  - With flammable liquids or near flammable vapors as an explosion or flash fire may occur.

- Unless trained and authorized.
- Unless operator manual is read and understood.
- Unless cord is properly grounded.
- With damaged cord or plug.
- If not in proper operating condition.
- In outdoor areas.
- In standing water.
- Without dust bag in place.
- With the use of an extension cord.

2. Before operating machine:

- Make sure all safety devices are in place and operate properly.
- Place wet floor signs as needed.
- Remove loose objects on floor to prevent dangerous projectiles if struck by spinning pad.

3. When using machine:

- Stay clear of spinning pad.
- Do not run machine over cord.
- Do not pull machine by plug or cord.
- Do not pull cord around sharp edges or corners.
- Wear non-slip shoes.
- Do not close doors on cord.
- Do not unplug by pulling on cord.
- Do not stretch cord.
- Do not handle plug with wet hands.
- Keep cord away from heated surfaces.
- Never activate the power when the handle is in the upright position.
- Do not release handles until pad comes to a complete stop.
- Go slow on inclines and slippery surfaces.
- Never allow children to play on or around.
- Report machine damage or faulty operation immediately.

4. Before leaving or servicing machine:

- Turn off machine.
- Unplug cord from wall outlet.

5. When servicing machine:

- Unplug cord from wall outlet.
- Avoid moving parts. Do not wear loose jackets, shirts, or sleeves.
- Use manufacturer supplied or approved replacement parts.

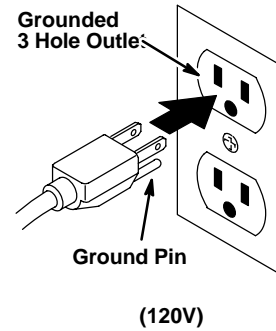
6. When transporting machine:

- Get assistance when lifting machine.
- Unplug cord from wall outlet.



**GROUNDING INSTRUCTIONS**

Machine must be grounded. If it should malfunction or breakdown, grounding provides a path of least resistance for electrical current to reduce the risk of electrical shock. This machine is equipped with a cord having an equipment-grounding conductor and grounding plug. The plug must be plugged into an appropriate outlet that is properly installed in accordance with all local codes and ordinances. Do not remove ground pin; if missing, replace plug before use.



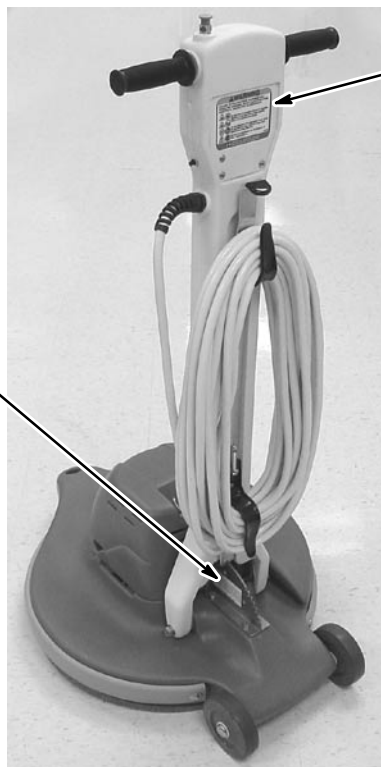
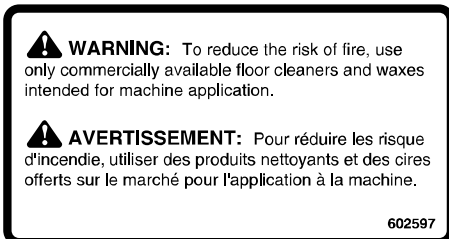
**WARNING LABELS**

The warning labels appear on the machine in the locations indicated. Replace labels if they become damaged or illegible.

**WARNING LABEL –**  
**Located on back side of machine handle.**

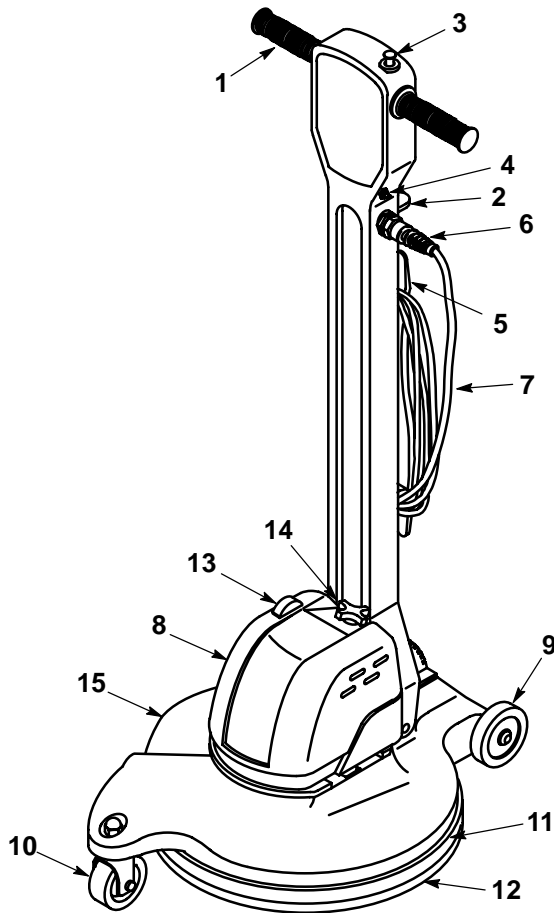


**WARNING LABEL –**  
**Located on motor mounting bracket.**



# OPERATION

## MACHINE COMPONENTS



1. Twist Grips
2. Adjustable Handle Release Lever
3. Safety Lock Button
4. Circuit Breaker Button
5. Power Cord Hook
6. Cord Grip
7. 23 m (75 ft) Power Cord
8. Motor Cover
9. Rear Wheels
10. Pivoting Caster
11. Flexible Pad Driver
12. Burnish Pad
13. Pad Pressure Meter
14. Pad Pressure Adjustment Knob
15. Dust Bag Compartment Cover

## MACHINE SETUP

Carefully check carton for signs of damage. Report damages at once to carrier.

1. Select and install recommended pad that best meets your cleaning needs.

**NOTE:** Proper pad selection is important for best results. See your authorized distributor to assist you in choosing the right pad for your specific cleaning needs.

**FOR SAFETY:** Before leaving or servicing machine unplug cord from wall outlet.

2. To install pad, tilt machine back on wheels until machine is resting on handle.
3. Remove yellow centerlock by turning counterclockwise.
4. Place selected pad on flexible pad driver and replace centerlock. Be certain centerlock is tight (Figure 1).

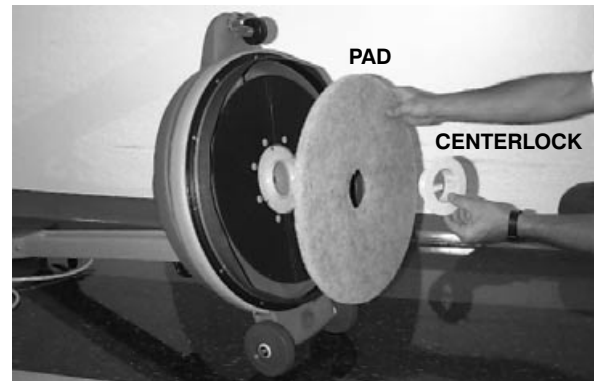


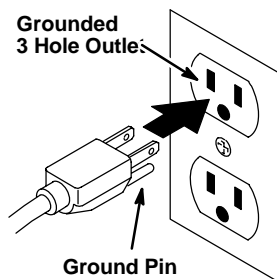
FIG. 1

5. After pad is installed return machine to upright position.
6. Check to ensure dust bag is installed (Figure 2).



FIG. 2

7. Plug power supply cord to a grounded wall outlet (Figure 3).



(120V)

FIG. 3

**FOR SAFETY:** Do not operate machine unless cord is properly grounded. Do not operate machine with damaged cord or plug. Do not operate machine with the use of an extension cord.

## MACHINE OPERATION

**FOR SAFETY:** Do not operate machine unless operator manual is read and understood.

**⚠ WARNING: Do Not Use Flammable Liquids Or Operate Machine In Or Near Flammable Liquids, Vapors Or Combustible Dusts.**

This machine is not equipped with an explosion proof motor. The electric motor will spark upon start up and during operation which could cause a flash fire or explosion if machine is used in an area where flammable vapors/liquids or combustible dusts are present.

1. Adjust handle to a comfortable operating height. Lift handle release lever and lower handle to adjust. Release lever to lock handle in position, six settings (Figure 4).

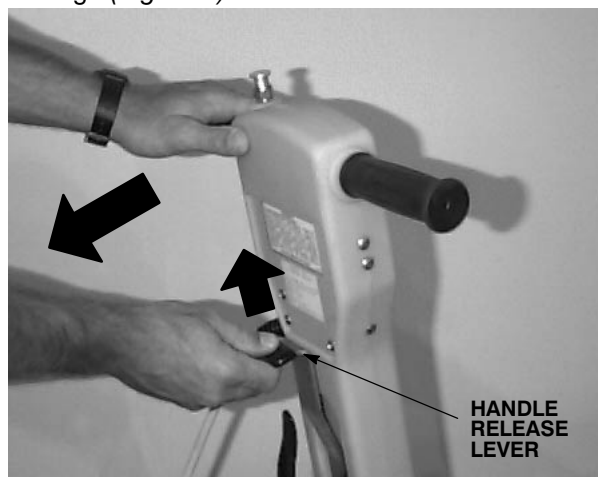


FIG. 4

**ATTENTION:** Use caution when starting out. Machine will jolt when twist grips are turned.

2. Start machine by pressing safety lock button and turning twist grips forward. Release thumb from safety lock button once machine starts (Figure 5).

**FOR SAFETY:** When using machine, go slow on inclines and slippery surfaces.

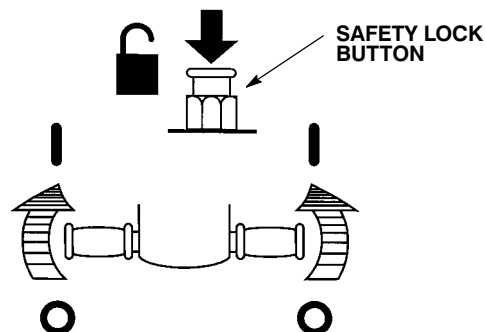


FIG. 5

3. Once you begin operating machine, view pad pressure meter and adjust pad pressure adjustment knob if necessary. Operate machine with meter needle in the green zone ONLY. Turn knob counterclockwise to increase pad pressure and clockwise to decrease (Figure 6).

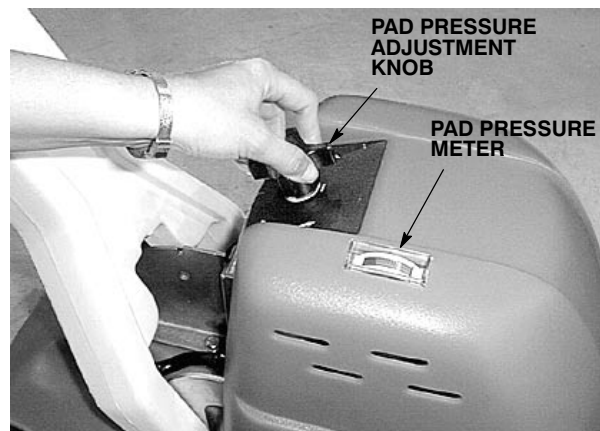


FIG. 6

**ATTENTION:** Keep machine moving to prevent floor surface damage.

## OPERATION

**NOTE:** To prevent the possibility of motor overload and causing circuit breaker to trip. Periodically check pad pressure meter and pad for excessive soil build-up. Turn pad over, clean or replace when necessary. If Circuit Breaker should trip, unplug power cord. Wait at least 15 seconds before resetting breaker switch. While waiting determine reason why circuit breaker tripped (Figure 7).

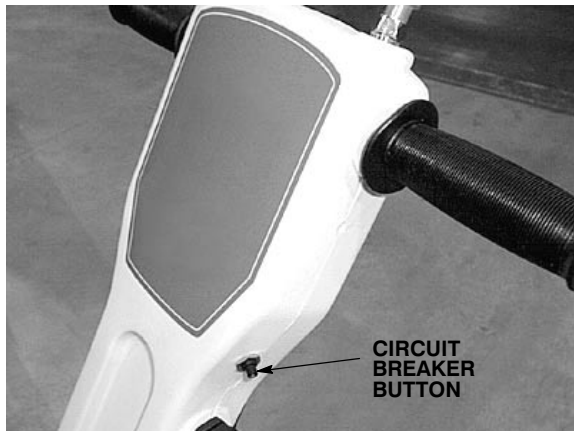


FIG. 7

4. Begin burnishing by moving machine forward and backward or using a "W" pattern motion.
5. To stop machine, rotate twist grips backward and safety lock button will engage.

**FOR SAFETY: When using machine, do not release handles until pad comes to complete stop.**

6. When job is completed, remove pad from pad driver to prevent pad damage.

## MACHINE MAINTENANCE

**FOR SAFETY: Before leaving or servicing machine, unplug cord from wall outlet.**

1. Remove pad after each use. This prevents damage to pad.
2. Empty dust bag after each use. Slide bag clip off at bottom of bag to empty (Figure 8).

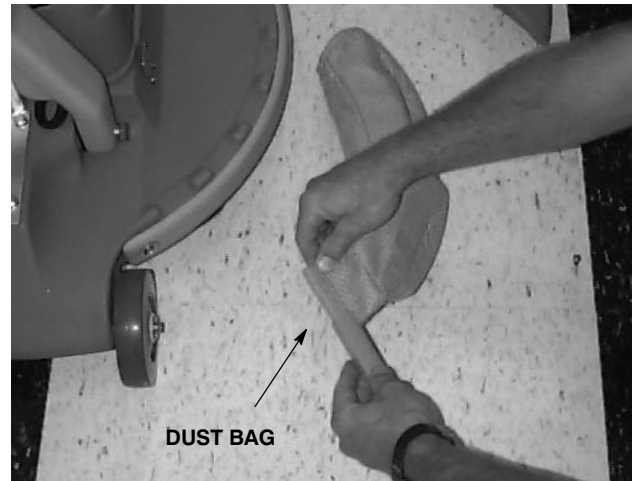


FIG. 8

3. Clean machine with an all purpose cleaner after each use.
4. Clean pads after each use. Never use soiled pads or allow pads to become oversoiled before changing.
5. Always wind power cord around cord hooks rather than loosely looped over handle. Wipe cord with damp cloth after each use. Also, check power cord for damage, if worn or damaged, replace immediately.
6. Periodically check that all bolts and nuts are tight.
7. Every 250 hours of operation check motor for carbon brush wear. Remove motor cover to access carbon brushes. Replace brushes if worn to a length of 10mm (0.38 in ) or less.

**⚠ WARNING: Do Not Operate With Damaged Power Cord. Do Not Modify Plug. Unplug Power Cord Before Servicing Machine.**

**STORING MACHINE**

1. Remove brush/pad driver from machine and neatly coil cord around cord hooks on handle.
2. Store machine in a dry area in the upright position.

**⚠ WARNING: Do Not Use Outdoors Or On Wet Surfaces. Do Not Expose to Rain. Store Indoors.**

**TRANSPORTING MACHINE**

1. Unplug the power cord and remove the pad from the machine. Neatly coil the cord around the cord hooks to prevent cord damage.
2. Load the machine using a recommended loading ramp or carefully lift the machine with adequate assistance.

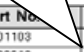
**FOR SAFETY: When transporting machine, get assistance when lifting machine.**

3. Secure machine with tie-down straps when transporting by vehicle.

**⚠ WARNING: Do Not Use Outdoors Or On Wet Surfaces. Do Not Expose to Rain. Store Indoors.**

**RECOMMENDED STOCK ITEMS**

Refer to the Parts List section for recommended stock items. Stock Items are clearly identified with a bullet preceding the parts description as shown (*Figure 9*).



Ref.	Part No.	Description	Qty.
1	701103	ASM.,STANDPIPE	1
2	180613	•FLOAT, SHUTOFF	1
3	230187	NIPPLE	1
4	101714	•GASKET	1
5	210240	NUT, FLANGED	1

**FIG. 9**

# OPERATION

---

## TROUBLE SHOOTING

PROBLEM	CAUSE	SOLUTION
Machine does not operate.	Machine unplugged.	Plug machine in.
	Machine circuit breaker tripped.	Reset breaker on machine.
	Building circuit breaker tripped.	Reset breaker and change to different circuit.
	Faulty power cord.	Contact Service Center.
	Faulty wiring.	Contact Service Center.
	Faulty twist grip switch.	Contact Service Center.
	Faulty rectifier.	Contact Service Center.
Machine circuit breaker trips continuously.	Too much pad pressure.	Adjust pad pressure knob.
	Soiled Pad.	Replace Pad.
	Improper pad for application.	Change to proper pad.
	Faulty circuit breaker.	Contact Service Center.
	Worn motor brushes.	Contact Service Center.

## SPECIFICATIONS

MODEL	INTEGRITY™
WIDTH	610mm (24 in)
HEIGHT	1270mm (50 in)
WEIGHT	32Kg (70 lbs)
DRIVE MOTOR	120V – 1.5 hp 12AMP 60Hz
PAD/BRUSH SPEED	2000 RPM
POWER CORD LENGTH	23m (75 ft)
BRUSH PAD DIA.	510mm (20 in)
DECIBEL RATING AT OPERATOR'S EAR, INDOORS ON TILE FLOOR	<70dB(A)

Specifications are subject to change without notice.

Este manual se proporciona con cada nuevo modelo. Proporciona instrucciones necesarias de mantenimiento y lista ilustrada de piezas.

**Lea el manual entero para comprender el funcionamiento de la máquina antes de utilizarla o revisarla.**

Esta máquina le proporcionará un servicio excelente. Sin embargo, obtendrá los mejores resultados al coste mínimo si:

- Utiliza la máquina con un cuidado razonable.
- Revisa la máquina periódicamente - según las instrucciones de mantenimiento adjuntas.
- La máquina se mantiene con las piezas provistas por el fabricante o equivalentes.

## DATOS DE LA MÁQUINA

Por favor rellene estos datos en el momento de la instalación para utilizarlos como referencia en el futuro.

Nº Modelo - \_\_\_\_\_

Fecha de instal. - \_\_\_\_\_

Nº de serie de la máquina - \_\_\_\_\_

©2001, 2002 Tennant Company

Printed in U.S.A.

Nobles is a registered United States trademark of Tennant Company.

Integrity is a United States trademark of Tennant Company.

## ÍNDICE

<b>MEDIDAS DE SEGURIDAD</b> .....	<b>16</b>
INSTRUCCIONES PARA LA CONEXIÓN	
A LA TOMA DE TIERRA .....	17
<b>ETIQUETA DE ADVERTENCIA</b> .....	<b>18</b>
<b>COMPONENTES DE LA MÁQUINA</b> .....	<b>19</b>
<b>INSTALACIÓN DE LA MÁQUINA</b> .....	<b>19</b>
<b>FUNCIONAMIENTO DE LA MÁQUINA</b> .....	<b>20</b>
<b>MANTENIMIENTO DE LA MÁQUINA</b> .....	<b>21</b>
<b>ALMACENAMIENTO DE LA MÁQUINA</b> .....	<b>22</b>
<b>TRANSPORTE DE LA MAQUINA</b> .....	<b>22</b>
<b>STOCK RECOMENDADO DE REPUESTOS</b> ...	<b>22</b>
<b>LOCALIZACIÓN DE AVERÍAS</b> .....	<b>23</b>
<b>ESPECIFICACIONES</b> .....	<b>24</b>
<b>DIAGRAMS ELECTRICAS</b> .....	<b>25</b>
<b>LISTAS DE PIEZAS</b> .....	<b>26</b>
PARTE DE SUPERIOR .....	26
PARTE DE INFERIOR .....	28

---


## MEDIDAS DE SEGURIDAD

---

Esta máquina sólo se usa para uso comercial. Está diseñada exclusivamente para pulir pisos duros en un ambiente interior y no se construye para ningún otro uso. Usa sólo almohadillas recomendados y limpiadores de suelo y ceras disponibles comercialmente y ceras destinados para la aplicación de la máquina.

Todos los operadores deben leer, deben entender y deben practicar las precauciones siguientes de seguridad.


El símbolo siguiente de advertencia de alerta y el encabezamiento "FOR SAFETY" ("PARA SEGURIDAD") se usan a lo largo de este manual como se indicó en su descripción:

 **ADVERTENCIA:** Para advertir acerca de riesgos o prácticas inseguras que podrían resultar en severas lesiones personales o la muerte.


**PARA SEGURIDAD:** Para identificar acciones que deben seguirse para el funcionamiento seguro del equipo.

---


La falla en seguir estas advertencias puede resultar en: lesión personal, electrocución, choque eléctrico, fuego o explosión:

 **ADVERTENCIA:** No use líquidos inflamables ni opere la máquina en o cerca de Inflamable líquidos, vapores, polvos combustibles, inflamables.

Esta máquina no está provista con un motor a prueba de explosión. El motor eléctrico chispea en el arranque y durante el funcionamiento lo que podría causar un fuego explosivo o explosión si la máquina se usa en una área donde están presentes vapores/líquidos inflamables o polvos combustibles.

 **ADVERTENCIA:** No opere con un cordón eléctrico dañado. No modifique el enchufe. Desenchufe el cordón eléctrico antes de reparar la máquina.

Si el cordón del suministro se daña o se rompe, debe ser reemplazado por el fabricante o su agente de servicio o una persona similarmente calificada para evitar un riesgo.

 **ADVERTENCIA:** No use al aire libre o en superficies húmedas. No exponga a la lluvia. Almacene bajo techo.

---

La información siguiente señala condiciones potencialmente peligrosas al operador o equipo:

### PARA SEGURIDAD:

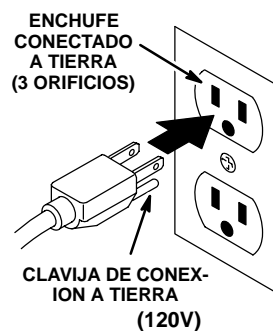
1. No opere la máquina:
  - Con líquidos inflamables o cerca de vapores inflamables ya que puede ocurrir una explosión o fuego explosivo.
  - A menos que se capacitó y fue autorizado.
  - A menos que el manual del operador se lea y entienda.
  - A menos que el cordón se conecte apropiadamente a tierra.
  - Con un cordón o enchufe dañados.
  - Si no está en una condición apropiada de operación.
  - En áreas al aire libre.
  - En agua estancada.
  - Con el uso de una extensión de cordón.
  - Sin bolsa del polvo en lugar.
2. Antes de operar máquina:
  - Asegúrese que todos los dispositivos de seguridad están en lugar y operan propiamente.
  - Coloque señales de piso húmedo según se necesite.
  - Quite objetos sueltos en suelo para prevenir proyectiles peligrosos si son golpeados por la almohadilla giratoria.
3. Al usar la máquina:
  - Aléjese de la almohadilla giratoria.
  - No pase la máquina encima del cordón.
  - No tire de la máquina por el enchufe o el cordón.
  - No tire del cordón alrededor de bordes o esquinas aguzados.
  - Usar zapatos antideslizantes.
  - No cierra las puertas sobre el cordón.
  - No desenchufe tirando del cordón.
  - No estire el cordón.
  - No maneje el enchufe con las manos húmedas.
  - Mantenga el cordón lejos de las superficies calientes.
  - Nunca active la potencia cuando la manija esté en posición vertical.
  - No suelte las manijas hasta que la almohadilla se detenga completa.
  - Proceda con lentitud lento en las cuestas y las superficies resbaladizas.
  - Nunca permita que los niños jueguen en o alrededor.



- Informe inmediatamente acerca de daños u operación defectuosa de la máquina.
4. Antes de dejar o reparar la máquina:
- Apague la máquina.
  - Desenchufe cordón del tomacorriente de la pared.
5. Al reparar máquina:
- Desenchufe cordón del tomacorriente de la pared.
  - Evite las piezas móviles. No use chaquetas, camisas, o mangas, holgadas.
  - Use piezas de repuesto proporcionadas o aprobadas por el fabricante.
6. Al transportar máquina:
- Se requiere ayuda adecuada al alzar la máquina.
  - Desenchufe cordón del tomacorriente de la pared.

## INSTRUCCIONES PARA LA CONEXIÓN A LA TOMA DE TIERRA

La máquina debe conectarse a tierra. Si funciona mal o se rompe, la conexión a tierra proporciona un recorrido de menor resistencia para la corriente eléctrica para reducir el riesgo de choque eléctrico. Esta máquina está equipada con un cordón que tiene un conductor de conexión a tierra del equipo y un enchufe de conexión a tierra. El enchufe debe enchufarse en un tomacorrientes apropiado que esté bien instalado de acuerdo con todos los códigos y ordenanzas locales. No extraiga la clavija de conexión a tierra; en caso de faltar, vuelva a colocar el enchufe antes de usar.



# OPERACIÓN

## ETIQUETA DE ADVERTENCIA

La etiqueta de advertencia aparece en la máquina en la ubicación indicada. Reemplace la etiqueta si se daña o es ilegible.

**ETIQUETA DE ADVERTENCIA – Ubicada en el reverso de la manija de la máquina.**

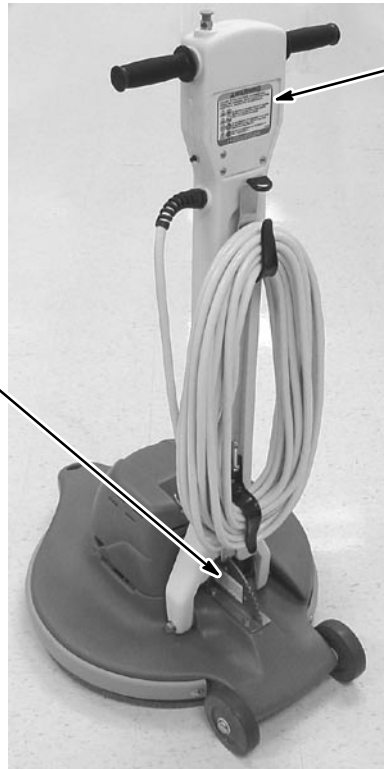


**ETIQUETA DE ADVERTENCIA – Ubicada en el mango**

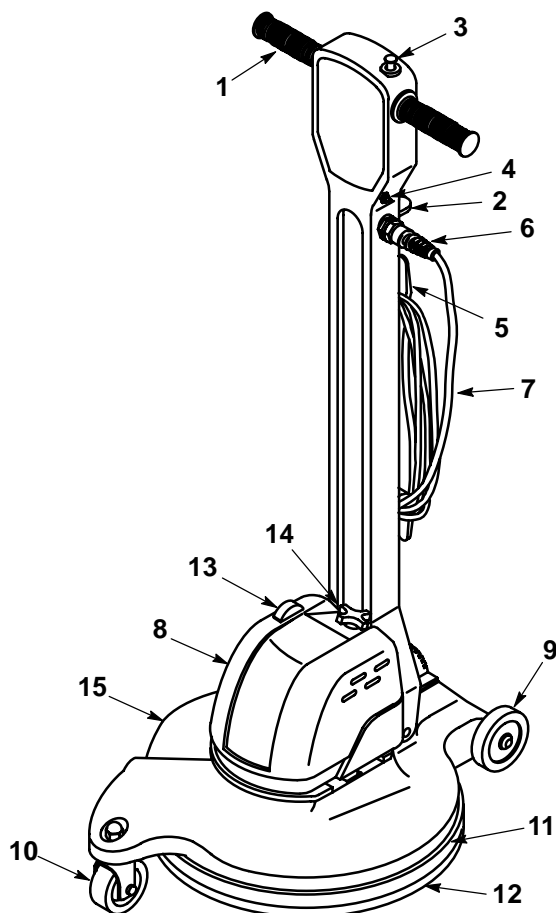
**WARNING:** To reduce the risk of fire, use only commercially available floor cleaners and waxes intended for machine application.

**AVERTISSEMENT:** Pour réduire les risques d'incendie, utiliser des produits nettoyants et des cires offerts sur le marché pour l'application à la machine.

602597



## COMPONENTES DE LA MÁQUINA



1. Mandos giratorios
2. Palanca de liberación del ajuste de la columna de mandos
3. Botón de seguridad
4. Botón del cortacircuitos
5. Gancho para el cable eléctrico
6. Sujeción del cable
7. Cable eléctrico (23 m)
8. Tapa del motor
9. Ruedas traseras
10. Ruedecilla pivotante
11. Impulsor flexible de la almohadilla
12. Almohadilla de pulido
13. Indicador de la presión de la almohadilla
14. Botón de ajuste de la presión de la almohadilla
15. Tapa del compartimento de la bolsa de polvo

## INSTALACIÓN DE LA MÁQUINA

Compruebe cuidadosamente si la caja de cartón muestra daños. En caso de que así sea informe inmediatamente de los daños al transportista. Controle si el enchufe instalado corresponde a su enchufe de pared.

1. La máquina se ha embalado completamente montada. La bolsa de polvo viene instalada de fábrica y las almohadillas se venden separadamente. Seleccione y instale las almohadillas que mejor se adapten a sus necesidades.

**NOTA:** La adecuada selección de las almohadillas es importante para la obtención de resultados óptimos. Consulte a su distribuidor autorizado para la elección de la almohadilla adecuada para sus necesidades específicas.

**PARA SU SEGURIDAD:** Antes de abandonar o revisar la máquina, desconecte el cable del enchufe de la pared.

2. Instalación de la almohadilla: Incline la máquina hacia atrás sobre las ruedas posteriores hasta que la máquina descansa sobre la columna de mandos.
3. Retire el cierre central amarillo girándolo en sentido contrario al de las agujas del reloj.
4. Coloque la almohadilla seleccionada en el impulsor flexible de la almohadilla y vuelva a instalar el cierre central. Asegúrese de fijar bien dicho cierre central (Figura 1).

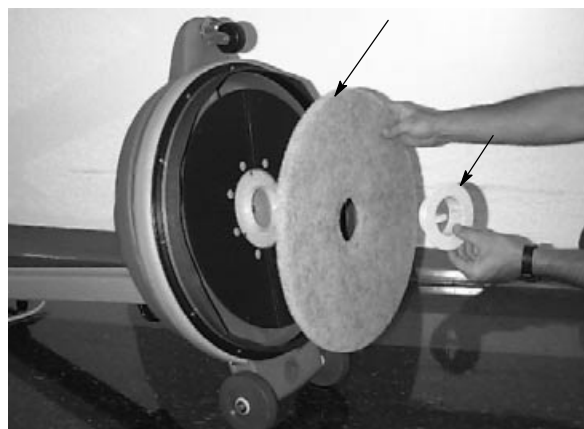


FIG. 1

# OPERACIÓN

5. Devuelva la máquina a la posición vertical cuando haya instalado la almohadilla.
6. Asegúrese de que la bolsa de polvo esté instalada (Figura 2).



FIG. 2

7. Enchufe la máquina en un enchufe de la pared con toma de tierra (Figura 3).

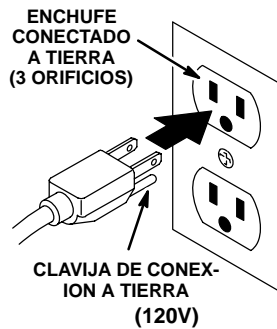


FIG. 3

**PARA SU SEGURIDAD:** No utilice la máquina salvo que el cable eléctrico esté conectado a una toma de tierra que funcione correctamente. No utilice la máquina si el enchufe o cable están deteriorados. No utilice la máquina con un alargador.

## FUNCIONAMIENTO DE LA MÁQUINA

**PARA SU SEGURIDAD:** No utilice la máquina salvo que haya leído y comprendido el manual de instrucciones.

**⚠ ADVERTENCIA:** No use líquidos inflamables ni opere la máquina en o cerca de Inflamable líquidos, vapores, polvos combustibles, inflamables.

Esta máquina no está provista con un motor a prueba de explosión. El motor eléctrico chispea en el arranque y durante el funcionamiento lo que podría causar un fuego explosivo o explosión si la máquina se usa en una área donde están presentes vapores/líquidos inflamables o polvos combustibles.

1. Ajuste la columna de mandos a una altura de funcionamiento cómoda: levante la palanca de liberación de la columna de mandos y baje dicha columna, suelte la palanca para bloquear la columna en cualquiera de los seis ajustes posibles (Figura 4).

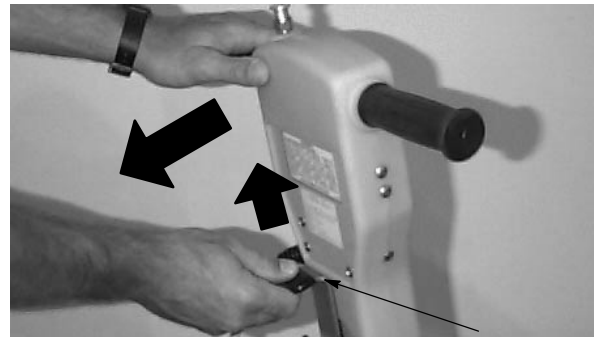


FIG. 4

**ATENCIÓN:** Extreme las precauciones al empezar a utilizar la máquina. La máquina se moverá bruscamente al girar los mandos.

2. Arranque la máquina pulsando el botón de seguridad y girando los mandos giratorios hacia delante. Suelte el botón de seguridad cuando la máquina haya arrancado (Figura 5).

**PARA SU SEGURIDAD:** Conduzca despacio cuando utilice la máquina en pendientes o superficies resbaladizas.

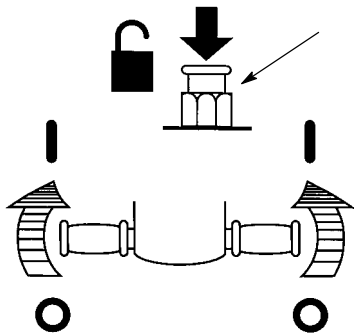


FIG. 5

3. Cuando la máquina esté en marcha, controle la presión de la almohadilla y ajústela con el botón de ajuste de la presión de la almohadilla en caso necesario. Utilice la máquina ÚNICAMENTE cuando la aguja del indicador de la presión se encuentre en la zona verde. Gire el botón en sentido contrario al de las agujas del reloj para aumentar la presión de la almohadilla y en sentido contrario para reducirla (Figura 6).



FIG. 6

**ATENCIÓN:** Mantenga siempre la máquina en movimiento para evitar dañar el suelo.

**NOTA:** Para evitar la posibilidad de sobrecarga del motor que causaría la activación del cortacircuitos, controle periódicamente el indicador de la presión de la almohadilla y si existe acumulación de suciedad en la almohadilla. Invierta, limpie o sustituya la almohadilla cuando sea necesario. Si el cortacircuitos se activa, desenchufe la máquina. Espere al menos 15 segundos antes de reajustar el interruptor del cortacircuitos. Mientras espera, determine la causa de la activación del cortacircuitos (Figura 7).



FIG. 7

4. Comience la operación de pulido empujando la máquina hacia delante o desplácela siguiendo un patrón en W.
  5. Parada de la máquina: Gire los mandos giratorios hacia atrás. Esto activará el botón de seguridad.
- PARA SU SEGURIDAD:** Al utilizar la máquina, no suelte los mandos hasta que la almohadilla se haya detenido totalmente.
6. Cuando termine de utilizar la máquina, retire la almohadilla de su impulsor para evitar que se deteriore dicha almohadilla.

## MANTENIMIENTO DE LA MÁQUINA

**PARA SU SEGURIDAD:** Antes de abandonar o revisar la máquina, desconecte el cable del enchufe de la pared.

1. Retire la almohadilla después de cada uso. Esto evitará que se deteriore dicha almohadilla.
2. Vacíe la bolsa de polvo después de cada uso. Saque la bolsa de su clip de sujeción situado en la parte inferior y vacíe la bolsa (Figura 8).



FIG. 8

# OPERACIÓN

3. Limpie el líquido abrillantador que pudiera quedar en la base de la máquina después de cada uso.
4. Lave siempre las almohadillas después de cada uso. No utilice nunca almohadillas sucias ni permita que las almohadillas se ensucien excesivamente antes de sustituirlas.
5. Recoja y enrolle siempre el cable eléctrico alrededor de los ganchos destinados a este fin en vez de enrollarlo descuidadamente alrededor de la columna. Limpie el cable con un paño húmedo después de cada uso. Compruebe si el cable eléctrico está en buenas condiciones, si está gastado o deteriorado, sustitúyalo inmediatamente.
6. Controle periódicamente si todos los tornillos y tuercas están bien fijos.
7. Controle los cepillos de carbón del motor cada 250 horas de funcionamiento. Retire la tapa del motor para poder acceder a los cepillos de carbón. Sustituya los cepillos si su longitud es igual o inferior a 9,5 mm. Esta operación únicamente debe ser realizada por personal autorizado de Tennant.

**⚠ ADVERTENCIA: No opere con un cordón eléctrico dañado. No modifique el enchufe. Desenchufe el cordón eléctrico antes de reparar la máquina.**

## ALMACENAMIENTO DE LA MÁQUINA

1. Retire de la máquina el impulsor del cepillo/almohadilla y enrolle cuidadosamente el cable alrededor del mando y colóquelo en su gancho.
2. Almacene la máquina en un área seca en la posición vertical con la manija colocada en posición vertical o plegada.

**⚠ ADVERTENCIA: No use al aire libre o en superficies húmedas. No exponga a la lluvia. Almacene bajo techo.**

## TRANSPORTE DE LA MÁQUINA

1. Desenchufe el cordón eléctrico y extraiga la almohadilla de la máquina. Enrolle prolijamente el cordón alrededor del gancho del cordón y el mango.
2. Guarde la máquina en posición vertical en un lugar seco.

**PARA SEGURIDAD: Al transportar máquina, obtenga asistencia al levantar la máquina.**

3. Asegure la máquina con las bandas de amarre cuando sea transportada por camión.

**⚠ ADVERTENCIA: No use al aire libre o en superficies húmedas. No exponga a la lluvia. Almacene bajo techo.**

## STOCK RECOMENDADO DE REPUESTOS

Consulte la sección de Lista de Repuestos para ver que productos son los recomendados. Los repuestos que debe tener en almacén se identifican fácilmente por la marca que antecede a la descripción de las piezas (Figura 9).

Ref.	Part No.	Description	Qty.
1	701103	ASM_STANDPIPE	1
2	100613	•FLOAT, SHUTOFF	1
3	230187	NIPPLE	1
4	101714	•GASKET	1
5	210240	NUT, FLANGED	1

FIG. 9

**LOCALIZACIÓN DE AVERÍAS**

<b>PROBLEMA</b>	<b>CAUSA</b>	<b>SOLUCIÓN</b>
La máquina no funciona.	Máquina desenchufada.	Enchufar la máquina.
	Cortacircuitos de la máquina activado.	Reajustar el cortacircuitos de la máquina.
	Cortacircuitos del edificio activado.	Reajustar el cortacircuitos del edificio.
	Cable eléctrico defectuoso.	Consulte con el Centro de Servicio.
	Cableado defectuoso.	Consulte con el Centro de Servicio.
	Interruptor del mando giratorio defectuoso.	Consulte con el Centro de Servicio.
	Rectificador defectuoso.	Consulte con el Centro de Servicio.
El cortacircuitos de la máquina se activa continuamente.	Presión de la almohadilla excesiva.	Ajustar el botón de la presión de la almohadilla.
	Almohadilla sucia.	Sustituir la almohadilla.
	Almohadilla no adecuada para la aplicación.	Instalar la almohadilla adecuada.
	Cortacircuitos defectuoso.	Consulte con el Centro de Servicio.
	Cepillos del motor gastados.	Consulte con el Centro de Servicio.

# OPERACIÓN

---

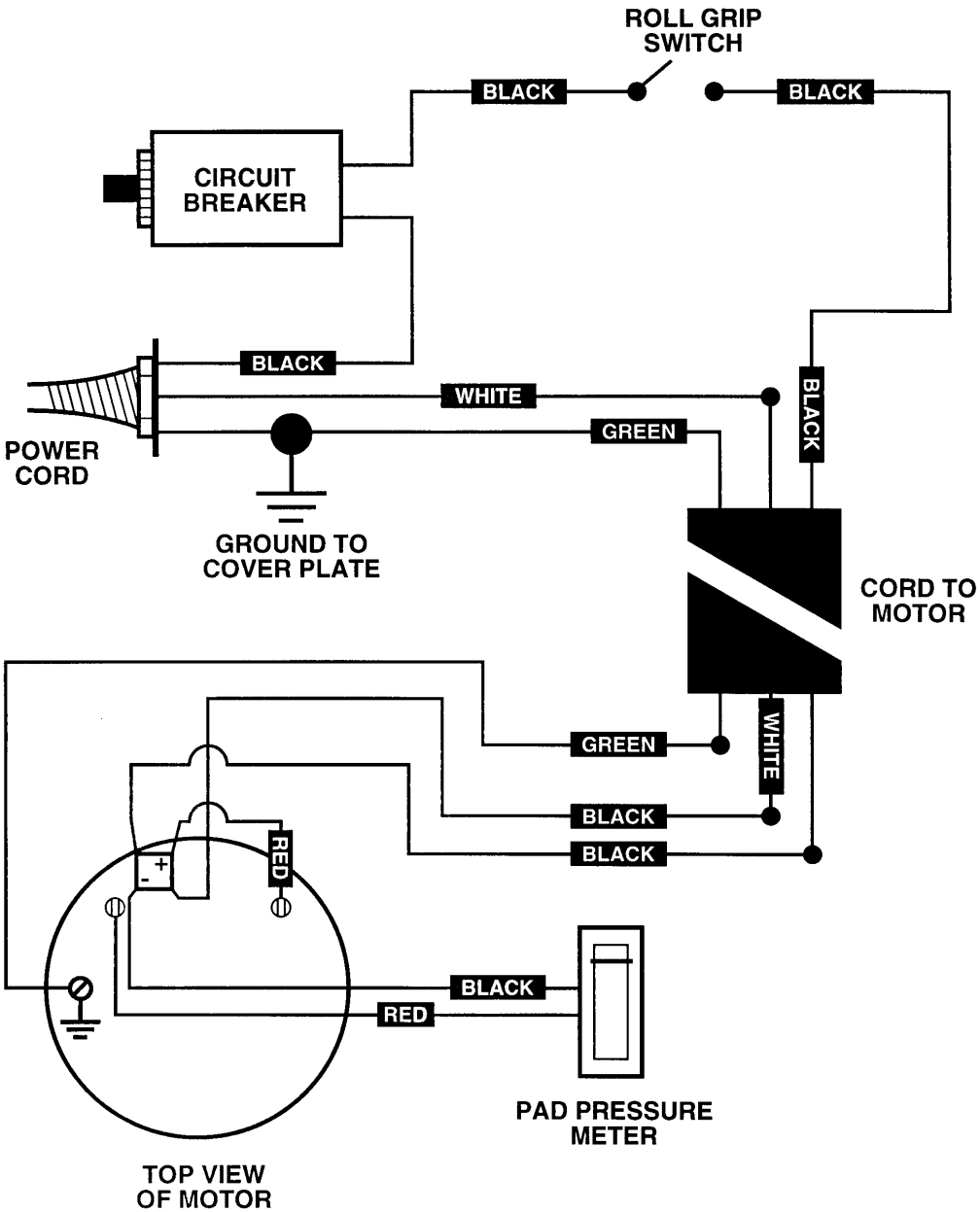
## ESPECIFICACIONES

MODELO	INTEGRITY™
ANCHURA	610mm (24 in)
ALTURA	1270mm (50 in)
PESO	32Kg (70 lbs)
MOTOR DE IMPULSIÓN	120V – 1.5 hp 12AMP 60Hz
VELOCIDAD CEPILLO/ALMOHADILLA	2000 RPM
LONGITUD DEL CABLE ELÉCTRICO	23m (75 ft)
DIÁMETRO CEPILLO/ALMOHADILLA	510mm (20 in)
NIVEL SONORO A LA ALTURA DEL OPERARIO, EN RECINTO INTERIOR CON SUELO DE BALDOSAS (EN DECIBELIOS)	<70dB(A)

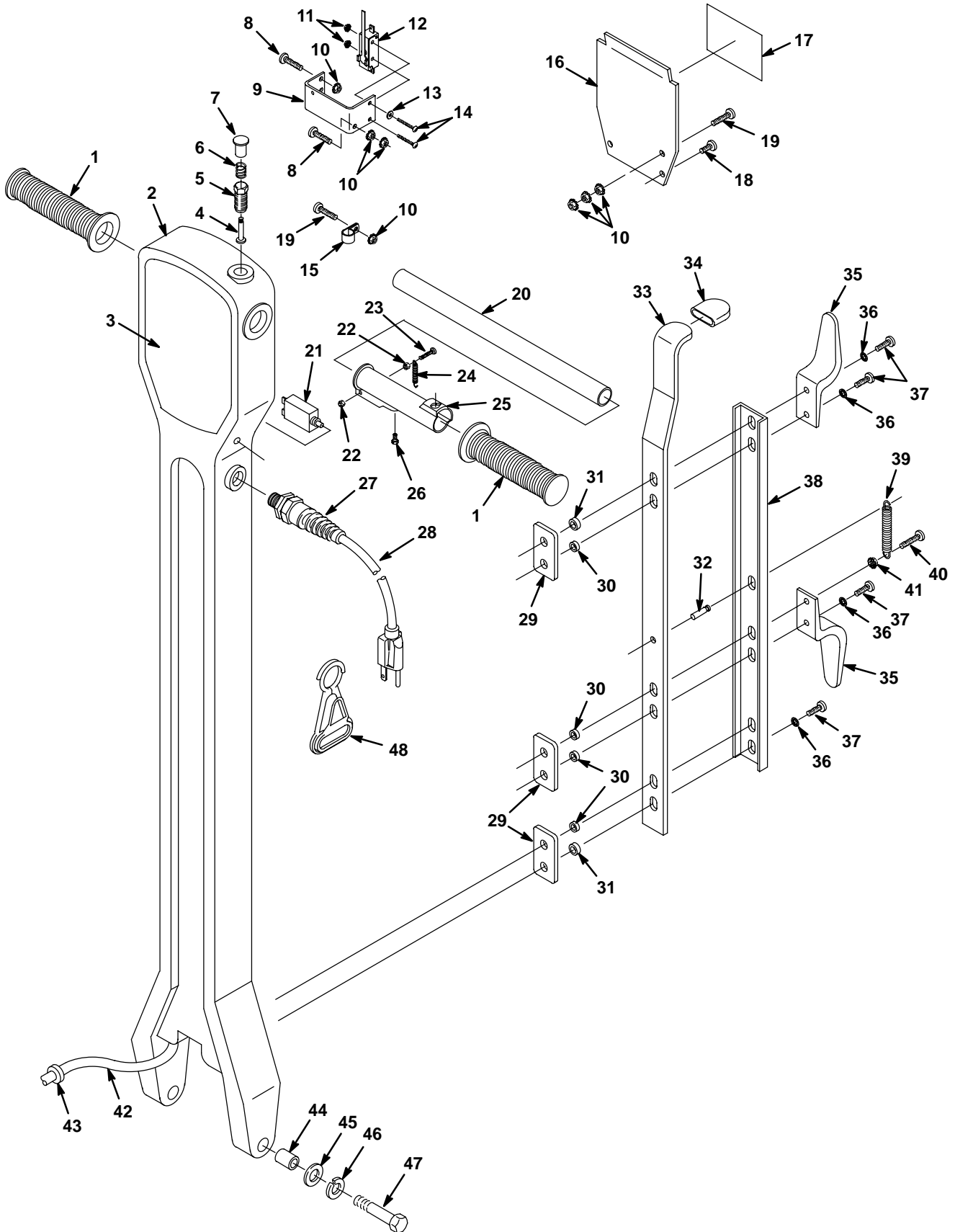
Las especificaciones pueden cambiar sin aviso previo.



120V



UPPER UNIT  
PARTE SUPERIOR



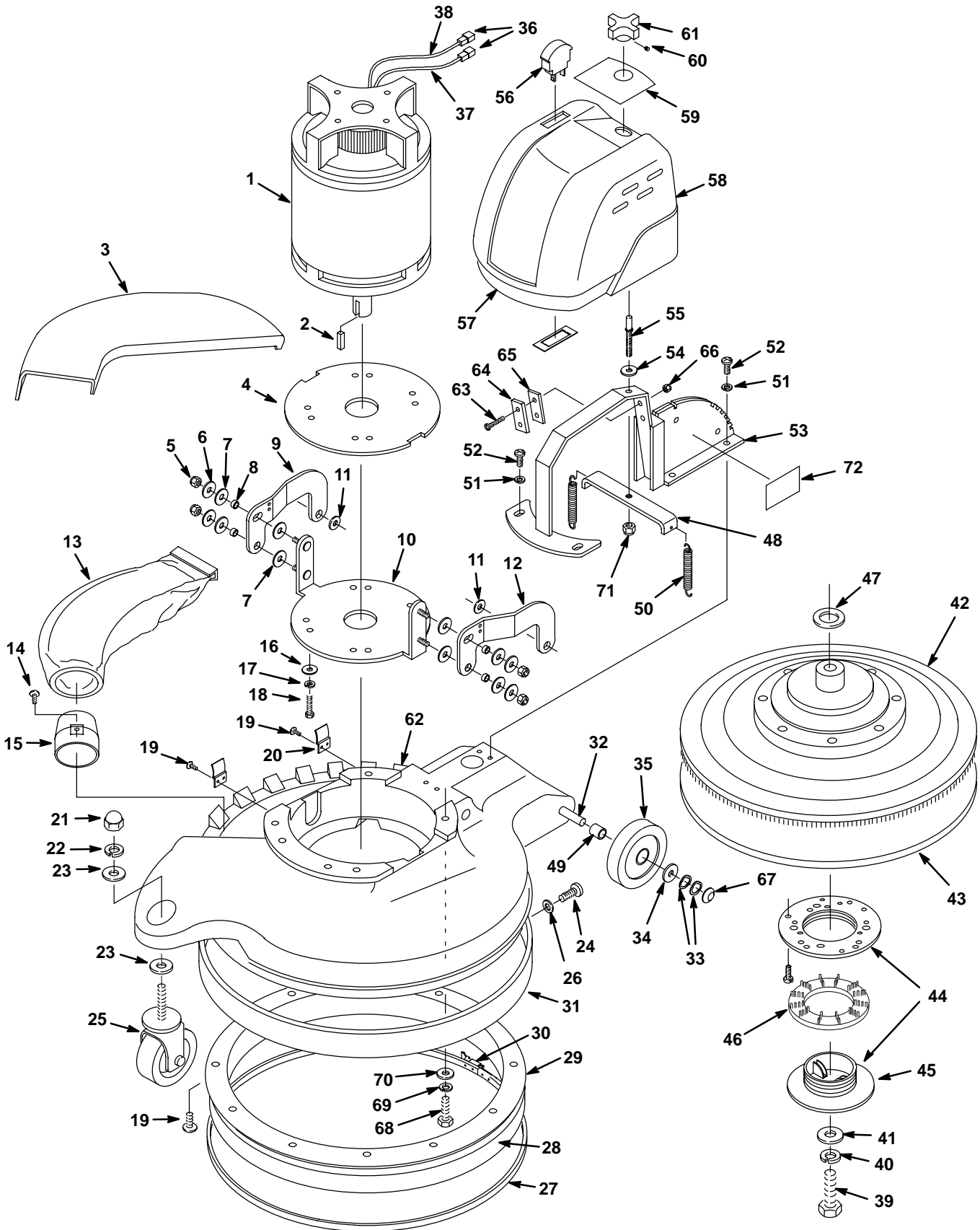
**UPPER UNIT**  
**PARTE SUPERIOR**

REF	PART #	DESCRIPTION	QTY.
1	200823	GRIP, HANDLE TUBE	2
2	608385	HANDLE, GREEN	1
3	608392	LABEL, INTEGRITY	1
4	230856	PIN, LOCK RELEASE	1
5	230857	SOCKET, LOCK	1
6	140401	SPRING, LOCK BUTTON	1
7	230855	BUTTON, LOCK RELEASE	1
8	140823	SCREW, #10-24X5/8 TRSPHL	3
9	230854	BRACKET, SWITCH	1
10	140519	NUT, #10-24 KEP	8
11	140539	NUT, #6-32 KEP	2
12	605407	●SWITCH	1
13	140032	WASHER, #6 FLAT	1
14	140829	SCREW, #6-32X1 PANPHL (120V)	2
15	140328	CLAMP, CABLE 3/8 ID BLK NYLON	1
16	612763	COVER, HANDLE, BLACK	1
17	613286	LABEL, WARNING	1
18	140197	SCREW, #10-24X3/8 TRSPHL	2
19	140900	SCREW, #10-24X3/4 TRSPHL	2
20	230853	HANDLE, TUBE	1
21	605201	●BREAKER, CIRCUIT 17AMP (120V)	1
22	28990	NUT, #8-32 NYLOCK	2
	28990	NUT, 8-32	2
23	6010.16	SCREW, #8-32X1 PAN	1
24	600987	SPRING	1
25	100355	SLEEVE, LOCKING	1
26	140259	SCREW, 1/4-20X5/8 HEXHD	1
27	602849	GRIP, CORD (120V MODEL)	1
	130167	GRIP, CORD (230V MODEL)	1
28	610974	●CORD, 14/3X75' YELLOW (120V)	1
29	230852	PLATE, BACKING	3

REF	PART #	DESCRIPTION	QTY.
30	140147	BUSHING, .25X.44X.20	4
31	140146	BUSHING, .25X.50X.19	2
32	140604	PIN, GROOVE 1/4X3/4	1
33	611141	LATCH, HANDLE	1
34	200821	GRIP, LATCH	1
35	602750	HOOK, CORD	2
36	140052	WASHER, 1/4 LOCK	5
37	140864	SCREW, 1/4-20X3/4 TRSPHL	5
38	230859	CHANNEL, LATCH HANDLE	1
39	140402	SPRING, HANDLE LATCH	1
40	140881	SCREW, 1/4-20X1 TRSPHL	1
41	140524	NUT, 1/4-20 KEP	1
42	610907	●CORD, 12/3X54" BLACK	1
43	610998	BUSHING, STRAIN-RELIEF	1
44	600192	BUSHING	2
45	3148.816	WASHER, 1/2 FLAT	2
46	140024	WASHER, 1/2 LOCK	2
47	140234	SCREW, 1/2-13X2-1/2 HXHDCP	2
48	130176	●BELT CLIP, STRAIN-RELIEF (OPTIONAL)	1

● RECOMMENDED STOCK ITEMS / ARTICULOS RECOMENDADOS

LOWER UNIT  
PARTE INFERIOR



**LOWER UNIT**  
**PARTE INFERIOR**

REF	PART #	DESCRIPTION	QTY.
1	130461	●MOTOR, 120V	1
	22117	●CARBON BRUSH	4
	190753	●RECTIFIER	1
2	140628	KEY, MOTOR 3/16X1	1
3	608391	COVER, BAG, GREEN	1
4	600195	SEAL, MOTOR	1
5	36643	NUT, 3/8-16 NYLK	4
6	32492	WASHER, 3/8 FLAT	4
7	630447	WASHER, M12.7 NYLON	8
8	600191	BUSHING, .38X.50X.26	4
9	600197	ARM, LIFT RIGHT HAND	1
10	600198	BRACKET, MOTOR	1
11	600190	WASHER, RUBBER	2
12	600196	ARM, LIFT LEFT HAND	1
13	900210	●BAG, FILTER CLOTH	1
14	140340	SCREW, #10X5/8 PANPHL	1
15	230911	TUBE, BAG ADAPTER	1
16	32492	WASHER, 3/8 FLAT	4
17	140017	WASHER, 3/8 LOCK	4
18	02994	SCREW, 3/8-16X3/4 HEXHD	4
19	140340	SCREW, #10X5/8 PANPHL	16
20	230910	BRACKET, BAG COVER	2
21	3058	NUT, 1/2-13	1
22	140024	WASHER, 1/2 LOCK	1
23	140045	WASHER, 1/2 FLAT	2
24	140824	SCREW, 1/4-20X5/8 TRSPHL	2
25	600189	●CASTER	1
26	140003	WASHER, 1/4X1	2
27	605103	STRAP, DUST SHIELD	1
28	603744	SKIRT, DUST CONTROL	1
29	230888	RING, DUST SHIELD	1
30	230913	SCREW CLAMP, FOR SKIRT	1
31	602542	BUMPER	1
32	608911	AXLE	1
33	4252	WASHER, 1/2 COMPRESSION	4
34	3148.816	WASHER, 1/2 FLAT	2
35	103067	●WHEEL	2
36	130096	TERMINAL, MALE .25 BLUE	2
37	608725	ASM., WIRE #12X15.75" BLK	1
38	608724	ASM., WIRE #12X15.75" RED	1

REF	PART #	DESCRIPTION	QTY.
39	140221	SCREW, 5/16-18X1-1/4 HXHDCP	1
40	140015	WASHER, 5/16 LOCK	1
41	25732	WASHER, .36 FLAT	1
42	605348	●ASM., DRIVER PAD 20" W/HUB	1
43	611788	PAD, 20" BURNISH HAIRBLEND CARTON-5/PC	1
▽ 44	25707	ASM., CENTERLOCK	1
▲ 45	100101	●RING, PAD RETAINER	1
46	572084000	WASHER, PAD CENTERLOCK	1
47	069760023	WASHER, .77 FLAT	1
48	600194	BRACKET, SPRING	1
49	600192	BUSHING, .50X.62X1.52	2
50	600201	SPRING	2
51	140015	WASHER, 5/16 LOCK	6
52	140226	SCREW, 5/16-18X5/8 HEXHD	6
53	611129	BRACKET, MOTOR MOUNT	1
54	630447	WASHER, M12.7 NYLON	1
55	600193	STUD, ADJUST	1
56	603766	●GAUGE, SENSOR 120V	1
57	120582	LABEL, RECESS	1
58	611143	COVER, MOTOR, GREEN	1
59	600202	LABEL, PRESSURE ADJ.	1
60	140894	SCREW, SET	1
61	600974	KNOB	1
62	608387	BASE, GREEN	1
63	578241000	SCREW, M5X.8X20 FLTPHL	2
64	607450	PLATE, PLASTIC STOP	1
65	607474	GASKET, PLATE	1
66	09739	NUT, M05 NYLOCK	2
67	103019	CAP, HUB	2
68	54207	SCREW, 1/4-20X1-1/4 HXHDCP	4
69	54198	WASHER, 1/4 LOCK	4
70	54205	WASHER, 1/4 FLAT	4
71	59156	NUT, NYLON LOCK 3/8 -16	1
72	54154	LABEL, WARNING	1

▽ ASSEMBLY / CONJUNTO

▲ INCLUDED IN ASSEMBLY / INCLUIDO EN EL CONJUNTO

● RECOMMENDED STOCK ITEMS / ARTICULOS RECOMENDADOS