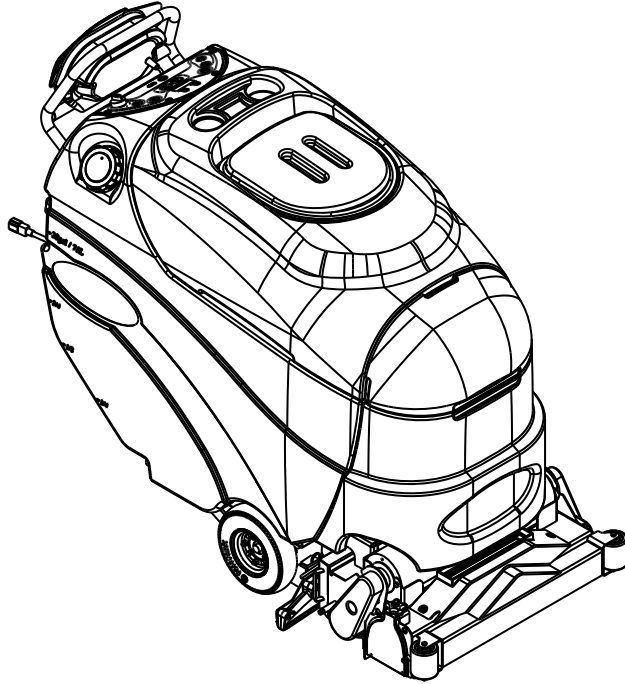

Clarke[®]

Clean Track[®]

L24



Parts List
Model: 56317170

TABLE OF CONTENTS

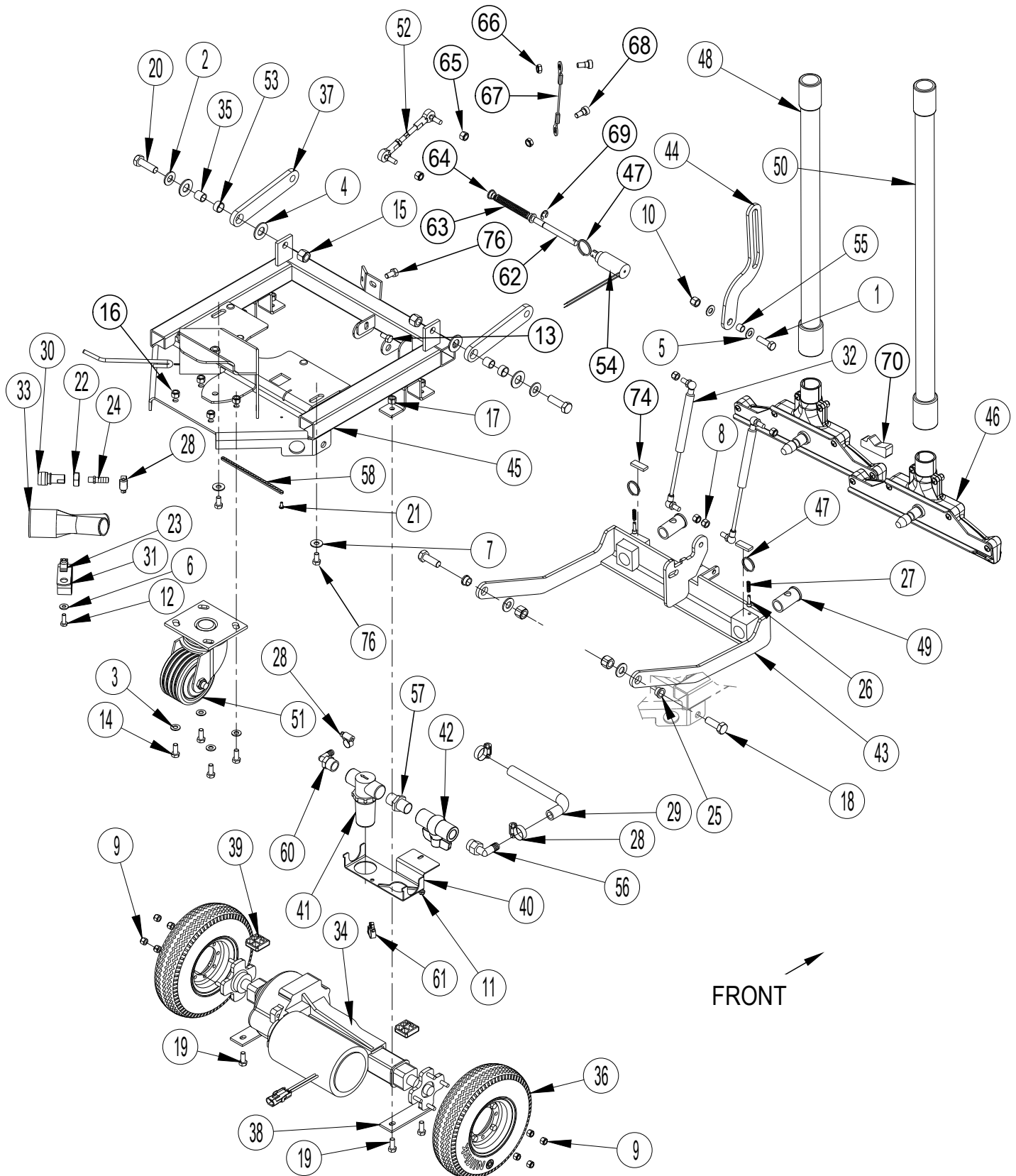
DESCRIPTION	PAGE
Chassis System	2-3
Decal System	4-5
Recovery System	6-7
Scrub System	8-9
Solution System-Electrical-1	10-11
Solution System-Electrical-2	12-13
Chemical Assy	14-15
Paddle Assy	16-17
Ladder Diagram	18-19
Optional Kits & Accessories	20
Brush Selector Guide	21

WHEN ORDERING PARTS

- * Use the part numbers from the "Ref. No." columns in this parts list.
- * Specify the model and serial number of the machine.
- * Use the space below to record the model and serial number for future reference.

Model _____ Serial No. _____

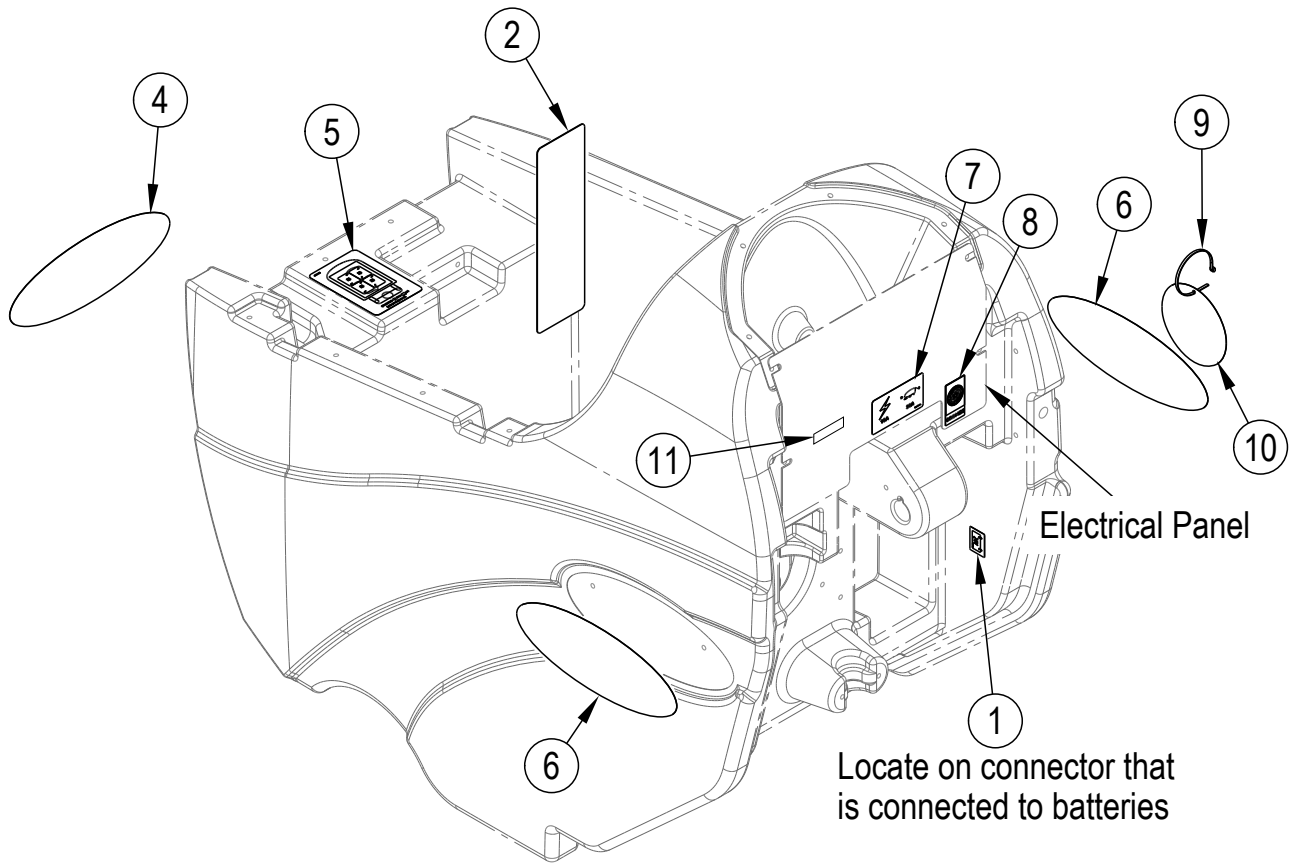
CHASSIS SYSTEM



CHASSIS SYSTEM

Item	Ref. No.	Qty	Description	Item	Ref. No.	Qty	Description
1	56001858	1	Scr, Hex 3/8-16 x 1.25	41	56315296	1	Solution Filter
2	56001879	4	Wsh, Flt SAE 1/2	42	56381475	1	Ball Valve
3	56001939	4	Wsh, Flt SAE 5/16	43	56317029	1	Shoe Support Weld't
4	56002022	4	Wsh, Flt SAE 5/8	44	56317035	1	Link, Lift
5	56002063	2	Wsh, Flt SAE 3/8	45	56317039	1	Chassis Weldt
6	56002098	1	Wsh, Flt SAE 1/4	46	56317041	2	Shoe Assembly
7	56002220	2	Wsh, Flt STD 5/16	[]	56317097	2	Replacement Shoe (for 56317041)
8	56002701	4	Nut, Hex Nyl Loc 5/16-18	[]	56317063	2	Shoe Bracket Weld't. (for 56317041)
9	56002708	8	Nut, Hex Nyl Loc 1/4-20	47	56317071	3	Ring
10	56002769	1	Nut, Hex Nyl Loc 3/8-16	48	56317091	1	Hose, Vac
11	56002832	1	Nut, Hex Nyl Loc-Thin 10-24	49	56317092	2	Bearing, Flange
12	56002948	1	Scr, Hex Hd Loc 1/4-20 x .75	50	56317093	1	Hose, Vac
13	56002988	1	Scr, Hex SS 5/16-18 x .62	51	56317121	1	Caster Swiv 4.0 x 2.0
14	56003179	4	Scr, Hex Thd To Hd M8-1.25 X 20mm	52	56317127	1	Turnbuckle
15	56003312	4	Nut, Hex Nyl Loc M12-1.75	53	56370878	2	Bearing, Sleeve
16	56003389	4	Nut, Hex Nyl Loc M8-1.25	54	56317100	1	Solenoid, Pull Type (L3)
17	56003405	4	Nut, Hex Nyl Loc SS M8-1.25	55	56388326	1	Bushing
18	56003415	2	Scr, Hex M12-1.75 x 35mm	56	56409152	1	Barb, 90 Elbow 1/2 x 1/2NPT
19	56003435	4	Scr, Hex SS M8-1.25 x 20mm	57	56381474	1	Nipple
20	56003637	2	Scr, Hex M12-1.75 x 40mm	58	56467544	1	Chain
21	56009030	1	Scr, Pan Phil Thd Form 10-24 x .38	60	56900033	1	Barb, 90 Elbow 3/8 x 1/2NPT
22	56009078	1	Nut, Hex Jam SS 5/8-18	61	56900756	1	Clip, Conduit
23	56009289	1	Nut, Retainer 1/4-20	62	56317070	1	Rod, Latch
24	56104299	1	Barb, Adapter 3/8 x 1/8 NPT	63	56317067	1	Spring, Compression
25	56185264	2	Bearing, Flange	64	56324505	2	Bearing, Flange
26	56317139	2	Pin	65	56002950	2	Nut, Hex Nyl Loc 5/16-24
27	56201448	2	Spring, Compression	66	56002826	2	Nut, Hex Nyl Loc-Thin 5/16-18
28	56219932	4	Clamp, Hose SAE #6	67	56304126	1	Cable Assy
29	56262180	1	Hose, Spiral .500	68	56003730	2	Scr, Soc Hd .38 x .25 x 5/16-18
30	56265208	1	Socket, 1/8 FPT	69	56003262	1	Ring, Ret Ext Type E .38 Dia
31	56305492	1	P-Clamp	70	56317156	1	Shoe Spacer, Foam
32	56314206	2	Gas Spring	74	56317164	2	Foam Strip
33	56314557	1	Y-Tube	76	56003012	3	Scr, Hex SS 5/16-18 x .75
34	56315062	1	Transaxle, 24V (M8)				
[]	56315377	1	Motor (for 56315062)	[] = Not Shown			
[]	56315378	4	Carbon Brush (for 56315062)				
[]	56315379	2	Neoprene Mounting Sleeve (for 56315062)				
[]	56380497	A/R	Transaxle Kit (for 56315062)				
[]	56380503	A/R	Transaxle Hub Kit (for 56315062) TSBUS2008-1018				
[]	56380161	1	Kit-Coupling				
35	56315080	2	Bushing				
36	56315115	2	Wheel, Drive				
37	56315179	2	Linkage Arm				
38	56380499	2	Plate				
39	56315258	2	Shim				
40	56381476	1	Bracket, Filter Mount				

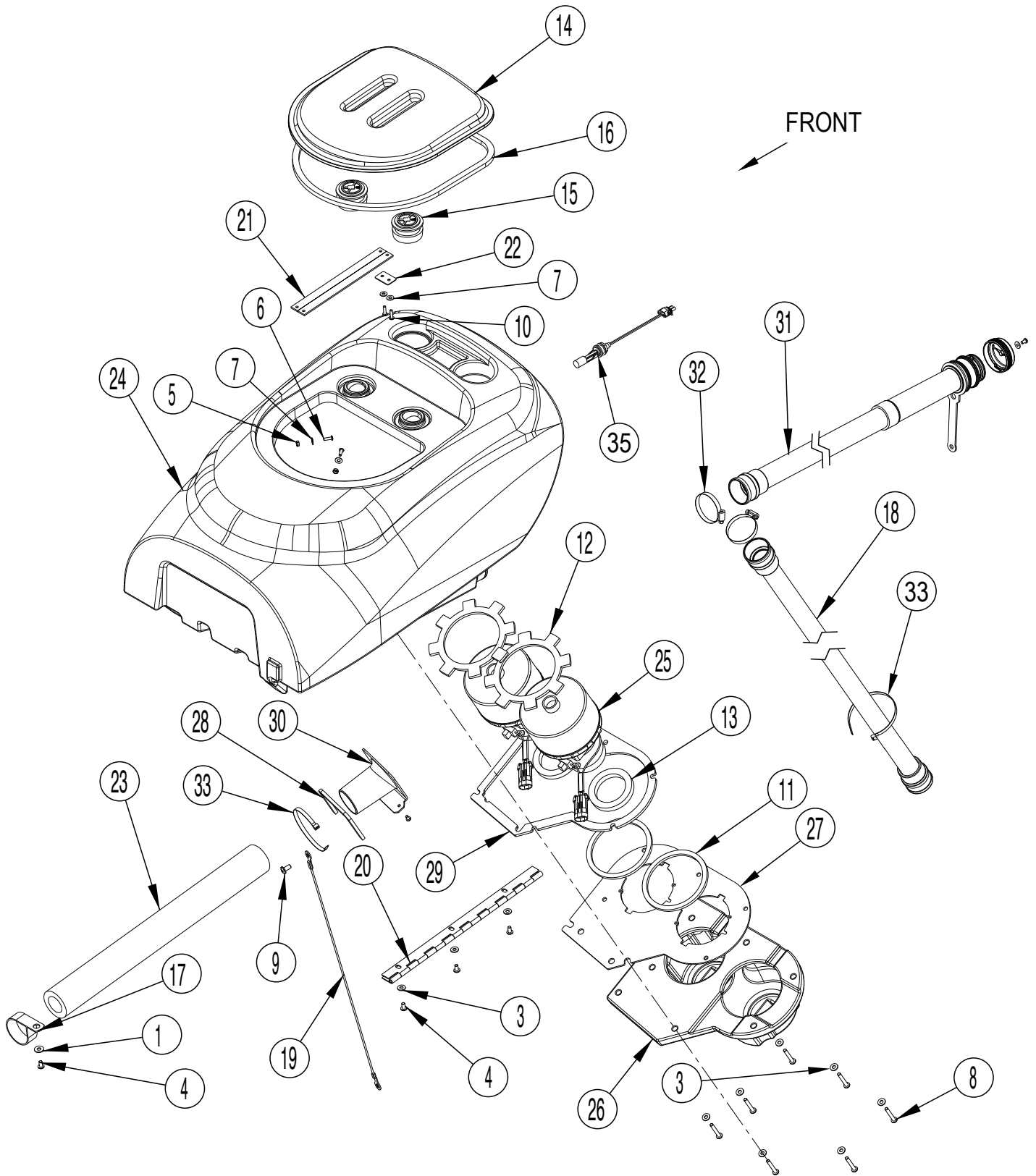
DECAL SYSTEM



DECAL SYSTEM

Item	Ref. No.	Qty	Description
1	56054192	1	Decal, Charger
2	56014601	1	Decal, Caution
4	56317172	1	Decal-Clean Track L24
5	56016688	1	Decal, Battery Wiring
6	56317171	2	Decal-Clarke
7	56317131	1	Decal, Circuit Breaker
8	56317151	1	Decal, CRI Bronze
9	56325789	1	Tie, Cable
10	56040958	1	Tag, CRI
11	56014450	1	Decal, Patent

RECOVERY SYSTEM



RECOVERY SYSTEM

Item	Ref. No.	Qty	Description
1	56001906	1	Wsh, Fit STD 1/4
2	56002043	2	Scr, Pan Phil 10-24 X .38
3	56002098	10	Wsh, Fit SAE 1/4
4	56002145	4	Scr, Pan Phil 1/4-20 X .50
5	56002849	2	Nut, Hex Nyl Loc-Thin SS 10-24
6	56002896	2	Scr, Pan Phil SS 10-24 X .62
7	56002919	4	Wsh, Fit Std SS #10
8	56002997	7	Scr, Pan Phil 1/4-20 X 1.75
9	56003003	1	Scr, Pan Phil 5/16-18 X .62
10	56009005	2	Scr, Pan Phil SS Type Ab 10-16 X .75
11	56212143	2	Gasket, Vacuum Duct
12	56264103	2	Gasket, Vacuum Motor
13	56314760	2	Gasket, Vacuum Duct
14	56315176	1	Cover, Recovery Tank
15	56315099	2	Screen, Fan Inlet
16	56315220	1	Gasket, Recovery Lid
17	56315257	1	Clamp, P
18	56317150	1	Vac Hose Assy
19	56315272	1	Cable Assy
20	56315293	1	Hinge
21	56315303	2	Retaining, Strap
22	56315346	1	Plate
23	56317149	1	Foam, Acoustical
24	56317176	1	Tank-Recovery Blue
25	56317025	2	Motor, Vac 24vdc (M6 / M7)
[]	56397098	1	Carbon Brush set of 2 (for 56317025)
26	56317030	1	Cover, Vac
27	56317031	1	Plate, Vac
28	56317033	1	Gasket, Exhaust
29	56317034	1	Gasket, Cover
30	56317052	1	Tube, Exhaust
31	56381924	1	Drainhose
[]	56601411	1	Drain Hose Cap Kit (for 56381924)
*	56601410	1	Drain Hose Extension (for 56381924)
32	56440213	2	Clamp, Hose SAE #32
33	56477613	2	Tie, Cable
35	56315096	1	Switch, Float (S2) NOTE 1

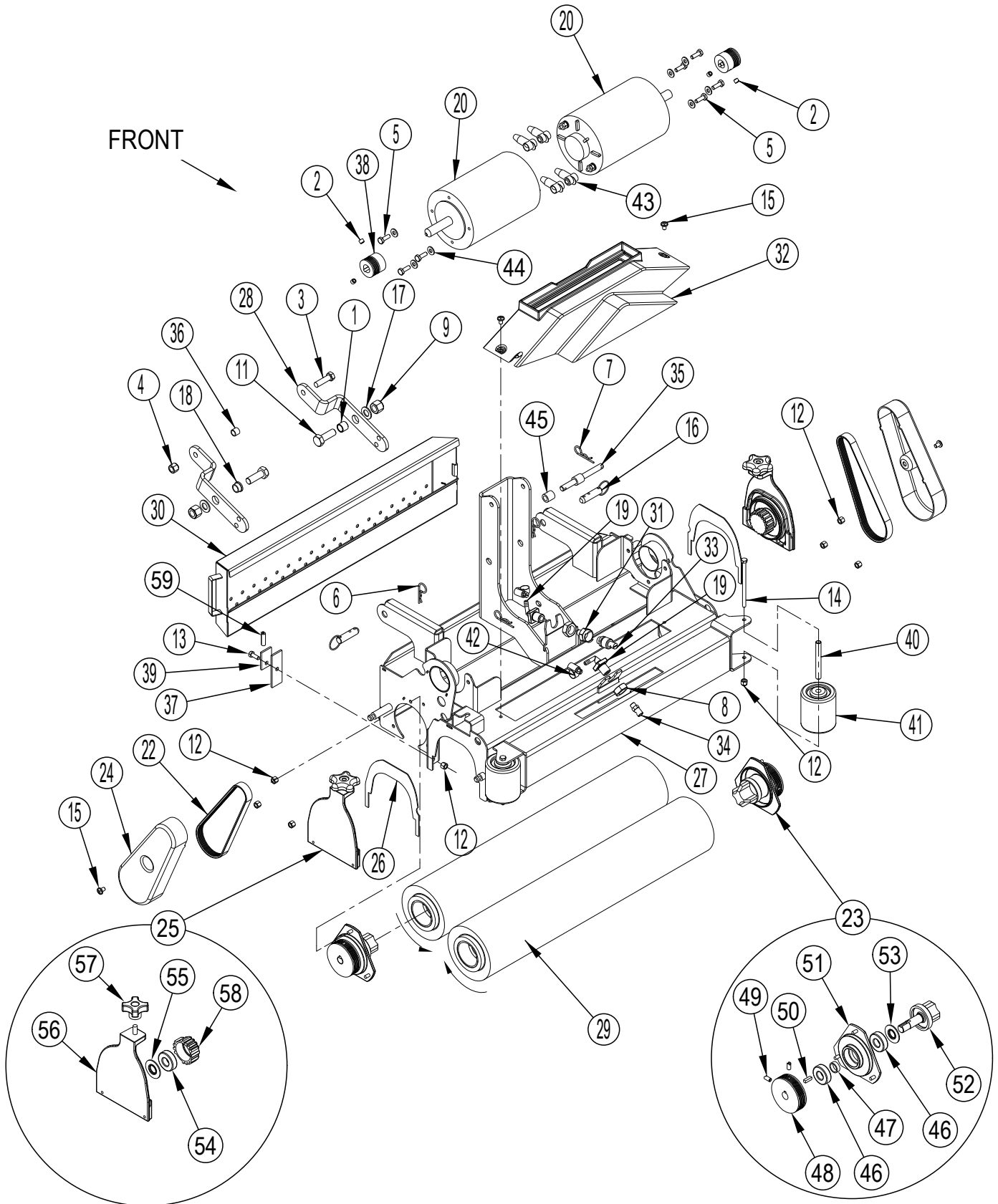
[] = Not Shown

* = Optional, Not Included

NOTE 1: Float Switch 56315096 is optional.

SCRUB SYSTEM

FRONT

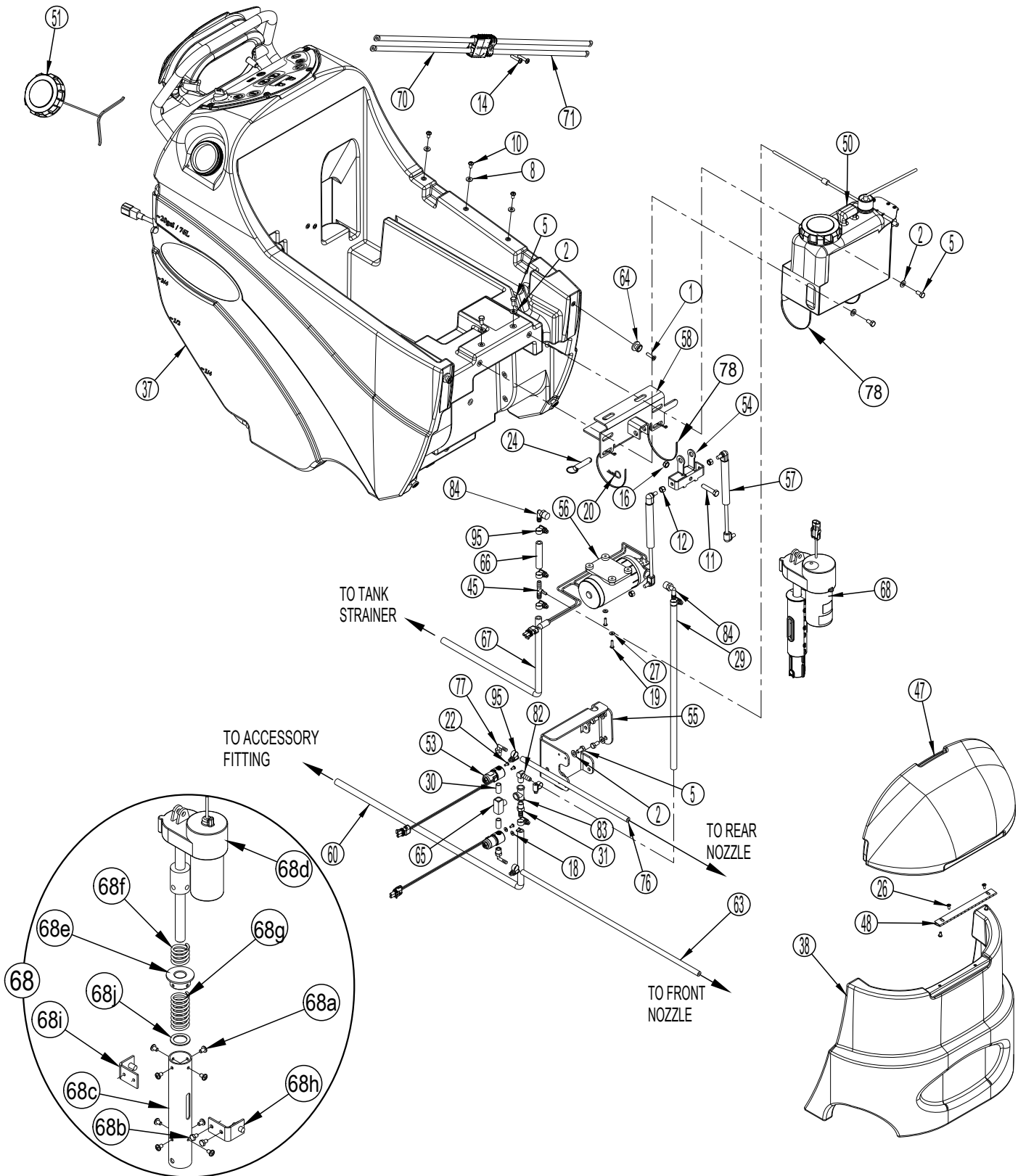


SCRUB SYSTEM

Item	Ref. No.	Qty	Description	Item	Ref. No.	Qty	Description
1	56367206	1	Bushing	46	56106070	2	Bearing, Ball
2	56002086	4	Scr, Soc Set Loc 5/16-18 X .25	47	56407389	1	Spacer
3	56001858	1	Scr, Hex 3/8-16 X 1.25	48	56316054	1	Sheave, Poly-V
4	56002841	1	Nut, Hex Nyl Loc-Thin 3/8-16	49	56002119	2	Scr, Soc Set Loc 1/4-20 x .50
5	56002948	7	Scr, Hex Hd Loc 1/4-20 X.75	50	56003237	1	Key, Sq. .19 x .62
6	56002959	2	Pin, Cotter Hair	51	56381765	1	Bearing Plate
7	56003120	2	Pin, Cotter Hair .0915 X .375	52	56109527	1	Spindle
8	56003272	2	Nut, Hex Jam SS 5/8-11	53	56407558	1	Washer, Bearing
9	56003312	2	Nut, Hex Nyl Loc M12-1.75				
11	56003415	2	Scr, Hex M12-1.75 X 35mm	54	56106070	1	Bearing, Ball
12	56003426	10	Nut, Hex Nyl Loc SS M6-1	55	56407558	1	Washer, Bearing
13	56003431	2	Scr, Hex SS M6-1 X 16mm	56	56315447	1	Idler Bearing Plate
14	56003492	2	Scr, Hex M6-1 X 95mm	57	56407303	1	Knob
15	56003603	4	Scr, Pan Phil Thd Form 1/4-20 X .38	58	56407551	1	Hub
16	56003671	2	Pin, Ring .50 X 1.25				
17	56009003	2	Wsh, Flt .516 X .938 X .075	59	56317158	2	Channel, Rubber
18	56185264	1	Bearing, Flange				
19	56265388	2	Elbow, Panel Mount				
20	56315061	2	Motor, 24 Vdc, .5 Hp, 1800 RPM (M4 / M5)				
[]	56412287	1	Brush / Spring Kit (for 56315061)				
21	56315320	2	Harness, Brush				
22	56316053	2	Belt, Auto Tension				
23	56317157	2	Drive End Assy (items 46-53)				
[24]	56315445	2	Cover, Belt				
25	56314445	2	Idler End Assy (items 54-58)				
26	56316191	2	Gasket				
27	56317021	1	Housing Weldment 24"				
28	56317036	2	Link, Pivot				
29	56314389	2	Brush, Soft Nylon 24"				
30	56317049	1	Hopper Weld't, Extractor				
31	56317053	1	Body, Nozzle QJJA				
32	56317054	1	Cover, Nozzle				
33	56317064	1	Nozzle, Spray #1				
34	56265052	1	Nozzle, Spray				
35	56317084	1	Pin, Actuator				
36	56388326	1	Bushing				
37	56407391	2	Blade				
38	56316066	2	Sheave, Poly-V				
39	56410214	2	Strap				
40	56412176	2	Bushing				
41	56412459	2	Wheel				
42	56219932	2	Clamp, Hose SAE #6				
43	56409538	4	Insulator, Terminal				
44	56009064	7	Wsh, Int Shprf 1/4				
45	56317163	1	Spacer, Phenolic				

[] = Not Shown

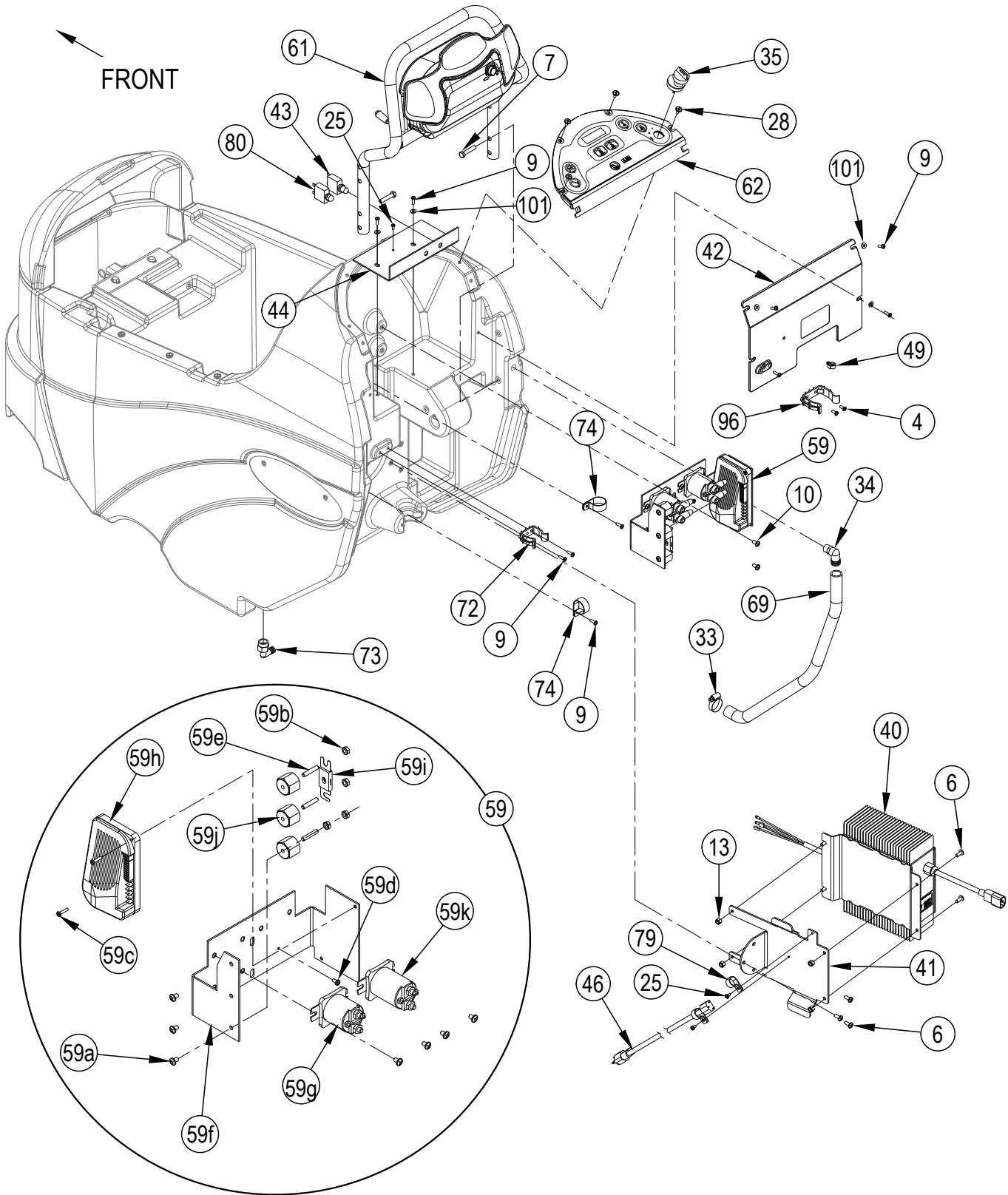
SOLUTION SYSTEM-ELECTRICAL-1



SOLUTION SYSTEM-ELECTRICAL-1

Item	Ref. No.	Qty	Description	Item	Ref. No.	Qty	Description
1	56001832	4	Scr, Flt Phil 1/4-20 X 1.00	59	56317128	1	Assy, Electrical Box (59a-59k)
2	56009122	7	Wsh, Flt .344 x .938 x .125	59a	56002462	7	Scr, Pan Phil 1/4-20 X .38
3			Intentionally Omitted	59b	56002561	4	Nut, Hex W/ Shprf 1/4-20
4	56001993	2	Scr, Pan Phil 10-24 X .50	59c	56003698	2	Scr, Pan Phil Thd Form 8-32 X .75
5	56002667	7	Scr, Hex 5/16-18 X .75	59d	56009030	1	Scr, Pan Phil Thd Form 10-24 X .38
6	56002066	7	Scr, Pan Phil 1/4-20 X .62	59e	56009203	3	Stud, 1/4-20
7	56002094	4	Scr, Hex 5/16-18 X 1.50	59f	56317081	1	Panel, Electrical
8	56002098	3	Wsh, Flt SAE 1/4	59g	56317101	1	Contact, 24vdc 100a (K2)
9	56002124	10	Scr, Pan Phil 10-24 X .62	59h	56317102	1	Controller, Speed (A2)
10	56002145	5	Scr, Pan Phil 1/4-20 X .50	59i	56412089	1	Fuse, 150 Amp (F1)
11	56002684	1	Scr, Hex 3/8-16 X 1.75	59j	56469858	3	Standoff, Insulated
12	56002826	4	Nut, Hex Nyl Loc-Thin 5/16-18	59k	56317116	1	Contact, 24vdc 200a (K1)
13	56002708	4	Nut, Hex Nyl Loc 1/4-20	60	56317083	1	Hose, 33"
14	56002825	2	Scr, Pan Phil 1/4-20 X 1.25	61	56317098	1	Assembly, Paddle
15			Intentionally Omitted	62	56317111	1	Control Panel Assy (A1)
16	56002841	1	Nut, Hex Nyl Loc-Thin 3/8-16	*	56317114	1	Replacement Membrane Switch Assy for 56317111
18	56002875	2	Wsh, Flt SAE SS #8	63	56317122	1	Hose, 1/4 X 25.00 Long
19	56002894	2	Scr, Pan Phil SS 10-24 X .75	64	56365777	4	Lug, Brush Driver
20	56002959	1	Pin, Cotter Hair	65	56372506	1	Tee, Branch 1/4 Br
22	56003018	4	Scr, Pan Phil SS 8-32 X .38	66	56387214	1	Hose, 3.0" _E00169
24	56003679	1	Pin, Ring .50 X 1.63	67	56391773	1	Hose, 23"
25	56009030	3	Scr, Pan Phil Thd Form 10-24 X .38	68	56317161	1	Lift Actuator Assembly (M3 / 68a-68j)
26	56009139	4	Scr, Pan Phil Loc 10-24 X .38	68a	56003603	8	Scr, Pan Phil Thd Form 1/4-20 x .38
27	56009205	2	Wsh, Flt SS .219 X .500 X .047/.062	68b	56009019	2	Scr, Hex Thd Form 1/4-20 x .38
28	56009206	4	Scr, Truss Phil-Blk 10-24x.50	68c	56317162	1	Tube
29	56054146	1	Tube, Vinyl	68d	56393303	1	Actuator, Motor
30	56150223	2	Nipple, 1/4NPT X .88/1.12	*	56388520	1	Plastic Nut
31	56155640	1	Barb, Adapter 3/8 X 1/4NPT	68e	56396268	1	Spring Housing Guide
33	56244969	1	Clamp, Hose SAE #12	68f	56412071	1	Compression Spring
34	56264442	1	Barb, 90 Elbow 3/4 X 3/8NPT	68g	56420018	1	Compression Spring
35	56303553	1	Key Switch Assembly (S1)	68h	56420019	1	Nut Retainer
[]	56303526	A/R	Set of 2 Replacement Keys	68i	56420020	1	Nut Retainer
37	56317173	1	Tank-Solution Blue	68j	56748926	1	Wsh, Flt .075 x 1.03 x 1.50
38	56317174	1	Nose Cone-24/26 Blue	69	56396143	1	Hose, PVC
40	56315773	1	Charger, On-Board 24v	70	56397187	1	Connector Assy (connected to batteries)
			TSBUS2007-979 / TSBUS2008-984	71	56397188	1	Connector Assy (connected to machine)
41	56315206	1	Bracket, Charger	72	56407361	1	Clamp, Plastic
42	56109502	1	Panel, Electrical	73	56409152	1	Barb, 90 Elbow 1/2 X 1/2NPT
43	56315256	1	Circuit Breaker, 30 Amp (CB2)	74	56410166	2	Clamp, P
44	56109553	1	Plate, Circuit Breaker	76	56456560	1	15.00" Hose
45	56315265	1	Tee, Barb	77	56470138	2	Barb, 90 Elbow 1/4 X 1/4NPT
46	56315270	1	Charger Cord, Us	78	56478523	2	Tie, Cable
47	56317175	1	Cover-Chemical Bottle Blue	79	56486112	2	Clamp, P
48	56315285	1	Hinge	80	56507644	1	Circuit Breaker, 10 Amp (CB1)
49	56315382	1	Clip, Conduit	82	56756739	1	Elbow,90 Barb Male
50	56315501	1	Chemical Tank AS	83	56900027	1	Tee, Female Union
51	56601599	1	Cap, Raw W/Tether	84	56382545	2	Elbow 90 Barb Male 3/8X3/8 NPT
53	56317024	2	Valve, Solenoid 24v (L1 / L2)	95	56219932	8	Clamp, Hose SAE #6
54	56317026	1	Yoke, Actuator	96	56212236	1	Clamp, Plastic
55	56317038	1	Bracket Linkage Pivot	101	56002053	6	Wsh, Flt STD #10
56	56317045	1	Pump, 24vdc (M1)				
[]	56109587	1	Pump Head Assy (for 56317045)				[] = Not Shown
[]	56109588	1	Check Valve Assy (for 56317045)				* = Optional, Not Included
57	56317072	2	Gas Spring				
58	56317078	1	Actuator Bracket Weldt				

SOLUTION SYSTEM-ELECTRICAL-2



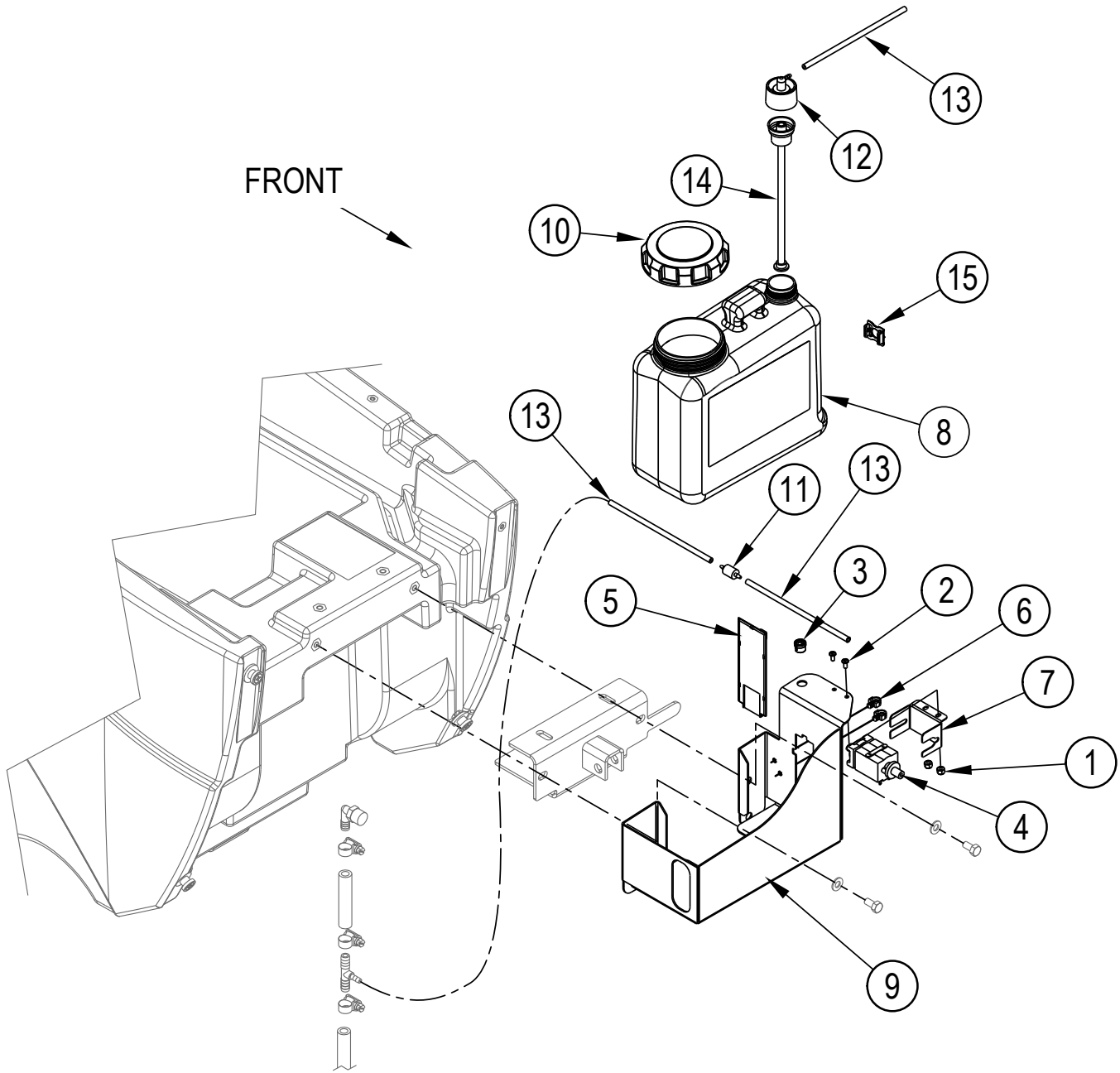
SOLUTION SYSTEM-ELECTRICAL-2

Item	Ref. No.	Qty	Description	Item	Ref. No.	Qty	Description
1	56001832	4	Scr, Flt Phil 1/4-20 X 1.00	59	56317128	1	Assy, Electrical Box (59a-59k)
2	56009122	7	Wsh, Flt .344 x .938 x .125	59a	56002462	7	Scr, Pan Phil 1/4-20 X .38
3			Intentionally Omitted	59b	56002561	4	Nut, Hex W/ Shprf 1/4-20
4	56001993	2	Scr, Pan Phil 10-24 X .50	59c	56003698	2	Scr, Pan Phil Thd Form 8-32 X .75
5	56002667	7	Scr, Hex 5/16-18 X .75	59d	56009030	1	Scr, Pan Phil Thd Form 10-24 X .38
6	56002066	7	Scr, Pan Phil 1/4-20 X .62	59e	56009203	3	Stud, 1/4-20
7	56002094	4	Scr, Hex 5/16-18 X 1.50	59f	56317081	1	Panel, Electrical
8	56002098	3	Wsh, Flt SAE 1/4	59g	56317101	1	Contact, 24vdc 100a (K2)
9	56002124	10	Scr, Pan Phil 10-24 X .62	59h	56317102	1	Controller, Speed (A2)
10	56002145	5	Scr, Pan Phil 1/4-20 X .50	59i	56412089	1	Fuse, 150 Amp (F1)
11	56002684	1	Scr, Hex 3/8-16 X 1.75	59j	56469858	3	Standoff, Insulated
12	56002826	4	Nut, Hex Nyl Loc-Thin 5/16-18	59k	56317116	1	Contact, 24vdc 200a (K1)
13	56002708	4	Nut, Hex Nyl Loc 1/4-20	60	56317083	1	Hose, 33"
14	56002825	2	Scr, Pan Phil 1/4-20 X 1.25	61	56317098	1	Assembly, Paddle
15			Intentionally Omitted	62	56317111	1	Control Panel Assy (A1)
16	56002841	1	Nut, Hex Nyl Loc-Thin 3/8-16	*	56317114	1	Replacement Membrane Switch Assy for 56317111
18	56002875	2	Wsh, Flt SAE SS #8	63	56317122	1	Hose, 1/4 X 25.00 Long
19	56002894	2	Scr, Pan Phil SS 10-24 X .75	64	56365777	4	Lug, Brush Driver
20	56002959	1	Pin, Cotter Hair	65	56372506	1	Tee, Branch 1/4 Br
22	56003018	4	Scr, Pan Phil SS 8-32 X .38	66	56387214	1	Hose, 3.0" _E00169
24	56003679	1	Pin, Ring .50 X 1.63	67	56391773	1	Hose, 23"
25	56009030	3	Scr, Pan Phil Thd Form 10-24 X .38	68	56317161	1	Lift Actuator Assembly (M3 / 68a-68j)
26	56009139	4	Scr, Pan Phil Loc 10-24 X .38	68a	56003603	8	Scr, Pan Phil Thd Form 1/4-20 x .38
27	56009205	2	Wsh, Flt SS .219 X .500 X .047/.062	68b	56009019	2	Scr, Hex Thd Form 1/4-20 x .38
28	56009206	4	Scr, Truss Phil-Blk 10-24x.50	68c	56317162	1	Tube
29	56054146	1	Tube, Vinyl	68d	56393303	1	Actuator, Motor
30	56150223	2	Nipple, 1/4NPT X .88/1.12	*	56388520	1	Plastic Nut
31	56155640	1	Barb, Adapter 3/8 X 1/4NPT	68e	56396268	1	Spring Housing Guide
33	56244969	1	Clamp, Hose SAE #12	68f	56412071	1	Compression Spring
34	56264442	1	Barb, 90 Elbow 3/4 X 3/8NPT	68g	56420018	1	Compression Spring
35	56303553	1	Key Switch Assembly (S1)	68h	56420019	1	Nut Retainer
[]	56303526	A/R	Set of 2 Replacement Keys	68i	56420020	1	Nut Retainer
37	56317173	1	Tank-Solution Blue	68j	56748926	1	Wsh, Flt .075 x 1.03 x 1.50
38	56317174	1	Nose Cone-24/26 Blue	69	56396143	1	Hose, PVC
40	56315773	1	Charger, On-Board 24v TSBUS2007-979 / TSBUS2008-984	70	56397187	1	Connector Assy (connected to batteries)
41	56315206	1	Bracket, Charger	71	56397188	1	Connector Assy (connected to machine)
42	56109502	1	Panel, Electrical	72	56407361	1	Clamp, Plastic
43	56315256	1	Circuit Breaker, 30 Amp (CB2)	73	56409152	1	Barb, 90 Elbow 1/2 X 1/2NPT
44	56109553	1	Plate, Circuit Breaker	74	56410166	2	Clamp, P
45	56315265	1	Tee, Barb	76	56456560	1	15.00" Hose
46	56315270	1	Charger Cord, Us	77	56470138	2	Barb, 90 Elbow 1/4 X 1/4NPT
47	56317175	1	Cover-Chemical Bottle Blue	78	56478523	2	Tie, Cable
48	56315285	1	Hinge	79	56486112	2	Clamp, P
49	56315382	1	Clip, Conduit	80	56507644	1	Circuit Breaker, 10 Amp (CB1)
50	56315501	1	Chemical Tank AS	82	56756739	1	Elbow,90 Barb Male
51	56601599	1	Cap, Raw W/Tether	83	56900027	1	Tee, Female Union
53	56317024	2	Valve, Solenoid 24v (L1 / L2)	84	56382545	2	Elbow 90 Barb Male 3/8X3/8 NPT
54	56317026	1	Yoke, Actuator	95	56219932	8	Clamp, Hose SAE #6
55	56317038	1	Bracket Linkage Pivot	96	56212236	1	Clamp, Plastic
56	56317045	1	Pump, 24vdc (M1)	101	56002053	6	Wsh, Flt STD #10
[]	56109587	1	Pump Head Assy (for 56317045)				
[]	56109588	1	Check Valve Assy (for 56317045)				
57	56317072	2	Gas Spring				
58	56317078	1	Actuator Bracket Weldt				

[] = Not Shown

* = Optional, Not Included

CHEMICAL ASSY

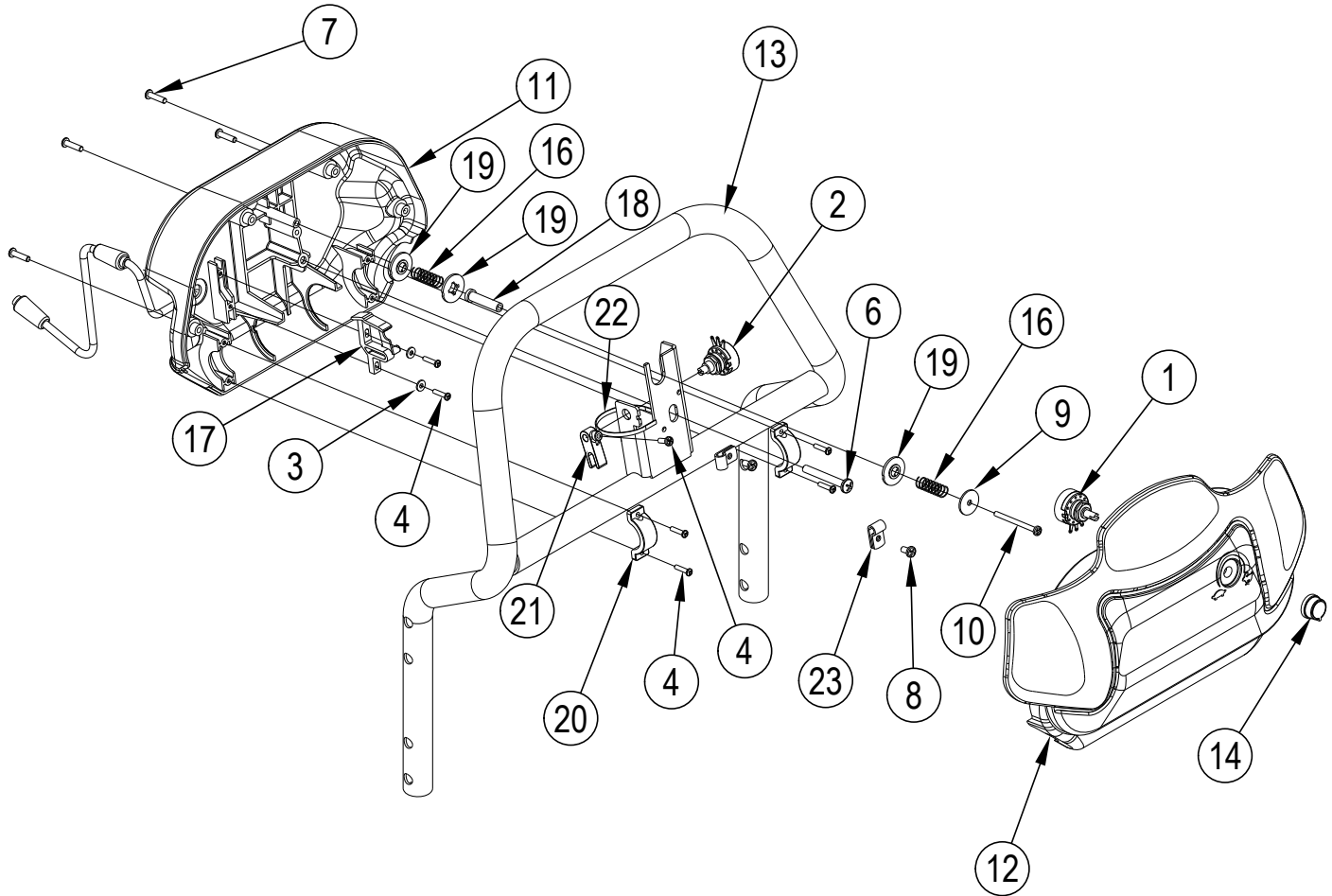


CHEMICAL ASSY

Item	Ref. No.	Qty	Description
	56315501	1	Chemical Tank Assy (1-14)
1	56002877	2	Nut, Hex Nyl Loc SS 8-32
2	56003018	2	Scr, Pan Phil SS 8-32 x .38
3	56003699	1	Bushing, 1/4 ID Snub
4	56315241	1	Pump, Chemical (M2)
5	56315340	1	Circuit Board Assy
6	56315382	2	Clip, Conduit
7	56315476	1	Bracket, Chemical Pump
8	56315502	1	Chemical Bottle As
9	56315515	1	Bracket, Tank Mounting
10	56315517	1	Cap
11	56315522	1	Check Valve, 1/8 Barb, 125PSI
12	56315523	1	Cap, Dry Break, 1/8 Barb, 90°
13	56315524	3	Hose, Chemical Resistant, 7.5"
14	56315527	1	Insert, Dry Break
15	56315511	1	Indicator Assy
*	56315503	A/R	Chemical Bottle Assy (8, 10, 14)

* = Optional, Not Included

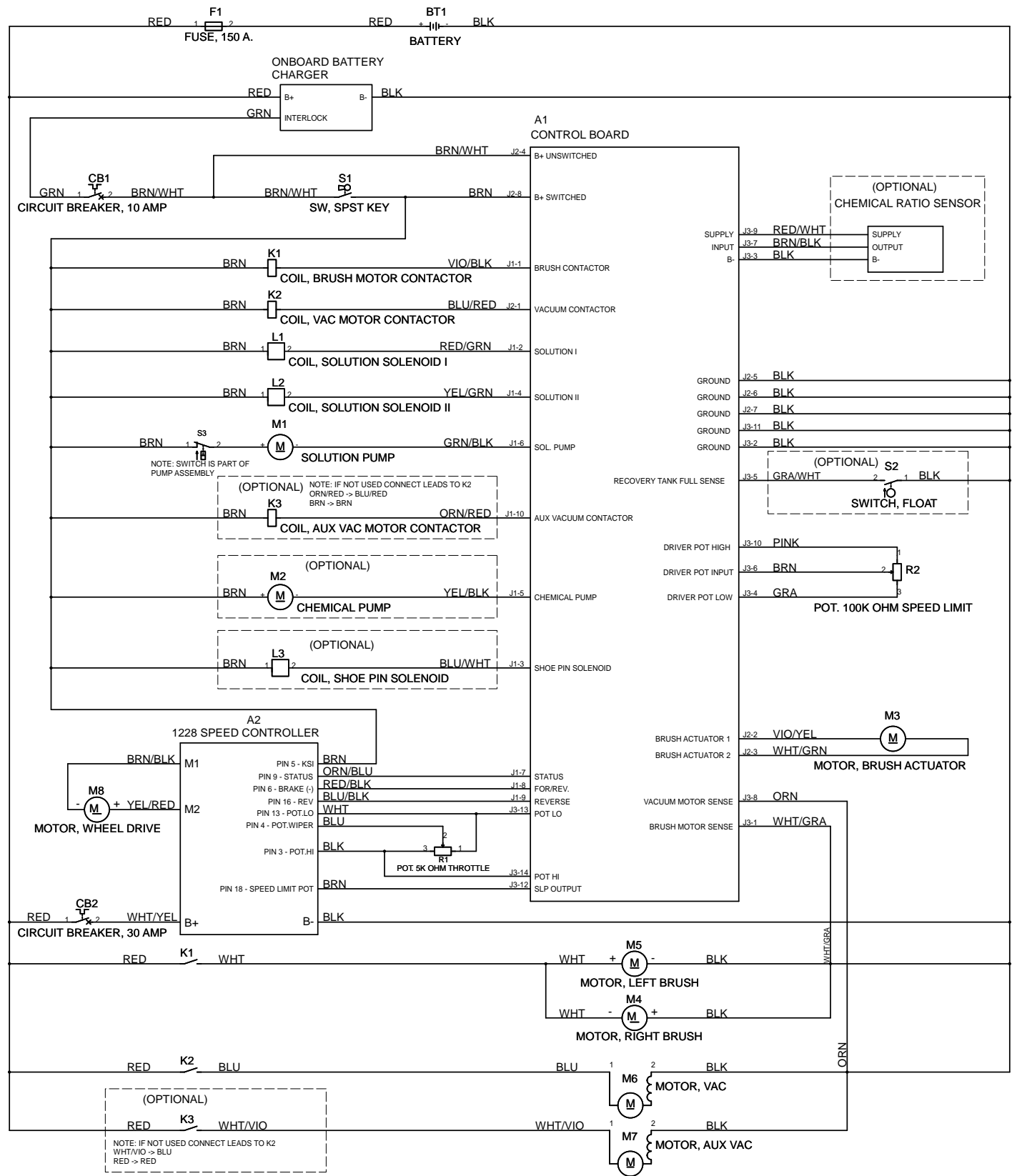
PADDLE ASSY



PADDLE ASSY

Item	Ref. No.	Qty	Description
	56317098	1	Assembly, Paddle
1	56396197	1	Potentiometer, 100k (R2)
2	56397029	1	Potentiometer, 5k (R1)
3	56002006	2	Wsh, Flt SAE #6
4	56003197	7	Scr, Pan Phil Plastite 6-18 X .62
6	56003527	1	Scr, Pan Phil Plastite 1/4-1 X 2.00
7	56003545	4	Scr, Pan Phil Plastite 8-10 X .75
8	56009030	2	Scr, Pan Phil Thd Form 10-24 X .38
9	56009096	1	Wsh, Flt .193 X .875 X .060
10	56009287	1	Scr, Pan Phil Type B 8 X 2.00
11	56109716	1	Paddle, Back Cover
12	56315230	1	Paddle, Front Cover
13	56315251	1	Weldment, Handle Bar
14	56315280	1	Knob
15	56317112	1	Harness, Handle
16	56325654	2	Spring, Compression
17	56397015	1	Cam Controller
18	56397109	1	Sleeve
19	56397170	3	Washer, Plastic
20	56397171	2	Clamp
21	56109648	1	Potentiometer Fork
22	56478246	1	Tie, Cable
23	56481890	2	Clamp, P

LADDER DIAGRAM



LADDER DIAGRAM

Item	Ref. No.	Qty	Description
A1	56317111	1	Control Panel Assy
A2	56317102	1	Speed Control
BT1	NA	4	Battery (see "Optional Kits & Accessories" page)
CB1	56507644	1	Circuit Breaker, 10 Amp
CB2	56315256	1	Circuit Breaker, 30 Amp
F1	56412089	1	Fuse, 150 Amp
K1	56317116	1	Contactor, Brush Motor
K2	56317101	1	Contactor, Vac Motor
K3	NA		Not Used
L1	56317024	1	Solenoid 1, Solution
L2	56317024	1	Solenoid 2, Solution
M1	56317045	1	Pump, Solution
M2	56315241	1	Pump, Chemical
M3	56317161	1	Lift Actuator Assembly
M4	56315061	1	Motor, 24 Vdc, .5 Hp, 1800 RPM (Right)
[]	56412287	1	Brush / Spring Kit (for 56315061)
[]	56380003	1	Brush / Spring Kit (for 56315061)
M5	56315061	1	Motor, 24 Vdc, .5 Hp, 1800 RPM (Left)
[]	56412287	1	Brush / Spring Kit (for 56315061)
[]	56380003	1	Brush / Spring Kit (for 56315061)
M6	56317025	1	Motor, Vac 24vdc
[]	56397098	1	Carbon Brush set of 2 (for 56317025)
M7	56317025	1	Motor, Vac 24vdc
[]	56397098	1	Carbon Brush set of 2 (for 56317025)
M8	56315062	1	Transaxle, 24V
[]	56315377	1	Motor (for 56315062)
[]	56315378	4	Carbon Brush (for 56315062)
[]	56315379	2	Neoprene Mounting Sleeve (for 56315062)
R1	56397029	1	Potentiometer, 5K Ohm, Throttle
R2	56396197	1	Potentiometer, 100K Ohm, Speed Limit
S1	56303553	1	Key Switch Assembly
[]	56303526	A/R	Set of 2 Replacement Keys
S2	56315096	1	Switch, Float NOTE 1
S3	N/A	1	Switch (part of M7)
[]	56315773	1	Charger, Onboard 24V TSBUS2007-979 / TSBUS2008-984
[]	56315747	1	Thermistor Repair Kit for 56315773
[]	56315340	1	Chemical Ratio Sensor
[]	56317109	1	Harness, Main
[]	56317115	1	Harness, Scrub Deck Ground
[]	56416445	3	Cable Assy 4 AWG (Battery Cables)
[]	56372673	8	Boot, Battery Post
[]	56478523	2	Tie, Cable
[]	56478246	9	Tie, Cable
[]	56314119	1	Spacer, Battery

[] = Not Shown

NOTE 1: Float Switch 56315096 is optional.

OPTIONAL KITS AND ACCESSORIES

Item	Ref. No.	Qty	Description
Common Kits			
*	56317136	1	Kit, Scrub & Vac Tool W/Caddy
*	56315732	1	QuiQ Programmer Kit TSBUS2007-979

Replacement parts for the kits listed above can be found on each kit's associated instruction sheet.

Scrub Brushes			
*	56314389	2	Soft Nylon
*	56314390	2	Hard Nylon
*	56314391	2	Prolene
*	56314392	2	180 Midlite
*	56314393	2	80 DynaGrit
*	56314394	2	46 MagnaGrit
*	56317047	2	Multi-Surface
Accessories			
*	56397453	4	Indicator, Battery Level (1 per battery)
*	56262209	A/R	Light Duty Soft Floor Drag Wand
*	56265305	A/R	Heavy Duty Soft Floor Drag Wand
*	56220109	A/R	Upholstery Tool Assy
*	56220070	A/R	Upholstery Tool Assy
*	56265368	A/R	Hose Assy, 8 FT
*	56265174	A/R	Hose Assy, 15 FT
*	56317153	1	Kit, Float Switch
*	56317114	A/R	Panel Assy
*	56315316	A/R	Tote Bag
*	56409441	A/R	Programmer, 1307 User
*	56409823	A/R	Programmer Cable
*	56044633	1	Literature Pack

[] = Not Shown

* = Optional, Not Included

BRUSH SELECTOR GUIDE-CYLINDRICAL

We provide brushes and pad holders that will give you the best possible performance between machine and floor. Following are descriptions of the materials and their applications.

Soft Nylon Brush:	Least aggressive brush available. Used on soft-finish floors where a more aggressive brush would leave scratch marks, or in applications requiring very light cleaning.
Hard Nylon Brush:	Cleaning action similar to polypropylene. More durable and wear-resistant than polypropylene.
Polypropylene Brush:	Standard for carpet only models. Low cost, yet effective cleaning for carpeted areas and many common floor surfaces.
180 Grit Brush:	Least aggressive grit brush. Used for daily cleaning of hard-finished floors.
80 Grit Brush:	Medium aggressive grit brush. Good all-around brush for medium to heavy buildup removal. Can also be used for general stripping operations.
46 Grit Brush:	Most aggressive grit brush. Used primarily to clean heavy buildup on concrete floors in factories, or for heavy stripping of finish.
Multi-Surface:	Standard for multi-surface models. Anti-microbial brush designed for all flooring surfaces.

BRUSHES

56314389 - Soft Nylon
 56314390 - Hard Nylon
 56314391 - Prolene
 56314392 - 180 Grit
 56314393 - 80 Grit
 56314394 - 46 Grit
 56317047 - Multi-Surface

CYLINDRICAL BRUSH APPLICATION GUIDE (SUGGESTION ONLY)

Application	46 Grit	80 Grit	180 Grit	Polypro- pylene	Stiff Nylon	Soft Nylon	Multi Surface
Stripping:							
Concrete	X	X					
Terrazzo	X	X					
Ceramic/Quarry tile		X					
Vinyl tile		X					
General Scrubbing:							
Concrete	X	X	X	X	X		
Terrazzo			X	X	X	X	X
Ceramic/Quarry tile			X	X	X	X	X
Marble			X		X	X	X
Vinyl tile			X	X	X	X	X
Raised-rubber tile			X			X	X
Extraction:							
Carpet				X		X	X

Clarke[®]

14600 21st Avenue North
Plymouth, MN 55447-3408

www.clarkeus.com

Phone: 800-253-0367

Fax: 800-825-2753

©2012 Nilfisk-Advance, Inc.

A Nilfisk-Advance Brand