

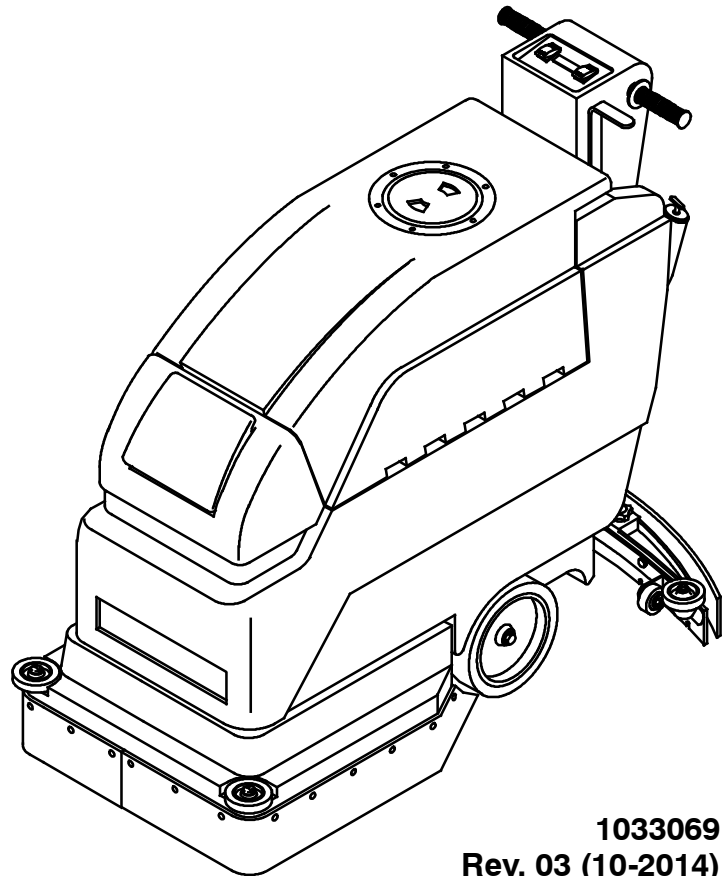
Castex®

WB-20B

**Battery Automatic Scrubber
Fregadora Automática Bateria
Balayeuse Automatique De Batterie**

**Model No.:
9002791**

**Operator and Parts Manual
Manual del Operador y Piezas
Opérateur Manuel et Liste Des Pièces**



1033069

Rev. 03 (10-2014)



OPERATION


This manual is furnished with each new model. It provides necessary operation and maintenance instructions and an illustrated parts list.

Read this manual completely and understand the machine before operating or servicing.

Use the illustrated Parts Lists to order parts. Before ordering parts or supplies, be sure to have your machine model number and serial number handy. Parts and supplies may be ordered by phone or mail from any authorized parts and service center, distributor or from any of the manufacturer's subsidiaries.


This machine will provide excellent service. However, the best results will be obtained at minimum costs if:

- The machine is operated with reasonable care.
- The machine is maintained regularly - per the maintenance instructions provided.
- The machine is maintained with manufacturer supplied or equivalent parts.



PROTECT THE ENVIRONMENT

Please dispose of packaging materials, old machine components such as batteries, hazardous fluids such as antifreeze and oil, in a safe environmentally way according to your local waste disposal regulations.



Always remember to recycle.

MACHINE DATA

Please fill out at time of installation for future reference.

Model No.- _____

Install. Date - _____

Serial No.- _____

Tennant Company

PO Box 1452

Minneapolis, MN 55440

Phone: (800) 553- 8033 or (763) 513- 2850

www.tennant.com

Specifications and parts are subject to change without notice.

Castex is a registered United States trademark of Tennant Company.

©2006, 2007, 2012, 2014 Tennant Company. All Rights Reserved.

TABLE OF CONTENTS	(ESPAÑOL....19)	(FRANÇAIS....36)	
SAFETY PRECAUTIONS	5	TRANSPORTING MACHINE	15
SAFETY LABELS	6	STORING MACHINE	16
MACHINE COMPONENTS	7	RECOMMENDED STOCK ITEMS	16
MACHINE INSTALLATION	8	TROUBLE SHOOTING	17
UNCRATING MACHINE	8	SPECIFICATIONS	18
INSTALLING BATTERIES	8	ELECTRICAL DIAGRAMS	54
MACHINE SETUP	9	PARTS LIST	58
PRE- OPERATION CHECKS	9	REPLACEMENT BRUSHES AND	
ATTACHING SQUEEGEE	9	PAD DRIVER GROUP	58
INSTALLING BRUSH OR PAD DRIVER	9	SOLUTION TANK GROUP	60
FILLING SOLUTION TANK	10	SOLUTION TANK REAR PANEL GROUP ..	62
MACHINE OPERATION	11	RECOVERY TANK GROUP	64
WHILE OPERATING MACHINE	11	CONTROL CONSOLE GROUP	66
BRUSH MOTOR CIRCUIT BREAKER	12	LEVER GROUP	68
DRAINING TANKS	12	WHEEL GROUP	70
DRAINING RECOVERY TANK	12	BRUSH DRIVE GROUP	
DRAINING SOLUTION TANK	13	(S/N 10574488-)	72
CHARGING BATTERIES	13	BRUSH DRIVE GROUP	
MACHINE MAINTENANCE	14	(S/N 00000000- 10574487)	74
DAILY MAINTENANCE	14	SKIRT GROUP	76
WEEKLY MAINTENANCE	15	SQUEEGEE GROUP	78
MONTHLY MAINTENANCE	15	OPTIONS	80
QUARTERLY MAINTENANCE	15	ES KIT	80
BATTERY MAINTENANCE	15	SQUEEGEE WAND ASSEMBLY	82


OPERATION

SAFETY PRECAUTIONS

This machine is intended for commercial use. It is designed exclusively to scrub hard floors in an indoor environment and is not constructed for any other use. Use only recommended pads, brushes and commercially available floor cleaners intended for machine application.

All operators must read, understand and practice the following safety precautions.

The following warning alert symbol and the "FOR SAFETY" heading are used throughout this manual as indicated in their description:

 **WARNING:** To warn of hazards or unsafe practices which could result in severe personal injury or death.

FOR SAFETY: To identify actions which must be followed for safe operation of equipment.

Failure to follow these warnings may result in: personal injury, electrocution, electrical shock, fire or explosion.

 **WARNING:** Do Not Use Flammable Liquids Or Operate Machine In Or Near Flammable Liquids, Vapors Or Combustible Dusts.

This machine is not equipped with explosion proof motors. The electric motors will spark upon start up and during operation which could cause a flash fire or explosion if machine is used in an area where flammable vapors/liquids or combustible dusts are present.

 **WARNING:** Do Not Pick Up Flammable Materials Or Reactive Metals.

 **WARNING:** Keep Sparks And Open Flame Away. Keep Battery Hood Open When Charging.

 **WARNING:** Disconnect Battery Cables Before Servicing Machine.

The following information signals potentially dangerous conditions to the operator or equipment:

FOR SAFETY:

1. Do not operate machine:
 - With flammable liquids or near flammable vapors as an explosion or flash fire may occur.

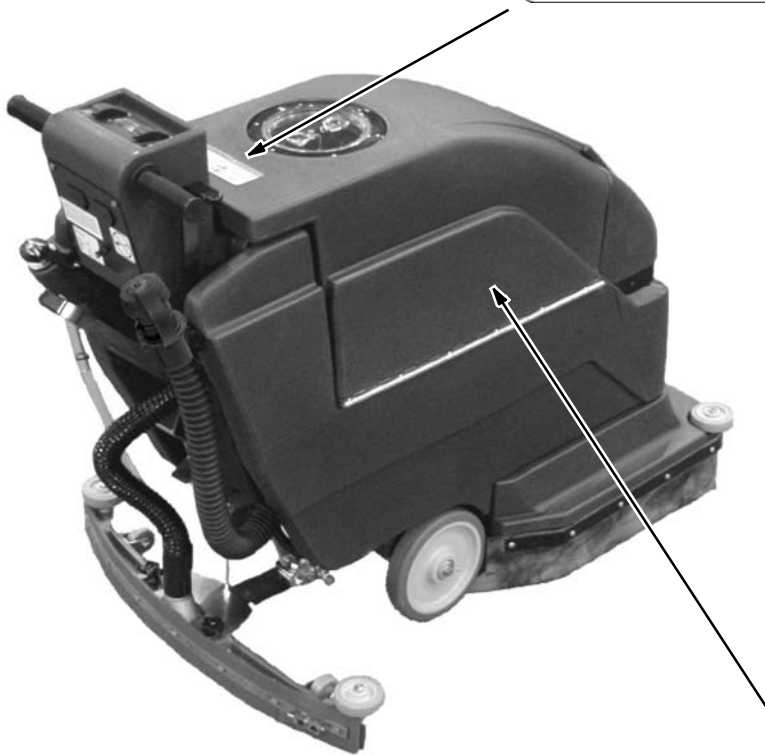
- Unless trained and authorized.
 - Unless operation manual is read and understood.
 - If not in proper operating condition.
2. Before starting machine:
 - Make sure all safety devices are in place and operate properly.
 3. When using machine:
 - Go slow on inclines and slippery surfaces.
 - Wear non-slip shoes.
 - Report machine damage or faulty operation immediately.
 - Never allow children to play on or around.
 - Follow mixing and handling instructions on chemical containers.
 4. Before leaving or servicing machine:
 - Stop on level surface.
 - Turn off machine.
 5. When servicing machine:
 - Avoid moving parts. Do not wear loose jackets, shirts, or sleeves.
 - Block machine tires before jacking up.
 - Use hoist or jack that will support the weight of the machine.
 - Disconnect battery connections before working on machine.
 - Wear protective gloves and safety glasses when handling batteries or battery cables.
 - Avoid contact with battery acid.
 - Use manufacturer supplied or approved replacement parts.
 - All repairs must be performed by a qualified service person.
 - Do not modify the machine from its original design.
 6. When transporting machine:
 - Turn machine off.
 - Do not lift machine when batteries are installed.
 - Get assistance when lifting machine.
 - Use a recommended ramp when loading/unloading into/off truck or trailer.
 - Use tie-down straps to secure machine to truck or trailer.

SAFETY LABELS

The safety labels appear on the machine in the locations indicated. Replace labels if they become damaged or illegible.

WARNING LABEL - LOCATED ON TOP OF THE RECOVERY TANK.

⚠	WARNING	⚠	⚠
	EXPLOSION, FIRE AND SHOCK HAZARD. AVOID INJURY.	RISQUE D'EXPLOSION, D'INCENDIE ET DE DÉCHARGE. ÉVITEZ LES BLESSURES.	PELIGRO DE EXPLOSIÓN, FUEGO, DESCARGA EVITE LESIONES.
	<ul style="list-style-type: none"> • Do Not Use or Pick Up Flammable Materials. 	<ul style="list-style-type: none"> • N'utilisez Pas ou Ne Ramassez Pas de Matériaux Inflammables. 	<ul style="list-style-type: none"> • No Use Ó Recoja Materiales Flamables.
	<ul style="list-style-type: none"> • Do Not Use Near Flammable Liquids, Vapors or Combustible Dusts. 	<ul style="list-style-type: none"> • N'utilisez Pas Près de Liquides, Vapeurs ou Poussières Inflammables. 	<ul style="list-style-type: none"> • No Use Cerca De Líquidos Flamables, Vapores Ó Materiales Combustibles.
	<ul style="list-style-type: none"> • Keep Sparks and Open Flame Away When Charging Batteries. Keep Battery Hood Open When Charging. 	<ul style="list-style-type: none"> • Éloignez les Sources d'Étincelles ou de Flamme Ouverte Lors du Chargement des Batteries. Laissez Ouvert le Capot du Compartiment des Batteries Lors de la Mise en Charge. 	<ul style="list-style-type: none"> • Mantenga Chispas Y Fuego Alejados Mientras Carga Baterías. Mantenga Tapa De Batería Abierta Mientras Carga.
	<ul style="list-style-type: none"> • Disconnect Battery Cables and Charger Cord Before Servicing. 	<ul style="list-style-type: none"> • Débranchez les Câbles de Batterie et le Cordon du Chargeur Avant l'Entretien. 	<ul style="list-style-type: none"> • Desconecte Cable De Batería Y Cable Del Cargador Antes Del Mantenimiento.

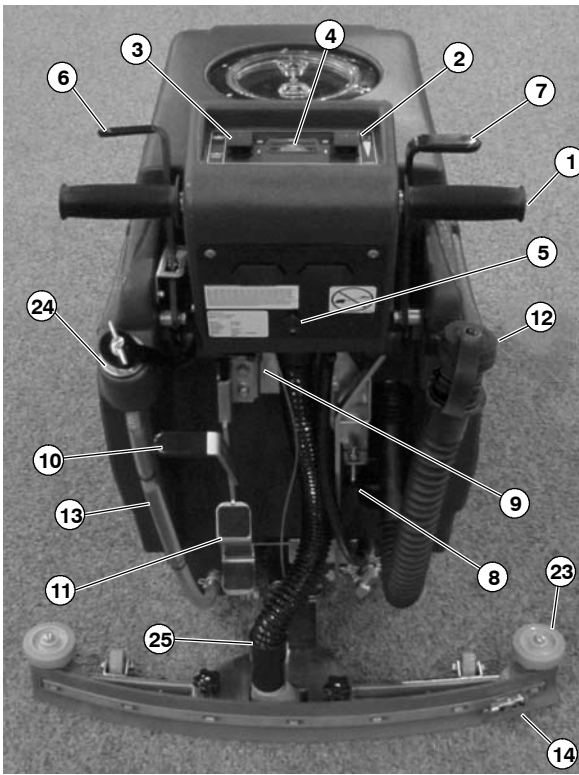


BATTERY CHARGE LABEL -
 LOCATED INSIDE BATTERY
 COMPARTMENT.

**WARNING: Keep sparks and open
 flame away. Keep battery hood
 open when charging.**

OPERATION

MACHINE COMPONENTS



1. Control Grips
2. Vacuum ON/OFF Switch
3. Brush ON/OFF Switch
4. Battery Meter
5. Brush Motor Circuit Breaker
6. Squeegee Lift Lever
7. Solution Flow Lever
8. Solution Flow Adjustment Knob
9. Adjustable Control Console Levers
10. Brush Lift Lever
11. Brush Lift Foot Lever
12. Recovery Tank Drain Hose
13. Solution Tank Drain Hose
14. Squeegee Assembly
15. Control Console
16. Recovery Tank
17. Recovery Tank Lid
18. Solution Tank Fill Door
19. Safety Lights
20. Main Wheels
21. Scrub Head
22. Scrub Head Skirt
23. Wall Rollers
24. Rear Fill Port
25. Vacuum Hose
26. Battery Compartment

MACHINE INSTALLATION

UNCRATING MACHINE

Carefully check carton for signs of damage. Report damages at once to carrier. Check carton contents to ensure all accessories are included.

To uncrate your machine, remove straps and raise brush head. To raise brush head, step down firmly on the bottom brush lift foot pedal until pedal locks into the raised position. Carefully lift or create a ramp using crate boards to remove machine from pallet.

ATTENTION: Do not roll machine off pallet, machine damage may occur.

ATTENTION: To prevent possible machine damage, install batteries after removing machine from shipping pallet.

INSTALLING BATTERIES

⚠ WARNING: Keep Sparks And Open Flame Away. Keep Battery Hood Open When Charging.

FOR SAFETY: When servicing machine, wear protective gloves and safety glasses when handling batteries and battery cables. Avoid contact with battery acid.

Recommended Battery Specifications:

Two 12 volt, deep cycle, 130 amp hour batteries.
Maximum battery dimensions are 180mm (7.13 in) W x 330mm (13 in) L x 254mm (10 in) H.

1. Turn all switches to the off position.
2. Carefully hinge open recovery tank to access battery compartment. Make sure recovery tank is empty before opening. Remove loose battery cable and PVC battery spacer from compartment (Figure 1).



FIG. 1

3. Carefully install batteries into compartment and arrange battery posts as shown (Figure 2).

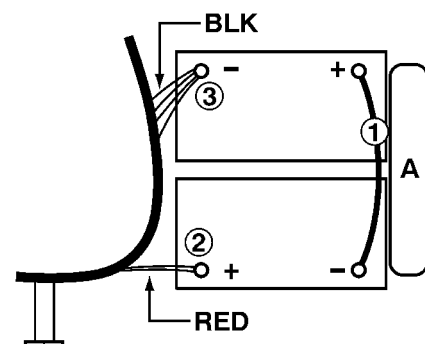


FIG. 2

ATTENTION: Do not drop batteries into compartment! Battery and machine housing damage may result.

4. To secure batteries, place white PVC tube spacer "A" behind batteries in compartment (Figure 2).
5. Connect cables to battery posts in numerical order as labeled (RED to POSITIVE and BLACK to NEGATIVE) (Figure 2).
6. Apply a light coating of non-metallic grease or protective spray on the cable connections to prevent battery corrosion.

OPERATION

MACHINE SETUP

PRE- OPERATION CHECKS

1. Sweep and dust mop floor.
2. Check battery meter charge level to ensure batteries are fully charged (See BATTERY CHARGING).
3. Check that a pad/brush is installed.
4. Check that squeegee is installed.

ATTACHING SQUEEGEE

1. Pull back on squeegee lift lever to raise squeegee mount bracket.
2. Loosen two thumb knobs on squeegee and slide squeegee into slot at rear of squeegee mount bracket (Figure 3). Tighten thumb knobs securely.
3. Connect vacuum hose to squeegee assembly (Figure 3).

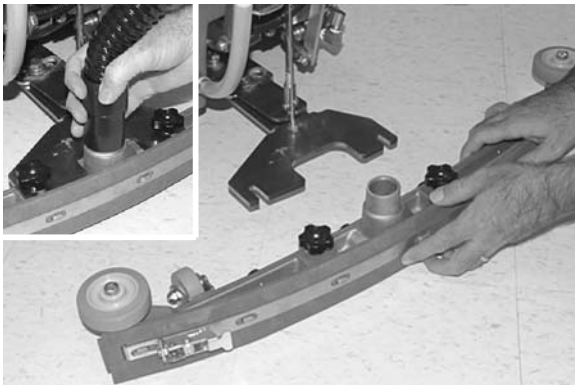


FIG. 3

INSTALLING BRUSH OR PAD DRIVER

1. Turn machine off.

FOR SAFETY: Before leaving or servicing machine, stop on level surface and turn off machine.

2. Lower brush head. Step down firmly on top pedal and push pedal forward to lower (Figure 4).

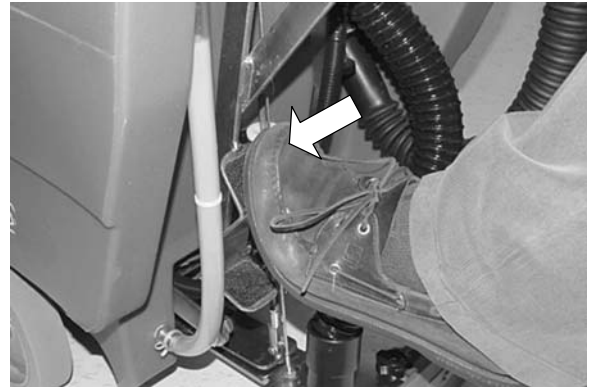


FIG. 4

3. Position squeegee swivel mechanism so it's centered behind machine.
4. Tilt machine back to access motor hub.

ATTENTION: Do not leave machine tilted back for an extended time. Battery acid may leak.

5. Select a recommended pad or brush that best meets your cleaning needs.

NOTE: Consult your authorized distributor for pad and brush recommendations.

6. **(For Pad Installation)** Attach pad to pad driver before installing driver to motor hub. To attach pad, remove plastic centerlock from pad driver and position pad centered on driver, replace centerlock securely (Figure 5).



FIG. 5

- Attach brush/pad driver to motor hub. Align 3 mounting studs with slots in motor hub and give the driver a quick turn toward the spring clip on the motor hub to attach brush/pad driver. Be certain that spring clip locks into one of the studs on the driver before operating machine (Figure 6).

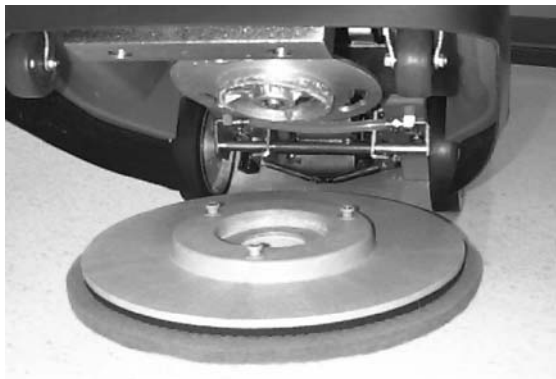


FIG. 6

- Raise brush head. To raise brush head, step down firmly on the bottom brush lift foot pedal until brush locks into the raised position (Figure 7).



FIG. 7

FILLING SOLUTION TANK

- Push machine to the fill station. Raise squeegee and brush head when transporting.
- Pull solution flow lever completely back to shut off solution flow (Figure 8).

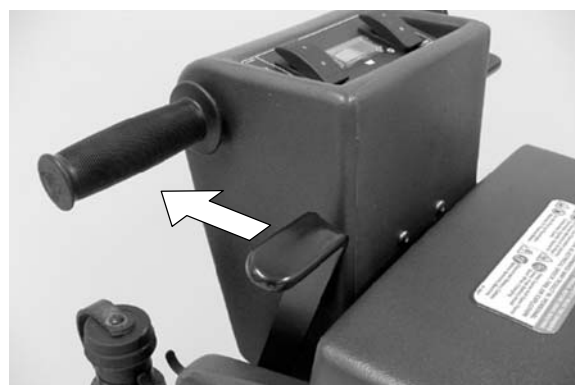


FIG. 8

- Open solution fill door at front of machine and fill solution tank with 38L (10 gal) of clean water, 60°C (140°F) maximum temperature. Or use the rear fill port to fill solution tank. The clear tube below the fill port has 19L (5 gal) increment markers to indicate amount of water in tank (Figure 9).

NOTE: The water must **NOT** be hotter than 60 °C (140 °F) or tank damage may occur.

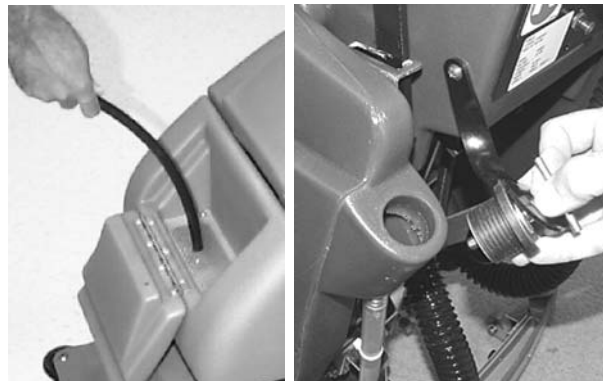


FIG. 9

NOTE: If filling with a bucket be certain that bucket is clean. This will prevent possible solution line clogs.

- Add cleaning detergent according to mixing instructions on bottle.

FOR SAFETY: When using machine, follow mixing and handling instructions on chemical containers.

ATTENTION: Use only recommended detergents. Machine damage due to improper detergent usage will void the manufacturer's warranty. Contact your Tennant Sales Representative for detergent recommendations.

⚠ WARNING: Do Not Use Flammable Liquids Or Operate Machine In Or Near Flammable Liquids, Vapors Or Combustible Dusts.

OPERATION

MACHINE OPERATION

FOR SAFETY: Do not operate machine unless operator manual is read and understood.

1. Adjust control grips to a comfortable operating height (*three settings*). Squeeze together the two levers under the console to raise or lower control grips (Figure 10).



FIG. 10

2. Lower squeegee by releasing squeegee lift lever from the lock position (Figure 11).

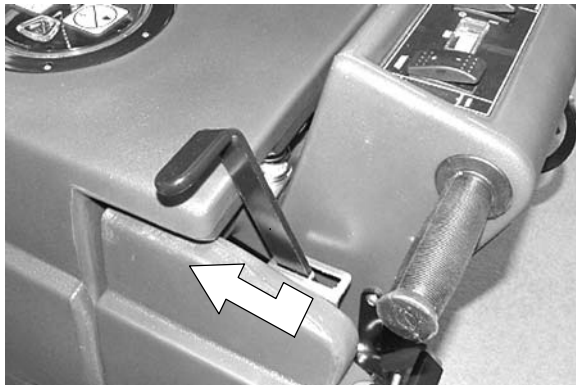


FIG. 11

3. Lower brush head, Step down firmly on the top brush lift pedal and push pedal forward to lower (Figure 12).



FIG. 12

4. Turn vacuum switch to the on position.
5. Push solution flow lever forward to desired flow rate. Solution will immediately begin to flow once lever is activated (Figure 13).

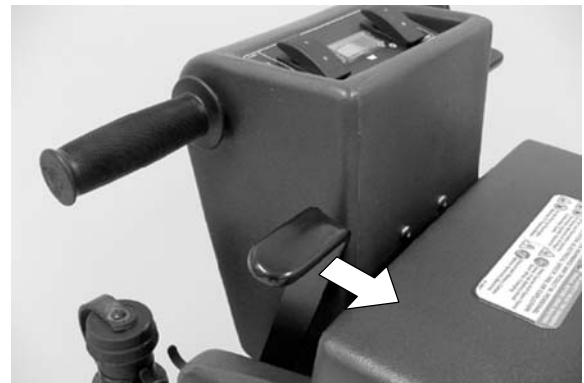


FIG. 13

To adjust the maximum solution flow rate, turn solution flow adjustment knob down to increase or up to decrease (Figure 14).



FIG. 14

6. Turn brush switch to the on position.

ATTENTION: To prevent floor finish damage, DO NOT leave machine at stand still once brush begins to spin.

7. Begin scrubbing by pushing machine forward.

WHILE OPERATING MACHINE

⚠ WARNING: Do Not Pick Up Flammable Materials Or Reactive Metals.

FOR SAFETY: When using machine, go slow on inclines and slippery surfaces.

1. Periodically check for excessive foam in recovery tank (look through clear lid). If excessive foam appears, pour a foam control solution into the recovery tank.

ATTENTION: Do not allow foam or water to enter float shut-off screen, vacuum motor damage will result; not covered by warranty. Foam will not activate float shut-off screen.

- If more scrubbing pressure is needed for small heavily soiled areas, simply pull the brush lift lever upward while operating (Figure 15).



FIG. 15

- If squeegee leaves streaks, raise squeegee and wipe both blades with a cloth.
- Before stopping or turning machine around, pull back on solution control lever to shut off solution flow.
- View clear tube at rear of machine for remaining cleaning solution.
- Periodically check battery meter's discharge level. When needle drops to the red zone, recharge batteries (Figure 16).

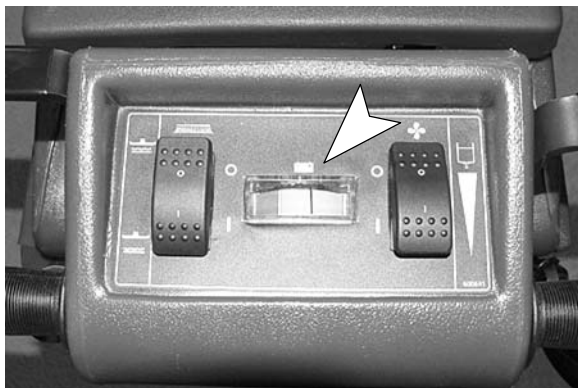


FIG. 16

ATTENTION: Do not operate machine with battery meter in red zone, battery damage will result.

- When the solution tank runs dry, turn off brush switch, shut off solution control lever and continue to vacuum until all dirty water is consumed into the recovery tank. Raise the squeegee and brush head and drain recovery tank (See DRAINING TANKS).

BRUSH MOTOR CIRCUIT BREAKER

Machine is equipped with a circuit breaker to protect brush motor from damage. If the brush motor circuit breaker should trip, it can not be reset immediately. Determine reason why breaker tripped, allow motor to cool and then reset. Circuit breaker will trip due to brush motor overload. Clean or change pad if breaker should trip. Brush motor circuit breaker button is located at rear of control console (Figure 17).



FIG. 17

DRAINING TANKS

- Turn machine off.

FOR SAFETY: Before leaving or servicing machine, stop on level surface and turn off machine.

- Raise squeegee and brush head and transport machine to floor drain.

NOTE: If using bucket to drain machine, do not use same bucket for filling solution tank.

DRAINING RECOVERY TANK

When finished scrubbing or when refilling solution tank, recovery tank should be drained and cleaned.

ATTENTION: If recovery tank is not drained before refilling, foam or water may enter the float shut-off screen and damage vacuum motor. Foam will not activate float shut-off screen.

OPERATION

1. Remove drain hose from holder, position hose over floor drain and twist off drain hose cap. To completely drain recovery tank, hinge open tank and flip up tank support stand to rest tank on (Figure 18).



FIG. 18

2. Clean recovery tank after each use. Use a hose to rinse out recovery tank. Be careful not to spray water into float shut-off screen.
3. Replace drain hose cap tightly after draining.

DRAINING SOLUTION TANK

To drain leftover cleaning solution from solution tank perform the following steps:

1. Pull clear tube off hose barb at rear of machine and drain solution into floor drain or bucket (Figure 19).



FIG. 19

2. Rinse solution tank with clean water after each use. This will prevent clogging due to chemical buildup.
3. Push solution flow lever forward to rinse out solution flow system.
4. Reconnect clear tube. Be certain tube is completely pushed on hose barb.

CHARGING BATTERIES

ATTENTION: To prolong the life of the batteries and to provide optimum machine performance, **ONLY** recharge the batteries after a total of 30 minutes of use or more. Do not leave batteries discharged for lengthy periods.

The following charging instructions are intended for battery chargers supplied with the machine. Only use a battery charger with the following specifications to prevent battery damage.

BATTERY CHARGER SPECIFICATIONS:

- CHARGER TYPE:
 - FOR LEAD ACID BATTERIES
- OUTPUT VOLTAGE - 24 VOLTS
- OUTPUT CURRENT - 15 AMPS
- AUTOMATIC SHUTOFF CIRCUIT
- FOR DEEP CYCLE BATTERY CHARGING

1. Transport the machine to a well-ventilated area for charging.

⚠ WARNING: Fire Or Explosion Hazard. Batteries Emit Hydrogen Gas. Keep Sparks And Open Flame Away. Keep Battery Compartment Open When Charging.

2. Turn machine off.
3. Before charging the batteries, check the electrolyte level in each battery cell (Figure 20).



FIG. 20

FOR SAFETY: When servicing machine, wear protective gloves and eye protection when handling batteries and battery cables. Avoid contact with battery acid.

The electrolyte level (A) should slightly cover the battery plates (B). Add distilled water as needed. DO NOT OVERFILL, the fluid may expand and overflow while charging. Replace cell caps before charging (Figure 21).

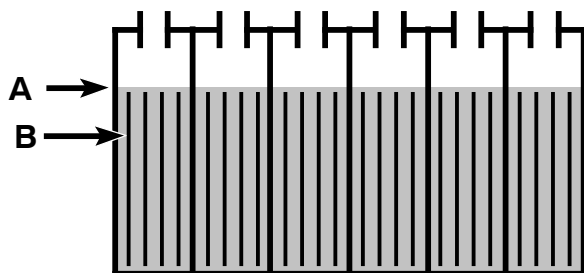


FIG. 21

4. Rest the recovery tank on the support stand to promote ventilation during charging (Figure 22).
5. Connect the charger's AC power supply cord to a properly grounded receptacle.
6. Connect the charger's DC cord to the machine's battery receptacle at the rear of the machine (Figure 22).



FIG. 22

7. The charger will automatically begin charging and shut off when fully charged.

NOTE: The machine will not operate once the battery charger is connected.

ATTENTION: Do not disconnect the charger's DC cord from the machine's receptacle when the charger is operating. Arcing may result. If the charger must be interrupted during charging, disconnect the AC power supply cord first.

⚠ WARNING: Fire Or Explosion Hazard. Batteries Emit Hydrogen Gas. Keep Sparks And Open Flame Away. Keep Battery Compartment Open When Charging.

8. After charging, check the electrolyte level (A) again. The level should be approximately 1 cm (.375 in) from the bottom of the fill-port (B) (Figure 23). Add distilled water if needed. DO NOT OVERFILL.

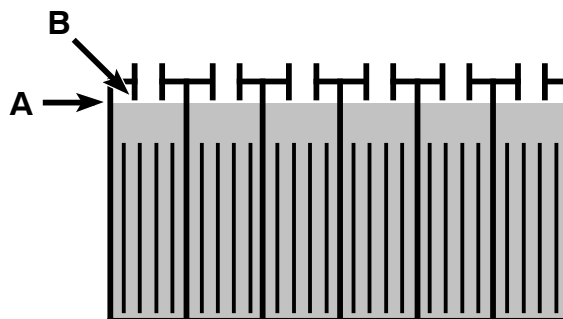


FIG. 23

MACHINE MAINTENANCE

To keep machine in good working condition, simply follow machines daily, weekly and monthly maintenance procedures.

FOR SAFETY: Before leaving or servicing machine, stop on level surface and turn off machine.

⚠ WARNING: Disconnect Battery Cables Before Servicing Machine.

ATTENTION: Contact an Authorized Service Center for machine repairs. Machine repairs performed by other than an authorized person will void your warranty.

DAILY MAINTENANCE (Every 4 Hours of Use)

1. Remove and clean pad/brush.
2. Remove and clean float shut-off screen located in recovery tank (Figure 24).



FIG. 24

3. Drain and rinse tanks thoroughly. After draining tanks, hinge recovery tank until you can see vacuum intake hole at rear of tank. Remove any debris in hole if necessary.

OPERATION

4. Raise squeegee and wipe it down with a dry cloth. Store squeegee in the up position to prevent squeegee damage.
5. Clean machine with an all purpose cleaner and damp cloth.

ATTENTION: Do not power spray or hose off machine. Electrical component damage may result.

6. Recharge batteries, if necessary.

WEEKLY MAINTENANCE (Every 20 Hours of Use)

1. Check fluid level in battery cells (See BATTERY CHARGING).
2. Clean battery tops from corrosion (See BATTERY CHARGING).
3. Check for loose or corroded battery cables.

MONTHLY MAINTENANCE (Every 80 Hours of Use)

1. Flush out tanks and solution lines. Pour 750ml (24 oz) of an acetic acid solution with 11.3L (3 gal) of hot water, 60°C (140°F) max., into solution tank. Over a floor drain, activate solution flow briefly to fill solution line. Shut off power and let machine set over night. Rinse with clean water afterwards.

FOR SAFETY: When using machine, follow mixing and handling instructions on chemical containers.

2. Lubricate all linkage pivot points with silicone spray then coat with a water resistant grease to maintain a smooth operation.
3. Check machine for water leaks and loose nuts and bolts.

QUARTERLY MAINTENANCE (Every 250 Hours of Use)

Inspect motors for carbon brush wear. Replace brushes when worn to a length of 10mm (0.38 in) or less. Contact an Authorized Service Center for carbon brush inspection.

ATTENTION: Contact an Authorized Service Center for machine repairs. Machine repairs performed by other than an authorized person will void the warranty.

BATTERY MAINTENANCE

⚠ WARNING: Fire Or Explosion Hazard. Batteries Emit Hydrogen Gas. Keep Sparks And Open Flame Away. Keep Battery Compartment Open When Charging.

FOR SAFETY: When servicing machine, wear protective gloves and eye protection when handling batteries and battery cables. Avoid contact with battery acid.

1. Check the specific gravity using a hydrometer to determine the charge level and the condition of the batteries (Figure 25). If one or more of the battery cells read lower than the other battery cells (0.050 or more), the cell is damaged, shorted, or is about to fail. Check the hydrometer readings against the following chart to determine the remaining battery charge level.

NOTE: Do not take readings immediately after adding distilled water. If the water and acid are not thoroughly mixed, the readings may not be accurate.

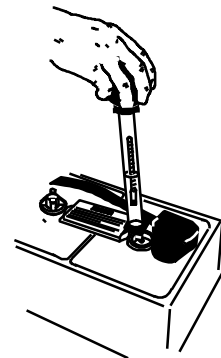


FIG. 25

SPECIFIC GRAVITY at 27° C (80°F)	BATTERY CHARGE
1.265	100% CHARGED
1.223	75% CHARGED
1.185	50% CHARGED
1.148	25% CHARGED
1.110	DISCHARGED

NOTE: If the readings are taken when the battery electrolyte is any temperature other than 27° C (80°F), the reading must be temperature corrected. Add or subtract to the specific gravity reading 0.004, 4 points, for each 6° C (43°F) above or below 27° C (80°F).

2. Always follow proper charging instructions (See CHARGING BATTERIES).
3. Check the electrolyte level (A) in each battery cell **after charging batteries**. The level should be approximately 1 cm (.375 in) from the bottom of the fill- port (B). Add distilled water if needed (Figure 26).
DO NOT OVERFILL.

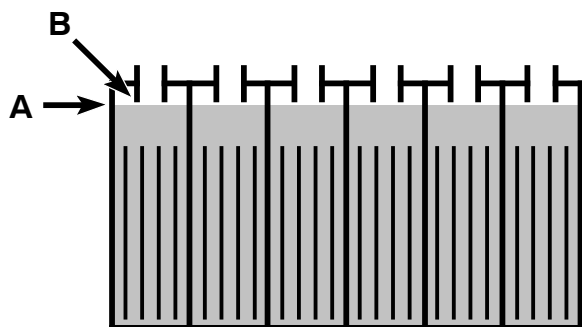


FIG. 26

4. Keep the battery tops clean to prevent battery corrosion.

To clean batteries:

FOR SAFETY: When servicing machine, wear protective gloves and eye protection when handling batteries and battery cables. Avoid contact with battery acid.

- a. Mix a strong solution of baking soda and water (Figure 27).



FIG. 27

- b. Brush the solution sparingly over the battery tops and cable connectors.

NOTE: Do not allow baking soda solution to enter battery cells.

- c. Use a wire brush to clean the battery terminals and cable connectors.
- d. After cleaning, apply a coating of clear battery post protectant to the terminals and cable connectors.
5. Check for loose or worn cables. Replace if worn.

TRANSPORTING MACHINE

When transporting machine by use of trailer or truck, be certain to follow tie- down procedures below:

FOR SAFETY: When using machine, go slow on inclines and slippery surfaces.

1. Raise squeegee and scrub head.
2. Load machine using a recommended loading ramp.
3. Position front of machine up against front of trailer or truck. Once machine is positioned, lower scrub head and squeegee.
4. Place a block behind the main wheel and the rear casters.
5. Place tie- down straps over top of machine and secure straps to floor. It may be necessary to install tie- down brackets to the floor of your trailer or truck.

NOTE: Do not use control grips to secure machine for transporting.

FOR SAFETY: When transporting machine, use a recommended ramp when loading/unloading into/off truck or trailer, use tie- down straps to secure machine to truck or trailer.

OPERATION

STORING MACHINE


1. Charge batteries before storing. Never store machine with discharged batteries.
2. Drain and rinse tanks thoroughly.
3. Store machine in a dry area with squeegee and scrub head in the raised position.
4. Remove recovery tank lid to promote air circulation.

ATTENTION If storing machine in freezing temperatures, be certain to drain machine of all water. Damage due to freezing temperatures is not covered by warranty.

ATTENTION: Do not expose machine to rain; store indoors.

RECOMMENDED STOCK ITEMS

Refer to Parts List section for recommended stock items. Stock Items are clearly identified with a bullet preceding the parts description. See example below:



Ref.	Part No.	Description	Qty.
1	701103	ASM., STANDPIPE	1
2	180618	●FLOAT, SHUTOFF	1
3	230197	NIPPLE	1
4	101714	●GASKET	1
5	210240	NUT, FLANGED	1

TROUBLE SHOOTING

PROBLEM	CAUSE	SOLUTION
No power.	Batteries need charging.	See Battery Charging.
	Battery(s) faulty.	Replace battery(s)
	Loose battery cable.	Tighten loose cables.
	Batteries are not connected correctly.	See Battery Installation.
Brush motor does not run.	Faulty brush switch.	Contact Service Center.
	Machine circuit breaker has tripped.	Clean or replace pad or brush and reset breaker button.
	Rectifier has burned out.	Contact Service Center.
	Faulty wiring.	Contact Service Center.
	Faulty brush motor.	Contact Service Center.
	Carbon brushes worn.	Contact Service Center.
	Faulty solenoid.	Contact Service Center.
Vacuum motor does not run.	Faulty vacuum switch or wiring.	Contact Service Center.
	Faulty vacuum motor.	Contact Service Center.
	Carbon brushes worn.	Contact Service Center.
Short run time. <i>(Run time 2.47 hours on full charge)</i>	Batteries not fully charged.	Charge batteries.
	Bad cell in one or more batteries.	Replace battery.
	Batteries need maintenance.	See Battery Maintenance.
	Faulty charger.	Replace charger.
Safety lights do not work.	Flasher is burned out.	Contact Service Center.
Little or no solution flow.	Solution flow lever is not activated.	Push solution flow lever forward.
	Solution line is clogged.	Remove hose and blow compressed air through it.
	Solution valve is clogged.	Remove valve and clean. Do not scratch or damage inside of valve.
	Solution flow adjustment knob needs adjusting.	Adjust solution flow knob to increase solution flow. Turn knob down to increase flow.

OPERATION

TROUBLE SHOOTING - CONTINUED

PROBLEM	CAUSE	SOLUTION
Poor water pick up.	Recovery tank is full.	Empty recovery tank.
	Ball float shutoff screen inside recovery tank is clogged.	Remove screen and clean.
	Squeegee is clogged with debris.	Clean squeegee.
	Squeegee blades are worn.	Replace squeegee blades.
	Squeegee thumbscrews are loose.	Tighten thumbscrews.
	Vacuum hose connections are loose or hose has a hole.	Push vacuum hose cuffs firmly on connections. Replace hose if damaged.
	Vacuum hose is clogged with debris.	Remove clogged debris.
	Tank gasket is defective.	Replace tank gasket.
	Recovery tank water inlet is plugged. Inlet is located at bottom of recovery tank.	Empty recovery tank and tilt it sideways to locate inlet hole, remove clogged debris.
	Drain hose plug is loose.	Tighten drain plug.
	Clear recovery tank lid is loose.	Tighten lid.
	Vacuum motor is loose.	Tighten down vacuum motor. Do not over tighten and damage motor.
	Battery charge is low.	Charge batteries. Do not run machine when battery meter is in the red zone.

SPECIFICATIONS

Model	WB-20
LENGTH	1194 mm (47 in.)
WIDTH	559 mm (22 in.)
HEIGHT	965 mm (38 in.)
WEIGHT	146 Kg (315 lb)
SOLUTION TANK CAPACITY	38 L (10 gal)
RECOVERY TANK CAPACITY	45 L (12 gal)
CLEANING PATH WIDTH	508 mm (20 in.)
BRUSH MOTOR	.75hp, 220 rpm, 24v, 20A, 560w
VACUUM MOTOR	.5hp, 2 stage, 353w, 14A, 24v
WATER LIFT	1118 mm (44 in.)
BATTERIES	2- 130A/hr, 12v deep cycle
RUN TIME on full charge	2.47 hours
DECIBEL RATING AT OPERATOR'S EAR, INDOORS ON TILE	70dB(A)

Este manual se proporciona con cada nuevo modelo. Proporciona instrucciones necesarias de mantenimiento y lista ilustrada de piezas.

Antes de operar o prestar servicio a la máquina, lea completamente este manual y entienda la máquina.

Para ordenar piezas use las Listas Ilustradas de las Piezas. Asegúrese de tener listo el número de modelo y de serie de la máquina, antes de ordenar piezas o suministros. Las piezas y suministros pueden ordenarse por teléfono o por correo de cualquier centro autorizado de piezas y servicio, distribuidor o de cualquiera de las subsidiarias del fabricante.

Esta máquina proporcionará un servicio excelente. Sin embargo, los mejores resultados se obtienen a un costo mínimo si:

- La máquina se opera con un cuidado razonable.
- La máquina se mantiene con regularidad, según las instrucciones de mantenimiento provistas.
- La máquina se mantiene con las piezas provistas por el fabricante o equivalentes.

DATOS DE LA MÁQUINA

Por favor complete en el momento de la instalación, para referencia futura.

No. de modelo - _____

Fecha de instalación - _____

Nº de Serie- _____



PROTECCIÓN DEL MEDIO AMBIENTE

Deseche el material de embalaje, los componentes usados de la máquina como las baterías y los líquidos peligrosos como el anticongelante y el aceite, de forma segura para el medio ambiente, de acuerdo con las normativas o disposiciones locales.



No olvide reciclar.

ÍNDICE

MEDIDAS DE SEGURIDAD	21	TRANSPORTE DE LA MÁQUINA	33
ETIQUETAS DE SEGURIDAD	22	ALMACENAMIENTO DE LA MÁQUINA	33
COMPONENTES DE LA MÁQUINA	23	RECOMENDACIONES PARA EL	
INSTALACIÓN DE LA MÁQUINA	24	ALMACENAMIENTO	33
DESEMBALADO DE LA MÁQUINA	24	LOCALIZACIÓN DE AVERÍAS	34
INSTALACIÓN DE LA BATERÍA	24	ESPECIFICACIONES	35
PREPARACIÓN DE LA MÁQUINA	25	DIAGRAMAS ELECTRICAS	54
COMPROBACIONES PREVIAS A LA		LISTA DE PIEZAS	58
PUESTA EN FUNCIONAMIENTO	25	CEPILLO DEL REEMPLAZO Y GRUPO DEL	
FIJACIÓN DE LA ESCOBILLA DE GOMA ..	25	MANDO DE LA ALMOHADILLA	58
INSTALACIÓN DEL IMPULSOR DEL		GRUPE DEL DEPÓSITO DE DISOLUCIÓN .	60
CEPILLO O DE LA ALMOHADILLA	25	CONJUNTO PANEL TRASERA	62
LLENADO DEL DEPÓSITO		CONJUNTO DESPÓSITO RECUPERAR ...	64
DE LA DISOLUCIÓN	26	CONJUNTO CONSOLA DE CONTROLES ..	66
FUNCIONAMIENTO DE LA MÁQUINA	27	CONJUNTO DE PALANCAS	68
DURANTE LA UTILIZACIÓN DE		GRUPO DE RUEDAS	70
LA MÁQUINA	28	CONJUNTO IMPULSO DE CEPILLO	
CORTACIRCUITOS DEL MOTOR DE LA		(S/N 10574488-)	72
ALMOHADILLA	29	CONJUNTO IMPULSO DE CEPILLO	
VACIADO DE LOS DEPÓSITOS	29	(S/N 00000000- 10574487)	74
VACIADO DEL DEPÓSITO		CONJUNTO JUEGO	76
DE RECUPERACIÓN	29	CONJUNTO PALETA	78
VACIADO DEL DEPÓSITO		OPCIONES	80
DE LA DISOLUCIÓN	29	ES JUEGO	80
CARGA DE LA BATERÍA	30	GROUPE D'ASPIRATION ET RACLETTE	
MANTENIMIENTO DE LA MÁQUINA	31	À MAIN	82
MANTENIMIENTO DIARIO	31		
MANTENIMIENTO SEMANAL	31		
MANTENIMIENTO MENSUAL	31		
MANTENIMIENTO TRIMESTRAL	32		
MANTENIMIENTO DE LAS BATERÍAS	32		

MEDIDAS DE SEGURIDAD

Esta máquina está diseñada para el uso comercial. Se ha diseñado exclusivamente para limpiar pisos duros en un ambiente interior y no se fabrica para ningún otro uso. Use sólo limpiadores recomendados de pisos comercialmente disponibles para la aplicación de la máquina.

Todos los operadores deben leer, entender y practicar las precauciones siguientes de seguridad.

El siguiente símbolo de alerta de advertencia y el encabezamiento de "PARA SEGURIDAD" se usan en este manual como se indica en su descripción:

⚠ ADVERTENCIA: Para advertir de riesgos o prácticas inseguras que podrían resultar en lesiones personales graves o la muerte.

PARA SEGURIDAD: Para identificar acciones que deben seguirse para el funcionamiento seguro del equipo.

El no seguir estas advertencias puede resultar en: lesiones personales, electrocución, choque eléctrico, fuego o explosión.

⚠ ADVERTENCIA: No use líquidos inflamables ni opere la máquina en o cerca de líquidos y vapores inflamables o polvos combustibles.

Esta máquina no está equipada con motores a prueba de explosión. Los motores eléctricos emiten chispas al arrancar y durante el funcionamiento lo que podría causar un fuego explosivo o explosión si la máquina se usa en una área donde están presentes vapores/líquidos inflamables o polvos combustibles.

⚠ ADVERTENCIA: No aspire materiales inflamables o metales reactivos.

⚠ ADVERTENCIA: Mantenga alejada de chispas y llamas expuestas. Mantenga abierta la cubierta de la batería al cargar.

⚠ ADVERTENCIA: Desconecte los cables de la batería antes de prestar servicio a la máquina.

La información siguiente señala condiciones potencialmente peligrosas para el operador o el equipo:

PARA SEGURIDAD:

1. No opere la máquina:
 - Con líquidos inflamables o cerca de los vapores inflamables ya que puede ocurrir una explosión o fuego explosivo.
 - A menos que está capacitado y autorizado.
 - A menos que se haya leído y entendido el manual del funcionamiento.
 - Si no está en condición de ejecutar una operación apropiada.
2. Antes de arrancar la máquina:
 - Asegúrese que todos los dispositivos de seguridad están en su lugar y operando apropiadamente.
3. Al usar máquina:
 - Avance lentamente en las cuestas y superficies resbaladizas.
 - Use zapatos antiresbalosos.
 - Informe inmediatamente acerca de daños o un funcionamiento defectuoso.
 - Nunca permita que los niños jueguen en o alrededor de la máquina.
 - Siga las instrucciones de mezcla y manejo indicados en los recipientes químicos.
4. Antes de salir de o reparar la máquina:
 - Deténgala en una superficie nivelada.
 - Apague la máquina.
5. Al prestar servicio a la máquina:
 - Evite las piezas móviles. No use chaquetas, camisas, o mangas, holgadas.
 - Calce las ruedas de la máquina antes de levantarla con un gato.
 - Use gúinches o gatos para soportar el peso de la máquina.
 - Desconecte las conexiones de la batería antes de trabajar en la máquina.
 - Use guantes protectores y lentes de seguridad al manejar baterías o cables de la batería.
 - Evite el contacto con el ácido de la batería.
 - Use piezas de repuesto provistas o aprobadas por el fabricante.
 - Todas las reparaciones deben ser realizadas por una persona de servicio calificada.
 - No modifique la máquina de su diseño original.

OPERACIÓN

6. Al transportar máquina:

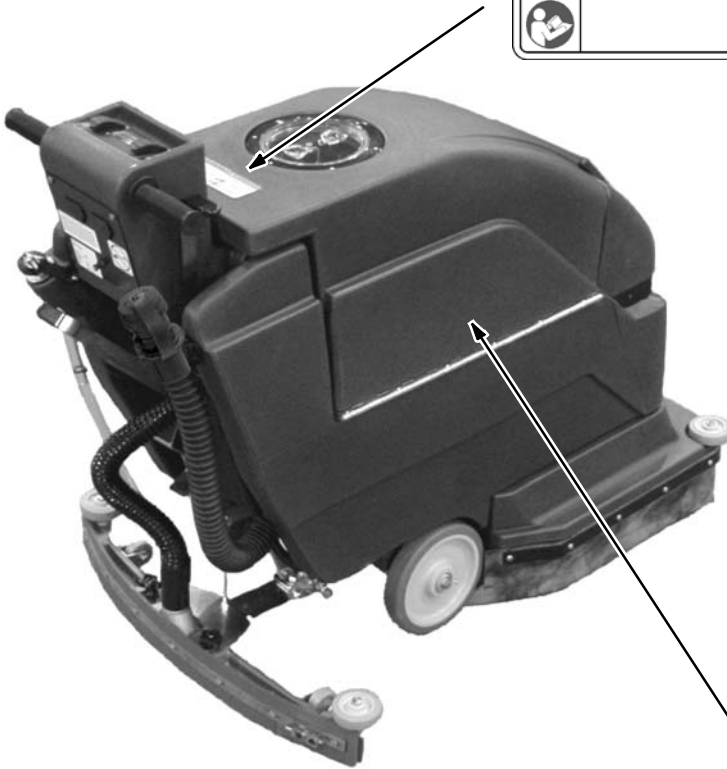
- Apague la máquina.
- No alce la máquina al instalar las baterías.
- Obtenga ayuda al alzar la máquina.
- Use una rampa recomendada al cargar/descargar al/ fuera del camión o remolque .
- Use correas de amarre para asegurar la máquina al camión o remolque.

ETIQUETAS DE SEGURIDAD

Los rótulos de seguridad aparecen en la máquina en las ubicaciones indicadas. Si los rótulos se dañan o son ilegibles, reempácelos.

ETIQUETA DE ADVERTENCIA - LOCALIZADA EN EL TANQUE DE RECUPERACION.

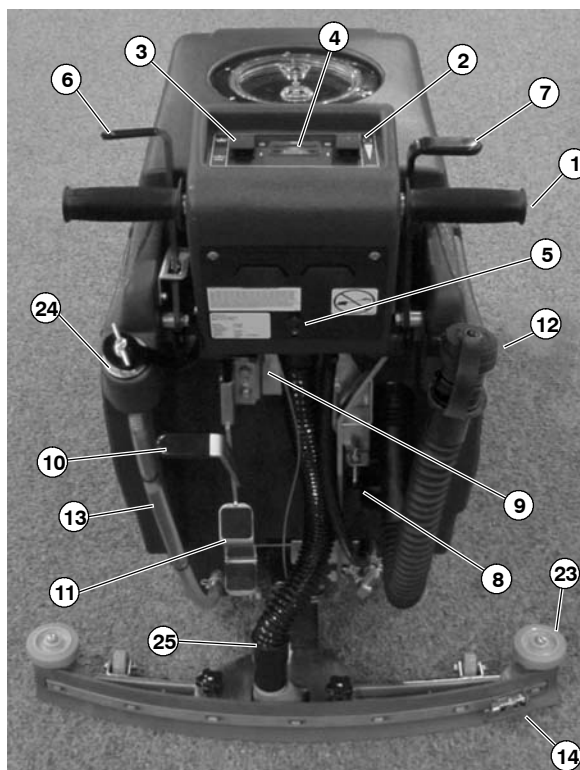
⚠️ WARNING	⚠️ AVERTISSEMENT	⚠️ ADVERTENCIA
 EXPLOSION, FIRE AND SHOCK HAZARD. AVOID INJURY. <ul style="list-style-type: none">• Do Not Use or Pick Up Flammable Materials.• Do Not Use Near Flammable Liquids, Vapors or Combustible Dusts.• Keep Sparks and Open Flame Away When Charging Batteries. Keep Battery Hood Open When Charging.• Disconnect Battery Cables and Charger Cord Before Servicing.	 RISQUE D'EXPLOSION, D'INCENDIE ET DE DÉCHARGE. ÉVITEZ LES BLESSURES. <ul style="list-style-type: none">• N'utilisez Pas ou Ne Ramassez Pas de Matériaux Inflammables.• N'utilisez Pas Près de Liquides, Vapeurs ou Poussières Inflammables.• Éloignez les Sources d'Étincelles ou de Flamme Ouverte Lors du Chargement des Batteries. Laissez Ouvert le Capot du Compartiment des Batteries Lors de la Mise en Charge.• Débranchez les Câbles de Batterie et la Cordon du Chargeur Avant l'Entretien.	 PELIGRO DE EXPLOSIÓN, FUEGO, DESCARGA EVITE LESIONES. <ul style="list-style-type: none">• No Use Ó Recoja Materiales Flamables, Vapores Ó Materiales Combustibles.• Mantenga Chispas Y Fuego Alejados Mientras Carga Baterías. Mantenga Tapa De Batería Abierta Mientras Carga.• Desconecte Cable De Batería Y Cable Del Cargador Antes Del Mantenimiento.



ETIQUETA DE CARGA DE LA BATERIA - UBICADA DENTRO DEL COMPARTIMIENTO DE LA BATERIA.

ADVERTENCIA: Mantenga alejada de chispas y llamas expuestas. Mantenga abierta la cubierta de la batería al cargar.

COMPONENTES DE LA MÁQUINA



1. Mandos de control
2. Interruptor de Encendido/Apagado (ON/OFF) de la aspiración
3. Interruptor de Encendido/Apagado (ON/OFF) del cepillo
4. Indicador del nivel de carga de la batería
5. Cortacircuitos del cepillo.
6. Palanca de elevación de la escobilla de goma
7. Palanca del flujo de la disolución
8. Botón de ajuste del flujo de la disolución
9. Palancas de ajuste de la consola de control
10. Palanca de elevación del cepillo
11. Pedal de elevación del cepillo
12. Manguera de vaciado del depósito de recuperación
13. Manguera de vaciado del depósito de recuperación con indicación en galones.

14. Conjunto de la escobilla de goma
15. Consola de control
16. Depósito de recuperación
17. Tapa del depósito de recuperación
18. Puerta de relleno de la disolución
19. Luces de seguridad
20. Ruedas principales
21. Cabezal de fregado
22. Aleta del cabezal de fregado
23. Rodillos de pared
24. Orificio trasero de llenado
25. Manguera de aspiración de la escobilla de goma
26. Compartimento de la batería

OPERACIÓN

INSTALACIÓN DE LA MÁQUINA

DESEMBALADO DE LA MÁQUINA

Compruebe cuidadosamente si la caja de cartón muestra daños. En caso de que así sea informe inmediatamente de los daños al transportista. Controle el contenido de la caja para asegurarse que incluye todos los accesorios.

Para desembalar la máquina retire las cintas y eleve el cabezal de barrido. Para elevar este cabezal pise firmemente sobre la parte inferior del pedal de elevación del cepillo hasta que dicho pedal quede bloqueado en la posición elevada. Levante la máquina con cuidado o utilice una rampa formada con las planchas de embalaje para retirar la máquina del pallet.

ATENCIÓN: No haga rodar la máquina para retirarla del pallet porque podría averiarla.

ATENCIÓN: Para evitar el posible deterioro de la máquina, instale las baterías antes de retirar la máquina del pallet de transporte.

INSTALACIÓN DE LA BATERÍA

⚠ ADVERTENCIA: Mantenga alejada de chispas y llamas expuestas. Mantenga abierta la cubierta de la batería al cargar.

PARA SEGURIDAD: Al revisar la máquina, Al manejar las baterías o los cables de batería use guantes protectores y anteojos de seguridad. Evite el contacto con el ácido de la batería.

Especificaciones de la batería:

Dos baterías de 12 voltios de ciclo de 130 amp por hora. Las dimensiones máximas de las baterías son 180 mm x 330 mm x 254 mm (ancho x alto x largo)

1. Retire la llave del contacto.
2. Abra con cuidado el depósito de recuperación y colóquelo lateralmente girándolo sobre la bisagra para poder acceder al compartimento de la batería. Extraiga del compartimento el cable suelto de la batería y el espaciador de PVC de la batería (Figura 1).



FIG. 1

3. Instale cuidadosamente las baterías en el compartimento y coloque los bornes de la batería como se indica (Figura 2).

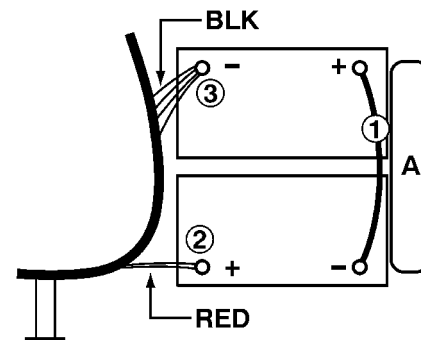


FIG. 2

ATENCIÓN: No deje caer las baterías en el compartimento! Tanto la batería como su soporte podrían averiarse. La garantía no cubre este tipo de desperfectos.

4. Para fijar las baterías coloque el tubo espaciador blanco "A" de PVC en el compartimento, detrás de las baterías, como se muestra en la Figura 2.
5. Conecte los cables a los bornes de la batería en el orden numérico indicado en la etiqueta (ROJO EN EL POSITIVO Y NEGRO EN EL NEGATIVO) (Figura 2).
6. Vuelva a comprobar la conexión de los cables antes de cerrar el compartimento de la batería.

PREPARACIÓN DE LA MÁQUINA

COMPROBACIONES PREVIAS A LA PUESTA EN FUNCIONAMIENTO

1. Barra el suelo para eliminar partículas y otros restos.
2. Controle el nivel de carga de la batería para asegurarse que de las baterías estén completamente cargadas en caso necesario (Consulte CARGA DE LAS BATERÍAS).
3. Controle que están instalados los cepillos o almohadillas.
4. Controle que está instalada la escobilla de goma.

FIJACIÓN DE LA ESCOBILLA DE GOMA

1. Empuje hacia atrás la palanca de elevación de la escobilla de goma para elevar el soporte de la escobilla de goma.
2. Afloje los dos tornillos de orejas de la escobilla de goma e introduzca dicha escobilla deslizándola en las ranuras de la parte posterior del soporte de la escobilla de goma (Figura 3). Fije los tornillos de orejas.
3. Conecte la manguera de aspiración de la máquina al conjunto de la escobilla de goma (Figura 3).

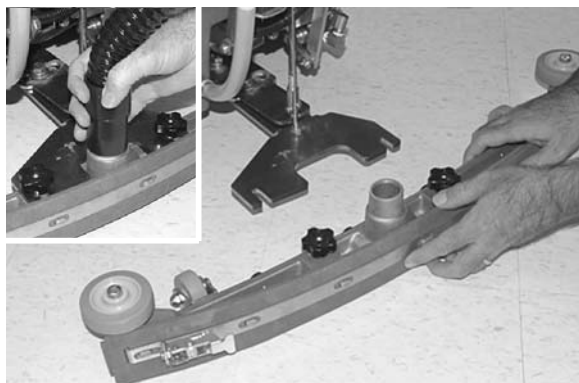


FIG. 3

INSTALACIÓN DEL IMPULSOR DEL CEPILLO O DE LA ALMOHADILLA

1. Apague la máquina.

PARA SEGURIDAD: Al abandonar o revisar la máquina, deténgase en una superficie plana, apague la máquina.

2. Baje el cabezal del cepillo, pise con fuerza la parte superior del pedal y empuje dicho pedal hacia delante (Figura 4).

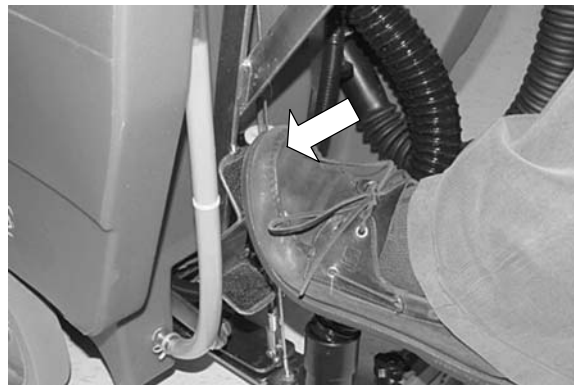


FIG. 4

3. Coloque el mecanismo de nivelación de la escobilla de goma de manera que se encuentre centrado por la parte trasera de la máquina.
4. Levante la máquina sobre la escobilla de goma de manera que se pueda acceder al cubo del motor para instalar el impulsor de cepillo/de la almohadilla.

ATENCIÓN: No mantenga la máquina inclinada durante mucho tiempo porque podría derramarse el ácido de la batería.

5. Seleccione el cepillo o la escobilla recomendado que mejor se ajuste a sus necesidades.

NOTA: Consulte a su distribuidor autorizado para la elección del cepillo o de la almohadilla adecuados para su caso específico.

6. **(Instalación de la almohadilla)** Fije la almohadilla al impulsor de la almohadilla. Sujete la almohadilla antes de instalar el impulsor de dicha almohadilla en el cubo del motor. Retire el cierre central de plástico del impulsor de la almohadilla. Coloque la almohadilla en el centro del impulsor de la almohadilla y vuelva a colocar y fijar el cierre central (Figura 5).



FIG. 5

OPERACIÓN

7. Conecte el impulsor del cepillo o de la almohadilla al cubo del motor. Alinee los tres pernos de montaje con las ranuras del cubo del motor. Gire rápidamente el impulsor hacia el sujetador de resorte del cubo del motor. Asegúrese de que el impulsor de la almohadilla está bien sujeto y que el sujetador de resorte se introduzca en uno de los pernos del impulsor antes de poner la máquina en funcionamiento (Figura 6).



FIG. 6

8. Elevación del cabezal de barrido: Pise firmemente la parte inferior del pedal de elevación del cepillo hasta que el cepillo quede bloqueado en la posición elevada (Figura 7).



FIG. 7

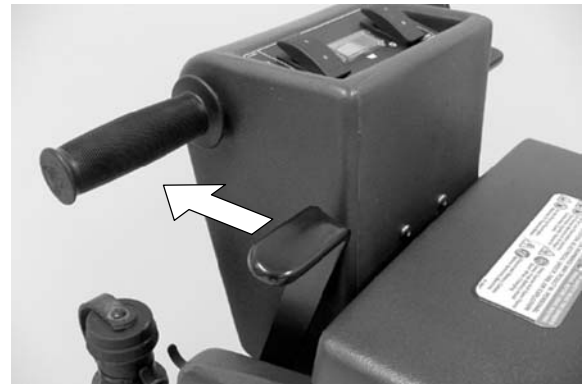


FIG. 8

3. Abra la puerta de llenado de la disolución que se encuentra en la parte delantera de la máquina y llene el depósito de la disolución con 38 litros (10 galones) de agua limpia temperatura máxima de 60°C (140°F). O utilice el orificio de llenado trasero para llenar el depósito de la disolución. El tubo transparente que se encuentra debajo del orificio de llenado tiene unas marcas cada 19 litros (5 galones) que indican el volumen de agua del depósito (Figura 9).

NOTA: La temperatura del agua **NO** debe ser superior a los 60°C (140°F) ya que se podría dañar el tanque.

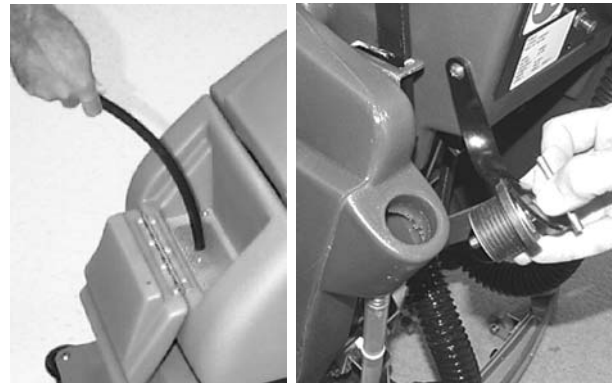


FIG. 9

NOTA: Si utiliza un cubo para llenar el depósito, asegúrese de que dicho cubo esté limpio para evitar que se obstruyan las tuberías de la disolución.

LLENADO DEL DEPÓSITO DE LA DISOLUCIÓN

1. Empuje o dirija la máquina a la estación de llenado. Levante la escobilla de goma y el cepillo durante el transporte.
2. Cierre del flujo de la disolución: Tire hacia atrás de la palanca del flujo de la disolución (Figura 8).

4. Añada la cantidad de limpiador químico indicada en la botella para obtener la disolución correcta.

PARA SEGURIDAD: Al usar la máquina, observe las instrucciones de mezcla y manejo de los recipientes de sustancias químicas.

ATENCIÓN: Utilice únicamente productos de limpieza recomendados, **NO** utilice sustitutos. Consulte a un distribuidor autorizado acerca de los productos recomendados.

⚠ ADVERTENCIA: No use líquidos inflamables ni opere la máquina en o cerca de líquidos y vapores inflamables o polvos combustibles.

FUNCIONAMIENTO DE LA MÁQUINA

PARA SEGURIDAD: No opere la máquina a menos que haya leído y entendido el manual del operador.

1. Ajuste los mandos de control a una altura de manejo cómoda (*tres ajustes posibles*). Presione las dos palancas que se encuentran bajo la consola para elevar o bajar los mandos de control (Figura 10).



FIG. 10

2. Baje la escobilla de goma liberando palanca de elevación de la escobilla de goma de su posición de bloqueo (Figura 11).

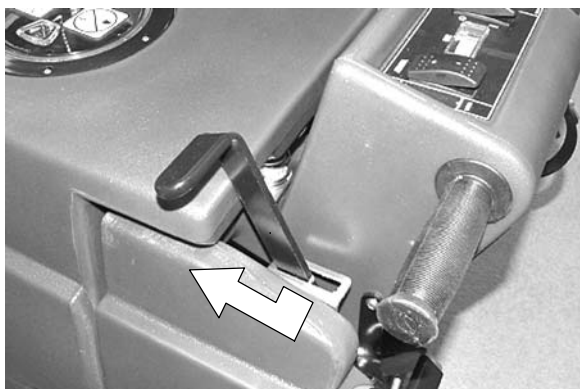


FIG. 11

3. Bajada del cabezal de barrido: Pise con fuerza la parte superior del pedal de elevación del cepillo y empuje dicho pedal hacia delante para liberarlo (Figura 12).



FIG. 12

4. Coloque el interruptor de aspiración en la posición de encendido (ON).
5. Empuje la palanca del flujo de la disolución ligeramente hacia delante para activar el paso de la disolución. Cuanto más empuje dicha palanca hacia delante mayor será el flujo de disolución. Empuje la palanca completamente para que el flujo sea máximo. La disolución empezará a fluir inmediatamente después de activar la palanca (Figura 13).



FIG. 13

Para aumentar o disminuir el flujo máximo de la disolución gire el botón de ajuste del flujo de la disolución. Gire el botón hacia abajo para incrementar el flujo y hacia arriba para reducirlo (Figura 14).

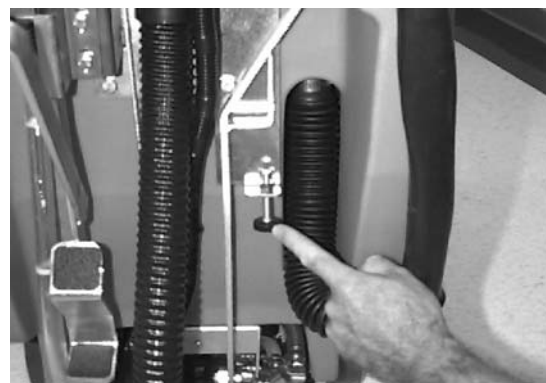


FIG. 14

OPERACIÓN

6. Coloque el interruptor de barrido en la posición de encendido (ON).

ATENCIÓN: Para evitar el deterioro del acabado del suelo **NO** deje la máquina parada cuando los cepillos empiecen a girar.

7. Comience la operación de fregado empujando la máquina hacia delante.

DURANTE LA UTILIZACIÓN DE LA MÁQUINA

⚠ ADVERTENCIA: No aspire materiales inflamables o metales reactivos.

PARA SEGURIDAD: Conduzca despacio cuando utilice la máquina en pendientes o superficies resbaladizas.

1. Compruebe periódicamente que no exista acumulación de espuma en el depósito de recuperación (mire a través de la tapa transparente). Si la acumulación de espuma empieza a ser excesiva, añada un producto desespumante al contenido del depósito de recuperación.

ATENCIÓN: No permita que se introduzca espuma o agua en el filtro de flotador de cierre porque podría averiarse el motor de aspiración; la garantía no cubre este tipo de averías. La espuma no activará el filtro del flotador de cierre.

2. Cuando sea necesaria una mayor presión de fregado para limpiar pequeñas áreas muy sucias, bastará tirar hacia arriba de la palanca de elevación del cepillo (Figura 15).



FIG. 15

3. Si la escobilla de goma deja marcas, eleve la escobilla de goma y limpie las láminas con un paño.
4. Antes de detener o girar la máquina, tire hacia atrás de la palanca de control de la disolución para detener el paso de disolución.
5. Controle a través del tubo indicador transparente la disolución que queda en el depósito de la disolución.
6. Controle periódicamente el nivel de carga de la batería. Recargue las baterías cuando la aguja se encuentre en la zona roja (Figura 16).

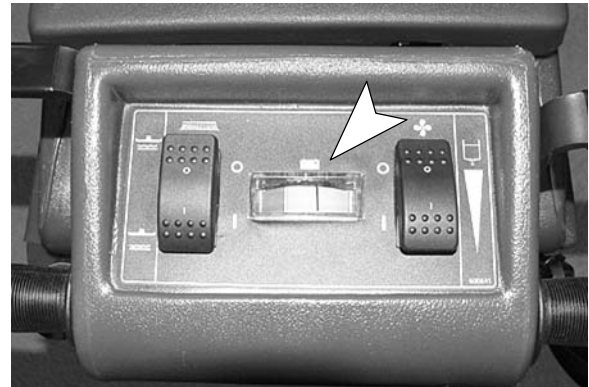


FIG. 16

ATENCIÓN: No utilice la máquina cuando el indicador de nivel de carga de la batería se encuentra en la zona roja, podría averiar la batería.

7. Cuando se vacíe el depósito de la disolución, coloque el interruptor del cepillo en la posición de apagado (OFF), cierre el flujo de la disolución mediante la palanca del flujo de la disolución y continúe aspirando hasta que todo el agua sucia se introduzca en el depósito de recuperación. Levante la escobilla de goma y el cabezal de barrido y vacíe el depósito de recuperación (Consulte el apartado de VACIADO DE LOS DEPÓSITOS).

CORTACIRCUITOS DEL MOTOR DE LA ALMOHADILLA

La máquina está provista de un cortacircuitos para proteger el motor de la almohadilla. Cuando el cortacircuitos del motor de la almohadilla se activa, no puede reajustarse inmediatamente. Determine la causa de la activación del cortacircuitos, deje que el motor se enfríe y a continuación reajuste el cortacircuitos. El cortacircuitos se activará cuando exista una sobrecarga excesiva de la almohadilla. Limpie o sustituya la almohadilla en caso de activación del cortacircuitos. El botón del cortacircuitos del motor de la almohadilla se encuentra en la parte posterior de la consola de control (Figura 17).



FIG. 17

VACIADO DE LOS DEPÓSITOS

1. Apague la máquina.

PARA SEGURIDAD: Al abandonar o revisar la máquina, deténgase en una superficie plana, apague la máquina.

2. Levante la escobilla de goma y el cabezal de barrido y dirija la máquina a desagüe más cercano del suelo.

NOTA: Si utiliza un cubo para vaciar la máquina, no utilice el mismo cubo para llenar el depósito de la disolución.

VACIADO DEL DEPÓSITO DE RECUPERACIÓN

El depósito de recuperación debe vaciarse antes de rellenar el depósito de la disolución. Para vaciar el depósito de recuperación realice los siguientes pasos:

ATENCIÓN: No permita que se introduzca espuma o agua en el filtro de flotador de cierre porque podría averiarse el motor de aspiración; la garantía no cubre este tipo de averías. La espuma no activará el filtro del flotador de cierre.

1. Retire la manguera de vaciado de su soporte, coloque la manguera en el desagüe del suelo y desenrosque el tapón de la manguera de vaciado. Para vaciar completamente el depósito de recuperación, desplace dicho depósito lateralmente girándolo sobre la bisagra, monte el soporte del depósito y coloque el depósito sobre dicho soporte (Figura 18).

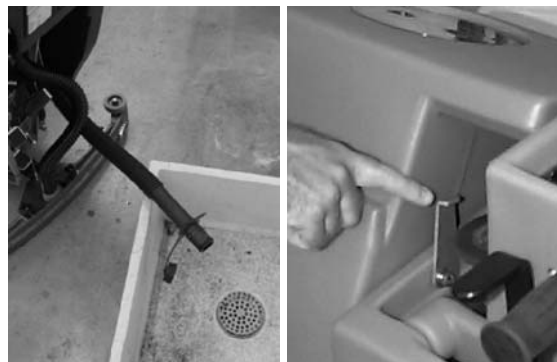


FIG. 18

2. Aclare el depósito de recuperación después de cada uso. Esto evitará malos olores. Destornille la tapa transparente del depósito de recuperación. Utilice una manguera para aclarar el depósito de recuperación. Tenga cuidado de no introducir agua en el flotador de cierre.
3. Cierre de nuevo el tapón de la manguera de vaciado cuando el depósito esté vacío.

VACIADO DEL DEPÓSITO DE LA DISOLUCIÓN

Para vaciar los restos de disolución del depósito de la disolución haga lo siguiente:

1. Extraiga la lengüeta de manguera marcadora transparente de la parte posterior de la máquina tirando de ella y vacíe la disolución limpiadora en el desagüe o en un cubo (Figura 19).



FIG. 19

2. Aclare el depósito de la disolución con agua limpia después de cada uso. Esto evitará obstrucciones debidas a la acumulación de productos químicos. Utilice la manguera transparente para vaciar el agua limpia.

OPERACIÓN

- Empuje la palanca del flujo de la disolución hacia delante para aclarar el sistema de flujo de la disolución.
- Conecte de nuevo la manguera transparente a la lengüeta de la manguera. Asegúrese de que la manguera está bien introducida en la lengüeta de la manguera.

CARGA DE LA BATERÍA

ATENCIÓN: Para prolongar la vida útil de las baterías y obtener un rendimiento óptimo de la máquina, recargue ÚNICAMENTE las baterías si se ha utilizado la máquina más de 30 minutos. No deje nunca las baterías descargadas durante periodos largos.

Las siguientes instrucciones de carga se refieren sólo a los cargadores suministrados con la máquina. Utilice únicamente cargadores de baterías de las siguientes características para evitar el deterioro de las baterías.

CARACTERÍSTICAS DEL CARGADOR DE BATERÍAS:

- TIPO DE CARGADOR:
 - PARA BATERÍAS DE PLOMO CON ÁCIDO
 - VOLTAJE DE SALIDA - 24 VOLTIOS
 - TENSIÓN DE SALIDA - 15 AMPERIOS
 - CIRCUITO DE DESCONEXIÓN AUTOMÁTICA
 - PARA CARGAR BATERÍAS DE CICLO PROFUNDO
- Dirija la máquina a una zona bien ventilada para la operación de carga.

⚠ ADVERTENCIA: Peligro de incendio o explosión. Las baterías emiten hidrógeno. Mantenga chispas y llamas alejadas de la máquina. Mantenga el compartimento de la batería abierto mientras realiza la operación de carga.

- Apague la máquina.
- Baterías de plomo con ácido: Antes de cargar las baterías, compruebe el nivel de electrolito en cada elemento de la batería (Figura 20).



FIG. 20

PARA SU SEGURIDAD: Al revisar la máquina, utilice guantes y gafas de protección cuando manipule las baterías y sus cables. Evite el contacto con el ácido de la batería.

El nivel del electrolito (A) debe cubrir ligeramente los electrodos de la batería (B). Añada agua destilada si es necesario. NO LLENE EN EXCESO, el nivel del líquido puede expandirse y desbordarse al cargar. Coloque de nuevo las tapas de los elementos antes de la operación de carga (Figura 21).

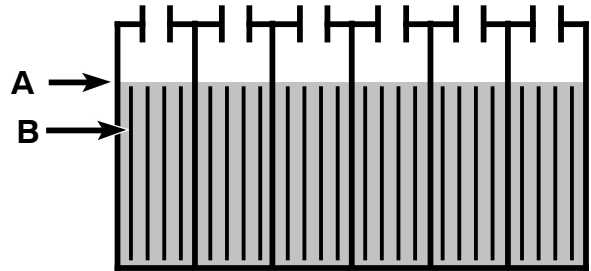


FIG. 21

- Coloque el depósito de recuperación sobre su soporte para facilitar la ventilación durante la carga (Figura 22).
- Conecte el cable de alimentación eléctrica de CA del cargador a un enchufe con toma de tierra adecuada.
- Conecte el cable del cargador de CC al receptáculo de la batería de la máquina en la parte trasera de la máquina (Figura 22).



FIG. 22

- El cargador comenzará la carga automáticamente y se apagará cuando la carga sea completa.

NOTA: La máquina no funcionará cuando se haya conectado el cargador de baterías.

ATENCIÓN: No desenchufe del receptáculo de la máquina el cable de CC del cargador cuando esté en funcionamiento. Pueden producirse arcos voltaicos. Si es necesario interrumpir la carga, desenchufe el cable de alimentación de CA primero.

⚠ ADVERTENCIA: Peligro de incendio o explosión. Las baterías emiten hidrógeno. Mantenga chispas y llamas alejadas de la máquina. Mantenga el compartimento de la batería abierto mientras realiza la operación de carga.

- Después de realizar la carga, compruebe el nivel del electrolito (A) de nuevo. El nivel debe estar a aproximadamente 1 cm (.375 in) de la parte inferior del orificio de llenado (B) (Figura 23). Añada agua destilada en caso necesario. **NO LLENE EN EXCESO.**

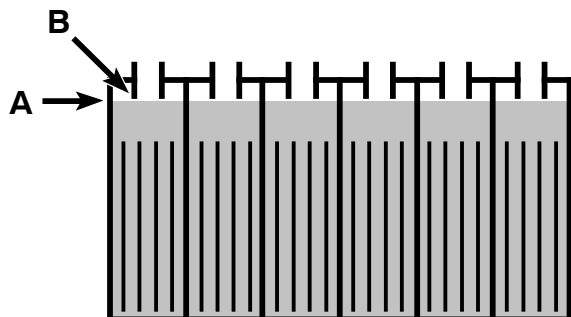


FIG. 23

MANTENIMIENTO DE LA MÁQUINA

Para mantener la máquina en buenas condiciones de funcionamiento bastará realizar las siguientes operaciones de mantenimiento diario, semanal o mensualmente.

PARA SEGURIDAD: Al abandonar o revisar la máquina, deténgase en una superficie plana, apague la máquina.

⚠ ADVERTENCIA: Antes de prestar servicio a la máquina desconecte los cables de la batería.

ATENCIÓN: Póngase en contacto con el Centro de servicio autorizado para reparación de máquinas. Las reparaciones de máquinas realizadas por personas no autorizadas invalidarán la garantía.

MANTENIMIENTO DIARIO (Cada 4 horas de uso)

- Retire y limpie el cepillo o la almohadilla. No utilice nunca almohadillas sucias durante las operaciones de limpieza.
- Retire y limpie la suciedad y las pelusas del filtro del flotador situado en el depósito de recuperación (Figura 24).



FIG. 24

- Vacíe y limpie los depósitos en profundidad. Después de aclarar los depósitos, desplace lateralmente el depósito de recuperación sobre su bisagra hasta poder ver el orificio de entrada de la aspiración situado en la parte posterior del depósito. En caso necesario retire los restos que puedan bloquear dicho orificio.
- Levante la escobilla de goma y límpiela con un paño seco. Guarde la escobilla de goma en la posición elevada para evitar que resulte dañada.
- Limpie el bastidor de la máquina con un limpiador no abrasivo que no contenga disolventes.

ATENCIÓN: No moje la máquina rociándola o con la manguera. Podría averiar los componentes eléctricos.

- Recargue las baterías en caso necesario.

MANTENIMIENTO SEMANAL (Cada 20 horas de uso)

- Controle el nivel del líquido en los elementos de la batería (Consulte el apartado de CARGA DE LAS BATERÍAS).
- Limpie la parte superior de la batería para evitar la corrosión (Consulte el apartado de CARGA DE LAS BATERÍAS).
- Controle si existen cables de la batería oxidados o sueltos.

MANTENIMIENTO MENSUAL (Cada 80 horas de uso)

- Aclare los depósitos y las tuberías de la disolución. Vierta 24 oz. (750 ml.) de una disolución de ácido acético en 3 galones (11.3 ltr.) de agua caliente en el depósito de la disolución. Encienda brevemente el flujo de la disolución sobre un desagüe del suelo para llenar la tubería de disolución. Apague la máquina y deje actuar la disolución durante la noche. Después aclare con agua limpia.

OPERACIÓN

PARA SEGURIDAD: Al usar la máquina, observe las instrucciones de mezcla y manejo de los recipientes de sustancias químicas.

2. Lubrique la conexión de los puntos pivotantes con un spray de silicona y cúbralo a continuación con una grasa impermeable para permitir un funcionamiento suave.
3. Controle que la máquina no presenta escapes de agua ni tornillos ni tuercas flojos.

MANTENIMIENTO TRIMESTRAL (Cada 250 horas de uso)

Controle el desgaste del cepillo de carbono del eje de transmisión, de los motores de aspiración y del cepillo, sustituya los cepillos cuando la longitud de sus cerdas sea igual o inferior a 10mm (0,38 pulg.). Póngase en contacto con el Centro de servicio autorizado para el mantenimiento de los motores.

ATENCIÓN: Pongase en contacto con un Centro de Servicio autorizado para reparar las máquinas. Las reparaciones de máquinas realizadas por personas no autorizadas invalidarán la garantía.

MANTENIMIENTO DE LAS BATERÍAS

⚠ ADVERTENCIA: Peligro de incendio o explosión. Las baterías emiten hidrógeno. Mantenga chispas y llamas alejadas de la máquina. Mantenga el compartimento de la batería abierto mientras realiza la operación de carga.

PARA SU SEGURIDAD: Al revisar la máquina, utilice guantes y gafas de protección cuando manipule las baterías y sus cables. Evite el contacto con el ácido de la batería.

1. Compruebe la densidad específica utilizando un densímetro para determinar el nivel de carga y el estado de las baterías (Figura 25). Si el valor de uno o más elementos de la batería es inferior al de los otros elementos de la batería (0,050 ó más), este elemento está deteriorado, en cortocircuito o a punto de fallar. Compare los valores obtenidos con el densímetro con los del siguiente esquema para determinar el nivel de carga que queda en la batería.

NOTA: No tome medidas inmediatamente después de añadir agua destilada. Si el agua y el ácido no están bien mezclados, es posible que el valor medido puede no sea correcto.

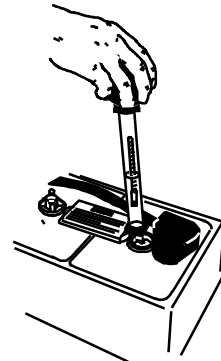


FIG. 25

DENSIDAD ESPECÍFICA a 27° C (80°F)	CARGA DE LA BATERÍA
1.265	100% DE CARGA
1.223	75% DE CARGA
1.185	50% DE CARGA
1.148	25% DE CARGA
1.110	DESCARGADA

NOTA: Si la temperatura del electrolito de la batería a la que se miden los valores no es de 27 °C (80 °F), deberá corregir el valor dependiendo de la temperatura. Sume o reste 0,004, 4 puntos, al valor de la densidad específica por cada 6 °C (43 °F) de diferencia por encima o debajo de 27 °C (80 °F).

2. Siga siempre las instrucciones de la operación de carga (consulte CARGA DE LAS BATERÍAS).
3. Controle el nivel de electrolito (A) en todos los elementos de las baterías después de realizar la operación de carga. El nivel debe estar a aproximadamente 1 cm (.375 in) de la parte inferior del orificio de llenado (B). Añada agua destilada en caso necesario (Figura 26). NO LLENE EN EXCESO.

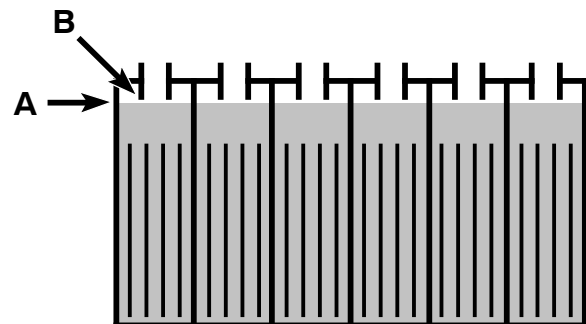


FIG. 26

4. Mantenga limpias las partes superiores de las baterías para evitar la corrosión.

Limpieza de las baterías:

PARA SU SEGURIDAD: Al revisar la máquina, utilice guantes y gafas de protección cuando manipule las baterías y sus cables. Evite el contacto con el ácido de la batería.

- a. Haga una solución concentrada de bicarbonato y agua (Figure 27).

GRAVEDAD ESPECIFICA a 27°C (80°F)	CARGA DE LA BATERIA
1.265	100% CARGADA
1.223	75% CARGADA
1.185	50% CARGADA
1.148	25% CARGADA
1.110	DESCARGADA



FIG. 27

- b. Rocíe ligeramente las partes superiores de las baterías y conectores de cables con la disolución.

NOTA: No permita que la solución de bicarbonato se introduzca en los elementos de las baterías.

- c. Utilice un cepillo de cerdas metálicas para limpiar los bornes y conectores de cables.
 - d. Después de la limpieza, aplique una capa de protector transparente de bornes de baterías a los bornes y conectores de cables.
5. Controle si existen cables gastados o sueltos. Sustitúyalos si están gastados.

TRANSPORTE DE LA MÁQUINA

Al transportar la máquina en un remolque o camión, asegúrese de seguir las instrucciones indicadas a continuación:

PARA SEGURIDAD: Conduzca despacio cuando utilice la máquina en pendientes o superficies resbaladizas.

1. Eleve la escobilla de goma y el cabezal de fregado.
2. Cargue la máquina utilizando la rampa de carga recomendada.

3. Coloque la parte delantera de la máquina contra la parte delantera del remolque o camión. Una vez colocada la máquina en la posición correcta, baje el cabezal de fregado y la escobilla de goma.
4. Coloque un calzo detrás de la rueda principal y de las ruedecillas traseras.
5. Pase las cintas de sujeción por la parte superior de la máquina y sujételas al suelo. Es posible que sea necesario instalar puntos de anclaje en el suelo del remolque o camión.

NOTA: No utilice los puños de control para fijar la máquina para el transporte.

PARA SEGURIDAD: Al transportar máquina, use una rampa recomendada cuando se carga/descarga a/fuera de un camión o acoplado, use correas de amarre para asegurar la máquina al camión o remolque.

ALMACENAMIENTO DE LA MÁQUINA

1. Cargue las baterías antes de guardar la máquina. No guarde nunca máquina con las baterías descargadas.
2. Vacíe y aclare bien los depósitos.
3. Guarde la máquina en lugar fresco y seco, con la escobilla de goma y el cabezal de fregado en la posición elevada.
4. Retire la tapa del depósito de recuperación para facilitar la circulación de aire.

ATENCIÓN: Si guarda la máquina a temperaturas inferiores a 05C, asegúrese de vaciar todo el agua de la máquina. La garantía no cubre averías debidas a heladas.

ATENCIÓN: No permita que la lluvia moje la máquina, guárdela en recintos cerrados.

RECOMENDACIONES PARA EL ALMACENAMIENTO

Consulte la sección de Lista de Repuestos para ver que productos son los recomendados. Los elementos de almacén están claramente identificados con una marca colocada delante de la descripción de la pieza. Consulte el siguiente ejemplo:

Ref.	Part No.	Description	Qty.
1	201103	ASM.,STANDPIPE	1
2	180613	●FLOAT, SHUTOFF	1
3	230197	NIPPLE	1
4	101714	●GASKET	1
5	210240	NUT, FLANGED	1

OPERACIÓN

LOCALIZACIÓN DE AVERÍAS

PROBLEMA	CAUSA	SOLUCIÓN
No hay alimentación, no funciona nada.	Las baterías necesitan ser cargadas.	Consultar el apartado de CARGA DE LAS BATERÍAS.
	Batería(s) defectuosa(s).	Sustituir las baterías.
	Cable de la batería flojo.	Apretar los cables flojos.
	Las baterías están mal conectadas.	Consultar el apartado de INSTALACIÓN DE LA BATERÍA
El motor del cepillo no funciona.	Interruptor del cepillo defectuoso.	Contactar con el Servicio Técnico.
	Cortacircuitos de la máquina activado.	Limpiar o sustituir el cepillo o la almohadilla y reajustar el cortacircuitos.
	Rectificador fundido.	Contactar con el Servicio Técnico.
	Cableado defectuoso.	Contactar con el Servicio Técnico.
	Motor del cepillo defectuoso.	Contactar con el Servicio Técnico.
	Cepillos de carbón gastados.	Contactar con el Servicio Técnico.
	Solenoides defectuosos.	Contactar con el Servicio Técnico.
El motor de aspiración no funciona.	Interruptor de aspiración o cableado defectuoso.	Contactar con el Servicio Técnico.
	Motor de aspiración defectuoso.	Contactar con el Servicio Técnico.
	Cepillos de carbón gastados.	Contactar con el Servicio Técnico.
Tiempo de funcionamiento demasiado corto. (<i>Modelo con batería</i>) <i>(independencia con las baterías totalmente cargadas 2.47 horas)</i>	Las baterías no están totalmente cargadas.	Cargar las baterías.
	Elemento defectuoso en una o más baterías.	Sustituir la batería.
	Las baterías necesitan una revisión.	Consultar el apartado de MANTENIMIENTO DE LA BATERÍA
	Cargador defectuoso.	Sustituir el cargador.
Las luces de seguridad no funcionan.	Bombilla fundida.	Contactar con el Servicio Técnico.
El flujo de la disolución es insuficiente o nulo.	La palanca del flujo de la disolución no ha sido activada	Empujar la palanca del flujo de la disolución hacia delante.
	Tubería de la disolución bloqueada.	Extraer la manguera y limpiarla con aire comprimido. Para evitar que se vuelva a bloquear aclarar el depósito de la disolución con agua limpia después de cada uso.
	Válvula de la disolución bloqueada.	Extraer la válvula y limpiarla. No raye ni dañe el interior de la válvula.
	Es necesario ajustar el botón de ajuste el flujo de la disolución.	Ajuste el botón del flujo de la disolución para incrementar dicho flujo. Gire el botón hacia abajo para aumentar el flujo.

LOCALIZACIÓN DE AVERÍAS - continuación

PROBLEMA	CAUSA	SOLUCIÓN
Funcionamiento defectuoso de las escobilla de goma	Depósito de recuperación lleno.	Vaciar el depósito de recuperación.
	Filtro del flotador de cierre del depósito de recuperación obstruido.	Extraer el filtro y limpiarlo.
	Escobilla de goma bloqueada por restos.	Limpiar la escobilla de goma
	Láminas de la escobilla de goma gastadas.	Sustituir las láminas de la escobilla de goma.
	Tornillos de orejas de la escobilla de goma flojos.	Apretar los tornillos de orejas.
	Conexiones de la manguera de aspiración flojas u orificio en la manguera de aspiración.	Introducir bien la manguera de aspiración en sus conexiones. Sustituir la manguera si está dañada.
	Manguera de aspiración bloqueada por restos.	Retirar los restos que la bloquean.
	Junta del depósito defectuosa.	Sustituir la junta del depósito.
	Entrada al depósito de recuperación bloqueada. La entrada se encuentra en la parte inferior del depósito de recuperación.	Vaciar el depósito de recuperación y levantarlo lateralmente para localizar el orificio de entrada, retirar los restos que bloquean dicho orificio.
	Tapón de vaciado de la manguera mal cerrado.	Cerrar bien el tapón de vaciado.
	Tapa transparente del depósito de recuperación floja.	Cerrar bien la tapa.
	Motor de aspiración flojo.	Fijar el motor de impulsión. No apretar demasiado porque podría dañar el motor.
	Batería poco cargada.	Cargar las baterías. No utilizar la máquina cuando la aguja indicadora del nivel de carga de la batería se encuentra en la zona roja.

ESPECIFICACIONES

MODELO	WB- 20
LONGITUD	1194 mm (47 pulg.)
ANCHURA	559 mm (22 pulg.)
ALTURA	965 mm (38 pulg.)
PESO	146 Kg (315 lb)
CAPACIDAD DEL DEPÓSITO DE LA DISOLUCIÓN	38 L (10 gal)
CAPACIDAD DEL DEPÓSITO DE RECUPERACIÓN	45 L (12 gal)
ANCHURA DEL CARRIL DE LIMPIEZA	508 mm (20 pulg.)
MOTOR DEL CEPILLO	.75hp, 220 rpm, 24v, 20A, 560w
VACUUM MOTOR	.5hp, 2 stage, 353w, 14A, 24v
ELEVACIÓN DEL AGUA	1118 mm (44 pulg.)
BATERÍAS	2- 130A/hr, 12v deep cycle
INDEPENDENCIA CON BATERÍAS TOTALMENTE CARGADAS	2.47 hours
LONGITUD DEL CABLE ELÉCTRICO	70dB(A)

FONCTIONNEMENT

Ce manuel est fourni avec chaque nouveau modèle. Il fournit les instructions nécessaires au fonctionnement et à l'entretien. Il est muni d'une liste complète de pièces détachées illustrée.

Lisez complètement ce manuel et familiarisez-vous avec la machine avant de l'utiliser ou de l'entretenir.

Utilisez la liste de pièces détachées pour commander des pièces de rechange. Avant de commander des pièces ou des fournitures, soyez sûr d'avoir avec vous le numéro de modèle de la machine et le numéro de série. Les pièces et les fournitures se commandent par téléphone ou par courrier auprès de tout centre de dépannage agréé, de tout distributeur ou de l'une des filiales du fabricant.

Cette machine vous fournira d'excellents services. Toutefois, vous obtiendrez les meilleurs résultats pour un prix de revient minimum si :

- La machine est manipulée avec un certain soin.
- La machine fait l'objet d'un entretien régulier conformément aux instructions d'entretien de ce manuel.
- L'entretien de la machine est effectué avec des pièces fournies par le fabricant ou des pièces équivalentes.

DONNÉES DE LA MACHINE

A remplir au moment de l'installation à titre de référence.

Modèle n° _____

Date d'installation - _____

N° série - _____



PROTECTION DE L'ENVIRONNEMENT

Veillez éliminer les matériaux d'emballage, les composants d'anciennes machines comme les batteries, les fluides dangereux tels que l'antigel ou l'huile, d'une manière sûre au point de vue environnemental, suivant la réglementation locale en vigueur en matière d'élimination des déchets.



N'oubliez pas de toujours recycler.

TABLE DES MATIÈRES

MESURES DE SÉCURITÉ	38	TRANSPORT DE LA MACHINE	50
ÉTIQUETTES DE MISE EN GARDE	39	ENTREPOSAGE DE LA MACHINE	50
MACHINE COMPONENTS	40	PIECES DE STOCK RECOMMANDEES	50
MONTAGE DE LA MACHINE	41	DEPISTAGE DES PANNES	51
DEBALLAGE DE LA MACHINE	41	CARACTERISTIQUES TECHNIQUES	53
MISE EN PLACE DES BATTERIES	41	DIAGRAMAS ELECTRICAS	54
MISE EN SERVICE DE LA MACHINE	42	LISTE DES PIÈCES	58
VERIFICATIONS PRELIMINAIRES	42	GROUPE REMPLACEMENT DES BROSSES	
FIXATION DU RACLOIR	42	ET DU PIGNON MENANT DE PATIN	58
INSTALLATION DU PIGNON MENANT		ENSEMBLE DU RÉSERVOIR DE SOLUTION	60
DE BROSSSE OU DE PATIN	42	GROUPE PANNEAU ARRIÈRE DE RÉSERVOIR	
REMPLISSAGE DU RESERVOIR		DE SOLUTION	62
DE SOLUTION	43	GROUPE RESERVOIR DE RECUPERATION	64
UTILISATION DE LA MACHINE	44	GROUPE PANNEAU DE COMMANDE	66
PENDANT LE FONCTIONNEMENT		GROUPE DES LEVIERS	68
DE LA MACHIN	45	GROUPE ROUE	70
COUPE- CIRCUIT DU MOTEUR		GROUPE TÊTE DE BROSSAGE	
DE BROSSSE	45	DISQUE SIMPLE (S/N 10574488-)	72
VIDANGE DES RESERVOIRS	46	GROUPE TÊTE DE BROSSAGE	
VIDANGE DU RESERVOIR DE		DISQUE SIMPLE	
RECUPERATION	46	(S/N 00000000- 10574487)	74
VIDANGE DU RESERVOIR DE SOLUTION .	46	GROUPE SOUFFLET JUPE	76
CHARGE DES BATTERIES	46	GROUPE DE LA RACLETTE	78
ENTRETIEN	48	ÉQUIPEMENT AU CHOIX	80
ENTRETIEN QUOTIDIEN	48	ES KIT / ES JUEGO / GROUPE ES	80
ENTRETIEN HEBDOMADAIRE	48	GROUPE RACLOIR AUXILIAIRE	
ENTRETIEN MENSUEL	48	D'EXTRACTION	82
QUARTERLY MAINTENANCE	49		
ENTRETIEN DES BATTERIES	49		

MESURES DE SÉCURITÉ

Cette machine est conçue pour un usage commercial. Elle est destinée exclusivement à nettoyer les sols intérieurs à surface dure et ne convient pas à un quelconque autre usage. Utilisez uniquement des patins, des brosses et des produits nettoyants pour sols disponibles dans le commerce, prévus pour l'application de la machine.


Tous les opérateurs sont tenus de lire et comprendre les consignes de sécurité suivantes et de se familiariser avec celles-ci.

Le symbole de mise en garde suivant et l'en-tête « POUR VOTRE SECURITE » sont utilisés tout au long de ce manuel comme indiqué dans leur description :

 **MISE EN GARDE** : identifie la présence de dangers ou les opérations dangereuses susceptibles de blesser grièvement ou de provoquer la mort.


POUR VOTRE SECURITÉ : identifie les instructions qui doivent être suivies afin de garantir la sécurité lors de l'utilisation de l'équipement.

Le fait de ne pas respecter ces avertissements peut entraîner des blessures, un choc électrique, un incendie ou une explosion.

 **MISE EN GARDE**: N'utilisez jamais de liquides inflammables ou n'utilisez pas la machine dans ou près de liquides ou vapeurs inflammables ou de poussières combustibles.

Cette machine n'est pas équipée de moteurs protégés contre les explosions. Les moteurs électriques émettent des étincelles au moment du démarrage et pendant leur fonctionnement, ce qui peut entraîner un incendie instantané ou une explosion si la machine est utilisée dans une zone où des vapeurs/liquides inflammables ou des poussières combustibles, sont présents.

 **MISE EN GARDE**: Ne ramassez pas de matériaux inflammables ou de métaux réactifs.

 **MISE EN GARDE**: Les batteries émettent du gaz hydrogène. Evitez toute étincelle et toute flamme nue à proximité des batteries. Laissez ouvert le compartiment des batteries pendant la mise en charge.

 **MISE EN GARDE**: Débranchez les câbles de la batterie avant l'entretien ou la réparation de la machine.

Les signaux d'information ci-après indiquent les situations potentiellement dangereuses pour l'opérateur ou l'équipement:

POUR VOTRE SECURITÉ:

1. N'utilisez pas la machine:
 - avec des liquides inflammables ou près de vapeurs inflammables, afin d'éviter le risque d'explosion ou d'incendie instantané.
 - Si vous n'y êtes pas formé et autorisé.
 - Avant d'avoir lu et compris le manuel opérateur.
 - Si elle n'est pas en bon état de marche.
2. Avant d'utiliser la machine:
 - Assurez-vous que tous les dispositifs de sécurité se trouvent à leur place et fonctionnent correctement.
3. Lors de l'utilisation de la machine:
 - Roulez lentement sur les pentes et sur les surfaces glissantes.
 - Portez des chaussures antidérapantes.
 - Signalez immédiatement tout dommage occasionné à la machine ou tout mauvais fonctionnement.
 - Empêchez les enfants de jouer à proximité de la machine.
 - Suivez les instructions de mélange et de manipulation indiquées sur les conteneurs chimiques.
4. Avant de quitter ou d'entretenir la machine:
 - Arrêtez la machine sur une surface horizontale.
 - Coupez le contact de la machine.
5. Lors de l'entretien de la machine :
 - Évitez les pièces mobiles. Ne portez pas de veste ou de chemise large ou de manches amples.
 - Bloquez les roues de la machine avant de la soulever avec un cric.
 - Utilisez un levier ou cric pouvant supporter le poids de la machine.
 - Déconnectez les cosses des batteries avant de travailler sur la machine.
 - Portez des gants et des lunettes de protection lorsque vous maniez les batteries ou les câbles de batteries.
 - Évitez tout contact avec l'acide des batteries.

- Utilisez des pièces de rechanges fournies ou agréées par le fabricant.
 - Toutes les réparations doivent être effectuées uniquement par un technicien qualifié.
 - Ne modifiez pas le design d'origine de la machine.
6. Lors du transport de la machine:
- Coupez le contact de la machine.
 - Ne soulevez pas la machine lorsque les batteries sont installées.
 - Demandez de l'aide pour soulever la machine.
 - Lorsque vous chargez la machine sur le camion ou la remorque ou lorsque vous la déchargez, utilisez une rampe recommandée.
 - Utilisez des sangles pour arrimer la machine sur le camion ou la remorque.

ÉTIQUETTES DE MISE EN GARDE

Les étiquettes de mise en garde se trouvent sur la machine aux endroits indiqués. Remplacez les étiquettes lorsqu'elles sont endommagées ou qu'elles deviennent illisibles.

ÉTIQUETTE MISE EN GARDE - SITUÉE SUR LE COUVERCLE DU RÉSERVOIR DE RÉCUPÉRATION.

⚠ WARNING	⚠ AVERTISSEMENT	⚠ ADVERTENCIA
 <p>EXPLOSION, FIRE AND SHOCK HAZARD. AVOID INJURY.</p> <ul style="list-style-type: none"> • Do Not Use or Pick Up Flammable Materials. • Do Not Use Near Flammable Liquids, Vapors or Combustible Dusts. • Keep Sparks and Open Flame Away When Charging Batteries. Keep Battery Hood Open When Charging. • Disconnect Battery Cables and Charger Cord Before Servicing. 	 <p>RISQUE D'EXPLOSION, D'INCENDIE ET DE DÉCHARGE. ÉVITEZ LES BLESSURES.</p> <ul style="list-style-type: none"> • N'utilisez Pas ou Ne Ramassez Pas de Matériaux Inflammables. • N'utilisez Pas Près de Liquides, Vapeurs ou Poussières Inflammables. • Éloignez les Sources d'Étincelles ou de Flamme Ouverte Lors du Chargement des Batteries. Laissez Ouvert le Capot du Compartiment des Batteries Lors de la Mise en Charge. • Débranchez les Câbles de Batterie et la Cordon du Chargeur Avant l'Entretien. 	 <p>PELIGRO DE EXPLOSIÓN, FUEGO, DESCARGA EVITE LESIONES.</p> <ul style="list-style-type: none"> • No Use Ó Recoja Materiales Flammables. • No Use Cerca De Líquidos Flammables, Vapores Ó Materiales Combustibles. • Mantenga Chispas Y Fuego Alejados Mientras Carga Baterías. Mantenga Tapa De Batería Abierta Mientras Carga. • Desconecte Cable De Batería Y Cable Del Cargador Antes Del Mantenimiento.

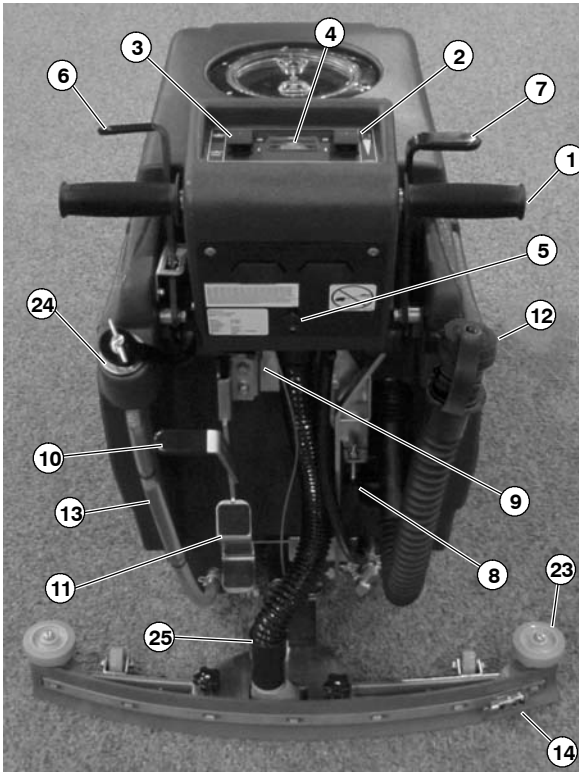


ÉTIQUETTE CHARGE DE BATTERIE – SITUÉE SUR LA FACE INFÉRIEURE DU RÉSERVOIR DE RÉCUPÉRATION.

MISE EN GARDE : danger d'incendie ou d'explosion. Les batteries émettent du gaz hydrogène. Évitez toute étincelle et toute flamme nue à proximité des batteries. Laissez ouvert le compartiment des batteries pendant la mise en charge.

FONCTIONNEMENT

MACHINE COMPONENTS



1. Poignées
2. Bouton d'activation/de désactivation de l'extracteur
3. Bouton d'activation/de désactivation de la brosse
4. Appareil de mesure de la charge des batteries
5. Coupe-circuit de la brosse
6. Commande du racloir
7. Levier de distribution de la solution
8. Bouton de réglage du débit de la solution
9. Commandes du panneau de contrôle réglable
10. Commande de la brosse
11. Pédale de la brosse
12. Tuyau de vidange du réservoir de récupération
13. Tuyau de vidange du réservoir de solution avec marques de niveau

14. Bloc racloir
15. Panneau de contrôle
16. Réservoir de récupération
17. Couvercle du réservoir de récupération
18. Porte de remplissage de la solution
19. Lampes de sécurité
20. Roues principales
21. Tête de nettoyage
22. Jupe de la tête de nettoyage
23. Roulettes de mur
24. Trou de remplissage arrière
25. Bouton de relâchement du couvercle
26. Compartiment des batteries

MONTAGE DE LA MACHINE

DEBALLAGE DE LA MACHINE

Vérifiez soigneusement si le carton ne présente pas de traces d'endommagement. Signalez directement tout dommage au transporteur. Vérifiez le contenu du carton pour vous assurer que tous les accessoires sont présents.

Pour déballer la machine, enlevez les sangles et relevez la tête de la brosse. Pour ce faire, appuyez fermement sur la pédale inférieure de la brosse jusqu'à ce que la pédale se bloque en position relevée. Soulevez avec précaution ou fabriquez une rampe avec les cartons de la boîte pour enlever la machine de la palette.

ATTENTION: Do not roll machine off pallet, machine damage may occur.

ATTENTION: Afin d'éviter le risque d'endommagement de la machine, installez les batteries après avoir retiré la machine de la palette d'expédition.

MISE EN PLACE DES BATTERIES

⚠ MISE EN GARDE : danger d'incendie ou d'explosion. Les batteries émettent du gaz hydrogène. Évitez toute étincelle et toute flamme nue à proximité des batteries. Laissez ouvert le capot du compartiment des batteries pendant la mise en charge.

POUR VOTRE SECURITE: Quand vous entretenez la machine, portez des gants de protection quand vous maniez les batteries ou les câbles de batterie. Évitez tout contact avec l'acide des batteries.

Spécifications des batteries :

Deux batteries de 12 volts, cycle intensif, 130 ampères/heure. Dimensions maximum des batteries : 180 mm (7.13 in) de largeur x 330 mm (13 in) de longueur x 254 mm (10 in) de hauteur.

1. Tournez tous les commutateurs à la position de repos.
2. Faites pivoter avec précaution le réservoir de récupération sur le côté pour accéder au compartiment des batteries. Enlevez le câble de batterie qui est déconnecté et la pièce d'écartement des batteries en PVC du compartiment (Figure 1).



FIG. 1

3. Déposez avec précaution les batteries dans le compartiment et connectez les bornes comme illustré (Figure 2).

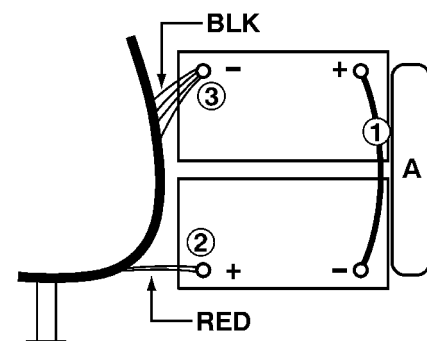


FIG. 2

ATTENTION: Ne laissez pas tomber les batteries dans le compartiment! Ceci risque d'endommager les batteries et le châssis de la machine.

4. Pour fixer les batteries, placez la pièce d'écartement tubulaire en PVC de couleur blanche "A" derrière les batteries dans le compartiment comme illustré. (Figure 2).
5. Branchez les câbles aux bornes de batteries suivant l'ordre des numéros indiqués sur les étiquettes. (ROUGE SUR BORNE POSITIVE ET NOIR SUR BORNE NEGATIVE) (Figure 2).
6. Appliquez une mince couche de graisse non métallique ou pulvérisez un produit de protection sur les connexions de câbles, afin d'empêcher la corrosion des batteries.

MISE EN SERVICE DE LA MACHINE

VERIFICATIONS PRELIMINAIRES

1. Balayez le sol pour enlever les particules et autres détritrus.
2. Vérifiez le niveau de charge sur l'appareil de mesure de la charge des batteries pour vous assurer que les batteries sont chargées le cas échéant. (Voir CHARGE DES BATTERIES)
3. Vérifiez si un/des patin(s) ou une/des brosse(s) est/sont monté(e)(s).
4. Vérifiez si le racloir est monté.

FIXATION DU RACLOIR

1. Tirez sur le levier de soulèvement du racloir, pour soulever la bride de montage du racloir.
2. Desserrez les deux molettes qui se trouvent sur racloir et faites glisser le racloir dans la fente située à l'arrière de la bride de fixation du racloir. (Figure 3) Resserrez bien les molettes.
3. Branchez le tuyau d'aspiration sur le bloc de racloir. (Figure 3)

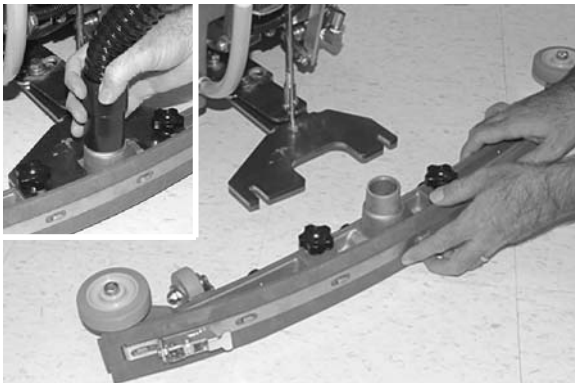


FIG. 3

INSTALLATION DU PIGNON MENANT DE BROSSE OU DE PATIN

1. Coupez le contact de la machine.

POUR VOTRE SECURITE: Avant de quitter ou d'entretenir la machine, arrêtez-la sur une surface horizontale, coupez le contact et engagez le frein parking, si la machine en est équipée.

2. Abaissez la tête de brossage. Appuyez fermement sur le sommet de la pédale et poussez-la vers l'avant pour abaisser la tête (Figure 4).

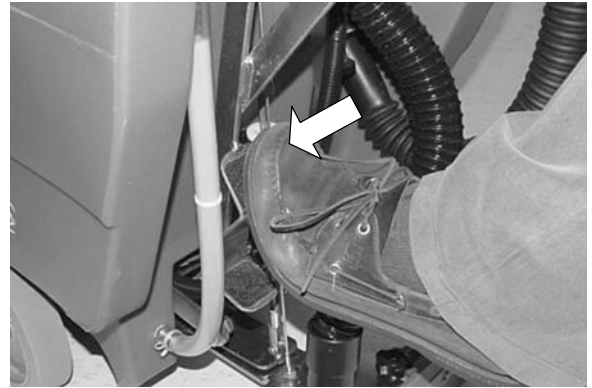


FIG. 4

3. Positionnez le mécanisme de rotation du racloir de manière à ce qu'il soit centré derrière la machine.
4. Basculez la machine vers l'arrière sur le racloir pour accéder au moyeu du moteur et mettre en place le système d'entraînement de patin ou la brosse.

ATTENTION: Ne laissez pas la machine en position inclinée pendant une longue période. L'acide des batteries risque de fuir.

5. Sélectionnez le patin ou la brosse recommandée qui répond au mieux à vos besoins.

REMARQUE: Consultez un distributeur agréé afin de vous aider à choisir le patin ou la brosse adéquats pour vos applications de nettoyage spécifiques.

6. **(Mise en place du patin)** Fixez le patin au système d'entraînement du patin avant de monter le système d'entraînement du patin sur le moyeu du moteur. Enlevez le dispositif de blocage central en plastique du système d'entraînement du patin. Positionnez le patin au centre du système d'entraînement du patin et remettez le dispositif de blocage en place (Figure 5).



FIG. 5

- Fixez le pignon menant de brosse/patin sur le moyeu du moteur. Alignez les 3 goujons de montage avec les fentes situées sur le moyeu du moteur et tournez rapidement le pignon menant vers la bride de ressort du moyeu du moteur. Avant d'utiliser la machine, assurez-vous que la bride de ressort se bloque dans un des goujons situé sur le pignon menant (Figure 6).

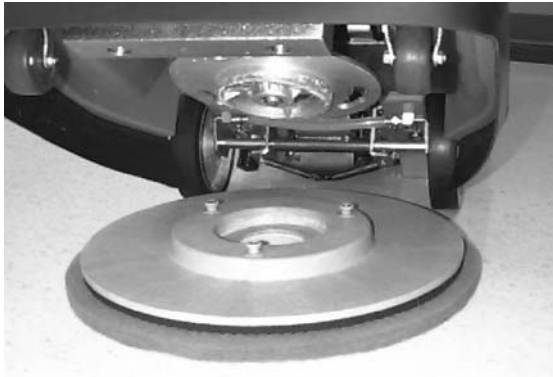


FIG. 6

- Soulevez la tête de brosse. Pour soulever la tête de brosse, appuyez fermement sur la base de la pédale de levage de la brosse, jusqu'à ce que la brosse se bloque en position relevée (Figure 7).



FIG. 7

REPLISSAGE DU RESERVOIR DE SOLUTION

- Poussez/Conduisez la machine jusqu'au poste de ravitaillement. Relevez le racloir et la brosse pendant le transport.
- Coupez la distribution de solution. Tirez complètement sur le levier de distribution de solution pour arrêter la distribution (Figure 8).

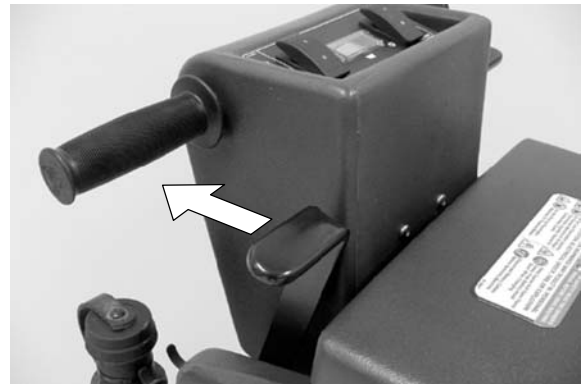


FIG. 8

- Ouvrez la porte de remplissage située à l'avant de la machine et remplissez le réservoir de solution avec 37,8 litres (10 gal) d'eau (température maximale de 60°C) (140°F). Vous pouvez également utiliser le trou de remplissage qui se trouve à l'arrière de la machine pour remplir le réservoir de solution. Le bac transparent situé à l'arrière de la machine indique la quantité 19L (5 gal) d'eau versée dans le réservoir (Figure 9).

REMARQUE : L'eau ne doit pas être plus chaude que 60 °C (140 °F) ou dommages de réservoir peut se produire.

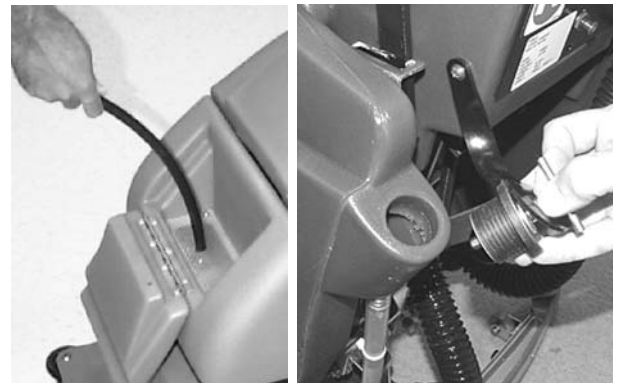


FIG. 9

REMARQUE : Si vous remplissez le réservoir avec un seau, assurez-vous que le seau est propre afin d'éviter tout risque d'obstruction des conduites du système de distribution de la solution.

- Ajoutez un produit d'entretien au taux de dilution indiqué sur le flacon.

POUR VOTRE SECURITE: Quand vous utilisez la machine, suivez les instructions de mélange et de manipulation indiquées sur les conteneurs chimiques.

ATTENTION: Utilisez uniquement des détergents recommandés, n'utilisez PAS de produits de substitution. Consultez un distributeur agréé pour toute recommandation en matière de produits détergents.

FONCTIONNEMENT

⚠ MISE EN GARDE : danger d'incendie ou d'explosion. N'utilisez jamais la machine dans ou à proximité de liquides et vapeurs inflammables ou de poussières combustibles.

UTILISATION DE LA MACHINE

POUR VOTRE SECURITE: N'utilisez la machine qu'après avoir lu et compris le manuel opérateur.

1. Réglez les poignées à une hauteur confortable (trois positions). Pressez en même temps les deux leviers sous le panneau de contrôle pour soulever ou abaisser les poignées (Figure 10).

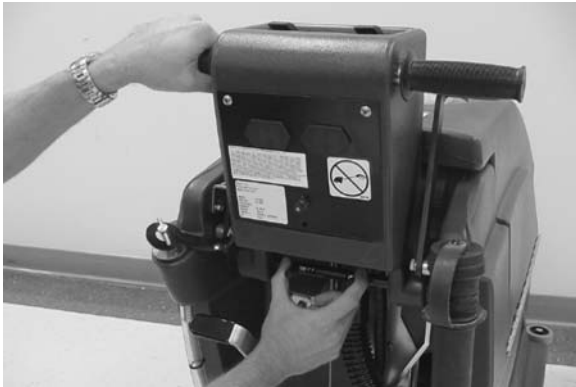


FIG. 10

2. Abaissez le racloir en relâchant la commande du racloir de la position de blocage (Figure 11).

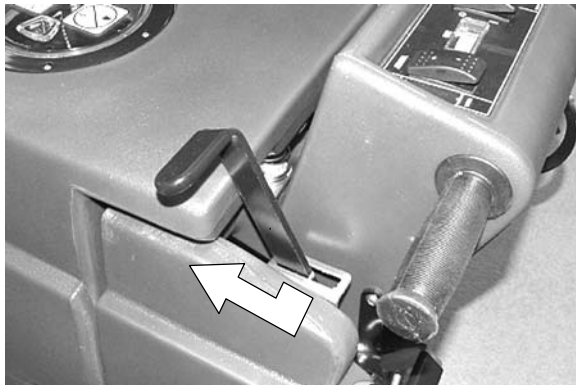


FIG. 11

3. Abaissez la tête de brossage en appuyant sur le haut de la pédale de levage de la brosse et en poussant la pédale vers l'avant (Figure 12).

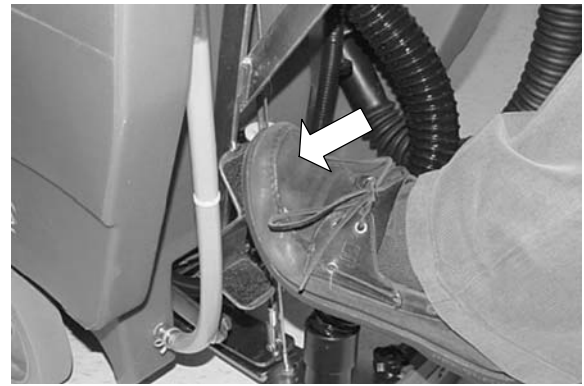


FIG. 12

4. Mettez le bouton de l'extracteur sur la position "ON".
5. Poussez le levier de distribution de solution vers l'avant, jusqu'au débit souhaité. Une fois le levier activé, la solution se met à couler automatiquement (Figure 13).

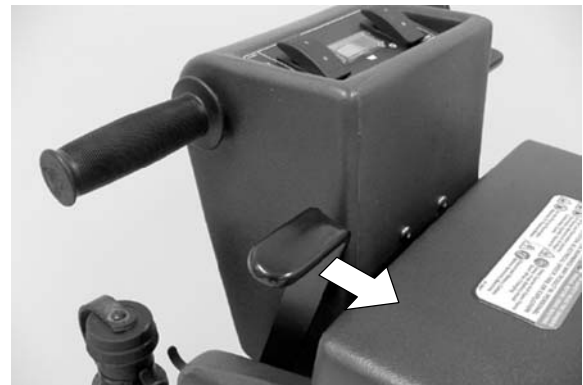


FIG. 13

Afin de régler le débit maximal de solution, abaissez le bouton de réglage de distribution de la solution pour augmenter le débit et levez-le pour diminuer la distribution (Figure 14).



FIG. 14

6. Mettez le bouton de la brosse sur la position "ON"

ATTENTION: Afin d'éviter l'endommagement du sol, ne laissez PAS la machine au point mort une fois que la brosse se met à tourner.

- Commencez à nettoyer en poussant la machine en avant.

PENDANT LE FONCTIONNEMENT DE LA MACHIN

⚠ MISE EN GARDE : danger d'incendie ou d'explosion. Ne ramassez pas de matériaux inflammables ou de métaux réactifs.

POUR VOTRE SECURITÉ : lors de l'utilisation de la machine, roulez lentement sur les pentes et sur les surfaces glissantes.

- Vérifiez périodiquement l'excès de mousse dans le réservoir de récupération (regardez par le couvercle transparent). Si vous constatez un excès de mousse, versez un produit démulsiifiant dans le réservoir de récupération.

ATTENTION: Veillez à ne pas laisser pénétrer de mousse ou d'eau dans le filtre d'arrêt à flotteur, afin d'éviter l'endommagement du moteur de l'extracteur. La mousse n'active pas le filtre d'arrêt à flotteur.

- Si vous souhaitez une plus grande pression pour nettoyer des petites surfaces fort encrassées, relevez la commande de la brosse (Figure 15).



FIG. 15

- Si le racloir laisse des traînées, relevez le racloir et essuyez les deux lames avec un chiffon.
- Avant d'arrêter la machine ou de faire demi-tour, tirez vers l'arrière le levier de distribution de la solution pour interrompre l'écoulement de la solution.
- Vérifiez la quantité de solution restant dans le réservoir de solution au moyen des graduations du tube transparent.
- Vérifiez périodiquement le niveau de charge sur l'appareil de mesure de la charge des batteries. Quand l'aiguille descend dans la zone rouge, rechargez les batteries (Figure 16).

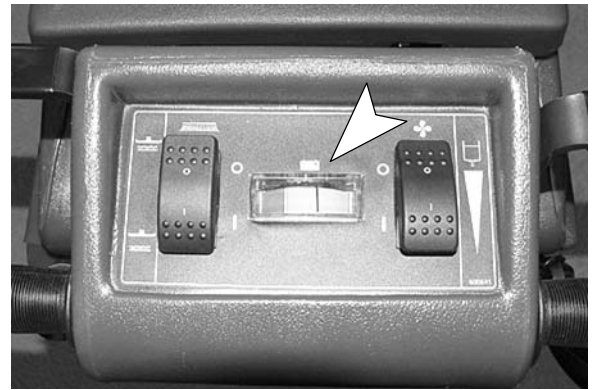


FIG. 16

ATTENTION: Ne continuez pas à utiliser la machine quand l'aiguille indiquant le niveau de charge des batteries se trouve dans la zone rouge pour éviter d'endommager les batteries.

- Quand le réservoir de solution est vide, coupez le bouton de la brosse et le levier de distribution de la solution et continuez à aspirer jusqu'à ce que toute l'eau sale se trouve dans le réservoir de récupération. Relevez le racloir et la tête de la brosse et vidangez le réservoir de récupération (Voir VIDANGE DES RESERVOIRS).

COUPE- CIRCUIT DU MOTEUR DE BROSSSE

La machine est équipée d'un coupe-circuit, afin de protéger le moteur de la brosse contre les dommages. Quand le coupe- circuit du moteur de la brosse se déclenche, il ne peut pas être réenclenché immédiatement. Déterminez la cause du déclenchement du coupe- circuit, laissez refroidir le moteur et réenclenchez le coupe- circuit. Le coupe- circuit se déclenche en cas de surcharge sur le patin. Nettoyez ou changez le patin si le coupe- circuit se déclenche. Le bouton du coupe- circuit du moteur de brosse est situé derrière le panneau de contrôle (Figure 17).



FIG. 17

VIDANGE DES RESERVOIRS

1. Arrêtez la machine.

POUR VOTRE SECURITE: Avant de quitter ou d'entretenir la machine, arrêtez-la sur une surface horizontale, coupez le contact et engagez le frein parking, si la machine en est équipée.

2. Relevez le racloir et la tête de la brosse et transportez la machine jusqu'au trou de vidange au sol le plus proche.

REMARQUE: Si vous utilisez un seau pour vidanger la machine, n'employez pas le même seau pour remplir le réservoir de solution.

VIDANGE DU RESERVOIR DE RECUPERATION

Le réservoir de récupération doit être vidangé et nettoyé une fois le brossage terminé ou quand vous remplissez le réservoir de solution.

ATTENTION: Si le réservoir de récupération n'est pas vidangé avant le remplissage, de la mousse ou de l'eau risquent de pénétrer dans le filtre d'arrêt à flotteur et d'endommager le moteur d'extracteur. La mousse n'active pas le filtre d'arrêt à flotteur.

1. Enlevez le tuyau de vidange de son support, amenez le tuyau au-dessus du trou de vidange au sol et enlevez le bouchon du tuyau de vidange. Pour vidanger complètement le réservoir de récupération, faites pivoter sur le côté le réservoir et faites basculer le support du réservoir pour soutenir le réservoir (Figure 18).



FIG. 18

2. Nettoyez le réservoir de récupération après chaque emploi. Veillez à ne pas asperger d'eau le filtre d'arrêt à flotteur.
3. Après la vidange, remplacez fermement l'embout du tuyau de vidange.

VIDANGE DU RESERVOIR DE SOLUTION

Pour vidanger la solution nettoyante restante du réservoir de solution, procédez de la manière suivante.

1. Retirez le tuyau transparent marqué de graduations en gallons de la pointe réceptrice du tuyau qui se trouve à l'arrière de la machine et vidangez la solution dans le trou de vidange au sol ou dans un seau (Figure 19).



FIG. 19

2. Rincez à l'eau claire le réservoir de solution après chaque utilisation. Ceci évite tout risque d'obstruction due à la formation de dépôts chimiques.
3. Poussez vers l'arrière le levier de distribution de la solution pour rincer le système de distribution de la solution.
4. Rebranchez le tuyau transparent à la pointe réceptrice du tuyau. Vérifiez que le tuyau est bien enfoncé dans la pointe réceptrice du tuyau.

CHARGE DES BATTERIES

ATTENTION : pour prolonger la durée de vie des batteries et obtenir des performances optimales, rechargez les batteries UNIQUEMENT après une durée d'utilisation totale de 30 minutes ou plus. Ne laissez jamais les batteries se décharger sur de longues périodes.

Les instructions de mise en charge ci-dessous sont destinées uniquement aux chargeurs de batteries fournis avec la machine. Utilisez uniquement un chargeur de batterie ayant les caractéristiques ci-dessous, afin d'éviter l'endommagement des batteries.

SPÉCIFICATIONS DU CHARGEUR DE BATTERIS:

- TYPE DE CHARGEUR :
- POUR DES BATTERIES PLOMB- ACIDE
- TENSION DE SORTIE - 24 VOLTS
- COURANT DE SORTIE - 15 AMPÈRES
- CIRCUIT DE COUPURE AUTOMATIQUE
- POUR LA MISE EN CHARGE DE BATTERIES A CYCLE INTENSIF

1. Transportez la machine dans un endroit bien aéré pour recharger les batteries.

⚠ MISE EN GARDE : danger d'incendie ou d'explosion. Les batteries émettent du gaz hydrogène. Évitez toute étincelle et toute flamme nue à proximité des batteries. Laissez ouvert le compartiment des batteries pendant la mise en charge.

2. Arrêtez la machine sur une surface égale et retirez la clé.
3. Avant de mettre en charge les batteries, vérifiez le niveau d'électrolyte dans chaque élément de batterie (Figure 20).



FIG. 20

POUR VOTRE SECURITÉ : lorsque vous entretenez la machine, portez des gants et des lunettes de protection quand vous maniez les batteries et les câbles de batterie. Évitez tout contact avec l'acide des batteries.

Le niveau d'électrolyte (A) doit légèrement recouvrir les plaques de batteries (B). Ajoutez de l'eau distillée si nécessaire. NE REMPLISSEZ PAS TROP, le fluide va augmenter de volume et risque de déborder lors de la mise en charge. Remettez les bouchons sur les éléments, avant la mise en charge (Figure 21).

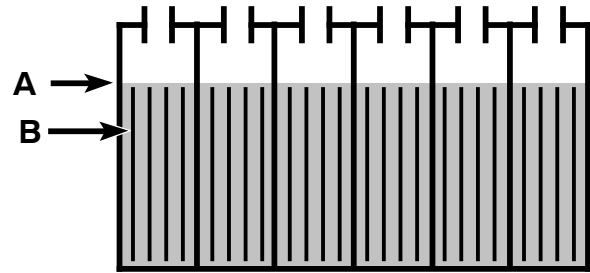


FIG. 21

4. Posez le réservoir de récupération sur la béquille de support, afin de faciliter la ventilation durant la mise en charge (Figure 22).
5. Branchez le cordon d'alimentation CA du chargeur sur une prise mise à la terre correctement (Figure 22).
6. Branchez le cordon de courant continu du chargeur sur la prise de batterie située à l'arrière de la machine (Figure 22).



FIG. 22

7. Le chargeur commence automatiquement à charger et se coupe lorsque les batteries sont complètement chargées.

REMARQUE : la machine ne fonctionne plus dès que le chargeur de batterie est branché.

ATTENTION : ne débranchez pas le cordon d'alimentation en courant continu de la prise de la machine lorsque le chargeur est en fonctionnement. Ceci peut provoquer des étincelles. Si le chargeur doit être arrêté durant la mise en charge, débranchez d'abord le cordon d'alimentation en courant alternatif.

⚠ MISE EN GARDE : danger d'incendie ou d'explosion. Les batteries émettent du gaz hydrogène. Évitez toute étincelle et toute flamme nue à proximité des batteries. Laissez ouvert le compartiment des batteries pendant la mise en charge.

FONCTIONNEMENT

8. Batteries plomb- acide : après le chargement, vérifiez le niveau d'électrolyte (A) des batteries. Le niveau doit se trouver environ à 1 cm du bord inférieur de l'orifice de remplissage (B) (Figure 23). Ajoutez de l'eau distillée si nécessaire. NE REMPLISSEZ PAS TROP.

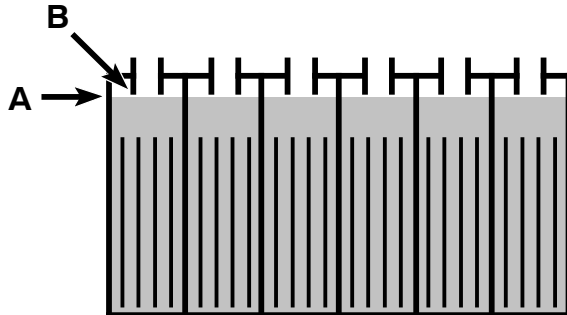


FIG. 23



FIG. 24

ENTRETIEN

Pour garder la machine en bon état de marche, suivez les procédures d'entretien quotidiennes, hebdomadaires et mensuelles.

POUR VOTRE SECURITE: Avant de quitter ou d'entretenir la machine, arrêtez-la sur une surface horizontale, coupez le contact et engagez le frein parking, si la machine en est équipée.

⚠ MISE EN GARDE: Débranchez les connexions de batteries avant de travailler sur la machine.

ATTENTION: Contactez un service de réparation agréé pour les réparations de la machine. Les réparations effectuées sur la machine par une personne non autorisée entraînent l'annulation de votre garantie.

ENTRETIEN QUOTIDIEN (Toutes les 4 heures d'utilisation)

1. Enlevez et nettoyez le patin propre ou la brosse.
2. Retirez et nettoyez le ruban du filtre du flotteur situé dans le réservoir de récupération (Figure 24).

3. Vidangez et rincez les réservoirs soigneusement. Après avoir vidangé les réservoirs, faites pivoter le réservoir de récupération jusqu'à ce que vous voyiez l'orifice d'admission à l'arrière du réservoir. Enlevez tous les débris obstruant l'orifice si nécessaire.
4. Relevez le racloir et essuyez-le avec un chiffon sec. Mettez le racloir en position relevée pour éviter de l'endommager.
5. Nettoyez la machine avec un produit d'entretien multi-usages et un chiffon humide.

ATTENTION : N'utilisez pas de jet de pression sur la machine. Vous risquez d'endommager les composants électriques.

6. Rechargez les batteries.

ENTRETIEN HEBDOMADAIRE (Toutes les 20 heures d'utilisation)

1. Vérifiez le niveau d'eau des éléments des batteries. (Voyez le REMPLISSAGE de BATTERIE).
2. Nettoyez la partie supérieure des batteries pour enlever la corrosion. (Voyez le REMPLISSAGE de BATTERIE).
3. Vérifiez si les câbles des batteries ne sont pas détachés ou corrodés.

ENTRETIEN MENSUEL (Toutes les 80 heures d'utilisation)

1. Rincez le système de solution. Versez 11,3 (3 gal) litres d'eau chaude dans le réservoir de solution, à une température maximale de 60°C (140°F). Ajoutez un détergent alcalin suivant les instructions de mélange. Au-dessus d'un siphon de sol, faites fonctionner la machine pendant 30 secondes. Coupez le contact de la machine et laissez reposer le mélange pendant une nuit. Le lendemain, dispersez la solution et rincez le système de solution.

POUR VOTRE SECURITE: Quand vous utilisez la machine, suivez les instructions de mélange et de manipulation indiquées sur les conteneurs chimiques.

- Lubrifiez toutes les articulations de la tringlerie avec du silicone sous forme de spray; puis, recouvrez-les avec une graisse imperméable pour assurer un fonctionnement régulier.
- Vérifiez la présence éventuelle de fuites d'eau et le serrage des écrous et des boulons.

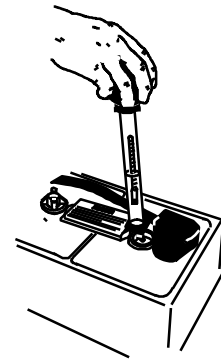


FIG. 25

ENTRETIEN TRIMESTRIEL (Toutes les 250 heures d'utilisation)

Inspect motors for carbon brush wear. Replace brushes when worn to a length of 10mm (0.38 in) or less. Contact an Authorized Service Center for carbon brush inspection.

ATTENTION : Contactez un service de réparation agréé pour les réparations de la machine. Les réparations effectuées sur la machine par une personne non autorisée entraînent l'annulation de la garantie.

ENTRETIEN DES BATTERIES

⚠ MISE EN GARDE : danger d'incendie ou d'explosion. Les batteries émettent du gaz hydrogène. Évitez toute étincelle et toute flamme nue à proximité des batteries. Laissez ouvert le compartiment des batteries pendant la mise en charge.

POUR VOTRE SECURITÉ : lorsque vous entretenez la machine, portez des gants et des lunettes de protection quand vous maniez les batteries et les câbles de batterie. Évitez tout contact avec l'acide des batteries.

- Vérifiez la densité spécifique à l'aide d'un hydromètre, pour déterminer le niveau de charge et l'état des batteries (Figure 25). Si un ou plusieurs des éléments des batteries est (sont) plus faible(s) que les autres éléments des batteries (de 0,050 ou plus), cela signifie que l'élément (les éléments) est (sont) endommagé(s), que sa (leur) capacité est réduite ou qu'il(s) va (vont) bientôt tomber en panne. Comparez les mesures hydrométriques avec le tableau suivant pour déterminer le niveau de charge.

REMARQUE : n'effectuez pas de mesures juste après avoir ajouté de l'eau distillée. Si l'eau et l'acide ne sont pas bien mélangés, il se peut que les mesures ne soient pas exactes.

DENSITÉ SPÉCIFIQUE à 27°C (80°F)	CHARGE DE BATTERIE
1.265	Chargée à 100%
1.223	Chargée à 75%
1.185	Chargée à 50%
1.148	Chargée à 25%
1.110	Déchargée

REMARQUE : si les lectures sont effectuées quand la température de l'électrolyte est autre que 27 °C, la lecture doit être corrigée par rapport au niveau de température. Ajoutez ou soustrayez 0,004 (4 points) à la lecture de densité spécifique, pour chaque 6 °C au-dessus ou au-dessous de 27 °C.

- Suivez toujours attentivement les instructions de chargement (Voir CHARGEMENT DES BATTERIES).
- Après la mise en charge des batteries, vérifiez le niveau d'électrolyte (A) dans chaque élément de batterie. Le niveau doit se trouver environ à 1 cm du bord inférieur de l'orifice de remplissage (B). Ajoutez de l'eau distillée si nécessaire (Figure 26). NE REMPLISSEZ PAS TROP.

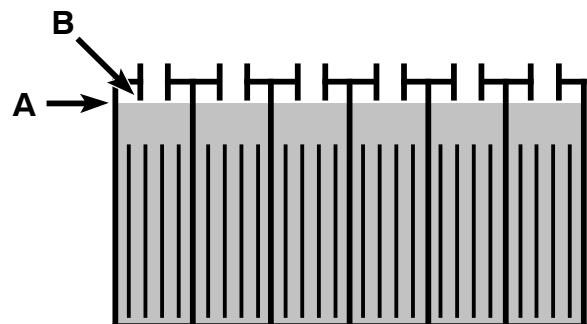


FIG. 26

- Nettoyez la partie supérieure des batteries pour prévenir la corrosion des batteries. Pour nettoyer les batteries:

FONCTIONNEMENT

POUR VOTRE SECURITÉ : lorsque vous entretenez la machine, portez des gants et des lunettes de protection quand vous maniez les batteries et les câbles de batterie. Evitez tout contact avec l'acide des batteries.

- a. Préparez une solution concentrée de bicarbonate de soude (Figure 27).



FIG. 27

- b. Brossez les surfaces supérieures et les cosses de câbles des batteries en utilisant la solution avec modération.

REMARQUE : veillez à ce que la solution de bicarbonate de soude ne pénètre pas dans les éléments des batteries.

- c. Utilisez une brosse métallique pour nettoyer les bornes et les cosses de câbles.
 - d. Une fois le nettoyage terminé, appliquez une couche de produit de protection pour batteries sur les bornes et les cosses de câbles.
5. Vérifiez si les câbles ne sont pas débranchés ou usés. Remplacez-les s'ils sont usés.

TRANSPORT DE LA MACHINE

Lorsque vous transportez la machine à l'aide d'une remorque ou d'un camion, veuillez suivre les instructions suivantes pour attacher la machine :

POUR VOTRE SECURITE: Lors de l'utilisation de la machine, roulez lentement sur les pentes et sur les surfaces glissantes.

1. Relevez le racloir et la tête de brossage.
2. Chargez la machine à l'aide d'une rampe de chargement recommandée.
3. Placez l'avant de la machine contre l'avant de la remorque ou du camion. Une fois la machine en position, abaissez la tête de brossage et le racloir.
4. Engagez le frein parking et placez une cale derrière chaque roue, afin d'empêcher que la machine se déplace.

5. Passez des sangles par-dessus la machine pour l'empêcher de basculer. Il se peut qu'il soit nécessaire d'installer des brides d'attache au plancher de votre remorque ou camion.

REMARQUE : N'utilisez pas les poignées de commande pour attacher la machine pendant le transport.

POUR VOTRE SECURITÉ : lors du transport de la machine, utilisez une rampe recommandée lorsque vous chargez la machine sur le camion ou la remorque ou lorsque vous la déchargez, utilisez des sangles pour fixer la machine sur le camion ou la remorque.

ENTREPOSAGE DE LA MACHINE

1. Chargez les batteries avant l'entreposage. N'entreposez jamais la machine avec des batteries déchargées.
2. Vidangez et rincez les réservoirs soigneusement.
3. Entreposez la machine à l'abri de l'humidité en veillant à relever le racloir et la tête de brossage.
4. Ouvrez le réservoir de récupération pour faciliter la circulation de l'air.

ATTENTION Si vous entreposez la machine à des températures inférieures à 0°C, assurez-vous que toute l'eau de la machine est vidangée. Les dommages occasionnés par le gel ne sont pas couverts par la garantie.

ATTENTION: N'exposez pas la machine à la pluie ; entreposez-la à l'intérieur.

PIECES DE STOCK RECOMMANDEES

Reportez-vous à la section Liste des pièces pour les pièces de stock recommandées. Les pièces de stock sont identifiées clairement à l'aide d'un point précédant la description des pièces. Voir exemple ci-dessous:

Ref.	Part No.	Description	Qty.
1	701103	ASIM., STANDPIPE	1
2	180618	●FLOAT, SHUTOFF	1
3	230197	NIPPLE	1
4	101714	●GASKET	1
5	210240	NUT, FLANGED	1

DEPISTAGE DES PANNES

PROBLEME	CAUSE	REMEDE
Pas de tension, rien ne fonctionne.	Les batteries doivent être rechargées.	Voyez CHARGE DES BATTERIES.
	Batterie(s) défectueuse(s).	Remplacez batterie(s).
	Câble de batterie détaché.	Reconnectez câbles détachés.
	Batteries ne sont pas branchées convenablement.	Voyez MISE EN PLACE DES BATTERIES.
Le moteur de la brosse ne fonctionne pas.	Bouton de la brosse défectueux.	Contactez le service de dépannage.
	Coupe- circuit de la machine s'est déclenché.	Nettoyez ou remplacez le patin ou la brosse et réenclenchez le bouton du coupe- circuit.
	Redresseur a brûlé.	Contactez le service de dépannage.
	Câblage défectueux.	Contactez le service de dépannage.
	Moteur de brosse défectueux.	Contactez le service de dépannage.
	Balais de charbon usés.	Contactez le service de dépannage.
	SOLENOIDE défectueux.	Contactez le service de dépannage.
Le moteur de l'extracteur ne fonctionne pas.	Bouton de l'extracteur défectueux.	Contactez le service de dépannage.
	Moteur de l'extracteur défectueux.	Contactez le service de dépannage.
	Balais de charbon usés.	Contactez le service de dépannage.
Brève durée de fonctionnement. (durée de fonctionnement normale = 2.47 heures avec batteries complètement chargées)	Batteries pas complètement chargées.	Rechargez les batteries.
	Elément défectueux dans une ou plusieurs batteries.	Remplacez batterie.
	Batteries doivent être entretenues.	Voyez ENTRETIEN DES BATTERIES.
	Chargeur défectueux.	Remplacez le chargeur.
Les lumières de sûreté ne fonctionnent pas.	Le clignoteur est grillent.	Contactez le service de dépannage.

DEPISTAGE DES PANNES - CONTINUÉ

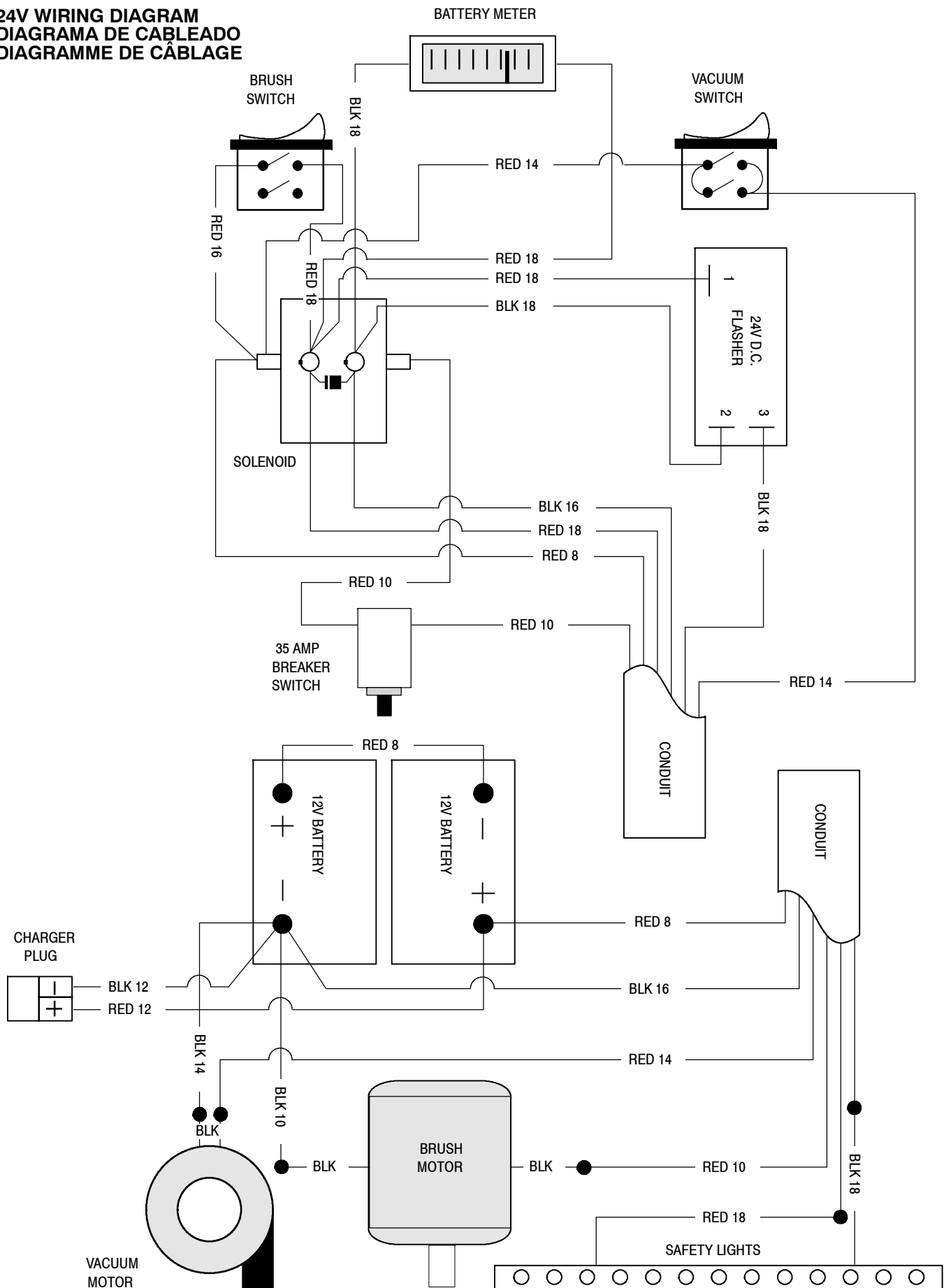
PROBLEME	CAUSE	REMEDE
Débit faible ou nul de la solution.	Interrupteur du système d'entraînement défectueux.	Poussez le levier de distribution de la solution vers l'avant.
	Moteur du système d'entraînement défectueux.	Enlevez le tuyau et soufflez- y de l'air comprimé. Pour éviter les obstructions, rincez le réservoir de solution à l'eau claire après usage.
	Carte des balais usée.	Enlevez la soupape et nettoyez- la. N'éraflez pas et n'endommagez- la l'intérieur de la soupape.
	Le bouton de réglage du débit de la solution doit être réglé.	Réglez le bouton de réglage du débit de la solution pour augmenter le débit de la solution. Tournez le bouton vers le bas pour augmenter le débit.
Ramassage non satisfaisant du racloir.	Réservoir de récupération est plein.	Videz le réservoir de récupération.
	Le filtre d'arrêt à flotteur du réservoir de récupération est bouché.	Enlevez le filtre et nettoyez- le.
	Le racloir est obstrué par des détritrus.	Nettoyez le racloir.
	Les lames du racloir sont usées.	Remplacez les lames du racloir.
	Les vis papillons du racloir sont desserrées.	Resserrez les vis papillons.
	Les raccords du tuyau d'aspiration sont détachés ou le tuyau est percé.	Enfonchez bien les extrémités du tuyau d'aspiration dans les raccords. Remplacez le tuyau s'il est endommagé.
	Le tuyau d'aspiration est obstrué par des détritrus.	Enlevez les détritrus responsables de l'obstruction.
	Le joint d'étanchéité du réservoir est défectueux.	Remplacez le joint du réservoir.
	L'alimentation d'eau du réservoir de récupération est obstruée. L'alimentation se trouve dans le bas du réservoir de récupération.	Videz le réservoir de récupération et soulevez- le par le côté pour localiser l'orifice d'alimentation; enlevez les détritrus responsables de l'obstruction.
	Le bouchon du tuyau de vidange est desserré.	Resserrez le bouchon du tuyau de vidange.
	Le couvercle transparent du réservoir de récupération est desserré.	Resserrez le couvercle.
	Le moteur de l'extracteur est desserré.	Resserrez le moteur de l'extracteur. Ne resserrez pas trop pour ne pas endommager le moteur.
	La charge des batteries est faible.	Rechargez les batteries. N'utilisez pas la machine quand l'aiguille de l'appareil de mesure de la charge des batteries se trouve dans la zone rouge.

CARACTERISTIQUES TECHNIQUES

MODELE	WB-20
LONGUEUR	1194 mm (47 in.)
LARGEUR	559 mm (22 in.)
HAUTEUR	965 mm (38 in.)
POIDS	146 Kg (315 lb)
CAPACITE RESERVOIR SOL.	38 L (10 gal)
CAPACITE RESERVOIR REC.	45 L (12 gal)
TRACE DE NETTOYAGE	508 mm (20 in.)
MOTEUR DE BROSSE	.75hp, 220 rpm, 24v, 20A, 560w
MOTEUR DE L'EXTRACTEUR	.5hp, 2 stage, 353w, 14A, 24v
HAUTEUR DE DEPLACEMENT D'EAU	1118 mm (44 in.)
BATTERIES	2- 130A/hr, 12v deep cycle
DUREE DE FONCTIONNEMENT avec batteries complètement chargées	2.47 hours
NIVEAU SONORE A L'OREILLE DE L'OPERATEUR, A L'INTERIEUR SUR DU CARRELAGE	70dB(A)

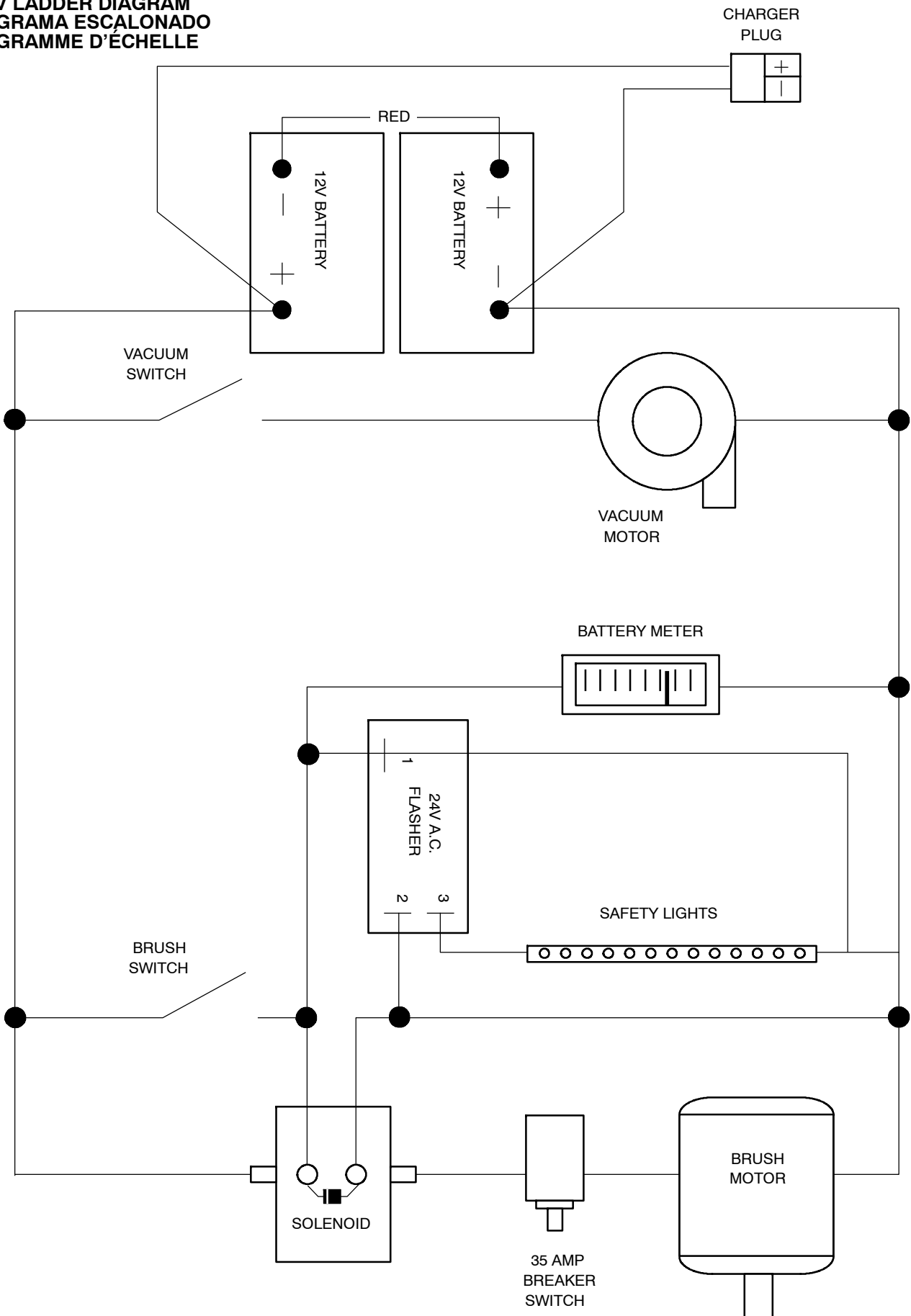
ELECTRICAL DIAGRAMS - DIAGRAMAS ELECTRICAS - SYSTEME ELECTRIQUE

24V WIRING DIAGRAM
 DIAGRAMA DE CABLEADO
 DIAGRAMME DE CÂBLAGE



ELECTRICAL DIAGRAMS - DIAGRAMAS ELECTRICAS - SYSTEM ÉLECTRIQUE

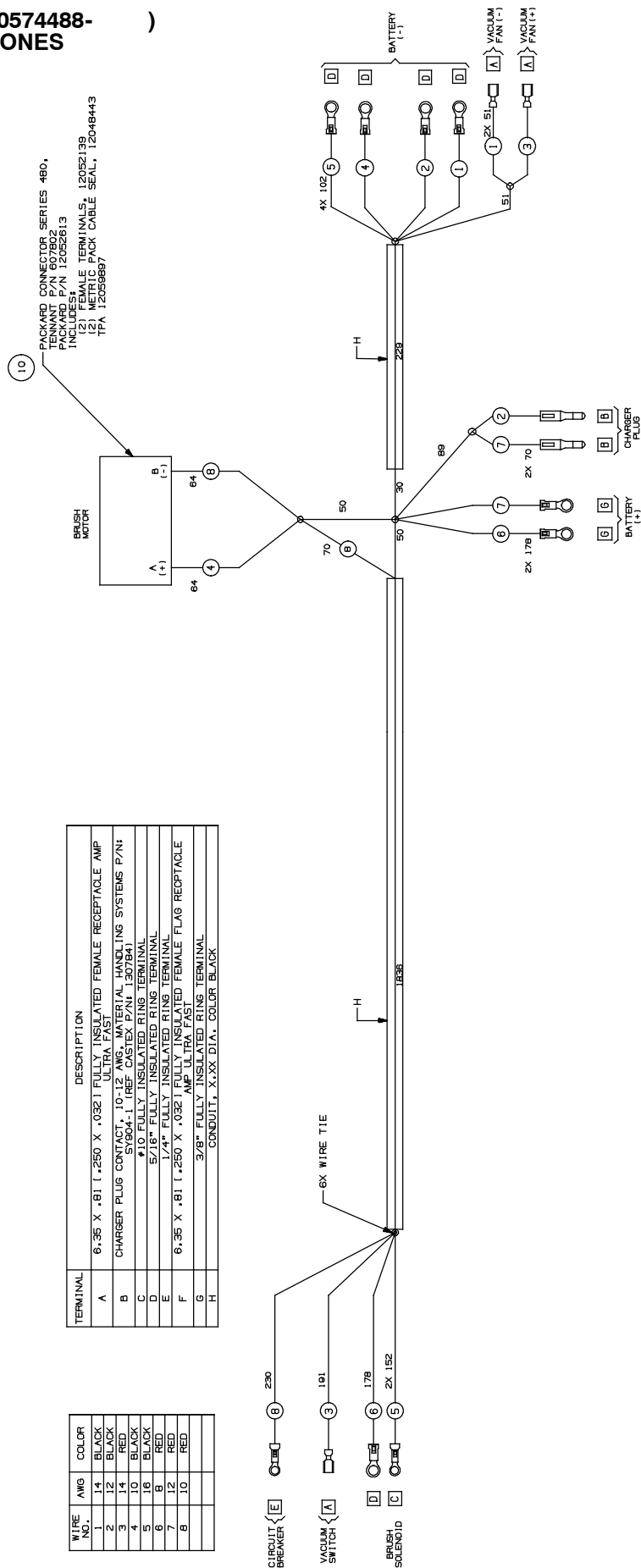
120V LADDER DIAGRAM
DIAGRAMA ESCALONADO
DIAGRAMME D'ÉCHELLE



ELECTRICAL DIAGRAMS - DIAGRAMAS ELECTRICAS - SYSTEME ELECTRIQUE

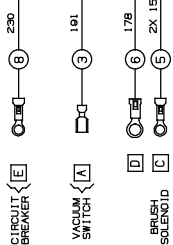
MAIN WIRE HARNESS (S/N 10574488-) MAIN ELECTRICO GUARNICIONES PRINCIPAL LE FIL HARNAIS

700167



TERMINAL	DESCRIPTION
A	6.35 X .81 (.250 X .032) FULLY INSULATED FEMALE RECEPTACLE AMP ULTRA FAST
B	CHARGER PLUG CONTACT, 10-12 AWG, MATERIAL HANDLING SYSTEMS P/N: 5Y904-1 (REF. CASTEX P/N: 150754)
C	#10 FULLY INSULATED RING TERMINAL
D	5/16" FULLY INSULATED RING TERMINAL
E	6.35 X .81 (.250 X .032) FULLY INSULATED FEMALE FLAG RECEPTACLE AMP ULTRA FAST
F	3/8" FULLY INSULATED RING TERMINAL
G	CONDUIT, X.XX DIA., COLOR BLACK
H	

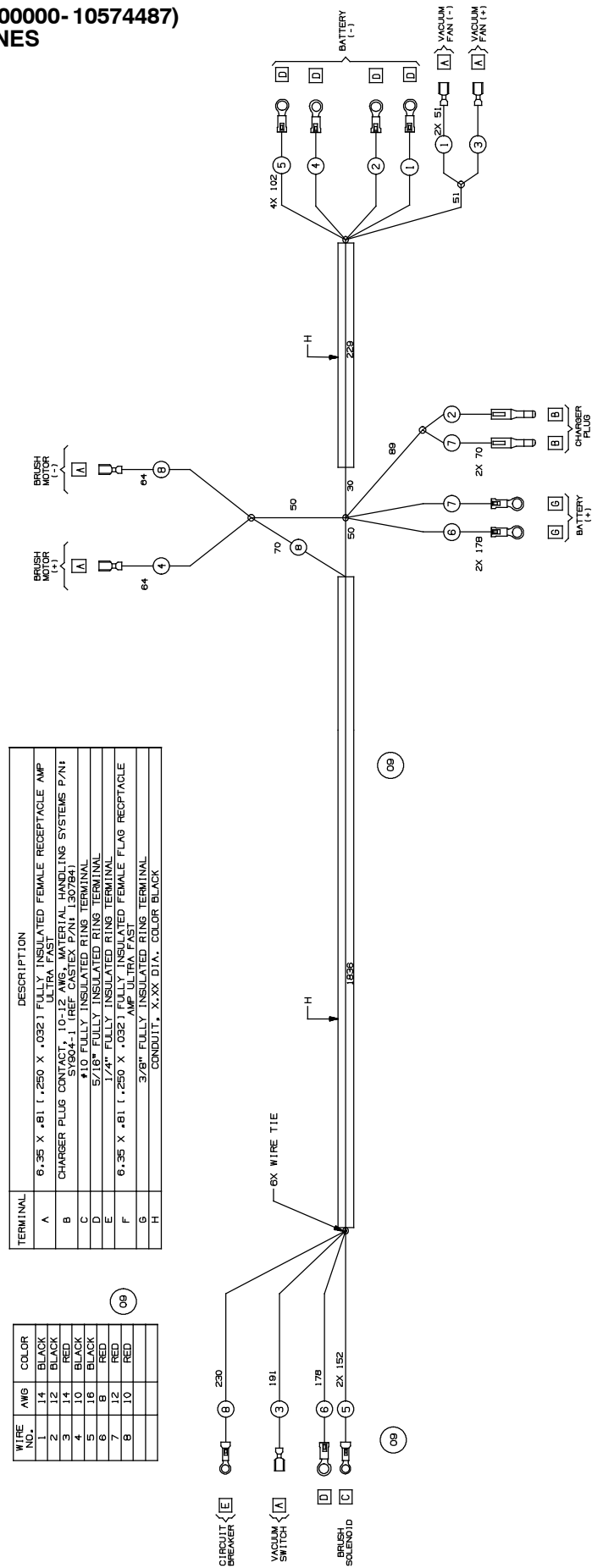
WIRE NO.	AWG	COLOR
1	14	BLACK
2	12	BLACK
3	14	RED
4	10	BLACK
5	16	BLACK
6	8	RED
7	12	RED
8	10	RED



ELECTRICAL DIAGRAMS - DIAGRAMAS ELECTRICAS - SYSTEM ÉLECTRIQUE

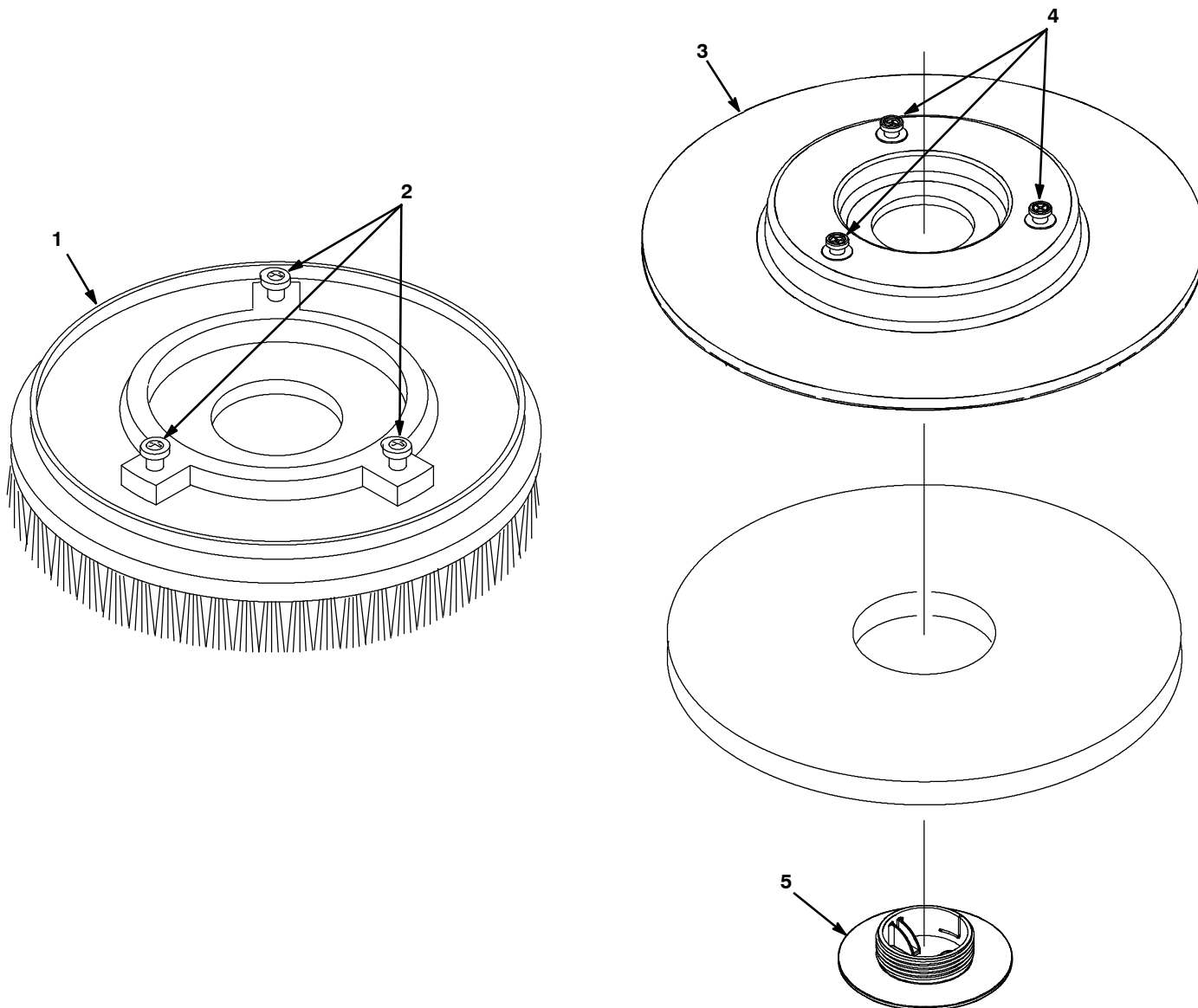
MAIN WIRE HARNESS (S/N 0000000- 10574487) MAIN ELÉCTRICO GUARNICIONES PRINCIPAL LE FIL HARNAIS

700167



PARTS LIST - LISTA DE PIEZAS - LISTE DES PIÈCES

REPLACEMENT BRUSHES AND PAD DRIVER GROUP / CEPILLO DEL REEMPLAZO Y GRUPO DEL MANDO DE LA ALMOHADILLA / GROUPE REMPLACEMENT DES BROSSES ET DU PIGNON MENANT DE PATIN



PARTS LIST - LISTA DE PIEZAS - LISTE DES PIÈCES

REPLACEMENT BRUSHES AND PAD DRIVER GROUP / CEPILLO DEL REEMPLAZO Y GRUPO DEL MANDO DE LA ALMOHADILLA / GROUPE REMPLACEMENT DES BROSSES ET DU PIGNON MENANT DE PATIN

REF	PART #	DESCRIPTION	QTY.
∇ 1	240250	●BRUSH, POLY- SCRUB	1
	240251	●BRUSH, DYNA- SCRUB	1
	240252	●BRUSH, NYLON SCRUB/STRIP	1
	240253	●BRUSH, STRATA SCRUB/STRIP	1
▲ 2	240238	●LUGS, W/ SCREWS (SET OF 3)	3

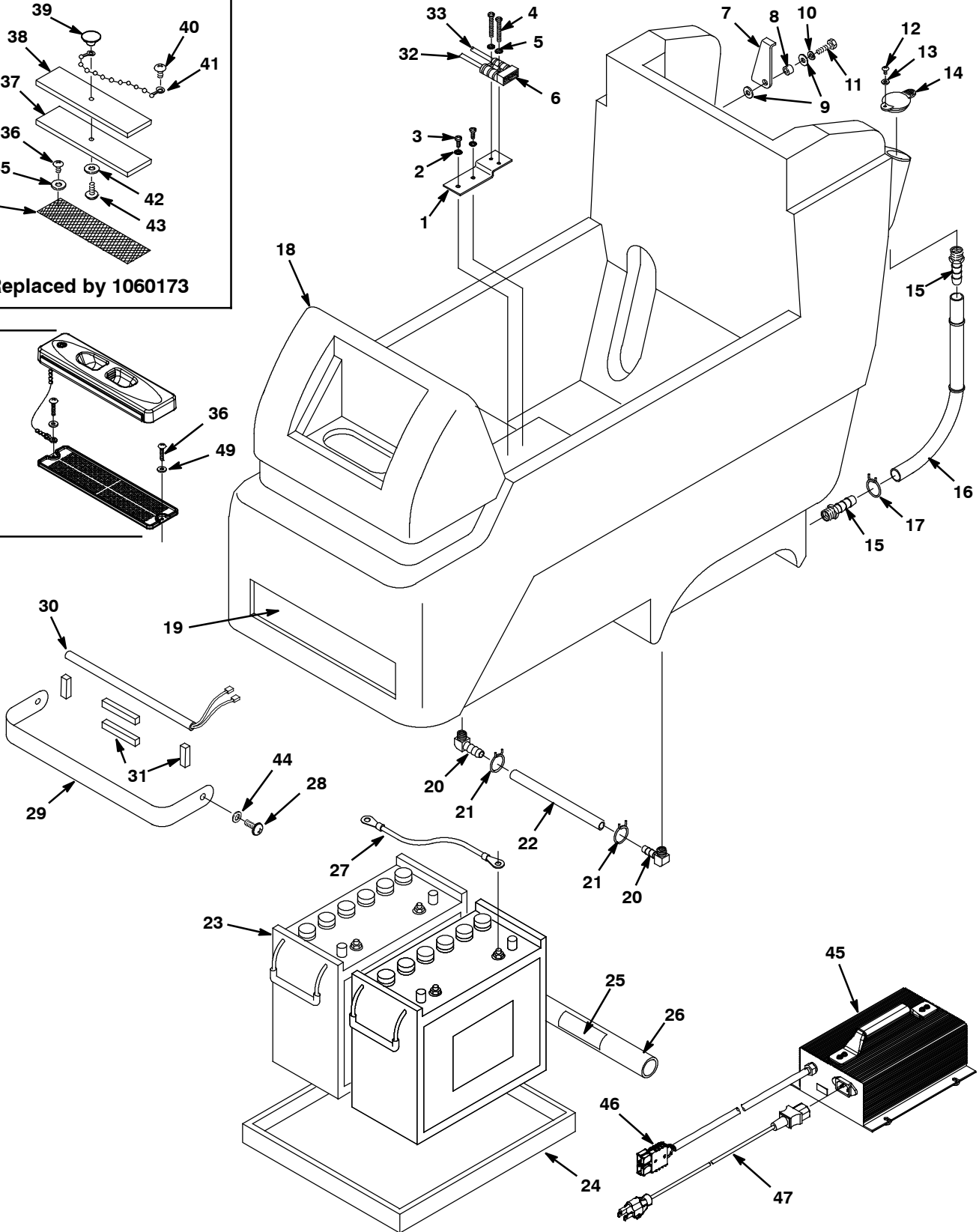
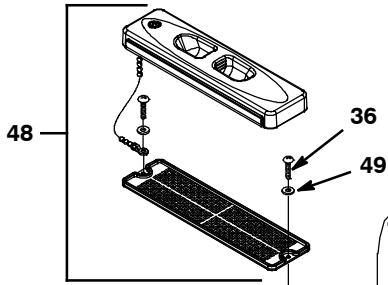
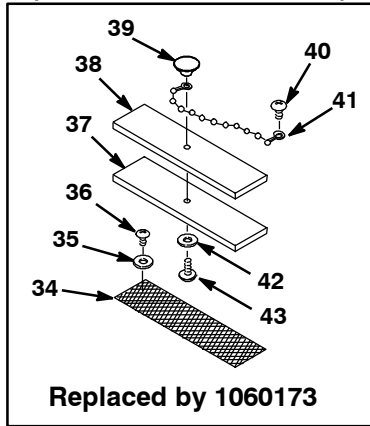
REF	PART #	DESCRIPTION	QTY.
∇ 3	1033173	●DRIVER, PAD, 20.0D	1
▲ 4	240254	●LUGS, W/SCREWS (SET OF 3)	3
▲ 5	32506	●DEVICE, CENTERING, RH PAD RETAINER	1

- ∇ ASSEMBLY / CONJUNTO / ENSEMBLE
- ▲ INCLUDED IN ASSEMBLY / INCLUIDO A CONJUNTA / Y COMPRIS EN ENSEMBLE
- RECOMMENDED STOCK ITEM / PIEZAS RECOMENDADAS EN ALMACÉN / ÉLÉMENTS DE STOCK RECOMMANDÉS

PARTS LIST - LISTA DE PIEZAS - LISTE DES PIÈCES

SOLUTION TANK GROUP / GRUPE DEL DEPÓSITO DE DISOLUCIÓN / ENSEMBLE DU RÉSERVOIR DE SOLUTION

(S/N 00000000-10510922)



PARTS LIST - LISTA DE PIEZAS - LISTE DES PIÈCES

SOLUTION TANK GROUP / GRUPE DEL DEPÓSITO DE DISOLUCIÓN / ENSEMBLE DU RÉSERVOIR DE SOLUTION

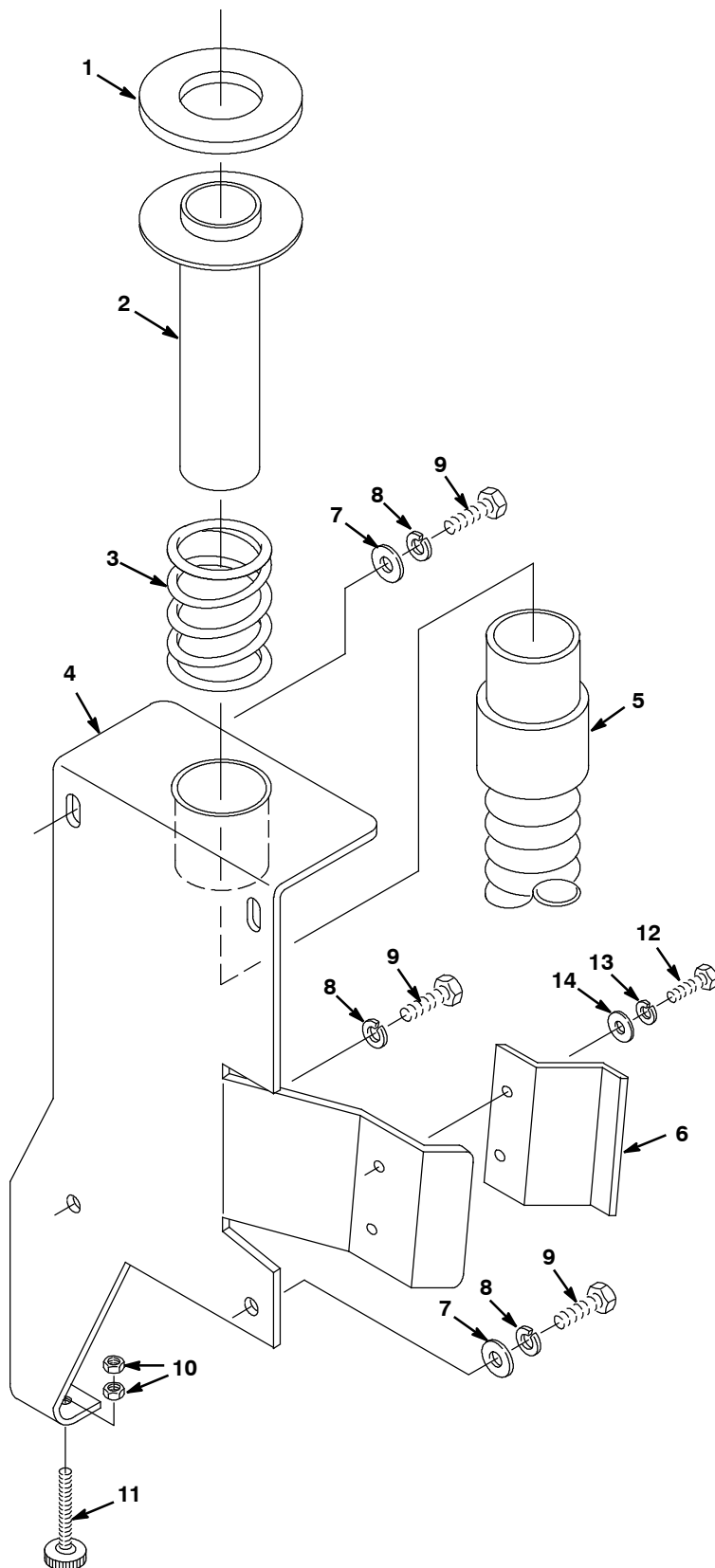
REF	PART #	DESCRIPTION	QTY.
1	230665	BRACKET, CHARGER PLUG	1
2	140018	WASHER, LOCK INT #10 SS	2
3	140892	SCREW, 10- 24 X 1/2 RNDPHL	2
4	2728.12	SCREW, 6- 32 X 3/4 PANPHL	2
5	140019	WASHER, LOCK #6 EXT	2
6	605387	●CONNECTOR, RED 50A WO/CONT.	1
7	230925	SUPPORT, RECOVERY TANK	1
8	611418	SLEEVE, 0.437D 0.315B 0.146	1
9	140027	WASHER, FLAT, 0.35B 0.75D .04 SS	2
10	140015	WASHER, LOCK, SPLT 0.31 SS	1
11	140226	SCREW, HEX .31- 18 X 0.62	1
12	140340	SCREW, PAN, #10- 24 X 0.62, SS, TYP 25	1
13	01683	WASHER, FLAT, #10 SS	1
14	1012965	CAP, PORT, SOLUTION FILL	1
15	14884	FITTING, BRS STR PM06/BM08	2
16	700420	ASM., HOSE W/SOL. INDICATOR	1
17	607776	CLAMP, HOSE 2-WIRE BLK	1
18	1033062	TANK, SOL, RM- HG, [WB- 20] (CO)	1
19	120101	LABEL, LOGO, MED WHITE [CASTEX]	1
20	150419	FITTING, E90, PM04/BM06	2
21	607775	CLAMP, HOSE 2-WIRE BLK	2
22	606240	●HOSE, 3/8IDX5/8ODX10.25	1
23	130869	BATTERY, 12V 130AH (WET)	2
24	602927	TRAY, BATTERY	1
25	120589	DECAL, BATTERY PLACEMENT	1
26	602592	SUPPORT, TUBE BATTERY	1
27	130364	●CABLE, BATTERY #6BLKX15"	1

REF	PART #	DESCRIPTION	QTY.
28	140835	SCREW, 10- 24X3/8 PAN PHL	2
29	1020769	SHIELD, LIGHT	1
30	1024583	LIGHT, SAFETY, 12" (NLA - NO LONGER AVAILABLE)	1
31	613454	GASKET, CLSD CELL, .5 (1.17FT) (NLA - NO LONGER AVAILABLE)	1
32	700168	WIRE, #12X12 3/8 RED	1
33	700169	WIRE, #12X17 5/16 BLK	1
34	606146	SCREEN, FLTR, SOLTN FILL NAT (REPLACED BY 1060173)	1
35	140032	WASHER, FLAT, #6, SS	2
36	140826	SCREW, PAN, #06- 32 X 0.75, PHL, SS SHTMTL	2
37	605062	●GASKET, COVER, SOLUTION FILL (REPLACED BY 1060173)	1
38	605061	COVER SOLUTION FILL (REPLACED BY 1060173)	1
39	578301	●KNOB 10- 32F FILL- COVER	1
40	140826	SCREW, PAN, #06- 32 X 0.75, PHL, SS SHTMTL	1
41	621443	●CHAIN, BALL, #10, 157MML, SS	1
42	07514	WASHER, LOCK, INT, #10, SS	1
43	578201000	SCREW, PAN, #10- 32 X 0.50, PHL	1
44	19324	WASHER, FLAT, #10 SAE	2
▽ 45	1073638	●CHARGER, 24VDC 11A VAR VAC 1PH 50/60HZ	1
▲ 46	605387	●CONNECTOR, ANDERSON, 50A, RED W/O CONTACT	1
47	1025642	●CORD, POWER, 16/3, 4.5 METERS, BLK [US]	1
48	1060173	COVER ASSY, TANK, SOLTN FILL	1
49	41578	WASHER, FLAT, 06, SS	2

- ▽ ASSEMBLY / CONJUNTO / ENSEMBLE
- ▲ INCLUDED IN ASSEMBLY / INCLUIDO A CONJUNTA / Y COMPRIS EN ENSEMBLE
- RECOMMENDED STOCK ITEM / PIEZAS RECOMENDADAS EN ALMACÉN / ÉLÉMENTS DE STOCK RECOMMANDÉS

PARTS LIST - LISTA DE PIEZAS - LISTE DES PIÈCES

SOLUTION TANK REAR PANEL GROUP / CONJUNTO PANEL TRASERA / GROUPE PANNEAU ARRIÈRE DE RÉSERVOIR DE SOLUTION



PARTS LIST - LISTA DE PIEZAS - LISTE DES PIÈCES

SOLUTION TANK REAR PANEL GROUP / CONJUNTO PANEL TRASERA / GROUPE PANNEAU ARRIÈRE DE RÉSERVOIR DE SOLUTION

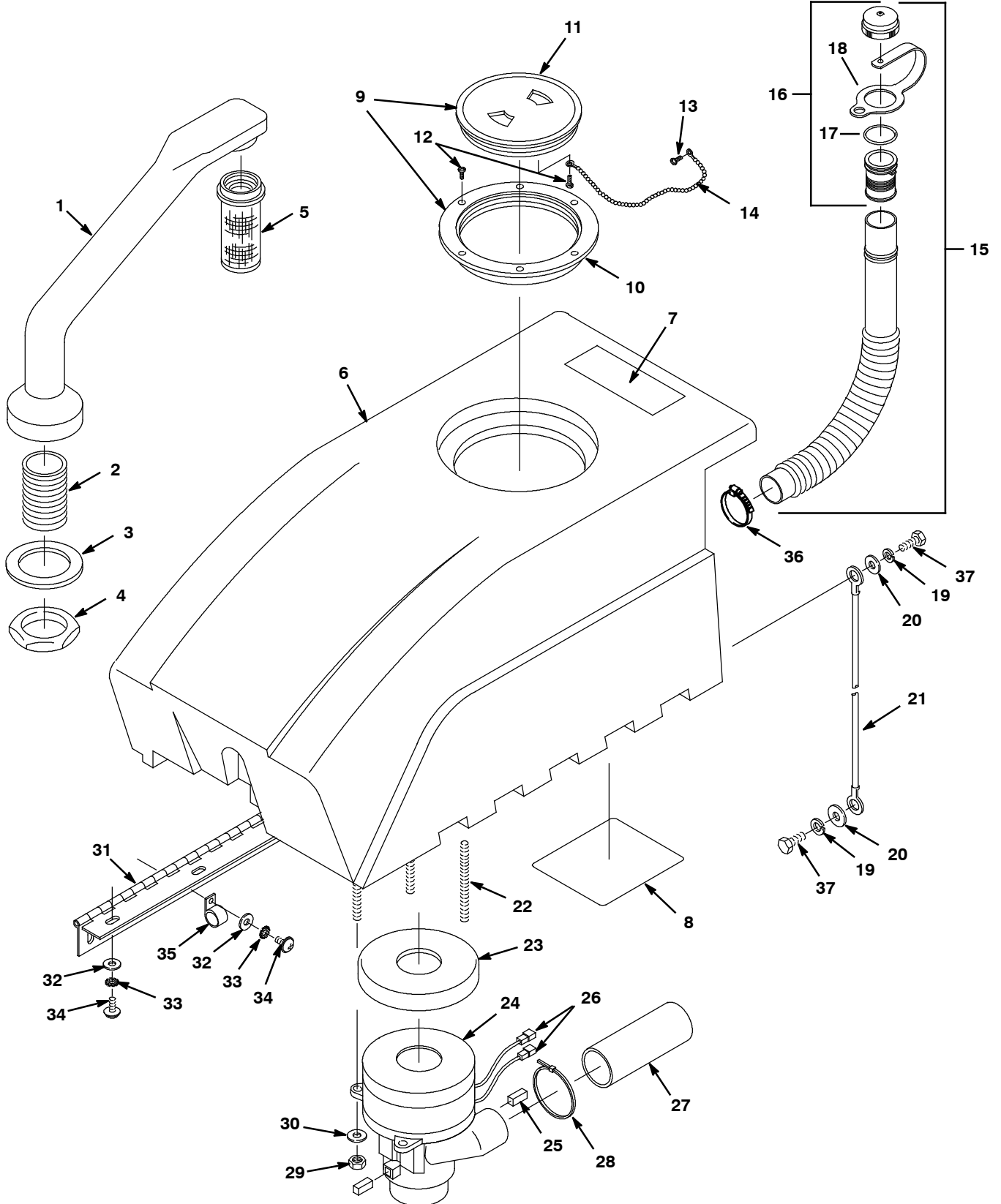
REF	PART #	DESCRIPTION	QTY.
1	100151	●GASKET, TUBE ADAPTER	1
2	230664	ADAPTER, TUBE	1
3	140424	SPRING, TUBE- ADAPTER	1
4	1001210	BRACKET, TUBE MOUNTING	1
5	612798	●HOSE, VACUUM, 1.5D X 27L, 2- CUFFS, BLK	1
6	230872	LATCH, PLATE BRUSH LIFT	1
7	140027	WASHER, FLAT, 0.35B 0.75D .04 SS	3
8	140015	WASHER, LOCK, SPLT 0.31 SS	4

REF	PART #	DESCRIPTION	QTY.
9	140226	SCREW, 5/16- 18X5/8	4
10	140548	NUT, 5/16 FINJAM	2
11	240191	KNOB ASSY, RND 1.00D .31- 18 2.0L PLSTC	1
12	140259	SCREW, HEX, .25- 20 X .62 SS	2
13	140016	WASHER, LOCK 0.25	2
14	140000	WASHER, 1/4 FLAT	2

- RECOMMENDED STOCK ITEM / PIEZAS RECOMENDADAS EN ALMACÉN /
ÉLÉMENTS DE STOCK RECOMMANDÉS

PARTS LIST - LISTA DE PIEZAS - LISTE DES PIÈCES

RECOVERY TANK GROUP / CONJUNTO DESPÓSITO RECUPERAR / GROUPE RESERVOIR DE RECUPERATION



PARTS LIST - LISTA DE PIEZAS - LISTE DES PIÈCES

RECOVERY TANK GROUP / CONJUNTO DESPÓSITO RECUPERAR / GROUPE RESERVOIR DE RECUPERATION

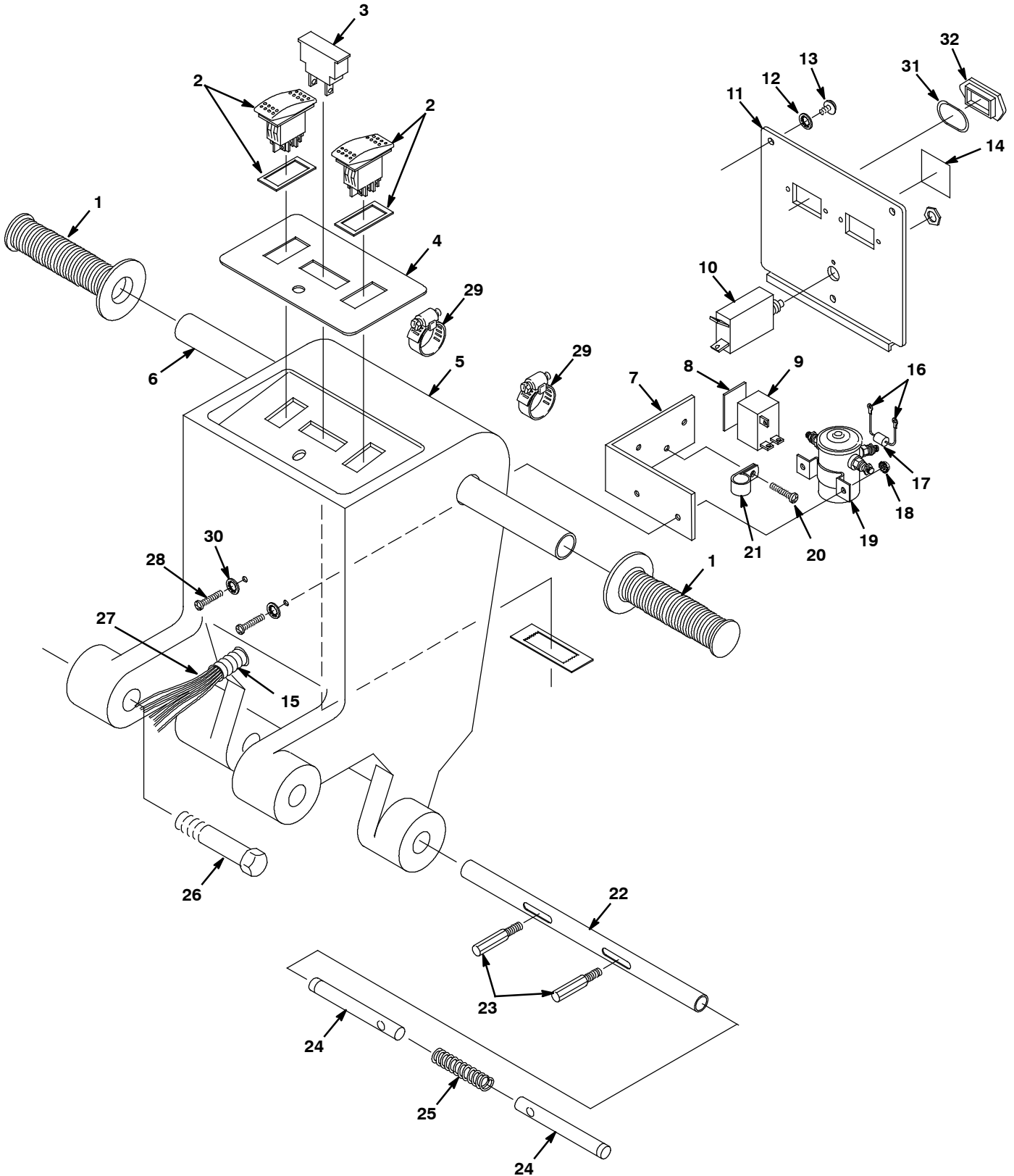
REF	PART #	DESCRIPTION	QTY.
▽ 1	701103	ASM, STANDPIPE W/NIPPLE	1
▲ 2	606088	FITTING, 1- 1/2" NIPPLE	1
3	101714	●GASKET, WASTE AIR CHAMBER	1
4	210240	NUT, 1- 1/2 FPT FLNG METAL	1
5	180613	●FLOAT, SHUT- OFF (1) BALL	1
▽ 6	1033065	TANK, RECVY, RM- HG, AFMKT	1
▲ 7	1026386	LABEL, WARN, 7X2.25DC, SCRB/EXTR/BRN E/F/E	1
▲ 8	120588	DECAL, BATTERY RECHARGING	1
▽ 9	100102	●ASM., LID CLEAR W/STND HOLE	1
▲ 10	100109	●LID, OUTER RING ONLY	1
▲ 11	100105	●LID, CLEAR CENTER ONLY	1
12	140826	SCREW, #6 X 3/4 PHL SHTMTL	6
13	3701.6	SCREW, #6 X 3/8 PHL SHTMTL	1
14	230513	CHAIN	1
▽ 15	1010143	●ASM., DRAIN HOSE	1
▲▽ 16	1008639	●ASM., CAP, DRAIN HOSE	1
▲▲ 17	1008637	●O- RING	1
▲▲ 18	1019563	●STRAP, DRAIN CAP	1

- ▽ ASSEMBLY / CONJUNTO / ENSEMBLE
- ▲ INCLUDED IN ASSEMBLY / INCLUIDO A CONJUNTA / Y COMPRIS EN ENSEMBLE
- RECOMMENDED STOCK ITEM / PIEZAS RECOMENDADAS EN ALMACÉN / ÉLÉMENTS DE STOCK RECOMMANDÉS

REF	PART #	DESCRIPTION	QTY.
19	140016	WASHER, LOCK 0.25	2
20	140000	WASHER, 1/4 FLAT	2
21	140960	●CABLE, REC. TANK SUPPORT	1
22	606923	STUD, 1/4- 20 X 4.00	3
23	100038	●GASKET VAC MOTOR 5.7	1
▽ 24	605357	●MOTOR, VAC 24V 1/2 HP	1
▲ 25	190163	●BRUSH, CARBON 2/PK	1
26	130133	TERMINAL, MALE .25	2
27	600009	●MUFFLER, VAC EXHAUST	1
28	130041	WIRE TIE, 11- 1/2X.19 NY	1
29	41169	NUT, HEX LOCK .25- 20 NL	3
30	140000	WASHER, 1/4 FLAT	3
31	605244	●HINGE, RECOVERY TANK	1
32	140000	WASHER, 1/4 FLAT	9
33	140052	WASHER, LOCK EXT 0.25	9
34	140885	SCREW, TRS 1/4- 20 X 0.50 PHL	9
35	140300	CLAMP, INSULATED 1/2"ID	1
36	11531	CLAMP, HOSE, WORMDRIVE, 1.06- 2.00D, .56W	1
37	140259	SCREW, HEX, .25- 20 X .62 SS	2

PARTS LIST - LISTA DE PIEZAS - LISTE DES PIÈCES

CONTROL CONSOLE GROUP / CONJUNTO CONSOLA DE CONTROLES / GRUPE PANNEAU DE COMMANDE



PARTS LIST - LISTA DE PIEZAS - LISTE DES PIÈCES

CONTROL CONSOLE GROUP / CONJUNTO CONSOLA DE CONTROLES / GROUPE PANNEAU DE COMMANDE

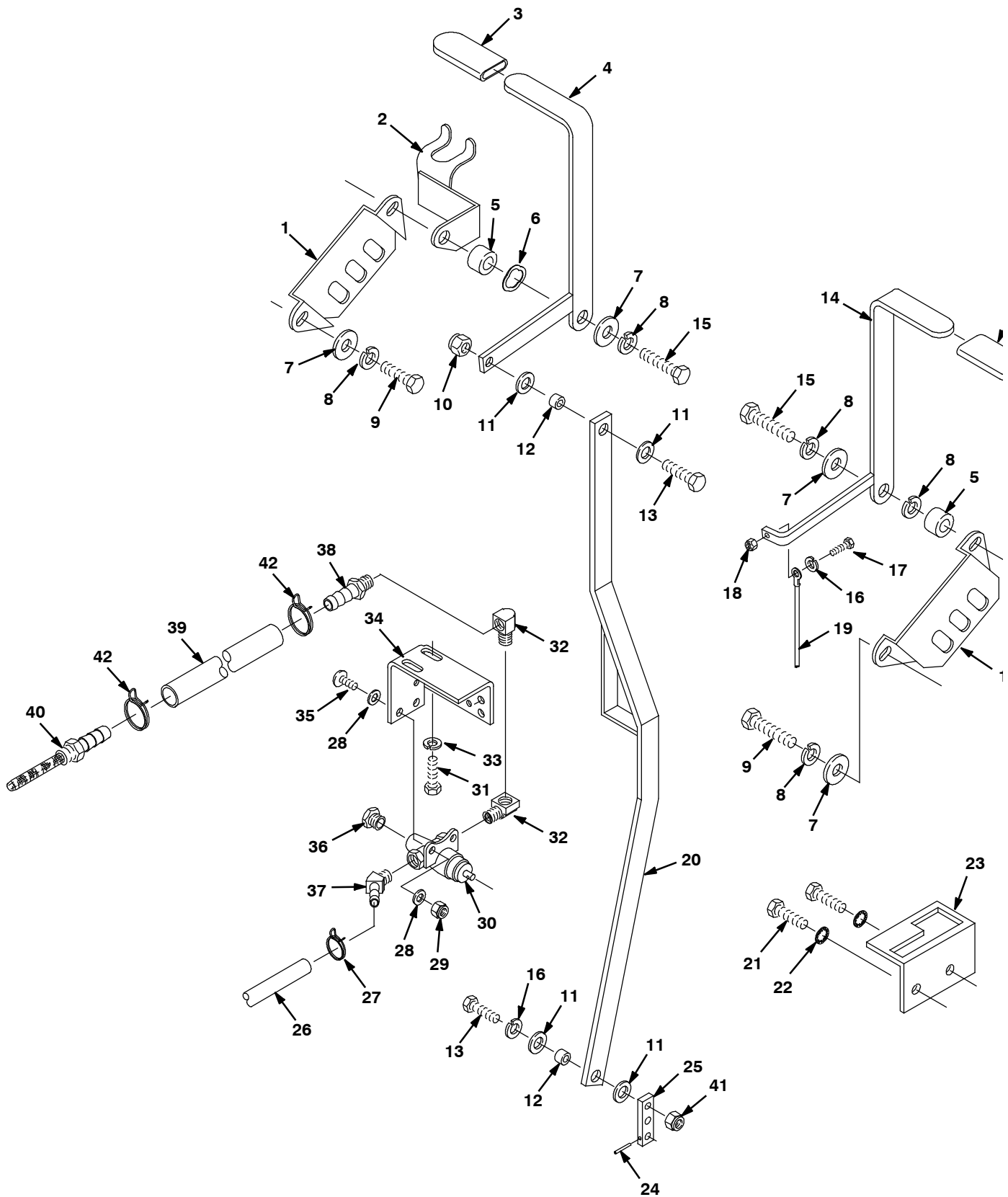
REF	PART #	DESCRIPTION	QTY.
1	200823	GRIP, HANDLE TUBE	2
2	608605	●SWITCH, ROCKER DPST SEAL	2
3	606020	●METER, BATTERY VOLTAGE 24V	1
4	600641	DECAL, DASH	1
5	1033058	HOUSING, CNTRL, RM- HG, AFMKT	1
6	230709	HANDLE, TUBE	1
7	230744	BRACKET, ELECTRONICS MOUNT	1
8	606243	TAPE, ACRYLIC FOAM, 1"WX12L	1
9	130021	●FLASHER, 24VDC	1
10	130756	●BREAKER, CIRCUIT 35A	1
11	610949	COVER, CONTROL CONSOLE	1
12	07514	WASHER, LOCK, INT, 10, SS	2
13	140197	SCREW, TRS 10-24X0.38 PHL SEM	2
14	606105	LABEL, HZRD DO NOT SPRAY	1
15	605840	LOOM, 3/4DIA X 2.5'	1
16	281001009	●TERMINAL, RING #10	2

REF	PART #	DESCRIPTION	QTY.
17	606404	●ASM., DIODE W/RING TRMNL	1
18	140519	NUT, 10-24 KEP	2
19	605905	●SOLENOID, 24 VDC 125A	1
20	140900	SCREW, 10-24X3/4	1
21	140916	CLAMP, CABLE 5/8ID NY	1
22	230715	TUBE, HANDLE ADJUSTMENT	1
23	230649	PIN, HANDLE ADJUSTMENT	2
24	230710	PIN, HANDLE LOCK	2
25	140415	SPRING, LOCK PIN	1
26	140241	BOLT, SHOULDER 5/8 X 2	2
27	700167	HARNESS, WIRE	1
28	140900	SCREW, 10-24X3/4	2
29	11531	CLAMP, HOSE, WORMDRIVE, 1.06-2.00D, .56W	2
30	07514	WASHER, LOCK, INT, 10, SS	2
31	605823	●O- RING, .926 ID X .99600	2
32	609969	●PLUG, HOUR METER	2

- RECOMMENDED STOCK ITEM / PIEZAS RECOMENDADAS EN ALMACÉN / ÉLÉMENTS DE STOCK RECOMMANDÉS

PARTS LIST - LISTA DE PIEZAS - LISTE DES PIÈCES

LEVER GROUP / CONJUNTO DE PALANCAS / GROUPE DES LEVIERS



PARTS LIST - LISTA DE PIEZAS - LISTE DES PIÈCES

LEVER GROUP / CONJUNTO DE PALANCAS / GROUPE DES LEVIERS

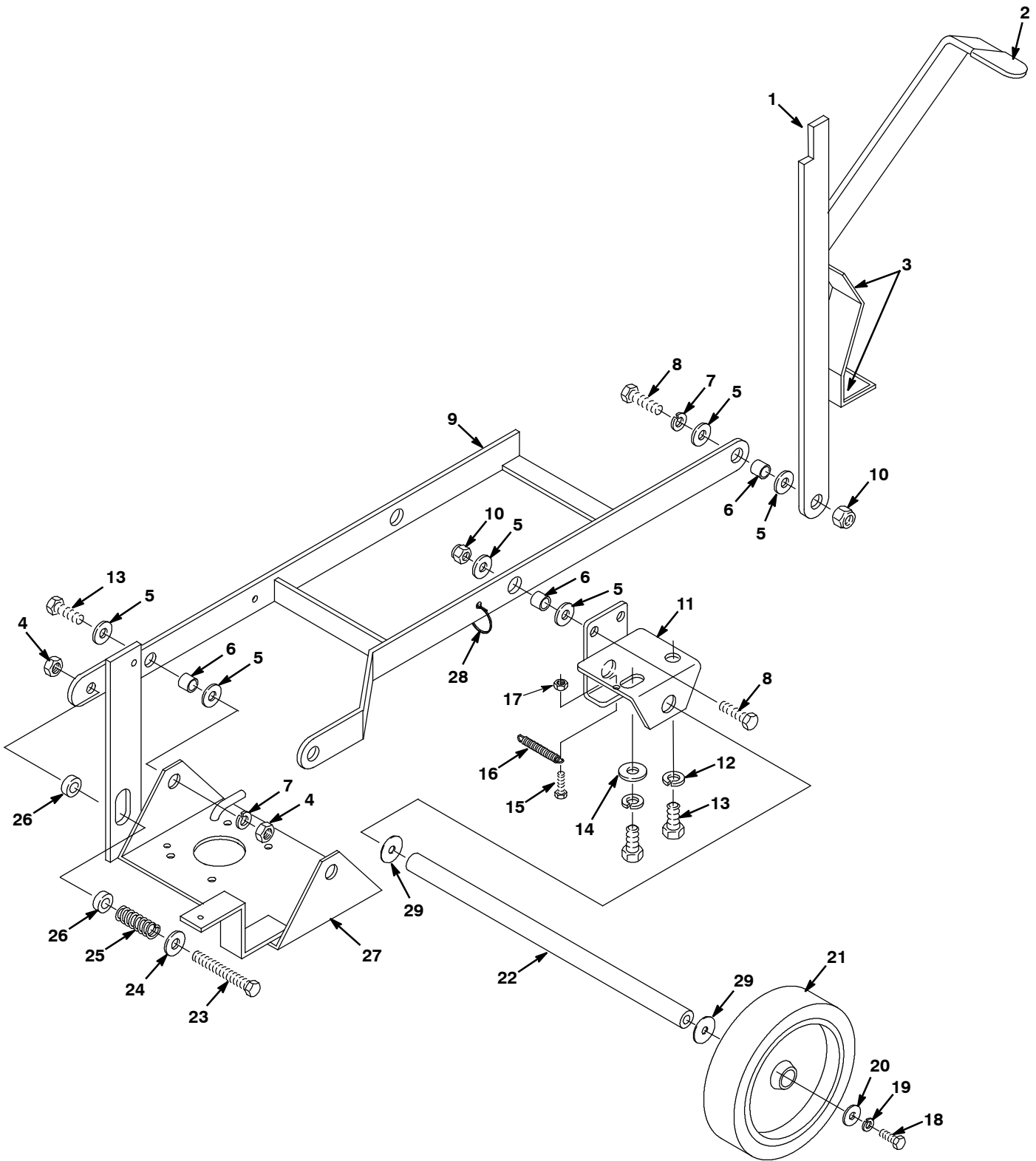
REF	PART #	DESCRIPTION	QTY.
1	230661	PLATE, LOCK CONTROL HOUSING	2
2	611979	WELDMENT, DRAIN HOSE HANGER	1
3	200816	●GRIP, HANDLE	2
4	230719	HANDLE, SOLUTION VALVE	1
5	230735	BUSHING, SPACER	2
6	140060	WASHER, .505 X .750 X .045 WAVE	1
7	140027	WASHER, FLAT, 0.35B 0.75D .04 SS	4
8	140015	WASHER, LOCK, SPLT 0.31 SS	4
9	140226	SCREW, 5/16- 18X5/8	2
10	32520	NUT, .25- 20 HEXJAM	1
11	140000	WASHER, 1/4 FLAT	4
12	140134	SLEEVE, 0.376D 0.253B 0.28L	2
13	140208	SCREW, HEX .25- 20 X 1.00	2
14	230728	HANDLE, SQUEEGEE LIFT	1
15	140221	SCREW, HEX .31- 18X1.25	2
16	140016	WASHER, LOCK 0.25	2
17	01697	SCREW, HEX, .25- 20 X 0.62, SS	1
18	32520	NUT, HEX, JAM, .25- 20	1
19	1015636	●CABLE, SQUEEGEE LIFT	1
20	230718	LEVER, SOLUTION VALVE	1
21	140951	SCREW, 10- 24X7/16	2

REF	PART #	DESCRIPTION	QTY.
22	07514	WASHER, LOCK, INT, 10, SS	2
23	230712	PLATE, SQUEEGEE LOCK	1
24	140616	PIN, ROLL	1
25	230657	ARM, VALVE	1
26	606238	HOSE, 3/8ID X 5/8OD X 18	1
27	607775	CLAMP, HOSE 2WIRE BLK	1
28	140011	WASHER, 3/16 FLAT	4
29	140552	NUT, 10- 24 NYLOCK	2
30	210259	●VALVE, BALL 3- WAY	1
31	01697	SCREW, HEX, .25- 20 X 0.62, SS	2
32	27048	FITTING, BRS E90 PM04/PF04	2
33	140016	WASHER, LOCK 0.25	2
34	600750	BRACKET, VALVE	1
35	140895	SCREW, 10- 24X3/4	2
36	150206	FITTING, BRS PLUG PM04 HEX	1
37	605394	FITTING, BRS E45 BM06/PM04	1
38	150517	FITTING, BRS STR PM04/BM08	1
39	606241	HOSE, 1/2ID X 6"	1
40	180629	FILTER, SCREEN 012 MESH	1
41	41169	NUT, HEX LOCK .25- 20 NL	1
42	607776	CLAMP, HOSE 2WIRE BLK	2

- RECOMMENDED STOCK ITEM / PIEZAS RECOMENDADAS EN ALMACÉN / ÉLÉMENTS DE STOCK RECOMMANDÉS

PARTS LIST - LISTA DE PIEZAS - LISTE DES PIÈCES

WHEEL GROUP, BRUSH ASSIST MODEL / GRUPO DE RUEDAS, MODELO BRUSH ASSIST /
GROUPE ROUE, MODÈLE A ASSISTANCE DE BROUSSE



PARTS LIST - LISTA DE PIEZAS - LISTE DES PIÈCES

WHEEL GROUP, BRUSH ASSIST MODEL / GRUPO DE RUEDAS, MODELO BRUSH ASSIST / GROUPE ROUE, MODÈLE A ASSISTANCE DE BROSE

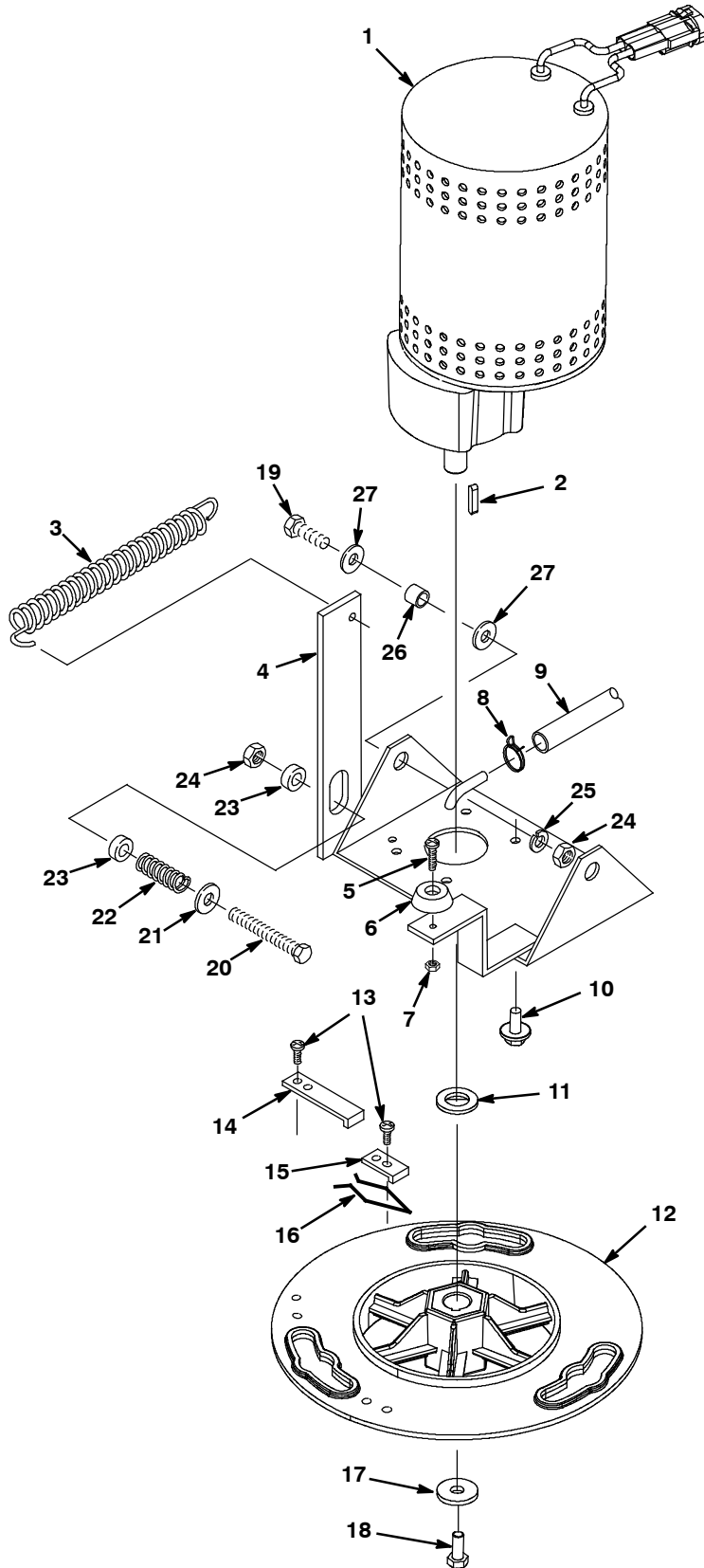
REF	PART #	DESCRIPTION	QTY.
1	230874	LEVER, BRUSH LIFT FOOT	1
2	200816	GRIP, HANDLE	1
3	102560	PAD, NON-SLIP 1.62 SQ.	2
4	140509	NUT, 1/2- 13 HEXJAM	3
5	140045	WASHER, FLAT, 0.51B 1.25D .06 SS	10
6	140139	SLEEVE, 0.625D 0.50B 0.25L STL	5
7	140024	WASHER, LOCK 0.50 SS	3
8	140236	SCREW, .50- 13 X 1.25	3
9	230870	WELDMENT, LIFT BRACKET	1
10	02931	NUT, HEX .50- 13 LOCK NY	3
11	230869	BRACKET, AXLE & SQ PIVOT MNT	2
12	140024	WASHER, LOCK 0.50 SS	4
13	140237	SCREW, HEX .50- 13 X 1.00	6
14	140045	WASHER, FLAT, 0.51B 1.25D .06 SS	2
15	02991	SCREW, HEX .31- 18 X 0.75	2

REF	PART #	DESCRIPTION	QTY.
16	140433	SPRING, EXT .50 X 3.00	2
17	140506	NUT, 5/16- 18 HEX	2
18	02994	SCREW, HEX .38- 16 X 0.75	2
19	140017	WASHER, LOCK SPLIT 0.38	2
20	140028	WASHER, FLAT 0.42B, 1.00D	2
21	1062637	●WHEEL, 8.0D 1.50W TPR/POLYOLEFIN	2
22	230743	SHAFT, AXLE .75D 166L	1
23	140234	SCREW, 1/2- 13X2- 1/2 HXHDCP	1
24	3148.816	WASHER, 0.52B 0.88D .06	1
25	140430	SPRING, HANDLE LOCK	1
26	140127	BEARING, THRUST	2
27	230871	BRACKET, MOTOR MOUNT	1
28	130040	WIRE TIE, NYLON	1
29	140047	WASHER, FLAT, 0.75 1.25D .06, SS	2

- RECOMMENDED STOCK ITEM / PIEZAS RECOMENDADAS EN ALMACÉN /
ÉLÉMENTS DE STOCK RECOMMANDÉS

PARTS LIST - LISTA DE PIEZAS - LISTE DES PIÈCES

BRUSH DRIVE GROUP (S/N 10574488-) /
CONJUNTO IMPULSO DE CEPILLO (S/N 10574488-) /
GROUPE TÊTE DE BROSSAGE DISQUE SIMPLE (S/N 10574488-)



PARTS LIST - LISTA DE PIEZAS - LISTE DES PIÈCES

**BRUSH DRIVE GROUP (S/N 10574488-) /
 CONJUNTO IMPULSO DE CEPILLO (S/N 10574488-) /
 GROUPE TÊTE DE BROSSAGE DISQUE SIMPLE (S/N 10574488-)**

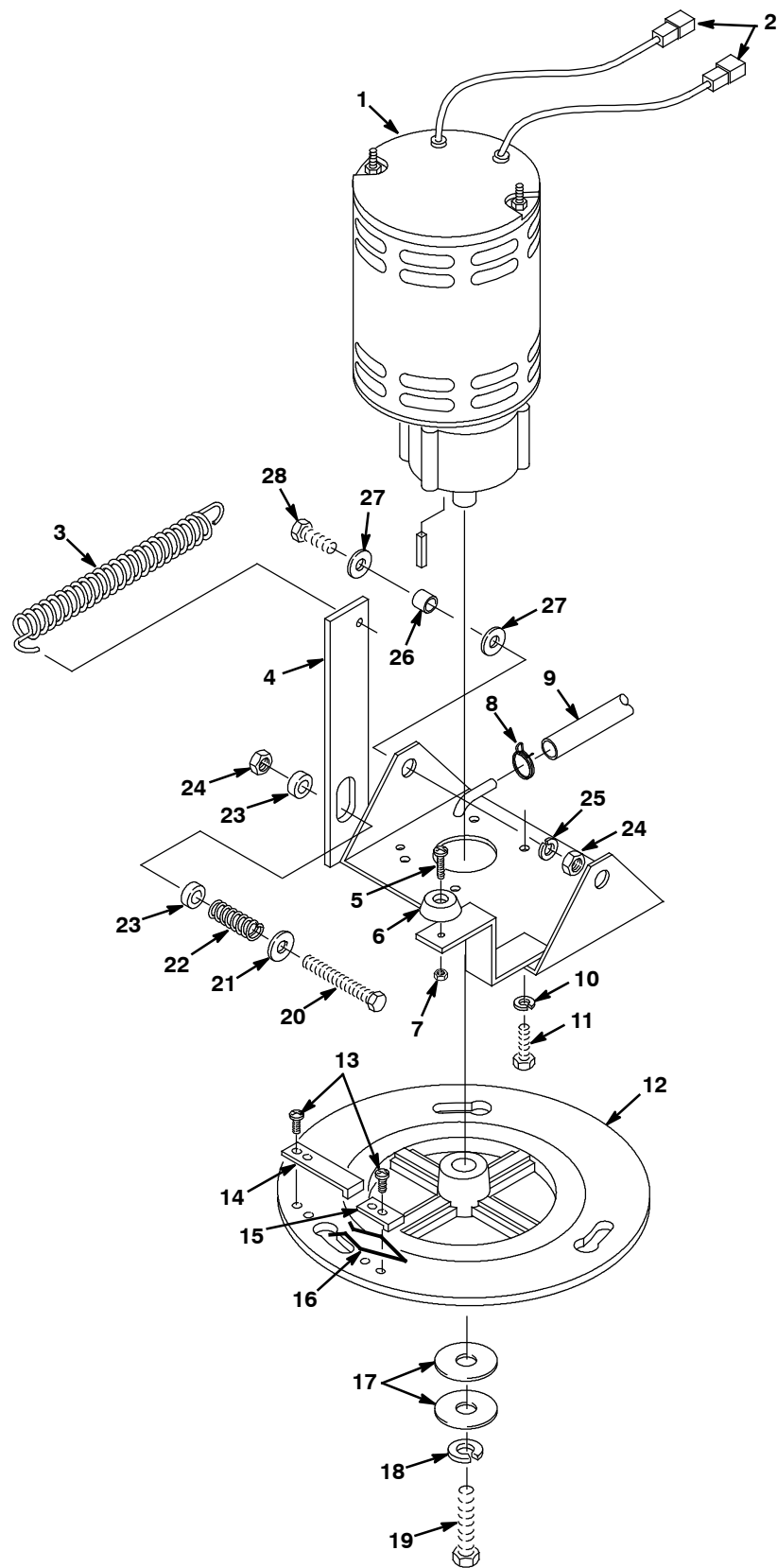
REF	PART #	DESCRIPTION	QTY.
▽ 1	1069561	●MOTOR KIT, 1DISK, 50CM [WB- 20B]	1
▲	1045790	●BRUSH KIT, REPLMT,CARBON 24VDC[1PK=1SET] (SET OF 4)	1
▲ 2	1014328	●KEY, SQ, 05MM X 05MM, 25MM	1
3	140431	SPRING, EXT 1.0 X 5.00 X 0.95	1
4	230871	BRACKET, MOTOR MOUNT	1
5	140823	SCREW, TRS 10- 24 X 0.63 PHL	1
6	100091	BUMPER, RECESSED	1
7	140552	NUT, HEX 10- 24 NY	1
8	607775	CLAMP, HOSE 2WIRE BLK	1
9	609924	HOSE, 3/8IDX5/8ODX19" CLEAR	1
10	1020341	SCREW, HEX, M8 X 1.25 X 20, SS, SEMS	4
11	1022549	SPACER, SHAFT, 17.15B 30.0D 3.0L, SS	1
12	1065875	HUB, DRIVE, 3LUG, ALM, NYL 17MM [WB- 20]	1
13	140197	SCREW, TRS, PHL, 10- 24X0.38 SEMS	4

REF	PART #	DESCRIPTION	QTY.
14	230697	●STOP, DRIVER RELEASE	1
15	230651	●CLAMP, BRUSH PLATE	1
16	140417	●CLIP, SPRING	1
17	1016331	WASHER, FLAT, 0.34B 1.25D .11, SS	1
18	12273	SCREW, HEX, M8 X 1.25 X 20, NL, SS	1
19	140237	SCREW, HEX .50- 13 X 1.00	2
20	140234	SCREW, HEX .50- 13 X 2.50	1
21	3148.816	WASHER, 0.52B 0.88D .06	1
22	140430	SPRING, HANDLE LOCK	1
23	140127	BEARING, THRUST	2
24	140509	NUT, 1/2- 13 HXJM	3
25	140024	WASHER, LOCK 0.50 SS	2
26	140139	SLEEVE, 0.625D 0.500B 0.25L	2
27	140045	WASHER, FLAT, 0.51B 1.25D .06 SS	4

- ▽ ASSEMBLY / CONJUNTO / ENSEMBLE
- ▲ INCLUDED IN ASSEMBLY / INCLUIDO A CONJUNTA / Y COMPRIS EN ENSEMBLE
- RECOMMENDED STOCK ITEM / PIEZAS RECOMENDADAS EN ALMACÉN / ÉLÉMENTS DE STOCK RECOMMANDÉS

PARTS LIST - LISTA DE PIEZAS - LISTE DES PIÈCES

BRUSH DRIVE GROUP (S/N 0000000- 10574487) /
CONJUNTO IMPULSO DE CEPILLO (S/N 0000000- 10574487) /
GROUPE TÊTE DE BROSSAGE DISQUE SIMPLE (S/N 0000000- 10574487)



PARTS LIST - LISTA DE PIEZAS - LISTE DES PIÈCES

**BRUSH DRIVE GROUP (S/N 00000000- 10574487) /
 CONJUNTO IMPULSO DE CEPILLO (S/N 00000000- 10574487) /
 GROUPE TÊTE DE BROSSAGE DISQUE SIMPLE (S/N 00000000- 10574487)**

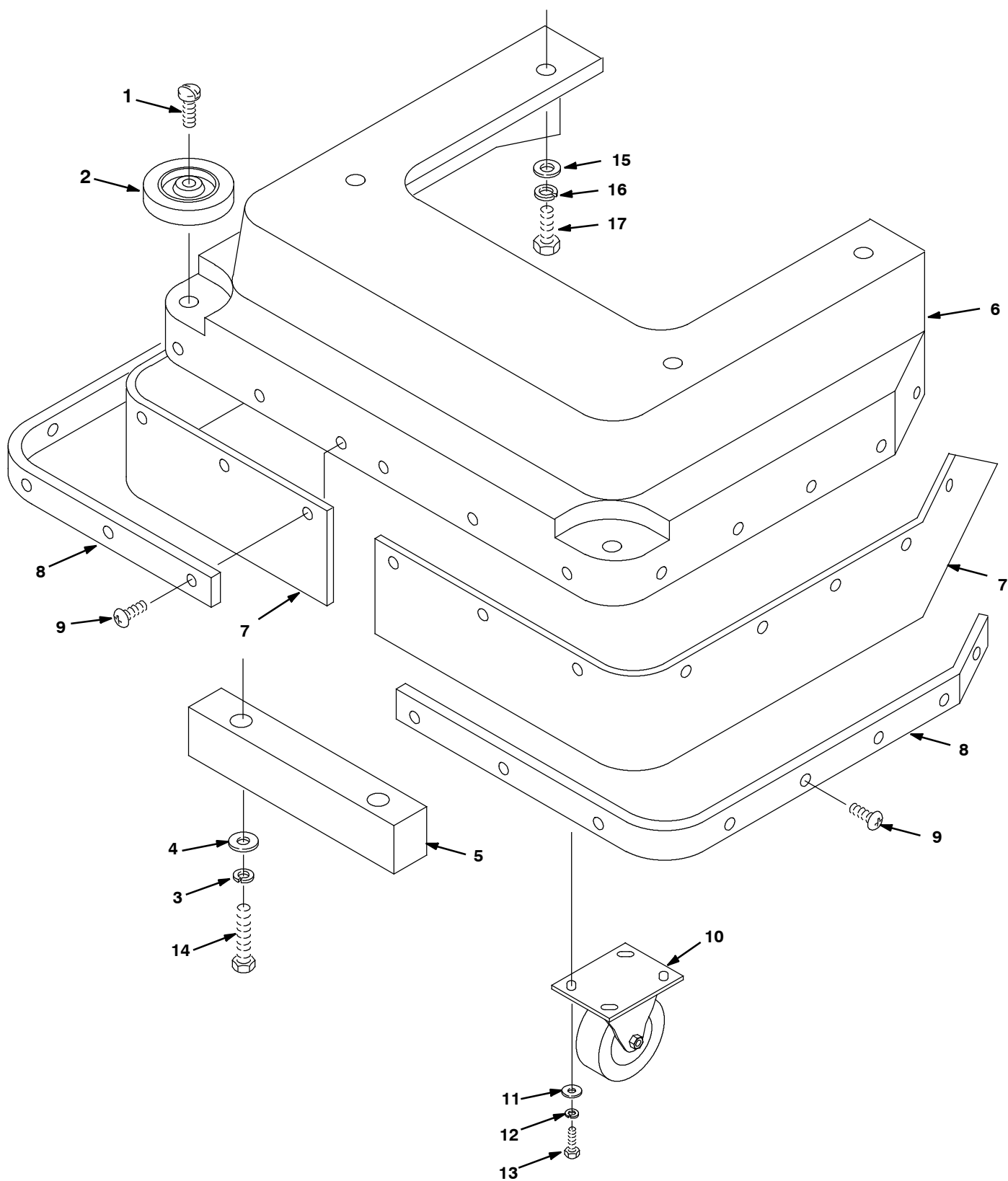
REF	PART #	DESCRIPTION	QTY.
▽ 1	130491	●MOTOR, W/GEARBOX 24V IMP (NLA - REPLACED BY 1069561)	1
▲	222615	●BRUSH, MOTOR ELE (SET OF 4)	1
▲	190741	●ASM, BRUSH CARD	1
▲	374005	●GEAR BOX, MOTOR	1
2	130192	TERMINAL ENDS	2
3	140431	SPRING, EXT 1.0 X 5.00 X 0.95	1
4	230871	BRACKET, MOTOR MOUNT	1
5	140823	SCREW, TRS 10- 24 X 0.63 PHL	1
6	100091	BUMPER, RECESSED	1
7	140552	NUT, HEX 10- 24 NY	1
8	607775	CLAMP, HOSE 2WIRE BLK	1
9	609924	HOSE, 3/8IDX5/8ODX19" CLEAR	1
10	140017	WASHER, LOCK SPLIT 0.38	4
11	69225	SCREW, HEX, .38- 16 X 1.00, SS	4
12	606335	PLATE, DRIVE MOLDED	1
13	140197	SCREW, TRS, PHL, 10- 24X0.38 SEMS	4

REF	PART #	DESCRIPTION	QTY.
14	230697	●STOP, DRIVER RELEASE	1
15	230651	●CLAMP, BRUSH PLATE	1
16	140417	●CLIP, SPRING	1
17	25732	WASHER, 0.36B 1.25D .093 FLT	2
18	140015	WASHER, LOCK, SPLT 0.31 SS	1
19	140219	SCREW, HEX .31- 18 X 1.00	1
20	140234	SCREW, HEX .50- 13 X 2.50	1
21	3148.816	WASHER, 0.52B 0.88D .06	1
22	140430	SPRING, HANDLE LOCK	1
23	140127	BEARING, THRUST	2
24	140509	NUT, 1/2- 13 HXJM	3
25	140024	WASHER, LOCK 0.50 SS	2
26	140139	SLEEVE, 0.625D 0.500B 0.25L	2
27	140045	WASHER, FLAT, 0.51B 1.25D .06 SS	4
28	140237	SCREW, HEX .50- 13 X 1.00	2

- ▽ ASSEMBLY / CONJUNTO / ENSEMBLE
- ▲ INCLUDED IN ASSEMBLY / INCLUIDO A CONJUNTA / Y COMPRIS EN ENSEMBLE
- RECOMMENDED STOCK ITEM / PIEZAS RECOMENDADAS EN ALMACÉN / ÉLÉMENTS DE STOCK RECOMMANDÉS

PARTS LIST - LISTA DE PIEZAS - LISTE DES PIÈCES

SKIRT GROUP / CONJUNTO JUEGO / GROUPE SOUFFLET JUPE



PARTS LIST - LISTA DE PIEZAS - LISTE DES PIÈCES

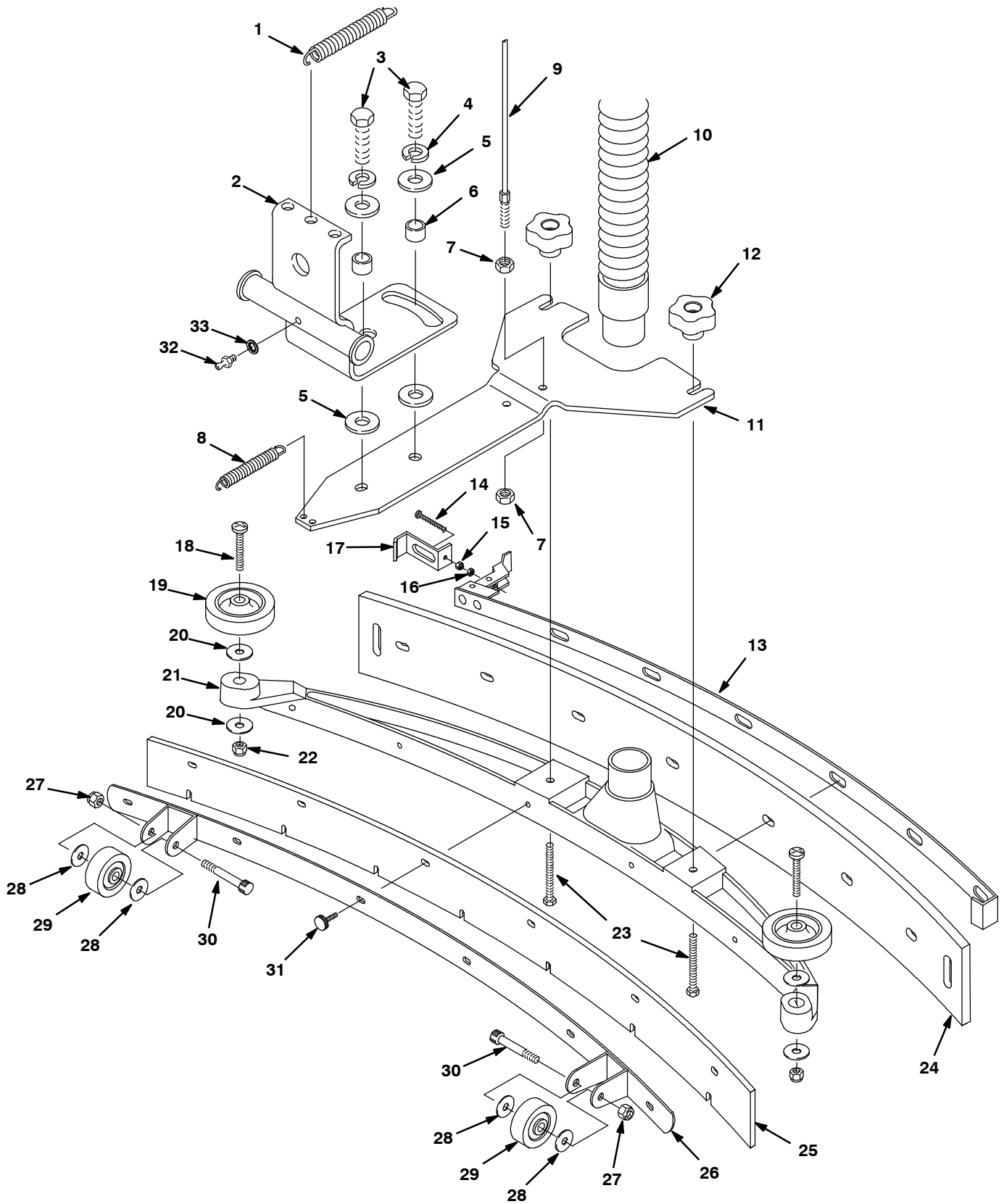
SKIRT GROUP / CONJUNTO JUEGO / GROUPE SOUFFLET JUPE

REF	PART #	DESCRIPTION	QTY.
1	140799	SCREW, TRS .31- 18 X 1.50 PHL	2
2	1014918	●WHEEL, RBR 3.0D W/BUSHINGS	2
3	140015	WASHER, LOCK, SPLT 0.31 SS	4
4	140027	WASHER, FLAT, 0.35B 0.75D .04 SS	2
5	230875	WEIGHT, 2X2.5X9.5	1
6	1033068	SKIRT, HSNB, RM- HG, AFMKT	1
7	605958	●GUARD, SPLASH	2
8	605959	STRAP, SPLASH GUARD	2

- RECOMMENDED STOCK ITEM / PIEZAS RECOMENDADAS EN ALMACÉN / ÉLÉMENTS DE STOCK RECOMMANDÉS

REF	PART #	DESCRIPTION	QTY.
9	605975	SCREW, TRS 10- 24X0.50 PHL SEM	16
10	606986	●CASTER, SWIVEL 3"X1.25"	2
11	140000	WASHER, 1/4 FLAT	8
12	140016	WASHER, LOCK 0.25	8
13	140259	SCREW, HEX, .25- 20 X .62 SS	8
14	140220	SCREW, 5/16- 18X2- 1/2 TAP	2
15	140027	WASHER, FLAT, 0.35B 0.75D .04 SS	4
16	140015	WASHER, LOCK, SPLT 0.31 SS	4
17	140216	SCREW, HEX .31- 18 X 1.50	4

SQUEEGEE GROUP / CONJUNTO PALETA / GROUPE DE LA RACLETTE



PARTS LIST - LISTA DE PIEZAS - LISTE DES PIÈCES

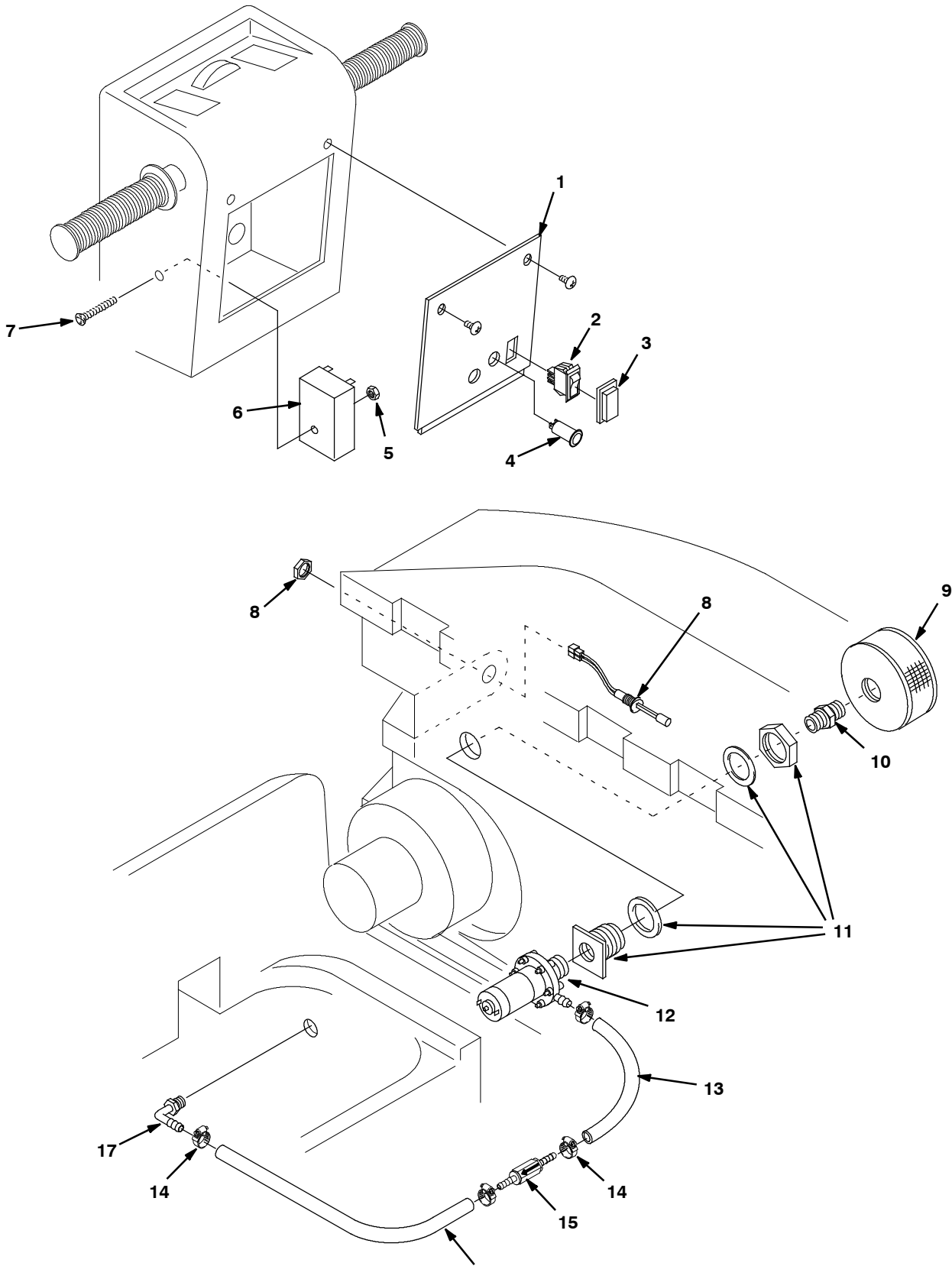
SQUEEGEE GROUP / CONJUNTO PALETA / GROUPE DE LA RACLETTE

REF	PART #	DESCRIPTION	QTY.
1	603149	SPRING, EXT .65 X 5.00 X .069	1
2	608834	PIVOT, SQUEEGEE MOUNT	1
3	140237	SCREW, HEX .50- 13 X 1.00	2
4	140024	WASHER, LOCK 0.50 SS	2
5	140045	WASHER, FLAT, 0.51B 1.25D .06 SS	4
6	140139	SLEEVE, 0.625D 0.500B 0.25L	2
7	140524	NUT, 1/4- 20 KEP	2
8	140433	SPRING, EXTENSION .50 X 3.00	2
9	1015636	●CABLE, SQUEEGEE LIFT	1
10	612798	●HOSE, VACUUM, 1.5D X 27L, 2- CUFFS, BLK	1
11	612793	BRACKET, SQUEEGEE MOUNT	1
▽	613939	ASM, XR SQUEEGEE	1
▲ 12	1011094	●KNOB, RND 1.50DIA 5 EAR	2
▲ 13	630348	●BAND, ASSY SQUEEGEE	1
▲ 14	630389	SCREW, PAN M5 X 0.8 X 45 PHL	1
▲ 15	09739	NUT, HEX M5 X .8 LOCK NL	1
▲ 16	140297	NUT, M5X.8 HEX	1
▲ 17	630287	●CLIP, SQUEEGEE BAND	1
▲ 18	630424	SCREW, PAN M8X1.25X70 PHL	2
▲ 19	1014918	●WHEEL, RBR 3.0D W/BUSHINGS	2
▲ 20	01685	WASHER, FLAT, 0.38B 0.88D .08	4
▲ 21	630275	CASTING, SQUEEGEE 20"	1
▲ 22	08709	NUT, HEX LOCK M8 X 1.25 NL	2
▲ 23	140799	SCREW, TRS .31- 18 X 1.50 PHL	2

- ▽ ASSEMBLY / CONJUNTO / ENSEMBLE
- ▲ INCLUDED IN ASSEMBLY / INCLUIDO A CONJUNTA / Y COMPRIS EN ENSEMBLE
- RECOMMENDED STOCK ITEM / PIEZAS RECOMENDADAS EN ALMACÉN / ÉLÉMENTS DE STOCK RECOMMANDÉS

REF	PART #	DESCRIPTION	QTY.
REAR BLADES			
▲ 24	612792	●BLADE, SQUEEGEE REAR LINATEX (RED) STANDARD	1
	630296	●BLADE, SQUEEGEE REAR GUM RUBBER (TAN) OPTIONAL	1
	612794	●BLADE, SQUEEGEE REAR URETHANE (WHITE) OPTIONAL	1
FRONT BLADES			
▲ 25	612980	●BLADE, FRONT SQUEEGEE LINATEX (RED) STANDARD	1
	612981	●BLADE, FRONT SQUEEGEE GUM RUBBER (TAN) OPTIONAL	1
	612982	●BLADE, FRONT SQUEEGEE URETHANE (WHITE) OPTIONAL	1
QUARRY TILE FRONT BLADES			
	630288	●BLADE, FRONT SQUEEGEE LINATEX (RED) OPTIONAL	1
	630291	●BLADE, FRONT SQUEEGEE GUM RUBBER (TAN) OPTIONAL	1
	600207	●BLADE, FRONT SQUEEGEE URETHANE (WHITE) OPTIONAL	1
▲ 26	612791	●BAND, SQUEEGEE FRONT	1
▲ 27	601108000	NUT, 5/16- 18 HEX LCK THIN NY	2
▲ 28	140028	WASHER, FLAT 0.42B, 1.00D	4
▲ 29	630477	●WHEEL, 2.0D 0.38W POLY GRAY	2
▲ 30	600187	SCREW, SHLD .380 X 1.25, .31- 18	2
▲ 31	603012	●KNOB, RND PLSTC M6 X 12 STUD	6
	32	150015 FITTING, GREASE 1/4- 28M	1
	33	07515 WASHER, LCOK, INT, 0.25, SS	1

ES KIT / ES JUEGO / GROUPE ES



OPTIONS - OPCIONES - ÉQUIPEMENT AU CHOIX

ES KIT / ES JUEGO / GROUPE ES

REF	PART #	DESCRIPTION	QTY.
▽	604951	●KIT, RECYCLE ES (NLA - NO LONGER AVAILABLE)	1
▲ 1	604952	COVER, CONTROL PANEL (NLA - NO LONGER AVAILABLE)	1
▲ 2	630419	●SWITCH, ROCKER 28VDC SPST	1
▲ 3	578720	●SPLASHGUARD, RCKR SWITCH	1
▲ 4	130738	●LIGHT, INDICATOR GREEN	1
▲ 5	140552	NUT, HEX 10- 24 NL	1
▲ 6	630145	●TIMER, 24VDC, RANGE:30SEC	1
▲ 7	140753	SCREW, 10- 24X1- 1/2 FLTPHL	1
▲ 8	603166	●SENSOR, LEVEL, LIQUID 28VDC	1
▲ 9	630138	●FILTER, SCREEN 100- MESH	1

REF	PART #	DESCRIPTION	QTY.
▲ 10	630385	FITTING, PLSTC STR PM12/PM12	1
▲ 11	601490	FITTING, 3/4NPT BULKHEAD	1
▲ 12	630136	●PUMP, SOLUTION 24VDC	1
▲ 13	630417	TUBING, 3/8ID X 5/8OD X 6.5"	1
▲ 14	54333	CLAMP, HOSE WORM 0.31- 0.88D	4
▲ 15	210044	●VALVE, CHECK	1
▲ 16	606363	TUBING, 3/8ID X 5/8OD X 13"	1
▲ 17	150415	FITTING, PLSTC E90 PM04/BM06	1
▲ N/S	604787	HARNESS, WIRE ES KIT	1

▽ ASSEMBLY / CONJUNTO / ENSEMBLE

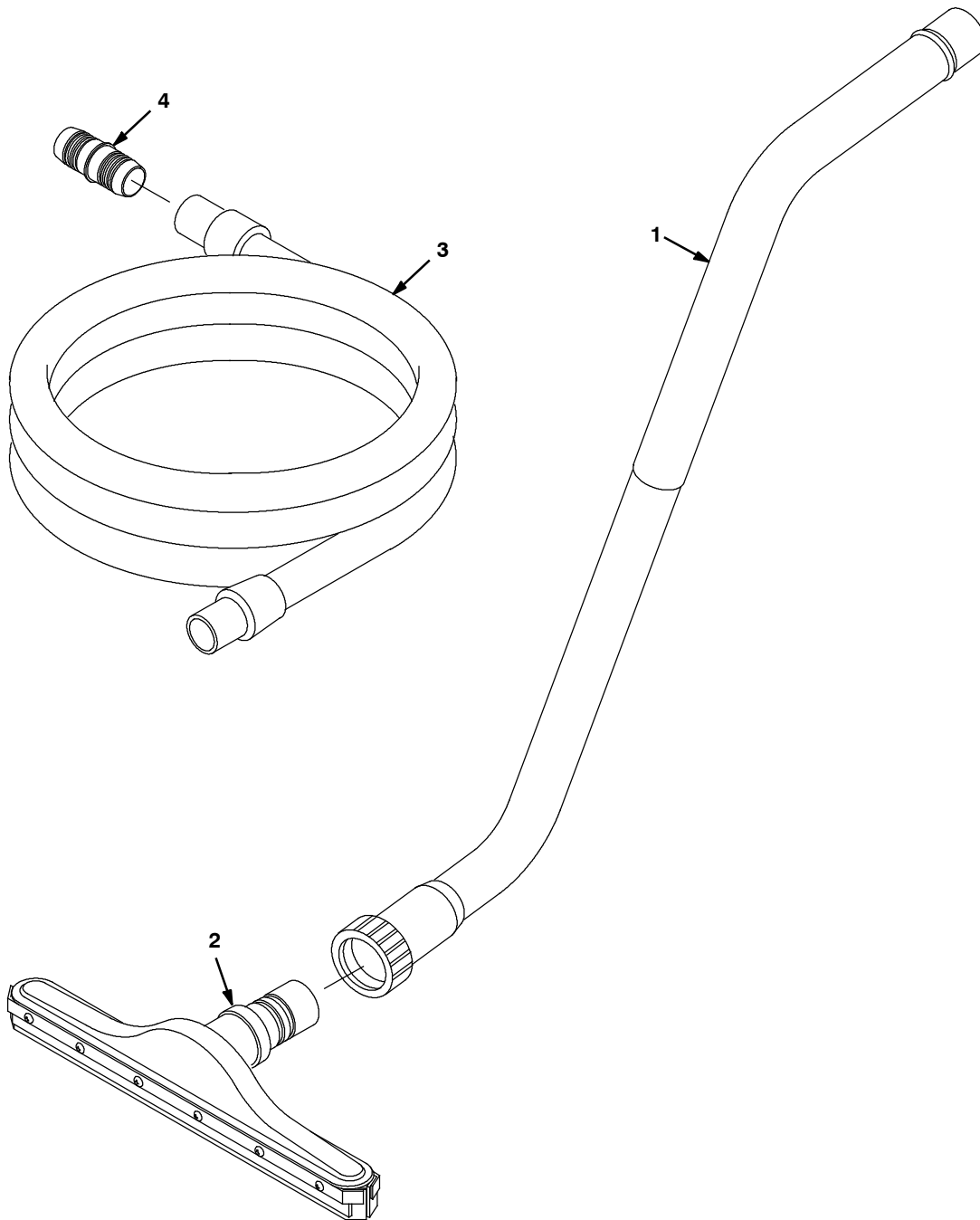
▲ INCLUDED IN ASSEMBLY / INCLUIDO A CONJUNTA / Y COMPRIS EN ENSEMBLE

● RECOMMENDED STOCK ITEM / PIEZAS RECOMENDADAS EN ALMACÉN / ÉLÉMENTS DE STOCK RECOMMANDÉS

N/S= NOT SHOWN / NO INDICADO / NON MONTRÉ

OPTIONS - OPCIONES - ÉQUIPEMENT AU CHOIX

SQUEEGEE WAND ASSEMBLY / GROUPE D'ASPIRATION ET RACLETTE À MAIN / GROUPE RACLOIR AUXILIAIRE D'EXTRACTION



REF	PART #	DESCRIPTION	QTY.
∇	190928	●ASM, WAND DOUBLE BEND	1
▲ 1	6108.1	WAND, DOUBLE BEND	1
▲ 2	13840	SQUEEGEE ASM PUSH/PULL	1

REF	PART #	DESCRIPTION	QTY.
▲ 3	160481	●HOSE, VAC 1- 1/2X10'	1
▲ 4	12694	FITTING, PLSTC, STR, BM24/BM2	1

- ∇ ASSEMBLY / CONJUNTO / ENSEMBLE
 ▲ INCLUDED IN ASSEMBLY / INCLUIDO A CONJUNTA / Y COMPRIS EN ENSEMBLE
 ● RECOMMENDED STOCK ITEM / PIEZAS RECOMENDADAS EN ALMACÉN / ÉLÉMENTS DE STOCK RECOMMANDÉS