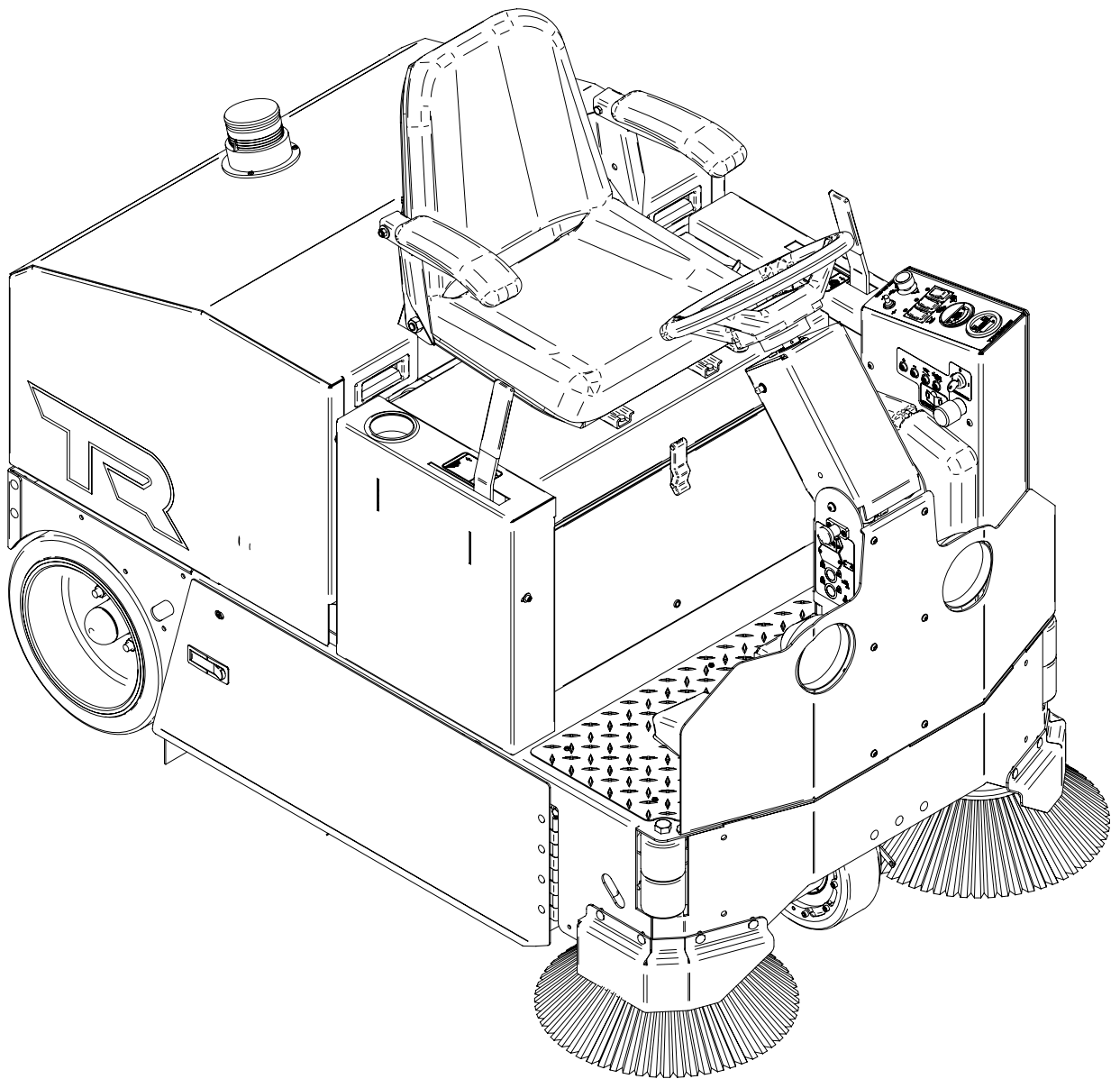


Version 1.0

# OPERATOR MANUAL

# TR SERIES



**R.P.S. Corporation**  
**P.O. Box 368**  
**Racine, Wisconsin 53401**

**Phone: 1-800-634-4060**  
**Fax: 1-866-901-3335**



**Safety Message** ..... 4  
**Safety Precautions** ..... 5  
**Maintenance**..... 6  
**Machine Controls and Features** ..... 7  
**Main Broom Removal**..... 8  
**Side Broom Removal and Adjustment** ..... 9  
**Filter Service** ..... 10  
**Hopper Removal** ..... 11  
**On Board Charger Operations** ..... 12  
**Off Board Charger Operations** ..... 13  
**Machine Operation** ..... 14  
**Battery Maintenance** ..... 15  
**Trouble Shooting** ..... 16  
**Preventive Maintenance Worksheet** ..... 18  
**Warranty Policy** ..... 20  
**Machine Delivery Form** ..... 21

## Machine Information

Please fill this area out at the time of installation for future reference.

Model Number: \_\_\_\_\_

Serial Number: \_\_\_\_\_

Installation Date: \_\_\_\_\_

Dealer: \_\_\_\_\_

Dealer Contact: \_\_\_\_\_

Address: \_\_\_\_\_

City, State, Zip \_\_\_\_\_

Phone Number \_\_\_\_\_

This operator manual should be considered a permanent part of the unit and should remain with unit at all times. This operator manual covers all the TR series sweepers. You may find descriptions and features that are not on your particular model. The information and specifications included in this publication were in effect at the time of printing. R.P.S. Corp reserves the right to make changes without notice or incurring any obligation.

To register for warranty, fax or go online and register today!

**FAX 866.632.6361**

or

**www.factorycat.com or www.tomcatequip.com**

**R.P.S. Corporation P.O. Box 241, Racine, WI 53401 1.800.450.9824**

## Safety Message

Your safety, and the safety of others, is very important, and operating this unit safely is an important responsibility.

To help you make informed decisions about safety, we have provided operating procedures and other safety information in the manual. This information informs you of potential hazards that could hurt you or others.

It is not practical or possible to warn you of all the hazards associated with operating this unit. You must use your own good judgment.

This is intended for commercial use. It is designed to be used on hard floors in an indoor environment.

### **1. Do not operate unit:**

- Unless trained and authorized.
- Unless operator manual is read and understood.
- If unit is not in proper operating condition.
- Outdoors or exposed to rain.
- For picking up hazardous materials/dust.
- On surfaces having a gradient exceeding 2%.
- Parking brake is functioning on the machine.

### **2. When operating unit:**

- Remove loose objects from the floor that may be projected from the revolving brushes.
- Keep hands and feet away from revolving brushes.
- Do not operate machine where flammable liquids are present.
- Use extreme caution when maneuvering.

### **3. Before leaving:**

- Make sure machine is turned off.
- Stop on level surfaces.
- Disconnect batteries.

### **4. Before servicing:**

- Stop on level surface, and secure machine.
- Disconnect batteries.

### **5. Before discarding machine:**

- The batteries must be removed and properly disposed of.

## Safety Precautions

**Warning:** Hazardous voltage. Shock, burns or electrocution can result. Always disconnect the batteries before servicing machine.

**Warning:** Batteries emit hydrogen gases, explosion or fire can result. Keep sparks and open flames away.

**Warning:** Charge unit in a well ventilated area, and keep battery compartment open when charging. Explosion or fire could result.

**Warning:** Battery acid can cause burns. Wear protective eye wear and gloves when servicing batteries.

**Warning:** Do not store outdoors or pressure wash. Prevent from getting electronic components wet.

**Warning:** The use of parts and solutions other than recommended by the manufacturer may cause damage or endanger people.

**Warning:** Dress safely. Do not wear rings or metal wrist watches while working on this machine. They can cause an electrical short, which can cause serious burns. Do not work on this machine while wearing a tie, scarf or other loose, dangling neckwear or clothing. These loose items can tangle in the rotating parts and cause serious injury or even death.

**Warning:** Do not use the machine as a step ladder or chair.

**Warning:** Only operate this machine from the operator's seat. It was not designed to carry passengers.

**Warning:** Do not operate this machine on ramps or uneven surfaces. When climbing a ramp, always drive the machine in forward straight up or down the ramp. Never drive across the incline. Do not back down or turn on ramps!

**Warning:** Do not attempt to push or pull the machine without first manually overriding the parking brake and disconnecting both leads to the traction motor.

**Warning:** Always use the charger provided by the manufacturer to charge the machine. It is an automatic charger, specifically designed to charge at the appropriate rate. If you must use a different charger, disconnect the batteries before charging. This will prevent damage to the electronic speed controller.

**Warning:** Understand the dynamic braking system before you operate the machine on ramps. Machine does not coast. Releasing the foot pedal will automatically apply braking force, and stop the machine.

**Warning:** Do not park the machine on ramps or slopes. The machine has a parking brake, but it is recommended that it is always parked on level ground.

**Warning:** Do not operate the machine if any parts have been removed or damaged.

**Warning:** Do not remove, paint over, or destroy warning decals. If warning decals become damaged, they must be replaced.

**Warning:** Do not operate machine in unsafe condition. If the machine is in need of repair or is in any way unsafe to operate, the matter should be reported immediately to the shift supervisor. Do not operate the machine until it is returned to proper operating condition.

**Warning:** This machine must only be operated by trained operator. As part of his or her training, they must read this manual thoroughly. If extra copies are needed, contact your local dealer.

**Warning:** Always turn off the machine, before leaving it unattended.

**Warning:** Do not operate over electrical floor outlets, may result in serious injury.

Perform task at hourly or calendar interval, whichever comes first.

## Every 6 Hours or Daily

## Every 30 Hours or Weekly

## Every 120 Hours or Monthly

Inspect Brush		
Clean Filter		
Clean Hopper		
Inspect Batteries and Electrolyte Levels		
Inspect for Vacuum Leaks		
Inspect/Replace Dust Curtains		
Inspect Wheels/Tires		
Grease Front Tire		
Inspect Cables and Springs		
Inspect Nuts, Bolts, Fasteners		

## Specs

## TR

### Body Construction

Frame Construction:	3/16" Coated Steel
Front Wheel:	(1) 10" dia. x 3"
Rear Wheel:	(2) 14" dia. x 5"
Body Dimensions:	64" x 37" x 55"
Weight (w/o batteries):	850 pounds
Weight (w/ batteries):	1,140 pounds

### Brush System

Sweeping Method:	Direct Throw
Main Broom Diameter:	10 Inches
Main Broom Length:	32" x 10"
Main Broom Motor Horsepower:	1 HP
Main Broom Speed:	435 RPM
Main Broom Suspension:	Trailing Arm
Side Broom Size:	(2) 17 Inch
Side Broom Power:	(2) 0.3 HP
Side Broom Speed:	0-100 RPM
Hopper Capacity:	4.2 Cubic Feet
Hopper Material:	Coated Steel

### Filtering System

Filter Material:	Polymer Felt
Filter Rating (Standard):	2.5 to 1.0 Micron
Filter Rating (Optional):	1.0 to 0.2 Micron
Size:	5,182 Sq. Inches
Vacuum:	250 CFM

### Battery System

Battery AH Rating (Standard):	245 AH
Battery AH Rating (Optional):	Up to 395 AH
Battery Run Time:	Up to 6 hours
Charger (Standard):	24V 25 Amp 110V

### Drive System

Front Drive Description:	Up to 1.5 HP All
Forward Speed Control:	Gear/Sealed
Reverse Speed Control:	0-320 ft./min (4 mph)
	0-200 ft./min (2 mph)

### General

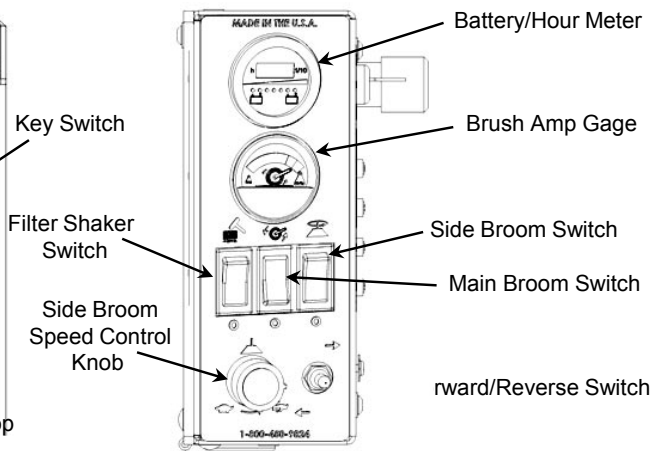
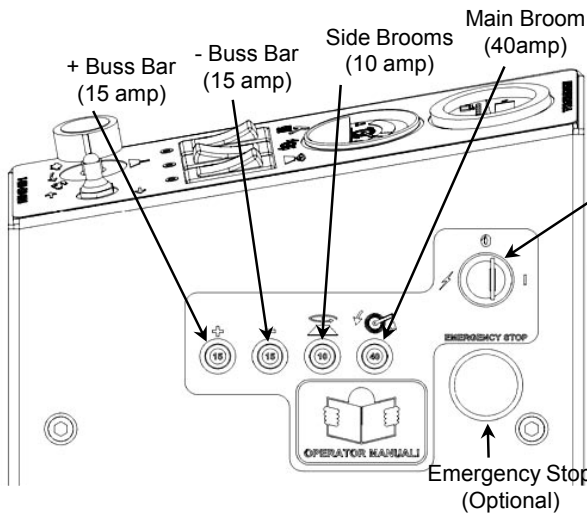
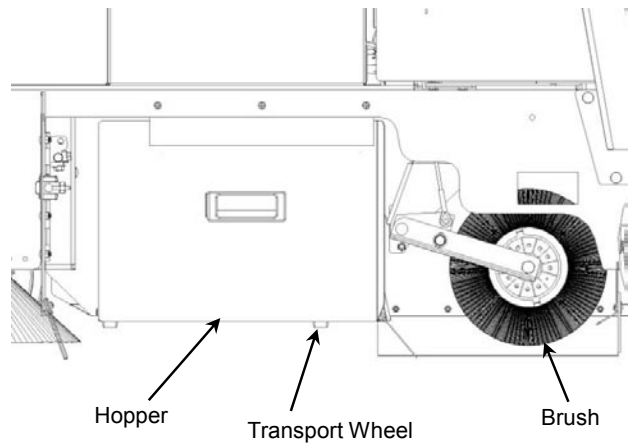
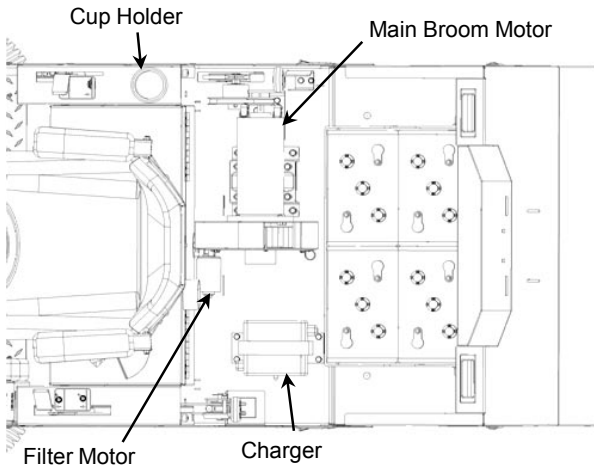
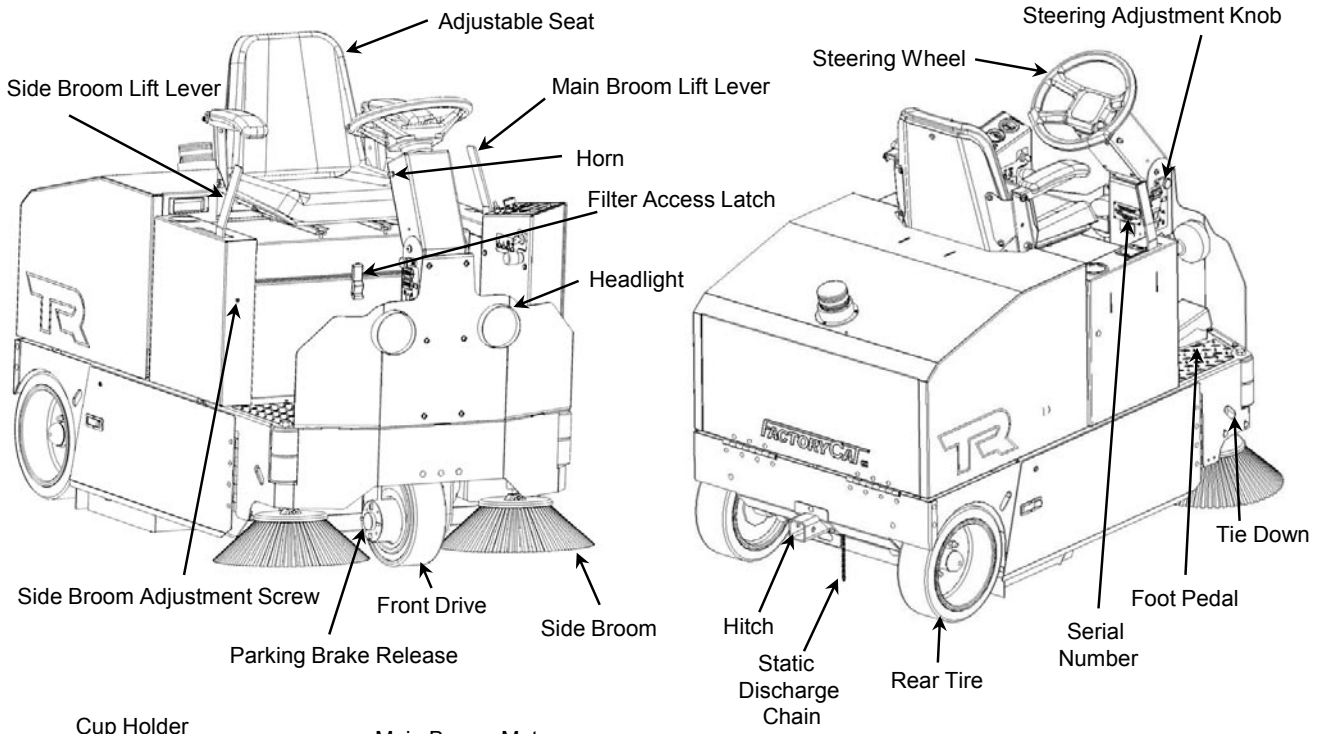
Cleaning Width & Rate/Hour:	46"/60,568 sq. ft./hr.
-----------------------------	------------------------

© RPS Corporation 2009.

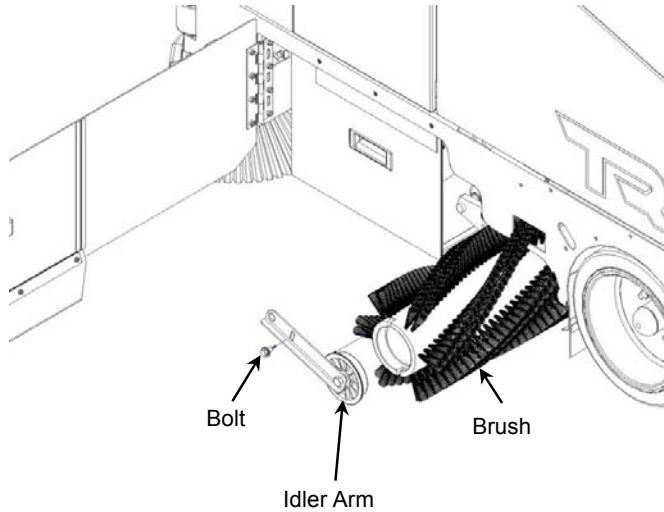
All Rights Reserved.

Since our policy is one of constant improvement, All specifications are subject to change without notice.

# Machine Controls and Features

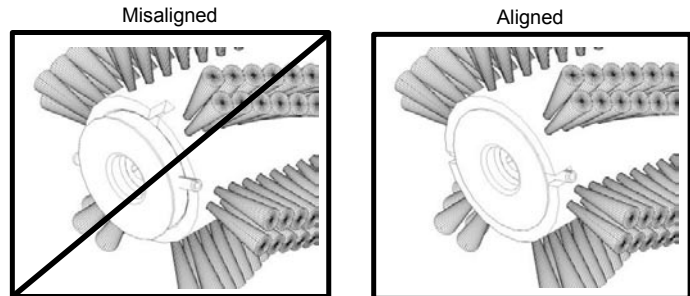


## Main Broom Removal



1. Turn the machine off and remove key.
2. Remove bolt on the idler arm.
3. Remove idler arm and pull out the old brush.
4. Slide the new brush in. Once you have the new brush on the driver, spin until you feel the brush engage the driver.
5. Reinstall idler arm and tighten bolt.
6. If the brush is not level, then loosen bolt and run the brush for a couple seconds.
7. Tighten bolt and check to make sure the brush is level.

### Brush Driver



#### NOTICE

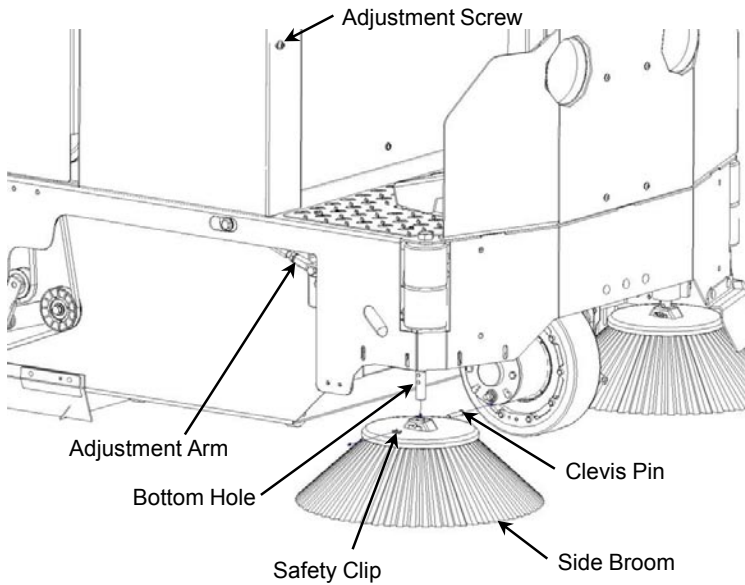
For Correct Brush Application Contact your Local Dealer.

## Main Broom

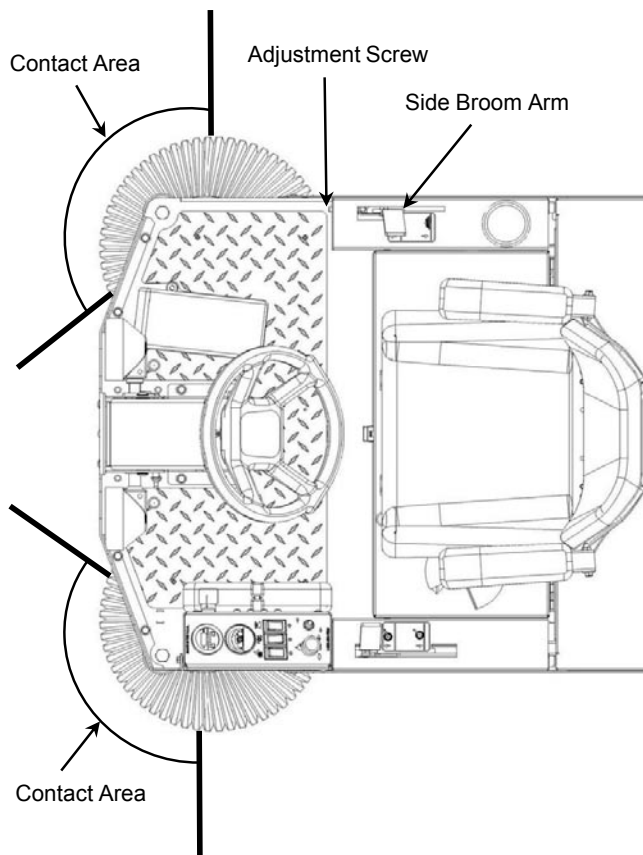
Part Number	Brush Type
8-401U	Union
8-401N	Nylon
8-401	Poly
8-401NN	Carpet
8-401W	Wire
8-401US	Union Steel
8-401S	Poly and Steel



## Side Broom Removal and Adjustment



1. Lower the side broom by pulling forward on the lever and sliding to the rear.
2. Remove the side brooms from the box.
3. Install the side brooms onto the motor shaft. Use the bottom hole on the shaft. Line up the holes and install the clevis pin and safety clip.
4. Check side broom height is correct.
5. If needs adjustment see below.

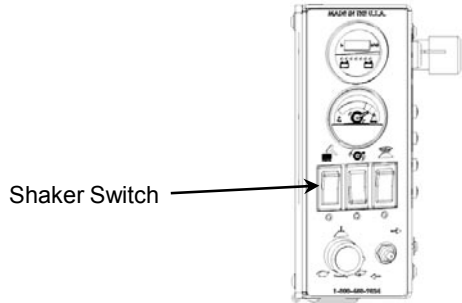


1. To adjust side broom height turn adjustment screws clockwise to raise, counter clockwise to lower the brooms.
2. The right side broom bristles should contact the floor in a 10 o'clock to a 3 o'clock pattern when the broom is in motion.
3. The left side broom bristles should contact the floor in a 9 o'clock to a 2 o'clock pattern when the broom is in motion.
4. To raise the side brooms higher when in the up position adjust the adjustment arm.

## Side Broom

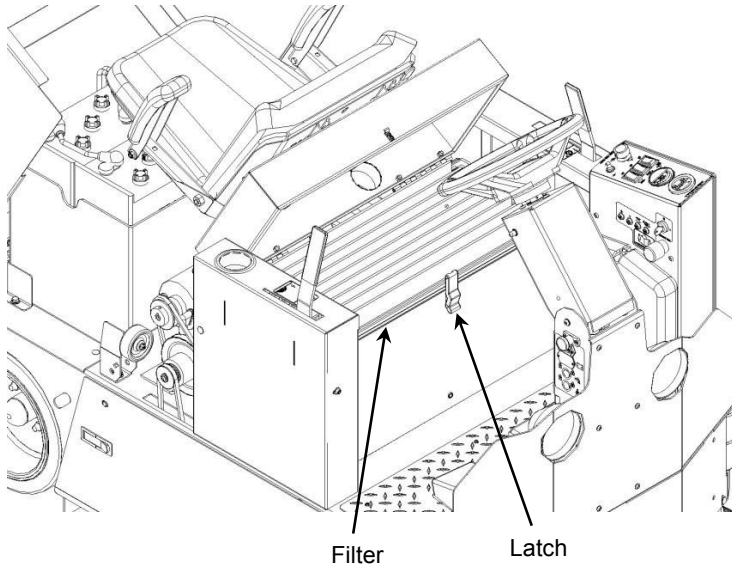
Part Number	Brush Type	Size
4-402	Poly	17"

### Filter Service



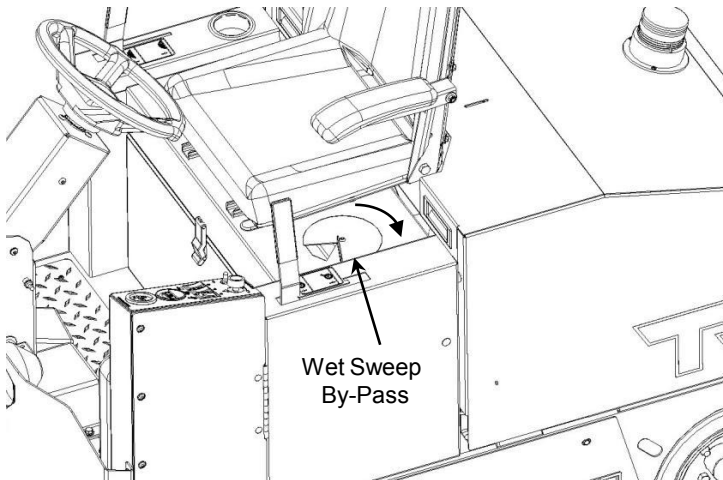
**CAUTION**  
If dust begins to blow through the vacuum motor then the filter should be clean.

1. Clean the filter by pressing the shaker switch for 20 seconds.



1. To remove filter open hood.
2. Undo latch and open filter chamber lid.
3. Pull out filter.
4. Reinstall new filter.

### Wet Sweep By-Pass



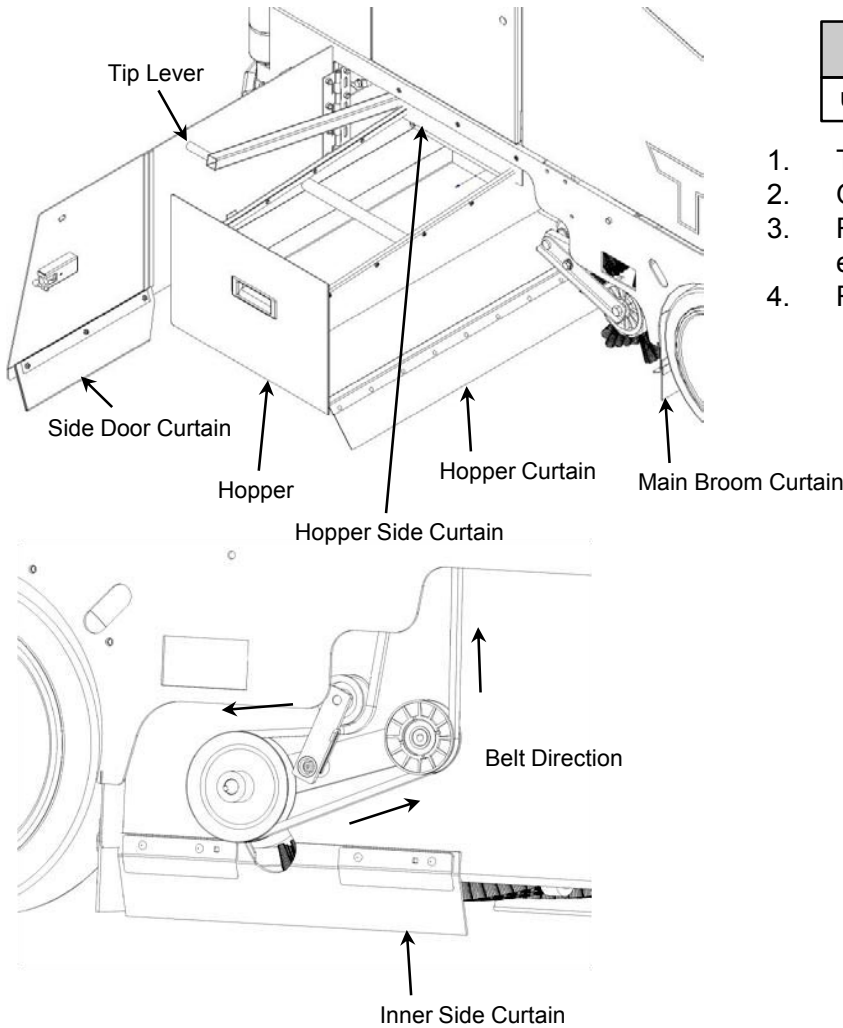
**CAUTION**  
When sweeping with water on the floor, make sure to open the wet sweep by-pass. This Reduces dust control.

1. Rotate the wet sweep by-pass door clockwise to open
2. Once back on dry floors close the wet sweep by-pass door.

### Filter

Part Number	Material Type
4-402	Polypropylene 1 micron
4-502F	Polypropylene .02 micron
4-502N	Nomex (fire resistant) 1 micron

## Hopper Removal



**NOTICE**  
Use tip lever on the hopper for easier dumping.

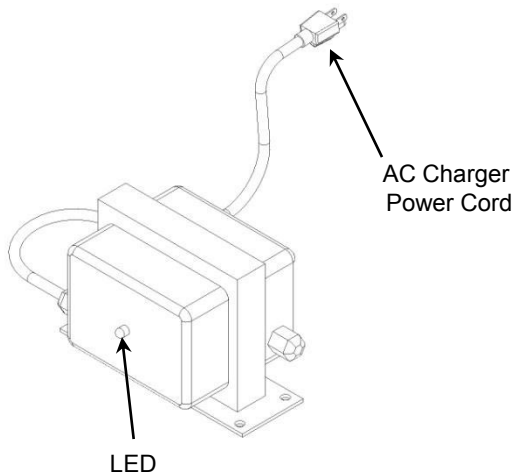
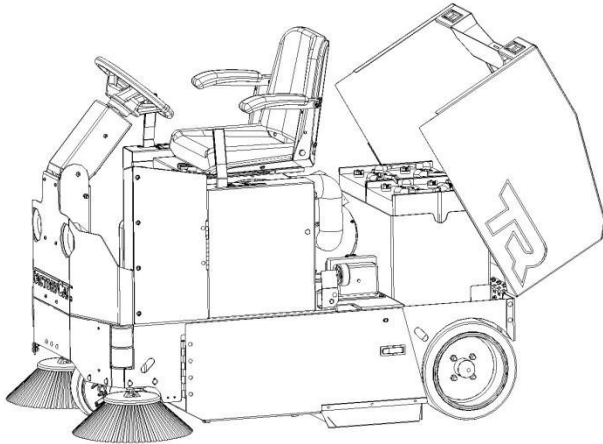
1. Turn the machine off and remove key.
2. Open side door by depressing latch.
3. Remove hopper from the machine and empty. Wash hopper out if necessary.
4. Reinstall hopper and close side door.

**NOTICE**  
\*Curtain Kit includes 349-1165, 349-5710, 349-5750, 349-9509 and 349-9510 .

### Curtains

Part Number	Description	Size
*349-5700	Curtain Kit	NA
349-1165	Main Broom Curtain	1/8"
349-5710	Hopper Curtain (Standard)	1/16"
349-5710A	Hopper Curtain (Option)	1/32"
349-5710B	Hopper Curtain (Option)	1/8"
349-5750	Inner Side Curtain	1/8"
349-9509	Side Door Curtain	1/16"
349-9510	Hopper Side Curtain	1/16"

## On Board Charger Operations



### **⚠ DANGER**

Always charge batteries in a well ventilated area. Batteries emit hydrogen gas. Keep sparks and flames away, explosion or fire can result. Always wear protective clothing and a face shield, or have a skilled mechanic do the battery maintenance.

### **⚠ CAUTION**

The following instructions are intended for the 24v charger supplied with the machine. Do **NOT** use any other charger with this machine.

### **⚠ CAUTION**

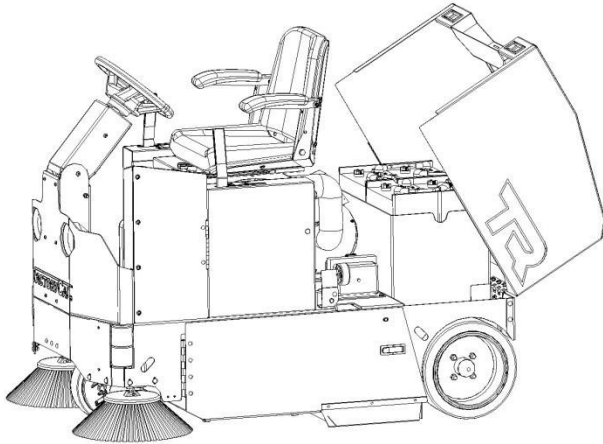
Do **NOT** charge the batteries unless the water is slightly higher than the plates. If needed, add distilled water to just slightly cover the plates. Be careful not to over fill. Batteries can overflow during charging.

### **⚠ CAUTION**

Make sure the hood is **ALWAYS** open when charging the machine.

1. Turn machine off.
2. Open the hood.
3. Plug the AC charger power cord into a grounded 110 volt standard wall outlet.
4. The charger will automatically begin charging and the LED on the charger will light, indicating charge current is flowing.
5. The OBET chargers are equipped with a electronic timer. At the battery gassing threshold, (2.3v per cell) the timer will activate and run for three hours.
6. After three hours the charger will shut off. Indicated by an extinguished LED.
7. Unplug the AC charger power cord.
8. Check water level for each battery and add if needed.

## Off Board Charger Operations



### **⚠ DANGER**

Always charge batteries in a well ventilated area. Batteries emit hydrogen gas. Keep sparks and flames away, explosion or fire can result. Always wear protective clothing and a face shield, or have a skilled mechanic do the battery maintenance.

### **⚠ CAUTION**

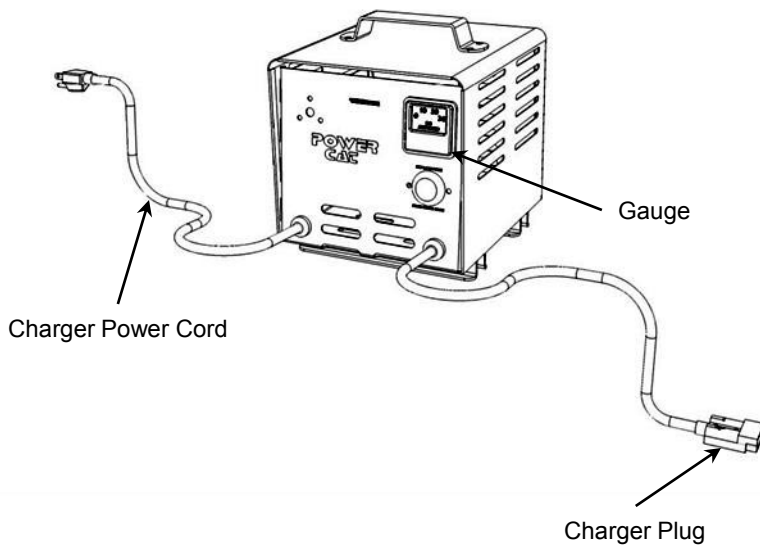
The following instructions are intended for the 24v charger supplied with the machine. Do **NOT** use any other charger with this machine.

### **⚠ CAUTION**

Do **NOT** charge the batteries unless the water is slightly higher than the plates. If needed, add distilled water to just slightly cover the plates. Be careful not to over fill. Batteries can overflow during charging.

### **⚠ CAUTION**

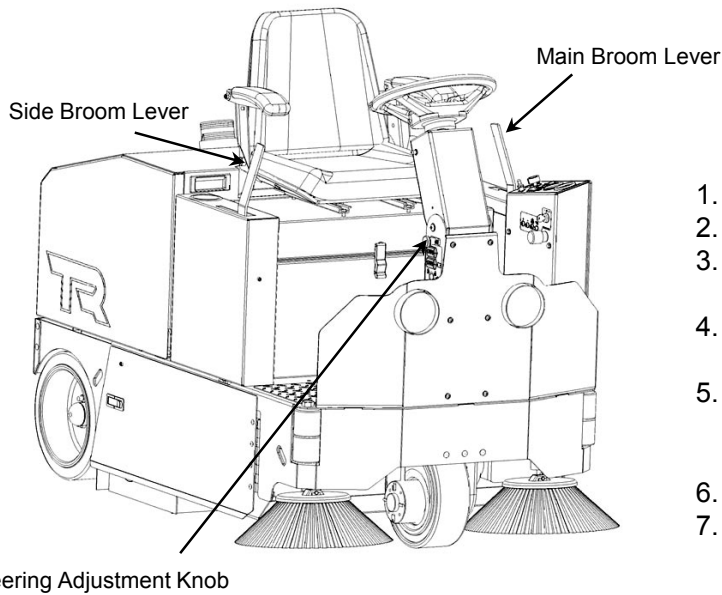
Make sure the hood is **ALWAYS** open when charging the machine.



1. Turn machine off.
2. Open the hood.
3. Plug in the red 50 charger plug from the charger into the machine.
4. Plug the charger power cord into a grounded 110 volt standard wall outlet.
5. The charger will automatically begin charging and automatically shut off when fully charged. (check gauge)
6. When fully charged and the charger has turned off, unplug the charger from the wall outlet.
7. Unplug the red 50 charger plug from the machine.
8. Check water level for each battery and add if needed.

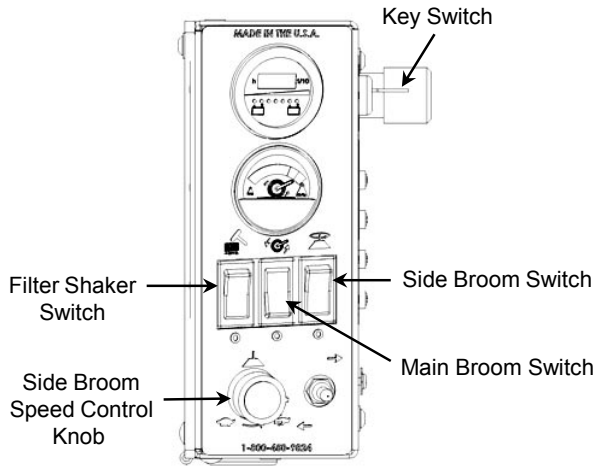


### Machine Operation



### Pre-Sweep

1. Disconnect charger and close hood.
2. Adjust the seat and steering pedestal.
3. Turn the key switch on and drive to the area to be cleaned.
4. Turn on the main broom and side broom switch.
5. Adjust the speed of the side brooms to the desired speed and confirm the side brooms height is correct.
6. Lower the main broom and side broom.
7. Drive slowly.

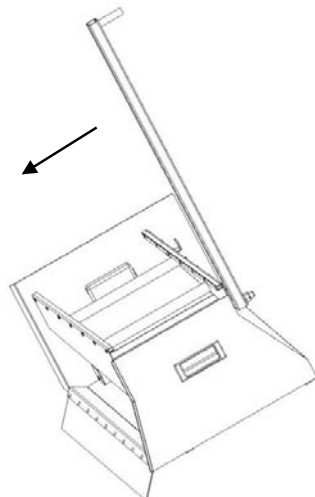


### After-Sweep

**⚠ NOTICE**

Use tip lever on the hopper for easier dumping.

1. Stop and shake filter.
2. Turn machine off and remove the key.
3. Remove hopper and clean.



**R.P.S. CORPORATION**  
**P.O. BOX 368**  
**RACINE, WI 53401**  
**FAX 866.901.3335**  
[www.factorycat.com](http://www.factorycat.com)  
 or  
[www.tomcatequip.com](http://www.tomcatequip.com)

## Battery Maintenance

### 1. New Battery Installation

- \* Inspect new batteries for damage. Wet spots may indicate a broken battery case.
- \* Immediately notify transportation company if damaged batteries are found.
- \* If batteries are received "wet", they must be charged monthly.
- \* Do not stack batteries on top of one another and never store on concrete. Store on wooden board.
- \* Dry charge batteries should be activated in accordance with the battery manufacturers instructions.
- \* Batteries must be installed in accordance with the machine manufacturers instructions. Wear eye protection, all connections should be tight, and always charge batteries immediately after installation.

### 2. Battery Inspection and Maintenance

- \* Use only distilled water to water batteries at least once a week.
- \* Fill all cells to the proper level. Do not overfill! The proper level is 1/2" above plates.
- \* Do not allow the electrolyte level to drop below the top of the separators.
- \* Use solution of bicarbonate of soda to wash any acid off of the batteries.
- \* Keep the top of the batteries clean and do not allow any foreign material to enter the cells.
- \* Remove any corrosion from battery post and apply a non-metallic grease of protective spray. Only apply the protective material after cleaning post and tightening the cables.
- \* Replace any cables that are damaged, frayed, or corroded.
- \* Weekly "spot" check at least (3) cells for specific gravity readings.
- \* If a low reading is found check:
  1. **Charger functioning properly.**
  2. **Connections are tight.**
  3. **Check electrolyte levels.**
  4. **Check all other cells.**
  5. **Determine age of batteries.**
  6. **Estimate "cycle" total.**
  7. **Determine if replacement is required (3 years/600-750 cycles)**

SPECIFIC GRAVITY @ 80°F (27°C)	BATTERY CONDITION
1.265	100% CHARGED
1.225	75% CHARGED
1.190	50% CHARGED
1.155	25% CHARGED
1.120	DISCHARGED

### 3. Battery Charging Methods

- \* Read and Understand the Operator's Manual issued with the charger and the machine.
- \* Do not charge battery if the machine was unused that day.
- \* Always charge batteries monthly if machine is not used for extended periods of time.
- \* Only use charger provided by the manufacturer to charge this machine.
- \* Verify charger output is the correct for battery size. Voltage must be the same and amperage approximately 10% of battery size. (24 volt/140 or 210 ah battery requires a 24 volt/18 amp charger).

### 4. Trouble Shooting Batteries

- \* Check terminal post connections for any that may be loose or have corrosion.
- \* Check cells with a hydrometer and note the specific gravity in each. A variation of .030 is poor.
- \* Check the voltage of each battery (must be disconnected). 12-volt batteries should read 12.7 volts and 6-volts batteries should read 6.3 volts to be considered "fully charged".
- \* Recharge batteries if everything up to this point checks out ok, and repeat process of checking all cells specific gravity and voltage.
- \* If poor run time is noted (less than 1/2 normal), one or more of the batteries need replacement.
- \* If modest run time is noted (approximated 3/4 of normal) the batteries are probably nearing the end of their useful life.

### 5. Battery Replacement

- \* Wear eye protection and gloves!
- \* Carefully remove the battery cables and old set of batteries.
- \* Clean all cables, battery tray and compartment, and replace any with damage or corrosion.
- \* Inspect new batteries for damage according to **Section 1**
- \* Inspect batteries for proper electrolyte level before installation.
- \* Carefully install batteries in machine. Large batteries may weigh over 100 pounds and will require a hoist or additional people. Never stand under an elevated battery
- \* Install cables, being sure all terminals and connections are clean and tight.
- \* Apply a light coat of non-metallic grease/protective coating.

### Trouble Shooting

Symptom	Causes	Remedies
No Power	Faulty Key Switch	Contact Local Servicing Dealer
	Batteries Need Charging	See Charging Batteries
	Faulty Battery	Replace Battery
	Loose Battery Cable	Tighten Loose Cable
Main Broom Does Not Sweep	Main Broom Is Not Down	Slide Main Broom Lever To The Down Position
	Foot Pedal Is Not Depressed	Engage Foot Pedal
	Main Broom Circuit Breaker Tripped	Reset 40 Amp Breaker
	Carbon Brushes Worn	Contact Local Servicing Dealer
	Faulty Motor Or Wires	Contact Local Servicing Dealer
Drive Motor Does Not Operate	Recharge Switch Misadjusted	Contact Local Servicing Dealer
	Faulty Speed Controller Or Wires	Contact Local Servicing Dealer
	Faulty Drive Motor	Contact Local Servicing Dealer
	Faulty Wiring	Contact Local Servicing Dealer
	Carbon Brushes Worn	Contact Local Servicing Dealer
Drive Motor Runs Incorrectly	Faulty Speed Controller Or Wires	Contact Local Servicing Dealer
	Faulty Potentiometer	Contact Local Servicing Dealer
	Loose Wires	Contact Local Servicing Dealer
Poor Dust Control	Filter Clogged	Press Filter Shaker Switch for 20 Seconds
	Hopper Gasket Faulty	Replace Gasket
	Hopper Full	Empty Hopper
	Faulty Vacuum Fan	Contact Local Servicing Dealer
	Battery Charge Is Low	Fully Charge Batteries
	Wet Sweep By-Pass Door Is Open	Close By-Pass Door



## Trouble Shooting

Symptom	Causes	Remedies
Poor Sweeping Quality	Main Broom Worn Out	Replace Main Broom
	Debris Stick To Main Broom	Remove Debris
	Broken Main Broom Belt	Replace Belt
	Broken Jackshaft Belt	Replace Belt
	Main Broom Belt Fell Off	Reinstall Belt
	Jackshaft Belt Fell Off	Reinstall Belt
	Battery Charge Is Low	Fully Charge Batteries
	Broom Has Flat Spot	Replace Broom
Main Broom Noisy / Bounces	Debris Stuck In Main Broom	Remove Debris
	Main Broom Out Of Round	Replace Main Broom
	Debris Stuck in Main Broom Belt	Remove Debris
Tires Noisy / Poor Traction	Bearings Dry	Grease Bearings
	Rear Tires Loose	Tighten (4) Lug Nuts
	Worn Front Drive Tire	Contact Local Servicing Dealer
Low Run Time	Batteries Run Down	Contact Local Servicing Dealer
	Batteries Still Down	Contact Local Servicing Dealer
	Batteries Low On Water	See Battery Maintenance
	Batteries Over Cycled	Contact Local Servicing Dealer

### TR SERIES

#### PREVENTIVE MAINTENANCE WORKSHEET

CUSTOMER INFORMATION		
CUSTOMER		
ADDRESS		
CITY	STATE	ZIP CODE

MACHINE INFORMATION		
MODEL #	SERIAL #	
WORK ORDER #	HOUR METER:	DATE:
SERVICE COMPANY:	TECH:	

BATTERY CONDITION	Cell #1	Cell #2	Cell #3
Battery #1 Hydrometer Reading			
Battery #1 Water Condition			
Battery #2 Hydrometer Reading			
Battery #2 Water Condition			
Battery #3 Hydrometer Reading			
Battery #3 Water Condition			
Battery #4 Hydrometer Reading			
Battery #4 Water Condition			

Clean Battery Tops, Check Battery Cables and Terminal Condition
NOTES:

BRUSH CONDITION			
Main Broom Fiber Length	Rotated Brushes		
Broom Driver	Good	Worn	Needs Replacement
Broom Driver & Idler Hubs	Good	Worn	Needs Replacement
Side Broom Condition	Good	Worn	Needs Replacement Rotated Side to Side

CHECK OPERATION AND CONDITION OF:	INSEC	REPAIR	PROBLEM
Steering Wheel Tilt Mechanism			
Key Switch			
Horn			
Head Lights			
Battery / Hour Meter Gauge			
Broom Amp Gauge			
Main Broom Switch			
Side Broom Switch			
Filter Shaker Switch			
Forward / Reverse Switch			
Foot Pedal			
Back Up Alarm (Reverse Only)			
Side Broom Speed Control Rheostat			
Main Broom Belts			
Main Broom Lift Cable			
Side Broom Lift Mechanism			

## TR SERIES

### PREVENTIVE MAINTENANCE WORKSHEET

Main Broom Motor			
Side Broom Operation			
Strobe Light			
Battery Charger Connectors			
Battery Charger			

CLEAN AND/OR LUBRICATE:	INSEC	REPAIR	PROBLEM
Filter (20 Seconds w/ Shaker Button)			
Hopper			
Side Broom Linkage			
Remove Broom & Check Drivers For Debris			
Steering Chain			

VISUALLY INSPECT:	INSEC	REPAIR	PROBLEM
Seal Under Filter			
Hopper Curtain			
Hopper Side Curtain			
Main Broom Curtain (Rear)			
Side Door Curtain			
Inner Side Curtain			
Vacuum Hose			
Drive Wheel Condition			
Rear Wheels Condition			

#### COMMENTS:

Technician's Name: \_\_\_\_\_

Technician's Signature: \_\_\_\_\_

Date: \_\_\_\_\_

Customer's Name: \_\_\_\_\_

Customer's Signature: \_\_\_\_\_

Date: \_\_\_\_\_

## STANDARD WARRANTY POLICY (RPS Corporation)

RPS Corporation warrants its machines, parts and accessories to be free of manufacturer's defects for the periods specified below. Warranty will be granted at the sole discretion of RPS Corporation and is subject to final claim and parts review by R.P.S. Corporation and its vendors. This policy is effective January 1, 2010 and is subject to change on production units at a future date.

### **COVERAGE, EXCLUSIONS AND LIMITATIONS:**

Coverage:	All Models sold (Sweepers, Scrubbers, Burnishers)
Parts:	36 months / 1,500 hours on "Power On" hour meter
Labor:	12 months
Travel:	3 months (150 mile maximum)
Poly Tanks:	7 Years
OEM Parts:	3 months
Validity:	Fully completed Machine Delivery Form (online or fax) is on record at RPS.
Limitation:	Warranty will begin on date of machine installation to end-user or 6 months after shipment from RPS Corp to the distributor if unsold at that time.

This warranty includes all parts on the machine except normal wear parts. Some of these exceptions are:

1. Any Brooms, Brushes, Pads or Pad Drivers including Center Clip Retainers
  2. Floor Seals, Wipers, Splash Curtains, Squeegees or Gaskets.
  3. Filters, Dust Collection Bags or Screens
  4. The safety pins design to fail in shear, which are a fail-safe device
  5. Belts, Hoses or Tubing.
  6. Caster Wheels, Tires or internal tire tubes.
  7. Vacuum motors with evidence of water/foam passage or more than 450 hours
  8. Lights (Strobe, Headlights or bulbs).
  9. The Batteries (see below).
- ❖ **NOT COVERED:** Routine maintenance, adjustments or parts damaged from abuse, neglect, improper use of the machine, or lack of scheduled "daily, weekly, monthly" maintenance in accordance with our published PM Sheets.

**POLY TANKS:** 7 Years Coverage against leakage due to manufacturer's defect in materials or workmanship. **NOTE:** Freight coverage for 3-Years under the parts section of warranty.

**BATTERIES:** Warranted through battery manufacturer for **One (1) Year** (prorated) from the date of delivery. The battery manufacturer approves or denies the warranty coverage after analysis. We rely on solely on their review. **NOTE NOT COVERED:** Damage from lack of water, failure to use OEM charger, or non-distilled water.

Installing Dealer: \_\_\_\_\_ Installed By: \_\_\_\_\_

Location: (City, State): \_\_\_\_\_ Install Date: \_\_\_\_\_

End-User Company Name \_\_\_\_\_ End-User Contact: \_\_\_\_\_

Address: \_\_\_\_\_ City/State: \_\_\_\_\_ Zip \_\_\_\_\_

Phone: \_\_\_\_\_ Fax: \_\_\_\_\_ Email: \_\_\_\_\_

Model: \_\_\_\_\_ Serial #: \_\_\_\_\_ Hour Meter: \_\_\_\_\_

BUYER'S REPRESENTATIVE HAS RECEIVED INSTRUCTION IN PROPER OPERATION OF THE FOLLOWING CONTROLS AND FEATURES:

**SCRUBBERS**

- Filling solution tank, Solution tank sight tube, Solution drain hose or valve for flushing and freezing conditions
- Adjusting controls & operation, Double scrubbing, Squeegee lift delay, vacuum switch (horn honking) and vacuum timer
- Recovery tank draining & cleaning, vacuum screen removal and cleaning, drain saver basket emptied.
- Shroud and pad/brush removal and installation
- Side Wiper and Curtain adjustment and maintenance for water control
- Solution valve and filter operation (removal and cleaning)
- LCD display operation, 4 hour meters (key switch, brush, traction drive, vacuum)
- Tank tilt back feature, only when both tanks are fully drained
- Squeegee hose removal and checking for clogs

**BURNISHERS**

- Train and have customer demonstrate proper removal and replacement of burnishing pad
- Pad pressure gauge and proper operating range to avoid tripping the circuit breaker

**SWEEPERS**

- Demonstrate proper removal and replacement of main broom and side brooms
- Method for cleaning the dust filter, emptying out the debris hopper and correct installation
- Correct operation of the main broom and side broom levers, and understands to park with brushes in UP position
- Trained on the "Wet-Sweep" bypass door and not to operate through standing water

**ALL MACHINES**

- Checking battery electrolyte level and confirm monthly check that battery terminals are tight
- Parking brake override
- Charging operation and customer understands batteries have limited "cycles" and recharging = 1 cycle
- Seat and steering wheel adjustment
- Customer has read and understands the list of WARNINGS in the Operator manual
- Battery and Machine Maintenance Guide posters hung up and reviewed
- Manufacturer's website is a good source of information and sign up for quarterly newsletters

In addition to the above items the buyers representative has received the operator's manual and been advised to read the manual before operating the machine.

Installed By (print) \_\_\_\_\_ Signature \_\_\_\_\_

Buyers Representative (print) \_\_\_\_\_ Signature \_\_\_\_\_

Buyer agrees to pay for any repairs, adjustments, or secondary training that manufacturer determines is excluded from the warranty.

**COMPLETE AND FAX FORM TO 1-866-632-6961 or online [www.factorycat.com](http://www.factorycat.com)**