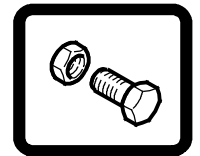




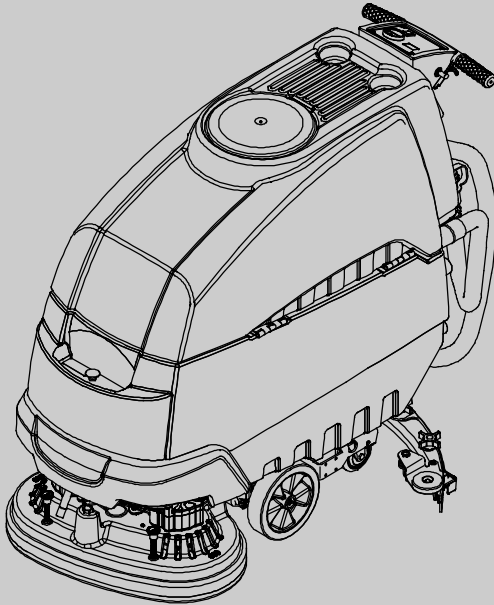
# T5e

Scrubber

## Parts Manual



(S/N 50000000-60000000)



**The Safe Scrubbing Alternative<sup>®</sup>**



**Quick-Train<sup>™</sup> Controls**



To view, print or download  
the latest manual, visit:

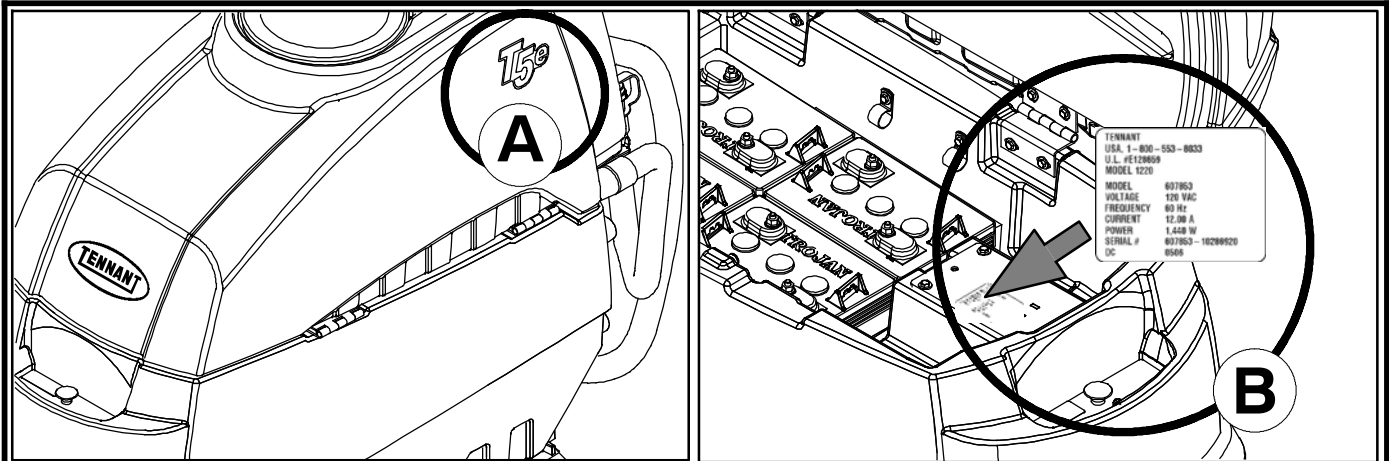
[www.tennantco.com/manuals](http://www.tennantco.com/manuals)

**International**

[www.tennantco.com](http://www.tennantco.com)

9008422  
Rev. 02 (01-2013)





Ref	Part No.	Serial Number	Description	Qty.
1	82681	(000000 - )	Bracket Wldt, Lpg Mount	1
▽ 2	63810	(000000 - )	Latch Assy, Lpg Tank Mtg, W/Nut	4
▲ 3	51839	(000000 - )	Nut Adjustable, Lpg Tank Mtg	2
	49263	(000000 - )	Tie, Cable	3
	82556	(000000 - 001039)	Bracket, Vaporizer	1
6	54930	(000000 - )	Vaporizer, LPG	1

**HOW TO ORDER PARTS - See diagram above**

Only use TENNANT Company supplied or equivalent parts. Parts and supplies may be ordered online, by phone, by fax or by mail.

Follow the steps below to ensure prompt delivery.

1. (A) Identify the machine model.
2. (B) Identify the machine serial number from the data label.
3. (C) Ensure the proper serial number is used from the parts list.
4. Identify the part number and quantity. Do not order by page or reference numbers.
5. Provide your name, company name, customer ID number, billing and shipping address, phone number and purchase order number.
6. Provide detail shipping instructions.

- (D) ▽ - identifies an assembly  
 ▲ - identifies parts included in assembly

**Please fill out at time of installation for future reference.**

Model No. - \_\_\_\_\_

Serial No. - \_\_\_\_\_

Machine Options - \_\_\_\_\_

Sales Rep. - \_\_\_\_\_

Sales Rep. phone no. - \_\_\_\_\_

Customer ID Number - \_\_\_\_\_

Installation Date - \_\_\_\_\_

**Tennant Company**  
 PO Box 1452  
 Minneapolis, MN 55440 USA  
 Phone: (800) 553-8033 or  
 (763) 513-2850  
 www.tennantco.com

**Tennant Cleaning Systems & Equipment Co., Ltd.**  
 Building 1, No. 3777,  
 Caoying Road Qingpu Shanghai  
 China, 201712  
 Phone: (86-21) 6922-5333  
 Fax: (86-21) 69225151  
 www.tennantco.com.cn

<p>GENERAL RECOMMENDED MAINTENANCE ITEMS ..... 4</p> <p><b>STANDARD PARTS</b></p> <p>REPLACEMENT BRUSHES ..... 10</p> <p>PAD DRIVER GROUP ..... 12</p> <p>RECOVERY TANK GROUP ..... 14</p> <p>VACUUM MOTOR GROUP ..... 16</p> <p>SOLUTION TANK GROUP ..... 18</p> <p>CONTROL CONSOLE GROUP ..... 20</p> <p>COMPONENT PANEL GROUP ..... 22</p> <p>FRAME GROUP ..... 24</p> <p>SCRUB HEAD GROUP, DISK 24 in / 600 mm ... 26</p> <p>SCRUB HEAD GROUP, DISK 24 in / 600 mm - CONT'D ..... 28</p> <p>SCRUB HEAD GROUP, DISK 28 in / 700 mm ... 30</p> <p>SCRUB HEAD GROUP, DISK 28 in / 700 mm - CONT'D ..... 32</p> <p>SCRUB HEAD GROUP, DISK 32 in / 800 mm ... 34</p> <p>SCRUB HEAD GROUP, DISK 32 in / 800 mm - CONT'D ..... 36</p> <p>SCRUB HEAD GROUP, CYLINDRICAL 26 in / 650 mm ..... 38</p> <p>SCRUB HEAD GROUP, CYLINDRICAL 26 in / 650 mm - CONT'D ..... 40</p> <p>SCRUB HEAD GROUP, CYLINDRICAL 32 in / 800 mm ..... 42</p> <p>SCRUB HEAD GROUP, CYLINDRICAL 32 in / 800 mm - CONT'D ..... 44</p> <p>SCRUBHEAD LIFT GROUP ..... 46</p> <p>SOLUTION GROUP, FaST MODEL ..... 48</p> <p>SOLUTION GROUP, FaST MODEL - CONT'D ..... 50</p> <p>9003907 FAST INJECTOR ASSEMBLY BREAKDOWN 600 mm DISK &amp; 650 mm CYLINDRICAL MODELS ..... 52</p> <p>9003908 FAST INJECTOR ASSEMBLY BREAKDOWN 700 mm / 800 mm DISK &amp; 800 mm CYLINDRICAL MODELS ..... 53</p>	<p>SOLUTION GROUP, ec-H2O MODEL ..... 54</p> <p>ec-H2O MODULE ASSEMBLY BREAKDOWN, 9007970 ..... 58</p> <p>SOLUTION GROUP, STANDARD MODEL ..... 60</p> <p>SQUEEGEE LIFT GROUP ..... 62</p> <p>SQUEEGEE GROUP, 20 in / 500 mm ..... 64</p> <p>SQUEEGEE GROUP, 24 in / 600 mm ..... 66</p> <p>SQUEEGEE GROUP, 26 in / 650 mm &amp; 28 in / 700 mm ..... 68</p> <p>SQUEEGEE GROUP, 32 in / 800 mm ..... 70</p> <p>BATTERY GROUP, MAINTENANCE FREE 200 Ah ..... 72</p> <p>BATTERY GROUP, LEAD-ACID 235 Ah ..... 73</p> <p>ON-BOARD CHARGER GROUP ..... 74</p> <p>ELECTRICAL DIAGRAM, STANDARD &amp; FaST MODEL ..... 76</p> <p>ELECTRICAL DIAGRAM, ec-H2O MODEL ..... 78</p> <p>WIRE HARNESS GROUP, ec-H2O OPTION ..... 80</p> <p>WIRE HARNESS GROUP, FAST OPTION ..... 82</p> <p>WIRE HARNESS GROUP, FRAME ..... 83</p> <p>WIRE HARNESS GROUP, WAND OPTION ..... 84</p> <p>WIRE HARNESS GROUP, MAIN ..... 85</p> <p><b>OPTIONS</b></p> <p>WAND PUMP KIT ..... 88</p> <p>BUMPER WHEEL KIT ..... 90</p> <p>DELUXE POWER WAND GROUP ..... 92</p> <p>POWER WAND HOSE GROUP ..... 94</p> <p>OFF-BOARD CHARGER GROUP ..... 95</p> <p>OPTIONAL WHEEL KIT ..... 96</p>
---	--

# RECOMMENDED MAINTENANCE ITEMS

## GENERAL RECOMMENDED MAINTENANCE ITEMS

Ref.	Part No.	Serial Number	Description	Qty.
	1017959	(50000000-	) Seal, Bulb, Str, 0.50h .50w 032.0l, Adh	1
▽	1043538	(50000000-	) Hose Assy, Drain, 1.50id X 29.5l, Blk	1
▲▽	1008639	(50000000-	) Cap, Drain Assy	1
▲▲	1019563	(50000000-	) Strap, Cap, Drain	1
▲▲	1008637	(50000000-	) Seal, Org, 1.48id 1.76od	1
	630255	(50000000-	) Gasket, Float, Mount	1
	630052	(50000000-	) Float, Shut-Off, (2)Ball, 1.75d	1
▽	1025106	(50000000-	) Fan, Vacuum, 5.7d, 3s, 24vdc, Us	1
▲	190163	(50000000-	) Brush, Carbon, Motor, Ele [1pick=1pkg]	1
	100038	(50000000-	) Gasket, Vacuum Mtr 5.7 Epdm W/Psa	1
	606146	(50000000-	) Screen, Fltr, Soltn Fill, Nat	1
	86379	(50000000-	) Fuse, 100a 125volt 0.88 X 3.2l	1
	1049048	(50000000-	) Caster, Swivel, 4.0d 1.4w, 4hole [400lb]	2
	614166	(50000000-	) Brush Kit, Carbon [Qty 4] (For Transaxle Motor 1031723)	1
	1031775	(50000000-	) Brush, Brush-Motor, Afmkt (For Disk Scrub Head Motor 1023067)	1
	1035888	(50000000-	) Belt, Drive, 6Grv, 508l X 14w, [6Pj]	2
	1022401	(50000000-	) Gasket, Cover, Belt	2
	1049739	(50000000-	) Brush Kit, Carbon, Motor, Replmt [4pcs]	2
	1025272	(50000000-	) Skirt, Tray, Debris, 65cm	1
	1025273	(50000000-	) Skirt, Tray, Debris, 80cm	1
▽	1005302	(50000000-	) Filter, In-Line, Pf06/Pf06, 80 Mesh	1
▲	1005304	(50000000-	) Screen, Fltr, 80 Mesh	1
▲	613992	(50000000-	) Gasket [Viton, F/1005302]	1
	1008675	(50000000-	) Gasket, Edge, Foam, 24.00l [Fr]	1
	1024105	(50000000-	) Cable, Lift, Sqge	1
	578074000	(50000000-	) Blade, Sqge, 300.8mml, Wand (Optional Power Wand)	2
▽	9004459	(50000000-	) Wheel Kit, Bumper, Retrofit [T5]	1
▲	614317	(50000000-	) Wheel, 04.0d 1.00w 0.38b, Rbr, Gray	2
▲	1014918	(50000000-	) Wheel, 03.0d 0.88w 0.31b, W/ Bshg, Rbr	2
▽	9004903	(50000000-	) Wheel Kit, Pneumatic, Ci [T5 T5e Ss5]	1
▲	1059452	(50000000-	) Tire Assy, Pneu, Grey, 2.8/2.5-04 2.75bc	2
▽	9004904	(50000000-	) Wheel Kit, Foam Filled, Ci [T5 T5e Ss5]	1
▲	1068472	(50000000-	) Tire Assy, Foam, Hi-Dns, Grey,2.8/2.5-04	2
	1017015	(50000000-	) Detergent, Pkg, 2 Liter, Sgl [365]	1
	1017022	(50000000-	) Detergent, Pkg, 2 Liter, Sgl [665]	1

## RECOMMENDED MAINTENANCE ITEMS

### CYLINDRICAL 26 in / 650 mm MODEL RECOMMENDED MAINTENANCE ITEMS

Ref.	Part No.	Serial Number	Description	Qty.
	399251	(50000000-	) Brush, Scb, Cyl, 26l, 18 Sr, Nyl (Soft Nylon)	2
	399252	(50000000-	) Brush, Scb, Cyl, 26.0l, Poly (Medium Polypropylene)	2
	399253	(50000000-	) Brush, Scb, Cyl, 26.0l, Hd Poly (Stiff Polypropylene)	2
	399254	(50000000-	) Brush, Scb, Cyl, 26.0l, Abr (Abrasive)	2
	1060864	(50000000-	) Brush, Scb, Cyl, 26l, 18sr, Abr, Spl (Abrasive - Light Duty)	2

### CYLINDRICAL 32 in / 800 mm MODEL RECOMMENDED MAINTENANCE ITEMS

Ref.	Part No.	Serial Number	Description	Qty.
	222308	(50000000-	) Brush, Scb, Cyl, 32l, 18 Sr, Nyl, Spl (Soft Nylon)	2
	374042	(50000000-	) Brush, Scb, Cyl, 32l, 18 Sr, Pyp ,Spl (Medium Polypropylene)	2
	222307	(50000000-	) Brush, Scb, Cyl, 32l, 18 Sr, Pyp Grout, Spl (Stiff Polypropylene)	2
	222309	(50000000-	) Brush, Scb, Cyl, 32l, 18 Sr, Abr, Spl (Abrasive)	2

### DISK 24 in / 600 mm MODEL RECOMMENDED MAINTENANCE ITEMS

Ref.	Part No.	Serial Number	Description	Qty.
	1025094	(50000000-	) Brush Assy, Disk, Scb, 11.90d, Nyl (Soft Nylon)	2
	1025095	(50000000-	) Brush Assy, Disk, Scb, 11.90d, Pyp (Medium Polypropylene)	2
	1025096	(50000000-	) Brush Assy, Disk, Scb, 11.9d, Sab (Abrasive)	2
	21852	(50000000-	) Bracket, Retainer, Spring	2
	21853	(50000000-	) Spring, Wir, 0.16d, Brush Retaining (12" Brush Assy)	1
	370095	(50000000-	) Device, Centering, Clip-On, Teal, Gf Pp	1
	385940	(50000000-	) Pad, Polish, 12.0d, White [1pad=1pc] (Polishing)	2
	385941	(50000000-	) Pad, Buff, 12.0d, Red [1pad=1pc] (Light Scrubbing & Buffing)	2
	385942	(50000000-	) Pad, Scb, 12.0d, Blu [1pick = 1 Pad] (Blue) (Medium Scrubbing)	2
	385943	(50000000-	) Pad, Stripping, 12.0d, Brown [1pad=1pc] (Deep Scrubbing & Stripping)	2
	1051020	(50000000-	) Pad, Surf Prep, 12.0d [Mar, 1pick=1pad] (Maroon) (Surface Preparation)	2

## RECOMMENDED MAINTENANCE ITEMS

### DISK 28 in / 700 mm MODEL RECOMMENDED MAINTENANCE ITEMS

Ref.	Part No.	Serial Number	Description	Qty.
399246		(50000000-	) Brush, Disk, Scr, 13.90d, Assy, Nyl (Soft Nylon)	2
399247		(50000000-	) Brush, Disk, Scr, 13.90d, Assy, Pyp (Medium Polypropylene)	2
399245		(50000000-	) Brush, Disk, Scr, 13.90d, Assy, Sab (Abrasive)	2
21852		(50000000-	) Bracket, Retainer, Spring	2
1028905		(50000000-	) Spring, Wir, 0.16d, Brush Retaining, (14" & 16" Brush Assy)	1
370095		(50000000-	) Device, Centering, Clip-On, Teal, Gf Pp	1
222324		(50000000-	) Pad, Polish, 14.0d, White [1pad=1pc] (Polishing)	2
222325		(50000000-	) Pad, Buff, 14.0d, Red (Light Scrubbing & Buffing)	2
222326		(50000000-	) Pad, Scb, 14.0d, Blu [1pad=1pc] (Blue) (Medium Scrubbing)	2
222327		(50000000-	) Pad, Stripping, 14.0d, Brown [1pad=1pc] (Deep Scrubbing & Stripping)	2
1051026		(50000000-	) Pad, Surf Prep, 14.0d [Mar, 1pick=1pad] (Maroon) (Surface Preparation)	2

### DISK 32 in / 800 mm MODEL RECOMMENDED MAINTENANCE ITEMS

Ref.	Part No.	Serial Number	Description	Qty.
399243		(50000000-	) Brush, Disk, Scr, 15.9d, Assy, Nyl (Soft Nylon)	2
399244		(50000000-	) Brush, Disk, Scr, 15.9d, Assy, Pyp (Medium Polypropylene)	2
399242		(50000000-	) Brush, Disk, Scr, 15.9d, Assy, Sab (Abrasive)	2
21852		(50000000-	) Bracket, Retainer, Spring	2
1028905		(50000000-	) Spring, Wir, 0.16d, Brush Retaining, (14" & 16" Brush Assy)	1
370095		(50000000-	) Device, Centering, Clip-On, Teal, Gf Pp	1
63248-4		(50000000-	) Pad, Polish, 16.0d, White [1pad=1pc] (Polishing)	2
63248-3		(50000000-	) Pad, Buff, 16.0d, Red (Light Scrubbing & Buffing)	2
63248-2		(50000000-	) Pad, Scb, 16.0d, Blu [1pad=1pc] (Blue) (Medium Scrubbing)	2
63248-1		(50000000-	) Pad, Stripping, 16.0d, Brown [1pad=1pc] (Deep Scrubbing & Stripping)	2
1051027		(50000000-	) Pad, Surf Prep, 16.0d [Mar, 1pick=1pad] (Maroon) (Surface Preparation)	2

## RECOMMENDED MAINTENANCE ITEMS

### SQUEEGEE GROUP, 20 in / 500 mm, RECOMMENDED MAINTENANCE ITEMS

Ref.	Part No.	Serial Number	Description	Qty.
▽	9001178	(50000000-	) Squeegee Assy Kit, 500mm, Ci	1
▲	1010560	(50000000-	) Wheel, Bmpr, 80d X 25w, Non-Marking	2
▲	1006343	(50000000-	) Caster, Swivel, 50mmd, M10 X 30 Stem, PI	2
▲	1010558	(50000000-	) Knob, Star, 2.00d 4ear 0.7l M8x1.25 Thru	4
▲	1011232	(50000000-	) Blade, Sqge, Front, 500mml (Linatex Red Standard)	1
▲	1014091	(50000000-	) Blade, Sqge, Front, 500mm, Gum (Gum Rubber Tan Optional)	1
▲	1014092	(50000000-	) Blade, Sqge, Front, 500mml, Oil-Rstn (Polyurethane Natural Optional)	1
▲	1011456	(50000000-	) Blade, Sqge, Rear, 500mm Linatex (Linatex Red Standard)	1
▲	1014093	(50000000-	) Blade, Sqge, Rear, 500mm Gum (Gum Rubber Tan Optional)	1
▲	1014094	(50000000-	) Blade, Sqge, Rear, 500mm Oil-Rstn (Polyurethane Natural Optional)	1
▲	1013933	(50000000-	) Strap Assy, Sqge, 500mm	1
	1014026	(50000000-	) Hose, Vacuum, 1.5d X 57l, 2-Short Cuffs	1

### SQUEEGEE GROUP, 24 in / 600 mm, RECOMMENDED MAINTENANCE ITEMS

Ref.	Part No.	Serial Number	Description	Qty.
▽	9002679	(50000000-	) Kit, Squeegee, 600mm Ci	1
▲	1010560	(50000000-	) Wheel, Bmpr, 80d X 25w, Non-Marking	2
▲	1006343	(50000000-	) Caster, Swivel, 50mm D, M10 X 30 Stem, Zn	2
▲	1015911	(50000000-	) Knob, Star, 2.75d 4ear 1.1l M8x1.25 Thru	4
▲	1021804	(50000000-	) Blade, Sqge, Front, 88cml [Lnx, 60cm] (Linatex Red Standard)	1
▲	1025333	(50000000-	) Blade, Sqge, Front, 88cml, Gum [60cm] (Gum Rubber Tan Optional)	1
▲	1025334	(50000000-	) Blade, Sqge, Front, 88cml, Ure [60cm] (Polyurethane Natural Optional)	1
▲	630477	(50000000-	) Wheel, Pyu, 2.0d 0.38w, Gray	1
▲	1021333	(50000000-	) Blade, Sqge, Rear, 88cm, Linatex [60cm] (Linatex Red Standard)	1
▲	1025335	(50000000-	) Blade, Sqge, Rear, 88cml, Gum [60cm] (Gum Rubber Tan Optional)	1
▲	1025336	(50000000-	) Blade, Sqge, Rear, 88cm, Ure [60cm] (Polyurethane Natural Optional)	1
	1014026	(50000000-	) Hose, Vacuum, 1.5d X 57l, 2-Short Cuffs	1

## RECOMMENDED MAINTENANCE ITEMS

### SQUEEGEE GROUP, 26 in / 650 mm & 28 in / 700 mm RECOMMENDED MAINTENANCE ITEMS

Ref.	Part No.	Serial Number	Description	Qty.
▽	9002680	(50000000-	) Kit, Squeegee, 700mm Ci	1
▲	1010560	(50000000-	) Wheel, Bmpr, 80d X 25w, Non-Marking	2
▲	1006343	(50000000-	) Caster, Swivel, 50mm D, M10 X 30 Stem,Zn	2
▲	1015911	(50000000-	) Knob, Star, 2.75d 4ear 1.1l M8x1.25 Thru	4
▲	1023327	(50000000-	) Blade, Sqge, Front, 98cml [Lnx, 70cm] (Linatex Red Standard)	1
▲	1025337	(50000000-	) Blade, Sqge, Front, 98cml, Gum [70cm] (Gum Rubber Tan Optional)	1
▲	1025339	(50000000-	) Blade, Sqge, Front, 98cml, Ure [70cm] (Polyurethane Natural Optional)	1
▲	630477	(50000000-	) Wheel, Pyu, 2.0d 0.38w, Gray	1
▲	1023329	(50000000-	) Blade, Sqge, Rear, 98cm,Linatex[70cm] (Linatex Red Standard)	1
▲	1025340	(50000000-	) Blade, Sqge, Rear, 98cml, Gum [70cm] (Gum Rubber Tan Optional)	1
▲	1025341	(50000000-	) Blade, Sqge, Rear, 98cm, Ure [70cm] (Polyurethane Natural Optional)	1
	1014026	(50000000-	) Hose, Vacuum, 1.5d X 57l, 2-Short Cuffs	1

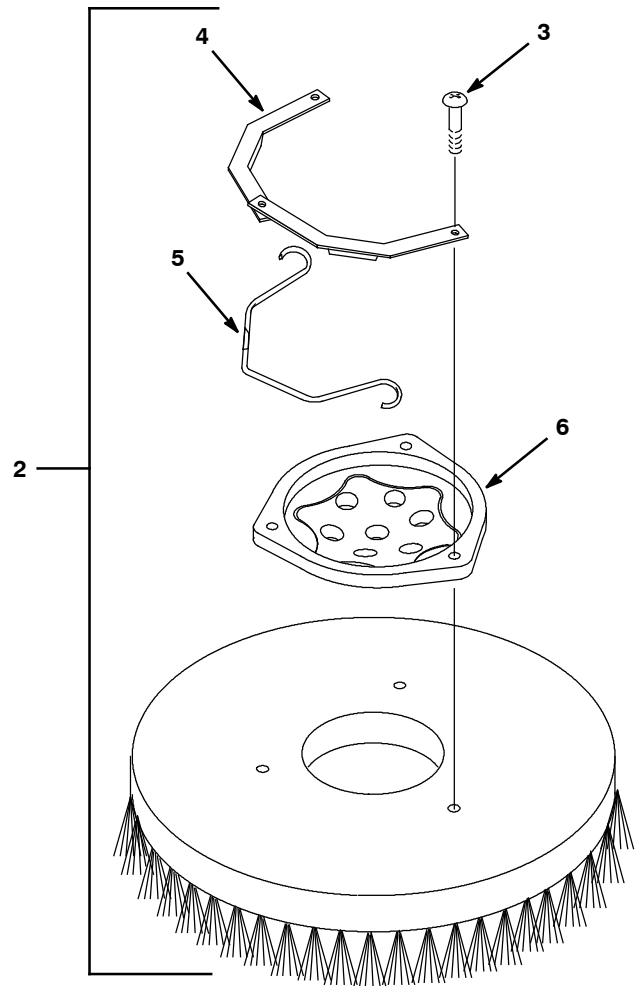
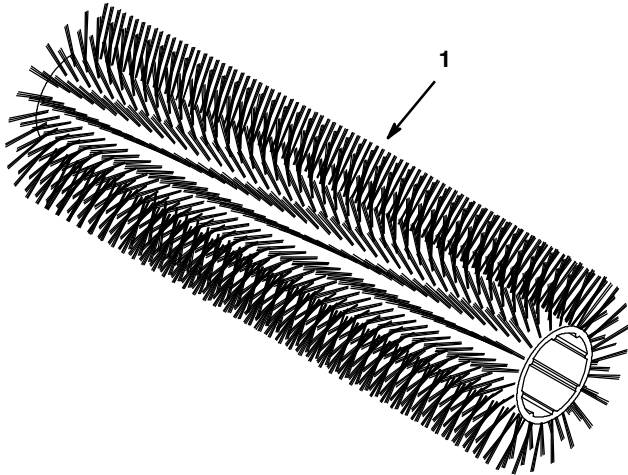
### SQUEEGEE GROUP, 32 in / 800 mm, RECOMMENDED MAINTENANCE ITEMS

Ref.	Part No.	Serial Number	Description	Qty.
▽	9002681	(50000000-	) Kit, Squeegee, 800mm Ci	1
▲	1010560	(50000000-	) Wheel, Bmpr, 80d X 25w, Non-Marking	2
▲	1006343	(50000000-	) Caster, Swivel, 50mm D, M10 X 30 Stem,Zn	2
▲	1015911	(50000000-	) Knob, Star, 2.75d 4ear 1.1l M8x1.25 Thru	4
▲	1023398	(50000000-	) Blade, Sqge, Front, 105cm [Linx 80cm] (Linatex Red Standard)	1
▲	1025342	(50000000-	) Blade, Sqge, Front, 105cml, Gum[80cm] (Gum Rubber Tan Optional)	1
▲	1025343	(50000000-	) Blade, Sqge, Front, 105cm, Ure [80cm] (Polyurethane Natural Optional)	1
▲	630477	(50000000-	) Wheel, Pyu, 2.0d 0.38w, Gray	1
▲	1023399	(50000000-	) Blade, Sqge, Rear, 105cml[Linx, 80cm] (Linatex Red Standard)	1
▲	1025344	(50000000-	) Blade, Sqge, Rear, 105cml, Gum [80cm] (Gum Rubber Tan Optional)	1
▲	1025346	(50000000-	) Blade, Sqge, Rear, 105cml, Ure [80cm] (Polyurethane Natural Optional)	1
	1014026	(50000000-	) Hose, Vacuum, 1.5d X 57l, 2-Short Cuffs	1





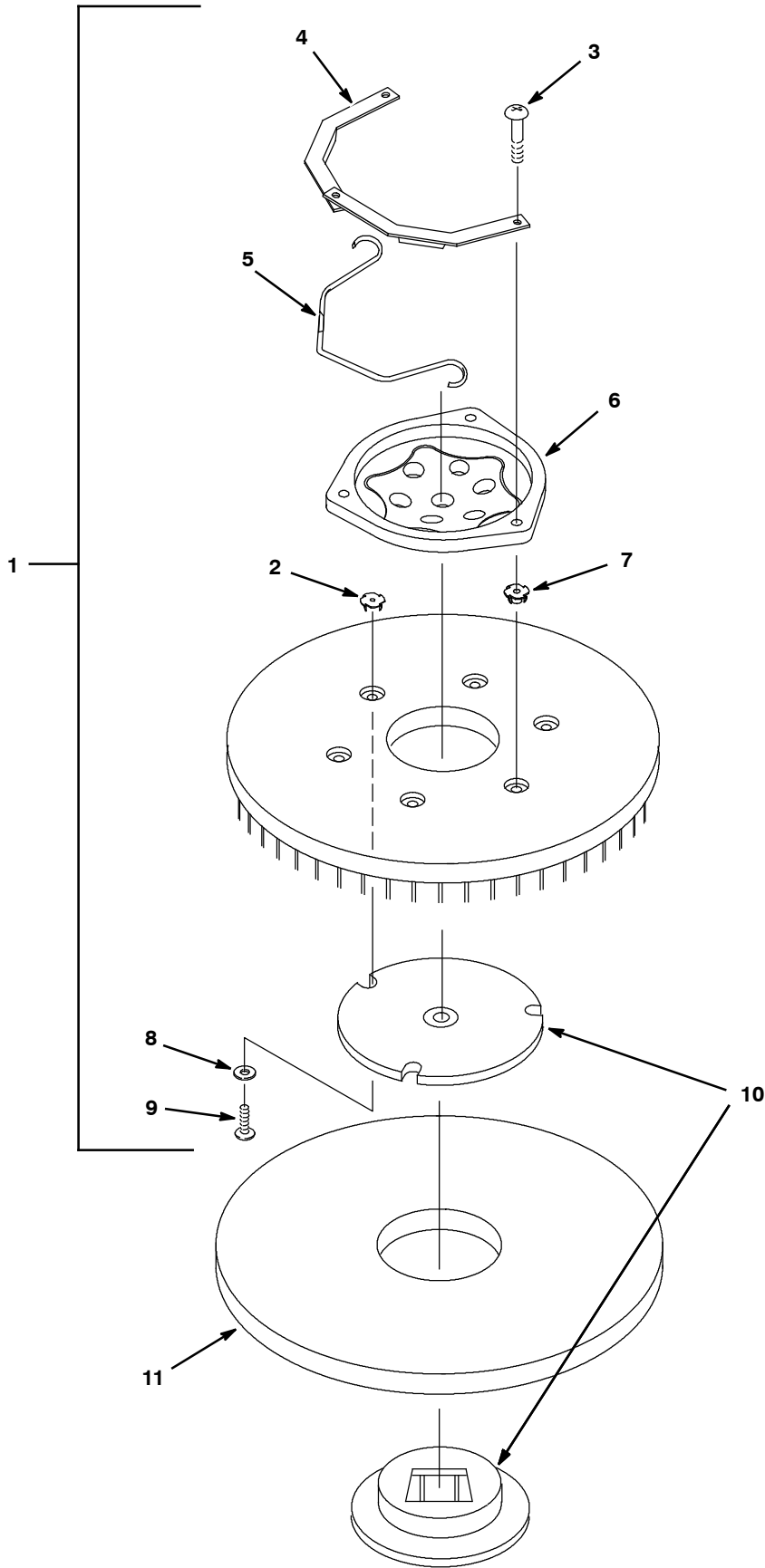
REPLACEMENT BRUSHES



## REPLACEMENT BRUSHES

Ref.	Part No.	Serial Number	Description	Qty.
1	399251	(50000000-	) Brush, Scb, Cyl, 26l, 18 Sr, Nyl (Soft Nylon)	2
1	399252	(50000000-	) Brush, Scb, Cyl, 26.0l, Poly (Medium Polypropylene)	2
1	399253	(50000000-	) Brush, Scb, Cyl, 26.0l, Hd Poly (Stiff Polypropylene)	2
1	399254	(50000000-	) Brush, Scb, Cyl, 26.0l, Abr (Abrasive)	2
1	1060864	(50000000-	) Brush, Scb, Cyl, 26l, 18sr, Abr, Spl (Abrasive - Light Duty)	2
1	222308	(50000000-	) Brush, Scb, Cyl, 32l, 18 Sr, Nyl, Spl (Soft Nylon)	2
1	374042	(50000000-	) Brush, Scb, Cyl, 32l, 18 Sr, Pyp ,Spl (Medium Polypropylene)	2
1	222307	(50000000-	) Brush, Scb, Cyl, 32l, 18 Sr, Pyp Grout, Spl (Stiff Polypropylene)	2
1	222309	(50000000-	) Brush, Scb, Cyl, 32l, 18 Sr, Abr, Spl (Abrasive)	2
2	1025094	(50000000-	) Brush Assy, Disk, Scb, 11.90d, Nyl (Soft Nylon)	2
2	1025095	(50000000-	) Brush Assy, Disk, Scb, 11.90d, Pyp (Medium Polypropylene)	2
2	1025096	(50000000-	) Brush Assy, Disk, Scb, 11.9d, Sab (Abrasive)	2
2	399246	(50000000-	) Brush, Disk, Scr, 13.90d, Assy, Nyl (Soft Nylon)	2
2	399247	(50000000-	) Brush, Disk, Scr, 13.90d, Assy, Pyp (Medium Polypropylene)	2
2	399245	(50000000-	) Brush, Disk, Scr, 13.90d, Assy, Sab (Abrasive)	2
2	399243	(50000000-	) Brush, Disk, Scr, 15.9d, Assy, Nyl (Soft Nylon)	2
2	399244	(50000000-	) Brush, Disk, Scr, 15.9d, Assy, Pyp (Medium Polypropylene)	2
2	399242	(50000000-	) Brush, Disk, Scr, 15.9d, Assy, Sab (Abrasive)	2
3	32747	(50000000-	) Screw, Pan, M6 X 1.0 X 40, Ss	3
4	21852	(50000000-	) Bracket, Retainer, Spring	2
5	21853	(50000000-	) Spring, Wir, 0.16d, Brush Retaining (12" Brush Assy)	1
5	1028905	(50000000-	) Spring, Wir, 0.16d, Brush Retaining, (14" & 16" Brush Assy)	1
6	1017112	(50000000-	) Hub, Drive, Brush, Disk, 3hole 5.8bc	1

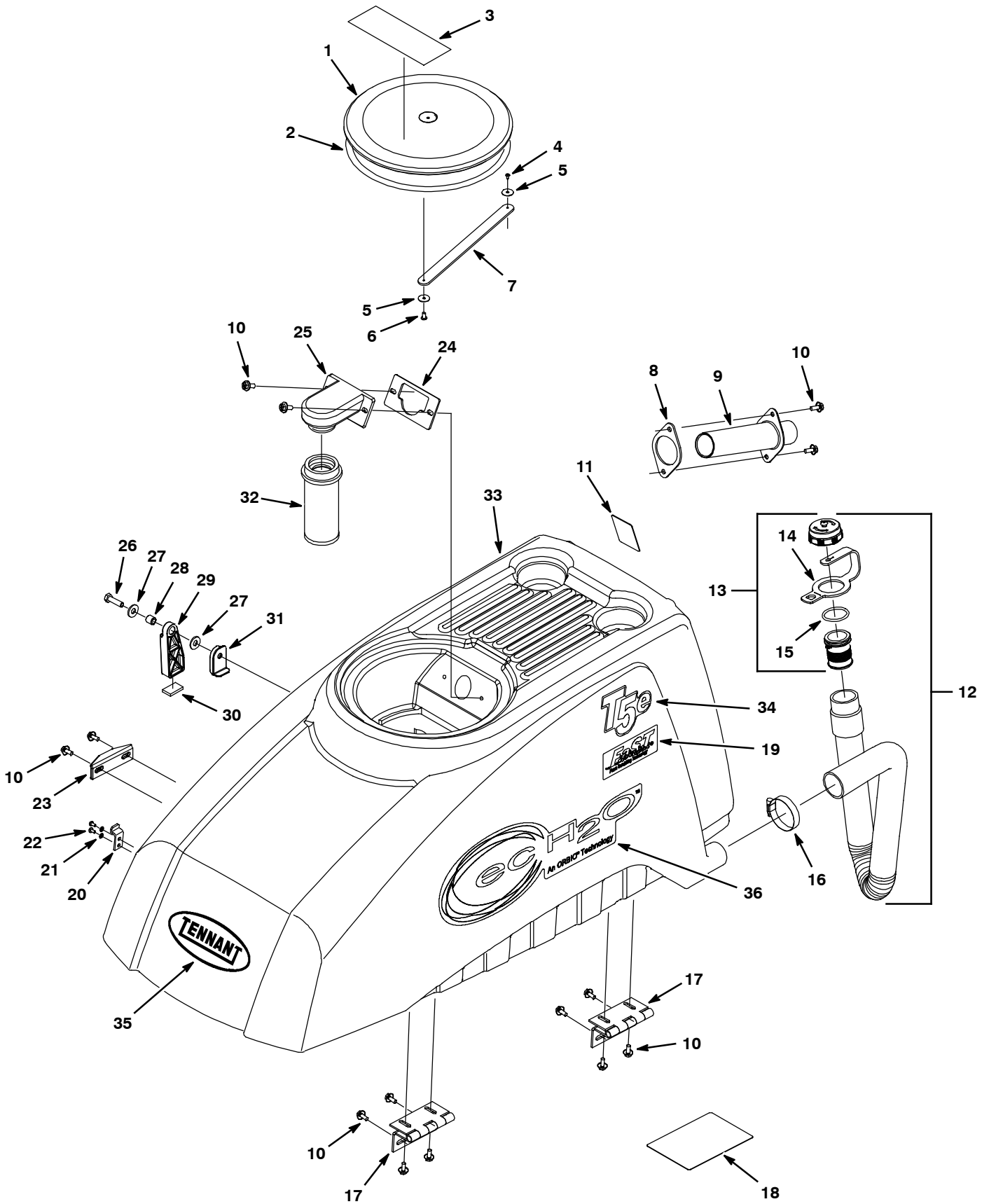
PAD DRIVER GROUP



## PAD DRIVER GROUP

Ref.	Part No.	Serial Number	Description	Qty.
1	385944	(50000000-	) Driver Assy, Pad, 12 D, Brush	2
1	399249	(50000000-	) Driver Assy, Pad, 14 D, Brush	2
1	399250	(50000000-	) Driver Assy, Pad, 16 D, Brush	2
2	10908	(50000000-	) Nut, T, M4 X 0.7	3
3	32747	(50000000-	) Screw, Pan, M6 X 1.0 X 40, Ss	3
4	21852	(50000000-	) Bracket, Retainer, Spring	2
5	21853	(50000000-	) Spring, Wir, 0.16d, Brush Retaining (12" Driver Assy)	1
5	1028905	(50000000-	) Spring, Wir, 0.16d, Brush Retaining, (14" & 16" Driver Assy)	1
6	1017112	(50000000-	) Hub, Drive, Brush, Disk, 3hole 5.8bc	1
7	05709	(50000000-	) Nut, T, M6 X 1.00	3
8	41579	(50000000-	) Washer, Flat, #8, Ss	3
9	04403	(50000000-	) Screw, Pan, M4 X 0.7 X 25, Ss, NI	3
10	370095	(50000000-	) Device, Centering, Clip-On, Teal, Gf Pp	1
11	385940	(50000000-	) Pad, Polish, 12.0d, White [1pad=1pc] (Polishing)	2
11	385941	(50000000-	) Pad, Buff, 12.0d, Red [1pad=1pc] (Light Scrubbing & Buffing)	2
11	385942	(50000000-	) Pad, Scb, 12.0d, Blu [1pick = 1 Pad] (Blue) (Medium Scrubbing)	2
11	385943	(50000000-	) Pad, Stripping, 12.0d, Brown [1pad=1pc] (Deep Scrubbing & Stripping)	2
11	1051020	(50000000-	) Pad, Surf Prep, 12.0d [Mar, 1pick=1pad] (Maroon) (Surface Preparation)	2
11	222324	(50000000-	) Pad, Polish, 14.0d, White [1pad=1pc] (Polishing)	2
11	222325	(50000000-	) Pad, Buff, 14.0d, Red (Light Scrubbing & Buffing)	2
11	222326	(50000000-	) Pad, Scb, 14.0d, Blu [1pad=1pc] (Blue) (Medium Scrubbing)	2
11	222327	(50000000-	) Pad, Stripping, 14.0d, Brown [1pad=1pc] (Deep Scrubbing & Stripping)	2
11	1051026	(50000000-	) Pad, Surf Prep, 14.0d [Mar, 1pick=1pad] (Maroon) (Surface Preparation)	2
11	63248-4	(50000000-	) Pad, Polish, 16.0d, White [1pad=1pc] (Polishing)	2
11	63248-3	(50000000-	) Pad, Buff, 16.0d, Red (Light Scrubbing & Buffing)	2
11	63248-2	(50000000-	) Pad, Scb, 16.0d, Blu [1pad=1pc] (Blue) (Medium Scrubbing)	2
11	63248-1	(50000000-	) Pad, Stripping, 16.0d, Brown [1pad=1pc] (Deep Scrubbing & Stripping)	2
11	1051027	(50000000-	) Pad, Surf Prep, 16.0d [Mar, 1pick=1pad] (Maroon) (Surface Preparation)	2

RECOVERY TANK GROUP



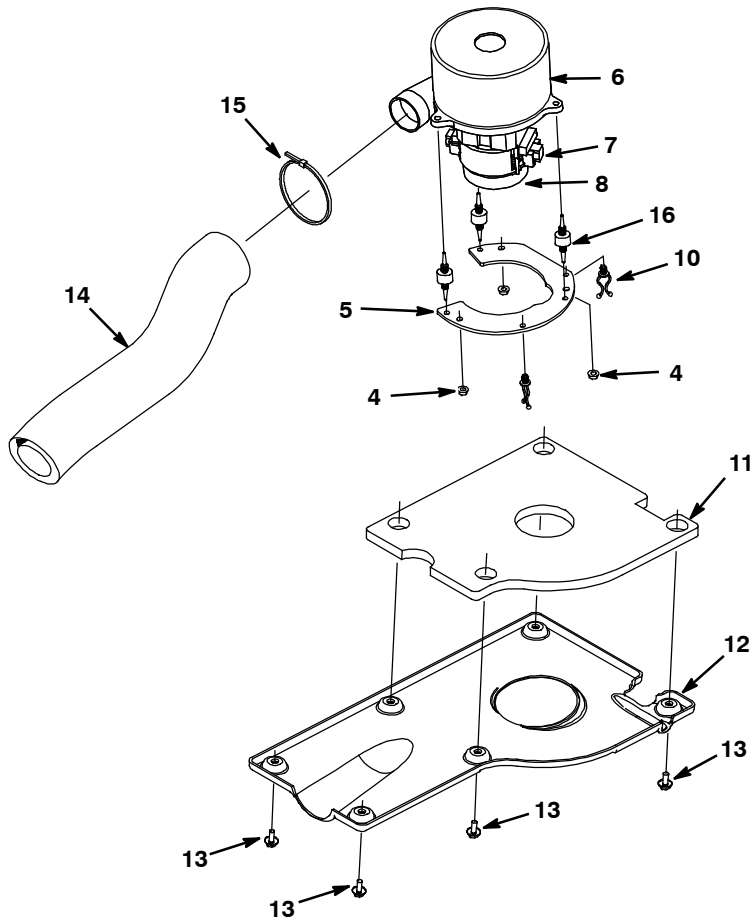
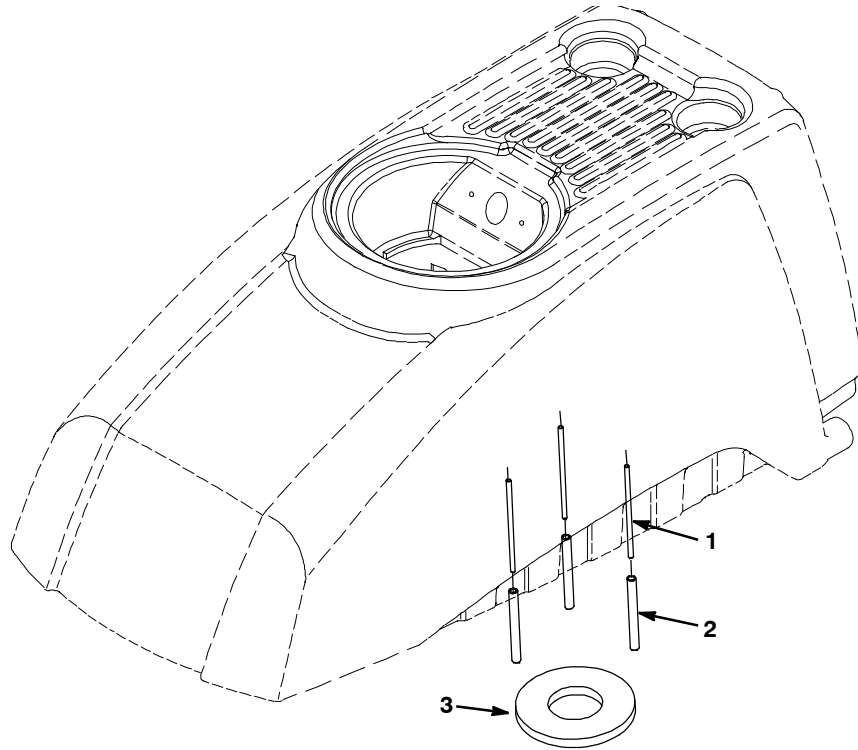
## RECOVERY TANK GROUP

Ref.	Part No.	Serial Number	Description	Qty.
▽	1	1017958	(50000000- ) Lid Assy, Tank, Recvy	1
▲	2	1017959	(50000000- ) Seal, Bulb, Str, 0.50h .50w 032.0l, Adh	1
▲	3	1037349	(50000000- ) Label, Warning [Exp,Fre,Shk En/Fr/Es/Ch]	1
	4	3701.6	(50000000- ) Screw, Pan, #06-32 X 0.38, Phl Ss Shtmtl	1
	5	1009168	(50000000- ) Washer, Flat, 0.17b 0.75d .04, Ss	2
	6	606915	(50000000- ) Screw, Pan, #10-16 X 0.38, Ss, F/ Plstc	1
	7	1001005	(50000000- ) Strap, Retaining, Cover	1
	8	1024602	(50000000- ) Gasket, Adapter, Hose .13, Neo, Adh	1
	9	1021214	(50000000- ) Tube, Hose, Adapter, 1.5d	1
	10	1034731	(50000000- ) Screw, Hex, M6 X 1.00 X 16, Ss, Sems	14
	11	1025660	(50000000- ) Label, Nfsi, Thk Adh (Fast & ec-H2O Models)	1
▽	12	1043538	(50000000- ) Hose Assy, Drain, 1.50id X 29.5l, Blk	1
▲▽	13	1008639	(50000000- ) Cap, Drain Assy	1
▲▲	14	1019563	(50000000- ) Strap, Cap, Drain	1
▲▲	15	1008637	(50000000- ) Seal, Org, 1.48id 1.76od	1
	16	11531	(50000000- ) Clamp, Hose, Wormdrive, 1.06-2.00d, .56w	1
	17	1022380	(50000000- ) Hinge, 7mmpin 3mm Th 73.5mmw 100mml	2
	18	1024802	(50000000- ) Label, Instr, Battery	1
	19	1062814	(50000000- ) Label, Logo, 06.1l White / TI [Fast]	2
	20	49800	(50000000- ) Latch	1
	21	02938	(50000000- ) Washer, Lock, Int, #08, Ss	2
	22	391403	(50000000- ) Screw, Pan, M4 X 0.7 X 8, Ss	2
	23	1061143	(50000000- ) Bracket, Guide, Recvy Tank, [T5, Ss5]	1
	24	630255	(50000000- ) Gasket, Float, Mount	1
	25	630053	(50000000- ) Mount, Cage, Float [20.0 Scrubber]	1
	26	1039118	(50000000- ) Screw, Btn, M8 X 1.25 X 30, Blk	1
	27	140027	(50000000- ) Washer, Flat, 0.35b 0.75d .04, Ss	2
	28	222460	(50000000- ) Sleeve, P/M, 0.31b 0.50d 0.5l	1
	29	1022399	(50000000- ) Support, Tank, Prop, Blk, Nyl	1
	30	1032763	(50000000- ) Gasket, Stand, Support	1
	31	1022904	(50000000- ) Bracket, Sppt, Stop, Blk, Nyl	1
	32	630052	(50000000- ) Float, Shut-Off, (2)Ball, 1.75d	1
▽	33	9003658	(50000000- ) Tank Kit, Recvy [T5e]	1
▲	34	1024879	(50000000- ) Label, Side [T5e]	2
▲	35	1047746	(50000000- ) Label, Logo, 06.9l, White, [Tennant]	1
	36	1062813	(50000000- ) Label, Logo, 12.3l 4color [Ec-H2o]	2

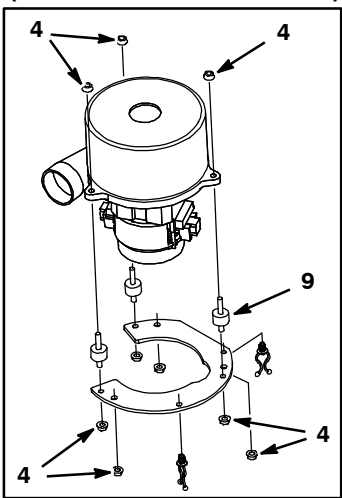
▽ ASSEMBLY

▲ INCLUDED IN ASSEMBLY

VACUUM MOTOR GROUP



(S/N 50000000-500000287)





## VACUUM MOTOR GROUP

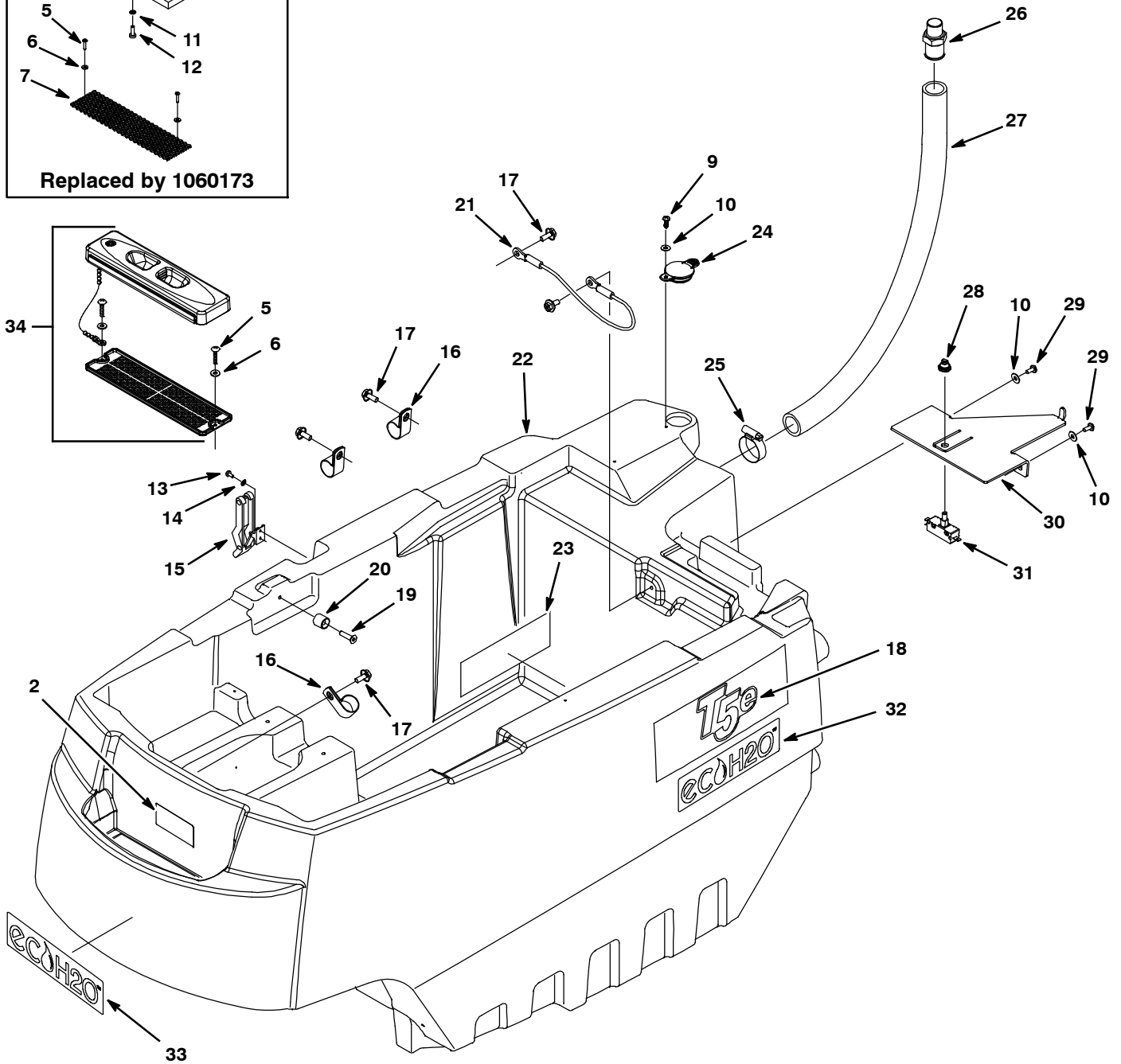
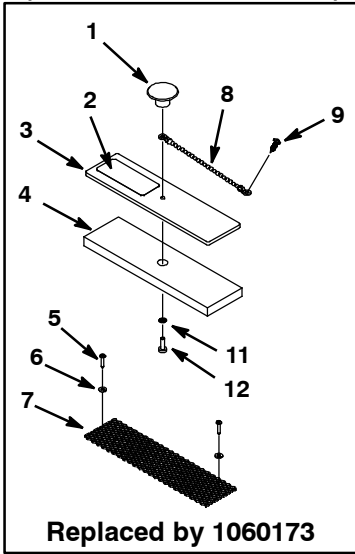
Ref.	Part No.	Serial Number	Description	Qty.	
1	1015412	(50000000-	) Rod, Thrd, Full, M06 X 1.0 05.5l	3	
2	1022406	(50000000-	) Tube, 0.43d 0.28b 04.2l, Stl, Pl	3	
3	100038	(50000000-	) Gasket, Vacuum Mtr 5.7 Epdm W/Psa	1	
4	1040381	(50000288-	) Nut, Hex, Flng, M6 X 1.0, Ss [Serrated]	3	
4	1040381	(50000000-50000287	) Nut, Hex, Flng, M6 X 1.0, Ss [Serrated]	9	
5	1022375	(50000000-	) Bracket, Mtg, Vacuum	1	
▽	6	1025106	(50000000-	) Fan, Vacuum, 5.7d, 3s, 24vdc, Us	1
▲	7	190163	(50000000-	) Brush, Carbon, Motor, Ele [1pick=1pkg]	1
▲	8	130487	(50000000-	) Housing, Motor, Fan, Vent	1
9	1011093	(50000000-50000287	) Isolator, Vib, .75d, M6 Stud Both Ends	3	
10	30406	(50000000-	) Clip, Keeper	2	
11	1024112	(50000000-	) Pad, Foam, Insulator	1	
12	1022268	(50000000-	) Cover, Vac, Noise	1	
13	1034731	(50000000-	) Screw, Hex, M6 X 1.00 X 16, Ss, Sems	6	
14	390677	(50000000-	) Muffler, Exhaust, Vacuum Fan, Long	1	
15	130773	(50000000-	) Tie, Cable, Nyl, 11.0l, .14w, 3.0 Max. D	1	
16	1062016	(50000288-	) Isolator, Vib, .75d	3	

▽ ASSEMBLY

▲ INCLUDED IN ASSEMBLY

SOLUTION TANK GROUP

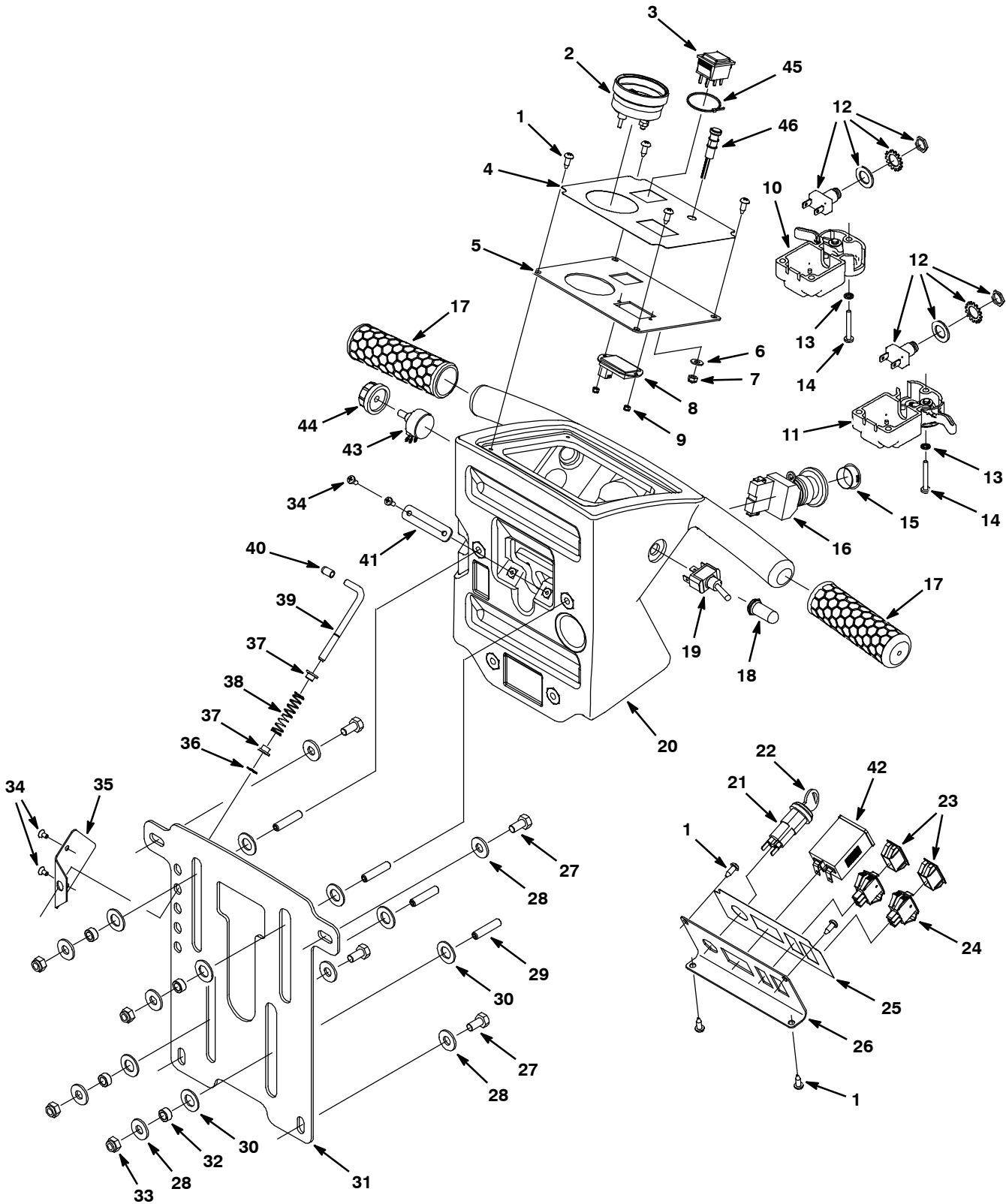
(S/N 50000000-50000251)



## SOLUTION TANK GROUP

Ref.	Part No.	Serial Number	Description	Qty.
1	578301	(50000000-50000251 )	Knob 10-32f Fill-Cover	1
2	391451	(50000000- )	Label [Attention Fast Users]	1
2	1050003	(50000000- )	Label, User, Attention, Ec-H2o	1
3	605061	(50000000-50000251 )	Cover Solution Fill (Replaced by 1060173)	1
4	605062	(50000000-50000251 )	Gasket, Cover, Soltn Fill (Replaced by 1060173)	1
5	140826	(50000000- )	Screw, Pan, #06-32 X 0.75, Ss, Fmg [Ab]	2
6	140032	(50000000- )	Washer, Flat, #6, Ss	2
7	606146	(50000000-50000251 )	Screen, Fltr, Soltn Fill, Nat (Replaced by 1060173)	1
8	621443	(50000000-50000251 )	Chain, Ball, #10, 157mm, Ss	1
9	1018155	(50000000-50000251 )	Screw, Pan, M5 X 0.8 X16, Ss, Tcut	2
10	01684	(50000000- )	Washer, Flat 0.25, Ss	2
11	07514	(50000000-50000251 )	Washer, Lock, Int, #10, Ss	1
12	140841	(50000000-50000251 )	Screw, Pan, #10-32 X 0.62, Phl, Ss	1
13	391403	(50000000- )	Screw, Pan, M4 X 0.7 X 8, Ss	2
14	02938	(50000000- )	Washer, Lock, Int, #08, Ss	2
15	49800	(50000000- )	Latch	1
16	630428	(50000000- )	Clamp, Cable, Stl, 1.00d X 0.50w, .25mnt	3
17	1034731	(50000000- )	Screw, Hex, M6 X 1.00 X 16, Ss, Sems	5
18	1024879	(50000000- )	Label, Side [T5e]	2
18	1024880	(50000000- )	Label, Side [T5e Fast] (NLA - No Longer Available)	2
19	222692	(50000000- )	Screw, Flt, M8 X1.25 X 25, Ss, 18-8, NI	1
20	1027028	(50000000- )	Spacer, Guide, Tank	1
21	140960	(50000000- )	Cable, Glv .13d 014.5l .34eye /.34eye	1
22	9003659	(50000000- )	Tank Kit, Soltn [T5e]	1
23	1028175	(50000000- )	Label, Instr [Charger Setting]	1
24	1012965	(50000000- )	Cap, Port, Soltn Fill	1
25	11399	(50000000- )	Clamp, Hose, Wormdrive, 0.81-1.50d, .50w	1
26	1041082	(50000000- )	Fitting, Plstc, Str, Bm16/Pm12	1
27	1023809	(50000000- )	Hose, Drain, 1.00id X 22.8l, Vyl [T5]	1
28	1035711	(50000000- )	Boot, Switch, Hex Nut, .38-32 Thd	1
29	609062	(50000000- )	Screw, Trs, M5 X 0.80 X 12, Phl, Ss	2
30	1026571	(50000000- )	Bracket, Hose, Cable Stay	1
31	606292	(50000000- )	Switch, Push, Actuator, 20a	1
32	1050001	(50000000- )	Label, Side, Ec-H2o [T3/T3e/T5/T7 ] (NLA - Rpld by 1062813 - See Recovery Tank Group)	2
33	1050008	(50000000- )	Label, Front, Ec-H2o [T5/T5e] (NLA - No Longer Available)	1
34	1060173	(50000252- )	Cover Assy, Tank, Soltn Fill	1

CONTROL CONSOLE GROUP



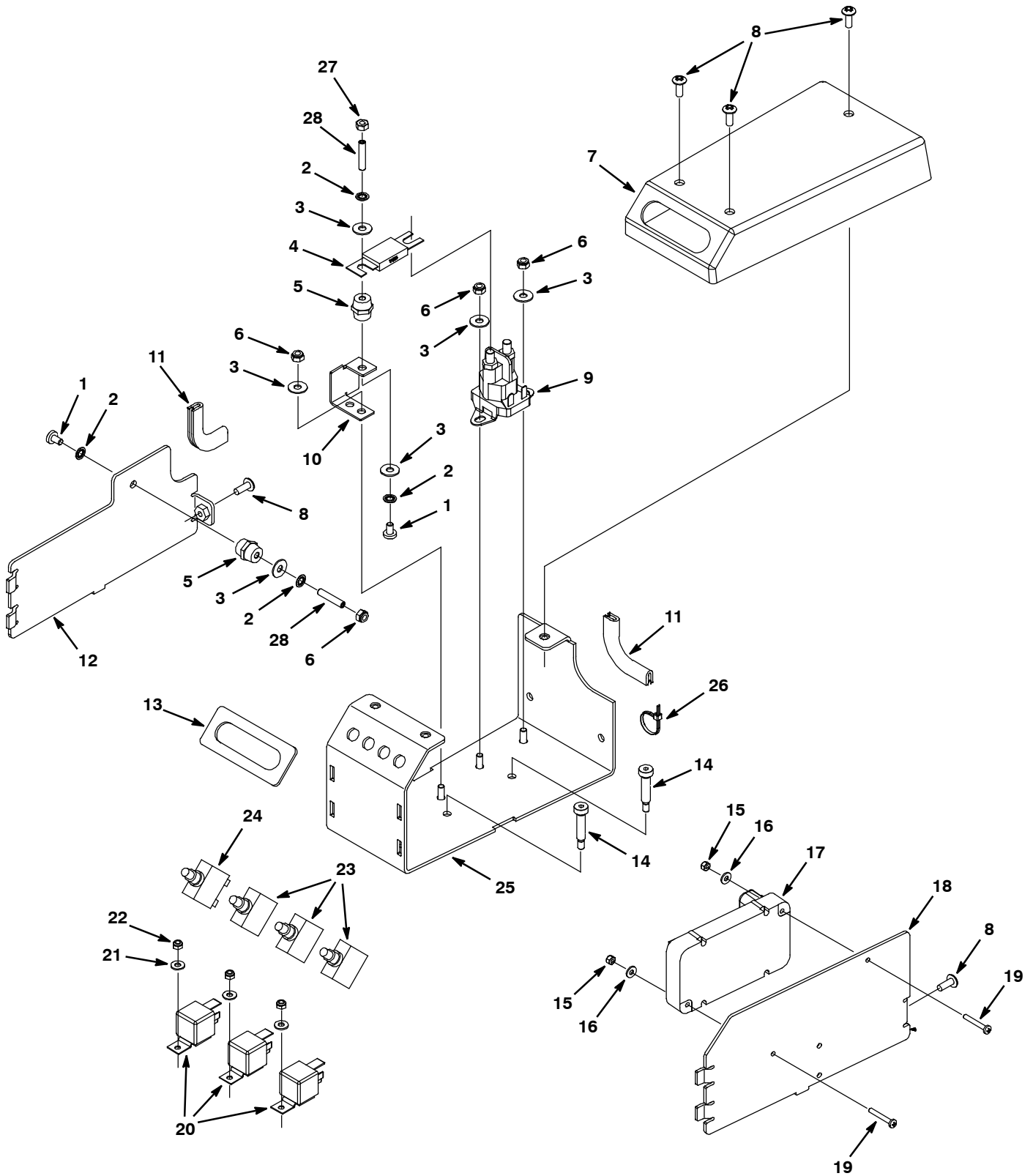
## CONTROL CONSOLE GROUP

Ref.	Part No.	Serial Number	Description	Qty.	
1	1009324	(50000000-	) Screw, Pan, #10-16 X 0.50, Phl, Blk [Ty-17]	8	
2	1041318	(50000000-	) Gauge, Press, Brush, Afmkt 0-20-40a [Ss5]	1	
3	1007012	(50000000-	) Switch, Rocker, Dpdt Mom/Off/Mom	1	
4	1025114	(50000000-	) Label, Opertnl, Upper (Standard & Fast Models)	1	
4	1050010	(50000000-	) Label, Console, Upper Ec-H2o [T5e/Ss5]	1	
5	1041719	(50000000-	) Panel, Opertnl, Upper [Ss5]	1	
6	01683	(50000000-	) Washer, Flat, #10, Ss	1	
7	09739	(50000000-	) Nut, Hex, Lock, M5 X 0.80, NI, Ss	1	
8	392894	(50000000-	) Gauge, Discharge, Battery, 36vdc, Rt, Led	1	
9	579211	(50000000-	) Nut, Hex, Lock, M3 X 0.50, Ss	2	
▽	10	1063175	(50000000-	) Controlbox Assy, Trigger, Rh	1
▽	11	1063198	(50000000-	) Controlbox Assy, Trigger, Lh	1
▲	12	9008568	(50000000-	) Switch Kit, W/ Washers, Fr/ F/1063165	2
	13	02938	(50000000-	) Washer, Lock, Int, #08, Ss	6
	14	33931	(50000000-	) Screw, Pan, Phl, M4 X 0.70 X 30, Ss	6
	15	130161	(50000000-	) Plug, Hole, Rnd, 0.875d, Blk	1
	16	1011735	(50000000-	) Switch, Safety, Shutoff (Optional)	1
	17	1026407	(50000000-	) Grip, Handle, 1.25d X 4.75l	2
	18	130753	(50000000-	) Boot, Switch 1.00l Blk	1
	19	601108	(50000000-	) Switch, Toggle, Mom/On/On	1
	20	9003660	(50000000-	) Housing Kit, Cntrl [T5e]	1
▽	21	1011402	(50000000-	) Switch, Key	1
▲	22	1017696	(50000000-	) Key, Replmt [F/ Keyswitch 1011402]	1
	23	582150	(50000000-	) Plug, Hole, Rt, 1.23 X 1.12, Nyl	2
	24	130787	(50000000-	) Switch, Rocker, Spdt (Optional)	2
	25	1025116	(50000000-	) Label, Opertnl, Lower (Standard & Fast Models)	1
	25	1050011	(50000000-	) Label, Console, Lower, Ec-H2o [T5e/Ss5]	1
	26	1024111	(50000000-	) Panel, Instmt, Lower	1
	27	49826	(50000000-	) Screw, Hex, M8 X 1.25 X 16, Ss, NI	4
	28	01685	(50000000-	) Washer, Flat, 0.31, Ss	8
	29	607461	(50000000-	) Screw, Set, M8 X 1.25 X 35, NI	4
	30	608562	(50000000-	) Washer, Flat, 0.51b 0.94d .06, Nyl	8
	31	1022888	(50000000-	) Bracket, Mtg, Console	1
	32	607783	(50000000-	) Bearing, Sleeve, .31id X .50od X .25, Bnz	4
	33	08709	(50000000-	) Nut, Hex, Lock, M8 X 1.25, NI	4
	34	607006	(50000000-	) Screw, Trs, M4 X 0.70 X 12, Phl, PI	4
	35	630087	(50000000-	) Plate, Latch, Retainer	1
	36	630084	(50000000-	) Ring, Retaining, Ext, 4.62mm, [E-Ring]	1
	37	630083	(50000000-	) Bushing, Latch	2
	38	630082	(50000000-	) Spring, Cmpr, 10.7d, 0.9w, 44.4l, PI[Mw]	1
	39	630081	(50000000-	) Lever, Latch, Console Adjust	1
	40	630094	(50000000-	) Cap, Vinyl, 2.26 ld X 12.7lg, Blk	1
	41	1026699	(50000000-	) Bracket, Retaining	1
	42	1064038	(50000000-	) Gauge, Hourmeter, 05-277 Volt, Ac / Dc	1
	43	1042687	(50000000-	) Harness, Pot, Wire Assy [45k Ohm]	1
	44	1028037	(50000000-	) Knob, 1.25 Dia	1
	45	130773	(50000000-	) Tie, Cable, Nyl, 11.0l, .14w, 3.0 Max. D	1
	46	1041822	(50000000-	) Light, Led, .312D, 5 Volt [Tri-Color] (ec-H2O Model)	1

▽ ASSEMBLY

▲ INCLUDED IN ASSEMBLY

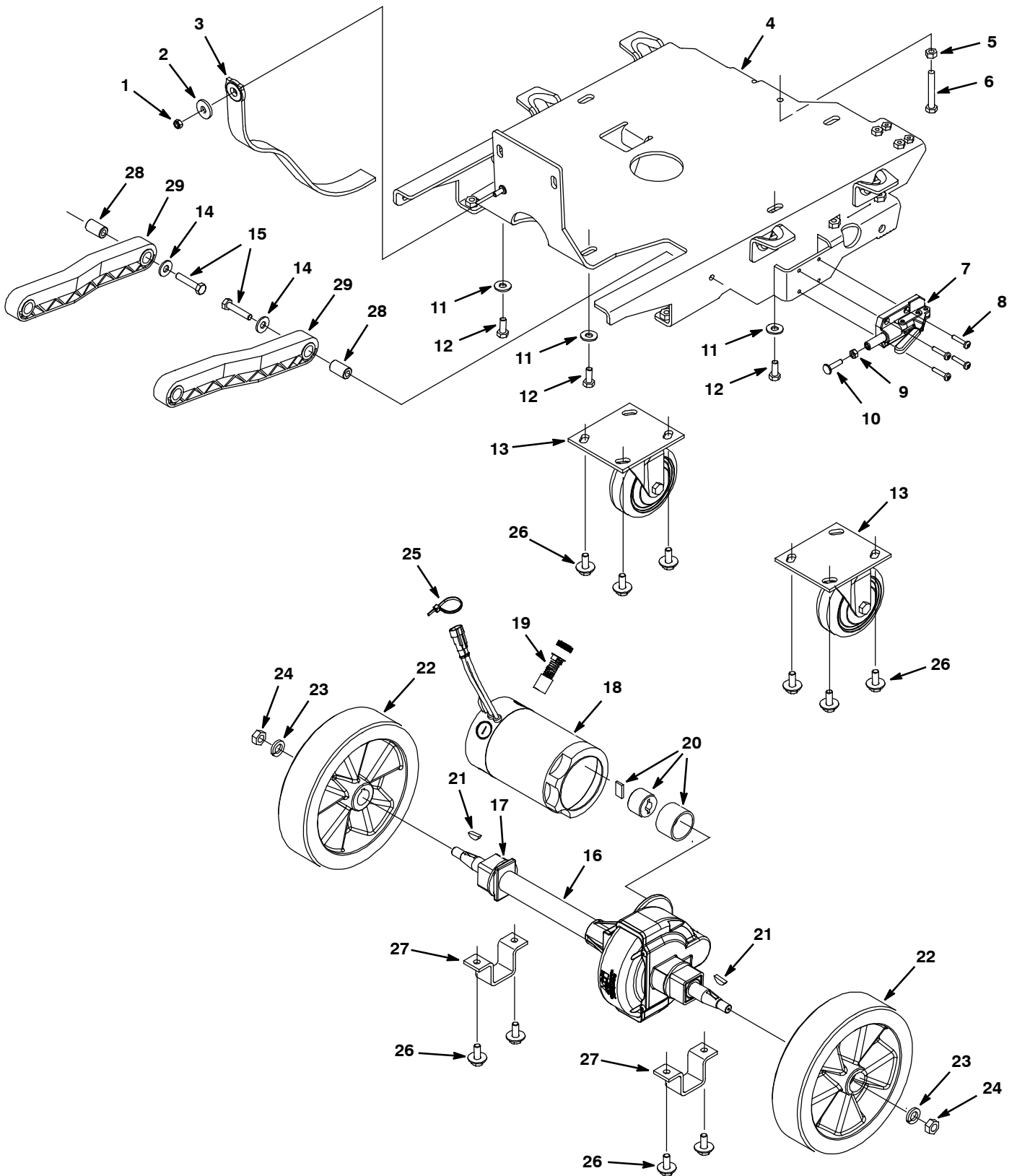
COMPONENT PANEL GROUP



## COMPONENT PANEL GROUP

Ref.	Part No.	Serial Number	Description	Qty.
1	48732	(50000000-	) Screw, Pan, M6 X 1.0 X 10, Ss	2
2	07515	(50000000-	) Washer, Lock, Int, 0.25, Ss	4
3	01684	(50000000-	) Washer, Flat, 0.25, Ss	6
4	86379	(50000000-	) Fuse, 100a 125volt 0.88 X 3.2l	1
5	1013523	(50000000-	) Stand-Off, Wir, M6, 18 Hex, 20l, Insul	2
6	08712	(50000000-	) Nut, Hex, Lock, M6 X 1.00, Ss, NI	4
7	1024712	(50000000-	) Cover, Electronics	1
8	608322	(50000000-	) Screw, Trs, M6 X 1.00 X 16, Phl, Ss	5
9	1038490	(50000000-	) Relay, 24vdc, 100a, No [Trombetta]	1
10	1023868	(50000000-	) Bracket, Stand-Off	1
11	1027209	(50000000-	) Trim, Edge, Plstc, .12 X 65mm	2
12	1026777	(50000000-	) Brkt, Side, Rh	1
13	1025658	(50000000-	) Gasket, Cover, Electronics	1
14	1024965	(50000000-	) Bolt, Shld, 08mmd X 030mm, M06 X 1.0	2
15	33932	(50000000-	) Nut, Hex, Lock, M4 X 0.70, NI, Ss	2
16	41579	(50000000-	) Washer, Flat, #08, Ss	2
17	1052261	(50000000-	) Module, Cntrl, Drive [Ss5]	1
18	1029123	(50000000-	) Brkt, Side, Lh	1
19	33931	(50000000-	) Screw, Pan, M4 X 0.7 X 30, Ss	2
20	1012216	(50000000-	) Relay, 24vdc, 070a, Spst No, Plug-In	3
21	01683	(50000000-	) Washer, Flat, #10, Ss	3
22	09739	(50000000-	) Nut, Hex, Lock, M5 X 0.80, NI, Ss	3
23	383724	(50000000-	) Circuitbreaker, 25.0a, Resetable	3
24	383721	(50000000-	) Circuitbreaker, 10.0a	1
25	1026776	(50000000-	) Wldt, Panel, Elec	1
26	130773	(50000000-	) Tie, Cable, Nyl, 11.0l, .14w, 3.0 Max. D	1
27	07785	(50000000-	) Nut, Hex, Std, M6 X 1.00, Ss	1
28	1018559	(50000000-	) Screw, Set, M6 X 1.0 X 30, Ss	2

FRAME GROUP





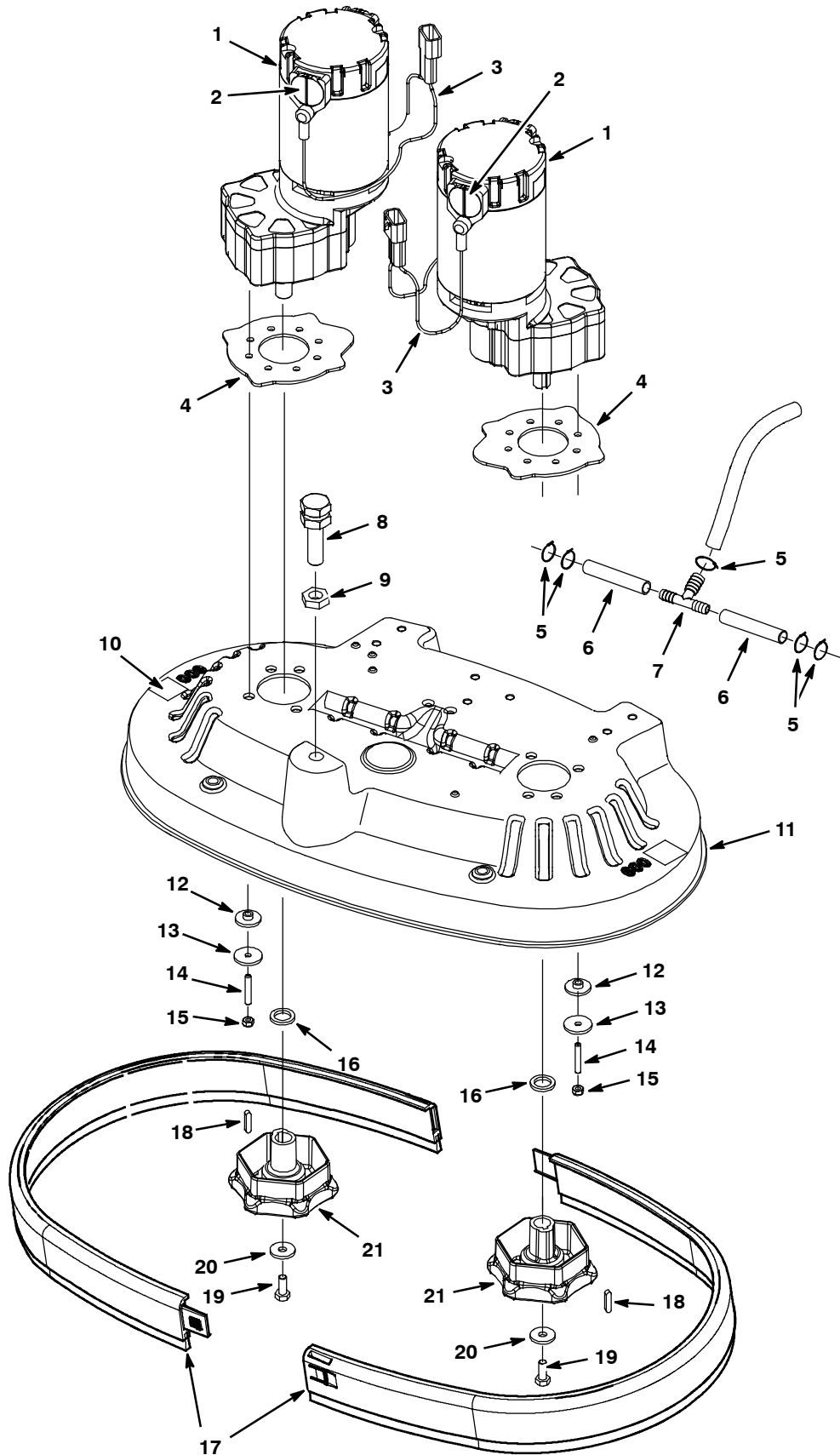
## FRAME GROUP

Ref.	Part No.	Serial Number	Description	Qty.
1	08712	(50000000-	) Nut, Hex, Lock, M6 X 1.0, Ss, NI	1
2	140053	(50000000-	) Washer, Flat, 0.28b 0.88d .12, Ss	1
3	1029181	(50000000-	) Strap, Static	1
4	1020959	(50000000-	) Frame Wldt, Transaxle	1
5	07786	(50000000-	) Nut, Hex, Std, M8 X 1.25, Ss	1
6	222504	(50000000-	) Screw, Hex, M8 X 1.25 X 55, Ss	1
7	1022878	(50000000-	) Clamp, Str, 30mm Strk (Optional)	1
8	1030769	(50000000-	) Screw, Pan, M5 X 0.8 X 25 Fmg	4
9	07785	(50000000-	) Nut, Hex, Std, M6 X 1.0, A2, Ss	1
10	1017416	(50000000-	) Screw, Weld, M06 X 1.00 X 25, Thru, Ss	1
11	1016331	(50000000-	) Washer, Flat, 0.34b 1.25d .11, Ss	5
12	12273	(50000000-	) Screw, Hex, M8 X 1.25 X 20, Ss, NI	5
13	1049048	(50000000-	) Caster, Swivel, 4.0d 1.4w, 4hole [400lb]	2
14	01685	(50000000-	) Washer, Flat, 0.31 Ss	2
15	74440	(50000000-	) Screw, Hex, M8 X 1.25 X 40, Ss, NI	2
∇	16	1021168	(50000000-) Transaxle, 24vdc, 110rpm [Asi]	1
▲	17	612880	(50000000-) Sleeve, Transaxle, Replmt	2
▲∇	18	1031723	(50000000-) Motor, Transaxle, 24vdc, Replmt, Asi	1
▲▲	19	614166	(50000000-) Brush Kit, Carbon [Qty 4]	1
▲	20	1017782	(50000000-) Coupling Kit, Transaxle, Replmt [11057]	1
▲	21	1021167	(50000000-) Key, Woodruff, 5mm	2
∇		9004909	(50000000-) Wheel Kit, Solid, Ci [T5 T5e Ss5]	1
▲	22	1020688	(50000000-) Wheel, Scrbr, 213.00mm With Taper	2
	23	140024	(50000000-) Washer, Lock, Splt, 0.50, Ss	2
	24	07788	(50000000-) Nut, Hex, Std, M12 X 1.75, Ss	2
	25	130773	(50000000-) Tie, Cable, Nyl, 11.0l, .14w, 3.0 Max. D	4
	26	1020341	(50000000-) Screw, Hex, M8 X 1.25 X 20, Ss, Sems	12
	27	606001	(50000000-) Bracket, Transaxle, Mtg, Ylw Zn	2
	28	606056	(50000000-) Tube, 00.62d 00.32b 01.0l Stl Plt	2
	29	222027	(50000000-) Arm, Lift, Head,	2

∇ ASSEMBLY

▲ INCLUDED IN ASSEMBLY

SCRUB HEAD GROUP, DISK 24 in / 600 mm



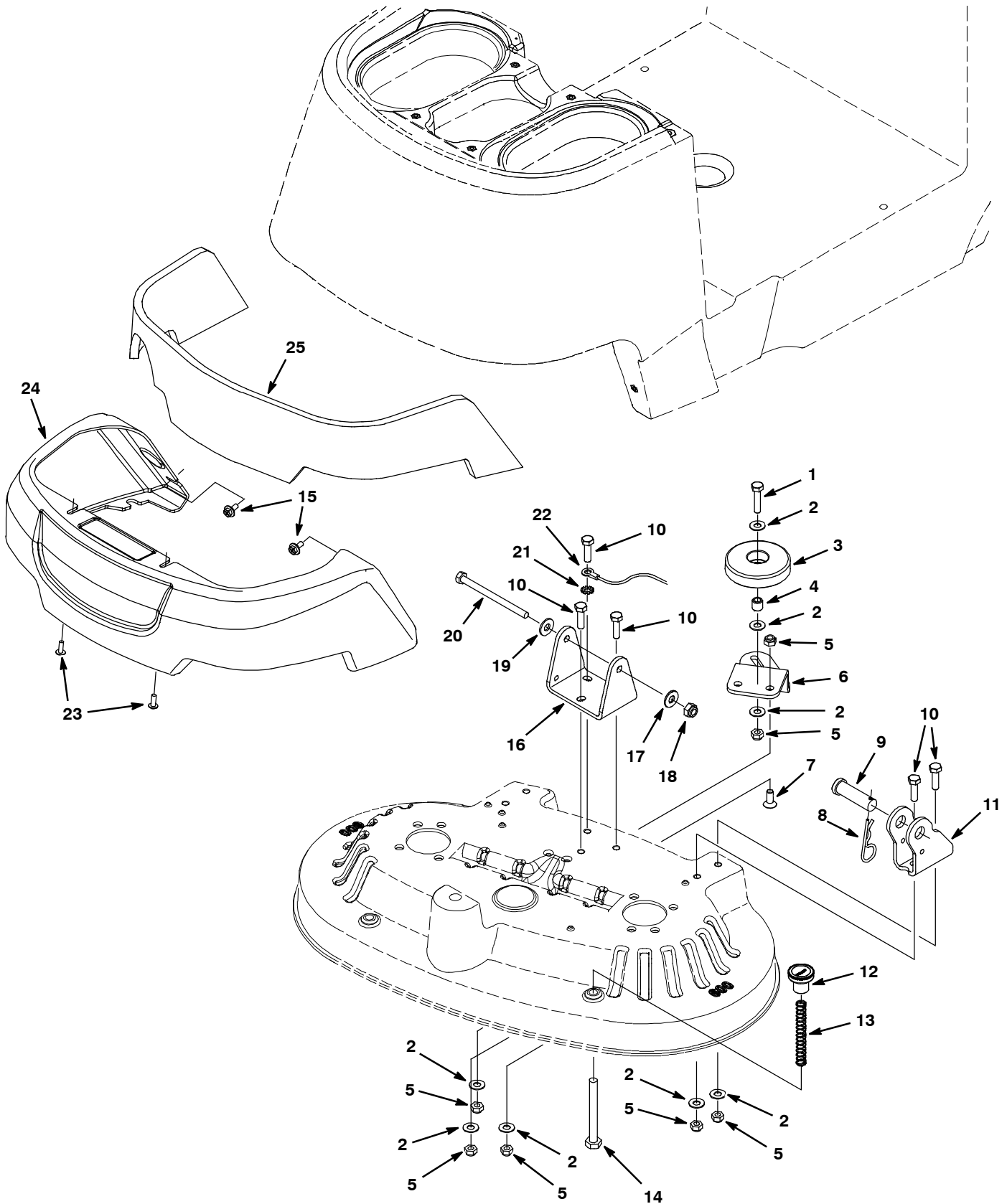
## SCRUB HEAD GROUP, DISK 24 in / 600 mm

	Ref.	Part No.	Serial Number	Description	Qty.
▽	1	1023067	(50000000-	) Motor, Gearbox,24vdc, 220rpm, 0.75hp	2
▲	2	1031775	(50000000-	) Brush, Brush-Motor, Afmkt	1
▲	3	1031681	(50000000-	) Harness, Connector, Brush-Motor-Us	1
	4	1024321	(50000000-	) Spacer, Rbr, Motor	2
	5	130773	(50000000-	) Tie, Cable, Nyl, 11.0l, .14w, 3.0 Max. D	7
	6	606362	(50000000-	) Hose 3/8IdX5/8OdX6.5 (611254)	2
	7	1022556	(50000000-	) Fitting, Plstc, Tee, Bm06/Bm06/Bm08	1
	8	1022424	(50000000-	) Stud, Adj, M16, Scrub Head	1
	9	763066	(50000000-	) Nut, Hex, Jam, M16 X 2.0	1
	10	578769	(50000000-	) Label, Moving Parts	2
	11	1022402	(50000000-	) Housing, Casting, Head, 60cm, Mach	1
	12	1025160	(50000000-	) Grommet, Isolator, 6b X 10od X 26.0fl	8
	13	386063	(50000000-	) Washer, Flat, 0.25b 1.12d .12, Ss	8
	14	1025853	(50000000-	) Screw, Set, M6 X 1.00 X 35, Ss, NI	8
	15	08712	(50000000-	) Nut, Hex, Lock, M6 X 1.0, Ss, NI	8
	16	1022549	(50000000-	) Spacer, Shaft, 17.15b, 25.0d, 3.0t	2
	17	1053609	(50000000-	) Bumper, Head, 60cm, Bristle Skirt	1
	18	1014328	(50000000-	) Key, Sq, 05mm X 05mm, 25l	2
	19	12273	(50000000-	) Screw, Hex, M8 X 1.25 X 20, Ss, NI	2
	20	1016331	(50000000-	) Washer, Flat, 0.34b 1.25d .11, Ss	2
	21	1022550	(50000000-	) Hub, Drive, Brush, Disk, 17mm Bore	2

▽ ASSEMBLY

▲ INCLUDED IN ASSEMBLY

SCRUB HEAD GROUP, DISK 24 in / 600 mm - CONT'D



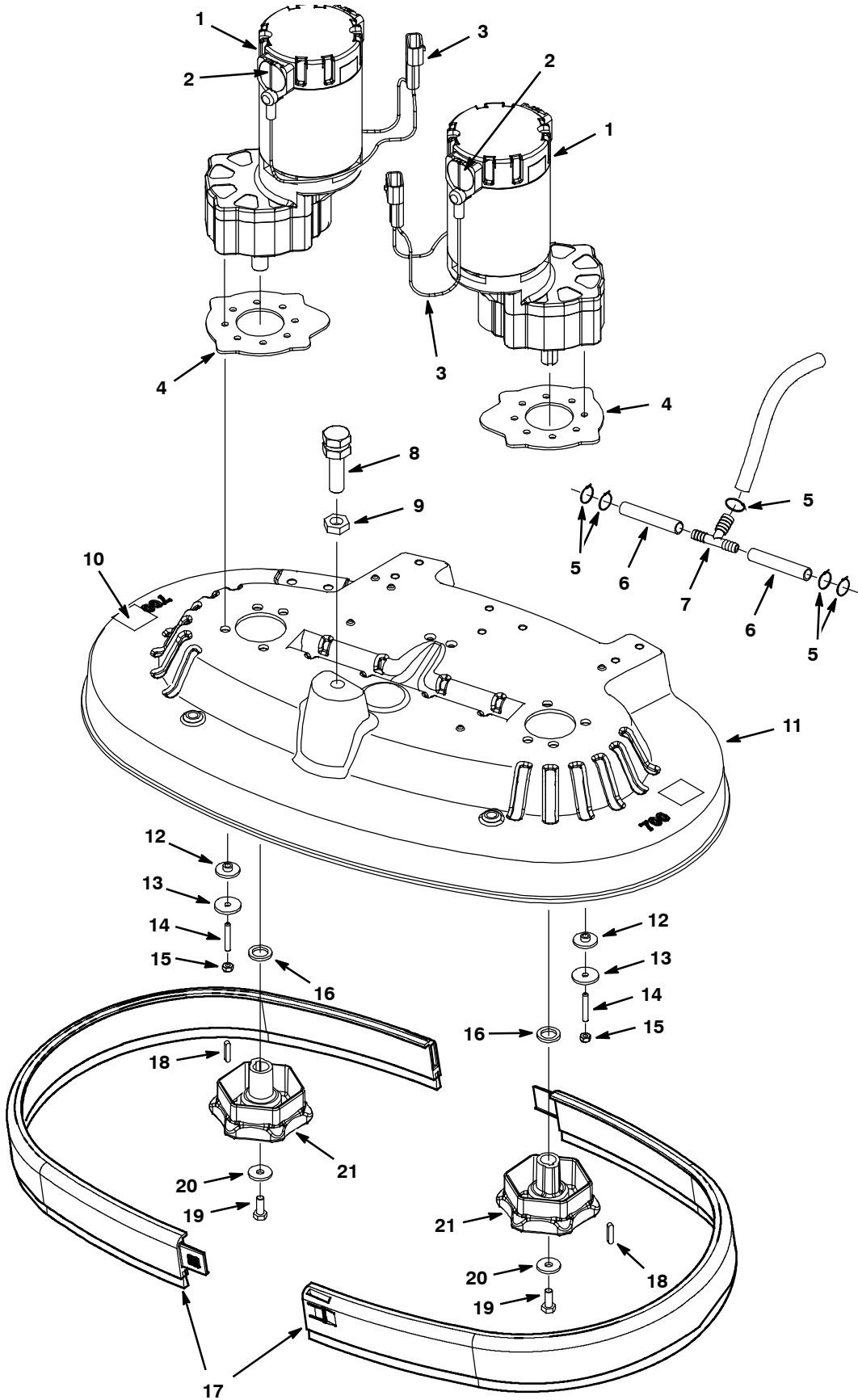
## SCRUB HEAD GROUP, DISK 24 in / 600 mm - CONT'D

Ref.	Part No.	Serial Number	Description	Qty.	
1	09023	(50000000-	) Screw, Hex, M8 X 1.25 X 35, Ss, Fl	1	
2	140027	(50000000-	) Washer, Flat, 0.35b 0.75d .04, Ss	10	
3	1010560	(50000000-	) Wheel, Bmpr, 80d X 25w, Non-Marking	1	
4	222460	(50000000-	) Sleeve, P/M, 0.496d 0.318b 0.50l 430ss	1	
5	08713	(50000000-	) Nut, Hex, Lock, M8 X 1.25, Ni, Ss	10	
6	1022344	(50000000-	) Bracket, Roller, Wall, Scrubhead, 60cm	1	
7	79246	(50000000-	) Screw, Flt, M8 X 1.25 X 20, Ss 18-8	2	
8	02942	(50000000-	) Pin, Hair Cotter, 0.62 D .120 Wir	2	
9	222210	(50000000-	) Pin, Clevis, 0.62 D X 2.12l	2	
10	09011	(50000000-	) Screw, Hex, M8 X 1.25 X 30, Ss	7	
11	1022227	(50000000-	) Bracket, Link, Scrubhead	2	
12	1024179	(50000000-	) Knob, Knurled, M10 Thread	2	
13	626081	(50000000-	) Spring, Cmpr, 12.1d, 0.9w, 90.0l	2	
14	09746	(50000000-	) Screw, Hex, M10 X 1.5 X 90, Ss	2	
15	1034731	(50000000-	) Screw, Hex, M6 X 1.00 X 16, Ss, Sems	2	
16	1036022	(50000000-	) Bracket, Mtg, Actuator, Scb Head	1	
17	01685	(50000000-	) Washer, Flat, 0.31 Ss	1	
18	08713	(50000000-	) Nut, Hex, Lock, M8 X 1.25, Ni, Ss	1	
19	01685	(50000000-	) Washer, Flat, 0.31 Ss	1	
20	364441	(50000000-	) Screw, Hex, M8 X 1.25 X 110, Ss	1	
21	43952	(50000000-	) Washer, Lock, Int, 0.31, Ss	1	
22	1031370	(50000000-	) Wire, 12 Awg X 250mm	1	
23	608322	(50000000-	) Screw, Trs, M6 X 1.0 X 16, Phl, Ss	2	
▽	24	9003254	(50000000-	) Cover Kit, Head, Disc, Replmt [T5e]	1
▲	25	1027068	(50000000-	) Insulation, Sound, Front	1

▽ ASSEMBLY

▲ INCLUDED IN ASSEMBLY

SCRUB HEAD GROUP, DISK 28 in / 700 mm



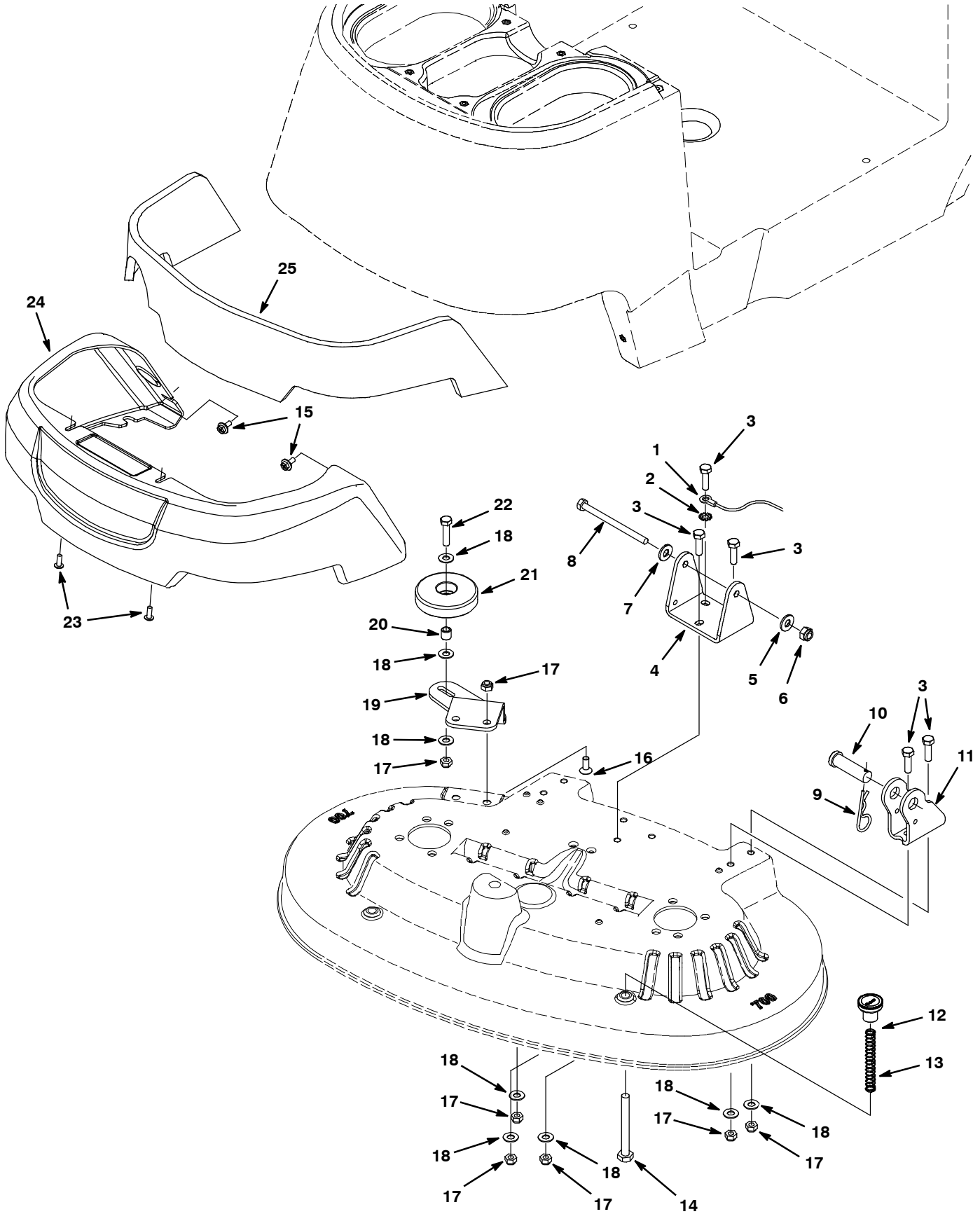
## SCRUB HEAD GROUP, DISK 28 in / 700 mm

Ref.	Part No.	Serial Number	Description	Qty.
▽	1	1023067	(50000000- ) Motor, Gearbox,24vdc, 220rpm, 0.75hp	2
▲	2	1031775	(50000000- ) Brush, Brush-Motor, Afmkt	1
▲	3	1031681	(50000000- ) Harness, Connector, Brush-Motor-Us	1
	4	1024321	(50000000- ) Spacer, Rbr, Motor	2
	5	130773	(50000000- ) Tie, Cable, Nyl, 11.0l, .14w, 3.0 Max. D	7
	6	606362	(50000000- ) Hose 3/8IdX5/8OdX6.5 (611254)	2
	7	1022556	(50000000- ) Fitting, Plstc, Tee, Bm06/Bm06/Bm08	1
	8	1022424	(50000000- ) Stud, Adj, M16, Scrub Head	1
	9	763066	(50000000- ) Nut, Hex, Jam, M16 X 2.0	1
	10	578769	(50000000- ) Label, Moving Parts	2
	11	1023182	(50000000- ) Housing, Casting, Head, 70cm, Mach	1
	12	1025160	(50000000- ) Grommet, Isolator, 6b X 10od X 26.0fl	8
	13	386063	(50000000- ) Washer, Flat, 0.25b 1.12d .12, Ss	8
	14	1025853	(50000000- ) Screw, Set, M6 X 1.00 X 35, Ss, NI	8
	15	08712	(50000000- ) Nut, Hex, Lock, M6 X 1.0, Ss, NI	8
	16	1022549	(50000000- ) Spacer, Shaft, 17.15b, 25.0d, 3.0t	2
	17	1053613	(50000000- ) Bumper, Head, 70cm, Bristle Skirt	1
	18	1014328	(50000000- ) Key, Sq, 05mm X 05mm, 25l	2
	19	12273	(50000000- ) Screw, Hex, M8 X 1.25 X 20, Ss, NI	2
	20	1016331	(50000000- ) Washer, Flat, 0.34b 1.25d .11, Ss	2
	21	1022550	(50000000- ) Hub, Drive, Brush, Disk, 17mm Bore	2

▽ ASSEMBLY

▲ INCLUDED IN ASSEMBLY

SCRUB HEAD GROUP, DISK 28 in / 700 mm - CONT'D





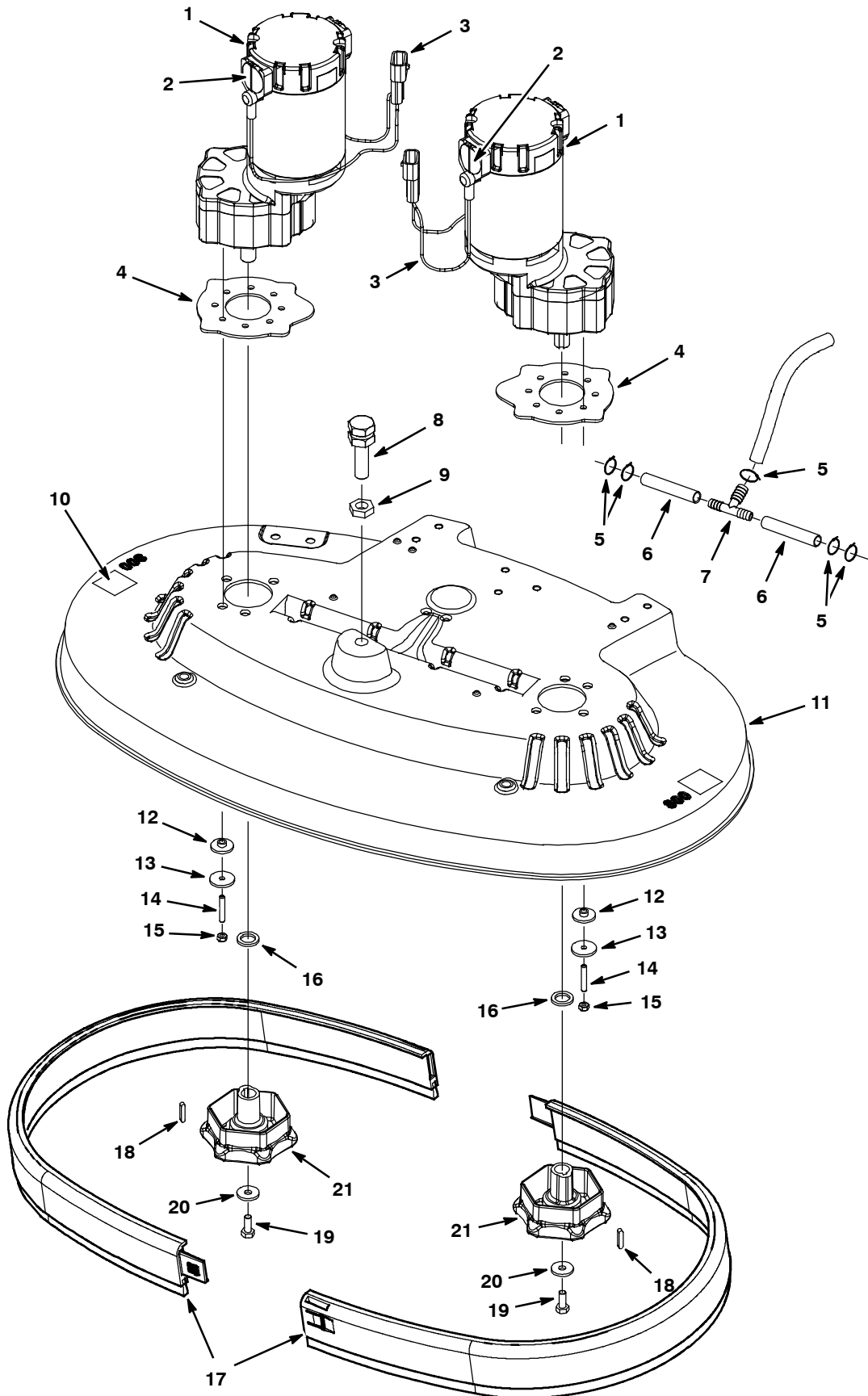
## SCRUB HEAD GROUP, DISK 28 in / 700 mm - CONT'D

Ref.	Part No.	Serial Number	Description	Qty.	
1	1031370	(50000000-	) Wire, 12 Awg X 250mm	1	
2	43952	(50000000-	) Washer, Lock, Int, 0.31, Ss	1	
3	09011	(50000000-	) Screw, Hex, M8 X 1.25 X 30, Ss	7	
4	1036022	(50000000-	) Bracket, Mtg, Actuator, Scb Head	1	
5	01685	(50000000-	) Washer, Flat, 0.31 Ss	1	
6	08713	(50000000-	) Nut, Hex, Lock, M8 X 1.25, NI, Ss	1	
7	01685	(50000000-	) Washer, Flat, 0.31 Ss	1	
8	364441	(50000000-	) Screw, Hex, M8 X 1.25 X 110, Ss	1	
9	02942	(50000000-	) Pin, Hair Cotter, 0.62 D .120 Wir	2	
10	222210	(50000000-	) Pin, Clevis, 0.62 D X 2.12l	2	
11	1022227	(50000000-	) Bracket, Link, Scrubhead	2	
12	1024179	(50000000-	) Knob, Knurled, M10 Thread	2	
13	626081	(50000000-	) Spring, Cmpr, 12.1d, 0.9w, 90.0l	2	
14	09746	(50000000-	) Screw, Hex, M10 X 1.5 X 90, Ss	2	
15	1034731	(50000000-	) Screw, Hex, M6 X 1.00 X 16, Ss, Sems	2	
16	79246	(50000000-	) Screw, Flt, M8 X 1.25 X 20, Ss 18-8	2	
17	08713	(50000000-	) Nut, Hex, Lock, M8 X 1.25, NI, Ss	10	
18	140027	(50000000-	) Washer, Flat, 0.35b 0.75d .04, Ss	10	
19	1023268	(50000000-	) Bracket, Roller, Wall, Scb Head, 70cm	1	
20	222460	(50000000-	) Sleeve, P/M, 0.496d 0.318b 0.50l 430ss	1	
21	1010560	(50000000-	) Wheel, Bmpr, 80d X 25w, Non-Marking	1	
22	09023	(50000000-	) Screw, Hex, M8 X 1.25 X 35, Ss, Fl	1	
23	608322	(50000000-	) Screw, Trs, M6 X 1.0 X 16, Phl, Ss	2	
▽	24	9003254	(50000000-	) Cover Kit, Head, Disc, Replmt [T5e]	1
▲	25	1027068	(50000000-	) Insulation, Sound, Front	1

▽ ASSEMBLY

▲ INCLUDED IN ASSEMBLY

SCRUB HEAD GROUP, DISK 32 in / 800 mm



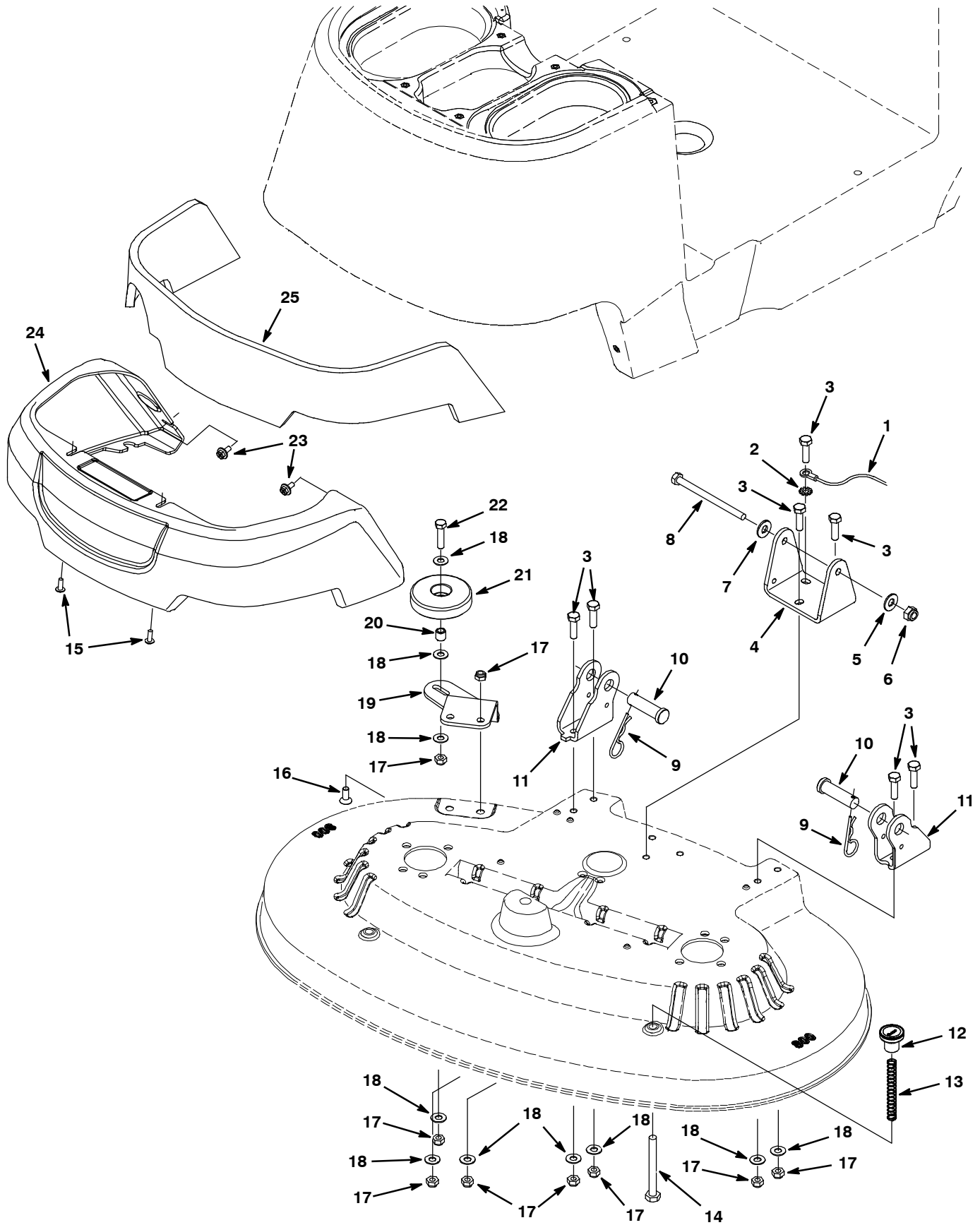
## SCRUB HEAD GROUP, DISK 32 in / 800 mm

Ref.	Part No.	Serial Number	Description	Qty.
▽	1	1023067	(50000000- ) Motor, Gearbox,24vdc, 220rpm, 0.75hp	2
▲	2	1031775	(50000000- ) Brush, Brush-Motor, Afmkt	1
▲	3	1031681	(50000000- ) Harness, Connector, Brush-Motor-Us	1
	4	1024321	(50000000- ) Spacer, Rbr, Motor	2
	5	130773	(50000000- ) Tie, Cable, Nyl, 11.0l, .14w, 3.0 Max. D	7
	6	606885	(50000000- ) Hose 3/8idx5/8odx7.75 (611254)	2
	7	1022556	(50000000- ) Fitting, Plstc, Tee, Bm06/Bm06/Bm08	1
	8	1022424	(50000000- ) Stud, Adj, M16, Scrub Head	1
	9	763066	(50000000- ) Nut, Hex, Jam, M16 X 2.0	1
	10	578769	(50000000- ) Label, Moving Parts	2
	11	1023697	(50000000- ) Housing, Casting, Head, 80cm, Mach	1
	12	1025160	(50000000- ) Grommet, Isolator, 6b X 10od X 26.0fl	8
	13	386063	(50000000- ) Washer, Flat, 0.25b 1.12d .12, Ss	8
	14	1025853	(50000000- ) Screw, Set, M6 X 1.00 X 35, Ss, NI	8
	15	08712	(50000000- ) Nut, Hex, Lock, M6 X 1.0, Ss, NI	8
	16	1022549	(50000000- ) Spacer, Shaft, 17.15b, 25.0d, 3.0t	2
	17	1053618	(50000000- ) Bumper, Head, 80cm, Bristle Skirt	1
	18	1014328	(50000000- ) Key, Sq, 05mm X 05mm, 25l	2
	19	12273	(50000000- ) Screw, Hex, M8 X 1.25 X 20, Ss, NI	2
	20	1016331	(50000000- ) Washer, Flat, 0.34b 1.25d .11, Ss	2
	21	1022550	(50000000- ) Hub, Drive, Brush, Disk, 17mm Bore	2

▽ ASSEMBLY

▲ INCLUDED IN ASSEMBLY

SCRUB HEAD GROUP, DISK 32 in / 800 mm - CONT'D



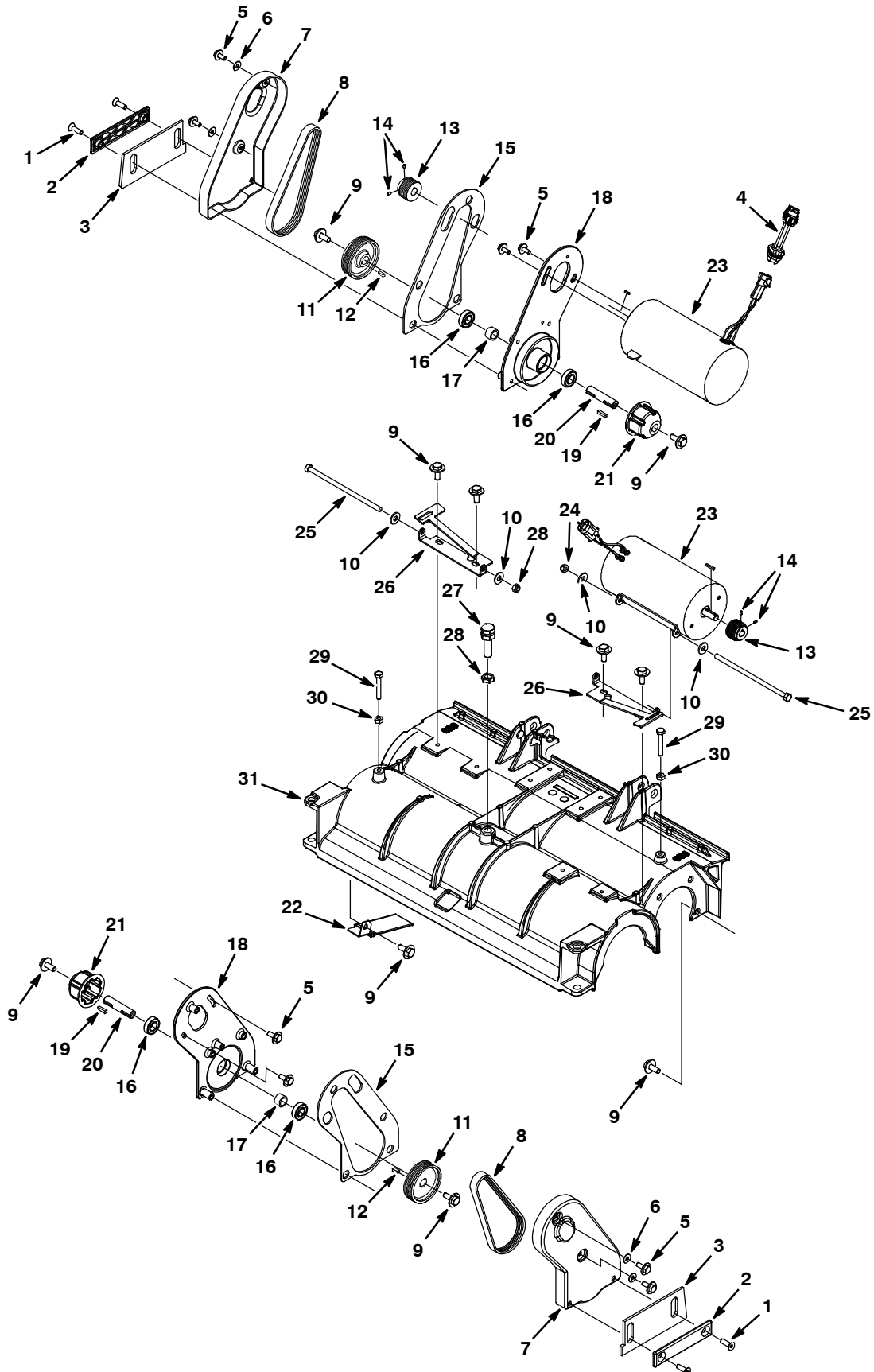
## SCRUB HEAD GROUP, DISK 32 in / 800 mm - CONT'D

Ref.	Part No.	Serial Number	Description	Qty.	
1	1031370	(50000000-	) Wire, 12 Awg X 250mm	1	
2	43952	(50000000-	) Washer, Lock, Int, 0.31, Ss	1	
3	09011	(50000000-	) Screw, Hex, M8 X 1.25 X 30, Ss	7	
4	1036022	(50000000-	) Bracket, Mtg, Actuator, Scb Head	1	
5	01685	(50000000-	) Washer, Flat, 0.38b 0.88d .08, Ss	1	
6	08713	(50000000-	) Nut, Hex, Lock, M8 X 1.25, NI, Ss	1	
7	01685	(50000000-	) Washer, Flat, 0.31 Ss	1	
8	364441	(50000000-	) Screw, Hex, M8 X 1.25 X 110, Ss	1	
9	02942	(50000000-	) Pin, Hair Cotter, 0.62 D .120 Wir	2	
10	222210	(50000000-	) Pin, Clevis, 0.62 D X 2.12l	2	
11	1022227	(50000000-	) Bracket, Link, Scrubhead	2	
12	1024179	(50000000-	) Knob, Knurled, M10 Thread	2	
13	626081	(50000000-	) Spring, Cmpr, 12.1d, 0.9w, 90.0l	2	
14	09746	(50000000-	) Screw, Hex, M10 X 1.5 X 90, Ss	2	
15	608322	(50000000-	) Screw, Trs, M6 X 1.0 X 16, Phl, Ss	2	
16	79246	(50000000-	) Screw, Flt, M8 X 1.25 X 20, Ss 18-8	2	
17	08713	(50000000-	) Nut, Hex, Lock, M8 X 1.25, NI, Ss	10	
18	140027	(50000000-	) Washer, Flat, 0.35b 0.75d .04, Ss	10	
19	1023268	(50000000-	) Bracket, Roller, Wall, Scb Head, 70cm	1	
20	222460	(50000000-	) Sleeve, P/M, 0.496d 0.318b 0.50l 430ss	1	
21	1010560	(50000000-	) Wheel, Bmpr, 80d X 25w, Non-Marking	1	
22	09023	(50000000-	) Screw, Hex, M8 X 1.25 X 35, Ss, Fl	1	
23	1034731	(50000000-	) Screw, Hex, M6 X 1.00 X 16, Ss, Sems	2	
▽	24	9003254	(50000000-	) Cover Kit, Head, Disc, Replmt [T5e]	1
▲	25	1027068	(50000000-	) Insulation, Sound, Front	1

▽ ASSEMBLY

▲ INCLUDED IN ASSEMBLY

SCRUB HEAD GROUP, CYLINDRICAL 26 in / 650 mm



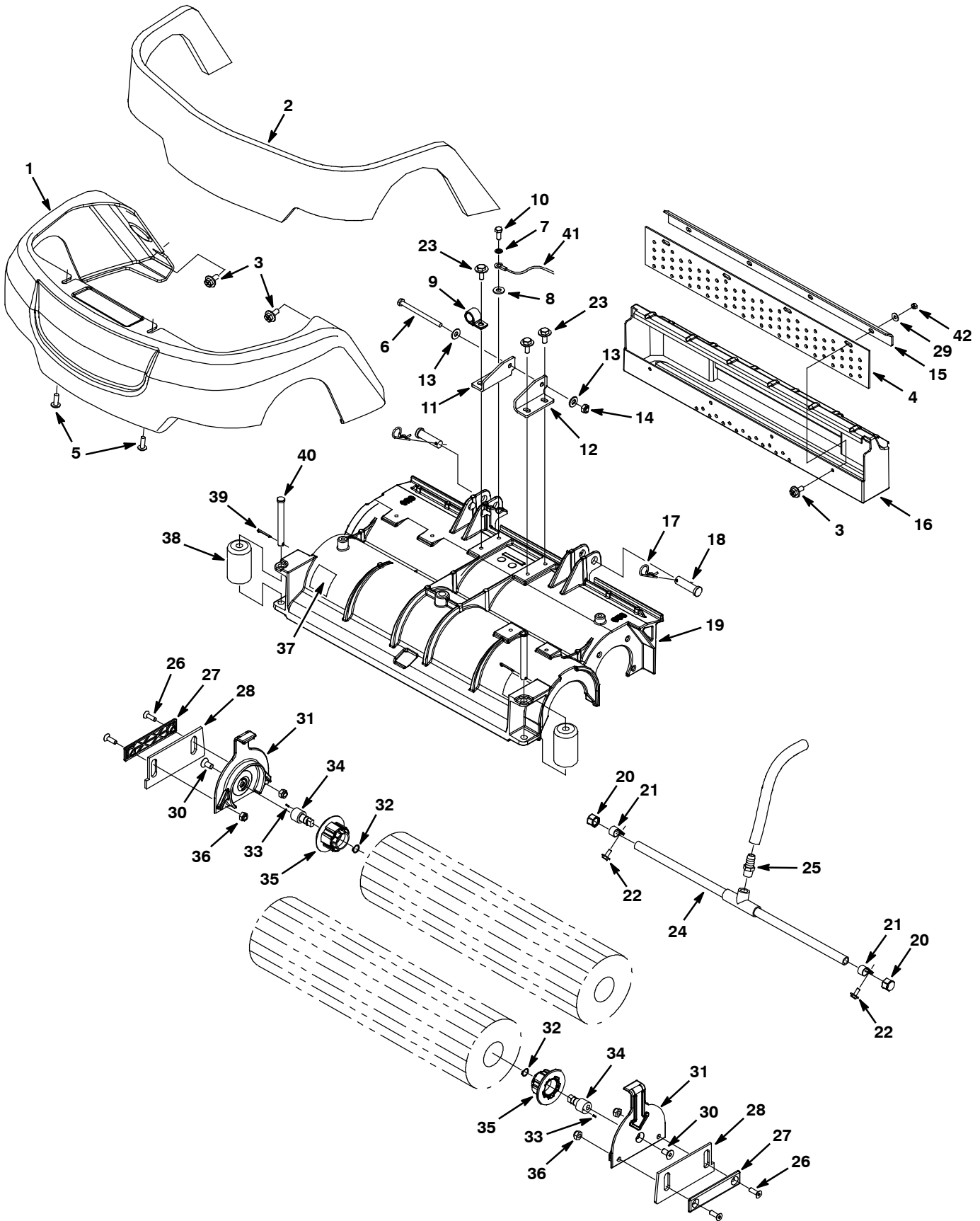
SCRUB HEAD GROUP, CYLINDRICAL 26 in / 650 mm

Ref.	Part No.	Serial Number	Description	Qty.
1	222692	(50000000-	) Screw, Flt, M8 X1.25 X 25, Ss, 18-8, NI	4
2	1036245	(50000000-	) Retainer, Blade, Sqge, Side, Blk, Nyl	2
3	1026292	(50000000-	) Skirt, Side, Scb, Cyl	2
4	1052895	(50000000-	) Harness, Adapter, Motor [T7/T5]	1
5	1034731	(50000000-	) Screw, Hex, M6 X 1.00 X 16, Sems, Ss	8
6	01684	(50000000-	) Washer, Flat, 0.25 Ss	4
7	1022807	(50000000-	) Cover, Belt	2
8	1035888	(50000000-	) Belt, Drive, 6Grv, 508l X 14w, [6Pj]	2
9	1020341	(50000000-	) Screw, Hex, M8 X 1.25 X 20, Sems, Ss	16
10	01685	(50000000-	) Washer, Flat, 0.31 Ss	4
11	1035173	(50000000-	) Sheave, 06Grv, 2.96pd, 0.59b, Alm [Pj]	2
12	00961	(50000000-	) Key, Sq, 0.19 X 0.19, 0.50l	2
13	1033528	(50000000-	) Sheave, 06Grv, 1.33pd, 0.50b, Alm [Pj]	2
14	222818	(50000000-	) Screw, Set, #08-32 X 0.25, NI	4
15	1022401	(50000000-	) Gasket, Cover, Belt	2
16	41360	(50000000-	) Bearing, Ball, 0.59b 1.26d 0.35w [2seal]	4
17	1002077	(50000000-	) Spacer, 0.59b 0.81d 0.50l	2
18	1021036	(50000000-	) Bracket, Motor, Machined	2
19	00911	(50000000-	) Key, Sq, 0.19 X 0.19, 0.75l	2
20	1021050	(50000000-	) Shaft, Drive	2
21	378805	(50000000-	) Plug, Drive, Brush, Mach	2
22	1029358	(50000000-	) Deflector, Water, Cyl Head	1
▽	23	1042228	(50000000-) Motor, Ele, 24vdc 1500rpm 0.75hp 23.0a	2
▲		1049739	(50000000-) Brush Kit, Carbon, Motor, Replmt [4pcs]	2
24	08713	(50000000-	) Nut, Hex, Lock, M8 X 1.25, NI, Ss	2
25	1025026	(50000000-	) Screw, Hex, M8 X 1.25 X 180, Ss	2
26	1044386	(50000000-	) Bracket, Mounting, Motor	2
27	1022424	(50000000-	) Stud, Adj, M16, Scrub Head	1
28	763066	(50000000-	) Nut, Hex, Jam, M16 X 2.0	1
29	578717	(50000000-	) Screw, Hex, M8 X 1.25 X 50, Ss	2
30	07786	(50000000-	) Nut, Hex, Std, M8 X 1.25, Ss	2
31	1022624	(50000000-	) Housing, Head, 65cm Cyl, Mach	1

▽ ASSEMBLY

▲ INCLUDED IN ASSEMBLY

SCRUB HEAD GROUP, CYLINDRICAL 26 in / 650 mm - CONT'D





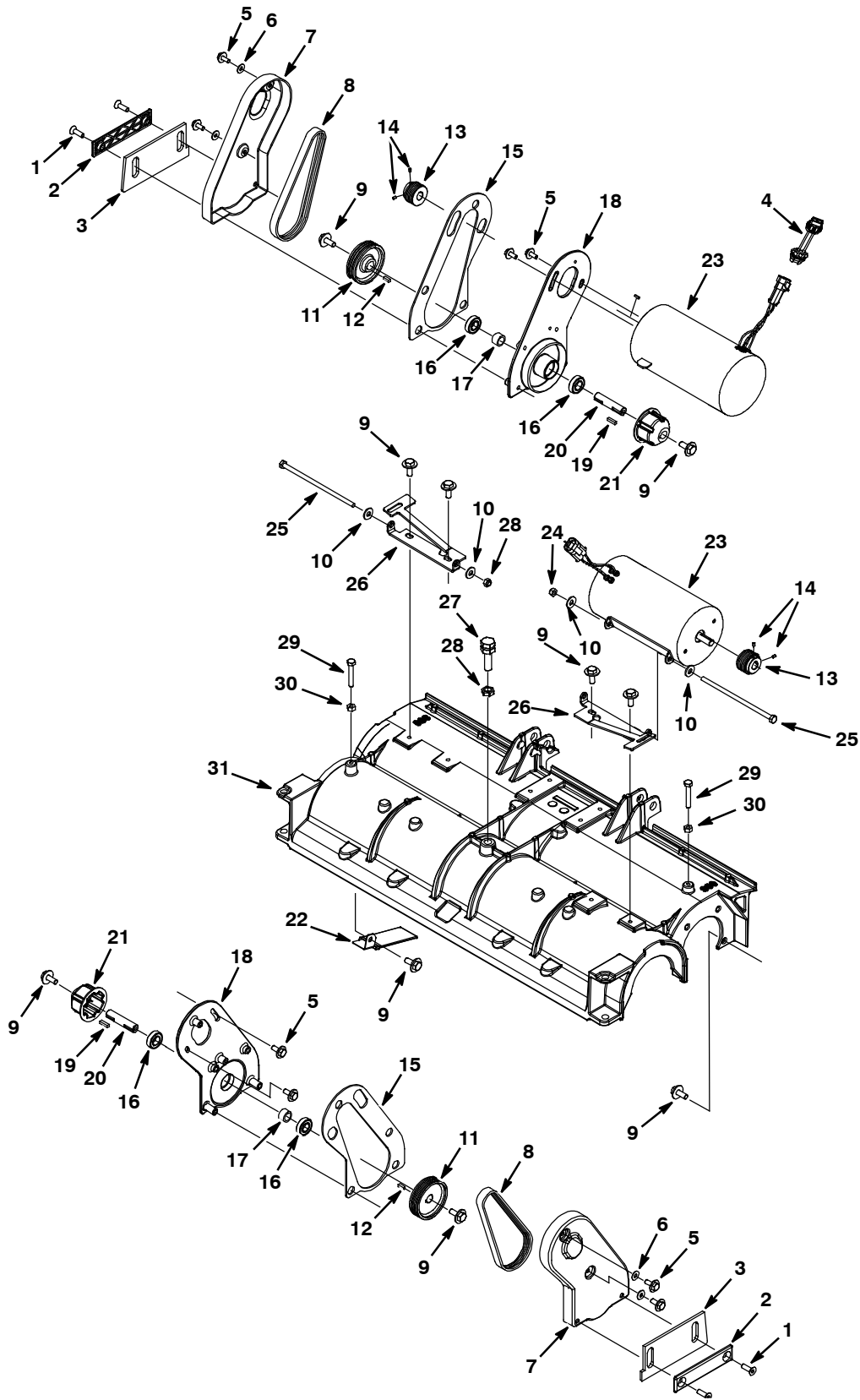
## SCRUB HEAD GROUP, CYLINDRICAL 26 in / 650 mm - CONT'D

Ref.	Part No.	Serial Number	Description	Qty.
▽	1	9003255	(50000000- ) Cover Kit, Head, Cyl, Replmt [T5e]	1
▲	2	1027069	(50000000- ) Insulation, Sound, Front, Cyl	1
	3	1034731	(50000000- ) Screw, Hex, M6 X 1.00 X 16, Sems, Ss	6
	4	1025272	(50000000- ) Skirt, Tray, Debris, 65cm	1
	5	608322	(50000000- ) Screw, Trs, M6 X 1.0 X 16, Phl, Ss	2
	6	364441	(50000000- ) Screw, Hex, M8 X 1.25 X 110, Ss	1
	7	43952	(50000000- ) Washer, Lock, Int, 0.31 Ss	1
	8	01685	(50000000- ) Washer, Flat, 0.31 Ss	1
	9	140314	(50000000- ) Clamp, Cable, Stl, 0.75d X 0.75w, 1h, Yl	1
	10	12273	(50000000- ) Screw, Hex, M8 X 1.25 X 20, Ss, NI	1
	11	1036032	(50000000- ) Bracket, Lift, Head, Rh	1
	12	1036025	(50000000- ) Bracket, Lift, Head, Lh	1
	13	01685	(50000000- ) Washer, Flat, 0.31 Ss	1
	14	08713	(50000000- ) Nut, Hex, Lock, M8 X 1.25, NI, Ss	1
	15	1023536	(50000000- ) Lip, Tray, Debris, Scrubhead, 65cm	1
	16	1023465	(50000000- ) Hopper, 65cm, Rm-Blk	1
	17	02942	(50000000- ) Pin, Hair Cotter, 0.62 D .120 Wir	2
	18	222210	(50000000- ) Pin, Clevis, 0.62 D X 2.12l	2
	19	1022624	(50000000- ) Housing, Head, 65cm Cyl, Mach	1
	20	1025580	(50000000- ) Cap, Plstc, Pf12	2
	21	33584	(50000000- ) Clamp, Cable, Stl, 0.63d X 0.50w, 1h	2
	22	1034731	(50000000- ) Screw, Hex, M6 X 1.00 X 16, Sems, Ss	2
	23	1020341	(50000000- ) Screw, Hex, M8 X 1.25 X 20, Sems, Ss	3
	24	1046049	(50000000- ) Tube Assy, Bar, Spray	1
	25	64743	(50000000- ) Fitting, Plstc, Str, Bm08/Pm06	1
	26	222692	(50000000- ) Screw, Flt, M8 X1.25 X 25, Ss, 18-8, NI	4
	27	1036245	(50000000- ) Retainer, Blade, Sqge, Side, Blk, Nyl	2
	28	1026292	(50000000- ) Skirt, Side, Scb, Cyl	2
	29	01684	(50000000- ) Washer, Flat, 0.25 Ss	4
▽		1057922	(50000000- ) Door Assy, Cyl Head, [7100]	2
▲	30	390996	(50000000- ) Screw, Flt, M10 X 1.5 X 20, 10.9, NI	1
▲	31	1044145	(50000000- ) Door, Brush	1
▲	32	01516	(50000000- ) Ring, Retaining, Ext, 0.59d, Basic	1
▲	33	222184	(50000000- ) Pin, Roll, .094 D X 0.25l, .094/.097	1
▲	34	222177	(50000000- ) Shaft, Idler Plug	1
▲	35	1057629	(50000000- ) Plug, Idler, Brush, [Sgl Brg]	1
	36	08713	(50000000- ) Nut, Hex, Lock, M8 X 1.25, NI, Ss	4
	37	578769	(50000000- ) Label, Moving Parts	2
	38	222178	(50000000- ) Roller, Pyu, 1.88d 0.53b 3.05l	2
	39	578421	(50000000- ) Pin, Cotter, .125d X 1.00l	2
	40	222196	(50000000- ) Pin, Clevis, 0.50 D X 4.25l	2
	41	1031370	(50000000- ) Wire, 12 Awg X 250mm	1
	42	07785	(50000000- ) Nut, Hex, Std, M6 X 1.0, A2, Ss	4

▽ ASSEMBLY

▲ INCLUDED IN ASSEMBLY

SCRUB HEAD GROUP, CYLINDRICAL 32 in / 800 mm



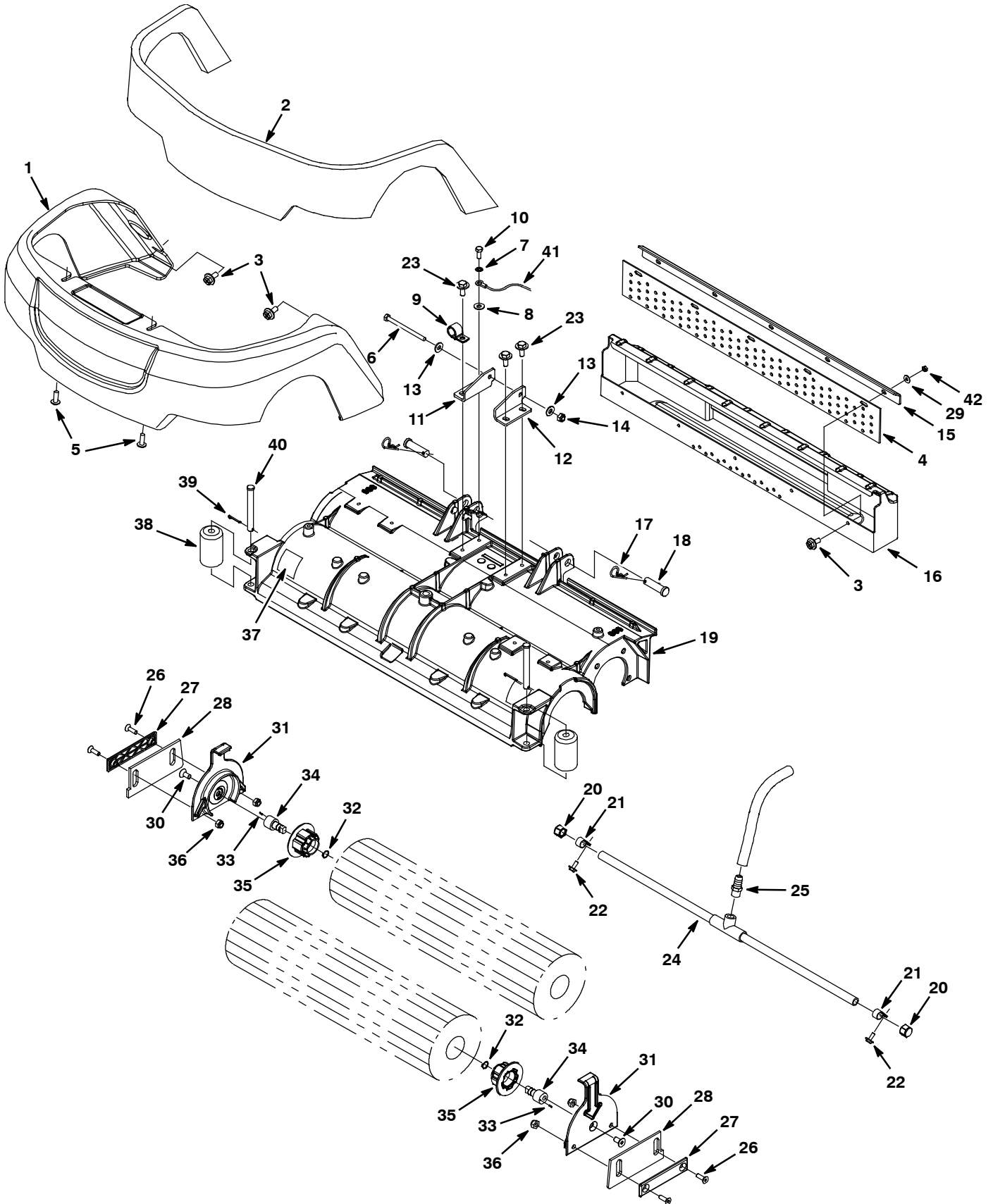
SCRUB HEAD GROUP, CYLINDRICAL 32 in / 800 mm

Ref.	Part No.	Serial Number	Description	Qty.
1	222692	(50000000-	) Screw, Flt, M8 X1.25 X 25, Ss, 18-8, NI	4
2	1036245	(50000000-	) Retainer, Blade, Sqge, Side, Blk, Nyl	2
3	1026292	(50000000-	) Skirt, Side, Scb, Cyl	2
4	1052895	(50000000-	) Harness, Adapter, Motor [T7/T5]	1
5	1034731	(50000000-	) Screw, Hex, M6 X 1.00 X 16, Sems, Ss	8
6	01684	(50000000-	) Washer, Flat, 0.25 Ss	4
7	1022807	(50000000-	) Cover, Belt	2
8	1035888	(50000000-	) Belt, Drive, 6Grv, 508l X 14w, [6Pj]	2
9	1020341	(50000000-	) Screw, Hex, M8 X 1.25 X 20, Sems, Ss	16
10	01685	(50000000-	) Washer, Flat, 0.31 Ss	4
11	1035173	(50000000-	) Sheave, 06Grv, 2.96pd, 0.59b, Alm [Pj]	2
12	00961	(50000000-	) Key, Sq, 0.19 X 0.19, 0.50l	2
13	1033528	(50000000-	) Sheave, 06Grv, 1.33pd, 0.50b, Alm [Pj]	2
14	222818	(50000000-	) Screw, Set, #08-32 X 0.25, NI	4
15	1022401	(50000000-	) Gasket, Cover, Belt	2
16	41360	(50000000-	) Bearing, Ball, 0.59b 1.26d 0.35w [2seal]	4
17	1002077	(50000000-	) Spacer, 0.59b 0.81d 0.50l	2
18	1021036	(50000000-	) Bracket, Motor, Machined	2
19	00911	(50000000-	) Key, Sq, 0.19 X 0.19, 0.75l	2
20	1021050	(50000000-	) Shaft, Drive	2
21	378805	(50000000-	) Plug, Drive, Brush, Mach	2
22	1029358	(50000000-	) Deflector, Water, Cyl Head	1
▽	23	1042228	(50000000-) Motor, Ele, 24vdc 1500rpm 0.75hp 23.0a	2
▲		1049739	(50000000-) Brush Kit, Carbon, Motor, Replmt [4pcs]	2
24	08713	(50000000-	) Nut, Hex, Lock, M8 X 1.25, NI, Ss	2
25	1025026	(50000000-	) Screw, Hex, M8 X 1.25 X 180, Ss	2
26	1044386	(50000000-	) Bracket, Mounting, Motor	2
27	1022424	(50000000-	) Stud, Adj, M16, Scrub Head	1
28	763066	(50000000-	) Nut, Hex, Jam, M16 X 2.0	1
29	578717	(50000000-	) Screw, Hex, M8 X 1.25 X 50, Ss	2
30	07786	(50000000-	) Nut, Hex, Std, M8 X 1.25, Ss	2
31	1025039	(50000000-	) Housing, Head, 80cm Cyl, Mach	1

▽ ASSEMBLY

▲ INCLUDED IN ASSEMBLY

SCRUB HEAD GROUP, CYLINDRICAL 32 in / 800 mm - CONT'D



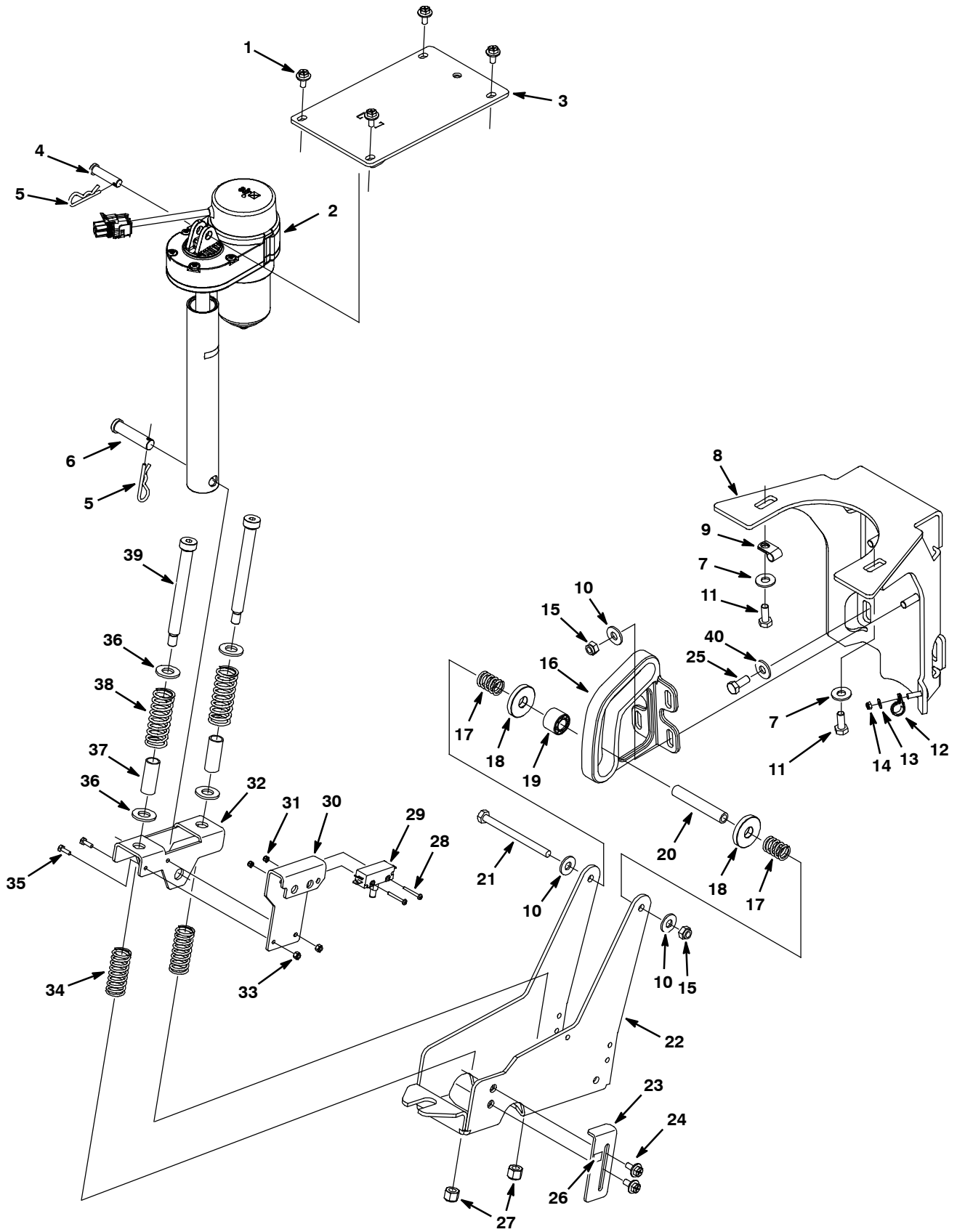
## SCRUB HEAD GROUP, CYLINDRICAL 32 in / 800 mm - CONT'D

Ref.	Part No.	Serial Number	Description	Qty.
▽	1	9003255	(50000000- ) Cover Kit, Head, Cyl, Replmt [T5e]	1
▲	2	1027069	(50000000- ) Insulation, Sound, Front, Cyl	1
	3	1034731	(50000000- ) Screw, Hex, M6 X 1.00 X 16, Sems, Ss	7
	4	1025273	(50000000- ) Skirt, Tray, Debris, 80cm	1
	5	608322	(50000000- ) Screw, Trs, M6 X 1.0 X 16, Phl, Ss	2
	6	364441	(50000000- ) Screw, Hex, M8 X 1.25 X 110, Ss	1
	7	43952	(50000000- ) Washer, Lock, Int, 0.31 Ss	1
	8	01685	(50000000- ) Washer, Flat, 0.31 Ss	1
	9	140314	(50000000- ) Clamp, Cable, Stl, 0.75d X 0.75w, 1h, Yl	1
	10	12273	(50000000- ) Screw, Hex, M8 X 1.25 X 20, Ss, NI	1
	11	1036032	(50000000- ) Bracket, Lift, Head, Rh	1
	12	1036025	(50000000- ) Bracket, Lift, Head, Lh	1
	13	01685	(50000000- ) Washer, Flat, 0.38b 0.88d .08, Ss	1
	14	08713	(50000000- ) Nut, Hex, Lock, M8 X 1.25, NI, Ss	1
	15	1025150	(50000000- ) Lip, Tray, Debris, Scrubhead, 80cm	1
	16	1025127	(50000000- ) Hopper, 80cm [Rm]	1
	17	02942	(50000000- ) Pin, Hair Cotter, 0.62 D .120 Wir	2
	18	222210	(50000000- ) Pin, Clevis, 0.62 D X 2.12l	2
	19	1025039	(50000000- ) Housing, Head, 80cm Cyl, Mach	1
	20	1025580	(50000000- ) Cap, Plstc, Pf12	2
	21	33584	(50000000- ) Clamp, Cable, Stl, 0.63d X 0.50w, 1h	2
	22	1034731	(50000000- ) Screw, Hex, M6 X 1.00 X 16, Sems, Ss	2
	23	1020341	(50000000- ) Screw, Hex, M8 X 1.25 X 20, Sems, Ss	3
	24	1025276	(50000000- ) Tube Assy, Bar, Spray [85cm]	1
	25	64743	(50000000- ) Fitting, Plstc, Str, Bm08/Pm06	1
	26	222692	(50000000- ) Screw, Flt, M8 X1.25 X 25, Ss, 18-8, NI	4
	27	1036245	(50000000- ) Retainer, Blade, Sqge, Side, Blk, Nyl	2
	28	1026292	(50000000- ) Skirt, Side, Scb, Cyl	2
	29	01684	(50000000- ) Washer, Flat, 0.25 Ss	5
▽		1057922	(50000000- ) Door Assy, Cyl Head, [7100]	2
▲	30	390996	(50000000- ) Screw, Flt, M10 X 1.5 X 20, 10.9, NI	1
▲	31	1044145	(50000000- ) Door, Brush	1
▲	32	01516	(50000000- ) Ring, Retaining, Ext, 0.59d, Basic	1
▲	33	222184	(50000000- ) Pin, Roll, .094 D X 0.25l, .094/.097	1
▲	34	222177	(50000000- ) Shaft, Idler Plug	1
▲	35	1057629	(50000000- ) Plug, Idler, Brush, [Sgl Brg]	1
	36	08713	(50000000- ) Nut, Hex, Lock, M8 X 1.25, NI, Ss	4
	37	578769	(50000000- ) Label, Moving Parts	2
	38	222178	(50000000- ) Roller, Pyu, 1.88d 0.53b 3.05l	2
	39	578421	(50000000- ) Pin, Cotter, .125d X 1.00l	2
	40	222196	(50000000- ) Pin, Clevis, 0.50 D X 4.25l	2
	41	1031370	(50000000- ) Wire, 12 Awg X 250mm	1
	42	07785	(50000000- ) Nut, Hex, Std, M6 X 1.0, A2, Ss	5

▽ ASSEMBLY

▲ INCLUDED IN ASSEMBLY

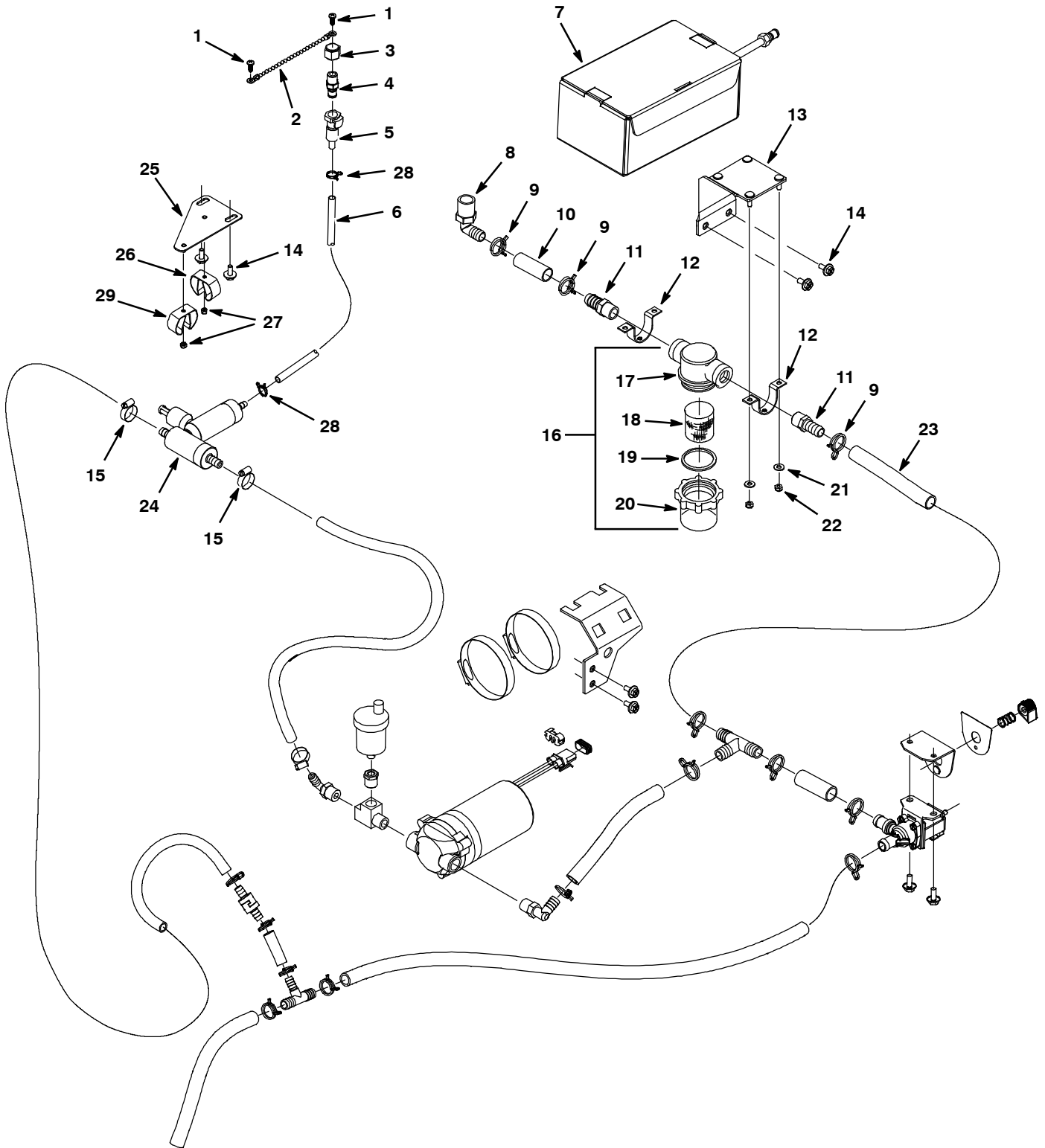
SCRUBHEAD LIFT GROUP



## SCRUBHEAD LIFT GROUP

Ref.	Part No.	Serial Number	Description	Qty.
1	1034731	(50000000-	) Screw, Hex, M6 X 1.00 X 16, Ss, Sems	4
2	1050452	(50000000-	) Actuator, 24vdc, 6.0 Strk, 600 Lb	1
3	1022913	(50000000-	) Bracket Wldt, Actuator, Upper	1
4	29558	(50000000-	) Pin, Clevis, 0.37 D X 1.50l	1
5	140626	(50000000-	) Pin, Hair Cotter, 0.25 D .125 Wir	2
6	51534	(50000000-	) Pin, Clevis, 0.50 D X 2.00l	1
7	69461	(50000000-	) Washer, Flat, 0.38b 0.88d .12, Stl, Pl	2
8	1049367	(50000000-	) Bracket, Sppt, Guide, Rlr	1
9	40678	(50000000-	) Clamp, Cable, Stl, 0.44d X 0.62w, 1h	1
10	01685	(50000000-	) Washer, Flat, 0.31 Ss	6
11	12273	(50000000-	) Screw, Hex, M8 X 1.25 X 20, Ss, NI	2
12	33584	(50000000-	) Clamp, Cable, Stl, 0.63d X 0.50w, 1hole	1
13	01683	(50000000-	) Washer, Flat, #10 Ss	1
14	09739	(50000000-	) Nut, Hex, Lock, M5 X 0.8, NI, Ss	1
15	08713	(50000000-	) Nut, Hex, Lock, M8 X 1.25, NI, Ss	5
16	1023592	(50000000-	) Bracket, Guide, Rlr, Head Lift, Brz [T5]	1
17	607920	(50000000-	) Spring, Cmpr, 18.3d, 2.4w, 25.4l Mw	2
18	607568	(50000000-	) Washer, P/M, 1.500d, 0.500b 0.25l Bnz	2
19	1023658	(50000000-	) Roller, Linkage, Head Lift	1
20	1023653	(50000000-	) Shaft, Rlr, Head-Lift	1
21	386299	(50000000-	) Screw, Hex, M8 X 1.25 X 100, Ss	1
22	1024911	(50000000-	) Bracket, Roller, Scrubhead, Sheet Metal	1
23	1025002	(50000000-	) Bracket, Switch, Shut-Off	1
24	1034731	(50000000-	) Screw, Hex, M6 X 1.00 X 16, Ss, Sems	2
25	12333	(50000000-	) Screw, Hex, M8 X 1.25 X 25, Ss, NI	2
26	1031984	(50000000-	) Label, Switch, Scrub Head	1
27	59156	(50000000-	) Nut, Hex, Lock, .38-16, NI, Ss	2
28	06923	(50000000-	) Screw, Pan, M3 X 0.50 X 25, 4.8	2
29	606292	(50000000-	) Switch, Push, Actuator, 20a	1
30	1025001	(50000000-	) Bracket, Switch, Down Press	1
31	579211	(50000000-	) Nut, Hex, Lock, M3 X 0.50, Ss	2
32	1023575	(50000000-	) Bracket, Spring, Down Press	1
33	33932	(50000000-	) Nut, Hex, Lock, M4 X 0.70, NI, Ss	2
34	63185	(50000000-	) Spring, Cmpr, 0.85od .09wir 2.0l	2
35	09206	(50000000-	) Screw, Hex, M4 X 0.7 X 12, 8.8	2
36	32486	(50000000-	) Washer, Flat, 0.50 Sae	4
37	1024969	(50000000-	) Sleeve, P/M, 0.629d 09.5	2
38	45261	(50000000-	) Spring, Cmpr, 0.97od .11wir 2.5l	2
39	45960	(50000000-	) Bolt, Shld, .50d X 4.25, .38-16	2
40	1016331	(50000000-	) Washer, Flat, 0.34b 1.25d .11, Ss	2
N/S	130773	(50000000-	) Tie, Cable, Nyl, 11.0l, .14w, 3.0 Max. D	3

SOLUTION GROUP, FaST MODEL





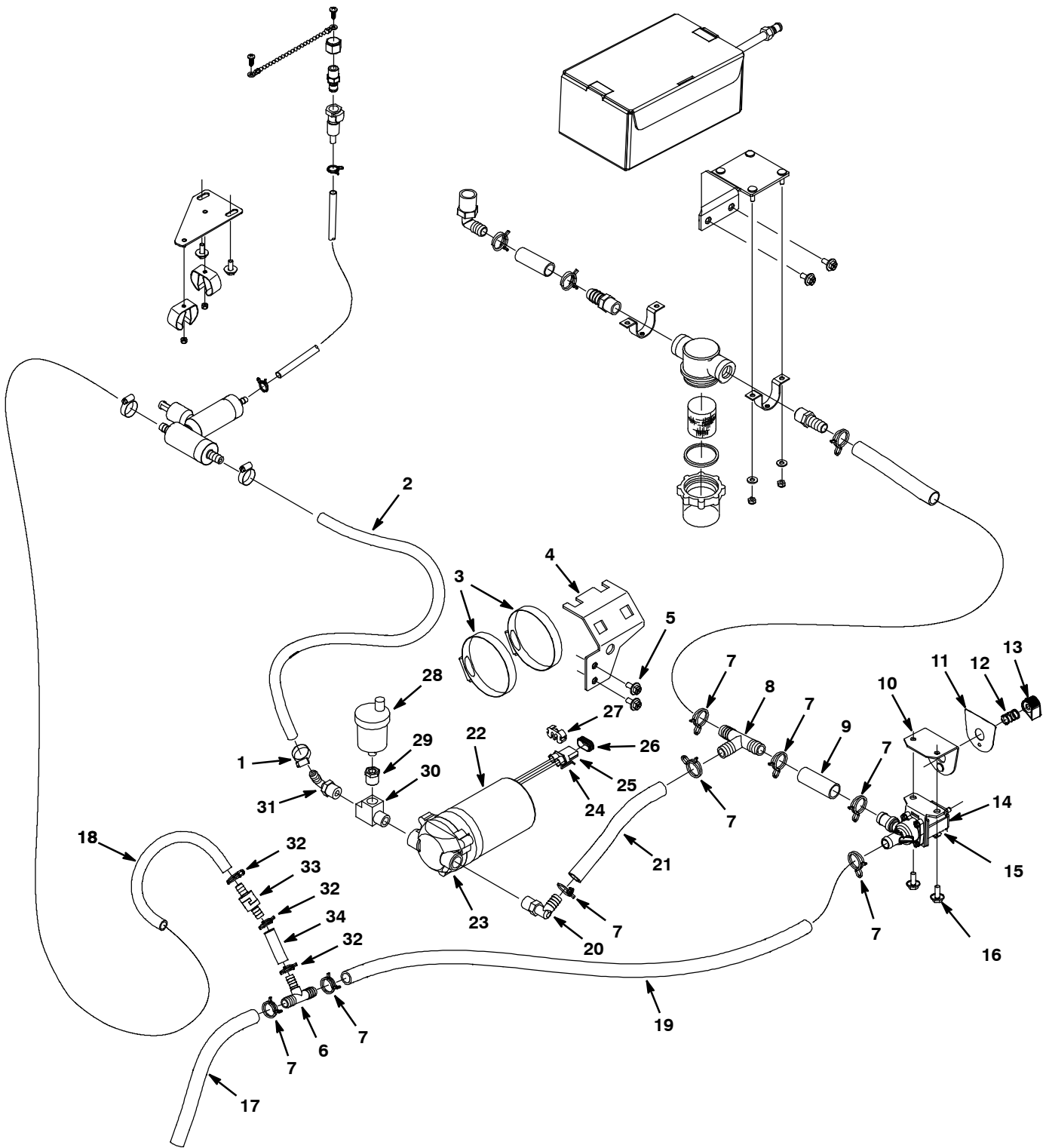
## SOLUTION GROUP, FaST MODEL

Ref.	Part No.	Serial Number	Description	Qty.	
1	1018155	(50000000-	) Screw, Pan, M5 X 0.8 X16, Ss, Tcut	2	
2	621443	(50000000-	) Chain, Ball, #10 X 157l, Ss	1	
3	1005435	(50000000-	) Fitting, Plstc, Cap, Pf04, Pipe	1	
4	1002899	(50000000-	) Fitting, Plstc, Str, Pm04, Cplg, Mal	1	
5	1029262	(50000000-	) Fitting, Plstc, Str, Pf04, Cplg, Fem	1	
6	1006415	(50000000-	) Hose, Afmkt, Pvc, Clr 0.25id 3ft [C460126]	1	
7	1017015	(50000000-	) Detergent, Pkg, 2 Liter, Sgl [365]	1	
7	1017022	(50000000-	) Detergent, Pkg, 2 Liter, Sgl [665]	1	
8	1013505	(50000000-	) Fitting, Plstc, E90, Bm08/Pm08, Nyl	1	
9	607776	(50000000-	) Clamp, Hose, Wire, .73 - .77, Silver	3	
10	069760725	(50000000-	) Hose Sol 1/2idx3.25" [611259]	1	
11	14884	(50000000-	) Fitting, Brs, Str, Bm08/Pm06 [Taped]	2	
12	605056	(50000000-	) Bracket, Mtg, Fltr	2	
13	1023543	(50000000-	) Bracket Wldt, Mtg, Filter	1	
14	1034731	(50000000-	) Screw, Hex, M6 X 1.00 X 16, Ss, Sems	4	
15	54333	(50000000-	) Clamp, Hose, Wormdrive, 0.31-0.88d, .31w	2	
▽	16	1005302	(50000000-	) Filter, In-Line, Pf06/Pf06, 80 Mesh	1
▲	17	613993	(50000000-	) Housing, Top, F/1005302	1
▲	18	1005304	(50000000-	) Screen, Fltr, 80 Mesh	1
▲	19	613992	(50000000-	) Gasket [Viton, F/1005302]	1
▲	20	613991	(50000000-	) Bowl, Clr, Short, F/1005302	1
	21	01683	(50000000-	) Washer, Flat, #10, Ss	4
	22	09739	(50000000-	) Nut, Hex, Lock, M5 X 0.80, NI, Ss	4
	23	613521	(50000000-	) Tube, 0.50id X 0.75od Vyl 1.00ft[611259]	1
	24	9003907	(50000000-	) Fast Kit, Injector[T5 60/65cm, Fast li+] (600mm Disk & 650mm Cyl Models)	1
	24	9003908	(50000000-	) Fast Kit, Injector[T5 70/80cm, Fast li+] (700mm/800mm Disk & 800mm Cyl Models)	1
	25	1040982	(50000000-	) Plate, Mtg, Injector [T5/Ss5 Fast li+]	1
	26	573073	(50000000-	) Clip, Grip, Hose, 1.00-1.50, Stl, PI	1
	27	33932	(50000000-	) Nut, Hex, Lock, M4 X 0.7, NI, Ss	2
	28	613735	(50000000-	) Clamp, Hose, Wir, .40 - .42, Yel	2
	29	1014295	(50000000-	) Clip, Grip, Hose, 0.75-1.12, Stl,Blk Vyl	1

▽ ASSEMBLY

▲ INCLUDED IN ASSEMBLY

SOLUTION GROUP, FaST MODEL - CONT'D



## SOLUTION GROUP, FaST MODEL - CONT'D

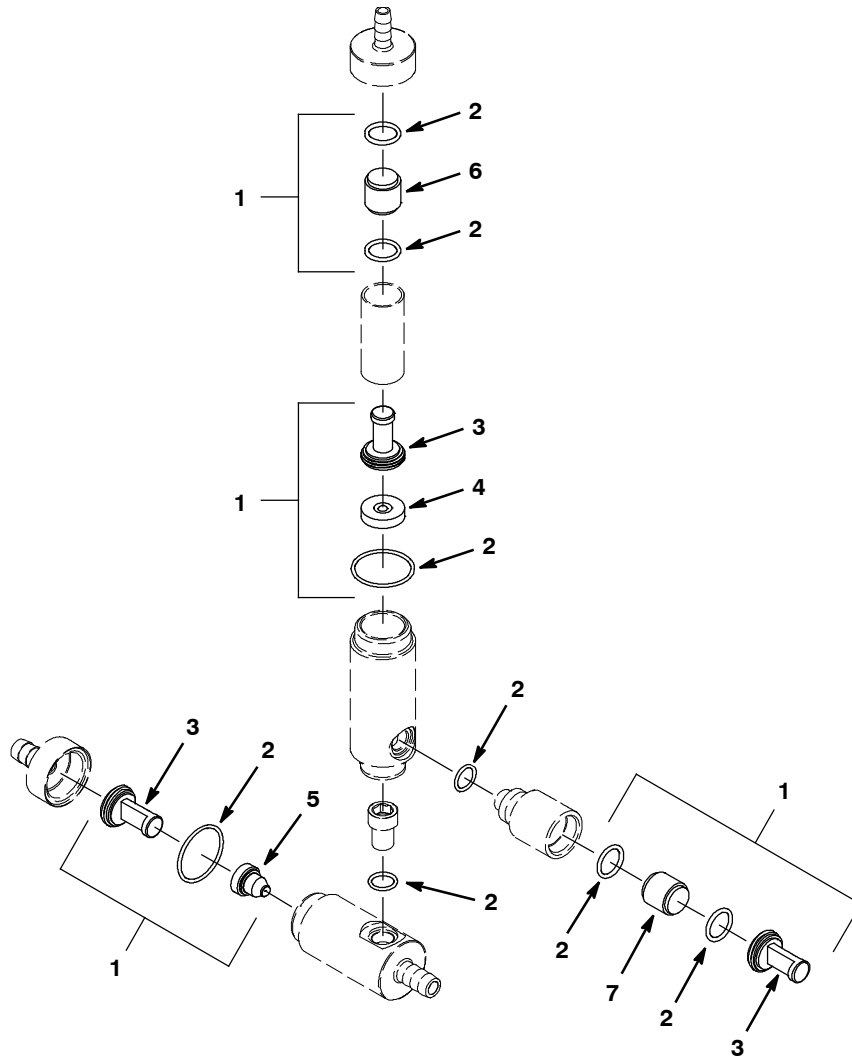
Ref.	Part No.	Serial Number	Description	Qty.
1	54333	(50000000-	) Clamp, Hose, Wormdrive, 0.31-0.88d, .31w	1
2	9002542	(50000000-	) Hose, .38id X 0.60d Pvc 376720 Ft 3.5	1
3	43555	(50000000-	) Clamp, Hose, Wormdrive, 2.50-3.50d, .50w	2
4	1023463	(50000000-	) Bracket, Mtg, Pump	1
5	1034731	(50000000-	) Screw, Hex, M6 X 1.00 X 16, Ss, Sems	2
6	630372	(50000000-	) Fitting, Plstc, Tee, Bm08/Bm06/Bm08	1
7	607776	(50000000-	) Clamp, Hose, Wire, .73 - .77, Silver	8
8	63245-1	(50000000-	) Fitting, Plstc, Tee, Bm08/Bm08/Bm08	1
9	613521	(50000000-	) Tubing 1/2idx3/4od Vnyl 611259 Ft 1.000	1
10	1023537	(50000000-	) Bracket, Label, Soltn	1
11	1024343	(50000000-	) Label, Soltn, Flow	1
12	1017091	(50000000-	) Spring, Cmpr, 0.50d .036wir 00.8l	1
13	1013442	(50000000-	) Knob, Valve, Indicator, Blk	1
▽	14	1062385	) Valve, Water, Solenoid, 24vdc Bm10/Bm10	1
▲	15	614265	) Valve Kit, Water [Viton Diaphragm] (Repair Kit)	1
16	1034731	(50000000-	) Screw, Hex, M6 X 1.00 X 16, Ss, Sems	2
17	613521	(50000000-	) Tube, 0.50id X 0.75od Vyl 1.00ft[611259]	1
18	9004748	(50000000-	) Hose, Pyu, Clr, 0.38id 0.62od 42l	1
19	613531	(50000000-	) Tubing 1/2idx3/4od Vinyl 611259 Ft 3.750	1
20	1017532	(50000000-	) Fitting, Plstc, E90, Bm08/Pm06	1
21	613521	(50000000-	) Tube, 0.50id X 0.75od Vyl 1.00ft[611259]	1
▽	22	1014282	) Pump, Soltn, Ele, 24vdc, 60psi, Packard	1
▲	23	9001240	) Pump Kit, Head, Soltn	1
▲	24	78950	) Connector, Fem, 02cav, Mp280 Sealed	1
▲	25	78951	) Terminal, Fem, Mp280, Sealed, 18-16ga	1
▲	26	10917	) Seal, Wire, 14/16ga [Wp / Mp280 Sealed]	1
▲	27	78952	) Lock, Secondary, 2cav, Mp280 Sealed	1
28	1017386	(50000000-	) Valve, Air Vent, Float Type	1
29	24698	(50000000-	) Fitting, Brs, Str, Pf02/Pm06	1
30	601483	(50000000-	) Fitting, Brs, Tee, Pm06/Pf06, Strt, T	1
31	1005630	(50000000-	) Fitting, Plstc, E90, Bm06/Pm06, Nyl	1
32	607775	(50000000-	) Clamp, Hose, Wir, .63 - .66, Blk	3
33	1015455	(50000000-	) Valve, Check, Bm06/Bm06, 5psi	1
34	606362	(50000000-	) Hose 3/8idx5/8odx6.5 (611254)	1

▽ ASSEMBLY

▲ INCLUDED IN ASSEMBLY

# STANDARD PARTS

## 9003907 FAST INJECTOR ASSEMBLY BREAKDOWN 600 mm DISK & 650 mm CYLINDRICAL MODELS

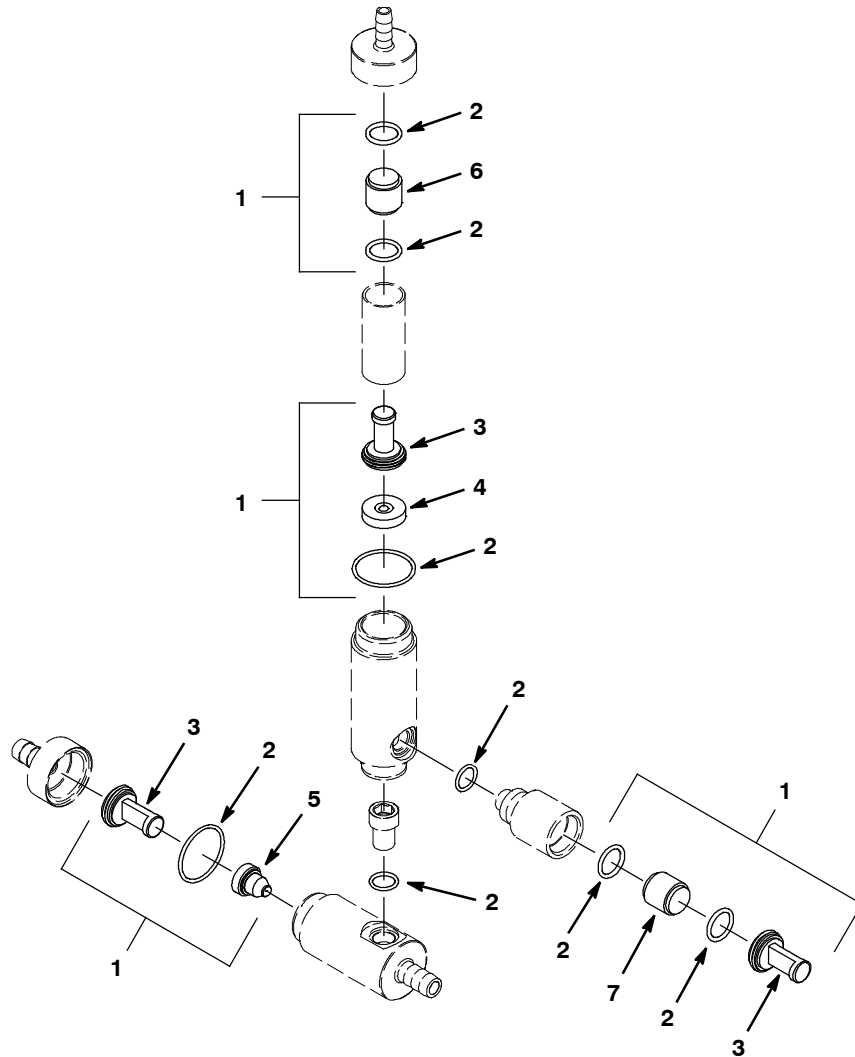


Ref.	Part No.	Serial Number	Description	Qty.
▽	9003907	(50000000-)	) Fast Kit, Injector[T5 60/65cm, Fast li+]	1
▲	1	9003811	(50000000- ) Fast Kit, Ci[lnj Reblid, T5 60/65cm, li+]	1
▲	2	9003008	(50000000- ) Fast Kit, Ci, Injector Seals [Fast li+]	1
▲	3	9003009	(50000000- ) 3ast Kit, Ci, Injector Filters[Fast li+]	1
▲	4	1032284	(50000000- ) Plate Assy, Orifice, 0.007id, Red	1
▲	5	1039989	(50000000- ) Plug, Orifice, 0.030, Ss [Fast li+]	1
▲	6	1030444	(50000000- ) Valve, Check, 0002psi [Fast li+]	1
▲	7	1030441	(50000000- ) Valve, Check, 0005psi [Fast li+]	1

▽ ASSEMBLY

▲ INCLUDED IN ASSEMBLY

**9003908 FAST INJECTOR ASSEMBLY BREAKDOWN**  
**700 mm / 800 mm DISK & 800 mm CYLINDRICAL MODELS**

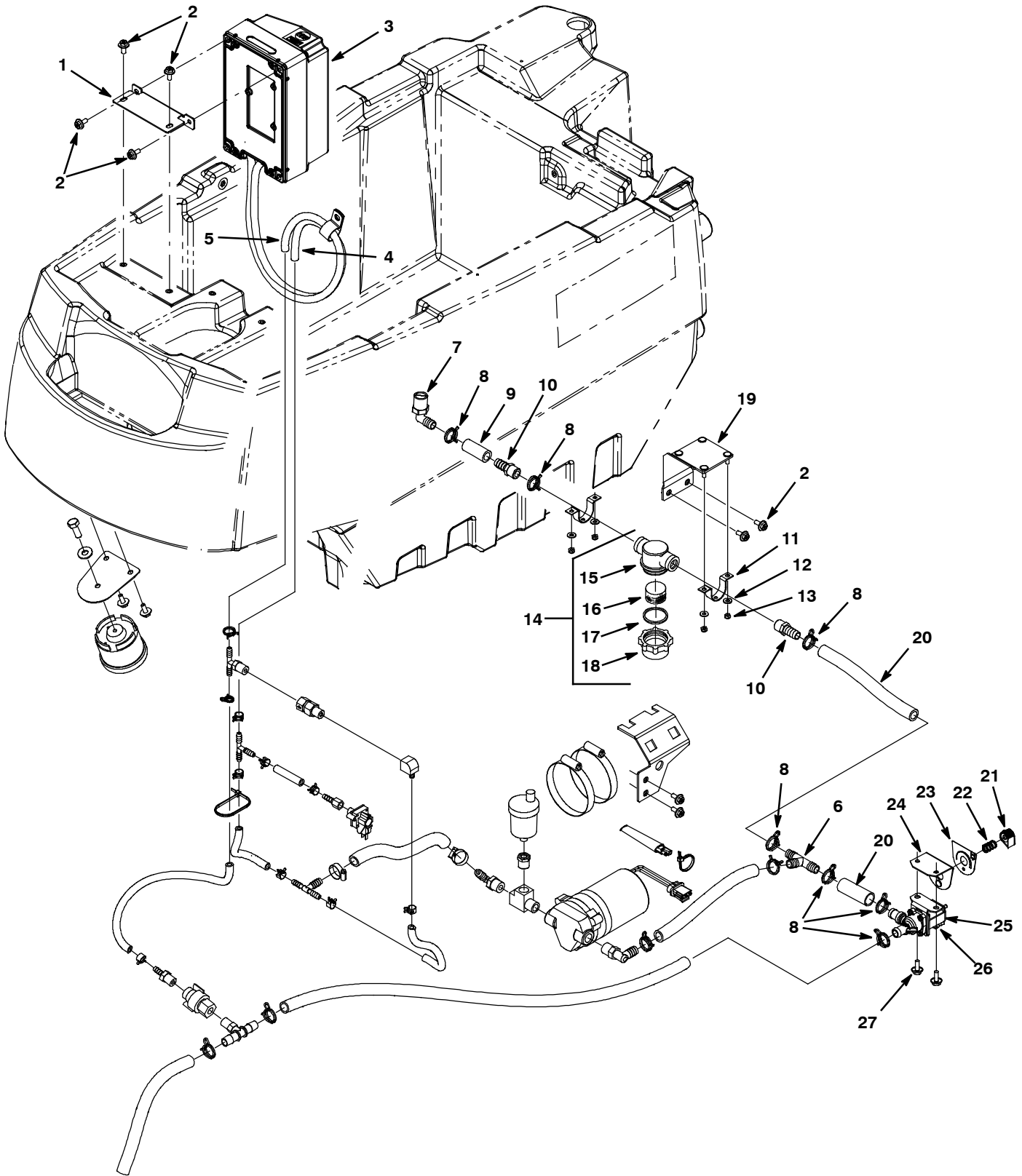


Ref.	Part No.	Serial Number	Description	Qty.
▽	9003908	(50000000- )	Fast Kit, Injector[T5 70/80cm, Fast li+]	1
▲	1	9003813 (50000000- )	Fast Kit, Ci[lnj Reblid, T5 70/80cm, li+]	1
▲	2	9003008 (50000000- )	Fast Kit, Ci, Injector Seals [Fast li+]	1
▲	3	9003009 (50000000- )	3ast Kit, Ci, Injector Filters[Fast li+]	1
▲	4	1039978 (50000000- )	Plate Assy, Orifice, 0.0075id, Blu	1
▲	5	1039579 (50000000- )	Plug, Orifice, 0.033, Ss [Fast li+]	1
▲	6	1030444 (50000000- )	Valve, Check, 0002psi [Fast li+]	1
▲	7	1030441 (50000000- )	Valve, Check, 0005psi [Fast li+]	1

▽ ASSEMBLY

▲ INCLUDED IN ASSEMBLY

SOLUTION GROUP, *ec-H2O* MODEL



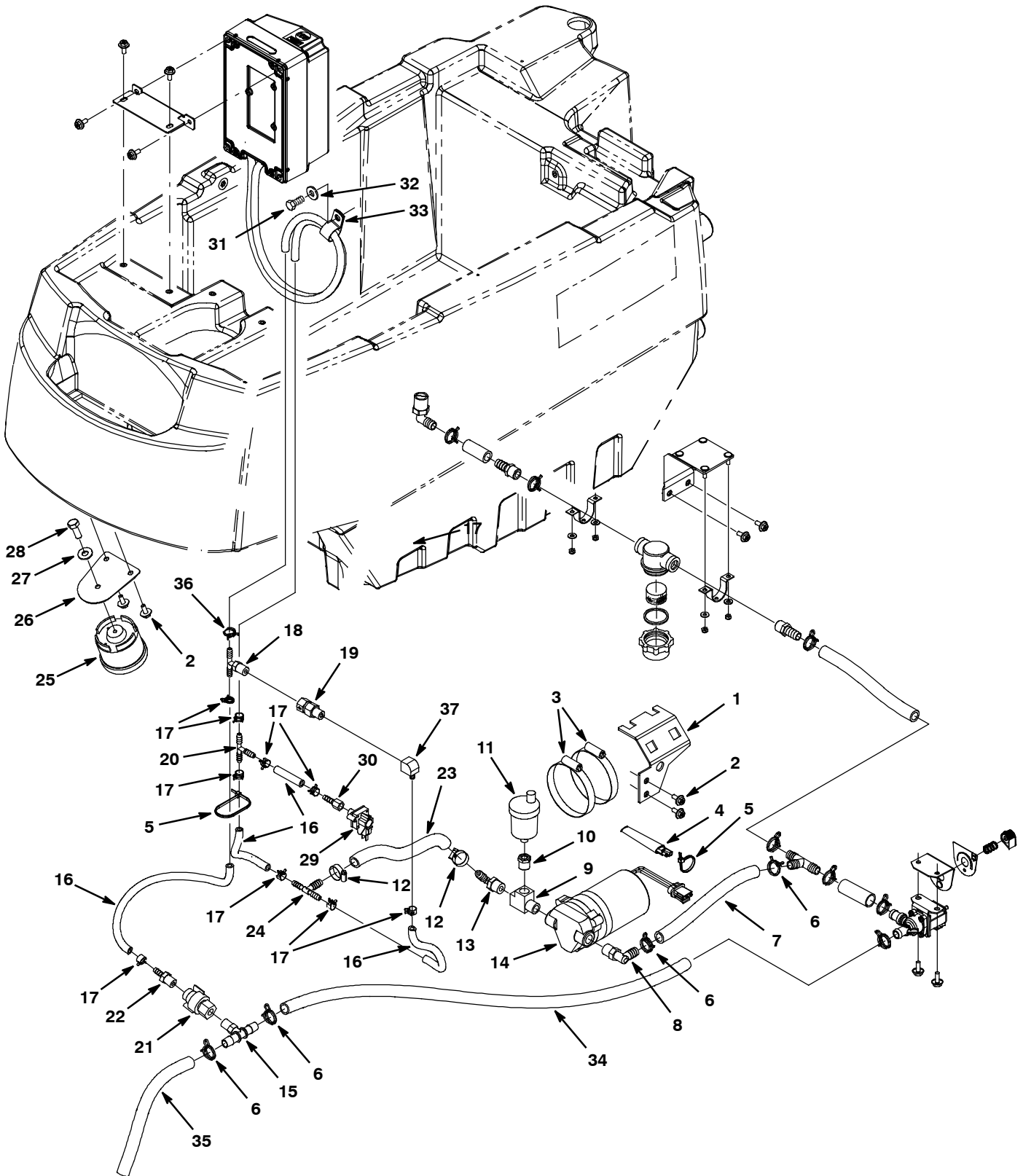
SOLUTION GROUP, *ec-H2O* MODEL

Ref.	Part No.	Serial Number	Description	Qty.	
1	1045965	(50000000-	) Bracket, Mtg, Martini [No2][Ss5]	1	
2	1034731	(50000000-	) Screw, Hex, M6 X 1.00 X 16, Sems, Ss	6	
▽	3	9007970	(50000000-	) Module Kit, Replmt [Ec-H2o] (See Breakdown)	1
▲	4	578820000	(50000000-	) Hose, Pvc, Brd, 0.25id 0.44od 157.2l,Clr	1
▲	5	9004606	(50000000-	) Hose, Pvc, Clr, 0.25id 0.38od 064.0l	1
6	63245-1	(50000000-	) Fitting, Plstc, Tee, Bm08/Bm08/Bm08	1	
7	1013505	(50000000-	) Fitting, Plstc, E90, Bm08/Pm08, Nyl	1	
8	607776	(50000000-	) Clamp, Hose, Wir, .73 - .77, Silver	7	
9	069760725	(50000000-	) Hose, Pvc, Clr, 0.50id 0.75od 003.0l	1	
10	14884	(50000000-	) Fitting, Brs, Str, Bm08/Pm06 [Taped]	2	
11	605056	(50000000-	) Bracket, Mtg, Fltr	2	
12	01683	(50000000-	) Washer, Flat, 10, Ss	4	
13	09739	(50000000-	) Nut, Hex, Lock, M5 X 0.80, NI, Ss	4	
▽	14	1005302	(50000000-	) Filter, In-Line, Pf06/Pf06 080mesh 02.6l	1
▲	15	613993	(50000000-	) Housing, Top, F/1005302	1
▲	16	1005304	(50000000-	) Screen, Fltr, 80 Mesh, Ss	1
▲	17	613992	(50000000-	) Gasket [Viton, F/1005302]	1
▲	18	613991	(50000000-	) Bowl, Clr, Short, F/1005302	1
19	1023543	(50000000-	) Bracket Wldt, Mtg, Filter	1	
20	613521	(50000000-	) Hose, Pvc, Clr, 0.50id 0.75od 012.0l	1	
21	1013442	(50000000-	) Knob, Valve, Indicator, Blk	1	
22	1017091	(50000000-	) Spring, Cmpr, 0.50od .04wir 00.8l	1	
23	1024843	(50000000-	) Manual, Oprtr [2550, Ru]	1	
24	1023537	(50000000-	) Bracket, Label, Soltn	1	
▽	25	1062385	(50000000-	) Valve, Water, Solenoid, 24vdc Bm10/Bm10	1
▲	26	614265	(50000000-	) Valve Kit, Water [Viton Diaphram] (Repair Kit)	1
27	1034731	(50000000-	) Screw, Hex, M6 X 1.00 X 16, Ss, Sems	2	

▽ ASSEMBLY

▲ INCLUDED IN ASSEMBLY

SOLUTION GROUP, *ec-H2O* MODEL - CONT'D





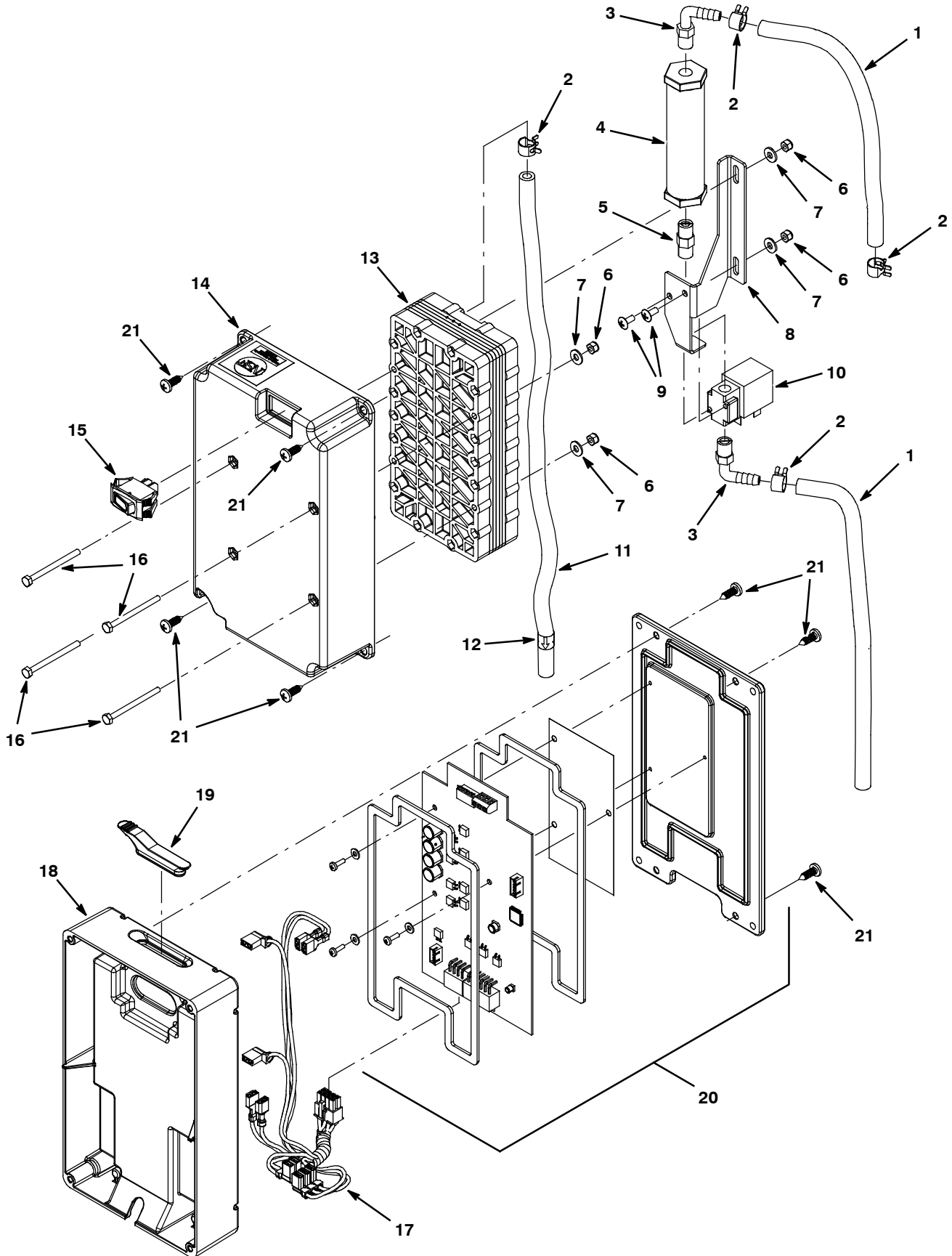
SOLUTION GROUP, *ec-H2O* MODEL - CONT'D

Ref.	Part No.	Serial Number	Description	Qty.	
1	1023463	(50000000-	) Bracket, Mtg, Pump [T5]	1	
2	1034731	(50000000-	) Screw, Hex, M6 X 1.00 X 16, Sems, Ss	4	
3	43555	(50000000-	) Clamp, Hose, Wormdrive, 2.50-3.50d, .50w	2	
4	1040868	(50000000-	) Capacitor, Plug [.01 Uf, 200v]	1	
5	130773	(50000000-	) Tie, Cable, Nyl, 11.0l, .14w, 3.0 Max. D	2	
6	607776	(50000000-	) Clamp, Hose, Wir, .73 - .77, Silver	4	
7	613521	(50000000-	) Hose, Pvc, Clr, 0.50id 0.75od 012.0l	1	
8	1017532	(50000000-	) Fitting, Plstc, E90, Bm08/Pm06	1	
9	601483	(50000000-	) Fitting, Brs, Tee, Pf06/Pf06/Pm06, Run	1	
10	24698	(50000000-	) Fitting, Brs, Str, Pf02/Pm06	1	
11	1017386	(50000000-	) Valve, Vent, Air, Float Type	1	
12	54333	(50000000-	) Clamp, Hose, Wormdrive, 0.31-0.88d, .31w	2	
13	1005630	(50000000-	) Fitting, Plstc, E90, Bm06/Pm06, Nyl	1	
▽	14	1042495	(50000000-	) Pump, Soltn, Ele, 24vdc, 35psi	1
▲		9004759	(50000000-	) Pump Kit, Head, Soltn [Echo]	1
▲		78950	(50000000-	) Connector, Fem, 2cav, Mp280 Sealed	1
▲		78951	(50000000-	) Terminal, Fem, Mp280, Sealed, 18-16ga	1
▲		10917	(50000000-	) Seal, Wire, 14/16ga [Wp / Mp280 Sealed]	1
▲		78952	(50000000-	) Lock, Secondary, 2cav, Mp280 Sealed	1
15	1010791	(50000000-	) Fitting, Plstc, Tee, Bm08/Bm08/Pm04, Br	1	
16	578820000	(50000000-	) Hose, Pvc, Brd, 0.25id 0.44od 157.2l,Clr	1	
17	603654	(50000000-	) Clamp, Hose, Ear, .44d [Ctb]	9	
18	607306	(50000000-	) Fitting, Plstc, Tee, Bm04/Bm04/Pm04, Br	1	
19	1044790	(50000000-	) Valve, Check, 0025psi Pm04/Pf04	1	
20	150713	(50000000-	) Fitting, Plstc, Tee, Bm04/Bm04/Bm04	1	
21	1043866	(50000000-	) Fitting Assy, Qd, Pf04	1	
22	50901	(50000000-	) Fitting, Plstc, Str, Bm04/Pm04	2	
23	1006400	(50000000-	) Hose, Afmkt, Pvc, Brd, 0.38id, 03ft, Clr	1	
24	1014441	(50000000-	) Fitting, Plstc, Tee, Bm04/Bm04/Bm06, Br	1	
25	1018505	(50000000-	) Horn, 12-48vdc [88.5 Decibels]	1	
26	1044192	(50000000-	) Bracket, Mtg, Horn, Echo	1	
27	01685	(50000000-	) Washer, Flat, 0.38b 0.88d .08, Ss	1	
28	01697	(50000000-	) Screw, Hex, .25-20 X 0.62, Ss	1	
29	1044414	(50000000-	) Switch, Press, 12psi, Pm02	1	
30	150520	(50000000-	) Fitting, Brs, Str, Bm04/Pf02	1	
31	12273	(50000000-	) Screw, Hex, M8 X 1.25 X 20, NI, Ss	1	
32	69461	(50000000-	) Washer, Flat, 0.38b 0.88d .12, Stl, Pl	1	
33	69234	(50000000-	) Clamp, Cable, Stl, 1.00d X 0.75w, 1hole	1	
34	613531	(50000000-	) Hose, Pvc, Clr, 0.50id 0.75od 045.0l	1	
35	613521	(50000000-	) Hose, Pvc, Clr, 0.50id 0.75od 012.0l	1	
36	613735	(50000000-	) Clamp, Hose, Wir, .40 - .42, Yel	1	
37	1028773	(50000000-	) Fitting, Brs, E90, Bm04/Pf04	1	

▽ ASSEMBLY

▲ INCLUDED IN ASSEMBLY

ec-H2O MODULE ASSEMBLY BREAKDOWN, 9007970



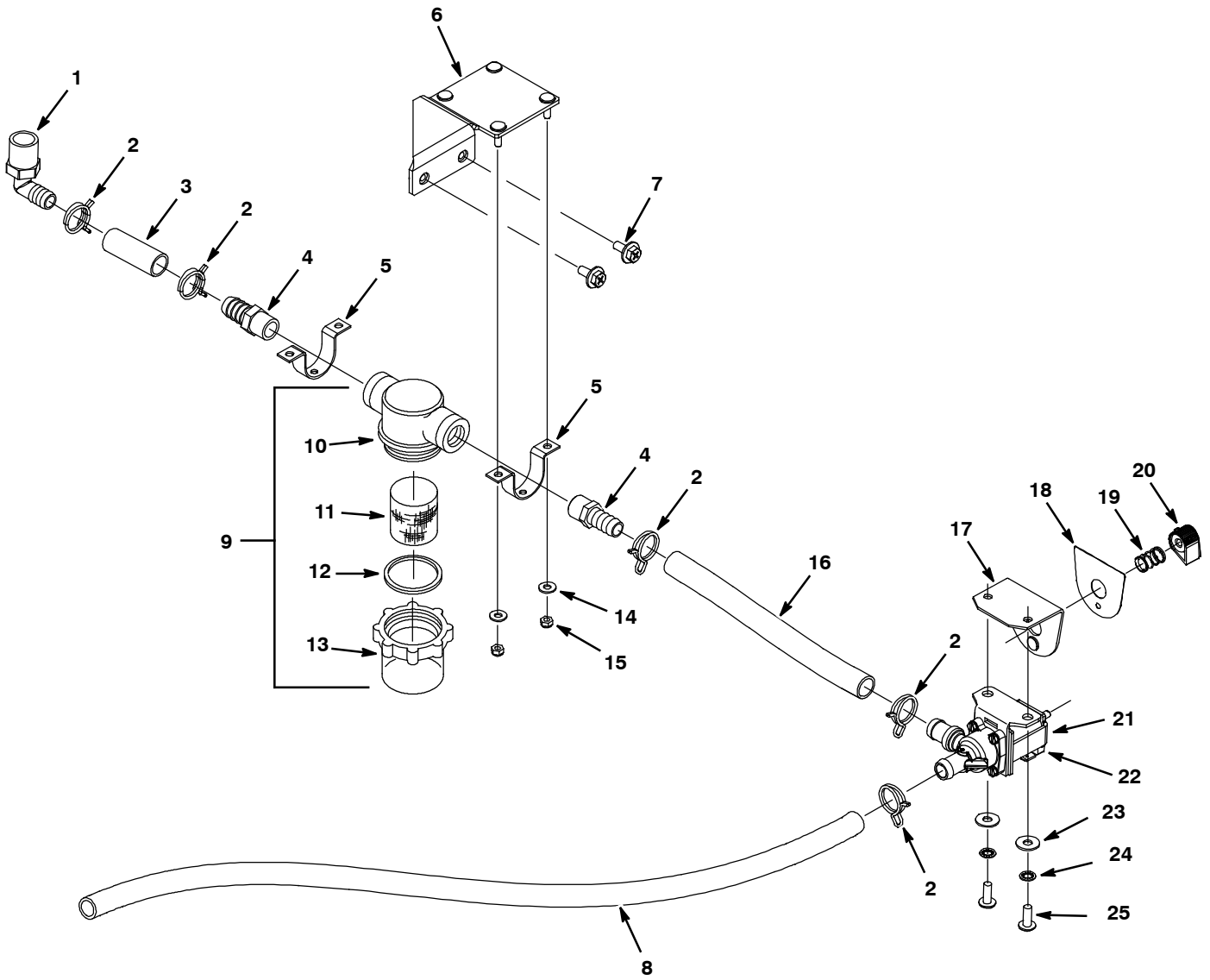
**ec-H2O MODULE ASSEMBLY BREAKDOWN, 9007970**

Ref.	Part No.	Serial Number	Description	Qty.
▽	9007970	(50000000-	) Module Kit, Replmt [Ec-H2o]	1
▲▽	9006324	(50000000-	) Ec-H2o Kit [Module B, Plumbing]	1
▲▲	1 578820000	(50000000-	) Hose, Pvc, Brd, 0.25id 0.44od 157.2l,Clr	1
▲▲	2 603654	(50000000-	) Clamp, Hose, Ear, .44d [Ctb]	4
▲▲	3 1037595	(50000000-	) Fitting, Plstc, E90, Bm04/Pm02, Nyl	2
▲▲	4 1062006	(50000000-	) Electrode, Cylindrical	1
▲▲	5 1045030	(50000000-	) Fitting, Brs, Str, Pm02/Pm02	1
▲▲	6 33932	(50000000-	) Nut, Hex, Lock, M4 X 0.70, NI, Ss	4
▲▲	7 41579	(50000000-	) Washer, Flat, 08, Ss	4
▲▲	8 1048490	(50000000-	) Bracket, Valve	1
▲▲	9 140801	(50000000-	) Screw, Trs, Phl, 08-32 X 0.38, Ss	2
▲▲	10 1013236	(50000000-	) Valve, Shutoff, Ele, 24vdc	1
▲▲	11 9006574	(50000000-	) Hose, Pvc, Brd, 0.25id 0.45od, 65l, Clr	1
▲▲	12 1049637	(50000000-	) Label, Direction [Ec-H2o]	1
▲▲	13 1057637	(50000000-	) Electrode, 5 Plate, High Flow	1
▲▲	14 1051519	(50000000-	) Housing, Upper, Module, High Flow	1
▲▲	15 1044393	(50000000-	) Switch, Rocker, Spst, Mom,	1
▲▲	16 32509	(50000000-	) Screw, Hex, M4 X 0.70 X 50, Ss	4
▲▲	17 1049489	(50000000-	) Harness, Main, Controller [Ec-H2o, P3]	1
▲	18 1037032	(50000000-	) Housing, Bottom	1
▲	19 1054776	(50000000-	) Grommet, Blind	1
▲	20 9007969	(50000000-	) Controller Kit, Replmt [Ec-H2o]	1
▲	21 1018155	(50000000-	) Screw, Pan, Phl, M5 X 0.80 X 16, Tcut,Ss	8

▽ ASSEMBLY

▲ INCLUDED IN ASSEMBLY

SOLUTION GROUP, STANDARD MODEL



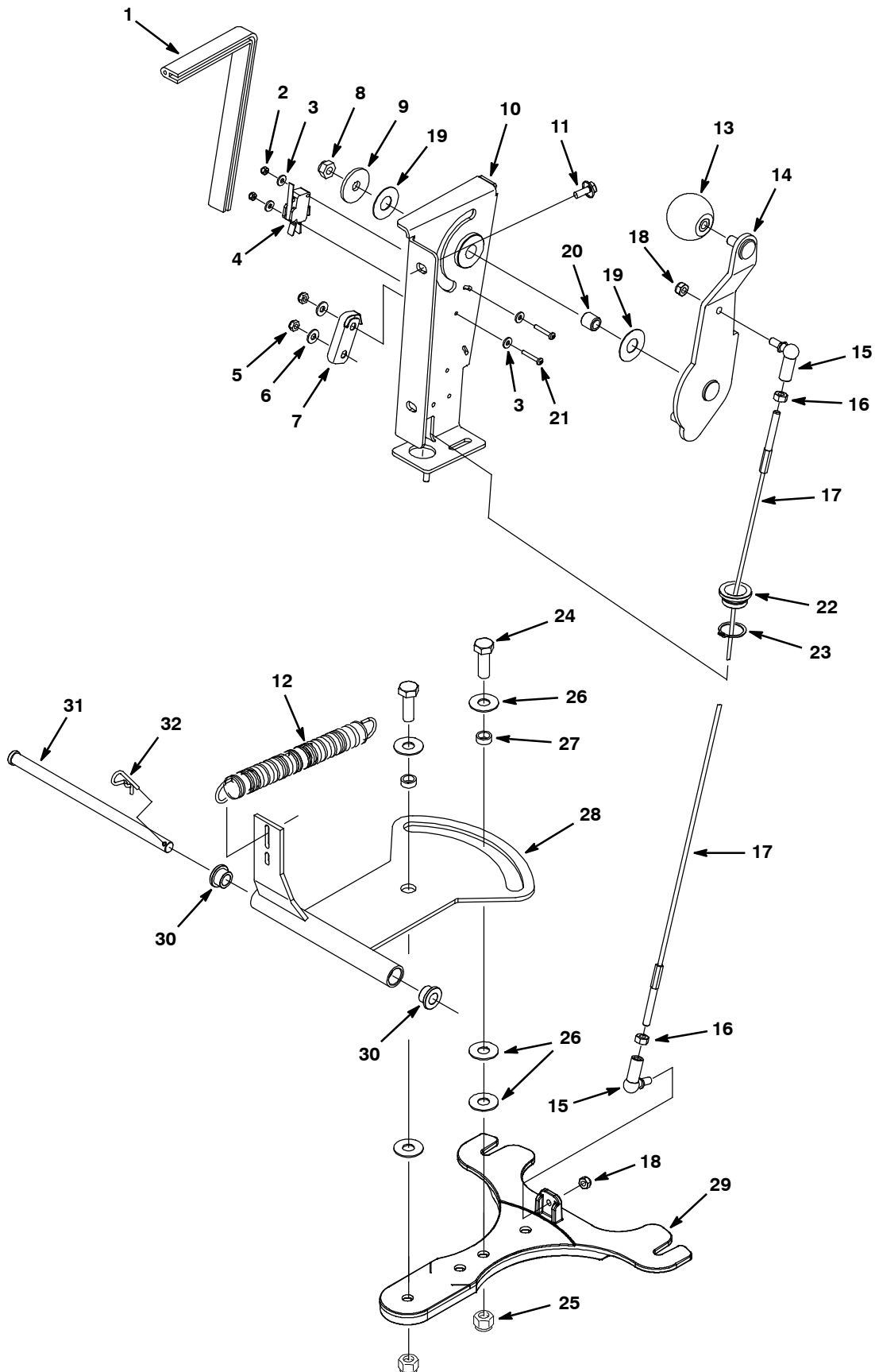
## SOLUTION GROUP, STANDARD MODEL

Ref.	Part No.	Serial Number	Description	Qty.
1	1013505	(50000000-	) Fitting, Plstc, E90, Bm08/Pm08, Nyl	1
2	607776	(50000000-	) Clamp, Hose, Wir, .73 - .77, Silver	5
3	069760725	(50000000-	) Hose Sol 1/2idx3.25" [611259]	1
4	14884	(50000000-	) Fitting, Brs, Str, Bm08/Pm06 [Taped]	2
5	605056	(50000000-	) Bracket, Mtg, Fltr	2
6	1023543	(50000000-	) Bracket Wldt, Mtg, Filter	1
7	1034731	(50000000-	) Screw, Hex, M6 X 1.00 X 16, Ss, Sems	2
8	613531	(50000000-	) Tube, 0.50id X 0.75od Vyl 3.75ft[611259]	1
▽	9	1005302	(50000000-) Filter, In-Line, Pf06/Pf06, 80 Mesh	1
▲	10	613993	(50000000-) Housing, Top, F/1005302	1
▲	11	1005304	(50000000-) Screen, Fltr, 80 Mesh	1
▲	12	613992	(50000000-) Gasket [Viton, F/1005302]	1
▲	13	613991	(50000000-) Bowl, Clr, Short, F/1005302	1
	14	01683	(50000000-) Washer, Flat, #10, Ss	4
	15	09739	(50000000-) Nut, Hex, Lock, M5 X 0.80, NI, Ss	4
	16	613521	(50000000-) Tube, 0.50id X 0.75od Vyl 1.00ft[611259]	1
	17	1023537	(50000000-) Bracket, Label, Soltn	1
	18	1024343	(50000000-) Label, Soltn, Flow	1
	19	1017091	(50000000-) Spring, Cmpr, 0.5od .036wir 00.8l	1
	20	1013442	(50000000-) Knob, Valve, Indicator, Blk	1
▽	21	1062385	(50000000-) Valve, Water, Solenoid, 24vdc Bm10/Bm10	1
▲	22	614265	(50000000-) Valve Kit, Water [Viton Diaphram] (Repair Kit)	1
	23	01684	(50000000-) Washer, Flat, 0.25, Ss	2
	24	07515	(50000000-) Washer, Lock, Int, 0.25, Ss	2
	25	608322	(50000000-) Screw, Trs, M6 X 1.00 X 16, Phl, Ss	2

▽ ASSEMBLY

▲ INCLUDED IN ASSEMBLY

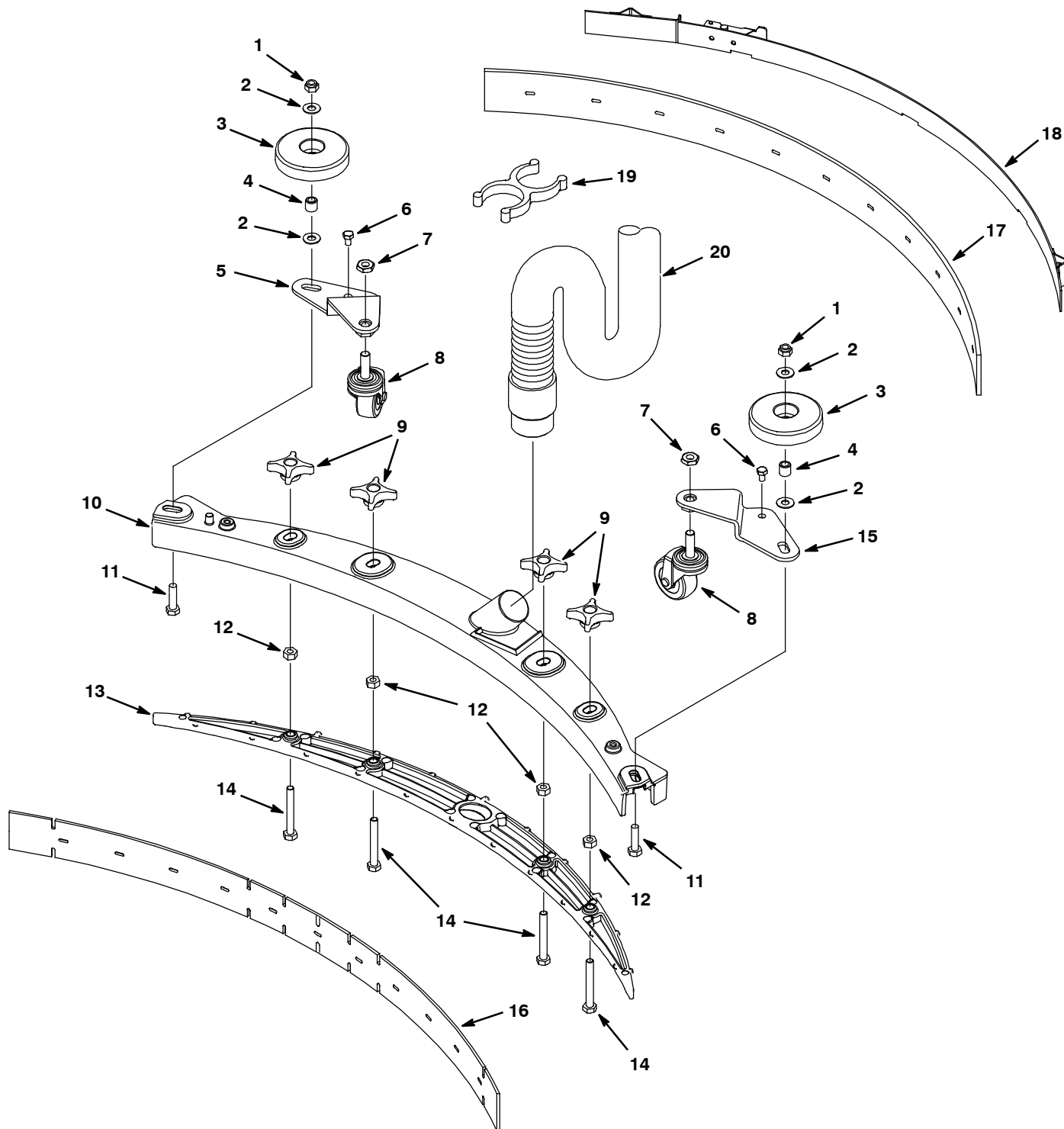
SQUEEGEE LIFT GROUP



## SQUEEGEE LIFT GROUP

Ref.	Part No.	Serial Number	Description	Qty.
1	1008675	(50000000-	) Gasket, Edge, Foam, 24.00l [Fr]	1
2	579211	(50000000-	) Nut, Hex, Lock, M3 X .5, Ss	2
3	41578	(50000000-	) Washer, Flat, #06, Ss	4
4	1012568	(50000000-	) Switch, Snap, 10a, Short	1
5	09739	(50000000-	) Nut, Hex, Lock, M5 X 0.8, NI, Ss	2
6	01683	(50000000-	) Washer, Flat, #10, Ss	2
7	1024060	(50000000-	) Spring, Lever, Sqge, W/ 90° Bend	1
8	08713	(50000000-	) Nut, Hex, Lock, M8 X 1.25, NI, Ss	1
9	1016331	(50000000-	) Washer, Flat, 0.34b 1.25d .11, Ss	1
10	1020922	(50000000-	) Bracket, Lift, Sqge	1
11	1034731	(50000000-	) Screw, Hex, M6 X 1.00 X 16, Ss, Sems	2
12	140423	(50000000-	) Spring, Brush Press	1
13	1017156	(50000000-	) Knob, Ball, M8 Insert, 40mmd, Plstc	1
14	1024354	(50000000-	) Lever, Sqge	1
15	1012747	(50000000-	) Balljoint, M6 X 1.0 Fem, M6 X 1.0 Mal	2
16	07785	(50000000-	) Nut, Hex, Std, M6 X 1.00, A2, Ss	2
17	1024105	(50000000-	) Cable, Lift, Sqge	1
18	08712	(50000000-	) Nut, Hex, Lock, M6 X 1.0, Ss, NI	2
19	1013397	(50000000-	) Washer, Flat, M13 X 30 X 0.8, Nyl	2
20	222460	(50000000-	) Sleeve, P/M, 0.31b 0.50d 0.5l	1
21	06922	(50000000-	) Screw, Pan, M3 X 0.5 X 20, 4.8	2
22	1009363	(50000000-	) Bushing, Cable	1
23	621236	(50000000-	) Ring, Retaining, Ext, 0.81d	1
24	12309	(50000000-	) Screw, Hex, M12 X 1.75 X 30, Ss	2
25	09741	(50000000-	) Nut, Hex, Lock, M12 X 1.75, NI, Ss	2
26	140045	(50000000-	) Washer, Flat, 0.51b 1.25d .06, Ss	5
27	1013662	(50000000-	) Bushing, Sleeve, 12mm 16mm 6.5mml, Pm Yw	2
28	1020974	(50000000-	) Bracket Wldt, Pivot, Sqge	1
29	1038515	(50000000-	) Bracket Kit, Sqge, Conversion [T5]	1
30	606058	(50000000-	) Bearing, Flng .505id .753od	2
31	1026232	(50000000-	) Pin, Clevis, 0.50 D X 9.25l	1
32	140626	(50000000-	) Pin, Hair Cotter, 0.25 D .125 Wir	1

SQUEEGEE GROUP, 20 in / 500 mm





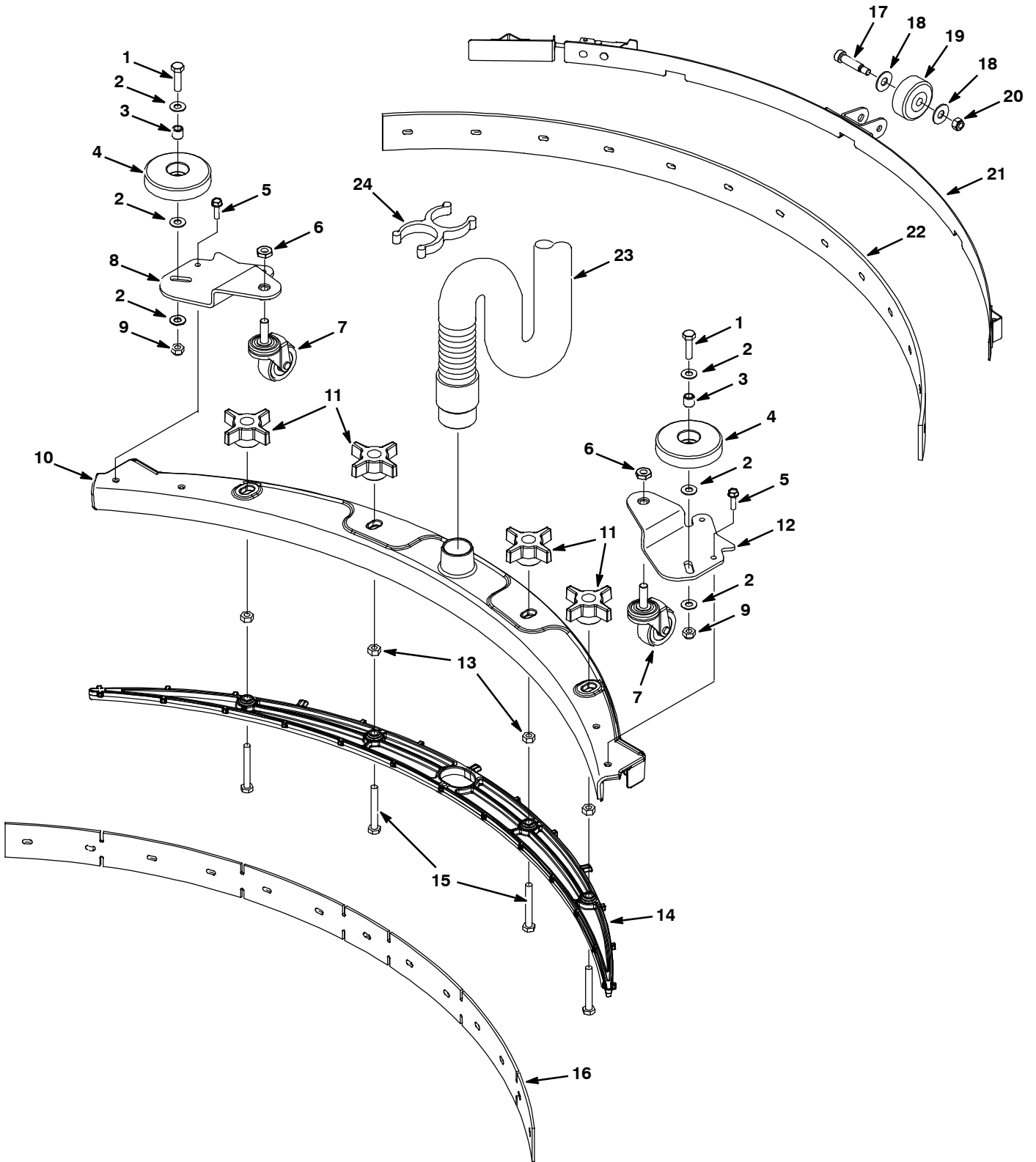
## SQUEEGEE GROUP, 20 in / 500 mm

Ref.	Part No.	Serial Number	Description	Qty.
▽	9001178	(50000000-	) Squeegee Assy Kit, 500mm, Ci	1
▲	1 08713	(50000000-	) Nut, Hex, Lock, M8 X 1.25, NI, Ss	2
▲	2 140027	(50000000-	) Washer, Flat, 0.35b 0.75d .04, Ss	4
▲	3 1010560	(50000000-	) Wheel, Bmpr, 80d X 25w, Non-Marking	2
▲	4 222460	(50000000-	) Sleeve, P/M, 0.31b 0.50d 0.5l	2
▲	5 1011228	(50000000-	) Plate, Mtg, Caster, Sqge, Rh	1
▲	6 74455	(50000000-	) Screw, Hex, M6 X 1.0 X 12, Fmg	2
▲	7 32716	(50000000-	) Nut, Hex, Jam, M10 X 1.5, Ss	2
▲	8 1006343	(50000000-	) Caster, Swivel, 50mmd, M10 X 30 Stem, PI	2
▲	9 1010558	(50000000-	) Knob, Star, 2.00d 4ear 0.7l M8x1.25 Thru	4
▲	10 1011163	(50000000-	) Frame, Sqge, 74cm, Die Cast [50cm]	1
▲	11 09011	(50000000-	) Screw, Hex, M8 X 1.25 X 30, Ss	2
▲	12 07786	(50000000-	) Nut, Hex, Std, M8 X 1.25, Ss	4
▲	13 1019919	(50000000-	) Retainer, Sqge, 76cm [50cm] Nyl, Blk	1
▲	14 1014163	(50000000-	) Screw, Hex, M8 X 1.25 X 60, FI, Ss	4
▲	15 1011956	(50000000-	) Plate, Mtg, Caster, Sqge, Lh	1
▲	16 1011232	(50000000-	) Blade, Sqge, Front, 500mml (Linatex Red Standard)	1
	16 1014091	(50000000-	) Blade, Sqge, Front, 500mm, Gum (Gum Rubber Tan Optional)	1
	16 1014092	(50000000-	) Blade, Sqge, Front, 500mml, Oil-Rstn (Polyurethane Natural Optional)	1
▲	17 1011456	(50000000-	) Blade, Sqge, Rear, 500mm Linatex (Linatex Red Standard)	1
	17 1014093	(50000000-	) Blade, Sqge, Rear, 500mm Gum (Gum Rubber Tan Optional)	1
	17 1014094	(50000000-	) Blade, Sqge, Rear, 500mm Oil-Rstn (Polyurethane Natural Optional)	1
▲	18 1013933	(50000000-	) Strap Assy, Sqge, 500mm	1
	19 1014079	(50000000-	) Clip, Grip, Hose, 1.50id, Dbl, Blk Pyp	1
	20 1014026	(50000000-	) Hose, Vacuum, 1.5d X 57l, 2-Short Cuffs	1

▽ ASSEMBLY

▲ INCLUDED IN ASSEMBLY

SQUEEGEE GROUP, 24 in / 600 mm



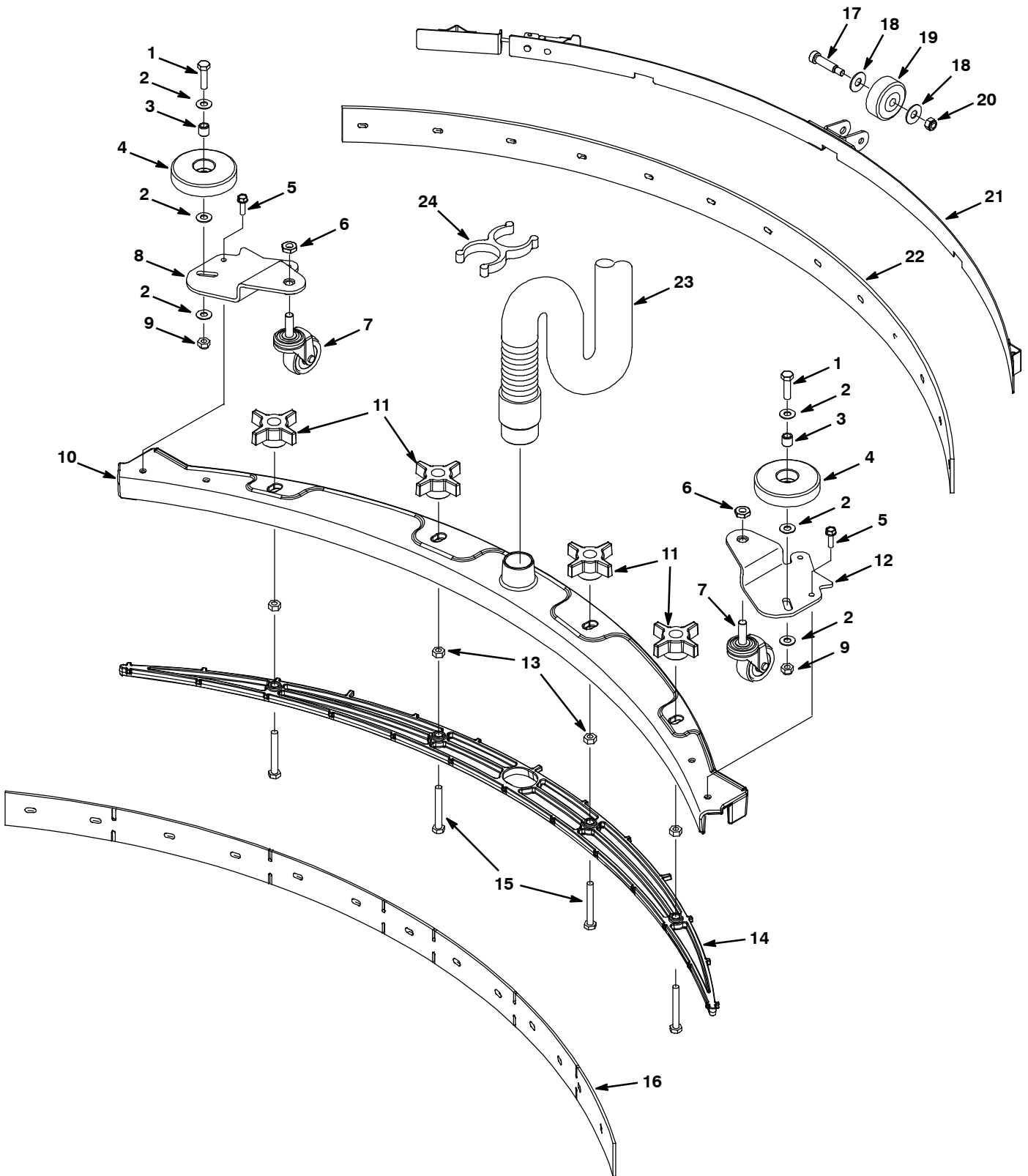
## SQUEEGEE GROUP, 24 in / 600 mm

Ref.	Part No.	Serial Number	Description	Qty.
▽	9002679	(50000000-	) Kit, Squeegee, 600mm Ci	1
▲	1 09011	(50000000-	) Screw, Hex, M8 X 1.25 X 30, Ss	2
▲	2 140027	(50000000-	) Washer, Flat, 0.35b 0.75d .04, Ss	6
▲	3 222460	(50000000-	) Sleeve, P/M, 0.496d 0.318b 0.50l 430ss	2
▲	4 1010560	(50000000-	) Wheel, Bmpr, 80d X 25w, Non-Marking	2
▲	5 12459	(50000000-	) Screw, Hex, M6 X 1.0 X 20, Fmg	4
▲	6 32716	(50000000-	) Nut, Hex, Jam, M10 X 1.5, Ss	2
▲	7 1006343	(50000000-	) Caster, Swivel, 50mm D, M10 X 30 Stem,Zn	2
▲	8 1023273	(50000000-	) Plate, Caster, Mtg, Sqge, Rh	1
▲	9 08713	(50000000-	) Nut, Hex, Lock, M8 X 1.25, NI, Ss	2
▲	10 1021798	(50000000-	) Frame, Sqge, 89cm [60cm]	1
▲	11 1015911	(50000000-	) Knob, Star, 2.75d 4ear 1.1l M8x1.25 Thru	4
▲	12 1023291	(50000000-	) Plate, Caster, Mtg, Sqge, Lh	1
▲	13 07786	(50000000-	) Nut, Hex, Std, M8 X 1.25, Ss	4
▲	14 1026354	(50000000-	) Retainer , Blade, Sqge, 600mm [Plstc]	1
▲	15 1014163	(50000000-	) Screw, Hex, M8 X 1.25 X 60, Fl, Ss	4
▲	16 1021804	(50000000-	) Blade, Sqge, Front, 88cml [Lnx, 60cm] (Linatex Red Standard)	1
	16 1025333	(50000000-	) Blade, Sqge, Front, 88cml, Gum [60cm] (Gum Rubber Tan Optional)	1
	16 1025334	(50000000-	) Blade, Sqge, Front, 88cml, Ure [60cm] (Polyurethane Natural Optional)	1
▲	17 600187	(50000000-	) Bolt, Shld, .38d X 1.25, .31-18	1
▲	18 140028	(50000000-	) Washer, Flat, 0.42b 1.00d .05, Ss	2
▲	19 630477	(50000000-	) Wheel, Pyu, 2.0d 0.38w, Gray	1
▲	20 32983	(50000000-	) Nut, Hex, Lock, .31-18, NI	1
▲	21 1022456	(50000000-	) Retainer Assy, Blade, Sqge, 600mm	1
▲	22 1021333	(50000000-	) Blade, Sqge, Rear, 88cm,Linatex[60cm] (Linatex Red Standard)	1
	22 1025335	(50000000-	) Blade, Sqge, Rear, 88cml, Gum [60cm] (Gum Rubber Tan Optional)	1
	22 1025336	(50000000-	) Blade, Sqge, Rear, 88cm, Ure [60cm] (Polyurethane Natural Optional)	1
	23 1014026	(50000000-	) Hose, Vacuum, 1.5d X 57l, 2-Short Cuffs	1
	24 1014079	(50000000-	) Clip, Hose, Gripper, 1.50id, Dbl, Blk Pp	1

▽ ASSEMBLY

▲ INCLUDED IN ASSEMBLY

SQUEEGEE GROUP, 26 in / 650 mm & 28 in / 700 mm



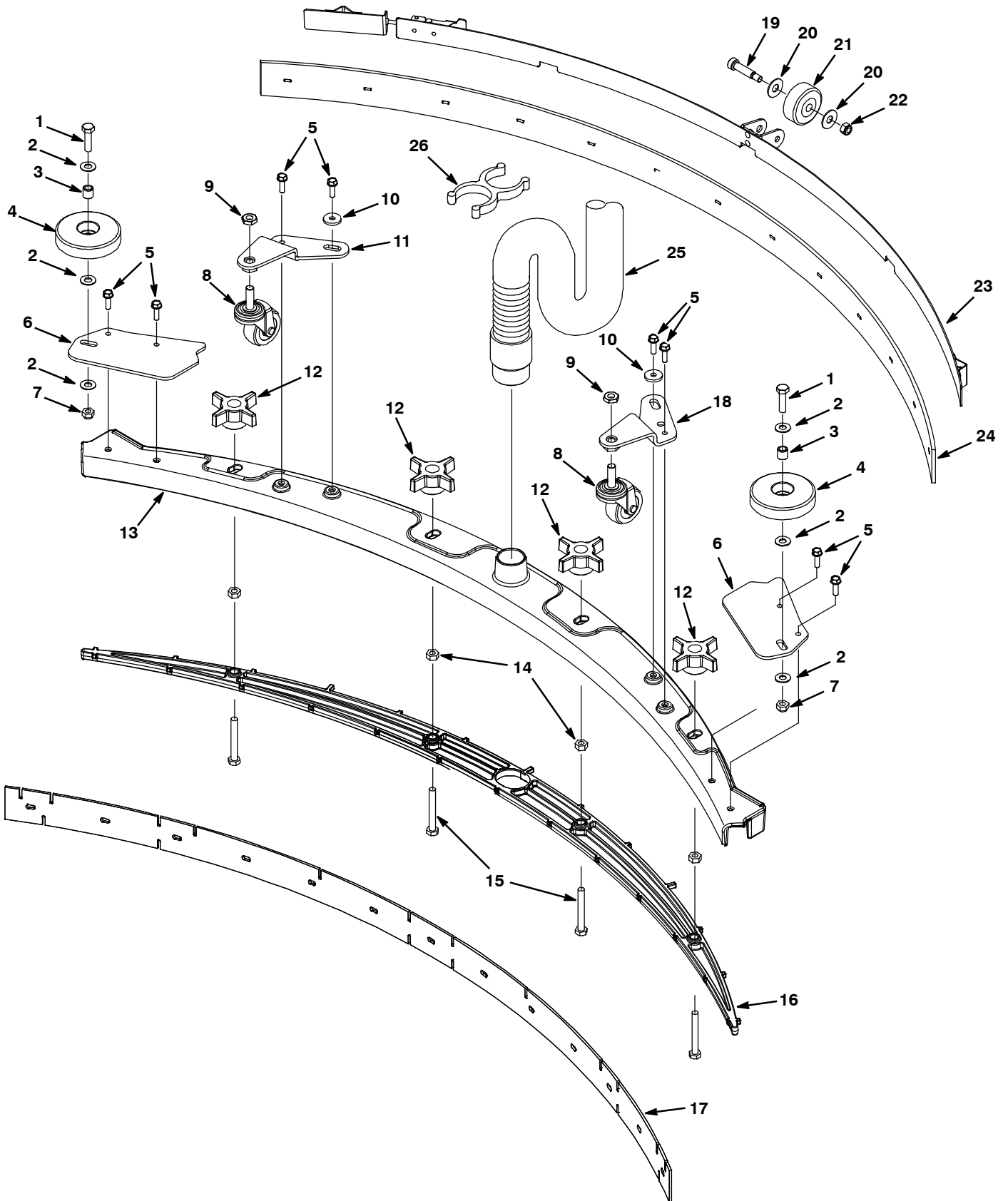
## SQUEEGEE GROUP, 26 in / 650 mm &amp; 28 in / 700 mm

Ref.	Part No.	Serial Number	Description	Qty.
▽	9002680	(50000000-	) Kit, Squeegee, 700mm Ci	1
▲	1 09011	(50000000-	) Screw, Hex, M8 X 1.25 X 30, Ss	2
▲	2 140027	(50000000-	) Washer, Flat, 0.35b 0.75d .04, Ss	6
▲	3 222460	(50000000-	) Sleeve, P/M, 0.496d 0.318b 0.50l 430ss	2
▲	4 1010560	(50000000-	) Wheel, Bmpr, 80d X 25w, Non-Marking	2
▲	5 12459	(50000000-	) Screw, Hex, M6 X 1.0 X 20, Fmg	4
▲	6 32716	(50000000-	) Nut, Hex, Jam, M10 X 1.5, Ss	2
▲	7 1006343	(50000000-	) Caster, Swivel, 50mm D, M10 X 30 Stem,Zn	2
▲	8 1023273	(50000000-	) Plate, Caster, Mtg, Sqge, Rh	1
▲	9 08713	(50000000-	) Nut, Hex, Lock, M8 X 1.25, NI, Ss	2
▲	10 1023326	(50000000-	) Frame, Sqge, 104cm [70cm]	1
▲	11 1015911	(50000000-	) Knob, Star, 2.75d 4ear 1.1l M8x1.25 Thru	4
▲	12 1023291	(50000000-	) Plate, Caster, Mtg, Sqge, Lh	1
▲	13 07786	(50000000-	) Nut, Hex, Std, M8 X 1.25, Ss	4
▲	14 1026416	(50000000-	) Retainer, Blade, Sqge, 700mm [Plstc]	1
▲	15 1014163	(50000000-	) Screw, Hex, M8 X 1.25 X 60, Fl, Ss	4
▲	16 1023327	(50000000-	) Blade, Sqge, Front, 98cml [Lnx, 70cm] (Linatex Red Standard)	1
	16 1025337	(50000000-	) Blade, Sqge, Front, 98cml, Gum [70cm] (Gum Rubber Tan Optional)	1
	16 1025339	(50000000-	) Blade, Sqge, Front, 98cml, Ure [70cm] (Polyurethane Natural Optional)	1
▲	17 600187	(50000000-	) Bolt, Shld, .38d X 1.25, .31-18	1
▲	18 140028	(50000000-	) Washer, Flat, 0.42b 1.00d .05, Ss	2
▲	19 630477	(50000000-	) Wheel, Pyu, 2.0d 0.38w, Gray	1
▲	20 32983	(50000000-	) Nut, Hex, Lock, .31-18, NI	1
▲	21 1023335	(50000000-	) Bracket Wldt, Sqge, Band Clamp, 98cm	1
▲	22 1023329	(50000000-	) Blade, Sqge, Rear, 98cm,Linatex[70cm] (Linatex Red Standard)	1
	22 1025340	(50000000-	) Blade, Sqge, Rear, 98cml, Gum [70cm] (Gum Rubber Tan Optional)	1
	22 1025341	(50000000-	) Blade, Sqge, Rear, 98cm, Ure [70cm] (Polyurethane Natural Optional)	1
	23 1014026	(50000000-	) Hose, Vacuum, 1.5d X 57l, 2-Short Cuffs	1
	24 1014079	(50000000-	) Clip, Hose, Gripper, 1.50id, Dbl, Blk Pp	1

▽ ASSEMBLY

▲ INCLUDED IN ASSEMBLY

SQUEEGEE GROUP, 32 in / 800 mm



SQUEEGEE GROUP, 32 in / 800 mm

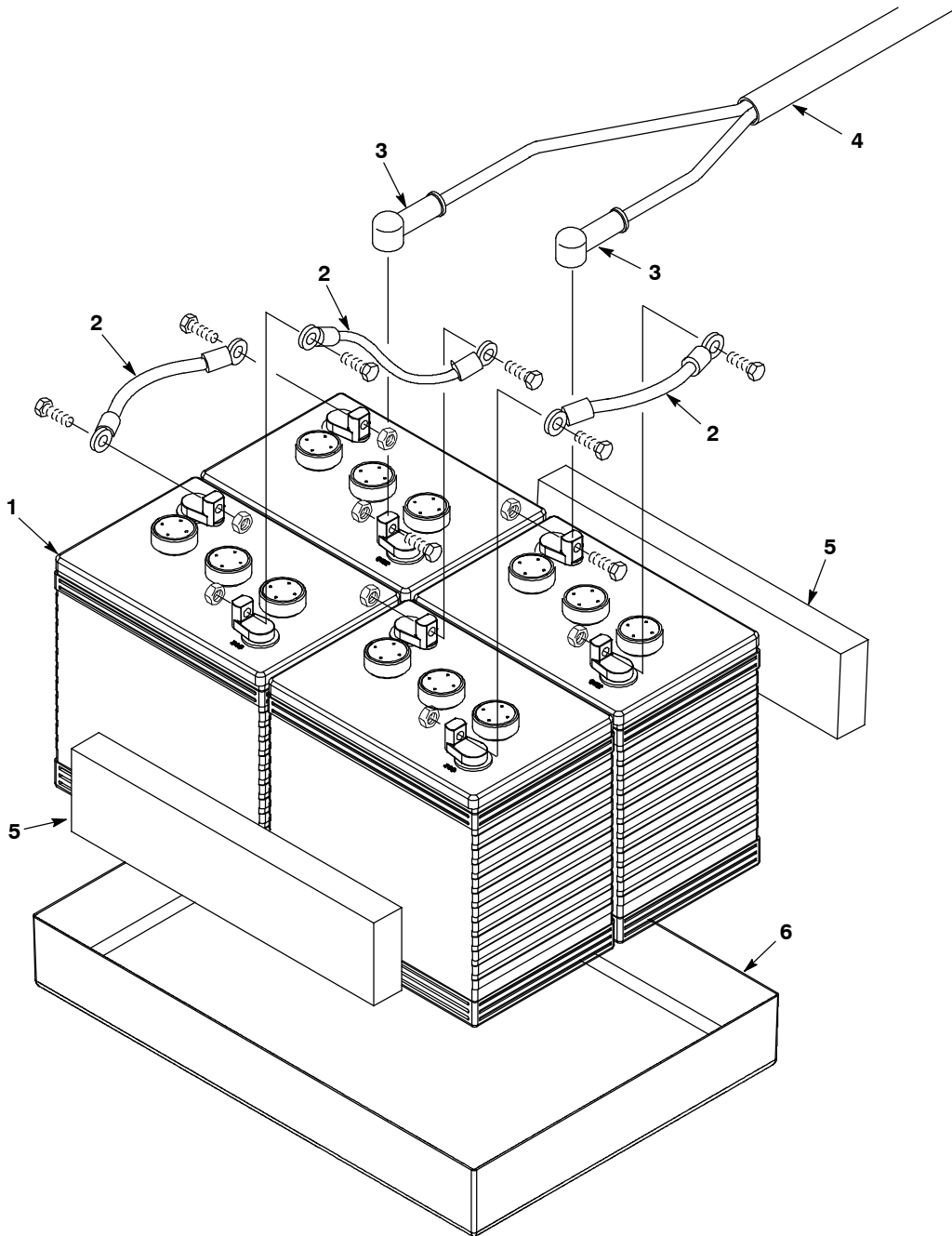
Ref.	Part No.	Serial Number	Description	Qty.
▽	9002681	(50000000-	) Kit, Squeegee, 800mm Ci	1
▲	1 09011	(50000000-	) Screw, Hex, M8 X 1.25 X 30, Ss	2
▲	2 140027	(50000000-	) Washer, Flat, 0.35b 0.75d .04, Ss	6
▲	3 222460	(50000000-	) Sleeve, P/M, 0.496d 0.318b 0.50l 430ss	2
▲	4 1010560	(50000000-	) Wheel, Bmpr, 80d X 25w, Non-Marking	2
▲	5 12459	(50000000-	) Screw, Hex, M6 X 1.0 X 20, Fmg	8
▲	6 1023426	(50000000-	) Bracket, Mtg, Sqge Bumper	2
▲	7 08713	(50000000-	) Nut, Hex, Lock, M8 X 1.25, NI, Ss	2
▲	8 1006343	(50000000-	) Caster, Swivel, 50mm D, M10 X 30 Stem,Zn	2
▲	9 32716	(50000000-	) Nut, Hex, Jam, M10 X 1.5, Ss	2
▲	10 140053	(50000000-	) Washer, Flat, 0.28b 0.88d .12, Ss	2
▲	11 1011228	(50000000-	) Plate, Mtg, Caster, Sqge, Rh	1
▲	12 1015911	(50000000-	) Knob, Star, 2.75d 4ear 1.1l M8x1.25 Thru	4
▲	13 1023396	(50000000-	) Frame, Sqge, 117cm [80cm]	1
▲	14 07786	(50000000-	) Nut, Hex, Std, M8 X 1.25, Ss	4
▲	15 1014163	(50000000-	) Screw, Hex, M8 X 1.25 X 60, Fl, Ss	4
▲	16 1024970	(50000000-	) Retainer, Blade, Sqge, 800mm [Plstc]	1
▲	17 1023398	(50000000-	) Blade, Sqge, Front, 105cm [Linx 80cm] (Linatex Red Standard)	1
	17 1025342	(50000000-	) Blade, Sqge, Front, 105cml, Gum[80cm] (Gum Rubber Tan Optional)	1
	17 1025343	(50000000-	) Blade, Sqge, Front, 105cm, Ure [80cm] (Polyurethane Natural Optional)	1
▲	18 1011956	(50000000-	) Plate, Mtg, Caster, Sqge, Lh	1
▲	19 600187	(50000000-	) Bolt, Shld, .38d X 1.25, .31-18	1
▲	20 140028	(50000000-	) Washer, Flat, 0.42b 1.00d .05, Ss	2
▲	21 630477	(50000000-	) Wheel, Pyu, 2.0d 0.38w, Gray	1
▲	22 32983	(50000000-	) Nut, Hex, Lock, .31-18, NI	1
▲	23 1023400	(50000000-	) Retainer Assy, Blade, Sqge, 800mm	1
▲	24 1023399	(50000000-	) Blade, Sqge, Rear, 105cml[Linx, 80cm] (Linatex Red Standard)	1
	24 1025344	(50000000-	) Blade, Sqge, Rear, 105cml, Gum [80cm] (Gum Rubber Tan Optional)	1
	24 1025346	(50000000-	) Blade, Sqge, Rear, 105cml, Ure [80cm] (Polyurethane Natural Optional)	1
	25 1014026	(50000000-	) Hose, Vacuum, 1.5d X 57l, 2-Short Cuffs	1
	26 1014079	(50000000-	) Clip, Hose, Gripper, 1.50id, Dbl, Blk Pp	1

▽ ASSEMBLY

▲ INCLUDED IN ASSEMBLY

# STANDARD PARTS

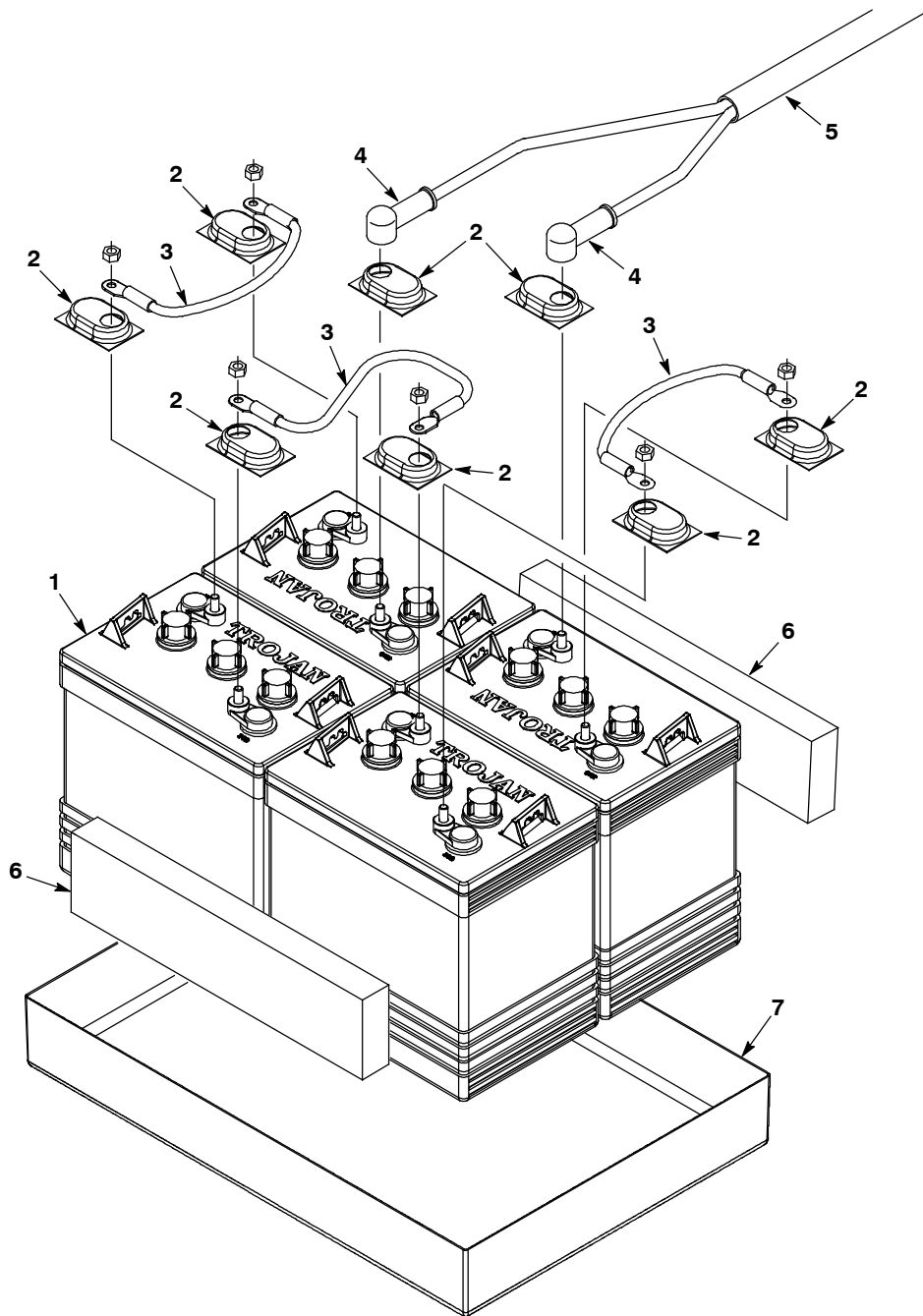
## BATTERY GROUP, MAINTENANCE FREE 200 Ah



Ref.	Part No.	Serial Number	Description	Qty.
1	1021446	(50000000- )	Battery, 6v, 200ah Agm	4
2	130364	(50000000- )	Cable, 06ga 15.0l Blk .31ring /.38ring	3
3	611221	(50000000- )	Boot, Terminal, Battery, 25.4mm, Blk	8
4	1027088	(50000000- )	Harness, Battery	1
5	630375	(50000000- )	Spacer, Battery, 1.25 X 3.25 X 13.7 Foam	2
6	613971	(50000000- )	Tray, Battery, Trimmed	1

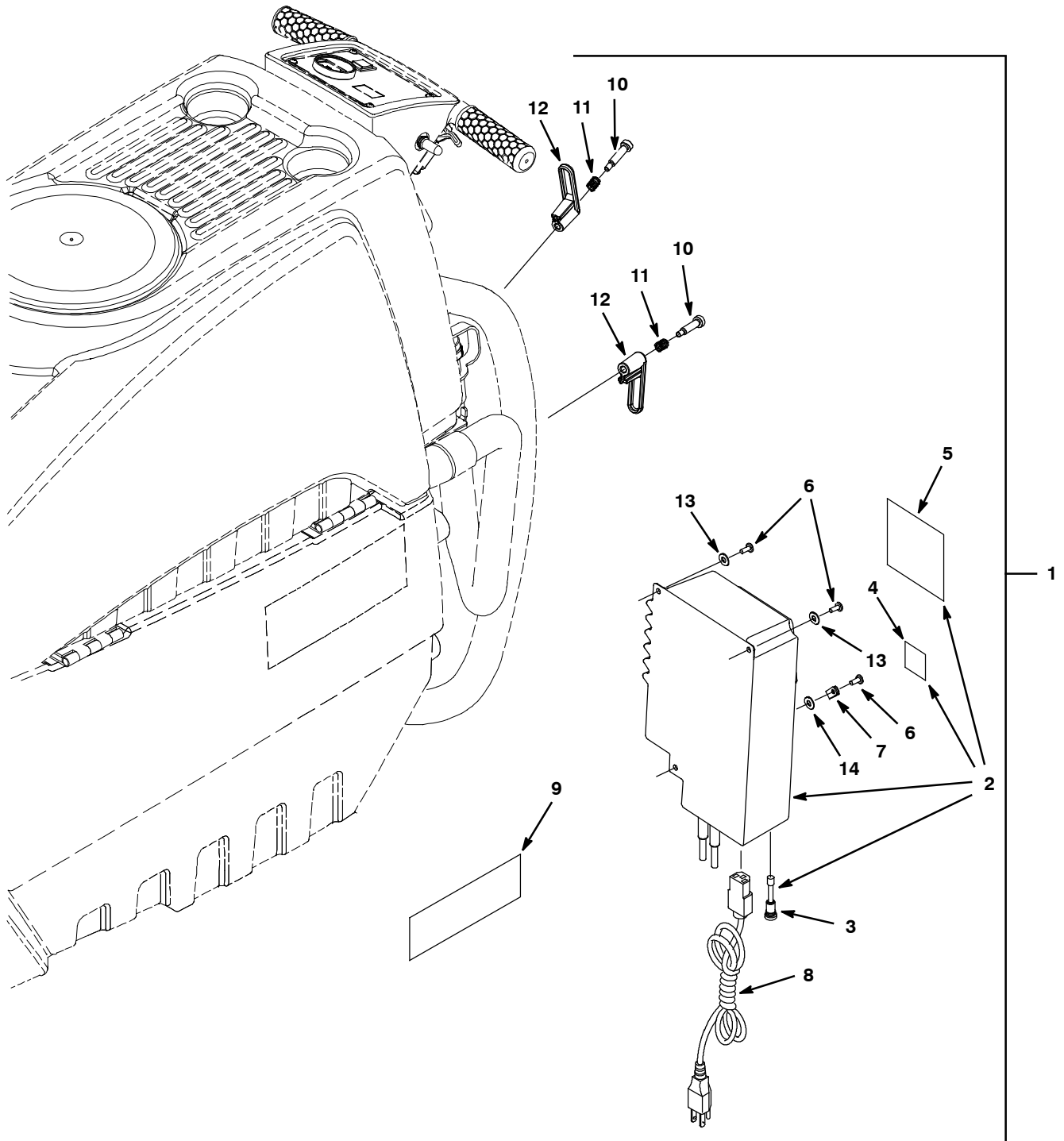


BATTERY GROUP, LEAD-ACID 235 Ah



Ref.	Part No.	Serial Number	Description	Qty.
1	222280	(50000000-	) Battery, 06vdc, 235ah, Wet	4
2	45962	(50000000-	) Cap, Plstc, .04 1.38 X 2.30 0.5l (Tall Clear - Standard)	8
2	1041030	(50000000-	) Cap, Battery (Short Black - Optional)	8
3	130364	(50000000-	) Cable, 06ga 15.0l Blk .31ring /.38ring	3
4	611221	(50000000-	) Boot, Terminal, Battery, 25.4mm, Blk	8
5	1027088	(50000000-	) Harness, Battery	1
6	630375	(50000000-	) Spacer, Battery, 1.25 X 3.25 X 13.7 Foam	2
7	613971	(50000000-	) Tray, Battery, Trimmed	1

ON-BOARD CHARGER GROUP



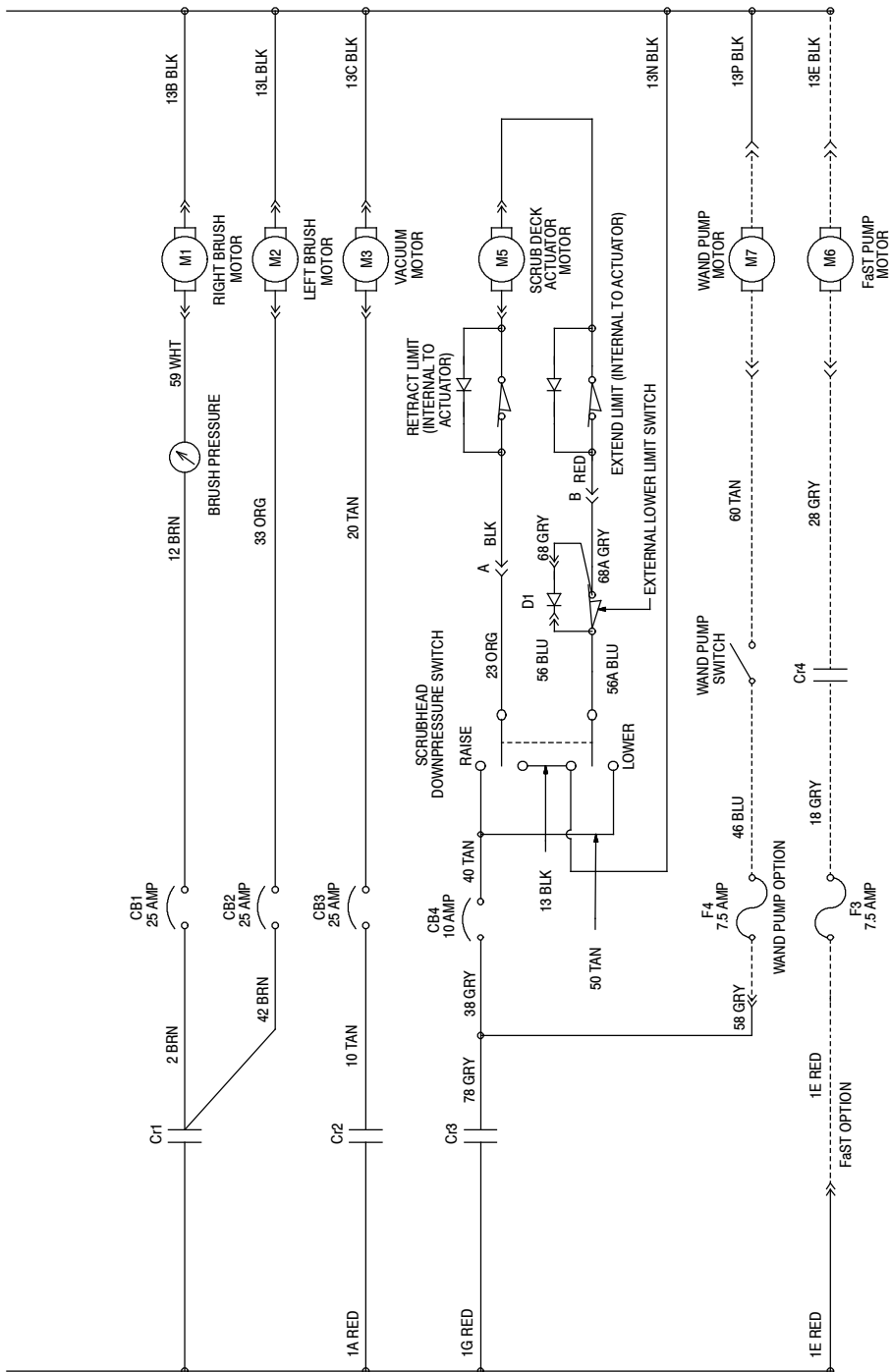
## ON-BOARD CHARGER GROUP

Ref.	Part No.	Serial Number	Description	Qty.
1	9003300	(50000000-	) Charger Kit, Battery, Ci [230v T5e Aust]	1
1	9003299	(50000000-	) Charger Kit, Battery, Ci[230v T5e China]	1
1	9003298	(50000000-	) Charger Kit, Battery, Ci [230v T5e Expt]	1
2	1042808	(50000000-	) Charger, 230vac [Onboard, Export]	1
3	1030746	(50000000-	) Vr, Fuse, 10a, Replmt	1
4	578768	(50000000-	) Label, Hzrd, [Hazardous Voltage] Txtls	1
5	1025158	(50000000-	) Label, Charger, Afmkt	1
6	578144000	(50000000-	) Screw, Pan, M5 X 0.80 X 16, Pozi, Ss	3
7	26395-2	(50000000-	) Clamp, Cable, Stl, 0.38d X 0.38w, 1h	1
8	1026325	(50000000-	) Cord, Power, 1.0mm2 X 2.5 Meters [Aus]	1
8	1026330	(50000000-	) Cord, Power, 1.0mm2 X 2.5 Meters [ China]	1
8	1032849	(50000000-	) Cord, Power, 2.5 Meter, Black [Ce]	1
9	1028175	(50000000-	) Label, Instr [Charger Setting]	1
10	1024965	(50000000-	) Bolt, Shld, 8mmd X 30, M6x1.0	2
11	611311	(50000000-	) Spring, Cmpr, 10.9d, 1.1w, 12.7l Mw Zn	2
12	610906	(50000000-	) Hook, Cord Viper	2
13	01683	(50000000-	) Washer, Flat, 10, Ss	2
14	01684	(50000000-	) Washer, Flat, 0.27b 0.69d .05, Ss	1



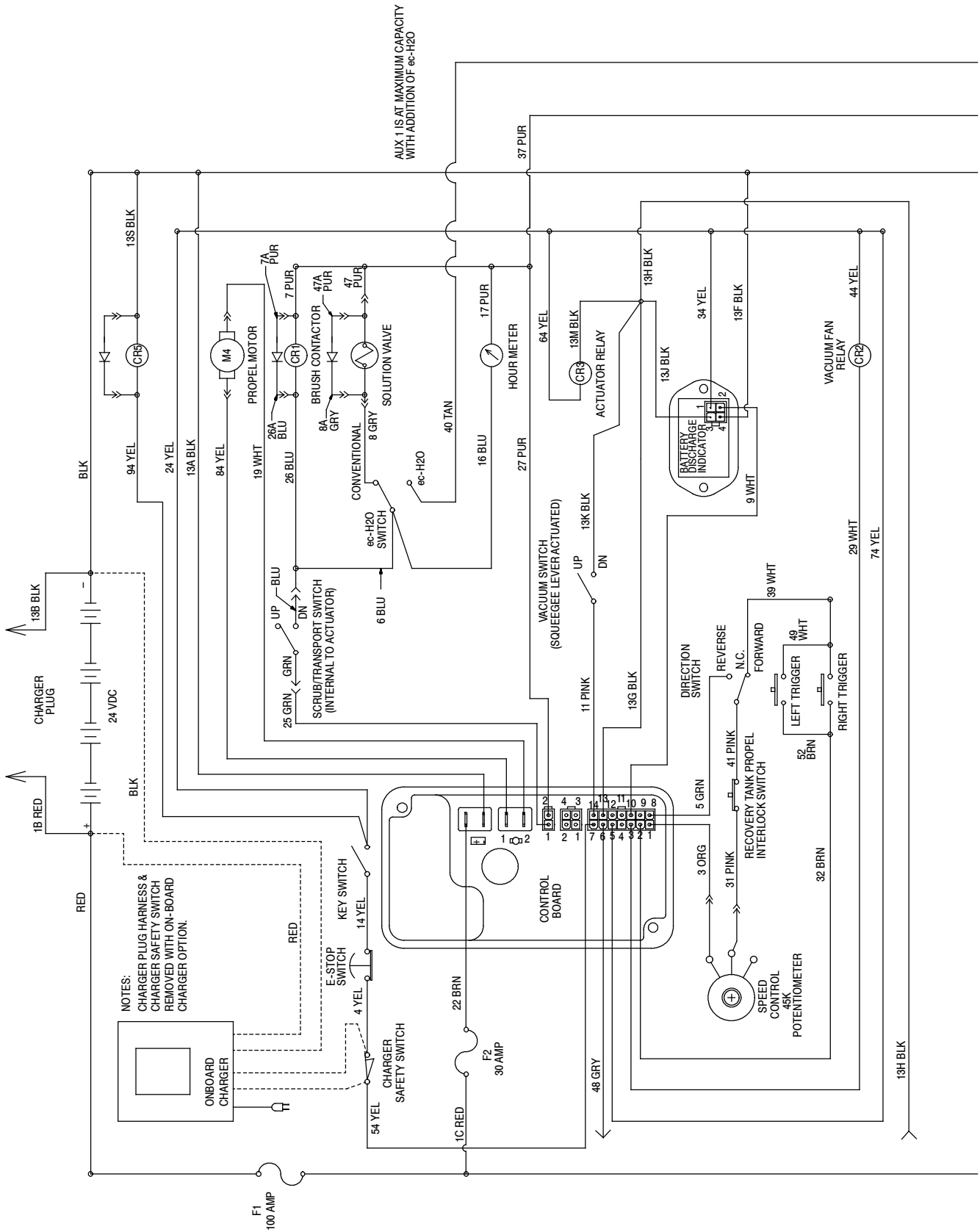
ELECTRICAL DIAGRAM, STANDARD & FaST MODEL

1020931



ELECTRICAL DIAGRAM, *ec-H2O* MODEL

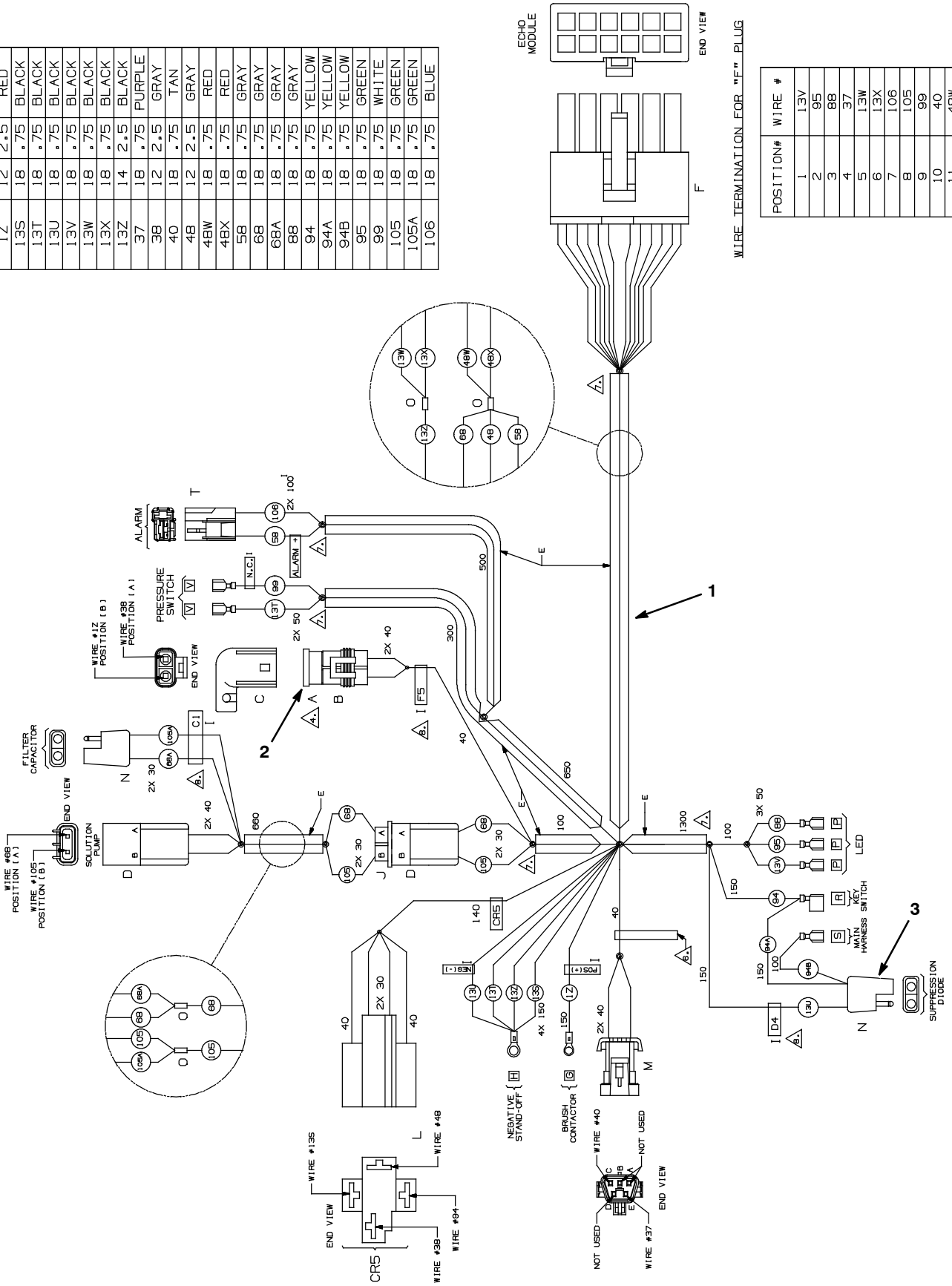
1043227





## WIRE HARNESS GROUP, ec-H2O OPTION

WIRE No	AWG	mm <sup>2</sup>	COLOR
1Z	12	2.5	RED
13S	18	.75	BLACK
13T	18	.75	BLACK
13U	18	.75	BLACK
13V	18	.75	BLACK
13W	18	.75	BLACK
13X	18	.75	BLACK
13Z	14	2.5	BLACK
37	18	.75	PURPLE
38	12	2.5	GRAY
40	18	.75	TAN
48	12	2.5	GRAY
48W	18	.75	RED
48X	18	.75	RED
58	18	.75	GRAY
68	18	.75	GRAY
68A	18	.75	GRAY
88	18	.75	GRAY
94	18	.75	YELLOW
94A	18	.75	YELLOW
94B	18	.75	YELLOW
95	18	.75	GREEN
99	18	.75	WHITE
105A	18	.75	GREEN
106	18	.75	BLUE



WIRE TERMINATION FOR "F" PLUG

POSITION#	WIRE #
1	13V
2	95
3	88
4	37
5	13W
6	13X
7	106
8	105
9	99
10	40
11	48W
12	48X



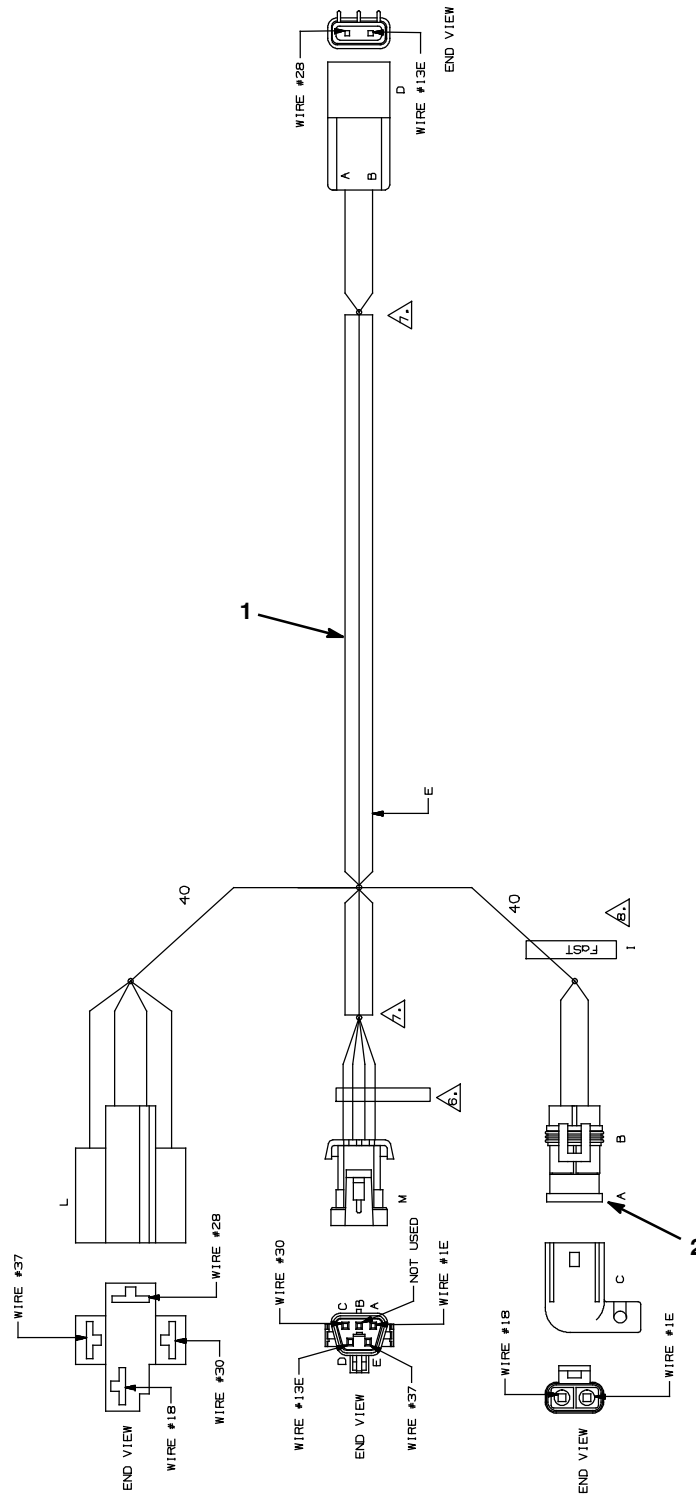
WIRE HARNESS GROUP, *ec-H2O* OPTION

	<b>Ref.</b>	<b>Part No.</b>	<b>Serial Number</b>	<b>Description</b>	<b>Qty.</b>
▽	1	1055447	(50000000-	) Harness Assy, Wire [Ss5 Ec-H2o]	1
▲	2	1047470	(50000000-	) Fuse, Blade, 010a, 32vdc, Red	1
▲	3	222290	(50000000-	) Diode, Ele, Plug	1

▽ ASSEMBLY

▲ INCLUDED IN ASSEMBLY

WIRE HARNESS GROUP, FAST OPTION

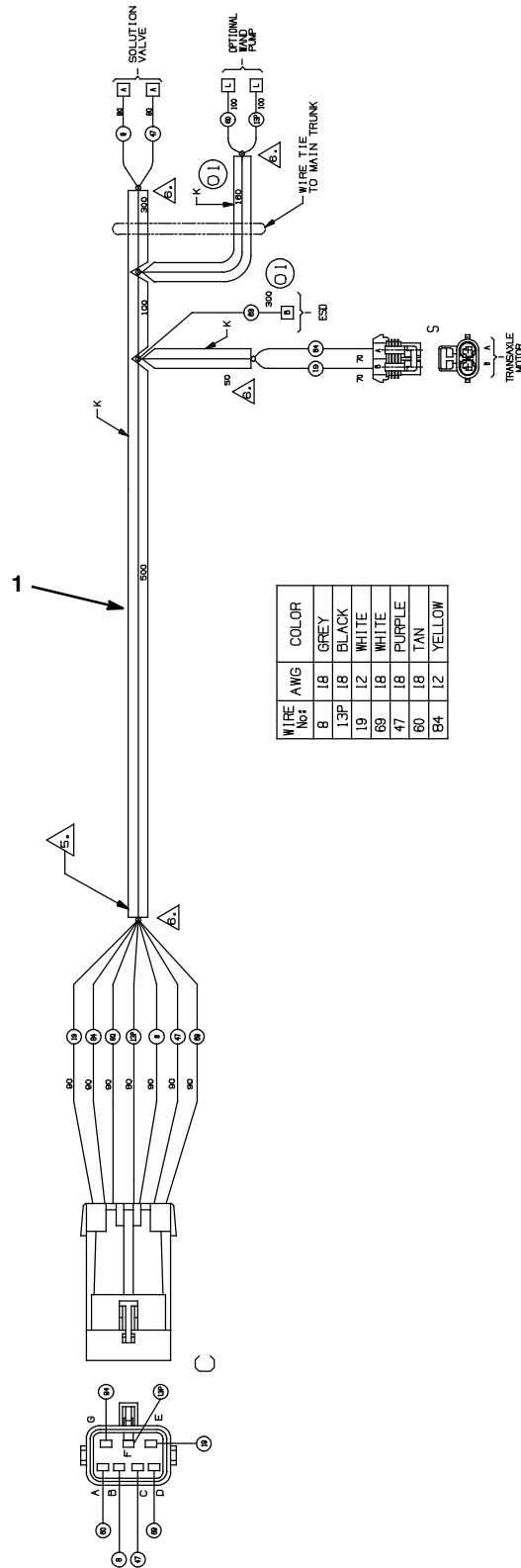


Ref.	Part No.	Serial Number	Description	Qty.
▽	1	1028396	(50000000- ) Harness Assy, Wire [Fast Option, Ss5]	1
▲	2	1016039	(50000000- ) Fuse, Blade, 007.5a, 32vdc	1

▽ ASSEMBLY

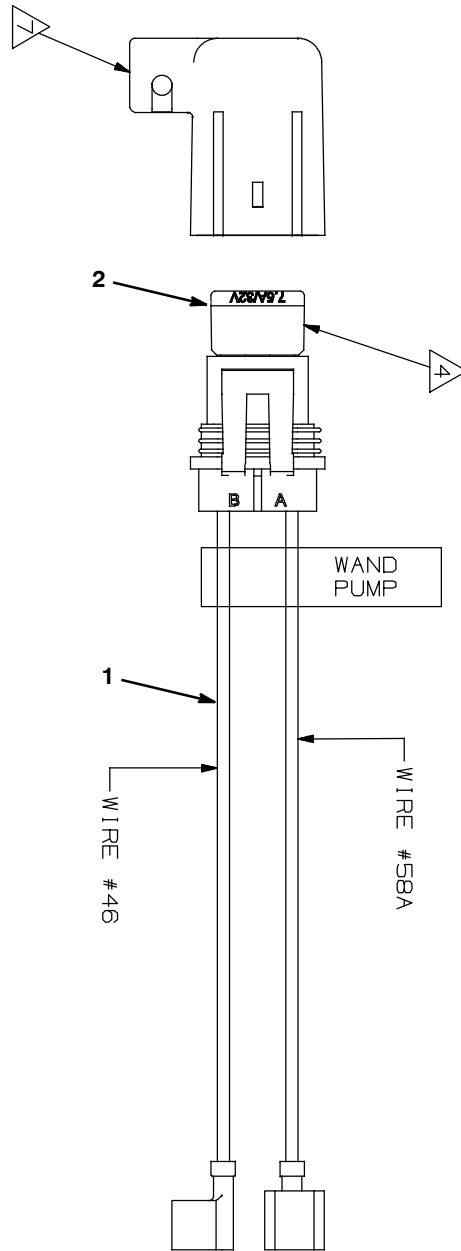
▲ INCLUDED IN ASSEMBLY

WIRE HARNESS GROUP, FRAME



Ref.	Part No.	Serial Number	Description	Qty.
1	1024721	(50000000- )	Harness, Chassis, Wire [Ss5]	1

WIRE HARNESS GROUP, WAND OPTION

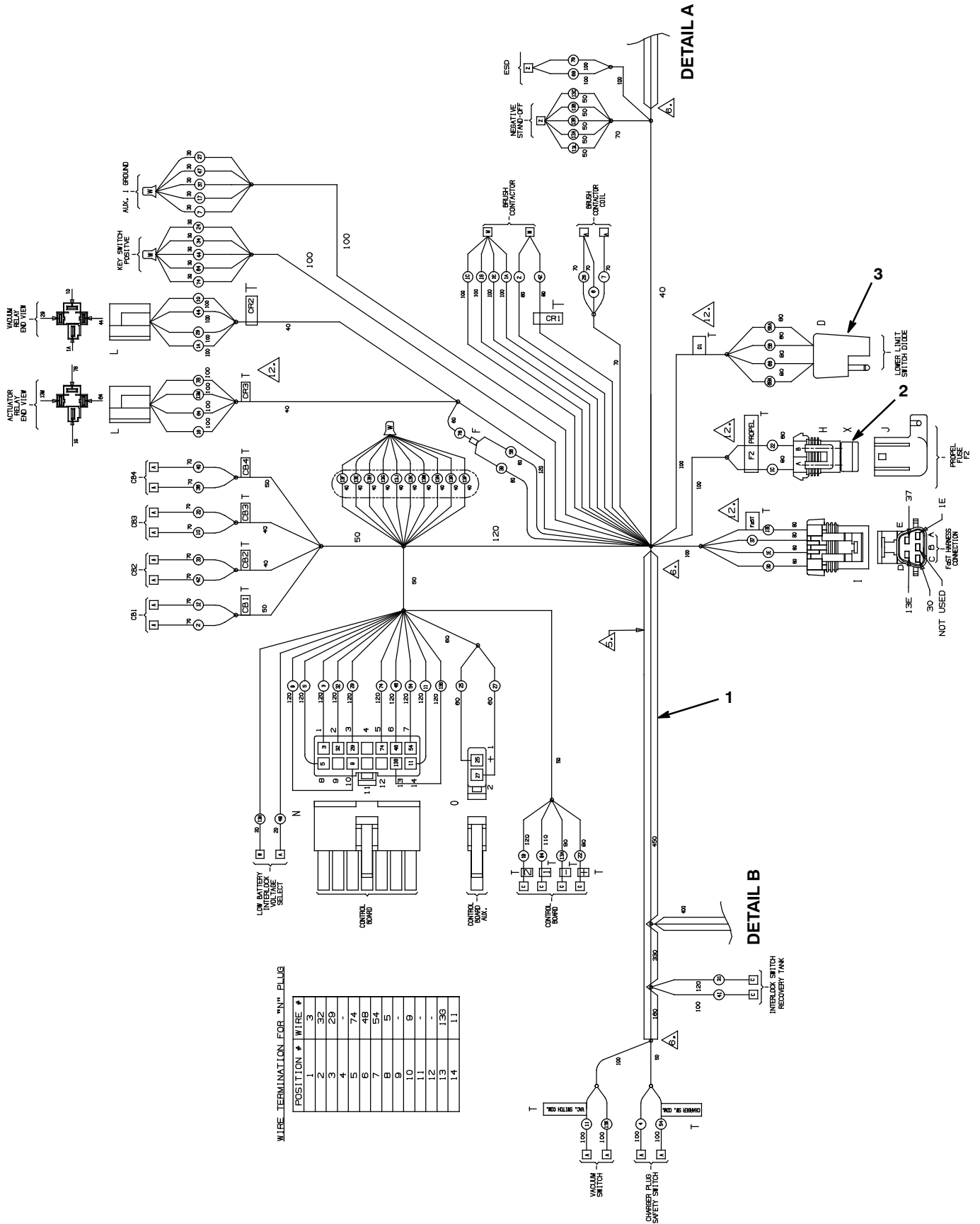


	Ref.	Part No.	Serial Number	Description	Qty.
▽	1	1026870	(50000000-	) Harness, Wand [Ss5]	1
▲	2	1016039	(50000000-	) Fuse, Blade, 007.5a, 32vdc	1

▽ ASSEMBLY

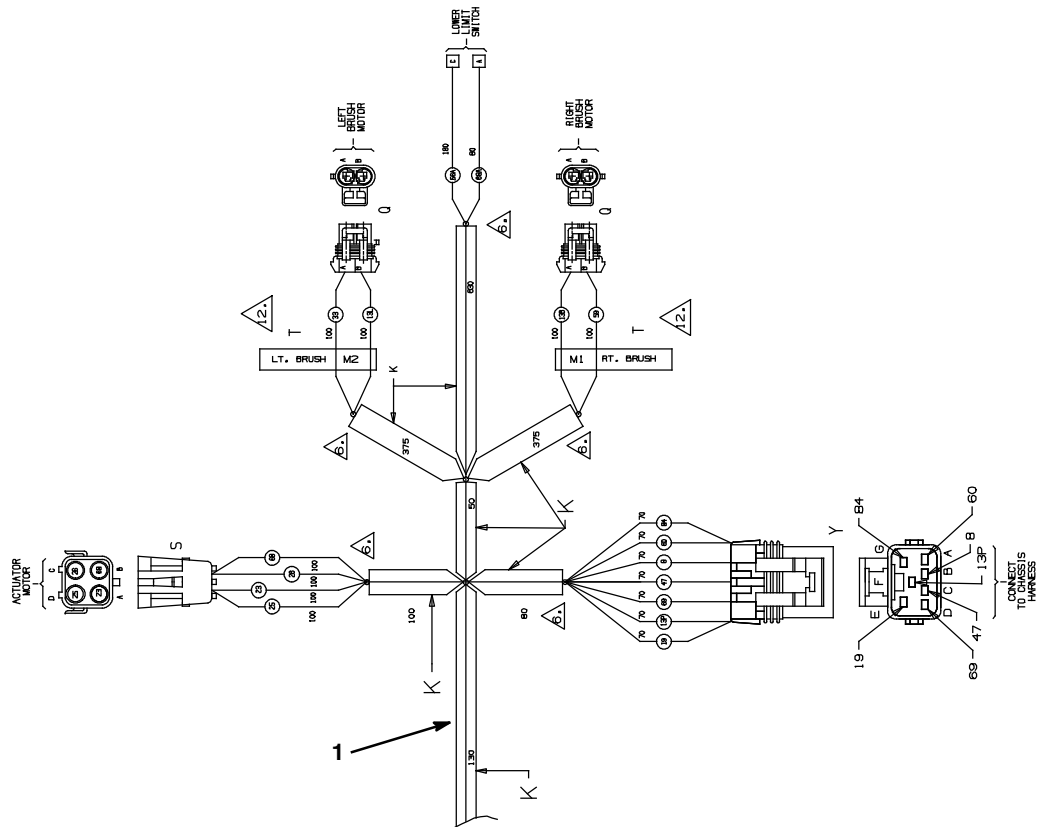
▲ INCLUDED IN ASSEMBLY

WIRE HARNESS GROUP, MAIN





WIRE HARNESS GROUP, MAIN



DETAIL A - CONTINUED

WIRE NO#	AWG	COLOR
28	18	WHITE
29	18	TAN
30	18	TAN
31	18	PINK
32	18	BROWN
33	10	ORANGE
34	18	YELLOW
36	18	BLUE
37	18	PURPLE
38	18	GRAY
39	18	WHITE
40	18	TAN
41	18	PINK
42	10	BROWN
44	18	YELLOW
47	18	PURPLE
47A	18	PURPLE
48	18	GRAY
49	18	WHITE
50	16	TAN
52	18	BROWN
54	18	YELLOW
56	18	BLUE
56A	18	BLUE
58	18	GRAY
59	10	WHITE
60	18	TAN
64	18	YELLOW
68	18	GRAY
68A	18	GRAY
69	18	WHITE
74	18	YELLOW
78	12	GRAY
79	18	WHITE
84	12	YELLOW
89	18	WHITE

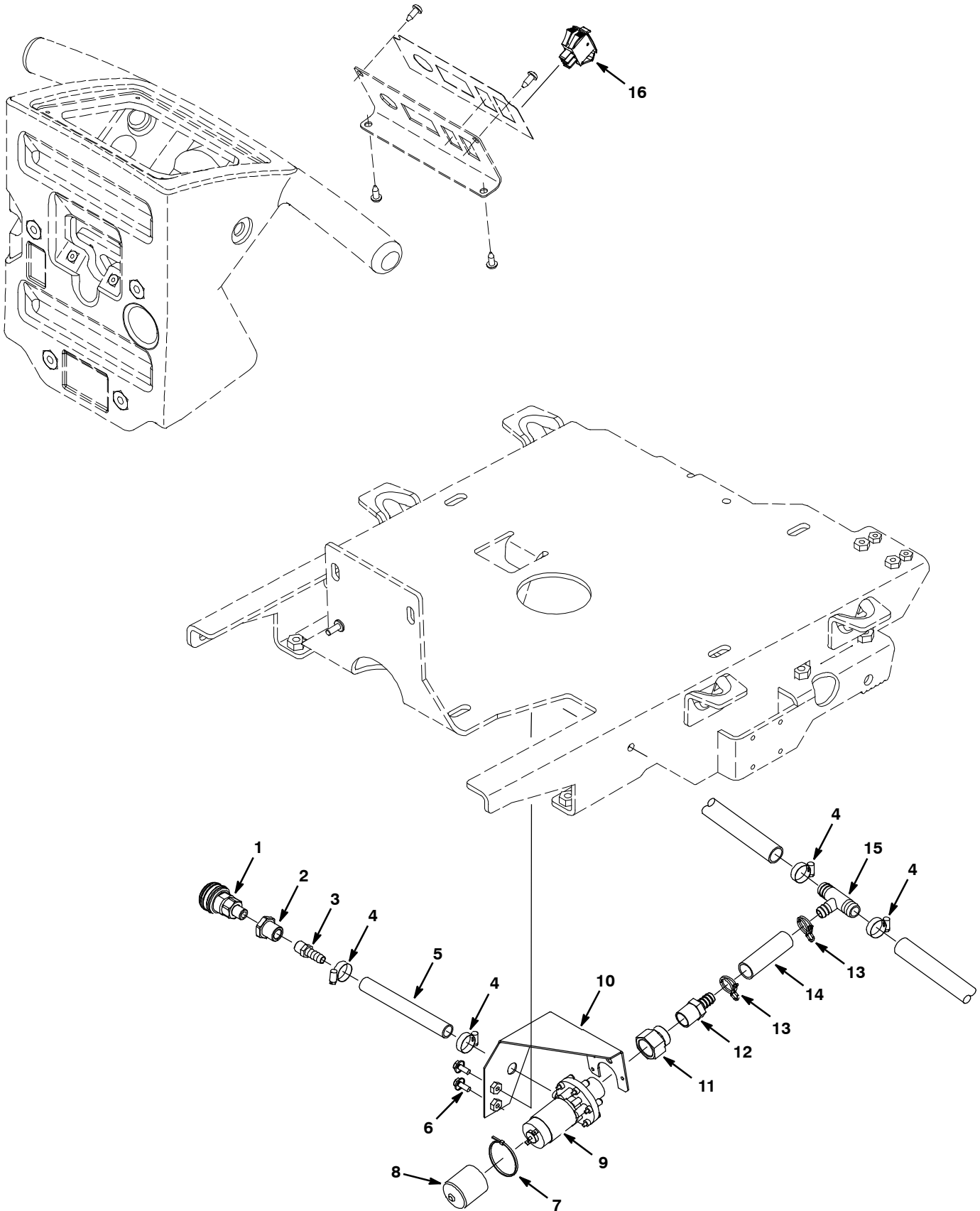
WIRE NO#	AWG	COLOR
1A	10	RED
1C	10	RED
1E	18	RED
1G	12	RED
2	10	BROWN
3	18	ORANGE
4	18	YELLOW
5	18	GREEN
6	18	BLUE
7	18	PURPLE
8	18	GRAY
8A	18	GRAY
9	18	WHITE
10	12	TAN
11	18	PINK
12	10	BROWN
13	16	BLACK
13A	10	BLACK
13B	10	BLACK
13C	12	BLACK
13E	18	BLACK
13G	18	BLACK
13H	18	BLACK
13J	18	BLACK
13K	18	BLACK
13L	10	YELLOW
13M	18	BLACK
13N	18	BLACK
13P	18	BLACK
13R	14	BLACK
14	18	YELLOW
16	18	BLUE
16A	18	BLUE
17	18	PURPLE
17A	18	PURPLE
19	12	WHITE
20	12	TAN
21	18	PINK
22	10	BROWN
23	18	ORANGE
24	18	YELLOW
25	18	GREEN
26	18	BLUE
27	18	PURPLE

Ref.	Part No.	Serial Number	Description	Qty.
▽	1	1048405	(50000000- ) Harness, Main [Ss5]	1
▲	2	762516	(50000000- ) Fuse, Blade, 030a, 32vdc	1
▲	3	222290	(50000000- ) Diode, Ele, Plug	3

▽ ASSEMBLY

▲ INCLUDED IN ASSEMBLY

WAND PUMP KIT





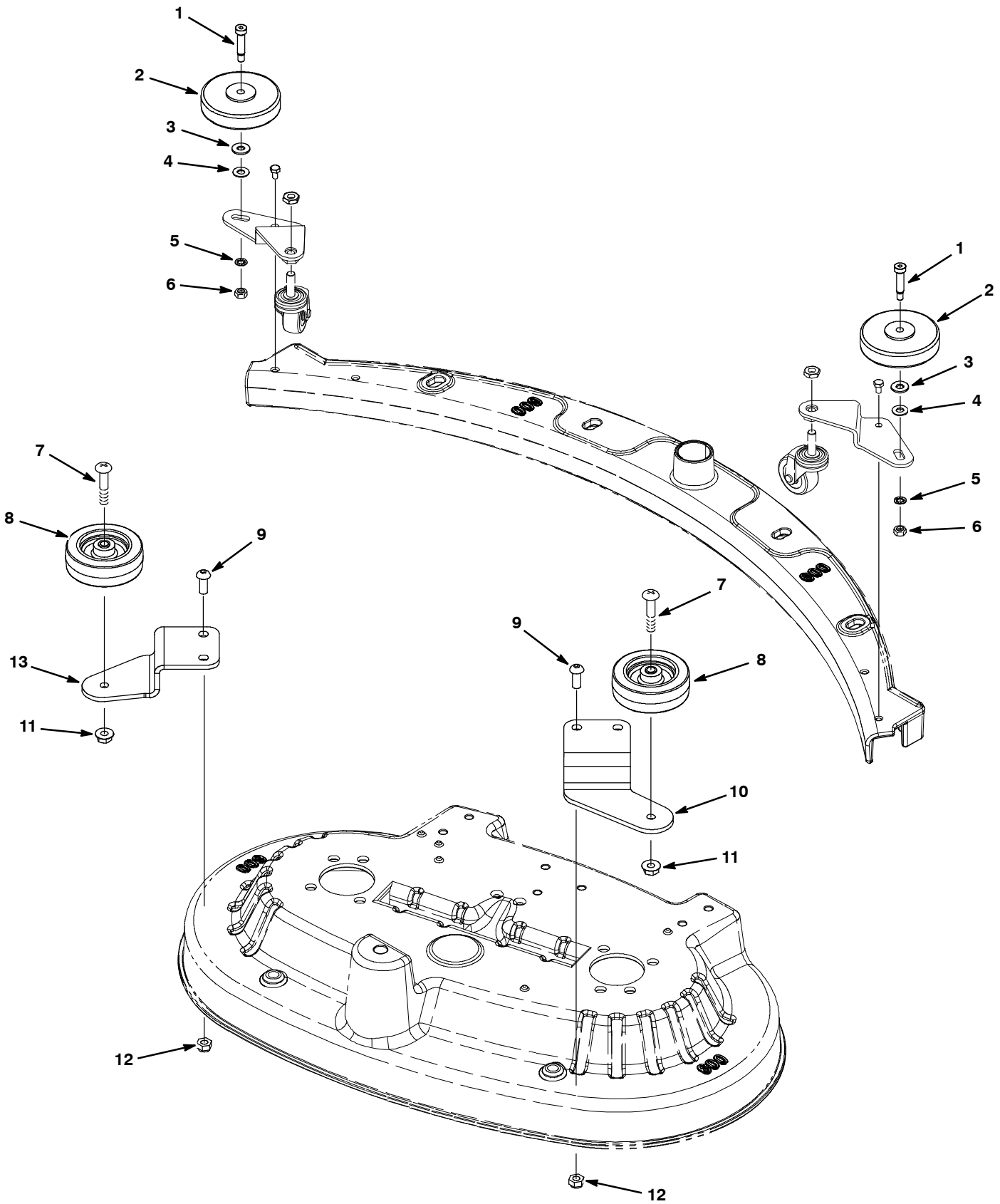
WAND PUMP KIT

Ref.	Part No.	Serial Number	Description	Qty.
▽	9003399	(50000000-	) Pump Kit, Wand, Power, Ci [Ss5, T5e]	1
▲	1 608292	(50000000-	) Connection, Quick, Fem .375" X .25" Npt	1
▲	2 78122	(50000000-	) Fitting, Brs, Str, Pf04/Pf04, Bh	1
▲	3 150516	(50000000-	) Fitting, Brs, Str, Pm04/Bm06	1
▲	4 54333	(50000000-	) Clamp, Hose, Wormdrive, 0.31-0.88d, .31w	4
▲	5 575501000	(50000000-	) Hose 3/8idx5/8odx8" (376720)	1
▲	6 1034731	(50000000-	) Screw, Hex, M6 X 1.00 X 16, Ss, Sems	2
▲	7 130773	(50000000-	) Tie, Cable, Nyl, 11.0l, .14w, 3.0 Max. D	2
▲	8 605064	(50000000-	) Cap, Vinyl, 1.38 D 1.6l	1
▲	9 630136	(50000000-	) Pump, Soltn, Ele, 24vdc, 3116" Term 3/4"	1
▲	10 1023515	(50000000-	) Bracket, Mtg, Pump, Wand	1
▲	11 150017	(50000000-	) Fitting, Brs, Str, Pf08/Pf12, Cplg[Redr]	1
▲	12 1023581	(50000000-	) Fitting, Plstc, Str, Bm08/Pm08, Nyl	1
▲	13 607776	(50000000-	) Clamp, Hose, Wir, .73 - .77, Silver	2
▲	14 613521	(50000000-	) Hose, Pvc, Clr, 0.50id 0.75od 012.0l	1
▲	15 1015486	(50000000-	) Fitting, Plstc, Tee, Bm08/Bm10/Bm10, Br	1
▲	16 130787	(50000000-	) Switch, Rocker, Spdt	1
▲	N/S 1026870	(50000000-	) Harness, Wand	1

▽ ASSEMBLY

▲ INCLUDED IN ASSEMBLY

BUMPER WHEEL KIT



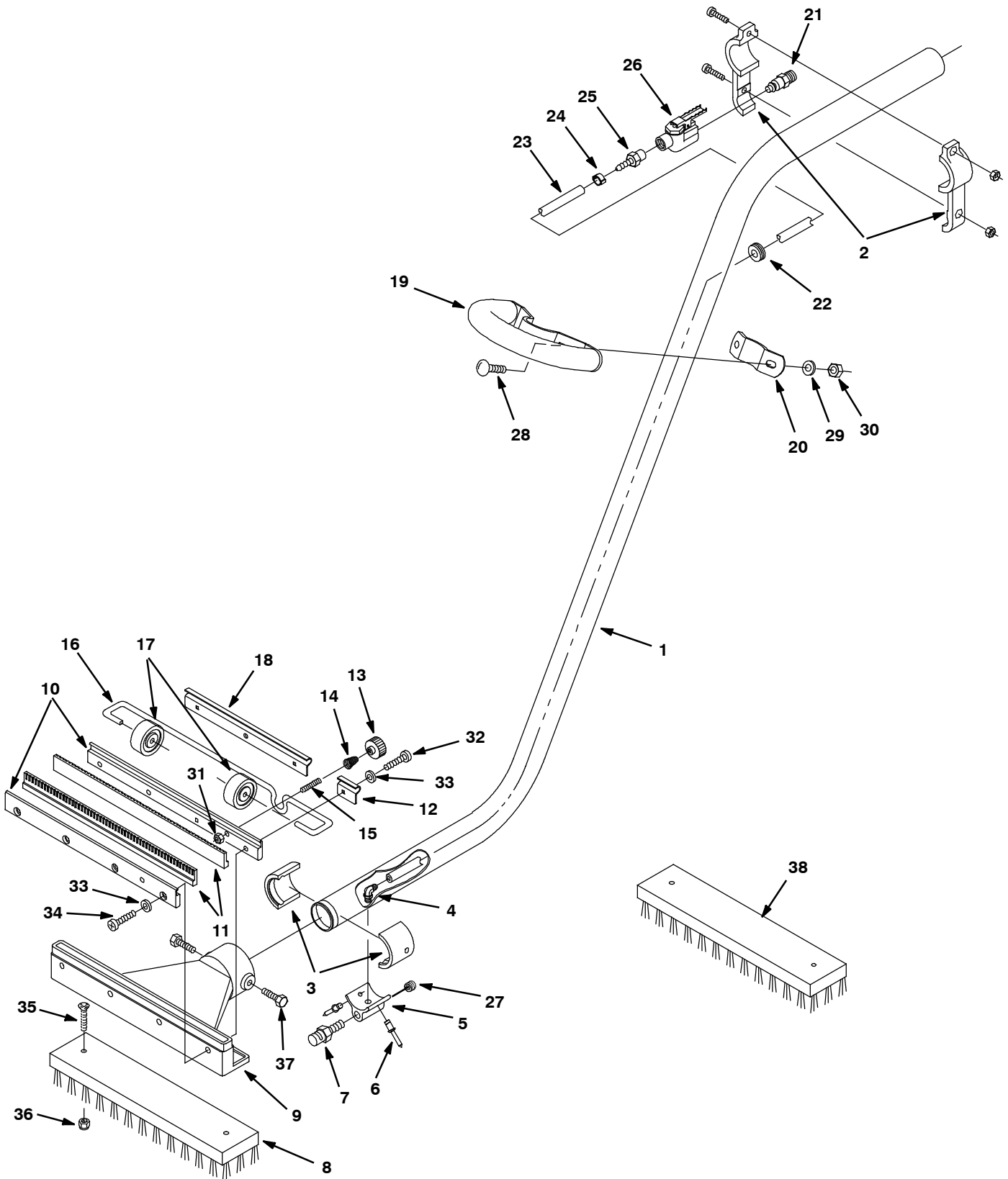
**BUMPER WHEEL KIT**

	<b>Ref.</b>	<b>Part No.</b>	<b>Serial Number</b>	<b>Description</b>	<b>Qty.</b>
▽		9004459	(50000000-	) Wheel Kit, Bumper, Retrofit [T5]	1
▲	1	600187	(50000000-	) Bolt, Shld, .38d X 1.25, .31-18	2
▲	2	614317	(50000000-	) Wheel, 04.0d 1.00w 0.38b, Rbr, Gray	2
▲	3	01685	(50000000-	) Washer, Flat, 0.38b 0.88d .08, Ss	2
▲	4	069762311	(50000000-	) Washer, Flat, M7.9b X 19d X 1.7 Ss	2
▲	5	43952	(50000000-	) Washer, Lock, Int, 0.31, Ss	2
▲	6	140506	(50000000-	) Nut, Hex, Std, .31-18, Ss	2
▲	7	606983	(50000000-	) Screw, Trs, M8 X 1.25 X 40, Phl, Pl	2
▲	8	1014918	(50000000-	) Wheel, 03.0d 0.88w 0.31b, W/ Bshg, Rbr	2
▲	9	393135	(50000000-	) Screw, Btn, M8 X 1.25 X 20, Blk	4
▲	10	1023268	(50000000-	) Bracket, Roller, Wall, Scb Head, 70cm	1
▲	11	07791	(50000000-	) Nut, Hex, Flng, M8 X 1.25	2
▲	12	08713	(50000000-	) Nut, Hex, Lock, M8 X 1.25, Nl, Ss	4
▲	13	1022344	(50000000-	) Bracket, Roller, Wall, Scb Head, 60cm	1

▽ ASSEMBLY

▲ INCLUDED IN ASSEMBLY

DELUXE POWER WAND GROUP



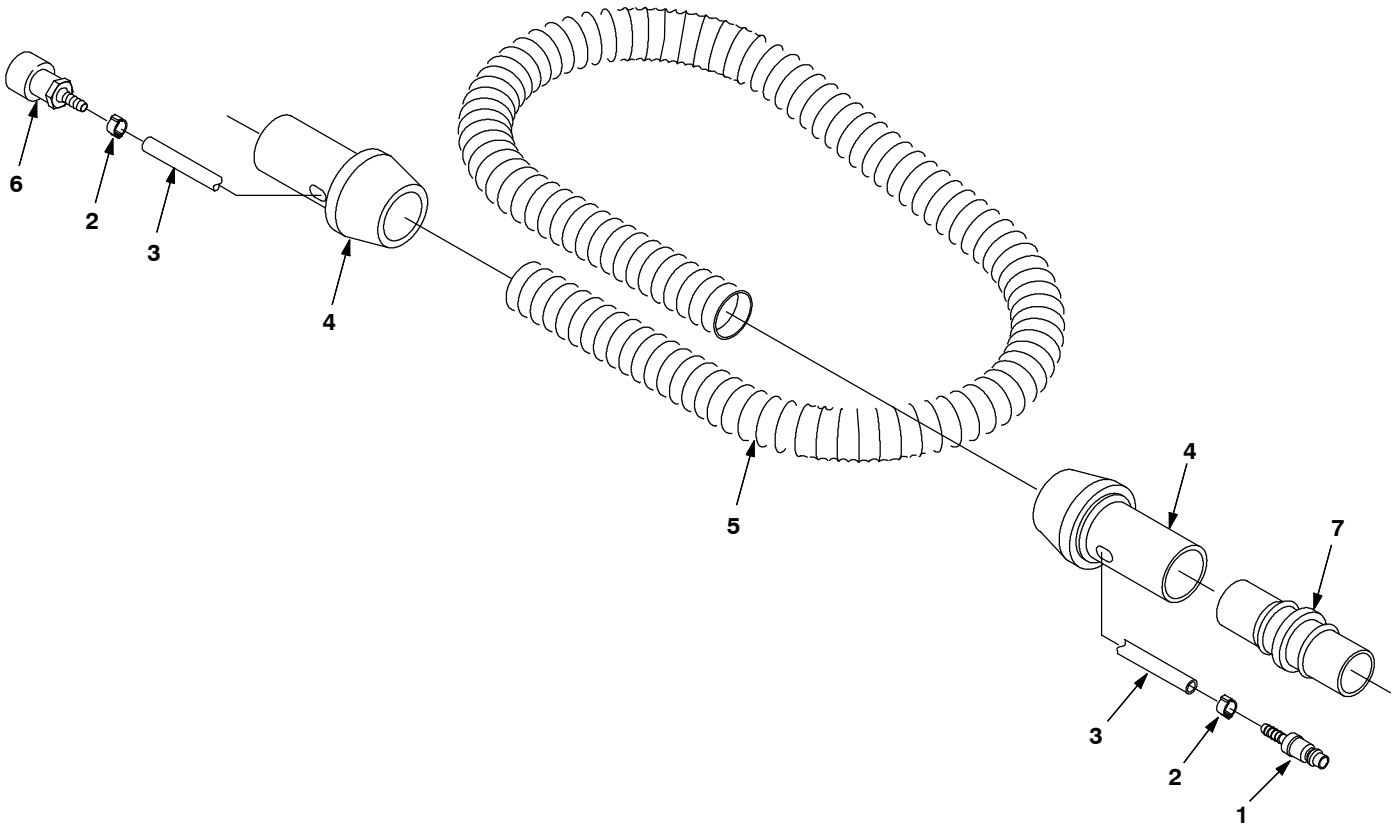
DELUXE POWER WAND GROUP

Ref.	Part No.	Serial Number	Description	Qty.
▽	65340	(50000000-	) Wand Assy, Power	1
▲	1 578060000	(50000000-	) Wand, Dbl Bend, 38.1mmd	1
▲	2 578077000	(50000000-	) Bracket Valve Mounting Wand	1
▲	3 578061000	(50000000-	) Adapter, Head / Wand	2
▲	4 1037595	(50000000-	) Fitting, Plstc, E90, Bm04/Pm02, Nyl	1
▲	5 579112	(50000000-	) Fitting Spray Nozzle Adapter	1
▲	6 602036000	(50000000-	) Rivet, Blind	2
▲	7 578066000	(50000000-	) Fitting, Brs, Tip [75, .125k-Jet]	1
▲	8 65610	(50000000-	) Brush, Power Wand, W/ Fastener, Pyp	1
▲	9 578063000	(50000000-	) Head, Wand	1
▲	10 578078000	(50000000-	) Retainer, Sqge, Wand	2
▲	11 578074000	(50000000-	) Blade, Sqge, 300.8mmml, Wand	2
▲	12 578124000	(50000000-	) Bracket,Axle,1hole	1
▲	13 578439	(50000000-	) Nut, Thumb, M6 X 1.0, 30d	1
▲	14 613732	(50000000-	) Spring, Cmpr, Conical 15mm	1
▲	15 578143000	(50000000-	) Screw, Set, M6 X 1.0 X 40, Cuppt, Ss	1
▲	16 578126000	(50000000-	) Axle,Wand	1
▲	17 578125000	(50000000-	) Wheel, 41.3d, 19.1w, Rbr	2
▲	18 578123000	(50000000-	) Bracket,Axle,3hole	1
▲	19 578155000	(50000000-	) Handle Wldt, Wand	1
▲	20 578154000	(50000000-	) Bracket Handle Wand	1
▲	21 578091000	(50000000-	) Fitting, Brs, Qdc, Pm04, Plug	1
▲	22 578164000	(50000000-	) Grommet,0.38"Id,0.62"Gd,.06"Gw	1
▲	23 578821000	(50000000-	) Hose 1/4id X 3/8od X 1.22m	1
▲	24 578161000	(50000000-	) Clamp, Hose, Ear, 8-11mm, Ss	1
▲	25 578094000	(50000000-	) Fitting, Nyl, Str, Pm04/Bm04	1
▲	26 578064000	(50000000-	) Valve, Cntrl, Water	1
▲	27 150208	(50000000-	) Fitting, Brs, Str, Pm02, Plug [Skhd]	1
▲	28 20399	(50000000-	) Bolt, Carriage, .25-20 X 0.75	2
▲	29 200304017	(50000000-	) Washer, Flat, M6.4 X 13 X 1.6, Pl	2
▲	30 41169	(50000000-	) Nut, Hex, Lock, .25-20, NI, Ss	2
▲	31 07785	(50000000-	) Nut, Hex, Std, M6 X 1.0, A2, Ss	1
▲	32 1026454	(50000000-	) Screw, Pan, M5 X 0.8 X 10, Ss	4
▲	33 07514	(50000000-	) Washer, Lock, Int, #10, Ss	8
▲	34 578144000	(50000000-	) Screw, Pan, M5 X 0.8 X 16,Phl,Ss,Dn7985a	4
▲	35 578566	(50000000-	) Screw 4x30 Fltphl Ss	2
▲	36 33932	(50000000-	) Nut, Hex, Lock, M4 X 0.7, NI, Ss	2
▲	37 140885	(50000000-	) Screw, Trs, .25-20 X 0.50, Phl, Ss	2
▲	38 65582	(50000000-	) Brush, Power Wand, W/ Fastener, Abr (Optional)	1

▽ ASSEMBLY

▲ INCLUDED IN ASSEMBLY

POWER WAND HOSE GROUP

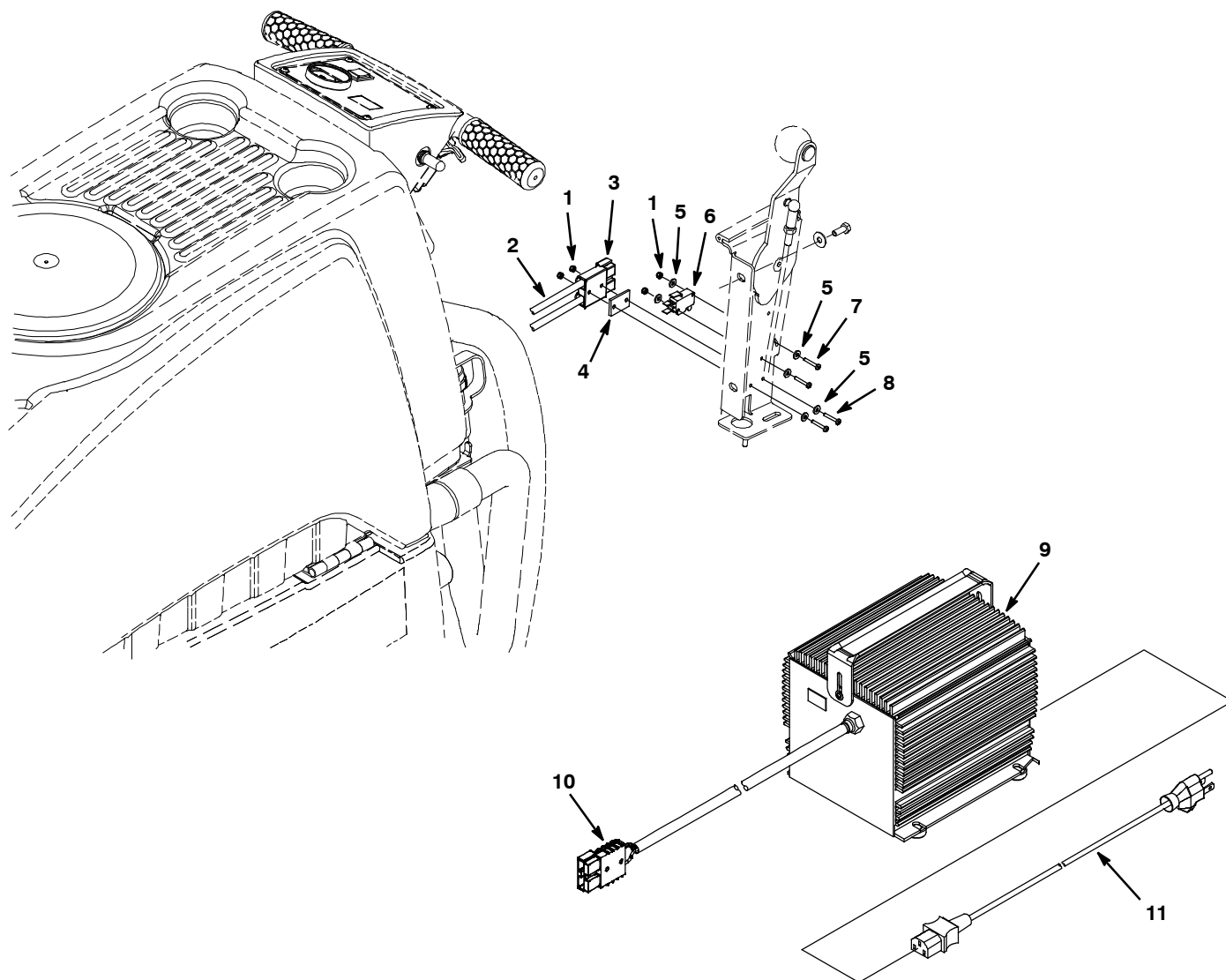


Ref.	Part No.	Serial Number	Description	Qty.
▽	65341	(50000000- )	Hose Assy, Wand, Power	1
▲ 1	578318000	(50000000- )	Fitting, Stl, Qdc, Bm04	1
▲ 2	578160000	(50000000- )	Clamp, Hose, Ear, 11-13mm, Ss	2
▲ 3	578820000	(50000000- )	Hose, Pvc, 0.25id X 157l	1
▲ 4	578072000	(50000000- )	Cuff, Swivel, 1.5 Blk	2
▲ 5	1052212	(50000000- )	Hose, Vacuum, 1.50id X 10ft, Gray	1
▲ 6	578071000	(50000000- )	Fitting, Brs, Qdc, Bm04/Pf04	1
7	12694	(50000000- )	Fitting, Plstc, Str, Bm24/Bm24	1

▽ ASSEMBLY

▲ INCLUDED IN ASSEMBLY

OFF-BOARD CHARGER GROUP

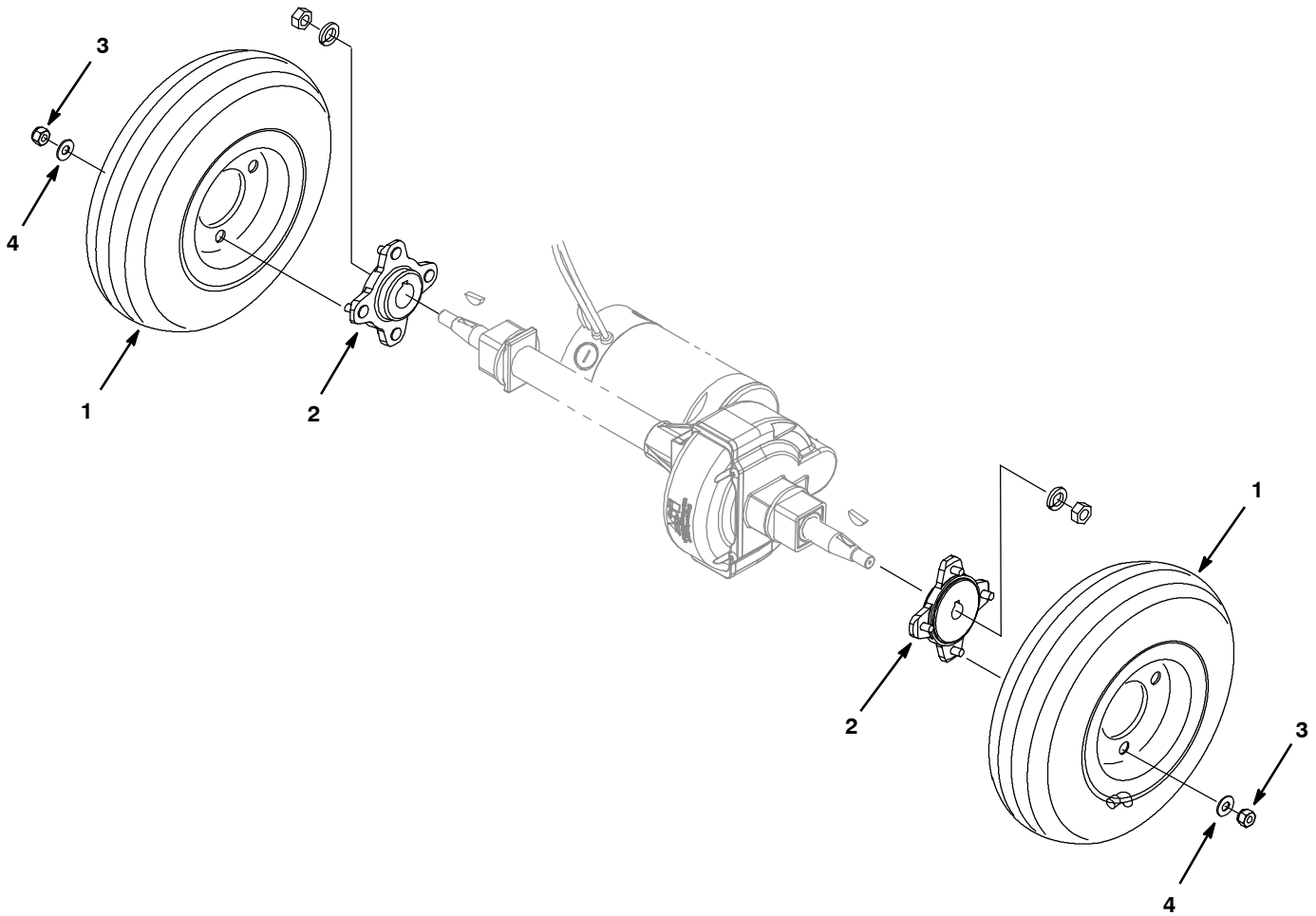


Ref.	Part No.	Serial Number	Description	Qty.
	1	579211	(50000000- ) Nut, Hex, Lock, M3 X .5, Ss	4
▽	2	1027096	(50000000- ) Harness, Chrgr	1
▲	3	605387	(50000000- ) Connector, 50a, Red W/O Contact[Anderson	1
	4	603331	(50000000- ) Spacer, Chrgr Plug	1
	5	41578	(50000000- ) Washer, Flat, #06, Ss	6
	6	611005	(50000000- ) Switch, Rlr, 16a, Micro	1
	7	06922	(50000000- ) Screw, Pan, M3 X 0.5 X 20, 4.8	2
	8	33933	(50000000- ) Screw, Pan, M3 X 0.5 X 25, Ss	2
▽	9	1029256	(50000000- ) Charger, 24vdc, 19a Var Vac 1ph 50/60hz	1
▲	10	605387	(50000000- ) Connector, Anderson, 50a,Red W/O Contact	1
▲	11	1017079	(50000000- ) Cord, Extn, 16ga /3, 010ft [Sjt]	1

▽ ASSEMBLY

▲ INCLUDED IN ASSEMBLY

OPTIONAL WHEEL KIT



Ref.	Part No.	Serial Number	Description	Qty.
▽	9004903	(50000000-)	) Wheel Kit, Pneumatic, Ci [T5 T5e Ss5]	1
▲ 1	1059452	(50000000-)	) Tire Assy, Pneu, Grey, 2.8/2.5-04 2.75bc	2
▲ 2	1048125	(50000000-)	) Hub, Wheel [Tapered Shaft]	2
▲ 3	08712	(50000000-)	) Nut, Hex, Lock, M6 X 1.00, NI, Ss	8
▲ 4	140000	(50000000-)	) Washer, Flat, 0.28b 0.62d .04, Ss	8
▽	9004904	(50000000-)	) Wheel Kit, Foam Filled, Ci [T5 T5e Ss5]	1
▲ 1	1068472	(50000000-)	) Tire Assy, Foam, Hi-Dns, Grey, 2.8/2.5-04	2
▲ 2	1048125	(50000000-)	) Hub, Wheel [Tapered Shaft]	2
▲ 3	08712	(50000000-)	) Nut, Hex, Lock, M6 X 1.00, NI, Ss	8
▲ 4	140000	(50000000-)	) Washer, Flat, 0.28b 0.62d .04, Ss	8

▽ ASSEMBLY

▲ INCLUDED IN ASSEMBLY



