



# 7100

## *Power Scrubber*



# 7100 Why Walk When You Can Ride?



Extra-large drive tire for added traction to drive up to 11 degrees (19% grade).

Walking behind a scrubber to clean even the smallest facilities will soon be a thing of the past. With the advent of the dynamic new Model 7100 micro-scrubber, operators can now ride while they clean.

## Scrubs Through Doorways

Engineered to increase comfort and boost productivity, the 7100 occupies less space than most walk-behind scrubbers. In fact, the 7100 is narrow enough to scrub through a 36-in/90 cm doorway, and nimble enough to turn in a six-foot-wide/1.8 m aisle.

## Industrial Strength from a Micro-Rider

Offering industrial-strength cleaning in a smaller riding machine, the 32-inch wide 7100 scrubs up to 56,320 ft<sup>2</sup>/5200 m<sup>2</sup> per hour and is ideal for all environments: from small-to-medium warehouses and manufacturing plants to retail, schools, universities, and hospitals.



Convenient drain hoses are located in the rear for quick draining of solution and recovery tanks.

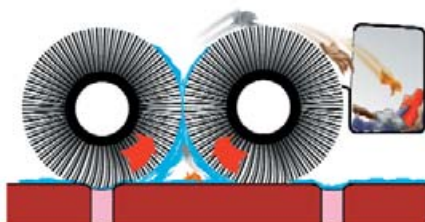
## Designed for Your Needs

No Tennant machine would be complete without customization. From a choice between cylindrical or disc scrub heads, battery roll-out, and ES™ (extended scrubbing), the 7100 can be tailored to your specific needs.

## Increase Productivity 30%

Small in size, the UL E-approved unit is big in operator comfort and safety. Low noise level, one-button scrubbing, and touch-panel controls make the 7100 user-friendly to even first-time operators. As a result, driver fatigue and stress are dramatically reduced, and productivity is increased up to 30% over walk-behind scrubbing.

So take a good look at the new Model 7100 riding micro-scrubber. And then ask: why walk when you can ride?



The Cylindrical scrub head is perfect for use on grout floors and pre-sweeping light debris.



### Battery Compartment

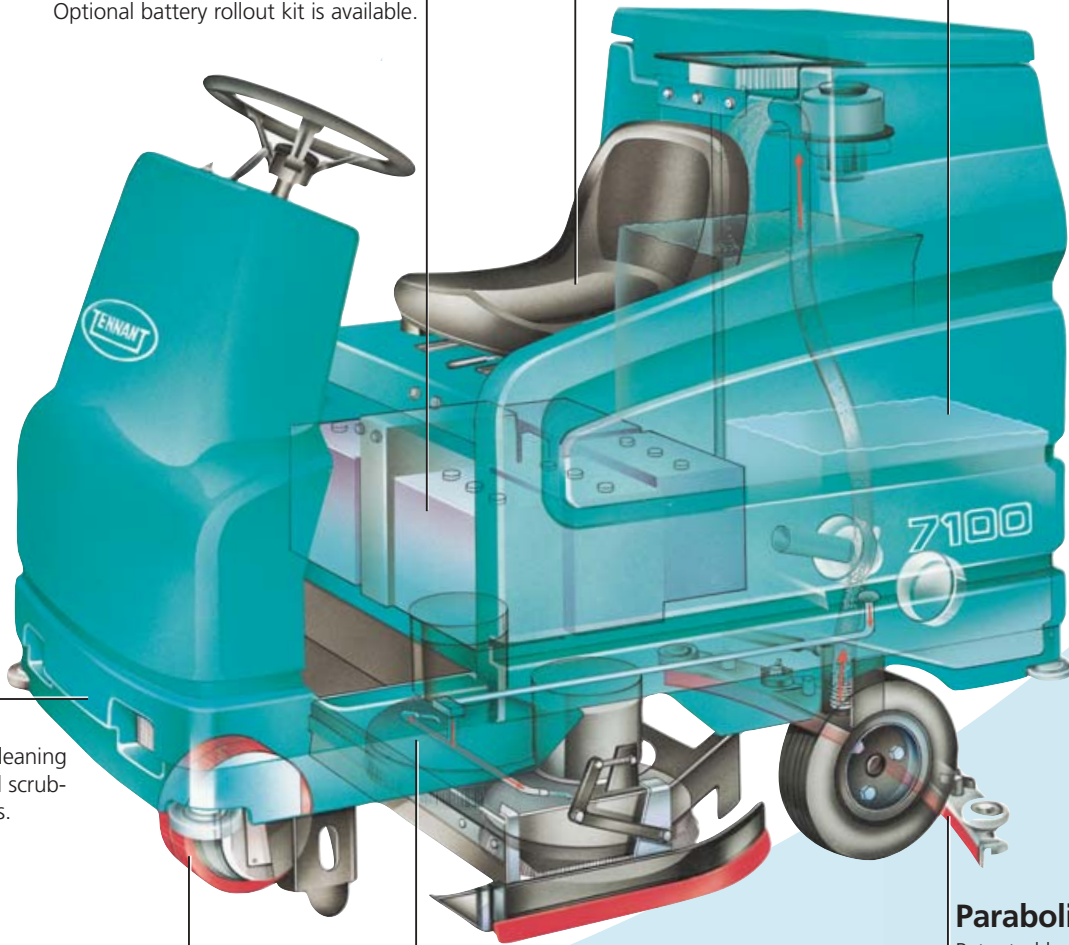
Powerful 36-volt battery system makes the 7100 ideal for indoor applications. Optional battery rollout kit is available.

### Operator Compartment

Roomy operator compartment with front Safety Guard housing.

### Recovery Tank

No-mess clean-up from large, easy-access recovery tank



### Micro Size

Overall micro size for cleaning the tightest spaces and scrubbing through doorways.

### Large Front Wheel

Extra-large front wheel drive for a stable, smooth ride and to protect cleaning surfaces.

### Disc or Cylindrical Brushes

Choose either disc or cylindrical brushes to meet individual needs.

### Parabolic Squeegee

Patented break-away, parabolic, no-tool-change squeegee for quick maintenance.



Ideal for schools and universities, the 7100 measures just 66.5 inches/1690 mm long by 33 inches/840 mm wide.



Able to turn within a six-foot-wide/1.8 m aisle, the 7100 maneuvers through the most crowded retail environments.



A small, maneuverable machine, the Model 7100 delivers industrial-quality cleaning, up to 49,280 ft<sup>2</sup>/4580 m<sup>2</sup> per hour.

# 7100 POWER SCRUBBER SPECIFICATIONS

## MACHINE DIMENSIONS

Length	66.5 in	1690 mm
Width		
Scrub Head	33 in	840 mm
Frame (scrub head)	33 in	840 mm
Height (standard)	54 in	1370 mm
Weight		
Net (less batteries @ 72 lb each)	853 lb	387 kg
With Standard Battery Package	1285 lb	583 kg
Minimum Aisle Turn	72.5 in	1840 mm

## SCRUBBING SYSTEM

Cleaning Path	28/32 in	710/810 mm
Average Coverage Rate Per Hour (Working Speed)		
28 in/710 mm model	33,000 ft <sup>2</sup>	3000 m <sup>2</sup>
32 in/810 mm model	38,280 ft <sup>2</sup>	3500 m <sup>2</sup>
Maximum Coverage Rate Per Hour (Working Speed)		
28 in/710 mm model	49,280 ft <sup>2</sup>	4500 m <sup>2</sup>
32 in/810 mm model	56,320 ft <sup>2</sup>	5200 m <sup>2</sup>
Solution Tank	30 gal	113 L
Recovery Tank	30 gal	113 L
Includes Demister Chamber	45 gal	170 L
Solution Recycling Tank (ES™ Plus Option)	45 gal	170 L
Brush Speed (disc)	320 rpm	
Brush Speed (cylindrical)	750 rpm	
Disc Brush Down Pressure (variable to)	200 lb	91 kg
Cylin. Brush Down Pressure (variable to)	90 lb	41 kg
Brush Size (2 disc) diameter	14/16 in	360/410 mm
Brush Size (2 cylindrical) diameter	6 in	150 mm
Brush Motor (2)	0.75 hp	0.56 kW
Vacuum Fan Speed	14,000 rpm	
Vacuum Water Lift	70 in	1780 mm
Vacuum Fan	0.8 hp	0.6 kW

## PROPELLING SYSTEM

Transport Propel Speed Forward (up to)	4.5 mph	7.2 km
Working Propel Speed Forward (up to)	4.0 mph	6.4 km
Propel Speed Reverse (up to)	2.5 mph	4.0 km
Propel Motor	1.6 hp	1.2 kW
Gradeability		
Transport (empty for Trailing)	11 deg/19%	
Transport at Gross Weight	8 deg/14%	
Working (scrubbing)	4 deg/7%	

## SAFETY SYSTEM

Safety Certification	UL Label (Type E)
Operating Sound Level	75 dB(A)

## TO CUSTOMIZE, HERE ARE YOUR OPTIONS:

Extended Scrubbing System (ES™ Plus), Positive Drain Control, Light Packages, Roll-Out Battery Package, Non-Marking Rear Tires, V-Mop, Dual Vacuum Fans, Off-Aisle Power Wand



(Specifications subject to change)

## Creating a cleaner, safer world™

Tennant Company offers the most complete line of floor and surface maintenance equipment, floor coatings, brushes and cleaning detergents in the world for the industrial, commercial and outdoor cleaning markets. Our sales and service networks provide you with integrated custom cleaning solutions to meet any floor care need.



### Tennant Company

701 North Lilac Drive, Minneapolis, MN 55440, USA  
 Mailing Address: P.O. Box 1452, Minneapolis, MN 55440, U.S.A.  
 Tel: (763) 540-1200, Toll-free: (800) 553-8033  
 Fax: (763) 513-2144, In Quebec, call: (514) 335-6061

### Commercial Products

12875 Ransom Street, Holland, MI 49424, USA  
 Tel: (616) 786-2330, Toll-free: (800) 982-7658  
 Fax: (800) 678-4240, E-mail: tcoinfo@tennantco.com  
 www.tennantco.com

Authorized Tennant Sales Representative

