



IPC Integrated Professional Cleaning

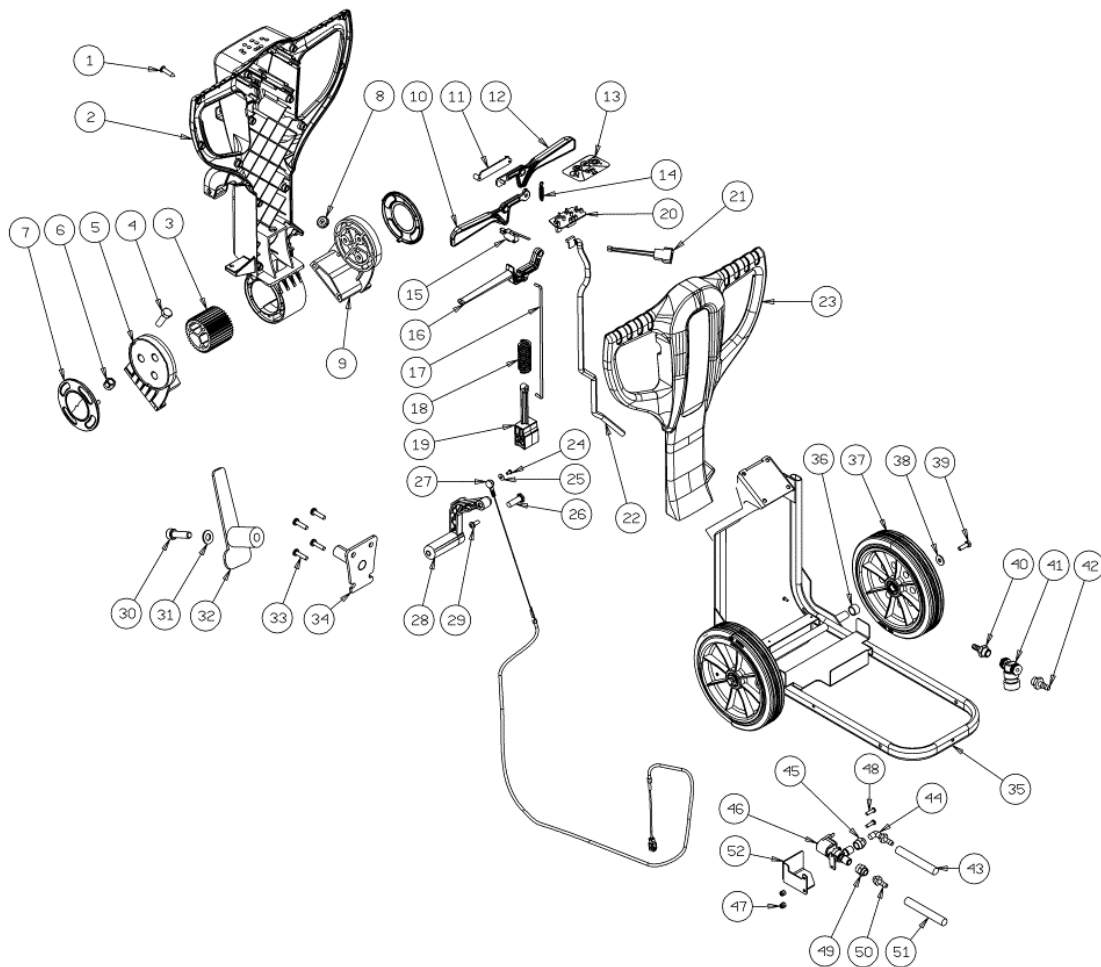
IPC Gansow

Spare Parts List

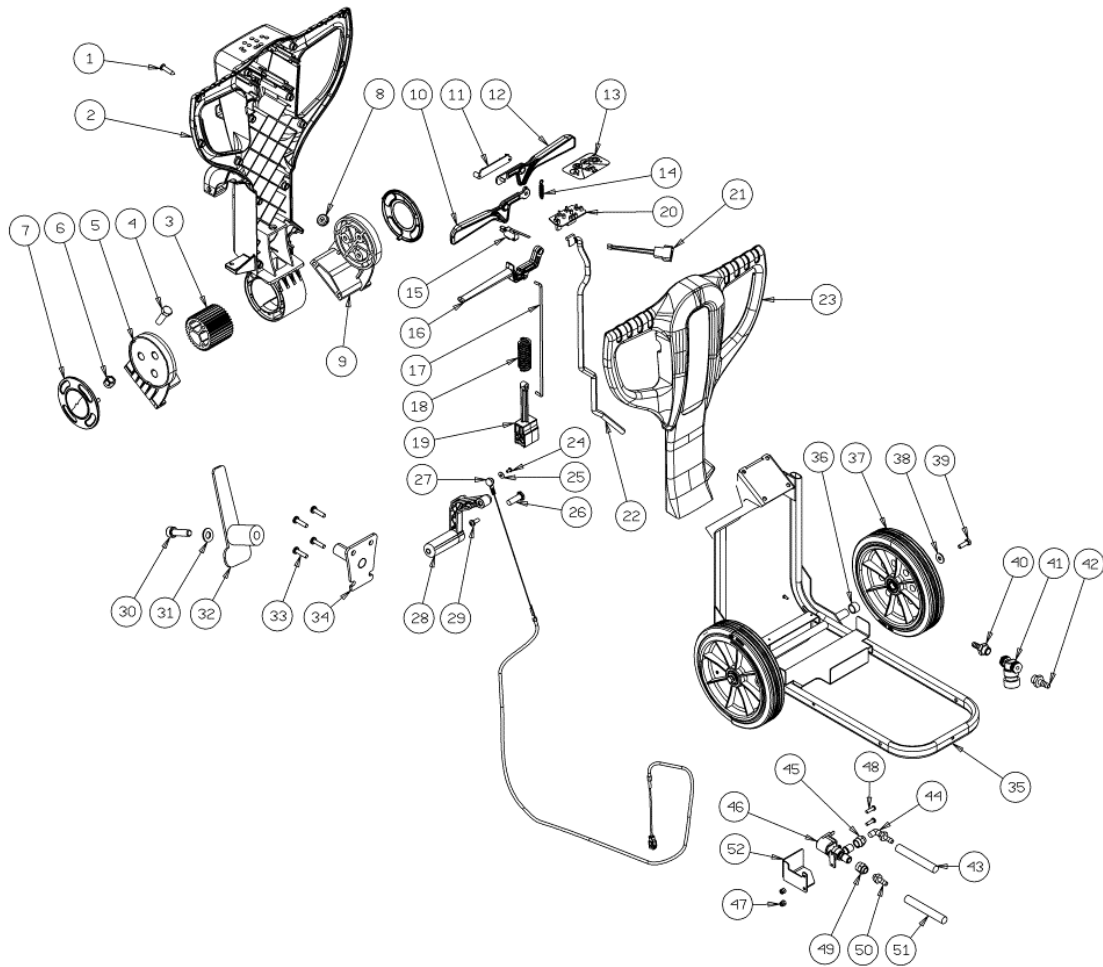
IPC EAGLE

Ref: LPTE00541

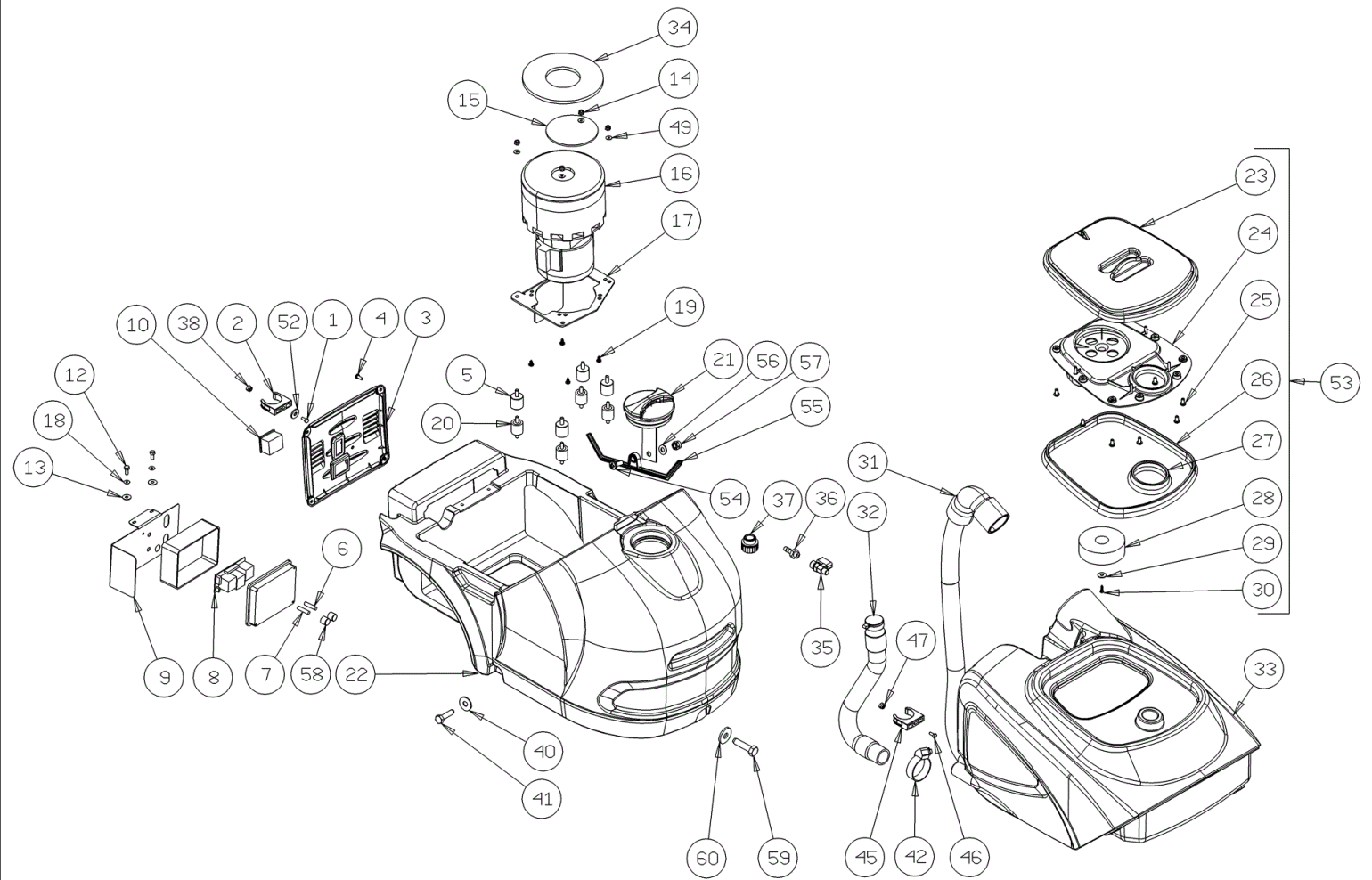
Model: CT15 C35 115V GR/VE



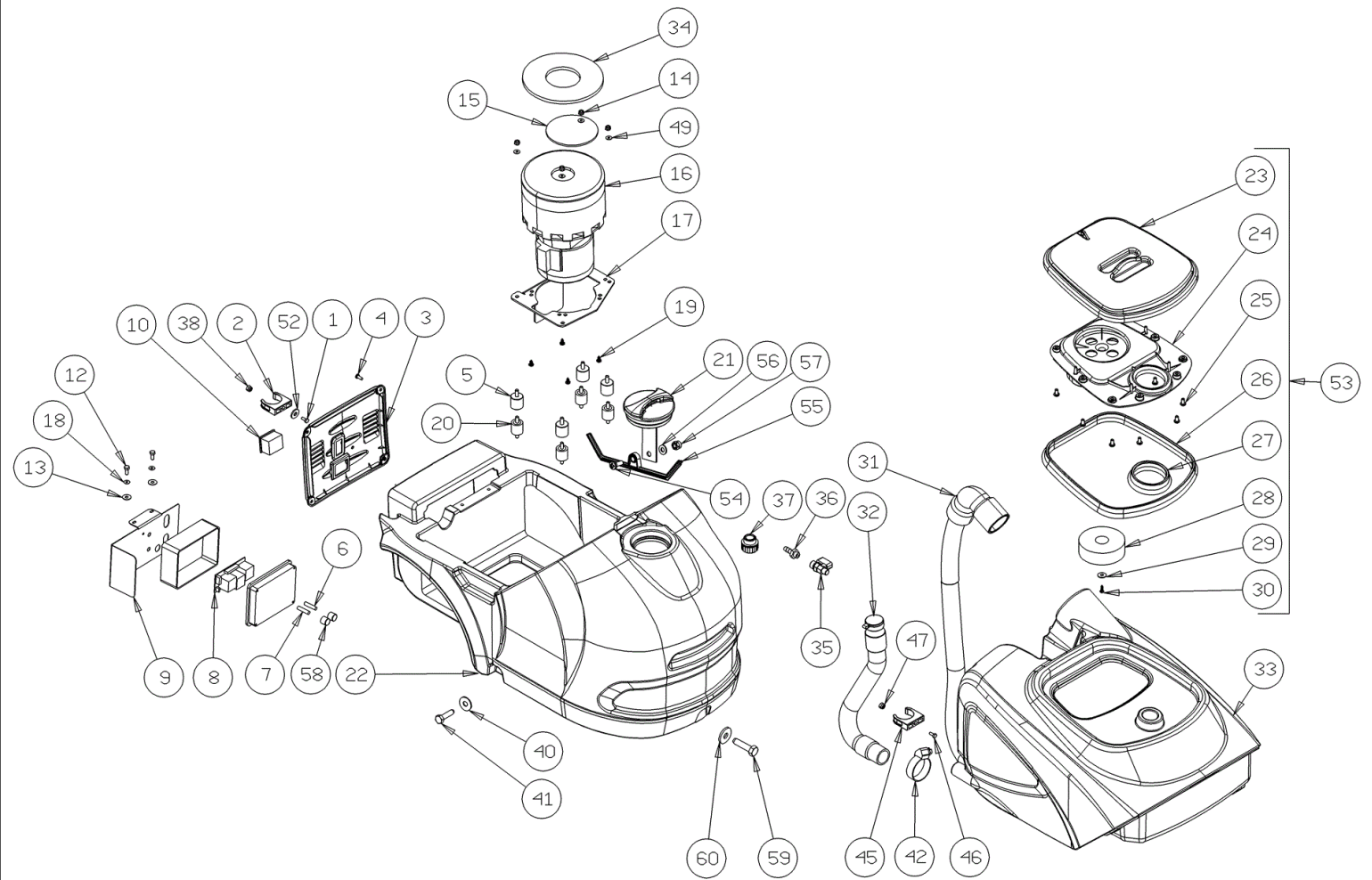
Ref. K	Part N.	Customer Part N.	Description	Qty	Validity:		Price
					From	To	
0001	VTVT01371		SCREW 4,8X19	14,00			--
0002	MPVR06047		CRANKCASE -	1,00			--
0003	MPVR06056		GEAR -	1,00			--
0004	VTVT75724		SCREW TBEI M 8X 22 ISO 7380 ZB	4,00			--
0005	MPVR06053		SHELL DX	1,00			--
0006	VTDD00124		NUT M 8 BASSO	4,00			--
0007	MPVR06055		COVER -	2,00			--
0008	MPVR06057		FAIR-LEAD -	1,00			--
0009	MPVR06054		SHELL SX	1,00			--
0010	MPVR06049		LEVER DX	1,00			--
0011	MPVR06298		COVER CT55	1,00			--
0012	MPVR06048		LEVER SX	1,00			--
0013	ETET01781		LABEL -	1,00			--
0014	MLML00336		SPRING -	1,00			--
0015	MECI36393		MICROSWITCH TRZ. DRW	1,00			--
0016	MPVR06050		LEVER ADJUSTMENT	1,00			--
0017	LAFN09221		LEVER RINVIO	1,00			--
0018	MLML00337		SPRING -	1,00			--
0019	MPVR06052		HANDLE SUPPORT	1,00			--
0020	MECE00537		BOARD LOGIC CT15-CT30 230V	1,00			--
0021	MECB01324		WIRING PUSH BOTTON CT45 C	1,00			--
0022	MECB01257		CABLE RIBBON CT15	1,00			--
0023	MPVR06046		CRANKCASE -	1,00			--
0024	VTVT00800		SCREW TC 4X12 ZN	1,00			--
0025	VTRS00251		WASHER 4-16 INOX A2	1,00			--
0026	LAFN09248		PIN -	1,00			--
0027	CMCV00463		CABLE SOLLEVAMENTO TERGI	1,00			--
0028	MPVR49942		LEVER SHK PP	1,00			--
0029	VTVT00796		SCREW TC 6X12	1,00			--
0030	VTVT63035		SCREW TCEI M8X25 BRUNITA	1,00			--
0031	VTRS00230		WASHER D. 8	1,00			--
0032	MPVR34714		CABLE SUPPORT E 350	1,00			--
0033	VTVT48694		SCREW TCB TC 5 X12 UNI 9707 TZ	4,00			--
0034	LAFN09222		BRACKET -	1,00			--
0035	LAFN08895		FRAME -	1,00			--
0036	LAFN08915		BUSHING -	2,00			--
0037	RTRT00537		WHEEL -	2,00			--
0038	VTRS00512		WASHER D. 8 X24 ZC.	2,00			--
0039	VTVT01110		SCREW TE 8X16 UNI5739	2,00			--



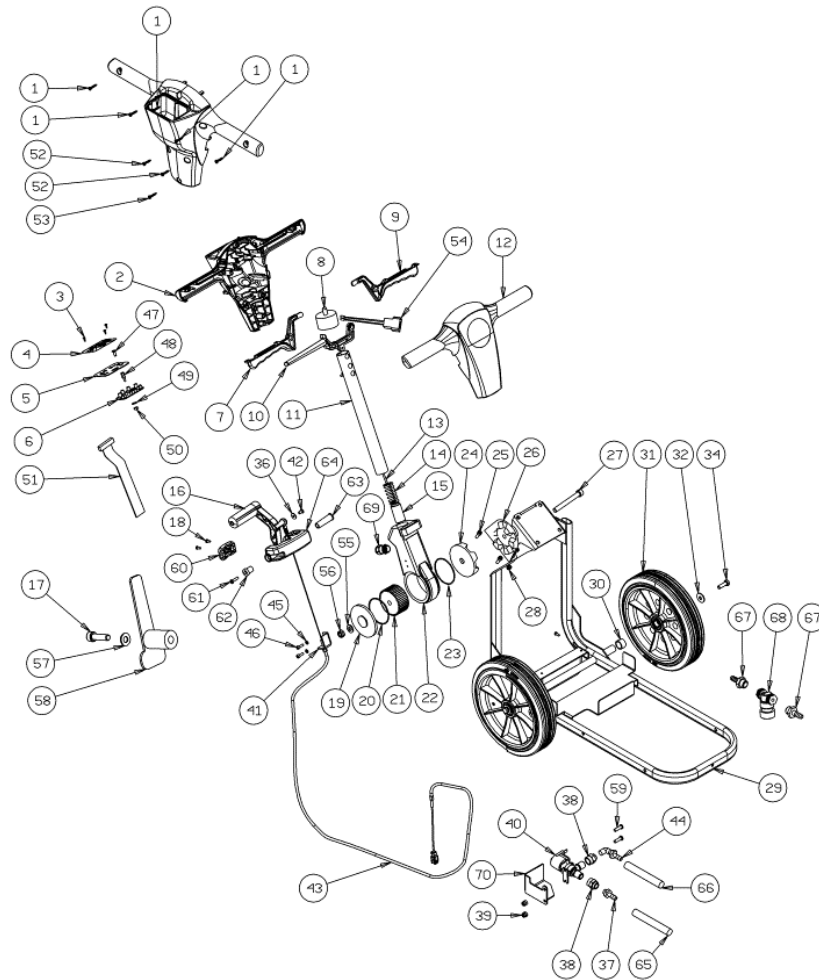
Ref.	K	Part N.	Customer Part N.	Description	Qty	Validity:		Price
						From	To	
0040		RCVR00780		HOSE FITTING 1/4"	1,00		05/2013	--
0040		RCVR00786		CONNECTOR -	1,00	05/2013		--
0041		FTAC00044		FILTER CT15-CT30	1,00			--
0042		RCVR00780		HOSE FITTING 1/4"	1,00		05/2013	--
0042		RCVR00786		CONNECTOR -	1,00	05/2013		--
0043		TBBP00482		TUBE -	1,00			--
0044		RCVR00004		CONNECTOR PORTAGOMMA 1/8" D.7	1,00	01/2014		--
0044		RCVR00084		CONNECTOR A "L"	1,00		01/2014	--
0045		RCDS00045		CONNECTOR -	1,00			--
0046		PMVR01949		SOLENOID VALVE CT15	1,00			--
0047		VTDD00055		NUT M 4 ATB A2	2,00	05/2013		--
0047		VTVT48694		SCREW TCB TC 5 X12 UNI 9707 TZ	2,00		05/2013	--
0048		VTRS00274		WASHER NYLON 66 D.8,4-17-2 UNI	2,00		05/2013	--
0048		VTVT15924		SCREW M 4X 16 TCB-TC UNI 7687	2,00	05/2013		--
0049		RCDS00045		CONNECTOR -	1,00			--
0050		RCVR00004		CONNECTOR PORTAGOMMA 1/8" D.7	1,00			--
0051		TBBP00483		TUBE -	1,00			--
0052		LAFN07948		PROTECTION ELETTRVALVOLA	1,00	05/2013		--



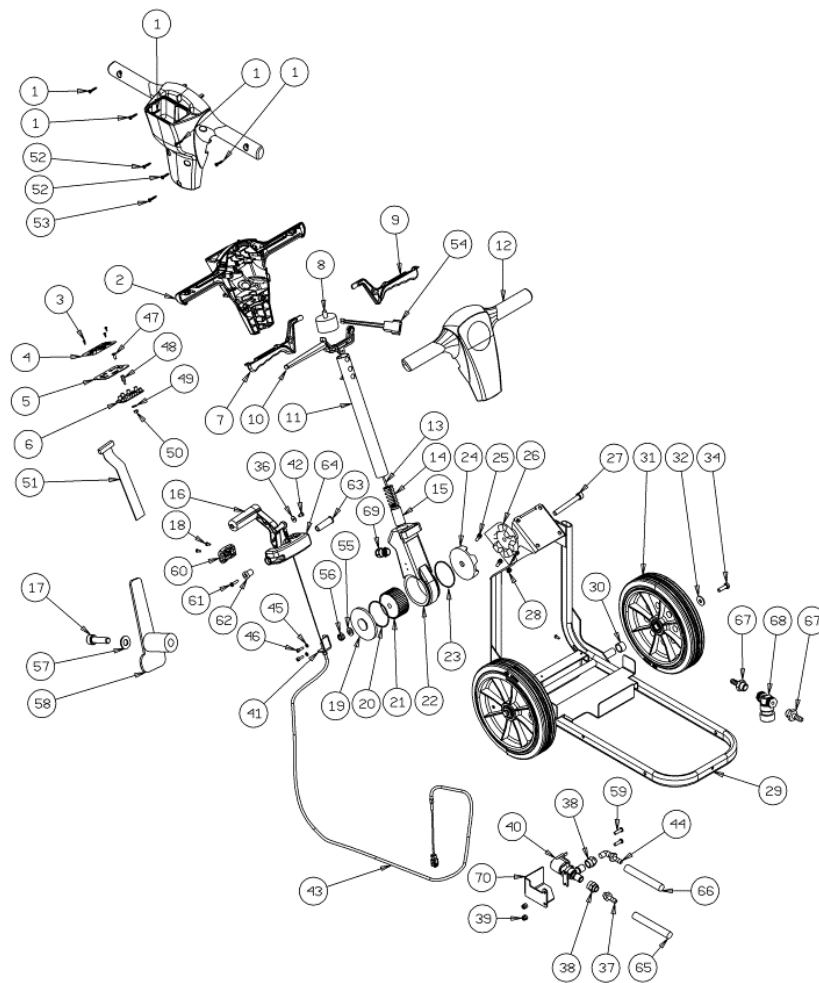
Ref.	K	Part N.	Customer Part N.	Description	Qty	Validity:		Price
						From	To	
0001		VTVT29884		SCREW TE M 4X 16 UNI 5739	1,00		02/2012	--
0002		MPVR05841		CLIP -	1,00		02/2012	--
0003		MPVR05828		COVER -	1,00			--
0004		VTVT75733		SCREW TBEI M 5X 12 ISO 7380 ZB	4,00			--
0005		LAFN08967		SPACER CT15-30	4,00			--
0006		MEVR02078		FUSE 4A 6.3X32 RAPID	1,00			--
0007		MEVR02090		FUSE 16A	1,00			--
0008		KTRI02112		KIT KCS080	1,00			--
0009		LAFN08980		PLATE -	1,00			--
0010		MPVR00073		CAP CIECO NERO 22X30	1,00			--
0012		VTVT34115		SCREW TE M 5X 10 UNI 5739	2,00			--
0013		VTRS13750		WASHER D. 5X14 INX	2,00			--
0014		VTDD07727		NUT M 5 INOX	4,00			--
0015		LAFN05830		NET FERMA FILTRO INOX	1,00			--
0016		MOMO00247		MOTOR 115V	1,00			--
0017		LAFN08062		AXLE -	1,00	03/2013		--
0017		LAFN08894		PLATE -	1,00		03/2013	--
0018		VTRS08013		WASHER D. 5 GRW	2,00			--
0019		VTVT48694		SCREW TCB TC 5 X12 UNI 9707 TZ	4,00			--
0020		ABGO00052		VIBRATION DAMP.-	4,00			--
0021		MPVR05188		CAP -	1,00			--
0022		MPVR05824		TANK SOLUTION CT15	1,00			--
0023		MPVR05825		COVER -	1,00			--
0024		MPVR05826		COVER -	1,00			--
0025		VTVT01694		SCREW TCB TC 5 X10 UNI 9707 TZ	8,00			--
0026		GUVR00306		GASKET -	1,00			--
0027		GUVR00307		GASKET -	1,00			--
0028		MPVR05836		FLOATER -	1,00			--
0029		VTRS00573		WASHER 30x6x3	1,00			--
0030		VTVT48694		SCREW TCB TC 5 X12 UNI 9707 TZ	1,00			--
0031		TBFX00345		TUBE CT15	1,00		10/2011	--
0031		TBFX00351		TUBE SUCTION CT15-CT30	1,00	10/2011		--
0032		TBFX00346		TUBE CT15	1,00			--
0033		MPVR05823		TANK RECOVERY CT15	1,00			--
0034		GUGO00444		GASKET -	1,00			--
0035		RCGR00008		VALVE A SFERA MF 1/8"	1,00			--
0036		RCVR00004		CONNECTOR PORTAGOMMA 1/8" D.7	1,00			--
0037		MPVR08003		CAP -	1,00			--
0038		VTDD04369		NUT M 4 TEF UNI 7473	1,00		02/2012	--



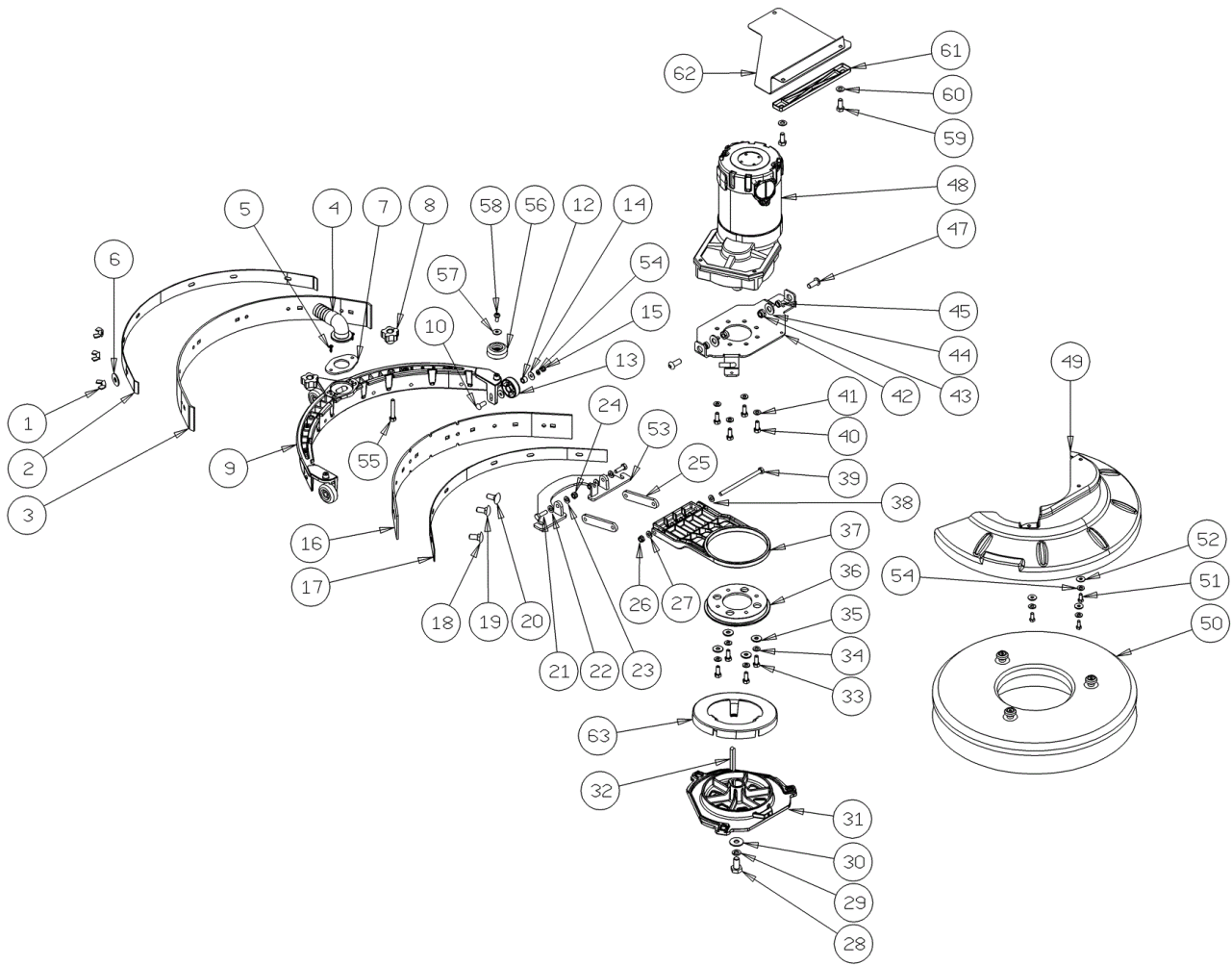
Ref. K	Part N.	Customer Part N.	Description	Qty	Validity:		Price
					From	To	
0040	VTRS13750		WASHER D. 5X14 INX	3,00			--
0041	VTVT01376		SCREW TE M 5X 35 UNI 5739	3,00			--
0042	FSVR00002		CLAMP EKOFLEX 9 23-35	1,00			--
0045	MPVR05841		CLIP -	1,00		02/2012	--
0045	MPVR05996		CLIP -	1,00	03/2012		--
0046	VTVT00727		SCREW TE M. 4-20	1,00		02/2012	--
0046	VTVT29884		SCREW TE M 4X 16 UNI 5739	1,00	03/2012		--
0047	VTDD04369		NUT M 4 TEF UNI 7473	1,00			--
0049	VTRS15908		WASHER D. 5 INX GRW UNI 1751	4,00			--
0052	VTRS05904		WASHER D. 4 X16 2.083	1,00		02/2012	--
0053	KTRI01989		KIT RECOVERY LID	1,00			--
0054	VTVT15965		SCREW TCB-TC 4X12 UNI7687 INX	1,00			--
0055	MPVR08038		PLATE CT15-30	1,00			--
0056	VTRS00515		WASHER D. 4 INX	1,00			--
0057	VTDD00055		NUT M 4 ATB A2	1,00			--
0058	MEVR02091		FUSE-HOLDER -	2,00			--
0059	VTVT01376		SCREW TE M 5X 35 UNI 5739	1,00			--
0060	VTRS13750		WASHER D. 5X14 INX	1,00			--



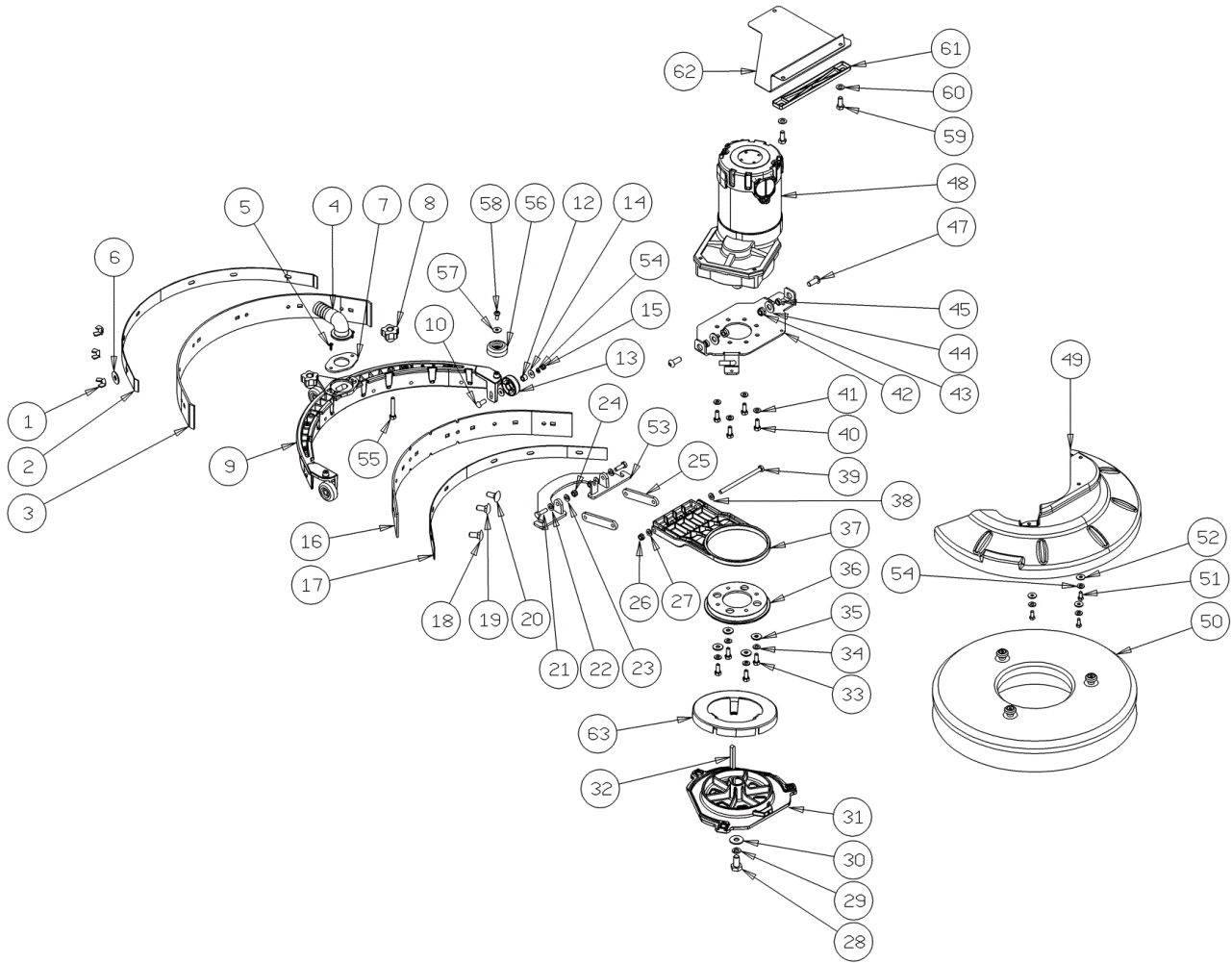
Ref.	K	Part N.	Customer Part N.	Description	Qty	Validity:		Price
						From	To	
0001		VTVT01371		SCREW 4,8X19	5,00			--
0002		MPVR05837		HANDLE REAR CT15-CT30	1,00			--
0003		VTVT00800		SCREW TC 4X12 ZN	3,00			--
0004		ETET01699		LABEL DASHBOARD CT15-30 CABLE	1,00			--
0005		LAFN08891		BRACKET -	1,00			--
0006		MECE00537		BOARD LOGIC CT15-CT30 230V	1,00			--
0007		MPVR05490		LEVER SWITCH ACTIVATION LEFT	1,00			--
0008		MERL00013		SWITCH -	1,00			--
0009		MPVR05490		LEVER SWITCH ACTIVATION LEFT	1,00			--
0010		MPVR05488		LEVER HANDLE ADJUSTMENT	1,00			--
0011		LAFN09338		TUBE MANICO	1,00			--
0012		MPVR05486		CRANKCASE -	1,00			--
0013		LAFN07917		SUPPORT -	1,00			--
0014		MLML00319		SPRING -	1,00			--
0015		MTIG00126		GEAR -	1,00			--
0016		MPVR49942		LEVER SHK PP	1,00			--
0017		VTVT63038		SCREW TCEI M8X45 BR	1,00			--
0018		VTVT01375		SCREW 5X22	2,00			--
0019		LAFN07476		COVER -	1,00			--
0020		GUGO00437		O-RING -	1,00			--
0021		MTIG00125		GEAR -	1,00			--
0022		LAFN07475		SUPPORT -	1,00			--
0023		GUGO00437		O-RING -	1,00			--
0024		LAFN07477		COVER -	1,00			--
0025		VTVT29810		SCREW TCEI M 8X20 UNI 5931	4,00			--
0026		LAFN07478		SUPPORT -	1,00			--
0027		VTVT01205		SCREW -	1,00			--
0028		VTDD00124		NUT M 8 BASSO	4,00			--
0029		LAFN08895		FRAME -	1,00			--
0030		LAFN08915		BUSHING -	2,00			--
0031		RTRT00537		WHEEL -	2,00			--
0032		VTRS00512		WASHER D. 8 X24 ZC.	2,00			--
0034		VTVT01110		SCREW TE 8X16 UNI5739	2,00			--
0036		VTRS00251		WASHER 4-16 INOX A2	1,00			--
0037		RCVR00004		CONNECTOR PORTAGOMMA 1/8" D.7	1,00			--
0038		RCDS00045		CONNECTOR -	1,00			--
0039		VTDD00055		NUT M 4 ATB A2	2,00	05/2013		--
0039		VTVT48694		SCREW TCB TC 5 X12 UNI 9707 TZ	2,00		05/2013	--
0040		KTRIO2100		SOLENOID VALVE CT15	1,00			--



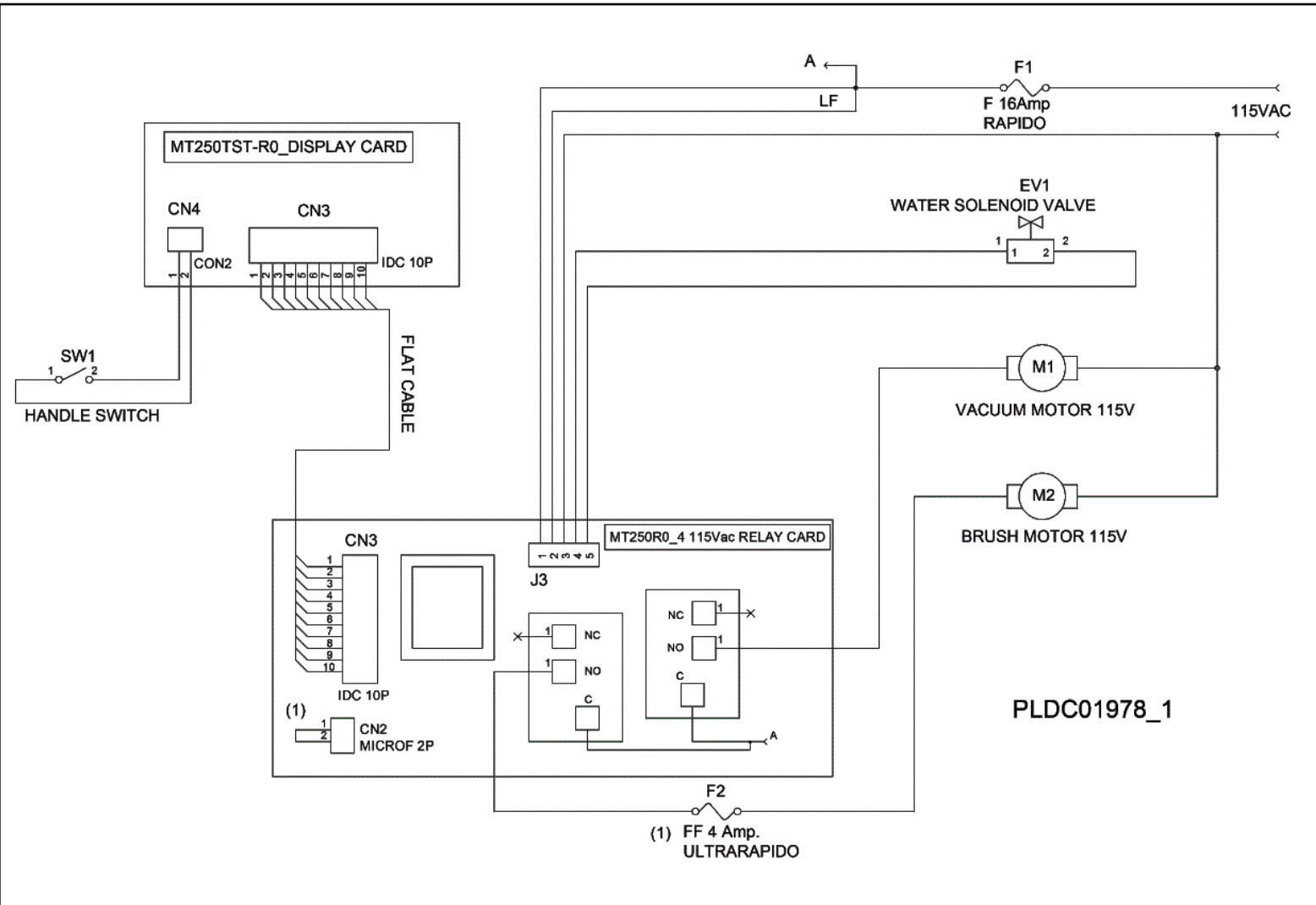
Ref.	K	Part N.	Customer Part N.	Description	Qty	Validity:		Price
						From	To	
0041		LAFN08898		BRACKET -	1,00			--
0042		VTVT00800		SCREW TC 4X12 ZN	1,00			--
0043		CMCV00453		CABLE SQUEEGEE LIFT CT15	1,00			--
0044		RCVR00004		CONNECTOR PORTAGOMMA 1/8" D.7	1,00	01/2014		--
0044		RCVR00084		CONNECTOR A "L"	1,00		01/2014	--
0045		VTRS08013		WASHER D. 5 GRW	2,00			--
0046		VTVT17639		SCREW TCEI M 5X10 UNI 5931	2,00			--
0047		VTVT01377		SCREW TSP-TC M 3X5 UNI7688 INX	4,00			--
0048		VTVR00481		INSERT FILETTATO M6	4,00			--
0049		VTRS00268		WASHER D.3	4,00			--
0050		VTDD21115		NUT M 3 INOX	4,00			--
0051		MECB01257		CABLE RIBBON CT15	1,00			--
0052		VTVT01372		SCREW 4,8X25	2,00			--
0053		VTVT01373		SCREW 4,8X38	1,00			--
0054		MECB01273		WIRING	1,00			--
0055		VTRS00505		WASHER D.10 TE UNI 6592	1,00			--
0056		VTDD00042		NUT AUT.M10 UNI7474	1,00			--
0057		VTRS00230		WASHER D. 8	1,00			--
0058		MPVR34714		CABLE SUPPORT E 350	1,00			--
0059		VTRS00274		WASHER NYLON 66 D.8,4-17-2 UNI	2,00		05/2013	--
0059		VTVT15924		SCREW M 4X 16 TCB-TC UNI 7687	2,00	05/2013		--
0060		MPVR05925		HOSE COLLAR CT15	1,00			--
0061		VTVT01374		SCREW 5X40	1,00			--
0062		MPVR05928		BUSHING CT15	1,00			--
0063		MPVR05927		PIN CT15	1,00			--
0064		MPVR05926		SUPPORT CT15	1,00			--
0065		TBBP00483		TUBE -	1,00			--
0066		TBBP00482		TUBE -	1,00			--
0067		RCVR00780		HOSE FITTING 1/4"	2,00		05/2013	--
0067		RCVR00786		CONNECTOR -	2,00	05/2013		--
0068		FTAC00042		FILTER -	1,00		02/2012	--
0068		FTAC00044		FILTER CT15-CT30	1,00	02/2012		--
0069		MEVR01595		FAIR-LEAD -	1,00			--
0070		LAFN07948		PROTECTION ELETTRICAVOLTA	1,00	05/2013		--



Ref.	K	Part N.	Customer Part N.	Description	Qty	Validity:		Price
						From	To	
0001		VTDD00522		NUT M5	6,00			--
0002		LAFN08887		BRACKET -	1,00			--
0003		MPVR05918		BLADE SQUEEGEE LATEX REAR CT15	1,00			--
0004		MPVR05831		CONNECTOR -	1,00			--
0005		VTVT48694		SCREW TCB TC 5 X12 UNI 9707 TZ	2,00			--
0006		VTRS13750		WASHER D. 5X14 INX	6,00			--
0007		LAFN08890		FLANGE -	1,00			--
0008		MPVR05842		SMALL KNOB -	2,00			--
0009		MPVR05835		BODY SQUEEGEE CT15	1,00			--
0010		VTVT01693		SCREW M5x20	3,00			--
0012		LAFN08913		BUSHING -	3,00			--
0013		MPVR05832		WHEEL -	3,00			--
0014		VTRS13750		WASHER D. 5X14 INX	6,00			--
0015		VTDD07727		NUT M 5 INOX	3,00			--
0016		MPVR05917		BLADE SQUEEGEE LATEX FRONT CT15	1,00			--
0017		LAFN08886		BRACKET -	1,00			--
0018		VTVT01690		SCREW M5x25	2,00			--
0019		VTVT01691		SCREW M5x35	2,00			--
0020		VTVT01691		SCREW M5x35	2,00			--
0021		VTVT13939		SCREW TE 6X20 UNI5739 INX	2,00			--
0022		VTRS00245		WASHER D.6 UNI 6592 INOX	2,00			--
0023		VTRS00245		WASHER D.6 UNI 6592 INOX	2,00			--
0024		VTDD01694		NUT M6 INOX	2,00			--
0025		LAFN08889		ARM -	2,00			--
0026		VTDD01694		NUT M6 INOX	1,00			--
0027		VTRS00245		WASHER D.6 UNI 6592 INOX	1,00			--
0028		VTVT13938		SCREW TE 8X20 UNI5739 INX	1,00			--
0029		VTRS15146		WASHER D. 8 INX GRW UNI 1751	1,00			--
0030		VTRS13946		WASHER D. 8 X24 INX UNI 6593	1,00			--
0031		MFVR00212		DRIVE DISK	1,00			--
0032		VTVR16617		KEY 6X 6X30 UNI 6604	1,00			--
0033		VTVT13939		SCREW TE 6X20 UNI5739 INX	4,00			--
0034		VTRS15144		WASHER D. 6 INX GRW UNI 1751	4,00			--
0035		VTRS13945		WASHER D. 6X18 INX UNI 6593	4,00			--
0036		MPVR05830		BRACKET -	1,00			--
0037		MPVR05829		SUPPORT -	1,00			--
0038		VTRS00245		WASHER D.6 UNI 6592 INOX	1,00			--
0039		VTVT01692		SCREW M6X125	1,00			--
0040		VTVT15906		SCREW TE 6X 12 A2 UNI 5739	4,00			--



Ref.	K	Part N.	Customer Part N.	Description	Qty	Validity:		Price
						From	To	
0041		VTRS15144		WASHER D. 6 INX GRW UNI 1751	4,00			--
0042		LAFN08896		PLATE -	1,00			--
0043		VTDD01695		NUT M 8 INX	2,00			--
0044		VTRS13947		WASHER D. 8 INX UNI 6592	2,00			--
0045		LAFN08916		BUSHING -	2,00			--
0047		VTVT13937		SCREW TE M 8X 30 INX UNI 5739	2,00			--
0048		MEVR01749		CARBON -	2,00	07/2012		--
0048		MEVR01750		CAP -	1,00	07/2012		--
0048		MOMO00245		MOTOR 115Vac	1,00		07/2012	--
0048		MOMO00253		MOTOR CT15 115VAC	1,00	07/2012		--
0049		MPVR05827		COVER BRUSH HEAD CT15	1,00			--
0050		SPPV01287		BRUSH NYLON CT15 d.350	1,00			--
0051		VTVT01300		SCREW TE M5X12 INOX	3,00			--
0052		VTRS13750		WASHER D. 5X14 INX	3,00			--
0053		LAFN08888		SUPPORT -	1,00			--
0054		VTRS15908		WASHER D. 5 INX GRW UNI 1751	3,00			--
0055		VTVT15515		SCREW TE M 6X 50 INOX A2	2,00			--
0056		MPVR05832		WHEEL -	2,00	04/2011		--
0057		VTRS13750		WASHER D. 5X14 INX	2,00	04/2011		--
0058		VTVT48694		SCREW TCB TC 5 X12 UNI 9707 TZ	2,00	04/2011		--
0059		VTVT01300		SCREW TE M5X12 INOX	2,00	11/2012		--
0060		VTRS13750		WASHER D. 5X14 INX	2,00	11/2012		--
0061		MPVR06259		BRACKET -	1,00	11/2012		--
0062		MPVR06257		COVER -	1,00	11/2012		--
0063		MPVR06045		CONVEYOR -	1,00	09/2013		--



Ref.	K	Part N.	Customer Part N.	Description	Qty	Validity:		Price
						From	To	
F1		MEVR02090		FUSE 16A	1,00			--
F2		MEVR02078		FUSE 4A 6.3X32 RAPID	1,00			--
M1		MOMO00247		MOTOR 115V	1,00			--
M2		MOMO00245		MOTOR 115Vac	1,00			--
SW1		MERL00013		SWITCH -	1,00			--