



**IPC Integrated Professional Cleaning**

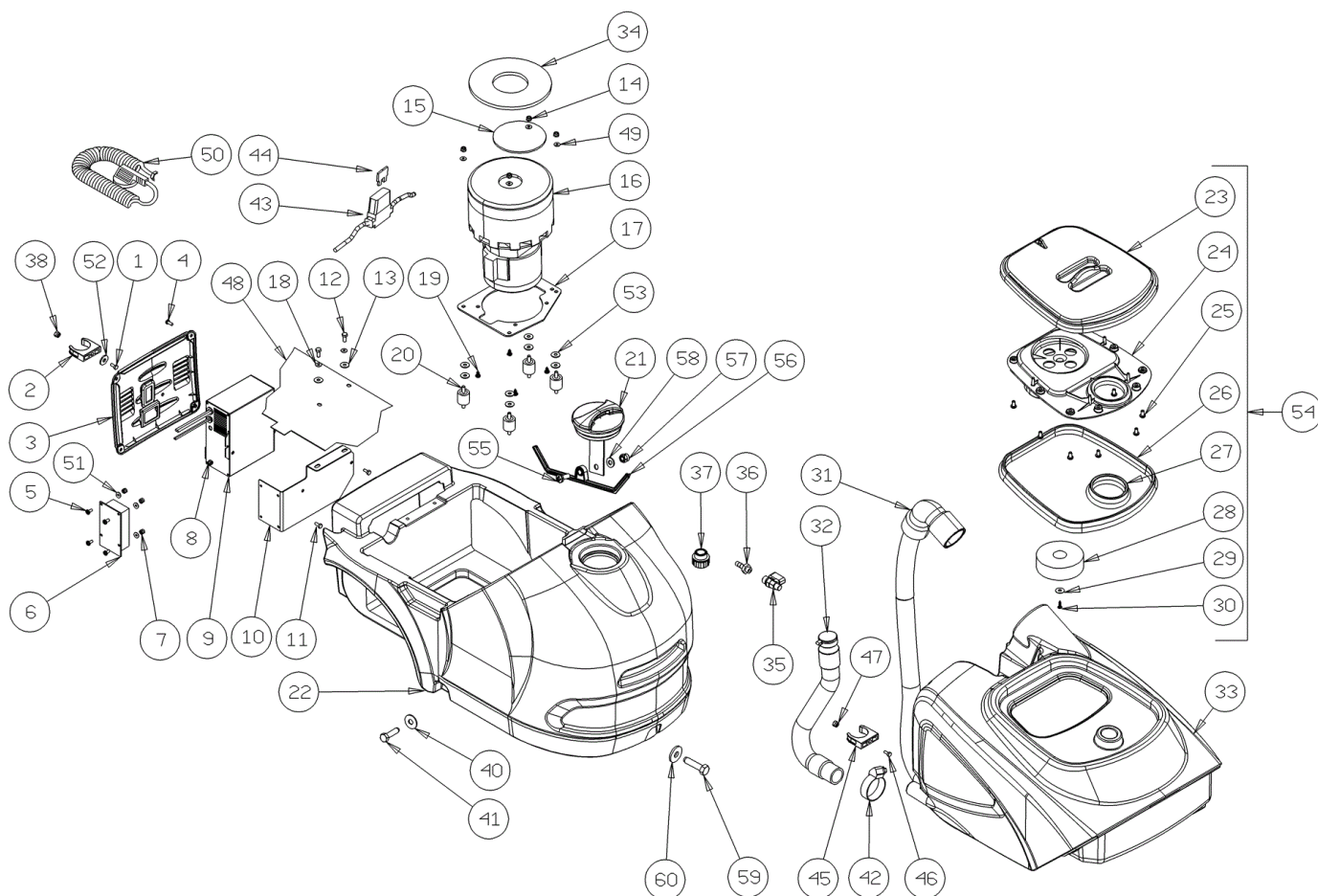
**IPC Gansow**

## Spare Parts List

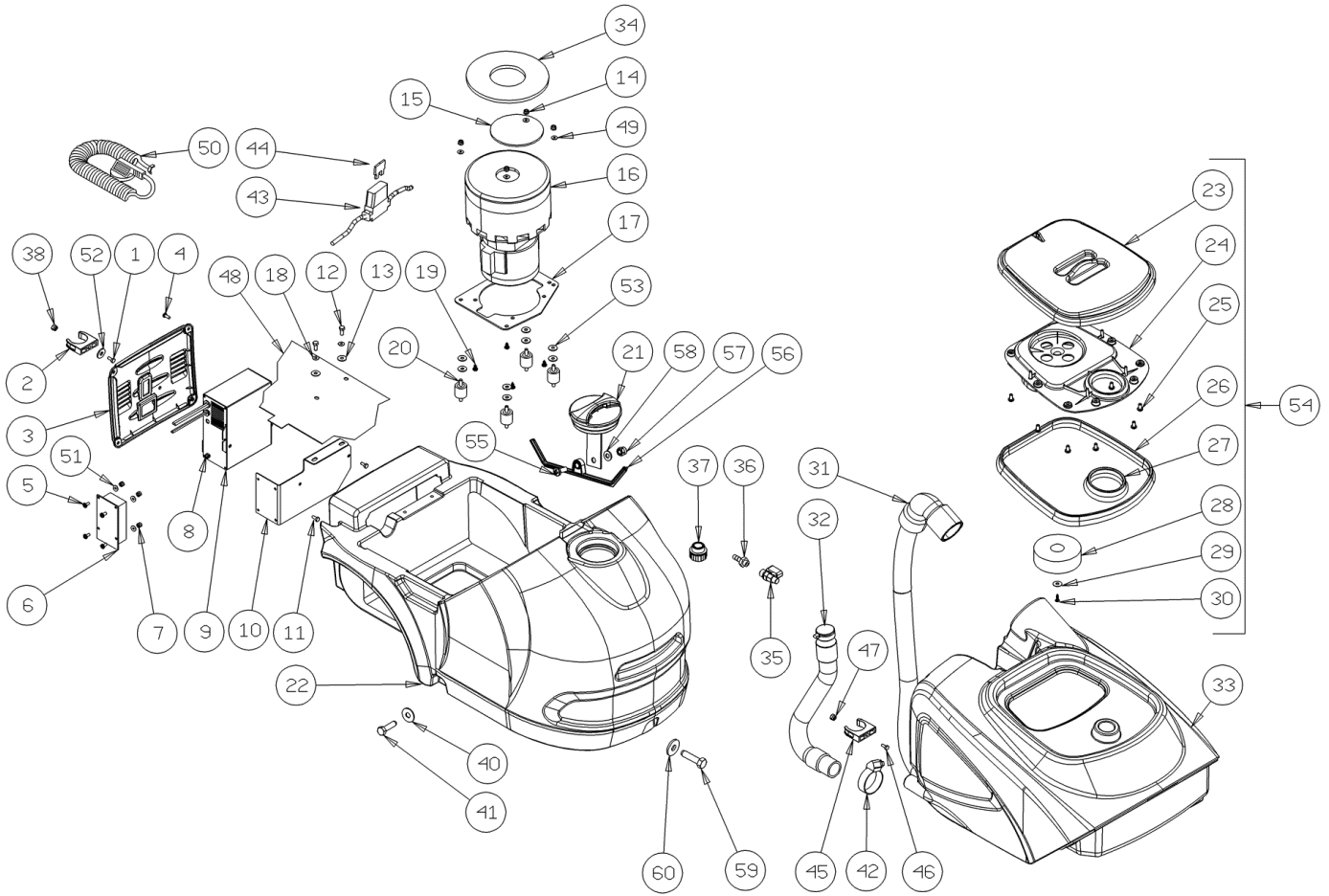
IPC EAGLE

Ref: LPTB02589

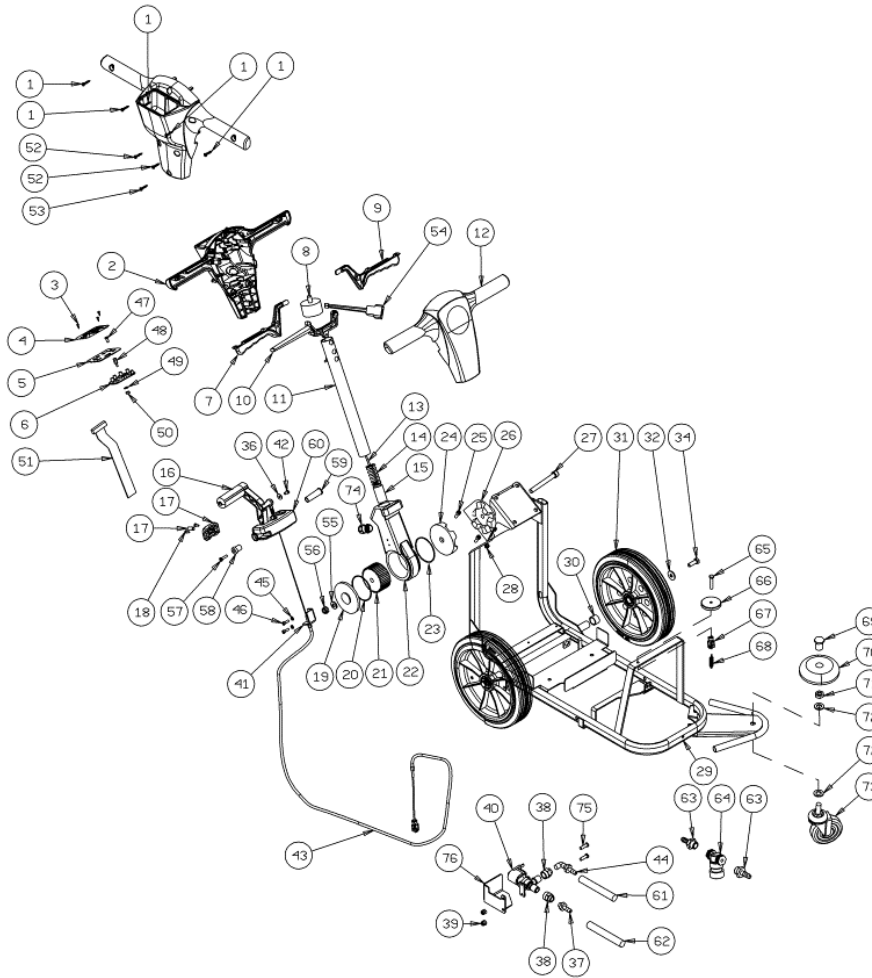
Model: CT15 B35 ECS+BAT GR/VE USA/JP



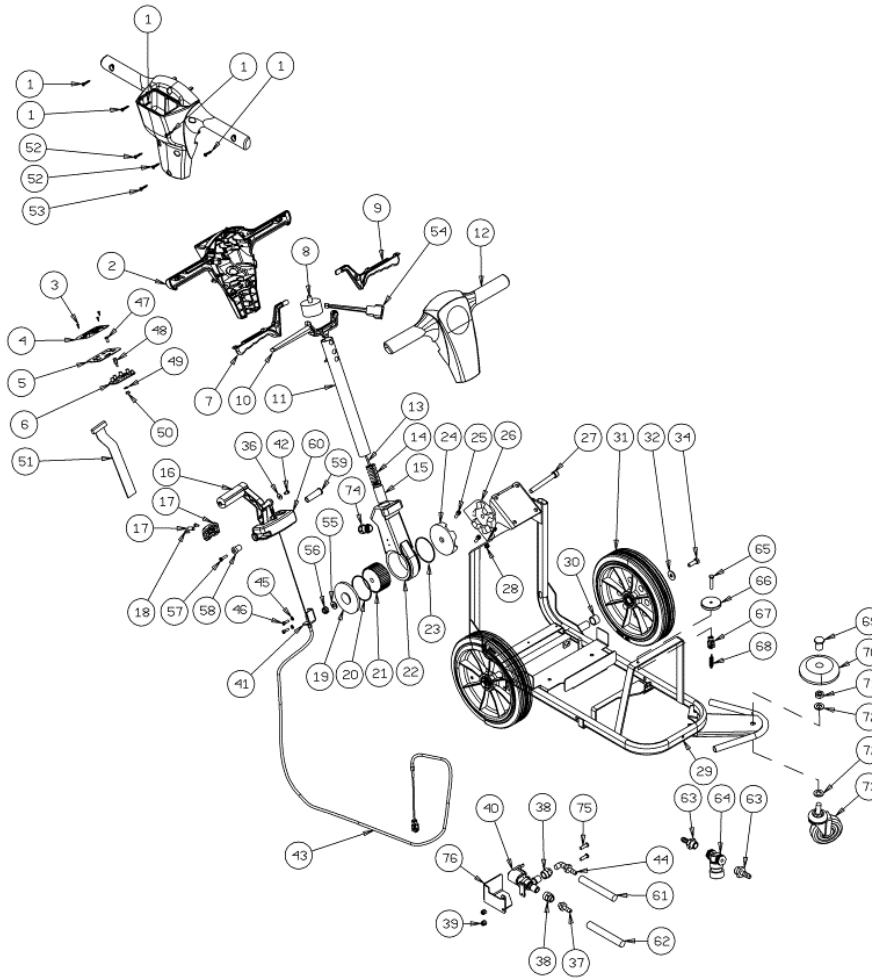
Ref.	K	Part N.	Customer Part N.	Description	Qty	Validity:		Price
						From	To	
0001		VTVT29884		SCREW TE M 4X 16 UNI 5739	1,00		02/2012	--
0002		MPVR05841		CLIP -	1,00		02/2012	--
0003		MPVR05828		COVER -	1,00			--
0004		VTVT75733		SCREW TBEI M 5X 12 ISO 7380 ZB	4,00			--
0005		VTVT09841		SCREW TE M 4X 10 ZC. UNI 5739	4,00			--
0006		MECE00529		BOARD POWER CT15-CT30	1,00		04/2013	--
0006		MECE00578		BOARD POWER CT15-CT30	1,00	04/2013		--
0007		VTDD04368		NUT M 4 ZIN UNI 5588	4,00			--
0008		VTDD04369		NUT M 4 TEF UNI 7473	2,00			--
0009		BACA00152		BATTERY-CHARGERCBHD1 24V 5A	1,00			--
0010		LAFN08893		PLATE -	1,00			--
0011		VTVT09841		SCREW TE M 4X 10 ZC. UNI 5739	2,00			--
0012		VTVT34115		SCREW TE M 5X 10 UNI 5739	2,00			--
0013		VTRS13750		WASHER D. 5X14 INX	2,00			--
0014		VTDD07727		NUT M 5 INOX	4,00			--
0015		LAFN05830		NET FERMA FILTRO INOX	1,00			--
0016		MEVR05200		CARBON MOTORE ASP.AMET.116599-13	2,00			--
0016		MOCC00409		MOTOR -	1,00			--
0017		LAFN08894		PLATE -	1,00			--
0018		VTRS08013		WASHER D. 5 GRW	2,00			--
0019		VTVT48694		SCREW TCB TC 5 X12 UNI 9707 TZ	4,00			--
0020		ABGO00052		VIBRATION DAMP.-	4,00			--
0021		MPVR05188		CAP -	1,00			--
0022		MPVR05824		TANK SOLUTION CT15	1,00			--
0023		MPVR05825		COVER -	1,00			--
0024		MPVR05826		COVER -	1,00			--
0025		VTVT01694		SCREW TCB TC 5 X10 UNI 9707 TZ	8,00			--
0026		GUVR00306		GASKET -	1,00			--
0027		GUVR00307		GASKET -	1,00			--
0028		MPVR05836		FLOATER -	1,00			--
0029		VTRS00573		WASHER 30x6x3	1,00			--
0030		VTVT48694		SCREW TCB TC 5 X12 UNI 9707 TZ	1,00			--
0031		TBFX00345		TUBE SUCTI	1,00		10/2011	--
0031		TBFX00351		TUBE SUCTION CT15-CT30	1,00	10/2011		--
0032		TBFX00346		TUBE CT15	1,00			--
0033		MPVR05823		TANK RECOVERY CT15	1,00			--
0034		GUGO00444		GASKET -	1,00			--
0035		RCGR00008		VALVE A SFERA MF 1/8"	1,00			--
0036		RCVR00004		CONNECTOR PORTAGOMMA 1/8" D.7	1,00			--



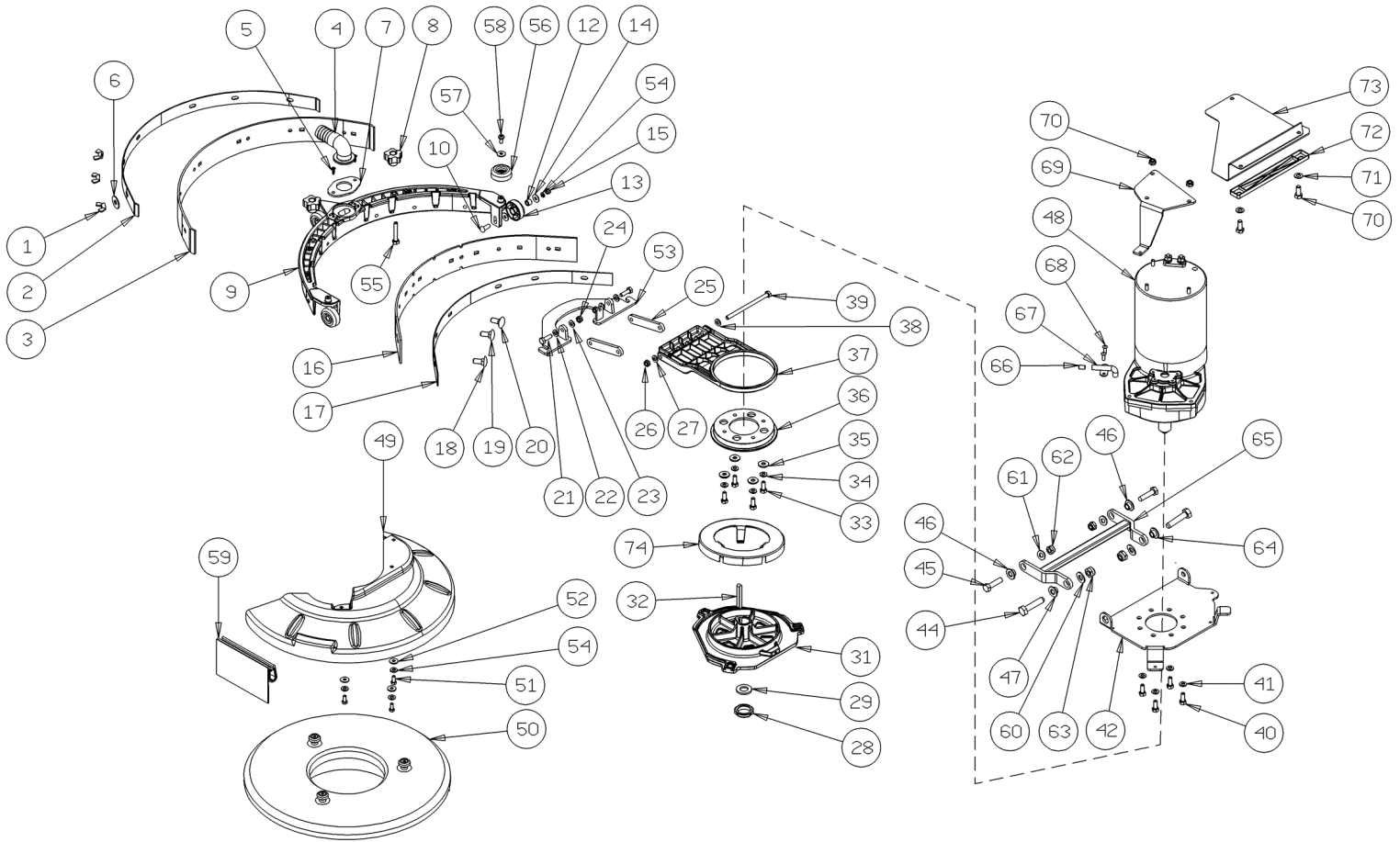
Ref.	K	Part N.	Customer Part N.	Description	Qty	Validity:		Price
						From	To	
0037		MPVR08003		CAP	1,00			--
0038		VTDD04369		NUT M 4 TEF UNI 7473	1,00		02/2012	--
0040		VTRS13750		WASHER D. 5X14 INX	3,00			--
0041		VTVT01376		SCREW TE M 5X 35 UNI 5739	3,00			--
0042		FSVR00002		CLAMP EKOFLEX 9 23-35	1,00			--
0043		MECB01286		WIRING FUSE HOLDER CT30 BATTERY	1,00			--
0044		MEVR01136		FUSE 30A	1,00			--
0045		MPVR05841		CLIP -	1,00		02/2012	--
0045		MPVR05996		CLIP -	1,00	03/2012		--
0046		VTVT00727		SCREW TE M. 4-20	1,00		02/2012	--
0046		VTVT29884		SCREW TE M 4X 16 UNI 5739	1,00	03/2012		--
0047		VTDD04369		NUT M 4 TEF UNI 7473	1,00			--
0048		MPVR05907		PROTECTION	1,00			--
0049		VTRS15908		WASHER D. 5 INX GRW UNI 1751	4,00			--
0050		MECB00923		EXTENSION AWG18 US PLUG	1,00			--
0051		VTRS00377		WASHER M4	4,00			--
0052		VTRS05904		WASHER D. 4 X16 2.083	1,00		02/2012	--
0053		VTRS13750		WASHER D. 5X14 INX	8,00			--
0054		KTRI01989		KIT RECOVERY LID	1,00			--
0055		VTVT15965		SCREW TCB-TC 4X12 UNI7687 INX	1,00			--
0056		MPVR08038		PLATE CT15-30	1,00			--
0057		VTDD00055		NUT M 4 ATB A2	1,00			--
0058		VTRS00515		WASHER D. 4 INX	1,00			--
0059		VTVT01376		SCREW TE M 5X 35 UNI 5739	1,00			--
0060		VTRS13750		WASHER D. 5X14 INX	1,00			--



Ref.	K	Part N.	Customer Part N.	Description	Qty	Validity:		Price
						From	To	
0001		VTVT01371		SCREW 4,8X19	5,00			--
0002		MPVR05837		HANDLE REAR CT15-CT30	1,00			--
0003		VTVT00800		SCREW TC 4X12 ZN	3,00			--
0004		ETET01667		LABEL DASHBOARD CT15-CT30	1,00			--
0005		LAFN08891		BRACKET -	1,00			--
0006		MECE00573		BOARD CT15 ECS	1,00			--
0007		MPVR05490		LEVER SWITCH ACTIVATION LEFT	1,00			--
0008		MERL00013		SWITCH -	1,00			--
0009		MPVR05490		LEVER SWITCH ACTIVATION LEFT	1,00			--
0010		MPVR05488		LEVER HANDLE ADJUSTMENT	1,00			--
0011		LAFN09338		TUBE MANICO	1,00			--
0012		MPVR05486		CRANKCASE -	1,00			--
0013		LAFN07917		SUPPORT -	1,00			--
0014		MLML00319		SPRING -	1,00			--
0015		MTIG00126		GEAR -	1,00			--
0016		MPVR49942		LEVER SHK PP	1,00			--
0017		MPVR05925		HOSE COLLAR CT15	1,00			--
0018		VTVT01375		SCREW 5X22	2,00			--
0019		LAFN07476		COVER -	1,00			--
0020		GUGO00437		O-RING -	1,00			--
0021		MTIG00125		GEAR -	1,00			--
0022		LAFN07475		SUPPORT -	1,00			--
0023		GUGO00437		O-RING -	1,00			--
0024		LAFN07477		COVER -	1,00			--
0025		VTVT29810		SCREW TCEI M 8X20 UNI 5931	4,00			--
0026		LAFN07478		SUPPORT -	1,00			--
0027		VTVT01205		SCREW -	1,00			--
0028		VTDD00124		NUT M 8 BASSO	4,00			--
0029		LAFN07925		FRAME -	1,00			--
0030		LAFN08915		BUSHING -	2,00			--
0031		RTRT00537		WHEEL -	2,00			--
0032		VTRS00512		WASHER D. 8 X24 ZC.	2,00			--
0034		VTVT01110		SCREW TE 8X16 UNI5739	2,00			--
0036		VTRS00251		WASHER 4-16 INOX A2	1,00			--
0037		RCVR00004		CONNECTOR PORTAGOMMA 1/8" D.7	1,00			--
0038		RCDS00045		CONNECTOR -	1,00			--
0039		VTDD00055		NUT M 4 ATB A2	2,00	05/2013		--
0039		VTVT48694		SCREW TCB TC 5 X12 UNI 9707 TZ	2,00		05/2013	--
0040		PMVR01883		SOLENOID VALVE CT15	1,00			--

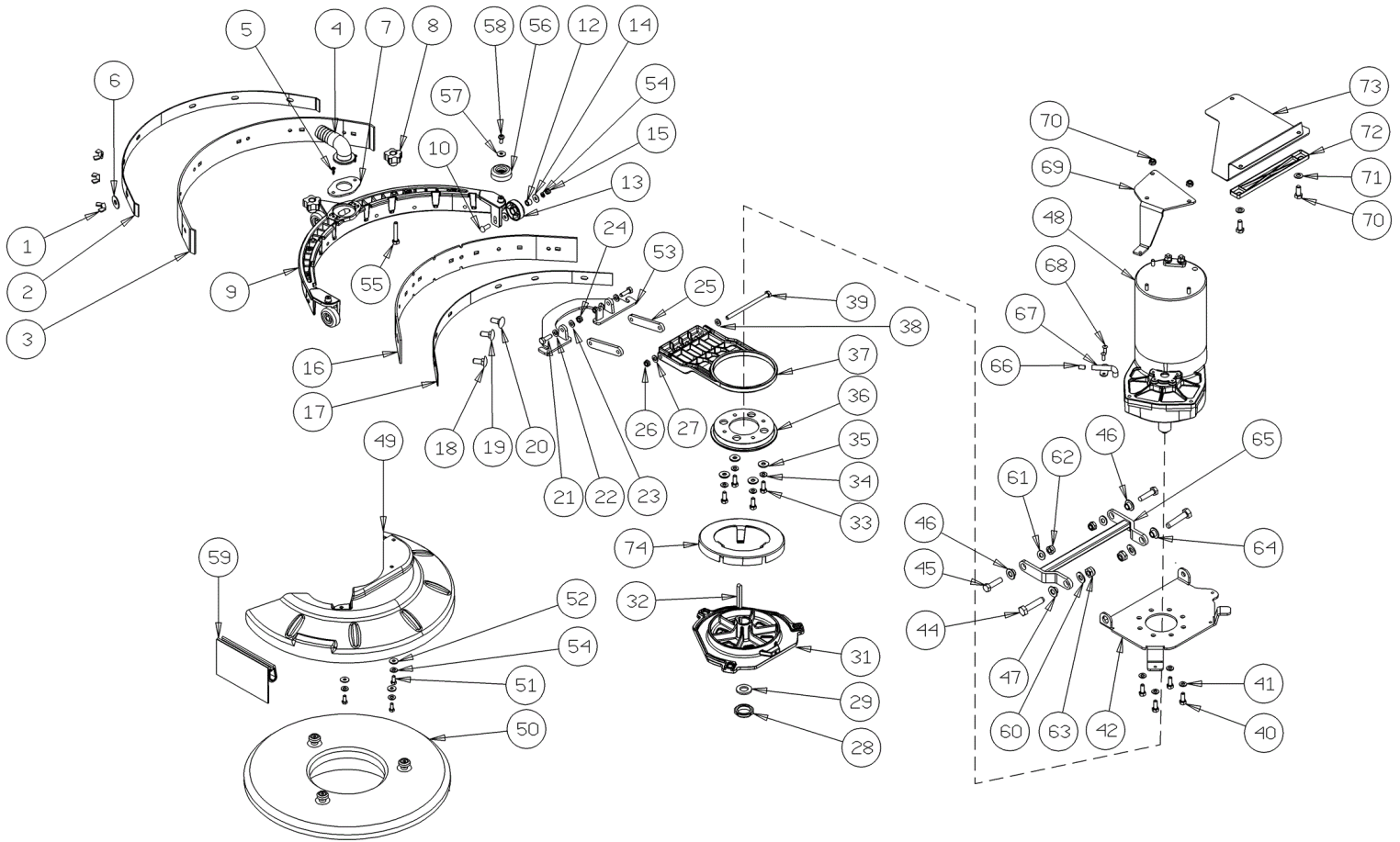


Ref.	K	Part N.	Customer Part N.	Description	Qty	Validity:		Price
						From	To	
0041		LAFN08898		BRACKET -	1,00			--
0042		VTVT00800		SCREW TC 4X12 ZN	1,00			--
0043		CMCV00453		CABLE SQUEEGEE LIFT CT15	1,00			--
0044		RCVR00004		CONNECTOR PORTAGOMMA 1/8" D.7	1,00	01/2014		--
0044		RCVR00084		CONNECTOR A "L"	1,00		01/2014	--
0045		VTRS08013		WASHER D. 5 GRW	2,00			--
0046		VTVT17639		SCREW TCEI M 5X10 UNI 5931	2,00			--
0047		VTVT01377		SCREW TSP-TC M 3X5 UNI7688 INX	4,00			--
0048		VTVR00481		INSERT FILETTATO M6	4,00			--
0049		VTRS00268		WASHER D.3	4,00			--
0050		VTDD21115		NUT M 3 INOX	4,00			--
0051		MECB01257		CABLE RIBBON CT15	1,00			--
0052		VTVT01372		SCREW 4,8X25	2,00			--
0053		VTVT01373		SCREW 4,8X38	1,00			--
0054		MECB01273		WIRING	1,00			--
0055		VTRS00505		WASHER D.10 TE UNI 6592	1,00			--
0056		VTDD00042		NUT AUT.M10 UNI7474	1,00			--
0057		VTVT01374		SCREW 5X40	1,00			--
0058		MPVR05928		BUSHING CT15	1,00			--
0059		MPVR05927		PIN CT15	1,00			--
0060		MPVR05926		SUPPORT CT15	1,00			--
0061		TBBP00482		TUBE -	1,00			--
0062		TBBP00483		TUBE -	1,00			--
0063		RCVR00780		HOSE FITTING 1/4"	2,00		05/2013	--
0063		RCVR00786		CONNECTOR -	2,00	05/2013		--
0064		FTAC00042		FILTER -	1,00		02/2012	--
0064		FTAC00044		FILTER CT15-CT30	1,00	02/2012		--
0065		VTVT00392		SCREW M6x35 UNI5739 inox	1,00			--
0066		LAFN07930		SMALL KNOB -	1,00			--
0067		CMCV76639		FORK M 6 UNI 1676	1,00			--
0068		MLML00303		SPRING REGISTRAZIONE FLAP	1,00			--
0069		LAFN09172		BUSHING -	1,00			--
0070		MPVR05965		WHEEL -	1,00			--
0071		VTDD00502		NUT M12	1,00			--
0072		VTRS15978		WASHER D.12X24 UNI 6592 INX	2,00			--
0073		RTRT00544		WHEEL D.80MXHC	1,00			--
0074		MEVR01595		FAIR-LEAD -	1,00			--
0075		VTVT15924		SCREW M 4X 16 TCB-TC UNI 7687	2,00	05/2013		--
0076		LAFN07948		PROTECTION ELETTROVALVOLA	1,00	05/2013		--

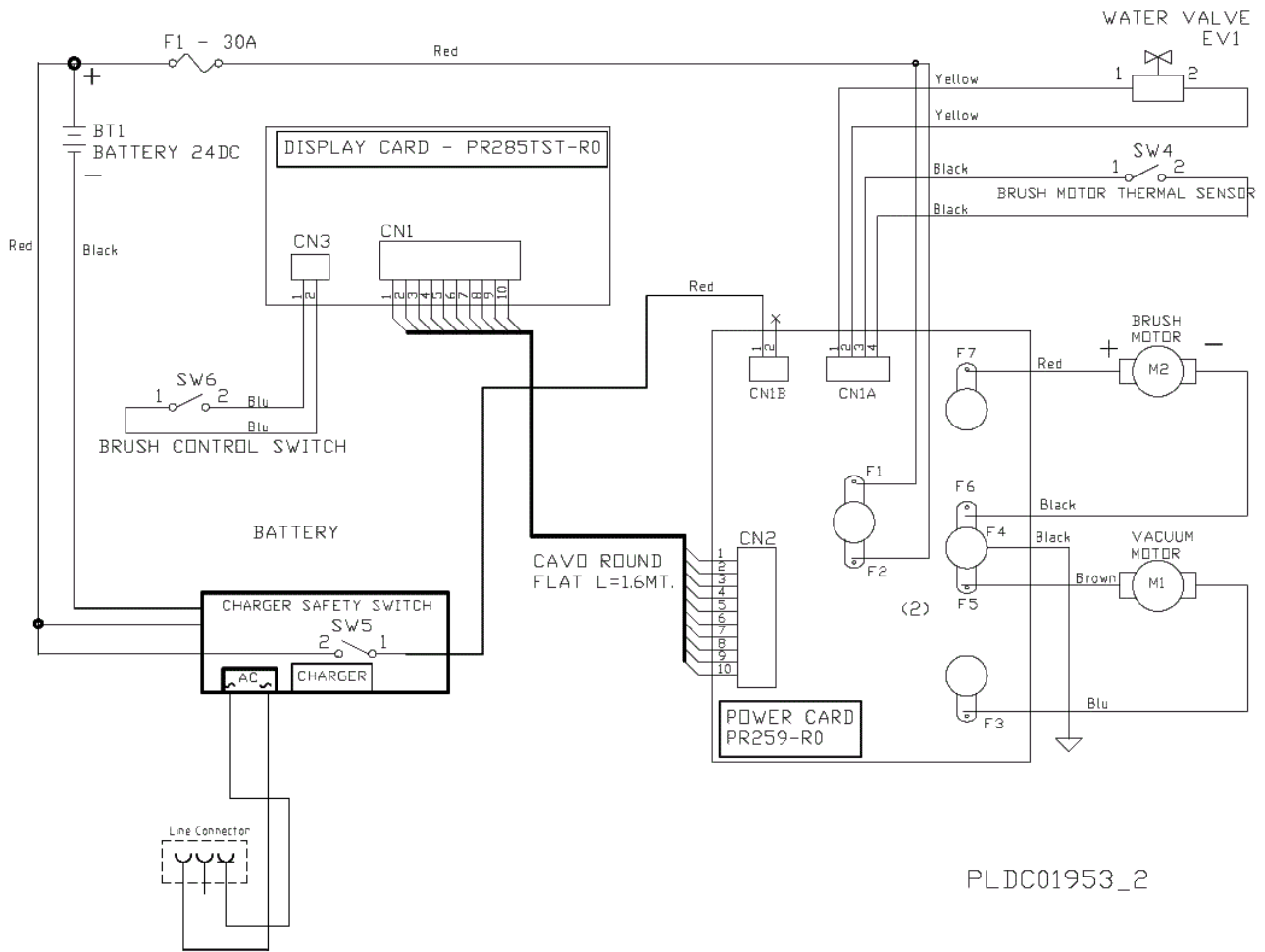


Ref.	K	Part N.	Customer Part N.	Description	Qty	Validity:		Price
						From	To	
0001		VTDD00522		NUT M5	6,00			--
0002		LAFN08887		BRACKET -	1,00			--
0003		MPVR05918		BLADE SQUEEGEE LATEX REAR CT15	1,00			--
0004		MPVR05831		CONNECTOR -	1,00			--
0005		VTVT48694		SCREW TCB TC 5 X12 UNI 9707 TZ	2,00			--
0006		VTRS13750		WASHER D. 5X14 INX	6,00			--
0007		LAFN08890		FLANGE -	1,00			--
0008		MPVR05842		SMALL KNOB -	2,00			--
0009		MPVR05835		BODY SQUEEGEE CT15	1,00			--
0010		VTVT01693		SCREW M5x20	3,00			--
0012		LAFN08913		BUSHING -	3,00			--
0013		MPVR05832		WHEEL -	3,00			--
0014		VTRS13750		WASHER D. 5X14 INX	6,00			--
0015		VTDD07727		NUT M 5 INOX	3,00			--
0016		MPVR05917		BLADE SQUEEGEE LATEX FRONT CT15	1,00			--
0017		LAFN08886		BRACKET -	1,00			--
0018		VTVT01690		SCREW M5x25	2,00			--
0019		VTVT01691		SCREW M5x35	2,00			--
0020		VTVT01691		SCREW M5x35	2,00			--
0021		VTVT13939		SCREW TE 6X20 UNI5739 INX	2,00			--
0022		VTRS00245		WASHER D.6 UNI 6592 INOX	2,00			--
0023		VTRS00245		WASHER D.6 UNI 6592 INOX	2,00			--
0024		VTDD01694		NUT M6 INOX	2,00			--
0025		LAFN08889		ARM -	2,00			--
0026		VTDD01694		NUT M6 INOX	1,00			--
0027		VTRS00245		WASHER D.6 UNI 6592 INOX	1,00			--
0028		VTVR00328		RING NUT -	1,00			--
0029		VTRS00571		WASHER -	1,00			--
0031		LAFN09199		DRIVE DISK -	1,00			--
0032		VTVR16617		KEY 6X 6X30 UNI 6604	1,00			--
0033		VTVT13939		SCREW TE 6X20 UNI5739 INX	4,00			--
0034		VTRS15144		WASHER D. 6 INX GRW UNI 1751	4,00			--
0035		VTRS13945		WASHER D. 6X18 INX UNI 6593	4,00			--
0036		MPVR05830		BRACKET -	1,00			--
0037		MPVR05829		SUPPORT -	1,00			--
0038		VTRS00245		WASHER D.6 UNI 6592 INOX	1,00			--
0039		VTVT01692		SCREW M6X125	1,00			--
0040		VTVT15906		SCREW TE 6X 12 A2 UNI 5739	4,00			--
0041		VTRS15144		WASHER D. 6 INX GRW UNI 1751	4,00			--





Ref.	K	Part N.	Customer Part N.	Description	Qty	Validity:		Price
						From	To	
0042		LAFN07924		PLATE -	1,00			--
0044		VTVT15907		SCREW TE 8X25 UNI5739 INX	2,00			--
0045		VTVT01378		CARRYNG BAG	2,00			--
0046		LAFN06391		BUSHING PARALLELOGRAMMA	3,00			--
0047		LAFN51068	#8479.90.9498	BUSHING LEVA POSTER.	1,00			--
0048		MOCC00410		MOTOR -	1,00			--
0049		MPVR06011		COVER CT15 ECS	1,00			--
0050		SPPV01268		DRIVE DISK MICROFIBRE	1,00			--
0051		VTVT01300		SCREW TE M5X12 INOX	3,00			--
0052		VTRS13750		WASHER D. 5X14 INX	3,00			--
0053		LAFN08888		SUPPORT -	1,00			--
0054		VTRS15908		WASHER D. 5 INX GRW UNI 1751	3,00			--
0055		VTVT15515		SCREW TE M 6X 50 INOX A2	2,00			--
0056		MPVR05832		WHEEL -	2,00			--
0057		VTRS13750		WASHER D. 5X14 INX	2,00			--
0058		VTVT48694		SCREW TCB TC 5 X12 UNI 9707 TZ	2,00			--
0059		MPVR05950		FLAP CT15	1,00			--
0060		VTRS13947		WASHER D. 8 INX UNI 6592	4,00			--
0061		VTRS13947		WASHER D. 8 INX UNI 6592	2,00			--
0062		VTDD01695		NUT M 8 INX	2,00			--
0063		VTDD01695		NUT M 8 INX	2,00			--
0064		LAFN06391		BUSHING PARALLELOGRAMMA	1,00			--
0065		LAFN07910		BRACKET -	1,00			--
0066		VTVT01695		GRUB SCREW M6X10	1,00			--
0067		LAFN07929		TUBE -	1,00			--
0068		VTVT01379		SCREW 4X6	2,00			--
0069		LAFN07926		BRACKET -	1,00			--
0070		VTVT01300		SCREW TE M5X12 INOX	2,00	11/2012		--
0071		VTRS13750		WASHER D. 5X14 INX	2,00	11/2012		--
0072		MPVR06259		BRACKET -	1,00	11/2012		--
0073		MPVR06257		COVER -	1,00	11/2012		--
0074		MPVR06045		CONVEYOR -	1,00	09/2013		--



PLDC01953\_2

Ref.	K	Part N.	Customer Part N.	Description	Qty	Validity:		Price
						From	To	
EV1		MEEV00037		SOLENOID VALVE	1,00			--
M1		MOCC00397		MOTOR VACUUM CT15-CT30	1,00			--
M2		MOCC00392		MOTOR BRUSH 24V CT15B	1,00			--