

**IPC Integrated Professional Cleaning**

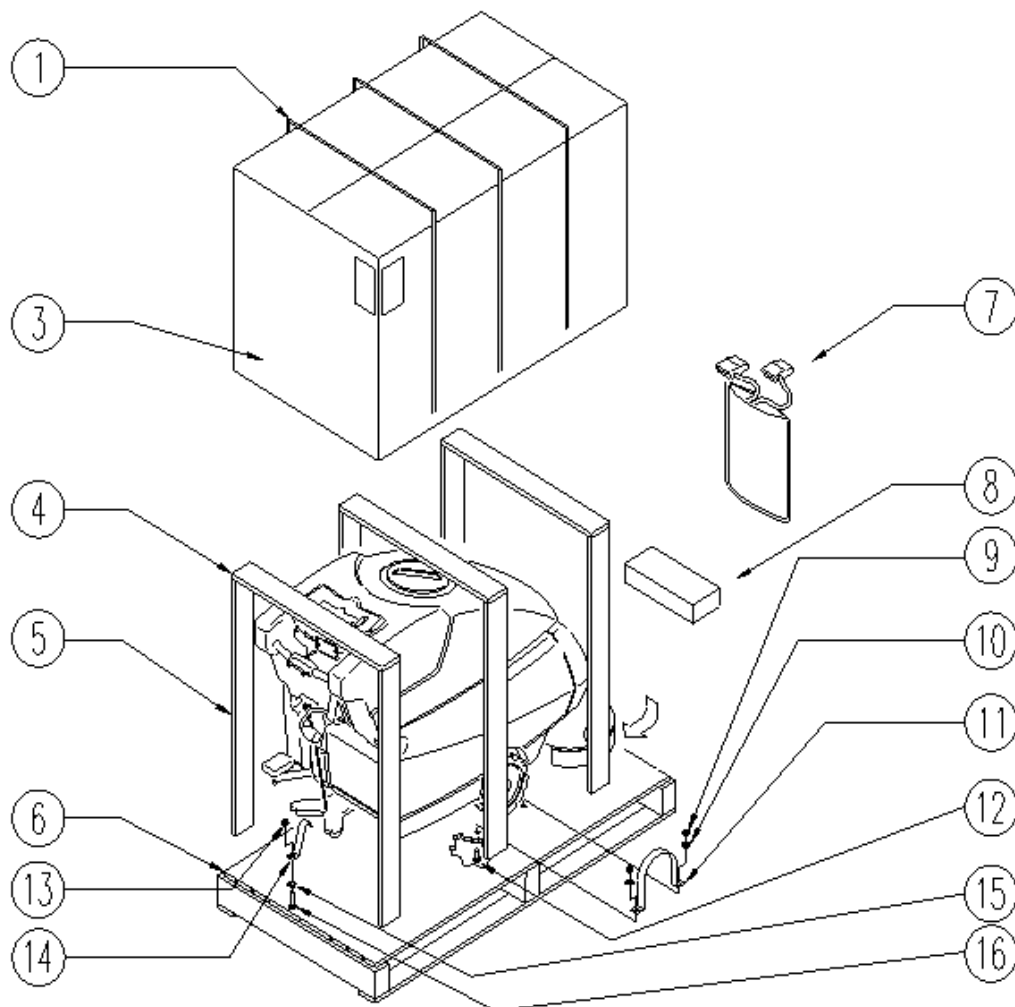
**IPC Gansow**

## Spare Parts List

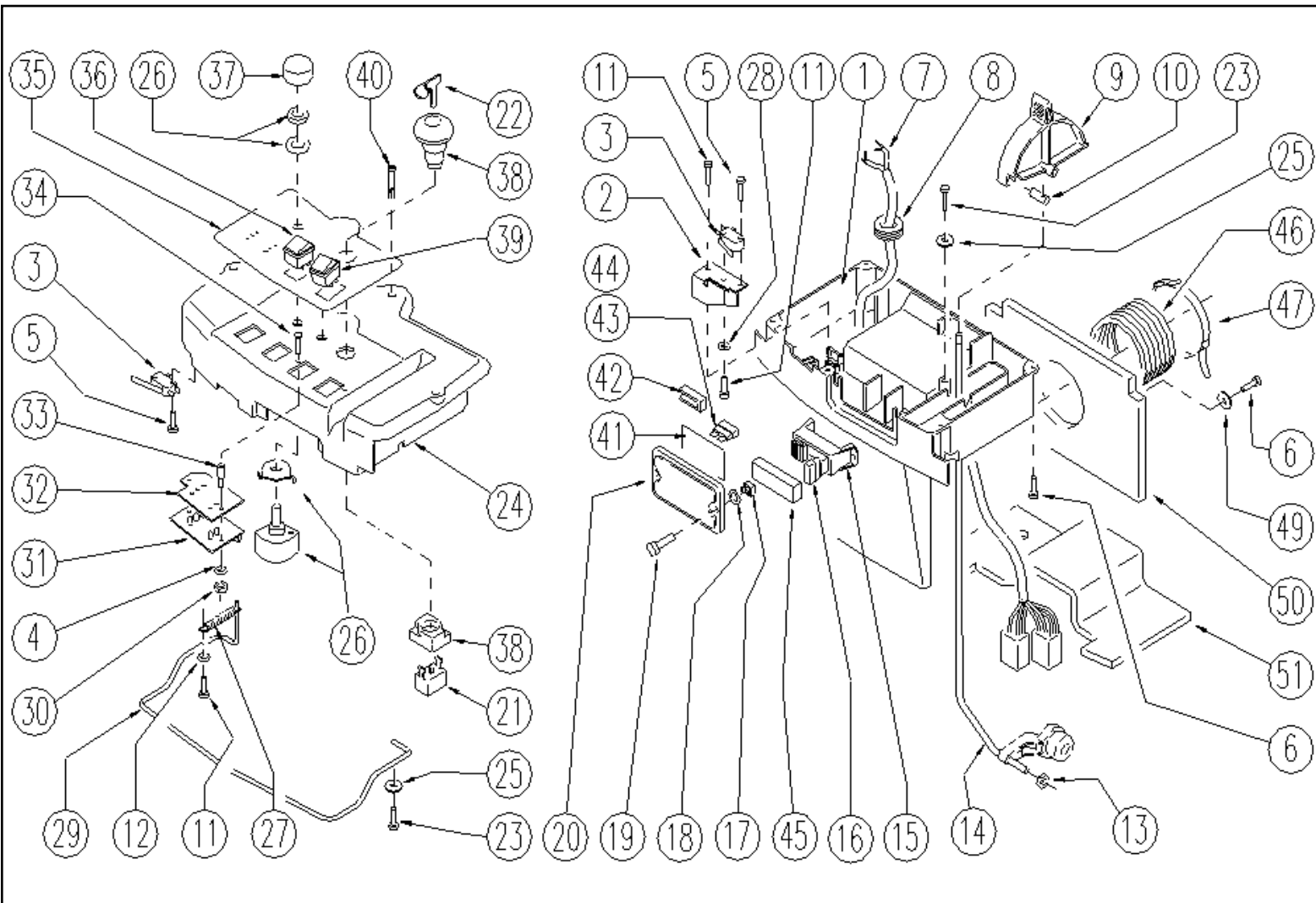
IPC EAGLE

Ref: LPTB01234

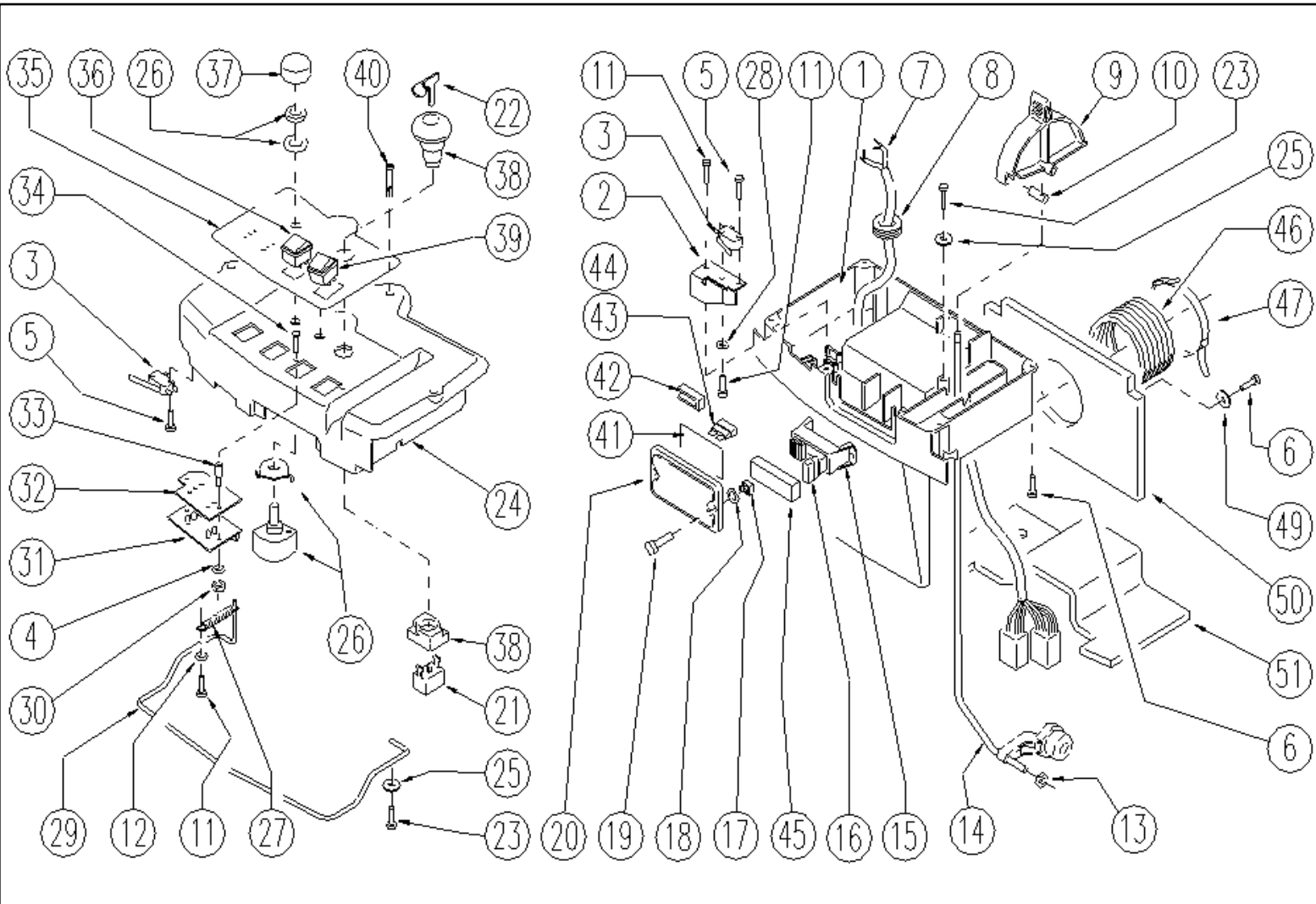
Model: CT100 BT85 GR/VE



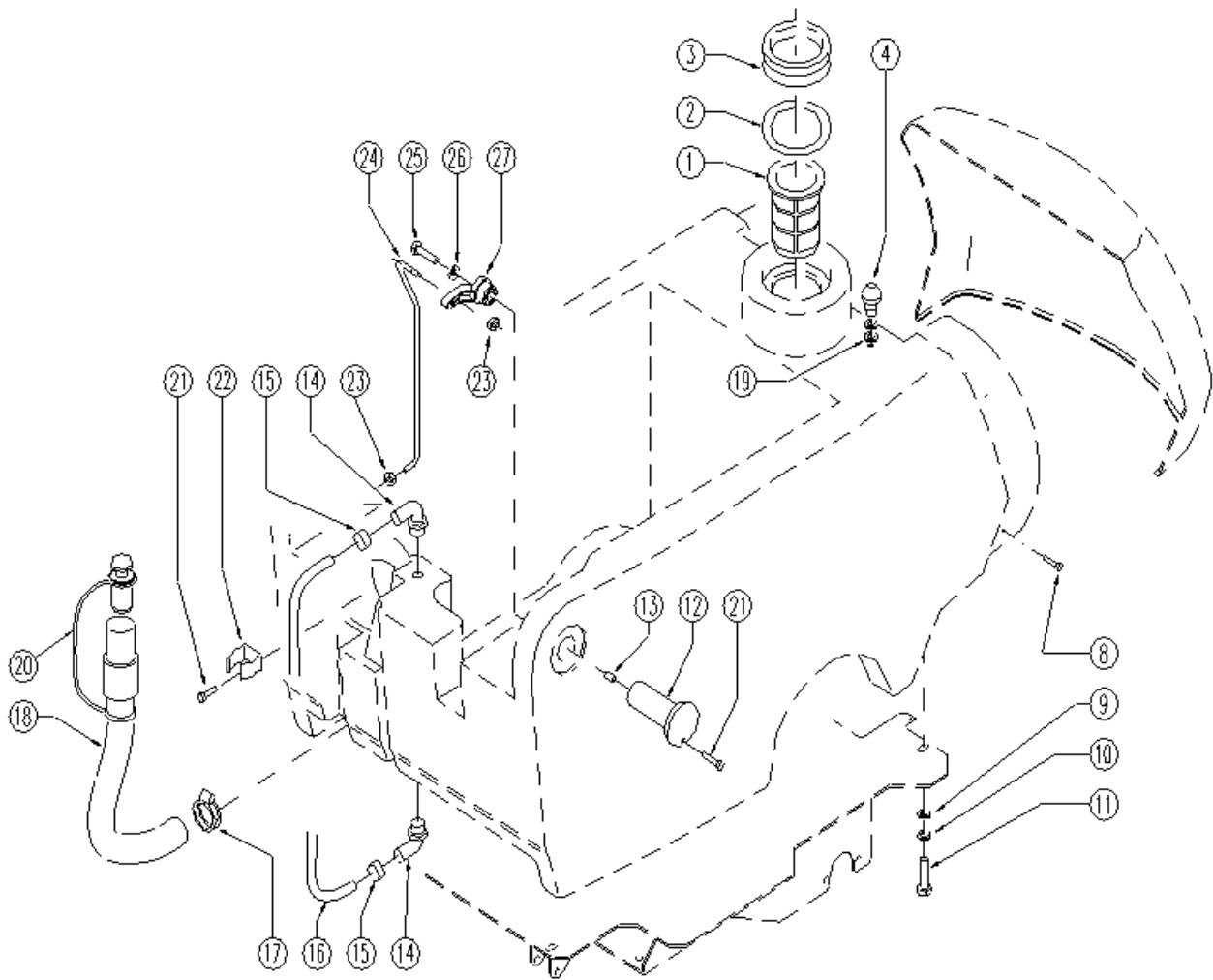
Ref.	K	Part N.	Customer Part N.	Description	Qty	Validity:		Price
						From	To	
		MISC00010		SACK 2500X16000	1,00	12/2002		--
0001		MPVR02139		STRAP IN POLIPROP. 15X0.80 MM	3,00			--
0003		MICT00127		CARTON IMBALLO	1,00	12/2002		--
0004		MIVR00092		LATH LEGNO	3,00	12/2002		--
0005		MIVR00102		LATH LEGNO VERT.	6,00	12/2002		--
0006		MIBA00071		PALLET	1,00	12/2002		--
0007		MEVR34820		WIRING B 450 BT	3,00	12/2002		--
0008		MIVR00110		POLYSTYRENE TESTATA	1,00	12/2002		--
0009		VTDD00124		NUT M 8 BASSO	4,00	12/2002		--
0010		VTRS00294		WASHER D. 8	4,00	12/2002		--
0011		LAFN05651		BRACKET IMBALLO	2,00	12/2002		--
0012		VTVT00635		SCREW	4,00	12/2002		--
0013		VTDD01695		NUT M 8 INX	1,00	12/2002		--
0014		LAFN05729		BRACKET IMBALLO	1,00	12/2002		--
0015		VTRS00293		WASHER D. 8-24	1,00	12/2002		--
0016		VTVT00733		SCREW TE M. 8.75	1,00	12/2002		--



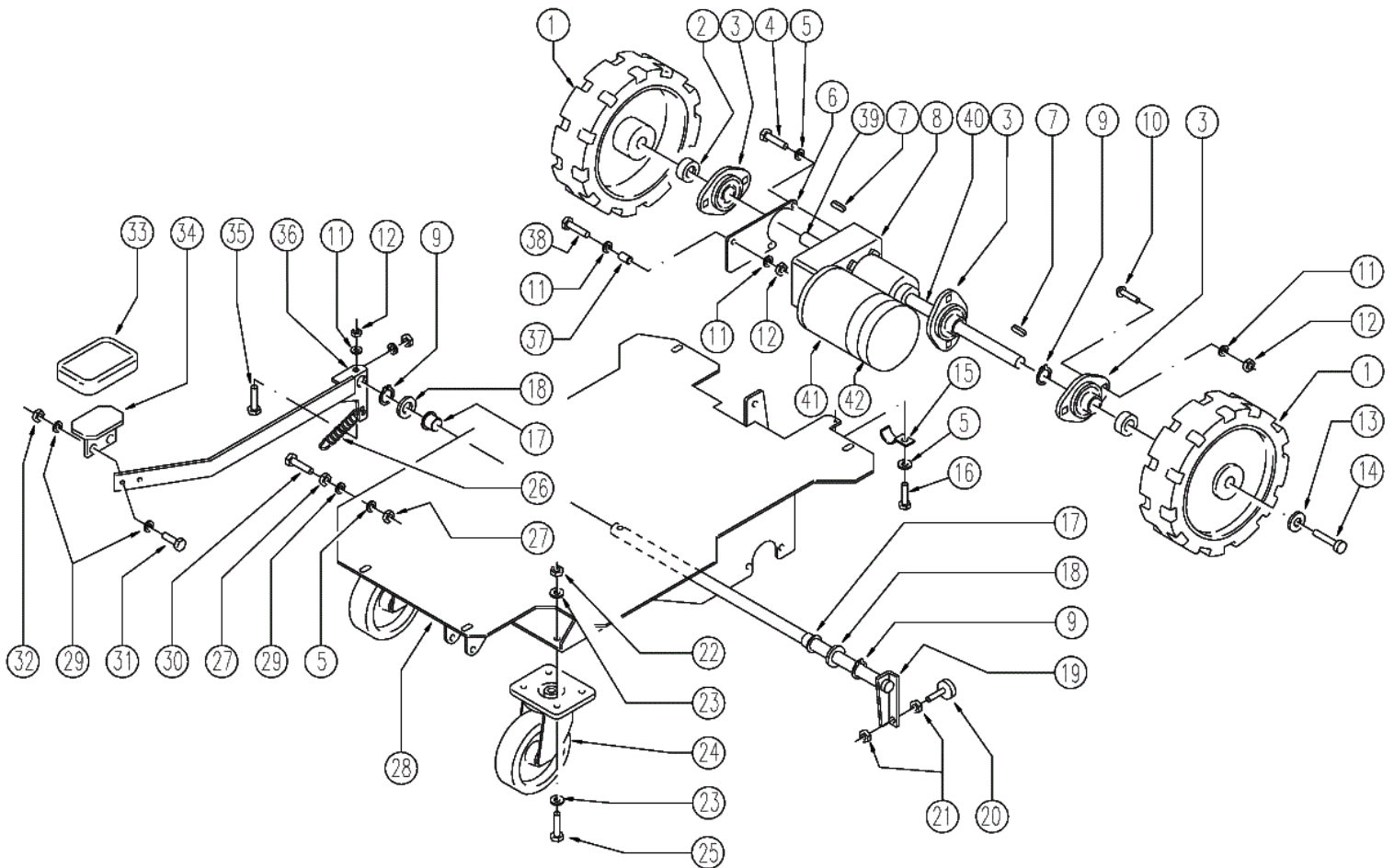
Ref.	K	Part N.	Customer Part N.	Description	Qty	Validity:		Price
						From	To	
0001		MPVR03843		PANEL COMANDI INFER.	1,00			--
0002		LAFN05615		SPRING LEVA ANTISCH./SUPP. MICRO	1,00	03/2004		--
0003		MECI00310		MICROSWITCH	3,00	03/2004		--
0004		VTRS00268		WASHER D.3	2,00	03/2004		--
0005		VTVT00744		SCREW	6,00	03/2004		--
0006		VTVT28553		SCREW TCB-TC 3.5X16	6,00	03/2004		--
0007		MECB00773		CABLE PANNELLO COMANDI	1,00			--
0008		MEVR01331		FAIR-LEAD PVC	1,00	03/2004		--
0009		MPVR03845		LEVER REGOLAZ.	1,00	03/2004		--
0010		LAFN05103		ARTICULATION SUPERIORE	1,00	03/2004		--
0011		VTVT00820		SCREW TC+ M.3,5-10	5,00	03/2004		--
0012		VTRS15958		WASHER D. 5 X15 UNI 6593	1,00	03/2004		--
0013		VTDD00157		NUT M. 6 DIN 985 ZN	1,00			--
0014		LAFN05645		ROD SUPERIORE RUBINETTO	1,00			--
0015		MEVR01387		BODY SENZA TERMINALI	1,00	03/2004		--
0016		MEVR01132		FUSE A LAMA 5 A.	4,00	03/2004		--
0017		VTDD00167		NUT M.6	2,00	03/2004		--
0018		GUGO00150		NUT	4,00	03/2004		--
0019		VTVT00858		SCREW 6X20	2,00	03/2004		--
0020		MPVR35628		COVER LAV.	1,00	03/2004		--
0021		MECI00403		CONTACT -	1,00			--
0022		CHVR00051	#8479.90.9498	DIASASS.SPANNERPULSANTE FUNGO	1,00			--
0023		VTVT07859		SCREW TCB-TC 3.5X13 UNI6954	2,00			--
0024		MPVR03841		PANEL COMANDI SUPER.	1,00			--
0025		VTRS13750		WASHER D. 5X14 INX	2,00			--
0026		MEVR01432		POTENTIOMETER A FILO	1,00	03/2004		--
0027		MLML00196		SPRING PER GIUNTO HS NADIR	1,00	03/2004		--
0028		VTRS00501		WASHER D. 4 0.232 UNI 6592	1,00	03/2004		--
0029		LAFN05584		LEVER TRAZIONE	1,00	03/2004		--
0030		VTDD21115		NUT M 3 INOX	2,00	03/2004		--
0031		MECE00345		BOARD LED INGR.POTENZ.+RESET	1,00			--
0032		MPVR02781		PLATE LED	1,00	03/2004		--
0033		LAFN04047		SPACER X SCHEDE M3 15x8x8	2,00	03/2004		--
0034		VTVT00865		SCREW TSP-TC M 3X 6 UNI7688 INX	2,00	03/2004		--
0035		ETET01263		LABEL PANN.COMANDI	1,00	03/2004		--
0036		MECI46638		COMMUTAT.SWITCHO.CT. 0401/C2	1,00	03/2004		--
0037		MPVR36404		KNOB SPECTROL 635M.NE	1,00	03/2004		--
0038		MECI00323		BUTTON FUNGO	1,00			--
0039		MECI00309		SWITCH	1,00	03/2004		--



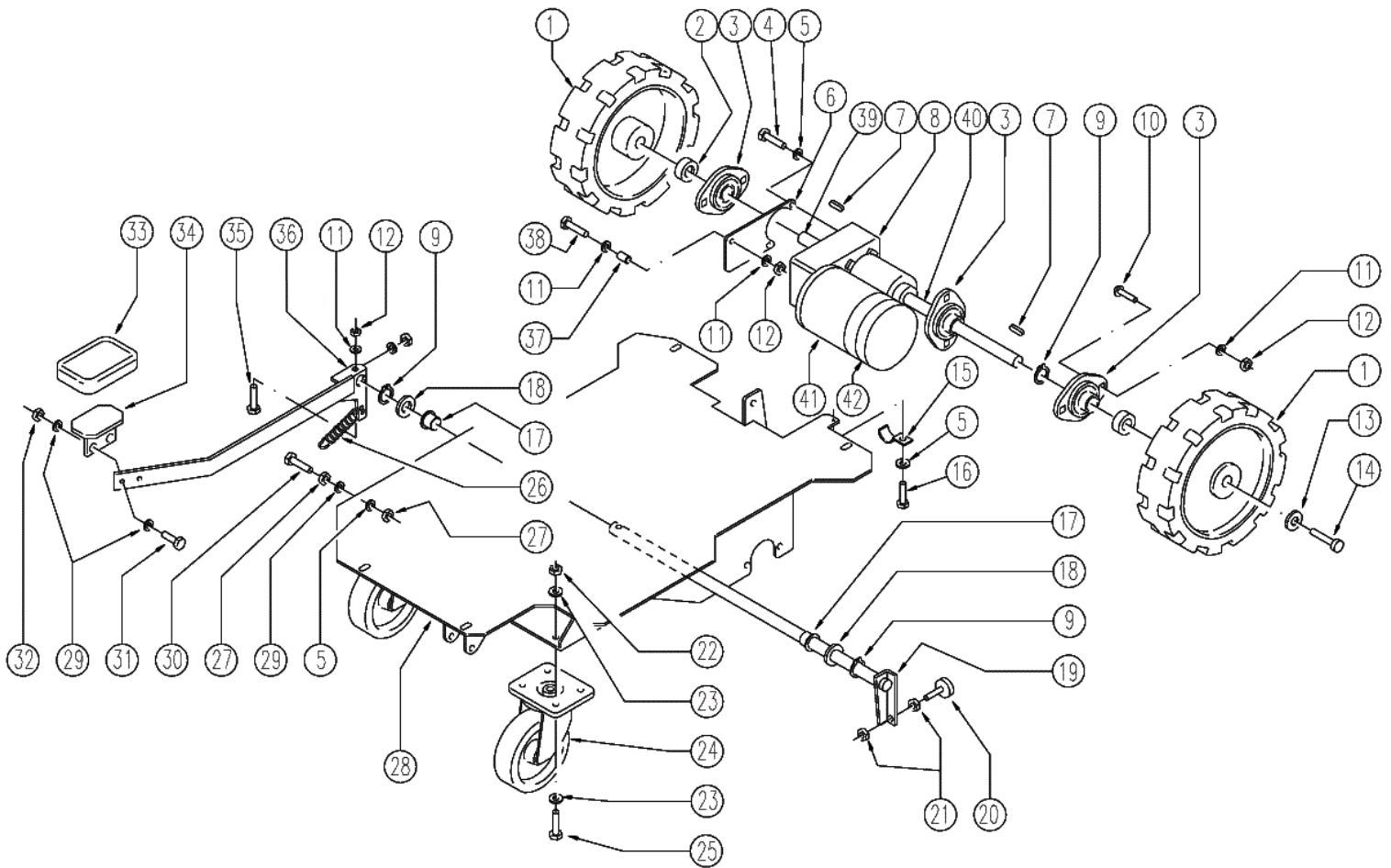
Ref. K	Part N.	Customer Part N.	Description	Qty	Validity:		Price
					From	To	
0040	MPVR02940		KLIP D. 6,5 L=15	1,00	03/2004		--
0041	ETET01328		LABEL AVVERTENZA FUSIBILI	1,00	03/2004		--
0042	MEVR01153		FUSE FUSIBILI	1,00	03/2004		--
0043	MEVR01316		FUSE A LAMA 10 A. 32V	1,00	03/2004		--
0044	MEVR01380		FUSE A LAMA	1,00	03/2004		--
0045	MEVR01383		COVER PVC TRASP.	1,00	03/2004		--
0046	TBBP00225		TUBE D 80-320 MM	1,00			--
0047	FSVR00083		CLAMP 62-82	1,00			--
0049	VTRS00291		WASHER D. 5 X20 ZC UNI 6593	2,00	03/2004		--
0050	ITSO00031		SOUND-PROOFING PARETE POST. PANN.COM.SK	1,00	03/2004		--
0051	ITSO00032		SOUND-PROOFING PARETE INFER.PANN.COM.SK	1,00	03/2004		--



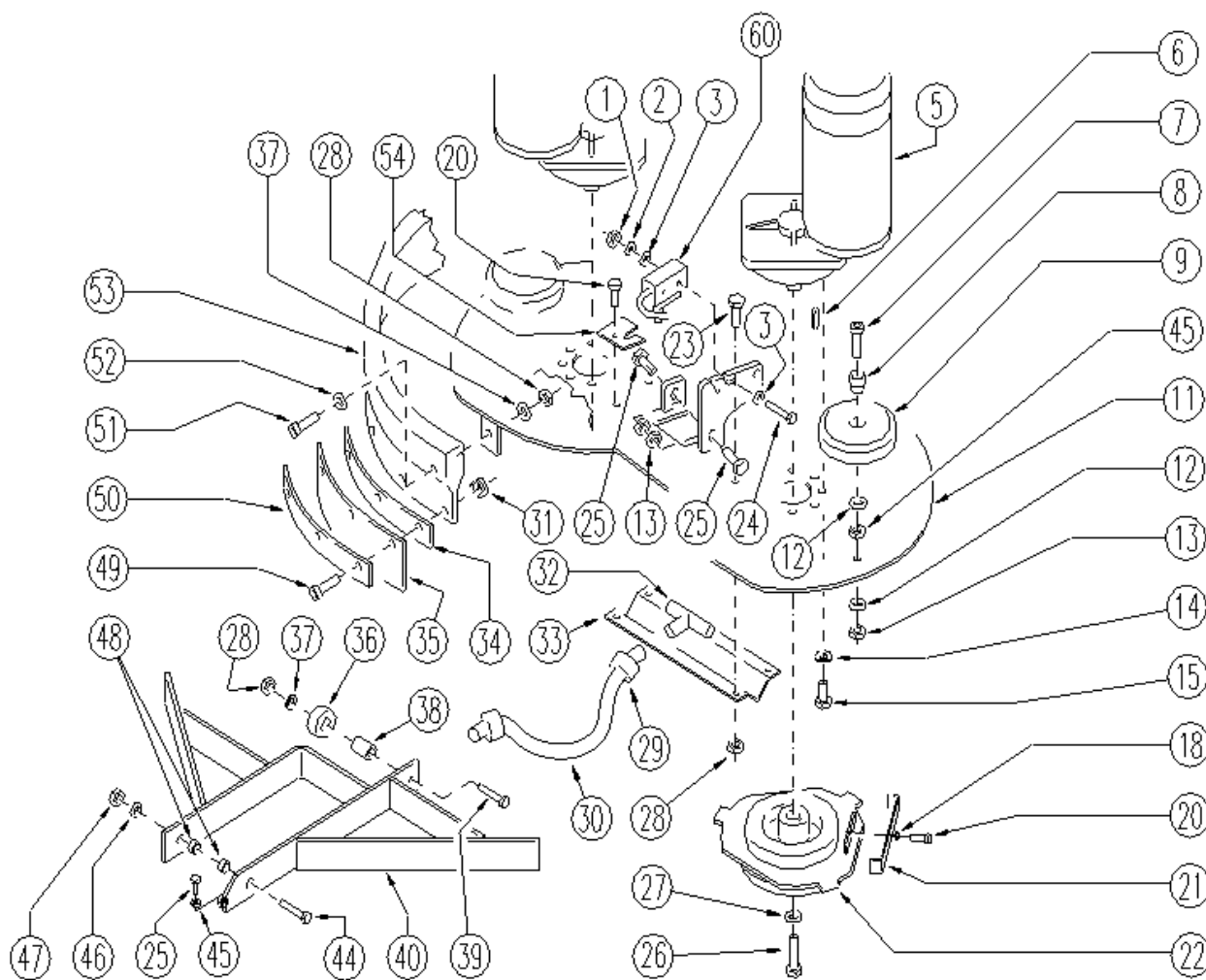
Ref.	K	Part N.	Customer Part N.	Description	Qty	Validity:		Price
						From	To	
0001		FTAC48857		FILTER ASP. ACQUA SERB. LAVAP.	1,00	12/2002		--
0002		GUVR48858		GASKET SRB.SHK	1,00	12/2002		--
0003		GUVR48859		GASKET SHK	1,00	12/2002		--
0004		LAFN04044		PIN APERTURA SERBATOIO	1,00	12/2002		--
0008		VTVT00874		SCREW TTL INTAGLIO M. 5-10	4,00	12/2002		--
0009		VTRS15524		WASHER D.10	4,00	12/2002		--
0010		VTRS15909		WASHER D.10	4,00	12/2002		--
0011		VTVT00455		SCREW TE 10X20 UNI5739	4,00	12/2002		--
0012		MPVR48695		PIN SHK.BK	2,00	12/2002		--
0013		VTVR48693		INSERT M6 D.9	1,00	12/2002		--
0014		RCVR45752		HOSE FITTING "L" 3/8M - D.10 PLS.	2,00	12/2002		--
0015		FSVR00096		CLAMP 10-16 INOX	2,00	12/2002		--
0016		TBBP00202		TUBE D 10 L=420 MM	1,00	12/2002		--
0017		FSVR43136		CLAMP D. 35-40 DF.	1,00	12/2002		--
0018		TBFX00208		TUBE DI SCARICO	1,00	12/2002	03/2013	--
0018		TBFX00360		TUBE PU CT100	1,00	03/2013		--
0019		VTRS15523		WASHER D.10 X21 INOX UNI 6592	2,00			--
0020		MPVR05064		CAP COMPLETO	1,00		03/2013	--
0021		VTVT48694		SCREW TCB TC 5 X12 UNI 9707 TZ	4,00	12/2002		--
0022		MPVR46988		CLIP LAV. SHK	1,00	12/2002		--
0023		VTDD15518		NUT M 6 INX	2,00	12/2002		--
0024		LAFN05609		ROD INFERIORE RUBINETTO	1,00	12/2002		--
0025		VTVT15906		SCREW TE 6X 12 A2 UNI 5739	1,00	12/2002		--
0026		VTRS00239		WASHER D.6-18	1,00	12/2002		--
0027		MPVR49471		LEVER SHK	1,00	12/2002		--



Ref.	K	Part N.	Customer Part N.	Description	Qty	Validity:		Price
						From	To	
0001		RTRT00542		WHEEL D.250x60	2,00	01/2013		--
0001		RTRT00294		WHEEL D.250X60	2,00	12/2002	12/2012	--
0002		LAFN05311		SPACER X CUSCINETTO	2,00	12/2002		--
0003		CUVR00105		SUPPORT	3,00	12/2002		--
0004		VTVT15143		SCREW TE 6X16 UNI5739	2,00	12/2002		--
0005		VTRS15144		WASHER D. 6 INX GRW UNI 1751	4,00	12/2002		--
0006		LAFN05617		PLATE FISSAGGIO MOTORE TRAZIONE	1,00	12/2002		--
0007		VTVR33668		KEY 6x 6x40 UNI 6604A	2,00	12/2002		--
0008		MOC00235		MOTOR.GEARBOX TRAZIONE CABLATO	1,00	12/2002		--
0009		VTAE00050		RING D'ARRESTO ALBERO	3,00	12/2002		--
0010		VTVT00842		SCREW	6,00	12/2002		--
0011		VTRS13947		WASHER D. 8 INX UNI 6592	9,00	12/2002		--
0012		VTDD01695		NUT M 8 INX	7,00			--
0013		VTRS00278		WASHER D.8X32 ZINC.BIANCA 6593	2,00			--
0014		VTVT00779		SCREW TBEI M.8-16	2,00	12/2002		--
0015		FSVR00104		CLAMP XTUBO RIGIDO	1,00	12/2002		--
0016		VTVT15906		SCREW TE 6X 12 A2 UNI 5739	1,00	12/2002		--
0017		CUVR44348		BUSHING CB 85 2010 31T	2,00	12/2002		--
0018		VTRS00287		WASHER D20 ZINCATA BIA.UNI 6592	2,00	12/2002		--
0019		LAFN05840		AXLE FRENO	1,00	06/2003		--
0020		MPVR04162		CAP FRENO	2,00	12/2002		--
0021		VTDD15521		NUT M 8 INX A2 UNI 5588	4,00	12/2002		--
0022		VTDD00042		NUT AUT.M10 UNI7474	8,00	12/2002		--
0023		VTRS00236		WASHER D.10 UNI 6592 ZINC. PIANA	16,00	12/2002		--
0024		RTRT49041		TURNING WHEEL D.125 BNDT	2,00	12/2002		--
0025		VTVT03640		SCREW TE 10X25 UNI5740	8,00	12/2002		--
0026		MLML00147		SPRING	1,00	12/2002		--
0027		VTDD15520		NUT M 6 A2 UNI 5588 INX	2,00	12/2002		--
0028		LAFN05592		FRAME PANTHER	1,00	12/2002		--
0029		VTRS00245		WASHER D.6 UNI 6592 INOX	5,00	12/2002		--
0030		VTVT00701		SCREW TE M.6-30	1,00	12/2002		--
0031		VTVT13939		SCREW TE 6X20 UNI5739 INX	2,00	12/2002		--
0032		VTDD01694		NUT M6 INOX	2,00			--
0033		LAFN29988		PROTECTION TIG.300	1,00			--
0034		LAFN35599		BRAKE PEDAL LAV. BT	1,00	12/2002		--
0035		VTVT00708		SCREW TE M. 8-40	1,00	06/2003		--
0036		LAFN05841		LEVER FRENO	1,00	06/2003		--
0037		LAFN03913		BUSHING LEVA COFANO	1,00	12/2002		--
0038		VTVT13937		SCREW TE M 8X 30 INX UNI 5739	1,00	12/2002		--

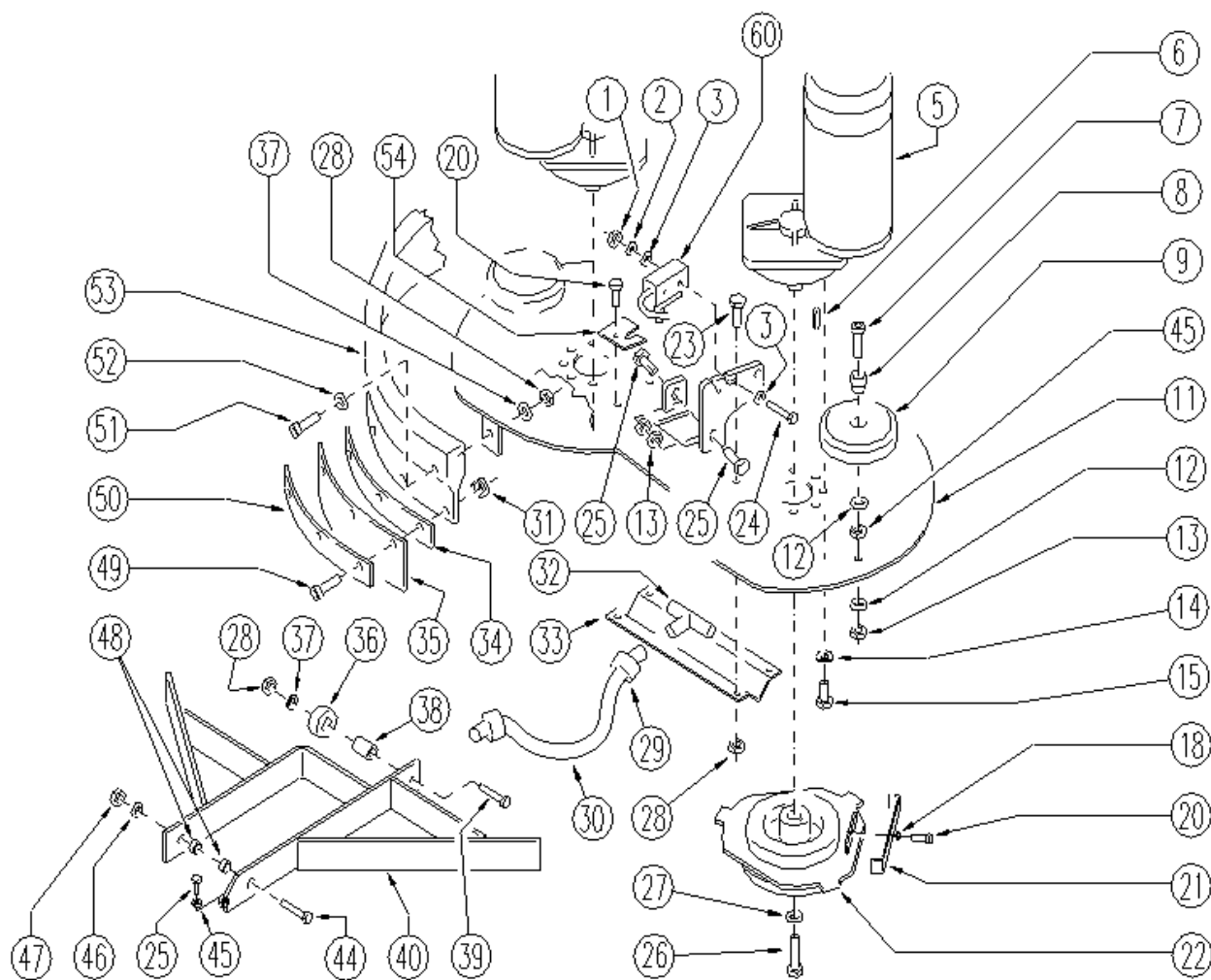


Ref. K	Part N.	Customer Part N.	Description	Qty	Validity:		Price
					From	To	
0039	LAFN03223		AXLE LEFT	1,00			--
0040	LAFN03224		AXLE RIGHT	1,00			--
0041	MOCC00432		MOTOR ELECTRICAL 24V 300W	1,00			--
0042	MEVR00984		CARBON 7X14	4,00			--

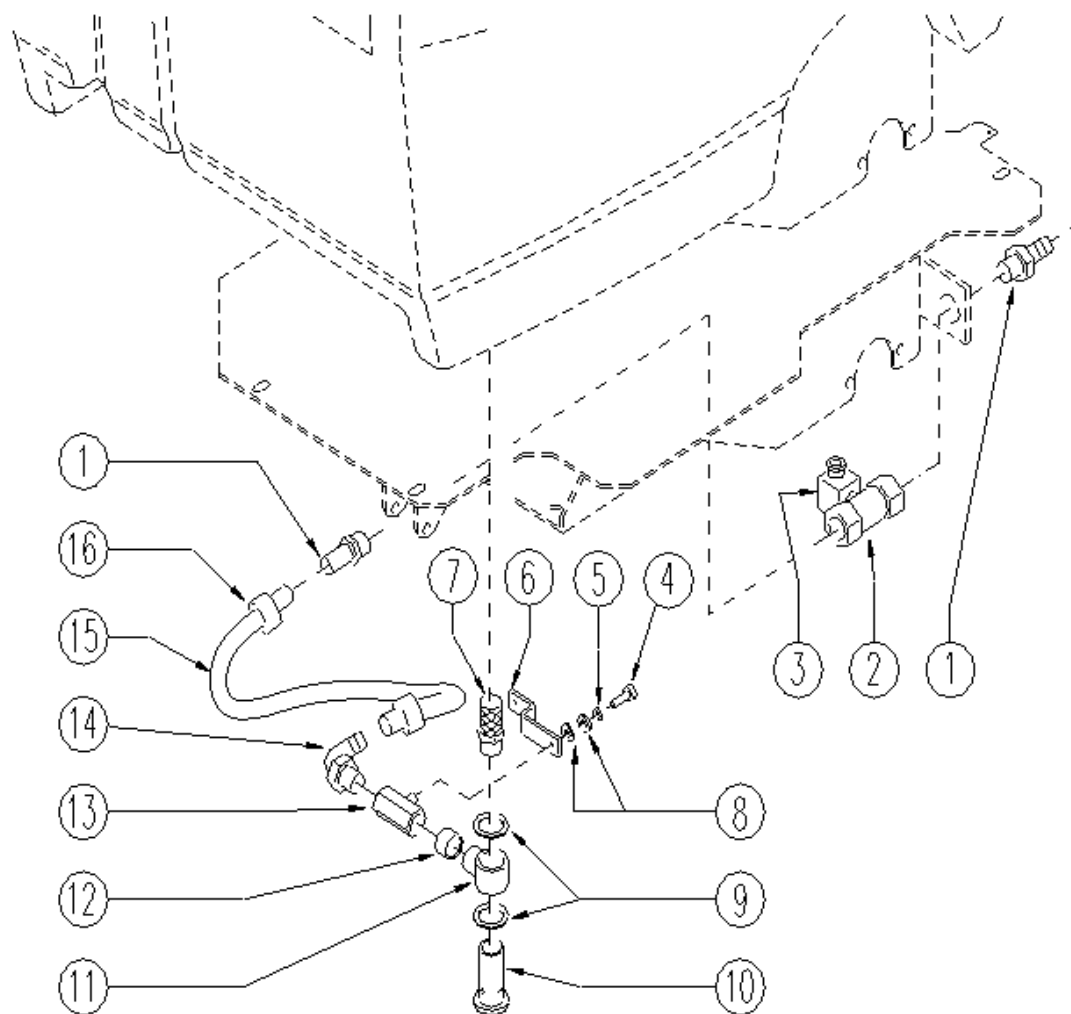


Ref.	K	Part N.	Customer Part N.	Description	Qty	Validity:		Price
						From	To	
0001		VTDD15925		NUT M 4 INX	2,00	12/2002		--
0002		VTRS15913		WASHER D. 4 GROVER A2 UNI1751	2,00			--
0003		VTRS00251		WASHER 4-16 INOX A2	4,00	12/2002		--
0005		MEVR00985		BRUSHES CT110	8,00			--
0005		MOC00143		MOTOR MRP6 V24	2,00			--
0006		VTVR21944		KEY 6X6X30	2,00	12/2002		--
0007		VTVT00775		SCREW TCEI M 8X40 ZC.BK UNI5931	2,00	09/2006		--
0007		VTVT63038		SCREW TCEI M8X45 BR	2,00	12/2002	09/2006	--
0008		LAFN03915		BUSHING NUOVO RUOTINO STRONG	2,00	12/2002		--
0009		RTRT43370		CASTER D.100 2V.	2,00	12/2002		--
0011		LAFN05611		PLATE TESTATA	1,00	12/2002		--
0012		VTRS13947		WASHER D. 8 INX UNI 6592	2,00	12/2002		--
0013		VTDD01695		NUT M 8 INX	4,00	02/2003		--
0014		VTRS15144		WASHER D. 6 INX GRW UNI 1751	14,00	12/2002		--
0015		VTVT15906		SCREW TE 6X 12 A2 UNI 5739	14,00	12/2002		--
0018		VTRS15913		WASHER D. 4 GROVER A2 UNI1751	2,00	06/2003		--
0020		VTVT21887		SCREW TCB-TC 4X10 8112	3,00	12/2002		--
0021		MLML00231		SPRING ANTISGANCIO 85 X FLANGIA	2,00	12/2002		--
0022		MFVR00133		FLANGE TRASC. SPAZZOLA	2,00		02/2012	--
0022		MFVR00212		DRIVE DISK	2,00	02/2012		--
0023		VTVT00787		SCREW TBEI M 6-16	4,00	12/2002		--
0024		VTVT20824		SCREW TE M 4X 40 UNI 5739 ZC	2,00	12/2002		--
0025		VTVT15907		SCREW TE 8X25 UNI5739 INX	2,00	06/2003		--
0026		VTVT00179		SCREW TSPEI M 8X30	2,00	05/2003		--
0027		VTRS00289		WASHER D.10,5-40	2,00	12/2002		--
0028		VTDD15518		NUT M 6 INX	10,00	12/2002		--
0029		FSVR00091		CLAMP 14-24	2,00			--
0030		TBBP00362		TUBE	1,00			--
0031		VTDD00175		NUT M.6 TONDO FILET.4 PUNTE	8,00	12/2002		--
0032		RCVR00483		CONNECTOR 3 VIE	1,00	12/2002		--
0033		LAFN05644		DISTRIBUTOR ACQUA TESTATA 85	1,00	12/2002		--
0034		MPVR02815		THICKNESS X FLAP	2,00	12/2002		--
0035		MPVR02786		FLAP TESTATA	2,00	12/2002		--
0036		RTRT49413		WHEEL D. 60-D.15 X36 NYL.	1,00	12/2002		--
0037		VTRS00245		WASHER D.6 UNI 6592 INOX	6,00	12/2002		--
0038		LAFN04041		SPACER D6/15	1,00	12/2002		--
0039		VTVT00655		SCREW TE M. 6-55	1,00	12/2002		--
0040		LAFN05655		BRACKET CENTRAGGIO SPAZZOLE 85	1,00	12/2002		--
0044		VTVT00868		SCREW TE M12-140	1,00	12/2002		--

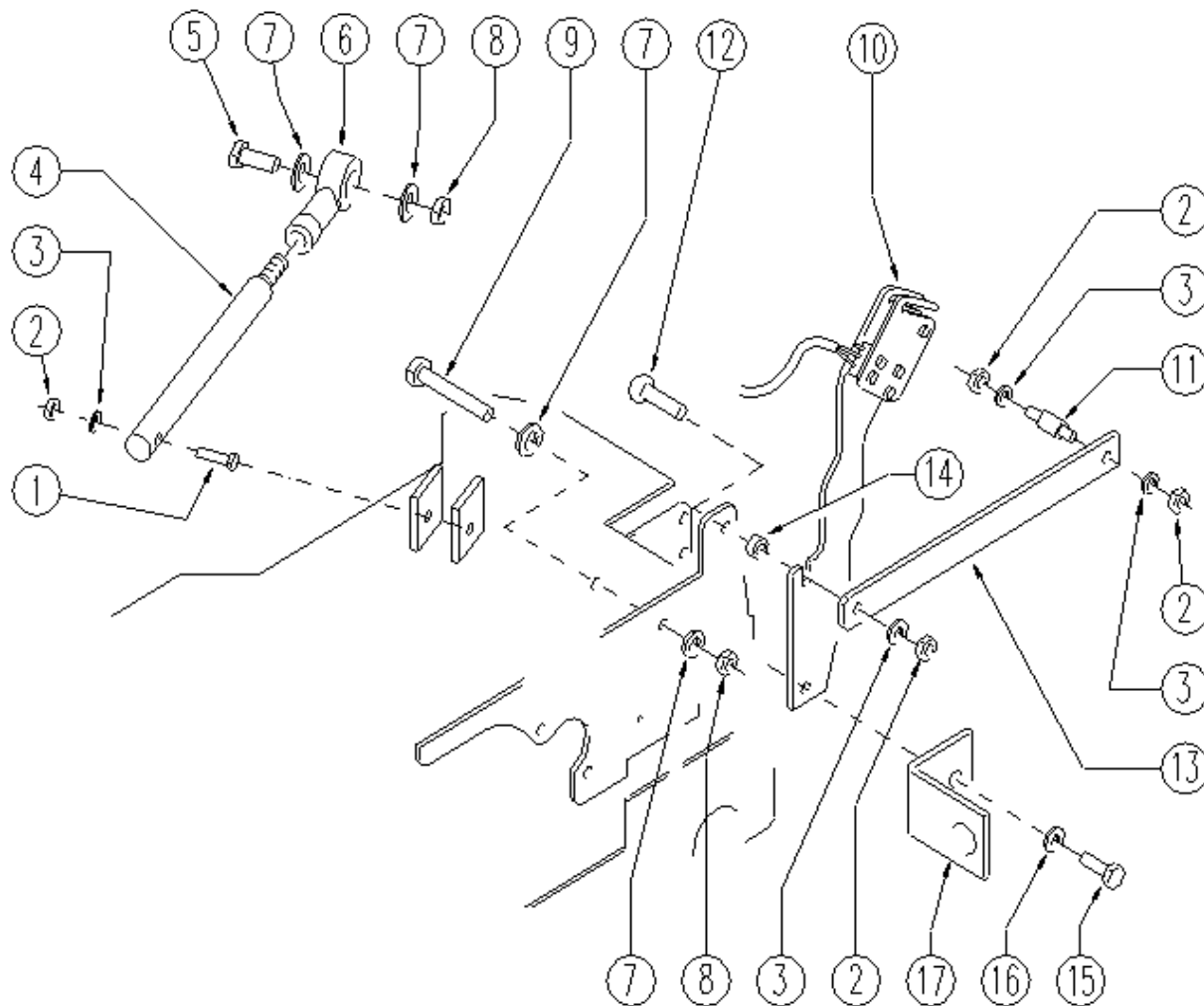




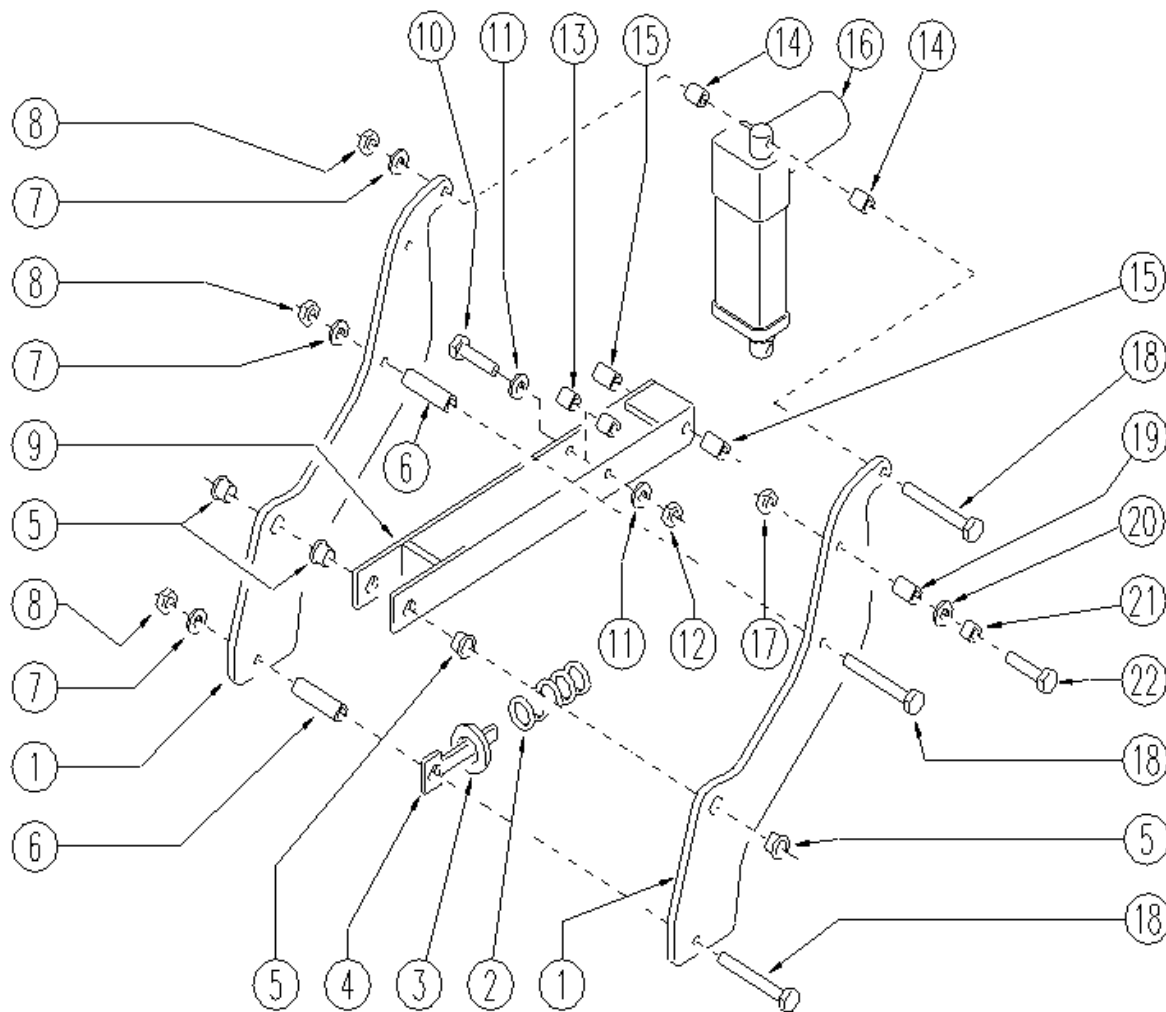
Ref. K	Part N.	Customer Part N.	Description	Qty	Validity:		Price
					From	To	
0045	VTDD15521		NUT M 8 INX A2 UNI 5588	1,00	06/2003		--
0046	VTRS00232		WASHER D.12 UNI 6592 ZINC.	8,00	12/2002		--
0047	VTDD00131		NUT M.12 AUT. DIN 982 ZINC	1,00	12/2002		--
0048	LAFN03721		BUSHING PEDALIERA	2,00	12/2002		--
0049	VTVT00858		SCREW 6X20	6,00	12/2002		--
0050	MPVR02792		FLAP PRESS NYLON NERO SP2	2,00	12/2002		--
0051	VTVT00818		SCREW TBEI 6X35	5,00	12/2002		--
0052	VTRS13945		WASHER D. 6X18 INX UNI 6593	5,00	12/2002		--
0053	MPVR02779		BUMPER TESTATA 85	1,00			--
0054	LAFN05671		PLATE RESCA TESTATA	1,00	12/2002		--
0060	MECI00199		MICROSWITCH CABLATO	1,00			--



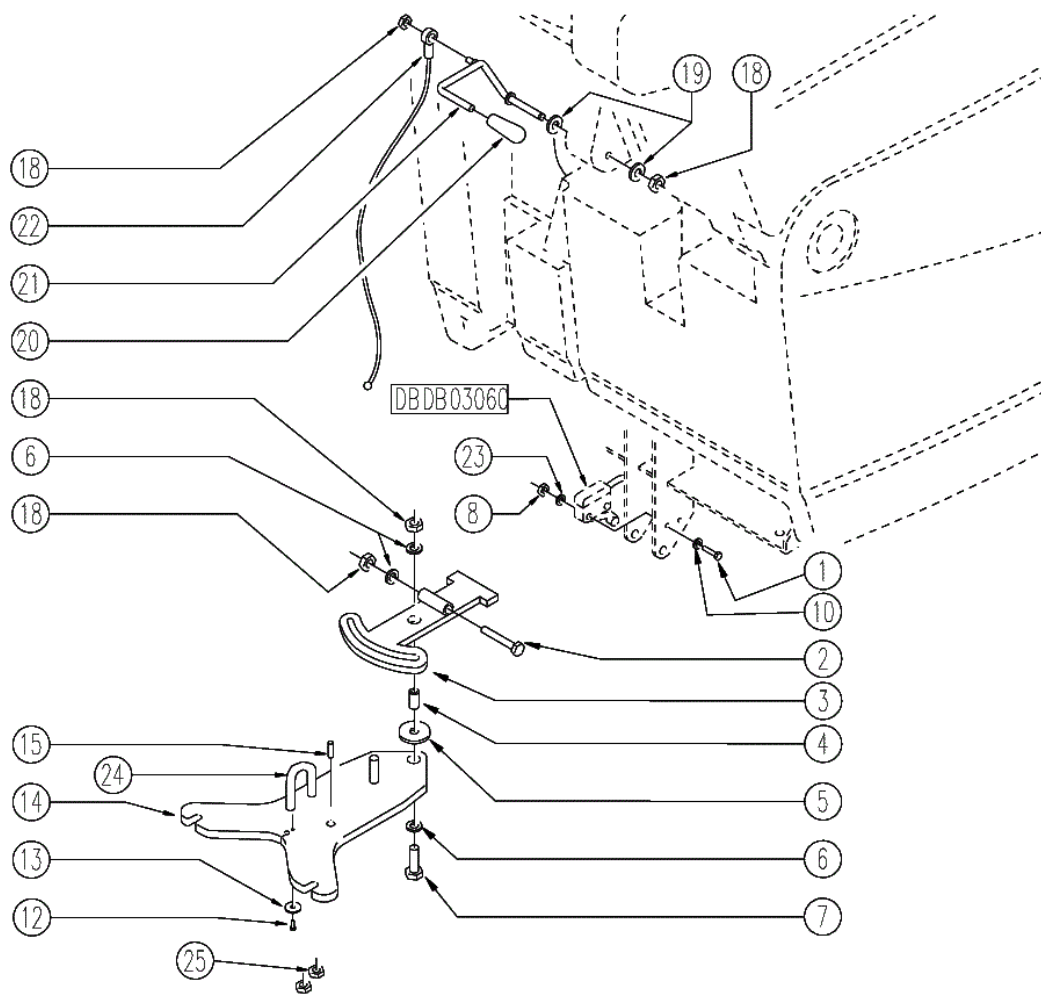
Ref.	K	Part N.	Customer Part N.	Description	Qty	Validity:		Price
						From	To	
0001		RCVR00535		CONNECTOR 3/4"M RESCA	2,00	12/2002	--	--
0002		MEEV00015		SOLENOID VALVE	1,00	12/2002	--	--
0003		MEVR01155		CONNECTOR ELETTRIVALVOLA	1,00	12/2002	--	--
0004		VTVT00834		SCREW M 3X 6 TCB-TC IX U.7687	1,00	12/2002	--	--
0005		VTRS00251		WASHER 4-16 INOX A2	1,00	12/2002	--	--
0006		LAFN05724		LEVER RUBINETTO	1,00	12/2002	--	--
0007		FTAC00036		FILTER IN RETE	1,00	12/2002	--	--
0008		VTRS13947		WASHER D. 8 INX UNI 6592	2,00	12/2002	--	--
0009		GUVR00213		WASHER GOMMA	2,00	12/2002	--	--
0010		RCDS00026		SCREW -	1,00	12/2002	--	--
0011		RCDS49622		CONNECTOR OCC 1/2 - 1/2M	1,00	12/2002	--	--
0012		MPVR02862		COVER FISSAG.SERB.	1,00	12/2002	--	--
0013		RCGR00065		TAP F/F 1/2"	1,00	12/2002	--	--
0014		RCVR00537		CONNECTOR MASCH.G1/2 RESCA	1,00	12/2002	--	--
0015		TBBP00322		TUBE	1,00	12/2002	--	--
0016		FSVR00091		CLAMP 14-24	2,00	12/2002	--	--



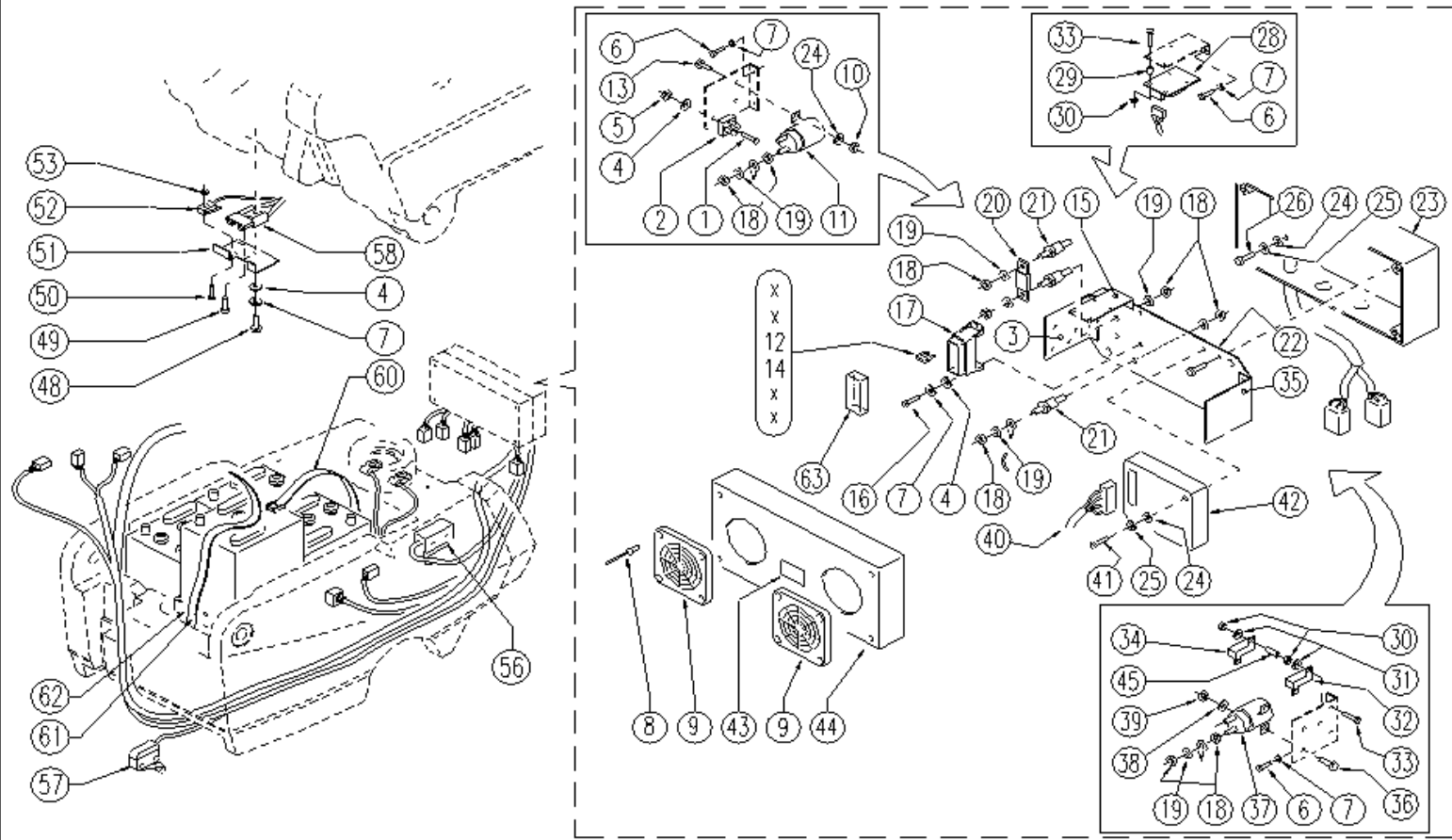
Ref. K	Part N.	Customer Part N.	Description	Qty	Validity:		Price
					From	To	
0001	VTVT15371		SCREW TE M 8X45 INOX A2 UNI	1,00	12/2002	--	--
0002	VTDD01695		NUT M 8 INX	4,00	12/2002	--	--
0003	VTRS13947		WASHER D. 8 INX UNI 6592	4,00	04/2003	--	--
0004	LAFN05600		LEVER LATERALE	1,00	12/2002	--	--
0005	VTVT00467		SCREW TE M 12X45 ZINC. UNI 5737	1,00	12/2002	--	--
0006	VTVR00267		ARTICULATION SFERICO D.12	1,00	12/2002	--	--
0007	VTRS00232		WASHER D.12 UNI 6592 ZINC.	4,00	12/2002	--	--
0008	VTDD00131		NUT M.12 AUT. DIN 982 ZINC	2,00	12/2002	--	--
0009	VTVT00285		SCREW TE M12X110	1,00	12/2002	--	--
0010	MECB00504		GROUP CABLAGGIO	1,00		--	--
0011	LAFN04113		PIN LEVA SUPERIORE	1,00	02/2003	--	--
0012	VTVT00781		SCREW TSPEI M.8-25	1,00	04/2003	--	--
0013	LAFN05604		LEVER SUPERIORE	1,00	12/2002	--	--
0014	RCDS35584		BUSHING D. 8X12X 4.3	1,00	12/2002	--	--
0015	VTVT13938		SCREW TE 8X20 UNI5739 INX	1,00	12/2002	--	--
0016	VTRS01080		WASHER D. 8 GRW	1,00	12/2002	--	--
0017	LAFN05643		BRACKET ELETTRORVALVOLA	1,00	12/2002	--	--



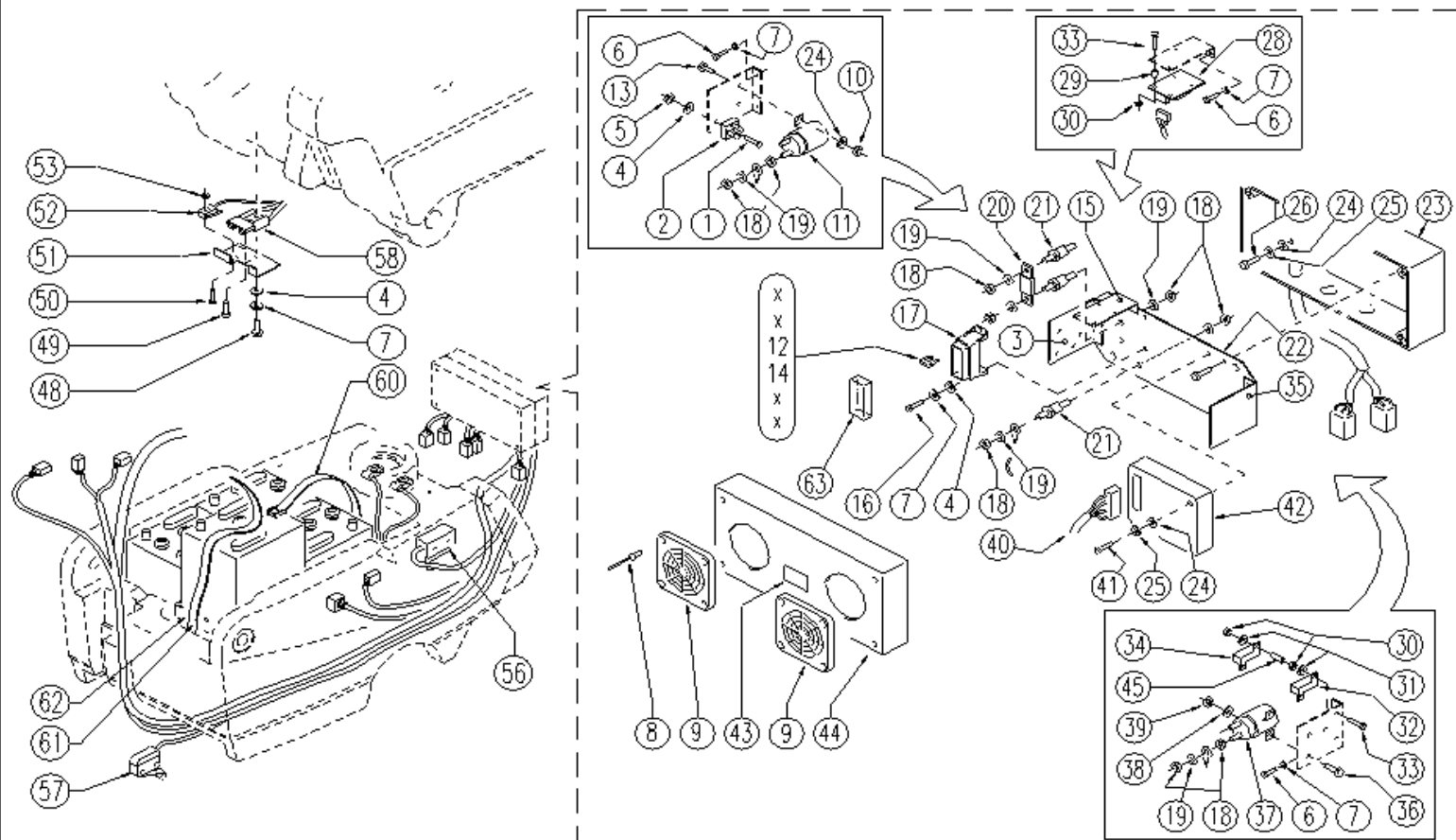
Ref.	K	Part N.	Customer Part N.	Description	Qty	Validity:		Price
						From	To	
0001		LAFN05593		BRACKET	2,00	12/2002	--	--
0002		MLML00227		SPRING DI COMPRESS.	1,00	12/2002	--	--
0003		VTRS00250		WASHER D.14	1,00	12/2002	--	--
0004		LAFN05594		SPRING GUIDE	1,00	12/2002	--	--
0005		CUVR00130		BEARING STRISCIAMENTO	4,00	12/2002	--	--
0006		LAFN04043		SPACER D8.5-15	2,00	12/2002	--	--
0007		VTRS13947		WASHER D. 8 INX UNI 6592	3,00	12/2002	--	--
0008		VTDD01695		NUT M 8 INX	3,00	12/2002	--	--
0009		LAFN05605		ARM	1,00	12/2002	--	--
0010		VTVT00867		SCREW	1,00	12/2002	--	--
0011		VTRS00245		WASHER D.6 UNI 6592 INOX	3,00	12/2002	--	--
0012		VTDD15518		NUT M 6 INX	1,00		--	--
0013		LAFN03840		BUSHING	2,00	12/2002	--	--
0014		LAFN04042		SPACER D8.5-15	2,00	12/2002	--	--
0015		RCDS34717		BUSHING D. 9X12X 8.3	2,00	12/2002	--	--
0016		MOCC00226		ATUATOR ALI 1 100MM CABLATO	1,00	12/2002	--	--
0017		VTDD01694		NUT M6 INOX	1,00		--	--
0018		VTVT00734		SCREW TE M. 8-80	3,00	12/2002	--	--
0019		LAFN04187		SPACER PER RIDUTTORE	1,00		--	--
0020		VTRS13945		WASHER D. 6X18 INX UNI 6593	1,00		--	--
0021		LAFN03742		SPACER SILENZIATORE	1,00		--	--
0022		VTVT15145		SCREW TE 6X40 UNI5739 INX	1,00		--	--



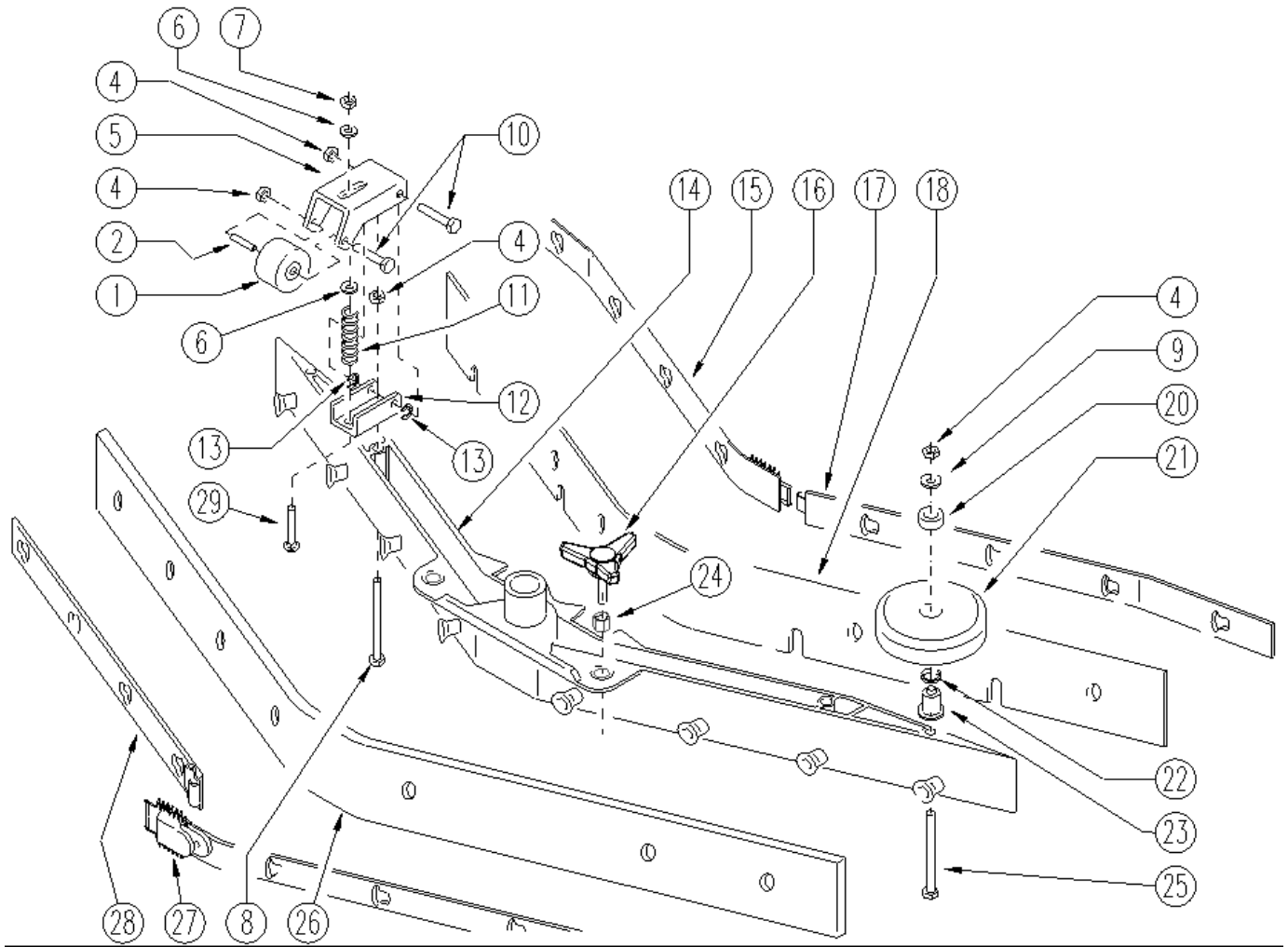
Ref.	K	Part N.	Customer Part N.	Description	Qty	Validity:		Price
						From	To	
0001		VTVT00732		SCREW	2,00	12/2002		--
0002		VTVT00757		SCREW	1,00	12/2002		--
0003		LAFN05599		SUPPORT	1,00	12/2002	06/2012	--
0003		LAFN09009		SUPPORT -	1,00	06/2012		--
0004		LAFN03957		BUSHING RUOTINO	1,00	12/2002		--
0005		VTRS15978		WASHER D.12X24 UNI 6592 INX	1,00	06/2012		--
0005		VTRS43258		WASHER D.13X24 X2.5 NYL UNI6592	1,00	12/2002	06/2012	--
0006		VTRS13947		WASHER D. 8 INX UNI 6592	3,00	12/2002		--
0007		VTVT00410		SCREW TE M8x35 UNI5739 INOX	1,00	12/2002		--
0008		VTDD15925		NUT M 4 INX	2,00	12/2002		--
0010		VTRS00501		WASHER D. 4 0.232 UNI 6592	2,00	12/2002		--
0012		VTVT21887		SCREW TCB-TC 4X10 8112	1,00	12/2002	02/2013	--
0013		VTRS00291		WASHER D. 5 X20 ZC UNI 6593	1,00	12/2002	02/2013	--
0014		LAFN05631		PLATE	1,00	12/2002	02/2013	--
0014		LAFN09241		PLATE -	1,00	02/2013		--
0015		VTVT01200		GRUB SCREW M8 X 16 INOX	1,00	04/2004		--
0018		VTDD01695		NUT M 8 INX	3,00	12/2002		--
0019		VTRS13946		WASHER D. 8 X24 INX UNI 6593	2,00	12/2002		--
0020		VTVR49226		HANDWHEEL F M10 D.82	1,00	12/2002		--
0021		LAFN49035		LEVER LAV. SHK	1,00	12/2002		--
0022		CMCV00305		CABLE SOLLEVAMENTO	1,00	12/2002	02/2013	--
0022		CMCV00461		CABLE SOLLEVAMENTO TERGI	1,00	02/2013		--
0023		VTRS15913		WASHER D. 4 GROVER A2 UNI1751	2,00	12/2002		--
0024		LAFN09231		BRACKET M6X11X29	1,00	02/2013		--
0025		VTDD01694		NUT M6 INOX	2,00	02/2013		--



Ref.	K	Part N.	Customer Part N.	Description	Qty	Validity:		Price
						From	To	
0001		VTVT00704		SCREW TE M 4X 16 UNI5739 INOX	1,00			--
0002		MECE35767		RECTIFIER LAV. E 450	1,00	12/2002		--
0003		LAFN05613		BRACKET PONTE DIODI	1,00	12/2002		--
0004		VTRS00501		WASHER D. 4 0.232 UNI 6592	10,00	12/2002		--
0005		VTDD04369		NUT M 4 TEF UNI 7473	2,00	12/2002		--
0006		VTVT00754		SCREW TC+ M. 4-10	4,00	12/2002		--
0007		VTRS15913		WASHER D. 4 GROVER A2 UNI1751	6,00	12/2002		--
0008		VTVR00238		RIVET 4-10 ALLUMINIO	8,00	12/2002		--
0009		MPVR02797		BRACKET SALVADITA	2,00	12/2002		--
0010		VTDD15517		NUT M 5 INX	2,00			--
0011		METT45116	#8479.90.9498	CONTACTOR 24V T106 P	1,00			--
0012		MEVR01380		FUSE A LAMA	1,00	12/2002		--
0013		VTVT34115		SCREW TE M 5X 10 UNI 5739	2,00	12/2002		--
0014		MEVR01316		FUSE A LAMA 10 A. 32V	1,00	12/2002		--
0015		LAFN05927		CARRYNG BAG	1,00			--
0016		VTVT00725		SCREW TC+ M.4-12	2,00	12/2002		--
0017		MEVR01386		FUSE CARRIER LAMA 6 POSTI	1,00			--
0018		VTDD10776		NUT M 8 X1 UNI 5588	18,00	12/2002		--
0019		VTRS01080		WASHER D. 8 GRW	14,00	12/2002		--
0020		MEVR01346		FUSE 125 A.	1,00	12/2002		--
0021		MEVR01116		SUPPORT FUSIBILE 120 A	3,00	12/2002		--
0022		LAFN05612		PLATE ELETTRICA	1,00	12/2002		--
0023		MEVR01556		BOX BASE	1,00			--
0024		VTRS00516		WASHER D. 5 INX	6,00	12/2002		--
0025		VTRS15908		WASHER D. 5 INX GRW UNI 1751	4,00	12/2002		--
0026		VTVT48694		SCREW TCB TC 5 X12 UNI 9707 TZ	4,00			--
0028		MECE00396		BOARD DI AUTORITENUTA	1,00			--
0029		MPVR02973		CARRYNG BAG	3,00			--
0030		VTDD21115		NUT M 3 INOX	4,00	12/2002		--
0031		VTRS00268		WASHER D.3	4,00			--
0032		MECE00391		RESISTANCE 1 OHM 50 W	1,00	12/2002		--
0033		VTVT00722		SCREW	2,00	12/2002		--
0034		MECE00369		RESISTANCE CORAZZATA 10 OHM 50 WATT	1,00	12/2002		--
0035		LAFN05614		BRACKET RESISTENZE	1,00	12/2002		--
0036		VTVT01109		SCREW TE M 6X 10 ZC. UNI 5739	2,00	12/2002		--
0037		METT00056		CONTACTOR T-106	1,00	12/2002		--
0038		VTRS00231		WASHER D. 6 UNI 6592 PIANA ZINC.	2,00	12/2002		--
0039		VTDD00157		NUT M. 6 DIN 985 ZN	2,00			--
0040		MECI00277		CONNECTOR	1,00	11/2003		--

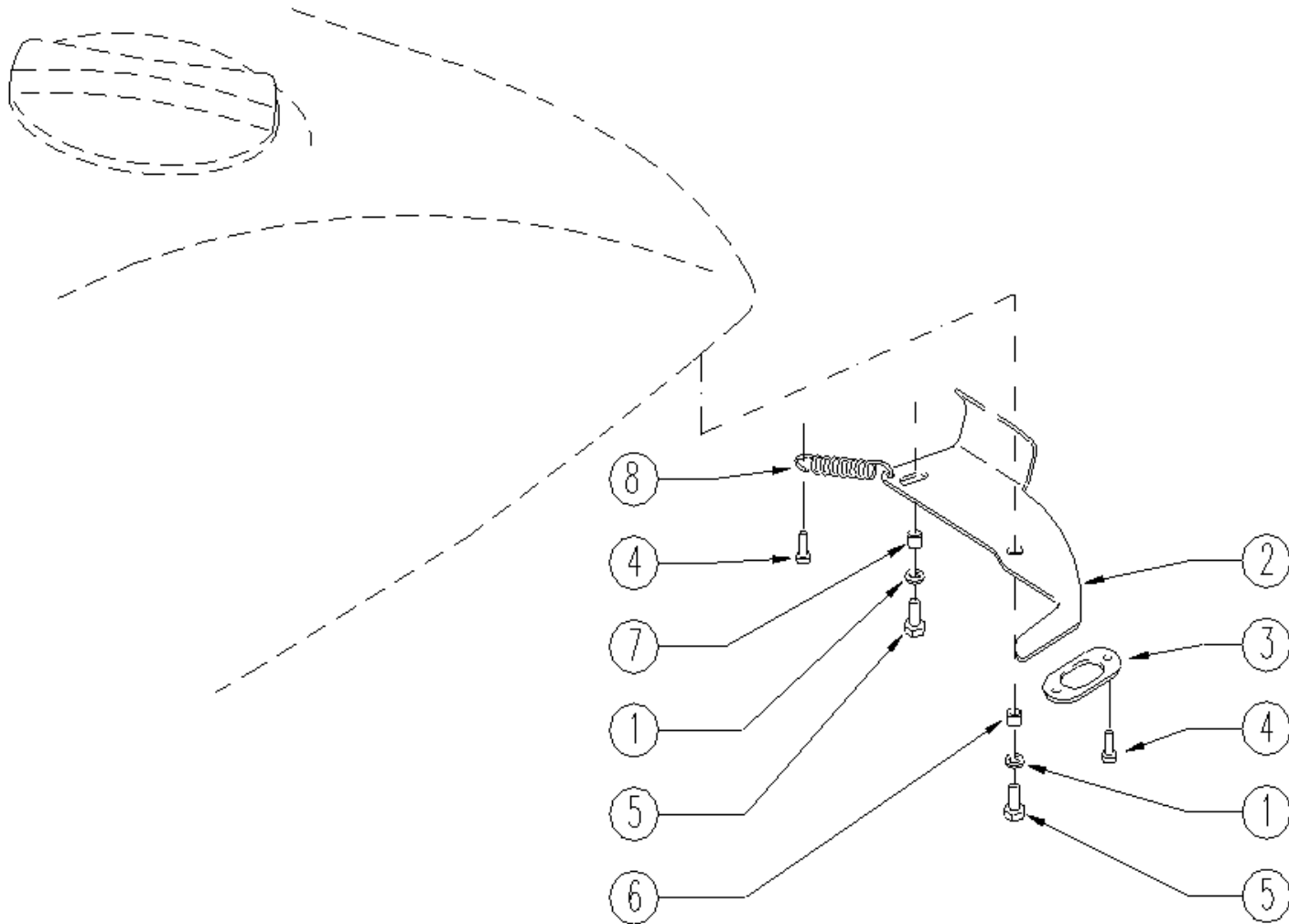


Ref.	K	Part N.	Customer Part N.	Description	Qty	Validity:		Price
						From	To	
0041		VTVT62948		SCREW M 4X 50 TC-CR ZC U.7687	2,00	12/2002		--
0042		MECE00336		GEARCASE TRAZ. 24V	1,00	12/2002		--
0043		ETET00763		LABEL SIMBOLO FUSIBILI	1,00	12/2002		--
0044		MEVR01339		COVER SCATOLA MOD.150	1,00			--
0045		LAFN04047		SPACER X SCHEDE M3 15x8x8	2,00	12/2002		--
0048		VTVT00814		SCREW TE M.4-25	2,00	06/2004		--
0049		VTVT00872		SCREW TSP+ 2.9X13 AUTOFIL. INOX	1,00	12/2002		--
0050		VTVT00671		SCREW TC- M.2-16 OTTONE	2,00	12/2002		--
0051		LAFN05653		SUPPORT MICRO	1,00	12/2002		--
0052		MECI00334		MICROSWITCH V4	1,00	12/2002		--
0053		VTDD08634		NUT M2	2,00	12/2002		--
0056		MECI00199		MICROSWITCH CABLATO	1,00	12/2002		--
0057		MECI38439		MICRO-SWITCH MN-5141	1,00	12/2002		--
0058		MEVR01079		PLUG M CB50 A 600V RD.	1,00	12/2002		--
0060		MPVR02994		BELT BATTERIA CON FIBIA	2,00	12/2002		--
0061		MPVR02995		BELT BATTERIA SENZA FIBIA	2,00	12/2002		--
0062		MPVR04042		PLATE BATTERIA	4,00	12/2002		--
0063		MEVR01383		COVER PVC TRASP.	1,00			--

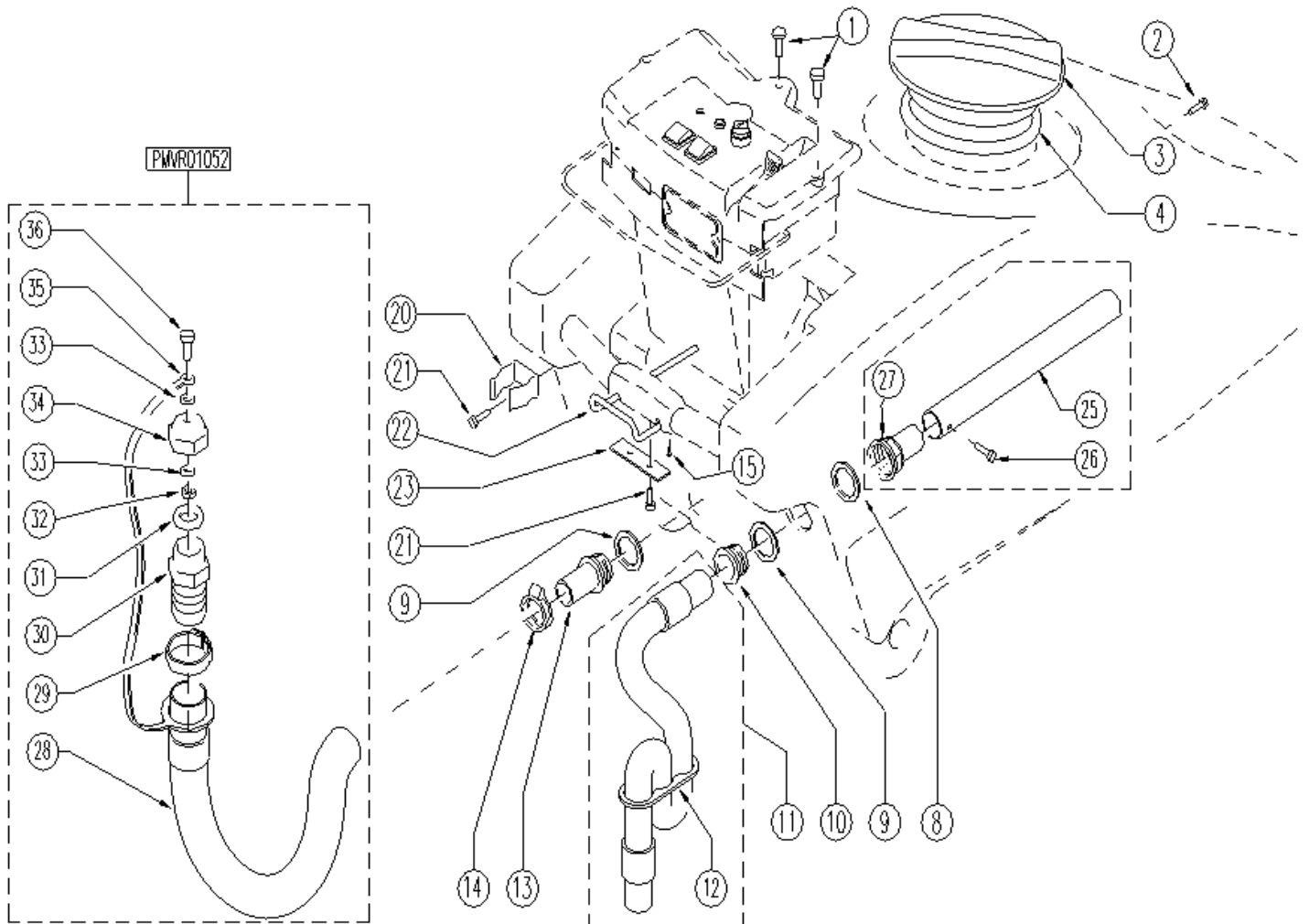


Ref.	K	Part N.	Customer Part N.	Description	Qty	Validity:		Price
						From	To	
0001		RTRT49413		WHEEL D. 60-D.15 X36 NYL.	2,00			--
0002		LAFN04041		SPACER D6/15	2,00			--
0004		VTDD01694		NUT M6 INOX	8,00			--
0005		LAFN05559		SUPPORT RUOTINO	2,00			--
0006		VTRS13947		WASHER D. 8 INX UNI 6592	4,00			--
0007		VTDD01695		NUT M 8 INX	2,00			--
0008		VTVT15142		SCREW TE M 6x45 INOX	2,00			--
0009		VTRS00245		WASHER D.6 UNI 6592 INOX	2,00			--
0010		VTVT15515		SCREW TE M 6X 50 INOX A2	4,00			--
0011		MLML49422		SPRING D.15X 45 X1	2,00			--
0012		LAFN51069		BRACKET SUPP.RUOTINO SQUEEGEE	2,00			--
0013		VTAE45707	#8479.90.9498	CIRCLIP D. 6 UNI 7434 INOX	4,00			--
0014		KTRI02049		BODY SQUEEGEE PRESSOFUSO "L"	1,00			--
0015		LAFN51047		LAMINATION BLOCCA LAMA ANTER.SX "L"	1,00			--
0016		MPVR05265		KNOB 8X25	2,00			--
0017		LAFN51046		LAMINATION BLOCCA LAMA ANTER.DX "L"	1,00			--
0018		MPVR48380		RUBBER BLADE LAV. 890	1,00			--
0020		MPVR49229		BUSHING SHK	2,00			--
0021		MPVR05290		ROLLER PARACOLPI	2,00			--
0022		GUGO00164		GASKET	2,00			--
0023		LAFN04100		SPACER PER RUOTINO PARACOLPI	2,00			--
0024		VTVR00022		INSERT FILETTATO ESAGONALE M8	2,00			--
0025		VTVT00841		SCREW TE M 6X65 UNI 5739 INX	2,00			--
0026		MPVR48379		RUBBER BLADE LAV. 890 PARA	1,00			--
0027		LAFN05675		BLADE HOLDER POSTERIORE DX (L)	1,00			--
0028		LAFN05674		BLADE HOLDER POSTERIORE SX (L)	1,00			--
0029		VTVT01304		SCREW M 8X 40 TTQST UNI 5731	2,00			--

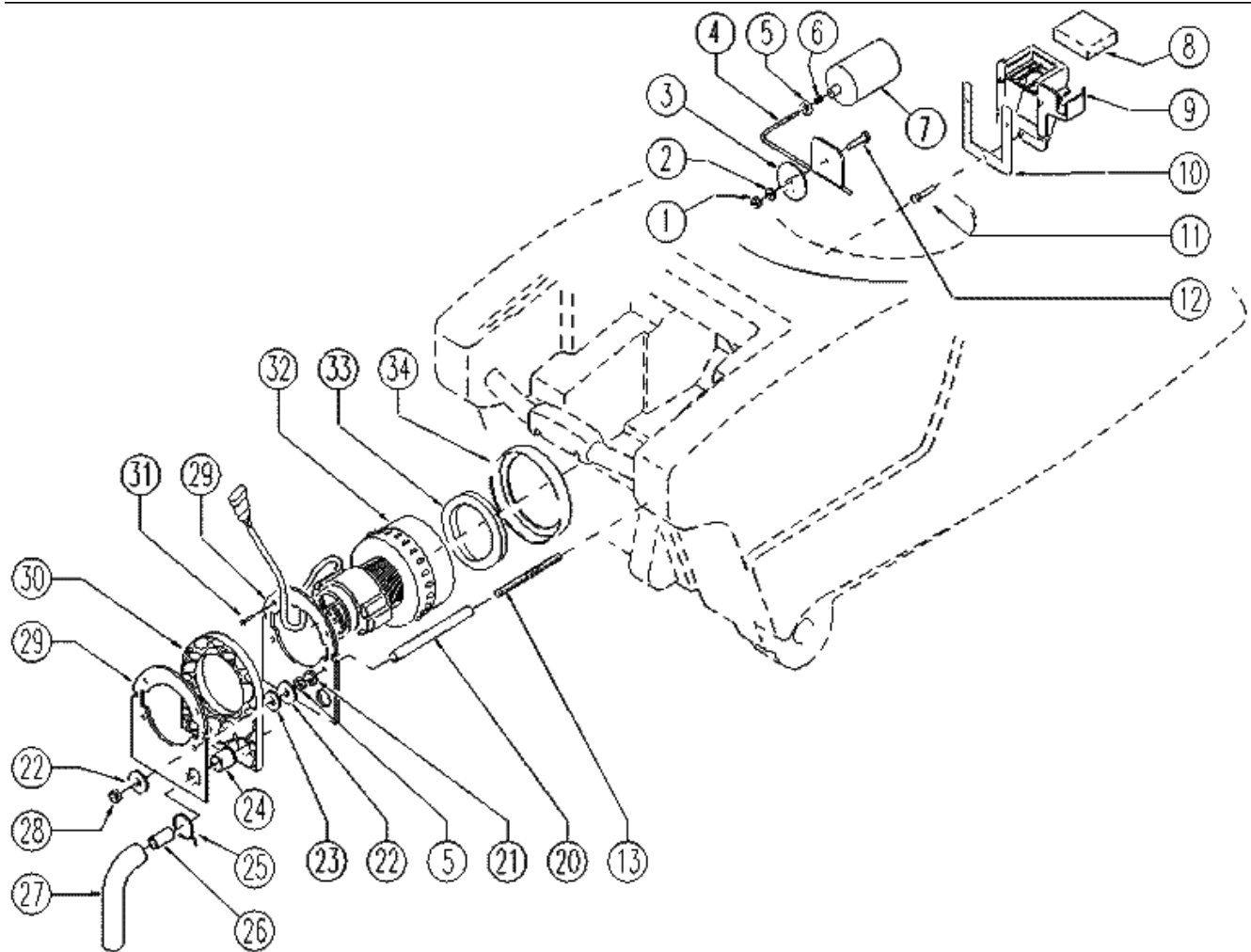




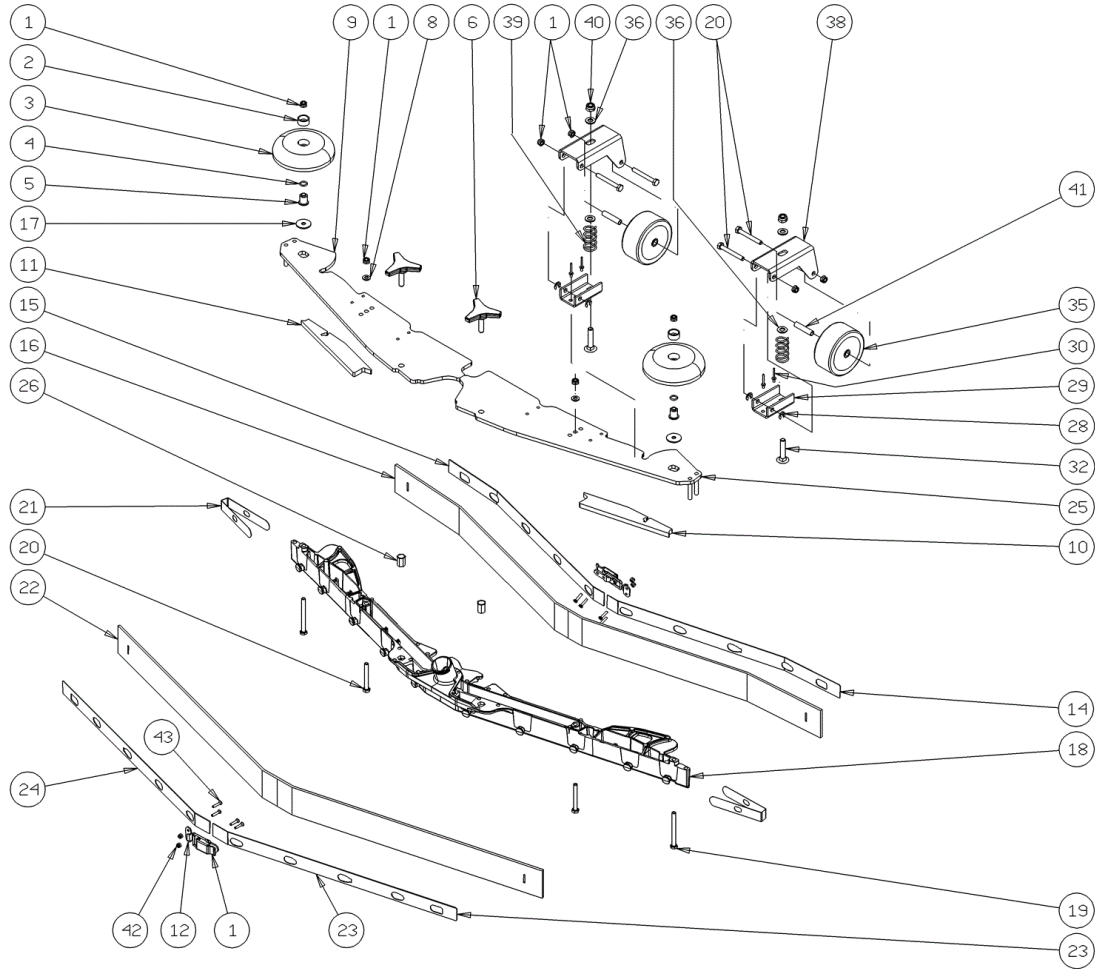
Ref. K	Part N.	Customer Part N.	Description	Qty	Validity:		Price
					From	To	
0001	VTRS13947		WASHER D. 8 INX UNI 6592	3,00	12/2002		--
0002	LAFN05756		HANDLE APERTURA SERBATOI	1,00	12/2002		--
0003	LAFN05755		PLATE CENTRAGGIO AGGANCIO	1,00	12/2002		--
0004	VTVT48694		SCREW TCB TC 5 X12 UNI 9707 TZ	3,00	12/2002		--
0005	VTVT00779		SCREW TBEI M.8-16	2,00	12/2002		--
0006	RCDS35584		BUSHING D. 8X12X 4.3	2,00	12/2002		--
0007	LAFN03940		BUSHING 8/12-5,25	2,00			--
0008	MLML00196		SPRING PER GIUNTO HS NADIR	1,00	12/2002		--



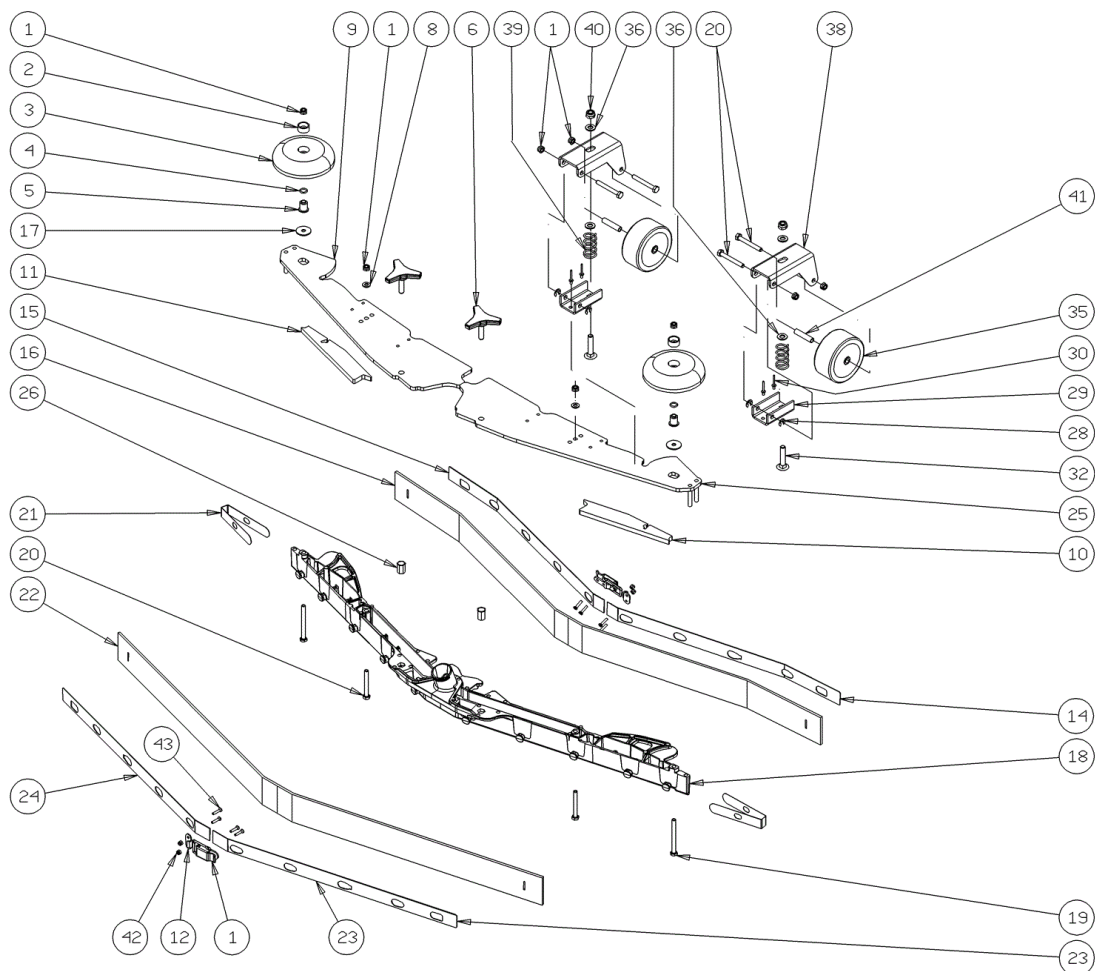
Ref.	K	Part N.	Customer Part N.	Description	Qty	Validity:		Price
						From	To	
0001		VTVT00858		SCREW 6X20	3,00	12/2002	--	--
0002		VTVT00806		SCREW TBEI M. 6-10	2,00	12/2002	--	--
0003		MPVR04051		TANK CAP	1,00	01/2003	--	--
0004		GUGO00263		GASKET CIRCOLARE TAPPO	1,00	12/2002	--	--
0008		GUVR49928		GASKET RHN G4004	1,00	12/2002	--	--
0009		GUGO00216		GASKET ACQUA SPORCA	2,00	12/2002	--	--
0010		RCVR00508		PIPE UNION DI SCARICO	1,00	12/2002	--	--
0011		PMVR01043		TUBE ASPIRAZIONE	1,00	12/2002	--	--
0012		MPVR02730		PLATE SIFONE	1,00	12/2002	--	--
0013		RCVR49929		CONNECTOR DTT 1"1/2 D.50	1,00	12/2002	--	--
0014		FSVR00105		CLAMP DOPPIO FILO	1,00	12/2002	--	--
0015		VTVT00813		SCREW M 4X 8 TCB-TC UNI 8112	1,00	12/2002	--	--
0020		FSVR44166		HOSE CLIP D.50	1,00	12/2002	--	--
0021		VTVT48694		SCREW TCB TC 5 X12 UNI 9707 TZ	4,00	12/2002	--	--
0022		PMVR01058		BUTTON ASSIEME LEVA ANTISCHIACC.	1,00		--	--
0023		LAFN05607		PLATE	1,00	12/2002	--	--
0025		MPVR02889		TUBE INTERNO SERBATOIO	1,00	01/2003	--	--
0026		VTVT85145		SCREW TCB T-CROCE 4,2X9,5 INOX	1,00		--	--
0027		RCVR00504		CONNECTOR DRITTO FEMM.	1,00	01/2003	--	--
0028		TBFX00194		TUBE D 50-900 MM	1,00	01/2003	12/2007	--
0028		TBFX00314		TUBE DIAM.50 DISCHARGE	1,00	01/2008	--	--
0029		FSVR00120		CLAMP HCL-X	1,00	01/2008	--	--
0029		MPVR46993		RING NUT SHK.57	1,00	01/2003	12/2007	--
0030		RCVR46992		CONNECTOR DTT 2"	1,00	01/2003	--	--
0031		GUGO00226		GASKET 1"1/4	1,00	01/2003	--	--
0032		VTDD01695		NUT M 8 INX	1,00	01/2003	--	--
0033		VTRS13947		WASHER D. 8 INX UNI 6592	2,00	01/2003	--	--
0034		RCVR00524		CAP FEMMINA DA 2" FORATO D 8	1,00	01/2003	--	--
0035		MPVR02805		CLAMP TAPPO	1,00	01/2003	--	--
0036		VTVT00842		SCREW	1,00	01/2003	--	--



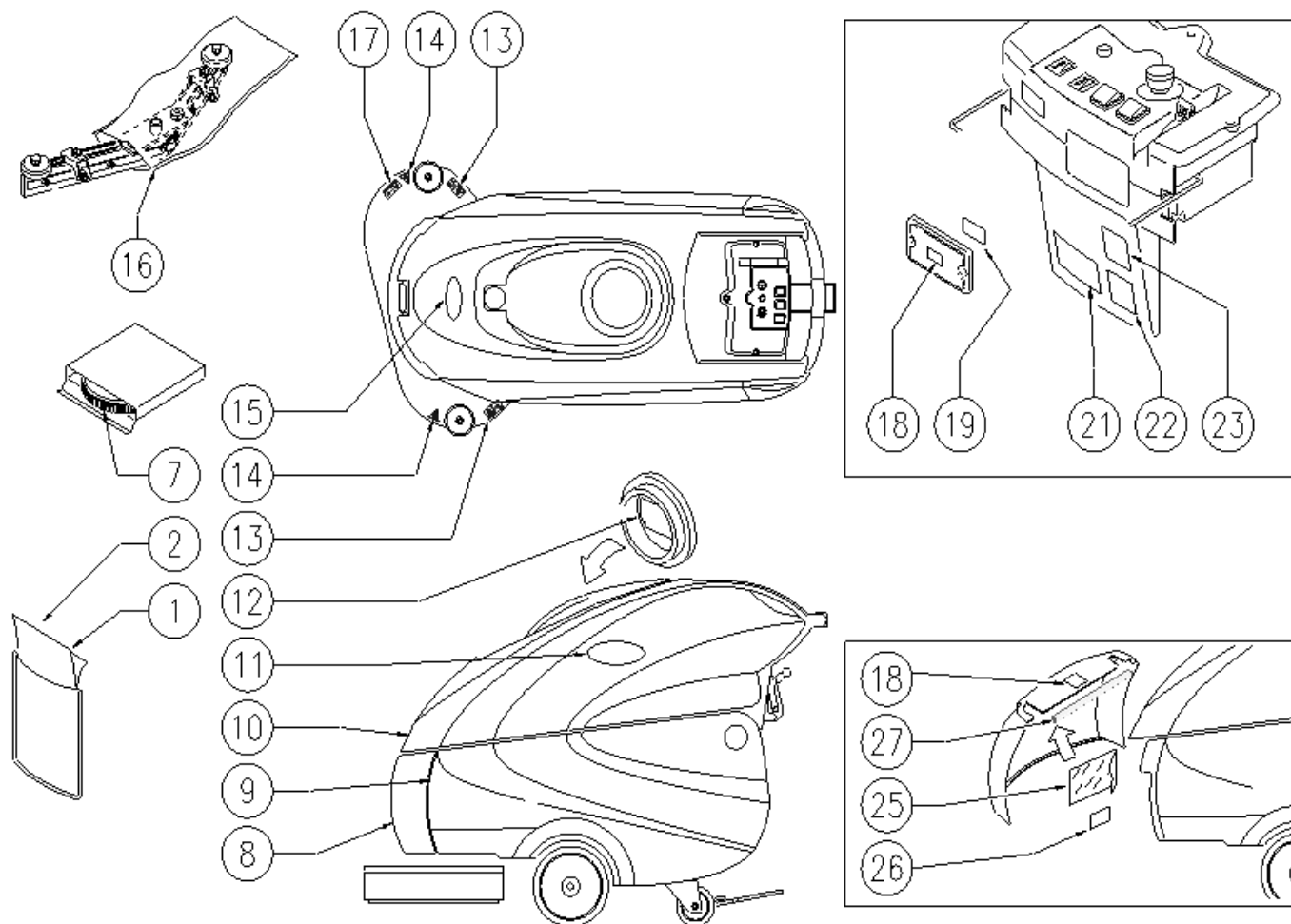
Ref.	K	Part N.	Customer Part N.	Description	Qty	Validity:		Price
						From	To	
0001		VTDD01693		NUT M 5 INX	1,00	04/2004	--	--
0002		VTRS13750		WASHER D. 5X14 INX	1,00	04/2004	--	--
0003		MPVR02702		CAP ASPIRAZIONE	1,00	04/2004	--	--
0004		LAFN05118		ROD GALLEGGIANTE	1,00	04/2004	--	--
0005		VTDD15520		NUT M 6 A2 UNI 5588 INX	3,00	04/2004	--	--
0006		VTVR00212		INSERT	1,00	04/2004	--	--
0007		RCGR00064		FLOATER	1,00	04/2004	--	--
0008		FTAC47474		FILTER SHK	1,00	04/2004	--	--
0009		MPVR03846		SUPPORT GALLEGGIANTE	1,00	04/2004	--	--
0010		GUGO00221		GASKET SUPPORTO GALLEGGIANTE	1,00	04/2004	--	--
0011		VTVT00677		SCREW	3,00	04/2004	--	--
0012		VTVT00805		SCREW TBEI M. 5-10	1,00	04/2004	--	--
0013		VTVT00785		ROD FILETTO	2,00	04/2004	--	--
0020		LAFN51077		SPACER PH	2,00	04/2004	--	--
0021		VTRS13945		WASHER D. 6X18 INX UNI 6593	2,00	04/2004	--	--
0022		VTRS16937		WASHER 6x24 INOX UNI 6593	4,00	04/2004	--	--
0023		MPVR35582		RUBBER LAV.	2,00	04/2004	--	--
0024		MPVR31077		BUSHING L.450	1,00	04/2004	--	--
0025		FSVR00086		CLAMP	1,00	04/2004	--	--
0026		TBFX00217		TUBE	1,00	04/2004	--	--
0027		ITSO00036		SOUND-PROOFING SCARICO ASP.SHARK/PANTHER	1,00	04/2004	--	--
0028		VTDD00124		NUT M 8 BASSO	2,00	04/2004	--	--
0029		LAFN51076		FLANGE INSONORIZZ.ASPIRATORE	2,00	04/2004	--	--
0030		ITSO00035		SOUND-PROOFING SHARK/PANTHER	1,00	04/2004	--	--
0031		VTVT00892		SCREW	4,00	04/2004	--	--
0032		MEVR05200		CARBON MOTORE ASP.AMET.116599-13	2,00	04/2004	--	--
0032		MOCC00273		MOTOR 3 ST.24V 116598-13	1,00	05/2004	--	--
0033		GUVR48858		GASKET SRB.SHK	1,00	04/2004	--	--
0034		GUGO30649		GASKET LAV.DW.	1,00	04/2004	--	--



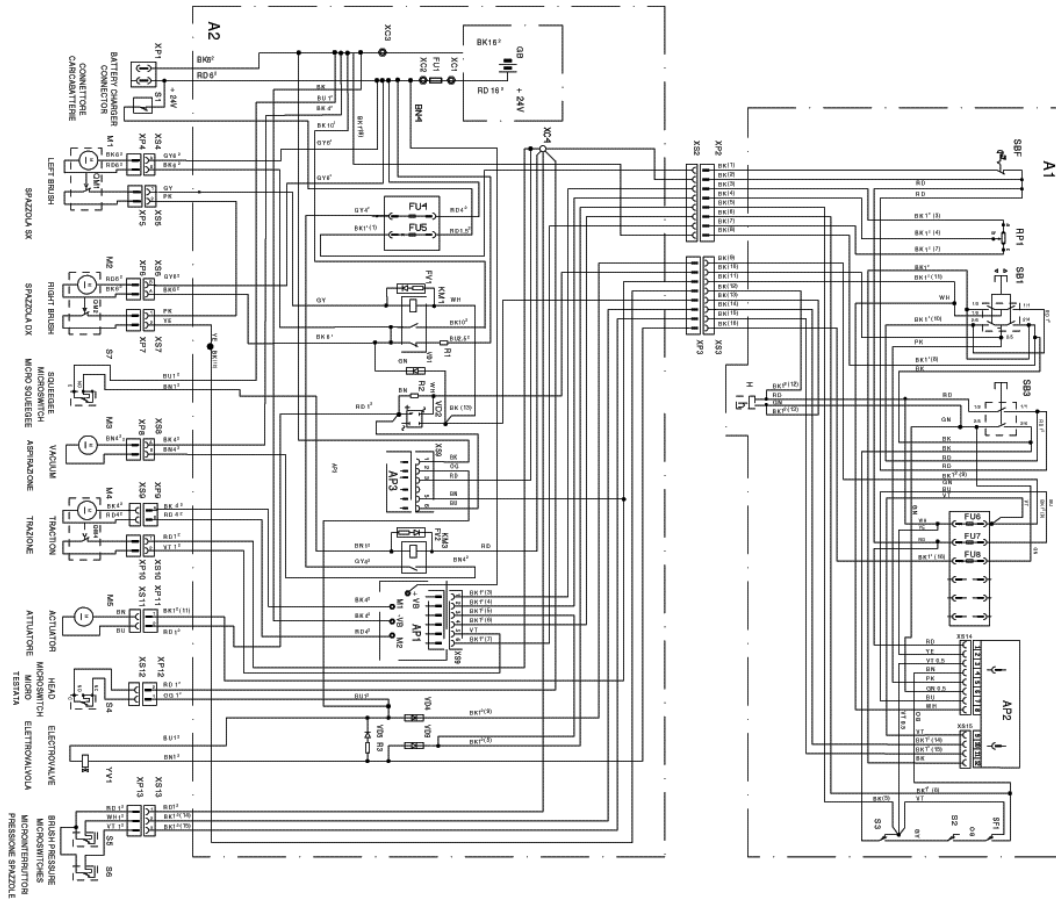
Ref.	K	Part N.	Customer Part N.	Description	Qty	Validity:		Price
						From	To	
0001		LAFN09302		CLOSURE -	2,00	09/2013		--
0002		MPVR49229		BUSHING SHK	2,00			--
0003		MPVR05290		ROLLER PARACOLPI	2,00			--
0004		GUGO00164		GASKET	2,00			--
0005		LAFN04100		SPACER PER RUOTINO PARACOLPI	2,00			--
0006		MPVR06004		KNOB AISI 304	2,00			--
0008		VTRS00245		WASHER D.6 UNI 6592 INOX	2,00			--
0009		LAFN09014		PLATE -	1,00			--
0010		GUVR00303		GASKET -	1,00			--
0011		GUVR00302		GASKET -	1,00			--
0012		LAFN09301		SOCKET -	2,00	09/2013		--
0014		LAFN08952		BRACKET -	1,00		09/2013	--
0014		LAFN09284		SHEET METAL PA.-	1,00	09/2013		--
0015		LAFN08953		BRACKET -	1,00		09/2013	--
0015		LAFN09285		SHEET METAL PA.-	1,00	09/2013		--
0016		MPVR05804		RUBBER FRONT SQUEEGEE L PU	1,00			--
0017		VTRS16937		WASHER 6x24 INOX UNI 6593	2,00			--
0018		MFVR00217		BODY -	1,00			--
0019		VTVT00841		SCREW TE M 6X65 UNI 5739 INX	2,00			--
0020		VTVT15515		SCREW TE M 6X 50 INOX A2	6,00			--
0021		MPVR05898		CLOSURE L	2,00			--
0022		MPVR05806		RUBBER REAR SQUEEGEE L PU	1,00			--
0023		LAFN08954		BRACKET -	1,00		09/2013	--
0023		LAFN09286		SHEET METAL PA.-	1,00	09/2013		--
0024		LAFN08955		BRACKET -	1,00		09/2013	--
0024		LAFN09287		SHEET METAL PA.-	1,00	09/2013		--
0025		LAFN09015		PLATE -	1,00			--
0026		VTVR00565		INSERT -	2,00			--
0028		VTAE45707	#8479.90.9498	CIRCLIP D. 6 UNI 7434 INOX	4,00			--
0029		LAFN51069		BRACKET SUPP.RUOTINO SQUEEGEE	2,00			--
0030		VTVR01040		RIVET -	4,00			--
0032		VTVT01304		SCREW M 8X 40 TTQST UNI 5731	2,00			--
0035		RTRT00540		WHEEL D.8x32	2,00			--
0036		VTRS13947		WASHER D. 8 INX UNI 6592	4,00			--
0038		LAFN05559		SUPPORT RUOTINO	2,00			--
0039		MLML49422		SPRING D.15X 45 X1	2,00			--
0040		VTDD01695		NUT M 8 INX	2,00			--
0041		TBBP00124		TUBE D 8/6	0,03			--
0042		VTDD00210		NUT M 3 INOX	8,00	09/2013		--



Ref. K	Part N.	Customer Part N.	Description	Qty	Validity:		Price
					From	To	
0043	VTVT01070		SCREW TSTC M3X8	8.00	09/2013		--



Ref.	K	Part N.	Customer Part N.	Description	Qty	Validity:		Price
						From	To	
0001		PLDC01419		MANUAL USO CLEANTIME	1,00			--
0002		PLDC01417		MANUAL RICAMBI	1,00			--
0007		SPPV00417		BRUSH NYLON	2,00			--
0008		MPVR05072		SIDE PANEL PANTHER 2	1,00			--
0009		MPVR05867		TANK SOLUZ.HARM.	1,00			--
0010		MPVR05868		TANK RECUP.HARM	1,00			--
0011		ETET01684		LABEL -	2,00			--
0012		ETET00554		ADHESIVE AVVERTENZE	1,00			--
0013		ETET00906		ADHESIVE SIMBOLO PERICOLO DI ABRAS	2,00			--
0014		ETET00897		ADHESIVE SIMBOLO PERICOLO	2,00			--
0015		ETET01637		LABEL -	1,00			--
0016		MIVR00048		TUBE UNIBOL	1,00			--
0017		ETET00898		ADHESIVE SIMBOLO SCHIACCIAMENTO	1,00			--
0018		ETET00763		LABEL SIMBOLO FUSIBILI	2,00			--
0019		ETET01328		LABEL AVVERTENZA FUSIBILI	1,00			--
0021		ETET00730		LABEL BATTERIE SCOLLEGATE	1,00			--
0022		ETET00463		ADHESIVE SCARICO ACQUA	1,00			--
0023		ETET00550		ADHESIVE PENDENZA	1,00			--
0026		ETET01329		LABEL FUSES	1,00			--
0027		GUGO00110		GASKET COPERCHIO SERBATOIO	1,00			--



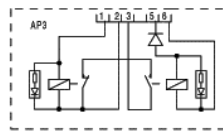
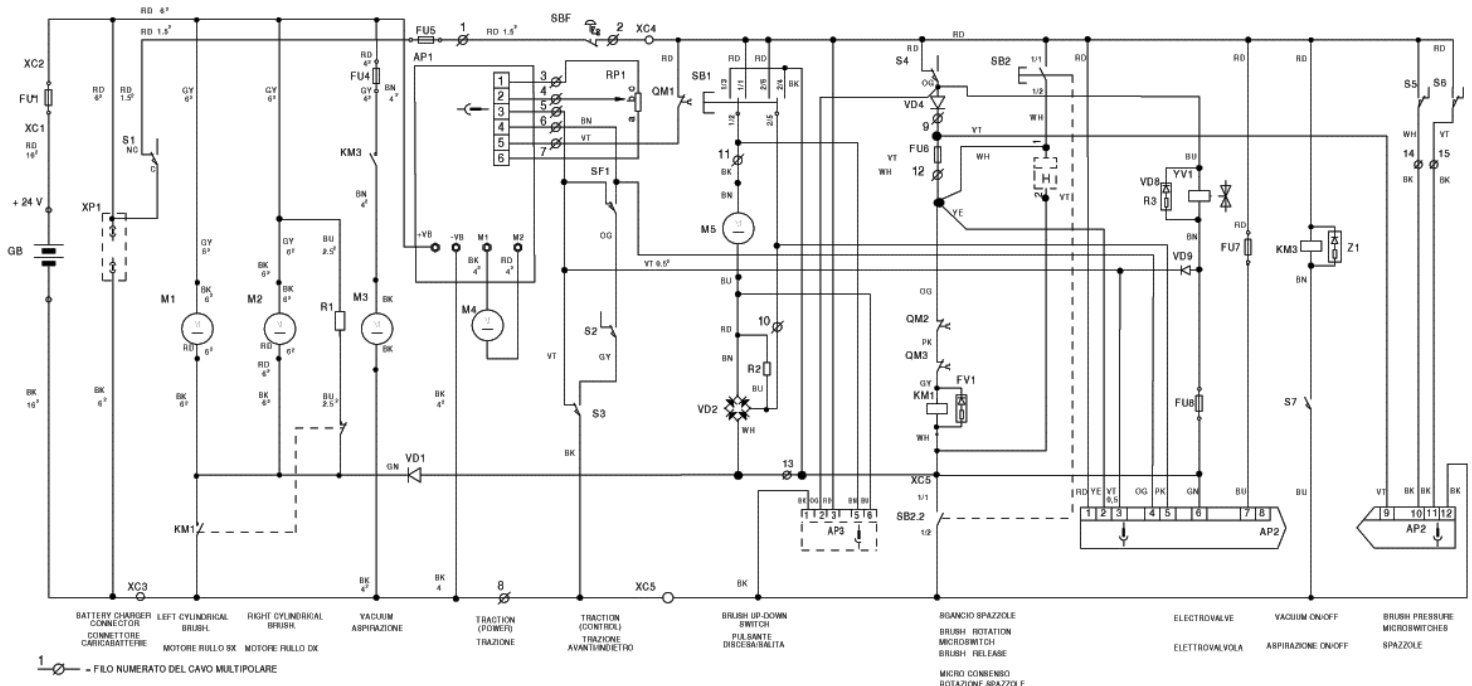
WIRING DIAGRAM

PLDC01436\_0

Ref.	K	Part N.	Customer Part N.	Description	Qty	Validity:		Price
						From	To	
AP1		MECE00336		GEARCASE TRAZ. 24V	1,00			--
AP2		MECE00345		BOARD LED INGR.POTENZ.+RESET	1,00			--
AP3		MECE00396		BOARD DI AUTORITENUTA	1,00			--

SCHEMATIC DIAGRAM

PLDC01436\_0



Ref.	K	Part N.	Customer Part N.	Description	Qty	Validity:		Price
						From	To	
AP1		MECE00336		GEARCASE TRAZ. 24V	1,00			--
AP2		MECE00345		BOARD LED INGR.POTENZ.+RESET	1,00			--
AP3		MECE00396		BOARD DI AUTORITENUTA	1,00			--



REF.	CODE	DESCRIPTION	BESCHREIBUNG	DESCRIPTION	DESCRIPCION	DESCRIZIONE
A1		CONTROL PANEL	INSTRUMENTENBRETT	TABLÉAU DE COMMANDE	CUADRO DE MANDO	PANNELLO COMANDI
A2		BODY WIRING DIAGRAM	SCHALTPLAN KÖRPER	SCHEMA ELECTRIQUE CORPS	ESQUEMA ELECTRICO CUERPO	CORPO MACCHINA
AP1	MECE00336	DRIVE CARD	ZENTRALE / KARTE	FICHE DE CONTROLE	CENTRALITA / TARJETA	CENTRALINA TRAZIONE
AP2	MECE00345	CARD	KARTE	FICHE	TARJETA	SCHEDA LED
AP3	MECE00396	CARD	KARTE	FICHE	TARJETA	SCHEDA AUTORITENUTA
FU1	MEVR01346	GENERAL FUSE	SICHERUNG	FUSE	FUSIBLE	FUSIBILE GENERALE 125A
FU4	MEVR01380	FUSE	SICHERUNG	FUSE	FUSIBLE	FUSIBILE 40A
FU5	MEVR01316	FUSE	SICHERUNG	FUSE	FUSIBLE	FUSIBILE 10A
FU9	MEVR01132	FUSE	SICHERUNG	FUSE	FUSIBLE	FUSIBILE 5A
FU7	MEVR01132	FUSE	SICHERUNG	FUSE	FUSIBLE	FUSIBILE 5A
FU8	MEVR01132	FUSE	SICHERUNG	FUSE	FUSIBLE	FUSIBILE 5A
FV1	MEC000313	DIODE	DIODE	DIODE	DIODO	DIODO (SOPPRESSORE)
FV2	MEC000313	DIODE	DIODE	DIODE	DIODO	DIODO (SOPPRESSORE)
GB		BATTERY	BÄTTERIE	BATTERIE	BATERIA	BATTERIA
H		HOUR COUNTER (OPTIONAL)	STUNDENZÄHLER (ZUBEHÖR)	COMPTE-HEURES (ACCESSOIRE)	CUENTAHORAS (ACCESORIO)	CONTATORE (ACCESSORIO)
KM1	MEV00056	REMOTE CONTROL SWITCH	FERNSCHALTER	TELE-INTERRUPTEUR	TELERRUPTOR	TELERUTTORE
KM3	MEV00056	REMOTE CONTROL SWITCH	FERNSCHALTER	TELE-INTERRUPTEUR	TELERRUPTOR	TELERUTTORE
M1	MOCC00236	LEFT BRUSH MOTOR	BURSTENMOTOR	MOTEUR DE LA BROUSSE	MOTOR DE LO CEPILLO	MOTORE SPAZZOLE SX
M2	MOCC00236	RIGHT BRUSH MOTOR	BURSTENMOTOR	MOTEUR DE LA BROUSSE	MOTOR DE LO CEPILLO	MOTORE SPAZZOLE DX
M3	MOCC00243	VACUUM MOTOR	SAUGMOTOR	MOTEUR	MOTOR DE ASPIRACION	MOTORE ASPIRAZIONE
M4	MOCC00235	DRIVE MOTOR	ANTRIEBSMOTOR	MOTEUR	MOTOR	MOTORE TRAZIONE
M5	MOCC00226	ACTUATOR MOTOR	MOTOR	MOTEUR	MOTOR	MOTORE ATTUATORE
QM1		THERMAL PROTECTION	THERMOSCHUTZ	PROTECTION THERMIQUE	PROTECCION TERMICA	TERMICO MOTORE SPAZZOLE SX
QM2		THERMAL PROTECTION	THERMOSCHUTZ	PROTECTION THERMIQUE	PROTECCION TERMICA	TERMICO MOTORE SPAZZOLE DX
QM4		THERMAL PROTECTION	THERMOSCHUTZ	PROTECTION THERMIQUE	PROTECCION TERMICA	TERMICO MOTORE TRAZIONE
R1	MECE00391	RESISTANCE	WIDERSTAND	RESISTANCE	RESISTENCIA	RESISTENZA 1 Ohm 25 W
R2	MECE00369	RESISTANCE	WIDERSTAND	RESISTANCE	RESISTENCIA	RESISTENZA 10 Ohm 50 W
R3	MECE00369	RESISTANCE	WIDERSTAND	RESISTANCE	RESISTENCIA	RESISTENZA 10 Ohm 12 W
RP1	MEVR01432	POTENTIOMETER	POTENTIOMETER	POTENTIOMETRE	POTENCIOMETRO	POTENZIOMETRO
S1	MEC000334	MICROSWITCH	MIKROSCHALTER	MICRO-INTERRUPTEUR	MICROINTERRUPTOR	MICRO CARICABATTERIE INSERITO
S2	MEC000333	MICROSWITCH	MIKROSCHALTER	MICRO-INTERRUPTEUR	MICROINTERRUPTOR	MICROINTER. MARCIA INDIETRO
S3	MEC000333	MICROSWITCH	MIKROSCHALTER	MICRO-INTERRUPTEUR	MICROINTERRUPTOR	MICROINTER. MARCIA AVANTI
S4	MEC000339	MICROSWITCH	MIKROSCHALTER	MICRO-INTERRUPTEUR	MICROINTERRUPTOR	MICROINTER. AGGANCIO SPAZZOLE
S5	MEC000303	MICROSWITCH	MIKROSCHALTER	MICRO-INTERRUPTEUR	MICROINTERRUPTOR	MICROINTERRUTTORE PRESSIONE 1
S6	MEC000303	MICROSWITCH	MIKROSCHALTER	MICRO-INTERRUPTEUR	MICROINTERRUPTOR	MICROINTERRUTTORE PRESSIONE 2
S7	MEC000349	MICROSWITCH	MIKROSCHALTER	MICRO-INTERRUPTEUR	MICROINTERRUPTOR	MICROINTERRUTTORE SQUEEGEE
SF1	MEC000393	MICROSWITCH	MIKROSCHALTER	MICRO-INTERRUPTEUR	MICROINTERRUPTOR	MICROINTER. ANTISCHIACCIAMENTO
SB1	MEC046638	PUSH-BUTTON	DRUCKKNOPF	POUSSOIR	PULSADOR	PULSANTE SALTATA DISCESA TESTATA
SB2	MEC000309	PUSH-BUTTON	DRUCKKNOPF	POUSSOIR	PULSADOR	PULSANTE SGANCIO SPAZZOLE
SBF		EMERGENCY BUTTON	NOTHALTTASTE	BOUTON ARRET D'URGENCE	BOTON DE EMERGENCIA	PULSANTE EMERGENZA
VD1	MEC002681	DIODE	DIODE	DIODE	DIODO	DIODO
VD2	MECE3787	BRIDGE JUMPER	BRÜCKE	PONT	PUNTE	PONTE A DIODI
VD3-4-5-6	MEC002681	DIODE	DIODE	DIODE	DIODO	DIODO
VD7-8	MEC002684	DIODE	DIODE	DIODE	DIODO	DIODO
XC1-2-3	MEVR01116	INSULATOR	ISOLIERER	ISOLATEUR	AISLADOR	SUPPORTO ISOLATO
XC4	MEVR01222	CLAMP	KLEBME	BORNE	SUJETADOR	MORBETTO
XP1	MEVR01079	CONNECTOR	VERBINDER	CONNECTEUR	CONNECTOR	CONNETTORE ROSSO 50A
XP10	MEVR01284	CONNECTOR	VERBINDER	CONNECTEUR	CONNECTOR	CONNETTORE STAGNO M. 2P CPL
XP11-12	MEVR01283	CONNECTOR	VERBINDER	CONNECTEUR	CONNECTOR	CONNETTORE STAGNO M. 2P CPL
XP13	MEVR01285	CONNECTOR	VERBINDER	CONNECTEUR	CONNECTOR	CONNETTORE STAGNO M. 3P CPL
XP2	MEVR01145	CONNECTOR	VERBINDER	CONNECTEUR	CONNECTOR	CONNETTORE MASCHIO 8 P.
XP3	MEVR01145	CONNECTOR	VERBINDER	CONNECTEUR	CONNECTOR	CONNETTORE MASCHIO 8 P.
XP4	MEVR01284	CONNECTOR	VERBINDER	CONNECTEUR	CONNECTOR	CONNETTORE STAGNO M. 2P CPL
XP5	MEVR01283	CONNECTOR	VERBINDER	CONNECTEUR	CONNECTOR	CONNETTORE STAGNO M. 2P CPL
XP6	MEVR01284	CONNECTOR	VERBINDER	CONNECTEUR	CONNECTOR	CONNETTORE STAGNO M. 2P CPL
XP7	MEVR01283	CONNECTOR	VERBINDER	CONNECTEUR	CONNECTOR	CONNETTORE STAGNO M. 2P CPL
XP8	MEVR01284	CONNECTOR	VERBINDER	CONNECTEUR	CONNECTOR	CONNETTORE STAGNO M. 2P CPL
XS10	MEVR01296	CONNECTOR	VERBINDER	CONNECTEUR	CONNECTOR	CONNETTORE STAGNO F. 2P CPL
XS11-12	MEVR01284	CONNECTOR	VERBINDER	CONNECTEUR	CONNECTOR	CONNETTORE STAGNO F. 2P CPL
XS13	MEVR01296	CONNECTOR	VERBINDER	CONNECTEUR	CONNECTOR	CONNETTORE STAGNO F. 3P CPL
XS14	MEC002276	CONNECTOR	VERBINDER	CONNECTEUR	CONNECTOR	CONNETTORE F. 8P
XS15	MEC002276	CONNECTOR	VERBINDER	CONNECTEUR	CONNECTOR	CONNETTORE F. 4P
XS2-3	MEVR01146	CONNECTOR	VERBINDER	CONNECTEUR	CONNECTOR	CONNETTORE FEMMINA 8 P.
XS4	MEVR01296	CONNECTOR	VERBINDER	CONNECTEUR	CONNECTOR	CONNETTORE STAGNO F. 3P CPL
XS5	MEVR01284	CONNECTOR	VERBINDER	CONNECTEUR	CONNECTOR	CONNETTORE STAGNO F. 2P CPL
XS6	MEVR01296	CONNECTOR	VERBINDER	CONNECTEUR	CONNECTOR	CONNETTORE STAGNO F. 2P CPL
XS7	MEVR01284	CONNECTOR	VERBINDER	CONNECTEUR	CONNECTOR	CONNETTORE STAGNO F. 2P CPL
XS9	MEVR01296	CONNECTOR	VERBINDER	CONNECTEUR	CONNECTOR	CONNETTORE STAGNO F. 2P CPL
VV1	MEV00015	ELECTROVALVE	ELEKTROVENTIL	SOUPAPE ELECTRIQUE	ELECTROVALVULA	ELETTRIVALVOLA

PLDC01436\_0

Ref.	K	Part N.	Customer Part N.	Description	Qty	Validity:		Price
						From	To	
AP1		MECE00336		GEARCASE TRAZ. 24V	1,00			--
AP2		MECE00345		BOARD LED INGR.POTENZ.+RESET	1,00			--
AP3		MECE00396		BOARD DI AUTORITENUTA	1,00			--