

# FACTORY CAT

## 2023 Series Scrubber

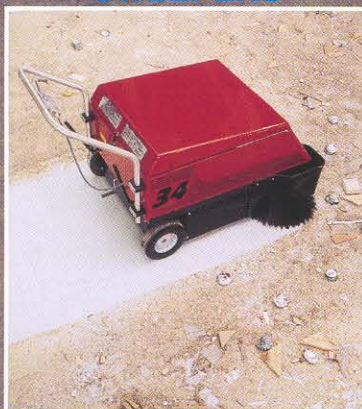


### FAMILY OF INDUSTRIAL CLEANING EQUIPMENT (21" - 48")

**AUTOMATICS**



**SWEEPERS**



**COMPACT RIDERS**



**LARGE RIDERS**





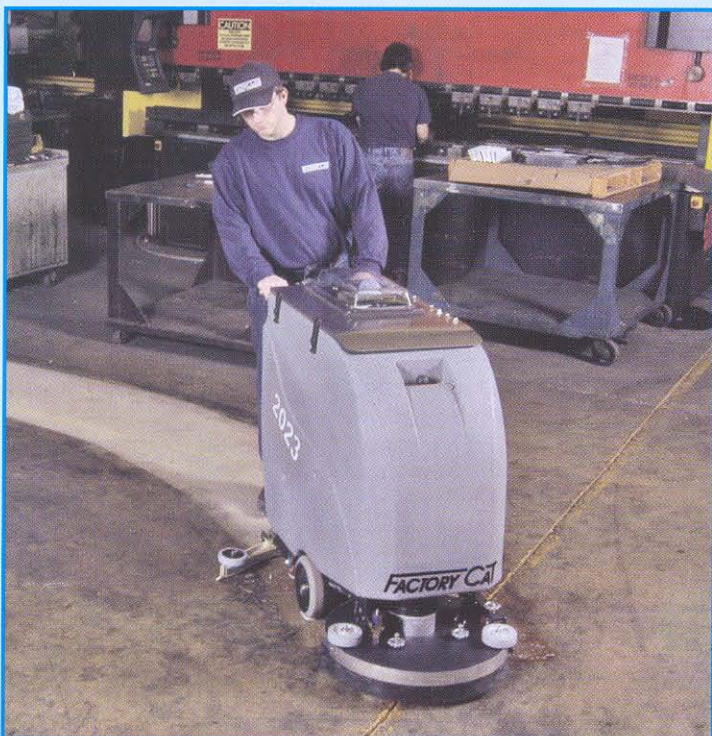
The **2023** is purposely built for the *Industrial* customer. It is ideally suited for machine shops, auto dealerships, and other congested areas with potential hazards. Those especially rough applications where operators are searching for a durable, simple, compact, but serious scrubber. Unlike competitors' cheap imported products, this **FACTORY CAT** is built with "Good Old American Know How" and the highest quality domestic components. You simply can't purchase a more productive or durable scrubber.

The **FACTORY CAT 2023** is available with the industry's largest battery package for superior run time, and in multiple scrub paths. With the optional 23" scrub head, the **FACTORY CAT** can increase your productivity. The deck is protected by a steel guard and the brush is gimbal-mounted, which improves cleaning on uneven floors.

The heavy steel construction, stainless fasteners, and corner rollers offer superb protection. Although the **2023** is built like a tank, your operators will enjoy the ease of steering, accessibility to maintenance items and highly maneuverable characteristics. These machines can easily pass through small doorways, down narrow aisles and around congested machining centers.

If you have any questions we would be happy to give you an opportunity to run the equipment in your facility.

**FREE DEMO (800) 634-4060**



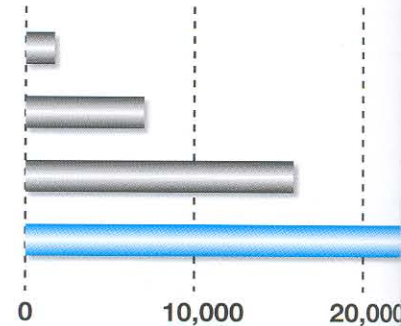
## Productivity Comparison (square feet/hour)

By Hand

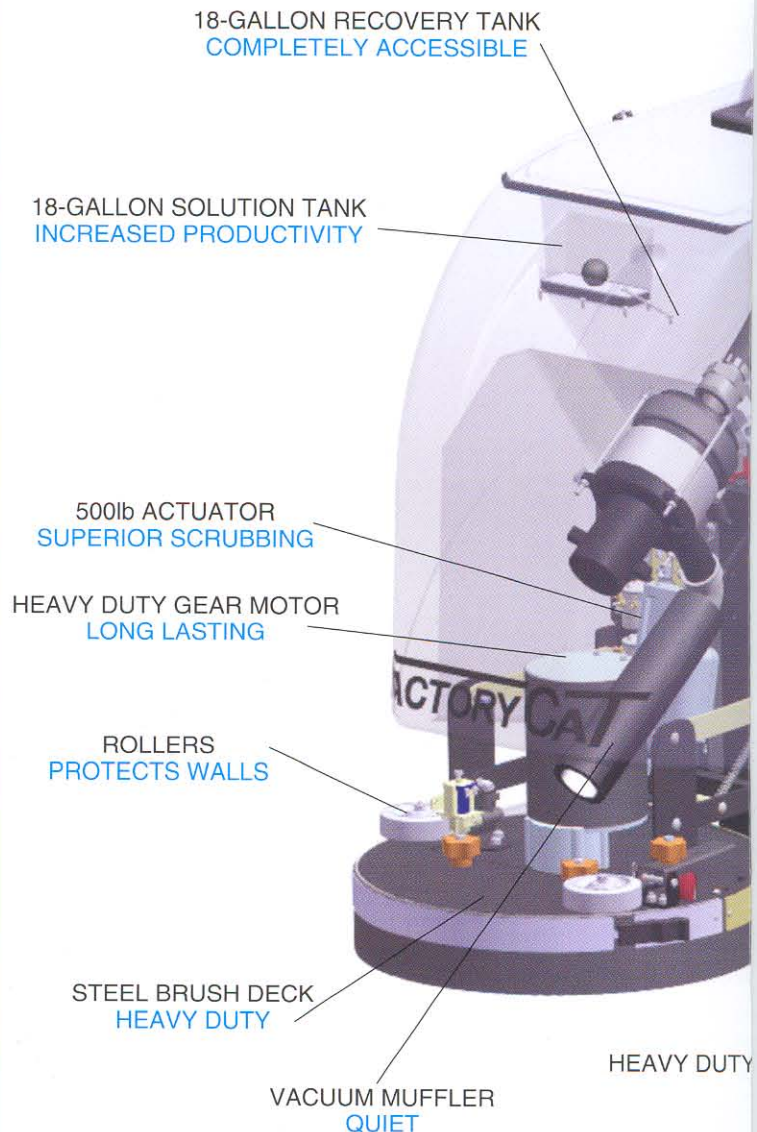
20" Electric

17" Battery

23" Factory Cat



## UNMATCHED E





## TANK TIPS BACK

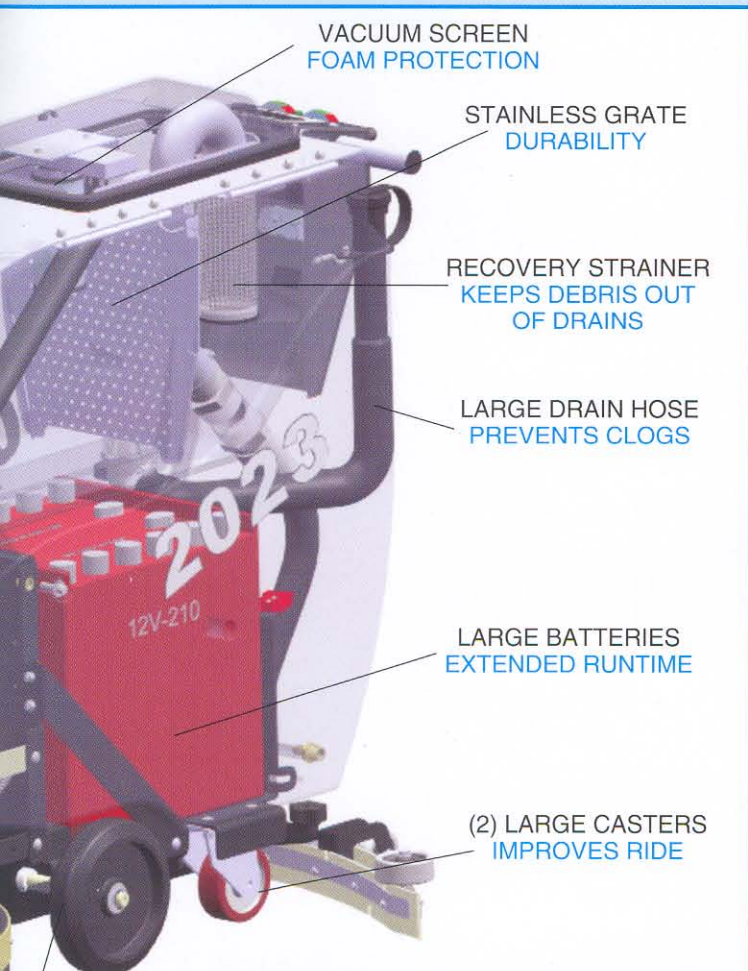


The **2023** comes standard with heavy duty tires and caster wheels for increased life expectancy while running in cutting oils, hydraulic fluids or other solvents. The tires are oversized for clearance on uneven floors and the machine's four point stance increases stability for safer operation. The scrubbing speed can be adjusted from 0-3 mph and over-sized motors provide superior cleaning.

**FACTORY CAT 2023s** are built to last with the axle, casters, scrub deck, squeegee linkage, and battery tray all bolting directly to a 3/16" steel frame. Our *Central Command* dashboard includes a Battery Gauge, Brush Pressure Indicator and Hour meter as standard equipment. Extra care was given to keep the machine's noise level low, and when properly equipped, the **2023** can clean over 75,000 sq. feet on a single charge.

**FREE DEMO (800) 634-4060**

## BUILD QUALITY



## DRAIN SAVER



Eliminates  
clogged floor  
drains

## RETURN ON INVESTMENT

AREA Sq. Ft.	TIME REQUIRED TO CLEAN		
	By Hand	Model 2023-23	Weekly Savings
10,000	7 hrs	0.5 hrs	\$ 220.00
25,000	17 hrs	1.0 hrs	\$ 550.00
75,000	50 hrs	3.0 hrs	\$1,650.00
100,000	70 hrs	4.0 hrs	\$2,200.00

TIRES



## SOLD THROUGH DISTRIBUTORS

**FACTORY CAT** continues to grow by providing tough machines, and with distributors who maintain a factory-trained service department and diverse rental fleet, which allow them to serve your needs into the future.

We offer a line of cleaning equipment that includes sweepers and scrubbers in both walk-behind and rider models. All **FACTORY CATS** are practical, rugged machines that are priced sensibly.

## GUARANTEED SERVICE

We guarantee to supply you with the spare parts you need within three work days – or they're yours free. This applies only to the 48 contiguous states, at the customer's special request, and to parts that can be shipped by courier.



**Manufactured By:**  
**R.P.S. Corporation**  
**P.O. Box 368**  
**Racine, Wisconsin 53401**  
**Phone: (800) 634-4060**  
**Fax: (866) 901-3335**  
**www.factorycat.com**

Copyright R.P.S. Corporation 2005. All rights reserved.  
Since our policy is one of constant improvement, all specifications are subject to change without notice.

## Model

**2023**

### Body Construction

Tank Construction:	3/8" (Poly)
Frame Construction:	3/16" (Steel)
Main Wheels:	(2) 9" dia. x 3"
Casters:	(2) 4" dia. x 2"
Dimensions (L x W x H):	48" x 18" x 40"
Width (squeegee):	32" or 35"
Weight (w/batteries):	406 pounds

### Brush/Pad System

#### Disk

Brush/Pad Size:	2023-20: (1) 20"
	2023-23: (1) 23"
Motor Power (standard):	(1) 0.75 hp
(optional):	(1) 1.0 hp
Motor Speed:	200-rpm
Brush Pressure:	0-150 pounds
Pressure Settings:	Fully Variable

### Battery System

Batteries (standard):	(2) 140 AH
Batteries (optional):	(2) 205 AH
Battery Run Time:	Up to 4 hours
Charger (110v/Automatic):	24 volt/18 amp

### Solution System

Solution Tank Capacity:	18 gallons
Solution Flow Rate:	0 - .75 gal/min.
Solution Filter:	Inline/Stainless

### Recovery System

Recovery Tank Capacity:	18 gallons
Vacuum Motor:	0.75 hp, 3-stage
Water Lift:	68"
Airflow (cubic feet/min):	72 cfm
Recovery Drain Hose:	2.0" diameter
Recovery Strainer:	60 cubic inches
Sound Level:	70 dba

### Productivity

Cleaning Width:	20" or 23"
Cleaning Rate/Hour:	22,491 sq. ft./hour

### Warranty

Tanks: 10 years / Parts: 3 years / Labor: 1 year

### Optional Equipment:

- Spray Hose Attachment
- Linatex Blades
- Key Switch
- Vacuum Wand Attachment
- Remote Scrub Wand
- Variety of Brushes/Pads

## AUTHORIZED DISTRIBUTOR