



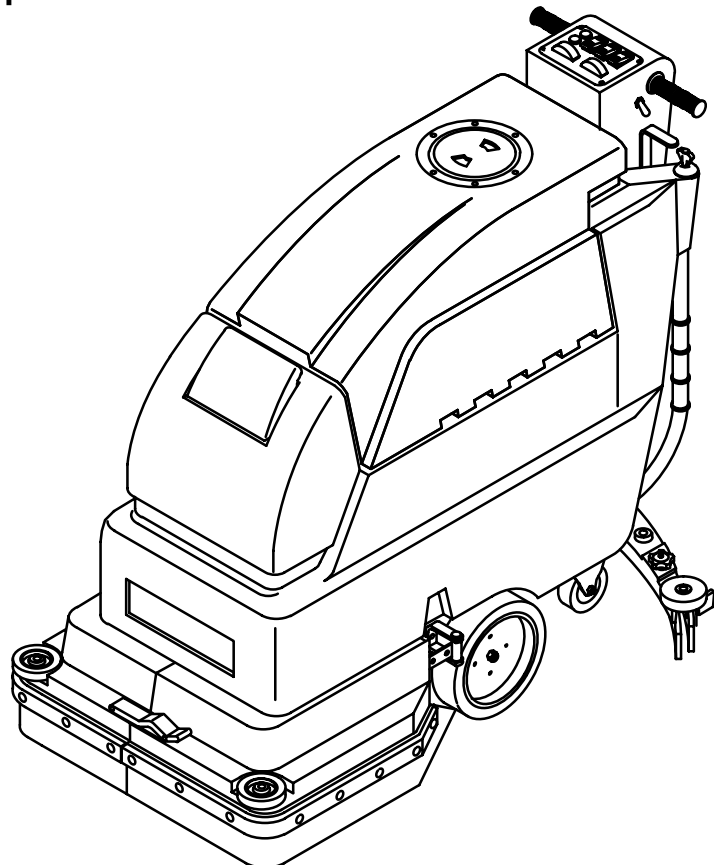
Speed Scrub™ 2401/2601

Automatic Scrubber
Fregadora Automática

Model No.:

- 613037 – 2401
- 613128 – 2401 Quick Ship Pack
- 613038 – 2601
- 613127 – 2601 Quick Ship Pack
- 613386 – 2401 FaST™ Quick Ship Pack
- 613385 – 2601 FaST™ Quick Ship Pack

**Operator and Parts Manual
Manual del Operador y Piezas**



NOBLES
12875 RANSOM STREET
HOLLAND MI 49424 U.S.A.

CUSTOMER SERVICE: 1-800-365-6625
FAX: 1-800-678-4240

612815
Rev. 02 (07-02)

OPERATION

This manual is furnished with each new model. It provides necessary operation and maintenance instructions and an illustrated parts list.

Read this manual completely and understand the machine before operating or servicing it.

When ordering replacement parts, use the parts list section in this manual. Before ordering parts or supplies, be sure to have your machine model number and serial number available. Parts and supplies may be ordered by phone or mail from any authorized Service Center or Distributor.

This machine will provide excellent service. However, the best results will be obtained at minimum costs if:

- The machine is operated with reasonable care.
- The machine is maintained regularly - per the machine maintenance instructions provided.
- The machine is maintained with manufacturer supplied or equivalent parts.

MACHINE DATA

Please fill out at time of installation for future reference.	
Model No.-	_____
Install. Date -	_____
Serial No.-	_____

©2002 Tennant Company Printed in U.S.A

Nobles and Speed Scrub are registered United States trademarks of Tennant Company. Specifications and parts are subject to change without notice.

FaST™ and ES™ are United States trademarks of Tennant Company.

TABLE OF CONTENTS (ESPAÑOL ÍNDICE....23)


SAFETY PRECAUTIONS	4	PARTS LIST	46
SAFETY LABELS	5	REPLACEMENT BRUSHES AND PAD	
MACHINE COMPONENTS	6	DRIVER GROUP	46
CONTROL PANEL SYMBOLS	7	SOLUTION TANK GROUP	48
MACHINE INSTALLATION	8	RECOVERY TANK GROUP	50
UNCRATING MACHINE	8	CONSOLE GROUP	52
INSTALLING BATTERIES	8	ELECTRICAL / BATTERY GROUP	54
MACHINE SETUP	8	DRIVE GROUP	56
ATTACHING SQUEEGEE ASSEMBLY	8	BRUSH DRIVE GROUP	58
INSTALLING BRUSH OR PAD DRIVERS ...	9	BRUSH SKIRT GROUP	60
INSTALLING FaST™ PAK AGENT (OPTION)	10	SOLUTION CONTROL GROUP	62
FILLING SOLUTION TANK	11	SQUEEGEE CONTROL GROUP	64
MACHINE OPERATION	11	SQUEEGEE ASSEMBLY GROUP	66
PRE-OPERATION CHECKS	11	OPTIONS	68
OPERATING MACHINE	11	ES™ KIT	68
OPERATING FaST™ SCRUB		FaST™ CONSOLE PANEL GROUP	70
SYSTEM(OPTION)	13	FaST™ SOLUTION GROUP	71
WHILE OPERATING MACHINE	13	SQUEEGEE WAND ASSEMBLY	73
STOPPING MACHINE	14	HOUR METER, EMERGENCY STOP,	
EMERGENCY STOPPING (OPTION)	14	KEYSWITCH AND LOW VOLTAGE KITS ...	74
CIRCUIT BREAKERS	14	CONVERSION KIT	75
DRAINING TANKS	15		
DRAINING RECOVERY TANK	15		
DRAINING SOLUTION TANK	15		
BATTERY CHARGING	15		
MACHINE MAINTENANCE	16		
DAILY MAINTENANCE	16		
WEEKLY MAINTENANCE	17		
MONTHLY MAINTENANCE	17		
QUARTERLY MAINTENANCE	17		
BATTERY MAINTENANCE	18		
TRANSPORTING MACHINE	18		
STORING MACHINE	18		
RECOMMENDED STOCK ITEMS	18		
TROUBLE SHOOTING	19		
SPECIFICATIONS	21		
ELECTRICAL DIAGRAMS	44		

SAFETY PRECAUTIONS

This machine is intended for commercial use only. It is designed exclusively to scrub hard floors in an indoor environment and is not constructed for any other use. Use only recommended pads, brushes and cleaning detergents.

All operators must read, understand and practice the following safety precautions.

The following warning alert symbol and the "FOR SAFETY" heading are used throughout this manual as indicated in their description:

 **WARNING:** To warn of hazards or unsafe practices which could result in severe personal injury or death.

FOR SAFETY: To identify actions which must be followed for safe operation of equipment.

Failure to follow these warnings may result in: personal injury, electrocution, electrical shock, fire or explosion.

 **WARNING:** Do Not Use Flammable Liquids Or Operate Machine In Or Near Flammable Liquids, Vapors Or Combustible Dusts.

 **WARNING:** Do Not Pick Up Flammable Materials Or Reactive Metals.

 **WARNING:** Keep Sparks And Open Flame Away. Keep Battery Hood Open When Charging.

 **WARNING:** Disconnect Battery Cables Before Servicing Machine.

The following information signals potentially dangerous conditions to the operator or equipment:

FOR SAFETY:

1. Do not operate machine:
 - Unless trained and authorized.
 - Unless operation manual is read and understood.
 - In flammable or explosive areas.
2. Before starting machine:
 - Make sure all safety devices are in place and operate properly.
3. When using machine:
 - Go slow on inclines and slippery surfaces.
 - Use care when reversing machine.
 - Do not carry riders on machine.
 - Report machine damage or faulty operation immediately.
 - Always follow mixing and handling instructions on chemical containers.
4. Before leaving or servicing machine:
 - Stop on level surface.
 - Turn off machine.
5. When servicing machine:
 - Avoid moving parts. Do not wear loose jackets, shirts, or sleeves.
 - Block machine tires before jacking machine up.
 - Use hoist or jack of adequate capacity to lift machine.
 - Disconnect battery connections before working on machine.
 - Wear protective gloves and safety glasses when handling batteries or battery cables.
 - Avoid contact with battery acid.
 - Use manufacturer supplied or approved replacement parts.

SAFETY LABELS

The safety labels appear on the machine in the locations indicated. Replace labels if they become damaged or illegible.

WARNING LABEL – LOCATED ON THE RECOVERY TANK.

! WARNING FOR SAFETY: READ THE OWNER'S MANUAL BEFORE USING MACHINE.

FAILURE TO FOLLOW THESE WARNINGS MAY RESULT IN: PERSONAL INJURY, ELECTROCUTION, ELECTRICAL SHOCK, FIRE OR EXPLOSION.

  Do Not Use Flammable Liquids Or Operate Machine In Or Near Flammable Liquids, Vapors Or Combustible Dusts.	  Keep Sparks And Open Flame Away. Keep Battery Hood Open When Charging.
  Do Not Pick Up Flammable Materials Or Reactive Metals.	  Disconnect Battery Cables Before Servicing Machine.

613287



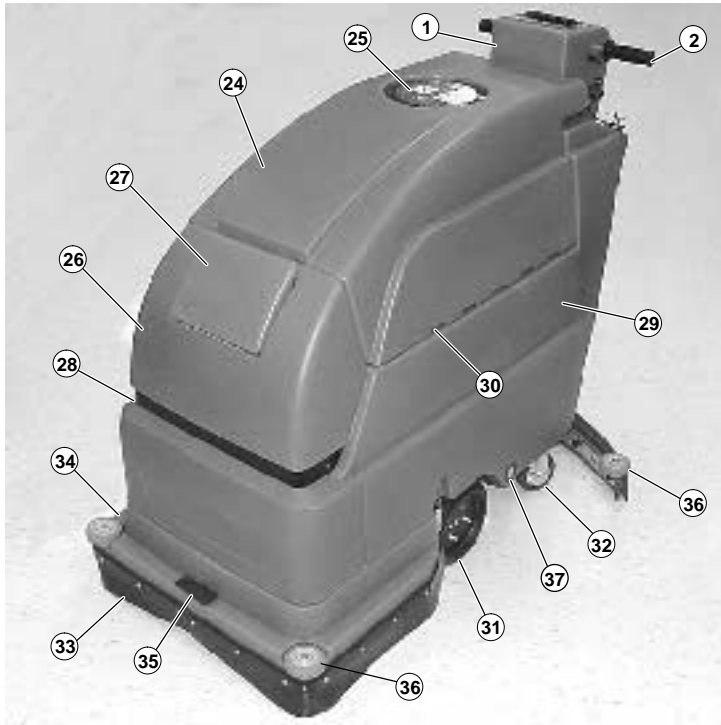
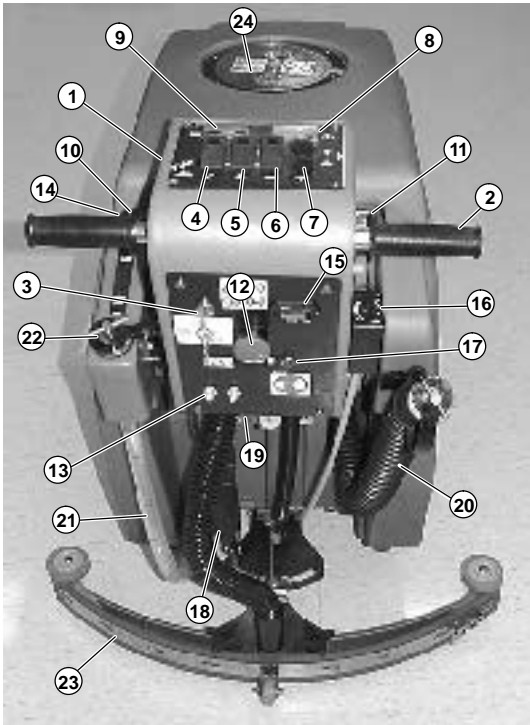
BATTERY CHARGE LABEL –
LOCATED IN BATTERY COMPARTMENT.

! WARNING: Keep sparks and open flame away. Keep battery hood open when charging.

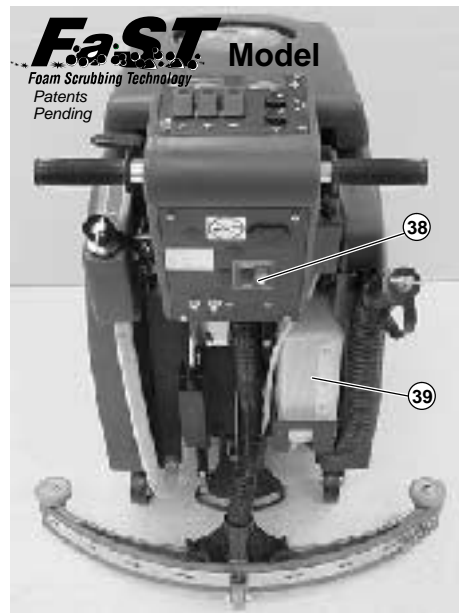


OPERATION

MACHINE COMPONENTS



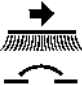



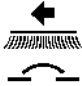


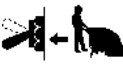





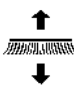





1. Control Console
2. Control Twist Grips
3. Key Switch (Optional)
4. Main ON/OFF Switch
5. Vacuum ON/OFF Switch
6. Brush/Solution ON/OFF Switch
7. Brush Pressure Switches
8. Brush Pressure Meter
9. Battery Meter
10. Reverse Switch
11. Speed Control Knob
12. Power Kill Button (Optional)
13. Main, Vac/Drive Circuit Breakers
14. Squeegee Lift Lever
15. Hour Meter (Optional)
16. Solution Flow Adjustment Knob
17. ES™ Switch (Optional)
18. Scrub Head Actuator
19. Adjustable Control Console Levers
20. Recovery Tank Drain Hose
21. Solution Tank Drain Hose
22. Rear Fill Port
23. Squeegee Assembly
24. Recovery Tank
25. Recovery Tank Lid
26. Solution Tank
27. Solution Tank Fill Door
28. Safety Lights
29. Battery Compartment
30. Charger Plug



31. Drive Wheels
32. Rear Casters
33. Brush Skirt
34. Skirt Housing
35. Skirt Housing Latch
36. Wall Rollers
37. Parking Brake (Optional)
38. FaST™ Scrub/Convention Scrub Switch (Option)
39. FaST™ PAK Dispensing System (Option)

CONTROL PANEL SYMBOLS

 Main Power	 Fast Speed	 Right Hand Brush Motor Circuit Breaker	 Read Manual Before Operating
 Vacuum	 Slow Speed	 Left Hand Brush Motor Circuit Breaker	 Solution Flow
 Brush	 Reverse	 Vacuum Motor Circuit Breaker	 Battery Charge Meter
 Less Brush Pressure	 Squeegee Up	 Main Power Circuit Breaker	 Brush Pressure Meter
 More Brush Pressure	 Squeegee Down	 FaST FaST System 10A Circuit Breaker (option)	

OPERATION

MACHINE INSTALLATION

UNCRATING MACHINE

Carefully check carton for signs of damage. Report any damage at once to carrier. Check carton contents to ensure all accessories are included. Squeegee is packaged with machine. Batteries, battery charger and pad driver(s) are packaged separately.

ATTENTION: Battery installation must be accomplished after removing machine from shipping crate.

To uncrate your machine, remove shipping straps and carefully lift or make a ramp using crate boards to remove machine from pallet.

ATTENTION: Do not roll machine off pallet, damage may occur.

INSTALLING BATTERIES

⚠ WARNING: Keep Sparks And Open Flame Away. Keep Battery Hood Open When Charging.

FOR SAFETY: When servicing machine, wear protective gloves and safety glasses when handling batteries and battery cables. Avoid contact with battery acid.

Battery Specifications:

Two 12 volt, deep cycle, 215 A hour batteries. Consult with an Authorized Distributor for specific batteries. Maximum battery dimensions are 178mm (7 in) W x 381mm (15 in) L x 356mm (14 in) H.

1. Turn all switches to the OFF position.
2. Carefully hinge open recovery tank to access battery compartment. Make sure recovery tank is empty before opening. Remove loose battery cables from compartment (*Figure 1*).



FIG. 1

3. Carefully install batteries into battery tray at bottom of compartment and arrange battery posts as shown (*Figure 2*).

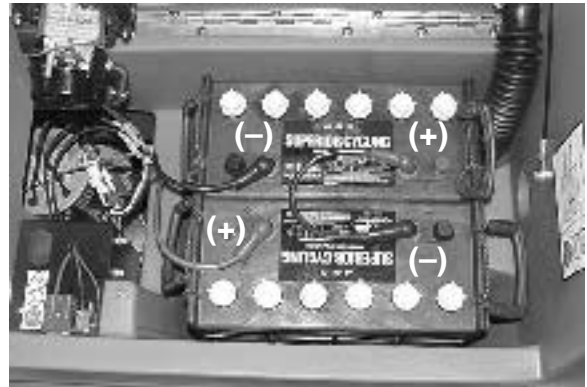


FIG. 2

ATTENTION: Do not drop batteries into compartment, battery and machine housing damage may result. This damage is not covered by warranty.

4. Connect battery cables to battery posts as shown (RED TO POSITIVE & BLACK TO NEGATIVE) (*Figure 2*).
5. Turn on the main switch and check battery meter charge level to ensure batteries are fully charged. Charge if necessary (*See BATTERY CHARGING*).

MACHINE SETUP

ATTACHING SQUEEGEE ASSEMBLY

1. Turn main switch to the off position.

FOR SAFETY: Before leaving or servicing machine, stop on level surface and turn off machine.

2. Raise squeegee mount bracket. Pull back on squeegee lift lever to raise squeegee mount bracket (*Figure 3*).



FIG. 3

- Loosen two thumb knobs on squeegee assembly and slide squeegee into slots on squeegee mount bracket (Figure 4).



FIG. 4

- Tighten thumb knobs securely.
- Connect vacuum hose from machine to squeegee assembly (Figure 5).

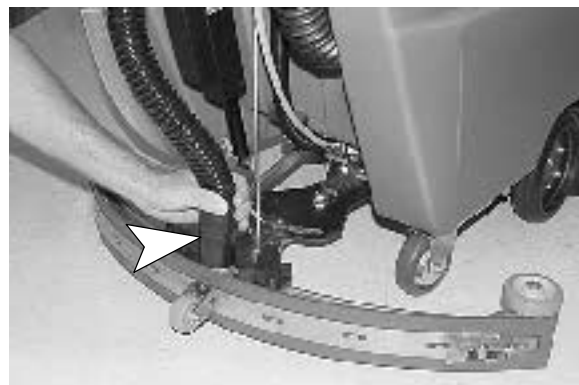


FIG. 5

INSTALLING BRUSH OR PAD DRIVERS

- Turn main switch to the on position.
- Make sure the scrub head is raised by turning off the brush switch (Figure 6).



FIG. 6

- Turn main switch to the off position.

FOR SAFETY: Before leaving or servicing machine, stop on level surface and turn off machine.

- Unfasten black latch at front of machine and hinge open skirt housing to access motor hub (Figure 7).



FIG. 7

- Select recommended pads or brushes that best meets your cleaning needs.

NOTE: Consult an authorized distributor for pad/brush recommendations.

- (For Pad Installation)** Attach pads to pad drivers before connecting drivers to motor hub. Secure pads with plastic centerlock ring (Figure 8).

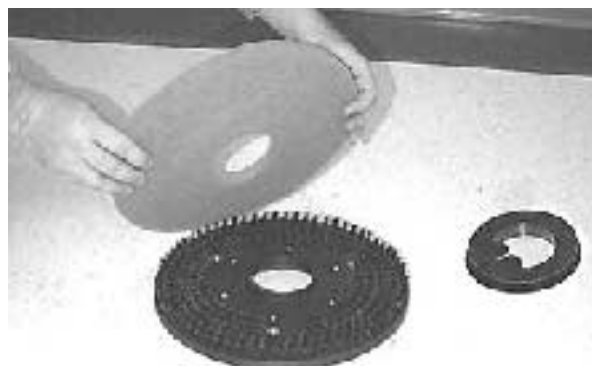


FIG. 8

OPERATION

- Align pad driver mounting studs with slots in motor hub. Give the driver a quick turn toward the motor hub spring clip. Be certain that spring clip locks into one of the studs before operating machine (Figure 9).

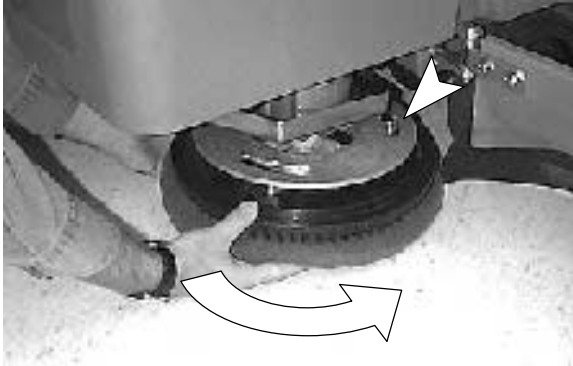


FIG. 9

NOTE: Always make sure pad drivers and motor hub surfaces are always clean before installing drivers. Clean surfaces will ease pad driver removal later.

- Close skirt housing and refasten latch.

INSTALLING FaST™ PAK AGENT (OPTION)

Machine must be equipped with the FaST™ Option.

- Remove the perforated knock-outs from the FaST™ PAK MP (Multi-purpose) Hard Floor Concentrate carton. Do not remove the bag from the carton. Pull out the bag's hose connector at the bottom of the bag and remove the orange hose cap from the connector (Figure 10).

ATTENTION: The FaST™ PAK MP Hard Floor Concentrate is specifically designed for the FaST™ system scrubbing application. NEVER use a substitute, machine damage will result.

FOR SAFETY: When using machine, always follow the handling instructions on chemical container.



FIG. 10

- Place the FaST™ PAK carton in the carton holder at the rear of the machine and connect the supply hose to the FaST™ PAK bag (Figure 11).



FIG. 11

NOTE: If any dried concentrate is visible on the supply hose connector or on the FaST™ PAK connector, soak and clean with warm water.

- Make sure to connect the supply hose onto the hose storing plug when not in use (Figure 12). This will prevent the FaST™ solution system from drying out and clogging up the supply hose.

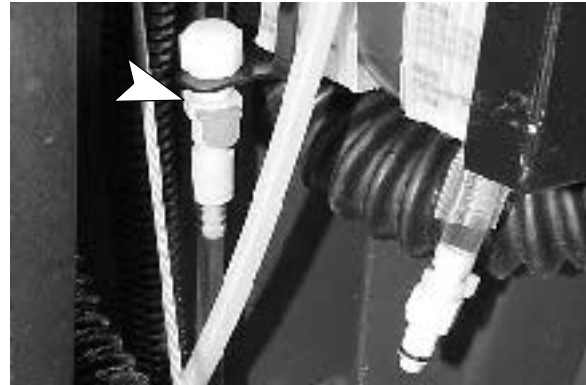


FIG. 12

- The FaST™ solution system MUST be primed for first time use. To prime system, make sure the solution tank is empty and operate the machine in the FaST™ Scrub Mode for 3 minutes (See MACHINE OPERATION). **This step is only required for first time FaST™ system use.**

FILLING SOLUTION TANK

ATTENTION: For Models equipped with the FaST™ Option. **USE CLEAR COOL WATER ONLY. DO NOT add cleaning agents in solution tank. Conventional cleaning agents/restorers may cause failure to the FaST™ solution system.**

1. Transport machine to filling station. Raise squeegee and brush when transporting.
2. Turn main switch to the off position.
3. Open solution fill door at front of machine and fill solution tank with 64L (17 gal) of clean water, 60°C (140°F) maximum temperature. Or use the rear fill port to fill solution tank. Twist off plug and insert hose to fill. The clear tube below the fill port has 19L (5 gal) increment markers to indicate amount of water in tank (Figure 13).



FIG. 13

NOTE: If filling with a bucket be certain that bucket is clean. This will prevent possible solution line clogs.

4. Add cleaning chemical. See proper dilution ratio instructions on bottle.

FOR SAFETY: When using machine, follow mixing and handling instructions on chemical containers.

ATTENTION: Use only recommended cleaning chemicals, DO NOT use substitutes. Consult an authorized distributor for recommendations.

⚠ WARNING: Do Not Use Flammable Liquids Or Operate Machine In Or Near Flammable Liquids, Vapors Or Combustible Dusts.

MACHINE OPERATION

FOR SAFETY: Do not operate machine unless operator manual is read and understood.

PRE-OPERATION CHECKS

- Sweep and dust mop floor to remove particles and other debris.
- Check battery meter charge level to ensure batteries are fully charged (See *BATTERY CHARGING*).
- Check condition of pads or brushes.
- Check condition of squeegee blades.
- FaST™ Scrub Mode (option): Make sure that the solution tank is filled with **clear cool water only**. All conventional cleaning agents/restorers must be drained and rinsed from solution tank. Check FaST™ PAK agent level, replace carton as needed.

OPERATING MACHINE

NOTE: If your machine is equipped with the FaST™ Option, refer to page 13 for additional operation procedures.

1. Release parking brake lever if equipped.
2. Adjust control grips to a comfortable operating height, squeeze together the two levers below the console (Figure 14).

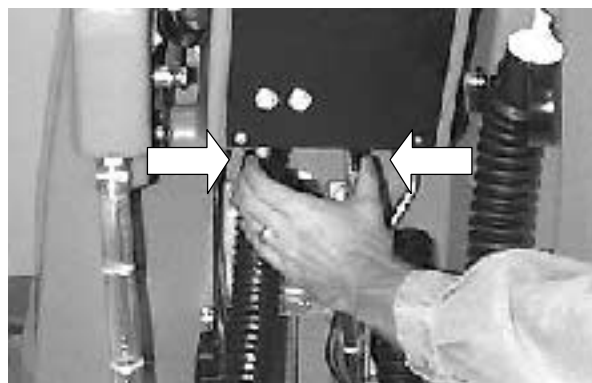


FIG. 14

OPERATION

3. Disengage squeegee lift lever from the up position and lower squeegee (Figure 15).

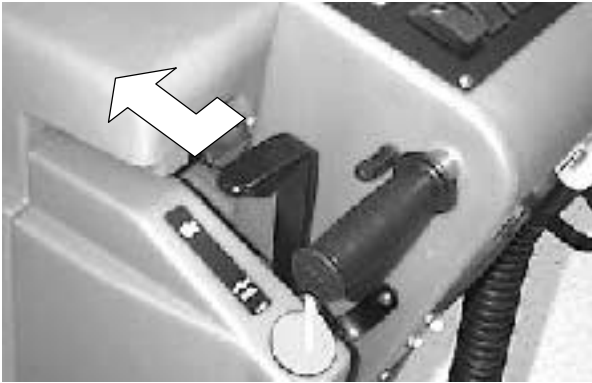


FIG. 15

4. Turn main switch to the on position.
5. Turn brush switch to the on position to lower scrub head to the floor (Figure 16).



FIG. 16

6. Turn vacuum switch to the on position.
- NOTE:** The brushes and solution flow will not start until control grips are rotated.
7. Before starting, turn speed control knob to slowest setting (Figure 17).
 8. Begin scrubbing by rotating control grips forward. Gradually increase your speed by turning speed control knob forward (Figure 17).



FIG. 17

9. Once machine begins to move, check the needle position of the brush pressure meter. Use the (2) pressure adjustment switches to adjust brush pressure. Never operate machine in the red zone (Figure 18).



FIG. 18

ATTENTION: To prevent floor damage and brush motor overload, do not operate brush pressure meter in red zone.

10. To operate machine in reverse, simply pull reverse switch backwards (one speed) (Figure 19).



FIG. 19

11. To stop machine, release control grips.

OPERATING FaST™ SCRUB SYSTEM (OPTION)

How the FaST™ System operates (Foam Scrubbing Technology). The FaST™ PAK concentrate agent is injected into the system with a mixture of a small amount water and compressed air. This mixture creates a large volume of expanded wet foam. The expanded foam mixture is then dispersed onto the floor while two scrubbing disks go to work. By the time the squeegee picks up the mixture, the patented foaming agent has collapsed and recovered into the recovery tank. By performing the FaST™ system application, you can increase your productivity rate by 30% by reducing your dump/fill cycle. You will also reduce your chemical usage and storage space. One FaST™ PAK of concentrated agent allows you to scrub up to 1 million sq. ft.

1. Make sure that the FaST™ PAK MP Hard Floor Concentrate carton is properly installed (See INSTALLING FaST™ PAK AGENT).
2. Make sure that the solution tank is filled with clear cool water only. DO NOT add conventional cleaning agents in solution tank. Conventional cleaning agents/restorers in the solution tank will result in premature FaST™ system failure.
3. Press the FaST™ Scrub/Conventional Scrub Switch toward the FaST™ Scrub mode position (Figure 20).

NOTE: To scrub with clear water only, simply press the FaST™ Scrub/Conventional Scrub Switch toward the Conventional Scrub mode position. This allows you to operate the machine in a rinsing application.



FIG. 20

4. Make sure that the main solution switch is in the ON position.

NOTE: The water flow rate from the solution tank is automatically regulated by the operation of the FaST™ system. The solution flow rate can not be adjusted by the Solution Control Adjustment Knob during the FaST™ Scrub mode.

5. Follow the standard MACHINE OPERATION instructions to begin scrubbing.

General Information: The FaST™ and ES™ options can not be equipped on the same machine.

WHILE OPERATING MACHINE

FOR SAFETY: When using machine, go slow on inclines and slippery surfaces.

⚠ WARNING: Do Not Use Flammable Liquids Or Operate Machine In Or Near Flammable Liquids, Vapors Or Combustible Dusts.

⚠ WARNING: Do Not Pick Up Flammable Materials Or Reactive Metals.

1. Observe amount of solution flow on floor. To increase or decrease water flow, adjust solution control knob (Figure 21).

NOTE: When scrubbing with the FaST™ Option, the solution flow knob is inactive.



FIG. 21

2. Periodically observe recovery tank for excessive foam. If excessive foam appears, pour a recommended foam control solution into recovery tank.

ATTENTION: Do not allow foam or water to enter float shut-off screen, vacuum motor damage will result. Foam will not activate float shut-off screen.

3. Always operate at a slower speed when scrubbing around walls or obstacles.
4. Always reduce speed to maintain control when turning machine.
5. If squeegee leaves streaks, raise and wipe blades with a cloth. Pre-sweep area to prevent streaking.
6. Overlap each pass by 51mm (2 in).
7. Change or turn over pads when worn.
8. Stay clear of floor obstructions, such as electrical plates or grates, they will destroy pads.
9. During brief stops, you do not have to turn off any switches, the brushes and solution flow will automatically stop when control grips are released.

OPERATION

10. Periodically check battery meter discharge level. When needle drops to the red zone, recharge batteries.

ATTENTION: Do not continue to run machine when battery meter needle is in the red zone, battery damage will result.

11. While cleaning, view clear tube at rear of machine for remaining cleaning solution. Each mark on hose indicates 19L (5 gal).
12. When solution tank runs dry, turn off brush switch, and continue to vacuum until all dirty water is consumed. Then drain recovery tank. (See *DRAINING TANKS*).

STOPPING MACHINE

1. Turn off brush switch, and continue to vacuum until all dirty water is consumed.
2. Release control grips.
3. Raise squeegee.
4. Turn off switches and remove key if equipped.
5. Set parking brake if equipped.

FOR SAFETY: Before leaving or servicing machine, stop on level surface, turn off machine, and set parking brake if equipped.

EMERGENCY STOPPING (OPTION)

To stop machine in case of an emergency, hit the red power kill button located at rear of control console. The power kill button immediately stops all power to machine (*Figure 22*).

To reset power kill button, shut off all switches and turn kill button to the right. Resume to normal operation.



FIG. 22

CIRCUIT BREAKERS

The Machine is equipped with (4) circuit breakers to protect machine from damage.

If circuit breakers should trip, the breakers will not reset immediately upon tripping. Determine reason why breaker tripped, allow motor to cool and reset.

Brush motor circuit breakers will trip due to excessive overload on pad. Reduce pad pressure or replace pad if breaker should trip.

The main and drive/vacuum circuit breakers are located at the rear of machine. The brush motor circuit breakers are located near the charging plug (*Figure 23*).

- 10A Main Circuit Breaker
- 35A Drive Motor/Vacuum Circuit Breaker
- 30A Brush Motor Circuit Breaker (2)
- 10A FaST™ System (Option)



FIG. 23

DRAINING TANKS

FOR SAFETY: Before leaving or servicing machine, stop on level surface and turn off machine.

DRAINING RECOVERY TANK

When finished scrubbing or when refilling solution tank, recovery tank should be drained and cleaned.

ATTENTION: If recovery tank is not drained before refilling, foam or water will enter float shut-off screen and vacuum motor damage will result.

1. Remove drain hose from holder, position hose over floor drain and twist off drain hose plug. To completely drain recovery tank, hinge open tank and flip up tank support stand to rest tank on (Figure 24).

NOTE: If using a bucket to drain machine, do not use same bucket for filling solution tank. This will prevent possible solution line clogs.



FIG. 24

2. Clean recovery tank after each use. Use a hose to rinse out tank. Be careful not to spray water into float shut-off screen.
3. Replace drain hose plug tightly after draining.

DRAINING SOLUTION TANK

To drain leftover cleaning solution from solution tank, perform the following steps:

1. Pull clear hose off hose barb at rear of machine and drain solution into floor drain or bucket (Figure 25).



FIG. 25

2. Rinse out solution tank and solution flow system with clean water after each use. This will prevent clogging due to chemical buildup.
3. Reconnect solution tank drain hose securely after draining.

BATTERY CHARGING

NOTE: Recharge batteries ONLY after a total of 30 minutes of use or more. This will prolong battery life.

The following charging instructions are intended for chargers supplied with machine. Only use a charger with the following specifications to prevent battery damage.

CHARGER SPECIFICATIONS:

- OUTPUT VOLTAGE - 24 VOLTS
- OUTPUT CURRENT - 25 AMPS MAXIMUM
- AUTOMATIC SHUTOFF CIRCUIT
- FOR DEEP CYCLE BATTERY CHARGING

NOTE: For optimum machine operation, keep batteries charged at all times. Never let batteries set in a discharge condition.

⚠ WARNING: Keep Sparks And Open Flame Away. Keep Battery Hood Open When Charging.

FOR SAFETY: When servicing machine, wear protective gloves and safety glasses when handling batteries and battery cables. Avoid contact with battery acid.

1. Transport machine to a well-ventilated area for charging.
2. Turn main switch to the off position.

OPERATION

- Hinge open recovery tank to access batteries. Make sure recovery tank is empty before opening (Figure 26).



FIG. 26

- Check fluid level (A) in each battery cell. Do not charge batteries unless fluid is slightly covering battery plates (B). If needed, add just enough distilled water to slightly cover plates. DO NOT overfill. Batteries can overflow during charging due to expansion. Replace cell caps before charging (Figure 27).

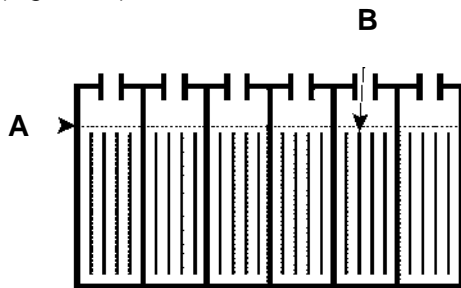


FIG. 27

- Plug charger DC output connector to battery connector located near battery compartment. Flip up tank support stand and rest tank on stand (Figure 28).



FIG. 28

NOTE: Once charger is connected to machine, machine becomes inoperable.

- Plug charger power supply cord into a grounded wall outlet (Figure 29).

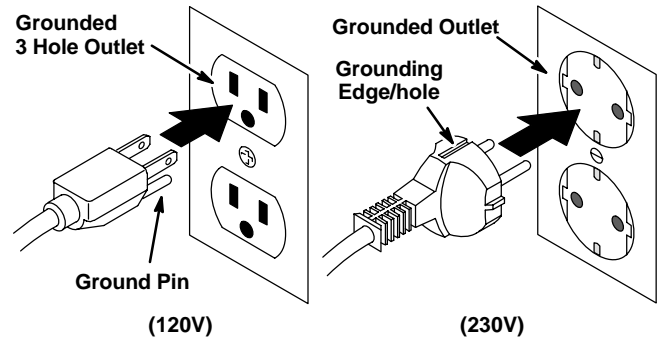


FIG. 29

- Charger will automatically begin charging and automatically shut off when fully charged.
- When disconnecting charger, always unplug charger from wall outlet first.
- Recheck battery fluid level after charging. If needed, add distilled water to bring level to bottom of sight tubes. Be certain to replace cell caps securely and to wipe off the top of batteries with a clean cloth.

MACHINE MAINTENANCE

To keep machine in good working condition, simply follow the daily, weekly and monthly maintenance procedures.

FOR SAFETY: Before leaving or servicing machine, stop on level surface and turn off machine.

⚠ WARNING: Disconnect Battery Cables Before Servicing Machine.

ATTENTION: Contact an Authorized Service Center for machine repairs. Machine repairs performed by other than an authorized person will void your warranty.

DAILY MAINTENANCE (Every 4 Hours of Operation)

- Remove and clean pads/brushes. Never use soiled pads when cleaning. Replace pads when they become loaded with residue.
- Remove and clean lint from float shut-off screen located in recovery tank (Figure 30).



FIG. 30

3. Drain and rinse tanks thoroughly. After draining tanks, hinge recovery tank until you can see vacuum intake hole at rear of tank. Remove any debris in hole if necessary.
4. FaST™ Model Only: When FaST™ PAK carton is not installed on machine, make sure the supply hose is connected the hose storing plug. This will prevent the FaST™ solution system from drying out and clogging up (Figure 31). If any dried concentrate is visible on the FaST™ PAK connector or supply hose connector, soak in warm water to remove.



FIG. 31

5. Raise squeegee and wipe it off with a dry cloth. Store squeegee in the up position to prevent squeegee damage.
6. Clean machine housing with a nonabrasive, nonsolvent cleaner.

ATTENTION: Do not power spray or hose off machine. Electrical component damage may result.

7. Recharge batteries if needed.

WEEKLY MAINTENANCE (Every 20 Hours of Operation)

1. Flush out tanks and solution lines. Pour 750ml (24 oz) of an acetic acid solution with 11.3L (3 gal) of hot water, 60°C (140°F) max., into solution tank. Over a floor drain, activate solution flow briefly to fill solution line. Shut off power and let machine set over night. Rinse with clean water afterwards.

FOR SAFETY: When using machine, follow mixing and handling instructions on chemical containers.

2. Remove inline strainer filter and rinse out. Before removing filter, be certain solution tank is empty. Filter is located under machine at rear (Figure 32).

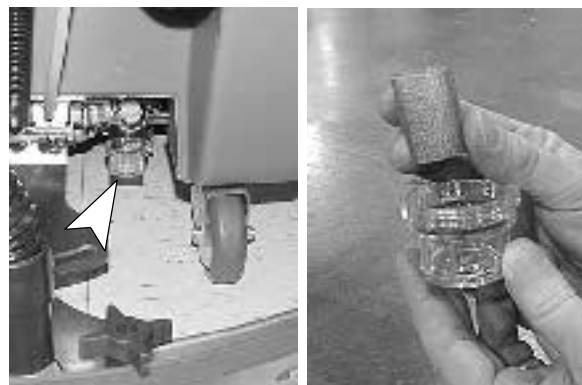


FIG. 32

3. Check fluid level in battery cells (See *BATTERY MAINTENANCE*).
4. Clean battery tops with to prevent corrosion (See *BATTERY MAINTENANCE*).
5. Check for loose or corroded battery cables.

MONTHLY MAINTENANCE (Every 80 Hours of Operation)

1. Lubricate caster grease fittings with a water resistant grease.
2. Lubricate all linkage pivot points with silicone spray then coat with a water resistant grease to maintain a smooth operation.
3. Check machine for water leaks and loose nuts and bolts.

QUARTERLY MAINTENANCE (Every 250 Hours of Operation)

Check drive, vacuum and brush motors for carbon brush wear, replace brushes if worn to a length of 10mm (0.38 in) or less.

OPERATION

BATTERY MAINTENANCE

⚠ WARNING: Keep sparks and open flame away. Keep battery compartment open when charging.

FOR SAFETY: When servicing machine, wear protective gloves when handling batteries and battery cables. Avoid contact with battery acid.

1. Always follow proper charging instructions (See *BATTERY CHARGING*).
2. After charging, check fluid level (A) in each battery cell of all batteries. The level should reach bottom of sight tubes (B). If needed, add just enough distilled water to reach bottom of sight tubes. **DO NOT overfill** (Figure 33).

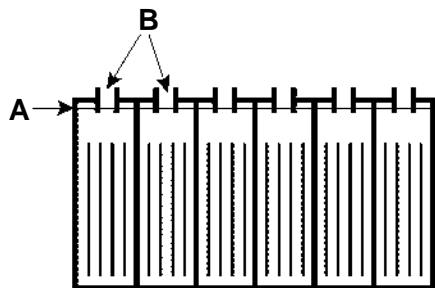


FIG. 33

3. Keep battery tops and terminals clean and dry. To clean batteries:
 - a. Mix a strong solution of baking soda and water.
 - b. Brush solution sparingly over battery tops, terminal and cable connectors.

NOTE: Do not allow baking soda solution to enter battery cells.

- c. Use wire brush to clean terminal post and cable connections.
 - d. After cleaning, apply a coating of clear battery post protectant to terminals and cable connections.
4. Check for loose or worn cables. Replace if worn.

TRANSPORTING MACHINE

When transporting machine by use of trailer or truck, be certain to follow tie-down procedures below:

FOR SAFETY: When using machine, go slow on inclines and slippery surfaces.

1. Remove squeegee from machine and raise scrub head. Leave pad or brush installed.
2. Load machine using a recommended loading ramp.

3. Position front of machine up against front of trailer or truck. Once machine is positioned, lower brush head.
4. Place a block behind the drive wheel and the rear casters.
5. Place tie-down straps over top of machine and secure straps to floor. It may be necessary to install tie-down brackets to the floor of your trailer or truck.

STORING MACHINE

1. Before storing machine, be certain to flush tanks and drain machine of all water.
2. Store machine in a dry area with squeegee removed and pad driver in the raised position.
3. Remove recovery lid to promote air circulation.
4. When storing machine, raise pad scrub head and squeegee off floor to prevent damage.

ATTENTION: If storing machine in freezing temperatures, be certain to drain machine of all water. Damage due to freezing temperatures is not covered by warranty.

ATTENTION: Do not expose machine to rain; store indoors.

RECOMMENDED STOCK ITEMS

Refer to Parts List section for recommended stock items. Stock items are clearly identified with a bullet preceding the parts description. See example below:

Qty	Part No.	Description	Qty
1	20110	WHEEL TIRE	1
2	10310	BULB, HALOGEN	1
3	20110	WHEEL	1
4	10311	BULB	1
5	21210	NUT, FLANGED	1

TROUBLE SHOOTING

PROBLEM	CAUSE	SOLUTION
No power.	Faulty main switch.	Contact Service Center.
	Batteries need charging.	See CHARGING BATTERIES.
	Faulty battery(s).	Replace battery(s).
	Loose battery cable.	Tighten loose cable.
	MAIN circuit breaker has tripped.	Determine cause and reset circuit breaker button.
Brush motors do not operate.	Brush switch is not on.	Turn on brush switch.
	Control grips are not rotated.	Rotate control grips.
	Brush circuit breaker(s) has tripped.	Clean or replace pad or brush and reset brush circuit breaker button.
	Faulty brush motor or wiring.	Contact Service Center.
	Carbon brushes worn.	Contact Service Center.
	Faulty brush switch or solenoid.	Contact Service Center.
Vacuum motor does not operate.	Faulty vacuum switch.	Contact Service Center.
	Vacuum circuit breaker has tripped.	Remove obstruction and reset breaker.
	Faulty vacuum motor or wiring.	Contact Service Center.
	Carbon brushes worn.	Contact Service Center.
Drive motor does not operate.	Drive motor circuit breaker has tripped.	Determine cause and reset breaker.
	Faulty speed control circuit board or connection.	Contact Service Center.
	Faulty solenoid.	Contact Service Center.
	Faulty drive motor.	Contact Service Center.
	Faulty wiring.	Contact Service Center.
	Worn carbon brushes.	Contact Service Center.
Drive motor operates improperly.	Faulty potentiometer or speed control board.	Contact Service Center.
	Loose wire connection	Contact Service Center.
Little or no solution flow.	Solution flow adjustment knob needs adjusting.	Turn solution flow knob clockwise to increase flow.
	Solution line or solution tank filter is clogged.	Remove hose and blow compressed air through it. Flush solution tank after each use.
	Solution valve or solenoid is clogged.	Remove valve or solenoid and clean. Do not scratch inside of valve.
	Faulty solution switch or solenoid.	Contact Service Center.
	Loose set screw on solution knob.	Calibrate knob and retighten screw.
Short run time.	Batteries not fully charged.	Charge batteries.
	Bad cell in one or more batteries.	Replace battery.
	Batteries need maintenance.	See BATTERY MAINTENANCE.
	Faulty charger.	Replace battery charger.

OPERATION

TROUBLE SHOOTING –continued

PROBLEM	CAUSE	SOLUTION
Poor water pick up.	Recovery tank is full.	Empty recovery tank.
	Ball float shut-off screen inside recovery tank is clogged.	Remove screen and clean.
	Squeegee is clogged with debris.	Clean squeegee.
	Squeegee blades are worn.	Replace squeegee blades.
	Squeegee thumbscrews are loose.	Tighten thumbscrews.
	Vacuum hose connections are loose or hose has a hole.	Push hose cuffs firmly on connections. Replace hose if damaged.
	Vacuum hose is clogged with debris.	Remove clogged debris.
	Recovery tank inlet hole is obstructed.	Empty recovery tank and tilt tank sideways to access inlet hole, remove obstruction.
	Tank gasket is defective.	Replace gasket.
	Drain hose plug is loose.	Tighten drain plug.
	Recovery tank lid is loose.	Tighten lid.
	Vacuum motor is loose.	Contact Service Center.
	Battery charge level is low.	Charge batteries. Do not run machine when battery meter is in the red zone.
Safety lights do not work.	Flasher is burned out.	Contact Service Center.
FaST™ System Option does not operate.	Solution switch is not activated.	Turn on solution switch.
	Scrub Mode switch is not selected on FaST™ Scrub.	Select FaST Scrub Mode.
	FaST™ circuit breaker has tripped.	Determine cause and reset the 10A circuit breaker button.
	Clogged FaST™ PAK supply hose and/or connectors.	Soak connector and hose in warm water and clean.
	FaST™ PAK carton is empty or not connected.	Replace FaST™ PAK carton and/or connect supply hose.
	Clogged flow control orifice.	Remove orifice, clean and reinstall (refer to parts list diagram).
	Faulty scrub mode switch.	Contact Service Center.
	Faulty pump or air compressor.	Contact Service Center.
	Clogged solution tank filter.	Drain solution tank. remove solution tank filter, clean and reinstall.

SPECIFICATIONS

MODEL	SPEED SCRUB™ 2401	SPEED SCRUB™ 2601
LENGTH	1270 mm (50 in)	1270 mm (50 in)
WIDTH	660 mm (26 in)	711mm (28 in)
HEIGHT	990 mm (39 in)	990 mm (39 in)
WEIGHT	170 kg (375lb)/272 Kg (600lb) with batteries	170 kg (375lb)/272 Kg (600lb) with batteries
SOL./REC TANK CAPACITY	64 L (17 Gal)	64 L (17 Gal)
SPEED CONTROL	Variable Fwd. / Fixed Rev.	Variable Fwd. / Fixed Rev.
CLEANING SPEED (MAX)	2229.6m ² (24,000 sq ft) per hour	2415.4m ² (26,000 sq ft) per hour
CLEANING PATH WIDTH	587 mm (23.123 in)	638 mm (25.13 in)
PAD DIAMETER	2 – 305mm (12 in)	2 – 330mm (13 in)
PAD PRESSURE	Variable 36–68Kg (80–150lb)	Variable 36–68Kg (80–150lb)
SQUEEGEE WIDTH	839mm (33 in)	839mm (33 in)
DRIVE SYSTEM	Transaxle, .2 h.p., 24V	Transaxle, .2 h.p., 24V
BRUSH MOTOR	2 – .75 h.p., 220 rpm, 24V, 20A, 550W	2 – .75 h.p., 220 rpm, 24V, 20A, 550W
VACUUM MOTOR	.75 h.p., 3–stage 5.7, 24V, 21A, 550W	.75 h.p., 3–stage 5.7, 24V, 21A, 550W
WATER LIFT	1727 mm (68 in)	1727 mm (68 in)
BATTERIES	2–12V, 215AH	2–12V, 215AH
RUN TIME PER CHARGE	Up to 4 3/4 hours	Up to 4 3/4 hours
DECIBEL RATING AT OPERATOR'S EAR, INDOORS ON TILE.	75 dB(A)	75 dB(A)

FaST™ SYSTEM (OPTION)	
SOLUTION PUMP	24 Volt DC, 3.5 A, 1.5 GPM open flow, 45 psi bypass setting
SOLUTION FLOW RATE	0.57 LPM (0.15 GPM)
DETERGENT PUMP	24 Volt, 24 Watts
CONCENTRATE FLOW RATE	0.55 CC/Minute (0.02 Ounces/Minute)
CONCENTRATE TO WATER DILUTION RATIO	1:1000
AIR COMPRESSOR	24 Volt DC, 0.6 Maximum Amp draw
AIR COMPRESSOR FLOW RATE	8.7 LPM (0.3 CFM) open flow

OPERACIÓN

Este manual acompaña a todos los modelos estándar nuevos. En él se indican las instrucciones necesarias para la utilización y el mantenimiento de la máquina.

Lea el manual entero para comprender el funcionamiento de la máquina antes de utilizarla o revisarla.

Esta máquina le proporcionará un servicio excelente. Sin embargo, obtendrá los mejores resultados al coste mínimo si:

- Utiliza la máquina con un cuidado razonable.
- Revisa la máquina periódicamente - según las instrucciones de mantenimiento adjuntas.
- Realiza el mantenimiento de la máquina con piezas repuesto del fabricante suministradas por o equivalentes.

DATOS DE LA MÁQUINA

Sírvase llenar los datos en el momento de la preparación para referencia en el futuro.

Modelo No.: _____

Fecha de preparacion: _____

Nº de serie: _____

ÍNDICE


MEDIDAS DE SEGURIDAD	24	LOCALIZACIÓN DE AVERÍAS	40
ETIQUETAS DE SEGURIDAD	25	ESPECIFICACIONES	43
COMPONENTES ESTÁNDAR DE LA MÁQUINA	26	DIAGRAMAS ELECTRICAS	44
SÍMBOLOS DEL PANEL DE CONTROL	27	LISTA DE PIEZAS	46
INSTALACIÓN DE LA MÁQUINA	28	CEPILLO DEL REEMPLAZO Y GRUPO	
DESEMBALADO DE LA MÁQUINA	28	DEL MANDO DE LA ALMOHADILLA	46
INSTALACIÓN DE LAS BATERÍAS	28	GRUPE DEL DEPÓSITO DE DISOLUCIÓN .	48
PREPARACIÓN DE LA MÁQUINA	29	CONJUNTO DEPOSITO RECUPERAR	50
FIJACIÓN DEL CONJUNTO DE LA		CONJUNTO CONSOLA DE CONTROLES ..	52
ESCOBILLA DE GOMA	29	GRUPO DEL ELÉCTRICO/BATERÍA	54
INSTALACIÓN DE LOS IMPULSORES DEL		GRUPO DE TRANSMISIÓN	56
CEPILLO O LA ALMOHADILLA	29	CONJUNTO IMPULSO DE CEPILLO	58
INSTALACION DEL AGENTE FaST™ PAK		CONJUNTO JUEGO DE CEPILLO	60
(OPCION)	30	CONJUNTO DE PALANCAS SOLUCIÓN ...	62
LLENADO DEL DEPÓSITO DE		CONJUNTO DE PALETA PLANCAS	64
LA DISOLUCIÓN	31	CONJUNTO PALETA	66
FUNCIONAMIENTO DE LA MÁQUINA	32	OPCIONES	68
COMPROBACIONES PREVIAS A LA PUESTA		ES™ JUEGO	68
EN FUNCIONAMIENTO	32	FaST™ GRUPO DE SOLUCIÓN	70
OPERATING MACHINE	32	FaST™ GRUPO DEL PANEL DE	
OPERACION DEL SISTEMA		LA CONSOLA	72
LIMPIADOR FaST™ (OPCION)	33	GRUPE D'ASPIRATION ET	
AL UTILIZAR LA MÁQUINA	34	RACLETTE À MAIN	73
PARADA DE LA MÁQUINA	34	MEDIDOR DE HORA, BOTÓN DE	
PARADA DE EMERGENCIA (OPCIÓN)	34	EMERGENCIA, INTERRUPTOR DE	
CORTACIRCUITOS	35	LLAVE, HERRAMIENTAS DE BAJO	
VACIADO DE LOS DEPÓSITOS	35	VOLTAGE	74
VACIADO DEL DEPÓSITO DE		JUEGO DE CONVERSIÓN	75
RECUPERACIÓN	35		
VACIADO DEL DEPÓSITO DE LA			
DISOLUCIÓN	36		
CARGA DE LA BATERÍA	36		
MANTENIMIENTO DE MAQUINA	37		
MANTENIMIENTO DIARIO	37		
MANTENIMIENTO SEMANAL	38		
MANTENIMIENTO MENSUAL	38		
MANTENIMIENTO TRIMESTRAL	38		
MANTENIMIENTO DE LA BATERÍA	39		
TRANSPORTE DE LA MÁQUINA	39		
ALMACENAMIENTO DE LA MÁQUINA	39		
RECOMENDACIONES PARA EL			
ALMACENAMIENTO	40		

MEDIDAS DE SEGURIDAD

Esta máquina está destinada solamente al uso comercial. Está diseñada exclusivamente para limpiar pisos duros en un ambiente interior y no está fabricada para ningún otro uso. Use sólo las almohadillas, cepillos y detergentes limpiadores, recomendados.


Todos los operadores deben leer, entender y practicar las precauciones siguientes de seguridad.

El símbolo de alerta de advertencia siguiente y el encabezamiento de "PARA SU SEGURIDAD" se usan en este manual según indicado en su descripción:


 **ADVERTENCIA:** Para advertir sobre riesgos o hábitos peligrosos que podrían causar lesiones corporales graves o fatales.


PARA SU SEGURIDAD: Para indicar las operaciones que deben realizarse para una utilización segura del equipo.

El no observar estas advertencias puede resultar en: lesiones personales, electrocución, choque eléctrico, incendio o explosión explosión.

 **ADVERTENCIA:** No use líquidos inflamables ni opere la máquina en o cerca de líquidos o vapores inflamables o polvos combustibles.

 **ADVERTENCIA:** No aspire materiales inflamables o metales reactivos.

 **ADVERTENCIA:** Mantenga alejadas las chispas y las llamas expuestas. Al cargar mantenga abierta la cubierta de la batería.

 **ADVERTENCIA:** Antes de prestar servicio a la máquina desconecte los cables de la batería.

La siguiente información indica las condiciones potencialmente peligrosas para el operario o equipo:

PARA SU SEGURIDAD:

1. No utilice la máquina:
 - Salvo que esté adecuadamente cualificado y autorizado.
 - Salvo que haya leído y comprendido el manual del operario.
 - En áreas donde exista material inflamable o explosivo salvo que esté especialmente diseñada para utilizarla en estas zonas.
2. Antes de arrancar la máquina:
 - Asegúrese de que todos los dispositivos de control se encuentran en su sitio y funcionan correctamente.
3. Al utilizar la máquina:
 - Conduzca despacio en pendientes y superficies resbaladizas.
 - Conduzca con cuidado al desplazarse marcha atrás.
 - No lleve pasajeros en la máquina.
 - Informe inmediatamente si la máquina presenta averías o funciona incorrectamente.
 - Siga las instrucciones de manipulación y mezcla indicadas en los envases de los productos químicos.
4. Antes de estacionar o revisar la máquina:
 - Deténgase en una superficie plana.
 - Apague la máquina.
5. Al revisar la máquina:
 - Evite las partes en movimiento. No lleve chaquetas, camisas o mangas sueltas.
 - Calce las ruedas de la máquina antes de levantarla con un gato.
 - Utilice un gato o elevador con capacidad suficiente para elevar la máquina.
 - Desconecte las conexiones de la batería antes de empezar a trabajar en la máquina.
 - Al manejar las baterías o los cables de batería use guantes protectores y anteojos de seguridad.
 - Evite el contacto con el ácido de la batería.
 - Utilice piezas de recambio suministradas o aprobadas por el fabricante.

ETIQUETAS DE SEGURIDAD

Las etiquetas de seguridad aparecen en la máquina en las ubicaciones indicadas. Reemplace las etiquetas en caso de estar dañadas o son ilegibles.

ETIQUETA DE ADVERTENCIA – ESTÁ SITUADA EN LA CUBIERTA DEL TANQUE DE RECUPERACIÓN.

! WARNING  **FOR SAFETY, READ THE OWNER'S MANUAL BEFORE USING MACHINE.**

FAILURE TO FOLLOW THESE WARNINGS MAY RESULT IN: PERSONAL INJURY, ELECTROCUTION, ELECTRICAL SHOCK, FIRE OR EXPLOSION.

  <p>Do Not Use Flammable Liquids Or Operate Machine In Or Near Flammable Liquids, Vapors Or Combustible Dusts.</p>	  <p>Keep Sparks And Open Flame Away. Keep Battery Hood Open When Charging.</p>
  <p>Do Not Pick Up Flammable Materials Or Reactive Metals.</p>	  <p>Disconnect Battery Cables Before Servicing Machine.</p>

613287



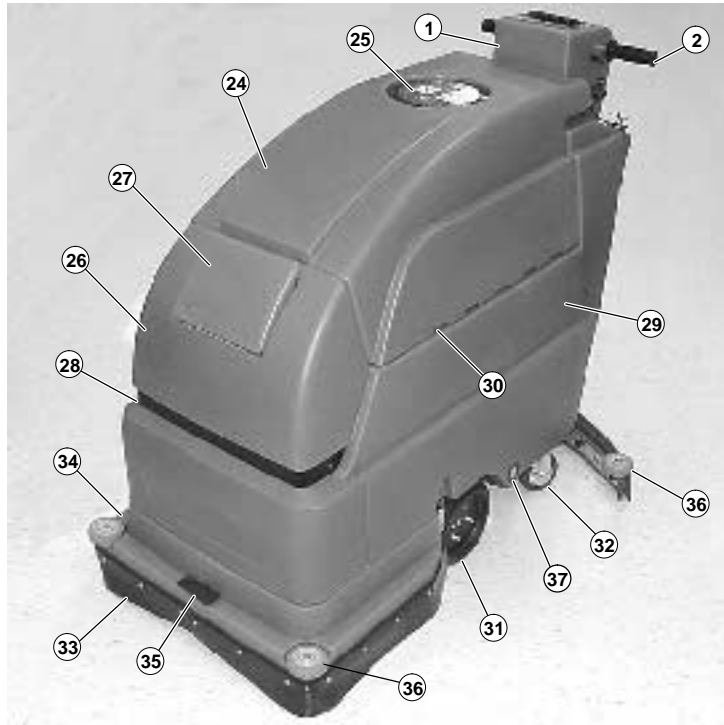
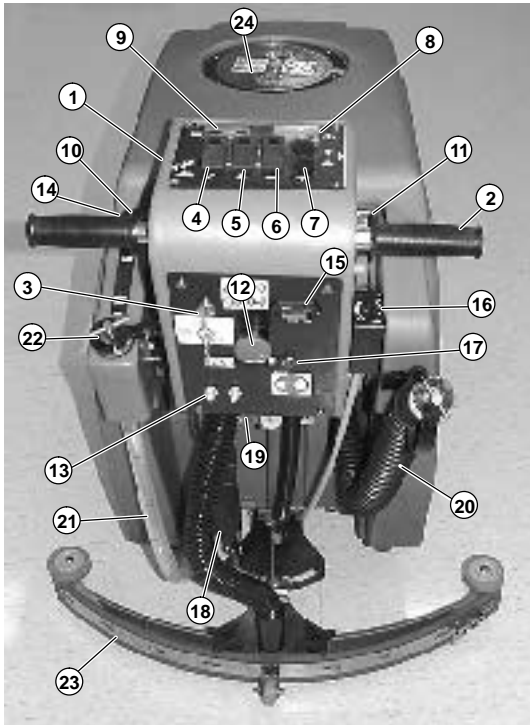
ETIQUETA DE CAMBIO DE BATERIA – ESTÁ SITUADA EN EL COMPARTIMIENTO DE BATERÍA.

! ADVERTENCIA: Mantenga alejadas las chispas y las llamas expuestas. Al cargar mantenga abierta la cubierta de la batería.

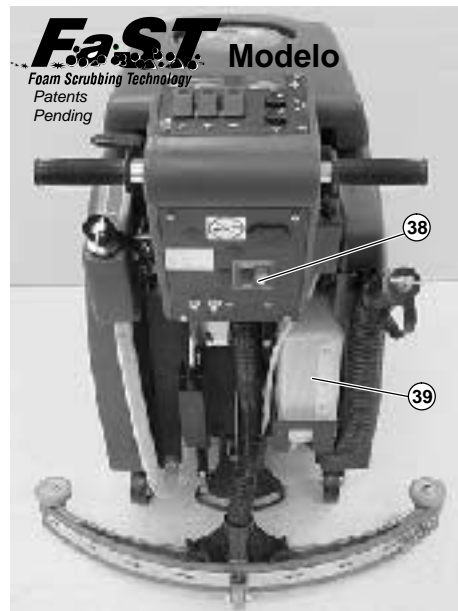


OPERACIÓN

COMPONENTES ESTÁNDAR DE LA MÁQUINA



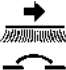



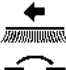








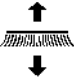





1. Consola de control
2. Mandos giratorios de control
3. Contacto para la llave (Opción)
4. Interruptor principal de encendido/apagado
5. Interruptor de encendido/apagado de la aspiración cepillo/de la disolución
7. Conmutadores de presión del cepillo
8. Indicador de la presión del cepillo
9. Indicador del nivel de carga de la baterías
10. Interruptor de marcha atrás
11. Mando de control de la velocidad
12. Botón de parada (Opción)
13. Cortacircuitos principal, de impulsión/de aspiración
14. Palanca de elevación de la escobilla de goma
15. Contador de horas (Opción)
16. Mando de ajuste del flujo de la disolución
17. ES™ (Opción)
18. Actuador del cabezal de fregado
19. Palancas de la consola de control ajustable
20. Manguera de vaciado del depósito de recuperación
21. Manguera de vaciado del depósito de la disolución
22. Orificio trasero de llenado
23. Conjunto de la escobilla de goma
24. Depósito de recuperación
25. Tapa del depósito de recuperación
26. Depósito de la disolución
27. Puerta de llenado del depósito de la disolución
28. Luces de seguridad
29. Compartimento de la batería
30. Enchufe del cargador



31. Ruedas impulsoras
32. Ruedecillas traseras
33. Aleta del cepillo
34. Bastidor de la aleta
35. Pestillo del bastidor de la aleta
36. Rodillos de pared
37. Freno de estacionamiento (Opción)
38. Conmutador de Limpieza
FaST™/Convencional (Opción)
39. Sistema surtidor FaST™ PAK (Opción)

SÍMBOLOS DEL PANEL DE CONTROL

	Circuito principal		Velocidad rápida		Cortacircuitos del motor del cepillo lateral derecho		Lea el Manual antes de utilizar la máquina
	Aspiración		Velocidad lenta		Cortacircuitos del motor del cepillo lateral izquierdo		Control de la disolución
	Cepillo		Marcha atrás		Cortacircuitos del motor de aspiración		Indicador del nivel de carga de la batería
	Menos presión del cepillo		Escobilla de goma elevada		Cortacircuitos del circuito principal		Indicador de la presión del cepillo
	Más presión del cepillo		Escobilla de goma bajada		Interruptor de circuito FaST™ System 10A (Opción)		

OPERACIÓN

INSTALACIÓN DE LA MÁQUINA

DESEMBALADO DE LA MÁQUINA

Compruebe cuidadosamente si la caja de cartón muestra daños. En caso de que así sea informe inmediatamente al transportista. Controle el contenido de la caja para asegurarse de que incluye todos los accesorios. La escobilla de goma está embalada con la máquina. Las baterías y su cargador y el(los) impulsor(es) de la almohadilla están embalados aparte.

ATENCIÓN: La instalación de la batería debe realizarse después de desembalar totalmente la máquina.

Para desembalar la máquina, retire las cintas de sujeción y levántela cuidadosamente o utilice una rampa formada con las planchas de embalaje para retirar la máquina del pallet.

ATENCIÓN: No retire la máquina del pallet haciéndola rodar porque podría averiarse.

INSTALACIÓN DE LAS BATERÍAS

⚠ ADVERTENCIA: Mantenga alejadas las chispas y las llamas expuestas. Al cargar mantenga abierta la cubierta de la batería.

PARA SU SEGURIDAD: Al revisar la máquina, protéjase las manos con guantes al manejar las baterías y sus cables. Evite el contacto con el ácido de la batería.

Especificaciones de la Batería:

Dos baterías de 12 voltios de ciclo profundo. Consulte a un distribuidor autorizado sobre baterías específicas. Las dimensiones máximas de la batería son 178mm (7 in) ancho x 381mm (15 in) largo x 356mm (14 in) alto.

1. Sitúe todos los interruptores en la posición de APAGADO.
2. Abra cuidadosamente el depósito de recuperación para acceder al compartimento de la batería. Extraiga del compartimento los cables sueltos de la batería (*Figura 1*).



FIG. 1

3. Instale con cuidado las baterías en la bandeja de la batería que se encuentra en el fondo del compartimento e instale los bornes de la batería como se muestra (*Figura 2*).

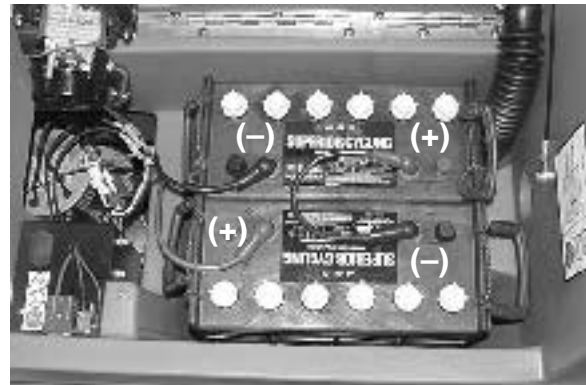


FIG. 2

ATENCIÓN: Deposite las baterías en el compartimento, no las deje caer, tanto la batería como su soporte podrían averiarse. La garantía no cubre este tipo de desperfectos.

4. Conecte los cables de la batería a los bornes de la batería como se muestra (ROJO EN EL POSITIVO Y NEGRO EN EL NEGATIVO) (*Figura 2*).
5. Gire la llave y encienda el interruptor principal y controle el nivel de carga de la batería. Cargue la batería en caso necesario (*Consulte el apartado de CARGA DE LA BATERÍA*).

PREPARACIÓN DE LA MÁQUINA

FIJACIÓN DEL CONJUNTO DE LA ESCOBILLA DE GOMA

PARA SU SEGURIDAD: Antes de abandonar o revisar la máquina, deténgase en una superficie plana, apague la máquina y ponga el freno de estacionamiento.

1. Eleve el soporte de montaje de la escobilla de goma tirando hacia atrás de la palanca de elevación de la escobilla de goma (Figura 3).



FIG. 3

2. Afloje los dos tornillos de orejas del conjunto de la escobilla de goma e introduzca dicha escobilla deslizándola en las ranuras del soporte de montaje de la escobilla de goma (Figura 4).



FIG. 4

3. Fije bien los tornillos de orejas.

4. Conecte la manguera de aspiración de la máquina al conjunto de la escobilla de goma (Figura 5).

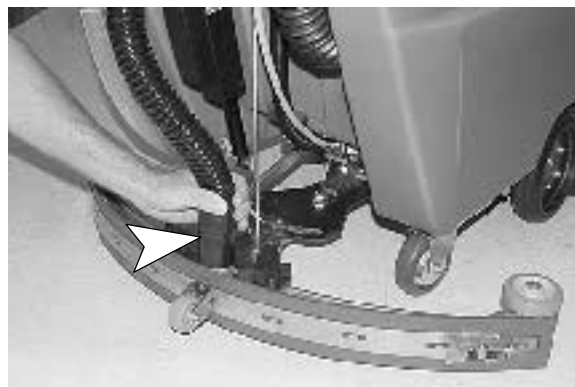


FIG. 5

INSTALACIÓN DE LOS IMPULSORES DEL CEPILLO O LA ALMOHADILLA

1. Gire la llave y encienda el interruptor principal.
2. Asegurarse que el cabezal del cepillo esté elevado apagando el conmutador del cepillo (Figura 6).



FIG. 6

3. Sitúe el interruptor principal y la llave de contacto en la posición de apagado.

PARA SU SEGURIDAD: Antes de abandonar o revisar la máquina, deténgase en una superficie plana, apague la máquina y ponga el freno de estacionamiento.

OPERACIÓN

4. Suelte el pestillo negro de la parte delantera de la máquina y abra el soporte de la aleta para poder acceder al cubo del motor (Figura 7).



FIG. 7

5. Seleccione los cepillos o almohadillas recomendados que mejor se ajusten a sus necesidades de limpieza.

NOTA: Consulte a un distribuidor autorizado el tipo de cepillo/almohadilla recomendado para sus necesidades.

6. **(Instalación de la almohadilla)** Fije las almohadillas a los impulsores antes de conectar dichos impulsores a los cubos del motor. Fije las almohadillas con el cierre central de plástico en forma de anillo (Figura 8).

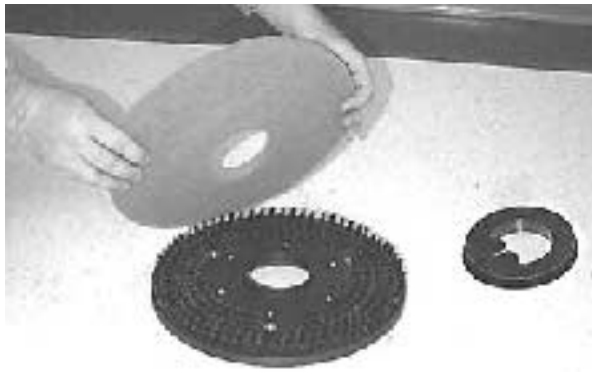


FIG. 8

7. Alinee los pernos de montaje del impulsor de la almohadilla y las ranuras del cubo del motor. Gire rápidamente el impulsor hacia el sujetador de resorte del cubo del motor. Asegúrese antes de poner la máquina en funcionamiento de que el sujetador de resorte se introduce e inmobiliza en uno de los pernos del impulsor (Figura 9).

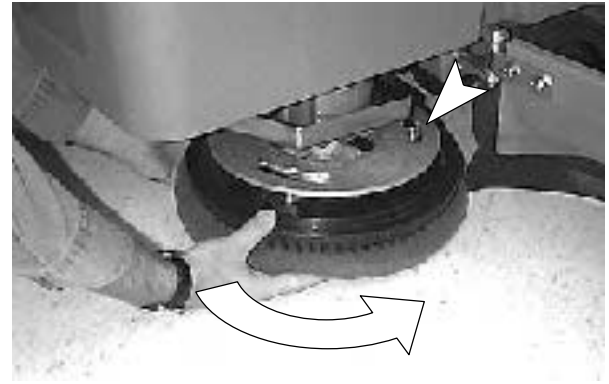


FIG. 9

NOTA: Asegúrese siempre de que las superficies de los impulsores de la almohadilla y del cubo del motor estén siempre limpias antes de instalar los impulsores. Las superficies limpias facilitarán la posterior extracción del impulsor de la almohadilla.

8. Cierre el soporte de la aleta y vuelva a cerrar el pestillo.

INSTALACION DEL AGENTE FaST™ PAK (OPCION)

La máquina debe estar equipada con la opción FaST™.

1. Extraiga los orificios ciegos de la caja del concentrado limpiador de pisos FaST™ PAK MP. No extraiga la bolsa de la caja. Tire hacia afuera el conector de la manguera de la bolsa al fondo de la bolsa y extraiga la tapa anaranjada de la manguera, del conector (Figura 10).

ATENCIÓN: El concentrado limpiador de pisos FaST™ PAK MP está específicamente diseñado para aplicar al sistema de limpieza FaST™. **NUNCA** use un sustituto ya que pueden resultar daños a la máquina.

PARA SU SEGURIDAD: Al usar la máquina observe siempre las instrucciones de manejo en el recipiente de la sustancia química.



FIG. 10

- Coloque la caja FaST™ PAK en el recipiente de la caja en la parte posterior de la máquina y conecte la manguera de alimentación a la bolsa del FaST™ PAK (Figura 11).

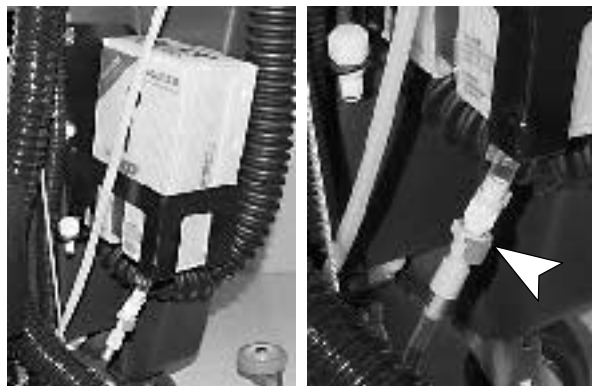


FIG. 11

NOTA: Empape y limpie con agua tibia, si hay concentrado seco visible en el conector de la manguera de alimentación o en el conector del FaST™ PAK.

- Asegúrese de conectar la manguera de alimentación sobre la tapa de almacenamiento de la manguera cuando no se usa (Figura 12). Esto impide que el sistema de solución FaST™ se seque y tapone la manguera de alimentación.



FIG. 12

- El sistema de solución FaST™ DEBE cebarse para el primer uso. Para cebar el sistema asegúrese que el tanque de solución está vacío y opere la máquina en el modo de limpieza FaST™ Scrub por 3 minutos (Vea OPERACION DE LA MAQUINA). Este paso se requiere sólo para el primer uso del sistema FaST™.

LLENADO DEL DEPÓSITO DE LA DISOLUCIÓN

ATENCIÓN: SOLO USE AGUA LIMPIA Y FRÍA, para los modelos equipados con la opción de FaST™. NO agregue agentes limpiadores al tanque de solución. Los agentes/restauradores convencionales de limpieza pueden causar la falla del sistema de solución FaST™.

- Dirija la máquina a la zona de llenado. Levante la escobilla de goma y el cepillo durante el transporte.
- Apague el poder de máquina.
- Abra la puerta de llenado de la disolución que se encuentra en la parte delantera de la máquina y llene el depósito de la disolución con 17 galones (64 litros) de agua limpia (temperatura máxima de 140°F/60°C). O utilice el orificio de llenado trasero para llenar el depósito de la disolución. Desenrosque el tapón e introduzca una manguera para llenarlo. El tubo transparente que se encuentra debajo del orificio de llenado tiene unas marcas cada 5 galones (19 litros) que indican el volumen de agua del depósito (Figura 13).



FIG. 13

NOTA: Si utiliza un cubo para llenar el depósito, asegúrese de que dicho cubo esté limpio. Esto evitará posibles obstrucciones de las tuberías de la disolución.

- Añada el producto de limpieza. Consulte en las instrucciones del envase la proporción correcta de la disolución.

PARA SU SEGURIDAD: Al usar la máquina, observe las instrucciones de mezcla y manejo de los recipientes de sustancias químicas.

ATENCIÓN: Utilice únicamente productos de limpieza recomendados, NO utilice sustitutos. Consulte a un distribuidor autorizado acerca de los productos de limpieza recomendados.

⚠ ADVERTENCIA: No use líquidos inflamables ni opere la máquina en o cerca de líquidos o vapores inflamables o polvos combustibles.

OPERACIÓN

FUNCIONAMIENTO DE LA MÁQUINA

PARA SU SEGURIDAD: No utilice la máquina salvo que el operario haya leído y comprendido el manual de instrucciones.

COMPROBACIONES PREVIAS A LA PUESTA EN FUNCIONAMIENTO

- Barra el suelo para eliminar partículas y otros restos.
- Controle el nivel de carga de la batería para asegurarse que de las baterías están completamente cargadas (*Consulte el apartado CARGA DE LAS BATERÍAS*).
- Controle el estado de los cepillos o almohadillas.
- Controle el estado de las láminas de la escobilla de goma.
- Modo FaST™ Scrub (opción): Asegúrese que se ha drenado todo el tanque de solución y se ha enjuagado de todos los agentes limpiadores convencionales. Inspeccione el nivel del agente FaST™ PAK, reemplace la caja según requerido.

OPERATING MACHINE

NOTA: Refiérase a las página 33 por procedimientos adicionales de operación, si su máquina está equipada con la opción de FaST™ o ES™.

1. Quite el freno de estacionamiento si está puesto.
2. Ajuste los mandos de control a una altura de funcionamiento cómoda, junte las dos palancas que se encuentran bajo la consola (*Figura 14*).

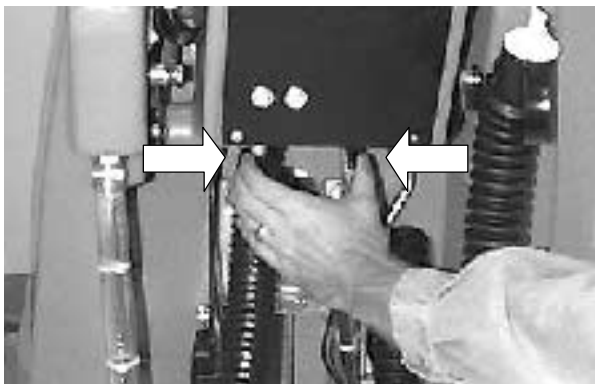


FIG. 14

3. Suelte la palanca de elevación de la escobilla de goma de la posición superior y baje la escobilla de goma (*Figura 15*).



FIG. 15

4. Encienda el conmutador principal.
5. Gire el conmutador del cepillo a la posición de encendido para descender el cabezal del cepillo al piso (*Figura 16*).



FIG. 16

6. Gire el conmutador de aspiración a la posición de encendido.

NOTA: Los cepillos y el flujo de disolución no empezarán a funcionar hasta girar los mandos de control.

7. Antes de arrancar, gire el mando de control de la velocidad a la velocidad más lenta (*Figura 17*).
8. Comience la operación de fregado girando hacia delante los mandos de control. Aumente gradualmente la velocidad girando hacia delante los mandos de control de la velocidad (*Figura 17*).



FIG. 17

9. Una vez que la máquina comienza a moverse, inspeccionar la posición de la aguja en el medidor de presión del cepillo. Usar los dos (2) conmutadores de ajuste de presión para ajustar la presión del cepillo. No operar nunca la máquina en la zona roja (Figura 18).



FIG. 18

ATENCIÓN: Para evitar el posible deterioro del acabado del suelo y la activación del cortacircuitos del cepillo NO utilice la máquina cuando la aguja de la presión del cepillo se encuentra en la zona roja.

10. Para utilizar la máquina marcha atrás, simplemente tire hacia atrás del interruptor de marcha atrás (una velocidad) (Figura 19).



FIG. 19

11. Para detener la máquina suelte los mandos de control.

OPERACION DEL SISTEMA LIMPIADOR FaST™ (OPCION)

Cómo opera el sistema FaST™ (Tecnología de limpieza por espuma). El agente concentrado FaST™ PAK se inyecta dentro del sistema con una mezcla de una pequeña cantidad de agua y aire comprimido. Esta mezcla crea un volumen grande de espuma expandida. La mezcla de espuma expandida se dispersa a continuación sobre el piso mientras que dos discos limpiadores comienzan a funcionar. Cuando el escurridor aspira la mezcla, el agente espumante patentado se hundido y recobrado dentro del tanque de recuperación. Al usar la aplicación del sistema FaST™, usted puede incrementar su productividad en un 30% al reducir su ciclo de volcado/llenado. Usted reducirá también el uso y espacio de almacenamiento de las sustancias químicas. Un FaST™ PAK de agente concentrado le permite limpiar hasta 1 millón de pies cuadrados.

1. Asegúrese que la caja de concentrado de limpieza de pisos FaST™ PAK MP esté bien instalada (Vea INSTALACION DEL AGENTE FaST™ PAK).
2. Asegúrese que el tanque de solución esté lleno de agua limpia y fría solamente. NO agregue agentes limpiadores convencionales al tanque de solución. Agentes/Restauradores convencionales de limpieza en el tanque de solución resultarán en una falla prematura del sistema FaST™.
3. Oprima el conmutador de FaST™ Scrub/Conventional hacia la posición de modo de FaST™ Scrub (Figura 20).

NOTA: Para limpiar con agua limpia solamente, simplemente oprima el conmutador de FaST™ Scrub/Conventional Scrub hacia la posición de modo de Conventional Scrub. Esto le permite operar la máquina en una aplicación de enjuague.



FIG. 20

NOTA: La velocidad del flujo de agua del tanque de solución se regula automáticamente mediante la operación del sistema FaST™. La velocidad del flujo de solución no puede ajustarse mediante la perilla de ajuste de control de la solución durante el modo de FaST™ Scrub.

OPERACIÓN

5. Para comenzar a limpiar siga las instrucciones estándar de OPERACION DE LA MAQUINA.

Información general: La opción de FaST™ no está diseñada para modelos equipados con la opción ES™.

AL UTILIZAR LA MÁQUINA

PARA SU SEGURIDAD: Conduzca despacio cuando utilice la máquina en pendientes o superficies resbaladizas.

⚠ ADVERTENCIA: No use líquidos inflamables ni opere la máquina en o cerca de líquidos o vapores inflamables o polvos combustibles.

⚠ ADVERTENCIA: No aspire materiales inflamables o metales reactivos.

1. Ajuste el botón para controlar la cantidad de flujo de disolución al suelo (Figura 21).

NOTA: La perilla de flujo de solución permanece inactiva, al usar la opción de FaST™.



FIG. 21

2. Controle periódicamente que no exista acumulación de espuma en el depósito de recuperación (mire a través de la tapa transparente). Si la acumulación de espuma empieza a ser excesiva, añada un producto de control de la formación de espuma al depósito de recuperación.

ATENCIÓN: No permita que el agua o la espuma se introduzcan en el filtro del flotador de cierre, el motor de aspiración resultaría dañado. La espuma no activará el filtro del flotador de cierre.

3. Reduzca la velocidad siempre que friegue cerca de paredes u obstáculos.
4. Para mantener el control sobre la máquina, reduzca la velocidad siempre que tome curvas.
5. Si la escobilla de goma deja marcas, eleve la escobilla de goma y limpie las láminas con un paño. Realice un barrido previo de la zona para evitar la formación de marcas.

6. Haga que los diferentes pases se superpongan 2" (5cm).
7. Cambie o gire las almohadillas cuando estén sucias.
8. Manténgase alejado de obstáculos del suelo como placas eléctricas o rejillas, romperían las almohadillas.
9. No es necesario apagar ningún interruptor durante las paradas cortas, los cepillos y el flujo de la disolución se detendrán automáticamente al soltar los mandos de control.
10. Controle periódicamente el nivel de carga de la batería. Recargue las baterías cuando la aguja del indicador se encuentre en la zona roja.

ATENCIÓN: No utilice la máquina cuando la aguja del indicador del nivel de carga de la batería se encuentre en la zona roja o podría dañar la batería.

11. Controle la cantidad de disolución que queda durante la operación de limpieza a través del tubo indicador transparente. Cada marca de la manguera indica cinco galones / 19 litros.
12. Cuando el tanque de solución no contiene más líquido, girar el conmutador del cepillo a apagado, y continuar aspirando hasta que se haya consumido todo el agua sucia. A continuación drenar el tanque de recuperación. (Ver TANQUES DE DRENAJE)

PARADA DE LA MÁQUINA

1. Girar el conmutador del cepillo a apagado, y continuar aspirando hasta que se haya consumido todo el agua sucia.
2. Suelte los mandos de control.
3. Elevar el escurridor.
4. Apague los interruptores.

PARA SU SEGURIDAD: Antes de abandonar o revisar la máquina, deténgase en una superficie plana, apague la máquina.

PARADA DE EMERGENCIA (OPCIÓN)

Para detener la máquina en caso de emergencia, pulse el botón rojo de parada situado en la parte trasera de la consola de control. El botón de parada interrumpe inmediatamente la alimentación eléctrica a la máquina (Figura 22).

Para reajustar el botón de parada, apague todos los interruptores y gire el botón de parada hacia la derecha. Reanude el funcionamiento normal.



FIG. 22

CORTACIRCUITOS

La máquina está equipada con (4) cortacircuitos de protección.

Si se activan los cortacircuitos, no los reajuste inmediatamente. Determine la causa de la activación del cortacircuitos, deje que el motor se enfríe y reajuste dicho cortacircuitos.

Los cortacircuitos del motor del cepillo se activarán debido a una carga excesiva de la almohadilla. Reduzca la presión de la almohadilla o sustitúyala si se activa el cortacircuitos. Los cortacircuitos del motor del cepillo se encuentran cerca del enchufe del cargador.

Los cortacircuitos principal y de impulsión/aspiración se encuentran en la parte trasera de la máquina (Figura 23).

- Interruptor de circuito principal 10A
- Interruptor de circuito aspiración/impulsoras 35A
- Interruptor de circuito cepillo 30A (2)
- Interruptor de circuito FaST™ System 10A (Opción)



FIG. 23

VACIADO DE LOS DEPÓSITOS

PARA SU SEGURIDAD: Antes de abandonar o revisar la máquina, deténgase en una superficie plana, apague la máquina.

VACIADO DEL DEPÓSITO DE RECUPERACIÓN

Vacíe y limpie del depósito de recuperación al terminar la operación de fregado o rellenar el depósito de disolución.

ATENCIÓN: Si no vacía el depósito de recuperación antes de rellenarlo, podría introducirse agua o espuma en el filtro del flotador de cierre y dañar el motor de aspiración.

1. Extraiga la manguera de vaciado de su soporte, coloque la manguera en el desagüe y abra el tapón de la manguera de vaciado. Para vaciar completamente el depósito de recuperación abra la tapa del depósito lateralmente y coloque la barra de apoyo para colocar el depósito sobre ella (Figura 24).

NOTA: Si utiliza un cubo para vaciar la máquina, no utilice el mismo cubo para llenar el depósito de la disolución. Esto evitará que las tuberías de la disolución se bloqueen.



FIG. 24

2. Aclare el depósito de recuperación después de cada uso. Utilice una manguera para aclarar el depósito. Tenga cuidado de no introducir agua en el filtro del flotador.
3. Vuelva a colocar bien el tapón de la manguera de vaciado después de la operación de vaciado.

OPERACIÓN

VACIADO DEL DEPÓSITO DE LA DISOLUCIÓN

Para vaciar la disolución que no se ha utilizado del depósito de la disolución siga los siguientes pasos:

1. Saque la manguera transparente que se encuentra en la parte trasera de la máquina de su soporte y vacíe la disolución en un desagüe o cubo (Figura 25).



FIG. 25

2. Aclare el depósito de la disolución y el sistema de flujo de la disolución con agua limpia después de cada uso. Esto evitará el bloqueo debido a la acumulación de productos químicos.
3. Vuelva a colocar la manguera transparente en su soporte. Asegúrese de introducirla bien.

CARGA DE LA BATERÍA

NOTA: Recargue las baterías SÓLO después de haberlas utilizado durante un tiempo mínimo total de 30 minutos. Esto prolongará la vida de la batería.

Las siguientes instrucciones de carga son válidas exclusivamente para los cargadores de 24V suministrados con la máquina. En cualquier caso, utilice un cargador con las siguientes características para evitar el deterioro de las baterías.

ESPECIFICACIONES DEL CARGADOR:

- VOLTAJE DE SALIDA 24 VOLTIOS
- CORRIENTE DE SALIDA – 25 AMP MÁXIMO
- CIRCUITO DE APAGADO AUTOMÁTICO
- PARA CARGA PROFUNDA DE LA BATERÍA

NOTA: Para un funcionamiento óptimo de la máquina mantenga siempre cargadas las baterías. Nunca deje baterías descargadas puestas.

⚠ ADVERTENCIA: Mantenga alejadas las chispas y las llamas expuestas. Al cargar mantenga abierta la cubierta de la batería.

PARA SU SEGURIDAD: Al revisar la máquina, al manejar las baterías o los cables de batería use guantes protectores y anteojos de seguridad.

1. Dirija la máquina a una zona bien ventilada para cargar las baterías.
2. Apague todos los interruptores.

PARA SU SEGURIDAD: Antes de abandonar o revisar la máquina, deténgase en una superficie plana, apague la máquina.

3. Abra la tapa del depósito de recuperación para tener acceso a las baterías (Figura 26).



FIG. 26

4. Controle el nivel de electrolito (A) de cada elemento de la batería. No cargue las baterías salvo que el electrolito cubra ligeramente las placas de la batería (B). En caso necesario necesario añada el agua destilada necesaria para que las placas se cubran ligeramente. NO llene la batería excesivamente. El agua de las baterías puede derramarse durante la carga de las mismas debido a la expansión. Coloque los tapones antes de cargar (Figura 27).

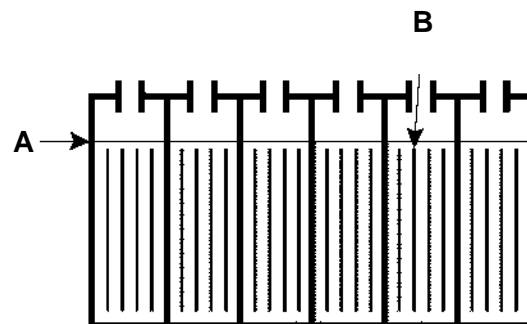


FIG. 27

5. Enchufe el conector de salida DC del cargador al conector de la batería situado cerca del compartimento de la batería. Levante los apoyos del depósito y coloque el depósito sobre estos (Figura 28).



FIG. 28

NOTA: Una vez conectado el cargador a la máquina, la máquina no funcionará.

6. Enchufe el cable eléctrico del cargador a un enchufe con toma de tierra de la pared. (Figura 29).

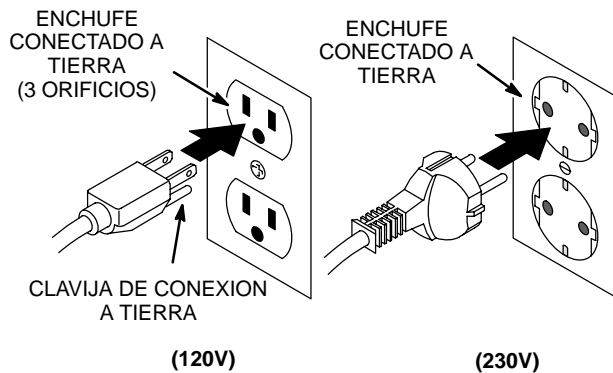


FIG. 29

7. El cargador empezará a cargar automáticamente y se apagará también automáticamente cuando esté totalmente cargado.
8. Al desconectar el cargador, empiece siempre desconectando el cargador de la pared.
9. Controle de nuevo el nivel de electrolito de la batería después de la operación de carga. En caso necesario, añada el agua destilada necesaria para que el nivel llegue a la parte inferior de los tubos. Asegúrese de cerrar bien los tapones de los elementos y limpiar la parte superior de las baterías con un paño limpio.

MANTENIMIENTO DE MAQUINA

Las reparaciones deberán ser realizadas por personal autorizado. Para mantener la máquina en buenas condiciones de funcionamiento bastará realizar las siguientes operaciones de mantenimiento diario, semanal o mensualmente.

PARA SU SEGURIDAD: Antes de abandonar o revisar la máquina, deténgase en una superficie plana, apague la máquina.

⚠ ADVERTENCIA: Antes de prestar servicio a la máquina desconecte los cables de la batería.

ATENCIÓN: Póngase en contacto con un Centro de Servicio autorizado para reparar las máquinas. Las reparaciones de máquinas realizadas por personas no autorizadas invalidarán la garantía.

MANTENIMIENTO DIARIO (Cada 4 Horas de utilización)

1. Extraiga y limpie los cepillos o almohadillas. No utilice nunca almohadilla sucias durante las operaciones de limpieza. Sustituya las almohadilla cuando estén gastadas o sucias.
2. Extraiga y limpie la pelusa del filtro del flotador de cierre del depósito de recuperación (Figura 30).



FIG. 30

3. Vacíe y limpie a fondo los depósitos. Después de vaciar los depósitos, abra el depósito de recuperación hasta que pueda ver el orificio de entrada de la aspiración en la parte trasera del depósito. En caso necesario retire los residuos bloqueados en dicho orificio.

OPERACIÓN

- Modelos FaST™ solamente: Asegúrese que la manguera de alimentación está conectada al tapón de almacenamiento de la manguera, cuando la caja FaST™ PAK no está instalada en la máquina. Esto impide que el sistema de solución FaST™ se seque y tapone (Figura 31). Empape en agua tibia, si está visible concentrado seco en el conector del FaST™ PAK o en el conector de la manguera de alimentación, para limpiarlo.



FIG. 31

- Eleve la escobilla de goma y límpiela con un paño seco. Guarde la escobilla de goma en la posición elevada para evitar que se deteriore.
- Limpie el bastidor de la máquina con un limpiador no abrasivo que no contenga disolventes.

ATENCIÓN: No moje la máquina rociándola o con la manguera. Podría averiar los componentes eléctricos.

- Recargue las baterías en caso necesario.

MANTENIMIENTO SEMANAL (Cada 20 Horas de utilización)

- Aclare los depósitos y las tuberías de la disolución. Vierta 24 oz. (750 ml.) de una disolución de ácido acético en 3 galones (11.3 ltr.) de agua caliente en el depósito de la disolución. Encienda brevemente el flujo de la disolución sobre un desagüe del suelo para llenar la tubería de disolución. Apague la máquina y deje actuar la disolución durante la noche. Después aclare con agua limpia.

PARA SU SEGURIDAD: Siga las instrucciones de mezcla y manipulación indicadas en los envases de los productos químicos cuando utilice la máquina.

- Extraiga el filtro en línea. Antes de extraer el filtro, asegúrese de que el depósito de la disolución está vacío. El filtro se encuentra debajo de la máquina en la parte trasera (Figura 32).

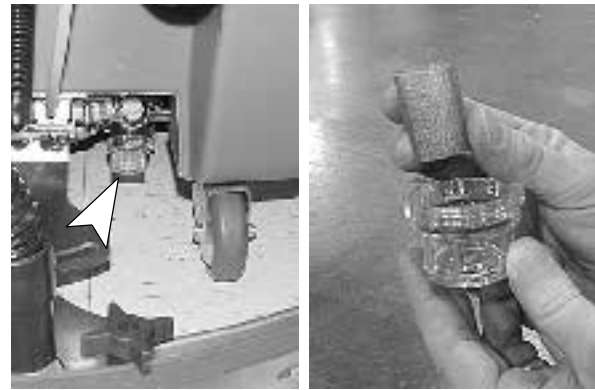


FIG. 32

- Controle el nivel del electrolito en los elementos de la batería. (Consulte el apartado de MANTENIMIENTO DE LA BATERÍA).
- Limpie la parte superior de la batería para evitar la formación de corrosión. (Consulte el apartado de MANTENIMIENTO DE LA BATERÍA).
- Controle si los cables de la batería están sueltos u oxidados.

MANTENIMIENTO MENSUAL (Cada 80 Horas de utilización)

- Lubrique los puntos de lubricación de la ruedecilla con grasa impermeable.
- Lubrique todos los puntos pivotantes de conexión con un spray de silicona y luego con una capa de grasa impermeable para permitir un funcionamiento suave.
- Controle que la máquina no presenta escapes de agua ni tornillos ni tuercas flojos.

MANTENIMIENTO TRIMESTRAL (Cada 250 Horas de utilización)

Controle el desgaste del cepillo de carbón de los motores de impulsión, aspiración y del cepillo. Sustituya los cepillos si su longitud es igual o inferior a 3/8" (1 cm).

MANTENIMIENTO DE LA BATERÍA

⚠ ADVERTENCIA: Mantenga alejadas las chispas y las llamas expuestas. Al cargar mantenga abierta la cubierta de la batería.

PARA SU SEGURIDAD: Al revisar la máquina, protéjase las manos con guantes al manejar las baterías y sus cables. Evite el contacto con el ácido de la batería.

1. Siga siempre las instrucciones de carga apropiadas (*Consulte el apartado de CARGA DE LA BATERÍA*).
2. Controle el nivel del electrolito en todos los elementos de todas las baterías **después** de la carga semanal de la batería. El nivel debe alcanzar la parte inferior de los tubos (B). En caso necesario añada agua destilada hasta que el nivel alcance la parte inferior de los tubos. **NO** los llene demasiado (*Figura 33*).

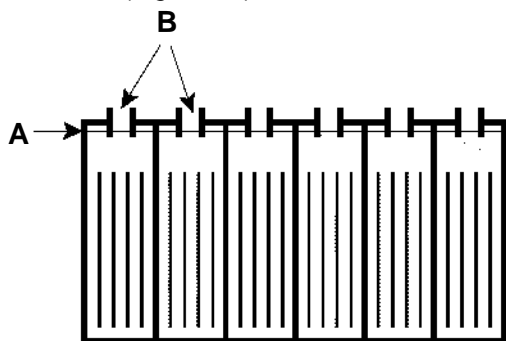


FIG. 33

3. Mantenga la parte superior de las baterías y sus bornes limpios y secos.
Para limpiar las baterías:
 - a. Haga una disolución concentrada de bicarbonato y agua.
 - b. Rocíe ligeramente la parte superior de la batería, borne y conectores del cable con esta disolución y límpielos con un cepillo.

NOTA: La disolución de agua con bicarbonato no debe introducirse en los elementos de las baterías.

 - c. Utilice un cepillo con cerdas de alambre para limpiar los bornes del terminal y las conexiones del cable.
 - d. Una vez limpia la batería, aplique una capa protectora de bornes transparente a los bornes y conexiones del cable.
4. Controle si los cables están flojos o gastados. Sustitúyalos si están gastados.

TRANSPORTE DE LA MÁQUINA

Cuando transporte la máquina en un camión o remolque, asegúrese de seguir los pasos siguientes para sujetar la máquina:

PARA SU SEGURIDAD: Conduzca despacio cuando utilice la máquina en pendientes o superficies resbaladizas.

1. Retire la escobilla de goma de la máquina y levante el cabezal de fregado. Deje instalado el cepillo o la almohadilla.
2. Cargue la máquina utilizando la rampa de carga recomendada.
3. Colocar el frente de la máquina contra la parte delantera del remolque o camión. Una vez que la máquina esté en posición, bajar el cabezal del cepillo.
4. Coloque un calzo detrás de la rueda tractora y de las ruedecillas traseras.
5. Pase las cintas de sujeción por la parte superior de la máquina y sujételas al suelo. Puede ser necesario instalar varios soportes de sujeción en el suelo de su camión o remolque.

ALMACENAMIENTO DE LA MÁQUINA

1. Cargue las baterías antes de guardar la máquina. No guarde nunca máquina con las baterías descargadas.
2. Antes de guardar la máquina, asegúrese de aclarar y vaciar todo el agua de los depósitos de la máquina.
3. Guarde la máquina en un sitio seco desmontando la escobilla de goma y con el cabezal de fregado en la posición elevada.
4. Quite la tapa de recuperación para facilitar la circulación de aire.

ATENCIÓN: Si guarda la máquina a temperaturas inferiores a 0°C, asegúrese de vaciar todo el agua de la máquina. La garantía no cubre averías causadas por heladas.

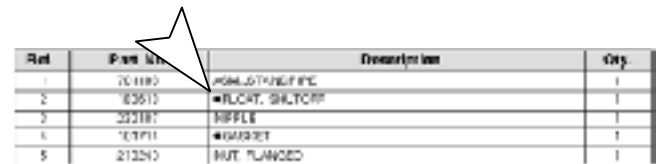
ATENCIÓN: No permita que la lluvia moje la máquina, guárdela en lugares cerrados.

OPERACIÓN

RECOMENDACIONES PARA EL ALMACENAMIENTO

Consulte la sección de Lista de Repuestos para ver que productos son los recomendados. Los elementos de almacén están claramente identificados con una

marca colocada delante de la descripción de la pieza. Consulte el siguiente ejemplo:



Part	Part No.	Description	Qty
*	251180	ARMATURE/FIRE	1
*	83610	RECIP. SWITCH	1
*	33187	BRUSH	1
*	14111	WASHER	1
*	21240	NUT FLANGED	1

LOCALIZACIÓN DE AVERÍAS

PROBLEMA	CAUSA	SOLUCIÓN
No hay alimentación, no funciona nada.	Interruptor principal defectuosos.	Contactar con el Servicio Técnico.
	Las baterías necesitan ser cargadas.	Consultar el apartado de CARGA DE LAS BATERÍAS.
	Batería(s) defectuosa(s).	Sustituir la(s) batería(s).
	Cable de la batería suelto.	Fijar el cable suelto.
	Cortacircuitos principal activado.	Determinar la causa y reajustar el botón del cortacircuitos.
Los motores del cepillo no funcionan.	El interruptor del cepillo no está encendido.	Encender el interruptor del cepillo.
	Los mandos de control no están girados.	Girar los mandos de control.
	Cortacircuitos del cepillo activado(s).	Limpiar o sustituir la almohadilla y reajustar el botón del cortacircuitos.
	Cableado o motor del cepillo defectuosos.	Contactar con el Servicio Técnico.
	Cepillos de carbón gastados.	Contactar con el Servicio Técnico.
	El motor de impulsión no funciona.	Contactar con el Servicio Técnico.
Motor de aspiración no funciona.	Interruptor de aspiración defectuoso.	Contactar con el Servicio Técnico.
	Corta circoito de aspiración ha saltado.	Retirar obstrucción y pouga cortacircuito de nuevo.
	Cableado o motor del aspiración defectuosos.	Contactar con el Servicio Técnico.
	Carboucillos desgastados.	Contactar con el Servicio Técnico.
Motor de avance no funciona.	Cortacircuitos del motor de impulsión activado.	Determinar la causa y reajustar el cortacircuitos.
	Circuito de control de la velocidad o conexión defectuoso.	Contactar con el Servicio Técnico.
	Solenoide defectuoso.	Contactar con el Servicio Técnico.
	Motor de impulsión defectuoso.	Contactar con el Servicio Técnico.
	Cableado defectuoso.	Contactar con el Servicio Técnico.
	Cepillos de carbón gastados.	Contactar con el Servicio Técnico.
Los motor de impulsión funcionan pero no correctamente.	Potenciómetro o circuito de control de la velocidad defectuoso.	Contactar con el Servicio Técnico.
	Conexión del cable suelta	Contactar con el Servicio Técnico.

LOCALIZACIÓN DE AVERÍAS – continuación

PROBLEMA	CAUSA	SOLUCIÓN
Flujo de la disolución escaso o nulo.	Es necesario ajustar el botón de ajuste del flujo de la disolución.	Gire el botón de ajuste del flujo de disolución en el sentido de las agujas del reloj para aumentar el flujo.
	Tubería de la disolución o filtro del depósito de la disolución bloqueados.	Retirar la manguera e introducir aire comprimido a través de su orificio. Aclarar el depósito de la disolución después de cada uso.
	Válvula o solenoide de la disolución bloqueados.	Retirar la válvula o el solenoide y limpiar. No raye el interior de la válvula.
Flujo de la disolución escaso o nulo.	Interruptor o solenoide de la disolución defectuoso.	Contactar con el Servicio Técnico.
	Afloje el tornillo de fijación del mando de la disolución	Calibre el mando y vuelva a apretar tornillos.
Tiempo de funcionamiento demasiado corto.	Las baterías no están totalmente cargadas.	Cargar las baterías.
	Elemento defectuoso en una o más baterías.	Sustituir la batería.
	Las baterías necesitan una revisión.	Consultar el apartado de MANTENIMIENTO DE LA BATERÍA.
	Cargador defectuoso.	Sustituir el cargador de la batería.
Recogida de agua insuficiente.	Depósito de recuperación lleno.	Vaciar el depósito de recuperación.
	Filtro del flotador de cierre del interior del depósito de recuperación bloqueado.	Extraer el filtro y limpiar.
	Escobilla de goma bloqueada.	Limpiar la escobilla de goma.
	Láminas de la escobilla de goma gastadas.	Sustituir las láminas de la escobilla de goma.
	Tornillos de orejas de la escobilla de goma sueltos.	Apretar los tornillos de orejas.
	Conexiones de la manguera de aspiración sueltas o la manguera está perforada.	Introducir bien la manguera de aspiración en sus conexiones. Sustituir la manguera si está dañada.
	Manguera de aspiración bloqueada.	Retirar los residuos bloqueados.
	Orificio de entrada del depósito de recuperación bloqueado.	Vaciar el depósito de recuperación y levantarlo lateralmente para poder acceder al orificio de entrada, retirar la obstrucción.
	Junta del depósito defectuosa.	Sustituir la junta.
	Tapón de la manguera de vaciado mal cerrado.	Cerrar bien el tapón de vaciado.
	Tapa del depósito de recuperación mal cerrada.	Cerrar la tapa.
	Motor de aspiración flojo.	Contactar con el Servicio Técnico.
Recogida de agua insuficiente.	Nivel de carga de la batería bajo.	Cargar las baterías. No utilizar la máquina cuando la aguja indicadora del nivel de carga de la batería se encuentra en la zona roja.

OPERACIÓN

LOCALIZACIÓN DE AVERÍAS – continuación

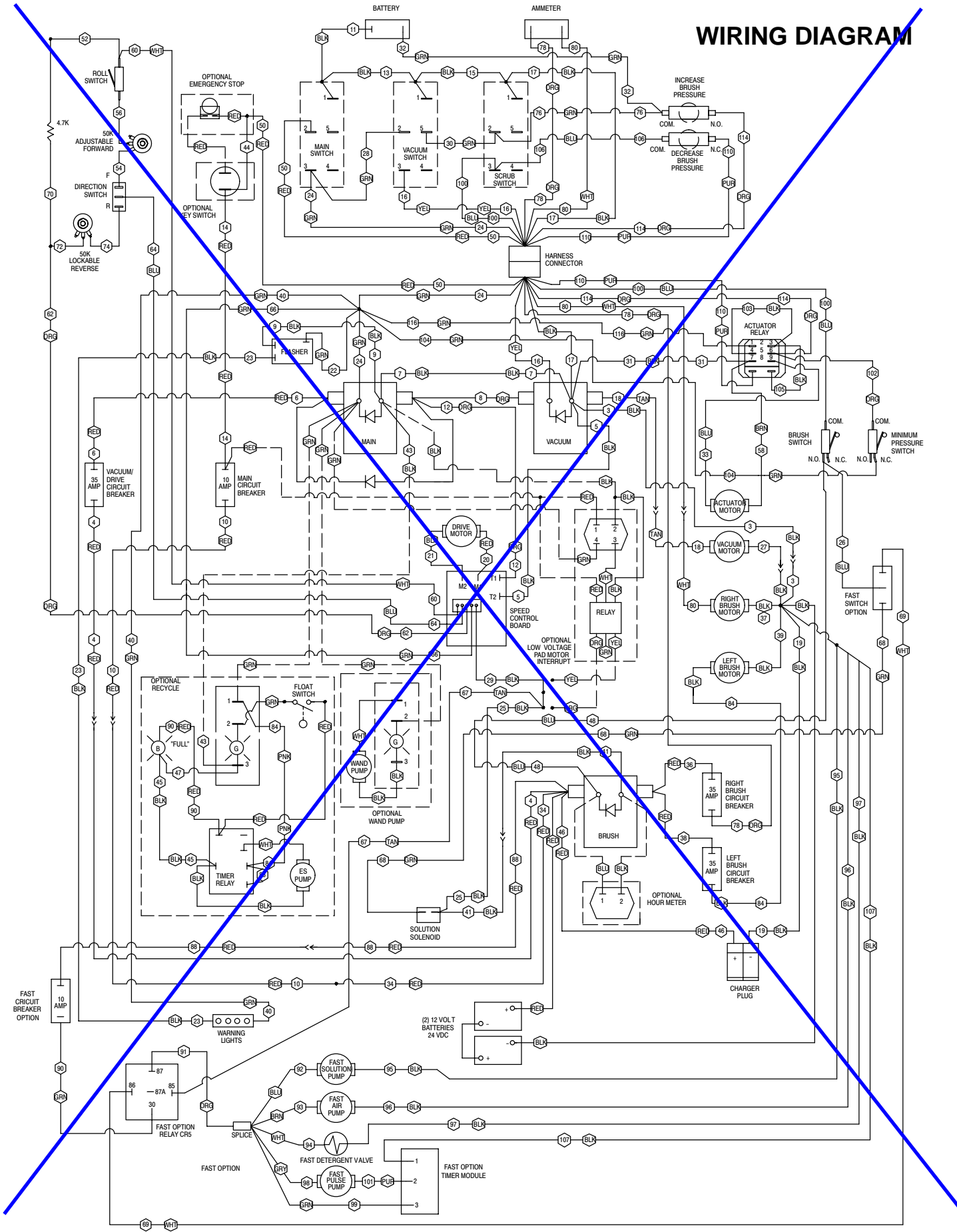
PROBLEMA	CAUSA	SOLUCIÓN
La opción del sistema FaST™ no funciona.	El conmutador de solución no está activado.	Gire el conmutador de solución a la posición ON.
	No se ha seleccionado el conmutador de Scrub Mode en FaST™ Scrub.	Seleccione el modo de FaST Scrub.
	Se ha activado el interruptor de circuito FaST.	Determine la causa y regradúe el botón del interruptor de circuito de 10A.
	La manguera de alimentación y/o los conectores del FaST™ PAK están taponados.	Empape el conector y la manguera en agua tibia y limpia.
	La caja de FaST™ PAK está vacía o no conectada.	Reemplace la caja FaST™ PAK y/o conecte la manguera de alimentación.
	El orificio de control de flujo está taponado.	Extraiga el orificio, limpie y vuelva a instalar (refiérase al diagrama de lista de piezas).
	El conmutador de modo de limpieza es defectuoso.	Consulte con el Centro de Servicio.
	La bomba o el compresor de aire son defectuosos.	Consulte con el Centro de Servicio.
	El filtro del tanque de solución está taponado.	Drene el tanque de solución, extraiga el filtro del tanque de solución, limpie y vuelva a instalar.

ESPECIFICACIONES

MODELO	SPEED SCRUB™ 2401	SPEED SCRUB™ 2601
LONGITUD	1270 mm (50 in)	1270 mm (50 in)
ANCHURA	660 mm (26 in)	711mm (28 in)
ALTURA	990 mm (39 in)	990 mm (39 in)
PESO	170 kg (375lb) 272 Kg (600lb)—c/ baterías	170 kg (375lb) 272 Kg (600lb)—c/ baterías
CAPACIDAD DEL DEPÓSITO DE DIS./REC.	64 L (17 Gal)	64 L (17 Gal)
CONTROL DE LA VELOCIDAD	Hacia delante variable. / Fixed Rev./ Marcha atrás fija.	Hacia delante variable. / Fixed Rev./ Marcha atrás fija.
VELOCIDAD DE LIMPIEZA (MAX)	2229.6m ² (24,000 sq ft) por hora	2415.4m ² (26,000 sq ft) por hora
ANCHURA DEL CARRIL DE LIMPIEZA	587 mm (23.123 in)	638 mm (25.13 in)
DIÁMETRO DE LA ALMOHADILLA	2 – 305mm (12 in)	2 – 330mm (13 in)
PRESIÓN DE LA ALMOHADILLA	Variable 36–68Kg (80–150lb)	Variable 36–68Kg (80–150lb)
ANCHURA DE LA ESCOBILLA DE GOMA	839 mm (33 in)	839 mm (33 in)
SISTEMA DE IMPULSIÓN	Eje de transmisión, .2 c.v., 24V	Eje de transmisión, .2 c.v., 24V
MOTOR DEL CEPILLO	2 – .75 h.p., 220 rpm, 24V, 20A, 550W	2 – .75 h.p., 220 rpm, 24V, 20A, 550W
MOTOR DE ASPIRACIÓN	.75 c.v., 3–tiempos 5.7, 24V, 21A, 550W	.75 c.v., 3–tiempos 5.7, 24V, 21A, 550W
ELEVACIÓN DE AGUA	1727 mm (68 in)	1727 mm (68 in)
BATERÍAS	2–12V, 215AH	2–12V, 215AH
AUTONOMÍA POR CARGA	Hasta 4 3/4 horas	Hasta 4 3/4 horas
NIVEL DE RUIDO EN DECIBELIOS A LA ALTURA DEL OPERARIO EN RECINTO CERRADO CON SUELO DE BALDOSAS.	75 dB(A)	75 dB(A)

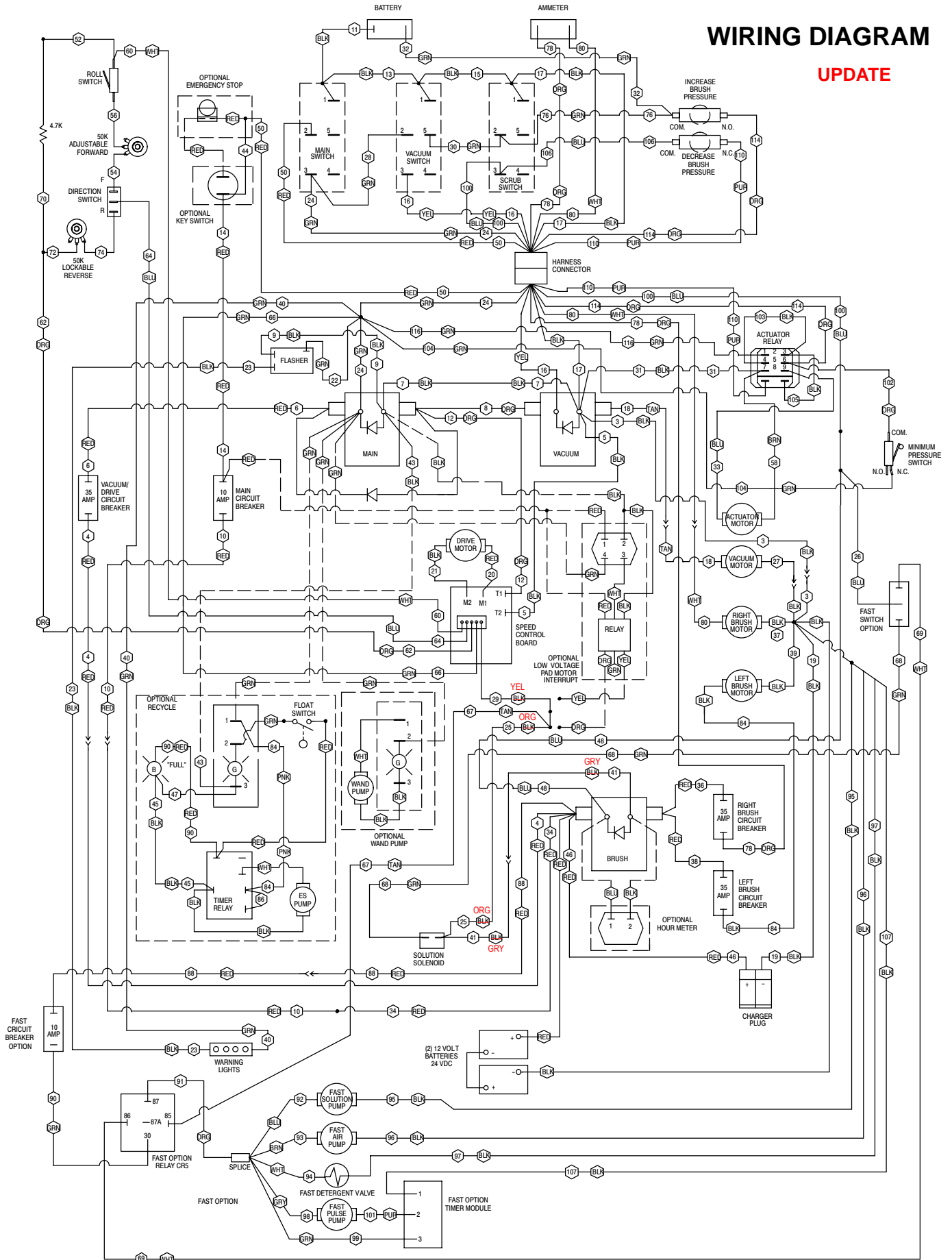
SISTEMA FaST™ (OPCION)	
VELOCIDAD DE FLUJO DE SOLUCION	24 Volt DC, 3.5 A, 45 psi
BOMBA DE SOLUCION	0.57 LPM (0.15 GPM)
BOMBA DE AGENTE FaST™ PAK	24 Volt, 24 Watts
VELOCIDAD DE FLUJO DE CONCENTRADO	0.55 CC/Minuto (0.02 Onzas/Minuto)
RELACION DE DILUCION ENTRE CONCENTRADO Y AGUA	1:1000
COMPRESOR DE AIRE	24 Volt DC, 0.6 A
VELOCIDAD DE FLUJO DEL COMPRESOR DE AIRE	8.7 LPM (0.3 CFM)

WIRING DIAGRAM

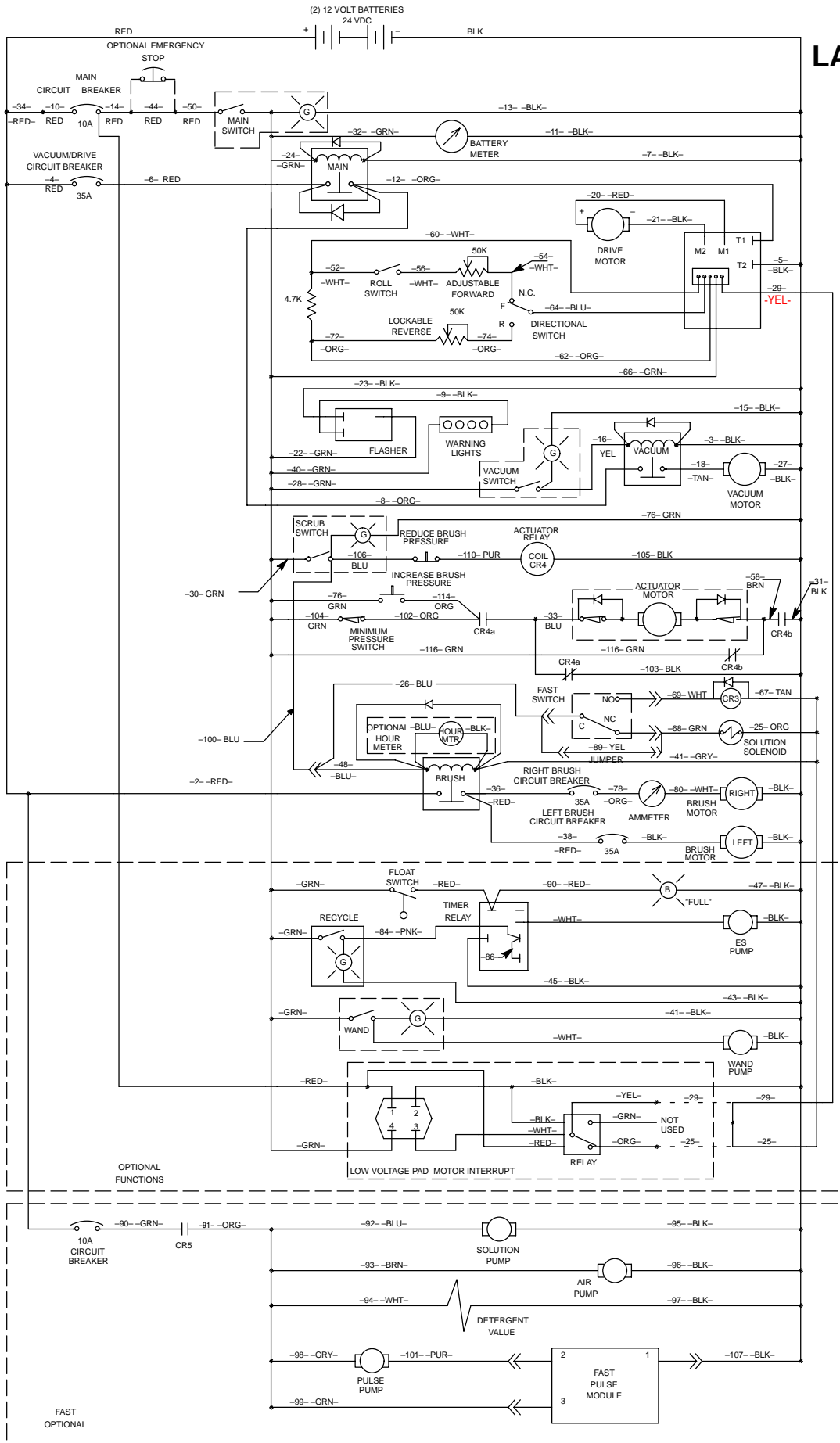


WIRING DIAGRAM

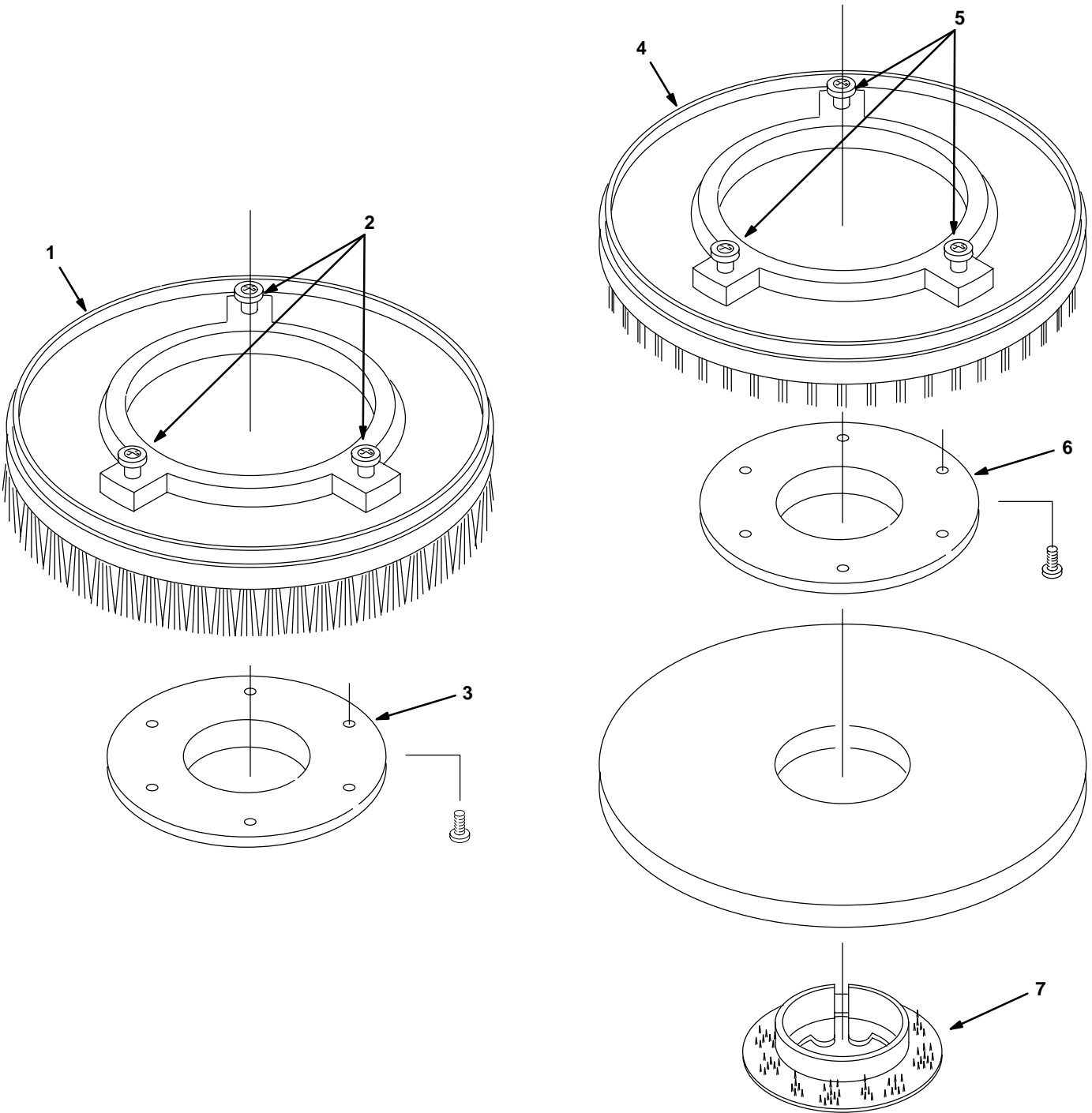
UPDATE



LADDER DIAGRAM



REPLACEMENT BRUSHES AND PAD DRIVER GROUP
CEPILLO DEL REEMPLAZO Y GRUPO DEL MANDO DE LA ALMOHADILLA



**REPLACEMENT BRUSHES AND PAD DRIVER GROUP
CEPILLO DEL REEMPLAZO Y GRUPO DEL MANDO DE LA ALMOHADILLA**

REF	PART #	DESCRIPTION	QTY.
▽ 1	240260	●BRUSH, POLY-SCRUB 2/PK 305MM (12")	2
	603159	●BRUSH, POLY-SCRUB 2/PK 330MM (13")	2
	240261	●BRUSH, DYNA-SCRUB 2/PK 305MM (12")	2
	603160	●BRUSH, DYNA-SCRUB 2/PK 330MM (13")	2
	240259	●BRUSH, STRATA SCRUB/STRIP 2/PK 305MM (12")	2
	603161	●BRUSH, STRATA SCRUB/STRIP 2/PK 330MM (13")	2
▲ 2	240238	●LUGS, W/ SCREWS (SET OF 3)	6
▲ 3	100106	●PLATE, PAD DRIVER BASE	2

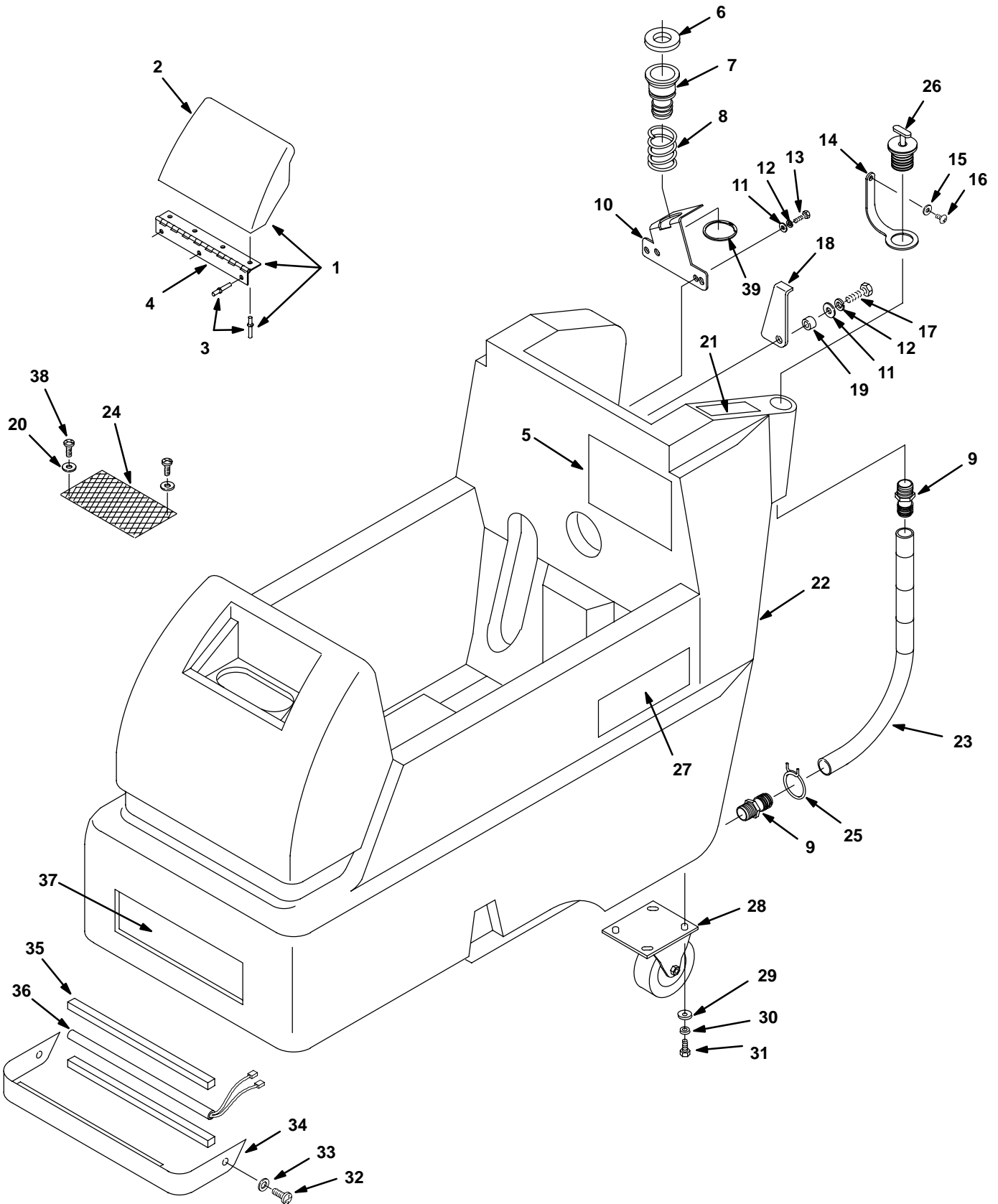
REF	PART #	DESCRIPTION	QTY.
▽ 4	240262	●ASM., PAD DRIVER 2/PK 305MM (12")	2
	602928	●ASM., PAD DRIVER 2/PK 330MM (13")	2
▲ 5	240238	●LUGS, W/SCREWS (SET OF 3)	6
▲ 6	100106	●PLATE, PAD DRIVER BASE	2
▲ 7	100107	●RING, PAD RETAINER SNAP-IN	2

▽ ASSEMBLY / CONJUNTO

▲ INCLUDED IN ASSEMBLY / INCLUIDO EN EL CONJUNTO

● RECOMMENDED STOCK ITEMS / ARTICULOS RECOMENDADOS PARA
MANTENER EN EXISTENCIA

SOLUTION TANK GROUP
GRUPE DEL DEPÓSITO DE DISOLUCIÓN



SOLUTION TANK GROUP
GRUPE DEL DEPÓSITO DE DISOLUCIÓN

REF	PART #	DESCRIPTION	QTY.
▽ 1	608518	ASM., SOL. TANK COVER GREEN	1
▲ 2	612518	COVER, TANK GREEN	1
▲ 3	140706	RIVET, POP	7
▲ 4	611068	HINGE, COVER	1
5	603233	DECAL, BATTERY RECHARGE	1
6	630010	●GASKET, TUBE ADAPTER	1
7	630011	TUBE, VAC	1
8	630267	SPRING, TUBE ADAPTER	1
9	150529	HOSE BARB	2
10	608706	BRACKET, VAC TUBE	1
11	140027	WASHER, 5/16 FLAT	3
12	140015	WASHER, 5/16 SPLIT LOCK	3
13	200031488	SCREW, M8X1.25X20 HXHDCP	2
14	600476	●STRAP, PLUG REAR FILL	1
15	140011	WASHER, 3/16 FLAT	1
16	140350	SCREW, #10X1/2 PANPHL	1
17	200031488	SCREW, M8X1.25X20 HXHDCP	1
18	230925	SUPPORT, RECOVERY TANK	1
19	611418	BUSHING	1
20	140032	WASHER, #6 FLAT	2
21	600650	DECAL, SQUEEGEE LEVER CE	1
22	608295	TANK, SOLUTION GREEN	1

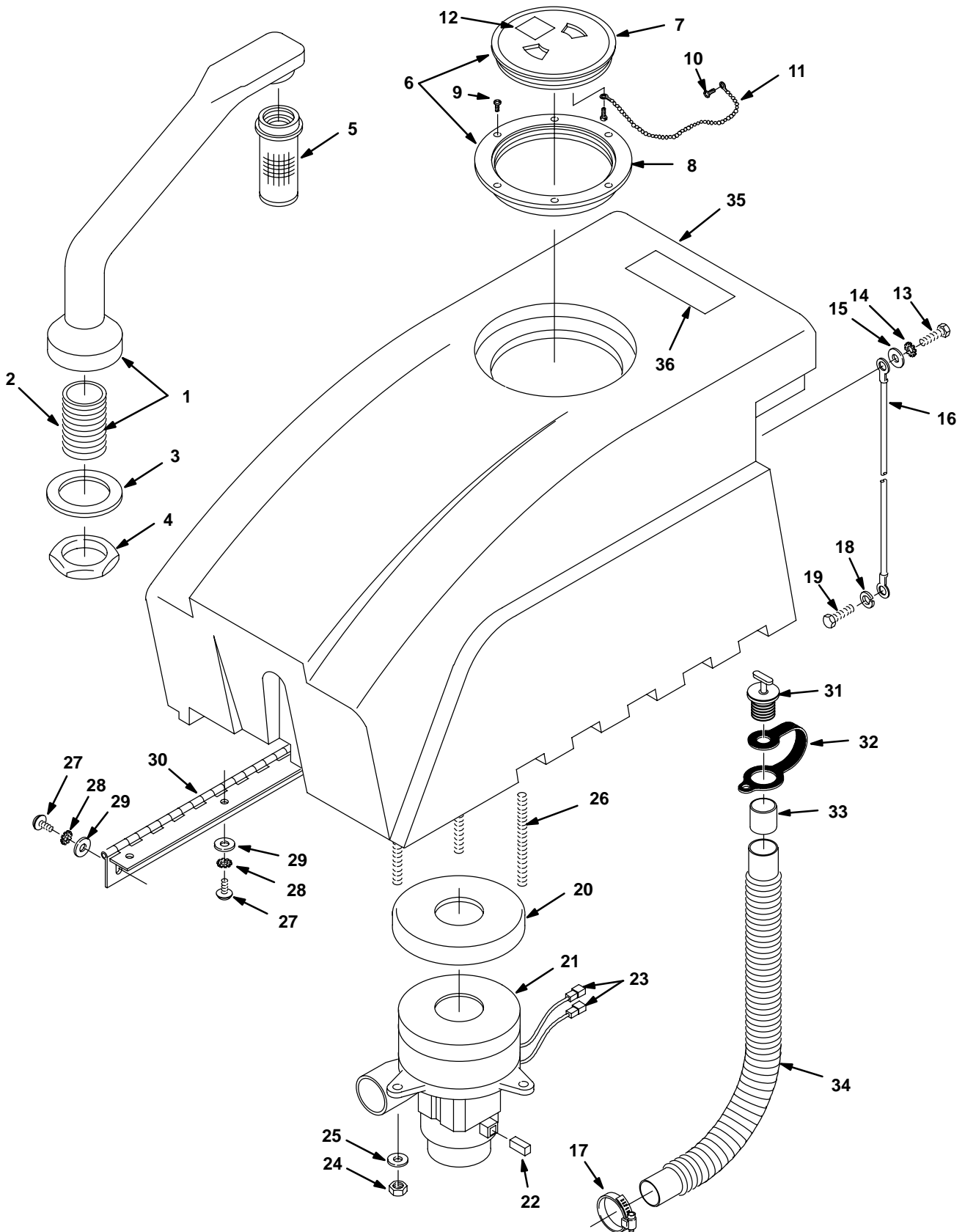
REF	PART #	DESCRIPTION	QTY.
23	607983	ASM., DRAIN HOSE W/LEVEL IND.	1
24	602529	●SCREEN, FILL	1
25	608915	CLAMP, HOSE 2-WIRE	1
26	621324	●PLUG, EXPANSION	1
27	608450	LABEL, SPEED SCRUB 2401	2
	608449	LABEL, SPEED SCRUB 2601	2
	1005374	LABEL, SPEED SCRUB 2401 FAST	2
	1005334	LABEL, SPEED SCRUB 2601 FAST	2
1010388 28	612056	●CASTER, 4"	2
29	140036	WASHER, 3/8 FLAT	8
30	140333	WASHER, M10 SPLIT LOCK	8
31	140277	SCREW, M10X1.5X20 HXHDCP	8
32	578141000	SCREW, M5X10 PANPHL	2
33	140018	WASHER, #10 INT. LOCK	2
34	612765	SHIELD, LIGHT	1
35	605324	GASKET, 1/2"X1.34"	2
36	130023	LIGHT, SAFETY	1
37	608184	DECAL, NOBLES LOGO	1
38	3701.6	SCREW, #6X3/8 PANPHL	2
39	630016	RING, RETAINING	1

▽ ASSEMBLY / CONJUNTO

▲ INCLUDED IN ASSEMBLY / INCLUIDO EN EL CONJUNTO

● RECOMMENDED STOCK ITEMS / ARTICULOS RECOMENDADOS PARA
MANTENER EN EXISTENCIA

RECOVERY TANK GROUP
CONJUNTO DEPOSITO RECUPERAR



RECOVERY TANK GROUP
CONJUNTO DEPOSITO RECUPERAR

REF	PART #	DESCRIPTION	QTY.
∇ 1	701103	ASM., STANDPIPE	1
▲ 2	606088	FITTING, NIPPLE	1
3	101714	●GASKET	1
4	210240	NUT, FLANGED	1
5	180613	●FLOAT, SHUT-OFF	1
∇ 6	100102	●ASM., LID CLEAR W/STD HOLE	1
▲ 7	100105	●LID, CENTER CLEAR ONLY	1
▲ 8	100109	●LID, OUTER RING ONLY	1
9	140826	SCREW, #6X3/4 PANPHL	6
10	3701.6	SCREW, #6X3/8 PANPHL	2
11	230513	CHAIN	1
12	606105	LABEL, DO NOT SPRAY	1
13	578187000	SCREW, M06X1.0X12 PANPHL	1
14	140052	WASHER, 1/4 EXT. LOCK	1
15	140000	WASHER, 1/4 FLAT	1
16	140960	●CABLE	1
17	140308	CLAMP	1
18	140015	WASHER, 5/16 SPLIT LOCK	1

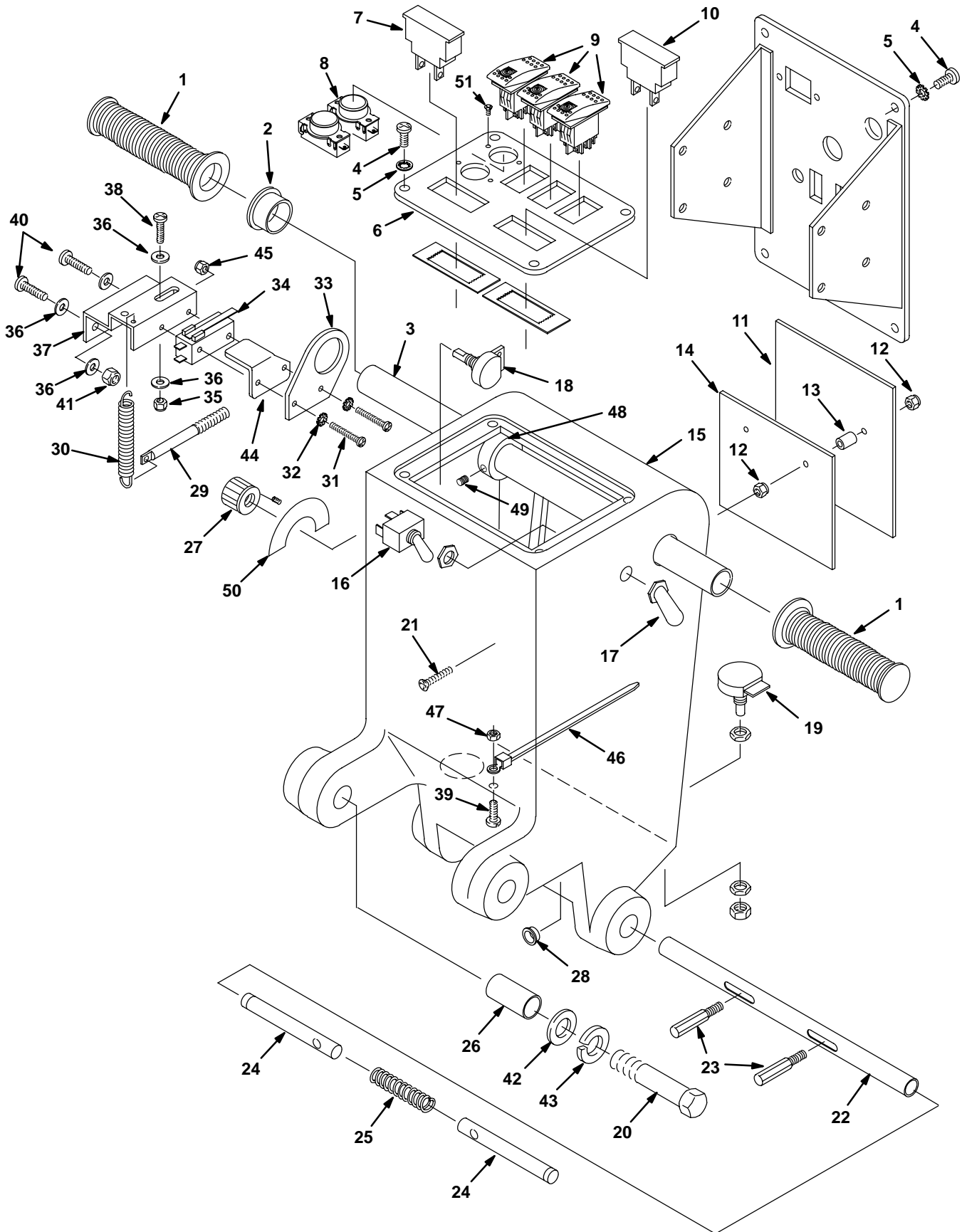
REF	PART #	DESCRIPTION	QTY.
19	200031488	SCREW, M8X1.25X20 HXHDCP	1
20	0174..10	●SEAT, NEOPRENE MOTOR	1
∇ 21	130477	●MOTOR, VAC 5.7/3 STG 24 VDC	1
▲ 22	190163	●CARBON BRSH W/HOLDER 2/PK	2
23	130096	TERMINAL, MALE DISCONNECT	2
24	140284	NUT, M6 NYLOCK	3
25	140000	WASHER, 1/4 FLAT	3
26	140353	STUD, M6X1.0X108	3
27	578187000	SCREW, M06X1.0X12 PANPHL	11
28	140052	WASHER, 1/4 EXT. LOCK	11
29	140000	WASHER, 1/4 FLAT	11
30	600311	●HINGE, RECOVERY TANK	1
31	621324	●PLUG, EXPANSION	1
32	578441	●STRAP, DRAINHOSE	1
33	630394	●SLEEVE, DRAINHOSE	1
34	630068	●HOSE, DRAIN	1
∇ 35	613721	ASM., REC TANK W/LABEL GREEN	1
▲ 36	613287	LABEL, WARNING	1

∇ ASSEMBLY / CONJUNTO

▲ INCLUDED IN ASSEMBLY / INCLUIDO EN EL CONJUNTO

● RECOMMENDED STOCK ITEMS / ARTICULOS RECOMENDADOS PARA
MANTENER EN EXISTENCIA

CONSOLE GROUP
CONJUNTO CONSOLA DE CONTROLES



CONSOLE GROUP
CONJUNTO CONSOLA DE CONTROLES

REF	PART #	DESCRIPTION	QTY.
1	200823	●GRIP, HANDLE TUBE	2
2	605351	BUSHING	1
3	604402	HANDLE, TUBE	1
4	578141000	SCREW, M5X10 PANPHL	8
5	140018	WASHER, #10 INT. LOCK	8
∇	613387	ASM., SWITCH PANEL	1
▲	613028	PANEL, SWITCH	1
▲	606857	●GAUGE, BRUSH PRESSURE	1
▲	626128	●SWITCH, PUSH BUTTON	2
▲	601107	●SWITCH, LIGHTED ROCKER	3
▲	606020	●METER, BATTERY VOLTAGE 24V	1
▲ N/S	602873	HARNESS CONSOLE W/POT.	1
	613375	HARNESS, WIRE MAIN/SWITCH/ CONSOLE W/FAST	1
11	630104	●SPEED CONTROL, PMB 55 AMP	1
12	200160014	NUT, M4 HEX, LOCK	4
13	630261	SPACER	2
14	630128	HEATSINK, ALLUM.	1
15	608299	HOUSING, CONTROL GREEN	1
16	601108	●SWITCH, TOGGLE	1
17	130753	●BOOT, SWITCH	1
18	130776	●POTENTIOMETER, 50K	1
19	130775	●POTENTIOMETER, 50K LOCKABLE	1
20	140351	SCREW, M12X1.75X70 HXHDPC	2
21	630304	SCREW, M4X.7X35 FLTPHL	2
22	230715	TUBE, HANDLE ADJUSTMENT	1
23	230649	PIN, HANDLE ADJUSTMENT	2

REF	PART #	DESCRIPTION	QTY.
24	230710	PIN, HANDLE LOCK	2
25	140415	SPRING, LOCK PIN	1
26	140155	BUSHING	2
27	606550	●KNOB, SPEED CONTROL	1
28	603007	BUSHING, SNAP	1
29	602886	PIN, SPRING RETURN	1
30	605812	SPRING, EXTENSION	1
31	140829	SCREW, #6-32X1 PANPHL	2
32	140019	WASHER, #6 EXT. LOCK	2
33	27098	BRACKET, SWITCH	1
34	130729	●SWITCH, ROLL	1
35	140552	NUT, #10-24 NYLOCK	1
36	140000	WASHER, 1/4 FLAT	6
37	25671	MOUNT, SWITCH	1
38	140890	SCREW, #10-24X1/2 TRSPHL	1
39	140900	SCREW, #10-24X3/4 TRSPHL	1
40	608322	SCREW, M6X1.0X16 TRSPHL	2
41	140284	NUT, M6 NYLOCK	2
42	140045	WASHER, 1/2 FLAT	2
43	140024	WASHER, 1/2 LOCK	2
44	603830	PLATE, GUARD SWITCH	1
45	140540	NUT, #6-32 HEX	2
46	630343	CLAMP, CABLE	1
47	140552	NUT, #10-24 NYLOCK	1
48	605094	COLLAR, HANDLE	2
49	140859	SCREW, 1/4-20X1/4 SK CUP	2
50	606549	DECAL, SPEED CONTROL	1
51	611226000	SCREW, #6-32X1/4 TRS	4

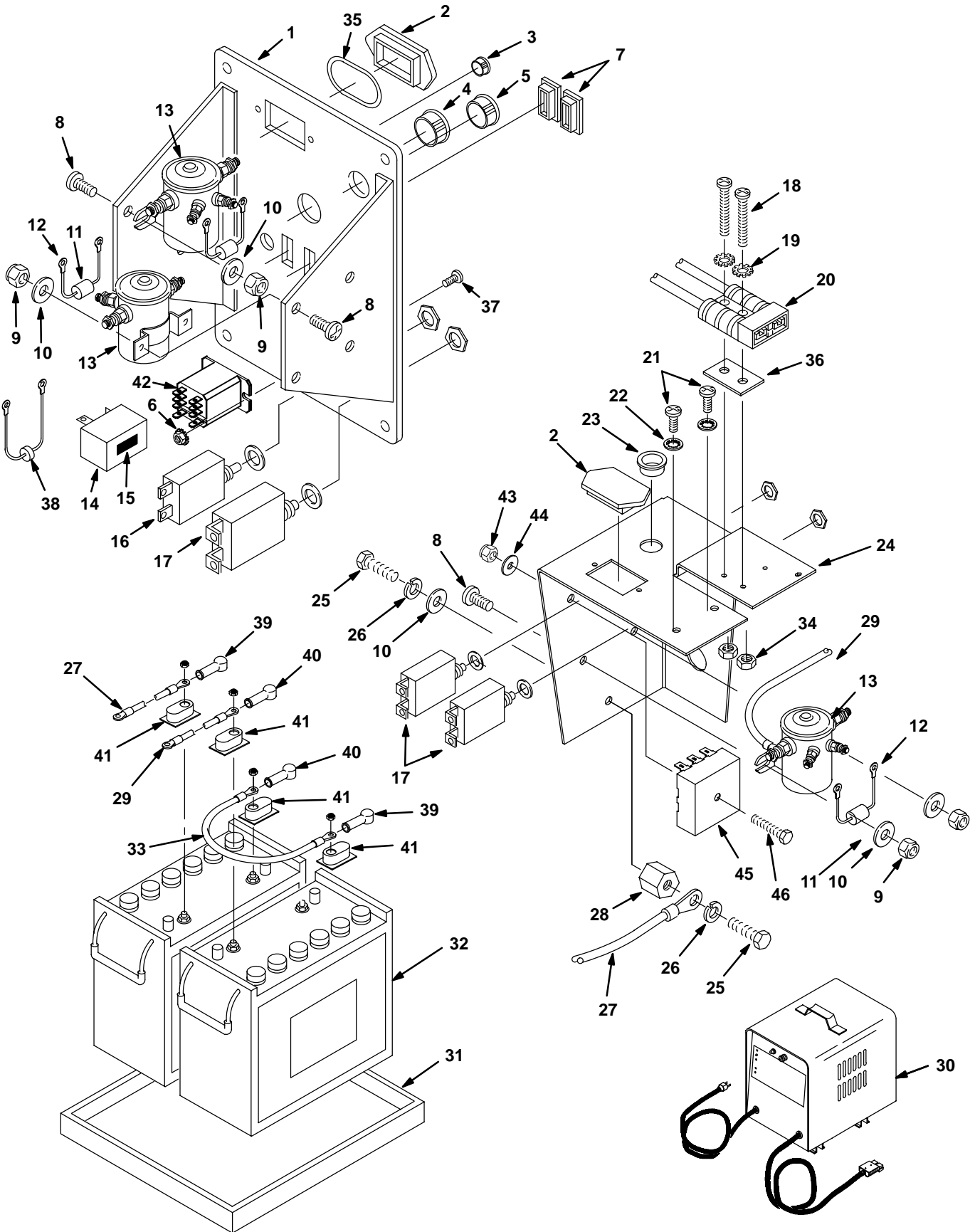
∇ ASSEMBLY / CONJUNTO

▲ INCLUDED IN ASSEMBLY / INCLUIDO EN EL CONJUNTO

● RECOMMENDED STOCK ITEMS / ARTICULOS RECOMENDADOS PARA
MANTENER EN EXISTENCIA

N/S = NOT SHOWN / NO ESTÁ ILUSTRADO

ELECTRICAL / BATTERY GROUP
GRUPO DEL ELÉCTRICO/BATERÍA



ELECTRICAL / BATTERY GROUP
GRUPO DEL ELÉCTRICO/BATERÍA

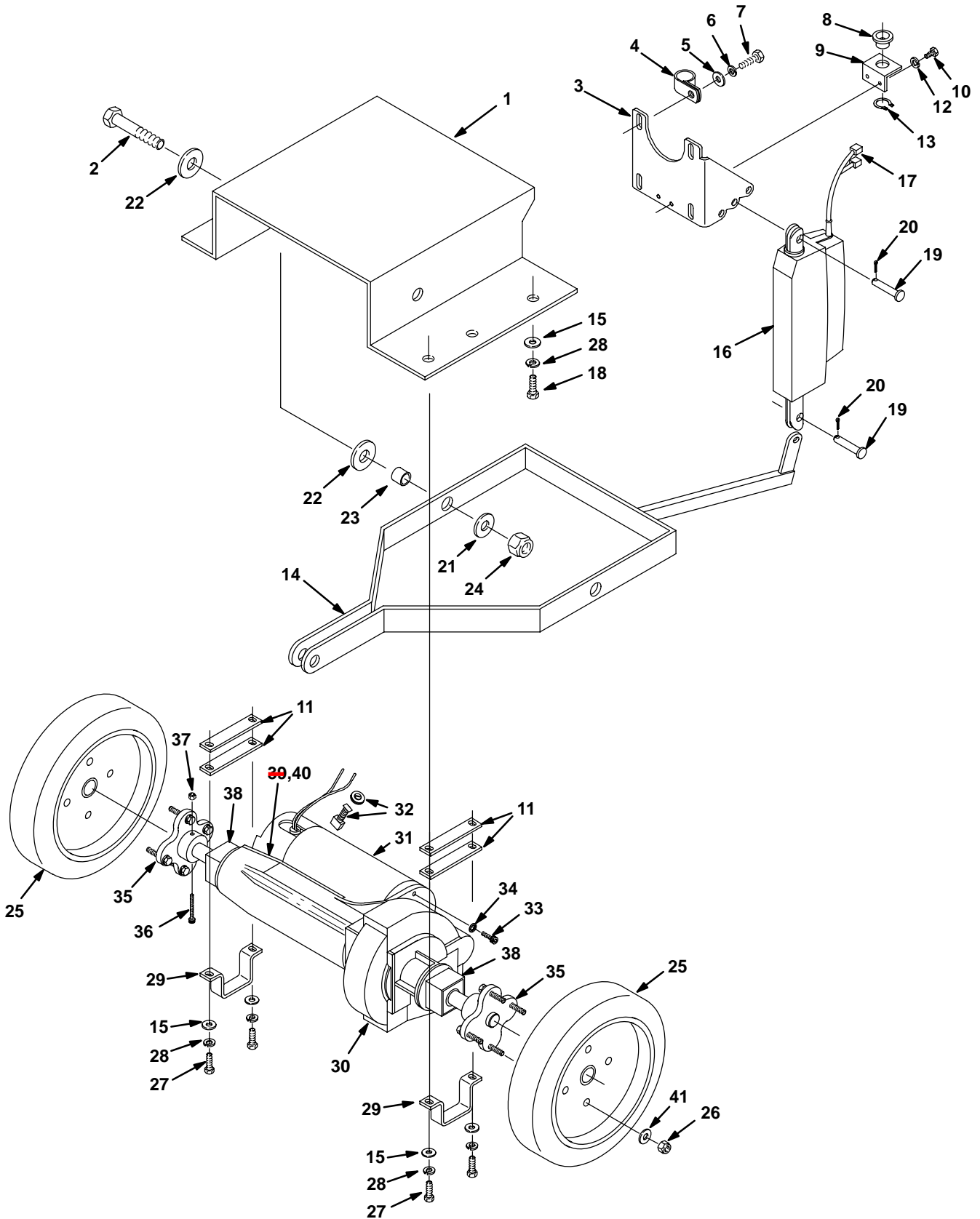
REF	PART #	DESCRIPTION	QTY.
1	613030	PANEL, CONTROL HOUSING	1
2	609969	●PLUG, HOUR METER	2
3	069764626	●PLUG, HOLE 012.7	1
4	130161	●PLUG, DOME .850	1
5	130175	●PLUG, DOME .750	1
6	140519	NUT, #10-24 KEP	2
7	582150	●PLUG, ACCESSORY SWITCH	2
8	608322	SCREW, M6X1.0X16 TRSPHL	6
9	140284	NUT, M6 NYLOCK	6
10	140000	WASHER, 1/4 FLAT	7
11	606404	●ASM., DIODE W/RING TERM.	3
12	281001009	RING, TERMINAL #10	6
13	605905	●SOLENOID, 24V	3
14	130021	●FLASHER, 24VDC	1
15	606243	TAPE, ACRYLIC 1"X.083'	1
16	130737	●BREAKER, CIRCUIT BRSH 10AMP	1
17	602951	●BREAKER, CIRCUIT 35 AMP	3
18	140829	SCREW, #6-32X1 PANPHL	2
19	140019	WASHER, #6 EXT. LOCK	2
20	605387	●CONNECTOR, 50A W/O CNTCTS	1
21	578141000	SCREW, M5X10 PANPHL	2
22	140018	WASHER, #10 INT. LOCK	2
23	130698	BUSHING, SNAP	1

76062

REF	PART #	DESCRIPTION	QTY.
24	602887	BRACKET	1
25	140553	SCREW, 1/4-20X1/2 HXHDGP	2
26	140016	WASHER, 1/4 LOCK	2
27	602871	CABLE, BATTERY #6 BLACKX20"	1
28	578427	●STANDOFF	1
29	602872	CABLE, BATTERY #6 REDX28"	1
30	603235	CHARGER, 24DC 20 AMP	1
31	601991	TRAY, BATTERY	1
32	600394	BATTERY, 12V 215A	2
33	130364	●CABLE, BATTERY #6 BLACKX15"	1
34	140539	NUT, #6-32 KEP	2
35	605823	●O-RING .929 ID X .996 OD	1
36	603331	SPACER, CHARGER PLUG	1
38	604486	ASM., DIODE SPLICED	1
37	140890	SCREW, #10-24X1/2 TRSPHL	2
39	611221	BOOT, BATTERY CABLE BLK	2
40	611222	BOOT, BATTERY CABLE RED	2
41	45962	COVER, BATTERY TERMINAL	4
42	1001219	RELAY, 24VDC, DPDT	1
43	08708	NUT, HEX, LOCK, M06X1.0 NYLON	1
44	32490	WASHER, FLAT, .25 STD	1
45	1005325	TIMER, PUMP, DETERGENT 24V	1
46	06945	SCREW, HEX, M06X1.0X30, 8.8	1

● RECOMMENDED STOCK ITEMS / ARTICULOS RECOMENDADOS PARA MANTENER EN EXISTENCIA

DRIVE GROUP
GRUPO DE TRANSMISIÓN



DRIVE GROUP
GRUPO DE TRANSMISIÓN

REF	PART #	DESCRIPTION	QTY.
1	600288	PLATE, BASE TRANSAXLE	1
2	36758	BOLT, .38-16 SHOULDER	2
3	1002936	BRACKET, ACTUATOR	1
4	140314	CLAMP, INSULATED 3/4 ID	1
5	140027	WASHER, 5/16 FLAT	4
6	140015	WASHER, 5/16 SPLIT LOCK	4
7	200031488	SCREW, M8X1.25X20 HXHDCP	4
8	621235	BUSHING, CABLE	1
9	630157	BRACKET, CABLE GUIDE	1
10	200031432	SCREW, M6X1.0X10 HXHDCP	2
11	612783	SPACER, AXLE	4
12	140016	WASHER, 1/4 LOCK	2
13	621236000	RING, RETAINING	1
14	600290	BRACKET, LIFT DUAL MOTOR	1
15	140028	WASHER, 3/8 FLAT	6
16	600952	●ACUTATOR	1
17	281004001	TERMINAL, QC	2
18	140277	SCREW, M10X1.5X20 HXHDCP	2
19	604076	PIN, CLEVIS	2
20	578421	PIN, COTTER	2
21	140046	WASHER, .392 I.D.	2
22	140045	WASHER, 1/2 FLAT	4
23	602882	BUSHING	2
24	140515	NUT, 3/8-16 NYLCK	2

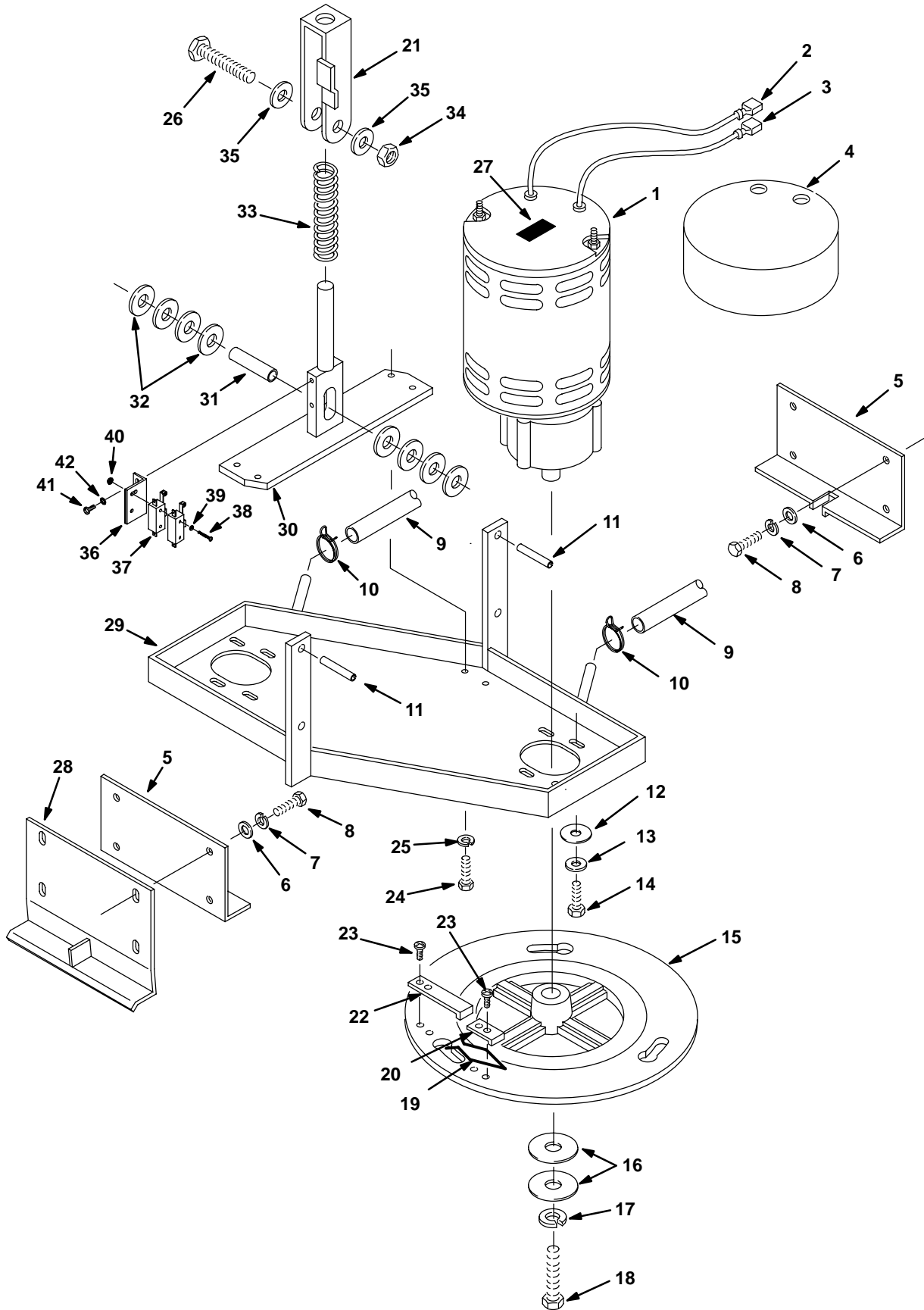
REF	PART #	DESCRIPTION	QTY.
25	613026	●WHEEL, NEOPRENE, SOLID	2
	630215	●WHEEL, PNEUMATIC, AIR	2
	600352	●WHEEL, FOAM FILLED	2
	604357	●KIT, PNEUMATIC WHEEL, AIR	1
	604259	●KIT, WHEEL FOAM FILLED	1
41169 26	140501	NUT, 1/4-20 HXLCK SS	8
27	612255000	SCREW, M10X1.5X35 HXHDCP	4
28	140333	WASHER, M10 SPLIT LOCK	6
29	612784	BRACKET, TRANSAXLE MOUNT	2
30	612844	TRANSAXLE, 24V MOTOR	1
▲	612873	BODY, TRANSAXLE ONLY	1
▲	612874	COUPLING, NYLON, TRANSAXLE	1
▲	612875	KEY, TRANSAXLE	1
▲▽31	612877	●MOTOR, TRANSAXLE	1
▲▲32	612883	●BRUSH, CARBON KIT BRUSHES W/CAPS (2/PK) 4/PK	1
▲33	140666	SCREW, 1/4-20X5/8 SHCS	2
▲34	32982	WASHER, 1/4 INT. LOCK	2
▲35	612879	HUB, WHEEL TRANSAXLE	2
▲36	31249	BOLT, #10-24 SHOULDER	2
▲37	140552	NUT, #10-24 NYLOCK	2
▲38	612880	SLEEVE, TRANSAXLE REPL.	2
▲39	613082	COVER, TRANSAXLE	1
▲40	577031000	SCREW, #8X1/2 PANPHL	2
41	140000	WASHER, 1/4 FLAT	8

▽ ASSEMBLY / CONJUNTO

▲ INCLUDED IN ASSEMBLY / INCLUIDO EN EL CONJUNTO

● RECOMMENDED STOCK ITEMS / ARTICULOS RECOMENDADOS PARA MANTENER EN EXISTENCIA

BRUSH DRIVE GROUP
CONJUNTO IMPULSO DE CEPILLO



BRUSH DRIVE GROUP CONJUNTO IMPULSO DE CEPILLO

REF	PART #	DESCRIPTION	QTY.
▽ 1	130491	●MOTOR & GEAR BOX, BRUSH	2
▲	630609	●ASM., GEAR BOX	1
▲	190741	●ASM., BRUSH CARD	1
▲	190970	●BRUSH, CARBON	4
▲	140632	●KEY, 1/4X1	1
✗ 2	130192	TERMINAL, MALE	1
✗ 3	130192	TERMINAL, MALE	1
4	100764	COVER, BRUSH MOTOR	2
5	600300	PLATE, GUIDE	2
6	140003	WASHER, 1/4X1 FENDER	8
7	140016	WASHER, 1/4 LOCK	8
8	140272	SCREW, M6X1.0X16 HXHDCP	8
9	609470	HOSE, 3/8IDX5/8ODX9"	2
10	607775	CLAMP, HOSE 2 WIRE BLK	2
11	140618	PIN, ROLL	4
12	140028	WASHER, 3/8 FLAT	8
13	140017	WASHER, 3/8 SPLIT LOCK	8
14	140202	SCREW, 3/8-16X1 HXHDCP	8
15	606335	PLATE, DRIVER NYLON	2
16	25732	WASHER, .36 FLAT	4
17	140015	WASHER, 5/16 SPLIT LOCK	2
18	140219	SCREW, 5/16-18X1 HXHD	2
19	140417	●CLIP, SPRING	2

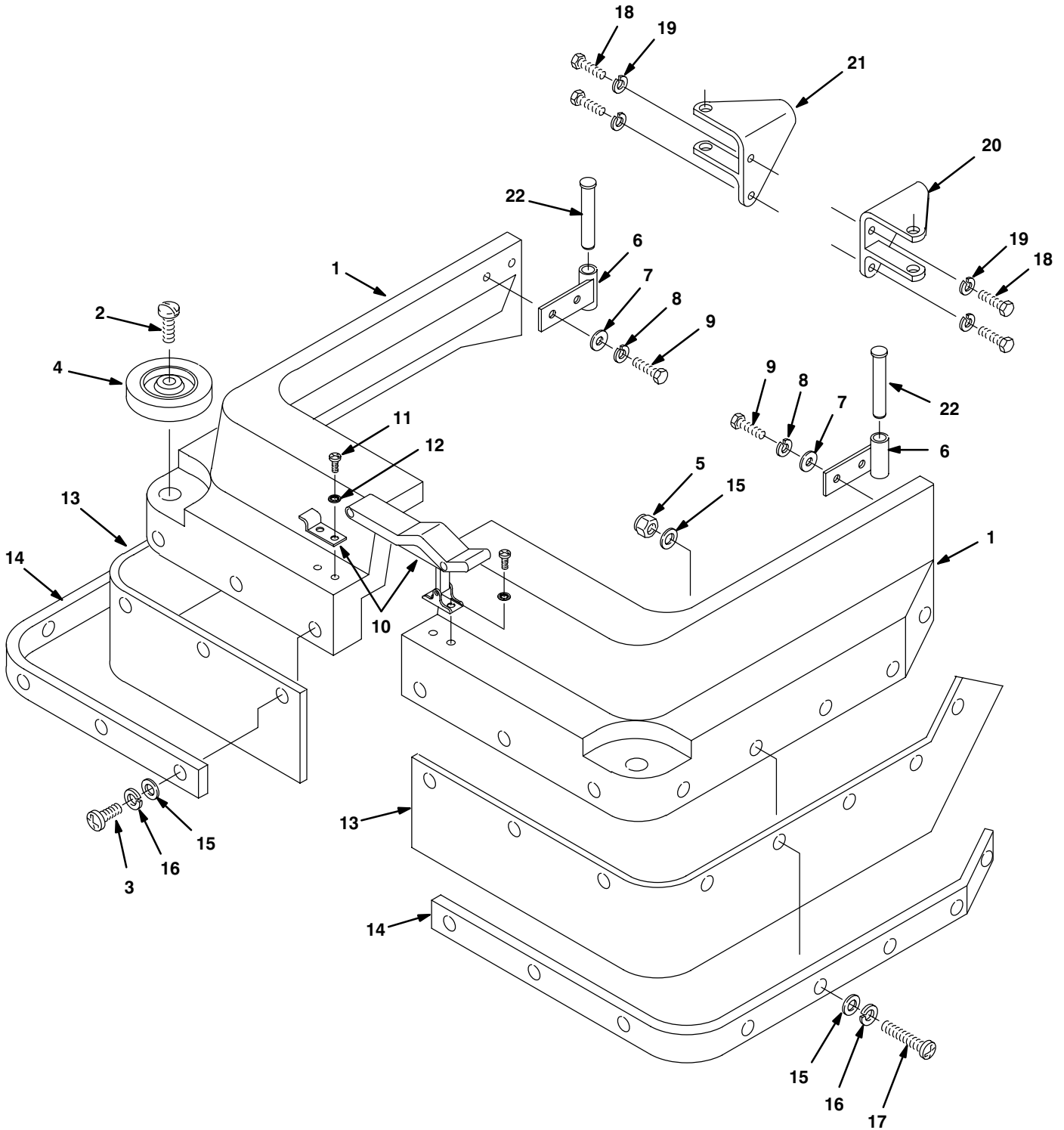
REF	PART #	DESCRIPTION	QTY.
20	230651	●CLAMP, BRUSH PLATE	2
21	1001148	BRACKET, SPRING	1
22	230697	●STOP, DRIVER RELEASE	2
23	606915	SCREW, HIGH LOW 10-16X3/8	8
24	200031488	SCREW, M8X1.25X20 HXHDCP	4
25	140015	WASHER, 5/16 SPLIT LOCK	4
26	140225	SCREW, 3/8-16X2 HXHDCP	1
27	606243	TAPE, ACRYLIC 1"X.25'	2
28	600299	LIP, FRONT SKIRT	1
29	600289	BRACKET, MOTOR MOUNT	1
30	613029	BRACKET, SPRING MOUNT	1
31	602930	BUSHING	1
32	578298000	WASHER, .64 FLAT	8
33	602555	SPRING	1
34	600200	NUT, 3/8-16 JAM	1
35	140028	WASHER, 3/8 FLAT	2
36	1000975	BRACKET, SWITCH, BRUSH	1
1020061 37	069764008	SWITCH, SNAP, ROLLER, 25A	2
38	140757	SCREW, #6-32X2-1/4 PANPHL	2
39	140032	WASHER, #6 FLAT	2
40	140539	NUT, #6-32 KEP	2
41	578141000	SCREW, M5X10 PANPHL	2
42	140018	WASHER, #10 INT. LOCK	2

▽ ASSEMBLY / CONJUNTO

▲ INCLUDED IN ASSEMBLY / INCLUIDO EN EL CONJUNTO

● RECOMMENDED STOCK ITEMS / ARTICULOS RECOMENDADOS PARA
MANTENER EN EXISTENCIA

BRUSH SKIRT GROUP
CONJUNTO JUEGO DE CEPILLO



BRUSH SKIRT GROUP
CONJUNTO JUEGO DE CEPILLO

REF	PART #	DESCRIPTION	QTY.
▽	609773	ASM., SKIRT OPERATOR LH GREEN (2401)	1
	609771	ASM., SKIRT OPERATOR LH GREEN (2601)	1
	609772	ASM., SKIRT OPERATOR RH GREEN (2401)	1
	609770	ASM., SKIRT OPERATOR RH GREEN (2601)	1
▲ 1	608709	SKIRT, OPERATOR LH GREEN (2401)	1
	608301	SKIRT, OPERATOR LH GREEN (2601)	1
	608711	SKIRT, OPERATOR RH GREEN (2401)	1
	608303	SKIRT, OPERATOR RH GREEN (2601)	1
▲ 2	603154	●SCREW, M08X1.25X40MM	2
▲ 3	578144000	SCREW, M5X16MM	10
▲ 4	630450	●WHEEL, RUBBER	2
▲ 5	140283	NUT	6
▲ 6	600301	BRACKET, SKIRT MOUNT	2

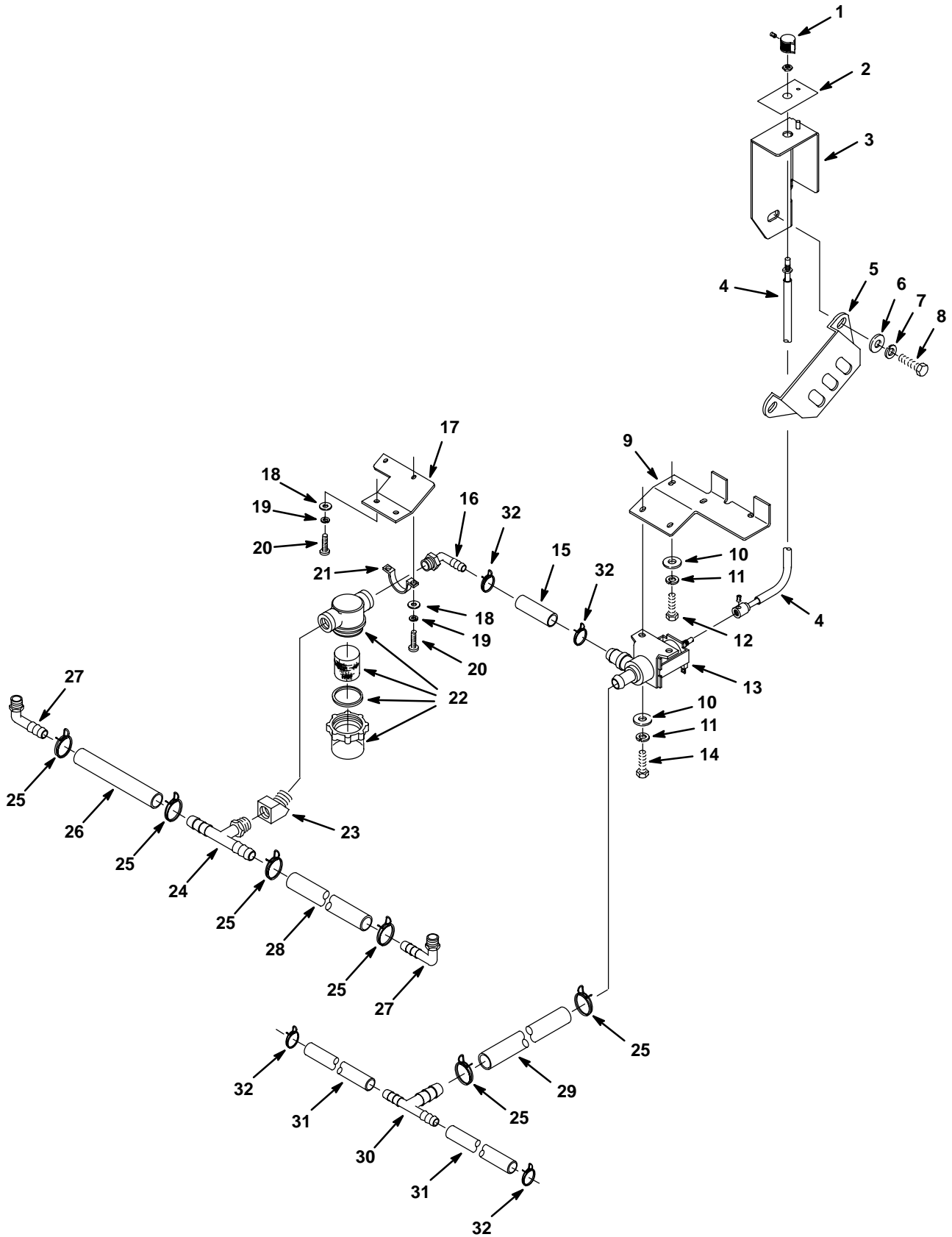
REF	PART #	DESCRIPTION	QTY.
▲ 7	140027	WASHER, 5/16 FLAT	4
▲ 8	140015	WASHER, 5/16 SPLIT LOCK	4
▲ 9	578237000	SCREW, M8X1.25X18 HXHDCP	4
▲ 10	140932	●LATCH, HOOD	1
▲ 11	200070340	SCREW, M4X.7X8 PANPHL	4
▲ 12	140023	WASHER, #8 INT	4
▲ 13	600295	●GUARD, SPLASH (2401)	2
	600294	●GUARD, SPLASH (2601)	2
▲ 14	600297	STRAP, SPLASH GUARD (2401)	2
	600296	STRAP, SPLASH GUARD (2601)	2
▲ 15	140011	WASHER, 3/16 FLAT	22
▲ 16	140018	WASHER, #10 INT. LOCK	16
▲ 17	140293	SCREW, M5X.8X30 PANPHL	6
18	575029000	SCREW, M8X1.25X20 PANPHL	4
19	140015	WASHER, 5/16 SPLIT LOCK	4
20	607951	BRACKET, SKIRT MOUNT LH	1
21	607952	BRACKET, SKIRT MOUNT RH	1
22	230943	●PIN, SKIRT	2

▽ ASSEMBLY / CONJUNTO

▲ INCLUDED IN ASSEMBLY / INCLUIDO EN EL CONJUNTO

● RECOMMENDED STOCK ITEMS / ARTICULOS RECOMENDADOS PARA MANTENER EN EXISTENCIA

SOLUTION CONTROL GROUP
CONJUNTO DE PALANCAS SOLUCIÓN



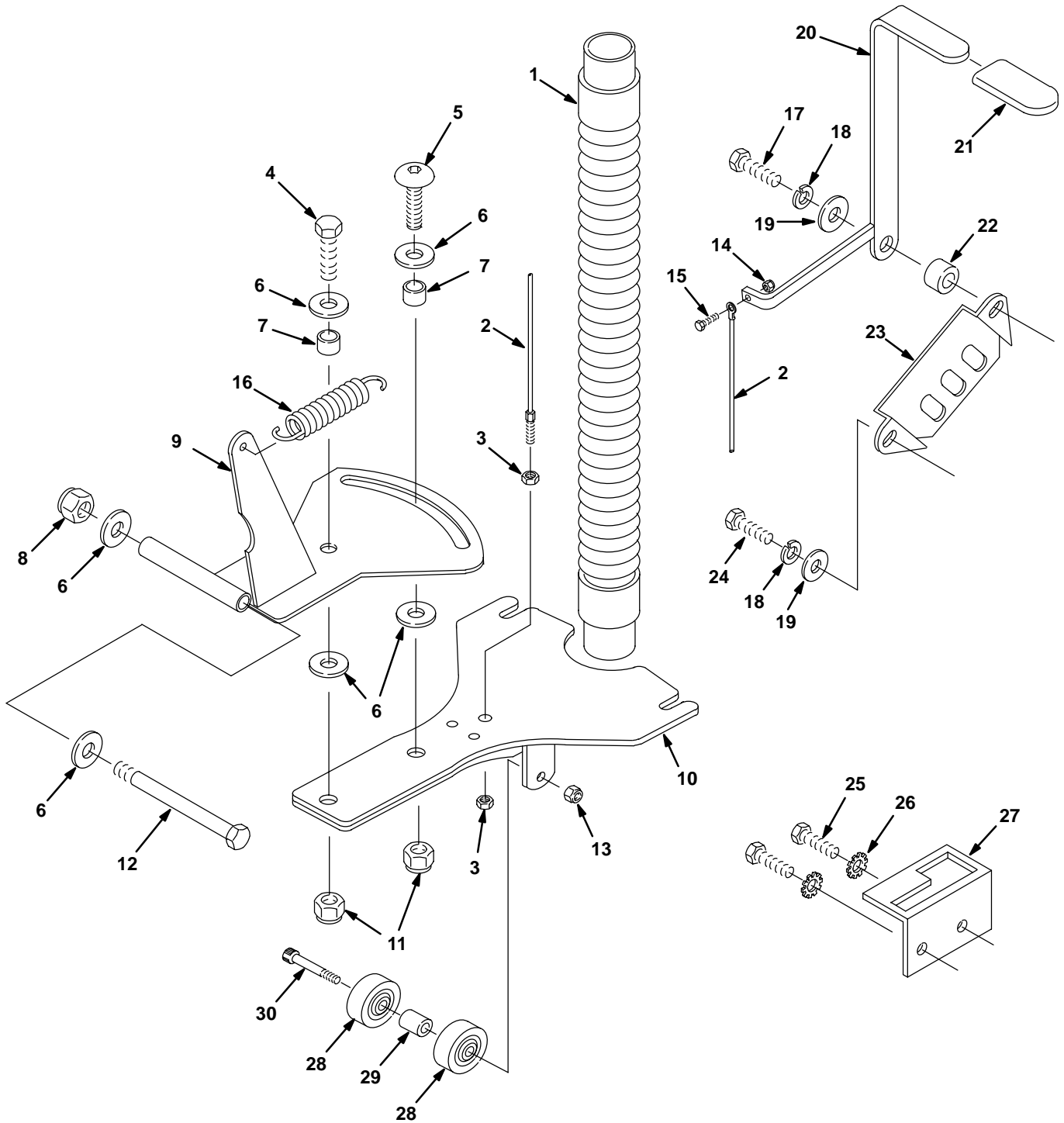
SOLUTION CONTROL GROUP
CONJUNTO DE PALANCAS SOLUCIÓN

REF	PART #	DESCRIPTION	QTY.
1	626121	KNOB, WATER VALVE	1
2	612039	DECAL, SOLUTION CONTROL	1
3	1002538	BRACKET, SOLUTION CONTROL	1
4	612497	CABLE, SOL. FLOW CONTROL	1
5	230661	PLATE, LOCK CONTROL HSG.	1
6	140027	WASHER, 5/16 FLAT	2
7	140015	WASHER, 5/16 SPLIT LOCK	2
8	200031488	SCREW, M8X1.25X20 HXHDCP	2
9	1005337	BRACKET, SOLENOID MOUNT	1
10	140000	WASHER, 1/4 FLAT	4
11	140016	WASHER, 1/4 LOCK	4
12	140272	SCREW, M6X1.0X16 HXHDCP	2
13	612498	●VALVE, LIQUID DISPENSING	1
14	200031432	SCREW, M6X1.0X10 HXHDCP	2
15	069760725	HOSE, 1/2IDX3.25"	1
16	578039000	FITTING, 3/8MX1/2H ELBOW 90	1

REF	PART #	DESCRIPTION	QTY.
17	611820	BRACKET, FILTER BOWL	1
18	575541000	WASHER, M5X1 FLAT	4
19	200655016	WASHER, M5 LOCK	4
20	609062	SCREW, M5X.8X12 TRSPHL	4
21	605056	BRACKET, FILTER MOUNT	1
22	601475	●FILTER, INLINE 40 MESH	1
23	01997	FITTING, BRASS ELBOW 45	1
24	605046	FITTING, 3/8MX1/2HX1/2H TEE	1
25	607776	CLAMP, HOSE 2 WIRE BLK	6
26	606241	HOSE, 1/2IDX6"	1
27	578039000	FITTING, 3/8MX1/2H ELBOW 90	2
28	626204	HOSE, 320MM	1
29	578822000	HOSE, 425MM	1
30	612149000	FITTING, 3/8HX3/8HX1/2H TEE	1
31	609470	HOSE, 3/8IDX5/8ODX9"	2
32	607775	CLAMP, HOSE 2 WIRE BLK	4

- RECOMMENDED STOCK ITEMS / ARTICULOS RECOMENDADOS PARA MANTENER EN EXISTENCIA

SQUEEGEE CONTROL GROUP
CONJUNTO DE PALETA PLANCAS



SQUEEGEE CONTROL GROUP
CONJUNTO DE PALETA PLANCAS

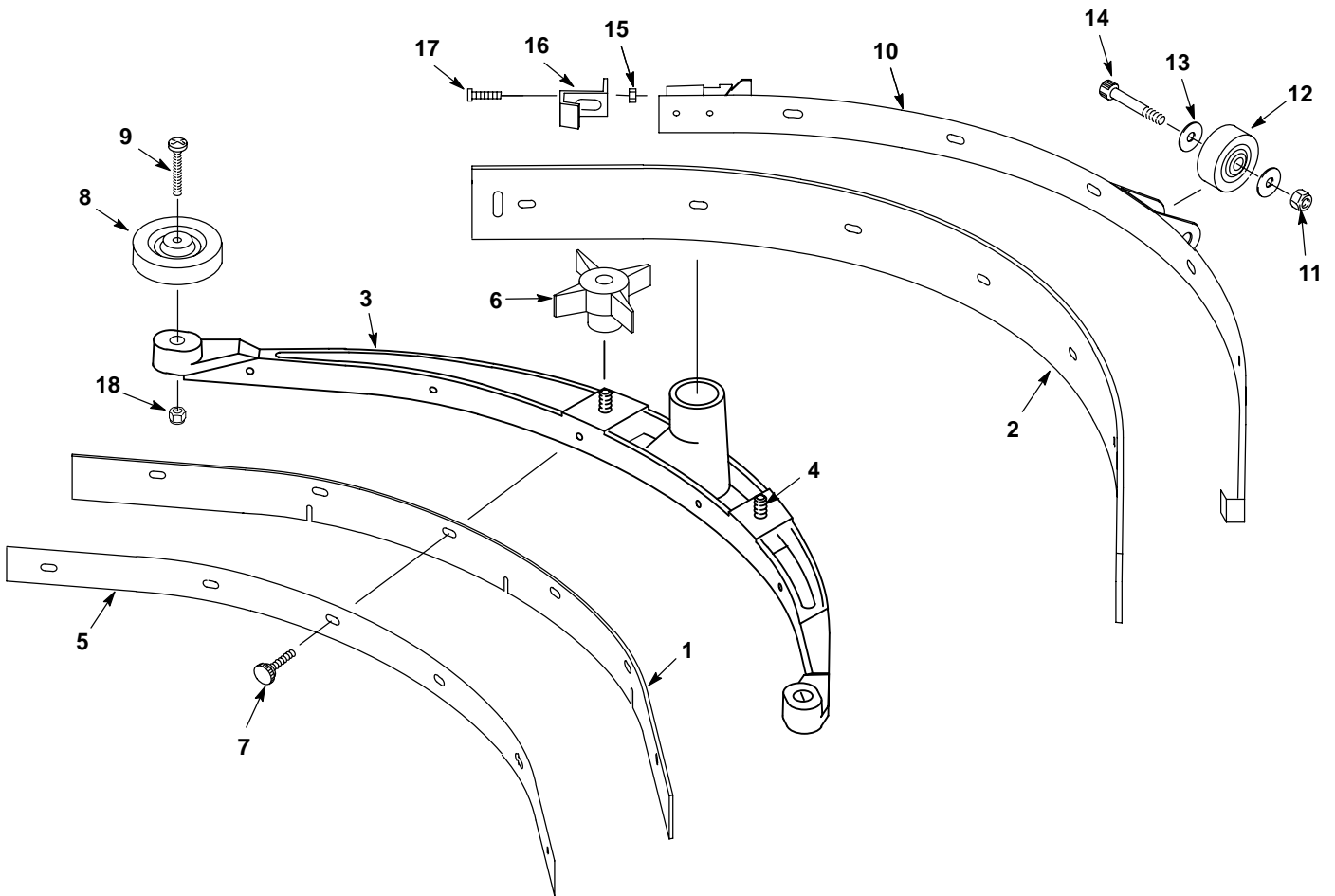
1015636

REF	PART #	DESCRIPTION	QTY.
1	160613	●HOSE, VAC 1.5X30" W/CUFFS	1
2	630456	●CABLE, SQUEEGEE LIFT	1
3	140501	NUT, 1/4-20 NL	2
4	140236	SCREW, 1/2-13X1.25 HXHDCP	1
5	611480	SCREW, 1/2-13X1.25 TRSPHL	1
6	140045	WASHER, 1/2 FLAT	6
7	140139	BUSHING	2
8	140516	NUT, 1/2-13 NYLOCK	1
9	611494	PIVOT MOUNT, SQUEEGEE	1
10	611479	BRACKET, SQUEEGEE MOUNT	1
11	140509	NUT, 1/2-13 JAM	2
12	602981	SCREW, 1/2-13X5-1/2 HXHDCP	1
13	600200	NUT, 3/8-16 HXLK	1
14	140284	NUT, M6 NYLOCK	1
15	140272	SCREW, M6X1.0X16 HXHDCP	1

REF	PART #	DESCRIPTION	QTY.
16	611477	SPRING	1
17	200031496	SCREW, M08X1.25X35	1
18	140015	WASHER, 5/16 SPLIT LOCK	2
19	140027	WASHER, 5/16 FLAT	2
20	602885	HANDLE, SQUEEGEE LIFT	1
21	200816	●GRIP, HANDLE	1
22	604358	BUSHING SPACER	1
23	230661	PLATE, LOCK CONTROL HSG.	1
24	200031488	SCREW, M8X1.25X20 HXHDCP	1
25	140268	SCREW, M5X.8X12 HXHDCP	2
26	140031	WASHER, #10 EXT. LOCK	2
27	230712	PLATE, SQUEEGEE LOCK	1
28	630477	WHEEL, 2" GRAY	2
29	603368	SPACER, NYLON	1
30	603144	SCREW, 3/8X3 SHOULDER	1

- RECOMMENDED STOCK ITEMS / ARTICULOS RECOMENDADOS PARA MANTENER EN EXISTENCIA

SQUEEGEE ASSEMBLY GROUP – 838mm (33 in)
CONJUNTO PALETA



SQUEEGEE ASSEMBLY GROUP – 838mm (33 in)
CONJUNTO PALETA

REF	PART #	DESCRIPTION	QTY.
▽	612025	ASSEMBLY, SQUEEGEE, LINATEX	1
▲▽	606758	●KIT, SQUEEGEE BLADES, LINATEX	1
▲ 1	605030	●BLADE, FRONT SQUEEGEE, LINATEX (RED)	1
▲ 2	605029	●BLADE, REAR SQUEEGEE, LINATEX (RED)	1
1	605032	●BLADE, FRONT SQUEEGEE, URETHANE (WHITE)	1
2	611634	●BLADE, REAR SQUEEGEE, URETHANE (WHITE)	1
▽	606741	ASSEMBLY, SQUEEGEE, GUM RUBBER	1
▲▽	606757	●KIT, SQUEEGEE BLADES, GUM RUBBER	1
▲ 1	605028	●BLADE, FRONT SQUEEGEE, GUM RUBBER (TAN)	1
▲ 2	605027	●BLADE, REAR SQUEEGEE, GUM RUBBER (TAN)	1
▲ 3	611462	CASTING, SQUEEGEE	1

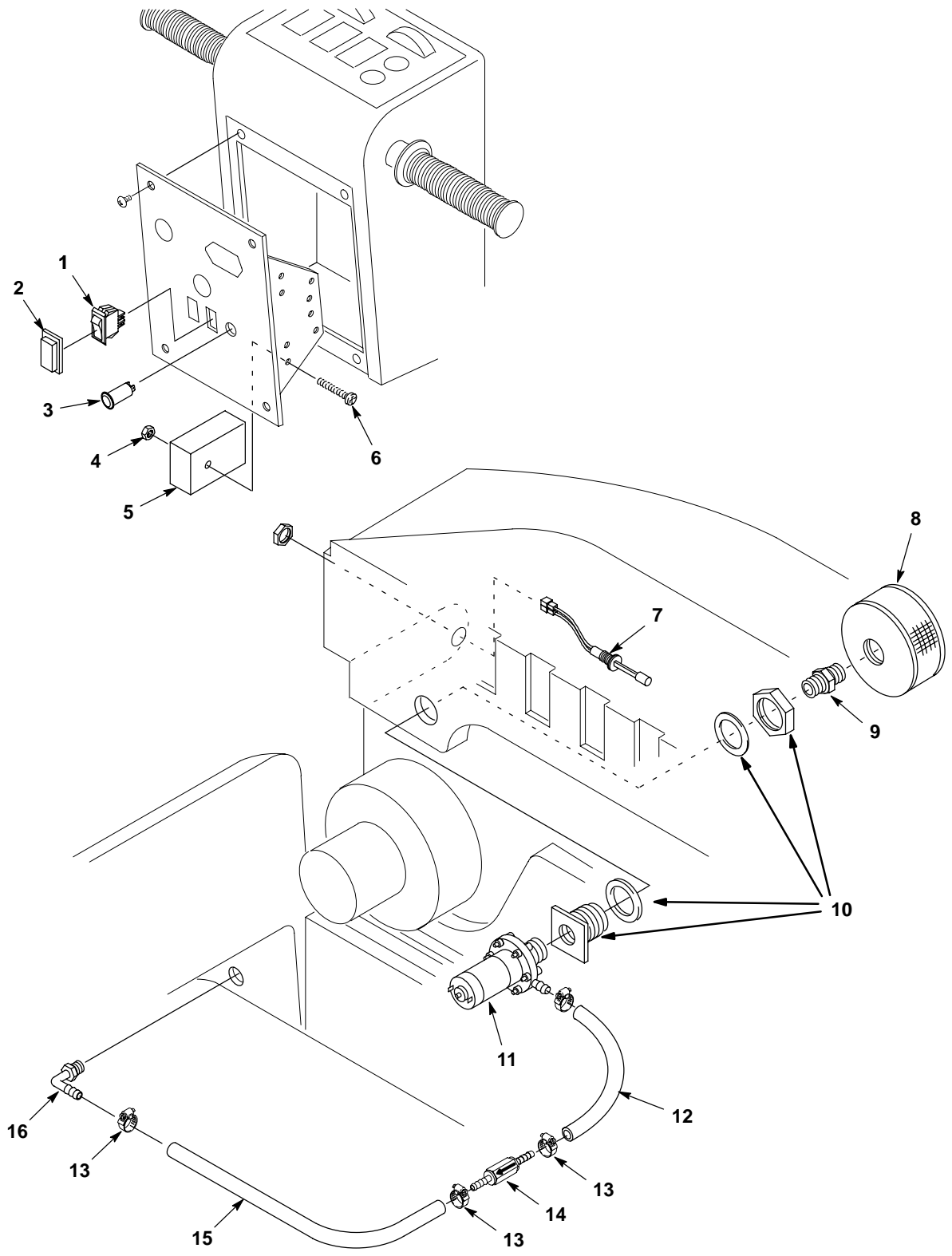
REF	PART #	DESCRIPTION	QTY.
▲ 4	140799	SCREW, 5/16–18X1–1/2 TRSPHL	2
▲ 5	605034	RETAINER, FRONT STRIP	1
▲ 6	370100	●KNOB, 5/16 STAR	2
▲ 7	603012	●KNOB, FRONT SQUEEGEE	6
▲ 8	630450	WHEEL, 76 DIA X 22	2
▲ 9	611489	SCREW, 5/16–18X1–3/4	2
▲ 10	605033	SQUEEGEE, BAND ASM REAR	1
▲ 11	601108000	NUT, 5/16–18 HXLCK	1
▲ 12	630477	●WHEEL	1
▲ 13	140028	WASHER, 3/8 FLAT	2
▲ 14	600187	SCREW, SHOULDER, 3/8 X 1 1/4	1
▲ 15	140283	NUT, M5X.8 NYLOCK	1
▲ 16	605069	CLIP, SQUEEGEE BAND	1
▲ 17	630389	SCREW, 7/8X45 PANPHL M5	1
▲ 18	140506	NUT, 5/16–18	2

▽ ASSEMBLY / CONJUNTO

▲ INCLUDED IN ASSEMBLY / INCLUIDO EN EL CONJUNTO

● RECOMMENDED STOCK ITEMS / ARTICULOS RECOMENDADOS PARA MANTENER EN EXISTENCIA

ES™ KIT
ES™ JUEGO



**ES™ KIT
ES™ JUEGO**

REF	PART #	DESCRIPTION	QTY.
▽	604780	●KIT, ES™	1
▲ 1	630419	●SWITCH, ROCKER	1
▲ 2	578720	●SPLASHGUARD, RCKR SWITCH	1
▲ 3	130738	●LIGHT, INDICATOR GREEN	1
▲ 4	140283	NUT	1
▲ 5	630145	●TIMER, 24VDC, RANGE:30SEC	1
▲ 6	578008000	SCREW	1
▲ 7	603166	●SWITCH, LIQUID LEVEL W/NUT	1
▲ 8	630138	●FILTER, SCREEN	1
▲ 9	630385	FITTING, 3/4M NIPPLE	1

REF	PART #	DESCRIPTION	QTY.
▲ 10	601490	FITTING, 3/4NPT BULKHEAD	1
▲ 11	630136	●PUMP, SOLUTION 24VDC	1
▲ 12	605282	TUBING, 5/8X.5'	1
▲ 13	140310	CLAMP, HOSE	4
▲ 14	210044	●VALVE, CHECK	1
▲ 15	605282	TUBING, 5/8X1.25'	1
▲ 16	150415	FITTING, ELBOW 90°	1
▲N/S	604787	HARNESS, WIRE ES™	1
▲N/S	630440	DECAL, REMOVE FILTER	1

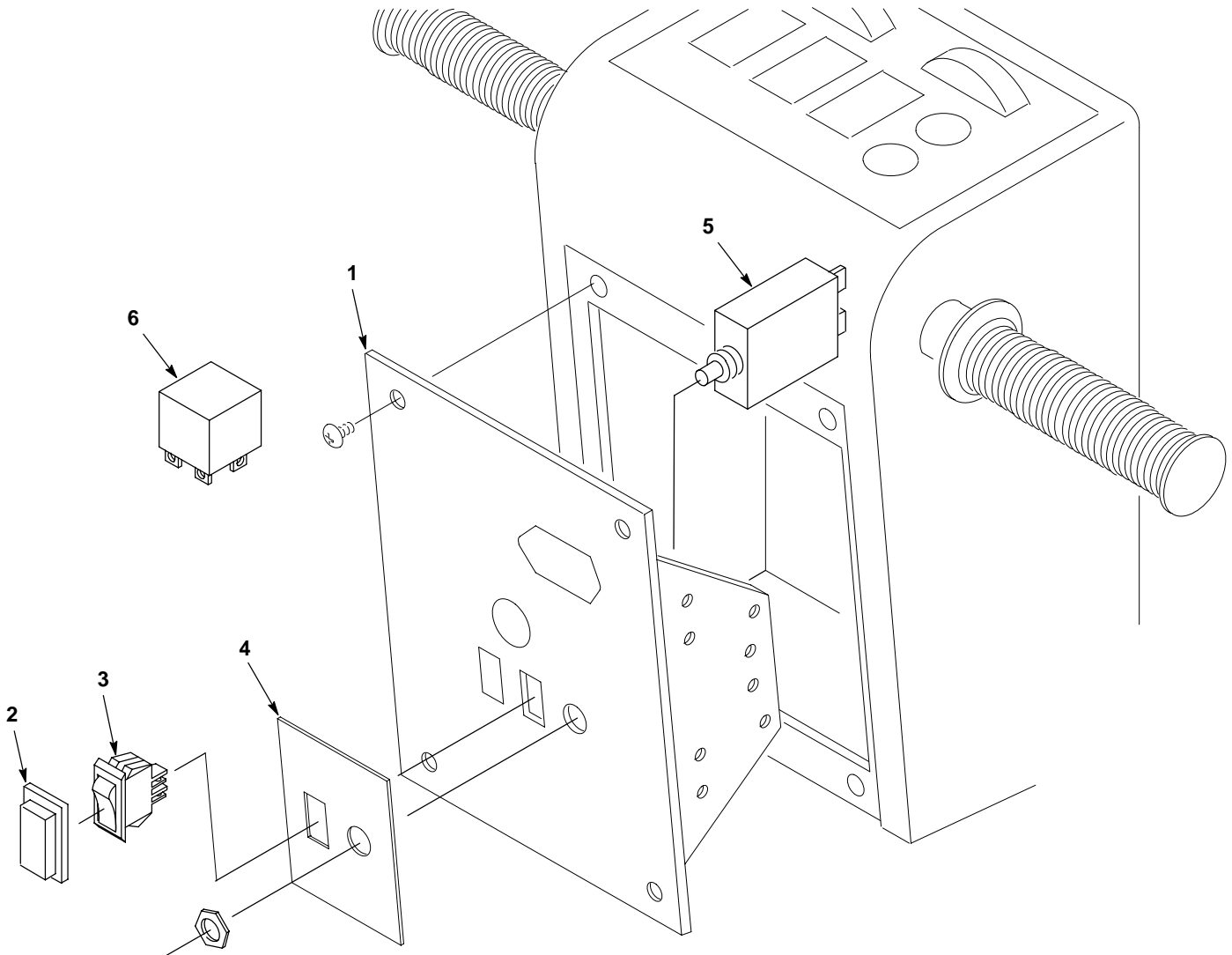
▽ ASSEMBLY / CONJUNTO

▲ INCLUDED IN ASSEMBLY / INCLUIDO EN EL CONJUNTO

● RECOMMENDED STOCK ITEMS / ARTICULOS RECOMENDADOS

N/S = NOT SHOWN

**FaST™ CONSOLE PANEL GROUP
FaST™ GRUPO DEL PANEL DE LA CONSOLA**



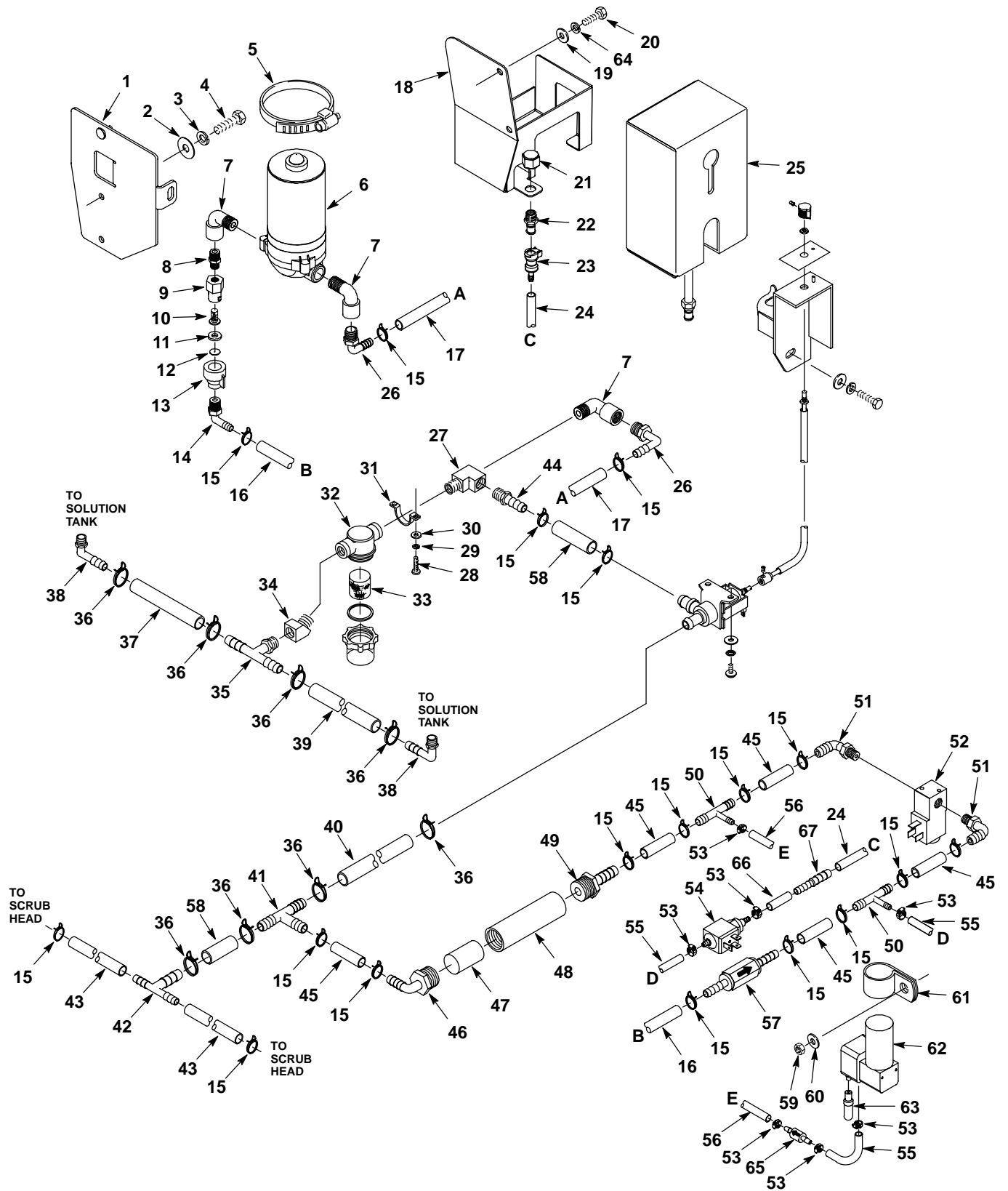
REF	PART #	DESCRIPTION	QTY.
1	605044	PANEL, SWITCH	1
2	578720	●SPLASHGUARD, RCKR SWITCH	1
3	130787	●SWITCH, ROCKER SPDT	1
4	613399	LABEL, FAST SWITCH	1

REF	PART #	DESCRIPTION	QTY.
5	130737	●BREAKER, CIRCUIT 10 AMP	1
6	49309	RELAY, 24VDC	1
N/S	613375	HARNESS, WIRE MAIN W/FAST	1

● RECOMMENDED STOCK ITEMS / ARTICULOS RECOMENDADOS

N/S = NOT SHOWN / NO ESTÁ ILUSTRADO

FaST™ SOLUTION GROUP
FaST™ GRUPO DE SOLUCIÓN



**FaST™ SOLUTION GROUP
FaST™ GRUPO DE SOLUCIÓN**

REF	PART #	DESCRIPTION	QTY.
1	1005236	BRACKET, MOUNTING	1
2	140003	WASHER, FENDER	2
3	140016	WASHER, LOCK	2
4	15678	SCREW, M06X1.0X16MM	2
5	43555	CLAMP, HOSE 1.62-3.5OD	1
▽ 6	1002345	PUMP, SOLUTION ELE 24VDC	1
▲	78951	TERMINAL, FEMALE	2
▲	391433	PUMP HEAD	1
▲	78950	CONNECTOR	1
▲	78952	LOCK	1
▲	10917	SEAL	2
7	1005318	FITTING, PLSTC, E90 PF06/PM06	3
8	1005219	FITTING, PLSTC, STR PM04/PM06	1
▽	1005321	FITTING, PLSTC, CAP ASM	1
▲ 9	1005507	FITTING, PLSTC, BODY SPRAY	1
▲ 10	1006447	●STRAINER, ORIFICE	1
▲ 11	1005508	WASHER, .034B 0.75D 0.12	1
▲ 12	1005509	PLATE, ORIFICE, 0.035ID	1
▲ 13	1005506	FITTING, PLSTC CAP SPRAY	1
14	57248	FITTING, PLSTC E90 BM06/PM04	1
15	607775	CLAMP, HOSE 2 WIRE BLK	18
16	613724	HOSE, PVC, BRD, .38IDX10	1
17	613722	HOSE, PVC, BRD, .38IDX21	1
18	1002871	BRACKET, HOLDER BOX	1
19	140027	WASHER, 5/16 FLAT	4
20	200031488	SCREW, M8X1.25X20 HXHDCP	4
21	1005435	FITTING, PLSTC PIPE CAP	1
22	1006206	COUPLING, MALE .25NPT	1
23	1006204	COUPLING, FEM W/VALVE .25 BRB	1
24	613727	HOSE, PVC, 0.25IDX12.0	1
25	1005232	CONCENTRATE, 2 PACK	-
	1005249	CONCENTRATE, 6 PACK	-
26	1005630	FITTING, PLSTC E90 BM06/PM06	2
27	601483	TEE, STREET 3/8 NPT	1
28	609062	SCREW, M5X.8X12 TRSPHL	4
29	200655016	WASHER, M5 LOCK	4
30	575541000	WASHER, M5X1 FLAT	4
31	605056	BRACKET, FILTER MOUNT	2
▽ 32	1005302	FILTER, INLINE 80 MESH	1
▲ 33	1005304	●SCREEN, FILTER	1

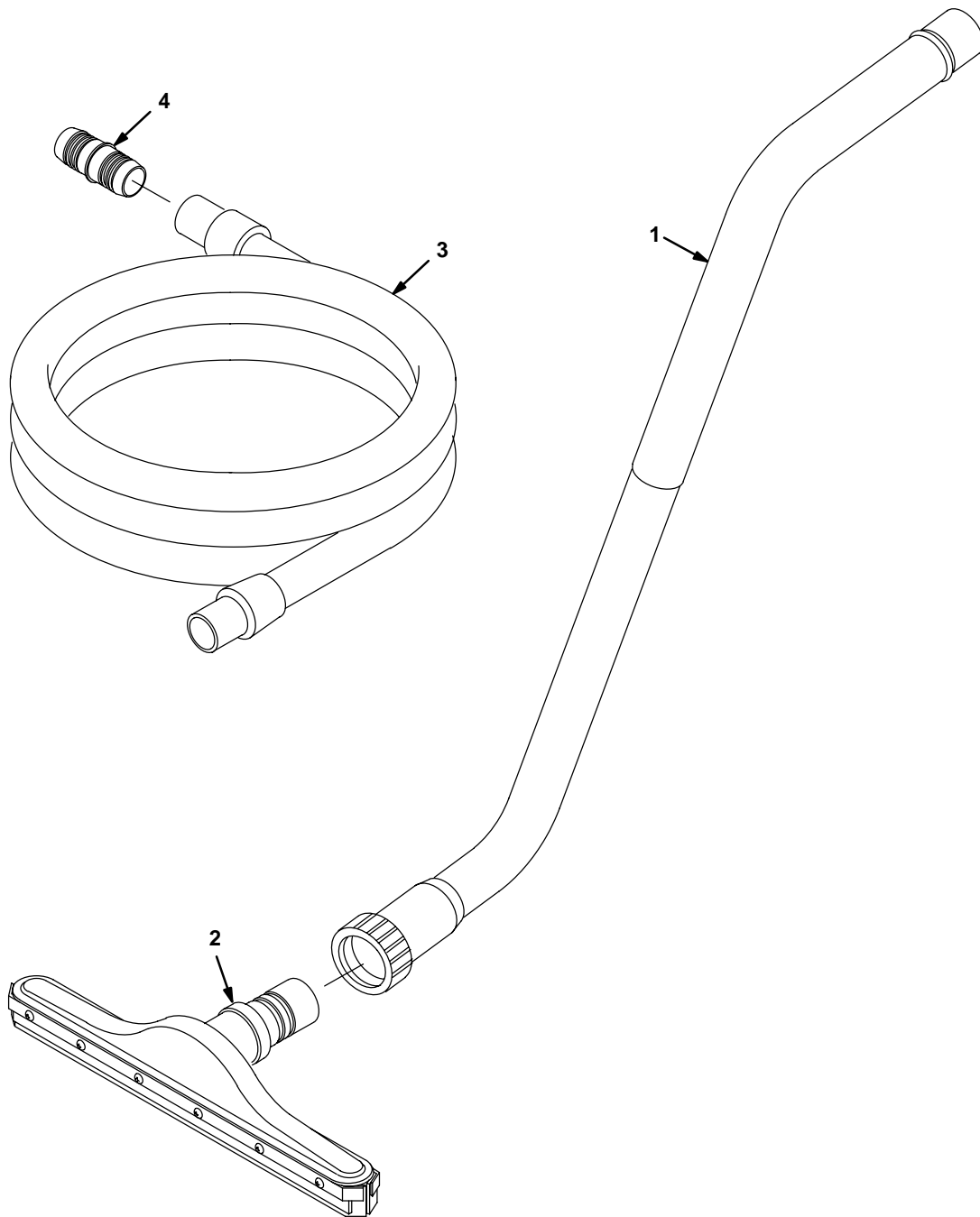
REF	PART #	DESCRIPTION	QTY.
34	01997	FITTING, BRASS ELBOW 45	1
35	605046	FITTING, 3/8MX1/2HX1/2H TEE	1
36	607776	CLAMP, HOSE 2 WIRE BLK	7
37	606241	HOSE, 1/2IDX6"	1
38	578039000	FITTING, 3/8MX1/2H ELBOW 90	2
39	626204	HOSE, 320MM	1
40	613725	HOSE, PVC, BRD, 0.50IDX15	1
41	382454	FITTING, TEE BM08XBM08XBM06	1
42	612149000	FITTING, 3/8HX3/8HX1/2H TEE	1
43	609470	HOSE, 3/8IDX5/8ODX9	2
44	64743	FITTING, PLSTC, STR, BM08/PM06	1
45	613717	HOSE, PVC BRD, .38IDX2.0	5
46	79484	FITTING, PLSTC E90 BM06/PM12	1
47	1002789	FILTER, FOAM	3
48	1005086	TUBE, PLASTIC 25MM ID	1
49	73467	FITTING, STR BM06/PM12 NYLON	1
50	61456	FITTING, TEE BM06/BM03/BM06	2
51	1005564	FITTING, PLSTC E90 BM06/PM02	2
52	1002530	VALVE, SHUTOFF ELECT 24VDC	1
53	43844	CLAMP, HOSE .25-.62D	4
54	1005413	PUMP, CONCENTRATE 24VDC	1
55	613720	HOSE, PVC, 0.19IDX3	2
56	613726	HOSE, PVC, 0.19IDX14.0	1
57	210044	VALVE, CHECK 3/8X3/8	1
58	392256	HOSE, 0.51IDX0.73ODXX2.0L	2
59	08708	NUT, HEX, LOCK, M06X1.0 NYLON	1
60	32490	WASHER, FLAT, .25 STD	1
61	53466	CLAMP, CABLE, STL, 1.50DX1.00W	1
▽ 62	1002344	PUMP, AIR	1
▲	391449	KIT, DIAPHRAGM	1
▲	78950	CONNECTOR	1
▲	78952	LOCK	1
▲	25837	TERMINAL, FEMALE	2
▲	25830	SEAL	2
63	1005255	FILTER, ASM AIR	1
64	140015	WASHER, 5/16 SPLIT LOCK	4
65	1005327	FITTING, CVALVE BM03/BM03	1
66	613728	HOSE, PVC, 0.19IDX1.0	1
67	1005324	FITTING, PLSTC STR BM03/BM04	1

▽ ASSEMBLY / CONJUNTO

▲ INCLUDED IN ASSEMBLY / INCLUIDO EN EL CONJUNTO

● RECOMMENDED STOCK ITEMS / ARTICULOS RECOMENDADOS

**SQUEEGEE WAND ASSEMBLY
GRUPE D'ASPIRATION ET RACLETTE À MAIN**



REF	PART #	DESCRIPTION	QTY.
▽	190928	●ASM, WAND DOUBLE BEND	1
▲ 1	6108.1	WAND, DOUBLE BEND	1
▲ 2	13840	SQUEEGEE ASM PUSH/PULL	1

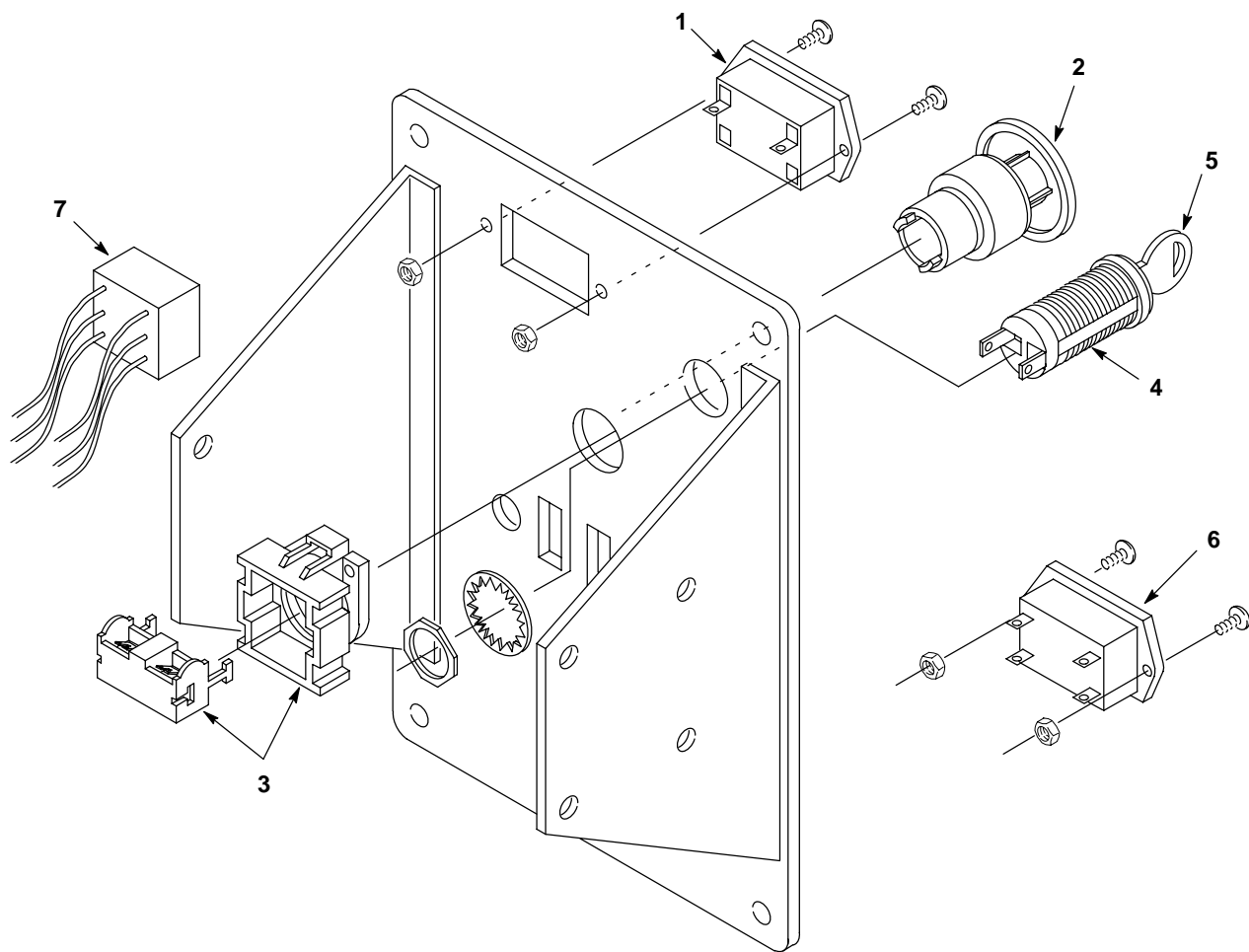
REF	PART #	DESCRIPTION	QTY.
▲ 3	160481	●HOSE, VAC 1-1/2X10'	1
▲ 4	160451	CONNECTOR, VAC HOSE	1

▽ ASSEMBLY / CONJUNTO

▲ INCLUDED IN ASSEMBLY / INCLUIDO EN EL CONJUNTO

● RECOMMENDED STOCK ITEMS / ARTICULOS RECOMENDADOS

**HOUR METER, EMERGENCY STOP, KEYSWITCH AND LOW VOLTAGE KITS
MEDIDOR DE HORA, BOTÓN DE EMERGENCIA, INTERRUPTOR DE LLAVE,
HERRAMIENTAS DE BAJO VOLTAGE**



REF	PART #	DESCRIPTION	QTY.
▽	602999	●KIT, HOUR METER	1
▲ 1	630143	●METER, HOUR	1
▲ N/S	603000	ASM., WIRE #18X5" BLU	1
▲ N/S	603004	ASM WIRE #18X5" BLK	1
▽	602995	●KIT, EMERGENCY STOP	1
▲ 2	630100	●SWITCH, EMERGENCY STOP BUTTON	1
▲ 3	630097	●SWITCH, CONTACT BLOCK	1
▲ N/S	602996	ASM, WIRE #16X5" RED 1/4FX1/4F	1
▲ N/S	602997	ASM, WIRE #16X5" RED 1/4MX1/4F	1

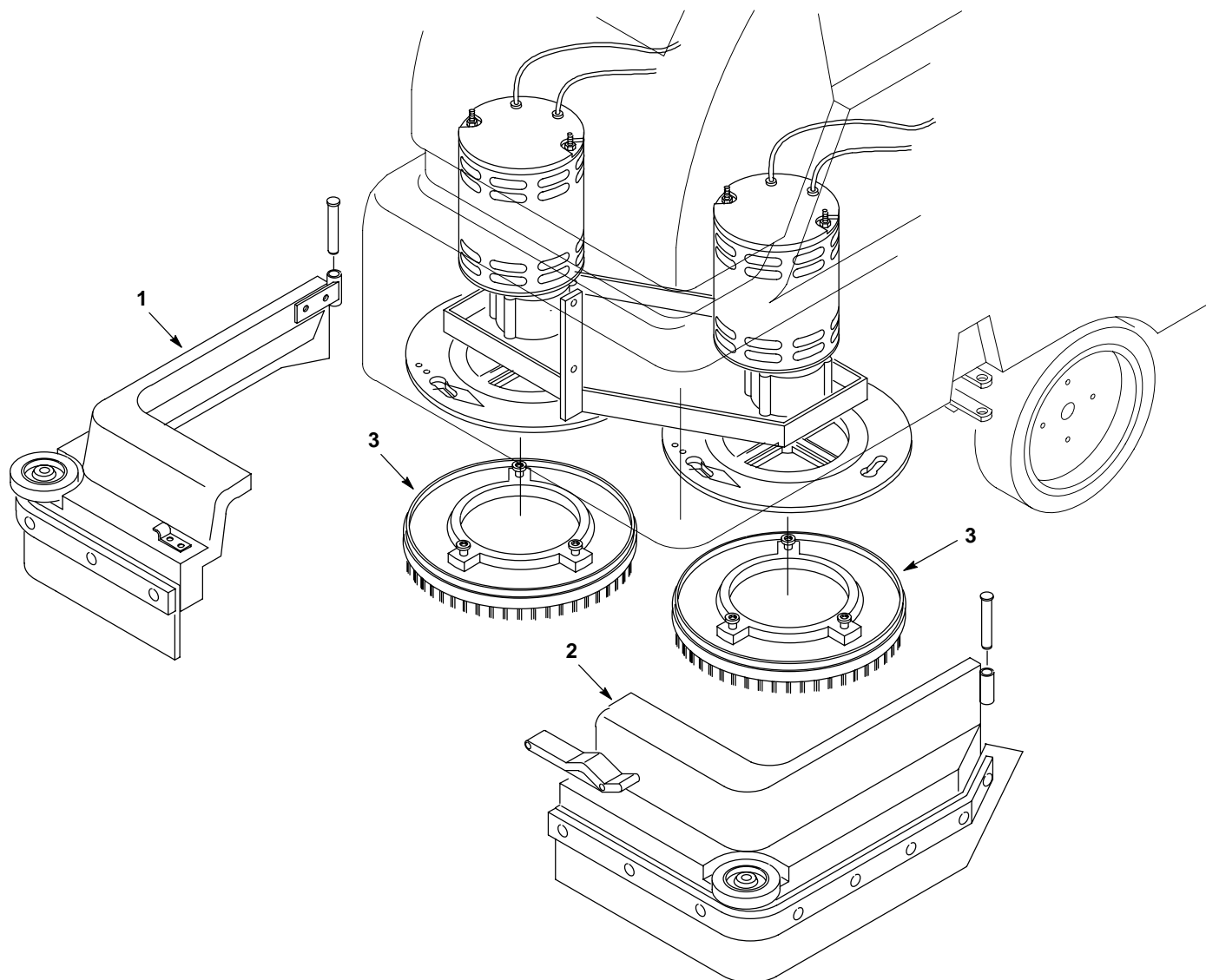
REF	PART #	DESCRIPTION	QTY.
▽	602993	●KIT, KEYSWITCH	1
▲▽ 4	612462	●SWITCH, KEY	1
▲ 5	607821	●KEY, REPLACEMENT	1
▽	603074	●KIT, LOW VOLTAGE CUTOFF	1
▲ 6	603076	●GAUGE, BATTERY 24V	1
▲ 7	603314	ASM., RELAY LOW VLTGE CUTOFF	1
▲N/S	603078	ASM., WIRE #18X9" GRN	1
▲N/S	603080	ASM., WIRE #18X8" BLK	1
▲N/S	603081	ASM., WIRE #18X12" RED	1
▲N/S	130040	WIRE TIE	1

▽ ASSEMBLY / CONJUNTO

▲ INCLUDED IN ASSEMBLY / INCLUIDO EN EL CONJUNTO

● RECOMMENDED STOCK ITEMS / ARTICULOS RECOMENDADOS PARA MANTENER EN EXISTENCIA

CONVERSION KIT
JUEGO DE CONVERSIÓN



REF	PART #	DESCRIPTION	QTY.
▽	609769	●KIT, CONVERSION TO 2401 GRN	1
	609768	●KIT, CONVERSION TO 2601 GRN	1
▲ 1	609772	ASM., SKIRT OPERATOR RH GREEN (2401)	1
	609770	ASM., SKIRT OPERATOR RH GREEN (2601)	1
▲ 2	609773	ASM., SKIRT OPERATOR LH GREEN (2401)	1
	609771	ASM., SKIRT OPERATOR LH GREEN (2601)	1

REF	PART #	DESCRIPTION	QTY.
▲ 3	240262	●ASM., PAD DRIVER 2/PK 305MM / 12" (2401)	2
	602928	●ASM., PAD DRIVER 2/PK 330MM / 13" (2601)	2
▲N/S	603262	ASM., SQUEEGEE CURVED (2401)	1
	603263	ASM., SQUEEGEE CURVED (2601)	1
▲N/S	608450	DECAL, SPEEDSCRUB 2401	2
	608449	DECAL, SPEEDSCRUB 2601	2

▽ ASSEMBLY / CONJUNTO

▲ INCLUDED IN ASSEMBLY / INCLUIDO EN EL CONJUNTO

● RECOMMENDED STOCK ITEMS / ARTICULOS RECOMENDADOS PARA MANTENER EN EXISTENCIA