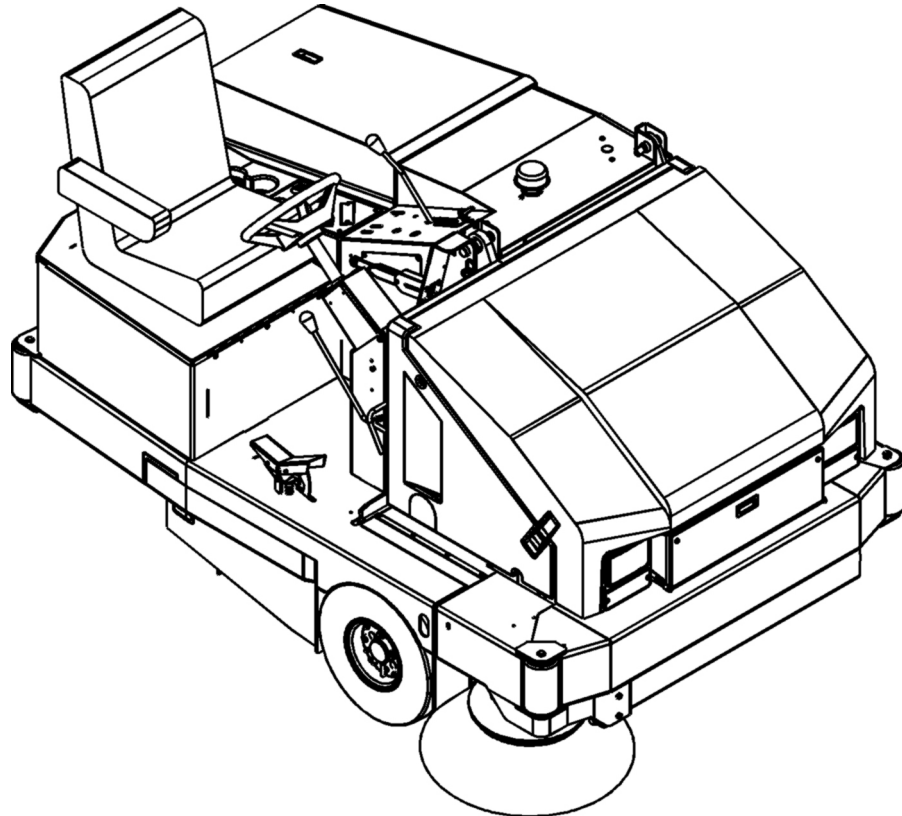


Retriever™ 6250

SR 1800H



PARTS LIST

**Advance MODELS 56419500(LPG), 56419501(Gasoline/Petrol),
56419422(Diesel)**

**Nilfisk MODELS 56419502(LPG), 56419503(Gasoline/Petrol),
56418007(Diesel)**

This manual covers models manufactured after January 2004 with a General Motors engine.

All models covered in this manual are OBSOLETE.



**Nilfisk
Advance**

setting standards

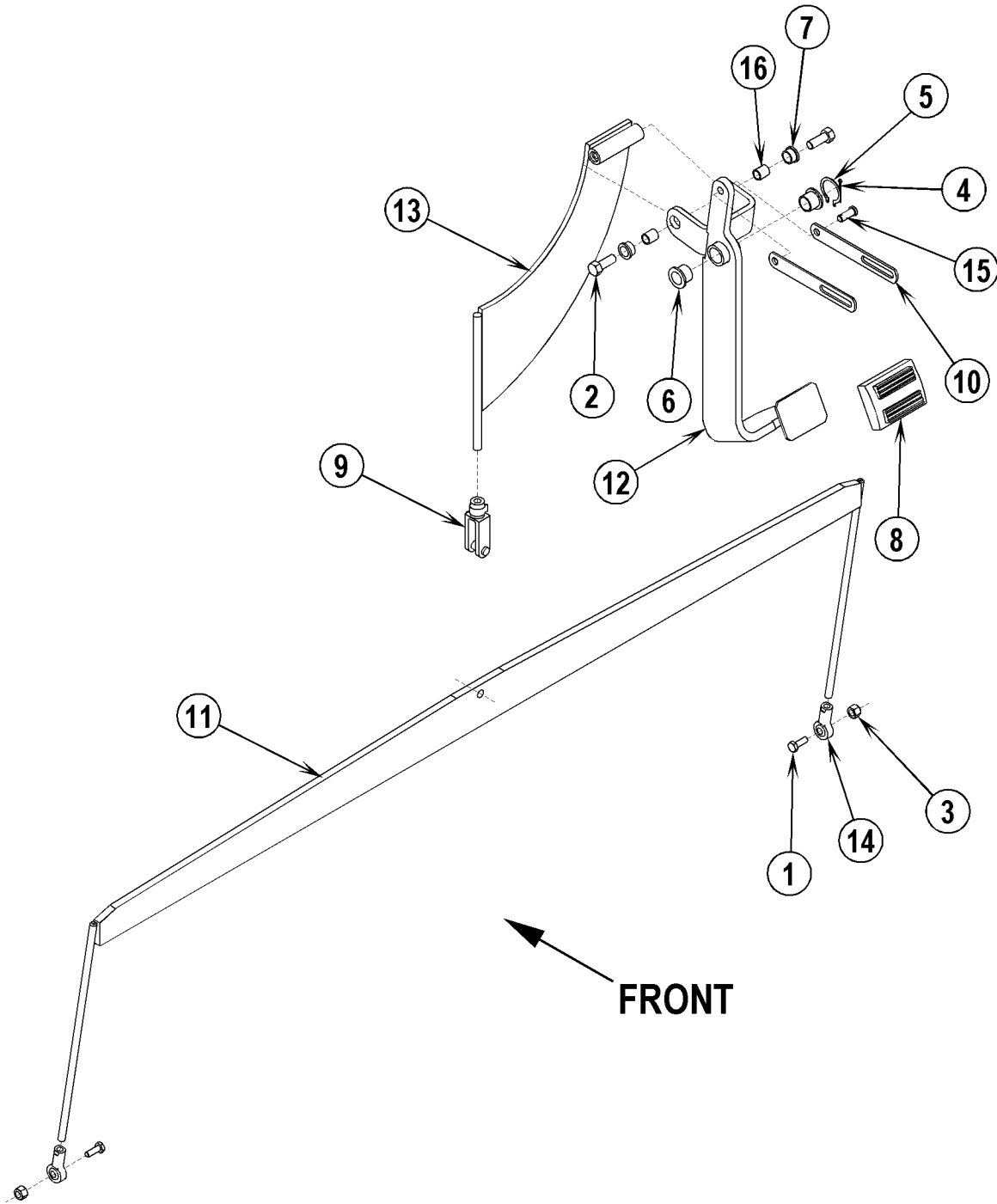
12/03 revised 3/08 FORM NO. 56042447

DESCRIPTION	PAGE
BRAKE LEVER ASSEMBLY	2-3
CHASSIS SYSTEM - 1	4-5
CHASSIS SYSTEM - 2	6-7
CHASSIS SYSTEM - 3	8-9
CIRCUIT BREAKER ASSEMBLY (DIESEL)	10-11
CIRCUIT BREAKER ASSEMBLY (GASOLINE/PETROL & LPG).....	12-13
CONTROL PANEL ASSEMBLY	14-15
CONTROL SYSTEM.....	16-17
DECAL SYSTEM	18-19
DIESEL ENGINE SYSTEM.....	20-21
DIESEL ENGINE SYSTEM COMPONENTS.....	22-23
DIESEL RADIATOR ASSEMBLY	24-25
DRIVE WHEEL SYSTEM	26-27
DUST CONTROL SYSTEM.....	28-29
ELECTRICAL DIAGRAM (DIESEL) - 1.....	30-31
ELECTRICAL DIAGRAM (DIESEL) - 2.....	32-33
ELECTRICAL DIAGRAM (GASOLINE/PETROL & LPG) - 1	34-35
ELECTRICAL DIAGRAM (GASOLINE/PETROL & LPG) - 2	36-37
HYDRAULIC SYSTEM	38-41
FRONT WHEEL SYSTEM.....	42-43
GASOLINE/PETROL & LPG ENGINE SYSTEM	44-45
GASOLINE/PETROL & LPG ENGINE COMPONENTS	46-47
GASOLINE/PETROL & LPG RADIATOR ASSEMBLY	48-49
GASOLINE/PETROL FUEL SYSTEM	50-51
LPG FUEL SYSTEM.....	52-53
HOPPER SYSTEM - 1.....	54-55
HOPPER SYSTEM - 2.....	56-57
LINKAGE ASSEMBLY	58-59
MAIN BROOM SYSTEM - 1	60-61
MAIN BROOM SYSTEM - 2	62-63
SIDE BROOM SYSTEM - 1.....	64-65
SIDE BROOM SYSTEM - 2.....	66-67
THROTTLE PEDAL ASSEMBLY	68-69
TILT STEERING ASSEMBLY.....	70-71
RECOMMENDED SPARE PARTS	72-73

WHEN ORDERING PARTS

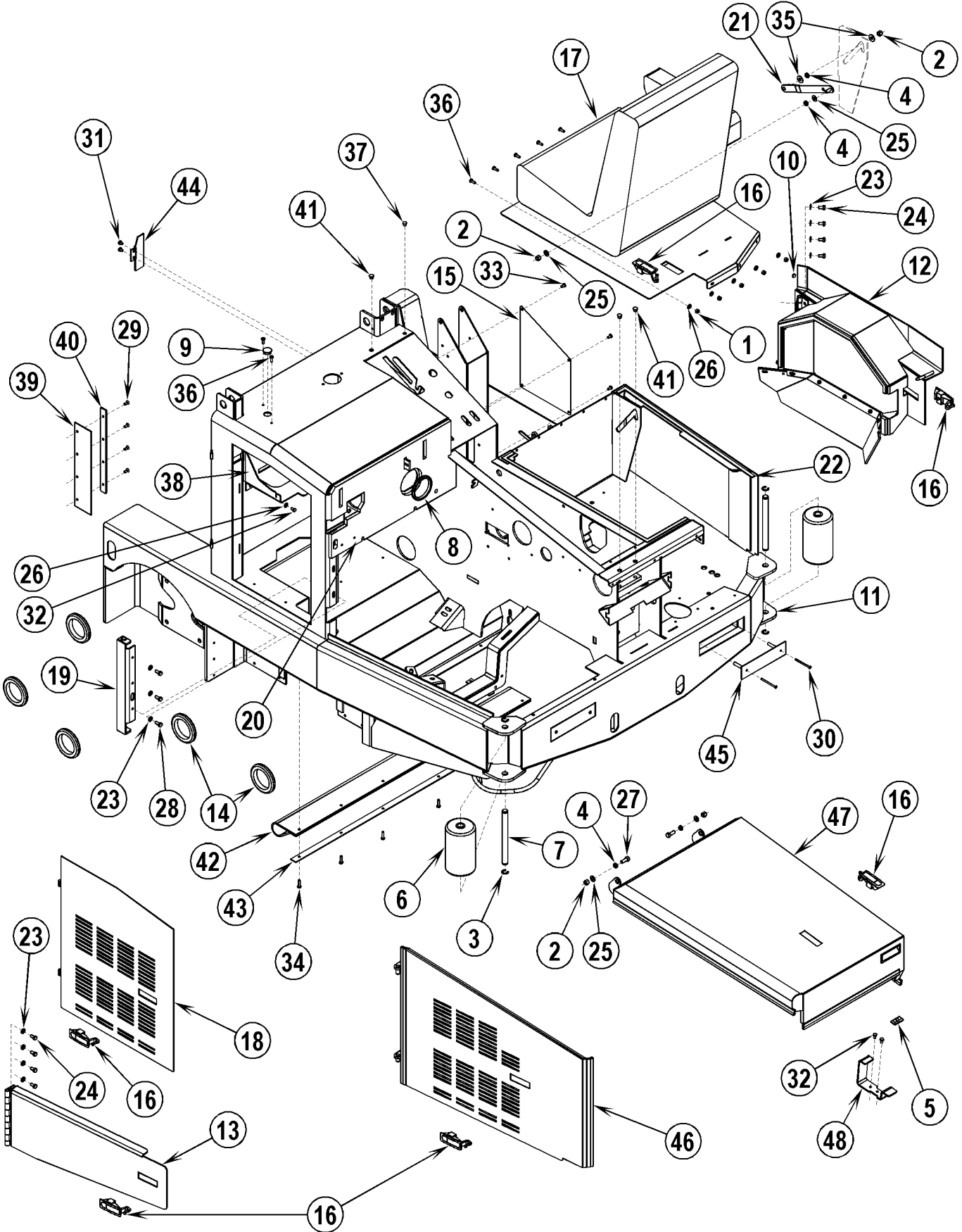
- * Use the 8-10 digit numbers from the "Ref. No." columns in this parts list.
- * Specify the model and serial number of the machine.
- * Use the space below to record the model and serial number for future reference.

Model _____ Serial No. _____



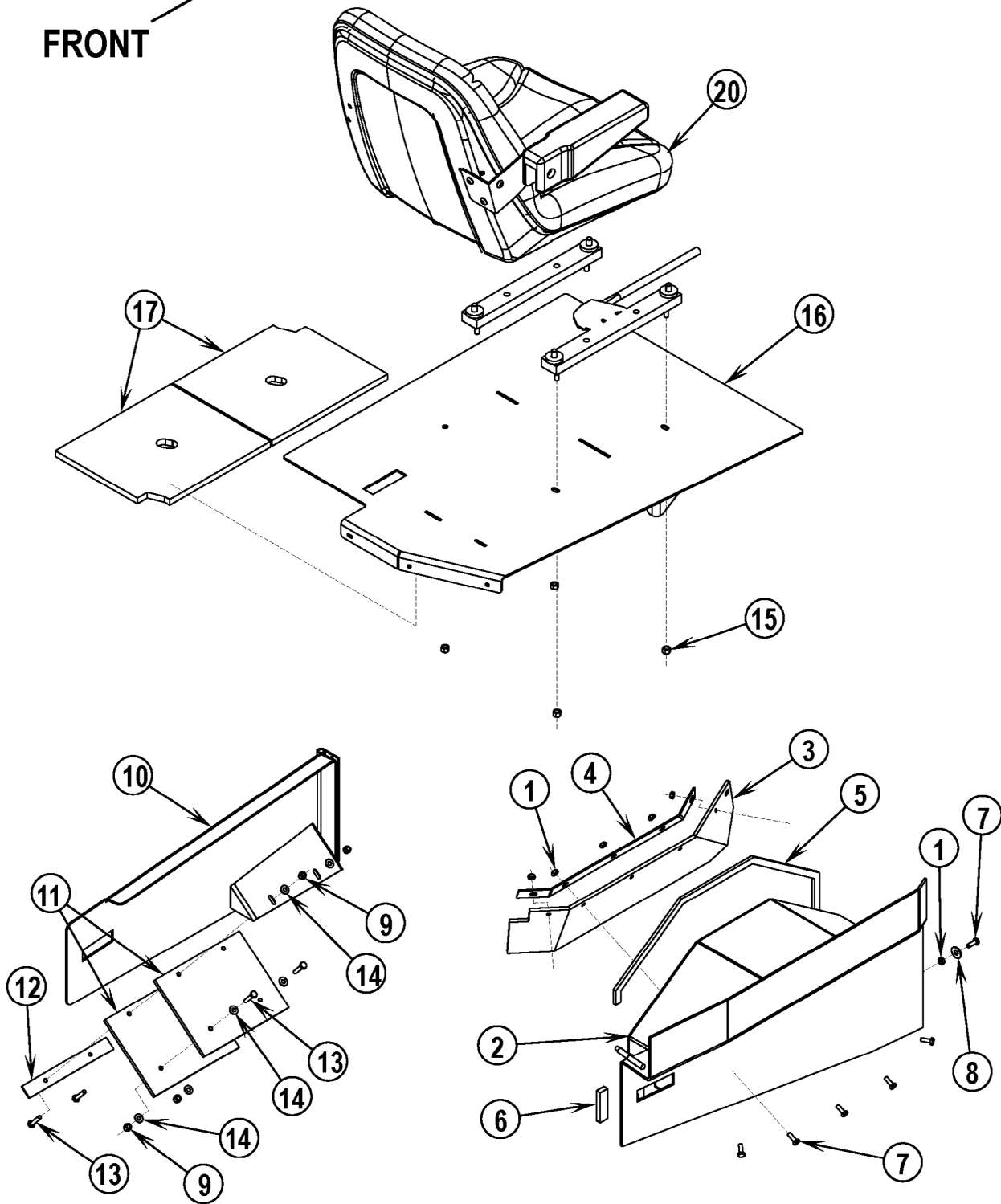
BRAKE LEVER ASSEMBLY**Retriever™ 6250 / SR 1800H**

Item	Ref. No.	Qty	Description
	56418138	1	Brake Lever Assembly
1	56002588	1	Scr, Hex Hd 5/16-24 x 1.00
2	56002947	2	Scr, Hex Hd Loc 3/8-16 x 1.00
3	56002950	2	Nut, Hex Nyl Loc 5/16-24
4	56003144	1	Pin, Cotter 1/16 x 1/2
5	56003255	1	Ring, Ret ext
6	56171095	2	Bearing, Flange
7	56185264	2	Bearing, Flange
8	56365002	1	Pad, Rubber
9	56416088	1	Clevis Assembly
10	56416348	2	Linkage, Handbrake
11	56418137	1	Brake Yoke Weldment
12	56418144	1	Brake Lever Weldment
13	56418145	1	Link Weldment
14	56418478	2	Rod End .31
15	56455357	1	Pin
16	56458410	2	Bushing .39 x .50 x .56



Item	Ref. No.	Qty	Description	OPTIONS AND ACCESSORIES
1	56002708	5	Nut, Hex Nyl Loc 1/4-20	56418569 Overhead Guard Kit
2	56002769	4	Nut, Hex Nyl Loc 3/8-16	56418814 Wearpak Kit
3	56003266	4	Ring, Ret Ext Type E 0.75 Dia.	56418421 Back Up Alarm Kit
4	56366013	4	Bushing .37 x .62 x .18	56418767 Beacon Kit
5	56402940	2	Bumper	56418390 Turn Signal Kit
6	56409335	2	Bumper	56418832 Cushion Tire Kit (3 tires and lug nuts)
7	56409336	2	Pin	56419400 Single Tire Kit, Cushion (similar to above 1 tire)
8	56416516	1	Grommet	56419329 Cushion Tire Kit, Non-Marking (3 tires and lug nuts)
9	56416593	1	Plug Button 1.00	56419402 Single Tire Kit, Non Marking (similar to above 1 tire)
10	56416668	1	Bumper, Self-Adhesive	56419401 Single Tire Kit, Pneumatic (1 tire and lug nuts)
11	56418015	1	Chassis Weldment	56418369 Gauge Kit
12	56418064	1	Right Door Assy (see Chassis System – 2)	56418834 Shaker Timer Kit
13	56418195	1	Left Door Assy (see Chassis System – 2)	56418799 Blower Wand Kit
14	56418198	5	Grommet	56418406 Vacuum Switch Kit
15	56418413	1	Cover, Access	56418420 Temperature Switch Kit
16	56418471	6	Door Latch (6250)	56419233 Enclosed Cab Kit
	56455979	6	Lockable Door Latch (SR 1800H)	56419213 Cab Blower Kit
17	56418498	1	Seat Plate Assy (see Chassis System – 2)	56419243 Alternator Kit (for petrol and LPG models)
18	56418583	1	Tower Door Assy (see Chassis System – 3)	(should be ordered when installing Cab Kit).
19	56418592	1	Hinge Assy	56460061 Left Armrest Kit
20	56418696	1	Insulation, Tower Rear (petrol & LPG)	56419301 Stiff Engine Mount Kit
	56419129	1	Foam, Tower Wall (diesel)	56419361 Soft Engine Mount Kit
21	56418706	1	Lift Link Weldment	56419304 4 Tube Radiator T. U. Kit (for petrol and LPG)
22	56418831	1	Gasket, Seat Plate	56419358 Dump Door Shield Kit
23	56001939	11	Wsh, Flt SAE 5/16	56419348 Interlock Switch Kit
24	56002035	8	Scr, Hex Hd 5/16-18 x .62	
25	56002063	4	Wsh, Flt SAE 3/8	
26	56002098	6	Wsh, Flt SAE 1/4	
27	56002663	2	Scr, Hex Hd 3/8-16 x 1.00	
28	56002667	3	Scr, Hex Hd 5/16-18 x .75	
29	56002760	8	Scr, Flt Phil 1/4-20 x .62	
30	56003648	4	Scr, Pan Phil 10-24 x 2.75	
31	56009019	2	Scr, Hex Thd Form 1/4-20 x .38	
32	56009033	3	Scr, Hex Thd Form 1/4-20 x .50	
33	56009062	4	Scr, Pan Phil Thd Form 1/4-20 x .50	
34	56009182	6	Scr, Hex Thd Form 1/4-20 1.00	
35	56009213	2	Wsh, Flt .392 x 1.00 x .075	
36	56009248	7	Scr, Pan Phil Thd Form-Blk 1/4-20 x .75	
37	56153126	1	Plug, Cap	
38	56419032	1	Tray, Battery	
39	56419126	2	Blade	
40	56419127	2	Strap	
41	56419183	3	Plug, Cap	
42	56419308	1	Blade, Dump Door Shield	
43	56419309	1	Strap, Dump Door Shield	
44	56419331	1	Deflector, Prop Rod	
45	56419356	2	Taillight Cover Weldment	
46	56419529	1	Side Door Assy (petrol & LPG) (see Chassis System – 3)	
	56419103	1	Side Door Assy (diesel) (see Chassis System – 3)	
47	56419532	1	Hood Assy (petrol & LPG) (see Chassis System – 3)	
	56419094	1	Hood Assy (diesel) (see Chassis System – 3)	
48	56419557	1	Stop, Oil Cooler (petrol & LPG)	
	56419113	1	Stop, Oil Cooler (diesel)	
49	56001967	4	Scr, Hex Hd 1/4-20 x 1.75	
50	56321532	4	Bushing	
51	56002840	4	Nut, Hex Nyl Loc-Thin 1/4-20	

FRONT



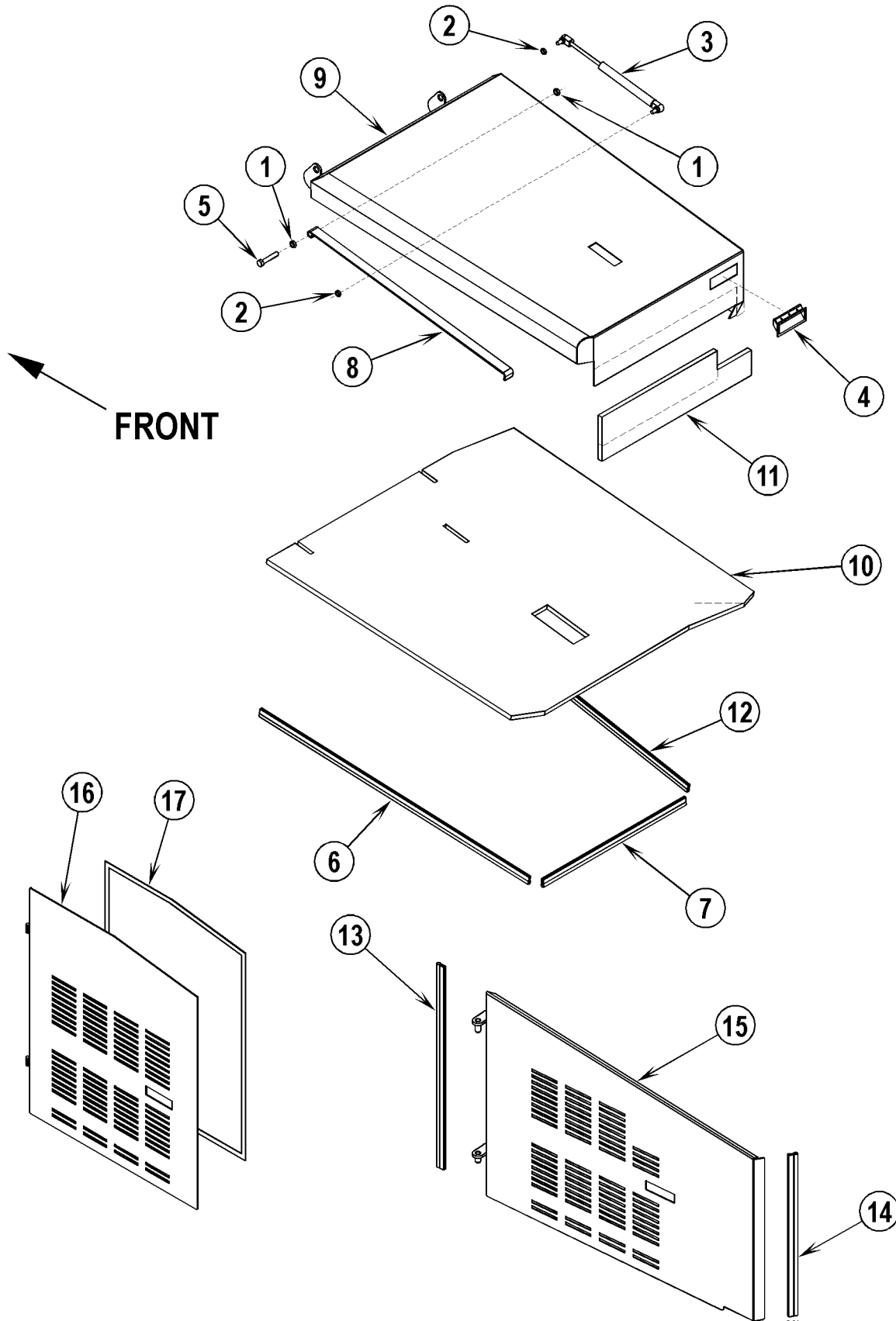
03-12	CHASSIS SYSTEM-2		
08-3	Retriever™ 6250 / SR 1800H		7

Item	Ref. No.	Qty	Description
	56418064	1	Right Door Assy (items 1-8)
1	56002840	6	Nut, Hex Nyl Loc-Thin 1/4-20
2	56418065	1	Right Door Weldt
3	56418070	1	Skirt, Right Door
4	56418193	1	Strap, Right Door
5	56418475	1	Gasket, Strip
6	56418703	1	Gasket, Strip
7	56002155	6	Scr, Hex Hd 1/4-20 x .75
8	56009002	1	Wsh, Flt .266 x .906 x .060
	56418195	1	Left Door Assy (items 9-14)
9	56002708	4	Nut, Hex Nyl Loc 1/4-20
10	56418196	1	Left Door Weldt
11	56418469	2	Skirt, Left Door
12	56418470	1	Strap, Left Door
13	56001878	4	Scr, Hex Hd 1/4-20 x 1.25
14	56002098	6	Wsh, Flt SAE 1/4
	56418498	1	Seat Plate Assy (items 15-20)
15	56002701	4	Nut, Hex Nyl Loc 5/16-18
16	56418495	1	Seat Panel Weldt
17	56418788	2	Insulation, Seat Plate
18#			Deleted Intentionally
19#			Deleted Intentionally
20#	56109293	1	Seat Kit NOTE 1
**#	56460083	1	Right Armrest Kit NOTE 2
**#	56460061	1	Left Armrest Kit NOTE 2

** = Optional

= Revised or new since last update

NOTE 1: Seat 56460045 is obsolete. Order Seat Kit 56109293 to replace in the field.
NOTE 2: These armrest kits can only be used on obsolete seat 56460045..



03-12

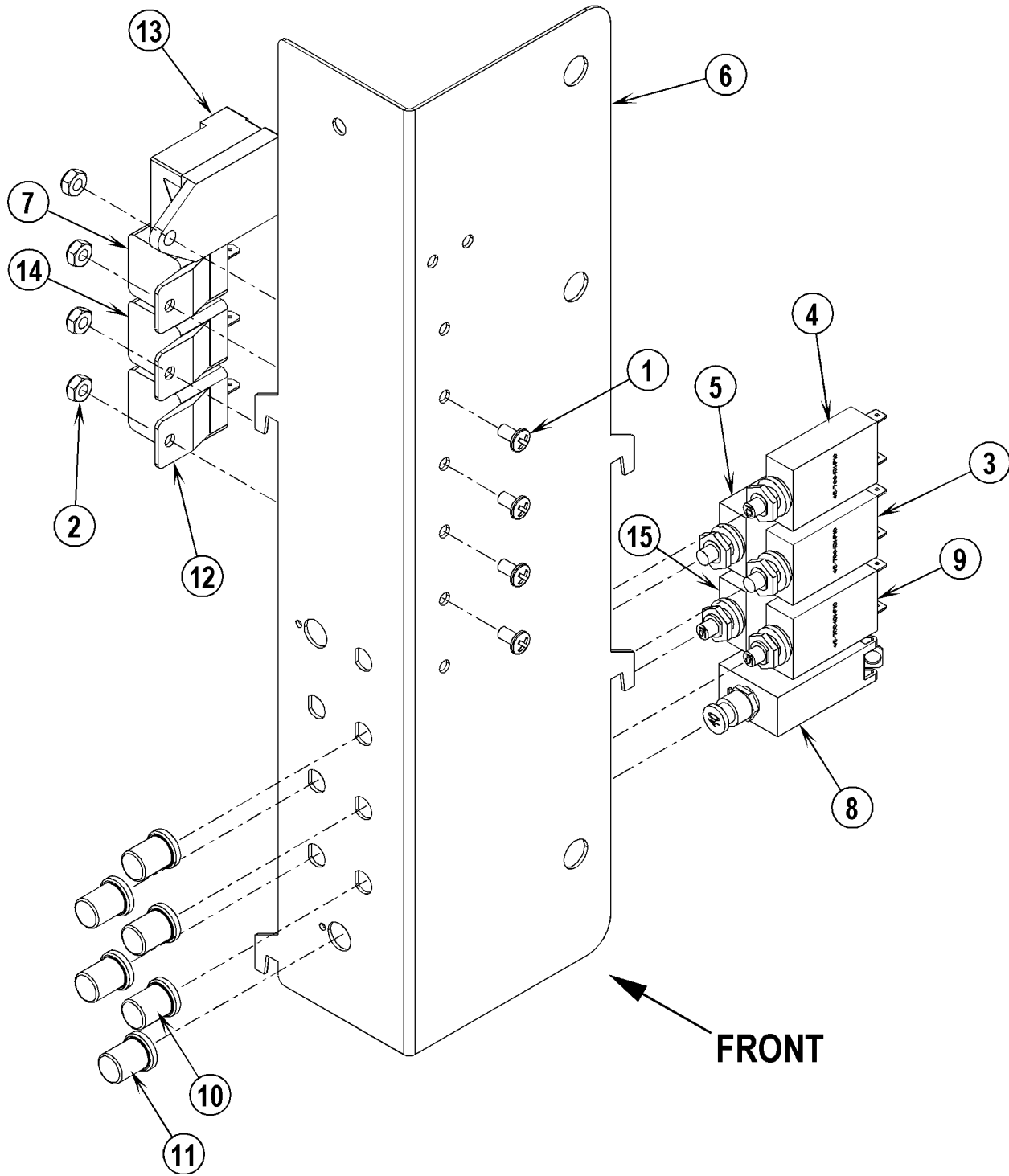
CHASSIS SYSTEM-3

08-3

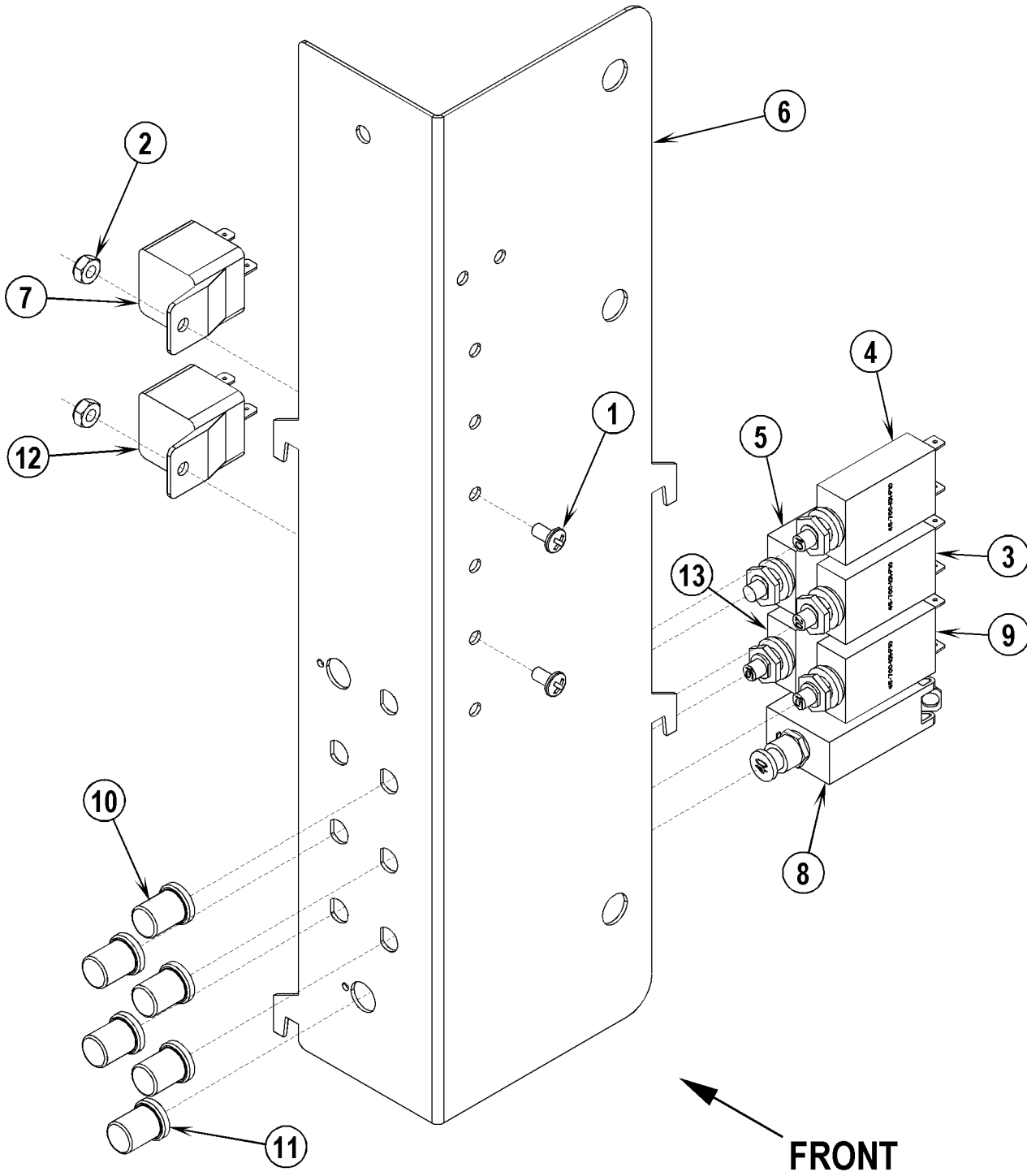
Retriever™ 6250 / SR 1800H**9**

Item	Ref. No.	Qty	Description
	56419532	1	Hood Assy (petrol & LPG) (items 1-12)
	56419094	1	Hood Assy (diesel) (items 1-12)
1#	56009085	2	Nut, Hex Jam 3/8-16 (Advance only)
2	56009086	2	Nut, Hex Jam 5/16-18
3	56385238	1	Gas Cylinder
4	56416455	1	Pull, Pocket
5	56002091	1	Scr, Hex Hd 3/8-16 x 2.00
6	56419097	1	Trim Seal
7	56419143	1	Trim Seal (petrol & LPG)
	56419096	1	Trim Seal (diesel)
8	56419179	1	Prop, Oil Cooler
9	56419533	1	Hood Weldment (petrol & LPG)
	56419111	1	Hood Weldment (diesel)
10	56419536	1	Insulation, Hood (petrol & LPG)
	56419099	1	Insulation, Hood (diesel)
11	56419566	1	Insulation, Hood (petrol & LPG)
	56419100	1	Insulation, Hood (diesel)
12	56419097	1	Trim Seal (petrol & LPG)
	56419122	1	Trim Seal (diesel)
	56419529	1	Side Door Assy (petrol & LPG) (items 13-15)
	56419103	1	Side Door Assy (diesel) (items 13-15)
13	56418699	1	Trim Seal
14	56419098	1	Trim Seal
15	56419530	1	Side Door Weldment (petrol & LPG)
	56419046	1	Side Door Weldment (diesel)
	56418583	1	Tower Door Assy (items 16-17)
16	56418584	1	Left Door Weldment
17	56418875	1	Gasket, Tower Door

= Revised or new since last update



Item	Ref. No.	Qty	Description
	56419114	1	Circuit Breaker Assy (diesel)
1	56002043	4	Scr, Pan Phil 10-24 x .38
2	56002832	4	Nut, Hex Nyl Loc-Thin 10-24
3	56395454	1	Circuit Breaker, 20 Amp (Headlights, Tail Lights / F4)
4	56387316	1	Circuit Breaker, 10 Amp (Horn / F6)
5	56168444	1	Circuit Breaker, 8 Amp (Shaker Motor / F5)
6	56418173	1	Panel, Circuit Breaker
7	56418387	1	Relay, SPDT (Hopper Door / K6)
8	56452193	1	Circuit Breaker, 40 Amp (Main / F1)
9	56387316	1	Circuit Breaker, 10 Amp (Accessory Circuit / F2)
10	56459367	5	Boot, Reset Button
11	56459368	1	Boot, Reset Button
12	56491862	1	Relay (Shaker Motor / K2)
13	56463590	1	Glow Plug Timer (E3)
14	56491862	1	Relay (Accessories / K3)
15	56454538	1	Circuit Breaker, 15 Amp (Accessory Circuit / F3)



Item	Ref. No.	Qty	Description
	56418388	1	Circuit Breaker Assy (petrol & LPG)
1	56002043	2	Scr, Pan Phil 10-24 x .38
2	56002832	2	Nut, Hex Nyl Loc-Thin 10-24
3	56168444	1	Circuit Breaker, 8 Amp (Shaker Motor / F5)
4	56387316	1	Circuit Breaker, 10 Amp (Horn / F6)
5	56395454	1	Circuit Breaker, 20 Amp (Head Lights / Tail Lights / F4)
6	56418173	1	Panel, Circuit Breaker
7	56418387	1	Relay, Hopper Door / K6
8	56452193	1	Circuit Breaker, 40 Amp (Main / F1)
9	56454538	1	Circuit Breaker, 15 Amp (Ignition Circuit / F2)
10	56459367	5	Boot, Reset Button
11	56459368	1	Boot, Reset Button
12	56491862	1	Relay, Shaker Motor / K2
13	56454538	1	Circuit Breaker, 15 Amp (Accessory Circuit 1 / F3)

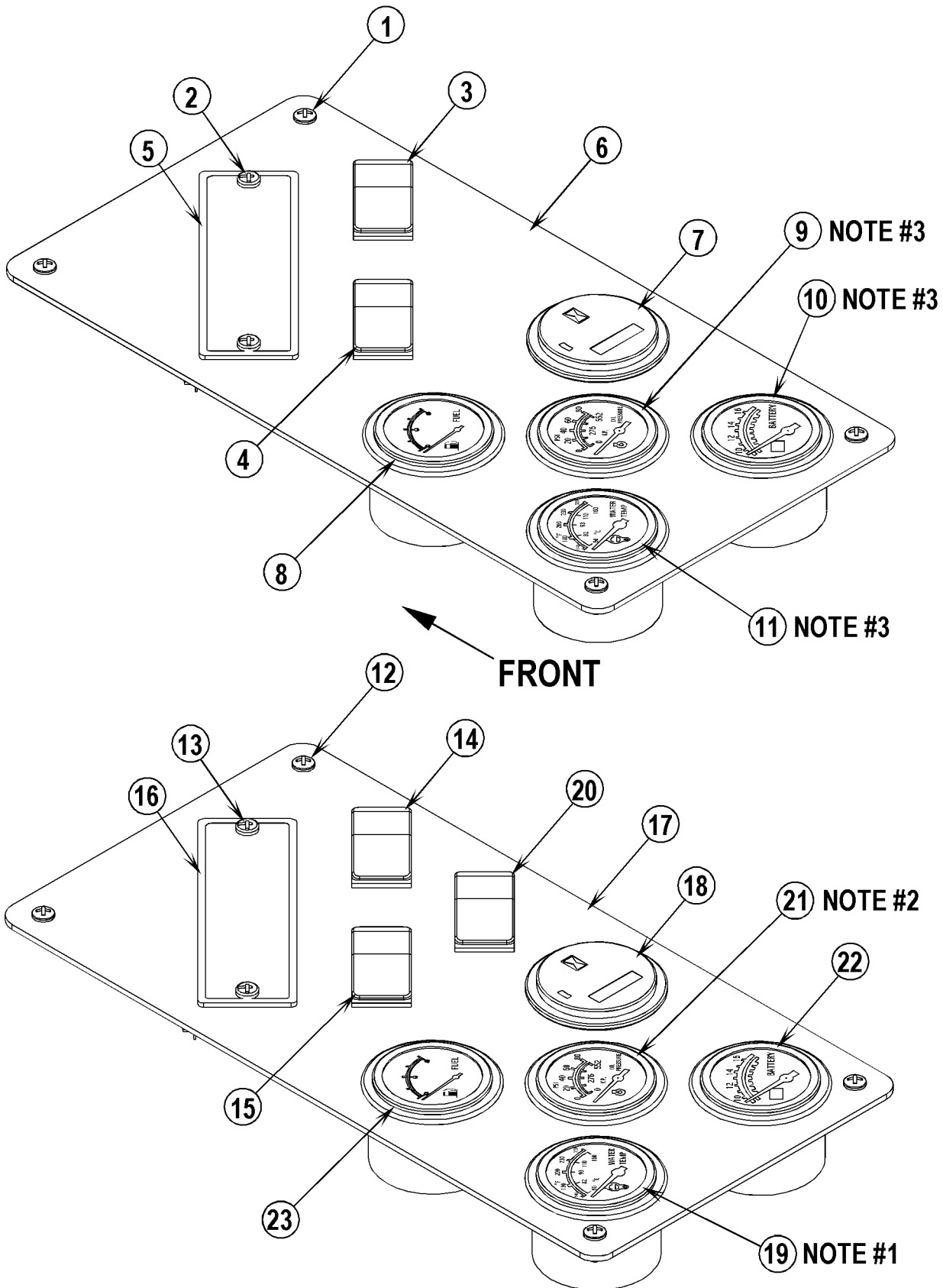
CONTROL PANEL ASSEMBLY

03-12

14

Retriever™ 6250 / SR 1800H

04-11

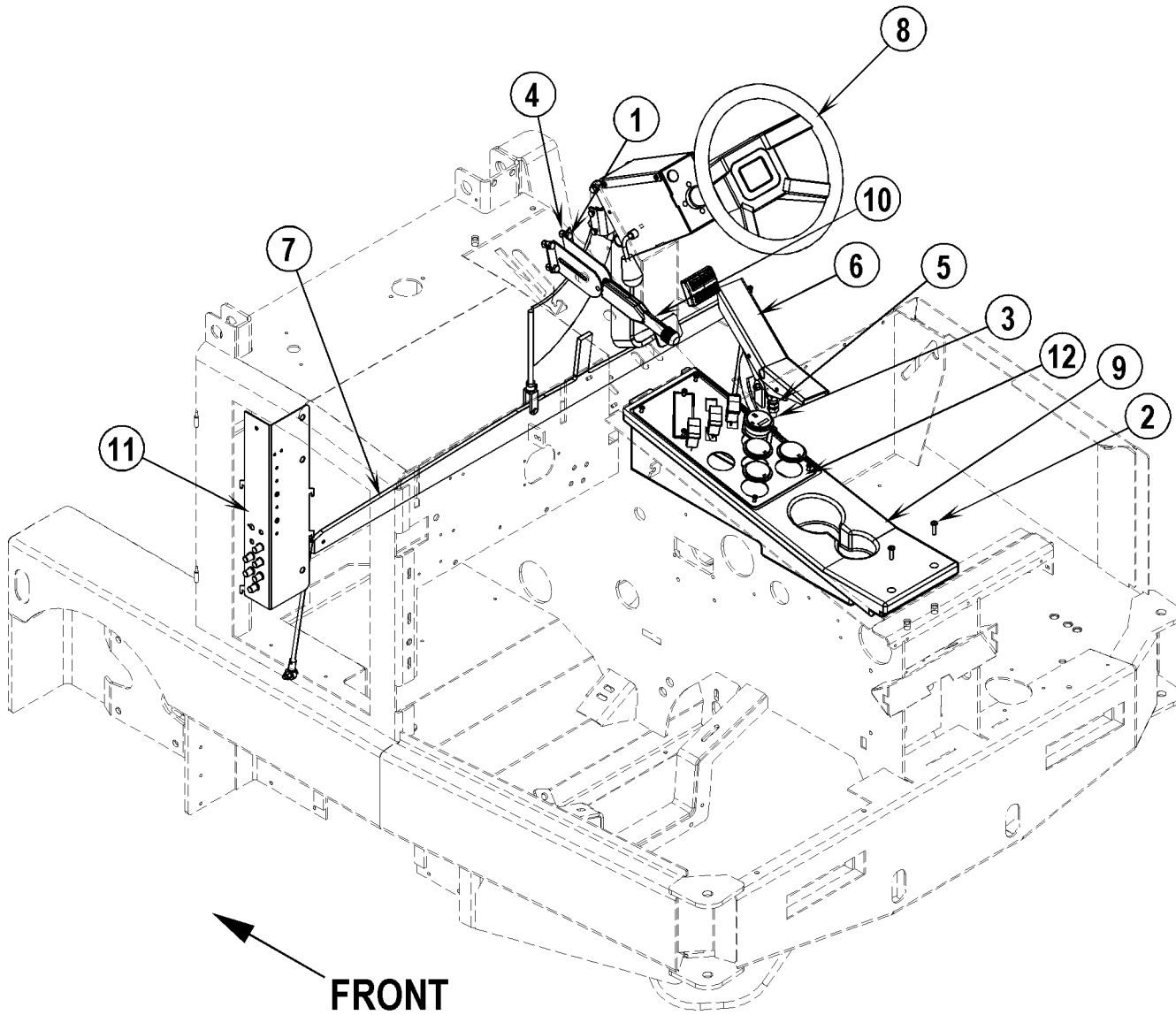


Item	Ref. No.	Qty	Description
	56419115	1	Control Panel Assy (diesel) (#1-8)
1	56002831	4	Scr, Pan Phil Blk 10-24 x .50
2	56009082	2	Scr, Pan Phil Thd Form-Blk 10-24 x .50
3	56324272	1	Switch, Rocker (Shaker Motor, Dust Control / S7)
4	56393312	1	Switch, Rocker (Headlights / S8)
5	56418412	1	Light Display, 10 Bulb
6	56418662	1	Control Panel
7	56478363	1	Meter, Hour
8	56489598	1	Gauge, Fuel Level
9	56489592	1	Gauge, Oil Pressure NOTE #3
10	56482044	1	Meter, Volt NOTE #3
11	56489600	1	Gauge, Temperature NOTE #3
	56419586	1	Control Panel Assy (petrol & LPG) (#12-22)
12	56002831	4	Scr, Pan Phil Blk 10-24 x .50
13	56009082	2	Scr, Pan Phil Thd Form-Blk 10-24 x .50
14	56324272	1	Switch, Rocker (Shaker Motor, Dust Control / S7)
15	56393312	1	Switch, Rocker (Headlights / S8)
16	56418412	1	Light Display, 10 Bulb
17	56418662	1	Control Panel
18	56478363	1	Meter, Hour
19	56489600	1	Gauge, Temperature before TSBUS2005-877 NOTE #1
	56489592	1	Gauge, Oil Pressure NOTE #1
20	56455820	1	Switch, Rocker (Engine Speed / S3)
21	56489592	1	Gauge, Oil Pressure NOTE #2
	56419649	1	Gauge, Temperature after TSBUS2005-877 NOTE #2
22	56482044	1	Meter, Volt
23	56489598	1	Gauge, Fuel Level (petrol)

NOTE #1: The Coolant Temp Gauge(56489600) is installed in this location before **TSBUS2005-877**. The Oil Pressure Gauge(56489592) is installed in this location after **TSBUS2005-877**.

NOTE #2: The Oil Pressure Gauge(56489592) is installed in this location before **TSBUS2005-877**. The Coolant Temp Gauge (56419649) is installed in this location after **TSBUS2005-877**.

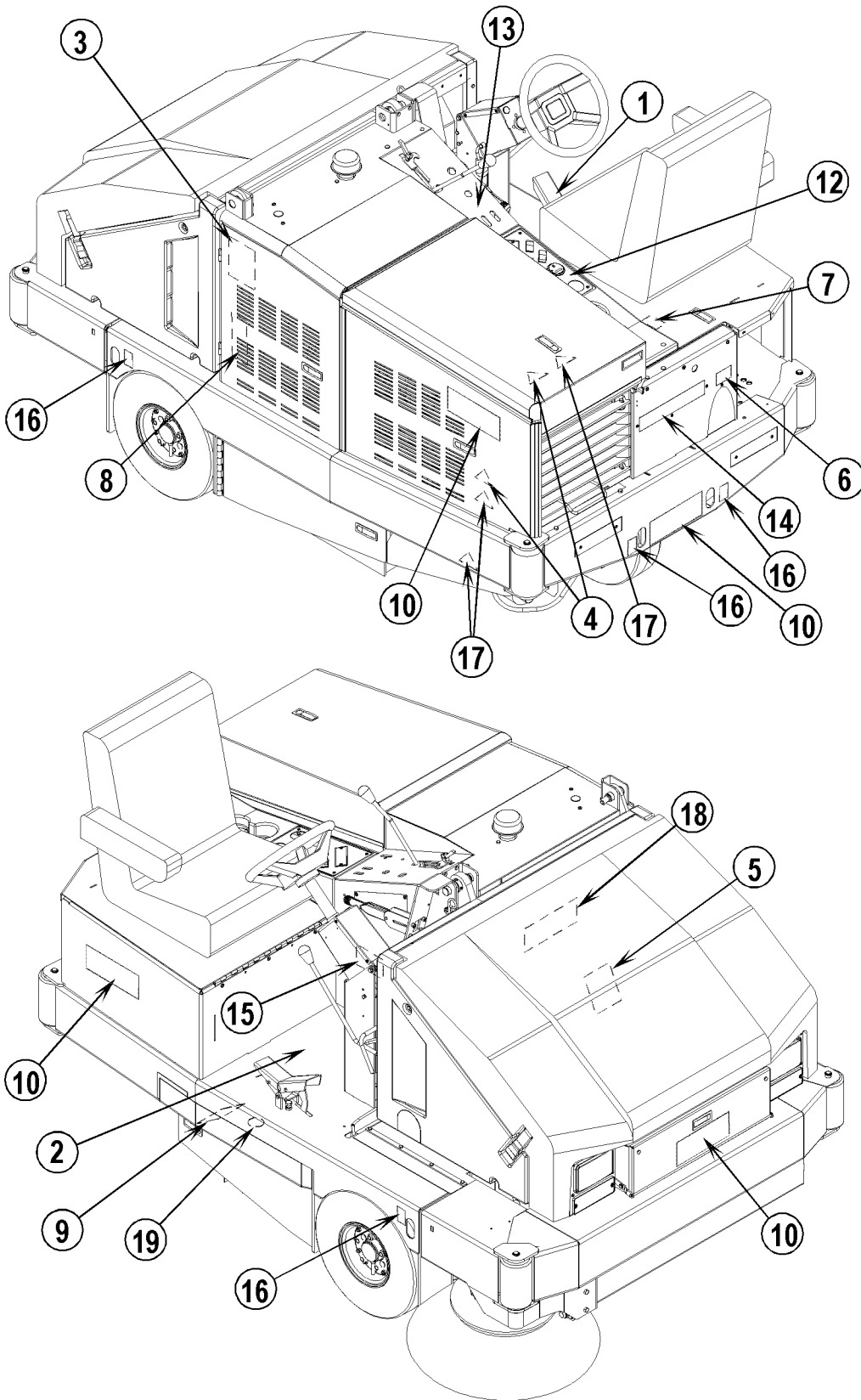
NOTE #3: The Oil Pressure, Volt & Temperature Gauges are not included in Control Panel Assembly 56419115 but are factory installed via Gauge Kit 56418369.



Item	Ref. No.	Qty	Description
1	56002037	4	Scr, Hex Hd 5/16-18 x .88
2	56002292	2	Scr, Pan Phil 1/4-20 x 1.00
3	56002668	2	Scr, Hex Thd To Hd 1/2-13 x 1.75
4	56002701	4	Nut, Hex Nyl Loc 5/16-18
5#	56009016	4	Nut, Hex Jam 1/2-13 (Advance only)
6	56418113	1	Throttle Pedal Assy (see Throttle Pedal Assembly)
7	56418138	1	Brake Lever Assy (see Brake Lever Assembly)
8	56418377	1	Tilt Steering Assy (see Tilt Steering Assembly)
9	56418717	1	Console, Finished
10	56448200	1	Lever, Brake Assy
11	56419114	1	Circuit Breaker Assy (diesel) (see Circuit Breaker Assembly (diesel))
	56418388	1	Circuit Breaker Assy (petrol & LPG) (see Circuit Breaker Assembly (petrol & LPG))
12	56419115	1	Control Panel Assy (diesel) (see Control Panel Assembly)
	56418985	1	Harness, Control Panel
	56418369	1	Gauge Kit See items 9-11 on page 15
	56419586	1	Control Panel Assy (petrol & LPG) TSBUS2005-877 (see Control Panel Assembly)
*	56419573	1	Harness, Control Panel before TSBUS2005-877
*	56419651	1	Harness, Control Panel after TSBUS2005-877

* = Not Shown

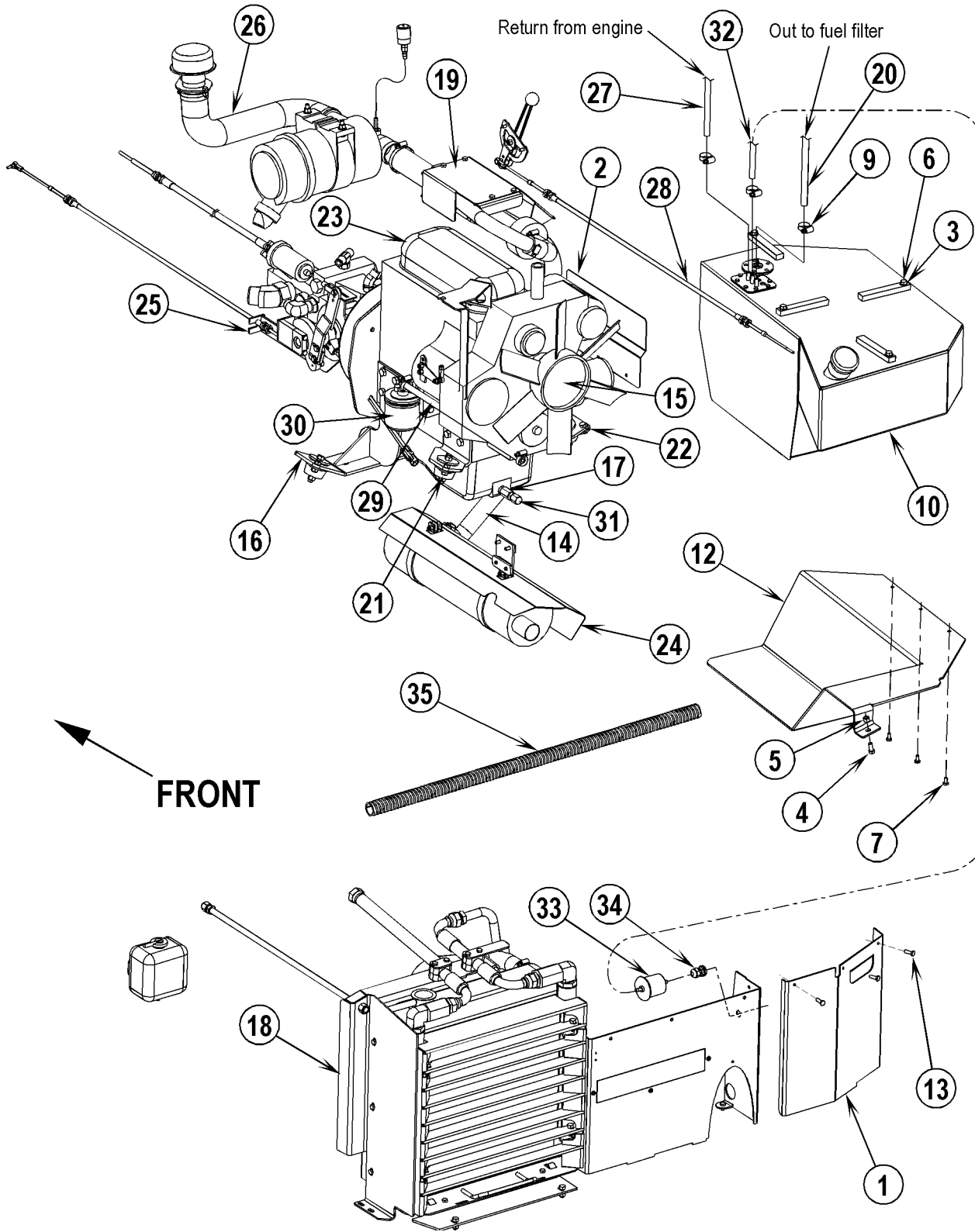
= Revised or new since last update



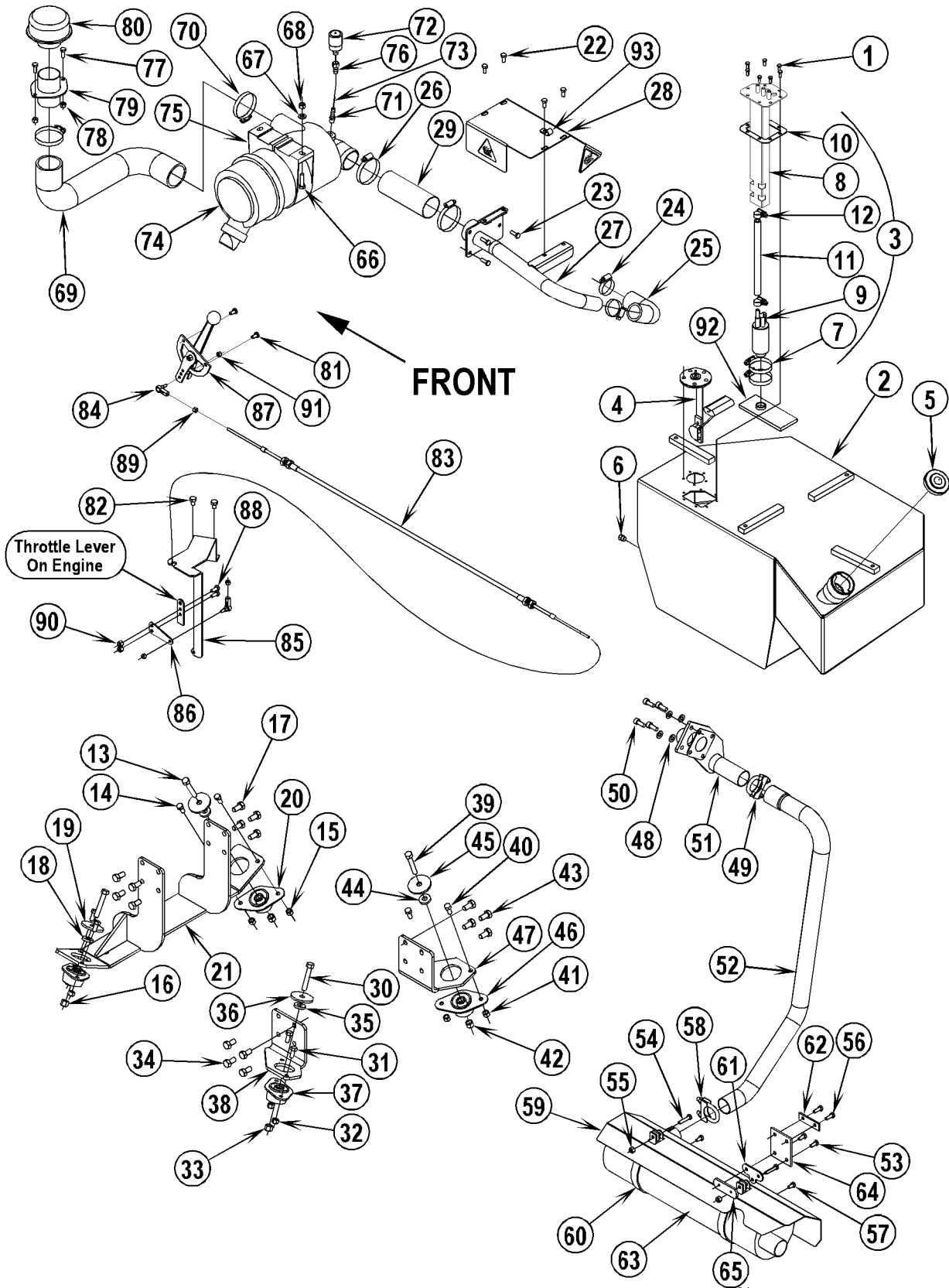
Item	Ref. No.	Qty	Description
1	56449958	1	Mat, Pedal
2	56418603	1	Mat, Floor
3	56015424	1	Decal, Warning Hydraulic
4	56016364	2	Decal, Warning Fan
5	56015426	1	Decal, Warning Fan
6	56025454	1	Decal, Diesel Fuel (diesel)
	56016226	1	Decal, Unleaded Fuel (petrol)
7	56016259	1	Decal, Oil Fill
8	56016520	1	Decal, Circuit Breaker (diesel)
	56016258	1	Decal, Circuit Breaker (petrol & LPG)
9	56015425	1	Decal, Warning Broom
10#	56016366	3	Decal, SR 1800 (Nilfisk only)
#	56016327	4	Decal, 6250 (Advance only)
11#	56016253	1	Decal, Wear Items 6250 (Advance only)
12	56016537	1	Decal, Control Rear (diesel)
	56016252	1	Decal, Control Rear (petrol & LPG)
13	56016538	1	Decal, Control Front (diesel)
	56016251	1	Decal, Control Front (petrol & LPG)
14	56016097	1	Decal, Reflective (inside tail light)
15	56015427	1	Decal, Warning Tip Over
16	56015370	4	Decal, Tie Down
17	56016363	6	Decal, Warning Hot (qty of 3 on petrol & LPG)
18	56015428	1	Decal, Warning Hopper
19	56016163	1	Decal, No Step

* = Not Shown

= Revised or new since last update



Item	Ref. No.	Qty	Description	Item	Ref. No.	Qty	Description
1	56419302	1	Panel, Rear	*	56463590	1	Glow Plug Timer
2	56419257	1	Heat Shield	*	56419085	1	Alternator
3	56001939	4	Wsh, Flt SAE 5/16	*	56419086	1	Fuel Filter Cartridge
4	56002667	1	Scr, Hex Hd 5/16-18 x .75	*	56482659	1	Engine Oil Filter
5	56002701	1	Nut, Hex Nyl Loc 5/16-18	*	56419084	1	Alternator Belt
6	56002929	4	Scr, Hex Hd Loc 5/16-18 x .62	*	56419087	1	Fan Belt
7	56009033	3	Scr, Hex Thd Form 1/4-20 x .50	*	56419088	1	Thermostat
8			Intentionally Omitted	*	56419089	1	Starter Motor
9	56219932	7	Clamp, Hose SAE #6	*	56419090	1	Switch, Engine Oil Pressure
10	56418508	1	Fuel Tank Assy Note 2	*	56419091	1	Switch, Temperature
11			Intentionally Omitted	*	56419446	1	Solenoid Replacement Kit
12	56418850	1	Fuel Tank Guard Weld't.	*	56419107	1	Exhaust Gasket
13	56009018	3	Scr, Hex Thd Form 1/4-20 x .75	*	56497754	1	Key Switch Assembly
14	56419169	1	Exhaust Pipe Assembly Note 2	**	56419301	1	Stiff Engine Mount Kit
15	56418718	1	Fan	**	56419361	1	Soft Engine Mount Kit
*	56418928	1	Fan Spacer				
*	56003368	4	Scr, Soc Hd M6-1.00 x 20mm				* = Not Shown
*	56001836	4	Scr, Hex Hd 1/4-20 x .62				** = Optional
16	56418933	1	Rear Engine Mount Assy (before SN 1703363) Note 2				Note 1: Item 35 Conduit goes over item 20 Fuel Line.
	56419594	1	Rear Engine Mount Assy (after SN 1703362) Note 2				Note 2: See "Diesel Engine System Components".
17	56418938	1	Fitting, Adapter				
18	56418962	1	Assembly, Radiator (See Diesel Radiator Assembly)				
19	56419004	1	Air Tube Assembly Note 2				
20	56419035	1	Hose, Fuel Line				
21	56419050	1	Right Engine Mount Assy (before SN 1703363) Note 2				
	56419595	1	Right Engine Mount Assy (after SN 1703362) Note 2				
22	56419051	1	Left Engine Mount Assy (before SN 1703363) Note 2				
	56419596	1	Left Engine Mount Assy (after SN 1703362) Note 2				
23	56419052	1	Engine, Diesel				
24	56419056	1	Muffler Assembly Note 2				
25	56418783	1	Linkage Assembly (See Linkage Assembly)				
26	56419058	1	Air Cleaner Assembly Note 2				
27	56419059	1	Hose, Fuel Line				
28	56419082	1	Throttle Cable Assembly				
29	56492259	1	Hose, Fuel Line				
30	56419054	1	Fuel Filter Kit				
*	56419211	1	Bracket, Fuel Filter				
31	56900917	1	Cap, Flare Tube End				
*	56900003	1	Connector, O-Ring				
32	56481684	1	Hose, Fuel Line (SR 1800 after SN 1451898 (TSBUS 2001-734)), (all Retriever 6250)				
33	56492885	1	Fuel Filter Kit 1/4 (SR 1800 after SN 1451898 (TSBUS 2001-734)), (all Retriever 6250)				
34	56323067	1	Strain Relief (SR 1800 after SN 1451898 (TSBUS 2001-734)), (all Retriever 6250)				
35	56418835	1	Conduit Note 1				



Item	Ref. No.	Qty	Description	Item	Ref. No.	Qty	Description
	56418508	1	Fuel Tank Assembly (#1-12, 92)	46	56419300	1	Mount, Isolator, Stiff
1	56009039	7	Scr, Hex Thd Form 10-24 x .50		56418099	1	Mount, Isolator
2	56418185	1	Fuel Tank Weldment	47	56418927	1	Bracket, Engine Left (Note 1)
3	56418794	1	Fuel Pump Assy (#7-12, 92)		56419593	1	Bracket, Engine Left (Note 2)
4	56478358	1	Sender, Fuel Level		56419169	1	Exhaust Pipe Assembly (#48-52)
5	56478502	1	Cap, Fuel Tank (only on SR 1800 before SN 1451899) (TSB 734, SR 1800 only)	48	56001939	4	Wsh, Flt SAE 5/16
	56419318	1	Cap, Non-Vented (SR 1800 after SN 1451898 & all 6250) (TSB 734, SR 1800 only)	49	56343236	1	Clamp, Muffler
6	56481546	1	Plug, Hex pipe	50	56003619	4	Scr, Soc Hd M8-1.25 x 20mm
7	56329145	2	Clamp, Hose SAE #24	51	56419170	1	Exhaust Pipe Weldment
8	56418789	1	Fuel Pump Bracket Weld't.	*	56419107	1	Exhaust Gasket for 56419170
9	56418793	1	Fuel Pump	52	56419173	1	Exhaust Pipe Weldment
10	56418795	1	Gasket		56419056	1	Muffler Assembly (#53-65)
11	56419644	1	Hose, Fuel Line	53	56001836	2	Scr, Hex Hd 1/4-20 x .62
12	56756364	3	Clamp, Hose SAE #4	54	56001878	2	Scr, Hex Hd 1/4-20 x 1.25
#	56418796	1	Wire Assy (Advance only)	55	56002708	2	Nut, Hex Nyl Loc 1/4-20
	56418933	1	Rear Engine Mount Assy (#13-21) (Note 1)	56	56009018	2	Scr, Hex Thd Form 1/4-20 x .75
	56419594	1	Rear Engine Mount Assy (#13-21) (Note 2)	57	56009033	2	Scr, Hex Thd Form 1/4-20 x .50
13	56002058	2	Scr, Hex Hd 3/8-16 x 2.25	58	56343236	1	Clamp, Muffler
14	56002667	4	Scr, Hex Hd 5/16-18 x .75	59	56418222	1	Shield, Heat
15	56002701	4	Nut, Hex Nyl Loc 5/16-18	60	56418225	2	Clamp Weld't.
16	56002769	2	Nut, Hex Nyl Loc 3/8-16	61	56418228	1	Plate, Muffler Hanging
17	56003185	8	Scr, Hex Thd To Hd M10-1.25 x 20mm	62	56418376	1	Strap, Right Broom Housing
18	56009106	2	Wsh, Flt .453 x 1.00 x .179	63	56419175	1	Muffler, Diesel
19	56009274	2	Wsh, Flt .438 x 2.00 x .164	64	56478726	1	Mount
20	56419300	2	Mount, Isolator, Stiff	65	56481468	1	Nut Plate
	56418099	2	Mount, Isolator		56419058	1	Air Cleaner Assembly (#66-80)
21	56418932	1	Weldment, Engine Mount (Note 1)	66	56001834	2	Scr, Hex Hd 5/16-18 x 1.25
	56419590	1	Weldment, Engine Mount (Note 2)	67	56001939	2	Wsh, Flt SAE 5/16
	56419004	1	Air Tube Assembly (#22-29, 93)	68	56002701	2	Nut, Hex Nyl Loc 5/16-18
22	56001836	4	Scr, Hex Hd 1/4-20 x .62	69	56418430	1	Hose, Flexible Air Inlet
23	56009018	3	Scr, Hex Thd Form 1/4-20 x .75	70	56440213	2	Clamp, Hose SAE #32
24	56131601	2	Clamp, Hose SAE #16	71	56477523	1	Barb, Adapter 5/16 x 18NPT
25	56418227	1	Hose, Lower Radiator	72	56478461	1	Indicator, Service
26	56440213	2	Clamp, Hose SAE #32	73	56492259	1	Hose, Fuel Line
27	56419000	1	Air Tube Weldment	74	56482478	1	Cleaner, Air
28	56419093	1	Heat Shield	*	56482028	1	Replacement Safety Filter
29	56419144	1	Hose, Flex	*	56482029	1	Replacement Primary Filter
	56419050	1	Right Engine Mount Assy (#30-38) (Note 1)	75	56482621	1	Band Assy
	56419595	1	Right Engine Mount Assy (#30-38) (Note 2)	76	56751300	1	Barb, Hose Female
30	56002058	1	Scr, Hex Hd 3/8-16 x 2.25		56419313	1	Inlet Hood Assembly (#77-80) (TSB 735, SR 1800 only)
31	56002667	2	Scr, Hex Hd 5/16-18 x .75	77	56002155	2	Scr, Hex Hd 1/4-20 x .75
32	56002701	2	Nut, Hex Nyl Loc 5/16-18	78	56002708	2	Nut, Hex Nyl Loc 1/4-20
33	56002769	1	Nut, Hex Nyl Loc 3/8-16	79	56419314	1	Flange Weldment
34	56003185	4	Scr, Hex Thd To Hd M10-1.25 x 20mm	80	56419312	1	Hood, Inlet
35	56009106	1	Wsh, Flt .453 x 1.00 x .179		56419082	1	Throttle Cable Assembly (#81-91)
36	56009274	1	Wsh, Flt .438 x 2.00 x .164	81	56003039	2	Scr, Hex Hd Loc 1/4-20 x .50
37	56419300	1	Mount, Isolator, Stiff	82	56003177	2	Scr, Hex M8-1.25 x 12mm
	56418099	1	Mount, Isolator	83	56418615	1	Cable, Push / Pull
38	56418926	1	Bracket, Engine Right (Note 1)	84	56488290	2	Rod End
	56419592	1	Bracket, Engine Right (Note 2)	85	56419030	1	Bracket, Throttle Cable
	56419051	1	Left Engine Mount Assy (#39-47) (Note 1)	86	56419031	1	Throttle Lever Extension
	56419596	1	Left Engine Mount Assy (#39-47) (Note 2)	87	56456328	1	Lever Assy
39	56002058	1	Scr, Hex Hd 3/8-16 x 2.25	88	56001836	2	Scr, Hex Hd 1/4-20 x .62
40	56002667	2	Scr, Hex Hd 5/16-18 x .75	89#	56001987	2	Nut, Hex Machine 10-32 (Advance only)
41	56002701	2	Nut, Hex Nyl Loc 5/16-18	90	56002708	2	Nut, Hex Nyl Loc 1/4-20
42	56002769	1	Nut, Hex Nyl Loc 3/8-16	91	56002873	2	Nut, Hex Nyl Loc 10-32
43	56003185	4	Scr, Hex Thd To Hd M10-1.25 x 20mm	92	56419307	1	Fuel Strainer
44	56009106	1	Wsh, Flt .453 x 1.00 x .179	93	56442011	1	Clamp, P
45	56009274	1	Wsh, Flt .438 x 2.00 x .164				

* = Not Shown

Note 1: Used before SN 1703363

Note 2: Used after SN 1703362

= Revised or new since last update

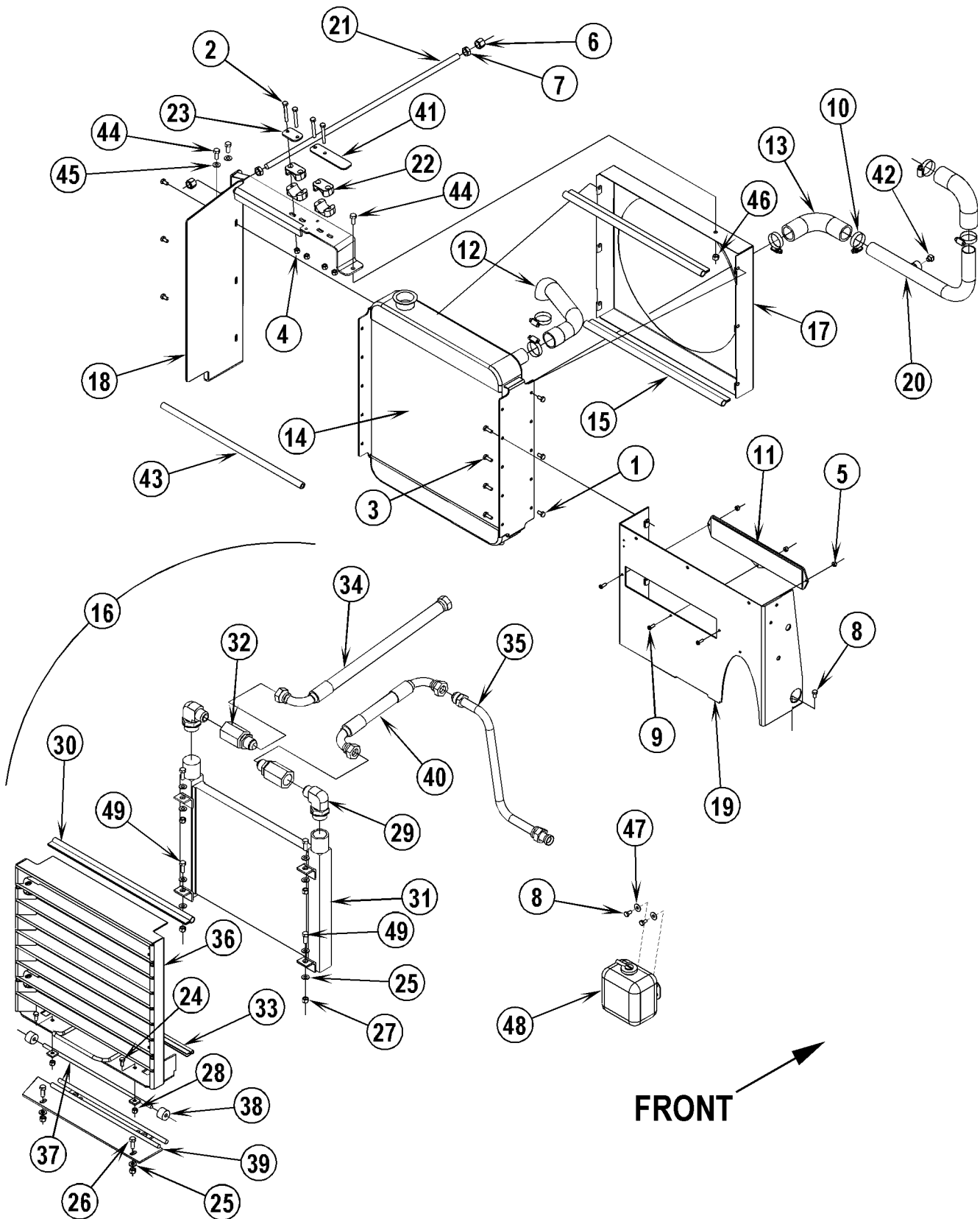
DIESEL RADIATOR ASSEMBLY

03-12

24

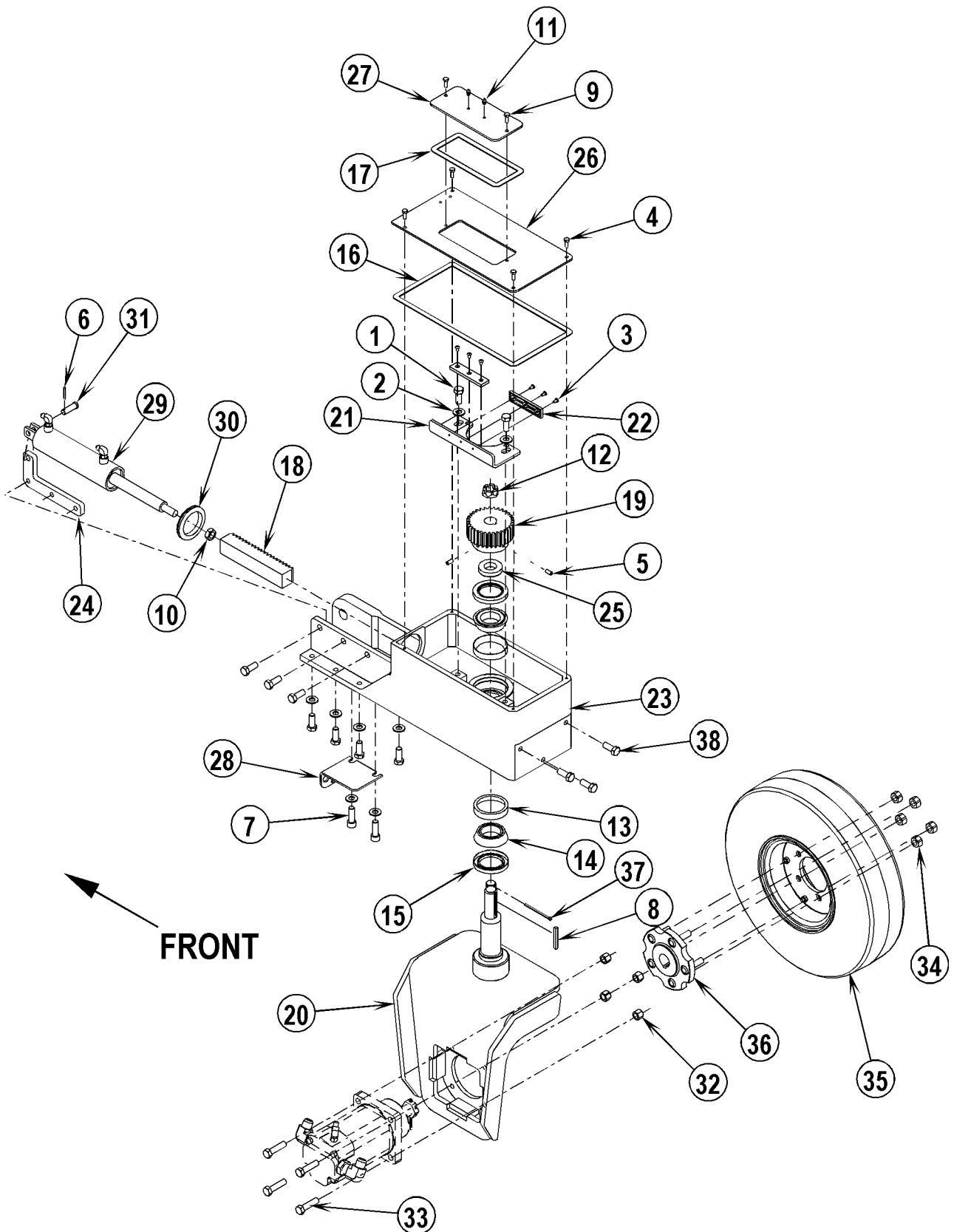
Retriever™ 6250 / SR 1800H

04-6



Item	Ref. No.	Qty	Description
	56418962	1	Radiator Assembly (#1-43)
1	56001854	6	Scr, Hex Hd 1/4-20 x .50
2	56001874	4	Scr, Hex Hd 1/4-20 x 2.00
3	56002155	4	Scr, Hex Hd 1/4-20 x .75
4	56002708	4	Nut, Hex Nyl Loc 1/4-20
5#	56002768	3	Nut, Hex Nyl Loc 10-24 (Advance only)
6	56002770	2	Nut, Hex Nyl Loc 1/2-13
7#	56009016	2	Nut, Hex Jam 1/2-13 (Advance only)
8	56009033	3	Scr, Hex Thd Form 1/4-20 x .50
9	56009100	3	Scr, Pan Phil Thd Form-Blk 10-24 x .62
10	56131601	6	Clamp, Hose SAE #16
11	56416418	1	Lens, Tail Light
12	56419290	1	Hose, Radiator
13	56418227	2	Hose, Lower Radiator
14	56305316	1	Radiator
15	56418605	2	Gasket, Bulb
16	56418952	1	Oil Cooler Assembly (#24-40 & 49)
17	56419282	1	Shroud Weldment
18	56419280	1	Weldment, Radiator Mount
19	56418961	1	Back Panel
20	56419403	1	Tube, Radiator Weldment
21	56419007	1	Stiffener
22	56419041	4	Clamp
23	56419042	1	Plate, Clamp
24	56001836	2	Scr, Hex Hd 1/4-20 x .62
25	56001939	10	Wsh, Flt SAE 5/16
26	56002037	2	Scr, Hex Hd 5/16-18 x .88
27	56002701	6	Nut, Hex Nyl Loc 5/16-18
28	56002708	2	Nut, Hex Nyl Loc 1/4-20
29	56900117	2	Elbow, 90 O-Ring
30	56418605	1	Gasket, Bulb
31	56418953	1	Coller, Oil
32	56418954	2	Swivel
33	56418955	1	Gasket
34	56418344	1	Hose Assembly
35	56419297	1	Tube Weldment D
36	56419008	1	Grill Weldment
37	56419016	1	Axle Weldment
38	56419036	2	Roller
39	56419524	1	Roller Stop Weldment
40	56419298	1	Hose Assembly
41	56419180	1	Prop Rest
42	56744580	1	Plug, NPT 3/8 Brass
43	56492259	1	Hose, Fuel Line
44	56002667	3	Scr, Hex Hd 5/16-18 x .75
45	56001939	2	Wsh, Flt SAE 5/16
46	56002701	1	Nut, Hex Nyl Loc 5/16-18
47	56009025	2	Wsh, Flt .266 x .750 x .036
48	56305267	1	Bottle, Overflow
49	56002221	4	Scr, Hex Hd 5/16-18 x 1.00

= Revised or new since last update

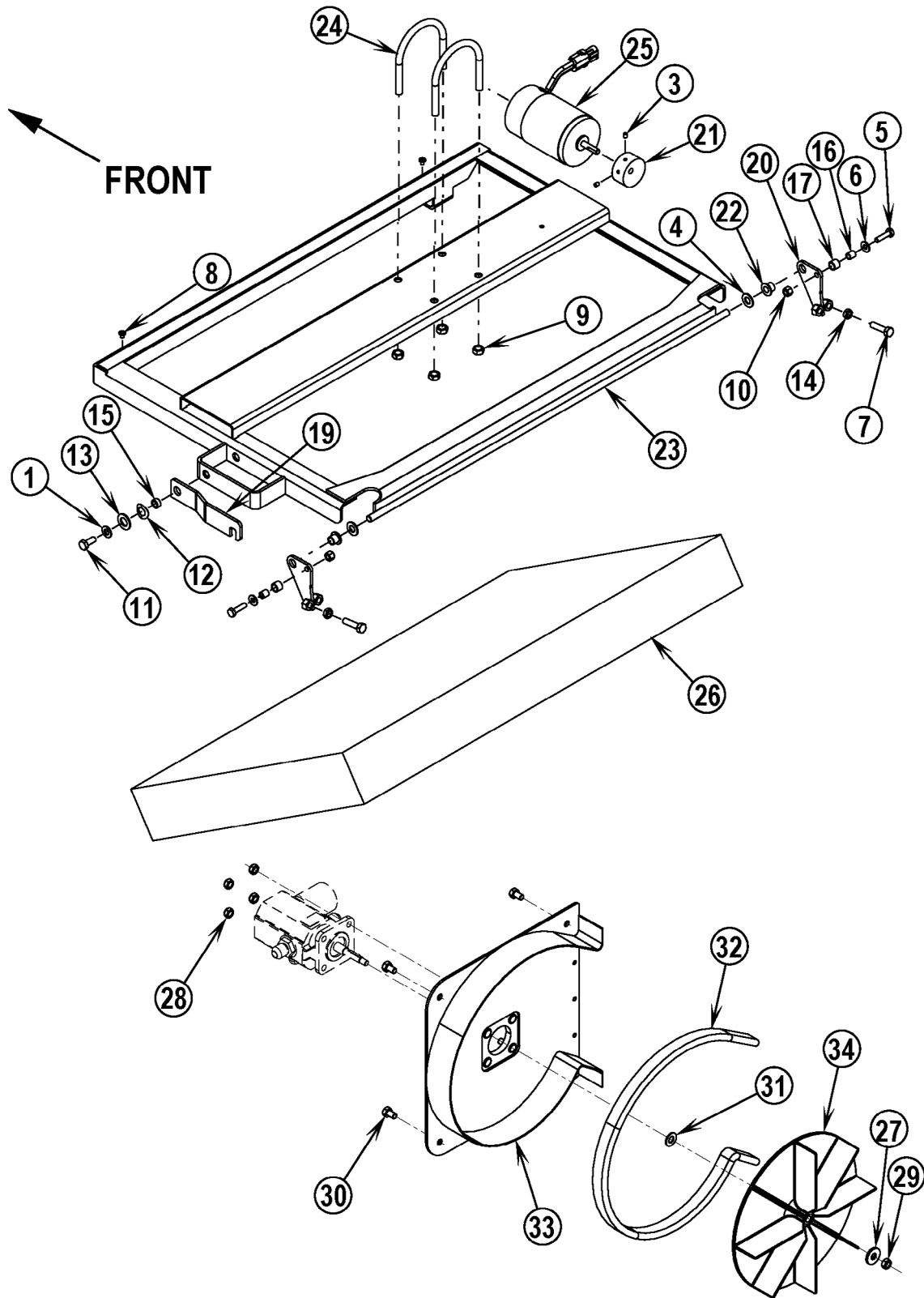


Item	Ref. No.	Qty	Description
	56419187	1	Steering Assy (#1-31 & 37)
1	56003083	2	Scr, Hex Hd Loc 1/2-13 x 1.00
2	56001879	8	Wsh, Flt SAE 1/2
3	56002043	6	Scr, Pan Phil 10-24 x .38
4	56002155	4	Scr, Hex Hd 1/4-20 x .75
5	56002186	2	Scr, Soc Set Loc 5/16-18 x .62
6	56002529	1	Pin, Cotter 1/8 x 1.00
7#	56002972	2	Scr, Soc Hd 1/2-13 x 1.50 (Advance only)
8	56003248	1	Key, Sq. .25 x 2.31
9	56009018	2	Scr, Hex Thd Form 1/4-20 x .75
10	56009099	1	Nut, Hex Jam 5/8-18
11	56101737	2	Fitting, Lube 1/4-28
12	56110817	1	Nut, Castle 7/8-14
13	56744474	2	Bearing, Cup
14	56744471	2	Bearing, Cone
15	56477783	2	Seal, Shaft
16#	56200754	4'	Gasket, Strip (Advance only)
17#	56200754	2'	Gasket, Strip (Advance only)
18	56418476	1	Rack
19	56418477	1	Gear, Spur
20	56419184	1	Spindle Weld't.
21	56418573	1	Angle, Adjuster
22	56418575	2	Plate, Wear
23	56419188	1	Casting, Steering
24	56418637	1	Bracket, Cylinder
25	56419189	1	Spacer, Gear
26	56418639	1	Cover Plate
27	56418754	1	Cover, Inspection
28	56418755	1	Bracket, Bulkhead
29	56418765	1	Steering Cylinder Assy
*	56418441	1	Cylinder, Hydraulic
*	56900101	2	Elbow, 90 O-Ring
30	56459362	1	Grommet
31	56486733	1	Pin
32	56002770	4	Nut, Hex Nyl Loc 1/2-13
33	56002983	4	Scr, Hex Hd 1/2-13 x 2.00
34	56009116	5	Nut, Lug (TSB 797, SR 1800 only)
35	56419374	1	Tire Assembly (TSB 797, SR 1800 only)
*	56419377	1	Rim, 8.00 x 3.75 (TSB 797, SR 1800 only)
*	56419376	1	Tire (TSB 797, SR 1800 only)
*	56419375	1	Tube (TSB 797, SR 1800 only)
**	56418361	1	Tire, Cushion
**	56419328	1	Tire, Non-Marking
**	56419456	1	Tire Assy Rear, Foam Fill
36	56419373	1	Hub Assy (TSB 775 / TSB 797, SR 1800 only)
**	56419436	1	6250 Hub Kit (items 34 & 36)
37	56002574	1	Pin, Cotter 5/32 x 3.00
38	56003022	10	Scr, Hex Hd Loc 1/2-13 x 1.25

* = Not Shown

** = Optional

= Revised or new since last update



Item	Ref. No.	Qty	Description
	56418253	1	Shaker Assy (#1-23)
1	56001939	1	Wsh, Flt SAE 5/16
2#			Deleted Intentionally
3	56002015	2	Scr, Soc Set loc 10-24 x .25
4	56002063	2	Wsh, Flt SAE 3/8
5	56002093	2	Scr, Hex Hd 1/4-20 x 1.00
6	56002098	2	Wsh, Flt SAE 1/4
7	56002187	2	Scr, Hex Thd To Hd 5/16-18 x 1.25
8	56002453	2	Scr, Pan Phil 10-24 x .25
9#	56002841	4	Nut, Hex Nyl Loc-Thin 3/8-16
10	56002708	2	Nut, Hex Nyl Loc 1/4-20
11	56002956	1	Scr, Hex Hd Loc 5/16-18 x .75
12	56009001	1	Wsh, Bowed .516 x .906 x .008
13	56009003	1	Wsh, Flt .516 x .938 x .075
14	56009086	2	Nut, Hex Jam 5/16-18
15	56320595	1	Bushing .32 x .50 x .28
16	56321532	2	Bushing .25 x .37 x .40
17	56370754	2	Bearing, Sleeve
18#			Deleted Intentionally
19	56416511	1	Latch, Shaker
20	56416625	2	Shaker Hinge Weld't.
21	56416671	1	Eccentric
22	56416675	2	Bushing, Flange
23	56418234	1	Shaker Weld't.
24#	56508888	2	U-Bolt
25#	56508664	1	Motor, 12 VDC NOTE 1
26	56482305	1	Filter
	56418488	1	Impeller Assy (#27-34)
27	56002063	1	Wsh, Flt SAE 3/8
28	56002826	4	Nut, Hex Nyl Loc-Thin 5/16-18
29	56002866	1	Nut, Hex Nyl Loc-Thin 5/16-24
30	56002923	4	Scr, Hex Hd Loc 5/16-18 x .50
31	56009107	1	Wsh, Flt SS .378 x 1.000 x .120
32	56419370	1	Trim-Seal
33	56418784	1	Impeller Bracket Weld't.
34	56418897	1	Impeller

* = Not Shown

= Revised or new since last update

NOTE 1: Shaker motor 56418389 is no longer available. If you order the old shaker motor 56418389 you will receive Shaker Motor Kit 56508773 which includes items (9, 24 & 25).

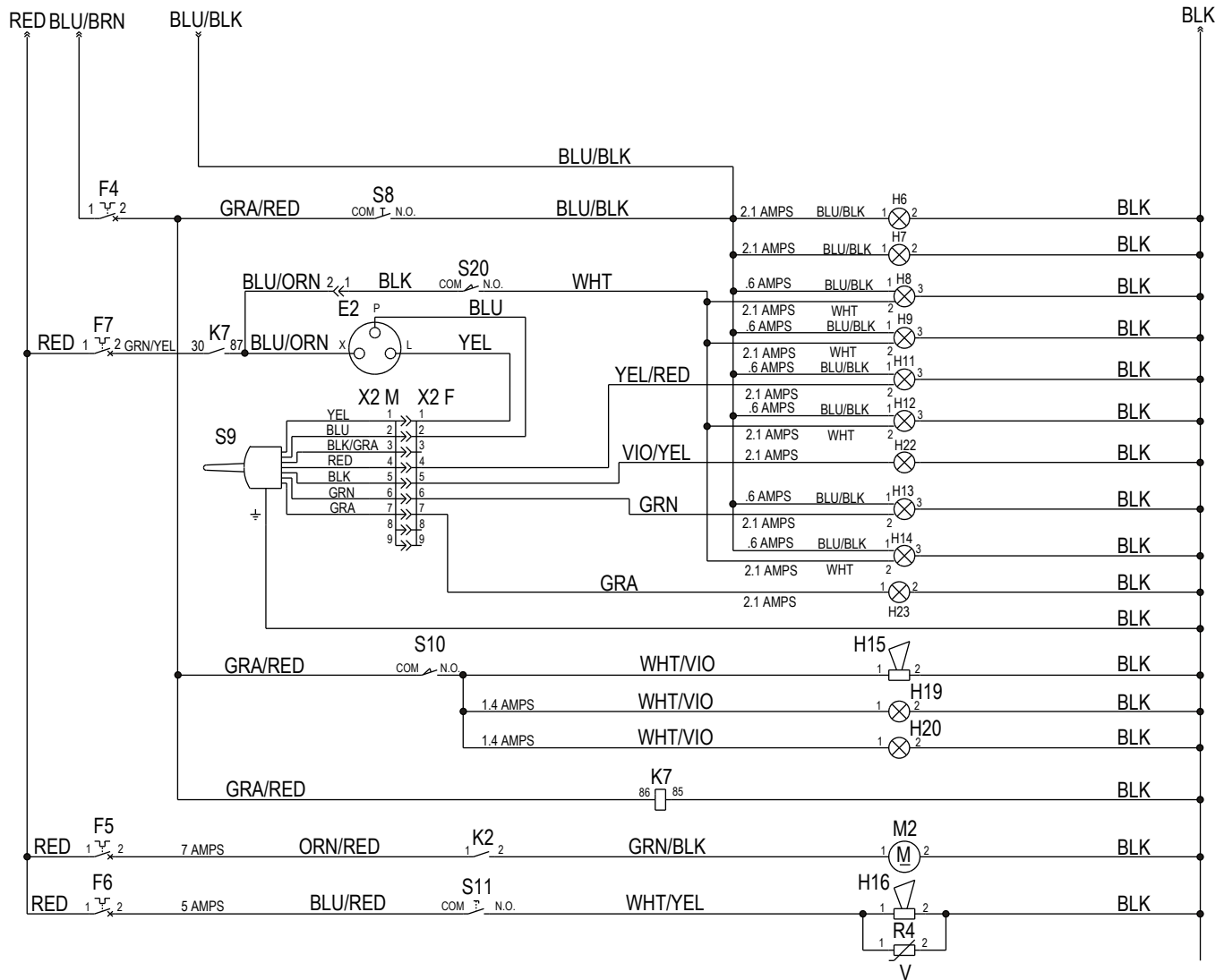
Item	Ref. No.	Qty	Description
BT#	56441511	1	Battery, 12 VDC (Advance only)
E1	56491870	1	Timer, Shaker (optional) TSBUS2006-924
E3	56463590	1	Glow Plug Timer
F1	56452193	1	Circuit Breaker, 40 Amp (Main)
F2	56387316	1	Circuit Breaker, 10 Amp (Accessory Circuit)
F3	56454538	1	Circuit Breaker, 15 Amp (Accessory Circuit)
G	56419085	1	Alternator
H1	56418672	1	Lamp, Low Oil Pressure
H2	56418672	1	Lamp, Coolant Temperature
H3	56418672	1	Lamp, Charging
H4	56418672	1	Lamp, Dust Control Filter Plugged
H5	56418672	1	Lamp, Hopper Heat Indicator
H10	56416433	1	Light, Beacon (optional)
*#	56416435	1	Lens, Amber (Advance only) (for 56416433)
*	56416436	1	Flash Tube (for 56416433)
H18	56418672	1	Lamp, Hydraulic Filter
H21	56418672	1	Lamp, Hopper Door
H24	56418672	1	Lamp, Glow Plug
K2	56491862	1	Relay (Shaker Motor)
K3	56491862	1	Relay (Accessories)
K6	56418387	1	Relay, SPDT (Hopper Door)
L1	56419445	1	Solenoid, Fuel (TSB 825, SR 1800 only)
L2	56418104	1	Solenoid, Dust Control
L3	56418105	1	Solenoid, Main Broom
L4	56418104	1	Solenoid, Side Broom
M1	56419089	1	Starter Motor
M3	56418793	1	Fuel Pump
P1	56478363	1	Meter, Hour
P2	56489598	1	Gauge, Fuel Level
R3	56478358	1	Sender, Fuel Level
S1	56497754	1	Ignition Switch
S2	56419090	1	Switch, Engine Oil Pressure
S4	56419091	1	Switch, Coolant Temp.
S5	56418404	1	Switch, Vacuum (optional)
S6	56418405	1	Switch, Hopper Temp. (optional)
S7	56324272	1	Switch, Rocker (Shaker Motor, Dust Control)
S12	56418165	1	Switch, Hopper Door Interlock
S13	56372088	1	Switch, Main Broom
S14	56372088	1	Switch, Side Broom
S15	56418165	1	Switch, Dump Door Interlock
S19	56418994	1	Switch, Hydraulic Filter
S21	56460005	1	Switch, Neutral Safety
*	56418985	1	Harness, Control Panel
*	56419448	1	Harness, Main (TSB 825, SR 1800 only)
*	56418203	1	Harness, Hopper
*	56419344	1	Harness, Interlock

* = Not Shown

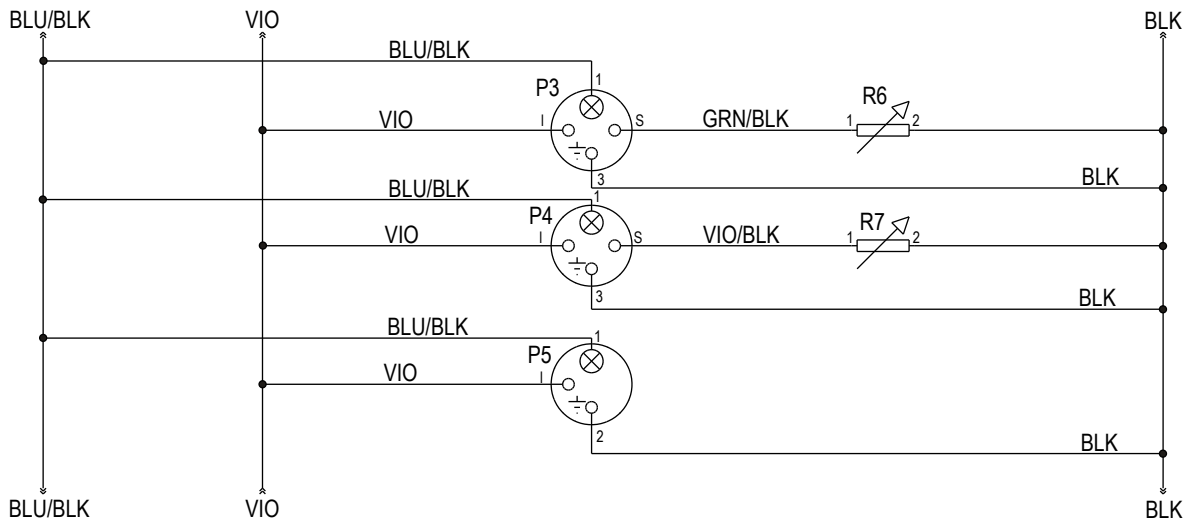
= Revised or new since last update

Note 1: When the Shaker Timer is not used, there is a jumper wire connected between the RED/BLK and RED/BRN wires.

FORM NO. 56042447



GAUGE OPTION



Item	Ref. No.	Qty	Description
E2	56489654	1	Flasher (optional)
F4	56395454	1	Circuit Breaker, 20 Amp (Headlights, Tail Lights)
F5	56168444	1	Circuit Breaker, 8 Amp (Shaker Motor)
F6	56387316	1	Circuit Breaker, 10 Amp (Horn)
F7	56395454	1	Circuit Breaker, 20 Amp (Signal Lights / optional)
H6	56481543	1	Head Light, Right
H7	56481543	1	Head Light, Right
H8	56454519	1	Tail Light
H9	56454519	1	Tail Light
*	56418682	1	Light Socket Assy (includes H8 & H9)
H11	56418392	1	Signal Light, Right Front (optional)
H12	56418836	1	Tail / Brake Light, Right Rear (optional)
H13	56418392	1	Signal Light, Left Front (optional)
H14	56418836	1	Tail / Brake Light, Left Rear (optional)
H15#	56409232	1	Back-Up Alarm (optional)
H16	56442054	1	Horn
H19	56418836	1	Lamp, Back-Up (optional)
H20	56418836	1	Lamp, Back-Up (optional)
H22	56418836	1	Signal Light, Right Rear (optional)
H23	56418836	1	Signal Light, Left Rear (optional)
K2	56491862	1	Relay (Shaker Motor)
K7	56491862	1	Relay, Signal Lights (optional)
M2#	56508664	1	Motor, 12 VDC (Shaker) NOTE 2
R4		1	Varistor
S8	56393312	1	Switch, Rocker (Headlights)
S9	56418411	1	Switch, Turn Signal (optional)
S10	56455403	1	Switch, Back-Up Alarm (optional)
S11	56441555	1	Switch, Horn
S20	56418411	1	Switch, Brake Light
GAUGE OPTION COMPONENTS			
P3	56489592	1	Gauge, Oil Pressure (standard on SR 1800 after SN 1477918 & all 6250)
P4	56489600	1	Gauge, Coolant Temperature (standard on SR 1800 after SN 1477918 & all 6250)
P5	56482044	1	Voltmeter (standard on SR 1800 after SN 1477918 & all 6250)
R6	56478698	1	Sender, Oil Pressure (standard on SR 1800 after SN 1477918 & all 6250)
R7	56481888	1	Sender, Coolant Temperature (standard on SR 1800 after SN 1477918 & all 6250)
**	56418390	1	Turn Signal Kit
**	56418420	1	Temperature Switch Kit
**	56418406	1	Vacuum Switch Kit
**	56418421	1	Back-Up Alarm Kit
**	56418369	1	Gauge Kit
**	56418834	1	Shaker Timer Kit
**	56418767	1	Beacon Kit

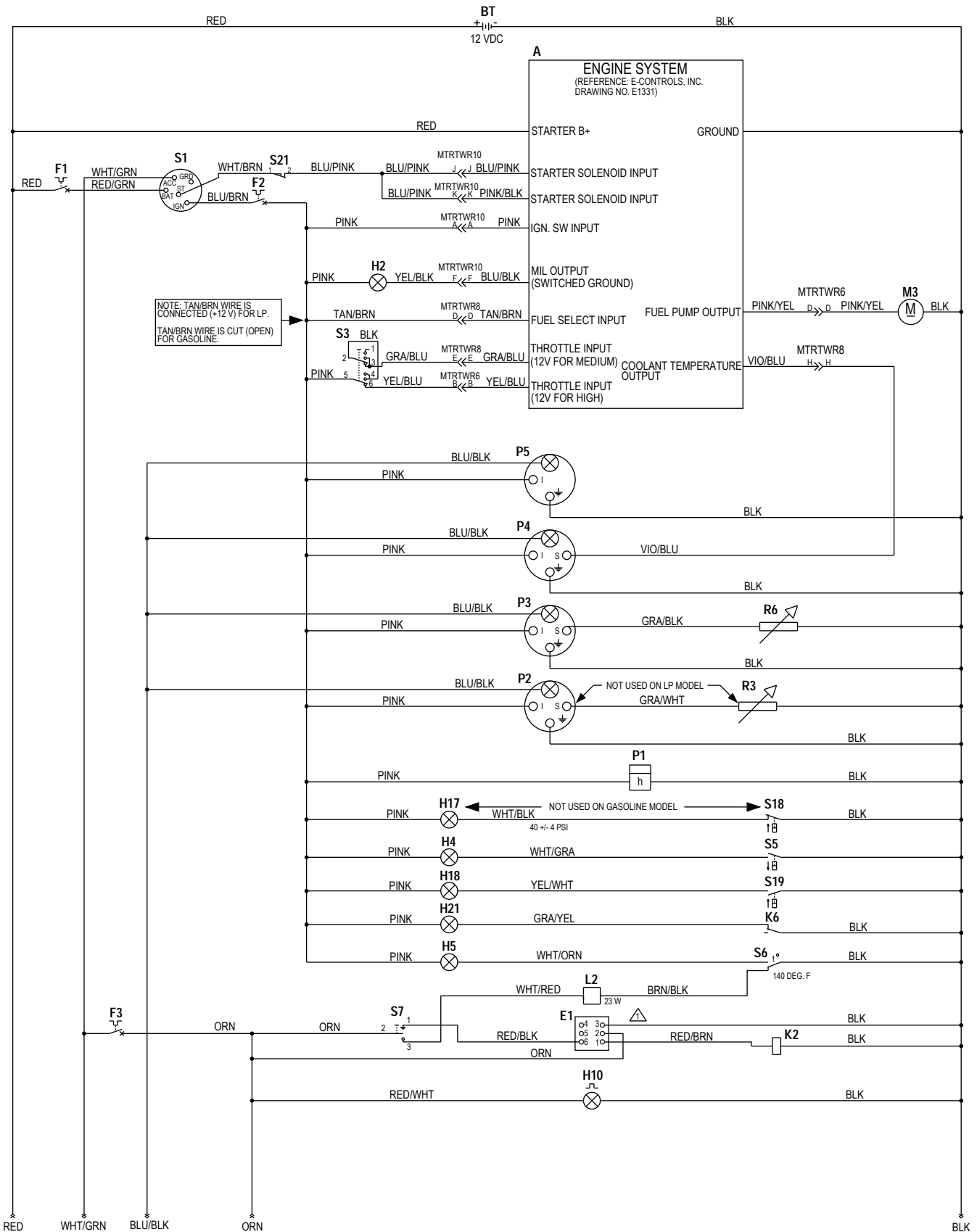
* = Not Shown

** = Optional

= Revised or new since last update

NOTE: For Gauge Option the following items are not used: H2 and S4. R7 replaces S4 with Gauge Option. Cut the VIO / BLK wire off the connector at the lights and connect it to the VIO / BLK wire supplied with the Gauge Kit.

NOTE 2: Shaker motor 56418389 is no longer available. If you order the old shaker motor 56418389 you will receive Shaker Motor Kit 56508773.

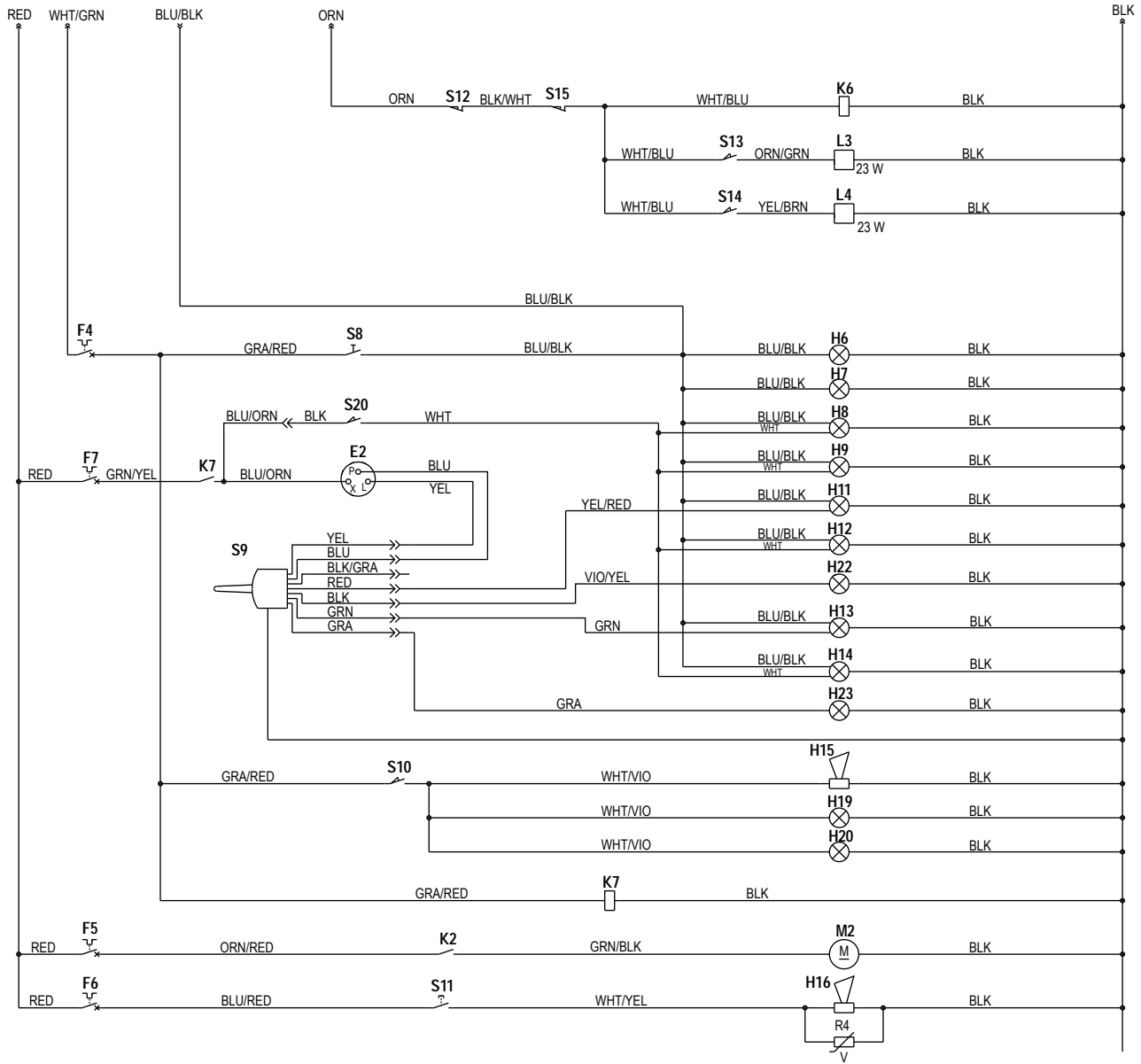


Item	Ref. No.	Qty	Description
A	56304425	1	Electronic Control Unit, Petrol & LPG
BT#	56441511	1	Battery, 12 VDC (Advance only)
*	56419574	1	Battery Cable (+)
*	56419575	1	Battery Cable (-)
E1	56491870	1	Timer, Shaker (optional) TSBUS2006-924
F1	56452193	1	Circuit Breaker, 40 Amp (Main)
F2	56454538	1	Circuit Breaker, 15 Amp (Ignition Circuit)
F3	56454538	1	Circuit Breaker, 15 Amp (Accessory Circuit 1)
H2	56418672	1	Lamp, Coolant Temperature
H4	56418672	1	Lamp, Dust Control Filter Plugged
H5	56418672	1	Lamp, Hopper Heat Indicator
H10	56416433	1	Light, Beacon (optional)
#	56416435	1	Lens, Amber (Advance only) (for 56416433)
*	56416436	1	Flash Tube (for 56416433)
H17	56418672	1	Lamp, Low LP
H18	56418672	1	Lamp, Hydraulic Filter
H21	56418672	1	Lamp, Hopper Door
K2	56491862	1	Relay, Shaker Motor
K6	56418387	1	Relay, Hopper Door
L2	56419177	1	Solenoid, Dust Control
M3	56305062	1	Fuel Pump (petrol)
P1	56478363	1	Hour Meter
P2	56489598	1	Fuel Gauge (petrol)
P3	56489592	1	Gauge, Oil Pressure
P4	56489600	1	Gauge, Coolant Temperature before TSBUS2005-877
	56419649	1	Gauge, Coolant Temperature after TSBUS2005-877
P5	56482044	1	Voltmeter
R3	56478358	1	Sender, Fuel Level (petrol)
R6	56478698	1	Sender, Oil Pressure
S1	56418685	1	Switch, Ignition
	56419123	1	replacement Ign. Key (for 56418685)
S3	56455820	1	Switch, Throttle
S5	56418404	1	Switch, Vacuum (optional)
S6	56418405	1	Switch, Hopper Temp. (optional)
S7	56324272	1	Switch, Dust Control/Shaker
S18	56418381	1	Switch, LP Pressure
S19	56418994	1	Switch, Hydraulic Filter
S21	56460005	1	Switch, Neutral Safety
*	56419572	1	Harness, Main Wiring
*	56419573	1	Harness, Control Panel Wiring Wiring before TSBUS2005-877
*	56419651	1	Harness, Control Panel after TSBUS2005-877
*	56418203	1	Harness, Hopper Wiring
*	56419344	1	Harness, Interlock
*	56305596	1	Spark Plug Wire Set

* = Not Shown

= Revised or new since last update

Note 1: When the Shaker Timer is not used, there is a jumper wire connected between the RED/BLK and RED/BRN wires.



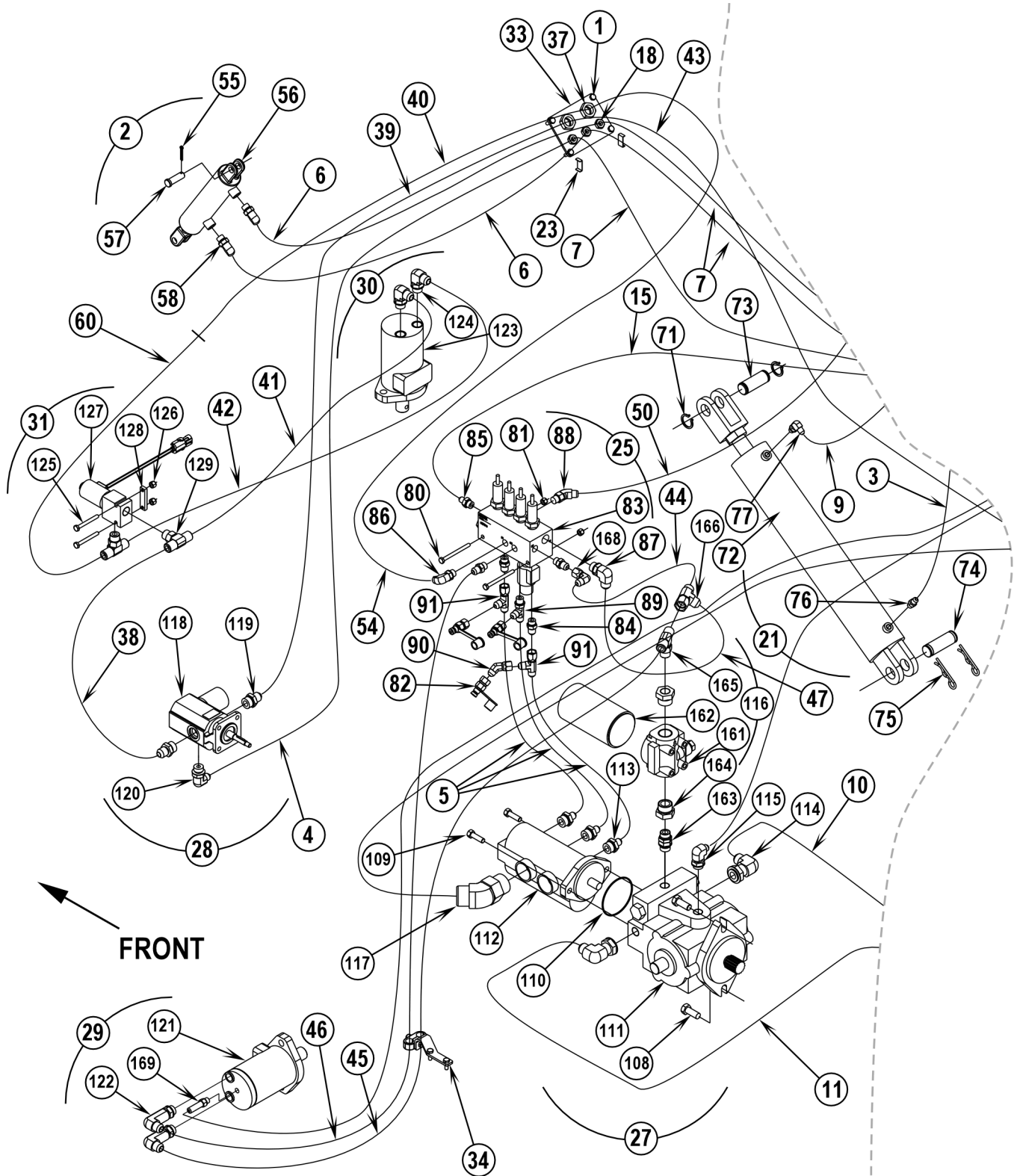
Item	Ref. No.	Qty	Description
E2	56489654	1	Flasher (optional)
F4	56395454	1	Circuit Breaker, 20 Amp (Head Lights / Tail Lights)
F5	56168444	1	Circuit Breaker, 8 Amp (Shaker Motor)
F6	56387316	1	Circuit Breaker, 10 Amp (Horn)
F7	56395454	1	Circuit Breaker, 20 Amp (Signal Lights / optional)
H6	56481543	1	Head Light, Right
H7	56481543	1	Head Light, Left
H8	56454519	1	Tail Light
H9	56454519	1	Tail Light
*	56418682	1	Light Socket Assy (includes H8 & H9)
H11	56418392	1	Signal Light, Right Front (optional)
H12	56418836	1	Tail/Brake Light, Right Rear (optional)
H13	56418392	1	Signal Light, Left Front (optional)
H14	56418836	1	Tail/Brake Light, Left Rear (optional)
H15#	56409232	1	Back-Up Alarm (optional)
H16	56442054	1	Horn
H19	56418836	1	Lamp, Back-Up (optional)
H20	56418836	1	Lamp, Back-Up (optional)
H22	56418836	1	Signal Light, Right Rear (optional)
H23	56418836	1	Signal Light, Left Rear (optional)
K2	56491862	1	Relay, Shaker Motor
K6	56418387	1	Relay, Hopper Door
K7	56491862	1	Relay, Signal Lights (optional)
L3#	56419105	1	Solenoid, Main Broom (Advance only)
L4	56418104	1	Solenoid, Side Broom
M2#	56508664	1	Shaker Motor NOTE 1
R4	56418416	1	Varistor
S8	56393312	1	Switch, Head Lights
S9	56418411	1	Switch, Turn Signal (optional)
S10	56455403	1	Switch, Back-Up Alarm (optional)
S11	56441555	1	Switch, Horn
S12	56418165	1	Switch, Hopper Door Interlock
S13	56372088	1	Switch, Main Broom
S14	56372088	1	Switch, Side Broom
S15	56418165	1	Switch, Dump Door Interlock
S20	56418411	1	Switch, Brake Light
**	56418390	1	Turn Signal Kit
**	56418420	1	Hopper Temperature Switch Kit
**	56418406	1	Vacuum Switch Kit
**	56418421	1	Back-Up Alarm Kit
**	56418834	1	Shaker Timer Kit
**	56418767	1	Beacon Kit

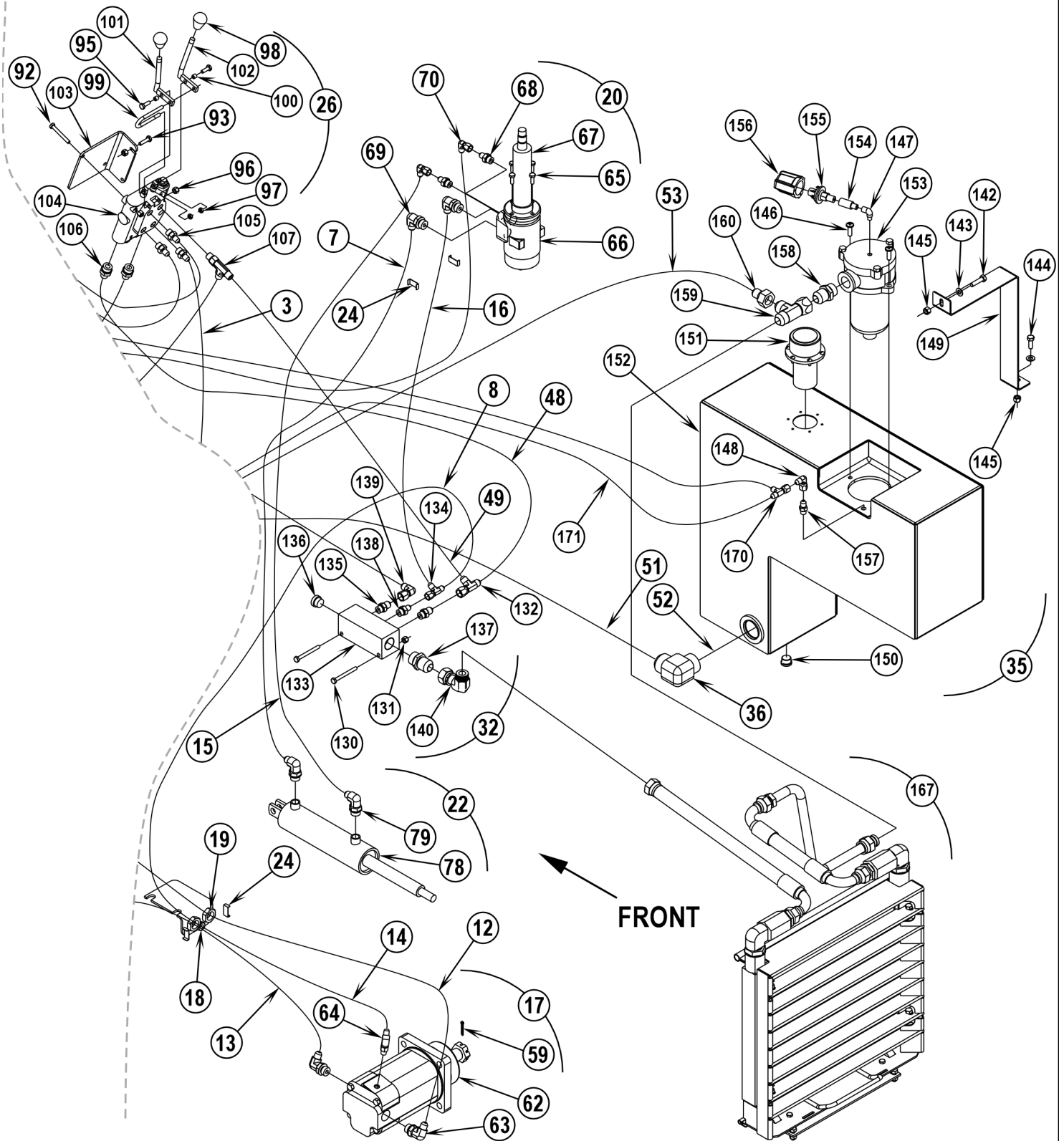
* = Not Shown

** = Optional

= Revised or new since last update

NOTE 1: Shaker motor 56418389 is no longer available. If you order the old shaker motor 56418389 you will receive Shaker Motor Kit 56508773.





HYDRAULIC SYSTEM

03-12

40

Retriever™ 6250 / SR 1800H

08-3

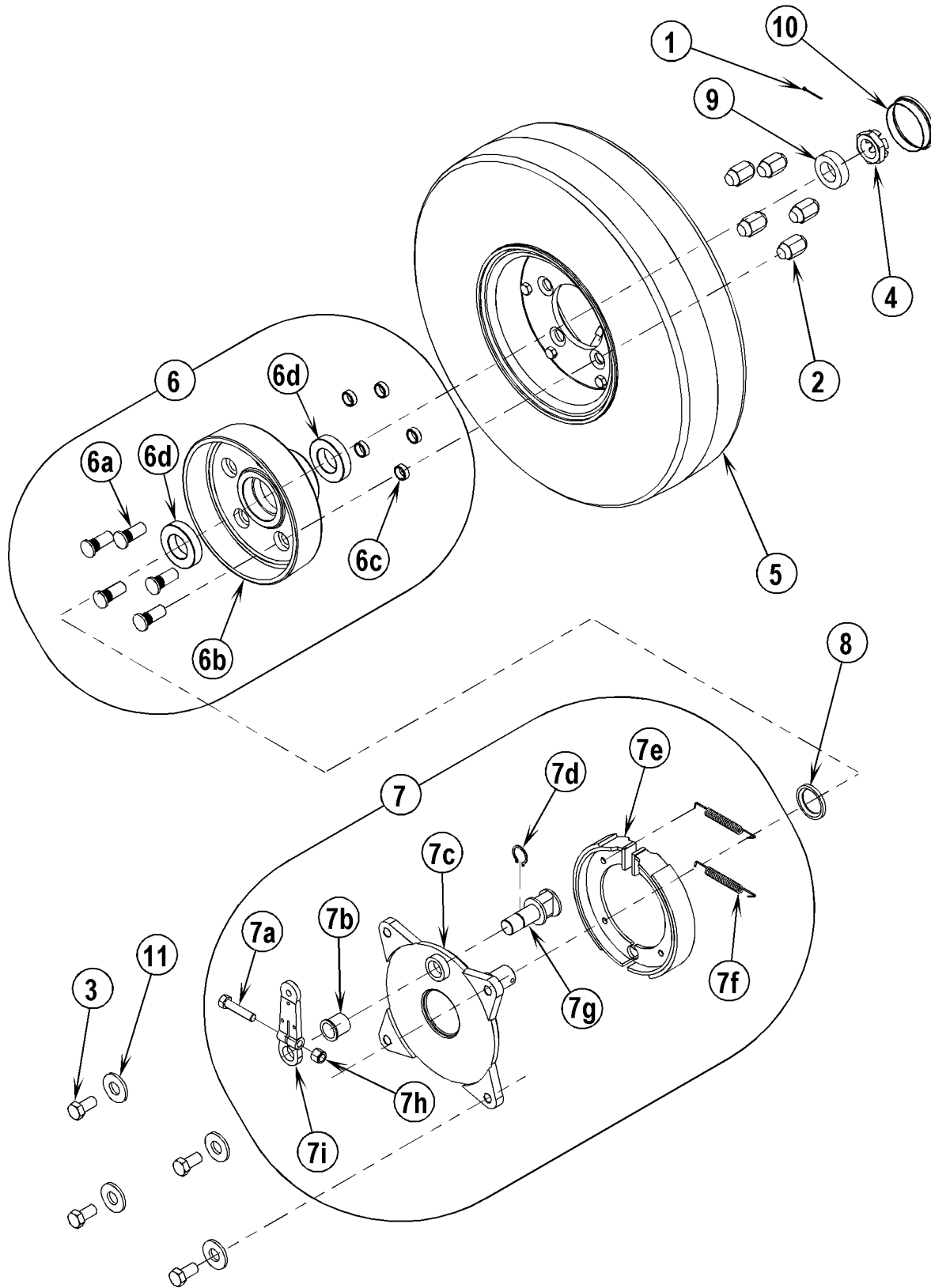
Item	Ref. No.	Qty	Description	Item	Ref. No.	Qty	Description
1	56009018	4	Scr, Hex Thd Form 1/4-20 x .75	47	56419074	1	Hose Assy
2	56416121	1	Hopper Door Cylinder Assy (#55-58)	48	56419075	1	Hose Assy
3	56416487	1	Hydraulic Hose	49	56419076	1	Hose Assy
4	56418312	1	Hose Assy	50	56419077	1	Hose Assy
5	56418315	3	Hose Assy	51	56419078	1	Hose Assy
6	56418321	2	Hose Assy	52	56419079	1	Hose Assy
7	56418333	4	Hose Assy	53	56419080	1	Hose Assy
8	56419182	1	Hose Assy	54	56419081	1	Hose Assy
9	56418338	1	Hose Assy	55	56002529	2	Pin, Cotter .12 x 1.50
10	56418346	1	Hose Assy	56	56416202	1	Cylinder, Hydraulic
11	56418347	1	Hose Assy	57	56486733	2	Pin
12	56418348	1	Hose Assy	58	56900110	2	Elbow, 90 O-Ring
13	56418349	1	Hose Assy	59	56002181	1	Pin, Cotter .12 x 1.50
14	56418350	1	Hose Assy	60#	56419459	1	Hose Assy (only after SN 1837747) (Advance only)
15	56418351	2	Hose Assy	61			Intentionally Omitted
16	56418352	1	Hose Assy	62	56419653	1	Motor, Wheel (TSB 775, SR 1800 only), TSBUS2005-904
17	56419655	1	Wheel Motor Assy (#59-64), TSBUS2005-904	*	56418833	1	Seal Kit for 56419653
18	56418744	4	Locknut, Bulkhead	63	56900116	2	Elbow, 90 O-Ring
19	56418745	2	Locknut, Bulkhead	64	56900151	1	Elbow, 45 O-Ring W/Nut
20#	56418752	1	Steering Unit Assy (Advance only) (#65-70)	65	56003174	4	Scr, Hex Thd To Hd M6-1.0 x 16mm
21	56418762	1	Lift Cylinder Assy (#71-77)	66	56418452	1	Steering Control Unit
22	56418765	1	Steering Cylinder Assy (#78-79)		56419521	1	Seal Kit for 56418452
23	56462977	1	Sleeve	67	56477003	1	Steering Column
24	56463427	2	Sleeve	68	56900011	2	Connector, O-Ring
25	56418968	1	Relief Block Assy (#80-91, 168)	69	56900110	2	Elbow, 90 O-Ring
*#	56419106	1	Seal Kit for 56418968 (Advance only)	70	56900301	2	Elbow, 90 W/Nut
26	56418970	1	Directional Control Valve Assy (#92-107)	71	56003258	2	Ring, Ret Ext
27	56418972	1	Pump Assy (#108-117 & 161-166)	72	56100038	1	Cylinder, Hopper
28	56418973	1	Impeller Motor Assy (#118-120)	*	56479687	1	Seal Kit for 56100038
29	56418975	1	Main Broom Motor Assy (#121-122, 169)	73	56418625	1	Pin, Cylinder Short
30	56418977	1	Side Broom Motor Assy (#123-124)	74	56477581	1	Pin
31	56418978	1	Side Broom Valve Assy (#125-129)	75#	56477583	2	Pin, .15 Hairpin Cotter (Advance only)
32	56418979	1	Manifold Hydraulic Assy (#130-140)	76	56900001	1	Connector, O-Ring
33	56418980	1	Plate, Bulkhead	77	56900101	1	Elbow, 90 O-Ring
34	56418988	1	Hose Bracket Assy	78	56418441	1	Cylinder, Hydraulic
*	56001833	1	Scr, Hex Hd 1/4-20 x 1.50	*#	56488723	1	Seal Kit for 56418441 (Advance only)
*	56002155	2	Scr, Hex Hd 1/4-20 x .75	79	56900101	2	Elbow, 90 O-Ring
*	56002708	1	Nut, Hex Nyl Loc 1/4-20	80	56002603	2	Scr, Hex Hd 1/4-20 x 3.00
*	56492753	1	Clamp, Tube	81	56002708	2	Nut, Hex Nyl Loc 1/4-20
*	56418989	1	Bracket, Hose	82	56418865	3	Coupling, #6 Test Port
35	56418990	1	Reservoir Assy (#142-160, 170)	83	56418964	1	Block, Relief
36	56419063	1	Elbow, 90 Union 37	*	56419397	A/R	Relief Valve Cartridge (4 per relief block)
37	56419064	2	Locknut, Bulkhead	*#	56419396	A/R	Solenoid Valve Cartridge (Advance only)
38	56419065	1	Hose Assy	*	56419395	A/R	Flow Divider Cartridge
39	56419066	1	Hose Assy	84	56900003	4	Connector, O-Ring
40	56419067	1	Hose Assy (before SN 1837747)	85	56900011	1	Connector, O-Ring
	56419458	1	Hose Assy (after SN 1837747, used with hose item 60)	86	56900103	1	Elbow, 90 O-Ring
41	56419068	1	Hose Assy	87	56900104	1	Elbow, 90 O-Ring
42	56419069	1	Hose Assy	88	56900153	1	Elbow, 45 O-Ring W/Nut
43	56419070	1	Hose Assy	89	56900203	1	Tee, Run O-Ring
44	56419071	1	Hose Assy	90	56900323	1	Elbow, 45 W/Nut
45	56419072	1	Hose Assy	91	56900343	2	Tee, Run W/Nut
46	56419073	1	Hose Assy				

* = Not Shown

Item	Ref. No.	Qty	Description	Item	Ref. No.	Qty	Description
92	56001874	2	Scr, Hex Hd 1/4-20 x 2.00	129	56900254	2	Tee, Branch O-Ring
93	56002093	2	Scr, Hex Hd 1/4-20 x 1.00	130	56001855	2	Scr, Hex Hd 1/4-20 x 2.50
94			Intentionally Omitted	131	56002708	2	Nut, Hex Nyl Loc 1/4-20
95	56002504	2	Scr, Hex Hd 10-24 x .75	132	56900343	1	Tee, Run W/Nut
96	56002708	5	Nut, Hex Nyl Loc 1/4-20	133	56418998	1	Manifold, Hydraulic
97	56002832	2	Nut, Hex Nyl Loc-Thin 10-24	134	56900341	1	Tee, Run W/Nut
98	56378534	2	Knob	135	56900003	2	Connector, O-Ring
99	56416246	1	U-Clip, Valve	136	56463403	1	Plug, Hex Soc O-Ring
100	56416394	2	Bushing	137	56900006	1	Connector, O-Ring
101	56418657	1	Left Lever Weld't.	138	56900011	1	Connector, O-Ring
102	56418658	1	Right Lever Weld't.	139	56900303	1	Elbow, 90 W/Nut
103	56418660	1	Bracket, Valve	140	56900306	1	Elbow, 90 W/Nut
104	56418969	1	Valve, Directional Control	141			Intentionally Omitted
*	56418819	1	Seal for 56418969	142	56001834	1	Scr, Hex Hd 5/16-18 x 1.25
105	56900011	3	Connector, O-Ring	143	56001939	2	Wsh, Flt SAE 5/16
106	56900013	2	Connector, O-Ring	144	56002037	1	Scr, Hex Hd 5/16-18 x .88
107	56900203	1	Tee, Run O-Ring	145	56002701	2	Nut, Hex Nyl Loc 5/16-18
108	56001831	2	Scr, Hex Hd 1/2-13 x 1.25	146#	56002943	2	Scr, Pan Phil Loc 5/16-18 x 1.00 (Advance only)
109	56002254	2	Scr, Hex Hd 3/8-24 x 1.25	147	56111309	1	Elbow, 90 Street
110	56488002	1	O-Ring	148	56900301	1	Elbow, 90 W/Nut
111	56497918	1	Pump, Piston	149	56418787	1	Strap, Hydraulic Reservoir
*	56418825	1	Seal Kit for 56497918	150	56463403	1	Plug, Hex Soc O-Ring
112	56418963	1	Pump, Triple Gear	151	56479656	1	Cap, Filler
*	56418987	1	Seal Kit for 56418963	152	56418914	1	Reservoir Weld't.
113	56900014	3	Connector, O-Ring	153	56418992	1	Oil Filter Assy
114	56900116	2	Elbow, 90 O-Ring	*	56419083	1	Replacement Oil Filter
115	56900115	1	Elbow, 90 O-Ring	154	56418993	1	Adapter, 1/8 NPT
116	56419255	1	Oil Filter Assembly (#161-166)	155	56418994	1	Switch, N.O. Pressure
117	56900915	1	Elbow, 45 STR.-THD.	156	56419241	1	Dust Boot
118	56418971	1	Motor, Hydraulic	157	56900001	1	Connector, O-Ring
*	56419178	1	Seal Kit for 56418971	158	56900006	1	Connector, O-Ring
*	56419176	1	Solenoid Cartridge for 56418971	159	56900346	1	Tee, Run W/Nut
*	56419177	1	Solenoid Coil for 56418971	160	56900469	1	Reducer
119	56900004	2	Connector, O-Ring	161	56419253	1	Head, Oil Filter
120	56900101	1	Elbow, 90 O-Ring	162	56419254	1	Oil Filter Cartridge
121	56418974	1	Motor, Main Broom	163	56900924	1	Union, Straight Thread
			(TSB 777, SR 1800 only)	164	56900604	2	Reducer, Straight Thread
*	56479577	1	Seal Kit for 56418974	165	56900254	1	Tee, Branch O-Ring
122	56900524	2	Elbow, 90 Long O-Ring	166	56900344	1	Tee, Run W/Nut
123	56418976	1	Motor, Side Broom	167	56418952	1	Oil Cooler Assy (diesel)
*	56479577	1	Seal Kit for 56418976				(see Radiator Assembly (diesel))
124	56900104	2	Elbow, 90 O-Ring	56419528	1	Oil Cooler Assy (petrol/LPG/dual fuel)	
125	56001856	2	Scr, Hex Hd 1/4-20 x 2.25				(see Radiator Assembly (petrol))
126	56002708	2	Nut, Hex Nyl Loc 1/4-20	168	56900303	1	Elbow, 90 W/Nut
127	56418104	1	Valve, Solenoid	169	56900051	1	Connector, Extended O-Ring
*	56418816	1	Seal Kit for 56418104				(TSB 731, SR 1800 only)
128	56418986	1	Spacer, Solenoid Valve	170	56900341	1	Tee, Run W/Nut (TSB 731, SR 1800 only)
				171	56419362	1	Hose Assy (TSB 731, SR 1800 only)

* = Not Shown

= Revised or new since last update



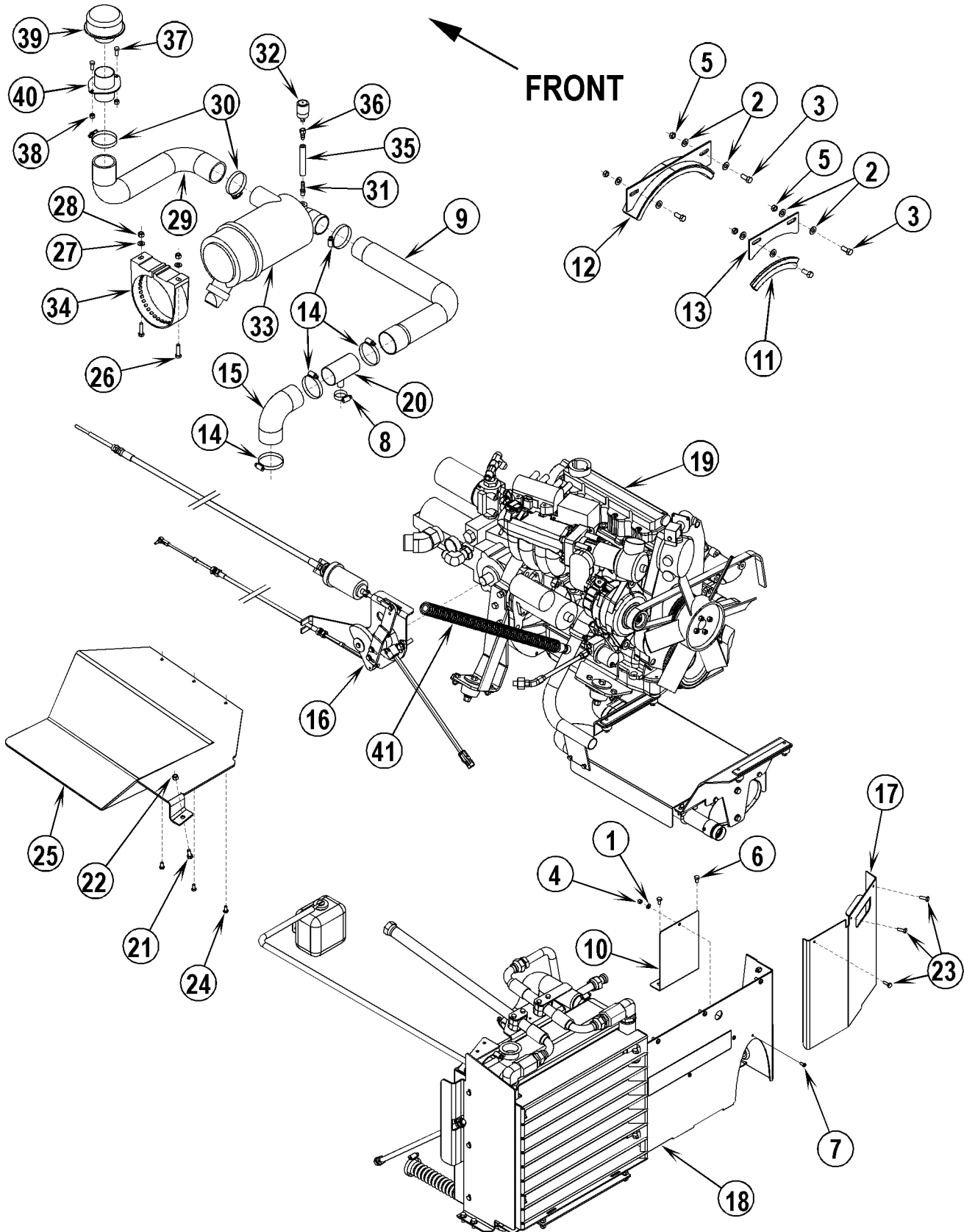
Item	Ref. No.	Qty	Description
1	56002330	1	Pin Cotter 3/16 x 1.75
2	56003384	5	Nut, Lug M14 x 1.50
3	56003485	4	Scr, Hex Hd 1/2-20 x 1.00
4	56101265	1	Nut, Hex Castle 1-14 Thin
5	56418075	1	Tire Assembly
*	56003179	6	Scr, Hex Thd To Hd M8-1.25 x 20mm
*	56003389	6	Nut, Hex Nyl Loc M8-1.25
#	56418076	1	Rim, 8.00 x 3.75 (Advance only)
*	56418077	1	Tire, 5.70 / 5.00-8N
*	56418371	1	Tube
**	56418361	1	Tire, Cushion
**	56419328	1	Tire, Non-Marking
**	56419455	1	Tire Assy, Front Foam Fill
6	56418124	1	Front Hub Assembly
6a	56418080	5	Stud, M14-1.50 x 35.3
6b	56418082	1	Hub, Front
6c	56418299	5	Bushing, .75 x .56 x .29
6d	56418472	2	Bearing, Ball
7	56418467	1	Brake Assembly
7a	56002684	1	Scr, Hex Hd 3/8-16 x 1.75
7b#	56418582	1	Bearing, Flange (Advance only)
7c	56418578	1	Casting, Mount
7d	56003108	1	Ring, Ret Ext .75 Dia.
7e	56418473	2	Brake Shoe
7f	56418581	2	Spring
7g	56418579	1	Cam
7h	56002769	1	Nut, Hex Nyl Loc 3/8-16
7i	56418580	1	Lever
8	56418480	1	Washer, Adapter
9	56418481	1	Washer, Thick
10	56462696	1	Hub Cap
11	56001879	4	Wsh, Flt SAE 1/2

* = Not Shown

** = Optional

= Revised or new since last update

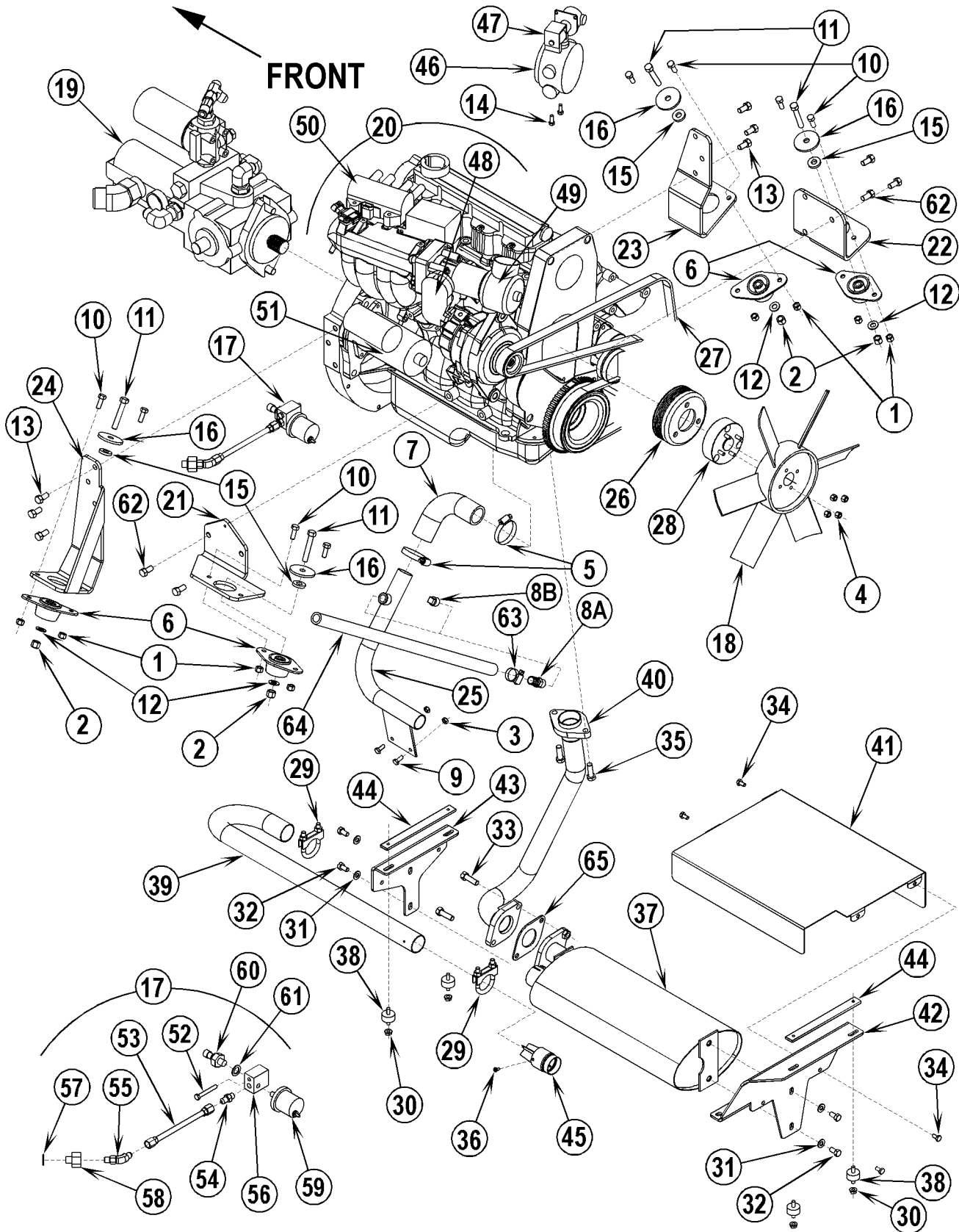
Note: All quantities shown on this page reflect one Front Wheel System only, there are two Front Wheel Systems on the machine.



Item	Ref. No.	Qty	Description
1	56001954	1	Wsh, Flt SAE #10 (LPG)
2	56002063	8	Wsh, Flt SAE 3/8 (LPG)
3	56002271	4	Scr, Hex Hd 3/8-16 x .88 (LPG)
4#	56002768	1	Nut, Hex Nyl Loc 10-24 (Advance only) (LPG)
5	56002841	4	Nut, Hex Nyl Loc-Thin 3/8-16 (LPG)
6	56009033	2	Scr, Hex Thd Form 1/4-20 x .50 (LPG)
7	56009082	1	Scr, Pan Phil Thd Form-Blk 10-24 x .50 (LPG)
8	56244969	1	Clamp, Hose SAE #12
9	56418429	1	Hose, Air Inlet
10	56418526	1	Cover, Fuel Opening (LPG)
11	56418675	1	Gasket, Bulb (LPG)
12	56418710	1	LP Clamp Assy (LPG)
13	56418746	1	Plate, LP Clamp (LPG)
14	56440213	4	Clamp, Hose SAE #32
15	56305241	1	Formed Hose
16	56418783	1	Linkage Assy (see Linkage Assembly)
17	56419302	1	Panel, Rear (petrol)
18	56419511	1	Radiator Assembly (see Petrol & LPG Radiator Assembly)
19	56419522	1	Engine Assembly, LPG (see Petrol & LPG Engine Components) (6250)
	56419523	1	Engine Assembly, Petrol (see Petrol & LPG Engine Components) (6250)
#	56419629	1	LPG Engine Assy-Euro (Advance only) (see Petrol & LPG Engine Components) (SR 1800H)
#	56419630	1	Gasoline/Petrol Engine Assy-Euro (Advance only) (see Petrol & LPG Engine Components) (SR 1800H)
20	56419614	1	Tube Weldment
21	56002667	1	Scr, Hex Hd 5/16-18 x .75 (petrol)
22	56002701	1	Nut, Hex Nyl Loc 5/16-18 (petrol)
23	56009018	3	Scr, Hex Thd Form 1/4-20 x .75 (petrol)
24	56009033	3	Scr, Hex Thd Form 1/4-20 x .50 (petrol)
25	56418850	1	Fuel Tank Guard Weldment (petrol)
	56419058	1	Air Cleaner Assy (items 26-40)
26	56001834	2	Scr, Hex Hd 5/16-18 x 1.25
27	56001939	2	Wsh, Flt SAE 5/16
28	56002701	2	Nut, Hex Nyl Loc 5/16-18
29	56418430	1	Hose, Flexible Air Inlet
30	56440213	2	Clamp, Hose SAE #32
31	56477523	1	Barb, Adapter 5/16 x 18 NPT
32	56478461	1	Indicator, Service
33	56482478	1	Cleaner, Air
*	56482028	1	Replacement Safety Filter
*	56482029	1	Replacement Primary Filter
34	56482621	1	Band Assy
35	56492259	1	Hose, Fuel Line
36	56751300	1	Barb, Hose Female
	56419313	1	Inlet Hood Assy (items 37-40)
37	56002155	2	Scr, Hex Hd 1/4-20 x .75
38	56002708	2	Nut, Hex Nyl Loc 1/4-20
39	56419312	1	Hood, Inlet
40	56419314	1	Flange Weldment
41	56419654	1	Conduit (LPG only)

* = Not Shown

= Revised or new since last update



Item	Ref. No.	Qty	Description	Item	Ref. No.	Qty	Description
1	56002701	8	Nut, Hex Nyl Loc 5/16-18	52	56001874	1	Scr, Hex Hd 1/4-20 x 2.00
2	56002769	4	Nut, Hex Nyl Loc 3/8-16	53	56462396	1	Hose Assembly
3	56002840	2	Nut, Hex Nyl Loc-Thin 1/4-20	54	56900001	1	Connector, O-Ring
4	56003284	4	Nut, Hex Nyl Loc 1/4-28	55	56900151	1	Elbow, 45 O-Ring W/Nut
5	56329145	2	Clamp, Hose SAE #24	56	56305093	1	Switch Block
6	56418099	4	Mount, Isolator	57	56305099	1	Seal Washer
7	56418227	1	Hose, Lower Radiator	58	56305100	1	Adapter, Brass
8A	56456436	1	Barb, Adapter 5/8 x 3/8 NPT(LPG)	59	56305619	1	Sender, Pressure
8B	56744580	1	Plug, NPT 3/8 Brass (petrol)	60	56305098	1	Oil Pressure Switch (shipped with engine)
9	56001836	2	Scr, Hex Hd 1/4-20 x .62	61	56305099	1	Washer, Copper (shipped with engine)
10	56002037	8	Scr, Hex Hd 5/16-18 x .88	62	56003442	5	Scr, Hex Nyl Loc M10-1.50 x 20mm
11	56002058	4	Scr, Hex Hd 3/8-16 x 2.25	63	56112771	1	Clamp, Hose SAE #10 (LPG only)
12	56002063	4	Wsh, Flt SAE 3/8	64	56419626	1	Hose, Heater 25.00 (LPG only)
13	56003079	6	Scr, Hex Hd Loc 3/8-16 x .75	65	56305549	1	Gasket, Exhaust
14	56003174	2	Scr Hex Thd To Hd M6-1.0 x 16mm (LPG only)				
15	56009106	4	Wsh, Flt .453 x 1.000 x .179				ENGINE REPLACEMENT PARTS
16	56009274	4	Wsh, Flt .438 x 2.000 x .164	*	56305411	1	Thermostat Kit
17	56305094	1	Oil Switch Assembly (items 52-59)	*	56305107	1	O2 Sensor
18	56418718	1	Fan	*	56305992	1	Throttle Actuator
19	56418972	1	Pump Assy (see Hydraulic System)	*	56305991	1	Map Sensor
20	56419512	1	Engine, GM 1.6L LPG	*	56305985	1	Wire Harness
	56419513	1	Engine, GM 1.6L Petrol	*	56305596	1	Plug Wire Kit
21#	56419514	1	Mount, Engine (Advance only)	*	56305979	4	Spark Plug
22#	56419515	1	Mount, Engine (Advance only)	*	56304794	1	Ignition Coil
23#	56419551	1	Mount, Engine (Advance only)	*	56305273	1	Alternator 70A
24	56419554	1	Engine Mount Weldment	*	56305275	1	Starter Motor (before TSBUS2006-921)
25	56419567	1	Weldment, Tube	*	56305998	1	Starter Motor (after TSBUS2006-921)
26	56419607	1	Sheave, Fan	*	56305404	1	Crank Pos Sensor
27	56419615	1	Belt, Fan	*	56305403	1	Coolant Sensor
28	56419617	1	Fan Spacer Assembly	*	56305986	1	Water Pump
	56419623	1	Exhaust Assembly (6250) (items 29-45 & 65)	*	56305272	1	Oil Filter Cartridge
#	56419628	1	Exhaust Assembly-Euro (Advance only) (SR 1800H) (items 29-45 & 65)	*	56305271	1	Exh Gasket Donut
29	56456833	2	Clamp, Muffler 2.25	*	56305988	1	Timing Belt (Cam)
30	56001827	4	Nut, Hex Flange Loc 1/4-20	*	56305098	1	Oil Pressure Switch
31	56001939	4	Wsh, Flt SAE 5/16	*	56305987	1	PCV Valve
32	56002035	4	Scr, Hex Hd 5/16-18 x .62	*	56304750	1	Cat Con
33	56002254	2	Scr, Hex Hd 3/8-24 x 1.25	*	56305595	1	Muffler (SR Models Only)
34	56003039	4	Scr, Hex Hd Loc 1/4-20 x .50	*	56419648	1	Pump Drive 15t
35	56003675	2	Scr, Hex M10-1.50 x 30mm	*	56305274	4	PETROL ONLY Petrol Injector
36	56009051	1	Scr, Pan Phil Thd Form 8-32 x .38	*	56305062	1	Petrol Fuel Pump
37	56304750	1	Muffler/Cat. Con. (6250 models)	*	56305413	1	Fuel Rail and Reg.
	56305595	1	Muffler (SR 1800H models)	*	56305412	1	Petrol Fuel Filter
38	56305216	4	Stud Mount, Silicone	*	56419647	1	ECU Petrol
39	56419597	1	Tailpipe				LPG ONLY
40	56419598	1	Exhaust Pipe Weldment	*	56305982	1	Mixer
41	56419602	1	Heat Shield	*	56305981	1	Vaporizer
42	56419603	1	Hanger, Muffler Rear	*	56419646	1	ECU LPG
43	56419604	1	Hanger, Muffler Front	*	56305984	1	Fuel Trim Valve 90°
44	56419622	2	Nut Plate	*	56305983	1	Fuel Trim Valve Str.
45	56419625	1	Spark Arrester	*	56305993	1	LPG Lock off And Filter
46	56305408	1	Vaporizer (LPG)	*	56305410	1	LPG Filter Cartridge
47	56305409	1	Fuel Lock Off Valve (LPG)	*	56460287	1	Vapor Hose
48	56304426	1	Throttle Actuator				* = Not Shown
49	56305407	1	Mixer (100) (LPG)				# = Revised or new since last update
50	56304794	1	Ignition Coil				
51	56305275	1	Starter Motor (before TSBUS2006-921)				
	56305998	1	Starter Motor (after TSBUS2006-921)				

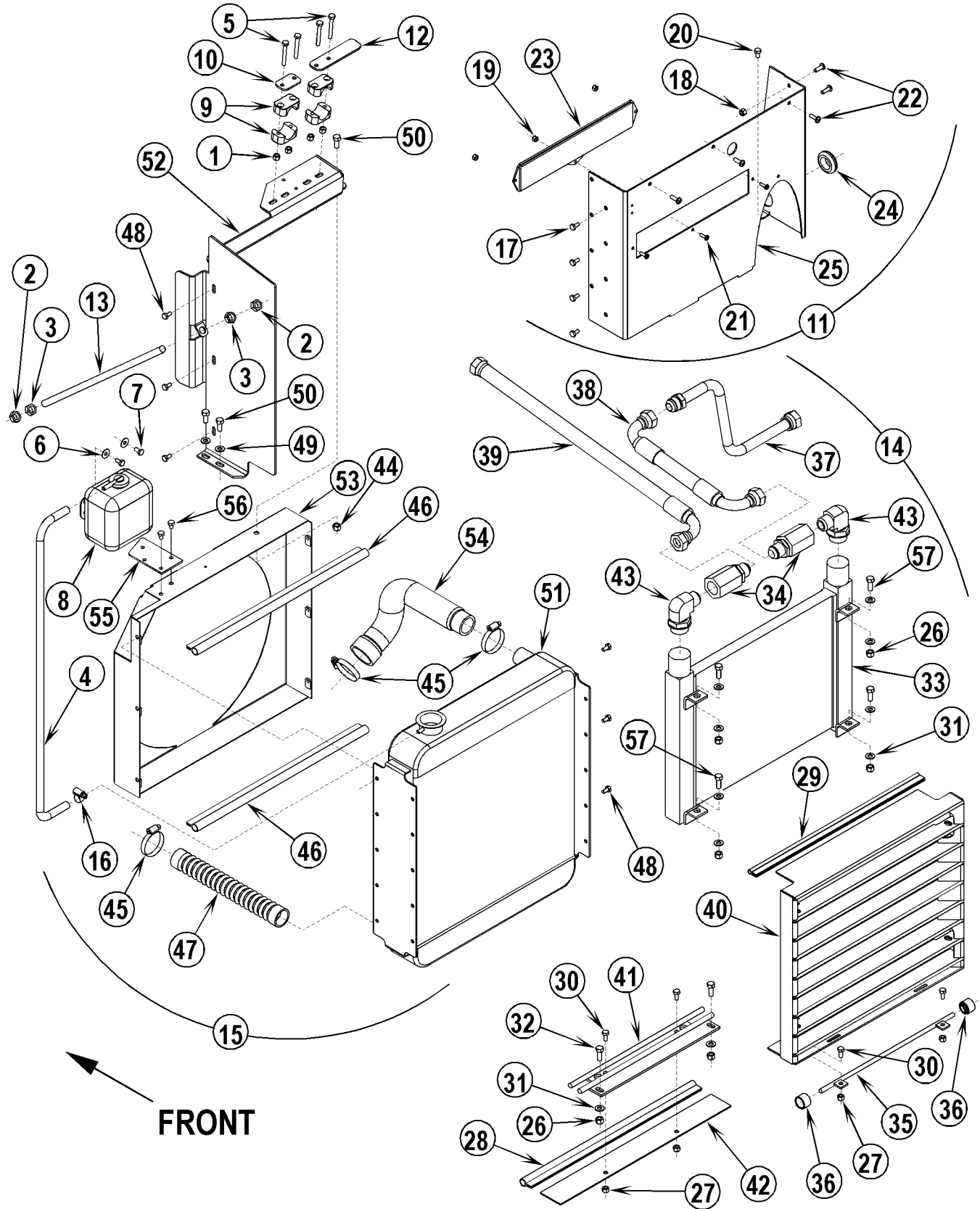
GASOLINE/PETROL & LPG RADIATOR ASSEMBLY

03-12

48

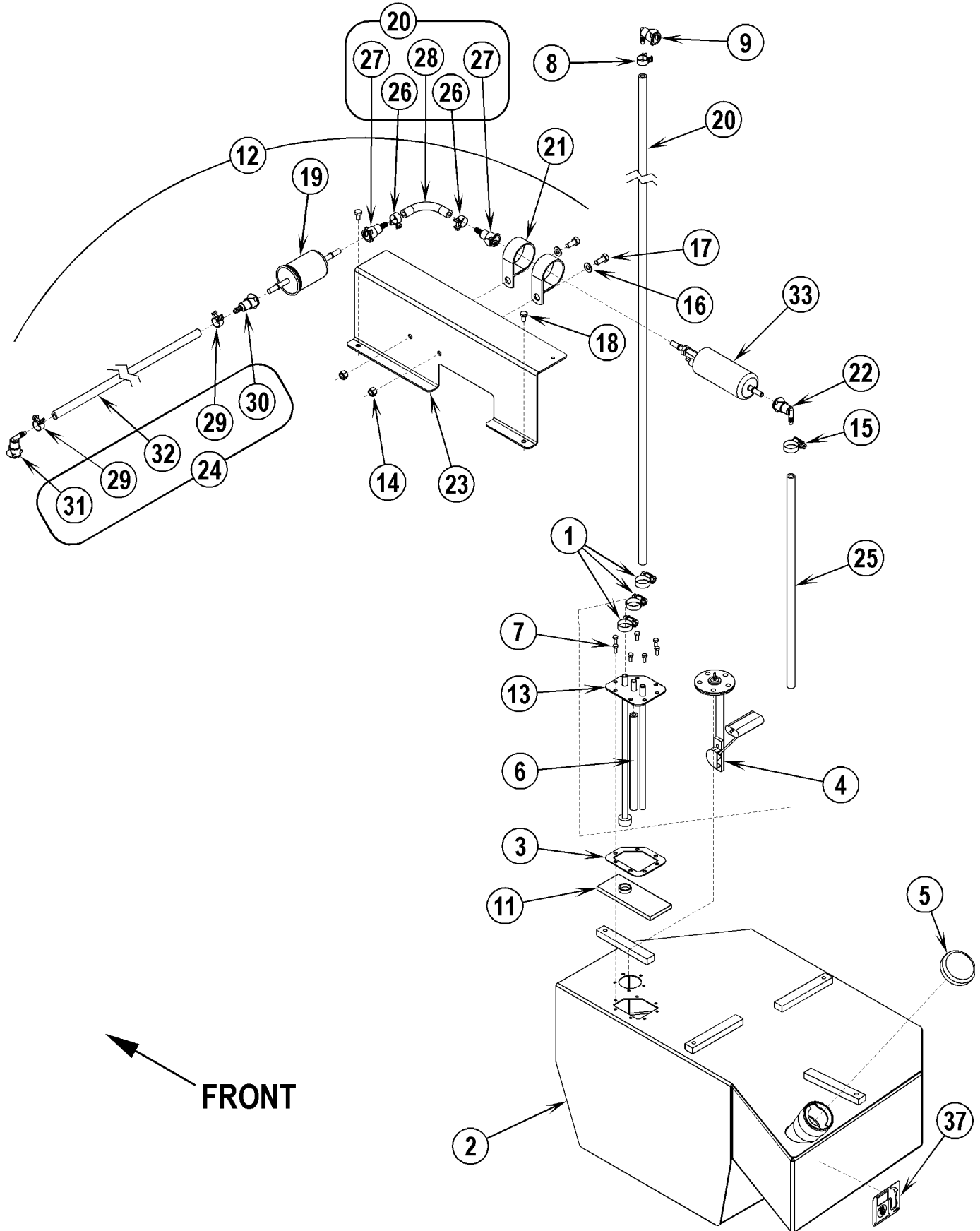
Retriever™ 6250 / SR 1800H

04-6



Item	Ref. No.	Qty	Description
	56419511	1	Radiator Assembly (items 1-16)
1	56002708	4	Nut, Hex Nyl Loc 1/4-20
2	56002843	2	Nut, Hex Nyl Loc-Thin 1/2-13
3#	56009016	2	Nut, Hex Jam 1/2-13 (Advance only)
4	56478488	1	Hose, Fuel Line
5	56001874	4	Scr, Hex Hd 1/4-20 x 2.00
6	56009025	2	Wsh, Flt .266 X .750 x .036
7	56009033	2	Scr, Hex Thd Form 1/4-20 x .5
8	56305267	1	Bottle, Overflow
9	56419041	4	Clamp
10	56419042	1	Plate, Clamp
11	56419147	1	Back Panel Assembly (items 17-25)
12	56419180	1	Prop Rest
13	56419526	1	Rod, Support
14	56419528	1	Oil Cooler Assembly (items 26-43 & 57)
15	56419539	1	Radiator Shroud Assy G & P (items 44-56)
16	56756364	1	Clamp, Hose SAE #4
17	56001854	4	Scr, Hex Hd 1/4-20 x .50
18	56002708	2	Nut, Hex Nyl Loc 1/4-20
19#	56002768	3	Nut, Hex Nyl Loc 10-24 (Advance only)
20	56009033	1	Scr, Hex Thd Form 1/4-20 x .50
21	56009100	3	Scr, Pan Phil Thd Form-Blk 10-24 x .62
22	56009248	5	Scr, Pan Phil Thd Form-Blk 1/4-20 x .75
23	56416418	1	Lens, Tail Light
24	56486116	1	Grommet
25	56419158	1	Back Panel Weldment
26	56002701	6	Nut, Hex Nyl Loc 5/16-18
27	56002708	4	Nut, Hex Nyl Loc 1/4-20
28	56418605	1	Gasket, Bulb
29	56418609	1	Trim Seal
30	56001836	4	Scr, Hex Hd 1/4-20 x .62
31	56001939	10	Wsh, Flt SAE 5/16
32	56002037	2	Scr, Hex Hd 5/16-18 x .88
33	56418953	1	Cooler, Oil
34	56418954	2	Swivel
35	56419016	1	Axle Weldment
36	56419036	2	Roller
37	56419291	1	Tube Weldment G
38	56419298	1	Hose Assy
39	56418344	1	Hose Assy
40	56419527	1	Grill Weldment
41	56419542	1	Roller Stop Weldment
42	56419546	1	Baffle, Air
43	56900117	2	Elbow, 90 O-Ring
44	56002701	1	Nut, Hex Nyl Loc 5/16-18
45	56329145	3	Clamp, Hose SAE #24
46	56418605	2	Gasket, Bulb
47	56482333	1	Hose, Coolant
48	56001854	6	Scr, Hex Hd 1/4-20 x .50
49	56001939	2	Wsh, Flt SAE 5/16
50	56002667	3	Scr, Hex Hd 5/16-18 x .75
51	56305316	1	Radiator
52	56419537	1	Radiator Mount Weldment G & P
53	56419631	1	Radiator Shroud Weldment, G & P
54	56419570	1	Radiator Hose
55	56419634	1	Bracket, Vaporizer
56	56002933	2	Scr, Hex Hd Loc 1/4-20 x .38
57	56002221	4	Scr, Hex Hd 5/16-18 x 1.00

= Revised or new since last update



03-12

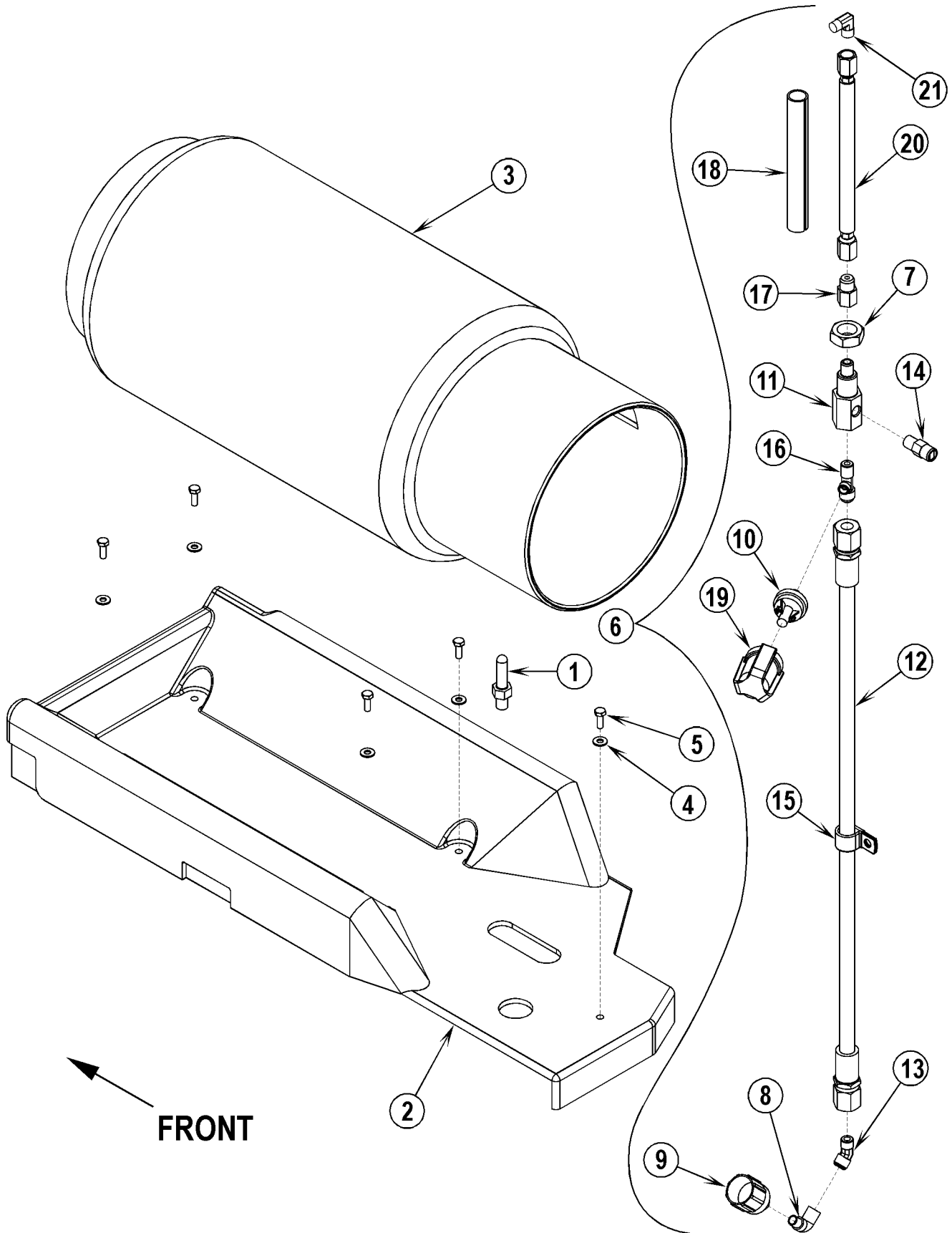
GASOLINE/PETROL FUEL SYSTEM

04-12

Retriever™ 6250 / SR 1800H**51**

Item	Ref. No.	Qty	Description
	56419558	1	Petrol Fuel Assembly (items 1-13, 34-37)
1	56219932	3	Clamp, Hose SAE #6
2	56418185	1	Fuel Tank Weldment
3	56418795	1	Gasket
4	56478358	1	Sender, Fuel Level
5	56419318	1	Cap, Non-Vented
6	56419644	1	Hose, Fuel Line
7	56009039	7	Scr, Hex Thd Form 10-24 x .50
8	56305423	1	Hose Clamp, Pressure
9	56305753	1	Barbed Elbow, Fuel Line
*	56305790	1	Wire Assembly, Pigtail
10	56419588	1	Hose, Fuel Pressure
11	56419307	1	Strainer, Fuel
12	56419556	1	Fuel Pump Assembly (items 14-25 & 33)
13	56419559	1	Adaptor Weldment
14	56002701	2	Nut, Hex Nyl Loc 5/16-18
15	56219932	1	Clamp, Hose SAE #6
16	56001939	2	Wsh, Flt SAE 5/16
17	56002667	2	Scr, Hex Hd 5/16-18 x .75
18	56009033	2	Scr, Hex Thd Form 1/4-20 x .50
19	56305412	1	Fuel Filter, Pressure (shipped w/engine)
20	56305487	1	Hose Assembly (items 26-28)
21	56305492	2	P-Clamp
22	56305753	1	Barbed Elbow, Fuel Line
23	56419553	1	Fuel Pump Bracket
24	56419589	1	Hose Assembly (items 29-32)
25	56492259	1	Hose, Fuel Line
26	56305423	2	Hose Clamp, Pressure
27	56305446	2	Coupler, Fuel Line
28	56305459	1	Hose, Fuel Pressure
29	56305423	2	Hose, Clamp, Pressure
30	56305446	1	Coupler, Fuel Line
31	56305753	1	Barbed Elbow, Fuel Line
32	56419588	1	Hose, Fuel Pressure
33	56305062	1	Fuel Pump
34	56481684	1	Hose, Fuel Line
35	56492885	1	Fuel Filter Kit 1/4
36	56323067	1	Strain Relief
37	56016226	1	Decal, Unleaded Fuel
*	56489598	1	Gauge, Fuel Level

* = Not Shown



03-12

LPG FUEL SYSTEM

08-3

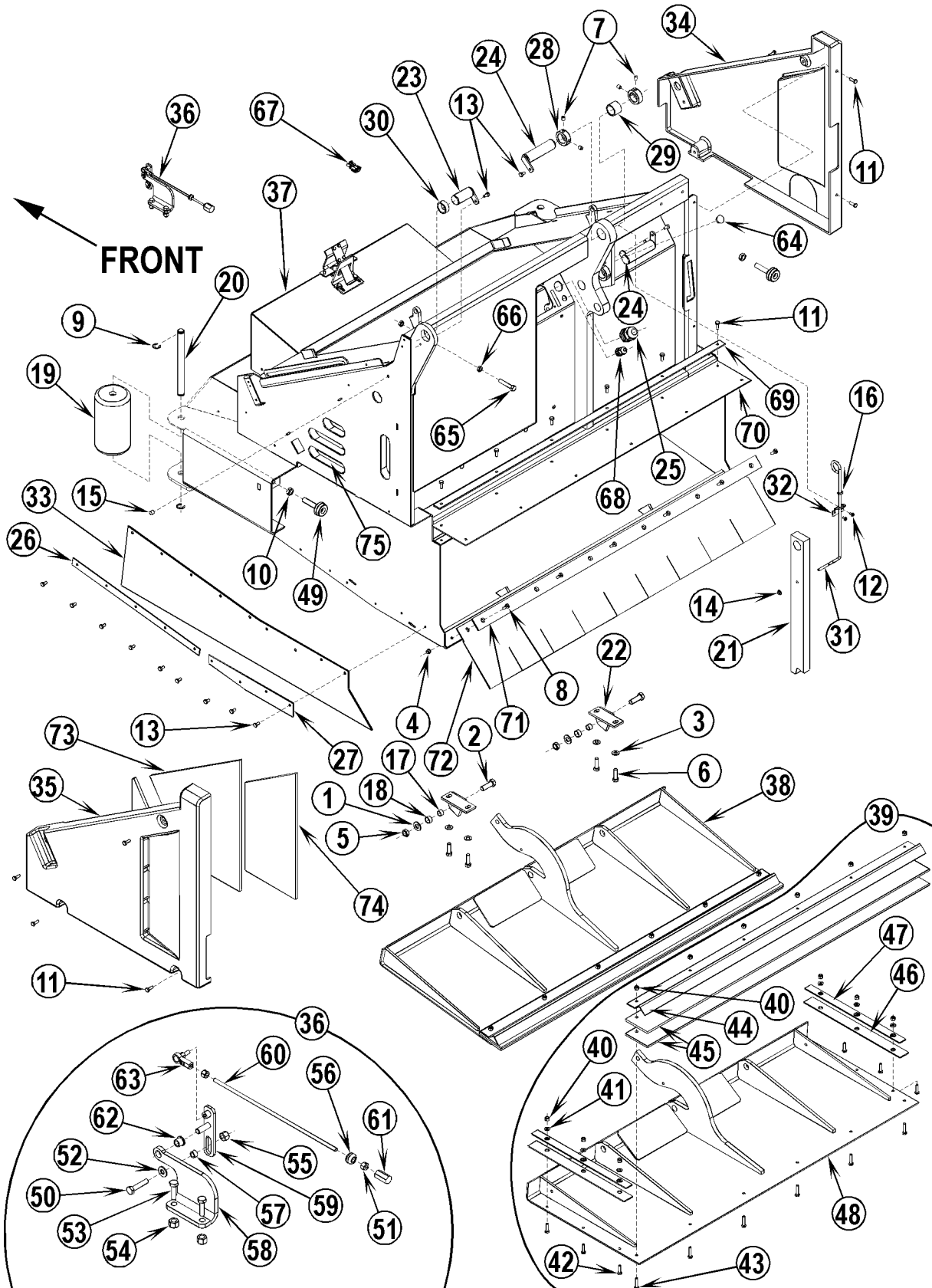
Retriever™ 6250 / SR 1800H**53**

Item	Ref. No.	Qty	Description
	56419584	1	LPG Assembly (items 1-6)
1	56418741	1	Pin, Locator
2	56418742	1	Cradle, LP Tank
3	56456590	1	L.P. Tank, 33lb.
4	56002098	5	Wsh, Flt SAE 1/4
5	56009018	5	Scr, Hex Thd Form 1/4-20 x .75
6	56419619	1	LP Filter Assembly (items 7-21)
7	56002615	1	Nut, Hex Jam 7/8-14
8	56369632	1	Elbow, 90 Street
9	56369675	1	Coupler, Female
10	56418381	1	Switch, N.C. Pressure
11	56418934	1	Fitting, Bulkhead
12	56456591	1	Hose Assy
13	56456598	1	Elbow, 45 Male 45 Flared
14	56456624	1	Vent 1/4 NPT
15	56496276	1	Clamp, Hose Support
16	56900921	1	Tee
17	56305505	1	Adapter, SAE 45 Deg.
18#	56305999	1	Conduit (Advance only)
19	56419241	1	Dust Boot
20	56419620	1	Hose Assy
21	56456608	1	Elbow, Male 90

= Revised or new since last update

Item	Ref. No.	Qty	Description
1	56001939	4	Wsh, Flt SAE 5/16
2	56002043	4	Scr, Pan Phil 10-24 x .38
3	56002063	1	Wsh, Flt SAE 3/8
4	56002098	6	Wsh, Flt SAE 1/4
5	56002155	4	Scr, Hex Hd 1/4-20 x .75
6	56002701	2	Nut, Hex Nyl Loc 5/16-18
7	56002708	4	Nut, Hex Nyl Loc 1/4-20
8	56002721	2	Scr, Hex Hd 5/16-18 x 2.00
9	56002832	12	Nut, Hex Nyl Loc-Thin 10-24
10	56002841	2	Nut, Hex Nyl Loc-Thin 3/8-16
11	56009019	7	Scr, Hex Thd Form 1/4-20 x .38
12#	56009029	4	Scr, Pan Phil Thd Form 10-24 x .50 (Advance only)
13	56009030	15	Scr, Pan Phil Thd Form 10-24 x .38
14	56009033	18	Scr, Hex Thd Form 1/4-20 x .50
15	56009039	2	Scr, Hex Thd Form 10-24 x .50
16	56009100	12	Scr, Pan Phil Thd Form-Blk 10-24 x .62
17#	56200754	6.5'	Gasket, Strip Raw (Advance only)
18	56300241	2	Bushing .33 x .50 x 1.30
19	56419265	1	Plate, Boot
20	56416247	2	Hopper Cover Hinge Weld't.
21	56419264	1	Boot, Hopper
22	56416365	2	Plate, Hinge
23	56416668	2	Bumper, Self-Adhesive
24	56416674	2	Filter Clamp Weld't.
25	56418086	2	Bracket, Headlight
26	56418172	1	Gasket, Litter Door
27	56418229	1	Litter Door Weld't.
28	56418245	1	Hopper Weld't.
29	56418255	1	Hood Prop Weld't.
30	56418294	1	Strap, Inside Blade
31	56418295	1	Blade, Inside
32	56418296	1	Strap, Dust Shield
33	56418297	1	Shield, Dust
34	56418373	2	Lens, Amber
35	56418453	1	Panel, Access
36	56418664	1	Cover
37	56418815	1	Gasket
38	56418827	1	Latch, Lift & Turn
39	56418842	1	Cover, Hopper
40	56418847	1	Latch Assy (#46-55)
41	56418862	1	Foam
42	56462746	2	Latch
43	56481543	2	Headlight
44	56486116	2	Grommet
45			Intentionally Omitted
46	56001836	2	Scr, Hex Hd 1/4-20 x .62
47	56002098	2	Wsh, Flt SAE 1/4
48	56002708	2	Nut, Hex Nyl Loc 1/4-20
49	56003039	2	Scr, Hex Hd Loc 1/4-20 x .50
50	56009063	4	Scr, Hex Thd Form 10-24 x .25
51	56418843	1	Bracket, Latch
52	56418844	1	Latch
53	56418845	1	Latch Pull
54	56418846	1	Strike, Latch
55#	56755581	2"	Trim (5cm) (Advance only)
56	56419322	1	Grille Weldment
57	56418165	1	Switch, Waterproof (on SR 1800 after SN 1477900 & all Retriever 6250 models)
58	56419335	1	Bracket, Switch (on SR 1800 after SN 1477900 & all Retriever 6250 models)
59	56002834	2	Scr, Hex 10-24 x .38 (on SR 1800 after SN 1477900 & all Retriever 6250 models)

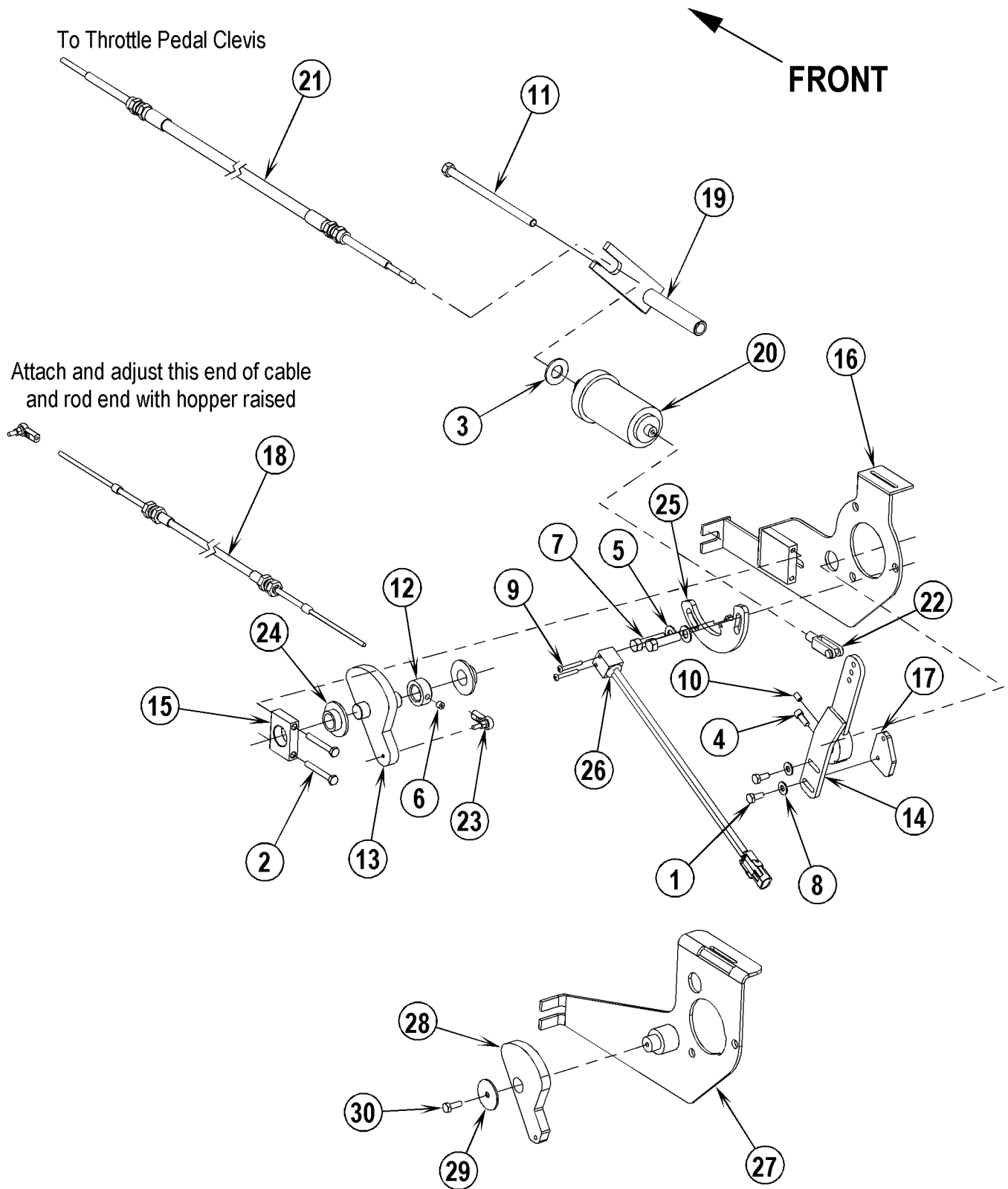
= Revised or new since last update



Item	Ref. No.	Qty	Description	Item	Ref. No.	Qty	Description
1	56001879	2	Wsh, Flt SAE 1/2	49	56449221	2	Bumper, 1.43 Dia.
2	56001968	2	Scr, Hex Hd 1/2-13 x 1.50	50	56001878	1	Scr, Hex Hd 1/4-20 x 1.25
3	56002063	4	Wsh, Flt SAE 3/8	51#	56001987	2	Nut, Hex Machine 10-32 (Advance only)
4	56002491	6	Nut, Hex Nyl Loc SS 1/4-20	52	56002098	1	Wsh, Flt SAE 1/4
5	56002843	2	Nut, Hex Nyl Loc-Thin 1/2-13	53	56002221	2	Scr, Hex Hd 5/16-18 x 1.00
6	56003029	4	Scr, Hex Hd Loc 3/8-16 x 1.25	54	56002701	2	Nut, Hex Nyl Loc 5/16-18
7	56003081	4	Scr, Soc Set Loc 3/8-16 x .38	55	56002708	1	Nut, Hex Nyl Loc 1/4-20
8	56003086	6	Scr, Flt Phil SS 1/4-20 x .88	56	56321559	1	Grommet
9	56003266	4	Ring, Ret Ext Type E .75 Dia.	57	56379298	1	Bushing
10#	56009016	2	Nut, Hex Jam 1/2-13 (Advance only)	58	56418152	1	Bracket
11	56009018	15	Scr, Hex Thd Form 1/4-20 x .75	59	56418154	1	Lever Weld't.
12	56009030	2	Scr, Pan Phil Thd Form 10-24 x .38	60	56418160	1	Rod
13	56009033	12	Scr, Hex Thd Form 1/4-20 x .50	61	56418889	1	Nut
14	56009132	1	Nut, Push Cap 1/4	62	56444502	1	Bearing, Flange
15	56106046	1	Pipe, Plug 1/8 Brass	63	56488290	1	Rod End
16	56302164	1	Bearing, Flange	64	56900041	1	Plug, Cap
17	56360627	2	Bushing	65	56002091	1	Scr, Hex Hd 3/8-16 x 2.00 (on SR 1800, used after SN 1477900 & all 6250)
18	56370878	2	Bearing, Sleeve	66#	56009085	2	Nut, Hex Jam 3/8-16 (Advance only) (on SR 1800, used after SN 1477900 & all 6250)
19	56409335	2	Bumper	67	56462361	1	Conn, 2 Way Female
20	56409336	2	Pin	68	56323067	1	Strain Relief
21	56416250	1	Hopper Prop	69	56418288	1	Strap, Horizontal Seal
22	56416253	2	Hinge Weld't.	70	56418289	1	Seal, Horizontal
23	56416308	1	Left Hinge Pin Weld't.	71	56418292	1	Strap, Threshold
24	56416309	2	Right Hinge Pin Weld't.	72	56418982	1	Skirt, Threshold
25	56416406	1	Strain Relief	73	56418860	1	Foam
26	56418942	1	Strap, Side Blade	74	56418861	1	Foam
27	56418943	1	Strap, Side Blade	75	56418863	1	Foam
28	56416498	3	Collar, Hopper Hinge				
29	56416535	1	Bearing, Sleeve				
30	56416536	1	Bearing, Sleeve				
31	56416590	1	Rod, Pull				
32	56416592	1	Guide, Pull Rod				
33	56418944	1	Blade, Litter Shield				
34	56418126	1	Panel, Hopper, Right				
35	56418127	1	Panel, Hopper, Left				
36	56418157	1	Switch Actuator Assy (#50-63) (only on SR 1800 before SN 1477901)				
37	56418245	1	Hopper Weld't.				
38#	56419263	1	Dump Door Assy. (Advance only) (TSB 746, TSBUS2002-816, SR 1800 only) (only on SR 1800 before SN 1610505)				
*	56002491	6	Nut, Hex Nyl Loc SS 1/4-20				
*#	56002897	6	Scr, Hex Hd SS 1/4-20 x 1.25 (Advance only)				
*#	56419258	1	Dump Door Weld't. (Advance only)				
*	56418283	1	Angle, Dump Door				
*	56418284	2	Blade, Dump Door				
39	56419442	1	Dump Door Assy. (items 40-48) (TSBUS2002-822, SR 1800 only) (SR 1800 after SN 1610504 & all Retriever 6250 models)				
40	56002491	12	Nut, Hex Nyl Loc SS 1/4-20				
41	56002859	6	Wsh, Flt SAE SS 1/4				
42	56002883	6	Scr, Hex Hd SS 1/4-20 x 1.00				
43#	56002897	6	Scr, Hex Hd SS 1/4-20 x 1.25 (Advance only)				
44	56418283	1	Angle, Dump Door				
45	56418284	2	Blade, Dump Door				
46	56419440	2	Wiper, Dump Door				
47	56419441	2	Strap				
48	56419443	1	Dump Door Weldment				

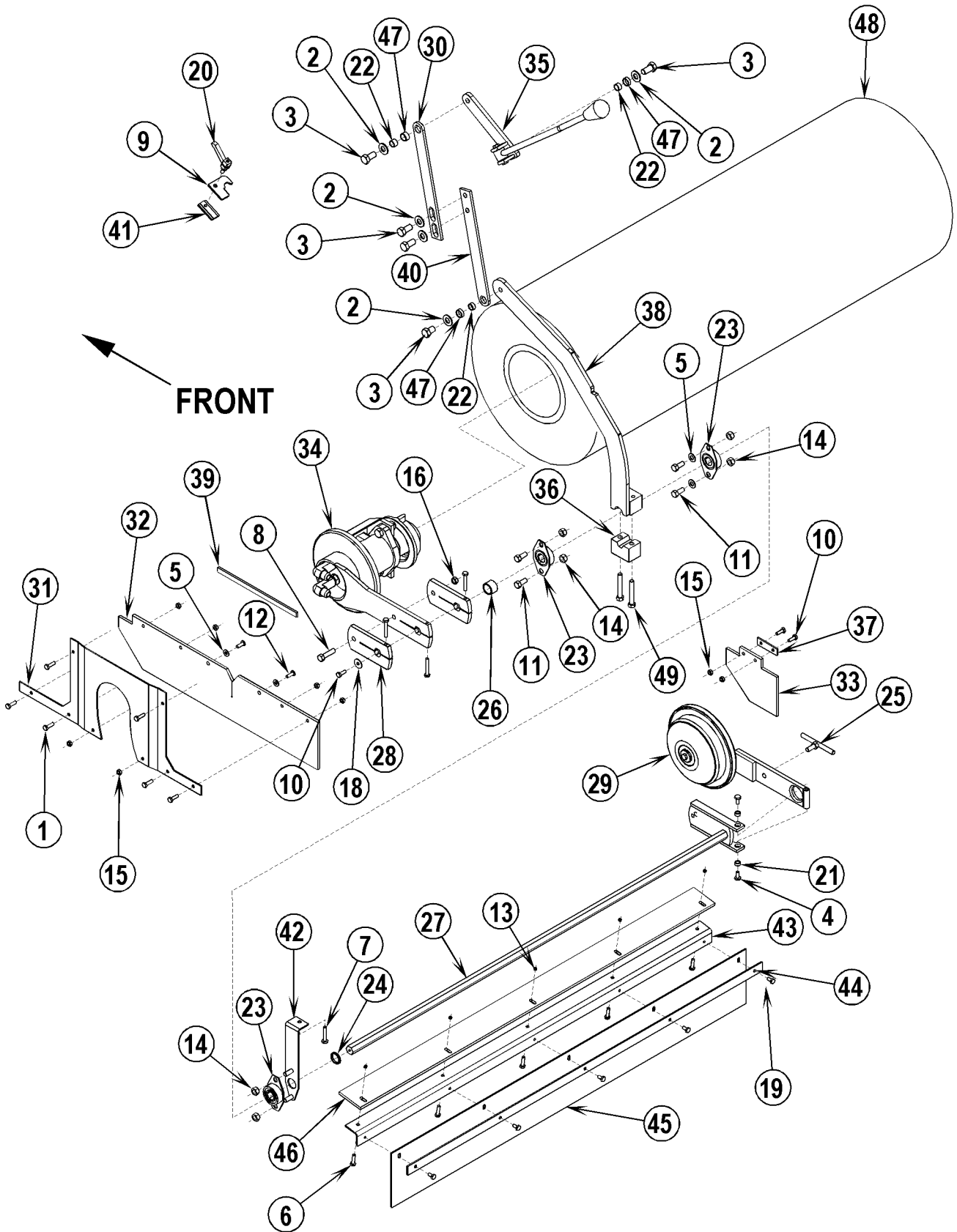
* = Not Shown

= Revised or new since last update



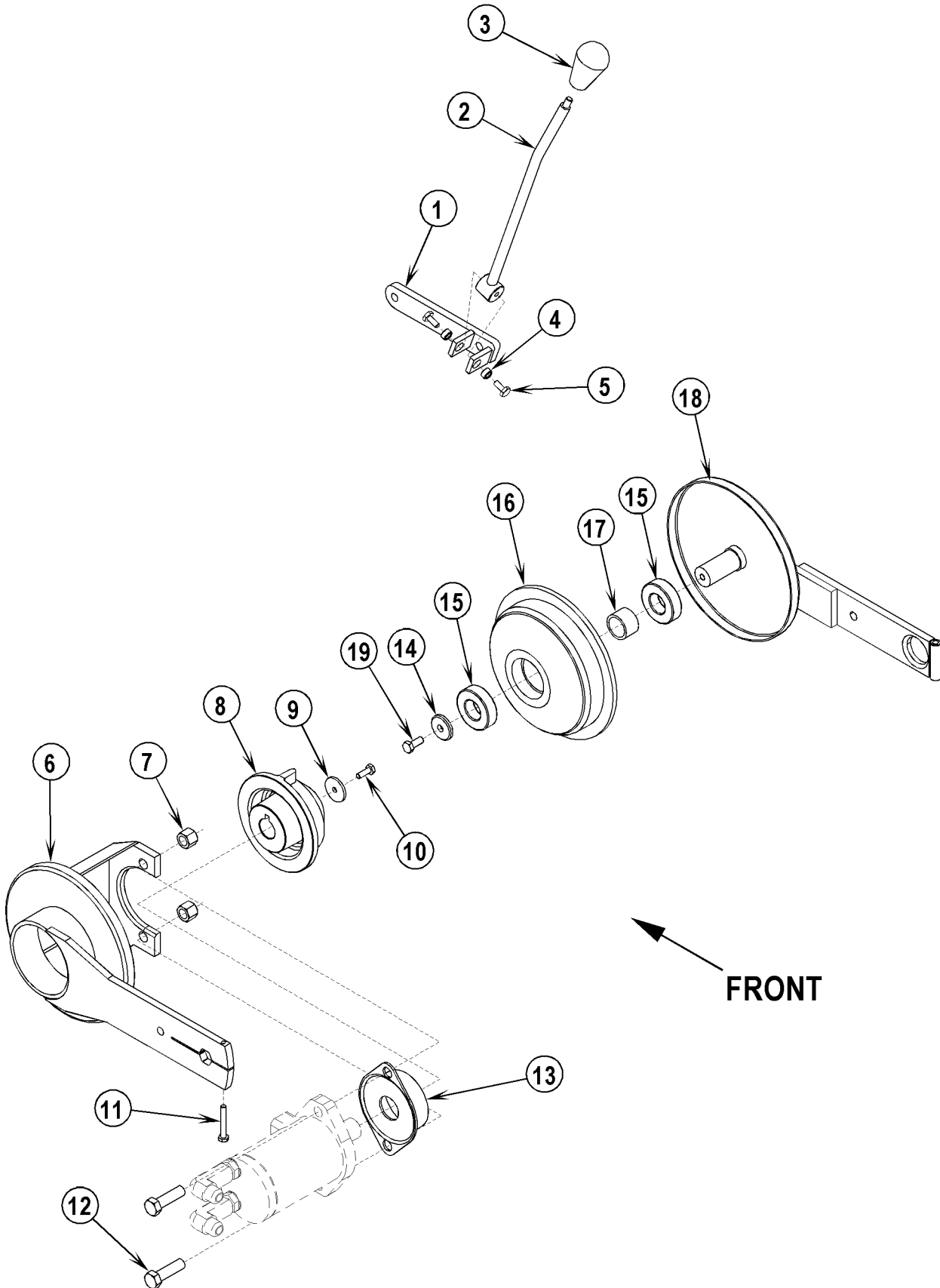
Item	Ref. No.	Qty	Description
	56418783	1	Linkage Assembly
1	56001836	2	Scr, Hex Hd 1/4-20 x .62
2	56001874	2	Scr, Hex Hd 1/4-20 x 2.00 (only on SR 1800 before SN 1477917)
3	56002022	1	Wsh, Flt SAE 5/8
4	56002032	1	Scr, Soc Hd 1/4-20 x .62
5	56002063	2	Wsh, Flt SAE 3/8
6	56002086	1	Scr, Soc Set Loc 5/16-18 x .25 (only on SR 1800 before SN 1477917)
7	56002095	2	Scr, Hex Hd 3/8-16 x 1.50
8	56002098	2	Wsh, Flt SAE 1/4
9#	56002697	2	Scr, Pan Phil 8-32 x 1.25 (Advance only)
10	56002930	1	Scr, Soc Set Loc 1/4-20 x .38
11	56003044	1	Scr, Hex Hd 3/8-16 x 6.50
12	56367095	1	Collar, Shaft (only on SR 1800 before SN 1477917)
13#	56418178	1	Actuator Weld't. (Advance only) (only on SR 1800 before SN 1477917)
14	56418181	1	Arm Weld't.
15#	56418184	1	Pivot, Actuator (Advance only) (only on SR 1800 before SN 1477917)
16#	56418612	1	Interlock Bracket Weld't. (Advance only) (only on SR 1800 before SN 1477917)
17	56418613	1	Plate, Cam
18	56418615	1	Cable, Push / Pull
19	56418892	1	Bracket Weld't.
20	56482539	1	Hydroback
21	56482540	1	Cable, Control
22	56482542	1	Clevis Assembly
23	56488290	2	Rod End
24	56491648	2	Bearing, Flange (only on SR 1800 before SN 1477917)
25	56418966	1	Mount, Neutral Start Switch
26	56460005	1	Sealed Ball Switch Assy (Neutral Start Switch)
27	56419340	1	Interlock Bracket Weldment (on SR 1800, used after SN 1477916 & all Retriever 6250 models)
28	56419337	1	Cam, Nylon (on SR 1800, used after SN 1477916 & all Retriever 6250 models)
29#	56009225	1	Washer, Fender (Advance only) (on SR 1800, used after SN 1477916 & all Retriever 6250 models)
30	56002948	1	Scr Hex Loc 1/4-20 x .75 (on SR 1800, used after SN 1477916 & all Retriever 6250 models)

= Revised or new since last update



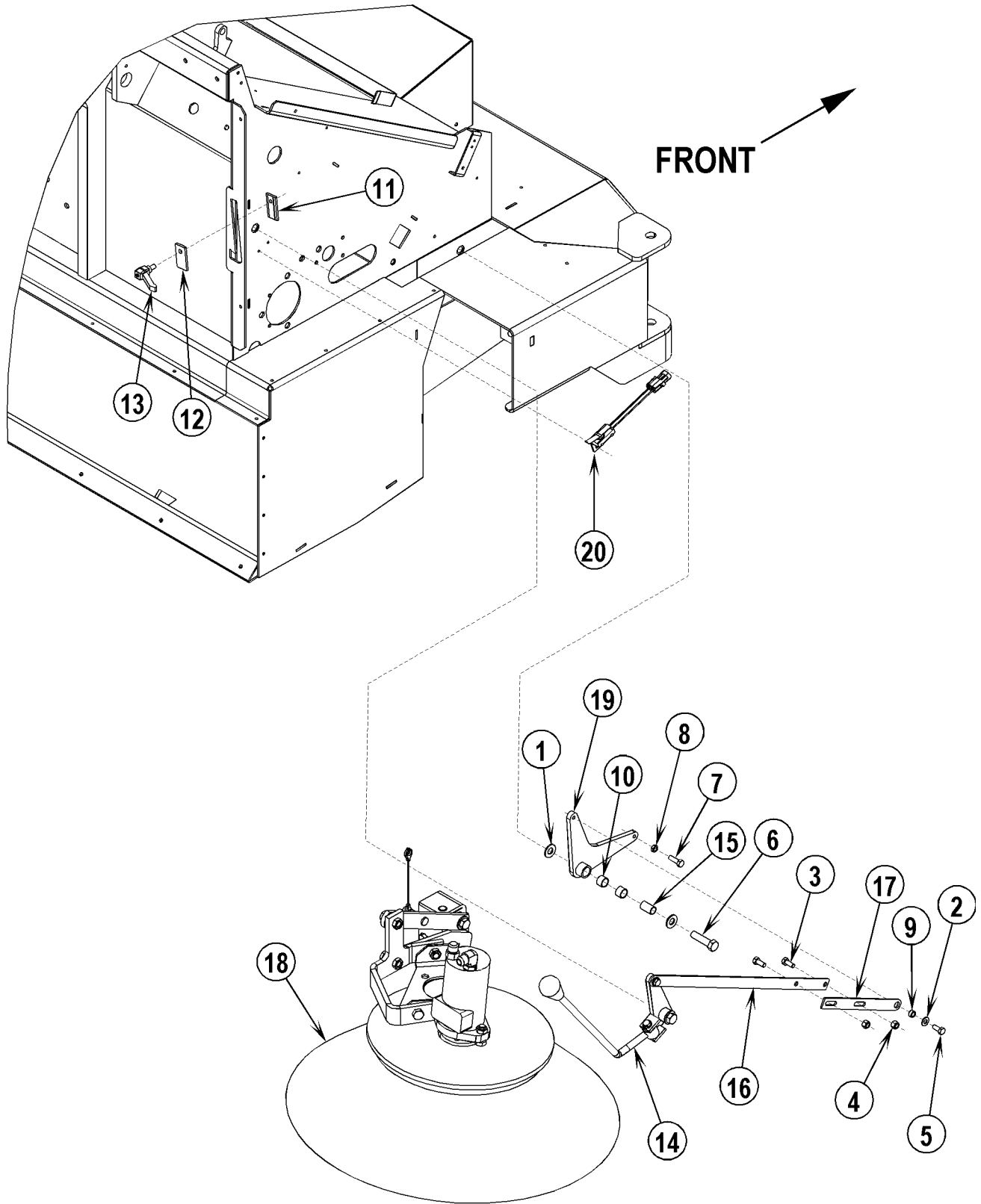
Item	Ref. No.	Qty	Description
1	56001821	6	Scr, Hex Hd 1/4-20 x .88
2	56001879	5	Wsh, Flt SAE 1/2
3	56001996	5	Scr, Hex Hd 1/2-13 x .75
4	56002035	2	Scr, Hex Hd 5/16-18 x .62
5	56002063	4	Wsh, Flt SAE 3/8
6	56002093	5	Scr, Hex Hd 1/4-20 x 1.00
7	56002094	1	Scr, Hex Hd 5/16-18 x 1.50
8	56002095	1	Scr, Hex Hd 3/8-16 x 1.50
9	56418906	1	Stop, Broom
10	56002155	3	Scr, Hex Hd 1/4-20 x .75
11	56002271	4	Scr, Hex Hd 3/8-16 x .88
12	56002711	2	Scr, Flt Phil 1/4-20 x .88
13	56002708	5	Nut, Hex Nyl Loc 1/4-20
14	56002769	6	Nut, Hex Nyl Loc 3/8-16
15	56002840	8	Nut, Hex Nyl Loc-Thin 1/4-20
16	56002841	1	Nut, Hex Nyl Loc-Thin 3/8-16
17	56003484	2	Scr, Hex Grd 8 1/4-20 x 1.75
18	56009060	1	Wsh, Flt SS .260 x 1.00 x .074
19	56009033	5	Scr, Hex Thd Form 1/4-20 x .50
20	56416597	1	Handle, Adjustable
21	56320595	2	Bushing .32 x .50 x .28
22	56365030	3	Bushing .50 x .62 x .27
23	56416086	3	Bearing, Hex Flange
24	56416377	1	Spacer, Shaft
25	56416382	1	Broom Arm Nut Weldment
26	56418049	1	Spacer, Shaft
27	56418050	1	Right Hex Arm Weldment
28	56418055	2	Arm, Hex Broom
29	56418056	1	Idler Hub Assembly (see Main Broom System-2)
30	56418061	1	Link, Lift
31	56418062	1	Plate, Left Access
32	56418063	1	Skirt, Left
33	56418121	1	Skirt, Broom Housing
34	56418194	1	Drive Lug Assembly (see Main Broom System-2)
35	56418308	1	Lift Lever Assembly (see Main Broom System-2)
36	56418701	1	Block, Hex Clamp
37	56418376	1	Strap, Right Broom Housing
38	56418687	1	Lift Link Weldment
39	56418438	1	Gasket, RS Strip
40	56418554	1	Link, Lift
41	56416411	1	Stop, Broom
42	56418650	1	Broom Adjuster Weldment
43	56462157	1	Support, Blade
44	56462158	1	Strap, Blade
45	56462159	1	Blade, Broom Housing
46	56462160	1	Blade, Internal Broom Housing
47	56478781	3	Bearing, Sleeve
48	56505240	1	Broom, Main, Proex / Wire
**	56505071	1	Broom, Main, Polypropylene
**	56505207	1	Broom, Main, Proex / Wire, 12 Row
**	56505210	1	Broom, Main, Nylon
**	56505209	1	Broom, Main, Proex, 12 Row
**	56505208	1	Broom, Main, Polypropylene / Wire
**	56505211	1	Broom, Main, Proex
49	56001873	2	Scr, Hex Hd 3/8-16 x 2.50

** = Optional

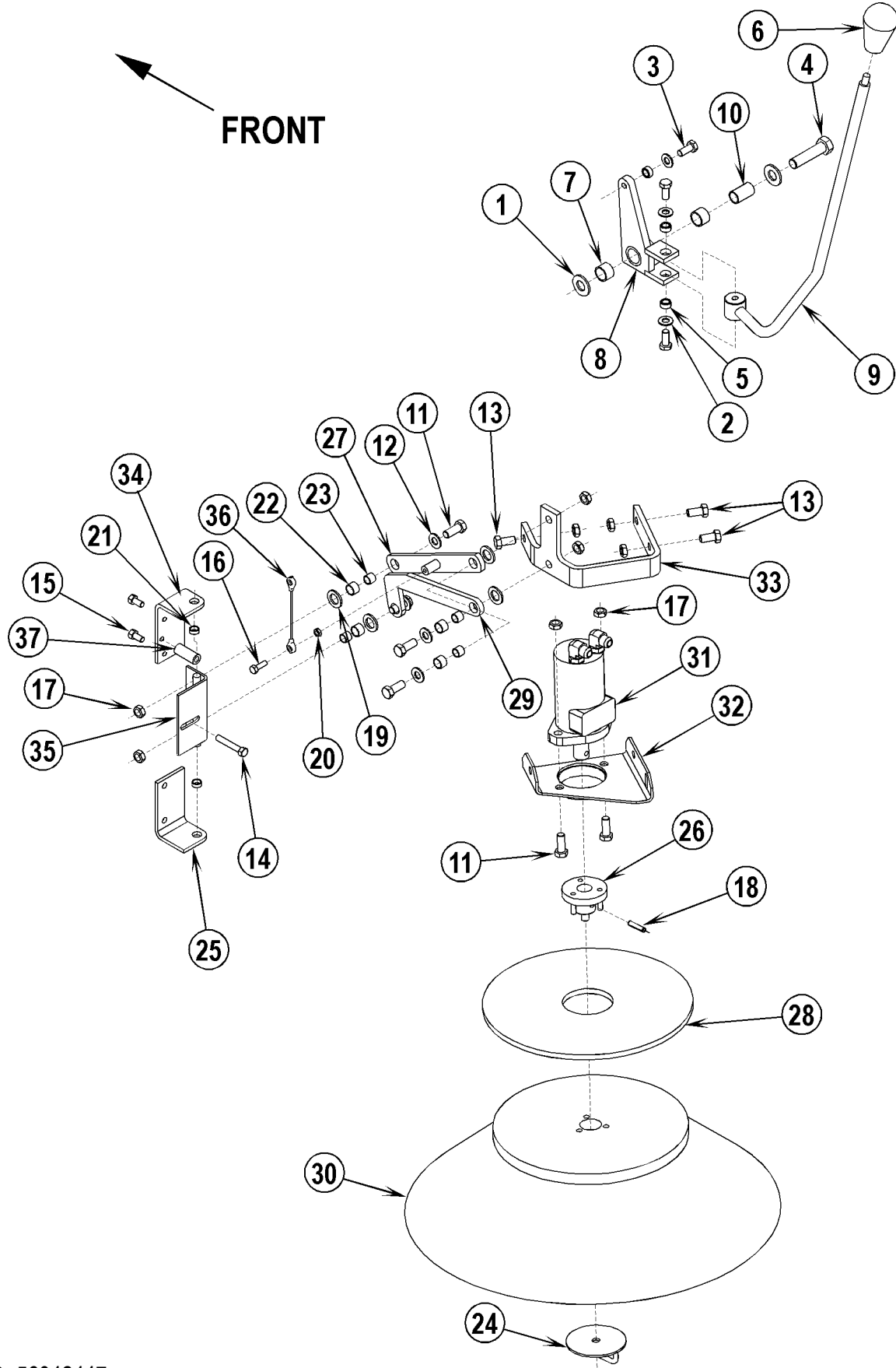


Item	Ref. No.	Qty	Description
	56418308	1	Lift Lever Assembly (#1-5)
1	56418301	1	Lever Weldment
2	56487929	1	Lever Weldment
3	56364527	1	Knob
4	56320595	2	Bushing .32 x .50 x .28
5	56002035	2	Scr, Hex Hd 5/16-18 x .62
	56418194	1	Drive Lug Assembly (#6-13)
6	56418052	1	Left Side Arm Weldment
7	56002770	2	Nut, Hex Nyl Loc 1/2-13
8	56477762	1	Hub, Driver
9	56009199	1	Wsh, Flt Brass .26 x 1.25 x .12
10	56002155	1	Scr, Hex Hd 1/4-20 x .75
11	56003484	1	Scr, Hex Grd 8 1/4-20 x 1.75
12	56001995	2	Scr, Hex Hd 1/2-13 x 1.75
13	56455997	1	Broom Motor Seal Guard
	56418056	1	Idler Hub Assembly (#14-19)
14	56358959	1	Washer, Flat
15	56479430	2	Bearing, Ball
16	56493845	1	Hub, Idler
17	56479434	1	Bushing
18	56418057	1	Idler Arm Weldment
19	56002956	1	Scr, Hex Hd Loc 5/16-18 x .75

* = Not Shown



Item	Ref. No.	Qty	Description
1	56001879	2	Wsh, Flt SAE 1/2
2	56001939	1	Wsh, Flt SAE 5/16
3	56002667	2	Scr, Hex Hd 5/16-18 x .75
4	56002701	2	Nut, Hex Nyl Loc 5/16-18
5	56002956	1	Scr, Hex Hd Loc 5/16-18 x .75
6	56002983	1	Scr, Hex Hd 1/2-13 x 2.00
7	56003073	1	Scr, Hex Hd Loc 5/16-18 x 1.00
8	56009086	1	Nut, Hex Jam 5/16-18
9	56320595	1	Bushing, .32 x .50 x .28
10	56367168	2	Bearing, Sleeve
11	56416411	1	Stop, Broom
12	56416412	1	Stop, Broom
13	56416597	1	Handle, Adjustable
14	56418252	1	Side Broom Lift Lever Assy (see Side Broom System-2)
15	56418738	1	Bushing, .52 x .62 x 1.06
16	56418908	1	Linkage
17	56418909	1	Linkage
18	56419021	1	Side Broom Assy (see Side Broom System-2)
19	56419028	1	Lever Weld't.
20	56372088	1	Switch, Side Broom



03-12

SIDE BROOM SYSTEM-2

08-3

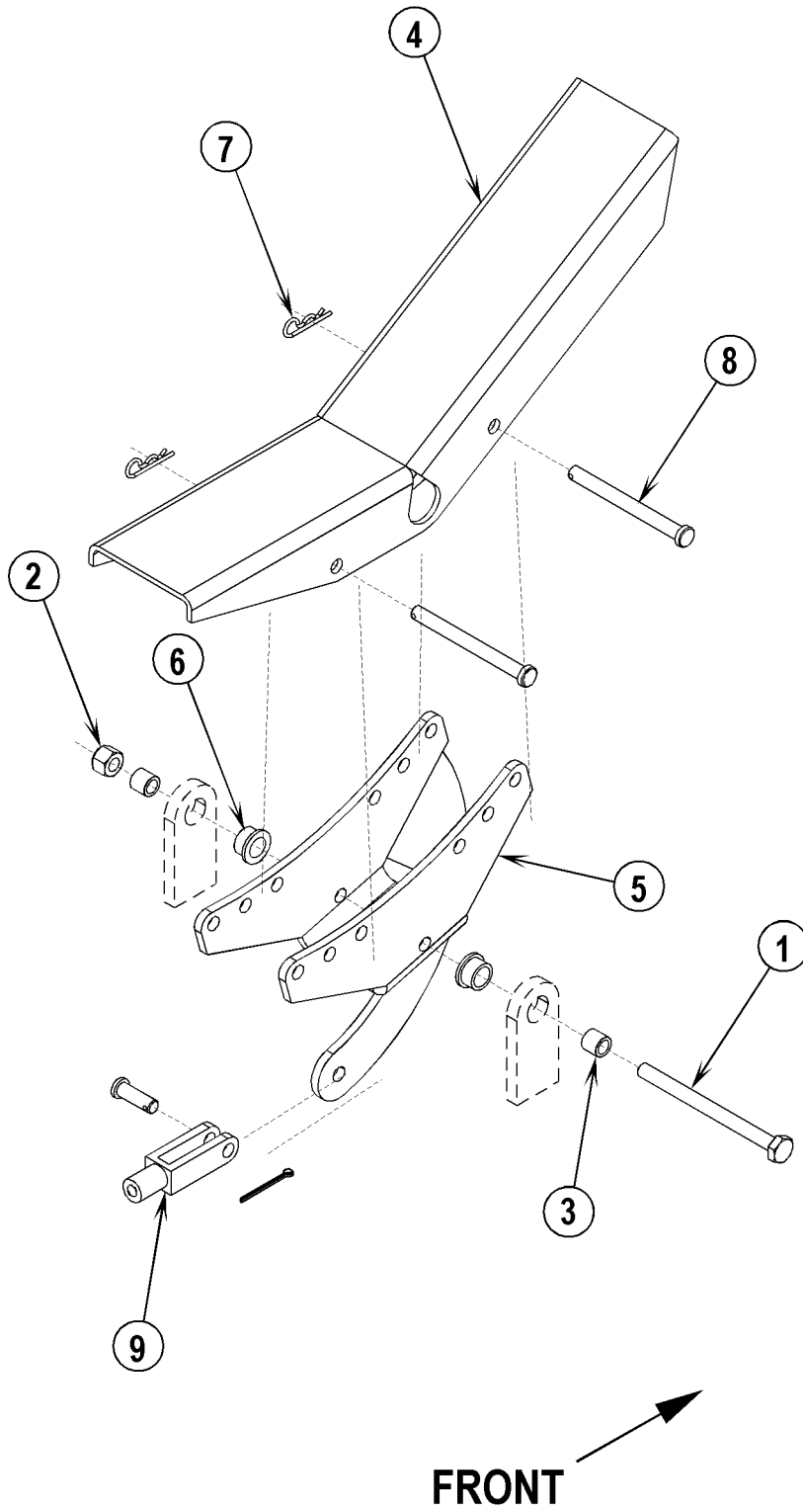
Retriever™ 6250 / SR 1800H**67**

Item	Ref. No.	Qty	Description
	56418252	1	Side Broom Lift Lever Assy (#1-10)
1	56001879	2	Wsh, Flt SAE 1/2
2	56001939	3	Wsh, Flt SAE 5/16
3	56002956	3	Scr, Hex Hd Loc 5/16-18 x .75
4	56002983	1	Scr, Hex Hd 1/2-13 x 2.00
5	56320595	3	Bushing, .32 x .50 x .28
6	56364527	1	Knob
7	56367168	2	Bearing, Sleeve
8	56418240	1	Lever Weldment
9	56418241	1	Lever Weldment
10	56418738	1	Bushing, .52 x .62 x 1.06
	56419021	1	Side Broom Assy (#11-37)
11	56001831	6	Scr, Hex Hd 1/2-13 x 1.25
12	56001879	5	Wsh, Flt SAE 1/2
13	56001895	3	Scr, Hex Hd 1/2-13 x 1.00
14	56002058	1	Scr, Hex Hd 3/8-16 x 2.25
15#	56002127	2	Scr, Hex Hd 3/8-16 x .75 (Advance only)
16	56002221	1	Scr, Hex Hd 5/16-18 x 1.00
17	56002843	9	Nut, Hex Nyl Loc-Thin 1/2-13
18	56003494	1	Pin, Spr. .31 x 1.38
19	56009022	4	Wsh, Flt .75 x 1.25 x .12
20	56009086	1	Nut, Hex Jam 5/16-18
21	56185263	2	Bearing, Sleeve
22	56367168	4	Bearing, Sleeve
23	56367206	4	Bushing
24	56418528	1	Thumb Nut Weldment
25	56418541	1	Lower Bracket, Side Broom
26	56418543	1	Side Broom Hub Assembly
27	56418652	1	Side Broom Arm Weldment
28	56418670	1	Guard, Side Broom
29	56418684	1	Arm, Side Broom, Lower
30	56477812	1	Broom, Side H. Duty
**	56418837	1	Broom, Side, Nylon
**	56418838	1	Broom, Side, Wire
31	56418977	1	Side Broom Motor Assembly
*	56418976	1	Motor, Side Broom
*	56900104	2	Elbow, 90 O-Ring
32	56419019	1	Motor Bracket Weldment
33	56419022	1	Bracket, Side Broom
34	56419023	1	Upper Bracket, Side Broom
35	56419024	1	Side Broom Pivot Weldment
36	56419027	1	Cable, Side Broom
37	56761327	1	Spring, Comp.

* = Not Shown

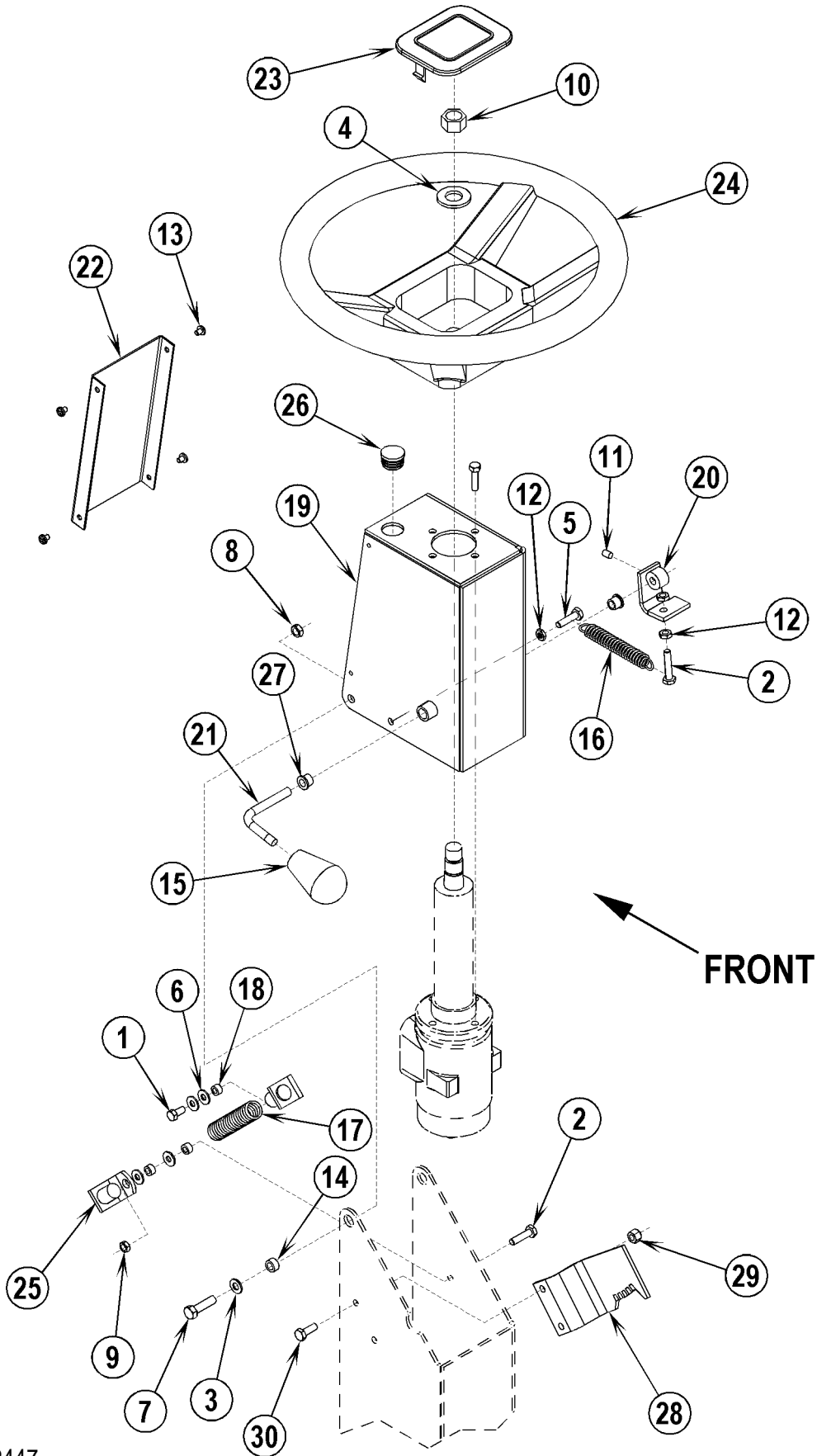
** = Optional

= Revised or new since last update



THROTTLE PEDAL ASSEMBLY**Retriever™ 6250 / SR 1800H**

Item	Ref. No.	Qty	Description
	56418113	1	Throttle Pedal Assembly
1	56001817	1	Scr, Hex Hd 1/4-20 x 3.25
2	56002708	1	Nut, Hex Nyl Loc 1/4-20
3	56151106	2	Bushing
4	56418112	1	Pedal Weldment
5	56418118	1	Pedal Weldment
6	56418162	2	Bearing, Flange
7	56003530	2	Cotter, Hair Pin
8	56003531	2	Clevis Pin .25 x 2.75
9	56482542	1	Clevis Assembly



Item	Ref. No.	Qty	Description
	56418377	1	Tilt Steering Assembly
1	56001854	1	Scr, Hex Hd 1/4-20 x .50
2	56001878	2	Scr, Hex Hd 1/4-20 x 1.25
3	56001939	2	Wsh, Flt SAE 5/16
4	56002022	1	Wsh, Flt SAE 5/8
5	56002093	1	Scr, Hex Hd 1/4-20 x 1.00
6	56002098	4	Wsh, Flt SAE 1/4
7	56002221	2	Scr, Hex Hd 5/16-18 x 1.00
8	56002701	2	Nut, Hex Nyl Loc 5/16-18
9	56002840	1	Nut, Hex Nyl Loc-Thin 1/4-20
10	56003440	1	Nut, Steering Wheel
11	56009076	1	Scr, Soc Set Loc
12	56009087	3	Nut, Hex Jam 1/4-20
13	56009109	4	Scr, Pan Phil Thd Form 10-24 x .25
14	56320595	2	Bushing, .32 x .50 x .28
15	56364527	1	Knob
16	56365068	1	Spring, Ext.
17	56372129	1	Spring, Comp.
18	56379298	3	Bushing
19	56418394	1	Steering Bracket Weldment
20	56418400	1	Pawl Weldment
21	56418401	1	Lever, Steering Lock
22	56418402	1	Cover, Steering Hoses
23	56418459	1	Cap, Steering Wheel
24	56418460	1	Steering Wheel
25	56418654	2	Spring Bracket Weldment
26	56418674	1	Plug, Plastic
27	56444502	2	Bearing, Flange
28	56418031	1	Latch, Adjustable Steering
29	56002708	2	Nut, Hex Nyl Loc 1/4-20
30	56002155	2	Scr, Hex Hd 1/4-20 x .75

RECOMMENDED SPARE PARTS

03-12

72

Retriever™ 6250 / SR 1800H

Part #	Part Description	Qty	Class	Model Notes
56418814	Machine Wear Pack Kit	1	W	* Items included in Kit
	Hopper System			
56418982	*Skirt, Sweeping Threshold (.187)	1	W	Std
56418293	Skirt, Sweeping Threshold (.125)	1	W	Optional
56418284	*Blade, Dump Door	2	W	
56418815	*Gasket, Hopper Cover	1	OM	
56418172	*Gasket, Litter Door	1	OM	
56482305	*Filter Panel, Dust Control	1	W	
56418289	Hopper Seal, Top Horizontal	1	W	
56418944	Blade, Litter Shield	1	W	
56418295	Inside Blade, Hopper	1	OM	
56418297	Shield, Dust	1	W	
56419440	*Blade (side of Dump Door)	2	W	
	Broom System			
56505240	*Main Broom, Proex STD	1	W	
56477812	*Side Broom, STD	1	W	
56418063	*Left Skirt, Broom Housing	1	W	
56418070	*Skirt, Right Door	1	W	
56418121	*Right Skirt, Broom Housing	1	W	
56462159	*Rear Blade, broom Housing	1	W	
56462160	*Internal Blade, Broom Housing	1	W	
56418469	Skirt, Left Door	2	W	
56419126	Blade	2	W	
	Engine			
56482028	*Air Cleaner Filter, Primary	1	OM	
56482029	*Air Cleaner Filter, Safety	1	OM	
56419086	Fuel Filter Cartridge	1	OM	Diesel
56482659	Oil Filter, Engine	1	OM	Diesel
56305272	Oil Filter, Engine	1	OM	Petrol/LPG
56305412	Fuel Filter	1	OM	Petrol
56305410	Fuel Filter	1	OM	LPG
56418718	Engine, Cooling Fan	1	EM	

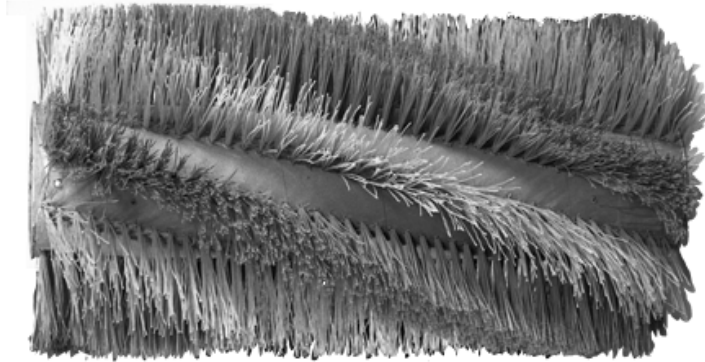
Part #	Part Description	Qty	Class	Model Notes
	Chassis			
56418075	Tire Assembly, Front (2 total)	1	OM	
56003384	Lug Nut (for 56418075)	5	EM	
56419374	Tire Assembly, Rear (1 total)	1	OM	
56009116	Lug Nut (for 56419374)	5	OM	
56418471	Latch, Door (non-locking)	1	EM	
	Hydraulic			
56419083	Hydraulic Oil Filter	1	OM	Main Reservoir
56419254	Hydraulic Oil Filter Cartridge	1	OM	Used on Propulsion Pump
56418825	Seal Kit, Propulsion Pump	1	EM	
56418987	Seal Kit, Accessory Pump	1	EM	
56418833	Seal Kit, Wheel Drive Motor	1	EM	
56479577	Seal Kit, Main Broom Motor	1	EM	
56479577	Seal Kit, Side Broom Motor	1	EM	
56419178	Seal Kit, Impeller motor	1	EM	
	Electrical			
56460005	Neutral Safety Start Switch	1	EM	
56372088	Switch, Main & Side Broom	2	EM	
56418387	Relay, Hopper Door Light	1	EM	
56491862	Relay, Shaker motor/Accessories	1	EM	
56324272	Switch, Rocker (shaker/dust)	1	EM	
56393312	Switch, Rocker (headlight)	1	EM	
56455820	Switch, Rocker (engine speed)	1	EM	Petrol/LPG
56418165	Switch, Interlock (hopper/dump door)	2	EM	New style two switches
56305409	Solenoid, Fuel Lock-Off		EM	LPG
	Miscellaneous			
56418528	Thumb Nut Weldt, Side Broom	1	EM	
56419123	Replacement Key (for PN 56418685)	1	EM	Used on Petrol/LPG models only
56482692	Replacement Key (for PN 56497754)	1	EM	Used on Diesel models only
56043059	6250 / SR 1800H Service manual	1	OM	• SR 1800H & 6250 models

Class

W = Normal Wear Part

OM = Ordinary Maintenance

EM = Extra-Ordinary Maintenance



Main Broom:

PN56505240 Proex & Wire (STD.) (8 Double Rows)

This broom has a more aggressive cleaning action, used to pick up heavier debris.

PN56505207 Proex & Wire (Optional) (12 D-Rows)

PN56505071 Polypropylene (Optional) (8 D-Rows)

A top quality synthetic fiber. This filament is made for a wide variety of applications. Retains its stiffness when wet and resists abrasive chemicals, solvents and oils. A general purpose material offering high performance for a wide range of applications.

PN56505210 Nylon (Optional) (8 D-Rows)

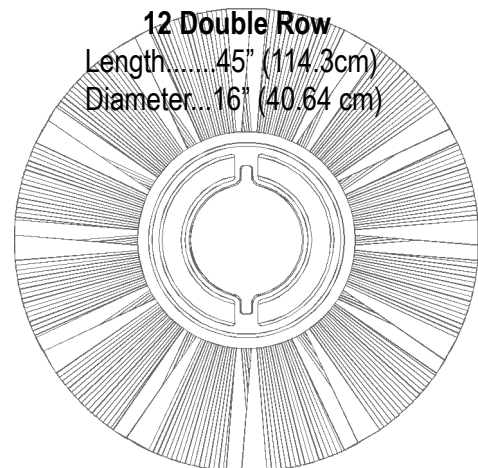
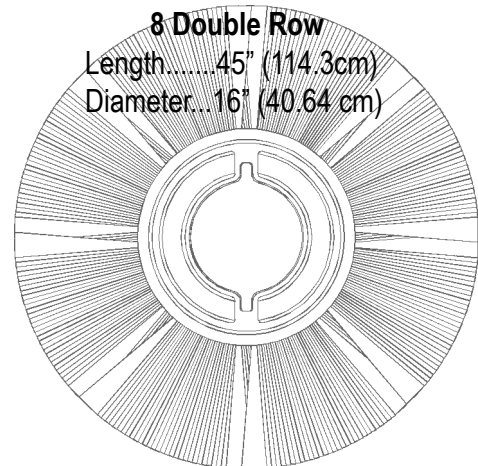
General purpose broom that can be used for all types of light soil. High wear material so uneven surfaces do not cause excessive wear. Nylon has a high heat deflection temperature, is chemical resistant and will absorb water in wet conditions. Truly a general purpose broom.

PN56505209 Proex (Optional) (12 Double Rows)

PN56505211 Proex (Optional) (8 Double Rows)

Synthetic fiber made of polypropylene designed to pick up paper, gravel, sand and other lighter less bulky litter.

PN56505208 Poly/Wire (Optional) (8 Double Rows)



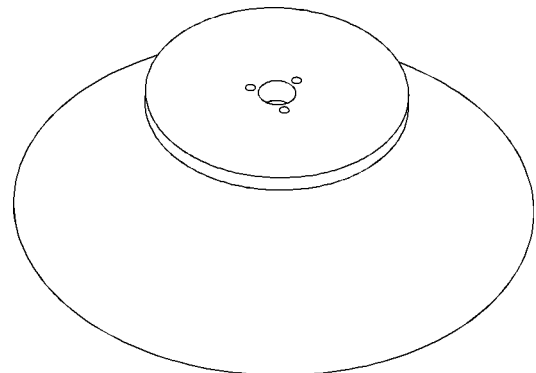
Side Broom:

PN56477812 Polypropylene (STD.)

The side broom function is to sweep the dirt and debris away from the curb, wall, pallet, etc. into the path of the main broom.

PN56418837 Nylon (Optional)

PN56418838 Wire (Optional)



Diameter...25" (63.5 cm)

