

Floor Maintainer  
**FM1700 / FM2000**  
Operator's Manual





**READ THIS BOOK**

This book has important information for the use and safe operation of this machine. Failure to read this book prior to operating or attempting any service or maintenance procedure to your American Sanders machine could result in injury to you or to other personnel; damage to the machine or to other property could occur as well. You must have training in the operation of this machine before using it. If your operator(s) cannot read this manual, have it explained fully before attempting to operate this machine.

All directions given in this book are as seen from the operator's position at the rear of the machine.

**Table of Contents**

**Section A - Contents**

Operator Safety Instructions.....4  
 Controls.....6  
 How to Prepare the Machine for Operation.....6  
 Instructions for Connection to Power Supply.....7  
 Extension Cords.....7  
 How to Operate the Machine.....8  
 Position of the Handle for Operation.....8  
 How to Control the Machine.....8  
 How to Start/Stop the Machine.....8  
 Maintenance.....9  
     Lubrication.....9  
     Motor and Gears.....9  
     Repairs.....9  
     Maintenance Inspection.....9

Handle Lock Lever.....9  
 Maintenance of Brushes.....9  
 Switches.....9  
 Machine Specifications.....26

**Section D - Contents**

Notes.....27  
 115V Electrical Schematic.....28  
 230V Electrical Schematic.....29  
 Handle Assembly.....30  
 Base Assembly.....32  
 Main Assembly.....34  
 Accessories.....36  
 Manufacturer's Warranty.....38



**WARNING!**

The Products sold with this Manual contain or may contain chemicals that are known to certain governments (such as the State of California, as identified in its Proposition 65 Regulatory Warning Law) to cause cancer, birth defects or other reproductive harm. In certain locations (including the State of California) purchasers of these Products that place them in service at an employment job site or a publicly accessible space are required by regulation to make certain notices, warnings or disclosures regarding the chemicals that are or may be contained in the Products at or about such work sites. It is the purchaser's responsibility to know the content of, and to comply with, any laws and regulations relating to the use of these Products in such environments. The Manufacturer disclaims any responsibility to advise purchasers of any specific requirements that may be applicable to the use of the Products in such environments.

**\*\*\*This product is intended for commercial use only\*\*\***

**MODIFICATIONS**

Modifications and additions to the cleaning machine which affect capacity and safe operation shall not be performed by the customer or user without prior written approval from Amano Pioneer Eclipse. Unapproved modifications will void the machine warranty and make the customer liable for any resulting accidents.

## Operator Safety Instructions

In this Operation Manual you will find three statements that you must read and observe to ensure safe operation of this machine.

**DANGER** means: Severe bodily injury or death can occur to you or other personnel if the **DANGER** statements found on this machine or in this Operation Manual are ignored or are not adhered to. Read and observe all **DANGER** statements found in this Operation Manual and on your machine.

**WARNING** means: Injury can occur to you or to other personnel if the **WARNING** statements found on your machine or in the Operation Manual are ignored or are not adhered to. Read and observe all **WARNING** statements found in this Operation Manual and on your machine.

**CAUTION** means: Damage can occur to the machine or to other property if the **CAUTION** statements found on your machine or in this Operation Manual are ignored or are not adhered to. Read and observe all **CAUTION** statements found in this Operation Manual and on your machine.

**DANGER:**

Failure to read the Owner's Manual prior to operating or servicing your American Sanders machine could result in injury to you or to other personnel; damage to the machine or to other property could occur as well. You must have training in the operation of this machine before using it. If you or your operator(s) cannot read English, have this manual explained fully before attempting to operate this machine.

**DANGER:**

To reduce the risk of fire, use only commercially available floor cleaners and waxes intended for machine application.

**DANGER:**

A. Sanding/finishing wood floors can create an explosive or combustible environment. Do not operate this machine around solvents, thinners, alcohol, fuels, floor finishes, wood dust or any other flammable materials. Cigarette lighters, pilot lights, electrical sparks and all other sources of ignition should be extinguished or avoided. Keep work area well ventilated.

B. Dust generated from sanding wood floors can spontaneously ignite or explode. Promptly dispose of any sanding dust in a metal container clear of any combustibles. Do not dispose in a fire.

**DANGER:**

A. Electrocutation could occur if the machine is being serviced while the machine is connected to a power source. Disconnect the power supply before servicing.

B. Electrocutation or fire could occur if the machine is being operated with a damaged power cord. Keep the power cord clear of the pad. Always lift the cord over the machine. Do not move the machine by the power cord.

C. Shock hazard. Do not use the machine if it has been rained on or sprayed with water.

**DANGER:**

To avoid injury keep hands, feet, and loose clothing away from all moving parts on the machine. Disconnect the power cord before replacing the pad, changing the abrasive, or when servicing. Do not operate the machine unless all guards are in place. Never leave the machine unattended while connected to a power source.















**DANGER:**

Machine can have high starting torque. Do not operate machine on rough or uneven surfaces. Do not operate on a slope. It is possible for the machine to move suddenly from side to side and even leave the ground if misused during operation. Only experienced operators should use machine for applications that impart high torque on the machine. If unable to control the machine during operation, release the handle and step away from the machine. It will stop automatically.

**WARNING:**

Injury can occur if protective clothing or equipment is not used while using this machine. Always wear safety goggles, protective clothing, and dust mask while operating this machine.

## Operator Safety Instructions (continued)

-  **WARNING:** Maintenance and repairs performed by unauthorized personnel could result in damage or injury. Maintenance and repairs must be performed by authorized personnel only. Keep all fasteners tight. Keep adjustments according to specifications.
-  **WARNING:** Electrical components of this machine can “short-out” if exposed to water or moisture. Keep the electrical components of the machine dry. Wipe the machine down after each use. For storage, keep the machine in a dry building.
-  **WARNING:** To prevent damage to the power cord, do not let the brush, pad, pad driver or wheels touch the power cord when the machine is running. Always lift the cord over the machine. Do not pull the power cord to move the machine.
-  **WARNING:** Always use a three-wire electrical system connected to the electrical ground. For maximum protection against electric shock, use a circuit that is protected by a ground fault interrupter. Consult your electrical contractor.
-  **WARNING:** Operating a machine without observing all labels and instructional information could result in injury or damage. Read all machine labels before attempting to operate. Make sure all of the labels and instructional information are attached or fastened to the machine. Get replacement labels and decals from your authorized distributor.
-  **WARNING:** Use of this machine as a step or furniture could result in injury or damage. Do not use this machine as a step or furniture. Do not ride on this machine.
-  **WARNING:** To avoid injury keep hands, feet and loose clothing away from all moving parts of this machine.
-  **WARNING:** Risk of explosion. Floor sanding can result in an explosive mixture of fine dust and air. Use floor sanding machine only in a well-ventilated area free from any flame or match.
-  **WARNING:** This machine is not to be used on pressure treated wood. Some pressure treated woods contain arsenic and sanding pressure treated wood produces hazardous dust. Inhaling hazardous dust from pressure treated wood can cause serious injury or death. Sanding pressure treated wood decks or uneven surfaces can damage the machine, which is not covered under warranty or damage waiver.
-  **WARNING:** Any alterations or modifications of this machine could result in damage to the machine or injury to the operator or other bystanders. Alterations or modifications not authorized by the manufacturer voids any and all warranties and liabilities.
-  **WARNING:** Injury to operator or bystanders could occur if an abrupt change in floor surface texture is encountered when using this machine. Abrupt change in floor surface texture can cause a sudden pulling motion by this machine. This sudden pulling motion can result in loss of control of the machine which could injure the operator or bystanders. Avoid motions that could cause machine to cross from a smooth floor surface to a carpeted or rough texture floor surface. Avoid motions that could allow the machine to come in contact with low obstacles, such as floor electrical outlets, door stops or entry molding, etc.
-  **WARNING:** Water solutions or cleaning materials used with this type of machine can leave wet areas on the floor surface. These areas can cause a dangerous condition for the operator or other persons. Always put CAUTION signs near the area being cleaned.
-  **CAUTION:** The machine is heavy. Get assistance before attempting to transport or move it.
-  **CAUTION:** **This machine is intended for commercial use only.**

## Controls

### Start / Stop Levers (see Figure 1).

The Start/Stop levers are under the handle grips.

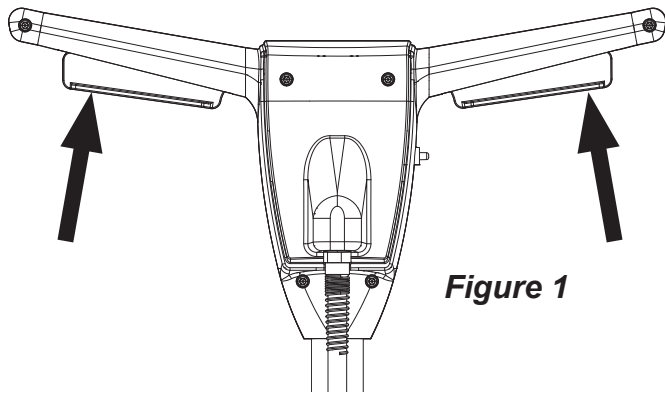


Figure 1

### Interlock Switch (see Figure 2).

The interlock switch is on the handle assembly under the Start/Stop levers.

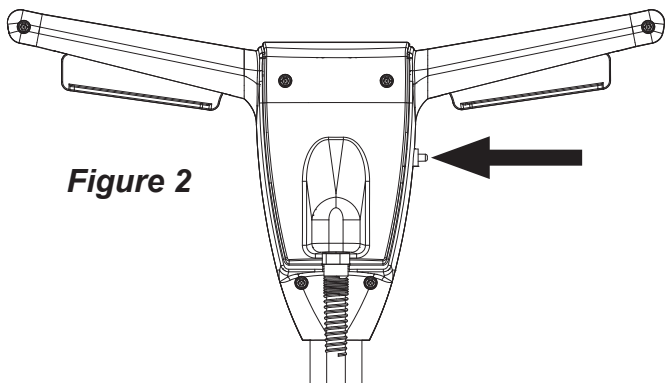


Figure 2

### Locking Lever (see Figure 3).

The locking lever is on the bottom of the handle assembly at the back of the machine.

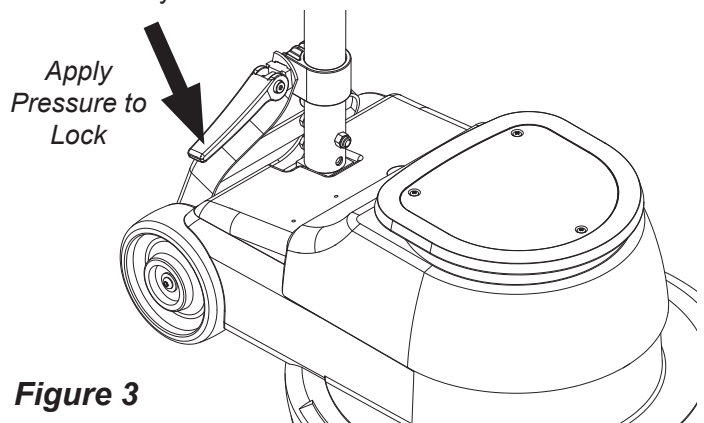


Figure 3

## How to Prepare the Machine for Operation

**WARNING:** Always remove the electrical plug from the electrical outlet before installing or removing a brush or accessory.

To connect a brush or pad driver, follow this procedure:

1. Put the handle in the vertical position.
2. To fasten the handle, press down on the locking lever.
3. Put the handle on the floor.
4. Put one foot on each side of the machine (see Figure 4).
5. Fit the lugs on the bottom of the machine into the openings in the brush.
6. Turn the brush or accessory counter-clockwise to lock it into position.
7. Turn the brush or accessory clockwise to unlock and remove the brush or accessory.

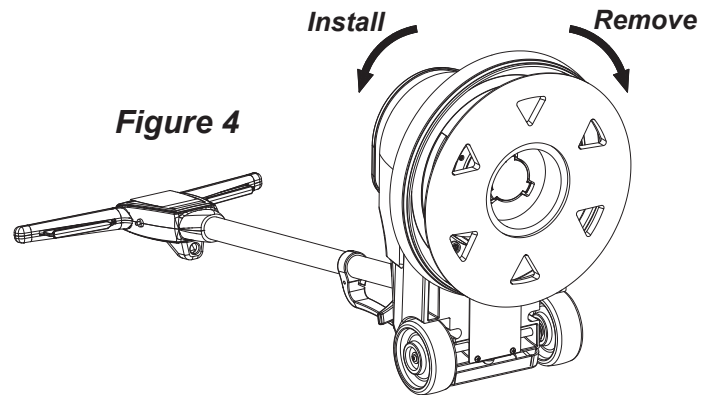


Figure 4

8. Lift the machine to the vertical position.

**NOTE:** To prevent damage to the brush or pad driver, remove the accessory while not in use.

**NOTE:** To connect a solution tank, follow the instructions given with the tank.

## Instructions for Connection to the Power Supply

This product must be grounded. If it should malfunction or breakdown, grounding provides a path of least resistance for electric current to reduce the risk of electrical shock. This product is equipped with a cord having an equipment-grounding conductor and grounding plug. The green (or green and yellow) conductor in the cord is the grounding wire. Never connect this wire to other than the grounding pin of the attachment plug. The plug must be inserted into an appropriate outlet that is properly installed and grounded in accordance with all local codes and ordinances.

**WARNING:** Improper connection of the equipment-grounding conductor can result in a risk of electric shock. Check with a qualified electrician or service person if you are in doubt as to whether the outlet is properly grounded. Do not modify the plug provided with the product - if it will not fit the outlet, have a proper outlet installed by a qualified electrician.

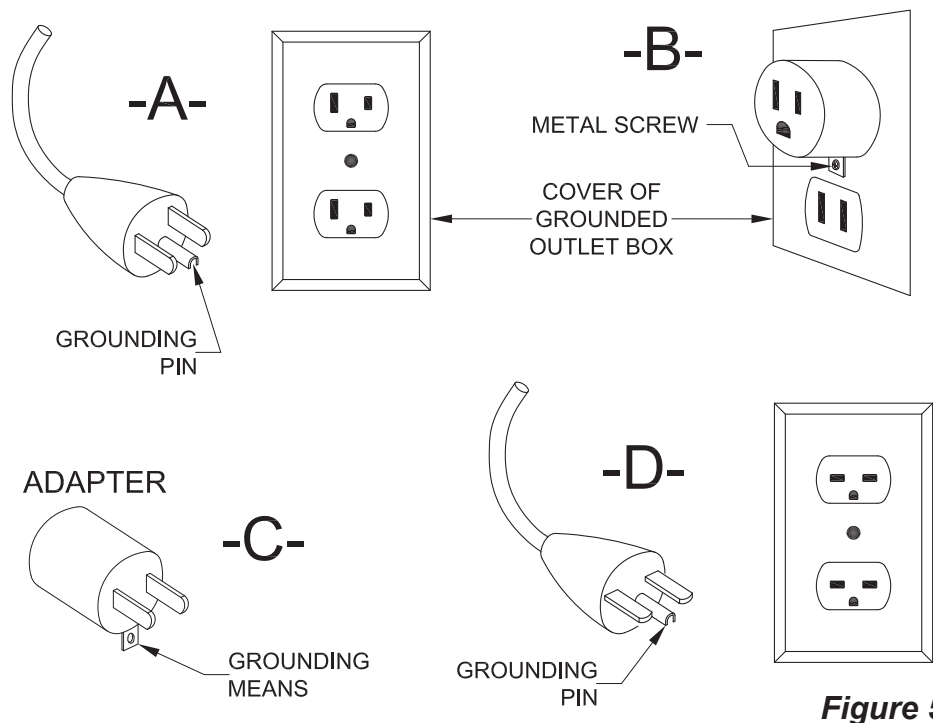
This product is for use on a nominal 120 volt circuit and has a grounding attachment plug that looks like the plug illustrated in Fig. 5. Make sure that the product is connected to an outlet having the same configuration as the plug. No adaptor should be used with this product.

**WARNING:** To prevent possible electric shock, protect the machine from rain. Keep the machine in a dry building.

**WARNING:** To prevent possible electric shock, always use a 3-wire electrical system connected to the electrical ground. For maximum protection against electrical shock, use a circuit that is protected by a ground fault circuit interrupter. Consult your electrical contractor.

**WARNING:** Do not cut, remove or break the ground pin. If the outlet does not fit the plug, consult your electrical contractor.

**WARNING:** Have worn, cut or damaged cords replaced by an authorized service person.



## Extension Cords

Use only an approved extension cord with three conductors, a plug with three terminals, and a connector body with three holes. The machine has a power cord with wire size 14 AWG (AWG means American Wire Gauge).

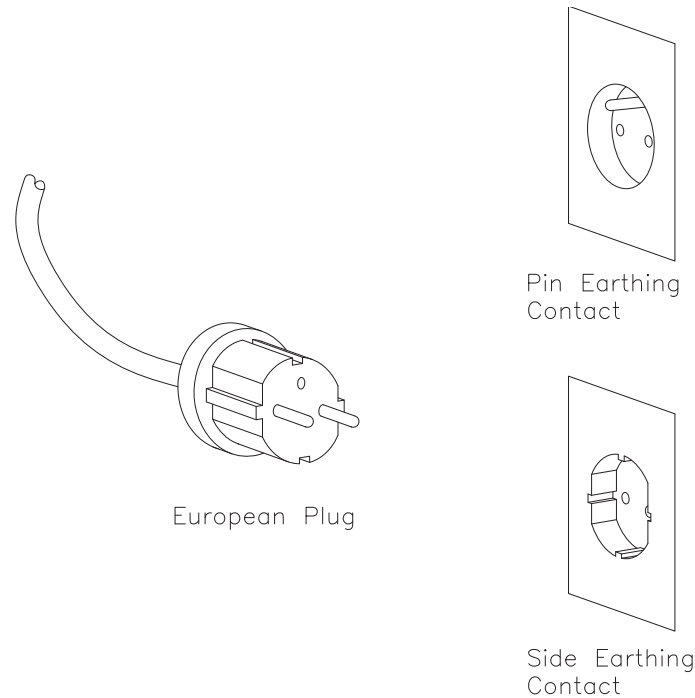
**WARNING:** If you use an extension cord, use an extension cord with minimum wire size 12 AWG. Do not use an extension cord longer than 50 feet. Do not join two extension cords.

## Instructions for Connection to the Power Supply (230V)

**CAUTION:** This machine will operate only on the AC frequency and electrical voltage shown on the nameplate. Make sure you have the correct frequency and voltage before connecting the power cord to an outlet.

This machine must be connected to the electrical ground to protect the operator from electric shock. The machine has a power cord with two main conductors and one earthing conductor. Connect the plug to the type of receptacle shown in figure 5. The green and yellow conductor cord is the ground wire. Never connect this wire to any terminal other than the ground terminal.

**WARNING:** Always use this machine with an AC three-conductor electrical system connected to the electrical ground. Replace any worn, cut, or damaged cords. Replace any damaged plugs, receptacles, or connector bodies. Do not move the machine over an electrical cord. Always lift the cord over the machine.



**Figure 5**

## Extension Cords (230V)

Use only an approved extension cord with two main conductors and one earthing conductor.

**WARNING:** If you use an extension cord, use an extension cord with minimum wire size 1.55 mm<sup>2</sup>. Do not use an extension cord longer than 15 meters. Do not join two extension cords.

**WARNING:** Do not cut, remove, or break the ground terminal. Do not try to fit a three-terminal plug into a receptacle or connector body that does not fit the plug. If the receptacle or connector body does not fit the plug, see your Authorized person to make the connection.



### How to Operate the Machine

**WARNING:** Machines can cause flammable materials and vapors to burn. Do not use this machine with or near matches, fuels, grain dust, solvents, thinners, or other flammable materials.

**CAUTION:** This machine will operate only on the AC frequency and electrical voltage shown on the nameplate. Make sure you have the correct frequency and voltage before connecting the power cord to an outlet.

**DANGER:** Machine can have high starting torque. Do not operate machine on rough or uneven surfaces. Do not operate on a slope. It is possible for the machine to move suddenly from side to side and even leave the ground if misused during operation. Only experienced operators should use machine for applications that impart high torque on the machine. If unable to control the machine during operation, release the handle and step away from the machine. It will stop automatically.

**NOTE:** You must have training in the operation of this machine before you use this machine.

Inexperienced users should practice operating the machine prior to beginning their project. Practice in a large open area where the floor is smooth, with only a cleaning pad on the machine. The user should practice operating in this manner until they can control the machine consistently.

### Position of the Handle for Operation

Lift the lever to unlock the handle. Lower the handle to the best position. Bend your arms and keep your back straight. To fasten the handle, press down on the lever with your foot. Hold the handle against your body for the best control (see Figure 6).



Figure 6

### How to Control the Machine

**NOTE:** Make sure you hold the handle with both hands.

The side to side movement of the machine is controlled by raising the handle and pressing down on the handle (see Figure 7). To move the machine to the left, press down on the handle slightly. To move the machine to the right, raise the handle slightly.

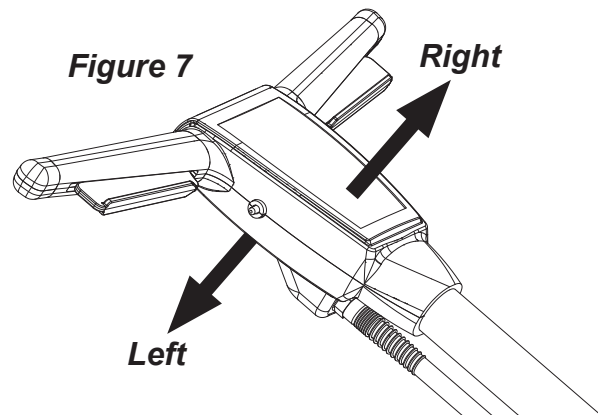


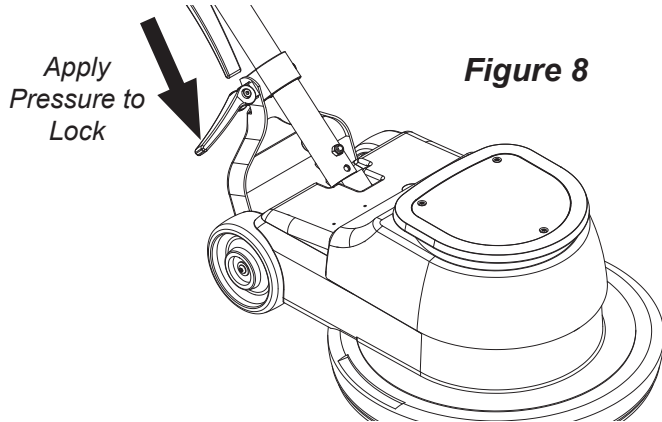
Figure 7

## How to Start/Stop the Machine

**WARNING:** Never start a polisher when the handle is in the vertical position.

The switch to start and stop the machine is activated by the interlock switch and the levers under the handle grips (see Figure 9). To start the machine, follow this procedure:

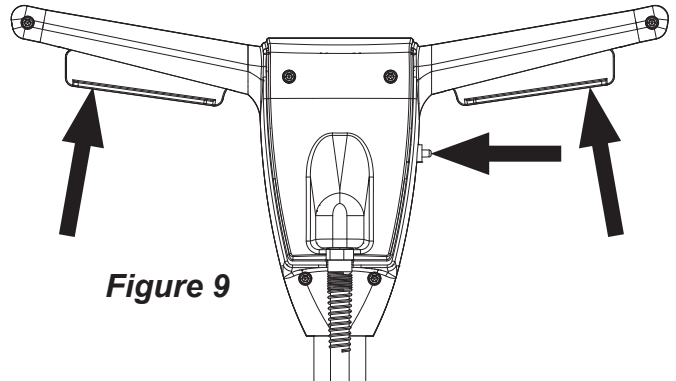
1. Lower the handle.
2. Lock the handle in the best position for operation. (see Figure 8).



**WARNING:** Control the safety interlock switch with hands only.

**NOTE:** Make sure you hold the handle with both hands


3. Push the interlock switch first and then apply pressure to the levers.



**NOTE:** Hold the handles loosely for the best control of the machine. Too much movement makes the machine difficult to control.

**WARNING:** Water solutions or cleaning materials used with this type of machine can leave wet areas on the floor surface. These areas can cause a dangerous condition for the operator or other persons. Always put CAUTION signs near the area being cleaned.

## Maintenance of the Machine

 **WARNING:** Maintenance must be done by authorized personnel only.

Clean your machine frequently. It will have longer life and need fewer repairs.

### Lubrication

The Polisher is completely lubricated. The bearings and gears in the gear unit have enough lubricant for two or three years of normal operation. All other bearings are sealed and have enough lubricant for the life of the machine.

### Motors and Gears

Remove or blow dust and dirt from the motor frequently.

### Repairs

If repairs to the gear unit or motor are needed, do not disassemble the gears and motor! Return the machine to the nearest Amano Pioneer Eclipse Distributor or Amano Pioneer Eclipse Authorized Service Center.

### Maintenance Inspection


Return the machine to a Amano Pioneer Eclipse Authorized Service location every 12 months for maintenance inspections.


### Handle Lock Lever

The locking mechanism for the handle can become loose. Tighten the nut on the end of the cross link bolt. The pressure of the locking lever is correct when the handle can be adjusted easily and fastened as needed.


### Maintenance of Brushes

Always remove the brush from the machine when not in use. Keep brushes in a cool, dry location. Heat can damage the wood and the bristles. Scrub brushes with bassine fibers must be put in water for 16 hours to replace moisture and give the bristles a longer life.


 **WARNING:** Maintenance must be done by authorized personnel only.

 **WARNING:** Disconnect the electrical plug from the electrical outlet before doing any repairs or maintenance to the machine.

Clean your machine frequently. It will have longer life and need fewer repairs. Replace damaged or worn parts with the correct Amano Pioneer Eclipse parts.

 **CAUTION:** Keep all fasteners tight. Keep all adjustments according to specifications.

### Switches

 **WARNING:** All electrical repairs must be done by authorized personnel only. The machine must be tested after electrical repairs are made to make sure it is safe to operate. Disconnect the electrical plug from the outlet before doing any electrical repairs to this machine.

The start and stop switches are in the handle. If any part of the switch is not operating, replace the part. If any part of the electrical system of the machine is not operating or is damaged, replace the part. Make sure all connections are tight. Return the machine to a Amano Pioneer Eclipse Service Branch or a Amano Pioneer Eclipse Authorized Service Center for electrical repairs and testing.

## LEA ESTE MANUAL

Este manual contiene información importante acerca del uso y la seguridad de la máquina. Si no lee el manual antes de utilizar su máquina American Sanders o de intentar realizar los procedimientos de reparación o mantenimiento de la misma, usted o el resto del personal podrían sufrir lesiones; asimismo, podrían producirse daños a la máquina o a otras propiedades. Antes de utilizar la máquina, es necesario recibir la capacitación adecuada en la operación de la misma.

Si el operador de la máquina no sabe leer en español, explíquelo el manual exhaustivamente antes de que intente utilizarla.

Todas las indicaciones incluidas en este manual se ofrecen desde la posición del operador en la parte posterior de la máquina.

### Tabla de Contenido

#### Sección B - Contenido

Instrucciones de Seguridad Para el Operador.....	12
Mandos.....	14
Preparacion de la Maquina Para Trabajar.....	14
Instrucciones para la Conexión Eléctrica de la Máquina.....	15
Añadidos.....	15
Funcionamiento de la Maquina.....	16
Colocacion de la Tobera Cuando Trabaja.....	16
Cómo Controlar la Máquian.....	16
Arranque y Parada de la Máquina.....	16
How to Operate the Machine.....	16
Mantenimiento de la Maquina.....	17
Lubrificacion.....	17
Motor y Engranajes.....	17
Reparaciones.....	17

Comprobacion y Mantenimiento.....	17
Palanca de Bloqueo.....	17
Mantenimiento de los Cepillos.....	17
Interruptores.....	17
Especificaciones de la Máquina.....	26

#### Sección D - Repuestos Manual

Notas.....	27
115V Electrical Schematic.....	28
230V Electrical Schematic.....	29
Handle Assembly.....	28
Base Assembly.....	30
Main Assembly.....	32
Accessories.....	34
Manufacturer's Warranty.....	35

## ¡ADVERTENCIA!

Los Productos a la venta en este Manual contienen, o pueden contener, productos químicos reconocidos por algunos gobiernos (como el Estado de California, según lo indica en su Proposición 65, Ley de Advertencia Regulatoria) como causantes de cáncer, defectos de nacimiento u otros daños reproductivos. En algunas jurisdicciones (incluido el Estado de California), los compradores de estos Productos que los coloquen en servicio en un emplazamiento laboral o en un espacio de acceso público tienen la obligación regulatoria de realizar determinados avisos, advertencias o divulgaciones respecto de los productos químicos contenidos o posiblemente contenidos en los Productos utilizados en tal lugar. Es la responsabilidad del comprador conocer y cumplir con todas las leyes y reglamentaciones relacionadas con el uso de estos Productos en tales entornos. El Fabricante niega toda responsabilidad de informar a los compradores sobre requisitos específicos que pueden regir el uso de los Productos en tales entornos.

**\*\*\*Este producto está destinado exclusivamente para uso comercial\*\*\***

## MODIFICACIONES

Las modificaciones y los agregados a la máquina de limpieza que afecten su capacidad y su funcionamiento seguro no serán realizados por el cliente o el usuario sin la autorización previa y por escrito de Amano Pioneer Eclipse. Las modificaciones que no cuenten con la aprobación correspondiente anularán la garantía de la máquina y harán que el cliente sea responsable de cualquier accidente resultante.

## Instrucciones de Seguridad Para el Operador

En este manual de operación se encuentran tres declaraciones que usted debe leer y respetar para garantizar un funcionamiento seguro de la máquina.

¡**PELIGRO!** significa: Si no sigue la indicación **PELIGRO**, se pueden causar lesiones graves, incluso mortales. Lea y siga todas las indicaciones **PELIGRO** que se encuentran en el libro y en la máquina.

¡**ADVERTENCIA!** significa: Si no sigue la indicación **ADVERTENCIA**, se pueden causar lesiones sea al operador sea a otro personal y/o daños materiales. Lea y siga todas las indicaciones **ADVERTENCIA** que se encuentran en el libro y en la máquina..

¡**PRECAUCIÓN!** significa: Si no sigue la indicación **PRECAUCIÓN**, se puede estropear la máquina o causar daños materiales. Lea y siga las indicaciones **PRECAUCIÓN** que se encuentran en el libro y en la máquina.



**PELIGRO:**

Siempre lea este libro de instrucciones antes de arrancar la máquina o hacer un mantenimiento. A falta de esta precaución, corre el peligro de herirse o causar lesiones a colegas ; podría Ud. también causar daños a la máquina o a su lugar de trabajo. Se debe aprender el manejo de esta máquina antes de usarla. Si Usted (o su plantilla) no conoce el español, se ruega dejarse explicar completamente el libro antes de usar la máquina.



**PELIGRO:**

Para evitar un peligro de incendio, use sólo productos de limpieza y cera para el suelo especialmente concebidos para máquinas.



**PELIGRO:**

A. El lijado/acabado de pisos de madera puede crear un entorno explosivo. No utilice la máquina cerca de solventes, diluyentes, alcohol, combustibles, acabados de pisos, polvo de madera u otros materiales inflamables. Los encendedores, las lámparas indicadoras, las chispas eléctricas y cualquier otra fuente de ignición deben extinguirse o evitarse. Mantenga el área de trabajo bien ventilada.

B. El polvo que se genera al lijar pisos de madera puede encenderse o explotar espontáneamente. Elimine rápidamente el polvo de lijado en un recipiente de metal que no contenga ningún combustible. No arroje el polvo al fuego.



**PELIGRO:**

A. Puede producirse una electrocución si se repara o se realiza el mantenimiento de la máquina mientras se encuentra conectada a una fuente de alimentación. Desconecte la fuente de alimentación antes de realizar tareas de mantenimiento y reparación.

B. Si la máquina se utiliza con un cable de alimentación dañado podría producirse una electrocución o un incendio. Mantenga el cable de alimentación separado de la almohadilla. Pase siempre el cable por encima de la máquina. No utilice el cable de alimentación para mover la máquina.

C. Riesgo de descargas: No utilice la máquina si ha estado expuesta a la lluvia o ha sido rociada con agua.



**PELIGRO:**

Mantenga las manos, los pies y la vestimenta suelta alejados de todas las partes móviles de la máquina para evitar lesiones. Desconecte el cable de alimentación antes de reemplazar la almohadilla, cambiar el abrasivo y realizar mantenimiento o reparaciones. No utilice la máquina a no ser que todas sus protecciones estén en su lugar. Nunca deje la máquina sin vigilancia mientras está conectada a una fuente de alimentación.





**PELIGRO:**

La máquina puede tener un par de arranque alto. No utilice la máquina sobre superficies rugosas o irregulares. No trabaje en pendiente. La máquina podría moverse repentinamente de lado a lado e incluso elevarse del suelo si no se utiliza convenientemente. En trabajos que exijan un alto par de la máquina, esta solamente deberá ser operada por personal experimentado. Si no puede controlar la máquina durante su funcionamiento, suelte el asa y aléjese de la zona. Esta se detendrá automáticamente.

**ADVERTENCIA:** Si no se utilizan los dispositivos de protección personal correctos mientras se realiza el lijado, el operador o cualquier persona en el área de trabajo pueden sufrir lesiones. Utilice siempre protección respiratoria, ocular y auditiva mientras realice una operación de lijado.



## Instrucciones de Seguridad Para el Operador (continuado)

-  **ADVERTENCIA:** Una reparación o un mantenimiento efectuado por personas no cualificadas puede causar lesiones y/o daños materiales. Todas las operaciones de mantenimiento o de reparación de la máquina deben ser efectuadas por técnicos cualificados. Compruebe que las fijaciones están correctamente apretadas. Haga reglajes conforme a las indicaciones dadas en el libro
-  **ADVERTENCIA:** Hay un riesgo de cortocircuito si los componentes eléctricos de una máquina están expuestos a la humedad o son mojados. Procure que los componentes eléctricos sean siempre secos. Seque cuidadosamente la máquina después de cada utilización. Guarde la máquina en un local seco.
-  **ADVERTENCIA:** Para evitar daños al cable de alimentación, procure que el cepillo, el disco, el portadisco o las ruedas no toquen el cable, cuando la máquina funciona. Levante siempre el cable por encima de la máquina. No tire de la máquina para acercarla a la máquina.
-  **ADVERTENCIA:** Use siempre un cable con tres conductores puestos a tierra. Para una protección óptima, conecte la máquina con una caja de enchufe conectada con la red que tiene un diferencial. Si tiene alguna duda, sírvase acudir a un eléctrico cualificado.
-  **ADVERTENCIA:** Si usa la máquina sin respetar todas las instrucciones escritas en los adhesivos y los señales, corre el peligro de causar lesiones y daños materiales. Lea todas las indicaciones escritas en la máquina antes de la primera utilización. Compruebe que todos los adhesivos y las instrucciones estén colocados en los sitios previstos. Si es preciso, haga un nuevo pedido a su distribuidor Amano Pioneer Eclipse.
-  **ADVERTENCIA:** No use la máquina como escabel o mueble. Corre el peligro de causar lesiones o daños materiales. No use la máquina como medio de transporte.
-  **ADVERTENCIA:** Para evitar herirse, sírvase mantener una distancia de seguridad suficiente entre las partes móviles de la máquina y sus manos o sus pies. No lleve ropas holgadas.
-  **ADVERTENCIA:** Riesgo de explosión. Lijado piso puede resultar en una mezcla explosiva de polvo fino y aire. Utilice piso lijado máquina sólo en un área bien ventilada y libre de toda llama o partido.
-  **ADVERTENCIA:** La pulidora no debe utilizarse sobre madera tratada a presión. Algunas maderas tratadas a presión contienen arsénico y si se pule madera tratada a presión produce un polvo nocivo. La inhalación de polvo nocivo de madera tratada a presión puede causar lesiones serias o la muerte. Pulir plataformas o superficies irregulares de madera tratada a presión puede dañar la Pulidora que no está cubierto por la garantía ni por la Renuncia de Daños.
- 
-  **ADVERTENCIA:** Cualquier alteración o modificación realizada a esta máquina puede producir daños a la misma o lesiones al operador o a otras personas que se encuentren en el lugar. Las alteraciones o modificaciones no autorizadas por el fabricante anulan todas las garantías y responsabilidades.
-  **ADVERTENCIA:** Una modificación brusca de la textura del suelo puede causar un sobresalto de la máquina de la cual el operador pierde momentáneamente el dominio. Eso puede causar lesiones al operador o a otras personas encontrándose cerca. Procure que la máquina no pase de una superficie lisa a una alfombra o una superficie más rugosa. Procure que la máquina no esté en contacto con cajas de enchufe colocadas en el suelo, topes de puerta o casquillos, etc.
-  **ADVERTENCIA:** Las soluciones acuosas o los productos de limpieza usados con esta máquina pueden dejar zonas húmedas en el suelo, que pueden ser causa de peligro para el operador u otras personas. Ponga siempre señales de PRECAUCION cerca de la superficie que está limpiando.
-  **PRECAUCIÓN:** Esta máquina pesa. Transpórtela o desplácela con ayuda de otra persona.
-  **PRECAUCIÓN:** **Esta máquina es de uso comercial.**

## Mandos

**Palancas Arranque / Parada** (Véase Figura 1).

Estas palancas se encuentran debajo de los mangos de la tobera.

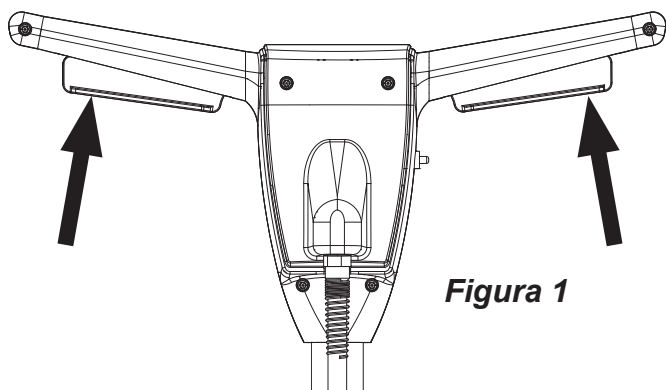


Figura 1

**Bloqueo del Interruptor de Seguridad** (Véase Figura 2).

Se encuentra en el conjunto del mango debajo de la palanca arranque/parada de derecha.

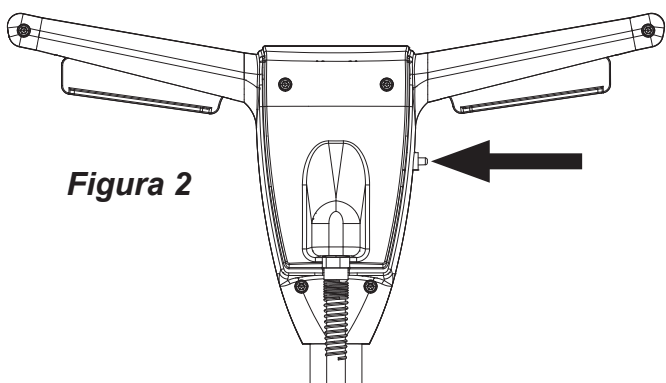


Figura 2

**Palanca de Bloqueo** (Véase Figura 3).

Se encuentra debajo del conjunto de la tobera. assembly at the back of the machine.

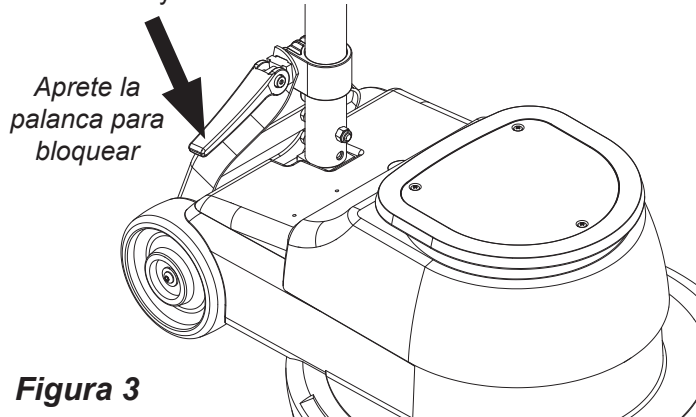


Figura 3

## Preparacion de la Maquina Para Trabajar

**AVISO:** Desconecte siempre el enchufe de la caja de enchufe conectada con la red antes de instalar o quitar el disco o el cepillo.

Para instalar un cepillo o un portadisco, siga este procedimiento:

1. Coloque la tobera en posición vertical.
2. Para bloquear la tobera, empuje la palanca de bloqueo (hacia abajo).
3. Coloque la tobera en el suelo.
4. "Cabalgando" sobre la máquina.
5. Inserte el arrastre central del cepillo sobre el acoplamiento de la máquina.
6. Fije el cepillo (o el accesorio escogido) girándolo en el sentido de las agujas del reloj.
7. Para quitar el cepillo (o el accesorio escogido) desbloquéelo girándolo en el sentido contrario de las agujas del reloj, pues sáquelo (Véase Figura 4).

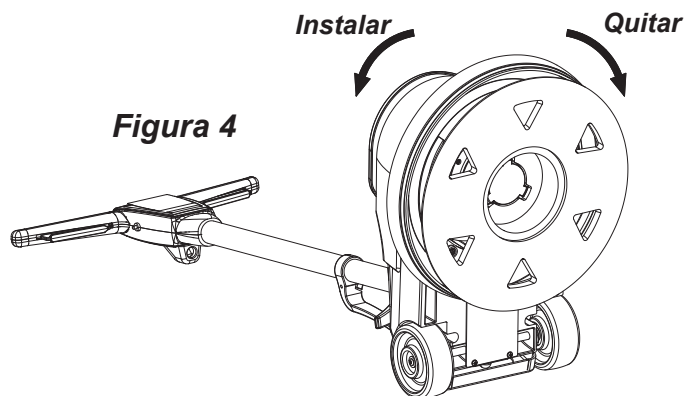


Figura 4

8. Coloque de nuevo la máquina en posición vertical.

**NOTA:** Para evitar causar daños al cepillo o al portadisco, quite el accesorio antes de guardar la máquina.

**NOTA:** Para conectar un depósito de solución siga las instrucciones entregadas con el depósito.

## Instrucciones Para la Conexión Eléctrica de la Máquina

La máquina debe ser puesta a tierra. En caso de mal funcionamiento o de avería, el hilo de tierra es un camino de menor resistencia que permite el paso de corriente ; por lo cual se reduce el riesgo de choque eléctrico. La máquina tiene un cable de alimentación con tres conductores y un enchufe con tres clavijas de las cuales una está puesta a tierra. El enchufe sólo puede ser conectado con una caja de enchufe reglamentaria, puesta a tierra con todas las reglas del arte y conforme a los reglamentos locales.

**AVISO:** Si la puesta a tierra no es correcta, hay un peligro de electrocución. Si tiene alguna duda, acuda a un electricista cualificado o a una persona del servicio de mantenimiento para comprobar su instalación. Nunca modifique el enchufe suministrado con el producto. Si no encaja el enchufe en la caja de enchufe conectada con la red, haga instalar una caja de enchufe adecuada por un electricista autorizado.

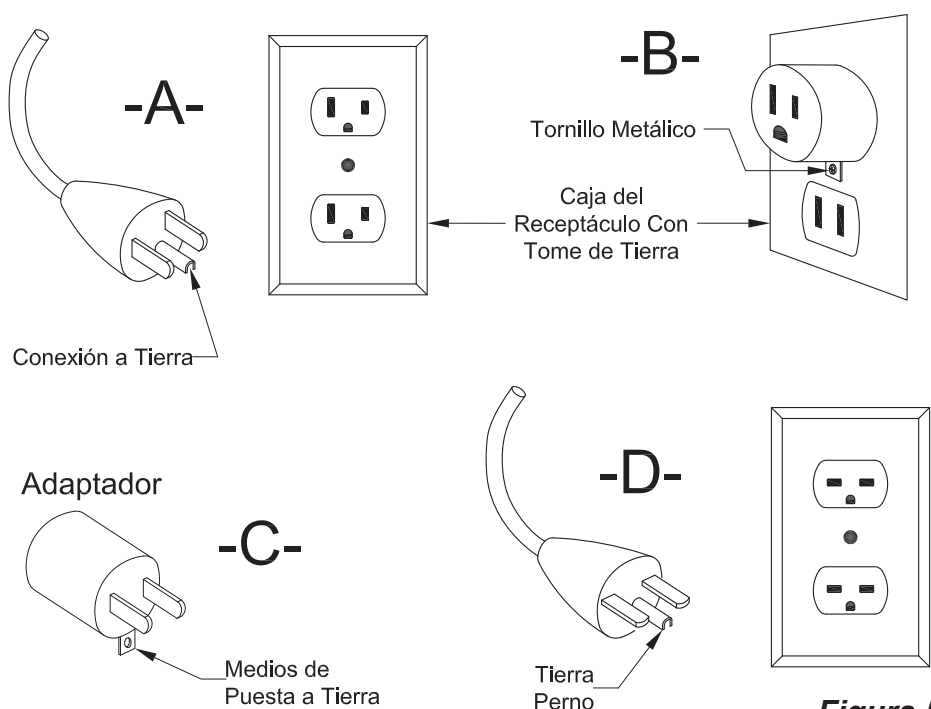
Esta máquina debe funcionar en un circuito de potencia nominal de 120 V. Tiene un enchufe con puesta a tierra semejante al enchufe reproducido en la figura 5. Compruebe que la máquina esté conectada con una caja de enchufe que tiene la configuración correspondiente al enchufe. No utilice ningún adaptador.

**AVISO:** Para evitar el peligro de choque eléctrico, proteja la máquina de la lluvia. Guárdela en un local seco.

**AVISO:** Para evitar el peligro de electrocución, conecte la máquina con un red que tiene un diferencial. Si tiene alguna duda, diríjase a un electricista autorizado.

**AVISO:** Nunca rompa, quite o corte la clavija de puesta a tierra. Si la caja de enchufe no corresponde al enchufe, acuda a un electricista autorizado.

**AVISO:** Si el cable de alimentación está desgastado, dañado o cortado, hágalo cambiar inmediatamente por un técnico autorizado.



## Añadidos

Use sólo un añadido con tres conductores, un enchufe con tres clavijas y un conector con tres aberturas. La máquina tiene un cable de alimentación de 4 mm<sup>2</sup> de sección.

**AVISO:** Use un añadido de cable de 6 mm<sup>2</sup> de sección. No use ningún añadido de más de 15 metros de largo. Nunca conecte dos añadidos.



## Funcionamiento de la Máquina

**AVISO:** Peligro de incendio con ciertas materias o vapores. Nunca use este tipo de máquina si se encuentra polvo de granos, disolventes, diluyentes u otros materiales inflamables. Procure que no haya ninguna llama sin protección en el local donde trabaja. NO FUME.

**CUIDADO:** Esta máquina funciona sólo con un circuito de corriente alterna, con la frecuencia y la tensión mencionadas en la placa de identificación. Compruebe que la tensión y la frecuencia son correctas antes de conectar el enchufe con la red.

**PELIGRO:** La máquina puede tener un par de arranque alto. No utilice la máquina sobre superficies rugosas o irregulares. No trabaje en pendiente. La máquina podría moverse repentinamente de lado a lado e incluso elevarse del suelo si no se utiliza convenientemente. En trabajos que exijan un alto par de la máquina, esta solamente deberá ser operada por personal experimentado. Si no puede controlar la máquina durante su funcionamiento, suelte el asa y aléjese de la zona. Esta se detendrá automáticamente.

**NOTA:** Nunca use la máquina antes de informarse acerca de su funcionamiento.

**NOTA:** Los usuarios inexpertos deberán primero practicar con la máquina antes de comenzar a trabajar con ella. Practique sobre una gran superficie lisa y despejada, con solo una almohadilla de limpieza en la máquina. El usuario deberá practicar primero con la máquina hasta controlarla bien.

## Colocación de la Tobera Cuando Trabaja

Empuje la palanca para desbloquear la tobera. Baje la tobera en la posición de trabajo la más confortable para el operador. Doble los brazos y procure que la espalda esté recta. Para bloquear la tobera, baje la palanca con el pie. Para mejor controlar la máquina, tenga el mango cerca del cuerpo (Véase Figura 6).



Figura 6

## Cómo Controlar la Máquina

**NOTA:** Siempre tenga el mango con ambas manos.

Para ir de un lado al otro, levante o baje lentamente la tobera de la máquina (Véase Figura 7). Para dirigir la máquina hacia la izquierda, presione la tobera. Para dirigir la máquina hacia la derecha, levante despacio la tobera.

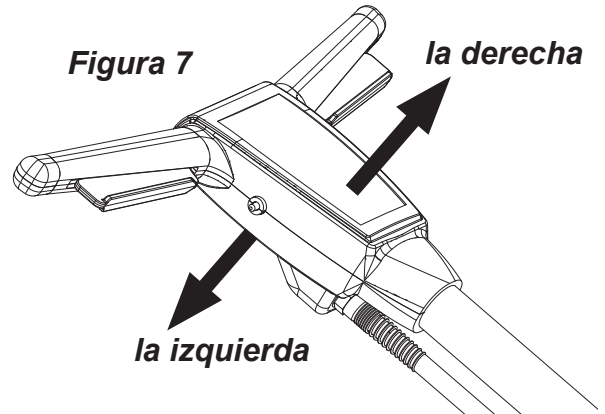


Figura 7

## Arranque y Parada de la Máquina

**AVISO:** Nunca arranque una pulidora cuando la tobera esta en posición vertical.

El interruptor de arranque/parada se opera empujando el botón de cierre de seguridad y usando las palancas situadas debajo del mango de mando (Véase Figura 9). Para arrancar la máquina, siga este procedimiento:

1. Baje la tobera.
2. Bloquee la tobera en la posición de trabajo la más confortable para trabajar (Véase Figura 8).

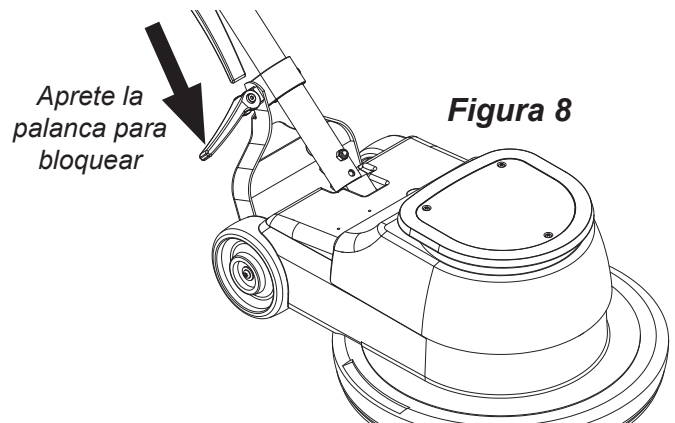




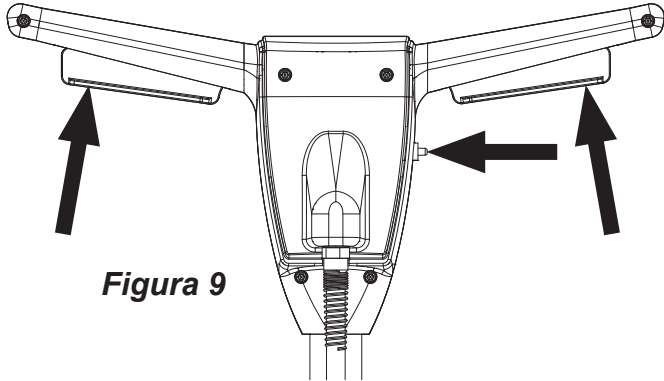
Figura 8

**Arranque y Parada de la Máquina**


 **AVISO:** Solo empuje el boton de bloqueo con las manos.


 **NOTA:** Siempre tenga el mango con ambas manos.

3. Empuje el botón de bloqueo y presione las palancas con las manos.




**Figura 9**

 **NOTA:** Para controlar mejor la maquina, tenga los mangos sin crispas los dedos. Con movimientos demasiado bruscos la maquina puede volverse dificil a controlar.

 **AVISO:** Las soluciones acuosas o los productos de limpieza usados con este tipo de máquina pueden dejar zonas húmedas en el suelo, que pueden ser causa de peligro para el operador u otras personas. Ponga siempre señales de PRECAUCION cerca de la superficie que está limpiando.

## Mantenimiento de la Máquina

 **AVISO:** El mantenimiento debe ser efectuado por personal autorizado.

Limpie regularmente su máquina. La guardará más tiempo. Evitará así los gastos de reparación.

### Lubrificación

Las máquinas son completamente lubricadas. En condiciones de uso normal, la caja del reductor tiene demasiado lubricante para dos o tres años para los rodamientos y los piñones. Los demás rodamientos son estancos y lubricados de manera que no tiene nunca que lubricarlos.

### Motor y Engranajes

Quite regularmente al motor el polvo y la suciedad con un trapo o con aire comprimido.

### Reparaciones

Si tiene que realizar reparaciones al motor o a la unidad de transmisión, no desmonte la máquina. Mándela al centro de reparación autorizado de Amano Pioneer Eclipse más cercano.

### Comprobación y Mantenimiento


Mande la máquina a un centro de mantenimiento autorizado Amano Pioneer Eclipse cada 12 meses para comprobarla.


### Palanca de Bloqueo

El sistema de bloqueo de la tobera puede aflojarse. Aprete de nuevo la tuerca de la palanca de bloqueo. La presión de la palanca de bloqueo es correcta cuando la tobera puede ser fácilmente colocada y cuando el mango puede ser bloqueado sin esfuerzo.


## Mantenimiento de los Cepillos

Saque el cepillo antes de guardar la máquina. Guarde los cepillos en un sitio seco y fresco. El calor puede causar daños a los filamentos y la madera. Los cepillos de fregar de los cuales los filamentos son de "coco" deben quedarse en agua durante 16 horas para humedecerlos. Así alargará le longevidad de los filamentos.


 **AVISO:** El mantenimiento debe ser efectuado por personal autorizado.

 **AVISO:** Desconecte siempre el enchufe de la caja de enchufe de la red antes de efectuar cualquier operación de mantenimiento o reparación.

Limpie regularmente su máquina. La guardará más tiempo. Evitará así los gastos de reparación. Cambie las piezas desgastadas o dañadas sólo usando piezas originales adecuadas Amano Pioneer Eclipse..

 **CUIDADO:** Aprete todas las sujeciones. Efectúe todos los reglajes según las indicaciones descritas en el libro de instrucciones.

## Interruptores

 **AVISO:** Todas las reparaciones eléctricas deben ser efectuadas sólo por técnicos autorizados. Después de cada reparación, hay que comprobar el aislamiento eléctrico. Desconecte siempre el enchufe del cable de alimentación antes de realizar cualquier reparación eléctrica en la máquina.

Los interruptores arranque/parada se encuentran en el mango. Si un componente del interruptor no funciona, cambie este componente. Si una pieza del sistema eléctrico de la máquina no funciona o está dañada, cambie la pieza. Mande la máquina a un centro de mantenimiento autorizado Amano Pioneer Eclipse o al centro técnico Amano Pioneer Eclipse más cercano para las reparaciones o comprobaciones del sistema eléctrico..



**LISEZ CE MANUEL**

Ce Manuel contient des informations importantes concernant l'utilisation et le fonctionnement de cette machine dans des conditions de sécurité optimales. La non-lecture de ce manuel avant d'utiliser ou d'entretenir votre machine American Sanders risque de provoquer un accident ou d'endommager la machine ou son environnement. Vous devez avoir été formé à l'utilisation de cette machine avant de l'utiliser. Si l'opérateur n'est pas en mesure de lire ce Manuel, il devra se le faire expliquer entièrement avant de tenter d'utiliser cette machine.

Toutes les directions données dans ce Manuel le sont par rapport à la position de l'opérateur, à l'arrière de la machine.

**Table of Contents****Section C - Contenu De Ce Manuel**

Consignes de Sécurité Pour L'opérateur.....	20
Commandes.....	22
Preparation de la Machine Avant la Mise en Service.....	22
Instruction Pour le Raccordement Electrique.....	23
Allonges.....	23
Mise en Service de la Machine.....	24
Position du Timon Pendant L'Utilisation.....	24
Comment Contrôler la Machine.....	24
Mise en Marche et Arrêt de la Machine.....	24
Entretien la Machine.....	25
Lubrification.....	25
Moteur et Engrenages.....	25
Reparations.....	25
Verification et Entretien.....	25

Levier de Verrouillage.....	25
Entretien des Brosses.....	25
Interrupteurs.....	25
Spécifications de L' Appareil.....	26

**Section D - Manuel De Pièces**

Notes.....	27
115V Electrical Schematic.....	28
230V Electrical Schematic.....	29
Handle Assembly.....	28
Base Assembly.....	30
Main Assembly.....	32
Accessories.....	34
Manufacturer's Warranty.....	35

** AVERTISSEMENT!**

Les produits vendus avec ce manuel contiennent ou peuvent contenir des produits chimiques qui sont connus pour certains gouvernements (tels que l'État de California, comme indiqué dans son droit réglementaire Proposition 65 Warning) pour causer le cancer, des malformations congénitales ou d'autres problèmes de reproduction. Dans certains endroits (y compris l'Etat de California) acheteurs de ces produits qui les placent en service à un chantier de travail ou un espace accessible au public sont requis par la réglementation pour faire certaines affiches, des avertissements ou des informations concernant les produits chimiques qui sont ou peuvent être contenus dans les produits à ou vers ces sites de travail. Il est de la responsabilité de l'acheteur de connaître le contenu de, et à se conformer à ces lois et règlements relatifs à l'utilisation de ces produits dans de tels environnements. Le fabricant décline toute responsabilité d'informer les acheteurs de toutes les exigences spécifiques qui peuvent être applicables à l'utilisation des produits dans de tels environnements.

**\*\*\*Ce produit est destiné pour une utilisation commerciale\*\*\***

**ALTÉRATIONS**

Les altérations et ajouts d'éléments à la machine de lavage, qui affectent ses capacités et son fonctionnement sécurisé, ne doivent pas être réalisés sans le consentement préalable et écrit de Amano Pioneer Eclipse. Toute altération non approuvée annulera la garantie de la machine. En outre, le client sera entièrement responsable des accidents associés.

## Consignes de Sécurité Pour L'opérateur

Dans ce manuel d'utilisation, vous trouverez trois déclarations que vous devez lire et d'observer pour assurer la sécurité de cette machine.

**DANGER** signifie: Si une consigne **DANGER** figurant dans ce manuel d'utilisation ou sur l'appareil n'est pas respectée ou suivie, des blessures graves, voire mortelles, peuvent vous arriver ainsi qu'à d'autres personnes. Lisez et observez toutes les consignes **DANGER** apparaissant sur l'appareil ou dans votre manuel d'utilisation.

**AVERTISSEMENT** signifie: Si une consigne **AVERTISSEMENT** figurant dans ce manuel d'utilisation ou sur l'appareil n'est pas respectée ou suivie, des blessures peuvent vous arriver ainsi qu'à d'autres personnes. Lisez et observez toutes les consignes **AVERTISSEMENT** apparaissant sur l'appareil ou dans votre manuel d'utilisation.

**ATTENTION** signifie: Si une consigne **ATTENTION** figurant dans ce manuel d'utilisation ou sur l'appareil n'est pas respectée ou suivie, vous risquez d'endommager l'appareil et de causer divers dommages matériels. Lisez et observez toutes les consignes **ATTENTION** apparaissant sur l'appareil ou dans votre manuel d'utilisation

**DANGER:**

Si vous ne lisez pas le manuel d'utilisation avant d'utiliser ou réparer votre appareil American Sanders, vous risquez de vous blesser ainsi que d'autres personnes. Vous risquez également d'endommager l'appareil et de causer divers dommages matériels. Avant d'utiliser cet appareil, vous devez avoir reçu une formation sur son utilisation. Si un utilisateur est incapable de lire ce manuel, il doit en demander une explication complète avant d'utiliser l'appareil.

**DANGER:**

Pour éviter tout risque d'incendie, n'utiliser que des produits de nettoyage et des cires pour sol spécialement conçus pour un usage en machine.

**DANGER:**

A. Le ponçage des parquets de bois peut créer un environnement explosif ou combustible. Ne pas utiliser cet appareil à proximité de solvants, de diluants, d'alcool, de carburant, de poussière de bois ou d'autres matériaux inflammables. Les vapeurs et la poussière de bois produites par le ponçage des parquets peuvent créer un environnement explosif. Les briquets, les témoins lumineux, les étincelles électriques et toutes les autres sources d'allumage doivent être éteints. Garder la zone de travail bien aérée.



B. La poussière produite par le ponçage d'un parquet de bois peut exploser ou s'enflammer soudainement. Jeter sans délai toute la poussière de ponçage dans un récipient métallique ne contenant aucun combustible. Ne pas jeter au feu.

**DANGER:**

A. Une électrocution peut survenir si l'appareil est réparé alors qu'il est raccordé à une source d'alimentation électrique. Déconnecter l'alimentation électrique avant toute réparation.



B. Une électrocution ou incendie peuvent survenir si l'appareil est utilisé avec un cordon d'alimentation électrique endommagé. Le cordon d'alimentation doit demeurer à bonne distance du patin de ponçage. Le cordon doit toujours être soulevé au-dessus de l'appareil. Ne jamais tirer l'appareil par le cordon d'alimentation.

C. Risque d'électrocution. Ne pas utiliser l'appareil s'il a été exposé à la pluie ou arrosé avec de l'eau.

**DANGER:**

Pour éviter les blessures, il faut toujours garder les mains, les pieds et les vêtements amples à bonne distance des pièces mobiles de l'appareil. Le cordon d'alimentation doit être débranché avant de remplacer le patin de ponçage ou le papier abrasif, ainsi qu'avant toute réparation. Ne pas utiliser l'appareil si toutes les protections ne sont pas en place. Ne jamais laisser l'appareil sans surveillance lorsqu'il est branché à une alimentation électrique.
















**DANGER:**

La machine peut avoir un couple de démarrage élevé. Ne pas utiliser la machine sur des surfaces rugueuses ou inégales. Ne pas utiliser sur une pente. Il est possible que la machine se déplace brusquement d'un côté à l'autre et même quitte le sol si elle est mal utilisée pendant son utilisation. Seuls les opérateurs expérimentés peuvent utiliser la machine pour les applications qui lui confèrent un couple élevé. S'il n'est pas possible de contrôler la machine pendant le fonctionnement, relâcher la poignée et l'éloigner de la machine. La machine s'arrêtera automatiquement.

**AVERTISSEMENT:** L'opérateur, ou toute personne à proximité, doit porter une tenue de protection en cours de ponçage pour prévenir les blessures. Utilisez toujours une protection oculaire et auditive ainsi qu'un appareil respiratoire lors de tout ponçage/sablage.



## Consignes de Sécurité Pour L'opérateur (continuer)

-  **AVERTISSEMENT:** Un entretien ou des réparations effectués par des personnes non qualifiées risque de provoquer des blessures et/ou des dégâts matériels. Tous les travaux effectués par des techniciens qualifiés. Bien veiller à ce que les fixations soient correctement serrées. Effectuer les réglages conformément aux indications figurant dans le manuel.
-  **AVERTISSEMENT:** Risque de court-circuit si les composants électriques d'une machine ont été exposés à l'humidité ou sont mouillés. Veillez à ce que les composants électriques soient toujours secs. Essuyez soigneusement la machine après chaque utilisation. Entrez la machine dans un local sec.
-  **AVERTISSEMENT:** Utilisez toujours un câble à trois conducteurs, relié à la terre. Pour une protection optimale, branchez la machine sur une prise réseau équipé d'un différentiel. En cas de doute, veuillez faire appel à un électricien qualifié.
-  **AVERTISSEMENT:** Pour éviter d'endommager le câble d'alimentation, veillez à ce que la brosse, le disque, le porte-disque ou les roues ne touchent pas le câble, lorsque la machine fonctionne. Soulevez toujours le câble au-dessus de la machine. Ne tirez pas le câble pour faire avancer la machine.
-  **AVERTISSEMENT:** Si vous utilisez une machine sans respecter toutes les consignes figurant sur les auto-collants et les panneaux d'instructions, vous risquez de provoquer des blessures et des dégâts matériels. Lisez toutes les indications figurant
-  **AVERTISSEMENT:** Sur la machine avant la première utilisation. Vérifiez que tous les auto-collants et les instructions sont positionnés aux endroits requis. Au besoin, recommandez-en chez votre revendeur Amano Pioneer Eclipse. **AVERTISSEMENT:** Ne pas utiliser cette machine comme escabeau ou comme meuble. Risque de blessure ou de dégât matériel. Ne pas utiliser la machine comme moyen de transport.
-  **AVERTISSEMENT:** Pour éviter d'être blessé, veillez à maintenir une distance de sécurité suffisante entre les parties mobiles de la machine et vos mains ou vos pieds. Ne portez pas de vêtements amples.
-  **AVERTISSEMENT:** Risque d'explosion. Ponçage du sol peut entraîner un mélange explosif de poussières fines et de l'air. Utilisez la machine de ponçage uniquement dans un endroit bien aéré et libre de toute flamme ou d'un match.
-  **AVERTISSEMENT:** La ponceuse ne doit pas être utilisée sur du bois traité sous pression. Certains bois traités sous pression contiennent de l'arsenic, le ponçage du bois traité sous pression produit des poussières dangereuses. L'inhalation de poussières dangereuse produite par du bois traité sous pression risque d'entraîner la mort ou de graves blessures. La ponçage de bois traité sous pression ou de surfaces irrégulières risque d'endommager la ponceuse qui n'est pas couvert ni par la garantie ni par les Exonérations de Dommages.
- 
-  **AVERTISSEMENT:** Toute modification apportée à cet appareil peut l'endommager et blesser l'opérateur ou des passants. Les modifications non autorisées par le fabricant annulent toutes les garanties et responsabilités.
-  **AVERTISSEMENT:** Une modification abrupte de la texture du sol peut provoquer un sursaut de la machine qui échapperait ainsi momentanément au contrôle de l'opérateur, risquant de le blesser ou de blesser des personnes se trouvant à proximité immédiate. Soyez attentif à ne pas faire passer la machine d'une surface lisse sur un tapis ou sur une surface plus rugueuse. Veillez à ce que la machine n'entre pas en contact avec des prises électriques placées dans le sol, des arrêts de porte ou des entretoises, etc.
-  **AVERTISSEMENT:** Les solutions aqueuses ou les produits de nettoyage utilisés avec ce type de machine peuvent laisser des zones humides sur le sol, qui représentent un danger potentiel pour l'opérateur ou pour d'autres personnes. Placez toujours des panneaux d'avertissement "ATTENTION" près de la surface que vous nettoyez.
-  **ATTENTION:** Cette machine est lourde. Faites-vous aider pour la transporter ou pour la déplacer.
-  **ATTENTION:** Cette machine est destinée à un usage commercial.

## Commandes

**Leviers Marche / Arrêt** (voir Figure 1).

Ces leviers se trouvent en-dessous des poignées du timon.

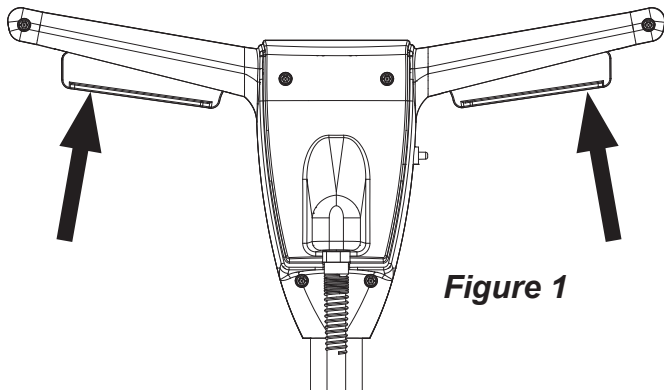


Figure 1

**Verrouillage de L'Interrupteur de Sécurité** (voir Figure 2).

Il se trouve sur l'ensemble de la poignée, en dessous du levier marche/arrêt de droite.

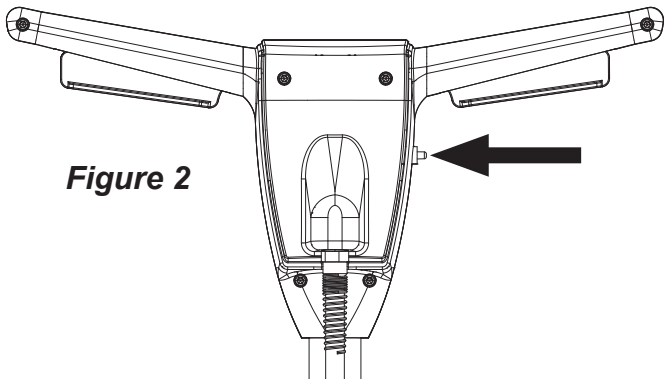


Figure 2

**Levier de Verrouillage** (voir Figure 3).

Il se trouve au bas de l'ensemble du timon.

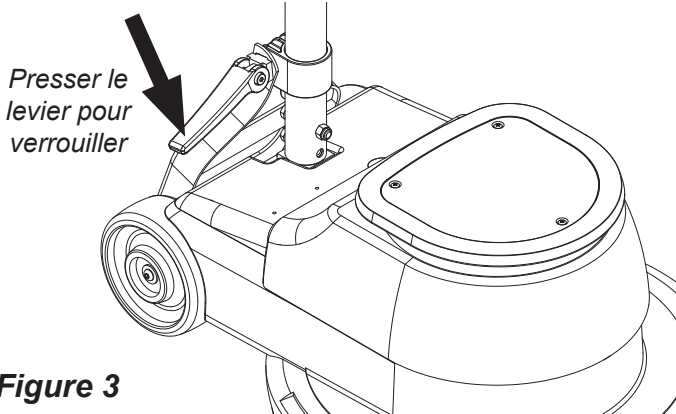


Figure 3

Préparation de la Machine Avant  
la Mise en Service

**AVERTISSEMENT:** Débranchez toujours la fiche de la prise réseau avant de placer ou d'enlever une brosse ou un accessoire.

Pour monter une brosse ou un porte-disque, procéder comme suit:

1. Placer le timon en position verticale.
2. Pour verrouiller le timon, presser le levier de verrouillage (vers le bas).
3. Placer le timon sur le sol.
4. En "chevauchant" la machine.
5. Insérer l'entraînement central de la brosse sur l'accouplement de la machine.
6. Fixer la brosse (ou l'accessoire choisi) en la faisant pivoter dans le sens horlogique.
7. Pour déposer la brosse (ou l'accessoire choisi), la débloquer en la faisant pivoter dans le sens anti-horlogique, puis la retirer (voir Figure 4).

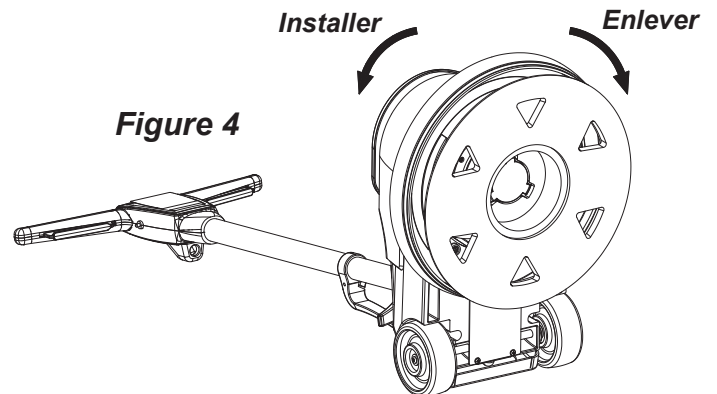


Figure 4

8. Redresser la machine en position verticale.

**NOTE:** Pour éviter d'endommager la brosse ou le porte-disque, enlever l'accessoire avant d'entreposer la machine.

**NOTE:** Pour connecter un réservoir de solution, suivre les instructions fournies avec le réservoir.



## Instruction Pour le Raccordement Electrique

Cette machine doit être mise à la terre. En cas de dysfonctionnement ou de panne, le conducteur de terre constitue un chemin de moindre résistance qui permet le passage du courant, réduisant ainsi le risque de choc électrique. La machine est munie d'un câble d'alimentation à trois conducteurs et d'une fiche à trois broches, dont une sert à la mise à la terre. La fiche ne peut être branchée que dans une prise réglementaire, reliée à la terre selon les règles de l'art et qui satisfait à tous les règlements locaux.

**AVERTISSEMENT:** Si la mise à la terre n'est pas correcte, risque d'électrocution. En cas de doute, faites vérifier votre installation par un électricien qualifié ou par un membre du personnel d'entretien. Ne jamais modifier la fiche fournie avec le produit - si elle ne rentre pas dans votre prise, faites installer une prise adéquate par un électricien qualifié.

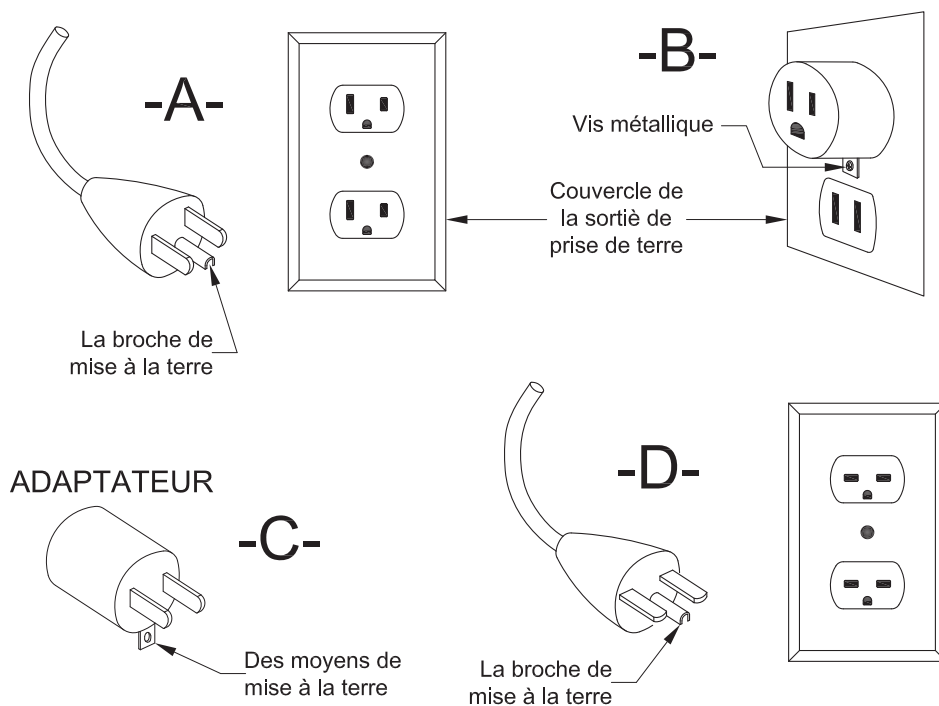
Cette machine doit être utilisée sur un circuit d'une puissance nominale de 120 V. Elle est munie d'une fiche avec broche de mise à la terre semblable à celle illustrée à la figure 5. Vérifiez que la prise à laquelle la machine doit être raccordée présente une configuration correspondant à la fiche. N'utilisez pas d'adaptateur.

**AVERTISSEMENT:** Pour éviter tout risque de choc électrique, protégez la machine de la pluie. Entreposez-la dans un local sec.

**AVERTISSEMENT:** Pour éviter tout risque d'électrocution, connectez la machine sur un réseau muni d'un différentiel. En cas de doute, adressez-vous à un électricien agréé.

**AVERTISSEMENT:** Ne jamais casser, enlever ou couper la broche de mise à la terre. Si la prise ne correspond pas à la fiche, faire appel à un électricien agréé.

**AVERTISSEMENT:** Si le câble d'alimentation est usé, endommagé ou entaillé, faites-le remplacer immédiatement par un technicien agréé.



**Figure 5**

## Allonges

N'utiliser qu'une allonge à trois conducteurs, munie d'une fiche à trois broches et d'un connecteur à trois orifices. La machine est équipée d'un câble d'alimentation de 4mm<sup>2</sup> de section.

**AVERTISSEMENT:** Utilisez un câble de rallonge d'une section de 6 mm<sup>2</sup>. N'utilisez pas de rallonge d'une longueur supérieure à 15 m. Ne raccordez jamais deux rallonges.

### Mise en Service de la Machine

**AVERTISSEMENT:** Risque d'incendie de certaines matières ou vapeurs. Ne jamais utiliser ce type de machine en présence de grains de poussières, de solvants, de diluants ou d'autres matériaux inflammables. Veiller à ce qu'il n'y ait aucune flamme nue dans le local où vous travaillez. **NE PAS FUMER.**

**ATTENTION:** Cette machine en peut fonctionner que sur un circuit en courant alternatif, à la fréquence et à la tension mentionnées sur la plaque d'identification. Vérifiez que vous disposez de la fréquence et de la tension correctes avant de brancher la machine sur une prise réseau.

**DANGER:** La machine peut avoir un couple de démarrage élevé. Ne pas utiliser la machine sur des surfaces rugueuses ou inégales. Ne pas utiliser sur une pente. Il est possible que la machine se déplace brusquement d'un côté à l'autre et même quitte le sol si elle est mal utilisée pendant son utilisation. Seuls les opérateurs expérimentés peuvent utiliser la machine pour les applications qui lui confèrent un couple élevé. S'il n'est pas possible de contrôler la machine pendant le fonctionnement, relâcher la poignée et l'éloigner de la machine. La machine s'arrêtera automatiquement.

**NOTE:** Ne jamais utiliser la machine avant d'avoir été mis au courant de son mode de fonctionnement.

**NOTE:** Les utilisateurs inexpérimentés doivent s'entraîner à utiliser la machine avant de commencer leur projet. Pratiquer dans un grand espace ouvert où le sol est lisse, avec seulement un tampon de nettoyage sur la machine. L'utilisateur doit s'exercer à utiliser la machine de cette manière jusqu'à ce qu'il puisse contrôler la machine de manière cohérente.

### Position du Timon Pendant L'Utilisation

Presser le levier pour libérer le timon. Abaisser le timon dans la position de travail la plus confortable pour l'utilisateur. Fléchir les bras et maintenir le dos droit. Pour verrouiller le timon, abaisser le levier avec le pied. Pour mieux contrôler la machine, maintenir la poignée près du corps (voir Figure 6).



Figure 6

### Comment Contrôler la Machine

**NOTE:** Toujours tenir la poignée des deux mains.

Pour aller d'un côté à l'autre, lever ou abaisser lentement le timon de la machine (voir Figure 7). Pour faire aller la machine vers la gauche, appliquer une pression sur le timon. Pour faire aller la machine vers la droite, relever légèrement le timon.

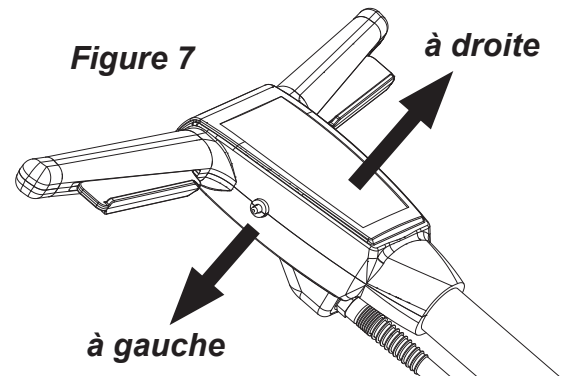


Figure 7

### Mise en Marche et Arrêt de la Machine

**AVERTISSEMENT:** Ne jamais mettre une polisseuse en marche lorsque le timon se trouve en position verticale.

L'interrupteur de marche/arrêt est activé par pression sur le bouton de verrouillage de sécurité et par les leviers situés sous la poignée de commande (voir Figure 9). Pour mettre la machine en marche, procéder comme suit:

1. Abaisser le timon
2. Verrouiller le timon dans la position la plus confortable pour le travail (voir Figure 8).

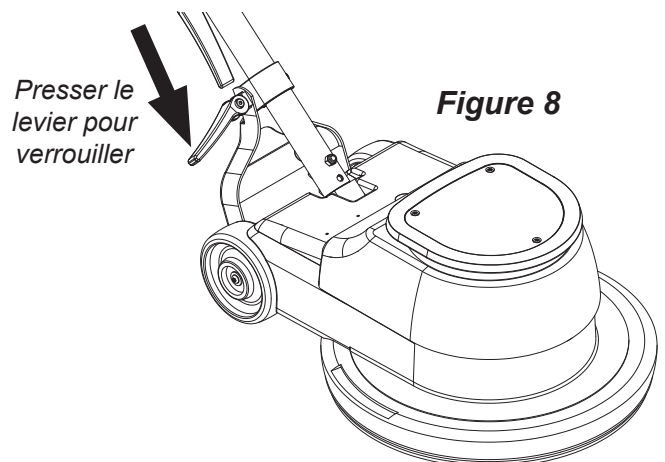


Figure 8

## Mise en Marche et Arrêt de la Machine

**AVERTISSEMENT:** Ne presser le bouton de verrouillage qu'avec les mains.

**NOTE:** Toujours tenir la poignée des deux mains.

3. Pousser sur le bouton de verrouillage et appliquer une pression des mains sur les leviers.

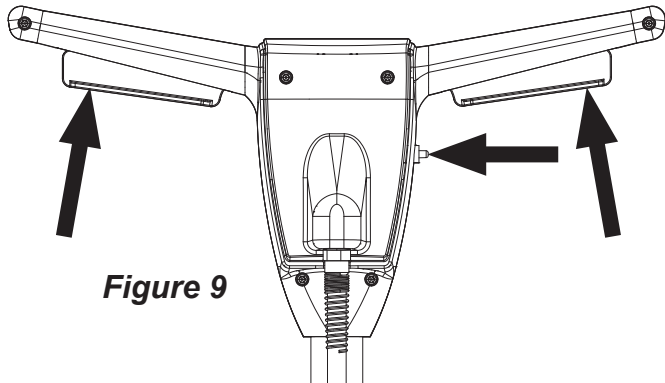


Figure 9

**NOTE:** Pour un meilleur contrôle de la machine, tenir les poignées sans crisper les doigts. Des mouvements trop brusques rendent la machine difficile à contrôler.

**AVERTISSEMENT:** Les solutions aqueuses ou les produits de nettoyage utilisés avec ce type de machine peuvent laisser des zones humides sur le sol, qui représentent un danger potentiel pour l'opérateur ou pour d'autres personnes. Placez toujours des panneaux d'avertissement "ATTENTION" près de la surface que vous nettoyez.

## Entretien la Machine

**AVERTISSEMENT:** L'entretien ne peut être effectué que par un membre du personnel agréé.

Nettoyez régulièrement votre machine. Elle durera plus longtemps. Vous éviterez des frais de réparation.

### Lubrification

Les machines sont entièrement lubrifiées. Dans des conditions d'utilisation normale, le boîtier du réducteur contient le lubrifiant nécessaire pendant deux à trois ans pour les roulements et les pignons. Les autres roulements sont étanches et lubrifiés à vie.

### Moteur et Engrenages

Enlevez régulièrement la poussière et les saletés du moteur avec un chiffon ou de l'air comprimé.

### Reparations

Si des réparations doivent être effectuées au moteur ou à l'unité de transmission, ne pas démonter la machine. La renvoyer complète dans le centre de réparation agréé Amano Pioneer Eclipse le plus proche.

## Verification et Entretien

Renvoyer la machine dans un centre d'entretien agréé Amano Pioneer Eclipse tous les 12 mois, afin de la faire vérifier.

### Levier de Verrouillage

Le système de verrouillage du timon peut se relâcher. Resserer l'écrou du levier de verrouillage. La pression du levier de verrouillage est correcte lorsque le timon peut être positionné facilement et lorsque la poignée peut être verrouillée sans effort.

### Entretien des Brosses

Déposer la brosse avant d'entreposer la machine. Entreposer les brosses dans un endroit sec et frais. La chaleur peut endommager les brins et le bois. Les brosses de récurage dont les brins sont en "coco" doivent être plongées dans l'eau pendant 16 heures pour être réhumidifiées. Ainsi, la durée de vie utile des brosses sera prolongée.

**AVERTISSEMENT:** L'entretien ne peut être effectué que par un membre du personnel agréé.

**AVERTISSEMENT:** Débranchez toujours la fiche de la prise réseau avant de procéder à toute opération d'entretien ou à une réparation.

Nettoyez régulièrement votre machine. Elle durera plus longtemps. Vous éviterez des frais de réparation. Remplacez les pièces usagées ou endommagées par les pièces d'origine Amano Pioneer Eclipse appropriées.

**ATTENTION:** Resserrez toutes les fixations. Effectuez tous les réglages selon les indications figurant dans le manuel d'utilisation.

### Interrupteurs

**AVERTISSEMENT:** Toutes les réparations électriques ne peuvent être effectuées que par des techniciens agréés. Après toute réparation électrique, l'isolation électrique de la machine doit être vérifiée. Débrancher toujours la fiche du câble d'alimentation avant d'effectuer toute réparation électrique sur la machine.

Les interrupteurs de marche/arrêt se trouvent dans la poignée. Si une pièce de l'interrupteur ne fonctionne pas, remplacer cette pièce. Si une pièce du système électrique de la machine ne fonctionne pas ou est endommagée, remplacer cette pièce. Renvoyer la machine dans un centre d'entretien agréé Amano Pioneer Eclipse ou au centre technique Amano Pioneer Eclipse le plus proche pour faire effectuer les réparations et les vérifications du système électrique.

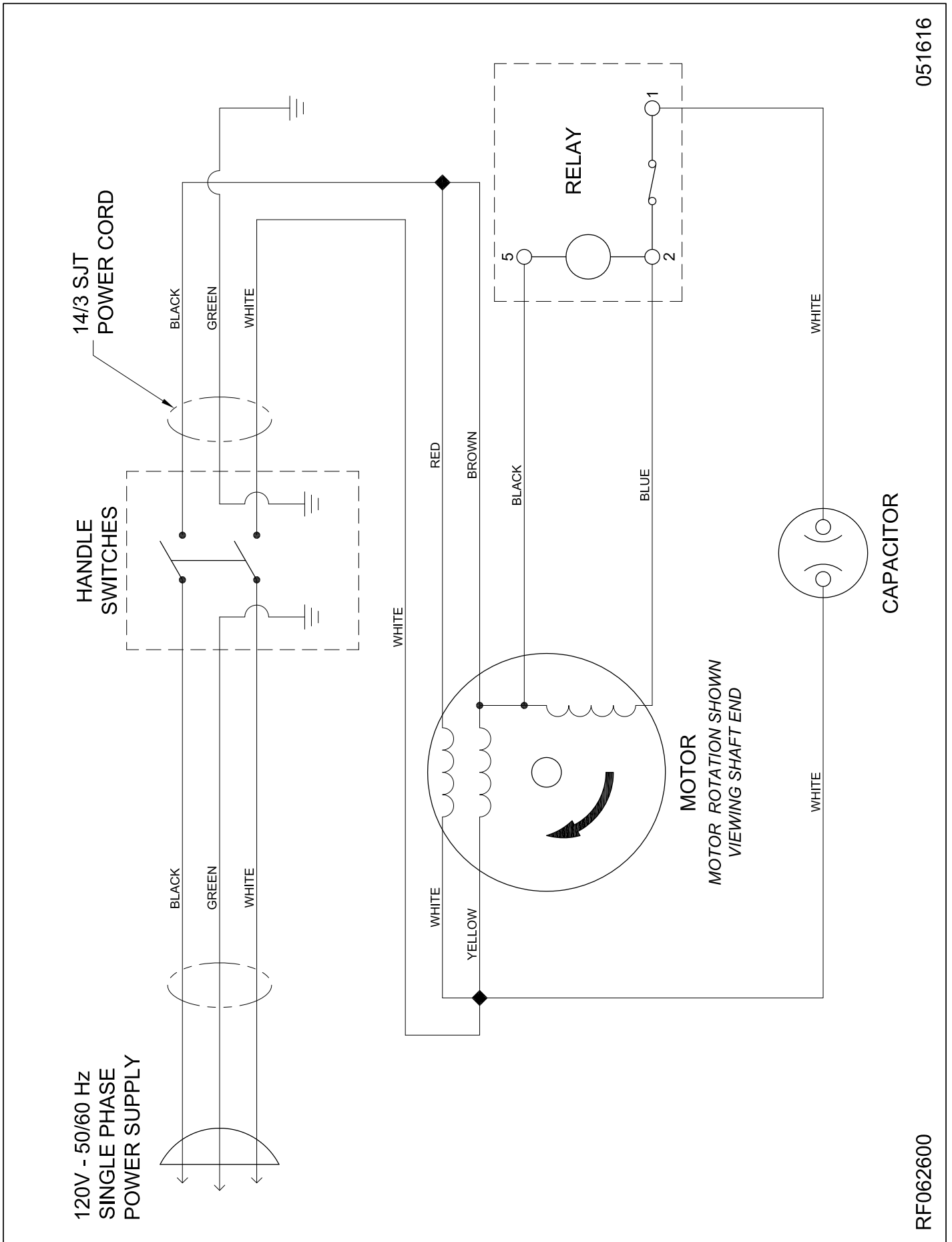
## Machine Specifications

Model	FM1700		FM2000	
Model Number	<b>01014A</b>	<b>01015A</b>	<b>01016A</b>	<b>01017A</b>
Voltage	120V	230V	120V	230V
Frequency	50Hz / 60Hz	50Hz / 60Hz	50Hz / 60Hz	50Hz / 60Hz
Amperage (A)	14	7	14	7
Motor	1 hp 750 Watts	1 hp 750 Watts	1 hp 750 Watts	1 hp 750 Watts
Pad Size	17" (432 mm)	17" (432 mm)	20" (508 mm)	20" (508 mm)
Revolutions Per Minute	175	175	175	175
Machine Weight	102 lbs (47 kg)	102 lbs (47 kg)	107 lbs (49 kg)	107 lbs (49 kg)

**Frame:** Die Cast Aluminum  
**Brush Shroud:** Aluminum with Vinyl Bumper  
**Gear System:** Dual Planetary  
**Wheels:** 5" X 2" Non-Marking  
**Power Cable:** 50 ft (15 m)



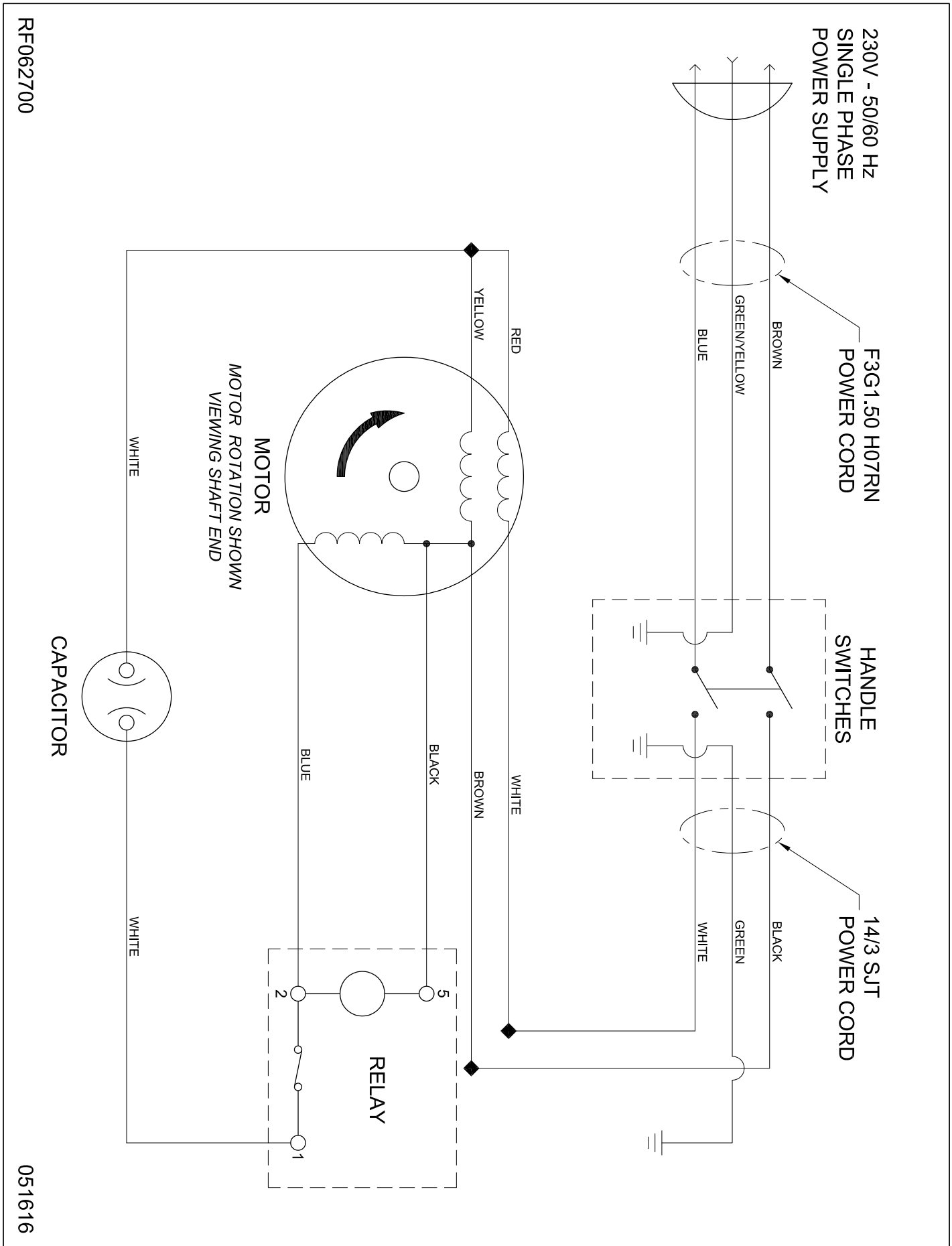
120V Electrical Schematic



051616

RF062600

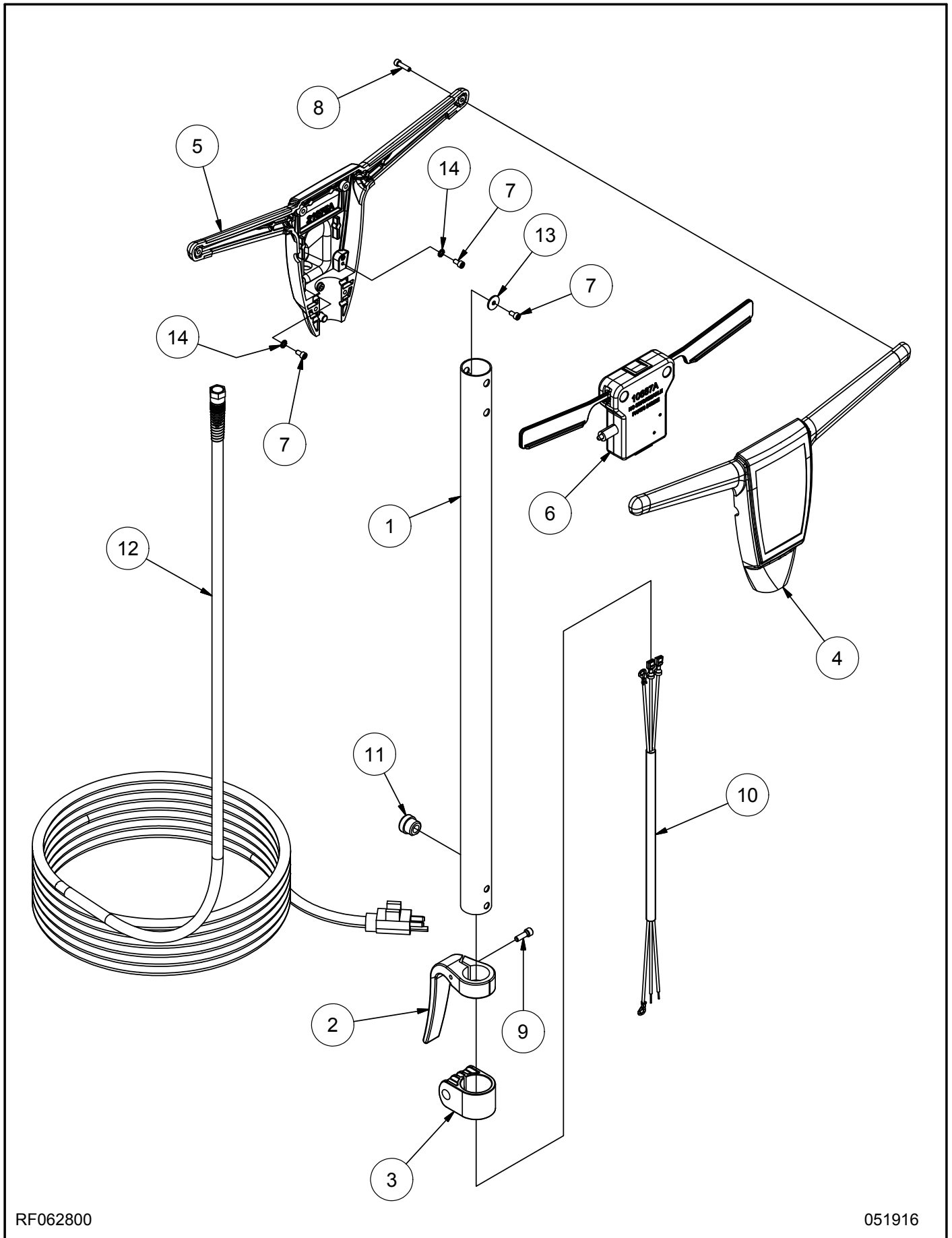
230V Electrical Schematic



RF062700

051616

Handle Assembly



RF062800

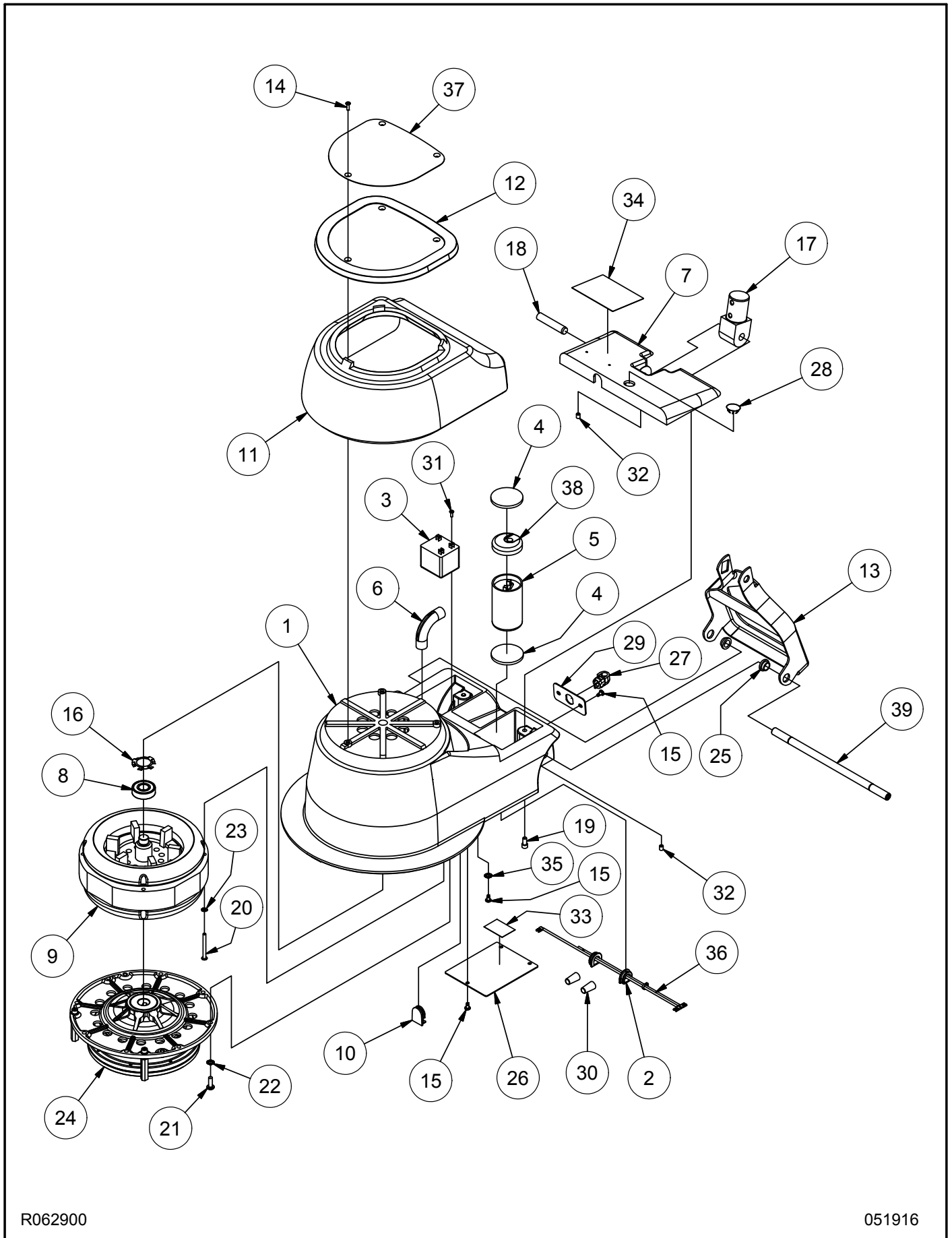
051916



## Handle Assembly (continued)

<u>Item</u>	<u>Ref. No.</u>	<u>Description</u>	<u>Qty</u>
1	56384405	TUBE, HANDLE	1
2	504540	HOOK, CORD	1
3	502040	CLAMP, HANDLE	1
4	21074A	FRONT, HANDLE	1
5	21075A	REAR, HANDLE	1
6	10687A	MODULE, INTERLOCK, ASM	1
7	80290A	SCREW, SH, #10 X 3/8"	3
8	80284A	SCREW, SH, #10 X 3/4"	6
9	962289	SCREW, SH, 1/4" X 3/4"	1
10	56384396	CORD, INTERCONNECTING	1
11	627561	RELIEF, STRAIN	1
12A	56384397	CORD, GRAY, ASM. (120V)	1
12B	MP501400	CORD, EURO, ASM. (230V)	1
13	80291A	WASHER, FLAT, #10	1
14	NB9445	WASHER, STAR, #10	2

Base Assembly



R062900

051916

## Base Assembly (continued)

<u>Item</u>	<u>Ref. No.</u>	<u>Description</u>	<u>Qty</u>	<u>Item</u>	<u>Ref. No.</u>	<u>Description</u>	<u>Qty</u>
1	24502C	HOUSING, MAIN, FM	1	21	962892	SCREW, PH, 1/4" X 3/4"	8
2	501142	BUSHING, FM	2	22	980614	WASHER, STAR, 1/4"	8
3	MP531000	RELAY, MOTOR, START	1	23	980603	WASHER, STAR, #10	4
4	502403	CUSHION, CAPACITOR	2	24	503542	UNIT, GEAR, ASM.	1
5	502402	CAPACITOR, 115V	1	25	501141	BUSHING, LINK, ARM	2
6	504740	INSULATOR, ELBOW	1	26	502342	COVER, MAIN, BOTTOM	1
7	22105A	COVER, HOUSING, MAIN	1	27	857557	RELIEF, STRAIN	1
8	902550	BEARING, BALL, 6203	1	28	501345	PLUG, BUTTON, 25/32"	1
9	40658A	FIELD AND ROTOR, KIT	1	29	66636A	PLATE, RELIEF, STRAIN	1
10	506842	PLUG, FM	1	30	170667	CONNECTOR, WIRE NUT	2
11	31237B	BUMPER, MAIN, HOUSING	1	31	962330	SCREW, PH, #6 X 3/8"	1
12	22106A	COVER, DRIP	1	32	962233	SCREW, SET, 1/4" X 5/16"	2
13	500342	ARM, ADJUSTING, WELD	1	33	509806	DECAL, DIAGRAM, WIRING	1
14	962727	SCREW, PH, #8 X 1/2"	3	34	77195A	DECAL, UL WARNING	1
15	962826	SCREW, PH, #10 X 3/8"	6	35	980675	WASHER, STAR, .190" ID	1
16	318303	SPRING, LOAD	1	36	40254A	HARNESS, WIRING, CAPACITOR	1
17	509240	TONGUE, TUBE, HANDLE	1	37	MP498000	PLATE, NAME, LABEL, FM	1
18	506740	PIN, PIVOT, HANDLE	1	38	502304	COVER, CAPACITOR	1
19	962337	SCREW, SH, 1/4" X 1/2"	5	39	507741	SHAFT, WHEEL	1
20	85310A	SCREW, PH, #10 X 2"	4				



## Main Assembly (continued)

<u>Item</u>	<u>Ref. No.</u>	<u>Description</u>	<u>Qty</u>
1A	507851	SHIELD, BRUSH, FM1700	1
1B	507861	SHIELD, BRUSH FM2000	1
2A	31234B	BUMPER, BRUSH, FM1700	1
2B	31235B	BUMPER, BRUSH, FM2000	1
3	962337	SCREW, SH, 1/4" X 1/2"	4
4	56380639	DECAL, PROP 65	1
5	MP500700	DECAL, HANDLE, FM	1
6	85817A	BOLT, HEX, 5/16" X 2"	1
7	85812A	BOLT, HEX, 5/16" X 7/8"	1
8	980652	WASHER, LOCK, 5/16"	2
9	920110	NUT, LOCK, 5/16"	1
10	920365	NUT, LOCK, 1/2"	1
11	501346	BOLT, LOCKING, CAM	1
12	743850	GUIDE, LOCK, HANDLE	1
13	61912A	CAM, LOCK, HANDLE	1
14	920349	NUT, LOCK, 1/4"	1
15	960969	BOLT, SHOULDER, 5/16" X 3/4"	1
16	980648	WASHER, FLAT, 17/32" ID	1
17	MP487400	WHEEL, 5" X 2"	2
18	87058A	WASHER, RETAINER	2
19	56109766	SCREW, BH, 1/4" X 5/8"	2

## Accessories

## FM-1700

<u>Item</u>	<u>Ref. No.</u>	<u>Description</u>	<u>Qty</u>
1	460908	BRUSH ASM POLISH FM17	1
2	51705A	BRUSH POLYPRO SCRUB 17	1
3	460918	BRUSH ASM STL WIRE FM17	1
4	51499A	FLAGGED NYLON BRUSH (METAL BACK)	1
5	11405A	CARPET CLEANING SCRUB BRUSH	1
6	460215	SANDING DISC ASSEMBLY	1
7	500212	GRINDING DISC ASSEMBLY w/6 STONES	1
8	451212	MEDIUM GRIT STONES (6 REQUIRED)	1
9	451305	COURSE GRIT STONES (6 REQUIRED)	1
10	53158A	PERMA GRIP DRIVE PAD ASSEMBLY	1
11	37008A	SUPER GRIP DRIVE PAD ASSEMBLY	1
12	50026B	TANK ASM 4 GAL BLACK	1
13	508641	TANK ASM SOLUTION FMC-LINE	1
14	51444A	ABRASIVE COATED SCRUB BRUSH	1
15	67307A	CAPTURE SKIRT	1
16	56383926	TOOL-MASTIC REMOVAL - 16	1
17	56383928	MASTIC REMOVAL BLADE KIT	1
18	56383930	TOOL-CONC PREP-25 GRIT - 16	1
19	56383932	CONC PREP 25 GRIT BLADE KIT	1
20	MP505700	SKIRT, 17", FM1700, W/VAC TUBE	1

*\*\*All Accessories are Optional and Not Included with the Machine\*\**

## FM-2000

<u>Item</u>	<u>Ref. No.</u>	<u>Description</u>	<u>Qty</u>
1	480916	BRUSH ASM POLISH FM/C/VP/DS	1
2	51446A	BRUSH ASM SCRUB 20 SILICON	1
3	480924	BRUSH ASM STL WIRE FM/C/VP20	1
4	51707A	BRUSH POLYPRO SCRUB 20	1
5	11406A	BRUSH ASM SCRUB 20 CAPTURE	1
6	50866A	DRIVER 19 DIA. C2K PAD	1
7	53156A	DRIVER PAD PERMA GRIP	1
8	37011A	PAD DRIVER 19 SUPER GRIPSHO	1
9	480206	ADAPTER ASM SANDING 18-3/4"	1
10	67308A	SKIRT 20 CAPTURE	1
11	508641	TANK ASM SOLUTION FMC-LINE	1
12	50026B	TANK ASM. 4 GAL BLACK	1
13	56383936	TOOL MASTIC REMOVAL-19	1
14	56383928	MASTIC REMOVAL BLADE KIT	1
15	56383937	TOOL-CONC PREP-25 GRIT - 19	1
16	56383938	19 CONC PREP 25 GRIT BLADE KIT	1
17	MP280700	BRUSH, SCRUB, CLEANING, CARPET	1
18	MP505800	SKIRT, 20", FM2000, W/VAC TUBE	1

*\*\*All Accessories are Optional and Not Included with the Machine\*\**

# Limited Warranty

FM1700 / FM2000

## TO QUALIFY FOR THIS WARRANTY

- (1) Machine must be registered within 30 days from the time of purchase on a form provided by Amano Pioneer Eclipse Corporation. Your Amano Pioneer Eclipse Distributor is responsible for the registration of your machine. Please cooperate with your Distributor in supplying necessary information on the card.
- (2) The machine must have been purchased from Amano Pioneer Eclipse or an authorized Amano Pioneer Eclipse Distributor.
- (3) This warranty extends to the original purchaser only and is not transferable to subsequent owners.

## TIME PERIODS

**FIVE (5) YEAR WARRANTY** - For the FM1700 & FM2000. Warranted to be free from defects in material and workmanship for a period of five (5) years from the date of purchase by the original owners. (See Exclusions)

## EXCLUSIONS (*Not Covered by Warranty*)

- (1) Expendable wear items and parts that fail through normal wear by reason of their characteristics (cords, brushes, pad holder, wheels, or other consumable parts).
- (2) This warranty does not extend to parts affected by misuse, neglect, abuse, accidents, damage in transit, overloading the capacity of the machine, failure due to lack of proper maintenance or care as described in the operating and maintenance instructions. All defective parts must be returned to the distributor for credit.
- (3) Minor adjustments, such as tightening of screws or bolts not connected with the replacement of parts, are not covered.
- (4) Repairs or alterations by an organization other than the factory or an Authorized Service Center are not covered and will void any Amano Pioneer Eclipse Corporation warranty as to the parts or systems repaired or altered by a non-authorized organization.

## THE OBLIGATION OF Amano Pioneer Eclipse Corporation

- (1) The obligation of Amano Pioneer Eclipse under this warranty is limited to repairing or replacing, at its option, any part which is proven to be defective in material or workmanship under normal use for the applicable period stated above.
- (2) Warranty repairs will be made by your Amano Pioneer Eclipse Distributor without charge for parts and labor. They will be compensated with a warranty labor rate of \$45.00 per hour, for the first year of ownership.
- (3) Parts repaired or replaced under this warranty are warranted only during the balance of the original warranty period. All defective parts replaced under these warranties become the property of Amano Pioneer Eclipse.

## WARRANTY SERVICE

To obtain warranty service, take your machine and proof of purchase to any authorized Amano Pioneer Eclipse Distributor. Amano Pioneer Eclipse will not reimburse expenses for service calls or travel. For the Distributor in your area, call Amano Pioneer Eclipse Customer Service Department at 800-367-3550 or 336-372-8080. If you are dissatisfied with the service that you receive, call or write Amano Pioneer Eclipse Customer Service Department for further assistance.

## INSTRUCTIONS AND CONDITIONS FOR WARRANTY REIMBURSEMENT

- Order replacement part: Orders will be processed and charged, as normal procedure.
- Call Amano Pioneer Eclipse for R/A number.
- You will need the Machine Serial Number and the Machine Model Number.
- Parts must be returned, accompanied with the R/A number to be eligible for warranty credit.
- All Warranty Parts will be shipped prepaid UPS Ground, any other method will be at the recipients expense.
- Freight on any Warranty Part after 30 days must be paid for by the Purchaser.
- Warranty labor rate is \$45.00 per hour.
- Credit will be issued upon completion of the above steps, at the above rates.

Transportation of hazardous waste or contaminated equipment is subject to various laws and regulations. In returning machines, parts, or accessories under this limited warranty, the end user must certify in writing that the machines, parts, or accessories being returned have not been used for handling, clean up, or disposal of hazardous waste or hazardous materials including but not limited to such things as asbestos, anthrax etc. or if the machines, parts, or accessories being returned have been used for handling, clean up, or disposal of hazardous waste or hazardous materials, then the end user must have the machines, parts or accessories decontaminated by licensed and qualified decontamination professionals and provide written certification of this decontamination signed by the decontamination professionals. These machines, parts or accessories are to be returned only to the local Amano Pioneer Eclipse Service Center for warranty service along with decontamination certification.

## DISCLAIMER OF CONSEQUENTIAL

THERE ARE NO WARRANTIES THAT EXTEND BEYOND THE DESCRIPTION OF THE LIMITED WARRANTIES STATED WITHIN. NO OTHER WARRANTY, EXPRESSED OR IMPLIED, INCLUDING BUT NOT LIMITED TO ANY IMPLIED WARRANTY OF MERCHANTABILITY OR FITNESS FOR A PARTICULAR PURPOSE, IS MADE EXCEPT AS EXPRESSLY STATED HEREIN. ANY STATUTORY IMPLIED WARRANTIES, INCLUDING ANY WARRANTY OF MERCHANTABILITY OR FITNESS FOR A PARTICULAR PURPOSE, THAT ARE IMPOSED BY LAW DESPITE THE EXPRESS LIMITATION OR WARRANTIES ABOVE, ARE EXPRESSLY LIMITED TO THE DURATION OF THE WRITTEN WARRANTY. BUYER UNDERSTANDS, ACKNOWLEDGES AND AGREES THAT THE REMEDIES PROVIDED UNDER THIS LIMITED WARRANTY ARE THE SOLE AND EXCLUSIVE REMEDIES AVAILABLE TO THE BUYER. AMANO PIONEER ECLIPSE DISCLAIMS ANY RESPONSIBILITY FOR LOSS OF USER TIME OF THE AMANO PIONEER ECLIPSE MACHINE OR ANY OTHER INCIDENTAL OR CONSEQUENTIAL DAMAGES. THIS INCLUDES, BUT NOT LIMITED TO INDIRECT, SPECIAL OR CONSEQUENTIAL DAMAGES ARISING OUT OF OR IN CONNECTION WITH THE FURNISHING, PERFORMANCE, USE OF OR INABILITY TO USE THE MACHINE. ANY EXTENSIONS OF OR MODIFICATIONS MADE TO THIS WARRANTY BY A DEALER/DISTRIBUTOR OF AMANO PIONEER ECLIPSE ARE THE SOLE RESPONSIBILITY OF THE DEALER/DISTRIBUTOR.

***Amano Pioneer Eclipse Corporation  
reserves the right to change its warranty  
policy without notice.***

Copyright 2021 Amano Pioneer Eclipse Corporation











## **Amano Pioneer Eclipse Corporation**

1 Eclipse Rd ● PO Box 909  
Sparta, North Carolina 28675 ● USA  
[www.pioneereclipse.com](http://www.pioneereclipse.com)

+1-336-372-8080  
1-800-367-3550  
Fax 1-336-372-2913