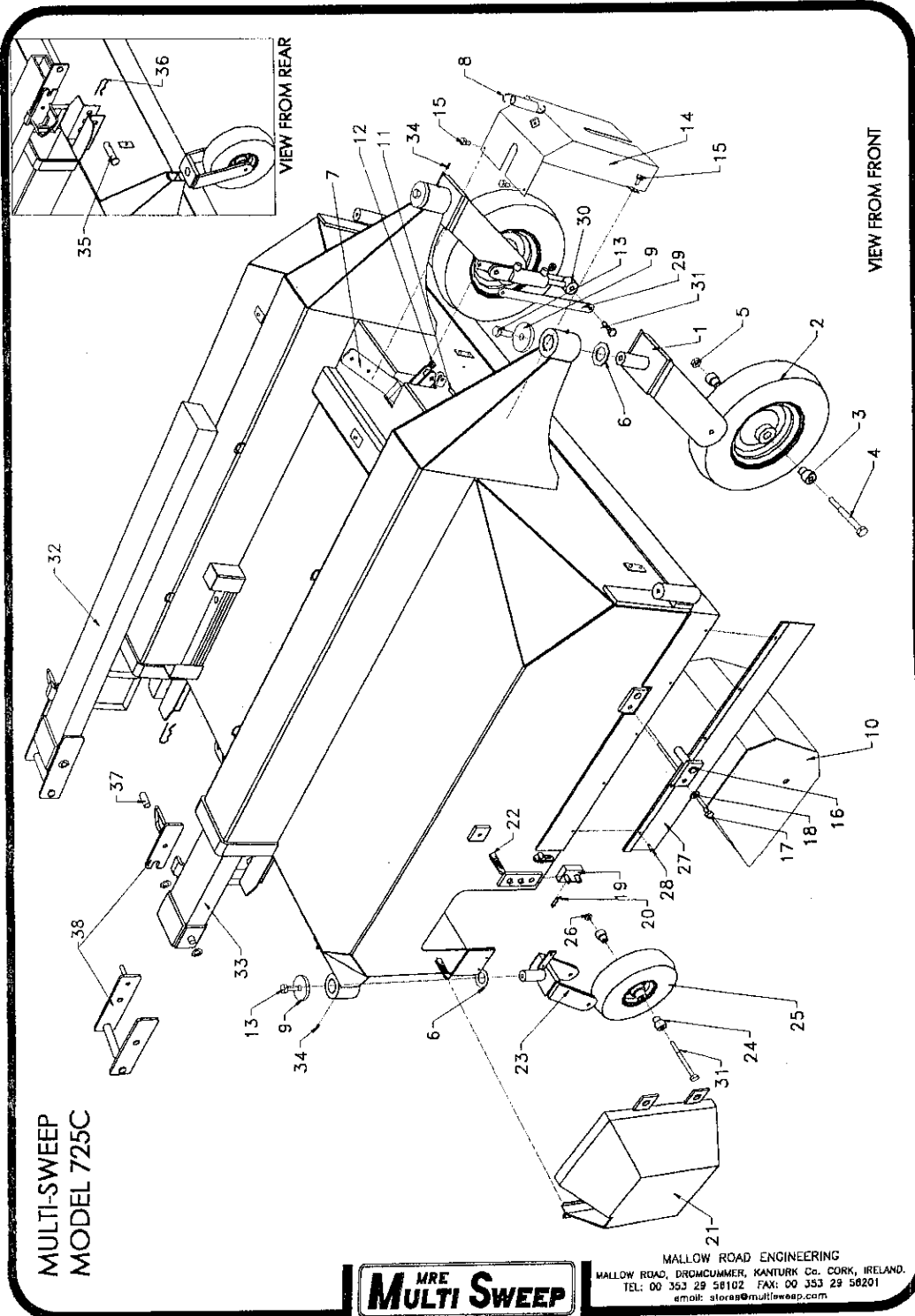


MULTI-SWEEP
MODEL 725C



MALLOW ROAD ENGINEERING
MALLOW ROAD, DROMCUMMER, KANTURK Co. CORK, IRELAND.
TEL: 00 353 29 58102 FAX: 00 353 29 58201
email: stores@multisweep.com

MAIN BODY - PARTS LISTING

ITEM	PART No.	DESCRIPTION	QTY.
1	V192	KINGPIN	2
2	F194	FRONT WHEEL (F145 = REPLACEMENT TYRE)	2
3	F200	FRONT BUSH	4
4	F154	BOLT	2
5	F203	NUT	2
6	V181	BRASS WASHER	4
7	V143	TRIP LEVER	1
8	F115	SPRING	1
9	V179	CAP	4
10	V149	DEBRIS CONTAINER	1
11	F103	BOLT	2
12	F101	NUT	2
13	F208	BOLT	4
14	V148	COVER	1
15	F114	BOLT	4
16	V134	HINGE PIN	2
17	F102	BOLT	2
18	F185	WASHER	2
19	V183	STOP BLOCK	2
20	F135	'R' CLIP	4
21	F169	DOOR	1
22	F147	LATCH	3
23	V193	KINGPIN	2
24	F144	BUSH	4
25	F142	REAR WHEEL	2
26	F101	NUT	4
27	B113	DUST APRON	1
28	F114	DUST APRON BOLTS	45
29	V145	RAM LINK LOWER	2
30	H100	DOUBLE ACTING HYDRAULIC CYLINDER	1
31	F183	BOLT	4
32	V136	FORK POCKET -- LEFT SIDE	1
33	V172	FORK POCKET -- RIGHT SIDE	1
34	F216	GREASE NIPPLE	4
35	V150	PIN	2
36	V167	'R' CLIP	2
37	F205	SPRING	2
38	V159	LOCK CATCH ASSEMBLY	2

**MULTI-SWEEP
MODEL 725C**



MALLOW ROAD ENGINEERING
MALLOW ROAD, DROMCUMMER, KANTURK Co. CORK, IRELAND.
TEL: 00 353 28 56102 FAX: 00 353 28 56201
email: alroea@multisweep.com

BROOM ASSEMBLY - PARTS LISTING

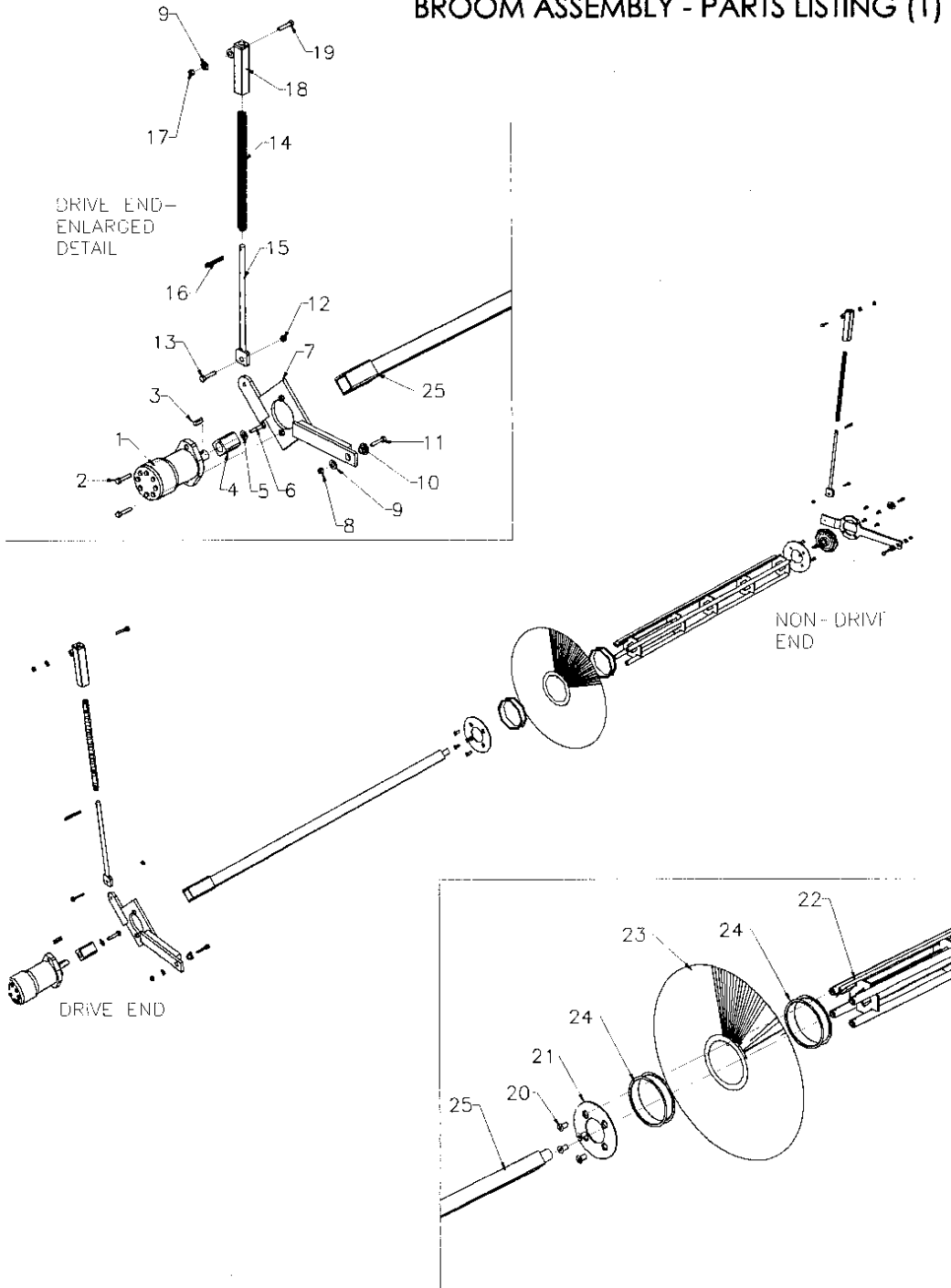
ITEM	PART No.	DESCRIPTION	QTY.
1	H103	MOTOR	1
1A	H103SE	SERVICE EXCHANGE MOTOR	1
1B	H235	SEAL KIT	1
2	F124	BOLT	2
3	H179	SHAFT KEY	1
4	B148	BLOCK COUPLING	1
5	F119	WASHER	1
6	F190	BOLT	1
7	V188	MOTOR ARM	1
8	F101	LOCKNUT	2
9	F132	WASHER	4
10	V116	BUSH	2
11	F103	BOLT	2
12	F101	NUT	2
13	F100	BOLT	2
14	F201	SPRING	2
15	V185	ROD	2
16	B151	SPLIT PIN	2
17	F101	LOCKNUT	2
18	V186	HOUSING	2
19	F202	BOLT	2
20	F160	SCREW	8
21	B122	END PLATE	2
22	B105	BROOM CORE	1
23	B146	POLY / WIRE BROOM SET	1
23A	B150	ALL POLY BROOM SET	1
24	B129	SPACER	50
25	B106	DRIVESHAFT	1
26	F189	BOLT	4
27	V187	BEARING ARM	1
28	F209	BEARING COMPLETE	1
28A	F140	BEARING INSERT	1
29	V191	BUSH	1
30	F160	SCREW	1

**MULTI-SWEEP
MODEL 725C**



MALLOW ROAD ENGINEERING
MALLOW ROAD, DROMCUMMER, KANTURK Co. CORK, IRELAND.
TEL: 00 353 29 56102 FAX: 00 353 29 56201
email: stores@multisweep.com

BROOM ASSEMBLY - PARTS LISTING (1)

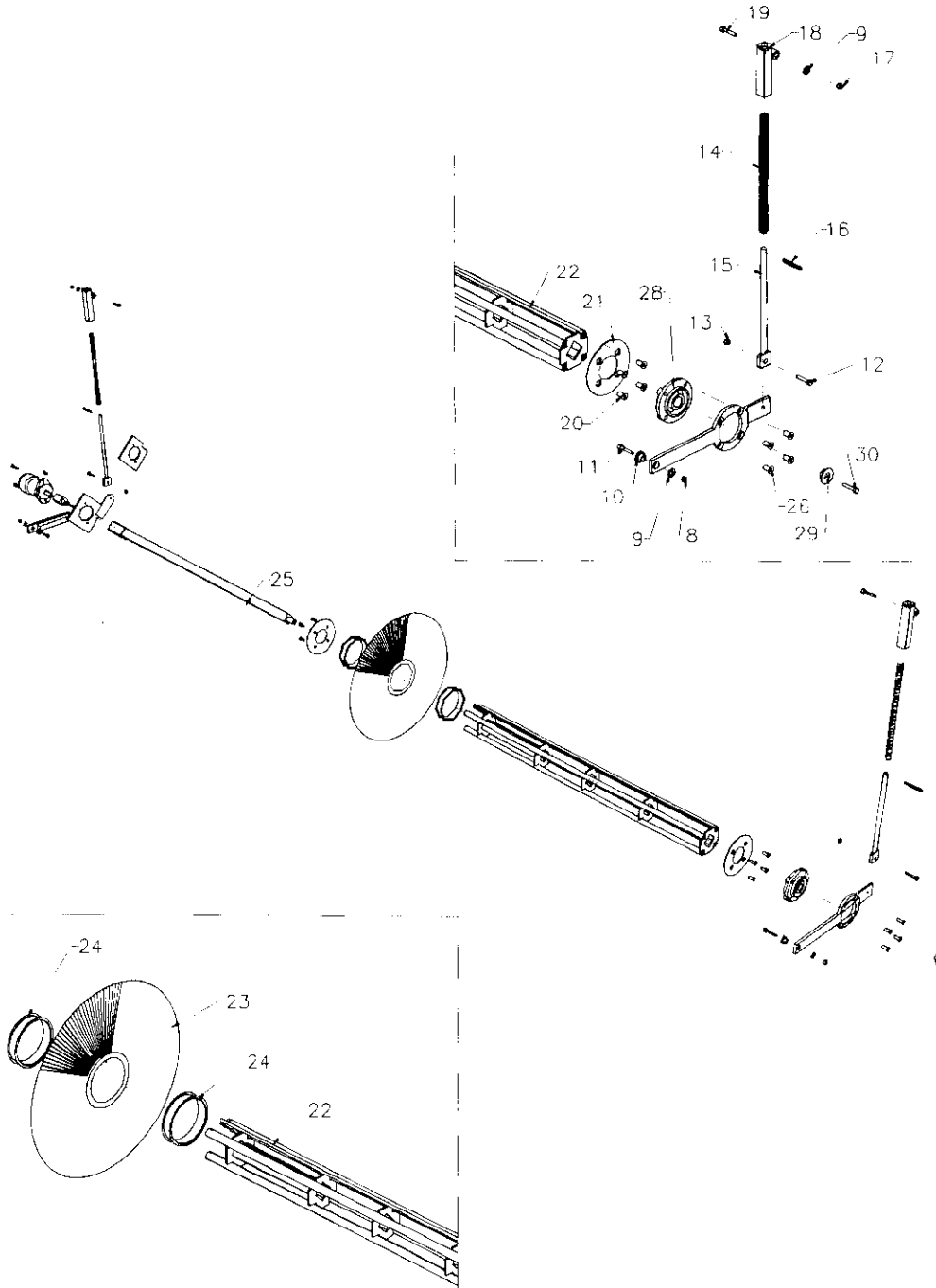


MULTI-SWEEP
MODEL 725C



MALLOW ROAD ENGINEERING
MALLOW ROAD, DROMCUMMER, KANTURK Co. CORK, IRELAND.
TEL: 00 353 29 56102 FAX: 00 353 29 56201
email: stores@multisweep.com

BROOM ASSEMBLY - PARTS LISTING (2)



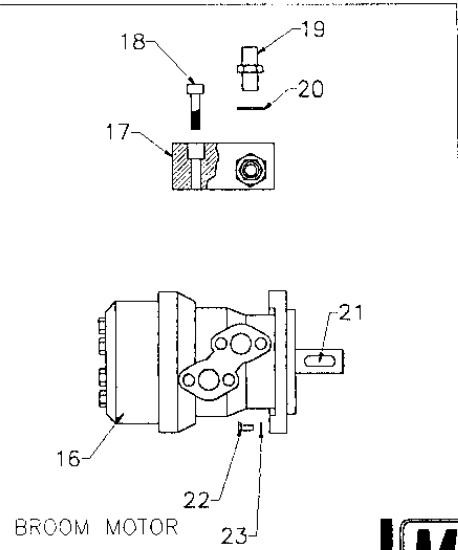
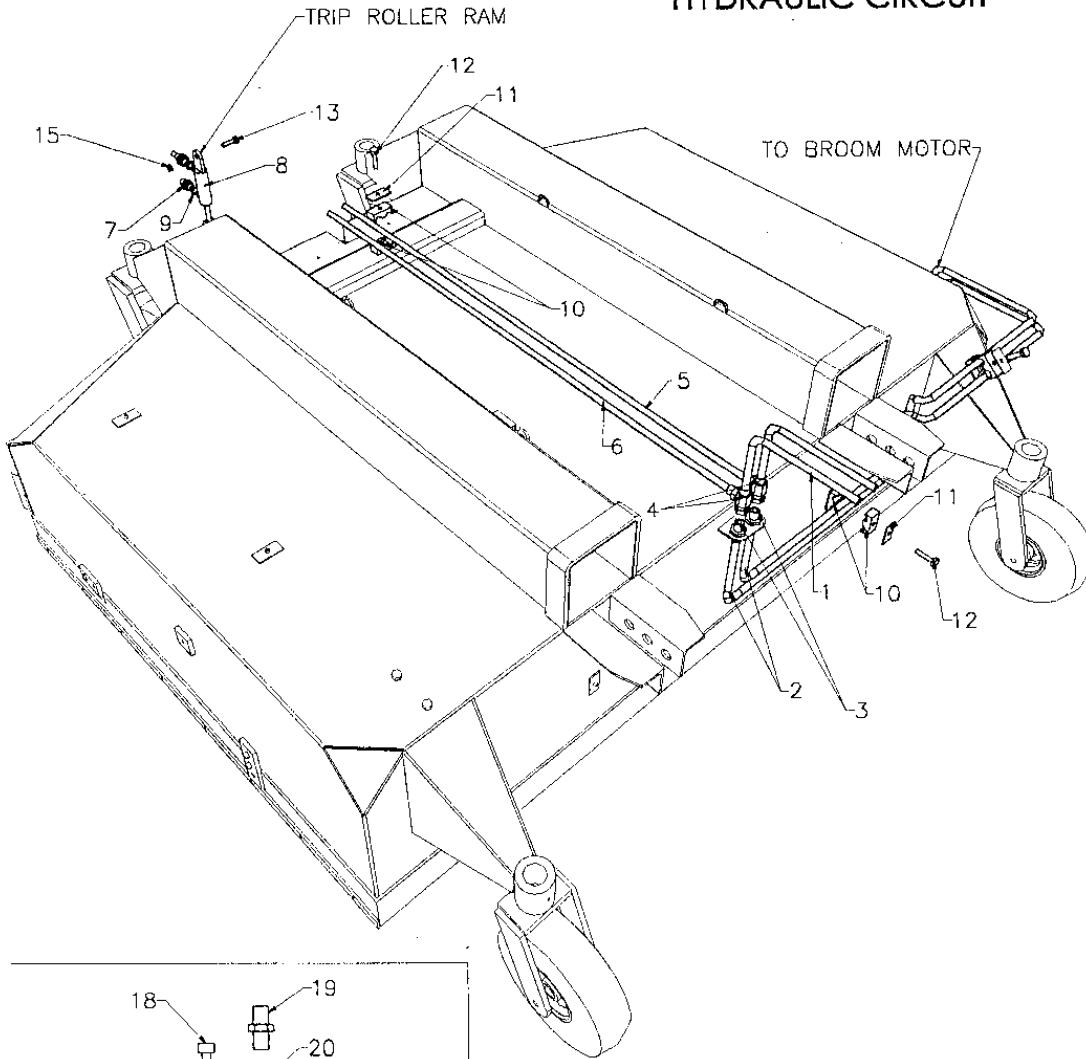
MULTI-SWEEP
MODEL 725C



MALLOW ROAD ENGINEERING
MALLOW ROAD, DROMCUMMER, KANTURK Co. CORK, IRELAND
TEL: 00 353 29 56102 FAX: 00 353 29 56201
email: stores@multisweep.com

**MULTI-SWEEP
MODEL 725C**

**DIRECT DRIVE
HYDRAULIC CIRCUIT**



BROOM MOTOR



MALLOW ROAD ENGINEERING
MALLOW ROAD, DROMCUMMER, KANTURK Co. CORK, IRELAND.
TEL: 00 353 29 56102 FAX: 00 353 29 56201
email: store@mallsweep.com

DIRECT DRIVE HYDRAULIC CIRCUIT - PARTS LISTING

ITEM	PART No.	DESCRIPTION	QTY.
1	H186	HOSE (TO FORKLIFT)	2
2	H188	HOSE	2
3	H125	BULKHEAD ADAPTOR	2
4	H116	TEE ADAPTOR	2
5	H202	HOSE	1
6	H202	HOSE	1
7	H123	STRAIGHT ADAPTOR	2
8	H100	CYLINDER	1
	H107	SEAL KIT -- CYLINDER	1
9	H108	BONDED SEAL	2
10	H110	HOSECLAMP SET	2
11	H115	TOP PLATE	2
12	F126	BOLT	2
13	F103	BOLT (UPPER)	1
14	F183	BOLT (LOWER - NOT SHOWN)	1
15	F101	NUT	2
16	H103	MOTOR	1
	H235	SEAL KIT-MOTOR	1
17	H140	RELIEF VALVE	1
18	F163	BOLT	4
19	H127	ADAPTOR	2
20	H111	BONDED SEAL	2
21	H179	SHAFT KEY	1
22	F124	BOLT	2
23	F185	WASHER	2

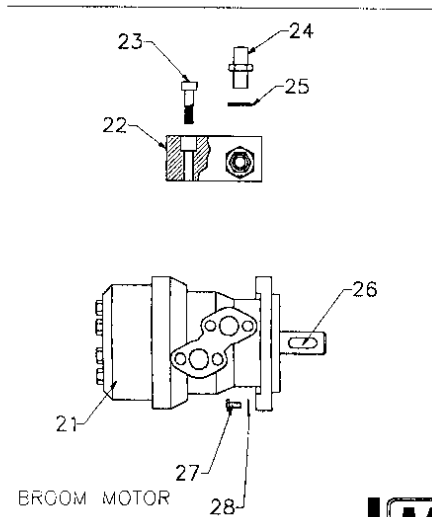
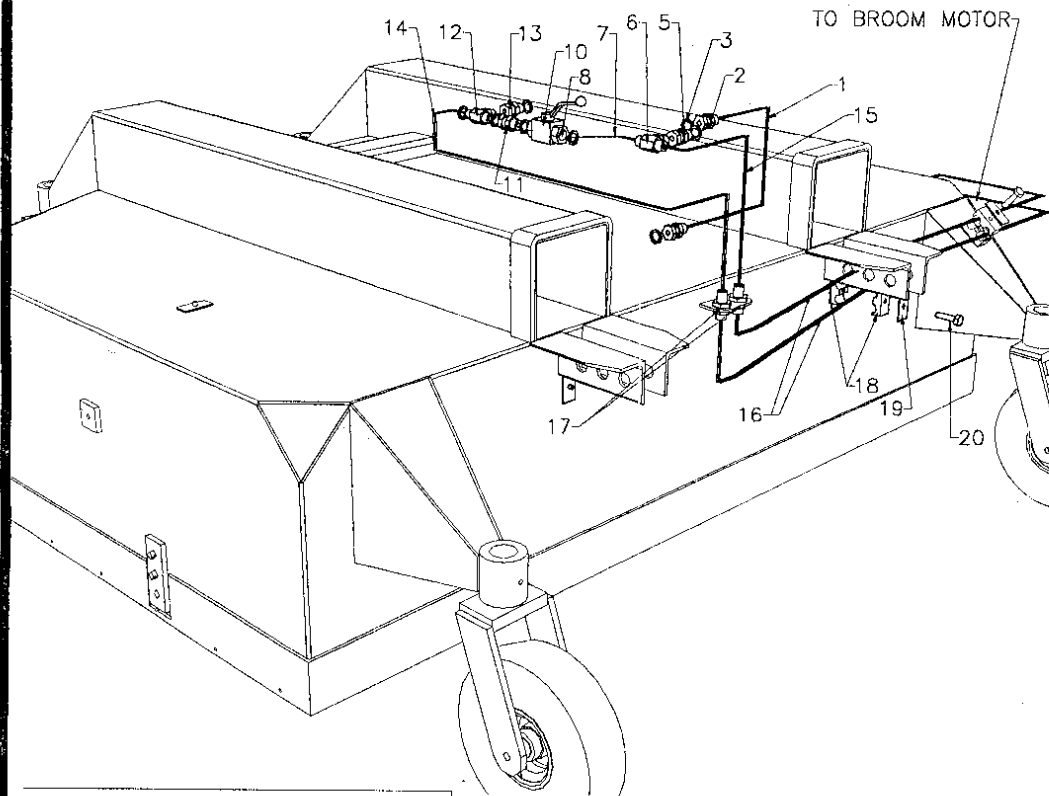
**MULTI-SWEEP
MODEL 725C**

**MRE
MULTI SWEEP**

MALLOW ROAD ENGINEERING
MALLOW ROAD, DRINGLUMMER, KANTURK Co. CORK, IRELAND.
TEL: 00 353 29 56102 FAX: 00 353 29 56201
email: stores@multisweep.com

MULTI-SWEEP
MODEL 725C

POWER PACK
HYDRAULIC CIRCUIT



BROOM MOTOR

MRE
MULTI SWEEP

MALLOW ROAD ENGINEERING
MALLOW ROAD, DRUMCUMMER, KANTURK Co. CORK, IRELAND.
TEL: 00 353 29 56102 FAX: 00 353 29 56201
email: stores@multisweep.com

POWER PACK HYDRAULIC CIRCUIT - PARTS LISTING

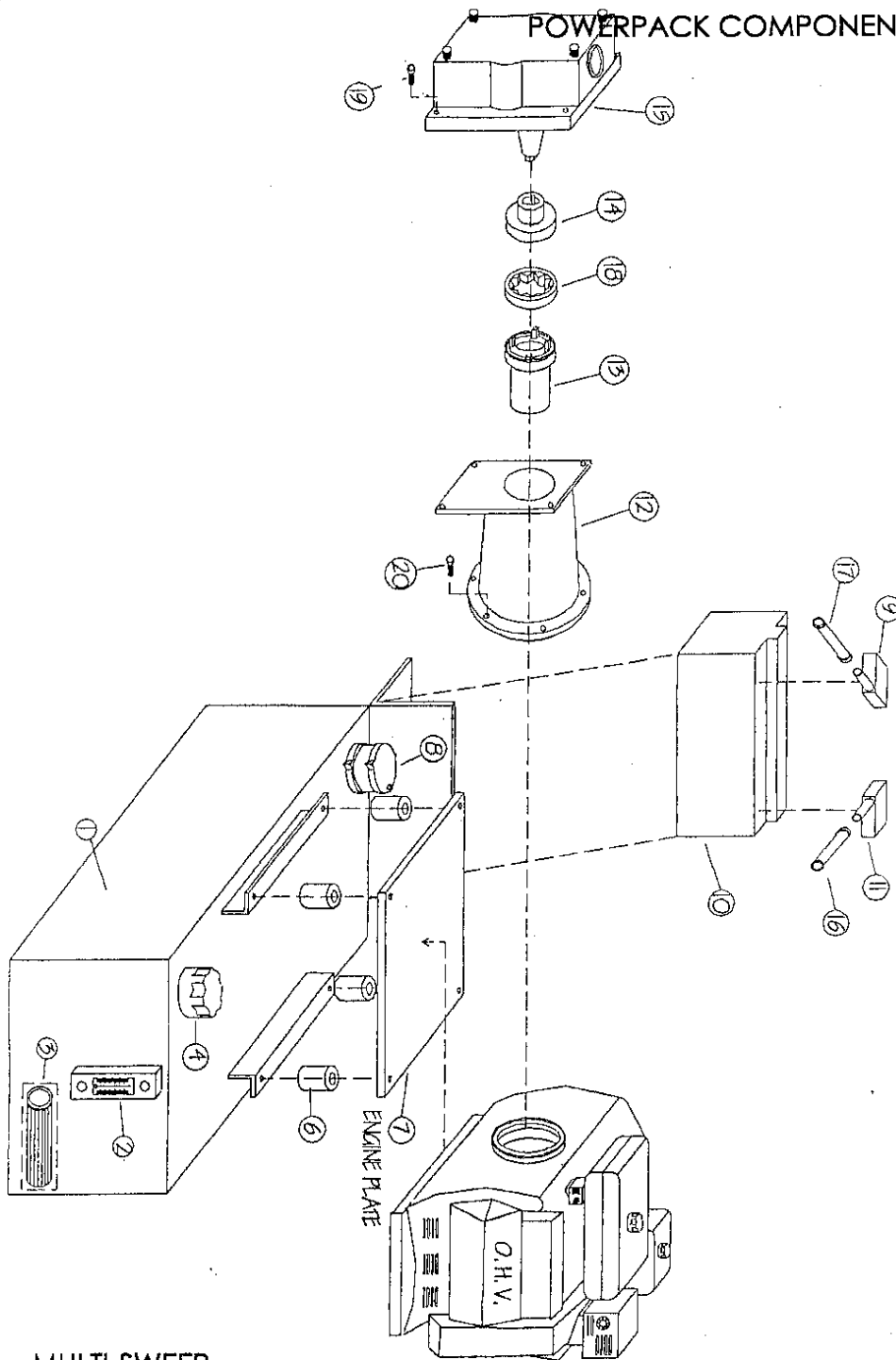
ITEM	PART No.	DESCRIPTION	QTY.
1	H197	SUCTION HOSE	1
2	H106	ADAPTOR	1
3	H111	BONDED SEAL	7
5	H126	MALE-FEMALE ADAPTOR	1
6	H124	TEE ADAPTOR	1
7	H196	HOSE	1
8	H127	STRAIGHT ADAPTOR	1
10	H132	BALL VALVE	1
11	H126	MALE-FEMALE ADAPTOR	1
12	H124	TEE ADAPTOR	1
13	H126	MALE-FEMALE ADAPTOR	1
14	H195	HOSE	1
15	H194	HOSE	1
16	H188	HOSE	2
17	H125	BULKHEAD ADAPTOR	2
18	H110	HOSECLAMP SET	2
19	H115	TOP PLATE	2
20	F126	BOLT	2
21	H103	MOTOR	1
21A	H235	SEAL KIT-MOTOR	1
22	H140	RELIEF VALVE	1
23	F163	BOLT	4
24	H127	ADAPTOR	2
25	H111	BONDED SEAL	2
26	H179	SHAFT KEY	1
27	F124	BOLT	2
28	F185	WASHER	2

MULTI-SWEEP
MODEL 725C



MALLOW ROAD ENGINEERING
MALLOW ROAD, DROMCUMMER, KANTURK Co. CORK, IRELAND.
TEL: 00 353 29 56102 FAX: 00 353 29 56201
email: stores@multisweep.com

POWERPACK COMPONENTS



MULTI-SWEEP
MODEL 725C

MRE
MULTI SWEEP

MALLOW ROAD ENGINEERING
MALLOW ROAD, DROMCLUMMER, KANTURK Co. CORK, IRELAND.
TEL: 00 353 29 56102 FAX: 00 353 29 56201
email: stores@multisweep.com

ENGINE

POWERPACK COMPONENTS - PARTS LISTING

ITEM	PART No.	DESCRIPTION	QTY.
1	V101	RESERVOIR	1
2	H160	OIL LEVEL GAUGE	1
3	H161	SUCTION STRAINER	1
4	H162	FILLER CAP ASSEMBLY	1
6	F157	RUBBER MOUNT	4
7	V106	BASE PLATE - PETROL ENGINE	1
	V176	BASEPLATE - DIESEL ENGINE	1
8	H146	HYDRAULIC FILTER ASSEMBLY	1
8A	H159	FILTER ELEMENT	1
9	M117	TERMINAL COVER - BLACK	1
10	P102	BATTERY	1
11	M114	TERMINAL COVER - RED	1
12	V102	BELL HOUSING	1
13	H163	COUPLING	1
14	H137	COUPLING	1
15	H105	PUMP	1
16	M110	LEAD - LONG	1
17	M118	LEAD - SHORT	1
18	H138	RUBBER COUPLING	1
19	F190	BOLT 5740	4
20	F130	BOLT 8740	4

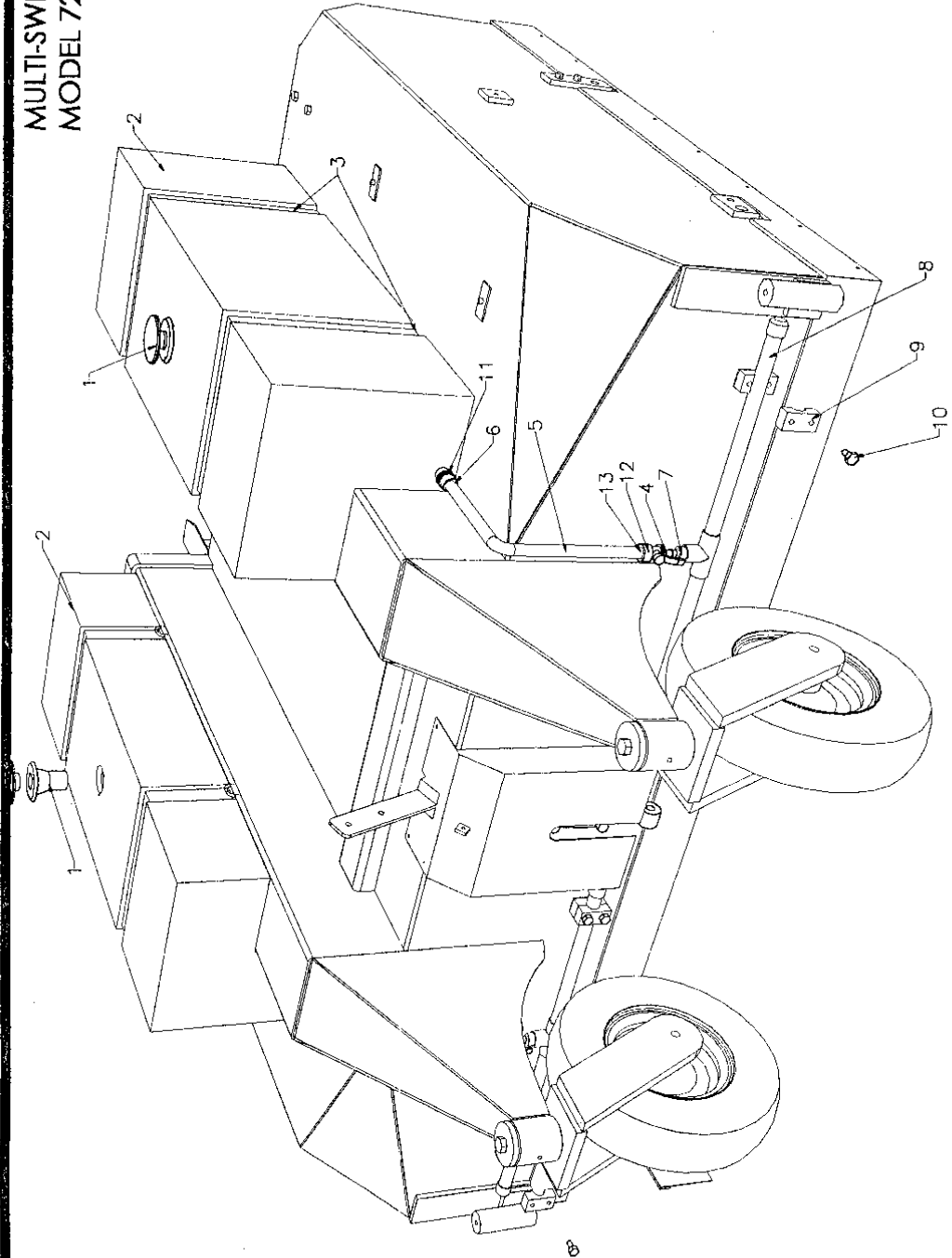
MULTI-SWEEP
MODEL 725C

MRE
MULTI SWEEP

MALLOW ROAD ENGINEERING
MALLOW ROAD, DRUMCUMMER, KANTURK Co. CORK, IRELAND.
TEL: 00 353 29 56102 FAX: 00 353 29 56201
email: stores@multisweep.com

MULTI-SWEEP
MODEL 725C

GRAVITY WATER SYSTEM



MRE
MULTI SWEEP

MALLOW ROAD ENGINEERING
MALLOW ROAD, DROMCUMMER, KANTURK Co. CORK, IRELAND.
TEL: 00 353 29 56102 FAX: 00 353 29 56201
email: stores@multisweep.com

GRAVITY WATER SYSTEM - PARTS LISTING

ITEM	PART No.	DESCRIPTION	QTY.
1	W127	FILLER CAP ASSEMBLY	2
2	W101	TANK	2
3	M108	SECURING STRAPS	4
4	W112	BALL VALVE	2
5	W142	HOSE	2
6	W105	SPLIT RING SET	2
7	H123	ADAPTOR	2
8	W144	SPRAYBAR	2
9	H228	CLAMP SET	4
10	F168	BOLT	8
11	W125	ADAPTOR	2
12	H128	HOSE INSERT ADAPTOR	2
13	W111	O-CLIP	2

**MULTI-SWEEP
MODEL 725C**

**MRE
MULTI SWEEP**

MALLOW ROAD ENGINEERING
MALLOW ROAD, DROMCUMMER, KANTURK Co. CORK, IRELAND.
TEL: 00 353 29 56102 FAX: 00 353 29 56201
email: store@multisweep.com

SIDE CURB BRUSH

ITEM	PART NO.	DESCRIPTION	QTY.
1	B100	CURB BRUSH - POLY/WIRE MIX	1
1A	B100A	CURB BRUSH - ALL POLY	1
1B	B100C	CURB BRUSH - ALL WIRE	1
2	F116	LOCKNUT	3
3	F153	FLATWASHER	3
4	F121	SPRING WASHER	1
5	F118	BOLT	3
6	B131	BRUSH MOUNT DISC	1
7	F112	CENTRE BOLT - ONTO MOTOR	1
8	F220	FLAT WASHER	1
9	F101	NUT	2
10A	B132	MOTOR MOUNT ARM - L/H	1
10B	B119	MOTOR MOUNT ARM - R/H	1
11	H103	MOTOR	1
11A	H235	SEAL KIT - MOTOR	1
12	F103	BOLT	2
13	F211	ADJUSTER NUT	1
14	F114	NUT	2
15	F119	FLAT WASHER	2
16	F146	BOLT	2
17	B133	HINGE SOCKET - L/H	1
18	V213	PIN	1
19	V214	LYNCH PIN	1
20	F222	BOLT	1
21	B134	MOUNT SECTION - L/H	1
22	V111	RETAINING CAP	1
23	F100	BOLT	1
25	B136	HINGE SOCKET - R/H	1
26	F102	BOLT - FOR RETAINING CAP	1
27	F185	SPRING WASHER	1
28	F132	FLAT WASHER	1
29	F216	GREASE NIPPLE	1
30	B137	MOUNT SECTION - R/H	1
31	H179	SHAFT KEY (ON MOTOR DRIVE)	1

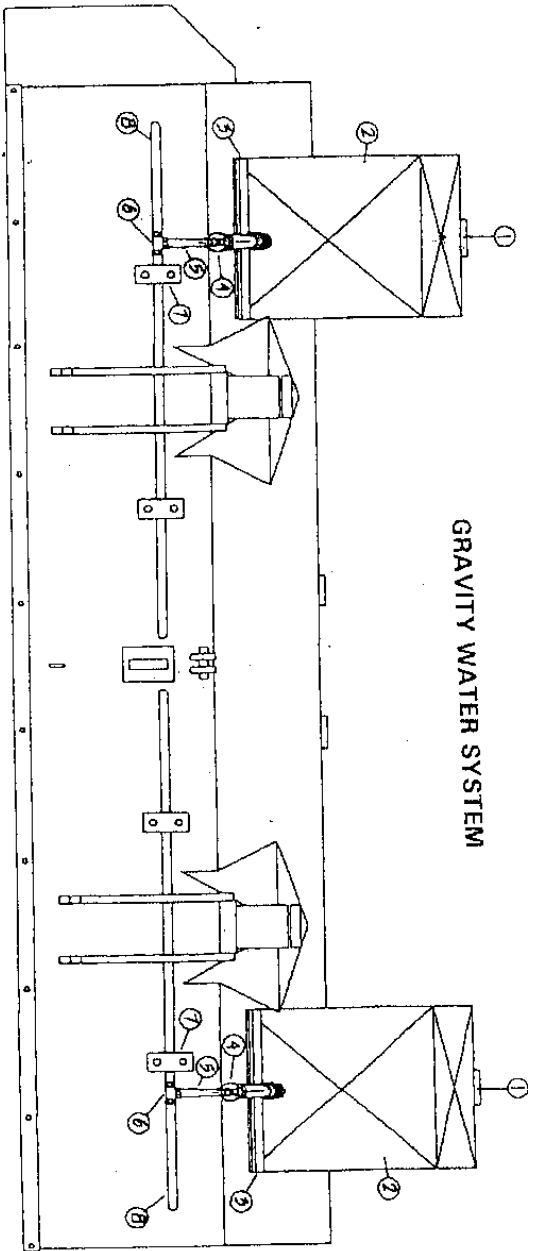
MULTI-SWEEP

425

MRE
MULTI SWEEP

MALLOW ROAD ENGINEERING
MALLOW ROAD, DROMCLUMMER, KANTURK Co. CORK, IRELAND.
TEL: 00 353 28 56102 FAX: 00 353 28 56201
email: etoroa@multisweep.com

GRAVITY WATER SYSTEM



Item	Part Number	Description	Quantity
1	W127	Filler Cap	2
2	W100	Water Tank	2
3	W113	Bracket	4
4	W145	Ball Valve	2
5	W123	Hose	2
6	W111	Pipe Clip	4
7	H228	Clamp Assy.	4
8	W146	Spraybar	2
9	W102	Hosetail Adaptor	2
10	W152	Adaptor	2
11	F114	Bolt	8
12	F119	Washer	8

