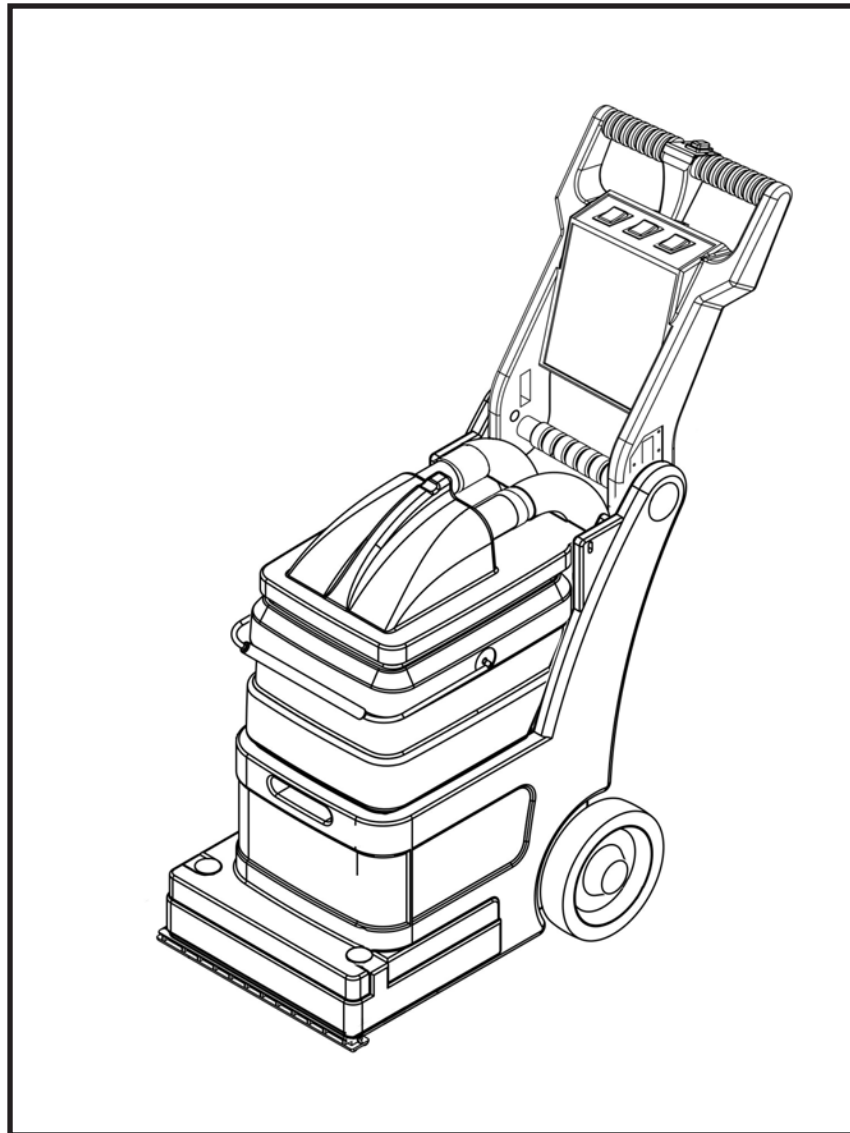


# FIVESTAR

401TR  
411TR

## 3 GALLON SELF-CONTAINED EXTRACTOR

OWNER'S/OPERATOR'S MANUAL



PROUDLY DESIGNED AND MANUFACTURED BY

**EDIC**

WWW.EDIC-USA.COM



## UNPACKING YOUR NEW FIVESTAR:

When your package is delivered, check the carton carefully for signs of rough handling. If the FIVESTAR is damaged, notify the carrier immediately and request an inspection. Be sure to keep the carton, packing inserts, packing lists and carrier's receipt until the inspector has verified your claim.

EDIC's liability ceases when the carrier picks up the shipment. However, our customer service staff will be happy to furnish any information needed in connection with the claim and will attempt to expedite a resolution.



## PLEASE READ BEFORE OPERATING YOUR NEW FIVESTAR:

Read the manual carefully and completely before attempting to operate the unit. This manual has important information for the use and safe operation of the machine. Keep this manual handy at all times.

This equipment has been engineered and manufactured to provide excellent performance and service. To ensure that your equipment will continue to perform as intended:

- Maintain equipment regularly- following the suggested maintenance schedule provided.
- Use only original EDIC parts when servicing.
- Operate equipment with care.

If additional information is needed, please contact EDIC at: 800-338-3342 or email [info@edic-usa.com](mailto:info@edic-usa.com)

All information and specifications printed in the manual are current at the time of printing; however because of EDIC's policy of continual product development, we reserve the right to make changes at any time without notice.

**FAILURE TO COMPLY WITH THE FOLLOWING WARNINGS AND INSTRUCTIONS WILL VOID THE WARRANTY.**

## WARNING!

- Make sure the machine is plugged into an electrical outlet with the same voltage and frequency rating as shown on the nameplate of the machine. Do not attempt to plug a 115 volt machine into a 230 volt outlet.
- Do not immerse or use this machine in standing water. Such use can cause electric shock.
- Do not use to pick up flammable or combustible liquids such as gasoline or use in areas where they may be present.
- Do not expose machine to freezing temperatures.
- To avoid electric shock, do not expose the unit to rain-store indoors only.
- Connect to a properly grounded outlet only. See "Grounding Instructions."
- Turn off all controls before unplugging.
- Do not use without filters in place.
- Do not put any object into openings. Do not use with any opening blocked; keep free of dust, lint, hair and anything that may reduce air flow.
- Do not pick up anything that is burning or smoking, such as cigarettes, matches or hot ashes.
- Do not use machine for dry vacuuming. This machine is not outfitted with a fine dust filter and it will damage the vacuum motor( s ).
- Do not turn on the vacuum-pump switch when the solution tank is empty.
- Use defoamer at all times to prevent damage to the vacuum motor.
- Do not use water in excess of 140° F ( 62° C).
- Use only commercially available carpet cleaners and defoamer intended for use with extraction machines of this type. Do not use dyes, bleaches, ammonia, or other additives. The use of powdered cleaning solution if not diluted properly may result in damage to the pump.
- All servicing of EDIC equipment should be performed only by EDIC authorized service centers.
- Keep hair, loose clothing, fingers an all parts of the body away from openings and moving parts.
- Use extra care when cleaning on stairs.
- Do not use replacement parts other than those specified in the parts list. Proper maintenance if the machine could be affected if substitutions are made.
- Follow maintenance schedule strictly.

## GROUNDING INSTRUCTIONS:

This piece of equipment must be grounded. Should an electrical malfunction occur, grounding provides a path of least resistance for electrical current- reducing the risk of electric shock. This piece of equipment is furnished with a cord that has a grounding conductor and grounding plug. The grounded plug must only be plugged into an appropriate outlet that is properly installed and grounded in accordance with all local codes and ordinances.

## WARNING:

Connecting the equipment to an improperly grounded outlet can result in an increased risk of electric shock. A qualified electrician should be consulted if you are unsure that the outlet is properly grounded. Do not modify the plug provided with the equipment. If it will not fit the outlet, have a proper outlet installed by a qualified electrician.

This appliance is designed for use on a 120-volt circuit. The grounding plug provided looks like the plug illustrated in Figure 1. Replace the power cord if the grounding pin is damaged or broken.

Extension cords connected to this machine should be 12 gauge, three-wire cords with three-prong plugs and outlets. DO NOT use extension cords more than 25 feet (7.6 m) long.

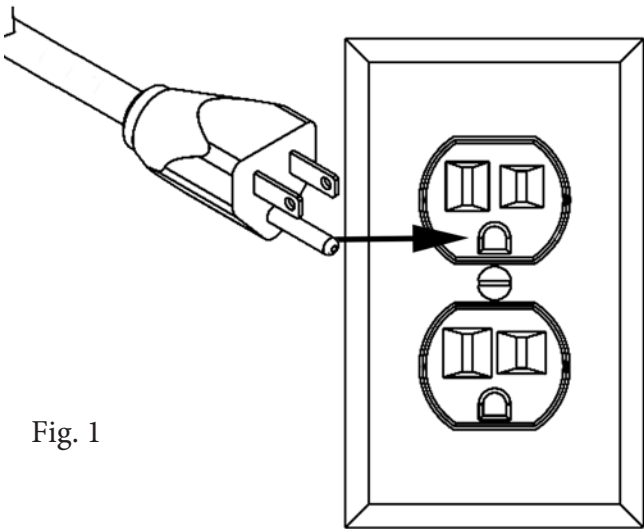


Fig. 1

## DAILY MAINTENANCE:

The FiveStar is engineered and built to require minimum maintenance. But like any machine, it does require some care to keep it in optimum working condition. Careful attention to these maintenance instructions will give you maximum operating performance and life expectancy of the machine.

## CAUTION: Disconnect the power cord from the outlet before doing any clean up or maintenance on the machine

1. Keep the machine clean, inside and out including the lid, bucket, brush and brush chamber.
2. Pour a gallon of clean hot water in the smaller opening of the bucket. Turn the pump on and flush the entire system through the spray nozzles for about a minute to prevent alkaline build-up.
3. Keep filters clean.
4. Quick connect coupler- Spray with silicone lubricant to keep coupler from sticking.
5. Valve, upholstery tool- If the plunger on the valve sticks, spray with silicone lubricant.

## Servicing:

In the event that your heater requires service, please contact EDIC at:

800-338-3342

or email [info@edic-usa.com](mailto:info@edic-usa.com)

Do not attempt repairs yourself. EDIC will assist you in locating an independent service contractor.

---

## CLEANING TIPS

- Check the condition of the area to be cleaned. Look for loose carpet, heavily soiled areas, stains or spots and worn areas. Bring these to the attention of the person in charge before performing the cleaning job. Make sure all edges of the carpet are securely tacked in place and all seams are sewn ( or glued) tight. This is your protection against shrinkage.
- Locate an inconspicuous spot on the area to be cleaned. Test carpet for colorfastness before proceeding. Pour the concentrated cleaning solution on the spot, cover with a white towel and place a heavy object on top to absorb the cleaning solution. Wait approximately 10 minutes for any reaction to take place. Remove weight. If there is no color transfer, it should be safe to clean. Apply this procedure if different color-texture carpet is seen in adjacent rooms or areas to be cleaned.
- Remove the furniture from the area to be cleaned. Large pieces can be moved to opposite end of the room from where you start cleaning and replaced when it is completed. After cleaning carpet, place a small square of aluminum foil under the furniture legs to prevent moisture from damaging the finish and avoid dye and rust from transferring to the carpet.
- Clean the area with an upright vacuum. **DO NOT USE THIS MACHINE AS A DRY VACUUM!** Heavily soiled carpet or areas of concentrated foot traffic should be treated with recommended pre-spotting or pre-spray chemicals. If a spotter is used, follow label directions exactly. Do not allow any spotter or prespray to dry on the carpet as it may damage the carpet permanently.
- Identify the type of carpet fiber to be cleaned. Most commercial carpet fibers in use are acrylic or nylon based. Best results in cleaning would be obtained if hot water is used to clean these fibers. On the other hand, hot water would shrink natural fiber carpeting, like wool and cotton in particular. Exercise caution when cleaning natural fibers by using cool water, testing for colorfastness and applying the least amount of cleaning solution possible.
- Plan your cleaning route. Start cleaning at the farthest point away from where you plugged the machine and work back towards the outlet so that the cord will not get in the way.

## TO CLEAN CARPET:

### 1. PREPARE THE MACHINE

Make sure the switch is in the “OFF” position and all hoses are connected. Using only approved cleaning solution, mix according to the bottle instructions and pour in the correct side of the bucket. Use the fill level label to fill with the correct amount of solution. To reduce foaming, pour 2 ounces of defoamer into the recovery bladder. Place bucket onto machine and close lid.

### 2. TO CLEAN

**For 401TR models**, turn black rocker switch to “CARPET” position and turn pump switch to “ON.” While pushing the “ACTIVATE” switch, pull the machine as you step backwards. Release the “ACTIVATE” switch 6 inches before ending a stroke. Repeat cleaning stroke with 3” overlaps. Continue until cleaning solution is consumed. Empty and rinse bucket. Repeat steps 1 and 2.

**For 411TR models**, turn the solution control valve on the side of the machine to “CARPET”. Turn the black rocker switch to the “PUMP” position and turn the Brush and Vacuum switches to the “ON” position. While pushing the “ACTIVATE” switch, pull the machine as you step backwards. Release the “ACTIVATE” switch 6 inches before ending a stroke. Repeat cleaning stroke with 3” overlaps. Continue until cleaning solution is consumed. Empty and rinse bucket. Repeat steps 1 and 2

### 3. CHECK BUCKET LID

If excessive foam appears in the lid, add 2 ounces of defoamer or empty and rinse the bucket. Repeat steps 1 and 2.

### 4. CLEAN MACHINE BEFORE RETURNING

Clean the lid filter screen and rinse out bucket. Wipe all surfaces including the bottom of machine. Remove carpet lint and strings from brush and vacuum nozzle.

---

## TO CLEAN UPHOLSTERY:

Cleaning upholstery with success requires a good knowledge of the type of fabric to be worked on. Look for the cleaning label sewn on the underside of the furniture for the recommended method of cleaning the fabric. If it calls for dry cleaning, do not attempt to clean with the wet extraction method. Otherwise, damage to the fabric could occur. Extraction works on most synthetic fibers. Before proceeding, test fabric for colorfastness. Pour a small amount of cleaning solution on the fabric in an inconspicuous spot. Rub the area with a white terry towel. If no color comes off the towel, the fabric should be safe to clean. If color transfers, do not continue.

### 1. PREPARE THE MACHINE

Complete Step 1 under Carpet Cleaning Instructions using approved Upholstery Cleaning Solution. Disconnect the vacuum hose with black hose cuff from the lid and disconnect the solution hose from the back of the machine. Replace them with the upholstery hoses.

### 2. TO CLEAN

**For 401TR models**, turn switch to upholstery position. Turn pump switch “ON.” Depress upholstery tool trigger while pulling tool across upholstery surface with overlapping strokes. To speed drying go over the upholstery without depressing the trigger. Continue cleaning until cleaning solution is consumed. Empty and rinse bucket. Repeat Step 1 and 2.

**For 411TR models**, turn the solution control valve located on the side of the machine to “CARPET.” Turn the black rocker switch to the “UPHOLSTERY” position. Turn the Vacuum switch to the “ON” position. Depress upholstery tool trigger while pulling tool across upholstery surface with overlapping strokes. To speed drying go over the upholstery without depressing the trigger. Continue cleaning until cleaning solution is consumed. Empty and rinse bucket. Repeat Step 1 and 2.

### 3. CHECK BUCKET LID

See Step 3 under “To Clean Carpet.”

### 4. CLEAN MACHINE BEFORE RETURNING

See Step 4 under “To Clean Carpet.”

## TO CLEAN HARD FLOORS (411TR ONLY)

If your machine is a 411TR, it has a solution control valve located on the side of the machine, you may clean hard floors using the following instructions.

### WARNING:

**USE ONLY APPROVED FLOOR CLEANING SOLUTIONS.**

### WARNING:

**To avoid possible scratching on soft surfaces such as marble, vinyl, etc., remove all abrasive materials from the surface to be cleared, such as sand, etc.**

**The FiveStar is intended to be used to scrub and clean hard floors surfaces.**

- **DO NOT use the machine to apply finish.**
- **DO NOT use the machine to apply stripper.**
- **DO NOT use the machine to vacuum up stripper**

### 1. PREPARING THE MACHINE:

Complete Step 1 under Carpet Cleaning Instructions using approved Upholstery Cleaning Solution. Disconnect the vacuum hose with black hose cuff from the lid and disconnect the solution hose from the back of the machine. Replace them with the upholstery hoses.

### 1. TO CLEAN:

Turn the solution control valve located on the side of the machine to “FLOOR” then follow the 411TR sections of 2,3, and 4 under “TO CLEAN CARPET”

---

# TROUBLESHOOTING

## **ELECTRICAL SYSTEM**

### *PROBLEM*

No electrical power.

### *POSSIBLE CAUSE*

1. Defective power cord.
2. House or building circuit breaker tripped.

Switch is turned on. Power is intermittent to all motor(s).

1. Faulty electrical cable
2. Defective switches.
3. Loose terminal or terminal connections.

## **VACUUM SYSTEM**

### *PROBLEM*

No vacuum.

### *POSSIBLE CAUSE*

1. Vacuum lid is not sealed against tank.
2. Loose vacuum hose, vacuum connection.

Low vacuum.

1. Accumulated dirt on lid screen.
2. Worn out vacuum lid gasket.
3. Lint & dirt build-up on vacuum nozzle.
4. Defective vacuum hose.
5. Loose connection in the vacuum motor(s).

## **SOLUTION SYSTEM**

### *PROBLEM*

Pump motor is on but there is no spray through the spray tip.

### *POSSIBLE CAUSE*

1. Clogged spray tip.
2. Clogged filter screen on end of dome hose.
3. Plugged female quick disconnect coupler.
4. Punctured pump diaphragm.
5. Defective pump check valve.
6. Crack in pump housing.
7. Debris in check valve.

Uneven or weak spray from tip.

1. Clogged or dirty spray tip.
2. Accumulated dirt on filter screen of dome hose.
3. Accumulation of debris inside pump and plumbing.
4. Worn pump bearing (excessive noise).
5. Punctured pump diaphragm.
6. Defective rectifier or motor.
7. Worn nozzles.

## **BRUSH SYSTEM**

### *PROBLEM*

Motor runs, brush won't spin.

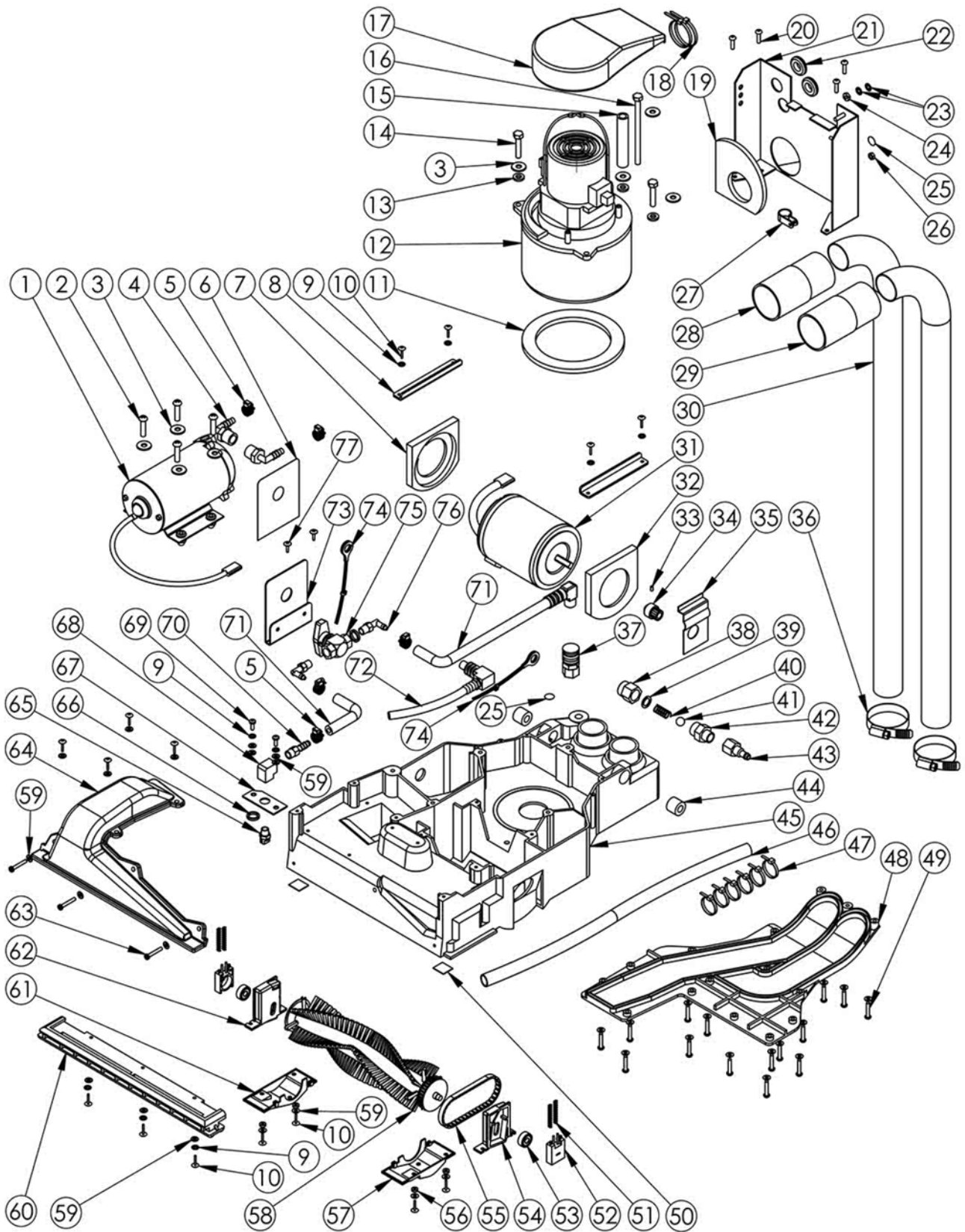
### *POSSIBLE CAUSE*

1. Defective belt.
2. Brush jammed.

Brush motor fails to turn on after circuit breaker has been reset.

1. Brush jammed.
2. Blown breaker.
3. Defective motor.
4. Defective switch.
5. Loose wiring connection.

# CHASSIS 411TR



# 411TR CHASSIS- MECHANICAL PARTS LIST

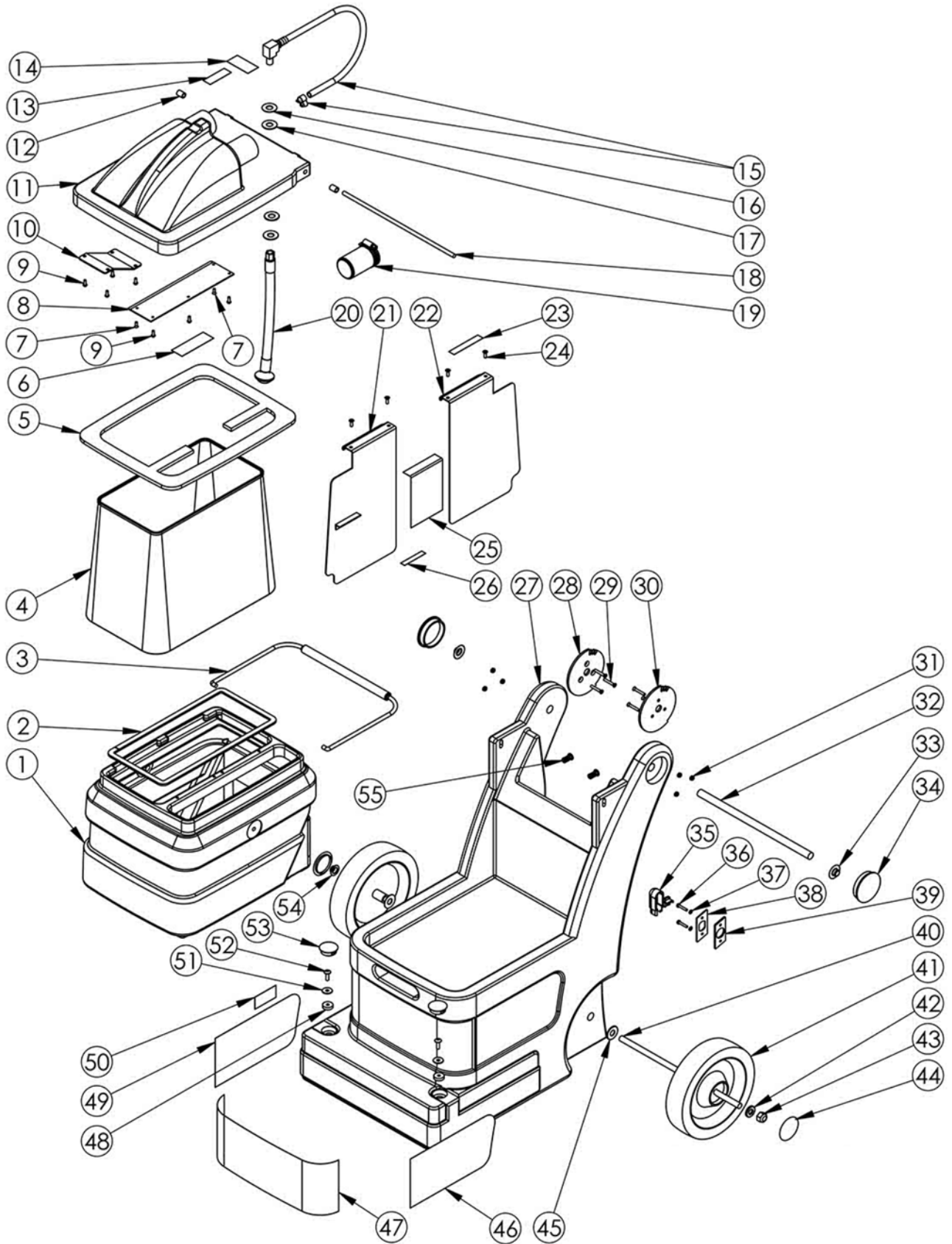
ITEM #	PART #	DESCRIPTION	QTY
1	10763A	Pump, 45PSI, Flojet, 115V 5S	1
2	C02308	.25-20 X 1 Round Head	4
3	C00233	Washer, Flat, .25 in	8
4	A10578	90 Elbow, .375 NPT X 1-4B	2
5	J00651	Screw Clamp, .25 to .625	5
6	H10778	Label, Solution Contro	1
7	E10446	Motor Mount, Rear, Flojet	1
8	D10447	Clamp, Brushmotor, Fivestar	2
9	C02248	Lockwasher, #8 Int. Star	9
10	C10737	Screw, 8-32 X .625, SS Truss	15
11	E10521	Gasket, Vac Motor, 20 LB., Poron	1
12	G00520-1L	Vacuum, 106 in, 115 V, 5.7 Reverse Fan	1
13	C10674	Washer, Cushioning	3
14	C02310	Hex Bolt, 1-4 X 20 X 1.25 in	2
15	K10691	PVC Pipe, 1-4 in SCH 80	1
16	C02306	Hex Bolt, 1-4 - 20 X 4 in	1
17	F10542	Intercooler, Black	1
18	B00191	Nylon Tie, 11 in Black	2
19	E10650	Gasket, Backplate, (S3), 5S	1
20	C02288	Screw, #8 X .63 Plastite PH	4
21	D10475	Backplate, Black, Fivestar	1
22	E10520	Grommet, Neoprene, 1 in OD	2
23	C00256	Lockwasher, #10 Ext. Star	2
24	C00264	Hex Nut, 10-32 SS	1
25	H10911	Label, Grounding Mark	2
26	C00280	Hex Nut, 8-32 Black Zinc	1
27	B03176	Cable Clamp, Nylon, .50 in	1
28	J10744-1	Cuff, Black, 1.75 in Slip-On	1
29	J10744	Cuff, Grey, 1.75 in Slip-On	1
30	J00618-1	1.50 in Wire Supported Grey, Wire Reinforced, 34 in ea	2
31	10442-1A	Brush Motor, 115V-60Hz, 5S	1
32	E10445	Motor Mount, Front, Flojet	1
33	C02260	Set Screw, 8-32 X .25	1
34	D10437	Pulley, 16 Tooth Diecast Zamak 3	1
35	D10665	Bracket, Belt Limit, 5S	1
36	J00650	Screw Clamp, #24, 1.25 in	2
37	A00109	QD, 1-8 Female X 1-8 FP	1
38	A00097A	Cap, Inline Filter	1
39	C13046	Flat Washer, .375 in Brass	1
40	D12094	Spring, 0.750 X 0.325 in Brass	1
41	D12093	Ball, .437 inch, 302	1
42	A00094C	Check Valve Body	1
43	A12091	QD Plug to 1-4 MP, Brass	1
44	E10470	Tube, Latex, Fivestar Axle	2
45	F10427-2	Chassis, Fivestar	1
46	F00463	Corrugated Loom, .15 in	1
47	B00190	Nylon Tie, 4 in	6
48	10430A	Cover, Bottom, Injection Molded	1
49	C11020	Screw, Plastite, 8-16 X .875	15
50	E10651	Pad, Teflon, Brush Assy, 5S	2
51	D10426	Spring, Brush, Fivestar	4
52	F10410-1	Slide Block, Brush Bearing, 3 Gallon Unit	2
53	10425	Bearing, Brush, 3 Gallon	2
54	F10413	Brush Retainer, Right	1
55	L10448	Belt, 3 Gallon, 7mm X 300mm	1



# 411TR CHASSIS- MECHANICAL PARTS LIST

ITEM #	PART #	DESCRIPTION	QTY
56	C10736	Washer, Cushioning, #8	4
57	F10416-1	Brush Cover, Left Side	1
58	10420-3A	Brush, Fivestar, Sloped	1
59	C02231	Washer, #8	33
60	10474A	Vacuum Shoe, Fivestar	1
61	F10423-1	Brush Cover, Right Side	1
62	F10422	Brush Retainer, Left	1
63	C10785	Screw, 8-32 X 1 in, Truss Hd., Stainless, Phillips	3
64	10429A	Cover, Suction, Fivestar	1
65	A00089-6	Spray Tip, 11006 X .125 in MP	1
66	C02298	Washer, Nylon	2
67	D10506	Bracket, Spray Nozzle	1
68	A00073	90 Elbow, .125 FP X .125 PF Brass	1
69	C00310-12	Screw, 8-32 X .50 in, Phillips	2
70	A00136	1-4 Barb X 1-8 MP, Nylon	1
71	12132A	Hose, 17 in	1
72	10990A	Hose Assy. F QD to Pump	1
73	D10787	Bracket, Floor Valve	1
74	B10528	Ground Wire, QD, 21 in, 5S	2
75	G10758	Valve, Ball, Fivestar	1
76	A00130	90 Deg Elbow, .125 MP X .25 in Barb, Nylon	2
77	C02296	#10 X .50 Sheet Metal	2

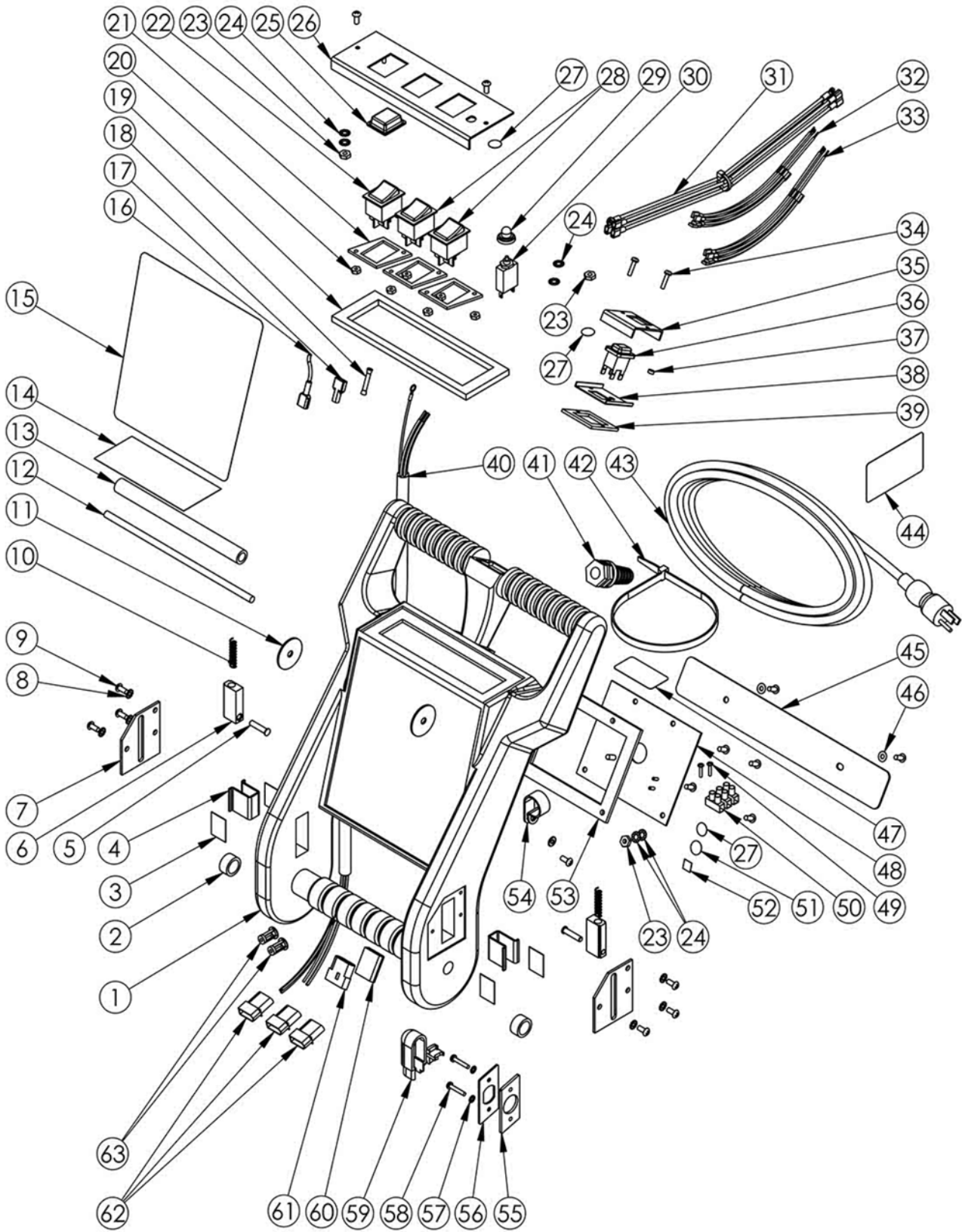
# 411TR HOUSING



# 411TR HOUSING PARTS LIST

ITEM #	PART #	DESCRIPTION	QTY
1	F10484	Tank	1
2	E10771	Gasket, Bucket, .375 X 33	1
3	D10452	Assy., Bail Handle	1
4	10490A	Assy., Bladder, Fivestar SLDPRT	1
5	E10533	Gasket, Dome, (S3), 5S	1
6	H10565	Label, Keep Filter Screens	1
7	C02238-38	Screw, 6-32 X .375, SS	2
8	D10761	Deflector Plate, Black	1
9	C00324-38	Screw, 6-32 X .375 RH, SS	7
10	D10768	Deflector Plate, Black	1
11	10454-1A	Dome, Fivestar, Standard	1
12	E10732	Tube, Latex, .25 in ID	2
13	H10574	Label, Patents	1
14	H10843	Label, Warning, Keep Inside	1
15	10780A	Assembly, Hose, Pump to Dome	1
16	C10503	Washer, Delrin .375 ID	2
17	E10504	Gasket, Washer, Dome, Hose	2
18	D10524	Shaft, Dome Hinge, Fivestar	1
19	D10767	Filter, Airflow, 1.50 in	1
20	10543-1A	Assy., Hose W/ Filter, Chk Valve	1
21	D10760	Plate, Divider, Bucket, Front, Epoxy Grey	1
22	D10762	Plate, Divider, Bucket, Rear, Epoxy Grey	1
23	H10572	Label, Anti-Foam Solution	1
24	C00307-12	Screw, 8-32 X .5 Flathead	4
25	H10740	Label, Cleaning Solution	1
26	H10571	Label, Fill Level, Tank	1
27	F11882	Motor Housing	1
28	D10486-1	Disk, Handle Locking, Left	1
29	C90010	Screw, 8-32 X 1 in, FH	6
30	D10485-1	Disk, Handle Locking, Right	1
31	C02320	Locknut, 8-32, Nylon, SS	6
32	D10508	Tube, Handle, Fivestar	1
33	C02305	Cap Nut, .5 in Push-on	2
34	K010142	Plug, 2.0 in, Black	2
35	B10734	Strain Relief, Handle	1
36	C90006	Screw, 6-32 X .75 in, Phillips	2
37	C00258-2	Lockwasher, #6 Ext. Star	2
38	D10618	Plate, Strain Relief, Black	2
39	E10723	Gasket, Strain Relief, 5S	2
40	D10523-3	Axle, Wheel, Fivestar	1
41	G10458	Wheel, 7 in, .375 in Bore, Grey	2
42	C00252	Washer, .375 in, Flat	1
43	C11558	Locknut, .375 - 16, Nylon	1
44	G10458-2	Hub Cap	2
45	C10546	Washer, Flat, 1 X .048 in	2
46	H10729	Label, Motor Housing, Right	1
47	H10727	Label, Motor Housing, Front	1
48	C10757	Washer, Cushioning, 80 Shore	2
49	H10728-SP	Label, Motor Housing, Left	1
50	H10577	Label, Caution, Risk Of	1
51	C90009	Washer, Flat, SS, .687 in	2
52	C90007	Screw, 10-32 X .627 Phillips	2
53	K10510	Plug, 1 in Round, Snap In	2
54	C02305-1	Cap Nut, .375, Push On	1
55	C10725	Jacknut, 6-32, Aluminum	2

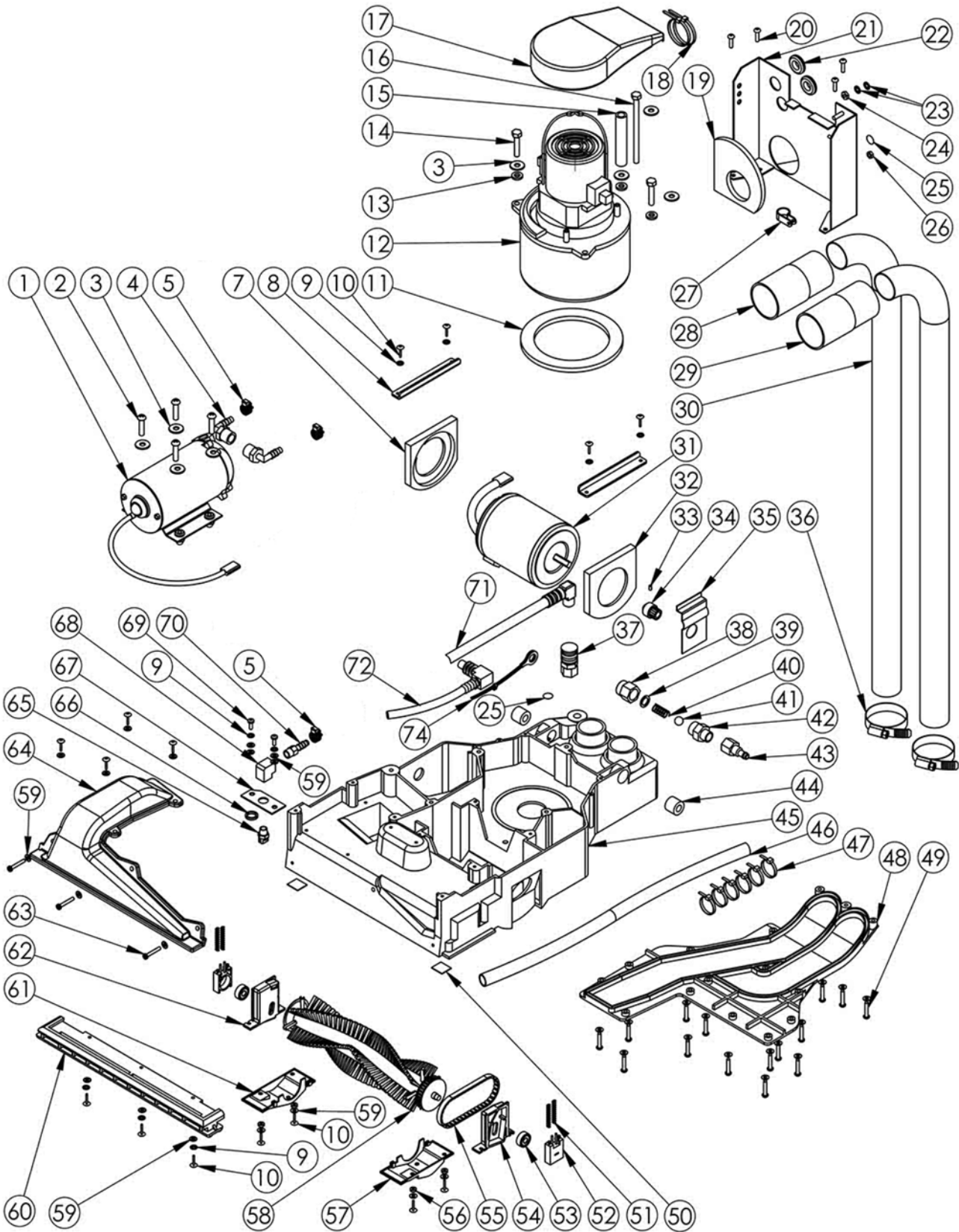
# 411TR HANDLE



# 411TR HANDLE PARTS LIST

ITEM #	PART #	DESCRIPTION	QTY
1	F10482	Handle	1
2	A10600	Bushing, PVC, .750 x .375	2
3	E10805	Shim, Teflon, Handle Lock	4
4	D10690	Bracket, Guide Lock	2
5	C10692	Pin, Slide Lock, Steel	2
6	F10689	Slide Lock, Nylon, Fivestar	2
7	D10487	Plate, Cover, Locking	2
8	C02248-1	Lockwasher, #8 Ext. Star	6
9	C00311	Screw, 8-32 X .375 RH	15
10	D10494	Spring, Lock Mechanism	2
11	C10730	Washer, Nylon, 1.25 OD	2
12	D10479	Rod, Pull Lock, Fivestar	1
13	F10691	Tube, Pull Lock, .025 X 6.75 PVC, Black	1
14	H10777	Label, Handle Adjust	1
15	H10518-2	Label, Handle, Fivestar	1
16	B00177	Spade Connector, Female	1
17	B00177-1	Terminal Lug, Female, QD, .25 X .032	1
18	B00181	Wire Splice, Blue, 1 Wire	1
19	E10698	Gasket, Switchplate	1
20	C00277-1	Hex Nut, 6-32, SS	6
21	D10594	Plate, Compression	3
22	B00188	Switch, Rocker, DPDT, Black	1
23	C00264	Hex Nut, 10-32 SS	3
24	C00256	Lockwasher, #10 Ext. Star	6
25	B00214-2	Cover, Switch, Rocker	1
26	D10713	Plate, Switch, 3 Switch, 5S	1
27	H10911	Label, Grounding Mark	3
28	B02211-1	Switch, Rocker, Green Light	2
29	B02193	Seal, Circuit Breaker	1
30	B10554-1	Circuit Breaker, 1.0 Amp	1
31	B10570	Harness, Momentary Switch	1
32	B10747	Harness, Jumper Switches	1
33	B10866	Wire Harness, 3-Switch, 5S	1
34	C10739	Screw, 6-32 X .625 Pan Head Phillips, SS, Machine Screw	2
35	D10481	Plate, Mntng, Momentary	1
36	B10513	Switch, Pushbutton, 250V	1
37	K00685	Spacer, Cord Wrap, 1204AC	1
38	D10590	Plate, Momentary Switch	1
39	E10705	Gasket, Momentary Switch	1
40	B10553	Main Harness, 5S, 115V	1
41	B11199	Strain Relief, Pigtail	1
42	B03229	Tie for Upholstery Tool	1
43	B10719	Power Cord, 3-16 AWG, 300V AC, SJTO, 20', Black	1
44	H02548-2	Label, Important, Cord	1
45	D10501	Plate, Cord Wrap, Fivestar	1
46	C02231	Washer, #8 SAE, SS	3
47	H10976	Label, UL STD 561-507	1
48	D10496	Cover Plate, Black, Power	1
49	C90008	4-40 X .50, Phillips	2
50	B02190	Terminal Block, 3 Pole	1
51	H11914	Label, Neutral	1
52	H11913	Label, Load	1
53	E10717	Gasket, Power Cord, 5S	1
54	B00183	Cable Clamp, Nylon, .75	1
55	E10723	Gasket, Strain Relief, 5S	1
56	D10618	Plate, Strain Relief, Black	1
57	C00258-2	Lockwasher, #6 Ext. Star	2
58	C9006	Screw, 6-32 X .75 in, Phillips	2
59	B10734	Strain Relief, Handle	1
60	B11729	Molex, Male	1
61	B11730	Molex, Female	1
62	B02176	3-C Molex, Female	3
63	C10725	Jacknut, 6-32, Aluminum	2

# 401TR Chassis



# 401TR CHASSIS- MECHANICAL PARTS LIST

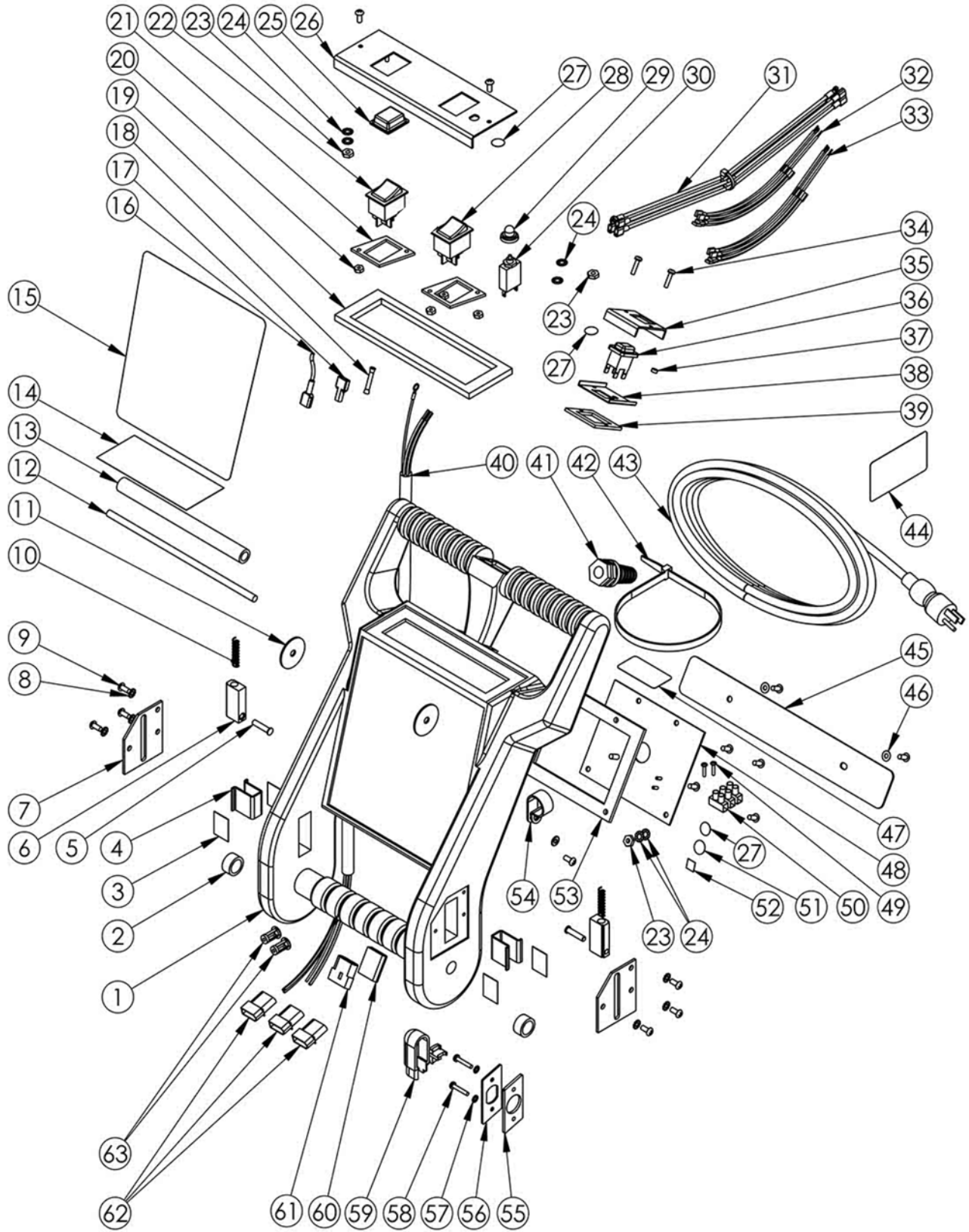
ITEM #	PART #	DESCRIPTION	QTY
1	10763A	Pump, 45PSI, Flojet, 115V 5S	1
2	C02308	.25-20 X 1 Round Head	4
3	C00233	Washer, Flat, .25 in	8
4	A10578	90 Elbow, .375 NPT X 1-4B	2
5	J00651	Screw Clamp, .25 to .625	5
7	E10446	Motor Mount, Rear, Flojet	1
8	D10447	Clamp, Brushmotor, Fivestar	2
9	C02248	Lockwasher, #8 Int. Star	9
10	C10737	Screw, 8-32 X .625, SS Truss	15
11	E10521	Gasket, Vac Motor, 20 LB., Poron	1
12	G00520-1L	Vacuum, 106 in, 115 V, 5.7 Reverse Fan	1
13	C10674	Washer, Cushioning	3
14	C02310	Hex Bolt, 1-4 X 20 X 1.25 in	2
15	K10691	PVC Pipe, 1-4 in SCH 80	1
16	C02306	Hex Bolt, 1-4 - 20 X 4 in	1
17	F10542	Intercooler, Black	1
18	B00191	Nylon Tie, 11 in Black	2
19	E10650	Gasket, Backplate, (S3), 5S	1
20	C02288	Screw, #8 X .63 Plastite PH	4
21	D10475	Backplate, Black, Fivestar	1
22	E10520	Grommet, Neoprene, 1 in OD	2
23	C00256	Lockwasher, #10 Ext. Star	2
24	C00264	Hex Nut, 10-32 SS	1
25	H10911	Label, Grounding Mark	2
26	C00280	Hex Nut, 8-32 Black Zinc	1
27	B03176	Cable Clamp, Nylon, .50 in	1
28	J10744-1	Cuff, Black, 1.75 in Slip-On	1
29	J10744	Cuff, Grey, 1.75 in Slip-On	1
30	J00618-1	1.50 in Wire Supported Grey, Wire Reinforced, 34 in ea	2
31	10442-1A	Brush Motor, 115V-60Hz, 5S	1
32	E10445	Motor Mount, Front, Flojet	1
33	C02260	Set Screw, 8-32 X .25	1
34	D10437	Pulley, 16 Tooth Diecast Zamak 3	1
35	D10665	Bracket, Belt Limit, 5S	1
36	J00650	Screw Clamp, #24, 1.25 in	2
37	A00109	QD, 1-8 Female X 1-8 FP	1
38	A00097A	Cap, Inline Filter	1
39	C13046	Flat Washer, .375 in Brass	1
40	D12094	Spring, 0.750 X 0.325 in Brass	1
41	D12093	Ball, .437 inch, 302	1
42	A00094C	Check Valve Body	1
43	A12091	QD Plug to 1-4 MP, Brass	1
44	E10470	Tube, Latex, Fivestar Axle	2
45	F10427-2	Chassis, Fivestar	1
46	F00463	Corrugated Loom, .15 in	1
47	B00190	Nylon Tie, 4 in	6
48	10430A	Cover, Bottom, Injection Molded	1
49	C11020	Screw, Plastite, 8-16 X .875	15
50	E10651	Pad, Teflon, Brush Assy, 5S	2
51	D10426	Spring, Brush, Fivestar	4
52	F10410-1	Slide Block, Brush Bearing, 3 Gallon Unit	2
53	10425	Bearing, Brush, 3 Gallon	2
54	F10413	Brush Retainer, Right	1
55	L10448	Belt, 3 Gallon, 7mm X 300mm	1

## 411TR CHASSIS- MECHANICAL PARTS LIST

ITEM #	PART #	DESCRIPTION	QTY
56	C10736	Washer, Cushioning, #8	4
57	F10416-1	Brush Cover, Left Side	1
58	10420-3A	Brush, Fivestar, Sloped	1
59	C02231	Washer, #8	33
60	10474A	Vacuum Shoe, Fivestar	1
61	F10423-1	Brush Cover, Right Side	1
62	F10422	Brush Retainer, Left	1
63	C10785	Screw, 8-32 X 1 in, Truss Hd., Stainless, Phillips	3
64	10429A	Cover, Suction, Fivestar	1
65	A00089-6	Spray Tip, 11006 X .125 in MP	1
66	C02298	Washer, Nylon	2
67	D10506	Bracket, Spray Nozzle	1
68	A00073	90 Elbow, .125 FP X .125 PF Brass	1
69	C00310-12	Screw, 8-32 X .50 in, Phillips	2
70	A00136	1-4 Barb X 1-8 MP, Nylon	1
71	12132A	Hose, 17 in	1
72	10990A	Hose Assy. F QD to Pump	1



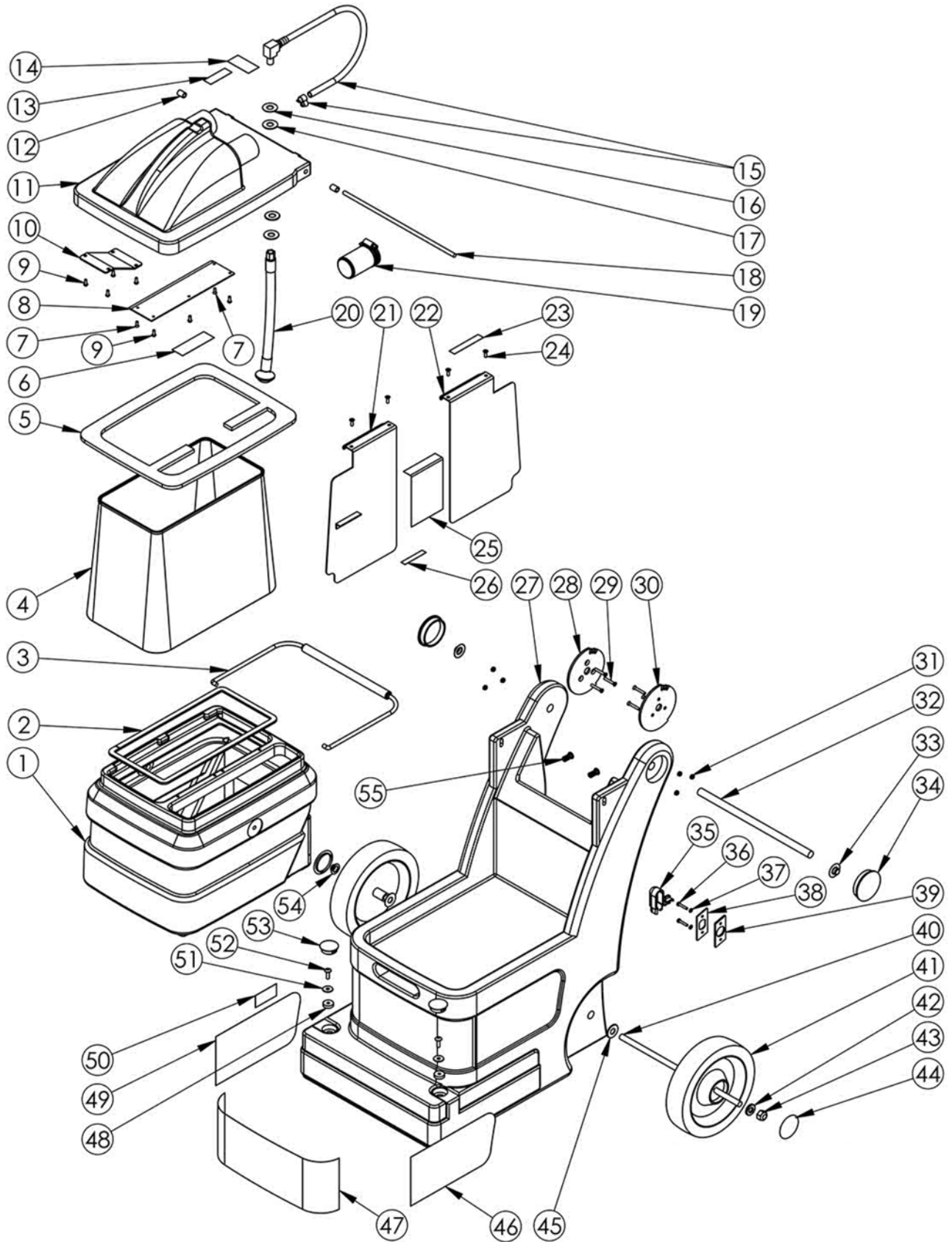
# 401TR



# 401TR HANDLE PARTS LIST

ITEM #	PART #	DESCRIPTION	QTY
1	F10482	Handle	1
2	A10600	Bushing, PVC, .750 x .375	2
3	E10805	Shim, Teflon, Handle Lock	4
4	D10690	Bracket, Guide Lock	2
5	C10692	Pin, Slide Lock, Steel	2
6	F10689	Slide Lock, Nylon, Fivestar	2
7	D10487	Plate, Cover, Locking	2
8	C02248-1	Lockwasher, #8 Ext. Star	6
9	C00311	Screw, 8-32 X .375 RH	15
10	D10494	Spring, Lock Mechanism	2
11	C10730	Washer, Nylon, 1.25 OD	2
12	D10479	Rod, Pull Lock, Fivestar	1
13	F10691	Tube, Pull Lock, .025 X 6.75 PVC, Black	1
14	H10777	Label, Handle Adjust	1
15	H10518-2	Label, Handle, Fivestar	1
16	B00177	Spade Connector, Female	1
17	B00177-1	Terminal Lug, Female, QD, .25 X .032	1
18	B00181	Wire Splice, Blue, 1 Wire	1
19	E10698	Gasket, Switchplate	1
20	C00277-1	Hex Nut, 6-32, SS	6
21	D10594	Plate, Compression	2
22	B00188	Switch, Rocker, DPDT, Black	1
23	C00264	Hex Nut, 10-32 SS	3
24	C00256	Lockwasher, #10 Ext. Star	6
25	B00214-2	Cover, Switch, Rocker	1
26	D10482	Plate, Switch, 2 Switch, 5S	1
27	H10911	Label, Grounding Mark	3
28	B02211-1	Switch, Rocker, Green Light	1
29	B02193	Seal, Circuit Breaker	1
30	B10554-1	Circuit Breaker, 1.0 Amp	1
31	B10570	Harness, Momentary Switch	1
32	B10747	Harness, Jumper Switches	1
33	B10866	Wire Harness, 3-Switch, 5S	1
34	C10739	Screw, 6-32 X .625 Pan Head Phillips, SS, Machine Screw	2
35	D10481	Plate, Mntng, Momentary	1
36	B10513	Switch, Pushbutton, 250V	1
37	K00685	Spacer, Cord Wrap, 1204AC	1
38	D10590	Plate, Momentary Switch	1
39	E10705	Gasket, Momentary Switch	1
40	B10553	Main Harness, 5S, 115V	1
41	B11199	Strain Relief, Pigtail	1
42	B03229	Tie for Upholstery Tool	1
43	B10719	Power Cord, 3-16 AWG, 300V AC, SJTO, 20', Black	1
44	H02548-2	Label, Important, Cord	1
45	D10501	Plate, Cord Wrap, Fivestar	1
46	C02231	Washer, #8 SAE, SS	3
47	H10976	Label, UL STD 561-507	1
48	D10496	Cover Plate, Black, Power	1
49	C90008	4-40 X .50, Phillips	2
50	B02190	Terminal Block, 3 Pole	1
51	H11914	Label, Neutral	1
52	H11913	Label, Load	1
53	E10717	Gasket, Power Cord, 5S	1
54	B00183	Cable Clamp, Nylon, .75	1
55	E10723	Gasket, Strain Relief, 5S	1
56	D10618	Plate, Strain Relief, Black	1
57	C00258-2	Lockwasher, #6 Ext. Star	2
58	C9006	Screw, 6-32 X .75 in, Phillips	2
59	B10734	Strain Relief, Handle	1
60	B11729	Molex, Male	1
61	B11730	Molex, Female	1
62	B02176	3-C Molex, Female	3
63	C10725	Jacknut, 6-32, Aluminum	2

# 401TR MAIN HOUSING



# 401TR HOUSING PARTS LIST

ITEM #	PART #	DESCRIPTION	QTY
1	F10484	Tank	1
2	E10771	Gasket, Bucket, .375 X 33	1
3	D10452	Assy., Bail Handle	1
4	10490A	Assy., Bladder, Fivestar SLDPRT	1
5	E10533	Gasket, Dome, (S3), 5S	1
6	H10565	Label, Keep Filter Screens	1
7	C02238-38	Screw, 6-32 X .375, SS	2
8	D10761	Deflector Plate, Black	1
9	C00324-38	Screw, 6-32 X .375 RH, SS	7
10	D10768	Deflector Plate, Black	1
11	10454-1A	Dome, Fivestar, Standard	1
12	E10732	Tube, Latex, .25 in ID	2
13	H10574	Label, Patents	1
14	H10843	Label, Warning, Keep Inside	1
15	10780A	Assembly, Hose, Pump to Dome	1
16	C10503	Washer, Delrin .375 ID	2
17	E10504	Gasket, Washer, Dome, Hose	2
18	D10524	Shaft, Dome Hinge, Fivestar	1
19	D10767	Filter, Airflow, 1.50 in	1
20	10543-1A	Assy., Hose W/ Filter, Chk Valve	1
21	D10760	Plate, Divider, Bucket, Front, Epoxy Grey	1
22	D10762	Plate, Divider, Bucket, Rear, Epoxy Grey	1
23	H10572	Label, Anti-Foam Solution	1
24	C00307-12	Screw, 8-32 X .5 Flathead	4
25	H10740	Label, Cleaning Solution	1
26	H10571	Label, Fill Level, Tank	1
27	F11882	Motor Housing	1
28	D10486-1	Disk, Handle Locking, Left	1
29	C90010	Screw, 8-32 X 1 in, FH	6
30	D10485-1	Disk, Handle Locking, Right	1
31	C02320	Locknut, 8-32, Nylon, SS	6
32	D10508	Tube, Handle, Fivestar	1
33	C02305	Cap Nut, .5 in Push-on	2
34	K010142	Plug, 2.0 in, Black	2
35	B10734	Strain Relief, Handle	1
36	C90006	Screw, 6-32 X .75 in, Phillips	2
37	C00258-2	Lockwasher, #6 Ext. Star	2
38	D10618	Plate, Strain Relief, Black	2
39	E10723	Gasket, Strain Relief, 5S	2
40	D10523-3	Axle, Wheel, Fivestar	1
41	G10458	Wheel, 7 in, .375 in Bore, Grey	2
42	C00252	Washer, .375 in, Flat	1
43	C11558	Locknut, .375 - 16, Nylon	1
44	G10458-2	Hub Cap	2
45	C10546	Washer, Flat, 1 X .048 in	2
46	H10729	Label, Motor Housing, Right	1
47	H10727	Label, Motor Housing, Front	1
48	C10757	Washer, Cushioning, 80 Shore	2
49	H10728-SP	Label, Motor Housing, Left	1
50	H10577	Label, Caution, Risk Of	1
51	C90009	Washer, Flat, SS, .687 in	2
52	C90007	Screw, 10-32 X .627 Phillips	2
53	K10510	Plug, 1 in Round, Snap In	2
54	C02305-1	Cap Nut, .375, Push On	1
55	C10725	Jacknut, 6-32, Aluminum	2