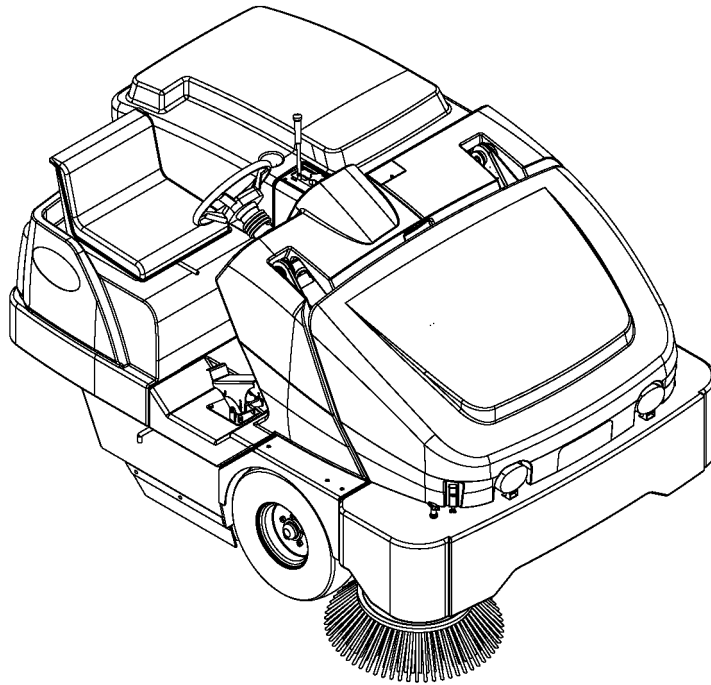


# Exterra™

---



---

## PARTS LIST

**Advance Models: 56507000 (3 cyl LPG), 56507001 (3 cyl Petrol)**

**56507003, 56307252 (4 cyl LPG), 56507004 (4 cyl Petrol), 56507005 (4 cyl Diesel)**

**56508639 (4 cyl LPG / cab), 56508640 (4 cyl Petrol / cab), 56508641 (4 cyl Diesel / cab)**



**Advance**  
*by Nilfisk-Advance*

12/06 revised 1/09 FORM NO. 56042471

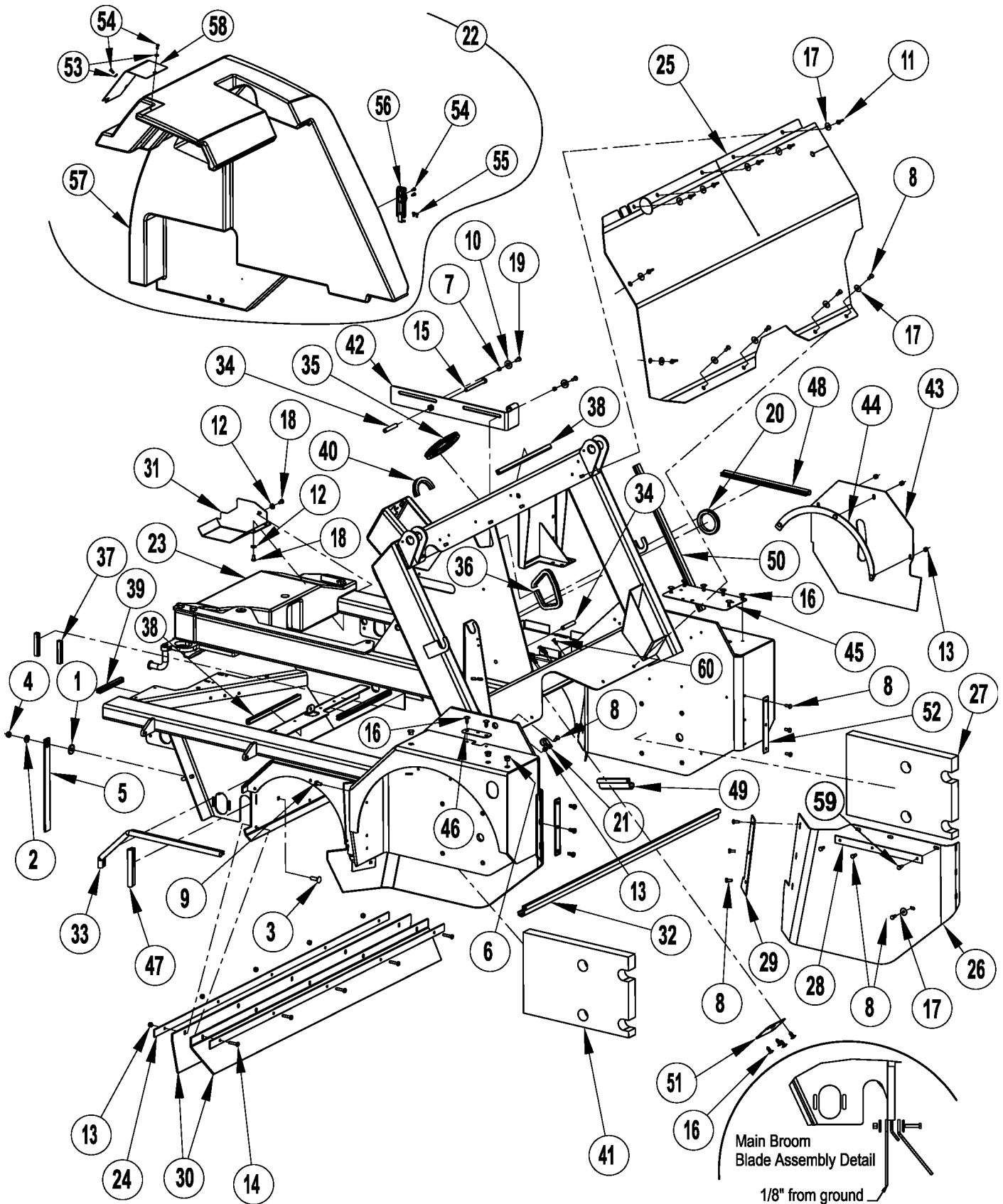


DESCRIPTION	PAGE
Chassis System.....	2-3
Chassis Assembly .....	4-5
Brake Pedal Assembly .....	6-7
Circuit Breaker Panel Assembly .....	8-9
Control System.....	10-11
Decal System .....	12-13
Drive Wheel System.....	14-15
Dust Control System-1 .....	16-17
Dust Control System-2 .....	18-19
Electrical System.....	20-21
Engine (Kubota) LPG/Petrol System-1.....	22-23
Engine (Kubota) LPG/Petrol System-2.....	24-25
Engine (GM) LPG/Petrol System-1 .....	26-27
Engine (GM) LPG/Petrol System-2 .....	28-29
Engine (Kubota) Diesel System-1 .....	30-31
Engine (Kubota) Diesel System-2 .....	32-33
Engine LPG Tank & Filter Assembly (non cab models).....	34-35
Engine (Kubota) Petrol/Diesel Fuel Tank Assembly (non cab models) .....	36-37
Engine (GM) Petrol Fuel Tank Assembly (non cab models).....	38-39
Engine Rear Cover Assembly .....	40-41
Forward / Reverse Control Assembly.....	42-43
Front Wheel System.....	44-45
Gauge Panel Assembly.....	46-47
Hopper System-1 thru 4 .....	48-55
Hydraulic Schematic - 3 cylinder models.....	56
Hydraulic Schematic - 4 cylinder models.....	57
Hydraulic System - 3 cylinder models .....	58-59
Hydraulic System - 4 cylinder models .....	60-61
Hydraulic System - Mounting .....	62-63
Hydraulic Cylinder Assemblies .....	64-65
Hydraulic Manifold Assembly .....	66-67
Hydraulic Motor Assemblies.....	68-69
Hydraulic Oil Filter/Reservoir.....	70-71
Hydraulic Pump Assembly.....	72-73
Lift Broom Assembly.....	74-75
Main Broom Assembly -1 .....	76-77
Main Broom Assembly -2 .....	78-79
Radiator Assembly .....	80-81
Seat Assembly.....	82-83
Side Broom System.....	84-85
Wiring Diagram-1 .....	86-87
Wiring Diagram-2 .....	88-89
Wiring Diagram-3 .....	90-91
Optional Kits and Accessories.....	92
Broom Selector Guide .....	93
Left Hand Side Broom Option .....	94-97
Tilt Steering Option.....	98-99

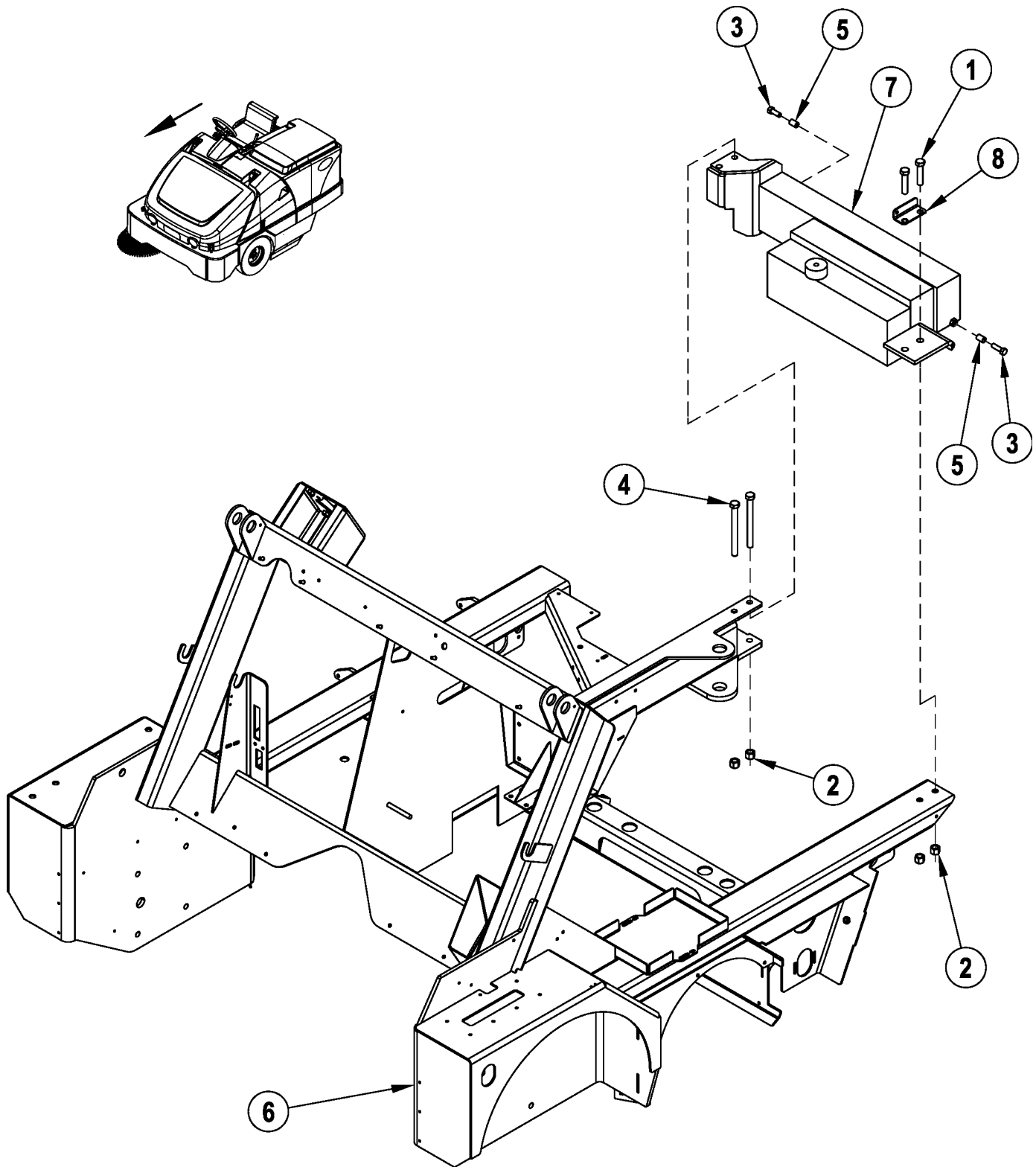
#### WHEN ORDERING PARTS

- \* Use the numbers from the "Ref. No." columns in this parts list.
- \* Specify the model and serial number of the machine.
- \* Use the space below to record the model and serial number for future reference.

Model \_\_\_\_\_ Serial No. \_\_\_\_\_



Item	Ref. No.	Qty	Description
1	2-00-03829	1	Lock Washer, 3/8 Int./Ext. Tooth
2	2-00-04801	1	Flat Washer, 1.00 x .39 x .06
3	2-00-05187	1	3/8-16 X 1.0" Carriage Bolt
4	2-95-04182	1	Nut, Hex, Stop, 3/8-16
5	56416517	1	Static Strap
6	56418888	3	Plug, Cap
7	56453849	2	Bushing .26 x .37 x .28
8	56001836	23	Scr, Hex 1/4-20 x .62
9	56002035	1	Scr, Hex 5/16-18 x .62
10	56002055	2	Wsh, Flt Std 3/8
11	56002084	7	Nut, Wing 1/4-20
12	56002098	2	Wsh, Flt SAE 1/4
13	56002708	9	Nut, Hex Nyl Loc 1/4-20
14	56002897	5	Scr, Hex SS 1/4-20 x 1.25
15	56002977	1	Scr, Hex Thd To Hd 3/8-16 x 4.00
16	56003263	12	Rivet, Nylon Tree Push-In (.25)
17	56009002	13	Wsh, Flt .266 x .906 x .060
18	56009033	2	Scr, Hex Thd Form 1/4-20 x .50
19	56009126	2	Scr, Pan Phil Thd Form 1/4-20 x .75
20	56459362	1	Grommet
21	56486112	1	Clamp, P
22	56507042	1	Cover, Center Assy (grey) (items 53-58)
	56508676	1	Cover, Center Assy (green / Advance model 56307252) (items 53-58)
23	56507043	1	Chassis Assy
24	56507117	2	Strap
25	56507141	1	Cover, Rubber
26	56507473	2	Flap
27	56507474	1	Foam, LH
28	56507475	2	Strap
29	56507476	2	Strap
30	56507569	2	Flap, Broom Rear
31	56507841	1	Exhaust Air Guide
32	56507895	1	Seal, Broom Chamber
33	56507896	2	Gasket
34	56507897	2	Cap, Vinyl
35	56507900	1	Trim, Edge
36	56507901	1	Trim, Edge
37	56507903	2	Trim, Edge
38	56507904	2	Trim, Edge
39	56507905	1	Trim, Edge
40	56507906	1	Trim, Edge
41	56507967	1	Foam, RH
42	56507981	1	Slide Weldment
43	56508317	1	Flap LH Main Broom
44	56508319	1	Clamp Weldment
45	56508372	1	Flap, Dust
46	56508373	1	Flap, Dust
47	56508380	1	Gasket
48	56508382	1	Gasket
49	56508385	2	Gasket
50	56508516	1	Seal, Door Hinge
51	56508387	1	Flap, Dust
52	56508399	2	Strap
53	56002140	2	Wsh, Flt SAE #8
54	56003093	4	Scr, Pan Phil Plastite 8-16 x .50
55	56009051	2	Scr, Pan Phil Thd Form 8-32 x .38
56	56507188	1	Latch, Hopper Cover
57	56507565	1	Intermediate Cover Assy (grey)
	56508669	1	Intermediate Cover Assy (green / Advance model 56307252)
58	56507599	1	Plate, Cover (grey)
	56507600	1	Plate, Cover (green / Advance model 56307252)
59	56001881	2	Scr, Flt Soc 1/4-20 x .75
60	56009388	6	Rivet Nylon Tree Push In .187



06-12

**CHASSIS ASSEMBLY**

08-5

**Exterra™**

**5**

Item	Ref. No.	Qty	Description
	56507043	1	Chassis Assembly
1	56001968	2	Scr, Hex 1/2-13 x 1.50
2	56002770	4	Nut, Hex Nyl Loc 1/2-13
3	56002947	2	Scr, Hex Hd Loc 3/8-16 x 1.00
4	56003471	2	Scr, Hex 1/2-13 x 5.50
5	56244859	2	Bushing .37 x .50 x .75
6	56507300	1	Chassis Weldment
7	56508880	1	Rear Bumper Weldment
8	56507553	1	Bracket, Cover Lanyard

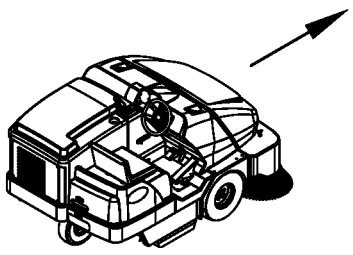
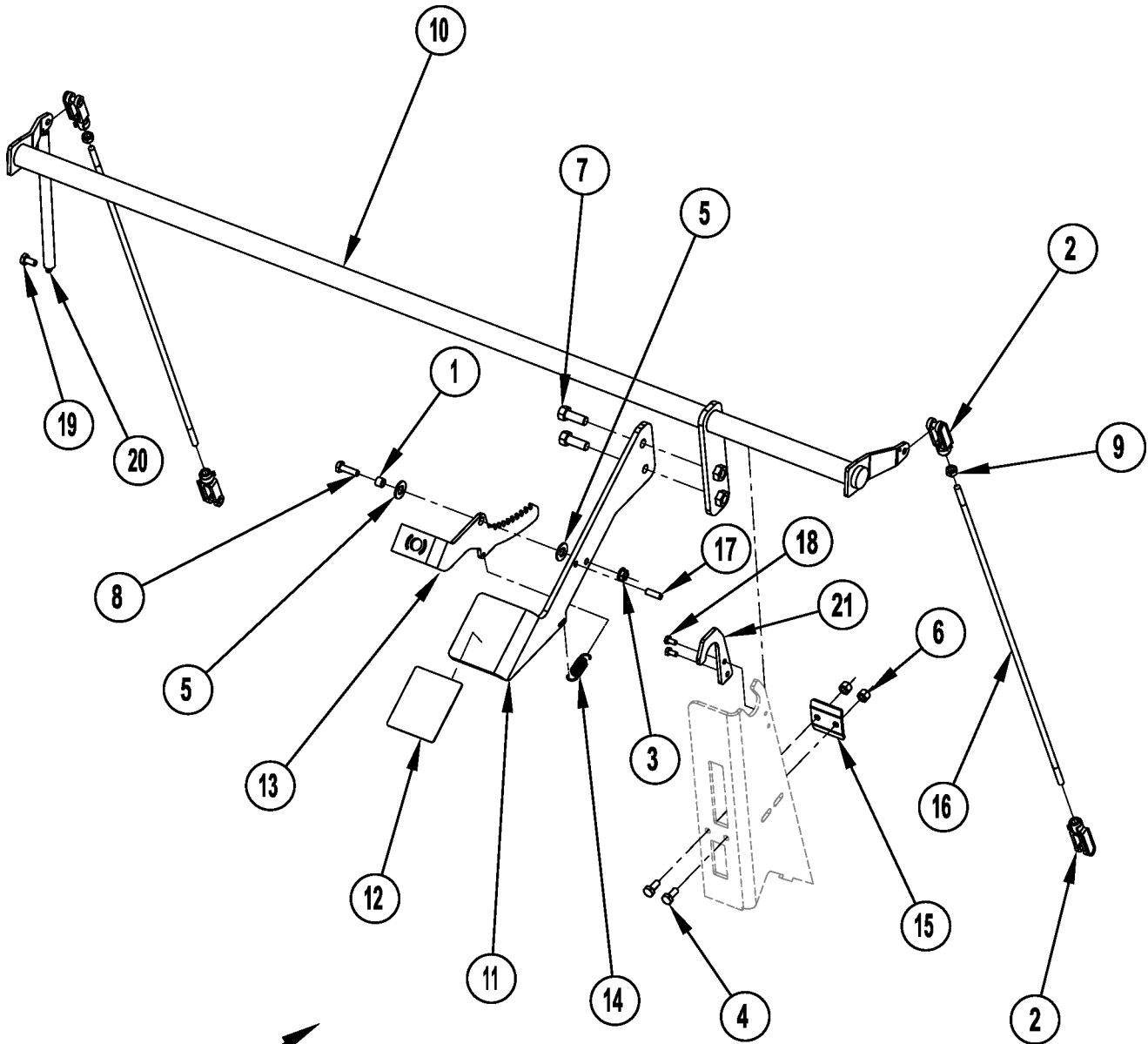
**BRAKE PEDAL ASSEMBLY**

06-12

6

Exterra™

08-5





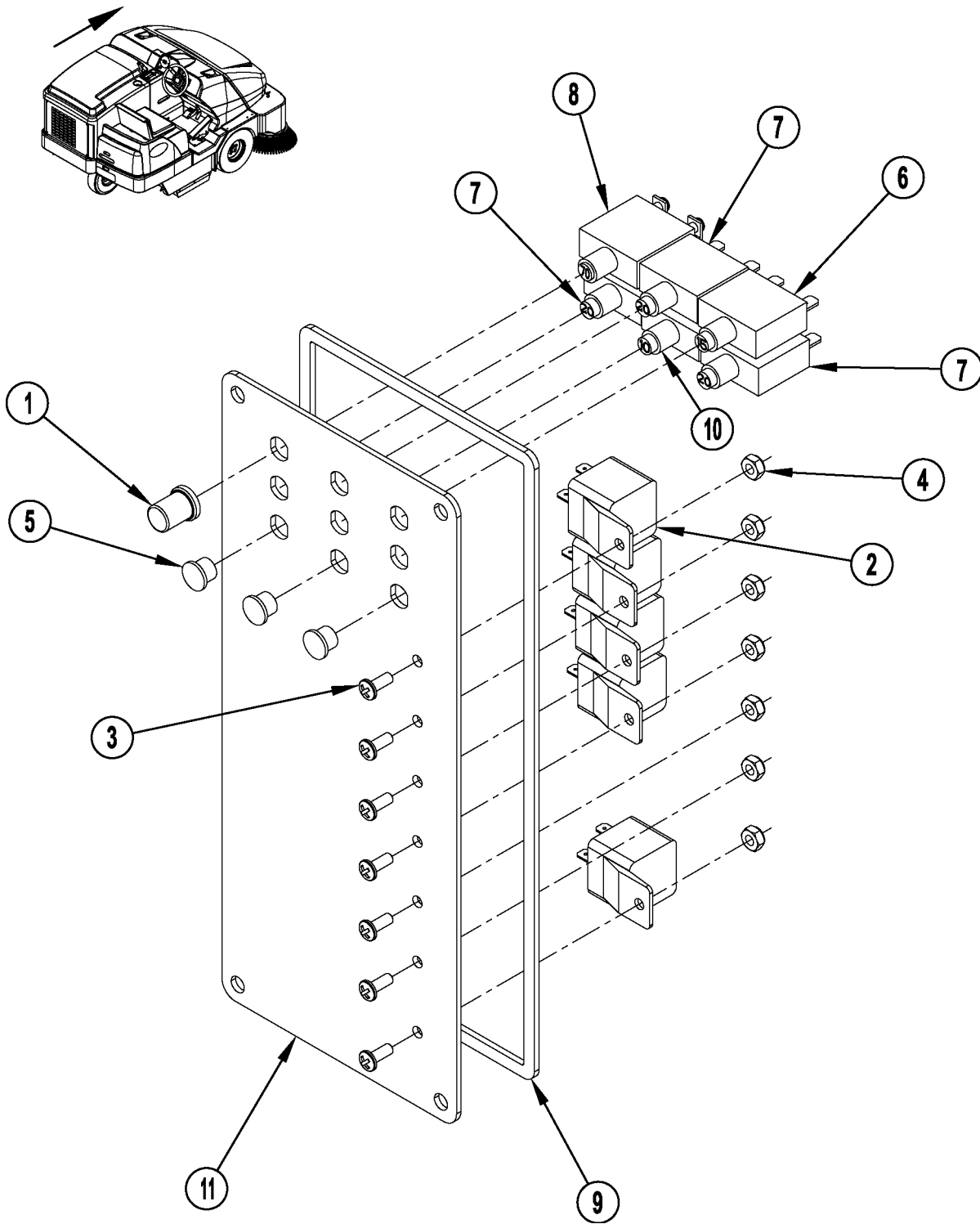
06-12

**BRAKE PEDAL ASSEMBLY**

07-8

**Exterra™****7**

Item	Ref. No.	Qty	Description
	56507044	1	Brake Pedal Assembly
1	56368989	1	Bushing
2	56407133	4	Yoke, Clevis
3	56001827	1	Nut, Hex Flange Loc 1/4-20
4	56001836	2	Scr, Hex 1/4-20 x .62
5	56002063	2	Wsh, Flt SAE 3/8
6	56002708	2	Nut, Hex Nyl Loc 1/4-20
7	56002947	2	Scr, Hex Hd Loc 3/8-16 x 1.00
8	56002960	1	Scr, Hex Hd Loc 1/4-20 x .88
9	56009142	2	Nut, Hex Machine 1/4-28
10	56507210	1	Brake Connecting Rod Weldment
11	56507221	1	Brake Pedal
12	56507226	1	Mat, Pedal
13	56507450	1	Parking Brake Lever
14	56507451	1	Spring, Extension
15	56507453	1	Plate
16	56507456	2	Rod
17	56003138	1	Pin, Spr .25 x .75
18	56009012	2	Scr, Hex Thd Form 10-24 x .38
19	56009033	1	Scr, Hex Thd Form 1/4-20 x .50
20	56382000	1	Spring, Extension
21	56508329	1	Tab, Brake Rod Locking



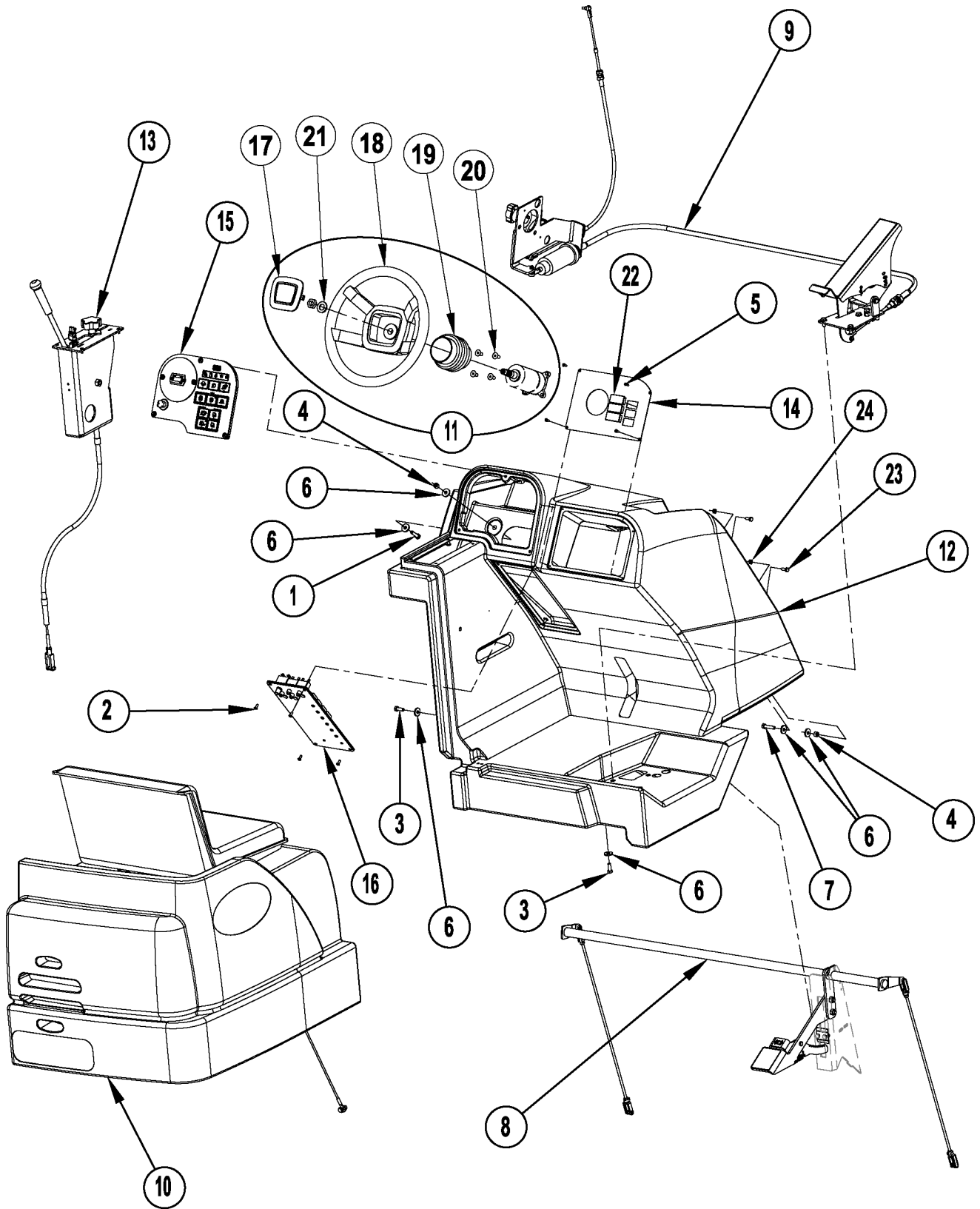
06-12

**CIRCUIT BREAKER PANEL ASSEMBLY**

08-7

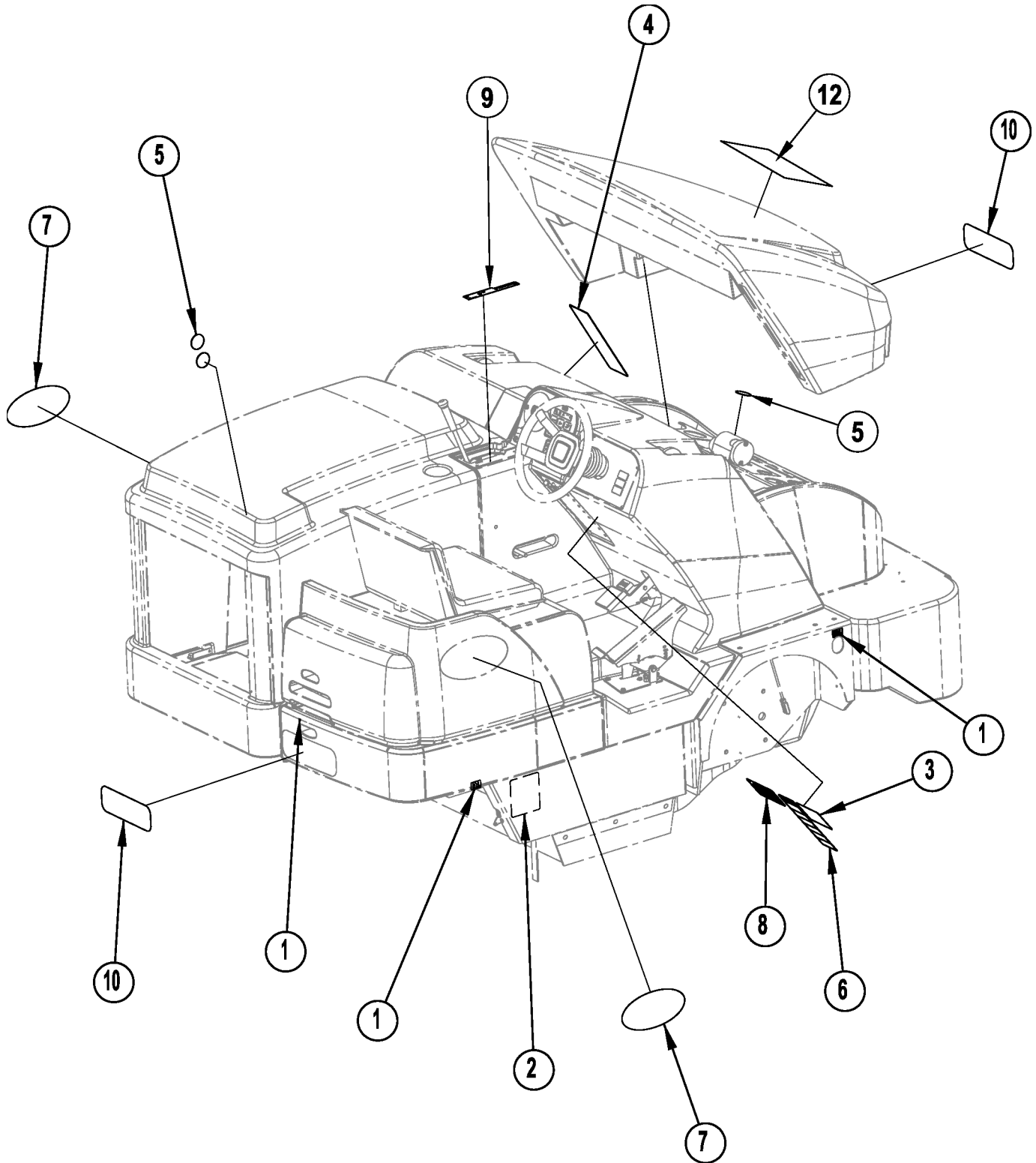
**Exterra™****9**

Item	Ref. No.	Qty	Description
	56507615	1	Panel Assembly, Diesel <b>(items 1-11)</b>
	56507646	1	Panel Assembly, LPG / Petrol <b>(items 1-11)</b>
	56508678	1	Panel Assembly, LPG / Petrol <b>(items 1-11 / Advance model 56307252)</b>
1	56459369	1	Boot, Reset Button
2	56418387	4	Relay, SPDT <b>(qty 5 on Diesel)</b>
3	56001993	7	Scr, Pan Phil 10-24 x .50
4	56002832	7	Nut, Hex Nyl Loc-Thin 10-24
5	56153126	3	Plug, Cap
6	56413407	1	Circuit Breaker, 15 Amp
7	56413822	3	Circuit Breaker, 20 Amp
8	56454429	1	Circuit Breaker, 70 Amp
9	56507441	1	Gasket, RS Strip
10	56507644	1	Circuit Breaker, 10 Amp
11	56507645	1	Panel, Circuit Breakers <b>(grey)</b>
	56508665	1	Panel, Circuit Breakers <b>(green / Advance model 56307252)</b>



Item	Ref. No.	Qty	Description
1	56001834	1	Scr, Hex 5/16-18 x 1.25
2	56001993	4	Scr, Pan Phil 10-24 x .50
3	56002037	2	Scr, Hex 5/16-18 x .88
4	56002701	2	Nut, Hex Nyl Loc 5/16-18
5	56003093	4	Scr, Pan Phil Plastite 8-16 x .50
6	56009122	6	Wsh, Flt .344 x .938 x .125
7	56009256	1	Scr, Hex 5/16-18 x 1.38
8	56507044	1	Pedal Brake Assy <b>See Brake Pedal Assembly</b>
9	56507049	1	Fwd / Rev 4 Cyl Control Assy <b>See Forward/Reverse Control Assembly</b>
#	56507134	1	Fwd / Rev 3 Cyl Control Assy <b>See Forward/Reverse Control Assembly</b>
10	56507052	1	Seat Assy ( <b>grey / non cab models</b> ) <b>See Seat Assembly</b>
	56508674	1	Seat Assy ( <b>green / Advance model 56307252</b> ) <b>See Seat Assembly</b>
11#	56507053	1	Steering Assembly ( <b>items 17-21</b> )
12	56507083	1	Console ( <b>grey</b> )
	56508670	1	Console ( <b>green / Advance model 56307252</b> )
13	56507407	1	Lift Broom Assy ( <b>grey</b> ) <b>See Lift Broom Assembly</b>
	56508677	1	Lift Broom Assy ( <b>green / Advance model 56307252</b> ) <b>See Lift Broom Assembly</b>
14	56507468	1	Plate, Non-Tilt Steering
15	56507499	1	Gauge Panel Assy – LPG Model <b>See Gauge Panel Assembly</b>
	56507500	1	Gauge Panel Assy – Petrol Model <b>See Gauge Panel Assembly</b>
	56507498	1	Gauge Panel Assy – Diesel Model <b>See Gauge Panel Assembly</b>
	56508713	1	Gauge Panel Assy ( <b>used on Advance model 56307252</b> )
16	56507646	1	Panel Assy, LPG / Petrol ( <b>grey</b> ) <b>See Circuit Breaker Panel Assembly</b>
	56508678	1	Panel Assy, LPG / Petrol ( <b>green / Advance model 56307252</b> ) <b>See Circuit Breaker Panel Assembly</b>
	56507615	1	Panel Assy, Diesel <b>See Circuit Breaker Panel Assembly</b>
17	7-16-07428	1	Cover, Steering Wheel
18	56418460	1	Steering Wheel
19	8-33-02360	1	Hose, Heat Shield
20	56003752	4	Scr, Flt Soc M8 x 1.25 x 20mm
21	56009218	1	Wsh, Flt .688 x 1.250 x .125
22	2-00-05758	3	Cover, Blank Switch
23	56001836	2	Scr, Hex 1/4-20 x .62
24	56002840	2	Nut, Hex Nyl Loc-Thin 1/4-20

# = Revised or new since last update



06-12

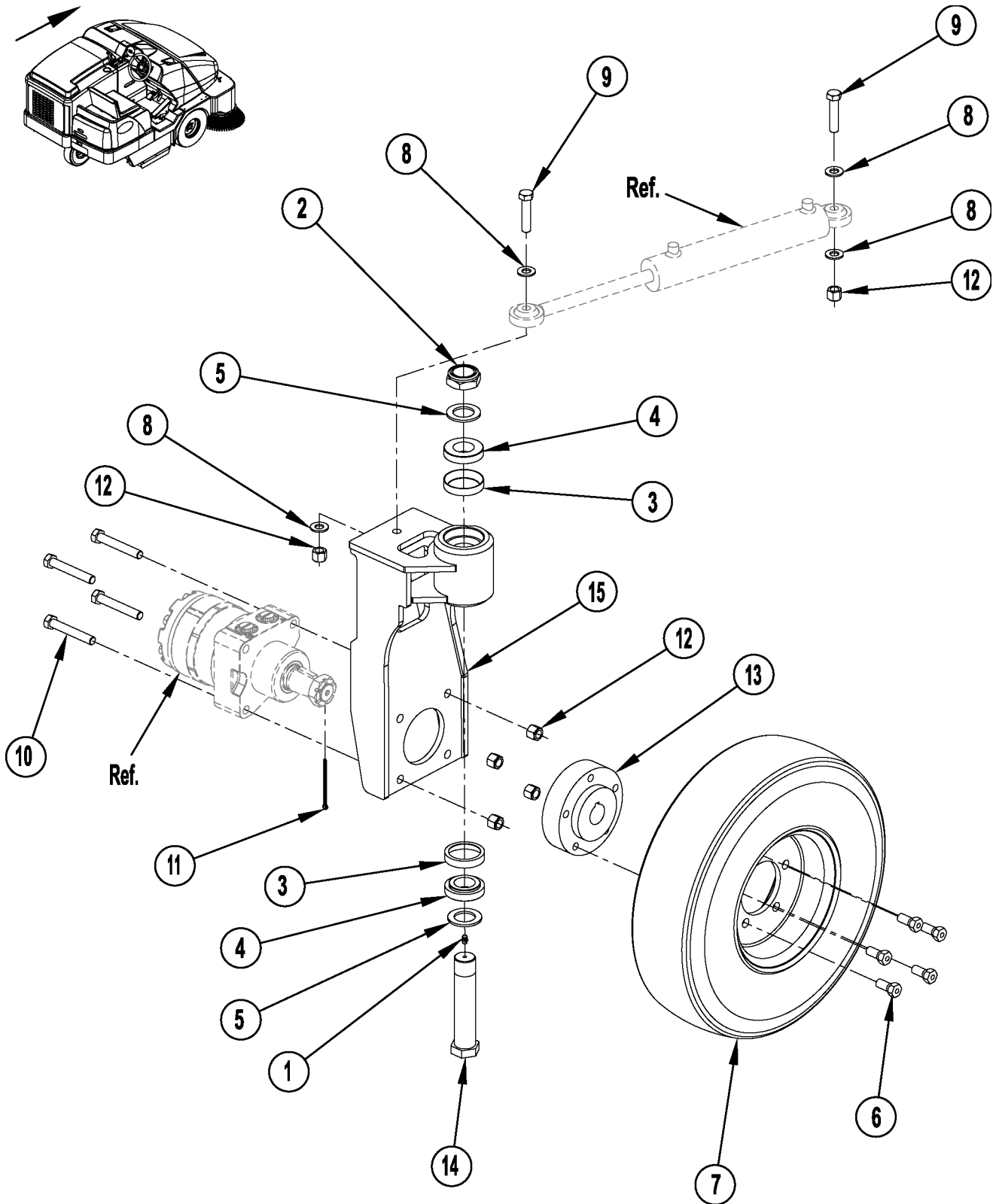
**DECAL SYSTEM**

09-1

**Exterra™****13**

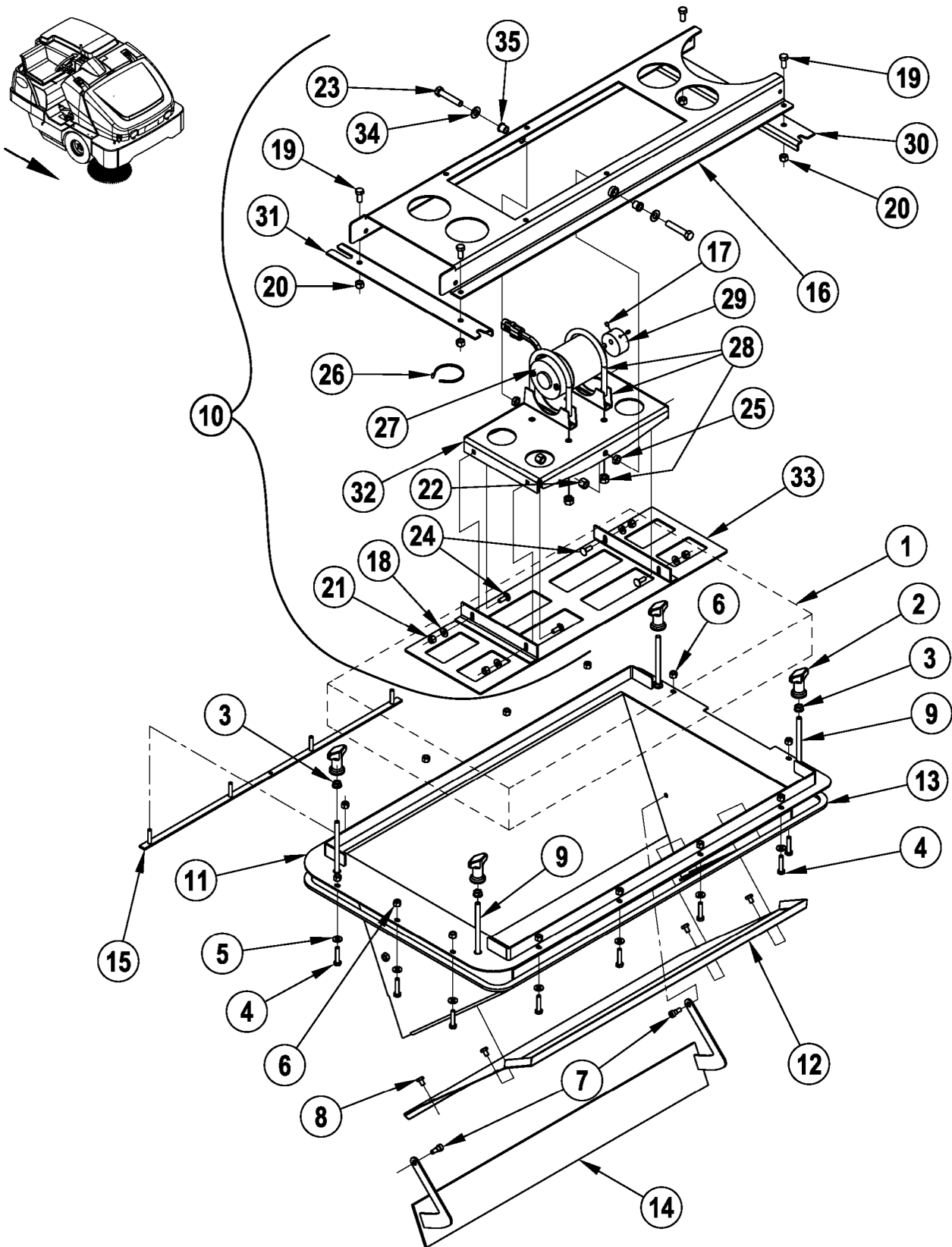
Item	Ref. No.	Qty	Description
1	56015370	5	Decal, Tie Down
2	56015425	2	Decal, Warning Broom
3	56015427	1	Decal, Warning Tip Over
4	56015428	1	Decal, Warning Hopper
5	56030080	3	Decal, Hands Clear
6	56014601	1	Decal, Caution
7#	56015577	2	Decal, Exterra
8	56016356	1	Decal, Circuit Breaker
9	56016365	1	Decal, Main Broom
10#	56016730	2	Decal, Advance
11			Intentionally Omitted
12	56508679	1	Decal ( <b>Advance model 56307252</b> )

# = Revised or new since last update





Item	Ref. No.	Qty	Description
1	56101737	1	Fitting, Lube 1/4-28
2	2-00-04454	1	Nut, Nylok Thin 1 1/4"
3	2-00-04621	2	Bearing Cup
4	2-00-04622	2	Bearing Cone
5	8-75-01136	2	Washer, 1 1/4"
6	8-80-05035	5	Stud - Wheel
7	8-89-08067	1	Wheel Assy
8	56001879	4	Wsh, Flt SAE 1/2
9	56001920	2	Scr, Hex 1/2-13 x 2.25
10	56002116	4	Scr, Hex 1/2-13 x 3.25
11	56002574	1	Pin, Cotter 5/32 x 3.00
12	56002770	6	Nut, Hex Nyl Loc 1/2-13
13	56507462	1	Hub, Drive Wheel
14	56507099	1	Pin, Drive Yoke Pivot
15	56507280	1	Drive Yoke Weldment

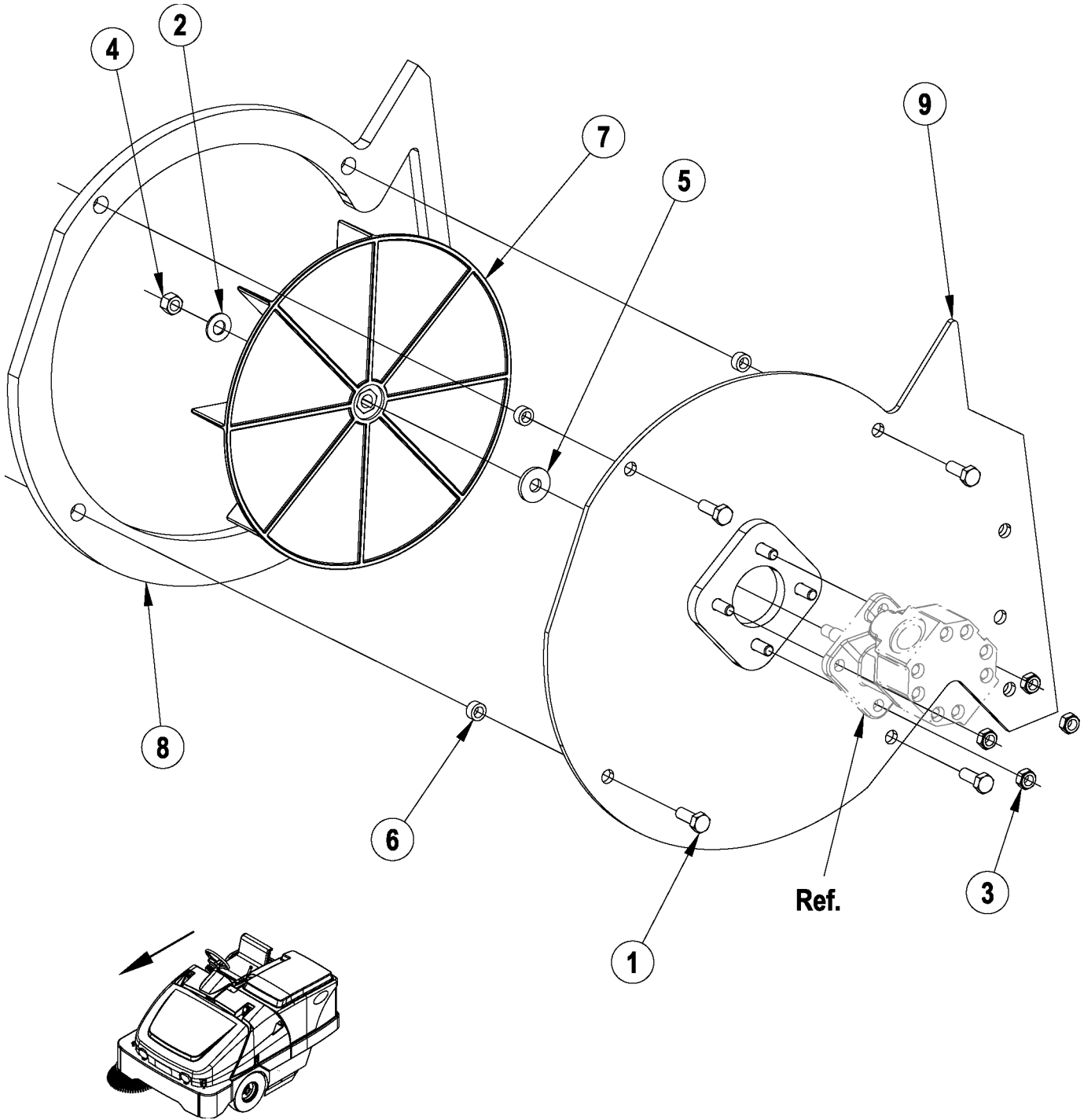


Item	Ref. No.	Qty	Description
	56507058	1	Panel Filter Shaker Assembly (1-15)
1	8-24-04139-1	1	Filter, Panel
**	8-24-04139-2	1	Filter, Panel Water Resistant
2	56370711	4	Nut, Thumb
3	56001806	4	Nut, Hex Whiz W/Flange Loc 5/16-18
4	56001878	9	Scr, Hex 1/4-20 x 1.25
5	56002098	9	Wsh, Flt SAE 1/4
6	56002708	13	Nut, Hex Nyl Loc 1/4-20
7	56003717	2	Scr, Soc Shd .31 x .25 x 1/4-20
8	56009019	4	Scr, Hex Thd Form 1/4-20 x .38
9	56109163	4	Rod, Threaded
10	56507190	1	Filter Shaker Assembly (items 16-35)
11	56508070	1	Weldment, Seal Plate
12	56508073	1	Plate, Dust
13	56508088	1	Gasket, 1/2 x 1/4
14	56508089	1	Door Filter Chamber Weldment
15	56508700	1	Clamp Filter Seal Weldment
16	8-13-07170	1	Plate, Filter Shaker
17	56002015	2	Scr, Soc Set Loc 10-24 x .25
18	56002098	4	Wsh, Flt SAE 1/4
19	56002667	4	Scr, Hex 5/16-18 x .75
20	56002701	4	Nut, Hex Nyl Loc 5/16-18
21	56002708	4	Nut, Hex Nyl Loc 1/4-20
22	56002769	2	Nut, Hex Nyl Loc 3/8-16 <b>NOTE 1</b>
23	56003779	2	Scr, Hex 3/8-16 x 2.00 Grade 8 <b>NOTE 1</b>
24	56003715	4	Scr, Carriage SS 1/4-20 x .75
25	56009085	2	Nut, Hex Jam 3/8-16 <b>NOTE 1</b>
26	56478246	1	Tie, Cable
27	56508664	1	Motor, 12VDC <b>NOTE 2</b>
28	56508887	2	Clamp, Muffler 3" <b>NOTE 2</b>
29	56508772	1	Eccentric <b>NOTE 2</b>
30	56508703	1	Bracket LH, Filter Shaker
31	56508704	1	Bracket RH, Filter Shaker
32	56508705	1	Plate Shaker Motor Mtg
33	56508706	1	Shaker Weldment
34	56002063	2	Wsh, Flt SAE 3/8 <b>NOTE 1</b>
35	56508737	2	Bearing, Flange <b>NOTE 1</b>

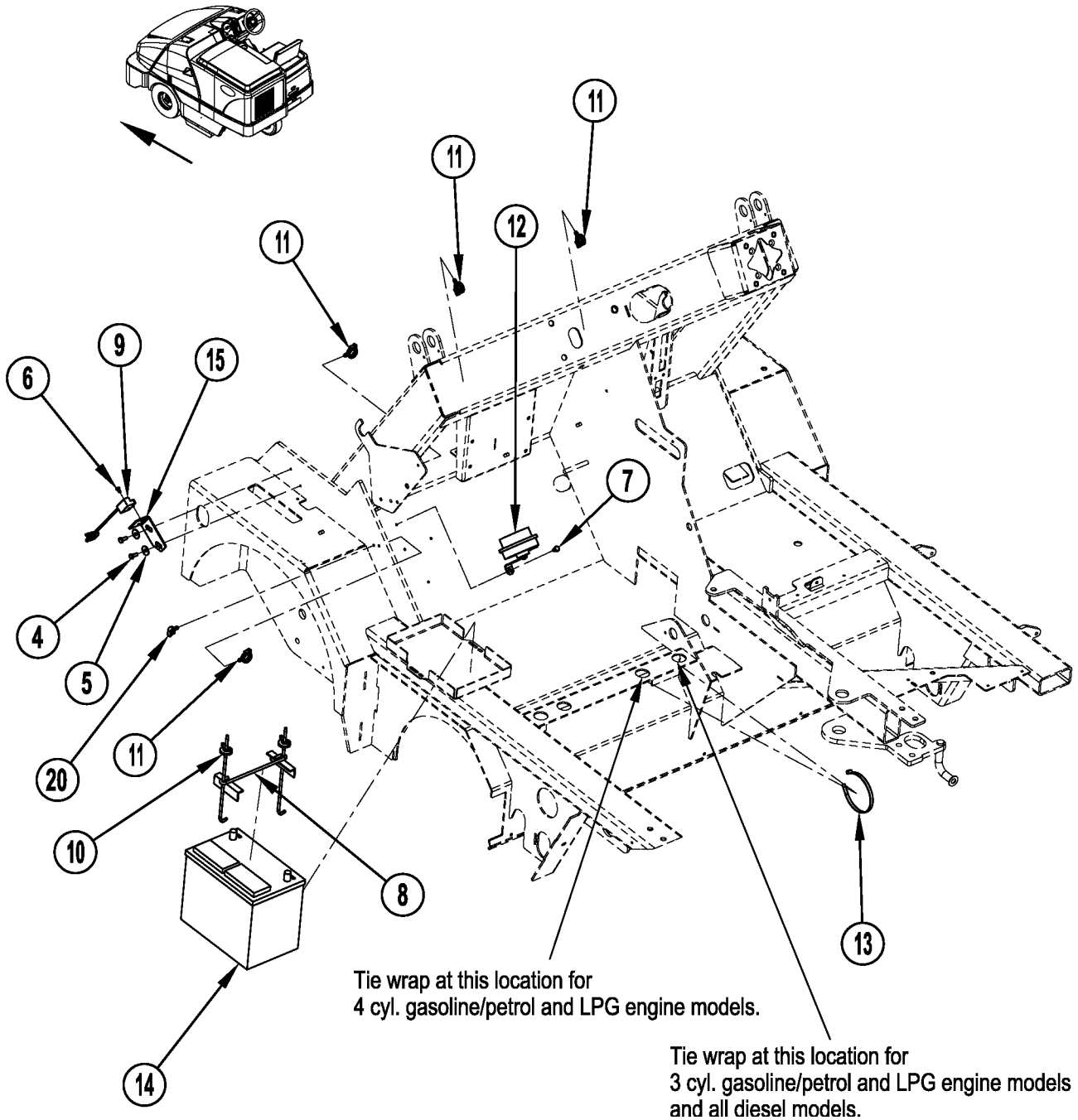
\*\* = Optional

**NOTE 1:** As of SN2005947 this hardware has been changed from 1/2-13 to 3/8-16. When replacing any one 1/2" hardware component (items 22, 23 or 25) you will need to order a quantity of 2 of the following items (22, 23, 25, 34 & 35).

**NOTE 2:** As of SN2005947 Shaker Motor 56508633 has been replaced in production by Shaker Motor 56508664. 56508633 is obsolete and no longer available. If you order Shaker Motor 56508633, U-Bolt 56508642 or Eccentric 56508643 you will receive Shaker Motor Kit 56508780.



Item	Ref. No.	Qty	Description
	56507059	1	Vacuum Fan Assembly (1-9)
1	56002037	4	Scr, Hex 5/16-18 x .88
2	56002063	1	Wsh, Flt SAE 3/8
3	56002826	4	Nut, Hex Nyl Loc-Thin 5/16-18
4	56002950	1	Nut, Hex Nyl Loc 5/16-24
5	56009107	1	Wsh, Flt SS .378 x 1.000 x .120
6	56052581	4	Spacer, .315 ID x .50 OD x .25 Lg
7	56418897	1	Impeller
8	56507198	1	Seal, Vac Fan
9	56507200	1	Plate Weldment, Vac Motor



06-12

**ELECTRICAL SYSTEM**

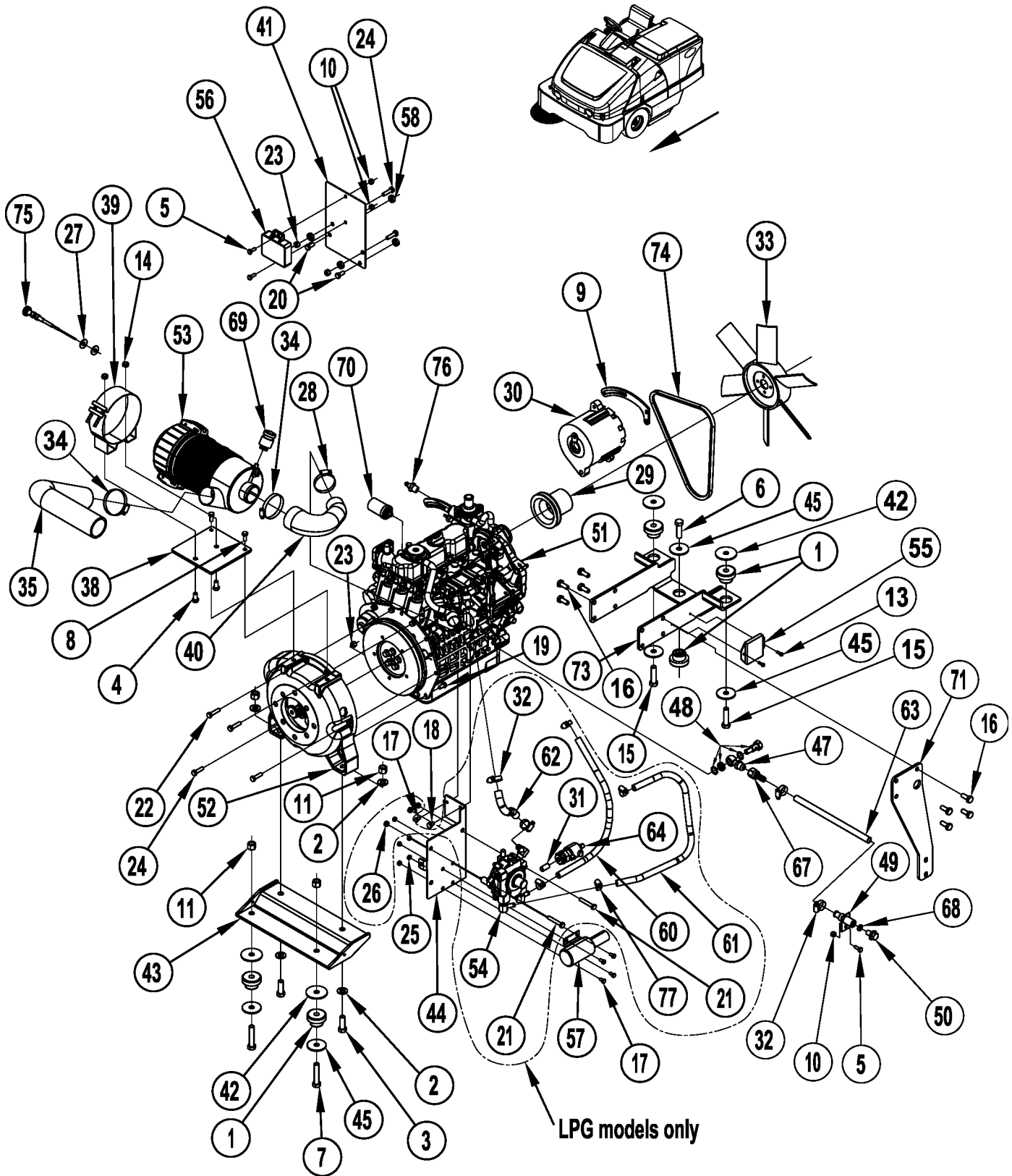
09-1

**Exterra™****21**

Item	Ref. No.	Qty	Description
*	56462361	1	Conn, 2 Way Female
*	56492305	1	Boot, Rubber
*	56493357	1	Insulator, Terminal
4	56001836	2	Scr, Hex 1/4-20 x .62
5	56009002	2	Wsh, Flt .266 x .906 x .060
6	56009030	1	Scr, Pan Phil Thd Form 10-24 x .38
7	56009033	1	Scr, Hex Thd Form 1/4-20 x .50
8	56304445	1	Starter Battery Hold Down
9	56305053	1	Sensor, Proximity
10	56305112	2	10" J Type Hold Down
11	56410247	4	Clip, Conduit
12	56442054	1	Horn, 12V
13	56477613	1	Tie, Cable ( <b>location is dependant upon model</b> )
14	0875-008	1	Battery 12V
15	56507457	1	Mount, Sensor
*	56508735	1	Harness, Main
*	56507679	1	Wire Asm, Yel/Blk 18-11
*	56507680	1	Cable, Pos. Battery
*	56507681	1	Cable, Neg. Battery
20	56507793	2	Clip, Conduit
21#			<b>DELETED</b>
*	56508006	1	Harness, Diesel Relay ( <b>diesel models only</b> )
*	56508010	1	Wire Asm, Grn/Red 10-1 ( <b>diesel models only</b> )
*	56508013	1	Cable, Asm, Blk 6-1

\* = Not Shown

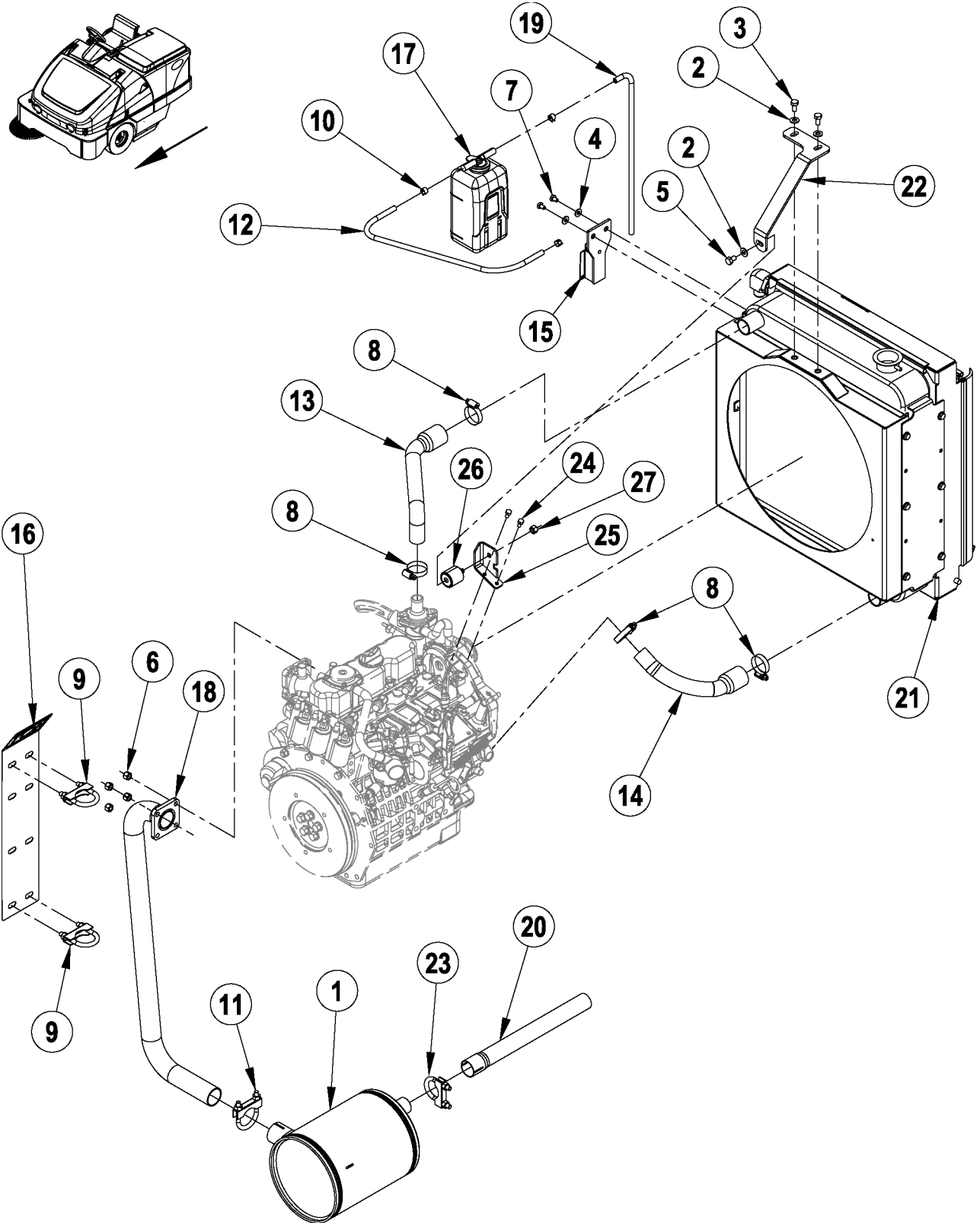
# = Revised or new since last update





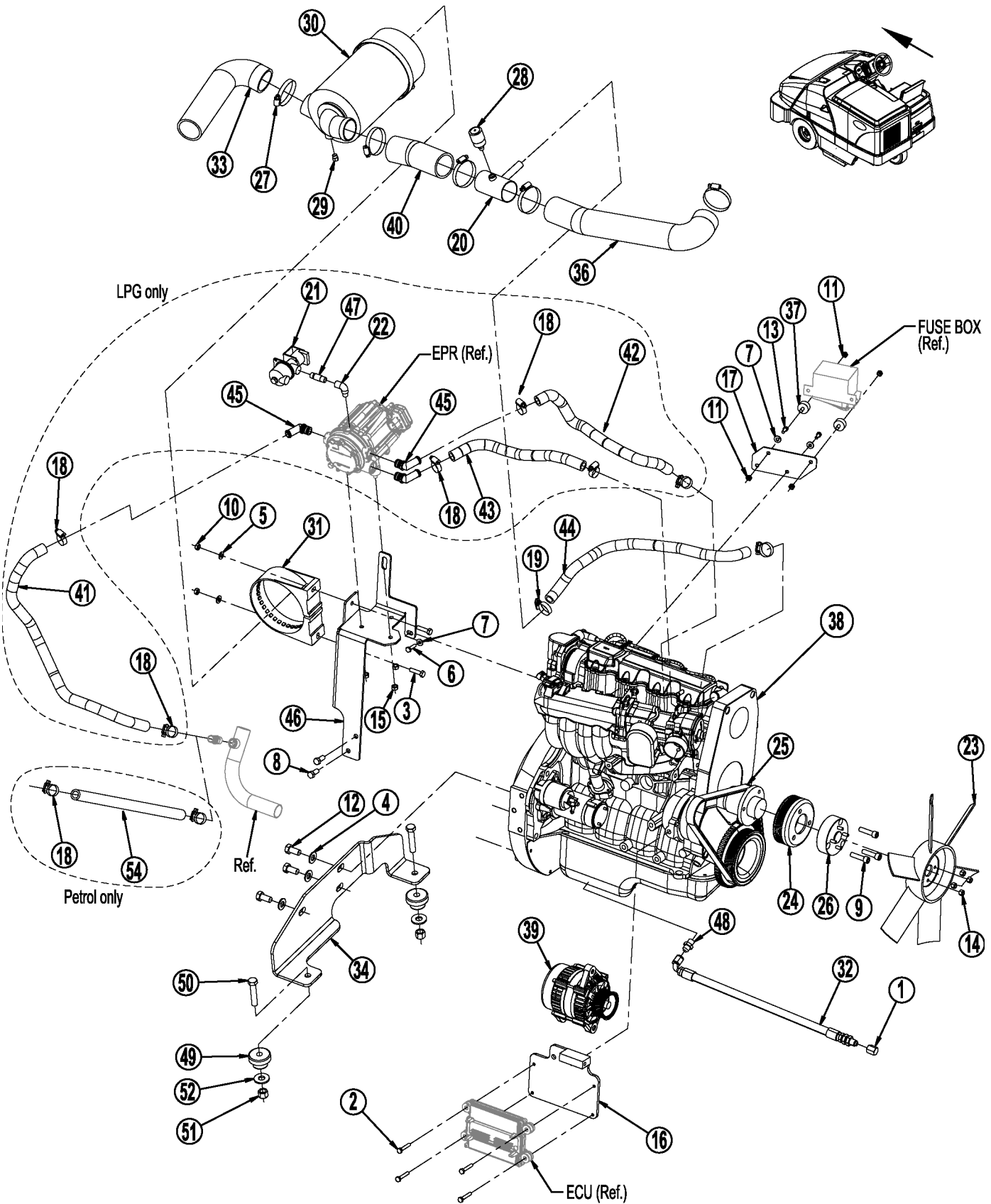
Item	Ref. No.	Qty	Description	Item	Ref. No.	Qty	Description
1	56478685	5	Mount, Rubber	51	56507721	1	Kubota DF972 Engine (LPG)
2	56001879	4	Wsh, Flt SAE 1/2		56507933	1	Kubota WG972 Engine (Petrol)
3	56001968	2	Scr, Hex 1/2-13 x 1.50	52	56507722	1	Bell Housing
4	56002127	2	Scr, Hex 3/8-16 x .75	53	56507724	1	Air Cleaner
5	56002155	3	Scr, Hex 1/4-20 x .75	*	7-24-04066	1	Air Filter Cartridge, Safety
6	56001995	1	Scr, Hex 1/2-13 x 1.75	*	7-24-04065	1	Air Filter Cartridge, Primary
7	56002533	2	Scr, Hex 1/2-13 x 2.50	54	56507725	1	Regulator <b>NOTE 1</b>
8	56002667	2	Scr, Hex 5/16-18 x .75	55	56508446	1	Solenoid Controller
9	56508430	1	Bracket, Alternator 3 Cyl	56	56508445	1	Spark Controller
10	56002708	3	Nut, Hex Nyl Loc 1/4-20	57	56507729	1	Actuator
11	56002770	4	Nut, Hex Nyl Loc 1/2-13	58	56507795	4	Spacer, Coil Bracket
12			Intentionally Omitted	59	56507829	1	Harness, Kubota 972 (Not Shown)
13	56002829	2	Scr, Hex 10-24 x .62	60	56507867	1	Hose, Coolant to Regulator <b>NOTE 1</b>
14	56002841	2	Nut, Hex Nyl Loc-Thin 3/8-16	61	56507868	1	Hose, Regulator to Engine <b>NOTE 1</b>
15	56002983	2	Scr, Hex 1/2-13 x 2.00	62	56507869	1	Hose, Regulator to Mixer <b>NOTE 1</b>
16	56003019	8	Scr, Hex M10-1.25 x 25mm	63	56507964	1	Hose, Remote Oil Drain
17	56003155	5	Scr, Hex M6-1 x 12mm	64	2-60-02315	1	LP Lockoff <b>NOTE 1</b>
18		1	Scr, Hex M8-1.25 x 12mm	65			Intentionally Omitted
19	56003178	2	Scr, Hex M8-1.25 x 16mm	66			Intentionally Omitted
20	56003179	2	Scr, Hex Thd To Hd M8-1.25 x 20mm	67	56507997	1	Banjo Barb
21	56003210	2	Scr, Hex M8-1.25 x 50mm <b>NOTE 1</b>	68	56507998	1	Seal
22	56003361	2	Scr, Hex M8-1.25 x 35mm	69	56507999	1	Indicator, Air
23	56003389	4	Nut, Hex Nyl Loc M8-1.25	70	56508444	1	Switch, Pressure
24	56003416	4	Scr, Hex M8-1.25 X 30mm	71	56508001	1	Bracket, Muffler Hanger
25	56003744	5	Nut, Self-Clinching M6-1 (qty of 4 on Petrol)	72	56508005	1	Harness, Oil Pressure Switch (Not Shown)
26	56003745	3	Nut, Self-Clinching M8-1.25 <b>NOTE 1</b>	73	56508192	1	Bracket, Engine Mount
27	56009213	2	Wsh, Flt .392 x 1.00 x .075	74	56508336	1	Belt, Vee
28	56049999	1	Clamp, Hose SAE #28	75	56508338	1	Cable, Choke
29	56110629	1	Sheave	76	56419091	1	Switch, Temp
30	56110738	1	Alternator, 105 Amp	77	56756364	4	Clamp, Hose SAE #4 <b>NOTE 1</b>
31	56150223	1	Nipple, 1/4NPT x .88/1.12 <b>NOTE 1</b>				
32	56219932	4	Clamp, Hose SAE #6 (qty of 2 on Petrol)				
33	56418718	1	Fan				
34	56456797	2	Clamp, Hose SAE #36				
35	56507368	1	Hose, Air Intake				
36			Intentionally Omitted				
37			Intentionally Omitted				
38	56507388	1	Bracket, Air Cleaner Mounting	*	56508454	1	Thermostat Kit
39	56507389	1	Band, Air Cleaner	*	56507729	1	Throttle Actuator
40	56507442	1	Hose, Air Intake	*	56507829	1	Wire Harness
41	56507443	1	Bracket, Coil Mounting	*	56508455	1	Plug Wire/Coil Kit
42	56507444	4	Washer, Isolator Head	*	56508456	3	Spark Plug
43	56507445	1	Bracket, Rear Engine Mount	*	56110738	1	Alternator 105A
44	56507447	1	Bracket, Vaporizer Mount	*	56508440	1	Starter Motor
45	56507448	5	Washer, Isolator Tail	*	56419091	1	Switch, Temp
46			Intentionally Omitted	*	56508457	1	Water Pump Assy
47		1	Banjo Body	*	56508458	1	Oil Filter Cartridge
48		1	Banjo Bolt	*	56508459	1	Exh Gasket Donut
49	56507496	1	Remote Oil Drain Outlet	*	56508444	1	Oil Pressure Switch
50	56507497	1	Oil Drain Plug	*	7-49-00038	1	Muffler
				*	56507722	1	Pump Drive 13T
				*	56508336	1	Belt, Vee
				*	56508355	1	Fuel Pump, Electronic
				*	56508460	1	Engine Operator Manual
				*	56380493	1	Spark Plug Wire Kit - Cyl #1
				*	56380494	1	Spark Plug Wire Kit - Cyl #2
				*	56380495	1	Spark Plug Wire Kit - Cyl #3
				*	56508455	1	Plug Wire / Coil Kit

**ENGINE REPLACEMENT PARTS****NOTE 1: LPG models only.****NOTE 2: Petrol models only.**



06-12	<b>ENGINE (KUBOTA) LPG/PETROL SYSTEM - 2</b>		
09-1	<b>Exterra™</b>		<b>25</b>

Item	Ref. No.	Qty	Description
1	7-49-00038	1	Muffler
2	56001939	3	Wsh, Flt SAE 5/16
3	56002035	2	Scr, Hex 5/16-18 x .62
4	56002098	2	Wsh, Flt SAE 1/4
5	56002923	1	Scr, Hex Hd Loc 5/16-18 x .50
6	56003389	4	Nut, Hex Nyl Loc M8-1.25
7	56009019	2	Scr, Hex Thd Form 1/4-20 x .38
8	56131601	4	Clamp, Hose SAE #16
9	56343236	2	Clamp, Muffler 2.12
10	56419118	3	Clamp, Hose Band
11	56456833	1	Clamp, Muffler 2.25
12	56465028	1	Hose, Coolant Overflow
13	56507374	1	Hose, Upper Radiator
14	56507386	1	Hose, Lower Radiator
15	56507387	1	Bracket, Recovery Bottle
16	56507449	1	Shield, Exhaust Heat
17	56507728	1	Overflow Bottle
18	56507731	1	Exhaust Assembly
19	56507798	1	Hose, Coolant Overflow
20	56507871	1	Tail Pipe
21		1	Radiator Assy ( <b>See Radiator Assembly</b> )
22	56508395	1	Bracket, Radiator Support
23	56508391	1	Clamp, Muffler
24	56003155	2	Scr, Hex M6-1 x 12mm
25	56508396	1	Bracket, Upper Radiator Iso Mount
26	56507372	1	Isolator, Engine
27	56002701	1	Nut, Hex Nyl Loc 5/16-18

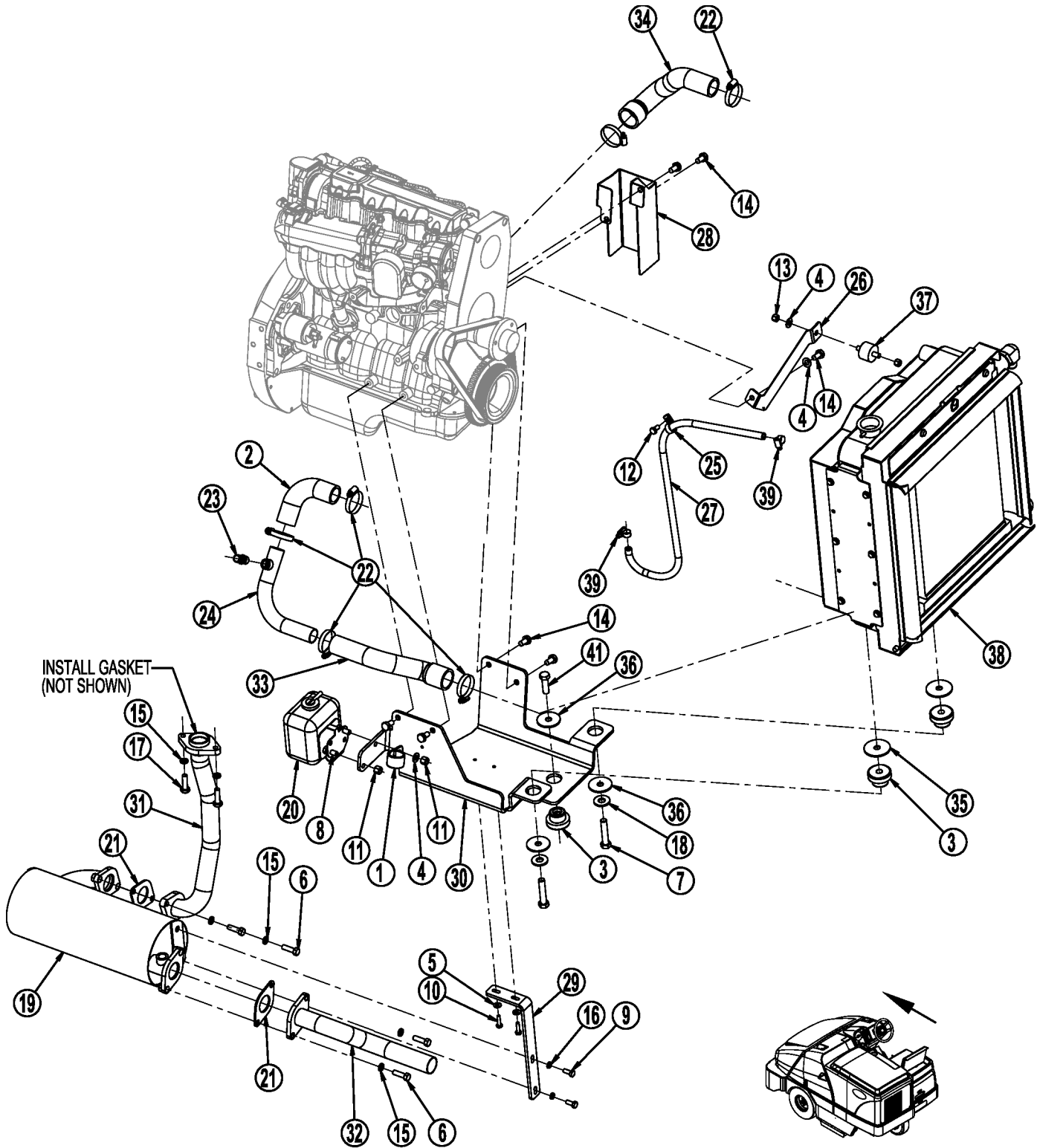


Item	Ref. No.	Qty	Description	ENGINE REPLACEMENT PARTS			
1	56900917	1	Cap, Flare Tube End	56305411	1	Thermostat Kit	
2	56001833	4	Scr, Hex 1/4-20 X 1.50	56109005	1	Sensor, 02 Pre Cat	
3	56001834	2	Scr, Hex 5/16-18 X 1.25	7-11-04081	1	Sensor, 02 Post Cat	
4	56001879	3	Wsh, Flt SAE 1/2	56109033	1	Throttle Body, Bosch 40mm	
5	56001939	2	Wsh, Flt SAE 5/16	56109034	1	Gasket, Throttle Body	
6	56002093	1	Scr, Hex 1/4-20 X 1.00	56109004	1	Map Sensor	
7	56002098	3	Wsh, Flt SAE 1/4	56305596	1	Plug Wire Kit	
8	56002271	2	Scr, Hex 3/8-16 X .88	56305979	4	Spark Plug	
9	56002316	3	Scr, Soc Hd 3/8-16 X 1.50	56304794	1	Ignition Coil	
10	56002826	2	Nut, Hex Nyl Loc-Thin 5/16-18	56305273	1	Alternator 70A	
11	56002840	4	Nut, Hex Nyl Loc-Thin 1/4-20	56305998	1	Starter Motor	
12	56003083	3	Scr, Hex Hd Loc 1/2-13 x 1.00	56305404	1	Crank Pos Sensor	
13	56003174	2	Scr, Hex Thd To Hd M6-1 x 16mm	56305403	1	Coolant Sensor	
14	56003284	4	Nut, Hex Nyl Loc 1/4-28	56305986	1	Water Pump	
15	56003352	3	Nut, Hex M8-1.25 (qty of 1 on Petrol models)	56305272	1	Oil Filter Cartridge	
16	56110592	1	Alternator Bracket Weldment	56305271	1	Exh Gasket Donut	
17	56110595	1	Bracket, Fuse Box	56305988	1	Timing Belt (Cam)	
18	56112771	6	Clamp, Hose SAE #10 (qty of 2 on Petrol models)	56305098	1	Oil Pressure Switch	
19	56244969	2	Clamp, Hose SAE #12	56305987	1	PCV Valve	
20	56305240	1	Tube Weldment	56110454	1	Cat Con	
21	56305409	1	Fuel Lockoff Valve <b>NOTE 1</b>	56305401	1	Pump Drive 13t	
22	56369632	1	Elbow, 90 Street <b>NOTE 1</b>	56504426	1	Manifold, Exhaust W/GSKT	
23	56418718	1	Fan	56504461	1	Sprocket, Crank	
24	56419607	1	Sheave, Fan	56504462	1	Sprocket, Camshaft	
25	56419615	1	Belt, Fan	56504463	1	Tensioner, Timing Belt	
26	56419617	1	Fan Spacer Assy	56504464	1	Gasket, Oil Pan	
27	56440213	5	Clamp, Hose SAE #32	56504465	1	Seal, Camshaft	
28	56478461	1	Indicator, Service	56504466	1	Camshaft	
29	56481546	1	Plug, Hex Pipe	56504467	1	Arm, Valve Rocker	
30	56482478	1	Cleaner, Air	56504480	1	Hose, PVC Elbow	
*	56482028	1	Air Filter Cartridge, Safety	56504484	1	Tube, PVC Coolant Bypass	
*	56482029	1	Air Filter Cartridge, Primary	56504488	1	Cover, Timing Belt Outer	
31	56482621	1	Band Assy	56504489	1	Cover, Timing Belt Inner T	
32	56507365	1	Hose, Hydraulic	56504490	1	Cover, Timing Belt Inner B	
33	56507366	1	Hose, Intake	56504491	1	Nut, Intake Manifold	
34	56507412	1	Bracket, Engine Mount	56504494	A/R	Plug, Injector	
35			Intentionally Omitted	56504495	1	Plug, Map Sensor	
36	56507438	1	Hose, Intake <b>NOTE 1</b>	#	56504499	1	Arm-Alternator Adjustment
	56508425	1	Hose, Intake <b>NOTE 2</b>	#	56504500	1	Bracket-Alternator Pivot
37	56507575	2	Isolator	#	56504501	1	Flywheel
38	56507799	1	Engine, GM 1.6L LP Assy <b>NOTE 1</b>	#	56504502	1	Pulley-Crank
	56508012	1	Engine, GM 1.6L Petrol Assy <b>NOTE 2</b>	#	56504503	1	Manifold-Intake
39	56507811	1	Alternator - 72 Amp	#	56504504	1	Dipstick-Oil
40	56507971	1	Hose, Connector	#	56504505	1	Cover-Flywheel Housing
41	56507973	1	Hose, LP <b>NOTE 1</b>	#	56504506	1	Block-Engine Long
42	56507974	1	Hose, LP <b>NOTE 1</b>	#	56504512	A/R	Adjuster-Hyd Valve Lash
43	56507975	1	Hose, LP <b>NOTE 1</b>				<b>Petrol Only</b>
44	56507976	1	Hose, Heater	56110914	1	Wire Harness	
45	56507977	3	Fitting, LP Quick Connect <b>NOTE 1</b>	56305274	4	Petrol Injector	
46	56508002	1	Bracket, EPR Mount <b>NOTE 1</b>	56305062	1	Petrol Fuel Pump	
	56508424	1	Bracket, Air Cleaner <b>NOTE 2</b>	56306100	1	Fuel Rail	
47	56750688	1	Nipple, 1/4NPT X 1.5 <b>NOTE 1</b>	56305412	1	Petrol Fuel Filter	
48	56900300	1	Connector, Male, Metric	56508398	1	ECU Petrol	
49	56478685	2	Mount, Rubber				<b>LPG Only</b>
50	56002533	2	Scr, Hex 1/2-13 x 2.50	56110864	1	Wire Harness	
51	56002770	2	Nut, Hex Nyl Loc 1/2-13	56306101	1	Mixer	
52	56009115	2	Wsh, Flt Harden .594 x .375 x .134	56109043	1	EPR	
53			Intentionally Omitted	56507815	1	ECU LPG	
54	56508426	1	Hose, Petrol <b>NOTE 2</b>	56305993	1	LPG Lockoff and Filter	
*	56110864	1	Wire Harness, LP Engine <b>NOTE 1</b>	56305410	1	LPG Filter Cartridge	
*	56110914	1	Wire Harness, Petrol Engine <b>NOTE 2</b>				
*	56508003	1	Harness, Gasoline Sensor <b>NOTE 2</b>				

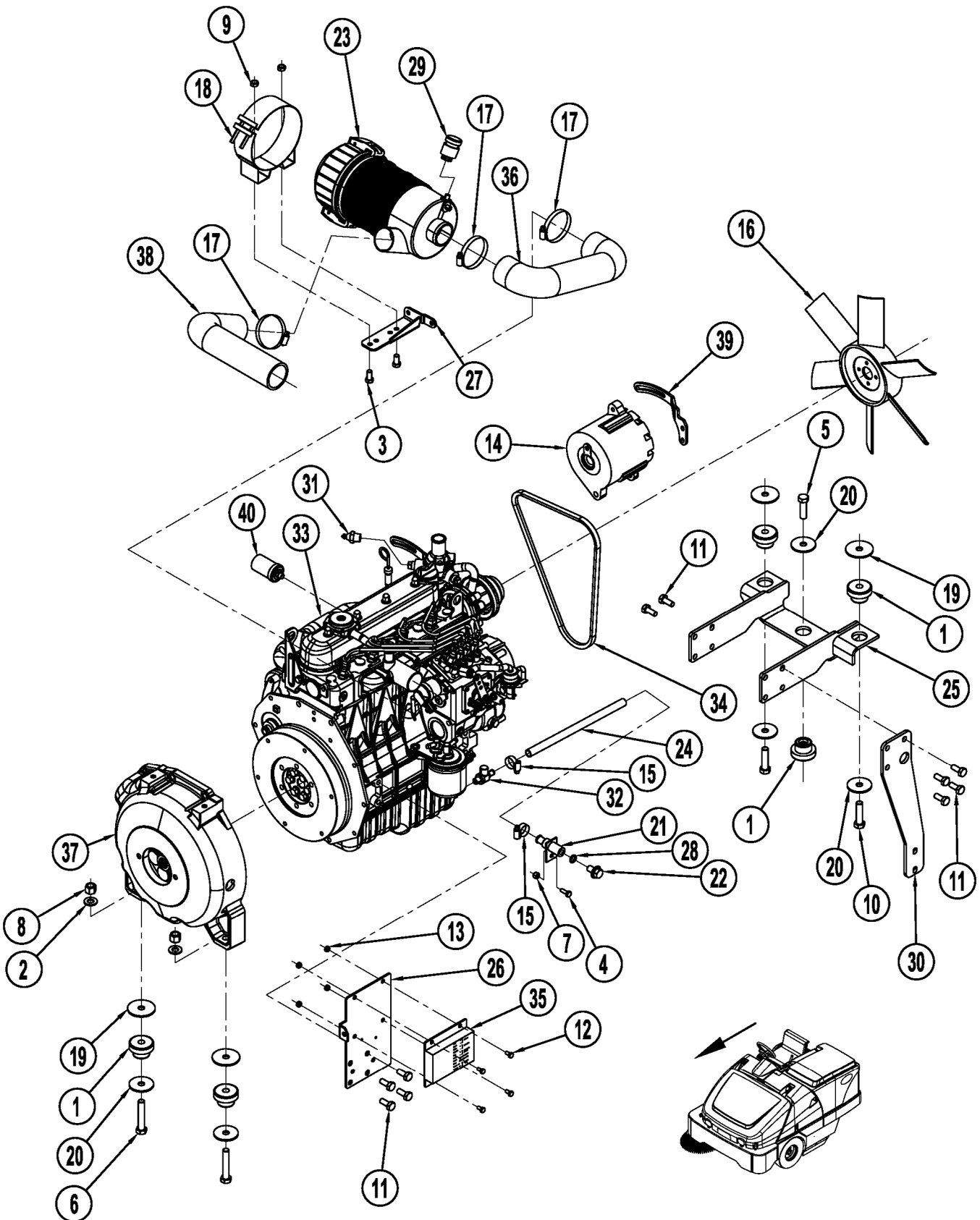
\* = Not Shown

# = Revised or new since last update

**NOTE 1:** Used on LPG models only.**NOTE 2:** Used on Gasoline/Petrol models only.

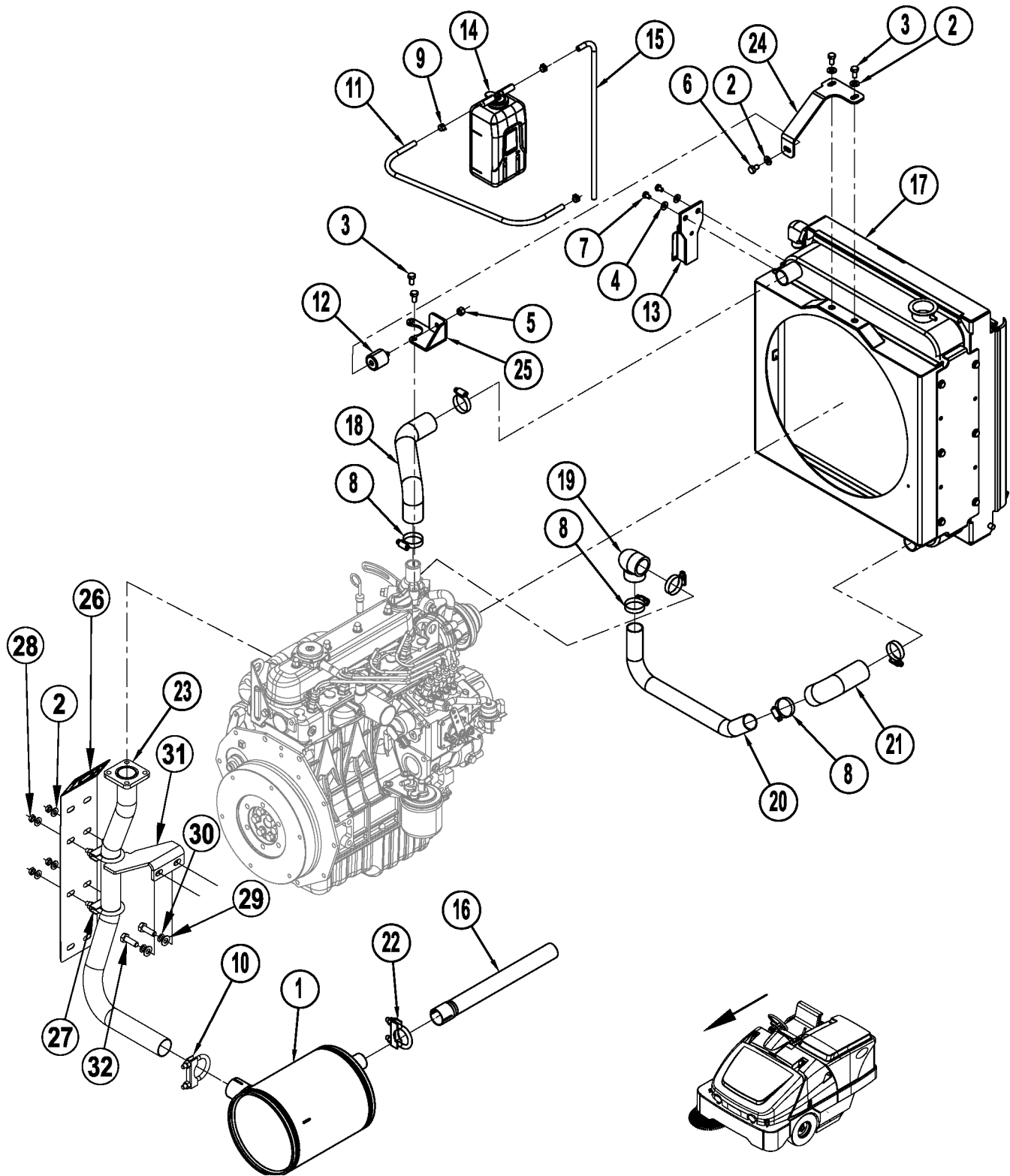


Item	Ref. No.	Qty	Description
1	56409463	1	Clamp, 1.25 Hose Support
2	56418227	1	Hose, Lower Radiator
3	56478685	3	Mount, Rubber
4	56002063	3	Wsh, Flt SAE 3/8
5	56002098	2	Wsh, Flt SAE 1/4
6	56002254	4	Scr, Hex 3/8-24 X 1.25
7	56002533	2	Scr, Hex 1/2-13 X 2.50
8	56002663	2	Scr, Hex 3/8-16 X 1.00
9	56002667	2	Scr, Hex 5/16-18 X .75
10	56009018	2	Scr, Hex Thd Form 1/4-20 X .75
11	56002769	2	Nut, Hex Nyl Loc 3/8-16
12	56003178	1	Scr, Hex M8-1.25 X 16mm
13	56003389	2	Nut, Hex Nyl Loc M8-1.25
14	56003442	7	Scr, Hex Loc M10-1.5 X 20mm
15	56003684	6	Wsh, Nord-Lock M10
16	56003685	2	Wsh, Nord-Lock M8
17	56003694	2	Scr, Hex M10-1.5 X 35mm Class 10.9
18	56009115	2	Wsh, Flt Harden .594 x 1.375 x .134
19	56110454	1	Catalytic Converter
20	7-07-02002	1	Bottle, Overflow
21	56305549	2	Gasket, Exhaust
22	56329145	6	Clamp, Hose SAE #24
23	56456436	1	Barb, Adapter 5/8 X 3/8 NPT
24	56460213	1	Weldt Tube, Lower Radiator
25	56486112	1	Clamp, P
26	56507120	1	Bracket, Radiator
27	56507121	1	Hose, Radiator Overflow
28	56507364	1	Heat Shield
29	56507399	1	Strap, Muffler
30	56507419	1	Bracket, Engine Radiator Mount
31	56507426	1	Tube, Exhaust
32	56507427	1	Tube, Exhaust
33	56507436	1	Hose, Lower Radiator
34	56507437	1	Hose, Upper Radiator
35	56507444	2	Washer, Isolator Head
36	56507448	3	Washer, Isolator Tail
37	56507573	1	Isolator
38		1	Radiator Assy ( <b>See Radiator Assembly</b> )
39	56756364	2	Clamp, Hose SAE #4
40			Intentionally Omitted
41	56001995	1	Scr, Hex 1/2-13 x 1.75





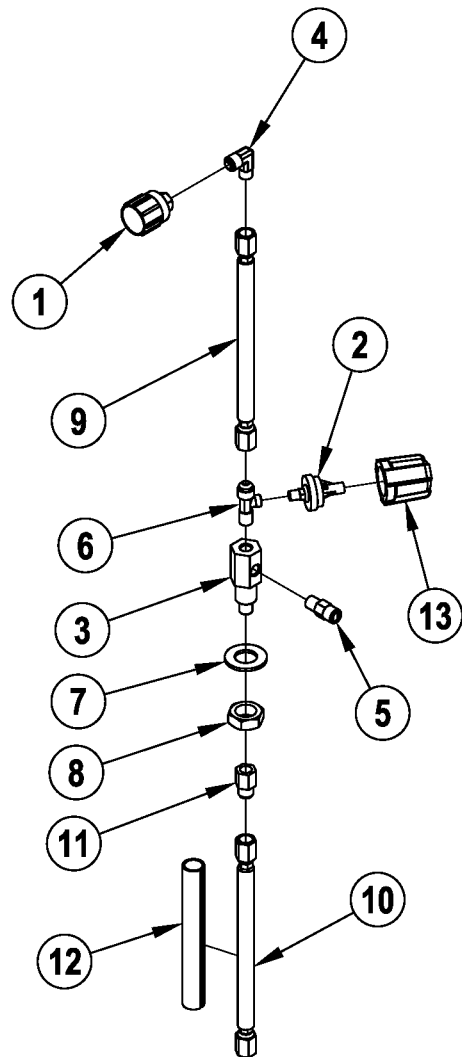
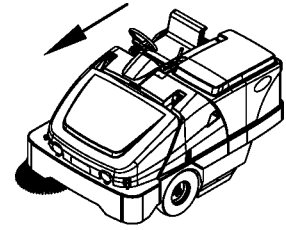
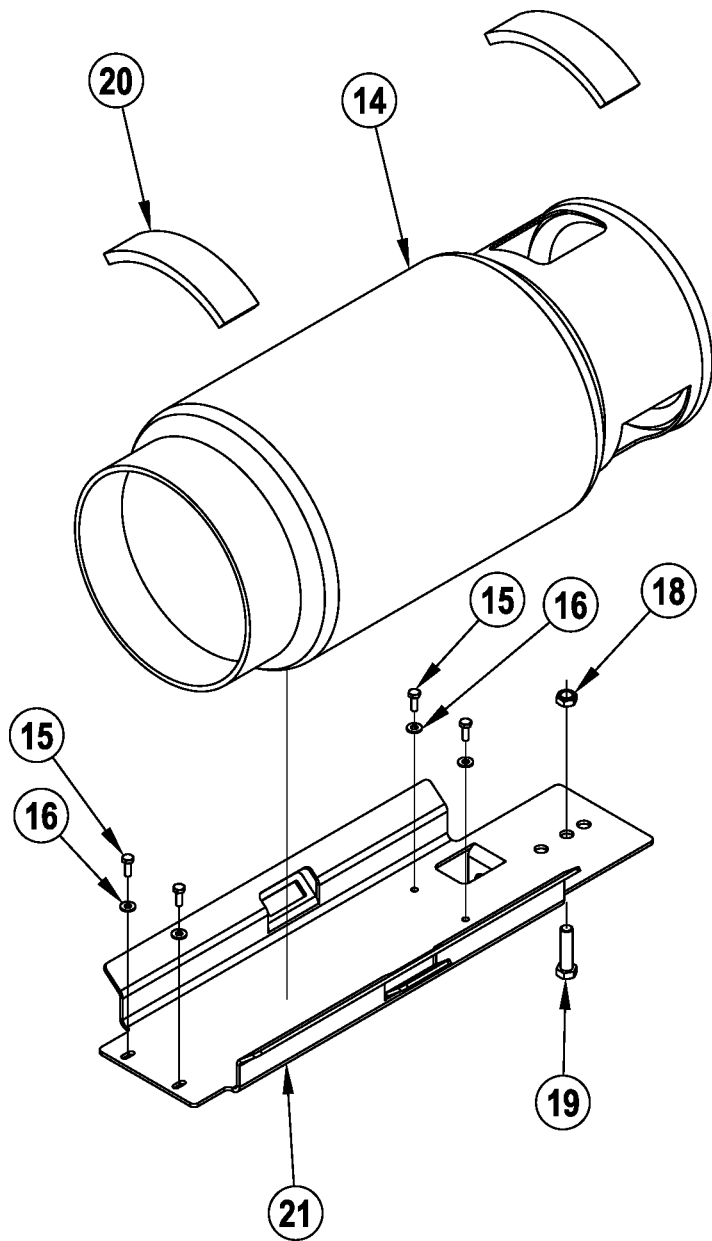
Item	Ref. No.	Qty	Description	ENGINE REPLACEMENT PARTS			
1	56478685	5	Mount, Rubber	*	56463590	1	Glow Plug Timer
2	56001879	2	Wsh, Flt SAE 1/2	*	56110738	1	Alternator 105A
3	56002127	2	Scr, Hex 3/8-16 X .75	*	56419086	1	Fuel Filter Cartridge
4	56002155	1	Scr, Hex 1/4-20 X .75	*	56508487	1	Oil Filter Cartridge
5	56001995	1	Scr, Hex 1/2-13 X 1.75	*	56508393	1	Belt, Vee
6	56002680	2	Scr, Hex 1/2-13 X 2.75	*	56419088	1	Thermostat Assembly
7	56002708	1	Nut, Hex Nyl Loc 1/4-20	*	56508489	1	Thermostat Gasket
8	56002770	2	Nut, Hex Nyl Loc 1/2-13	*	56419089	1	Starter Motor
9	56002841	2	Nut, Hex Nyl Loc-Thin 3/8-16	*	56508444	1	Oil Pressure Switch
10	56002983	2	Scr, Hex 1/2-13 X 2.00	*	56419091	1	Switch, Temp
11#	56003019	10	Scr, Hex M10-1.25 X 25mm	*	56508490	1	Throttle/Shut Down Assembly
12	56003155	4	Scr, Hex M6-1 X 12mm	*	56508355	1	Fuel Pump Assembly
13	56003744	4	Nut, Self-Clinching M6-1	*	56508492	1	Fuel Filter
14	56110738	1	Alternator, 105 Amp	*	56508470	1	Engine Operator Manual
15	56219932	2	Clamp, Hose SAE #6	* = Not Shown			
16	56418718	1	Fan	# = Revised or new since last update			
17	56456797	3	Clamp, Hose SAE #36				
18	56507389	1	Band, Air Cleaner				
19	56507444	4	Washer, Isolator Head				
20	56507448	5	Washer, Isolator Tail				
21	56507496	1	Remote Oil Drain Outlet				
22	56507497	1	Oil Drain Plug				
23	56507724	1	Air Cleaner				
*	7-24-04066	1	Air Filter Cartridge, Safety				
*	7-24-04065	1	Air Filter Cartridge, Primary				
24	56507964	1	Hose, Remote Oil Drain				
25	56507988	1	Bracket, Engine Mount, Diesel				
26	56507991	1	Bracket, Fuel Pump				
27	56507992	1	Bracket, Air Cleaner				
28	56507998	1	Seal				
29	56507999	1	Indicator, Air				
30	56508212	1	Bracket, Muffler Hanger				
31	56419091	1	Switch, Temp				
32	56508375	1	Engine Oil Drain Valve				
33	56508388	1	Engine, 4 Cyl Diesel				
34	56508393	1	Belt, Vee				
35	56508400	1	Governor Controller				
36	56508402	1	Hose, Air Intake				
37	56508403	1	Bell Housing				
38	56508404	1	Hose, Air Intake				
39	56508429	1	Bracket, Alternator Diesel				
*	56508004	1	Harness, Kubota Diesel				
40	56508444	1	Switch, Pressure				



Item	Ref. No.	Qty	Description
1	7-49-00038	1	Muffler
2	56001939	7	Wsh, Flt SAE 5/16
3	56002035	4	Scr, Hex 5/16-18 X .62
4	56002098	2	Wsh, Flt SAE 1/4
5	56002701	1	Nut, Hex Nyl Loc 5/16-18
6	56002923	1	Scr, Hex Hd Loc 5/16-18 x .50
7	56009019	2	Scr, Hex Thd Form 1/4-20 x .38
8	56131601	6	Clamp, Hose SAE #16
9	56419118	3	Clamp, Hose Band
10	56456833	1	Clamp, Muffler 1.62
11	56465028	1	Hose, Coolant Overflow
12	56507372	1	Isolator, Engine
13	56507387	1	Bracket, Recovery Bottle
14	56507728	1	Overflow Bottle
15	56507798	1	Hose, Coolant Overflow
16	56507871	1	Tail Pipe
17		1	Radiator Assy (See Radiator Assembly)
18	56508378	1	Hose, Upper Radiator
19	56508379	1	Hose, Lower Radiator
20	56508383	1	Tube, Coolant
21	56508384	1	Hose, Lower Radiator
22	56508391	1	Clamp, Muffler
23	56508397	1	Exhaust Assembly
24	56508427	1	Bracket, Radiator Support
25	56508428	1	Bracket, Radiator Iso Support
26	56507449	1	Shield, Exhaust Heat
27	56343236	2	Clamp, Muffler 1.50
28	56009086	4	Nut, Hex Jam 5/16-18
29#	56002063	2	Wsh, Flt SAE 3/8 <b>NOTE 1</b>
30#	2-00-02310	2	Lk Wash Helical Spr Zn <b>NOTE 1</b>
31#	56508910	1	Exhaust Pipe Bracket <b>NOTE 1</b>
32#	2-00-05961	2	Screw Hhc M10 X 1.25 X 30mm <b>NOTE 1</b>

# = Revised or new since last update

**NOTE 1:** All machines after serial number 1000000040.



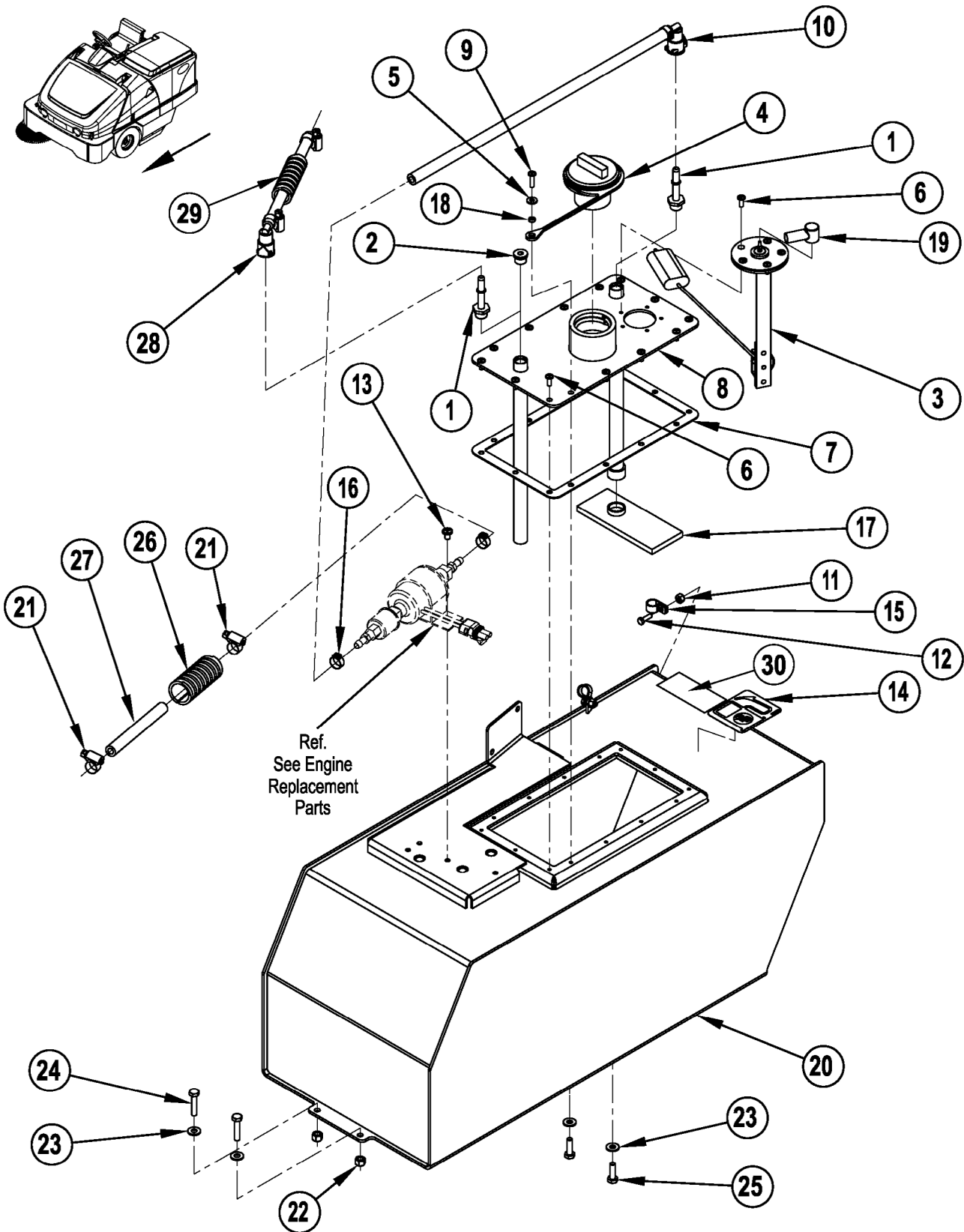
06-12

**ENGINE LPG TANK & FILTER ASSEMBLY(NON CAB MODELS)**

08-5

**Exterra™****35**

Item	Ref. No.	Qty	Description
	56305089	1	LP Filter Assembly <b>(items 1-13)</b>
1	56369675	1	Coupler, Female
2	56418381	1	Switch, N.C. Pressure
3	56418934	1	Fitting, Bulkhead
4	56456608	1	Elbow, Male 90
5	56456624	1	Vent 1/4 NPT
6	56900921	1	Tee
7	56002228	1	Wsh, Flt SAE 7/8
8	56002615	1	Nut, Hex Jam 7/8-14
9	56305503	1	Hose Assy
10	56305504	1	Hose Assy
11	56305505	1	Adapter, SAE 45 Deg.
12	56305506	1	Conduit
13	56419241	1	Dust Boot
	56507057	1	LP Tank Assy <b>(items 14-21)</b>
14	56456590	1	LP Tank, 33lb.
15	56009033	4	Scr, Hex Thd Form 1/4-20 x .50
16	56002098	4	Wsh, Flt SAE 1/4
17			Intentionally Omitted
18	56002843	1	Nut, Hex Nyl Loc-Thin 1/2-13
19	56003740	1	Scr, Hex Thd To Hd 1/2-13 x 2.00
20	56507336	2	Gasket, LP Tank Mtg
21	56507558	1	Support, LP Tank



06-12	<b>ENGINE (KUBOTA) PETROL/DIESEL FUEL TANK ASSY(NON CAB MODELS)</b>		
09-1	<b>Exterra™</b>		<b>37</b>

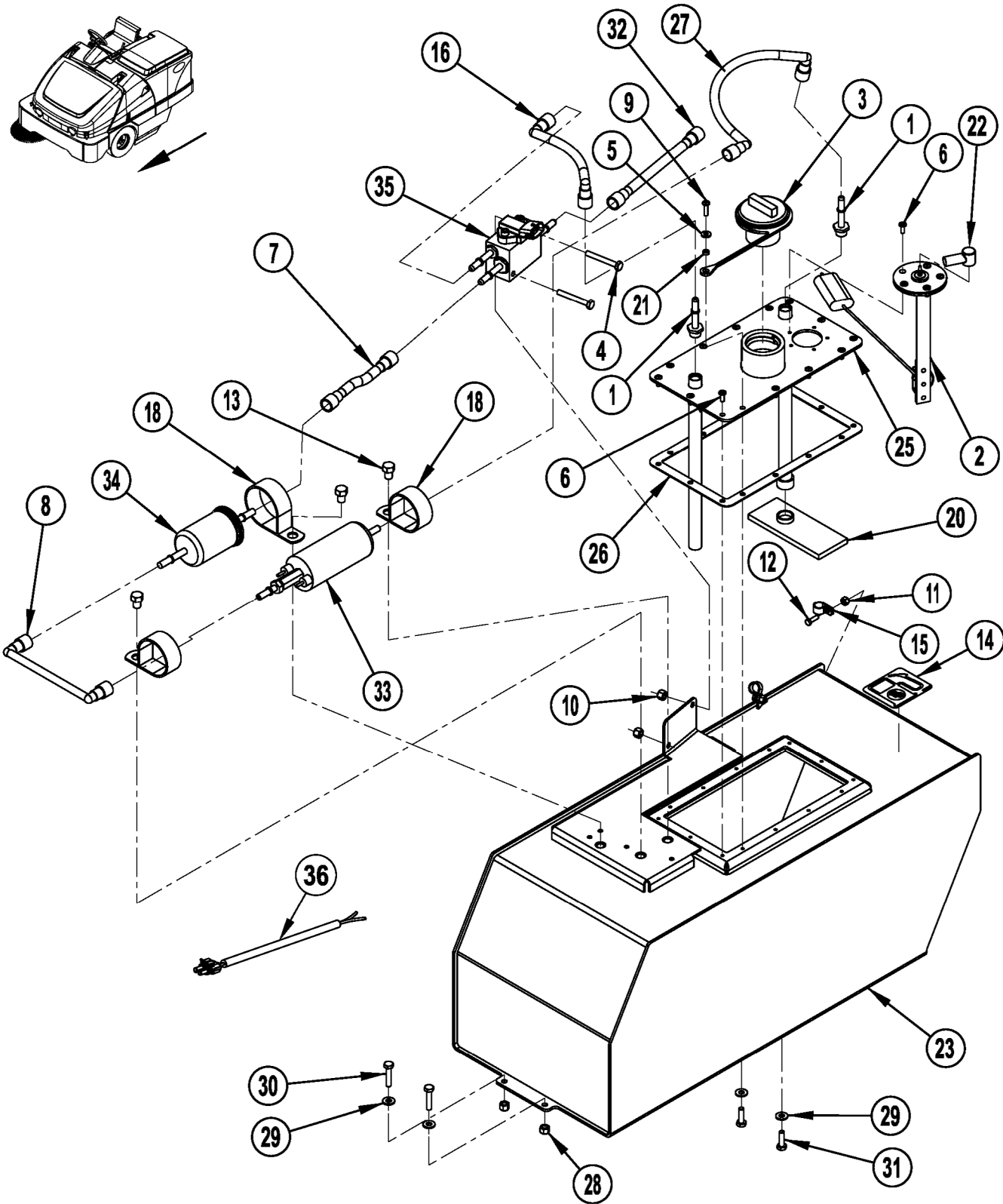
Item	Ref. No.	Qty	Description
#	56507936	1	Tank, Petrol Assembly <b>(items 1-20) NOTE 1</b>
	56508333	1	Tank Diesel Assembly <b>(items 1, 3-20) NOTE 2</b>
1	7-11-04083	1	-6 SAE x 5/16 Quick Connect Fitting <b>(qty of 2 on diesel models)</b>
2	56418776	1	Plug, Hex Soc O-Ring <b>NOTE 1</b>
3	56478358	1	Sender, Fuel Level
4	56508354	1	Fuel Cap
5	56001954	1	Wsh, Flt SAE #10
6	56001993	18	Scr, Pan Phil 10-24 x .50
7	56508349	1	Gasket, Cover
8	56508348	1	Cover Plate Weldt
9#	56002192	1	Scr, Pan Phil 10-24 x .75
10	56507957	1	Hose Assy
11	56002768	2	Nut, Hex Nyl Loc 10-24
12	56002829	2	Scr, Hex 10-24 x .62
13	56003603	1	Scr, Pan Phil Thd Form 1/4-20 x .38
14	56016226	1	Decal, Unleaded Fuel <b>NOTE 1</b>
	56025454	1	Decal, Diesel Fuel <b>NOTE 2</b>
15	56056903	2	Clamp, P
16	56508515	1	Clamp <b>(qty of 2 on diesel models)</b>
17	56419307	1	Strainer, Fuel
18	56454275	1	Bushing, .20 x .31 x .12
19	56492305	1	Boot, Rubber
20	56507946	1	Fuel Tank Weldt
21	56756364	2	Clamp, Hose SAE #4 <b>NOTE 1</b>
22	56002708	2	Nut, Hex Nyl Loc 1/4-20
23	56002098	4	Wsh, Flt SAE 1/4
24	56002047	2	Scr, Hex Thd To Hd 1/4-20 x 1.25
25	56001821	2	Scr, Hex 1/4-20 x .88
26	56508357	1	Conduit
27	56508358	1	Hose, Fuel Line
28	56508646	1	Hose Assembly <b>NOTE 2</b>
29	56508654	1	Conduit <b>NOTE 2</b>
30#	56109404	1	Decal, Low Sulfur Diesel <b>NOTE 2</b>

\* = Not Shown

# = Revised or new since last update

**NOTE 1:** Only used on Petrol/Gasoline models.

**NOTE 2:** Only used on Diesel models.





06-12

**ENGINE (GM) PETROL FUEL TANK ASSY(NON CAB MODELS)**

09-1

**Exterra™****39**

Item	Ref. No.	Qty	Description
	56507960	1	Tank, Petrol Assembly (items 1-27)
1	7-11-04083	2	-6 SAE x 5/16 Quick Connect Fitting
2	56478358	1	Sender, Fuel Level
3	56508354	1	Fuel Cap
4	56001874	2	Scr, Hex 1/4-20 x 2.00
5	56001954	1	Wsh, Flt SAE #10
6	56001993	18	Scr, Pan Phil 10-24 x .50
7	56508353	1	Fuel Hose Assy
8	56508352	1	Fuel Hose Assy
9	56002246	1	Scr, Pan Phil 10-32 x .75
10	56002708	2	Nut, Hex Nyl Loc 1/4-20
11	56002768	2	Nut, Hex Nyl Loc 10-24
12	56002829	2	Scr, Hex 10-24 x .62
13	56003023	3	Scr, Hex Hd Loc 3/8-16 x .50
14	56016226	1	Decal, Unleaded Fuel
15	56056903	2	Clamp, P
16	56508351	1	Fuel Hose Assy
17			Intentionally Omitted
18#	56305492	3	Clamp, P
19#			<b>DELETED</b>
20	56419307	1	Strainer, Fuel
21	56454275	1	Bushing, .20 x .31 x .12
22	56492305	1	Boot, Rubber
23	56507946	1	Fuel Tank Weldment
24			Intentionally Omitted
25	56508348	1	Cover Plate Weldment
26	56508349	1	Gasket, Cover
27	56508350	1	Fuel Hose Assy
28	56002708	2	Nut, Hex Nyl Loc 1/4-20
29	56002098	4	Wsh, Flt SAE 1/4
30	56002047	2	Scr, Hex Thd To Hd 1/4-20 X 1.25
31	56001821	2	Scr, Hex 1/4-20 X .88
32	56508407	1	Fuel Hose Assy
33	56305062	1	Fuel Pump Assy
34	56305412	1	Fuel Filter, Pressure
35	56507951	1	Manifold, Fuel
36	56380433	1	Jumper, Fuel Pump

# = Revised or new since last update

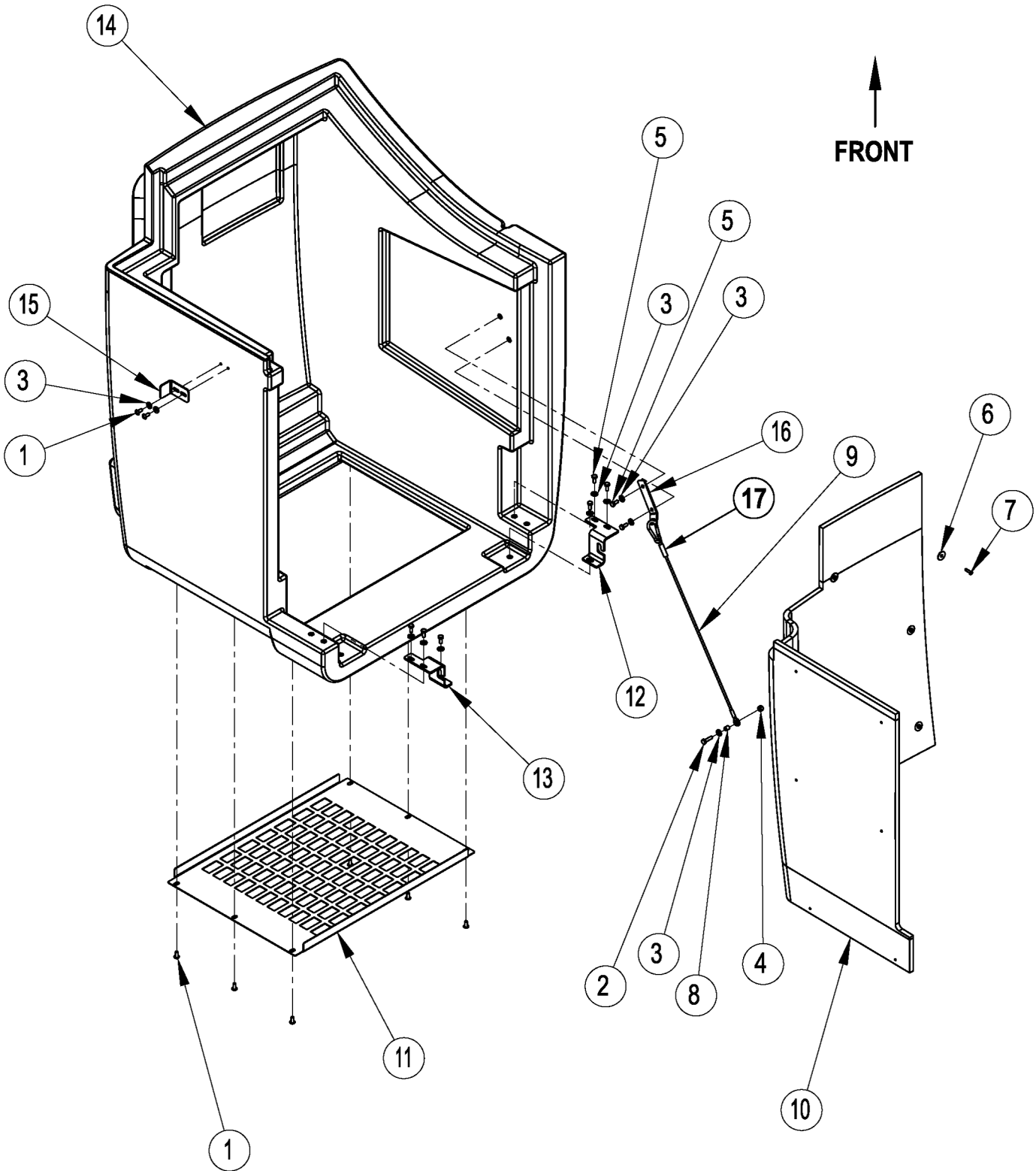
# ENGINE REAR COVER ASSEMBLY

06-12

40

Exterra™

07-8



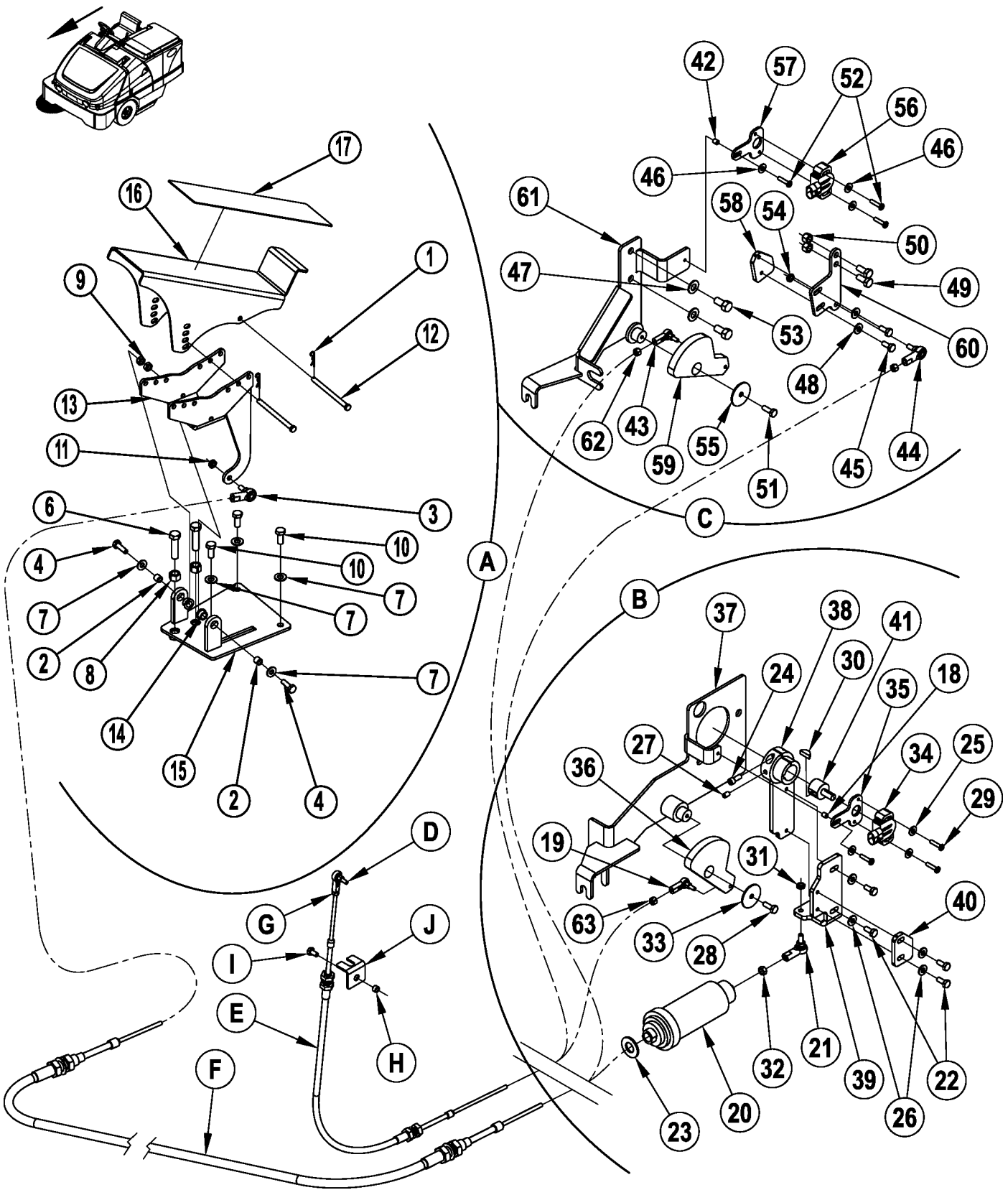
06-12

**ENGINE REAR COVER ASSEMBLY**

07-8

**Exterra™****41**

Item	Ref. No.	Qty	Description
	56507877	1	Cover, Rear Assy <b>(grey) (items 1-16)</b>
	56508675	1	Cover, Rear Assy <b>(green / Advance model 56307252) (items 1-19)</b>
1	56009120	8	Scr Pan Phil SS Type B 1/4-14 x .62
2	56002093	1	Scr, Hex 1/4-20 x 1.00
3	56002098	11	Wsh, Flt SAE 1/4
4	56002708	1	Nut, Hex Nyl Loc 1/4-20
5	56002922	8	Scr, Hex Hd Loc 1/4-20 x .62
6	56009002	13	Wsh, Flt .266 x .906 x .060
7	56009005	13	Scr, Pan Phil SS Type AB 10-16 x .75
8	56321532	1	Bushing .25 x .37 x .40
9	56508335	1	Cable Assembly
10	56507339	1	Foam Insulation
11	56507400	1	Shroud, Radiator <b>(grey)</b>
	56508667	1	Shroud, Radiator <b>(green / Advance model 56307252)</b>
12	56507401	1	Bracket, Engine Cover
13	56507402	1	Bracket, Engine Cover
14	56507566	1	Engine Cover Assy <b>(grey)</b>
	56508671	1	Engine Cover Assy <b>(green / Advance model 56307252)</b>
15	56507584	1	Bracket, Engine Cover Clamp
16	56508181	1	Bracket, Eng. Hood
17	56508774	1	Shrink Tube .75 x 2.5

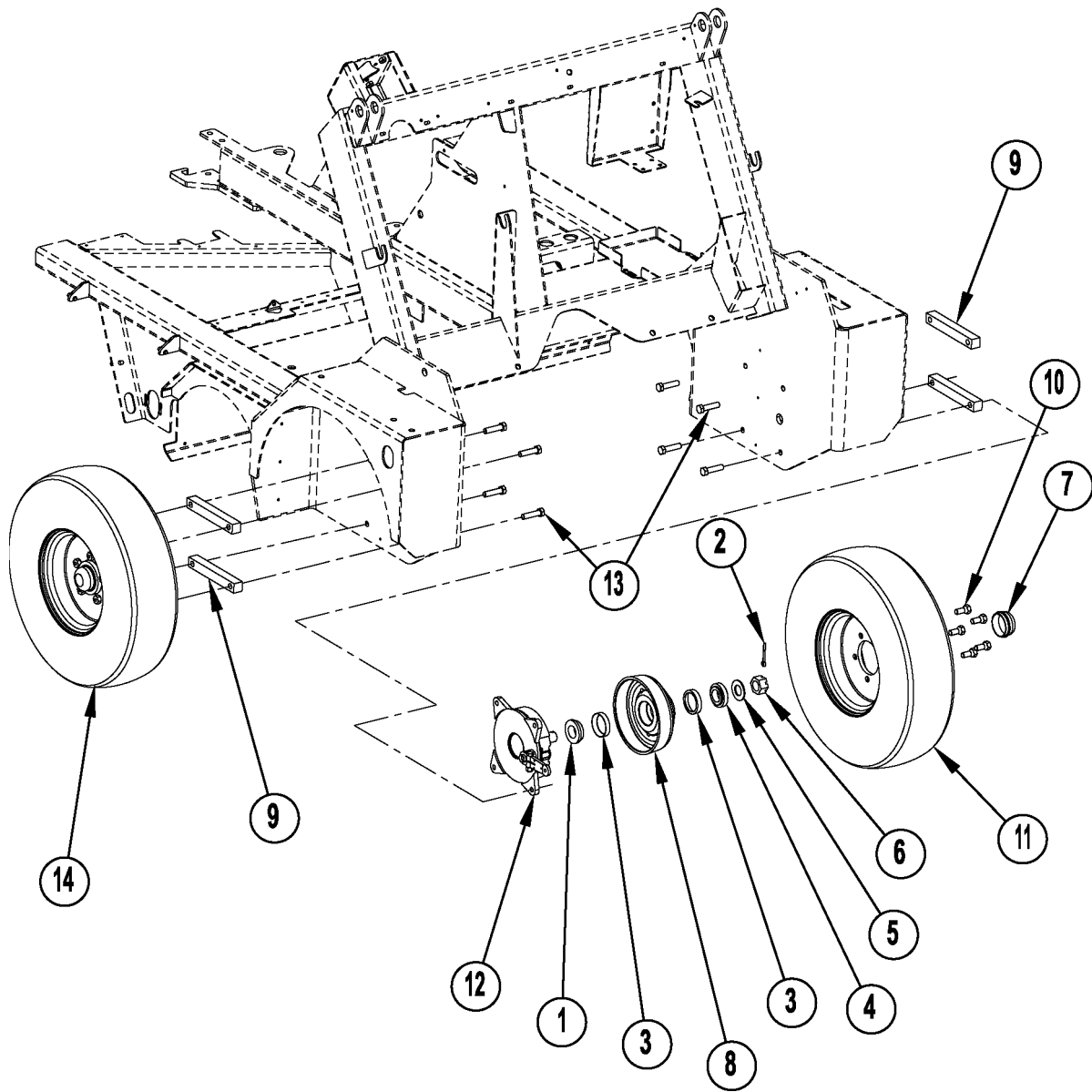
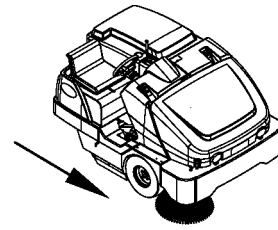


Item	Ref. No.	Qty	Description	Item	Ref. No.	Qty	Description
	56507049	1	FWD / REV 4 Cyl Control Assembly (A, B, D-J)	C	56507135	1	Pump Control Assembly (items 42-62) NOTE 3
	56507134	1	FWD / REV 3 Cyl Control Assembly (A, C-G)	42	56369004	1	Bushing
				43	56488290	1	Rod End
A	56507647	1	Foot Pedal Assembly (items 1-17) NOTE 1	44	56463720	1	Rod End
1	56003332	2	Pin, Cot Hair .042 x .188	45	56001836	2	Scr, Hex 1/4-20 x .62
2	56151106	2	Bushing	46	56002140	3	Wsh, Flt SAE #8
3	56463720	1	Rod End	47	56002063	2	Wsh, Flt SAE 3/8
4	56001821	2	Scr, Hex 1/4-20 x .88	48	56002098	2	Wsh, Flt SAE 1/4
5			Intentionally Omitted	49	56002667	2	Scr, Hex 5/16-18 x .75
6	56002747	2	Scr, Hex Thd to Hd 3/8-16 x 1.50	50	56002701	2	Nut, Hex Nyl Loc 5/16-18
7	56002098	5	Wsh, Flt SAE 1/4	51	56002922	1	Scr, Hex Hd Loc 1/4-20 x .62
8	56002123	2	Nut, Hex Machine 3/8-16	52	56002996	3	Scr, Pan Phil 10-32 x .88
9	56002840	2	Nut, Hex Nyl Loc-Thin 1/4-20	53	56003079	2	Scr, Hex Hd Loc 3/8-16 x .75
10	56002948	3	Scr, Hex Hd Loc 1/4-20 x .75	54	56003626	1	Nut, Hex Nyl Loc-Thin 1/4-28
11	56003626	1	Nut, Hex Nyl Loc-Thin 1/4-28	55	56009225	1	Wsh, Fender .281 x 1.50 x .074
12	56003669	2	Pin, Clevis .25 x 3.50	56	56305129	1	Rotary Sensor
13	56304375	1	Pedal Weldment	57	56305185	1	Plate, Mount
14	56304554	2	Bearing, Fl .500 x .375 x .313	58	56418613	1	Plate, Cam
15	56507098	1	Plate, Foot Throttle	59	56419337	1	Cam, Nylon
16	56507133	1	Foot Pedal	60	56507545	1	Control Arm Lever
17	56507227	1	Mat, Pedal	61	56507650	1	Throttle Control Bracket
				62	56001987	2	Nut, Hex Machine 10-32
B	56507541	1	Pump Control Assembly (items 18-41, 63) NOTE 2	D	56488290	1	Rod End NOTE 1
18	56369004	1	Bushing	E	56418615	1	Cable, Push-Pull Control NOTE 1
19	56488290	1	Rod End	F	56507648	1	Cable, Push-Pull Control NOTE 1
20	56455799	1	Hydroback	G	56001987	1	Nut, Hex Machine 10-32 NOTE 1
21	56463720	1	Rod End	H	56379298	1	Bushing NOTE 1
22	56001836	4	Scr, Hex 1/4-20 x .62	I	56003039	1	Scr, Hex Hd Loc 1/4-20 x .50 NOTE 1
23	56002022	1	Wsh, Flt SAE 5/8	J	56508500	1	Bracket, Speed Limit Cable NOTE 1
24	56002032	1	Scr, Soc Hd 1/4-20 x 0.62				
25	56002053	3	Wsh, Flt Std #10				
26	56002098	4	Wsh, Flt SAE 1/4				
27	56002930	1	Scr, Soc Set Loc 1/4-20 x .38				
28	56002948	1	Scr, Hex Hd Loc 1/4-20 x .75				
29	56002996	3	Scr, Pan Phil 10-32 x .88				
30	56003230	1	Key, Wdf .75 x .25				
31	56003626	1	Nut, Hex Nyl Loc-Thin 1/4-28				
32	56009142	1	Nut, Hex Machine 1/4-28				
33	56009225	1	Wsh, Fender .281 x 1.50 x .074				
34	56305129	1	Rotary Sensor				
35	56305185	1	Plate, Mount				
36	56419337	1	Cam, Nylon				
37	56507124	1	RTN Bracket				
38	56507126	1	Lever Weldment				
39	56507152	1	Lever				
40	56507153	1	Plate, Cam				
41	56507979	1	Adapter, Shaft				
63	56001987	1	Nut, Hex Machine 10-32				

NOTE 1: Used on all models

NOTE 2: Used on 4 cylinder models

NOTE 3: Used on 3 cylinder models.



06-12

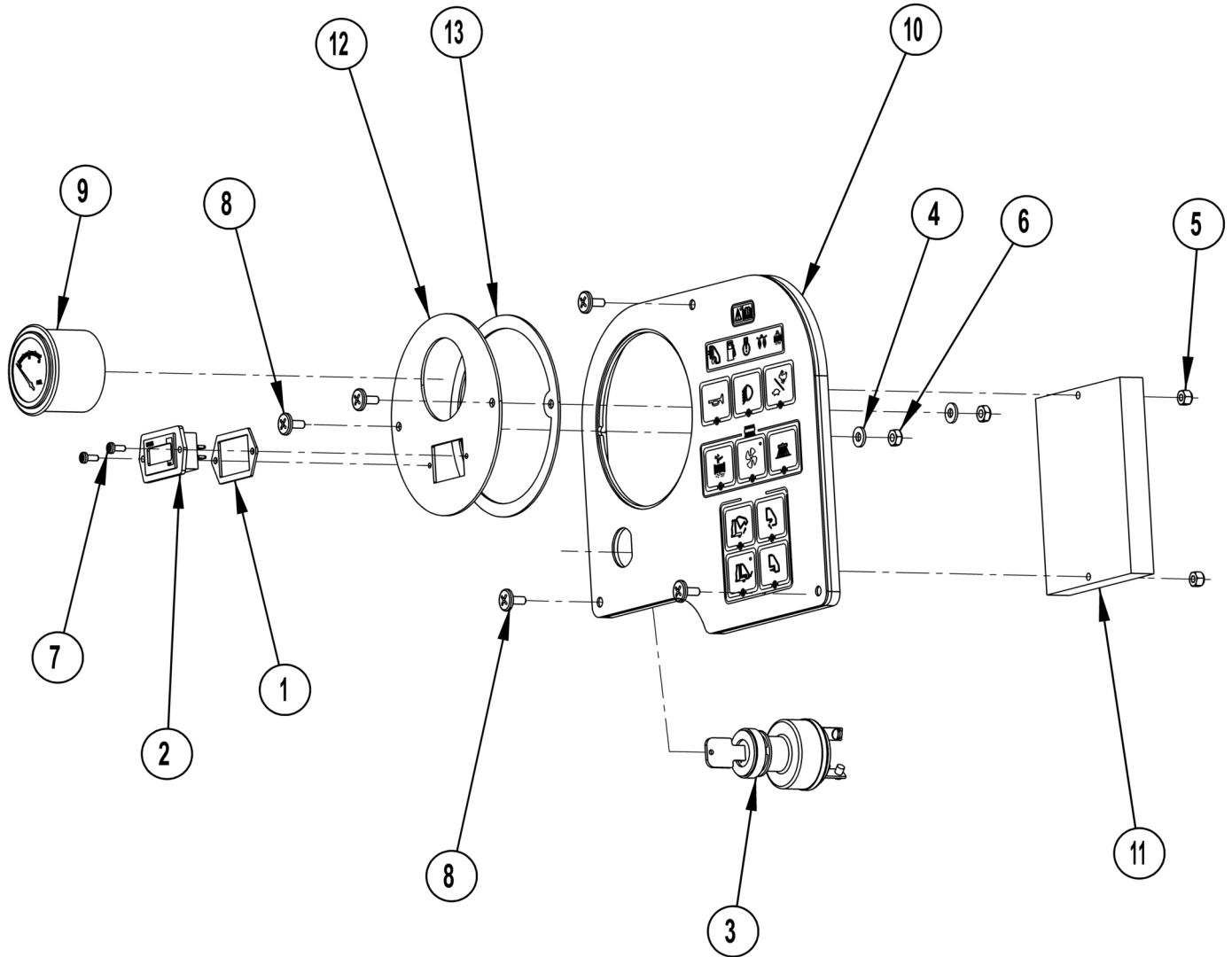
**FRONT WHEEL SYSTEM**

08-6

**Exterra™****45**

Item	Ref. No.	Qty	Description
1	2-00-02079	1	Bearing Cone <b>Note 1</b>
2	2-00-02436	1	Pin, Cotter <b>Note 1</b>
3	2-00-04621	2	Bearing Cup <b>Note 1</b>
4	2-00-04622	1	Bearing Cone <b>Note 1</b>
5	2-00-05024	1	Washer, Spacer <b>Note 1</b>
6	2-00-05026	1	1" x 14 Slotted Nut <b>Note 1</b>
7	8-11-00030	1	Grease Cap <b>Note 1</b>
8	8-33-09089	1	Hub And Drum - Machined <b>Note 1</b>
9	8-75-01216	4	Spacer
10	8-80-05035	5	Stud - Wheel <b>Note 1</b>
11	8-89-08054	1	Wheel Assembly <b>Note 1</b>
12	0860-703	1	Axle / Shaft Assembly <b>Note 1</b>
	8-71-05007	AR	Replacement Shoe (usage 2 per brake assy)
	56418581	AR	Replacement Spring (usage 2 per brake assy)
13	56003162	8	Scr, Hex 1/2-20 x 2.00
14	56507045	2	Front Wheel Assembly ( <b>items 1-8, 10-12</b> )

**Note 1:** These quantities reflect one Front Wheel Assembly only, there are two Front Wheel Assemblies on the machine.

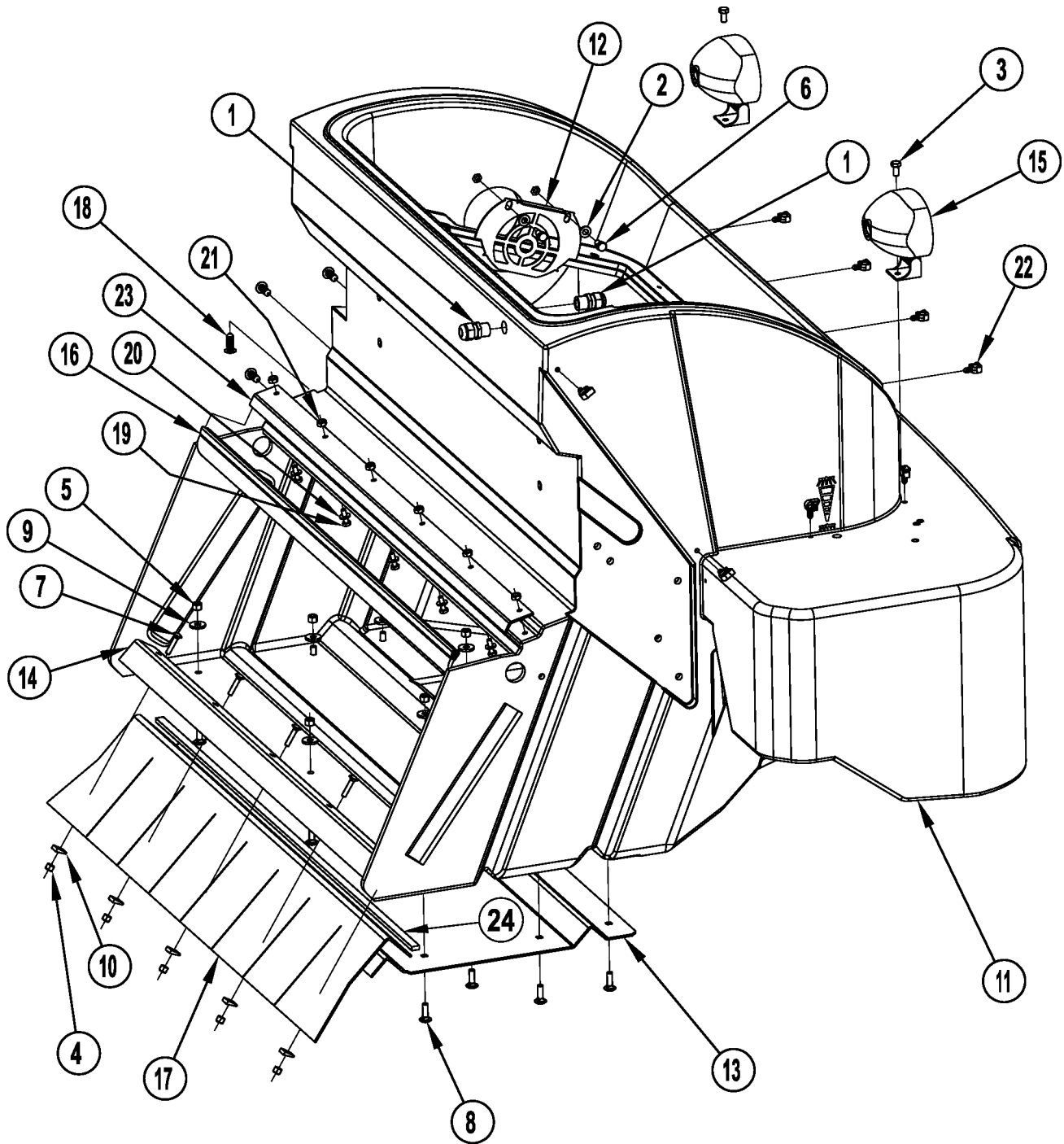




Item	Ref. No.	Qty	Description
	56507498	1	Gauge Panel Assy - Diesel Model <b>(items 1-13)</b>
	56507499	1	Gauge Panel Assy - LPG Model <b>(items 1-8, 10-13)</b>
	56507500	1	Gauge Panel Assy - Petrol Model <b>(items 1-13)</b>
	56508713	1	Gauge Panel Assy <b>(used on Advance model 56307252)</b>
1	56392845	1	Gasket
2	56393718	1	Hourmeter
3	56418685	1	Switch, Starter <b>(LPG and petrol models)</b>
*	56419123	A/R	Key (for 56418685)
	56497754	1	Switch, Starter <b>(diesel models)</b>
*	56508655	A/R	Key (for 56497754)
	56315435	1	Switch, Starter <b>(used on Advance model 56307252)</b>
	56508699	A/R	Replacement Key <b>(used on Advance model 56307252)</b>
4	56001954	2	Wsh, Flt SAE #10
5	56002808	2	Nut, Hex Nyl Loc 8-32
6	56002832	2	Nut, Hex Nyl Loc-Thin 10-24
7	56009013	2	Scr, Pan Phil Thd Form-Blk 6-32 x .38
8	56009206	5	Scr, Truss Phil-Blk 10-24 x .50
9	56489598	1	Gauge, Fuel Level <b>(not used on LPG models)</b>
10	56507060	1	Panel Assy <b>(LPG and petrol models)</b>
	56508218	1	Panel Assy <b>(diesel models)</b>
11	56508360	1	Control Box
12	56507381	1	Cover Plate – Petrol Gauge <b>(used on petrol and diesel models)</b>
	56507382	1	Cover Plate – LPG Gauge
13	56507383	1	Gasket, Cover Plate
*#	56508916	1	Assembly-Wire

\* = Not Shown

# = Revised or new since last update



06-12

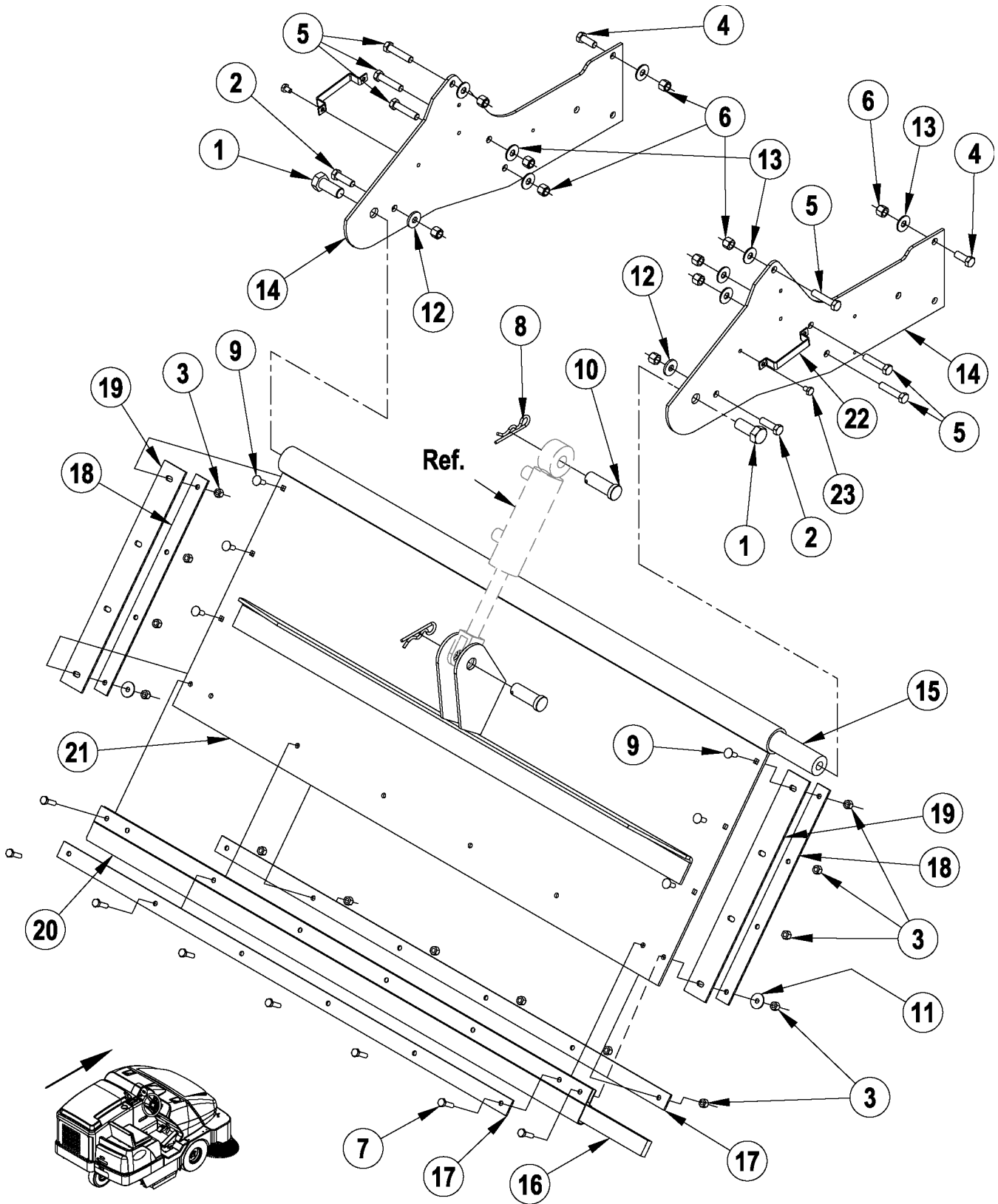
**HOPPER SYSTEM-1**

07-8

**Exterra™****49**

Item	Ref. No.	Qty	Description
1	56323135	2	Strain Relief
2	56001939	2	Wsh, Flt SAE 5/16
3	56002035	2	Scr, Hex 5/16-18 x .62
4	56002491	5	Nut, Hex Nyl Loc SS 1/4-20
5	56002856	10	Nut, Hex Nyl Loc SS 5/16-18
6	56002929	2	Scr, Hex Hd Loc 5/16-18 x .62
7	56003714	5	Scr, Carriage SS 1/4-20 x 1.25
8	56003720	10	Scr, Carriage SS 5/16-18 x 1.00
9	56009122	10	Wsh, Flt .344 x .938 x .125
10	56009345	5	Wsh, Beveled 1/4
11	56507087	1	Hopper
12	56507159	1	Screen, Vac Fan
13	56507162	1	Skid Plate, Hopper
14	56507187	1	Clamp, Hopper Flap
15	56507223	2	Head Light Assembly
*	56507224	A/R	Bulb, Light (for 56507223)
16	56508325	1	Seal, Door Hinge
17	56508083	1	Flap, Hopper
18	56508211	4	Clip, Panel
19	56001821	6	Scr, Hex 1/4-20 x .88
20	56002098	6	Wsh, Flt SAE 1/4
21	56002826	6	Nut, Hex Nyl Loc-Thin 5/16-18
22	56507793	8	Clip, Conduit
23	56508321	1	Clamp Door Seal
24	56508728	1	Seal, Hopper Skid Plate

\* = Not Shown



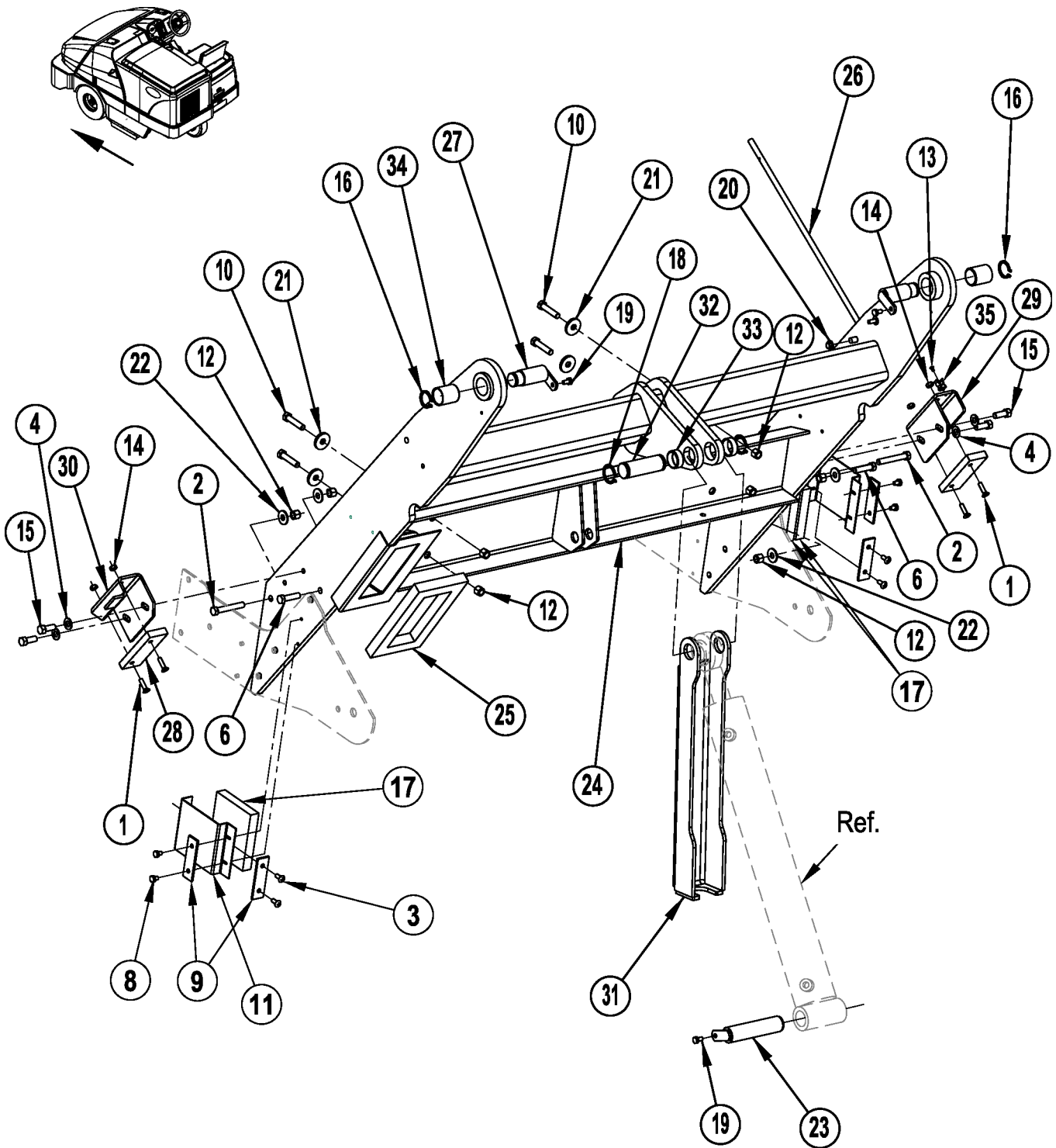
06-12

**HOPPER SYSTEM-2**

08-7

**Exterra™****51**

Item	Ref. No.	Qty	Description
1	56001843	2	Scr, Hex 5/8-11 x 1.50
2	56001858	2	Scr, Hex 3/8-16 x 1.25
3	56002491	14	Nut, Hex Nyl Loc SS 1/4-20
4	56002663	2	Scr, Hex 3/8-16 x 1.00
5	56002684	6	Scr, Hex 3/8-16 x 1.75
6	56002769	10	Nut, Hex Nyl Loc 3/8-16
7	56002883	8	Scr, Hex Ss 1/4-20 x 1.00
8	56003152	2	Pin, Cot Hair SS .148 x Dia .62/1.00
9	56003715	6	Scr, Carriage SS 1/4-20 x .75
10	56003732	2	Pin, Clevis .750 x 2.00
11	56009002	2	Wsh, Flt .266 x .906 x .060
12	56009107	2	Wsh, Flt SS .378 x 1.000 x .120
13	56009213	8	Wsh, Flt .392 x 1.00 x .075
14	56507164	2	Bracket, Side Broom Arm
15	56507168	1	Pivot, Hopper Door
16	56507169	1	Seal, Hopper Door Bottom
17	56507176	2	Clamp, Hopper Door Bottom
18	56507177	2	Clamp, Hopper Door Side
19	56507178	2	Seal, Hopper Door Side
20	56507179	1	Seal, Hopper Door Bottom
21	56507290	1	Hopper Door, Weldment
22	2-00-04603	2	P-Clamp
23	56002933	2	Scr, Hex Hd Loc 1/4-20 x .38



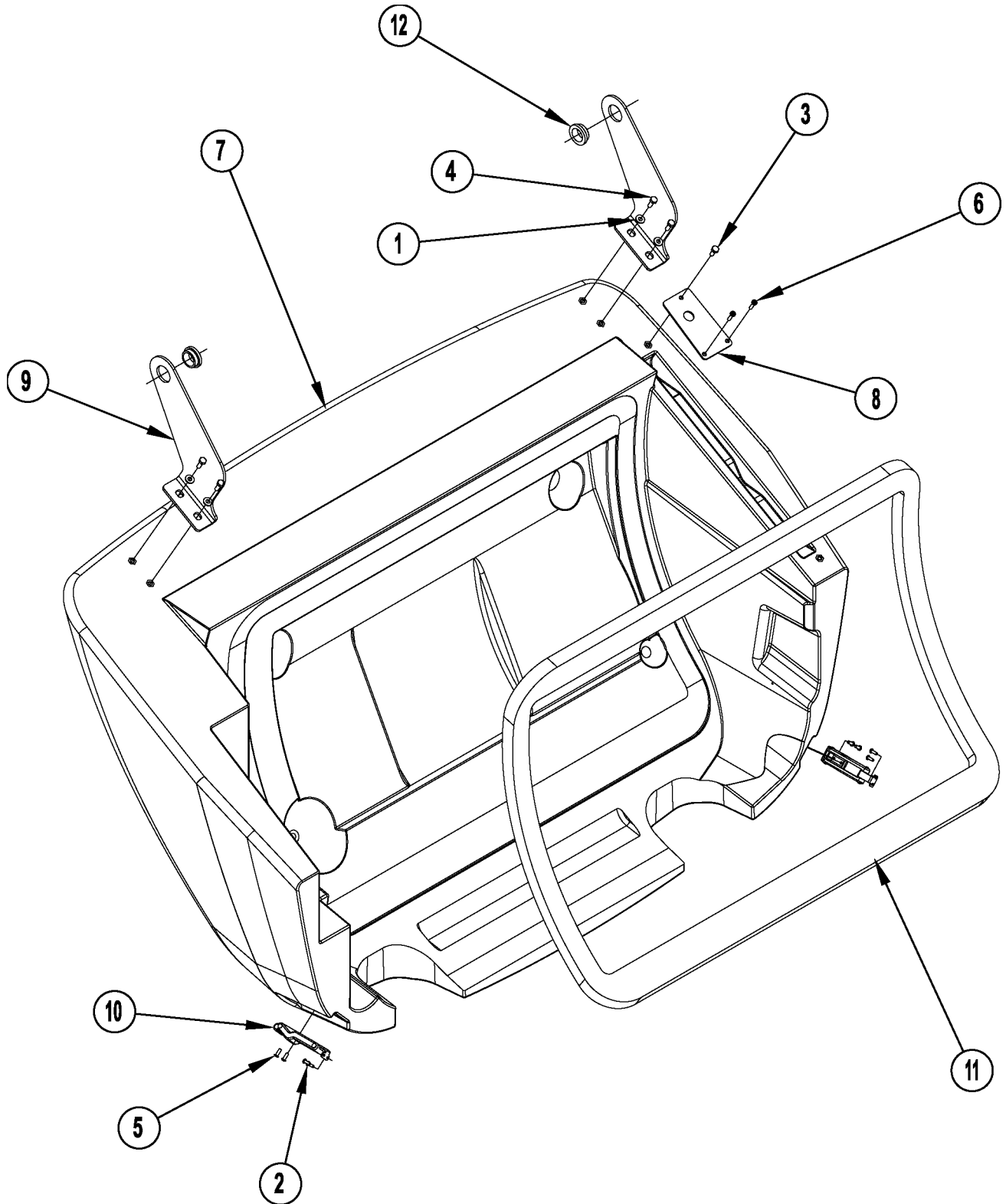
06-12

**HOPPER SYSTEM-3**

08-6

**Exterra™****53**

Item	Ref. No.	Qty	Description
1	56002457	4	Scr, Flt Soc 1/4-20 x 1.00
2	56001873	2	Scr, Hex 3/8-16 x 2.50
3	56009120	4	Scr, Pan Phil SS Type B 1/4-14 x .62
4	56002063	4	Wsh, Flt SAE 3/8
5			Intentionally Omitted
6	56002095	2	Scr, Hex 3/8-16 x 1.50
7			Intentionally Omitted
8	56009019	4	Scr, Hex Thd Form 1/4-20 x .38
9	56508248	4	Strap, Front Tire Rear Flap
10	56002684	4	Scr, Hex 3/8-16 x 1.75
11	56508389	2	Flap Hopper Side
12	56002769	8	Nut, Hex Nyl Loc 3/8-16
13	56001904	1	Scr, Pan Phil 6-32 x .38
14	56002840	4	Nut, Hex Nyl Loc-Thin 1/4-20
15	56002947	4	Scr, Hex Hd Loc 3/8-16 x 1.00
16	56003258	2	Ring, Ret Ext 1.00 Shaft
17	56508390	3	Foam Hopper Side
18	56003750	2	Ring, Ret Ext 1.125 Shaft
19	56009033	3	Scr, Hex Thd Form 1/4-20 x .50
20	56009123	1	Nut, Push Cap 3/8
21	56009195	4	Wsh, Flt .406 x 1.25 x .164
22	56009213	4	Wsh, Flt .392 x 1.00 x .075
23	56304683	1	Pin Hinge Weldt
24	56507100	1	Arm, Hopper Lift Weldment
25	56507189	1	Seal, Air Exhaust
26	56507197	1	Rod, Cover
27	56507204	2	Pin Hopper Hinge Wldt
28	56507289	2	Bumper, Hopper Lift
29	56507334	1	Stop Hopper, Rh
30	56507335	1	Stop Hopper, Lh
31	56507477	1	Prop Rod
32	56507885	1	Pin, Cylinder
33	56507939	2	Bearing, Sleeve 1.125 x 1.281 x .500
34	56507940	2	Bearing, Sleeve 1.125 x 1.281 x 1.500
35	56508234	1	Clip, 3/8





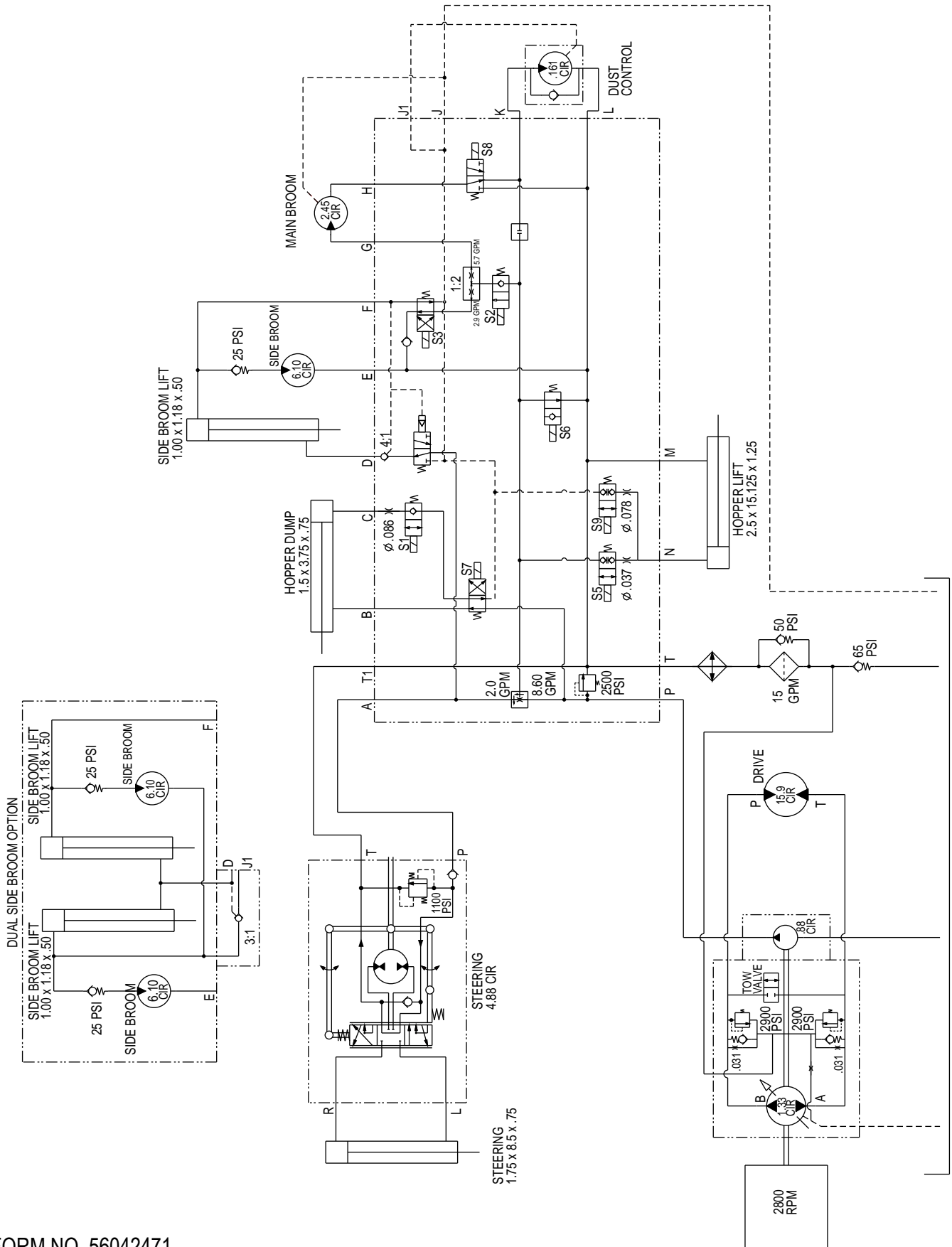
06-12

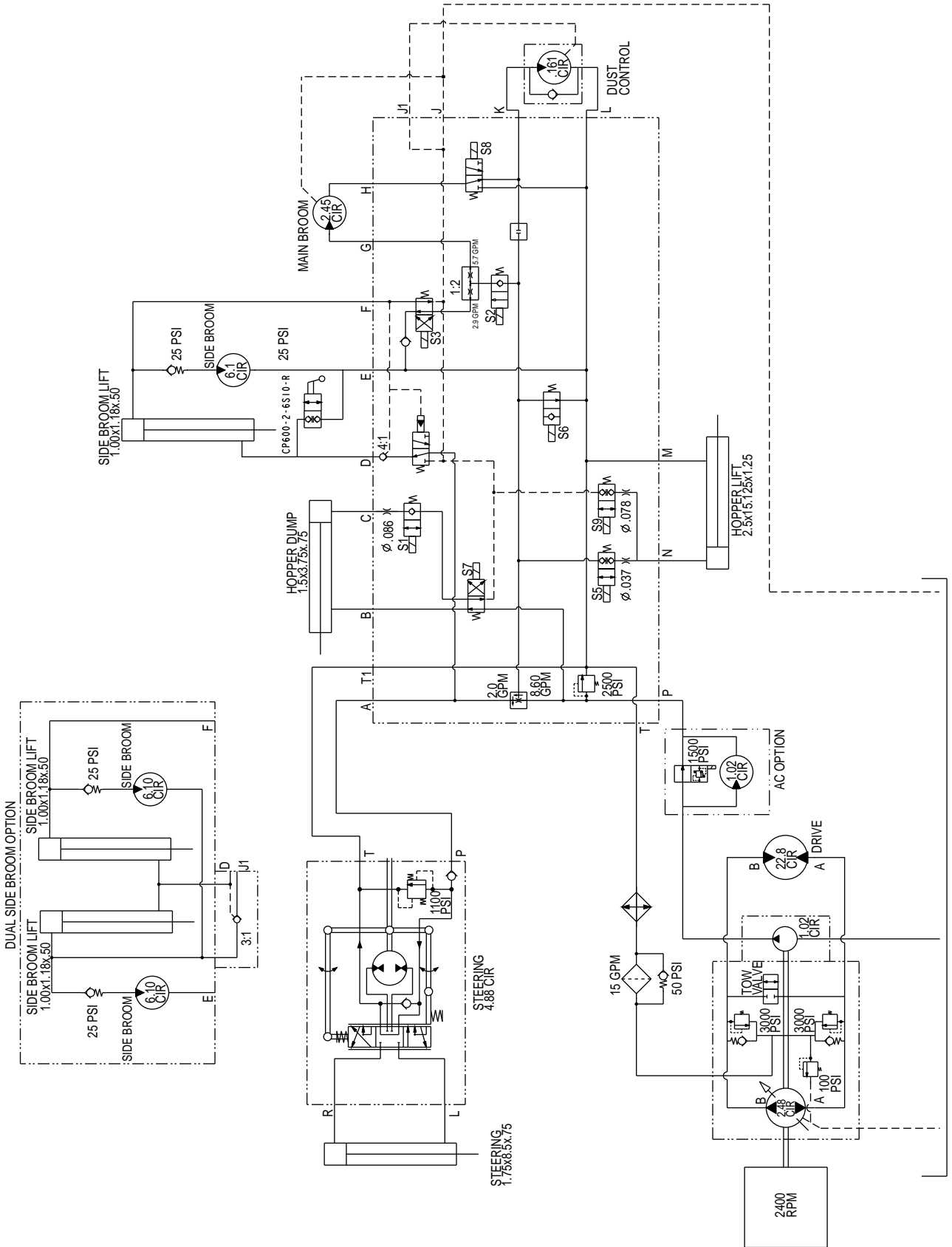
**HOPPER SYSTEM-4**

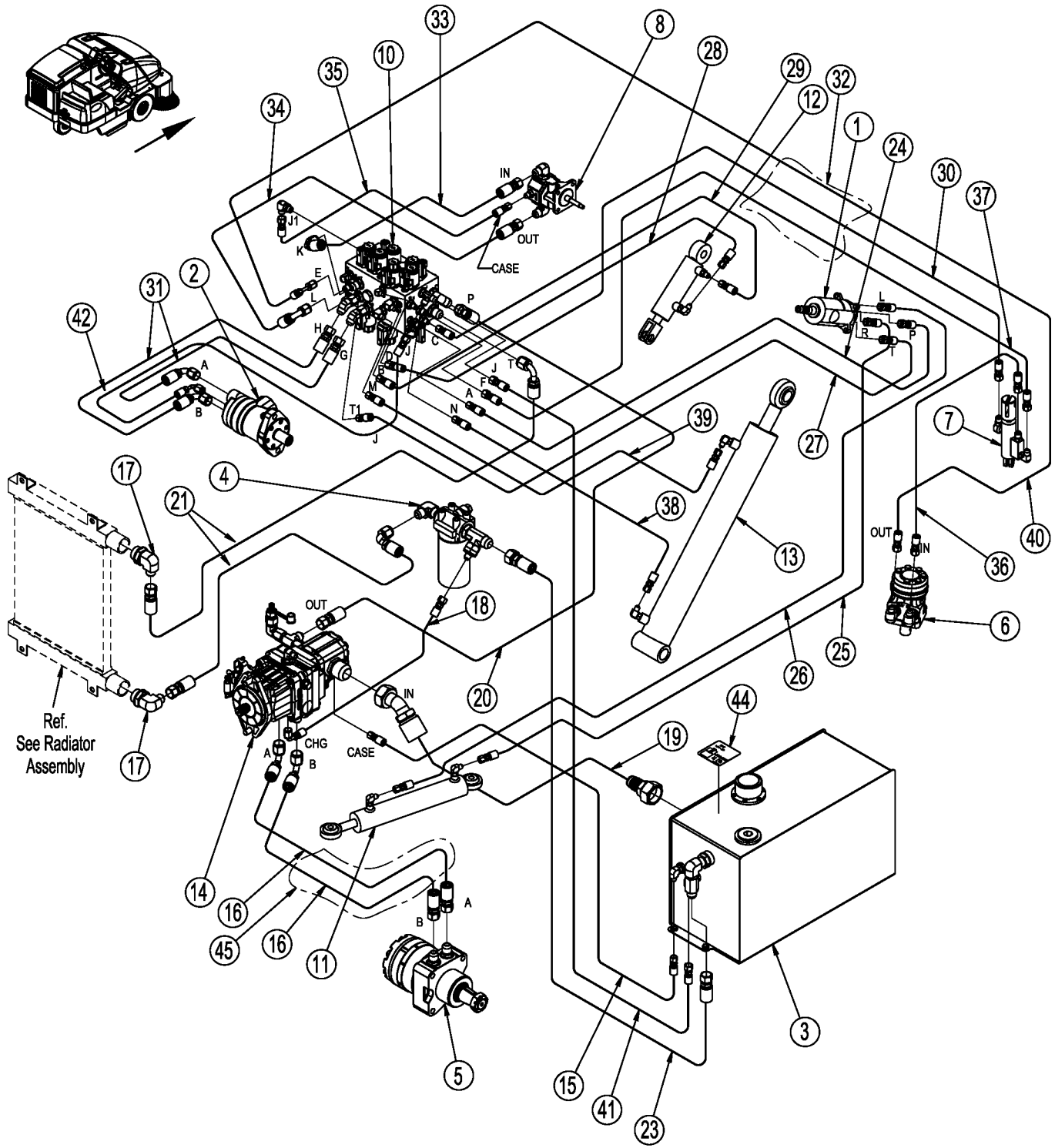
07-7

**Exterra™****55**

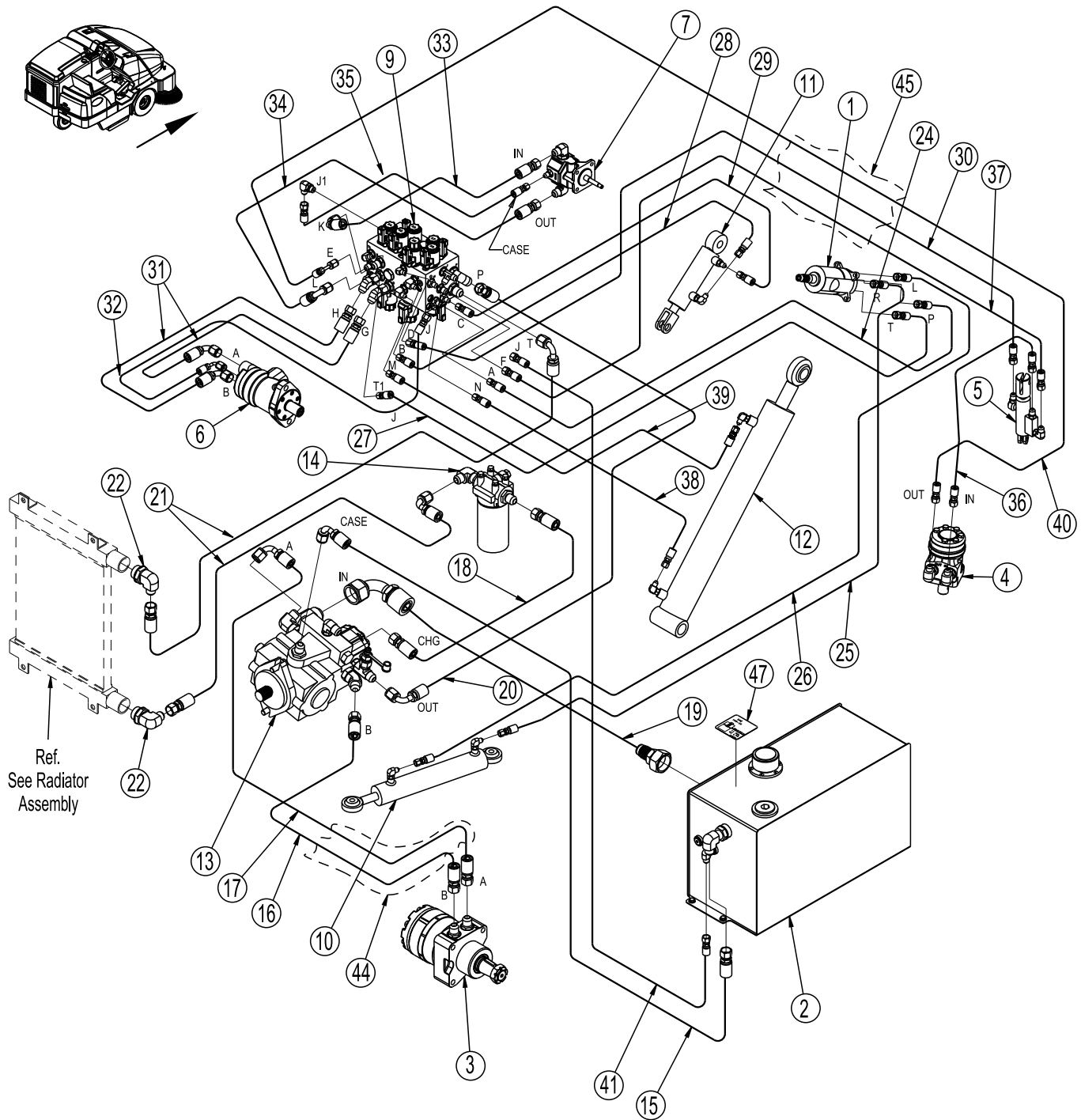
Item	Ref. No.	Qty	Description
1	56002098	4	Wsh, Flt SAE 1/4
2	56002876	4	Scr, Pan Phil SS 8-32 x .50
3	56002922	1	Scr, Hex Hd Loc 1/4-20 x .62
4	56002948	4	Scr, Hex Hd Loc 1/4-20 x .75
5	56003093	4	Scr, Pan Phil Plastite 8-16 x .50
6	56009005	2	Scr, Pan Phil SS Type AB 10-16 x .75
7	56507086	1	Cover, Hopper ( <b>grey</b> )
	56508668	1	Cover, Hopper ( <b>green / Advance model 56307252</b> )
8	56508226	1	Plate, Hopper Prop Rod
9	56507185	2	Bracket, Hopper Cover, LH
10	56507188	2	Latch, Hopper Cover
11	56507219	1	Seal, Hopper Cover
12	56507767	2	Bearing, FL 1 ID x 1-1/4 OD x 1/2 L





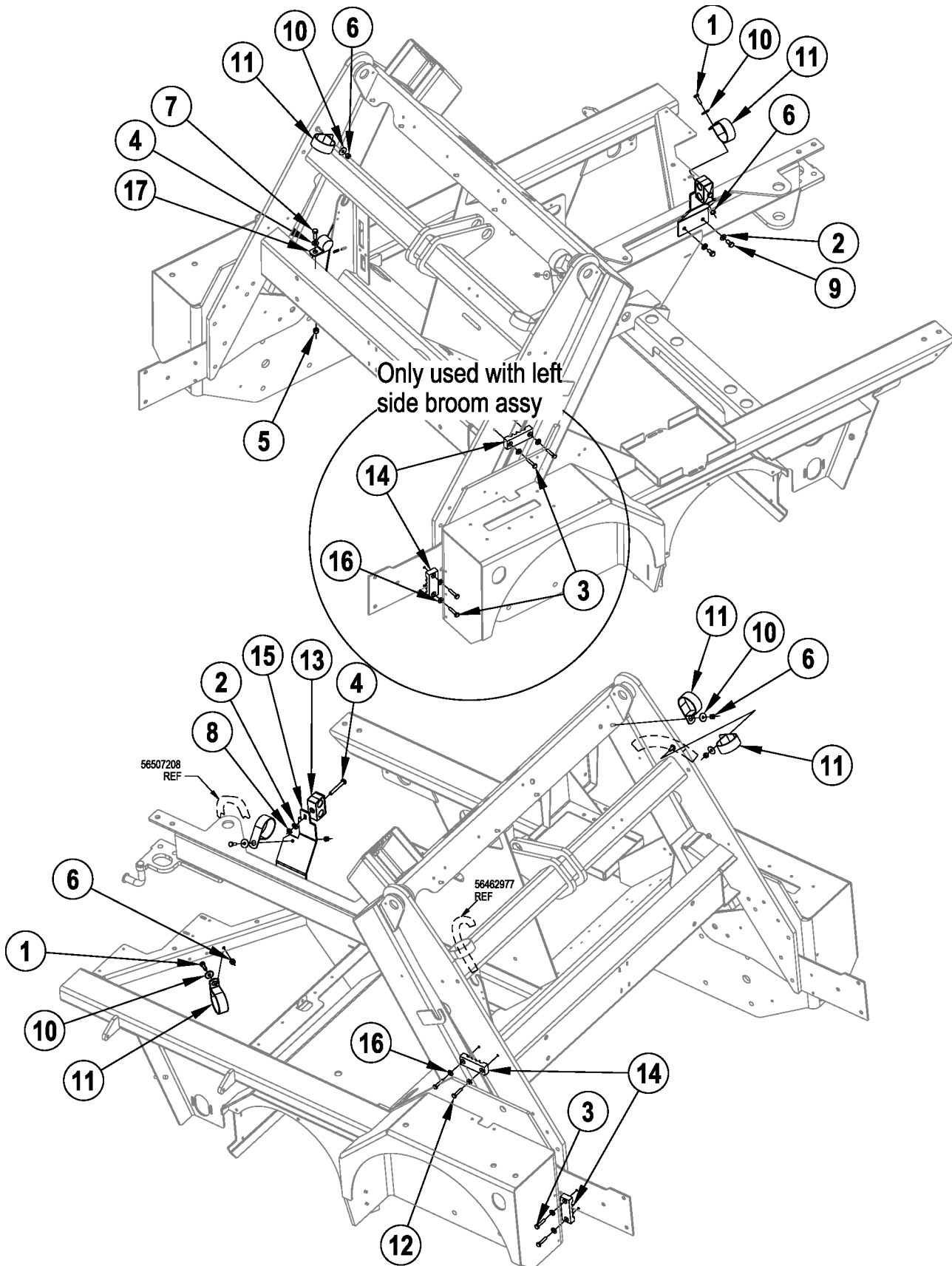


Item	Ref. No.	Qty	Description
1	8-60-05034	1	Steering Control Unit
	7-70-00127	1	Seal Kit for 8-60-05034
2	56507606	1	Main Broom Motor Assembly <b>See Hydraulic Motor Assemblies</b>
3	56507070	1	Reservoir Assembly <b>See Hydraulic Reservoir Assembly</b>
4	56507071	1	Filter Assembly <b>See Hydraulic Oil Cooler/Filter Assembly</b>
5	56507074	1	Drive Motor Assembly <b>See Hydraulic Motor Assemblies</b>
6	56507604	1	Side Broom Motor Assembly <b>See Hydraulic Motor Assemblies</b>
7	56507605	1	Side Broom Cylinder Assembly, Right <b>See Hydraulic Cylinder Assemblies</b>
8	56507607	1	Dust Control Motor Assembly <b>See Hydraulic Motor Assemblies</b>
9			Intentionally Omitted
10	56507609	1	Manifold Assembly <b>See Hydraulic Valve Block Assembly</b>
11	56507610	1	Steering Cylinder Assembly <b>See Hydraulic Cylinder Assemblies</b>
12	56507611	1	Hopper Door Cylinder Assembly <b>See Hydraulic Cylinder Assemblies</b>
13	56507612	1	Hopper Lift Cylinder Assembly <b>See Hydraulic Cylinder Assemblies</b>
14	56507784	1	Pump Assembly <b>See Hydraulic Pump Assembly</b>
15	56507354	1	Hose Hyd, #4, SAE37, 2 x 7/16-20 Str, 69.50 Lg (Hose ID# 15)
16	56507355	2	Hose Hyd, #10 SAE37, 2 x 7/8-14, 90 x str x 53 Lg (Hose ID# 16)
17	56900480	2	Elbow, 90 O-Ring
18	56507357	1	Hose Hyd, #4 SAE37 2x 9/16-18, 90 x str x 29 Lg (Hose ID# 18)
19	56507358	1	Hose Hyd, #20 SAE37, 1x 1-5/8-12 45 x 41 Lg (Hose ID# 19)
20	56507359	1	Hose Hyd, #10 SAE37, 2 x 7/8-14 Str x str x 32 Lg (Hose ID# 20)
21	56507522	2	Hose Hyd, #10 SAE37, 2 x 7/8-14 Str x str x 72 Lg (Hose ID# 21)
22			Intentionally Omitted
23	56507524	1	Hose Hyd, #10 SAE37 2 x str, 1-1/16-12 7/8-14 x 76 Lg (Hose ID# 23)
24	56507525	1	Hose Hyd, #4 SAE37, 2 x 7/16-20 Str x 37 Lg (Hose ID# 24)
25	56507526	1	Hose Hyd, #4 SAE37, Str 7/16-20 x 9/16-18 x 63 Lg (Hose ID# 25)
26	56507527	1	Hose Hyd, #4 SAE37 2 x str, 7/16-20 x 9/16-18 x 52 Lg (Hose ID# 26)
27	56507528	1	Hose Hyd, #4 2 x str, 7/16-20 x 9/16-18 x 43 Lg (Hose ID# 27)
28	56507529	1	Hose Hyd, #4 SAE37, 2 x str, 7/16-20 x 7/16-20 x 89.50 Lg (Hose ID# 28)
29	56507530	1	Hose Hyd, #4 SAE37 7/16-20, Str x str x 79.50 Lg (Hose ID# 29)
30	56507531	1	Hose Hyd, #4 SAE37, 2 x str, 9/16-18 x 7/16-20 x 102.50 Lg (Hose ID# 30)
31	56507532	2	Hose Hyd, #8 SAE37, 7/8-14 90 x 3/4-16 Str x 48 Lg (Hose ID# 31)
32	56507208	1	Sleeve, Nylon <b>(Not Shown)</b>
33	56507534	1	Hose Hyd, #8 SAE37 3/4-16, 90 x Str x 67 Lg (Hose ID# 33)
34	56507535	1	Hose Hyd, #8 SAE37, 3/4-16, 90 x Str x 69 Lg (Hose ID# 34)
35	56507536	1	Hose Hyd, #4 SAE37, 2 x Str, 9/16-18 x 7/16-20 x 71.50 Lg (Hose ID# 35)
36	56507537	1	Hose Hyd, #4, SAE37, 2 x Str 9/16-18 x 21.50 Lg (Hose ID# 36)
37	56507538	1	Hose Hyd, #4, SAE37, 2 x Str, 9/16-18 x 102.50 Lg (Hose ID# 37)
38	56507539	1	Hose Hyd, #4, SAE37, 2 x Str 7-16-20 x 27.50 Lg (Hose ID# 38)
39	56507540	1	Hose Hyd, #4, SAE37, 2 x Str 7/16-20 x 15.50 Lg (Hose ID# 39)
40	56507718	1	Hose Hyd, #4, SAE37, 90 x Str, 9/16-18 x 108.50 Lg (Hose ID# 40)
41	56507719	1	Hose Hyd, #4, SAE37, 2 x str, 9/16-18 x 75.50 Lg (Hose ID# 41)
42	56507788	1	Hose Hyd #4, SAE37, 7/16-20 90 x 9/16-18 Str, 59 Lg (Hose ID# 11)
43		A/R	Oil, Multi-Vis SAE 10w-30 (11 gallons) <b>Not Shown</b>
44	56016259	1	Decal, Oil Fill
45	56508814	1	Sleeve, Nylon <b>(Not Shown)</b>
46	56462977	1	Sleeve, 24 In. Nylon <b>Not Shown</b>



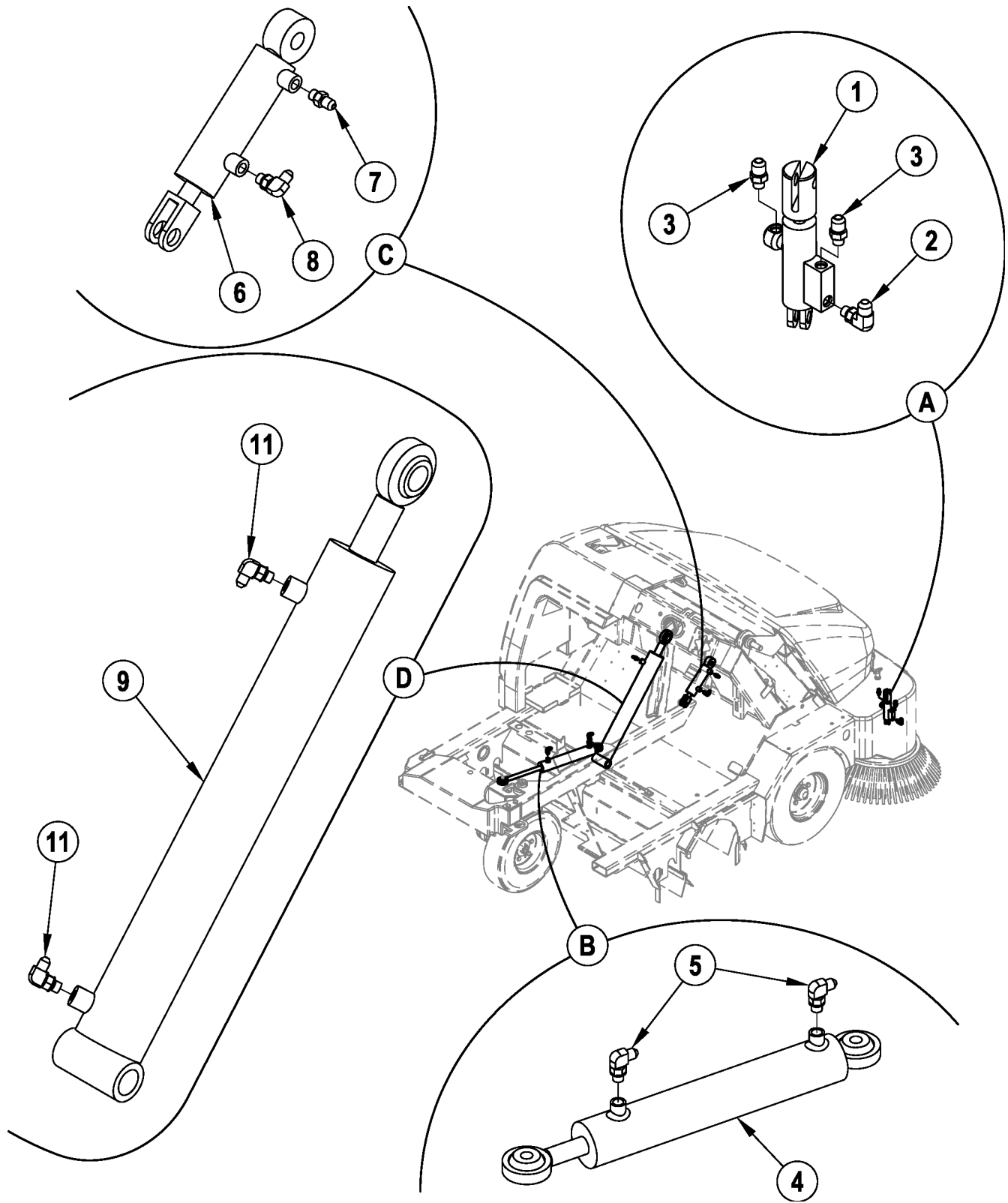
Item	Ref. No.	Qty	Description
1#	8-60-05034	1	Steering Control Unit
	7-70-00127	1	Seal Kit for 8-60-05034
2	56507072	1	Reservoir Assembly <b>See Hydraulic Reservoir Assembly</b>
3	56507603	1	Drive Motor Assembly <b>See Hydraulic Motor Assemblies</b>
4	56507604	1	Side Broom Motor Assembly <b>See Hydraulic Motor Assemblies</b>
5	56507605	1	Side Broom Cylinder Assy, Right <b>See Hydraulic Cylinder Assemblies</b>
6	56507606	1	Main Broom Motor Assembly <b>See Hydraulic Motor Assemblies</b>
7	56507607	1	Dust Control Motor Assembly <b>See Hydraulic Motor Assemblies</b>
8			Intentionally Omitted
9	56507609	1	Manifold Assembly <b>See Hydraulic Valve Block Assembly</b>
10	56507610	1	Steering Cylinder Assembly <b>See Hydraulic Cylinder Assemblies</b>
11	56507611	1	Hopper Door Cylinder Assembly <b>See Hydraulic Cylinder Assemblies</b>
12	56507612	1	Hopper Lift Cylinder Assembly <b>See Hydraulic Cylinder Assemblies</b>
13	56507613	1	Pump Assembly <b>See Hydraulic Pump Assembly</b>
14	56507614	1	Filter Assembly
15	56507516	1	Hose, Hydraulic (Hose ID# 15)
16	56507517	1	Hose, Hydraulic (Hose ID# 16)
17	56507518	1	Hose, Hydraulic (Hose ID# 17)
18	56507519	1	Hose, Hydraulic (Hose ID# 18)
19	56507520	1	Hose, Hydraulic (Hose ID# 19)
20	56507521	1	Hose, Hydraulic (Hose ID# 20)
21	56507522	2	Hose Hyd, #10 SAE37,2x7/8-14 Str x str x 72 Lg (Hose ID# 21)
22	56900480	2	Elbow, 90 O-Ring
23			Intentionally Omitted
24#	56507525	1	Hose Hyd, #4 SAE37, 2 x 7/16-20 Str x 37 Lg (Hose ID# 24)
25#	56507526	1	Hose Hyd, #4 SAE37, Str 7/16-20 x 9/16-18 x 63 Lg (Hose ID# 25)
26#	56507527	1	Hose Hyd, #4 SAE37 2 x str, 7/16-20 x 9/16-18 x 52 Lg (Hose ID# 26)
27#	56507528	1	Hose Hyd, #4 2 x str, 7/16-20 x 9/16-18 x 43 Lg (Hose ID# 27)
28	56507529	1	Hose Hyd, #4 SAE37,2 x str, 7/16-20 x 7/16-20 x 89.50 Lg (Hose ID# 28)
29	56507530	1	Hose Hyd, #4 SAE37 7/16-20, Str x str x 79.50 Lg (Hose ID# 29)
30	56507531	1	Hose Hyd, #4 SAE37,2 x str, 9/16-18 x 7/16-20 x 102.50 Lg (Hose ID# 30)
31	56507532	2	Hose Hyd, #8 SAE37, 7/8-14 90 x 3/4-16 Str x 48 Lg (Hose ID# 31)
32	56507788	1	Hose, Hydraulic (Hose ID# 11)
33	56507534	1	Hose Hyd, #8 SAE37 3/4-16, 90 x Str x 67 Lg (Hose ID# 33)
34	56507535	1	Hose Hyd, #8 SAE37, 3/4-16, 90 x Str x 69 Lg (Hose ID# 34)
35	56507536	1	Hose Hyd, #4 SAE37,2 x Str, 9/16-18 x 7/16-20 x 71.50 Lg (Hose ID# 35)
36	56507537	1	Hose Hyd, #4, SAE37, 2 x Str 9/16-18 x 21.50 Lg (Hose ID# 36)
37	56507538	1	Hose Hyd, #4, SAE37,2 x Str, 9/16-18 x 102.50 Lg (Hose ID# 37)
38	56507539	1	Hose Hyd, #4, SAE37, 2 x Str 7-16-20 x 27.50 Lg (Hose ID# 38)
39	56507540	1	Hose Hyd, #4, SAE37, 2 x Str 7/16-20 x 15.50 Lg (Hose ID# 39)
40	56507718	1	Hose Hyd, #4, SAE37, 90 x Str, 9/16-18 x 108.50 Lg (Hose ID# 40)
41	56507719	1	Hose Hyd, #4, SAE37, 2 x str, 9/16-18 x 75.50 Lg (Hose ID# 41)
42		A/R	Oil, Multi-Vis SAE 10w-30 (11 gallons) <b>Not Shown</b>
43			Intentionally Omitted
44	56508814	1	Sleeve, Nylon <b>Not Shown</b>
45	56462977	1	Sleeve, 24 In. Nylon <b>Not Shown</b>
46	56409463	1	P-Clamp <b>Not Shown</b>
47	56016259	1	Decal, Oil Fill

# = Revised or new since last update

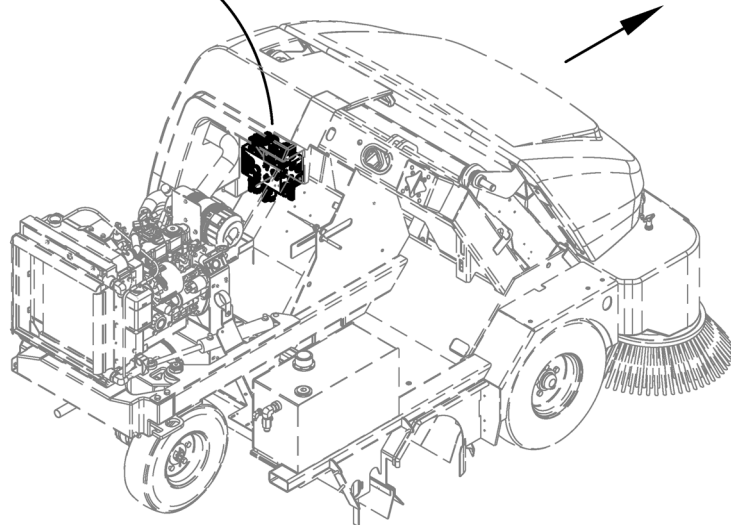
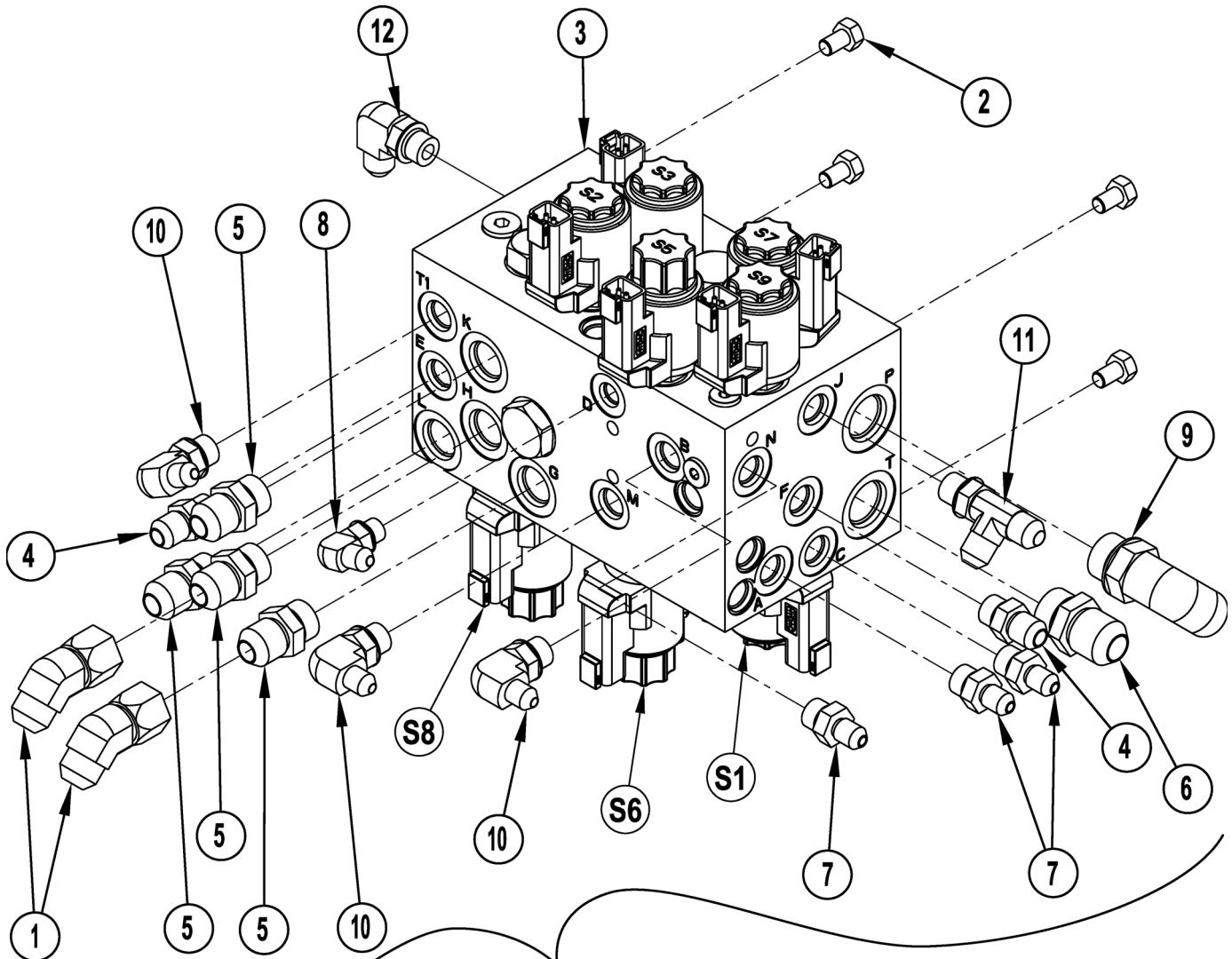




Item	Ref. No.	Qty	Description
1	56001821	2	Scr, Hex 1/4-20 x .88
2	56001939	4	Wsh, Flt SAE 5/16
3	56001878	4	Scr, Hex 1/4-20 x 1.25 (qty of 8 if equipped with left side broom)
4	56002420	1	Scr, Hex 5/16-18 x 2.25
5	56002701	1	Nut, Hex Nyl Loc 5/16-18
6	56002708	5	Nut, Hex Nyl Loc 1/4-20
7	56002221	1	Scr, Hex 5/16-18 x 1.00
8	56002826	1	Nut, Hex Nyl Loc-Thin 5/16-18
9	56002929	2	Scr, Hex Hd Loc 5/16-18 x .62
10	56009002	6	Wsh, Flt .266 x .906 x .060
11	56315257	5	Clamp, P
12	56002242	2	Scr, Soc Hd 1/4-20 x 1.50
13	56507218	1	Hose Clamp, Hydraulic
14	56507922	1	Hose Clamp, Hydraulic (qty of 2 if equipped with left side broom)
15	56508327	1	Bracket, Hose Clamp
16	56002098	4	Wsh, Flt SAE 1/4 (qty of 8 if equipped with left side broom)
17	56409463	1	Clamp, 1.25 Hose Support
18	56002093	1	Scr, Hex 1/4-20 x 1.00

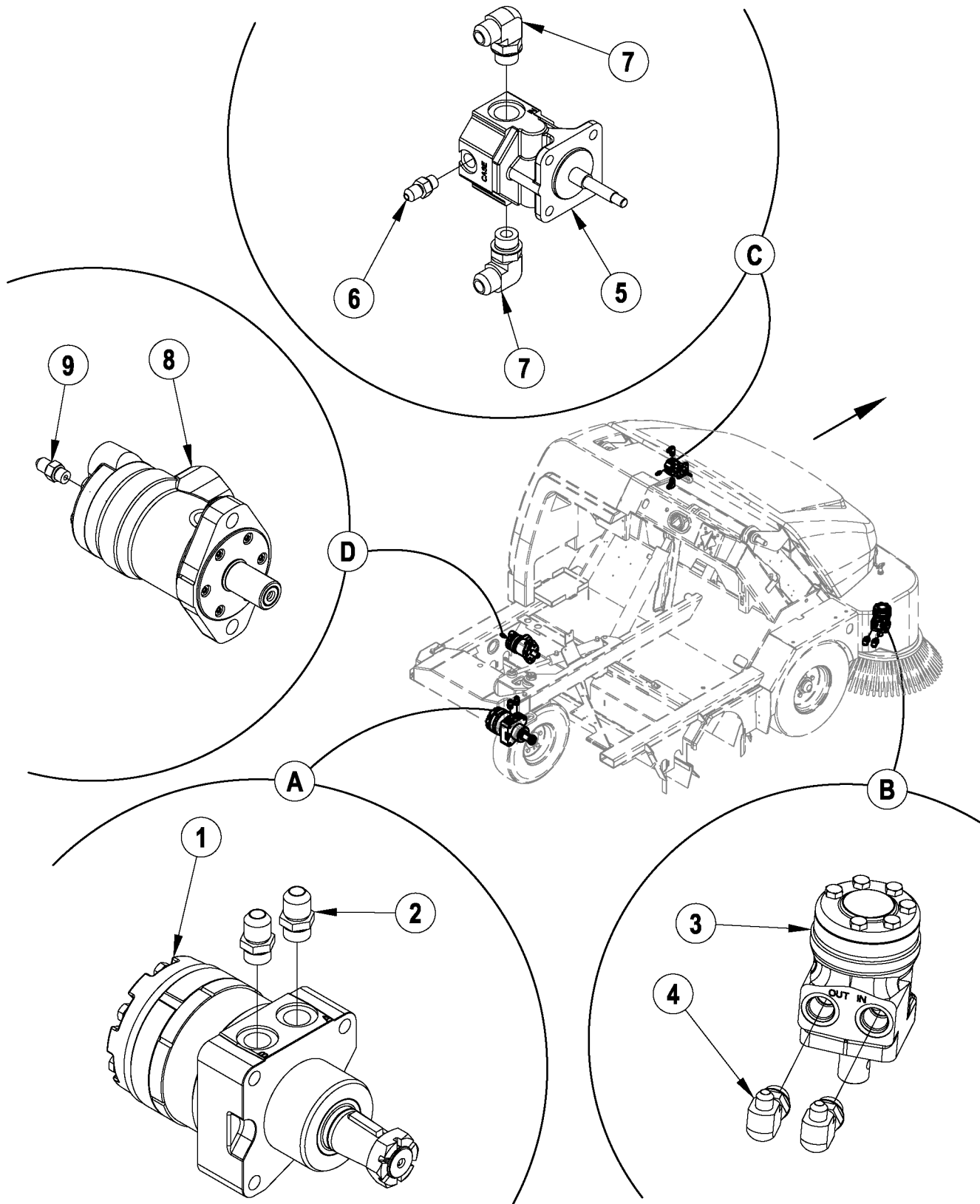


Item	Ref. No.	Qty	Description
<b>A</b>	<b>56507605</b>	<b>1</b>	<b>Side Broom Cylinder Assy, Right (items 1-3)</b>
1	56507065	1	Cylinder, Side Broom, Right
2	56900286	1	Elbow, 90 O-Ring
3	56900370	2	Connector, O-Ring
<b>B</b>	<b>56507610</b>	<b>1</b>	<b>Steering Cylinder Assembly (items 4-5)</b>
4	56507095	1	Steering Cylinder
5	56900101	2	Elbow, 90 O-Ring
<b>C</b>	<b>56507611</b>	<b>1</b>	<b>Hopper Door Cylinder Assembly (items 6-8)</b>
6	56507155	1	Cylinder, Hopper Door
7	56900001	1	Connector, O-Ring
8	56900101	1	Elbow, 90 O-Ring
<b>D</b>	<b>56507612</b>	<b>1</b>	<b>Hopper Lift Cylinder Assembly (items 9-11)</b>
9	56507241	1	Cylinder Hyd, Hopper Lift
10			Intentionally deleted
11	56900101	1	Elbow, 90 O-Ring



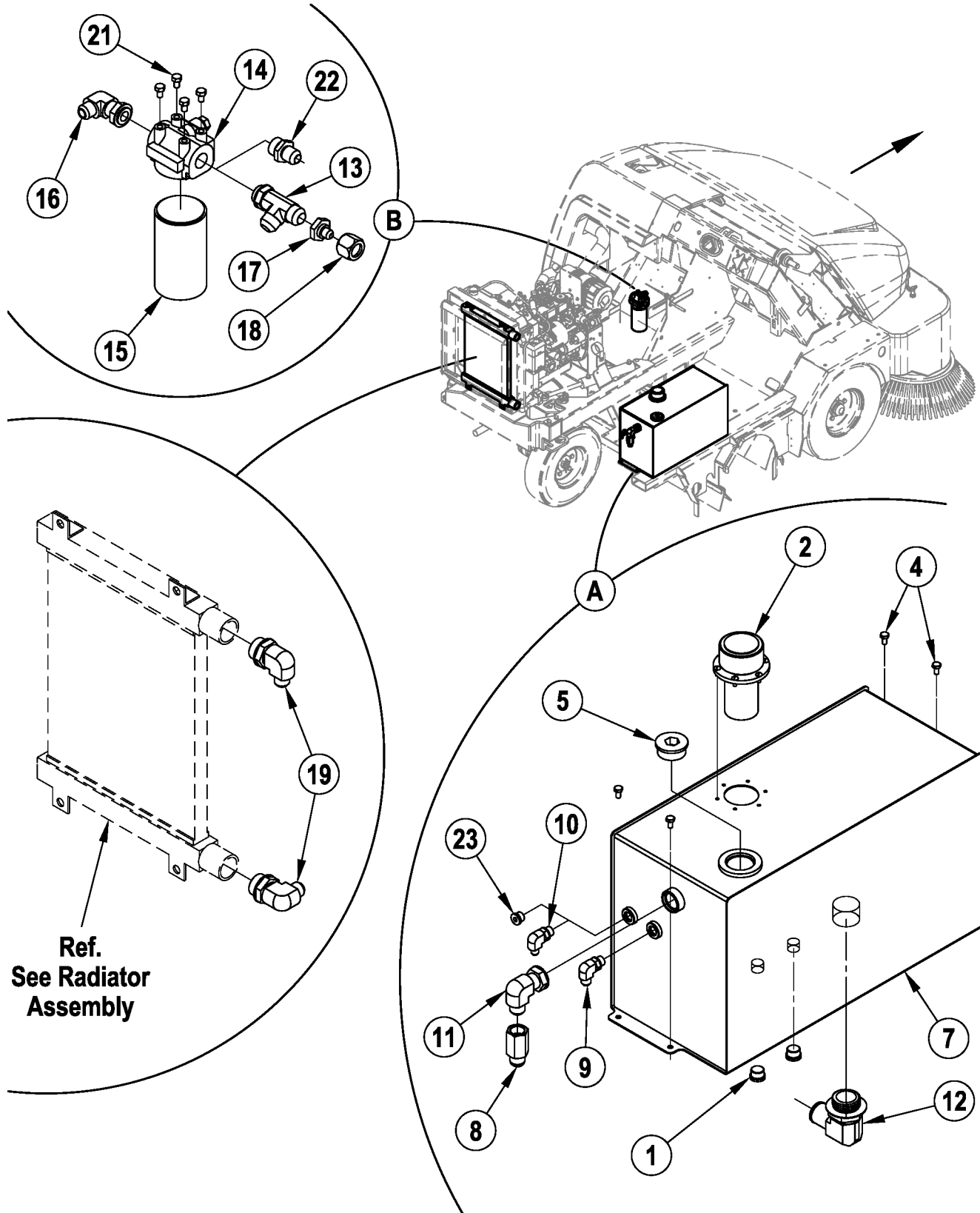
Item	Ref. No.	Qty	Description
	<b>56507609</b>	<b>1</b>	<b>Manifold Assembly (items 1-10)</b>
1	56900324	2	Elbow, 45 W/Nut
2	56002923	4	Scr, Hex Hd Loc 5/16-18 x .50
3	56507073	1	Hydraulic Manifold
	56305368	A/R	Cartridge for S1, S2 (S4 is part of litter vac option)
	56305369	A/R	Cartridge for S3, S7
	56305367	A/R	Cartridge for S5, S9
#			<b>DELETED</b>
	56507686	A/R	Cartridge for S8
	56507687	A/R	Cartridge for Flow Control, 2.0 GPM
	56507688	A/R	Cartridge for Flow Divider
#	56508223	1	Seal Kit for 56507688
	56419397	A/R	Cartridge for Relief
	56507690	A/R	Cartridge for Piloted 3/2 Directional Valve
	56305370	A/R	Cartridge for Check Valve
	56507692	A/R	Cartridge for PO Check Valve
	56507983	A/R	Orifice, .086
	56508184	A/R	Orifice, .078
	56507694	A/R	Solenoid Coil with Connector For S1-S7, S9
	56507695	A/R	Solenoid Coil with Connector For S8
	56305354	A/R	Seal Kit for S1, S2, S4, S5, S6, S9, Relief, Check Valve
	56305355	A/R	Seal Kit for S3, S7
	56507702	A/R	Seal Kit for Po Check Valve
	56508840	A/R	Cavity Plug
	56305370	A/R	Check Valve
	56419397	A/R	Relief Valve
4	56900003	2	Connector, O-Ring
5	56900004	4	Connector, O-Ring
6	56900005	1	Connector, O-Ring
7	56900011	3	Connector, O-Ring
8	56900101	1	Elbow, 90 O-Ring
9	56900105	1	Elbow, 90 O-Ring
10	56900110	3	Elbow, 90 O-Ring
11	56900203	1	Tee, Run O-Ring
12	56900103	1	Elbow, 90 O-Ring

# = Revised or new since last update



Item	Ref. No.	Qty	Description
<b>A#</b>	<b>56507074</b>	<b>1</b>	<b>Drive Motor Assembly (items 1-2) (used on 3 cyl models)</b>
	<b>56507603</b>	<b>1</b>	<b>Drive Motor Assembly (items 1-2) (used on 4 cyl models)</b>
<b>1#</b>	56507061	1	Motor, Traction Drive <b>(used on 3 cyl models)</b>
<b>#</b>	56507618	1	Seal Kit (for 56507061) <b>(used on 3 cyl models)</b>
	56507063	1	Motor, Traction Drive <b>(used on 4 cyl models)</b>
	56507618	1	Seal Kit (for 56507063)
2	56900005	2	Connector, O-Ring
<b>B</b>	<b>56507604</b>	<b>1</b>	<b>Side Broom Motor Assembly (items 3-4)</b>
3	56507064	1	Side Broom Motor
	56507619	1	Seal Kit (for 56507064)
4	56900113	2	Elbow, 90 O-Ring
<b>C</b>	<b>56507607</b>	<b>1</b>	<b>Dust Control Motor Assembly (items 5-7)</b>
5	56507067	1	Hydraulic Motor – Vac Fan
6	56900001	1	Connector, O-Ring
7	56900104	2	Elbow, 90 O-Ring
<b>D</b>	<b>56507606</b>	<b>1</b>	<b>Main Broom Motor Assembly (items 8-9)</b>
8	56507066	1	Main Broom Motor
	56507620	1	Shaft Seal Kit (for 56507066)
9	56900001	1	Connector, O-Ring

# = Revised or new since last update





Item	Ref. No.	Qty	Description
<b>A</b>	<b>56507070</b>	<b>1</b>	<b>Reservoir Assembly (items 1-12) NOTE 1</b>
	<b>56507072</b>	<b>1</b>	<b>Reservoir Assembly (items 1-7, 9, 11, 12, 23) NOTE 2</b>
1	56463403	2	Plug, Hex Soc O-Ring <b>NOTE 3</b>
2	56479656	1	Cap, Filler
3			Intentionally omitted
4	56009033	4	Scr, Hex Thd Form 1/4-20 X .50
5	56305228	1	Plug, O-Ring 20 <b>NOTE 4</b>
6			Intentionally omitted
7	56507507	1	Reservoir Weldment
8	56507636	1	Check Valve, 65 PSI <b>NOTE 1</b>
9	56900103	1	Elbow, 90 O-Ring
10	56900110	1	Elbow, 90 O-Ring <b>NOTE 1</b>
11	56900116	1	Elbow, 90 O-Ring
12	56508846	1	Elbow Barbed Hyd Fitting
23	56418776	1	Plug, Hex Soc O-Ring <b>NOTE 2</b>
<b>B</b>	<b>56507071</b>	<b>1</b>	<b>Filter Assembly (items 13-18) NOTE 1</b>
	<b>56507614</b>	<b>1</b>	<b>Filter Assembly (items 13-18, 21, 22) NOTE 2</b>
13	56900206	1	Tee, Run O-Ring
14	56419253	1	Head, Oil Filter
15	56419254	1	Oil Filter Cartridge
16	56900116	1	Elbow, 90 O-Ring
17	56900468	1	Reducer Nut
18	56900506	1	Nut, Tube End 1-1/16-12
21	56002923	4	Scr, Hex Hd Loc 5/16-18 x .50 <b>NOTE 2</b>
22	56900017	1	Connector, O-Ring <b>NOTE 2</b>
19	56900480	2	Elbow, 90 O-Ring

**NOTE 1:** Only used on 3 cylinder models.

**NOTE 2:** Only used on 4 cylinder models.

**NOTE 3:** Machines manufactured after May 2008 have a quantity of 1 of 56463403.

**NOTE 4:** 56305228 is only used on machines manufactured before June 2008.

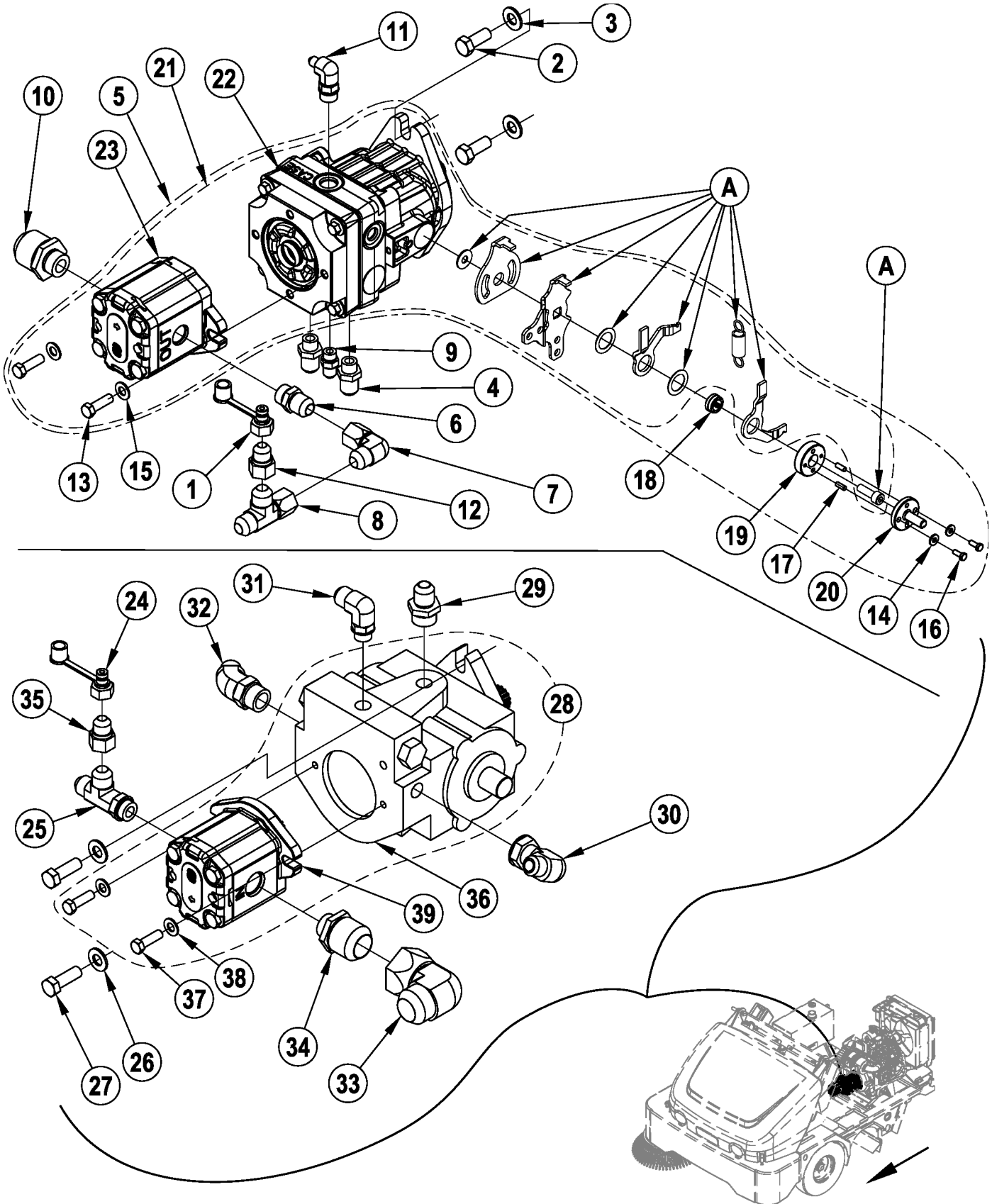
# HYDRAULIC PUMP ASSEMBLY

06-12

72

Exterra™

08-5

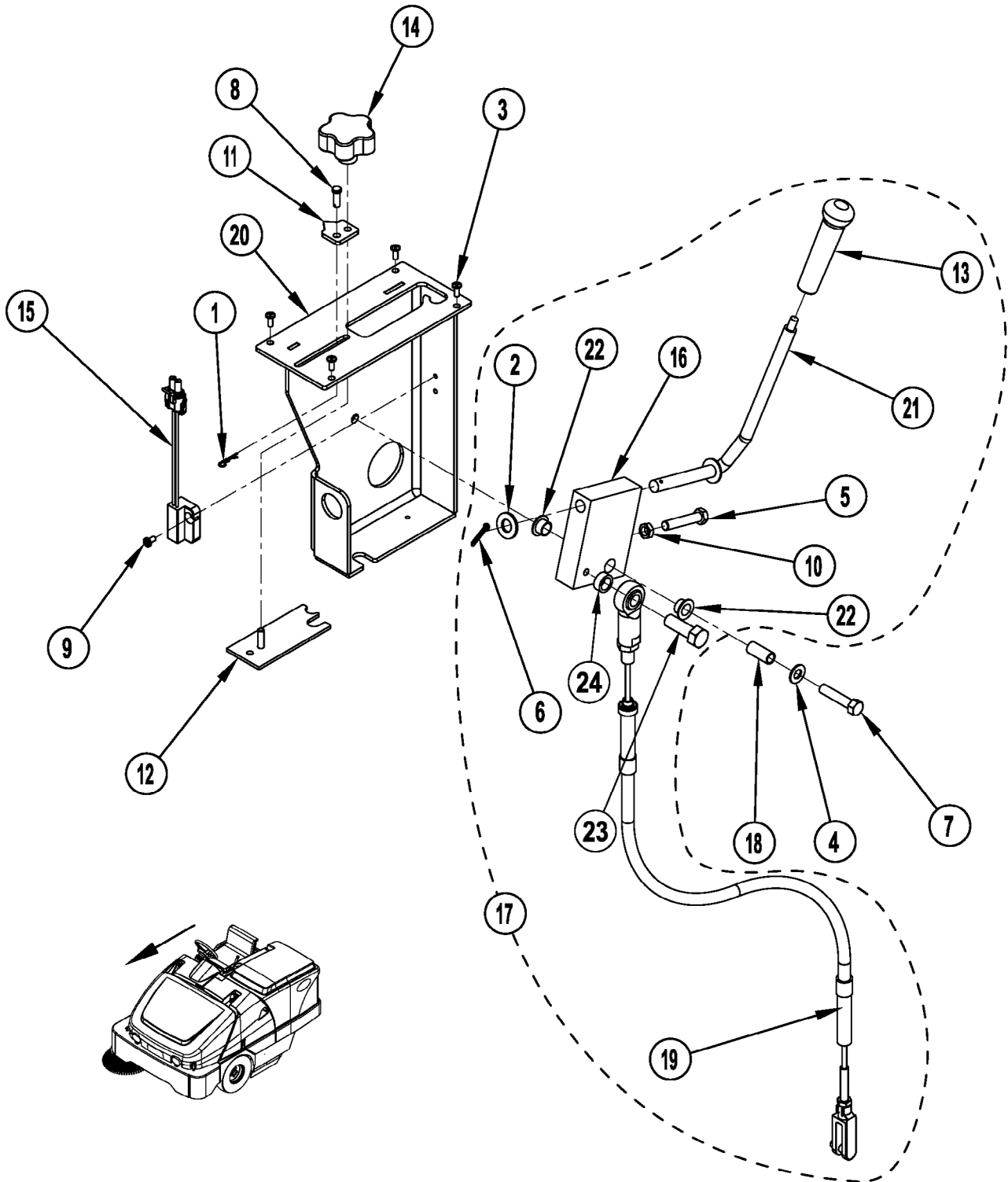


Item	Ref. No.	Qty	Description
#	<b>56507784</b>	<b>1</b>	<b>Pump Assembly (items 1-12) (only used on 3 cyl models)</b>
1	56418866	1	Coupling, #8 Test Port
2	56001831	2	Scr, Hex 1/2-13 X 1.25
3	56001879	2	Wsh, Flt SAE 1/2
4	56488612	2	Connector, O-Ring
5	56507785	1	Pump With Return Assy (items 13-23)
6	56900005	1	Connector, O-Ring
7	56900305	1	Elbow, 90 W/Nut
8	56900345	1	Tee, Run W/Nut
9	56900003	1	Connector, O-Ring
10	56900391	1	Connector, O-Ring
11	56900392	1	Elbow, 90 O-Ring
12	56900466	1	Reducer Nut
13	56001858	2	Scr, Hex 3/8-16 x 1.25
14	56001954	2	Wsh, Flt SAE #10
15	56002063	2	Wsh, Flt SAE 3/8
16	56002829	2	Scr, Hex Hd Loc 10-24 x .62
17	56003737	2	Pin, Dwl Std .19 x .50
18	56507512	1	Spacer
19	56507513	1	Adapter
20	56507514	1	Shaft
21	56507786	1	Pump, Hydrostatic and Gear Assy (includes items 13, 15, 22 & 23)
22	56507791	1	Pump, Hydrostatic (includes items labeled "A")
	56507136	1	Seal Kit for 56507791
23	56507792	1	Pump, Gear

# = Revised or new since last update

**NOTE:** Items 1-23 are only used on 3 cylinder models.

	<b>56507613</b>	<b>1</b>	<b>Pump Assembly (items 24-35) (used on 4 cyl models)</b>
24	56418866	1	Coupling, #8 Test Port
25	56900205	1	Tee, Run O-Ring
26	56001879	2	Wsh, Flt SAE 1/2
27	56001968	2	Scr, Hex 1/2-13 X 1.50
28	56507511	1	Hydrostatic/Aux Pump Assy (items 36-39)
29	56900017	1	Connector, O-Ring
30	56900116	1	Elbow, 90 O-Ring
31	56900119	1	Elbow, 90 O-Ring
32	56900357	1	Elbow, 45 O-Ring W/Nut
33	56900358	1	Elbow, 90 W/Nut -20
34	56900391	1	Connector, O-Ring
35	56900466	1	Reducer Nut
36	56497918	1	Pump, Piston
37	56001858	2	Scr, Hex 3/8-16 x 1.25
38	56002063	2	Wsh, Flt SAE 3/8
39	56507069	1	Pump, Gear



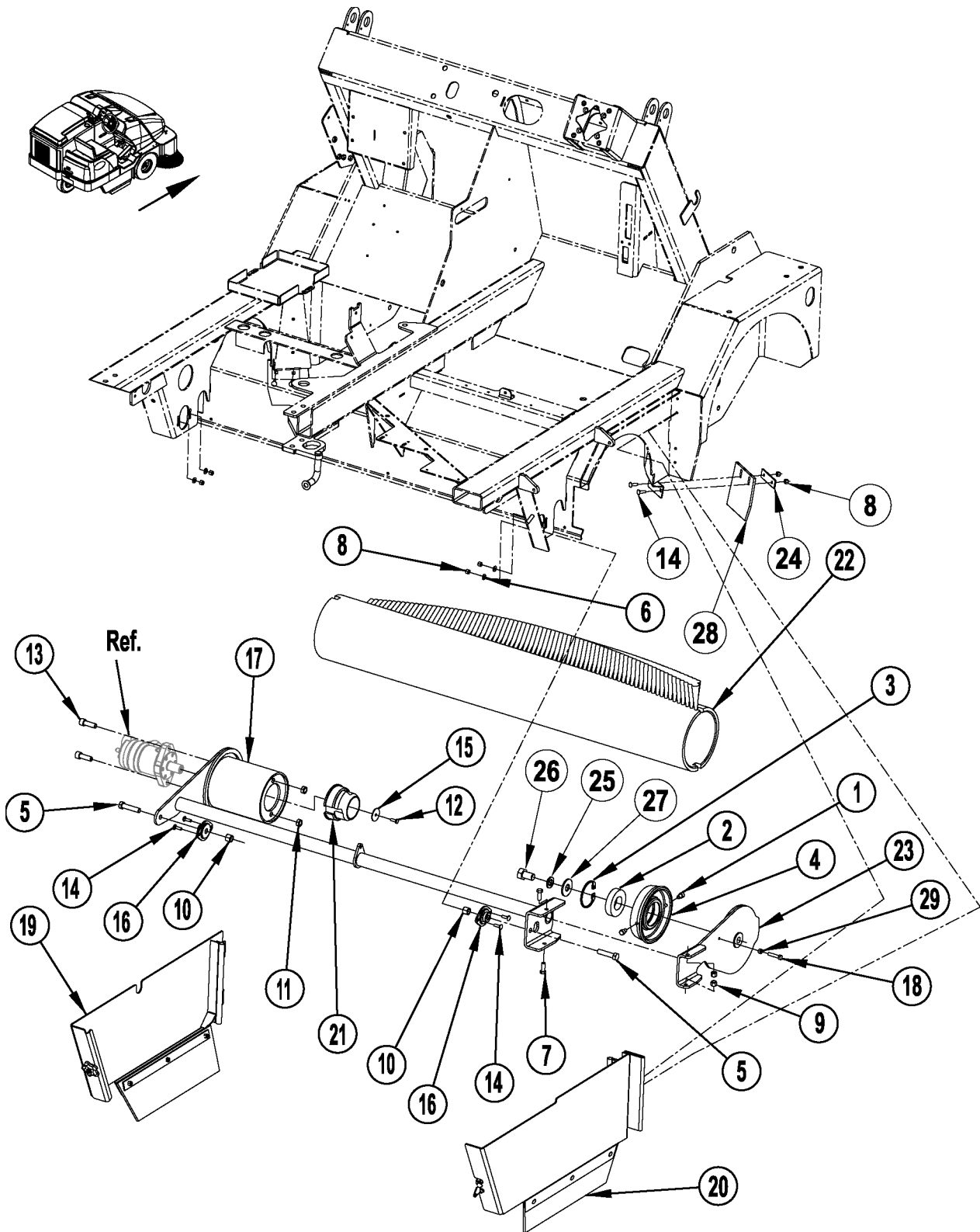
06-12

**LIFT BROOM ASSEMBLY**

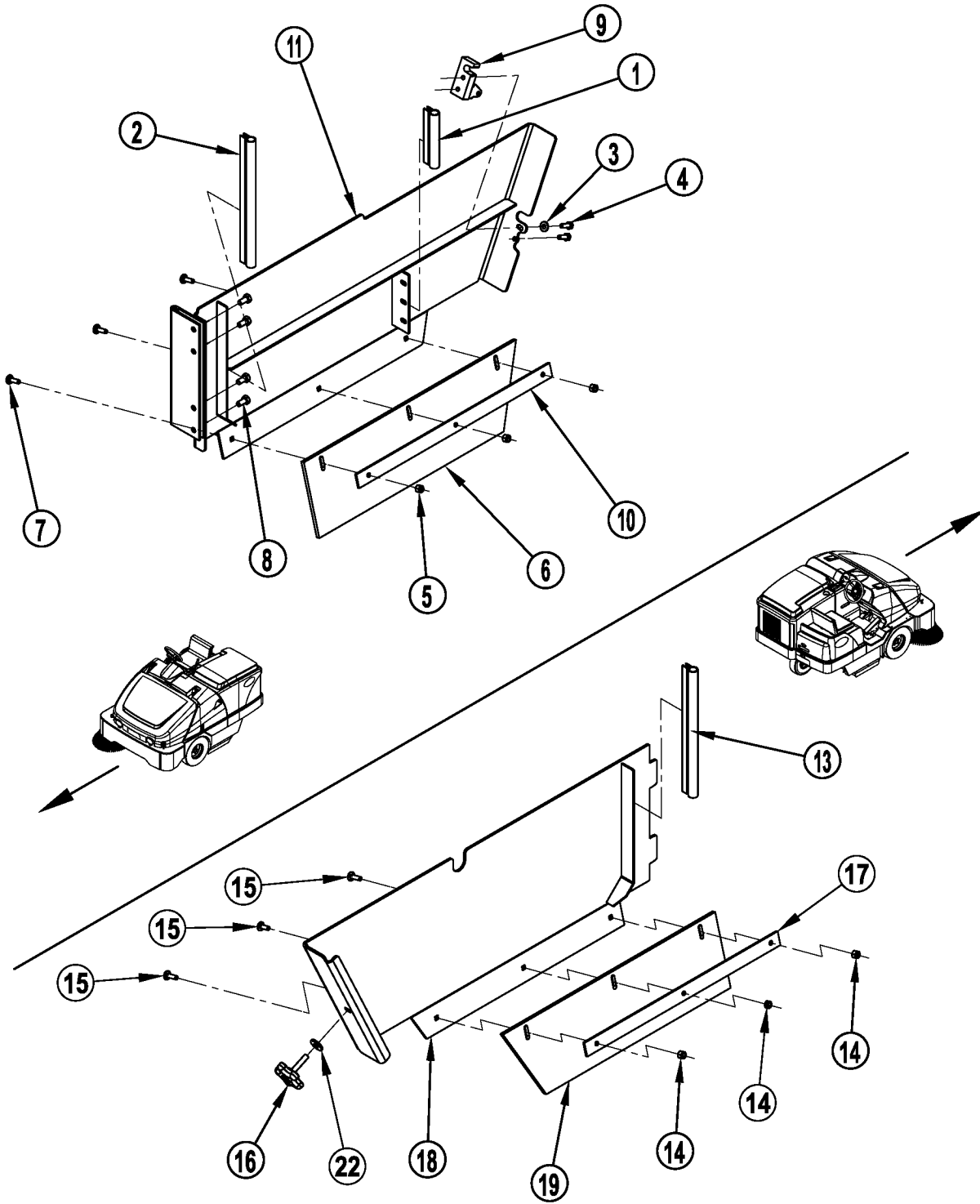
07-7

**Exterra™****75**

Item	Ref. No.	Qty	Description
1	56003332	1	Pin, Cot Hair .042 x .188
2	56001879	1	Wsh, Flt SAE 1/2
3	56001993	4	Scr, Pan Phil 10-24 x .50
4	56002063	1	Wsh, Flt SAE 3/8
5	56002091	1	Scr, Hex 3/8-16 x 2.00
6	56002529	1	Pin, Cotter 1/8 x 1
7	56003771	1	Scr, Hex Hd Loc 3/8-16 x 1.75 Grade 8
8	56003663	1	Pin, Clevis .25 x .75
9	56009030	1	Scr, Pan Phil Thd Form 10-24 x .38
10	56009085	1	Nut, Hex Jam 3/8-16
11	56304821	1	Plate, Indicator
12	56304822	1	Stop Plate Weldment
13	56305010	1	Knob, Broom
14	56305030	1	Knob, Adjust
15	56305053	1	Sensor, Proximity
16	56507109	1	Block, Broom Arm Pivot
17	56507110	1	Broom Arm Pivot Assembly (items 2, 5, 6, 10, 13, 16, 19, 21-24)
18	56507111	1	Bushing, 0.5 Dia x 1.12
19	56508742	1	Cable, Broom Lift Assy
20	56507403	1	Broom Lift Weldment (grey)
	56508666	1	Broom Lift Weldment (green / Advance model 56307252)
21	56507408	1	Handle, Broom Lift
22	56507560	2	Bearing, Pivot
23	56003778	1	Scr, Hex Loc 1/2-20 x 1.50 Grade 8
24	56051691	1	Spacer, Steel



Item	Ref. No.	Qty	Description
1	2-00-04886	2	Shoulder Bolt
2	2-00-04889	1	Bearing
3	2-00-04890	1	Retaining Ring
4	8-33-09090	1	Hub
5	56001920	2	Scr, Hex 1/2-13 x 2.25
6	56002098	4	Wsh, Flt Sae 1/4
7	56002663	2	Scr, Hex 3/8-16 x 1.00
8	56002708	11	Nut, Hex Nyl Loc 1/4-20
9	56002769	2	Nut, Hex Nyl Loc 3/8-16
10	56002770	2	Nut, Hex Nyl Loc 1/2-13
11	56002843	2	Nut, Hex Nyl Loc-Thin 1/2-13
12	56002948	1	Scr, Hex Hd Loc 1/4-20 x .75
13	56002972	2	Scr, Soc Hd 1/2-13 x 1.50
14	56003721	8	Scr, Carriage 1/4-20 x .88
15	56009225	1	Wsh, Fender .281 x 1.50 x .074
16	56507230	2	Bearing
17	56507232	1	Broom Hanger Weldment
18	56002094	1	Scr, Hex 5/16-18 x 1.50
19	56507396	1	Left Broom Door Assy (see Main Broom System-2)
20	56507397	1	Right Broom Door Assy (see Main Broom System-2)
21	56507423	1	Hub
22	56507424	1	Main Broom, Proex-Wire (standard)
23	56507561	1	Bracket, Broom Weldment
24	56508248	2	Strap, Front Tire Rear Flap
25	2-00-00522	1	Split Lock Washer 3/4
26	2-00-04887	1	Scr, Hex Hd 3/4-10 X 1.25
27	8-75-01157	1	Thrust Washer .812 Id X 2.00 OD
28	56508247	2	Flap, Front Tire Trail
29	56002851	1	Nut, Hex Nyl Loc-Thin SS 5/16-18





06-12

**MAIN BROOM ASSEMBLY - 2**

08-6

**Exterra™****79**

Item	Ref. No.	Qty	Description
	56507397	1	Right Broom Door Assembly <b>(items 1-11)</b>
1	56508377	1	Gasket
2	56508376	1	Gasket
3	56002098	1	Wsh, Flt SAE 1/4
4	56002948	2	Scr, Hex Hd Loc 1/4-20 x .75
5	56002708	3	Nut, Hex Nyl Loc 1/4-20
6	56507417	1	Flap, Door
7	56003721	3	Scr, Carriage 1/4-20 x .88
8	56002929	4	Scr, Hex Hd Loc 5/16-18 x .62
9	56413802	1	Latch, RH
10	56507118	1	Strap, Door Flap
11	56507413	1	Door, Broom RT Weldment
	56507396	1	Left Broom Door Assembly <b>(items 13-19)</b>
13	56508376	1	Gasket
14	56002708	3	Nut, Hex Nyl Loc 1/4-20
15	56003721	3	Scr, Carriage 1/4-20 x .88
16	56315374	1	Knob, 5/16
17	56507118	1	Strap, Door Flap
18	56507416	1	Door, Broom LT Weldment
19	56507417	1	Flap, Door
20			Deleted intentionally
21			Deleted intentionally
22	56009122	1	Wsh, Flt .344 x .938 x .125

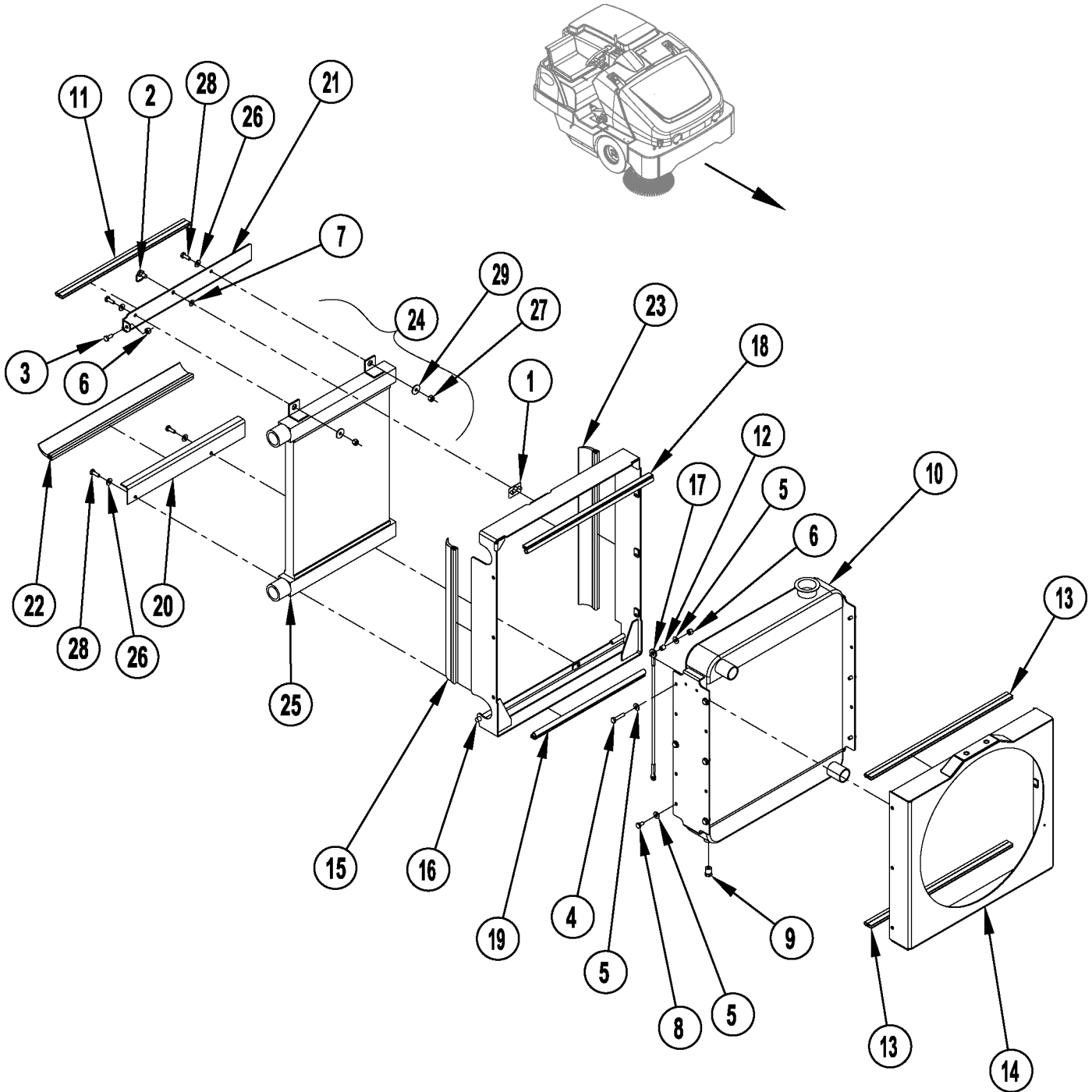
# RADIATOR ASSEMBLY

06-12

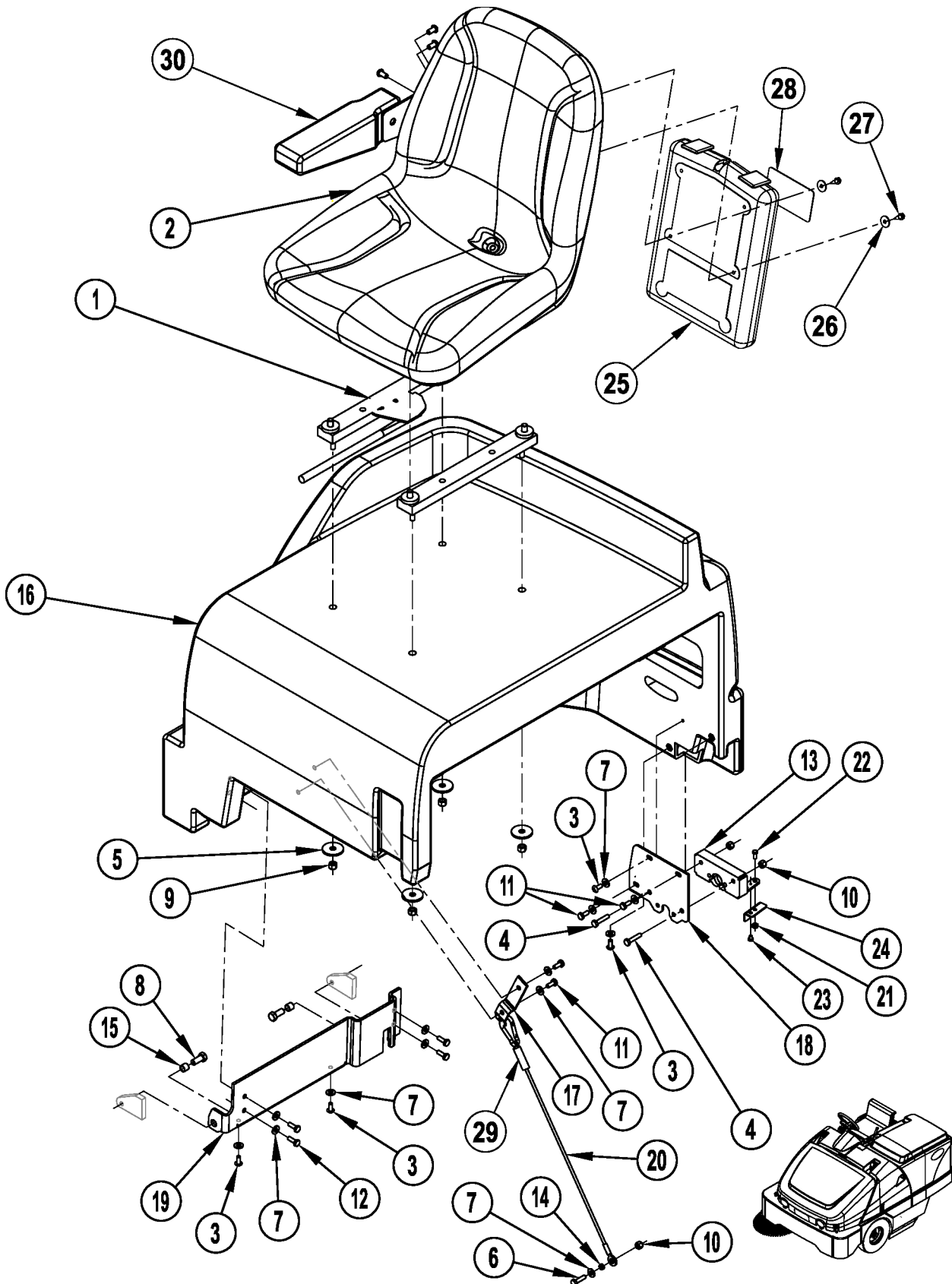
80

Exterra™

07-4



Item	Ref. No.	Qty	Description
		1	Radiator Assembly <b>(items 1-24) (used on GM engine models)</b>
		1	Radiator Assembly <b>(items 1-24) (used on Kubota engine models)</b>
1	7-23-03108	1	U Clip-Screw-Captivated
2	7-23-03113	1	Fastener-Qtr. Turn
3	56001836	1	Scr, Hex 1/4-20 x .62
4	56001878	1	Scr, Hex 1/4-20 x 1.25
5	56002098	13	Wsh, Flt SAE 1/4
6	56002708	2	Nut, Hex Nyl Loc 1/4-20
7	7-23-03106	1	Washer-Screw-Captivated
8	56003039	11	Scr, Hex Hd Loc 1/4-20 x .50
9	56740136	1	Plug, Pipe
10	56305316	1	Radiator
*	56456431	1	Radiator Cap (std)
*	56305638	1	Radiator Cap (small)
11	56508435	1	Gasket
12	56321532	1	Bushing .25 x .37 x .40
13	56418955	2	Gasket
14	56508413	1	Shroud, Radiator <b>(used on GM engine models, 56508412)</b>
	56508194	1	Shroud, Radiator <b>(used on Kubota engine models, 56508198)</b>
15	56508315	1	Gasket, Radiator
16	56508240	1	Shroud, Cooler Weldment
17	56508304	1	Cable Assy
18	56508309	1	Trim-Seal
19	56508310	1	Trim-Seal
20	56508311	1	Bracket
21	56508312	1	Bracket
22	56508313	1	Gasket, Radiator
23	56508314	1	Gasket, Radiator
24	56507608	1	Oil Cooler Assembly <b>(items 25-29)</b>
25	56463678	1	Cooler, Oil
26	56002098	4	Wsh, Flt SAE 1/4
27	56002708	2	Nut, Hex Nyl Loc 1/4-20
28	56002948	4	Scr, Hex Hd Loc 1/4-20 x .75
29	56009002	2	Wsh, Flt .266 x .906 x .060



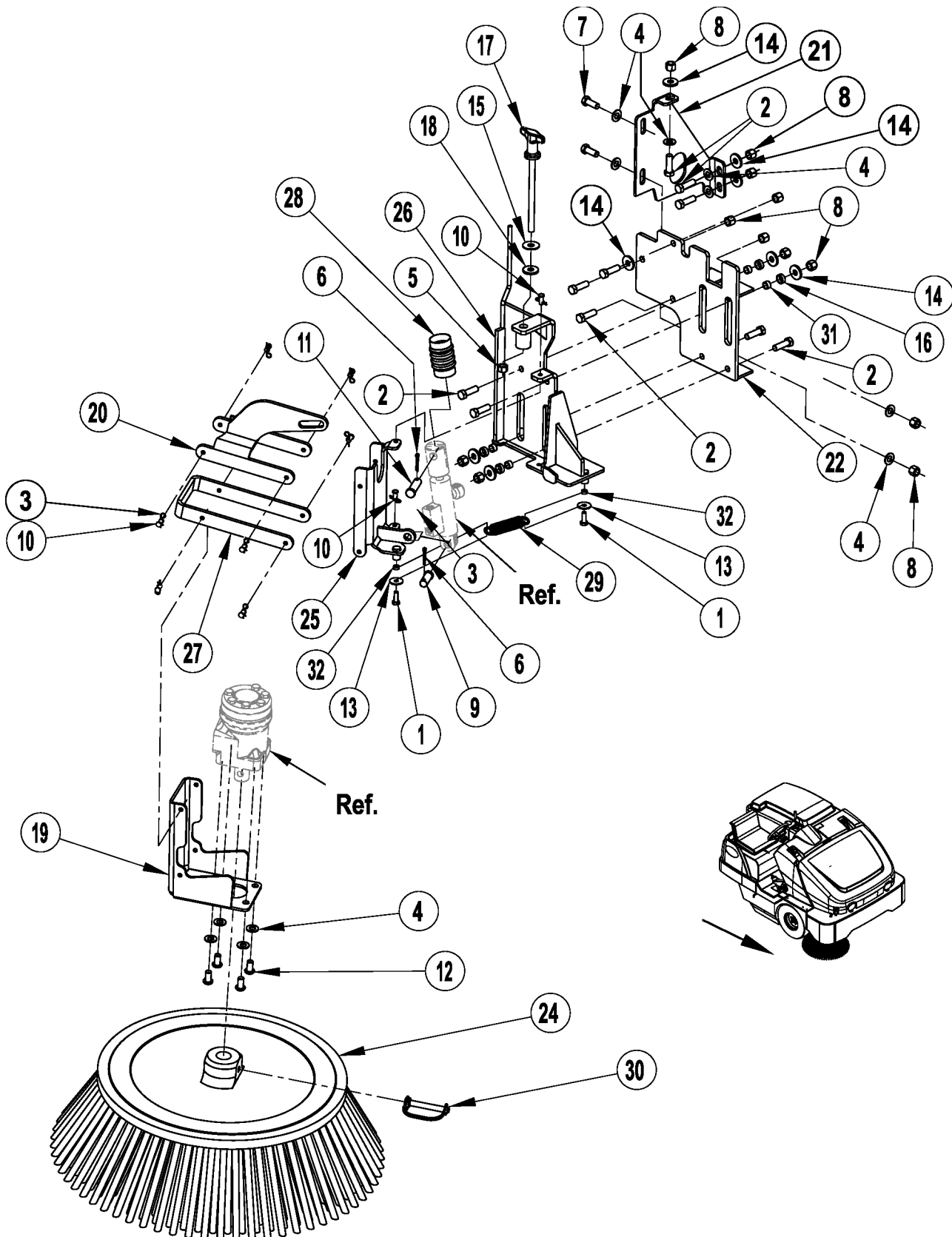
06-12

**SEAT ASSEMBLY**

08-5

**Exterra™****83**

Item	Ref. No.	Qty	Description
1	7-72-05005	1	Slide, Seat
2	7-69-00008	1	Seat
3	56009120	4	Scr Pan Phil SS Type B 1/4-14 x .62
4	56001878	2	Scr, Hex 1/4-20 x 1.25
5	56009242	4	Wsh, Flt .406 x 1.500 x .125
6	56001836	1	Scr, Hex 1/4-20 x .62
7	56002098	13	Wsh, Flt SAE 1/4
8	56002271	2	Scr, Hex 3/8-16 x .88
9	56002701	4	Nut, Hex Nyl Loc 5/16-18
10	56002708	3	Nut, Hex Nyl Loc 1/4-20
11	56002922	4	Scr, Hex Hd Loc 1/4-20 x .62
12	56002948	4	Scr, Hex Hd Loc 1/4-20 x .75
13	56304827	1	Latch, RH
14	56163872	1	Bushing
15	56388326	2	Bushing
16	56507088	1	Seat Support (grey)
	56508672	1	Seat Support (green / Advance model 56307252)
17	56508097	1	Bracket
18	56508322	1	Bracket Seat Latch Mtg
19	56508330	1	Seat Pivot Weldt
20	56508335	1	Cable Assembly
21	56002832	1	Nut, Hex Nyl Loc-Thin 10-24
22	56009039	1	Scr, Hex Thd Form 10-24 x .50
23	56009063	1	Scr, Hex Thd Form 10-24 x .25
24	56508452	1	Handle Latch
25	56306120	1	Box, Waterproof (Advance model 56307252)
26	56009002	2	Wsh, .266 x .906 x .060 (Advance model 56307252)
27	56002736	2	Scr, Hex Tek 1/4-14 x .75 (Advance model 56307252)
28	56306144	1	Decal, Warning (Advance model 56307252)
29	56508774	1	Shrink Tube .75 x 2.5
30	7-03-04250	1	Arm Rest



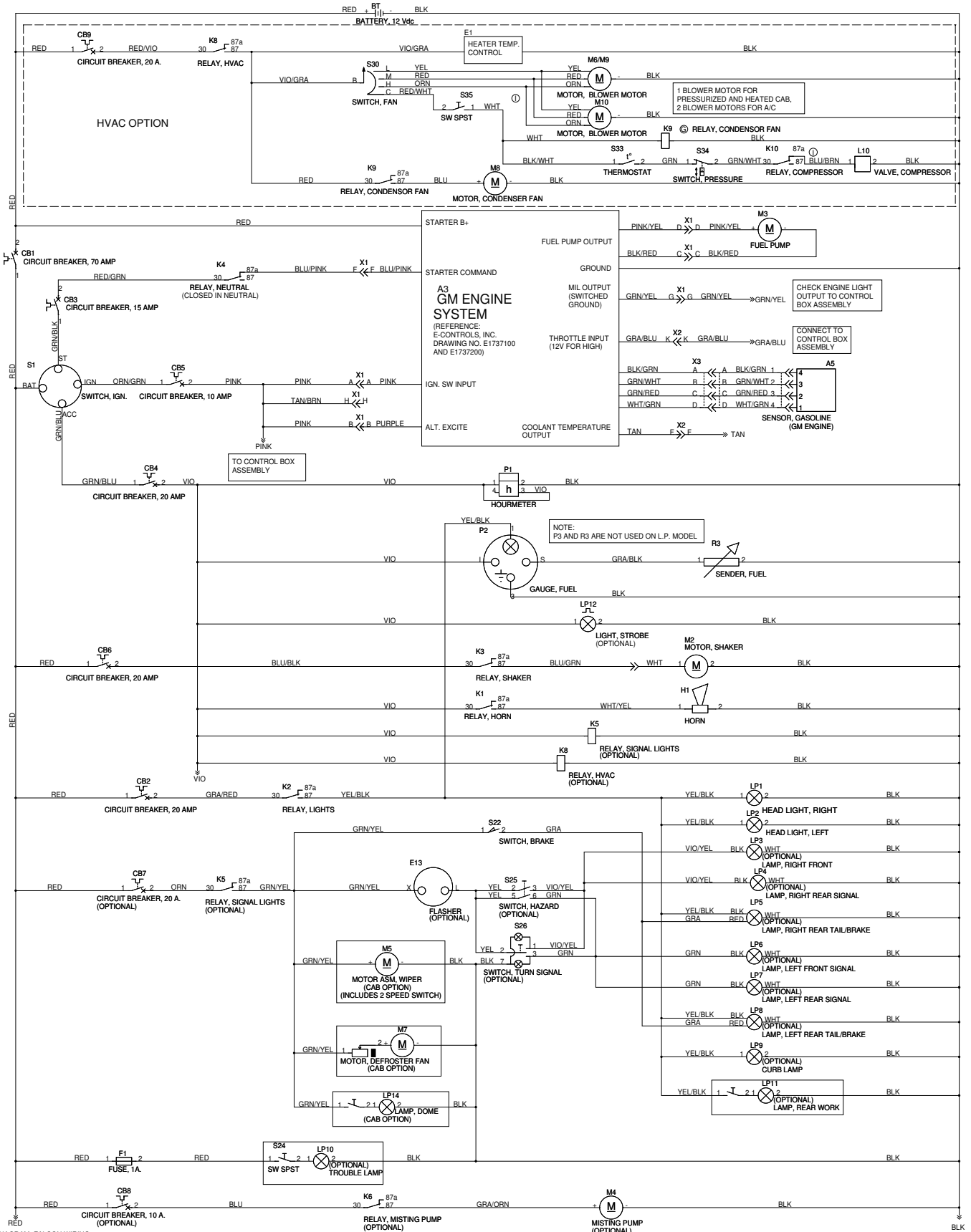
06-12

**SIDE BROOM SYSTEM**

08-5

**Exterra™****85**

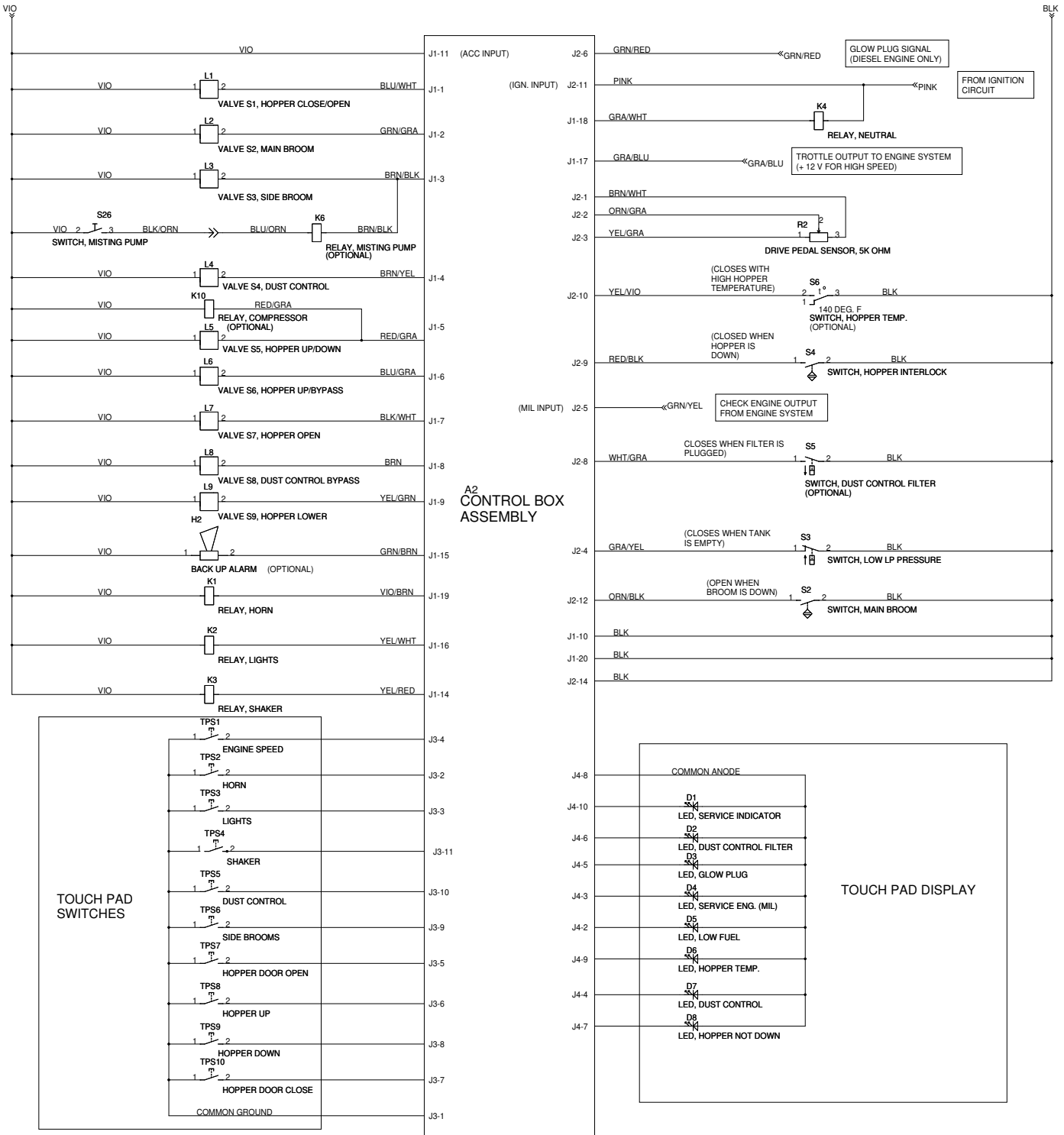
Item	Ref. No.	Qty	Description
1	56002948	2	Scr, Hex Hd Loc 1/4-20 x .75
2	56001858	10	Scr, Hex 3/8-16 x 1.25
3	56003530	10	Cotter, Hair Pin
4	56002063	11	Wsh, Flt SAE 3/8
5	56002123	1	Nut, Hex Machine 3/8-16
6	56002529	2	Pin, Cotter 1/8 x 1
7	56002663	2	Scr, Hex 3/8-16 x 1.00
8	56002769	12	Nut, Hex Nyl Loc 3/8-16
9	56003514	1	Pin, Clevis .50 x 1.25
10	56003727	10	Pin, Clevis .25 x .625
11	56003728	1	Pin, Clevis .50 x 1.75
12	56003729	4	Scr, Soc Hd But 3/8-16 x .75
13	56009002	2	Wsh, Flt .266 x .906 x .060
14	56009107	8	Wsh, Flt SS .378 x 1.000 x .120
15	56151068	1	Washer, Fibre
16	56382086	4	Spacer, .520 x .625 x .215
17	56413576	1	Knob
18	56413599	1	Washer, Rubber
19	56507078	1	Mount, Side Broom Motor
20	56507080	1	Linkage, Side Broom Weldment
21	56507122	1	Bracket
22	56507148	1	RH Bracket Weldment
23			Intentionally Omitted
24	56507350	1	Side Broom - Polypropylene
25	56507502	1	Bracket, Side Broom Pivot
26	56507601	1	Bracket, Side Broom Mount
27	56507633	1	Side Broom Linkage
28	56507634	1	Side Broom Cylinder Bellows
29	56507707	1	Spring, Side Broom
30	56508392	1	Pin, T-Lock
31	56508363	4	Bushing, .377 x .49 x .29
32	56163872	2	Bushing



75 DIAGRAM, FALCON WIRING



Item	Ref. No.	Qty	Description	Item	Ref. No.	Qty	Description
A3	56508398	1	Controller	P1	56393718	1	Hourmeter
A5	56507951	1	Manifold, Fuel (GM Engine only)	P2	56489598	1	Gauge, Fuel ( <b>not used on LPG models</b> )
BT	0875-008	1	Battery, 12Vdc	P3	56304589	1	Gauge, Combination ( <b>optional- LPG</b> )
CB1	56454429	1	Circuit Breaker, 70 Amp, Main		56304569	1	Gauge, Combination ( <b>optional- Petrol and Diesel</b> )
CB2	56413822	1	Circuit Breaker, 20 Amp, Headlights	R1	N/A	1	Sender, Oil Pressure ( <b>optional</b> )
CB3	56413407	1	Circuit Breaker, 15 Amp, Starter	R3	56478358	1	Sender, Fuel ( <b>not used on LPG models</b> )
CB4	56413822	1	Circuit Breaker, 20 Amp, Accessories	S1	56418685	1	Switch, Ignition
CB5	56507644	1	Circuit Breaker, 10 Amp, Ignition		56315435	1	Switch, Ignition ( <b>used on Advance model 56307252</b> )
CB6	56413822	1	Circuit Breaker, 20 Amp, Shaker	S22	56508191	1	Switch, Brake
CB7	56413822	1	Circuit Breaker, 20 Amp (signal lights option)	S24	N/A	1	Switch (part of LP10)
CB8	56507644	1	Circuit Breaker, 10 Amp (misting pump option)	S25	56507889	1	Switch, Hazard ( <b>optional</b> )
CB9	N/A	1	Circuit Breaker, 40 Amp (for cab option)	S26	56507888	1	Switch, Turn Signal ( <b>optional</b> )
E1	56508776	1	Heat Temp. Control	S30		1	Switch, Fan
E13	56507887	1	Flasher (optional)	S33	56508899	1	Thermostat
F1	N/A	1	Fuse, 1 Amp	S34	56508871	1	Switch, Pressure
H1	56442054	1	Horn	S35	56507889	1	Switch SPST
K1	56418387	1	Relay, Horn				* = Not Shown
K2	56418387	1	Relay, Lights				** = Optional
K3	56418387	1	Relay, Shaker				<b>NOTE 1:</b> Reference; 56507376 = Ladder Diagram & 56507375 = Wiring Diagram.
K4	56418387	1	Relay, Neutral				<b>NOTE 2:</b> Part number is dependant on engine, see "ENGINE REPLACEMENT PARTS" of appropriate engine.
K5	56418387	1	Relay, Signal Lights (optional)				
K6	56418387	1	Relay, Misting Pump (optional)				
K8	56418387	1	Relay, HVAC (HVAC option)				
K9	56508897	1	Relay, Condenser Fan (HVAC option)				
K10	56418387	1	Relay, Compressor (HVAC option)				
L10	56508798	1	Valve, Compressor (HVAC option)				
LP1	56507223	1	Head Light, Right				
LP2	56507223	1	Head Light, Left				
LP3	56507113	1	Lamp, Right Front (optional)				
LP4	56507113	1	Lamp, Right Rear Signal (optional)				
LP5	56507112	1	Lamp, Right Rear Tail/Brake (optional)				
LP6	56507113	1	Lamp, Left Front Signal (optional)				
LP7	56507113	1	Lamp, Left Rear Signal (optional)				
LP8	56507112	1	Lamp, Left Rear Tail/Brake (optional)				
LP9	56507830	1	Lamp, Curb (optional)				
LP10	56305627	1	Lamp, Trouble (optional)				
LP11	56507830	1	Lamp, Rear Work (optional)				
LP12	56305223	1	Light, Strobe (optional)				
LP14	56508819	1	Lamp, Dome (cab option)				
M2	56508664	1	Motor, Shaker				
M3		1	Pump, Fuel <b>NOTE 2</b>				
M4	56507851	1	Pump, Misting (optional)				
M5	56508636	1	Motor, Assy Wiper (cab option)				
M6	0882-055	1	Motor, Blower Motor (heater)				
M7	56508820	1	Motor, Defroster Fan (cab option)				
M8	56508896	1	Motor, Condenser Fan				
M9	56508898	1	Motor, Blower Motor (A/C)				
M10	56508898	1	Motor, Blower Motor (A/C)				

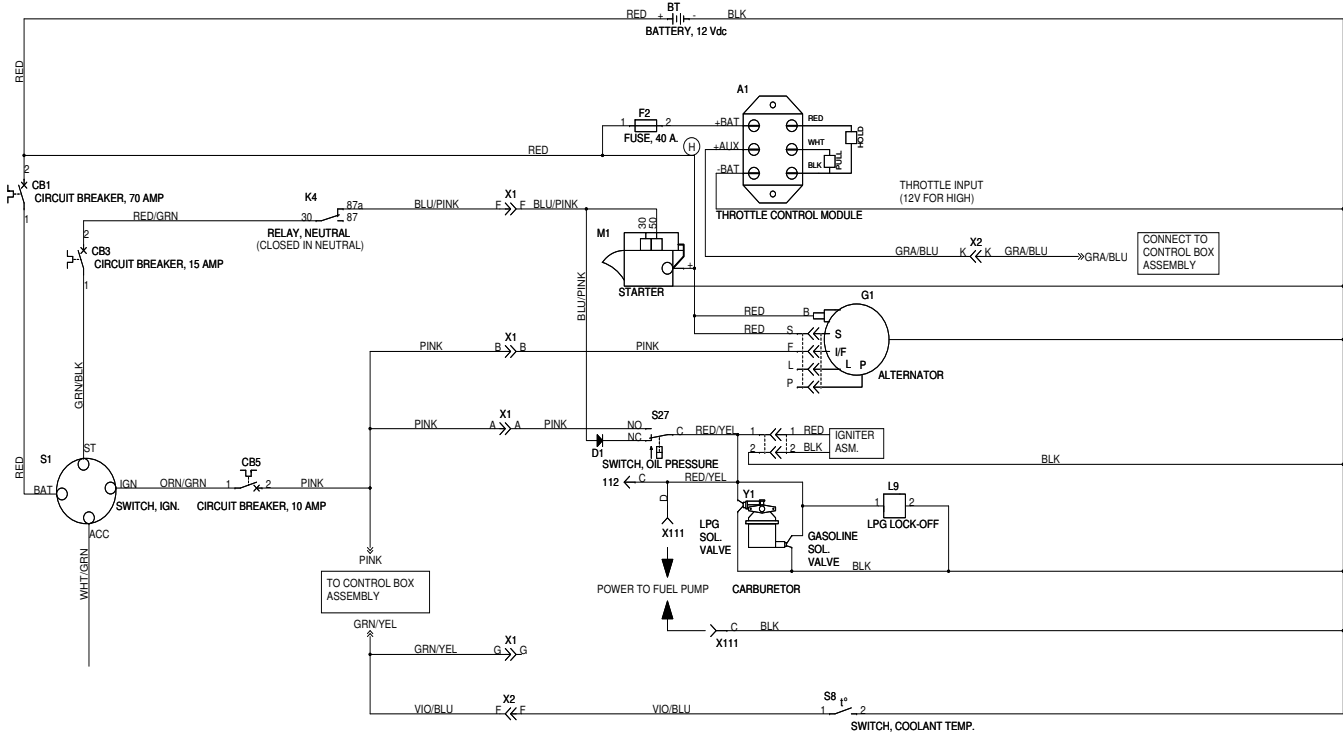


Item	Ref. No.	Qty	Description
A2	56508360	1	Control Box Assembly
H2	56409232	1	Back Up Alarm (optional)
K1	56418387	1	Relay, Horn
K2	56418387	1	Relay, Lights
K3	56418387	1	Relay, Shaker
K4	56418387	1	Relay, Neutral
K6	56418387	1	Relay, Misting Pump (optional)
L1	N/A	1	Valve S1, Hopper Close/Open
L2	N/A	1	Valve S2, Main Broom
L3	N/A	1	Valve S3, Side Broom
L4	N/A	1	Valve S4, Dust Control
L5	N/A	1	Valve S5, Hopper Up/Down
L6	N/A	1	Valve S6, Hopper Up/Bypass
L7	N/A	1	Valve S7, Hopper Open
L8	N/A	1	Valve S8, Dust Control Bypass
L9	N/A	1	Valve S9, Hopper Lower
R2	56305129	1	Drive Pedal Sensor, 5K Ohm
S2	56305053	1	Switch, Main Broom
S3	56418381	1	Switch, Low LP Pressure
S4	56305053	1	Switch, Hopper Interlock
S5	56305518	1	Switch, Dust Control Filter (optional)
S6	56418405	1	Switch, Hopper Temp. (optional)
S26	N/A	1	Switch, Misting Pump (optional)
TPS1	N/A	1	Touch Pad Switch, Engine Speed <b>NOTE 1</b>
TPS2	N/A	1	Touch Pad Switch, Horn <b>NOTE 1</b>
TPS3	N/A	1	Touch Pad Switch, Lights <b>NOTE 1</b>
TPS4	N/A	1	Touch Pad Switch, Shaker <b>NOTE 1</b>
TPS5	N/A	1	Touch Pad Switch, Dust Control <b>NOTE 1</b>
TPS6	N/A	1	Touch Pad Switch, Side Brooms <b>NOTE 1</b>
TPS7	N/A	1	Touch Pad Switch, Hopper Door Open <b>NOTE 1</b>
TPS8	N/A	1	Touch Pad Switch, Hopper Up <b>NOTE 1</b>
TPS9	N/A	1	Touch Pad Switch, Hopper Down <b>NOTE 1</b>
TPS10	N/A	1	Touch Pad Switch, Hopper Door Close <b>NOTE 1</b>

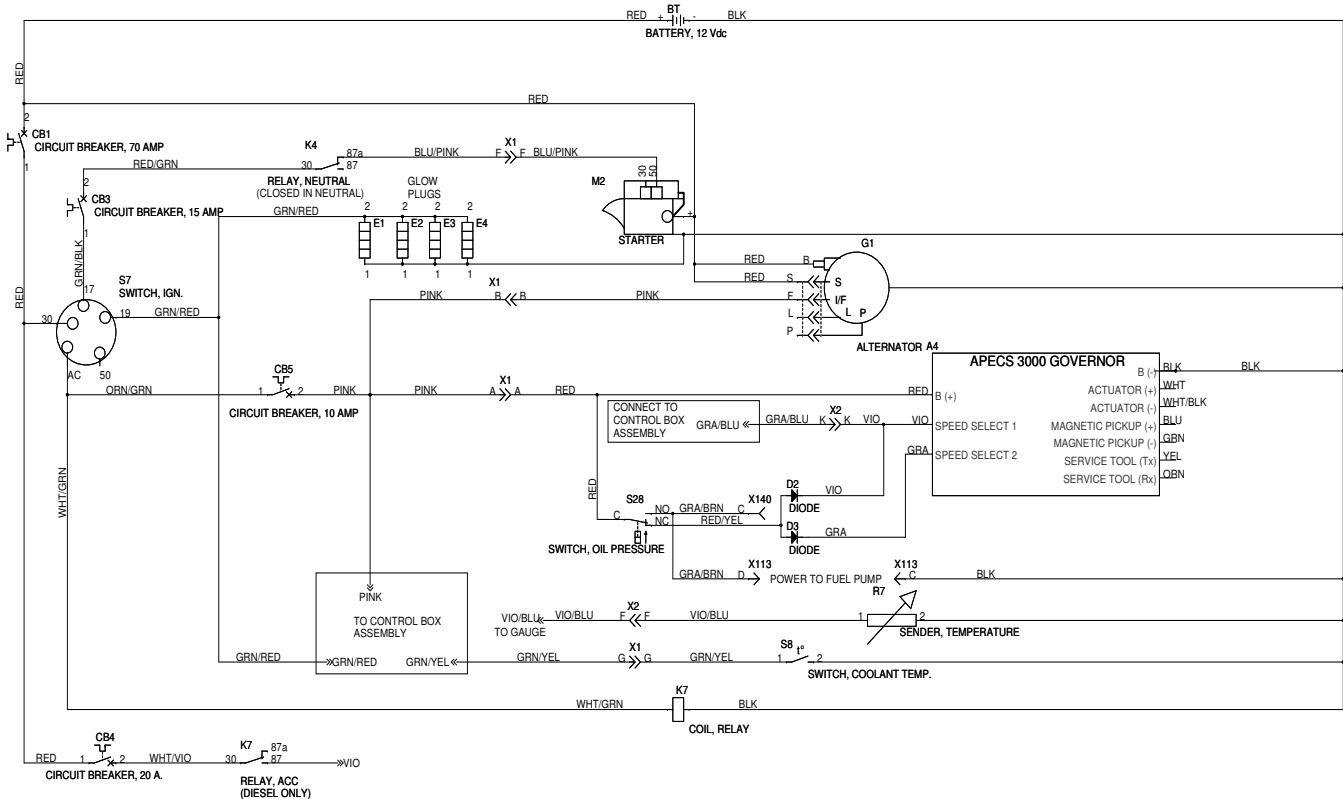
**NOTE 1:** Part of Touch Pad 56507501 for petrol and LPG or 56508219 for diesel.

**NOTE 2:** Reference; 56507376 = Ladder Diagram & 56507375 = Wiring Diagram.

KUBOTA 972 ENGINE SYSTEM



KUBOTA DIESEL ENGINE SYSTEM



**Kubota 972 Engine System**

Item	Ref. No.	Qty	Description
A1	56508446	1	Throttle Control Module
BT	0875-008		Battery, 12 Vdc
CB1	56454429	1	Circuit Breaker, 70 Amp
CB3	56413407	1	Circuit Breaker, 15 Amp
CB5	56507644	1	Circuit Breaker, 10 Amp
D1	N/A	1	Diode
F2	N/A	1	Fuse, 30 Amp (Bussman ATC-40)
G1	56110738	1	Alternator
K4	56418387	1	Relay, Neutral
L9	2-60-02315	1	LPG Lock-Off
M1	56508440	1	Starter
S1	56418685	1	Switch, Ignition
S27	56508444	1	Switch, Oil Pressure
S8	56419091	1	Switch, Coolant Temp.
Y1	N/A	1	Carburetor

**Kubota Diesel Engine System**

Item	Ref. No.	Qty	Description
A4	56508400	1	ACPECS 3000 Governor
BT	0875-008	1	Battery, 12 Vdc
CB1	56454429	1	Circuit Breaker, 70 Amp
CB3	56413407	1	Circuit Breaker, 15 Amp
CB4	56413822	1	Circuit Breaker, 20 Amp
CB5	56507644	1	Circuit Breaker, 10 Amp
D2	N/A	1	Diode
D3	N/A	1	Diode
E1	N/A	1	Glow Plug
E2	N/A	1	Glow Plug
E3	N/A	1	Glow Plug
E4	N/A	1	Glow Plug
G1	56110738	1	Alternator
K4	56418387	1	Relay, Neutral
K7	56418387	1	Relay, Acc (Diesel only)
M2	56419089	1	Starter
R7	56419091	1	Sender, Temperature
S7	56497754	1	Switch, Ignition
S8	56419091	1	Switch, Coolant Temp.
S28		1	Switch, Oil Pressure

**NOTE 1:** Reference; 56507376 = Ladder Diagram & 56507375 = Wiring Diagram.

## OPTIONAL KITS & ACCESSORIES

06-12

92

Exterra™

09-1

Item	Ref. No.	Qty	Description
<b>Options</b>			
**	56507184	1	Left Side Broom Option
**#	56507228	1	Tilt Steering Option
**	56507025	1	Cab Heater & Pressurizer Option <b>NOTE 3</b>
**	56507021	1	Cab A/C & Heater Option <b>NOTE 3</b>
<b>Cab Model Accessories</b>			
**	56508811	1	Rear Bumper Kit - Cab <b>NOTE 1</b>
**	56508812	1	Broom Guard / Rear Bumper Kit - Cab <b>NOTE 1</b>
**	56508813	1	Fire Extinguisher Kit - Cab
**	56508663	1	Mirror Option
<b>Accessories</b>			
**	7-03-04250	1	Arm Rest Option (R/H Only)
**	56507030	1	Litter Vac Kit <b>NOTE 1</b>
**	56507027	1	Fire Extinguisher Kit <b>NOTE 1</b>
**	56507029	1	Hopper Temp Sensor Kit <b>NOTE 1</b>
**	56507036	1	Plugged Filter Switch Kit <b>NOTE 1</b>
**	56507033	1	Raised Air Intake Kit W/O OHG <b>NOTE 1</b>
**	56507041	1	Raised Air Intake Kit W/ OHG <b>NOTE 1</b>
**	56507037	1	Foam Filled Tire Kit
**	56507023	1	Backup Alarm Kit <b>NOTE 1</b>
**	56507024	1	Brake / Signal Light Kit <b>NOTE 1</b>
**	56507034	1	Work Light Kit <b>NOTE 1</b>
**	56507038	1	Amber Strobe W/O OHG Kit <b>NOTE 1</b>
**	56507039	1	Amber Strobe W/ OHG Kit <b>NOTE 1</b>
**	56507394	1	OHG Kit (Over Head Guard) <b>NOTE 1</b>
**#	56508905	1	Canopy Kit (for OHG Kit 56507394) <b>NOTE 1</b>
**	56507040	1	Suspension Seat Kit <b>NOTE 1</b>
**	56507035	1	Seat Belt Kit <b>NOTE 1</b>
**	56304589	1	Gauge 3 in 1 (LPG Option)
**	56304569	1	Gauge 4 in 1 (Petrol & Diesel Option)
**#	56508722	1	Kubota Diesel Gauge Kit <b>NOTE 1</b>
**#	56508438	1	4 Cyl GM Petrol Gauge Kit <b>NOTE 1</b>
**#	56508439	1	4 Cyl GM LPG Gauge Kit <b>NOTE 1</b>
**	56507850	1	Side Broom Misting Kit <b>NOTE 1</b>
**	56508364	1	Right Side Broom Guard Kit <b>NOTE 1</b>
**	56508365	1	Left Side Broom Guard Kit <b>NOTE 1</b>
**	56508720	1	Rear Bumper Kit <b>NOTE 1</b>
**	56508741	1	Broom Guard / Rear Bumper Kit <b>NOTE 2</b>
**	8-24-04139-1	1	Filter, Panel Dry
**	8-24-04139-2	1	Filter, Panel Water Resistant
**	56508433	1	Floor Mat Kit
**	56508889	1	Hopper Bottom Plate Kit
**	56109084	1	Engine Service Kit <b>(GM)</b>
**	7-90-08016	1	Diagnostics Cable <b>(GM)</b>
**	56109083	1	Engine Diagnostics Adapter <b>(GM)</b>
**	56504450	1	Kit, LP Test (No Cables) <b>(GM)</b>
**#	56508436	1	3 Cyl Kubota LPG Gauge Kit <b>NOTE 1</b>
**#	56508437	1	3 Cyl Kubota Petro Gauge Kit <b>NOTE 1</b>
**	56044389	A/R	Exterra Literature Pack
**	56044409	A/R	Exterra (cab) Literature Pack

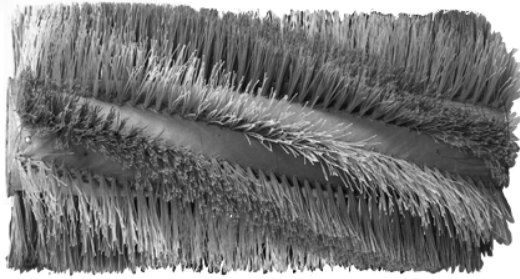
\*\* = Optional, Not Included

# = Revised or new since last update

**NOTE 1:** Replacement parts for the kits listed above can be found on each kit's associated instruction sheet.

**NOTE 2:** Consists of 56508364, 56508365 & 56508720.

**NOTE 3:** Factory installed kit only for cab models.



**Main Broom:** 56507424 Proex & Wire (STD.) (8 Double Rows)  
 56507340 Proex & Wire (optional) (Chevron)  
 56507342 Proex & Wire (optional) (12 D-Rows)

This broom has a more aggressive cleaning action, used to pick up heavier debris.

**56507345 Nylon (optional) (8 D-Rows)**

General purpose broom that can be used for all types of light soil. High wear material so uneven surfaces do not cause excessive wear. Nylon has a high heat deflection temperature, is chemical resistant and will absorb water in wet conditions. Truly a general purpose broom.

**56507341 Proex (optional) (12 Double Rows)**

**56507346 Proex (optional) (8 Double Rows)**

Synthetic fiber made of polypropylene designed to pick up paper gravel, sand and other lighter less bulky litter.

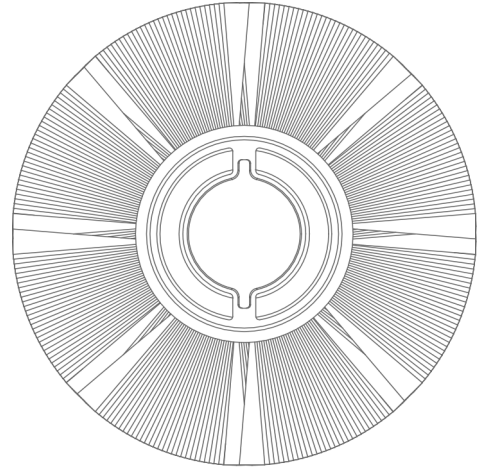
**56507344 Polypropylene/Wire (optional) (12 D-Rows)**

**56507343 Polypropylene (optional) (8 D-Rows)**

**8 Double Row**

Length.....50" (127.6 cm)

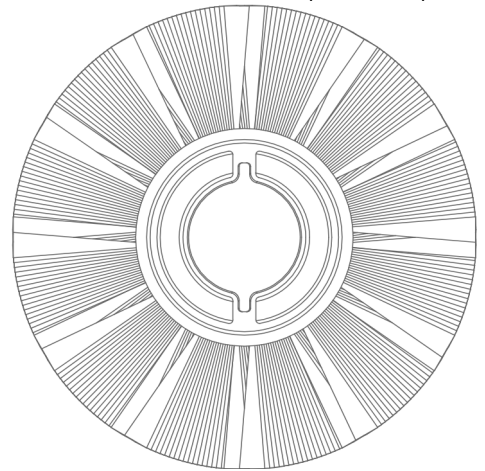
Diameter.....14" (35.56 cm)



**12 Double Row**

Length.....50" (127.6 cm)

Diameter.....14" (35.56 cm)



**Side Broom:** 56507350 Polypropylene 30° (STD.)

The side broom function is to sweep the dirt and debris away from the curb, wall, pallet, etc. into the path of the main broom.

**56507351 Nylon 30° (optional)**

**56507352 Wire 30° (optional)**

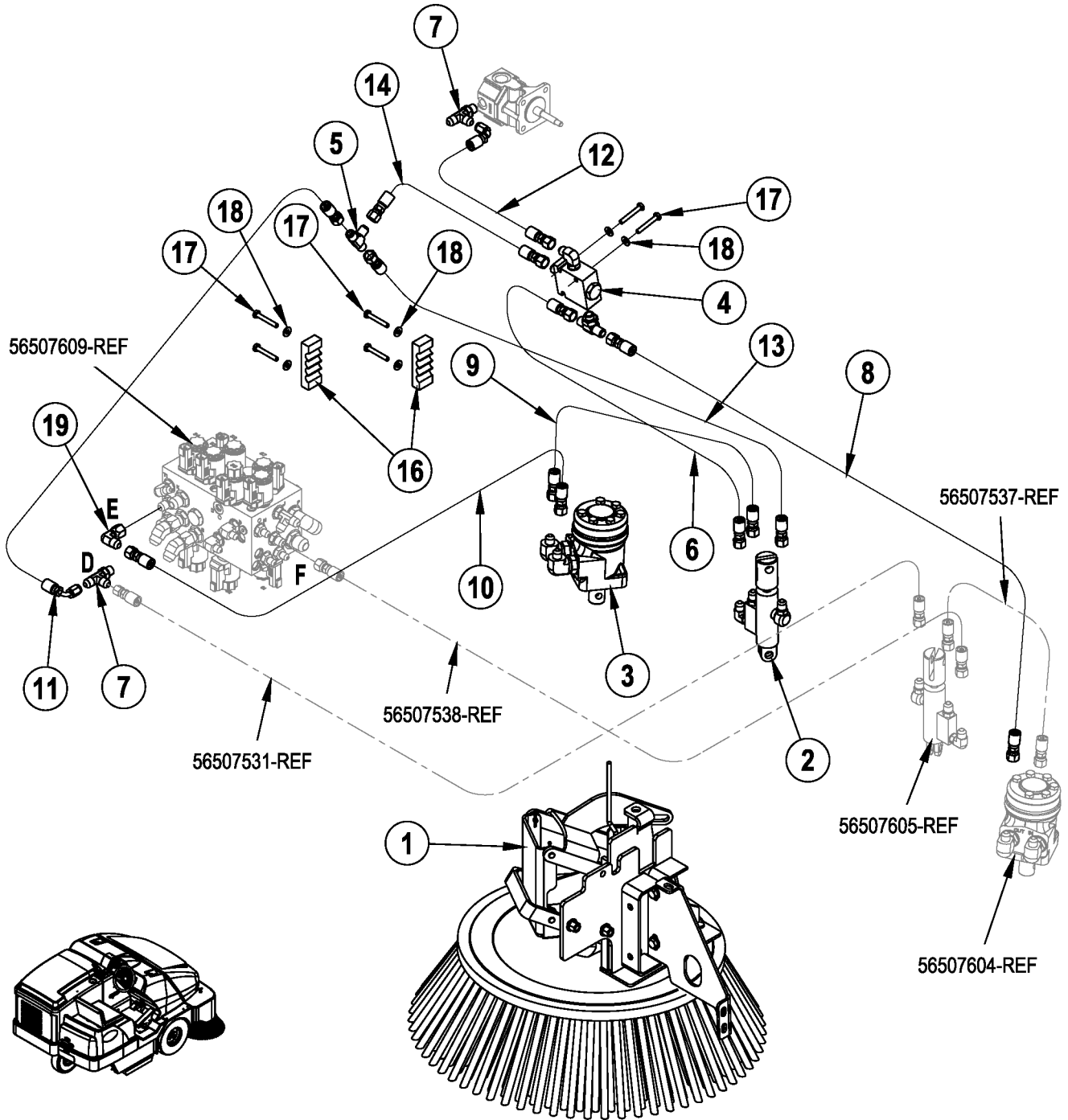
**56508498 Polypropylene 41° (optional)**

**56508499 Nylon 41° (optional)**



(30°) Diameter.....22" (58 cm)

(41°) Diameter.....26" (66 cm)





06-12

**LEFT HAND SIDE BROOM OPTION-1**

07-7

**Exterra™****95**

Item	Ref. No.	Qty	Description
1	56507026	1	Left Hand Side Broom Option <b>See Left Hand Side Broom Option-2</b>
2	56507367	1	Side Broom Cylinder Assy, Left
	56507202	1	Cylinder, Side Broom, Left
	56900286	1	Elbow, 90 O-Ring
	56900370	2	Connector, O-Ring
3	56507604	1	Side Broom Motor Assembly
	56507064	1	Side Broom Motor
	56507619	1	Seal Kit (for 56507064)
	56900113	2	Elbow, 90 O-Ring
4	56508302	1	Valve Assembly
	56508303	1	Valve, PO Check
	56900003	1	Connector, O-Ring
	56900103	1	Elbow, 90 O-Ring
	56900353	1	Tee, Branch O-Ring
5	56900443	1	Tee, Union
6	56508305	1	Hose, Hydraulic
7	56900201	2	Tee, Run O-Ring
8	56507356	1	Hose, Hydraulic
9	56507537	1	Hose, Hydraulic
10	56507538	1	Hose, Hydraulic
11	56507788	1	Hose, Hydraulic
12	56508308	1	Hose, Hydraulic
13	56508306	1	Hose, Hydraulic
14	56508307	1	Hose, Hydraulic
15	56477613	3	Wire Tie ( <b>not shown</b> )
16	56507922	1	Hose Clamp, 1/4 Quadruple
17	56001967	6	Scr, Hex 1/4-20 x 1.75
18	56002098	6	Wsh, Flt SAE 1/4
19	56900303	1	Elbow, 90 W/Nut

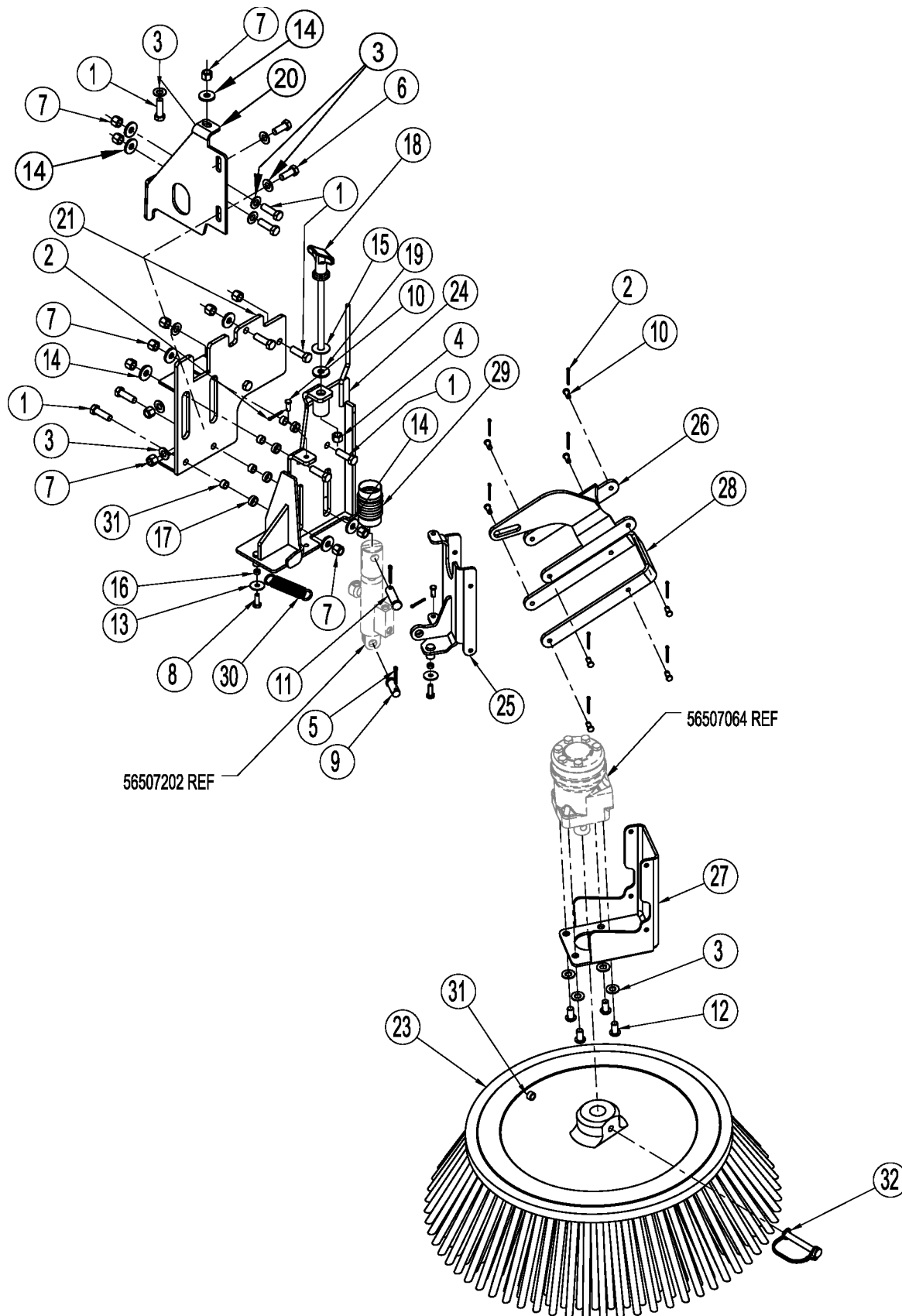
LEFT HAND SIDE BROOM OPTION-2

06-12

96

Exterra™

08-5



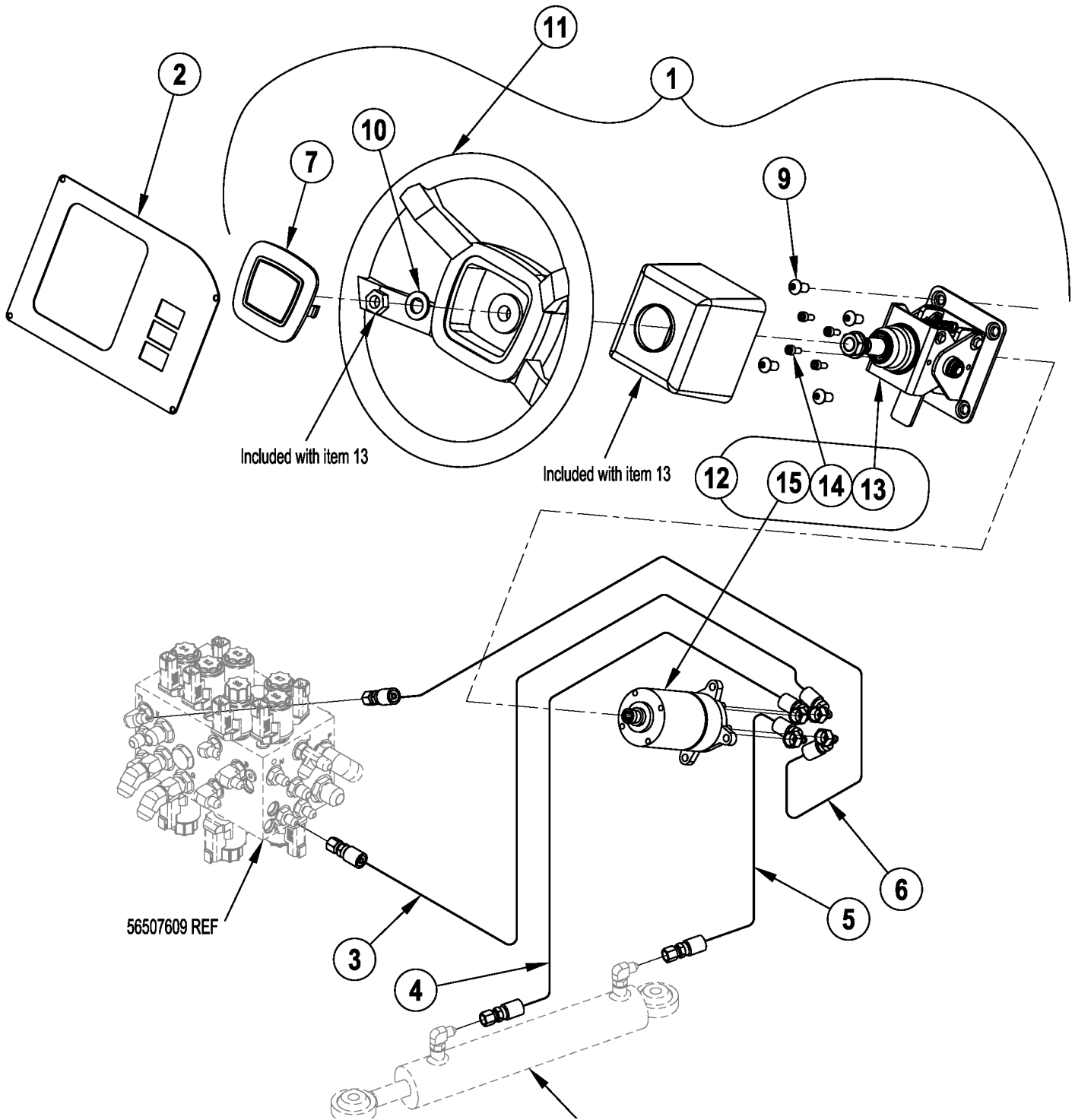
06-12

**LEFT HAND SIDE BROOM OPTION-2**

08-5

**Exterra™****97**

Item	Ref. No.	Qty	Description
1	56001858	10	Scr, Hex 3/8-16 X 1.25
2	56002038	10	Pin, Cotter 3/32 X 1.00
3	56002063	11	Wsh, Flt SAE 3/8
4	56002123	1	Nut, Hex Machine 3/8-16
5	56002529	2	Pin, Cotter 1/8 X 1
6	56002663	2	Scr, Hex 3/8-16 X 1.00
7	56002769	12	Nut, Hex Nyl Loc 3/8-16
8	56002948	2	Scr, Hex Hd Loc 1/4-20 x .75
9	56003514	1	Pin, Clevis .50 x 1.25
10	56003727	10	Pin, Clevis .25 x .625
11	56003728	1	Pin, Clevis .50 x 1.75
12	56003729	4	Scr, Soc Hd But 3/8-16 X .75
13	56009002	2	Wsh, Flt .266 X .906 X .060
14	56009107	8	Wsh, Flt SS .378 X 1.000 X .120
15	56151068	1	Washer, Fibre
16	56163872	2	Bushing
17	56382086	4	Spacer, .520 X .625 X .215
18	56413576	1	Knob
19	56413599	1	Washer, Rubber
20	56507122	1	Bracket
21	56507150	1	LH Bracket Weldment
22			Intentionally Omitted
23	56507350	1	Side Broom-Polypropylene, 30°
24	56507625	1	Side Broom Mounting Bracket
25	56507628	1	Side Broom Pivot Bracket
26	56507629	1	Side Broom Linkage Weldment
27	56507630	1	Side Broom Motor Mount
28	56507633	1	Side Broom Linkage
29	56507634	1	Side Broom Cylinder Bellows
30	56507707	1	Spring, Side Broom
31	56508363	4	Bushing, .377 X .49 X .29
32	56508392	1	Pin, T-Lock



06-12

**TILT STEERING OPTION**

09-1

**Exterra™****99**

Item	Ref. No.	Qty	Description
#	56507228	1	Tilt Steering Option Assembly <b>(includes items 1-6)</b>
	56040962	1	Instruction Sheet
1	56507239	1	Tilt Steering Option <b>(includes items 7-12)</b>
2	56508221	1	Plate, Tilt Steering
3	56507360	1	Hose, Hydraulic
4	56507361	1	Hose, Hydraulic
5	56507362	1	Hose, Hydraulic
6	56507363	1	Hose, Hydraulic
7	7-16-07428	1	Cover, Steering Wheel
8			Deleted intentionally
9	56003729	4	Scr, Soc Hd But 3/8-16 x 0.75
10	56009218	1	Wsh, Flt .688 x 1.250 x 0.125
11	56418460	1	Steering Wheel
12	56508224	1	Steering Unit Assembly <b>(includes items 13-15)</b>
13	7-70-05207	1	Column, Tilt
14	56003425	4	Scr, Soc SS M6-1 X 14mm
15	56508096	1	Steering Control Unit

# = Revised or new since last update







**Nilfisk  
Advance**

*setting standards*

Nilfisk-Advance, Inc.  
14600 21st Avenue North  
Plymouth, MN 55447-3408  
[www.nilfisk-advance.com](http://www.nilfisk-advance.com)  
Phone: 800-989-2235  
Fax: 800-989-6566  
©2009 Nilfisk-Advance, Inc.