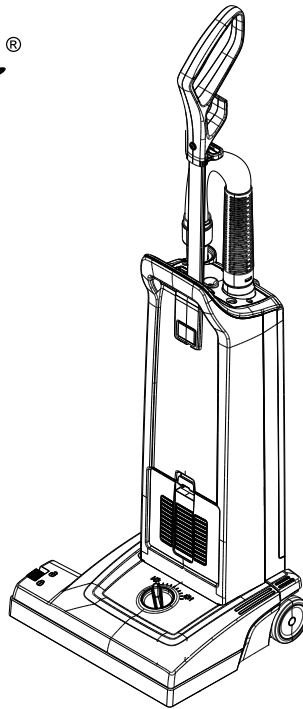


SPARE PARTS LIST

CarpetMaster[®]



DESCRIPTION	PLAN
Wiring diagrams and overview	2,3
Motors and electrical parts	4
Brush parts	6
Container parts	8
Filters	10
Nozzle and tube	12
Locations	15
Warranty information	16

WHEN ORDERING PARTS

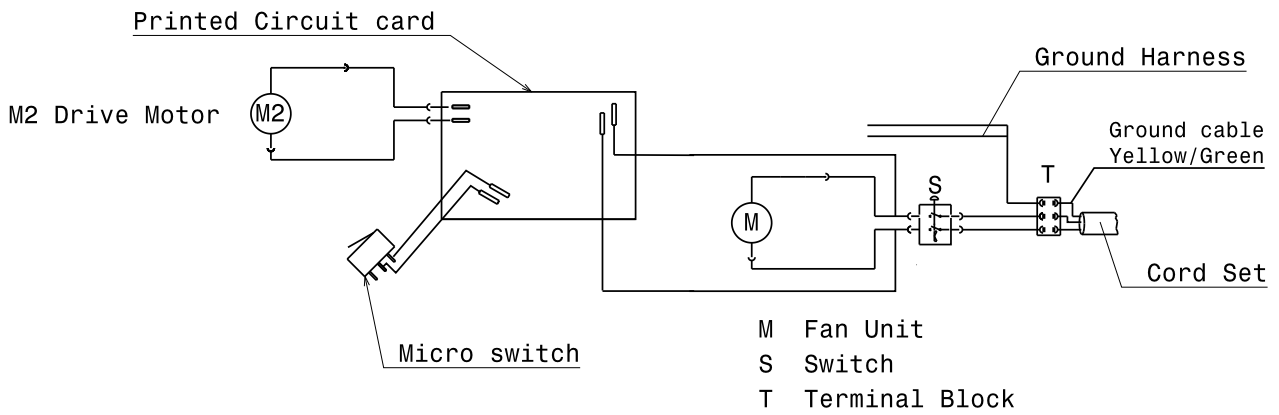
- * Use the digit numbers from the "Part No." columns in this spare parts list.
- * Specify the model and serial number of the machine.
- * Use the space below to record the model and serial number for future reference.

Model _____ Serial no. _____

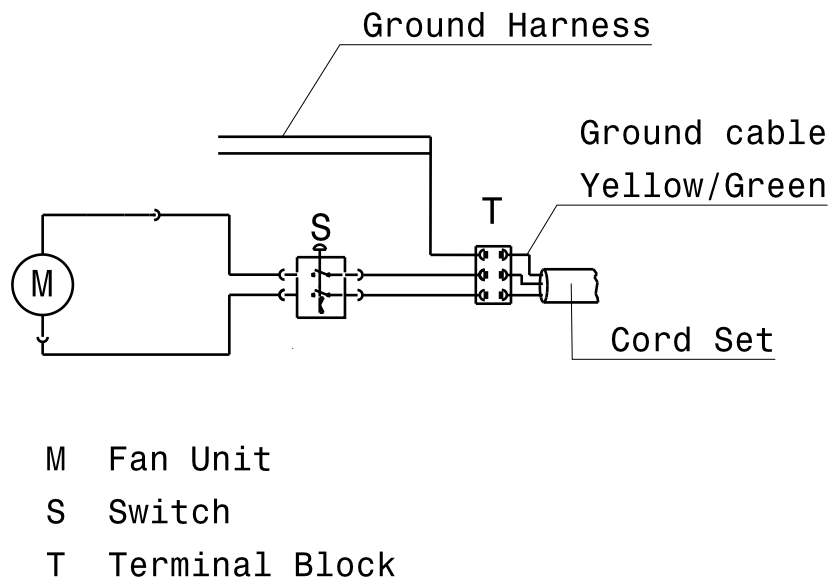
Clarke reserves the right to make changes or improvements to its machine without notice.
Always use genuine Clarke Parts for repair.

Clarke[®], 2100 Highway 265, Springdale, Arkansas 72764.

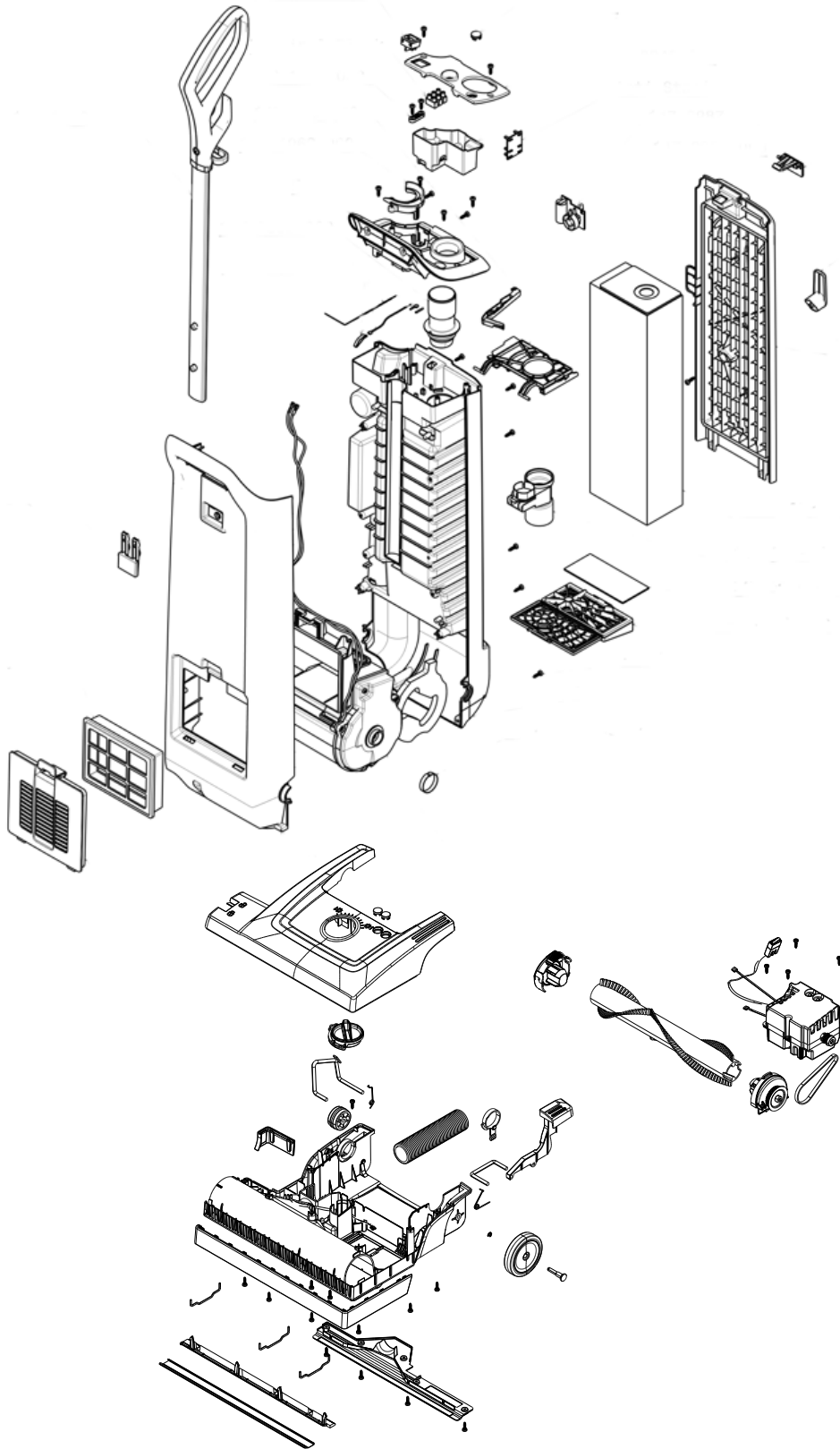
Double motor version 212, 215, 218 - Grounded



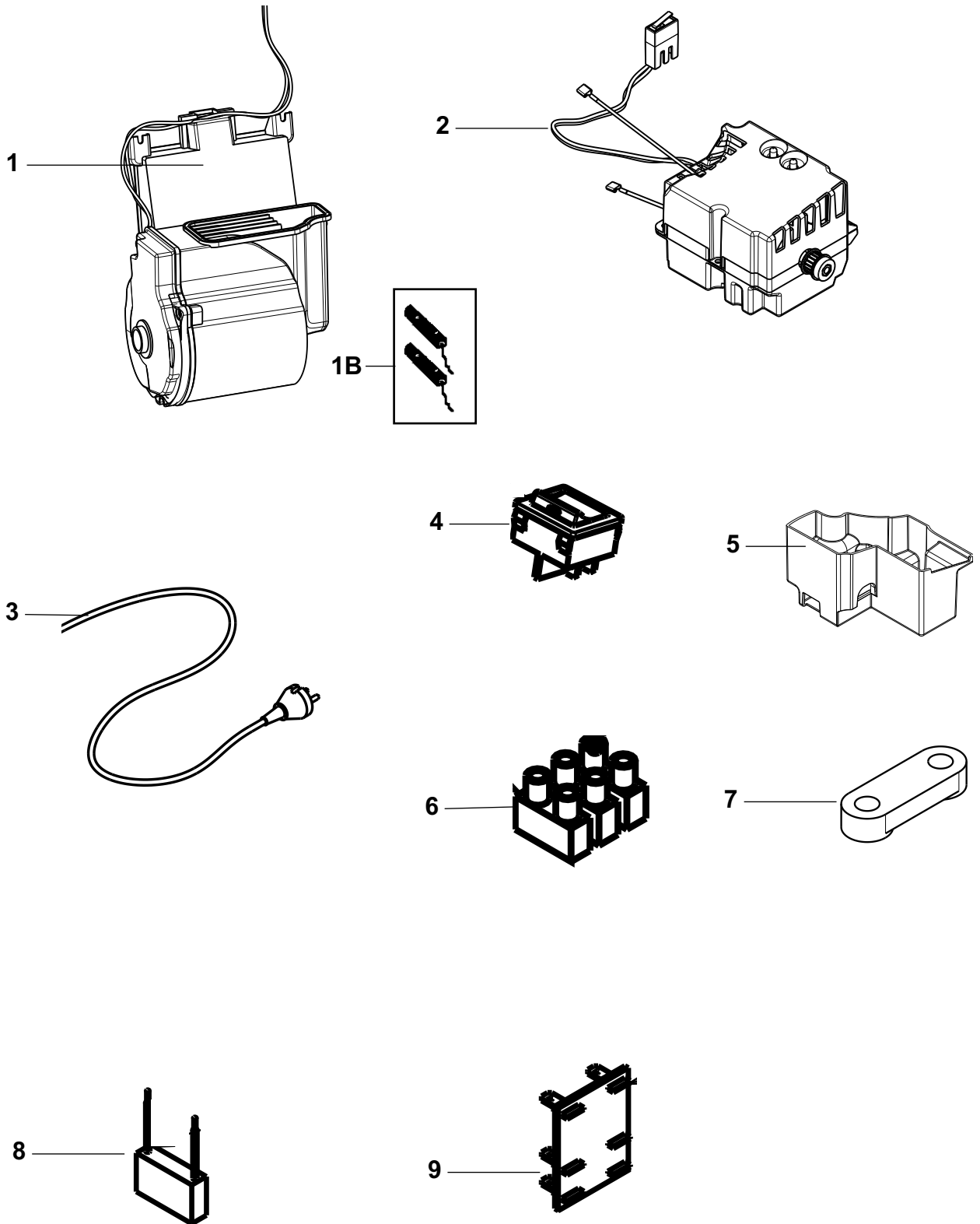
Single motor version 112, 115 - Grounded



CarpetMaster®



MOTORS AND ELECTRICAL PARTS

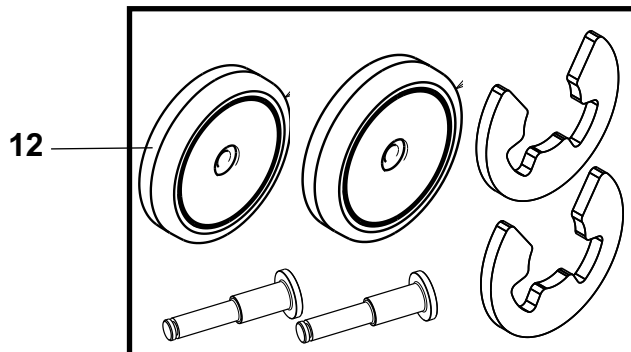
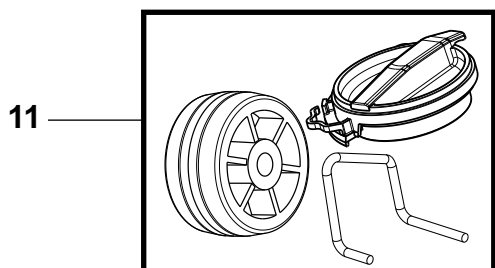
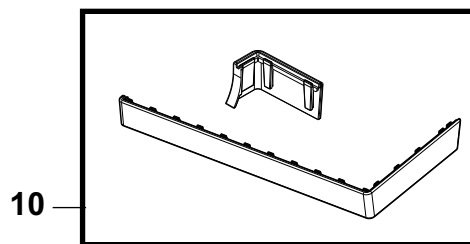
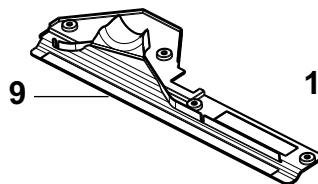
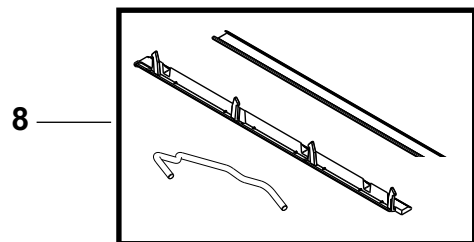
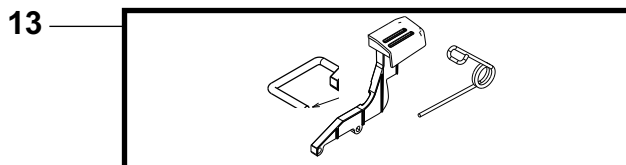
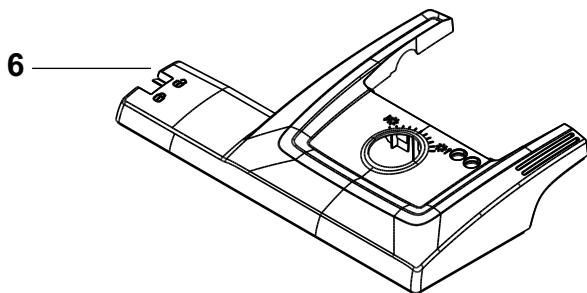
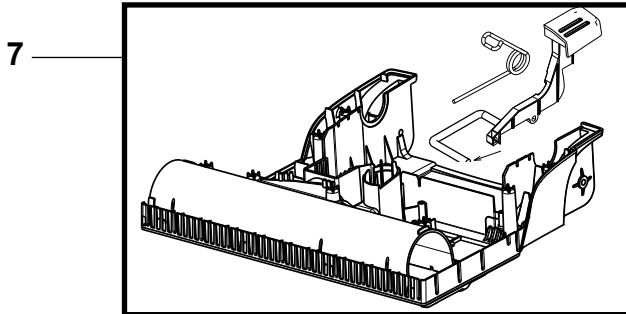
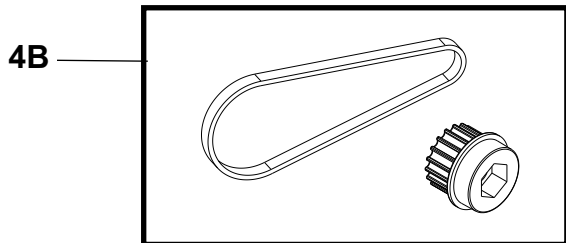
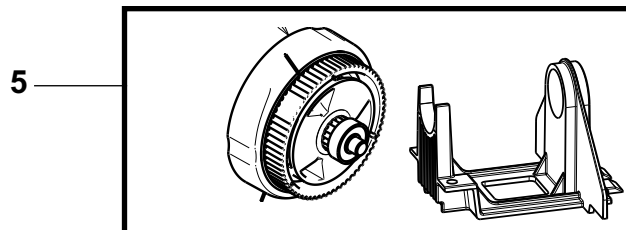
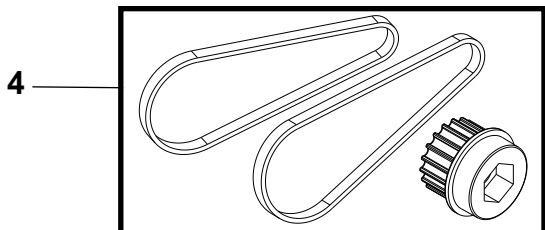
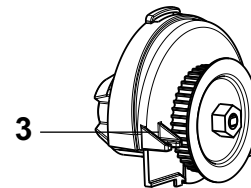
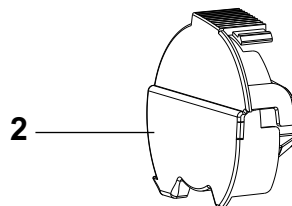
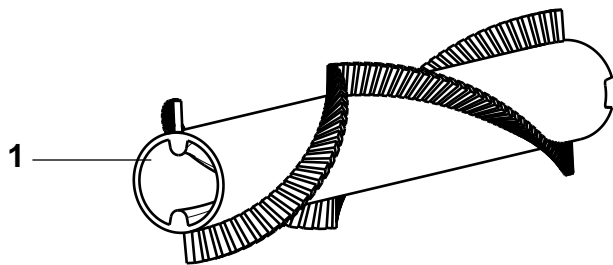


07-11	Carpetmaster 112, 115, 212, 215, 218	823 0103 020		
	MOTORS AND ELECTRICAL PARTS			5

Item	Part No.	Qty.	Description	Note	EAN code
1	147 0864 510	1	Vacuum motor cassette 110-120V		7319519662924
1B	>>147 1326 500	1	Carbon brushes for vacuum motor	2 psc	7319519664591
2	147 0984 510	1	Brush motor cassette, 110-120V	For 2-motor versions only	7319519662955
3	140 3859 640	1	Cord set US-plug, 50ft /15m		7319519663570
4	140 5496 510	1	Switch		7319519631739
5	147 0843 500	1	Electric box US		7319519662979
6	82240100	1	Terminal block 3-pole	For grounded versions, UL-approved.	7319519493078
7	056 1014 060	1	Anti strain clip		7319519352368
8	140 8166 010	1	Suppressor	Not for US-versions	7319519603712
9	140 7024 500	1	Anti static board		7319519632590

Note!

>> Means: New or changed part number or and changed specification

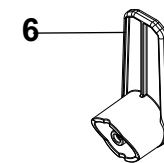
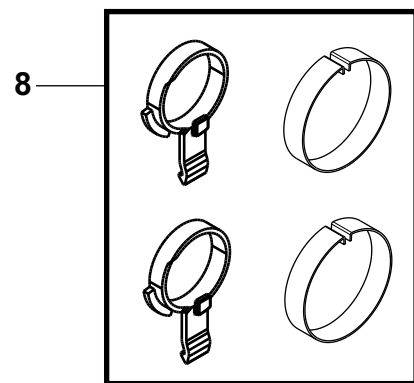
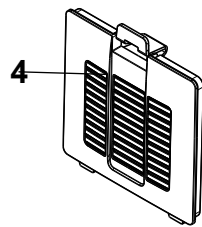
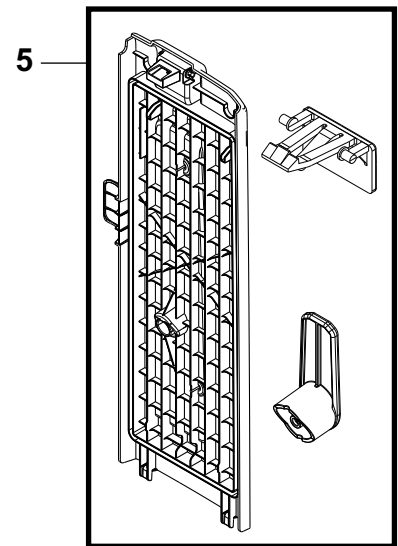
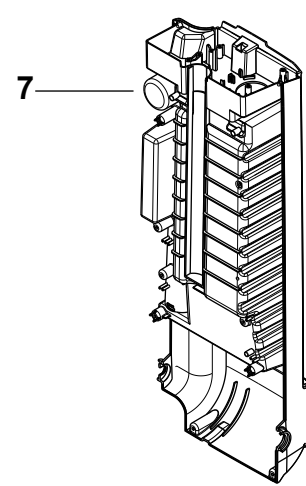
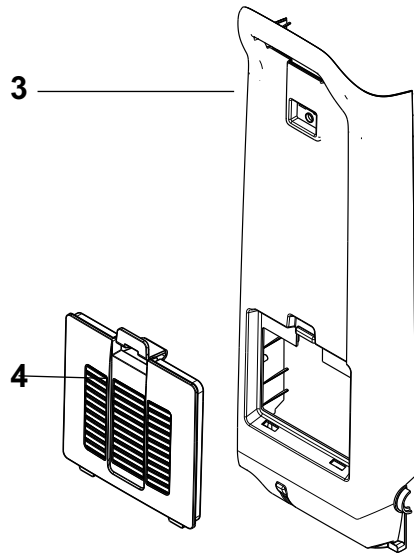
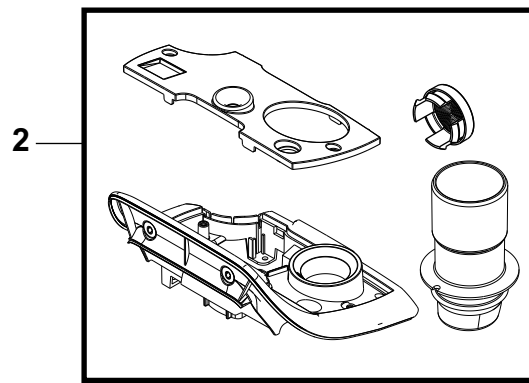
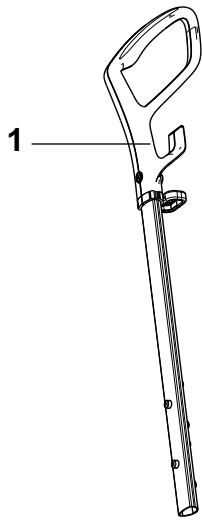


07-11	Carpetmaster 112, 115, 212, 215, 218	823 0103 020		
08-08	BRUSH PARTS			7

Item	Part No.	Qty.	Description	Note	EAN code
1	147 0930 500	1	Brush 12"	For 112, 212 versions	7319519663006
1	147 0930 510	1	Brush 15"	For 115, 215 versions	7319519663013
1	147 0930 520	1	Brush 18"	For 218 version	7319519663020
2	147 0944 500	1	Cover		7319519663037
3	147 0913 500	1	Bearing		7319519663044
4	147 0905 500	1	Drive belt single motor	With 2 belts and cog wheel	731951966121
4B	147 0905 510	1	Drive belt dual motor	With 1 belt and 1 cog wheel	7319519664881
5	147 0906 500	1	Clutch and bearing kit	For 12 and 15 versions	7319519663068
6	147 0924 510	1	Cover brush house, blue 12"	For 112	7319519664492
6	147 0924 610	1	Cover brush house, blue 12"	For 212	7319519664508
6	147 0925 510	1	Cover brush house, blue 15"	For 115	7319519663105
6	147 0925 610	1	Cover brush house, blue 15"	For 215	7319519663624
6	147 0926 510	1	Cover brush house, blue 18"	For 218	7319519664515
7	147 0885 500	1	Chassies 12"	For 112, 212 versions	7319519663129
7	147 0888 500	1	Chassies 15"	For 115, 215 versions	7319519663228
7	147 0891 500	1	Chassies 18"	For 218 version	7319519663143
8	147 0992 500	1	Support brush shoe kit 12"	For 112, 212 versions, with 3 supports	7319519663150
8	147 0992 510	1	Support brush shoe kit 15"	For 115, 215 versions, with 3 supports	7319519663167
8	147 0992 520	1	Support brush shoe kit 18"	For 218 version, with 3 supports	7319519663174
9	147 0988 500	1	Brush shoe 12"	For 112, 212 versions	7319519663181
9	147 0989 500	1	Brush shoe 15"	For 115, 215 versions	7319519663198
9	147 0990 500	1	Brush shoe 18"	For 218 version	7319519663204
10	147 0886 500	1	Bumper kit 12"	For 112, 212 versions, front bumper	7319519663211
10	147 0889 500	1	Bumper kit 15"	For 115, 215 versions, with front and rear bumper	7319519663136
10	147 0892 500	1	Bumper kit 18"	For 218 version, with front and rear bumper	7319519663235
11	147 0901 500	1	Roller kit for all versions	With spring	7319519663242
12	147 0898 500		Wheel kit, for all versions		7319519663259
13	>>147 0935 500	1	Pedal with shaft and spring		

Note!

>> Means: New or changed part number or and changed specification

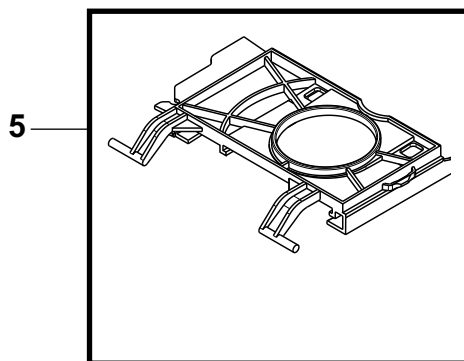
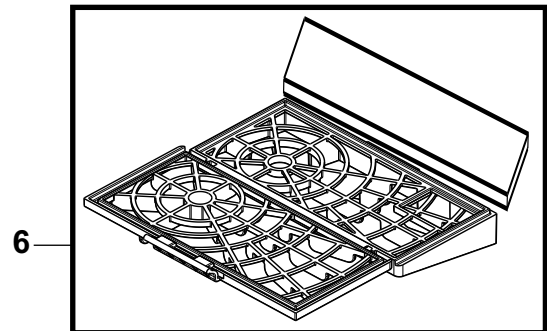
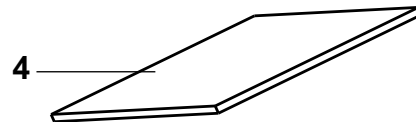
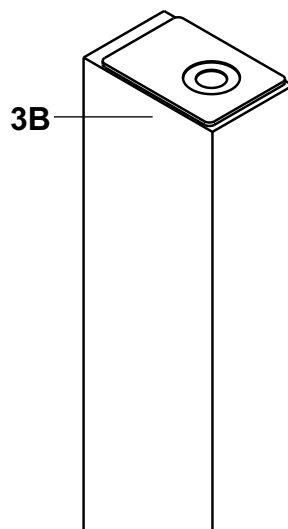
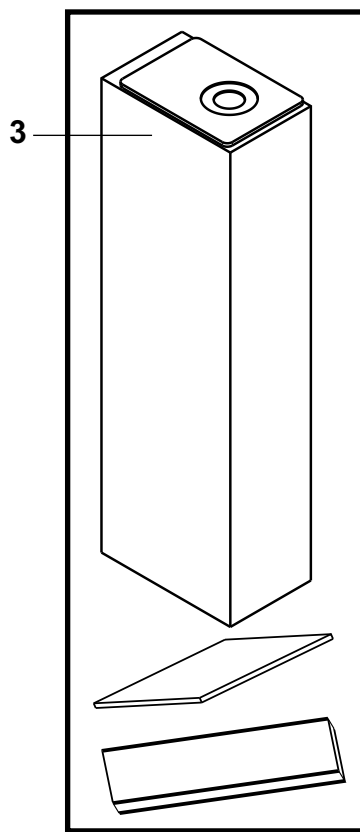
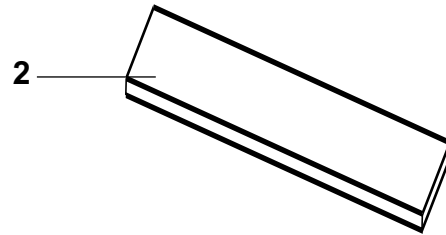
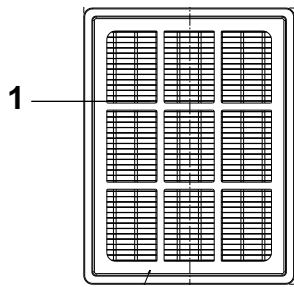


07-11	Carpetmaster 112, 115, 212, 215, 218	823 0103 020		
08-08	CONTAINER PARTS			7

Item	Part No.	Qty.	Description	Note	EAN code
1	147 0833 500	1	Handle complete		7319519663266
2	147 0842 510	1	Cover top kit, blue		7319519664485
3	147 0847 510	1	Cover body front, blue		7319519664546
4	147 0965 510	1	Cover exhaust filter, blue		7319519663310
5	147 0857 510	1	Lid, dust compartment, cpl., blue	With warning labels, spring, screw, washer, gasket	7319519663334
6	147 0852 500	1	Hook for cord	With spring, washer and screw	7319519663341
7	>> 147 0850 510	1	Cover body rear, blue	UL-approved	
8	>>147 0927 500	4	Joint, base to body w. ring		

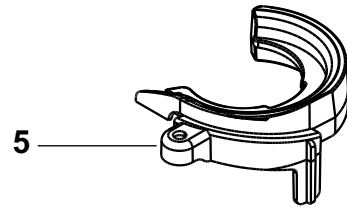
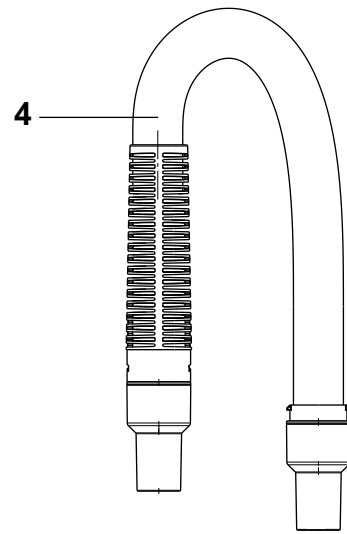
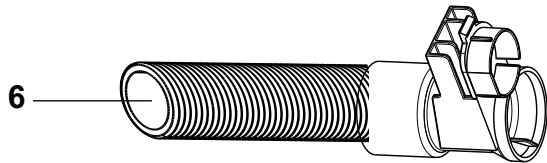
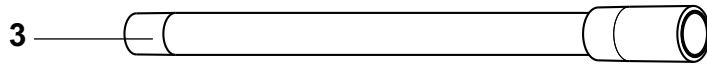
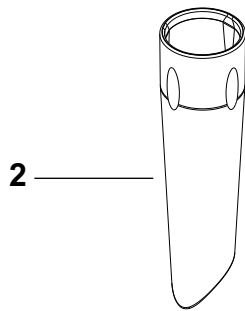
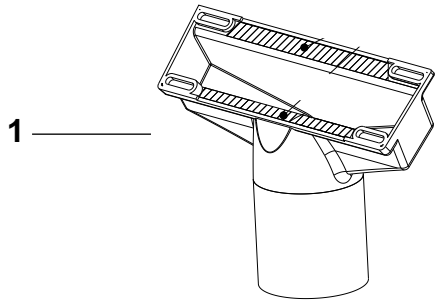
Note!

>> Means: New or changed part number or and changed specification



07-11	Carpetmaster 112, 115, 212, 215, 218	823 0103 020		
08-04	FILTERS			11

Item	Part No.	Qty.	Description	Note	EAN code
1	147 1250 600	1	HEPA-filter, H13		7319519664522
2	147 0966 500	1	Exhaust filter		7319519663365
3	147 1058 500	1	Dust bags 10-pcs. with 2 pre filters and 1 exhaust filter	Material: Paper	7319519663372
3B	147 1059 500	1	Dust bag, re-usable	Material: Cloth	7319519664577
4	147 0960 500	1	Pre filter kit	2 psc. with anti smell paper	7319519663389
5	147 0854 500	1	Holder dust bag, kit		7319519663396
6	147 0958 500	1	Holder pre filter, kit	With 1 pre filter	7319519663402



07-11	Carpetmaster 112, 115, 212, 215, 218	823 0103 020		
08-08	NOZZLES AND TUBE			13

Item	Part No.	Qty.	Description	Note	EAN code
1	147 1205 500	1	Upholstery nozzle Ø 35 mm		7319519663419
2	147 1203 500	1	Crevice nozzle Ø 35 mm	Soft	7319519663426
3	147 0851 500	1	Extension tube Ø 35 mm		7319519664478
4	147 0950 500	1	Hose stretchable		7319519663440
5	147 1062 500	1	Tube holder	For the extension tube	7319519663587
6	>>147 0919 500	1	Adapter, base to tube w.hose	Hose from the base	

Note!

>> Means: New or changed part number or and changed specification

823 0103 020

Carpetmaster 112, 115, 212, 215, 218

07-11

14

CLARKE PRODUCT SUPPORT BRANCHES

U. S. A. Locations

PRODUCTION FACILITIES

Clarke®, Springdale, Arkansas
2100 Highway 265
Springdale, Arkansas 72764
(479) 750-1000
Customer Service - 1-800-253-0367
Technical Service - 1-800-356-7274

American Lincoln®, Bowling Green, Ohio 43402
1100 Haskins Road

SERVICE FACILITIES

Clarke®, Elk Grove, Illinois 60007
2280 Elmhurst Road
(847) 956-7900

Clarke®, Denver, Colorado 80204
1955 West 13th Ave.
(303) 623-4367

Clarke®, Houston, Texas 77040
7215 North Gessner Road
713-937-7717

SERVICE AND SALES FACILITY

American Lincoln® / Clarke, Madison Heights,
Michigan 48071-0158
29815 John R.
(810) 544-6300

American Lincoln® / Clarke, Marietta, Georgia 30066
1455 Canton Road
(770) 973-5225

SALES AND DISTRIBUTION CENTER

Clarke®, Secaucus, NJ 07094
74 Henry Street
(201) 864-5503

Clarke® US WARRANTY

This Clarke Commercial Product is warranted to be free from defects in materials and workmanship under normal use and service for a period of one year covering parts and labour (Motors and Belts warranted for two years) from the date of purchase, when operated and maintained in accordance with Clarke's Maintenance and Operations instructions.

This warranty is extended only to the original purchaser for use of the product. It does not cover normal wear parts such as electrical cable, rubber parts, hoses and motor brushes.

If difficulty develops with the product, you should:

(a). Contact the nearest authorized Clarke repair location or contact the Clarke Service Operations Department, 2100 Highway 265, Springdale, Arkansas 72764, for the nearest authorized Clarke repair location. Only these locations are authorized to make repairs to the product under this warranty.

(b). Return the product to the nearest Clarke repair location. Transportation charges to and from the repair location must be prepaid by the purchaser.

(c). Clarke will repair the product and or replace any defective parts without charge within a reasonable time after receipt of the product.

Clarke's liability under this warranty is limited to repair of the product and/or replacement of parts and is given to purchaser in lieu of all other remedies, including INCIDENTAL AND CONSEQUENTIAL DAMAGES.

THERE ARE NO EXPRESS WARRANTIES OTHER THAN THOSE SPECIFIED HEREIN. THERE ARE NO WARRANTIES WHICH EXTEND BEYOND THE DESCRIPTION OF THE FACE HEREOF. NO WARRANTIES, INCLUDING BUT NOT LIMITED TO WARRANTY OF MERCHANTABILITY, SHALL BE IMPLIED. A warranty registration card is provided with your Clarke product. Return the card to assist Clarke in providing the performance you expect from your new floor machine.

Clarke reserves the right to make changes or improvements to its machine without notice.
Always use genuine Clarke Parts for repair.

Clarke®

2100 Highway 265
Springdale, Arkansas, 72764