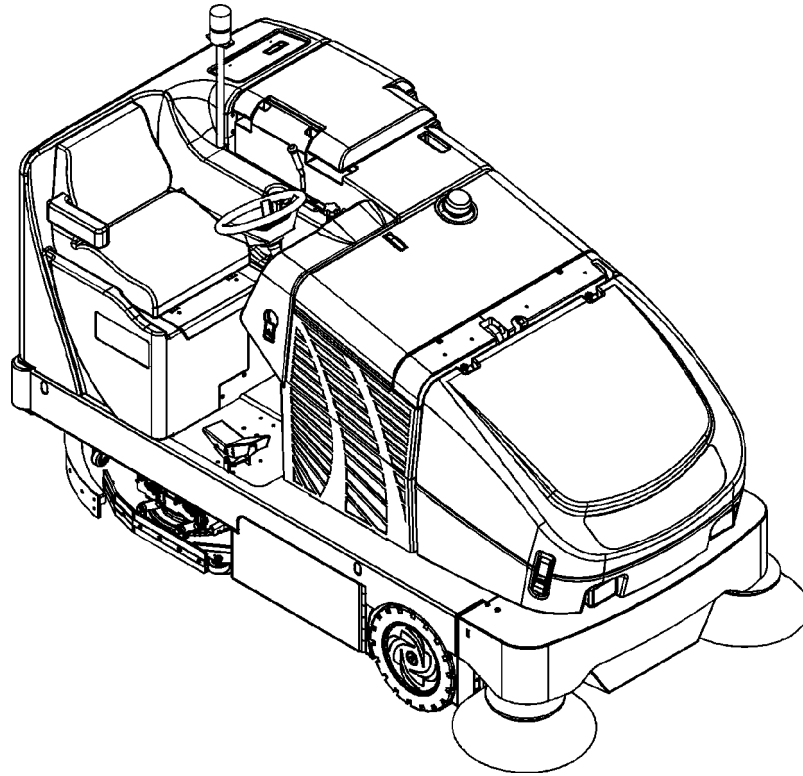


Captor™ 4300, 4800, 5400



PARTS LIST

Obsolete Advance MODELS 56304000, 56304001, 56304002, 56304003, 56304004, 56304005, 56304006, 56304007, 56304008

**Advance MODELS 56306050, 56306051, 56306052, 56306053, 56306054
56306055, 56306056, 56306057, 56306058, 56307251
56306182, 56306183, 56306184, 56306185, 56306186, 56306187, 56306188, 56306189, 56306190**

All model numbers starting with "56306" and "56307" are manufactured with the 2007 certified engine.



Item	Ref. No.	Qty	Description
**	56305509	1	Temperature Switch Kit
**	56305519	1	Backup Alarm Kit
**	56305517	1	Hopper Filter Switch Kit
**	56305482	1	Beacon Kit (for use on 48" & 54" models)
**	56305881	1	Beacon Kit (for use on 43" models)
**	56305896	1	Solution Fill Shutoff Kit (48" & 54" Models)
**	56305820	1	Solution Fill Shutoff Kit (43" Models)
**	56305493	1	Tower Bumper Kit
**	56305621	1	Fire Extinguisher Kit
**	56305628	1	Underhood Light Kit
**	56305530	1	Vacuum Wand Kit
**	56305637	1	Low Clearance Overhead Guard Kit
**	56303573	1	Overhead Guard Kit
**	56303579	1	Overhead Guard Beacon Kit
**	56305641	1	Curb Light Kit
**#			DELETED
**	56305494	1	Left Side Broom Guard Kit
**	56305495	1	Right Side Broom Guard Kit
**	56305652	1	Both Side Broom Guard Kit
**	56305611	1	Seat Kit
**	56305794	1	Pre-Filter Grid Kit
**	56307221	1	Recovery Inlet Seal Kit
**	56303572	1	Solution Cleanout Kit
**#	56109306	1	Seat Belt Kit
**#			DELETED
**	56305647	1	Controller Interface Kit
**	56504528	1	Cable-Eng-Diagn-Gen2/3to1 (for use with 56305647)
**	56504516	1	Kit-Hydraulic Test
**	56306138	1	Kit, Chemical Injection 12V
**	56044400	A/R	Literature Pack
43" Squeegee Blade Kits NOTE #1			
**	56305695	1	Blade Kit, Squeegee Linatex 43
**	56305693	1	Blade Kit, Squeegee Neoprene 43
**	56307180	1	Blade Kit, Squeegee Polyurethane 43
48" Squeegee Blade Kits NOTE #1			
**	56305686	1	Blade Kit, Squeegee Linatex 48
**	56305682	1	Blade Kit, Squeegee Neoprene 48
**	56307183	1	Blade Kit, Squeegee Polyurethane 48
54" Squeegee Blade Kits NOTE #1			
**	56305696	1	Blade Kit, Squeegee Linatex 54
**	56305694	1	Blade Kit, Squeegee Neoprene 54
**	56307186	1	Blade Kit, Squeegee Polyurethane 54
Side Blade Kits (All Models) NOTE #2			
**	56305697	1	Side Blade Kit
**	56305685	1	Neoprene Side Blade Kit

** = Optional (not included)

= Revised or new since last update

NOTE #1: All squeegee blade kits include both front and rear squeegee blades.

NOTE #2: Side Blade Kits contain ALL skirts needed for BOTH side skirt assemblies.

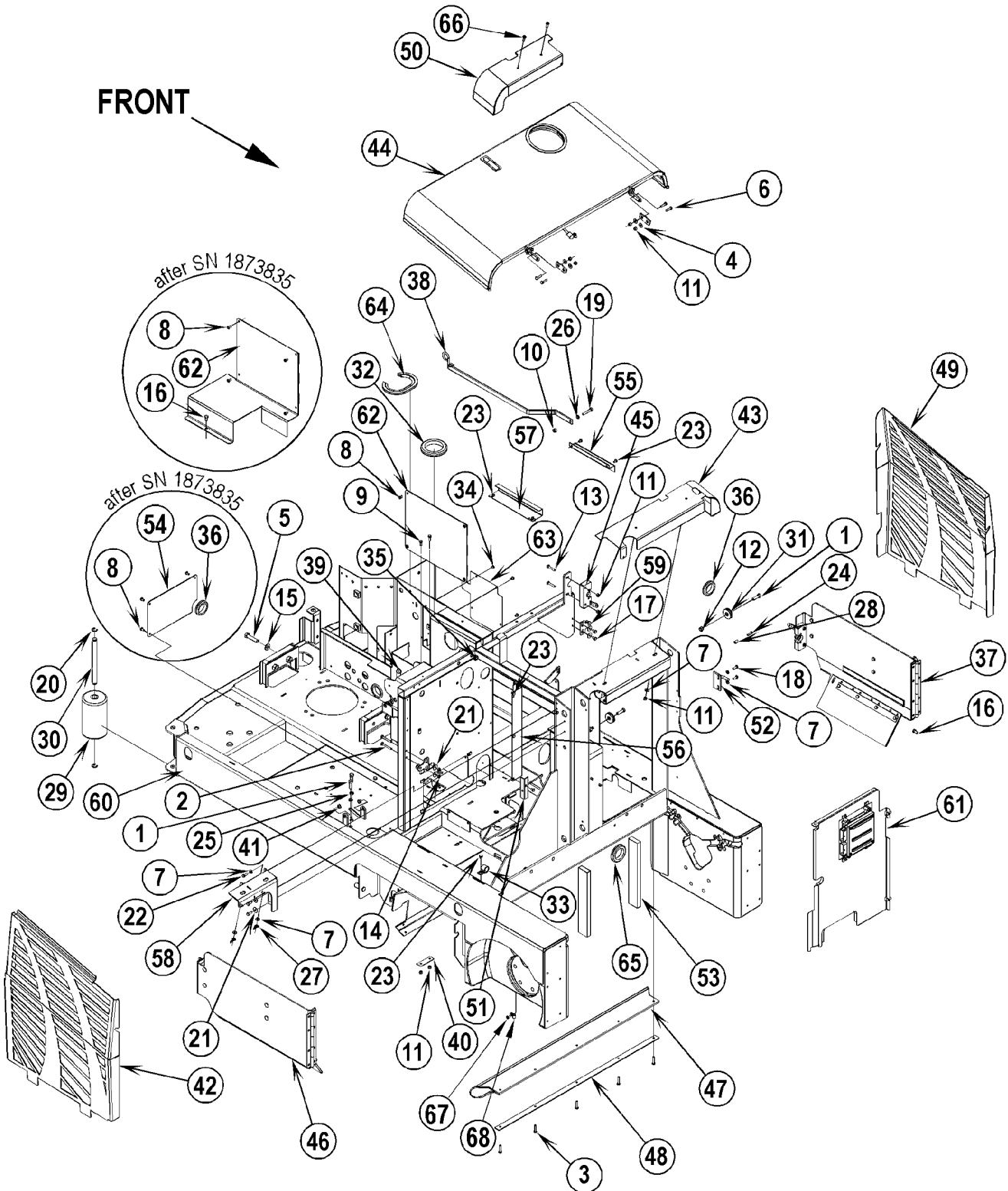
Optional Kits: See Parts List 56042449 for an individual parts break down of each kit

DESCRIPTION	Page
Chassis System.....	2-3
Chassis System Sub-Assemblies.....	4-7
Control System.....	8-9
Control System Sub-Assemblies.....	10-11
Decal System.....	12-13
Detergent Injection System (Control Box Assy).....	14-15
Detergent Injection System (Pump Assy).....	16-17
Drive Wheel System.....	18-19
Dust Control System.....	20-21
Electrical System.....	22-23
Front Wheel System.....	24-25
Hopper System.....	26-27
Hopper System Sub-Assemblies.....	28-29
Main Broom System.....	30-31
Main Broom Sub-Assemblies.....	32-33
Recovery System.....	34-35
Recovery Tank Assembly (43" Models).....	36-37
Recovery Tank Assembly (48" & 54" Models).....	38-39
Scrub System (43" & 48" Models).....	40-41
Scrub System (54" Models).....	42-43
Scrub System Skirt Assemblies.....	44-45
Side Broom System.....	46-47
Side Broom System Sub-Assemblies.....	48-49
Solution System (43" Models).....	50-51
Solution System (48" & 54" Models).....	52-53
Solution System Sub-Assemblies.....	54-55
Squeegee System.....	56-57
Squeegee Assembly.....	58-59
Wiring Diagram-1 (Gasoline/Petrol / LPG-56304XXX MODELS).....	60-61
Wiring Diagram-2 (Gasoline/Petrol / LPG-56304XXX MODELS).....	62-63
Wiring Diagram-1 (Gasoline/Petrol / LPG-56306XXX & 56307XXX MODELS).....	64-65
Wiring Diagram-2 (Gasoline/Petrol / LPG-56306XXX & 56307XXX MODELS).....	66-67
Wiring Diagram-1 (Diesel).....	68-69
Wiring Diagram-2 (Diesel).....	70-71
Broom Selector Guide.....	72
Brush Selector Guide.....	73

WHEN ORDERING PARTS

- * Use the numbers from the "Ref. No." columns in this parts list.
- * Specify the model and serial number of the machine.
- * Use the space below to record the model and serial number for future reference.

Model _____ Serial No. _____



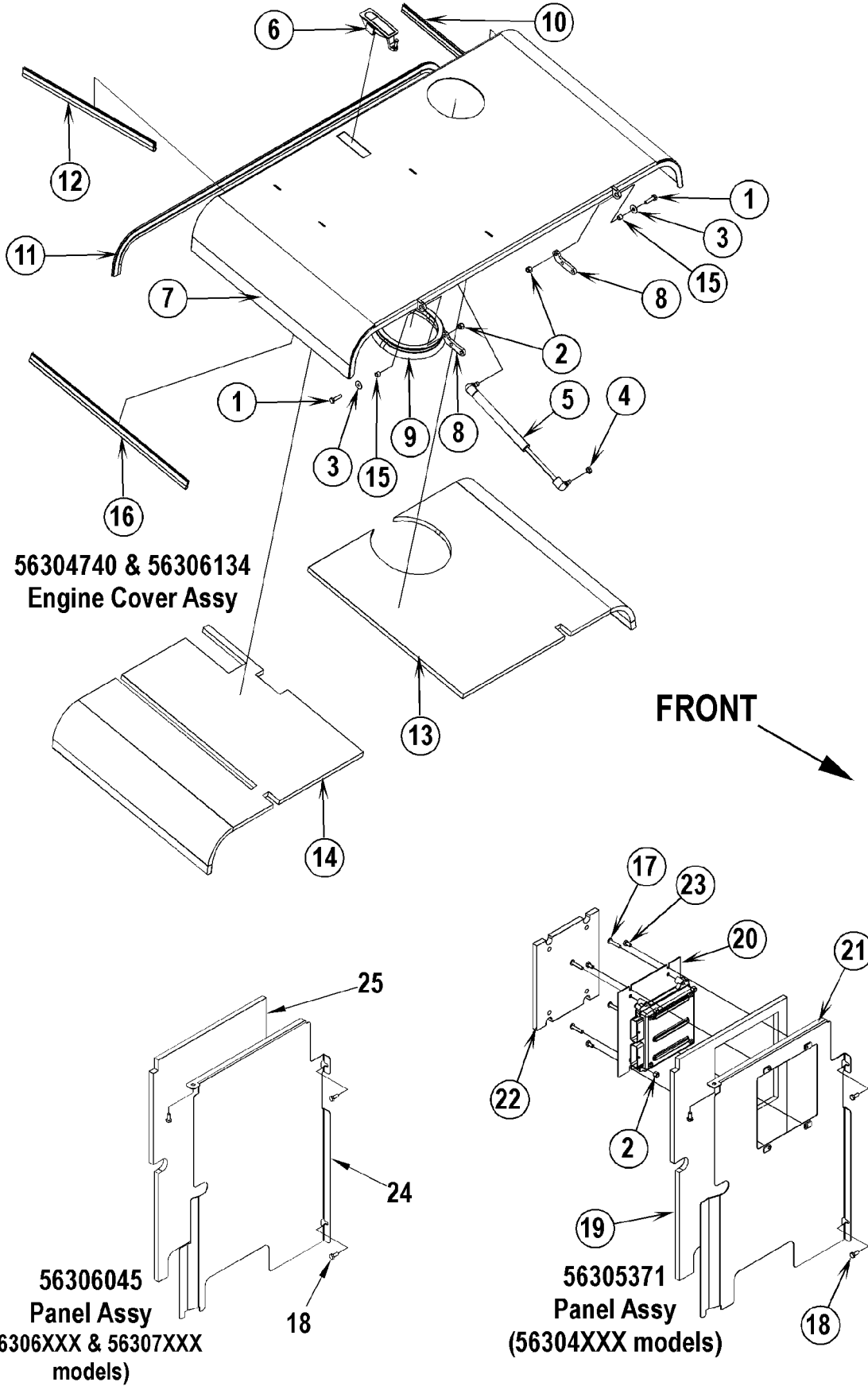
NOTE: Skirts for 43 & 48 inch models shown here, see sub-assemblies for 54 inch skirts.

Item	Ref. No.	Qty	Description	Item	Ref. No.	Qty	Description
1	56001858	4	Scr, Hex Hd 3/8-16 x 1.25	33	56496276	1	Clamp, Hose Support
2	56001874	2	Scr, Hex Hd 1/4-20 x 2.00	34	56003603	4	Scr, Pan Phil Thd Form 1/4-20 x .38
3	56001878	5	Scr, Hex Hd 1/4-20 x 1.25	35	56052339	1	Grommet
4	56001906	4	Wsh, Flt Std 1/4	36	56056215	3	Grommet (qty 2 before SN 1873835)
5	56001920	2	Scr, Hex Hd 1/2-13 x 2.25	37	56303143	1	Left Broom Door Assy (43" & 48" models)
6	56002093	4	Scr, Hex Hd 1/4-20 x 1.00		56305735	1	Left Broom Door Assy (54" models)
7	56002098	7	Wsh, Flt SAE 1/4	38	56304473	1	Prop Rod Linkage Weld't
8	56002145	9	Scr, Pan Phil 1/4-20 x .50 (qty 10 before SN 1873835)	39	56304519	3	Bearing, Fl .625 x .500 x .375
9	56002155	2	Scr, Hex Hd 1/4-20 x .75	40	56304543	1	Catch, Brake Lock
10	56002701	1	Nut, Hex Nyl Loc 5/16-18	41	56304554	2	Bearing, Fl .500 x .375 x .313
11	56002708	10	Nut, Hex Nyl Loc 1/4-20	42	56304583	1	Panel, Right (gray)
12	56002769	2	Nut, Hex Nyl Loc 3/8-16		56306107	1	Panel, Right (green/Advance model 56307251 only)
13	56002786	2	Scr, Pan Phil 1/4-20 x 1.50	43	56304692	1	Top Cosmetic Cover (gray)
14	56002840	2	Nut, Hex Nyl Loc-Thin 1/4-20		56306105	1	Top Cosmetic Cover (green/Advance model 56307251 only)
15	56002918	2	Wsh, Flt SAE SS 1/2	44	56304740	1	Cover Engine Asm
16	56002929	7	Scr, Hex Hd Loc 5/16-18 x .62 (qty 6 before SN 1873835)	45	56304827	1	Latch, RH
17	56002933	2	Scr, Hex Hd Loc 1/4-20 x .38	46	56304876	1	Right Broom Door Assy (43" & 48" models)
18	56002948	2	Scr, Hex Hd Loc 1/4-20 x .75		56305734	1	Right Broom Door Assy (54" models)
19	56003005	1	Scr, Hex Hd 5/16-18 x 1.75	47	56304926	1	Blade, Dump Door Shield
20	56003266	4	Ring, Ret Ext Type E 0.75 Dia	48	56304927	1	Strap, Dump Door Shield
21	56009002	6	Wsh, Flt .266 x .906 x .060	49	56304958	1	Panel, Left (gray)
22	56009018	3	Scr, Hex Thd Form 1/4-20 x .75		56306106	1	Panel, Left (green/Advance model 56307251 only)
23	56009019	8	Scr, Hex Thd Form 1/4-20 x .38	50	56304968	1	Top Cover (gray)
24	56009038	2	Scr, Hex Thd Form 10-24 x .88		56306104	1	Top Cover (green/Advance model 56307251 only)
25	56009085	2	Nut, Hex Jam 3/8-16	51	56305928	1	Angle
26	56009086	1	Nut, Hex Jam 5/16-18	52	56305095	1	Latch Weldment
27	56009111	2	Nut, Wing SS 1/4-20	53	56305197	2	Gasket
28	56200239	2	Bushing .20 x .37 x .62	54	56305225	1	Cover, Access (before SN 1873835)
29	56409335	2	Bumper		56306002	1	Cover, Access (after SN 1873835)
30	56409336	2	Pin	55	56305264	1	Hose Guide
31	56416546	2	Shielded Pulley	56	56305265	1	Hose Guide
32	56305970	1	Grommet	57	56305266	1	Hose Guide
				58	56305281	1	Cover Mount Weldt
				59	56305331	2	Weldment, Panel Lock
				60#		1	Weldment, Chassis
				61	56305371	1	Panel Assy (56304XXX models / NOTE 1)
					56306045	1	Panel Assy (56306XXX & 56307XXX models / NOTE 1)
				62	56305394	1	Panel Assy (before SN 1873835)
					56306001	1	Panel Assy (after SN 1873835)
				63	56307168	1	Panel, Broom Lift Adjust
				64	56305679	1	Gasket
				65	56051172	1	Grommet
				66	56003087	4	Scr, Pan Phil SS 1/4-20 x .88
				67	56009062	1	Scr, Pan Phil Thd Form 1/4-20 x .50
				68	56323260	1	Clamp, P

* = Not Shown

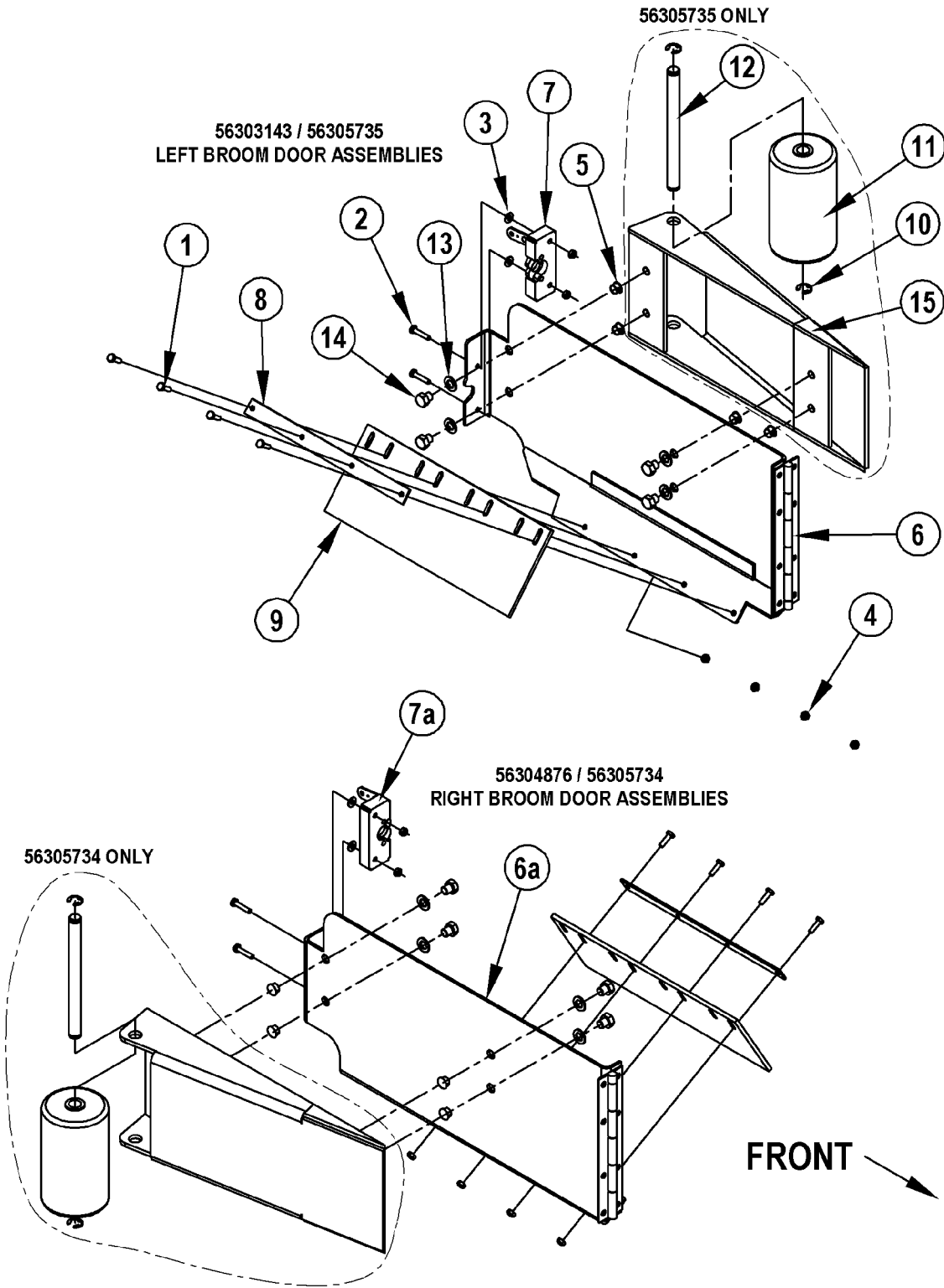
= Revised or new since last update

NOTE 1: Refer to model numbers on the front cover.



Item	Ref. No.	Qty	Description
	56304740	1	Cover, Engine Assy (1-16)
	56306134	1	Cover, Engine Assy (1-16) (Advance model 56307251 only)
	56305371	1	Panel Assy (2 & 17-23) (56304XXX models / NOTE 1)
	56306045	1	Panel Assy (18 & 24-25) (56306XXX & 56307XXX models / NOTE 1)
1	56002093	2	Scr, Hex Hd 1/4-20 x 1.00
2	56002708	6	Nut, Hex Nyl Loc 1/4-20
3	56002098	2	Wsh, Flt SAE 1/4
4	56009086	2	Nut, Hex Jam 5/16-18
5	56385238	1	Gas Cylinder
6	56418471	1	Door Latch
7	56304686	1	Cover Engine Weldment (gray)
	56306102	1	Cover Engine Weldment (green/Advance model 56307251 only)
8	56304690	2	Hinge Front, Engine Cover
9	56305277	1	Gasket
10	56305502	1	Trim-Seal, Raw
11	56305269	1	Trim-Seal, Raw
12	56305278	1	Trim-Seal, Raw
13	56305414	1	Foam Insulation
14	56305415	1	Foam Insulation
15	56330027	2	Bushing
16	56305268	1	Trim-Seal, Raw
17	56002825	4	Scr, Pan Phil 1/4-20 x 1.25 (56304XXX models / NOTE 1)
18	56002922	3	Scr, Hex Hd Loc 1/4-20 x .62 (56304XXX models / NOTE 1)
19	56305035	1	Foam Insulation (56304XXX models / NOTE 1)
20	56305380	1	ECU Panel (56304XXX models / NOTE 1)
21	56305381	1	Panel Weldment (56304XXX models / NOTE 1)
22	56305382	1	Foam (56304XXX models / NOTE 1)
23	56001854	4	Scr, Hex Hd 1/4-20 x .50 (56304XXX models / NOTE 1)
24	56306048	1	Front Panel (56306XXX & 56307XXX models / NOTE 1)
25	56306049	1	Foam Insulation (56306XXX & 56307XXX models / NOTE 1)

NOTE 1: Refer to model numbers on the front cover.



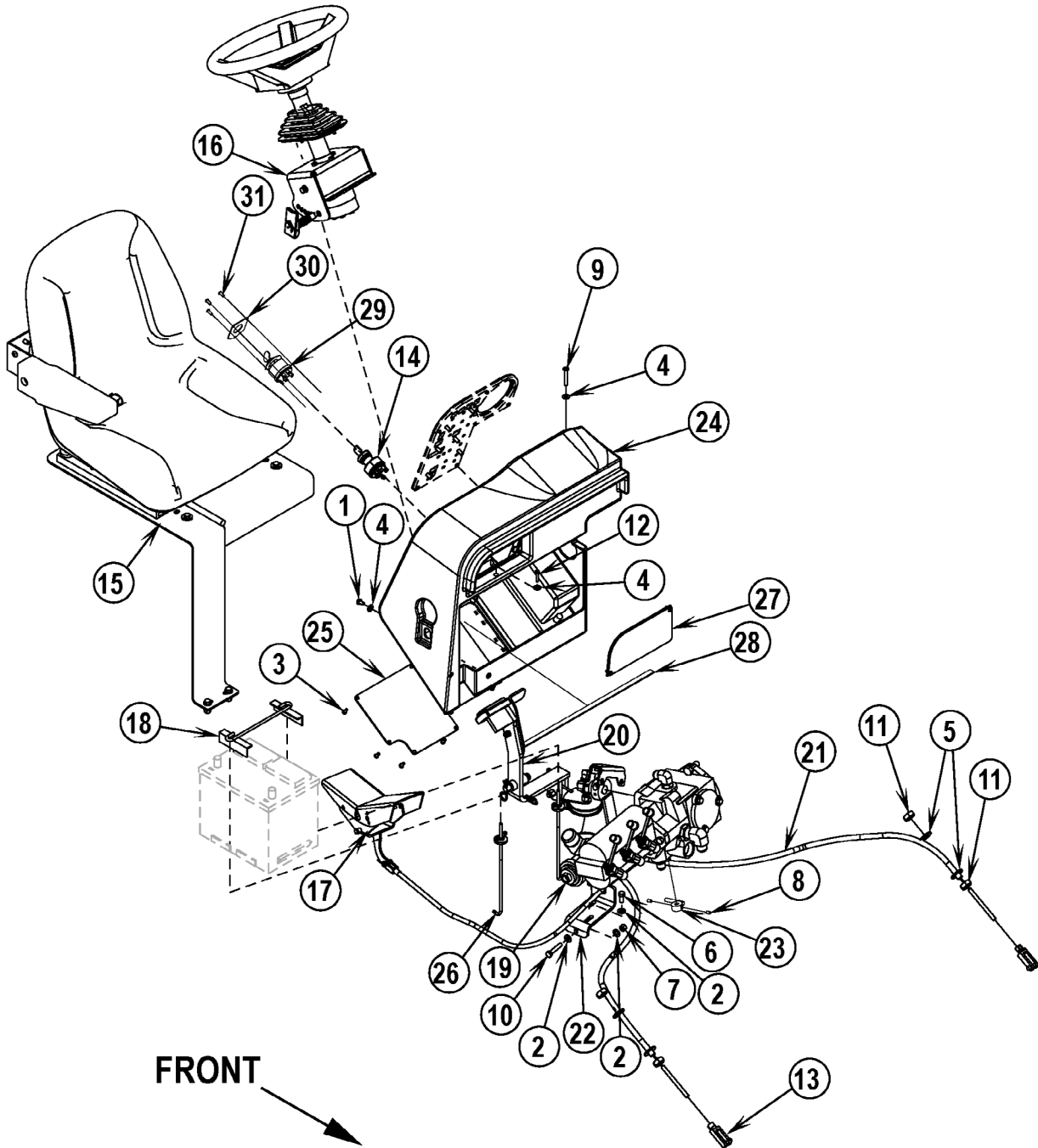
03-5	CHASSIS SYSTEM SUB-ASSEMBLIES-2		
04-5	Captor™ 4300, 4800, 5400		7

Item	Ref. No.	Qty	Description
	56303143	1	Left Broom Door Assy (1-9) (43" & 48" models)
	56304876	1	Right Broom Door Assy (1-9) (43" & 48" models)
	56305735	1	Left Broom Door Assy (1-4 & 6-15) (54" models)
	56305734	1	Right Broom Door Assy (1-4 & 6-15) (54" models)
1	56001821	8	Scr, Hex Hd 1/4-20 x .88
2	56001878	4	Scr, Hex Hd 1/4-20 x 1.25
3	56002098	4	Wsh, Flt SAE 1/4
4	56002840	12	Nut, Hex Nyl Loc-Thin 1/4-20
5	56418888	8	Plug, Cap (qty of 4 before May 2004)
6	56303150	1	Left Broom Door Weldt
6a	56304877	1	Right Broom Door Weldt
7	56304826	1	Latch, LH
7a	56304827	1	Latch, RH
8	56304881	2	Strap, Broom Door
9	56304882	2	Skirt, Broom Door
10	56003266	4	Ring, Ret Ext Type E 0.75 Dia
11	56409335	2	Bumper
12	56409336	2	Pin
13	56009003	8	Wsh, Flt .516 x .938 x .075 (qty of 4 before May 2004)
14	56305733	8	Scr, Hex Hd 1/2-20unf x .50 (qty of 4 before May 2004)
15	56305938	2	Roller Weldment (after April 2004) NOTE #2
*	56305860	2	Angle, Corner (before May 2004) NOTE #2

* = Not Shown

NOTE #1: Quantities are for both broom door assemblies.

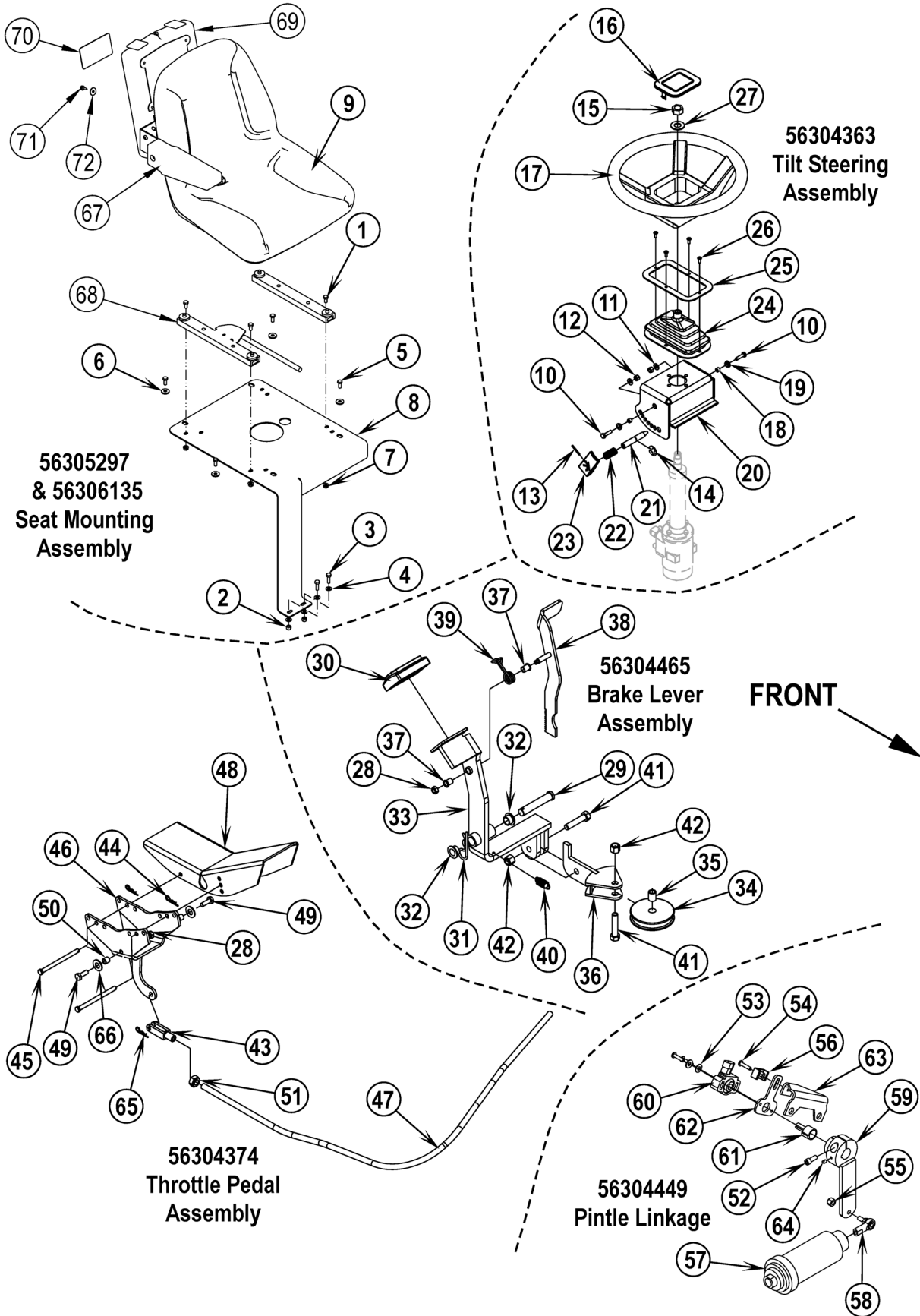
NOTE #2: Roller Weldment 56305938 can be installed on machines built prior to this date. Use the Roller Weldment as a template to mark & drill the two additional mounting holes in the broom door. However, the original mount 56305860 is still available for replacement.



Item	Ref. No.	Qty	Description
1	56001854	1	Scr, Hex Hd 1/4-20 x .50
2	56001939	4	Wsh, Flt SAE 5/16
3	56001993	5	Scr, Pan Phil 10-24 x .50
4	56002098	3	Wsh, Flt SAE 1/4
5	56002319	4	Wsh, Flt SAE 9/16
6	56002667	2	Scr, Hex Hd 5/16-18 x .75
7	56009086	1	Nut, Hex Nyl Loc 5/16-18
8	56002930	2	Scr, Soc Set Loc 1/4-20 x .38
9	56002997	1	Scr, Pan Phil 1/4-20 x 1.75
10	56002013	1	Scr, Hex Hd 5/16-18 x 1.75
11	56009099	4	Nut, Hex Jam 5/8-18
12	56009176	1	Scr, Hex Thd Form 10-24 x 1.00
13	56416089	2	Clevis Assy
14	56418685	1	Switch, Starter (S1 / LPG & Petrol)
*	56419123	1	Replacement Key for 56418685 (LPG & Petrol)
	56315435	1	Switch, Starter, 3 Pos. (S1 / Advance model 56307251 only)
*	56508699	1	Replacement Key for 56315435 (Advance model 56307251 only)
15	56305297	1	Seat Mounting Assy
	56306135	1	Seat Mounting Assy (Advance model 56307251 only)
16	56304363	1	Tilt Steering Assy
17	56304374	1	Throttle Pedal Assy
18	56304445	1	Starter Battery Hold Down NOTE 1
19	56304449	1	Linkage, Pintle
20	56304465	1	Brake Lever Assy
21	56304599	1	Cable, Pull Brake
22	56304632	1	Adjuster Bracket
23	56305473	1	Weldment, Tow Lever
24	56305776	1	Assembly, Console (LPG & Petrol)
	56305841	1	Assembly, Console (Diesel)
	56306136	1	Assembly, Console (green/Advance model 56307251 only)
25	56305092	1	Cover, Console (gray)
	56306110	1	Cover, Console (green/Advance model 56307251 only)
26	56305112	2	10" J Type Hold Down NOTE 1
27	56305282	1	Cover, Access Assy
*	56305246	1	Cover, Access
*	56305233	1	Gasket, RS Strip
*	56001993	2	Scr, Pan Phil 10-24 x .50
28	56416650	1	Gasket
29	56497754	1	Switch, Starter (S1 / Diesel)
30	56305842	1	Plate, Switch (Diesel)
31	56009191	3	Scr, Pan Phil Plastite 10-14 x .50 (Diesel)

* = Not Shown

NOTE 1: 56304XXX and diesel models only.

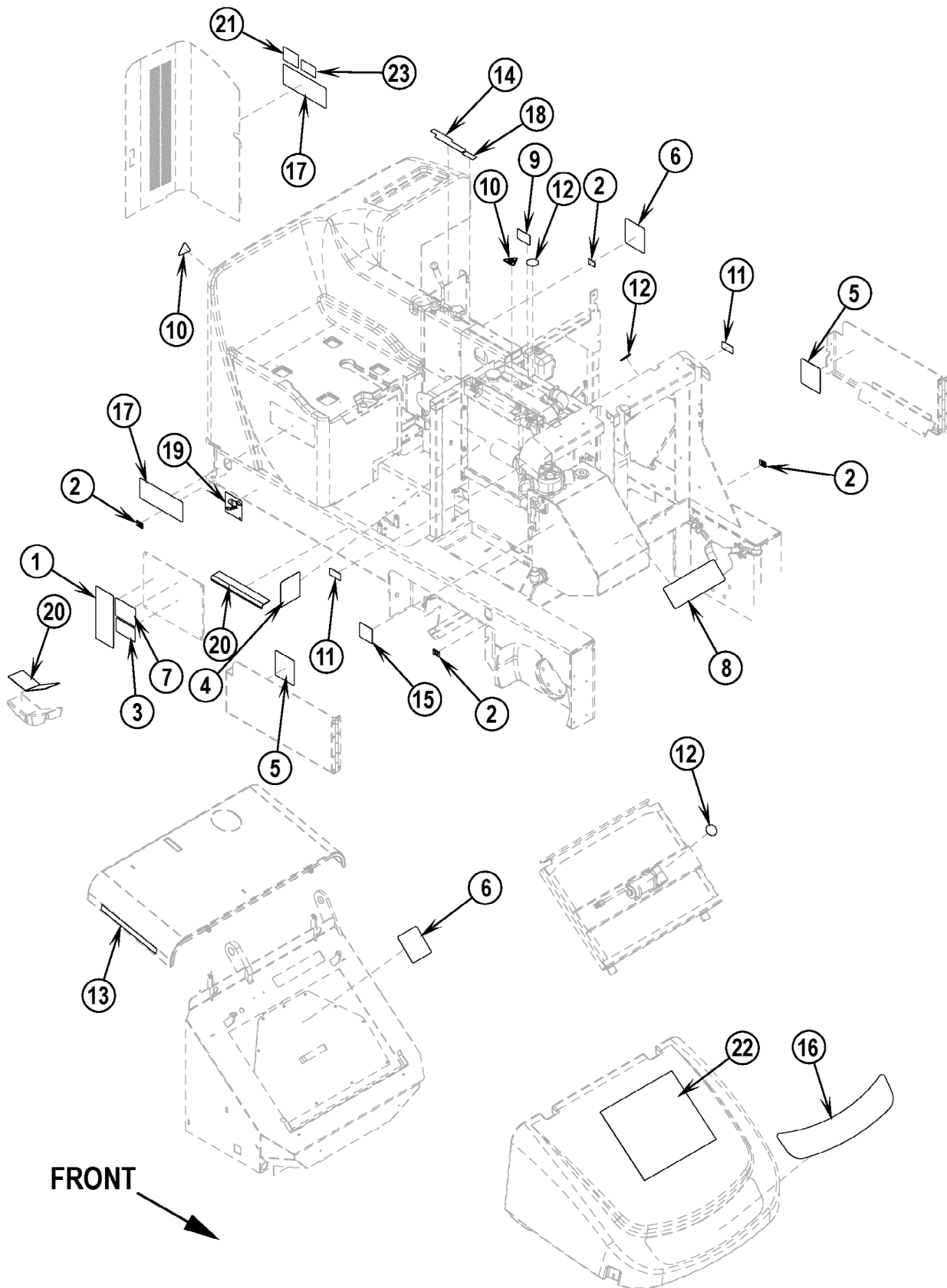


Item	Ref. No.	Qty	Description	Item	Ref. No.	Qty	Description
	56305297	1	Seat Mounting Assy (1-9 & 67-68)	28	56002840	3	Nut, Hex Nyl Loc-Thin 1/4-20
	56306135	1	Seat Mounting Assy (1-9 & 67-72) (Advance model 56307251 only)	29	56003207	1	Clevis Pin .50 X 2.75
	56304363	1	Tilt Steering Assy (10-27)	30	56365002	1	Pad, Rubber
	56304465	1	Brake Lever Assy (28-42)	31	56003222	1	Pin, Cotter Hair .120 x .50
	56304374	1	Throttle Pedal Assy (28, 43-51 & 65-66)	32	56304519	2	Bearing, Fl .625 x .500 x .375
	56304449	1	Pintle Linkage (52-64)	33	56305472	1	Weldment, Brake Lever
1	56002035	4	Scr, Hex Hd 5/16-18 x .62	34	56304557	1	Pulley, 3.00 Dia
2	56002856	2	Nut, Hex Nyl Loc SS 5/16-18 x 1.00	35	56304558	1	Bearing, .500 x .375 x .625
3	56002913	2	Scr, Hex Hd SS 5/16-18 x 1.00	36	56304562	1	Pulley Weldment
4	56002938	4	Wsh, FLT SAE SS 5/16	37	56304554	2	Bearing, Fl .500 x .375 x .313
5	56002956	4	Scr, Hex Hd Loc 5/16-18 x .75	38	56304902	1	Weldment, Brake Lock
6	56009122	4	Wsh, Flt .344 x .938 x .125	39	56304972	1	Spring, Torsion .095
7	56001806	4	Nut, Hex Whiz W/Flange Loc 5/16-18	40	56305072	1	Spring, Extension .075
8	56305115	1	Plate, Seat Mount (gray)	41	56002684	2	Scr, Hex Hd 3/8-16 x 1.75
	56306108	1	Plate, Seat Mount (green / Advance model 56307251 only)	42	56002769	2	Nut, Hex Nyl Loc 3/8-16
9	7-69-00008	1	Seat Assy NOTE 1	43	56482542	1	Clevis Assy
67	7-03-04250	1	Arm Rest option NOTE 1	44	56003332	2	Cotter, Hair Pin
68	56109300	1	Slide Kit NOTE 1	45	56003669	2	Clevis, Pin .25 x 3.50
69	56306120	1	Box, Waterproof (Advance model 56307251 only)	46	56304375	1	Pedal Weldt
70	56306144	1	Decal, Warning (Advance model 56307251 only)	47	56304552	1	Cable, Push-Pull Control
71	56002736	2	Scr, Hex Tek 1/4-14 x .75 (Advance model 56307251 only)	48	56304777	1	Pedal
72	56009002	2	Wsh, Flt .266 x .906 x .060 (Advance model 56307251 only)	49	56001821	2	Scr, Hex Hd 1/4-20 x .88
10	56002093	2	Scr, Hex Hd 1/4-20 x 1.00	50	56151106	2	Bushing
11	56002098	2	Wsh, Flt SAE 1/4	51	56009142	2	Nut, Hex Machine 1/4-28
12	56002708	2	Nut, Hex Nyl Loc 1/4-20	52	56003118	1	Scr, Soc Hd 5/16-18 x 0.62
13	56002763	1	Pin, Spr .12 X 1.12	53	56002053	2	Wsh, Flt Std #10
14	56003264	1	Ring, Ret Ext Type E 0.50 Dia	54	56002996	3	Scr, Pan Phil (UNF) 10-32 x .88
15	56003440	1	Nut, Steering Wheel	55	56003626	1	Nut, Hex Nyl Loc-Thin 1/4-28
16#	7-16-07428	1	Cap-Steering Wheel	56	56111895	1	Guide-Encoder NOTE 2
17	56418460	1	Steering Wheel	57	56455799	1	Hydroback
18	56453849	2	Bushing .26 x .37 x .28	58	56463720	1	Rod End
19	56304518	2	Bearing, Fl .500 x .375 x .188	59	56304355	1	Lever Weldment
20	56304528	1	Steering Mount	60	56305129	1	Rotary Sensor
21	56304530	1	Pin, Lock	61	56305184	1	Adapter, Shaft
22	56304531	1	Spring, Compression	62	56305980	1	Plate-Sensor NOTE 2
23	56304774	1	Steering Adjustment Lever	63	56305186	1	Bracket
24	56304812	1	Boot, Steering	64	56002015	1	Scr, Soc Set Loc 10-24 x .25
25	56304813	1	Steering Boot Retainer				
26	56002831	4	Scr, Pan Phil BLK 10-24 x .50				
27	56002022	1	Wsh, Flt SAE 5/8				

= Revised or new since last update

NOTE 1: Seat 56305296 has been obsoleted and replaced with 7-69-00008. If you order the old seat 56305296 you will receive Seat Assy Kit 56109290 in it's place which includes items (9, 67 & 68).

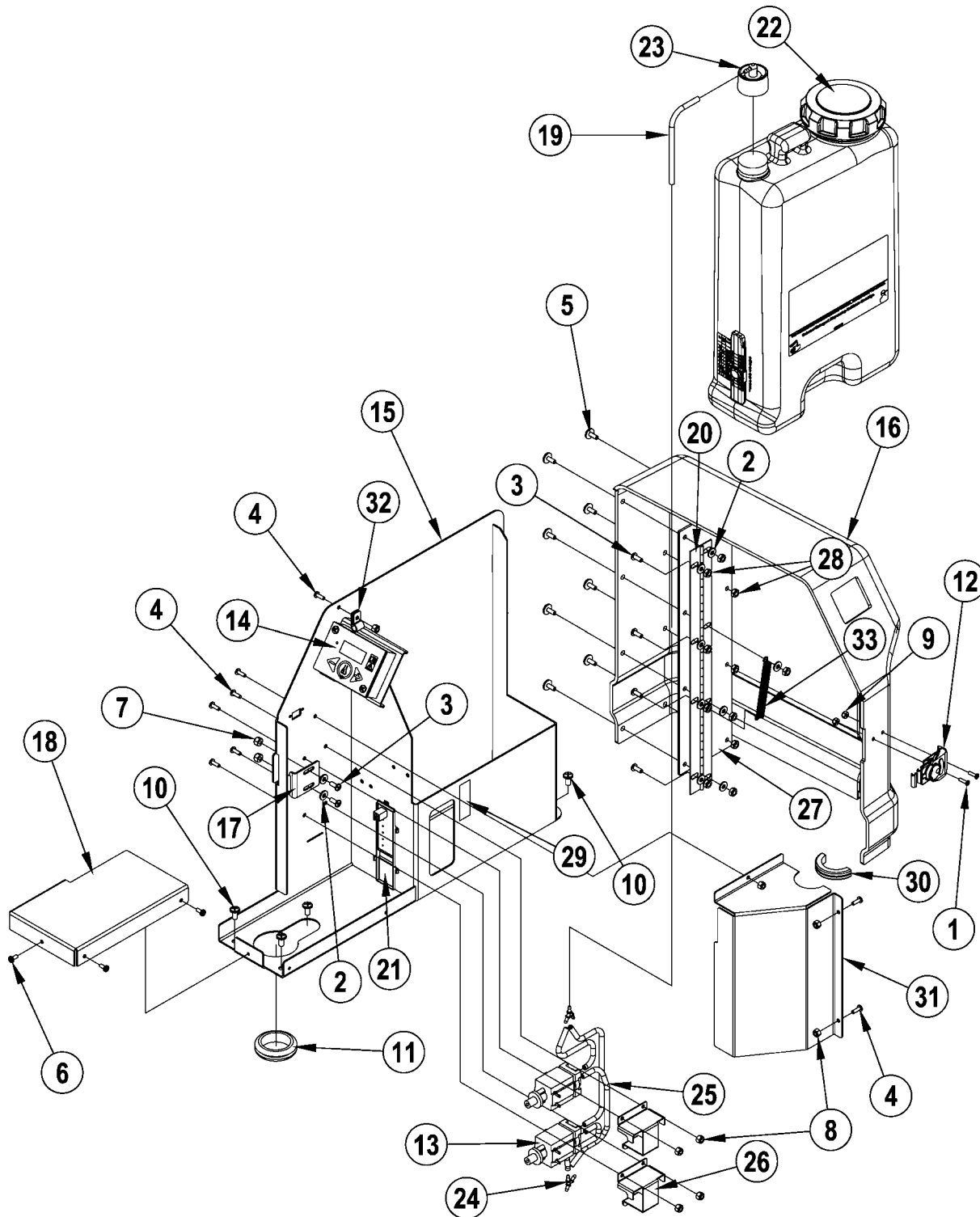
NOTE 2: Used on machines built after SN100002253, for replacement on earlier machines order Encoder Guide Kit 56508926.



03-5	DECAL SYSTEM		
08-5	Captor™ 4300, 4800, 5400		13

Item	Ref. No.	Qty	Description
1	56014601	1	Decal, Caution
2	56015370	4	Decal, Tie Down
3	56015413	1	Decal, LPG (LPG only)
4	56015424	1	Decal, Warning Hydraulic
5	56015425	2	Decal, Warning Broom
6	56015426	2	Decal, Warning Fan
7	56015427	1	Decal, Warning Tip Over
8	56015428	1	Decal, Warning Hopper
9	56015463	1	Decal, Coolant Level
10	56016363	2	Decal, Warning Hot
11	56025496	2	Decal, Caution
12	56030080	3	Decal, Hands Clear
13	56015223	1	Decal, Total Clean
14	56015185	1	Decal, Main Broom / Solution
15	56015189	1	Decal, Oil Fill
16	56015190	1	Decal, Advance
17	56303650	2	Decal, Captor
	56303590	2	Decal, Captor AXP
18	56015206	1	Decal, Hopper Safety Support
19	56015221	1	Decal, Solution Drain
20	56305606	2	Mat, Pedal
21	56016226	1	Decal, Unleaded Fuel (Petrol only)
	56025454	1	Decal, Diesel Fuel
22	56508679	1	Label, Ext, Cap (Advance model 56307251 only)
23	56109404	1	Decal, Low Sulfur Diesel

NOTE 1: Refer to model numbers on the front cover.



03-5	DETERGENT INJECTION SYSTEM (CONTROL BOX ASSY)		
10-11	Captor™ 4300, 4800, 5400		15

Item	Ref. No.	Qty	Description
	56306125	1	Control Box Assy NOTE 1
1	56001830	2	Scr, Pan Phil 6-32 X .50
2	56001954	10	Wsh, Flt SAE #10
3	56001993	6	Scr, Pan Phil 10-24 X .50
4	56002003	8	Scr, Pan Phil 8-32 X .50
5	56009100	8	Scr, Pan Phil Thd Form-Blk 10-24 X .62
6	56002523	3	Scr, Pan Phil Thd Form 8-32 X .38
7	56002768	2	Nut, Hex Nyl Loc 10-24
8	56002808	8	Nut, Hex Nyl Loc 8-32
9	56002830	2	Nut, Hex Nyl Loc 6-32
10	56009033	5	Scr, Hex Thd Form 1/4-20 X .50
11	56054715	1	Grommet
12	56109591	1	Latch NOTE 2
13	56110742	2	Pump, Detergent, 12v
14	56111400	1	AXP / EDS Control Assy
15	56306124	1	Box Weldment, Chemical
16	56306133	1	Cover, Chemical Injection
17	56306147	1	Catch
18	56306148	1	Cover
19	56306169	1	Hose, Chem Resistant, 17.00
20	56306181	1	Hinge
21	56315340	1	Chemical Sensor Assy
22	56413999	1	Chemical Bottle Assy
*	56315517	1	Cap, raw
*	56315690	1	Cap, 38mm Buttress
*	56413119	1	Bottle, Chemical Assy
*	56413784	1	Insert, Dry Break
23	56315523	1	Cap, Dry Break, 1/8 Barb
24	56413691	2	Fitting, Y, Barb, .125
25	56413693	4	Hose, Chem Resistant, 5.00
26	56413775	2	Bracket, Pump Mount
27	56306191	1	Plate, Reinforcing
28	56002832	12	Nut, Hex Nyl Loc-Thin 10-24
29	56016331	1	Decal, Chemical Ratio
30	56344621	1	Grommet
31	56306198	1	Pump Cover
32	56300152	1	Clamp, P
33	56397301	1	Spring Ext
*	56478246	1	Tie, Cable
			Items included with 56306138 Chemical Injection Kit
	56306125	1	Control Box Assy NOTE 1
	56306149	1	Pump Assy, 12VDC NOTE 1
*#			DELETED
*	56306166	1	Harness, IC Captor AXP
*	56418387	1	Relay, SPDT (K6)
*	56387316	1	Circuit Breaker, 10A (F8)
*	56459367	1	Boot, Reset Button (for 56387316)
*	56009063	1	Scr, Hex Thd Form 10-24 x .25
*	56459825	1	Bushing, Reducer
*	56303590	2	Decal, Captor AXP

* = Not Shown

= Revised or new since last update

NOTE 1: The detergent injection system is standard on the following Advance models: 56306182, 56306183, 56306184, 56306185, 56306186, 56306187, 56306188, 56306189, 56306190. It is available as a field installed kit (**56306138**) for other models.

NOTE 2: Latch 56109591 is the replacement for Latch 56054856. To replace a 56054856 Latch; remove the old latch, line up the new latch 56109591 with the catch, use the latch as a template to mark and drill the new mounting holes, assemble the new latch with the existing mounting hardware.

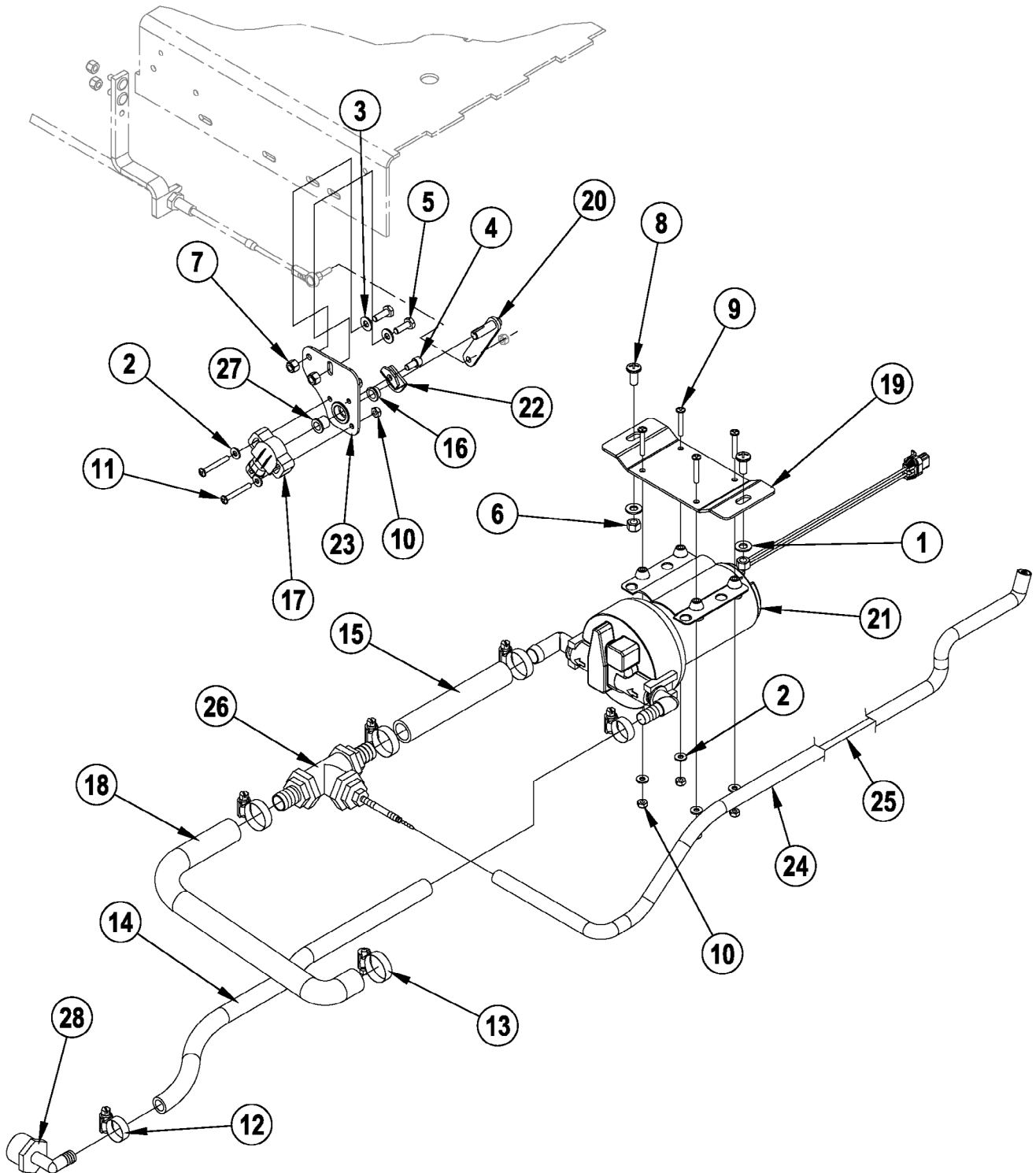
DETERGENT INJECTION SYSTEM (PUMP ASSY)

03-5

16

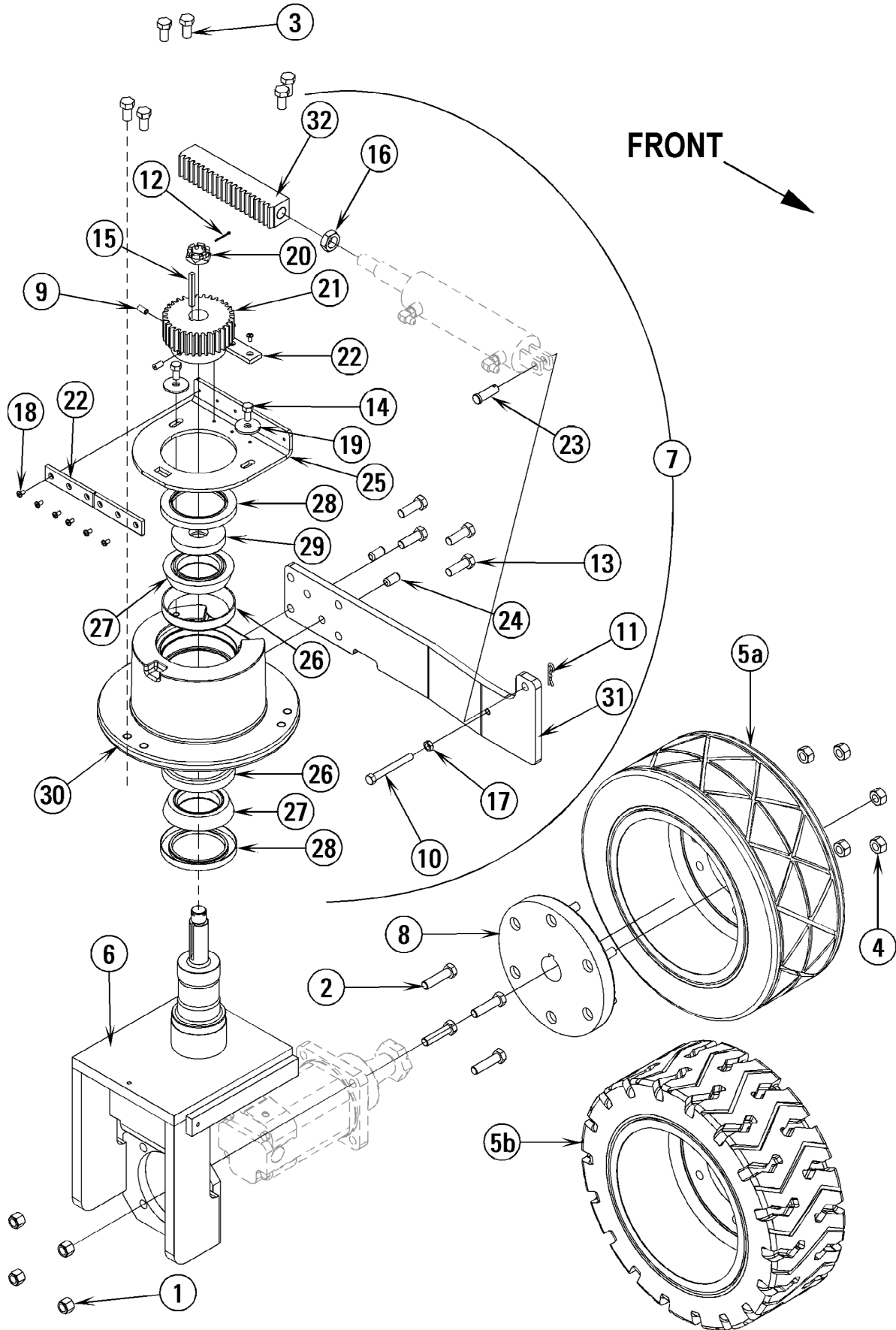
Captor™ 4300, 4800, 5400

07-12



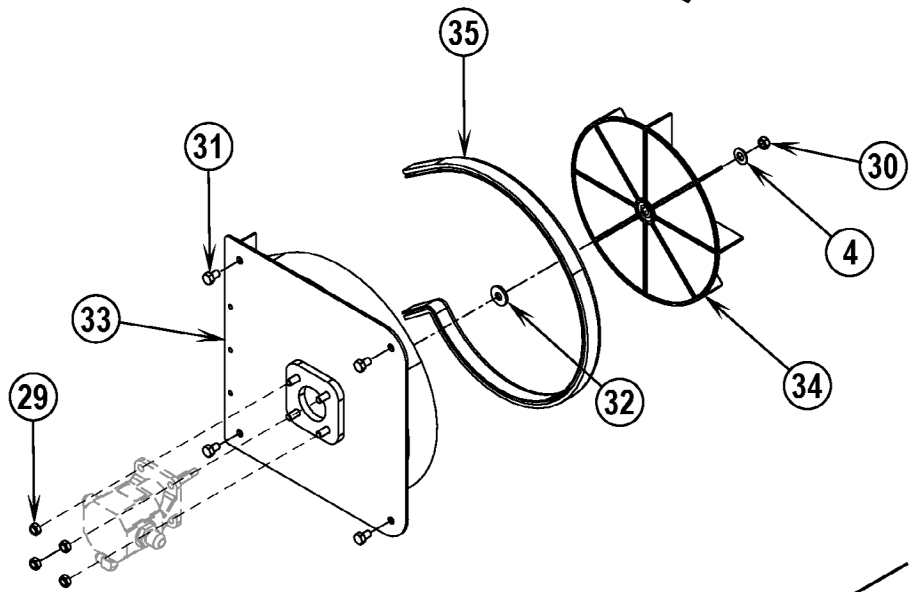
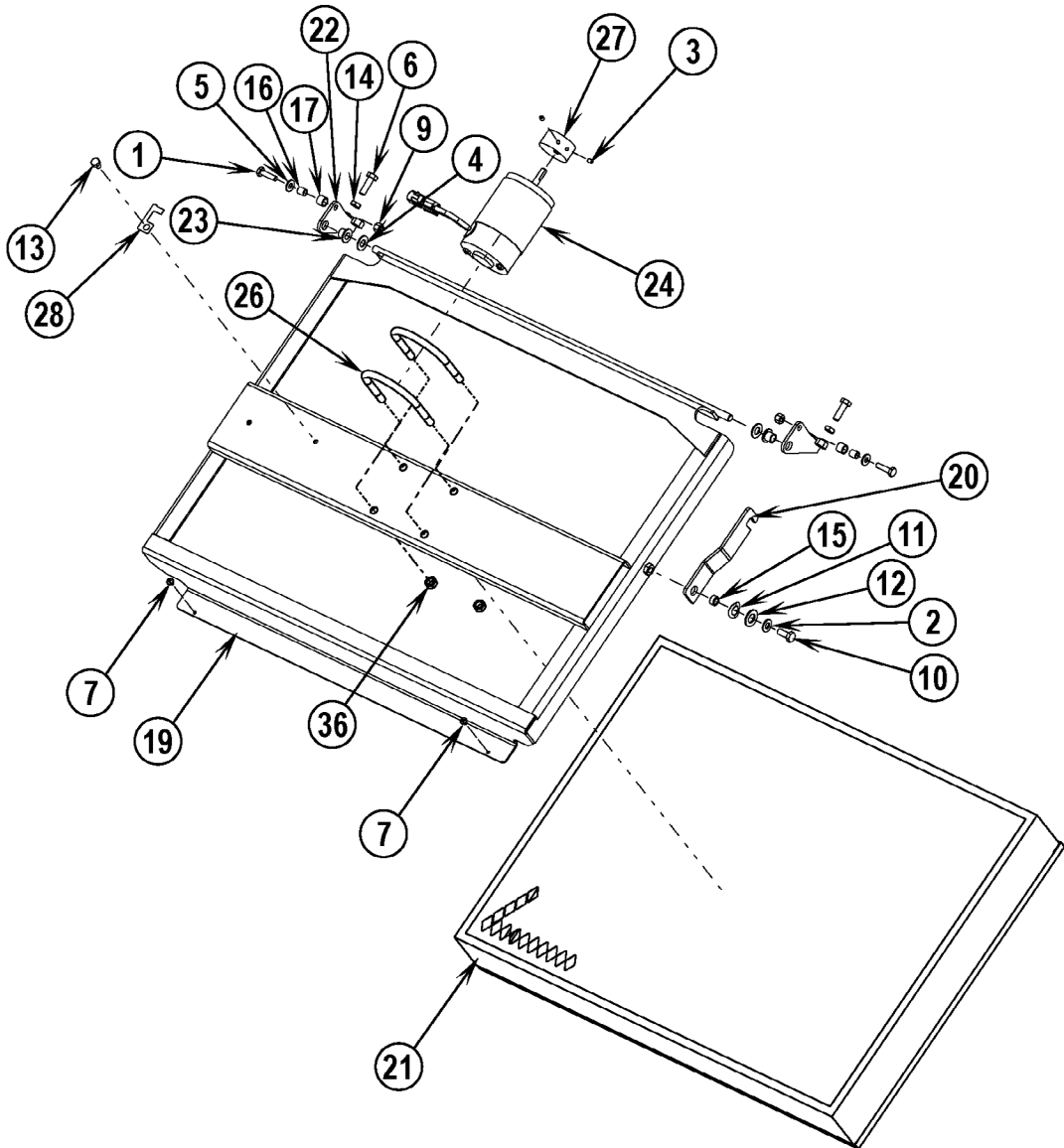
Item	Ref. No.	Qty	Description
	56306149	1	Pump Assy, 12VDC NOTE 1
1	56001939	2	Wsh, Flt Sae 5/16
2	56001954	6	Wsh, Flt Sae #10
3	56002098	2	Wsh, Flt Sae 1/4
4	56002115	1	Scr, Soc Hd 1/4-20 X 0.50
5	56002155	2	Scr, Hex 1/4-20 X .75
6	56002701	2	Nut, Hex Nyl Loc 5/16-18
7	56002708	2	Nut, Hex Nyl Loc 1/4-20
8	56002793	2	Scr, Pan Phil 5/16-18 X .75
9	56002824	4	Scr, Pan Phil 10-24 X 1.25
10	56002832	6	Nut, Hex Nyl Loc-Thin 10-24
11	56003574	2	Scr, Pan Phil Ss 10-24 X 1.50
12	56219932	2	Clamp, Hose SAE #6
13	56244969	4	Clamp, Hose SAE #12
14	56412277	1	Hose, Spiral .500
15	56305762	1	Hose, Spiral .75 x 6"
16	56303285	1	Bearing, Fl .500 x .375 x .250
17	56303313	1	Rotary Sensor, No Spring (R4)
18	56305591	1	Hose 3/4 Id X 1.0 OD X 22 Lg
19	56306122	1	Mount, Pump
20	56306129	1	Control Arm Weldt
21	56306140	1	Pump Assy, 12vdc - 60 Psi (M6)
22	56306162	1	Bracket Pivot
23	56306165	1	Pivot Sensor Weldt
24	56306168	1	Conduit Solution Hose 44 Lg
25	56314942	1	Hose 1/8 X 1/4 X 48 Lg
26	56306194	1	Tee Assembly
27	56508737	1	Bearing, Fl .500x.375x.500
28	56900245	1	Barb, 90 Elbow 1/2 X 1.00npt

NOTE 1: The detergent injection system is standard on the following Advance models: 56306182, 56306183, 56306184, 56306185, 56306186, 56306187, 56306188, 56306189, 56306190. It is available as a field installed kit (**56306138**) for other models.



Item	Ref. No.	Qty	Description
1	56002770	4	Nut, Hex Nyl Loc 1/2-13
2	56002983	4	Scr, Hex Hd 1/2-13 x 2.00
3	56003083	6	Scr, Hex Hd Loc 1/2-13 x 1.00
4	56009116	6	Nut, Lug 1/2-20
5a	56305038	1	Assy, Rear Wheel (STD / High Traction)
*	56305036	1	Tire, Rear (STD / High Traction)
*	56304027	1	Hub, Rear
5b	56304044	1	Assy, Rear Wheel (Optional / High Durability)
*	56304025	1	Tire, Rear (Optional / High Durability)
*	56304027	1	Hub, Rear
5c	56305997	1	Wheel Assy, 3x Groove 6 (Not Shown) (Optional)
*	56305996	1	Tire, 3x-Groove 6
5d	56306207	1	Urethane Wheel Assy (Not Shown) (Optional) TSBUS2009-1038
*	56380444	1	Tire-Press-On 16 1/4 x 6
*	56304027	1	Hub, Rear
6	56305466	1	Weldment, Spindle
7	56304576	1	Steering Assy Rack & Pinion (9-32)
8	56305037	1	Assy, Hub
9	56002186	2	Scr, Soc Set Loc 5/16-18 x .62
10	56003006	1	Scr, Hex Thd to Hd 3/8-16 x 2.75
11	56003222	1	Pin, Cotter Hair
12	56002574	1	Pin, Cotter 5/32 x 3.00
13	56003083	4	Scr, Hex Hd Loc 1/2-13 x 1.00
14	56003485	2	Scr, Hex Hd 1/2-20 x 1.00
15	56340863	1	Key, Sq .25 x 2.31
16	56009083	1	Nut, Hex Jam 3/4-16
17	56009085	1	Nut, Hex Jam 3/8-16
18	56009139	9	Scr, Pan Phil Loc 10-24 x .38
19	56009115	2	Wsh, Flt Harden .594 x 1.375 x .134
20	56110817	1	Nut, Castle 7/8-14
21	56418477	1	Gear, Spur
22	56418575	3	Plate, Wear
23	56486733	1	Pin
24	56002655	2	Pin, Dwl Std .50 x 1.00
25	56304582	1	Adjustment, Rack
26	56304747	2	Bearing, Cup 4.33" OD
27	56304748	2	Bearing, Cone 2.50" ID
28	56304749	2	Seal, Shaft 3.187
29	56304766	1	Spacer, Gear
30	56304782	1	Machining, Housing Steering
31	56305521	1	Bracket, Cylinder Mount
32	56305041	1	Rack

* = Not Shown

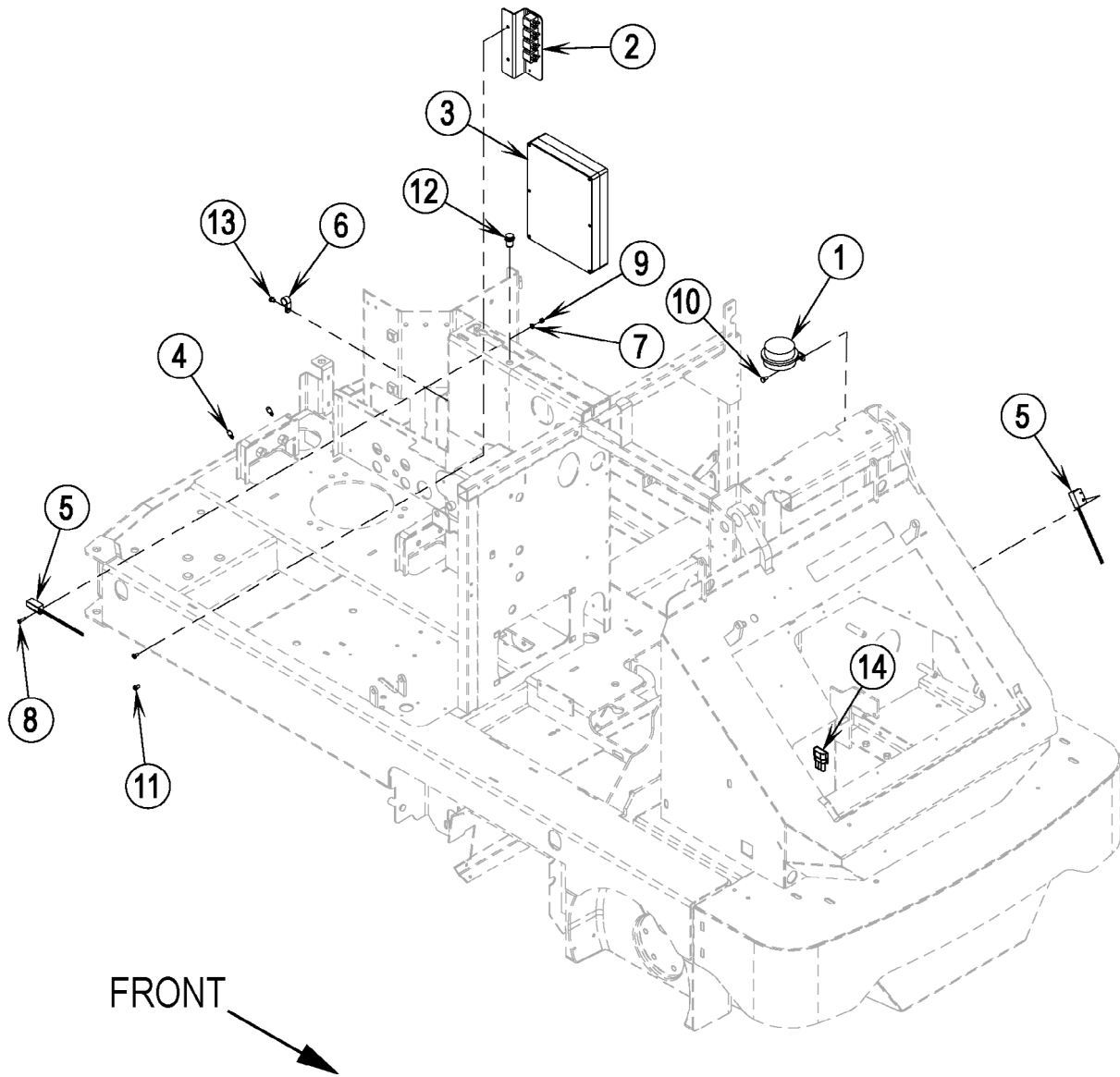


FRONT

03-5	DUST CONTROL SYSTEM		
08-5	Captor™ 4300, 4800, 5400		21

Item	Ref. No.	Qty	Description
1	56002093	2	Scr, Hex Hd 1/4-20 x 1.00
2	56001939	1	Wsh, Flt SAE 5/16
3	56002015	2	Scr, Soc Set Loc 10-24 x .25
4	56002063	3	Wsh, Flt SAE 3/8
5	56002098	2	Wsh, Flt SAE 1/4
6	56002221	2	Scr, Hex Hd 5/16-18 x 1.00
7	56002453	2	Scr, Pan Phil 10-24 x .25
9	56002708	2	Nut, Hex Nyl Loc 1/4-20
10	56002956	1	Scr, Hex Hd Loc 5/16-18 x .75
11	56009001	1	Wsh, Bowed .516 x .906 x .008
12	56009003	1	Wsh, Flt .516 x .938 x .075
13	56009019	1	Scr, Hex Thd Form 1/4-20 x .38
14	56009086	2	Nut, Hex Jam 5/16-18
15	56320595	1	Bushing .32 x .50 x .28
16	56321532	2	Bushing .25 x .37 x .40
17	56370754	2	Bearing, Sleeve
19	56416289	1	Filter Clamp Weldt
20	56416511	1	Latch, Shaker
21	56303580	1	Filter Assy, Water Resistant
22	56416625	2	Shaker Hinge Weldt
23	56416675	2	Bushing, Flange
24	56508664	1	Motor, 12VDC NOTE 1
25	56418488	1	Impeller Assy (4 & 29-35)
26	56508888	2	Clamp, Muffler NOTE 1
27	56491822	1	Eccentric
28	56409769	1	Clip, Weatherpack Mount
29	56002826	4	Nut, Hex Nyl Loc-Thin 5/16-18
30	56002866	1	Nut, Hex Nyl Loc-Thin 5/16-24
31	56002923	4	Scr, Hex Hd Loc 5/16-18 x .50
32	56009107	1	Wsh, Flt SS .378 x 1.000 x .120
33	56418784	1	Impellor Bracket Weldt
34	56418897	1	Impeller
35	56419370	1	Trim-Seal
36	56002841	4	Nut, Hex Nyl Loc-Thin 3/8-16

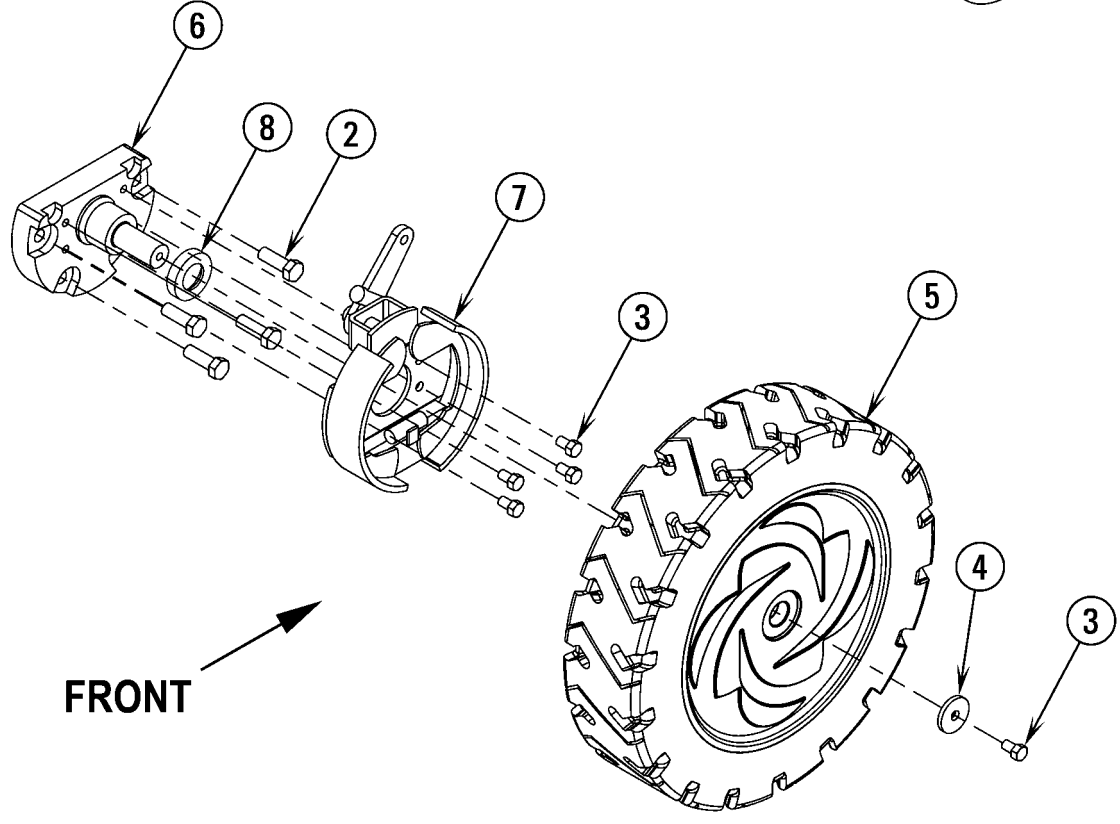
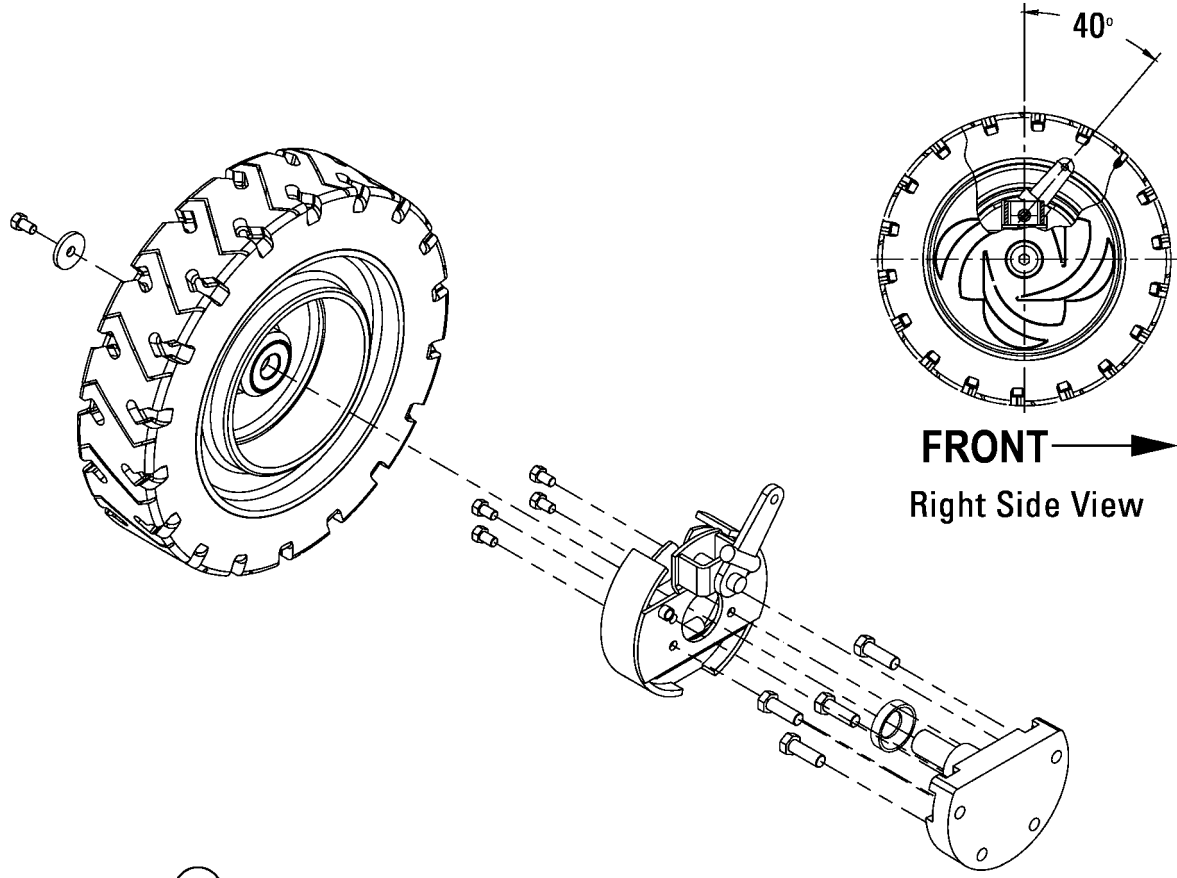
NOTE 1: Shaker motor 56418389 is no longer available. If you order the old shaker motor 56418389 you will receive Shaker Motor Kit 56508773 which includes items (24 & 26).



Item	Ref. No.	Qty	Description
1	56442054	1	Horn, 12 Volt
2	56305396	1	Assembly, Relay Mount (Gasoline/Petrol / LPG)
	56305386	1	Weldment, Relay Mount
	56009063	4	Scr, Hex Thd Form 10-24 x .25
	56418387	1	Relay, SPDT (K1 / Horn / top relay)
	56418387	1	Relay, SPDT (K2 / Lights / 2nd relay)
	56418387	1	Relay, SPDT (K3 / Shaker / 3rd relay)
	56418387	1	Relay, SPDT (K4 / Neutral / bottom relay)
2	56305859	1	Assembly, Relay Mount (Diesel)
	56305386	1	Weldment, Relay Mount
	56009063	5	Scr, Hex Thd Form 10-24 x .25
	56418387	1	Relay, SPDT (K1 / Horn / top relay)
	56418387	1	Relay, SPDT (K2 / Lights / 2nd relay)
	56418387	1	Relay, SPDT (K3 / Shaker / 3rd relay)
	56418387	1	Relay, SPDT (K4 / Neutral / 4th relay)
	56418387	1	Relay, SPDT (K5 / Accessory / bottom relay)
3	56305288	1	Control Box Assembly
4	56305237	2	Bulb, Light
5	56305053	2	Sensor, Proximity (S12 / Hopper Interlock & S16 / Main Broom)
6	2-00-04602	1	Clamp
7	56001954	1	Wsh, Flt SAE #10
8	56002733	1	Scr, Pan Phil 10-24 x .88
9	56002768	1	Nut, Hex Nyl Loc 10-24
10	56009033	1	Scr, Hex Thd Form 1/4-20 x .50
11	56009069	2	Scr, Pan Phil Loc 1/4-20 x .50
12	56305660	1	Light, Red LED Indicator (H8 / Broom Pressure)
13	56009019	1	Scr, Hex Thd Form 1/4-20 x .38
14	56462372	1	Conn, 3 Way, Female
*	56304758	1	Harness, Main (Gasoline/Petrol / LPG) (56304XXX models / NOTE 1)
*	56306082	1	Harness, Main (Gasoline/Petrol / LPG) (56306XXX & 56307XXX models / NOTE 1)
*	56305797	1	Harness, Main (Diesel)
*	56305012	1	Cable, Pos. Battery
*	56305013	1	Cable, Neg. Battery
*	56305499	1	Cable Assy
*	56304421	1	Harness, Hopper
*	56304759	1	Harness, Shaker
*	56304780	1	Cord Asm, Hopper
*	56372673	2	Boot, Battery Post

* = Not Shown

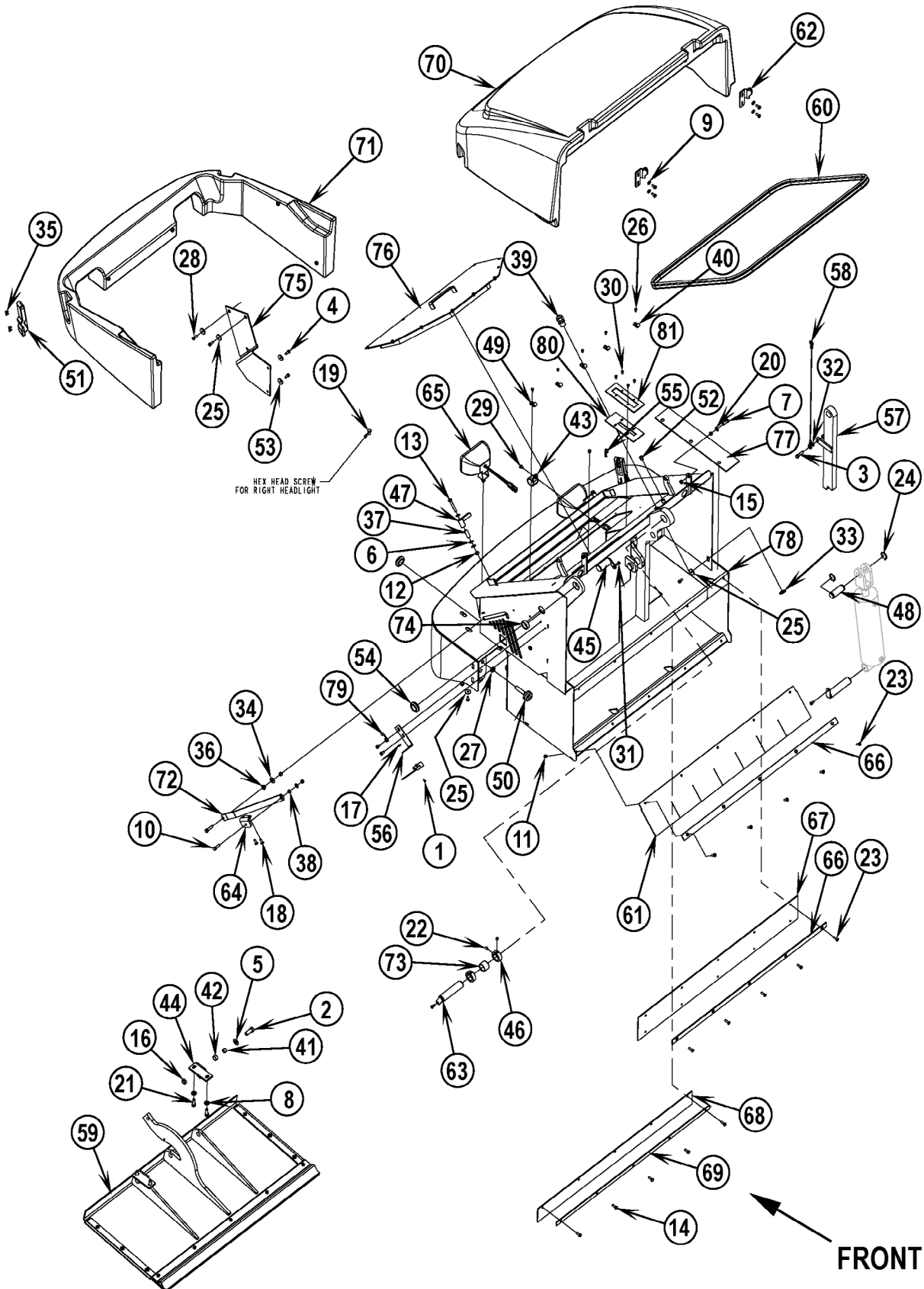
NOTE 1: Refer to model numbers on the front cover.



03-5	FRONT WHEEL SYSTEM		
09-6	Captor™ 4300, 4800, 5400		25

Item	Ref. No.	Qty	Description
2	56002954	8	Scr, Hex Hd Loc 1/2-13 x 1.50
3	56003079	10	Scr, Hex Hd Loc 3/8-16 x .75
4	56367117	2	Wsh, Flt .406 x 1.5 x .1875
5	56304020	2	Front Wheel Assy
*	56111531	2	Bearing, Ball (2 per wheel assy) TSBUS2007-981
*	56304024	1	Tire, Front (1 per wheel assy)
*	56304021	1	Hub, Front (1 per wheel assy) TSBUS2007-981
6	56305927	2	Machining, Front Spindle
7	56410012	2	Brake Assy
*	56305600	A/R	Brake Shoe (2 required per Brake Assy)
*	56418580	A/R	Lever (1 required per Brake Assy)
8	56305742	2	Spindle Spacer

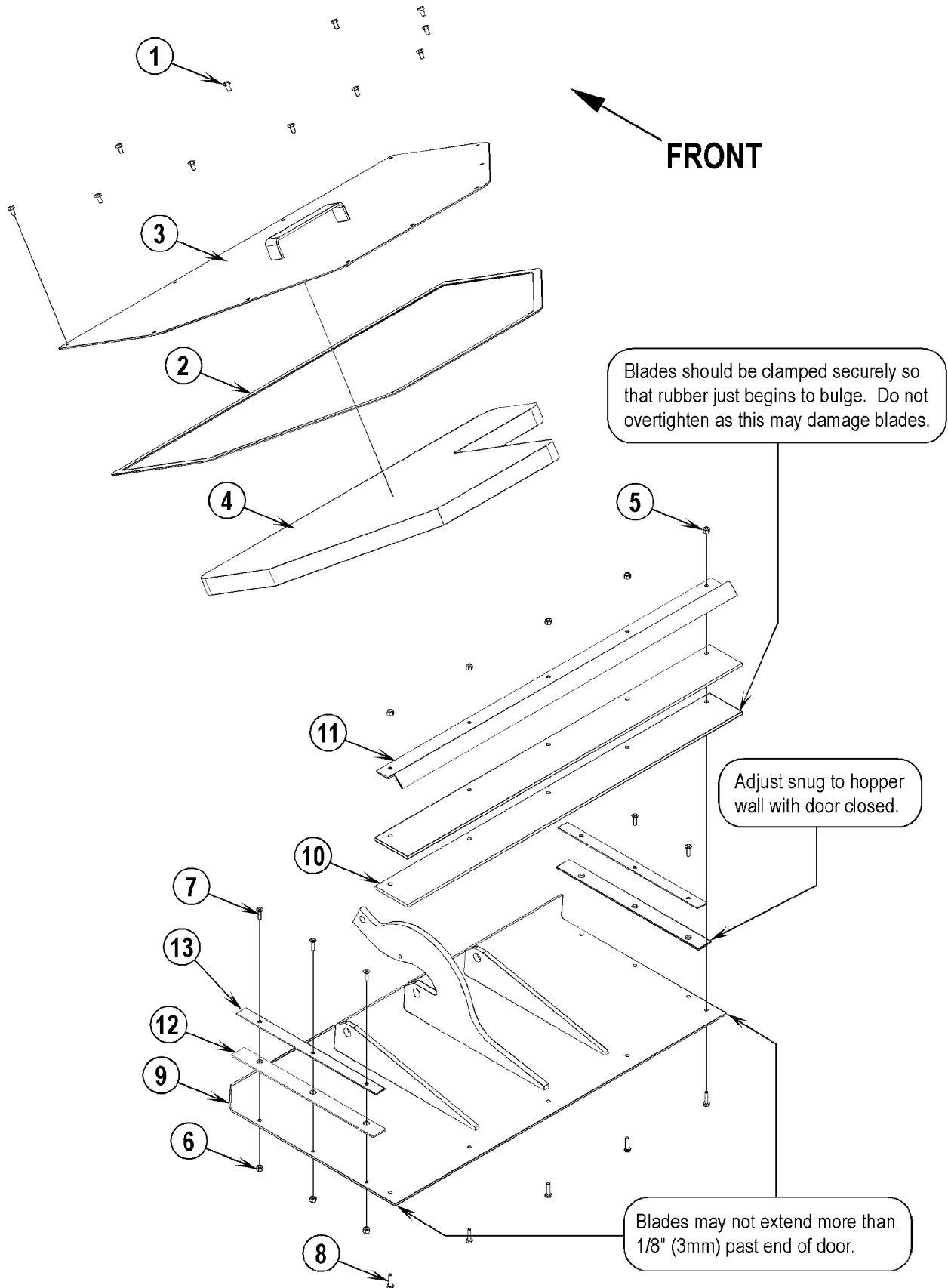
* = Not Shown



Item	Ref. No.	Qty	Description	Item	Ref. No.	Qty	Description
1	56001818	1	Scr, Pan Phil 8-32 x .38	41	56360627	2	Bushing
2	56001831	2	Scr, Hex Hd 1/2-13 x 1.25	42	56370878	2	Bearing, Sleeve
3	56001834	2	Scr, Hex Hd 5/16-18 x 1.25	43	56409463	1	Clamp, 1.25 Hose Support
4	56001836	8	Scr, Hex Hd 1/4-20 x .62	44	56416253	2	Hinge Weldt
5	56001879	2	Wsh, Flt SAE 1/2	45	56416308	2	Left Hinge Pin Weldt
6	56001939	7	Wsh, Flt SAE 5/16	46	56416498	2	Collar, Hopper Hinge
7	56002037	2	Scr, Hex Hd 5/16-18 x .88	47	56416674	2	Filter Clamp Weld't
8	56002063	4	Wsh, Flt SAE 3/8	48	56418625	1	Pin, Cylinder Short
9	56002098	4	Wsh, Flt SAE 1/4	49	56442011	3	Clamp, P
10	56002221	1	Scr, Hex Hd 5/16-18 x 1.00	50	56449221	2	Bumper, 1.43 Dia
11	56002491	15	Nut, Hex Nyl Loc SS 1/4-20	51	56462746	2	Latch
12	56002701	3	Nut, Hex Nyl Loc 5/16-18	52	2-00-03778	1	Plug, 1/8 NPT
13	56002721	2	Scr, Hex Hd 5/16-18 x 2.00	54	56486116	3	Grommet
14	56002807	5	Scr, Hex Hd SS 1/4-20 x .75	55	56003120	1	Pin, Cotter Hair .0915 x .375
15	56002826	4	Nut, Hex Nyl Loc-Thin 5/16-18	56	56304416	1	Bracket, Magnetic Switch
16	56002843	2	Nut, Hex Nyl Loc-Thin 1/2-13	57	56304526	1	Prop Rod Weldt
17	56002865	1	Nut, Hex Nyl Loc-Thin 8-32	58	56304548	1	Cable Assy
18	56002922	6	Scr, Hex Hd Loc 1/4-20 x .62	59	56304596	1	Dump Door Assy
19	56002929	1	Scr, Hex Hd Loc 5/16-18 x .62	60	56304617	1	Gasket
20	56002938	2	Wsh, Flt SAE SS 5/16	61	56304665	1	Skirt, Hopper
21	56002947	4	Scr, Hex Hd Loc 3/8-16 x 1.00	**	56305593	1	Skirt, Hopper Heavy
22	56003081	4	Scr, Soc Set Loc 3/8-16 x .38	62	56304677	2	Hinge Plate
23	56003086	10	Scr, Flt Phil SS 1/4-20 x .88	63	56304683	2	Pin Hopper Hinge Weldt
24	56003258	2	Ring, Ret Ext	64	56304685	1	Bracket, Prop
25	56100094	8	Washer, Balance-9.4 GR	65	56304768	2	Lamp, 12V
26	56009012	5	Scr, Hex Thd Form 10-24 x .38		56304783	A/R	Bulb, Light (for 56304768)
27	56009016	2	Nut, Hex Jam 1/2-13	66	56304807	2	Strap, Hopper
28	56009018	2	Scr, Hex Thd Form 1/4-20 x .75	67	56304810	1	Seal, Horizontal
29	56009019	2	Scr, Hex Thd Form 1/4-20 x .38	68	56304815	1	Blade
30	56009029	4	Scr, Pan Phil Thd Form 10-24 x .50	69	56304816	1	Strap
31	56009033	5	Scr, Hex Thd Form 1/4-20 x .50	70	56304832	1	Cover, Hopper (gray)
32	56009086	1	Nut, Hex Jam 5/16-18		56306113	1	Cover, Hopper (green/Advance model 56307251 only)
33	56009095	1	Nut, Conduit Lock 1/2-14	71	56304833	1	Cover, Hopper Bottom (gray)
34	56009122	1	Wsh, Flt .344 x .938 x .125		56306114	1	Cover, Hopper Bottom (green/Advance model 56307251 only)
35	56009139	8	Scr, Pan Phil Loc 10-24 x .38	72	56304863	1	Prop Rod
36	56244937	1	Bushing, Flange .328	73	56304896	1	Bearing, Sleeve 1.125 x 1.375 x 1.00
37	56300241	2	Bushing .33 x .5 x 1.3	74	56304897	1	Bearing, Sleeve 1.125 x 1.375 x .50 TSBUS2004-865
38	56320595	3	Bushing .32 x .50 x .28	75	56305183	1	Bracket, Lower Hopper Cover
39	56323135	1	Strain Relief	76	56305190	1	Access Panel Assembly
40	56342319	2	Clamp, P	77	56305196	1	Blade, Dust Shield
				78	56305465	1	Hopper Weldt
				79	56409769	1	Clip, Weatherpack Mount
				80	56419264	1	Boot, Hopper
				81	56419265	1	Plate, Boot

* = Not Shown

** = Optional



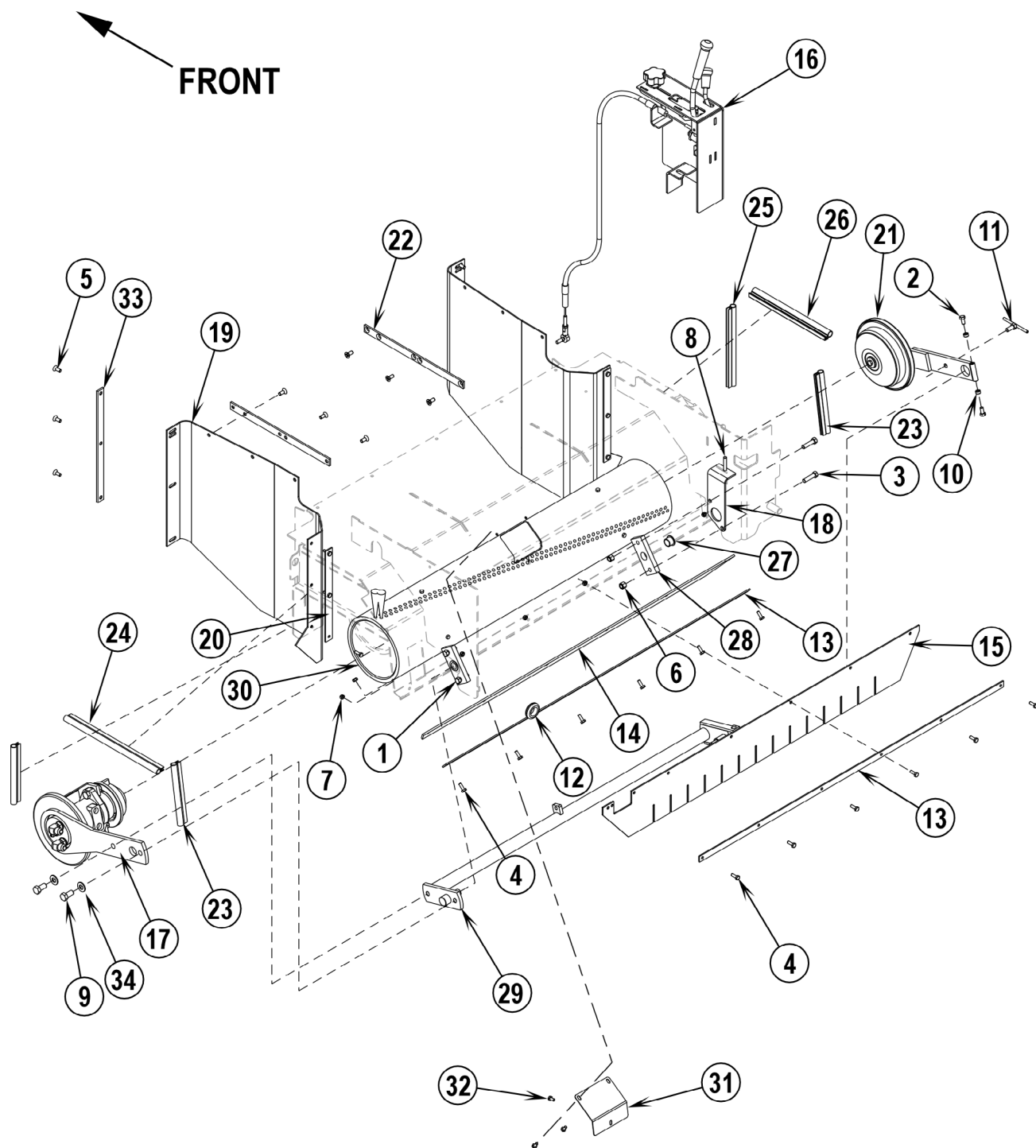
03-5

HOPPER SYSTEM SUB-ASSEMBLIES

05-8

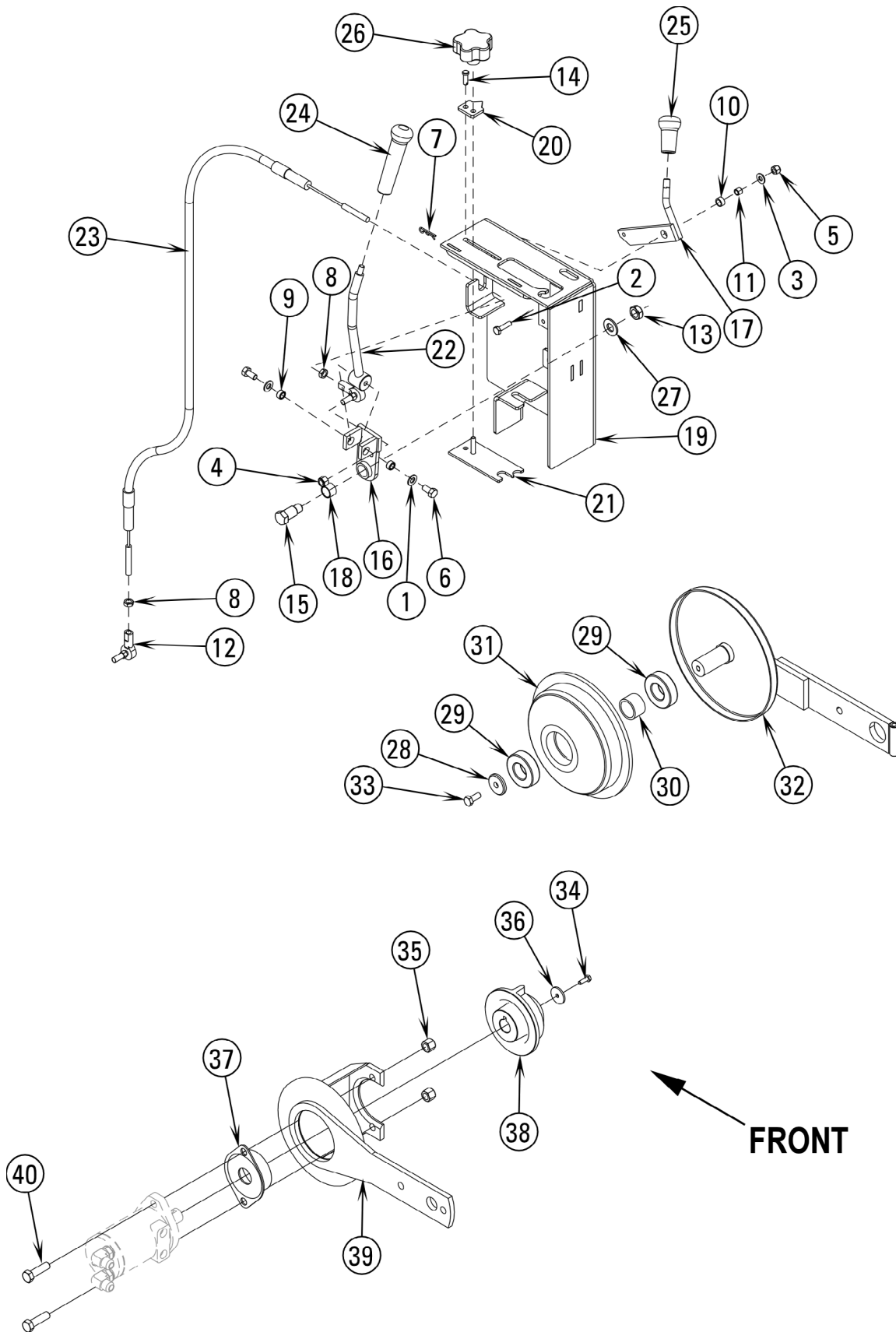
Captor™ 4300, 4800, 5400**29**

Item	Ref. No.	Qty	Description
	56305190	1	Access Panel Assy (1-4)
	56304596	1	Dump Door Assy (5-13)
1	56009012	11	Scr, Hex Thd Form 10-24 x .38
2	56200754	6.5	Gasket, Strip-Raw Stock (qty in feet)
3	56304401	1	Access Panel Weldt
4	56304729	1	Foam, Access Panel
5	56002850	5	Nut, Hex Nyl Loc-Thin SS 1/4-20
6	56002491	6	Nut, Hex Nyl Loc SS 1/4-20
7	56003086	6	Scr, Flt Phil SS 1/4-20 x .88
8	56002883	5	Scr, Hex Hd SS 1/4-20 x 1.00
9	56304597	1	Dump Door Weld't
10	56304808	2	Blade, Hopper Door
11	56304809	1	Angle
12	56419440	2	Wiper, Dump Door
13	56419441	2	Strap

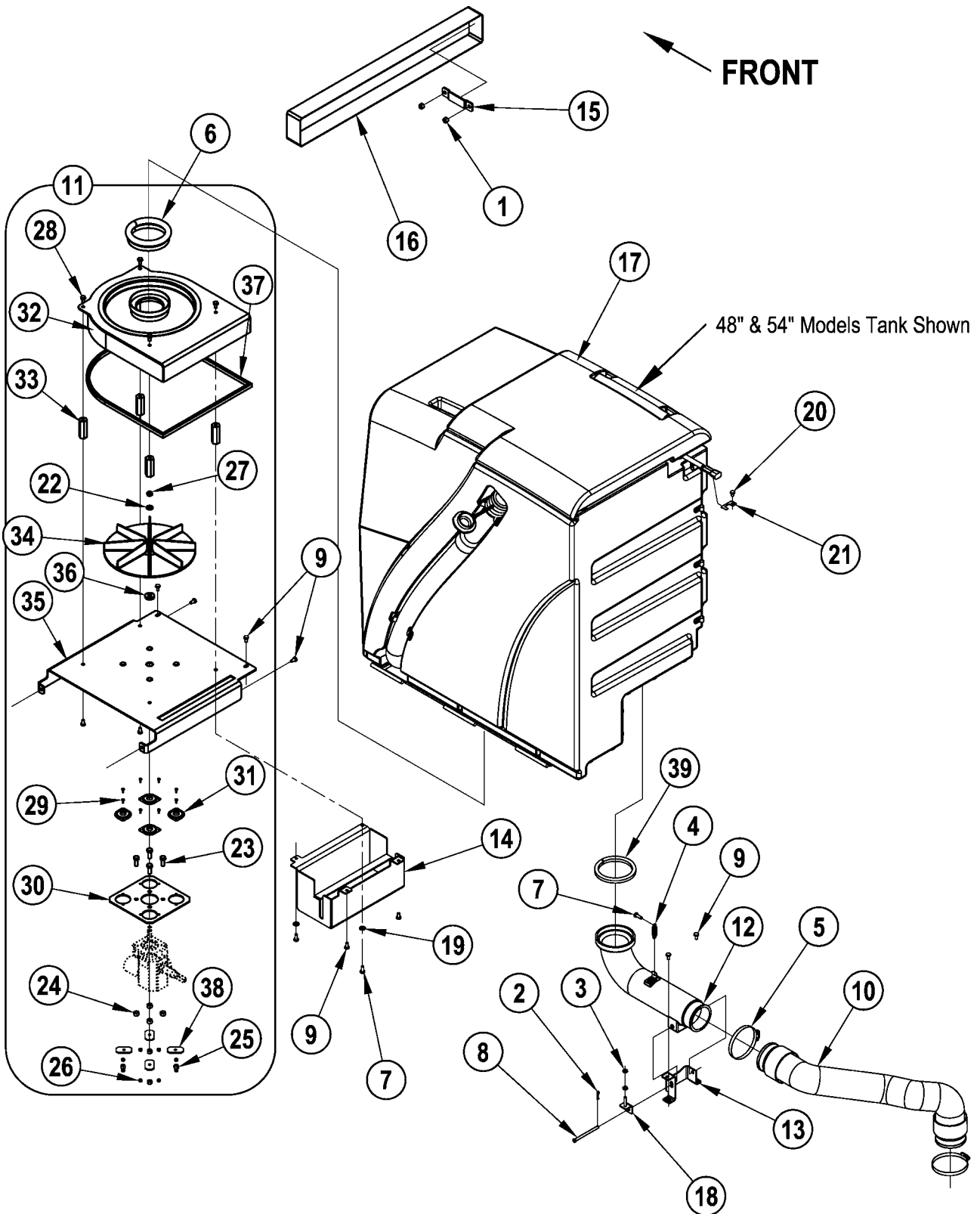


Item	Ref. No.	Qty	Description
1	56001858	2	Scr, Hex Hd 3/8-16 x 1.25
2	56002035	2	Scr, Hex Hd 5/16-18 x .62
3	56002095	2	Scr, Hex Hd 3/8-16 x 1.50
4	56002155	18	Scr, Hex Hd 1/4-20 x .75
5	56002395	12	Scr, Flt Phil 5/16-18 x .75
6	56002769	4	Nut, Hex Nyl Loc 3/8-16
7	56002840	12	Nut, Hex Nyl Loc-Thin 1/4-20
8	56002013	1	Scr, Hex Thd to Hd 5/16-18 x 2.00
9	56003083	2	Scr, Hex Hd Loc 1/2-13 x 1.00
10	56320595	2	Bushing .32 x .50 x .28
11	56416382	1	Broom Arm Nut Weldt
12	56486116	1	Grommet
13	56303147	2	Strap, Rear
14	56303148	1	Skirt, Rear
15	56303149	1	Skirt, Rear
16	56304753	1	Lift Asm, Broom
17	56304913	1	Drive Lug Assy
18	56304919	1	Broom Adjuster
19	56304924	2	Skirt, Broom Housing
20	56304925	2	Strap, Vertical
21	56304979	1	Right Broom Arm Assy
22	56305102	4	Strap (qty of 2 after SN 1829990)
23	56305198	7.25	Gasket (Qty In Inches)
24	56305199	13.62	Gasket (Qty In Inches)
25	56305200	10	Gasket (Qty In Inches)
26	56305201	1	Gasket
27	56305255	2	Bearing, Flange
28	56305276	2	Pillow Block
29	56305399	1	Main Broom Hanger Weldt
30	56505955	1	Main Broom, Proex / Wire, 8 Double Rows
31	56305819	1	Cover, Access
32	56009033	3	Scr, Hex Thd Form 1/4-20 x .50
33	56305960	2	Strap (after SN 1829990)
34	56001879	2	Wsh, Flt SAE 1/2
**	56505951	1	Main Broom, Poly / Wire, 8 Double Rows
**	56505952	1	Main Broom, Proex, 12 Double Rows
**	56505953	1	Main Broom, Nylon, 8 Double Rows
**	56505954	1	Main Broom, Proex, 8 Double Rows
**	56505956	1	Main Broom, Prolene, 8 Double Rows

** = Optional



Item	Ref. No.	Qty	Description
	56304753	1	Lift Assy, Broom (1-27)
	56304979	1	Right Broom Arm Assy (28-33)
	56304913	1	Drive Lug Assy (34-40)
1	56001939	2	Wsh, Flt SAE 5/16
2	56002093	1	Scr, Hex Hd 1/4-20 x 1.00
3	56002098	1	Wsh, Flt SAE 1/4
4	56002950	1	Nut, Hex Nyl Loc 5/16-24
5	56002708	1	Nut, Hex Nyl Loc 1/4-20
6	56002929	2	Scr, Hex Hd Loc 5/16-18 x .62
7	56003332	1	Pin, Cot Hair .042 x .188
8	56001884	2	Nut, Hex Jam 5/16-24
9	56320595	2	Bushing .32 x .50 x .28
10	56368970	1	Bearing, Sleeve
11	56368989	1	Bushing
12	56477756	2	Rod End
13	56002843	1	Nut, Hex Nyl Loc-Thin 1/2-13
14	56003663	1	Clevis Pin .25 x .75
15	56171336	1	Bolt, Shoulder
16	56305474	1	Lift Pivot Weldment
17	56304345	1	Lever Weldment
18	56304586	1	Bearing .750 x .625 x .500
19	56304752	1	Weldment, Broom Lift
20	56304821	1	Plate, Indicator
21	56304822	1	Stop Plate Weldment
22	56304825	1	Lever Weldment
23	56305009	1	Cable, Broom Lift
24	56305010	1	Knob, Broom
25	56305011	1	Knob, Solution
26	56305030	1	Knob, Adjust
27	56001879	1	Wsh, Flt SAE 1/2
28	56358959	1	Washer, Flat
29	56479430	2	Bearing, Ball
30	56479434	1	Bushing
31	56493845	1	Hub-Idler
32	56304977	1	Right Broom Arm Weldt
33	56002956	1	Scr, Hex Hd Loc 5/16-18 x .75
34	56002155	1	Scr, Hex Hd 1/4-20 x .75
35	56002770	2	Nut, Hex Nyl Loc 1/2-13
36	56009199	1	Wsh, Flt Brass .266 x 1.250 x .125
37	56455997	1	Broom Motor Seal Guard
38	56477762	1	Hub, Driver
39	56305469	1	Broom Arm Weldment
40	56001995	2	Scr, Hex Hd 1/2-13 x 1.75



03-5	RECOVERY SYSTEM		
09-6	Captor™ 4300, 4800, 5400		35

Item	Ref. No.	Qty	Description
1	56002701	2	Nut, Hex Nyl Loc 5/16-18
2	56003332	1	Pin, Cot Hair .042 x .188
3	56009087	2	Nut, Hex Jam 1/4-20
4	56112054	1	Spring, Extension .43 x .175
5	56352829	2	Clamp, Hose SAE #52
6	56455984	1	Gasket, Bulb
7	56002948	3	Scr, Hex Hd Loc 1/4-20 x .75
8	56003669	1	Clevis, Pin .25 x 3.50
9	56009033	8	Scr, Hex Thd Form 1/4-20 x .50
10	56305377	1	Hose, Assembly
11	56304800	1	Vac Fan Assembly (22-38)
12	56109531	1	Squeegee Tube NOTE 1
13	56304844	1	Mount, Pivot
14	56305306	1	Vac Fan Deflector Weldment
15	56305488	1	Tie Down
16	56305491	1	Tether
17	56305524	1	Recovery Tank Asm (43" Models)
	56305063	1	Recovery Tank Asm (48" & 54" Models)
18	56305721	1	Tab Adjust
19	56002098	2	Wsh, Flt SAE 1/4
20	56009019	1	Scr, Hex Thd Form 1/4-20 x .38
21	56409769	1	Clip, Weatherpack Mount
22	56002701	4	Nut, Hex Nyl Loc 5/16-18
23	56002708	4	Nut, Hex Nyl Loc 1/4-20
24	56002830	8	Nut, Hex Nyl Loc 6-32
25	56002866	1	Nut, Hex Nyl Loc-Thin 5/16-24
26	56001939	1	Wsh, Flt SAE 5/16
27	56002037	4	Scr, Hex Hd 5/16-18 x .88
28	56003039	6	Scr, Hex Hd Loc 1/4-20 x .50
29	56003068	8	Scr, Hex Hd 6-32 x .38
30	56304647	1	Plate, Motor Mount
31	56304652	4	Isolator, Vibration
32	56304805	1	Top Plate Weldment
33	56304806	4	Spacer
34	56305018	1	Impeller
35	56305019	1	Bottom Plate Weldment
36	56305022	1	Spacer, .375 x 1.00 x .25
37	56305212	1	Seal
38	56305714	4	Washer, Snubbing
39	56109570	1	Trim, Edge NOTE 2, TSBUS2006-920

NOTE 1 = PN56109531 (roto-molded) replaces PN56304840 (stainless steel). Used on machines built after June 2009.

NOTE 2 = PN56109570 replaces PN56307220 for machines built after June 2009.

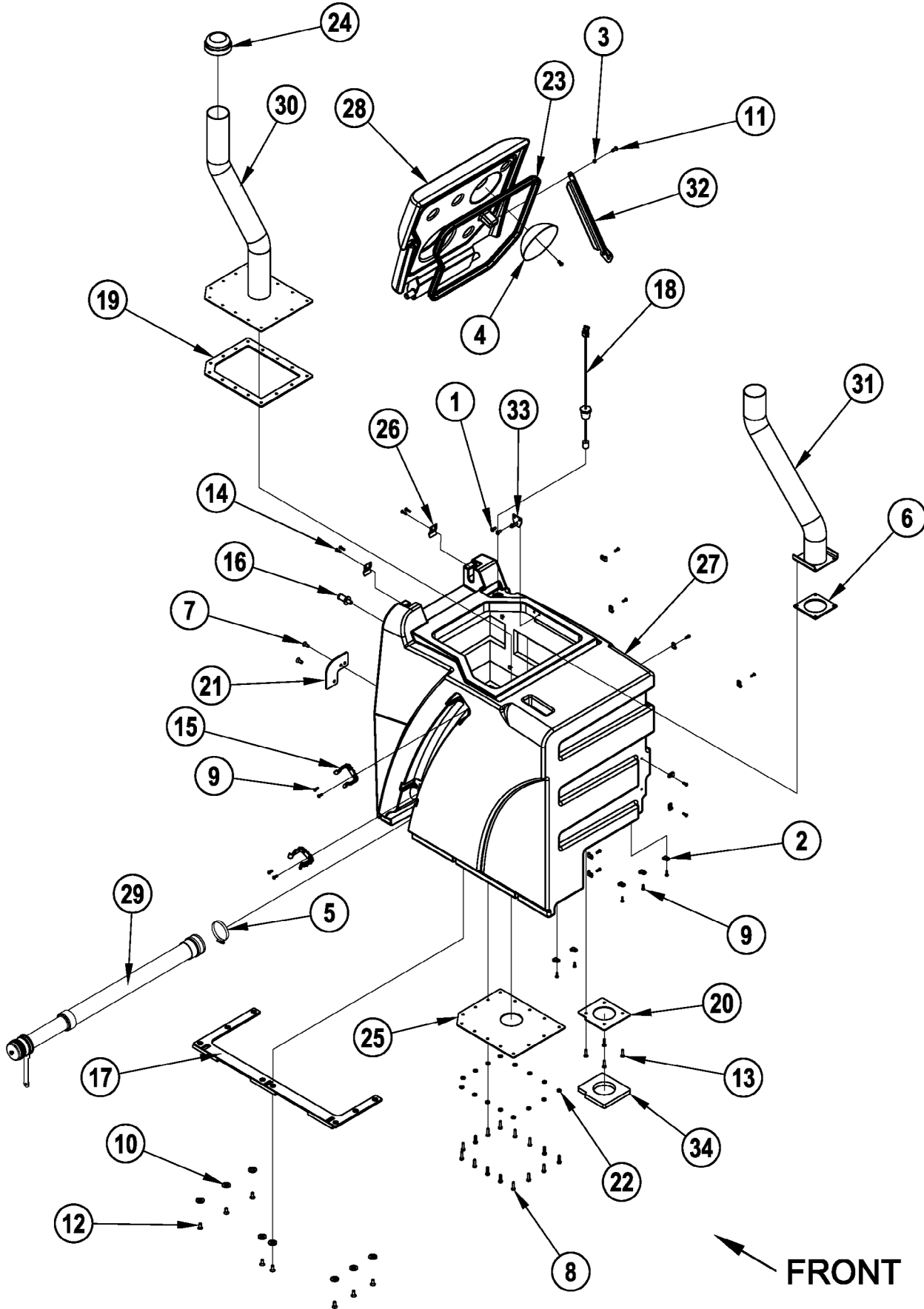
RECOVERY TANK ASSEMBLY (43" MODELS)

03-5

36

Captor™ 4300, 4800, 5400

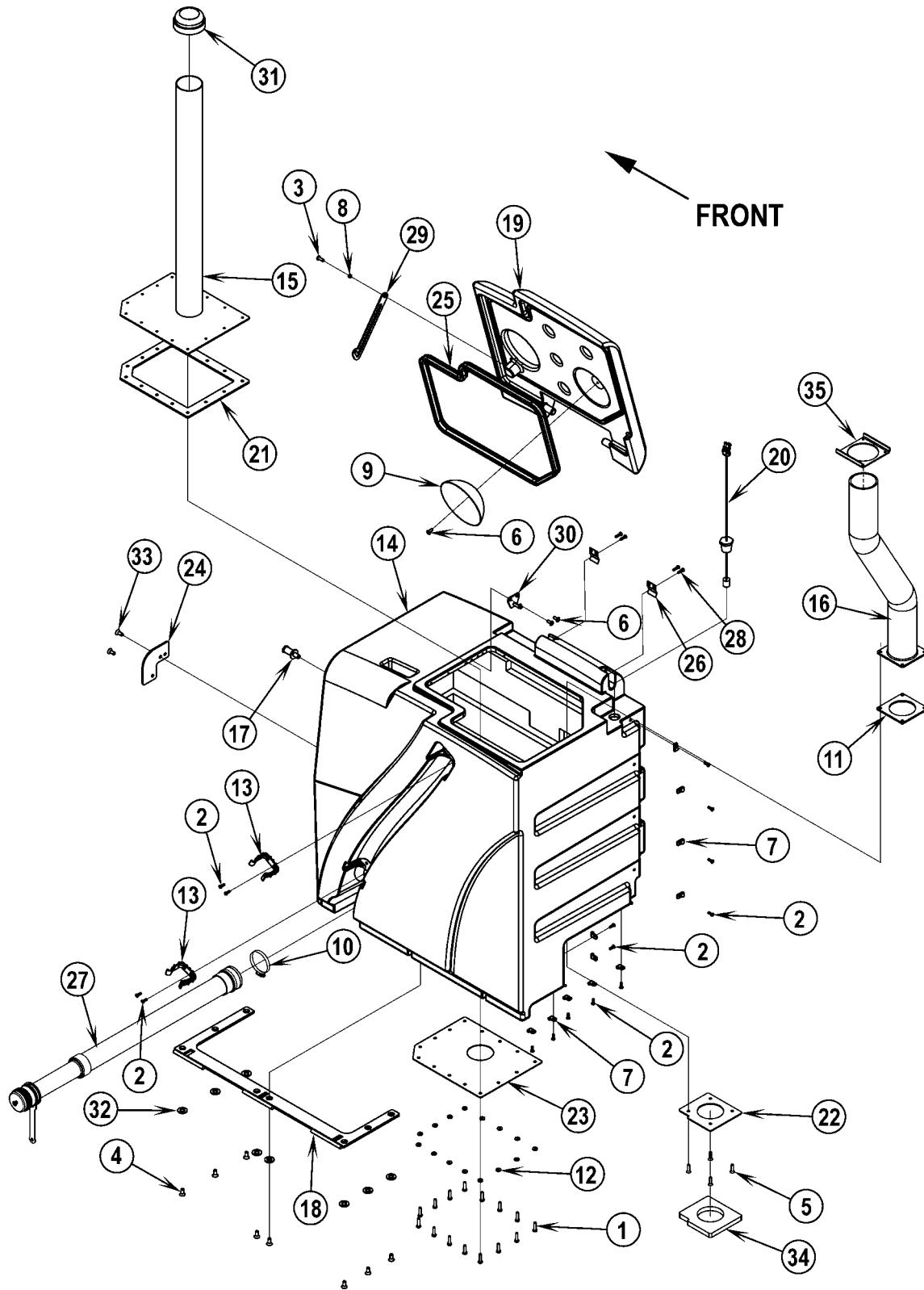
08-5



Item	Ref. No.	Qty	Description
	56305524	1	Recovery Tank Assy (43" Models)
1	56009120	3	Scr, Pan Phil SS Type B 1/4-14 x .62
2	56220507	13	Clamp, P (TSBUS2005-875)
3	56206784	1	Bushing
4	56454718	1	Deflector
5	56456797	1	Clamp, Hose SAE #36
6	56459136	1	Gasket
7	56002395	2	Scr, Flt Phil 5/16-18 x .75
8	56002883	15	Scr, Hex Hd SS 1/4-20 x 1.00
9	56002896	17	Scr, Pan Phil SS 10-24 x .62
10	56002918	8	Wsh, Flt .SAE SS 1/2
11	56002957	1	Scr, Pan Phil SS 1/4-20 x .75
12	56003689	8	Scr, Flt Phil SS 5/16-18 x .75
13	56003074	4	Scr, Flt Phil SS 1/4-20 x 1.00
14	56009005	4	Scr, Pan Phil SS Type B 10-16 x .75
15	56212236	2	Clamp, Plastic
16	56304864	1	Pin, Slam Lock
17	56304871	1	Pivot Weldment
18	56305977	1	Switch, Liquid Level (S8) (TSBUS2005-875)
19	56305054	1	Gasket
20	56305060	1	Plate, Seal, Squeegee
21	56305202	1	Plate, Tether Cover
22	56900737	15	Washer, Sealing 1/4
23	56305834	1	Gasket
24	56305352	1	Screen, Fan Inlet
25	56305824	1	Plate, Seal, Vacuum
26	56305457	2	Clip, Lid
27	56305523	1	Tank, Recovery 60 Gal
28	56305548	1	Lid, Recovery Tank 60 Gal
29	56601407	1	Drain Hose
*	56601411	1	Drain Hose Cap Kit
**	56601410	1	Drain Hose Extension
30	56305630	1	Standpipe Weldment, Left
31	56305632	1	Standpipe Weldment, Right
32	56305642	1	Support Arm
33	56305644	1	Prop Support Weldment
34	56307219	1	Gasket, Foam (TSBUS2006-920)

* = Not Shown

** = Optional, Not Included



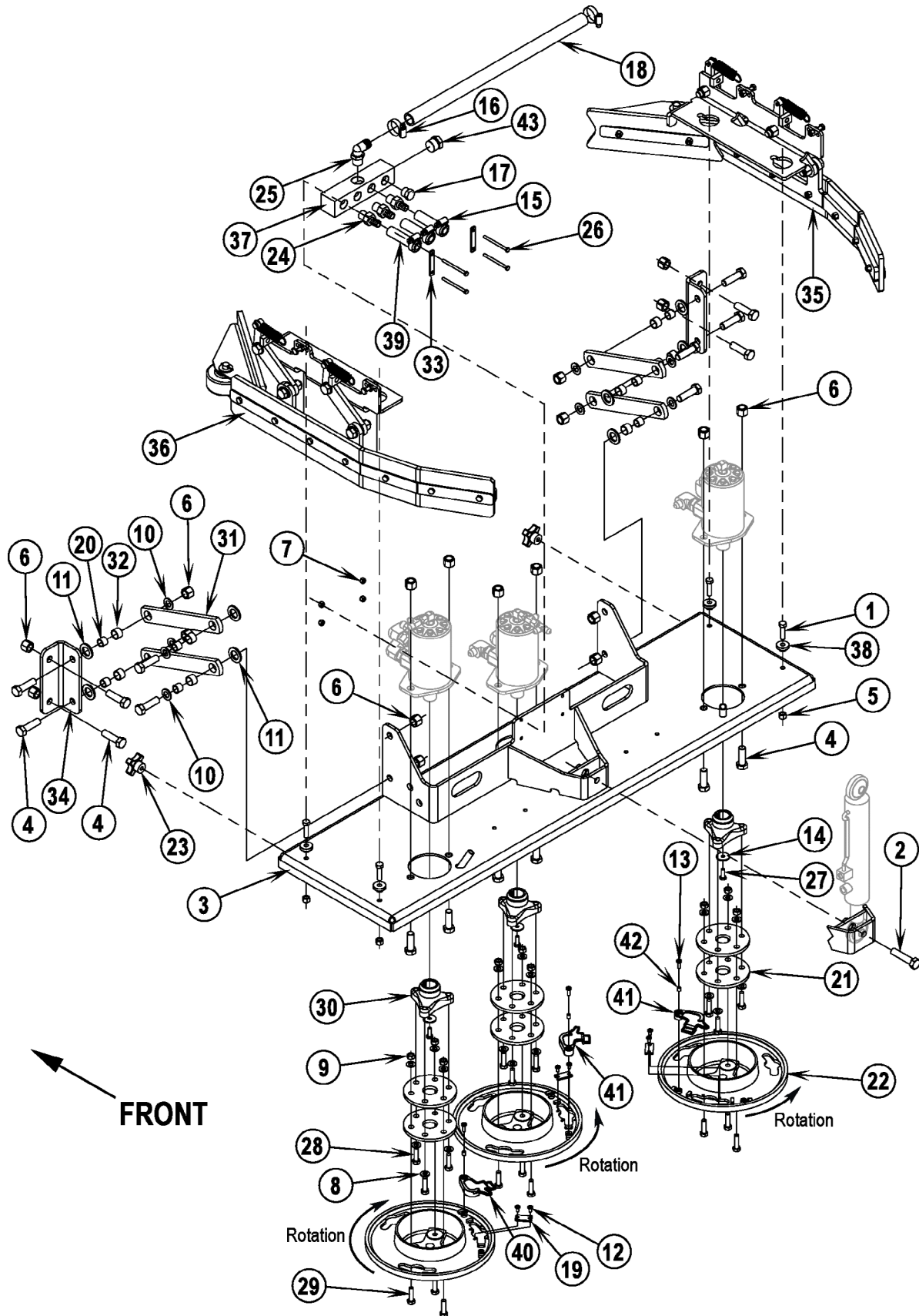
03-5	RECOVERY TANK ASSEMBLY (48" & 54" MODELS)		
09-6	Captor™ 4300, 4800, 5400		39

Item	Ref. No.	Qty	Description
	56305063	1	Recovery Tank Assy (48" & 54" Models)
	56306137	1	Recovery Tank Assy (Advance model 56307251 only)
1	56002883	15	Scr, Hex Hd SS 1/4-20 x 1.00
2	56002896	15	Scr, Pan Phil SS 10-24 x .62
3	56002957	1	Scr, Pan Phil SS 1/4-20 x .75
4	56003689	8	Scr, Flt Phil SS 5/16-18 x .75
5	56003742	4	Scr, Flt Phil SS 1/4-20 x 1.25
6	56009120	3	Scr, Pan Phil SS Type B 1/4-14 x .62
7	56220507	11	Clamp, P (TSBUS2005-875)
8	56206784	1	Bushing
9	56454718	1	Deflector
10	56456797	1	Clamp, Hose SAE #36
11	56459136	1	Gasket
12	56900737	15	Washer, Sealing 1/4
13	56212236	2	Clamp, Plastic
14	56304483	1	Recovery Tank Assy (gray)
	56306118	1	Recovery Tank Assy (green/Advance model 56307251 only)
15	56304648	1	Standpipe Weldment, Left
16	56109530	1	Standpipe Right NOTE 1
17	56304864	1	Pin, Slam Lock
18	56304871	1	Pivot Weldment
19	56305005	1	Lid, Recovery Tank (gray)
	56306119	1	Lid, Recovery Tank (green/Advance model 56307251 only)
20	56305977	1	Switch, Liquid Level (S8) (TSBUS2005-875)
21	56305054	1	Gasket
22	56305060	1	Plate, Seal, Squeegee
23	56305061	1	Plate, Seal, Vacuum
24	56305202	1	Plate, Tether Cover
25	56305203	1	Gasket
26	56305457	2	Clip, Lid
27	56601406	1	Drain Hose
*	56601411	1	Drain Hose Cap Kit
**	56601410	1	Drain Hose Extension
28	56009005	4	Scr, Pan Phil SS Type B 10-16 x .75
29	56305236	1	Slide
30	56305247	1	Support
31	56305352	1	Screen, Fan Inlet
32	56002918	8	Wsh, Flt SAE SS 1/2
33	56002395	2	Scr, Flt Phil 5/16-18 x .75
34	56307219	1	Gasket, Foam (TSBUS2006-920)
35	56109532	1	Plate Standpipe
*	56478246	2	Tie, Cable

* = Not Shown

** = Optional, Not Included

NOTE 1 = If you need to replace an old stainless steel standpipe (56304653) please order Standpipe Kit 56109569.



03-5

SCRUB SYSTEM (43" & 48" MODELS)

07-12

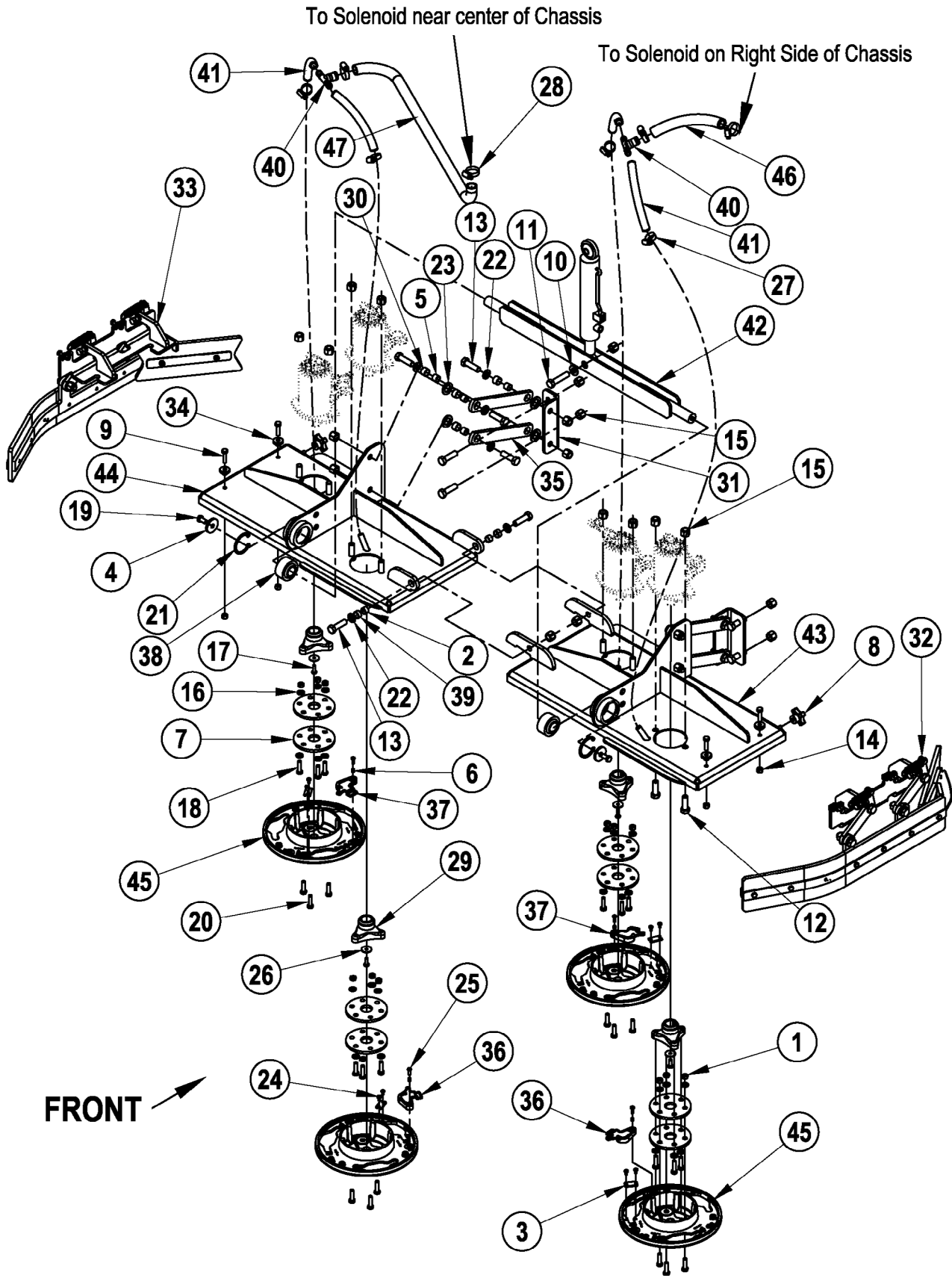
Captor™ 4300, 4800, 5400**41**

Item	Ref. No.	Qty	Description	Item	Ref. No.	Qty	Description
1	56001834	4	Scr, Hex Hd 5/16-18 x 1.25	31	56305467	4	Arm Parallel 7.5in
2	56001920	1	Scr, Hex Hd 1/2-13 x 2.25	32	56304586	8	Bearing .750 x .625 x .500
3	56305937	1	Deck Weldt 43 Inch (43" Models)	33	56304601	2	Plate
	56305471	1	Deck Weldt 48 Inch (48" Models)	34	56304605	2	Mount Chassis Scrub Deck
4	56001995	18	Scr, Hex Hd 1/2-13 x 1.75	35	56304988	1	Side Skirt Right Assy
5	56002701	4	Nut, Hex Nyl Loc 5/16-18	36	56304998	1	Side Skirt Left Assy
6	56002770	18	Nut, Hex Nyl Loc 1/2-13	37	56305090	1	Manifold, Solution
7	56002836	4	Nut, Hex Nyl Loc SS 10-24	38	56305258	4	Mounting Lugs
8	56002938	18	Wsh, Flt SAE SS 5/16	39	56305861	3	Hose, Push Lock (17.5 In)
9	56003405	9	Nut, Hex Nyl Loc SS M8 x 1.25				(43" Models)
10	56009017	8	Wsh, Flt Harden .516x.938 x.75		56305345	3	Hose, Push Lock (20 In)
11	56009022	8	Wsh, Flt .754 x 1.250 x .120				(48" Models)
12	56009030	6	Scr, Pan Phil Thd Form 10-24 x .38	40	56305543	1	Latch, Brush Right
13	56009042	3	Scr, Pan Phil Thd Form 10-24 x .62	41	56305515	2	Latch, Brush Left
14	56009060	3	Wsh, Flt SS .260 x 1.000 x .074	42	56369004	3	Bushing
15	56112771	3	Clamp, Hose SAE #10	43	56305464	1	Plug, 3/4 Hex Pipe
16	56244969	2	Clamp, Hose SAE #12				
17	56305547	1	Plug, 1/2 Hex Pipe	*	56477613	2	Tie, Cable
18	56305591	1	Hose				
19	56366455	3	Plate, Stop				
20	56367206	8	Bushing				
21	56407053	6	Thermoid Disk	43" SCRUB BRUSHES			
22	56314030	3	Brush Holder	**	56505940	3	Brush, Pad Holder
23	56407303	2	Knob	*	56505195	A/R	Pad Retainer (for 56505940)
24	56412184	3	Barb, Adapter 1/2 x 1/2 NPT	**	56505941	3	Brush, MagnaGrit 46
25	56305545	1	Barb, 90 Elbow 3/4 x 3/4NPT	**	56505942	3	Brush, DynaGrit 80
26	56003131	4	Scr, Hex Hd SS 10-24 x 2.50	**	56505943	3	Brush, AgLite 500
27	56003221	3	Scr Hex Loc SS 1/4-20 x .75	**	56505944	3	Brush, Prolene
28	56003278	9	Scr, Hex Loc SS M8-1 x 30mm	**	56505945	3	Brush, ProLite
29	56003639	9	Scr, Hex Hd SS M8-1.25 x 30mm	**	56505946	3	Brush, Union Mix
30	56304077	3	Hub, Drive	**	56505947	3	Brush, MidGrit 240
				**	56505948	3	Brush, MidLite 180 (STD)
				48" SCRUB BRUSHES			
				**	56505780	3	Brush, Pad Holder
				*	56505195	A/R	Pad Retainer (for 56505780)
				**	56505781	3	Brush, MagnaGrit 46
				**	56505782	3	Brush, DynaGrit 80
				**	56505783	3	Brush, AgLite 500
				**	56505784	3	Brush, Prolene
				**	56505785	3	Brush, ProLite
				**	56505786	3	Brush, Union Mix
				**	56505787	3	Brush, MidGrit 240
				**	56505788	3	Brush, MidLite 180 (STD)

* = Not Shown

** = Optional

NOTE: See Hydraulic System Parts List form number 56042445 for hydraulic motor assemblies.



03-5	SCRUB SYSTEM (54" MODELS)		
08-7	Captor™ 4300, 4800, 5400		43

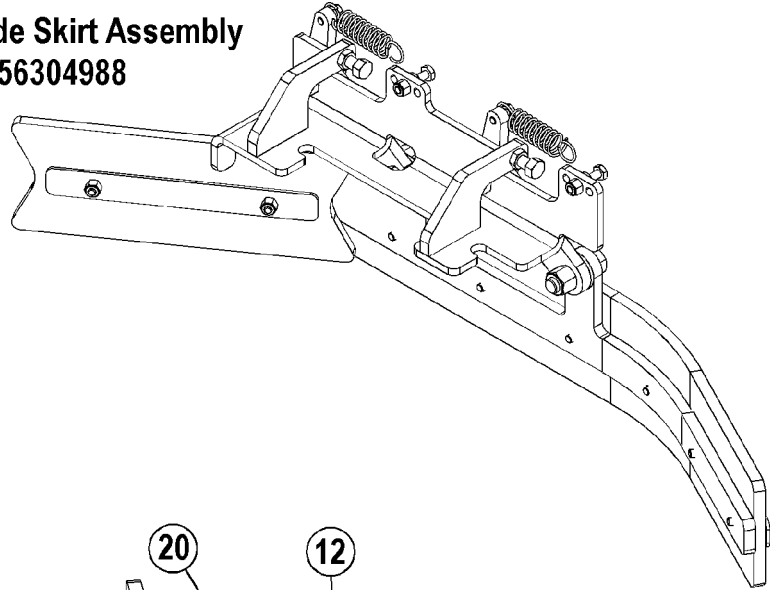
Item	Ref. No.	Qty	Description
1	56003405	12	Nut, Hex Nyl Loc SS M8 x 1.25
2	56360627	2	Bushing
3	56366455	4	Plate, Stop
4	56367117	2	Wsh, Flt .406 x 1.5 x .1875
5	56367206	8	Bushing
6	56369004	4	Bushing
7	56407053	8	Thermoid Disk
8	56407303	2	Knob
9	56001834	4	Scr, Hex Hd 5/16-18 x 1.25
10	56001879	1	Wsh, Flt SAE 1/2
11	56001920	1	Scr, Hex Hd 1/2-13 x 2.25
12	56001968	8	Scr, Hex Hd 1/2-13 x 1.50
13	56001995	14	Scr, Hex Hd 1/2-13 x 1.75
14	56002701	4	Nut, Hex Nyl Loc 5/16-18
15	56002770	23	Nut, Hex Nyl Loc 1/2-13
16	56002938	24	Wsh, Flt SAE SS 5/16
17	56003221	4	Scr Hex Loc SS 1/4-20 x .75
18	56003278	12	Scr, Hex Loc SS M8-1 x 30mm
19	56003335	2	Scr Hex Loc SS 5/16-18 x .88
20	56003639	12	Scr, Hex Hd SS M8-1.25 x 30mm
21	56003680	2	Ring, Ret Int Type Ho (2.125)
22	56009017	10	Wsh, Flt Harden .516 x .938 x .75
23	56009022	8	Wsh, Flt .754 x 1.250 x .120
24	56009030	8	Scr, Pan Phil Thd Form 10-24 x .38
25	56009042	4	Scr, Pan Phil Thd Form 10-24 x .62
26	56009060	4	Wsh, Flt SS .260 x 1.000 x .074
27	56112771	4	Clamp, Hose SAE #10
28	56244969	4	Clamp, Hose SAE #12
29	56304077	4	Hub, Drive
30	56304586	8	Bearing .750 x .625 x .500
31	56304605	2	Mount Chassis Scrub Deck
32	56304988	1	Side Skirt Right Assy
33	56304998	1	Side Skirt Left Assy
34	56305258	4	Mounting Lugs
35	56305467	4	Arm Parallel 7.5in
36	56305515	2	Brush Lock, Left
37	56305543	2	Brush Lock, Right
38	56305552	2	Bearing, Spherical 1.00
39	56305553	2	Bearing, .719 x .625 x .375
40	56305760	2	Tee, Barb 3/4 x 1/2 x 1/2
41	56305763	4	Hose, Push Lock (7 In.)
42	56305773	1	Push Deck Weldment
43	56305774	1	Deck, 54 Right Weldment
44	56305775	1	Deck Left 54 Weldment
45	56314030	4	Brush Holder
46	56392193	1	Hose, Spiral .75 x 14 In.
47	56459674	1	Hose, Spiral .75 x 33 In.

54" SCRUB BRUSHES

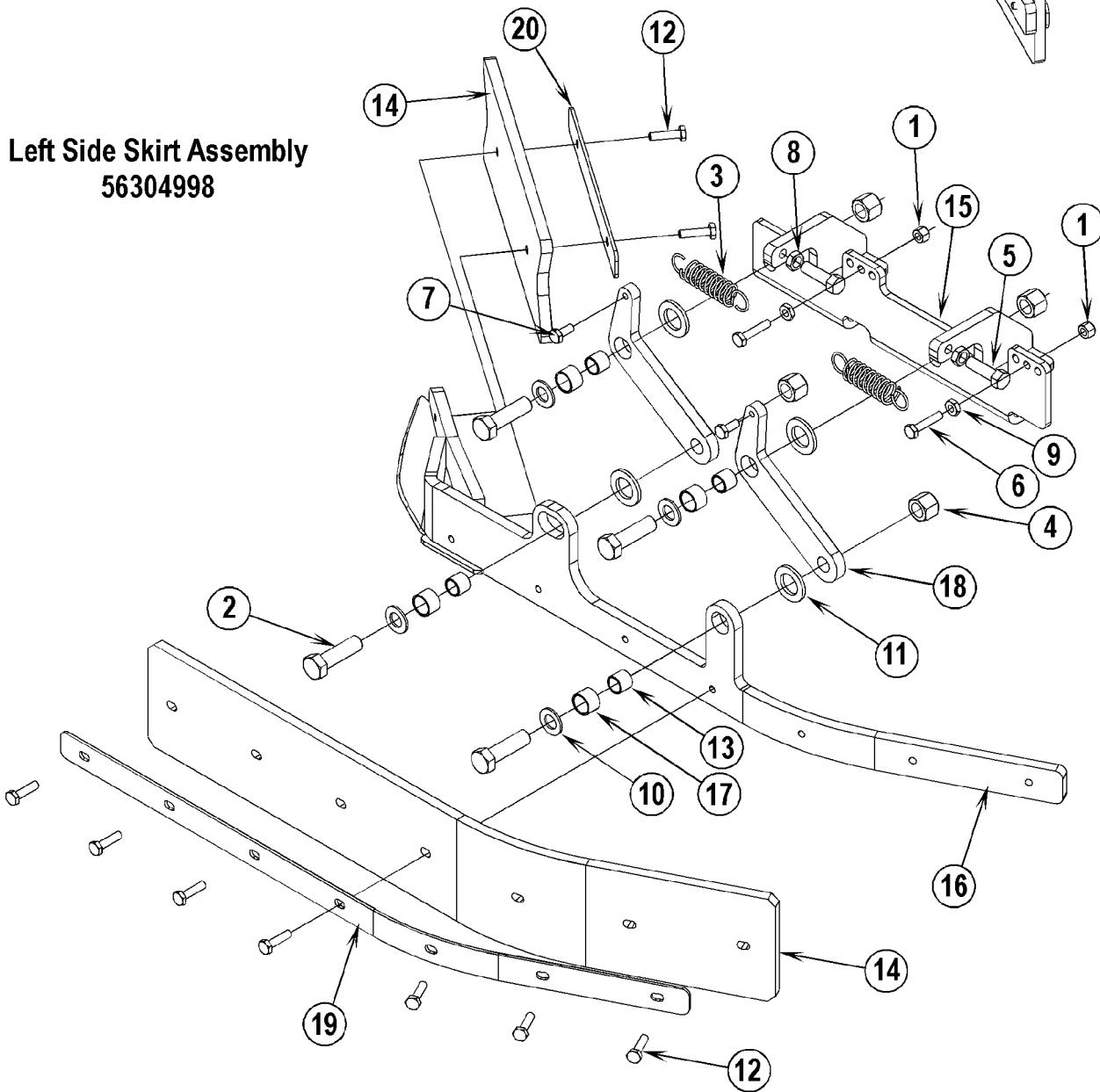
**	56505800	3	Brush, Pad Holder
*	56505195	A/R	Pad Retainer (for 56505800)
**	56505801	3	Brush, MagnaGrit 46
**	56505802	3	Brush, DynaGrit 80
**	56505803	3	Brush, AgLite 500
**	56505804	3	Brush, Prolene
**	56505805	3	Brush, ProLite
**	56505806	3	Brush, Union Mix
**	56505807	3	Brush, MidGrit 240
**	56505808	3	Brush, MidLite 180 (STD)

** = Optional

Right Side Skirt Assembly
56304988



Left Side Skirt Assembly
56304998



03-5	SCRUB SYSTEM SKIRT ASSEMBLIES			
04-9	Captor™ 4300, 4800, 5400			45

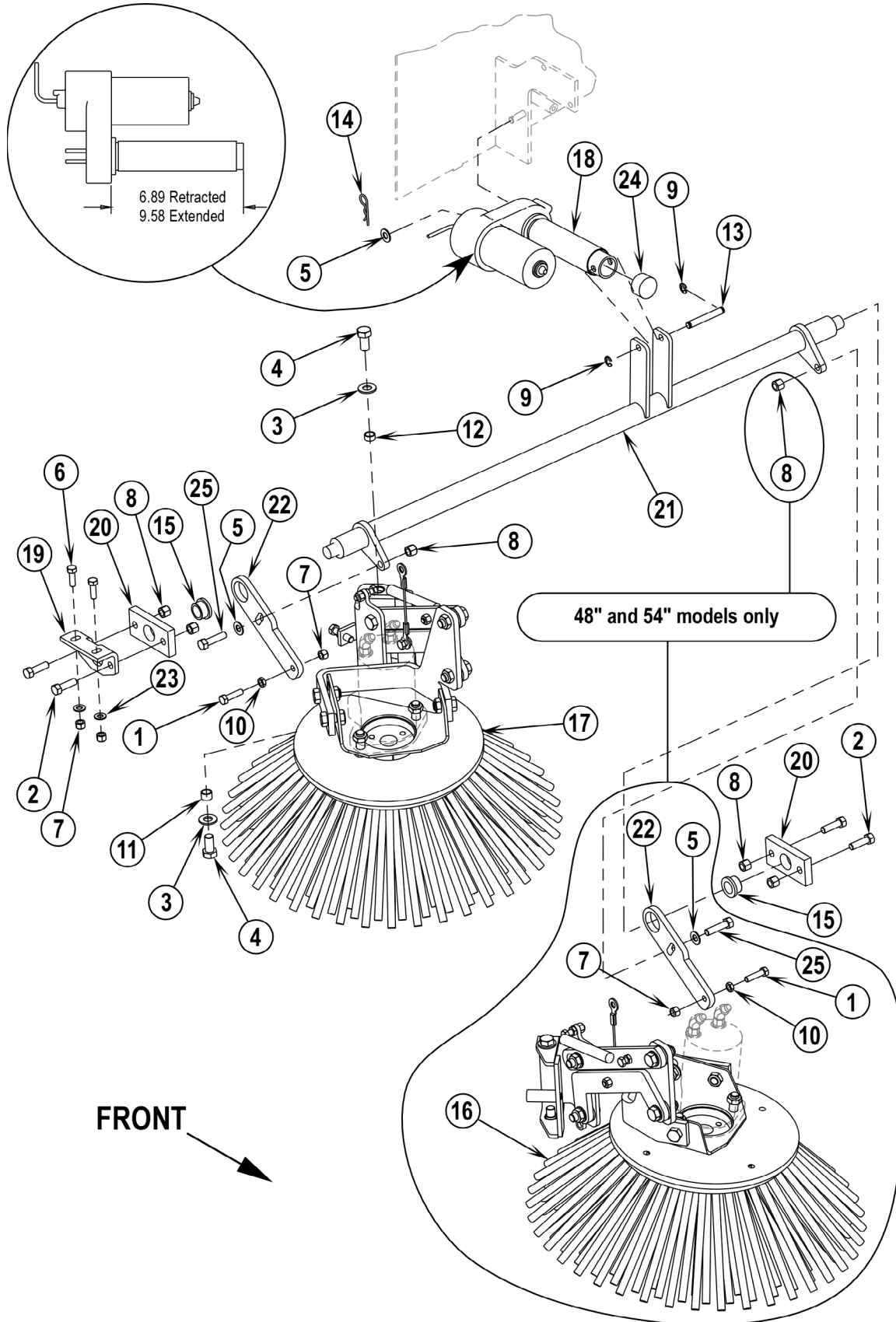
Item	Ref. No.	Qty	Description
	56304988	1	Side Skirt Right Assy
	56304998	1	Side Skirt Left Assy
1	56002491	2	Nut, Hex Nyl Loc SS 1/4-20
2	56001995	4	Scr, Hex Hd 1/2-13 x 1.75
3	56305253	2	Spring, Extension
4	56002770	4	Nut, Hex Nyl Loc 1/2-13
5	56002881	2	Scr, Hex Hd SS 3/8-16 x 1.25
6	56002897	2	Scr, Hex Hd SS 1/4-20 x 1.25
7	56002922	2	Scr, Hex Hd Loc 1/4-20 x .62
8	56003015	2	Nut, Hex Jam SS 3/8-16
9	56003145	2	Nut, Hex Jam SS 1/4-20
10	56009017	4	Wsh, Flt Harden .516 x .938 x .75
11	56009022	4	Wsh, Flt .754 x 1.250 x .120
12	56009054	9	Scr, Hex Type 23 1/4-20 x 1.00
13	56367206	4	Bushing
14	56305697	1	Side Blade Kit NOTE #2
15	56305879	1	Mount, Left Side Squeegee Weldment (56304998 Assy)
*	56305880	1	Mount, Right Side Squeegee Weldment (56304988 Assy)
16	56304999	1	Side Skirt Left Weldment (56304998 Assy)
*	56304989	1	Side Skirt Right Weldment (56304988 Assy)
17	56304586	4	Bearing .750 x .625 x .500
18	56304993	2	Arm Parallel Side Skirts
19	56304994	1	Strap Long Side Skirts
20	56304995	1	Strap Short Side Skirts
**	56305685	1	Neoprene Side Blade Kit NOTE #2

* = Not Shown

** = Optional

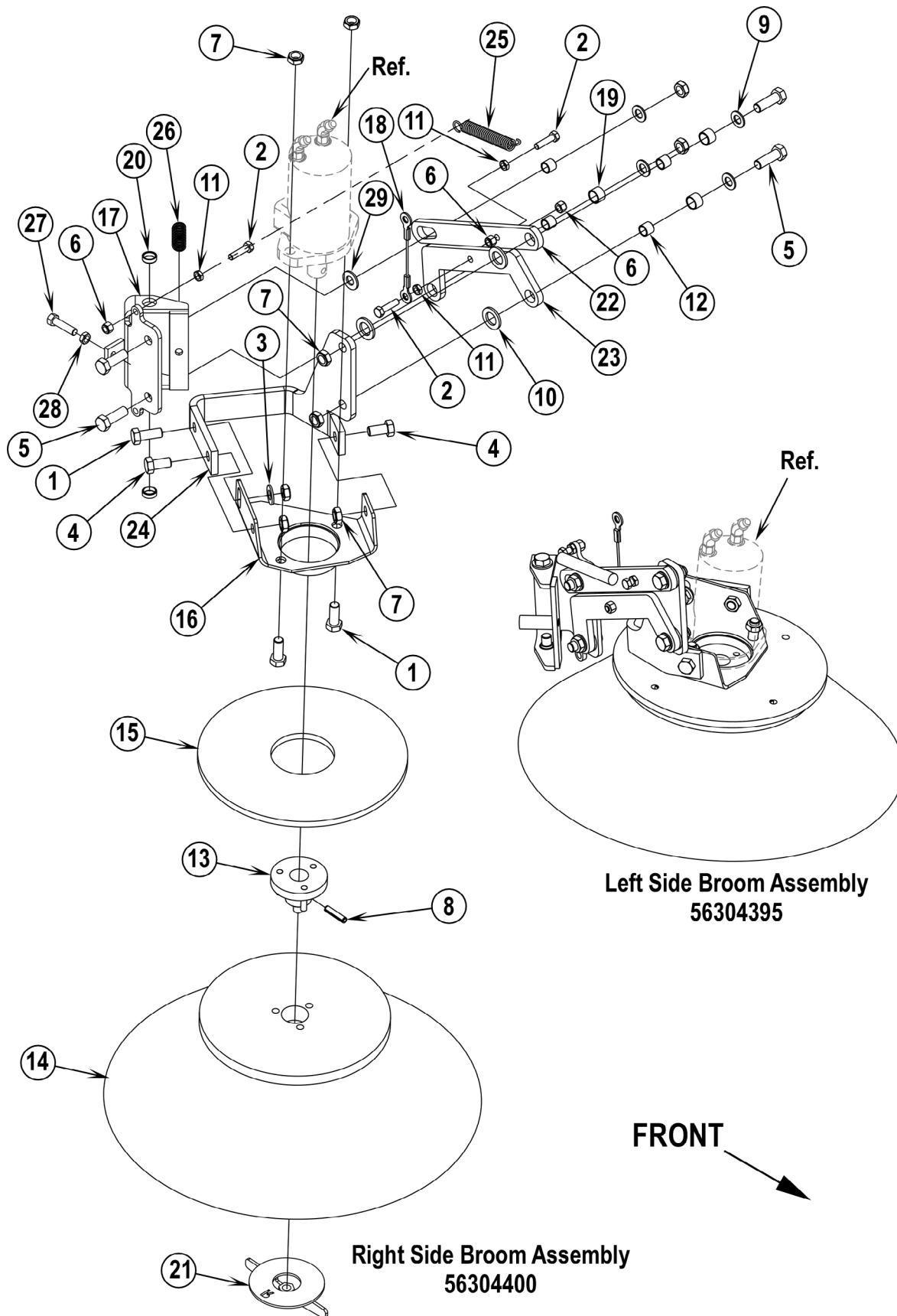
NOTE #1: All quantities are for ONE side skirt assembly only. There are two side skirt assemblies on the machine.

NOTE #2: Side Blade Kits contain ALL skirts needed for BOTH side skirt assemblies.



Item	Ref. No.	Qty	Description
1	56001834	2	Scr, Hex Hd 5/16-18 x 1.25
2	56001858	4	Scr, Hex Hd 3/8-16 x 1.25
3	56001879	4	Wsh, Flt SAE 1/2
4	56001895	4	Scr, Hex Hd 1/2-13 x 1.00
5	56002063	3	Wsh, Flt SAE 3/8
6	56002221	2	Scr, Hex Hd 5/16-18 x 1.00
7	56002701	4	Nut, Hex Nyl Loc 5/16-18
8	56002769	6	Nut, Hex Nyl Loc 3/8-16
9	56003262	2	Ring, Ret Ext Type E 0.38 Dia
10	56009086	2	Nut, Hex Jam 5/16-18
11	56360627	2	Bushing
12	56365030	2	Bushing .50 x .62 x .27
13	56412088	1	Pin
14	56003120	1	Pin, Cotter Hair .0915 x .375
15	56303071	2	Bearing, Flange
16	56304395	1	Left Side Broom Assy
17	56304400	1	Right Side Broom Assy
18	56305008	1	Actuator, Motor (M4)
19	56305080	1	Bracket, Side Broom Lift
20	56305091	2	Pillow Block
21	56305442	1	Lifter Shaft Weldment
22	56305470	2	Arm, Side Broom Lift NOTE #1
23	56001939	2	Wsh, Flt SAE 5/16
24	56305798	1	Foam Seal
25	56002095	2	Scr, Hex Hd 3/8-16 x 1.50

NOTE #1: The design of this part changed. It is a direct replacement for the previous design except that it requires item 25 and item 5. It should be replaced in a matched pair on 48" and 54" models.



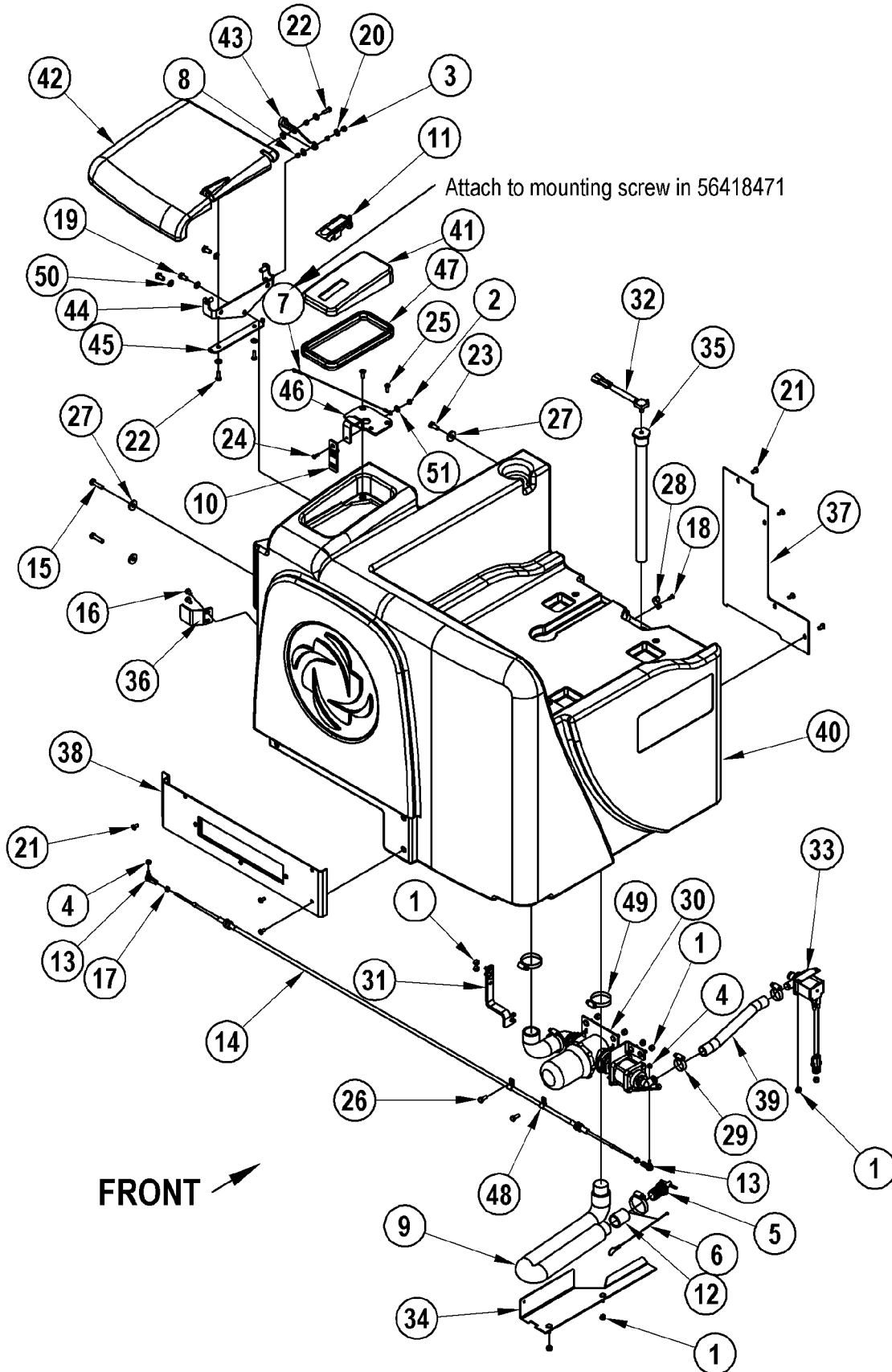
03-5	SIDE BROOM SYSTEM SUB-ASSEMBLIES			
08-5	Captor™ 4300, 4800, 5400			49

Item	Ref. No.	Qty	Description
	56304400	1	Right Side Broom Assy NOTE 2
	56304395	1	Left Side Broom Assy NOTE 2
1	56001831	3	Scr, Hex Hd 1/2-13 x 1.25
2	56001834	3	Scr, Hex Hd 5/16-18 x 1.25
3	56001879	1	Wsh, Flt SAE 1/2
4	56001895	2	Scr, Hex Hd 1/2-13 x 1.00
5	56001968	4	Scr, Hex Hd 1/2-13 x 1.50
6	56002701	3	Nut, Hex Nyl Loc 5/16-18
7	56002843	9	Nut, Hex Nyl Loc-Thin 1/2-13
8	56003494	1	Pin, Spr .31 x 1.38
9	56009017	4	Wsh, Flt Harden .516 x .938 x .75
10	56009022	3	Wsh, Flt .754 x 1.250 x .120
11	56009086	3	Nut, Hex Jam 5/16-18
12	56367206	4	Bushing
13	56418543	1	Right Hub Assy
	56305723	1	Left Hub Assy
14	56462252	1	Broom, Side
15	56304038	1	Guard, Side Broom
16	56304039	1	Motor Bracket Weldment (Right Side)
*	56304397	1	Motor Bracket Weldment (Left Side)
17	56304052	1	Side Broom Hinge Weldment
18	56304126	1	Cable Assy
19	56304586	3	Bearing .750 x .625 x .500
20	56304893	2	Bearing, Sleeve .625 x .750 x .250
21	56305731	1	Right Thumb Nut Weldment
	56305725	1	Left Thumb Nut Weldment
22	56305460	1	Arm, Side Broom
23	56305462	1	Arm, Side Broom, Lower
24	56305463	1	Bracket, Side Broom (Right Side)
*	56305461	1	Bracket, Side Broom (Left Side)
25	56448112	1	Spring Ext
26	56761327	1	Spring, Comp
27	56002747	1	Scr, Hex Thd to Hd 3/8-16 x 1.50
28	56009085	1	Nut, Hex Jam 3/8-16
29	56002022	1	Wsh, Flt SAE 5/8

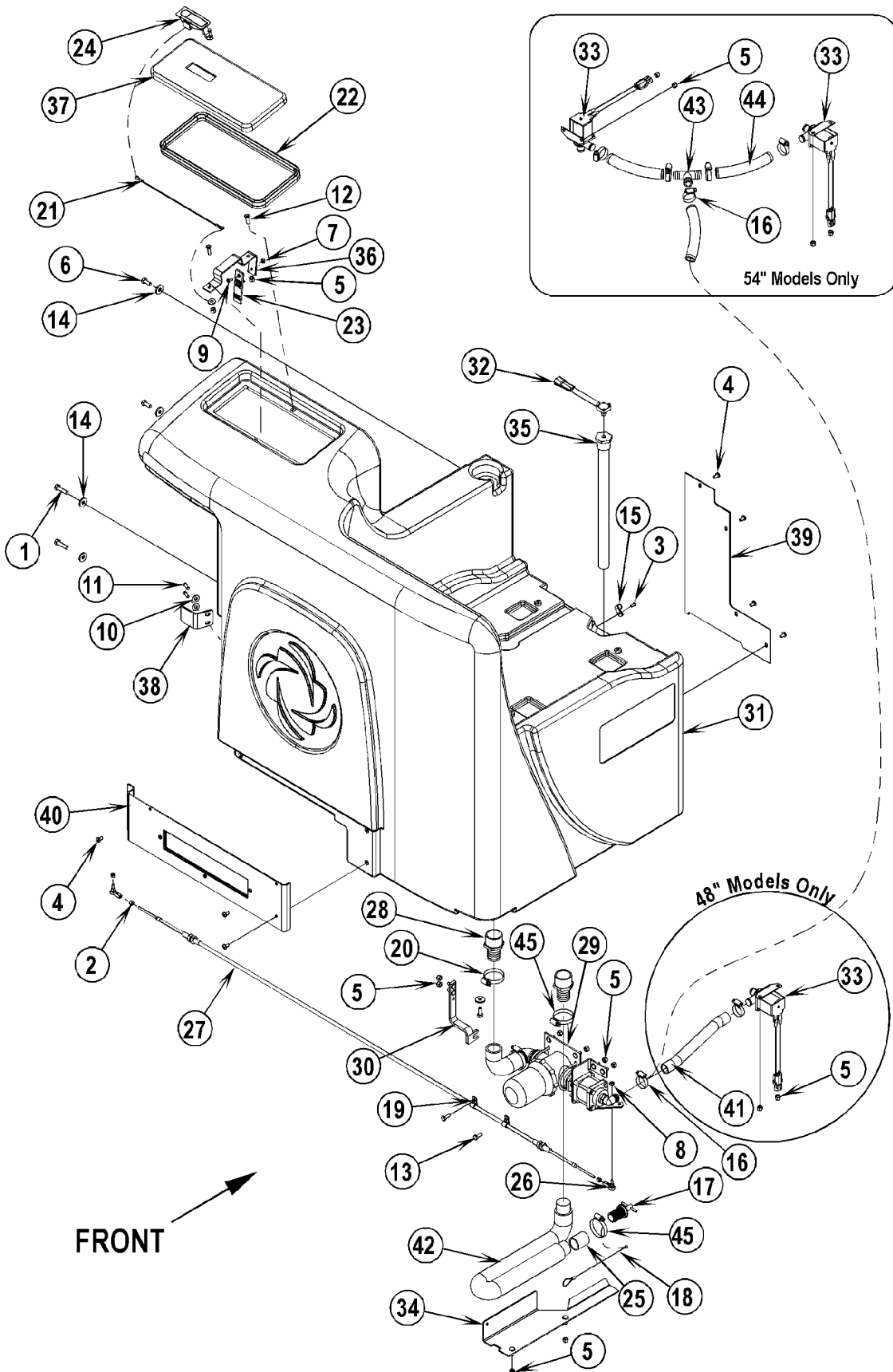
* = Not Shown

NOTE: All quantities are for ONE side broom assembly only. There are two side broom assemblies on 48" and 54" models.

NOTE 2: These side broom assembly part numbers do not include the motor. Hydraulic motor must be ordered separately, see Hydraulic System Parts List.

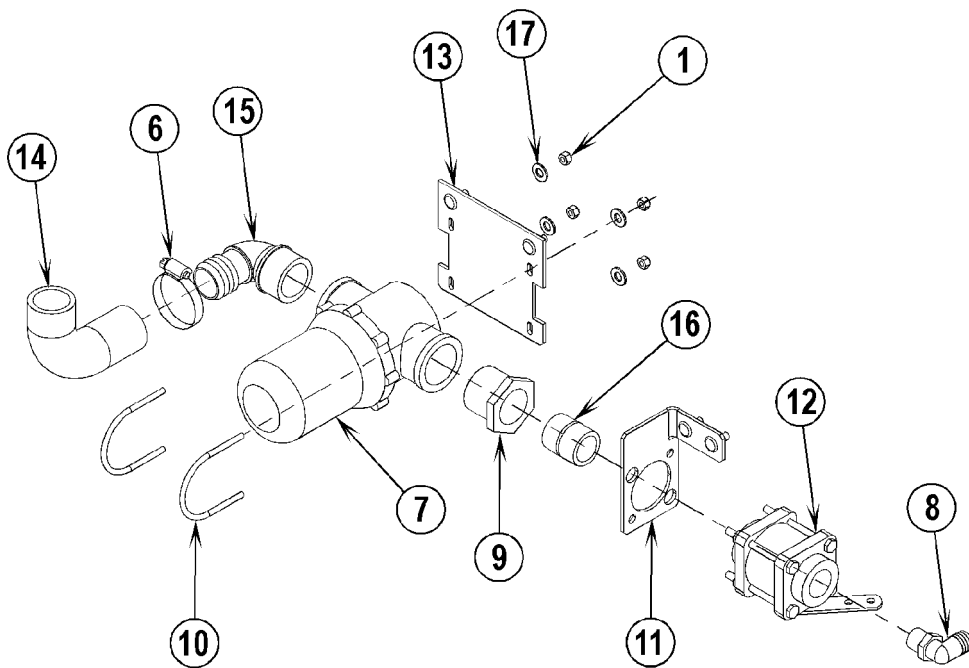
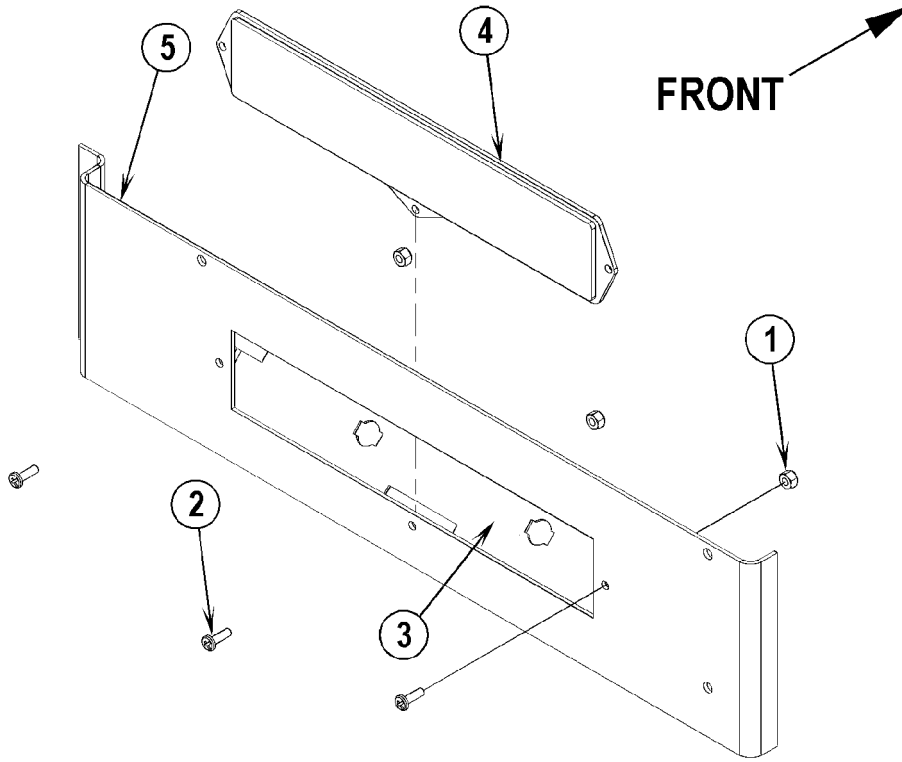


Item	Ref. No.	Qty	Description
1	56002491	10	Nut, Hex Nyl Loc SS 1/4-20
2	56002836	1	Nut, Hex Nyl Loc SS 10-24
3	56002840	1	Nut, Hex Nyl Loc-Thin 1/4-20
4	56002873	2	Nut, Hex Nyl Loc 10-32
5	56260098	1	Plug, T-Handle
6	56261378	1	Cork Strap
7	56330391	1	Wire Rope, 12 Inch
8	56379298	3	Bushing
9	56386035	1	Hose, Recovery Drain
10	56412309	1	Water Level Gauge
11	56418471	1	Door Latch
12	56459433	1	Sleeve, Hose End
13	56488290	2	Rod End
14	56488292	1	Cable
15	56001834	2	Scr, Hex Hd 5/16-18 x 1.25
16	56001854	2	Scr, Hex Hd 1/4-20 x .50
17	56001987	2	Nut, Hex Machine 10-32
18	56001993	1	Scr, Pan Phil 10-24 x .50
19	56002035	3	Scr, Hex Hd 5/16-18 x .62
20	56002098	6	Wsh, Flt SAE 1/4
21	56002145	7	Scr, Pan Phil 1/4-20 x .50
22	56002155	3	Scr, Hex Hd 1/4-20 x .75
23	56002667	1	Scr, Hex Hd 5/16-18 x .75
24	56002957	1	Scr, Pan Phil SS 1/4-20 x .75
25	56002969	2	Scr, Flt Phil SS 1/4-20 x .75
26	56009018	2	Scr, Hex Thd Form 1/4-20 x .75
27	56009057	3	Wsh, Flt Harden .344 x 1.000 x .120/.135
28	56172017	1	Clamp, P
29	56244969	2	Clamp, Hose SAE #12
30	56304272	1	Solution Filter Assy
31	56304681	1	Bracket, Cable
32	56305032	1	Switch, Pressure
33	56305103	1	Solenoid Valve Assy
34	56305195	1	Bracket, Sol. Drain
35	56305205	1	Tube Assy
36	56305226	1	Tab, Door
37	56305227	1	Cover
38	56305243	1	Rear Panel Assembly
39	56392833	1	Hose, Spiral .750 x 12.00
40	56305514	1	Tank, Solution 60 Gal
41	56305522	1	Cover, Solution Tank 60 Gal
42	56305666	1	Corner Cover
43	56305782	1	Lid Prop
44	56305952	1	Hinge Weldment
45	56305786	1	Retainer
46	56305802	1	Plate, Fill Valve
47	56305812	1	Trim Seal
48	56323260	2	Clamp, Hose Support
49	56329145	3	Clamp, Hose SAE #24
50	56001939	3	Wsh, Flt SAE 5/16
51	56002916	1	Wsh, Flt SAE SS #10



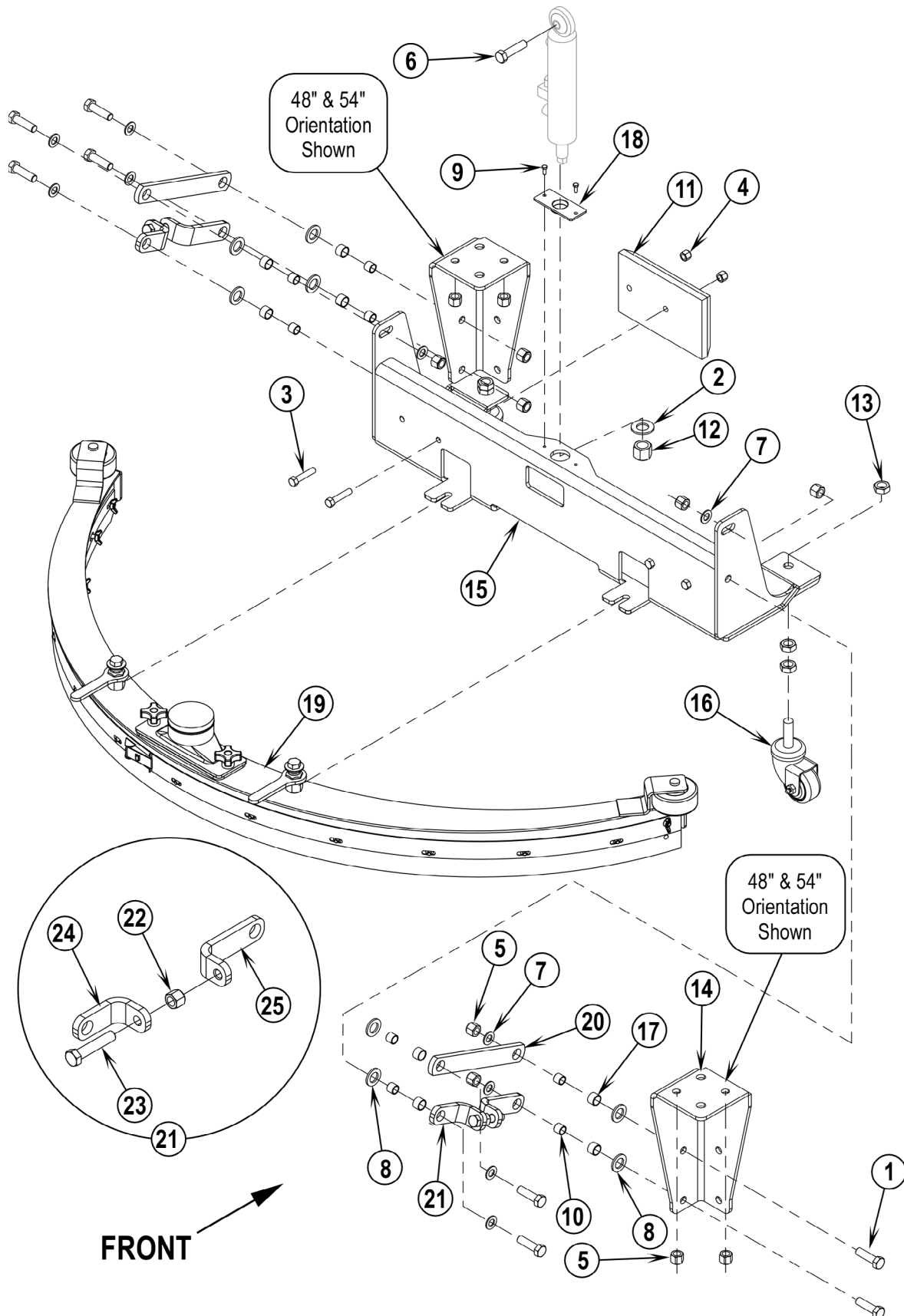
03-5	SOLUTION SYSTEM (48" & 54" MODELS)		
07-12	Captor™ 4300, 4800, 5400		53

Item	Ref. No.	Qty	Description
1	56001834	2	Scr, Hex Hd 5/16-18 x 1.25
2	56001987	2	Nut, Hex Machine 10-32
3	56001993	1	Scr, Pan Phil 10-24 x .50
4	56002145	7	Scr, Pan Phil 1/4-20 x .50
5	56002491	12	Nut, Hex Nyl Loc SS 1/4-20 (48" Models)
	56002491	14	Nut, Hex Nyl Loc SS 1/4-20 (54" Models)
6	56002667	2	Scr, Hex Hd 5/16-18 x .75
7	56002849	1	Nut, Hex Nyl Loc-Thin SS 10-24
8	56002873	2	Nut, Hex Nyl Loc 10-32
9	56002900	1	Scr, Pan Phil SS 10-24 x .50
10	56002914	3	Wsh, Flt Std SS 1/4
11	56003047	2	Scr, Hex Hd SS 1/4-20 x .62
12	56003074	2	Scr, Flt Phil SS 1/4-20 x 1.00
13	56009018	2	Scr, Hex Thd Form 1/4-20 x .75
14	56009122	4	Wsh, Flt .344 x .938 x .125
15	56172017	1	Clamp, P
16	56244969	2	Clamp, Hose SAE #12 (48" Models)
	56244969	6	Clamp, Hose SAE #12 (54" Models)
17	56260098	1	Plug, T-Handle
18	56261378	1	Cork Strap
19	56323260	2	Clamp, Hose Support
20	56329145	1	Clamp, Hose SAE #24
21	56330391	1	Wire Rope, 12 Inch
22	56407282	1	Gasket
23	56412309	1	Water Level Gauge
24	56418471	1	Door Latch
25	56459433	1	Sleeve, Hose End
26	56488290	2	Rod End
27	56488292	1	Cable
28	56900910	2	Barb, Adapter 1 1/4 X 1 1/4 NPT (only used before October 2003)
29	56304272	1	Solution Filter Assy
30	56304681	1	Bracket, Cable
31	56304834	1	Tank, Solution (75 Gal.) (gray)
	56306116	1	Tank, Solution (75 Gal.) (green/Advance model 56307251 only)
32	56305032	1	Switch, Pressure
33	56305103	1	Solenoid Valve Assy (48" Models)
	56305103	2	Solenoid Valve Assy (54" Models)
34	56305195	1	Bracket, Sol. Drain
35	56305205	1	Tube Assy
36	56305206	1	Plate, Latch
37	56305209	1	Cover, Solution Tank (gray)
	56306117	1	Cover, Solution Tank (green/Advance model 56307251 only)
38	56305226	1	Tab, Door
39	56305227	1	Cover (gray)
	56306109	1	Cover (green/Advance model 56307251 only)
40	56305243	1	Rear Panel Assy
	56380379	1	Rear Panel Assy (green/Advance model 56307251 only)
41	56392833	1	Hose, Spiral .750 x 12.00 (48" Models)
42	56305602	1	Hose, Flex Drain
43	56305761	1	Tee, Barb 3/4 x 3/4 x 3/4 (54" Models)
44	56305762	3	Hose, Spiral .75 x 6" (54" Models)
45	56131601	2	Clamp, Hose SAE #16

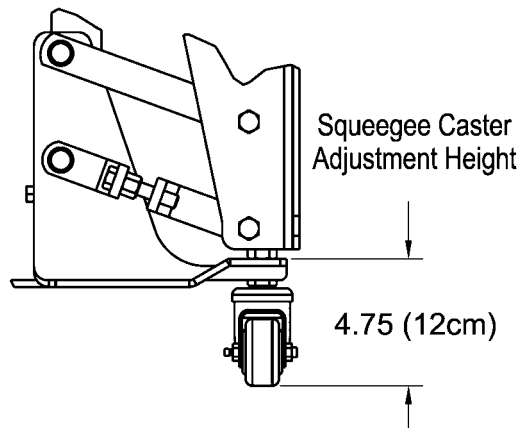
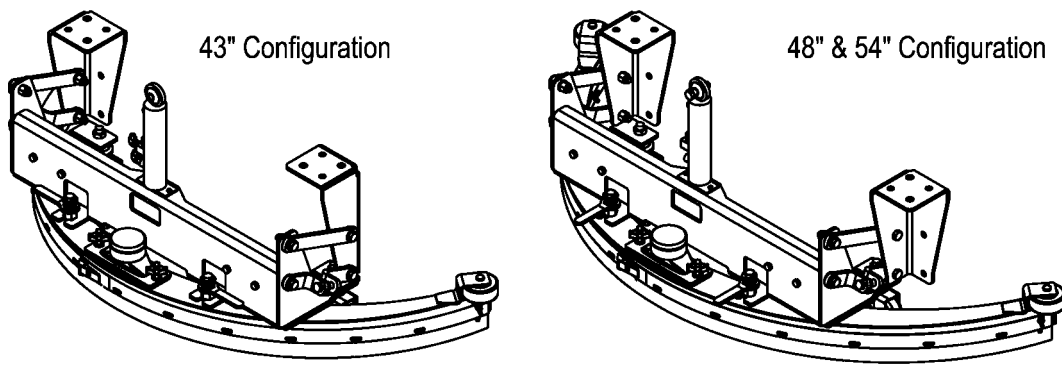


Item	Ref. No.	Qty	Description
	56305243	1	Rear Panel Assy (1-5)
	56304272	1	Solution Filter Assy (1 & 6-17)
1	56002768	7	Nut, Hex Nyl Loc 10-24
2	56009100	3	Scr, Pan Phil Thd Form-Blk 10-24 x .62
3	56016097	1	Decal, Reflective
4	56416418	1	Lens, Printed
5	56304706	1	Door Weldment, Rear (gray)
	56306111	1	Door Weldment, Rear (green/Advance model 56307251 only)
6	56329145	1	Clamp, Hose SAE #24
7	56456241	1	Strainer, In-Line
*	56455838	1	Nylon Strainer Bowl
8	56456802	1	Barb, 90 Elbow 11/16 x 3/4NPT
9	56459825	1	Bushing, Reducer
10	56459830	2	U-Bolt
11	56304260	1	Bracket
12	56304275	1	Valve Assy
13	56305114	1	Bracket, Filter
14	56305319	1	Hose, Radiator
15	56900913	1	Barb, Elbow Male
16	56900914	1	Nipple, Close PVC
17	56001954	4	Wsh, Flt SAE #10

* = Not Shown



Item	Ref. No.	Qty	Description
1	56001995	8	Scr, Hex Hd 1/2-13 x 1.75
2	56002141	1	Wsh, Flt SAE 3/4
3	56002684	4	Scr, Hex Hd 3/8-16 x 1.75
4	56002769	4	Nut, Hex Nyl Loc 3/8-16
5	56002770	12	Nut, Hex Nyl Loc 1/2-13
6	56002983	1	Scr, Hex Hd 1/2-13 x 2.00
7	56009017	10	Wsh, Flt Harden .516 x .938 x .75
8	56009022	8	Wsh, Flt .754 x 1.250 x .120
9	56009039	2	Scr, Hex Thd Form 10-24 x .50
10	56367206	8	Bushing
11	56453907	2	Weight Casting
12	56003212	1	Nut, Hex Nyl Loc SS 3/4-10
13	56003272	6	Nut, Hex Jam SS 5/8-11
14	56304157	2	Bracket Deck Tower Mount
15	56304172	1	Squeegee Mount Weld.
16	56304266	2	Wheel, Caster
17	56304586	8	Bearing .750 x .625 x .500
18	56304590	1	Plate, Guide
19	56304944	1	43 In. Squeegee Assy
	56304954	1	48 In. Squeegee Assy
	56305117	1	54 In. Squeegee Assy
20	56305467	2	Arm Parallel 7.5in
21	56305610	2	Arm, Adjustable Assy (22-25)
22	56002773	2	Nut, Hex Nyl Loc 1/2-20
23	56003672	2	Scr, Hex Thd To Hd 1/2-20 x 2.50 GRD 8
24	56305608	2	Arm, Adjustable
25	56305609	2	Arm, Adjustable Threaded



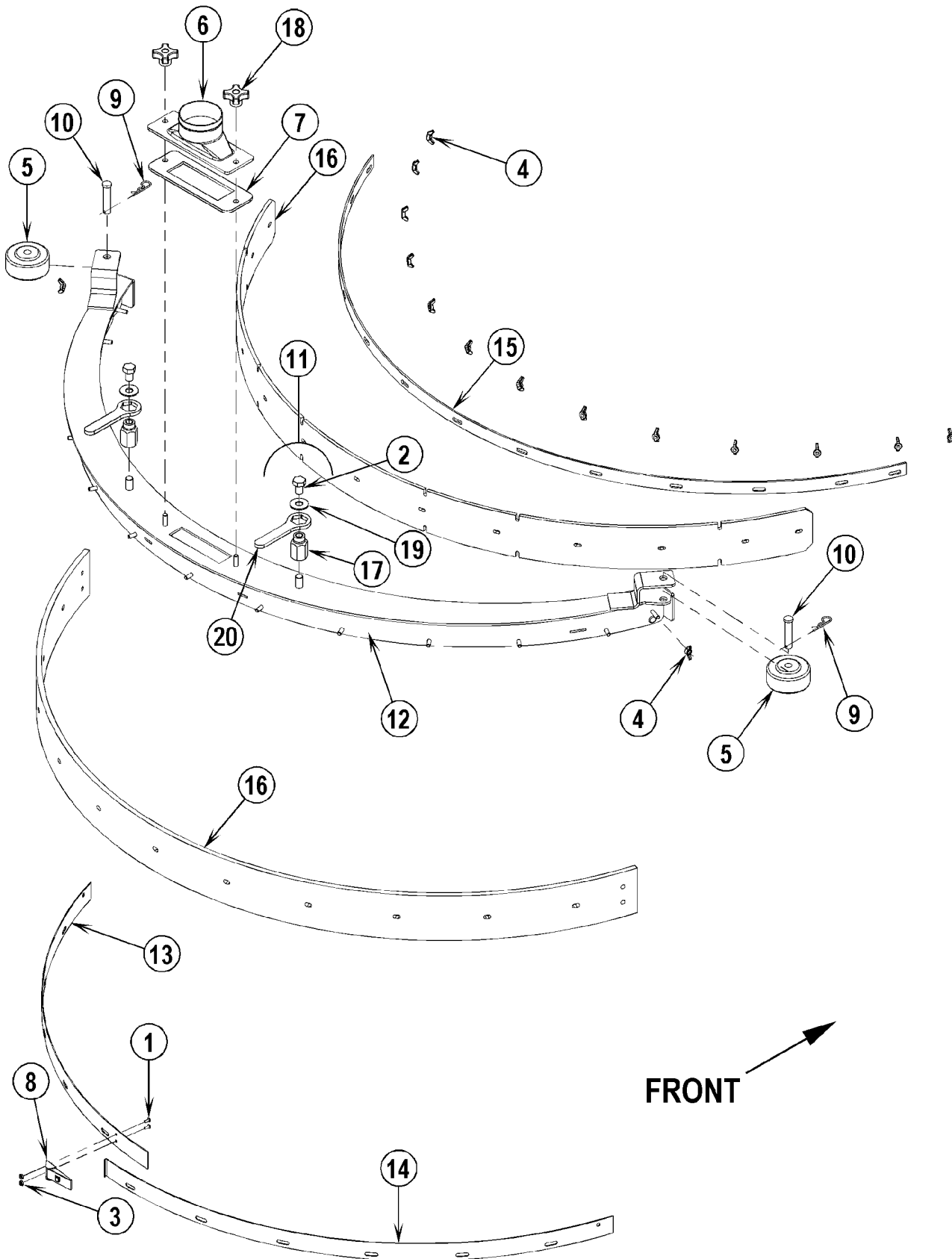
SQUEEGEE ASSEMBLY

03-5

58

Captor™ 4300, 4800, 5400

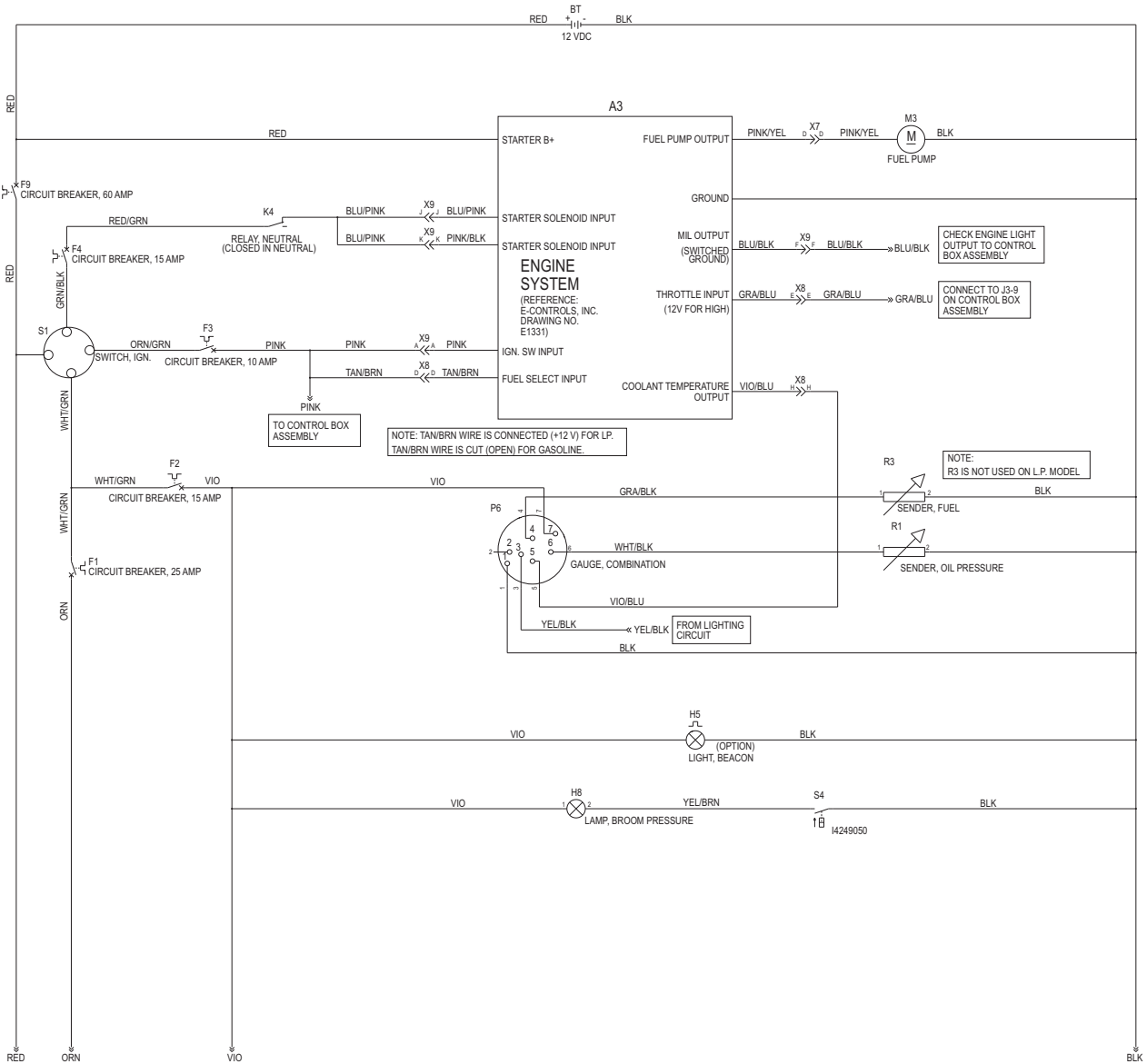
04-2



Item	Ref. No.	Qty	Description
	56304944	1	Squeegee Assy, 43"
	56304954	1	Squeegee Assy, 48"
	56305117	1	Squeegee Assy, 54"
1	56002909	2	Scr, Pan Phil SS 6-32 x .38
2	56003032	2	Scr, Hex Hd Loc 1/2-13 x .75
3	56002964	2	Nut, Hex Nyl Loc-Thin SS 6-32
4	56009048	15	Nut, Wing Loc 1/4-20
5	56386127	2	Wheel 3.00 x 1.25
6	56305373	1	Adapter, Squeegee
7	56459281	1	Gasket, Inlet
8	56471194	1	Latch Assembly
9	56003120	2	Pin, Cotter Hair .0915 x .375
10	56003620	2	Clevis Pin
11	56305616	2	Crank Assy (2, 17 & 19-20)
12	56304937	1	43 In. Squeegee Weld.
	56304953	1	48 In. Squeegee Weld.
	56305118	1	54 In. Squeegee Weld.
13	56305808	1	Strap, 43 In. Rear Left Blade
	56304962	1	Strap, 48 In. Rear Left Blade
	56305123	1	Strap, 54 In. Rear Left Blade
14	56305807	1	Strap, 43 In. Rear Right Blade
	56304963	1	Strap, 48 In. Rear Right Blade
	56305124	1	Strap, 54 In. Rear Right Blade
15	56305806	1	Strap, Front Blade 43"
	56304964	1	Strap, Front Blade 48"
	56305125	1	Strap, Front Blade 54"
16	56305695	1	Blade Kit, Squeegee Linatex 43 NOTE #1
	56305686	1	Blade Kit, Squeegee Linatex 48 NOTE #1
	56305696	1	Blade Kit, Squeegee Linatex 54 NOTE #1
17	56305615	2	Crank Hex
18	56407510	2	Knob, 5/16-18 Nyloc
19	56002024	2	Wsh, Flt STD 7/16
20	56305614	2	Crank Handle
**	56305693	1	Blade Kit, Squeegee Neoprene 43 NOTE #1
**	56305682	1	Blade Kit, Squeegee Neoprene 48 NOTE #1
**	56305694	1	Blade Kit, Squeegee Neoprene 54 NOTE #1
**	56307180	1	Blade Kit, Squeegee Polyurethane 43 NOTE #1
**	56307183	1	Blade Kit, Squeegee Polyurethane 48 NOTE #1
**	56307186	1	Blade Kit, Squeegee Polyurethane 54 NOTE #1

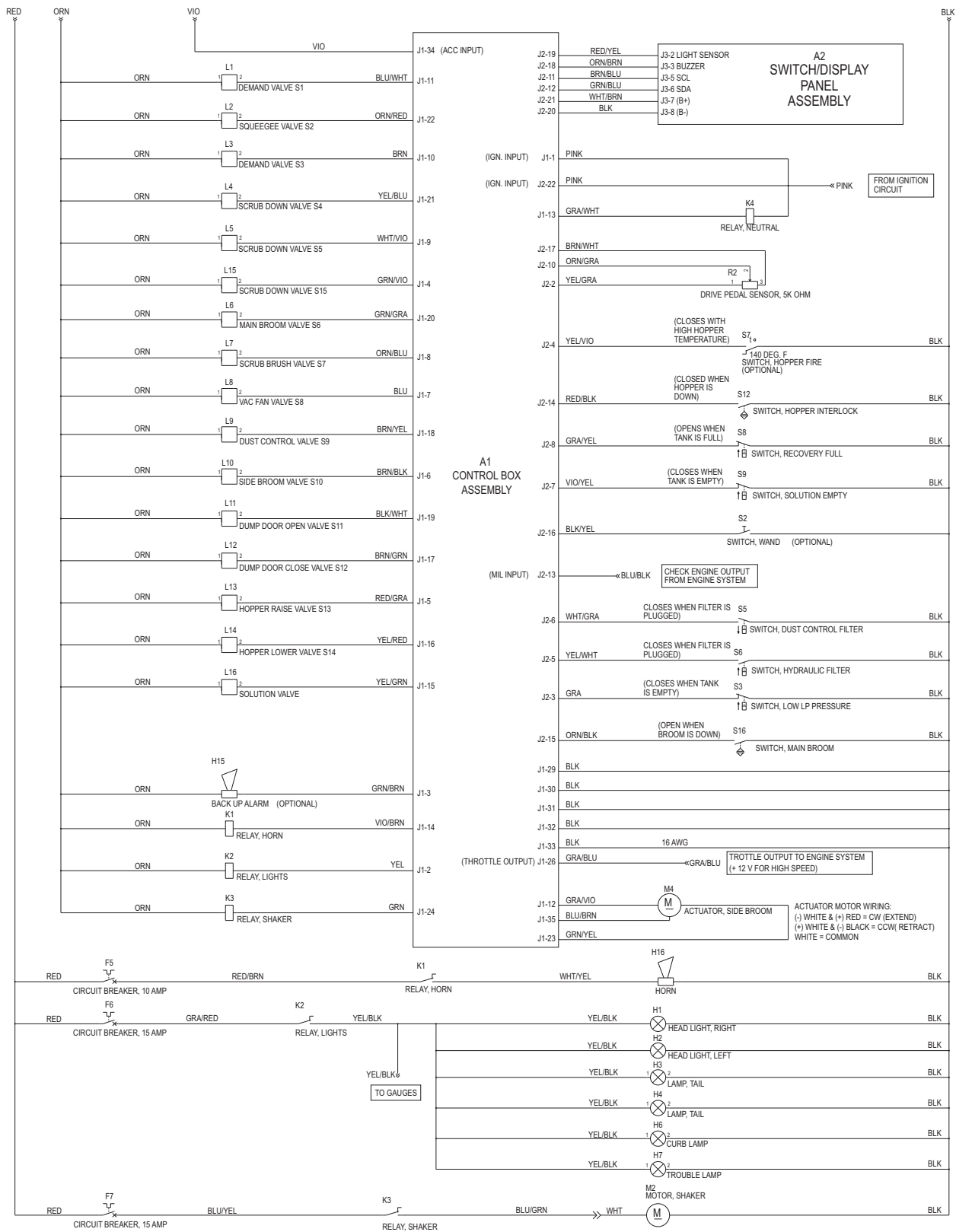
** = Optional

NOTE #1 All squeegee blade kits include both front and rear squeegee blades.



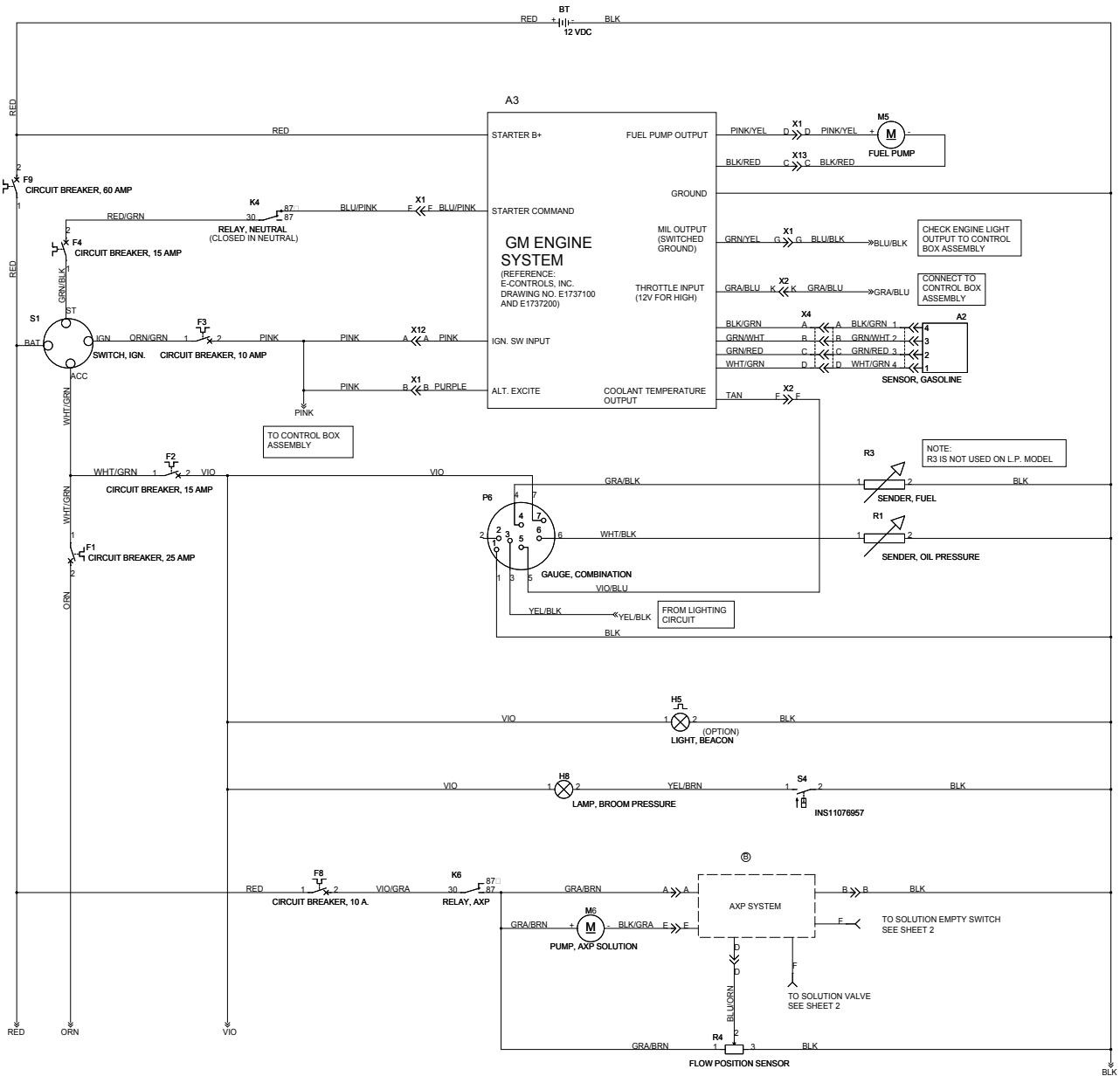
Item	Ref. No.	Qty	Description
A3		1	Engine System
BT	56380449	1	Battery
F1	56469788	1	Circuit Breaker, 25 Amp (ACC 1)
F2	56454538	1	Circuit Breaker, 15 Amp (ACC 2)
F3	56387316	1	Circuit Breaker, 10 Amp (IGN)
F4	56454538	1	Circuit Breaker, 15 Amp (ST)
F9	56263260	1	Circuit Breaker, 60 Amp (MAIN)
H8	56305660	1	Lamp, Broom Pressure
K4	56418387	1	Relay, Neutral (closed in neutral)
M3	56305062	1	Fuel Pump (Petrol)
P6	56304569	1	Gauge, Combination (Petrol)
	56304589	1	Gauge, Combination (LPG)
R1	56305619	1	Sender, Oil Pressure
R3	56455567	1	Sender, Fuel
S1	56418685	1	Switch, Ignition
*	56419123	1	Replacement Key
S4	56305618	1	Switch, Broom Pressure

* = Not Shown



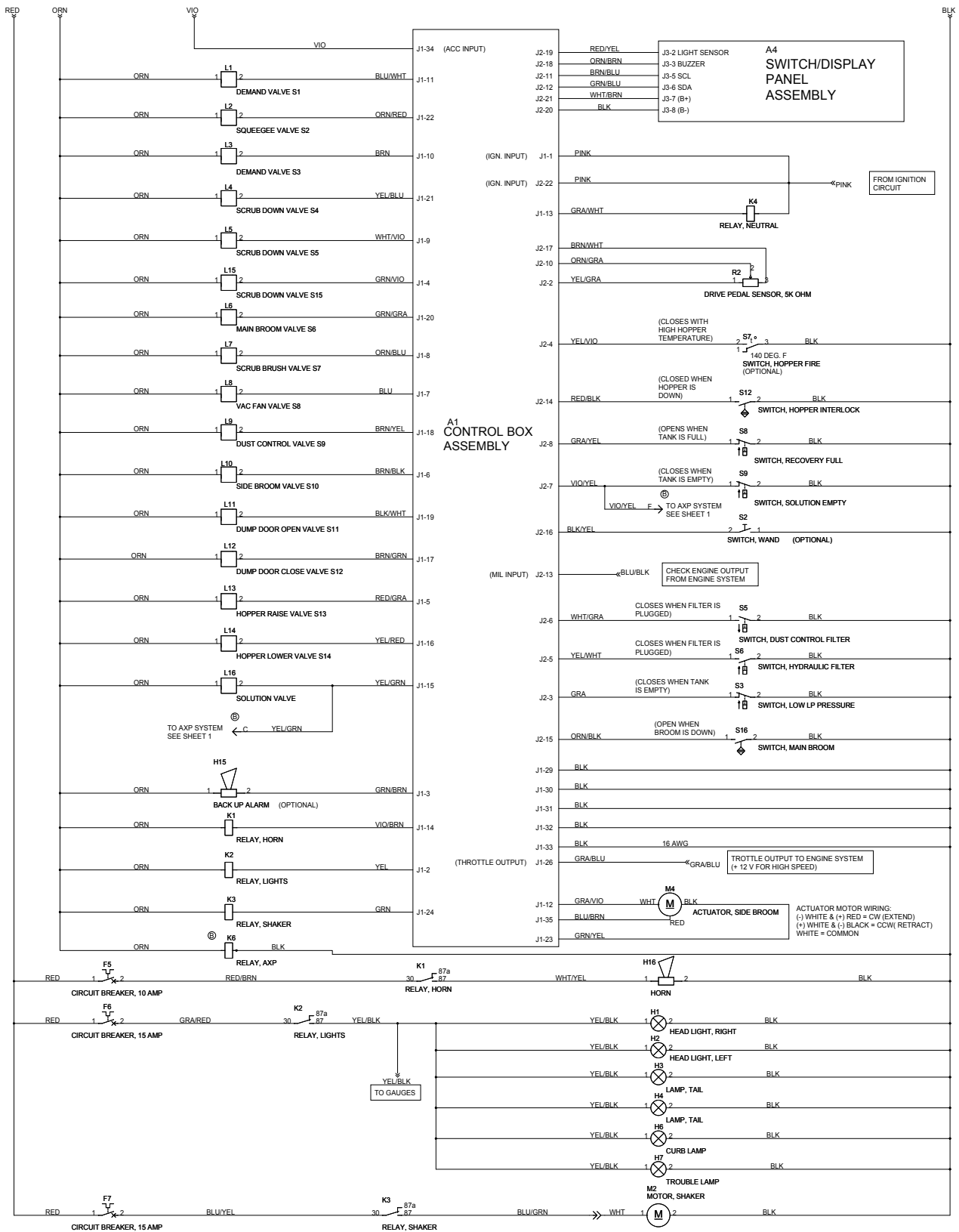
Item	Ref. No.	Qty	Description
A1	56305288	1	Control Box Assembly
A2	56305229	1	Panel Assy
F5	56387316	1	Circuit Breaker, 10 Amp (HORN)
F6	56454538	1	Circuit Breaker, 15 Amp (HEADLIGHTS)
F7	56454538	1	Circuit Breaker, 15 Amp (SHAKER)
H1	56304768	1	Headlight, Right
	56304783	A/R	Bulb, Light (for 56304768)
H2	56304768	1	Headlight, Left
	56304783	A/R	Bulb, Light (for 56304768)
H3	56305237	1	Lamp, Tail
H4	56305237	1	Lamp, Tail
H5	56305482	1	Light, Beacon (optional)
H6	56304768	1	Lamp, Curb (optional)
	56304783	A/R	Bulb, Light (for 56304768)
H7	56305627	1	Lamp, Trouble (optional)
H15	56409232	1	Back-Up Alarm (optional)
H16	56442054	1	Horn
K1	56418387	1	Relay, Horn
K2	56418387	1	Relay, Lights
K3	56418387	1	Relay, Shaker
K4	56418387	1	Relay, Neutral (closed in neutral)
L1	NA	1	Demand Valve, S1
L2	NA	1	Squeegee Valve, S2
L3	NA	1	Demand Valve, S3
L4	NA	1	Scrub Down Valve, S4
L5	NA	1	Scrub Down Valve, S5
L6	NA	1	Main Broom Valve, S6
L7	NA	1	Scrub Brush Valve, S7
L8	NA	1	Vac Fan Valve, S8
L9	NA	1	Dust Control Valve, S9
L10	NA	1	Side Broom Valve, S10
L11	NA	1	Dump Door Open Valve, S11
L12	NA	1	Dump Door Close Valve, S12
L13	NA	1	Hopper Raise Valve, S13
L14	NA	1	Hopper Lower Valve, S14
L15	NA	1	Scrub Down Valve, S15
L16	56305103	1	Solution Valve
M2	56508773	1	Shaker Motor NOTE 1
M4	56305008	1	Actuator, Side Broom
R2	56305129	1	Drive Pedal Sensor
S2	56209321	1	Switch, Wand (optional)
S3	56418381	1	Switch, Low LP Pressure
S5	56305518	1	Switch, Dust Control Filter (optional)
S6	56418994	1	Switch, Hydraulic Filter
S7	56418405	1	Switch, Hopper Fire (optional)
S8	56305977	1	Switch, Recovery Full TSBUS2005-875
S9	56305032	1	Switch, Solution Empty
S12	56305053	1	Switch, Hopper Interlock
S16	56305053	1	Switch, Main Broom

NOTE 1: Shaker Motor 56418389 is obsolete and replaced by Shaker Motor Kit 56508773.

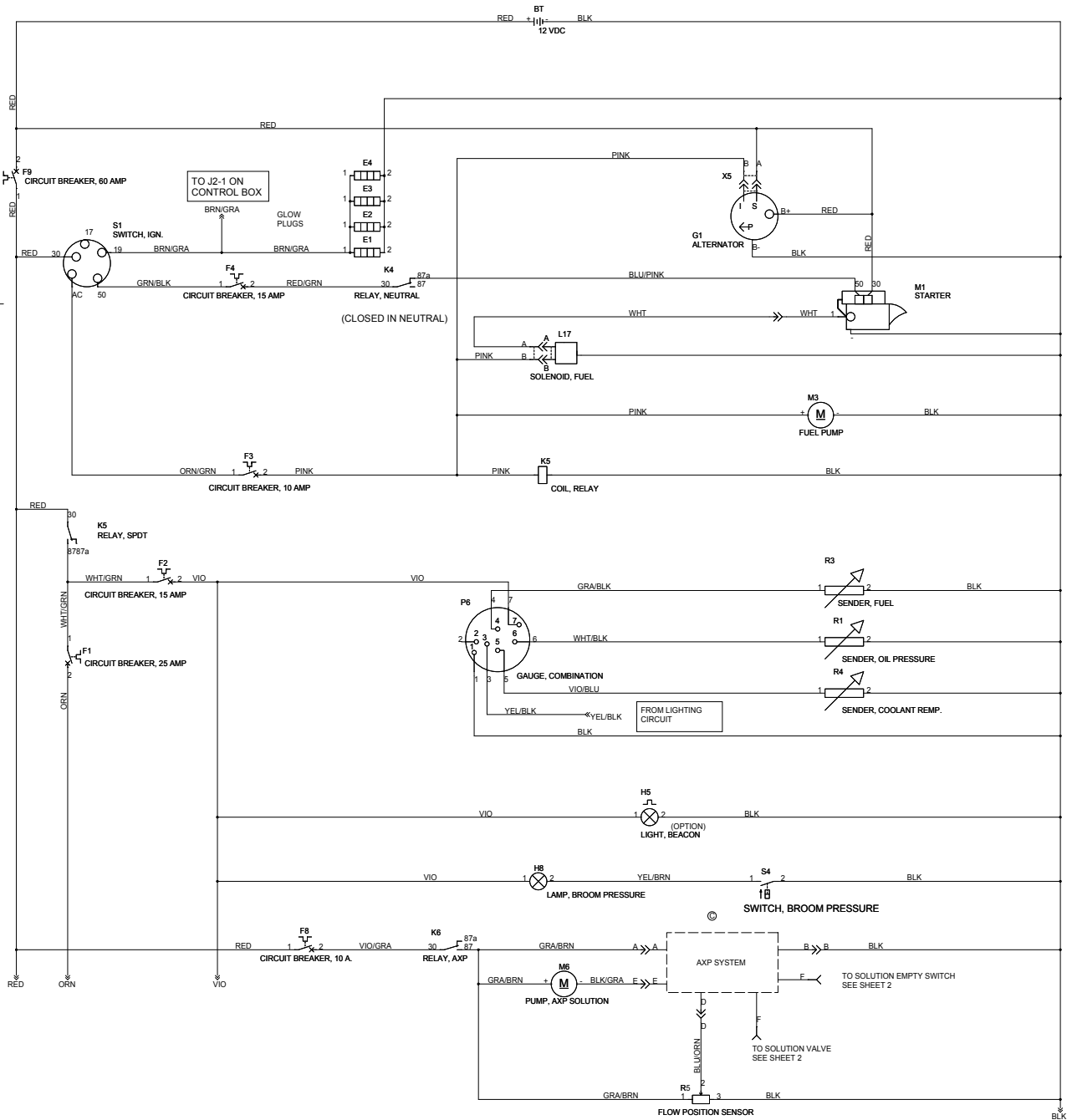


Item	Ref. No.	Qty	Description
A3		1	Engine System
BT	56380449	1	Battery
F1	56469788	1	Circuit Breaker, 25 Amp (ACC 1)
F2	56454538	1	Circuit Breaker, 15 Amp (ACC 2)
F3	56387316	1	Circuit Breaker, 10 Amp (IGN)
F4	56454538	1	Circuit Breaker, 15 Amp (ST)
F8	56387316	1	Circuit Breaker, 10A (AXP)
F9	56263260	1	Circuit Breaker, 60 Amp (MAIN)
H8	56305660	1	Lamp, Broom Pressure
K4	56418387	1	Relay, Neutral (closed in neutral)
K6	56418387	1	Relay, SPDT (AXP)
M5	56305062	1	Fuel Pump (Gasoline/Petrol)
M6	56306140	1	Pump Assy, 12VDC (AXP)
P6	56304569	1	Gauge, Combination (Gasoline/Petrol)
	56304589	1	Gauge, Combination (LPG)
R1	56305619	1	Sender, Oil Pressure
R3	56455567	1	Sender, Fuel
R4	56303313	1	Flow Position Sensor (AXP)
S1	56418685	1	Switch, Ignition
*	56419123	1	Replacement Key
	56315435	1	Switch, Starter, 3 Pos. (Advance model 56307251 only)
*	56508699	1	Replacement Key for 56315435 (Advance model 56307251 only)
S4	56305618	1	Switch, Broom Pressure

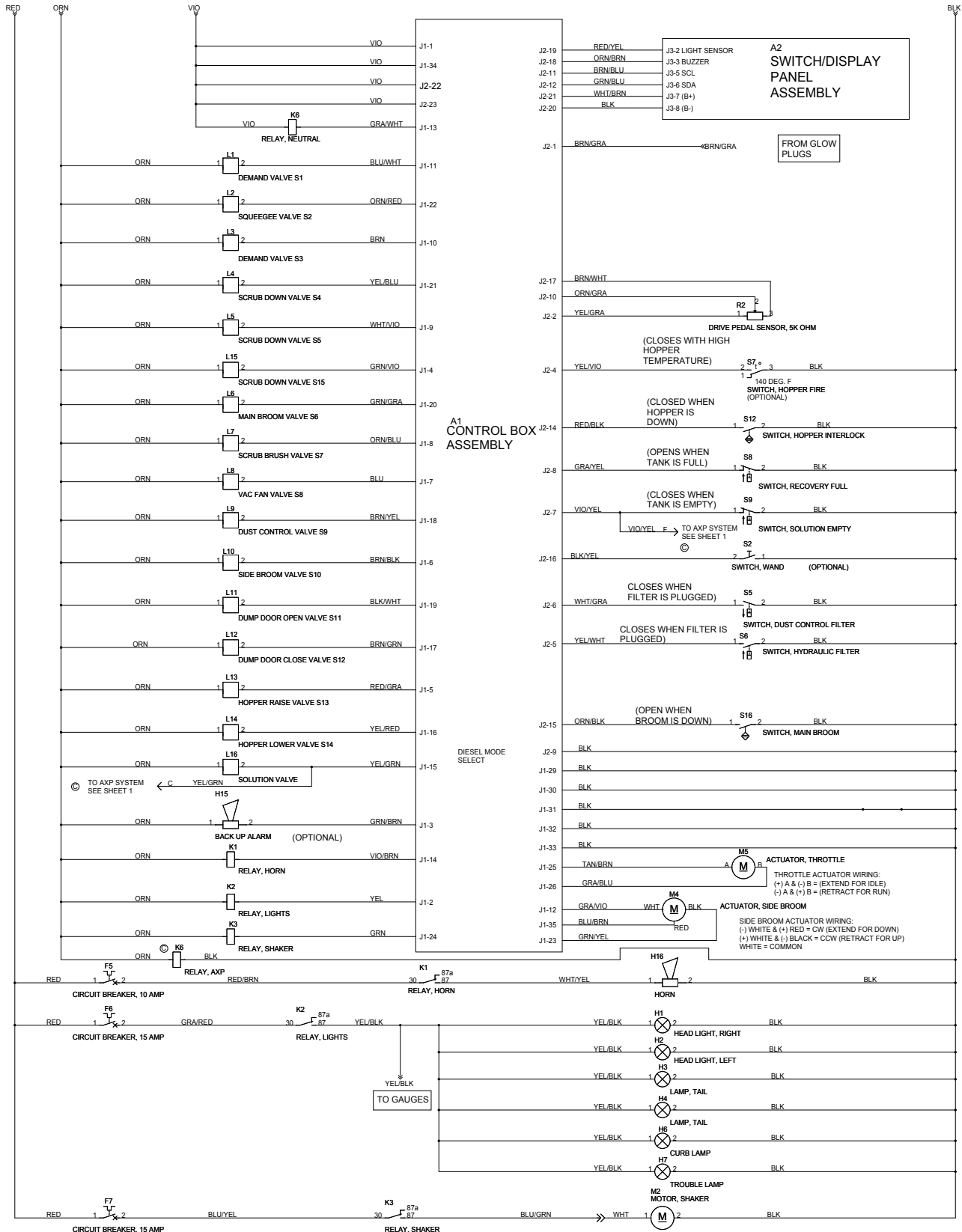
* = Not Shown



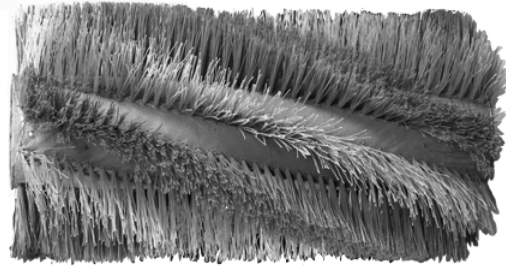
Item	Ref. No.	Qty	Description
A1	56305288	1	Control Box Assembly
A2	56305229	1	Panel Assy
F5	56387316	1	Circuit Breaker, 10 Amp (HORN)
F6	56454538	1	Circuit Breaker, 15 Amp (HEADLIGHTS)
F7	56454538	1	Circuit Breaker, 15 Amp (SHAKER)
H1	56304768	1	Headlight, Right
	56304783	A/R	Bulb, Light (for 56304768)
H2	56304768	1	Headlight, Left
	56304783	A/R	Bulb, Light (for 56304768)
H3	56305237	1	Lamp, Tail
H4	56305237	1	Lamp, Tail
H5	56305482	1	Light, Beacon (optional)
H6	56304768	1	Lamp, Curb (optional)
	56304783	A/R	Bulb, Light (for 56304768)
H7	56305627	1	Lamp, Trouble (optional)
H15	56409232	1	Back-Up Alarm (optional)
H16	56442054	1	Horn
K1	56418387	1	Relay, Horn
K2	56418387	1	Relay, Lights
K3	56418387	1	Relay, Shaker
K4	56418387	1	Relay, Neutral (closed in neutral)
L1	NA	1	Demand Valve, S1
L2	NA	1	Squeegee Valve, S2
L3	NA	1	Demand Valve, S3
L4	NA	1	Scrub Down Valve, S4
L5	NA	1	Scrub Down Valve, S5
L6	NA	1	Main Broom Valve, S6
L7	NA	1	Scrub Brush Valve, S7
L8	NA	1	Vac Fan Valve, S8
L9	NA	1	Dust Control Valve, S9
L10	NA	1	Side Broom Valve, S10
L11	NA	1	Dump Door Open Valve, S11
L12	NA	1	Dump Door Close Valve, S12
L13	NA	1	Hopper Raise Valve, S13
L14	NA	1	Hopper Lower Valve, S14
L15	NA	1	Scrub Down Valve, S15
L16	56305103	1	Solution Valve
M2	56508664	1	Shaker Motor
M4	56305008	1	Actuator, Side Broom
R2	56305129	1	Drive Pedal Sensor
S2	56209321	1	Switch, Wand (optional)
S3	56418381	1	Switch, Low LP Pressure
S5	56305518	1	Switch, Dust Control Filter (optional)
S6	56418994	1	Switch, Hydraulic Filter
S7	56418405	1	Switch, Hopper Fire (optional)
S8	56305977	1	Switch, Recovery Full
S9	56305032	1	Switch, Solution Empty
S12	56305053	1	Switch, Hopper Interlock
S16	56305053	1	Switch, Main Broom



Item	Ref. No.	Qty	Description
BT	56491902	1	Battery
E1	NA	1	Glow Plug
E2	NA	1	Glow Plug
E3	NA	1	Glow Plug
E4	NA	1	Glow Plug
F1	56469788	1	Circuit Breaker, 25 Amp (ACC 1)
F2	56454538	1	Circuit Breaker, 15 Amp (ACC 2)
F3	56387316	1	Circuit Breaker, 10 Amp (IGN)
F4	56454538	1	Circuit Breaker, 15 Amp (ST)
F8	56387316	1	Circuit Breaker, 10A (AXP)
F9	56263260	1	Circuit Breaker, 60 Amp (MAIN)
G1	56305867	1	Alternator
H5	56305482	1	Light, Beacon (optional)
H8	56305660	1	Lamp, Broom Pressure
K4	56418387	1	Relay, Neutral (closed in neutral)
K5	56418387	1	Relay, Accessory
K6	56418387	1	Relay, SPDT (AXP)
L17	56419446	1	Fuel Solenoid
M1	56419089	1	Starter Motor
M3	56418793	1	Fuel Pump
M6	56306140	1	Pump Assy, 12VDC (AXP)
P6	56304569	1	Gauge, Combination
R1	56305619	1	Sender, Oil Pressure
R3	56455567	1	Sender, Fuel
R4	56305873	1	Sender, Coolant Temp
R5	56303313	1	Flow Position Sensor (AXP)
S1	56497754	1	Switch, Ignition
S4	56305618	1	Switch, Broom Pressure



Item	Ref. No.	Qty	Description
A1	56305288	1	Control Box Assembly
A2	56305229	1	Panel Assy
F5	56387316	1	Circuit Breaker, 10 Amp (HORN)
F6	56454538	1	Circuit Breaker, 15 Amp (HEADLIGHTS)
F7	56454538	1	Circuit Breaker, 15 Amp (SHAKER)
H1	56304768	1	Headlight, Right
	56304783	A/R	Bulb, Light (for 56304768)
H2	56304768	1	Headlight, Left
	56304783	A/R	Bulb, Light (for 56304768)
H3	56305237	1	Lamp, Tail
H4	56305237	1	Lamp, Tail
H6	56304768	1	Lamp, Curb (optional)
	56304783	A/R	Bulb, Light (for 56304768)
H7	56305627	1	Lamp, Trouble (optional)
H15	56409232	1	Back-Up Alarm (optional)
H16	56442054	1	Horn
K1	56418387	1	Relay, Horn
K2	56418387	1	Relay, Lights
K3	56418387	1	Relay, Shaker
K4	56418387	1	Relay, Neutral (closed in neutral)
L1	NA	1	Demand Valve, S1
L2	NA	1	Squeegee Valve, S2
L3	NA	1	Demand Valve, S3
L4	NA	1	Scrub Down Valve, S4
L5	NA	1	Scrub Down Valve, S5
L6	NA	1	Main Broom Valve, S6
L7	NA	1	Scrub Brush Valve, S7
L8	NA	1	Vac Fan Valve, S8
L9	NA	1	Dust Control Valve, S9
L10	NA	1	Side Broom Valve, S10
L11	NA	1	Dump Door Open Valve, S11
L12	NA	1	Dump Door Close Valve, S12
L13	NA	1	Hopper Raise Valve, S13
L14	NA	1	Hopper Lower Valve, S14
L15	NA	1	Scrub Down Valve, S15
L16	56305103	1	Solution Valve
M2	56508664	1	Shaker Motor
M4	56305008	1	Actuator, Side Broom
M5	56304348	1	Actuator, Throttle
R2	56305129	1	Drive Pedal Sensor
S2	56209321	1	Switch, Wand (optional)
S5	56305518	1	Switch, Dust Control Filter (optional)
S6	56418994	1	Switch, Hydraulic Filter
S7	56418405	1	Switch, Hopper Fire (optional)
S8	56305977	1	Switch, Recovery Full TSBUS2005-875
S9	56305032	1	Switch, Solution Empty
S12	56305053	1	Switch, Hopper Interlock
S16	56305053	1	Switch, Main Broom



8 Double Row

Length.....40" (101.6 cm)
Diameter.....14" (35.56 cm)

Main Broom: PN56505955 Proex & Wire (STD.) (8 Double Rows)
This broom has a more aggressive cleaning action, used to pick up heavier debris.

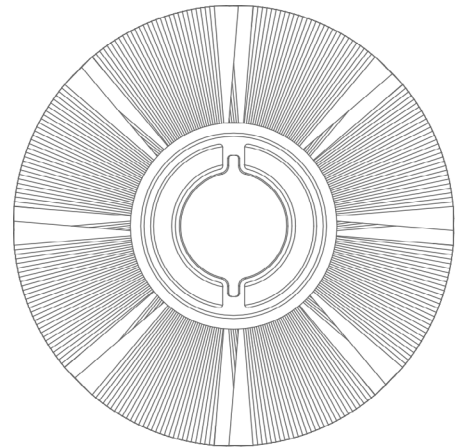
PN56505956 Prolene (Optional) (8 D-Rows)
A top quality synthetic fiber. This filament is made for a wide variety of applications. Retains its stiffness when wet and resists abrasive chemicals, solvents and oils. A general purpose material offering high performance for a wide range of applications.

PN56505953 Nylon (Optional) (8 D-Rows)
General purpose broom that can be used for all types of light soil. High wear material so uneven surfaces do not cause excessive wear. Nylon has a high heat deflection temperature, is chemical resistant and will absorb water in wet conditions. Truly a general purpose broom.

PN56505952 Proex (Optional) (12 Double Rows)
PN56505954 Proex (Optional) (8 Double Rows)
Synthetic fiber made of polypropylene designed to pick up paper, gravel, sand and other lighter less bulky litter.

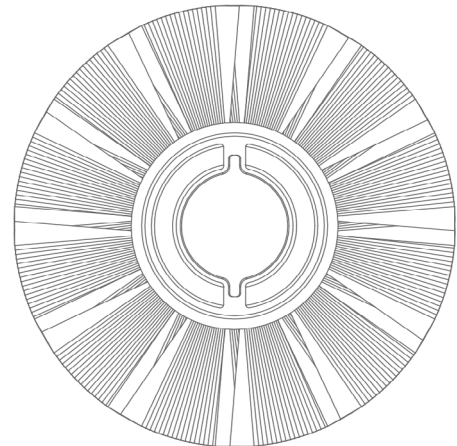
PN56505951 Poly/Wire (Optional) (8 Double Rows)

Side Broom: PN56462252 Polypropylene (STD.)
The side broom function is to sweep the dirt and debris away from the curb, wall, pallet, etc. into the path of the main broom.



12 Double Row

Length.....40" (101.6 cm)
Diameter.....14" (35.56 cm)



Diameter.....20" (50.8 cm)

03-5	BRUSH SELECTOR GUIDE			
07-12	Captor™ 4300, 4800, 5400			73

We provide brushes and pad holders that will give you the best possible performance between machine and floor. Following are descriptions of the materials and their applications when used on the CR .

- Union Mix:** Medium grade natural fibers for polishing finished floors with standard-speed equipment. Recommended for use in place of white pads.
- ProLite:** Bristles are made from light-duty polypropylene for general scrubbing when you do not want to scratch or remove finish from the floor. Recommended for use in place of red pads.
- Prolene:** Polypropylene material for medium-duty scrubbing on concrete, terrazzo and vinyl floor tile. Recommended for use in place of green or blue pads.
- Magna Grit:** For extreme heavy-duty scrubbing or stripping of floors. This brush has extra large diameter silicon carbide grit impregnated synthetic bristles. Recommended for use in place of black pads.
- Dyna Grit:** For aggressive, heavy-duty scrubbing or stripping of floors. Recommended for use in place of brown pads.
- MidLite Grit:** For general purpose scrubbing of sealed or unsealed concrete, stone, terrazzo, quarry tile and other resilient hard floor surfaces. Recommended for use in place of green or blue pads.
- MidGrit:** For general purpose scrubbing when you need a lighter action for sealed or unsealed concrete, stone, terrazzo, quarry tile and other resilient hard floor surfaces. Recommended for use in place of green or blue pads.
- AgLite Grit:** For light scrubbing when used wet; buffing or polishing when used dry on urethane coated, sealed concrete or other resilient hard surface floors. Recommended for use in place of red or white pads.
- Short Trim Pad Holder:** Made with a structural foam block and center ring for correct pad centering. It has a "shower feed" design for getting solution to the floor.

43" BRUSHES

- 56505946 - Union Mix
- 56505944 - Prolene
- 56505942 - Dyna Grit
- 56505947 - MidGrit
- 56505940 - Short Trim Pad Holder
- 56505195 - Pad Retainer for 56505940
- 56505945 - ProLite
- 56505941 - Magna Grit
- 56505948 - MidLite Grit (std)
- 56505943 - AgLite Grit

48" BRUSHES

- 56505786 - Union Mix
- 56505784 - Prolene
- 56505782 - Dyna Grit
- 56505787 - MidGrit
- 56505780 - Short Trim Pad Holder
- 56505195 - Pad Retainer for 56505780
- 56505785 - ProLite
- 56505781 - Magna Grit
- 56505788 - MidLite Grit (std)
- 56505783 - AgLite Grit

54" BRUSHES

- 56505806 - Union Mix
- 56505804 - Prolene
- 56505802 - Dyna Grit
- 56505807 - MidGrit
- 56505800 - Short Trim Pad Holder
- 56505195 - Pad Retainer for 56505800
- 56505805 - ProLite
- 56505801 - Magna Grit
- 56505808 - MidLite Grit (std)
- 56505803 - AgLite Grit

DISC BRUSH APPLICATION GUIDE (SUGGESTION ONLY)

Application	46 Grit	80 Grit	180 Grit	240 Grit	500 Grit	Prolene	ProLite	Union Mix
Stripping:								
Concrete	X	X						
Terrazzo	X	X						
Ceramic/Quarry tile		X						
Vinyl tile		X						
General Scrubbing:								
Concrete	X	X	X	X		X		
Terrazzo			X	X	X	X		
Ceramic/Quarry tile			X	X	X	X		
Marble					X		X	
Vinyl tile			X		X	X		
Raised-rubber tile					X		X	
Polishing:								
Raised Disc Tile								X
Marble								X
Vinyl tile								X



Advance

14600 21st Avenue North
Plymouth, MN 55447-3408

www.advance-us.com

Phone: 800-989-2235

Fax: 800-989-6566

©2010 Nilfisk-Advance, Inc.

A Nilfisk-Advance Brand