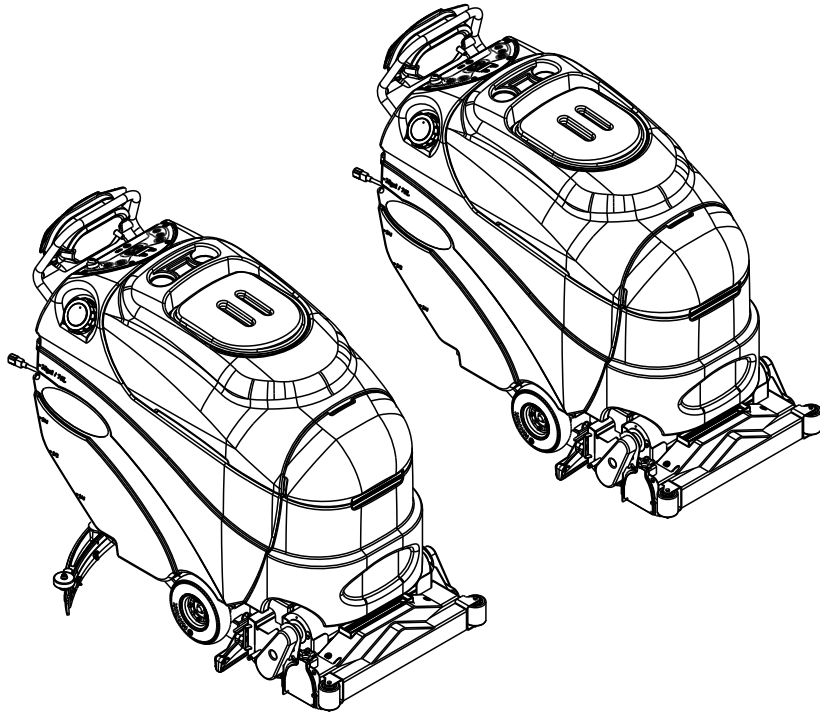


# AquaPLUS™, AquaPLUS™ AXP

## Adphibian™



### Parts List

Advance Models: 56317000, 56317001, 56317002

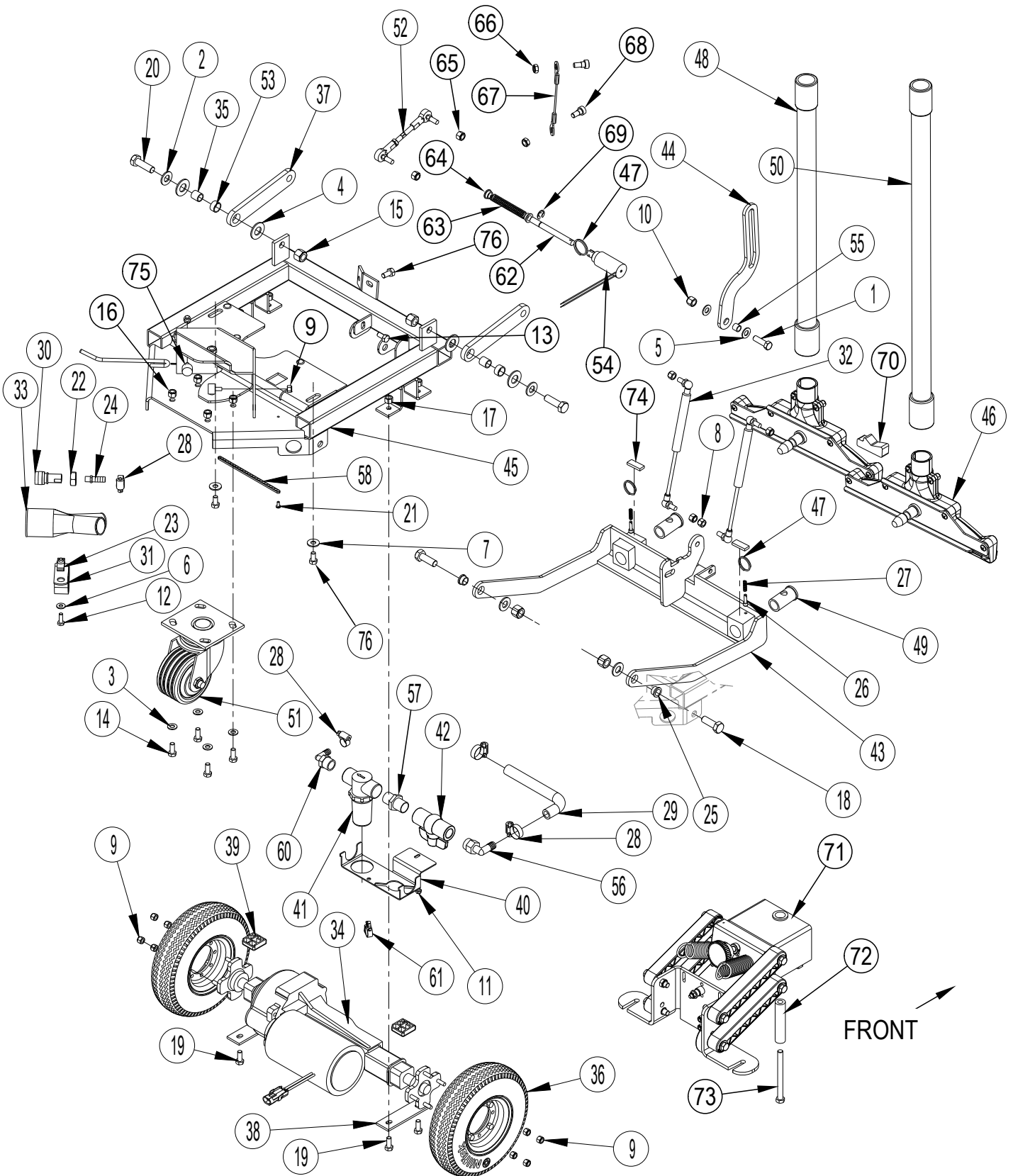


<u>DESCRIPTION</u>	<u>PAGE</u>
Chassis System .....	2-3
Chassis System-Squeegee Linkage Assy .....	4-5
Decal System.....	6-7
Recovery System.....	8-9
Scrub System .....	10-11
Solution System-Electrical-1 .....	12-13
Solution System-Electrical-2.....	14-15
Chemical Assy-AXP Models Only .....	16-17
Paddle Assy .....	18-19
Squeegee Assy-Adphibian.....	20-21
Wiring Diagram .....	22-23
Optional Kits & Accessories.....	24
Brush Selector Guide.....	25
Squeegee Blade Selector Guide .....	26

**WHEN ORDERING PARTS**

- \* Use the part numbers from the "Ref. No." columns in this parts list.
- \* Specify the model and serial number of the machine.
- \* Use the space below to record the model and serial number for future reference.

Model \_\_\_\_\_ Serial No. \_\_\_\_\_



Item	Ref. No.	Qty	Description	Item	Ref. No.	Qty	Description
1	56001858	1	Scr, Hex 3/8-16 x 1.25	41	56315296	1	Solution Filter
2	56001879	4	Wsh, Flt SAE 1/2	42	56381475	1	Ball Valve NOTE 5
3	56001939	4	Wsh, Flt SAE 5/16	43	56317029	1	Shoe Support Weld't
4	56002022	4	Wsh, Flt SAE 5/8	44	56317035	1	Link, Lift
5	56002063	2	Wsh, Flt SAE 3/8	45	56317039	1	Chassis Weldt
6	56002098	1	Wsh, Flt SAE 1/4	46	56317041	2	Shoe Assembly TSBUS2008-999
7	56002220	2	Wsh, Flt STD 5/16	[ ]#	56317097	2	Replacement Shoe (for 56317041)
8	56002701	4	Nut, Hex Nyl Loc 5/16-18	[ ]#	56317063	2	Shoe Bracket Weld't. (for 56317041)
9	56002708	8	Nut, Hex Nyl Loc 1/4-20 (NOTE 1)	47	56317071	2	Ring (NOTE 2)
10	56002769	1	Nut, Hex Nyl Loc 3/8-16	48	56317091	1	Hose, Vac
11	56002832	1	Nut, Hex Nyl Loc-Thin 10-24	49	56317092	2	Bearing, Flange
12	56002948	1	Scr, Hex Hd Loc 1/4-20 x .75	50	56317093	1	Hose, Vac
13	56002988	1	Scr, Hex SS 5/16-18 x .62	51	56317121	1	Caster Swiv 4.0 x 2.0
14	56003179	4	Scr, Hex Thd To Hd M8-1.25 X 20mm	52	56317127	1	Turnbuckle
15	56003312	4	Nut, Hex Nyl Loc M12-1.75	53	56370878	2	Bearing, Sleeve
16	56003389	4	Nut, Hex Nyl Loc M8-1.25	54	56317100	1	Solenoid, Pull Type (L3 / NOTE 3)
17	56003405	4	Nut, Hex Nyl Loc SS M8-1.25	55	56388326	1	Bushing
18	56003415	2	Scr, Hex M12-1.75 x 35mm	56	56409152	1	Barb, 90 Elbow 1/2 x 1/2npt
19	56003435	4	Scr, Hex SS M8-1.25 x 20mm	57	56381474	1	Nipple NOTE 5
20	56003637	2	Scr, Hex M12-1.75 x 40mm	58	56467544	1	Chain
21	56009030	1	Scr, Pan Phil Thd Form 10-24 x .38	60	56900033	1	Barb, 90 Elbow 3/8 x 1/2npt
22	56009078	1	Nut, Hex Jam SS 5/8-18	61	56900756	1	Clip, Conduit
23	56009289	1	Nut, Retainer 1/4-20	62	56317070	1	Rod, Latch (NOTE 3)
24	56104299	1	Barb, Adapter 3/8 x 1/8 Npt	63	56317067	1	Spring, Compression (NOTE 3)
25	56185264	2	Bearing, Flange	64	56324505	2	Bearing, Flange (NOTE 3)
26	56317139	2	Pin	65	56002950	2	Nut, Hex Nyl Loc 5/16-24
27	56201448	2	Spring, Compression	66	56002826	2	Nut, Hex Nyl Loc-Thin 5/16-18
28	56219932	4	Clamp, Hose SAE #6	67	56304126	1	Cable Assy
29	56262180	1	Hose, Spiral .500	68	56003730	2	Scr, Soc Hd .38 x .25 x 5/16-18
30	56265208	1	Socket, 1/8 FPT	69	56003262	1	Ring, Ret Ext Type E .38 Dia (NOTE 3)
31	56305492	1	P-Clamp	70	56317156	1	Shoe Spacer, Foam
32	56314206	2	Gas Spring	71	56315165	1	Assy, Squeegee Linkage (NOTE 4)
33	56314557	1	Y-Tube	72	56315154	1	Bushing, Spacer (NOTE 4)
34	56315062	1	Transaxle, 24V (M8)	73	56009241	1	Scr, Hex 3/8-16 x 4.25 (NOTE 4)
[ ]#	56315377	1	Motor (for 56315062)	74	56317164	2	Foam Strip
[ ]#	56315378	4	Carbon Brush (for 56315062)	75	56315111	2	Cylindrical Mount (NOTE 4)
[ ]#	56315379	2	Neoprene Mounting Sleeve (for 56315062)	76	56003012	3	Scr, Hex SS 5/16-18 x .75
[ ]#	56380497	A/R	Transaxle Kit (for 56315062) TSBUS2008-1014				
[ ]#	56380503	A/R	Transaxle Hub Kit (for 56315062) TSBUS2008-1018	[ ] = Not Shown			
[ ]#	56380161	1	Kit-Coupling	# = Revised or new since last update			
35	56315080	2	Bushing				
36	56315115	2	Wheel, Drive				
37	56315179	2	Linkage Arm				
38	56380499	2	Plate				
39	56315258	2	Shim				
40	56381476	1	Bracket, Filter Mount NOTE 5				

NOTE 1: QTY of 10 on Adphibian

NOTE 2: QTY of 3 on AquaPLUS AXP, Adphibian

NOTE 3: Only used on AquaPLUS AXP, Adphibian

NOTE 4: Only used on Adphibian

NOTE 5: Ball Valve 56381475 has replaced Ball Valve 56315607. When replacing 56315607 please order Ball Valve Bracket Kit 56381521 which includes items (40, 42 & 57).

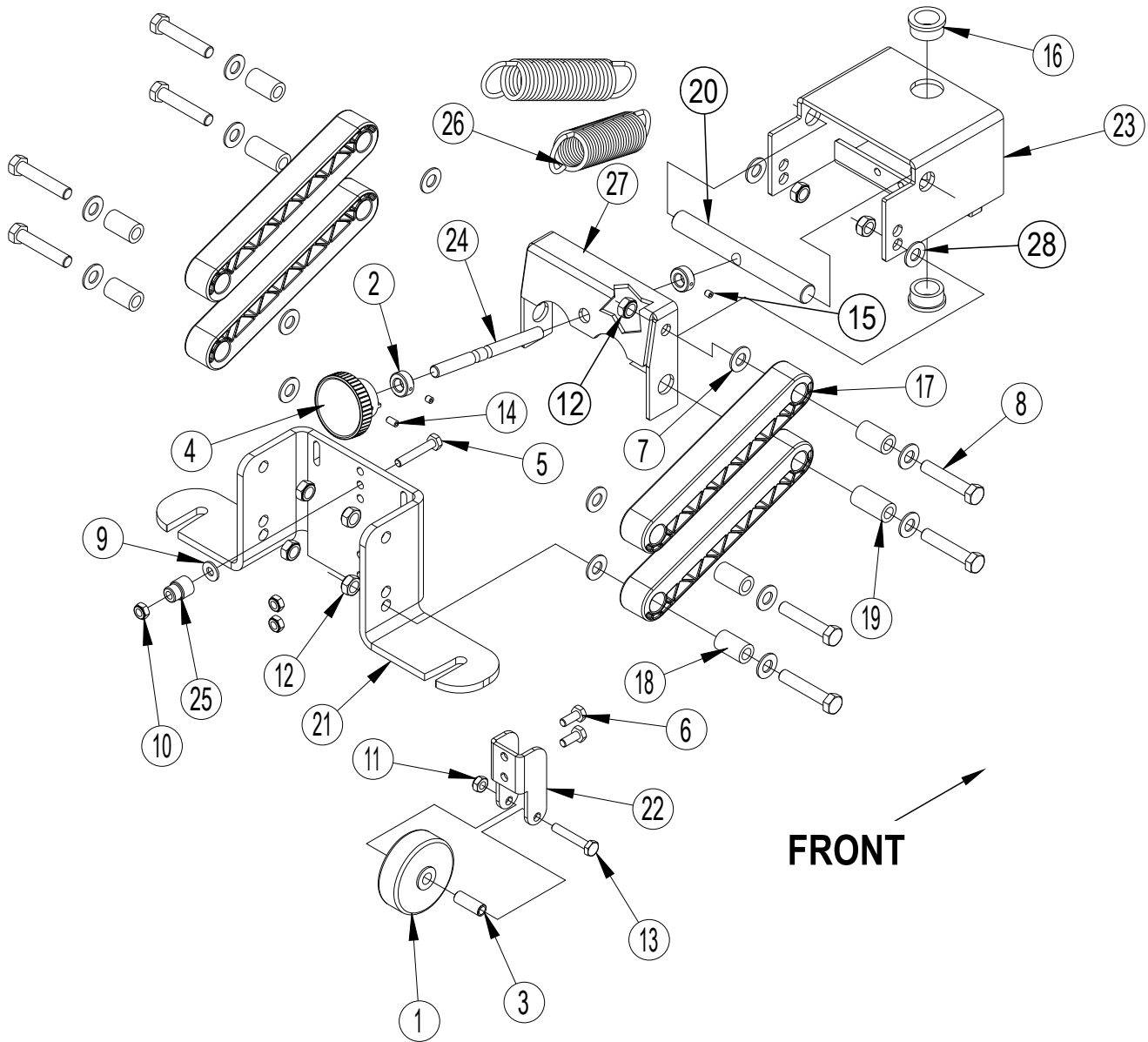
CHASSIS SYSTEM-SQUEEGEE LINKAGE ASSY

07-4

4

AquaPLUS™, AquaPLUS™ AXP, Adphibian™

07-9



07-4

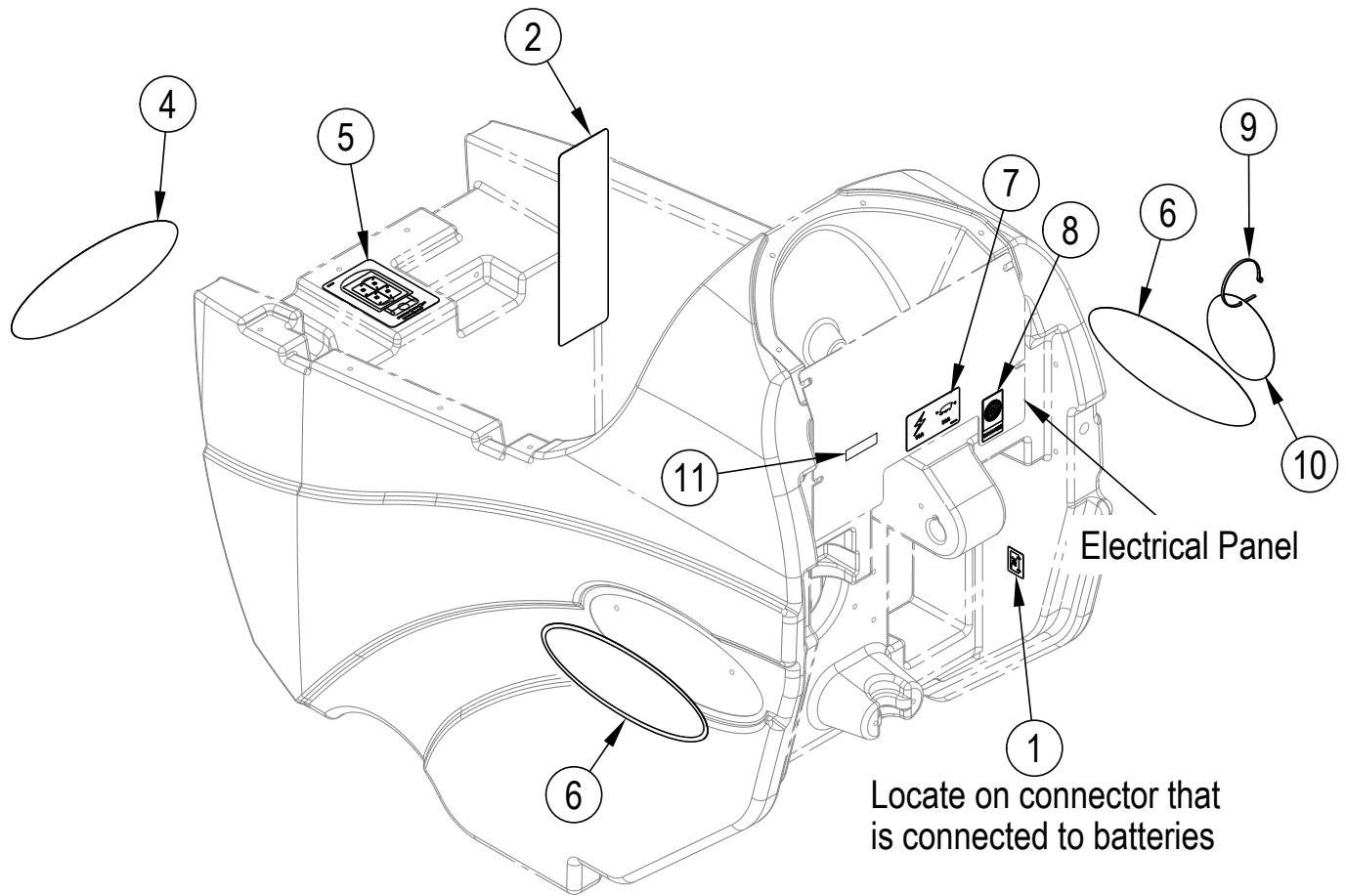
**CHASSIS SYSTEM-SQUEEGEE LINKAGE ASSY**

10-4

**AquaPLUS™, AquaPLUS™ AXP, Adphibian™**

5

Item	Ref. No.	Qty	Description
	56315165	1	Squeegee Linkage Assembly (Only used on Adphibian)
1	56324350	1	Wheel
2	56331076	2	Collar
3	56315580	1	Bushing
4	56475480	1	Knob
5	56001833	1	Scr, Hex 1/4-20 X 1.50
6	56001836	2	Scr, Hex 1/4-20 X .62
7	56002063	14	Wsh, Flt SAE 3/8
8	56002091	8	Scr, Hex 3/8-16 X 2.00
9	56002098	1	Wsh, Flt SAE 1/4
10	56002840	3	Nut, Hex Nyl Loc-Thin 1/4-20
11	56002850	1	Nut, Hex Nyl Loc-Thin Ss 1/4-20
12	56002852	8	Nut, Hex Nyl Loc-Thin Ss 3/8-16
13	56002880	1	Scr, Hex Loc SS 1/4-20 X 1.75
14	56003123	1	Scr, Soc Set 10-2 4x .38
15	56009084	2	Scr, Soc Set Loc 10-24 X .19
16	56250414	2	Bearing, Flange
17	56315941	4	Linkage Arm, Molded
18	56315067	6	Spacer, Phenolic
19	56315068	2	Spacer, Phenolic
20	56315082	1	Pin
21	56315151	1	Bracket, Squeegee Mount
22	56315153	1	Bracket, Wheel
23	56315196	1	Weldment, Squeegee
24	56315240	1	Rod, Adjustment
25	56315245	1	Bushing, Squeegee Cable
26	56315295	2	Spring, Extension
27	56315713	1	Bracket, Squeegee Level
28	56002940	2	Wsh, Flt SAE SS 5/8





07-4

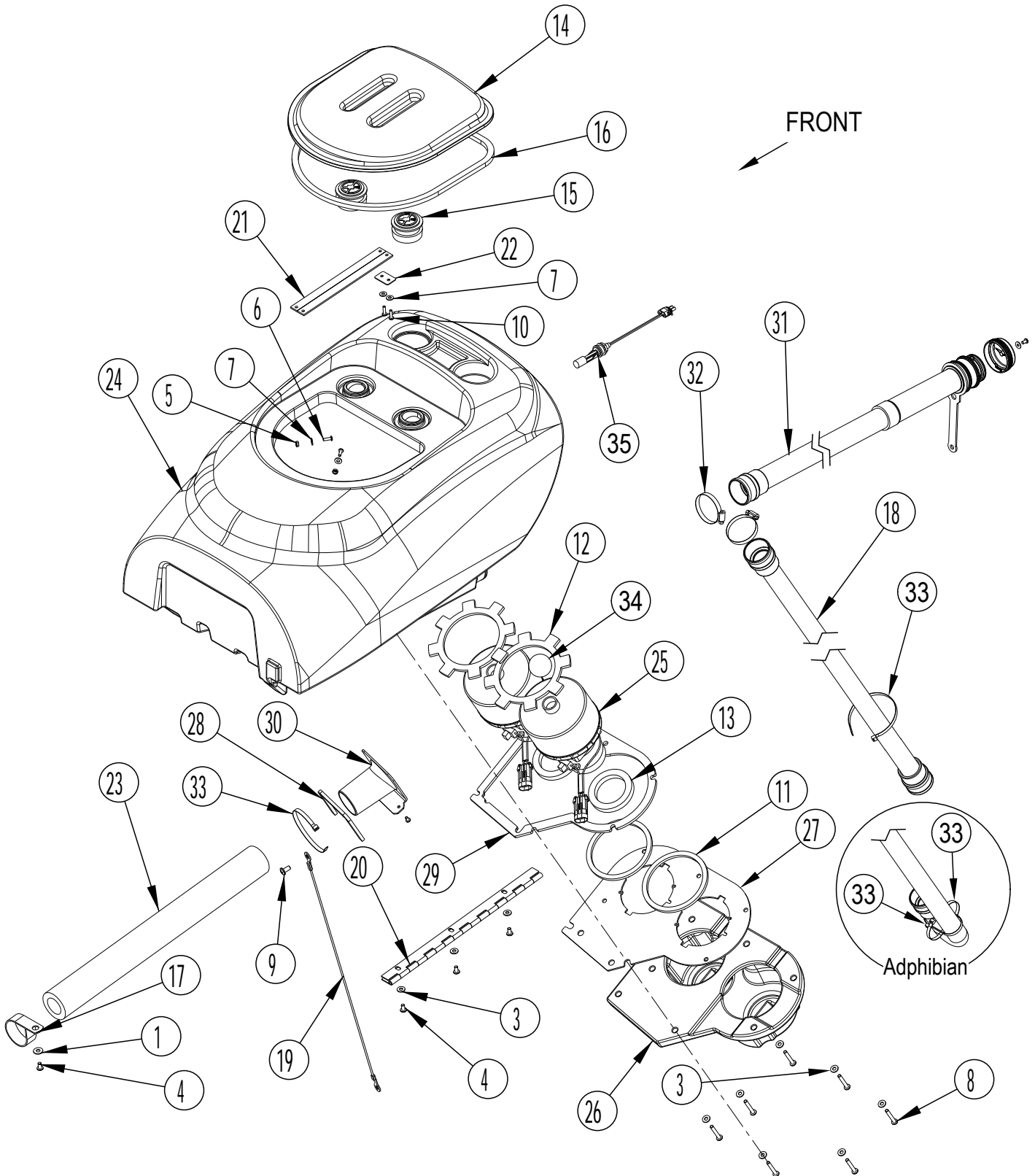
**DECAL SYSTEM**

10-11

**AquaPLUS™, AquaPLUS™ AXP, Adphibian™**

7

Item	Ref. No.	Qty	Description
1	56054192	1	Decal, Charger
2	56014601	1	Decal, Caution
4	56016349	1	Decal, Advance
5	56016688	1	Decal, Battery Wiring
6	56317125	2	Decal, AquaPLUS AXP
	56317124	2	Decal, AquaPLUS
	56317123	2	Decal, Adphibian
7	56317131	1	Decal, Circuit Breaker
8	56317151	1	Decal, CRI Bronze
9	56325789	1	Tie, Cable
10	56040958	1	Tag, CRI
11	56014450	1	Decal, Patent



Item	Ref. No.	Qty	Description
1	56001906	1	Wsh, Flt STD 1/4
2	56002043	2	Scr, Pan Phil 10-24 X .38
3	56002098	10	Wsh, Flt SAE 1/4
4	56002145	4	Scr, Pan Phil 1/4-20 X .50
5	56002849	2	Nut, Hex Nyl Loc-Thin SS 10-24
6	56002896	2	Scr, Pan Phil SS 10-24 X .62
7	56002919	4	Wsh, Flt Std SS #10
8	56002997	7	Scr, Pan Phil 1/4-20 X 1.75
9	56003003	1	Scr, Pan Phil 5/16-18 X .62
10	56009005	2	Scr, Pan Phil SS Type Ab 10-16 X .75
11	56212143	2	Gasket, Vacuum Duct
12	56264103	2	Gasket, Vacuum Motor
13	56314760	2	Gasket, Vacuum Duct
14	56315176	1	Cover, Recovery Tank
15	56315099	2	Screen, Fan Inlet
16	56315220	1	Gasket, Recovery Lid
17	56315257	1	Clamp, P
18	56317150	1	Vac Hose Assy (AquaPLUS & AquaPLUS AXP)
	56315268	1	Vac Hose Assy (Adphibian)
19	56315272	1	Cable Assy
20	56315293	1	Hinge
21	56315303	2	Retaining, Strap
22	56315346	1	Plate
23	56317149	1	Foam, Acoustical
24	56317020	1	Tank, Recovery (AquaPLUS & AquaPLUS AXP)
	56317146	1	Tank, Recovery (Adphibian)
25	56317025	2	Motor, Vac 24vdc (M6 / M7)
[ ]	56397098	1	Carbon Brush set of 2 (for 56317025 / 56317133)
26	56317030	1	Cover, Vac
27	56317031	1	Plate, Vac
28	56317033	1	Gasket, Exhaust
29	56317034	1	Gasket, Cover
30	56317052	1	Tube, Exhaust
31	56601400	1	Drainhose
[ ]#	56601411	1	Drain Hose Cap Kit (for 56601400)
[ ]#	56601412	1	Drain Hose Kit (for 56601400) NOTE 2
*#	56601410	1	Drain Hose Extension (for 56601400)
32	56440213	2	Clamp, Hose SAE #32
33	56477613	2	Tie, Cable (Qty of 3 on Adphibian)
34	56391690	1	Ball, Float (Adphibian)
35	56315096	1	Switch, Float (S2) NOTE 1

[ ] = Not Shown

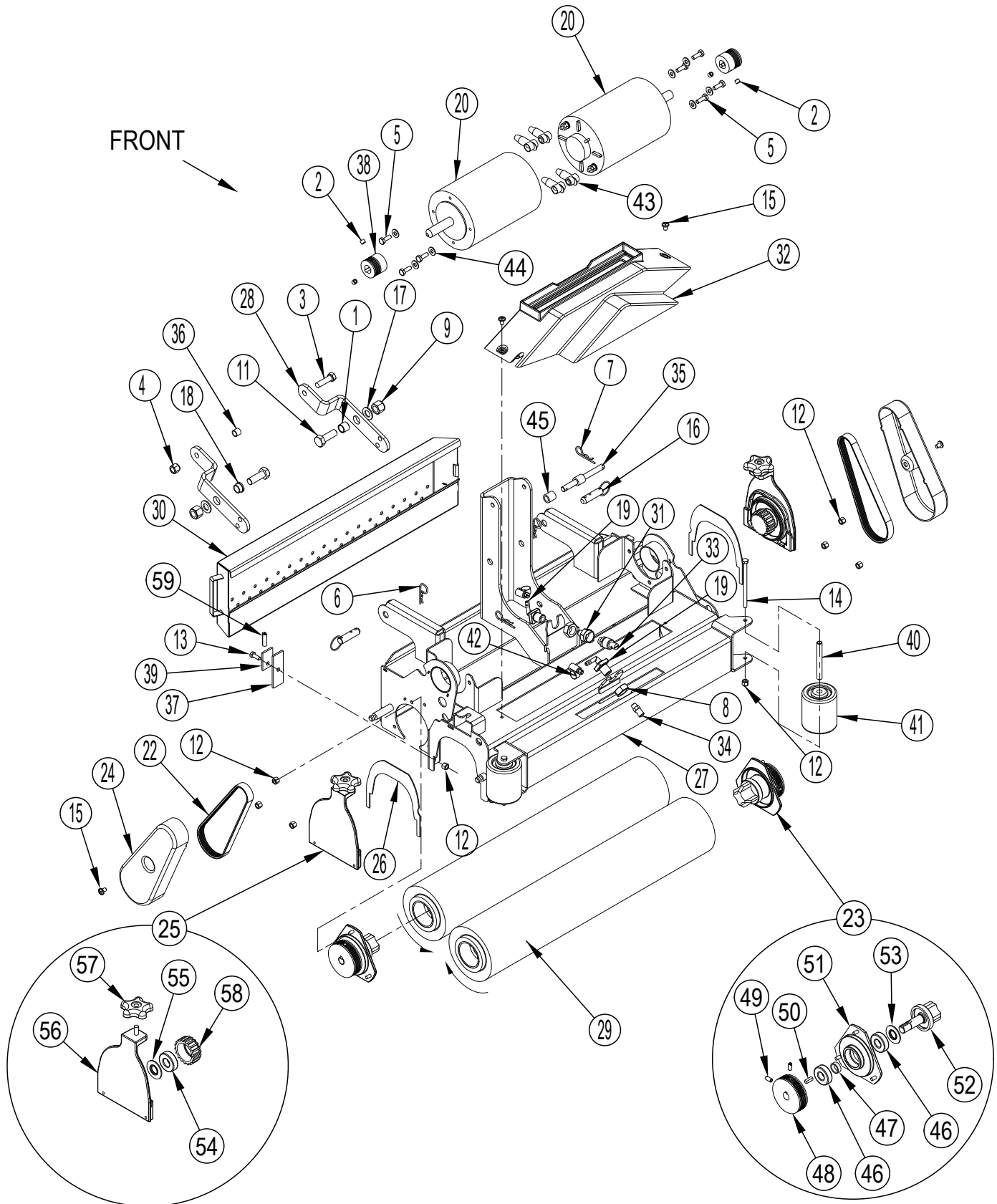
\* = Optional, Not Included

# = Revised or new since last update

NOTE 1: Float Switch 56315096 is optional on the AquaPLUS models and standard on the Adphibian.

NOTE 2: Drain Hose 56397142 has been replaced by Drain Hose 56601400 in production. When replacing 56397142 you need to order Drain Hose Kit 56601412.

FRONT



Item	Ref. No.	Qty	Description	Item	Ref. No.	Qty	Description
1	56367206	1	Bushing	46	56106070	2	Bearing, Ball
2	56002086	4	Scr, Soc Set Loc 5/16-18 X .25	47	56407389	1	Spacer
3	56001858	1	Scr, Hex 3/8-16 X 1.25	48	56316054	1	Sheave, Poly-V TSBUS2008-1000
4	56002841	1	Nut, Hex Nyl Loc-Thin 3/8-16	49	56002119	2	Scr, Soc Set Loc 1/4-20 x .50
5	56002948	7	Scr,Hex Hd Loc 1/4-20 X.75	50	56003237	1	Key, Sq. .19 x .62
6	56002959	2	Pin, Cotter Hair	51#	56381765	1	Bearing Plate
7	56003120	2	Pin, Cotter Hair .0915 X .375	52	56109527	1	Spindle
8	56003272	2	Nut, Hex Jam SS 5/8-11	53	56407558	1	Washer, Bearing
9	56003312	2	Nut, Hex Nyl Loc M12-1.75				
11	56003415	2	Scr, Hex M12-1.75 X 35mm	54	56106070	1	Bearing, Ball
12	56003426	10	Nut, Hex Nyl Loc SS M6-1	55	56407558	1	Washer, Bearing
13	56003431	2	Scr, Hex SS M6-1 X 16mm	56	56315447	1	Idler Bearing Plate
14	56003492	2	Scr, Hex M6-1 X 95mm	57	56396254	1	Knob
15	56003603	4	Scr, Pan Phil Thd Form 1/4-20 X .38	58	56407551	1	Hub
16	56003671	2	Pin, Ring .50 X 1.25				
17	56009003	2	Wsh, Flt .516 X .938 X .075	59	56317158	2	Channel, Rubber
18	56185264	1	Bearing, Flange				
19	56265388	2	Elbow, Panel Mount				
20	56315061	2	Motor, 24 Vdc, .5 Hp, 1800 RPM (M4 / M5) TSBUS2010-1058				
[ ]#	56412287	1	Brush / Spring Kit (for 56315061) NOTE 3				
[ ]#	56380003	1	Brush / Spring Kit (for 56315061) NOTE 3				
21	56315320	2	Harness, Brush				
22	56316053	2	Belt, Auto Tension TSBUS2008-1000				
23	56317157	2	Drive End Assy (#46-53)				
[24]	56315445	2	Cover, Belt				
25	56315448	2	Idler End Assy (#54-58)				
26	56316191	2	Gasket				
27	56317021	1	Housing Weldment 24"				
28	56317036	2	Link, Pivot				
29	56314389	2	Brush, Soft Nylon 24" NOTE 1				
	56317047	2	Brush, Multi-Surface NOTE 2				
30	56317049	1	Hopper Weld't, Extractor				
31	56317053	1	Body, Nozzle Qjja				
32	56317054	1	Cover, Nozzle				
33	56317064	1	Nozzle, Spray #1				
34	56265052	1	Nozzle, Spray				
35	56317084	1	Pin, Actuator				
36	56388326	1	Bushing				
37	56407391	2	Blade				
38	56316066	2	Sheave, Poly-V				
39	56410214	2	Strap				
40	56412176	2	Bushing				
41	56412459	2	Wheel				
42	56219932	2	Clamp, Hose SAE #6				
43	56409538	4	Insulator, Terminal				
44	56009064	7	Wsh, Int Shprf 1/4				
45	56317163	1	Spacer, Phenolic				

[ ] = Not Shown

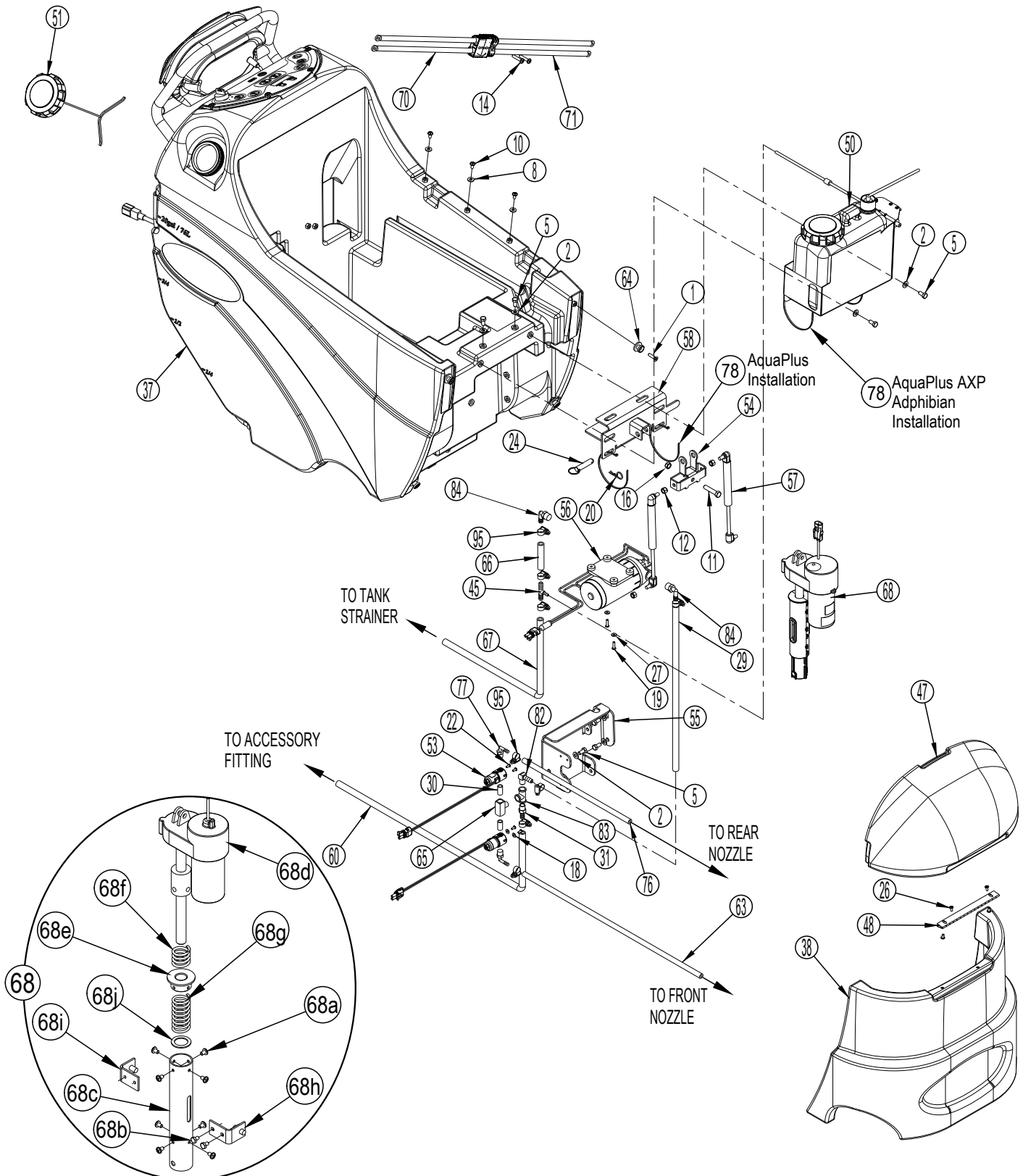
# = Revised or new since last update

NOTE 1: Only used on AquaPLUS &amp; AquaPLUS AXP

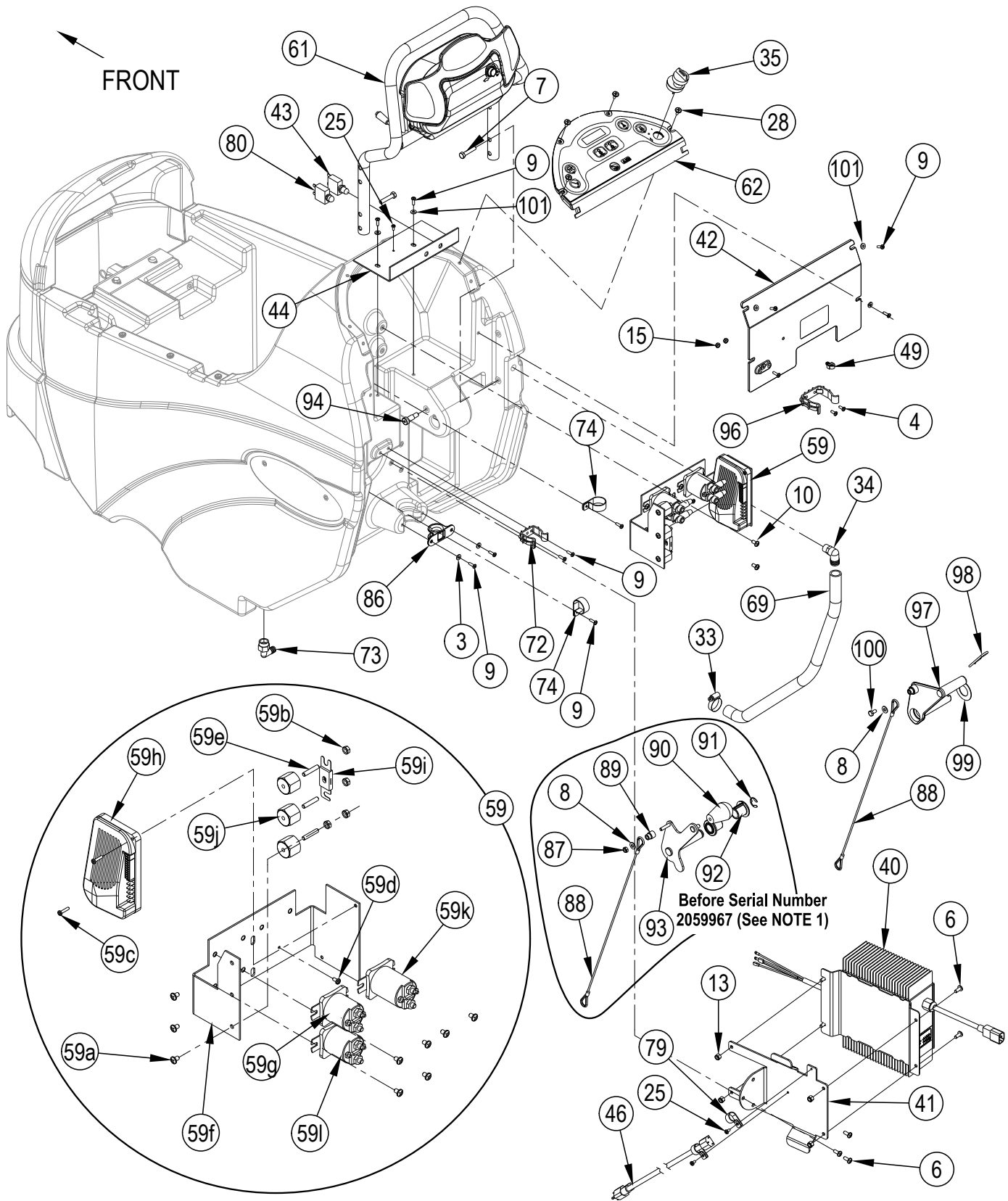
NOTE 2: Only used on Adphibian

NOTE 3: If your cylindrical scrub motor has a serial tag from Scott Motors Co. (4BB1344) order Carbon Brush Set 56412287.

If your cylindrical scrub motor has a serial tag from Nilfisk-Advance (ZD22000) order Carbon Brush Set 56380003.

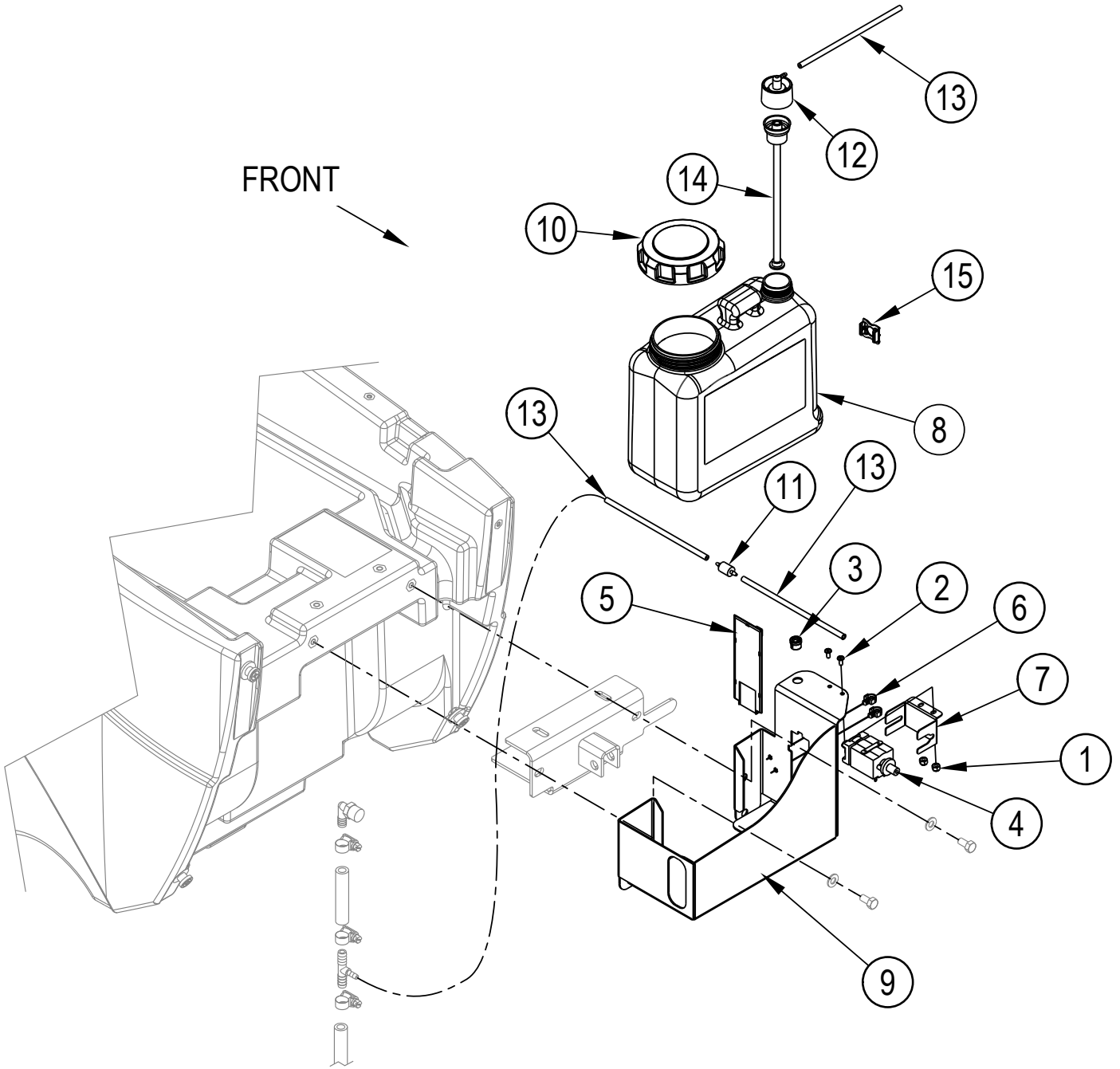


Item	Ref. No.	Qty	Description	Item	Ref. No.	Qty	Description
1	56001832	4	Scr, Flt Phil 1/4-20 X 1.00	61	56317098	1	Assembly, Paddle
2	56009122	7	Wsh, Flt (QTY of 5 on AquaPLUS)	62	56317111	1	Control Panel Assy (A1) NOTE 1
3	56001954	2	Wsh, Flt Sae #10	*	56317114	1	Replacement Membrane Switch Assy for 56317111 NOTE 1
4	56001993	2	Scr, Pan Phil 10-24 X .50				
5	56002667	7	Scr, Hex 5/16-18 X .75	56317107	1	Control Panel Assy (A1) NOTE 2	
6	56002066	7	Scr, Pan Phil 1/4-20 X .62	*	56317117	1	Replacement Membrane Switch Assy for 56317107 NOTE 1
7	56002094	4	Scr, Hex 5/16-18 X 1.50	63	56317122	1	Hose, 1/4 X 25.00 Long
8	56002098	4	Wsh, Flt Sae 1/4	64	56365777	4	Lug, Brush Driver
			(Qty of 3 on AquaPLUS & AquaPLUS AXP)	65	56372506	1	Tee, Branch 1/4 Br
9	56002124	12	Scr, Pan Phil 10-24 X .62	66	56387214	1	Hose, 3.0" E00169 NOTE 3
			(Qty of 10 on AquaPLUS & AquaPLUS AXP)	67	56391773	1	Hose, 23" NOTE 3
10	56002145	5	Scr, Pan Phil 1/4-20 X .50	[ ]	56317132	1	Hose, 27" (AquaPLUS)
11	56002684	1	Scr, Hex 3/8-16 X 1.75	68	56317161	1	Lift Actuator Assembly (M3 / 68a-68j) TSBUS2008-997
12	56002826	4	Nut, Hex Nyl Loc-Thin 5/16-18	68a	56003603	8	Scr, Pan Phil Thd Form 1/4-20 x .38
13	56002708	4	Nut, Hex Nyl Loc 1/4-20	68b	56009019	2	Scr, Hex Thd Form 1/4-20 x .38
14	56002825	2	Scr, Pan Phil 1/4-20 X 1.25	68c	56317162	1	Tube
15	56002832	2	Nut, Hex Nyl Loc Thin 10-24 NOTE 5	68d	56393303	1	Actuator, Motor
16	56002841	1	Nut, Hex Nyl Loc-Thin 3/8-16	*	56388520	1	Plastic Nut
18	56002875	2	Wsh, Flt Sae Ss #8	68e	56396268	1	Spring Housing Guide
19	56002894	2	Scr, Pan Phil Ss 10-24 X .75	68f	56412071	1	Compression Spring
20	56002959	1	Pin, Cotter Hair	68g	56420018	1	Compression Spring
22	56003018	4	Scr, Pan Phil Ss 8-32 X .38	68h	56420019	1	Nut Retainer
24	56003679	1	Pin, Ring .50 X 1.63	68i	56420020	1	Nut Retainer
25	56009030	3	Scr, Pan Phil Thd Form 10-24 X .38	68j	56748926	1	Wsh, Flt .075 x 1.03 x 1.50
26	56009139	4	Scr, Pan Phil Loc 10-24 X .38	69	56396143	1	Hose, Pvc
27	56009205	2	Wsh, Flt Ss .219 X .500 X .047/.062	70	56397187	1	Connector Assy (connected to batteries)
28	56009206	4	Scr, Truss Phil-Blk 10-24x.50	71	56397188	1	Connector Assy (connected to machine)
29	56054146	1	Tube, Vinyl	72	56407361	1	Clamp, Plastic
30	56150223	2	Nipple, 1/4npt X .88/1.12	73	56409152	1	Barb, 90 Elbow 1/2 X 1/2npt
31	56155640	1	Barb, Adapter 3/8 X 1/4npt	74	56410166	2	Clamp,P
33	56244969	1	Clamp, Hose Sae #12	76	56456560	1	15.00" Hose
34	56264442	1	Barb, 90 Elbow 3/4 X 3/8npt	77	56470138	2	Barb, 90 Elbow 1/4 X 1/4npt
35	56303553	1	Key Switch Assembly (S1)	78	56478523	2	Tie, Cable
[ ]	56303526	A/R	Set of 2 Replacement Keys	79	56486112	2	Clamp,P
37	56315089	1	Tank, Solution TSBUS2008-1017	80	56507644	1	Circuit Breaker, 10 Amp (CB1)
*	56109561	1	Solution Tank Kit NOTE 7	82	56756739	1	Elbow,90 Barb Male
38	56315104	1	Nose Cone, 24-26 Commercial	83	56900027	1	Tee, Female Union
40	56315124	1	Charger, On-Board 24v	84	56900035	2	Barb, 90 Elbow 3/8 X 3/8npt
			TSBUS2007-979 / TSBUS2008-984 / TSBUS2008-1008	86	56315121	1	Guide, Cable NOTE 2
41	56315206	1	Bracket, Charger	87	56002840	1	Nut, Hex Nyl Loc-Thin 1/4-20 NOTE 2 / NOTE 4
42	56109502	1	Panel, Electrical NOTE 5	88	56315243	1	Cable Assy NOTE 2
43	56315256	1	Circuit Breaker, 30 Amp (CB2)	89	56315245	1	Bushing, Squeegee Cable NOTE 2 / NOTE 4
44	56109553	1	Plate, Circuit Breaker NOTE 6	90	56364527	1	Knob NOTE 2 / NOTE 4
45	56315265	1	Tee, Barb NOTE 3	91	56003266	1	Ring, Ret Ext Type E .75 Dia NOTE 2 / NOTE 4
46	56315270	1	Charger Cord, Us	92	56315193	2	Bushing, Flange NOTE 2 / NOTE 4
47	56315284	1	Cover, Chemical Bottle	93	56315236	1	Weldt, Squeegee Lift NOTE 2 / NOTE 4
48	56315285	1	Hinge	94	56002962	1	Scr, Soc Shd .38 x .62 x 5/16-18 NOTE 2 / NOTE 4
49	56315382	1	Clip, Conduit	95	56219932	8	Clamp, Hose SAE #6 (QTY of 6 on AquaPLUS)
50	56315501	1	Chemical Tank AS NOTE 3	96	56212236	1	Clamp, Plastic
51	56601599	1	Cap, Raw W/Tether	97	56315730	1	Lever, Squeegee Lift NOTE 2 / NOTE 4
53	56317024	2	Valve, Solenoid 24v (L1 / L2)	98	56003223	1	Pin, Cot Hair NOTE 2 / NOTE 4
54	56317026	1	Yoke, Actuator	99	56009117	1	Wsh, Flt 1.03 x 1.85 x .48 NOTE 2 / NOTE 4
55	56317038	1	Bracket Linkage Pivot	100	56001854	1	Scr, Hex 1/4-20 x .50 NOTE 2 / NOTE 4
56	56317045	1	Pump, 24vdc (M1)	101	56002053	6	Wsh, Flt STD #10
[ ]#	56109587	1	Pump Head Assy (for 56317045)				
[ ]#	56109588	1	Check Valve Assy (for 56317045)				
57	56317072	2	Gas Spring	[ ] = Not Shown			
58	56317078	1	Actuator Bracket Weldt	* = Optional, Not Included			
59	56317128	1	Assy, Electrical Box (59a-59k) NOTE 1	# = Revised or new since last update			
	56317082	1	Assy, Electrical Box (59a-59l) NOTE 2				
59a	56002462	9	Scr, Pan Phil 1/4-20 X .38 (Qty of 7 on AquaPLUS & AquaPLUS AXP)	NOTE 1: Only used on AquaPLUS & AquaPLUS AXP			
59b	56002561	4	Nut, Hex W/ Shprf 1/4-20	NOTE 2: Only used on Adphibian			
59c	56003698	2	Scr, Pan Phil Thd Form 8-32 X .75	NOTE 3: Only used on AquaPLUS AXP, Adphibian			
59d	56009030	1	Scr, Pan Phil Thd Form 10-24 X .38	NOTE 4: As of serial number 2059967 the following items (56002962, 56364527, 56002840, 56003266, 56315193, 56315236 & 56315245) are no longer used in production. If you need to replace any of these items please order the following group of parts (56315730, 56009117, 56003223, 56001854 / items 97 through 100) in a quantity of 1 each.			
59e	56009203	3	Stud, 1/4-20	NOTE 5: As of serial number 2059967 the following items (56002832, 56315222 & 56412285) are no longer used in production. If you need to replace 56315222 or 56412285 please order 56109502.			
59f	56317081	1	Panel, Electrical	NOTE 6: 56315259 and 56315532 are no longer used in production. If you need to replace either of these items please order 56109553.			
59g	56317101	1	Contact, 24vdc 100a (K2)	NOTE 7: If replacing the solution tank on a machine with the old style squeegee lift level (56315236), please order Solution Tank Kit 56109561.			
59h	56317102	1	Controller, Speed (A2)				
59i	56412089	1	Fuse, 150 Amp (F1)				
59j	56469858	3	Standoff, Insulated				
59k	56317116	1	Contact, 24vdc 200a (K1) TSBUS2008-1020				
59l	56317101	1	Contact, 24vdc 100a (K3) NOTE 2				
60	56317083	1	Hose, 33"				





Item	Ref. No.	Qty	Description	Item	Ref. No.	Qty	Description
1	56001832	4	Scr, Flt Phil 1/4-20 X 1.00	61	56317098	1	Assembly, Paddle
2	56009122	7	Wsh, Flt (QTY of 5 on AquaPLUS)	62	56317111	1	Control Panel Assy (A1) NOTE 1
3	56001954	2	Wsh, Flt Sae #10	*	56317114	1	Replacement Membrane Switch Assy for 56317111 NOTE 1
4	56001993	2	Scr, Pan Phil 10-24 X .50		56317107	1	Control Panel Assy (A1) NOTE 2
5	56002667	7	Scr, Hex 5/16-18 X .75	*	56317117	1	Replacement Membrane Switch Assy for 56317107 NOTE 1
6	56002066	7	Scr, Pan Phil 1/4-20 X .62	63	56317122	1	Hose, 1/4 X 25.00 Long
7	56002094	4	Scr, Hex 5/16-18 X 1.50	64	56365777	4	Lug, Brush Driver
8	56002098	4	Wsh, Flt Sae 1/4	65	56372506	1	Tee, Branch 1/4 Br
9	56002124	12	(Qty of 3 on AquaPLUS & AquaPLUS AXP) Scr, Pan Phil 10-24 X .62 (Qty of 10 on AquaPLUS & AquaPLUS AXP)	66	56387214	1	Hose, 3.0" _E00169 NOTE 3
10	56002145	5	Scr, Pan Phil 1/4-20 X .50	67	56391773	1	Hose, 23" NOTE 3
11	56002684	1	Scr, Hex 3/8-16 X 1.75	[ ]	56317132	1	Hose, 27" (AquaPLUS)
12	56002826	4	Nut, Hex Nyl Loc-Thin 5/16-18	68	56317161	1	Lift Actuator Assembly (M3 / 68a-68j) TSBUS2008-997
13	56002708	4	Nut, Hex Nyl Loc 1/4-20	68a	56003603	8	Scr, Pan Phil Thd Form 1/4-20 x .38
14	56002825	2	Scr, Pan Phil 1/4-20 X 1.25	68b	56009019	2	Scr, Hex Thd Form 1/4-20 x .38
15	56002832	2	Nut, Hex Nyl Loc Thin 10-24 NOTE 5	68c	56317162	1	Tube
16	56002841	1	Nut, Hex Nyl Loc-Thin 3/8-16	68d	56393303	1	Actuator, Motor
18	56002875	2	Wsh, Flt Sae Ss #8	*	56388520	1	Plastic Nut
19	56002894	2	Scr, Pan Phil Ss 10-24 X .75	68e	56396268	1	Spring Housing Guide
20	56002959	1	Pin, Cotter Hair	68f	56412071	1	Compression Spring
22	56003018	4	Scr, Pan Phil Ss 8-32 X .38	68g	56420018	1	Compression Spring
24	56003679	1	Pin, Ring .50 X 1.63	68h	56420019	1	Nut Retainer
25	56009030	3	Scr, Pan Phil Thd Form 10-24 X .38	68i	56420020	1	Nut Retainer
26	56009139	4	Scr, Pan Phil Loc 10-24 X .38	68j	56748926	1	Wsh, Flt .075 x 1.03 x 1.50
27	56009205	2	Wsh, Flt Ss .219 X .500 X .047/.062	69	56396143	1	Hose, Pvc
28	56009206	4	Scr, Truss Phil-Blk 10-24x.50	70	56397187	1	Connector Assy (connected to batteries)
29	56054146	1	Tube, Vinyl	71	56397188	1	Connector Assy (connected to machine)
30	56150223	2	Nipple, 1/4npt X .88/1.12	72	56407361	1	Clamp, Plastic
31	56155640	1	Barb, Adapter 3/8 X 1/4npt	73	56409152	1	Barb, 90 Elbow 1/2 X 1/2npt
33	56244969	1	Clamp, Hose Sae #12	74	56410166	2	Clamp,P
34	56264442	1	Barb, 90 Elbow 3/4 X 3/8npt	76	56456560	1	15.00" Hose
35	56303553	1	Key Switch Assembly (S1)	77	56470138	2	Barb, 90 Elbow 1/4 X 1/4npt
[ ]	56303526	A/R	Set of 2 Replacement Keys	78	56478523	2	Tie, Cable
37	56315089	1	Tank, Solution TSBUS2008-1017	79	56486112	2	Clamp,P
*	56109561	1	Solution Tank Kit NOTE 7	80	56507644	1	Circuit Breaker, 10 Amp (CB1)
38	56315104	1	Nose Cone, 24-26 Commercial	82	56756739	1	Elbow,90 Barb Male
40	56315124	1	Charger, On-Board 24v	83	56900027	1	Tee, Female Union
41	56315206	1	Bracket, Charger	84	56900035	2	Barb, 90 Elbow 3/8 X 3/8npt
42	56109502	1	Panel, Electrical NOTE 5	86	56315121	1	Guide, Cable NOTE 2
43	56315256	1	Circuit Breaker, 30 Amp (CB2)	87	56002840	1	Nut, Hex Nyl Loc-Thin 1/4-20 NOTE 2 / NOTE 4
44	56109553	1	Plate, Circuit Breaker NOTE 6	88	56315243	1	Cable Assy NOTE 2
45	56315265	1	Tee, Barb NOTE 3	89	56315245	1	Bushing, Squeegee Cable NOTE 2 / NOTE 4
46	56315270	1	Charger Cord, Us	90	56364527	1	Knob NOTE 2 / NOTE 4
47	56315284	1	Cover, Chemical Bottle	91	56003266	1	Ring, Ret Ext Type E .75 Dia NOTE 2 / NOTE 4
48	56315285	1	Hinge	92	56315193	2	Bushing, Flange NOTE 2 / NOTE 4
49	56315382	1	Clip, Conduit	93	56315236	1	Weldt, Squeegee Lift NOTE 2 / NOTE 4
50	56315501	1	Chemical Tank AS NOTE 3	94	56002962	1	Scr, Soc Shd .38 x .62 x 5/16-18 NOTE 2 / NOTE 4
51	56601599	1	Cap, Raw W/Tether	95	56219932	8	Clamp, Hose SAE #6 (QTY of 6 on AquaPLUS)
53	56317024	2	Valve, Solenoid 24v (L1 / L2)	96	56212236	1	Clamp, Plastic
54	56317026	1	Yoke, Actuator	97	56315730	1	Lever, Squeegee Lift NOTE 2 / NOTE 4
55	56317038	1	Bracket Linkage Pivot	98	56003223	1	Pin, Cot Hair NOTE 2 / NOTE 4
56	56317045	1	Pump, 24vdc (M1)	99	56009117	1	Wsh, Flt 1.03 x 1.85 x .48 NOTE 2 / NOTE 4
[ ]#	56109587	1	Pump Head Assy (for 56317045)	100	56001854	1	Scr, Hex 1/4-20 x .50 NOTE 2 / NOTE 4
[ ]#	56109588	1	Check Valve Assy (for 56317045)	101	56002053	6	Wsh, Flt STD #10
57	56317072	2	Gas Spring	[ ] = Not Shown			
58	56317078	1	Actuator Bracket Weldt	* = Optional, Not Included			
59	56317128	1	Assy, Electrical Box (59a-59k) NOTE 1	# = Revised or new since last update			
	56317082	1	Assy, Electrical Box (59a-59l) NOTE 2	NOTE 1: Only used on AquaPLUS & AquaPLUS AXP			
59a	56002462	9	Scr, Pan Phil 1/4-20 X .38 (Qty of 7 on AquaPLUS & AquaPLUS AXP)	NOTE 2: Only used on Adphibian			
59b	56002561	4	Nut, Hex W/ Shprf 1/4-20	NOTE 3: Only used on AquaPLUS AXP, Adphibian			
59c	56003698	2	Scr, Pan Phil Thd Form 8-32 X .75	NOTE 4: As of serial number 2059967 the following items (56002962, 56364527, 56002840, 56003266, 56315193, 56315236 & 56315245) are no longer used in production. If you need to replace any of these items please order the following group of parts (56315730, 56009117, 56003223, 56001854 / items 97 through 100) in a quantity of 1 each.			
59d	56009030	1	Scr, Pan Phil Thd Form 10-24 X .38	NOTE 5: As of serial number 2059967 the following items (56002832, 56315222 & 56412285) are no longer used in production. If you need to replace 56315222 or 56412285 please order 56109502.			
59e	56009203	3	Stud, 1/4-20	NOTE 6: 56315259 and 56315532 are no longer used in production. If you need to replace either of these items please order 56109553.			
59f	56317081	1	Panel, Electrical	NOTE 7: If replacing the solution tank on a machine with the old style squeegee lift level (56315236), please order Solution Tank Kit 56109561.			
59g	56317101	1	Contact, 24vdc 100a (K2)				
59h	56317102	1	Controller, Speed (A2)				
59i	56412089	1	Fuse, 150 Amp (F1)				
59j	56469858	3	Standoff, Insulated				
59k	56317116	1	Contact, 24vdc 200a (K1) TSBUS2008-1020				
59l	56317101	1	Contact, 24vdc 100a (K3) NOTE 2				
60	56317083	1	Hose, 33"				



07-4	<b>CHEMICAL ASSY</b>		
08-4	<b>AquaPLUS™, AquaPLUS™ AXP, Adphibian™</b>		<b>17</b>

Item	Ref. No.	Qty	Description
	56315501	1	Chemical Tank Assy (1-14) (Only used on AquaPLUS AXP, Adphibian)
1	56002877	2	Nut, Hex Nyl Loc SS 8-32
2	56003018	2	Scr, Pan Phil SS 8-32 x .38
3	56003699	1	Bushing, 1/4 ID Snub
4	56315241	1	Pump, Chemical (M2)
5	56315340	1	Circuit Board Assy
6	56315382	2	Clip, Conduit
7	56315476	1	Bracket, Chemical Pump
8	56315502	1	Chemical Bottle As
9	56315515	1	Bracket, Tank Mounting
10	56315517	1	Cap
11	56315522	1	Check Valve, 1/8 Barb, 125PSI
12	56315523	1	Cap, Dry Break, 1/8 Barb, 90°
13	56315524	3	Hose, Chemical Resistant, 7"
14	56315527	1	Insert, Dry Break
15	56315511	1	Indicator Assy
*	56315503	A/R	Chemical Bottle Assy (8, 10, 14)

\* = Optional, Not Included

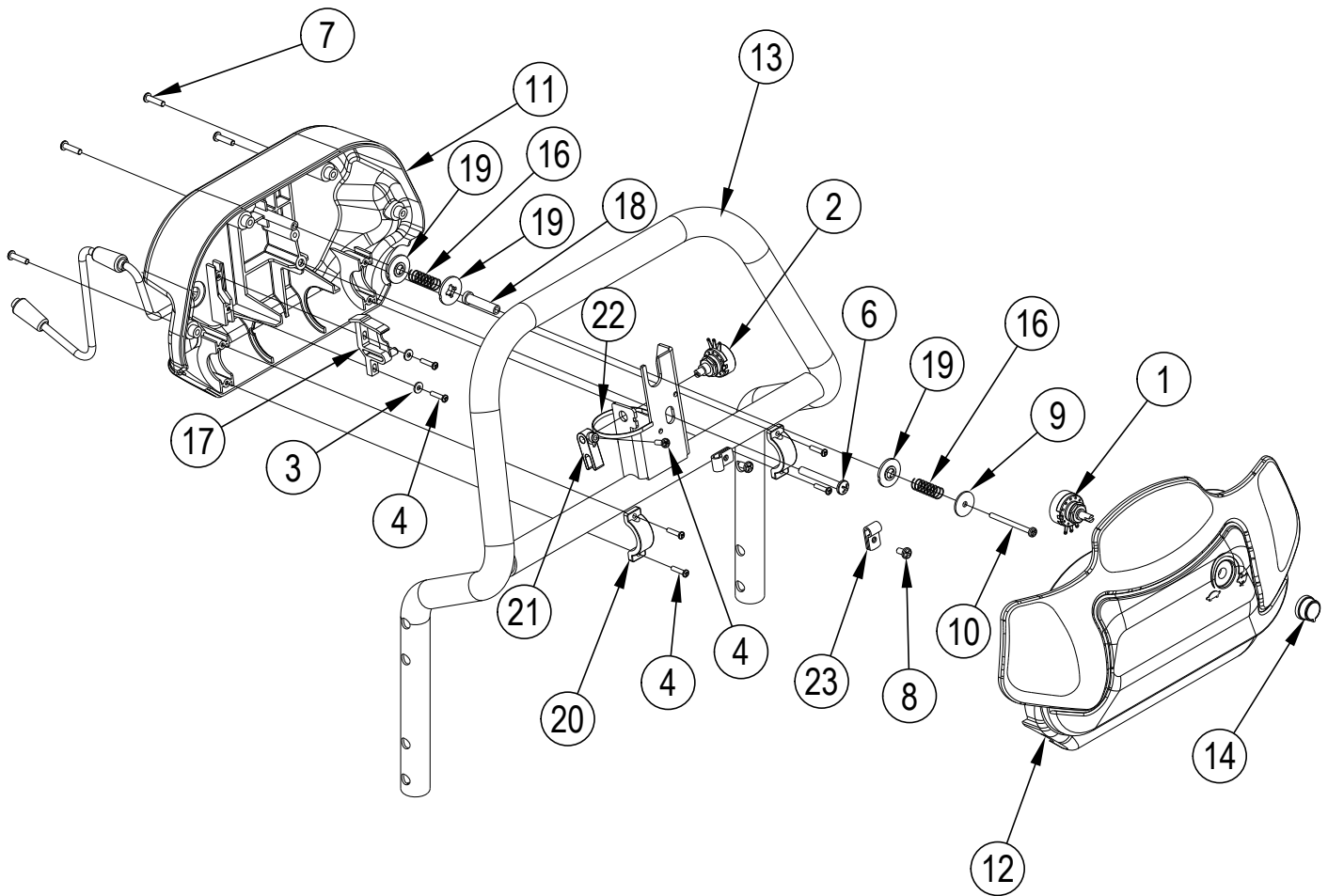
PADDLE ASSY

07-4

18

AquaPLUS™, AquaPLUS™ AXP, Adphibian™

09-8



07-4

**PADDLE ASSY**

09-12

**AquaPLUS™, AquaPLUS™ AXP, Adphibian™****19**

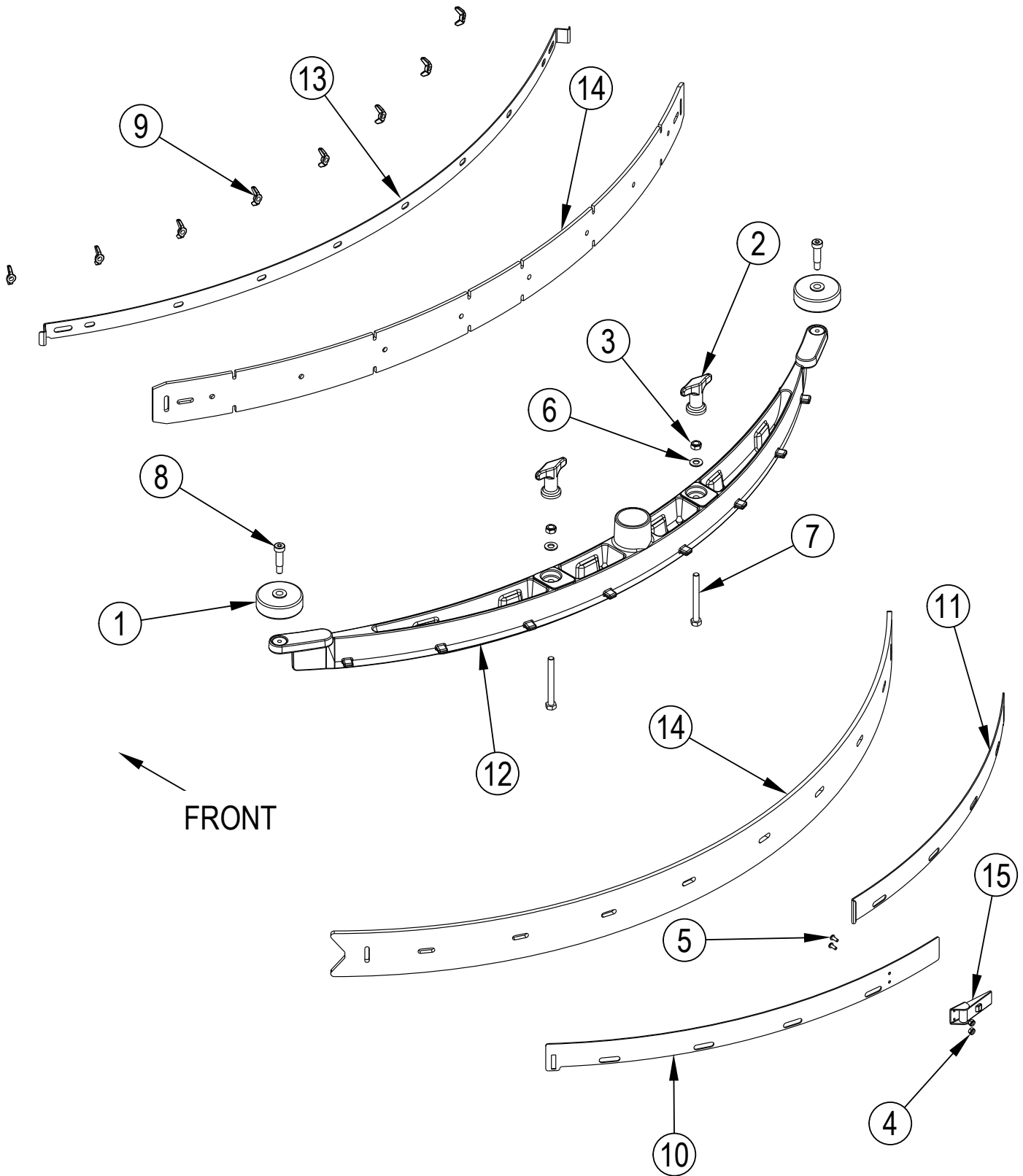
Item	Ref. No.	Qty	Description
	56317098	1	Assembly, Paddle
1	56396197	1	Potentiometer, 100k (R2)
2	56397029	1	Potentiometer, 5k (R1)
3	56002006	2	Wsh, Flt SAE #6
4	56003197	7	Scr, Pan Phil Plastite 6-18 X .62
6	56003527	1	Scr, Pan Phil Plastite 1/4-1 X 2.00
7	56003545	4	Scr, Pan Phil Plastite 8-10 X .75
8	56009030	2	Scr, Pan Phil Thd Form 10-24 X .38
9	56009096	1	Wsh, Flt .193 X .875 X .060
10	56009287	1	Scr, Pan Phil Type B 8 X 2.00
11	56109716	1	Paddle, Back Cover
12	56315230	1	Paddle, Front Cover
13	56315251	1	Weldment, Handle Bar
14	56315280	1	Knob
15	56317112	1	Harness, Handle
16	56325654	2	Spring, Compression
17	56397015	1	Cam Controller
18	56397109	1	Sleeve
19	56397170	3	Washer, Plastic
20	56397171	2	Clamp
21	56109648	1	Potentiometer Fork
22	56478246	1	Tie, Cable
23	56481890	2	Clamp, P

SQUEEGEE ASSY  
AquaPLUS™, AquaPLUS™ AXP, Adphibian™

07-4

20

09-8



07-4	<b>SQUEEGEE ASSY</b>		
09-12	<b>AquaPLUS™, AquaPLUS™ AXP, Adphibian™</b>		21

Item	Ref. No.	Qty	Description
	56315290	1	Squeegee Assembly "C" NOTE 2 (Only used on Adphibian)
1	56324350	2	Wheel
2	56370711	2	Nut, Thumb
3	56002851	2	Nut, Hex Nyl Loc-Thin SS 5/16-18
4	56002907	2	Nut, Hex Nyl Loc SS 6-32
5	56002909	2	Scr, Pan Phil SS 6-32x.38
6	56002938	2	Wsh, Flt SAE SS 5/16
7	56003736	2	Scr, Hex Thd to Hd SS 5/16-18 x 3.00
8	56003472	2	Scr, Soc Shd .38 X 1.00 X 5/16-18
9	56009111	6	Nut, Wing SS 1/4-20
10	56109664	1	Strap-Left Rear "C" NOTE 2 / TSBUS2009-1037
11	56109665	1	Strap-Right Rear "C" NOTE 2 / TSBUS2009-1037
12	56314325	1	Squeegee Tool, Cast "C" TSBUS2008-998
13	56314322	1	Strap, Front "C"
14	56315348	1	Squeegee Blade kit NOTE 1
15	56471194	1	Latch Assembly TSBUS2009-1037
			<b>Squeegee Blade Kits</b>
#	56315348	1	Kit, Gum Rubber Squeegee Blade NOTE 1
*#	56315352	1	Kit, Red Gum Rubber Squeegee Blade NOTE 1
*	56315855	1	Kit, Squeegee Blade PU C NOTE 1

\* = Optional, Not Included

# = Revised or new since last update

NOTE 1: All squeegee blade kits include both front and rear squeegee blades.

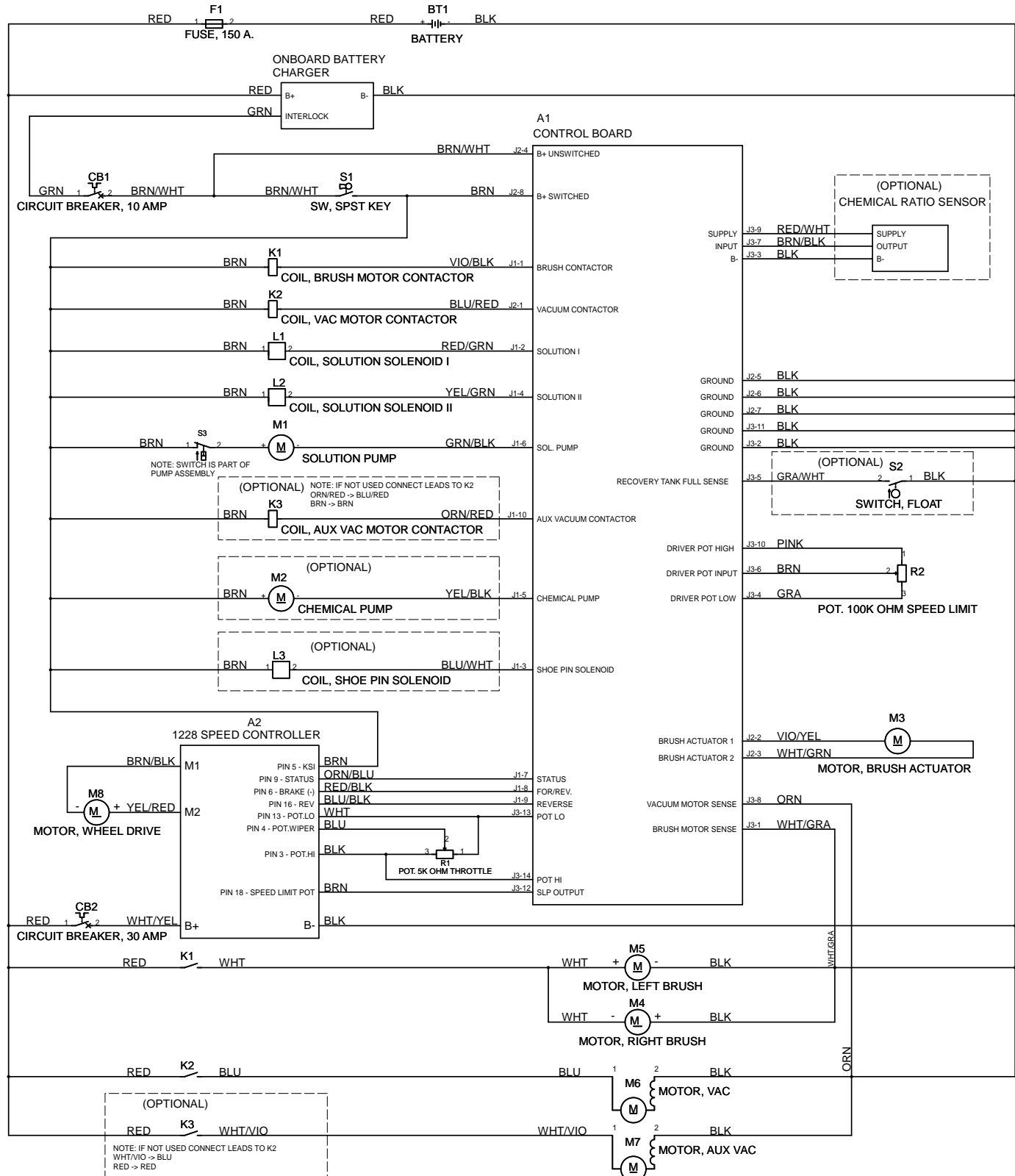
NOTE 2: To replace all squeegee straps as a set order 56109666-Strap Kit-C  
This kit includes both rear straps, front strap and the latch.

# LADDER DIAGRAM

AquaPLUS™, AquaPLUS™ AXP, Adphibian™

07-4

07-9





Item	Ref. No.	Qty	Description
A1	56317111	1	Control Panel Assy NOTE 2
	56317107	1	Control Panel Assy NOTE 3
A2	56317102	1	Speed Control
BT1	NA	4	Battery (see "Optional Kits & Accessories" page)
CB1	56507644	1	Circuit Breaker, 10 Amp
CB2	56315256	1	Circuit Breaker, 30 Amp
F1	56412089	1	Fuse, 150 Amp
K1	56317116	1	Contactora, Brush Motor TSBUS2008-1020
K2	56317101	1	Contactora, Vac Motor
K3	56317101	1	Contactora, Aux Vac Motor NOTE 3
L1	56317024	1	Solenoid 1, Solution
L2	56317024	1	Solenoid 2, Solution
M1	56317045	1	Pump, Solution
M2	56315241	1	Pump, Chemical NOTE 4
M3	56317161	1	Lift Actuator Assembly TSBUS2008-997
M4	56315061	1	Motor, 24 Vdc, .5 Hp, 1800 RPM (Right) TSBUS2010-1058
[ ]	56412287	1	Brush / Spring Kit (for 56315061) NOTE 5
[ ]	56380003	1	Brush / Spring Kit (for 56315061) NOTE 5
M5	56315061	1	Motor, 24 Vdc, .5 Hp, 1800 RPM (Left) TSBUS2010-1058
[ ]	56412287	1	Brush / Spring Kit (for 56315061) NOTE 5
[ ]	56380003	1	Brush / Spring Kit (for 56315061) NOTE 5
M6	56317025	1	Motor, Vac 24vdc
[ ]	56397098	1	Carbon Brush set of 2 (for 56317025)
M7	56317025	1	Motor, Vac 24vdc
[ ]	56397098	1	Carbon Brush set of 2 (for 56317025)
M8	56315062	1	Transaxle, 24V
[ ]#	56315377	1	Motor (for 56315062)
[ ]#	56315378	4	Carbon Brush (for 56315062)
[ ]#	56315379	2	Neoprene Mounting Sleeve (for 56315062)
R1	56397029	1	Potentiometer, 5K Ohm, Throttle
R2	56396197	1	Potentiometer, 100K Ohm, Speed Limit
S1	56303553	1	Key Switch Assembly
[ ]	56303526	A/R	Set of 2 Replacement Keys
S2	56315096	1	Switch, Float NOTE 1
S3	N/A	1	Switch (part of M7)
[ ]	56315124	1	Charger, Onboard 24V (Onboard Charger Models Only) TSBUS2007-979 / TSBUS2008-984 / TSBUS2008-1008
[ ]	56315747	1	Thermistor Repair Kit for 56315124
[ ]	56315340	1	Chemical Ratio Sensor (AXP Models Only)
[ ]	56317109	1	Harness, Main
[ ]	56317115	1	Harness, Scrub Deck Ground
[ ]	56416445	3	Cable Assy 4 AWG (Battery Cables)
[ ]	56372673	8	Boot, Battery Post
[ ]	56478523	2	Tie, Cable
[ ]	56478246	9	Tie, Cable
[ ]	56314119	1	Spacer, Battery

[ ] = Not Shown

# = Revised or new since last update

NOTE 1: Float Switch 56315096 is optional on the AquaPLUS models and standard on the Adphibian.

NOTE 2: Only used on AquaPLUS &amp; AquaPLUS AXP

NOTE 3: Only used on Adphibian

NOTE 4: Only used on AquaPLUS AXP, Adphibian

NOTE 5: If your cylindrical scrub motor has a serial tag from Scott Motors Co. (4BB1344) order Carbon Brush Set 56412287.

If your cylindrical scrub motor has a serial tag from Nilfisk-Advance (ZD22000) order Carbon Brush Set 56380003.

**OPTIONAL KITS AND ACCESSORIES**

07-4

24

**AquaPLUS™, AquaPLUS™ AXP, Adphibian™**

11-3

**Ref. No. Qty Description**

Common Kits		
*	56317136	1 Kit, Scrub & Vac Tool W/Caddy
*	56315312	1 Squeegee Wand Kit
*	56317117	A/R Panel Assy NOTE 2
*	56315732	1 QuiQ Programmer Kit TSBUS2007-979

Replacement parts for the kits listed above can be found on each kit's associated instruction sheet.

Squeegee Kits		
#	56315348	1 Kit, Gum Rubber Squeegee Blade NOTE 3
*#	56315352	1 Kit, Red Gum Rubber Squeegee Blade NOTE 3
*	56315855	1 Kit, Squeegee Blade PU C NOTE 3
*	56109666	1 Strap Kit-C

Scrub Brushes		
*	56314389	2 Soft Nylon
*	56314390	2 Hard Nylon
*	56314391	2 Prolene
*	56314392	2 180 Midlite
*	56314393	2 80 DynaGrit
*	56314394	2 46 MagnaGrit
*	56317047	2 Multi-Surface

Accessories		
*	56397453	6 Indicator, Battery Level (1 per battery)
*	56262209	A/R Light Duty Soft Floor Drag Wand
*	56265305	A/R Heavy Duty Soft Floor Drag Wand
*	56220109	A/R Upholstery Tool Assy
*	56220070	A/R Upholstery Tool Assy
*	56265368	A/R Hose Assy, 8 FT
*	56265174	A/R Hose Assy, 15 FT
*	56317153	1 Kit, Float Switch NOTE 1
*	56317114	A/R Panel Assy NOTE 1
*	56315316	A/R Tote Bag
*	56409441	A/R Programmer, 1307 User
*	56409823	A/R Programmer Cable
*#	56044397	1 Literature Pack (AquaPlus)
*#	56044411	1 Literature Pack (Adphibian)

Optional Batteries		
*	56317154	4 Battery, 6V 251AH Wet TSBUS2008-984
*	56315772	4 Battery, 6V 255AH Sealed TSBUS2008-984
*	56206987	4 Battery, 6V 180 AH Gel TSBUS2008-984
*	56206117	4 Battery, 6V 195 AH Wet TSBUS2008-984
*	56206079	4 Battery, 6V 235 AH Wet TSBUS2008-984

Optional Battery Chargers		
*	56388109	A/R Charger, 24V 25A 110V TSBUS2008-984

[ ] = Not Shown

\* = Optional, Not Included

# = Revised or new since last update

NOTE 1: Only used on AquaPLUS & AquaPLUS AXP

NOTE 2: Only used on Adphibian

NOTE 3: All squeegee blade kits include both front and rear squeegee blades.

We provide brushes and pad holders that will give you the best possible performance between machine and floor. Following are descriptions of the materials and their applications.

Soft Nylon Brush:	Least aggressive brush available. Used on soft-finish floors where a more aggressive brush would leave scratch marks, or in applications requiring very light cleaning.
Hard Nylon Brush:	Cleaning action similar to polypropylene. More durable and wear-resistant than polypropylene.
Polypropylene Brush:	Standard for carpet only models. Low cost, yet effective cleaning for carpeted areas and many common floor surfaces.
180 Grit Brush:	Least aggressive grit brush. Used for daily cleaning of hard-finished floors.
80 Grit Brush:	Medium aggressive grit brush. Good all-around brush for medium to heavy buildup removal. Can also be used for general stripping operations.
46 Grit Brush:	Most aggressive grit brush. Used primarily to clean heavy buildup on concrete floors in factories, or for heavy stripping of finish.
Multi-Surpose:	Standard for multi-surface models. Anti microbial brush designed for all flooring surfaces.

## BRUSHES

56314389 - Soft Nylon  
 56314390 - Hard Nylon  
 56314391 - Prolene  
 56314392 - 180 Grit  
 56314393 - 80 Grit  
 56314394 - 46 Grit  
 56317047 - Multi-Surface

## CYLINDRICAL BRUSH APPLICATION GUIDE (SUGGESTION ONLY)

Application	46 Grit	80 Grit	180 Grit	Polypro- pylene	Stiff Nylon	Soft Nylon	Multi Surface
Stripping:							
Concrete	X	X					
Terrazzo	X	X					
Ceramic/Quarry tile		X					
Vinyl tile		X					
General Scrubbing:							
Concrete	X	X	X	X	X		
Terrazzo			X	X	X	X	X
Ceramic/Quarry tile			X	X	X	X	X
Marble			X		X	X	X
Vinyl tile			X	X	X	X	X
Raised-rubber tile			X			X	X
Extraction:							
Carpet				X		X	X

**SQUEEGEE BLADE SELECTOR GUIDE**

07-4

26

**AquaPLUS™, AquaPLUS™ AXP, Adphibian™**

11-3

Gum Rubber: Provides superior wiping action on tile, terrazzo, and polished floors.

Red Gum Rubber: Provides longest life on finished or unfinished concrete floors.

Polyurethane: Oil resistance provides superior life in applications with oily floors.

**SQUEEGEE BLADE APPLICATION GUIDE(SUGGESTION ONLY)**

<b>Performance Traits</b>	<b>Gum Rubber (Natural Rubber)</b>	<b>Red Gum Rubber (Natural Rubber)</b>	<b>Polyurethane/ Pentathane</b>
Resilience	X		X
Tear Strength	X		X
Abrasion Resistance	X	X	X
Wear Resistance		X	X
Low Temp Flexibility	X	X	
High Temp Flexibility	X		X
Ozone Resistance			
Chemical Resistance			X
<b>Applications</b>			
Oil Resistant Applications			X
General Purpose	X	X	X
Hot Water Applications		X	X
Chemical Applications			X
Color	Tan	Red	Translucent









14600 21st Avenue North  
Plymouth, MN 55447-3408  
[www.advance-us.com](http://www.advance-us.com)  
Phone: 800-989-2235  
Fax: 800-989-6566  
©2011 Nilfisk-Advance, Inc.

---

**A Nilfisk-Advance Brand**