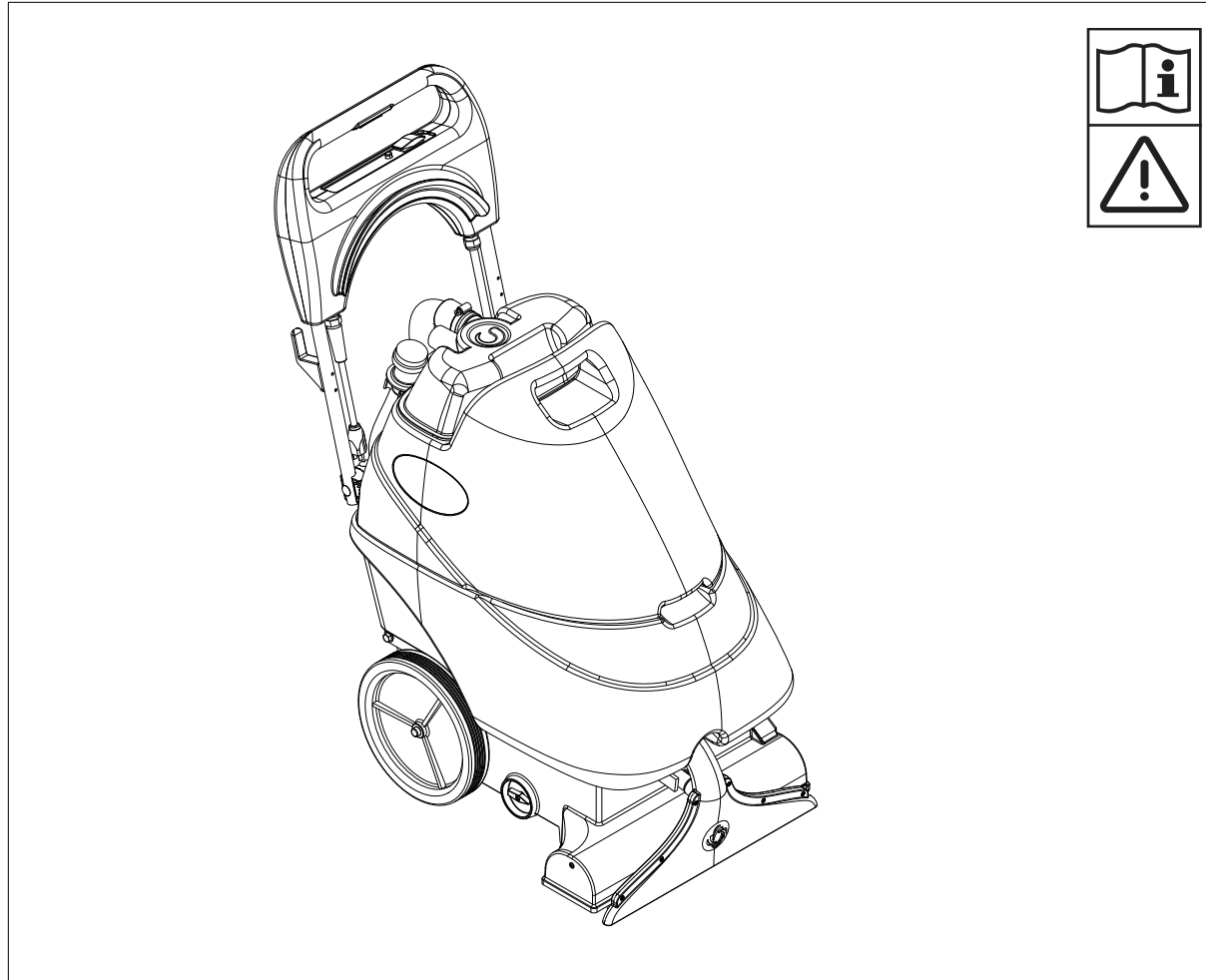


# AquaClean™ 16ST, 16XP, 18FLX, 18ST



## Instructions for Use Instrucciones de Uso

**Advance MODELS 56265003(16ST), 56265000(16XP), 56265001(18FLX),  
56265008(18ST)**



**Advance**  
by Nilfisk-Advance

A-English  
B-Español

11/04 revised 12/08 Form No. 56041602

## TABLE OF CONTENTS

	Page
<b>Introduction</b> .....	A-1
Parts and Service .....	A-1
Nameplate .....	A-1
Uncrating the Machine.....	A-1
Cautions and Warnings .....	A-2
Consignes de prudence et de sécurité .....	A-3
Grounding Instructions .....	A-4
Instructions visant la mise à la terre .....	A-5
<b>Know Your Machine</b> .....	A-6 – A-7
<b>Preparing the Machine for Use</b>	
Filling the Solution Tank.....	A-8
Before Using.....	A-8
Pre-Spraying the Carpet.....	A-8
Plan for Cleaning .....	A-8
<b>Operation</b>	
Operating the Machine .....	A-9
Using Attachments.....	A-9
Hard Floor Kits.....	A-9
<b>After Use</b>	
After Using the Machine .....	A-10
<b>Maintenance</b>	
Maintenance Schedule .....	A-10
Vacuum Shoe Maintenance.....	A-10
Spray Nozzle Maintenance.....	A-11
Power Cord Maintenance .....	A-11
Adjusting the Brush Pressure .....	A-11
Power Brush Maintenance .....	A-11
Removing the Brush .....	A-11
Troubleshooting .....	A-12
Technical Specifications .....	A-12

---

**INTRODUCTION**

This manual will help you get the most from your Advance™ carpet extractor. Read it thoroughly before operating the machine.

This product is intended for commercial use only.

**PARTS AND SERVICE**

Repairs, when required, should be performed by your Authorized Advance Service Center, who employs factory trained service personnel, and maintains an inventory of Advance original replacement parts and accessories.

Call the ADVANCE DEALER named below for repairs or service. Please specify the Model and Serial Number when discussing your machine.

(Dealer, affix service sticker here.)

**NAMEPLATE**

The Model Number and Serial Number of your machine are shown on the Nameplate, located on the rear base of the machine. This information is needed when ordering repair parts for the machine. Use the space below to note the Model Number and Serial Number of your machine for future reference.

MODEL \_\_\_\_\_

SERIAL NUMBER \_\_\_\_\_

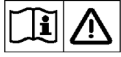
**UNCRATING THE MACHINE**

When the machine is delivered, carefully inspect the shipping carton and the machine for damage. If damage is evident, save the shipping carton so that it can be inspected. Contact the Advance Customer Service Department immediately to file a freight damage claim.

# IMPORTANT SAFETY INSTRUCTIONS

This machine is only suitable for commercial use, for example in hotels, schools, hospitals, shops and offices other than normal residential housekeeping purposes.

When using an electrical appliance, basic precautions should always be followed, including the following:



Read all instructions before using this appliance.

## **WARNING!**

To reduce the risk of fire, electric shock, or injury:

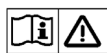
- Do not leave the appliance when it is plugged in. Unplug the unit from the outlet when not in use and before servicing.
- To avoid electric shock, do not expose to rain. Store indoors.
- Do not allow to be used as a toy. Close attention is necessary when used near children.
- Use only as described in this manual. Use only the manufacturer's recommended attachments.
- Do not use with damaged cord or plug. If the appliance is not working as it should be, has been dropped, damaged, left outdoors or dropped into water, return it to a service center.
- Do not pull or carry by the cord, use the cord as a handle, close a door on the cord, or pull the cord around sharp edges or corners. Do not run the appliance over the cord. Keep the cord away from heated surfaces.
- Do not unplug by pulling on the cord. To unplug, grasp the plug, not the cord.
- Do not handle the plug, cord or appliance with wet hands.
- Do not put any object into openings. Do not use with any opening blocked; keep free of dust, lint, hair, and anything that may reduce air flow.
- Keep loose clothing, hair, fingers, and all parts of body away from openings and moving parts.
- Do not pick up anything that is burning or smoking, such as cigarettes, matches, or hot ashes, or any health endangering dusts.
- Turn off all controls before unplugging.
- Use extra care when cleaning on stairs.
- Do not use to pick up flammable or combustible liquids such as petrol or use in areas where they may be present.
- If foam or liquid comes out with the vacuum exhaust, switch power off immediately. Verify that there are no foreign objects obstructing the float ball from moving freely. Contact Advance if the problem persists.
- Liquid ejected at the spray nozzle could be dangerous as a result of its temperature, pressure or chemical content.
- Only use the brushes provided with the appliance or those specified in the instruction manual. The use of other brushes may impair safety.

## SAVE THESE INSTRUCTIONS

## IMPORTANTES MESURES DE SÉCURITÉ

Cette machine ne convient qu'à un usage industriel, par exemple dans des hôtels, écoles, hôpitaux, usines, boutiques et bureaux et autres à l'exclusion de tout usage de maintenance résidentielle normale.

L'utilisation d'un appareil électrique demande certaines précautions:



LIRE TOUTES LES INSTRUCTIONS AVANT DE FAIRE FONCTIONNER CET APPAREIL

### **AVERTISSEMENT!**

Pour réduire les risques d'incendie, de choc électrique ou de blessure:

- Ne pas laisser l'appareil sans surveillance lorsqu'il est branché. Débrancher lorsque l'appareil n'est pas utilisé et avant l'entretien.
- Pour réduire les risques de choc électrique, utiliser à l'intérieur seulement.
- Ne pas permettre aux enfants de jouer avec l'appareil. Une attention particulière est nécessaire lorsque l'appareil est utilisé par des enfants ou à proximité de ces derniers.
- N'utiliser que conformément à cette notice avec les accessoires recommandés par le fabricant.
- Ne pas utiliser si le câble ou la fiche est endommagé. Retourner l'appareil à un atelier de réparation s'il ne fonctionne pas bien, s'il est tombé ou s'il a été endommagé, oublié à l'extérieur ou immergé.
- Ne pas tirer soulever ou traîner l'appareil par le câble. Ne pas utiliser le câble comme une poignée, le coincer dans l'embrasure d'une porte ou l'appuyer contre des arêtes vives ou des coins. Ne pas faire rouler l'appareil sur le câble. Garder le câble à l'écart des surfaces chaudes.
- Ne pas débrancher en tirant sur le câble. Tirer plutôt la fiche.
- Ne pas toucher la fiche ou l'appareil avec des mains humides.
- N'insérer aucun objet dans les ouvertures. Ne pas utiliser l'appareil lorsqu'une ouverture est bloquée. S'assurer que de la poussière, de la peluche, des cheveux ou d'autres matières ne réduisent pas le débit d'air.
- Maintenir les cheveux, les vêtements amples, les doigts et toutes les parties du corps à l'écart des ouvertures et des pièces mobiles.
- Ne pas aspirer de matières en combustion ou qui dégagent de la fumée, comme des cigarettes, des allumettes ou des cendres chaudes.
- Mettre toutes les commandes à la position ARRÊT avant de débrancher l'appareil.
- User de prudence lors du nettoyage des escaliers.
- Ne pas aspirer des liquides inflammables ou combustibles, comme de l'essence, et ne pas faire fonctionner dans des endroits où peuvent se trouver de tels liquides.
- Si de la mousse ou un liquide s'échappe avec l'air évacué, mettez immédiatement l'aspirateur hors tension. Assurez-vous qu'aucun corps étranger n'empêche le flotteur de se déplacer librement. Si le problème persiste, contactez Advance.
- Le liquide qui sort de l'embout de vaporisation peut s'avérer dangereux en raison de sa température, de sa pression ou du produit chimique qu'il contient.
- Utilisez uniquement les brosses fournies avec l'appareil ou celles spécifiées dans le manuel d'instructions. L'utilisation d'autres brosses peut mettre la sécurité en péril.

## CONSERVER CES INSTRUCTIONS

## 120VAC GROUNDING INSTRUCTIONS

This appliance must be grounded. If it should electrically malfunction, grounding provides a path of least resistance for electric current to reduce the risk of electric shock. This appliance is equipped with a cord having an equipment-grounding conductor and grounding plug. The plug must be plugged into an appropriate outlet that is properly installed and grounded in accordance with all local codes and ordinances.

### **⚠ DANGER!**

Improper connection of the equipment-grounding conductor can result in a risk of electric shock. Check with a qualified electrician or service person if you are in doubt as to whether the outlet is properly grounded. Do not modify the plug provided with the appliance. If it will not fit the outlet, have a proper outlet installed by a qualified electrician.

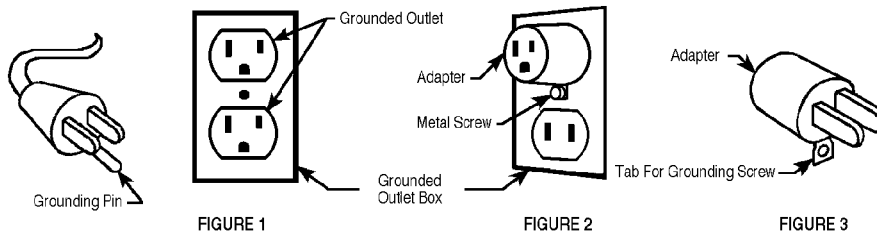
This appliance is for use on a nominal 120-volt circuit, and has a grounding plug that looks like the plug illustrated in Figure 1 below. A temporary adapter illustrated in Figures 2 and 3 may be used to connect this plug to a 2-pole receptacle as shown in Figure 2 if a properly grounded outlet is not available. The temporary adapter should be used only until a properly grounded outlet (Figure 1) can be installed by a qualified electrician. The green-colored rigid ear, tab, or the like extending from the adapter must be connected to a permanent ground such as a properly grounded outlet box cover. Whenever the adapter is used, it must be held in place by a metal screw. Grounding adapters are not approved for use in Canada.

Replace the plug if the grounding pin is damaged or broken.

The Green (or Green/Yellow) wire in the cord is the grounding wire. When replacing a plug, this wire must be attached to the grounding pin only.

Extension cords connected to this machine should be 12 gauge, three-wire cords with three-prong plugs and outlets. DO NOT use extension cords more than 50 feet (15 m) long.

**PLEASE NOTE: FOR NORTH AMERICA ONLY**



## INSTRUCTIONS VISANT LA MISE À LA TERRE (120VAC)

Cet appareil doit être mis à la terre. En cas de défaillance ou de panne éventuelles, la mise à la terre fournit au courant un chemin de moindre résistance qui réduit le risque de choc électrique. Cet appareil est pourvu d'un cordon muni d'un conducteur de terre et d'une fiche avec broche de terre. La fiche doit être branchée dans une prise appropriée correctement installée et mise à la terre conformément aux règlements et ordonnances municipaux.

### **⚠ AVERTISSEMENT !**

Un conducteur de terre mal raccordé peut entraîner un risque de choc électrique. Consulter un électricien ou un technicien d'entretien qualifié si vous n'êtes pas certain que la prise est correctement mise à la terre. Ne pas modifier la fiche fournie avec l'appareil - si elle ne peut être insérée dans la prise, faire installer une prise adéquate par un électricien qualifié.

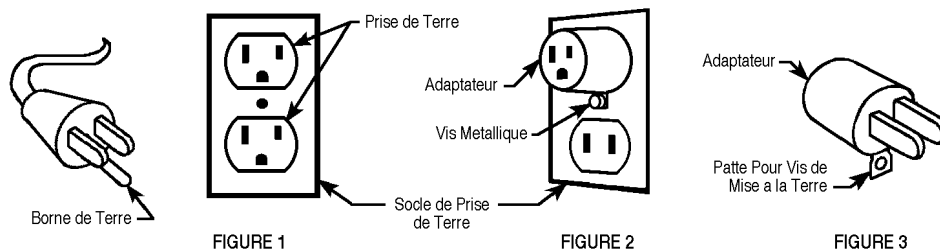
Cet appareil est destiné à un circuit de 120 V et est muni d'une fiche de terre semblable à celle illustrée par le croquis 1. Un adaptateur temporaire semblable à celui illustré par le croquis 2 et C peut être utilisé pour brancher cette fiche à une prise bipolaire comme l'illustre le croquis 2 si une prise avec mise à la terre n'est pas disponible. L'adaptateur temporaire devrait être utilisé seulement jusqu'à ce qu'une prise avec mise à la terre soit installée par un électricien qualifié. L'oreille rigide ou le crochet ou autre dispositif semblable, de couleur verte, prolongeant l'adaptateur doit être raccordé à un élément correctement mis à la terre comme le couvercle d'une boîte de sortie mise à la terre. L'adaptateur doit être fixé par une vis métallique. **Note:** Au Canada, l'utilisation d'un adaptateur temporaire n'est pas autorisée par le *Code canadien de l'électricité*.

Remplacez la prise si la prise de terre est abîmée ou cassée.

Le fil Vert (ou Vert/Jaune) dans la gaine est le fil de terre. Lors du remplacement d'une prise, ce fil doit être raccordé à la prise de terre uniquement.

Les ralonges connectées à cette machine doivent avoir 12 mesures, trois ganses de fil ayant **trois fiches masculines féminines tree-prong plugs and outlets**. N'UTILISEZ PAS de ralonge de plus de 15 m (50 pieds) de long.

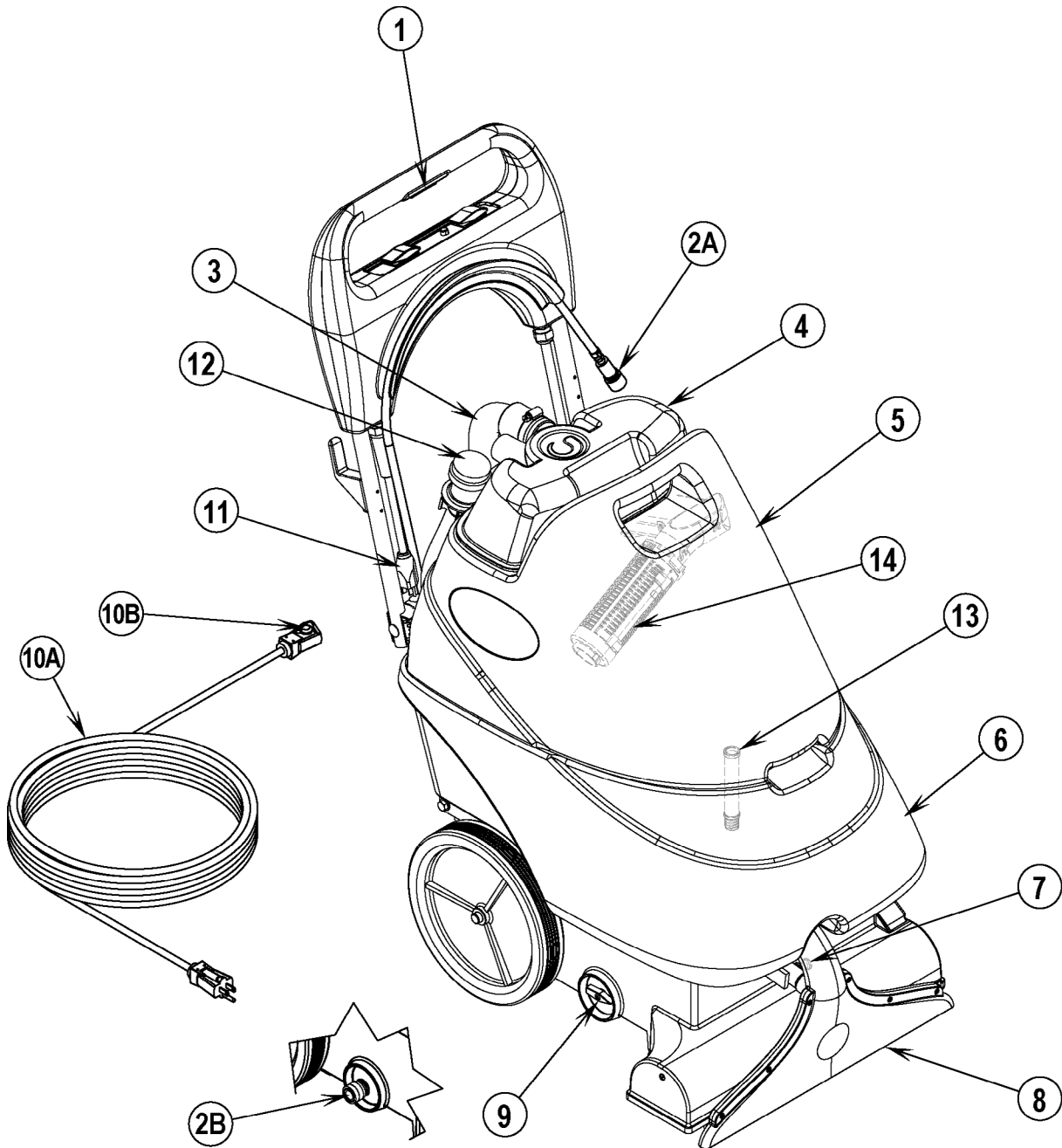
**VEUILLEZ NOTER: CES INSTRUCTIONS CONCERNENT UNIQUEMENT L'AMÉRIQUE DU NORD**



# A-6 / ENGLISH

## KNOW YOUR MACHINE

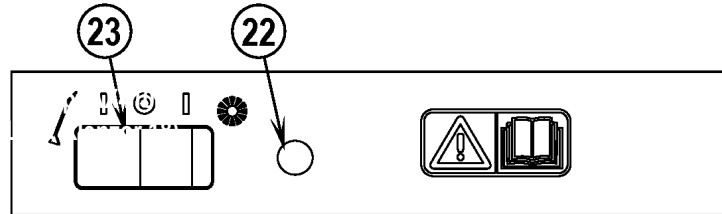
- 1 Solution Switch
- 2A Accessory Solution Hose (16XP, 18FLX)
- 2B Accessory Solution Port (16ST / 18ST only)
- 3 Recovery Hose
- 4 Recovery Tank Dome Lid
- 5 Recovery Tank
- 6 Solution Tank
- 7 Pin Release for vacuum shoe
- 8 Vacuum Shoe
- 9 Nozzle Selector Knob (16XP, 18FLX)
- 10A Power Cord (16XP, 18FLX, 18ST)
- 10B Power Cord Locking Mechanism (16XP, 18FLX, 18ST)
- 11 Pigtail Cord (Full Length Cord on 16ST, 18ST)
- 12 Recovery Tank Drain Hose
- 13 Solution Screen
- 14 Automatic Float Shut-Off



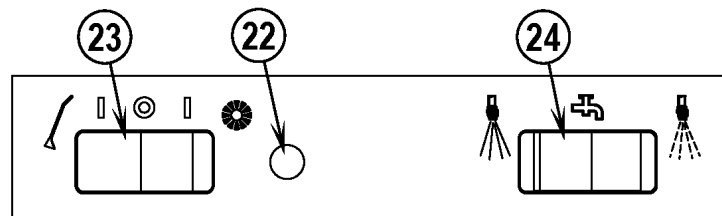


**KNOW YOUR MACHINE (CONTINUED)**

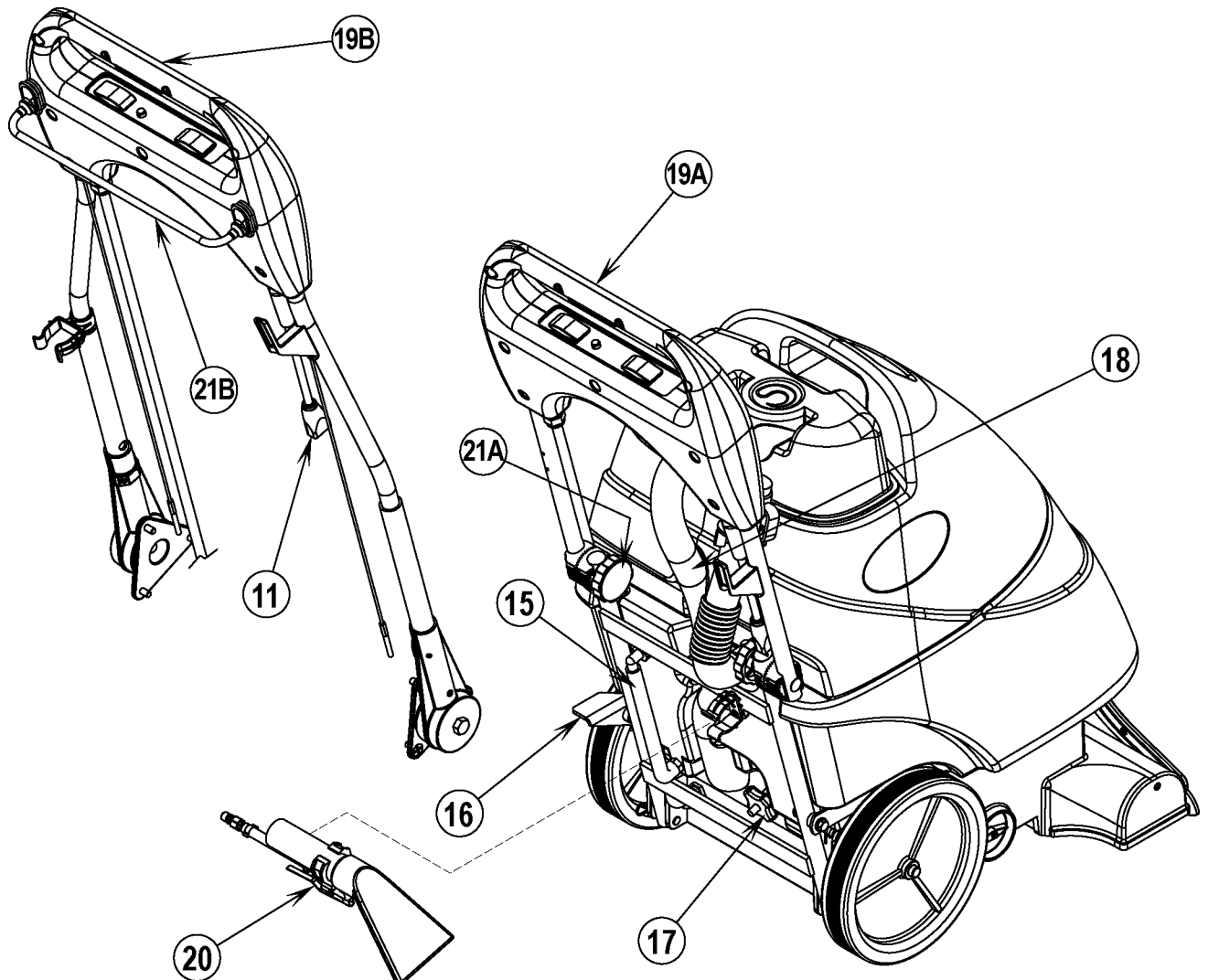
- 15 Solution Drain Hose / Level Indicator
- 16 Handle Release Pedal
- 17 Brush Pressure Control Knob
- 18 Recovery Hose Connection (16XP, 18FLX)
- 19A Handle Assembly 16
- 19B Handle Assembly 18
- 20 Hand Tool Assembly (16XP, 18FLX)
- 21A Handle Angle Adjustment Knobs
- 21B Handle Position Adjustment Lever
- 22 Brush Motor Circuit Breaker
- 23 Power & Extract / Accessory Switch
- 24 Solution Switch (Constant or Intermittent)



16ST  
16XP



18FLX  
18ST



# A-8 / ENGLISH

## PREPARING THE MACHINE FOR USE

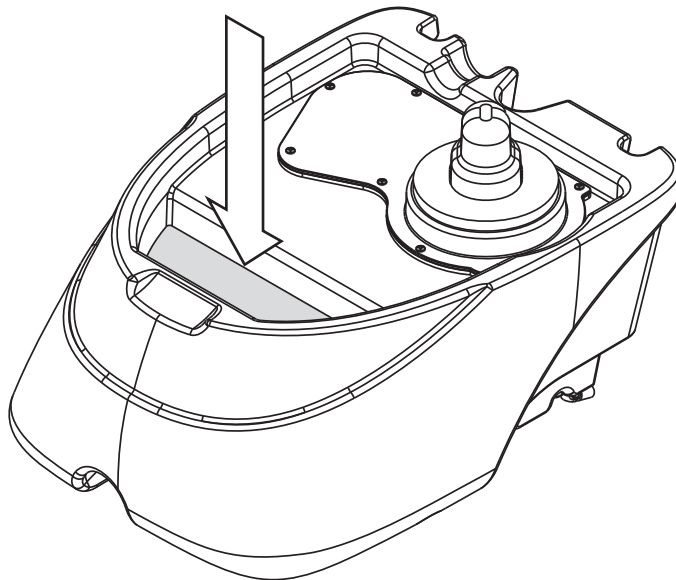
### FILLING THE SOLUTION TANK

- 1 Turn the power switch to off (O) and then unplug the machine.
- 2 Remove the recovery hose. Lift the recovery tank from the machine and set it off to the side.
- 3 Read the dilution instructions on the chemical container. Then calculate the proper amount of chemical to mix with your machine's solution tank capacity of water; 8 gallons (30 liters) for 16ST, 16XP or 12 gallons (45 liters) for 18FLX / 18ST.
- 4 Pour the chemical into the solution tank and fill the tank with hot water (maximum temperature 54°C/130°F). **NOTE:** Do not overfill the solution tank. The maximum fill point is when the solution level reaches the bottom of the lip on the tank opening. See Figure 4.
- 5 Put the Recovery Tank back on the machine. **NOTE:** Make sure the Recovery Tank is properly seated on the Solution Tank.

### CAUTION!

Use low-sudsing, liquid detergents designed for carpet extraction.

FIGURE 4



### BEFORE USING THE AQUACLEAN™

Thoroughly vacuum the carpet to be cleaned before using the AquaClean™ automatic extractor.

### PRE-SPRAYING THE CARPET

Pre-spray spots and heavy traffic areas before extracting. Use a hand-held bottle sprayer or a pressurized "Hudson" type sprayer. Mix the pre-spray according to the chemical manufacturer's directions.

### PLAN FOR CLEANING

Before you begin extracting, look at the area to be cleaned and plan your work. Divide the space into sections. Overlap each pass 2 inches (5 cm).

## OPERATING THE MACHINE

- 1 Follow the instructions in the *Preparing the Machine for Use* section of this manual.
- 2 Press the Handle Release Pedal (16) to lower the handle into the operating position, or for 18FLX / 18ST push down on the Brush Pressure Control Knob (17) to release the machine from the storage position.
- 3 Loosen the Handle Height Adjustment Knobs (21A) and adjust the handle height to the most comfortable position for the operator. Re-tighten the knobs once the desired height is reached. Or lift up on Handle Position Adjustment Lever (21B) to adjust to a comfortable height.
- 4 Adjust the Nozzle Selector Knob (9) to either “maintenance” or “restoration” mode, if equipped with two spray nozzles (16XP, 18FLX).  
Maintenance Mode: Lower solution flow, recommended for frequent surface cleaning.  
Restoration Mode: Higher solution flow, recommended for less frequent deep cleaning.
- 5 Plug the machine into a properly grounded outlet. To start the vacuum motor, solution pump and brush motor...  
AquaClean machines: Turn Power and Extract / Accessory Switch (23) to the extract On (I) position (brush symbol).
- 6 Adjust the brush pressure. Turn the Brush Pressure Control Knob (17) counter-clockwise to decrease the brush pressure and clockwise to increase the brush pressure. The machine should assist, but not propel itself (on carpet) when the brush is properly adjusted.
- 7 Continually hold the Solution Switch (1) to dispense solution. Once the Solution Switch (1) is released the solution flow will stop. If equipped with Solution Switch (Constant or Intermittent) (24), solution is dispensed in two ways.
  - When the Solution Switch (24) on the panel is in the “constant” position, solution is dispensed continuously and the Solution Switch (1) is disabled. This is mainly used when the machine is used in the high productivity walk behind mode.
  - When the Solution Switch (24) on the panel is in the “intermittent” position, solution is dispensed only when the Solution Switch (1) is pressed.
- 8 Begin cleaning by pulling the machine along in a straight line and overlap each pass by 2 inches (5 cm). Release the Solution Switch (1) prior to turns to ensure complete extraction of solution from carpet.
- 9 Watch the fluid entering the Recovery Tank Dome Lid (4). If there is a large amount of suds in the recovery tank, add a defoamer chemical to the recovery tank.

## ⚠ CAUTION!

Empty the recovery tank before the fluid or foam enters the vacuum motor.

If there is little or no fluid entering the recovery tank, check the Solution Drain Hose / Level Indicator (15), the solution tank may be empty. Refill the solution tank with water and the proper ratio of cleaning chemical.

- 10 The recovery tank has an Automatic Float Shut-Off (14) to block the vacuum system when the recovery tank is full. You can tell when the float closes by the sudden change in the sound of the vacuum motor. When the float closes, the recovery tank must be emptied. The machine can continue to dispense solution, but **will not** pick up water with the float closed.
- 11 When the operator wants to stop cleaning or the recovery tank is full, release the Solution Switch (1). Then turn the power switch Off (O) and unplug the machine.
- 12 Push the machine to a designated waste water “DISPOSAL SITE” and empty the recovery tank. To empty, pull the Recovery Tank Drain Hose (12) from its rear storage hanger, then remove the plug (hold the end of the hose above the water level in the tank to avoid sudden, uncontrolled flow of waste water). Refill the solution tank and continue cleaning.

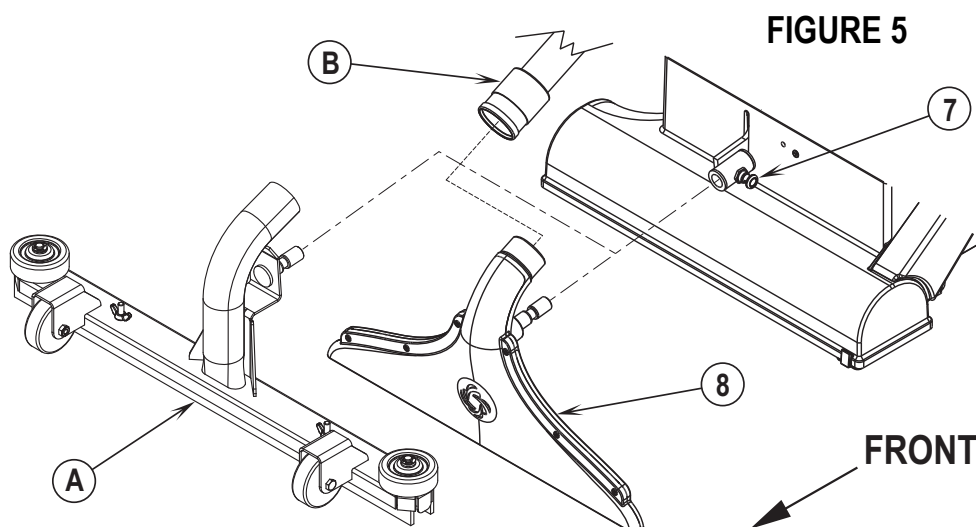
## USING ATTACHMENTS

To use accessory tools, disconnect the recovery hose at the Recovery Hose Connection (18). Attach the accessory's recovery hose to the machine's Recovery Hose (3). Attach the accessory's solution hose to the machine's Accessory Solution Hose (2A), or Accessory Solution Port (2B) on 16ST / 18ST. When using accessory tools place the Extract/Accessory Switch (23 or 25) in the accessory position (wand symbol).

See your Advance Distributor for accessories that may be used with the AquaClean™.

## HARD FLOOR KITS

The vacuum shoe can be removed and replaced with an optional Squeegee Tool (A) for use on hard floors. See Figure 5. The vacuum shoe can be removed by pulling on the Pin Release (7) and sliding the Vacuum Shoe (8) off. Then disconnect the Recovery Hose (B) from the vacuum shoe and connect to the squeegee tool. Attach the squeegee tool to the machine at the same mounting location used for the vacuum shoe, simply pull the pin release and slide the squeegee tool into place.



# A-10 / ENGLISH

## AFTER USING THE MACHINE

- 1 Turn the Power Switch OFF (O). Unplug the Power Cord (10). Coil the cord and hang it from the cord hook.
- 2 To empty the solution tank, pull the Solution Drain Hose (15) off the elbow. Direct the hose to a designated waste water "DISPOSAL SITE". Rinse the tank with clean water. Inspect the solution hoses; replace if kinked or damaged.
- 3 To empty the recovery tank, take the Recovery Drain Hose (12) off its hanger. Direct the hose to a designated waste water "DISPOSAL SITE" and remove the plug (hold the end of the hose above the water level in the tank to avoid sudden, uncontrolled flow of waste water). Rinse the tank with clean water. Inspect the recovery and drain hoses; replace if kinked or damaged.
- 4 Remove the brush, rinse with warm water and remove any built-up string, hair or carpet fibers.
- 5 Disconnect the Recovery Hose (3) from the Recovery Tank Dome Lid (4) and flush with warm water to wash any debris out of the Recovery Hose and Vacuum Shoe.
- 6 Wipe the machine with a damp cloth. Do not use abrasive chemicals or solvents.
- 7 Perform any required maintenance before storage.

## MAINTENANCE SCHEDULE

MAINTENANCE ITEM	Daily	Weekly	Yearly
Check / Clean Power Brush	•		
Check / Clean Tanks & Hoses	•		
Check / Clean Vacuum Shut-Off Float	•		
Clean Vacuum Shoe	•		
Clean "Maintenance" Spray Nozzle		•	
Inspect & Clean Solution Screen		•	
*Check Carbon Brushes			•

\* Have a Advance service technician check the vacuum motor carbon brushes once a year or after 300 operating hours. The brush motor carbon brushes check every 500 hours or once a year.

## IMPORTANT!

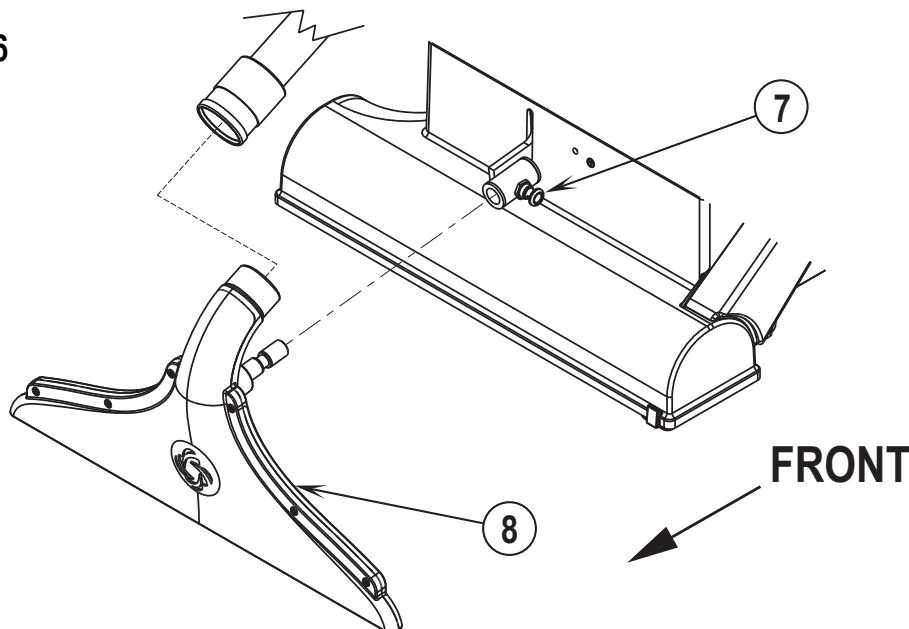
Motor damage resulting from failure to service the carbon brushes is not covered under warranty. See the Limited Warranty Statement.

- 8 Store the machine indoors in a clean, dry place with the tank dome lid open. Keep from freezing.
- 9 Place the machine in the storage position. This will prevent the brush from taking a set which will increase the brush life and maintain the performance of the brush.
  - All models except 18FLX / 18ST - Lift up on the Handle Release Pedal (16) then push the Handle Assembly (19A) forward to place the machine in the storage position.
  - 18FLX / 18ST models - Tip the machine back to lift the vacuum shoe off of the floor, then push in and up on the Brush Pressure Control Knob (17) until the knob locks into place.

## VACUUM SHOE MAINTENANCE

Check the vacuum shoe daily. Remove any built-up string, hair or carpet fibers. See Figure 6. The vacuum shoe can be removed by pulling on the Pin Release (7) and sliding the Vacuum Shoe (8) off.

FIGURE 6



## SPRAY NOZZLE MAINTENANCE

Remove the Maintenance Spray Nozzle (C) once a week. See Figure 7. Soak the nozzle overnight in vinegar to remove chemical deposits.

## SOLUTION SCREEN MAINTENANCE

Once a week (or more often if necessary), clean the Solution Screen (13). Drain the solution and recovery tanks. Lift the recovery tank from the machine and set it off to the side. Reach inside the solution tank and unthread the solution filter to remove.

## POWER CORD MAINTENANCE

Once a week (or more often if necessary), check the power cord for cracked or damaged insulation, exposed wires in the cord or plug, and damaged or missing ground pin. Repair or replace damaged cord or plug **immediately**.

## ADJUSTING THE BRUSH PRESSURE

Simply turn the Brush Pressure Adjustment Knob (19) clockwise to increase brush pressure and counter-clockwise to decrease the brush pressure.

## POWER BRUSH MAINTENANCE

Check the brush daily. Remove any built-up string, hair or carpet fibers. When the machine is not in use it should be placed in the storage position. This will prevent the brush from taking a set which will increase the brush life and maintain the performance of the brush.

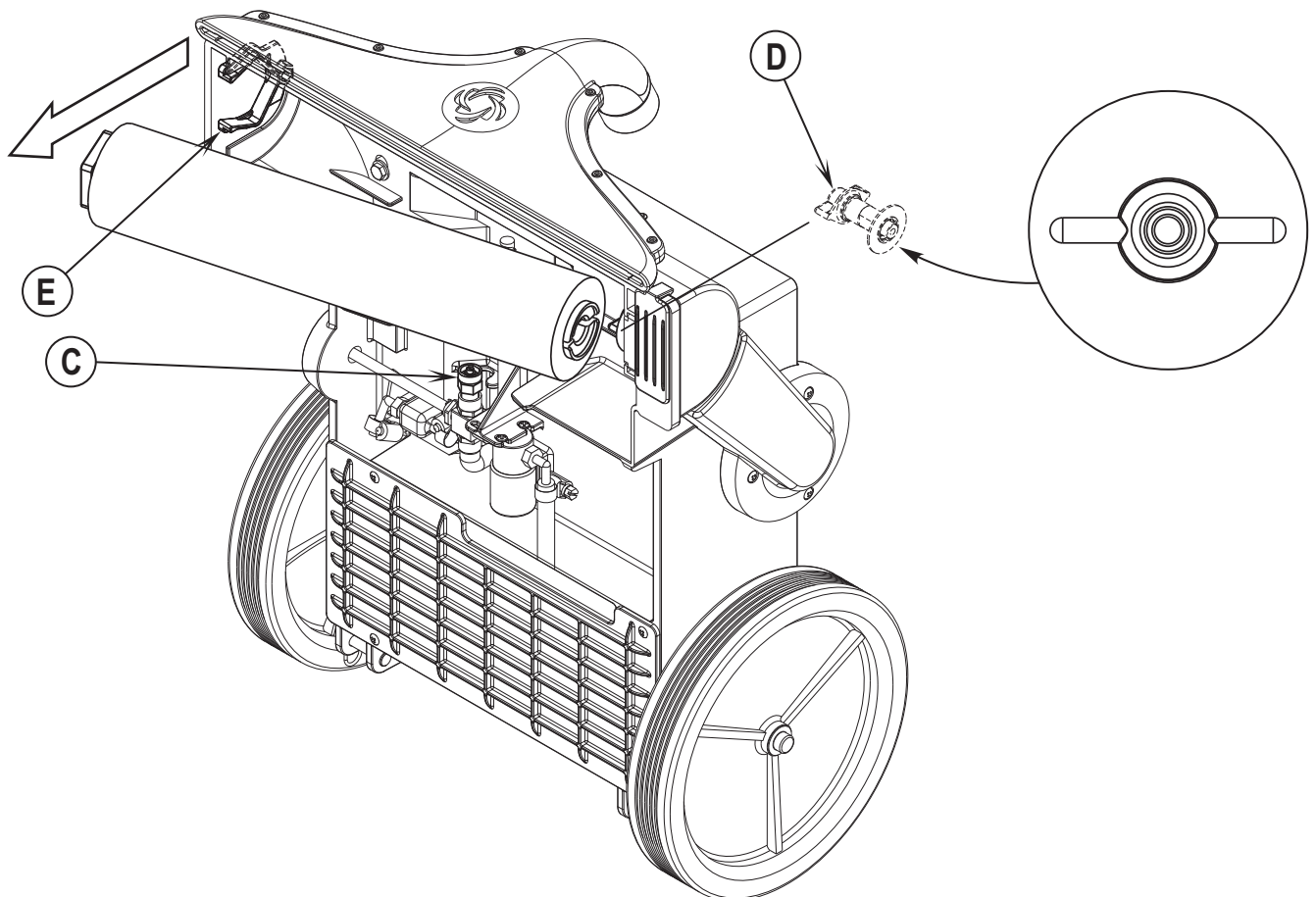
## REMOVING THE BRUSH

### ⚠ CAUTION!

Turn the power switch off (O) and unplug the machine, before changing the brushes.

- 1 Empty both the recovery and solution tanks. Lift the recovery tank from the machine and set it off to the side.
- 2 Place the Handle Assembly (19) into the storage position and tip the machine over onto its back.
- 3 See Figure 7. Rotate the brush until the Drive Lug (D) is in a position where the fins on the drive lug are parallel to the floor.
- 4 Grab the brush at the end with the Brush Retainer Clip (E) and pull straight out.
- 5 Install a new brush at the drive lug end first then push in the other brush end in until it snaps into the retainer clip.

FIGURE 7



# A-12 / ENGLISH

## TROUBLESHOOTING

If the possible causes listed below are not the source of trouble, it is a symptom of something more serious. Contact your Advance Service Center immediately for service.

### TRIPPING THE CIRCUIT BREAKER

The Circuit Breaker (20) is located on the Control Panel; it protects the electrical circuit and brush motor from damage due to overload conditions. If the circuit breaker is tripped try to determine the cause.

Brush Circuit Breaker (5 Amp) Possible cause may be:

- 1 Debris wrapped around the brush drive (remove debris)
- 2 Brush setting too low (adjust to proper brush setting)
- 3 Electrical short circuit (have your Advance Service Center or qualified electrician check the machine)

Once the problem has been corrected, push the button in to reset the circuit breaker. If the button does not stay in, wait 5 minutes and try again. If the circuit breaker trips repeatedly, call your Advance Service Center for service.

### POOR WATER PICKUP

Possible causes may be:



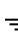
- 1 Recovery Tank Full (empty recovery tank)
- 2 Open recovery tank drain hose (secure drain hose cap or replace)
- 3 Recovery hose not connected at vacuum shoe (connect hose to vacuum shoe)
- 4 Recovery hose is kinked or damaged (replace the hose)
- 5 Recovery tank cover gasket leak (replace gasket)
- 6 Debris caught in vacuum shoe or recovery hose (clean vacuum shoe and recovery hose)

### INADEQUATE SOLUTION FLOW

Possible causes may be:

- 1 Solution tank empty (fill solution tank)
- 2 Solution lines or screen clogged (flush lines and screen)
- 3 Nozzle selector is turned to a position between maintenance and restoration (turn knob to full left or full right)

## TECHNICAL SPECIFICATIONS (as installed and tested on the unit)

Model		AquaClean™ 16ST	AquaClean™ 18FLX	AquaClean™ 18ST
Model No.		AquaClean™ 16XP		
		56265003	56265001	56265008
		56265000		
Voltage/frequency	V/Hz	120 / 50-60	120 / 50-60	120 / 50-60
Rated Current	Amp	13.3	14	14
Protection Class (electrical)				
Protection Grade		--	--	--
Sound Pressure Level (IEC 60704-1)	dB (A)/20µPa	74.3	74.3	74.3
Total Weight	lbs/kg	166 / 75.29	203 / 92	203 / 92
Vibrations at the Hand Controls (ISO 5349-1)	m/s <sup>2</sup>	0.72m/s <sup>2</sup>	0.72m/s <sup>2</sup>	0.72m/s <sup>2</sup>
Solution Tank Capacity		8 gal (30l)	11 gal (41l)	11 gal (41l)
Recovery Tank Capacity		6 gal (23l)	9 gal (34l)	9 gal (34l)



## ÍNDICE

	Página
<b>Introducción</b> .....	B-1
Componentes y servicio .....	B-1
Placa de identificación.....	B-1
Desembalaje de la máquina .....	B-1
Precauciones y advertencias.....	B-2
Instrucciones de conexión a tierra.....	B-3
<b>Conozca su máquina</b> .....	B-4 — B-5
<b>Preparación de la máquina para su utilización</b>	
Llenado del depósito de solución .....	B-6
Antes de la utilización.....	B-6
Pulverización previa de la moqueta.....	B-6
Planificación de la limpieza .....	B-6
<b>Funcionamiento</b>	
Manejo de la máquina .....	B-7
Uso de accesorios .....	B-7
Kits de suelo duro.....	B-7
<b>Después de la utilización</b>	
Después de la utilización de la máquina .....	B-8
<b>Mantenimiento</b>	
Programa de mantenimiento .....	B-8
Mantenimiento de la zapata de aspiración .....	B-8
Mantenimiento de la boquilla de pulverización.....	B-9
Mantenimiento de la criba de la solución .....	B-9
Mantenimiento del cable de alimentación .....	B-9
Ajuste de la presión del cepillo.....	B-9
Mantenimiento del cepillo de alimentación.....	B-9
Extracción del cepillo.....	B-9
Localización de averías .....	B-10
Especificaciones técnicas.....	B-10

---



---

## **INTRODUCCIÓN**

Este manual le ayudará a obtener el máximo rendimiento de su aspirador de moqueta Advance™. Léalo con atención antes de utilizar la máquina.

Este producto está destinado exclusivamente a uso comercial.

## **COMPONENTES Y SERVICIO**

Las reparaciones, cuando sean necesarias, deben ser realizadas por su Centro Autorizado de Servicio Advance que utiliza personal de servicio formado en fábrica y lleva un inventario de piezas de repuesto y accesorios Advance originales.

Llame al DISTRIBUIDOR ADVANCE que se indica a continuación para lo referente a piezas de repuesto y servicio. Por favor, especifique el Modelo y Número de Serie cuando hable de su máquina.

(Distribuidor, coloque aquí la pegatina de su servicio.)

## **PLACA DE IDENTIFICACIÓN**

El Número de Modelo y Número de Serie de la máquina se indican en la placa de identificación instalada en la parte trasera de la máquina. Esta información es necesaria a la hora de solicitar repuestos para la máquina. Utilice el espacio situado más abajo para anotar el Modelo y Número de Serie de la máquina para futuras consultas.

MODELO \_\_\_\_\_

NÚMERO DE SERIE \_\_\_\_\_

## **DESEMBALAJE DE LA MÁQUINA**

Cuando reciba la máquina, examine con atención el cartón de embalaje y la máquina, con el fin de comprobar si existe algún daño. Si observa algún daño, guarde la caja de embalaje para que se pueda inspeccionar. Póngase en contacto inmediatamente con el Departamento de Servicio al Cliente de Advance para presentar una reclamación por daños en transporte.

# INSTRUCCIONES IMPORTANTES DE SEGURIDAD

Esta máquina es apta únicamente para su uso comercial, por ejemplo, en hoteles, colegios, hospitales, tiendas y oficinas, y no para la limpieza diaria del hogar.

Cuando utilice un aparato eléctrico se deben seguir instrucciones básicas, incluyendo las siguientes:



Lea todas y cada una de las instrucciones antes de utilizar el aparato.

## ¡ADVERTENCIA!

Para reducir el riesgo de incendio, descargas eléctricas o lesiones:

- No abandone el aparato mientras esté enchufado. Desenchufe la unidad de la toma mural cuando no lo utilice o antes de realizar el servicio.
- Para evitar descargas eléctricas, no exponga el aparato a la lluvia. Guárdelo en un lugar cubierto.
- No permita que se utilice como juguete. Es necesario prestar mucha atención cuando se usa cerca de niños.
- Utilícelo sólo de la manera descrita en este manual. Utilice sólo los accesorios recomendados por el fabricante.
- No utilice el aparato si observa daños en el cable o el enchufe. Si el aparato no funciona como debe, se ha caído al suelo, se ha deteriorado, se ha dejado en el exterior o se ha caído al agua, envíelo a un centro de servicio.
- No tire del cable ni arrastre el aparato por medio del cable, no utilice el cable a modo de mango, evite que el cable quede atrapado al cerrar las puertas y no tire del cable contra bordes agudos o esquinas. No pase el aparato por encima del cable. Mantenga el cable lejos de superficies calientes.
- No desenchufe tirando del cable. Para desenchufar, tire del enchufe y no del cable.
- No manipule el enchufe ni el aparato con las manos húmedas.
- No coloque ningún objeto en las aberturas. No utilice el aparato con las aberturas obstruidas; manténgalas libres de polvo, hilos, pelo o cualquier otra sustancia que pueda impedir la circulación del aire.
- Mantenga el cabello, las ropas sueltas, los dedos y todas las partes del cuerpo lejos de las aberturas y de las partes en movimiento.
- No recoja ningún material en combustión o que eche humo, como cigarrillos o cerillas, o cualquier tipo de polvo que representara una amenaza para la salud.
- Apague todos los controles antes de desenchufar el aparato.
- Tenga un cuidado especial cuando limpie en escaleras.
- No utilice el aparato para recoger líquidos inflamables o combustibles, como gasolina, ni en lugares en los que pueda haber dichos líquidos.
- Si sale espuma o líquido con el escape de aspiración, apague el aparato inmediatamente. Compruebe que no haya objetos extraños que no permitan el libre movimiento del flotador. Póngase en contacto con Advance si el problema persiste.
- El líquido eyectado por la boquilla de pulverización podría ser peligroso debido a su temperatura, presión o contenido químico.
- Use solamente los cepillos suministrados junto con el aparato o aquellos especificados en el manual de instrucciones. El uso de otros cepillos puede afectar a la seguridad.

## GUARDE ESTAS INSTRUCCIONES

## 120VAC INSTRUCCIONES PARA HACER LA TOMA A TIERRA

Este aparato deberá ser conectado a tierra. En caso de malfuncionamiento o de desperfectos, la toma a tierra proporciona una vía de menor resistencia de la corriente eléctrica para reducir el riesgo de choques eléctricos. Esta unidad viene equipada con un cordón con conductores para toma a tierra y con un enchufe con toma a tierra. Ese enchufe deberá ser enchufado a un receptáculo en buen estado con instalación a tierra según los códigos y ordenanzas de la zona.

### **⚠ ¡PELIGRO !**

Si el conductor a tierra no está instalado correctamente pueden producirse riegos de choques eléctricos. En caso de duda, consulte con un electricista o personal de servicio autorizados. No modifique el cordón provisto con el aparato. Si no calza en el receptáculo, llame a un electricista calificado para que coloque un receptáculo adecuado.

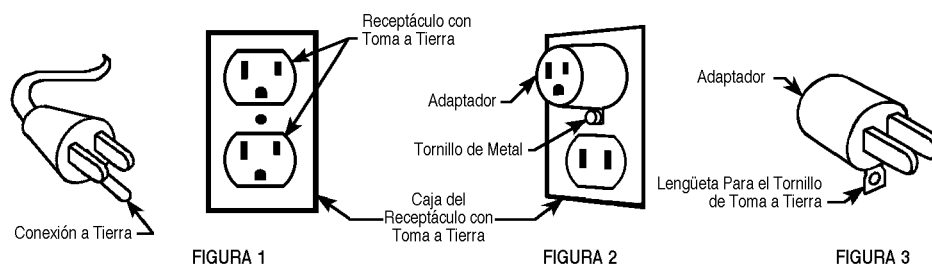
Este aparato se usa con un circuito de 120-voltios nominales, y tiene un enchufe con toma a tierra tal como se muestra en la figura 1, a continuación. Se puede usar un adaptador provisorio tal como se ve en las figuras 2 y 3 en caso de disponerse de un receptáculo sin toma a tierra como en la figura 2. Dicho adaptador provisorio se usará solamente hasta que un electricista calificado instale un receptáculo con la toma a tierra correspondiente (figura 1). La lengüeta de conexión de color verde que sale del adaptador deberá ser conectada a una toma a tierra permanente como, por ejemplo, la caja del receptáculo con toma a tierra. Siempre que se use el adaptador, hay que sostenerlo en su lugar con un tornillo de metal.

Sustituya el enchufe si la patilla de tierra está dañada o rota.

El hilo verde (o verde/amarillo) del cordón es el hilo de tierra. Cuando sustituya el enchufe, este hilo sólo debe ir conectado a la patilla de tierra.

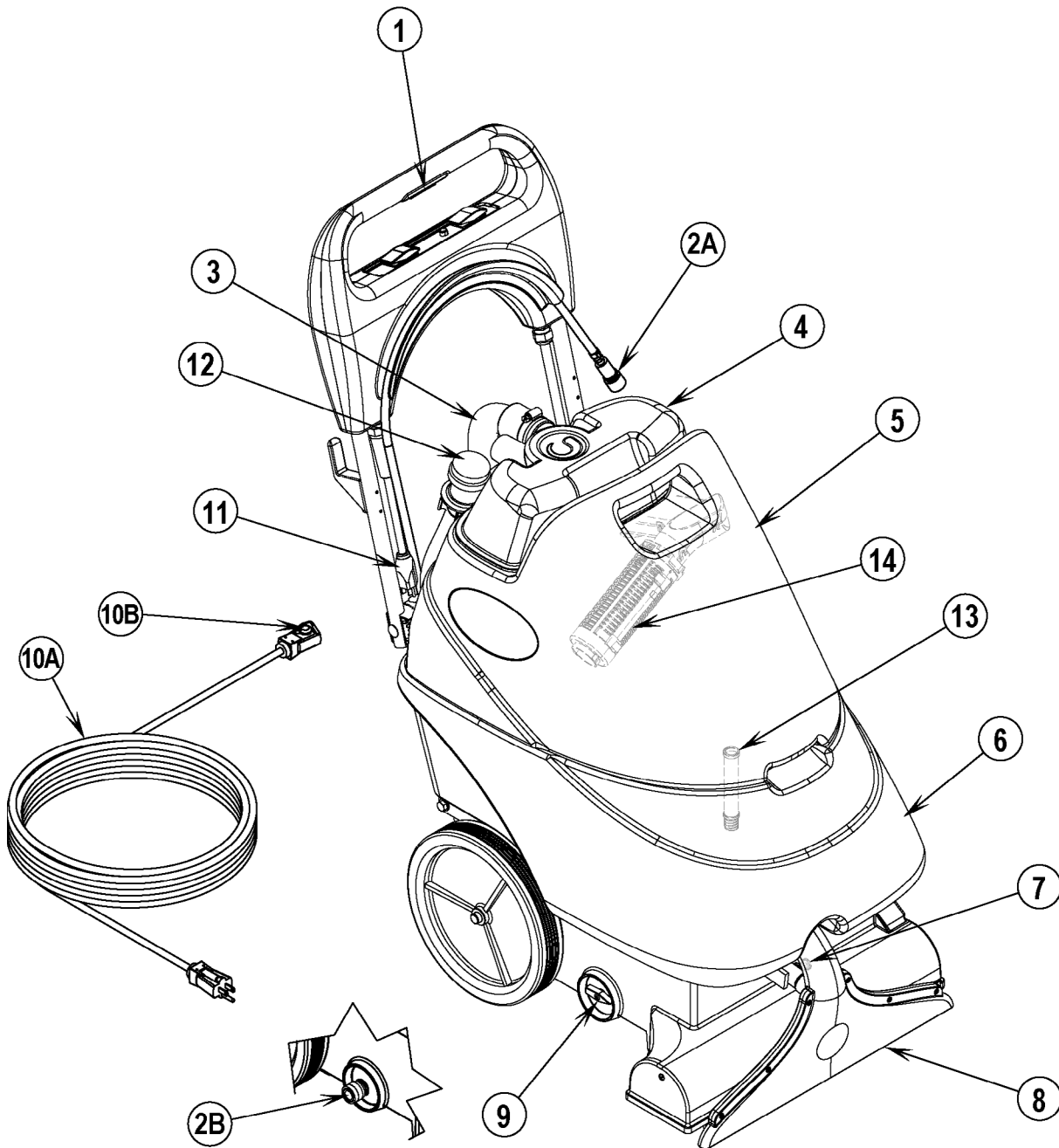
Los cables alargadores conectados a esta máquina deben ser del calibre 12, trifilares, con tres patillas y tomas de pared adecuadas. NO UTILICE cables alargadores de más de 15 m.

**ATENCIÓN : PARA AMÉRICA DE NORTE SOLAMENTE.**



## CONOZCA SU MÁQUINA

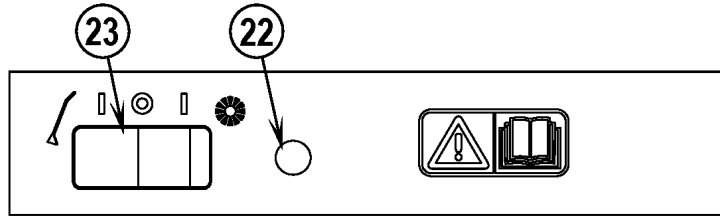
- 1 Conmutador de la solución
- 2A Manguera de solución del accesorio (16XP, 18FLX)
- 2B Puerto de solución del accesorio (sólo 16ST / 18ST)
- 3 Tubería de recuperación
- 4 Tapa del depósito de recuperación
- 5 Depósito de recuperación
- 6 Depósito de solución
- 7 Pasador de seguridad para la zapata de aspiración
- 8 Zapata de aspiración
- 9 Botón selector de boquilla (16XP, 18FLX)
- 10A Cable de alimentación (16XP, 18FLX, 18ST)
- 10B Mecanismo de bloqueo del cable de alimentación (16XP, 18FLX, 18ST)
- 11 Cable en espiral (cable de longitud total en 16ST, 18ST)
- 12 Tubería de drenaje del depósito de recuperación
- 13 Criba de la solución
- 14 Cierre de flotador automático



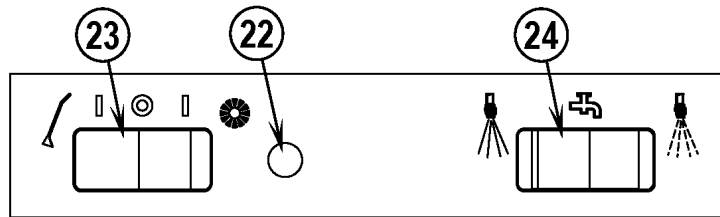
**CONOZCA SU MÁQUINA (CONTINUACIÓN)**

- 15 Tubería de drenaje de la solución / Indicador de nivel
- 16 Pedal de liberación del mango
- 17 Botón de control de la presión del cepillo
- 18 Conexión de la tubería de recuperación (16XP, 18FLX)
- 19A Conjunto de mango 16
- 19B Conjunto de mango 18
- 20 Conjunto de herramienta de mano (16XP, 18FLX)
- 21A Botones de ajuste del ángulo del mango

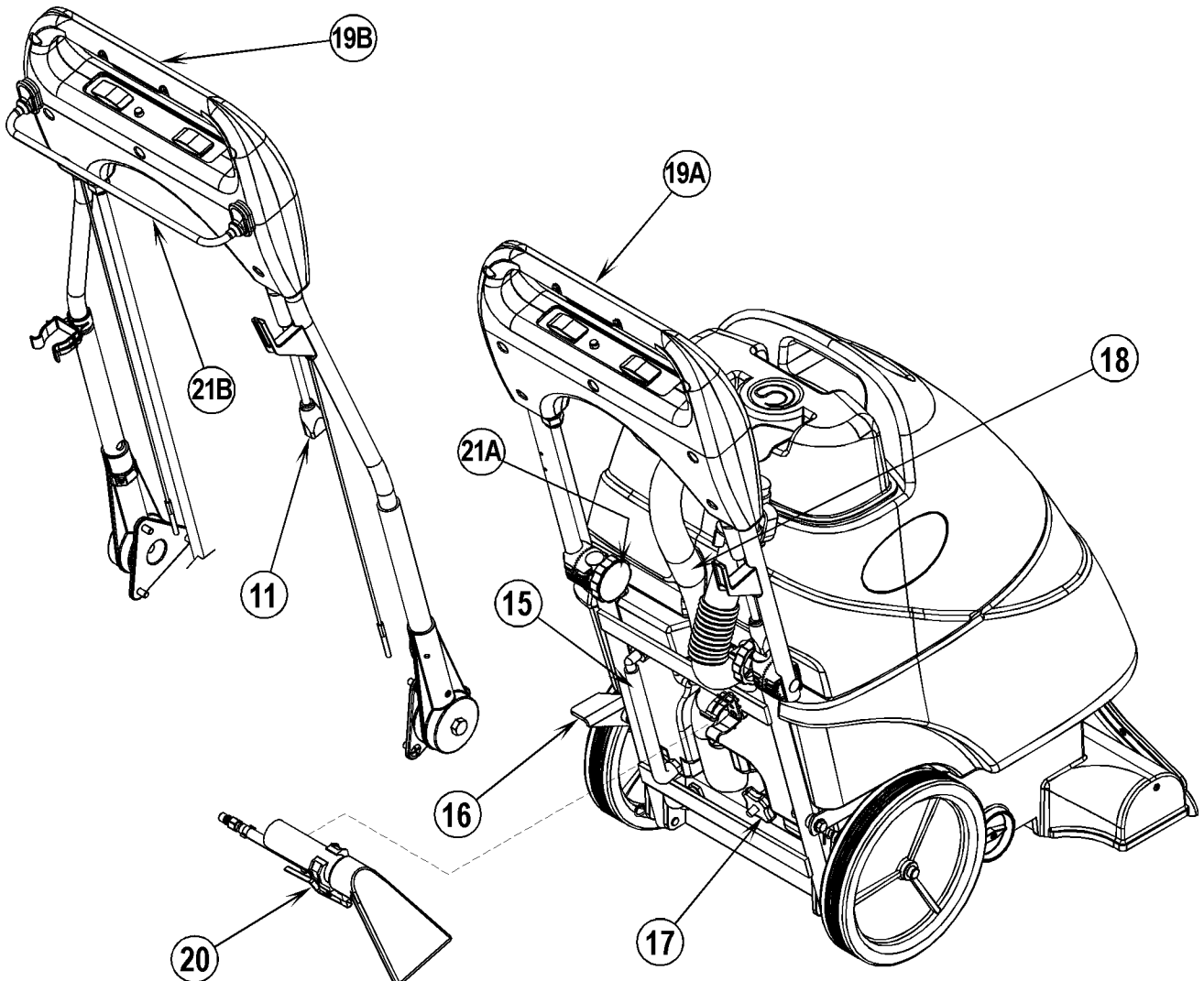
- 21B Palanca de ajuste de la posición del mango
- 22 Disyuntor del motor del cepillo
- 23 Conmutador del accesorio de succión y de corriente
- 24 Conmutador de la solución (constante o intermitente)



16ST  
16XP



18FLX  
18ST



## PREPARACIÓN DE LA MÁQUINA PARA SU UTILIZACIÓN

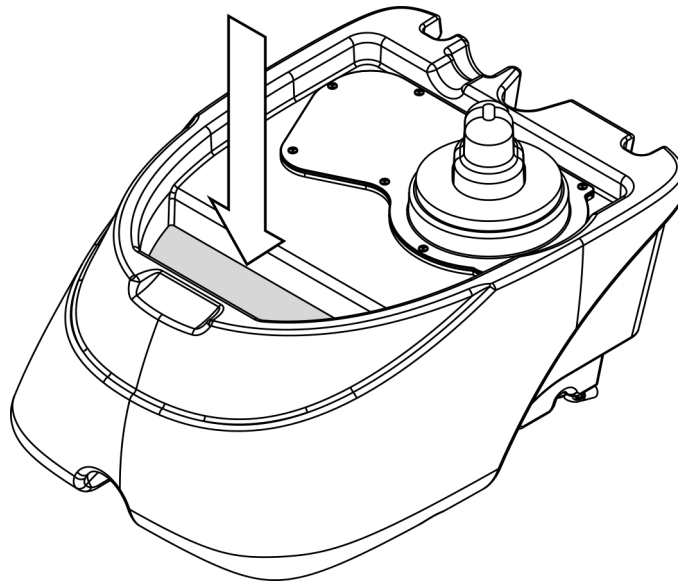
### LLENADO DEL DEPÓSITO DE SOLUCIÓN

- 1 Apague el conmutador de corriente (O) y desenchufe la máquina.
- 2 Levante el depósito de recuperación de la máquina y apártelo a un lado. **Esto puede realizarse sin desconectar la tubería de recuperación.**
- 3 Lea las instrucciones que aparecen en el envase del producto químico. A continuación, calcule la cantidad adecuada de producto químico que se mezclará con la capacidad de agua del depósito de solución de su máquina; 30 litros para 16ST, 16XP ó 45 litros para 18FLX / 18ST.
- 4 Vierta el producto químico en el depósito de solución y llene el depósito con agua caliente (temperatura máxima de 54°C). **NOTA:** No llene en exceso el depósito de solución. El punto de llenado máximo se alcanza cuando el nivel de la solución llega a la parte inferior del borde situado en la apertura del depósito. Ver la Figura 4.
- 5 Vuelva a colocar el depósito de recuperación en la máquina. **NOTA:** Asegúrese de asentar correctamente el depósito de recuperación en el depósito de solución.

### ⚠ ¡PRECAUCIÓN!

Utilice detergentes líquidos de bajo poder espumante diseñados para la succión de moquetas.

FIGURA 4



### ANTES DE UTILIZAR EL AQUACLEAN™

Aspire completamente la moqueta que va a limpiar antes de utilizar el aspirador automático AquaClean™.

### PULVERIZACIÓN PREVIA DE LA MOQUETA

Pulverice previamente las manchas y las zonas por las que más se circula. Utilice un pulverizador de mano o un pulverizador presurizado tipo "Hudson". Mezcle el producto de pulverización de acuerdo con las recomendaciones del fabricante.

### PLANIFICACIÓN DE LA LIMPIEZA

Antes de empezar a aspirar, observe la zona que va a limpiar y planifique su trabajo. Divida el espacio en secciones. Debe solapar los tramos unos 5 cm.

## MANEJO DE LA MÁQUINA

- 1 Siga las instrucciones de la sección Preparación de la máquina para el uso de este manual.
- 2 Pise el pedal de liberación del mango (16) para bajar el mango a la posición de funcionamiento o, para 18FLX / 18ST, pulse el botón de control de la presión del cepillo (17) para soltar la máquina de la posición de almacenaje.
- 3 Afloje los botones de ajuste de altura del mango (21A) y ajuste la altura del mango en la posición más cómoda para el operario. Vuelva a apretar los botones una vez alcanzada la altura deseada. O levante la palanca de ajuste de la posición del mango (21B) para ajustarlo a una altura cómoda.
- 4 Ajuste el botón selector de la boquilla (9) en el modo "mantenimiento" o "restauración", si está equipado con dos boquillas de pulverización (16XP, 18FLX).  
 Modo de mantenimiento: Flujo de solución más bajo, recomendado para una limpieza de superficie frecuente.  
 Modo de restauración: Flujo de solución más alto, recomendado para una limpieza en profundidad menos frecuente.
- 5 Enchufe la máquina en una toma de corriente puesta a tierra correctamente. Para arrancar el motor de aspiración, la bomba de solución y el motor del cepillo ...  
 Máquinas AquaClean: Ponga el conmutador del accesorio de succión y de corriente (23) en la posición On (I) de succión (símbolo del cepillo).
- 6 Ajuste de la presión del cepillo. Gire el botón de control de la presión del cepillo (17) en el sentido contrario a las agujas del reloj para reducir la presión del cepillo y en el sentido de las agujas del reloj para aumentar la presión del cepillo. La máquina no debe propulsarse (en la moqueta) cuando el cepillo está correctamente ajustado.
- 7 Mantenga pulsado el conmutador de la solución (1) para aplicar la solución en un flujo intermitente. Una vez que se suelta el conmutador de la solución (1), el flujo de solución se detendrá. Si la máquina está equipada con un conmutador de solución (constante o intermitente) (24) éste puede activarse para pasar a un flujo de solución constante.
- 8 Comience a limpiar pasando la máquina por una línea recta y solape los distintos tramos unos 5 cm. Suelte el conmutador de la solución (1) antes de girar para garantizar la completa succión de la solución de la moqueta.
- 9 Observe la introducción del fluido en la tapa del depósito de recuperación (4). Si hay demasiada espuma en el depósito de recuperación, añada un antiespumante en el depósito de recuperación.

## ⚠ ¡PRECAUCIÓN!

Vacíe el depósito de recuperación antes de que el fluido o la espuma se introduzca en el motor de aspiración.

Si no se introduce fluido en el depósito de recuperación, o sólo se introduce una pequeña cantidad, compruebe el indicador de nivel de la tubería de drenaje de la solución (15); es posible que el depósito de solución esté vacío. Rellene el depósito de solución con agua y la cantidad adecuada de limpiador químico.

- 10 El depósito de recuperación tiene un cierre de flotador automático (14) para bloquear el sistema de aspiración cuando el depósito de recuperación está lleno. Se puede reconocer el momento en que se cierra el flotador por el cambio súbito del ruido del motor de aspiración. Hay que vaciar el depósito de recogida cuando el flotador lo cierra. La máquina **no** recogerá el agua si el flotador está cerrado.
- 11 Cuando el operario desea detener la limpieza o el depósito de recuperación está lleno, suelte el conmutador de la solución (1). A continuación, apague el conmutador de corriente (O) y desenchufe la máquina.
- 12 Lleve la máquina a un lugar establecido para la eliminación de aguas residuales y vacíe el depósito de recuperación. Para vaciarla, tire de la tubería de drenaje del depósito de recuperación (12) para sacarla de su soporte de almacenamiento trasero y, a continuación, retire el tapón (sostenga el extremo de la tubería por encima del nivel de agua para evitar el flujo súbito e incontrolado de agua residual). Rellene el depósito de solución y siga limpiando.

## USO DE ACCESORIOS

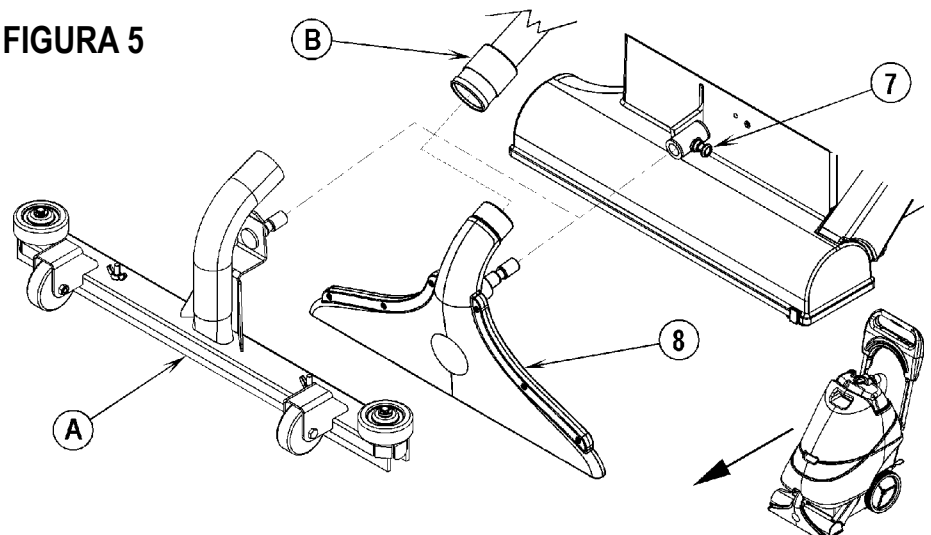
Para utilizar accesorios, desconecte la tubería de recuperación en la conexión de la tubería de recuperación (18). Fije la tubería de recuperación del accesorio a la tubería de recuperación de la máquina (3). Fije la manguera de solución del accesorio a la manguera de solución del accesorio de la máquina (2A), o al puerto de solución del accesorio (2B) en 16ST / 18ST. Al utilizar accesorios, coloque el conmutador del accesorio de succión (23 ó 25) en la posición de accesorio (símbolo de vara).

Póngase en contacto con su distribuidor Advance en cuanto a los accesorios que pueden utilizarse con el AquaClean™.

## KITS DE SUELO DURO

La zapata de aspiración puede extraerse y volverse a colocar con una herramienta de boquilla opcional (A) para el uso de la máquina en suelos duros. Ver la Figura 5. La zapata de aspiración puede extraerse tirando del pasador de seguridad (7) y retirando la zapata de aspiración (8). A continuación, desconecte la tubería de recuperación (B) de la zapata de aspiración y conéctela a la herramienta de boquilla. Fije la herramienta de boquilla a la máquina en la misma posición de montaje que la zapata de aspiración; tire del pasador de seguridad y deslice la herramienta de boquilla en su lugar.

FIGURA 5



## DESPUÉS DE LA UTILIZACIÓN DE LA MÁQUINA

- 1 Apague el conmutador de corriente (O). Desenchufe el cable de alimentación (10). Enrolle el cable y cuélguelo del gancho que sostiene el cable.
- 2 Para vaciar el depósito de solución, retire la tubería de drenaje de la solución (15) del codo. Dirija la tubería a un lugar establecido para la eliminación de aguas residuales. Enjuague el depósito con agua limpia. Inspeccione las mangueras de solución y sustitúyalas si están torcidas o dañadas.
- 3 Para vaciar el depósito de recuperación, saque la tubería de drenaje de recuperación (12) de su soporte. Dirija la tubería al lugar establecido para la eliminación de aguas residuales y retire el tapón (sostenga el extremo de la tubería por encima del nivel de agua para evitar el flujo súbito e incontrolado de agua residual). Enjuague el depósito con agua limpia. Inspeccione las tuberías de recuperación y de drenaje y sustitúyalas si están torcidas o dañadas.
- 4 Retire el cepillo, enjuague con agua caliente y retire restos de hilos, pelo o fibras de la moqueta.
- 5 Desconecte la tubería de recuperación (3) de la tapa del depósito de recuperación (4) y lave con agua caliente para eliminar los residuos de la tubería de recuperación y de la zapata de aspiración.
- 6 Limpie la máquina con un paño húmedo. No utilice disolventes ni productos químicos abrasivos.
- 7 Realice cualquier operación de mantenimiento que sea necesaria antes de guardar la máquina.

## PROGRAMA DE MANTENIMIENTO

OPERACIÓN DE MANTENIMIENTO	Diaria	Semanal	Anual
Limpia e inspecciona el cepillo de alimentación	•		
Limpia e inspecciona depósitos y tuberías	•		
Limpia e inspecciona el flotador de cierre de la aspiración	•		
Limpia la zapata de aspiración	•		
Limpia la boquilla de pulverización de "mantenimiento"		•	
Limpia e inspecciona la criba de la solución		•	
* Inspecciona los cepillos de carbono			•

\*\* Haga que un técnico de mantenimiento de Advance revise los cepillos de carbono del motor de aspiración una vez al año o después de 300 horas de funcionamiento. Compruebe los cepillos de carbono de los motores del cepillo cada 500 horas o una vez al año.

## ⚠ ¡IMPORTANTE!

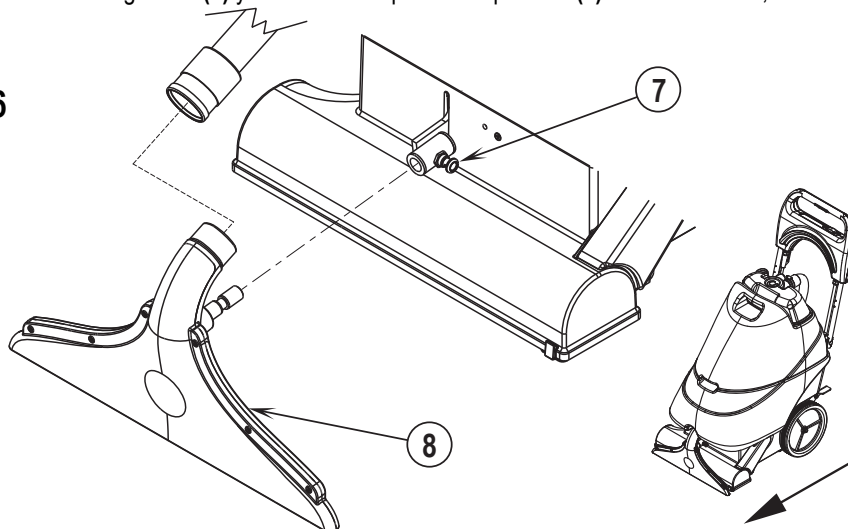
Los daños al motor causados por no haber revisado y mantenido los cepillos de carbono no están cubiertos por la garantía. Consulte la Declaración de Garantía Limitada.

- 8 Guarde la máquina en el interior, en un lugar limpio y seco, con la tapa del depósito abierta. Protéjala de la congelación.
- 9 Coloque la máquina en la posición de almacenaje. Esto evita que el cepillo se aplaste, de modo que la vida útil del cepillo aumenta y se preserva la eficacia del mismo.
  - Todos los modelos excepto 18FLX / 18ST – Levante el pedal de liberación del mango (16) y empuje el conjunto de mango (19A) hacia delante para colocar la máquina en la posición de almacenaje.
  - Modelos 18FLX / 18ST – Incline la máquina hacia atrás para levantar la zapata de aspiración del suelo; a continuación, pulse y levante el botón de control de la presión (17) hasta que quede bloqueado en su sitio.

## MANTENIMIENTO DE LA ZAPATA DE ASPIRACIÓN

Compruebe la zapata de aspiración diariamente. Retire restos de hilos, pelo o fibras de la moqueta. Ver la Figura 6. La zapata de aspiración puede extraerse tirando del pasador de seguridad (7) y retirando la zapata de aspiración (8). A continuación, desconecte la tubería de recuperación de la zapata.

FIGURA 6





## MANTENIMIENTO DE LA BOQUILLA DE PULVERIZACIÓN

Retire la boquilla de pulverización de mantenimiento (C) una vez a la semana. Ver la Figura 7. Introduzca la boquilla en una solución de agua y vinagre durante toda la noche para eliminar depósitos de productos químicos.

## MANTENIMIENTO DE LA CRIBA DE LA SOLUCIÓN

Una vez por semana (o más si fuera necesario), limpie la criba de la solución (13). Drene los depósitos de recuperación y de solución. Levante el depósito de recuperación de la máquina y apártelo a un lado. Acceda al interior del depósito de solución y deshebre el filtro de la solución que se va a retirar.

## MANTENIMIENTO DEL CABLE DE ALIMENTACIÓN

Una vez por semana (o más si fuera necesario), compruebe el cable de alimentación para ver si existen grietas o si el aislamiento está dañado, si hay hilos expuestos en el cable o en el enchufe y si la patilla de tierra está dañada o no está presente. Repare o sustituya el cable o enchufe dañado **inmediatamente**.

## AJUSTE DE LA PRESIÓN DEL CEPILLO

Gire el botón de ajuste de la presión del cepillo (19) en el sentido de las agujas del reloj para aumentar la presión del cepillo y en el sentido contrario a las agujas del reloj para reducir la presión del cepillo.

## MANTENIMIENTO DEL CEPILLO DE ALIMENTACIÓN

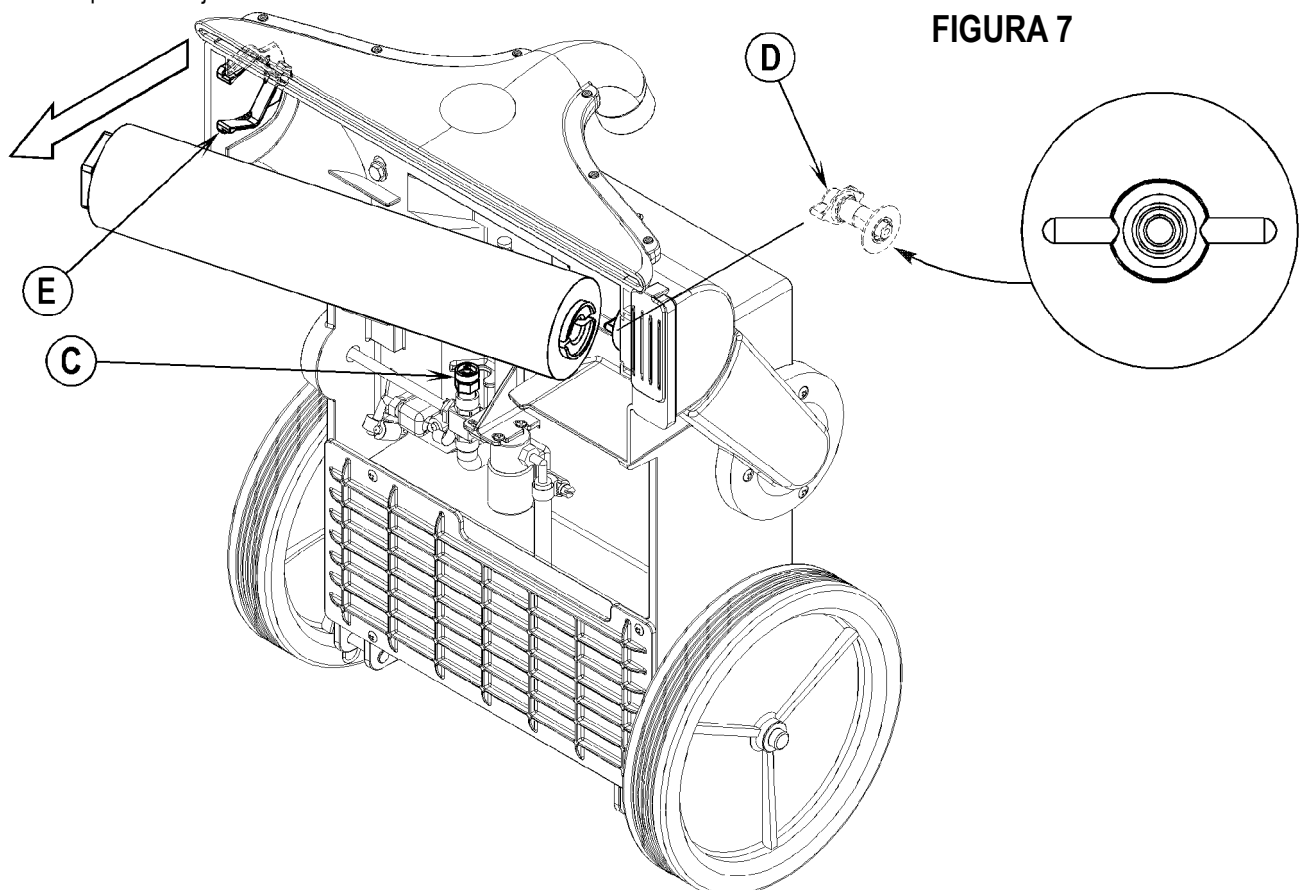
Compruebe el cepillo diariamente. Retire restos de hilos, pelo o fibras de la moqueta. Cuando la máquina no se esté utilizando debe colocarse en la posición de almacenaje. Esto evita que el cepillo se aplaste, de modo que la vida útil del cepillo aumenta y se preserva la eficacia del mismo.

## EXTRACCIÓN DEL CEPILLO

### ⚠ ¡PRECAUCIÓN!

Apague el conmutador de corriente (O) y desenchufe la máquina antes de sustituir los cepillos.

- 1 Vacíe los depósitos de recuperación y de solución. Levante el depósito de recuperación de la máquina y apártelo a un lado.
- 2 Coloque el conjunto de mango (19) en la posición de almacenaje e incline la máquina hacia atrás.
- 3 Ver la Figura 7. Gire el cepillo hasta que la lengüeta de transmisión (D) esté en una posición en la cual las aletas de dicha lengüeta se encuentren paralelas al suelo.
- 4 Agarre el cepillo en el extremo con la pinza de sujeción del cepillo (E) y tire hacia fuera.
- 5 Instale un nuevo cepillo en el extremo de la lengüeta de transmisión y, a continuación, introduzca el otro extremo del cepillo hasta que encaje dentro de la pinza de sujeción.



# B-10 / ESPAÑOL

## LOCALIZACIÓN DE AVERÍAS

Si las posibles causas indicadas a continuación no son el origen del problema, éste es un síntoma de algo más grave. Póngase en contacto inmediatamente con su Centro de Servicio Advance.

## DESCONEXIÓN DEL DISYUNTOR

El disyuntor (20) se encuentra situado en el panel de control; protege el circuito eléctrico y el motor del cepillo de daños debidos a condiciones de sobrecarga. Si se produce la desconexión del disyuntor, intente averiguar la causa.

Posibles causas de desconexión del disyuntor del cepillo (5 A):

- 1 Residuos atascados en la transmisión del cepillo (retire los residuos)
- 2 Ajuste del cepillo demasiado bajo (ajuste correctamente)
- 3 Cortocircuito eléctrico (revise la máquina en un Centro de Servicio Advance o consulte a un electricista cualificado)

Una vez corregido el problema, pulse el botón para volver a conectar el disyuntor. Si el botón no queda pulsado, espere 5 minutos e inténtelo de nuevo. Si el disyuntor se desconecta una y otra vez, póngase en contacto con su Centro de Servicio Advance.

## MALA RECOGIDA DEL AGUA

Posibles causas:

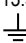
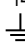

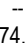
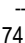
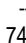
- 1 Depósito de recuperación lleno (vacíe el depósito de recuperación)
- 2 Abra la tubería de drenaje del depósito de recuperación (sujete la tapa de la tubería o sustitúyala)
- 3 Tubería de recuperación no conectada a la zapata de aspiración (conecte la tubería a la zapata)
- 4 La tubería de recuperación está torcida o dañada (sustituya la tubería)
- 5 Fuga en la junta de la tapa del depósito de recuperación (sustituya la junta)
- 6 Residuos atrapados en la zapata de aspiración o en la tubería de recuperación (limpie la zapata de aspiración y la tubería de recuperación)

## FLUJO DE SOLUCIÓN INADECUADO

Posibles causas:

- 1 Depósito de solución vacío (llene el depósito de solución)
- 2 Cribas o tuberías de la solución obstruidas (lave las tuberías y las cribas)
- 3 Selector de boquilla en una posición entre mantenimiento y restauración (gire el botón completamente hacia la derecha o hacia la izquierda)

## ESPECIFICACIONES TÉCNICAS (según la instalación y comprobaciones de la unidad)

Modelo		AquaClean™ 16ST	AquaClean™ 18FLX	AquaClean™ 18ST
Nº Modelo		AquaClean™ 16XP 56265003 56265000	56265001	56265008
Voltaje/frecuencia	V/Hz	120 / 50-60	120 / 50-60	120 / 50-60
Corriente nominal	Amp	13.3	14	14
Clase de protección (eléctrica)				
Grado protección				
Nivel de ruido (IEC 60704-1)	dB(A)/20µPa	74.3	74.3	74.3
Peso total	lbs/kg	166 / 75.29	203 / 92	203 / 92
Vibración en los controles manuales (ISO 5349-1)	m/s <sup>2</sup>	0.72m/s <sup>2</sup>	0.72m/s <sup>2</sup>	0.72m/s <sup>2</sup>
Capacidad del depósito de solución		8 gal (30l)	11 gal (41l)	11 gal (41l)
Capacidad del depósito de recuperación		6 gal (23l)	9 gal (34l)	9 gal (34l)













**Nilfisk  
Advance**

*setting standards*

**Nilfisk-Advance, Inc.**  
14600 21st Avenue North  
Plymouth, MN 55447-3408  
[www.nilfisk-advance.com](http://www.nilfisk-advance.com)  
Phone: 800-989-2235  
Fax: 800-989-6566  
©2008 Nilfisk-Advance, Inc.