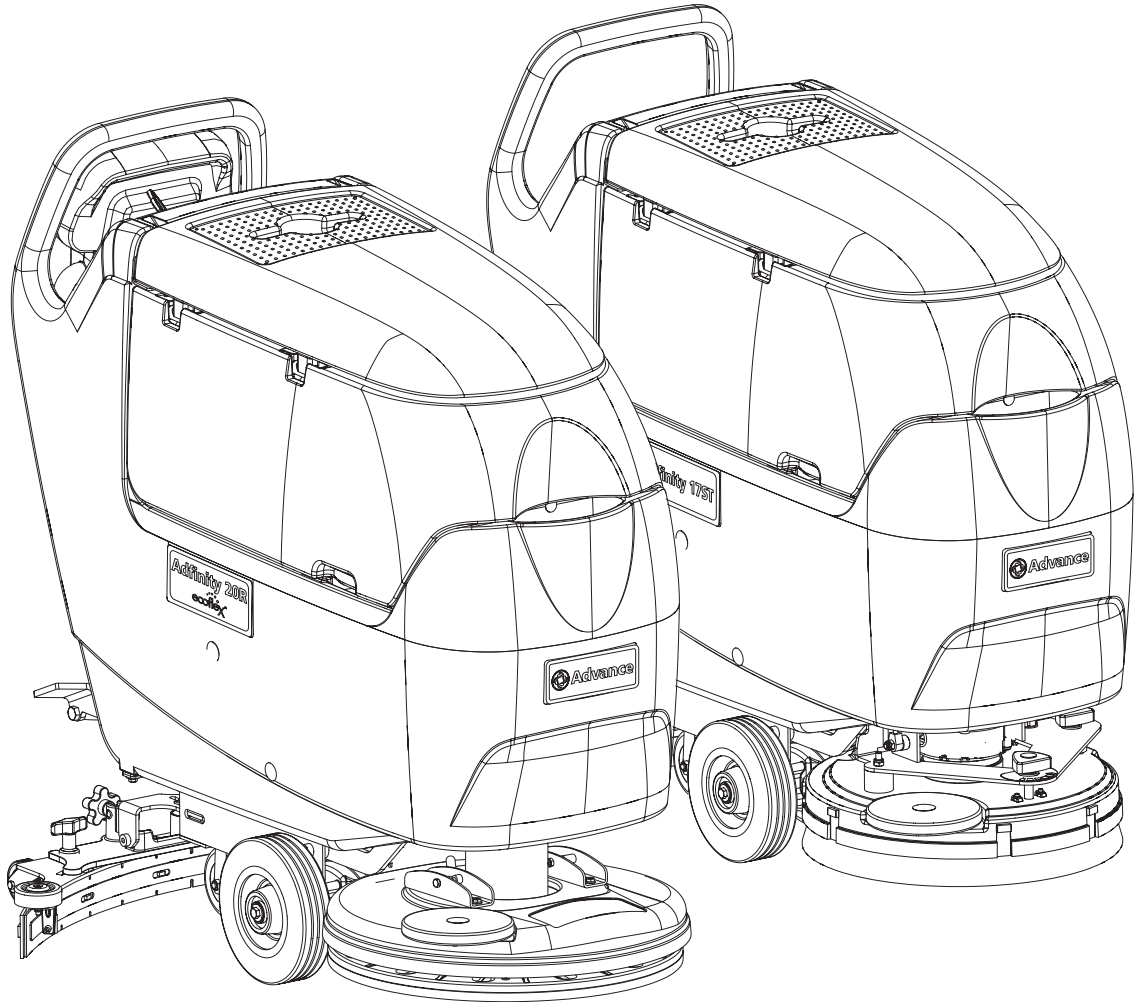
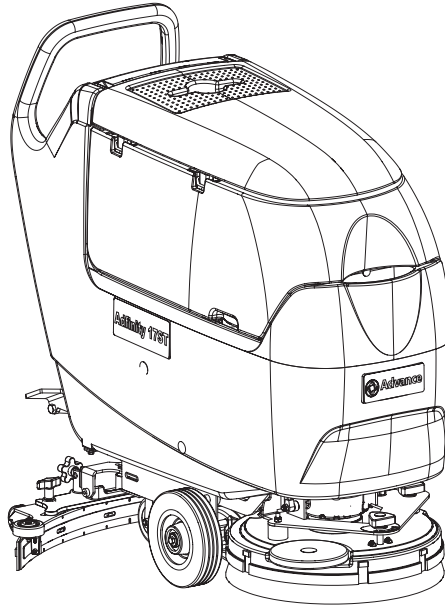


Adfinity™ 17ST / 20ST Adfinity™ X20R ecoflex™



PARTS LIST

Advance models: 908 7161 020
908 7162 020
9087290020



DESCRIPTION

PLAN

GENERAL VIEW	2 - 3
SOLUTION TANK	4 - 5
RECOVERY TANK	6 - 7
CHASSIS SYSTEM	8 - 11
WHEELS SYSTEM	12 - 13
HANDLE ASSEMBLY	14 - 15
SOLUTION SYSTEM	16 - 17
ECOFLEX™ SYSTEM	18 - 19
SQUEEGEE SYSTEM	20 - 21
BRUSH SYSTEMS Adfinity™ 17ST - 20ST	22 - 23
BRUSH SYSTEMS Adfinity™ X20R	24 - 25
SPLASH GUARDS	26 - 27
ACCESSORIES	28 - 29
CONTROL PANEL SYSTEM	30 - 33
ELECTRICAL COMPONENTS	34 - 37
WIRING DIAGRAM	38 - 39
RECOMMENDED SPARE PARTS	40 - 41
OPTIONALS	42

WHEN ORDERING PARTS

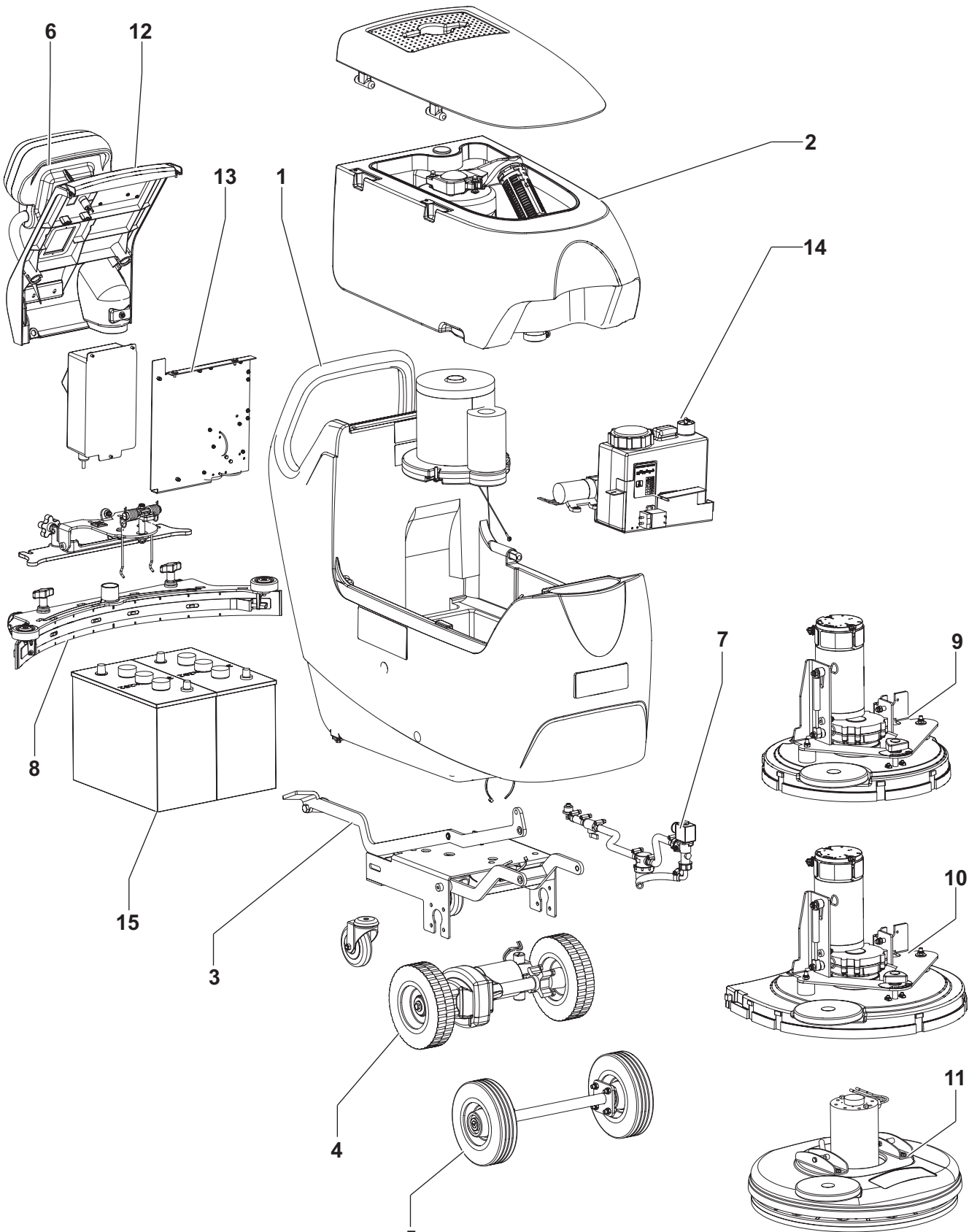
- * Use the 8, 9 or 10 digit numbers from the "Ref. No." columns in this parts list.
- * Specify the model and serial number of the machine.
- * Use the space below to record the model and serial number for future reference.

Model _____ Serial No. _____

*** = Optional**

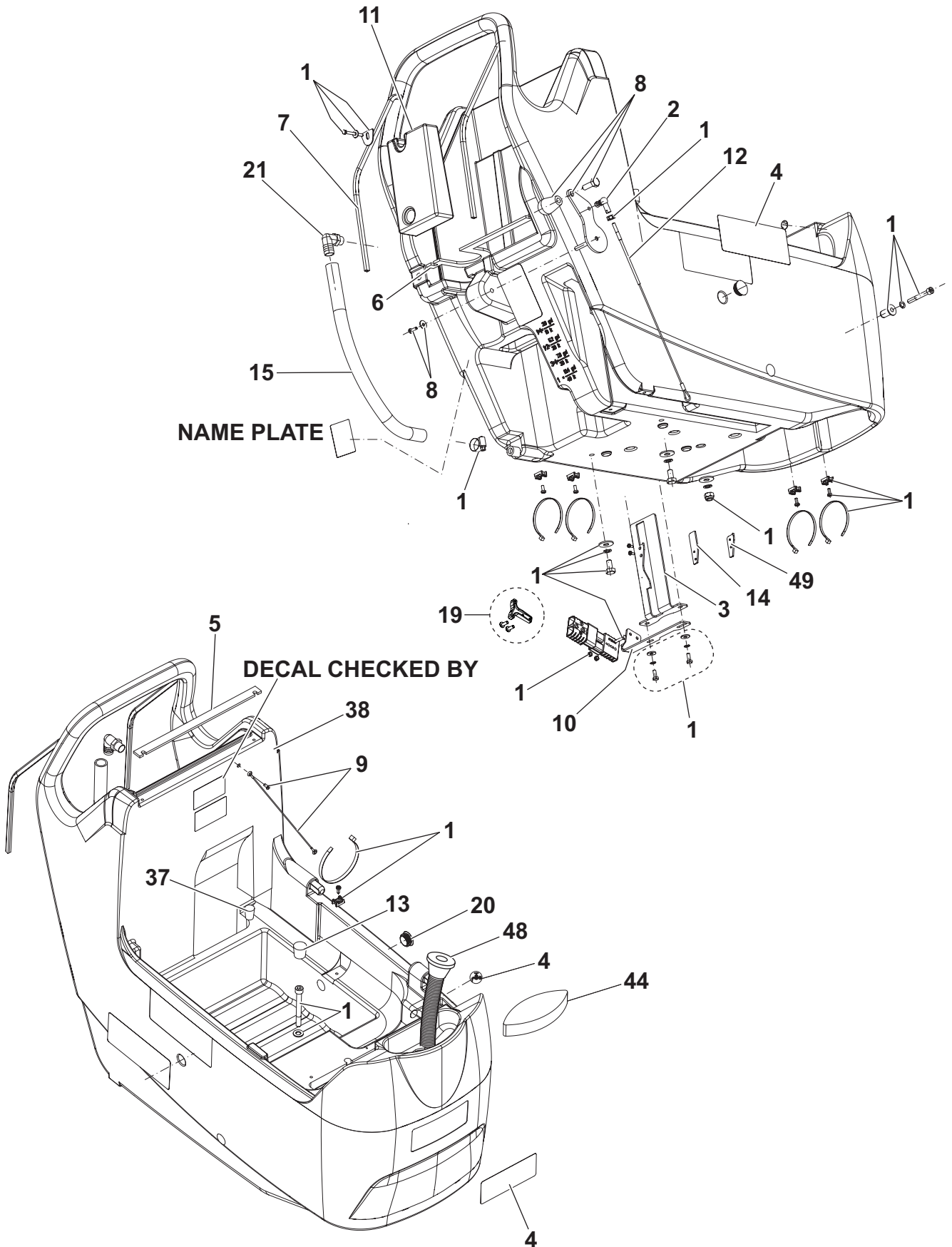
= Modified item No. or New item No.

[] = Not shown



2007-01	GENERAL VIEW		
2010-11	Adfinity™ 17ST / 20ST / X20R		3

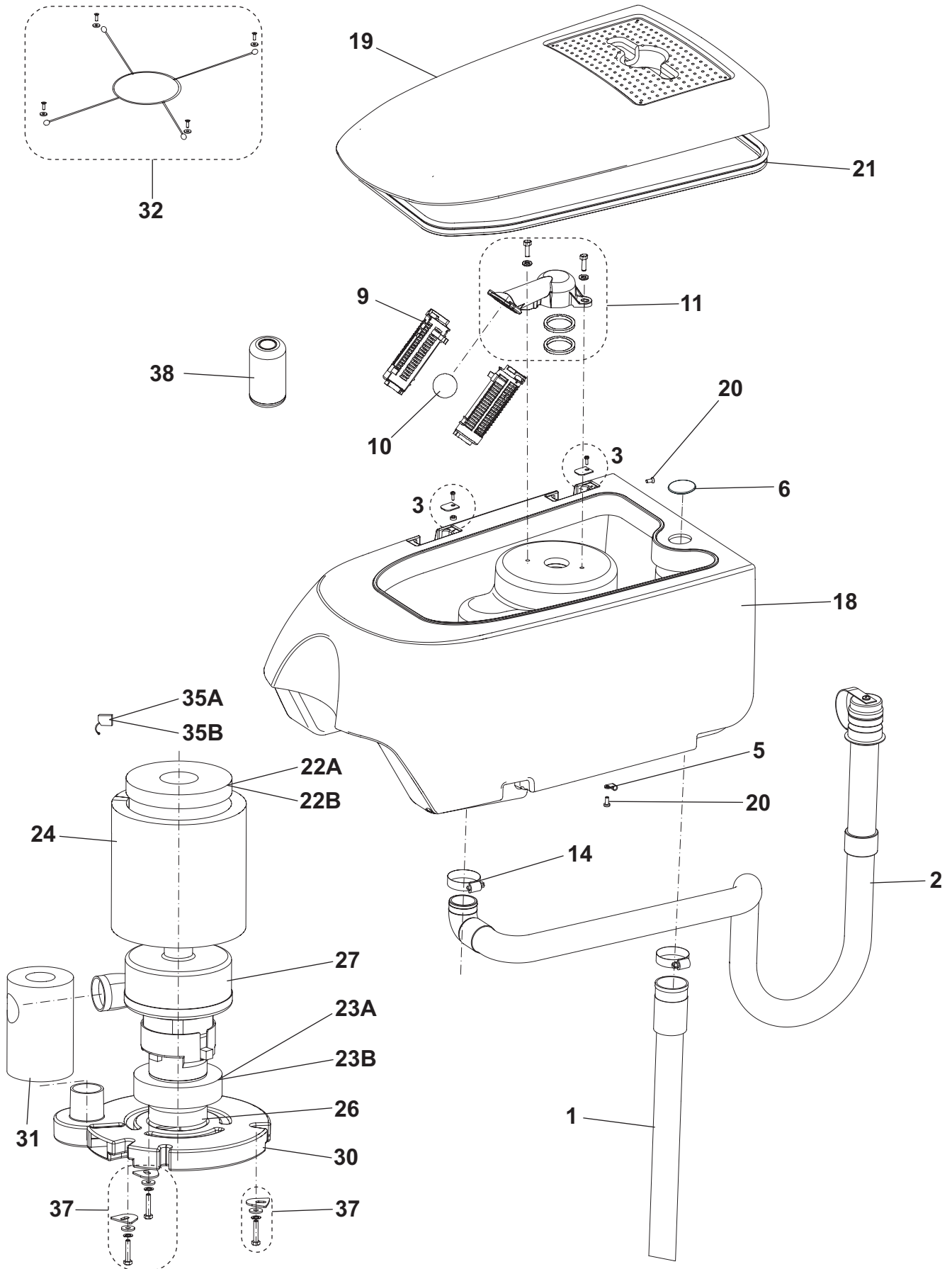
Item No.	Ref. No.	Qty	Description
1		1	SOLUTION TANK
2		1	RECOVERY TANK
3		1	CHASSIS SYSTEM
4#		1	WHEELS AND TRACTION ADFINITY™ X20R
5		1	WHEELS SYSTEM ADFINITY™ 17ST - 20ST
6		1	HANDLE ASSEMBLY
7		1	SOLUTION SYSTEM
8		1	SQUEEGEE SYSTEM
9		1	BRUSH SYSTEM ADFINITY™ 17ST
10		1	BRUSH SYSTEM ADFINITY™ 20ST
11#		1	BRUSH SYSTEM ADFINITY™ X20R
12		1	CONTROL PANEL SYSTEM
13		1	ELECTRICAL COMPONENTS
14#		1	ECOFLEX™ SYSTEM
15		1	BATTERY ASSEMBLY



2007-01	SOLUTION TANK			
2010-03	Adfinity™ 17ST / 20ST / X20R			5

Item No.	Ref. No.	Qty	Description
1	9098265000	1	KIT, HARDWARE SOLUTION TANK
2	145 8479 000	1	DOWEL M6
3	909 6550 000	1	PEDAL SUPPORT
4	9098345000	1	KIT, DECALS
5	909 6596 000	1	GASKET
6	909 6597 000	1	GASKET
7	909 6892 000	2	GASKET
8	9097630000	1	KIT, HARDWARE SQUEEGEE LEVER FIXING
9	909 6874 000	1	KIT, CABLE TANK BLOCK
10	909 6649 000	1	BRACKET CONNECTOR SUPPORT
11	909 6841 000	1	WEIGHT
12A	9098673000	1	KIT, SQUEEGEE LIFTING CABLE
[12A]	9098672000	1	INSTALLATION INTRUCTIONS F/ SQUEEGEE LIFTING CABLE
13	909 6673 000	1	CAP
14	9096999000	1	PLATE PEDAL BRACKET (FOR ADFINITY™ 17ST - 20ST)
15	909 6681 000	1	FRESH WATER HOSE
19	1464116000	1	HANDLE RED PLASTIC F BATTERY CONNECTOR
20	L08812457	2	TANK LOCKING CAP
21	56264442	1	FITTING PIPE
37	909 6236 000	1	BLACK CAP
38	909 6320 000	1	SOLUTION TANK 35L
44	909 6650 000	1	SPONGE IN-LET FRESH WATER TANK
48*	9097290000	1	FILLING HOSE
49#	9099137000	1	NYLON PLATE (FOR ADFINITY™ X20R)

A: SEE TSB IT 2010-053

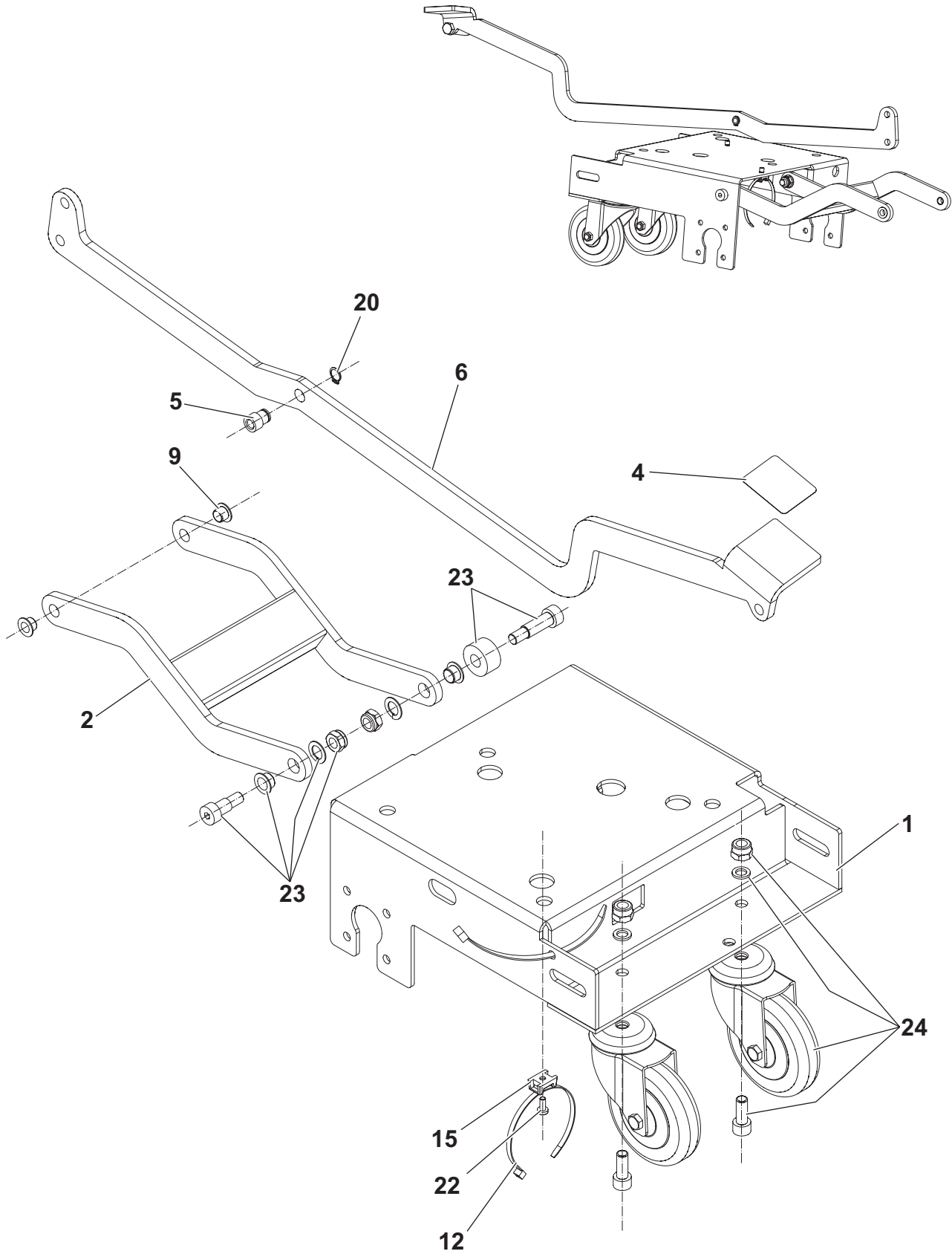


2007-01	RECOVERY TANK			
2009-06	Adfinity™ 17ST / 20ST / X20R			7

Item No.	Ref. No.	Qty	Description
1	909 6230 000	1	VACUUM HOSE
2	909 6528 000	1	DRAIN HOSE
3	9097654000	1	KIT, TANK FIXING
5	L08603845	1	CLAMP
6	909 6899 000	1	PLUG D.4
9	L08812259	2	CAGE FLOAT COMPLETE
10	L08812373	1	FLOATING BALL
11	9097681000	1	KIT, CAGE FLOAT HOLDER
[11]	9097680000	1	INSTALLATION INSTRUCTIONS F/ CAGE FLOAT H.
14	145 0543 000	2	CLAMP
18	909 6321 000	1	RECOVERY TANK 35L
19	909 6322 000	1	TANK COVER 35L
20	909 6337 000	2	SCREW CYL HD M5X12
21	909 6901 000	1	COVER TANK GASKET
22A	9096918000	1	GASKET SUCTION MOTOR
22B	9098057000	1	GASKET SUCTION MOTOR
23A	909 6490 000	1	GASKET SUCTION MOTOR
23B	9098056000	1	GASKET SUCTION MOTOR
24	909 6491 000	1	ACOUSTIC INSULATION PANEL
26	909 6672 000	1	FILTER
27	9098062000	1	KIT, MOTOR VACUUM (M2)
30	909 6051 000	1	VACUUM MOTOR COVER
31	909 6442 000	1	ACOUSTIC INSULATION PIPE
32*	909 6734 000	1	KIT, RUBBER BAND
35A	909 5371 000	2	CARBON BRUSH
35B	9098231000	1	KIT, CARBON BRUSH
37	909 6877 000	1	KIT, HARDWAREVACUUM MOTOR
38*	909 5065 000	1	FILTER ANTIFOAMING TSB IT 2008-002
[39]	909 6876 000	1	KIT, HARDWARE OLD TYPE CAGE SUP.FIXING FOR OLD CAGE FLOAT HOLDER

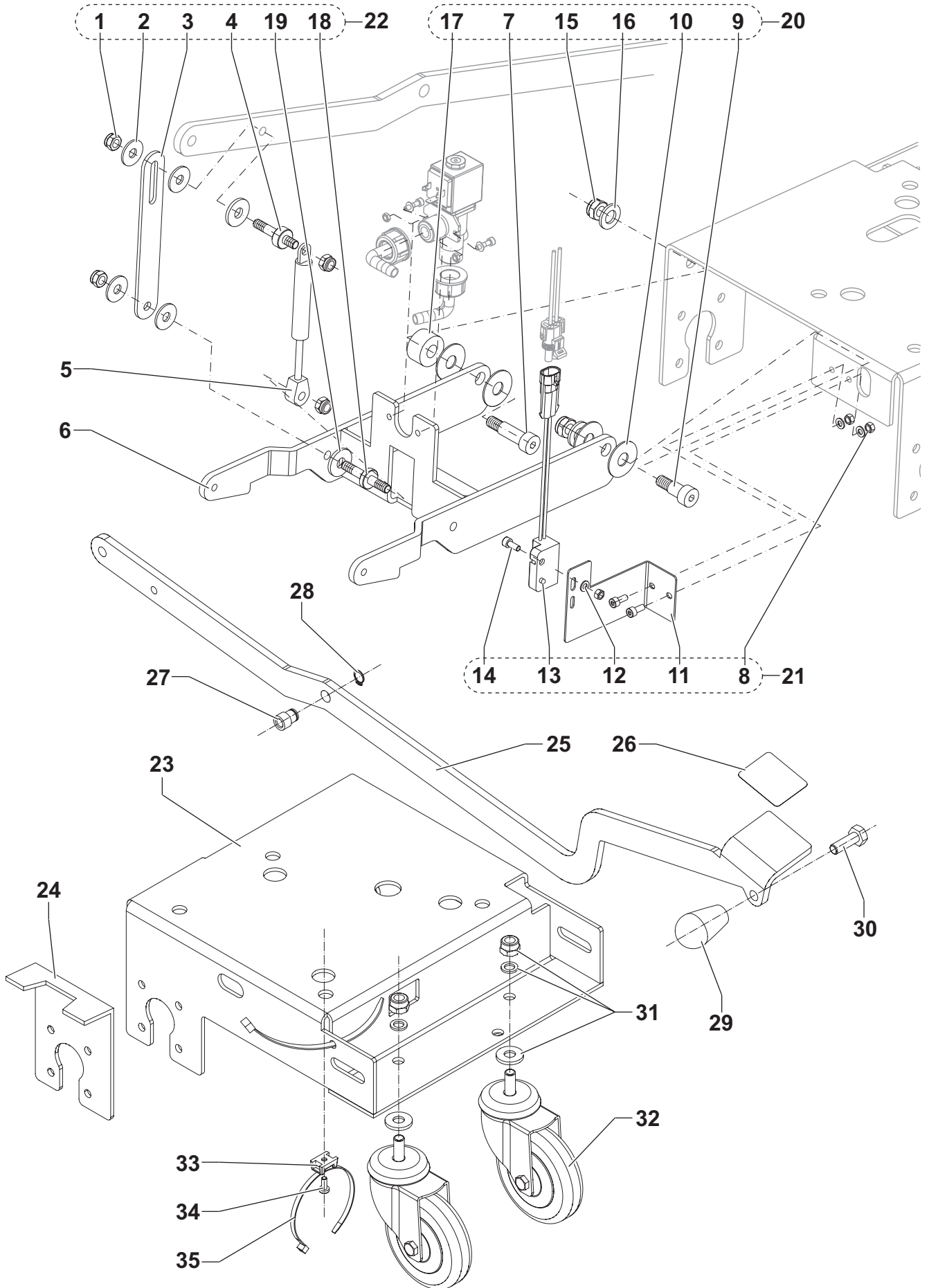
A: FOR OLD MOTOR 909 6802 000

B: FOR NEW MOTOR 9098062000



2007-01	CHASSIS SYSTEM			
2010-03	Adfinity™ 17ST - 20ST			9

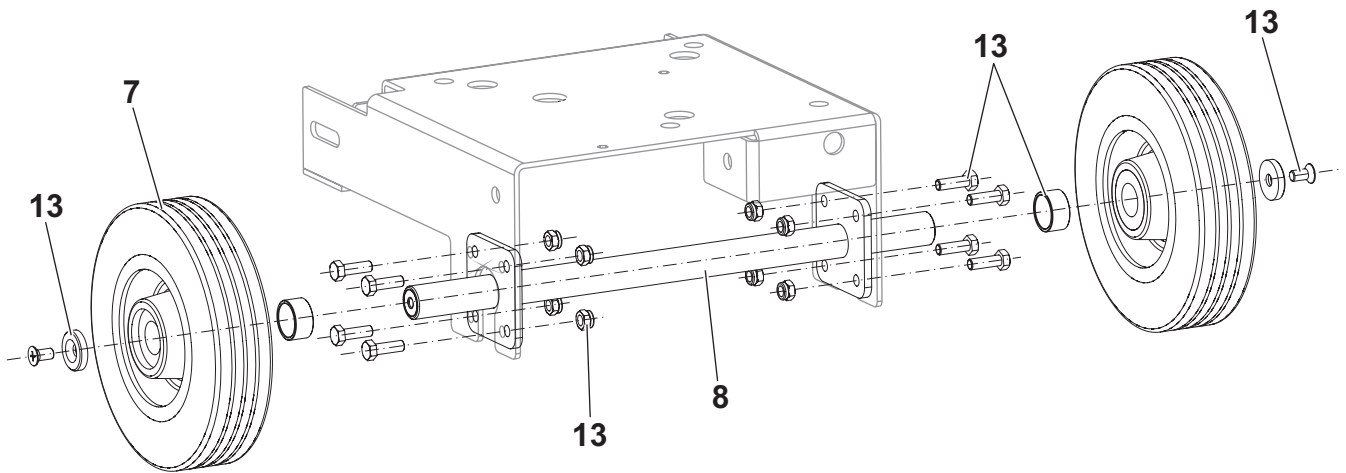
Item No.	Ref. No.	Qty	Description
1	909 6482 000	1	CHASSIS
2	909 6486 000	1	BRUSH LIFTING LEVER
4	909 6539 000	1	ANTISKID MAT
5	909 6540 000	1	BUSHING FLANGED
6	909 6549 000	1	PEDAL BRUSH LIFTING
9	909 6594 000	3	BUSHING FLANGED
12	145 0524 000	3	PASSRING
15	909 6595 000	1	FLAT TIE HOLDER
20	33006051	1	RETAINING RING
22	909 6337 000	1	SCREW CYL HD M5X12
23	909 6878 000	1	KIT, HARDWARE CHASSIS SYSTEM
24	909 6898 000	2	KIT, WHEEL CASTOR
24*	9098619000	1	WHEELS CASTOR D.100 PU SS



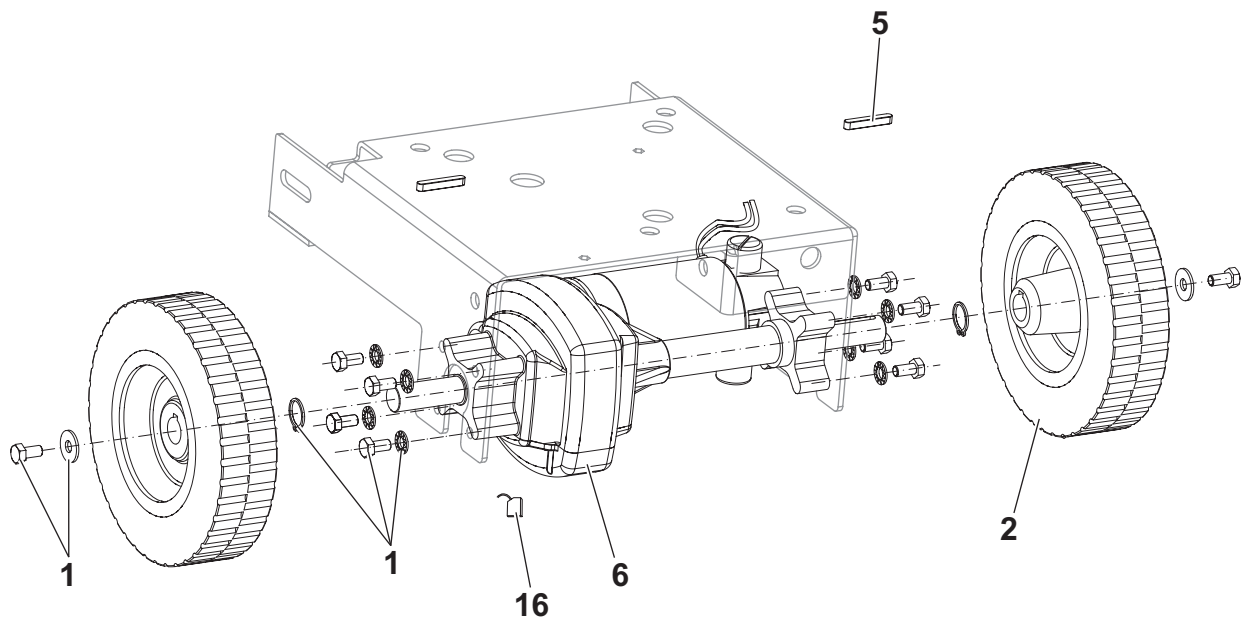
2007-01	CHASSIS SYSTEM			
2010-11	Adfinity™ X20R			11

Item No.	Ref. No.	Qty	Description
1#		4	NUT HEX NYL M8 SS
2#		4	WASHER 9X25X2 NYLON
3#		1	LINK LIFT
4#		1	PIN UPPER GAS SPRING
5#	9097080000	1	SPRING GAS 100 N
6#	56390013	1	ARM WELDMENT
7#		1	SCREW SHOULDER 12X30 M10
8#		3	NUT HEX M5 UNI5588 SS
9#		1	SCREW SHOULDER 12X16 M10
10#		4	WASHER FLAT 12.7X35X1.5MM
11#	56390031	1	BRACKET SWITCH
12#		3	WASHER M5 UNI6592 SS
13#		1	SENSOR PROXIMITY
14#		3	SCREW M5X12 UNI5931 SS
15#		2	NUT SELF L. M10 UNI7474
16#		2	WASHER M12 UNI6592
17#		1	SPACER 12.2X30X16.5
18#		1	PIN LOWER GAS SPRING
19#		2	WASHER RUBBER
20#	9098987000	1	KIT, MOUNTING HARDWARE (ITEM 7-9-10-15-16-17)
21#	9098988000	1	KIT, SENSOR (SW3) (ITEM 8-11-12-13-14)
22#	9098986000	1	KIT, LINK (ITEM 1-2-3-18-19)
23#	909 6482 000	1	CHASSIS
24#	909 6540 000	1	BUSHING FLANGED
25#	9098587000	1	BRACKET TANK SUPPORTING
26#	909 6539 000	1	ANTISKID MAT
27#	909 6540 000	1	BUSHING FLANGED
28#	33006051	1	RETAINING RING
29#	909 6621 000	1	KNOB
30#	33004010	1	SCREW HEX HD M10X30
31#	9099028000	2	KIT, FASTNERS CASTOR WHEEL
32#	9099014000	2	WHEEL CASTOR CHROMATE
33#	909 6595 000	1	FLAT TIE HOLDER
34#	909 6337 000	1	SCREW CYL HD M5X12
35#	145 0524 000	3	PASSRING

WITHOUT TRACTION
(ADFINITY™ 17ST - 20ST)

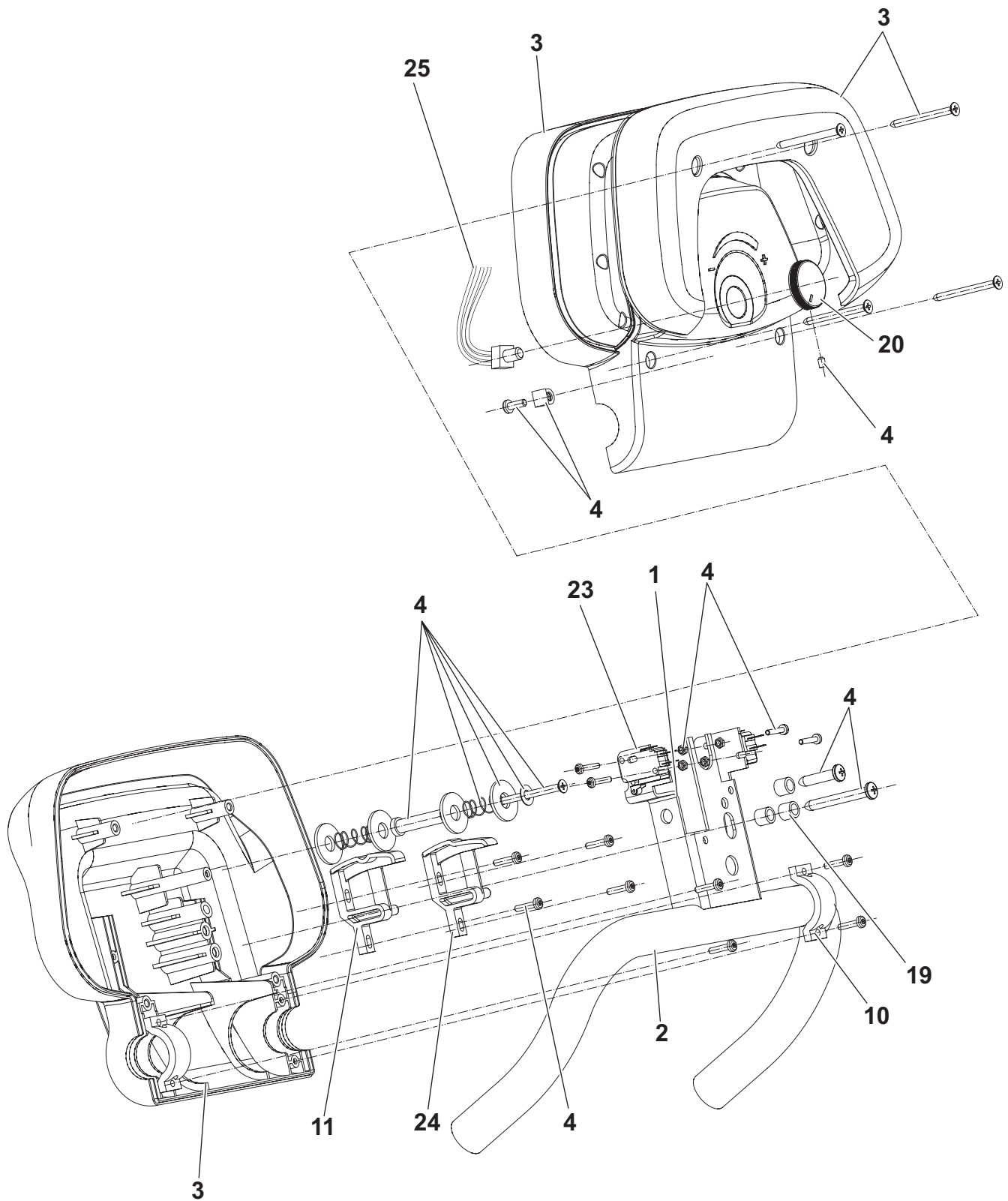


WITH TRACTION
(ADFINITY™ X20R)



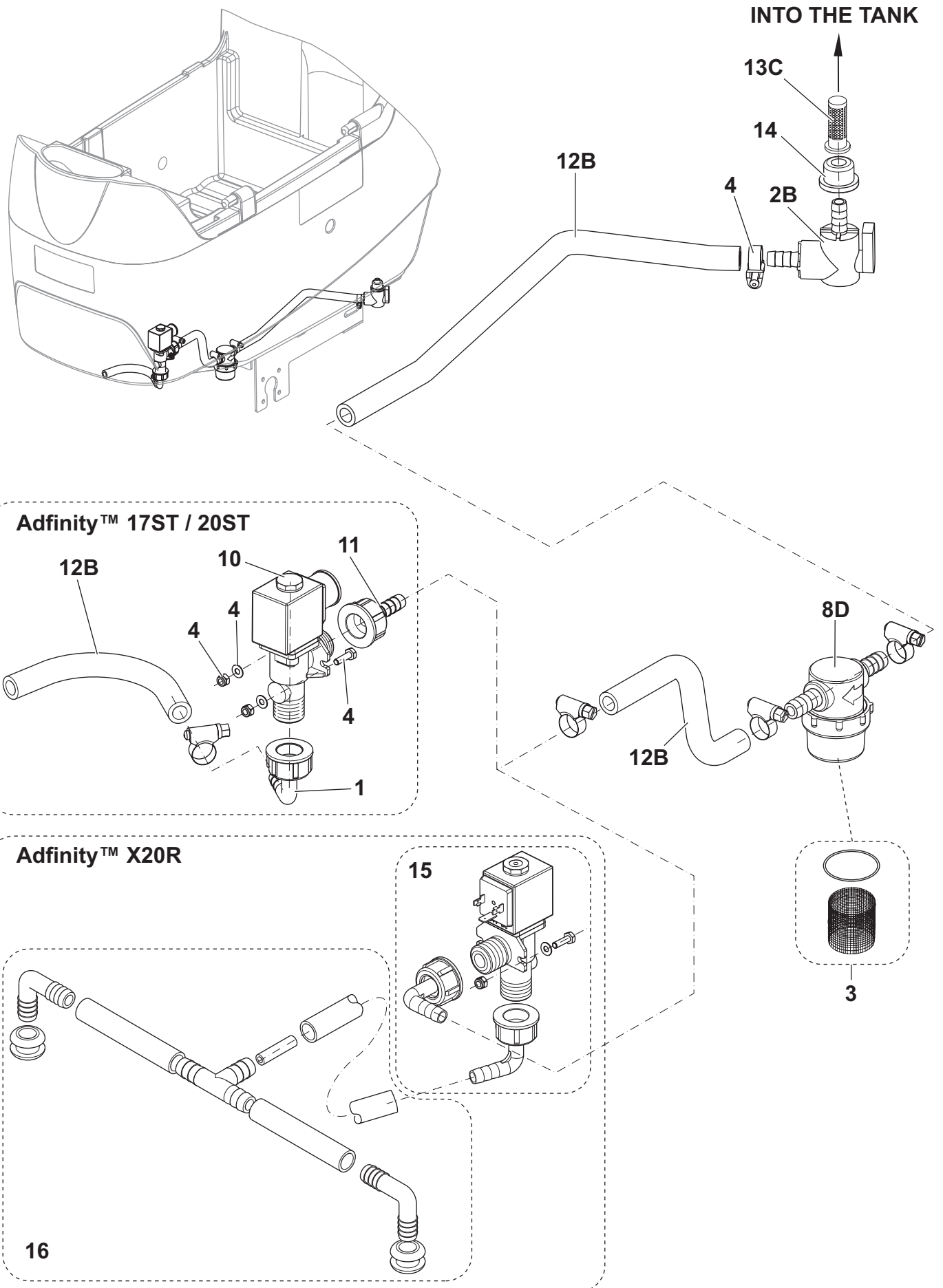
2007-01	WHEELS SYSTEM		
2010-11	Adfinity™ 17ST / 20ST / X20R		13

Item No.	Ref. No.	Qty	Description
1#	9098298000	1	KIT, HARDWARE DRIVE WHEELS
2#	9097032000	2	WHEEL FRONT DRIVE D.200 65SH
5#	146 0769 000	2	KEY
6#	909 6548 000	1	MOTODIFFERENTIAL (M3)
7	909 6507 000	2	WHEEL
7*	9097167000	2	WHEEL FRONT D.200 65SH
8	909 6508 000	1	WHEELS SHAFT
13	9098299000	1	KIT, HARDWARE WHEELS
16#	145 5124 000	2	CARBON BRUSH



2007-01	HANDLE ASSEMBLY			
2010-11	Adfinity™ X20R			15

Item No.	Ref. No.	Qty	Description
1#	9096907000	1	HANDLE HARNESS
2#	909 6653 000	1	HANDLE BAR
3#	9097622000	1	KIT, SWITCH HOUSINGS UPPER/LOWER
4#	9098300000	1	KIT, HARDWARE HANDLE FIXING
10#	L08812279	2	CLAMP
11#	L08812282	1	CAM HANDLE MICROSWITCH
19#	145 1330 000	3	SPACER
20#	909 6471 000	1	POTENTIOMETER KNOB
23#	909 6677 000	2	MICROSWITCH (SW1 - SW2)
24#	9096923000	1	CAM HANDLE MICROSWITCH
25#	909 6544 000	1	SPEED POTENTIOMETER HARNESS (RV2)



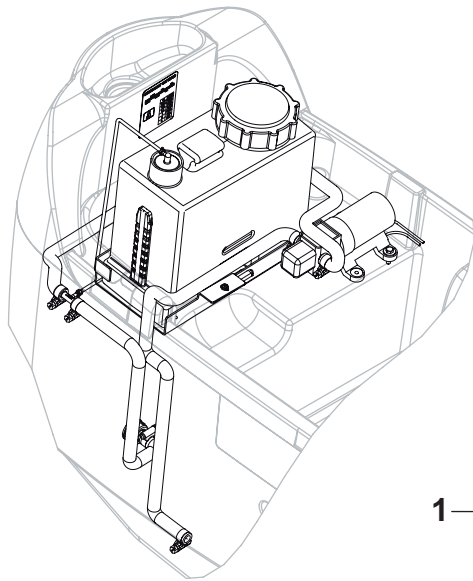
2007-01	SOLUTION SYSTEM		
2010-11	Adfinity™ 17ST / 20ST / X20R		17

Item No.	Ref. No.	Qty	Description
1	9098777000	1	KIT, RUBBER HOLDER
2B	9096994000	1	VALVE 3/8 PVC F
3	L08603893	1	KIT, NET FILTER WITH GASKET
4	9098301000	1	KIT, HARDWARE SOLUTION SYSTEM
8D	9097166000	1	KIT, FILTER CPL
10	909 6555 000	1	SOLENOID VALVE 24V (EV1)
11	909 6636 000	1	HOLDER RUBBER 1/2 FEMALE
12B	9096995000	1	KIT, VALVE ELBOW W/PIPES
13°C	9096916000	1	FILTER
14	909 5286 000	1	GASKET
15#	9098985000	1	KIT, SOLENOID VALVE (EV1) (FOR X20R)
16#	9098981000	1	KIT, SOLUTION HOSE (FOR X20R)

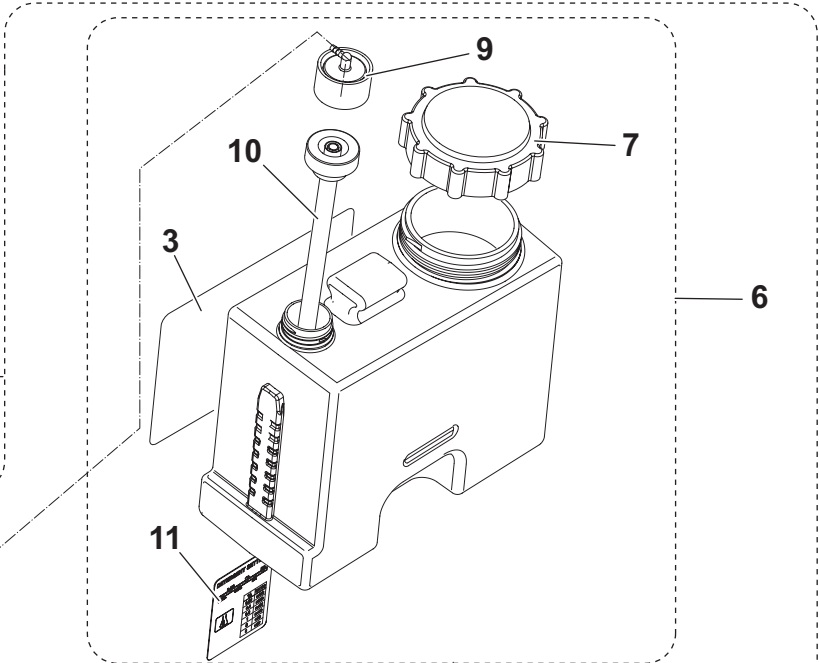
B: SEE TSB IT 2007-027a

C: SEE TSB IT 2007-015

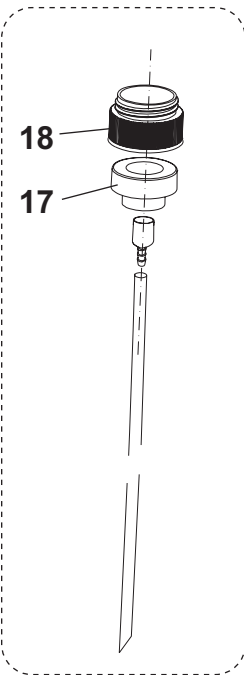
D: SEE TSB IT 2007-021



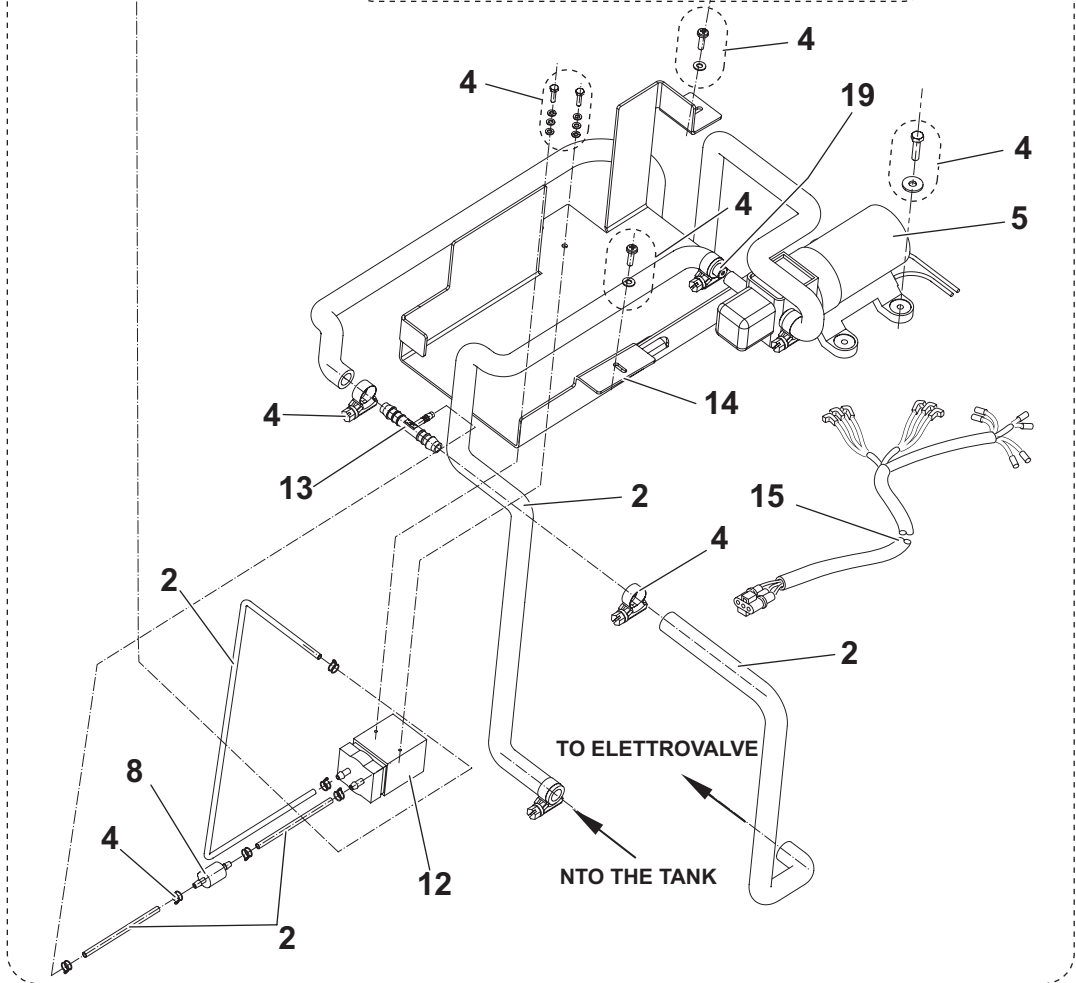
1



6



16

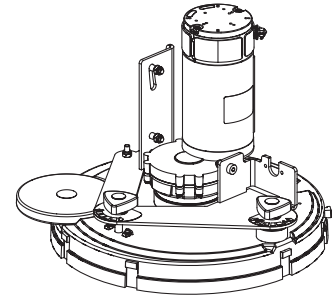
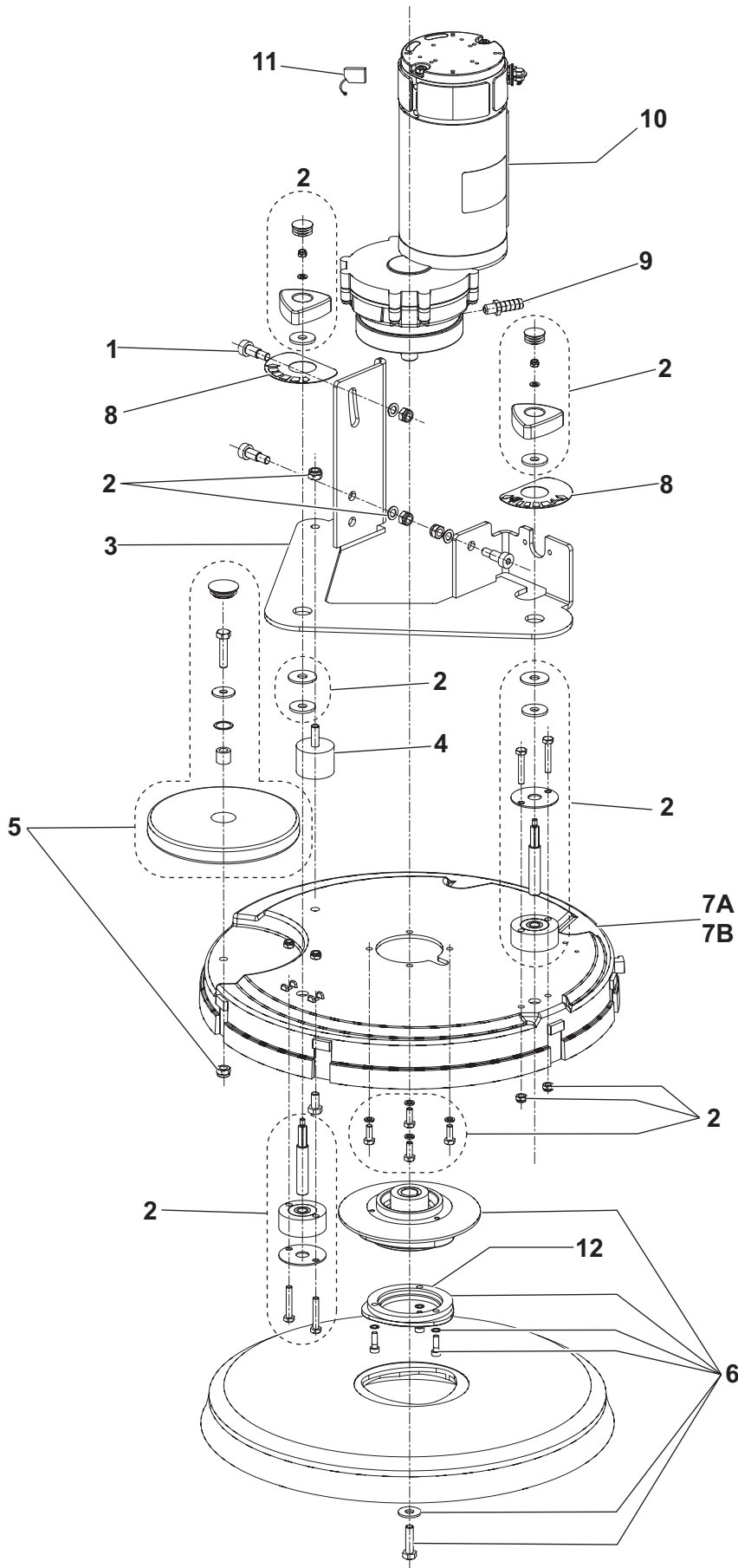


2007-01	ECOFLEX™ SYSTEM		
2010-11	Adfinity™ X20R		19

Item No.	Ref. No.	Qty	Description
1#	909 6743 000	1	KIT, ECOFLEX™ SYSTEM
2#	909 6806 000	1	KIT, HOSE CHEMICAL MIX
3#	909 6902 000	1	DECAL REWRITABLE
4#	9098264000	1	KIT, HARDWARE 9098264000
5#	56315108	1	PUMP (M4)
6#	909 6903 000	1	KIT, TANK CHEMICAL
7#	56315517	1	CAP
8#	56315522	1	VALVE NON RETURN
9#	56315523	1	CAP
10#	56315527	1	DRY BREAK
11#	909 6592 000	1	CHEMICAL REGULATION ADHESIVE
12#	909 6183 000	1	PUMP (M5)
13#	909 6536 000	1	FITTING
14#	909 6639 000	1	BRACKET CHEMICAL MIXING
15#	909 6187 000	1	HARNESS PUMP
16#	9098025000	1	KIT, ADAPTER DETERGENT P.I. 13.2.2009
17#	9097023000	1	ADAPTOR CHEMICAL TANK
18#	9097022000	1	SENSOR CHEMICAL MIX LEVEL
19#	56390041	1	ORIFICE

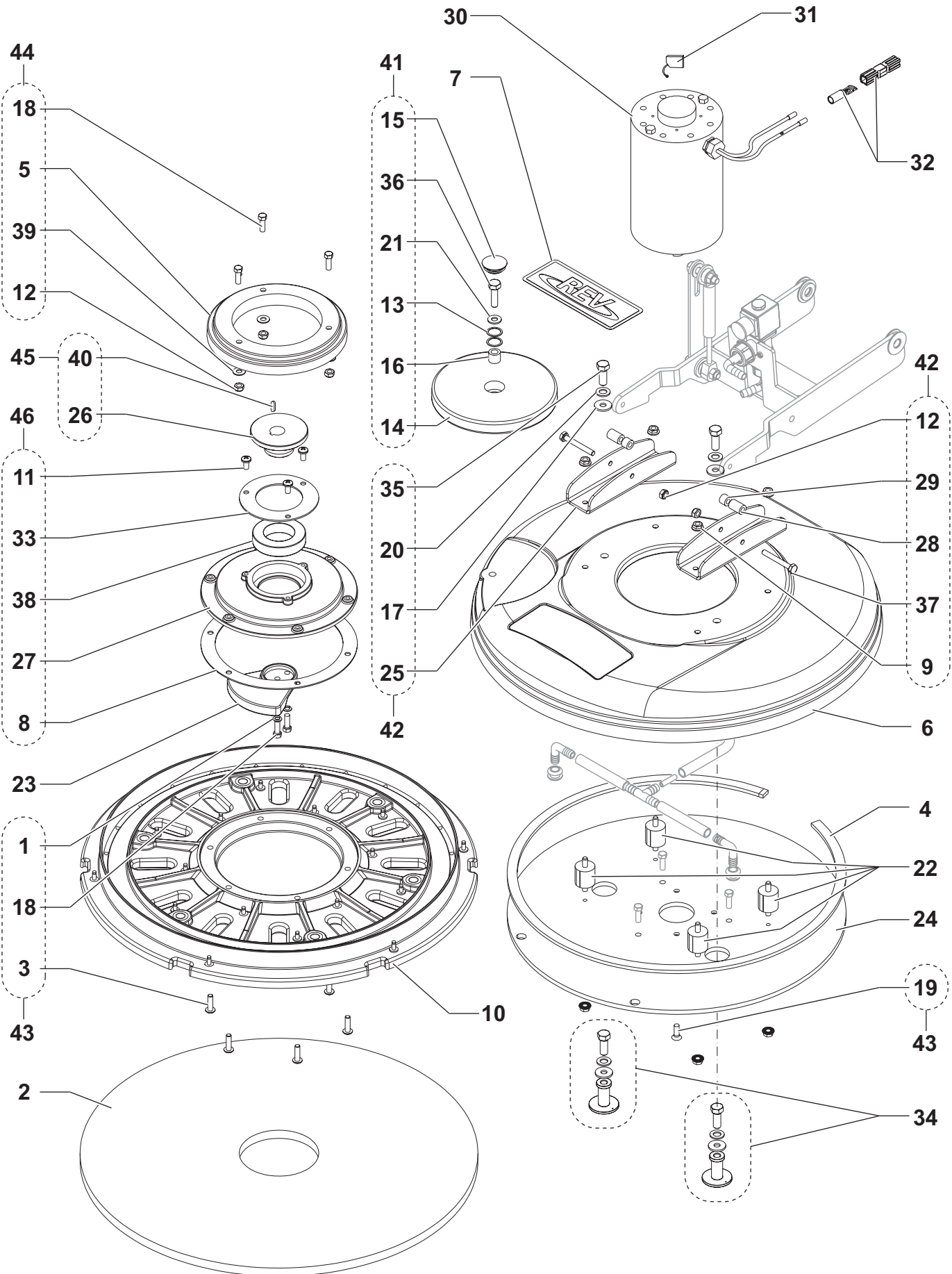
2007-01	SQUEEGEE SYSTEM		
2009-06	Adfinity™ 17ST / 20ST / X20R		21

Item No.	Ref. No.	Qty	Description
1	909 6494 000	1	SQUEEGEE BRACKET
2	909 6885 000	1	KIT, HARDWARE SQUEEGEE FIXING
3	909 6497 000	1	PIN
4	909 6537 000	1	RIGHT SPRING
5	909 6538 000	1	LEFT SPRING
6	909 6543 000	2	PIN
8	33005915	1	WASHER FLAT 8X17
9	L08238300	2	WASHER
10	33005607	3	NUT SELFLOCKING M8
15	33005608	1	NUT
17	33005758	2	SPLIT PIN
18	909 6635 000	2	SELF-ADHESIVE TIE MOUNT
19	909 6052 000	1	SPRING SUPPORT
21	L08604251	1	WASHER FLAT 10X30
23	909 6045 000	1	SQUEEGEE SUPPORT
24	909 6851 000	1	KIT, SQUEEGEE CPL ALU 30"
25	909 6483 000	1	BLADE SQUEEGEE FRONT
26	909 6484 000	1	BLADE SQUEEGEE REAR
27	909 6551 000	1	WING NUT M8X30 SS
30	9097637000	1	KIT, SQUEEGEE FIXING
36	909 6044 000	1	SQUEEGEE
38	909 6055 000	1	STRAP, SQUEEGEE FRONT
41	909 6600 000	1	DOWEL M8X30 SS
46	909 6882 000	1	KIT, FIXING SQUEEGEE
47	909 6883 000	2	KIT, SQUEEGEE WHEEL
48	909 6884 000	2	KIT, SQUEEGEE BUMPER ROLLER
49	909 6394 000	1	KIT, LATCH FOR SQUEEGEE
[50]	909 6860 000	1	BLADES SQUEEGEE 740MM/29" (25-26)
[51]	9097548000	1	KIT, WASHERS NYLON SQUEEGEE SUPPORT - TSB IT 2007-031



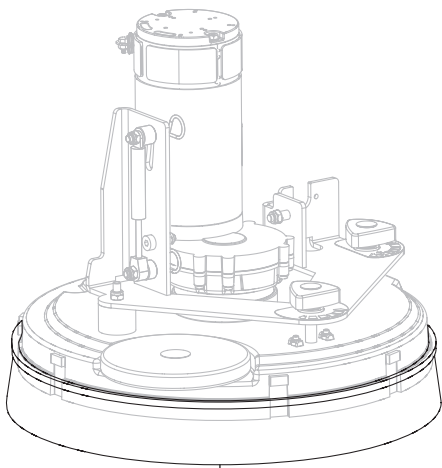
2007-01	BRUSH SYSTEMS			
2010-03	Adfinity™ 17ST - 20ST			23

Item No.	Ref. No.	Qty	Description
1	909 6495 000	3	SHOULDER BOLT M10X16
2	9098344000	1	KIT, HARDWARE BRUSH SYSTEM
3	909 6485 000	1	PLATE, DECK BRUSH HOLDER
4	9097184000	1	VIBRATION DAMPING M8
5	909 6887 000	1	KIT, BUMPER ROLLER
6	9097093000	1	KIT, HOLDERPOLYG.W/FLAGE
7A	909 6043 000	1	BRUSH DECK 450MM/17"
7B	909 6042 000	1	BRUSH DECK 530MM/20"
8	9098345000	1	KIT, DECALS
9	L08601624	1	PIPE HOLDER
10	909 6546 000	1	REDUCTION GEARMOTOR CPL.
11	909 5380 000	1	CARBON BRUSH (4 PCS) (FOR 909 6546 000)
10	9098308000	1	REDUCTION GEARMOTOR CPL. (M1)
11	9098376000	1	CARBON BRUSH (4 PCS) (FOR 9098308000)
12	L08812480	1	HUB.BRUSH
[13]*	9097599000	1	KIT, PROTECTION MOTOR TSB IT 2008-014
[14]	9097600000	1	INSTALLATION INSTRUCTIONS F/ PROTECTION MOTOR

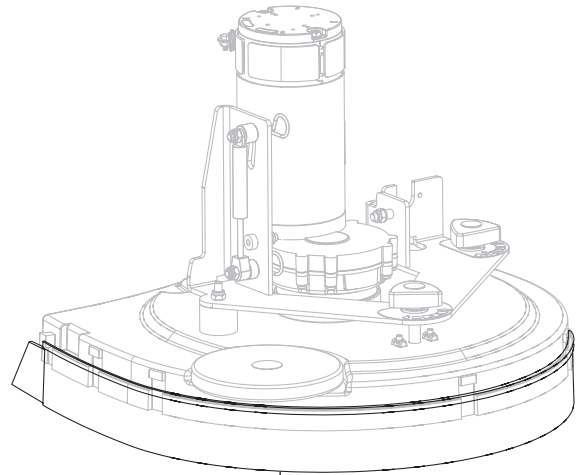


2007-01	BRUSH SYSTEMS			
2010-11	Adfinity™ X20R			25

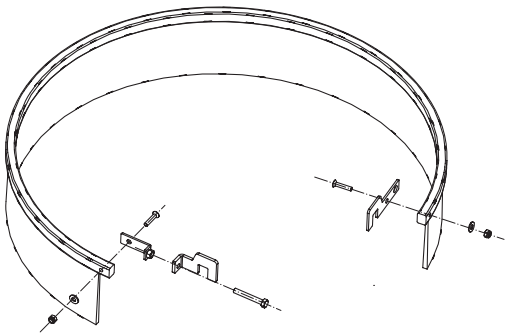
Item No.	Ref. No.	Qty	Description
1#		2	HELICAL SPRING LOCK WASHER WASHER LOCK 1/4
2#	976068	1	PAD 20-IN RED 5100 5-BX
3#		6	SCR. PAN PHIL SS 1/4-20 X .88
4#	56390076	1	GASKET
5#		1	SHIELD SPLASH
6#	56390012	1	HOUSING BRUSH
7#	56390037	1	DECAL DECK
8#		1	GASKET DRIVER
9#		8	NUT, SERRATED FLANGE
10#	56390044	1	PAD DRIVER ASSY
11#		3	SCREW, 1/4-20 X 1/2" P.H.
12#		5	NUT, HEX NYL LOC-THIN 1/4-20
13#		2	WSH-WAVE 0.660"X0.860"X0.10"X070"
14#		1	ROLLER BUMPER
15#		1	CAP BLACK
16#		1	SPACER 9X15X13
17#		2	WASHER, FLAT 5/16
18#		5	SCREW, 1/4-20 X 3/4 HEX HEAD
19#		4	SCREW, 1/4-20 X 3/4 F.H.
20#		2	WASHER, 3/8 LOCK
21#		1	WASHER - FENDER 8.4X24.2MM
22#	56380235	1	KIT, RUBBER MOUNTING
23#	56390002	1	WEIGHT-COUNTER
24#	56390003	1	PLATE MOTOR
25#		2	BRACKET LIFT
26#		1	ECCENTRIC
27#		1	DRIVER MOTOR
28#		2	SPACER, NYLON
29#		2	SPACER, NYLON
30#	56390072	1	MOTOR, 24VDC (M1)
31#	11055A	1	CARBON BRUSH SET
32#	41601T	2	CONNECTOR
33#		1	RETAINER, BEARING
34#	9098979000	1	KIT, STABLIZER STUD
35#		2	BOLT, 3/8-24 X 1.0 HEX
36#		1	BOLT, M8-1.25 X 30 HH SS
37#		2	SCREW, 1/4-20 X 2.00 HEX CAP
38#		1	BEARING
39#		3	WASHER, 1/4 FLAT S.S.
40#		1	KEY 3/16 SQ X 3/4"
41#	9098978000	1	KIT, ROLLER BUMPER (ITEM 13-14-15-16-21-36)
42#	9098980000	1	KIT, LIFT BRACKET (ITEM 9-12-17-20-25-28-29-35-37)
43#	9099001000	1	KIT, DECK HARDWARE (ITEM 1-3-18-19)
44#	9098982000	1	KIT, SPLASH GUARD (ITEM 5-12-18-39)
45#	9098984000	1	KIT, ECCENTRIC (ITEM 26-40)
46#	9098983000	1	KIT, DRIVER (ITEM 8-11-27-33-38)



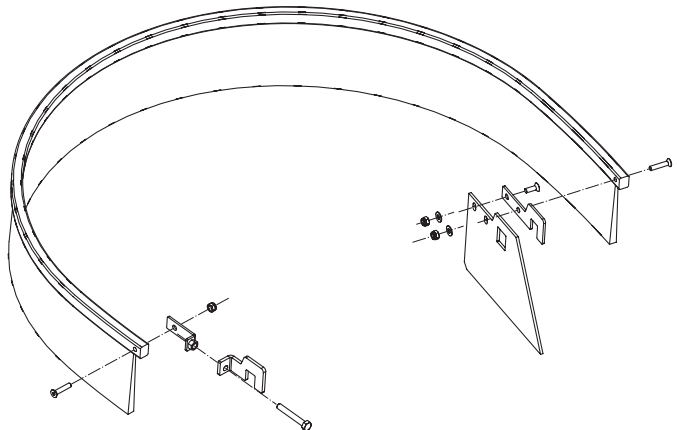
2



3



**SPLASH GUARD 17" KIT
Adfinity™ 17ST**



**SPLASH GUARD 20" KIT
Adfinity™ 20ST**

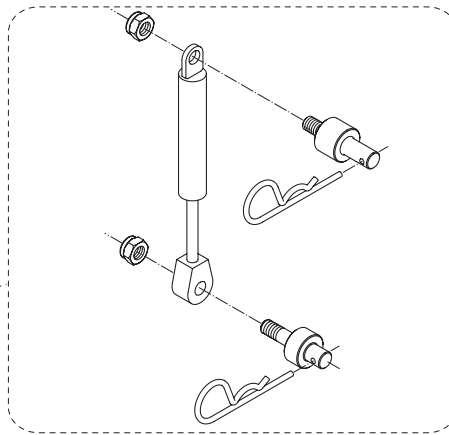
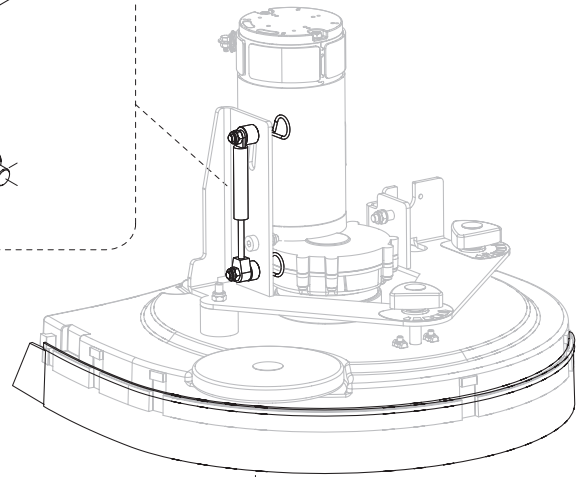
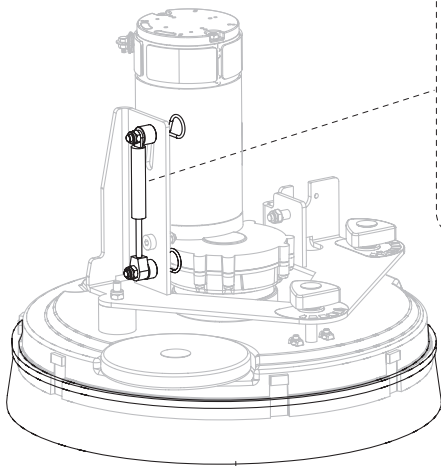
2007-01	SPLASH GUARDS			
2009-06	Adfinity™ 17ST - 20ST			27

Item No.	Ref. No.	Qty	Description
2	909 6737 000	1	KIT, SPLASH GUARD 17"
[4]	909 6745 000	1	INSTALLATION INSTRUCTIONS F/ SPLASH GUARD
3	909 6736 000	1	KIT, SPLASH GUARD 20"
[5]	909 6745 000	1	INSTALLATION INSTRUCTIONS F/ SPLASH GUARD

EXTRA PRESSURE KIT

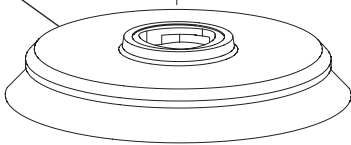
Adfinity™ 17ST

Adfinity™ 20ST

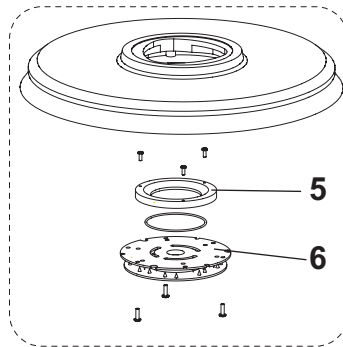


1

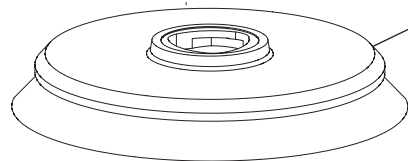
3



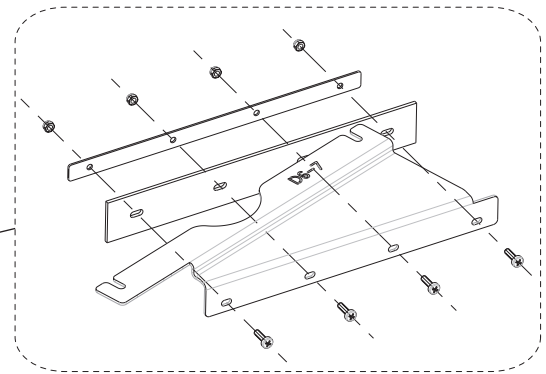
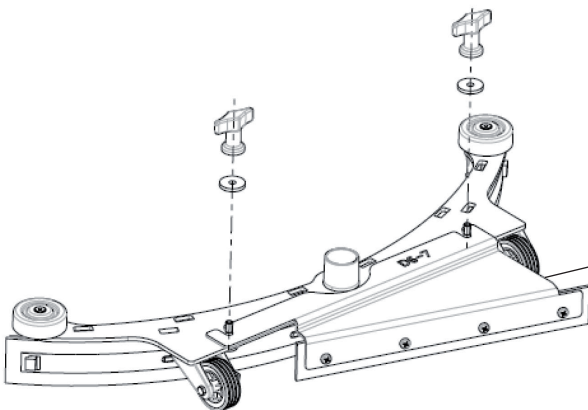
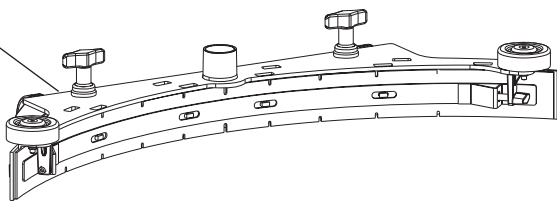
4 - 10



9



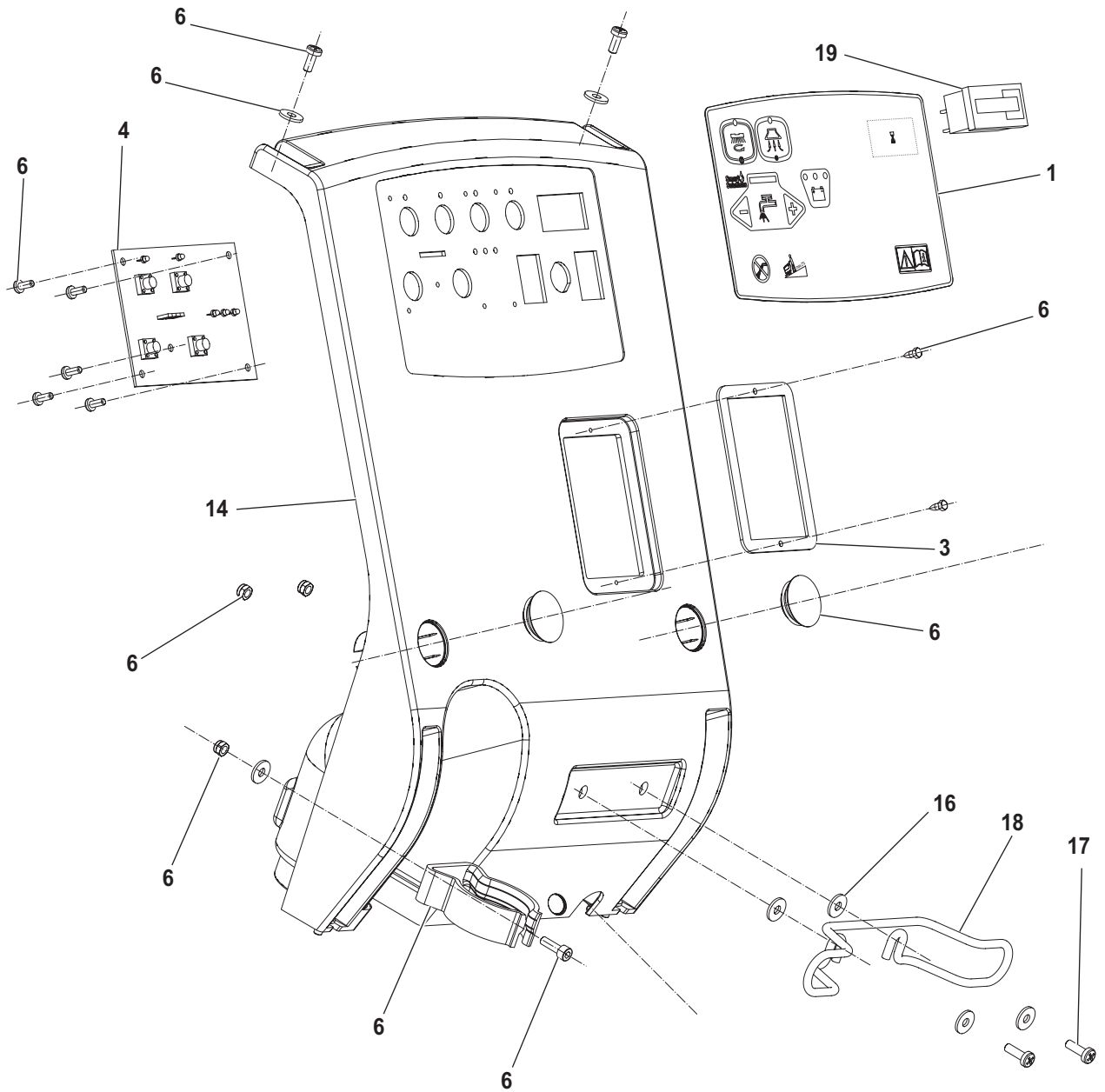
7



11

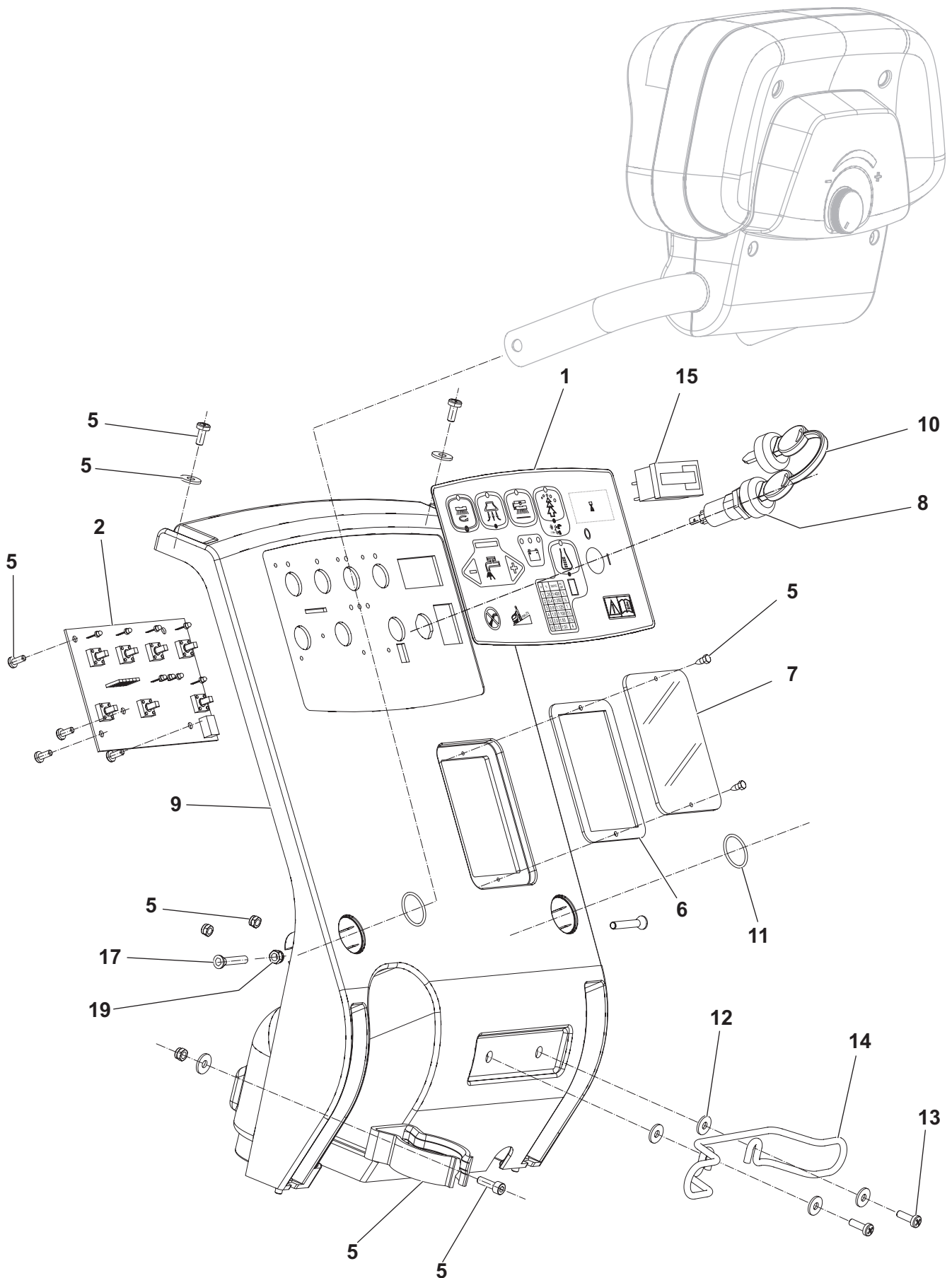
2007-01	ACCESSORIES			
2009-06	Adfinity™ 17ST - 20ST			29

Item No.	Ref. No.	Qty	Description
			Adfinity™ 17ST - 20ST
1	909 6738 000	1	KIT, EXTRA PRESSURE
[2]	909 6759 000	1	INSTALLATION INSTRUCTIONS F/ EXTRA PRESSURE
			Adfinity™ 17ST
3	L08837020	1	BRUSH PROLENE
3	L08837021	1	BRUSH PROLITE
3	L08837022	1	BRUSH UNION MIX
3	L08837023	1	BRUSH MIDLITE
3	L08837024	1	BRUSH MIDGRIT
4	L08837017	1	KIT, PAD HOLDER
			Adfinity™ 17ST - 20ST
5	L08603966	1	RING NYLON
6	L08837030	1	RETAINER PAD
			Adfinity™ 17ST - 20ST
7	L08603878	1	KIT, SQUEEGEE CPL 30"
7	909 6851 000	1	KIT, SQUEEGEE CPL ALU 30"
[8]	909 6483 000	1	BLADE NEOPRENE FRONT
[8]	909 6484 000	1	BLADE NEOPRENE REAR
[8]	909 6860 000	1	KIT, BLADES NEOPRENE 30"
[8]	909 6858 000	1	KIT, BLADES POLYURET. 30"
			Adfinity™ 20ST
9	L08837025	1	BRUSH PROLENE
9	L08837026	1	BRUSH PROLITE
9	L08837027	1	BRUSH UNION MIX
9	L08837028	1	BRUSH MIDLITE GRIT
9	L08837029	1	BRUSH MID GRIT 240
9	L08837065	1	BRUSH MAGNA GRIT 46
9	L08837066	1	BRUSH DYNA GRIT 80
9	L08837067	1	BRUSH AGLITE GRIT 500
10	L08837018	1	KIT, PAD HOLDER
11	9098343000	1	KIT, THIRD BLADE
[12]	9098337000	1	INSTALLATION INSTRUCTIONS F/ THIRD BLADE



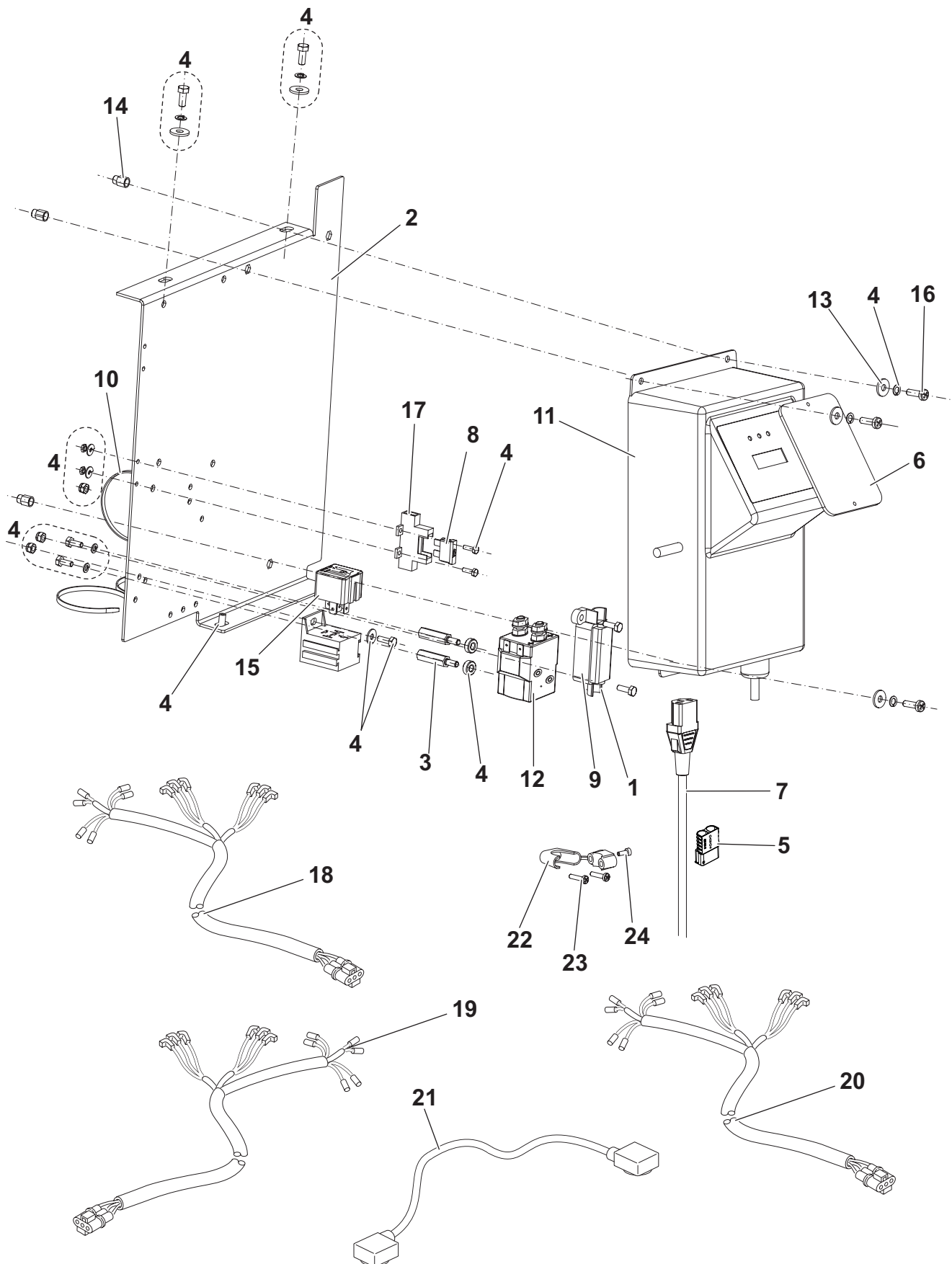
2007-01	CONTROL PANEL SYSTEM			
2010-03	Adfinity™ 17ST - 20ST			31

Item No.	Ref. No.	Qty	Description
1#	9098637000	1	DECAL CONTROL PANEL
3	909 6545 000	1	GASKET
4	9097006000	1	ELECTRONIC CARD STARTING (EB1) FROM SERIAL NO. 072115094
6	9098302000	1	KIT, HARDWARE CONTROL PANEL
14	9097649000	1	KIT, COVER CONTROL PANEL
16	145 1261 000	4	WASHER
17	146 2090 000	2	SCREW CYL HD M5X16
18	909 5149 000	1	SUPPORT BATTERY CHARGER CABLE
19*	9096951000	1	COUNTER HOUR 24V (HN)
[20]*	9096952000	1	INSTALLATION INSTRUCTIONS F/ COUNTER HOUR
[21]	145 8368 000	1	FUSE 3A (F4)



2007-01	CONTROL PANEL SYSTEM		
2010-11	Adfinity™ X20R		33

Item No.	Ref. No.	Qty	Description
1#	9098634000	1	DECAL CONTROL PANEL ADFINITY™ X20R
2#	9098902000	1	CARD ELECTRONIC CONTROL PANEL (EB1)
5#	9098302000	1	KIT, HARDWARE CONTROL PANEL
6#	909 6545 000	1	GASKET
7#	909 5313 000	1	INSPECTION PLATE
8#	146 2888 000	1	SWITCH KEY WITH CAP (K1)
9#	9098632000	1	COVER CONTROL PANEL
10#	146 2887 000	1	KEY
11#	909 6675 000	2	O-RING 132
12#	145 1261 000	4	WASHER
13#	146 2090 000	2	SCREW CYL HD M5X16
14#	909 5149 000	1	SUPPORT CABLE
15*#	9096951000	1	KIT, COUNTER HOUR 24V (HN)
[16]*#	9096952000	1	INSTALLATION INSTRUCTIONS F/ COUNTER HOUR
17#	33004576	2	SCREW M6X16 UNI5933
19#	33005604	2	NUT SELF L. M6 UNI7474
[20]#	145 8368 000	2	FUSE 3A (F4 - F6) (PCB FUNCTIONS - PUMP)
[21]#	909 6678 000	1	FUSE 20A (F5) (CLICK ON/OFF - BRUSH)



2007-01

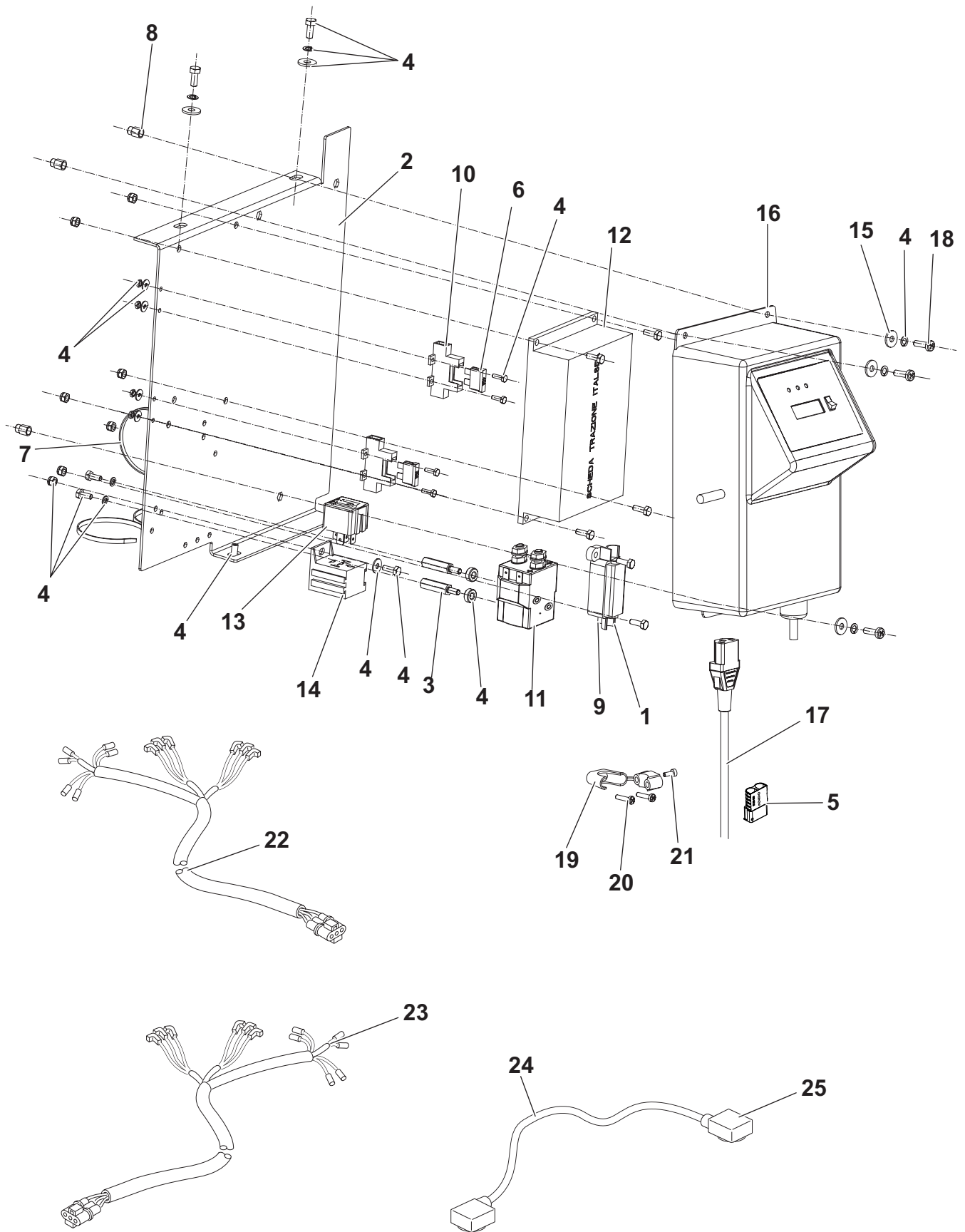
ELECTRICAL COMPONENTS

2009-06

Adfinity™ 17ST - 20ST

35

Item No.	Ref. No.	Qty	Description
1	145 8046 000	1	FUSE HOLDER
2	909 6498 000	1	SUPPORT
3	909 6676 000	2	SPACER M4 L=25
4	9098303000	1	KIT, HARDWARE ELECTRIC SYSTEM
5	9098762000	1	CONNECTOR 120A (C2)
6	909 5313 000	1	INSPECTION PLATE
7	9096914000	1	CABLE EXTENTION US
8	145 8513 000	1	FUSE 30A (F2)
9	145 3824 000	1	STRIP FUSE 40A (F1)
10	145 1449 000	3	CLAMP
11	9098297000	1	BATTERY CHARGER 24V 13A (CH)
12	9097208000	1	ELECTROMAGNETIC SWITCH 24V
13	33005912	3	WASHER M5 UNI6592
14	145 6132 000	3	INSERT M5
15	909 6622 000	1	RELAY 24V 40A (ES2)
16	146 1711 000	3	SCREW M5X20 UNI7687
17	146 0660 000	2	BLADE FUSE HOLDER
18	9096963000	1	HARNESS ELECTRIC BOX
19	9096971000	1	MACHINE HARNESS
20	909 6840 000	1	HARNESS VACUUM CLEANER
21	9098871000	1	BATTERY HARNESS
22#	L08338600	1	CABLE HOLDER
23#	L08603668	2	SCREW THD FORM
24#	146 1788 000	1	SCREW M4X12



2007-01

ELECTRICAL COMPONENTS

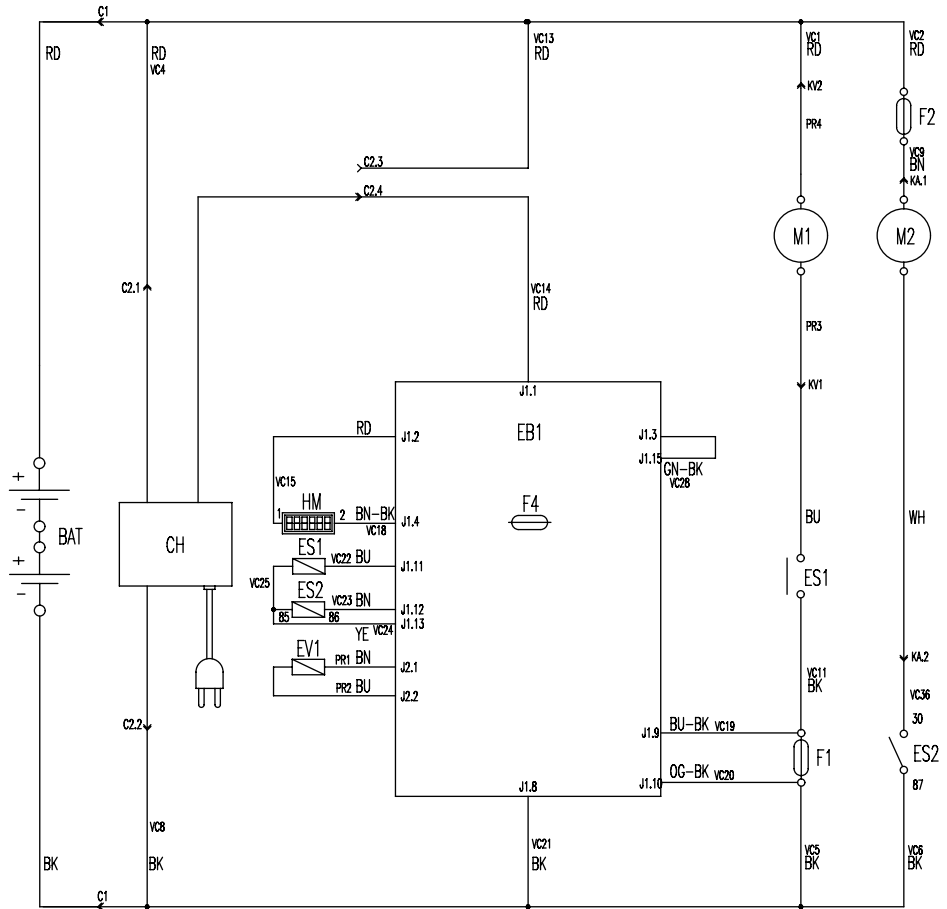
2010-11

Adfinity™ X20R

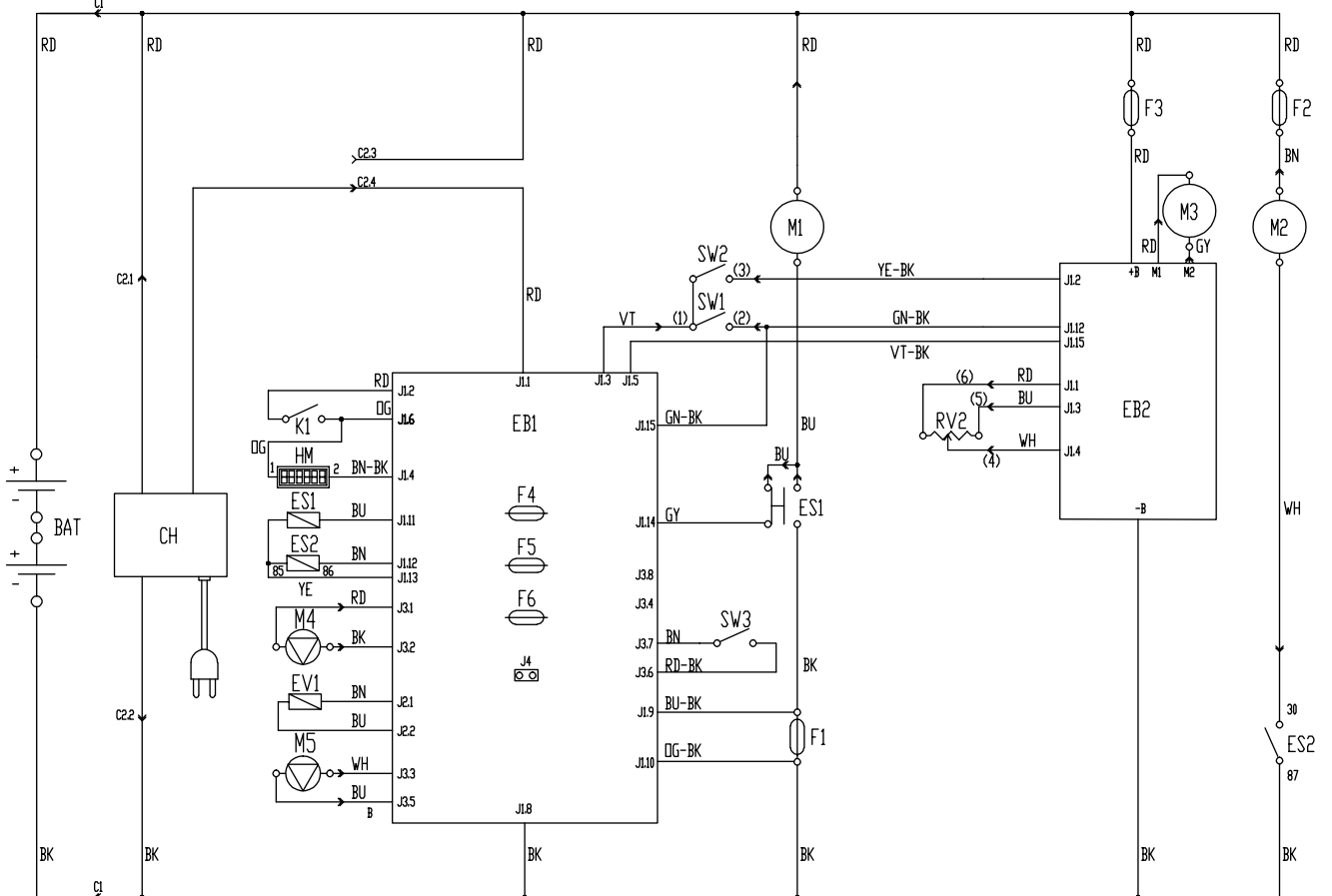
37

Item No.	Ref. No.	Qty	Description
1#	145 8046 000	1	HOLDER FUSE
2#	909 6498 000	1	SUPPORT
3#	909 6676 000	2	SPACER M4 L=25
4#	9098303000	1	KIT, HARDWARE ELECTRIC SYSTEM
5#	9098762000	1	CONNECTOR 120A (C2)
6#	145 8513 000	2	FUSE BLADE 30A (F2 - F3) (VACUUM - DRIVE MOTOR)
7#	145 1449 000	3	CLAMP
8#	145 6132 000	3	INSERT M5
9#	145 3824 000	1	FUSE STRIP 40A (F1) (BRUSH MOTOR)
10#	146 0660 000	2	BLADE FUSE HOLDER
11#	9097209000	1	ELECTROMAGNETIC SWITCH 24V (ES1) (BRUSH MOTOR CONTACTOR)
12#	9096908000	1	CARD ELECTRONIC TRACTION (EB2)
13#	909 6622 000	1	RELAY 24V 40A (ES2) (VACUUM MOTOR CONTACTOR)
14#	9096964000	1	HARNESS ELECTRIC BOX
15#	33005912	3	WASHER M5 UNI6592
16#	9098297000	1	BATTERY CHARGER 24V 13A (CH)
17#	9096914000	1	CABLE EXTENTION US
18#	146 1711 000	3	SCREW M5X20 UNI7687
19#	L08338600	1	CABLE HOLDER
20#	L08603668	2	SCREW THD FORM
21#	146 1788 000	1	SCREW M4X12
22#	9098903000	1	MACHINE HARNESS
23#	909 6613 000	1	HARNESS VACUUM CLEANER
24#	9098871000	1	BATTERY HARNESS
25#	L08812093	4	COVER, BATTERY TERMINAL

Adfinity™ 17ST - 20ST



Adfinity™ X20R



Key	Ref. No.	Description	Models
BAT	-	24V BATTERIES	Adfinity™ 17ST - 20ST - X20R
C1	-	BATTERY CONNECTOR	Adfinity™ 17ST - 20ST - X20R
C2	9098762000	CHARGER CONNECTOR	Adfinity™ 17ST - 20ST - X20R
CH	9098297000	BATTERY CHARGER	Adfinity™ 17ST - 20ST - X20R
CS	-	BRUSH DECK CONNECTOR	Adfinity™ 17ST - 20ST
EB1	9097006000	CONTROL PANEL BOARD	Adfinity™ 17ST - 20ST
EB1	9098902000	CONTROL PANEL BOARD	Adfinity™ X20R
EB2	9096908000	DRIVE ELECTRONIC BOARD	Adfinity™ X20R
ES1	9097209000	BRUSH MOTOR ELECTROM. SWITCH	Adfinity™ 17ST - 20ST - X20R
ES2	909 6622 000	VACUUM MOTOR RELAY	Adfinity™ 17ST - 20ST - X20R
EV1	909 6555 000	ELECTROVALVE	Adfinity™ 17ST - 20ST
EV1	9098985000	ELECTROVALVE	Adfinity™ X20R
F1	145 3824 000	BRUSH DECK FUSE (40A)	Adfinity™ 17ST - 20ST - X20R
F2	145 8513 000	VACUUM MOTOR FUSE (30A)	Adfinity™ 17ST - 20ST - X20R
F3	145 8513 000	DRIVE SYSTEM FUSE (30A)	Adfinity™ X20R
F4	145 8368 000	LOW POWER CIRCUIT FUSE (3A)	Adfinity™ 17ST - 20ST - X20R
F5	909 6678 000	BRUSH RELEASE FUSE (20A)	Adfinity™ X20R
F6	145 8368 000	PUMP FUSE (3A)	Adfinity™ X20R
HN	9096951000	HOURMETER (OPT.)	Adfinity™ 17ST - 20ST - X20R
K1	146 2888 000	KEY SWITCH	Adfinity™ X20R
M1	9098308000	BRUSH MOTOR	Adfinity™ 17ST - 20ST
M1	56390072	BRUSH MOTOR	Adfinity™ X20R
M2	9098062000	VACUUM MOTOR	Adfinity™ 17ST - 20ST - X20R
M3	909 6548 000	DRIVE MOTOR	Adfinity™ X20R
M4	56315108	WATER PUMP	Adfinity™ X20R
M5	909 6183 000	DETERGENT PUMP	Adfinity™ X20R
RV2	909 6544 000	MAX SPEED POTENTIOMETER	Adfinity™ X20R
SW1	909 6677 000	BRUSH / DRIVE MICROSWITCH	Adfinity™ X20R
SW2	909 6677 000	REVERS GEAR MICROSWITCH	Adfinity™ X20R
SW3	9098988000	PROXIMITY SENSOR	Adfinity™ X20R

colour

BK	-	BLACK
BU	-	LIGHT BLUE
BN	-	BROWN
GN	-	GREEN
GY	-	GREY
OG	-	ORANGE
PK	-	PINK
RD	-	RED
VT	-	VIOLET
WH	-	WHITE
YE	-	YELLOW

RECOMMENDED SPARE PARTS

2007-01

40

Adfinity™ 17ST / 20ST / X20R

2010-11

Ref. No.	DESCRIPTION	QTY	MACHINES
SOLUTION TANK			
909 6650 000	SPONGE INLET FRESH WATER	1	Adfinity™ 17ST - 20ST - X20R
909 6681 000	SOLUTION HOSE	1	Adfinity™ 17ST - 20ST - X20R
L08812457	CAP	2	Adfinity™ 17ST - 20ST - X20R
909 6662 000	SQUEEGEE LIFT CABLE	1	Adfinity™ 17ST - 20ST - X20R
909 6874 000	KIT, TANK CABLE	1	Adfinity™ 17ST - 20ST - X20R
9098265000	KIT, HARDWARE SOLUTION TANK	1	Adfinity™ 17ST - 20ST - X20R
RECOVERY TANK			
909 6230 000	VACUUM HOSE	1	Adfinity™ 17ST - 20ST - X20R
909 6528 000	DRAIN HOSE	1	Adfinity™ 17ST - 20ST - X20R
L08812259	CAGE FLOAT COMPLETE	2	Adfinity™ 17ST - 20ST - X20R
L08812373	BALL FLOAT	1	Adfinity™ 17ST - 20ST - X20R
9097681000	KIT, CAGE FLOAT HOLDER	1	Adfinity™ 17ST - 20ST - X20R
145 0543 000	HOSE CLAMP	2	Adfinity™ 17ST - 20ST - X20R
909 6899 000	CAP	1	Adfinity™ 17ST - 20ST - X20R
909 6877 000	KIT, HARDWARE VACUUM MOTOR	1	Adfinity™ 17ST - 20ST - X20R
9098062000	VACUUM MOTOR 24V 330W (M2)	1	Adfinity™ 17ST - 20ST - X20R
9098231000	KIT, CARBON BRUSH	1	Adfinity™ 17ST - 20ST - X20R
909 6491 000	PANEL ACOUSTIC INSULATION	1	Adfinity™ 17ST - 20ST - X20R
9098056000	GASKET VACUUM MOTOR	1	Adfinity™ 17ST - 20ST - X20R
9098057000	GASKET VACUUM MOTOR	1	Adfinity™ 17ST - 20ST - X20R
CHASSIS SYSTEM			
909 6898 000	KIT, WHEEL CASTOR	1	Adfinity™ 17ST - 20ST - X20R
909 6878 000	KIT, HARDWARE CHASSIS SYSTEM	1	Adfinity™ 17ST - 20ST - X20R
# 9099014000	WHEEL CASTOR CHROMATE	2	Adfinity™ X20R
# 9098987000	KIT, MOUNTING HARDWARE	2	Adfinity™ X20R
WHEELS SYSTEM			
909 6507 000	WHEEL FRONT D.200	2	Adfinity™ 17ST - 20ST
# 909 6548 000	MOTOR DRIVE 24V 200W (M3)	1	Adfinity™ X20R
# 145 5124 000	CARBON BRUSHES FOR DRIVE MOTOR	2	Adfinity™ X20R
# 9097032000	WHEEL FRONT DRIVE D.200 65SH	2	Adfinity™ X20R
HANDLE BAR			
9098300000	KIT, HARDWARE HANDLE ASSEMBLY	1	Adfinity™ X20R
L08812282	CAM HANDLE MICROSWITCH	1	Adfinity™ X20R
909 6544 000	SPEED POTENTIOMETER HARNESS (RV2)	1	Adfinity™ X20R
9096923000	CAM HANDLE MICROSWITCH	1	Adfinity™ X20R
909 6677 000	MICROSWITCH (SW2 - SW1)	2	Adfinity™ X20R
SOLUTION SYSTEM			
# 9096994000	VALVE ELBOW	1	Adfinity™ 17ST - 20ST - X20R
# 9097166000	KIT, FILTER	1	Adfinity™ 17ST - 20ST - X20R
# 9096995000	KIT, VALVE ELBOW WITH PIPES	1	Adfinity™ 17ST - 20ST - X20R
# 909 6555 000	ELECTROVALVE (EV1)	1	Adfinity™ 17ST - 20ST - X20R
# 9098985000	KIT, SOLENOID VALVE (EV1)	1	Adfinity™ X20R
# 909 6636 000	BARB L=105	1	Adfinity™ 17ST - 20ST - X20R
# 9098777000	KIT, HOLDER RUBBER	1	Adfinity™ 17ST - 20ST - X20R
ECOFLEX™ SYSTEM			
# 909 6743 000	KIT, ECOFLEX™ SYSTEM	1	Adfinity™ X20R
# 909 6806 000	KIT, HOSE	1	Adfinity™ X20R
# 56315108	FLOWJET WATER PUMP (M4)	1	Adfinity™ X20R
# 909 6903 000	KIT, CHEMICAL TANK	1	Adfinity™ X20R
# 56315517	REFILLING CAP	1	Adfinity™ X20R
# 56315522	CHECK VALVE	1	Adfinity™ X20R
# 56315523	CAP	1	Adfinity™ X20R
# 56315527	FLOATING SENSOR	1	Adfinity™ X20R
# 909 6183 000	CHEMICAL PUMP (M5)	1	Adfinity™ X20R
# 909 6536 000	TEE FITTING	1	Adfinity™ X20R

Ref. No.	DESCRIPTION	QTY	MACHINES
SQUEEGEE SYSTEM			
909 6055 000	FRONT STRAP	1	Adfinity™ 17ST - 20ST - X20R
909 6044 000	WELDMENT SQUEEGEE TOOL	1	Adfinity™ 17ST - 20ST - X20R
9097637000	KIT, SQUEEGEE FIXING	1	Adfinity™ 17ST - 20ST - X20R
909 6551 000	KNOB 8X30 SS	1	Adfinity™ 17ST - 20ST - X20R
909 6484 000	BLADE NEOPRENE REAR	1	Adfinity™ 17ST - 20ST - X20R
909 6483 000	BLADE NEOPRENE FRONT	1	Adfinity™ 17ST - 20ST - X20R
909 6851 000	KIT, SQUEEGEE CPL ALU 30"	1	Adfinity™ 17ST - 20ST - X20R
909 6882 000	KIT, FIXING SQUEEGEE	1	Adfinity™ 17ST - 20ST - X20R
909 6883 000	KIT, SQUEEGEE WHEEL	1	Adfinity™ 17ST - 20ST - X20R
909 6884 000	KIT, SQUEEGEE BUMPER ROLLER	1	Adfinity™ 17ST - 20ST - X20R
909 6394 000	KIT, LATCH FOR SQUEEGEE	1	Adfinity™ 17ST - 20ST - X20R
909 6885 000	KIT, HARDWARE SQUEEGEE SUPPORT	1	Adfinity™ 17ST - 20ST - X20R
DISC SCRUB DECK			
909 6043 000	BRUSH DECK 450MM/17"	1	Adfinity™ 17ST
909 6042 000	BRUSH DECK 530MM/20"	1	Adfinity™ 20ST
909 6546 000	BRUSH MOTOR 480W 24V 135 RPM	1	Adfinity™ 17ST - 20ST
909 5380 000	KIT, CARBON BRUSH	1	Adfinity™ 17ST - 20ST
56325648	FITTING 1/4	1	Adfinity™ 17ST - 20ST
9097184000	SHOCK ABSORBER	1	Adfinity™ 17ST - 20ST
9097093000	KIT, HOLDERPOLIG. W/FLAGE	1	Adfinity™ 17ST - 20ST
909 6887 000	KIT, BUMPER ROLLER	1	Adfinity™ 17ST - 20ST
9098344000	KIT, HARDWARE BRUSH SYSTEM	1	Adfinity™ 17ST - 20ST
# 56390012	HOUSING BRUSH	1	Adfinity™ X20R
# 56390072	MOTOR 24VDC (M1)	1	Adfinity™ X20R
# 11055A	CARBON BRUSH SET	1	Adfinity™ X20R
# 41601T	CONNECTOR	1	Adfinity™ X20R
# 56390044	PAD DRIVER ASSY	1	Adfinity™ X20R
# 56380235	KIT, RUBBER MOUNTING	1	Adfinity™ X20R
# 56390063	KIT, DRIVER	1	Adfinity™ X20R
CONTROL PANEL SYSTEM			
9098302000	KIT, HARDWARE CONTROL PANEL	1	Adfinity™ 17ST - 20ST
9097006000	PCB FUNCTIONS 24V (EB1)	1	Adfinity™ 17ST - 20ST
9098637000	CONTROL PANEL DECAL	1	Adfinity™ 17ST - 20ST
145 8368 000	FUSE FUNCTION PCB 3A (F4)	1	Adfinity™ 17ST - 20ST
# 9098634000	DECAL CONTROL PANEL	1	Adfinity™ X20R
# L08812967	CLAMP, HOSE D.50	1	Adfinity™ X20R
# 146 2888 000	ON/OFF KEY SWITCH WATERPROOF (K1)	1	Adfinity™ X20R
# 9097007000	PCB FUNCTIONS 24V	1	Adfinity™ X20R
# 145 8368 000	FUSE 3A (F4 - F6)	1	Adfinity™ X20R
# 909 6678 000	FUSE 20A (F5)	1	Adfinity™ X20R
# 9098902000	ELECTRONIC CARD (EB1)	1	Adfinity™ X20R
ELECTRICAL COMPONENTS			
146 1986 000	CONNECTOR BATTERY	1	Adfinity™ 17ST - 20ST - X20R
145 3824 000	FUSE STRIP 40A (F1)	1	Adfinity™ 17ST - 20ST - X20R
145 8513 000	FUSE BLADE 30A UL (F2)	1	Adfinity™ 17ST - 20ST - X20R
9098297000	CHARGER BATTERY 24V 13A (CH)	1	Adfinity™ 17ST - 20ST - X20R
9096908000	CARD ELECTRONIC (EB2)	1	Adfinity™ X20R
146 1986 000	CONNECTOR BATTERY	1	Adfinity™ X20R
9097209000	ELECTROMAGNETIC SWITCH (ES1)	1	Adfinity™ X20R
909 6622 000	RELAY 24V 40A (ES2)	1	Adfinity™ X20R

OPTIONALS

2007-01

42

Adfinity™ 17ST / 20ST / X20R

2010-11

Ref. No.	DESCRIPTION	QTY	MACHINES
ACCESSORIES			
9097290000	REMOTE FILLIN HOSE	1	Adfinity™ 17ST - 20ST - X20R
909 5065 000	FILTER ANTIFOAMING	1	Adfinity™ 17ST - 20ST - X20R
9097599000	KIT, PROTECTION MOTOR	1	Adfinity™ 17ST - 20ST - X20R
9098343000	KIT, THIRD BLADE	1	Adfinity™ 17ST - 20ST - X20R
9096916000	FILTER	1	Adfinity™ 17ST - 20ST - X20R
9096951000	HOUR COUNTER (HN)	1	Adfinity™ 17ST - 20ST - X20R
909 6734 000	KIT, ELASTIC BAND	1	Adfinity™ 17ST - 20ST - X20R
9097167000	WHEEL FRONT D.200 65SH	2	Adfinity™ 17ST - 20ST - X20R
L08837020	BRUSHES - PROLENE	1	Adfinity™ 17ST - 20ST
L08837021	BRUSHES - PROLITE	1	Adfinity™ 17ST - 20ST
L08837022	BRUSHES - UNION MIX	1	Adfinity™ 17ST - 20ST
L08837023	BRUSHES - MIDLITE	1	Adfinity™ 17ST - 20ST
L08837024	BRUSHES - MID GRIT	1	Adfinity™ 17ST - 20ST
L08837017	KIT, PAD HOLDER	1	Adfinity™ 17ST - 20ST
56325504	BRUSHES - PROLENE	1	Adfinity™ 17ST - 20ST
L08837026	BRUSHES - PROLITE	1	Adfinity™ 17ST - 20ST
L08837027	BRUSHES - UNION MIX	1	Adfinity™ 17ST - 20ST
L08837028	BRUSHES - MIDLITE GRIT	1	Adfinity™ 17ST - 20ST
L08837029	BRUSHES - MID GRIT 240	1	Adfinity™ 17ST - 20ST
L08837065	BRUSHES - MAGNA GRIT 46	1	Adfinity™ 17ST - 20ST
L08837066	BRUSHES - DYNA GRIT 80	1	Adfinity™ 17ST - 20ST
L08837067	BRUSHES - AGLITE GRIT 500	1	Adfinity™ 17ST - 20ST
56325502	KIT, PAD HOLDER	1	Adfinity™ 17ST - 20ST
L08603878	KIT, SQUEEGEE CPL 30"	1	Adfinity™ 17ST - 20ST - X20R
909 6860 000	KIT, SQUEEGEE BLADES NEOPRENE	1	Adfinity™ 17ST - 20ST - X20R
909 6858 000	KIT, SQUEEGEE BLADES POLYURETAN	1	Adfinity™ 17ST - 20ST - X20R
909 6738 000	KIT, EXTRAPRESSURE	1	Adfinity™ 17ST - 20ST
# 9098619000	WHEELS CASTOR D.100 PU SS	1	Adfinity™ 17ST - 20ST - X20R



Advance

14600 21st Avenue North
Plymouth, MN 55447-3408
www.advance-us.com
Phone: 800-989-2235
Fax: 800-989-6566
©2011 Nilfisk-Advance, Inc.