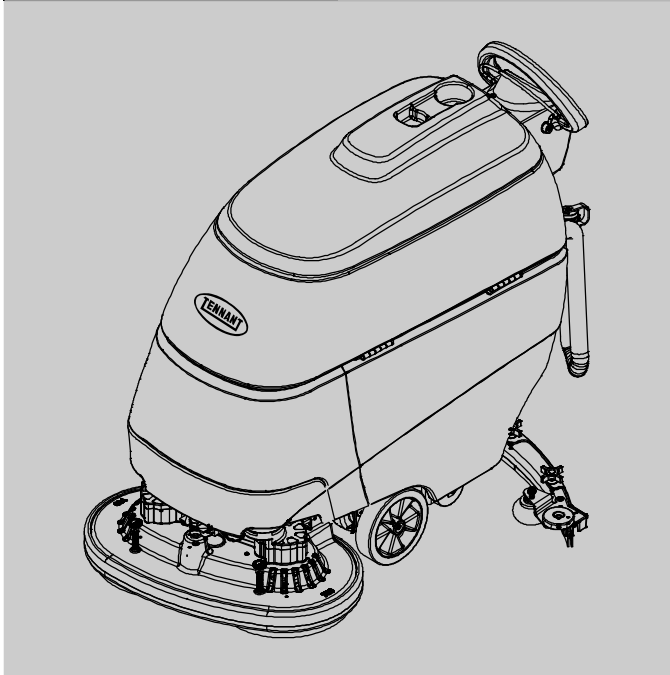
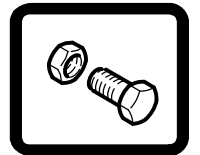




T5

Parts Manual



FaST
Foam Scrubbing Technology
The Safe Scrubbing Alternative[®]

ecH2O[™]
ELECTRICALLY CONVERTED WATER

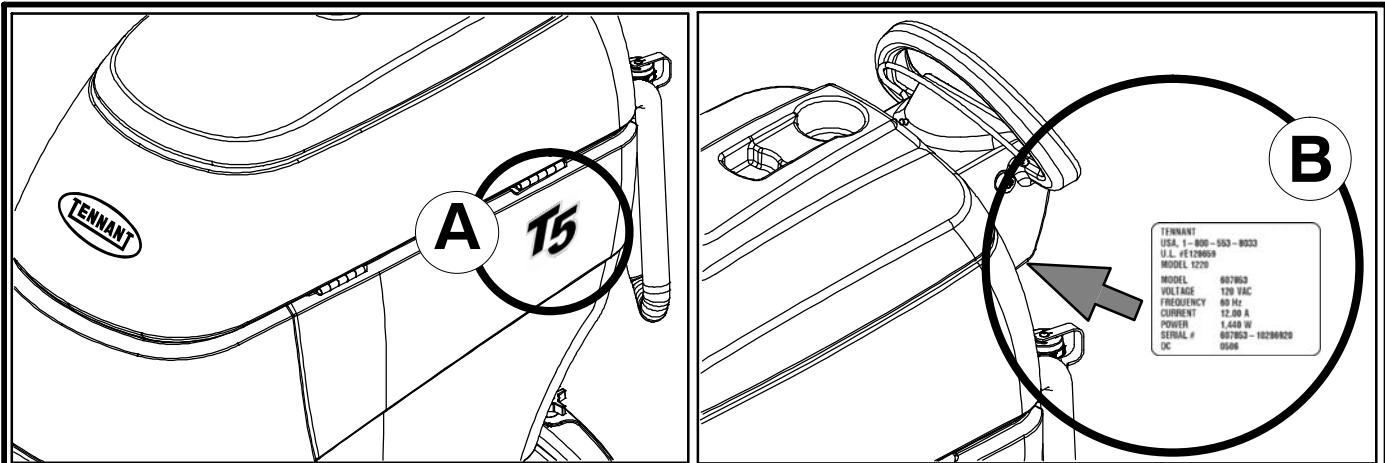
Hygenic[®] Fully Cleanable Tanks
QA Controls[™]

North America / International

www.tennantco.com

9002329
Rev. 08 (11-2010)





Ref	Part No.	Serial Number	Description	Qty.
1	82681	(000000-)	Bracket Wldt, Lpg Mount	1
▽ 2	63810	(000000-)	Latch Assy, Lpg Tank Mtg, W/Nut	4
▲ 3	51839	(000000-)	Nut Adjustable, Lpg Tank Mtg	2
4	49263	(000000-)	Tie, Cable	3
(D)	82556	(000000-001039)	Bracket, Vaporizer	1
	54930	(000000-)	Vaporizer, LPG	1

HOW TO ORDER PARTS – See diagram above

Only use TENNANT Company supplied or equivalent parts. Parts and supplies may be ordered online, by phone, by fax or by mail.

Follow the steps below to ensure prompt delivery.

1. (A) Identify the machine model.
2. (B) Identify the machine serial number from the data label.
3. (C) Ensure the proper serial number is used from the parts list.
4. Identify the part number and quantity.
Do not order by page or reference numbers.
5. Provide your name, company name, customer ID number, billing and shipping address, phone number and purchase order number.
6. Provide detail shipping instructions.

- (D) ▽ – identifies an assembly
▲ – identifies parts included in assembly

Please fill out at time of installation for future reference.

Model No. – _____

Serial No. – _____

Machine Options – _____

Sales Rep. – _____

Sales Rep. phone no. – _____

Customer ID Number – _____

Installation Date – _____

Tennant Company

PO Box 1452
 Minneapolis, MN 55440
 Phone: (800) 553-8033 or (763) 513-2850
 www.tennantco.com

Specifications and parts are subject to change without notice.

Copyright © 2006–2010 TENNANT Company, Printed in U.S.A.

RECOMMENDED MAINTENANCE ITEMS 4

STANDARD PARTS

REPLACEMENT BRUSHES 10

PAD DRIVER GROUP 12

PAD DRIVER GROUP (JAPAN MARKET) 14

RECOVERY TANK GROUP 16

VACUUM MOTOR GROUP 18

SOLUTION TANK GROUP 20

SIDE PANEL GROUP 22

CONTROL CONSOLE GROUP 24

COMPONENT PANEL GROUP 26

DRIVE GROUP 28

SCRUB HEAD GROUP, DISK 24 in / 600 mm ... 30

SCRUB HEAD GROUP, DISK 28 in / 700 mm ... 34

SCRUB HEAD GROUP, DISK 32 in / 800 mm ... 38

SCRUB HEAD GROUP, CYLINDRICAL
26 in / 650 mm 42

SCRUB HEAD GROUP, CYLINDRICAL
32 in / 800 mm 46

SCRUBHEAD LIFT GROUP 50

SOLUTION GROUP, FaST MODEL 52

9003908 FAST INJECTOR ASSEMBLY
BREAKDOWN (S/N 10347532-)
700 mm / 800 mm DISK & 800 mm
CYLINDRICAL MODELS 56

9003907 FAST INJECTOR ASSEMBLY
BREAKDOWN (S/N 10348538-)
600 mm DISK & 650 mm
CYLINDRICAL MODELS 57

9003812 FAST INJECTOR ASSEMBLY
BREAKDOWN (S/N 00000000-10347531)
700 mm / 800 mm DISK & 800 mm CYLINDRICAL
MODELS 58

9003810 FAST INJECTOR ASSEMBLY
BREAKDOWN (S/N 00000000-10348537)
600 mm DISK & 650 mm
CYLINDRICAL MODELS 59

SOLUTION GROUP, ec-H2O MODEL 60

ec-H2O MODULE ASSEMBLY BREAKDOWN,
9007970 (S/N 10448305-) 62

ec-H2O MODULE ASSEMBLY BREAKDOWN,
9006161 (S/N 10378380-10448304) 64

1042495 ec-H2O SOLUTION PUMP
BREAKDOWN 66

SOLUTION GROUP, STANDARD MODEL 67

SQUEEGEE LIFT GROUP 68

SQUEEGEE GROUP, 20 in / 500 mm 70

SQUEEGEE GROUP, 24 in / 600 mm 72

SQUEEGEE GROUP, 26 in / 650 mm & 28 in /
700 mm 74

SQUEEGEE GROUP, 32 in / 800 mm 76

BATTERY GROUP, MAINTENANCE FREE
200 Ah 78

BATTERY GROUP, LEAD-ACID 235 Ah 79

BATTERY GROUP, MAINTENANCE FREE
160 Ah (Japan) 80

BATTERY GROUP, LEAD ACID 180 Ah (Japan) 81

ELECTRICAL DIAGRAM, STANDARD &
FaST MODEL 82

ELECTRICAL DIAGRAM, ec-H2O MODEL 84

WIRE HARNESS GROUP, MAIN 86

WIRE HARNESS GROUP, ec-H2O OPTION
(S/N 10446231-) 88

WIRE HARNESS GROUP, FAST OPTION 92

WIRE HARNESS GROUP, BRAKE 93

OPTIONS

BUMPER WHEEL KIT 94

WAND PUMP KIT 96

DELUXE POWER WAND GROUP 98

POWER WAND HOSE GROUP 100

OFF-BOARD CHARGER GROUP 101

ON-BOARD CHARGER GROUP 102

DOCUMENTATION GROUP 104

OPTIONAL WHEEL KIT 105

RECOMMENDED MAINTENANCE ITEMS

GENERAL RECOMMENDED MAINTENANCE ITEMS

	Part No.	Serial Number	Description	Qty.
	1042937	(00000000-) Gasket, Snap-In, Dual-Durometer [T5]	1
▽	1043538	(00000000-) Hose Assy, Drain, 1.50id X 29.5l, Blk	1
▲▽	1008639	(00000000-) Cap, Drain Assy	1
▲▲	1019563	(00000000-) Strap, Cap, Drain	1
▲▲	1008637	(00000000-) Seal, Org, 1.48id 1.76od	1
	1013628	(00000000-) Gasket, Mtg, Float, .125th, Neo, Adh	1
	630052	(00000000-) Float, Shut-Off, (2)Ball, 1.75d	1
▽	9002562	(00000000-) Motor Kit, Vacuum [T5]	1
▲	190163	(00000000-) Brush, Carbon, Motor, Ele [1pick=1pkg]	1
▲	100038	(00000000-) Gasket, Vacuum Mtr 5.7 Epdm W/Psa	1
	86379	(00000000-) Fuse, 100a 125volt 0.88 X 3.2l	1
	1049048	(00000000-) Caster, Swivel, 4.0d 1.4w, 4hole [400lb]	2
	614166	(00000000-) Brush Kit, Carbon [Qty 4] (For Transaxle Motor 1031723)	1
	1031775	(00000000-) Brush, Brush-Motor, Afmkt (For Disk Scrub Head Motor 1023067)	1
	1035888	(10338658-) Belt, Drive, 6Grv, 508l X 14w, [6Pj]	2
	377500	(00000000-10338657) Belt,Synchronous, 500l,15mm [05p,Plychn]	2
	1022401	(00000000-) Gasket, Cover, Belt	2
	1049739	(10419662-) Brush Kit, Carbon, Motor, Replmt [4pcs]	2
	190152	(00000000-10419661) Brush, Carbon [Pk=4]	2
	1025272	(00000000-) Skirt, Tray, Debris, 65cm	1
	1025273	(00000000-) Skirt, Tray, Debris, 80cm	1
	1017015	(00000000-) Detergent, Pkg, 2 Liter, Sgl [365]	1
	1017022	(00000000-) Detergent, Pkg, 2 Liter, Sgl [665]	1
	1008675	(00000000-) Gasket, Edge, Foam, 24.00l [Fr]	1
	1024105	(00000000-) Cable, Lift, Sqge	1
	578074000	(00000000-) Blade, Sqge, 300.8mml, Wand (Optional Power Wand)	2
▽	9004459	(00000000-) Wheel Kit, Bumper, Retrofit [T5]	1
▲	614317	(00000000-) Wheel, 04.0d 1.00w 0.38b, Rbr, Gray	2
▲	1014918	(00000000-) Wheel, 03.0d 0.88w 0.31b, W/ Bshg, Rbr	2
▽	9004903	(00000000-) Wheel Kit, Pneumatic, Ci [T5 T5e Ss5]	1
▲	1059452	(00000000-) Tire Assy, Pneu, Grey, 2.8/2.5-04 2.75bc	2
▽	9004904	(00000000-) Wheel Kit, Foam Filled, Ci [T5 T5e Ss5]	1
▲	1059453	(00000000-) Tire Assy, Foam, Grey, 2.8/2.5-04 2.75bc	2

▽ ASSEMBLY

▲ INCLUDED IN ASSEMBLY

RECOMMENDED MAINTENANCE ITEMS

GENERAL RECOMMENDED MAINTENANCE ITEMS (JAPAN MARKET)

Part No.	Serial Number	Description	Qty.
21852	(00000000-) Bracket, Retainer, Spring	2
21853	(00000000-) Spring, Wir, 0.16d, Brush Retaining (12" Driver Assy)	1
1028905	(00000000-) Spring, Wir, 0.16d, Brush Retaining, (14" & 16" Driver Assy)	1
370095	(00000000-) Device, Centering, Clip-On, Teal, Gf Pp	1
989977	(00000000-) Pad, 12.00, Sapphire [5pc]	2
989813	(00000000-) Pad, Stripping, 12inch, Blk [5pc]	2
989973	(00000000-) Pad, 12.0, Brown [5pc] (Deep Scrubbing & Stripping)	2
989974	(00000000-) Pad, 12.0, Blu [5pc] (Blue) (Medium Scrubbing)	2
989975	(00000000-) Pad, 12.0, Red [5pc] (Light Scrubbing & Buffing)	2
989909	(00000000-) Jumbo Tan 12"	2
989980	(00000000-) Pad, 12.0, White [5pc] (Polishing)	2
630660	(00000000-) Pad, 14.0 [Sapphire, Case Of 5]	2
630653	(00000000-) Pad, 14.0, Brown [Case Of 5] (Deep Scrubbing & Stripping)	2
630654	(00000000-) Pad, 14.0, Blu [Case Of 5] (Blue) (Medium Scrubbing)	2
630655	(00000000-) Pad, 14.0, Red [Case Of 5] (Light Scrubbing & Buffing)	2
989806	(00000000-) Jumbo Tan 14"	2
989981	(00000000-) Pad, 14.0, White [5pc] (Polishing)	2
630642	(00000000-) Pad, Stripping, 16.0[Sapphire,Case Of 5]	2
989814	(00000000-) Pad, Stripping, 16inch, Blk	2
630643	(00000000-) Pad, 16.0, Brown [Case Of 5] (Deep Scrubbing & Stripping)	2
630644	(00000000-) Pad, 16.0, Blu [Case Of 5] (Blue) (Medium Scrubbing)	2
630645	(00000000-) Pad, 16.0, Red [Case Of 5] (Light Scrubbing & Buffing)	2
989807	(00000000-) Jumbo Tan 16"	2
989907	(00000000-) Pad, 16.0, White [5pc] (Polishing)	2

RECOMMENDED MAINTENANCE ITEMS

CYLINDRICAL 26 in / 650 mm MODEL RECOMMENDED MAINTENANCE ITEMS

Part No.	Serial Number	Description	Qty.
399251	(00000000-) Brush, Scb, Cyl, 26l, 18 Sr, Nyl (Soft Nylon)	2
399252	(00000000-) Brush, Scb, Cyl, 26.0l, Poly (Medium Polypropylene)	2
399253	(00000000-) Brush, Scb, Cyl, 26.0l, Hd Poly (Stiff Polypropylene)	2
399254	(00000000-) Brush, Scb, Cyl, 26.0l, Abr (Abrasive)	2
1060864	(00000000-) Brush, Scb, Cyl, 26l, 18sr, Abr, Spl (Abrasive - Light Duty)	2

CYLINDRICAL 32 in / 800 mm MODEL RECOMMENDED MAINTENANCE ITEMS

Part No.	Serial Number	Description	Qty.
222308	(00000000-) Brush, Scb, Cyl, 32l, 18 Sr, Nyl, Spl (Soft Nylon)	2
374042	(00000000-) Brush, Scb, Cyl, 32l, 18 Sr, Pyp ,Spl (Medium Polypropylene)	2
222307	(00000000-) Brush, Scb, Cyl, 32l, 18 Sr, Pyp Grout, Spl (Stiff Polypropylene)	2
222309	(00000000-) Brush, Scb, Cyl, 32l, 18 Sr, Abr, Spl (Abrasive)	2

DISK 24 in / 600 mm MODEL RECOMMENDED MAINTENANCE ITEMS

Part No.	Serial Number	Description	Qty.
1025094	(00000000-) Brush Assy, Disk, Scb, 11.90d, Nyl (Soft Nylon)	2
1025095	(00000000-) Brush Assy, Disk, Scb, 11.90d, Pyp (Medium Polypropylene)	2
1025096	(00000000-) Brush Assy, Disk, Scb, 11.9d, Sab (Abrasive)	2
21852	(00000000-) Bracket, Retainer, Spring	2
21853	(00000000-) Spring, Wir, 0.16d, Brush Retaining (12" Brush Assy)	1
370095	(00000000-) Device, Centering, Clip-On, Teal, Gf Pp	1
385940	(00000000-) Pad, Polish, 12.0d, White [1pad=1pc] (Polishing)	2
385941	(00000000-) Pad, Buff, 12.0d, Red [1pad=1pc] (Light Scrubbing & Buffing)	2
385942	(00000000-) Pad, Scb, 12.0d, Blu [1pick = 1 Pad] (Blue) (Medium Scrubbing)	2
385943	(00000000-) Pad, Stripping, 12.0d, Brown [1pad=1pc] (Deep Scrubbing & Stripping)	2
1051020	(00000000-) Pad, Surf Prep, 12.0d [Mar, 1pick=1pad] (Maroon) (Surface Preparation)	2

RECOMMENDED MAINTENANCE ITEMS

DISK 28 in / 700 mm MODEL RECOMMENDED MAINTENANCE ITEMS

Part No.	Serial Number	Description	Qty.
399246	(00000000-) Brush, Disk, Scr, 13.90d, Assy, Nyl (Soft Nylon)	2
399247	(00000000-) Brush, Disk, Scr, 13.90d, Assy, Pyp (Medium Polypropylene)	2
399245	(00000000-) Brush, Disk, Scr, 13.90d, Assy, Sab (Abrasive)	2
21852	(00000000-) Bracket, Retainer, Spring	2
1028905	(00000000-) Spring, Wir, 0.16d, Brush Retaining, (14" & 16" Brush Assy)	1
370095	(00000000-) Device, Centering, Clip-On, Teal, Gf Pp	1
222324	(00000000-) Pad, Polish, 14.0d, White [1pad=1pc] (Polishing)	2
222325	(00000000-) Pad, Buff, 14.0d, Red (Light Scrubbing & Buffing)	2
222326	(00000000-) Pad, Scb, 14.0d, Blu [1pad=1pc] (Blue) (Medium Scrubbing)	2
222327	(00000000-) Pad, Stripping, 14.0d, Brown [1pad=1pc] (Deep Scrubbing & Stripping)	2
1051026	(00000000-) Pad, Surf Prep, 14.0d [Mar, 1pick=1pad] (Maroon) (Surface Preparation)	2

DISK 32 in / 800 mm MODEL RECOMMENDED MAINTENANCE ITEMS

Part No.	Serial Number	Description	Qty.
399243	(00000000-) Brush, Disk, Scr, 15.9d, Assy, Nyl (Soft Nylon)	2
399244	(00000000-) Brush, Disk, Scr, 15.9d, Assy, Pyp (Medium Polypropylene)	2
399242	(00000000-) Brush, Disk, Scr, 15.9d, Assy, Sab (Abrasive)	2
21852	(00000000-) Bracket, Retainer, Spring	2
1028905	(00000000-) Spring, Wir, 0.16d, Brush Retaining, (14" & 16" Brush Assy)	1
370095	(00000000-) Device, Centering, Clip-On, Teal, Gf Pp	1
63248-4	(00000000-) Pad, Polish, 16.0d, White [1pad=1pc] (Polishing)	2
63248-3	(00000000-) Pad, Buff, 16.0d, Red (Light Scrubbing & Buffing)	2
63248-2	(00000000-) Pad, Scb, 16.0d, Blu [1pad=1pc] (Blue) (Medium Scrubbing)	2
63248-1	(00000000-) Pad, Stripping, 16.0d, Brown [1pad=1pc] (Deep Scrubbing & Stripping)	2
1051027	(00000000-) Pad, Surf Prep, 16.0d [Mar, 1pick=1pad] (Maroon) (Surface Preparation)	2

RECOMMENDED MAINTENANCE ITEMS

SQUEEGEE GROUP, 20 in / 500 mm, RECOMMENDED MAINTENANCE ITEMS

	Part No.	Serial Number	Description	Qty.
▽	9001178	(00000000-) Squeegee Assy Kit, 500mm, Ci	1
▲	1010560	(00000000-) Wheel, Bmpr, 80d X 25w, Non-Marking	2
▲	1006343	(00000000-) Caster, Swivel, 50mmd, M10 X 30 Stem, PI	2
▲	1010558	(00000000-) Knob, Star, 2.00d 4ear 0.7l M8x1.25 Thru	4
▲	1011232	(00000000-) Blade, Sqge, Front, 500mml (Linatex Red Standard)	1
	1014091	(00000000-) Blade, Sqge, Front, 500mm, Gum (Gum Rubber Tan Optional)	1
	1014092	(00000000-) Blade, Sqge, Front, 500mml, Oil-Rstn (Polyurethane Natural Optional)	1
▲	1011456	(00000000-) Blade, Sqge, Rear, 500mm Linatex (Linatex Red Standard)	1
	1014093	(00000000-) Blade, Sqge, Rear, 500mm Gum (Gum Rubber Tan Optional)	1
	1014094	(00000000-) Blade, Sqge, Rear, 500mm Oil-Rstn (Polyurethane Natural Optional)	1
▲	1013933	(00000000-) Strap Assy, Sqge, 500mm	1
	1014026	(00000000-) Hose, Vacuum, 1.5d X 57l, 2-Short Cuffs	1

SQUEEGEE GROUP, 24 in / 600 mm, RECOMMENDED MAINTENANCE ITEMS

	Part No.	Serial Number	Description	Qty.
▽	9002679	(00000000-) Kit, Squeegee, 600mm Ci	1
▲	1010560	(00000000-) Wheel, Bmpr, 80d X 25w, Non-Marking	2
▲	1006343	(00000000-) Caster, Swivel, 50mm D, M10 X 30 Stem, Zn	2
▲	1015911	(00000000-) Knob, Star, 2.75d 4ear 1.1l M8x1.25 Thru	4
▲	1021804	(00000000-) Blade, Sqge, Front, 88cml [Lnx, 60cm] (Linatex Red Standard)	1
	1025333	(00000000-) Blade, Sqge, Front, 88cml, Gum [60cm] (Gum Rubber Tan Optional)	1
	1025334	(00000000-) Blade, Sqge, Front, 88cml, Ure [60cm] (Polyurethane Natural Optional)	1
▲	630477	(00000000-) Wheel, Pyu, 2.0d 0.38w, Gray	1
▲	1021333	(00000000-) Blade, Sqge, Rear, 88cm, Linatex [60cm] (Linatex Red Standard)	1
	1025335	(00000000-) Blade, Sqge, Rear, 88cml, Gum [60cm] (Gum Rubber Tan Optional)	1
	1025336	(00000000-) Blade, Sqge, Rear, 88cm, Ure [60cm] (Polyurethane Natural Optional)	1
	1014026	(00000000-) Hose, Vacuum, 1.5d X 57l, 2-Short Cuffs	1

▽ ASSEMBLY

▲ INCLUDED IN ASSEMBLY

RECOMMENDED MAINTENANCE ITEMS

SQUEEGEE GROUP, 26 in / 650 mm & 28 in / 700 mm RECOMMENDED MAINTENANCE ITEMS

	Part No.	Serial Number	Description	Qty.
▽	9002680	(00000000-) Kit, Squeegee, 700mm Ci	1
▲	1010560	(00000000-) Wheel, Bmpr, 80d X 25w, Non-Marking	2
▲	1006343	(00000000-) Caster, Swivel, 50mm D, M10 X 30 Stem,Zn	2
▲	1015911	(00000000-) Knob, Star, 2.75d 4ear 1.1l M8x1.25 Thru	4
▲	1023327	(00000000-) Blade, Sqge, Front, 98cml [Lnx, 70cm] (Linatex Red Standard)	1
▲	1025337	(00000000-) Blade, Sqge, Front, 98cml, Gum [70cm] (Gum Rubber Tan Optional)	1
▲	1025339	(00000000-) Blade, Sqge, Front, 98cml, Ure [70cm] (Polyurethane Natural Optional)	1
▲	630477	(00000000-) Wheel, Pyu, 2.0d 0.38w, Gray	1
▲	1023329	(00000000-) Blade, Sqge, Rear, 98cm,Linatex[70cm] (Linatex Red Standard)	1
	1025340	(00000000-) Blade, Sqge, Rear, 98cml, Gum [70cm] (Gum Rubber Tan Optional)	1
	1025341	(00000000-) Blade, Sqge, Rear, 98cm, Ure [70cm] (Polyurethane Natural Optional)	1
	1014026	(00000000-) Hose, Vacuum, 1.5d X 57l, 2-Short Cuffs	1

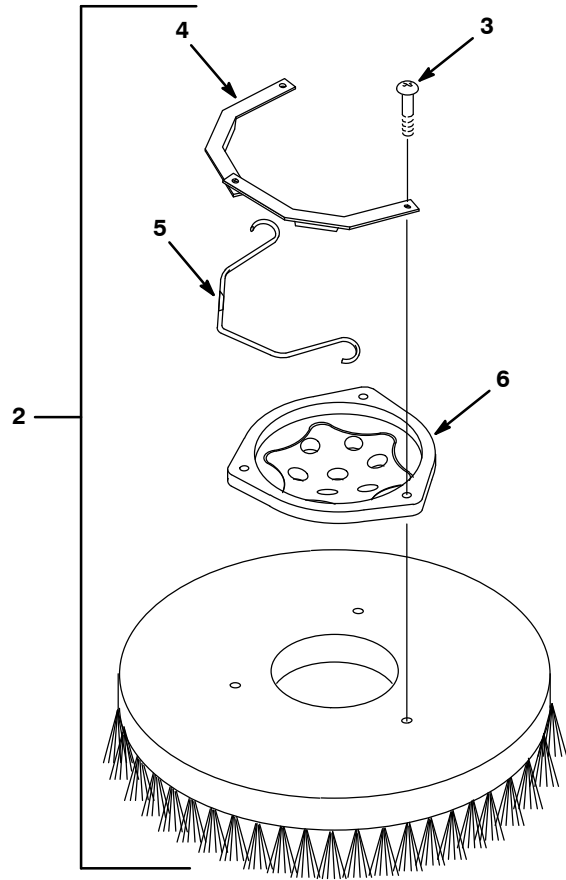
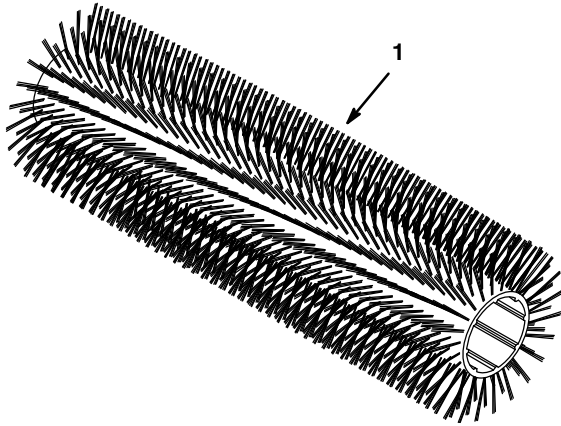
SQUEEGEE GROUP, 32 in / 800 mm, RECOMMENDED MAINTENANCE ITEMS

	Part No.	Serial Number	Description	Qty.
▽	9002681	(00000000-) Kit, Squeegee, 800mm Ci	1
▲	1010560	(00000000-) Wheel, Bmpr, 80d X 25w, Non-Marking	2
▲	1006343	(00000000-) Caster, Swivel, 50mm D, M10 X 30 Stem,Zn	2
▲	1015911	(00000000-) Knob, Star, 2.75d 4ear 1.1l M8x1.25 Thru	4
▲	1023398	(00000000-) Blade, Sqge, Front, 105cm [Linx 80cm] (Linatex Red Standard)	1
	1025342	(00000000-) Blade, Sqge, Front, 105cml, Gum[80cm] (Gum Rubber Tan Optional)	1
	1025343	(00000000-) Blade, Sqge, Front, 105cm, Ure [80cm] (Polyurethane Natural Optional)	1
▲	630477	(00000000-) Wheel, Pyu, 2.0d 0.38w, Gray	1
▲	1023399	(00000000-) Blade, Sqge, Rear, 105cml[Linx, 80cm] (Linatex Red Standard)	1
	1025344	(00000000-) Blade, Sqge, Rear, 105cml, Gum [80cm] (Gum Rubber Tan Optional)	1
	1025346	(00000000-) Blade, Sqge, Rear, 105cml, Ure [80cm] (Polyurethane Natural Optional)	1
	1014026	(00000000-) Hose, Vacuum, 1.5d X 57l, 2-Short Cuffs	1

▽ ASSEMBLY

▲ INCLUDED IN ASSEMBLY

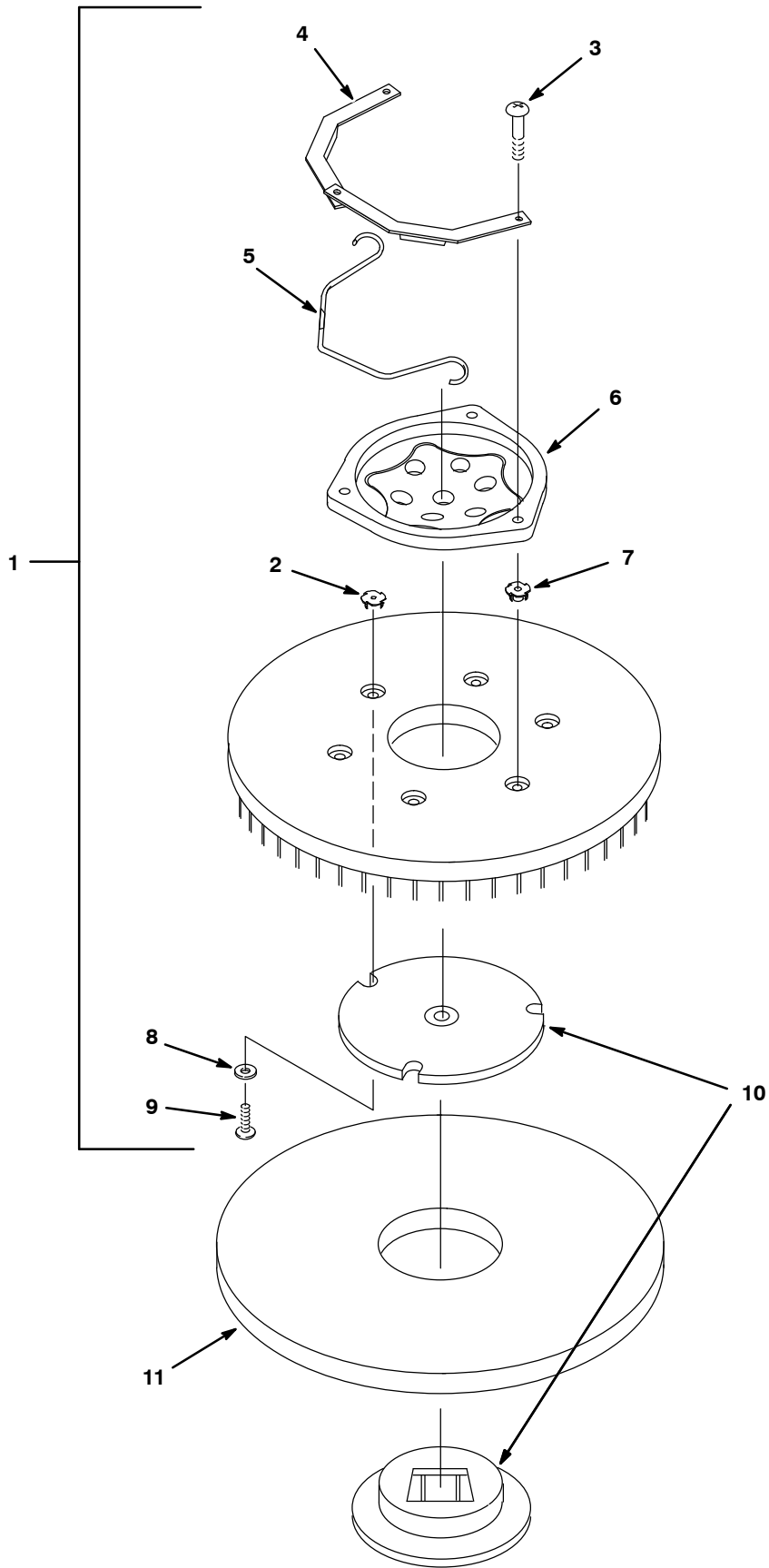
REPLACEMENT BRUSHES



REPLACEMENT BRUSHES

Ref.	Part No.	Serial Number	Description	Qty.
1	399251	(00000000-) Brush, Scb, 26l, 18 Sr, Nyl (Soft Nylon)	2
1	399252	(00000000-) Brush, Scb, Cyl, 26.0l, Poly (Medium Polypropylene)	2
1	399253	(00000000-) Brush, Scb, Cyl, 26.0l, Hd Poly (Stiff Polypropylene)	2
1	399254	(00000000-) Brush, Scb, Cyl, 26.0l, Abr (Abrasive)	2
1	1060864	(00000000-) Brush, Scb, 26l, 18sr, Abr, Spl (Abrasive-Light Duty)	2
1	222308	(00000000-) Brush, Scb, 32l, 18 Sr, Nyl, Spl (Soft Nylon)	2
1	374042	(00000000-) Brush, Scb, 32l, 18 Sr, Pyp, Spl (Medium Polypropylene)	2
1	222307	(00000000-) Brush, Scb, 32l, 18 Sr, Pyp Grout, Spl (Stiff Polypropylene)	2
1	222309	(00000000-) Brush, Scb, 32l, 18 Sr, Abr, Spl (Abrasive)	2
1	1062078	(00000000-) Brush, Scb, 32l, 18sr, Abr, Spl (Abrasive-Light Duty)	2
2	1025094	(00000000-) Brush Assy, Disk, Scb, 11.90d, Nyl (Soft Nylon)	2
2	1025095	(00000000-) Brush Assy, Disk, Scb, 11.90d, Pyp (Medium Polypropylene)	2
2	1025096	(00000000-) Brush Assy, Disk, Scb, 11.9d, Sab (Abrasive)	2
2	399246	(00000000-) Brush, Disk, Scr, 13.90d, Assy, Nyl (Soft Nylon)	2
2	399247	(00000000-) Brush, Disk, Scr, 13.90d, Assy, Pyp (Medium Polypropylene)	2
2	399245	(00000000-) Brush, Disk, Scr, 13.90d, Assy, Sab (Abrasive)	2
2	399243	(00000000-) Brush, Disk, Scr, 15.9d, Assy, Nyl (Soft Nylon)	2
2	399244	(00000000-) Brush, Disk, Scr, 15.9d, Assy, Pyp (Medium Polypropylene)	2
2	399242	(00000000-) Brush, Disk, Scr, 15.9d, Assy, Sab (Abrasive)	2
3	32747	(00000000-) Screw, Pan, M6 X 1.0 X 40, Ss	3
4	21852	(00000000-) Bracket, Retainer, Spring	2
5	21853	(00000000-) Spring, Wir, 0.16d, Brush Retaining (12" Brush Assy)	1
5	1028905	(00000000-) Spring, Wir, 0.16d, Brush Retaining, (14" & 16" Brush Assy)	1
6	1017112	(00000000-) Hub, Drive, Brush, Disk, 3hole 5.8bc	1

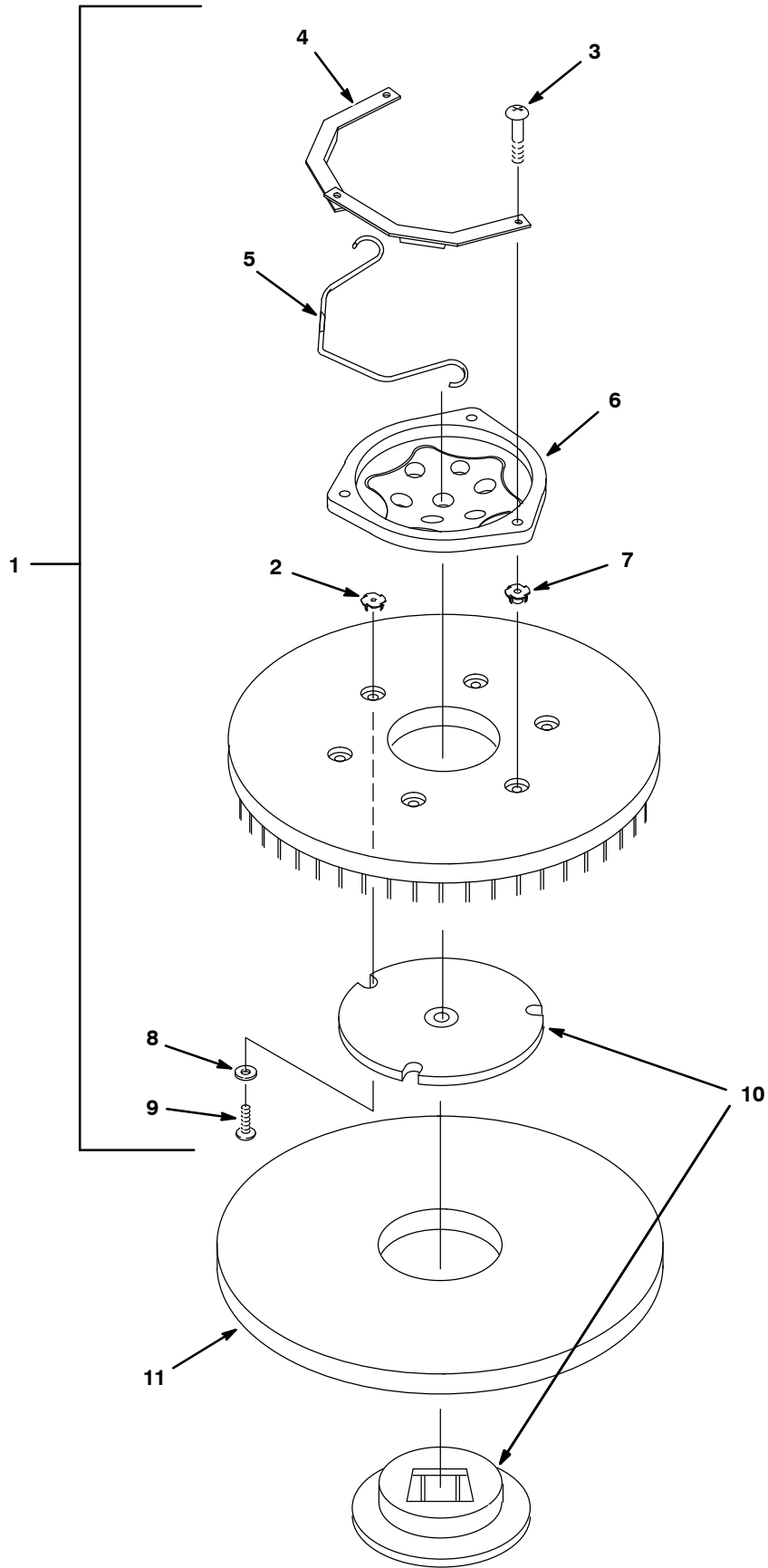
PAD DRIVER GROUP



PAD DRIVER GROUP

Ref.	Part No.	Serial Number	Description	Qty.
1	385944	(00000000-) Driver Assy, Pad, 12 D, Brush	2
1	399249	(00000000-) Driver Assy, Pad, 14 D, Brush	2
1	399250	(00000000-) Driver Assy, Pad, 16 D, Brush	2
2	10908	(00000000-) Nut, T, M4 X 0.7	3
3	32747	(00000000-) Screw, Pan, M6 X 1.0 X 40, Ss	3
4	21852	(00000000-) Bracket, Retainer, Spring	2
5	21853	(00000000-) Spring, Wir, 0.16d, Brush Retaining (12" Driver Assy)	1
5	1028905	(00000000-) Spring, Wir, 0.16d, Brush Retaining, (14" & 16" Driver Assy)	1
6	1017112	(00000000-) Hub, Drive, Brush, Disk, 3hole 5.8bc	1
7	05709	(00000000-) Nut, T, M6 X 1.00	3
8	41579	(00000000-) Washer, Flat, #8, Ss	3
9	04403	(00000000-) Screw, Pan, M4 X 0.7 X 25, Ss, NI	3
10	370095	(00000000-) Device, Centering, Clip-On, Teal, Gf Pp	1
11	385940	(00000000-) Pad, Polish, 12.0d, White [1pad=1pc] (Polishing)	2
11	385941	(00000000-) Pad, Buff, 12.0d, Red [1pad=1pc] (Light Scrubbing & Buffing)	2
11	385942	(00000000-) Pad, Scb, 12.0d, Blu [1pick = 1 Pad] (Blue) (Medium Scrubbing)	2
11	385943	(00000000-) Pad, Stripping, 12.0d, Brown [1pad=1pc] (Deep Scrubbing & Stripping)	2
11	1051020	(00000000-) Pad, Surf Prep, 12.0d [Mar, 1pick=1pad] (Maroon) (Surface Preparation)	2
11	222324	(00000000-) Pad, Polish, 14.0d, White [1pad=1pc] (Polishing)	2
11	222325	(00000000-) Pad, Buff, 14.0d, Red (Light Scrubbing & Buffing)	2
11	222326	(00000000-) Pad, Scb, 14.0d, Blu [1pad=1pc] (Blue) (Medium Scrubbing)	2
11	222327	(00000000-) Pad, Stripping, 14.0d, Brown [1pad=1pc] (Deep Scrubbing & Stripping)	2
11	1051026	(00000000-) Pad, Surf Prep, 14.0d [Mar, 1pick=1pad] (Maroon) (Surface Preparation)	2
11	63248-4	(00000000-) Pad, Polish, 16.0d, White [1pad=1pc] (Polishing)	2
11	63248-3	(00000000-) Pad, Buff, 16.0d, Red (Light Scrubbing & Buffing)	2
11	63248-2	(00000000-) Pad, Scb, 16.0d, Blu [1pad=1pc] (Blue) (Medium Scrubbing)	2
11	63248-1	(00000000-) Pad, Stripping, 16.0d, Brown [1pad=1pc] (Deep Scrubbing & Stripping)	2
11	1051027	(00000000-) Pad, Surf Prep, 16.0d [Mar, 1pick=1pad] (Maroon) (Surface Preparation)	2

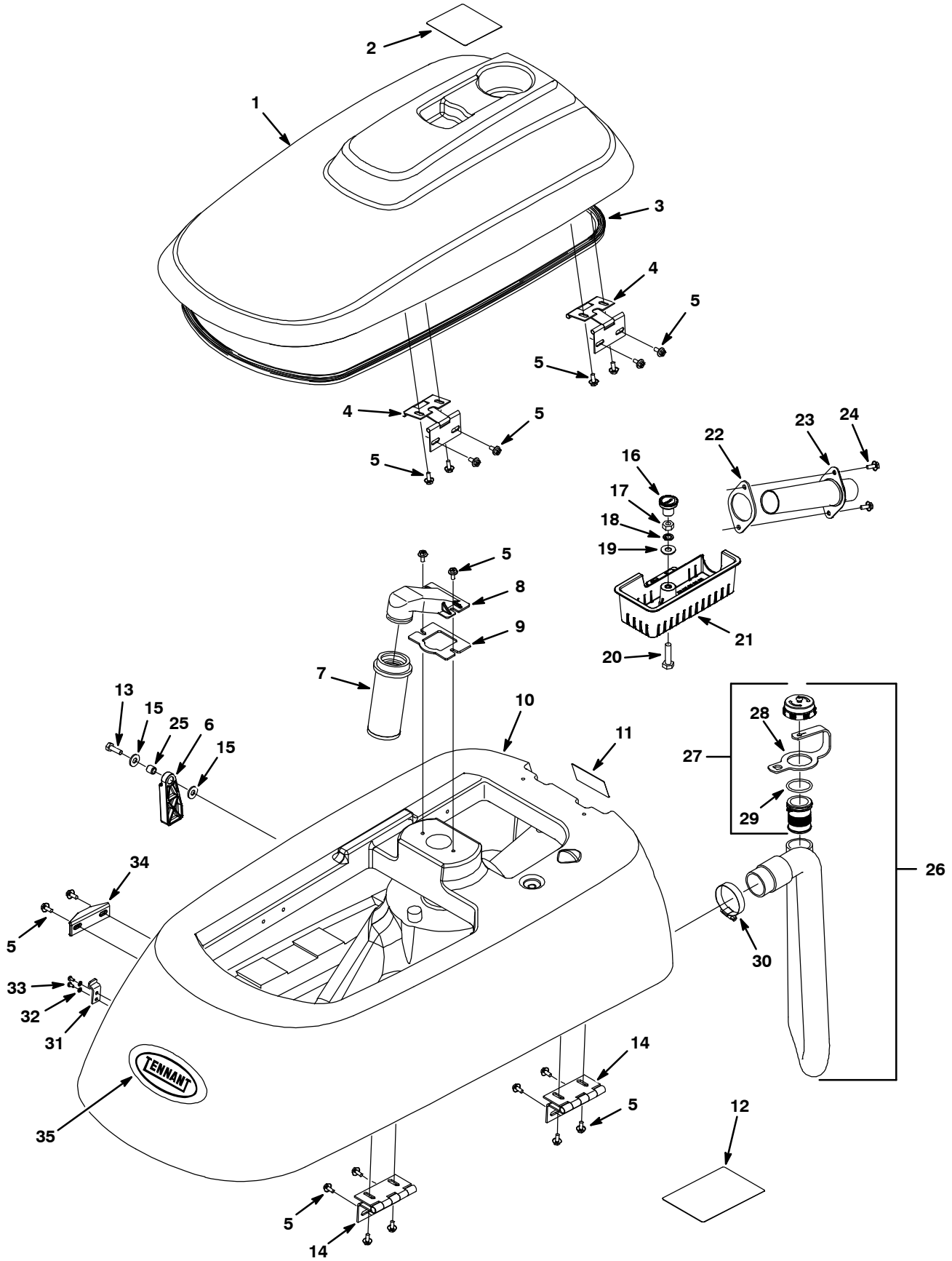
PAD DRIVER GROUP (JAPAN MARKET)



PAD DRIVER GROUP (JAPAN MARKET)

Ref.	Part No.	Serial Number	Description	Qty.
1	385944	(00000000-) Driver Assy, Pad, 12 D, Brush	2
1	399249	(00000000-) Driver Assy, Pad, 14 D, Brush	2
1	399250	(00000000-) Driver Assy, Pad, 16 D, Brush	2
2	10908	(00000000-) Nut, T, M4 X 0.7	3
3	32747	(00000000-) Screw, Pan, M6 X 1.0 X 40, Ss	3
4	21852	(00000000-) Bracket, Retainer, Spring	2
5	21853	(00000000-) Spring, Wir, 0.16d, Brush Retaining (12" Driver Assy)	1
5	1028905	(00000000-) Spring, Wir, 0.16d, Brush Retaining, (14" & 16" Driver Assy)	1
6	1017112	(00000000-) Hub, Drive, Brush, Disk, 3hole 5.8bc	1
7	05709	(00000000-) Nut, T, M6 X 1.00	3
8	41579	(00000000-) Washer, Flat, #8, Ss	3
9	04403	(00000000-) Screw, Pan, M4 X 0.7 X 25, Ss, NI	3
10	370095	(00000000-) Device, Centering, Clip-On, Teal, Gf Pp	1
11	989977	(00000000-) Pad, 12.00, Sapphire [5pc]	2
11	989813	(00000000-) Pad, Stripping, 12inch, Blk [5pc]	2
11	989973	(00000000-) Pad, 12.0, Brown [5pc] (Deep Scrubbing & Stripping)	2
11	989974	(00000000-) Pad, 12.0, Blu [5pc] (Blue) (Medium Scrubbing)	2
11	989975	(00000000-) Pad, 12.0, Red [5pc] (Light Scrubbing & Buffing)	2
11	989909	(00000000-) Jumbo Tan 12"	2
11	989980	(00000000-) Pad, 12.0, White [5pc] (Polishing)	2
11	630660	(00000000-) Pad, 14.0 [Sapphire, Case Of 5]	2
11	630653	(00000000-) Pad, 14.0, Brown [Case Of 5] (Deep Scrubbing & Stripping)	2
11	630654	(00000000-) Pad, 14.0, Blu [Case Of 5] (Blue) (Medium Scrubbing)	2
11	630655	(00000000-) Pad, 14.0, Red [Case Of 5] (Light Scrubbing & Buffing)	2
11	989806	(00000000-) Jumbo Tan 14"	2
11	989981	(00000000-) Pad, 14.0, White [5pc] (Polishing)	2
11	630642	(00000000-) Pad, Stripping, 16.0[Sapphire,Case Of 5]	2
11	989814	(00000000-) Pad, Stripping, 16inch, Blk	2
11	630643	(00000000-) Pad, 16.0, Brown [Case Of 5] (Deep Scrubbing & Stripping)	2
11	630644	(00000000-) Pad, 16.0, Blu [Case Of 5] (Blue) (Medium Scrubbing)	2
11	630645	(00000000-) Pad, 16.0, Red [Case Of 5] (Light Scrubbing & Buffing)	2
11	989807	(00000000-) Jumbo Tan 16"	2
11	989907	(00000000-) Pad, 16.0, White [5pc] (Polishing)	2

RECOVERY TANK GROUP



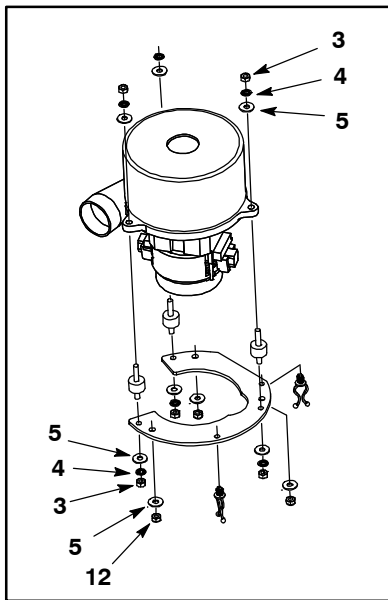
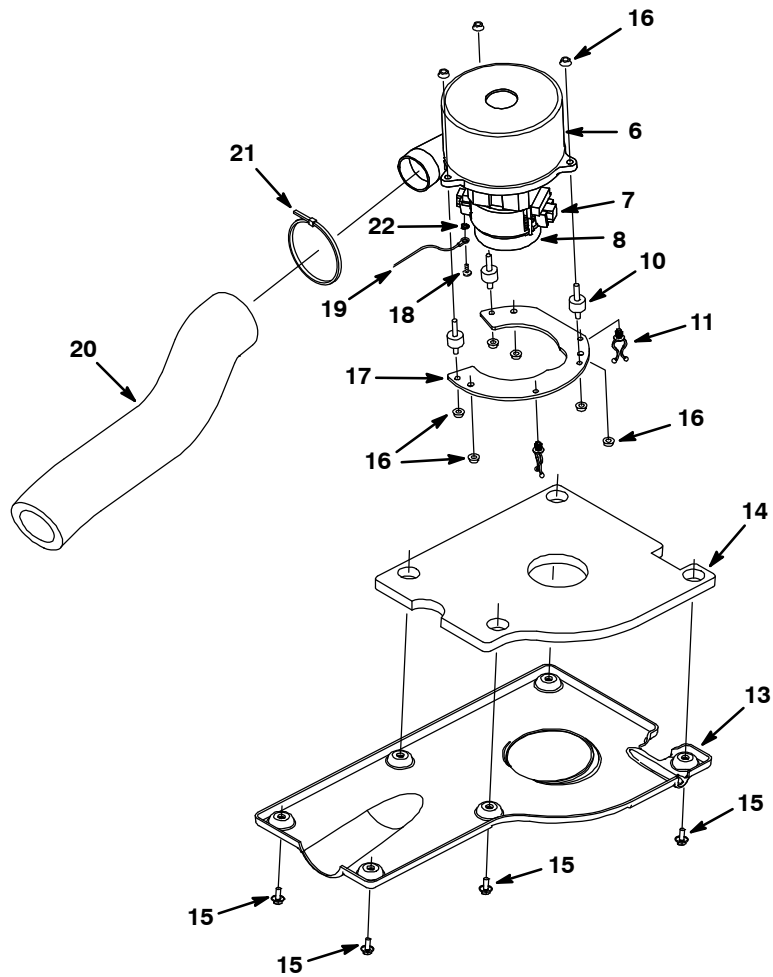
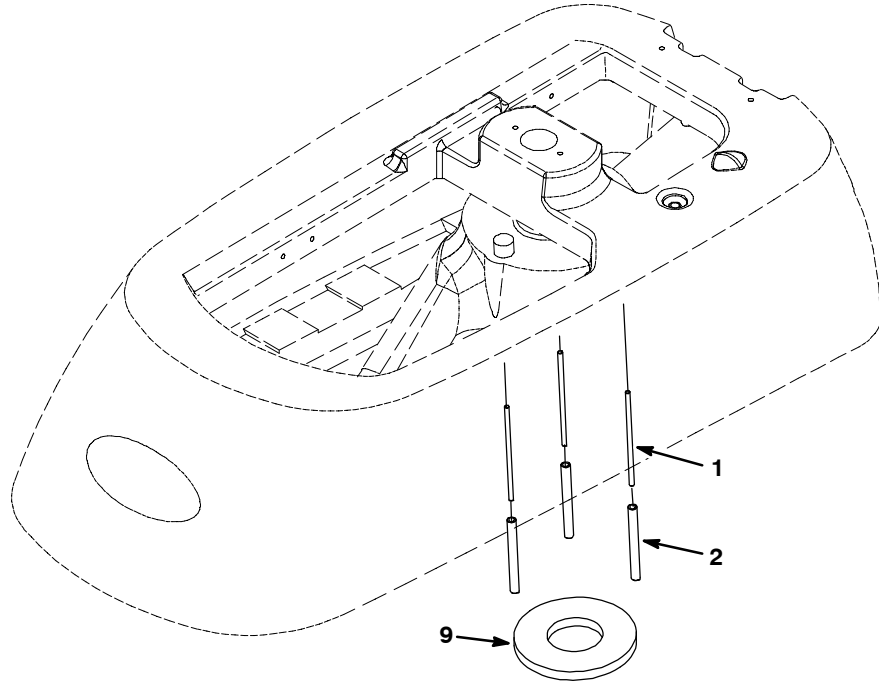
RECOVERY TANK GROUP

Ref.	Part No.	Serial Number	Description	Qty.
▽	1	9002563	(00000000-) Kit, Cover, Recovery Tank (Na)	1
▲	2	1026387	(00000000-) Label, Warn,4x4dc Scrb/Extr/Brn En/Fr/Es	1
▲	3	1042937	(00000000-) Gasket, Snap-In, Dual-Durometer [T5]	1
▽	1	9003133	(00000000-) Cover Assy, Tank, Recvy [Japan]	1
▲	2	1016753	(00000000-) Label, Warning, 4 X 3, Tj [Dcwb]	1
▲	3	1042937	(00000000-) Gasket, Snap-In, Dual-Durometer [T5]	1
	4	1021246	(00000000-) Hinge, 6.0 Pin, 2.5 Thk,73.5 W, 3 Leaf	2
	5	1034731	(00000000-) Screw, Hex, M6 X 1.00 X 16, Sems, Ss	20
	6	1022399	(00000000-) Support, Tank, Prop, Blk, Ny	1
	7	630052	(00000000-) Float, Shut-Off, (2)Ball, 1.75d	1
	8	1011777	(00000000-) Mount, Float, Molded	1
	9	1013628	(00000000-) Gasket, Mtg, Float	1
▽	10	9002564	(00000000-) Kit, Tank, Recovery (Teal)	1
▽	10	9002714	(00000000-) Kit, Tank, Recovery Hg (Gray)	1
▲	11	391451	(00000000-) Label, Attention Fast Users (Fast Model)	1
▲	11	1050003	(10378380-) Label, User, Attention, Ec-H2o (ec-H2O Model)	1
▲	12	1024800	(00000000-) Label, Instr, Battery	1
	13	12333	(00000000-) Screw, Hex, M8 X 1.25 X 25, Ss, NI	1
	14	1022380	(00000000-) Hinge, 7mmpin 3mmthk 73.5mmw 100mml	2
	15	01685	(00000000-) Washer, Flat, 0.31 Ss	2
	16	1024179	(00000000-) Knob, Knurled, M10 Thread	1
	17	07787	(00000000-) Nut, Hex, Std, M10 X 1.5, Ss	1
	18	140333	(00000000-) Washer M10 Spltlck Ss	1
	19	01686	(00000000-) Washer, Flat, 0.44b 1.00 .08, Ss	1
	20	05720	(00000000-) Screw, Hex, M10 X 1.5 X 40, Ss, FI	1
	21	1025349	(00000000-) Tray, Debris	1
	22	1024602	(00000000-) Gasket, Adaptor, Hose	1
	23	1021214	(00000000-) Tube, Hose, Adapter, 1.5d	1
	24	1034731	(00000000-) Screw, Hex, M6 X 1.00 X 16, Sems, Ss	2
	25	222460	(00000000-) Sleeve, P/M, 0.496d 0.318b 0.50l 430ss	1
▽	26	1043538	(00000000-) Hose Assy, Drain, 1.50id X 29.5l, Blk	1
▲▽	27	1008639	(00000000-) Cap, Drain Assy	1
▲▲	28	1019563	(00000000-) Strap, Drain Cap	1
▲▲	29	1008637	(00000000-) O Ring, 1.48" Id, 1.76" Od	1
	30	11531	(00000000-) Clamp, Hose, Wormdrive, 1.06-2.00d, .56w	1
	31	49800	(00000000-) Latch	1
	32	02938	(00000000-) Washer, Lock, Int, 08 Ss	2
	33	391403	(00000000-) Screw, Pan, M4 X 0.7 X 8, Ss	2
	34	1023362	(00000000-) Guide, Tank	1
	35	1047746	(00000000-) Label, Logo, 06.9l, White, [Tennant] (Teal)	1
	35	1047747	(00000000-) Label, Logo, 06.9l, White, Hg, [Tennant] (Gray)	1

▽ ASSEMBLY

▲ INCLUDED IN ASSEMBLY

VACUUM MOTOR GROUP



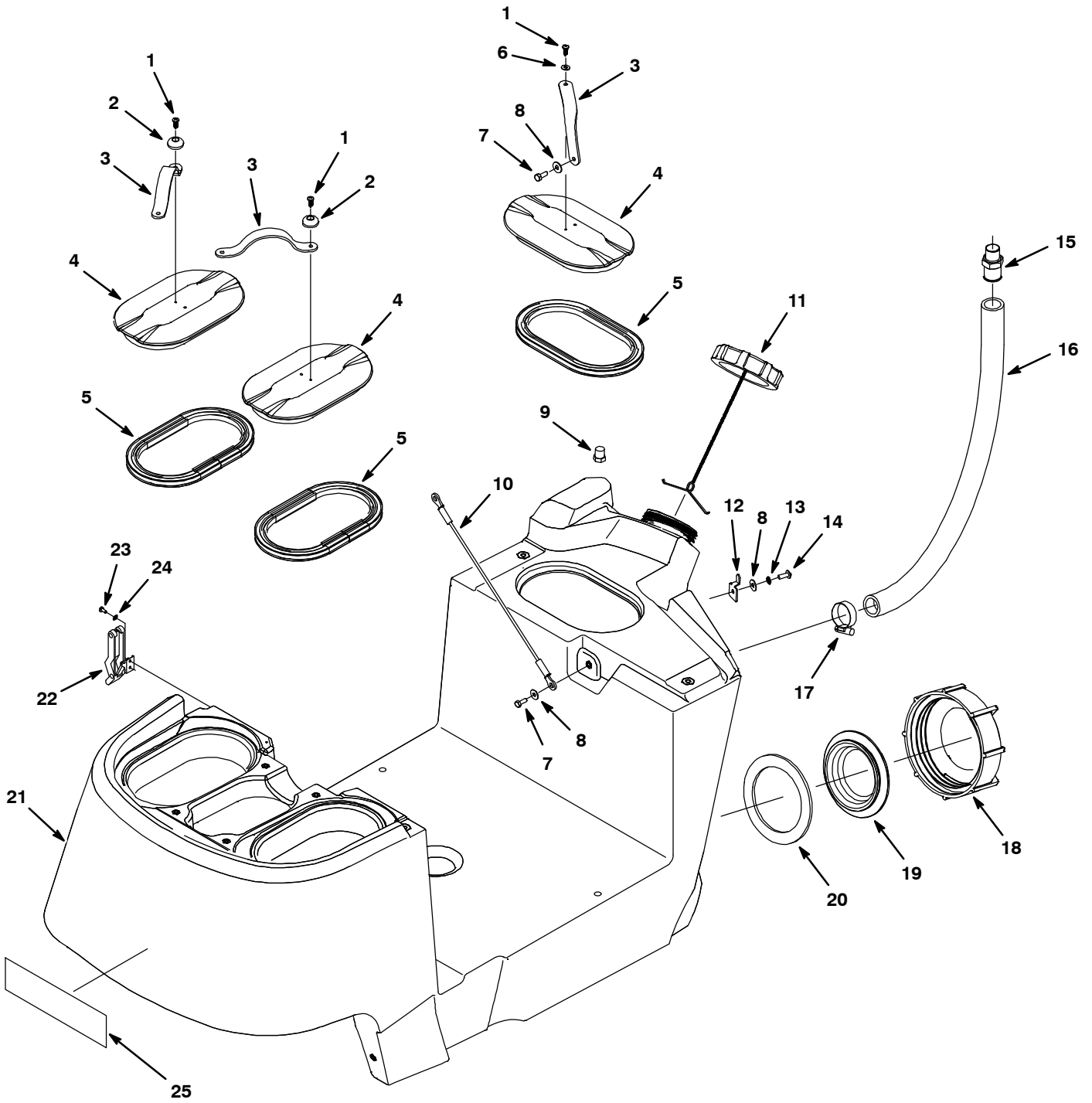
VACUUM MOTOR GROUP

Ref.	Part No.	Serial Number	Description	Qty.	
1	1015412	(00000000-) Rod, Thrd, Full, M06 X 1.0 05.5l	3	
2	1022406	(00000000-) Tube, 0.43d 0.28b 04.2l, Stl, Pl	3	
3	07785	(00000000-10358064) Nut, Hex, Std, M6 X 1.0, A2, Ss	6	
4	07515	(00000000-10358064) Washer, Lock, Int, 0.25 Ss	6	
5	01684	(00000000-10358064) Washer, Flat, 0.25 Ss	9	
▽	6	9002562	(00000000-) Kit, Motor, Vac	1
▲	7	190163	(00000000-) Brush Crbn, Motor, Ele, (1pc=1pack=2brsh)	1
▲	8	130487	(00000000-) Housing, Motor, Fan, Vent	1
▲	9	100038	(00000000-) Gasket, Vacuum Mtr 5.7 Epdm W/Psa	1
10	1011093	(00000000-) Isolator, Vib, .75d, M6 Stud Both Ends	3	
11	30406	(00000000-) Clip, Keeper	3	
12	08712	(00000000-10358064) Nut, Hex, Lock, M6 X 1.0, Ss, NI	3	
▽	13	9002565	(00000000-) Kit, Cover, Vac W/Foam	1
▲	14	1024112	(00000000-) Pad, Foam, Insulator	1
15	1034731	(00000000-) Screw, Hex, M6 X 1.00 X 16, Sems, Ss	6	
16	1040381	(10358065-) Nut, Hex, Flng, M6 X 1.0, Ss [Serrated]	9	
17	1022375	(00000000-) Bracket, Mtg, Vacuum	1	
18	140897	(00000000-) Screw, Hex, #10-32 X 0.25, SI [Ground]	1	
19	1031368	(00000000-) Wire, 12ga [Esd, Tubular Braid]	1	
20	390677	(00000000-) Muffler, Exhaust, Vacuum Fan, Long	1	
21	130773	(00000000-) Tie, Cable, Nyl, 11.0l, .14w, 3.0 Max. D	1	
22	140052	(00000000-) Washer, Lock, Ext, 0.25 Ss	1	

▽ ASSEMBLY

▲ INCLUDED IN ASSEMBLY

SOLUTION TANK GROUP



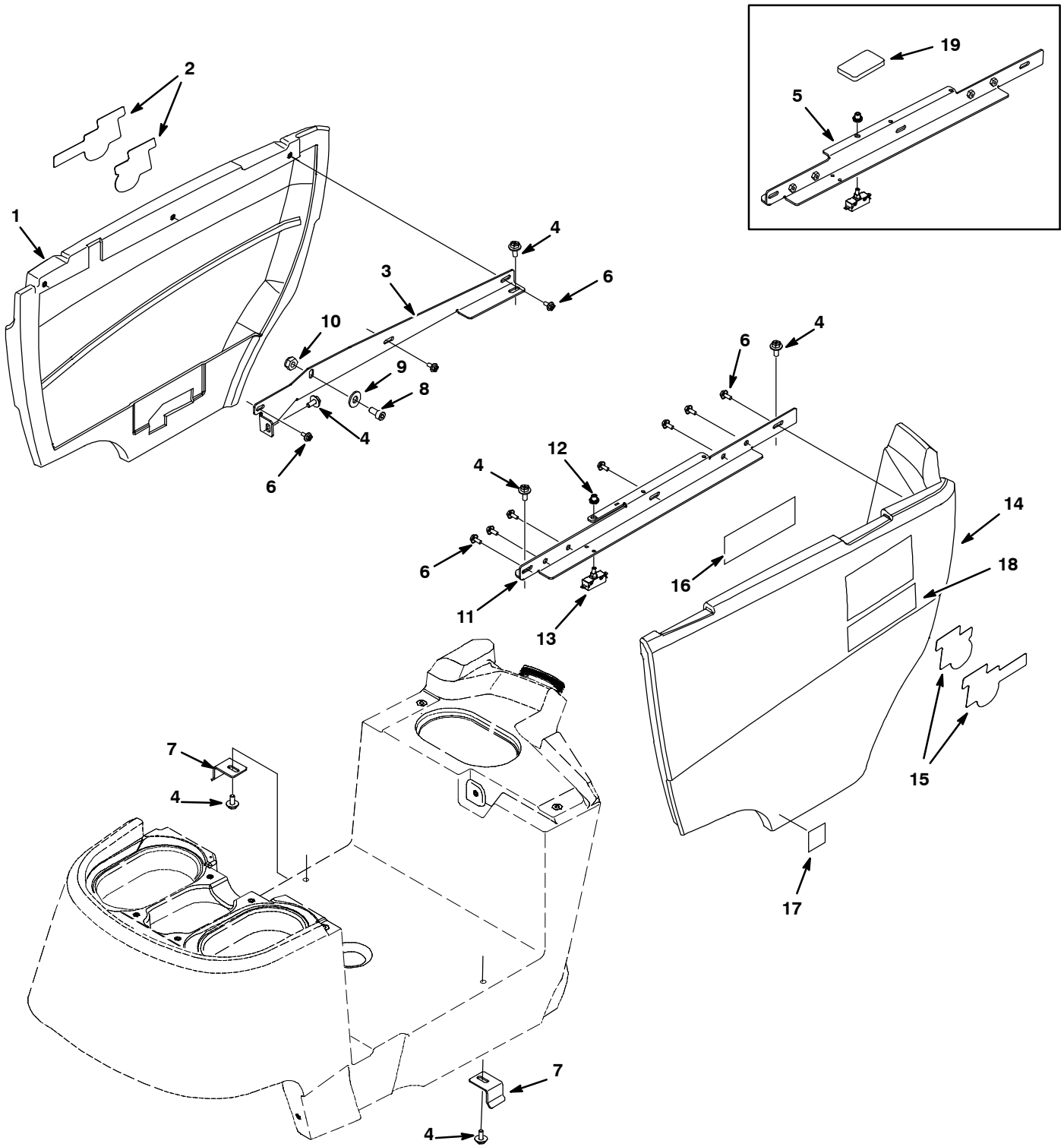
SOLUTION TANK GROUP

Ref.	Part No.	Serial Number	Description	Qty.	
1	1018155	(00000000-) Screw, Pan, M5 X 0.8 X16, Ss, Tcut	1	
2	361554	(00000000-) Bumper, Rbr, 0.90d 0.38th 0.18h	1	
3	1013768	(00000000-) Strap, Retaining, 20mm X 159mm X 3.2,Blk	3	
▽	4	9002566	(00000000-) Kit, Cover, Solution Tank Fill	3
▲	5	1024868	(00000000-) Gasket, Lip, Dual Durometer	3
6	01683	(00000000-) Washer, Flat, #10 Ss	1	
7	11329	(00000000-) Screw, Hex, M6 X 1.0 X 16, Ss, NI	13	
8	01684	(00000000-) Washer, Flat, 0.25 Ss	14	
9	22788	(00000000-) Fitting, Plstc, Plug, Pm04	1	
10	140960	(00000000-) Cable, Glv .13d 014.5l .34eye /.34eye	1	
11	1028723	(00000000-) Cap, Tank, 3.5", Non-Vented	1	
12	601460	(00000000-) Clip, Hanger, Hose, .25d Hole, Clr Zn	1	
13	07515	(00000000-) Washer, Lock, Int, 0.25 Ss	1	
14	608322	(00000000-) Screw, Trs, M6 X 1.0 X 16, Phl, Ss	1	
15	1041082	(00000000-) Fitting, Plstc, Str, Bm16/Pm12	1	
16	1023809	(00000000-) Hose, Drain, Soltn Tank	1	
17	11399	(00000000-) Clamp, Hose, Wormdrive, 0.81-1.50d, .50w	1	
18	1014001	(00000000-) Cap, Tank, Drain, Thrd	1	
19	1014029	(00000000-) Plug, Cap, Gray	1	
20	375206	(00000000-) Gasket, Cap, Drain, Rbr .19 4.0b 05.5d.	1	
21	9003655	(00000000-) Tank Kit, Soltn [T5] (Teal)	1	
21	9003656	(00000000-) Tank Kit, Soltn, HG [T5] (Gray)	1	
22	49800	(00000000-) Latch	1	
23	391403	(00000000-) Screw, Pan, M4 X 0.7 X 8, Ss	2	
24	02938	(00000000-) Washer, Lock, Int, 08 Ss	2	
25	1050008	(10378380-) Label, Front, Ec-H2o [T5/T5e] (Teal)	1	
25	1050009	(10378380-) Label, Front, Ec-H2o [T5 Gray]	1	

▽ ASSEMBLY

▲ INCLUDED IN ASSEMBLY

SIDE PANEL GROUP



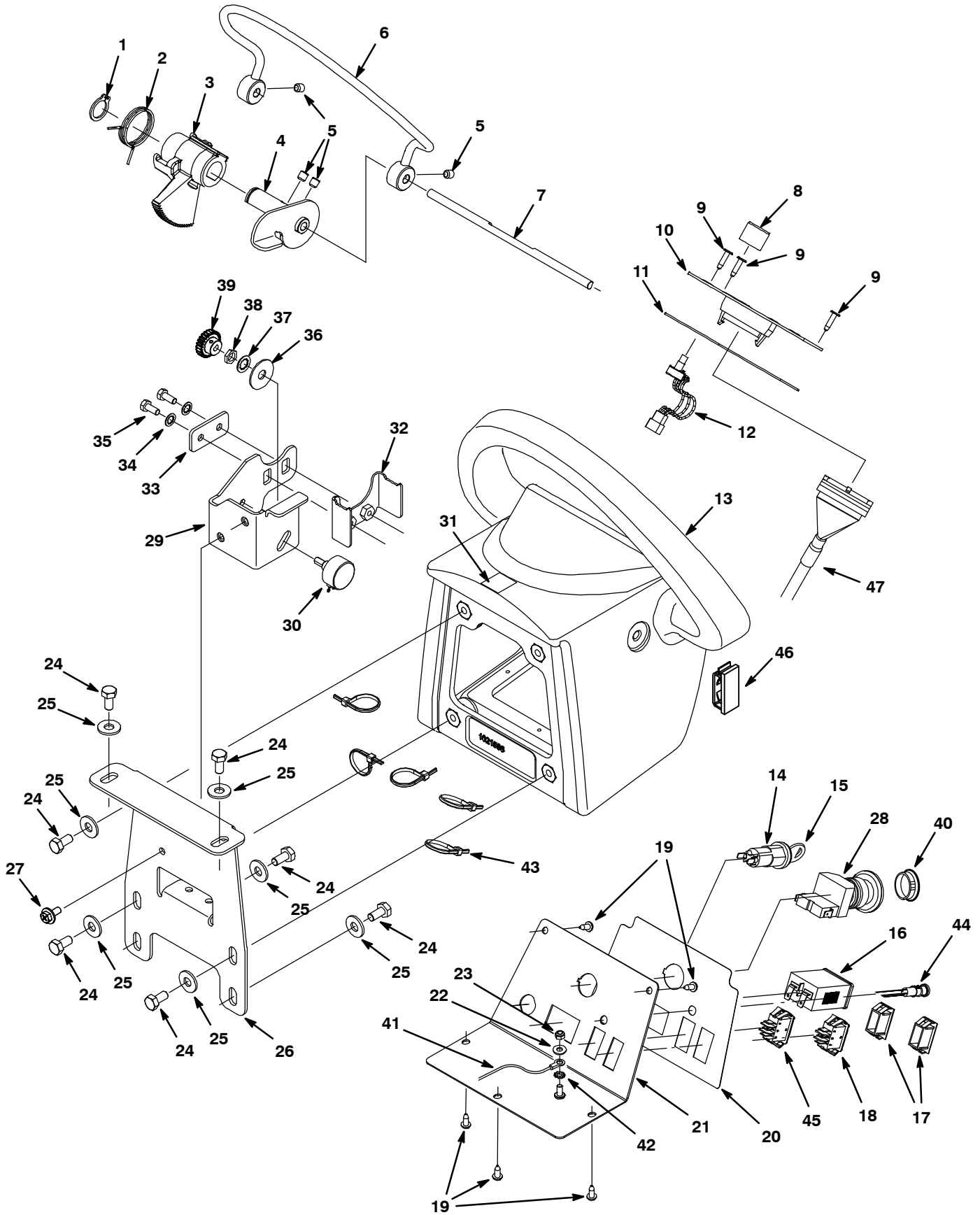
SIDE PANEL GROUP

Ref.	Part No.	Serial Number	Description	Qty.
▽	1	9002569	(00000000-) Kit, Panel, Rh Side (Teal)	1
▲	2	1024779	(00000000-) Label, Side [T5] (Teal)	1
▲	2	1024780	(00000000-) Label, Side [T5 Fast] (Teal)	1
▽	1	9002713	(00000000-) Kit, Panel, Rh Side Hg (Gray)	1
▲	2	1032802	(00000000-) Label, Side, Gray [T5]	1
▲	2	1032803	(00000000-) Label, Side, Gray [T5 Fast]	1
	3	1021323	(00000000-) Rail, Side, Rh	1
	4	1020341	(00000000-) Screw, Hex, M8 X 1.25 X 20, Ss, Sems	6
	5	1022301	(00000000-10332238) Rail, Side, Lh [T5]	1
	6	1034731	(00000000-) Screw, Hex, M6 X 1.00 X 16, Sems, Ss	14
	7	1023684	(00000000-) Bracket, Shroud, Bottom	2
	8	607010	(00000000-) Screw, Soc, M10 X 1.5 X 20, Ss	1
	9	01686	(00000000-) Washer, Flat, 0.44b 1.00 .08, Ss	1
	10	08714	(00000000-) Nut, Hex, Lock, M10 X 1.5, NI, Ss	1
	11	1034954	(10332239-) Rail, Side, Lh [T5]	1
	12	1035711	(00000000-) Boot, Switch, Hex Nut, .38-32 Thd	1
	13	606292	(00000000-) Switch, Push, Actuator, 20amp	1
▽	14	9002567	(00000000-) Kit, Panel, Lh Side W/O Charger (Teal)	1
▽	14	9002568	(00000000-) Kit, Panel, Lh Side W/Charger C/O (Teal)	1
▲	15	1024779	(00000000-) Label, Side [T5] (Teal)	1
▲	15	1024780	(00000000-) Label, Side [T5 Fast] (Teal)	1
▲	16	1028175	(00000000-) Label, Instr, Charger Setting	1
▲	17	600624	(00000000-) Label, Parking Brake, Symbol	1
▲	18	1050001	(10378380-) Label, Side, Ec-H2o [T3/T3e/T5/T7] (Teal)	2
▽	14	9002711	(00000000-) Kit, Panel, Lh Side Hg W/O Charger (Gray)	1
▽	14	9002712	(00000000-) Kit, Panel, Lh Side Hg W/ Chgr C/O (Gray)	1
▲	15	1032802	(00000000-) Label, Side, Gray [T5]	1
▲	15	1032803	(00000000-) Label, Side, Gray [T5 Fast]	1
▲	16	1028175	(00000000-) Label, Instr, Charger Setting	1
▲	17	600624	(00000000-) Label, Parking Brake, Symbol	1
▲	18	1050002	(10378380-) Label, Side, Ec-H2o [T3/T5/T7 Gray]	2
	19	1032763	(00000000-10332238) Gasket, Stand, Support	1

▽ ASSEMBLY

▲ INCLUDED IN ASSEMBLY

CONTROL CONSOLE GROUP



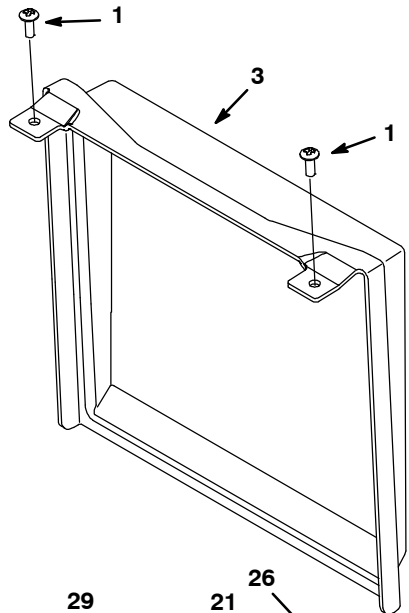
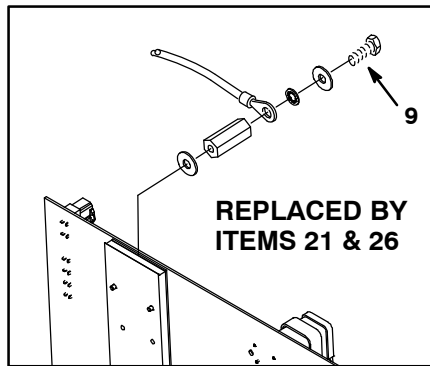
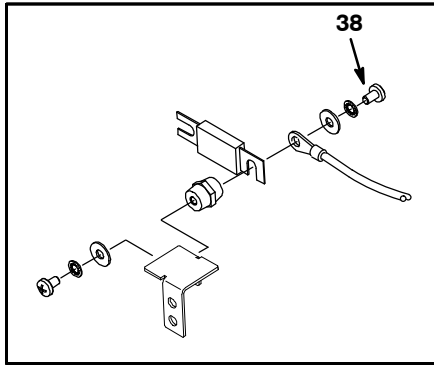
CONTROL CONSOLE GROUP

Ref.	Part No.	Serial Number	Description	Qty.	
1	1025121	(00000000-) Ring, Retaining, Hd Ext 19d Shaft	1	
2	630088	(00000000-) Spring, Tors, Cntr, .072mw, Zn	1	
3	1021904	(00000000-) Actuator, Drive, Bail	1	
4	1023869	(00000000-) Shaft Wldt, Actuator, Bail	1	
5	1015578	(00000000-) Screw, Set, M8 X 1.25 X 8, Cuppt, Ss, NI	4	
6	1020748	(00000000-) Lever Wldt, Bail, Console	1	
7	1020448	(00000000-) Shaft, Actuator, Fwd/Rev	1	
8	606550	(00000000-) Knob, Rnd, 0.92d 0.76l 0.25b Plstc	1	
9	72969	(00000000-) Rivet, Plstc, .181d X 0.720	3	
▽	10	9002570	(00000000-) Kit, Panel, Upper Instmt	1
▲	11	1023554	(00000000-) Gasket, Panel, Upper	1
	12	1022706	(00000000-) Potentiometer, Control, 0-20k Assy	1
	13	1021586	(00000000-) Housing, Cntrl, Trimmed	1
▽	14	1011402	(00000000-) Switch, Key	1
▲	15	1017696	(00000000-) Key, Replmt, Set Of 2 [F/1011402]	1
	16	1011282	(00000000-) Gauge, Hourmeter, 12-60vdc, Analog, Rt, .1	1
	17	582150	(00000000-) Button, Plug, Accssry Switch	2
	18	130787	(00000000-) Switch, Rocker, V C A Spdt (Optional Wand)	1
	19	1009324	(00000000-) Screw, Pan, #10-16 X 0.50, Phl, Ty-17 Blk	5
	20	1023883	(00000000-) Label, Opertnl, Lower (Standard & Fast Models)	1
	20	1050006	(10378380-) Label, Console, Lower Ec-H2o [T5]	1
	21	1041619	(00000000-) Panel, Instmt, Lower Bent [T5]	1
	22	01683	(00000000-) Washer, Flat, #10 Ss	1
	23	09739	(00000000-) Nut, Hex, Lock, M5 X 0.8, NI, Ss	1
	24	49826	(00000000-) Screw, Hex, M8 X 1.25 X 16, Ss, NI	8
	25	01685	(00000000-) Washer, Flat, 0.31 Ss	8
	26	1022657	(00000000-) Bracket, Mtg, Console, T5	1
	27	1034731	(00000000-) Screw, Hex, M6 X 1.00 X 16, Sems, Ss	2
	28	1011735	(00000000-) Switch, Safety, Shutoff (Optional)	1
	29	1023516	(00000000-) Bracket, Pot, Console	1
	30	1021853	(00000000-) Potentiometer Assy, Throttle	1
	31	1016572	(00000000-) Label, Dir	1
	32	1015570	(00000000-) Bracket, Spring, Balancer, Bail	1
	33	1015826	(00000000-) Plate, Screw, Bail	1
	34	07515	(00000000-) Washer, Lock, Int, 0.25 Ss	2
	35	15678	(00000000-) Screw, Hex, M6 X 1.0 X 16, Ss	2
	36	32662	(00000000-) Washer, Flat, 0.38b 1.22d .06, Ss	1
	37	43953	(00000000-) Washer, Lock, Int, 0.38 Ss	1
	38	222607	(00000000-) Nut, Hex, Thin, .38-32	1
	39	1020403	(00000000-) Gear, Spur, 24p, 24t	1
	40	130161	(00000000-) Plug, Hole, Rnd, 0.875d, Blk	1
	41	1031368	(00000000-) Wire, 12ga [Esd, Tubular Braid, T5]	1
	42	140052	(00000000-) Washer, Lock, Ext, 0.25 Ss	1
	43	130773	(00000000-) Tie, Cable, Nyl, 11.0l, .14w, 3.0 Max. D	5
	44	1041822	(10378380-) Light, Led, .312D, 5 Volt [Tri-Color] (ec-H2O Model)	1
	45	130787	(00000000-) Switch, Rocker, V C A Spdt (Fast & ec-H2O Models)	1
	46	222666	(00000000-) Clamp, Cable, Ribbon, 1.25w 0.25h, Plstc	1
	47	1021778	(00000000-) Cable, Ribbon [T5]	1

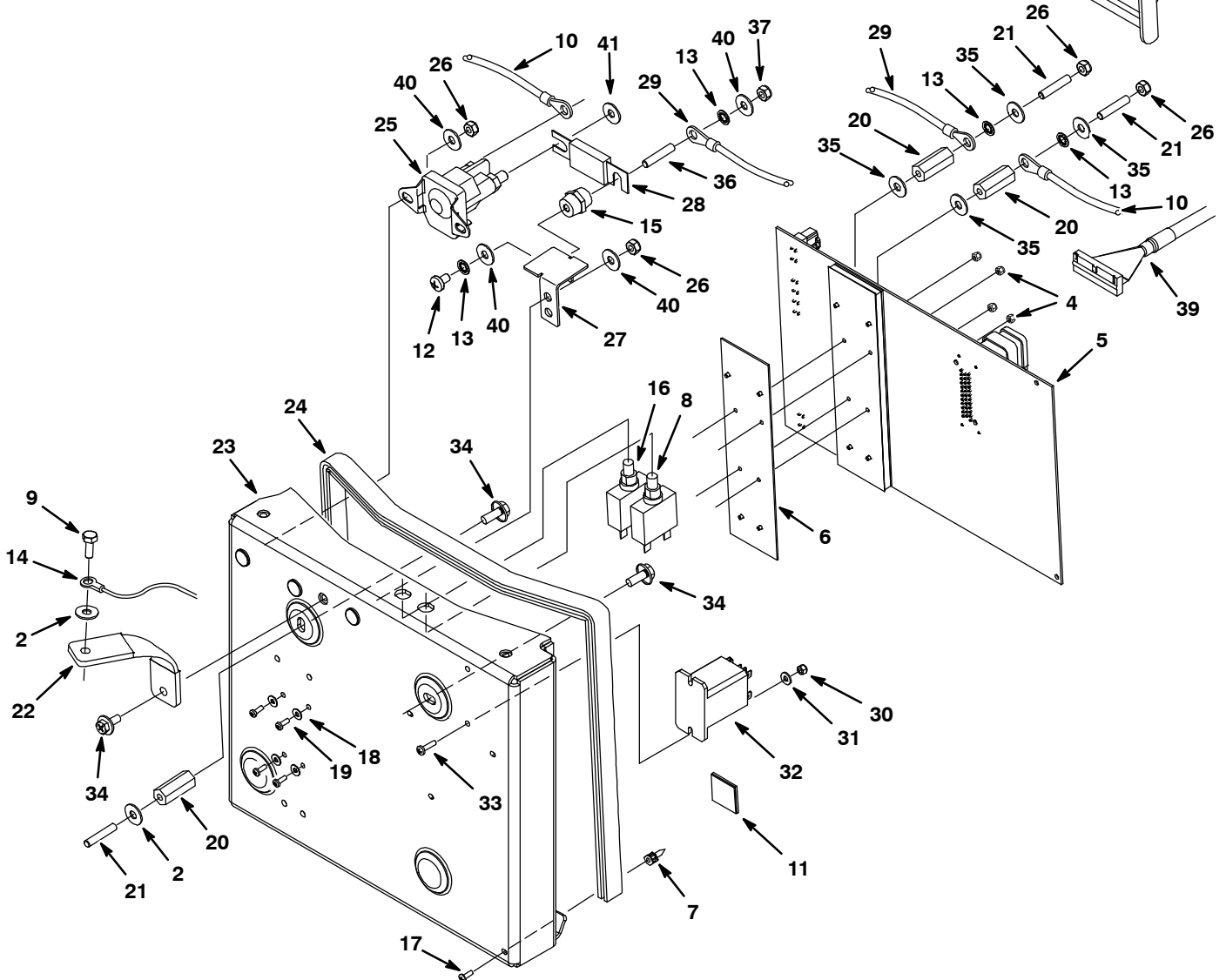
▽ ASSEMBLY

▲ INCLUDED IN ASSEMBLY

COMPONENT PANEL GROUP



(S/N 0000000-10473939)



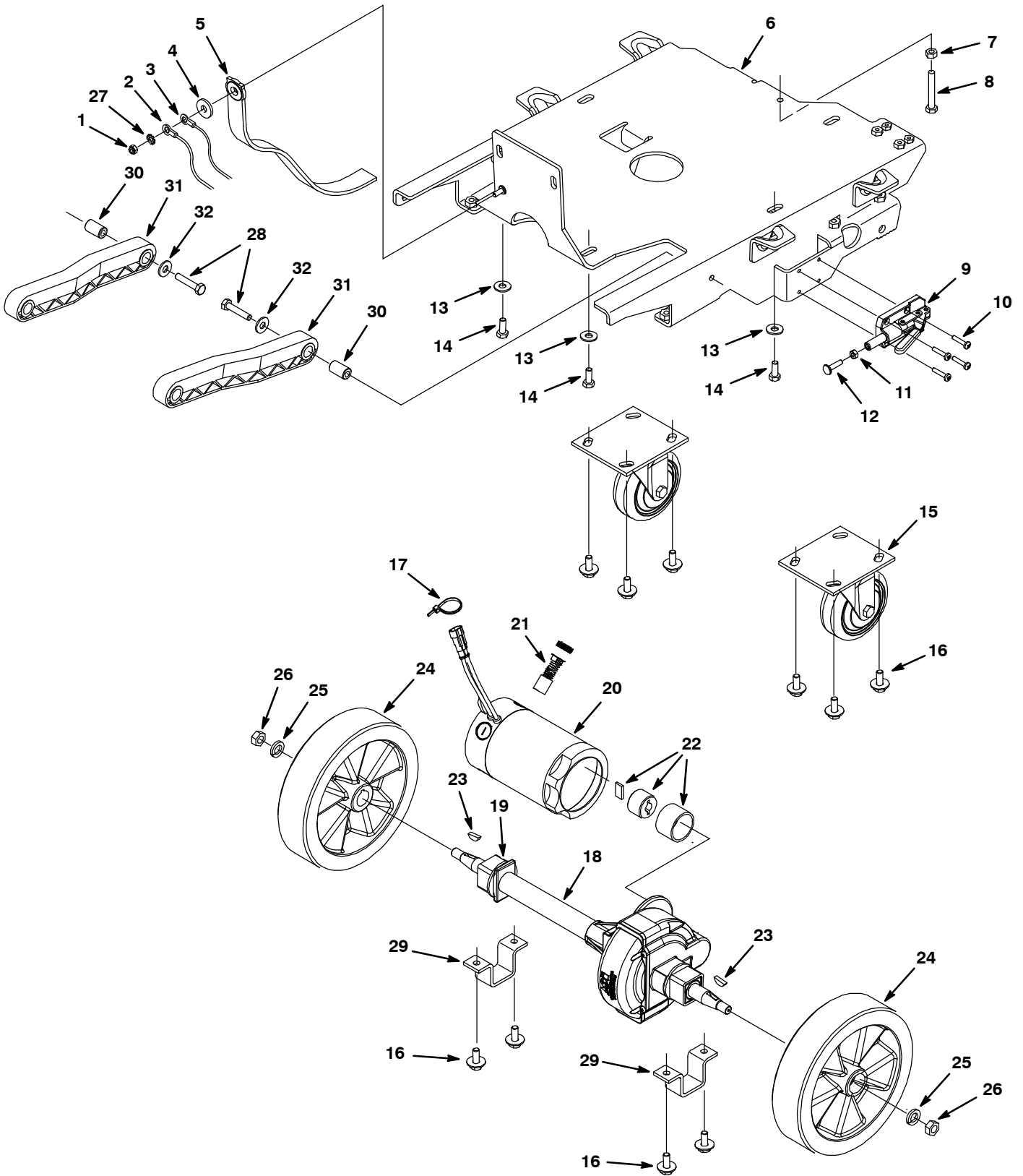
COMPONENT PANEL GROUP

Ref.	Part No.	Serial Number	Description	Qty.	
1	608322	(00000000-) Screw, Trs, M6 X 1.0 X 16, Phl, Ss	2	
2	01684	(00000000-) Washer, Flat, 0.25 Ss	2	
3	1022820	(00000000-) Cover, Electronics	1	
4	579211	(00000000-) Nut, Hex, Lock, M3 X .5, Ss	4	
▽	5	9006880	(00000000-) Circuitboard Kit, Logic [T5]	1
▲		27964	(00000000-) Strap, Static Ground, Disposable	1
▲	6	1016816	(00000000-) Pad, Thermal, Heat Sink	1
▲	7	1016825	(00000000-) Support, Circuitboard	4
8	383720	(00000000-) Circuitbreaker, 05.0a	1	
9	11329	(00000000-) Screw, Hex, M6 X 1.0 X 16, Ss, NI	1	
10	1024479	(00000000-) Harness, Battery, Us	1	
11	55248	(00000000-) Mount, Cable Tie	3	
12	48732	(10473940-) Screw, Pan, M6 X 1.0 X 10, Ss	1	
13	32982	(00000000-) Washer, Lock, Int, 0.25	4	
14	1029310	(00000000-) Harness, Est	1	
15	1013523	(00000000-) Stand-Off, Wire, M6	1	
16	383721	(00000000-) Circuitbreaker, 10.0a	1	
17	3701.6	(00000000-) Screw, Pan, #06-32 X 0.38, Phl Ss Shtmtl	4	
18	1019218	(00000000-) Washer, Flat, 0.14b 0.31d, Nyl	4	
19	06922	(00000000-) Screw, Pan, M3 X 0.5 X 20, 4.8	4	
20	1002078	(00000000-) Spacer, .50x X 1.25l, M6 Thread	3	
21	1018559	(00000000-) Screw, Set, M6 X 1.0 X 30, Ss	3	
22	1029051	(00000000-) Strap, Static, Controller	1	
▽	23	9002572	(00000000-) Kit, Housing, Electrical	1
▲	24	1008675	(00000000-) Gasket, Foam, Edge (Fr)	1
25	1038490	(00000000-) Relay, 24vdc, 100a, No [Trombetta]	1	
26	41359	(00000000-) Nut, Hex, Std, M6 X 1.0, 8	4	
27	1023868	(00000000-) Bracket, Stand-Off	1	
28	86379	(00000000-) Fuse, .88 X 3.2l 100a 125vac	1	
29	1024511	(00000000-) Cable, Cntrl Red	1	
30	33932	(10306157-) Nut, Hex, Lock, M4 X 0.70, NI, Ss	2	
31	19065	(10306157-) Washer, Flat, #08	2	
32	1001219	(10306157-) Relay, 24vdc, Dpdt	1	
33	24265	(10306157-) Screw, Pan, M4 X 0.7 X 16, Ss	2	
34	1034731	(00000000-) Screw, Hex, M6 X 1.00 X 16, Sems, Ss	3	
35	1057560	(00000000-) Washer, Flat, M6.4b, X 16d X 1 PI	4	
36	1018559	(10473940-) Screw, Set, M6 X 1.0 X 30, Ss	1	
37	07785	(10473940-) Nut, Hex, Std, M6 X 1.00, Ss	1	
38	48732	(00000000-10473939) Screw, Pan, M6 X 1.0 X 10, Ss (Replaced By #36 & #37)	1	
39	1021778	(00000000-) Cable, Ribbon [T5]	1	
40	32490	(00000000-) Washer, Flat, 0.25, Std	6	
41	1066493	(00000000-) Washer, Flat, 0.35b 0.75d .04, PI	1	

▽ ASSEMBLY

▲ INCLUDED IN ASSEMBLY

DRIVE GROUP



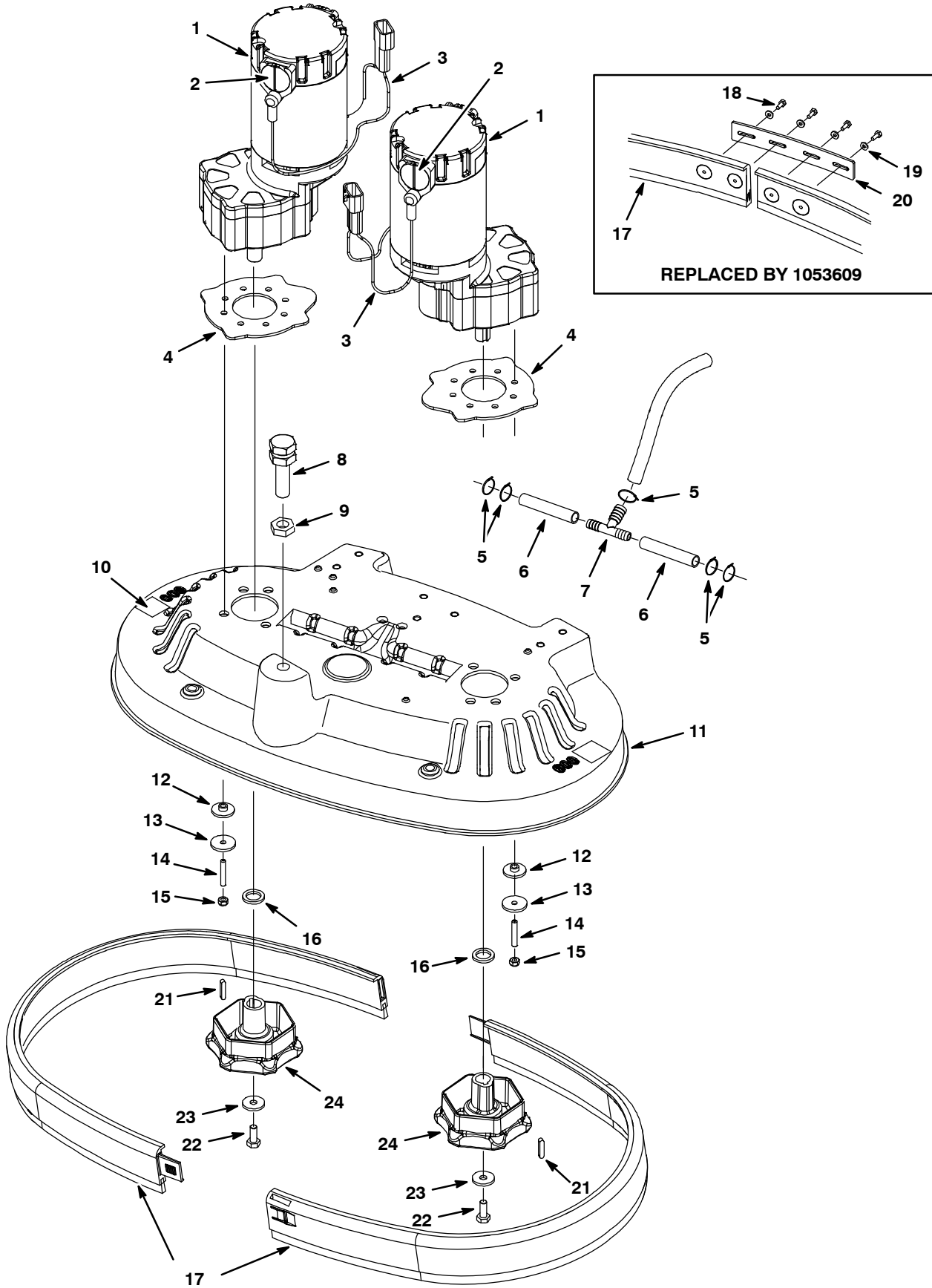
DRIVE GROUP

Ref.	Part No.	Serial Number	Description	Qty.	
1	08712	(00000000-) Nut, Hex, Lock, M6 X 1.0, Ss, NI	1	
2	1031370	(00000000-) Wire, 12 Awg X 250mm	1	
3	1029310	(00000000-) Harness, Ground, 12 Awg	1	
4	140053	(00000000-) Washer, Flat, 0.28b 0.88d .12, Ss	1	
5	1029181	(00000000-) Strap, Static	1	
6	1020959	(00000000-) Frame Wldt, Transaxle	1	
7	07786	(00000000-) Nut, Hex, Std, M8 X 1.25, Ss	1	
8	222504	(00000000-) Screw, Hex, M8 X 1.25 X 55, Ss	1	
9	1022878	(00000000-) Clamp, Str, 30mm Strk (Optional)	1	
10	55845	(00000000-) Screw, Hex, M5 X 0.80 X 16, Fmg	4	
11	07785	(00000000-) Nut, Hex, Std, M6 X 1.0, A2, Ss	1	
12	1017416	(00000000-) Screw, Weld, M06 X 1.00 X 25, Thru, Ss	1	
13	1016331	(00000000-) Washer, Flat, 0.34b 1.25d .11, Ss	5	
14	12273	(00000000-) Screw, Hex, M8 X 1.25 X 20, Ss, NI	5	
15	1049048	(00000000-) Caster, Swivel, 4.0d 1.4w, 4hole [400lb]	2	
16	1020341	(00000000-) Screw, Hex, M8 X 1.25 X 20, Ss, Sems	12	
17	130773	(00000000-) Tie, Cable, Nyl, 11.0l, .14w, 3.0 Max. D	4	
▽	18	1021168	(00000000-) Transaxle, 24vdc, 110rpm [Asi]	1
▲	19	612880	(00000000-) Sleeve, Transaxle, Replmt	2
▲▽	20	1031723	(00000000-) Motor, Transaxle, 24vdc, Replmt, Asi	1
▲▲	21	614166	(00000000-) Brush Kit, Carbon [Qty 4]	1
▲	22	1017782	(00000000-) Coupling Kit, Transaxle, Replmt [11057]	1
▲	23	1021167	(00000000-) Key, Woodruff, 5mm	2
▽		9004909	(00000000-) Wheel Kit, Solid, Ci [T5 T5e Ss5]	1
▲	24	1020688	(00000000-) Wheel, Scrbr, 213.00mm With Taper	2
	25	140024	(00000000-) Washer, Lock, Splt, 0.50, Ss	2
	26	07788	(00000000-) Nut, Hex, Std, M12 X 1.75, Ss	2
	27	140052	(00000000-) Washer, Lock, Ext, 0.25 Ss	1
	28	74440	(00000000-) Screw, Hex, M8 X 1.25 X 40, Ss, NI	2
	29	606001	(00000000-) Bracket, Transaxle, Mtg, Ylw Zn	2
	30	606056	(00000000-) Tube, 00.62d 00.32b 01.0l Stl Plt	2
	31	222027	(00000000-) Arm, Lift, Head	2
	32	01685	(00000000-) Washer, Flat, 0.31 Ss	2
	N/S	1024588	(00000000-) Harness, Chassis, Wire, Us	1

▽ ASSEMBLY

▲ INCLUDED IN ASSEMBLY

SCRUB HEAD GROUP, DISK 24 in / 600 mm



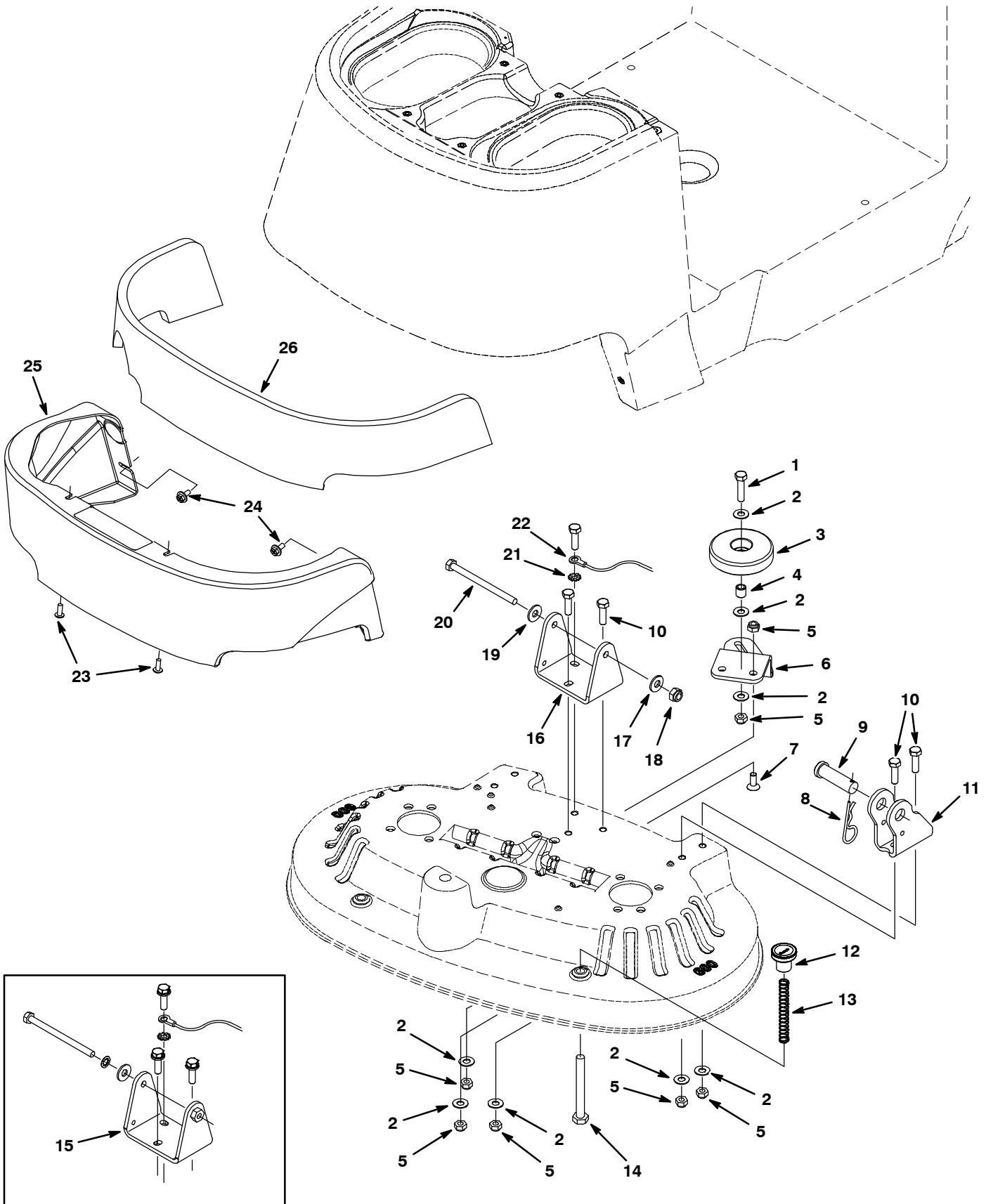
SCRUB HEAD GROUP, DISK 24 in / 600 mm

Ref.	Part No.	Serial Number	Description	Qty.
▽	1	1023067	(00000000-) Motor, Gearbox,24vdc, 220rpm, 0.75hp	2
▲	2	1031775	(00000000-) Brush, Brush-Motor, Afmkt	1
▲	3	1031681	(00000000-) Harness, Connector, Brush-Motor-Us	1
	4	1024321	(00000000-) Spacer, Rbr, Motor	2
	5	130773	(00000000-) Tie, Cable, Nyl, 11.0l, .14w, 3.0 Max. D	7
	6	606362	(00000000-) Hose 3/8ldX5/8OdX6.5 (611254)	2
	7	1022556	(00000000-) Fitting, Plstc, Tee, Bm06/Bm06/Bm08	1
	8	1022424	(00000000-) Stud, Adj, M16, Scrub Head	1
	9	763066	(00000000-) Nut, Hex, Jam, M16 X 2.0	1
	10	578769	(00000000-) Label, Moving Parts	2
	11	1022402	(00000000-) Housing, Casting, Head, 60cm, Mach	1
	12	1025160	(00000000-) Grommet, Isolator, 6b X 10od X 26.0fl	8
	13	386063	(00000000-) Washer, Flat, 0.25b 1.12d .12, Ss	8
	14	1025853	(00000000-) Screw, Set, M6 X 1.00 X 35, Ss, NI	8
	15	08712	(00000000-) Nut, Hex, Lock, M6 X 1.0, Ss, NI	8
	16	1022549	(00000000-) Spacer, Shaft, 17.15b, 25.0d, 3.0t	2
	17	1053609	(10443636-) Bumper, Head, 60cm, Bristle Skirt	1
	17	1024938	(00000000-10443635) Bumper, Head, 60cm, Bristle Skirt, Assy (REPLACED BY 1053609)	1
	18	1020234	(00000000-10443635) Screw, Hex, M4 X 0.7 X 10, Ss	4
	19	41578	(00000000-10443635) Washer, Flat, #06 Ss	4
	20	1023573	(00000000-10443635) Strap, Retaining, Skirt (REPLACED BY 1053609)	1
	21	1014328	(00000000-) Key, Sq, 05mm X 05mm, 25l	2
	22	12273	(00000000-) Screw, Hex, M8 X 1.25 X 20, Ss, NI	2
	23	1016331	(00000000-) Washer, Flat, 0.34b 1.25d .11, Ss	2
	24	1022550	(00000000-) Hub, Drive, Brush, Disk, 17mm Bore	2

▽ ASSEMBLY

▲ INCLUDED IN ASSEMBLY

SCRUB HEAD GROUP, DISK 24 in / 600 mm – CONT'D



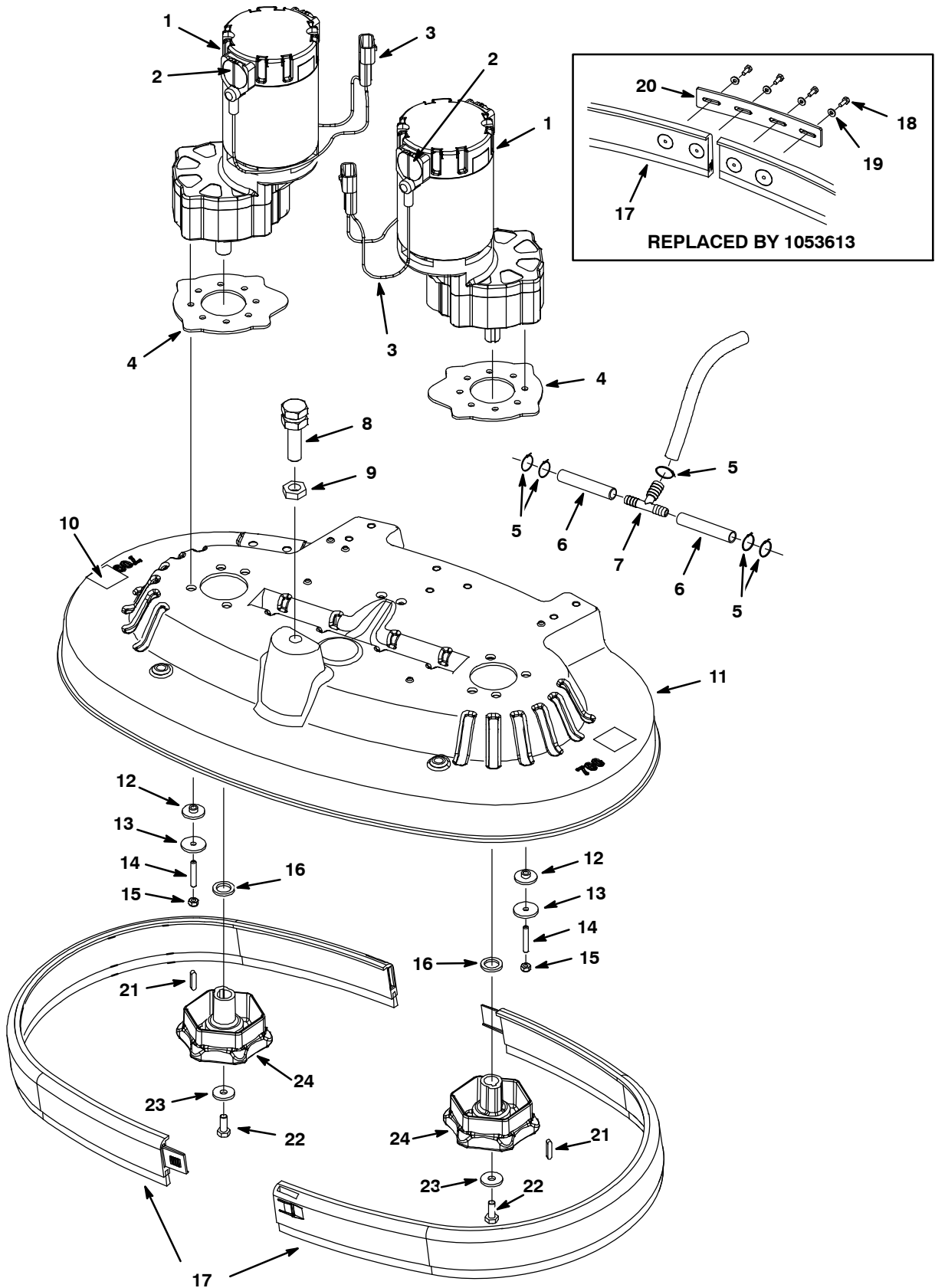
SCRUB HEAD GROUP, DISK 24 in / 600 mm – CONT'D

Ref.	Part No.	Serial Number	Description	Qty.	
1	09023	(00000000-) Screw, Hex, M8 X 1.25 X 35, Ss, Fl	1	
2	140027	(00000000-) Washer, Flat, 0.35b 0.75d .04, Ss	10	
3	1010560	(00000000-) Wheel, Bmpr, 80d X 25w, Non-Marking	1	
4	222460	(00000000-) Sleeve, P/M, 0.496d 0.318b 0.50l 430ss	1	
5	08713	(00000000-) Nut, Hex, Lock, M8 X 1.25, Ni, Ss	10	
6	1022344	(00000000-) Bracket, Roller, Wall, Scrubhead, 60cm	1	
7	79246	(00000000-) Screw, Flt, M8 X 1.25 X 20, Ss 18-8	2	
8	02942	(00000000-) Pin, Hair Cotter, 0.62 D .120 Wir	2	
9	222210	(00000000-) Pin, Clevis, 0.62 D X 2.12l	2	
10	09011	(00000000-) Screw, Hex, M8 X 1.25 X 30, Ss	7	
11	1022227	(00000000-) Bracket, Link, Scrubhead	2	
12	1024179	(00000000-) Knob, Knurled, M10 Thread	2	
13	626081	(00000000-) Spring, Cmpr, 12.1d, 0.9w, 90.0l	2	
14	09746	(00000000-) Screw, Hex, M10 X 1.5 X 90, Ss	2	
15	N/A	(00000000-10325113) (Replaced By Items #16, 17, & 18)	1	
16	1036022	(10325114-) Bracket, Mtg, Actuator, Scb Head	1	
17	01685	(10325114-) Washer, Flat, 0.31 Ss	1	
18	08713	(10325114-) Nut, Hex, Lock, M8 X 1.25, Ni, Ss	1	
19	01685	(00000000-) Washer, Flat, 0.31 Ss	1	
20	364441	(00000000-) Screw, Hex, M8 X 1.25 X 110, Ss	1	
21	43952	(00000000-) Washer, Lock, Int, 0.31, Ss	1	
22	1031370	(00000000-) Wire, 12 Awg X 250mm	1	
23	608322	(00000000-) Screw, Trs, M6 X 1.0 X 16, Phl, Ss	2	
24	1034731	(00000000-) Screw, Hex, M6 X 1.00 X 16, Sems, Ss	2	
▽	25	9002676	(00000000-) Kit, Cover, Disc-Head	1
▲	26	1024437	(00000000-) Insulation, Sound, Front	1

▽ ASSEMBLY

▲ INCLUDED IN ASSEMBLY

SCRUB HEAD GROUP, DISK 28 in / 700 mm



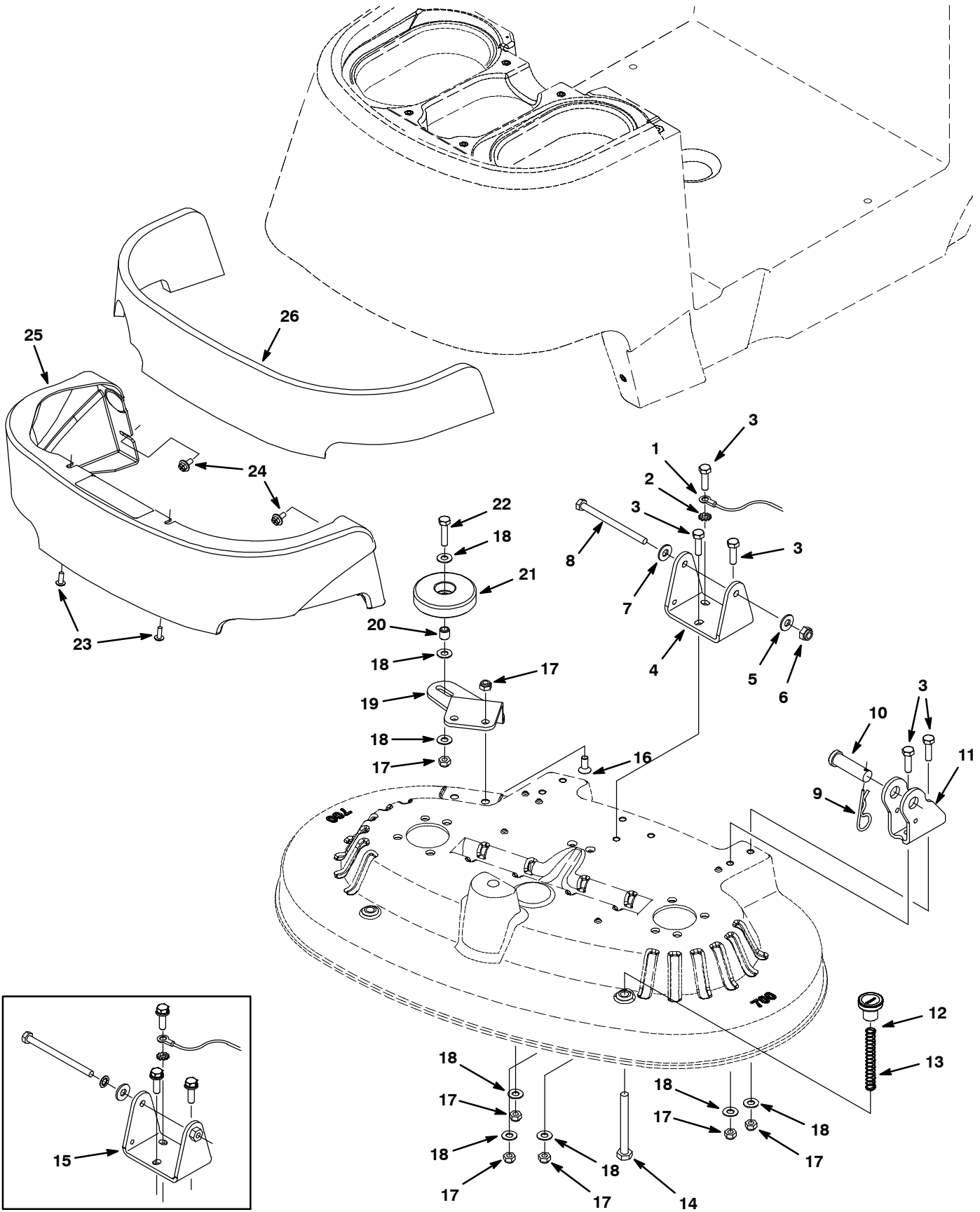
SCRUB HEAD GROUP, DISK 28 in / 700 mm

Ref.	Part No.	Serial Number	Description	Qty.
▽	1	1023067	(00000000-) Motor, Gearbox,24vdc, 220rpm, 0.75hp	2
▲	2	1031775	(00000000-) Brush, Brush-Motor, Afmkt	1
▲	3	1031681	(00000000-) Harness, Connector, Brush-Motor-Us	1
	4	1024321	(00000000-) Spacer, Rbr, Motor	2
	5	130773	(00000000-) Tie, Cable, Nyl, 11.0l, .14w, 3.0 Max. D	7
	6	606362	(00000000-) Hose 3/8IdX5/8OdX6.5 (611254)	2
	7	1022556	(00000000-) Fitting, Plstc, Tee, Bm06/Bm06/Bm08	1
	8	1022424	(00000000-) Stud, Adj, M16, Scrub Head	1
	9	763066	(00000000-) Nut, Hex, Jam, M16 X 2.0	1
	10	578769	(00000000-) Label, Moving Parts	2
	11	1023182	(00000000-) Housing, Casting, Head, 70cm, Mach	1
	12	1025160	(00000000-) Grommet, Isolator, 6b X 10od X 26.0fl	8
	13	386063	(00000000-) Washer, Flat, 0.25b 1.12d .12, Ss	8
	14	1025853	(00000000-) Screw, Set, M6 X 1.00 X 35, Ss, NI	8
	15	08712	(00000000-) Nut, Hex, Lock, M6 X 1.0, Ss, NI	8
	16	1022549	(00000000-) Spacer, Shaft, 17.15b, 25.0d, 3.0t	2
	17	1053613	(10446232-) Bumper, Head, 70cm, Bristle Skirt	1
	17	1023802	(00000000-10446231) Bumper, Head, 70cm, Bristle Skirt, Assy (OBS REPLACED BY 1053613)	1
	18	1020234	(00000000-10446231) Screw, Hex, M4 X 0.7 X 10, Ss	4
	19	41578	(00000000-10446231) Washer, Flat, #06 Ss	4
	20	1023573	(00000000-10446231) Strap, Retaining, Skirt (REPLACED BY 1053613)	1
	21	1014328	(00000000-) Key, Sq, 05mm X 05mm, 25l	2
	22	12273	(00000000-) Screw, Hex, M8 X 1.25 X 20, Ss, NI	2
	23	1016331	(00000000-) Washer, Flat, 0.34b 1.25d .11, Ss	2
	24	1022550	(00000000-) Hub, Drive, Brush, Disk, 17mm Bore	2

▽ ASSEMBLY

▲ INCLUDED IN ASSEMBLY

SCRUB HEAD GROUP, DISK 28 in / 700 mm – CONT'D



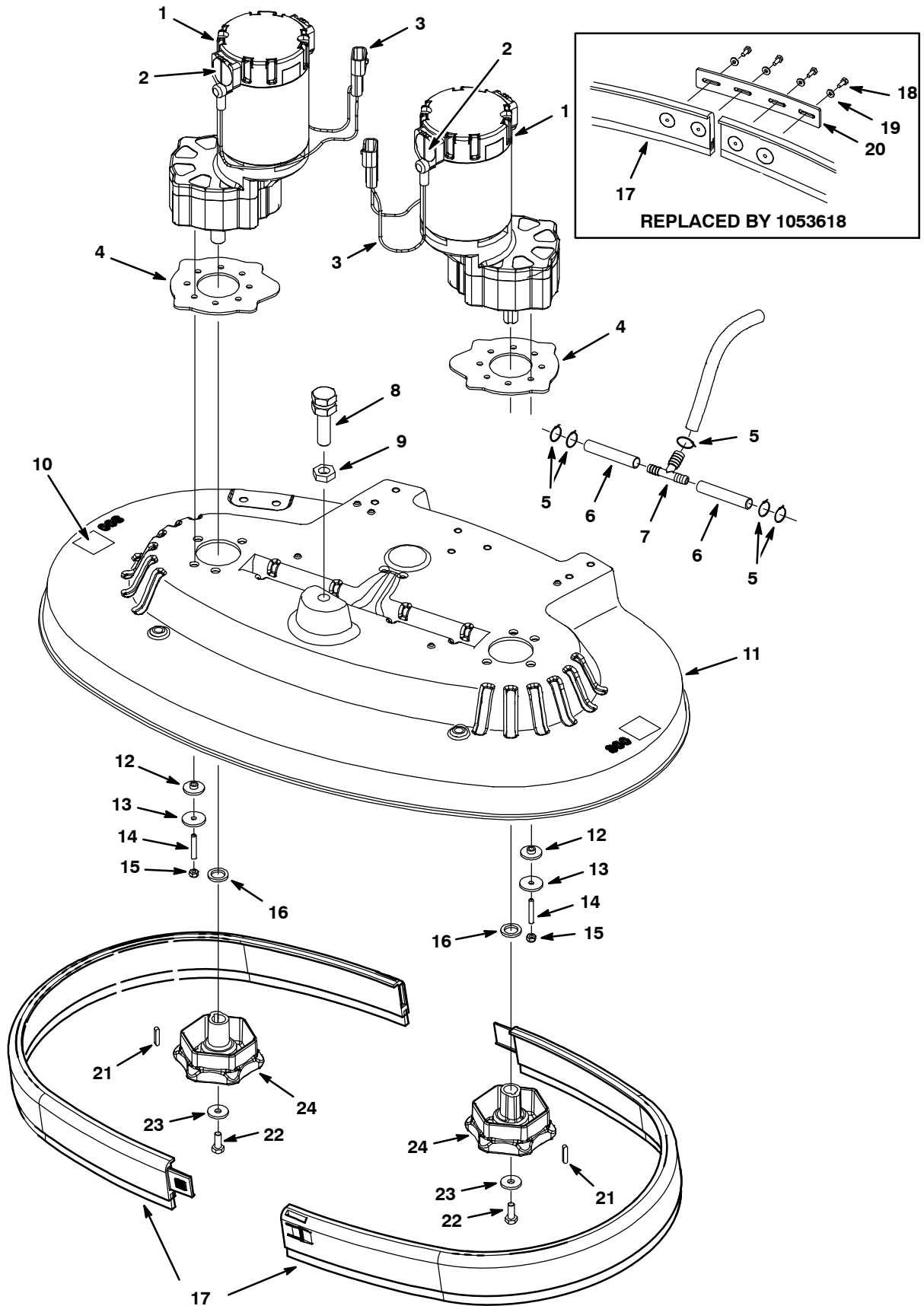
SCRUB HEAD GROUP, DISK 28 in / 700 mm – CONT'D

Ref.	Part No.	Serial Number	Description	Qty.	
1	1031370	(00000000-) Wire, 12 Awg X 250mm	1	
2	43952	(00000000-) Washer, Lock, Int, 0.31, Ss	1	
3	09011	(00000000-) Screw, Hex, M8 X 1.25 X 30, Ss	7	
4	1036022	(10325114-) Bracket, Mtg, Actuator, Scb Head	1	
5	01685	(10325114-) Washer, Flat, 0.31 Ss	1	
6	08713	(10325114-) Nut, Hex, Lock, M8 X 1.25, NI, Ss	1	
7	01685	(00000000-) Washer, Flat, 0.31 Ss	1	
8	364441	(00000000-) Screw, Hex, M8 X 1.25 X 110, Ss	1	
9	02942	(00000000-) Pin, Hair Cotter, 0.62 D .120 Wir	2	
10	222210	(00000000-) Pin, Clevis, 0.62 D X 2.12l	2	
11	1022227	(00000000-) Bracket, Link, Scrubhead	2	
12	1024179	(00000000-) Knob, Knurled, M10 Thread	2	
13	626081	(00000000-) Spring, Cmpr, 12.1d, 0.9w, 90.0l	2	
14	09746	(00000000-) Screw, Hex, M10 X 1.5 X 90, Ss	2	
15	N/A	(00000000-10325113) (Replaced By Items #4, 5, & 6)	1	
16	79246	(00000000-) Screw, Flt, M8 X 1.25 X 20, Ss 18-8	2	
17	08713	(00000000-) Nut, Hex, Lock, M8 X 1.25, NI, Ss	10	
18	140027	(00000000-) Washer, Flat, 0.35b 0.75d .04, Ss	10	
19	1023268	(00000000-) Bracket, Roller, Wall, Scb Head, 70cm	1	
20	222460	(00000000-) Sleeve, P/M, 0.496d 0.318b 0.50l 430ss	1	
21	1010560	(00000000-) Wheel, Bmpr, 80d X 25w, Non-Marking	1	
22	09023	(00000000-) Screw, Hex, M8 X 1.25 X 35, Ss, Fl	1	
23	608322	(00000000-) Screw, Trs, M6 X 1.0 X 16, Phl, Ss	2	
24	1034731	(00000000-) Screw, Hex, M6 X 1.00 X 16, Sems, Ss	2	
▽	25	9002676	(00000000-) Kit, Cover, Disc-Head	1
▲	26	1024437	(00000000-) Insulation, Sound, Front	1

▽ ASSEMBLY

▲ INCLUDED IN ASSEMBLY

SCRUB HEAD GROUP, DISK 32 in / 800 mm



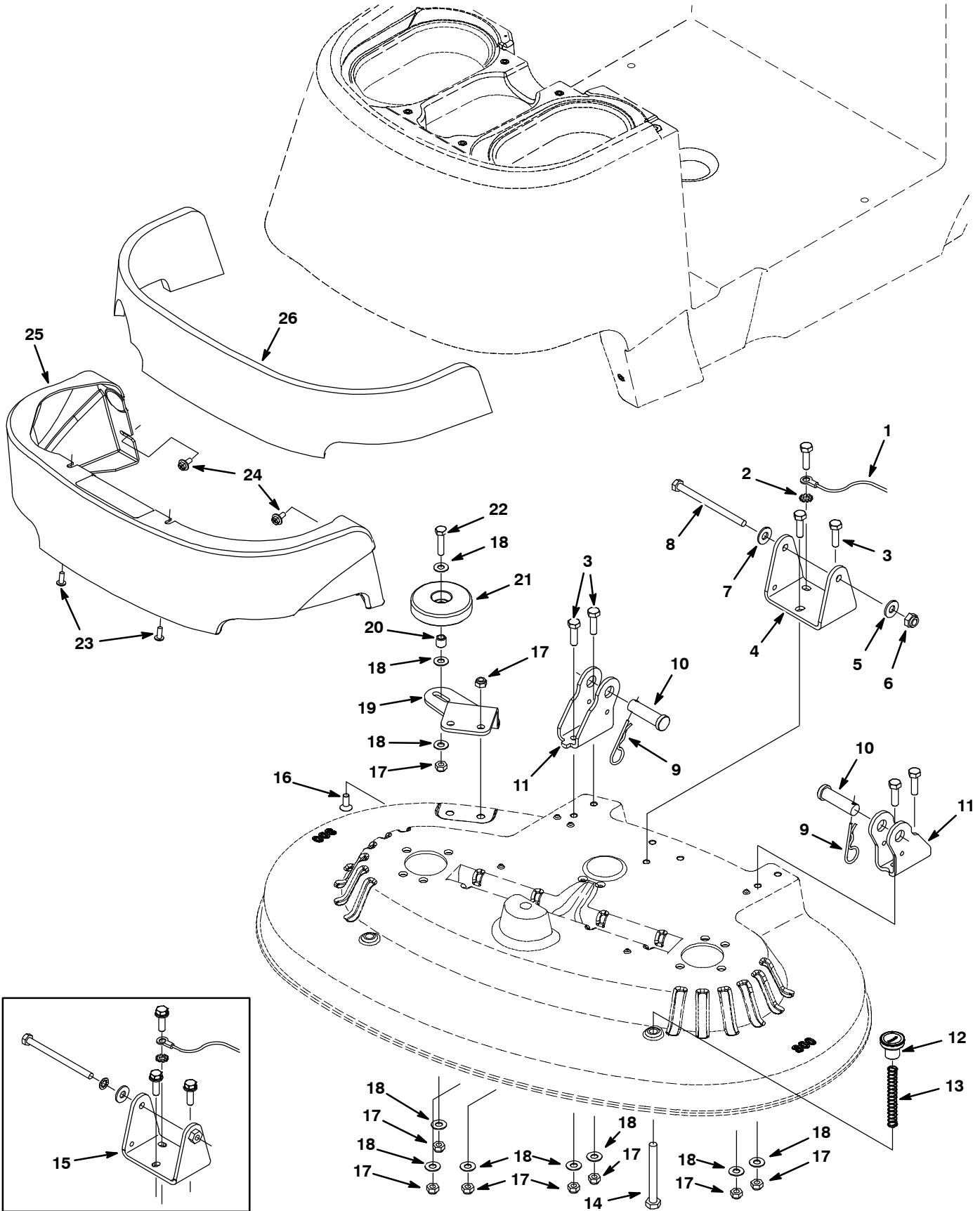
SCRUB HEAD GROUP, DISK 32 in / 800 mm

Ref.	Part No.	Serial Number	Description	Qty.
▽	1	1023067	(00000000-) Motor, Gearbox,24vdc, 220rpm, 0.75hp	2
▲	2	1031775	(00000000-) Brush, Brush-Motor, Afmkt	1
▲	3	1031681	(00000000-) Harness, Connector, Brush-Motor-Us	1
	4	1024321	(00000000-) Spacer, Rbr, Motor	2
	5	130773	(00000000-) Tie, Cable, Nyl, 11.0l, .14w, 3.0 Max. D	7
	6	606885	(00000000-) Hose 3/8idx5/8odx7.75 (611254)	2
	7	1022556	(00000000-) Fitting, Plstc, Tee, Bm06/Bm06/Bm08	1
	8	1022424	(00000000-) Stud, Adj, M16, Scrub Head	1
	9	763066	(00000000-) Nut, Hex, Jam, M16 X 2.0	1
	10	578769	(00000000-) Label, Moving Parts	2
	11	1023697	(00000000-) Housing, Casting, Head, 80cm, Mach	1
	12	1025160	(00000000-) Grommet, Isolator, 6b X 10od X 26.0fl	8
	13	386063	(00000000-) Washer, Flat, 0.25b 1.12d .12, Ss	8
	14	1025853	(00000000-) Screw, Set, M6 X 1.00 X 35, Ss, NI	8
	15	08712	(00000000-) Nut, Hex, Lock, M6 X 1.0, Ss, NI	8
	16	1022549	(00000000-) Spacer, Shaft, 17.15b, 25.0d, 3.0t	2
	17	1053618	(10423045-) Bumper, Head, 80cm, Bristle Skirt	1
▽	17	1024941	(00000000-10423044) Bumper Assy, Skirt, Scb Head, 80cm (OBS- REPLACED BY 1053618)	1
▲	18	1020234	(00000000-10423044) Screw, Hex, M4 X 0.7 X 10, Ss	4
▲	19	41578	(00000000-10423044) Washer, Flat, #06 Ss	4
▲	20	1023573	(00000000-10423044) Strap, Retaining, Skirt (REPLACED BY 1053618)	1
	21	1014328	(00000000-) Key, Sq, 05mm X 05mm, 25l	2
	22	12273	(00000000-) Screw, Hex, M8 X 1.25 X 20, Ss, NI	2
	23	1016331	(00000000-) Washer, Flat, 0.34b 1.25d .11, Ss	2
	24	1022550	(00000000-) Hub, Drive, Brush, Disk, 17mm Bore	2

▽ ASSEMBLY

▲ INCLUDED IN ASSEMBLY

SCRUB HEAD GROUP, DISK 32 in / 800 mm – CONT'D



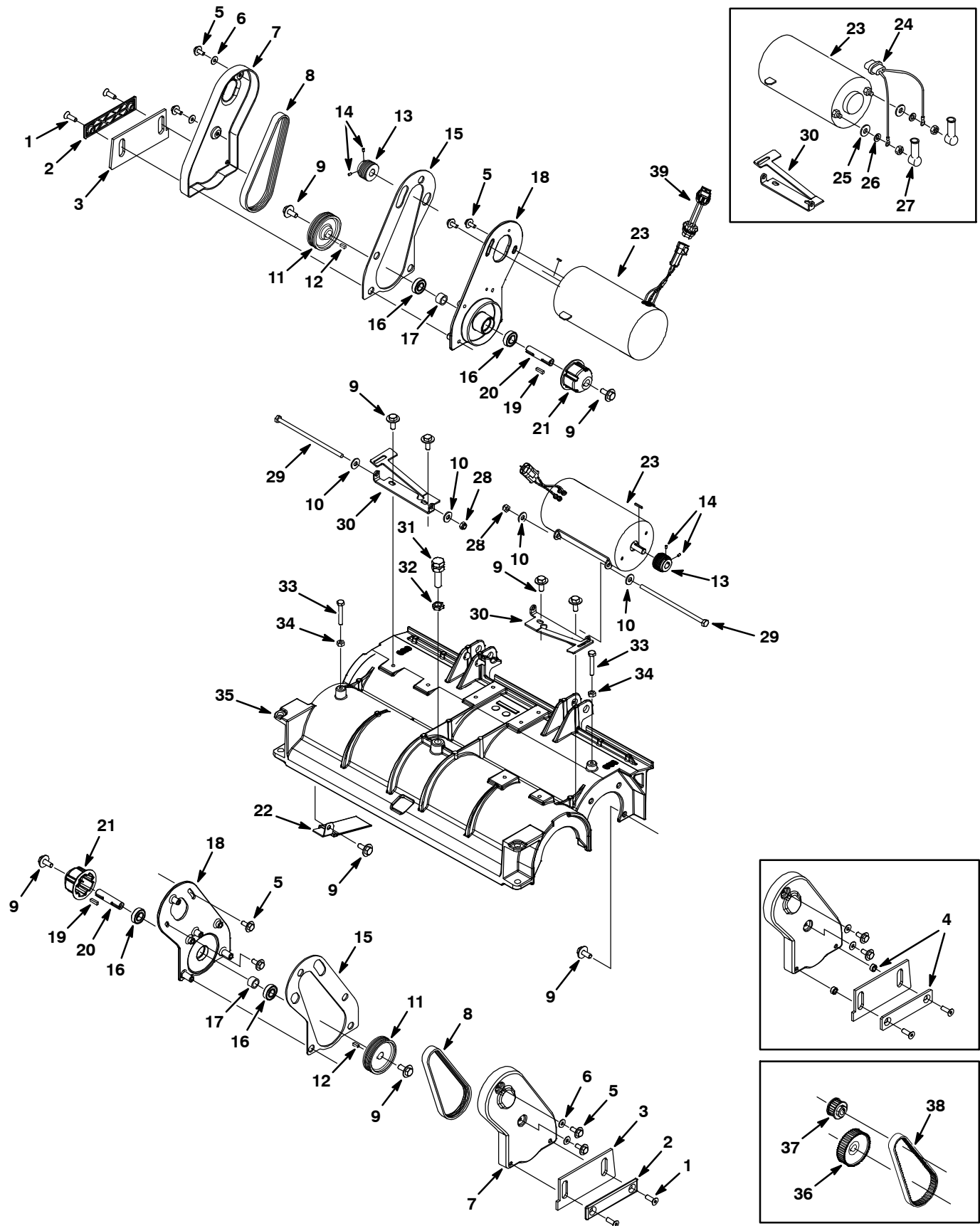
SCRUB HEAD GROUP, DISK 32 in / 800 mm – CONT'D

Ref.	Part No.	Serial Number	Description	Qty.	
1	1031370	(00000000-) Wire, 12 Awg X 250mm	1	
2	43952	(00000000-) Washer, Lock, Int, 0.31, Ss	1	
3	09011	(00000000-) Screw, Hex, M8 X 1.25 X 30, Ss	7	
4	1036022	(10325114-) Bracket, Mtg, Actuator, Scb Head	1	
5	01685	(10325114-) Washer, Flat, 0.38b 0.88d .08, Ss	1	
6	08713	(10325114-) Nut, Hex, Lock, M8 X 1.25, NI, Ss	1	
7	01685	(00000000-) Washer, Flat, 0.31 Ss	1	
8	364441	(00000000-) Screw, Hex, M8 X 1.25 X 110, Ss	1	
9	02942	(00000000-) Pin, Hair Cotter, 0.62 D .120 Wir	2	
10	222210	(00000000-) Pin, Clevis, 0.62 D X 2.12l	2	
11	1022227	(00000000-) Bracket, Link, Scrubhead	2	
12	1024179	(00000000-) Knob, Knurled, M10 Thread	2	
13	626081	(00000000-) Spring, Cmpr, 12.1d, 0.9w, 90.0l	2	
14	09746	(00000000-) Screw, Hex, M10 X 1.5 X 90, Ss	2	
15	N/A	(00000000-10325113) (Replaced By Items #4, 5, & 6)	1	
16	79246	(00000000-) Screw, Flt, M8 X 1.25 X 20, Ss 18-8	2	
17	08713	(00000000-) Nut, Hex, Lock, M8 X 1.25, NI, Ss	10	
18	140027	(00000000-) Washer, Flat, 0.35b 0.75d .04, Ss	10	
19	1023268	(00000000-) Bracket, Roller, Wall, Scb Head, 70cm	1	
20	222460	(00000000-) Sleeve, P/M, 0.496d 0.318b 0.50l 430ss	1	
21	1010560	(00000000-) Wheel, Bmpr, 80d X 25w, Non-Marking	1	
22	09023	(00000000-) Screw, Hex, M8 X 1.25 X 35, Ss, Fl	1	
23	608322	(00000000-) Screw, Trs, M6 X 1.0 X 16, Phl, Ss	2	
24	1034731	(00000000-) Screw, Hex, M6 X 1.00 X 16, Sems, Ss	2	
▽	25	9002676	(00000000-) Kit, Cover, Disc-Head	1
▲	26	1024437	(00000000-) Insulation, Sound, Front	1

▽ ASSEMBLY|

▲ INCLUDED IN ASSEMBLY

SCRUB HEAD GROUP, CYLINDRICAL 26 in / 650 mm



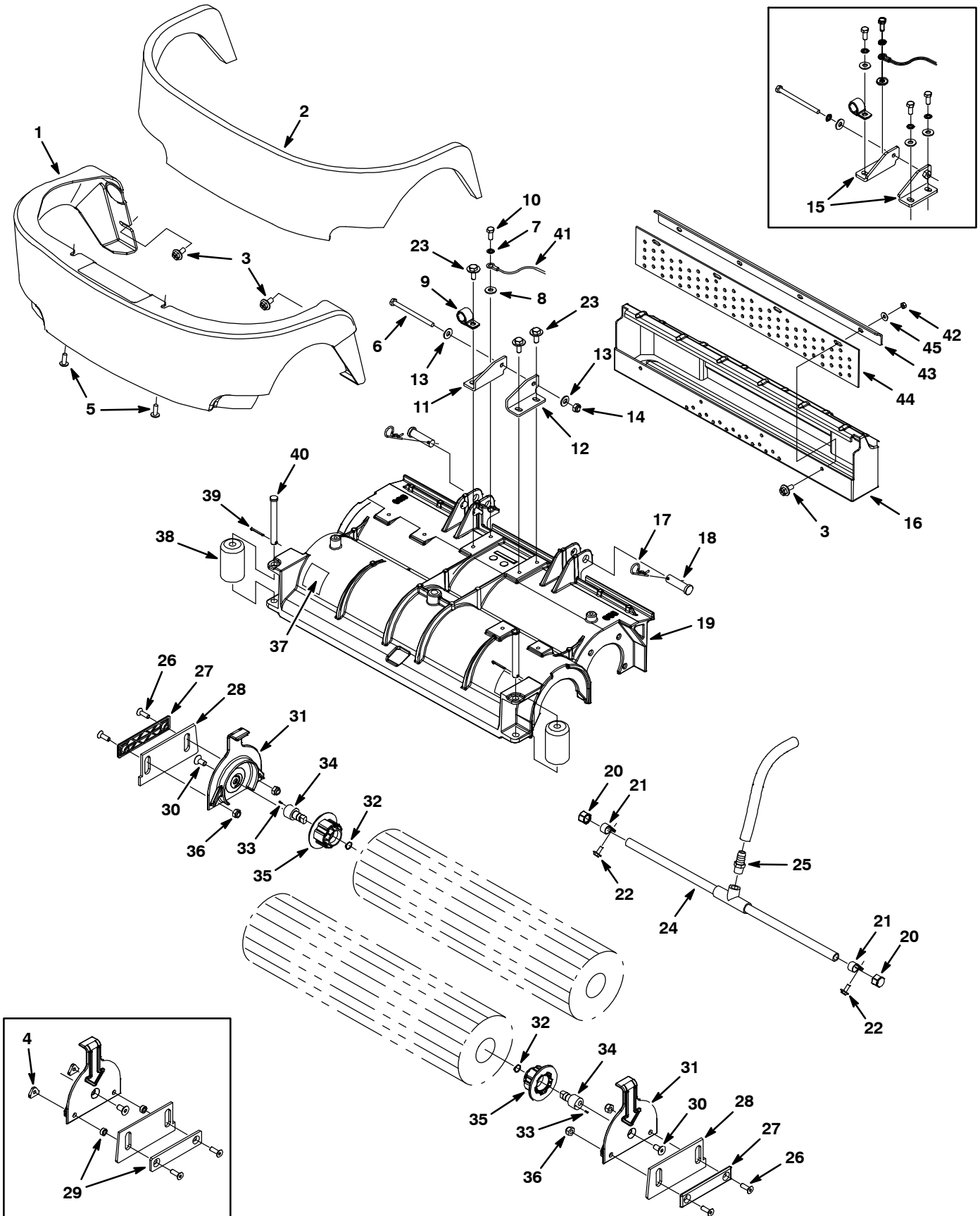
SCRUB HEAD GROUP, CYLINDRICAL 26 in / 650 mm

Ref.	Part No.	Serial Number	Description	Qty.	
1	222692	(00000000-) Screw, Fit, M8 X1.25 X 25, Ss, 18-8, NI	4	
2	1036245	(10383861-) Retainer, Blade, Sqge, Side, Blk, Nyl	2	
3	1026292	(00000000-) Skirt, Side, Scb, Cyl	2	
4	N/A	(00000000-10383860) (Replaced By Item #2)	4	
5	1034731	(00000000-) Screw, Hex, M6 X 1.00 X 16, Sems, Ss	8	
6	01684	(00000000-) Washer, Flat, 0.25 Ss	4	
7	1022807	(00000000-) Cover, Belt	2	
8	1035888	(10338658-) Belt, Drive, 6Grv, 508l X 14w, [6Pj]	2	
9	1020341	(00000000-) Screw, Hex, M8 X 1.25 X 20, Sems, Ss	16	
10	01685	(00000000-) Washer, Flat, 0.31 Ss	4	
11	1035173	(10338658-) Sheave, 06Grv, 2.96pd, 0.59b, Alm [Pj]	2	
12	00961	(00000000-) Key, Sq, 0.19 X 0.19, 0.50l	2	
13	1033528	(10338658-) Sheave, 06Grv, 1.33pd, 0.50b, Alm [Pj]	2	
14	222818	(00000000-) Screw, Set, #08-32 X 0.25, NI	4	
15	1022401	(00000000-) Gasket, Cover, Belt	2	
16	41360	(00000000-) Bearing, Ball, 0.59b 1.26d 0.35w [2seal]	4	
17	1002077	(00000000-) Spacer, 0.59b 0.81d 0.50l	2	
18	1021036	(00000000-) Bracket, Motor, Machined	2	
19	00911	(00000000-) Key, Sq, 0.19 X 0.19, 0.75l	2	
20	1021050	(00000000-) Shaft, Drive	2	
21	378805	(00000000-) Plug, Drive, Brush, Mach	2	
22	1029358	(00000000-) Deflector, Water, Cyl Head	1	
▽	23	1042228	(10419662-) Motor, Ele, 24vdc 1500rpm 0.75hp 23.0a	2
▲		1049739	(10419662-) Brush Kit, Carbon, Motor, Replmt [4pcs]	2
▽	23	1050369	(00000000-10419661) Motor Kit, Cylrcl, Replmt, F/604980 [T5]	2
▲		190152	(00000000-10419661) Brush, Carbon [Pk=4]	2
▲		605305	(00000000-10419661) Spring, Motor, F/ Carbon Brush	8
24	606795	(00000000-10419661) Harness Motor Cyl-Brush	2	
25	140027	(00000000-10419661) Washer, Flat, 0.35b 0.75d .04, Ss	4	
26	43952	(00000000-10419661) Washer, Lock, Int, 0.31 Ss	4	
27	608964	(00000000-10419661) Boot, 90deg .27id 0.64id 1.79l, Blk	4	
28	08713	(00000000-) Nut, Hex, Lock, M8 X 1.25, NI, Ss	2	
29	1025026	(00000000-) Screw, Hex, M8 X 1.25 X 180, Ss	2	
30	1044386	(00000000-) Bracket, Mtg, Motor	2	
31	1022424	(00000000-) Stud, Adj, M16, Scrub Head	1	
32	763066	(00000000-) Nut, Hex, Jam, M16 X 2.0	1	
33	578717	(00000000-) Screw, Hex, M8 X 1.25 X 50, Ss	2	
34	07786	(00000000-) Nut, Hex, Std, M8 X 1.25, Ss	2	
35	1022624	(00000000-) Housing, Head, 65cm Cyl, Mach	1	
36	1024636	(00000000-10338657) Sprocket, 48t, 5p V2	2	
37	375195	(00000000-10338657) Sprocket, Timing, 22tooth, 0.50b, [Gt/2]	2	
38	377500	(00000000-10338657) Belt, Synchronous, 500l, 15mm [05p, Plychn]	2	
39	1052895	(10419662-) Harness, Adapter, Motor [T7/T5]	1	

▽ ASSEMBLY

▲ INCLUDED IN ASSEMBLY

SCRUB HEAD GROUP, CYLINDRICAL 26 in / 650 mm – CONT'D



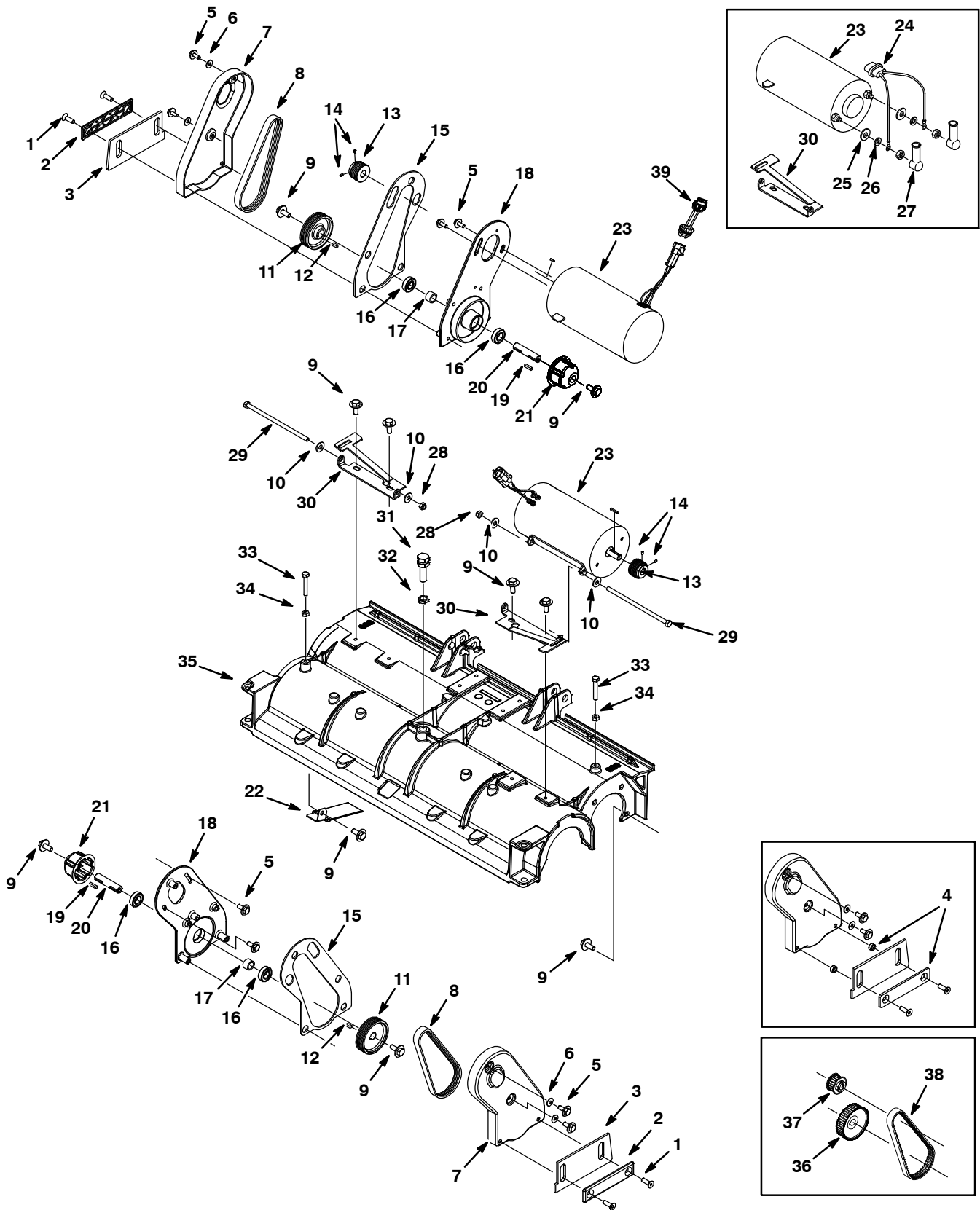
SCRUB HEAD GROUP, CYLINDRICAL 26 in / 650 mm – CONT'D

Ref.	Part No.	Serial Number	Description	Qty.
▽	1	9002677	(00000000-) Kit, Cover, Cyl-Head	1
▲	2	1024940	(00000000-) Insulation, Sound, Front, Cyl Head	1
	3	1034731	(00000000-) Screw, Hex, M6 X 1.00 X 16, Sems, Ss	6
	4	N/A	(00000000-10383860) (Replaced By Item #32)	4
	5	608322	(00000000-) Screw, Trs, M6 X 1.0 X 16, Phl, Ss	2
	6	364441	(00000000-) Screw, Hex, M8 X 1.25 X 110, Ss	1
	7	43952	(00000000-) Washer, Lock, Int, 0.31 Ss	1
	8	01685	(00000000-) Washer, Flat, 0.31 Ss	1
	9	140314	(00000000-) Clamp, Cable, Stl, 0.75d X 0.75w, 1h,Yl	1
	10	12273	(00000000-) Screw, Hex, M8 X 1.25 X 20, Ss, NI	1
	11	1036032	(10330480-) Bracket, Lift, Head, Rh	1
	12	1036025	(10330480-) Bracket, Lift, Head, Lh	1
	13	01685	(00000000-) Washer, Flat, 0.31 Ss	1
	14	08713	(10330480-) Nut, Hex, Lock, M8 X 1.25, NI, Ss	1
	15	N/A	(00000000-10330479) (Replaced By Items #11, 12, 13, & 14)	1
	16	1023465	(00000000-) Hopper, 65cm, Rm-Blk	1
	17	02942	(00000000-) Pin, Hair Cotter, 0.62 D .120 Wir	2
	18	222210	(00000000-) Pin, Clevis, 0.62 D X 2.12l	2
	19	1022624	(00000000-) Housing, Head, 65cm Cyl, Mach	1
	20	1025580	(00000000-) Cap, Plstc, Pf12	2
	21	33584	(00000000-) Clamp, Cable, Stl, 0.63d X 0.50w, 1h	2
	22	1034731	(00000000-) Screw, Hex, M6 X 1.00 X 16, Sems, Ss	2
	23	1020341	(00000000-) Screw, Hex, M8 X 1.25 X 20, Sems, Ss	3
	24	1046049	(00000000-) Tube Assy, Bar, Spray	1
	25	64743	(00000000-) Fitting, Plstc, Str, Bm08/Pm06	1
	26	222692	(00000000-) Screw, Flt, M8 X1.25 X 25, Ss, 18-8, NI	4
	27	1036245	(10383861-) Retainer, Blade, Sqge, Side, Blk, Nyl	2
	28	1026292	(00000000-) Skirt, Side, Scb, Cyl	2
	29	N/A	(00000000-10383860) (Replaced By Item #27)	4
▽		1057922	(00000000-) Door Assy, Cyl Head	2
▲	30	390996	(00000000-) Screw, Flt, M10 X 1.5 X 20, 10.9, NI	1
▲	31	1044145	(00000000-) Door, Brush	1
▲	32	01516	(00000000-) Ring, Retaining, Ext, 0.59d, Basic	1
▲	33	222184	(00000000-) Pin, Roll, .094 D X 0.25l, .094/.097	1
▲	34	222177	(00000000-) Shaft, Idler Plug	1
▲	35	1057629	(00000000-) Plug, Idler, Brush [Sgl Brg]	1
	36	08713	(10383861-) Nut, Hex, Lock, M8 X 1.25, NI, Ss	4
	37	578769	(00000000-) Label, Moving Parts	2
	38	222178	(00000000-) Roller, Pyu, 1.88d 0.53b 3.05l	2
	39	578421	(00000000-) Pin, Cotter, .125d X 1.00l	2
	40	222196	(00000000-) Pin, Clevis, 0.50 D X 4.25l	2
	41	1031370	(00000000-) Wire, 12 Awg X 250mm	1
	42	07785	(00000000-) Nut, Hex, Std, M6 X 1.0, A2, Ss	4
	43	1023536	(00000000-) Lip,Tray, Debris, Scrubhead, 65cm	1
	44	1025272	(00000000-) Skirt, Tray, Debris, 65cm	1
	45	01684	(00000000-) Washer, Flat, 0.27b 0.69d .05, Ss	4

▽ ASSEMBLY

▲ INCLUDED IN ASSEMBLY

SCRUB HEAD GROUP, CYLINDRICAL 32 in / 800 mm



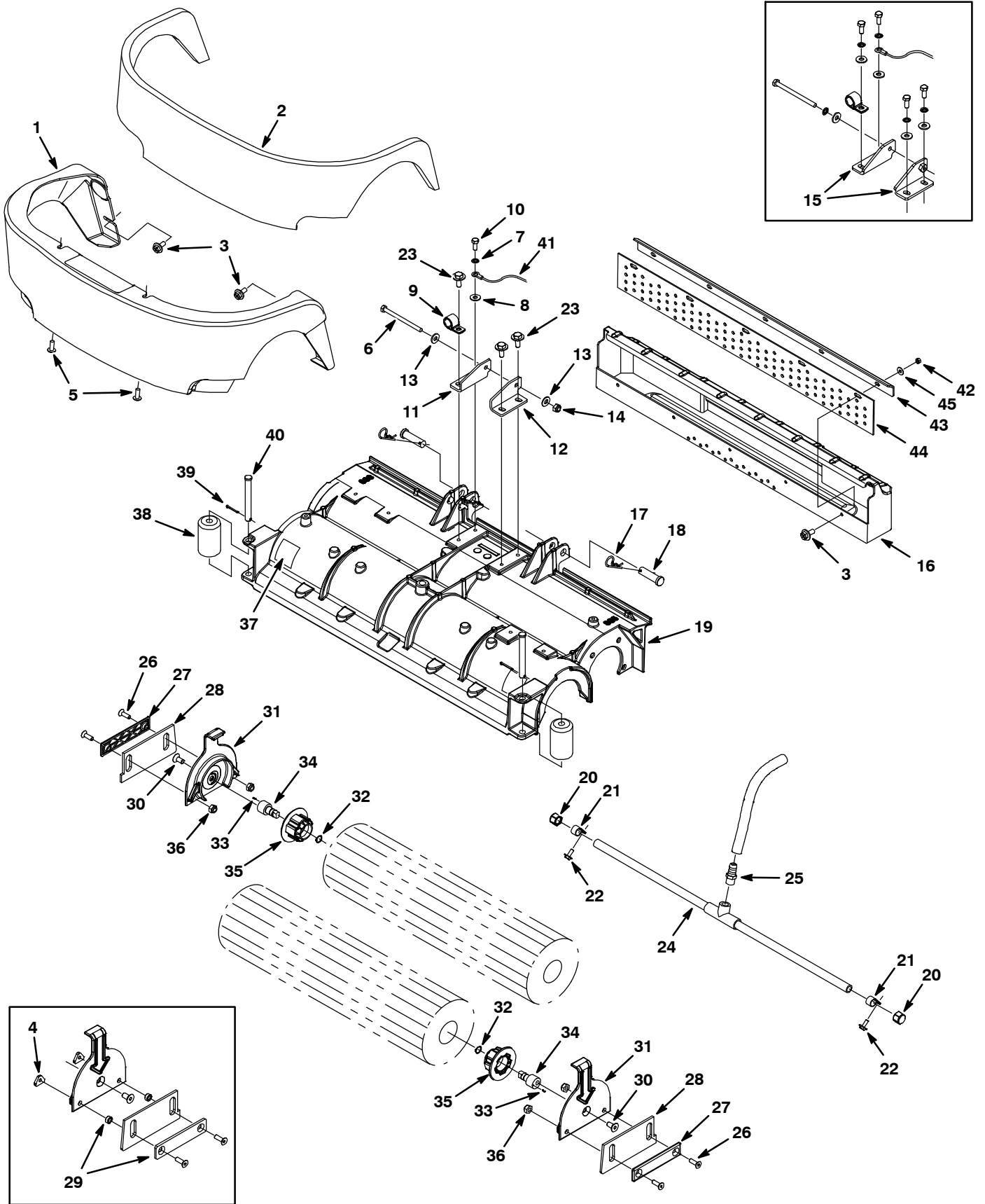
SCRUB HEAD GROUP, CYLINDRICAL 32 in / 800 mm

Ref.	Part No.	Serial Number	Description	Qty.	
1	222692	(00000000-) Screw, Fit, M8 X1.25 X 25, Ss, 18-8, NI	4	
2	1036245	(10353861-) Retainer, Blade, Sqge, Side, Blk, Nyl	2	
3	1026292	(00000000-) Skirt, Side, Scb, Cyl	2	
4	N/A	(00000000-10353860) (Replaced By Item #2)	4	
5	1034731	(00000000-) Screw, Hex, M6 X 1.00 X 16, Sems, Ss	8	
6	01684	(00000000-) Washer, Flat, 0.25 Ss	4	
7	1022807	(00000000-) Cover, Belt	2	
8	1035888	(10338658-) Belt, Drive, 6Grv, 508l X 14w, [6Pj]	2	
9	1020341	(00000000-) Screw, Hex, M8 X 1.25 X 20, Sems, Ss	16	
10	01685	(00000000-) Washer, Flat, 0.31 Ss	4	
11	1035173	(10338658-) Sheave, 06Grv, 2.96pd, 0.59b, Alm [Pj]	2	
12	00961	(00000000-) Key, Sq, 0.19 X 0.19, 0.50l	2	
13	1033528	(10338658-) Sheave, 06Grv, 1.33pd, 0.50b, Alm [Pj]	2	
14	222818	(00000000-) Screw, Set, #08-32 X 0.25, NI	4	
15	1022401	(00000000-) Gasket, Cover, Belt	2	
16	41360	(00000000-) Bearing, Ball, 0.59b 1.26d 0.35w [2seal]	4	
17	1002077	(00000000-) Spacer, 0.59b 0.81d 0.50l	2	
18	1021036	(00000000-) Bracket, Motor, Machined	2	
19	00911	(00000000-) Key, Sq, 0.19 X 0.19, 0.75l	2	
20	1021050	(00000000-) Shaft, Drive	2	
21	378805	(00000000-) Plug, Drive, Brush, Mach	2	
22	1029358	(00000000-) Deflector, Water, Cyl Head	1	
▽	23	1042228	(10419662-) Motor, Ele, 24vdc 1500rpm 0.75hp 23.0a	2
▲		1049739	(10419662-) Brush Kit, Carbon, Motor, Replmt [4pcs]	2
▽	23	1050369	(00000000-10419661) Motor Kit, Cylrcl, Replmt, F/604980 [T5]	2
▲		190152	(00000000-10419661) Brush, Carbon [Pk=4]	2
▲		605305	(00000000-10419661) Spring, Motor, F/ Carbon Brush	8
	24	606795	(00000000-10419661) Harness Motor Cyl-Brush	2
	25	140027	(00000000-10419661) Washer, Flat, 0.35b 0.75d .04, Ss	4
	26	43952	(00000000-10419661) Washer, Lock, Int, 0.31 Ss	4
	27	608964	(00000000-10419661) Boot, 90deg .27id 0.64id 1.79l, Blk	4
	28	08713	(00000000-) Nut, Hex, Lock, M8 X 1.25, NI, Ss	2
	29	1025026	(00000000-) Screw, Hex, M8 X 1.25 X 180, Ss	2
	30	1044386	(00000000-) Bracket, Mtg, Motor	2
	31	1044386	(00000000-) Stud, Adj, M16, Scrub Head	1
	32	763066	(00000000-) Nut, Hex, Jam, M16 X 2.0	1
	33	578717	(00000000-) Screw, Hex, M8 X 1.25 X 50, Ss	2
	34	07786	(00000000-) Nut, Hex, Std, M8 X 1.25, Ss	2
	35	1025039	(00000000-) Housing, Head, 80cm Cyl, Mach	1
	36	1024636	(00000000-10338657) Sprocket, 48t, 5p V2	2
	37	375195	(00000000-10338657) Sprocket, Timing, 22tooth, 0.50b, [Gt/2]	2
	38	377500	(00000000-10338657) Belt, Synchronous, 500l, 15mm [05p, Plychn]	2
	39	1052895	(10409662-) Harness, Adapter, Motor [T7/T5]	1

▽ ASSEMBLY

▲ INCLUDED IN ASSEMBLY

SCRUB HEAD GROUP, CYLINDRICAL 32 in / 800 mm – CONT'D



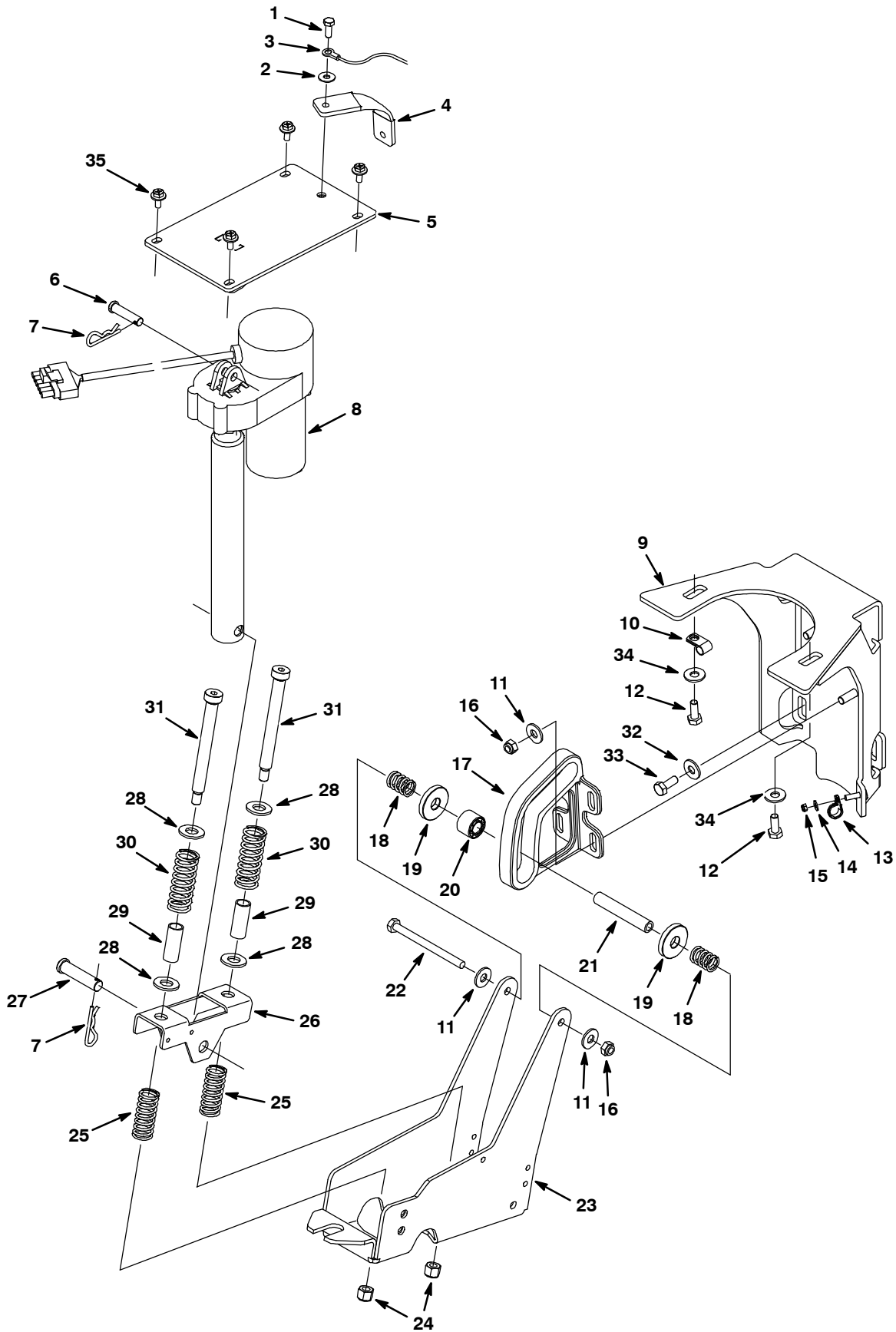
SCRUB HEAD GROUP, CYLINDRICAL 32 in / 800 mm – CONT'D

Ref.	Part No.	Serial Number	Description	Qty.
▽	1	9002677	(00000000-) Kit, Cover, Cyl-Head	1
▲	2	1024940	(00000000-) Insulation, Sound, Front, Cyl Head	1
	3	1034731	(00000000-) Screw, Hex, M6 X 1.00 X 16, Sems, Ss	7
	4	N/A	(00000000-10353860) (Replaced By Item #32)	4
	5	608322	(00000000-) Screw, Trs, M6 X 1.0 X 16, Phl, Ss	2
	6	364441	(00000000-) Screw, Hex, M8 X 1.25 X 110, Ss	1
	7	43952	(00000000-) Washer, Lock, Int, 0.31 Ss	1
	8	01685	(00000000-) Washer, Flat, 0.31 Ss	1
	9	140314	(00000000-) Clamp, Cable, Stl, 0.75d X 0.75w, 1h, Yl	1
	10	12273	(00000000-) Screw, Hex, M8 X 1.25 X 20, Ss, NI	1
	11	1036032	(10330480-) Bracket, Lift, Head, Rh	1
	12	1036025	(10330480-) Bracket, Lift, Head, Lh	1
	13	01685	(10330480-) Washer, Flat, 0.38b 0.88d .08, Ss	1
	14	08713	(10330480-) Nut, Hex, Lock, M8 X 1.25, NI, Ss	1
	15	N/A	(00000000-10330479) (Replaced By Items #11, 12, 13, & 14)	1
	16	1025127	(00000000-) Hopper, 80cm [Rm]	1
	17	02942	(00000000-) Pin, Hair Cotter, 0.62 D .120 Wir	2
	18	222210	(00000000-) Pin, Clevis, 0.62 D X 2.12l	2
	19	1025039	(00000000-) Housing, Head, 80cm Cyl, Mach	1
	20	1025580	(00000000-) Cap, Plstc, Pf12	2
	21	33584	(00000000-) Clamp, Cable, Stl, 0.63d X 0.50w, 1h	2
	22	1034731	(00000000-) Screw, Hex, M6 X 1.00 X 16, Sems, Ss	2
	23	1020341	(00000000-) Screw, Hex, M8 X 1.25 X 20, Sems, Ss	3
	24	1025276	(00000000-) Tube Assy, Bar, Spray [85cm]	1
	25	64743	(00000000-) Fitting, Plstc, Str, Bm08/Pm06	1
	26	222692	(00000000-) Screw, Flt, M8 X1.25 X 25, Ss, 18-8, NI	4
	27	1036245	(10353861-) Retainer, Blade, Sqge, Side, Blk, Nyl	2
	28	1026292	(00000000-) Skirt, Side, Scb, Cyl	2
	29	N/A	(00000000-10353860) (Replaced By Item #27)	4
▽		1057922	(00000000-) Door Assy, Cyl Head	2
▲	30	390996	(00000000-) Screw, Flt, M10 X 1.5 X 20, 10.9, NI	1
▲	31	1044145	(00000000-) Door, Brush	1
▲	32	01516	(00000000-) Ring, Retaining, Ext, 0.59d, Basic	1
▲	33	222184	(00000000-) Pin, Roll, .094 D X 0.25l, .094/.097	1
▲	34	222177	(00000000-) Shaft, Idler Plug	1
▲	35	1057629	(00000000-) Plug, Idler, Brush [Sgl Brg]	1
	36	08713	(10383861-) Nut, Hex, Lock, M8 X 1.25, NI, Ss	4
	37	578769	(00000000-) Label, Moving Parts	2
	38	222178	(00000000-) Roller, Pyu, 1.88d 0.53b 3.05l	2
	39	578421	(00000000-) Pin, Cotter, .125d X 1.00l	2
	40	222196	(00000000-) Pin, Clevis, 0.50 D X 4.25l	2
	41	1031370	(00000000-) Wire, 12 Awg X 250mm	1
	42	07785	(00000000-) Nut, Hex, Std, M6 X 1.0, A2, Ss	5
	43	1025150	(00000000-) Lip, Tray, Debris, Scrubhead, 80cm	1
	44	1025273	(00000000-) Skirt, Tray, Debris, 80cm	1
	45	01684	(00000000-) Washer, Flat, 0.25 Ss	4

▽ ASSEMBLY

▲ INCLUDED IN ASSEMBLY

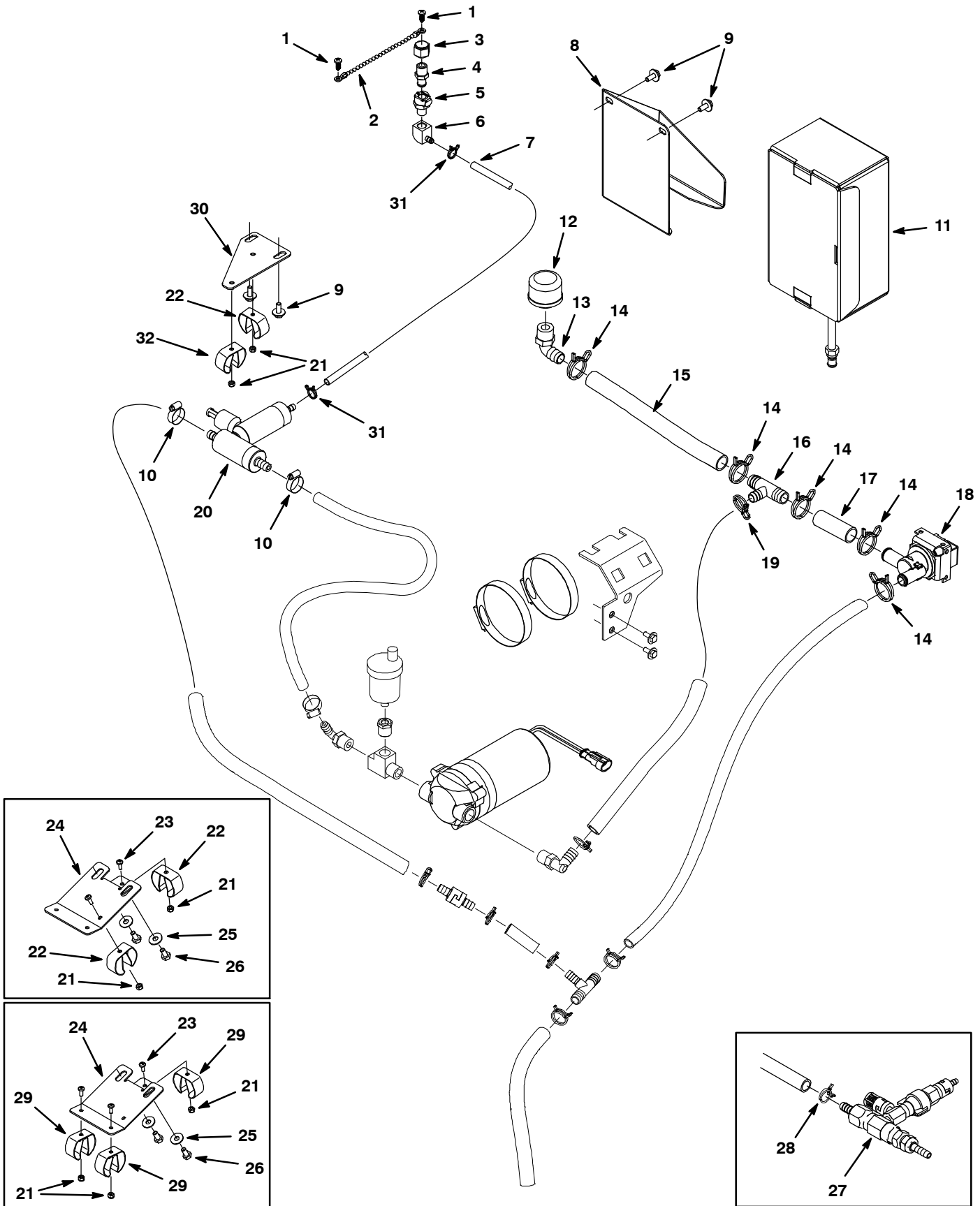
SCRUBHEAD LIFT GROUP



SCRUBHEAD LIFT GROUP

Ref.	Part No.	Serial Number	Description	Qty.
1	11329	(00000000-) Screw, Hex, M6 X 1.0 X 16, Ss, NI	1
2	01684	(00000000-) Washer, Flat, 0.25 Ss	1
3	1029310	(00000000-) Harness, Ground, 12 Awg	1
4	1029051	(00000000-) Strap, Static, Controller	1
5	1022913	(00000000-) Bracket Wldt, Actuator, Upper	1
6	29558	(00000000-) Pin, Clevis, 0.37 D X 1.50l	1
7	140626	(00000000-) Pin, Hair Cotter, 0.25 D .125 Wir	2
8	1023035	(00000000-) Actuator, 24vdc, 6.0 Strk, 600lb	1
9	1049367	(00000000-) Bracket, Sppt, Guide, Rlr	1
10	40678	(00000000-) Clamp, Cable, Stl, 0.44d X 0.62w, 1h	1
11	01685	(00000000-) Washer, Flat, 0.31 Ss	6
12	12273	(00000000-) Screw, Hex, M8 X 1.25 X 20, Ss, NI	2
13	33584	(00000000-) Clamp, Cable, Stl, 0.63d X 0.50w, 1hole	1
14	01683	(00000000-) Washer, Flat, #10 Ss	1
15	09739	(00000000-) Nut, Hex, Lock, M5 X 0.8, NI, Ss	1
16	08713	(00000000-) Nut, Hex, Lock, M8 X 1.25, NI, Ss	5
17	1023592	(00000000-) Bracket, Guide, Roller	1
18	607920	(00000000-) Spring, Cmpr, 18.3d, 2.4w, 25.4l Mw	2
19	607568	(00000000-) Washer, P/M, 1.500d, 0.500b 0.25l Bnz	2
20	1023658	(00000000-) Roller, Linkage, Head Lift	1
21	1023653	(00000000-) Shaft, Rlr, Head-Lift	1
22	386299	(00000000-) Screw, Hex, M8 X 1.25 X 100, Ss	1
23	1024911	(00000000-) Bracket, Roller, Scrubhead, Sheet Metal	1
24	59156	(00000000-) Nut, Hex, Lock, .38-16, NI, Ss	2
25	63185	(00000000-) Spring, Cmpr, 0.85od .09wir 2.0l	2
26	1023575	(00000000-) Bracket, Spring, Down Press	1
27	51534	(00000000-) Pin, Clevis, 0.50 D X 2.00l	1
28	32486	(00000000-) Washer, Flat, 0.50 Sae	4
29	1024969	(00000000-) Sleeve, P/M, 0.629d 09.5	2
30	45261	(00000000-) Spring, Cmpr, 0.97od .11wir 2.5l	2
31	45960	(00000000-) Bolt, Shld, .50d X 4.25, .38-16	2
32	1016331	(00000000-) Washer, Flat, 0.34b 1.25d .11, Ss	2
33	12333	(00000000-) Screw, Hex, M8 X 1.25 X 25, Ss, NI	2
34	69461	(00000000-) Washer, Flat, 0.38b 0.88d .12, Stl, Pl	2
35	1034731	(00000000-) Screw, Hex, M6 X 1.00 X 16, Sems, Ss	4

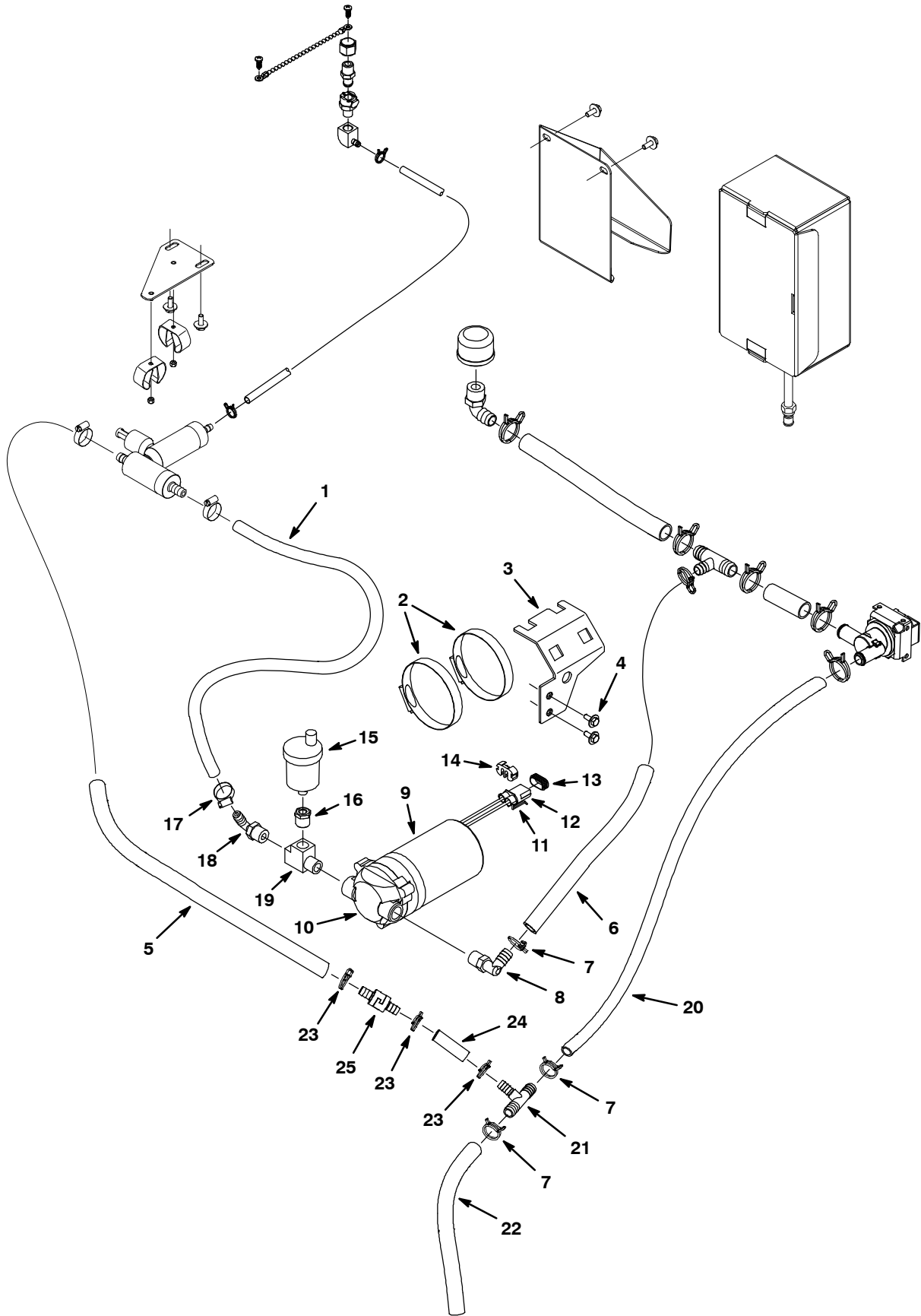
SOLUTION GROUP, FaST MODEL



SOLUTION GROUP, FaST MODEL

Ref.	Part No.	Serial Number	Description	Qty.
1	1018155	(00000000-) Screw, Pan, M5 X 0.8 X16, Ss, Tcut	2
2	621443	(00000000-) Chain, Ball, #10 X 157I, Ss	1
3	1005435	(00000000-) Fitting, Plstc, Cap, Pf04, Pipe	1
4	1002899	(00000000-) Fitting, Plstc, Str, Pm04, Cplg, Mal	1
5	1029262	(00000000-) Fitting, Plstc, Str, Pf04, Cplg, Fem	1
6	1028773	(00000000-) Fitting, Brs, E90, Pf04/Bm04	1
7	1006415	(00000000-) Hose, Afmkt, Pvc, Clr 0.25id 3ft	1
8	1036339	(00000000-) Bracket, Mtg, Detgt [T5]	1
9	1034731	(10369603-) Screw, Hex, M6 X 1.00 X 16, Sems, Ss	4
10	54333	(00000000-) Clamp, Hose, Wormdrive, 0.31-0.88d, .31w	3
11	1017015	(00000000-) Detergent Pkg, 2 Liter, Sgl [365] (Standard)	1
11	1017022	(00000000-) Detergent Pkg, 2 Liter, Sgl [665] (Optional)	1
11	9002021	(00000000-) Fast 965 2 Ltr, Detergent (Optional)	1
12	1015522	(00000000-) Filter, Screen, 080 Mesh, Pf08, Ss	1
13	630371	(00000000-) Fitting, Plstc, E90, Bm10/Pm08	1
14	1041978	(00000000-) Clamp, Hose, Wir, .85 - .90, Silver	5
15	1035355	(00000000-) Hose, Afmkt, Pvc, Clr, 0.62id, 02ft	1
16	1015486	(00000000-) Fitting, Plstc, Tee, Bm10/Bm08/Bm10	1
17	605099	(00000000-) Hose, Pvc, Clr, 0.62id 0.88od 3.0l	1
18	1059224	(00000000-) Valve, Water, Solenoid, 24vdc, Bm10/Bm10	1
19	607776	(00000000-) Clamp, Hose, Wire, .73 - .77, Silver	1
20	9003908	(10347532-) Fast Kit, Injector[T5 70/80Cm, Fast II+] (See Breakdowns)	1
20	9003907	(10348538-) Fast Kit, Injector[T5 60/65Cm, Fast II+] (See Breakdowns)	1
21	33932	(10347532-) Nut, Hex, Lock, M4 X 0.7, NI, Ss	2
21	33932	(00000000-10347531) Nut, Hex, Lock, M4 X 0.7, NI, Ss	3
22	573073	(10347532-) Clip, Grip, Hose, 1.00-1.38, Zn	1
23	49697	(10347532-10369602) Screw, Pan, M4 X 0.7 X 10, Ss	2
23	49697	(00000000-10347531) Screw, Pan, M4 X 0.7 X 10, Ss	3
24	N/A	(00000000-10369602) (Replaced By Item #30)	1
25	01684	(00000000-10369602) Washer, Flat, 0.25 Ss	2
26	11635	(00000000-10369602) Screw, Hex, M6 X 1.0 X 12, Ss, NI	2
27	9003812	(00000000-10347531) Fast Kit, Conv, Ci[T5 70/80Cm, Fast II+] (700mm/800mm Disk & 800mm Cyl Models)	1
27	9003810	(00000000-10348537) Fast Kit, Conv, Ci[T5 60/65Cm, FaST II+] (600mm Disk & 650mm Cyl Models)	1
28	607775	(00000000-10348537) Clamp, Hose, Wir, .63 - .66, Blk	1
29	1014295	(00000000-10347531) Clip, Spring, Holder, Blk Vyl Coated	3
30	1040982	(10369603-) Plate, Mtg, Injector [T5/Ss5 Fast II+]	1
31	613735	(00000000-) Clamp, Hose, Wir, .40 - .42, Yel	2
32	1014295	(00000000-) Clip, Grip, Hose, 0.75-1.12, Stl,Blk Vyl	1

SOLUTION GROUP, FaST MODEL - CONT'D



SOLUTION GROUP, FaST MODEL – CONT'D

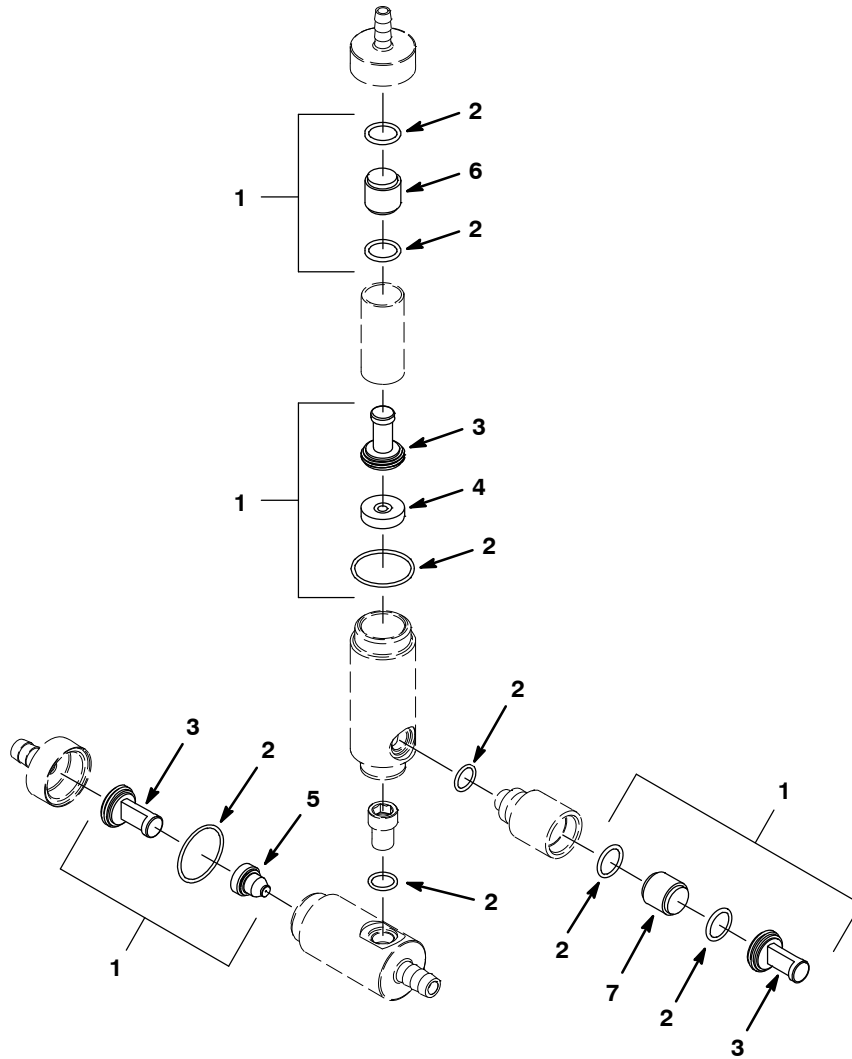
Ref.	Part No.	Serial Number	Description	Qty.	
1	9002542	(00000000–) Hose, .38id X 0.6od Pvc 376720 Ft 3.5	1	
2	43555	(00000000–) Clamp, Hose, Wormdrive, 2.50–3.50d, .50w	2	
3	1023463	(00000000–) Bracket, Mtg, Pump	1	
4	1034731	(00000000–) Screw, Hex, M6 X 1.00 X 16, Sems, Ss	2	
5	9004748	(00000000–) Hose, Pyu, Clr, 0.38id 0.62od 42l	1	
6	613521	(00000000–) Tubing 1/2idx3/4od Vnyl 611259 Ft 1.000	1	
7	607776	(00000000–) Clamp, Hose, Wire, .73 – .77, Silver	3	
8	1017532	(00000000–) Fitting, Plstc, E90, Bm08/Pm06	1	
▽	9	1014282	(00000000–) Pump, Soltn, Ele, 24vdc, 60psi, Packard	1
▲	10	9001240	(00000000–) Pump Kit, Head, Soltn	1
▲	11	78950	(00000000–) Connector, Fem, 02cav, Mp280 Sealed	1
▲	12	78951	(00000000–) Terminal, Fem, Mp280, Sealed, 18–16ga	1
▲	13	10917	(00000000–) Seal, Wire, 14/16ga [Wp / Mp280 Sealed]	1
▲	14	78952	(00000000–) Lock, Secondary, 2cav, Mp280 Sealed	1
	15	1017386	(00000000–) Valve, Air Vent, Float Type	1
	16	24698	(00000000–) Fitting, Brs, Str, Pf02/Pm06	1
	17	54333	(00000000–) Clamp, Hose, Wormdrive, 0.31–0.88d, .31w	1
	18	1005630	(00000000–) Fitting, Plstc, E90, Bm06/Pm06, Nyl	1
	19	601483	(00000000–) Fitting, Brs, Tee, Pm06/Pf06, Strt, T	1
	20	613531	(00000000–) Tubing 1/2idx3/4od Vinyl 611259 Ft 3.750	1
	21	630372	(00000000–) Fitting, Plstc, Tee, Bm08/Bm06/Bm08	1
	22	613521	(00000000–) Tubing 1/2idx3/4od Vnyl 611259 Ft 1.000	1
	23	607775	(00000000–) Clamp, Hose, Wir, .63 – .66, Blk	3
	24	606362	(00000000–) Hose 3/8idx5/8odx6.5 (611254)	1
	25	1040501	(10347532–) Valve, Check, 0015 Psi, Bm06/Bm06 (700mm/800mm Disk & 800mm Cyl Models)	1
	25	1015455	(10348538–) Valve, Check, 0005 Psi, Bm06/Bm06 (600mm Disk & 650mm Cyl Models)	1
	25	1015455	(00000000–10347531) Valve, Check, 0005 Psi, Bm06/Bm06 (700mm/800mm Disk & 800mm Cyl Models)	1
	25	1015455	(00000000–10348537) Valve, Check, 0005 Psi, Bm06/Bm06 (600mm Disk & 650mm Cyl Models)	1

▽ ASSEMBLY

▲ INCLUDED IN ASSEMBLY

STANDARD PARTS

9003908 FAST INJECTOR ASSEMBLY BREAKDOWN (S/N 10347532-) 700 mm / 800 mm DISK & 800 mm CYLINDRICAL MODELS

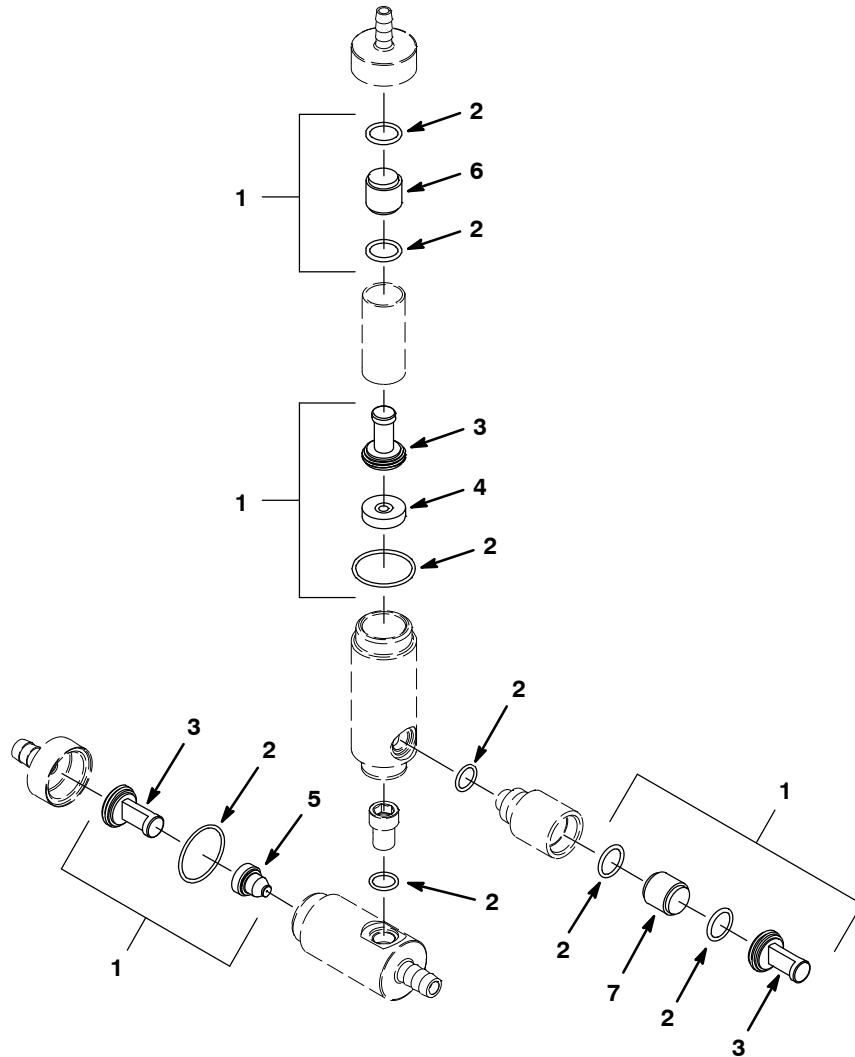


Ref.	Part No.	Serial Number	Description	Qty.
▽	9003908	(10347532-)	Fast Kit, Injector[T5 70/80cm, Fast li+]	1
▲	1	(10347532-)	Fast Kit, Ci[Inj Reblid, T5 70/80cm, li+]	1
▲	2	(10347532-)	Fast Kit, Ci, Injector Seals [Fast li+]	1
▲	3	(10347532-)	Fast Kit, Ci, Injector Filters[Fast li+]	1
▲	4	(10347532-)	Plate Assy, Orifice, 0.0075id, Blu	1
▲	5	(10347532-)	Plug, Orifice, 0.033, Ss [Fast li+]	1
▲	6	(10347532-)	Valve, Check, 0002psi [Fast li+]	1
▲	7	(10347532-)	Valve, Check, 0005psi [Fast li+]	1

▽ ASSEMBLY

▲ INCLUDED IN ASSEMBLY

9003907 FAST INJECTOR ASSEMBLY BREAKDOWN (S/N 10348538-)
 600 mm DISK & 650 mm CYLINDRICAL MODELS



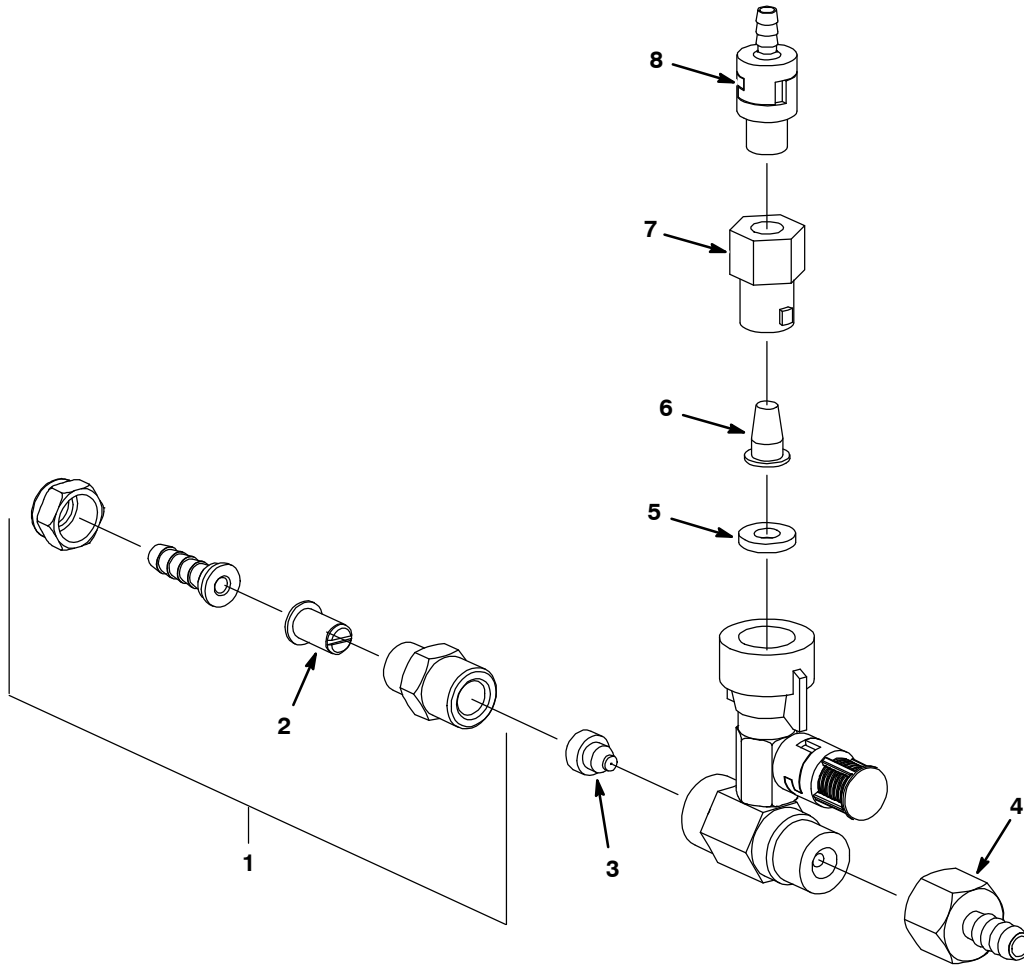
Ref.	Part No.	Serial Number	Description	Qty.
▽	9003907	(10348538-)	Fast Kit, Injector[T5 60/65cm, Fast li+]	1
▲	1	9003811 (10348538-)	Fast Kit, Ci[Inj Reblid, T5 60/65cm, li+]	1
▲	2	9003008 (10348538-)	Fast Kit, Ci, Injector Seals [Fast li+]	1
▲	3	9003009 (10348538-)	3ast Kit, Ci, Injector Filters[Fast li+]	1
▲	4	1032284 (10348538-)	Plate Assy, Orifice, 0.007id, Red	1
▲	5	1039989 (10348538-)	Plug, Orifice, 0.030, Ss [Fast li+]	1
▲	6	1030444 (10348538-)	Valve, Check, 0002psi [Fast li+]	1
▲	7	1030441 (10348538-)	Valve, Check, 0005psi [Fast li+]	1

▽ ASSEMBLY

▲ INCLUDED IN ASSEMBLY

STANDARD PARTS

9003812 FAST INJECTOR ASSEMBLY BREAKDOWN (S/N 00000000-10347531) 700 mm / 800 mm DISK & 800 mm CYLINDRICAL MODELS

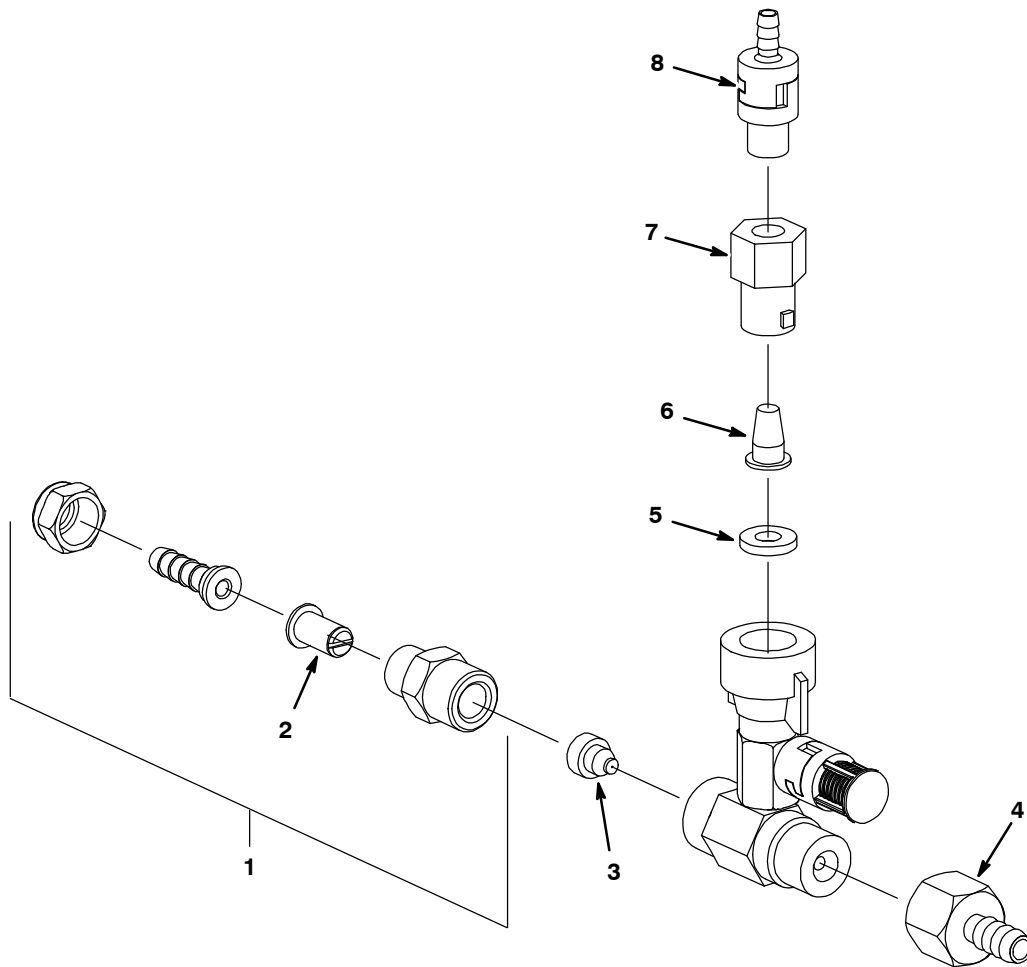


Ref.	Part No.	Serial Number	Description	Qty.
▽	9003812	(00000000-10347531) Fast Kit, Conv, Ci[T5 70/80cm, Fast li+]	1
▲	1	1013411	(00000000-10347531) Filter Assy, 050mesh	1
▲	2	1006447	(00000000-10347531) Vr, Filter, Screen, 050 Mesh .59d .8l Ss	1
	3	1039579	(00000000-10347531) Plug, Orifice, 0.033, Ss [Fast li+]	1
	4	1014276	(00000000-10347531) Fitting, Brs, Str, Bm06/Pf08	1
	5	1039978	(00000000-10347531) Plate Assy, Orifice, 0.0075id, Blu	1
	6	1029355	(00000000-10347531) Vr, Filter, Screen, 200 Mesh .59d .8l Ss	1
	7	1005507	(00000000-10347531) Fitting, Plstc, Body, Spray, Pf04	1
	8	1014254	(00000000-10347531) Valve, Check, 0002psi Bm04/Pm04	1

▽ ASSEMBLY

▲ INCLUDED IN ASSEMBLY

9003810 FAST INJECTOR ASSEMBLY BREAKDOWN (S/N 0000000-10348537)
600 mm DISK & 650 mm CYLINDRICAL MODELS

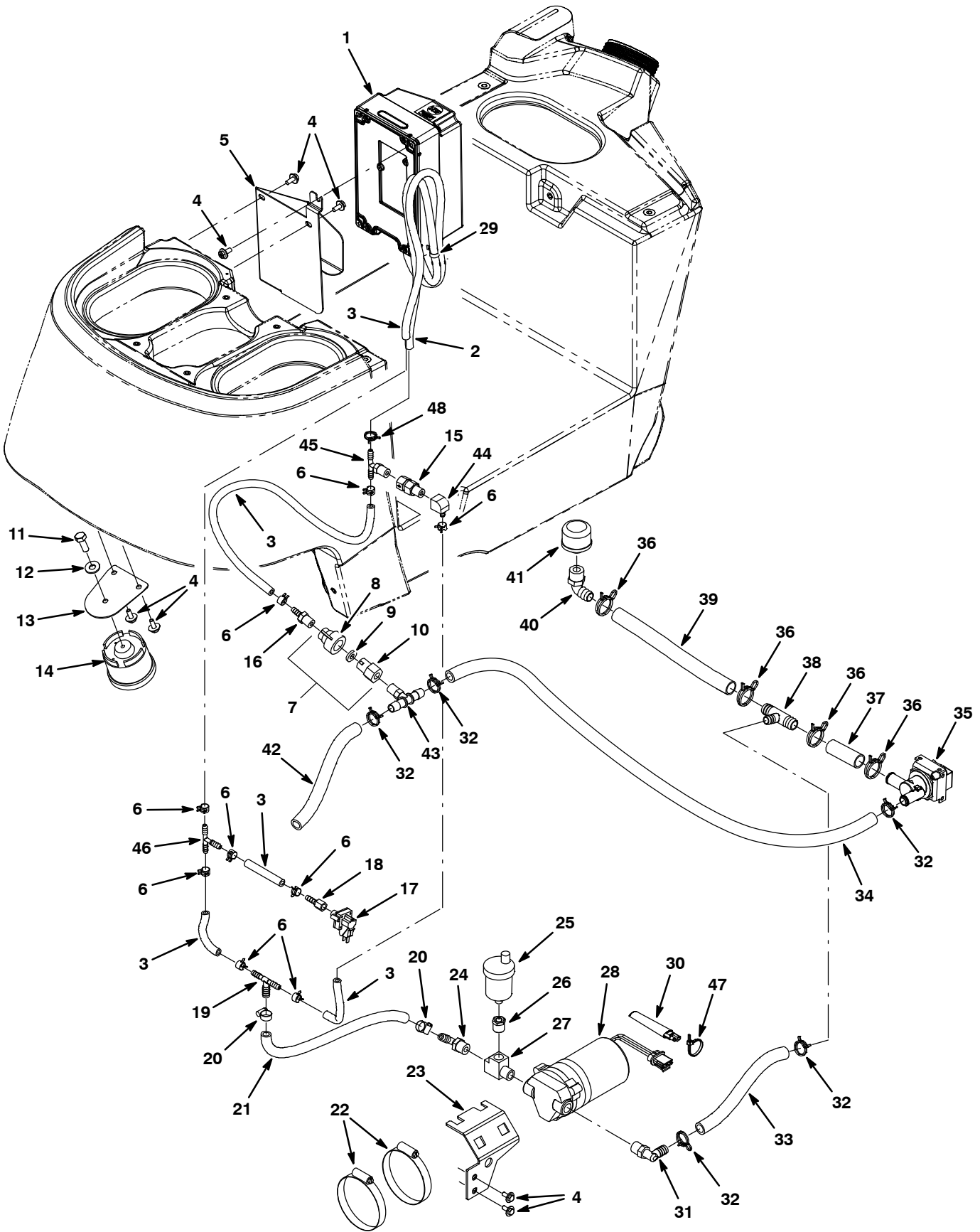


Ref.	Part No.	Serial Number	Description	Qty.
▽	9003810	(00000000-10348537)) Fast Kit, Conv, Ci[T5 60/65cm, Fast li+]	1
▲	1	1013411 (00000000-10348537)) Filter Assy, 050mesh	1
▲	2	1006447 (00000000-10348537)) Vr, Filter, Screen, 050 Mesh .59d .8l Ss	1
	3	1039988 (00000000-10348537)) Plug, Orifice, 0.027, Ss [Fast li+]	1
	4	1014276 (00000000-10348537)) Fitting, Brs, Str, Bm06/Pf08	1
	5	1032284 (00000000-10348537)) Plate Assy, Orifice, 0.007id, Red	1
	6	1029355 (00000000-10348537)) Vr, Filter, Screen, 200 Mesh .59d .8l Ss	1
	7	1005507 (00000000-10348537)) Fitting, Plstc, Body, Spray, Pf04	1
	8	1014254 (00000000-10348537)) Valve, Check, 0002psi Bm04/Pm04	1

▽ ASSEMBLY

▲ INCLUDED IN ASSEMBLY

SOLUTION GROUP, *ec-H2O* MODEL



SOLUTION GROUP, *ec-H2O* MODEL

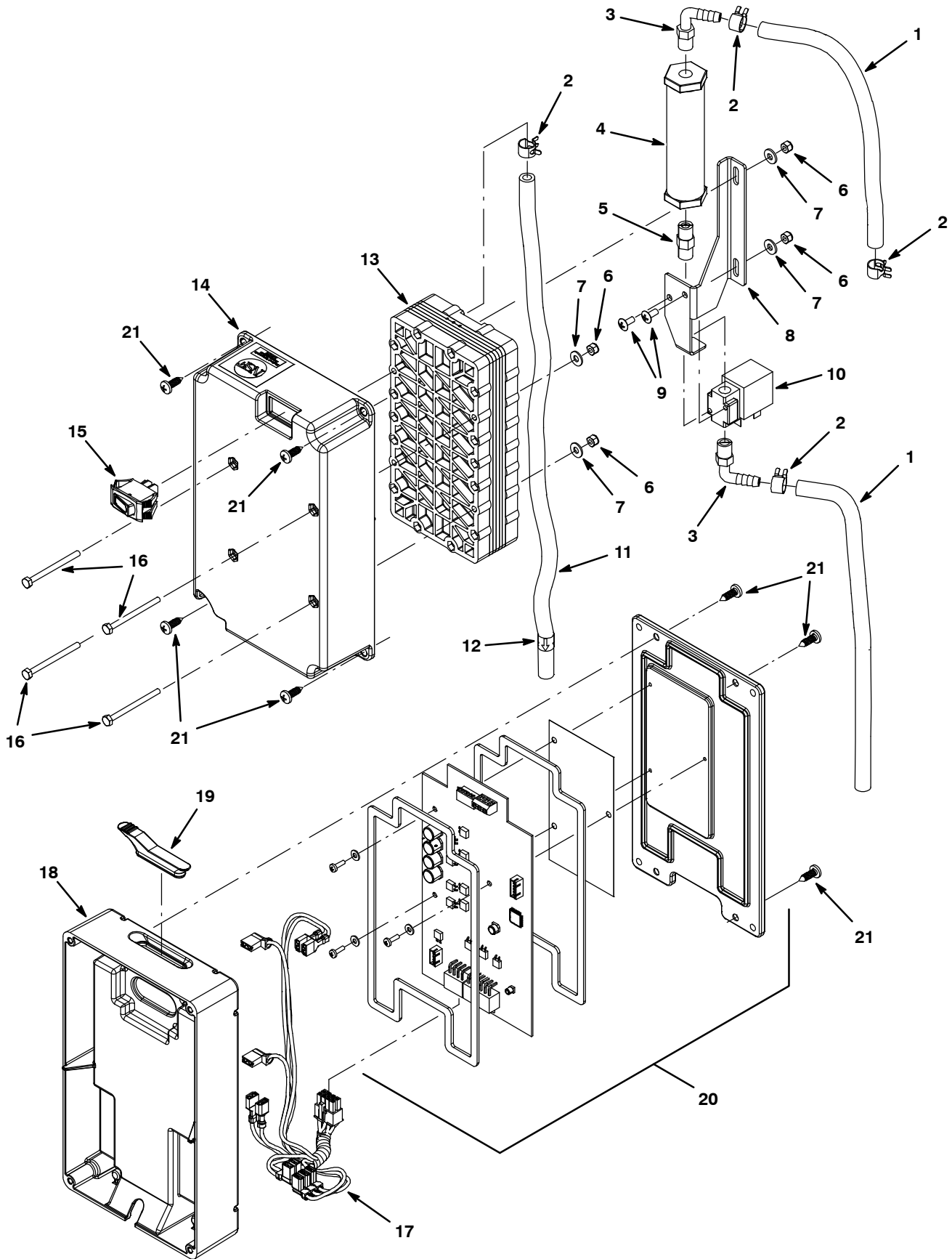
Ref.	Part No.	Serial Number	Description	Qty.	
1	9006161	(10378380-) Module Kit, Replmt [Ec-H2o] (See Breakdown)	1	
2	9004606	(10378380-) Hose, Pvc, Brd, .25id .45od 46l, Clr	1	
3	578820000	(10378380-) Hose, Pvc, Brd, 0.25id 0.44od 157.2l,Clr	1	
4	1034731	(00000000-) Screw, Hex, M6 X 1.00 X 16, Sems, Ss	7	
5	1040881	(10378380-) Bracket, Mtg, Martini [T5]	1	
6	603654	(10378380-) Clamp, Hose, Ear, .44d [Ctb]	9	
▽	7	1043866	(10378380-) Fitting Assy, Qd, Pf04	1
▲	8	1005506	(10378380-) Fitting, Plstc, Cap, Spray, Pf04	1
▲	9	1047655	(10378380-) Washer, Flat, 0.40b 0.75d .12 [Viton]	1
▲	10	1005507	(10378380-) Fitting, Plstc, Body, Spray, Pf04	1
11	01697	(10378380-) Screw, Hex, .25-20 X 0.62, Ss	1	
12	01685	(10378380-) Washer, Flat, 0.38b 0.88d .08, Ss	1	
13	1044192	(10378380-) Bracket, Mtg, Horn [Ec-H2o]	1	
14	1018505	(10446231-) Horn, 12-48vdc [88.5 Decibels]	1	
14	392937	(10378380-10446230) Horn, 12-48vdc [94 Decibels]	1	
15	1044790	(10378380-) Valve, Check, 0025psi Pm04/Pf04	1	
16	50901	(10378380-) Fitting, Plstc, Str, Bm04/Pm04	1	
17	1044414	(10378380-) Switch, Press, 12psi, Pm02	1	
18	150520	(10378380-) Fitting, Brs, Str, Bm04/Pf02	1	
19	1014441	(10378380-) Fitting, Plstc, Tee, Bm04/Bm04/Bm06, Br	1	
20	54333	(10378380-) Clamp, Hose, Wormdrive, 0.31-0.88d, .31w	2	
21	1006400	(10378380-) Hose, Afmkt, Pvc, Brd, 0.38id, 03ft, Clr	1	
22	43555	(00000000-) Clamp, Hose, Wormdrive, 2.50-3.50d, .50w	2	
23	1023463	(00000000-) Bracket, Mtg, Pump [T5]	1	
24	1005630	(00000000-) Fitting, Plstc, E90, Bm06/Pm06, Nyl	1	
25	1017386	(00000000-) Valve, Vent, Air, Float Type	1	
26	24698	(00000000-) Fitting, Brs, Str, Pf02/Pm06	1	
27	601483	(00000000-) Fitting, Brs, Tee, Pf06/Pf06/Pm06, Run	1	
28	1042495	(10378380-) Pump, Soltn, Ele, 24vdc, 35psi (See Breakdown)	1	
29	140328	(00000000-) Clamp, Cable, Nyl, 0.38d, Blk	1	
30	1040868	(10378380-) Capacitor, Plug [.01 Uf, 200v]	1	
31	1017532	(00000000-) Fitting, Plstc, E90, Bm08/Pm06	1	
32	607776	(00000000-) Clamp, Hose, Wir, .73 - .77, Silver	5	
33	613521	(00000000-) Hose, Pvc, Clr, 0.50id 0.75od 012.0l (611259)	1	
34	613531	(00000000-) Hose, Pvc, Clr, 0.50id 0.75od 045.0l (611259)	1	
35	1013599	(00000000-) Valve, Water, Solenoid, 24vdc Bm10/Bm10	1	
36	1041978	(00000000-) Clamp, Hose, Wir, .85 - .90, Silver	4	
37	605099	(00000000-) Hose, Pvc, Clr, 0.62id 0.88od 003.0l (611259)	1	
38	1015486	(00000000-) Fitting, Plstc, Tee, Bm08/Bm10/Bm10, Br	1	
39	1035355	(00000000-) Hose, Afmkt, Pvc, Clr, 0.62id, 02ft (611259)	1	
40	630371	(00000000-) Fitting, Plstc, E90, Bm10/Pm08	1	
41	1015522	(00000000-) Filter, Screen, 080mesh, Ss, Pf08	1	
42	613521	(00000000-) Hose, Pvc, Clr, 0.50id 0.75od 012.0l (611259)	1	
43	1010791	(10378380-) Fitting, Plstc, Tee, Bm08/Bm08/Pm04, Br	1	
44	1028773	(10378380-) Fitting, Brs, E90, Bm04/Pf04	1	
45	607306	(10378380-) Fitting, Plstc, Tee, Bm04/Bm04/Pm04, Br	1	
46	150713	(10378380-) Fitting, Plstc, Tee, Bm04/Bm04/Bm04	1	
47	130773	(10378380-) Tie, Cable, Nyl, 11.0l, .14w, 3.0 Max. D	1	
48	613735	(10378380-) Clamp, Hose, Wir, .40 - .42, Yel	1	

▽ ASSEMBLY

▲ INCLUDED IN ASSEMBLY

STANDARD PARTS

ec-H2O MODULE ASSEMBLY BREAKDOWN, 9007970 (S/N 10448305-)



ec-H2O MODULE ASSEMBLY BREAKDOWN, 9007970 (S/N 10448305-)

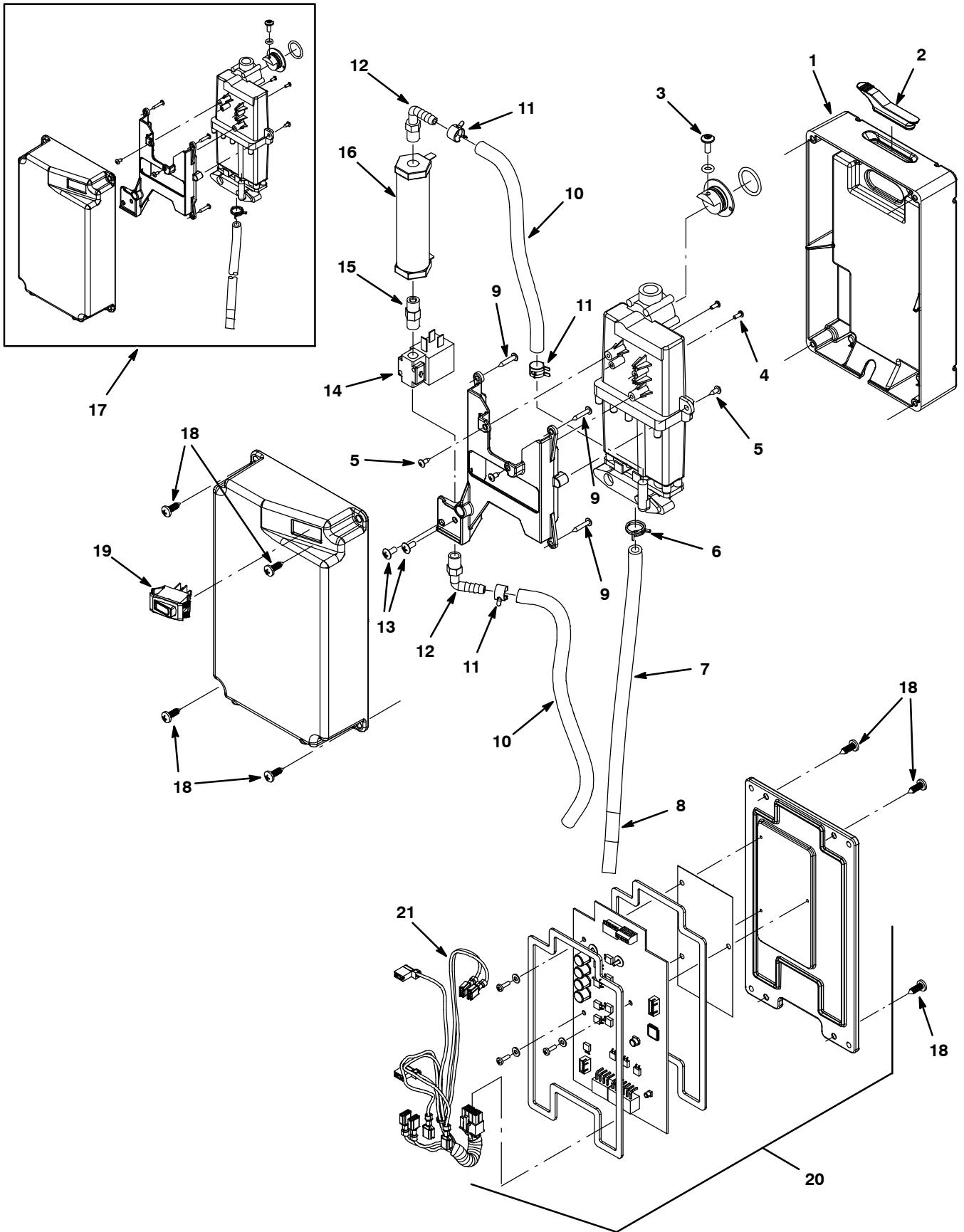
Ref.	Part No.	Serial Number	Description	Qty.
▽	9007970	(00000000-) Module Kit, Replmt [Ec-H2o]	1
▲▽	9006324	(00000000-) Ec-H2o Kit [Module B, Plumbing]	1
▲▲	1 578820000	(00000000-) Hose, Pvc, Brd, 0.25id 0.44od 157.2l,Clr	1
▲▲	2 603654	(00000000-) Clamp, Hose, Ear, .44d [Ctb]	4
▲▲	3 1037595	(00000000-) Fitting, Plstc, E90, Bm04/Pm02, Nyl	2
▲▲	4 1062006	(00000000-) Electrode, Cylindrical	1
▲▲	5 1045030	(00000000-) Fitting, Brs, Str, Pm02/Pm02	1
▲▲	6 33932	(00000000-) Nut, Hex, Lock, M4 X 0.70, NI, Ss	4
▲▲	7 41579	(00000000-) Washer, Flat, 08, Ss	4
▲▲	8 1048490	(00000000-) Bracket, Valve	1
▲▲	9 140801	(00000000-) Screw, Trs, Phl, 08-32 X 0.38, Ss	2
▲▲	10 1013236	(00000000-) Valve, Shutoff, Ele, 24vdc	1
▲▲	11 9006574	(00000000-) Hose, Pvc, Brd, 0.25id 0.45od, 65l, Clr	1
▲▲	12 1049637	(00000000-) Label, Direction [Ec-H2o]	1
▲▲	13 1057637	(00000000-) Electrode, 5 Plate, High Flow	1
▲▲	14 1051519	(00000000-) Housing, Upper, Module, High Flow	1
▲▲	15 1044393	(00000000-) Switch, Rocker, Spst, Mom,	1
▲▲	16 32509	(00000000-) Screw, Hex, M4 X 0.70 X 50, Ss	4
▲▲	17 1049489	(00000000-) Harness, Main, Controller [Ec-H2o, P3]	1
▲	18 1037032	(00000000-) Housing, Bottom	1
▲	19 1054776	(00000000-) Grommet, Blind	1
▲	20 9007969	(00000000-) Controller Kit, Replmt [Ec-H2o]	1
▲	21 1018155	(00000000-) Screw, Pan, Phl, M5 X 0.80 X 16, Tcut,Ss	8

▽ ASSEMBLY

▲ INCLUDED IN ASSEMBLY

STANDARD PARTS

ec-H2O MODULE ASSEMBLY BREAKDOWN, 9006161 (S/N 10378380-10448304)



ec-H2O MODULE ASSEMBLY BREAKDOWN, 9006161 (S/N 10378380-10448304)

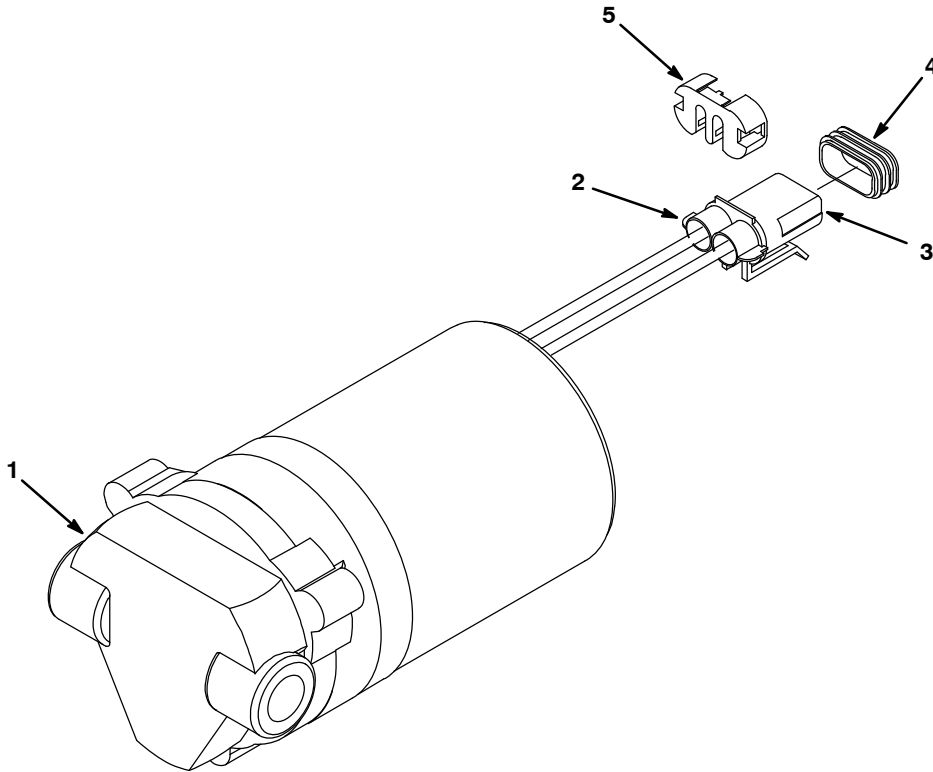
Ref.	Part No.	Serial Number	Description	Qty.
▽	9006161	(10378380-10448304)	Module Kit, Replmt [Ec-H2o]	1
▲	1 1037032	(10378380-)	Housing, Bottom	1
▲	2 1054776	(10378380-)	Grommet, Blind	1
▲	3 609062	(10378380-10448304)	Screw, Trs, Phl, 08-32 X 0.38, Ss	1
▲	4 578860	(10378380-10448304)	Screw, Pan, Phl, 04-40 X 0.31, Pl	2
▲	5 3701.6	(10378380-10448304)	Screw, Pan, Phl, 06-32 X 0.38, Shtmtl,Ss	4
▲	6 613735	(10378380-)	Clamp, Hose, Wir, .40 - .42, Yel	1
▲	7 9004606	(10378380-10448304)	Hose, Pvc, Brd, .25id .45od 46l, Clr	1
▲	8 1049637	(10378380-)	Label, Direction [Ec-H2o]	1
▲	9 140826	(10378380-10448304)	Screw, Pan, 06-32 X 0.75, Fmg/Ab, Ss	4
▲	10 578820000	(10378380-)	Hose, Pvc, Brd, 0.25id 0.44od 157.2l,Clr	1
▲	11 603654	(10378380-)	Clamp, Hose, Ear, .44d [Ctb]	4
▲	12 1037595	(10378380-)	Fitting, Plstc, E90, Bm04/Pm02, Nyl	2
▲	13 140801	(10378380-10448304)	Screw, Trs, Phl, 08-32 X 0.38, Ss	2
▲	14 1013236	(10378380-)	Valve, Shutoff, Ele, 24vdc	1
▲	15 1045030	(10378380-)	Fitting, Brs, Str, Pm02/Pm02	1
▲	16 1038159	(10378380-)	Electrode, Cylindrical	1
▲	17 N/A	(10378380-10448304)	Replaced By E-Cell Upgrade Kit P/N 9006324 (Includes Items 1-17 On Page 63)	1
▲	18 1018155	(10378380-)	Screw, Pan, Phl, M5 X 0.80 X 16, Tcut,Ss	8
▲	19 1044393	(10378380-)	Switch, Rocker, Spst, Mom,	1
▲	20 9006159	(10378380-)	Controller Kit, Replmt [Ec-H2o]	1
▲	21 1044399	(10378380-10448304)	Harness, Main, Controller [Ec-H2o, P3]	1

▽ ASSEMBLY

▲ INCLUDED IN ASSEMBLY

STANDARD PARTS

1042495 *ec-H2O* SOLUTION PUMP BREAKDOWN

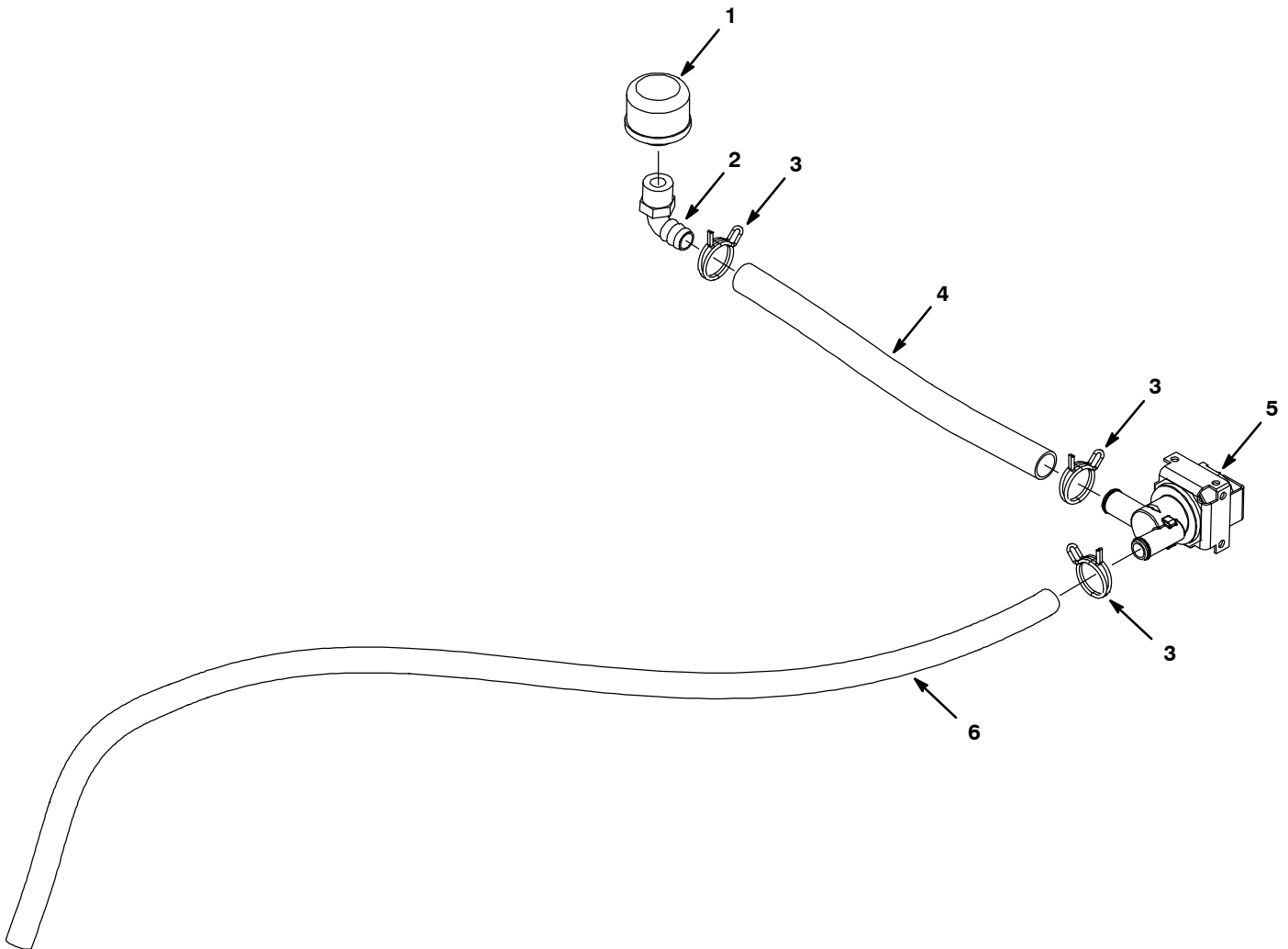


Ref.	Part No.	Serial Number	Description	Qty.
▽	1042495	(10378380-) Pump, Soltn, Ele, 24vdc, 35psi	1
▲	1	9004759	(10378380-) Pump Kit, Head, Soltn [Echo]	1
▲	2	78950	(10378380-) Connector, Fem, 02cav, Mp280 Sealed	1
▲	3	78951	(10378380-) Terminal, Fem, Mp280, Sealed, 18-16ga	1
▲	4	10917	(10378380-) Seal, Wire, 14/16ga [Wp / Mp280 Sealed]	1
▲	5	78952	(10378380-) Lock, Secondary, 2cav, Mp280 Sealed	1

▽ ASSEMBLY

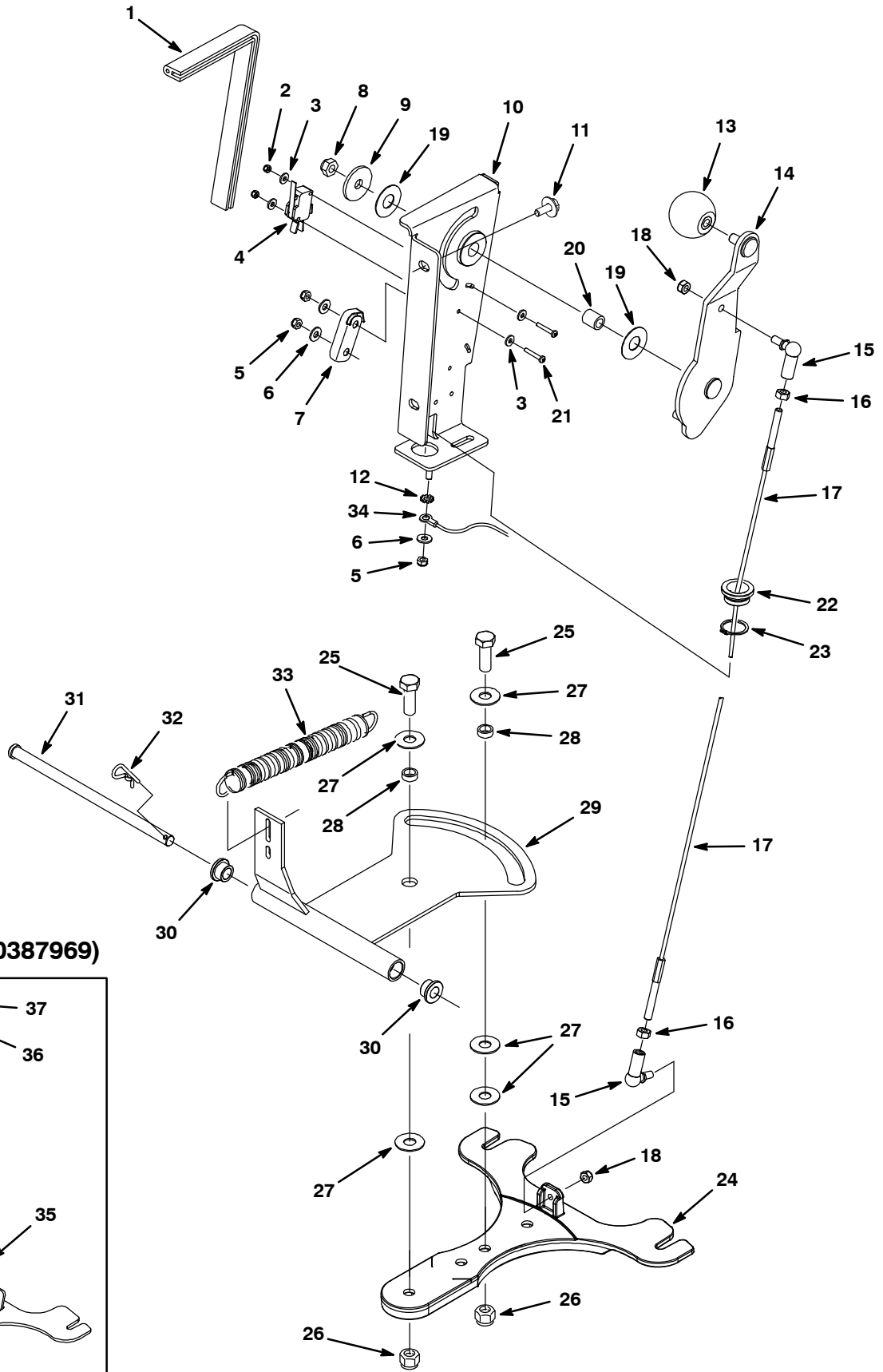
▲ INCLUDED IN ASSEMBLY

SOLUTION GROUP, STANDARD MODEL

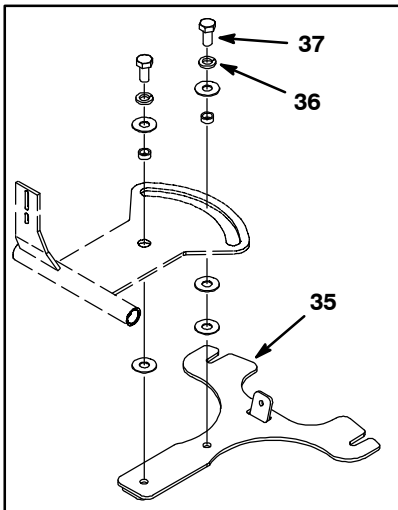


Ref.	Part No.	Serial Number	Description	Qty.
1	1015522	(00000000-) Filter, Screen, 080 Mesh, Pf08, Ss	1
2	630371	(00000000-) Fitting, Plstc, E90, Bm10/Pm08	1
3	1041978	(00000000-) Clamp, Hose, Wir, .85 - .90, Silver	3
4	1035355	(00000000-) Hose, Afrmkt, Pvc, Clr, 0.62id, 02ft	1
5	1013599	(00000000-) Valve, Water, Solenoid, 24vdc, 10bm/10bm	1
6	613531	(00000000-) Tubing 1/2idx3/4od Vinyl 611259 Ft 3.750	1

SQUEEGEE LIFT GROUP



(S/N 0000000-10387969)



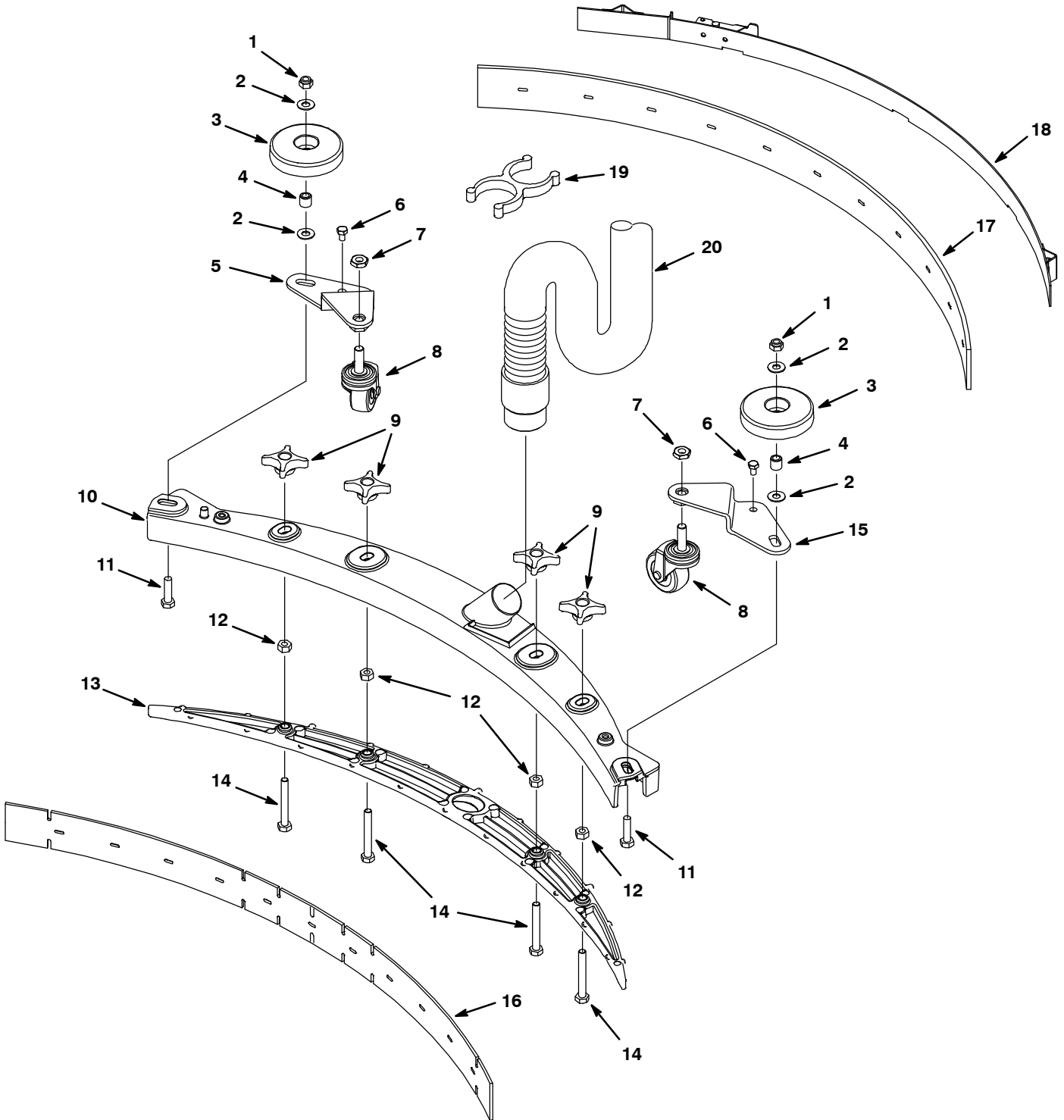
SQUEEGEE LIFT GROUP

Ref.	Part No.	Serial Number	Description	Qty.	
1	1008675	(00000000-) Gasket, Edge, Foam, 24.00l [Fr]	1	
2	579211	(00000000-) Nut, Hex, Lock, M3 X .5, Ss	2	
3	41578	(00000000-) Washer, Flat, #06, Ss	4	
4	1012568	(00000000-) Switch, Snap, 10a, Short	1	
5	09739	(00000000-) Nut, Hex, Lock, M5 X 0.8, NI, Ss	3	
6	01683	(00000000-) Washer, Flat, #10, Ss	3	
7	1024060	(00000000-) Spring, Lever, Sqge, W/ 90° Bend	1	
8	08713	(00000000-) Nut, Hex, Lock, M8 X 1.25, NI, Ss	1	
9	1016331	(00000000-) Washer, Flat, 0.34b 1.25d .11, Ss	1	
10	1020922	(00000000-) Bracket, Lift, Sqge	1	
11	1034731	(00000000-) Screw, Hex, M6 X 1.00 X 16, Sems, Ss	2	
12	140052	(00000000-) Washer, Lock, Ext, 0.25 Ss	1	
13	1017156	(00000000-) Knob, Ball, M8 Insert, 40mmd, Plstc	1	
14	1024354	(00000000-) Lever, Sqge	1	
15	1012747	(00000000-) Balljoint, M6 X 1.0 Fem, M6 X 1.0 Mal	2	
16	07785	(00000000-) Nut, Hex, Std, M6 X 1.00, A2, Ss	2	
17	1024105	(00000000-) Cable, Lift, Sqge	1	
18	08712	(00000000-) Nut, Hex, Lock, M6 X 1.0, Ss, NI	2	
19	1013397	(00000000-) Washer, Flat, M13 X 30 X 0.8, Nyl	2	
20	1014336	(00000000-) Sleeve, P/M, 8.40b 12.60d 14.5l, PI	1	
21	06922	(00000000-) Screw, Pan, M3 X 0.5 X 20, 4.8	2	
22	1009363	(00000000-) Bushing, Cable	1	
23	621236	(00000000-) Ring, Retaining, Ext, 0.81d	1	
▽	24	1038515	(10387970-) Bracket Kit, Sqge, Conversion [T5]	1
▲	25	12309	(10387970-) Screw, Hex, M12 X 1.75 X 30, Ss	2
▲	26	09741	(10387970-) Nut, Hex, Lock, M12 X 1.75, NI, Ss	2
▲	27	140045	(00000000-) Washer, Flat, 0.51b 1.25d .06, Ss	5
▲	28	1013662	(00000000-) Bushing, Sleeve, 12mm 16mm 6.5mml, Pm Yw	2
	29	1020974	(00000000-) Bracket Wldt, Pivot, Sqge	1
	30	606058	(00000000-) Bearing, Flng .505id .753od	2
	31	1026232	(00000000-) Pin, Clevis, 0.50 D X 9.25l	1
	32	140626	(00000000-) Pin, Hair Cotter, 0.25 D .125 Wir	1
	33	140423	(00000000-) Spring, Brush Press	1
	34	1029310	(00000000-) Harness, Ground, 12 Awg	1
	35	1024215	(00000000-10387969) Bracket Wldt, Mtg, Sqg [T5] (REPLACED BY 1038515)	1
	36	140024	(00000000-10387969) Washer, Lock, Split, 0.50, Ss	2
	37	1033003	(00000000-10387969) Screw, Hex, M12 X 1.75 X 25, NI, Ss	2

▽ ASSEMBLY

▲ INCLUDED IN ASSEMBLY

SQUEEGEE GROUP, 20 in / 500 mm



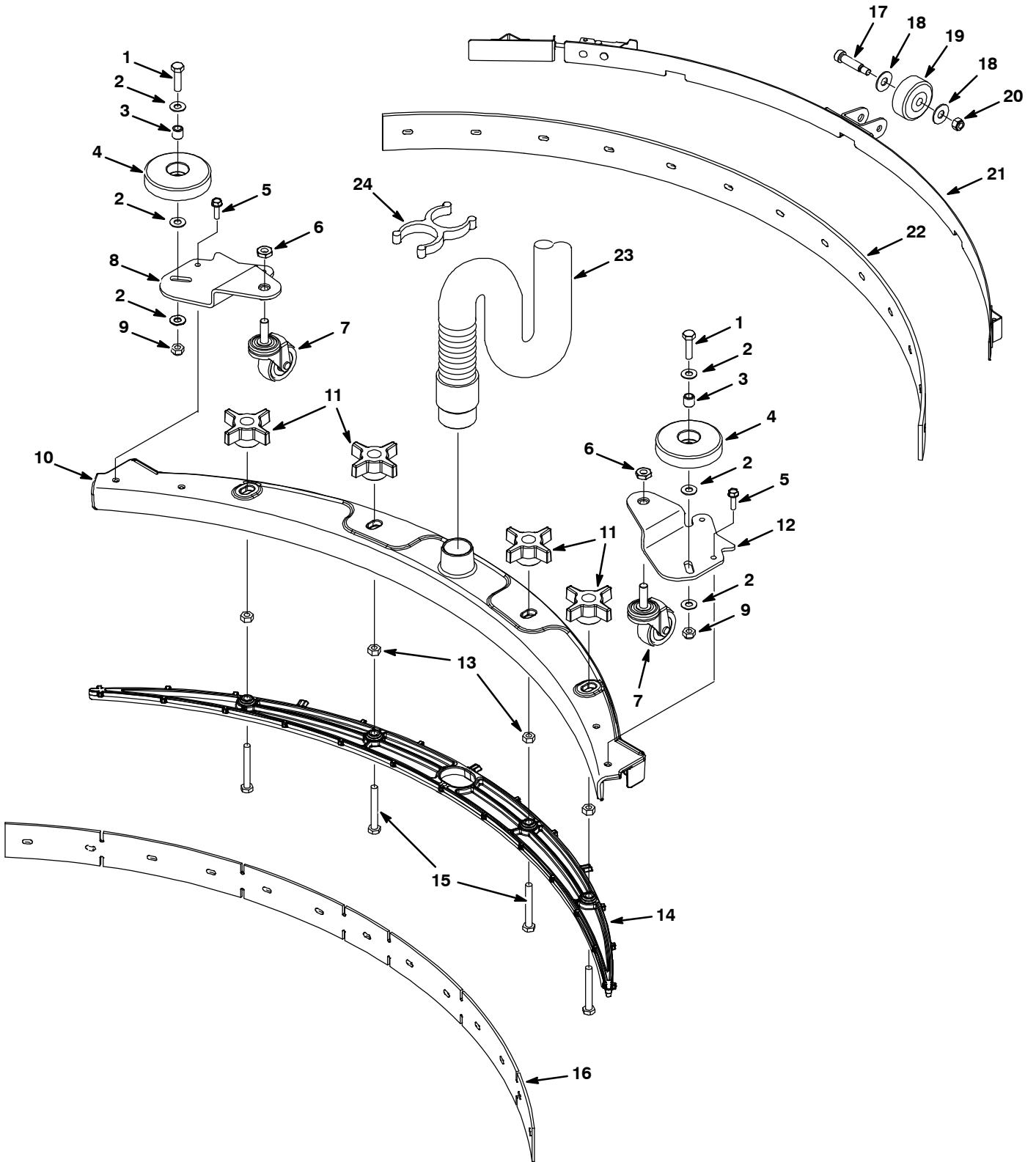
SQUEEGEE GROUP, 20 in / 500 mm

Ref.	Part No.	Serial Number	Description	Qty.
▽	9001178	(00000000-) Squeegee Assy Kit, 500mm, Ci	1
▲	1 08713	(00000000-) Nut, Hex, Lock, M8 X 1.25, NI, Ss	2
▲	2 140027	(00000000-) Washer, Flat, 0.35b 0.75d .04, Ss	4
▲	3 1010560	(00000000-) Wheel, Bmpr, 80d X 25w, Non-Marking	2
▲	4 222460	(00000000-) Sleeve, P/M, 0.31b 0.50d 0.5l [430ss]	2
▲	5 1011228	(00000000-) Plate, Mtg, Caster, Sqge, Rh	1
▲	6 74455	(00000000-) Screw, Hex, M6 X 1.0 X 12, Fmg	2
▲	7 32716	(00000000-) Nut, Hex, Jam, M10 X 1.5, Ss	2
▲	8 1006343	(00000000-) Caster, Swivel, 50mmd, M10 X 30 Stem, PI	2
▲	9 1010558	(00000000-) Knob, Star, 2.00d 4ear 0.7l M8x1.25 Thru	4
▲	10 1011163	(00000000-) Frame, Sqge, 74cm, Die Cast [50cm]	1
▲	11 09011	(00000000-) Screw, Hex, M8 X 1.25 X 30, Ss	2
▲	12 07786	(00000000-) Nut, Hex, Std, M8 X 1.25, Ss	4
▲	13 1019919	(00000000-) Retainer, Sqge, 76cm [50cm] Nyl, Blk	1
▲	14 1014163	(00000000-) Screw, Hex, M8 X 1.25 X 60, Fl, Ss	4
▲	15 1011956	(00000000-) Plate, Mtg, Caster, Sqge, Lh	1
▲	16 1011232	(00000000-) Blade, Sqge, Front, 500mml (Standard)	1
	16 1014091	(00000000-) Blade, Sqge, Front, 500mm, Gum (Optional)	1
	16 1014092	(00000000-) Blade, Sqge, Front, 500mml, Oil-Rstn (Optional)	1
▲	17 1011456	(00000000-) Blade, Sqge, Rear, 500mm Linatex (Standard)	1
	17 1014093	(00000000-) Blade, Sqge, Rear, 500mm Gum (Optional)	1
	17 1014094	(00000000-) Blade, Sqge, Rear, 500mm Oil-Rstn (Optional)	1
▲	18 1013933	(00000000-) Strap Assy, Sqge, 500mm	1
	19 1014079	(00000000-) Clip, Grip, Hose, 1.50id, Dbl, Blk Pyp	1
	20 1014026	(00000000-) Hose, Vacuum, 1.5d X 57l, 2-Short Cuffs	1

▽ ASSEMBLY

▲ INCLUDED IN ASSEMBLY

SQUEEGEE GROUP, 24 in / 600 mm



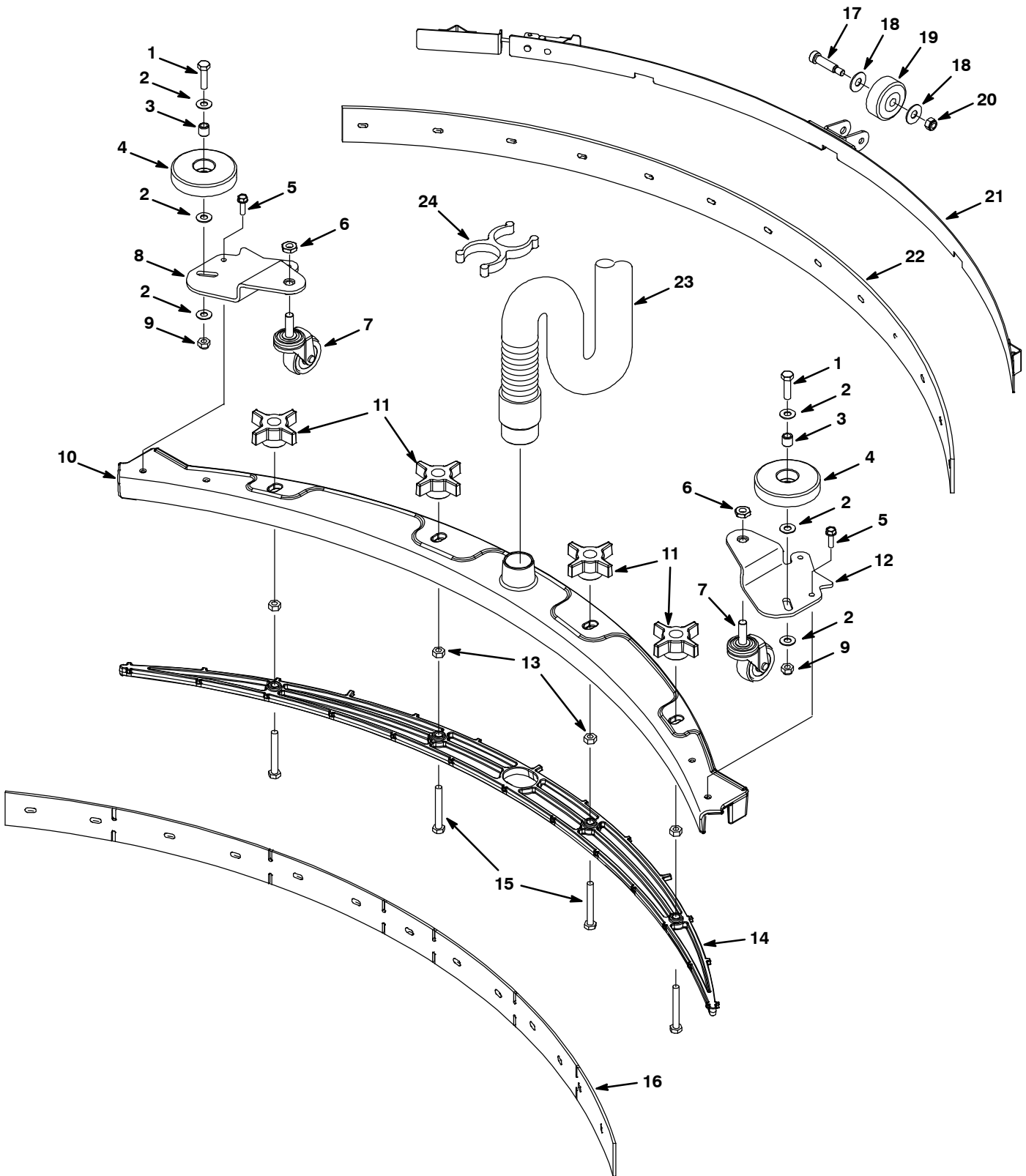
SQUEEGEE GROUP, 24 in / 600 mm

Ref.	Part No.	Serial Number	Description	Qty.
▽	9002679	(00000000-) Kit, Squeegee, 600mm Ci	1
▲	1 09011	(00000000-) Screw, Hex, M8 X 1.25 X 30, Ss	2
▲	2 140027	(00000000-) Washer, Flat, 0.35b 0.75d .04, Ss	6
▲	3 222460	(00000000-) Sleeve, P/M, 0.496d 0.318b 0.50l 430ss	2
▲	4 1010560	(00000000-) Wheel, Bmpr, 80d X 25w, Non-Marking	2
▲	5 12459	(00000000-) Screw, Hex, M6 X 1.0 X 20, Fmg	4
▲	6 32716	(00000000-) Nut, Hex, Jam, M10 X 1.5, Ss	2
▲	7 1006343	(00000000-) Caster, Swivel, 50mm D, M10 X 30 Stem,Zn	2
▲	8 1023273	(00000000-) Plate, Caster, Mtg, Sqge, Rh	1
▲	9 08713	(00000000-) Nut, Hex, Lock, M8 X 1.25, NI, Ss	2
▲	10 1021798	(00000000-) Frame, Sqge, 89cm [60cm]	1
▲	11 1015911	(00000000-) Knob, Star, 2.75d 4ear 1.1l M8x1.25 Thru	4
▲	12 1023291	(00000000-) Plate, Caster, Mtg, Sqge, Lh	1
▲	13 07786	(00000000-) Nut, Hex, Std, M8 X 1.25, Ss	4
▲	14 1026354	(00000000-) Retainer , Blade, Sqge, 600mm [Plstc]	1
▲	15 1014163	(00000000-) Screw, Hex, M8 X 1.25 X 60, Fl, Ss	4
▲	16 1021804	(00000000-) Blade, Sqge, Front, 88cml [Lnx, 60cm] (Standard)	1
	16 1025333	(00000000-) Blade, Sqge, Front, 88cml, Gum [60cm] (Optional)	1
	16 1025334	(00000000-) Blade, Sqge, Front, 88cml, Ure [60cm] (Optional)	1
▲	17 600187	(00000000-) Bolt, Shld, .38d X 1.25, .31-18	1
▲	18 140028	(00000000-) Washer, Flat, 0.42b 1.00d .05, Ss	2
▲	19 630477	(00000000-) Wheel, Pyu, 2.0d 0.38w, Gray	1
▲	20 32983	(00000000-) Nut, Hex, Lock, .31-18, NI	1
▲	21 1022456	(00000000-) Retainer Assy, Blade, Sqge, 600mm	1
▲	22 1021333	(00000000-) Blade, Sqge, Rear, 88cm,Linatex[60cm] (Standard)	1
	22 1025335	(00000000-) Blade, Sqge, Rear, 88cml, Gum [60cm] (Optional)	1
	22 1025336	(00000000-) Blade, Sqge, Rear, 88cm, Ure [60cm] (Optional)	1
	23 1014026	(00000000-) Hose, Vacuum, 1.5d X 57l, 2-Short Cuffs	1
	24 1014079	(00000000-) Clip, Hose, Gripper, 1.50id, Dbl, Blk Pp	1

▽ ASSEMBLY

▲ INCLUDED IN ASSEMBLY

SQUEEGEE GROUP, 26 in / 650 mm & 28 in / 700 mm



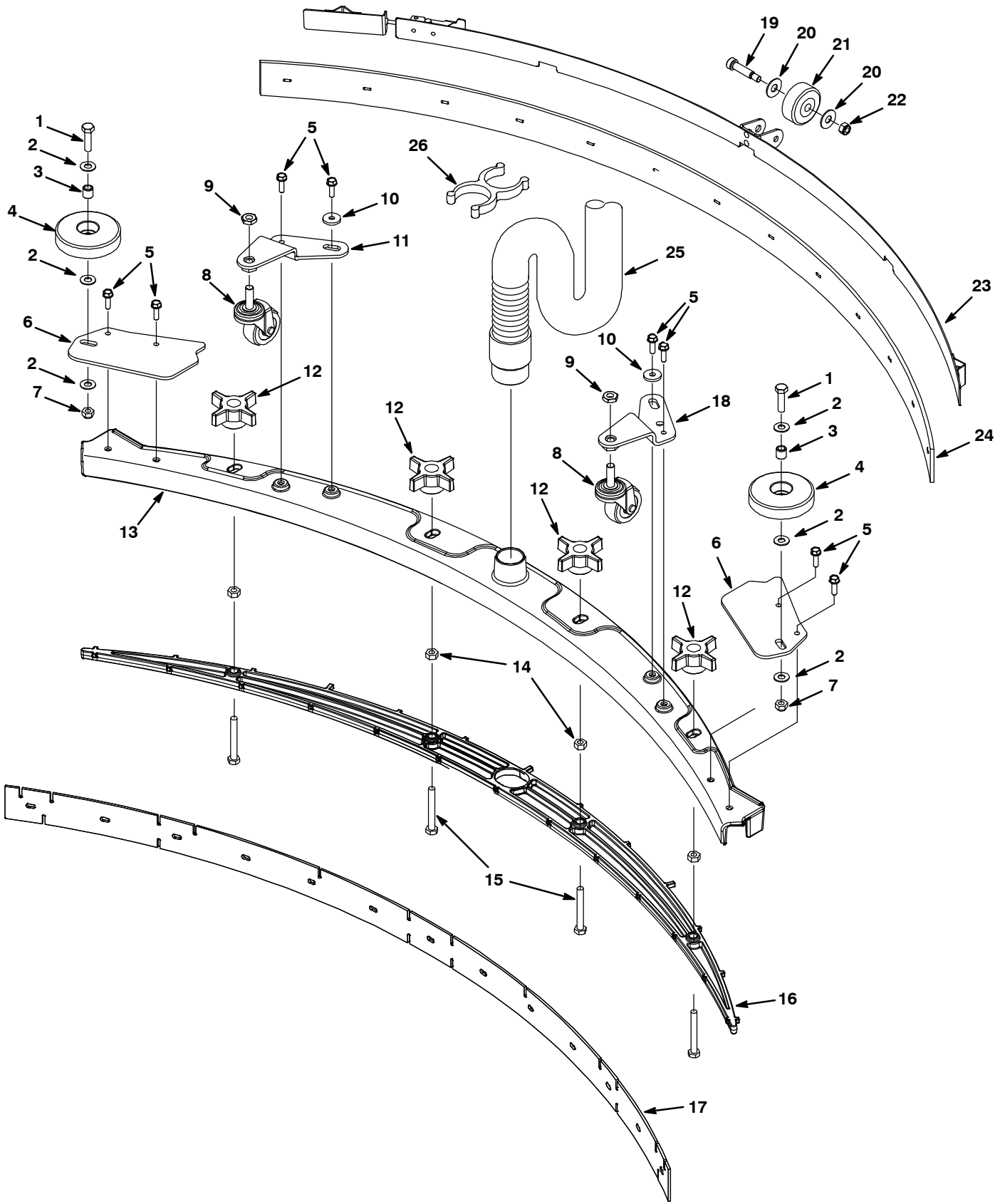
SQUEEGEE GROUP, 26 in / 650 mm & 28 in / 700 mm

Ref.	Part No.	Serial Number	Description	Qty.
▽	9002680	(00000000-) Kit, Squeegee, 700mm Ci	1
▲	1 09011	(00000000-) Screw, Hex, M8 X 1.25 X 30, Ss	2
▲	2 140027	(00000000-) Washer, Flat, 0.35b 0.75d .04, Ss	6
▲	3 222460	(00000000-) Sleeve, P/M, 0.496d 0.318b 0.50l 430ss	2
▲	4 1010560	(00000000-) Wheel, Bmpr, 80d X 25w, Non-Marking	2
▲	5 12459	(00000000-) Screw, Hex, M6 X 1.0 X 20, Fmg	4
▲	6 32716	(00000000-) Nut, Hex, Jam, M10 X 1.5, Ss	2
▲	7 1006343	(00000000-) Caster, Swivel, 50mm D, M10 X 30 Stem,Zn	2
▲	8 1023273	(00000000-) Plate, Caster, Mtg, Sqge, Rh	1
▲	9 08713	(00000000-) Nut, Hex, Lock, M8 X 1.25, NI, Ss	2
▲	10 1023326	(00000000-) Frame, Sqge, 104cm [70cm]	1
▲	11 1015911	(00000000-) Knob, Star, 2.75d 4ear 1.1l M8x1.25 Thru	4
▲	12 1023291	(00000000-) Plate, Caster, Mtg, Sqge, Lh	1
▲	13 07786	(00000000-) Nut, Hex, Std, M8 X 1.25, Ss	4
▲	14 1026416	(00000000-) Retainer, Blade, Sqge, 700mm [Plstc]	1
▲	15 1014163	(00000000-) Screw, Hex, M8 X 1.25 X 60, Fl, Ss	4
▲	16 1023327	(00000000-) Blade, Sqge, Front, 98cml [Lnx, 70cm] (Standard)	1
	16 1025337	(00000000-) Blade, Sqge, Front, 98cml, Gum [70cm] (Optional)	1
	16 1025339	(00000000-) Blade, Sqge, Front, 98cml, Ure [70cm] (Optional)	1
▲	17 600187	(00000000-) Bolt, Shld, .38d X 1.25, .31-18	1
▲	18 140028	(00000000-) Washer, Flat, 0.42b 1.00d .05, Ss	2
▲	19 630477	(00000000-) Wheel, Pyu, 2.0d 0.38w, Gray	1
▲	20 32983	(00000000-) Nut, Hex, Lock, .31-18, NI	1
▲	21 1023335	(00000000-) Bracket Wldt, Sqge, Band Clamp, 98cm	1
▲	22 1023329	(00000000-) Blade, Sqge, Rear, 98cm,Linatex[70cm] (Standard)	1
	22 1025340	(00000000-) Blade, Sqge, Rear, 98cml, Gum [70cm] (Optional)	1
	22 1025341	(00000000-) Blade, Sqge, Rear, 98cm, Ure [70cm] (Optional)	1
	23 1014026	(00000000-) Hose, Vacuum, 1.5d X 57l, 2-Short Cuffs	1
	24 1014079	(00000000-) Clip, Hose, Gripper, 1.50id, Dbl, Blk Pp	1

▽ ASSEMBLY

▲ INCLUDED IN ASSEMBLY

SQUEEGEE GROUP, 32 in / 800 mm



SQUEEGEE GROUP, 32 in / 800 mm

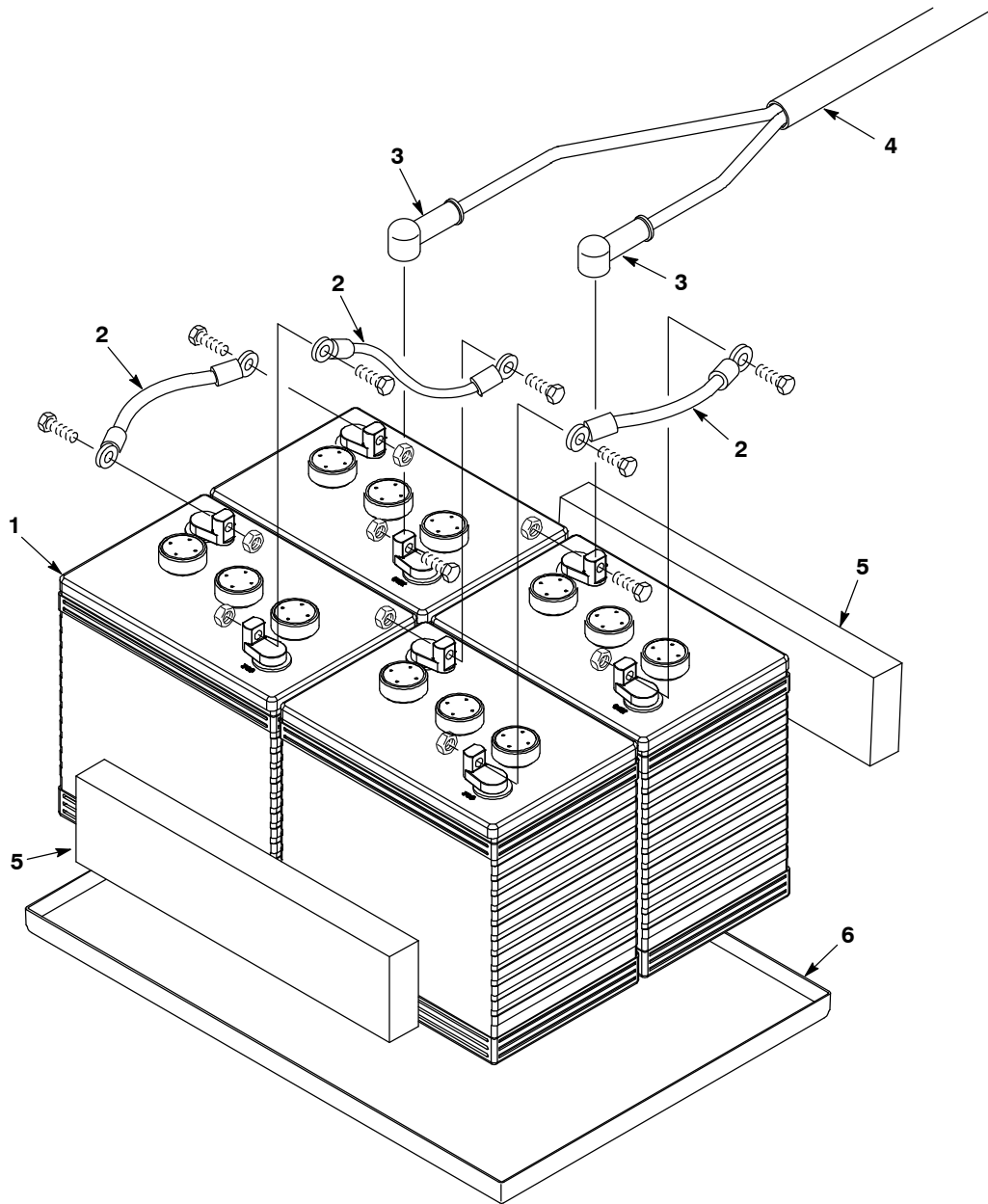
Ref.	Part No.	Serial Number	Description	Qty.
▽	9002681	(00000000-) Kit, Squeegee, 800mm Ci	1
▲	1 09011	(00000000-) Screw, Hex, M8 X 1.25 X 30, Ss	2
▲	2 140027	(00000000-) Washer, Flat, 0.35b 0.75d .04, Ss	6
▲	3 222460	(00000000-) Sleeve, P/M, 0.496d 0.318b 0.50l 430ss	2
▲	4 1010560	(00000000-) Wheel, Bmpr, 80d X 25w, Non-Marking	2
▲	5 12459	(00000000-) Screw, Hex, M6 X 1.0 X 20, Fmg	8
▲	6 1023426	(00000000-) Bracket, Mtg, Sqge Bumper	2
▲	7 08713	(00000000-) Nut, Hex, Lock, M8 X 1.25, NI, Ss	2
▲	8 1006343	(00000000-) Caster, Swivel, 50mm D, M10 X 30 Stem,Zn	2
▲	9 32716	(00000000-) Nut, Hex, Jam, M10 X 1.5, Ss	2
▲	10 140053	(00000000-) Washer, Flat, 0.28b 0.88d .12, Ss	2
▲	11 1011228	(00000000-) Plate, Mtg, Caster, Sqge, Rh	1
▲	12 1015911	(00000000-) Knob, Star, 2.75d 4ear 1.1l M8x1.25 Thru	4
▲	13 1023396	(00000000-) Frame, Sqge, 117cm [80cm]	1
▲	14 07786	(00000000-) Nut, Hex, Std, M8 X 1.25, Ss	4
▲	15 1014163	(00000000-) Screw, Hex, M8 X 1.25 X 60, Fl, Ss	4
▲	16 1024970	(00000000-) Retainer, Blade, Sqge, 800mm [Plstc]	1
▲	17 1023398	(00000000-) Blade, Sqge, Front, 105cm [Linx 80cm] (Standard)	1
	17 1025342	(00000000-) Blade, Sqge, Front, 105cml, Gum[80cm] (Optional)	1
	17 1025343	(00000000-) Blade, Sqge, Front, 105cm, Ure [80cm] (Optional)	1
▲	18 1011956	(00000000-) Plate, Mtg, Caster, Sqge, Lh	1
▲	19 600187	(00000000-) Bolt, Shld, .38d X 1.25, .31-18	1
▲	20 140028	(00000000-) Washer, Flat, 0.42b 1.00d .05, Ss	2
▲	21 630477	(00000000-) Wheel, Pyu, 2.0d 0.38w, Gray	1
▲	22 32983	(00000000-) Nut, Hex, Lock, .31-18, NI	1
▲	23 1023400	(00000000-) Retainer Assy, Blade, Sqge, 800mm	1
▲	24 1023399	(00000000-) Blade, Sqge, Rear, 105cml[Linx, 80cm] (Standard)	1
	24 1025344	(00000000-) Blade, Sqge, Rear, 105cml, Gum [80cm] (Optional)	1
	24 1025346	(00000000-) Blade, Sqge, Rear, 105cml, Ure [80cm] (Optional)	1
	25 1014026	(00000000-) Hose, Vacuum, 1.5d X 57l, 2-Short Cuffs	1
	26 1014079	(00000000-) Clip, Hose, Gripper, 1.50id, Dbl, Blk Pp	1

▽ ASSEMBLY

▲ INCLUDED IN ASSEMBLY

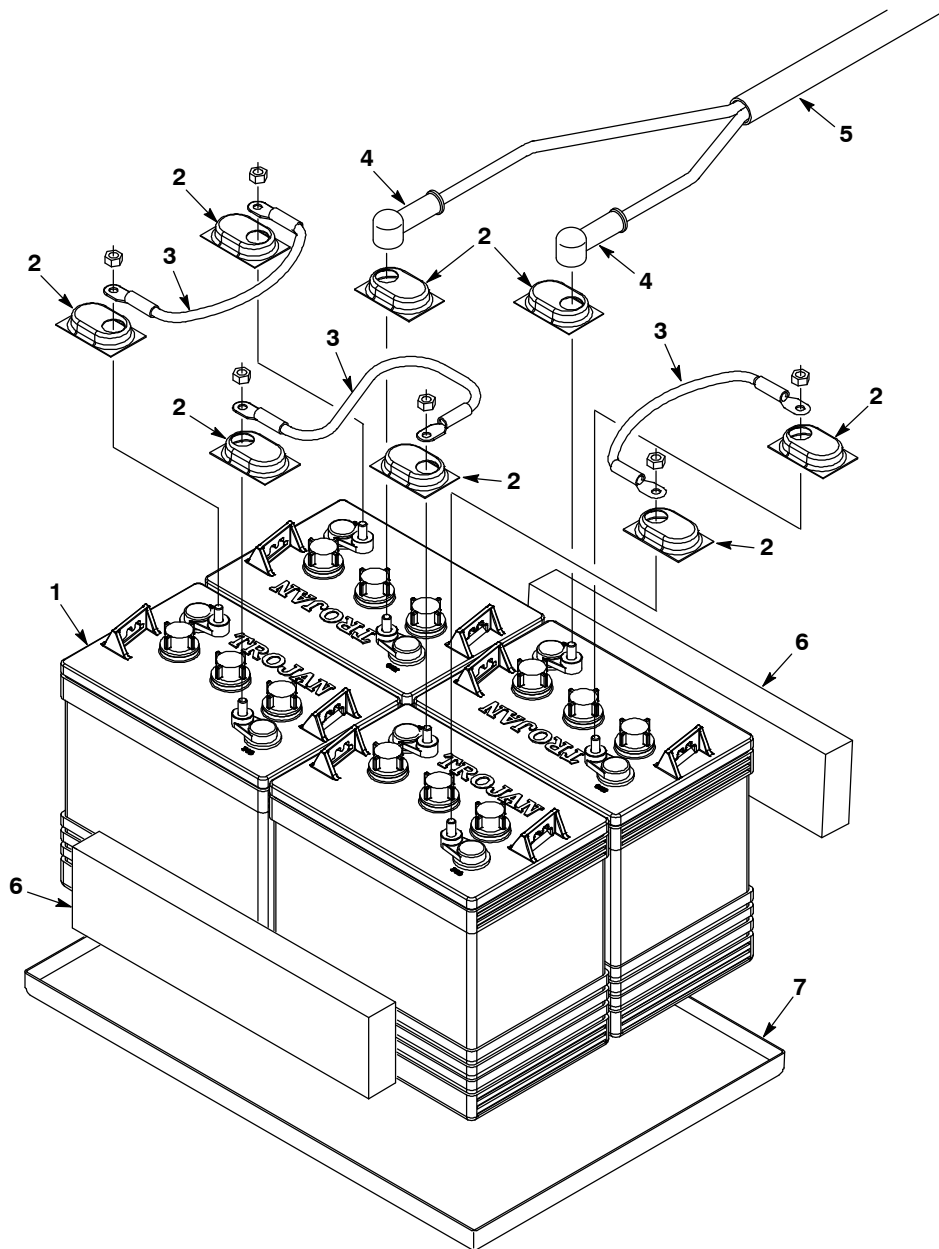
STANDARD PARTS

BATTERY GROUP, MAINTENANCE FREE 200 Ah



Ref.	Part No.	Serial Number	Description	Qty.
1	1021446	(00000000-)	Battery, 6v, 200ah Agm	4
2	130364	(00000000-)	Cable, 06ga 15.0l Blk .31ring /.38ring	3
3	611221	(00000000-)	Boot, Terminal, Battery, 25.4mm, Blk	8
4	1024479	(00000000-)	Harness, Battery, Us	1
5	630375	(00000000-)	Spacer, Battery, 1.25 X 3.25 X 13.7 Foam	2
6	613971	(00000000-)	Tray, Battery, Trimmed	1

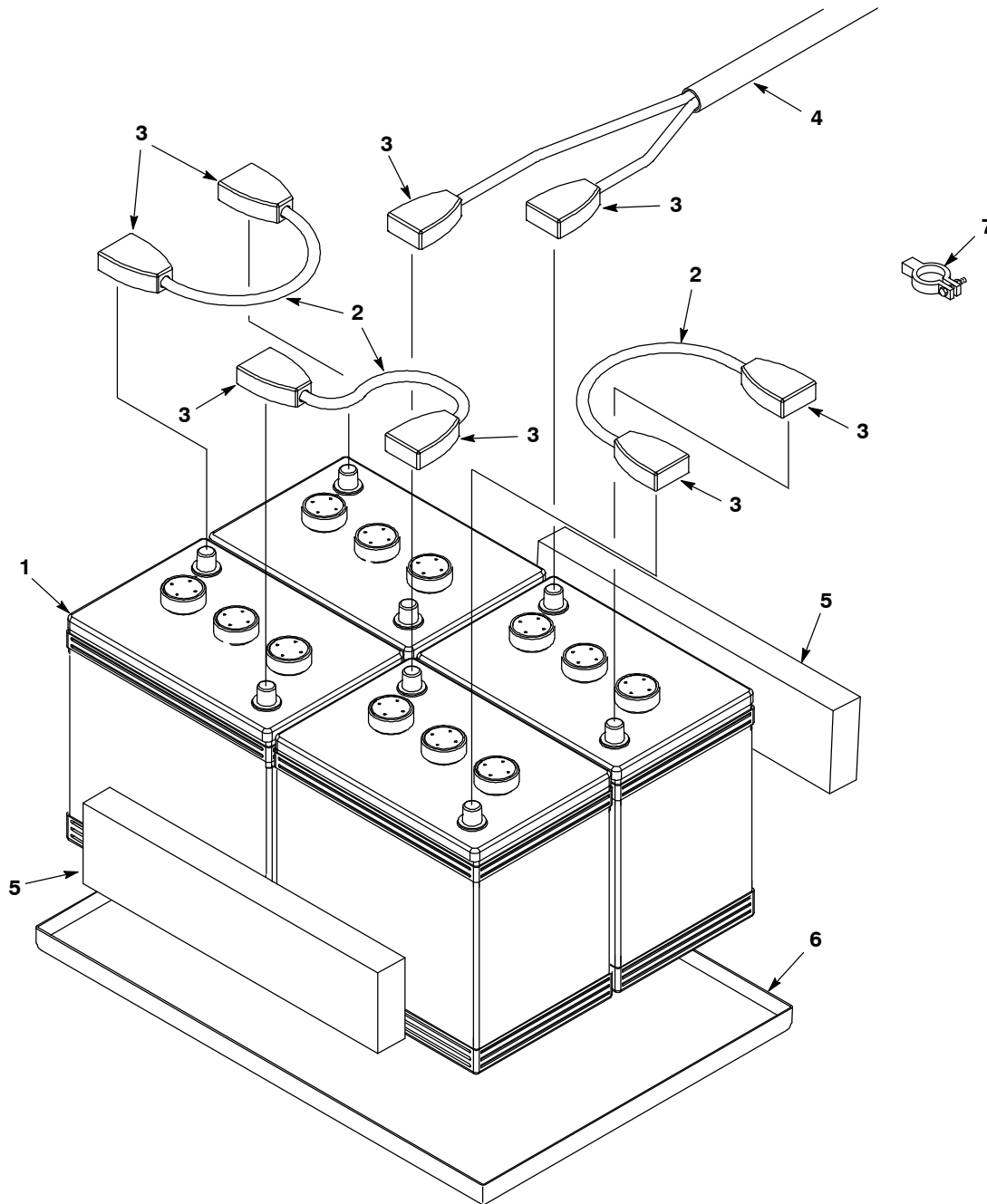
BATTERY GROUP, LEAD-ACID 235 Ah



Ref.	Part No.	Serial Number	Description	Qty.
1	222280	(00000000-)	Battery, 06vdc, 235ah, Wet	4
2	45962	(00000000-)	Cap, Plstc, .04 1.38 X 2.30 0.5l	8
3	130364	(00000000-)	Cable, 06ga 15.0l Blk .31ring /.38ring	3
4	611221	(00000000-)	Boot, Terminal, Battery, 25.4mm, Blk	8
5	1024479	(00000000-)	Harness, Battery, Us	1
6	630375	(00000000-)	Spacer, Battery, 1.25 X 3.25 X 13.7 Foam	2
7	613971	(00000000-)	Tray, Battery, Trimmed	1

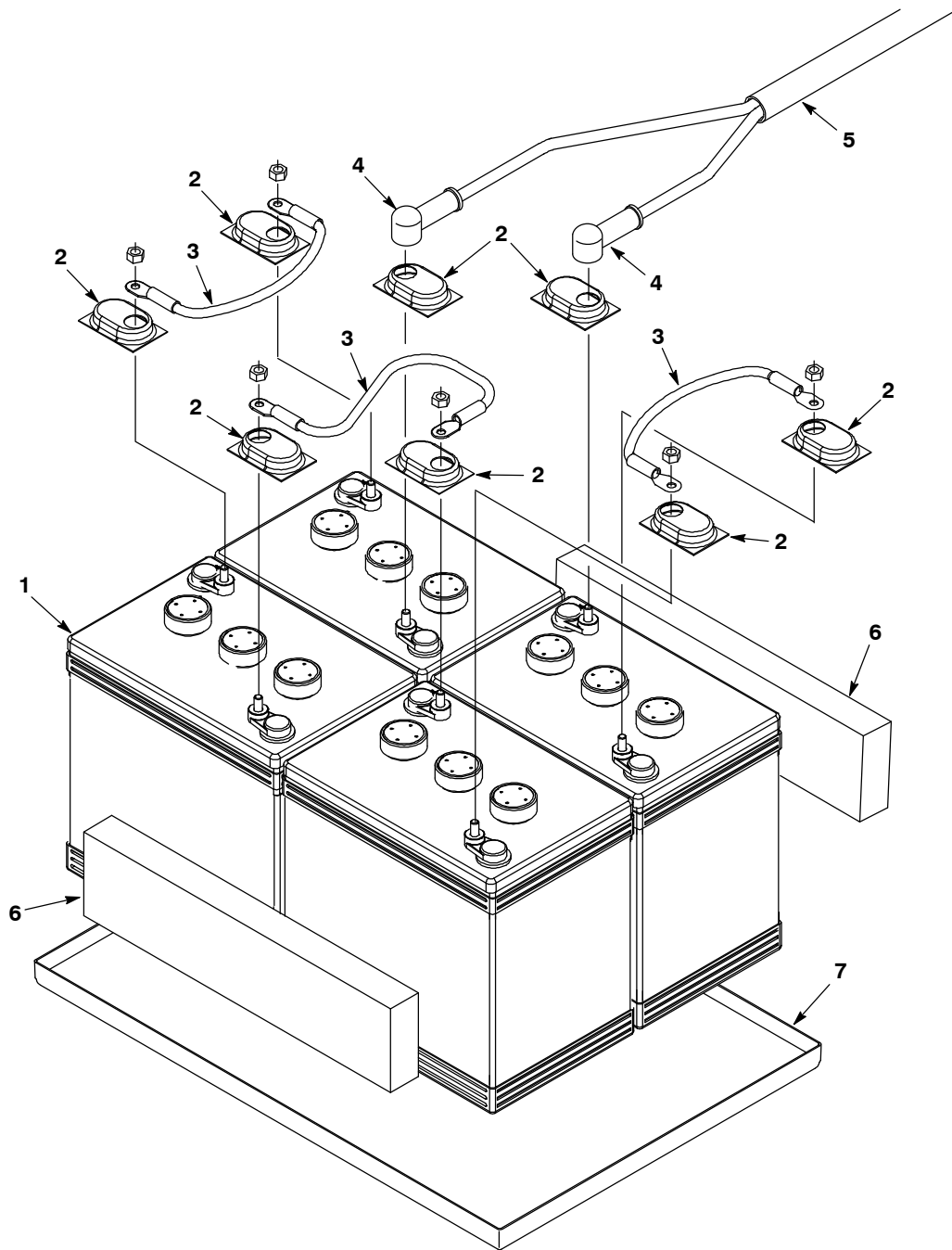
STANDARD PARTS

BATTERY GROUP, MAINTENANCE FREE 160 Ah (Japan)



Ref.	Part No.	Serial Number	Description	Qty.
1	994202	(00000000-)	Battery, 06vdc 165ah [5h, Gf061602]	4
2	130364	(00000000-)	Cable, 06ga 15.0l Blk .31ring /.38ring	3
3	989860	(00000000-)	Cover Set, Terminal, Battery	4
4	1024479	(00000000-)	Harness, Battery, Us	1
5	630375	(00000000-)	Spacer, Battery, 1.25 X 3.25 X 13.7 Foam	2
6	613971	(00000000-)	Tray, Battery, Trimmed	1
7	93580	(00000000-)	Clamp, Post, Battery, Positive	4
7	93581	(00000000-)	Clamp, Post, Battery, Negative	4

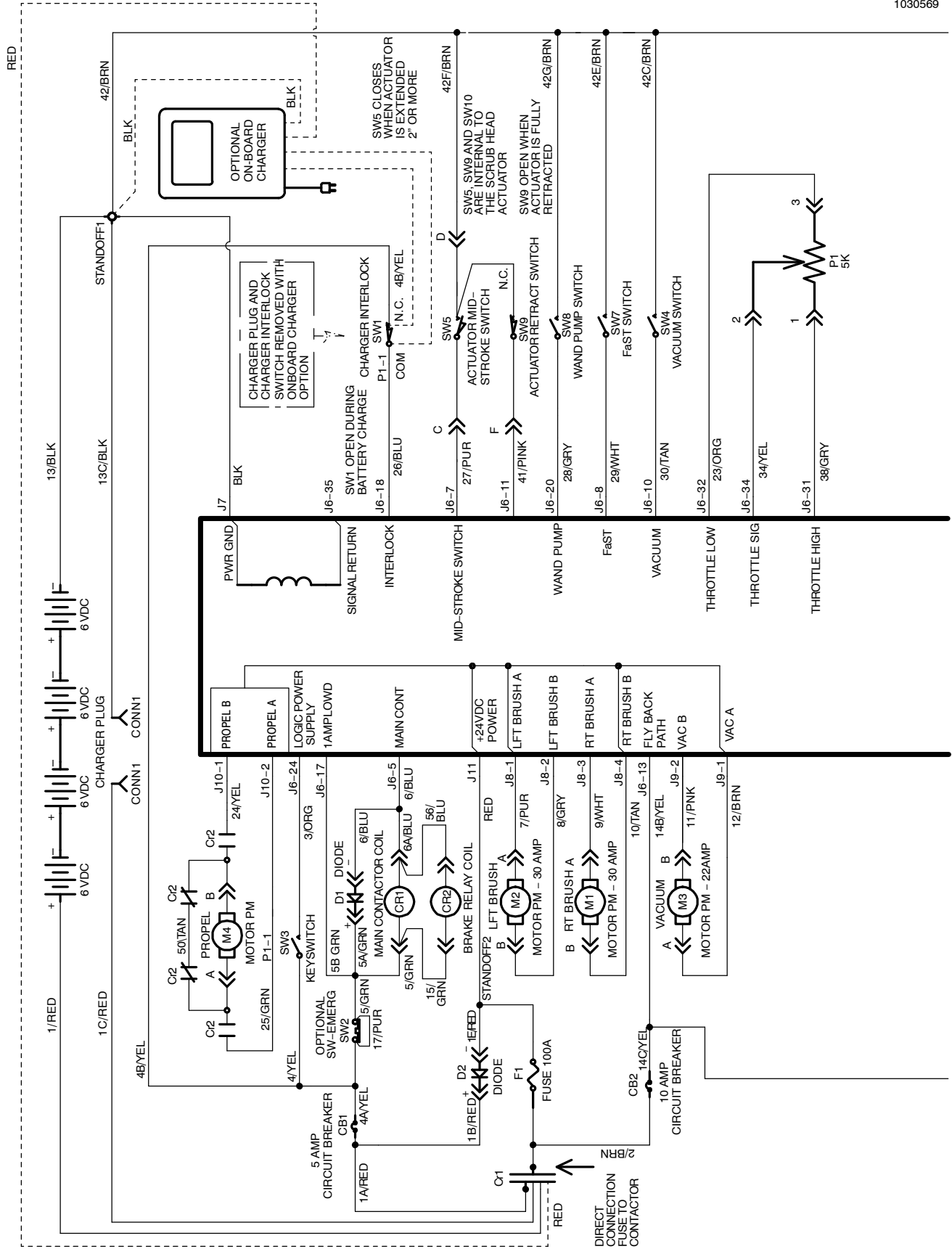
BATTERY GROUP, LEAD ACID 180 Ah (Japan)



Ref.	Part No.	Serial Number	Description	Qty.
1	10155	(00000000-)	Battery, Wet, 06vdc	4
2	45962	(00000000-)	Cap, Plstc, .04 1.38 X 2.30 0.5l	8
3	130364	(00000000-)	Cable, 06ga 15.0l Blk .31ring /.38ring	3
4	611221	(00000000-)	Boot, Terminal, Battery, 25.4mm, Blk	8
5	1024479	(00000000-)	Harness, Battery, Us	1
6	630375	(00000000-)	Spacer, Battery, 1.25 X 3.25 X 13.7 Foam	2
7	613971	(00000000-)	Tray, Battery, Trimmed	1

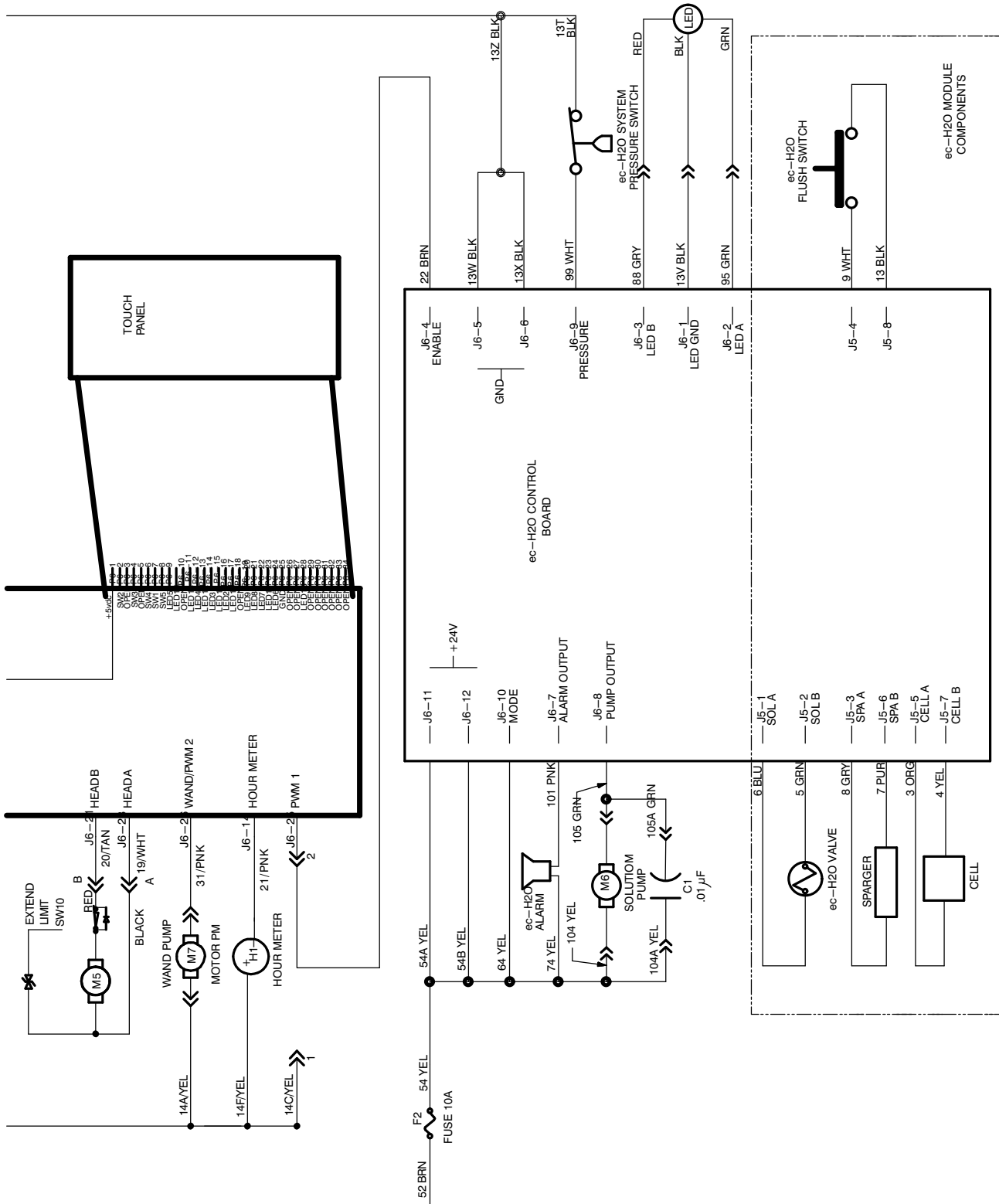
ELECTRICAL DIAGRAM, STANDARD & FaST MODEL

1030569



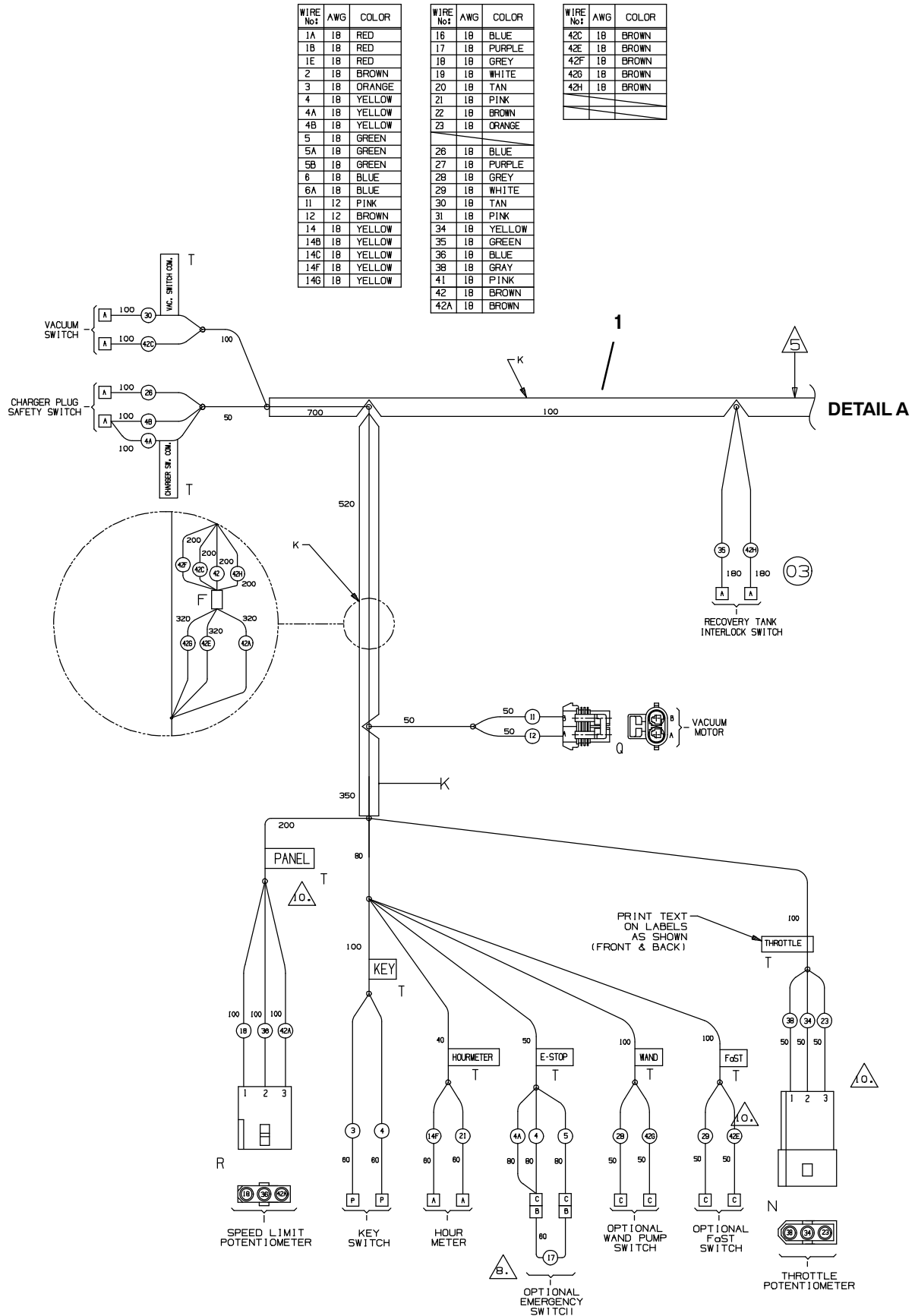
ELECTRICAL DIAGRAM, *ec-H2O* MODEL

1044406



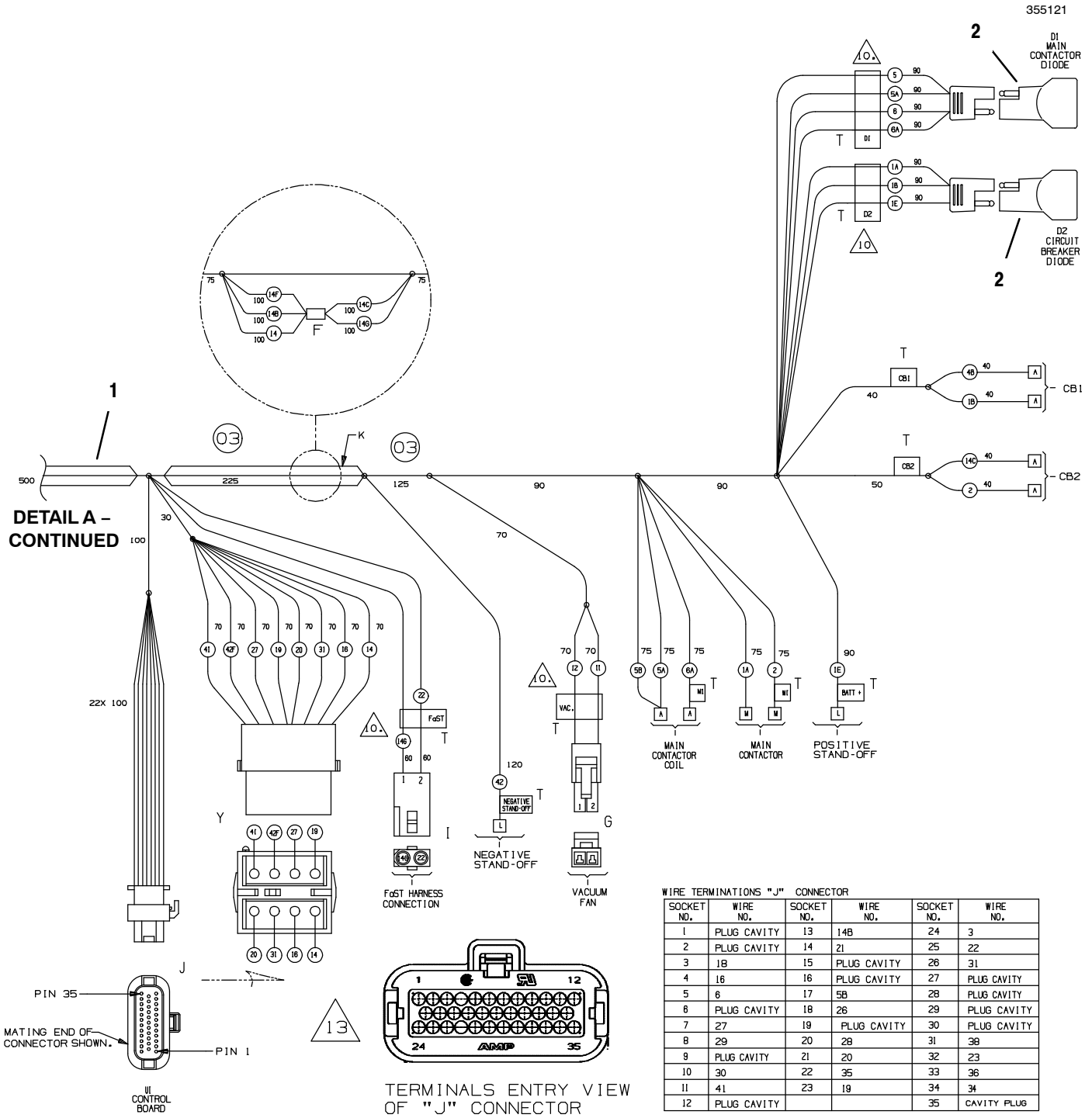
WIRE HARNESS GROUP, MAIN

355121



WIRE HARNESS GROUP, MAIN - CONT'D

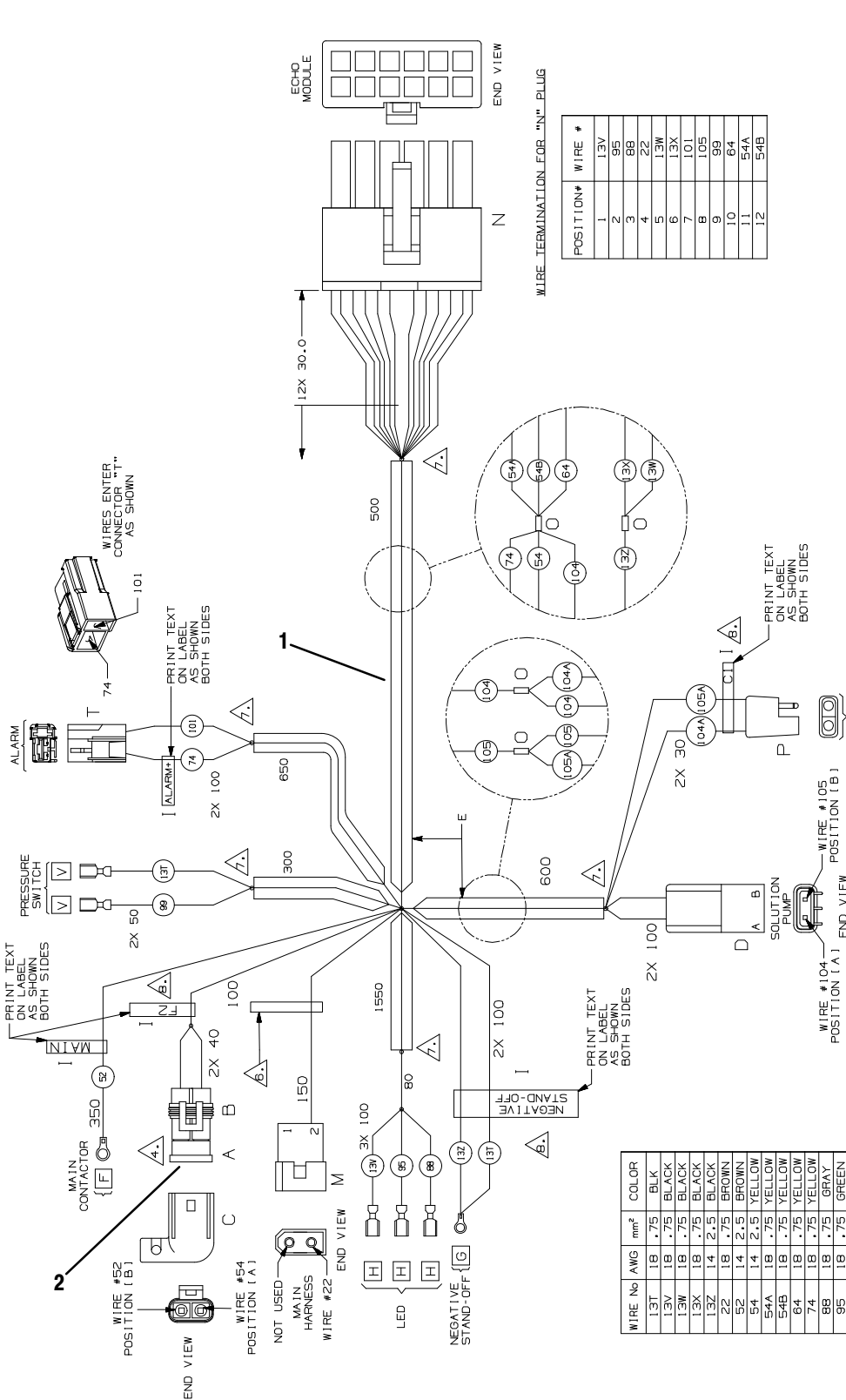
355121



Ref.	Part No.	Serial Number	Description	Qty.
1	1020488	(00000000-)) Harness, Main [T5]	1
2	222290	(00000000-)) Diode, Ele, Plug	2

WIRE HARNESS GROUP, *ec-H2O* OPTION (S/N 10446231-)

355122



WIRE TERMINATION FOR "N" PLUG

POSITION#	WIRE #
1	13V
2	95
3	88
4	22
5	13W
6	13W
7	10
8	105
9	95
10	64
11	54A
12	54B

WIRE No	AWG	mm ²	COLOR
13T	18	.75	BLK
13V	18	.75	BLACK
13W	18	.75	BLACK
13X	18	.75	BLACK
13Z	14	2.5	BLACK
22	18	.75	BROWN
54	14	2.5	YELLOW
54A	18	.75	YELLOW
54B	18	.75	YELLOW
64	18	.75	YELLOW
74	18	.75	YELLOW
88	18	.75	GRAY
95	18	.75	GREEN
99	18	.75	WHITE
101	18	.75	PINK
104	18	.75	YELLOW
104A	18	.75	YELLOW
105	18	.75	GREEN
105A	18	.75	GREEN

TERMINAL	TERMINAL TYPES AND SIDE
A	ATO FUSE FAST ACTING TYPE 10A, 32 VOLT
B	LITTEL FUSE PART NUMBER: 257010.
C	CONNECTOR BODY W/SEAL, 2F 630 MP P.E. P/N: 12033789.
D	COVER, FUSE, 630 MP P.E. 12033731.
E	CONNECTOR BODY 2M, 280MP / SERIES P.E. #15300002.
F	CABLE SEAL, 280MP SERIES, PACKARD #12015323 (C. PER CONN.).
G	CONNECTOR BODY 1M, 280MP / SERIES P.E. #15300002.
H	TERMINALS, MALE, 280MP / SERIES, 12048159 (2 PER CONN.).
I	TERMINALS, MALE, 280MP / SERIES, 12048159 (2 PER CONN.).
M	5/16" FULLY INSULATED RING TERMINAL.
N	7/49" FULLY INSULATED RING TERMINAL.
O	LABEL, SELF ADHESIVE, WHITE BACK GROUND WITH BLACK TEXT.
P	PLUG 2-WAY, MOLDED, WWC #12914 MUST MATE WITH TENNANT PART NUMBER 1040868
T	CRIMP OR SONIC WELD WIRES TOGETHER AND COVER WITH SHRINK TUBING.
V	.187" x .020" FULLY INSULATED FEMALE RECEPTACLE AMP ULTRA FAST 1B7 SERIES,

WIRE HARNESS GROUP, *ec-H2O* OPTION (S/N 10446231-)

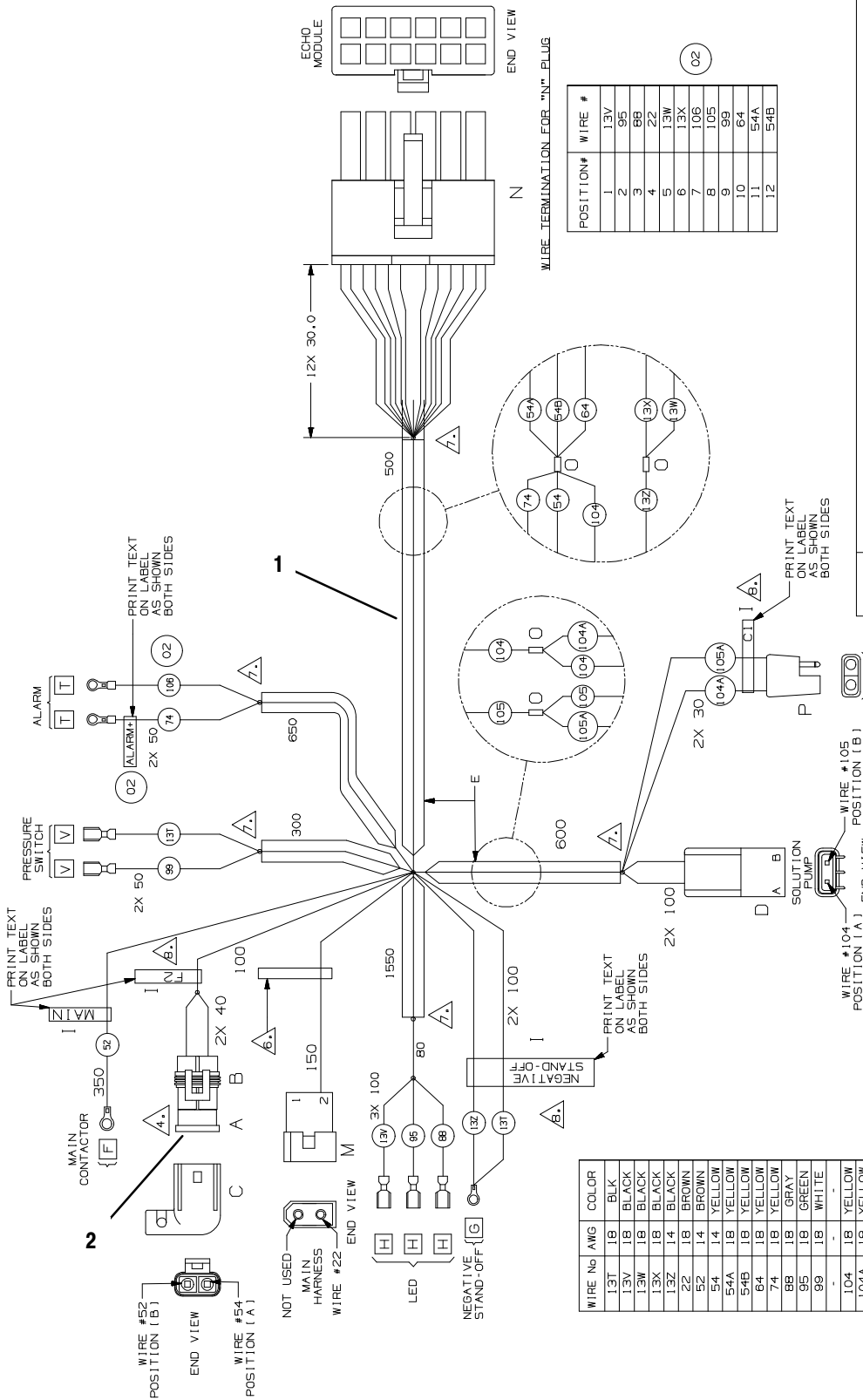
	Ref.	Part No.	Serial Number	Description	Qty.
▽	1	1055398	(10446231-) Harness Assy, Wire [T5 Ec-H2o]	1
▲	2	1047470	(00000000-) Fuse, Blade, 010a, 32vdc, Red	1

▽ ASSEMBLY

▲ INCLUDED IN ASSEMBLY

WIRE HARNESS GROUP, *ec-H2O* OPTION (S/N 0000000-10446230)

355123



WIRE TERMINATION FOR "N" PLUG

POSITION#	WIRE #
1	13V
2	95
3	88
4	22
5	13W
6	13X
7	106
8	105
9	99
10	64
11	54A
12	54B

WIRE No	AWG	COLOR
13T	18	BLK
13V	18	BLACK
13W	18	BLACK
13X	18	BLACK
13Z	14	BLACK
22	18	BROWN
52	14	BROWN
54	14	YELLOW
54A	18	YELLOW
54B	18	YELLOW
64	18	YELLOW
74	18	YELLOW
88	18	GRAY
95	18	GREEN
99	18	WHITE
-	-	-
104	18	YELLOW
104A	18	YELLOW
105	18	GREEN
105A	18	GREEN
106	18	BLUE

LETTER	DESCRIPTION
A	ATO FUSE FAST ACTING TYPE 10A, 32 VOLT
B	LITTLE FUSE PART NUMBER: 257010
C	CONNECTOR BODY W/SEAL, 2F 630 MP P.E. P/N: 12033769, TERMINAL P/N: 12066614.
D	COVER, FUSE, 630 MP P.E. 12033731.
E	CONNECTOR BODY 2M, 280MP / SERIES P.E. #1530002, CABLE SEAL, 280MP / SERIES, PACKARD #12015323 (2 PER CONN.), CONNECTOR T.P.A., 280MP / SERIES, PACKARD #1530014
F	TERMINALS, MALE 280MP / SERIES 12048159 (2 PER CONN.), BRAIDING, .028 DIAMETER BLACK.
G	5/16" FULLY INSULATED RING TERMINAL.
H	1/4" FULLY INSULATED RING TERMINAL.
I	LEAD, SELF ADHESIVE, WHITE BACK GROUND WITH BLACK TEXT.
M	PLUG 2 CIRCUIT AMP .145 CENTER LINE CONNECTOR 250V, 7A P/N: 770340-1, PIN TERMINAL P/N: 794017 OR 350629-1.
N	MOLEX MINI FIT Jc, CONNECTOR RECEPTACLE HOUSING 12 CKT, P/N 39-01-2120; TERMINALS P/N 39-00-0039
O	PLUG 2-WAY, MOLDED, WVC #12914 MUST MATE WITH TENNANT PART NUMBER 1040868
P	GRIMP OR SONIC WELD WIRES TOGETHER AND COVER WITH SHRINK TUBING.
H	.187" FULLY INSULATED MALE TAB TERMINAL, TYCO P/N: 2-521103-2 OR .187" x .020" FULLY INSULATED FEMALE RECEPTACLE AMP ULTRA FAST 1B7 SERIES.
T	#8 FULLY INSULATED RING TERMINAL.
V	#8 FULLY INSULATED FEMALE RECEPTACLE AMP ULTRA FAST 1B7 SERIES.

WIRE HARNESS GROUP, *ec-H2O* OPTION (S/N 00000000-10446230)

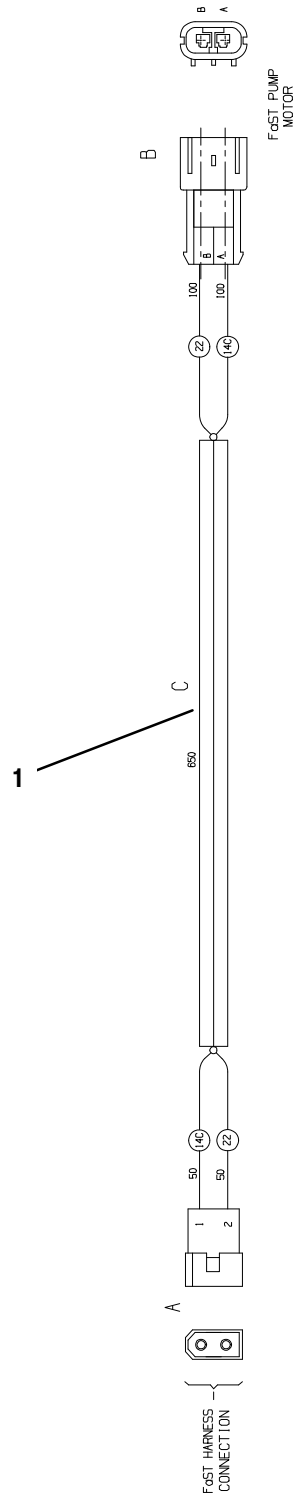
	Ref.	Part No.	Serial Number	Description	Qty.
▽	1	1044416	(10378380-10446320)	Harness Assy, Wire [T5 Ec-H2o, P3]	1
▲	2	1047470	(00000000-)	Fuse, Blade, 010a, 32vdc, Red	1

▽ ASSEMBLY

▲ INCLUDED IN ASSEMBLY

WIRE HARNESS GROUP, FAST OPTION

355124



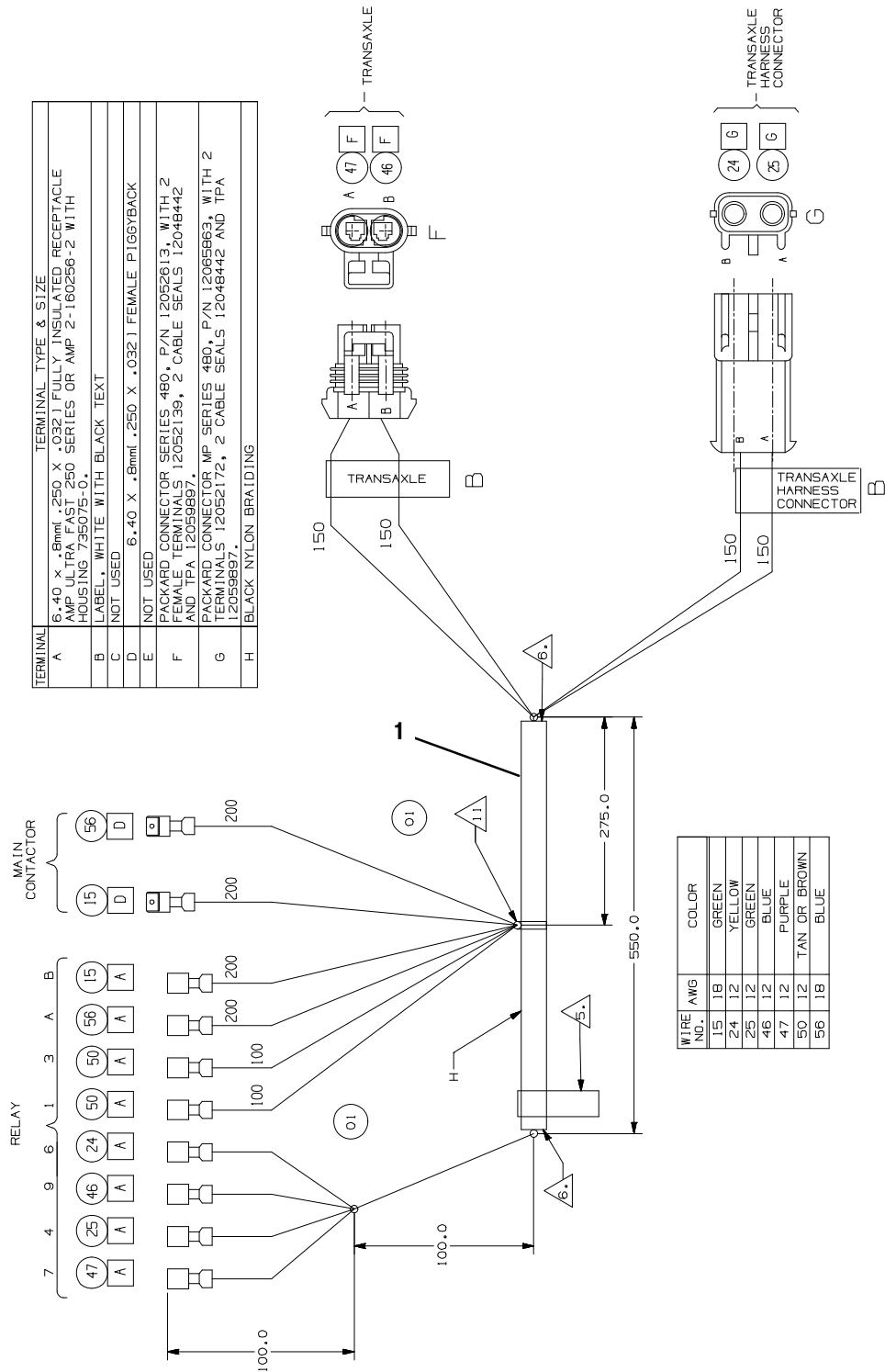
WIRE #	COLOR	AWG	mm ²
14C	YELLOW	18	.75
22	BROWN	18	.75

COMPONENT	DESCRIPTION
A	PLUS 2 CIRCUIT AMP .145 CENTERLINE CONNECTOR 250V, 7A P/N 770340-1, PIN TERMINALS P/N 794017 OR 354629-1.
B	CONNECTOR BODY 2M, 260MP / SERIES, P.E. #1530002, PER CONN.1 CONNECTOR 1, 260MP / SERIES, P.E. #1530012, PER CONN.12 CONNECTOR 1, 260MP / SERIES, P.E. #1530012, PER CONN.12 TERMINALS, MALE 260MP / SERIES 1204159 12 PER CONN.1
C	BLACK NYLON BRAIDING.

Ref.	Part No.	Serial Number	Description	Qty.
1	1023757	(00000000-) Harness [Fast, Option, T5]	1

WIRE HARNESS GROUP, BRAKE

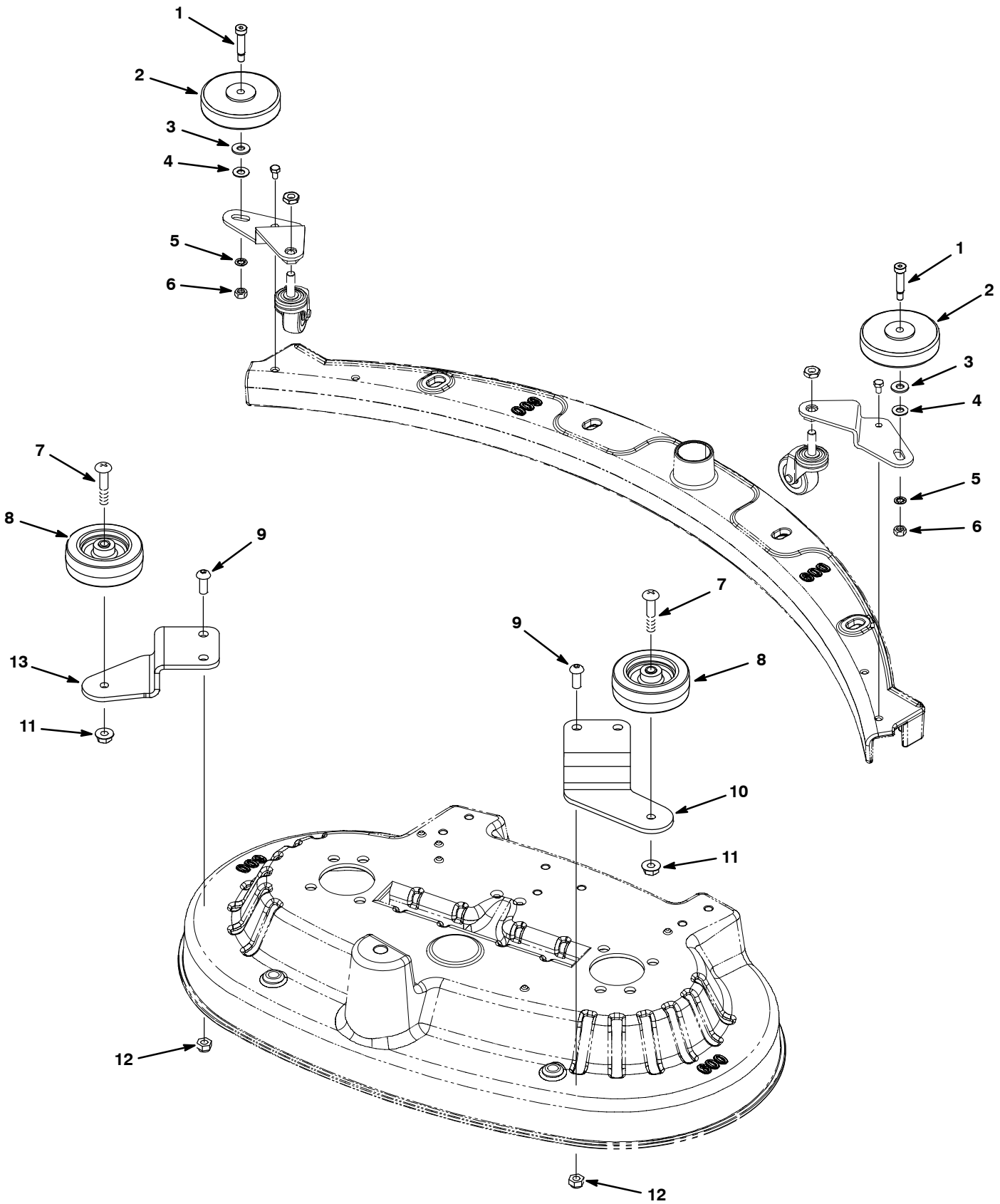
355125



TERMINAL	TERMINAL TYPE & SIZE
A	6.40 X .8mmI .250 X .032 J FULLY INSULATED RECEPTACLE AMP ULTRA FAST 250 SERIES OR AMP 2-160256-2 WITH HOUSING 735075-0.
B	LABEL. WHITE WITH BLACK TEXT
C	NOT USED
D	6.40 X .8mmI .250 X .032 J FEMALE PIGGYBACK
E	NOT USED
F	PACKARD CONNECTOR SERIES 480, P/N 12052819, WITH 2 FEMALE TERMINALS, 12052139, 2 CABLE SEALS 12048442 AND TPA 12059897.
G	PACKARD CONNECTOR MP SERIES 480, P/N 12059863, WITH 2 TERMINALS, 12052172, 2 CABLE SEALS 12048442 AND TPA 12059897.
H	BLACK NYLON BRAIDING

Ref.	Part No.	Serial Number	Description	Qty.
1	1035576	(10306157-) Harness, Wire, Brake [T5, Na]	1

BUMPER WHEEL KIT



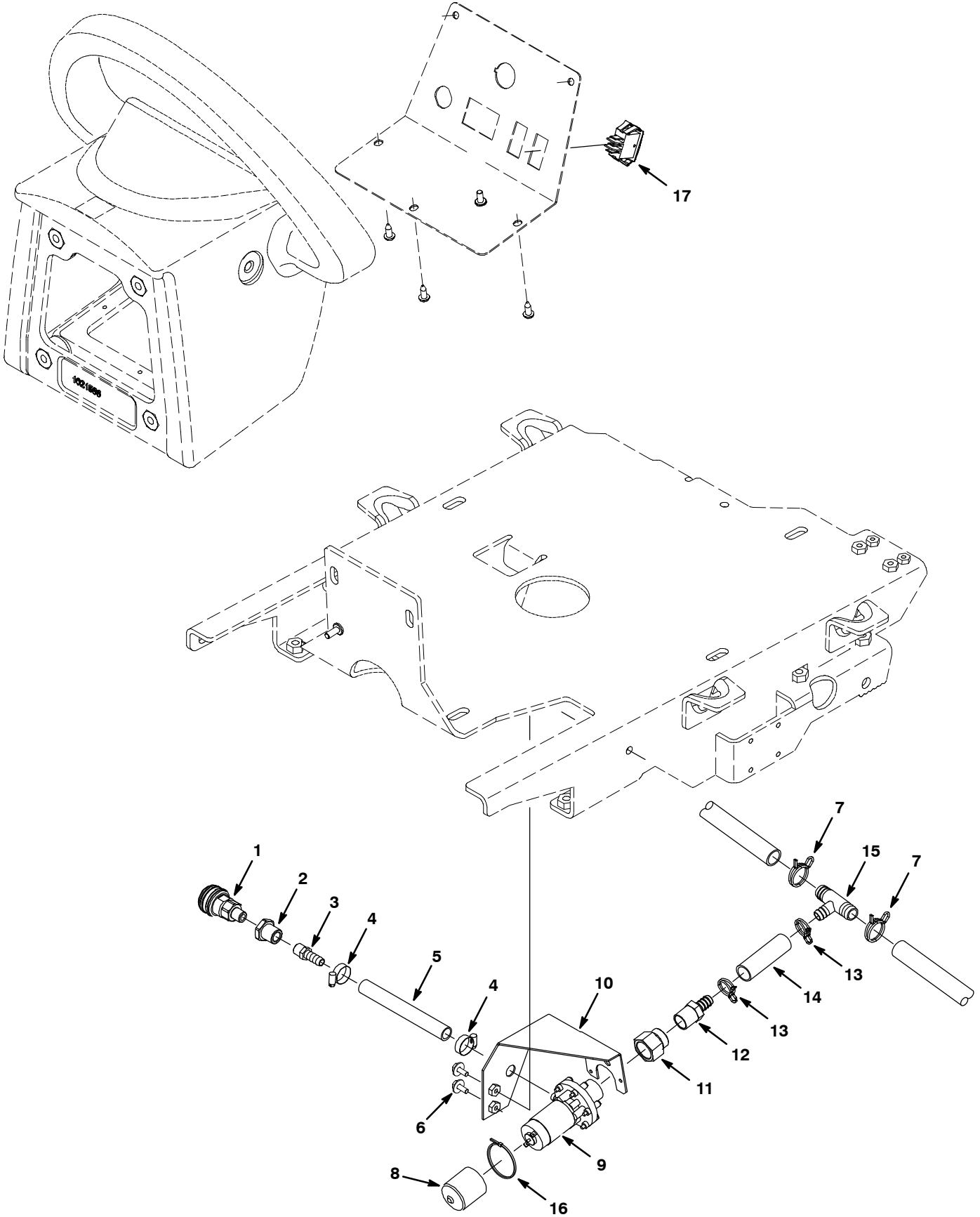
BUMPER WHEEL KIT

	Ref.	Part No.	Serial Number	Description	Qty.
▽		9004459	(00000000-) Wheel Kit, Bumper, Retrofit [T5]	1
▲	1	600187	(00000000-) Bolt, Shld, .38d X 1.25, .31-18	2
▲	2	614317	(00000000-) Wheel, 04.0d 1.00w 0.38b, Rbr, Gray	2
▲	3	01685	(00000000-) Washer, Flat, 0.38b 0.88d .08, Ss	2
▲	4	069762311	(00000000-) Washer, Flat, M7.9b X 19d X 1.7 Ss	2
▲	5	43952	(00000000-) Washer, Lock, Int, 0.31, Ss	2
▲	6	140506	(00000000-) Nut, Hex, Std, .31-18, Ss	2
▲	7	606983	(00000000-) Screw, Trs, M8 X 1.25 X 40, Phl, Pl	2
▲	8	1014918	(00000000-) Wheel, 03.0d 0.88w 0.31b, W/ Bshg, Rbr	2
▲	9	393135	(00000000-) Screw, Btn, M8 X 1.25 X 20, Blk	4
▲	10	1023268	(00000000-) Bracket, Roller, Wall, Scb Head, 70cm	1
▲	11	07791	(00000000-) Nut, Hex, Flng, M8 X 1.25	2
▲	12	08713	(00000000-) Nut, Hex, Lock, M8 X 1.25, Nl, Ss	4
▲	13	1022344	(00000000-) Bracket, Roller, Wall, Scb Head, 60cm	1

▽ ASSEMBLY

▲ INCLUDED IN ASSEMBLY

WAND PUMP KIT



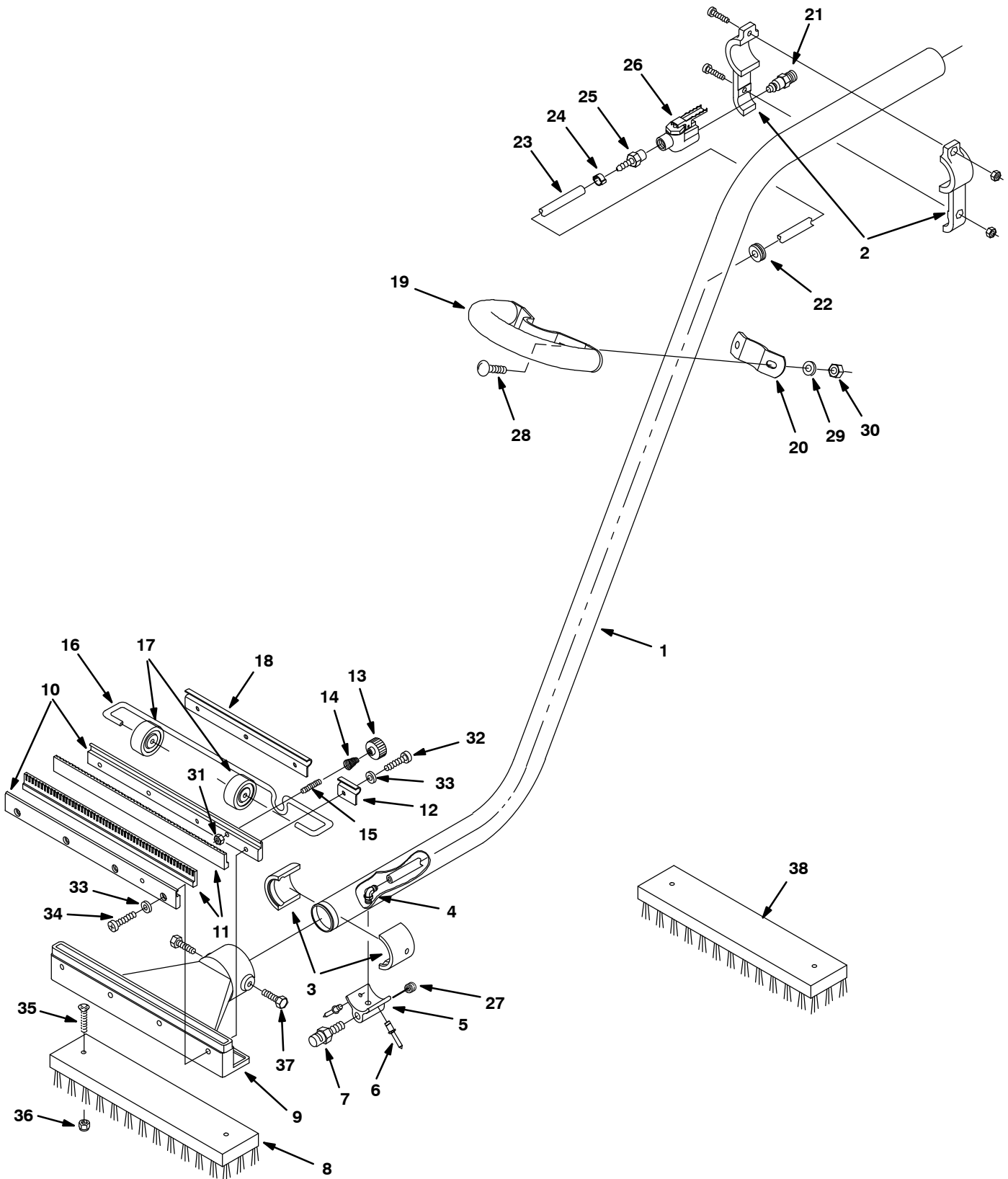
WAND PUMP KIT

Ref.	Part No.	Serial Number	Description	Qty.
▽	9003398	(00000000-) Pump Kit, Wand, Power, Ci [T5]	1
▲	1 608292	(00000000-) Connection, Quick, Fem .375" X .25" Npt	1
▲	2 78122	(00000000-) Fitting, Brs, Str, Pf04/Pf04, Bh	1
▲	3 150516	(00000000-) Fitting, Brs, Str, Pm04/Bm06	1
▲	4 54333	(00000000-) Clamp, Hose, Wormdrive, 0.31-0.88d, .31w	2
▲	5 575501000	(00000000-) Hose 3/8idx5/8odx8" (376720)	1
▲	6 1034731	(00000000-) Screw, Hex, M6 X 1.00 X 16, Sems, Ss	2
▲	7 1041978	(00000000-) Clamp, Hose, Wir, .85 - .90, Silver	2
▲	8 605064	(00000000-) Cap, Vinyl, 1.38 D 1.6l	1
▲	9 630136	(00000000-) Pump, Soltn, Ele, 24vdc, 3116" Term 3/4"	1
▲	10 1023515	(00000000-) Bracket, Mtg, Pump, Wand	1
▲	11 150017	(00000000-) Fitting, Brs, Str, Pf08/Pf12, Cplg[Redr]	1
▲	12 1023581	(00000000-) Fitting, Plstc, Str, Bm08/Pm08, Nyl	1
▲	13 607776	(00000000-) Clamp, Hose, Wir, .73 - .77, Silver	2
▲	14 613521	(00000000-) Hose, Pvc, Clr, 0.50id 0.75od 012.0l	1
▲	15 1015486	(00000000-) Fitting, Plstc, Tee, Bm08/Bm10/Bm10, Br	1
▲	16 130773	(00000000-) Tie, Cable, Nyl, 11.0l, .14w, 3.0 Max. D	2
▲	17 130787	(00000000-) Switch, Rocker, Spdt	1

▽ ASSEMBLY

▲ INCLUDED IN ASSEMBLY

DELUXE POWER WAND GROUP



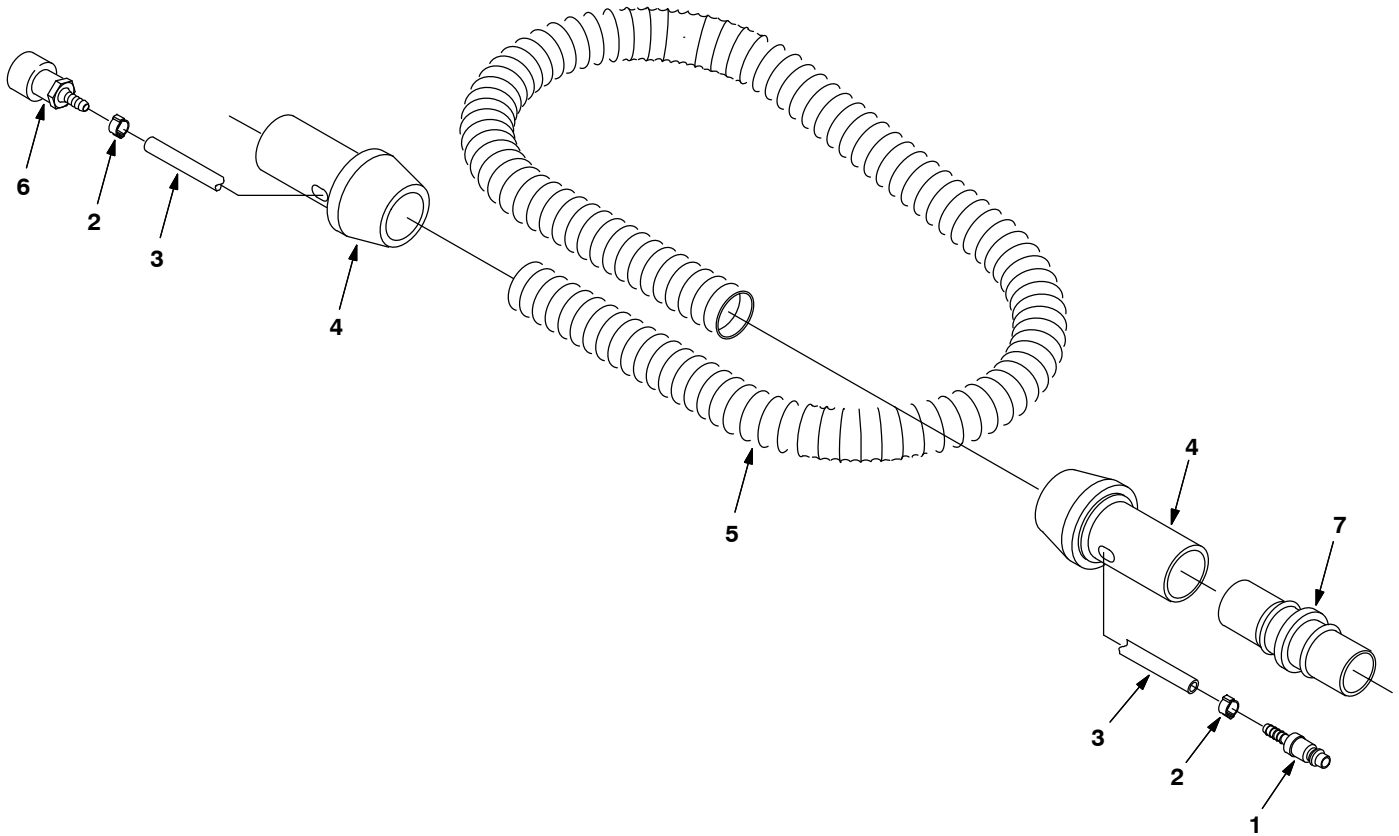
DELUXE POWER WAND GROUP

Ref.	Part No.	Serial Number	Description	Qty.
▽	65340	(00000000-) Wand Assy, Power	1
▲	1 578060000	(00000000-) Wand, Dbl Bend, 38.1mmd	1
▲	2 578077000	(00000000-) Bracket Valve Mounting Wand	1
▲	3 578061000	(00000000-) Adapter, Head / Wand	2
▲	4 1037595	(00000000-) Fitting, Plstc, E90, Bm04/Pm02, Nyl	1
▲	5 579112	(00000000-) Fitting Spray Nozzle Adapter	1
▲	6 602036000	(00000000-) Rivet, Blind	2
▲	7 578066000	(00000000-) Fitting, Brs, Tip [75, .125k-Jet]	1
▲	8 65610	(00000000-) Brush, Power Wand, W/ Fastener, Pyp	1
▲	9 578063000	(00000000-) Head, Wand	1
▲	10 578078000	(00000000-) Retainer, Sqge, Wand	2
▲	11 578074000	(00000000-) Blade, Sqge, 300.8mmml, Wand	2
▲	12 578124000	(00000000-) Bracket,Axle,1hole	1
▲	13 578439	(00000000-) Nut, Thumb, M6 X 1.0, 30d	1
▲	14 613732	(00000000-) Spring, Cmpr, Conical 15mm	1
▲	15 578143000	(00000000-) Screw, Set, M6 X 1.0 X 40, Cuppt, Ss	1
▲	16 578126000	(00000000-) Axle,Wand	1
▲	17 578125000	(00000000-) Wheel, 41.3d, 19.1w, Rbr	2
▲	18 578123000	(00000000-) Bracket,Axle,3hole	1
▲	19 578155000	(00000000-) Handle Wldt, Wand	1
▲	20 578154000	(00000000-) Bracket Handle Wand	1
▲	21 578091000	(00000000-) Fitting, Brs, Qdc, Pm04, Plug	1
▲	22 578164000	(00000000-) Grommet,0.38"ld,0.62"Gd,.06"Gw	1
▲	23 578821000	(00000000-) Hose 1/4id X 3/8od X 1.22m	1
▲	24 578161000	(00000000-) Clamp, Hose, Ear, 8-11mm, Ss	1
▲	25 578094000	(00000000-) Fitting, Nyl, Str, Pm04/Bm04	1
▲	26 578064000	(00000000-) Valve, Cntrl, Water	1
▲	27 150208	(00000000-) Fitting, Brs, Str, Pm02, Plug [Skhd]	1
▲	28 20399	(00000000-) Bolt, Carriage, .25-20 X 0.75	2
▲	29 200304017	(00000000-) Washer, Flat, M6.4 X 13 X 1.6, Pl	2
▲	30 41169	(00000000-) Nut, Hex, Lock, .25-20, NI, Ss	2
▲	31 07785	(00000000-) Nut, Hex, Std, M6 X 1.0, A2, Ss	1
▲	32 1026454	(00000000-) Screw, Pan, M5 X 0.8 X 10, Ss	4
▲	33 07514	(00000000-) Washer, Lock, Int, #10, Ss	8
▲	34 578144000	(00000000-) Screw, Pan, M5 X 0.8 X 16,Phl,Ss,Dn7985a	4
▲	35 578566	(00000000-) Screw 4x30 Fltphl Ss	2
▲	36 33932	(00000000-) Nut, Hex, Lock, M4 X 0.7, NI, Ss	2
▲	37 140885	(00000000-) Screw, Trs, .25-20 X 0.50, Phl, Ss	2
▲	38 65582	(00000000-) Brush, Power Wand, W/ Fastener, Abr (Optional)	1

▽ ASSEMBLY

▲ INCLUDED IN ASSEMBLY

POWER WAND HOSE GROUP

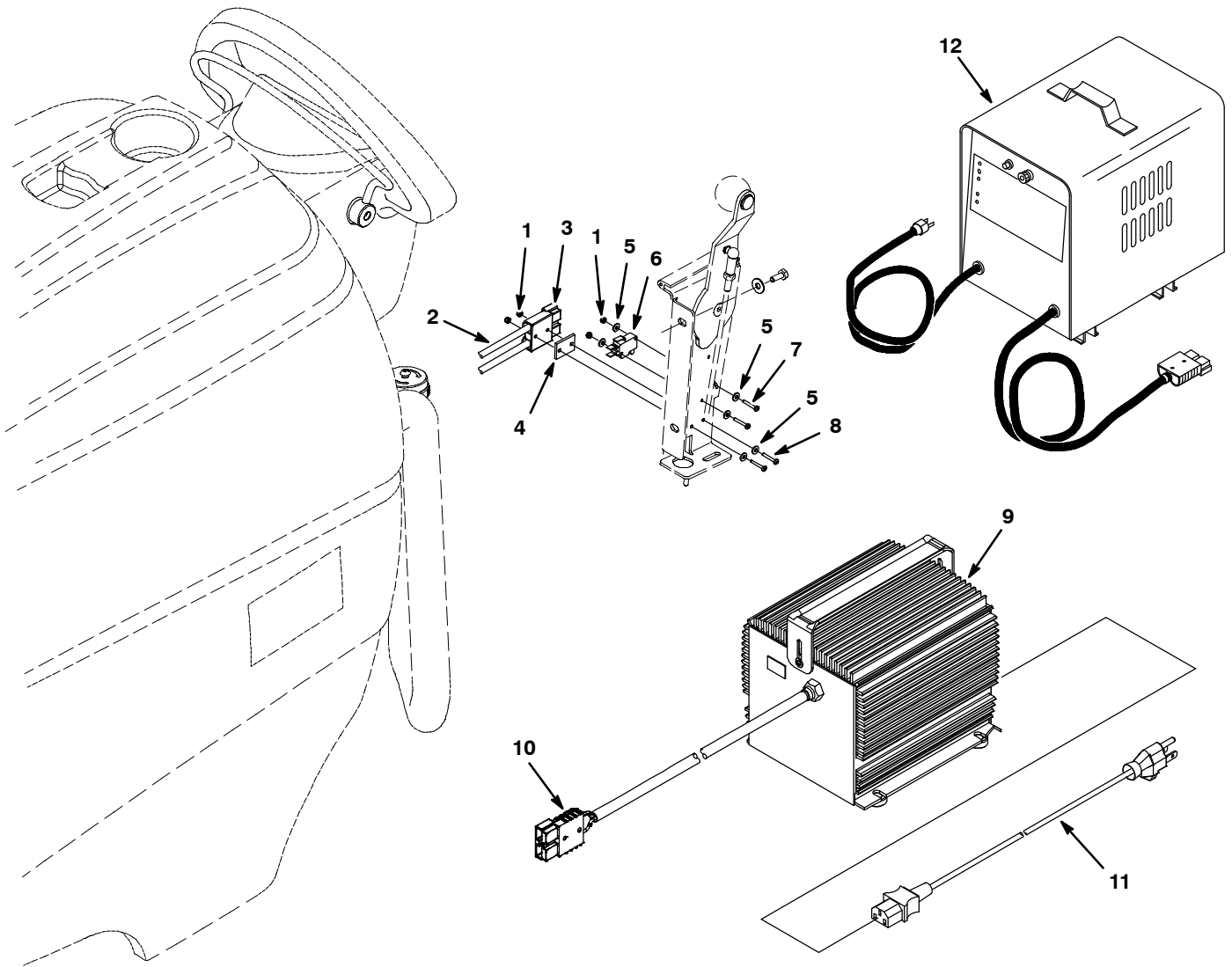


Ref.	Part No.	Serial Number	Description	Qty.
▽	65341	(00000000-)) Hose Assy, Wand, Power	1
▲	1	578318000	(00000000-) Fitting, Stl, Qdc, Bm04	1
▲	2	578160000	(00000000-) Clamp, Hose, Ear, 11-13mm, Ss	2
▲	3	578820000	(00000000-) Hose, Pvc, 0.25id X 157l	1
▲	4	578072000	(00000000-) Cuff, Swivel, 1.5 Blk	2
▲	5	1052212	(00000000-) Hose, Vacuum, 1.50id X 10ft, Gray	1
▲	6	578071000	(00000000-) Fitting, Brs, Qdc, Bm04/Pf04	1
	7	12694	(00000000-) Fitting, Plstc, Str, Bm24/Bm24	1

▽ ASSEMBLY

▲ INCLUDED IN ASSEMBLY

OFF-BOARD CHARGER GROUP

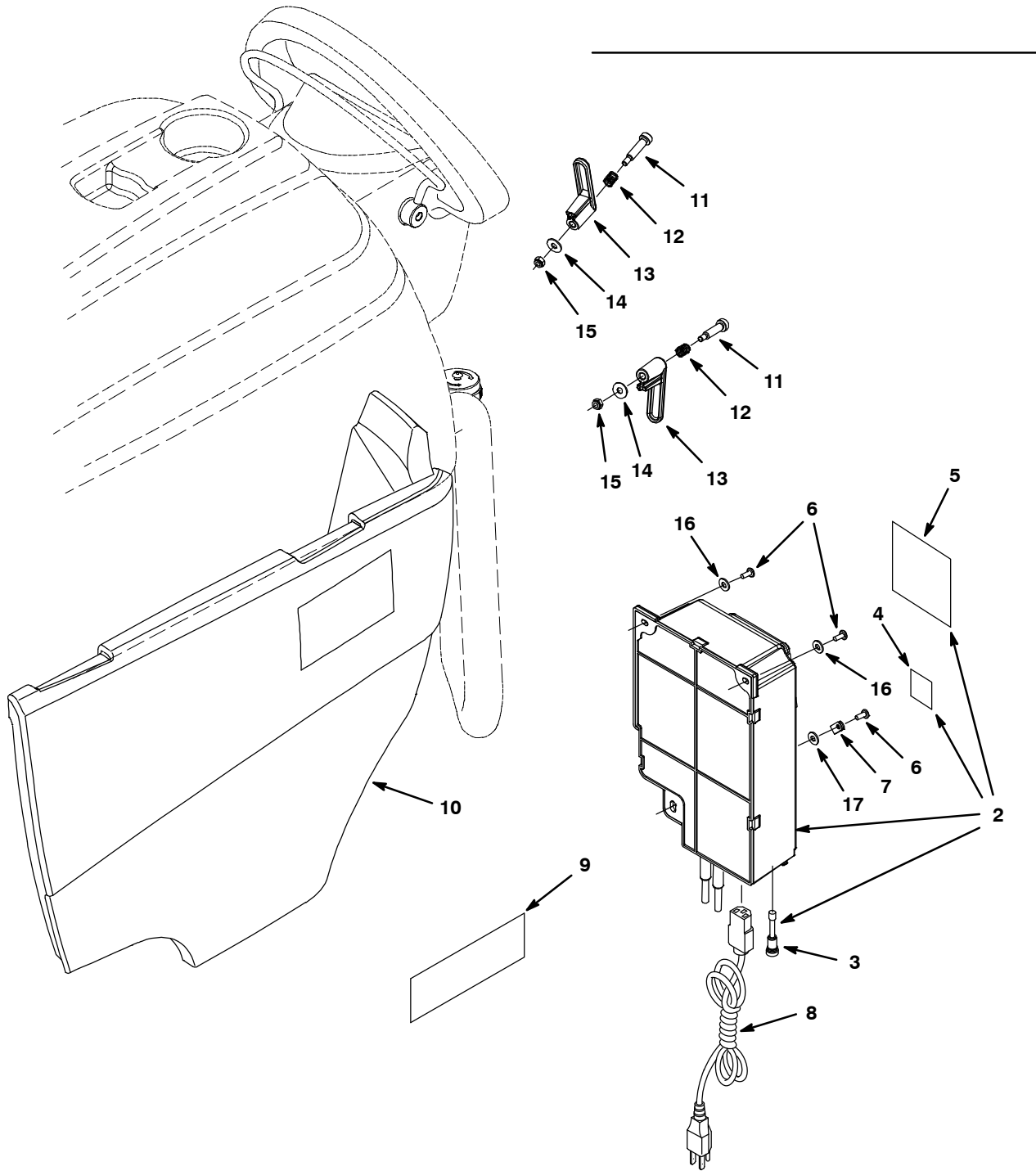


Ref.	Part No.	Serial Number	Description	Qty.
	1	579211	(00000000-) Nut, Hex, Lock, M3 X .5, Ss	4
▽	2	1024514	(00000000-) Harness, Chrgr	1
▲	3	605387	(00000000-) Connector, 50a, Red W/O Contact[Anderson	1
	4	603331	(00000000-) Spacer, Chrgr Plug	1
	5	41578	(00000000-) Washer, Flat, #06, Ss	6
	6	611005	(00000000-) Switch, Rlr, 16a, Micro	1
	7	06922	(00000000-) Screw, Pan, M3 X 0.5 X 20, 4.8	2
	8	33933	(00000000-) Screw, Pan, M3 X 0.5 X 25, Ss	2
▽	9	1029256	(00000000-) Charger, 24vdc, 19a Var Vac 1ph 50/60hz	1
▲	10	605387	(00000000-) Connector, Anderson, 50a,Red W/O Contact	1
	11	1017079	(00000000-) Cord, Extn, 16ga /3, 010ft [Sjt]	1
	12	391992	(00000000-) Charger (Japan)	1

▽ ASSEMBLY

▲ INCLUDED IN ASSEMBLY

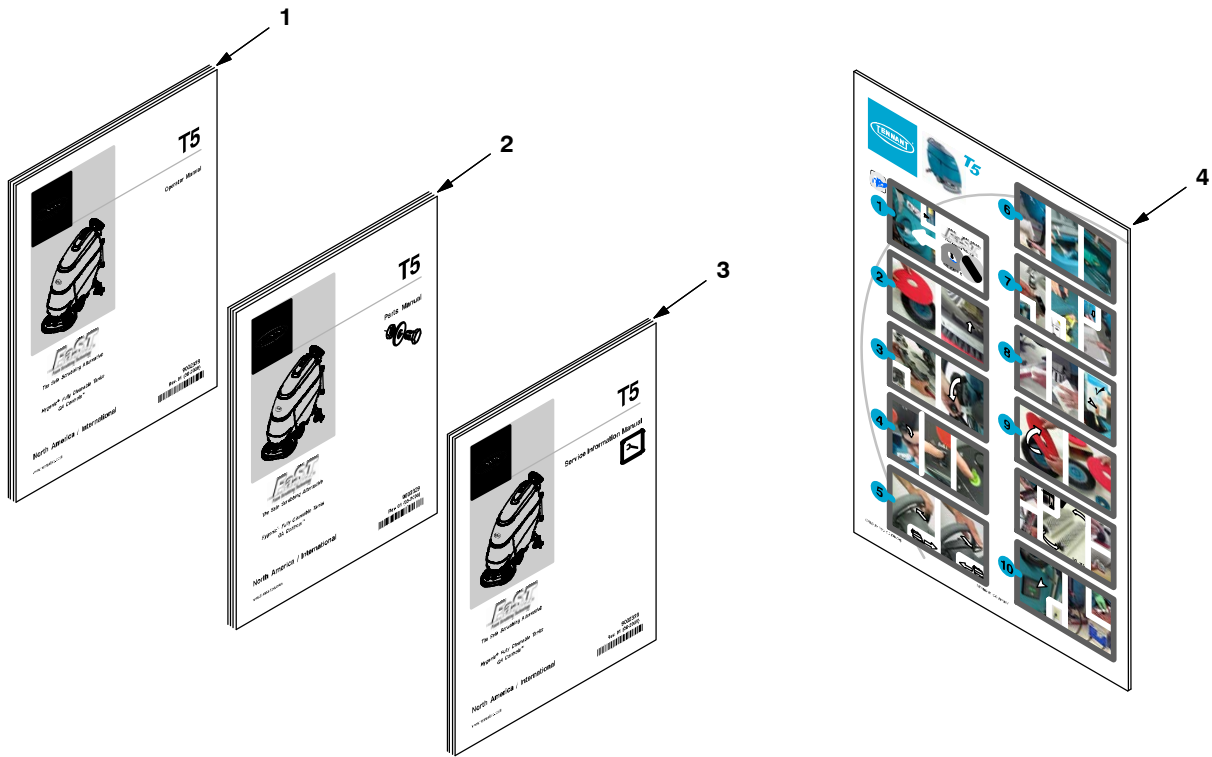
ON-BOARD CHARGER GROUP



ON-BOARD CHARGER GROUP

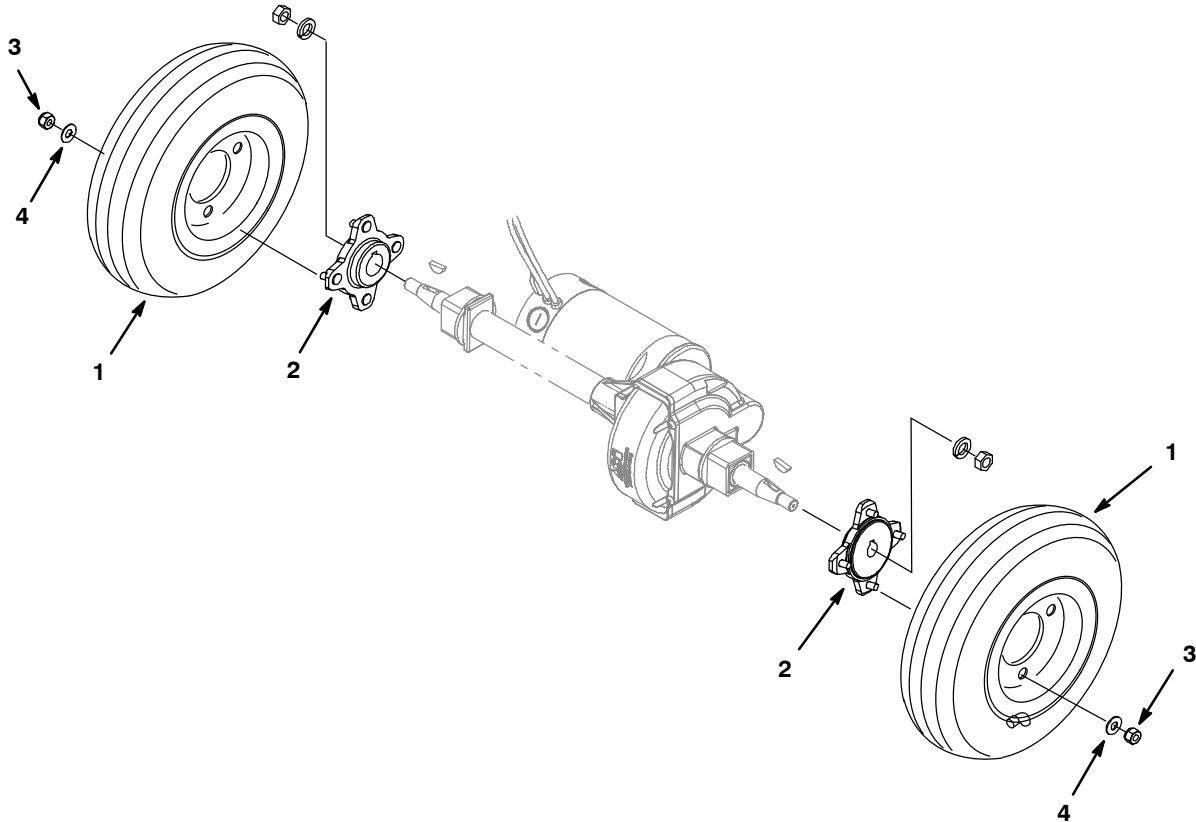
Ref.	Part No.	Serial Number	Description	Qty.
1	9003295	(00000000-) Charger Kit, Battery, Ci [120v T5 Na]	1
1	9003770	(00000000-) Charger Kit, Battery, Ci [100v, T5 Jp]	1
1	9003296	(00000000-) Charger Kit, Batt, 230v, Fr/ [T5 Aust]	1
2	1059139	(00000000-) Charger, 120vac [Onboard]	1
2	1042809	(00000000-) Charger, 100vac [Onboard]	1
2	1042808	(00000000-) Charger, 230vac [Onboard, Export]	1
3	1030692	(00000000-) Vr, Fuse, Replmt, 15 Amp F/1022874	1
3	1030746	(00000000-) Vr, Fuse, 10a, F/1025146-1026909, Replmt	1
4	578768	(00000000-) Label, Hzrd, [Hazardous Voltage] Txtls	1
5	1025158	(00000000-) Label, Charger, Afmkt	1
6	578144000	(00000000-) Screw, Pan, M5 X 0.80 X 16, Pozi, Ss	3
7	26395-2	(00000000-) Clamp, Cable, Stl, 0.38d X 0.38w, 1h	1
8	1025642	(00000000-) Cord, Power, 16/3, 4.5 Meters, Blk [Us]	1
8	1026325	(00000000-) Cord, Power, 1.0mm2 X 2.5 Meters [Aus]	1
9	1028175	(00000000-) Label, Instr [Charger Setting]	1
10	1022059	(00000000-) Panel, Side, Rm-Tl, Lh, Trimmed, W/Chgr	1
11	1024965	(00000000-) Bolt, Shld, 8mmd X 30, M6x1.0	2
12	611311	(00000000-) Spring, Cmpr, 10.9d, 1.1w, 12.7l Mw Zn	2
13	610906	(00000000-) Hook, Cord Viper	2
14	01684	(00000000-) Washer, Flat, 0.27b 0.69d .05, Ss	2
15	08712	(00000000-) Nut, Hex, Lock, M6 X 1.00, Ss, NI	2
16	01683	(00000000-) Washer, Flat, 10, Ss	2
17	01684	(00000000-) Washer, Flat, 0.27b 0.69d .05, Ss	1

DOCUMENTATION GROUP



Ref.	Part No.	Serial Number	Description	Qty.
1	9002326	(00000000-)) Manual, Oprtr [T5, En]	1
1	9002327	(00000000-)) Manual, Oprtr [T5, Es]	1
1	9002328	(00000000-)) Manual, Oprtr [T5, Fr]	1
1	9002855	(00000000-)) Manual, Oprtr Jp [T5]	1
2	9002329	(00000000-)) Manual, Parts [T5]	1
3	9002333	(00000000-)) Manual, Service [T5]	1
4	9002330	(00000000-)) Instr, Use & Care Guide Txtls 11x17 [T5]	1

OPTIONAL WHEEL KIT



Ref.	Part No.	Serial Number	Description	Qty.
▽	9004903	(00000000-)) Wheel Kit, Pneumatic, Ci [T5 T5e Ss5]	1
▲ 1	1059452	(00000000-)) Tire Assy, Pneu, Grey, 2.8/2.5-04 2.75bc	2
▲ 2	1048125	(00000000-)) Hub, Wheel [Tapered Shaft]	2
▲ 3	08712	(00000000-)) Nut, Hex, Lock, M6 X 1.00, NI, Ss	8
▲ 4	140000	(00000000-)) Washer, Flat, 0.28b 0.62d .04, Ss	8
▽	9004904	(00000000-)) Wheel Kit, Foam Filled, Ci [T5 T5e Ss5]	1
▲ 1	1059453	(00000000-)) Tire Assy, Foam, Grey, 2.8/2.5-04 2.75bc	2
▲ 2	1048125	(00000000-)) Hub, Wheel [Tapered Shaft]	2
▲ 3	08712	(00000000-)) Nut, Hex, Lock, M6 X 1.00, NI, Ss	8
▲ 4	140000	(00000000-)) Washer, Flat, 0.28b 0.62d .04, Ss	8

▽ ASSEMBLY

▲ INCLUDED IN ASSEMBLY