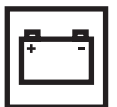
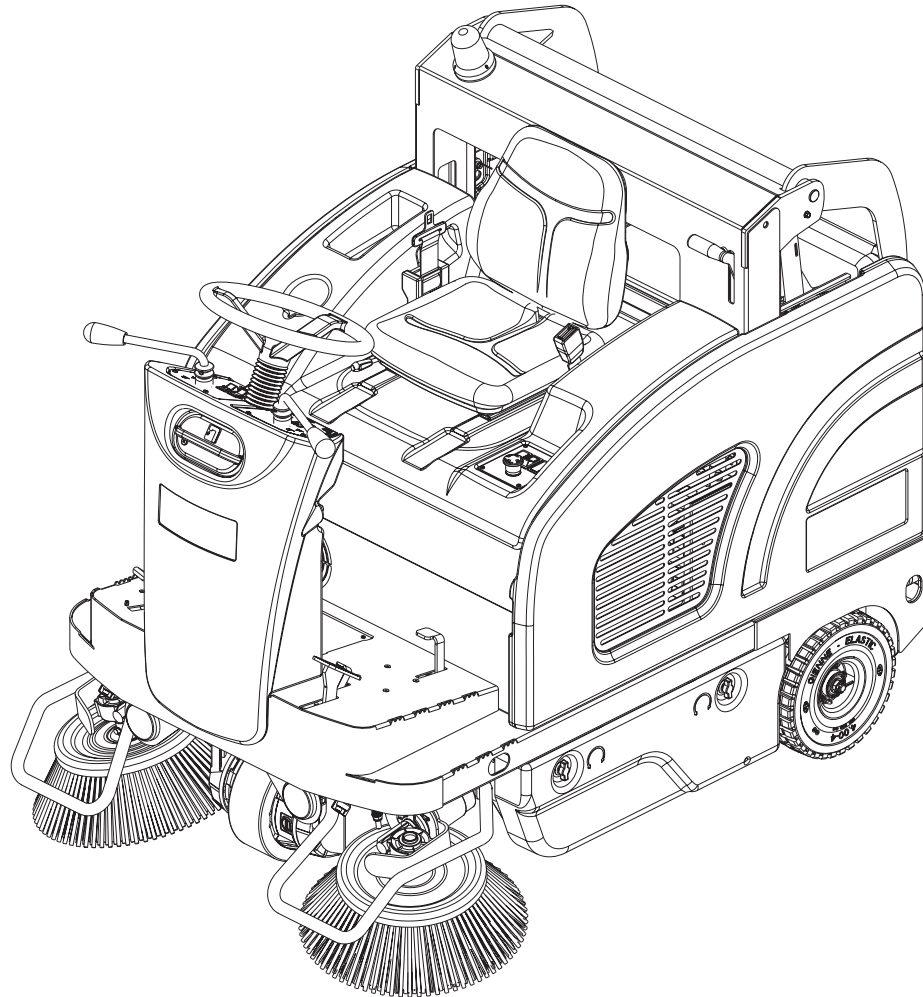


SW4000



PARTS LIST

Advance model: 9084403010

TABLE OF CONTENTS

| ENG | PAGE |
|-----------------------------|---------|
| GENERAL VIEW | 2 - 3 |
| FRAME SYSTEM | 4 - 7 |
| EXTENSIBLE ARM | 8 - 9 |
| FRAME | 10 - 13 |
| SEAT COVER | 14 - 15 |
| LATERAL COVERS | 16 - 17 |
| ELECTRIC WHEEL | 18 - 19 |
| MOTOR WHEEL | 20 - 21 |
| RIGHT BROOM | 22 - 23 |
| LEFT BROOM | 24 - 25 |
| MAIN BROOM | 26 - 27 |
| BROOM CLOSING | 28 - 29 |
| MAIN BROOM ADJUSTMENT | 30 - 31 |
| FRONT LIFT FLAP | 32 - 33 |
| VACUUM SYSTEM | 34 - 35 |
| PANEL FILTER | 36 - 37 |
| LIFTING ARMS | 38 - 39 |
| HOPPER SYSTEM | 40 - 41 |
| PEDAL BRAKE | 42 - 43 |
| ACCELERATOR PEDAL | 44 - 45 |
| STEERING COLUMN | 46 - 47 |
| BROOM LEVERS | 48 - 49 |
| CONTROL PANEL | 50 - 51 |
| CONTROL PANEL COVER | 52 - 53 |
| ELECTRIC SYSTEM | 54 - 55 |
| HYDRAULIC SYSTEM | 56 - 57 |
| BATTERIES | 58 - 59 |
| GUARD LEFT/RIGHT SIDE BROOM | 60 - 61 |
| FLOOR MAT AND BEACON | 62 - 63 |
| ACCESSORIES | 64 - 69 |
| WIRING SYSTEM | 70 - 71 |
| RECOMMENDED SPARE PARTS | 72 |
| OPTIONALS | 73 |

WHEN ORDERING PARTS

- * Use the part numbers from the "Ref. No." columns in this parts list.
- * Specify the model and serial number of the machine.
- * Use the space below to record the model and serial number for future reference.

Model

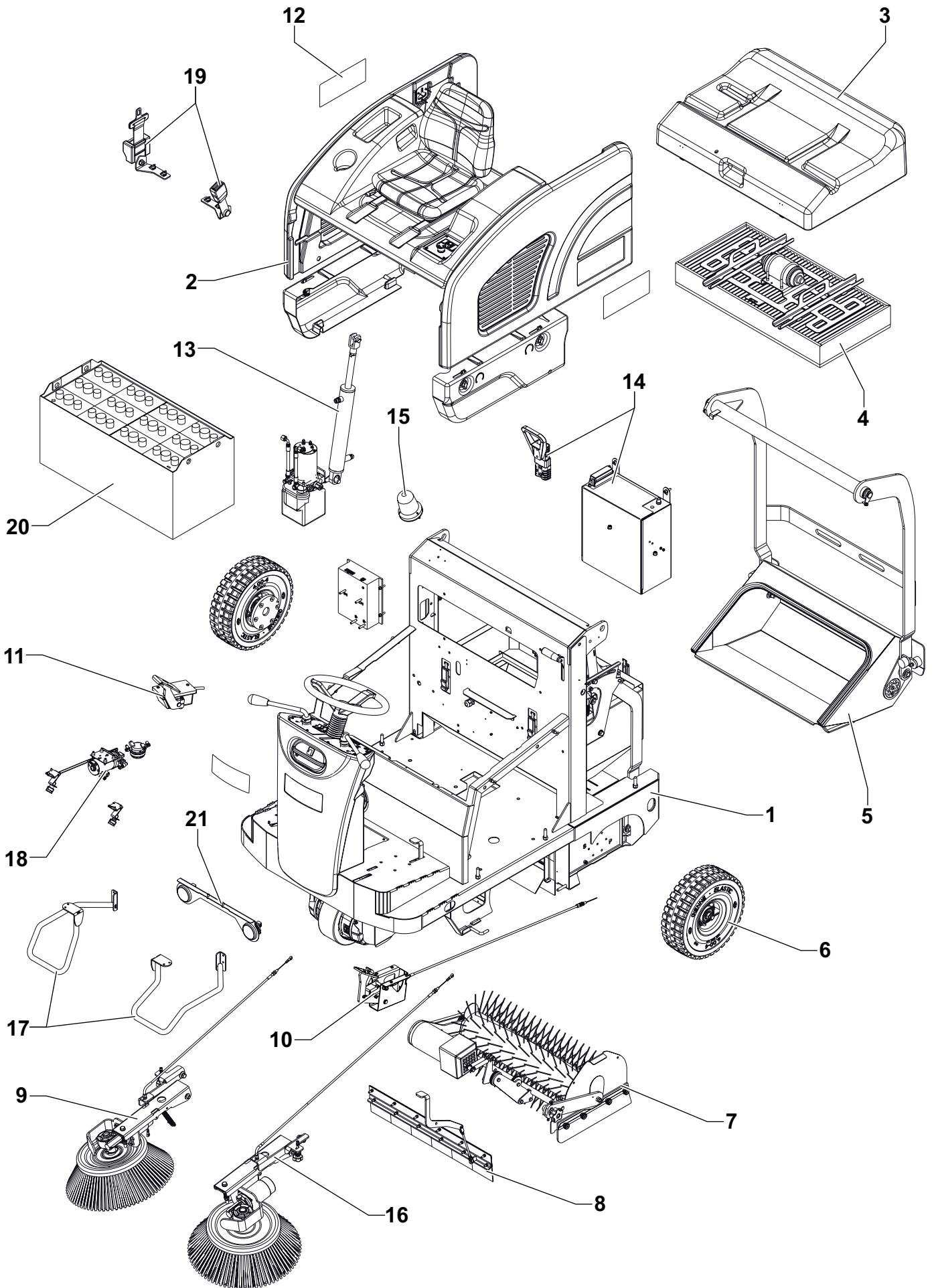
Serial No.

* = Optional

= Modified item No. or New item No.

[] = Not shown

GENERAL VIEW

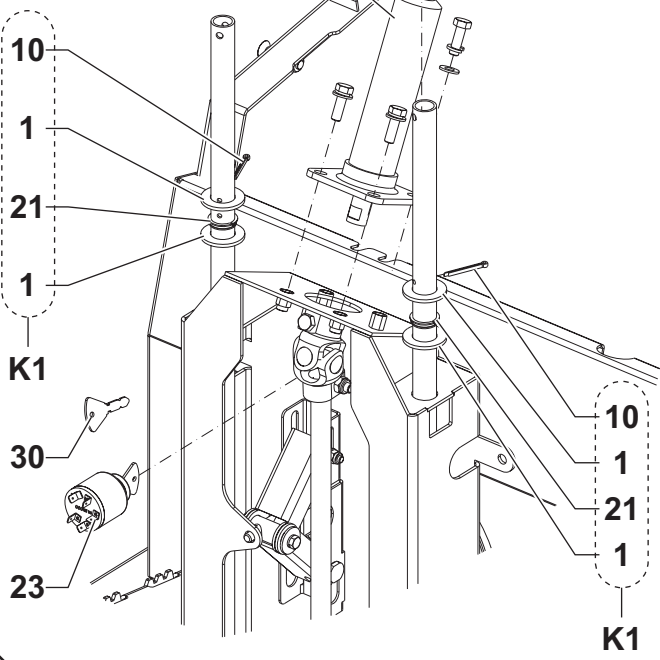


GENERAL VIEW

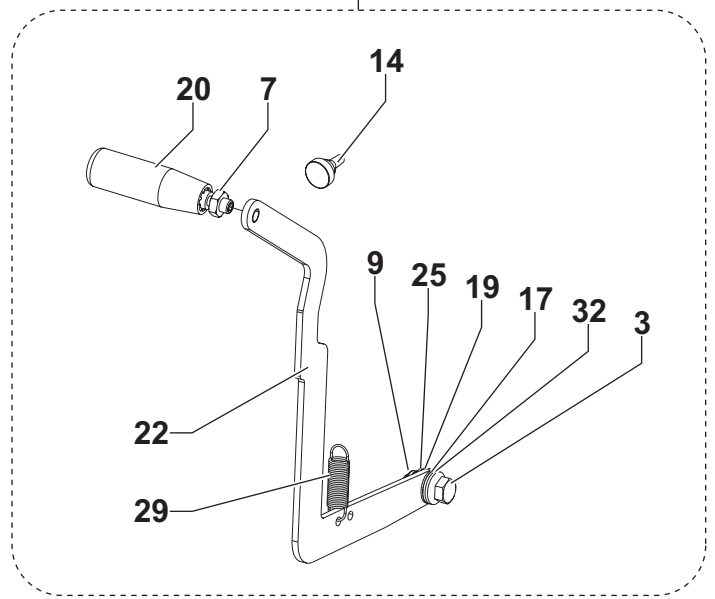
| ITEM | REF. NO. | QTY | DESCRIPTION |
|------|------------|-----|----------------------------------|
| 1 | - | | CHASSIS ASSY |
| 2 | - | | COVERS AND COFFINS ASSY |
| 3 | - | | VACUUM COVER ASSY |
| 4 | - | | PANEL FILTER ASSY |
| 5 | - | | HOPPER ASSY |
| 6 | - | | REAR WHEELS ASSY |
| 7 | - | | CENTRAL BROOM ASSY |
| 8 | - | | FRONT FLAP ASSY |
| 9 | - | | RIGHT BROOM ASSY |
| 10 | - | | BRAKE PEDAL ASSY |
| 11 | - | | ACCELERATOR PEDAL ASSY |
| 12 | 1464832000 | 1 | DECALS SW4000 B ADVANCE KIT |
| 13 | - | | HYDRAULIC SYSTEM ASSY |
| 14 | - | | ELECTRIC SYSTEM ASSY |
| 15 | - | | FLASHING LIGHT ASSY |
| 16 | - | | LEFT BROOM ASSY |
| 17 | - | | SIDE BROOM GUARD ASSY |
| 18 | - | | DUSTGUARD SYSTEM ASSY (OPTIONAL) |
| 19 | - | | SAFETY BELTS ASSY (OPTIONAL) |
| 20 | - | | BATTERY ASSY (OPTIONAL) |
| 21 | - | | WORKING LIGHT ASSY (OPTIONAL) |

FRAME SYSTEM

SEE STEERING
COLUMN ASSY

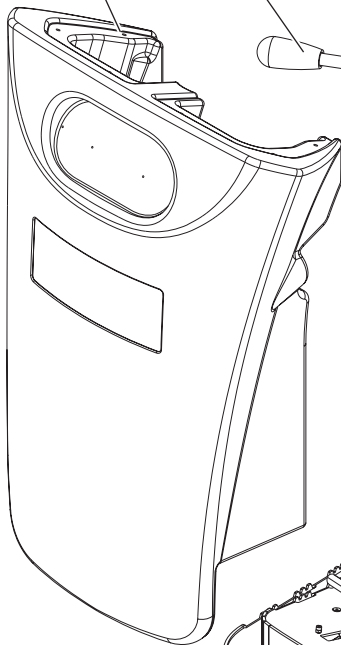


K2

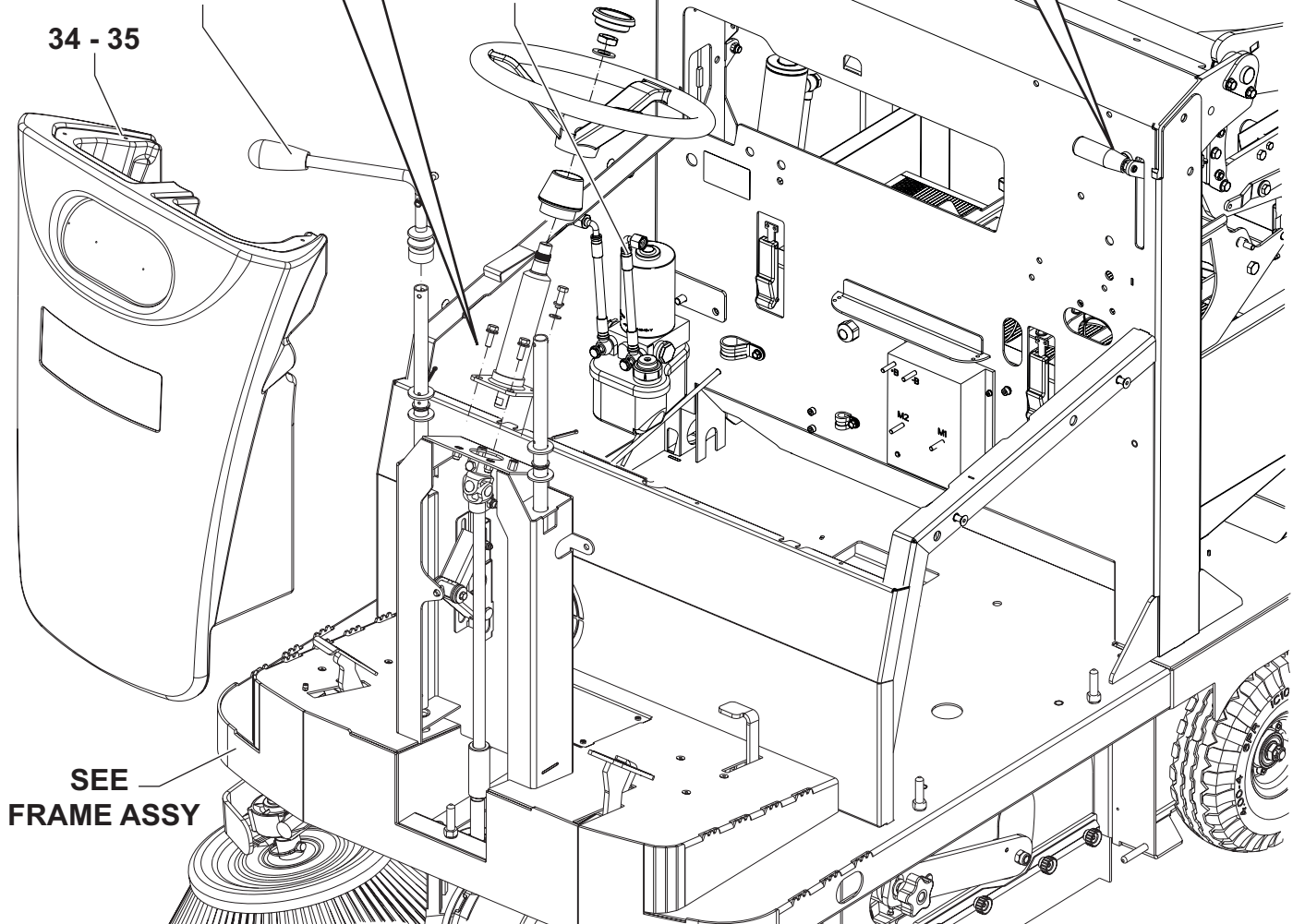


SEE LEVERS
BROOM ASSY

34 - 35



SEE HYDRAULIC
SYSTEM ASSY

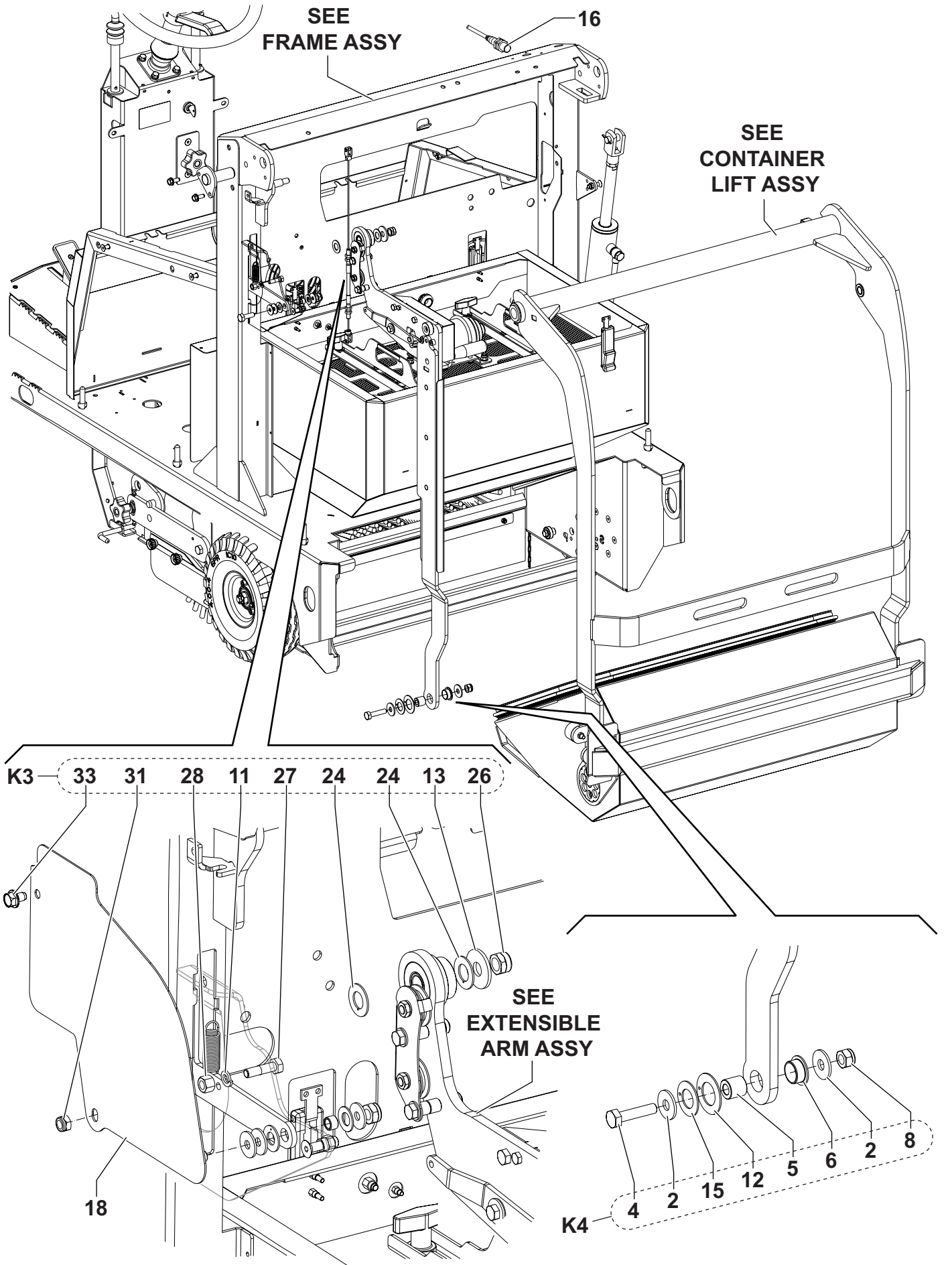


SEE
FRAME ASSY

FRAME SYSTEM

| | ITEM | REF. NO. | QTY | DESCRIPTION | |
|--|------|------------|-------------|--------------------------------------|--|
| | K1 | 1 | 4 | WASHER, FLAT 21x37 | |
| | K4 | 2 | 2 | WASHER, FLAT XL 10.5x30x2.5 | |
| | K2 | 3 | 1 | SCREW, HEX THD TO HD M10x30 | |
| | K4 | 4 | 1 | SCREW, HEX THD TO HD M10x45 | |
| | K4 | 5 | 1 | PIN HOPPER | |
| | K4 | 6 | 1 | BUSHING GFM-2023-11 | |
| | K2 | 7 | 1 | NUT, HEX THIN M10 | |
| | K4 | 8 | 1 | NUT, HEX NYL LOC HVY M10 | |
| | K2 | 9 | 1 | NUT, HEX NYL LOC THIN M10 | |
| | K1 | 10 | 4 | PIN, COTTER | |
| | K3 | 11 | 1 | WASHER, SPLIT LOCK d.8 | |
| | K4 | 12 | 1 | BEARING GTM-2442-015 | |
| | K3 | 13 | 1 | WASHER, FLAT XL | |
| | K2 | 14 | 1 | BUMPER, RUBBER | |
| | K4 | 15 | 1 | FIFTH WHEEL GTM-2036-015 | |
| | | 16 | 33018521 | 1 | SENSOR, PROXIMITY (S1) |
| | K2 | 17 | 1 | BUSHING IGUS 12x24x1.5 | |
| | | 18 | 1465286000 | 1 | COVER |
| | K2 | 19 | 1 | SPACER | |
| | K2 | 20 | 1 | ROTATING HANDLE | |
| | K1 | 21 | 3 | BUSHING IGLIDUR MCM-20-03 | |
| | K2 | 22 | 1 | LEVER HOPPER RELEASE | |
| | | 23 | 33020442 | 1 | KEY START ASSY WITH SPAREKEY KIT (SW1) |
| | K3 | 24 | 2 | BUSHING IGUS 16x30x1.5 | |
| | K2 | 25 | 1 | BELLEVILLE WASHER 12,2 X 23 X 1,25 | |
| | K3 | 26 | 1 | NUT, HEX NYL LOC THIN M12 | |
| | K3 | 27 | 1 | SCREW, HEX THD TO HD M8x25 SS | |
| | K3 | 28 | 1 | NUT HEX HVY M8 | |
| | K2 | 29 | 1463356000 | 1 | SPRING |
| | | 30 | 146 0073 00 | 1 | KEY |
| | K3 | 31 | 1 | NUT, HEX NYL LOC THIN M8 | |
| | K2 | 32 | 3 | WASHER, FLAT XL | |
| | K3 | 33 | 1 | THREAD ROLLING SCREW M8X12 | |
| | | 34 | 1464178000 | 1 | COVER FRONT |
| | | 35 | 1464598000 | 1 | TANK WATER (FOR DUSTGUARD KIT) |
| | K1 | 1465031000 | 1 | HARDWARE KIT HW FOR LEVERS BROOM KIT | |
| | K2 | 1464915000 | 1 | LEVER RELEASE CONTAINER KIT | |
| | K3 | 1465034000 | 1 | HW HOPPER RELEASE MAIN LEVER KIT | |
| | K4 | 1465035000 | 1 | HARDWARE FOR TELESCOPIC ARM KIT | |

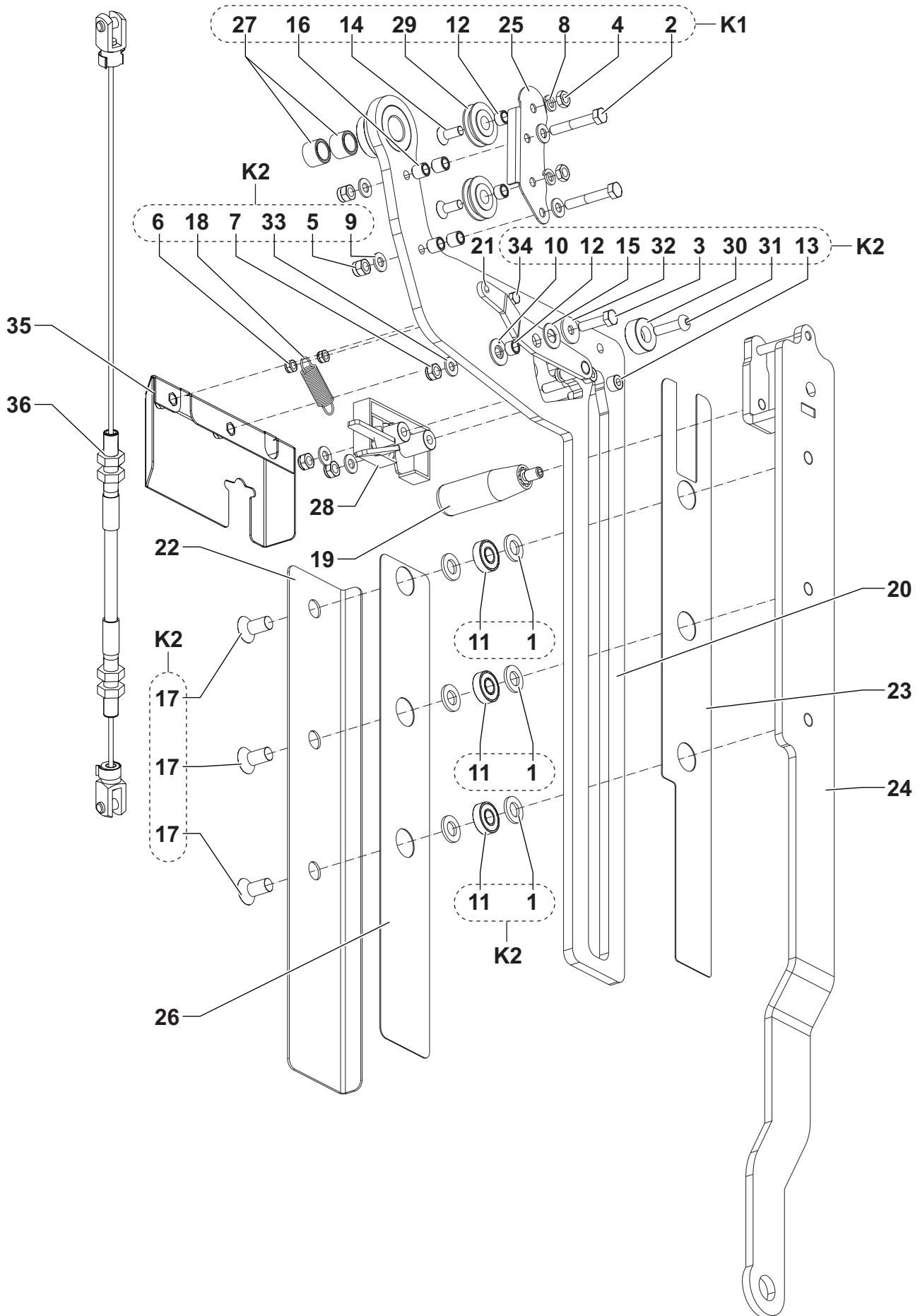
FRAME SYSTEM



FRAME SYSTEM

| | ITEM | REF. NO. | QTY | DESCRIPTION |
|----|------------|-------------|-----|--|
| K1 | 1 | | 4 | WASHER, FLAT 21x37 |
| K4 | 2 | | 2 | WASHER, FLAT XL 10.5x30x2.5 |
| K2 | 3 | | 1 | SCREW, HEX THD TO HD M10x30 |
| K4 | 4 | | 1 | SCREW, HEX THD TO HD M10x45 |
| K4 | 5 | | 1 | PIN HOPPER |
| K4 | 6 | | 1 | BUSHING GFM-2023-11 |
| K2 | 7 | | 1 | NUT, HEX THIN M10 |
| K4 | 8 | | 1 | NUT, HEX NYL LOC HVY M10 |
| K2 | 9 | | 1 | NUT, HEX NYL LOC THIN M10 |
| K1 | 10 | | 4 | PIN, COTTER |
| K3 | 11 | | 1 | WASHER, SPLIT LOCK d.8 |
| K4 | 12 | | 1 | BEARING GTM-2442-015 |
| K3 | 13 | | 1 | WASHER, FLAT XL |
| K2 | 14 | | 1 | BUMPER, RUBBER |
| K4 | 15 | | 1 | FIFTH WHEEL GTM-2036-015 |
| | 16 | 33018521 | 1 | SENSOR, PROXIMITY (S1) |
| K2 | 17 | | 1 | BUSHING IGUS 12x24x1.5 |
| | 18 | 1465286000 | 1 | COVER |
| K2 | 19 | | 1 | SPACER |
| K2 | 20 | | 1 | ROTATING HANDLE |
| K1 | 21 | | 3 | BUSHING IGLIDUR MCM-20-03 |
| K2 | 22 | | 1 | LEVER HOPPER RELEASE |
| | 23 | 33020442 | 1 | KEY START ASSY WITH SPAREKEY KIT (SW1) |
| K3 | 24 | | 2 | BUSHING IGUS 16x30x1.5 |
| K2 | 25 | | 1 | BELLEVILLE WASHER 12,2 X 23 X 1,25 |
| K3 | 26 | | 1 | NUT, HEX NYL LOC THIN M12 |
| K3 | 27 | | 1 | SCREW, HEX THD TO HD M8x25 SS |
| K3 | 28 | | 1 | NUT HEX HVY M8 |
| K2 | 29 | 1463356000 | 1 | SPRING |
| | 30 | 146 0073 00 | 1 | KEY |
| K3 | 31 | | 1 | NUT, HEX NYL LOC THIN M8 |
| K2 | 32 | | 3 | WASHER, FLAT XL |
| K3 | 33 | | 1 | THREAD ROLLING SCREW M8X12 |
| | 34 | 1464178000 | 1 | COVER FRONT |
| | 35 | 1464598000 | 1 | TANK WATER (FOR DUSTGUARD KIT) |
| K1 | 1465031000 | | 1 | HARDWARE KIT HW FOR LEVERS BROOM KIT |
| K2 | 1464915000 | | 1 | LEVER RELEASE CONTAINER KIT |
| K3 | 1465034000 | | 1 | HW HOPPER RELEASE MAIN LEVER KIT |
| K4 | 1465035000 | | 1 | HARDWARE FOR TELESCOPIC ARM KIT |

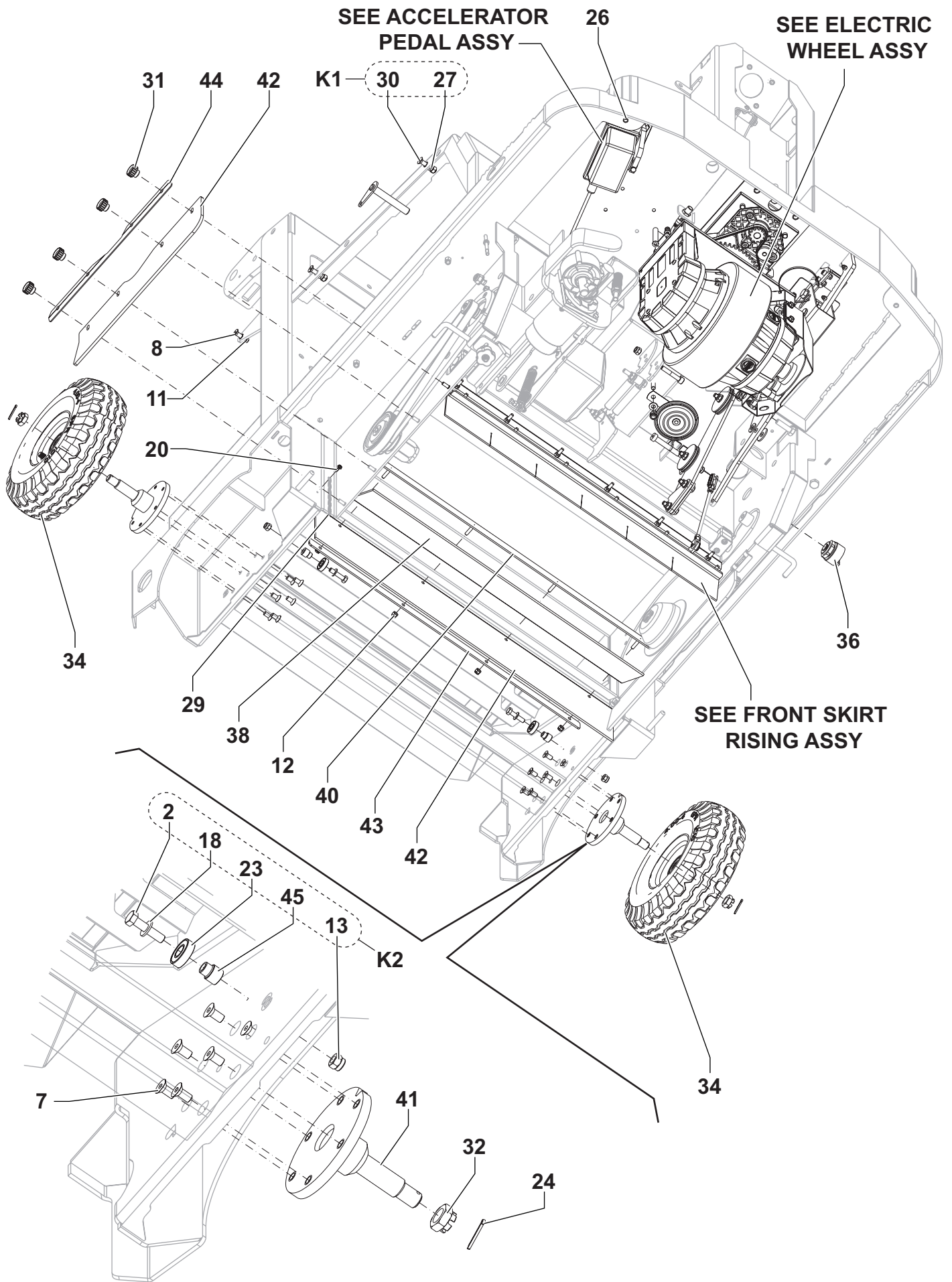
EXTENSIBLE ARM



EXTENSIBLE ARM

| | ITEM | REF. NO. | QTY | DESCRIPTION |
|--|------|------------|-----|---|
| | K2 | 1 | 6 | WASHER, FLAT 13X24 |
| | K1 | 2 | 2 | SCREW, HEX HD M8X50 |
| | K2 | 3 | 1 | SCREW, HEX THD TO HD M8X30 |
| | K1 | 4 | 2 | NUT, HEX THIN M8 |
| | K2 | 5 | 2 | NUT, HEX NYL LOC HVY M8 |
| | K2 | 6 | 2 | NUT, HEX NYL LOC THIN M6 |
| | K2 | 7 | 4 | NUT, HEX NYL LOC THIN M8 |
| | K1 | 8 | 2 | WASHER, SPLIT LOCK D.8 |
| | K2 | 9 | 7 | WASHER, FLAT 8.4X16X1.6 |
| | K2 | 10 | 1 | BUSHING IGUS 12X24X1.5 |
| | K2 | 11 | 3 | BEARING, DUAL SEALED BALL |
| | K1-2 | 12 | 3 | SPACER |
| | K2 | 13 | 2 | SCREW, TCEI SOC HD |
| | K1 | 14 | 2 | SCREW, FLAT SOCKET HEAD |
| | K2 | 15 | 1 | BELLEVILLE WASHER 12,2 X 23 X 1,25 |
| | K1 | 16 | 4 | SPACER |
| | K2 | 17 | 3 | SCREW, FLAT SOCKET HEAD |
| | K2 | 18 | 1 | 1463356000 SPRING |
| | | 19 | 1 | 1464792000 ROTATING HANDLE |
| | | 20 | 1 | 1465261000 ARM GUIDE |
| | | 21 | 1 | 1465262000 LEVER FOR RELEASE LOCK |
| | | 22 | 1 | 1465266000 PLASTIC PROTECTION |
| | | 23 | 1 | 1465268000 PLASTIC SPACER |
| | | 24 | 1 | 1465269000 TELESCOPIC ARM |
| | K1 | 25 | 1 | SUPPORT FOR THE PULLEY |
| | | 26 | 1 | 1465276000 PLASTIC SPACER |
| | K1 | 27 | 2 | 1465281000 CYLINDRICAL BEARING 16 X 22 X 15 |
| | | 28 | 1 | 1465282000 LOCK |
| | K1 | 29 | 2 | 1465288000 PULLEY |
| | K2 | 30 | 1 | 1465289000 SPACER |
| | K2 | 31 | 1 | SCREW, BUTTON SOC M8X30 |
| | K2 | 32 | 1 | WASHER, FLAT XL |
| | K2 | 33 | 1 | WASHER, FLAT 8X17X1.6 SS |
| | K2 | 34 | 1 | SCREW, HEX THD TO HD M6X30 SS |
| | | 35 | 1 | 1465388000 PROTECTION FOR LATCH KIT |
| | | 36 | 1 | 1465273000 CAVO COMANDO SERRATURA |
| | K1 | 1465032000 | 1 | FIXING LEVER CONTAINER RELEASE KIT |
| | K2 | 1465033000 | 1 | FIXING PIVOT LEVER KIT |

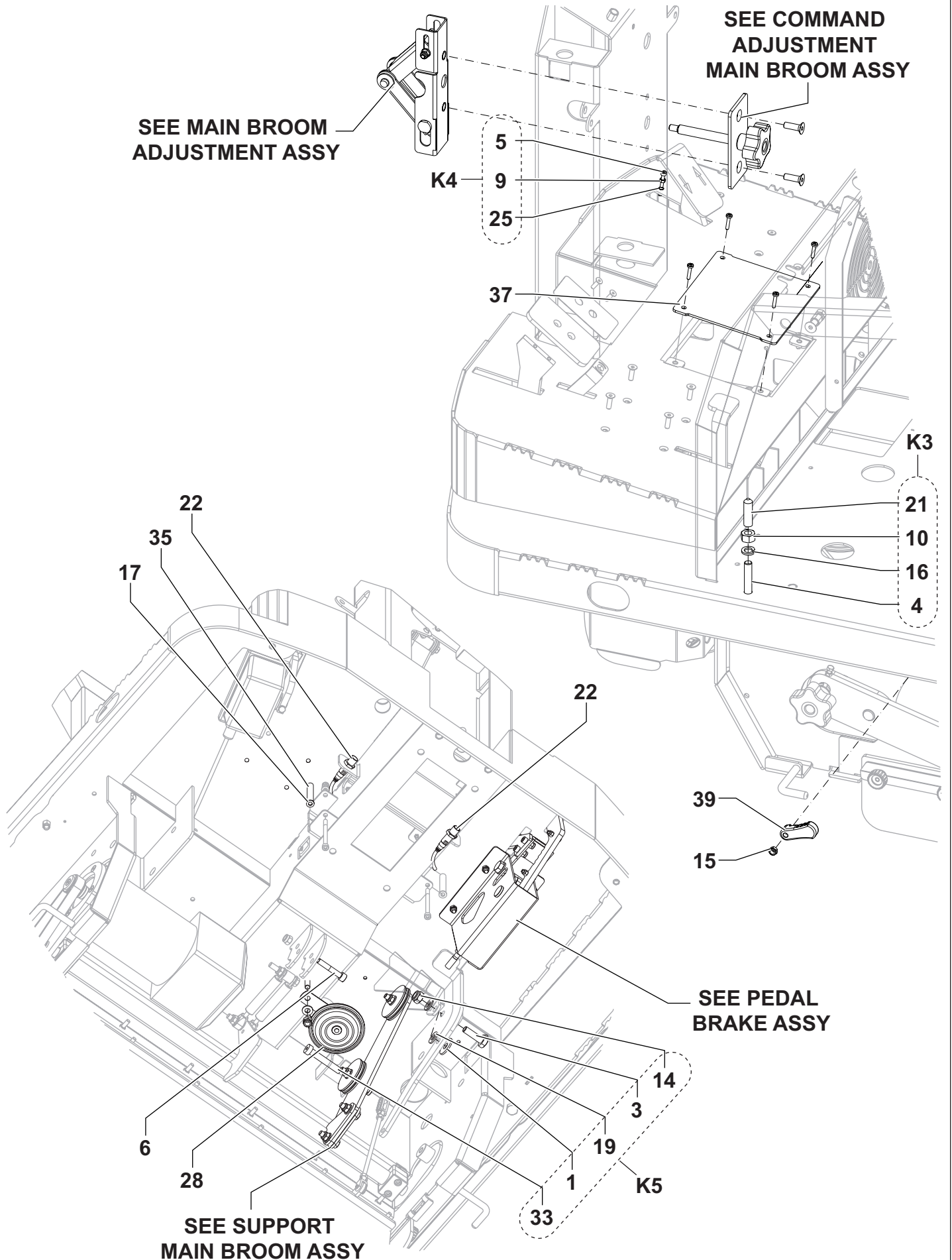
FRAME



FRAME

| | ITEM | REF. NO. | QTY | DESCRIPTION |
|----|------------|---------------------|----------|--|
| K5 | 1 | | 1 | WASHER, FLAT XL 10.5x30x2.5 |
| K2 | 2 | | 2 | SCREW, HEX THD TO HD M8x35 |
| K5 | 3 | | 1 | SCREW, HEX THD TO HD M10x35 |
| K3 | 4 | | 7 | SCREW, HEX THD TO HD M10x50 |
| K4 | 5 | | 1 | SCREW M4X20 UNI5931 |
| | 6 | 33004370 | 1 | SCREW M8X45 UNI5931 |
| | 7 | 33004590 | 12 | SCREW, FLAT SOCKET HEAD |
| | 8 | 33004593 | 2 | SCREW, FLAT SOCKET HEAD |
| K4 | 9 | | 1 | NUT, HEX HVY M4 |
| K3 | 10 | | 7 | NUT, HEX HVY M10 |
| K1 | 11 | | 6 | NUT, HEX M8 |
| | 12 | 33005562 | 6 | NUT, HEX NYL LOC HVY M6 |
| K2 | 13 | | 5 | NUT, HEX NYL LOC HVY M8 |
| K5 | 14 | | 1 | NUT, HEX NYL LOC HVY M10 |
| | 15 | 33005604 | 2 | NUT, HEX NYL LOC THIN M6 |
| K3 | 16 | | 7 | WASHER, SPLIT LOCK d.10 |
| | 17 | 33005913 | 4 | WASHER, FLAT 6,4x12,5 |
| K2 | 18 | | 6 | WASHER, FLAT 8.4x16x1.6 |
| K5 | 19 | | 2 | WASHER, FLAT 10,5x21 |
| K1 | 20 | | 1 | THREAD ROLLING SCREW M4X12 |
| K3 | 21 | | 7 | PROTECTION CAP |
| | 22 | 33018521 | 2 | SENSOR, PROXIMITY (S2-S3) |
| K2 | 23 | | 2 | BEARING, DUAL SEALED BALL |
| | 24 | 33005791 | 2 | PIN SPLIT 4X45 UNI1336 |
| K4 | 25 | | 18 | HEX INSERT |
| | 26 | 145 4772 000 | 12 | HEX INSERT |
| K1 | 27 | | 16 | HEX INSERT |
| | 28 | 145 8881 000 | 1 | HORN, 24V (HN) |
| | 29 | 146 0611 000 | 1 | CHAIN L=159 |
| K1 | 30 | | 4 | SCREW, FLAT SOCKET HEAD |
| | 31 | 146 2471 000 | 4 | HANDWHEEL M6 |
| | 32 | 1464841000 | 3 | NUT HEX M16 LOW UNI5594 |
| K1 | 33 | | 1 | SCREW SHOULDER 10X60 M8 |
| | 34 | 146 1876 000 | 2 | WHEEL SOLID 4.00-4 BLACK |
| | 34* | 146 0329 000 | 2 | WHEEL NO MARKING |
| | 34* | 1465313000 | 1 | WHEELS SOLID 4.00-4 NON MARKING KIT |
| | 35 | 1464847000 | 2 | SPACER 6.25x10x60 |
| | 36 | 909 6126 000 | 1 | BUZZER 5-32V (BZ1) |
| | 37 | 1464469000 | 1 | COVER |
| | 38 | 1464275000 | 1 | SKIRT BACK RECYCLE |
| | 39 | 1463931000 | 2 | LEVER BROOM DOOR FIXING |
| | 40 | 1464276000 | 1 | PLATE REAR SKIRT FIXING |
| | 41 | 1464171000 | 2 | HUB REAR WHEEL |
| | 42 | 1465396000 | 1 | SKIRTS KIT |
| | 42* | 1464951000 | 1 | SKIRTS NON MARKING KIT |
| | 43 | 1464277000 | 1 | PLATE REAR SKIRT |
| | 44 | 1464278000 | 1 | PLATE SIDE SKIRT FIXING |
| K2 | 45 | | 2 | PIN BEARING HOPPER |
| | K1 | 1465036000 | 1 | HARDWARE FOR SIDE COVER KIT |
| | K2 | 1465037000 | 1 | PIN HOPPER BEARING KIT |
| | K3 | 1465038000 | 1 | HARDWARE FOR PIVOT LATERAL COVER KIT |
| | K4 | 1465039000 | 1 | HARDWARE FOR ACCELERATOR ADJ. KIT |
| | K5 | 1465040000 | 1 | KIT HW FOR DEVICE SKIRT |

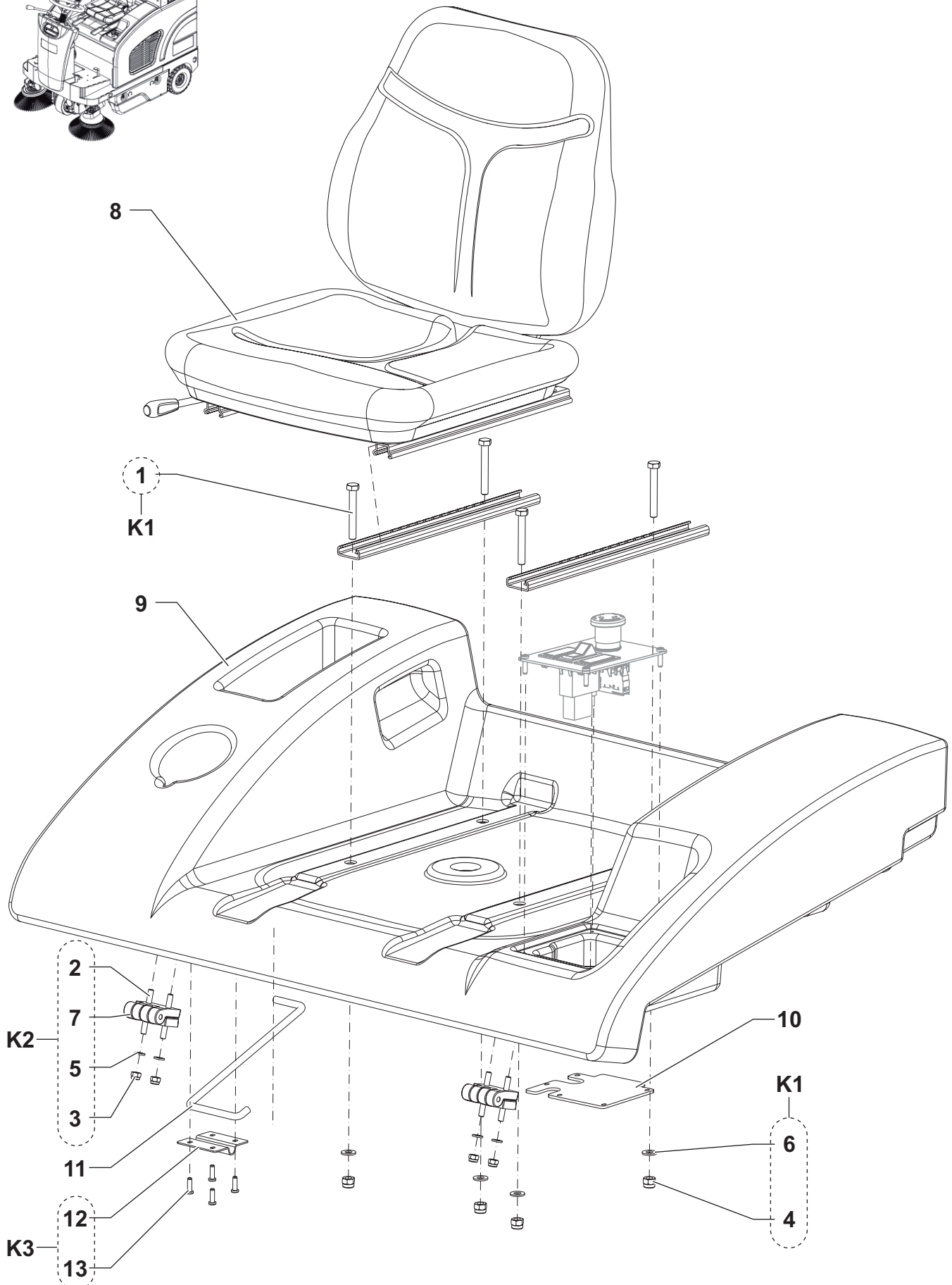
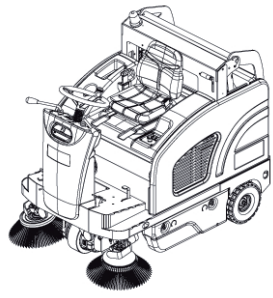
FRAME



FRAME

| | ITEM | REF. NO. | QTY | DESCRIPTION |
|----|------------|---------------------|----------|--|
| K5 | 1 | | 1 | WASHER, FLAT XL 10.5x30x2.5 |
| K2 | 2 | | 2 | SCREW, HEX THD TO HD M8x35 |
| K5 | 3 | | 1 | SCREW, HEX THD TO HD M10x35 |
| K3 | 4 | | 7 | SCREW, HEX THD TO HD M10x50 |
| K4 | 5 | | 1 | SCREW M4X20 UNI5931 |
| | 6 | 33004370 | 1 | SCREW M8X45 UNI5931 |
| | 7 | 33004590 | 12 | SCREW, FLAT SOCKET HEAD |
| | 8 | 33004593 | 2 | SCREW, FLAT SOCKET HEAD |
| K4 | 9 | | 1 | NUT, HEX HVY M4 |
| K3 | 10 | | 7 | NUT, HEX HVY M10 |
| K1 | 11 | | 6 | NUT, HEX M8 |
| | 12 | 33005562 | 6 | NUT, HEX NYL LOC HVY M6 |
| K2 | 13 | | 5 | NUT, HEX NYL LOC HVY M8 |
| K5 | 14 | | 1 | NUT, HEX NYL LOC HVY M10 |
| | 15 | 33005604 | 2 | NUT, HEX NYL LOC THIN M6 |
| K3 | 16 | | 7 | WASHER, SPLIT LOCK d.10 |
| | 17 | 33005913 | 4 | WASHER, FLAT 6,4x12,5 |
| K2 | 18 | | 6 | WASHER, FLAT 8.4x16x1.6 |
| K5 | 19 | | 2 | WASHER, FLAT 10,5x21 |
| K1 | 20 | | 1 | THREAD ROLLING SCREW M4X12 |
| K3 | 21 | | 7 | PROTECTION CAP |
| | 22 | 33018521 | 2 | SENSOR, PROXIMITY (S2-S3) |
| K2 | 23 | | 2 | BEARING, DUAL SEALED BALL |
| | 24 | 33005791 | 2 | PIN SPLIT 4X45 UNI1336 |
| K4 | 25 | | 18 | HEX INSERT |
| | 26 | 145 4772 000 | 12 | HEX INSERT |
| K1 | 27 | | 16 | HEX INSERT |
| | 28 | 145 8881 000 | 1 | HORN, 24V (HN) |
| | 29 | 146 0611 000 | 1 | CHAIN L=159 |
| K1 | 30 | | 4 | SCREW, FLAT SOCKET HEAD |
| | 31 | 146 2471 000 | 4 | HANDWHEEL M6 |
| | 32 | 1464841000 | 3 | NUT HEX M16 LOW UNI5594 |
| K1 | 33 | | 1 | SCREW SHOULDER 10X60 M8 |
| | 34 | 146 1876 000 | 2 | WHEEL SOLID 4.00-4 BLACK |
| | 34* | 146 0329 000 | 2 | WHEEL NO MARKING |
| | 34* | 1465313000 | 1 | WHEELS SOLID 4.00-4 NON MARKING KIT |
| | 35 | 1464847000 | 2 | SPACER 6.25x10x60 |
| | 36 | 909 6126 000 | 1 | BUZZER 5-32V (BZ1) |
| | 37 | 1464469000 | 1 | COVER |
| | 38 | 1464275000 | 1 | SKIRT BACK RECYCLE |
| | 39 | 1463931000 | 2 | LEVER BROOM DOOR FIXING |
| | 40 | 1464276000 | 1 | PLATE REAR SKIRT FIXING |
| | 41 | 1464171000 | 2 | HUB REAR WHEEL |
| | 42 | 1465396000 | 1 | SKIRTS KIT |
| | 42* | 1464951000 | 1 | SKIRTS NON MARKING KIT |
| | 43 | 1464277000 | 1 | PLATE REAR SKIRT |
| | 44 | 1464278000 | 1 | PLATE SIDE SKIRT FIXING |
| K2 | 45 | | 2 | PIN BEARING HOPPER |
| | K1 | 1465036000 | 1 | HARDWARE FOR SIDE COVER KIT |
| | K2 | 1465037000 | 1 | PIN HOPPER BEARING KIT |
| | K3 | 1465038000 | 1 | HARDWARE FOR PIVOT LATERAL COVER KIT |
| | K4 | 1465039000 | 1 | HARDWARE FOR ACCELERATOR ADJ. KIT |
| | K5 | 1465040000 | 1 | KIT HW FOR DEVICE SKIRT |

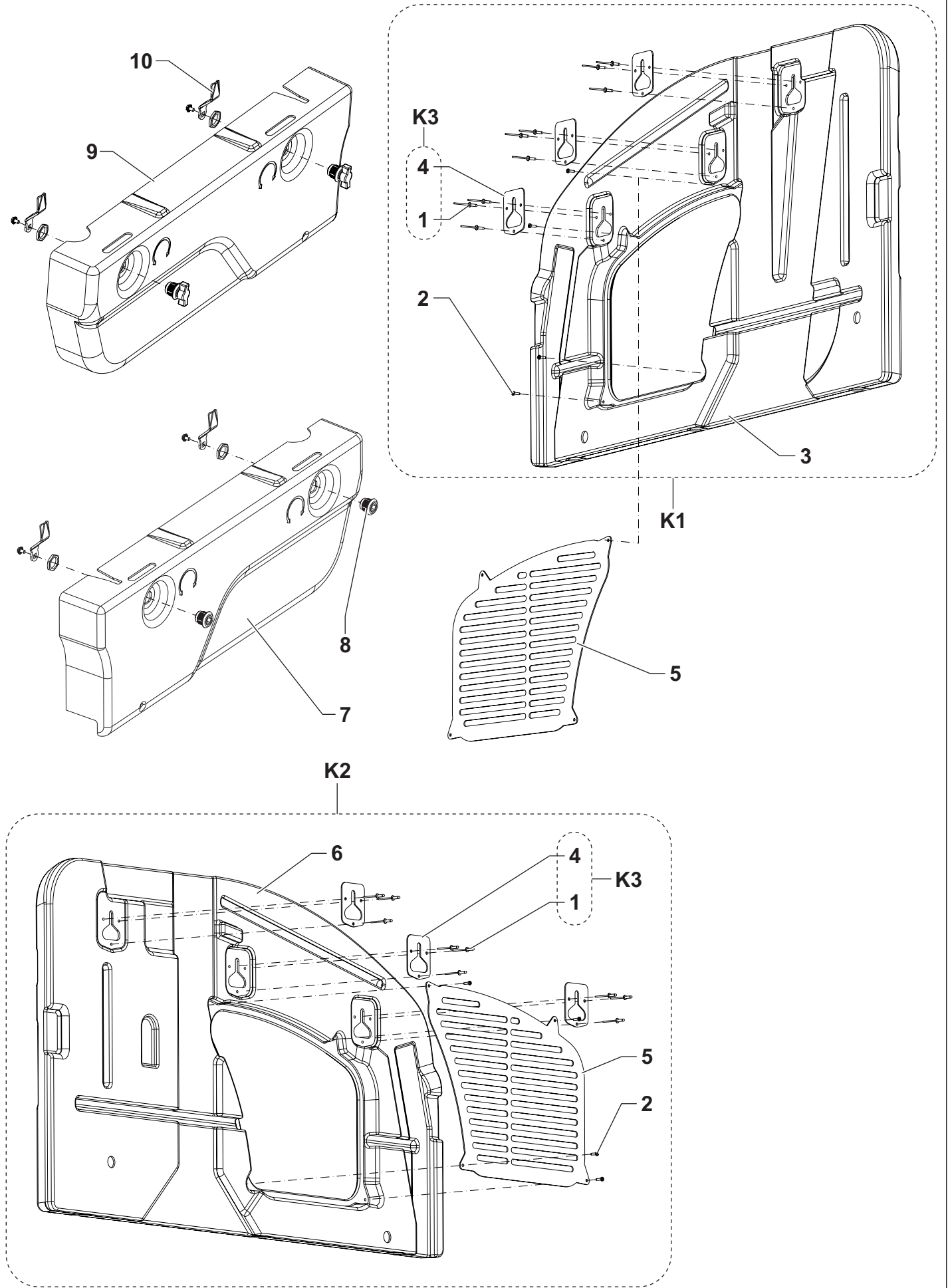
SEAT COVER



SEAT COVER

| | ITEM | REF. NO. | QTY | DESCRIPTION |
|--|------|--------------|-----|----------------------------|
| | K1 | 1 | 4 | SCREW, HEX THD TO HD M8x60 |
| | K2 | 2 | 8 | SCREW M6X20 UNI5931 |
| | K2 | 3 | 4 | NUT, HEX NYL LOC HVY M6 |
| | K1 | 4 | 4 | NUT, HEX NYL LOC HVY M8 |
| | K2 | 5 | 4 | WASHER, FLAT 6,4x12,5 |
| | K1 | 6 | 4 | WASHER, FLAT 8.4x16x1.6 |
| | K2 | 7 | 2 | HINGE |
| | 8 | 145 5975 000 | 1 | SEAT WITH MICROSWITCH |
| | 9 | 1463908000 | 1 | SUPPORT SEAT |
| | 10 | 1464975000 | 1 | HARNESS COVERAGE |
| | 11 | 1464286000 | 1 | ROD BONNET |
| | K3 | 12 | 1 | SUPPORT BONNET ROD |
| | K3 | 13 | 4 | SCREW, THREAD ROLLING 5x16 |
| | K1 | 1465043000 | 1 | HARDWARE FOR SEAT KIT |
| | K2 | 1465041000 | 1 | HINGE FOR BONNET KIT |
| | K3 | 1465042000 | 1 | SUPPORT FOR SAFETY ROD KIT |

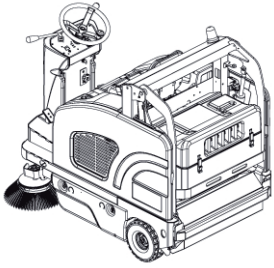
LATERAL COVERS



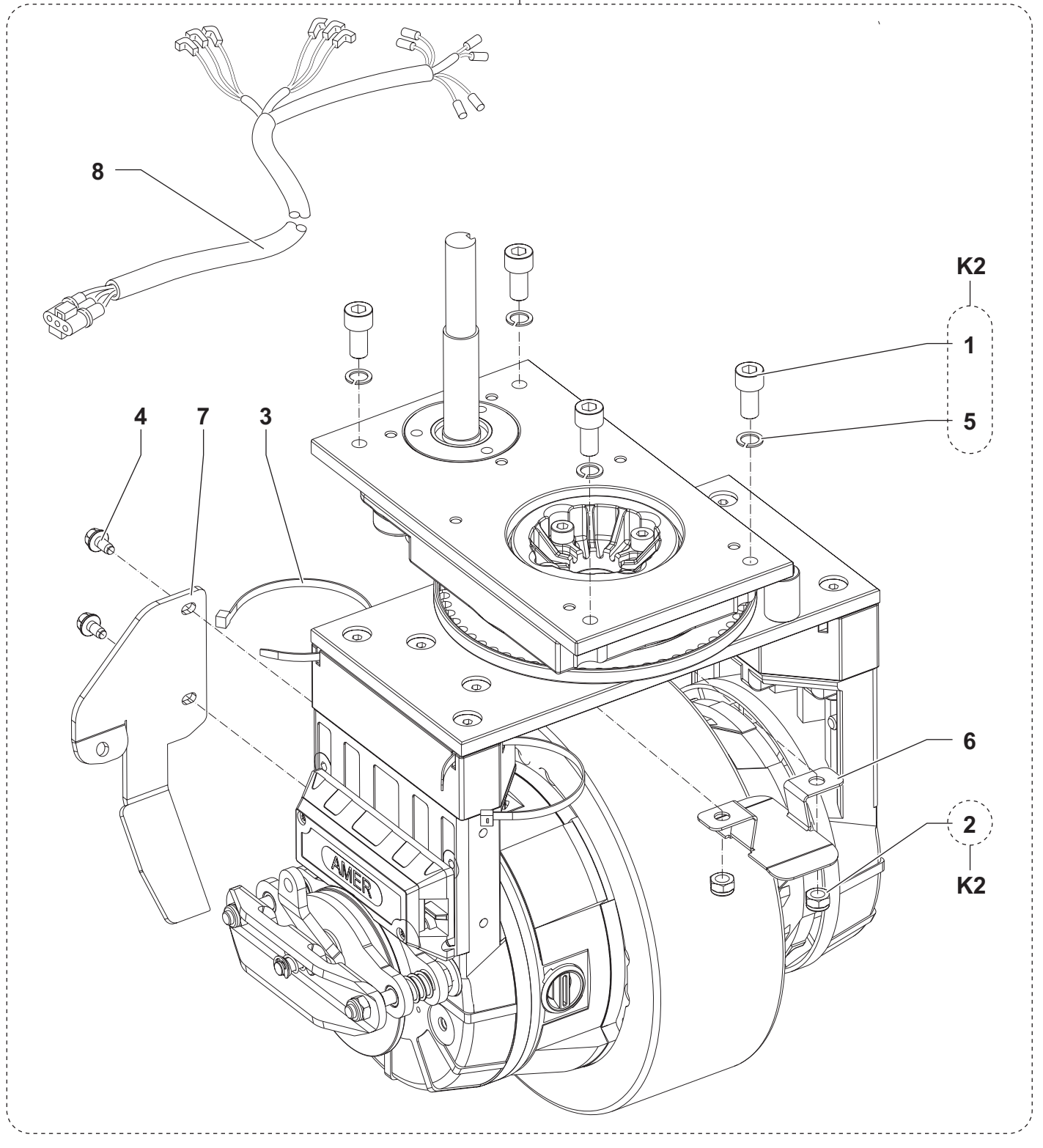
LATERAL COVERS

| | ITEM | REF. NO. | QTY | DESCRIPTION | |
|--|------|----------|------------|-----------------|----------------------------|
| | K3 | 1 | 18 | ALUMINUM RIVETS | |
| | K1-2 | 2 | 8 | PAN HEAD SCREW | |
| | K1 | 3 | 1 | COVER RIGHT | |
| | K3 | 4 | 6 | PLATE | |
| | K2 | 5 | 1464354000 | 2 | GRID VENTING |
| | K2 | 6 | 1 | COVER LEFT | |
| | | 7 | 1464191000 | 1 | HATCH RIGHT SIDE |
| | | 8 | 1464794000 | 2 | LOCK WITH KEY FOR HATCH |
| | | 9 | 1464192000 | 1 | HATCH LEFT SIDE |
| | | 10 | 1463889000 | 4 | FASTLOC LOCK |
| | | K1 | 1464925000 | 1 | COVER RIGHT KIT |
| | | K2 | 1464923000 | 1 | COVER LEFT KIT |
| | | K3 | 1465044000 | 1 | PLATE FOR PANEL FIXING KIT |

ELECTRIC WHEEL



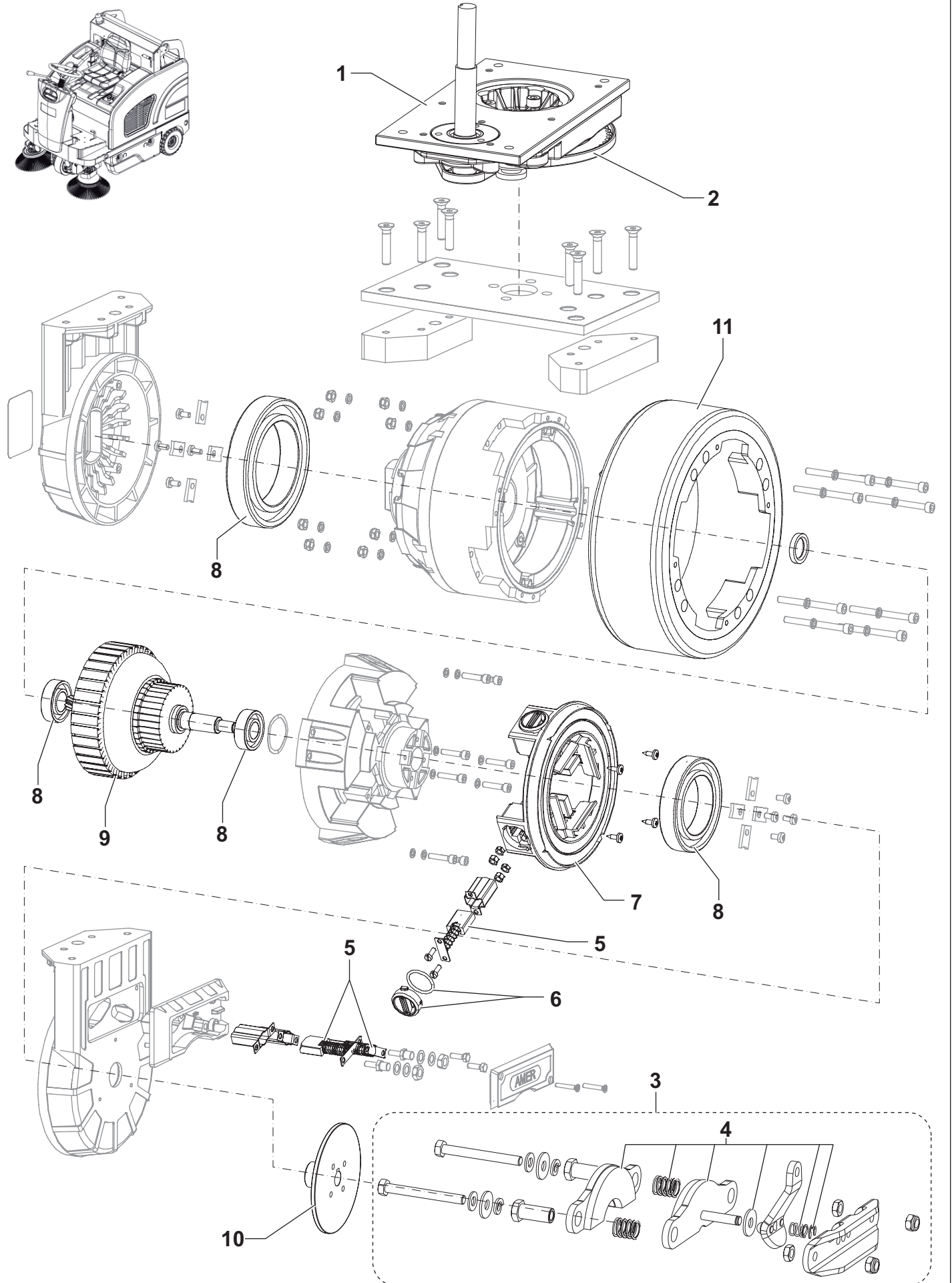
K1



ELECTRIC WHEEL

| | ITEM | REF. NO. | QTY | DESCRIPTION |
|--|------------|-------------------|------------|---------------------------------------|
| | K2 | 1 | 4 | SCREW M10X20 UNI5931 |
| | K2 | 2 | 2 | NUT, HEX NYL LOC THIN M8 |
| | K1 | 3 | 6 | THREAD ROLLING SCREW M6X12 |
| | K1 | 4 | 2 | TIE, CABLE 4,8X200 |
| | K2 | 5 | 4 | WASHER, SPLIT LOCK d.10 |
| | K1 | 6 | 1464600000 | 1 COVER FOR DRIVEWHEEL HARNESS |
| | K1 | 7 | 1465342000 | 1 CARTER DISK BRAKE |
| | K1 | 8 | 1464407000 | 1 HARNESS TRACTION WHEEL |
| | K1 | 1464913000 | 1 | MOTORWHEEL KIT |
| | K1* | 1465170000 | 1 | WHEEL TRACTION NON MARKING KIT |
| | K1 | K2 | 1465045000 | 1 HARDWARE STEERING SYSTEM FIXING KIT |

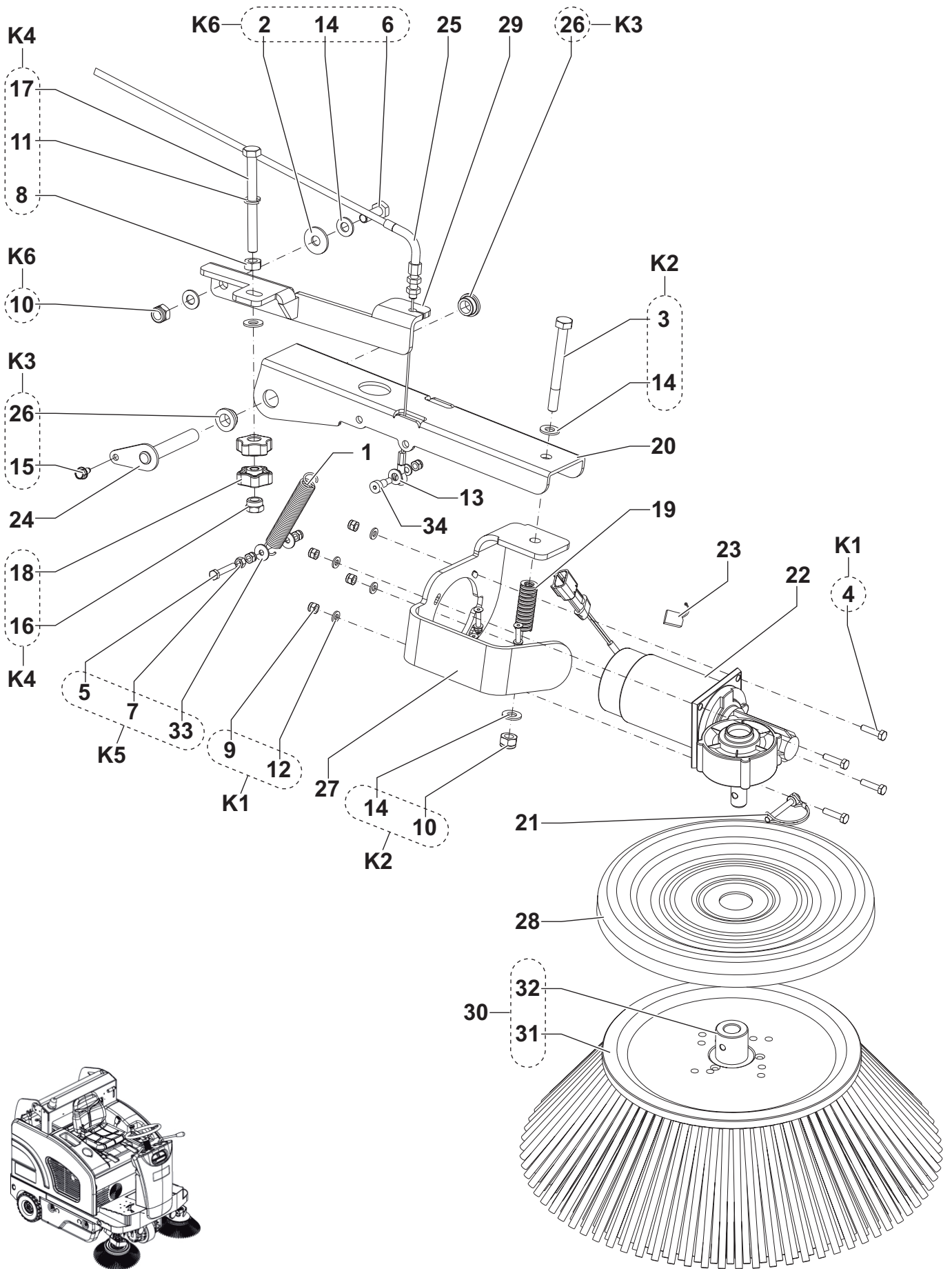
MOTOR WHEEL



MOTOR WHEEL

| ITEM | REF. NO. | QTY | DESCRIPTION |
|------------|-------------------|----------|--|
| 1 | 1464834000 | 1 | STEERING SYSTEM |
| 2 | 1465133000 | 1 | CHAIN FOR STEERING |
| 3 | 1464804000 | 1 | BRAKE KIT |
| 4 | 1464805000 | 1 | PAD BRAKE KIT |
| 5 | 9096960000 | 1 | CARBON BRUSHES TRACTION WHEEL KIT |
| 6 | 9096969000 | 4 | PLUG |
| 7 | 9096968000 | 1 | RING |
| 8 | 9096959000 | 1 | BALL BEARING KIT |
| 9 | 1465182000 | 1 | ARMATURE |
| 10 | 1464803000 | 1 | BRAKE DISC Ø100 |
| 11 | 1465314000 | 1 | RING FOR MOTORWHEEL KIT |
| 11* | 1464955000 | 1 | RING NON MARKING MOTORWHEEL KIT |
| | 1465241000 | 1 | INSTALLATION INSTRUCTION |

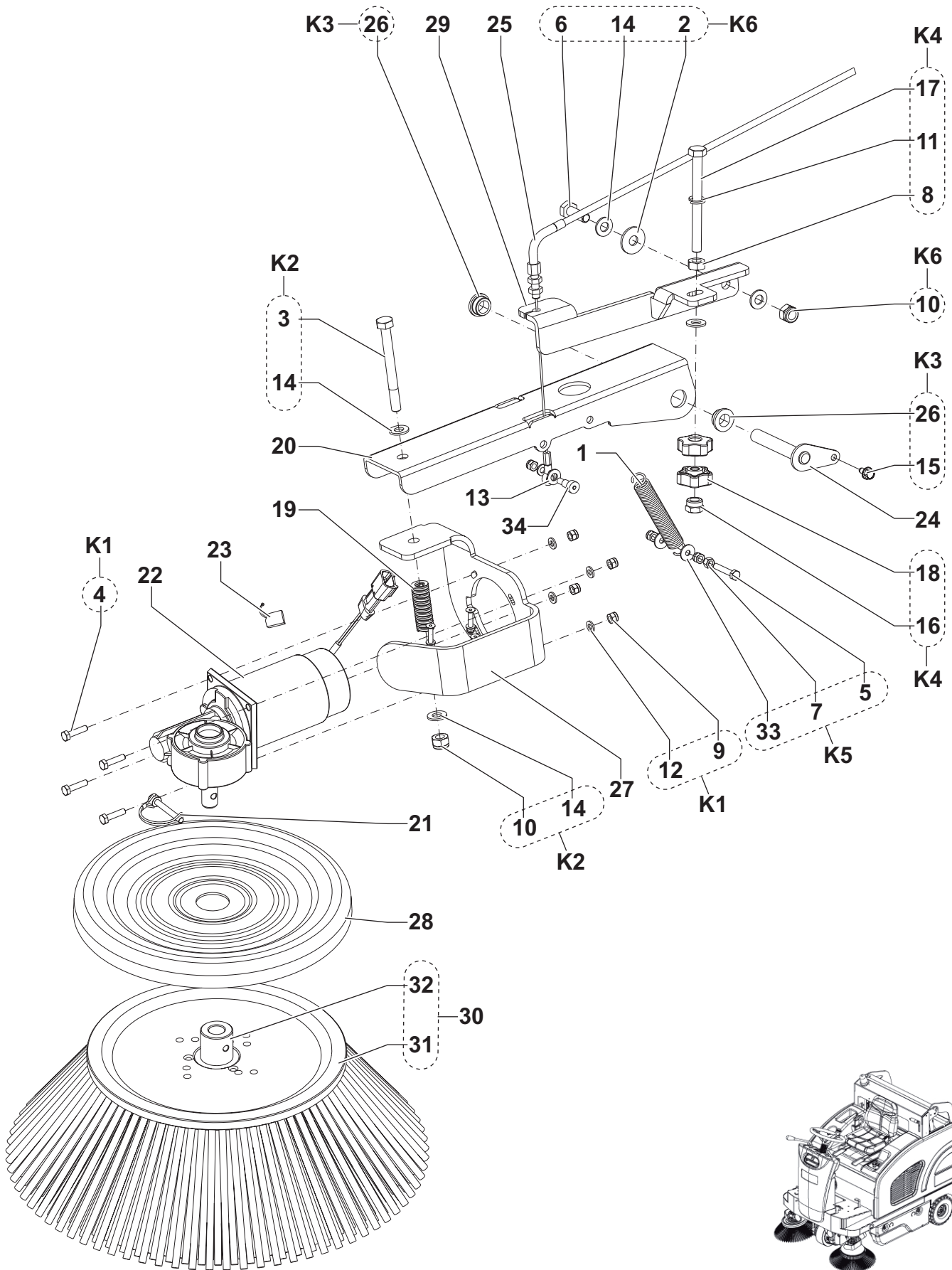
RIGHT BROOM



RIGHT BROOM

| | ITEM | REF. NO. | QTY | DESCRIPTION |
|--------|------------|-------------------|----------|---|
| | 1 | 146 0986 000 | 1 | SPRING |
| K6 | 2 | | 1 | WASHER, FLAT XL 10.5x30x2.5 |
| K2 | 3 | | 1 | SCREW, HEX HD M10x100 |
| K1 | 4 | | 4 | SCREW, HEX THD TO HD M6x25 |
| K5 | 5 | | 1 | SCREW, HEX THD TO HD M6x35 |
| K6 | 6 | | 1 | SCREW, HEX THD TO HD M10x30 |
| K5 | 7 | | 1 | NUT, HEX HVY M6 |
| K4 | 8 | | 1 | NUT, HEX M10 |
| K1 | 9 | | 7 | NUT, HEX NYL LOC HVY M6 |
| K2-6 | 10 | | 2 | NUT, HEX NYL LOC HVY M10 |
| K4 | 11 | | 1 | WASHER, SPLIT LOCK d.10 |
| K1 | 12 | | 5 | WASHER, FLAT 6,4x12,5 |
| | 13 | 33005915 | 1 | WASHER, FLAT 8.4x16x1.6 |
| K2-4-6 | 14 | | 5 | WASHER, FLAT 10,5x21 |
| K3 | 15 | | 1 | THREAD ROLLING SCREW M6X12 |
| K4 | 16 | | 1 | NUT, HEX NYL LOC HVY M10 |
| K4 | 17 | | 1 | SCREW, HEX THD TO HD M10X110 |
| K4 | 18 | | 2 | KNOB M10 |
| | 19 | 146 1317 000 | 1 | SPRING FOR MAIN BROOM |
| | 20 | 1463903000 | 1 | LEVER SIDE BROOM LIFTING |
| | 21 | 1463960000 | 1 | CLIP WITH PIN |
| | 22 | 1464241000 | 1 | GEARMOTOR FOR RIGHT SIDE BROOM (M6) |
| | 23 | 145 5125 000 | 2 | CARBON BRUSH |
| | 24 | 1464412000 | 1 | PIN FOR SIDE BROOM ARM |
| | 25 | 1464414000 | 1 | CABLE RIGHT SIDE BROOM |
| K3 | 26 | | 2 | BUSHING SIDE BROOM |
| | 27 | 1464464000 | 1 | BRACKET FOR RIGHT SIDE BROOM |
| | 28 | 1464499000 | 1 | COVER SIDE BROOM |
| | 29 | 1464507000 | 1 | BRACKET RIGHT SIDE BROOM ADJUSTMENT |
| | 30 | 1465320000 | 1 | BROOM SIDE PPL D.450MM KIT |
| | 30* | 1465318000 | 1 | BROOM SIDE D.450MM MIX STEEL KIT |
| | 30* | 1465319000 | 1 | BROOM SIDE D.450 MIX 5 KIT |
| | 31 | | 1 | SIDE BROOM |
| | 32 | 1464843000 | 1 | HUB SIDE BROOM |
| K5 | 33 | | 2 | WASHER, FLAT XL |
| | 34 | 1464243000 | 1 | SCREW SHOULDER 8X12 M6 |
| K1 | 1465046000 | | 1 | HARDWARE GEARMOTOR KIT |
| K2 | 1465047000 | | 1 | HARDWARE GEARMOTOR SUPPORT KIT |
| K3 | 1465048000 | | 1 | PIN FOR SIDE BROOM SUPPORT KIT |
| K4 | 1465049000 | | 1 | KNOB SIDE BROOM KIT |
| K5 | 1465050000 | | 1 | HW SIDE BROOM SPRING SUPPORT KIT |
| K6 | 1465051000 | | 1 | HARDWARE SIDE BROOM ADJ. BRACKET KIT |

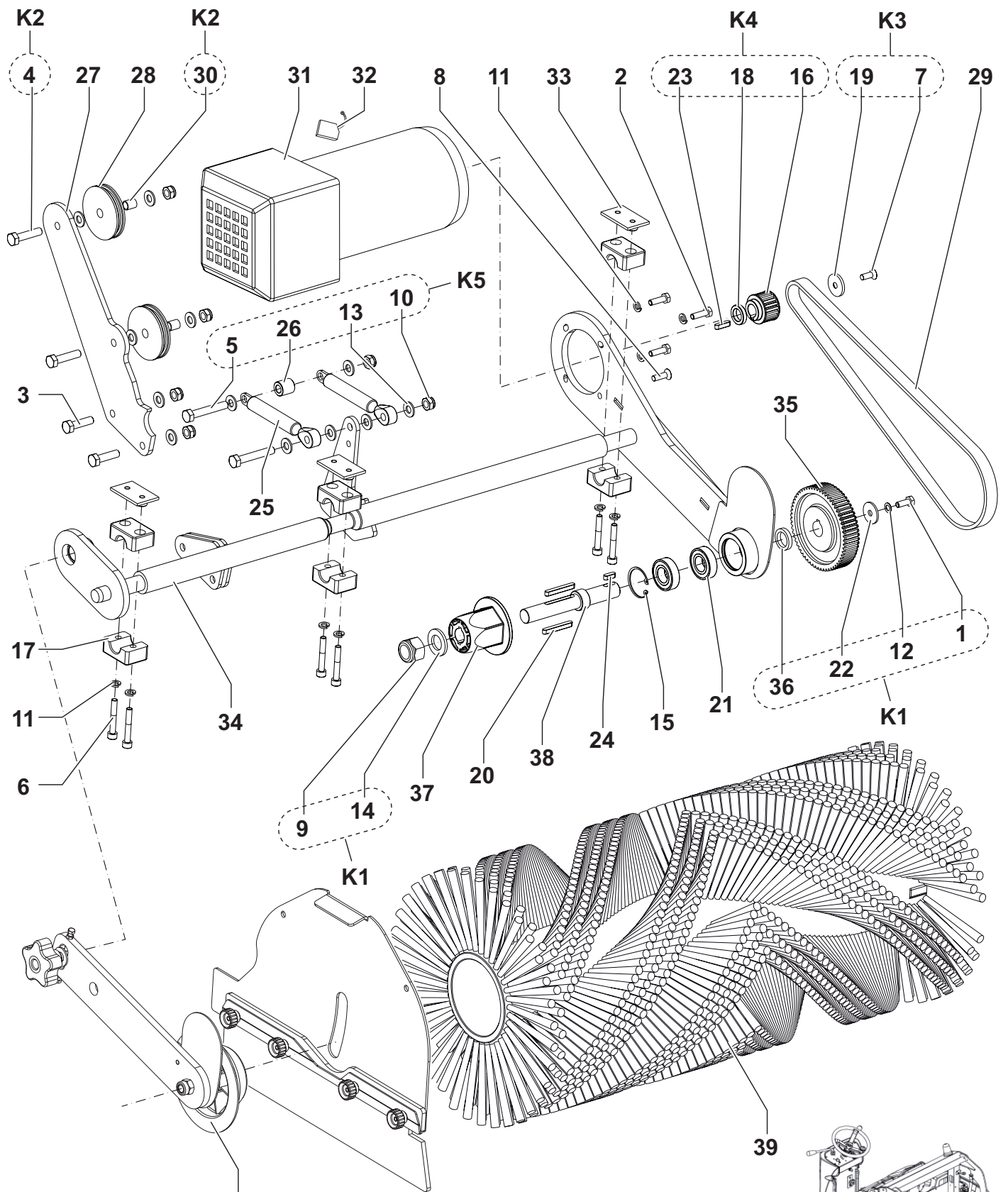
LEFT BROOM



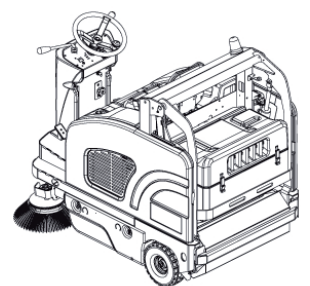
LEFT BROOM

| | ITEM | REF. NO. | QTY | DESCRIPTION |
|--------|------------|-------------------|----------|---|
| | 1 | 146 0986 000 | 1 | SPRING |
| K6 | 2 | | 1 | WASHER, FLAT XL 10.5x30x2.5 |
| K2 | 3 | | 1 | SCREW, HEX HD M10x100 |
| K1 | 4 | | 4 | SCREW, HEX THD TO HD M6x25 |
| K5 | 5 | | 1 | SCREW, HEX THD TO HD M6x35 |
| K6 | 6 | | 1 | SCREW, HEX THD TO HD M10x30 |
| K5 | 7 | | 1 | NUT, HEX HVY M6 |
| K4 | 8 | | 1 | NUT, HEX M10 |
| K1 | 9 | | 7 | NUT, HEX NYL LOC HVY M6 |
| K2-6 | 10 | | 2 | NUT, HEX NYL LOC HVY M10 |
| K4 | 11 | | 1 | WASHER, SPLIT LOCK d.10 |
| K1 | 12 | | 5 | WASHER, FLAT 6,4x12,5 |
| | 13 | 33005915 | 1 | WASHER, FLAT 8.4x16x1.6 |
| K2-4-6 | 14 | | 5 | WASHER, FLAT 10,5x21 |
| K3 | 15 | | 1 | THREAD ROLLING SCREW M6X12 |
| K4 | 16 | | 1 | NUT, HEX NYL LOC HVY M10 |
| K4 | 17 | | 1 | SCREW, HEX THD TO HD M10X110 |
| K4 | 18 | | 2 | KNOB M10 |
| | 19 | 146 1317 000 | 1 | SPRING FOR MAIN BROOM |
| | 20 | 1463903000 | 1 | LEVER SIDE BROOM LIFTING |
| | 21 | 1463960000 | 1 | CLIP WITH PIN |
| | 22 | 1464242000 | 1 | GEARMOTOR LEFT SIDE BROOM (M7) |
| | 23 | 145 5125 000 | 2 | CARBON BRUSH |
| | 24 | 1464412000 | 1 | PIN FOR SIDE BROOM ARM |
| | 25 | 1464415000 | 1 | CABLE SIDE BROOM |
| K3 | 26 | | 2 | BUSHING SIDE BROOM |
| | 27 | 1464500000 | 1 | BRACKET FOR LEFT SIDE BROOM |
| | 28 | 1464499000 | 1 | COVER SIDE BROOM |
| | 29 | 1464427000 | 1 | BRACKET LEFT SIDE BROOM ADJUSTMENT |
| | 30 | 1465320000 | 1 | BROOM SIDE PPL D.450MM KIT |
| | 30* | 1465318000 | 1 | BROOM SIDE D.450MM MIX STEEL KIT |
| | 30* | 1465319000 | 1 | BROOM SIDE D.450 MIX 5 KIT |
| | 31 | | 1 | SIDE BROOM |
| | 32 | 1464843000 | 1 | HUB SIDE BROOM |
| K5 | 33 | | 2 | WASHER, FLAT XL |
| | 34 | 1464243000 | 1 | SCREW SHOULDER 8X12 M6 |
| K1 | 1465046000 | | 1 | HARDWARE GEARMOTOR KIT |
| K2 | 1465047000 | | 1 | HARDWARE GEARMOTOR SUPPORT KIT |
| K3 | 1465048000 | | 1 | PIN FOR SIDE BROOM SUPPORT KIT |
| K4 | 1465049000 | | 1 | HARDWARE SIDE BROOM KNOB KIT |
| K5 | 1465050000 | | 1 | HW SIDE BROOM SPRING SUPPORT KIT |
| K6 | 1465051000 | | 1 | HARDWARE SIDE BROOM ADJ. BRACKET KIT |

MAIN BROOM



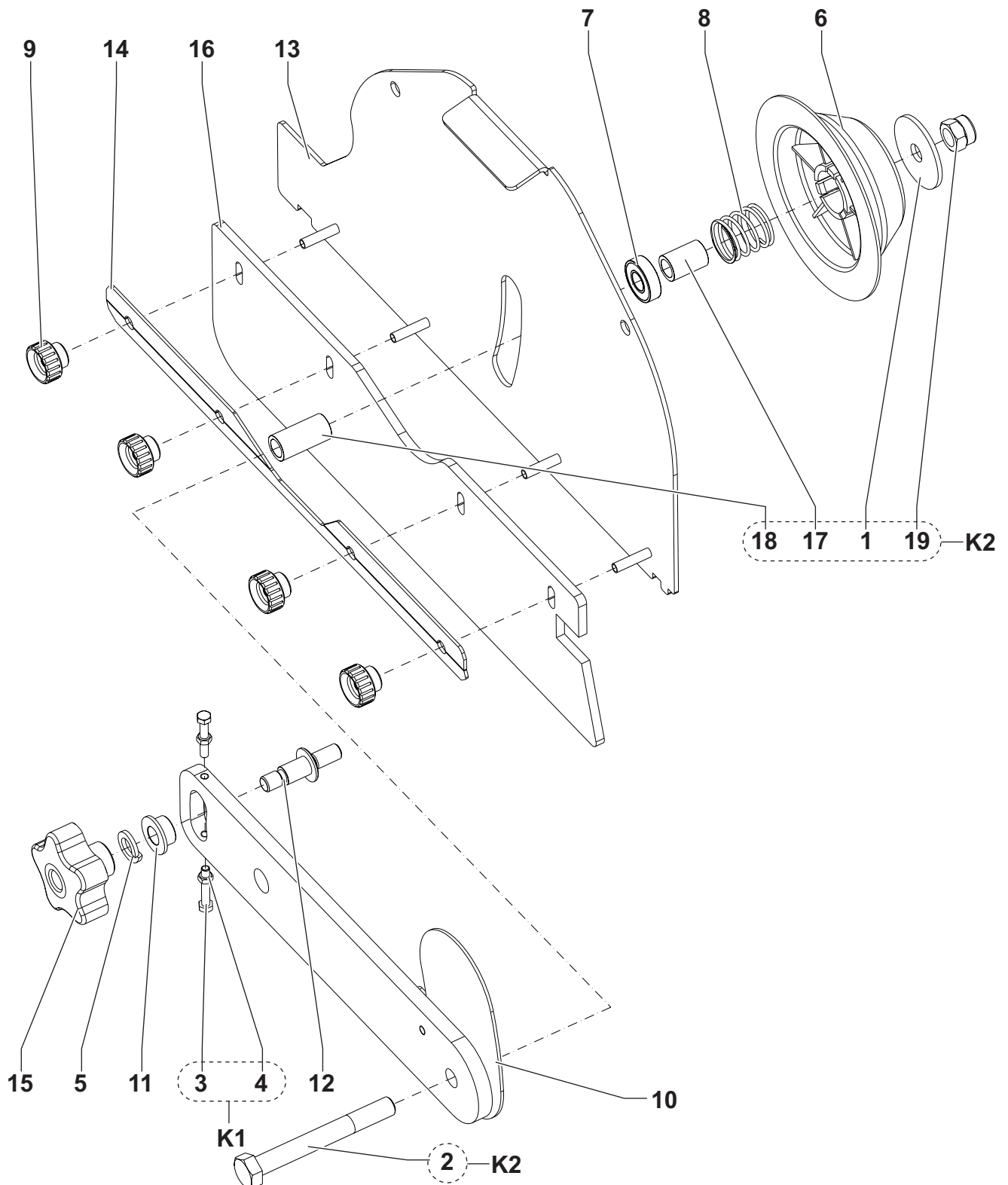
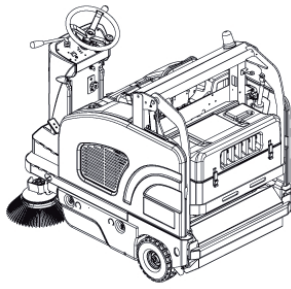
SEE BROOM CLOSING



MAIN BROOM

| | ITEM | REF. NO. | QTY | DESCRIPTION |
|------|------------|-------------------|----------|-------------------------------------|
| K1 | 1 | | 1 | SCREW, HEX THD TO HD M6X16 |
| | 2 | 33003975 | 3 | SCREW, HEX THD TO HD M6X20 |
| | 3 | 33003996 | 2 | SCREW, HEX THD TO HD M8X30 |
| K2 | 4 | | 2 | SCREW, HEX THD TO HD M8X35 |
| K5 | 5 | | 2 | SCREW, HEX THD TO HD M8X50 |
| | 6 | 33004350 | 6 | SCREW, SOC HD |
| K3 | 7 | | 1 | SCREW, FLAT SOCKET HEAD |
| | 8 | 33004578 | 1 | SCREW, FLAT SOCKET HEAD |
| K1 | 9 | | 1 | NUT, HEX NYL LOC HVY M16 |
| K2-5 | 10 | | 6 | NUT, HEX NYL LOC THIN M8 |
| | 11 | 33005851 | 9 | WASHER, SPLIT LOCK D.6 |
| K1 | 12 | | 1 | WASHER, EXT. SHPRF Ø 6 |
| K2-5 | 13 | | 12 | WASHER, FLAT 8.4X16X1.6 |
| K1 | 14 | | 1 | WASHER, FLAT 17X30 |
| | 15 | 33006165 | 1 | RING, RET. INT. |
| K4 | 16 | | 1 | PULLEY HTD 20 5M 15 6F |
| | 17 | 145 1891 000 | 3 | COLLAR PIPE FIXING |
| K4 | 18 | | 1 | SPACER |
| K3 | 19 | | 1 | SPACER |
| | 20 | 145 8011 000 | 2 | KEY 5X5X40 UNI6604A |
| | 21 | 145 8415 000 | 2 | BEARING, DUAL SEALED BALL |
| K1 | 22 | | 1 | WASHER, FLAT XL |
| K4 | 23 | | 1 | KEY |
| | 24 | 146 1017 000 | 1 | KEY 5X5X15 |
| | 25 | 1463358000 | 2 | SPRING GAS 40 KG 2 |
| K5 | 26 | | 1 | SPACER FOR GAS SPRING |
| | 27 | 1464232000 | 1 | BRACKET PULLEYS SUPPORT |
| | 28 | 1464239000 | 2 | PULLEY BROOM LEVER |
| | 29 | 1464266000 | 1 | BELT HTD 825-5M |
| K2 | 30 | | 2 | BUSHING FOR PULLEY |
| | 31 | 1464444000 | 1 | MOTOR MAIN BROOM 24V 600W (M4) |
| | 32 | L08603949 | 1 | BRUSH CARBON KIT 4PCS |
| | 33 | 1464983000 | 3 | PLATE THREADED |
| | 34 | 1464986000 | 1 | SHAFT FOR MAIN BROOM |
| | 35 | 1464987000 | 1 | PULLEY HTD 60 5M 15 - 6W |
| K1 | 36 | | 1 | SPACER 24X17.2X4.5 |
| | 37 | 1464990000 | 1 | HUB MAIN BROOM |
| | 38 | 1465202000 | 1 | MAIN BROOM PIN |
| | 39 | 1463913000 | 1 | MAIN BROOM 340X700MM PPL |
| | 39* | 1463854000 | 1 | BROOM MAIN 340X700MM MIX 5 |
| | 39* | 1464947000 | 1 | MAIN BROOM 340X700 MIX STEEL |
| K1 | 1465052000 | | 1 | HARDWARE MAIN BROOM HUB KIT |
| K2 | 1465053000 | | 1 | HARDWARE MAIN BROOM PULLEY KIT |
| K3 | 1465054000 | | 1 | HARDWARE MAIN BR. MOTOR PULLEY KIT |
| K4 | 1465055000 | | 1 | PULLEY MAIN BR. MOTOR KIT |
| K5 | 1465056000 | | 1 | HARDWARE FOR GAS SPRING KIT |

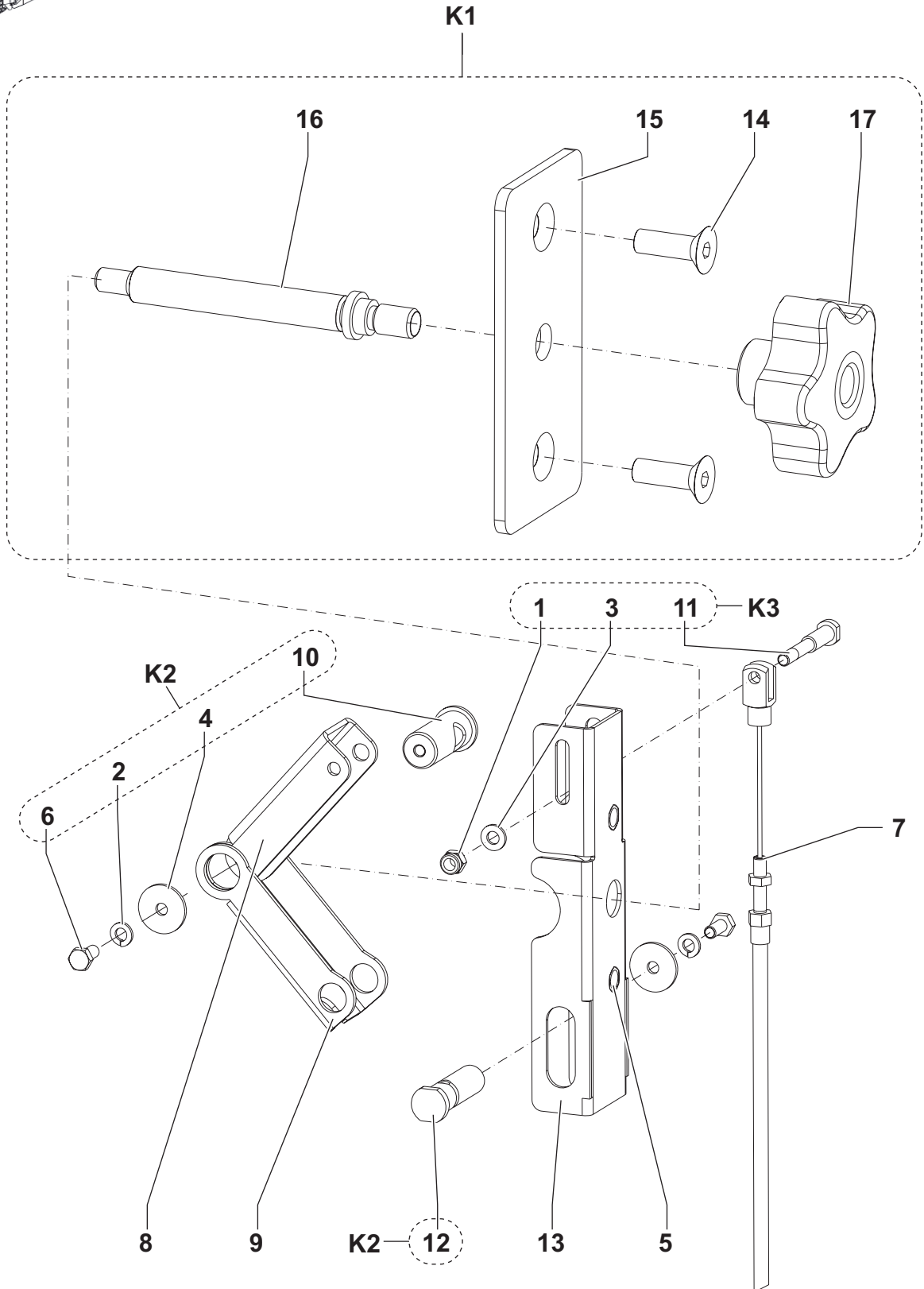
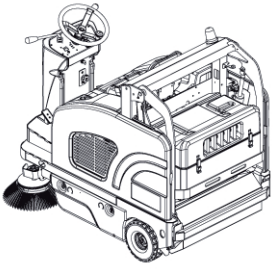
BROOM CLOSING



BROOM CLOSING

| | ITEM | REF. NO. | QTY | DESCRIPTION |
|----|------------|-------------------|----------|----------------------------------|
| K2 | 1 | | 1 | WASHER, FLAT XL |
| K2 | 2 | | 1 | SCREW, HEX HD M12X100 |
| K1 | 3 | | 2 | SCREW, HEX THD TO HD M5X30 |
| K1 | 4 | | 2 | NUT, HEX M5 |
| | 5 | 33006010 | 1 | WASHER, SPLIT LOCK D.12 |
| | 6 | 145 0269 000 | 1 | HUB LEFT FOR CENTRAL BROOM |
| | 7 | 145 0270 000 | 1 | BEARING, DUAL SEALED BALL |
| | 8 | 145 0271 000 | 1 | SPRING, COMPRESSION |
| | 9 | 146 2471 000 | 4 | HANDWHEEL M6 |
| | 10 | 1464180000 | 1 | LEVER MAIN BROOM SUPPORT |
| | 11 | 1464181000 | 1 | BUSHING SUPPORT LEVER |
| | 12 | 1464182000 | 1 | PIN MAIN BROOM ARM |
| | 13 | 1464183000 | 1 | HATCH MAIN BROOM |
| | 14 | 1464278000 | 1 | PLATE SIDE KIRT FIXING |
| | 15 | 1464476000 | 1 | KNOB BLACK/YELLOW |
| | 16 | 1465396000 | 1 | SKIRTS KIT |
| | 16* | 1464951000 | 1 | SKIRTS NON MARKING KIT |
| K2 | 17 | | 1 | SPACER |
| K2 | 18 | | 1 | SPACER |
| K2 | 19 | | 1 | NUT, HEX NYL LOC M12 |
| | K1 | 1465057000 | 1 | HW MAIN BROOM LEVER SUPPORT KIT |
| | K2 | 1465058000 | 1 | HARDWARE MAIN BROOM IDLE HUB KIT |

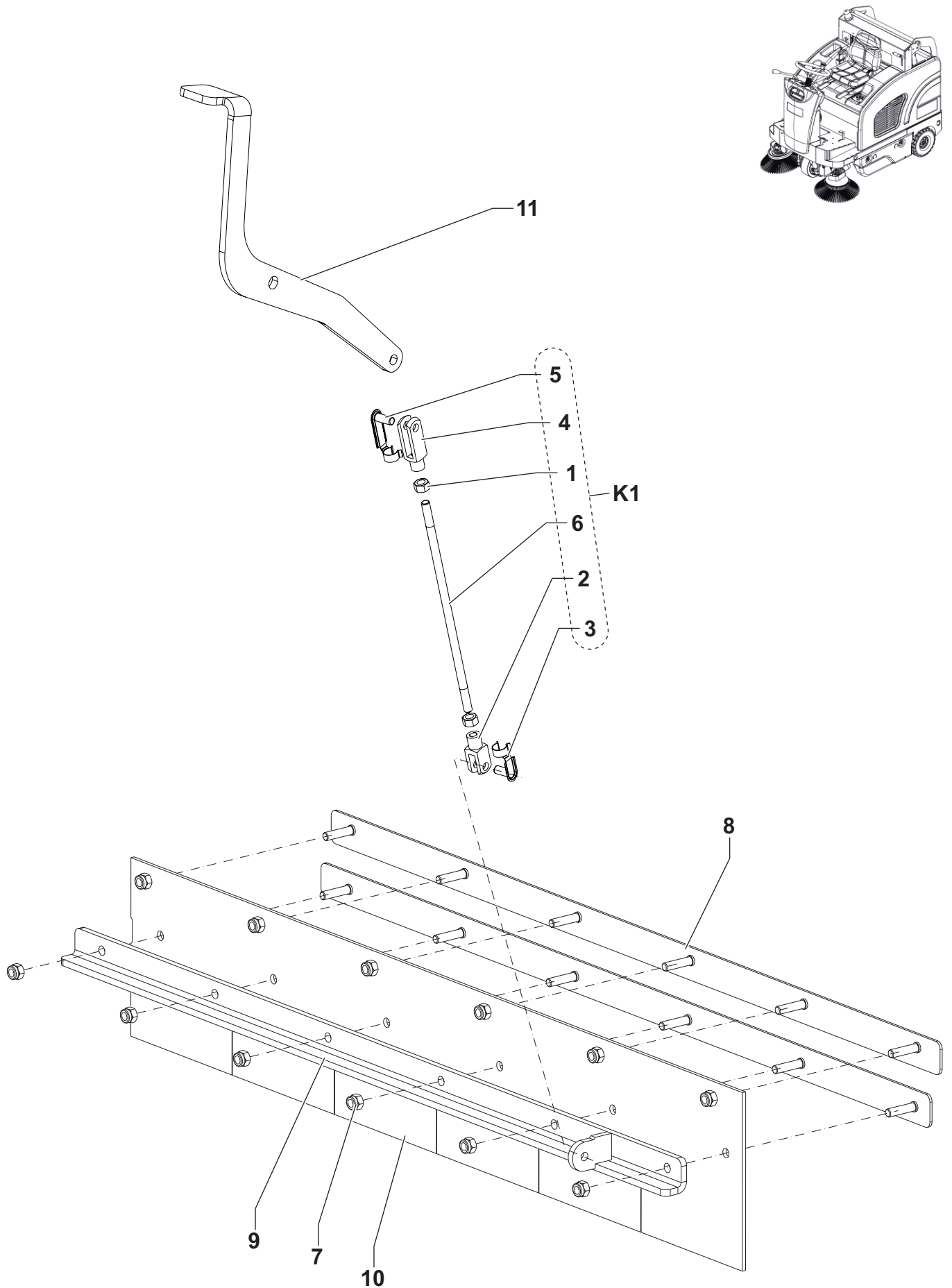
MAIN BROOM ADJUSTMENT



MAIN BROOM ADJUSTMENT

| | ITEM | REF. NO. | QTY | DESCRIPTION |
|----|------|--------------|-----|-----------------------------------|
| K3 | 1 | | 1 | NUT, HEX NYL LOC HVY M6 |
| K2 | 2 | | 2 | WASHER, SPLIT LOCK d.6 |
| K3 | 3 | | 1 | WASHER, FLAT 6,4x12,5 |
| K2 | 4 | | 2 | WASHER, FLAT XL 6x24 SS |
| | 5 | 145 4773 000 | 2 | HEX INSERT |
| K2 | 6 | | 2 | SCREW, HEX THD TO HD M6x14 |
| | 7 | 1464413000 | 1 | CABLE MAIN BROOM |
| | 8 | 1464449000 | 1 | UPPER ARM FOR THE REGULATION |
| | 9 | 1464450000 | 1 | BRACKET BROOM SETTING |
| K2 | 10 | | 1 | PIN FOR ARMS CONTROL BROOM |
| K3 | 11 | | 1 | PIN, UPPER ARM CONTROL MAIN BROOM |
| K2 | 12 | | 1 | PIN FOR LOWER ARM, MAIN BROOM |
| | 13 | 1464462000 | 1 | GUIDE, MAIN BROOM SETTING |
| K1 | 14 | | 2 | SCREW, FLAT SOCKET HEAD |
| K1 | 15 | | 1 | PLATE ADJUST MAIN BROOM |
| K1 | 16 | | 1 | ADJUSTMENT PIN BROOM |
| K1 | 17 | 1464476000 | 1 | KNOB BLACK/YELLOW |
| | K1 | 1464914000 | 1 | BROOM MAIN SETTING KIT |
| | K2 | 1465059000 | 1 | FIXING MAIN BROOM SETTING KIT |
| | K3 | 1465060000 | 1 | FIXING MAIN BROOM CABLE KIT |

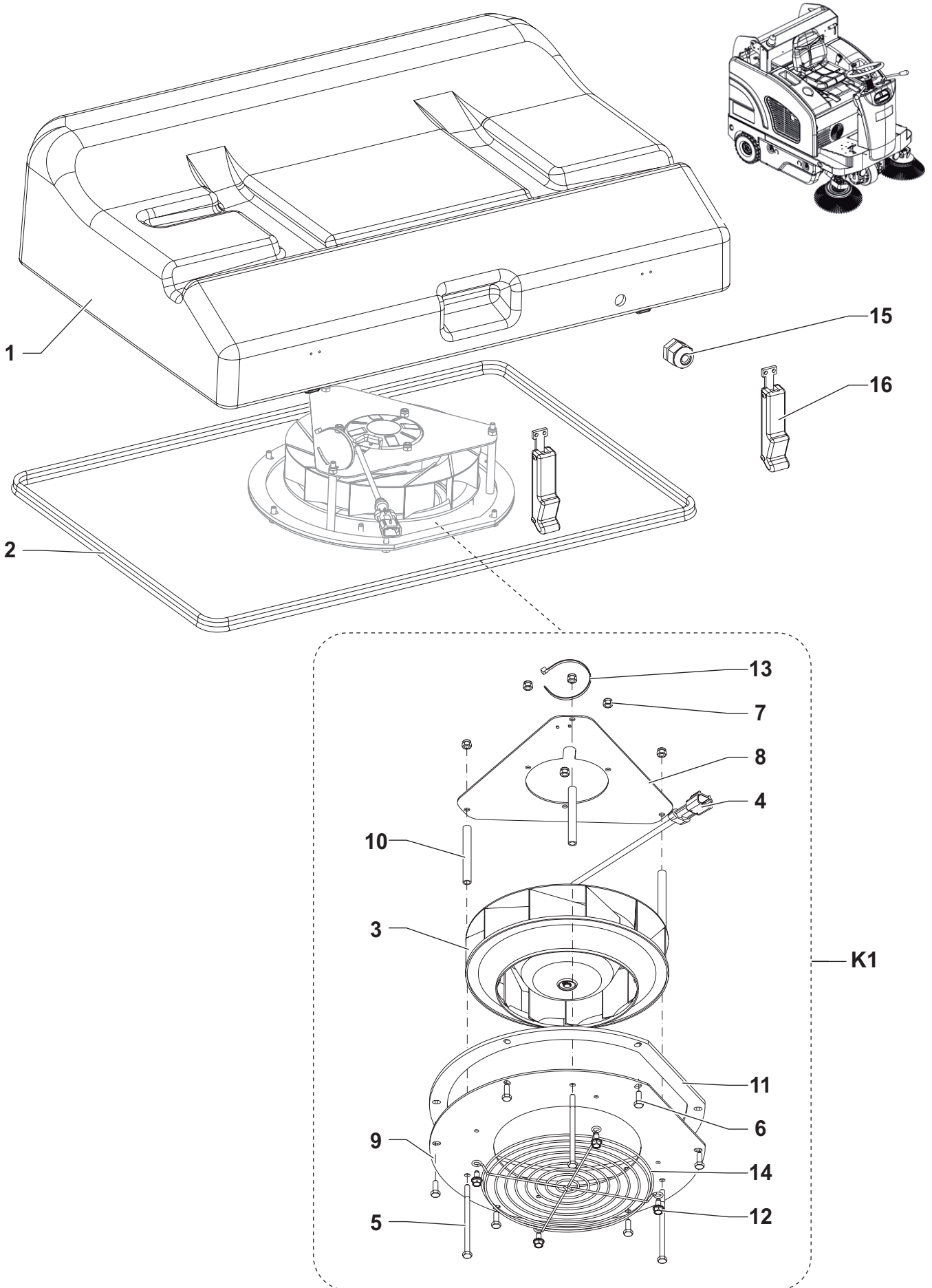
FRONT LIFT FLAP



FRONT LIFT FLAP

| | ITEM | REF. NO. | QTY | DESCRIPTION |
|--|------|------------|-----|---------------------------|
| | K1 | 1 | 2 | NUT, HEX HVY M6 |
| | K1 | 2 | 1 | FORK M6 |
| | K1 | 3 | 1 | CLIP SHORT M6 |
| | K1 | 4 | 1 | FORK M6 |
| | K1 | 5 | 1 | CLIP LONG M6 |
| | K1 | 6 | 1 | TENDER FOR CONTROL FLAP |
| | 7 | 33005562 | 12 | NUT, HEX NYL LOC HVY M6 |
| | 8 | 1463916000 | 2 | PLATE FRONT SKIRT |
| | 9 | 1464337000 | 1 | FLAP METAL FRONT |
| | 10 | 1464497000 | 1 | SKIRT FRONT |
| | 11 | 1464185000 | 1 | PEDAL DEVICE SKIRT RISING |
| | K1 | 1464921000 | 1 | ROD FOR FLAP KIT |

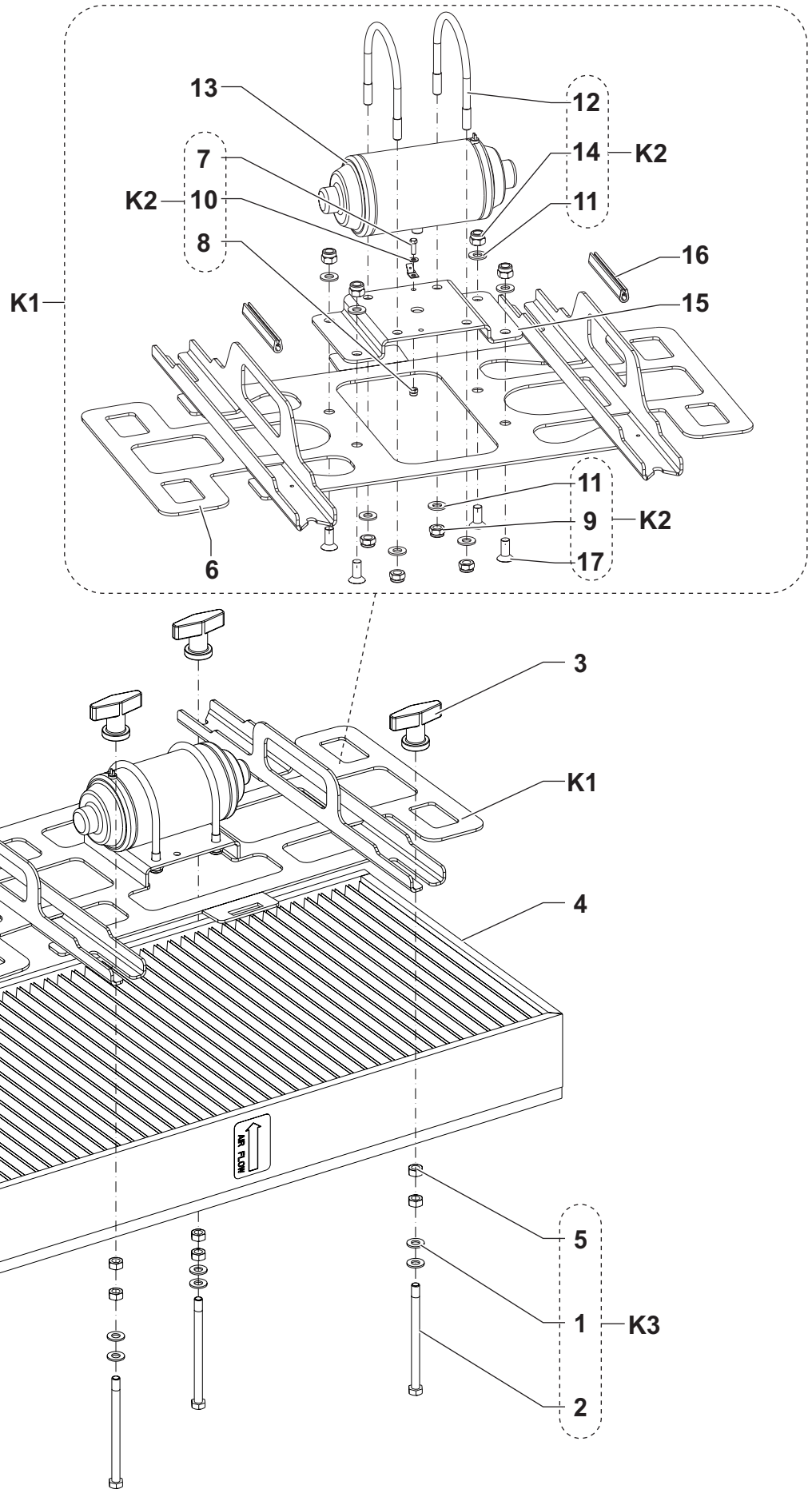
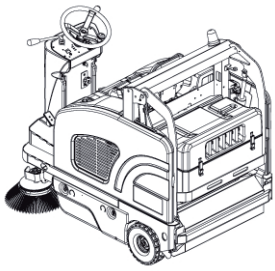
VACUUM SYSTEM



VACUUM SYSTEM

| | ITEM | REF. NO. | QTY | DESCRIPTION |
|----|------|--------------|-----|----------------------------|
| | 1 | 1464190000 | 1 | CONTAINER VACUUM MOTOR |
| | 2 | 1464198000 | 1 | GASKET VACUUM CONTAINER |
| K1 | 3 | 1463374000 | 1 | VACUUM FAN 24V (M1) |
| K1 | 4 | | 1 | CABLE LOCK |
| K1 | 5 | | 3 | SCREW, HEX HD M6X100 |
| K1 | 6 | | 6 | SCREW, HEX THD TO HD M6X16 |
| K1 | 7 | | 6 | NUT, HEX NYL LOC HVY M6 |
| K1 | 8 | | 1 | SUPPORT, VAC |
| K1 | 9 | | 1 | PLATE, VAC |
| K1 | 10 | | 3 | SPACER |
| K1 | 11 | | 1 | GASKET |
| K1 | 12 | | 4 | THREAD ROLLING SCREW M6X12 |
| K1 | 13 | | 1 | TIE, CABLE 3,6X140 |
| K1 | 14 | | 1 | GRILL |
| | 15 | 146 1892 000 | 1 | STRAIN RELIEF 4-6.5MM |
| | 16 | 1464313000 | 4 | HATCH RUBBER |
| | K1 | 1464927000 | 1 | FAN KIT |

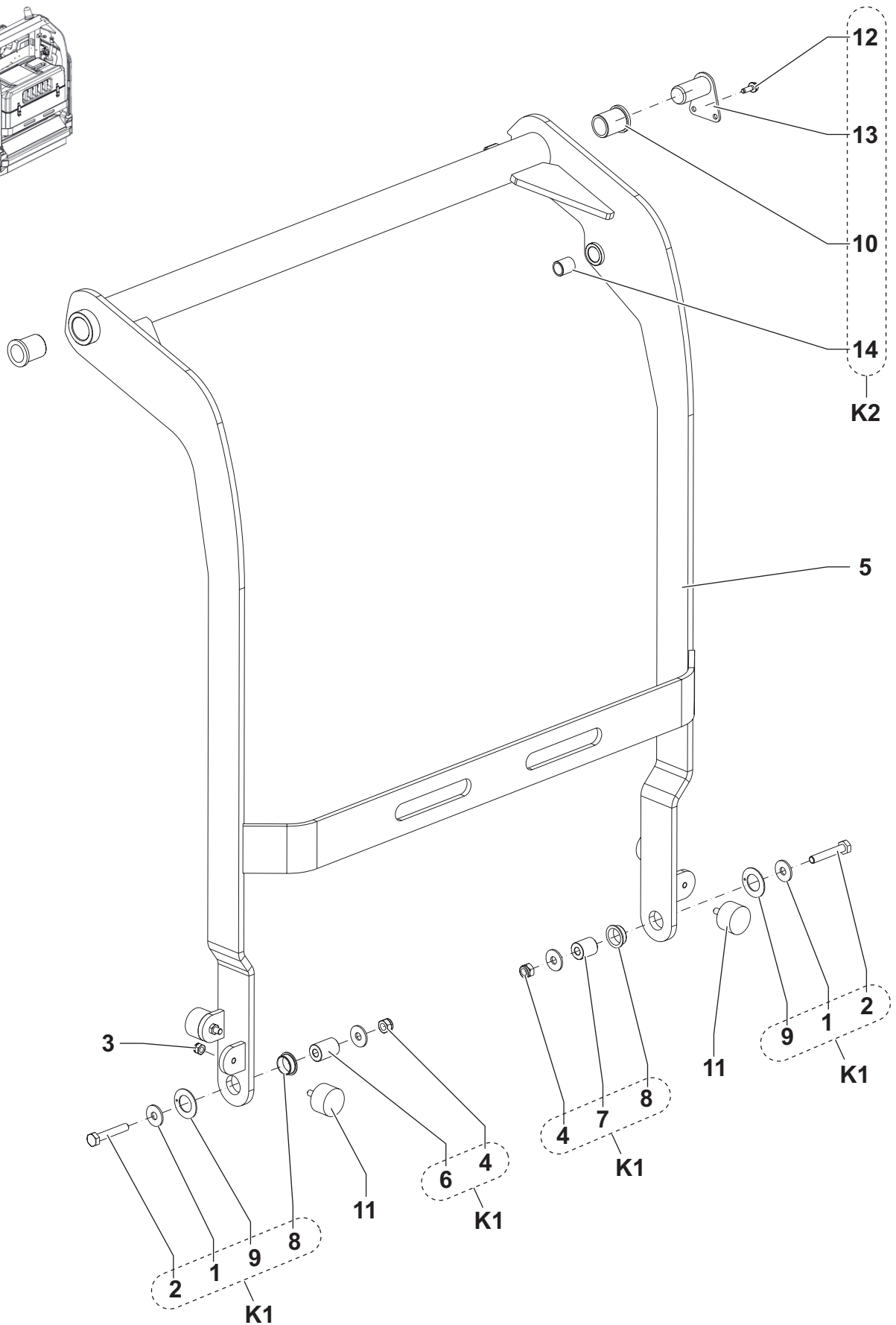
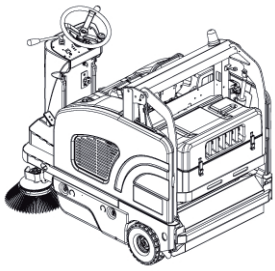
PANEL FILTER



PANEL FILTER

| | ITEM | REF. NO. | QTY | DESCRIPTION |
|----|-----------|-------------------|----------|----------------------------------|
| K3 | 1 | | 8 | WASHER, FLAT 8.4x16x1.6 |
| K3 | 2 | | 4 | SCREW, HEX HD |
| | 3 | 9098257000 | 4 | NUT THUMB, SQUEEGEE FIXING |
| | 4 | 1464189000 | 1 | FILTER PANEL PAPER |
| | 4* | 1464839000 | 1 | FILTER PANEL POLYESTER |
| K3 | 5 | | 8 | NUT, 5/16" UNC INOX |
| K1 | 6 | | 1 | SHAKER, PANEL FILTER |
| K2 | 7 | | 1 | SCREW, HEX THD TO HD M4x12 |
| K2 | 8 | | 1 | NUT, HEX NYL LOC HVY M4 |
| K2 | 9 | | 4 | NUT, HEX NYL LOC THIN M8 |
| K2 | 10 | | 1 | WASHER, FLAT 4,3x9 |
| K2 | 11 | | 8 | WASHER, FLAT 8.4x16x1.6 |
| K2 | 12 | | 2 | CLAMP Ø2" ½ |
| K1 | 13 | 145 5539 000 | 1 | SHAKER MOTOR 24V 90W (M2) |
| K2 | 14 | | 4 | NUT, HEX NYL LOC HVY M8 |
| K1 | 15 | | 1 | BRAKET FILTER SHAKER |
| K1 | 16 | | 2 | SEAL L = 90 |
| K2 | 17 | | 4 | SCREW, FLAT SOCKET HEAD |
| | K1 | 1464918000 | 1 | SHAKER FILTER KIT |
| K1 | K2 | 1465061000 | 1 | HARDWARE SHAKER FIXING KIT |
| | K3 | 1465062000 | 1 | HARDWARE FILTER PLATE FIXING KIT |

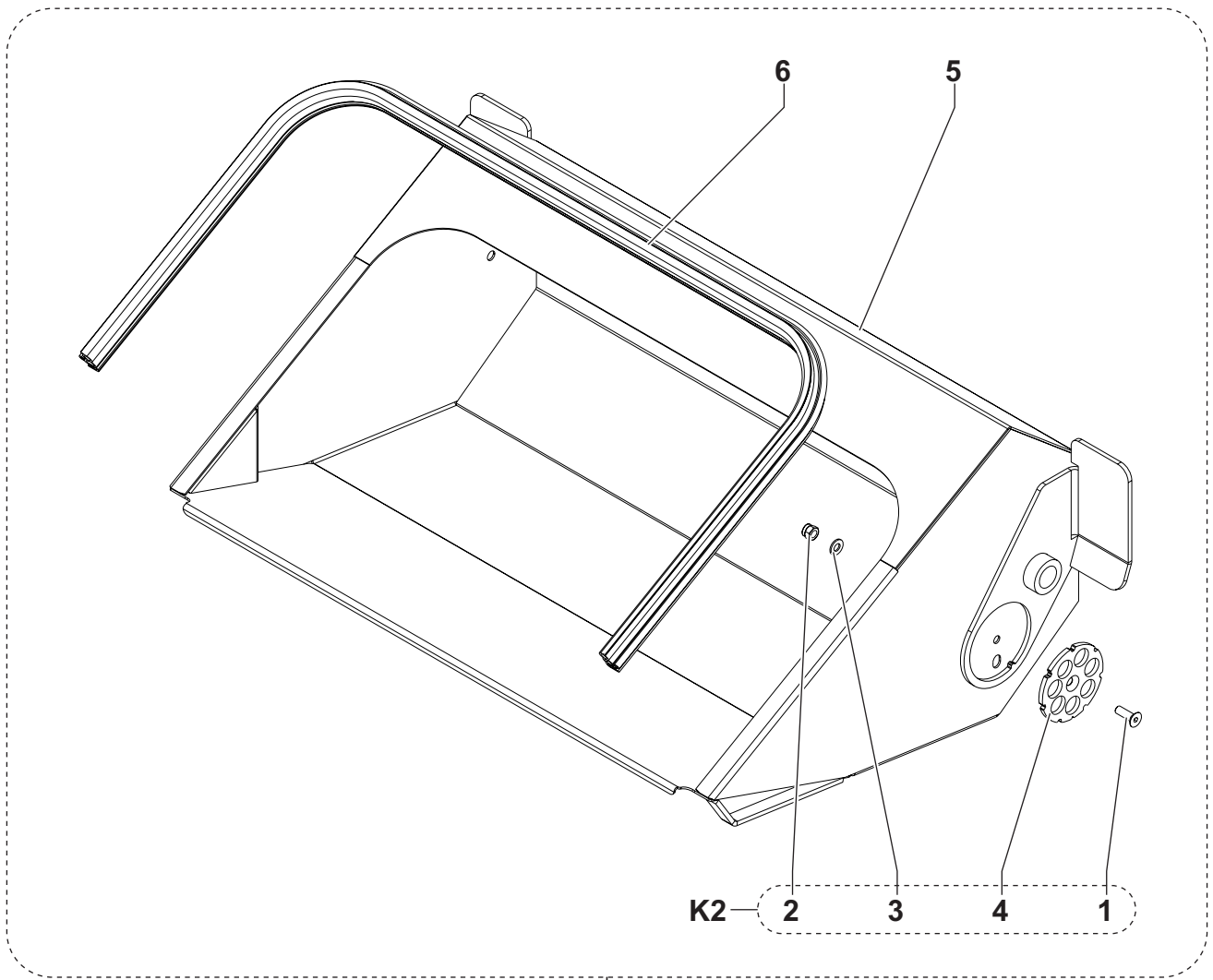
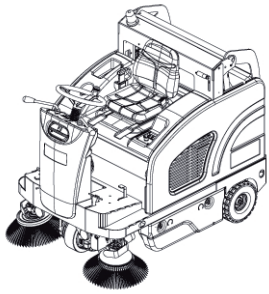
LIFTING ARMS



LIFTING ARMS

| | ITEM | REF. NO. | QTY | DESCRIPTION |
|----|------|------------|-----|-------------------------------|
| K1 | 1 | | 4 | WASHER, FLAT XL 10.5x30x2.5 |
| K1 | 2 | | 2 | SCREW, HEX THD TO HD M10x60 |
| | 3 | 33005533 | 4 | NUT, HEX THIN M8 |
| K1 | 4 | | 2 | NUT, HEX NYL LOC HVY M10 |
| | 5 | 1464159000 | 1 | ARM HOPPER LIFTING |
| K1 | 6 | | 1 | PIN HOPPER |
| K1 | 7 | | 1 | PIN HOPPER |
| K1 | 8 | | 2 | BUSHING FLANGED GFM-2427-10 |
| K1 | 9 | | 2 | FIFTH WHEEL GTM-2442-015 |
| K2 | 10 | | 2 | IGUS BEARING, FLANGE |
| | 11 | 1464475000 | 4 | VIBRATION DAMPING M8 D.40x25 |
| K2 | 12 | | 2 | THREAD ROLLING SCREW M6X20 |
| K2 | 13 | | 2 | PIN |
| K2 | 14 | | 1 | CYLINDRICAL BEARING 16x18x15 |
| | K1 | 1465063000 | 1 | FIXING HOPPER PRIMARY ARM KIT |
| | K2 | 1465064000 | 1 | PIN PRIMARY ARM KIT |

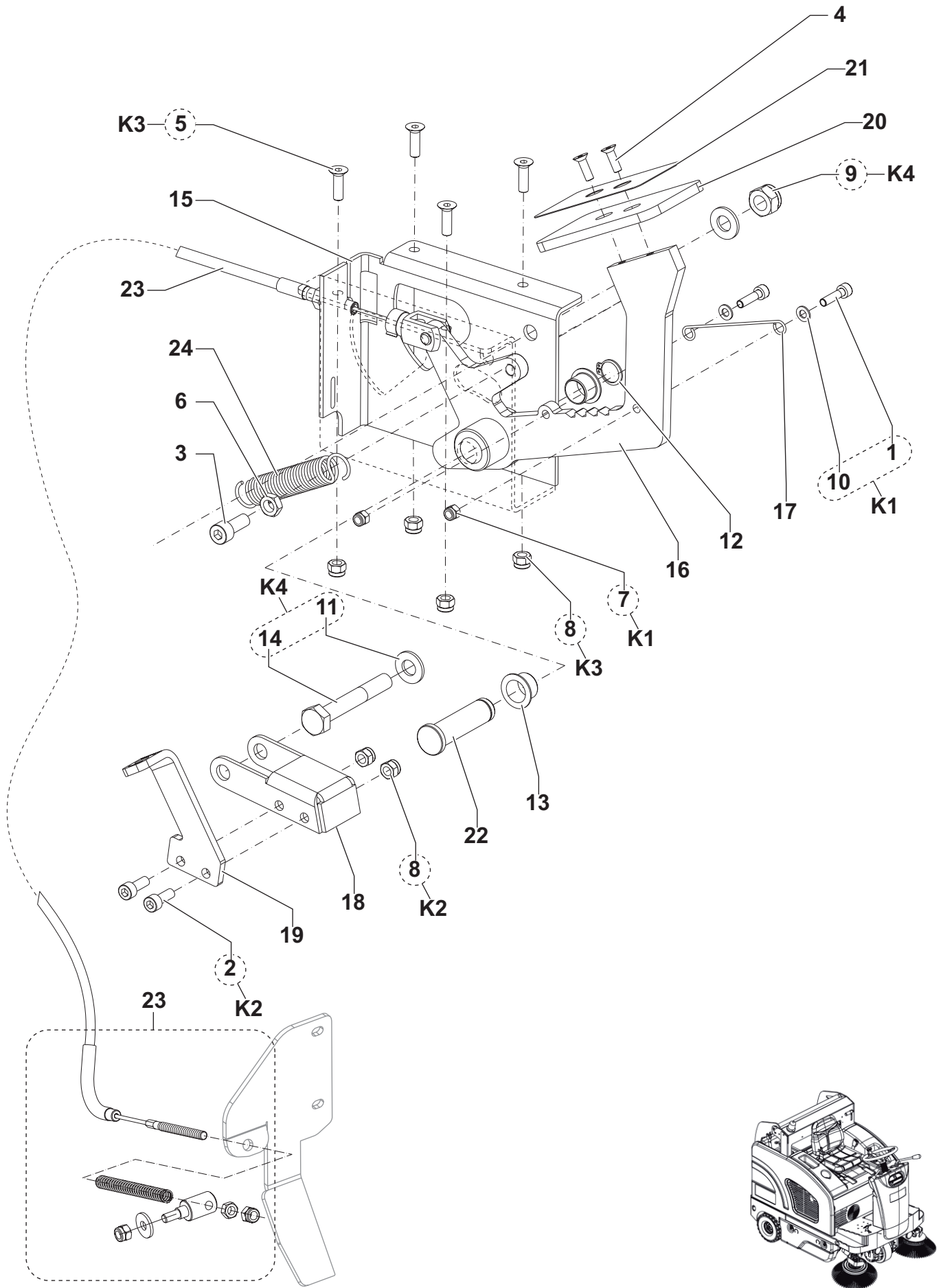
HOPPER SYSTEM



HOPPER SYSTEM

| | ITEM | REF. NO. | QTY | DESCRIPTION |
|--|------|----------|-----|---------------------------|
| | K2 | 1 | 1 | SCREW, FLAT SOCKET HEAD |
| | K2 | 2 | 1 | NUT, HEX NYL LOC HVY M8 |
| | K2 | 3 | 1 | WASHER, FLAT 8.4x16x1.6 |
| | K2 | 4 | 1 | FLANGE HOPPER SETTING |
| | K1 | 5 | 1 | HOPPER |
| | K1 | 6 | 1 | GASKET EPDM |
| | | K1 | 1 | 1464535000 |
| | | K1 | 1 | 1464917000 |
| | | K2 | 1 | 1465065000 |
| | | | | HOPPER KIT |
| | | | | FLANGE HOPPER SETTING KIT |

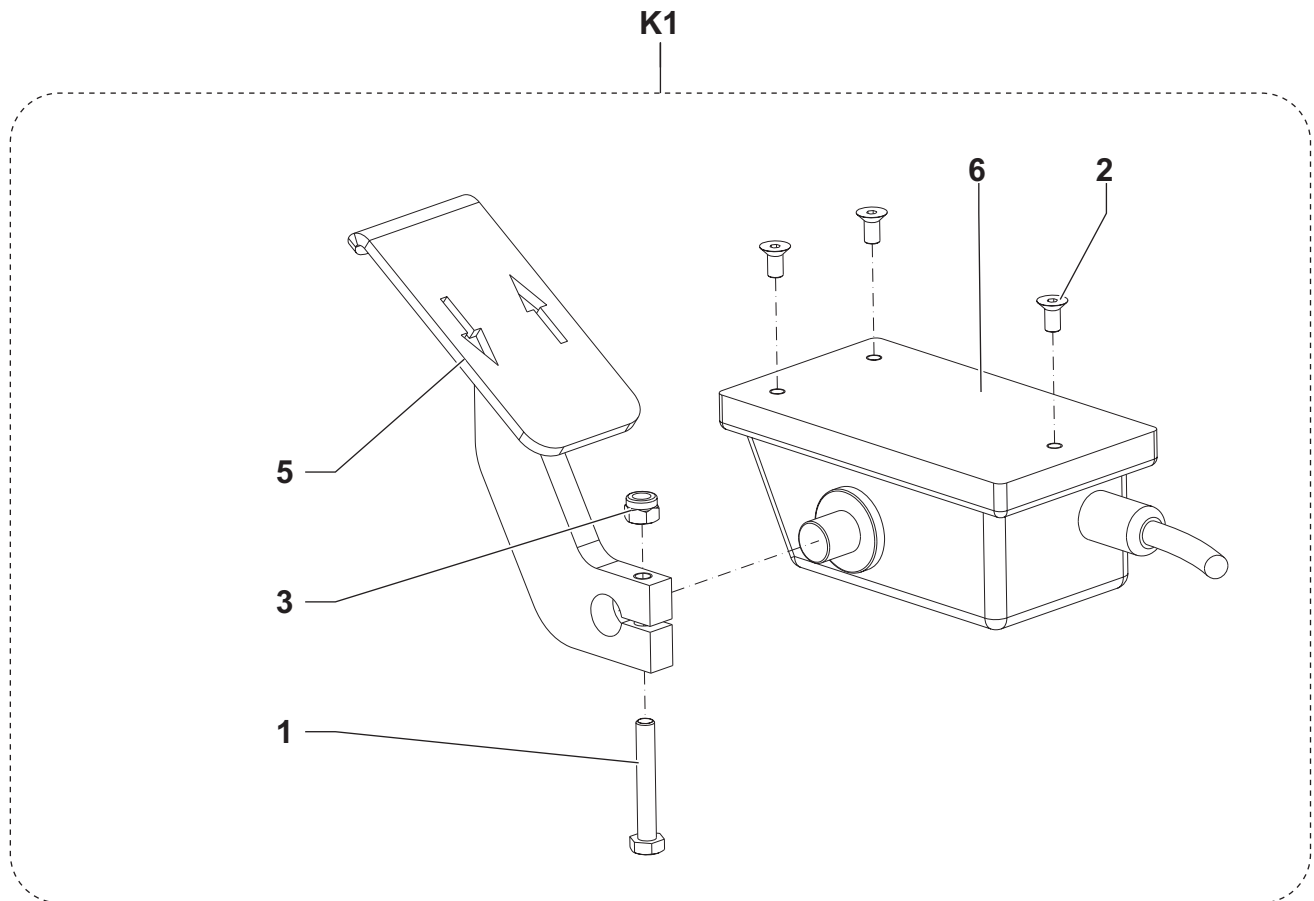
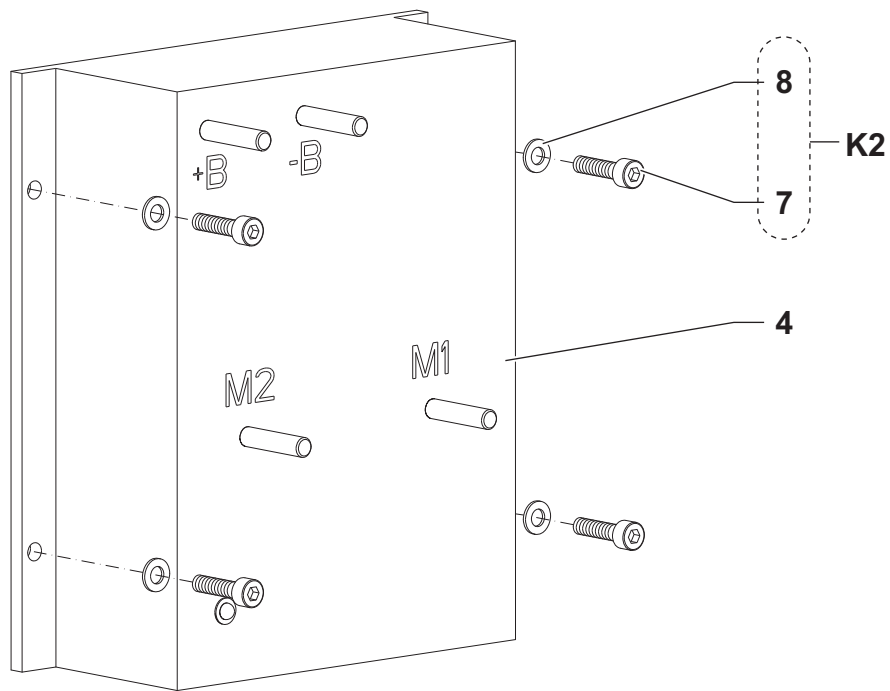
PEDAL BRAKE



PEDAL BRAKE

| | ITEM | REF. NO. | QTY | DESCRIPTION | |
|--|------|------------|--------------|---------------------|--------------------------------|
| | K1 | 1 | 2 | SCREW M5X20 UNI5931 | |
| | K2 | 2 | 2 | SCREW M6X16 UNI5931 | |
| | | 3 | 33004365 | 1 | SCREW M8X20 UNI5931 |
| | | 4 | 33004563 | 2 | SCREW, FLAT SOCKET HEAD |
| | K3 | 5 | | 4 | SCREW, FLAT SOCKET HEAD |
| | | 6 | 33005533 | 1 | NUT, HEX THIN M8 |
| | K1 | 7 | | 2 | NUT, HEX NYL LOC HVY M5 |
| | K2-3 | 8 | | 6 | NUT, HEX NYL LOC HVY M6 |
| | K4 | 9 | | 1 | NUT, HEX NYL LOC HVY M10 |
| | K1 | 10 | | 2 | WASHER, FLAT 5,3x10 |
| | K4 | 11 | | 2 | WASHER, FLAT 10,5x21 |
| | | 12 | 33006054 | 1 | SHAFT RING D15 |
| | | 13 | 146 0903 000 | 2 | IGUS BEARING, FLANGE |
| | K4 | 14 | | 1 | SCREW, HEX HD M10X35 |
| | | 15 | 1464217000 | 1 | SUPPORT BRAKE |
| | | 16 | 1464218000 | 1 | BRAKE LEVER |
| | | 17 | 1464219000 | 1 | SPRING FOR LOCK BRAKE |
| | | 18 | 1464220000 | 1 | TOOTH LOCK BRAKE PEDAL |
| | | 19 | 1464221000 | 1 | LOCK BRAKE PEDAL |
| | | 20 | 1464222000 | 1 | BRAKE PEDAL |
| | | 21 | 1464223000 | 1 | MAT PEDAL |
| | | 22 | 1464224000 | 1 | PIN FOR BRAKE PEDAL |
| | | 23 | 1465390000 | 1 | BRAKE CABLE KIT |
| | | 24 | 1464431000 | 1 | SPRING FOR BRAKE |
| | K1 | 1465066000 | | 1 | HARDWARE SPRING LOCK BRAKE KIT |
| | K2 | 1465067000 | | 1 | HARDWARE LOCK BRAKE PEDAL KIT |
| | K3 | 1465068000 | | 1 | HARDWARE SUPPORT BRAKE KIT |
| | K4 | 1465069000 | | 1 | HARDWARE LOCK TOOTH KIT |

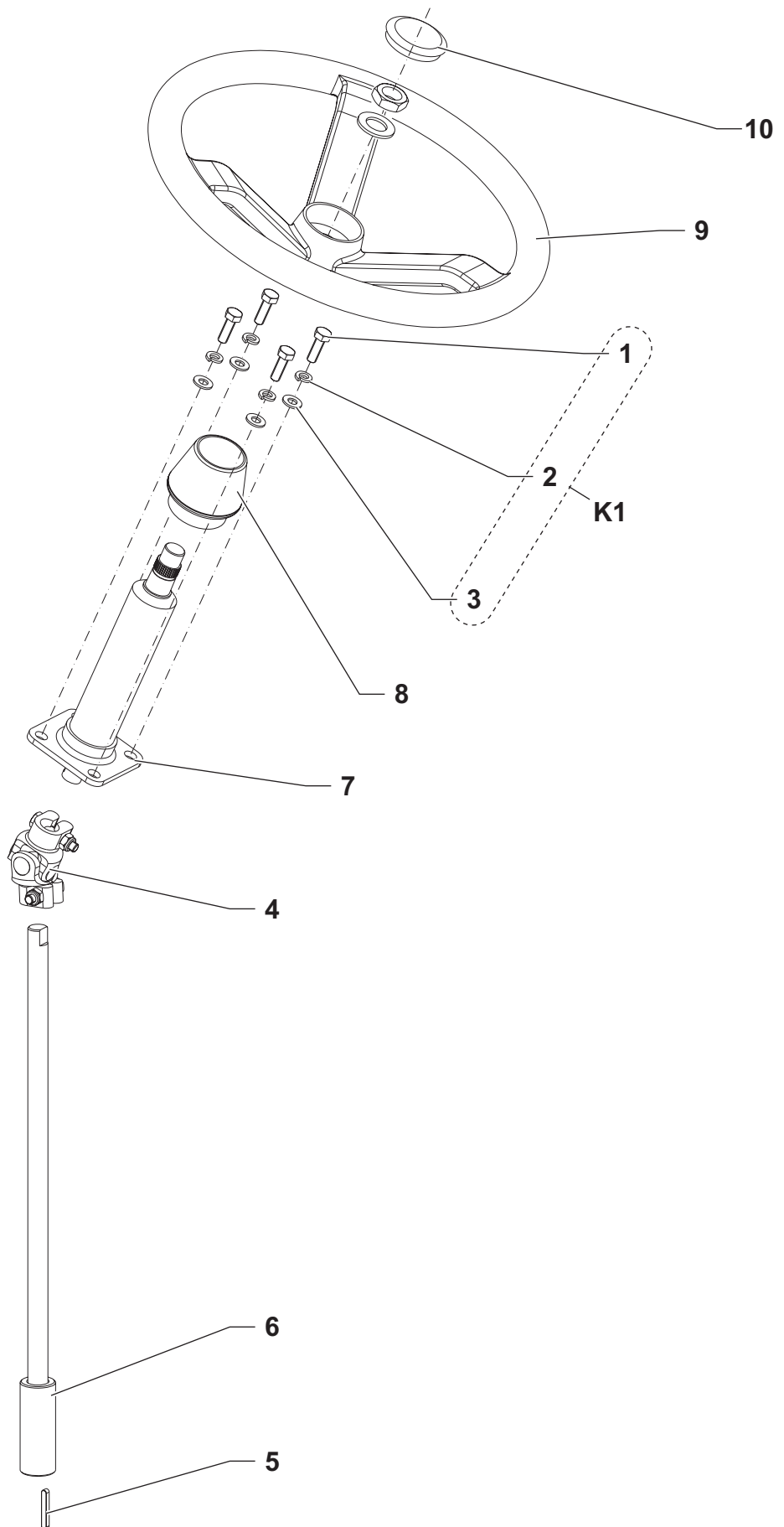
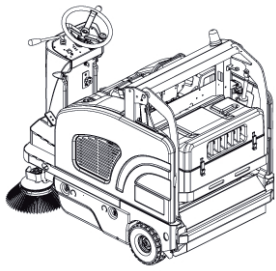
ACCELERATOR PEDAL



ACCELERATOR PEDAL

| | ITEM | REF. NO. | QTY | DESCRIPTION |
|----|------|------------|-----|---------------------------------|
| K1 | 1 | | 1 | SCREW, HEX THD TO HD M6x40 |
| K1 | 2 | | 3 | SCREW, FLAT SOCKET HEAD |
| K1 | 3 | | 1 | NUT, HEX NYL LOC HVY M6 |
| | 4 | 1464206000 | 1 | ELECTRIC CARD OF TRACTION (EB1) |
| K1 | 5 | 1464368000 | 1 | THROTTLE PEDAL |
| K1 | 6 | 1464425000 | 1 | ACCELERATOR PEDAL (R1) |
| K2 | 7 | | 4 | SCREW, SOC HD |
| K2 | 8 | | 4 | WASHER, FLAT 5,3x10 |
| | K1 | 1464922000 | 1 | ACCELERATOR ELECTRONIC KIT |
| | K2 | 1465070000 | 1 | HARDWARE TRACTION BOARD KIT |

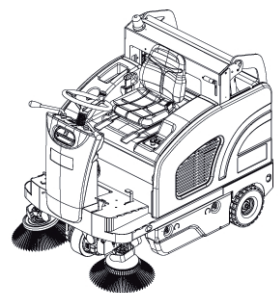
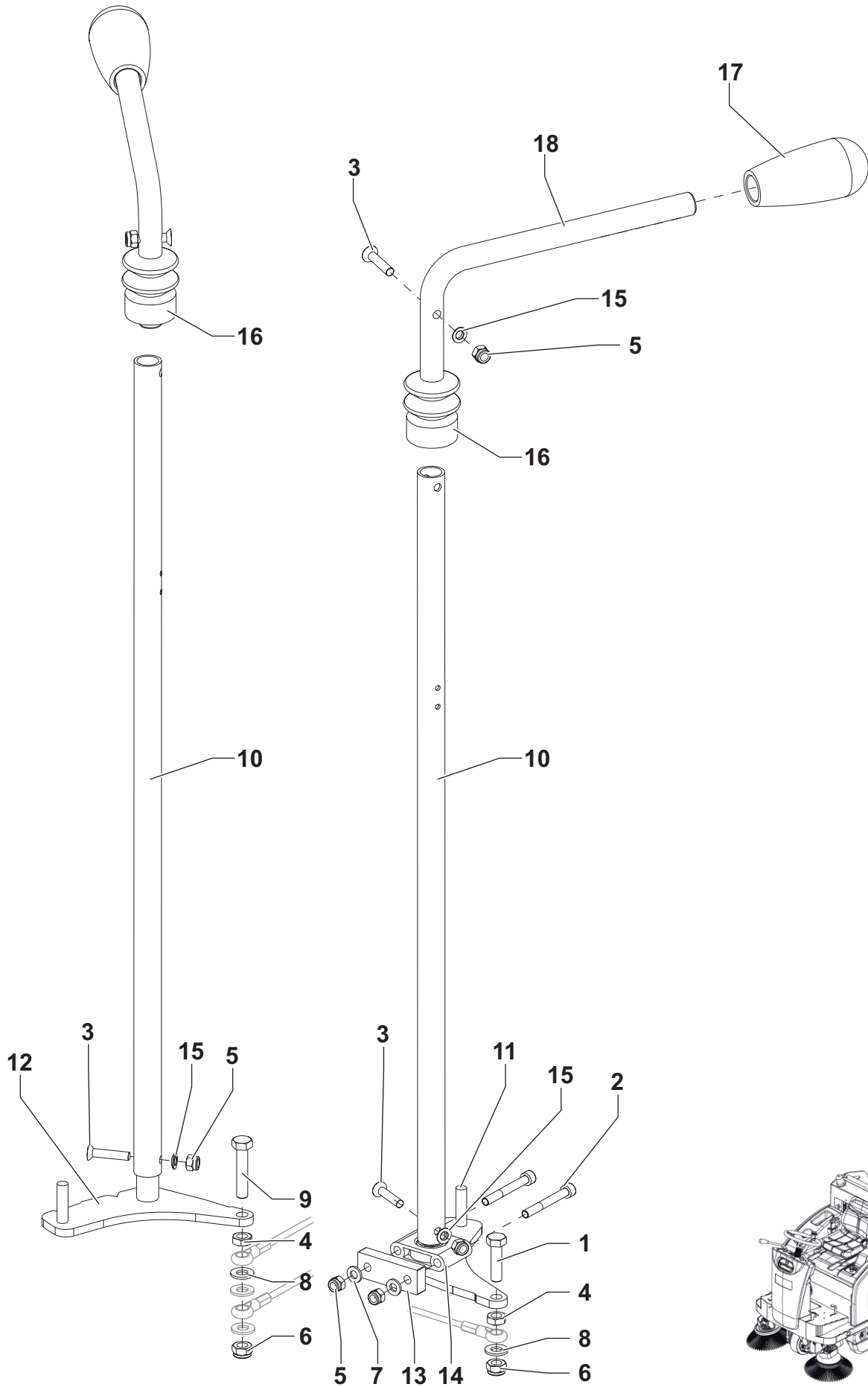
STEERING COLUMN



STEERING COLUMN

| | ITEM | REF. NO. | QTY | DESCRIPTION |
|----|------|--------------|-----|------------------------------|
| K1 | 1 | | 4 | SCREW, HEX THD TO HD M8x25 |
| K1 | 2 | | 4 | WASHER, SPLIT LOCK d.8 |
| K1 | 3 | | 4 | WASHER, FLAT 8.4x16x1.6 |
| | 4 | 145 9619 000 | 1 | JOINT UNIVERSAL 17 |
| | 5 | 146 0830 000 | 1 | KEY 5X5X35 |
| | 6 | 1463895000 | 1 | STEERING SHAFT |
| | 7 | 1464136000 | 1 | STEERING COLUMN |
| | 8 | 1464989000 | 1 | COVER FOR STEERING |
| | 9 | 1464523000 | 1 | WHEEL Ø362 |
| | 10 | 145 8753 000 | 1 | PLUG, STEERING WHEEL |
| | K1 | 1465071000 | 1 | HARDWARE STEERING COLUMN KIT |

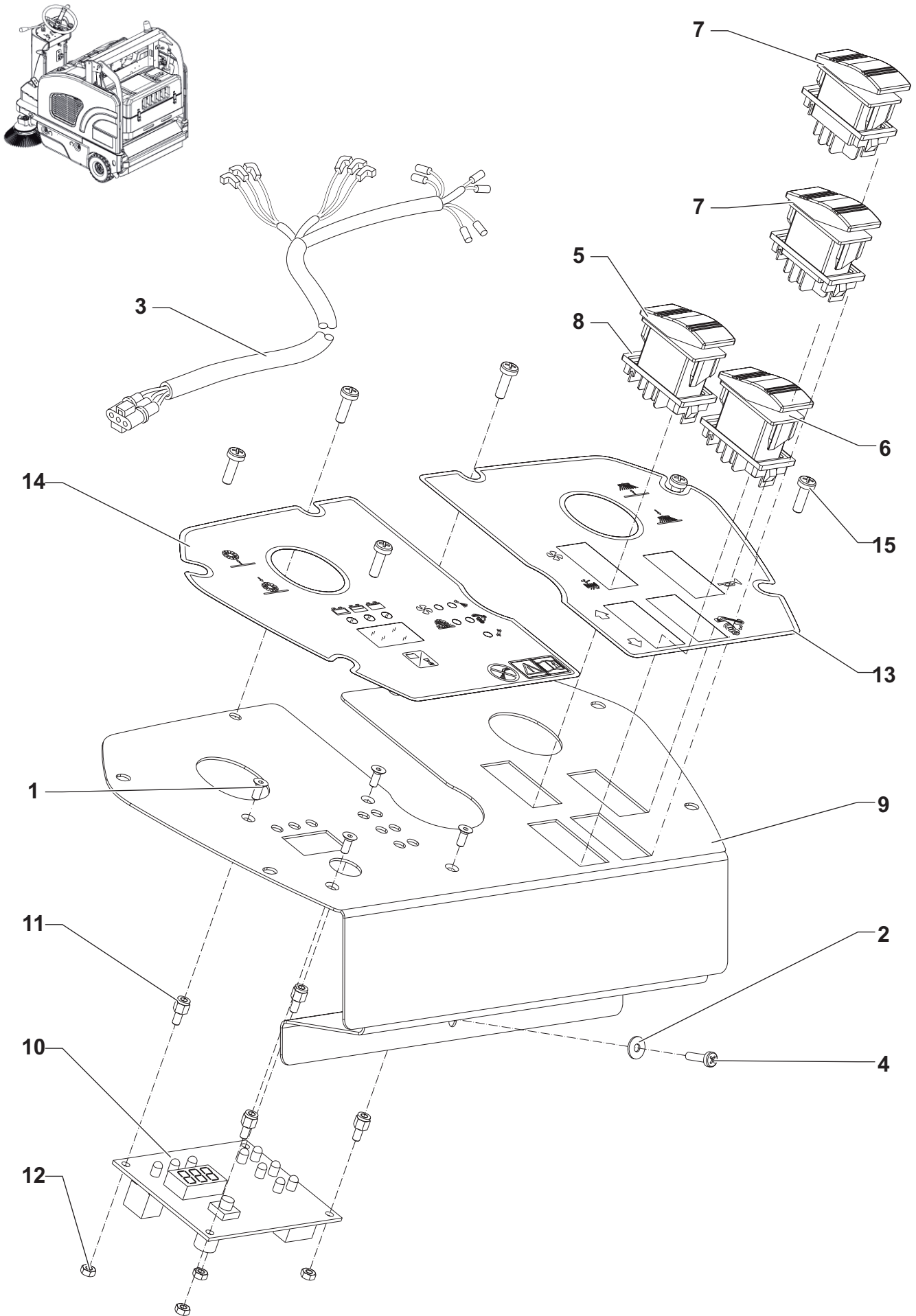
BROOM LEVERS



BROOM LEVERS

| | ITEM | REF. NO. | QTY | DESCRIPTION | |
|--|------|------------|--------------|----------------------------|-------------------------------------|
| | K1 | 1 | 1 | SCREW, HEX THD TO HD M8x30 | |
| | K1 | 2 | 2 | SCREW, SOC HD | |
| | K1 | 3 | 4 | SCREW, FLAT SOCKET HEAD | |
| | K1 | 4 | 2 | NUT, HEX THIN M8 | |
| | K1 | 5 | 6 | NUT, HEX NYL LOC HVY M6 | |
| | K1 | 6 | 2 | NUT, HEX NYL LOC THIN M8 | |
| | K1 | 7 | 2 | WASHER, FLAT 6,4x12,5 | |
| | K1 | 8 | 2 | WASHER, FLAT 8.4x16x1.6 | |
| | K1 | 9 | 1 | SCREW, HEX THD TO HD M8x40 | |
| | | 10 | 1464174000 | 2 | PIPE EXTENSION LEVER |
| | | 11 | 1464175000 | 1 | LEVER MAIN BROOM |
| | | 12 | 1464176000 | 1 | LEVER SIDE BROOM |
| | | 13 | 1465090000 | 1 | ESTM PLATE FOR PILLOW BLOCK BEARING |
| | | 14 | 1465091000 | 1 | ARTICULATED SUPPORT TO OMEGA |
| | K1 | 15 | | 4 | SPHERICAL WASHERS |
| | | 16 | 146 2456 000 | 2 | BELLOW RUBBER |
| | | 17 | 1464151000 | 2 | ELESA HANDLE |
| | | 18 | 1464177000 | 2 | LEVER |
| | [K1] | 1464820000 | 1 | HARDWARE BROOM LEVERS KIT | |

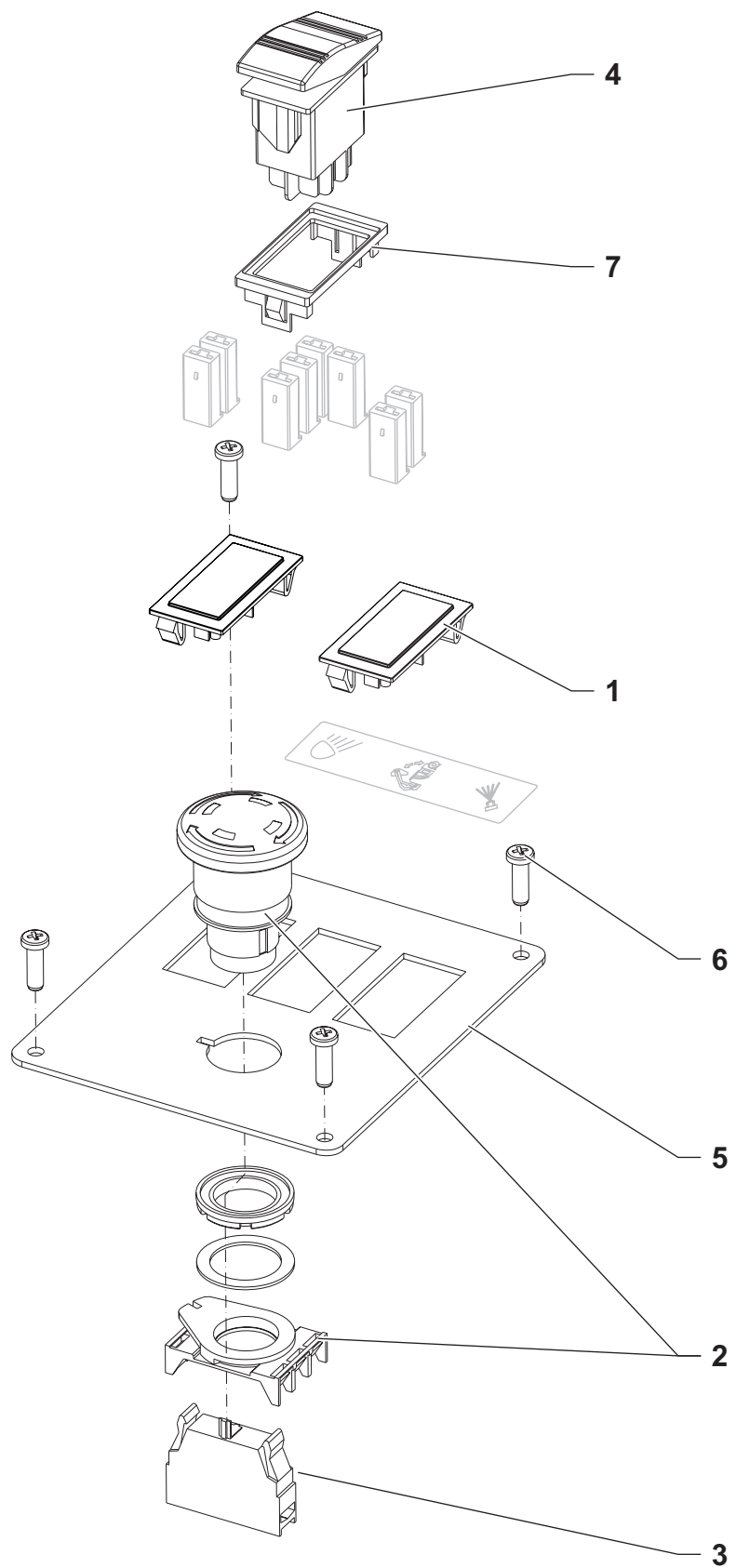
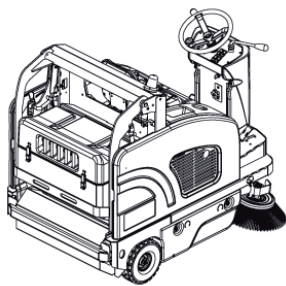
CONTROL PANEL



CONTROL PANEL

| | ITEM | REF. NO. | QTY | DESCRIPTION |
|----|------|--------------|-----|---------------------------------------|
| K1 | 1 | | 4 | SCREW, FLAT SOCKET HEAD |
| K1 | 2 | | 1 | WASHER, FLAT XL 4,3x16 |
| | 3 | 1465290000 | 1 | PLANK HARNESS |
| K1 | 4 | | 1 | SCREW, PAN PHIL M4x16 |
| | 5 | 146 2088 000 | 1 | SWITCH (SW3) |
| | 6 | 1465178000 | 1 | SWITCH 2 POSITIONS MOMENTARY (SW2) |
| | 7 | 146 2087 000 | 2 | PUSH BUTTON (SW4) (SW6) |
| | 8 | 146 2089 000 | 4 | ADAPTER FOR PUSH BUTTONS |
| | 9 | 1464179000 | 1 | DASHBOARD |
| | 10 | 1464258000 | 1 | ELECTRIC CARD FOR CONTROL PANEL (EB2) |
| K1 | 11 | | 4 | EXAGONAL SPACER RICHCO HTSN-N4 |
| K1 | 12 | | 4 | NUT RICHCO NNE-34814-M4 |
| | 13 | 1464611000 | 1 | RIGHT DECAL CONTROL PANEL SW4000 |
| | 14 | 1464612000 | 1 | LEFT DECAL CONTROL PANEL SW4000B |
| K1 | 15 | | 6 | SCREW, PAN PHIL M5x16 |
| | [K1] | 1465072000 | 1 | HARDWARE FOR DISPLAY BOARD KIT |

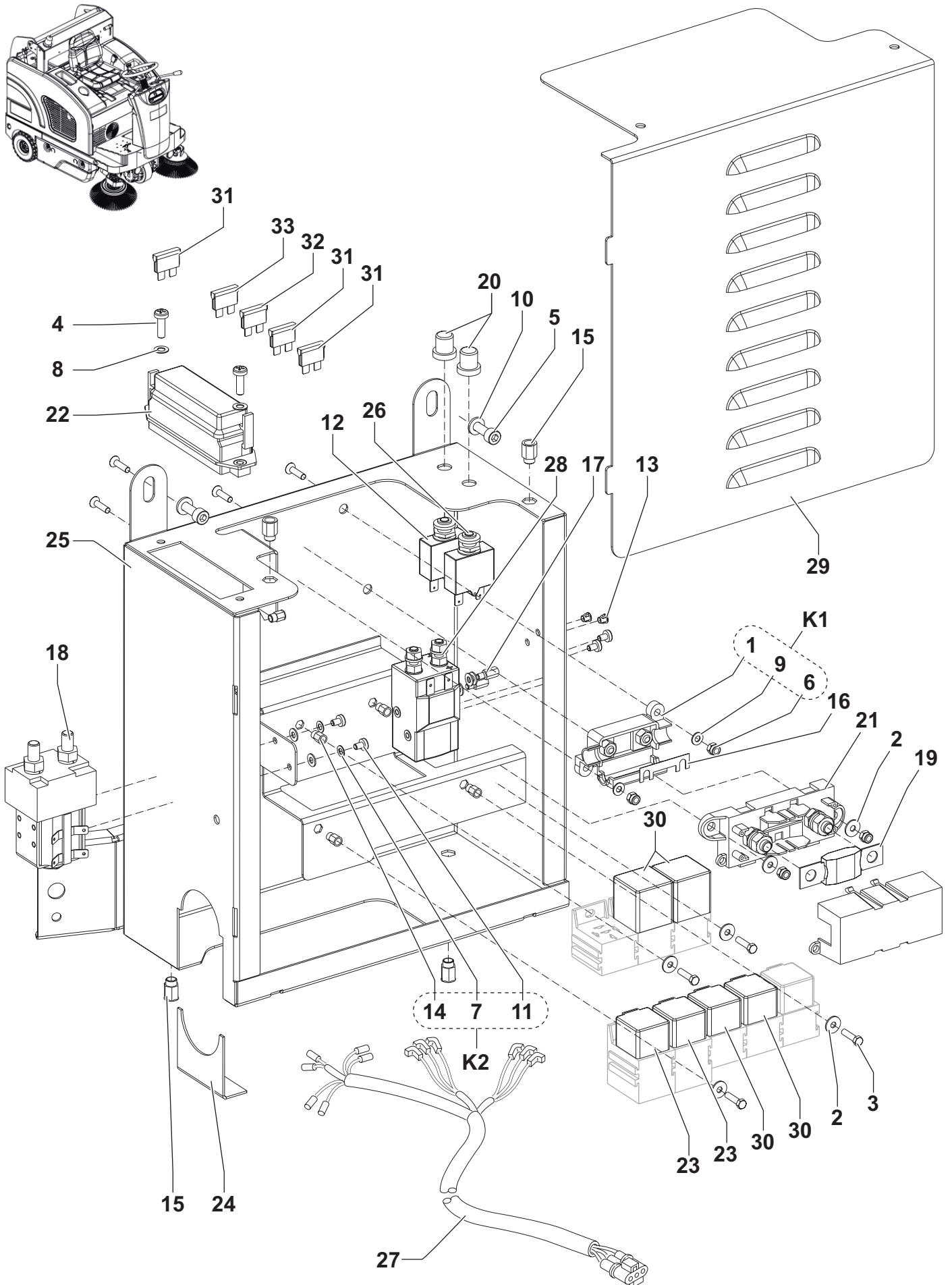
CONTROL PANEL COVER



CONTROL PANEL COVER

| | ITEM | REF. NO. | QTY | DESCRIPTION |
|----|------|--------------|-----|------------------------------|
| | 1 | 146 1284 000 | 2 | PLUG, SWITCH HOLE |
| | 2 | 146 1727 000 | 1 | SWITCH, EMERGENCY STOP (SW0) |
| | 3 | 146 1728 000 | 1 | CONTACT, N.C. |
| | 4 | 146 2088 000 | 1 | SWITCH (SW5) |
| | 5 | 1464411000 | 1 | PLATE |
| K1 | 6 | | 4 | THREAD ROLLING SCR 5x16 |
| | 7 | 146 2089 000 | 1 | ADAPTER FOR PUSH BUTTONS |

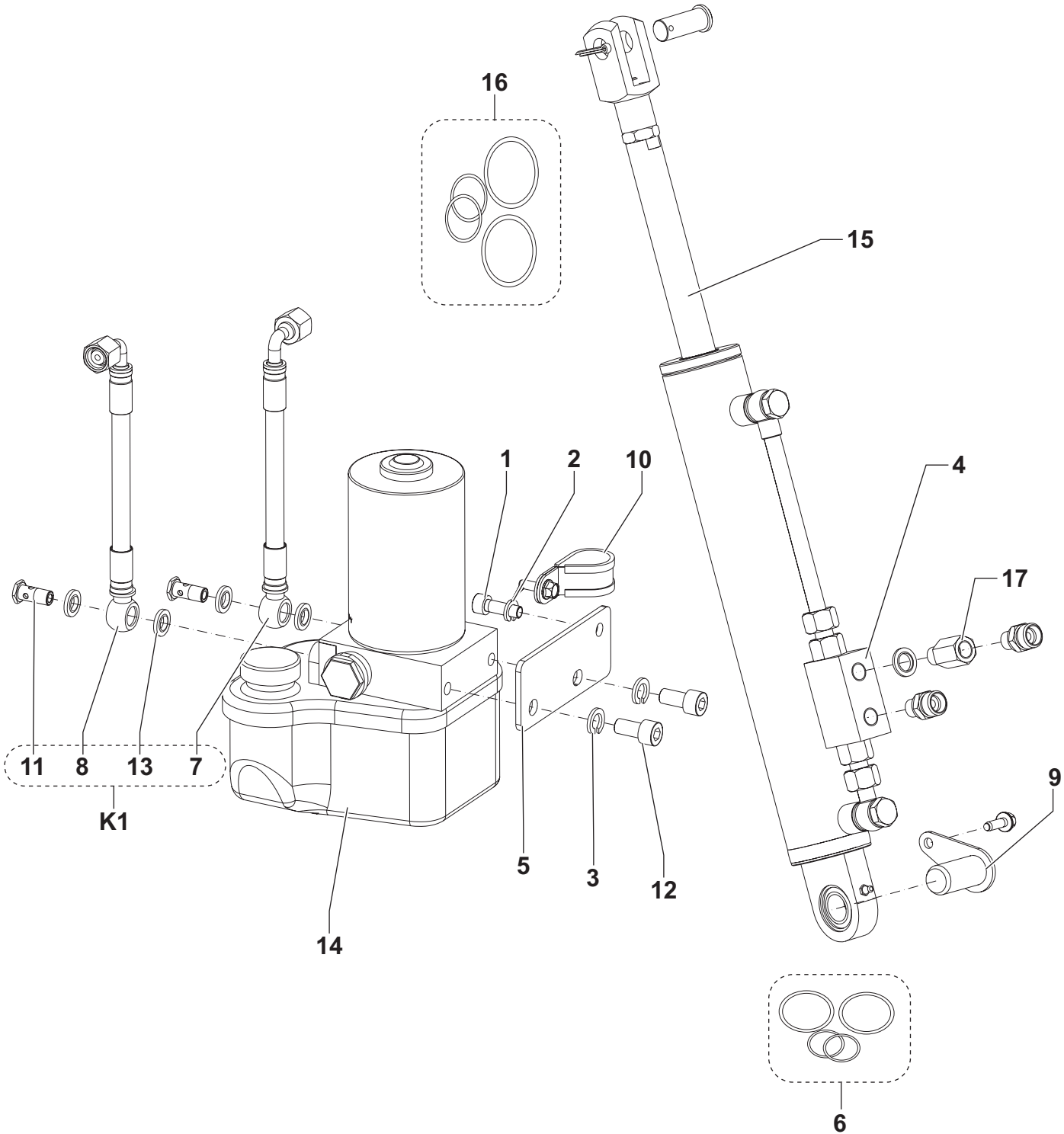
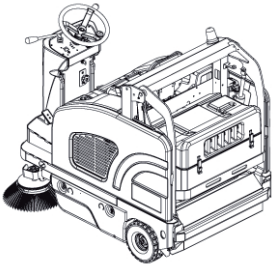
ELECTRIC SYSTEM



ELECTRIC SYSTEM

| | ITEM | REF. NO. | QTY | DESCRIPTION | |
|--|------|------------|--------------|----------------------------------|------------------------------------|
| | K1 | 1 | 1 | FUSE HOLDER | |
| | K3 | 2 | 6 | WASHER, FLAT XL SS | |
| | K3 | 3 | 4 | SCREW, HEX THD TO HD M4X16 | |
| | K3 | 4 | 2 | SCREW, SOC HD | |
| | K3 | 5 | 2 | SCREW, SOC HD | |
| | K1 | 6 | 4 | NUT, HEX NYL LOC HVY M4 | |
| | K2 | 7 | 4 | WASHER, EXT. SHPRF Ø 4 | |
| | K3 | 8 | 2 | WASHER, EXT. SHPRF Ø 5.3 | |
| | K1 | 9 | 8 | WASHER, FLAT 4,3X9 | |
| | K3 | 10 | 2 | WASHER, FLAT 6,4X12,5 | |
| | K2 | 11 | 4 | SCREW, PAN PHIL M4X6 | |
| | K3 | 12 | 1464336000 | 1 | CIRCUIT BREAKER, 15 A (FR1) |
| | K3 | 13 | 2 | PLUG, BLACK PLASTIC | |
| | K2 | 14 | 6 | HEX INSERT | |
| | K3 | 15 | 4 | HEX INSERT | |
| | K3 | 16 | 145 9854 000 | 1 | FUSE 50 A (FA) |
| | K3 | 17 | 2 | HEX MALE/FEMALE | |
| | K3 | 18 | 1464982000 | 1 | CONTACTOR, 24V 120 A (ES0) |
| | K3 | 19 | 146 0840 000 | 1 | FUSE, 150 A (F0) |
| | K3 | 20 | 146 0841 000 | 2 | COVER, CIRCUIT BREAKER |
| | K3 | 21 | 146 1169 000 | 1 | FUSE HOLDER |
| | K3 | 22 | 146 1170 000 | 1 | FUSE HOLDER, 8-PLACE |
| | K3 | 23 | 909 6622 000 | 2 | RELAY 24V 40 A (K1-K2) |
| | K3 | 24 | 1463923000 | 1 | PLATE |
| | K3 | 25 | 1464248000 | 1 | ELECTRIC BOX |
| | | 26 | 1464336000 | 1 | CIRCUIT BREAKER, 15 A (FR2) |
| | K3 | 27 | 1 | EL. BOX HARNESS | |
| | K3 | 28 | 9097208000 | 1 | CONTACTOR 24V 70 A (ES1) |
| | | 29 | 1464249000 | 1 | COVER, ELECTRIC BOX |
| | K3 | 30 | 1464289000 | 4 | RELAIS 24V 20/30 A (K3A-K3B-K4-K5) |
| | K3 | 31 | 145 8514 000 | 3 | FUSE, BLADE 25 A (F1-F2-F6) |
| | K3 | 32 | 145 8368 000 | 1 | FUSE, BLADE 3 A (F3) |
| | K3 | 33 | 146 0068 00 | 1 | FUSE, BLADE 10 A (F4) |
| | K3 | K1 | 1465073000 | 1 | FUSE HOLDER KIT |
| | K3 | K2 | 1465074000 | 1 | HARDWARE CONTACTOR KIT |
| | [K3] | 1464246000 | 1 | BOX ELECTRIC CPL BATTERY VERSION | |

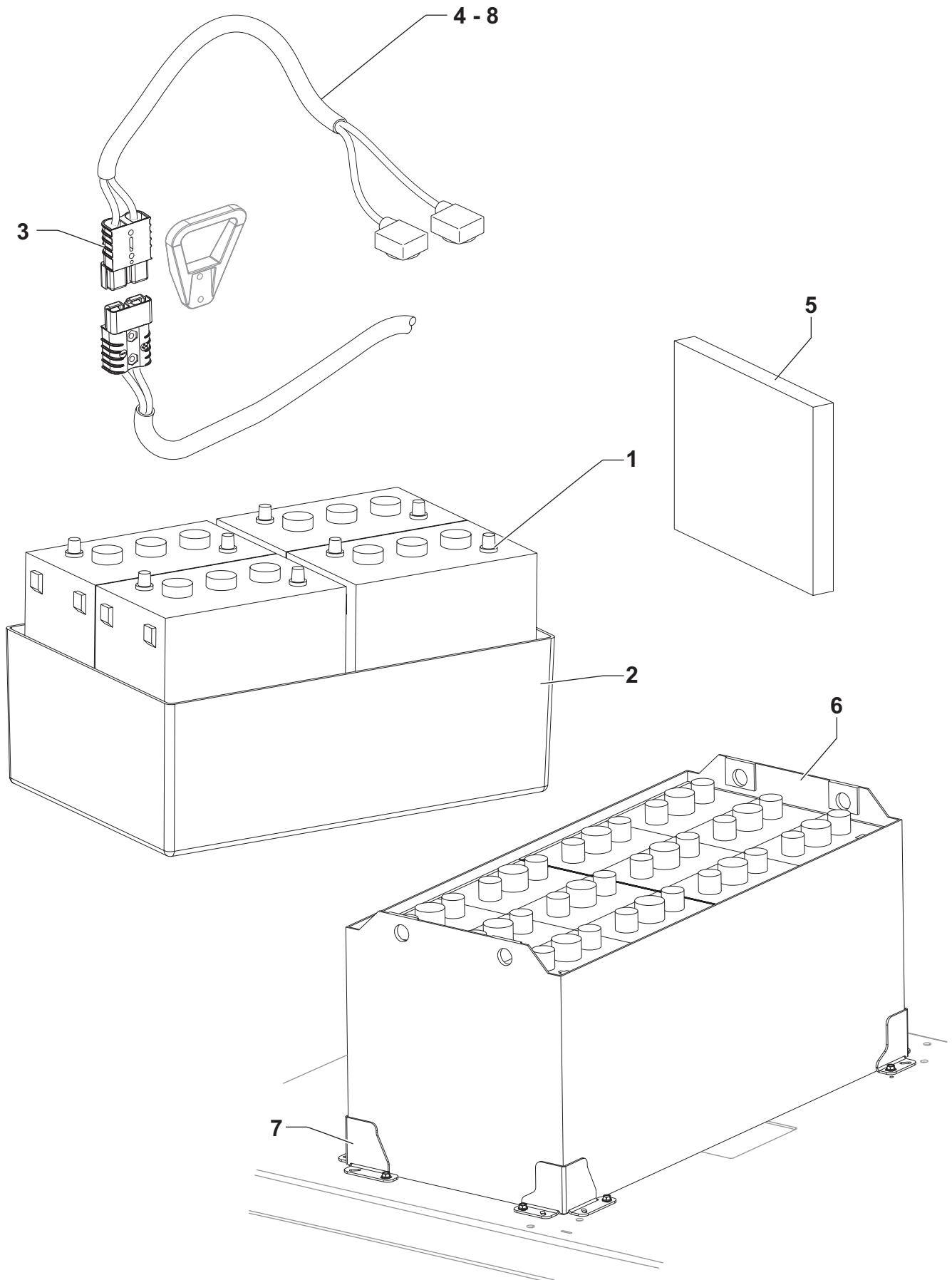
HYDRAULIC SYSTEM



HYDRAULIC SYSTEM

| | ITEM | REF. NO. | QTY | DESCRIPTION |
|----|------|--------------|-----|-----------------------------------|
| | 1 | 33004366 | 1 | SCREW, SOC HD |
| | 2 | 33005842 | 1 | WASHER, SPLIT LOCK D.8 |
| | 3 | 33005843 | | WASHER, SPLIT LOCK D.10 2 |
| | 4 | 1464981000 | 1 | VALVE BLOCK |
| | 5 | 1464233000 | 1 | BRACKET FOR IDRAULIC UNIT |
| | 6 | 1465095000 | 1 | GASKETS FOR PISTON KIT |
| K1 | 7 | | 1 | HYDRAULIC HOSE |
| K1 | 8 | | 1 | HYDRAULIC HOSE |
| | 9 | 1464247000 | 1 | PIN LOWER CILYNDER |
| | 10 | 33020367 | 1 | CLAMP, HOSE Ø25 |
| K1 | 11 | | 2 | BOLT G 1/8", BANJO |
| | 12 | 145 5742 000 | 2 | SCREW, SOC HD |
| K1 | 13 | | 4 | RONDELLA BONDED |
| | 14 | 1465177000 | 1 | GEARCASE HYDRAULIC 24V (M3) |
| | 15 | 1464920000 | 1 | CYLINDER KIT |
| | 16 | 1465096000 | 1 | GASKETS FOR CYLINDER KIT |
| | 17 | 1465097000 | 1 | CYLINDER FIXING KIT |
| K1 | K1 | 1464919000 | 1 | HOSES HYDRAULIC WITH HARDWARE KIT |

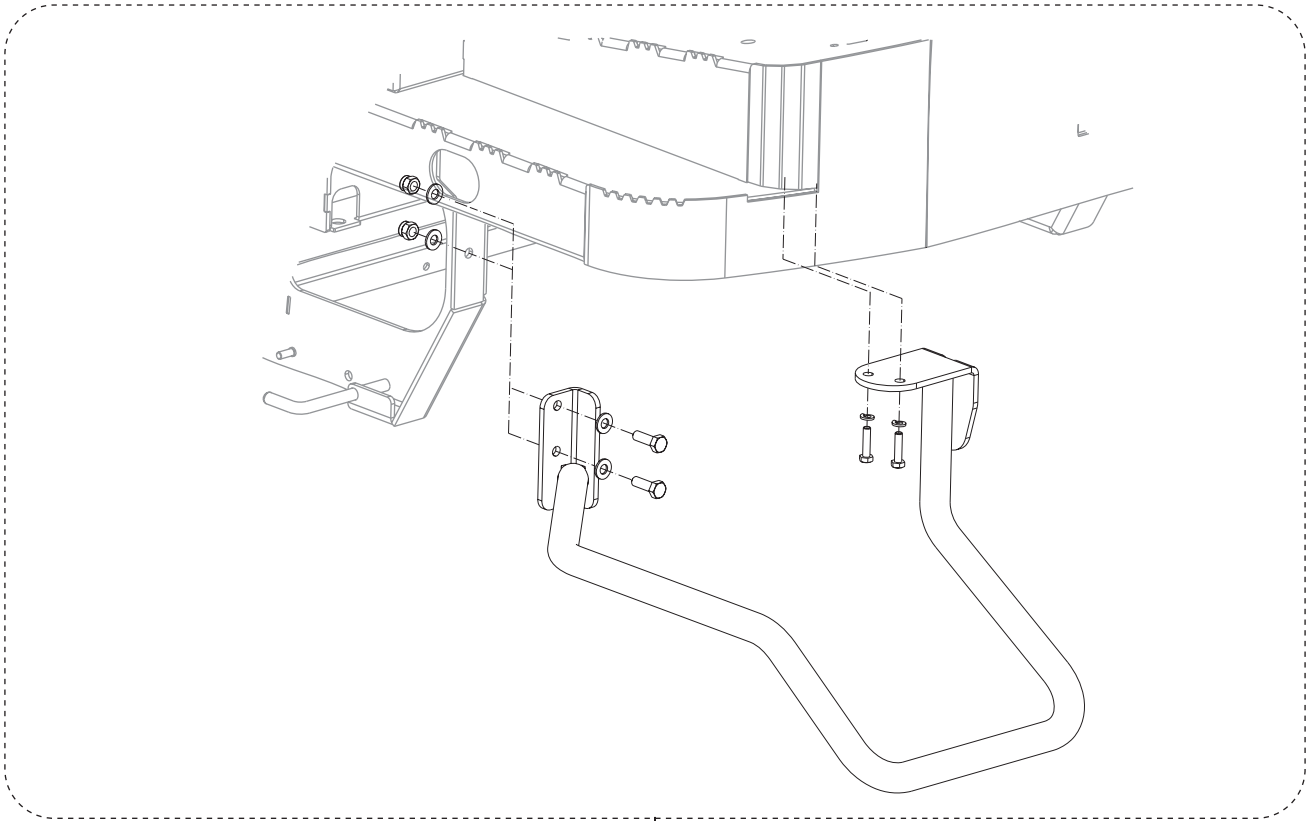
BATTERIES



BATTERIES

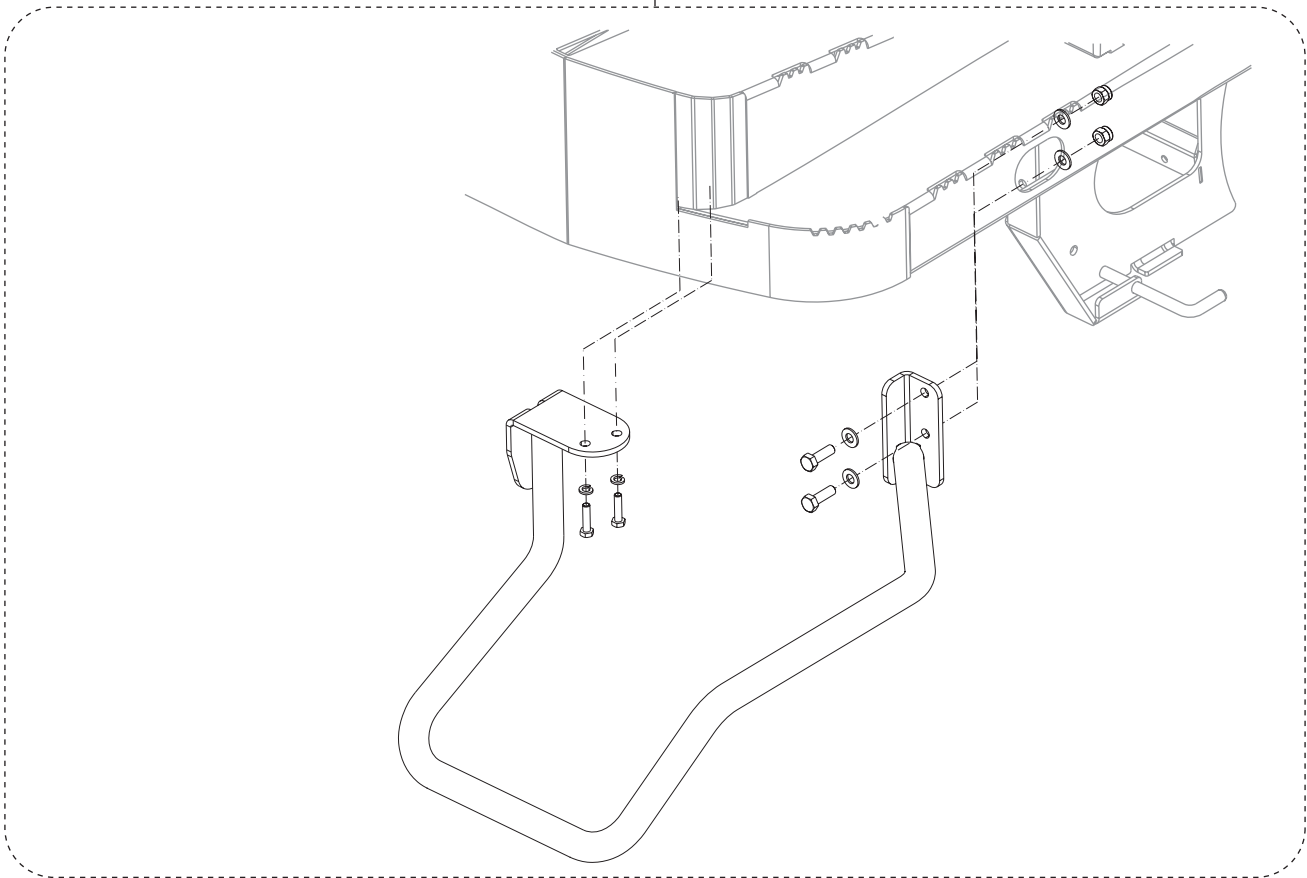
| | ITEM | REF. NO. | QTY | DESCRIPTION |
|--|------|--------------|-----|--|
| | 1* | 80565000 | 4 | BATTERY 6V-255AH WET SEMI T MONOBLOC (BAT) |
| | 1* | 80564000 | 4 | BATTERY 6V-180AH GEL MONOBLOC (BAT) |
| | 1* | 80564100 | 4 | BATTERY 6V-240AH GEL MONOBLOC (BAT) |
| | 2 | 145 4692 000 | 1 | CONTAINER, BATTERY |
| | 3 | 145 6063 000 | 2 | CONNECTOR 175A RED (C1) |
| | 4 | 1464408000 | 1 | BATTERY HARNESS |
| | 5 | 146 0668 000 | 4 | SPACER BATTERIES |
| | 6* | 80565200 | 1 | TRACTION 24V 360 AH WET (BAT) |
| | 6* | 80565300 | 1 | TRACTION 24V 360 AH GEL (BAT) |
| | 7* | 1465171000 | 1 | BRACKETS BATTERY STOP KIT |
| | 8 | 1465179000 | 1 | BATTERY HARNESS |

GUARD LEFT/RIGHT SIDE BROOM



K1

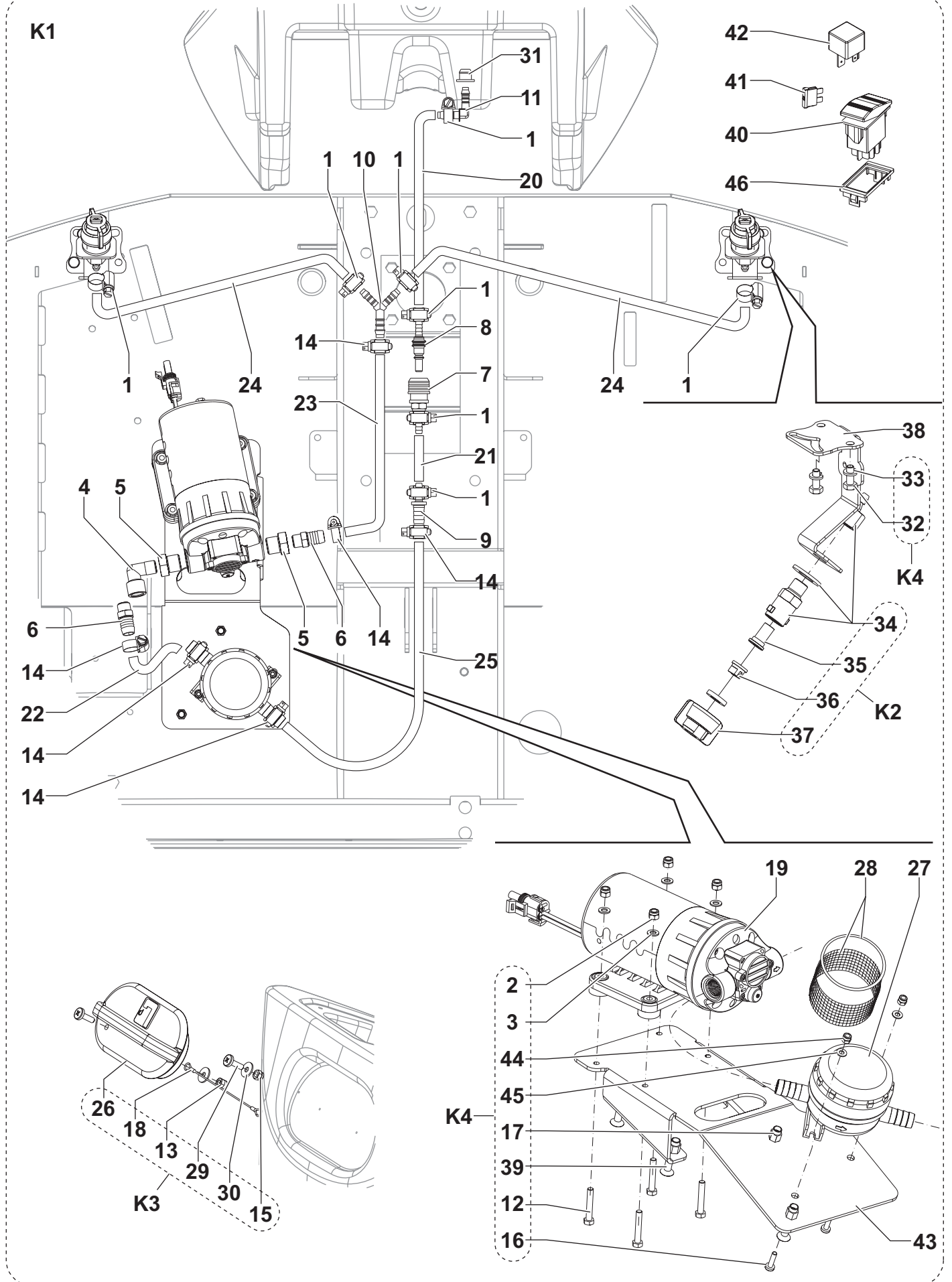
K2



GUARD LEFT/RIGHT SIDE BROOM

| | ITEM | REF. NO. | QTY | DESCRIPTION |
|--|------|------------|-----|----------------------------|
| | K1 | 1464958000 | 1 | GUARD RIGHT SIDE BROOM KIT |
| | K2 | 1464959000 | 1 | GUARD LEFT SIDE BROOM KIT |

ACCESSORIES

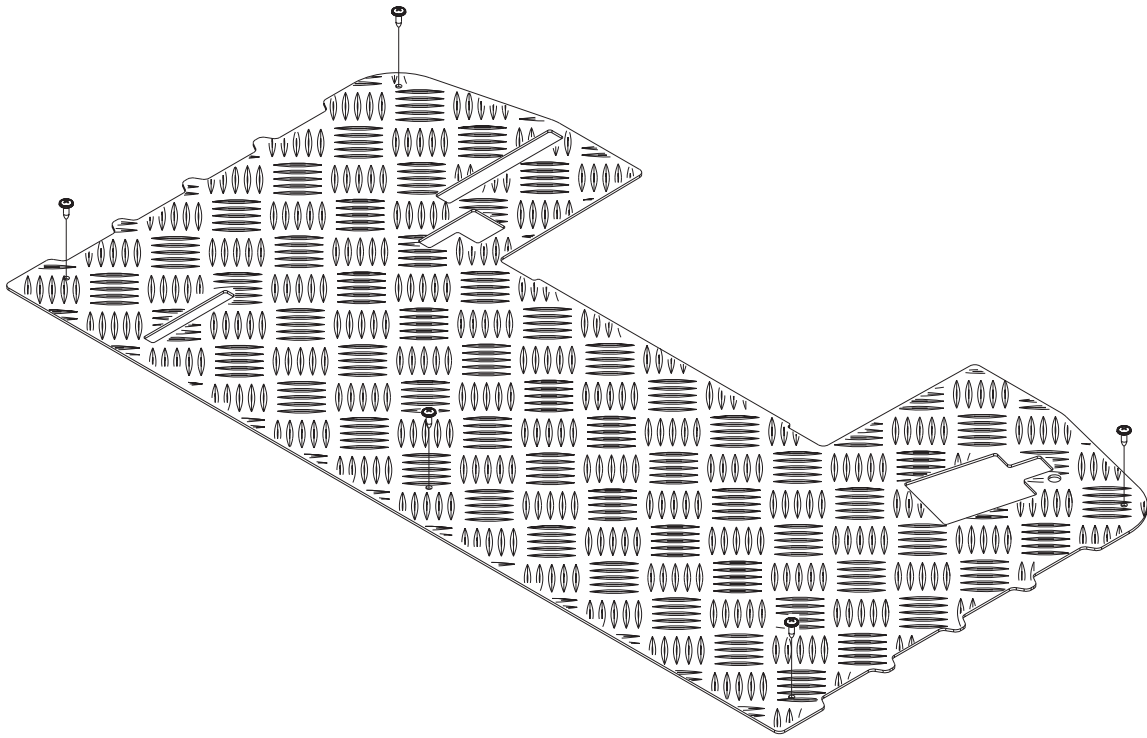


ACCESSORIES

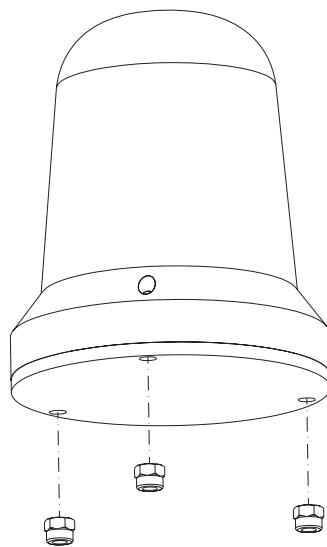
| | ITEM | REF. NO. | QTY | DESCRIPTION |
|----|------------|-------------------|----------|----------------------------------|
| K5 | 1 | | 8 | CLAMP, HOSE 9/8-12 |
| K4 | 2 | | 4 | NUT, HEX NYL LOC HVY M5 |
| K4 | 3 | | 4 | WASHER, FLAT 5,3X10 |
| K6 | 4 | | 1 | FITTING, ELBOW M/F 1/4" H2O |
| K6 | 5 | | 2 | FITTING, REDUCER M-F 3/8" - 1/4" |
| K6 | 6 | | 2 | BARB. HOSE 1/4" d.10.5 |
| K1 | 7 | 33018190 | 1 | CONNECTOR FEMALE |
| K1 | 8 | 33018191 | 1 | CONNECTOR MALE |
| K6 | 9 | | 1 | STRAIGHT NIPPLE AS RUBBER HOLDER |
| K6 | 10 | | 1 | FITTING Y 6-8-6 PLASTIC |
| K6 | 11 | | 1 | HOLDER PLASTIC WN6 90° |
| K4 | 12 | | 4 | SCREW, HEX THD TO HD M5X30 |
| K3 | 13 | | 1 | NUT, HEX METRIC |
| K5 | 14 | | 6 | CLAMP, HOSE 8/9-16 |
| K3 | 15 | | 1 | NUT, HEX NYL LOC HVY M6 |
| K4 | 16 | | 2 | SCREW, PAN PHIL M4X16 SS |
| K4 | 17 | | 6 | HEX INSERT |
| K3 | 18 | | 1 | ROPE FOR CAP REFILLING POINT |
| K1 | 19 | 1465116000 | 1 | WATER PUMP (M8) |
| K5 | 20 | | 1 | MISTING HOSE L=130MM |
| K5 | 21 | | 1 | MISTING HOSE L=80MM |
| K5 | 22 | | 1 | HOSE L=80MM ØI=10MM ØE=15MM |
| K5 | 23 | | 1 | MISTING HOSE L=300MM |
| K5 | 24 | | 2 | MISTING HOSE L=640MM |
| K5 | 25 | | 1 | MISTING HOSE L=650MM |
| K3 | 26 | | 1 | CAP SOLUTION TANK |
| K1 | 27 | 9097404000 | 1 | FILTER SOLUTION |
| K1 | 28 | 909 5215 000 | 1 | NET GASKET WATER FILTER |
| K3 | 29 | | 2 | SCREW, PAN PHIL M6x20 |
| K3 | 30 | | 2 | WASHER, FLAT XL SS |
| K6 | 31 | | 1 | GROMMET, RUBBER WS6 |
| K4 | 32 | | 4 | SCREW, HEX THD TO HD M6x16 |
| K4 | 33 | | 4 | WASHER, SPLIT LOCK d.6 |
| K2 | 34 | 33020865 | 2 | ADAPTER SPRAY KIT |
| K2 | 35 | 33022026 | 2 | SPRAY FILTER |
| K2 | 36 | 33020816 | 2 | NOZZLE SPRAY 0.33 |
| K2 | 36 | 33022072 | 2 | NOZZLE SPRAY 0.53 |
| K2 | 37 | 33020817 | 2 | RING NUT QUICK COUPLING |
| K1 | 38 | 1464473000 | 2 | SUPPORT NOZZLE |
| K4 | 39 | | 6 | SCREW, FLAT SOCKET HEAD |
| K1 | 40 | 1465180000 | 1 | SWITCH 2 POSITIONS (SW8) |
| K1 | 41 | 145 9852 000 | 1 | FUSE, BLADE 5 A (F5) |
| K1 | 42 | 1464289000 | 1 | RELE' 24V 20/30 A (K6) |
| K1 | 43 | 1465172000 | 1 | PLATE FOR WATER PUMP |
| K4 | 44 | | 2 | NUT, HEX NYL LOC HVY M4 |
| K4 | 45 | | 2 | WASHER, FLAT 4,3X9 |
| K1 | 46 | 146 2089 000 | 1 | ADAPTER FOR PUSH BUTTONS |
| | K1* | 1465418000 | 1 | DUSTGUARD KIT |
| | | 1465419000 | 1 | INSTALLATION INSTRUCTION |
| K1 | K2 | 33019324 | 2 | NOZZLE SPRAY KIT |
| K1 | K3 | 1465355000 | 1 | CAP SOLUTION TANK KIT |
| K1 | K4 | 1465356000 | 1 | HARDWARE DUSTGUARD KIT |
| K1 | [K5] | 1465357000 | 1 | HOSES DUSTGUARD KIT |
| K1 | [K6] | 1465358000 | 1 | FITTINGS AND REDUCTIONS KIT |

ACCESSORIES

K1



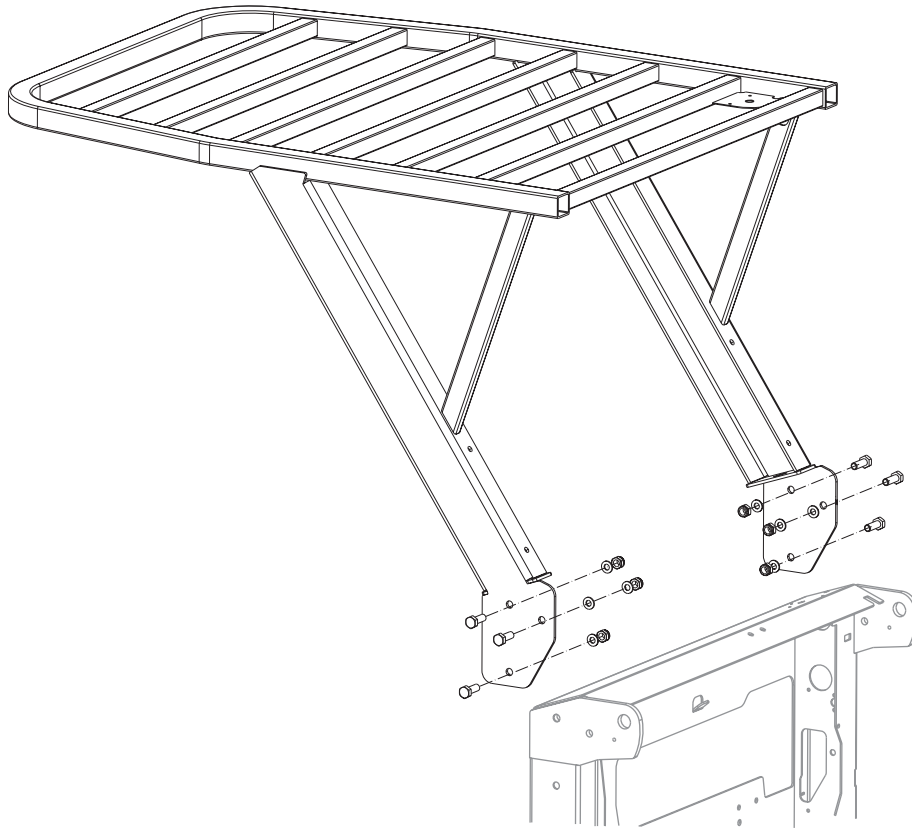
K2



ACCESSORIES

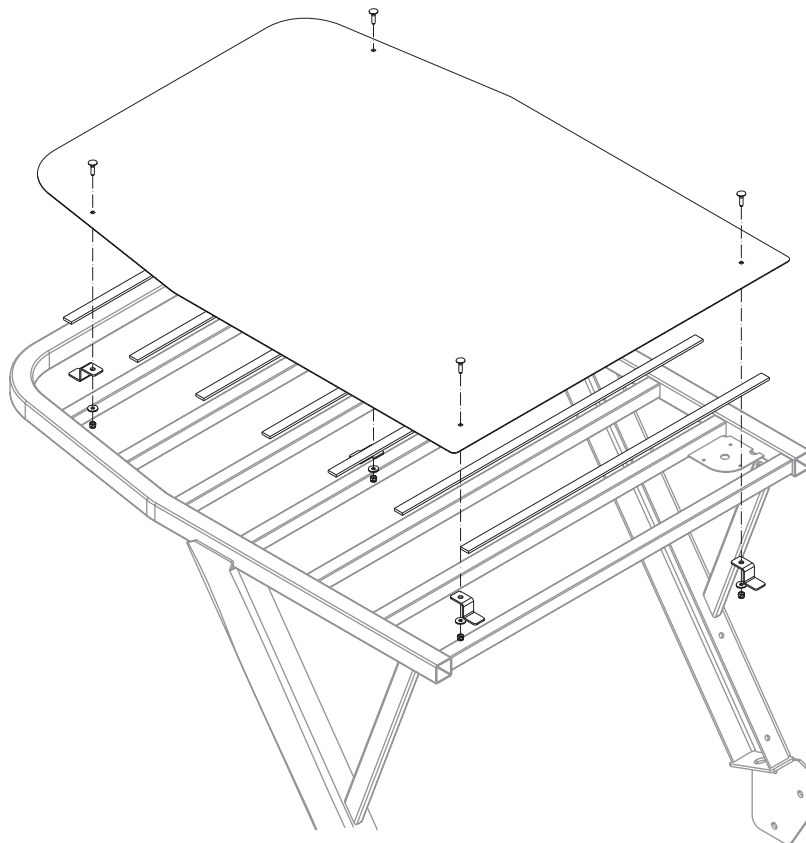
| | ITEM | REF. NO. | QTY | DESCRIPTION |
|--|------------|-------------------|----------|--------------------------|
| | K1* | 1464957000 | 1 | MAT FLOOR KIT |
| | K2* | 1464948000 | 1 | BEACON KIT (BE) |
| | | 1465248000 | 1 | INSTALLATION INSTRUCTION |

ACCESSORIES



K1

K2

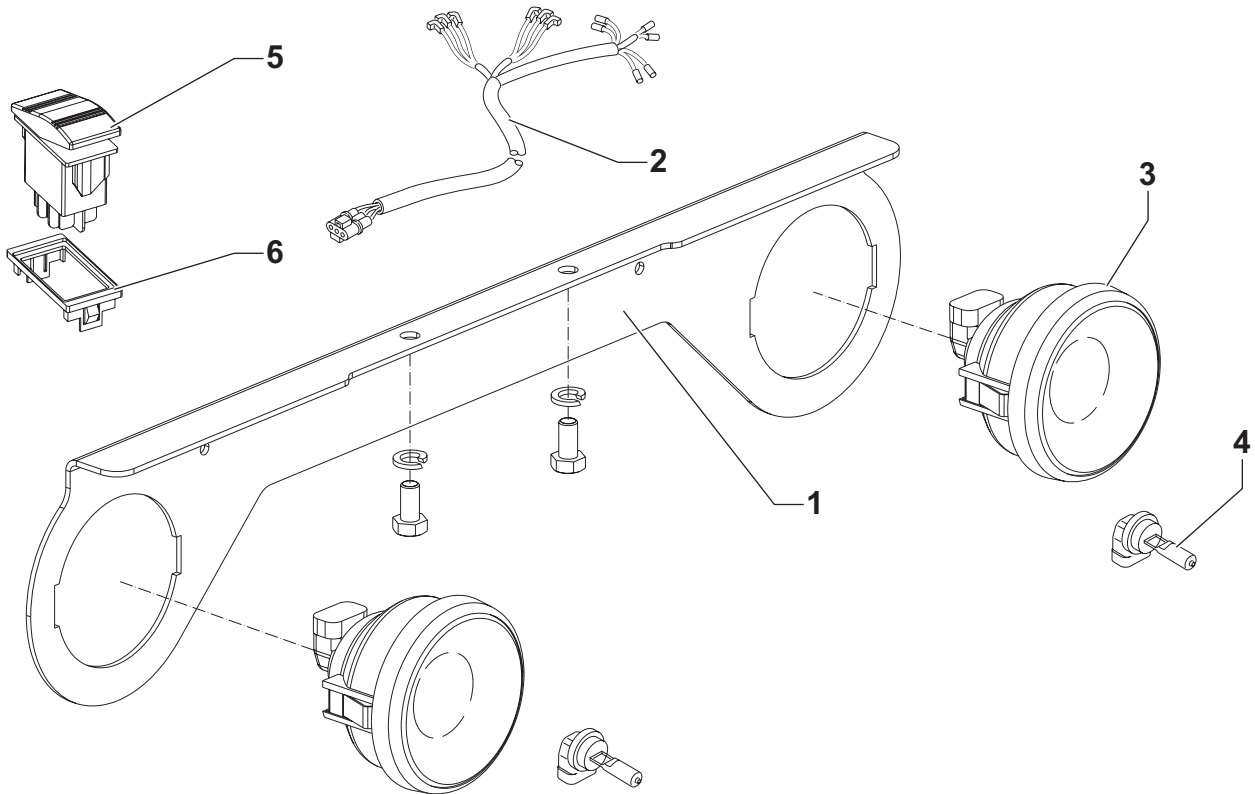


ACCESSORIES

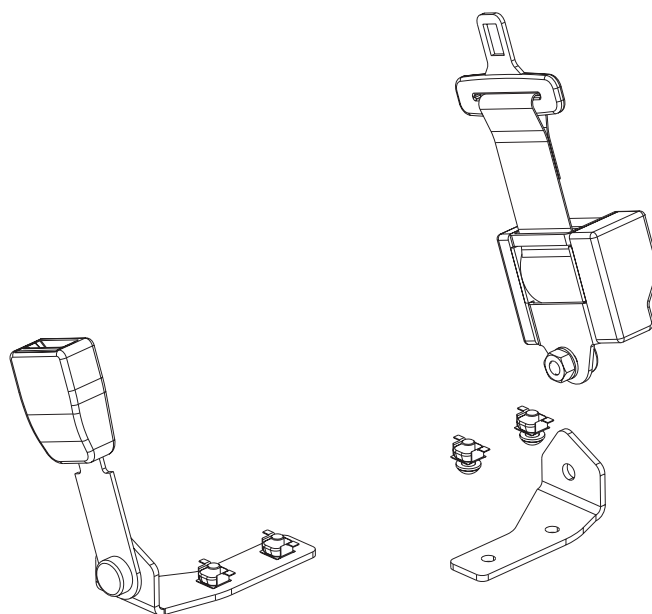
| | ITEM | REF. NO. | QTY | DESCRIPTION |
|--|------------|-------------------|----------|---------------------------|
| | K1* | 1464952000 | 1 | OVERHEAD GUARD KIT |
| | | 1465246000 | 1 | INSTALLATION INSTRUCTION |
| | K2* | 1464956000 | 1 | CANOPY KIT |
| | | 1465247000 | 1 | INSTALLATION INSTRUCTION |

ACCESSORIES

K1



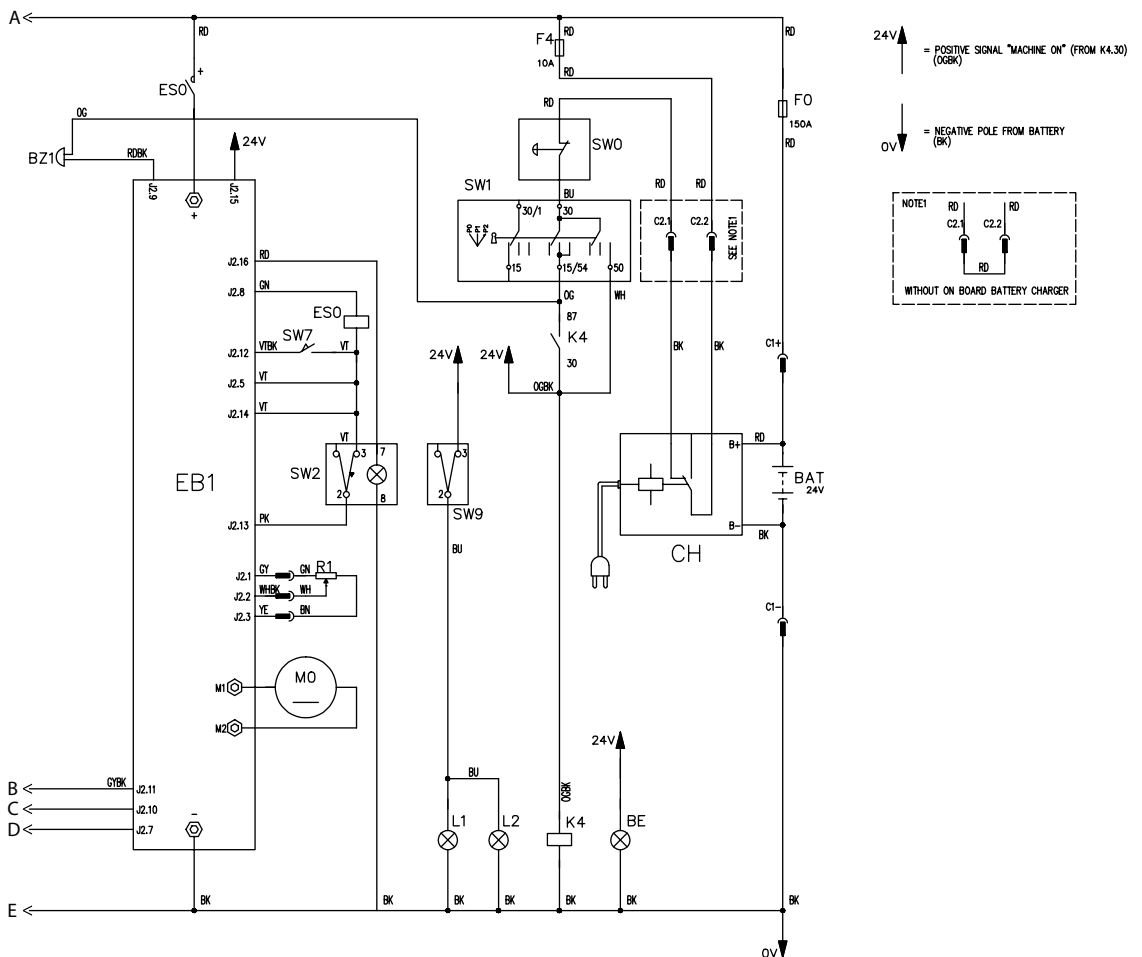
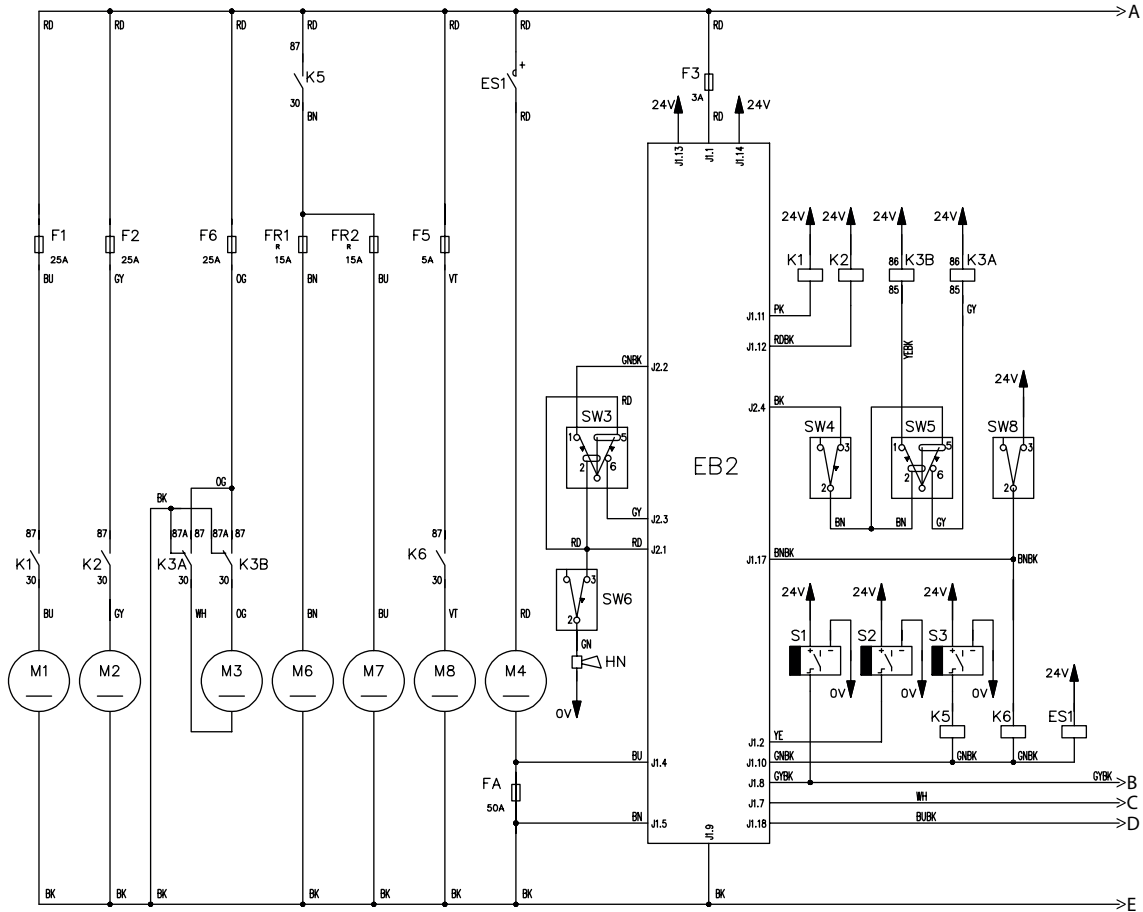
K2



ACCESSORIES

| | ITEM | REF. NO. | QTY | DESCRIPTION |
|----|--------------|-------------------|----------|---------------------------|
| K1 | 1 | 1464465000 | 1 | T FRONT LIGHT |
| K1 | 2 | 1464944000 | 1 | HARNESS WORKING LIGHTS |
| K1 | 3 | 33019229 | 2 | LIGHT 24V 70W (L1, L2) |
| K1 | 4 | 33019734 | 2 | LAMP 48V 70W |
| K1 | 5 | 1465180000 | 1 | SWITCH 2 POSITIONS (SW9) |
| K1 | 6 | 146 2089 000 | 1 | ADAPTER FOR PUSH BUTTONS |
| | K1* | 1465421000 | 1 | LIGHTS FRONT KIT |
| | | 1465422000 | 1 | INSTALLATION INSTRUCTION |
| | K2* | 1464954000 | 1 | BELT KIT |
| | | 1465248000 | 1 | INSTALLATION INSTRUCTION |
| | [K3*] | 33019556 | 1 | ARM REST RIGHT KIT |
| | | 33019211 | 1 | INSTALLATION INSTRUCTION |
| | [K4*] | 1464960000 | 1 | ARM REST LEFT KIT |
| | | 1465249000 | 1 | INSTALLATION INSTRUCTION |

WIRING DIAGRAM



WIRING DIAGRAM

| KEY | REF. NO. | DESCRIPTION |
|--------|--------------|---|
| BAT | - | 24V BATTERIES |
| BZ1 | 909 6126 000 | REVERSE GEAR BUZZER |
| BE | 1464948000 | FLASHING LIGHT |
| C1 | 145 6063 000 | BATTERY CONNECTOR |
| CH | - | BATTERY CHARGER |
| EB1 | 1464206000 | DRIVE SYSTEM ELECTRONIC BOARD |
| EB2 | 1464258000 | DASHBOARD ELECTRONIC BOARD |
| ES0 | 1464982000 | LINE ELECTROMAGNETIC SWITCH |
| ES1 | 9097208000 | MAIN BROOM ELECTROMAGNETIC SWITCH |
| FA | 145 9854 000 | MAIN BROOM FUSE (50 A) |
| F0 | 146 0840 000 | MAIN FUSE (150 A) |
| F1 | 145 8514 000 | VACUUM SYSTEM FUSE (25 A) |
| F2 | 145 8514 000 | FILTER SHAKER FUSE (25 A) |
| F3 | 145 8368 000 | DISPLAY ELECTRONIC BOARD (3 A) |
| F4 | 146 0068 00 | KEY CIRCUIT FUSE (10 A) |
| F5 | 145 9852 000 | DUSTGUARD SYSTEM PUMP FUSE (5 A) (OPT.) |
| F6 | 145 8514 000 | HOPPER PUMP FUSE (25 A) |
| FR1 | 1464336000 | RIGHT SIDE BROOM CIRCUIT BREAKER (15 A) |
| FR2 | 1464336000 | LEFT SIDE BROOM CIRCUIT BREAKER (15 A) (OPT.) |
| HN | 145 8881 000 | HORN |
| K1 | 909 6622 000 | VACUUM SYSTEM RELAY |
| K2 | 909 6622 000 | FILTER SHAKER RELAY |
| K3A | 1464289000 | HOPPER LIFTING RELAY |
| K3B | 1464289000 | HOPPER LOWERING RELAY |
| K4 | 1464289000 | MACHINE ON RELAY |
| K5 | 1464289000 | SIDE BROOM RELAY |
| K6 | 1464289000 | DUSTGUARD SYSTEM PUMP RELAY (OPT.) |
| L1, L2 | 33019229 | WORKING LIGHTS (OPT.) |
| M0 | 1464913000 | DRIVING WHEEL |
| M1 | 1463374000 | VACUUM SYSTEM MOTOR |
| M2 | 145 5539 000 | FILTER SHAKER MOTOR |
| M3 | 1465177000 | HOPPER PUMP MOTOR |
| M4 | 1464444000 | MAIN BROOM MOTOR |
| M6 | 1464241000 | RIGHT SIDE BROOM MOTOR |
| M7 | 1464242000 | LEFT SIDE BROOM MOTOR (OPT.) |
| M8 | 1465116000 | DUSTGUARD SYSTEM PUMP MOTOR (OPT.) |
| R1 | 1464425000 | DRIVE PEDAL |
| S1 | 33018521 | HOPPER LIFTING SENSOR |
| S2 | 33018521 | MAIN BROOM LEVER SENSOR |
| S3 | 33018521 | SIDE BROOM LEVER SENSOR |
| SW0 | 146 1727 000 | EMERGENCY PUSH-BUTTON |
| SW1 | 33020442 | IGNITION KEY |
| SW2 | 1465178000 | FORWARD/REVERSE GEAR SWITCH |
| SW3 | 146 2088 000 | FILTER SHAKER/VACUUM SYSTEM SWITCH |
| SW4 | 146 2087 000 | HOPPER ENABLING SWITCH |
| SW5 | 146 2088 000 | HOPPER LIFTING/LOWERING SWITCH |
| SW6 | 146 2087 000 | HORN SWITCH |
| SW7 | - | DRIVER'S SEAT SAFETY MICROSWITCH |
| SW8 | 1465180000 | DUSTGUARD SYSTEM SWITCH (OPT.) |
| SW9 | 1465180000 | WORKING LIGHT SWITCH (OPT.) |

| KEY | COLOUR |
|-----|------------|
| BK | BLACK |
| BU | LIGHT BLUE |
| BN | BROWN |
| GN | GREEN |
| GY | GREY |
| OG | ORANGE |

| KEY | COLOUR |
|-----|--------|
| PK | PINK |
| RD | RED |
| VT | VIOLET |
| WH | WHITE |
| YE | YELLOW |

RECOMMENDED SPARE PARTS

| REF. NO. | QTY | DESCRIPTION |
|------------|-----|--|
| | | NORMAL WEAR |
| 33018521 | 3 | SWITCH BACK UP PROXIMITY (S1-S2-S3) |
| | | ORDINARY MAINTENANCE |
| 33020442 | 1 | KEY START ASSY WITH SPAREKEY KIT (SW1) |
| | | EXTRAORDINARY MAINTENANCE |
| 33006165 | 1 | RING D 35 UNI7437 |
| 33019229 | 2 | HEADLIGHT 24V (L1, L2) |
| 33019324 | 2 | NOZZLE SPRAY KIT |
| 33019734 | 2 | LAMP 48V 70W |
| 33020816 | 2 | NOZZLE SPRAY DIAM 0.33 |
| 33022026 | 2 | CHECK VALVE FILTER |
| 33022072 | 2 | NOZZLE SPRAY |
| 1463356000 | 2 | SPRING TRACTION CARBON STEEL |
| 1463358000 | 2 | SPRING GAS 40KG |
| 1463374000 | 1 | MOTOR VACUUM 24V (M1) |
| 1463916000 | 1 | PLATE FRONT SKIRT |
| 1464181000 | 1 | BUSHING SUPPORT LEVER |
| 1464189000 | 1 | FILTER PANEL PAPER |
| 1464198000 | 1 | GASKET VACUUM CONTAINER L.2200 KIT |
| 1464206000 | 1 | CARD ELECTRONIC TRACTION (EB1) |
| 1464219000 | 1 | SPRING LOCK BRAKE |
| 1464241000 | 1 | GEARMOTOR FOR RIGHT SIDE BROOM (M6) |
| 1464242000 | 1 | GEARMOTOR FOR LEFT SIDE BROOM (M7) |
| 1464258000 | 1 | CARD ELECTRONIC CONTROL PANEL (EB2) |
| 1464266000 | 1 | BELT HTD 825-5M |
| 1464275000 | 1 | SKIRT REAR RECYCLE |
| 1464276000 | 1 | PLATE REAR SKIRT FIXING |
| 1464277000 | 1 | PLATE REAR SKIRT |
| 1464278000 | 2 | PLATE SIDE KIRT FIXING |
| 1464289000 | 4 | RELAIS 24V 20/30A (K3A-K3B-K4-K5) |
| 1464336000 | 1 | CIRCUIT BREAKER 15A (FR1) |
| 1464337000 | 1 | FLAP METAL FRONT |
| 1464413000 | 1 | CABLE MAIN BROOM |
| 1464414000 | 1 | CABLE RIGHT SIDE BROOM |
| 1464415000 | 1 | CABLE LEFT SIDE BROOM |
| 1464425000 | 1 | ACCELERATOR ELECTRONIC (R1) |
| 1464431000 | 1 | SPRING BRAKE |
| 1464444000 | 1 | MOTOR MAIN BROOM 24V 600W (M4) |
| 1464465000 | 1 | BRACKET FRONT LIGHT |
| 1464476000 | 2 | KNOB BLACK/YELLOW |
| 1464497000 | 1 | SKIRT FRONT |
| 1464498000 | 1 | SPARK PLUG BPR6ES (SPK) |
| 1464535000 | 1 | GASKET HOPPER L.1430MM KIT |
| 1464794000 | 2 | LOCK WITH KEY FOR HATCH |
| 1464803000 | 1 | DISC BRAKE |
| 1464804000 | 1 | CALIPER BRAKE COMPLETE KIT |
| 9096960000 | 1 | CARBON BRUSHES TRACTION WHEEL KIT |
| 1464919000 | 1 | HOSES HYDRAULIC WITH HARDWARE KIT |
| 1464920000 | 1 | CYLINDER KIT |
| 1464921000 | 1 | ROD FOR FLAP KIT |
| 1464944000 | 1 | HARNESS WORK LIGHTS |
| 1464982000 | 1 | SWITCH ELECTROMAGNETIC 24V 120A (ES0) |
| 1464987000 | 1 | PULLEY HTD 60 5M 15 6W |
| 1464990000 | 1 | HUB MAIN BROOM |
| 1465037000 | 1 | PIN HOPPER BEARING KIT |
| 1465040000 | 1 | HARDWARE FRONT FLAP KIT |
| 1465049000 | 1 | KNOB SIDE BROOM KIT |
| 1465052000 | 1 | HARDWARE MAIN BROOM HUB KIT |
| 1465095000 | 1 | GASKETS FOR PISTON KIT |

RECOMMENDED SPARE PARTS

| REF. NO. | QTY | DESCRIPTION |
|--------------|-----|--|
| 1465096000 | 1 | GASKETS FOR CYLINDER HEAD KIT |
| 1465116000 | 1 | PUMP WATER 24V DC (M8) |
| 1465177000 | 1 | GEARCASE HYDRAULIC 12V-24V (M3) |
| 1465273000 | 1 | CABLE LOCK RELEASE |
| 1465281000 | 2 | BEARING CYLINDRICAL 16x22x15 |
| 1465314000 | 1 | RING FOR MOTORWHEEL KIT |
| 1465355000 | 1 | CAP SOLUTION TANK KIT |
| 1465356000 | 1 | HARDWARE DUSTGUARD KIT |
| 1465357000 | 1 | HOSES DUSTGUARD KIT |
| 1465358000 | 1 | FITTINGS AND REDUCTIONS DUST GUARD KIT |
| 1465390000 | 1 | CABLE BRAKE KIT |
| 1465396000 | 1 | SKIRTS KIT |
| 146 2088 000 | 1 | SWITCH 3 POSITIONS (SW5) |
| 146 2087 000 | 1 | SWITCH MOMENTARY (SW4) |
| 1465178000 | 1 | SWITCH 2 POSITIONS MOMENTARY (SW2) |
| 1465180000 | 1 | SWITCH 2 POSITIONS (SW8) |
| 9096959000 | 1 | BALL BEARING KIT |
| 9096969000 | 4 | CAP WITH GASKET |
| 9097208000 | 1 | SWITCH ELECTROMAGNETIC 24V (ES1) |
| 9097404000 | 1 | FILTER WATER |
| 145 0269 000 | 1 | HUB |
| 145 0270 000 | 1 | BALL BEARING 6001 2RS |
| 145 0271 000 | 1 | SPRING |
| 145 5125 000 | 2 | CARBON BRUSH |
| 145 5539 000 | 1 | MOTOR FILTER SHAKER 90W 24V (M2) |
| 145 8368 000 | 1 | FUSE 3A (F3) |
| 145 8415 000 | 2 | BALL BEARING 6003 2RS |
| 145 8514 000 | 3 | FUSE BLADE 25A UL (F1-F2-F6) |
| 145 9619 000 | 1 | JOINT UNIVERSAL D.17 |
| 145 9852 000 | 1 | FUSE BLADE 5A UL (F5) |
| 145 9854 000 | 1 | FUSE 50A (FA) |
| 146 0068 00 | 1 | FUSE 10A (F4) |
| 146 0329 000 | 2 | WHEEL FRONT NON MARKING |
| 146 0840 000 | 1 | FUSE MEGAFUSE 150A (F0) |
| 146 2087 000 | 1 | SWITCH MOMENTARY (SW6) |
| 146 2088 000 | 1 | SWITCH 3 POSITIONS (SW3) |
| 146 0903 000 | 2 | BALL BEARING |
| 146 0986 000 | 1 | SPRING |
| 1465180000 | 1 | SWITCH 2 POSITIONS (SW9) |
| 146 1317 000 | 1 | SPRING |
| 146 1727 000 | 1 | SWITCH EMERGENCY (SW0) |
| 146 1728 000 | 1 | CONTACT. NC. |
| 146 1876 000 | 2 | WHEEL SOLID 4.00-4 BLACK |
| 146 2471 000 | 8 | HANDWHEEL |
| 909 5215 000 | 1 | NET & GASKET WATER FILTER |
| 909 6622 000 | 2 | RELAY 24V 40A (K1-K2) |
| L08603949 | 1 | BRUSH CARBON KIT 4PCS |
| 1464805000 | 1 | PADS BRAKE KIT |
| 1465055000 | 1 | PULLEY MAIN BR. MOTOR KIT |
| 1464982000 | 1 | SWITCH ELECTROMAGNETIC 24V 120A |
| 1464951000 | 1 | SKIRTS NON MARKING KIT |

OPTIONALS

| | REF. NO. | QTY | DESCRIPTION |
|--|--------------|-----|--|
| | 1464951000 | 1 | SKIRTS NON MARKING KIT |
| | 146 0329 000 | 2 | WHEEL NO MARKING |
| | 1465313000 | 1 | WHEELS SOLID 4.00-4 NON MARKING KIT |
| | 1465170000 | 1 | WHEEL TRACTION NON MARKING KIT |
| | 1464955000 | 1 | RING NON MARKING MOTORWHEEL KIT |
| | 1465318000 | 1 | BROOM SIDE D.450MM MIX STEEL KIT |
| | 1465319000 | 1 | BROOM SIDE D.450 MIX 5 KIT |
| | 1463854000 | 1 | BROOM MAIN 340X700MM MIX 5 |
| | 1464947000 | 1 | MAIN BROOM 340X700 MIX STEEL |
| | 1464839000 | 1 | FILTER PANEL POLYESTER |
| | 80565000 | 4 | BATTERY 6V-255AH WET SEMI T MONOBLOC (BAT) |
| | 80564000 | 4 | BATTERY 6V-180AH GEL MONOBLOC (BAT) |
| | 80564100 | 4 | BATTERY 6V-240AH GEL MONOBLOC (BAT) |
| | 80565200 | 1 | TRACTION 24V 360 AH WET (BAT) |
| | 80565300 | 1 | TRACTION 24V 360 AH GEL (BAT) |
| | 1465171000 | 1 | BRACKETS BATTERY STOP KIT |
| | 1465418000 | 1 | DUSTGUARD KIT |
| | 1464952000 | 1 | OVERHEAD GUARD KIT |
| | 1464956000 | 1 | CANOPY KIT |
| | 1465421000 | 1 | LIGHTS FRONT KIT |
| | 1464954000 | 1 | BELT KIT |
| | 33019556 | 1 | ARM REST RIGHT KIT |
| | 1464960000 | 1 | ARM REST LEFT KIT |



14600 21st Avenue North
Plymouth, MN 55447-3408
www.advance-us.com
Phone: 800-989-2235
Fax: 800-989-6566
©2013 Nilfisk-Advance, Inc.