

# SC5000

## Instructions for Use

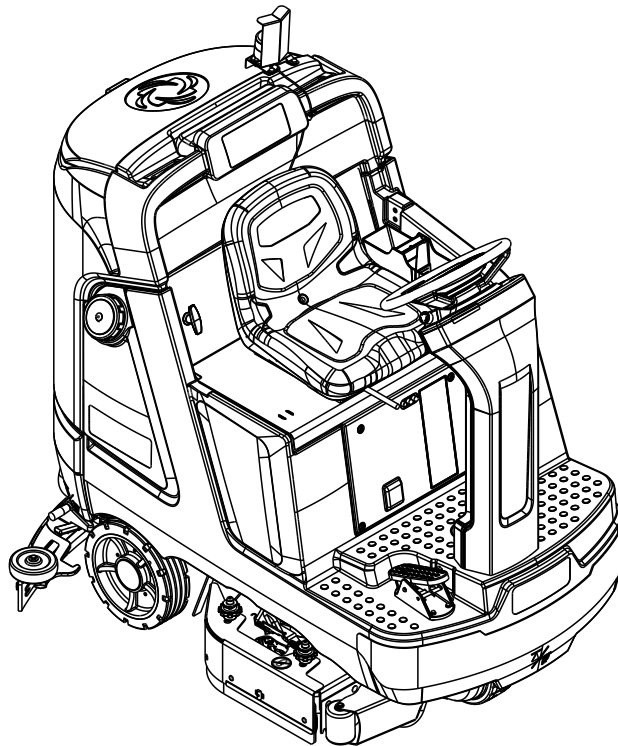
Instructions for Use  
Original Instructions  
Instrucciones de uso  
Mode d'emploi

1/2021 REV A  
Form no. 56091219



ecoflex™

A-English  
B-Español  
C-Français



Model No:  
56117001 (34D), 56117003 (32C), 56117004 (36C)



### **WARNING:**

The operation of this machine is strictly reserved to trained and qualified operators.

**TABLE OF CONTENTS**

<b>Introduction.....</b>	<b>3</b>	<b>Operating the Machine.....</b>	<b>24</b>
Parts and Service .....	3	Starting the Machine .....	24
Modifications .....	3	Stopping the Machine.....	24
Name Plate.....	3	Wet Vacuuming .....	26
Uncrate the Machine .....	4	After Use .....	27
Transporting the Machine.....	4		
<b>Cautions and Warnings.....</b>	<b>5</b>	<b>Maintenance.....</b>	<b>27</b>
<b>Regulatory.....</b>	<b>7</b>	Maintenance Schedule.....	27
<b>Know Your Machine.....</b>	<b>8</b>	Cleaning Recovery Tank .....	28
Control Panel.....	10	Cleaning Solution Filter .....	28
Information Menu Display.....	12	Lubricating the Machine .....	29
Magnetic SmartKey .....	14	Electromagnetic Brake .....	29
<b>Prepare the Machine for Use .....</b>	<b>14</b>	Charging Wet Batteries .....	30
Batteries .....	14	Charging GEL/AGM (VRLA) Batteries .....	31
Install the Batteries.....	14	Squeegee Maintenance .....	32
Install the Brushes (disc system).....	16	Squeegee Adjustment .....	32
Install the Brushes (cylindrical system) .....	17	Side Blade Maintenance .....	34
Filling the Solution Tank .....	18	Side Blade Height Adjustment.....	34
Solution Tank Indicator .....	18	Side Blade Pressure Adjustment - Cylindrical Only.....	36
Squeegee Installation.....	19	Side Blade - Double Scrub Position .....	36
Detergent System Preparation (Ecoflex Models Only).....	20	<b>Troubleshooting .....</b>	<b>37</b>
Fill the Detergent Cartridge .....	20	General Machine Troubleshooting .....	37
Detergent System Purge (EcoFlex Models Only) .....	21	Fault Code Display .....	38
Detergent System Use (Ecoflex) .....	22	Fault Code History.....	39
		<b>Specifications .....</b>	<b>40</b>
		Accessories / Options.....	40
		Material Composition and Recyclability.....	40
		Solution Flow Rates .....	40
		Technical Specifications .....	41



## INTRODUCTION

This manual will help you get the most from your Advance Scrubber. Read it thoroughly before operating the machine.

**Note: Bold numbers in parentheses indicate an item illustrated on pages 8 – 11.**

This machine is intended for commercial use, for example in hotels, schools, factories, shops, offices and rental businesses. The Advance SC5000 is a battery powered floor cleaning machine.

### **WARNING:**

The operation of this machine is strictly reserved to trained and qualified operators.

### **CAUTION!**

- Use extreme CAUTION when operating this machine. Be certain that you are thoroughly familiar with all operating instructions before using this machine. If you have any questions, contact your supervisor or your local Advance Dealer.
- If the machine malfunctions, do not try to correct the problem unless your supervisor directs you to do so. Have a qualified company mechanic or an authorized Advance Dealer service person make any necessary corrections to the equipment.
- Use extreme care when working on this machine. Loose clothing, long hair, and jewelry can get caught in moving parts. Turn the Power Switch OFF and remove the magnetic key before servicing the machine. Use good common sense, practice good safety habits and pay attention to the yellow decals on this machine.
- Drive the machine slowly on inclines.
- The maximum rated incline for scrubbing is 12% (6.8°). The maximum rated incline during transport is 20% (11°).

## PARTS AND SERVICE

Repairs, when required, should be performed by Nilfisk, Inc., who employs factory trained service personnel, and maintains an inventory of Advance original replacement parts and accessories.

Call Nilfisk, Inc. for repair parts or service. Please specify the Model and Serial Number when discussing your machine.

## MODIFICATIONS

Modifications and additions to the cleaning machine which affect capacity and safe operation shall not be performed by the customer or user without prior written approval from Nilfisk, Inc. Unapproved modifications will void the machine warranty and make the customer liable for any resulting accidents.

## NAME PLATE

The Model Number (also known as Part Number) and Serial Number of your machine are shown on the Nameplate, located on the rear of the steering column.

Date of Manufacture "Date Code" is marked on the nameplate. Date Code: A21, means January 2021.

This information is needed when ordering repair parts for the machine. Use the space below to note the Model Number and Serial Number of your machine for future reference.

MODEL NO. \_\_\_\_\_

SERIAL NO. \_\_\_\_\_

## UNCRATE THE MACHINE

When the machine is delivered, carefully inspect the shipping packaging and the machine for damage. If damage is evident, save the shipping carton (if applicable) so that it can be inspected. Contact the Nilfisk Customer Service Department immediately to file a freight damage claim. Refer to the unpacking instruction sheet included with the machine to remove the machine from the pallet.

## TRANSPORTING THE MACHINE

### CAUTION!

Before transporting the machine in an open truck or trailer, make sure that . . .

- All tanks are empty.
- All access doors are latched securely.
- Lower scrub deck and squeegee then press Emergency Stop **(A)** or disconnect batteries to prevent them from raising when the machine is powered off.
- The machine is tied down securely - see Tie Down Locations **(21)** in "Know Your Machine". Only use locations designated as "Tie Down Locations" to secure the machine during transport. Using any other location of the machine to tie down the machine may cause damage or injury.
- The machine's electromagnetic brake is engaged (not manually overridden), see "Electromagnetic Brake" section if necessary.
- The machine is turned off and the magnetic SmartKey is removed.

## CAUTIONS AND WARNINGS

### SYMBOLS

Nilfisk uses the symbols below to signal potentially dangerous conditions. Always read this information carefully and take the necessary steps to protect personnel and property.

#### **DANGER!**

Is used to warn of immediate hazards that will cause severe personal injury or death.

#### **WARNING!**

Is used to call attention to a situation that could cause severe personal injury.

#### **CAUTION!**

Is used to call attention to a situation that could cause minor personal injury or damage to the machine or other property.



Read all instructions before using.

### GENERAL SAFETY INSTRUCTIONS

Specific Cautions and Warnings are included to warn you of potential danger of machine damage or bodily harm. This machine is intended for commercial use, for example in hotels, schools, factories, shops, offices and rental businesses.

#### **WARNING!**

- This machine shall be used only by properly trained and authorized persons.
- This machine is not intended for use by persons (including children) with reduced physical, sensory or mental capabilities, or lack of experience and knowledge, unless they have been given supervision or instruction concerning use of the machine by a person responsible for their safety.
- Children should be supervised to ensure that they do not play with the appliance.
- Close attention is necessary when used near children.
- While on ramps or inclines, avoid sudden stops. Avoid abrupt sharp turns. Use low speed down ramps.
- Keep sparks, flame and smoking materials away from batteries. Explosive gases are vented during normal operation.
- Charging the batteries produces highly explosive hydrogen gas. Charge batteries only in well-ventilated areas, away from open flame. Do not smoke while charging the batteries.
- Remove all jewelry when working near electrical components.
- Turn the power switch off, remove the magnetic key and disconnect the batteries before servicing electrical components.
- Never work under a machine without safety blocks or stands to support the machine.
- Do not dispense flammable cleaning agents, operate the machine on or near these agents, or operate in areas where flammable liquids exist.
- Do not pressure wash operator control panel, circuit breaker panel or batteries.
- Only use the brushes provided with the appliance or those specified in the instruction manual. The use of other brushes may impair safety.
- Observe the Gross Vehicle Weight, GVW, of the machine when loading, driving, lifting or supporting the machine.
- Do not use the machine without a falling object protective structure (FOPS) in areas where it is likely that the operator is hit by falling objects.
- Do not leave the machine unattended without being sure that it cannot move independently.

**CAUTIONS AND WARNINGS - CONTINUED**** CAUTION!**

- This machine is not approved for use on public paths or roads.
- This machine is not suitable for picking up hazardous dust.
- When operating this machine, ensure that third parties, particularly children, are not endangered.
- Before performing any service function, carefully read all instructions pertaining to that service task.
- Do not leave the machine unattended without first turning the power switch off and removing the magnetic key.
- Turn the power switch off and remove the magnetic key, before changing the brushes, and before opening any access panels.
- Take precautions to prevent hair, jewelry, or loose clothing from becoming caught in moving parts.
- Use caution when moving this machine in below freezing temperature conditions. Any water in the solution, recovery or detergent tanks or in the hose lines could freeze, causing damage to valves and fittings. Flush with windshield washer fluid.
- The batteries must be removed from the machine before the machine is scrapped. The disposal of the batteries should be safely done in accordance with your local environmental regulations.
- **CAUTION** - This machine is for indoor use only.
- **CAUTION** - This machine shall be stored indoors only.
- Do not use on surfaces having a gradient exceeding that marked on the machine.
- All doors and covers are to be positioned as indicated in the instruction manual before using the machine.
- Only use locations designated as "Tie Down Locations" to secure the machine during transport. Using any other location of the machine to tie down the machine may cause damage or injury.
- Do not operate the machine on a grade outside that which is written on the nameplate.
- Do not carry passengers on any part of the machine.
- In order to prevent unauthorized use of the machine, the power source shall be switched off or locked, and key removed.
- Machines left unattended shall be secured against unintentional movement.

**SAVE THESE INSTRUCTIONS**

**REGULATORY**

SC5000 with MultConn1

**FCC:**

FCC-ID: 2AVNE-TC1

This device and its antenna must not be co-located or operating in conjunction with any other antenna or transmitter. Non body-worn devices must be placed at least 8" (20cm) away from the body.

**IC:**

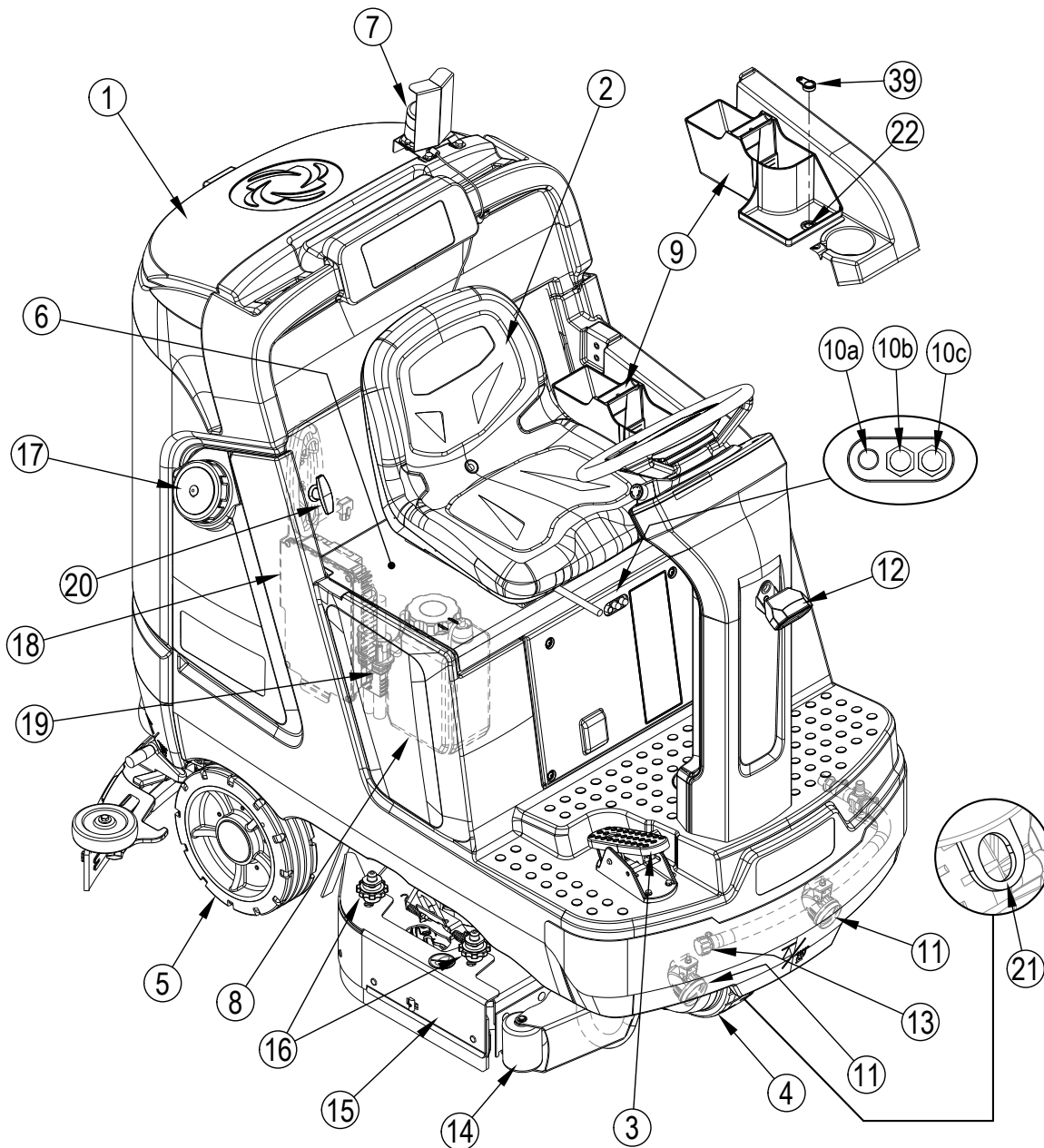
IC-ID: 25476-TC1

This device complies with Industry Canada license-exempt RSS standards RSS-210 and/or RSS-247. The term "IC" before the equipment certification number only signifies the Industry Canada technical specifications were met. It does not imply that Industry Canada approved the equipment. The radio transmitter has been approved by Industry Canada to operate only with the antenna supplied. Use of any other antenna is strictly prohibited for use with this product. This device complies with the ICES RF radiation exposure limits set forth for an uncontrolled environment. This equipment should be installed and operated with a minimum distance of 20cm between the radiator and any part of the human body.

# KNOW YOUR MACHINE

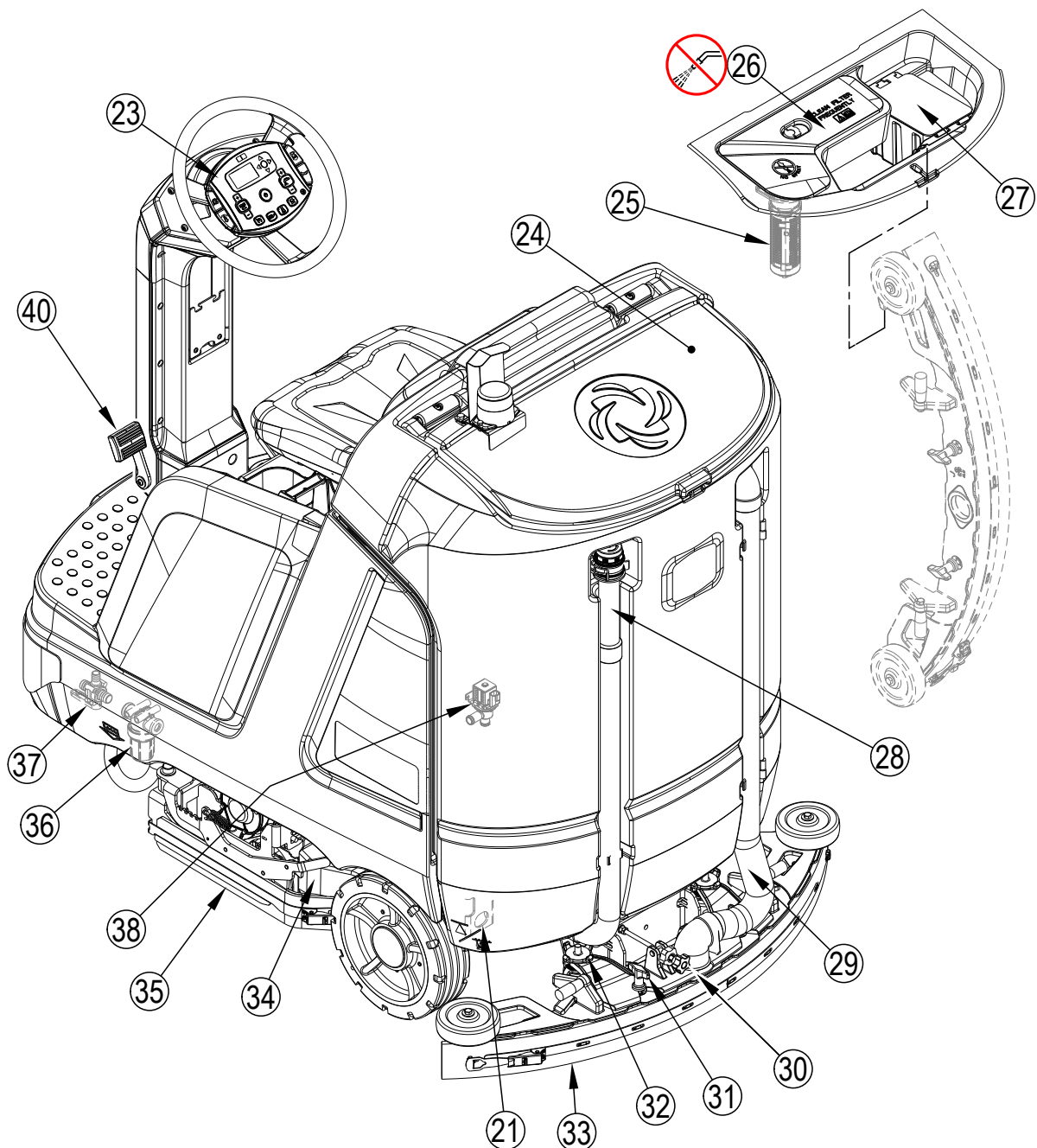
As you read this manual, you will occasionally run across a bold number or letter in parentheses - example: **(2)**. These numbers refer to an item shown on these pages unless otherwise noted. Refer back to these pages whenever necessary to pinpoint the location of an item mentioned in the text.

- |   |                                       |
|---|---------------------------------------|
| 1 Recovery Tank Cover                       | 11 Headlights (optional)              |
| 2 Operator's Seat                           | 12 Blue Light (optional)              |
| 3 Drive Pedal                               | 13 Solution Tank Drain Hose           |
| 4 Drive Wheel                               | 14 Front Roller Bumper                |
| 5 Rear Wheel                                | 15 Scrub Deck                         |
| 6 Battery Compartment (under seat)          | 16 Side Blade Assembly Removal Knobs  |
| 7 Warning Beacon                            | 17 Solution Tank Fill                 |
| 8 Detergent Cartridge (EcoFlex models only) | 18 Onboard Battery Charger (optional) |
| 9 Storage Box                               | 19 Machine Battery Connector          |
| 10 Circuit Breakers                         | 20 Battery Compartment Latch          |
| 10a Drive Controller 70 Amp (CB2)           | 21 Tie-Down Location (1 front)        |
| 10b Control Board 5 Amp (CB1)               | 22 SmartKey™ Reader                   |
| 10c Control Board 5 Amp (CB3)               | 39 Magnetic SmartKey™                 |



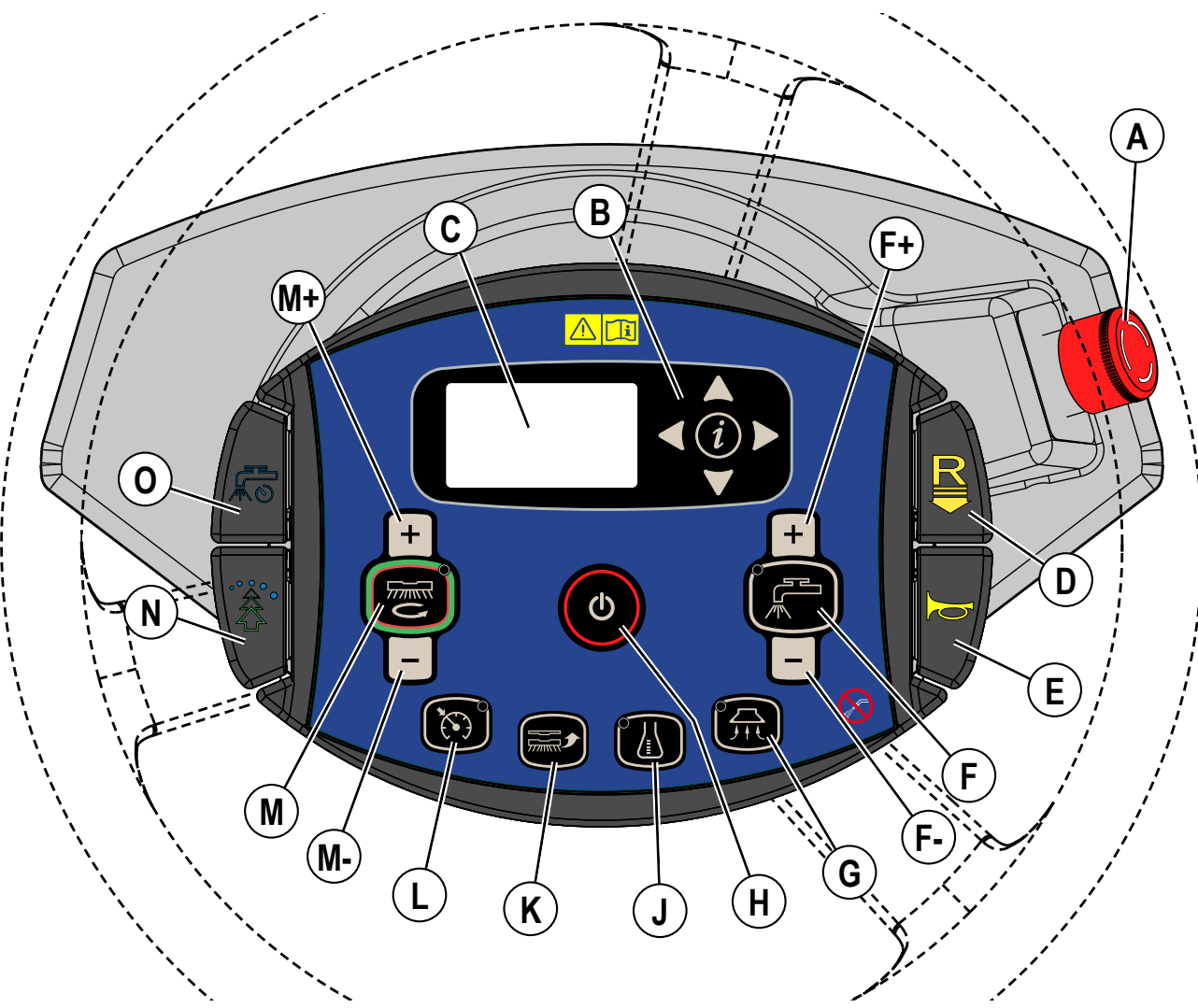
**KNOW YOUR MACHINE**

- |    |                             |    |   |
|----|-----------------------------|----|---|
| 21 | Tie Down Location (2 rear)  | 31 | Squeegee Mount Thumb Nuts               |
| 23 | Control Panel               | 32 | Squeegee Caster Lock Knob               |
| 24 | Recovery Tank Cover         | 33 | Squeegee Assembly                       |
| 25 | Recovery Tank Shutoff Float | 34 | Hopper (Cylindrical only)               |
| 26 | Vacuum Motor Filter Housing | 35 | Scrub Deck                              |
| 27 | Debris Catch Tray           | 36 | Solution Filter                         |
| 28 | Recovery Tank Drain Hose    | 37 | Solution Shutoff Valve                  |
| 29 | Recovery Hose               | 38 | Solution Solenoid Valve (on scrub deck) |
| 30 | Squeegee Tilt Adjust Knob   | 40 | Brake Pedal                             |



### CONTROL PANEL

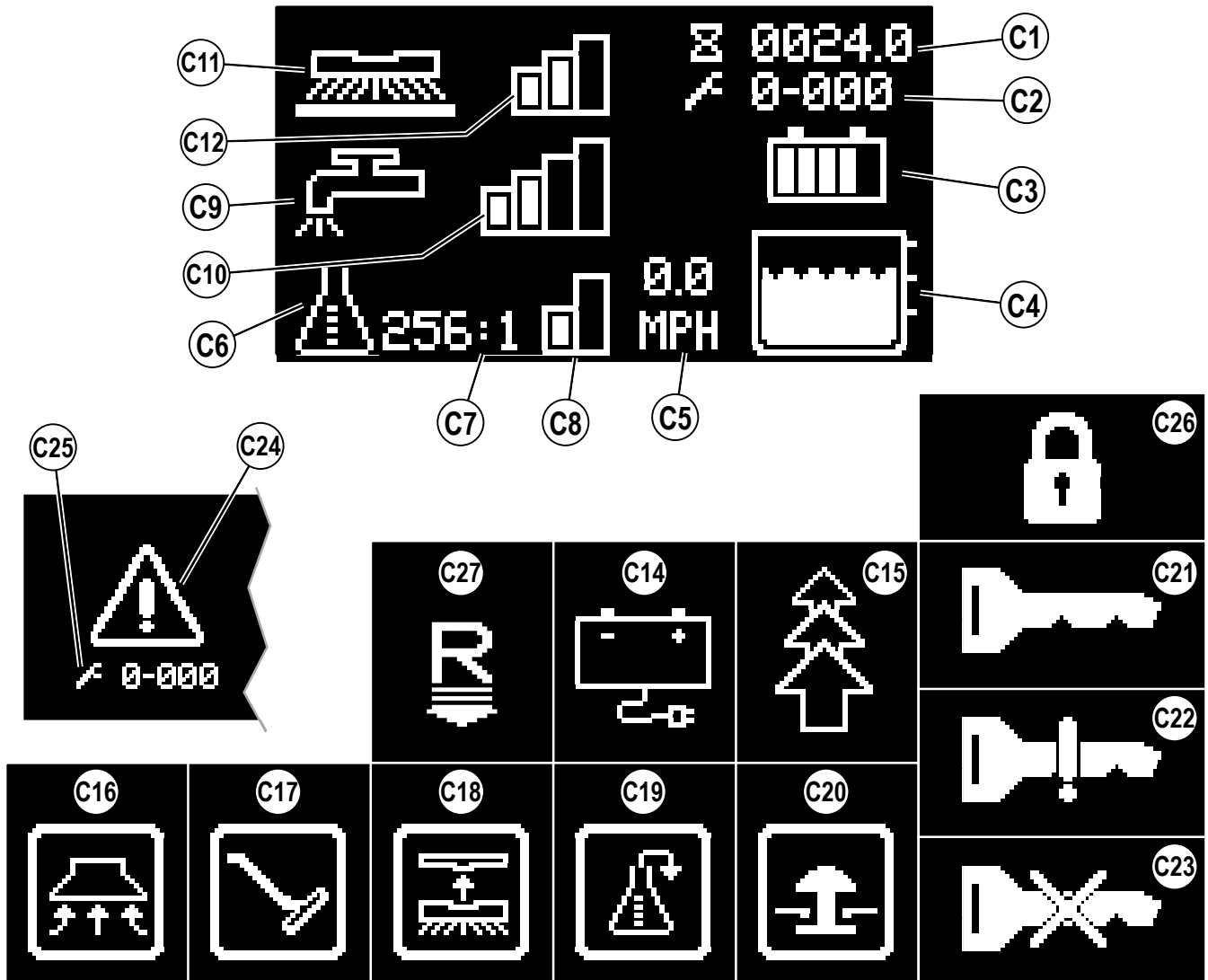
- A Emergency Stop
- B Information Switch & Navigation Switches
- C Display (see Control Panel-Continued)
- D Reverse Paddle
- E Horn Paddle
- F Solution Switch
- F+ Solution Flow Increase Switch
- F- Solution Flow Decrease Switch
- G Vacuum Switch
- H Power Switch
- J Detergent Switch
- K Brush Install Switch
- L Speed Limiter Switch
- M One-Touch™ Scrub ON/OFF Switch
- M+ Scrub Pressure Increase Switch
- M- Scrub Pressure Decrease Switch
- N Burst of Power Paddle
- O Timed Solution Off Paddle





**CONTROL PANEL - CONTINUED**

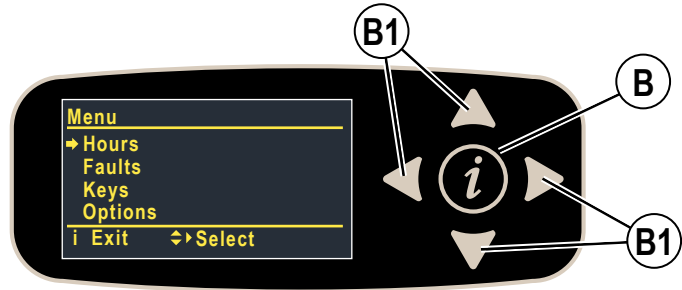
- C1 Hour Meter (Drive Hours)
- C2 Active Fault Codes
- C3 Battery Indicator
- C4 Solution Tank Level Indicator
- C5 Speed (MPH or KPH)
- C6 Detergent Indicator (EcoFlex models only)
- C7 Detergent Percentage Indicator
- C8 Detergent Indicator Bar Graph
- FIRST = Minimum Concentration Detergent Mode
- SECOND = Maximum Concentration Detergent Mode
- NONE = Off
- C9 Solution Flow Indicator
- C10 Solution Flow Rate Bar Graph
- FIRST = Low
- SECOND = Medium
- THIRD = High
- FOURTH = Extreme
- NONE = Off
- C11 Scrub Pressure Indicator
- C12 Scrub Brush Pressure Bar Graph
- FIRST = Regular
- SECOND = Heavy
- THIRD = Extreme
- NONE = Off
- C14 Battery Low Voltage Indicator
- C15 Burst of Power Indicator (EcoFlex models only)
- C16 Vacuum Indicator
- C17 Wand Indicator
- C18 Brush Install Indicator
- C19 Purge Indicator (EcoFlex models only)
- C20 Emergency Stop Activated Indicator
- C21 No Key Indicator
- C22 Key Read Error Indicator (see Troubleshooting)
- C23 Restricted User Key Indicator (see Troubleshooting)
- C24 Critical Fault Indicator
- C25 Fault Code (Critical)
- C26 Impact Lockout Indicator (see page 13)
- C27 Reverse Indicator



## INFORMATION MENU DISPLAY

### Menu Display

Pressing the Information Switch (B) will bring up the menu shown below which allows the operator to change machine settings and gather machine information. Use the four Navigation Arrows (B1) (up, down, left & right) to move through the menu and the information switch to exit the menu.



Menu visible with either blue (User) or yellow (Supervisor) SmartKey.

Menu Level		Notes
1	2	
Hours		Displays various system hours
	On Time	Displays Power ON hours
	Drive Time	Displays drive(non-neutral) hours
	Scrub Time	Displays scrub/brush ON hours
	Recovery Time	Displays recovery/vacuum ON hours
Faults**		
	Active Faults	Displays list of active faults w/timestamp and description
	Fault History	Displays list of fault history w/timestamp and description
Keys		
	Read Key	Read the key serial number, family and type for key inserted into holder - if user key, allows supervisor to add to key list
	Key List	Display the current approved user key list supervisor can also remove selected key from list

\*\*See Fault Code Display

Menu visible only with yellow (Supervisor) SmartKey.

Menu Level			Notes
1	2	3	
Options			User selectable options
	Language	English* Italiano Deutsch Portuguese Français Español	Menu display language
	Floor	Standard* Smooth Polisher**	Floor type **polisher only available for 34D machines
	Scrub Startup	Light Heavy Extreme Last Used*	Scrub level at start
	Scrub Max	Light Heavy Extreme*	Maximum scrub level allowed

\*Default setting

## INFORMATION MENU DISPLAY - CONTINUED

Options Menu visible only with yellow (Supervisor) SmartKey.

System Menu visible with either blue (User) or yellow (Supervisor) SmartKey

Menu Level			Notes
1	2	3	
Options			User selectable options
	Solution	Proportional* Fixed UK	Solution mode; Proportional – solution flow increases with speed of machine. Fixed – Solution flow stays the same despite machine speed. UK (United Kingdom) – solution flow is reduced to conserve water.
	Solution In Rev	No* Yes	Leave solution on in reverse?
	Lock Detergent	No* Yes	Lockout detergent percentage adjustment for user?
	Beacon	On* Off	Beacon light on/off
	Burst Of Power (s)	min = 60* max = 300 step = 60	Burst-of-power (BOP) time span (seconds) EcoFlex
	Fwd Speed Max (%)	min = 50 max = 100* step = 10	Maximum forward speed as percentage of maximum available speed
	Lock Speed Limit	No* Yes	Lockout scrub speed limit for user?
	Inactivity Time (min)	min = 1 max = 30 step = 1 default = 15	Inactivity time before putting machine in sleep mode (minutes)
	Impact Detect	Off* Log Lockout	Impact detection status Log – Impact is recorded Lockout – Impact is recorded and User is locked out of scrub functions (Display shows <b>(C26)</b> ) until machine is reset with a Supervisor key.
	Impact Level	High* Low	Impact detection sensitivity level. If nuisance tripping occurs (i.e. driving over a floor transition), adjust setting to low.
System			
	MMC Firmware		Main controller (mmc) firmware revision
	UI Firmware		User interface panel (ui) firmware revision
	CSP190-Comm F/W		Drive controller comm firmware revision
	CSP190-Motor F/W		Drive controller main/motor control firmware revision
	MMC S/N		Main controller (mmc) pcb serial number
	UI S/N		User interface panel (ui) pcb serial number
	Impact Log		Display list of impact events with max value, timestamp and user id (only if enabled) - single item view will show max values for each axis (x,y,z)

\*Default setting

**SERVICE NOTE:** Additional menus (Service and Configuration) are accessible only through service/technician mode. The service menu allows observing operational and user parameters. The configuration menu allows adjusting machine settings. See Service Manual for more details.

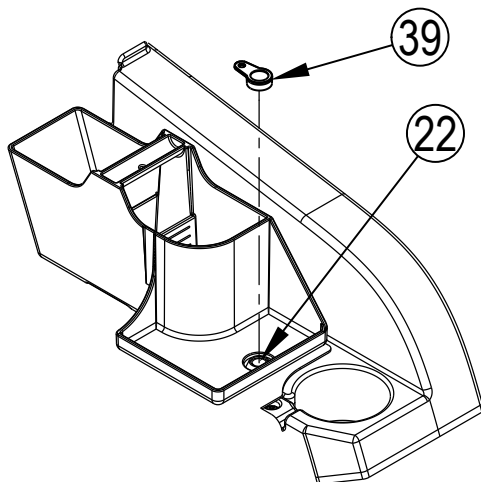
## MAGNETIC SMARTKEY

The use of a Magnetic SmartKey (39) is required to operate this machine. Pressing the power switch without a key in place on the SmartKey Reader (22) will cause the machine to momentarily turn on and display No Key Indicator (C21) before turning off.

There are two different Magnetic SmartKeys (39).

1. The "User" (blue) key allows a basic level of access to the information menu (press Information Switch (B)).
2. The "Supervisor" (yellow) key allows an additional level of access to see Options Menu.

**FIGURE 1-1**



## PREPARE THE MACHINE FOR USE

### BATTERIES

**If your machine shipped with batteries installed do the following:**

- Check that the batteries are connected to the machine.
- Turn ON the Power Switch (H) and check the Battery Indicator (C3). If the gauge is completely filled the batteries are ready for use. If the gauge is less than full the batteries should be charged before use. See "Charging The Batteries" section.
- **IMPORTANT!: IF YOUR MACHINE HAS AN ONBOARD BATTERY CHARGER REFER TO THE OEM PRODUCT MANUAL FOR INSTRUCTIONS REGARDING SETTING THE CHARGER FOR BATTERY TYPE.**

**If your machine shipped without batteries installed do the following:**

- Consult your Authorized Advance dealer for recommended batteries.
- Install the batteries by following the instructions below.
- **IMPORTANT!: IF YOUR MACHINE HAS AN ONBOARD BATTERY CHARGER REFER TO THE OEM PRODUCT MANUAL FOR INSTRUCTIONS REGARDING SETTING THE CHARGER FOR BATTERY TYPE.**

### INSTALL THE BATTERIES

## WARNING!

Use extreme caution when working with batteries. Sulfuric acid in batteries can cause severe injury if allowed to contact the skin or eyes. Explosive hydrogen gas is vented from the batteries through openings in the battery caps. This gas can be ignited by any electrical arc, spark or flame. Do not install any lead-acid battery in a sealed container or enclosure. Hydrogen gas from overcharging must be allowed to escape.

**When Servicing Batteries...**

- Remove all jewelry
- Do not smoke
- Wear safety glasses, rubber gloves and a rubber apron
- Work in a well-ventilated area
- Do not allow tools to touch more than one battery terminal at a time
- ALWAYS disconnect the negative (ground) cable first when replacing batteries to prevent sparks.
- ALWAYS connect the negative cable last when installing batteries.

**BATTERIES - CONTINUED****⚠ CAUTION!**

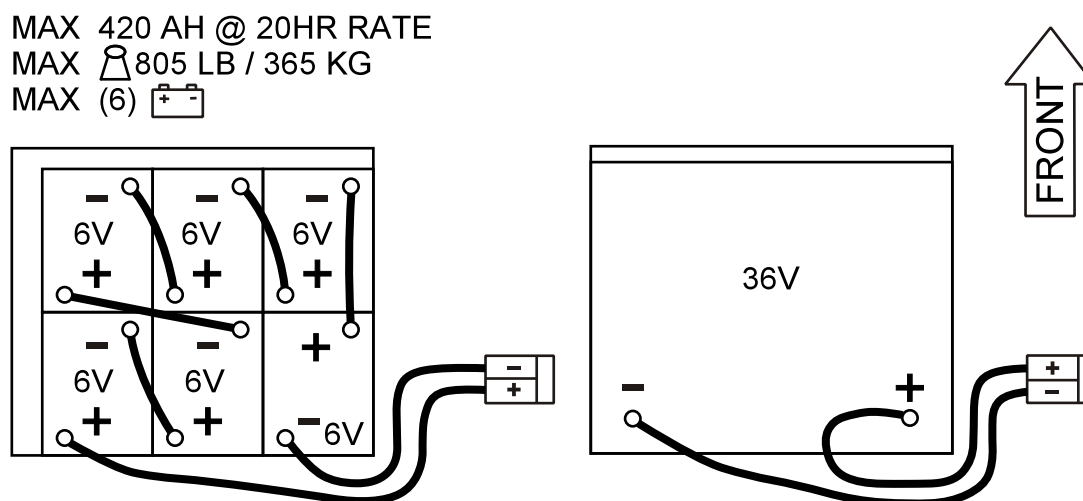
Electrical components in this machine can be severely damaged if the batteries are not installed and connected properly. Batteries should be installed by Nilfisk or by a qualified electrician.

- 1 Remove the batteries from their shipping crate and carefully inspect them for cracks or other damage. If damage is evident, contact the carrier that delivered them or the battery manufacturer to file a damage claim.
- 2 Turn the Power Switch (H) OFF and remove the Magnetic SmartKey (39).
- 3 Rotate the Battery Compartment Latch (20) to unlock then tip the seat forward (the gas spring holds the seat open).
- 4 If installed remove the overhead guard.
- 5 For additional access the recovery tank can be removed from the machine. **NOTE:** Disconnect the recovery hose, vacuum motor wiring and warning beacon wiring then lift the tank straight up and off the machine, using two people or an overhead hoist.
- 6 Your machine comes from the factory with enough battery cables to install six 6 volt batteries. Using at least (2) people and an appropriate lifting strap, carefully lift the batteries into the battery compartment and arrange them exactly as shown in **FIGURE 2-1**. Secure the batteries as close to the rear and right side of the machine as possible. Use battery spacer to keep batteries from moving. If installing a mono-block battery use an overhead hoist.
- 7 Install the battery cables as shown. Position the cables so the battery caps can be easily removed for battery service.

**IMPORTANT!** The protective caps supplied with the batteries need to be left on or re-used to completely cover the portion of the battery terminals that are not being protected by the battery cable terminal cover boots supplied with the battery cables. This also applies to the in-line fuse holder boot.

- 8 Carefully tighten the nut in each battery terminal until the terminal will not turn. Do not over-tighten the terminals, or they will be very difficult to remove for future service.
- 9 Coat the terminals with spray-on battery terminal coating (available at most auto parts stores).
- 10 Put one of the black rubber boots over each of the terminals and connect the Machine Battery Connector (19).
- 11 Make sure the fuse holder boot is covering the fuse holder, the cable end of the Machine Battery Connector (19), and as much of the battery terminal as possible. Leave the protective caps supplied with the batteries in place or re-use to cover the terminal areas not protected by the terminal cover boots.

When changing batteries or the charger, please contact your local authorized service center for correct battery, charger and machine settings to prevent battery damage.

**FIGURE 2-1**

## INSTALL THE BRUSHES (DISC SYSTEM)

### ⚠ CAUTION!

Turn the machine OFF at the power switch, before changing the brushes, and before opening any access panels.

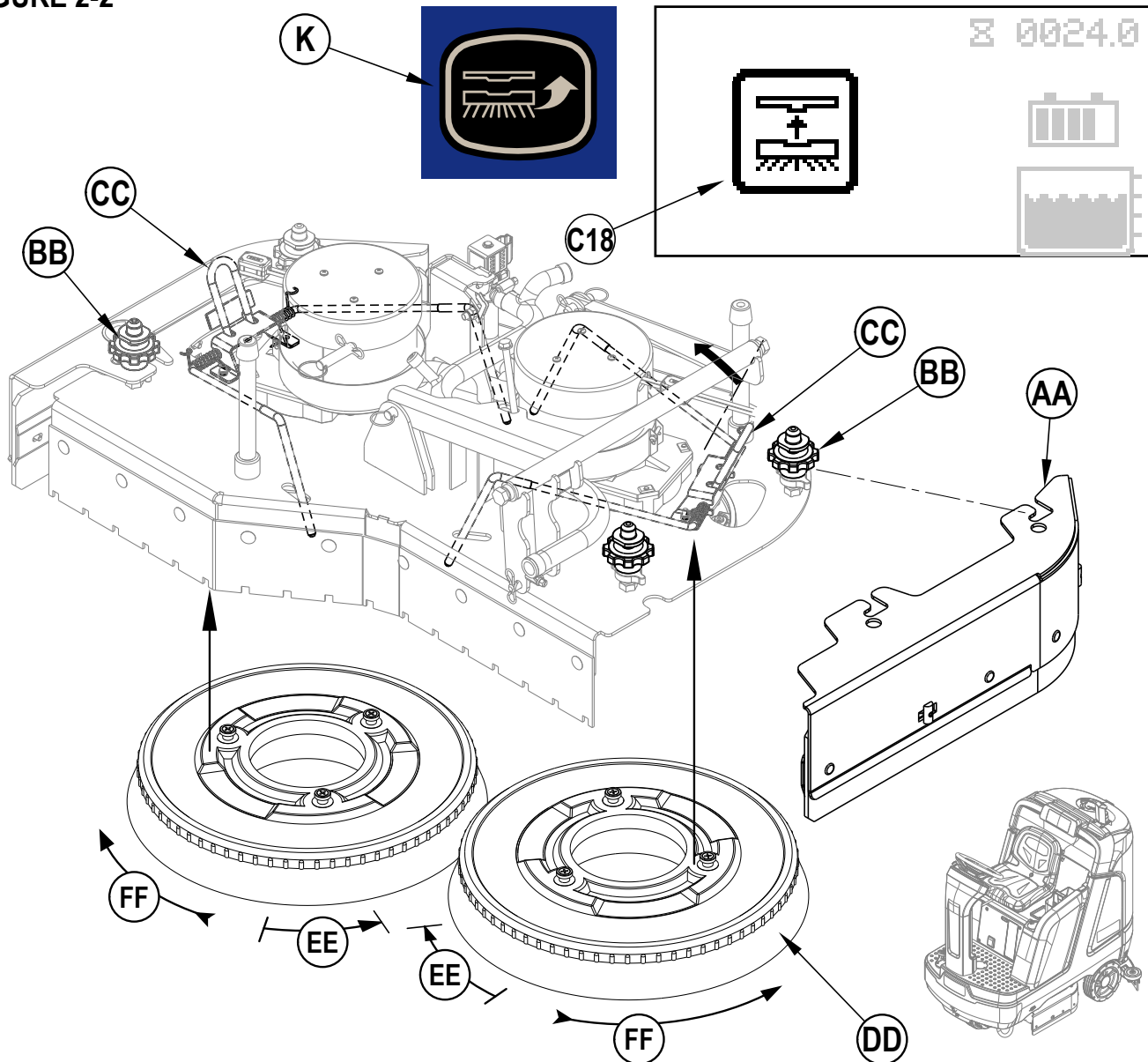
- 1 Make sure the Scrub Deck is in the RAISED position. Make sure the Power Switch (H) is off.
- 2 **See Figure 2-2.** Remove both Side Blade Assemblies (AA). **NOTE:** The blade assemblies are held in place by two large Knobs (BB). Loosen these knobs and slide the Blade Assemblies (AA) forward slightly and then off of the Scrub Deck.
- 3a **To manually install the brushes:**  
Lift the Brushes (DD) (or pad holders) and align the lugs on the brush with the holes on the mounting plate then turn to lock in place (turn the outside edge of brush towards the front of machine as shown by arrow (EE)).
- 3b **To use the automatic Brush Install feature:**
  - i. Press the Guide Bar (CC) forward while sliding the brush under the deck and stop when the brush is contacting both legs of the guide bar. Repeat this step for the brush on the other side of the deck. **NOTE:** Do not push the first brush out of position with the second brush.
  - ii. Turn the machine ON at the Power Switch (H). (**SCRUB SYSTEM MUST BE OFF and MACHINE MOTIONLESS**)

### ⚠ CAUTION!

Keep hands and feet out from underneath the deck. Take precautions to prevent hair, jewelry, or loose clothing from becoming caught in moving parts.

- iii. Press the Brush Install Switch (K) the display will show Brush Install Indicator (C18) then wait for the brush install sequence to finish.
- 4 Reinstall the side blade assemblies. **NOTE:** While scrubbing the brushes rotate as shown by arrows (FF).

FIGURE 2-2



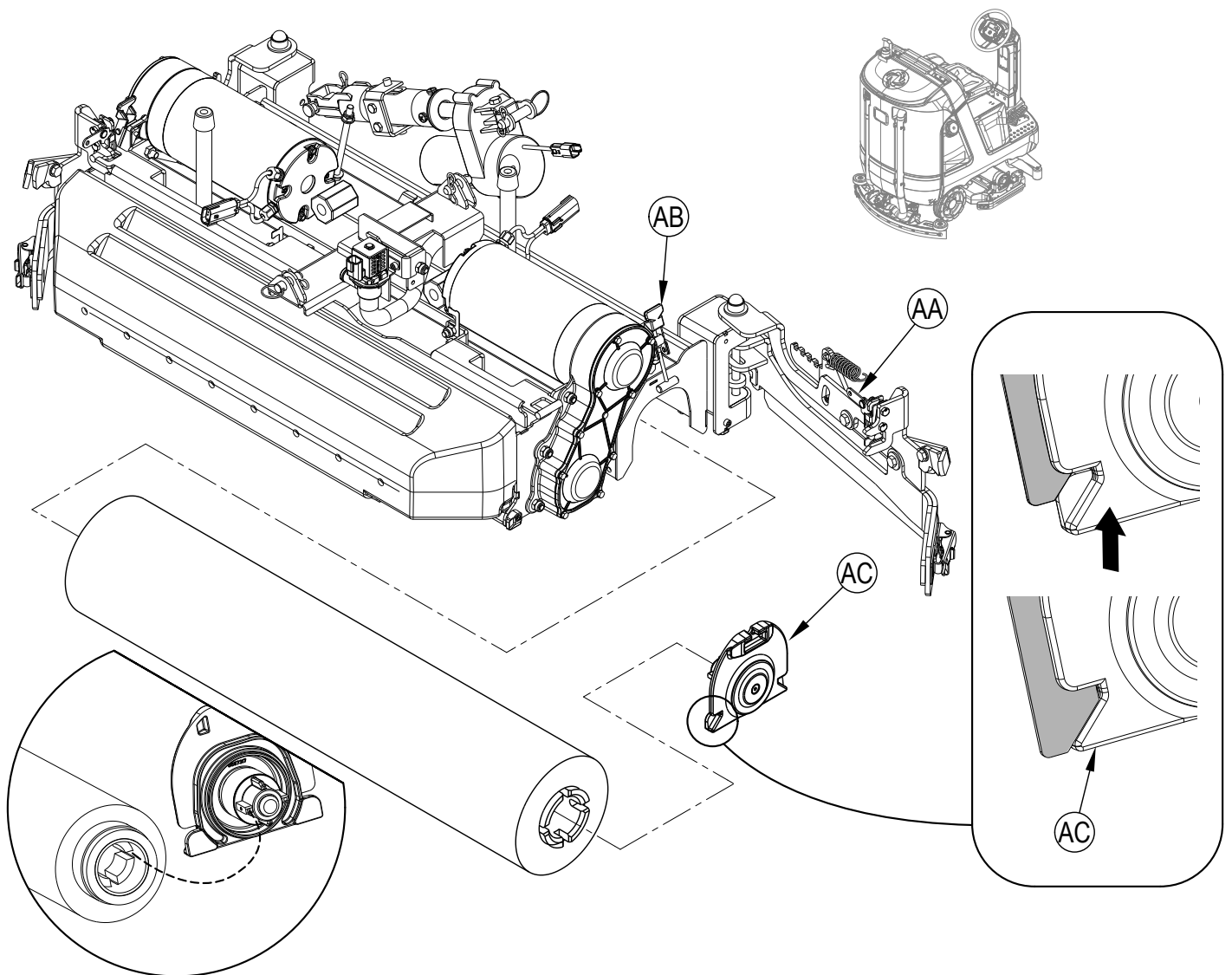
## INSTALL THE BRUSHES (CYLINDRICAL SYSTEM)

### CAUTION!

Turn the machine OFF at the power switch, before changing the brushes, and before opening any access panels.

- 1 Make sure the Scrub Deck is in the RAISED position. Make sure the Power Switch (H) is off.
- 2 See Figure 2-3. Unlatch and swing open both Side Blade Assemblies (AA).
- 3 Unhook the Latch (AB) on top of the Idler Assemblies (AC) and remove.
- 4 Slide the brush into the housing, lift slightly, push and turn until the tabs on the drive hub seat into the notches in the brush. NOTE: The idler is designed with a snug fit into the brush to reduce vibration. Re-install the Idler Assemblies (AC) make sure the tabs on the idler are inside of the weldment (as shown in inset of Figure 2-3). Secure with Latch (AB). Close and latch both the Blade Assemblies (AA).

**FIGURE 2-3**



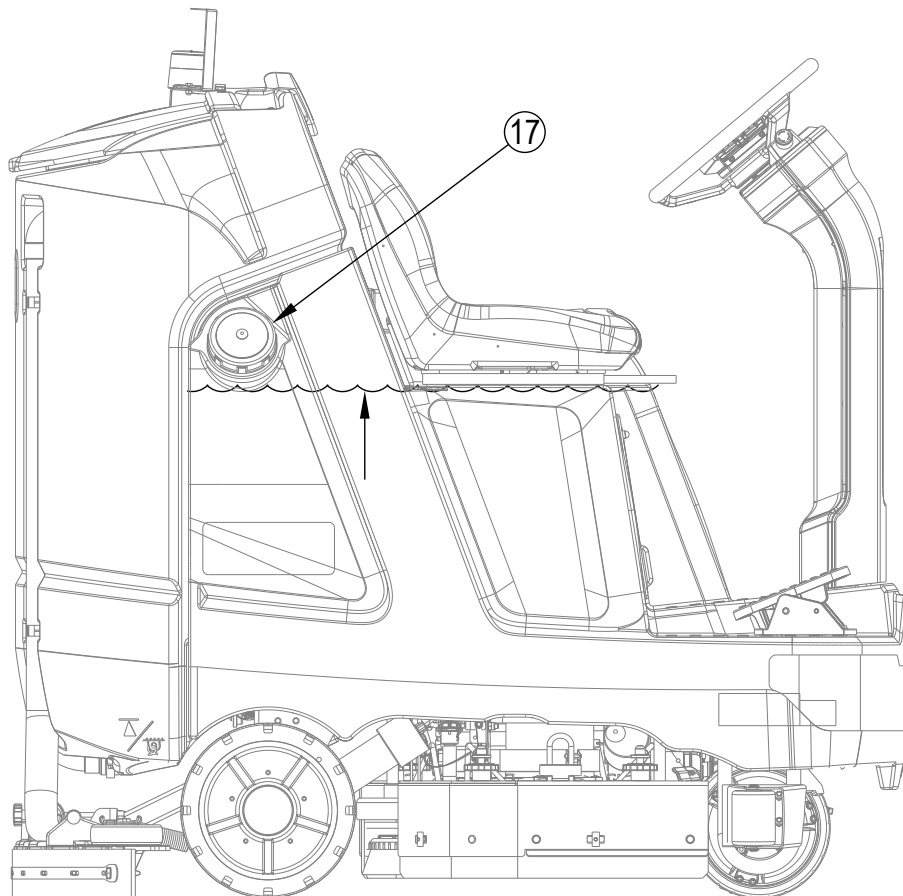
## FILLING THE SOLUTION TANK

See **Figure 2-4**. Fill the solution tank with a maximum of 37 gallons (140 Liters) of cleaning solution. The solution tank can be filled to the bottom of the Solution Fill (17). The solution should be a mixture of water and the proper cleaning detergent for the job. Always follow the dilution instructions on the detergent container label. **NOTE:** EcoFlex machines can either be used conventionally with detergent mixed in the tank or the detergent dispensing system can be used. When using the detergent dispensing do not mix detergent in the tank, plain water should be used.

### ⚠ CAUTION!

Use only low-foaming, non-flammable liquid detergents intended for machine application. Water temperature should not exceed 130 degrees Fahrenheit (54.4 degrees Celsius)

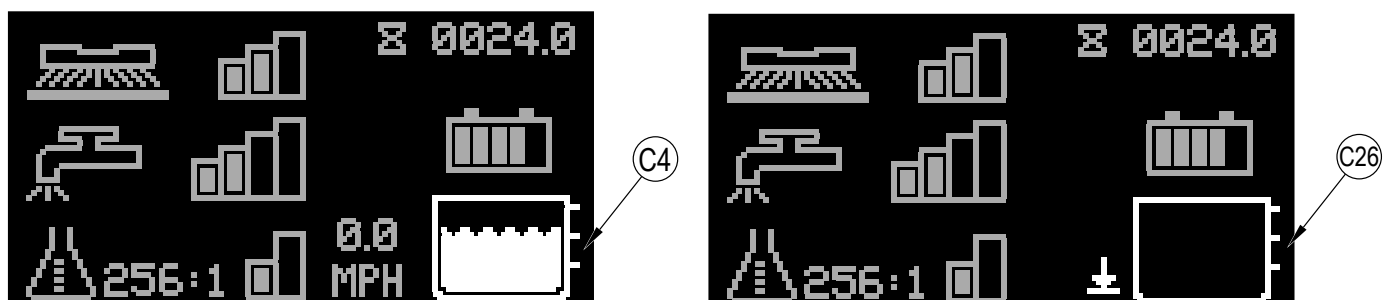
**FIGURE 2-4**



## SOLUTION TANK INDICATOR

See **Figure 2-5**. The solution tank has three level sensors that correspond with three measurement points. The Solution Level Indicator (C4) displays the level (1-3) of the solution in the tank. Once the tank is empty the Solution Empty Indicator (C26) will flash on the display.

**FIGURE 2-5**

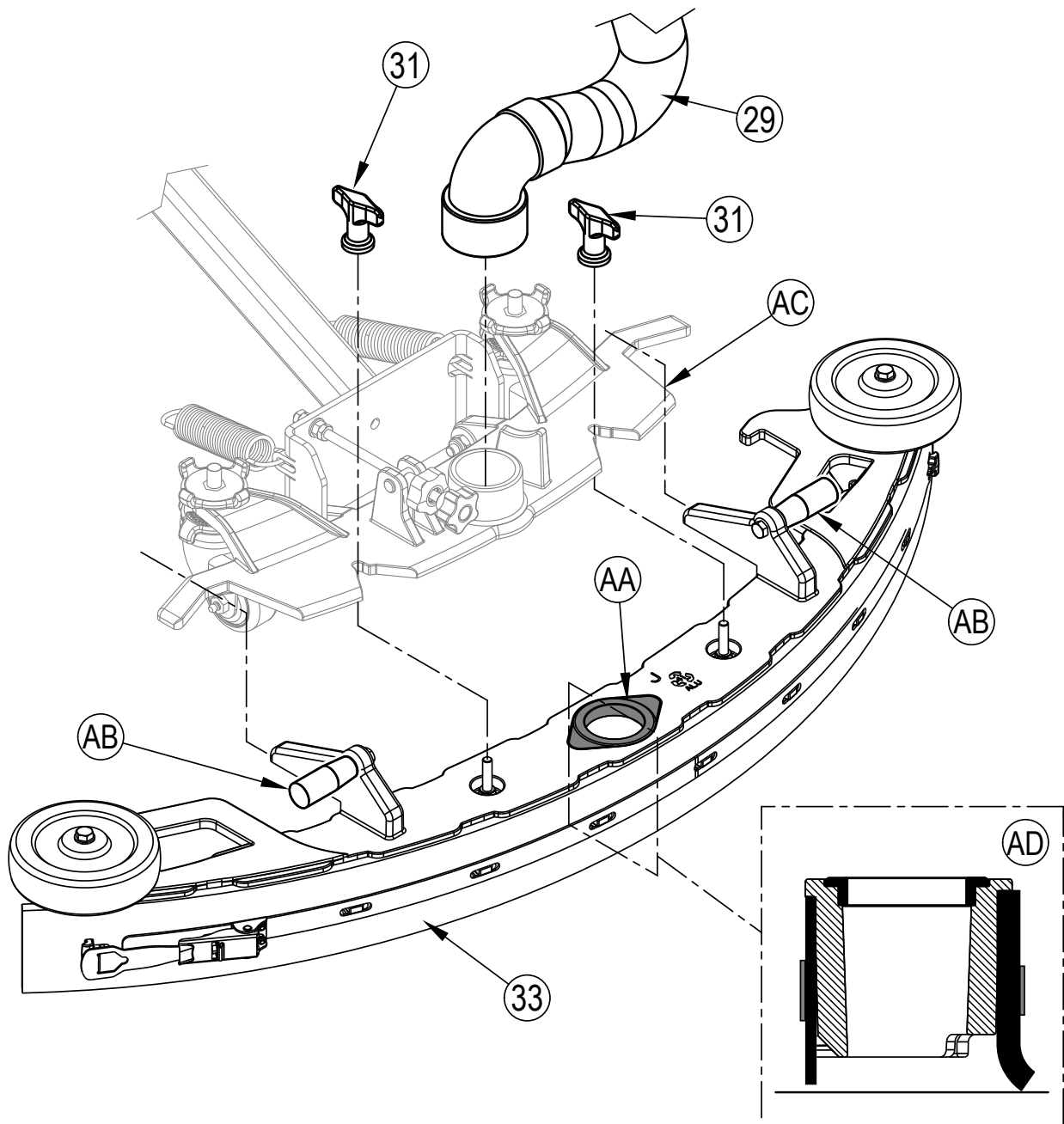




## SQUEEGEE INSTALLATION

- 1 See Figure 2-6. Ensure the Squeegee Seal (AA) is free from debris and installed on the Squeegee Assembly (33). Lift the squeegee assembly by its Handles (AB) and slide it onto the Squeegee Mount (AC) and tighten the Squeegee Mount Thumb Nuts (31).
- 2 Connect the Recovery Hose (29) to the squeegee mount (AC).
- 3 Lower the squeegee and move the machine ahead slightly. Check that the rear squeegee blade touches the floor evenly across its entire width and is bent over slightly as shown in the squeegee cross section (AD). If necessary adjust the rear squeegee to the proper height and tilt by following the steps in the "Squeegee Adjustment" section.

FIGURE 2-6



**DETERGENT SYSTEM PREPARATION (ECOFLEX MODELS ONLY)****FILL THE DETERGENT CARTRIDGE****⚠ CAUTION!**

Always follow the instructions on the labels of the detergent cartridge when using floor cleaning detergents. Wear the appropriate personal protective equipment such as gloves and eye protection when handling floor cleaning detergents.

In the event of a detergent spill follow these four steps:

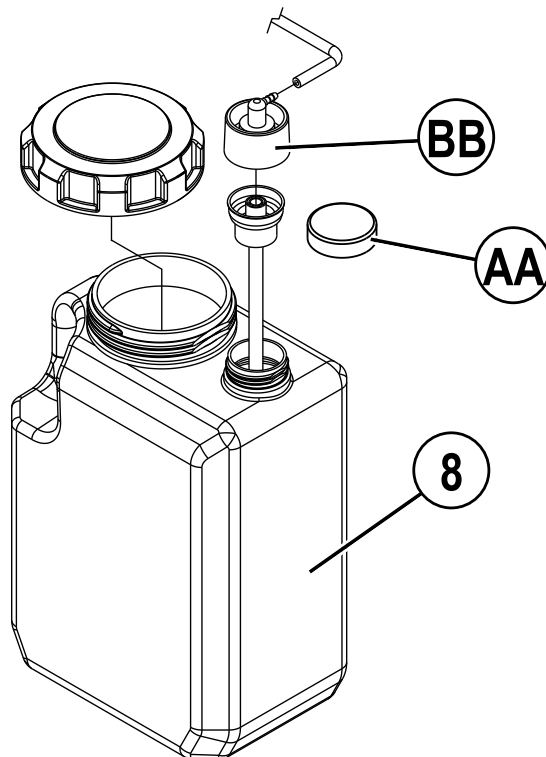
- Communicate the hazard. Immediately notify others working in the area and any supervisory personnel of the hazard, and if the situation warrants it, evacuate the area.
- Control the spill. Ensure the spill does not become any worse.
- Contain the hazard.
- Clean up the spill and any damage safely.

The Detergent Cartridge (8) is located beneath the seat. Fill the detergent cartridge with a maximum of 1 gallon (4 Liters) of detergent.

**SERVICE NOTE:** Remove the detergent cartridge from the machine prior to filling to avoid spilling detergent on the machine.

It is recommended that a separate cartridge be used for each detergent you plan to use. The detergent cartridges have a white decal on them so you can write the detergent name on each cartridge for clarification. When installing a new cartridge, remove the Factory Cap (AA) and place the cartridge in the machine. Install the Dry Break Cap (BB) and detergent hose as shown in Figure 2-7.

The system should be purged of previous detergent when switching to a different detergent (see "To Purge When Changing Detergent").

**FIGURE 2-7**

## DETERGENT SYSTEM PURGE (ECOFLEX MODELS ONLY)

### To Purge When Changing Detergent (SCRUB AND SOLUTION SYSTEMS MUST BE OFF):

**SERVICE NOTE:** Move machine over floor drain before purging because a small amount of detergent will be dispensed in the process.

- 1 Disconnect and remove the Detergent Cartridge (8).
- 2 Place the Magnetic SmartKey (39) onto SmartKey Reader (22). See Figure 2-8. Press the Power Switch (H) to power on the machine. Wait a few seconds for the start-up sequence to finish.
- 3 Press and hold the Solution Switch (F) and the Detergent Switch (J) down for 2 seconds. Release the switches when the Detergent Purge Indicator (C19) appears on the display (the Detergent Switch Light (J1) and Solution Switch Light (F1) will be ON). **NOTE:** Once activated the purge process takes 20 seconds. Press (F) or (J) again before 20 seconds to cancel purge. Normally one purge cycle is adequate to purge the system.

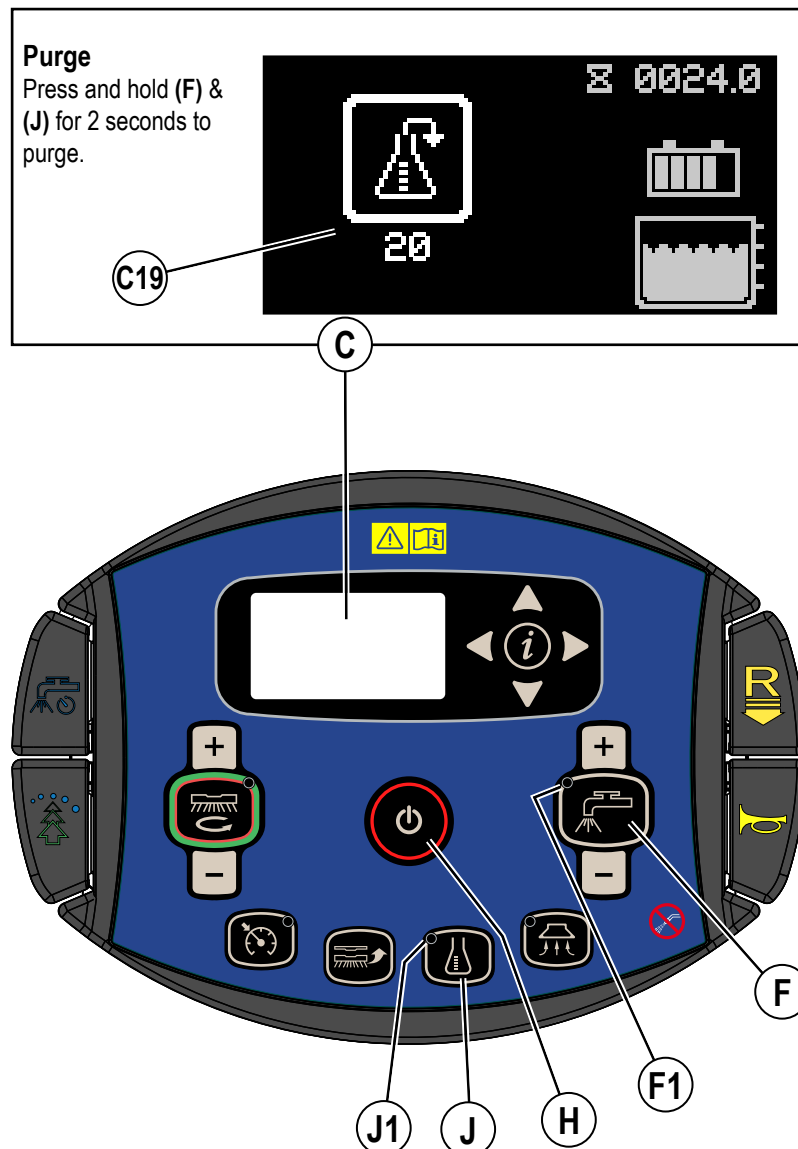
### To Purge Weekly (SCRUB AND SOLUTION SYSTEMS MUST BE OFF):

- 1 Disconnect and remove the detergent cartridge. Install and connect a Cartridge filled with clean warm water.
- 2 Follow steps 2 and 3 from "To Purge When Changing Detergent".

When the detergent level is nearing the bottom of the cartridge it is time to refill or replace the cartridge.

**SERVICE NOTE:** Follow the "To Purge Weekly" instructions above if the machine is going to be stored for an extended period of time.

**FIGURE 2-8**



## DETERGENT SYSTEM USE (ECOFLEX)

### Detergent Use (SCRUB AND SOLUTION SYSTEM MUST BE ON): See Figure 2-9.

No detergent is dispensed until the scrub and detergent systems are enabled and the Drive Pedal (3) pushed forward.

- The Detergent Indicator (C6) will be displayed in scrub mode when the detergent system is installed on the machine.
- The Detergent Percentage Indicator (C7) will display the selected percentage when the detergent system is on.

There are 4 modes of EcoFlex operation:

- 1A. Plain Water Cleaning Mode** - During scrubbing, the detergent system can be turned off at any time by pressing the Detergent Switch (J) to allow scrubbing with water only. Detergent Percentage Indicator (C7) will be blank and Detergent Indicator Bar Graph (C8) will display no bars filled. Detergent Light (J1) will be off.
- 2A. Detergent Low Mode** – Activated by pressing the Detergent Switch (J) when detergent is off (repeated presses will cycle to High Mode, off and back to low mode). Detergent Percentage Indicator (C7) will display the current low detergent level and Detergent Indicator Bar Graph (C8) will display first bar filled. Detergent Light (J1) will be on. See below the steps “To program the Detergent Low Level”.
- 3A. Detergent High Mode** – Activated by pressing the Detergent Switch (J) when detergent is in low mode (repeated presses will cycle to off, low mode and back to high mode). Detergent Percentage Indicator (C7) will display the current high detergent level and Detergent Indicator Bar Graph (C8) will display left and right bars filled. Detergent Light (J1) will be on. See below the steps “To program the Detergent High Level”.
- 4A. Burst of Power Cleaning Mode** – Push the Burst of Power Paddle (N) to increase the detergent ratio/percentage for one minute to the pre-programmed “high” detergent level (as noted in programming instructions below). Detergent system will be turned ON at “low” detergent level if it was off. This will also cause the solution flow rate to increase to the next level and the scrub pressure to increase to the next level. Burst of Power Indicator (C15) will blink for the duration of the Burst of Power process on the display along with a countdown timer. Push Paddle (N) again before countdown timer has expired to cancel Burst of Power. The amount of time Burst of Power runs is adjustable (see “Information Menu Display” submenu “Options”).

#### To program the Detergent High Level

1. Press the OneTouch™ Scrub switch (M) to activate the scrub system.
2. Press and release Detergent Switch (J) until you have entered the detergent high mode ((C8) shows left and right bars filled).
3. Press and hold the Detergent Switch (J) for approximately 2 seconds until the Percentage Indicator (C7) flashes.
4. While the ratio/percentage is flashing, pressing and releasing the detergent switch will cycle through the available settings;
  - Percentage = 0.3%, 0.4%, 0.5%, 0.66%, 0.8%, 1%, 1.5%, 2%, 3%, 3.8%
  - Ratio = 300:1, 256:1, 200:1, 150:1, 128:1, 100:1, 64:1, 50:1, 32:1, 26:1



## CAUTION!

Do not use a concentration level exceeding the detergent manufacturer's recommendation.

5. Once the desired level is displayed on the screen, stop and it will save the setting after 3 seconds.
6. Whenever the high detergent setting is set to a lower concentration than the current programmed low setting, the low default setting will be equal to the high setting until changed by the operator.

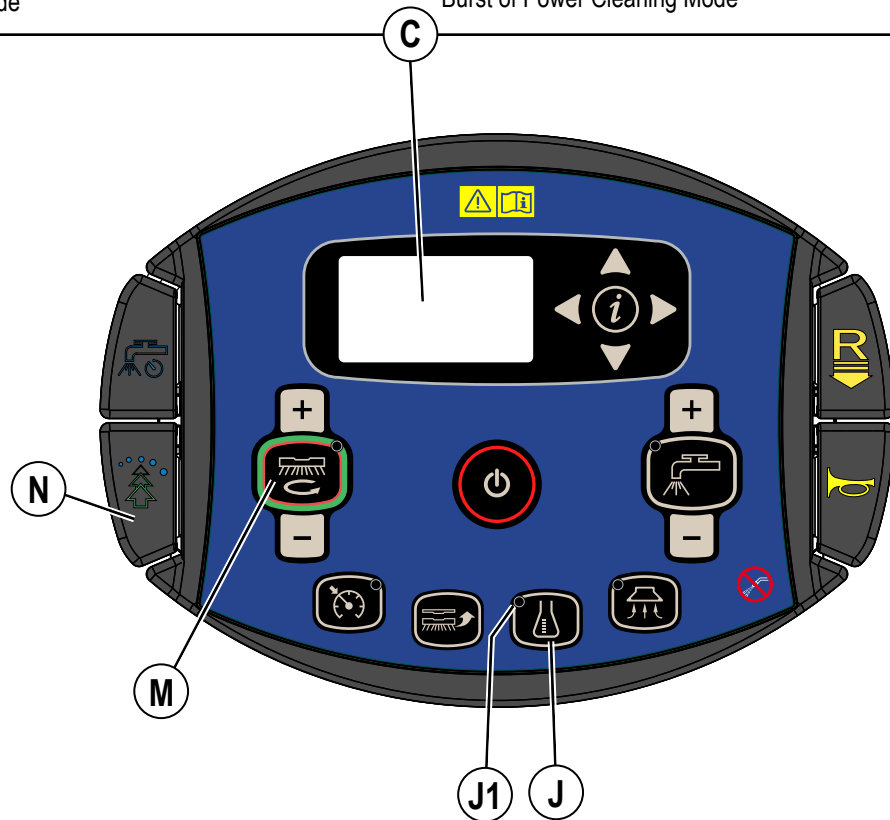
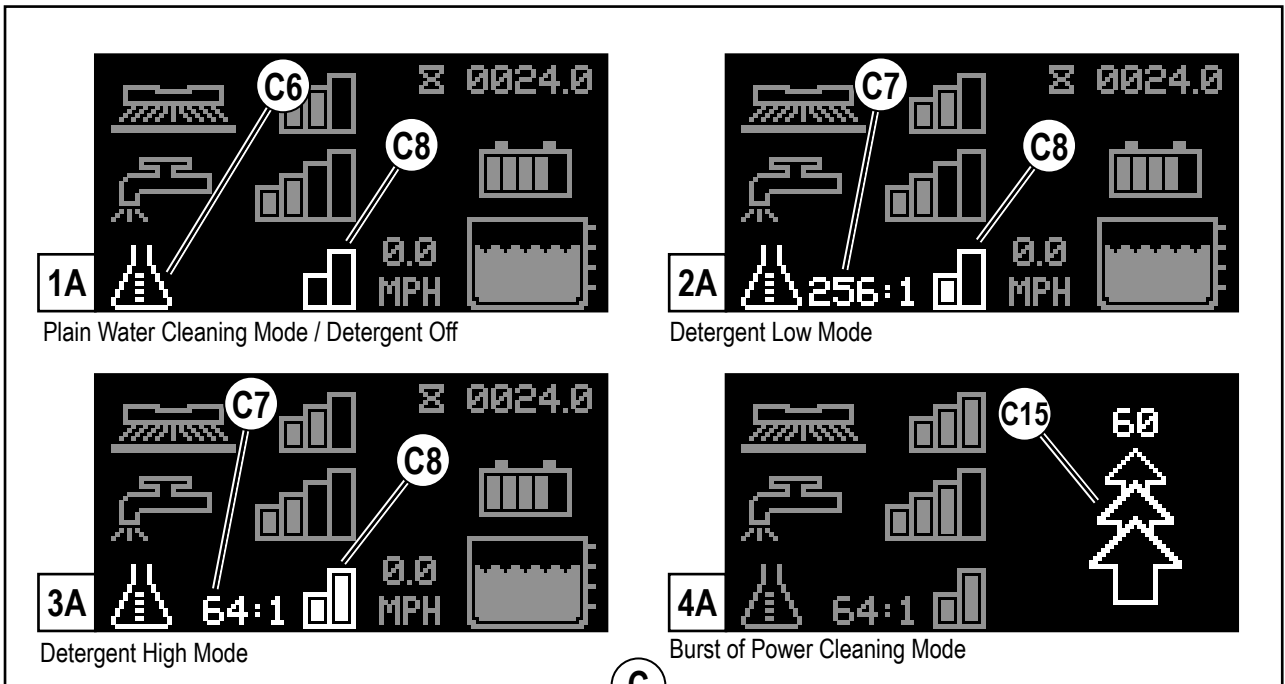
#### To program the Detergent Low Level

1. Press the OneTouch™ Scrub switch (M) to activate the scrub system.
2. Press and release Detergent Switch (J) until you have entered the detergent low mode ((C8) shows left bar filled).
3. Press and hold the Detergent Switch (J) for approximately 2 seconds until the Percentage Indicator (C7) flashes.
4. While the ratio/percentage is flashing, pressing and releasing the detergent switch will cycle through the available settings (Note: only ratios/percentages that are a lower concentration or equal to the high detergent setting will be available).
5. Once the desired level is displayed on the screen, stop and it will save the setting after 3 seconds.

Once set, the detergent flow rate automatically increases and decreases with the solution flow rate, but the detergent ratio/percentage remains the same.

**DETERGENT SYSTEM PREPARATION AND USE (ECOFLEX)**

**FIGURE 2-9**



## OPERATING THE MACHINE

### **WARNING!**

Be sure you understand the operator controls and their functions.

While on ramps or inclines, avoid sudden stops. Avoid abrupt sharp turns. Use low speed down ramps.

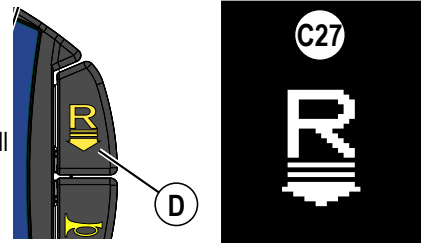
## STARTING THE MACHINE

- 1 Follow the instructions in "Preparing the Machine for Use" section of this manual and verify the following;
  - Batteries are fully charged.
  - Exterior of machine is free of damage. Report any damage to your supervisor.
  - Proper brushes is correctly installed.
  - Squeegee is installed.
  - Solution tank is full.
  - Recovery tank is empty.
  - Ensure that area to be scrubbed is clear of obstacles that are not fixed, such as hoses, buckets or pails, boxes, electrical cords, carts, pallets, etc.

### **WARNING!**

Do not dispense flammable cleaning agents, operate the machine on or near these agents, or operate in areas where flammable liquids exist.

- 2 **Refer to illustrations on pages 8-11 if needed.** Sit in the Operator's Seat (2), adjust the seat to a comfortable position using the Seat Adjustment Lever under the seat.
- 3 Place the Magnetic SmartKey (39) into the SmartKey Reader (22) on the machine. Press the Power Switch (H) to turn ON the machine.
- 4 Reference the Battery Indicator (C3). and Hour Meter (C1) before proceeding.
- 5 To transport the machine to the work area apply even pressure with your foot to the front of Drive Pedal (3) to go forward. For reverse, first press Reverse Paddle (D). Reverse Indicator (C27) will appear on the display then apply even pressure with your foot to the front of Drive Pedal (3). An audible alert will sound in reverse.
- 6 Adjust machine speed by varying the pressure on the Drive Pedal (3).



## STOPPING THE MACHINE

- 1 Stop the machine by releasing the Drive Pedal (3).
- 2 After releasing the Drive Pedal the Brake Pedal (40) can be pressed to help stop the machine.
- 3 **ONLY IN THE EVENT OF AN EMERGENCY!**  
To stop all machine functions immediately, press the Emergency Stop (A).
  - The display will show Emergency Stop Activated Indicator (C20).
  - To reset the machine functions, rotate the emergency stop clockwise.

## OPERATING THE MACHINE - CONTINUED

### WARNING!

Be sure you understand the operator controls and their functions.

While on ramps or inclines, avoid sudden stops when loaded. Avoid abrupt sharp turns. Use low speed down hills.

#### To Scrub...

Follow the instructions in "Starting the Machine" section and drive the machine to the start point for cleaning.

- 1 **See Figure 3-1.** Press the One-Touch Scrub ON Switch (**M**) once for Regular Scrub. Press the Scrub Pressure Increase Switch (**M+**) once for Heavy Scrub or twice for Extreme Scrub mode. The solution flow has settings that coincide with the scrub pressure, it will increase and decrease along with the scrub pressure.  
**NOTE:** The solution flow rate can also be increased or decreased independently of the scrub pressure by pressing the Solution Flow Increase Switch (**F+**) or Solution Flow Decrease Switch (**F-**), observe the Solution Flow Rate Bar Graph (**C10**). Any subsequent scrub pressure adjustments will reset the solution flow rate to default.
- 2 When the One-Touch Scrub ON Switch (**M**) is selected, the brushes and squeegee are automatically lowered to the floor. The scrub, solution, vacuum and detergent (EcoFlex models) systems are all automatically enabled and will start when the Drive Pedal (**3**) is activated. Any individual system can be turned OFF or back ON by simply pressing its switch at any time during scrubbing.  
**NOTE:** When operating the machine in reverse the squeegee automatically raises.  
Detergent: See "Detergent System Preparation and Use (EcoFlex) for detailed information regarding adjustment and use.
- 3 Begin scrubbing by driving the machine forward in a straight line at a normal walking speed and overlap each path by 2-3 inches (50-75 mm). Adjust the machine speed and solution flow when necessary according to the condition of the floor. Push the Timed Solution Off Paddle (**O**) before entering a turn to temporarily turn off the solution flow. The Solution Flow Rate Bar Graph (**C10**) will be replaced by a 5 second countdown timer showing how long the solution flow will be off. Push paddle again before timer runs out to cancel solution off.  
**NOTE:** While scrubbing the maximum machine speed can be set by pressing the Speed Limiter Switch (**L**). Adjust the machine to the desired speed using the Drive Pedal (**3**) then press the Speed Limiter Switch (**N**). The operator can now press the pedal all the way forward without increasing the machine speed thereby reducing operator fatigue. The machine Speed (**C5**) is shown on the display. The speed limit will be in effect every time you scrub until the speed limiter switch is pressed again (while scrubbing) to disable the speed limit.

### CAUTION!

To avoid damaging the floor, keep the machine moving while the brushes are turning.

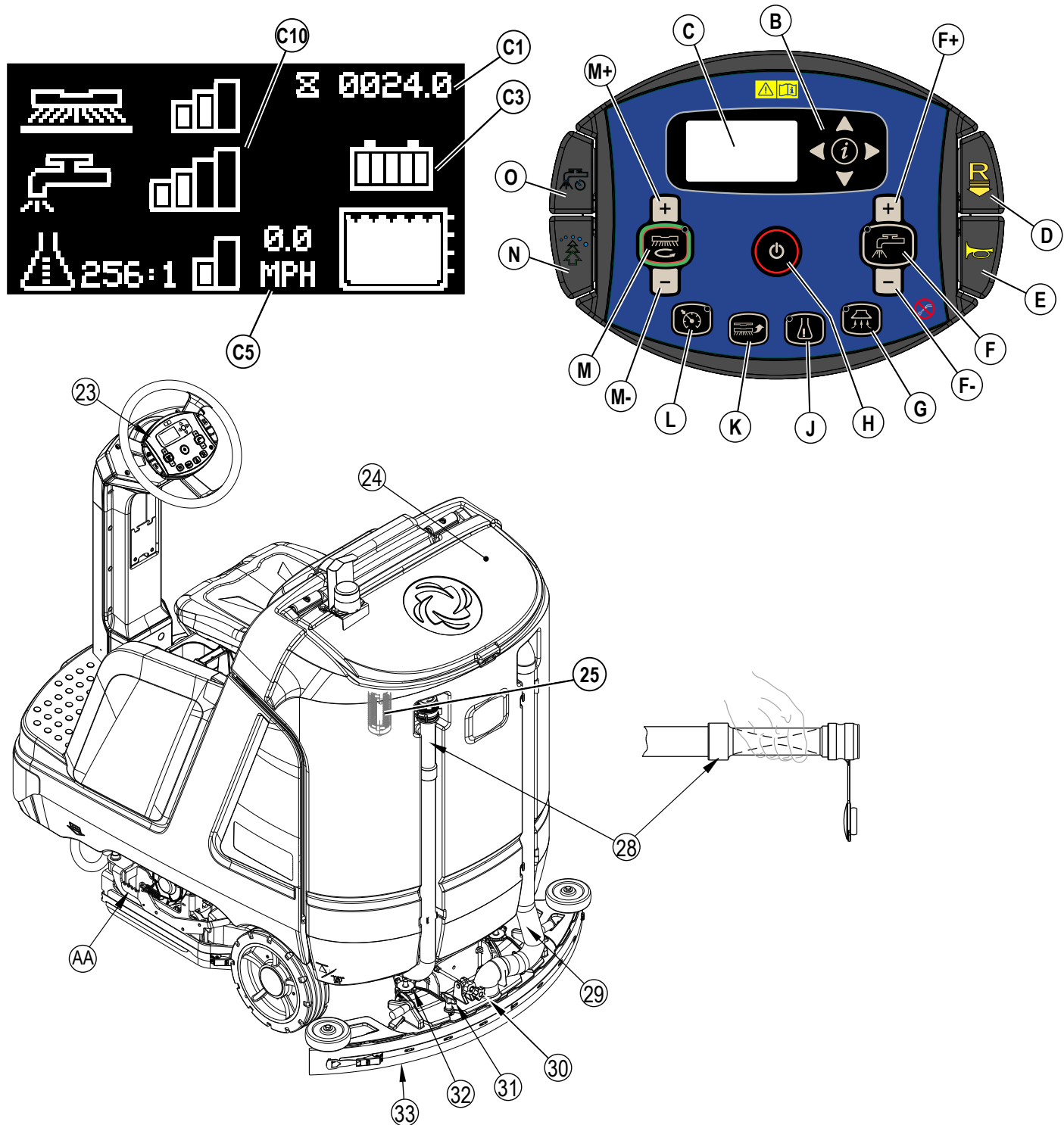
- 4 When scrubbing, check behind the machine occasionally to see that all of the waste water is being picked up. If there is water trailing the machine, you may be dispensing too much solution, the recovery tank may be full, or the squeegee tool may require adjustment.
- 5 For extremely dirty floors, a one-pass scrubbing operation may not be satisfactory and a "double-scrub" operation may be required. This operation is the same as a one-pass scrubbing except on the first pass the squeegee (**33**) and scrub deck blades (**AA**) are in the up position see [Side Blade - Double Scrub Position](#). Press the Vacuum Switch (**G**) to raise the squeegee.  
 This allows the cleaning solution to remain on the floor to work longer. The final pass is made over the same area, with the squeegee and side blades lowered to pick up the accumulated solution
- 6 The recovery tank has a Shutoff Float (**25**). When the tank is full the float is activated and closes the inlet so no more water can enter the recovery tank. When the float is activated the operator may notice a change in the sound of the vacuum motor or will notice machine is no longer picking up water. When the shutoff float is activated, the recovery tank must be emptied. The machine will not pick up water with the float activated but no machine functions will turn off.
- 7 When the operator wants to stop scrubbing or the recovery tank is full, press the One-Touch Scrub Switch (**M**) once. This will automatically stop the scrub brushes and solution flow and the scrub deck will raise up. The squeegee will raise up after a brief delay and the vacuum will stop after an additional delay (this is to allow any remaining water to be picked up without turning the vacuum back on). When scrub is turned off the speed limit is also turned off and machine speed will go back to normal operation.
- 8 Drive the machine to a designated waste water "DISPOSAL SITE" and empty the recovery tank. To empty, pull the Recovery Tank Drain Hose (**28**) from its storage area. Hold the end of the hose above the water level in the tank then unscrew the cap. Squeeze the hose as shown until the hose is near the drain to avoid sudden uncontrolled flow of waste water. Screw on the cap and push the recovery tank drain hose back into its storage area. Refill the solution tank and continue scrubbing.

**NOTE:** Make sure the Recovery Tank Cover (**24**) and the cap on the Recovery Tank Drain Hose (**28**) are properly seated or the machine will not pick-up water correctly.

If the batteries become discharged to the low voltage cutout threshold the Battery Low Voltage Indicator (**C14**) will come on, the scrub brushes and solution flow will stop and the scrub deck will raise up. The squeegee will raise up after a brief delay and the vacuum will stop after an additional delay. Transport the machine to a service area. Recharge the batteries according to the instructions in "Charging Wet Batteries" or "Charging Gel/AGM (VRLA) Batteries" sections of this manual.

## OPERATING THE MACHINE - CONTINUED

FIGURE 3-1



## WET VACUUMING

Steps to follow in fitting the machine with optional attachments for wet vacuuming.

- 1 Disconnect the recovery hose (29) from the squeegee mount. Connect the coupler and hose from the wand kit to the recovery hose.
- 2 Attach suitable wet pick-up tools to the hose. (An optional Vac Wand Kit PN56116355 is available from Nilfisk).
- 3 Place the magnetic SmartKey onto the SmartKey Reader (22) and press the Power Switch (H). While standing alongside the machine (not on the seat) press the Vacuum Switch (G). The vacuum motor will run continuously until the switch is pressed again to turn it OFF. The Wand Indicator (C17) is displayed. **NOTE:** Pressing the Vacuum Switch (G) while seated on the machine will cause the squeegee to lower and the vacuum motor(s) to run while machine is moving forward. The Vacuum Indicator (C16) will be displayed.



## AFTER USE

- 1 When finished scrubbing, press the One-Touch Scrub Switch **(M)**. This will automatically raise, retract and stop all the machine systems (brush, squeegee, vacuum, solution and detergent (EcoFlex models)). Then drive the machine to a service area for daily maintenance and review of other needed service up keep.
- 2 To empty the solution tank, remove the Solution Drain Hose **(13)** from its storage clamp under the front bumper of the machine. Direct the hose to a designated "DISPOSAL SITE" and remove the plug. Rinse the tank with clean water.
- 3 To empty the recovery tank, pull the Recovery Tank Drain Hose **(28)** from its storage area. Hold the end of the hose above the water level in the tank then unscrew the cap. The Recovery Tank Drain Hose can be squeezed to regulate the flow and avoid sudden, uncontrolled flow of waste water. Rinse the recovery tank with clean water. Inspect the recovery and vacuum hoses; replace if kinked or damaged.
- 4 Remove the brushes or pad holders. Rinse the brushes or pads in warm water and hang up to dry.
- 5 Remove the squeegee, rinse it with warm water and re-install on mount or hang it from the back of the recovery tank.
- 6 Remove the hopper on cylindrical systems and clean thoroughly. Remove from either side of the machine by tilting the hopper up and away from housing, then pull out.
- 7 Check the maintenance schedule below and perform any required maintenance before storage.
- 8 Store the machine indoors in a clean dry place. Keep from freezing. Leave the tanks open to air them out.
- 9 Turn the machine off by pressing the Power Switch **(H)** and then remove the magnetic key.
- 10 Batteries are the most expensive replacement item on this machine. To protect your investment and to get as many cycles from the batteries as possible, remember the following:
  - Batteries will last longer if kept fully charged.
  - Batteries equipped with this machine will not develop a memory.
  - Batteries will last longer and will deliver more cycles if they are opportunity charged.
  - Battery chargers will not over or undercharge the batteries.
  - Batteries will prematurely fail if stored in a discharged state.
  - Every day after use, the battery charger must be plugged in and the charger must be allowed to run through a full charging sequence to fully charge the batteries.

## MAINTENANCE

### MAINTENANCE SCHEDULE

MAINTENANCE ITEM	Daily	Weekly	Monthly	Yearly
Charge Batteries	X			
Check/Clean Tanks & Hoses	X			
Check/Clean/Rotate the Brushes/Pads	X			
Check/Clean the Squeegee	X			
Empty/Clean Debris Catch Tray in Recovery Tank	X			
Check/Clean the vacuum motor foam filter(s)	X			
Clean Hopper on Cylindrical System	X			
Clean the surface of the Magnetic SmartKey Reader <b>(22)</b>		X		
Check Each Battery Cell(s) Water Level (wet batteries)		X		
Inspect Scrub Deck Blades		X		
Inspect and clean Solution Filter		X		
Clean Solution Trough on Cylindrical System		X		
Purge Detergent System (EcoFlex only)		X		
* Clean Solution Tank			X	
Lubrication – see "Lubricating the Machine"			X	
** Check Carbon Brushes				X

\* Cleaning the solution tank is only needed if you use a mixture of water and cleaning detergent within the tank.

\*\* Have Nilfisk check the carbon brushes for; vacuum motor(s) after 1200 recovery hours (replace motor(s) after 2000 recovery hours), scrub motors (disc & cylindrical) after 1200 scrub hours.

**NOTE:** Refer to the Service Manual for more detail on maintenance and service repairs.

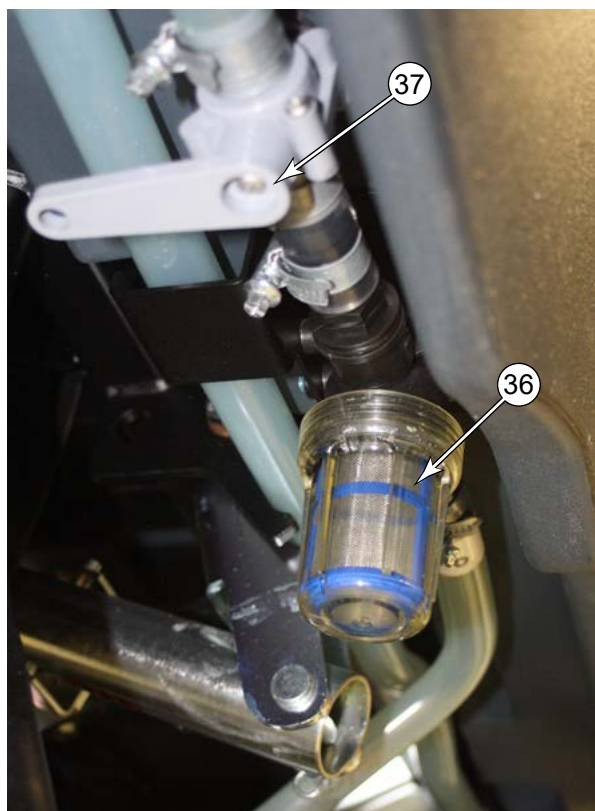
## CLEANING RECOVERY TANK

- 1 Drive the machine to the appointed disposal area.
- 2 Ensure that the machine is off and the SmartKey (39) is removed.
- 3 Pull the Recovery Tank Drain Hose (28) from its storage area.
- 4 Direct the hose to a designated "DISPOSAL SITE" and unscrew the cap (hold the end of the hose above the water level in the tank to avoid sudden, uncontrolled flow of waste water). The Recovery Tank Drain Hose can be squeezed to regulate the flow.
- 5 Lift open the Recovery Tank Cover (24).
- 6 Rinse the recovery tank out thoroughly to remove any and all debris from the tank. To clean out the recovery tank leave the drain hose open to a floor drain and spray the inside of the tank clean with a hose. A hose with a spray attachment can be used to spray out the recovery tank but should not be directed onto the Vacuum Motor Filter Housing (26). Do not allow sprayed water to splash outside of tank or into the vacuum motor inlet.  
**NOTE:** The spray hose should not be used to clean the exterior of the machine near the operator control panel to prevent water ingress into sensitive electronics.
- 7 Remove the Debris Catch Tray (27) from the recovery tank. Empty and rinse the debris catch tray then reinstall it.
- 8 Open the Vacuum Motor Filter Housing (26) and remove the filter. Remove any debris that has gathered inside the filter housing. Rinse the filter then reinstall.
- 9 Check the condition of the recovery tank cover gasket and the area it seats against. They should be clean to create a good seal.  
**NOTE:** The gasket allows the creation of a vacuum in the tank, which is necessary to vacuum up the recovery water.
- 10 Close the recovery tank cover. **NOTE:** The cover can be left open to air out the tank between uses.

## CLEANING SOLUTION FILTER

- 1 Drive the machine to the appointed disposal area.
- 2 Ensure that the machine is off and the SmartKey (39) is removed.
- 3 Close the Solution Shutoff Valve (37) by rotating the handle 90° so it's pointed at the right side of the machine (Figure 4-1 shows handle in the closed position).
- 4 Unscrew the solution filter cover (36). There will likely still be some solution in the line that will spill out.
- 5 Clean the filter cover and screen.
- 6 Reinstall the screen and cover, ensure the gasket is in place.
- 7 Open the Solution Shutoff Valve (37).

FIGURE 4-1



## LUBRICATING THE MACHINE

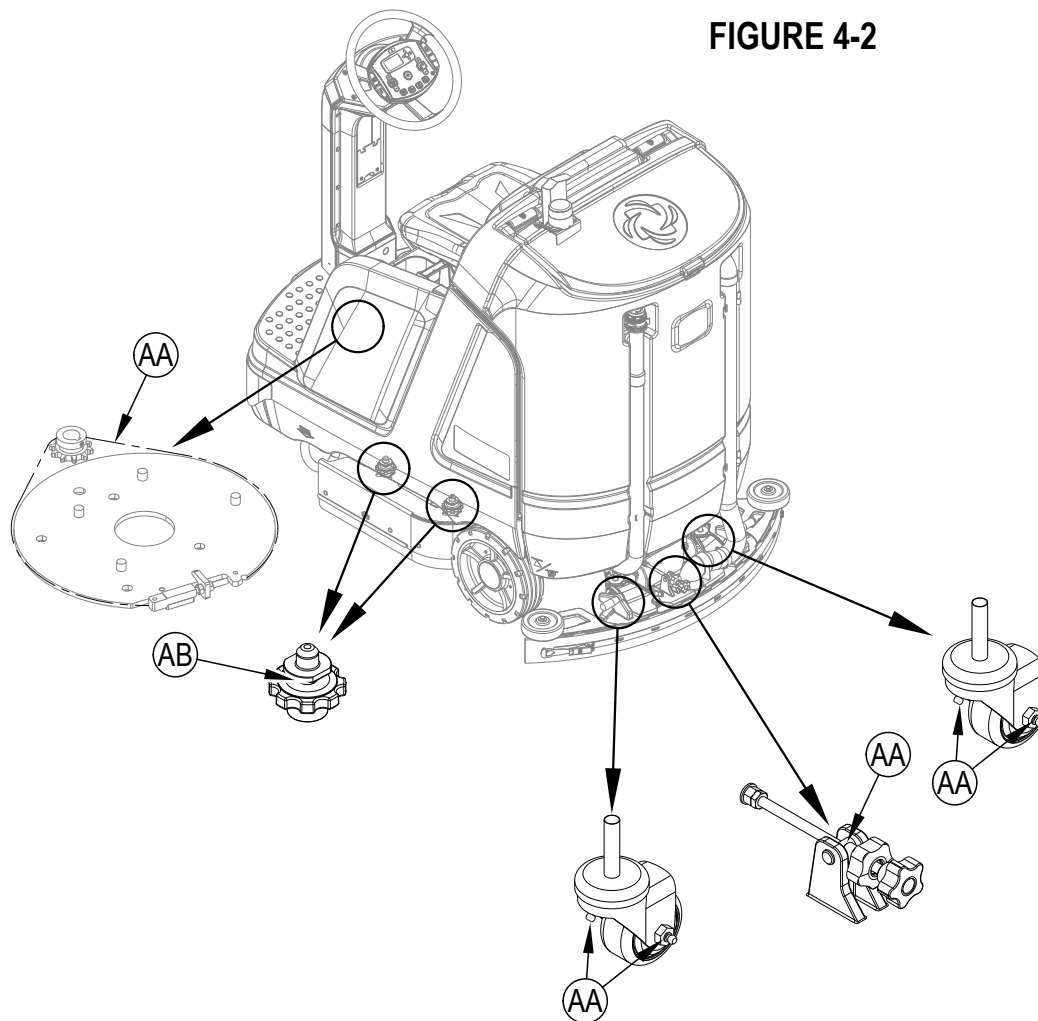
Once a month, pump a small amount of grease into each grease fitting on the machine until grease seeps out around the bearings. **See Figure 4-2.**

### Grease fitting locations (or apply grease to) (AA):

- Squeegee Caster Wheel Axle and Pivot
- Steering Chain
- Squeegee mount angle adjustment knob threads

### Once a month, apply light machine oil or synthetic lubricant spray to lubricate (AB):

- Side Blade Down Stop Adjustment Threads

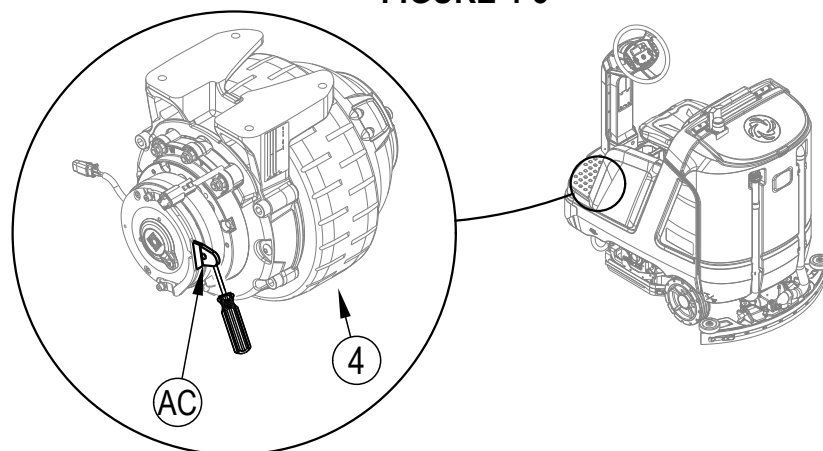


## ELECTROMAGNETIC BRAKE

### ⚠ CAUTION!

To avoid uncontrolled machine movement, block the wheels and ensure machine is on a level surface before disengaging the electromagnetic brake.

**See Figure 4-3.** The Drive Wheel Assembly (4) has a built in electromagnetic brake that is engaged whenever the machine power is OFF or the Drive Pedal (3) is not being pressed. This brake can be manually overridden if necessary by inserting a medium to large screwdriver behind the Yoke (AC) as shown. This should only be done in the event you need to push or pull the unit a short distance.



## CHARGING WET BATTERIES

Charge the batteries each time the machine is used or when the Battery Charge Level Indicator (**C3**) is reading less than full.

### **⚠ WARNING!**

Do not top off the batteries before charging. Check to ensure the plates are covered only.

Charge batteries in a well-ventilated area. If battery acid makes contact with your skin, flush the affected area with water for 5 minutes and seek medical attention.

**FIGURE 4-4**

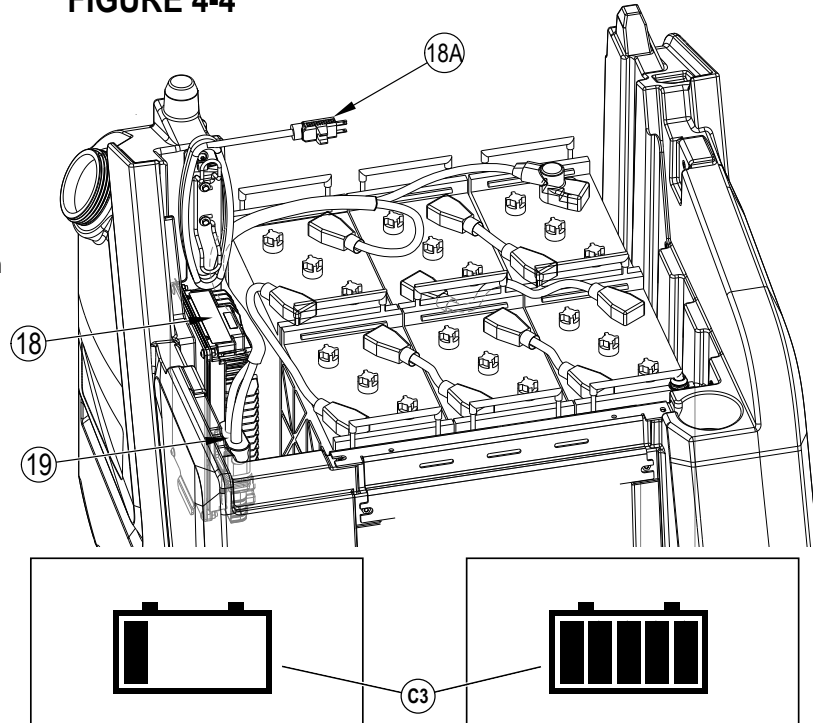
Do not smoke while servicing the batteries.

#### When Servicing Batteries...

- \* Remove all jewelry
- \* Do not smoke
- \* Wear safety glasses, rubber gloves and a rubber apron
- \* Work in a well-ventilated area
- \* Do not allow tools to touch more than one battery terminal at a time
- \* ALWAYS disconnect the negative (ground) cable first when replacing batteries to prevent sparks.
- \* ALWAYS connect the negative cable last when installing batteries.

#### If your machine shipped with an onboard battery charger do the following:

- 1 Turn the machine off at the Power Switch (**H**).
- 2 **See Figure 4-4.** Tip the seat forward (gas spring holds the seat open) for battery, charger access and proper ventilation.
- 3 Unwind the electrical cord (**18A**) for the onboard charger and plug it into a properly grounded outlet. Refer to the OEM product manual for more detailed operating instructions. While AC power is applied to the onboard charger all machine functions are disabled.



- 4 The Battery Charge Status Indicator (**C3**) will begin showing the batteries' state of charge. This indicates that the charging cycle has begun. As the charging cycle continues, the battery charge level will fill in.
- 5 When the Battery Charge Status Indicator (**C3**) is completely filled, the machine senses fully charged batteries, however the charging process may not be complete. Rely on the status lights on the Charger (**18**) (and its OEM manual) to verify when the batteries are completely charged. This may take several hours depending upon the condition of the batteries before charging.
- 6 After charging is complete unplug the charger and wind up the Cord (**18A**). Wait at least 10 seconds before turning on the machine after unplugging the charger.

#### If your machine shipped without an onboard battery charger do the following:

- 1 Turn the machine off at the Power Switch (**H**).
- 2 **See Figure 4-4.** Tip the seat forward for battery access and proper ventilation, gas spring holds seat open.
- 3 Disconnect the batteries from the machine and push the connector from the charger into the Machine Battery Connector (**19**). Follow the instructions on the battery charger and OEM product manual. **SERVICE NOTE:** Make sure you plug the battery charger into the connector that attaches to the batteries.

### **⚠ CAUTION!**

To avoid damage to floor surfaces, wipe water and acid from the top of the batteries after charging. Under or overcharging will shorten battery life and limit performance. Be sure to FOLLOW PROPER CHARGING INSTRUCTIONS!

## CHECKING THE BATTERY WATER LEVEL

Check the water level of the batteries at least once a week.

Remove the vent caps and check the water level in each battery cell. Use distilled or demineralized water in a battery filling dispenser (available at most auto parts stores) to fill each cell to the level indicator (or to .39 inches / 10 mm over the top of the separators). DO NOT over-fill the batteries!

### **⚠ CAUTION!**

Acid can spill onto the floor if the batteries are overfilled.

Tighten the vent caps. Wash the tops of the batteries with a solution of baking soda and water (2 tablespoons of baking soda to 1 liter of water).

## CHARGING GEL/AGM (VRLA) BATTERIES

Charge the batteries each time the machine is used or when the Battery Charge Level Indicator (**C3**) is reading less than full.

### **WARNING!**

Charge batteries in a well-ventilated area. If battery acid makes contact with your skin, flush the affected area with water for 5 minutes and seek medical attention.

Do not smoke while servicing the batteries.

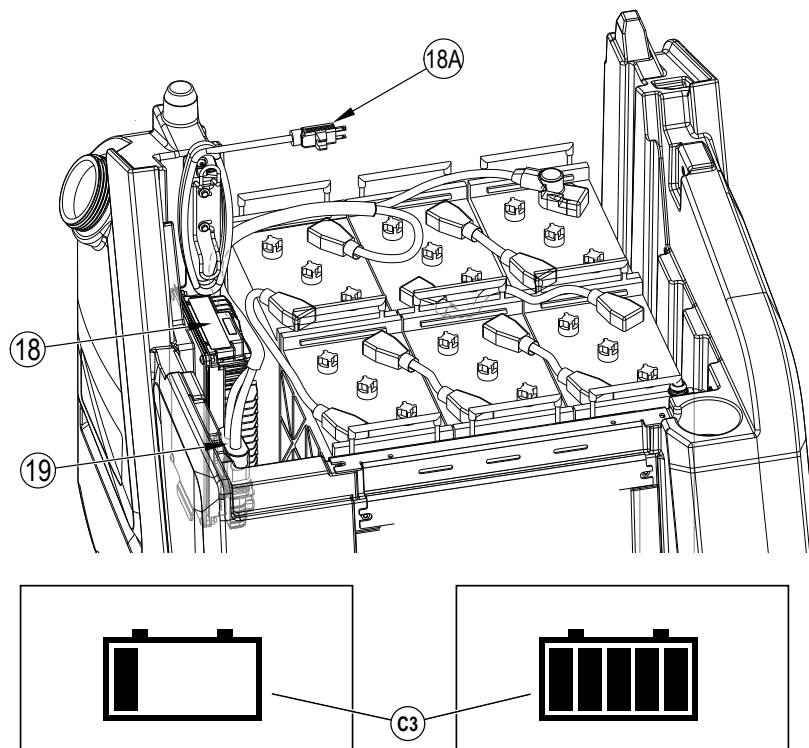
**FIGURE 4-4**

#### When Servicing Batteries...

- \* Remove all jewelry
- \* Do not smoke
- \* Wear safety glasses, rubber gloves and a rubber apron
- \* Work in a well-ventilated area
- \* Do not allow tools to touch more than one battery terminal at a time
- \* ALWAYS disconnect the negative (ground) cable first when replacing batteries to prevent sparks.
- \* ALWAYS connect the negative cable last when installing batteries.

### **CAUTION!**

Your valve regulated lead acid (VRLA) battery will deliver superior performance and life ONLY IF IT IS RECHARGED PROPERLY! Under or overcharging will shorten battery life and limit performance. Be sure to FOLLOW PROPER CHARGING INSTRUCTIONS! DO NOT ATTEMPT TO OPEN THIS BATTERY! If a VRLA battery is opened, it loses its pressure and the plates become oxygen contaminated. THE WARRANTY WILL BE VOIDED IF THE BATTERY IS OPENED.



#### If your machine shipped with an onboard battery charger do the following:

- 1 Turn the machine off at the Power Switch (**H**).
- 2 **See Figure 4-4.** Tip the seat forward for battery, charger access and proper ventilation, gas spring holds the seat open.
- 3 Unwind the electrical cord (**18A**) for the onboard charger and plug it into a properly grounded outlet. Refer to the OEM product manual for more detailed operating instructions. While AC power is applied to the onboard charger all machine functions are disabled.
- 4 The Battery Charge Status Indicator (**C3**) will begin showing the batteries' state of charge. This indicates that the charging cycle has begun. As the charging cycle continues, the battery charge level will fill in.
- 5 When the Battery Charge Status Indicator (**C3**) is completely filled, the machine senses fully charged batteries, however the charging process may not be complete. Rely on the status lights on the Charger (**18**) (and its OEM manual) to verify when the batteries are completely charged. This may take several hours depending upon the condition of the batteries before charging.
- 6 After charging is complete unplug the charger and wind up the Cord (**18A**). Wait at least 10 seconds before turning on the machine after unplugging the charger.

#### If your machine shipped without an onboard battery charger do the following:

- 1 Turn the machine off at the Power Switch (**H**).
- 2 **See Figure 4-4.** Tip the seat forward for battery access and proper ventilation, gas spring holds the seat open.
- 3 Disconnect the batteries from the machine and push the connector from the charger into the Machine Battery Connector (**19**). Follow the instructions on the battery charger and OEM product manual. **SERVICE NOTE:** Make sure you plug the battery charger into the connector that attaches to the batteries.

**IMPORTANT:** Make sure you have an appropriate charger for use on Gel cell batteries. Use only "voltage-regulated" or "voltage-limited" chargers. Standard constant current or taper current chargers **MUST NOT** be used. A temperature-sensing charger is recommended, as manual adjustments are never accurate and will damage any VRLA battery.

## SQUEEGEE MAINTENANCE

If the squeegee leaves narrow streaks or water, the blades may be dirty or damaged. Remove the squeegee, rinse it under warm water and inspect the blades. Reverse or replace the blades if they are cut, torn, wavy or worn.

### To Reverse or Replace the Rear Squeegee Wiping Blade...

- 1 See **Figure 4-5**. Raise the squeegee tool off the floor, then unsnap the Latch **(AA)** on the squeegee tool.
- 2 Remove the Tension Strap **(AB)**.
- 3 Slip the Rear Blade **(AJ)** off the alignment pins.
- 4 The squeegee blade has 4 working edges as shown below. Turn the blade so a clean, undamaged edge faces toward the front of the machine. Replace the blade if all 4 edges are nicked, torn or worn to a large radius.
- 5 Install the blade, following the steps in reverse order and adjust the squeegee tilt.

### To Reverse or Replace the Front Squeegee Blade...

- 1 Raise the squeegee tool off the floor, then loosen the (2) Thumb Nuts **(31)** on top of the squeegee and remove the squeegee tool from the mount **(AG)**.
- 2 Loosen the Front Squeegee Blade Removal Thumb Nut **(AC)**, then remove Tension Strap **(AD)** and Front Blade **(AK)**.
- 3 The squeegee blade has 4 working edges as shown below. Turn the blade so a clean, undamaged edge faces toward the front of the machine. Replace the blade if all 4 edges are nicked, torn or worn to a large radius.
- 4 Install the blade, following the steps in reverse order and adjust the squeegee tilt/angle.

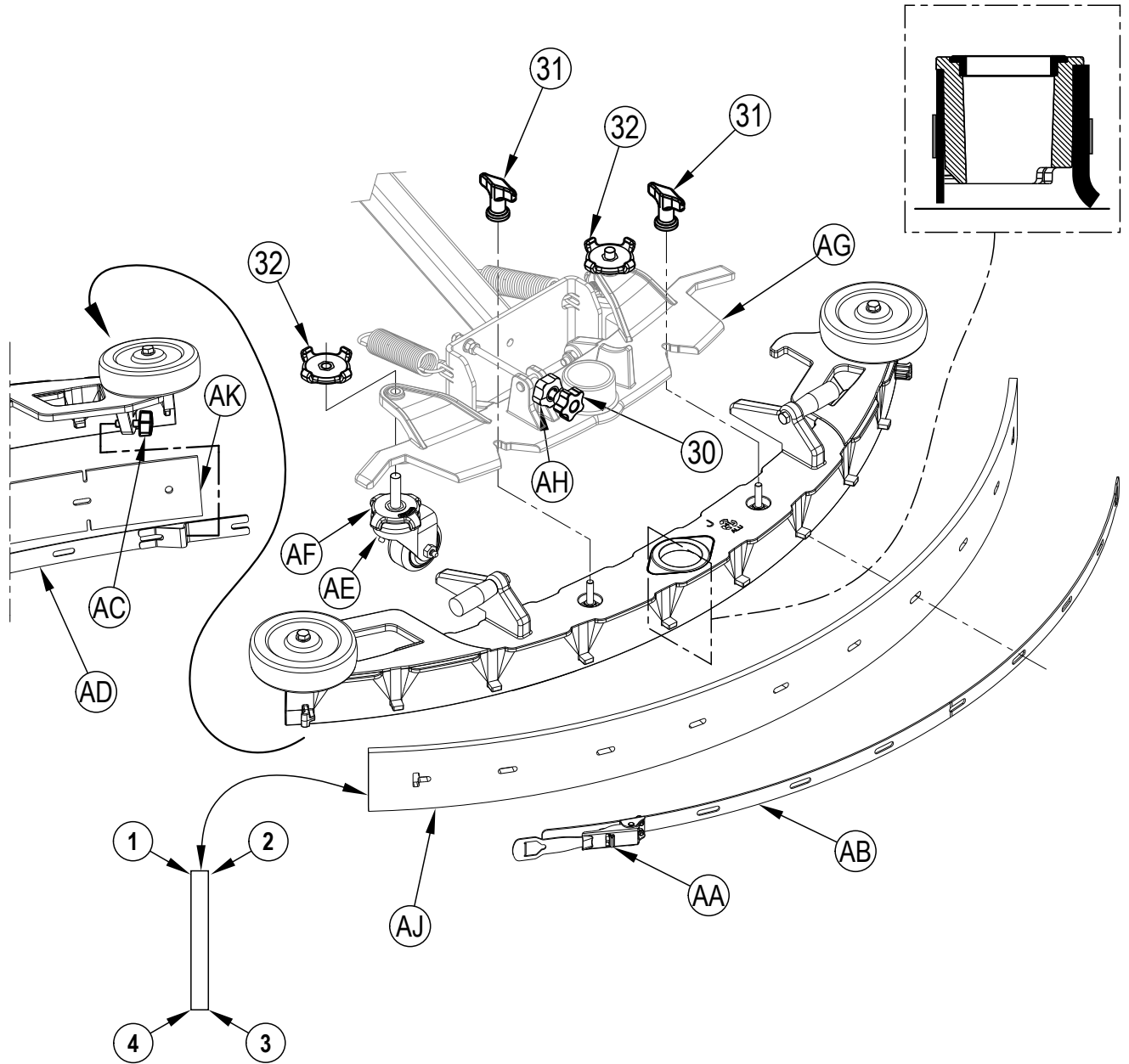
## SQUEEGEE ADJUSTMENT

There are two squeegee tool adjustments possible, tilt and height.

Adjust the squeegee tilt whenever a blade is reversed or replaced, or if the squeegee is not wiping the floor dry.

- 1 Park the machine on a flat, even surface.
- 2 Lower the squeegee, move the machine ahead slightly and adjust the squeegee tilt and height using the Squeegee Tilt Adjust Knob **(30)** and Squeegee Caster Lock Knobs **(32)** so that the rear squeegee blade touches the floor evenly across its entire width and is bent over slightly as shown in the squeegee cross section.
- 3 Squeegee height is pre-set at the factory but may require periodic adjustment due to caster wear. Proper squeegee height is achieved when the rear squeegee blade touches the floor evenly across its entire width and is bent over slightly with the caster wheel just touching the floor.
  - a. Loosen Caster Lock Knobs **(32)**.
  - b. Thread Casters **(AE)** up or down as required to achieve proper height and ensure blade position is uniform left to right.
  - c. Tighten Caster Stops **(AF)** against squeegee mount **(AG)**.
  - d. Tighten Squeegee Caster Lock Knobs **(32)** against squeegee mount to lock adjustment.
- 4 The Tilt Adjust Knob **(30)** is used to adjust the tool tilt/angle for uniform contact from center to tips of blade.
  - a. Loosen Tilt Stop Knob **(AH)**.
  - b. Turn Tilt Adjust Knob as required to adjust.
  - c. Tighten Tilt Stop Knob **(AH)** against the squeegee mount to lock adjustment.

**SQUEEGEE MAINTENANCE - CONTINUED**  
**FIGURE 4-5**



## SIDE BLADE MAINTENANCE

The side blades' function is to channel the waste water to the squeegee, helping contain the water within the machines cleaning path. During normal use the blades will wear in time. The operator will notice a small amount of water leaking out underneath the side blades. A height adjustment can easily be made to lower the blades so that all the water can be picked up by the squeegee.

### DISC - To reverse or replace the scrub system side blades ...

- 1 **See Figure 4-6.** Loosen the two Side Blade Assembly Removal Knobs **(16)** (2 per side) and pull the Side Blade Assembly **(AA)** slightly forward and then off the scrub deck.
- 2 Loosen the two Thumb Nuts **(AL)** then rotate the two Retainers **(AB)** to be horizontal and separate the blade from the retainer strap.
- 3 The main side blade has 4 working edges as shown. Turn the blade so a clean, undamaged edge faces toward the center of the machine. Replace the blades as a set if all edges are nicked, torn or worn beyond their ability to be adjusted.
- 4 Reinstall the blade onto the blade assembly and secure with Retainers **(AB)** by rotating back to the vertical position and tighten Thumb Nuts **(AL)**. Adjust the blade height for proper contact to the floor when the brush deck is placed in the scrub position. See "Side Blade Height Adjustment" section.

### CYLINDRICAL - To reverse or replace the scrub system side blades ...

- 1 **See Figure 4-7.** Unlatch the retaining strap **(AD)** and remove the strap and blade.
- 2 The main side blade has 4 working edges as shown. Turn the blade so a clean, undamaged edge faces toward the center of the machine. Swap the right and left side blades to use the remaining two edges. Replace the blades as a set if all edges are nicked, torn or worn beyond their ability to be adjusted.
- 3 Reinstall the blade onto the blade assembly and secure by latching the retainer strap **(AD)**. Adjust the blade for proper contact to the floor when the brush deck is placed in the scrub position. See "Side Blade Height Adjustment" section.

## SIDE BLADE HEIGHT ADJUSTMENT

### DISC -

- 1 **See Figure 4-6.** The side blade assembly knob removal screw studs have leveling Adjuster Collars **(AC)**, that are to be raised or lowered to compensate for blade wear.
- 2 Make sure the machine is on a level surface.
- 3 Lower the scrub deck by pressing the One-Touch Scrub Switch **(M)** and drive the machine forward a short distance to ensure the blades fold over.
- 4 Observe blade fold over.
- 5 The side blade Removal Knobs **(16)** can be loosened with assembly left on and the Adjuster Collars **(AC)** rotated by reaching under the blade assembly.
- 6 Turn the Adjuster Collars **(AC)** (Up or Down) to where the blades just fold over enough when scrubbing that all the waste water is contained inside the scrub deck.

Note: Make small adjustments to obtain good blade wiping. Do not lower the blades too much to where they fold over excessively and cause unneeded blade wear.

### CYLINDRICAL -

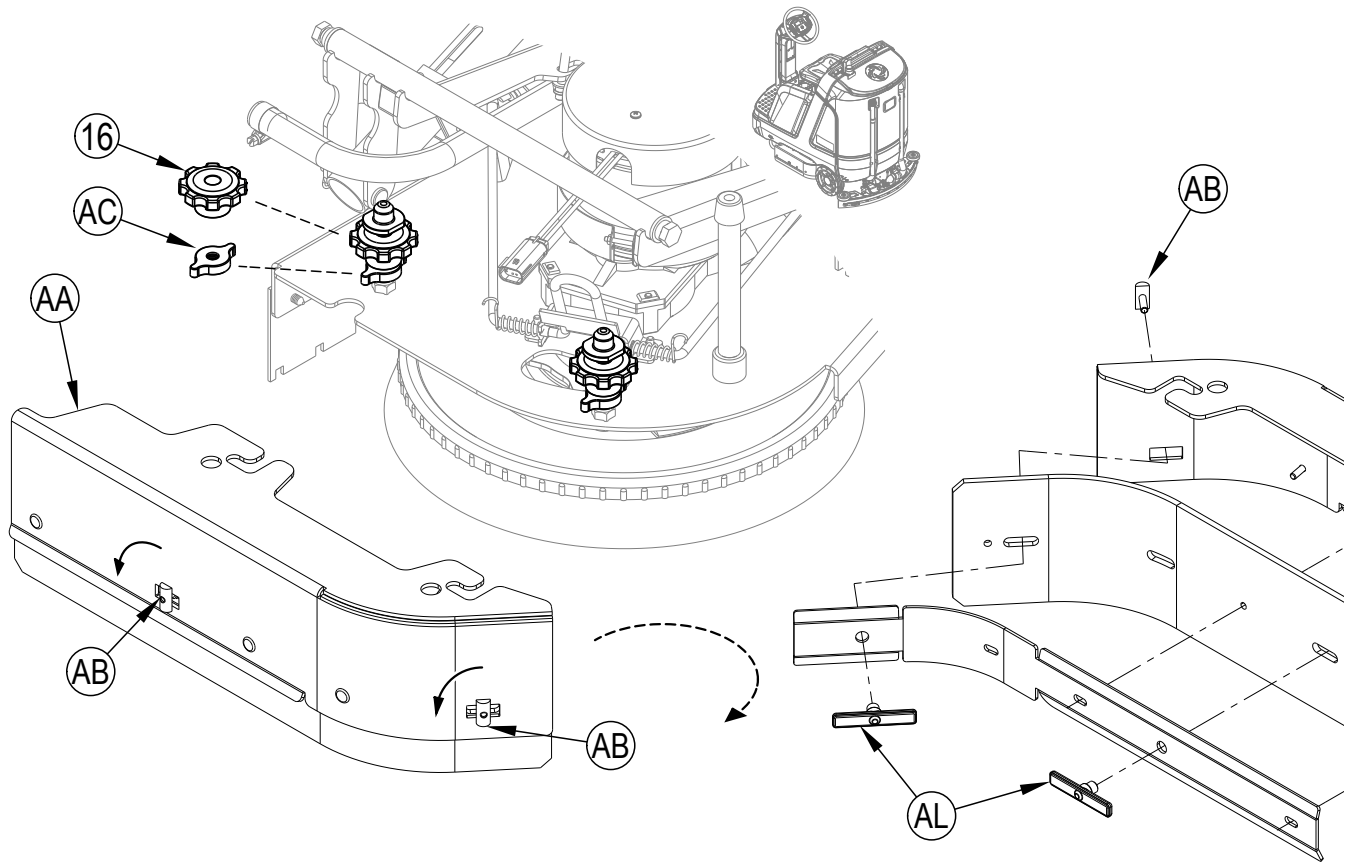
- 1 **See Figure 4-7.** Each side blade assembly has a Down Stop **(AE)**, that can be raised or lowered to compensate for blade wear.
- 2 Make sure the machine is on a level surface.
- 3 Lower the scrub deck by pressing the One-Touch Scrub Switch **(M)** and drive the machine forward a short distance to ensure the blades fold over.
- 4 Observe blade fold over.
- 5 Loosen the Down Stop **(AE)** and adjust (Up or Down) to where the blades just fold over enough when scrubbing that all waste is contained inside the scrub deck.

Note: Make small adjustments to obtain good blade wiping. Do not lower the blades too much to where they fold over excessively and cause unneeded blade wear.

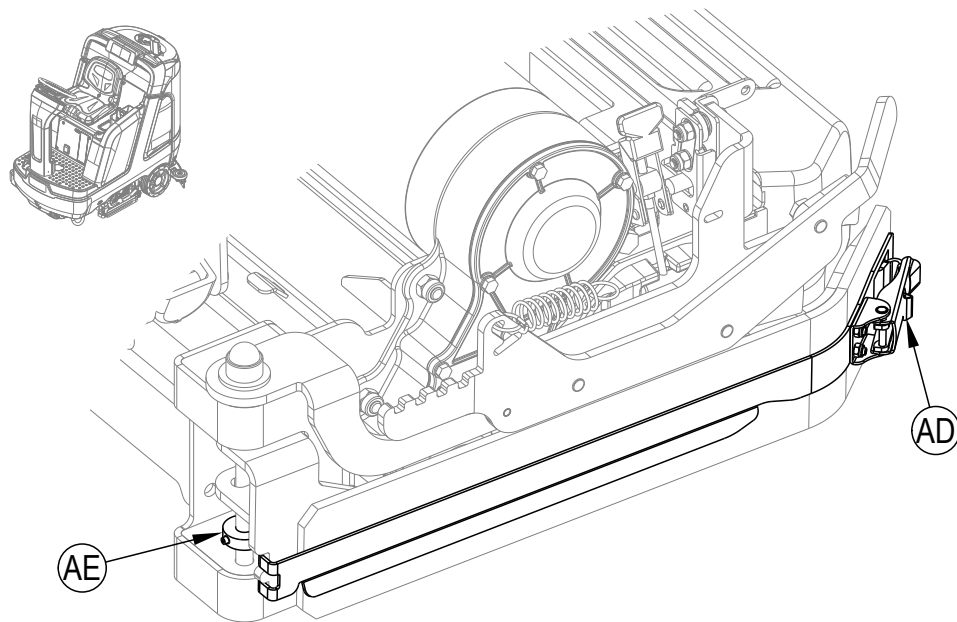


**SIDE BLADE MAINTENANCE - CONTINUED**

**FIGURE 4-6**

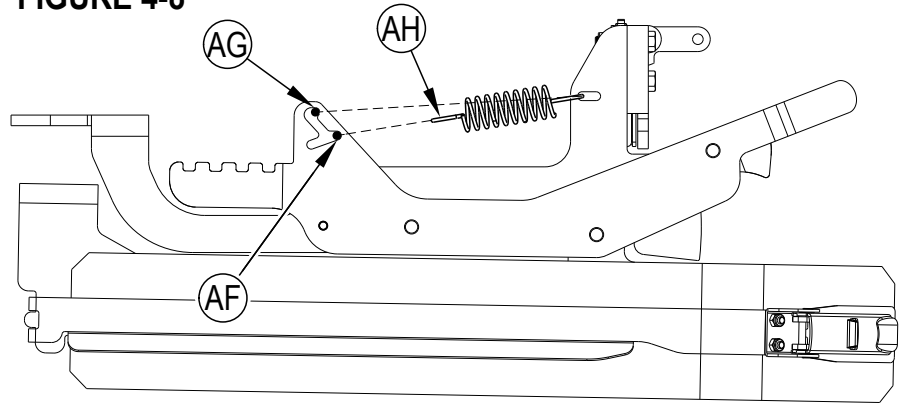


**FIGURE 4-7**

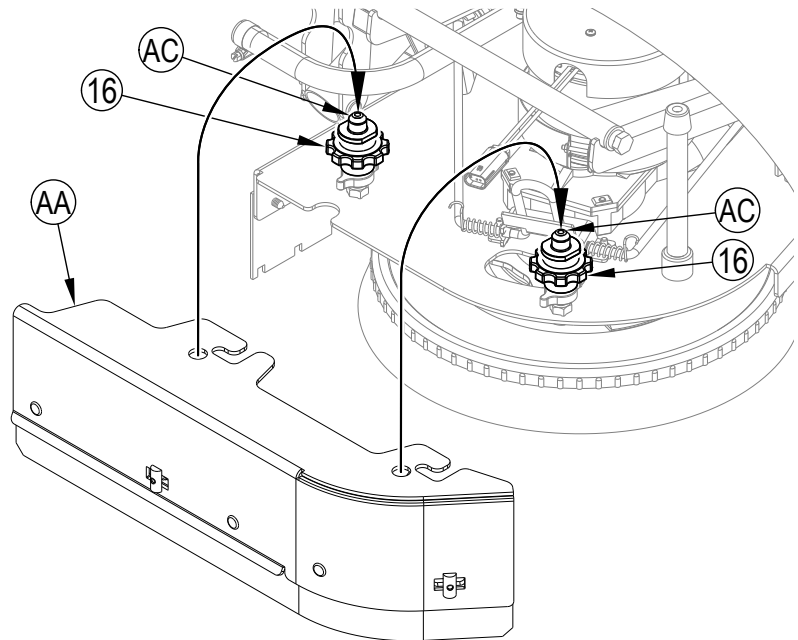


**SIDE BLADE PRESSURE ADJUSTMENT - CYLINDRICAL ONLY**

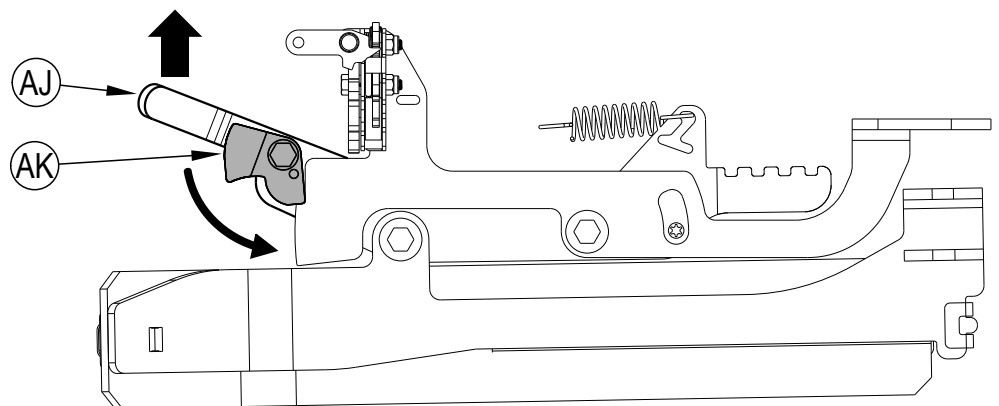
- 1 The cylindrical scrub deck side blades have two settings for down pressure. **See Figure 4-8.**
- 2 Position 1 (**AF**) is normal wiping pressure, it is recommended to start at this setting. Position 2 (**AG**) is heavy wiping pressure, this setting can be used if wiping performance is not satisfactory. **NOTE:** Position 2 will cause faster blade wear.
- 3 Pull the end of Spring (**AH**) and move between the two settings. Use the same setting on both sides of the scrub deck.

**FIGURE 4-8****SIDE BLADE - DOUBLE SCRUB POSITION****DISC -**

- 1 **See Figure 4-9.** Loosen Side Blade Assembly Removal Knobs (**16**) and remove the Side Blade Assemblies (**AA**).
- 2 Place the Blade Assemblies (**AA**) onto the Blade Assembly Holders (**AC**) at the round holes in the blade assemblies. Repeat for blade assembly on the other side of the scrub deck.
- 3 When finished double scrubbing with the machine, reinstall Side Blade Assemblies into their normal operating position and tighten Removal Knobs (**16**).

**FIGURE 4-9****CYLINDRICAL -**

- 1 **See Figure 4-10.** Lift up on Blade Raise/Lower Lever (**AJ**) to raise blade. While holding the lever in the raised position, rotate and engage the Latch (**AK**).
- 2 When finished double scrubbing with the machine, lift up on Raise/Lower Lever (**AJ**) again and disengage the Latch (**AK**) and lower side blade back to its normal operating position.

**FIGURE 4-10**

Left Side Blade Assembly shown raised in the double scrub position, inside view for clarity.


## TROUBLESHOOTING

## GENERAL MACHINE TROUBLESHOOTING

Problem	Possible Cause	Remedy
Poor water pick-up	Worn or torn squeegee blades	Reverse or replace
	Squeegee out of adjustment	Adjust so blades touch floor evenly across entire width
	Recovery tank full	Empty recovery tank
	Recovery tank drain hose leak	Secure drain hose cap or replace
	Recovery tank cover gasket leak	Clean gasket and sealing surface / Replace gasket if damaged / Seat cover properly
	Debris caught in squeegee	Clean squeegee tool
	Squeegee seal clogged or missing	Clean or replace squeegee seal
	Vacuum hose clogged	Remove debris
	Using too much solution	Reduce flow via control panel solution button
	Foam filter cover not seated	Seat cover properly
Poor scrubbing performance	Worn brush or pad	Rotate or replace brushes
	Wrong brush or pad type	Consult Advance Authorized Service Center
	Wrong cleaning chemical	Consult Advance Authorized Service Center
	Moving machine too fast	Slow down
	Not using enough solution	Increase flow via control panel solution button
Inadequate solution flow or no solution	Solution tank empty	Fill solution tank
	Solution lines, valves, filter or trough clogged	Flush lines, trough and clean solution filter
	Solution turned OFF	Activate solution flow via control panel switch (F) Rotate Solution Shutoff Valve (37) to ON
	Solution solenoid valve plugged or defective	Clean or replace valve <b>(contact Advance Authorized Service Center)</b>
Machine does not power ON	Machine Battery Connector (19) disconnected	Reconnect battery connectors
	Tripped 70 Amp circuit breaker (10a)	Check for electrical short circuit & reset
	Blown Main Fuse 150 Amp	Replace Main Fuse 150 Amp
No FWD/REV wheel drive	Seat switch open	Sit on the seat to close seat switch
	Drive system speed controller	Check error fault codes <b>(contact Advance Authorized Service Center)</b>
	Emergency Stop Switch (A) activated, display will show Emergency Stop Activated Indicator (C20).	Reset Emergency Stop Switch
Poor Sweeping Performance (Cylindrical System)	Hopper Full	Empty and clean hopper
	Brushes worn	Replace brushes
	Bristles have taken a set	Rotate brushes
No Detergent Flow (EcoFlex models only)	Empty detergent cartridge	Fill detergent cartridge
	Plugged or kinked detergent flow line	Purge system, straighten lines to remove any kinks
	Dry seal cap on detergent cartridge not sealed	Reseat dry seal cap
	Detergent pump failure	Check pump, wiring and lines
Magnetic SmartKey Errors	No Key Indicator (C21). -No Magnetic SmartKey is present on the SmartKey Reader (22).	Place an appropriate SmartKey onto the SmartKey Reader. Clean both the SmartKey and the SmartKey Reader using a clean cloth. Depress the SmartKey between your thumb and forefinger to insure free movement of the magnet.
	Key Read Error Indicator (C22). -Magnetic SmartKey present on the SmartKey Reader (22) cannot be read.	Clean both the SmartKey and the SmartKey Reader using a clean cloth. Depress the SmartKey between your thumb and forefinger to insure free movement of the magnet.
	Restricted User Key Indicator (C23). -Magnetic SmartKey present on the SmartKey Reader (22) is not programmed to be used with this machine.	Place a SmartKey that has been programmed to be used with this machine onto the SmartKey Reader.

## GENERAL MACHINE TROUBLESHOOTING


### FAULT CODE DISPLAY

Any fault codes detected by the controllers will be displayed on the control panel display as they occur **see Figure 5-1**. If more than one error exists, the display will sequence through the error codes at one-second intervals. The error will display as a mechanical wrench symbol  followed by a four-digit code.

Fault codes are displayed as X-YYY, where

X = system number (1: main board, 2: power module, 3: drive controller)

YYY = fault code number

For example,  1-101 would be solution solenoid valve – short.

**C2** Active Fault Code

**C24** Critical Fault Indicator

**C25** Fault Code (Critical)

**FIGURE 5-1**



### FAULT CODE HISTORY

Every fault code that occurs is recorded by the machine and kept in a history log. See Figures 5-2 - 5-4. To view the fault history press the Information Switch (B) to bring up the information menu. Use the four Navigation Arrows (B1) (up, down, left & right) to move through the menu and the information switch to exit the menu.

FIGURE 5-2

Scroll down to Faults, right arrow to select.

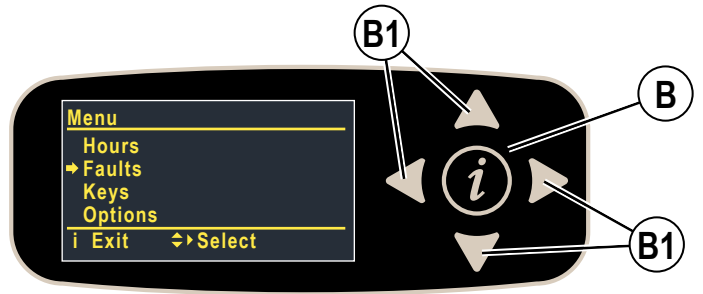
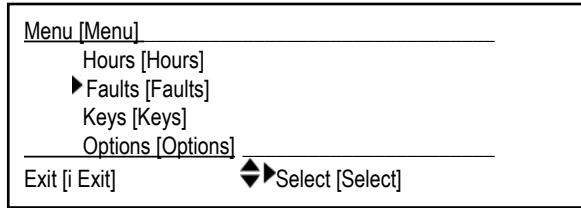


FIGURE 5-3

Scroll down to Fault History, right arrow to select.

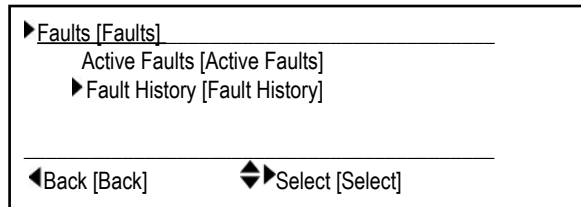
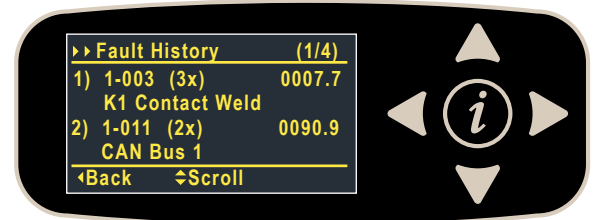
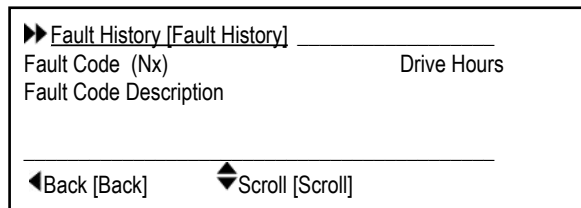


FIGURE 5-4

Each fault is displayed along with; (Nx) where “N” is the number of times the fault has occurred, the timestamp shows the most recent occurrence and description. Use the up and down arrows to scroll through the list of faults.



**SPECIFICATIONS****ACCESSORIES / OPTIONS**

In addition to the standard components, the machine can be equipped with the following accessories/options, according to the machine specific use:

Brushes with harder or softer bristles	Operator Foot Guard Kit
Squeegee and side blades with different material	Scrub-N-Vac Tool Kit
Dual Vacuum Motor Kit	Vacuum Wand Kit
Blue Light Kit	Headlight Kit
Standard Seat Kit	Squeegee Guard Kit
Overhead Guard Kit	Arm Rest Kit
Seat Belt Kit	EcoFlex Kit
Battery Watering Kit	Heavy Duty Front Bumper Kit
Wash Hose Kit	Mop Holder Kit
Onboard Charger Kit	Drain Hose Extension
Multicon Kit	Right Hand Broom Kit
Solution Auto-Fill Kit	

For further information about the above-mentioned accessories, contact an authorized Retailer.

**MATERIAL COMPOSITION AND RECYCLABILITY**

<b>Material Composition and Recyclability</b>		
<b>Type</b>	<b>% of machine weight</b>	<b>% recyclable</b>
Aluminum	5%	100%
Electrical / motors / engines - misc.	17%	80%
Ferrous metals	43%	100%
Harnesses / cables	1%	90%
Liquids	0%	0%
Plastic - non-recyclable	3%	0%
Plastic - recyclable	5%	100%
Polyethylene	25%	100%
Rubber	1%	0%

**SOLUTION FLOW RATES**

	<b>Standard Flow Rates*</b>			<b>Override Flow Rate**</b>
	1 bar	2 bars	3 bars	4 bars
32 Cylindrical	0.70 GPM / liters/minute	0.84 GPM / liters/minute	1.00 GPM / liters/minute	1.50 GPM / liters/minute
36 Cylindrical	0.70 GPM / liters/minute	0.84 GPM / liters/minute	1.00 GPM / liters/minute	1.50 GPM / liters/minute
34 Disc	0.70 GPM / liters/minute	0.84 GPM / liters/minute	1.00 GPM / liters/minute	2.00 GPM / liters/minute

\* These values are for Fixed Flow mode. Flow rates are set to be roughly constant (about +/-10%) over the full range of tank capacity.

\*\* These are maximum values with a full solution tank.

## TECHNICAL SPECIFICATIONS

### (AS INSTALLED AND TESTED ON THE UNIT)

Model		SC5000 32C	SC5000 36C	SC5000 34D
Model No.		56117001	56117003	56117004
Voltage, Batteries	V	36V	36V	36V
Battery Capacity (max)	Ah C20	420	420	420
Protection Grade, Operating		Class 3	Class 3	Class 3
Protection Grade, Charging		Class 1	Class 1	Class 1
Sound Pressure Level IEC 60335-2-72: 2002 Amend. 1:2005, ISO 11203, ISO 3744	dB(A)/20μPa	63	63	61
Sound Pressure level - KpA (IEC 60335-2-72, ISO 11203) Uncertainty	dB(A)	3.0	3.0	3.0
Gross Vehicle Weight*	lbs / kg	1876 / 850	1886 / 855	1870 / 848
Transportation Weight**	lbs / kg	1416 / 642	1426 / 646	1410 / 640
Maximum Wheel Floor Loading (center front)	psi / kg/cm <sup>2</sup>	177.7 / 12.5	184.1 / 12.9	182.1 / 12.8
Maximum Wheel Floor Loading (right rear)	psi / kg/cm <sup>2</sup>	169.8 / 11.9	167.5 / 11.8	161.3 / 11.3
Maximum Wheel Floor Loading (left rear)	psi / kg/cm <sup>2</sup>	187.4 / 13.2	183.6 / 12.9	173.5 / 12.2
Vibrations at the Hand Controls (ISO 5349-1)	m/s <sup>2</sup>	1.14	1.14	1.14
Vibrations at the Seat (EN 1032)	m/s <sup>2</sup>	0.19	0.19	0.19
Gradeability Transport*	% (°)	20 / 11	20 / 11	20 / 11
Gradeability Cleaning*	% (°)	12 / 6.8	12 / 6.8	12 / 6.8
Machine Length	inch / cm	62.6 / 159		
Machine Height	inch / cm	57.7 / 146		
Machine Height (w/overhead guard)	inch / cm	79 / 200		
Machine Width	inch / cm	37.5 / 95	41.3 / 105	37.5 / 95
Machine Width with Squeegee	inch / cm	43 / 109 "J"	43 / 109 "J"	43 / 109 "J"
Minimum Aisle Turn Width	inch / cm	66 / 168		
Solution Tank Capacity	Gallon / L	37 / 140		
Recovery Tank Capacity	Gallon / L	38.8 / 147		
Transport Speed (Fwd. Maximum)	mph / kph	5 / 8		
Transport Speed (Rev. Maximum)	mph / kph	3 / 4.8		
Battery Compartment Size (approximate)				
Height (maximum)	inch / cm	17.1 / 43.5		
Width (maximum)	inch / cm	21.8 / 55.5		
Length (maximum)	inch / cm	24.8 / 62.9		
Scrub brush size				
Outside Scrub Brush Diameter - <b>Cylindrical</b> (inside core is Ø 1.75 in / 4.5 cm)	inch / cm	Ø 5.75 / 14.6	Ø 5.75 / 14.6	—
Scrub Brush Length - <b>Cylindrical</b> (two brushes per machine)	inch / cm	31.1 / 78.9	35.1 / 89.1	—
Brush Diameter - <b>Disc</b> (Quantity of 2)	inch / cm	—	—	Ø 17.0 / 43.2
Scrub Brush Speed	<b>Cylindrical</b>	RPM	776.5	776.5
	<b>Disc</b>	RPM	—	250
Hopper Capacity - <b>Cylindrical</b>	in <sup>3</sup> / L	575 / 9.4	652 / 10.7	—
Cleaning Path Width (scrubbing path)	inch / cm	31.6 / 80.3	35.6 / 90.5	33.2 / 84.3
Sweeping Path with optional side broom - <b>Cylindrical</b>	inch / cm	37.4 / 95.0	37.4 / 95.0	—

\*Gross Vehicle Weight: Standard machine without options, full solution tank and empty recovery tank, with removable scrub brushes, batteries installed and 165 lb / 75 kg operator.

\*\*Transportation Weight: Standard machine without options, empty solution and recovery tanks, with batteries installed and no operator.

**ÍNDICE**

<b>Introducción.....</b>	<b>3</b>	<b>Funcionamiento de la máquina.....</b>	<b>24</b>
Piezas y servicio.....	3	Puesta en marcha de la máquina.....	24
Modificaciones.....	3	Detención de la máquina.....	24
Placa de identificación.....	3	Aspiración húmeda.....	26
Desembalaje de la máquina.....	4	Después del uso.....	27
Transporte de la máquina.....	4		
<b>Precauciones y advertencias .....</b>	<b>5</b>	<b>Mantenimiento .....</b>	<b>27</b>
<b>Normativa .....</b>	<b>7</b>	Programa de mantenimiento .....	27
<b>Conozca su máquina.....</b>	<b>8</b>	Limpieza del depósito de recuperación.....	28
Panel de control .....	10	Limpieza del filtro de la solución .....	28
Pantalla del menú de información .....	12	Cómo lubricar la máquina .....	29
SmartKey magnética .....	14	Freno electromagnético.....	29
<b>Preparación de la máquina para su uso.....</b>	<b>14</b>	Carga de baterías húmedas.....	30
Baterías .....	14	Carga de las baterías de GEL/AGM (VRLA).....	31
Instalación de las baterías.....	14	Mantenimiento del limpiador .....	32
Instale los cepillos (sistema de disco).....	16	Ajuste del limpiador .....	32
Instale los cepillos (sistema cilíndrico).....	17	Mantenimiento de la hoja lateral .....	34
Llenado del depósito de la solución .....	18	Ajuste de la altura de la hoja lateral .....	34
Indicador del depósito de la solución .....	18	Ajuste de presión hoja lateral - Solo cilíndrico .....	36
Instalación del limpiador.....	19	Hoja lateral - Posición de fregado doble .....	36
Preparación del sistema de detergente			
(solo modelos EcoFlex).....	20	<b>Localización de averías .....</b>	<b>37</b>
Llene el cartucho de detergente.....	20	Localización de averías generales de la máquina .....	37
Purga del sistema de detergente (solo modelos EcoFlex)...	21	Pantalla de códigos de averías .....	38
Uso del sistema de detergente (EcoFlex) .....	22	Histórico de códigos de averías .....	39
		<b>Especificaciones .....</b>	<b>40</b>
		Accesorios/opciones .....	40
		Composición de materiales y reciclabilidad .....	40
		Caudales de la solución .....	40
		Especificaciones técnicas .....	41



## INTRODUCCIÓN

Este manual le ayudará a obtener el máximo rendimiento de su fregadora Advance. Léalo por completo antes de poner en funcionamiento la máquina.

**Nota: Los números en negrita y entre paréntesis indican un tema ilustrado entre las páginas 8 – 11.**

Esta máquina está destinada para uso comercial, por ejemplo en hoteles, escuelas, fábricas, tiendas, oficinas y negocios de alquiler. La máquina Advance SC5000 es una fregadora de suelos a batería.

## ADVERTENCIA:

El funcionamiento de esta máquina está estrictamente reservado a los operadores capacitados y calificados.

## ¡ATENCIÓN!

- Tenga cuidado al operar esta máquina. Asegúrese de estar completamente familiarizado con todas las instrucciones de operación antes de usar esta máquina. Si tiene cualquier pregunta, contacte a su supervisor o al distribuidor Advance de su localidad.
- Si la máquina tiene fallas, no intente corregir el problema a menos que su supervisor se lo ordene. Haga que un mecánico calificado de la empresa o la persona de servicio de un distribuidor autorizado de Advance lleve a cabo las correcciones necesarias al equipo.
- Extreme los cuidados al trabajar con esta máquina. La ropa suelta, el pelo largo y las joyas pueden atorarse en las partes en movimiento. Antes de dar servicio a la máquina, ponga el interruptor de encendido en la posición de apagado y quite la llave magnética. Use el sentido común, practique buenos hábitos de seguridad y preste atención a las calcomanías amarillas en esta máquina.
- En planos inclinados maneje la máquina despacio.
- La inclinación máxima nominal para el lavado es de 12% (6,8°). La inclinación máxima nominal para el transporte es de 20% (11°).

## PIEZAS Y SERVICIO

Las reparaciones, cuando sean necesarias, deben ser realizadas por Nilfisk, Inc., que utiliza personal de servicio formado en fábrica y lleva un inventario de las piezas de repuesto y accesorios Advance originales.

Llame a Nilfisk Inc. para lo referente a piezas de repuesto y servicio. Especifique el modelo y número de serie cuando hable de su máquina.

## MODIFICACIONES

Cualquier modificación y adición a la máquina limpiadora, que afecte su capacidad y operación segura no podrá hacerla el cliente ni el usuario sin previa aprobación por escrito de Nilfisk, Inc. Las modificaciones no autorizadas invalidarán la garantía limitada y harán responsable al cliente de cualquier accidente que resulte.

## PLACA DE IDENTIFICACIÓN

El número de modelo (conocido también como número de pieza) y el número de serie de la máquina se muestran en la placa de identificación, situada en la parte trasera de la columna de dirección.

La fecha de fabricación, «Código de Fecha», está marcado en la placa de identificación. Código de fecha: A21, significa Enero de 2021.

Esta información es necesaria al solicitar repuestos para la máquina. Utilice el espacio a continuación para anotar el número de modelo y el número de serie de la máquina para futuras consultas.

N.º DE MODELO \_\_\_\_\_

N.º DE SERIE \_\_\_\_\_

## DESEMBALAJE DE LA MÁQUINA

Cuando le entreguen la máquina, inspeccione cuidadosamente el embalaje de envío en busca de daños. Si hay evidencia de daños, guarde el caja de envío (si procede) para poder inspeccionarlo. Póngase en contacto inmediatamente con el Departamento de Servicio al Cliente de Nilfisk para presentar una reclamación por daños de transporte. Para quitar la máquina del palet, consulte la hoja de instrucciones de desembalaje, adjunta con la máquina.

## TRANSPORTE DE LA MÁQUINA

### ¡ATENCIÓN!

Antes de transportar la máquina sobre un camión o remolque, asegúrese que: . .

- Que todos los tanques estén vacíos.
- Que todas las puertas de acceso estén firmemente abrochadas.
- Baje el cabezal de fregado y el limpiador, luego pulse el interruptor de parada de emergencia **(A)** o desconecte las baterías para evitar que suba al prender la máquina.
- Sujetar bien la máquina, de forma que quede segura – véanse los puntos de sujeción **(21)** en «Conozca su máquina». Utilice solo los puntos designados como «Puntos de sujeción» para fijar la máquina durante el transporte. El uso de cualquier otro punto de la máquina para sujetarla pueda causar daños o lesiones.
- El freno electromagnético de la máquina está activado (no anulado manualmente), véase la sección «Freno electromagnético», si fuese necesario.
- Que la máquina esté pagada y que se haya quitado la SmartKey magnética.

## PRECAUCIONES Y ADVERTENCIAS

### SÍMBOLOS

Nilfisk utiliza los símbolos que se indican más abajo para señalar situaciones potencialmente peligrosas. Siempre lea esta información cuidadosamente y anote los pasos necesarios para proteger a las personas y a las cosas.

#### ¡PELIGRO!

Se usa para advertir sobre aquellos peligros inmediatos que causan graves lesiones personales o la muerte.

#### ¡ADVERTENCIA!

Se usa para llamar la atención acerca de una situación que podría ocasionar graves lesiones personales.

#### ¡ATENCIÓN!

Se usa para llamar la atención sobre una situación que podría ocasionar lesiones personales leves o daños a la máquina u otros objetos.



Lea todas las instrucciones antes de utilizar el aparato.

## INSTRUCCIONES GENERALES DE SEGURIDAD

Se incluyen precauciones y advertencias específicas para advertirle de peligros potenciales de daño a la máquina o lesiones corporales.

Esta máquina está destinada para uso comercial, por ejemplo en hoteles, escuelas, fábricas, tiendas, oficinas y negocios de alquiler.

#### ¡ADVERTENCIA!

- Esta máquina solo será usada por personas debidamente capacitadas y autorizadas.
- Esta máquina no está diseñada para ser usada por personas (incluyendo niños) con capacidades disminuidas, tanto físicas, como sensoriales o mentales, ni carentes de experiencia o conocimientos, a menos que una persona responsable de su seguridad les haya dado instrucciones o les supervise en el uso de la máquina.
- Se debe vigilar a los niños para asegurarse de que no jueguen con el aparato.
- Cuando la máquina se usa cerca de donde hay niños se debe prestar mucha atención.
- Al estar en rampas o superficies inclinadas evite paradas bruscas. Evite giros bruscos. Al bajar rampas use la velocidad baja.
- Mantenga las chispas, flamas y materiales humeantes lejos de las baterías. Durante la operación normal se desprenden gases explosivos.
- Al cargar las baterías se produce gas de hidrógeno altamente explosivo. Cargue las baterías solo en áreas bien ventiladas, lejos de llamas libres. No fume mientras carga las baterías.
- Qúitese todos los accesorios de joyería cuando trabaje cerca de componentes eléctricos.
- Ponga el interruptor de encendido en la posición de apagado, quite la llave magnética y desconecte las baterías antes de dar servicio a componentes eléctricos.
- Nunca trabaje debajo de una máquina sin colocar bloques o soportes de seguridad para apoyar la máquina.
- No disperse agentes de limpieza inflamables, ni opere la máquina cerca o sobre estos agentes, ni en áreas donde existan líquidos inflamables.
- No limpie con un lavador a presión el panel de control del operador, ni el tablero de disyuntores ni las baterías.
- Utilice únicamente los cepillos provistos junto con el aparato o los especificados en el instructivo. El uso de otros cepillos podrá menoscabar la seguridad.
- Observe el peso en bruto del vehículo (GVW, por su sigla en Inglés) de la máquina al cargarla, conducirla, levantarla o soportarla.
- No use la máquina sin una estructura de protección contra caída de objetos (FOPS, por su sigla en inglés) en áreas donde sea probable que el operador resulte golpeado por objetos que caen.
- No deje la máquina sin vigilancia, sin antes estar bien seguro de que no se puede mover por sí misma.

**PRECAUCIONES Y ADVERTENCIAS - CONTINUACIÓN****⚠ ¡ATENCIÓN!**

- Esta máquina no está aprobada para su uso en carreteras o caminos públicos.
- Esta máquina no es adecuada para recoger polvo de sustancias peligrosas.
- Al operar esta máquina asegúrese de no poner en peligro a terceros, en especial a los niños.
- Antes de efectuar cualquier función de servicio, lea con cuidado todas las instrucciones de dicha función.
- No deje la máquina desatendida sin antes poner el interruptor de encendido en la posición de apagado y quitar la llave magnética.
- Ponga el interruptor de encendido en la posición de apagado y saque la llave magnética, antes de cambiar los cepillos y antes de abrir cualquier panel de acceso.
- Tome precauciones para evitar que el pelo, las joyas o la ropa suelta se atoren en las partes en movimiento.
- Tenga cuidado al mover esta máquina en condiciones de temperatura bajo cero. Cualquier cantidad de agua presente en los tanques de solución, de recuperación, de detergente, o en las mangueras, podría congelarse y dañar las válvulas y conexiones. Enjuáguelo con líquido de lavado de parabrisas.
- Antes de desguazar la máquina, retire las baterías. Las baterías deben desecharse de forma segura, de acuerdo con la reglamentación medioambiental vigente en su zona.
- **ATENCIÓN** - Esta máquina debe utilizarse únicamente en interiores.
- **ATENCIÓN** - Esta máquina debe almacenarse solamente en interiores.
- No usar en superficies con una inclinación mayor a la que está indicada en la máquina.
- Todas las puertas y cubiertas se deben colocar como está indicado en el instructivo antes de usar la máquina.
- Utilice solo los puntos designados como «Puntos de sujeción» para fijar la máquina durante el transporte. El uso de cualquier otro punto de la máquina para sujetarla pueda causar daños o lesiones.
- No ponga en funcionamiento la máquina en una pendiente diferente a la marcada en la placa de identificación.
- No transporte pasajeros en ninguna parte de la máquina.
- Para evitar usos no autorizados de la máquina, la fuente de energía debe apagarse o bloquearse y se tiene que quitar la llave.
- Las máquinas desatendidas deberán estar protegidas ante cualquier movimiento involuntario.

**GUARDE ESTAS INSTRUCCIONES**

**NORMATIVA**

SC5000 con MultConn1

**FCC:**

ID FCC: 2AVNE-TC1

Este dispositivo y su antena no deben ubicarse ni utilizarse junto con ninguna otra antena o transmisor. No deben colocarse dispositivos corporales a menos de 8" (20 cm) de distancia del cuerpo.

**IC:**

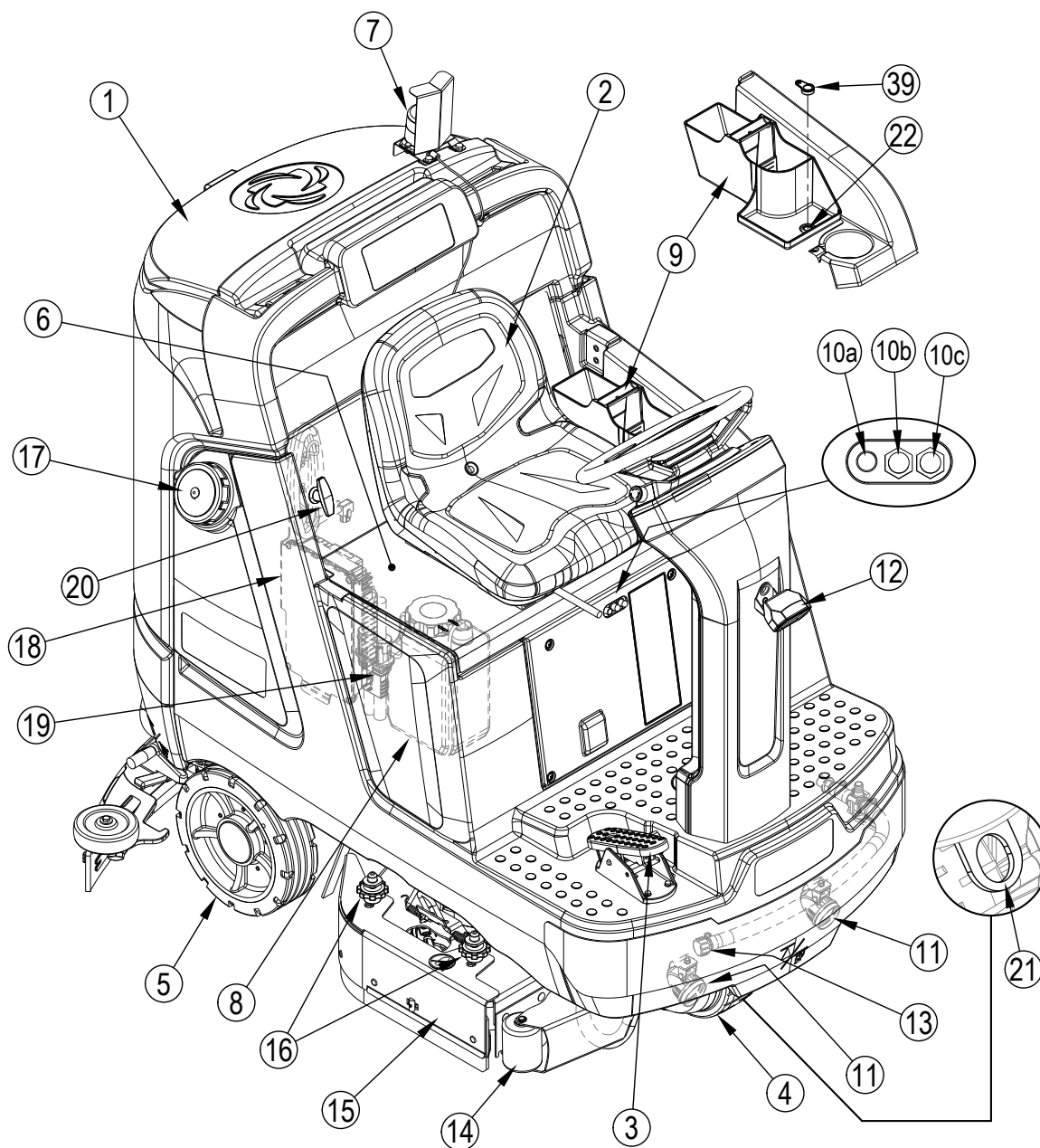
ID IC: 25476-TC1

Este dispositivo cumple con la normativa de RSS, RSS-210 y/o RSS-247, de exención de licencia del Ministerio de la industria de Canadá. El término «IC» que precede el número de certificación significa únicamente que se han cumplido las especificaciones técnicas del Ministerio de la industria de Canadá. No implica que el equipo ha sido aprobado por el Ministerio de la Industria de Canadá. El transmisor de radio ha sido aprobado por el Ministerio de Industria de Canadá para funcionar solo con la antena suministrada. El uso de cualquier otra antena está estrictamente prohibido con este producto. Este dispositivo cumple con los límites de exposición a la radiación RF del Comité Internacional sobre Seguridad Electromagnética (ICES) establecidos para un entorno no controlado. Este equipo debe instalarse y utilizarse a una distancia mínima de 20 cm entre el radiador y cualquier parte del cuerpo humano.

## CONOZCA SU MÁQUINA

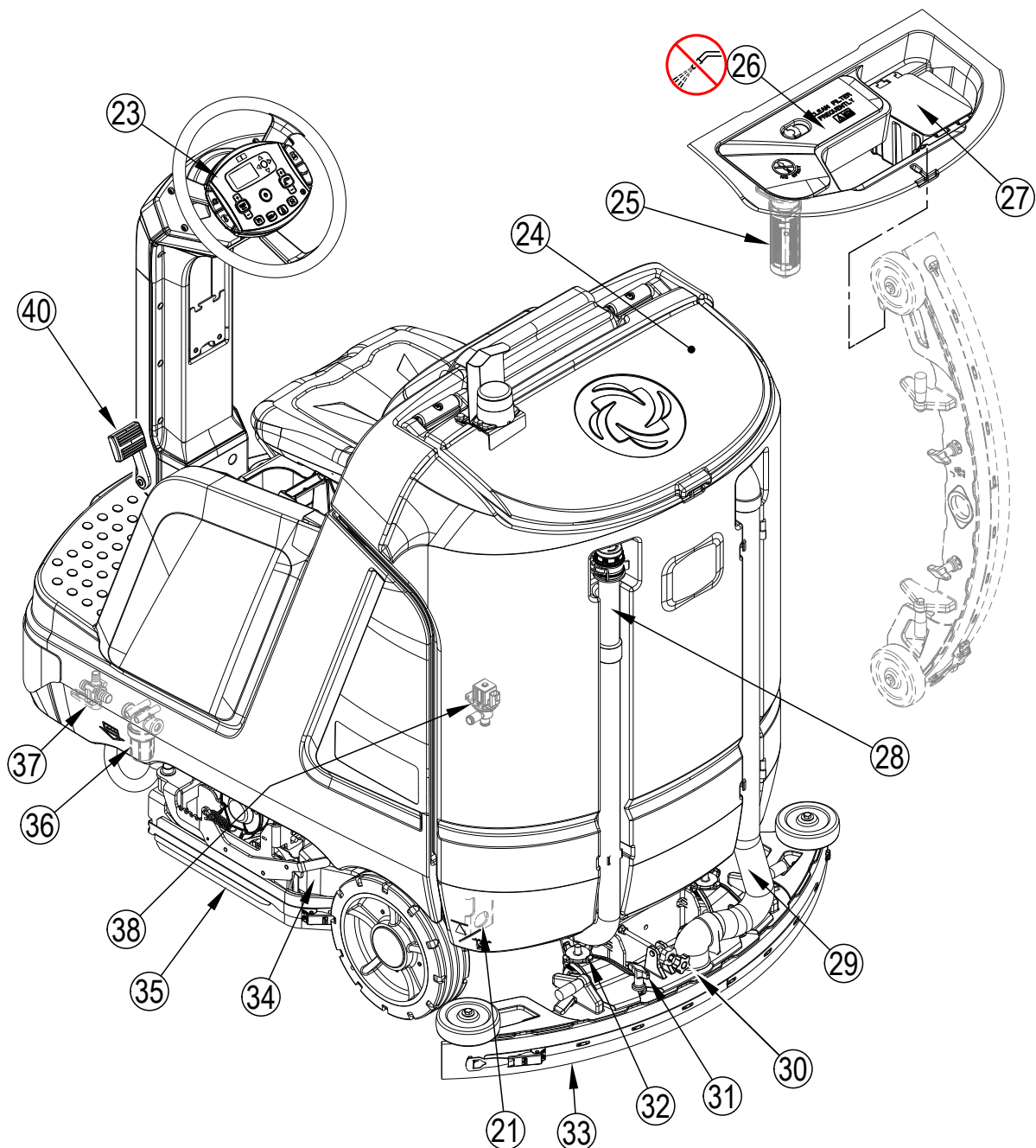
Conforme lea este manual, va a encontrar ocasionalmente en negritas un número o letra entre paréntesis, por ejemplo: **(2)**. Estos números se refieren a un artículo mostrado en estas páginas a menos que se advierta lo contrario. Vuelva a consultar estas páginas cuando sea necesario para ubicar un artículo mencionado en el texto.

- |     |   |    |   |
|-----|---|----|---|
| 1   | Tapa del depósito de recuperación                   | 11 | Faros (opcional)                                  |
| 2   | Asiento del operador                                | 12 | Luz azul (opcional)                               |
| 3   | Pedal de marcha                                     | 13 | Manguera de drenado del depósito de solución      |
| 4   | Rueda de tracción                                   | 14 | Parachoques del rodillo delantero                 |
| 5   | Rueda trasera                                       | 15 | Cabezal de fregado                                |
| 6   | Compartimiento de la batería (debajo del asiento)   | 16 | Perillas de remoción del conjunto de hoja lateral |
| 7   | Luz de advertencia                                  | 17 | Tapón de llenado del depósito de la solución      |
| 8   | Cartucho de detergente (Únicamente modelos EcoFlex) | 18 | Cargador de baterías abordo (opcional)            |
| 9   | Caja de almacenamiento                              | 19 | Conector de baterías de la máquina                |
| 10  | Disyuntores   | 20 | Pestillo del compartimiento de batería            |
| 10a | Controlador de marcha 70 Amp (CB2)                  | 21 | Punto de sujeción (1 delantero)                   |
| 10b | Tablero de control 5 Amp (CB1)                      | 22 | Lector SmartKey™                                  |
| 10c | Tablero de control 5 Amp (CB3)                      | 39 | SmartKey™ magnética                               |



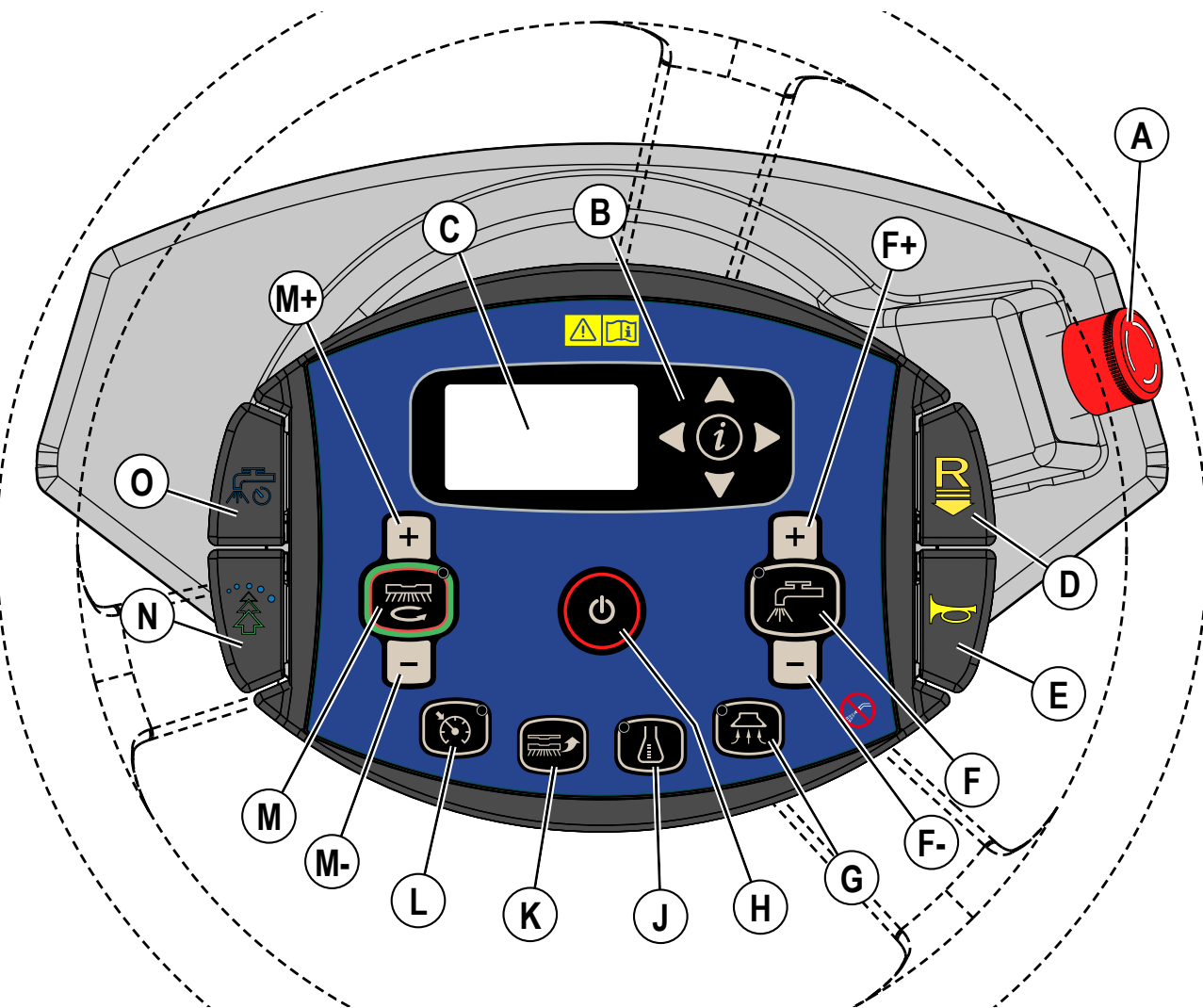
## CONOZCA SU MÁQUINA

- |    |  |    |   |
|----|--|----|---|
| 21 | Puntos de sujeción (2 traseras)                  | 31 | Tuercas mariposa del soporte del limpiador                |
| 23 | Panel de control                                 | 32 | Perilla de bloqueo de las ruedas giratorias del limpiador |
| 24 | Tapa del depósito de recuperación                | 33 | Grupo limpiador   |
| 25 | Flotador de cierre del depósito de recuperación  | 34 | Tolva (solo sistema cilíndrico)                           |
| 26 | Alojamiento filtro del motor de aspiración       | 35 | Cabezal de fregado  |
| 27 | Bandeja de retención de residuos                 | 36 | Filtro de la solución                                     |
| 28 | Manguera de drenado del depósito de recuperación | 37 | Válvula de corte de la solución                           |
| 29 | Manguera de recuperación                         | 38 | Electroválvula de la solución (en el cabezal de fregado)  |
| 30 | Perilla de ajuste de inclinación del limpiador   | 40 | Pedal de freno  |



**PANEL DE CONTROL**

- |   |   |
|---|---|
| <b>A</b> Parada de emergencia                               | <b>J</b> Interruptor de detergente                        |
| <b>B</b> Botones de navegación e interruptor de información | <b>K</b> Interruptor de instalación de brochas            |
| <b>C</b> Pantalla (véase Panel de control-Continuación)     | <b>L</b> Interruptor limitador de velocidad               |
| <b>D</b> Palanca hacia atrás                                | <b>M</b> Interruptor One-Touch™ de ON/OFF fregado         |
| <b>E</b> Pala de la bocina                                  | <b>M+</b> Interruptor de incremento de presión de fregado |
| <b>F</b> Interruptor de solución                            | <b>M-</b> Interruptor de decremento de presión de fregado |
| <b>F+</b> Interruptor de incremento de flujo de solución    | <b>N</b> Pala del chorro de potencia                      |
| <b>F-</b> Interruptor de decremento de flujo de solución    | <b>O</b> Pala cronometrada de cierre de solución          |
| <b>G</b> Interruptor de aspiración                          |   |
| <b>H</b> Interruptor de encendido                           |   |





## PANEL DE CONTROL - CONTINUACIÓN

**C1** Contador de horas (Horas de impulso)

**C2** Códigos de falla activos

**C3** Indicador de baterías

**C4** Indicador del nivel del depósito de la solución

**C5** Velocidad (MPH o KPH)

**C6** Indicador de detergente (únicamente modelos EcoFlex)

**C7** Indicador del porcentaje del detergente

**C8** Gráfico de barras del indicador de detergente

PRIMERO = Modo de mínima concentración de detergente

SEGUNDO = Modo de máxima concentración de detergente

NINGUNO = Apagado

**C9** Indicador del flujo de solución

**C10** Gráfico de barras de la tasa de flujo de solución

PRIMERO = Bajo

SEGUNDO = Medio

TERCERO = Alto

CUARTO = Extremo

NINGUNO = Apagado

**C11** Indicador de presión de fregado

**C12** Gráfico de barras de la presión del cepillo de fregado

PRIMERO = Normal

SEGUNDO = Pesado

TERCERO = Extremo

NINGUNO = Apagado

**C14** Indicador de bajo voltaje de baterías

**C15** Indicador aumento de potencia (solo modelos EcoFlex)

**C16** Indicador de aspiración

**C17** Indicador de varilla

**C18** Indicador de instalación del cepillo

**C19** Indicador de purga (Únicamente modelos EcoFlex)

**C20** Indicador de parada de emergencia activado

**C21** Indicador de No hay Llave

**C22** Indicador de error de lectura de llave (véase Localización de averías)

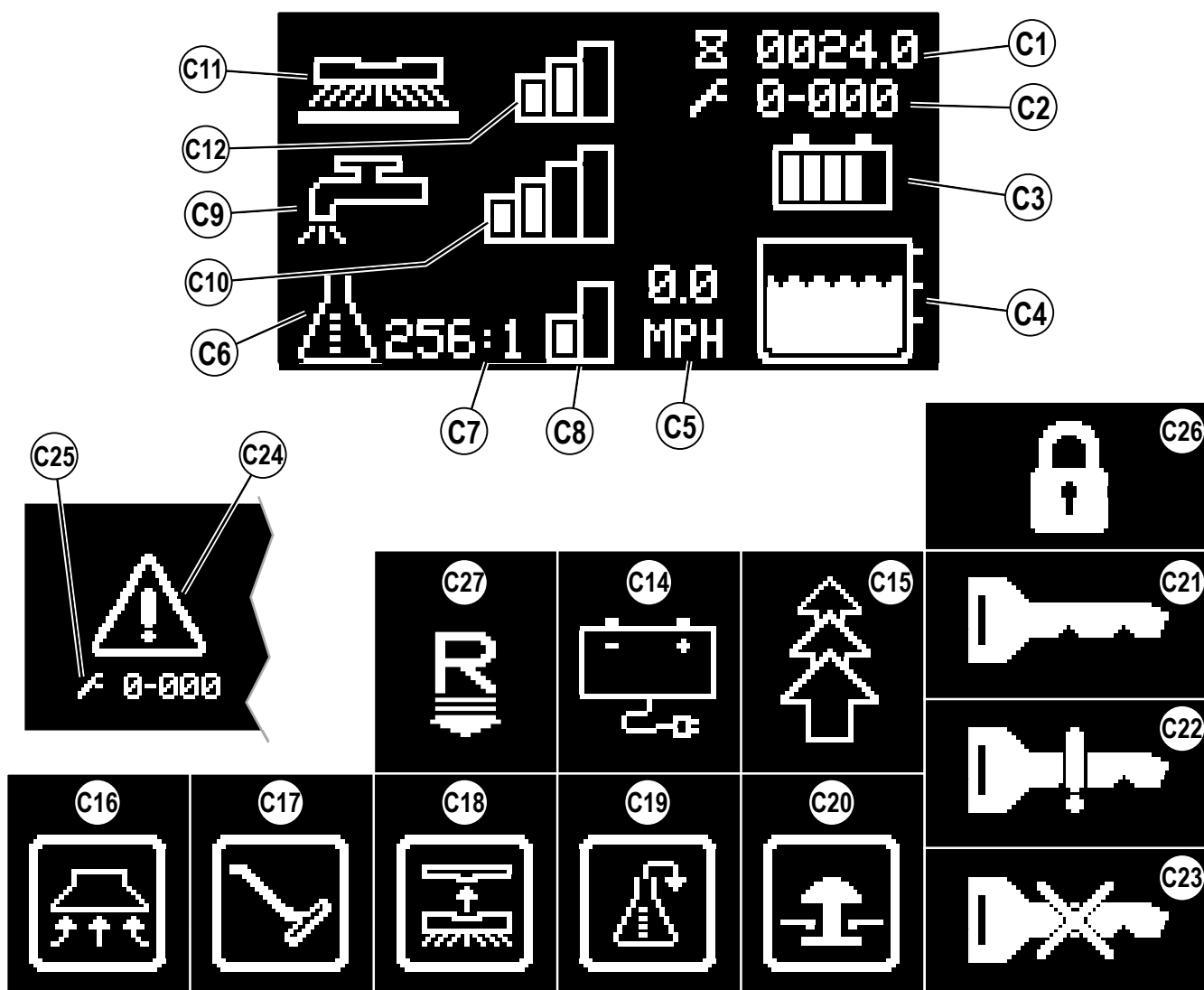
**C23** Indicador de llave de usuario restringido (véase Localización de averías)

**C24** Indicador de fallos críticos

**C25** Código de falla (Crítica)

**C26** Indicador de bloqueo por impacto (véase página 13)

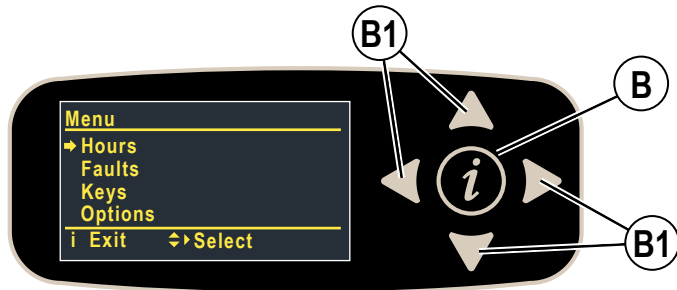
**C27** Indicador de marcha atrás



## PANTALLA DEL MENÚ DE INFORMACIÓN

### Menú de visualización

Al presionar el interruptor de información (B) aparecerá el menú antes mostrado que permite al operador cambiar los ajustes de la máquina y recolectar información de la máquina. Use las cuatro Flechas de navegación (B1) (arriba, abajo, izquierda y derecha) para moverse a través del menú y del interruptor de información, use el interruptor para salir del menú.



Menú visible con la SmartKey azul (usuario) o amarilla (Supervisor).

Nivel del menú		Notas
1	2	
Horas		Muestra diversas horas del sistema
	Tiempo de encendido	Muestra horas de Encendido
	Tiempo de conducción	Muestra las horas de conducción (no neutral)
	Tiempo de fregado	Muestra las horas de fregado/cepillado
	Tiempo de recuperación	Muestra las horas de recuperación/aspiración
Fallas**		
	Fallos Activos	Muestra una lista de las fallos activas con marca de tiempo y descripción
	Histórico de fallas	Muestra una lista del histórico de fallas con marcas de tiempo y descripción
Llaves		
	Leer Llave	Lea el número de serie de la llave, familia y tipo para la llave insertada en el sujetador - Si la llave del usuario, le permite al supervisor agregarla a la lista de llaves
	Lista de llaves	Despliega la lista de llaves actuales de usuario aprobadas, el supervisor también puede quitar de la lista la llave seleccionada

\*\*Véase Pantalla de códigos de avería

Menú visible únicamente con la SmartKey amarilla (Supervisor).

Nivel del menú			Notas
1	2	3	
Opciones			Opciones seleccionables del Usuario
	Idioma	English* Italiano Deutsch Portuguese Français Español	Menú de visualización del Idioma
	Piso	Estándar* Suave Pulidora**	Tipo de piso **Pulidora disponible solamente para máquinas 34D
	Inicio del fregado	Ligero Pesado Extremo Último utilizado*	Nivel de fregado al inicio
	Fregado máximo	Ligero Pesado Extremo*	Máximo nivel de fregado permitido

\*Ajuste predeterminado

## PANTALLA DEL MENÚ DE INFORMACIÓN - CONTINUACIÓN

Menú Opciones visible únicamente con la SmartKey amarilla (Supervisor).

Menú Sistema visible con la SmartKey azul (usuario) o amarilla (Supervisor).

Nivel del menú			Notas
1	2	3	
Opciones			Opciones seleccionables del Usuario
	Solución	Proporcional* Fijo UK	Modo de solución; Proporcional: El flujo de solución aumenta con la velocidad de la máquina. Fijo: El flujo de solución se mantiene sin importar la velocidad de la máquina. UK (Reino Unido): El flujo de solución se reduce para conservar el agua.
	Solución en marcha atrás	No* Sí	¿Dejar la solución encendida en marcha atrás?
	Bloquear detergente	No* Sí	¿Bloquear el ajuste de porcentaje de detergente para el usuario?
	Baliza	Encendido* Apagado	Luz de baliza encendido/apagado
	Aumento de potencia (s)	min = 60* max = 300 paso = 60	Intervalo de tiempo (segundos) del aumento de potencia EcoFlex
	Máxima velocidad de avance (%)	min = 50 max = 100* paso = 10	Velocidad máxima de arranque como porcentaje de la máxima velocidad disponible
	Bloquear límite de velocidad	No* Sí	¿Bloquear el límite de velocidad de fregado para el usuario?
	Tiempo de inactividad (min)	min = 1 max = 30 paso = 1 predeterminado = 15	Tiempo de inactividad antes de poner la máquina en modalidad de reposo (minutos)
	Detección de Impacto	Apagado* Registro Bloqueo	Estado de detección de impacto Registro – Se registra el impacto Bloqueo – Se registra el impacto y se bloquean para el Usuario las funciones de fregado (la pantalla muestra (C26)) hasta que se reinicie la máquina con una llave de Supervisor.
	Nivel de Impacto	Alto* Bajo	Nivel de sensibilidad de detección de Impacto. Si ocurrieran tropezones molestos(ej. al conducir sobre un cambio de piso), cambie el ajuste a uno más bajo.
Sistema			
	Firmware MMC		Revisión del firmware del controlador principal (mmc)
	Firmware IU		Revisión del firmware del panel de interfaz de usuario (IU)
	CSP190-Comm F/W		Revisión del firmware del controlador de marcha comm
	CSP190-Motor F/W		Revisión del firmware de control del motor/principal controlador de marcha
	N/S MMC		Número de serie pcb del controlador principal (mmc)
	N/S IU		Número de serie pcb del panel de interfaz de usuario (IU)
	Registro de Impacto		Despliega la lista de eventos de impacto con el valor máximo, la marca de tiempo y la ID del usuario (solo si está habilitada) - la vista de una sola partida mostrará los valores máximos para cada eje (x,y,z)

\*Ajuste predeterminado

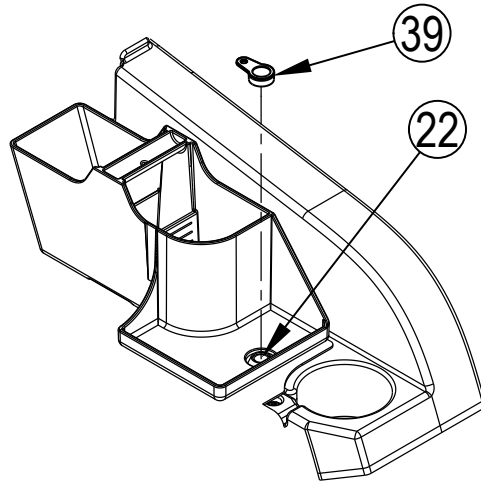
**NOTA DE SERVICIO:** Los menús adicionales (Servicio y Configuración) son accesibles solo a través del modo servicio/técnico. El menú de servicio permite observar los parámetros operativos y del usuario. El menú de configuración permite hacer ajustes a la máquina. Para más detalles lea el Manual de Servicio.

## SMARTKEY MAGNÉTICA

Para operar esta máquina se requiere una SmartKey magnética (39). Si presiona el interruptor de encendido sin una llave en el lector de SmartKey (22) esto hará que la máquina se encienda por un momento y despliegue el indicador de No hay Llave (C21) antes de apagarse. Hay dos tipos diferentes de SmartKey magnéticas (39).

1. La llave del «Usuario» (azul) permite un acceso de nivel básico al menú de información (presione el interruptor de información (B)).
2. La llave del «Supervisor» (amarilla) permite un nivel de acceso adicional para ver el menú Opciones.

### FIGURA 1-1



## PREPARACIÓN DE LA MÁQUINA PARA SU USO BATERÍAS

**Si su máquina le fue enviada con las baterías ya instaladas, haga lo siguiente:**

- Revise que las baterías estén conectadas a la máquina.
- Ponga el interruptor (H) en posición de encendido y revise el indicador de baterías (C3). Si el medidor está completamente lleno las baterías están listas para usarse. Si el medidor no está lleno, las baterías se deben cargar antes de usarse. Véase la sección «Carga de las baterías».
- **¡IMPORTANTE!: SI SU MÁQUINA TIENE UN CARGADOR DE BATERÍA A BORDO CONSULTE EL MANUAL DEL PRODUCTO OEM PARA OBTENER INSTRUCCIONES SOBRE CÓMO AJUSTAR EL CARGADOR PARA EL TIPO DE BATERÍA.**

**Si su máquina fue embarcada sin baterías instaladas, haga lo siguiente:**

- Consulte a su Distribuidor Autorizado de Advance para que le recomiende baterías.
- Instale las baterías siguiendo las instrucciones a continuación.
- **¡IMPORTANTE!: SI SU MÁQUINA TIENE UN CARGADOR DE BATERÍA A BORDO CONSULTE EL MANUAL DEL PRODUCTO OEM PARA OBTENER INSTRUCCIONES SOBRE CÓMO AJUSTAR EL CARGADOR PARA EL TIPO DE BATERÍA.**

## INSTALACIÓN DE LAS BATERÍAS

### ⚠ ¡ADVERTENCIA!

Tenga extremo cuidado al trabajar con baterías. El ácido sulfúrico en las baterías puede causar graves lesiones si entra en contacto con la piel o con los ojos. El gas de hidrógeno explosivo se ventila desde las baterías a través de aperturas en las tapas de las baterías. Este gas se puede encender por cualquier arco eléctrico, chispa o llama. No instale ninguna batería de ácido de plomo en un contenedor o gabinete sellados. El gas de hidrógeno provocado por sobrecarga debe poder salir.

**Al revisar las baterías...**

- Quítese todo accesorio
- No fume
- Utilice lentes de seguridad, guantes y mandil de hule
- Trabaje en un área bien ventilada
- No permita que las herramientas toquen más de un terminal de la batería a la vez.
- SIEMPRE desconecte primero el cable negativo (tierra) al reemplazar las baterías, para evitar chispas.
- SIEMPRE conecte al último el cable negativo al instalar las baterías.

## BATERÍAS - CONTINUACIÓN

### ⚠ ¡ATENCIÓN!

Los componentes eléctricos en esta máquina se pueden dañar severamente si las baterías no están instaladas ni conectadas adecuadamente. Las baterías deben ser instaladas por Nilfisk o por un electricista cualificado.

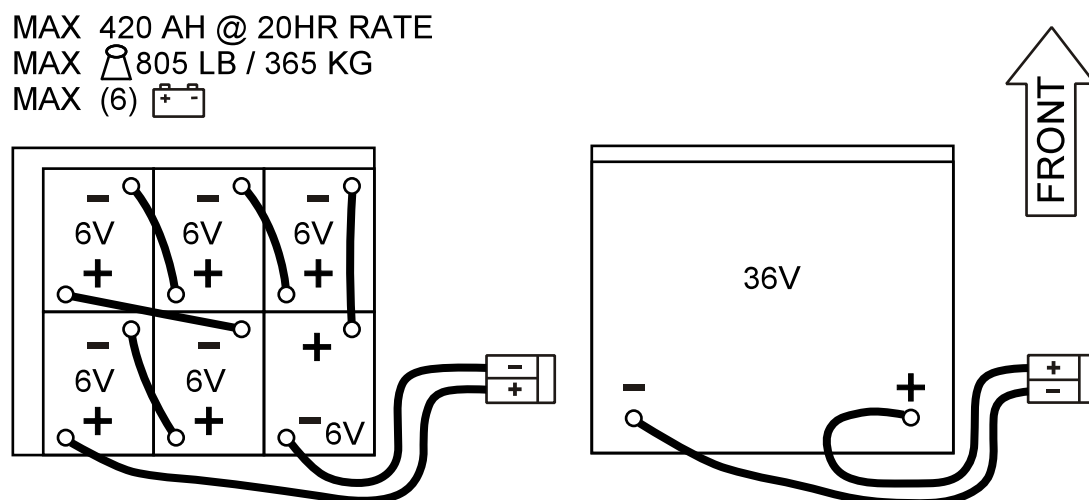
- 1 Retire las baterías de su empaque de embarque e inspecciónelas cuidadosamente en busca de roturas u otro daño. Si hay evidencias de daño, contacte al transportista que las entregó o al fabricante de las baterías para presentar una queja por daño.
- 2 Desconecte el interruptor de encendido (H) y retire la SmartKey™ magnética (39).
- 3 Gire el pestillo del compartimento de la batería (20) para desbloquearlo e incline el asiento hacia adelante (el muelle de gas mantiene el asiento abierto).
- 4 Si está instalada, retire la protección superior.
- 5 Para un acceso adicional, el depósito de recuperación se puede extraer de la máquina. **NOTA:** Desconecte la manguera de recuperación, el cableado del motor de aspiración y el cableado de la baliza de advertencia, después levante el depósito hacia arriba y hacia fuera de la máquina, utilizando dos personas o un polipasto aéreo.
- 6 Su máquina viene de la fábrica con suficientes cables de batería para instalar seis baterías de 6 voltios. Utilizando por lo menos (2) personas y una abrazadera de carga adecuada, suba cuidadosamente las baterías dentro del compartimento y colóquelas exactamente como se muestra en la **FIGURA 2-1**. Asegure las baterías tan cerca como sea posible de la parte trasera derecha de la máquina. Utilice el espaciador de baterías para evitar que las baterías se muevan. Si se instala una batería de monocasco, utilice un polipasto aéreo.
- 7 Instale los cables de batería como se muestran. Coloque los cables de manera que las tapas de las baterías se puedan retirar fácilmente para dar servicio.

**¡IMPORTANTE!** Las tapas protectoras suministradas con las baterías necesitan dejarse encima o volver a usarse para cubrir por completo la porción de las terminales de la batería que no estén protegidas por los capuchones de las terminales de cables de batería, mismos que se suministraron con los cables de la batería. Esto también aplica a la funda del sujetador de fusibles en serie.

- 8 Apriete cuidadosamente la tuerca en cada terminal de batería hasta que la terminal no gire. No apriete de más los bornes, o será muy difícil quitarlos para mantenimiento futuro.
- 9 Recubra las terminales con recubrimiento de espray para terminales de baterías (disponible en la mayoría de las tiendas de auto partes).
- 10 Coloque uno de los capuchones de hule negros sobre cada una de las terminales y conecte el conector de baterías de la máquina (19).
- 11 Cerciórese de que la funda del sujetador de fusibles cubra lo más que se pueda el sujetador de fusibles, el cable del conector de baterías de la máquina (19) y el terminal de baterías. Deje en su lugar las tapas protectoras suministradas con las baterías, o vuelva a usarlas para cubrir las áreas de las terminales que no estén protegidas por los capuchones de las terminales.

Al cambiar las baterías o el cargador, contacte al centro de asistencia autorizado de su localidad para ajustar correctamente la batería, el cargador y la máquina, para evitar dañar las baterías.

**FIGURA 2-1**



## INSTALE LOS CEPILLOS (SISTEMA DE DISCO)

### ⚠ ¡ATENCIÓN!

Antes de cambiar los cepillos y antes de abrir cualquier panel de acceso, apague la máquina poniendo el interruptor de encendido en la posición de apagado.

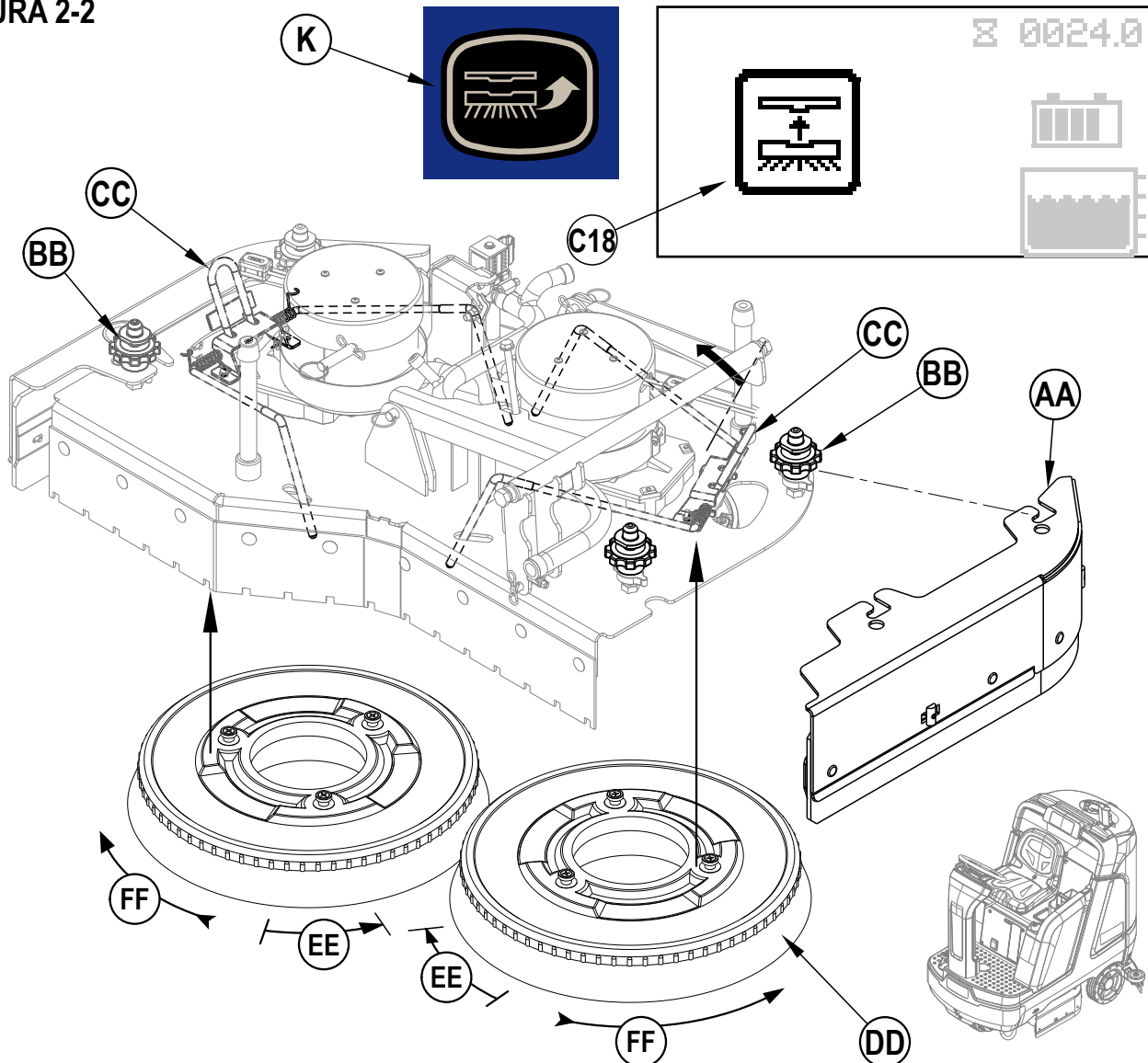
- 1 Asegúrese de que el cabezal de fregado esté en su posición ELEVADA. Asegúrese de que el interruptor de encendido (H) esté apagado.
- 2 Véase Figura 2-2. Retire ambos Conjuntos de Hoja Laterales (AA). **NOTA:** Los conjuntos de hojas están sujetos en su lugar por dos perillas grandes (BB). Afloje estas perillas y deslice los conjuntos de hoja (AA) cuidadosamente hacia adelante y después fuera del cabezal de fregado.
- 3a **Para instalar manualmente los cepillos:**  
Levante los cepillos (DD) (o portafiltros) y alinee los anillos en el cepillo con los agujeros de la placa de montaje y gírelos para fijarlos en su lugar (gire el borde exterior del cepillo hacia la parte delantera de la máquina como lo muestra la flecha (EE)).
- 3b **Para utilizar la característica de Instalación de Cepillo automática:**
  - i. Presione la barra guía (CC) hacia adelante mientras desliza el cepillo debajo del cabezal y pare cuando el cepillo haga contacto con ambas patas de la barra guía. Repita este paso con el cepillo en el otro lado del cabezal. **NOTA:** No empuje el primer cepillo fuera de posición con el segundo cepillo.
  - ii. Encienda la máquina con el interruptor de encendido (H). **(EL SISTEMA DE FREGADO DEBE ESTAR APAGADO y LA MÁQUINA INMÓVIL)**

### ⚠ ¡ATENCIÓN!

No meta manos ni pies debajo del cabezal. Tome precauciones para evitar que el pelo, las joyas o la ropa suelta se atoren en las partes en movimiento.

- iii. Pulse el interruptor de instalación de cepillo (K), la pantalla mostrará el indicador de instalación de cepillo (C18), después espere a que termine la secuencia de instalación de cepillo.
- 4 Reinstale los conjuntos de hoja laterales. **NOTA:** Al limpiar los cepillos rotan como muestra la flecha (FF).

FIGURA 2-2



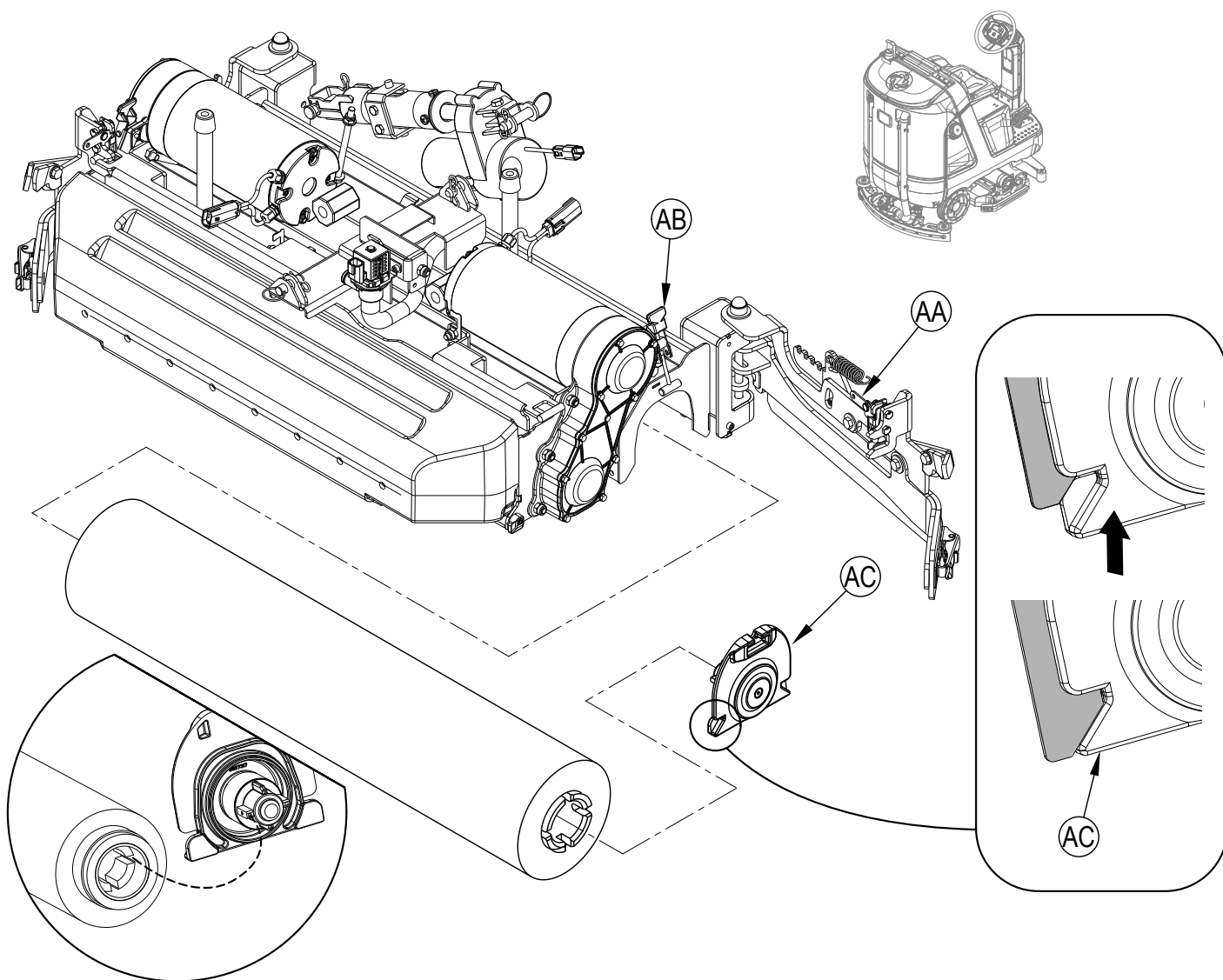
## INSTALE LOS CEPILLOS (SISTEMA CILÍNDRICO)

### ⚠ ¡ATENCIÓN!

Antes de cambiar los cepillos y antes de abrir cualquier panel de acceso, apague la máquina poniendo el interruptor de encendido en la posición de apagado.

- 1 Asegúrese de que el cabezal de fregado esté en su posición ELEVADA. Asegúrese de que el interruptor de encendido (H) esté apagado.
- 2 Véase **Figura 2-3**. Desabroche y abra ambos conjuntos de hojas laterales batientes (AA).
- 3 Desenganche el pestillo (AB) en la parte superior de los conjuntos del rodillo (AC) y retírelos.
- 4 Deslice el cepillo dentro de la carcasa, levántelo cuidadosamente, empujelo y gírelo hasta que las pestañas en el buje de conducción se asienten dentro de las muescas en el cepillo. **NOTA:** El rodillo está diseñado con un ajuste sin holgura para reducir la vibración en el cepillo. Reinstale los conjuntos de rodillo (AC); asegúrese de que las pestañas en el rodillo estén dentro de la ensambladura (como se muestra en la Figura 2-3). Asegure con el pestillo (AB). Cierre y ponga el pestillo en ambos conjuntos de hoja (AA).

**FIGURA 2-3**



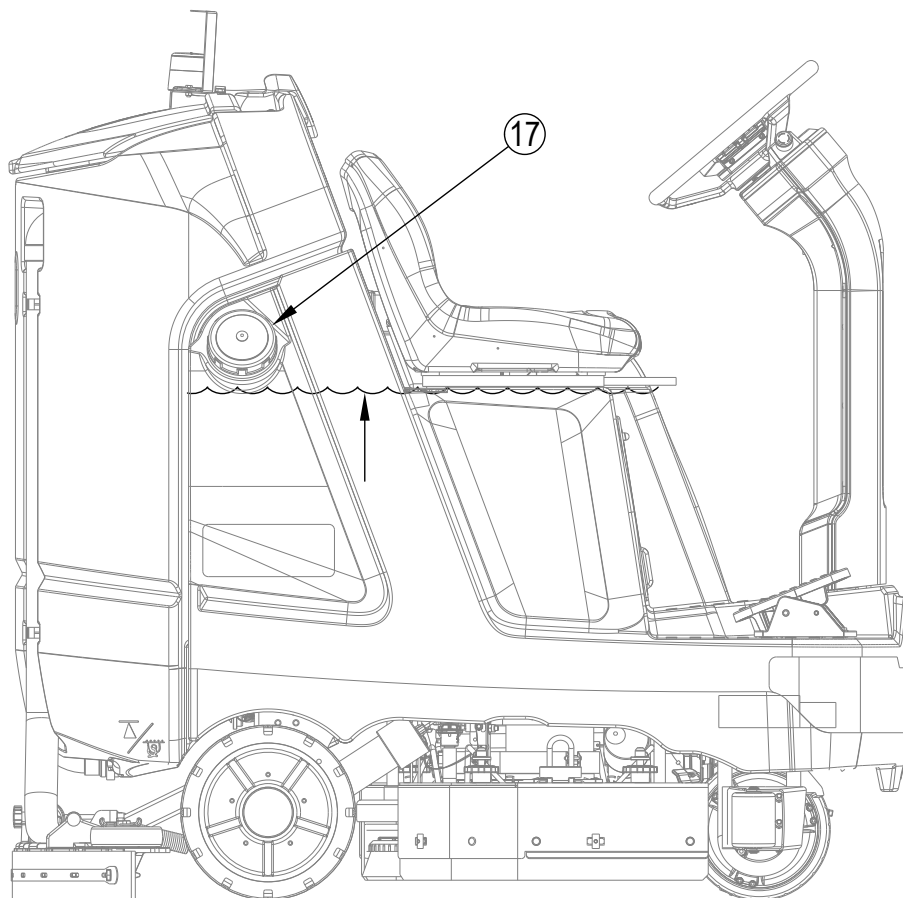
## LLENADO DEL DEPÓSITO DE LA SOLUCIÓN

Véase **Figura 2-4**. Llene el depósito de la solución con un máximo de 37 galones (140 Litros) de solución de limpieza. El depósito de la solución puede llenarse hasta el fondo de llenado de solución (17). La solución debe ser una mezcla de agua y el detergente de limpieza adecuado para el trabajo. Siempre siga las instrucciones de dilución en la etiqueta del contenedor del detergente. **NOTA:** Las máquinas EcoFlex también pueden ser usadas convencionalmente con detergente mezclado en el depósito o se puede usar el sistema de despacho de detergente. Cuando se utiliza el despacho de detergente, no mezcle detergente en el depósito, debe usarse agua simple.

### ⚠ ¡ATENCIÓN!

Únicamente use espumado bajo, detergentes líquidos no inflamables hechos para aplicarse con máquina. La temperatura del agua no debe exceder 130 grados Fahrenheit (54,4 grados Celsius)

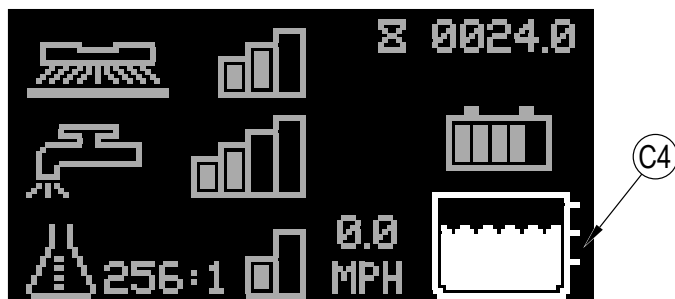
**FIGURA 2-4**



## INDICADOR DEL DEPÓSITO DE LA SOLUCIÓN

Véase **Figura 2-5**. El depósito de la solución tiene tres sensores de nivel que corresponden a tres puntos de medición. El indicador de Nivel de Solución (C4) muestra el nivel (1-3) de la solución en el tanque. Una vez que el depósito está vacío, el indicador de vaciado de la solución (C26) parpadeará en la pantalla.

**FIGURA 2-5**

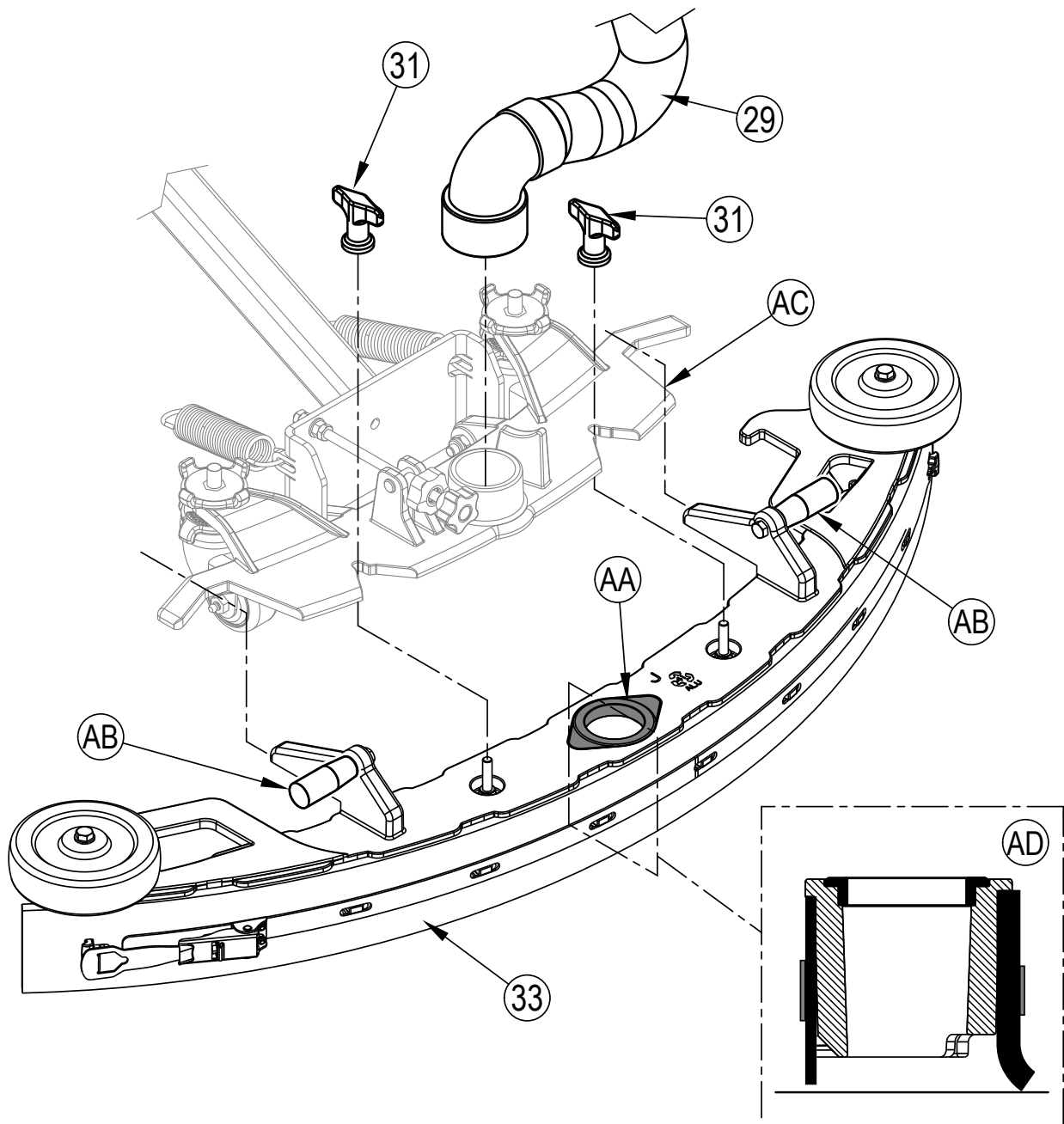




## INSTALACIÓN DEL LIMPIADOR

- 1 Véase **Figura 2-6**. Cerciérese de que el sello del limpiador (**AA**) esté instalado en el grupo limpiador (**33**) y libre de escombros. Levante el limpiador por sus agarraderas (**AB**), deslícelo sobre el soporte del limpiador (**AC**) y apriete las tuercas mariposa del soporte del limpiador (**31**).
- 2 Conecte la manguera de recuperación (**29**) al soporte del limpiador (**AC**).
- 3 Baje el limpiador y mueva la máquina hacia adelante cuidadosamente. Revise que la hoja trasera del limpiador toque el piso uniformemente a todo lo ancho y se doble ligeramente por encima como se muestra en el corte transversal del limpiador (**AD**). Si es necesario ajuste el limpiador trasero a la altura e inclinación adecuados siguiendo los pasos en la sección de «Ajuste del limpiador».

**FIGURA 2-6**



## PREPARACIÓN DEL SISTEMA DE DETERGENTE (SOLO MODELOS ECOFLEX)

### LLENE EL CARTUCHO DE DETERGENTE

#### ⚠ ¡ATENCIÓN!

Siga siempre las instrucciones en las etiquetas de los cartuchos de detergente cuando se utilizan detergentes de limpieza del suelo. Use el equipo de protección individual apropiado como guantes y gafas de protección al manipular los detergentes de limpieza para suelos.

En caso de derrame de detergente, siga estos cuatro pasos:

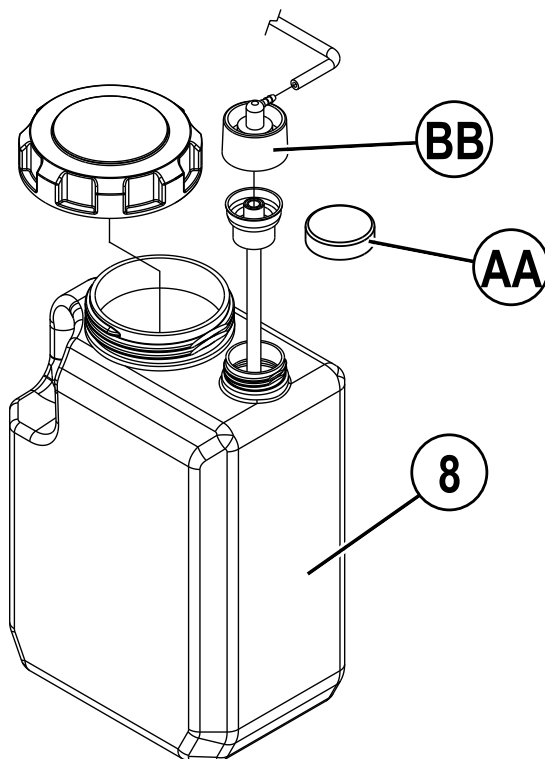
- Comunicar el peligro. Notifique inmediatamente a los demás que trabajan en el área y a cualquier personal de supervisión del peligro, y si la situación lo justifica, evacue el área.
- Controle el derrame. Asegúrese de que el derrame no empeore.
- Contenga el peligro.
- Limpie el derrame y cualquier daño de forma segura.

El Cartucho de Detergente (8) está situado debajo del asiento. Llene el cartucho de detergente con un máximo de 4 litros (1 galón) de detergente.

**NOTA DE SERVICIO:** Retire de la máquina el cartucho de detergente antes de llenarlo para evitar derramar detergente en la máquina. Se recomienda usar cartuchos separados para cada detergente que planea utilizar. Los cartuchos de detergente tienen una calcomanía blanca, de manera que se puede escribir el nombre del detergente en cada cartucho. Al instalar un nuevo cartucho, retire la tapa de fábrica (AA) y coloque el cartucho en la máquina. Instale la Tapa de ruptura seca (BB) y la manguera del detergente como se muestra en la **Figura 2-7**.

El sistema debe ser purgado del detergente anterior cuando se cambia a otro detergente (véase «Cómo purgar al cambiar el detergente»).

### FIGURA 2-7



## PURGA DEL SISTEMA DE DETERGENTE (SOLO MODELOS ECOFLEX)

Para purgar cuando se cambien detergentes (LOS SISTEMAS DE FREGADO Y DE SOLUCIÓN DEBEN ESTAR APAGADOS):

**NOTA DE SERVICIO:** Mueva la máquina sobre el drenaje del piso antes de purgar ya que se tirará una pequeña cantidad de detergente en el proceso.

- 1 Desconecte y retire el cartucho de detergente (8).
- 2 Coloque la SmartKey magnética (39) en el lector de SmartKey (22). Véase Figura 2-8. Pulse el interruptor de encendido (H) para encender la máquina. Espere algunos segundos a que termine la secuencia de arranque.
- 3 Pulse y mantenga presionado por 2 segundos el interruptor de solución (F) y el interruptor de detergente (J). Suelte los interruptores cuando el Indicador de Purga de Detergente (C19) aparezca en la pantalla (la Luz del Interruptor de Detergente (J1) y la Luz del Interruptor de Solución (F1) estarán en ON). **NOTA:** Una vez activado el proceso de purga, toma 20 segundos. Pulse (F) o (J) nuevamente antes de los 20 segundos para cancelar la purga. Normalmente un ciclo de purga es adecuado para purgar el sistema.

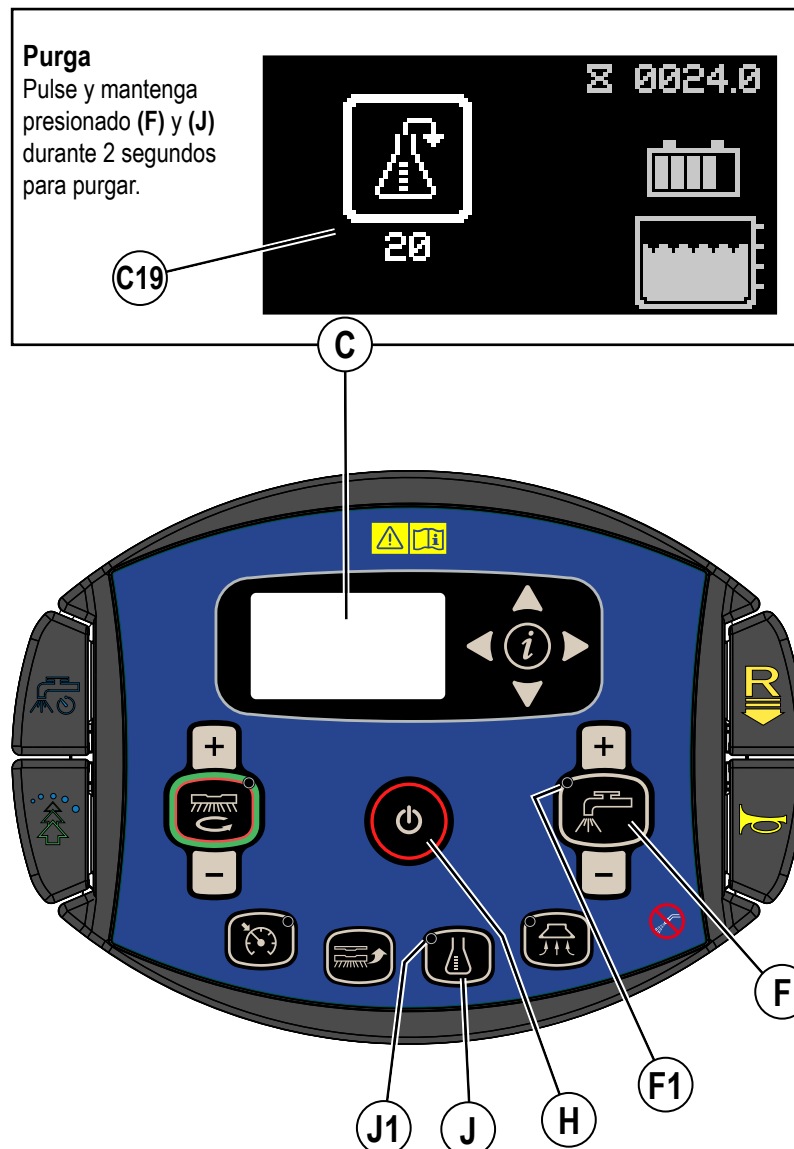
Para purgar semanalmente (LOS SISTEMAS DE FREGADO Y SOLUCIÓN DEBEN ESTAR APAGADOS):

- 1 Desconecte y retire el cartucho de detergente. Instale y conecte un cartucho lleno de agua tibia limpia.
- 2 Siga los pasos 2 y 3 de «Cómo Purgar al Cambiar el Detergente».

Cuando el nivel de detergente se acerca al fondo del cartucho, es momento de rellenar o reemplazar el cartucho.

**NOTA DE SERVICIO:** Siga las instrucciones antes mencionadas de «Como Purgar Semanalmente» si la máquina será almacenada por un largo periodo de tiempo.

FIGURA 2-8



## USO DEL SISTEMA DE DETERGENTE (ECOFLEX)

**Uso de detergente (EL SISTEMA DE SOLUCIÓN Y FREGADO DEBE ESTAR ENCENDIDO): Véase Figura 2-9.**

No se despacha detergente hasta que estén habilitados los sistemas de detergente y de fregado, y se pise hacia adelante el pedal de marcha (3).

- El indicador de detergente (C6) se mostrará en el modo de fregado cuando el sistema de detergente esté instalado en la máquina.
- El indicador de porcentaje de detergente (C7) mostrará el porcentaje seleccionado cuando el sistema de detergente esté encendido.

Hay 4 modos de funcionamiento EcoFlex:

- 1A. Modo de limpieza con agua simple** - Durante la limpieza, el sistema de detergente puede apagarse en cualquier momento presionando el interruptor de detergente (J) para poder limpiar únicamente con agua. El indicador de porcentaje de detergente (C7) será blanco y el gráfico de barras del indicador de detergente (C8) no mostrará las barras llenas. La luz de detergente (J1) estará apagada.
- 2A. Modo nivel bajo de detergente** - Se activa al pulsar el interruptor de detergente (J) cuando el detergente está apagado (si se pulsa repetidamente cambiarán el ciclo al modo alto, apagado y nuevamente al modo bajo). El Indicador de porcentaje de detergente (C7) mostrará el nivel mínimo de detergente actual y el gráfico de barras del indicador de detergente (C8) mostrará la primera barra llena. La luz de detergente (J1) estará encendida. Véase a continuación los pasos de «Cómo programar el nivel bajo de detergente».
- 3A. Modo nivel alto de detergente** - Se activa al pulsar el interruptor de detergente (J) cuando el detergente está en el modo bajo (si se pulsa repetidamente cambiarán el ciclo al modo apagado, bajo, y nuevamente al modo alto). El indicador de proporción/porcentaje de detergente (C7) mostrará el nivel alto de detergente actual y el gráfico de barras del indicador de detergente (C8) mostrará las barras derecha e izquierda llenas. La luz de detergente (J1) estará encendida. Véase a continuación los pasos de «Cómo programar el nivel alto de detergente».
- 4A. Modo de limpieza con aumento de potencia** - Pulse el interruptor de aumento de potencia (N) - para incrementar el porcentaje/proporción de detergente por un minuto al nivel preprogramado «alto» de detergente (como está anotado en las instrucciones de programación a continuación). Si se encontraba apagado, el sistema de detergente se encenderá al nivel de detergente de «bajo». Esto también ocasionará que la relación de flujo de solución y que la presión de fregado se incrementen al siguiente nivel. El indicador aumento de potencia (C15) parpadeará durante el proceso de aumento de potencia en la pantalla junto con un temporizador de cuenta atrás. Empuje la pala (N) nuevamente antes de que el temporizador de cuenta atrás haya expirado para cancelar el aumento de potencia. El total de tiempo que funciona el aumento de potencia se puede ajustar (véase «Pantalla del menú de información» submenú «Opciones»).

### Para programar el nivel alto de detergente

1. Pulse el interruptor de fregado OneTouch™ (M) para activar el sistema de fregado.
2. Pulse y suelte el interruptor de detergente (J) hasta que haya seleccionado el modo de detergente alto ((C8) se muestran llenas la barra derecha e izquierda).
3. Pulse y suelte el interruptor de detergente (J) por aproximadamente 2 segundos hasta que el indicador de porcentaje (C7) parpadee.
4. Si se presiona y se suelta el interruptor de detergente mientras la relación/porcentaje parpadea, se realizará el ciclo a través de los ajustes disponibles;  
Porcentaje = 0,3%, 0,4%, 0,5%, 0,66%, 0,8%, 1%, 1,5%, 2%, 3%, 3,8%  
Proporción = 300:1, 256:1, 200:1, 150:1, 128:1, 100:1, 64:1, 50:1, 32:1, 26:1



## ¡ATENCIÓN!

No utilice un nivel de concentración de detergente que exceda el recomendado por el fabricante.

5. Una vez que el nivel se muestra en la pantalla, pare y se guardará el ajuste después de 3 segundos.
6. Siempre que el ajuste alto de detergente se ajusta a una concentración menor que el ajuste bajo actual programado, el ajuste bajo predeterminado será igual al ajuste alto hasta que el operador lo cambie.

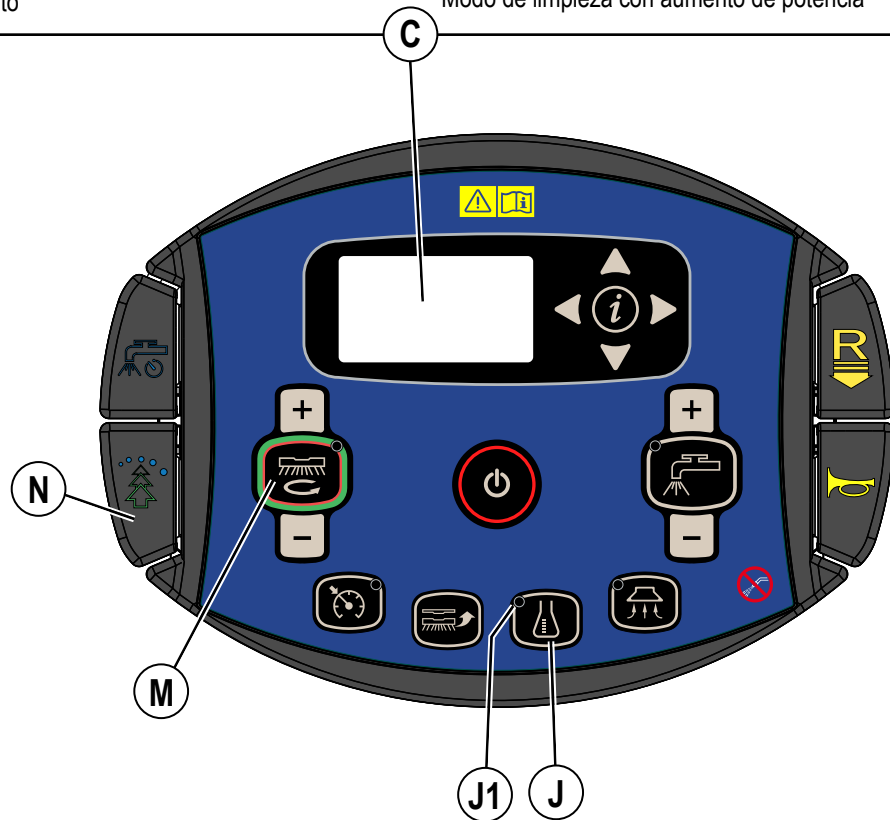
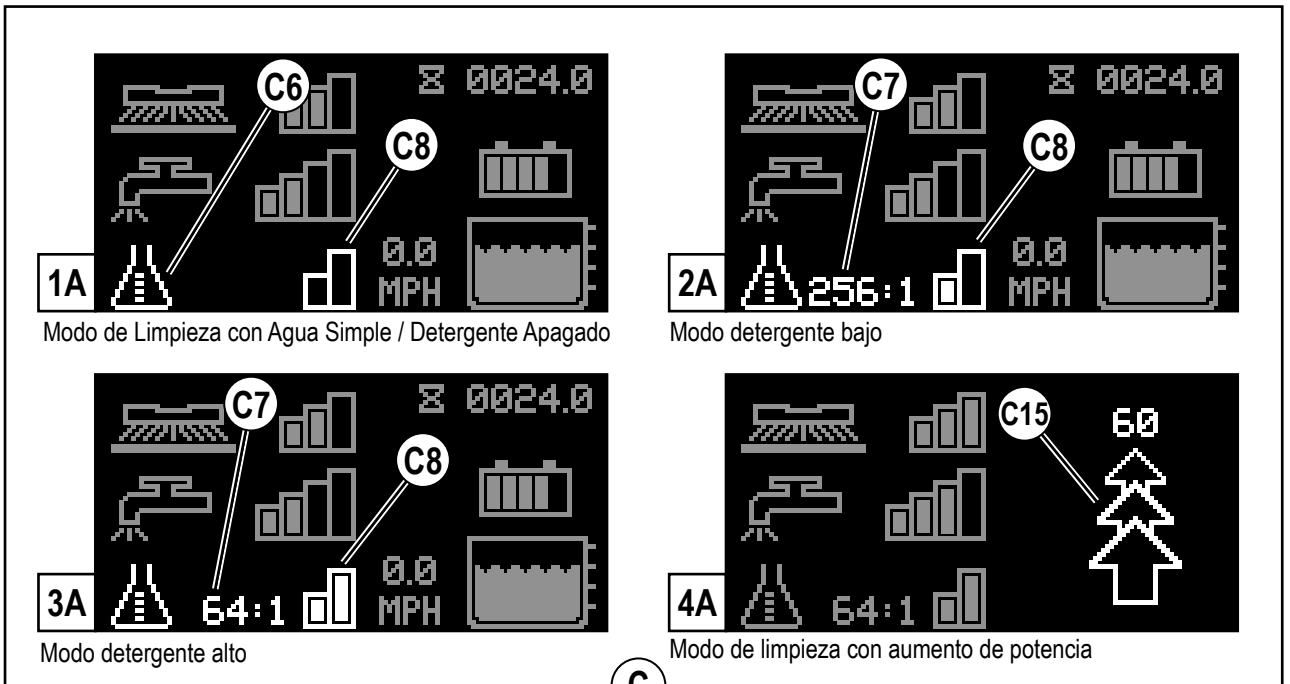
### Para programar el nivel bajo de detergente

7. Pulse el interruptor de fregado OneTouch™ (M) para activar el sistema de fregado.
8. Pulse y suelte el interruptor de detergente (J) hasta que haya seleccionado el modo de detergente bajo ((C8) se muestran llena la barra izquierda).
9. Pulse y suelte el interruptor de detergente (J) por aproximadamente 2 segundos hasta que el indicador de porcentaje (C7) parpadee.
10. Si se presiona y mantiene presionado el interruptor de detergente mientras la relación/porcentaje parpadea, podrá recorrer los ajustes disponibles (Nota: únicamente estarán disponibles las proporciones/porcentajes que sean de una concentración menor o igual al ajuste de detergente máximo disponible.)
11. Una vez que el nivel se muestra en la pantalla, pare y se guardará el ajuste después de 3 segundos.

Una vez establecida, la tasa de flujo de detergente incrementará automáticamente y disminuirá con la tasa de flujo de solución, pero la proporción/porcentaje de detergente permanecerá igual.

PREPARACIÓN Y USO DEL SISTEMA DE DETERGENTE (ECOFLEX)

FIGURA 2-9



## FUNCIONAMIENTO DE LA MÁQUINA

### ⚠ ¡ADVERTENCIA!

Asegúrese de entender los controles del operador y sus funciones.

Al estar en rampas o superficies inclinadas evite paradas bruscas. Evite giros bruscos. Al bajar rampas use la velocidad baja.

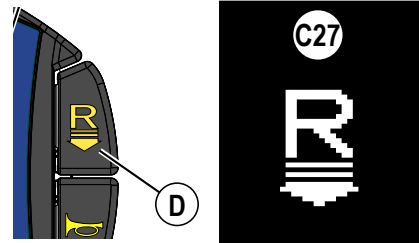
## PUESTA EN MARCHA DE LA MÁQUINA

- 1 Siga las instrucciones de la sección «Preparación de la máquina para el uso» en este manual y controle lo siguiente:
  - Las baterías están totalmente cargadas.
  - El exterior de la máquina está libre de daños. Informe cualquier daño a su supervisor.
  - Los cepillos apropiados están instalados correctamente.
  - El limpiador está instalado.
  - El depósito de la solución está lleno.
  - El depósito de recuperación está vacío.
  - Asegúrese de que el área a fregar esté libre de obstáculos que no están fijados, tales como mangueras, cubos o baldes, cajas, cables eléctricos, carros, palets, etc.

### ⚠ ¡ADVERTENCIA!

No disperse agentes de limpieza inflamables, ni opere la máquina cerca o sobre estos agentes, ni en áreas donde existan líquidos inflamables.

- 2 **Consulte las ilustraciones en las páginas 8-11 si es necesario.** Siéntese en el asiento del operador (2), coloque el asiento en una posición cómoda utilizando la palanca de ajuste de asiento debajo del asiento.
- 3 Coloque la SmartKey magnética (39) en el lector de SmartKey (22) en la máquina. Pulse el interruptor de encendido (H) para encender la máquina.
- 4 Antes de proceder consulte el indicador de baterías (C3) y el contador de horas (C1).
- 5 Para trasladar la máquina al área de trabajo, pise uniformemente la parte delantera del pedal de marcha (3) para ir hacia adelante. Para retroceder, pulse primero la palanca hacia atrás (D). El indicador de marcha atrás (C27) aparecerá en la pantalla, luego aplique presión uniforme con el pie a la parte delantera del pedal de marcha (3). En marcha atrás se escuchará una alerta.
- 6 Ajuste la velocidad de la máquina variando la presión del pedal de marcha (3).



## DETENCIÓN DE LA MÁQUINA

- 1 Detenga la máquina soltando el pedal de marcha (3).
- 2 Después de soltar el pedal de marcha, se puede presionar el pedal de freno (40) para ayudar a detener la máquina.
- 3 **¡SOLO EN CASO DE EMERGENCIA!**

Para detener inmediatamente todas las funciones de la máquina, pulse la parada de emergencia (A).

- La pantalla mostrará el indicador activado de parada de emergencia (C20).
- Para restablecer las funciones de la máquina, gire el interruptor de parada de emergencia en sentido horario.

## FUNCIONAMIENTO DE LA MÁQUINA: CONTINUACIÓN

### ¡ADVERTENCIA!

Asegúrese de entender los controles del operador y sus funciones.

Mientras esté en rampas o inclinaciones, evite paros súbitos cuando esté cargada. Evite giros bruscos. Baje la velocidad para descender por inclinaciones.

#### Cómo limpiar...

Siga las instrucciones de la sección «Puesta en marcha de la máquina» y conduzca la máquina hasta el punto de inicio para su limpieza.

- Véase Figura 3-1.** Pulse el interruptor de fregado One-Touch (**M**) una vez para fregado normal. Pulse el interruptor de incremento de presión de fregado (**M+**) una vez para un fregado pesado o dos veces para modo de fregado extremo. El flujo de la solución posee ajustes que coinciden con la presión de fregado. Este aumentará o disminuirá junto con la presión de fregado.

**NOTA:** El caudal de solución también aumentará o disminuirá, independientemente de la presión de fregado, al pulsar el interruptor de aumento de flujo de solución (**F+**) o el interruptor de disminución de flujo de solución (**F-**), observe el gráfico de barras de la tasa de flujo de solución (**C10**). Cualquier ajuste posterior a la presión de fregado restablecerá el caudal de solución al valor predeterminado.
- Cuando se selecciona el interruptor de fregado One-Touch (**M**), los cepillos y el limpiador automáticamente bajan al suelo. Los sistemas de fregado, solución, aspirado y detergente (modelos EcoFlex) están habilitados de forma automática, e iniciarán al activarse el pedal de marcha (**3**). Cualquier sistema individual puede ser apagado o vuelto a encender con solo presionando este interruptor mientras se está lavando.

**NOTA:** Al operar la máquina en marcha atrás el limpiador se eleva automáticamente.

**Detergente:** Véase «Preparación y uso del sistema detergente (EcoFlex)» para información detallada sobre el ajuste y uso.
- Comience a fregar haciendo avanzar la máquina hacia adelante en línea recta a velocidad normal de peatón, traslapando las huellas 50-75 mm (2-3 pulgadas). Ajuste la velocidad de la máquina y el caudal de solución cuando sea necesario, de acuerdo a las condiciones del piso. Empuje la pala cronometrada de cierre de solución (**O**) antes de dar una vuelta, para apagar temporalmente el flujo de la solución. El gráfico de barras del caudal de solución (**C10**) será reemplazado por un temporizador de cuenta regresiva de 5 segundos, que muestra por cuánto tiempo se suspenderá el flujo de solución. Para anular el cierre del flujo de la solución, vuelva a empujar la pala antes de que el temporizador expire.

**NOTA:** Al limpiar, se puede ajustar la velocidad máxima de la máquina pulsando el interruptor limitador de velocidad (**L**). Ajuste la máquina a la velocidad deseada por medio del pedal de marcha (**3**) y luego oprima el interruptor limitador de velocidad (**N**). Ahora el operador puede pisar el pedal hacia adelante hasta el fondo sin aumentar la velocidad de la máquina. Esto reduce la fatiga del operador. La velocidad de la máquina (**C5**) aparece en la pantalla. El límite de velocidad es válido cada vez que se friega hasta que se vuelva a pulsar el interruptor limitador de velocidad (mientras se friega) para desactivar el límite de velocidad.

### ¡ATENCIÓN!

Para evitar dañar el piso, mantenga la máquina en movimiento mientras los cepillos estén girando.

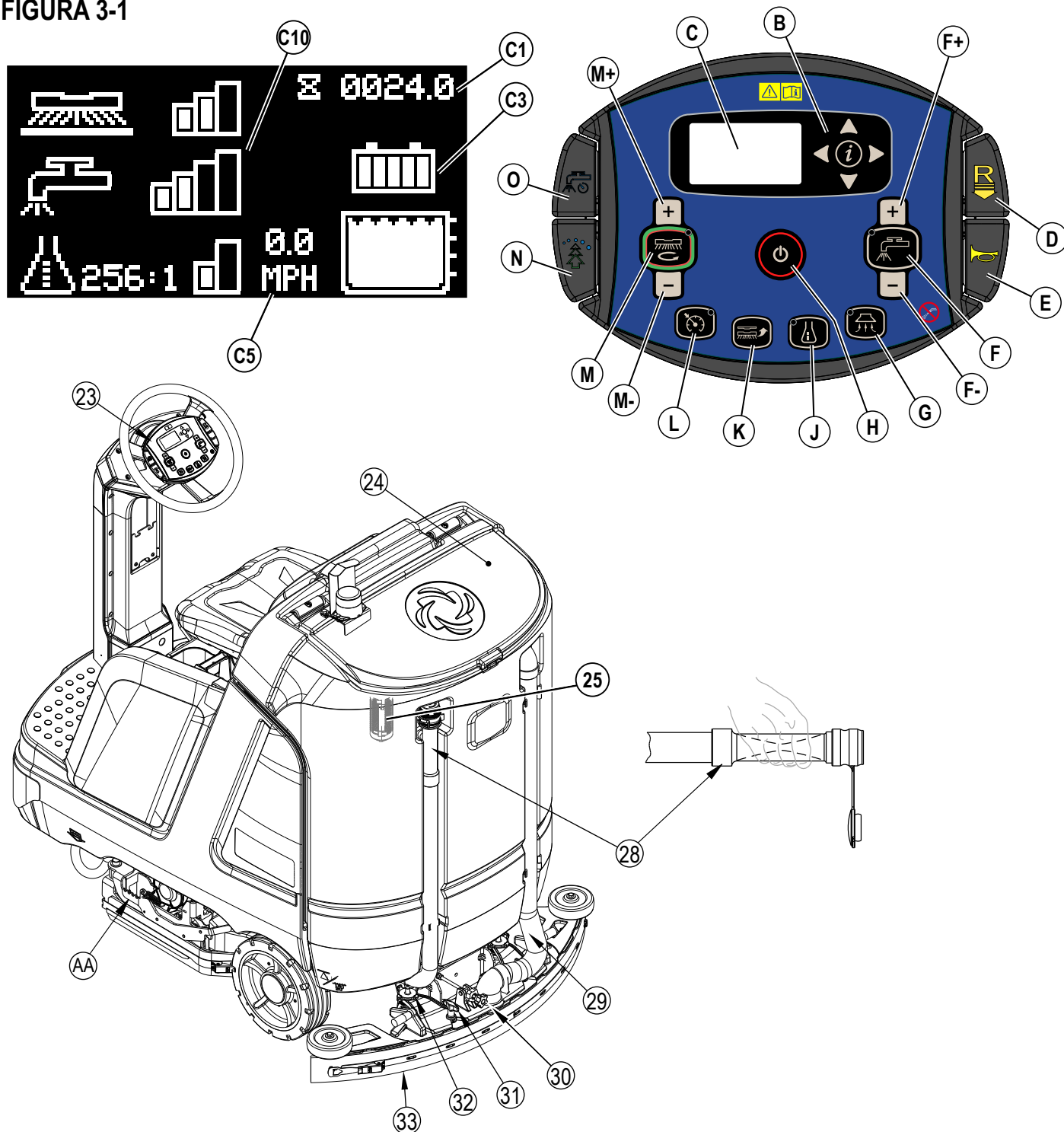
- Al lavar, revise ocasionalmente detrás de la máquina para confirmar que toda el agua residual se esté recogiendo. Si detrás de la máquina queda un rastro de agua, puede ser que esté dispensando demasiada solución, o el depósito de recuperación puede estar lleno, o la herramienta del limpiador puede requerir un ajuste.
- Para pisos demasiado sucios, un lavado de una pasada puede no ser satisfactorio, requiriéndose una operación de «doble fregado». Esta operación es la misma que la del fregado de una sola pasada, excepto que en la primera pasada el limpiador (**33**) y las hojas del cabezal de fregado (**AA**) están elevados. Consulte [Hoja lateral - Posición de fregado doble](#). Pulse el interruptor de aspiración (**G**) para elevar el limpiador. Esto permite que la solución de limpieza permanezca en el piso y actúe por más tiempo. La última pasada se hace sobre la misma superficie, con el limpiador y las hojas laterales bajados para recoger la solución acumulada.
- El depósito de recuperación tiene un flotador de cierre (**25**). Cuando el depósito está lleno, el flotador se activa y cierra la entrada para que no pueda entrar más agua en el depósito de recuperación. Cuando se activa el flotador, el operador puede notar un cambio en el sonido del motor de aspiración o notará que la máquina ya no recoge agua. Hay que vaciar el depósito de recuperación cuando se activa el flotador. Cuando el flotador esté activado la máquina no recogerá agua pero ninguna función de la máquina se apagará.
- Cuando el operador desea detener la operación de fregado, o el depósito de recuperación está lleno, pulse una vez el interruptor de fregado One-Touch (**M**). Esto automáticamente detendrá los cepillos de fregado y el flujo de solución; el cabezal de fregado se elevará. El limpiador se elevará después de un breve retraso y la aspiración se detendrá después de un retraso adicional (esto es para permitir recoger cualquier cantidad de agua restante sin tener que volver a encender el aspiración). Cuando se apaga el fregado, el límite de velocidad también se apaga y la velocidad de la máquina volverá al funcionamiento normal.
- Conduzca la máquina a un «sitio de disposición» designado para el agua residual y vacíe el depósito de recuperación. Para vaciar el depósito de recuperación, tire de la manguera de drenado del depósito de recuperación (**28**) y sáquela de su área de almacenamiento. Sostenga el extremo de la manguera por encima del nivel de agua en el depósito y destornille el tapón. Apriete la manguera como se muestra hasta que esté cerca del desagüe para evitar el flujo repentino e incontrolado de agua residual. Atornille el tapón y empuje la manguera de drenado del depósito de recuperación de nuevo hacia su área de almacenamiento. Vuelva a llenar el depósito de la solución y siga fregando.

**NOTA:** Cerciórese de que la tapa del depósito de recuperación (**24**) y el tapón de la manguera de drenado del depósito de recuperación (**28**) asienten correctamente o la máquina no recogerá bien el agua.

Si las baterías se descargan hasta el umbral de corte por baja tensión, el indicador de baja tensión de las baterías (**C14**) se encenderá, los cepillos de fregado y el flujo de solución se detendrán y el cabezal de fregado se levantará. El limpiador se elevará después de un breve retraso y la aspiración se detendrá después de un retraso adicional. Traslade la máquina a una zona de servicio. Recargue las baterías siguiendo las instrucciones en las secciones de «Carga de baterías húmedas» o «Carga de baterías de Gel/AGM (VRLA)» de este manual.

## FUNCIONAMIENTO DE LA MÁQUINA: CONTINUACIÓN

FIGURA 3-1



## ASPIRACIÓN HÚMEDA

Pasos a seguir para equipar la máquina con aditamentos opcionales para la aspiración húmeda.

- 1 Desconecte la manguera de recuperación (29) del soporte del limpiador. Conecte el acoplador y la manguera del juego de la varita a la manguera de recuperación.
- 2 Conecte a la manguera las herramientas adecuadas para recogido húmedo. (Nilfisk tiene disponible de manera opcional un Kit de varita de aspiración, PN56116355).
- 3 Ponga la SmartKey magnética en el lector de SmartKey (22) y pulse el interruptor de encendido (H). Estando de pie al lado de la máquina (no en el asiento) pulse el interruptor de aspiración (G). El motor de aspiración funcionará continuamente hasta que se vuelva a pulsar el interruptor para apagarlo. Se despliega el indicador de la varita (C17). **NOTA:** Si pulsa el interruptor de aspiración (G) estando sentado en la máquina, el limpiador bajará y el motor de aspiración funcionará mientras la máquina se mueva hacia adelante. Se desplegará el indicador de aspiración (C16).



## DESPUÉS DEL USO

- 1 Al terminar de limpiar, pulse el interruptor de limpieza One-Touch (**M**). Esto de forma automática elevará, retraerá y detendrá todos los sistemas de la máquina (cepillos, limpiador, aspiración, solución y detergente (en modelos EcoFlex)). Ahora conduzca la máquina a un área de servicio para que reciba su mantenimiento diario y revisión de otros servicios y atención necesaria.
- 2 Para vaciar el depósito de la solución, quite la Manguera de Drenaje de la solución (**13**) de su abrazadera de almacenamiento debajo del parachoques delantero de la máquina. Dirija la manguera a un «SITIO DE DISPOSICIÓN» designado y quite el tapón. Enjuague el tanque con agua limpia.
- 3 Para vaciar el tanque de recuperación, jale la manguera de drenado del depósito de recuperación (**28**) y sáquela de su área de almacenamiento. Sostenga el extremo de la manguera por encima del nivel de agua en el depósito y destornille el tapón. Puede aplastar la manguera de drenado del depósito de recuperación para regular el flujo y evitar el flujo repentino e incontrolado de aguas residuales. Enjuague el depósito de recuperación con agua limpia. Inspeccione las mangueras de recuperación y aspiración; reemplácelas si tienen dobleces o están dañadas.
- 4 Quite los cepillos o portafiltros. Enjuague los cepillos o filtros con agua tibia y cuélguelos para que se sequen.
- 5 Quite el limpiador, enjuáguelo con agua tibia y reinstálelo en su soporte o cuélguelo de la parte posterior del depósito de recuperación.
- 6 Quite la tolva de los sistemas cilíndricos y límpiela por completo. Quítela desde cualquier lado de la máquina, desabrochando y batiendo el conjunto de hoja lateral para apartarla, e inclinando la tolva hacia arriba alejándola del alojamiento, luego júlela hacia afuera.
- 7 Revise el programa de mantenimiento a continuación y efectúe cualquier mantenimiento que se requiera antes de guardarla.
- 8 Guarde la máquina bajo techo en un lugar limpio y seco. Evite que se congele. Deje los tanques abiertos para que se ventilen.
- 9 Apague la máquina oprimiendo el interruptor de encendido (**H**) y luego quite la llave magnética.
- 10 Las baterías son la partida de repuesto más costosa de esta máquina. Para proteger su inversión y sacarle la mayor cantidad posible de ciclos a sus baterías, recuerde lo siguiente:
  - Las baterías durarán más si se les mantiene totalmente cargadas.
  - Las baterías con las que esta máquina viene equipada no desarrollarán memoria de carga.
  - Las baterías durarán más y rendirán más ciclos si se les carga oportunamente.
  - Los cargadores de baterías no cargan las baterías ni de más ni de menos.
  - Las baterías fallarán prematuramente si se almacenan descargadas.
  - Cada día después de usar la máquina, el cargador de batería se debe conectar y se le debe dejar que haga una secuencia de carga completa para que pueda cargar las baterías por completo.

## MANTENIMIENTO

### PROGRAMA DE MANTENIMIENTO

OPERACIÓN DE MANTENIMIENTO	Diario	Semanal	Mensual	Anual
Cargar las baterías	X			
Revise/limpie los tanques y mangueras	X			
Revise/limpie/gire los cepillos/filtros	X			
Revise/limpie el limpiador	X			
Vacíe/limpie la bandeja de retención de residuos en el depósito de recuperación	X			
Revise/limpie los filtros de espuma del motor de aspiración	X			
Limpie la tolva del sistema cilíndrico	X			
Limpie la superficie del lector de SmartKey magnética ( <b>22</b> )		X		
Revise el nivel de agua de la(s) celda(s) de cada batería (baterías mojadas)		X		
Inspeccione las hojas del cabezal de fregado		X		
Inspeccione y limpie el filtro de la solución		X		
Limpie el canal de la solución del sistema cilíndrico		X		
Purgue el sistema de detergente (solo EcoFlex)		X		
* Limpie el depósito de la solución			X	
Lubricación: consulte «Lubricación de la máquina»			X	
** Revise los cepillos de carbón				X

\* La limpieza del depósito de la solución solo es necesaria si se utiliza una mezcla de agua y detergente de limpieza dentro del depósito.

\*\* Haga que Nilfisk revise los cepillos de carbón para los motores de aspiración después de 1200 horas de recuperación (reemplace los motores después de 2000 horas de recuperación) y para los motores de fregado (cepillos de disco y cilíndrico) después de 1200 horas de fregado.

**NOTA:** Consulte el Manual de servicio para más detalles del mantenimiento y reparaciones de servicio.

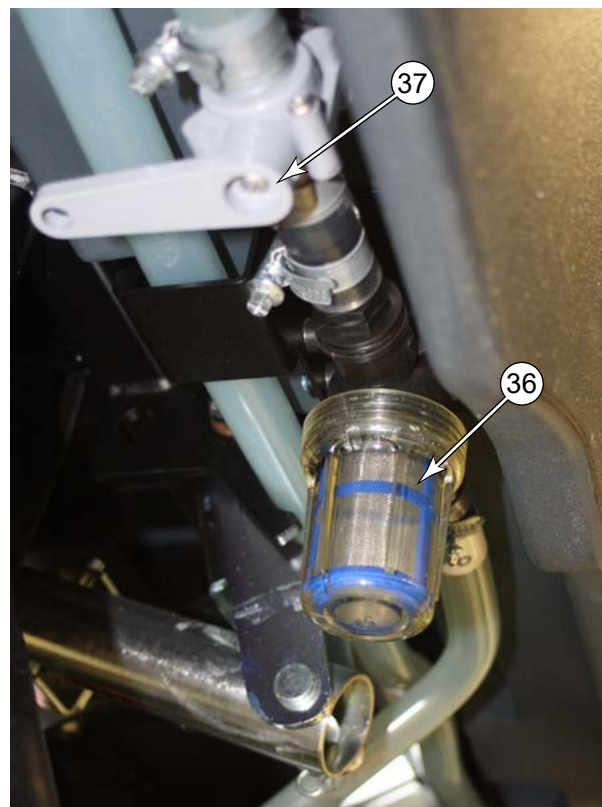
## LIMPIEZA DEL DEPÓSITO DE RECUPERACIÓN

- 1 Lleve la máquina a la zona de vaciado elegida.
- 2 Asegúrese de que la máquina está apagada y la SmartKey (39) haya sido extraída.
- 3 Tire de la manguera de drenado del depósito de recuperación (28) y sáquela de su área de almacenamiento.
- 4 Dirija el tubo al «SITIO DE DISPOSICIÓN» establecido para la eliminación de residuos y desatornille el tapón (sostenga el extremo del tubo por encima del nivel de agua en el depósito para evitar un flujo repentino e incontrolado de agua residual). Puede aplastar la manguera de drenado del depósito de recuperación para regular el flujo.
- 5 Abra la tapa del depósito de recuperación (24).
- 6 Enjuague el depósito de recuperación para remover cualquier y todos los residuos del depósito. Para limpiar el depósito de recuperación deje la manguera de drenaje abierta en un desagüe en el suelo y rocíe el interior del depósito limpio con una manguera. Para rociar el depósito de recuperación se puede usar una manguera con un accesorio pulverizador, pero no debe ser dirigido hacia el alojamiento del filtro del motor de aspiración (26). No permita que el agua pulverizada salpique fuera del depósito o en la entrada del motor de aspiración.  
**NOTA:** La manguera de pulverización no debe usarse para limpiar el exterior de la máquina, cerca del panel de control del operador, para impedir que entre agua en las partes electrónicas sensibles.
- 7 Retire la bandeja de retención de residuos (27) del depósito de recuperación. Vacíe y enjuague la bandeja de retención de residuos y después vuelva a instalarla.
- 8 Abra el alojamiento del filtro del motor de aspiración (26) y retire el filtro. Retire cualquier residuo que pueda haberse acumulado dentro del alojamiento del filtro. Enjuague el filtro y vuelva a instalarlo.
- 9 Controle el estado de la guarnición de la tapa del depósito de recuperación y de la zona donde se aloja. Deben estar limpias para que sean herméticas.  
**NOTA:** La guarnición permite la creación de vacío en el depósito, necesario para poder aspirar el agua de recuperación.
- 10 Cierre la tapa del depósito de recuperación. **NOTA:** La tapa se puede dejar abierta para ventilar el depósito entre usos.

## LIMPIEZA DEL FILTRO DE LA SOLUCIÓN

- 1 Lleve la máquina a la zona de vaciado elegida.
- 2 Asegúrese de que la máquina está apagada y la SmartKey (39) haya sido extraída.
- 3 Cierre la válvula de corte de la solución (37) girando el asa 90° para que apunte hacia el lado derecho de la máquina (la **Figura 4-1** muestra el asa en la posición cerrada).
- 4 Desenrosque la tapa del filtro de la solución (36). Es probable que haya todavía algo de solución en la línea que se derramará.
- 5 Limpie la tapa del filtro y la pantalla.
- 6 Reinstale la pantalla y la tapa, asegúrese de que la guarnición esté en su lugar.
- 7 Abra la válvula de corte de la solución (37).

FIGURA 4-1



## CÓMO LUBRICAR LA MÁQUINA

Una vez al mes, bombee una pequeña cantidad de grasa en cada conexión de grasa hasta que la grasa salga alrededor de los cojinetes. Ver Figura 4-2.

### Ubicaciones de las conexiones de grasa (o aplique grasa) (AA):

- Eje y Pivote de la Rueda del Limpiador
- Cadena de dirección
- Rosca de la perilla de ajuste del ángulo de montaje del limpiador

### Una vez al mes aplique aceite ligero para maquinaria o aerosol de lubricante sintético para lubricar (AB):

- Roscas de ajuste de tope inferior de la hoja lateral

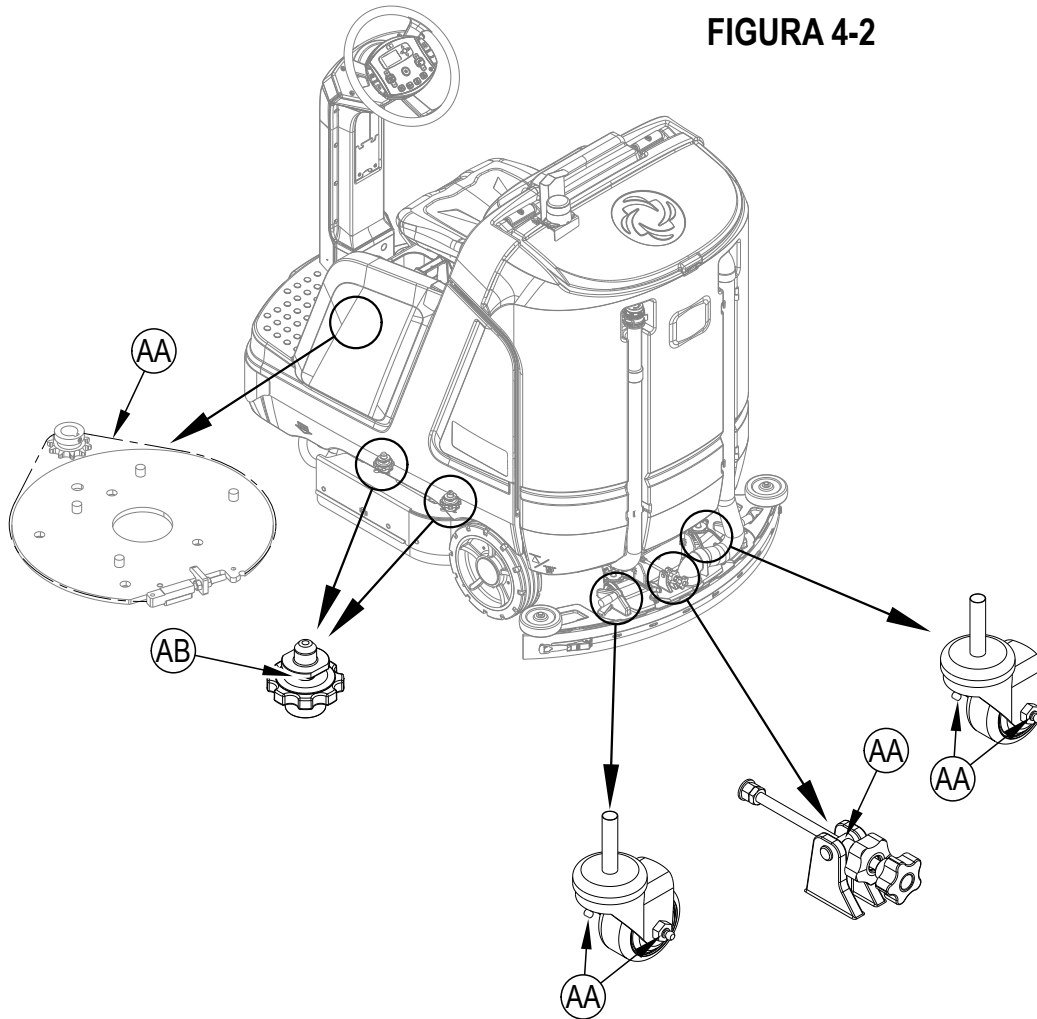


FIGURA 4-2

## FRENO ELECTROMAGNÉTICO

### ⚠ ¡ATENCIÓN!

A fin de evitar un movimiento descontrolado de la máquina, bloquee las ruedas y permita que la máquina esté en una superficie nivelada antes de soltar el freno electromagnético.

Véase Figura 4-3. El conjunto de la rueda de tracción (4) tiene un freno electromagnético interconstruido, que está aplicado cada vez que la máquina esté apagada, o que el pedal de marcha (3) no esté siendo pisado. Este freno puede cancelarse manualmente de ser necesario, insertando un destornillador mediano o grande detrás de la horquilla (AC), como se aprecia. Esto solo se debe hacer en caso de que necesite empujar o tirar de la unidad en distancias cortas.

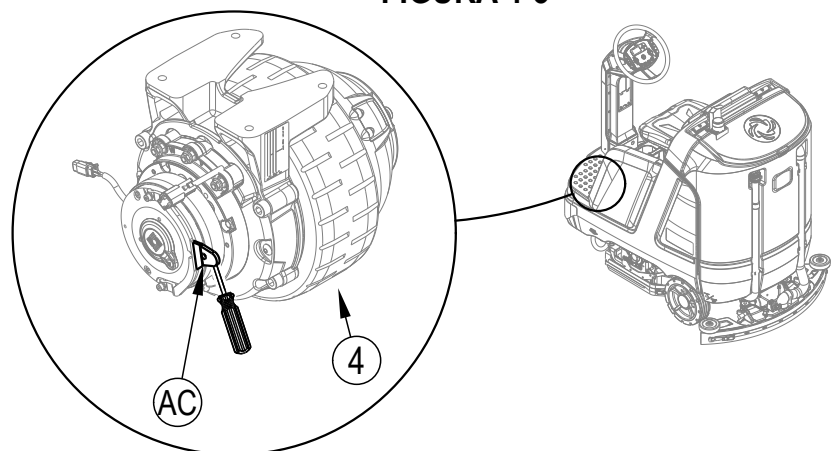


FIGURA 4-3

## CARGA DE BATERÍAS HÚMEDAS

Cargue las baterías cada vez que la máquina se use o cuando la lectura del Indicador del nivel de carga de la batería (C3) indique menos de lleno.

### ⚠ ¡ADVERTENCIA!

No replete las baterías antes de cargar. Revise para cerciorarse de que solo las placas estén cubiertas.

Recargue las baterías en un área bien ventilada. Si el ácido de las baterías toca su piel, enjuague el área afectada con agua durante 5 minutos y busque atención médica.

No fume mientras revise las baterías.

#### Al revisar las baterías...

- \* Qítense todo accesorio
- \* No fume
- \* Utilice lentes de seguridad, guantes y mandil de hule
- \* Trabaje en un área bien ventilada
- \* No permita que las herramientas toquen más de un terminal de la batería a la vez.
- \* SIEMPRE desconecte primero el cable negativo (tierra) al reemplazar las baterías, para evitar chispas.
- \* SIEMPRE conecte al último el cable negativo al instalar las baterías.

#### Si su máquina le fue enviada con un cargador de batería a bordo, haga lo siguiente:

- 1 Apague la máquina con el interruptor de encendido (H).
- 2 Véase Figura 4-4. Incline el asiento hacia adelante (el resorte de gas mantiene el asiento abierto) para tener acceso al cargador batería y garantizar una buena ventilación.
- 3 Desenrolle el cable eléctrico (18A) del cargador a bordo y conéctelo en una salida eléctrica debidamente aterrizada. Controle el manual del fabricante original (OEM) del producto para recibir instrucciones de operación más detalladas. Mientras la potencia CA está siendo aplicada al cargador de a bordo, todas las funciones de la máquina quedan inhabilitadas.

- 4 El Indicador de estado de carga de la batería (C3) empezará a mostrar el estado de carga de las baterías. Esto indica que el ciclo de carga ha iniciado. Conforme la carga continúa, el nivel de carga de la batería se llenará.

- 5 Cuando el indicador de estado de carga de batería (C3) está completamente lleno, la máquina siente baterías totalmente cargadas, pero el proceso de carga puede no haberse completado. Confíe en las luces de estado del cargador (18) (y el manual de su fabricante original, o OEM) para verificar cuando las baterías están completamente cargadas. Esto puede tardar varias horas, dependiendo de la condición de las baterías antes de la carga.

- 6 Una vez que la carga esté completa, desconecte el cargador y enrolle el cable (18A). Después de desconectar el cargador, espere al menos 10 segundos antes de encender la máquina.

#### Si su máquina le fue enviada sin un cargador de batería a bordo, haga lo siguiente:

- 1 Apague la máquina con el interruptor de encendido (H).
- 2 Véase Figura 4-4. Incline el asiento hacia adelante para tener acceso a la batería y garantizar una buena ventilación, el resorte de gas mantiene el asiento abierto.
- 3 Desconecte las baterías de la máquina y empuje el conector del cargador dentro del conector de la batería de la máquina (19). Siga las instrucciones del cargador de batería y del manual del producto OEM. **NOTA DE SERVICIO:** Asegúrese de conectar el cargador de batería en el conector que se fija a las baterías.

### ⚠ ¡ATENCIÓN!

Para evitar dañar las superficies del piso, limpie el agua y el ácido de la parte superior de las baterías después de la carga. Si carga de más o de menos, acortará la vida de la batería, limitando el rendimiento. ¡Asegúrese de SEGUIR CORRECTAMENTE LAS INSTRUCCIONES DE CARGA!

## REVISE EL NIVEL DE AGUA EN LAS BATERÍAS

Revise el nivel de agua de las baterías cuando menos una vez a la semana.

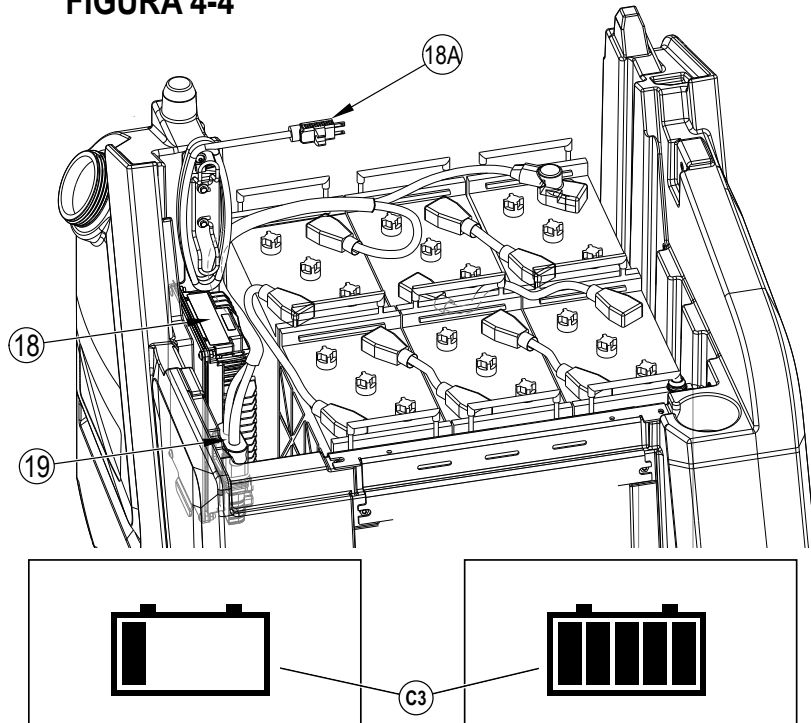
Quite los tapones de ventilación y revise el nivel de agua de cada celda de batería. Use agua destilada o desmineralizada en el dispensario de llenado de batería (disponible en casi todas las tiendas de autopartes) para llenar cada celda hasta el indicador de nivel (o a .39 pulgadas / 10 mm por encima de la parte superior de los separadores). ¡NO llene de más las baterías!

### ⚠ ¡ATENCIÓN!

Si llena de más las baterías, el ácido se puede derramar en el piso.

Apriete los tapones de ventilación. Lave la parte superior de las baterías con una solución de bicarbonato y agua (2 cucharadas de bicarbonato por 1 litro de agua).

FIGURA 4-4



## CARGA DE LAS BATERÍAS DE GEL/AGM (VRLA)

Cargue las baterías cada vez que la máquina se use o cuando la lectura del Indicador del nivel de carga de la batería (C3) indique menos de lleno.

### ⚠ ¡ADVERTENCIA!

Recargue las baterías en un área bien ventilada. Si el ácido de las baterías toca su piel, enjuague el área afectada con agua durante 5 minutos y busque atención médica.

No fume mientras revise las baterías.

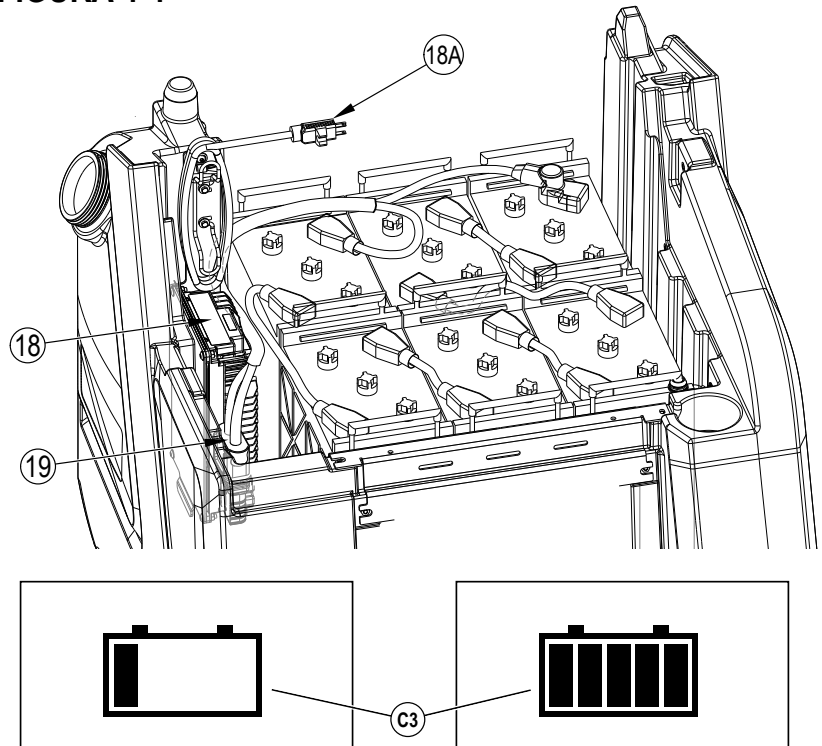
FIGURA 4-4

#### Al revisar las baterías...

- \* Qítense todo accesorio
- \* No fume
- \* Utilice lentes de seguridad, guantes y mandil de hule
- \* Trabaje en un área bien ventilada
- \* No permita que las herramientas toquen más de un terminal de la batería a la vez.
- \* SIEMPRE desconecte primero el cable negativo (tierra) al reemplazar las baterías, para evitar chispas.
- \* SIEMPRE conecte al último el cable negativo al instalar las baterías.

### ⚠ ¡ATENCIÓN!

Su batería de plomo-ácido regulada por válvula (VRLA) tendrá un rendimiento superior y una vida más larga ¡SOLO SI SE LE RECARGA CORRECTAMENTE! Si carga de más o de menos, acortará la vida de la batería, limitando el rendimiento. ¡Asegúrese de SEGUIR CORRECTAMENTE LAS INSTRUCCIONES DE CARGA! ¡NO INTENTE ABRIR ESTA BATERÍA! Si se abre una batería VRLA, ésta pierde su presión y los platos se contaminan de oxígeno. LA GARANTÍA SE ANULARÁ SI SE ABRE LA BATERÍA.



#### Si su máquina le fue enviada con un cargador de batería a bordo, haga lo siguiente:

- 1 Apague la máquina con el interruptor de encendido (H).
- 2 Véase Figura 4-4. Incline el asiento hacia adelante para tener acceso al cargador de batería y garantizar una buena ventilación. El resorte de gas mantiene el asiento abierto.
- 3 Desenrolle el cable eléctrico (18A) del cargador a bordo y conéctelo en una salida eléctrica debidamente aterrizada. Controle el manual del fabricante original (OEM) del producto para recibir instrucciones de operación más detalladas. Mientras la potencia CA está siendo aplicada al cargador de a bordo, todas las funciones de la máquina quedan inhabilitadas.
- 4 El Indicador de estado de carga de la batería (C3) empezará a mostrar el estado de carga de las baterías. Esto indica que el ciclo de carga ha iniciado. Conforme la carga continúa, el nivel de carga de la batería se llenará.
- 5 Cuando el indicador de estado de carga de batería (C3) está completamente lleno, la máquina tiene baterías totalmente cargadas, pero el proceso de carga puede no haberse completado. Confíe en las luces de estado del cargador (18) (y el manual de su fabricante original, o OEM) para verificar cuando las baterías están completamente cargadas. Esto puede tardar varias horas, dependiendo de la condición de las baterías antes de la carga.
- 6 Una vez que la carga esté completa, desconecte el cargador y enrolle el cable (18A). Después de desconectar el cargador, espere al menos 10 segundos antes de encender la máquina.

#### Si su máquina le fue enviada sin un cargador de batería a bordo, haga lo siguiente:

- 1 Apague la máquina con el interruptor de encendido (H).
- 2 Véase Figura 4-4. Incline el asiento hacia adelante para tener acceso a la batería y garantizar una buena ventilación, el resorte de gas mantiene el asiento abierto.
- 3 Desconecte las baterías de la máquina y empuje el conector del cargador dentro del conector de la batería de la máquina (19). Siga las instrucciones del cargador de batería y del manual del producto OEM. **NOTA DE SERVICIO:** Asegúrese de conectar el cargador de batería en el conector que se fija a las baterías.

**IMPORTANTE:** Asegúrese de tener un cargador adecuado para usarlo con baterías de células de Gel. Use únicamente cargadores con «voltaje regulado» o «voltaje limitado». NO USE cargadores estándar de corriente constante ni cargadores de toma corriente. Se recomienda un cargador sensible a la temperatura, ya que los ajustes manuales nunca son precisos y dañan la batería VRLA.

## MANTENIMIENTO DEL LIMPIADOR

Si el limpiador deja rastros delgados de agua, las hojas pueden estar sucias o dañadas. Retire el limpiador, enjuáguelo con agua tibia y revise las hojas. Invierta las hojas o sustitúyalas si están cortadas, desgarradas, tienen holanes o están desgastadas.

### Cómo invertir o sustituir la hoja secadora del limpiador trasero:

- 1 Véase Figura 4-5. Eleve del piso la herramienta de limpiador y luego desabroche el pestillo **(AA)** en la herramienta del limpiador.
- 2 Quite la tira tensora **(AB)**.
- 3 Saque la hoja trasera **(AJ)**, deslizándola fuera de los pasadores de alineación.
- 4 La hoja del limpiador tiene 4 filos de trabajo, como se muestra a continuación. Gire la hoja de modo que uno de sus filos limpios e intactos quede apuntando hacia el frente de la máquina. Si los 4 filos de la hoja presentan muescas, desgarros o un desgaste que aumente su radio, sustitúyala.
- 5 Instale la hoja siguiendo los pasos en el orden contrario y ajuste la inclinación del limpiador.

### Cómo invertir o sustituir la hoja delantera del limpiador...

- 1 Eleve del piso el limpiador, luego afloje las (2) tuercas mariposa **(31)** en la parte superior del limpiador y quite el limpiador de su soporte **(AG)**.
- 2 Quite la tuerca mariposa de remoción de la hoja delantera del limpiador **(AC)**, luego quite el tensor **(AD)** y la hoja delantera **(AK)**.
- 3 La hoja del limpiador tiene 4 filos de trabajo, como se muestra a continuación. Gire la hoja de modo que uno de sus filos limpios e intactos quede apuntando hacia el frente de la máquina. Si los 4 filos de la hoja presentan muescas, desgarros o un desgaste que aumente su radio, sustitúyala.
- 4 Instale la hoja siguiendo los pasos en el orden contrario y ajuste la inclinación/ángulo del limpiador.

## AJUSTE DEL LIMPIADOR

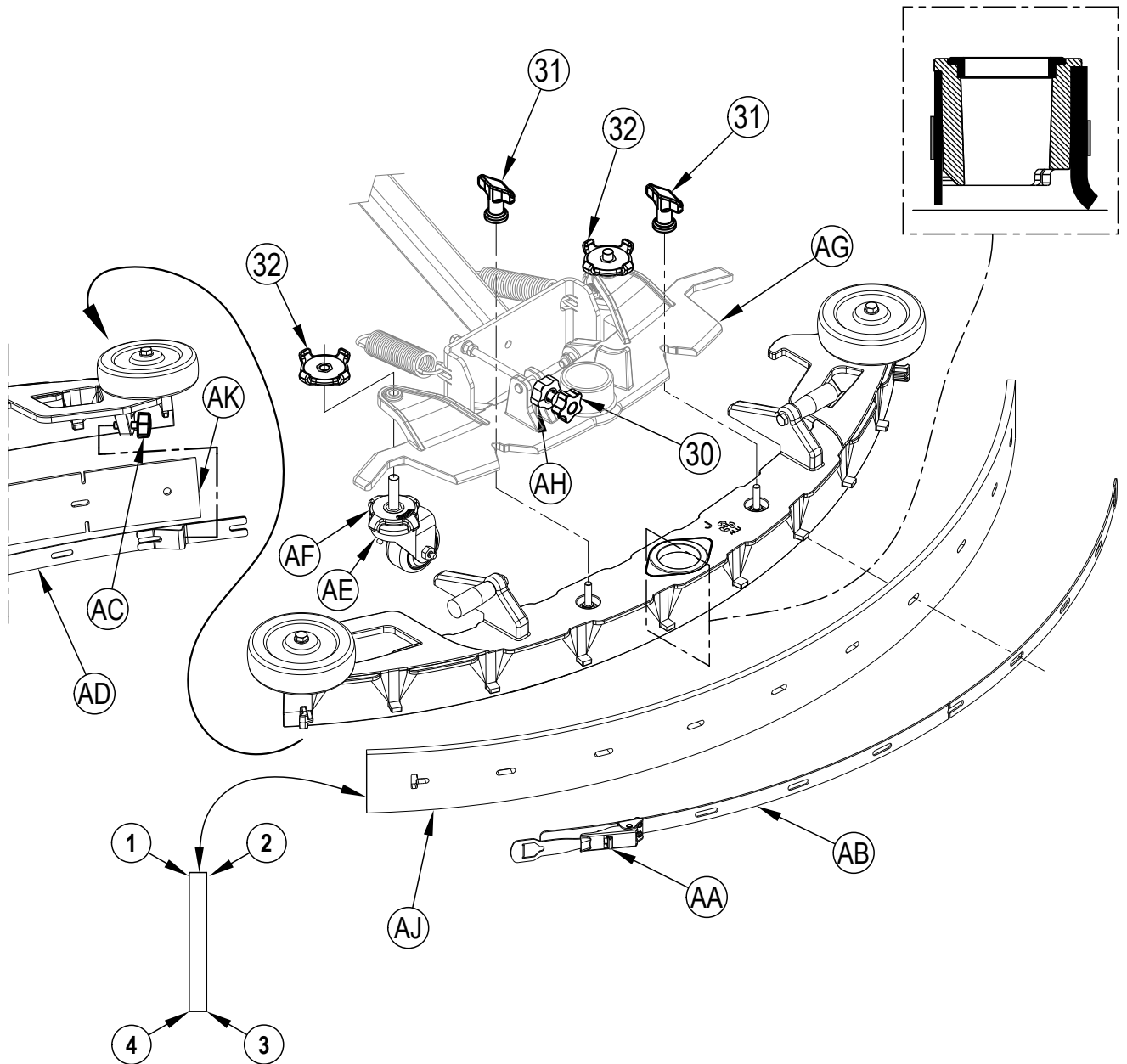
Hay dos ajustes posibles para la herramienta del limpiador: inclinación y altura.

Ajuste la inclinación del limpiador cada vez que invierta o reemplace la hoja, o si el limpiador no deja seco el piso.

- 1 Estacione la máquina en una superficie plana y lisa.
- 2 Baje el limpiador, mueva la máquina ligeramente hacia adelante y ajuste la inclinación y altura del limpiador valiéndose de la perilla de ajuste de inclinación del limpiador **(30)** y las perillas de bloqueo de las ruedas giratorias del limpiador **(32)** de manera que la hoja trasera del limpiador toque el piso uniformemente a todo lo ancho y que esté ligeramente doblada, tal como se aprecia en la sección transversal del limpiador.
- 3 La altura del limpiador viene preestablecida de fábrica pero puede requerir ajustes periódicos por el desgaste de las ruedas. La altura correcta del limpiador se consigue cuando la hoja trasera del limpiador toca el suelo uniformemente en toda la anchura y se dobla ligeramente con la rueda de la roldana apenas tocando el suelo.
  - a. Afloje las perillas de bloqueo de las ruedas giratorias **(32)**.
  - b. Suba o baje la rueda **(AE)** valiéndose de su rosca, como se requiera para lograr la altura correcta y asegurar que la posición de la hoja sea uniforme de izquierda a derecha.
  - c. Apriete el tope de la rueda **(AF)** contra el soporte del limpiador **(AG)**.
  - d. Apriete las perillas de bloqueo de las ruedas giratorias del limpiador **(32)** contra el soporte del limpiador para bloquear el ajuste.
- 4 La perilla de ajuste de inclinación **(30)** se usa para ajustar el ángulo/inclinación para que su contacto sea uniforme desde el centro hasta los extremos de la hoja.
  - a. Afloje la Perilla de Tope de Inclinación **(AH)**.
  - b. Gire la Perilla de Ajuste de Inclinación lo necesario para hacer el ajuste.
  - c. Apriete la perilla de tope de inclinación **(AH)** contra el soporte del limpiador para bloquear el ajuste.

MANTENIMIENTO DEL LIMPIADOR - CONTINUACIÓN

FIGURA 4-5



## MANTENIMIENTO DE LA HOJA LATERAL

La función de las hojas laterales es canalizar el agua residual al limpiador, ayudando a contener el agua dentro de la huella de limpieza de la máquina. Con el uso normal las hojas se desgastan con el paso del tiempo. El operador notará que hay una pequeña cantidad de agua que gotea por debajo de las hojas laterales. Es fácil ajustar la altura de las hojas para bajarlas, de manera que el limpiador pueda recoger toda el agua.

### DISCO - Cómo invertir o reemplazar las hojas laterales del sistema de fregado...

- 1 Véase **Figura 4-6**. Afloje las dos perillas de extracción de la hoja lateral (**16**) (2 por lado) y tire ligeramente del conjunto de hoja lateral (**AA**) hacia adelante y fuera del cabezal de fregado.
- 2 Afloje las dos tuercas mariposa (**AL**) luego gire los dos retenes (**AB**) para que estén horizontales y separe la hoja de la cinta retenedora.
- 3 La hoja lateral principal tiene 4 filos de trabajo, como indicado. Gire la hoja de modo que uno de sus filos limpios e intactos quede apuntando hacia el centro de la máquina. Reemplace las hojas como un conjunto si todos los bordes ya están tan mellados, desgarrados o gastados que no se les puede ajustar.
- 4 Vuelva a instalar la hoja en el conjunto de la hoja y fíjela con retenes (**AB**) girando hacia atrás hacia la posición vertical y apriete las tuercas mariposa (**AL**). Cuando coloque el cabezal portacepilllos en la posición de fregado, ajuste la altura de la hoja para que toque correctamente el piso. Véase la sección «Ajuste de altura de la hoja lateral».

### CILÍNDRICO - Cómo invertir o reemplazar las hojas laterales del sistema de fregado...

- 1 Véase **Figura 4-7**. Desabroche la tira retenedora (**AD**) y quite la cinta y la hoja.
- 2 La hoja lateral principal tiene 4 filos de trabajo, como indicado. Gire la hoja de modo que uno de sus filos limpios e intactos quede apuntando hacia el centro de la máquina. Intercambie las hojas laterales, derecha e izquierda, para utilizar los dos files restantes. Reemplace las hojas como un conjunto si todos los bordes ya están tan mellados, desgarrados o gastados que no se les puede ajustar.
- 3 Vuelva a instalar la hoja en el conjunto de la hoja y fíjela abrochándola con la cinta retenedora (**AD**). Cuando coloque el cabezal de cepillos en la posición de fregado, ajuste la hoja para que toque correctamente el piso. Véase la sección «Ajuste de altura de la hoja lateral».

## AJUSTE DE LA ALTURA DE LA HOJA LATERAL

### DISCO -

- 1 Véase **Figura 4-6**. Los pernos de tornillo de extracción del conjunto de hoja lateral tienen collares de ajuste de nivelación (**AC**), que deben elevarse o bajarse para compensar el desgaste de la hoja.
- 2 Asegúrese de que la máquina esté en una superficie nivelada.
- 3 Baje el cabezal de fregado presionando el interruptor de fregado One-Touch (**M**) y conduzca la máquina hacia adelante una distancia corta para asegurarse de que las hojas se doblen.
- 4 Observe que la hoja se doble.
- 5 Las perillas de remoción de las hojas laterales (**16**) se pueden aflojar con el conjunto puesto y los collares de ajuste (**AC**) girados por debajo del conjunto de hojas.
- 6 Gire los collares de ajuste (**AC**) (arriba o abajo) hasta donde las hojas se doblen solo lo suficiente durante el fregado, de modo que el agua residual quede dentro del cabezal de fregado.

Nota: Haga pequeños ajustes para que la hoja haga una buena limpieza. No baje las hojas demasiado hasta el punto que se doblen demasiado y la hoja se desgaste innecesariamente.

### CILÍNDRICO -

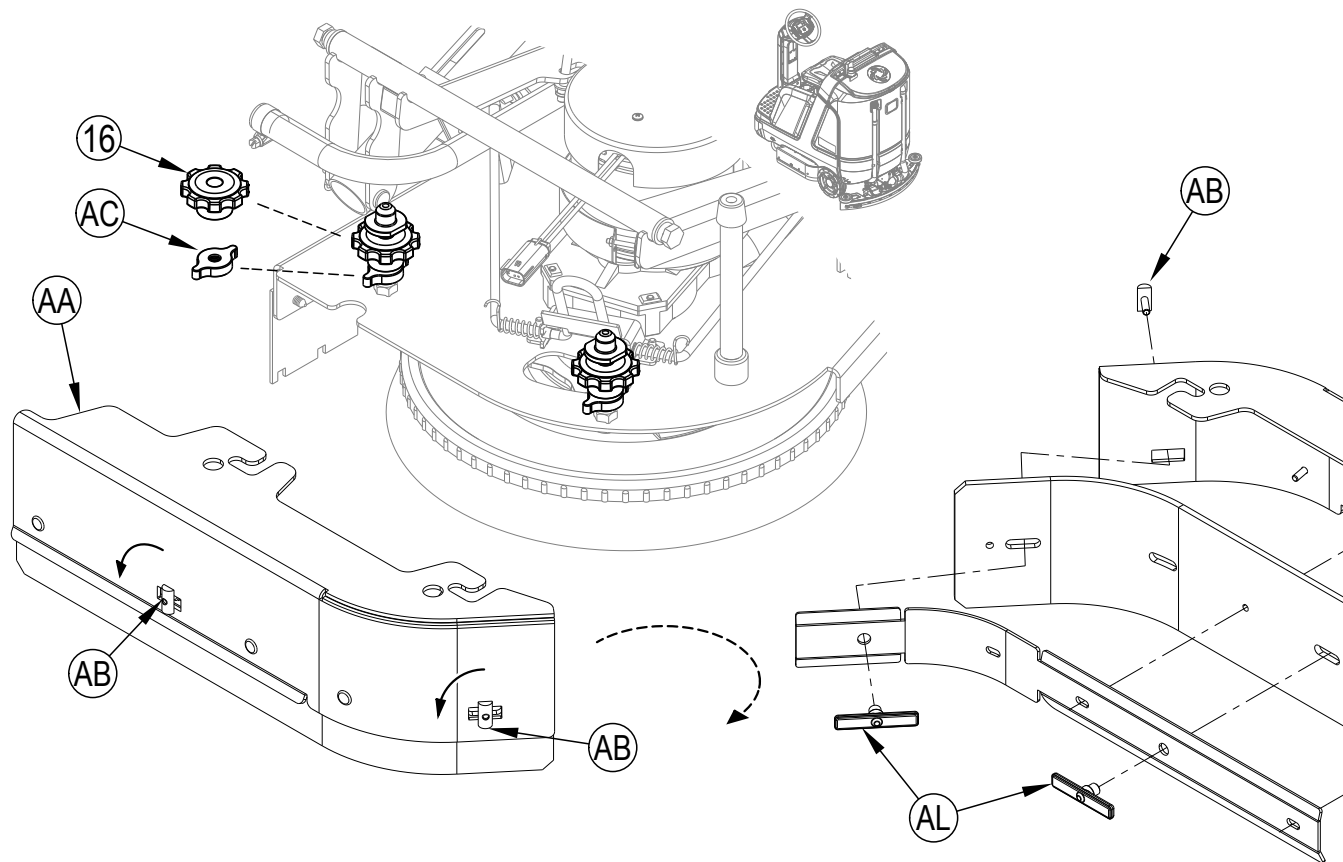
- 1 Véase **Figura 4-7**. Cada conjunto de hoja lateral tiene un tope inferior (**AE**), que puede elevarse o bajarse para compensar el desgaste de la hoja.
- 2 Asegúrese de que la máquina esté en una superficie nivelada.
- 3 Baje el cabezal de fregado presionando el interruptor de fregado One-Touch (**M**) y conduzca la máquina hacia adelante una distancia corta para asegurarse de que las hojas se doblen.
- 4 Observe que la hoja se doble.
- 5 Afloje el tope inferior (**AE**) y ajuste (arriba o abajo) hasta donde las hojas se doblen solo lo suficiente al fregar, de modo que el agua residual se contenga dentro del cabezal de fregado.

Nota: Haga pequeños ajustes para que la hoja haga una buena limpieza. No baje las hojas demasiado hasta el punto que se doblen demasiado y la hoja se desgaste innecesariamente.

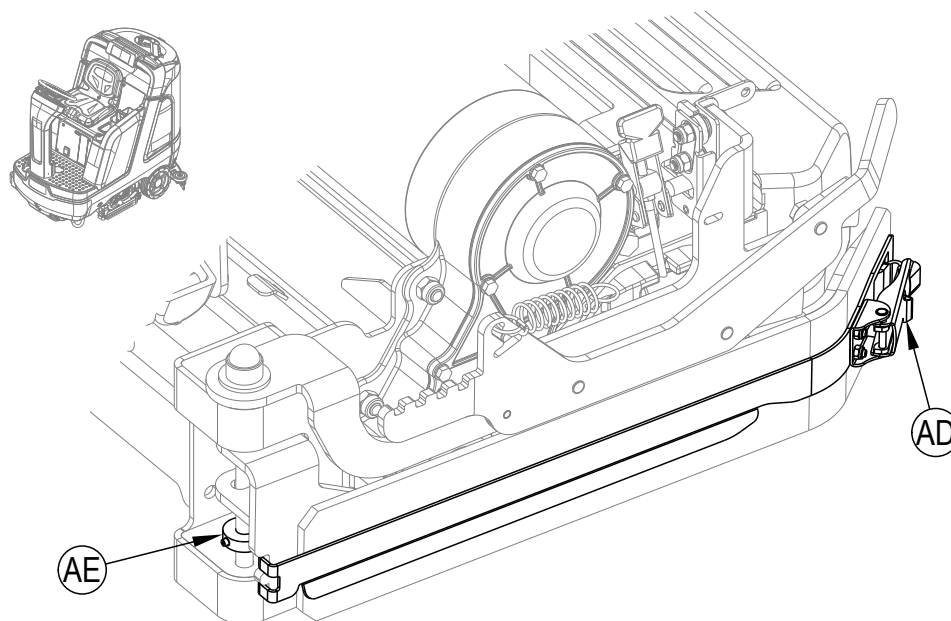


**MANTENIMIENTO DE LA HOJA LATERAL - CONTINUACIÓN**

**FIGURA 4-6**



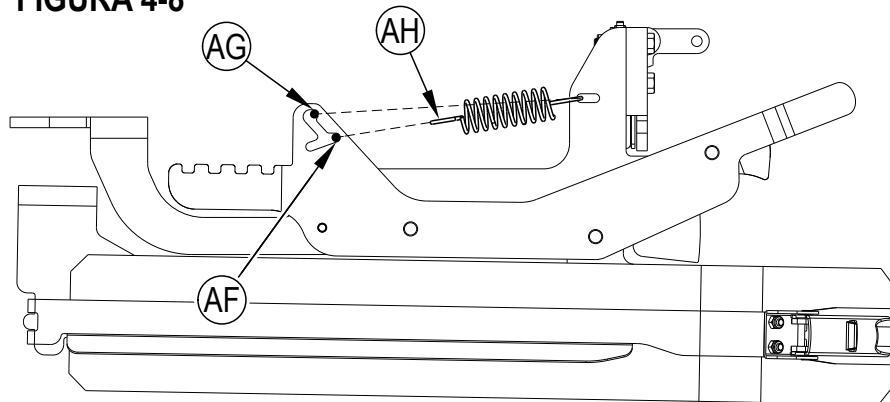
**FIGURA 4-7**



## AJUSTE DE PRESIÓN HOJA LATERAL - SOLO CILÍNDRICO

- 1 Las hojas laterales del cabezal de fregado con cepillos cilíndricos poseen dos ajustes para la presión de descenso. Véase **Figura 4-8**.
- 2 La posición 1 (**AF**) es una presión de frotado normal. Se recomienda iniciar con este ajuste. La posición 2 (**AG**) es una presión de frotado pesada. Se puede usar este ajuste si el rendimiento de frotado no es satisfactorio.  
**NOTA:** La posición 2 desgastará más rápidamente la hoja.
- 3 Tire del extremo del resorte (**AH**) y muévase entre los dos ajustes. Use el mismo ajuste en ambos lados del cabezal de fregado.

**FIGURA 4-8**

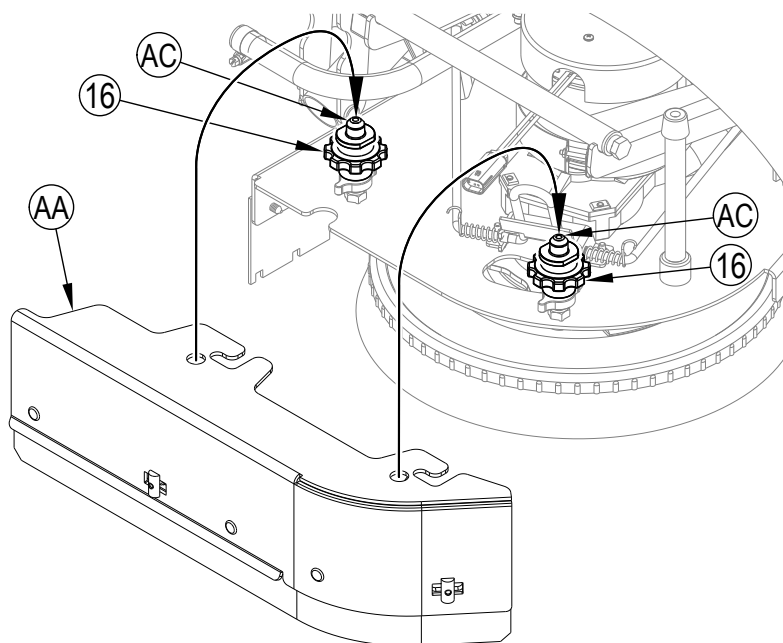


## HOJA LATERAL - POSICIÓN DE FREGADO DOBLE

### DISCO -

- 1 Véase **Figura 4-9**. Afloje las perillas de extracción del conjunto de hoja lateral (**16**) y retire los conjuntos de hoja lateral (**AA**).
- 2 Coloque los conjuntos de hoja (**AA**) en los soportes de conjunto de hoja (**AC**) en los orificios redondos en los conjuntos de hoja. Repita el montaje del conjunto de la hoja en el otro lado del cabezal de fregado.
- 3 Cuando termine el fregado doble con la máquina, reinstale los conjuntos de hojas laterales en su posición normal de funcionamiento y apriete las perillas de extracción (**16**).

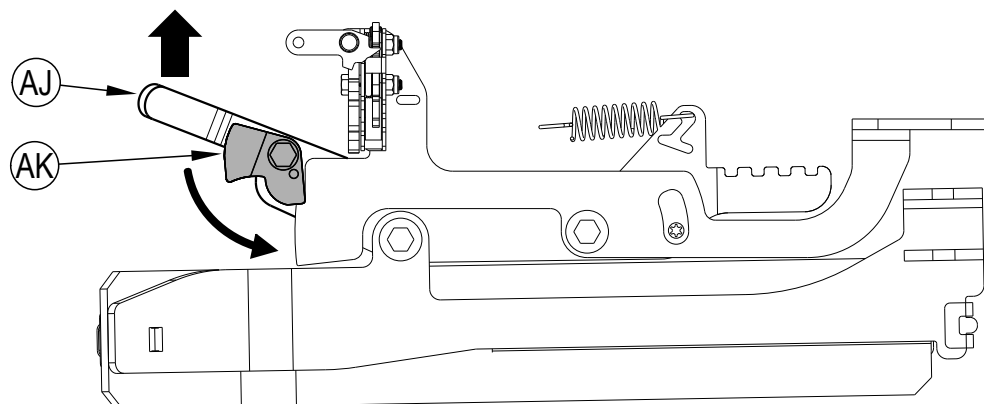
**FIGURA 4-9**



### CILÍNDRICO -

- 1 Véase **Figura 4-10**. Pise la palanca de subida/bajada (**AJ**) para elevar la hoja. Mientras mantiene la palanca en posición elevada, gire y acople el pestillo (**AK**).
- 2 Cuando termine el fregado doble con la máquina, levante la palanca de subida/bajada (**AJ**) de nuevo y desacople el pestillo (**AK**) y baje la hoja lateral hasta su posición de funcionamiento normal.

**FIGURA 4-10**



El conjunto de hoja lateral izquierda se muestra levantado en la posición de fregado doble, vista interior para mayor claridad.


## LOCALIZACIÓN DE AVERÍAS

### LOCALIZACIÓN DE AVERÍAS GENERALES DE LA MÁQUINA

Problema	Posible causa	Remedio
Recoge mal el agua	Hojas del limpiador desgastadas o desgarradas	Inviértalas o sustitúyalas
	El limpiador está desajustado	Ajuste las hojas de modo que toquen el suelo uniformemente a todo lo ancho
	El depósito de recuperación está lleno	Vacíe el depósito de recuperación
	Fuga en la manguera de drenado del depósito de recuperación	Fije o sustituya el tapón de la manguera de drenado
	Fuga en la guarnición de la tapa del depósito de recuperación	Limpie la guarnición y la superficie de sellado / Sustituya la guarnición si está dañada / Coloque la tapa correctamente
	Hay desechos atrapados en el limpiador	Limpie la herramienta del limpiador
	Sello del limpiador obstruido o ausente	Limpie o reemplace el sello del limpiador
	La manguera de aspiración está tapada	Quite los desechos
	Se está usando demasiada solución	Reduzca el flujo con el botón de solución del panel de control
	La cubierta del filtro de espuma no está asentada	Asiente la cubierta correctamente
Fregado poco eficaz	El cepillo o el fieltro están desgastados	Gire o sustituya los cepillos
	Se está usando un cepillo o fieltro de tipo incorrecto	Consulte el Centro de asistencia autorizado de Advance
	Se usa la sustancia química equivocada	Consulte el Centro de asistencia autorizado de Advance
	La máquina se está moviendo demasiado rápidamente	Baje la velocidad
	No se usa suficiente solución	Aumente el flujo con el botón de solución del panel de control
El flujo de solución no es el adecuado o no hay solución	El depósito de la solución está vacío	Llene el depósito de la solución
	Las líneas, válvulas, filtro o canaleta de solución están tapadas	Enjuague las líneas, la canaleta y limpie el filtro de la solución
	Solución apagada	Active el flujo de solución con el interruptor del panel de control (F) Gire la válvula de corte de la solución (37) hasta ON
	La electroválvula de la solución está tapada o defectuosa	Limpie la válvula o reemplácela <b>(contacte al Centro de asistencia autorizado de Advance)</b>
La máquina no se enciende	El Conector de baterías de la máquina (19) está desconectado	Reconecte los conectores de la batería
	Disyuntor de 70 Amp disparado (10a)	Revise si hay un cortocircuito eléctrico y restablezca el dispositivo
	Fusible principal de 150 Amp fundido	Reemplace el fusible principal de 150 Amp
No hay tracción delantera/trasera	Interruptor de asiento abierto	Siéntese en el asiento para cerrar el interruptor de asiento
	Controlador de velocidad del sistema de tracción	Revise los códigos de avería por error <b>(contacte al Centro de asistencia autorizado de Advance)</b>
	El interruptor de parada de emergencia (A) está activado; la pantalla mostrará el indicador de parada de emergencia activado (C20).	Restablezca el interruptor de parada de emergencia
El barrido es deficiente (Sistema cilíndrico)	La tolva está llena	Vacíe la tolva y límpiela
	Los cepillos están desgastados	Reemplace los cepillos
	Las cerdas se han deformado	Haga una rotación de cepillos
No hay flujo de detergente (Únicamente modelos EcoFlex)	Vacíe el cartucho de detergente	Llene el cartucho de detergente
	La línea de flujo del detergente está obstruida o torcida	Purgue el sistema, enderece las líneas para quitarles cualquier pliegue
	La tapa del sello está seca o el cartucho de detergente no sella	Vuelva a asentar la tapa de sello seca
	Fallo de la bomba de detergente	Revise la bomba, las conexiones y las líneas
Errores de la SmartKey magnética	Indicador de No hay Llave (C21). -No hay una llave SmartKey magnética presente en el lector de SmartKey (22).	Coloque la SmartKey magnética apropiada en el lector de SmartKey. Limpie con una tela limpia tanto la SmartKey como el lector de SmartKey. Pulse la SmartKey entre los dedos pulgar e índice para asegurar que el imán se mueve libremente.
	Indicador de Error del Lector de Llave (C22). - No se puede leer la SmartKey magnética presente en el lector de SmartKey (22).	Limpie con una tela limpia tanto la SmartKey como el lector de SmartKey. Pulse la SmartKey entre los dedos pulgar e índice para asegurar que el imán se mueve libremente.
	Indicador de Llave de Usuario limitada (C23). - La SmartKey magnética puesta en el lector de SmartKey (22) no está programada para ser usada con esta máquina.	Ponga una SmartKey que haya sido programada para ser usada con esta máquina en su lector de SmartKey.

## LOCALIZACIÓN DE AVERÍAS GENERALES DE LA MÁQUINA


### PANTALLA DE CÓDIGOS DE AVERÍAS

Cualquier código de avería que detecten los controladores, se desplegarán en la pantalla del panel de control al momento en que se producen, véase **Figura 5-1**. Si existe más de un error, la pantalla repasará la secuencia de los códigos de error con intervalos de un segundo. El error se mostrará como el símbolo de una llave mecánica  seguido de un código de cuatro dígitos.

Los códigos de falla se despliegan como X-YYY, donde

X = número de sistema (1: tablero principal, 2: módulo de potencia, 3: controlador de marcha)

YYY = número de código de falla

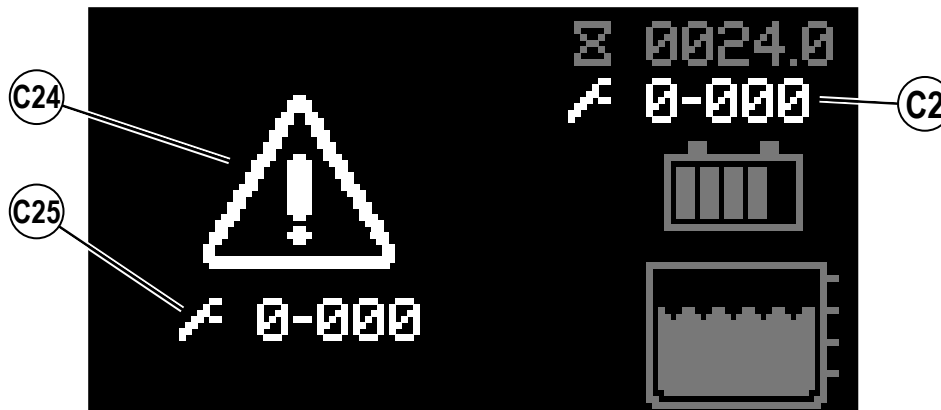
Por ejemplo,  1-101 sería electroválvula de la solución: cortocircuito.

**C2** Código de Falla activo

**C24** Indicador de fallos críticos

**C25** Código de falla (Crítica)

FIGURA 5-1

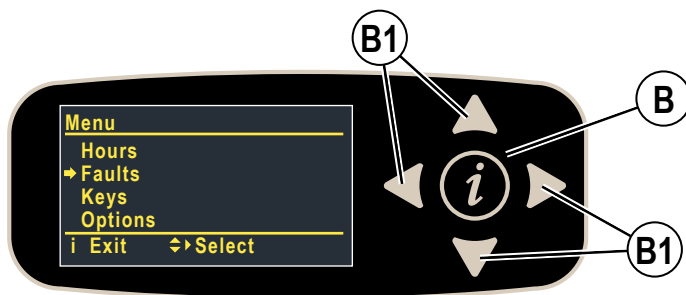
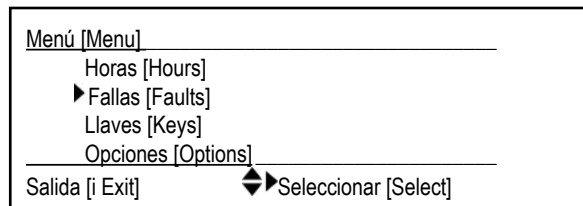


## HISTÓRICO DE CÓDIGOS DE AVERÍAS

Cada código de avería que ocurre se registra en la máquina y se mantiene en un registro histórico. Véase Figuras 5-2 - 5-4. Para ver el histórico de fallas pulse el interruptor de información (B) para emerger el menú de información. Use las cuatro Flechas de navegación (B1) (arriba, abajo, izquierda y derecha) para moverse a través del menú y del interruptor de información, use el interruptor para salir del menú.

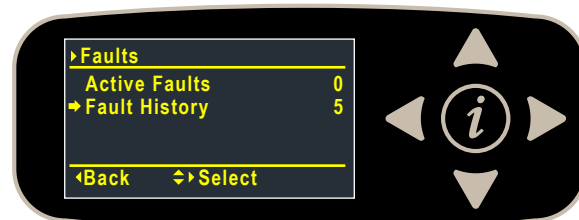
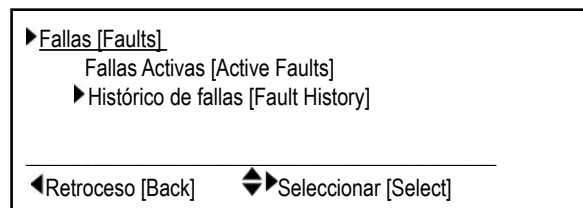
FIGURA 5-2

Desplace hacia abajo hasta Fallas, flecha derecha para seleccionar.



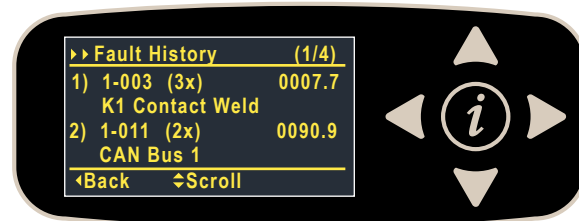
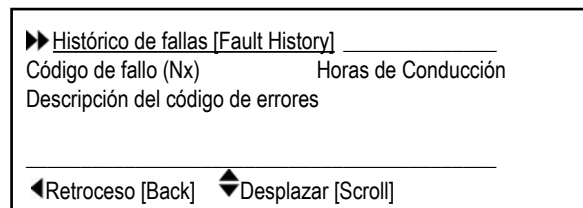
Desplace hacia abajo hasta Histórico de fallas, flecha derecha para seleccionar.

FIGURA 5-3



Cada fallo se despliega junto con; (Nx) donde «N» es el número de veces que se ha producido el fallo, el sello de tiempo muestra la ocurrencia y descripción más recientes. Use las flechas Arriba y abajo para desplazar la lista de fallas.

FIGURA 5-4



**ESPECIFICACIONES****ACCESORIOS/OPCIONES**

Además de los componentes estándar, la máquina puede equiparse con los siguientes accesorios/opciones, conforme al uso específico de la máquina:

Cepillos con cerdas más duras o blandas	Kit de guarda de pie del operador
Limpiador y hojas laterales con diferente material	Kit de herramientas fregado-N-Vac
Kit de motor de aspiración doble	Kit de varita de aspiración
Kit de luz azul	Kit de fanales
Kit de asiento estándar	Kit de la guarda del limpiador
Kit de guarda superior	Kit de reposabrazos
Kit de cinturón de seguridad	Kit EcoFlex
Kit de agua en baterías	Kit de parachoques delantero de servicio pesado
Kit de manguera de lavado	Kit de porta-trapeador
Kit de cargador abordo	Extensión manguera de descarga
Kit Multicon	Kit de cepillo derecho
Kit de auto-llenado de solución	

Para más información sobre los accesorios antes mencionados, contacte con un revendedor autorizado.

**COMPOSICIÓN DE MATERIALES Y RECICLABILIDAD**

<b>Composición de materiales y reciclabilidad</b>		
<b>Tipo</b>	<b>% del peso de la máquina</b>	<b>% reciclable</b>
Aluminio	5%	100%
Eléctrico / motores / motores de combustión - varios	17%	80%
Metales ferrosos	43%	100%
Arneses / cables	1%	90%
Líquidos	0%	0%
Plástico - no-reciclable	3%	0%
Plástico - reciclable	5%	100%
Polietileno	25%	100%
Hule	1%	0%

**CAUDALES DE LA SOLUCIÓN**

	<b>Tasas de flujo estándar*</b>			<b>Tasa de Flujo de cancelación**</b>
	1 bar	2 bar	3 bar	4 bar
32 Cilíndrico	0,70 GPM / litros/minuto	0,84 GPM / litros/minuto	1,00 GPM / litros/minuto	1,50 GPM / litros/minuto
36 Cilíndrico	0,70 GPM / litros/minuto	0,84 GPM / litros/minuto	1,00 GPM / litros/minuto	1,50 GPM / litros/minuto
34 Disco	0,70 GPM / litros/minuto	0,84 GPM / litros/minuto	1,00 GPM / litros/minuto	2,00 GPM / litros/minuto

\* Estos valores son para modo de flujo fijo. Los caudales están configurados para ser aproximadamente constantes (alrededor de +/-10%) en todo el rango de capacidad del depósito.

\*\* Estos son valores máximos con un tanque de solución lleno.

**ESPECIFICACIONES TÉCNICAS****(TAL COMO SE INSTALARON Y PROBARON EN LA UNIDAD)**

Modelo		SC5000 32C	SC5000 36C	SC5000 34D
N.º de modelo		56117001	56117003	56117004
Tensión, Baterías	V	36V	36V	36V
Capacidad de la batería (máx)	Ah C20	420	420	420
Grado de protección, Operación		Clase 3	Clase 3	Clase 3
Grado de protección, Carga		Clase 1	Clase 1	Clase 1
Nivel de presión de sonido IEC 60335-2-72: 2002 Amend. 1:2005, ISO 11203, ISO 3744	dB(A)/20µPa	63	63	61
Nivel de presión sonora – KpA (IEC 60335-2-72, ISO 11203) Incertidumbre	dB(A)	3,0	3,0	3,0
Peso bruto del vehículo*	lbs / kg	1876 / 850	1886 / 855	1870 / 848
Peso de transporte**	lbs / kg	1416 / 642	1426 / 646	1410 / 640
Carga máxima al piso de la rueda (delantera central)	psi / kg/cm <sup>2</sup>	177.7 / 12.5	184.1 / 12.9	182.1 / 12.8
Carga máxima al piso de la rueda (trasera derecha)	psi / kg/cm <sup>2</sup>	169.8 / 11.9	167.5 / 11.8	161.3 / 11.3
Carga máxima al piso de la rueda (trasera izquierda)	psi / kg/cm <sup>2</sup>	187.4 / 13.2	183.6 / 12.9	173.5 / 12.2
Vibraciones en los controles manuales (ISO 5349-1)	m/s <sup>2</sup>	1,14	1,14	1,14
Vibraciones en el asiento (EN 1032)	m/s <sup>2</sup>	0,19	0,19	0,19
Inclinación transporte*	% (°)	20 / 11	20 / 11	20 / 11
Inclinación limpieza*	% (°)	12 / 6,8	12 / 6,8	12 / 6,8
Longitud de la máquina	pulgadas / cm	62,6 / 159		
Altura de la máquina	pulgadas / cm	57,7 / 146		
Altura de la máquina (con/guarda superior)	pulgadas / cm	79 / 200		
Ancho de la máquina	pulgadas / cm	37,5 / 95	41,3 / 105	37,5 / 95
Ancho de la máquina con limpiador	pulgadas / cm	43 / 109 «J»	43 / 109 «J»	43 / 109 «J»
Ancho mínimo de giro en pasillo	pulgadas / cm	66 / 168		
Capacidad del depósito de la solución	Galón / L	37 / 140		
Capacidad del depósito de recuperación	Galón / L	38,8 / 147		
Velocidad de transporte (Adelante Máximo)	mph / kph	5 / 8		
Velocidad de transporte (Máx en reversa)	mph / kph	3 / 4,8		
Tamaño del compartimiento de la batería (aproximado)				
Altura (máxima)	pulgadas / cm	17,1 / 43,5		
Ancho (máximo)	pulgadas / cm	21,8 / 55,5		
Longitud (máxima)	pulgadas / cm	24,8 / 62,9		
Tamaño del cepillo de fregado				
Diámetro externo del cepillo de fregado - <b>Cilíndrico</b> (El centro interior es Ø 1,75 pulg. / 4,5 cm)	pulgadas / cm	Ø 5,75 / 14,6	Ø 5,75 / 14,6	—
Longitud del cepillo de fregado - <b>Cilíndrico</b> (dos cepillos por máquina)	pulgadas / cm	31,1 / 78,9	35,1 / 89,1	—
Diámetro del cepillo - <b>Disco</b> (Cantidad de 2)	pulgadas / cm	—	—	Ø 17,0 / 43,2
Velocidad del cepillo de fregado	<b>Cilíndrico</b>	RPM	776,5	776,5
	<b>Disco</b>	RPM	—	250
Capacidad de la tolva - <b>Cilíndrico</b>	in <sup>3</sup> / L	575 / 9,4	652 / 10,7	—
Ancho del rastro de limpieza (huella de limpieza)	pulgadas / cm	31,6 / 80,3	35,6 / 90,5	33,2 / 84,3
Rastro de barrido con cepillo lateral opcional - <b>Cilíndrico</b>	pulgadas / cm	37,4 / 95,0	37,4 / 95,0	—

\*Peso bruto del vehículo: Máquina estándar sin opciones, con depósito de la solución lleno y depósito de recuperación vacío, con cepillos de fregado removibles, baterías instaladas y un operador de 75 kg (165 lb) de peso.

\*\*Peso de transporte: Máquina estándar sin opciones, con tanques de la solución y de recuperación vacíos, con baterías instaladas y sin operador.

**TABLE DES MATIÈRES**

<b>Introduction.....</b>	<b>3</b>	<b>Fonctionnement de la machine.....</b>	<b>24</b>
Pièces et service après-vente .....	3	Démarrage de la machine .....	24
Modifications .....	3	Arrêt de la machine .....	24
Plaque d'identification .....	3	ASPIRATION HUMIDE.....	26
Déballage de la machine.....	4	Après l'utilisation .....	27
Transport de la machine.....	4		
<b>Consignes de prudence et de sécurité.....</b>	<b>5</b>	<b>Entretien.....</b>	<b>27</b>
<b>Cadre réglementaire.....</b>	<b>7</b>	Programme d'entretien.....	27
<b>Apprenez à connaître votre machine.....</b>	<b>8</b>	Nettoyage du réservoir de récupération .....	28
Panneau de commande .....	10	Nettoyage du filtre de solution .....	28
Affichage du menu d'information.....	12	Lubrification de la machine.....	29
Clé intelligente magnétique SmartKey .....	14	Frein électromagnétique.....	29
<b>Préparation de la machine.....</b>	<b>14</b>	Chargement des batteries humides .....	30
Batteries .....	14	Chargement des batteries SÈCHES/AGM (VRLA) .....	31
Installation des batteries.....	14	Entretien de la raclette .....	32
Installation des brosses (système avec brosses à disque) .....	16	Réglage de la raclette .....	32
INSTALLATION DES BROSSES (SYSTÈME CYLINDRIQUE).....	17	Entretien de la lame latérale.....	34
Remplissage du réservoir de solution .....	18	Réglage de la hauteur de la lame latérale.....	34
Indicateur du réservoir de solution .....	18	Réglage de la pression des lames latérales - Cylindriques uniquement.....	36
Installation de la raclette.....	19	Lame latérale - Position de lavage double .....	36
Préparation du système de détergent (modèles EcoFlex uniquement).....	20	<b>Dépannage .....</b>	<b>37</b>
Remplissez la cartouche de détergent.....	20	Dépannage général de la machine .....	37
Vidange du système de détergent (modèles EcoFlex uniquement) .....	21	Affichage des codes d'erreur.....	38
Utilisation du système de détergent (EcoFlex).....	22	Historique des codes d'erreur .....	39
		<b>Spécifications .....</b>	<b>40</b>
		Accessoires/Options.....	40
		Composition des matériaux et recyclabilité .....	40
		Débit de solution.....	40
		SPÉCIFICATIONS TECHNIQUES .....	41



## INTRODUCTION

Ce mode d'emploi vous permettra d'exploiter au maximum les fonctionnalités de votre laveuse Advance. Lisez-le attentivement avant d'utiliser la machine.

**Remarque : les chiffres en gras entre parenthèses indiquent que la pièce figure sur les illustrations des pages 8 à 11.**

Cette machine convient à une utilisation commerciale, par exemple dans les hôtels, écoles, usines, magasins, bureaux et entreprises de location. La Advance SC5000 est une machine de lavage des sols alimentée par une batterie.

## AVERTISSEMENT :

L'utilisation de cette machine est strictement réservée aux opérateurs formés et qualifiés.

## ATTENTION !

- Faites preuve d'une extrême PRUDENCE lorsque vous utilisez cette machine. Assurez-vous de connaître parfaitement le mode de fonctionnement de cette machine avant de vous en servir. Si vous avez des questions, contactez votre superviseur ou votre revendeur local Advance.
- Si la machine ne fonctionne pas correctement, n'essayez pas de la réparer vous-même, à moins d'y être invité par votre superviseur. Demandez à un revendeur Advance agréé ou à un mécanicien qualifié de votre entreprise de procéder aux réglages nécessaires.
- Soyez très prudent lorsque vous travaillez sur cette machine. Les vêtements amples, les cheveux longs et les bijoux peuvent être entraînés dans les parties mobiles de la machine. Tournez l'interrupteur d'alimentation en position d'arrêt (OFF) et enlevez la clé magnétique avant de procéder à l'entretien de la machine. Faites preuve de bons sens, appliquez toutes les précautions d'usage et prêtez une attention particulière aux autocollants jaunes apposés sur la machine. Descendez lentement les plans inclinés.
- L'inclinaison maximale recommandée pour le nettoyage est de 12 % (6,8°). L'inclinaison maximale recommandée pour le transport est de 20 % (11°).

## PIÈCES ET SERVICE APRÈS-VENTE

Si nécessaire, les réparations doivent être effectuées par Nilfisk, Inc.. Ce centre emploie du personnel formé en usine et gère un stock de pièces de rechange et d'accessoires originaux Advance.

Pour tout entretien ou réparation, contactez Nilfisk, Inc. Veuillez préciser les numéros de modèle et de série de votre machine dans toute communication.

## MODIFICATIONS

Les modifications et ajouts d'éléments à la machine, qui affectent ses capacités et son fonctionnement sécurisé, ne doivent pas être réalisés par le client ou l'utilisateur sans le consentement préalable et écrit de Nilfisk Inc. Toute altération non approuvée annulera la garantie de la machine. En outre, le client sera entièrement responsable des accidents associés.

## PLAQUE D'IDENTIFICATION

Le numéro de modèle (également dénommé numéro de pièce) et le numéro de série de votre machine figurent sur la plaque d'identification située à l'arrière de la colonne de direction.

Le « Code de date » de la date de fabrication est marqué sur la plaque d'identification. Code de date : A21 désigne janvier 2021.

Ces informations sont nécessaires pour commander des pièces détachées. Utilisez l'espace ci-dessous pour noter le numéro de modèle et le numéro de série de votre machine en vue d'une utilisation ultérieure.

MODÈLE N° \_\_\_\_\_

N° DE SÉRIE \_\_\_\_\_

## DÉBALLAGE DE LA MACHINE

Lors de la livraison de la machine, veuillez inspecter soigneusement l'emballage et la machine afin de déceler tout dommage éventuel. En cas de dommage manifeste, conservez le carton de conditionnement (au besoin) afin d'en permettre l'inspection. Le cas échéant, prenez immédiatement contact avec le service clientèle de Nilfisk afin de faire une déclaration de dégât de fret. Veuillez consulter la fiche d'instruction de déballage livrée avec la machine afin d'enlever la machine de la palette.

## TRANSPORT DE LA MACHINE

### ATTENTION !

Avant de transporter la machine dans un camion ouvert ou une remorque, assurez-vous que. . .

- Tous les réservoirs sont vides.
- Tous les panneaux d'accès sont correctement verrouillés.
- Abaissez le plateau de lavage et la raclette, puis appuyez sur l'arrêt d'urgence (**A**) ou débranchez les batteries pour les empêcher de se soulever quand la machine est éteinte.
- La machine est correctement fixée au sol – voir Points d'amarrage (**21**) dans « Apprenez à connaître votre machine ». Utilisez uniquement des emplacements désignés comme « Points d'amarrage » pour fixer la machine durant le transport. L'utilisation de tout autre emplacement sur la machine pour amarrer la machine pourrait causer des dommages ou des blessures.
- Le frein électromagnétique de la machine est actionné (aucun contournement manuel), voir la section « Frein électromagnétique » si nécessaire.
- La machine est éteinte et la clé intelligente magnétique SmartKey est retirée.

## CONSIGNES DE PRUDENCE ET DE SÉCURITÉ

### SYMBOLES

Les symboles reproduits ci-dessous sont utilisés par Nilfisk pour attirer l'attention de l'opérateur sur des situations potentiellement dangereuses. Il est donc conseillé de les lire attentivement et de prendre les mesures adéquates en vue de protéger le personnel et les biens.

#### **DANGER !**

Utilisé pour mettre en garde contre des dangers immédiats pouvant entraîner des blessures graves, voire un décès.

#### **AVERTISSEMENT !**

Utilisé pour attirer l'attention sur une situation susceptible d'entraîner des blessures graves.

#### **ATTENTION !**

Utilisé pour attirer l'attention sur une situation qui pourrait entraîner des blessures minimes ou des dommages mineurs de la machine ou autres biens.



Veuillez lire l'ensemble des instructions avant d'utiliser la machine.

## CONSIGNES GÉNÉRALES DE SÉCURITÉ

Les consignes spécifiques de prudence et de sécurité mentionnées dans ce document ont pour but de vous informer sur les risques potentiels de dommages matériels ou corporels.

Cette machine convient à une utilisation commerciale, par exemple dans les hôtels, écoles, usines, magasins, bureaux et entreprises de location.

#### **AVERTISSEMENT !**

- Cette machine doit être utilisée uniquement par un personnel parfaitement qualifié et autorisé.
- Cette machine n'est pas destinée aux personnes (y compris les enfants) qui souffrent de capacités physiques, sensorielles ou mentales diminuées, ou d'un manque d'expérience et de connaissances sauf si elles sont supervisées ou si une personne responsable de leur sécurité leur a communiqué des instructions sur l'utilisation de la machine.
- Les enfants doivent être surveillés afin qu'ils ne jouent pas avec l'appareil.
- Faites très attention lorsque l'appareil est utilisé à proximité d'enfants.
- Évitez les arrêts soudains lorsque la machine se trouve sur des rampes ou des pentes. Évitez les virages serrés. Adoptez une vitesse réduite lorsque la machine est en descente.
- Éloignez les batteries de toute flamme, étincelle ou substance fumigène. Des gaz explosifs sont dégagés lors du fonctionnement normal.
- De plus, du gaz hydrogène explosif s'échappe des batteries lorsqu'elles sont en charge. Procédez au chargement des batteries uniquement dans une zone bien aérée, loin de toute flamme nue. Ne fumez pas à proximité des batteries lorsqu'elles sont en charge.
- Enlevez tous vos bijoux lorsque vous travaillez à proximité de composants électriques.
- Placez l'interrupteur d'alimentation en position d'arrêt, retirez la clé magnétique et débranchez les batteries avant de procéder à l'entretien des composants électriques.
- Ne travaillez jamais sous une machine sans avoir placé au préalable des blocs de sécurité ou des étais pour soutenir la machine.
- Ne déversez pas des produits nettoyants inflammables, ne faites pas fonctionner la machine sur ou à proximité de tels produits ou dans des zones contenant des liquides inflammables.
- Ne nettoyez pas le panneau de commande, le panneau de disjoncteurs ou les batteries avec un appareil à haute pression.
- Utilisez uniquement les brosses fournies avec l'appareil ou celles spécifiées dans le mode d'emploi. L'utilisation d'autres brosses peut mettre la sécurité en péril.
- Respectez le poids brut du véhicule (PBV) de la machine quand vous chargez, conduisez, levez ou supportez la machine.
- N'utilisez pas la machine sans une structure de protection contre les chutes d'objets (SPCO) dans les zones où des objets risquent de tomber et de blesser l'opérateur.
- Ne laissez pas la machine sans surveillance sans être sûr qu'elle ne peut pas bouger toute seule.

**CONSIGNES DE PRUDENCE ET DE SÉCURITÉ (SUITE)****⚠ ATTENTION !**

- Cette machine n'est pas conçue pour une utilisation sur les voies publiques.
- Cette machine n'est pas conçue pour le ramassage des poussières dangereuses.
- Pendant l'utilisation de cette machine, assurez-vous que les autres personnes, notamment les enfants, ne courent aucun risque.
- Avant de procéder à toute opération d'entretien, veuillez lire attentivement toutes les instructions se rapportant à cette tâche d'entretien.
- Ne laissez pas la machine sans surveillance sans avoir, au préalable, coupé le contact et retiré la clé magnétique.
- Coupez le contact et enlevez la clé magnétique avant de remplacer les brosses et d'ouvrir un panneau d'accès.
- Prenez toutes les mesures nécessaires pour éviter que des cheveux, bijoux ou vêtements amples ne soient entraînés dans les parties mobiles de la machine.
- Faites attention lorsque vous déplacez cette machine dans un endroit où la température peut descendre en dessous de zéro. L'eau contenue dans les réservoirs de solution, de récupération ou de détergent ou dans les conduites risquerait de geler et d'endommager les vannes et les raccords de la machine. Rincez avec un liquide de lave-glace.
- Prenez soin d'enlever les batteries de la machine avant de la mettre au rebut. Concernant l'élimination des batteries, respectez les réglementations locales en matière d'environnement.
- **ATTENTION** - Cette machine doit être utilisée à l'intérieur uniquement.
- **ATTENTION** - Cette machine doit être rangée à l'intérieur uniquement.
- N'utilisez pas cette machine sur des pentes dont l'inclinaison est supérieure à celle indiquée sur la machine.
- Tous les couvercles et panneaux doivent être dans la position indiquée dans le mode d'emploi avant de mettre la machine en service.
- Utilisez uniquement des emplacements désignés comme « Points d'amarrage » pour fixer la machine durant le transport. L'utilisation de tout autre emplacement sur la machine pour amarrer la machine pourrait causer des dommages ou des blessures.
- N'utilisez pas la machine sur une pente supérieure à celle indiquée sur la plaque signalétique.
- Ne transportez pas de passagers sur aucune partie de la machine.
- Afin d'empêcher une utilisation non autorisée de la machine, la source d'alimentation doit être éteinte ou verrouillée, et la clé retirée.
- Les machines laissées sans surveillance doivent être protégées contre tout mouvement involontaire.

**CONSERVEZ CES CONSIGNES**

**CADRE RÉGLEMENTAIRE**

SC5000 avec MultConn1

**FCC :**

ID de la FCC : 2AVNE-TC1

Cet appareil et son antenne ne doivent pas être placés ou utilisés avec une autre antenne ou un autre transmetteur. Les appareils non portés doivent être placés à au moins 8" (20 cm) du corps.

**IC :**

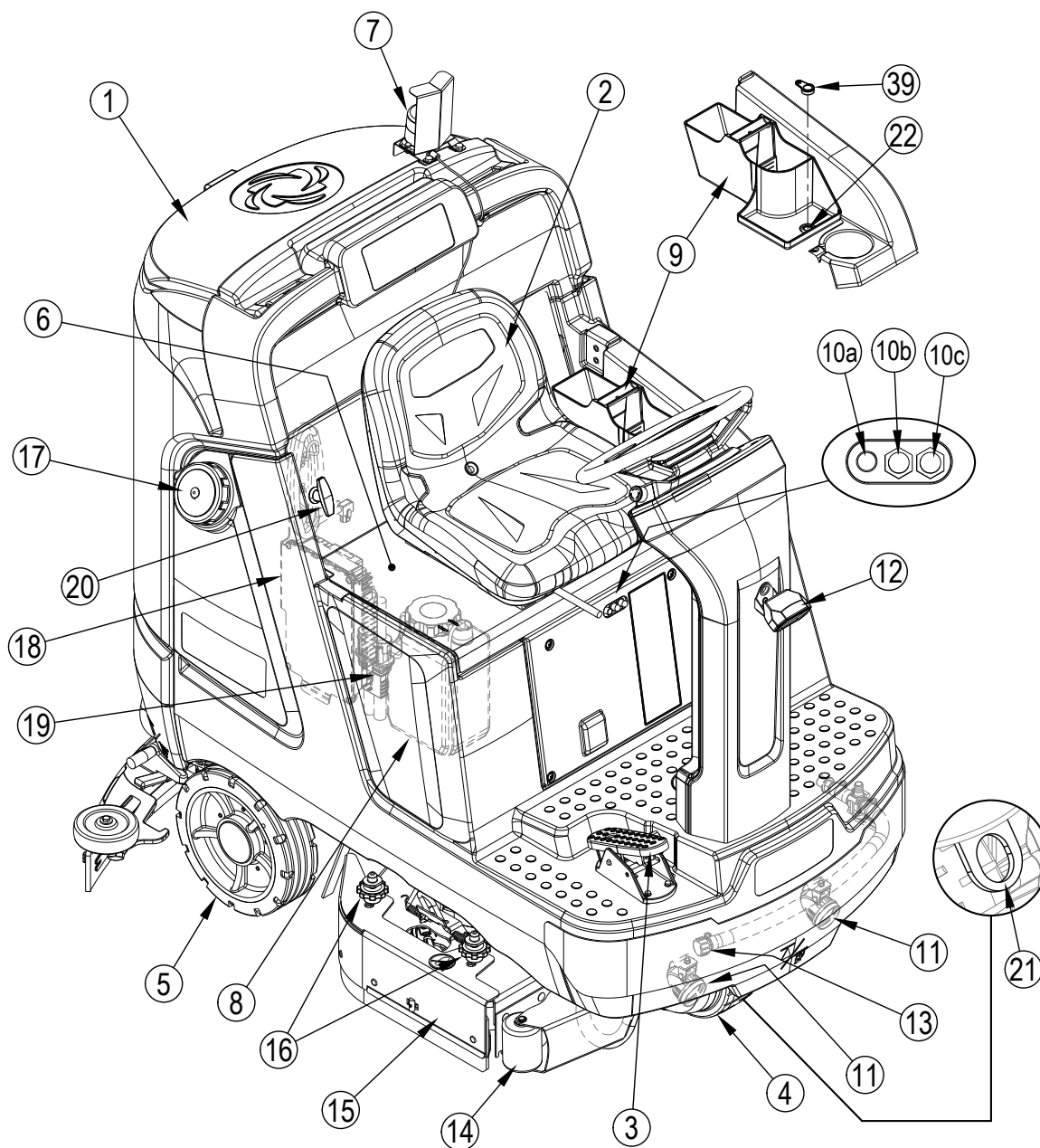
ID de l'IC : 25476-TC1

Cet appareil est conforme aux normes RSS, en l'occurrence RSS-210 et/ou RSS-247, ne requérant aucune licence Industrie Canada. Le terme « IC » avant le numéro de certification de l'équipement signifie que les spécifications d'Industrie Canada sont satisfaites. Ceci n'implique pas qu'Industrie Canada a approuvé l'équipement. Le transmetteur radio a été approuvé par Industrie Canada pour fonctionner uniquement avec l'antenne fournie. L'utilisation d'une autre antenne est formellement interdite avec ce produit. Cet appareil est conforme aux limites d'exposition aux rayonnements RF du CIEM énoncées pour un environnement non contrôlé. L'équipement doit être installé et utilisé avec une distance minimale de 20 cm entre le radiateur et toute partie du corps humain.

## APPRENEZ À CONNAÎTRE VOTRE MACHINE

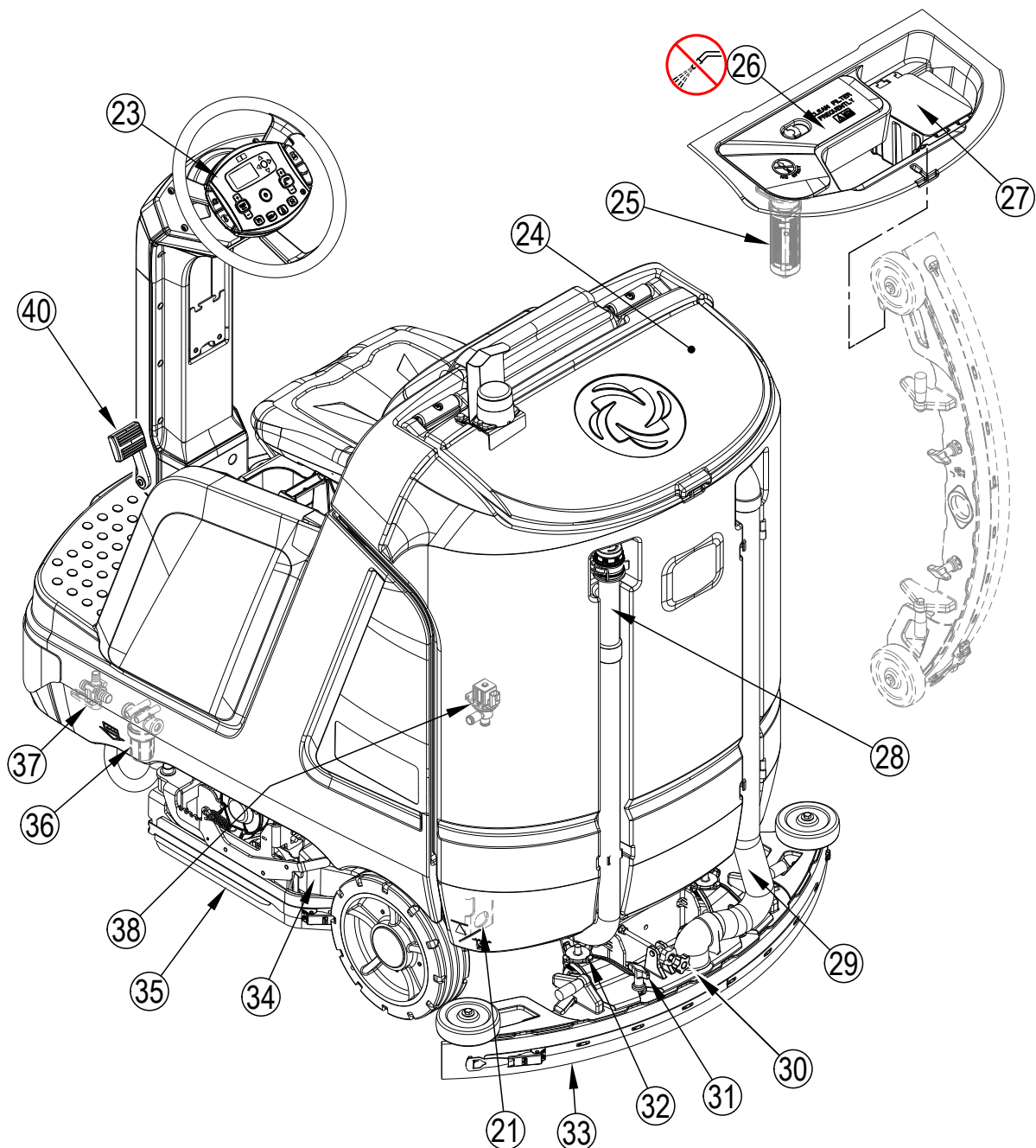
En lisant ce manuel, vous rencontrerez à l'occasion un chiffre ou une lettre en gras et entre parenthèses, tel que : **(2)**. Ces chiffres font référence à un élément illustré sur ces pages, sauf indication contraire. Reportez-vous à ces pages dès que nécessaire afin de repérer avec précision un élément mentionné dans le texte.

- |     |   |    |   |
|-----|---|----|---|
| 1   | Couvercle du réservoir de récupération              | 11 | Phares avant (en option)                              |
| 2   | Siège de l'opérateur                                | 12 | Feu bleu (en option)                                  |
| 3   | Pédale d'accélérateur                               | 13 | Tuyau de vidange du réservoir de solution             |
| 4   | Roue motrice  | 14 | Pare-chocs du rouleau avant                           |
| 5   | Roue arrière  | 15 | Plateau de lavage                                     |
| 6   | Compartiment batterie (sous le siège)               | 16 | Boutons de démontage de l'ensemble de lames latérales |
| 7   | Gyrophare   | 17 | Remplissage du réservoir de solution                  |
| 8   | Cartouche de détergent (modèles EcoFlex uniquement) | 18 | Chargeur de batterie embarqué (en option)             |
| 9   | Vide-poche  | 19 | Connecteur de batterie de la machine                  |
| 10  | Disjoncteurs  | 20 | Loquet du compartiment batterie                       |
| 10a | Contrôleur de traction 70 A (CB2)                   | 21 | Points d'amarrage (1 devant)                          |
| 10b | Tableau de commande 5 A (CB1)                       | 22 | Lecteur de SmartKey™                                  |
| 10c | Tableau de commande 5 A (CB3)                       | 39 | Clé intelligente magnétique SmartKey™                 |



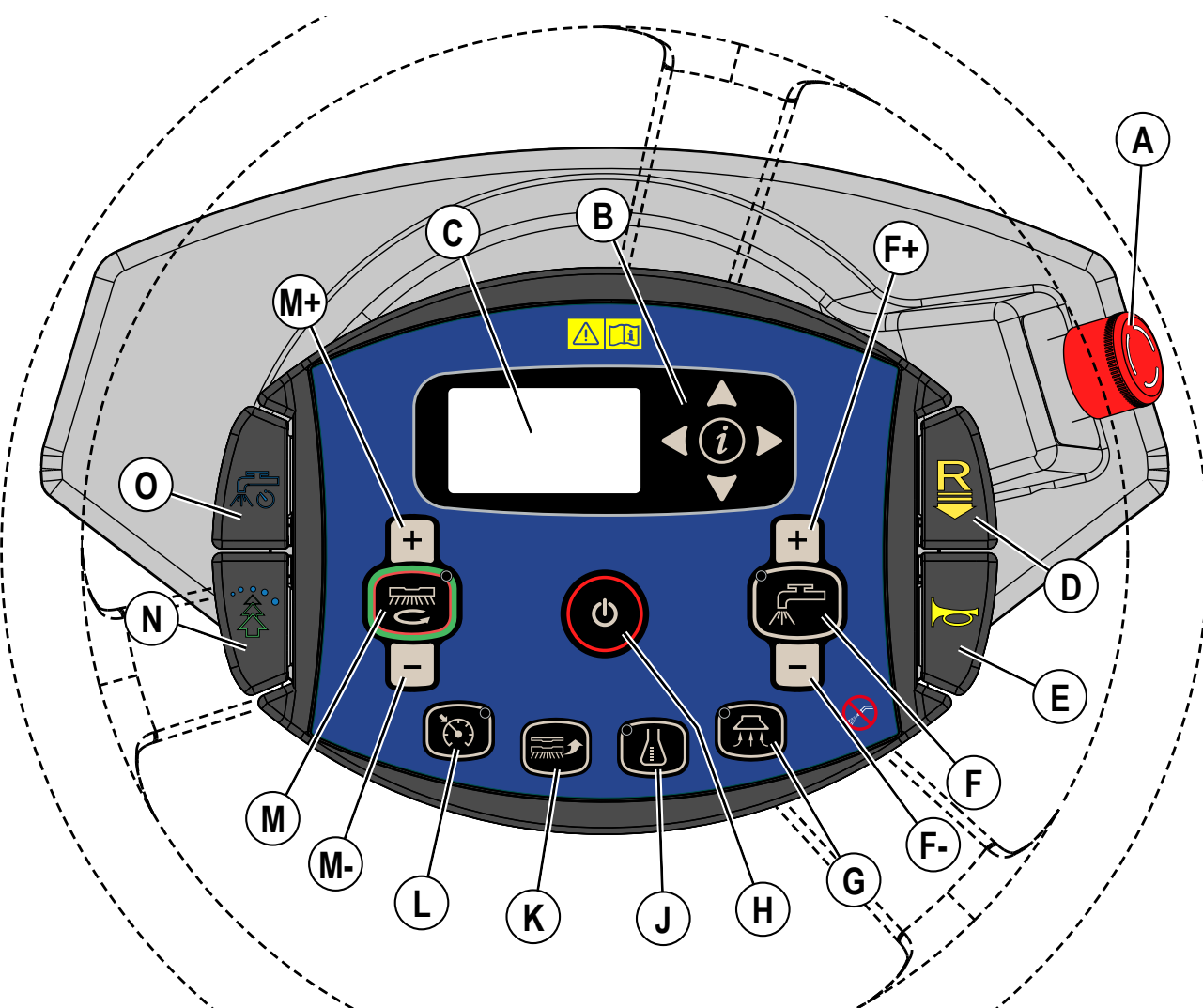
## APPRENEZ À CONNAÎTRE VOTRE MACHINE

- |    |  |    |   |
|----|--|----|---|
| 21 | Emplacement de point d'arrimage (2 arrière)                  | 31 | Écrous à ailettes de montage de la raclette         |
| 23 | Panneau de commande  | 32 | Bouton de blocage de la roue de la raclette         |
| 24 | Couvercle du réservoir de récupération                       | 33 | Raclette  |
| 25 | Système de fermeture à flotteur du réservoir de récupération | 34 | Trémie (modèle cylindrique uniquement)              |
| 26 | Boîtier du filtre du moteur d'aspiration                     | 35 | Plateau de lavage                                   |
| 27 | Bac collecteur de débris                                     | 36 | Filtre de solution                                  |
| 28 | Tuyau de vidange du réservoir de récupération                | 37 | Vanne d'arrêt de la solution                        |
| 29 | Tuyau de récupération  | 38 | Électrovanne de solution (sur le plateau de lavage) |
| 30 | Bouton de réglage de l'inclinaison de la raclette            | 40 | Pédale de frein                                     |



## PANNEAU DE COMMANDE

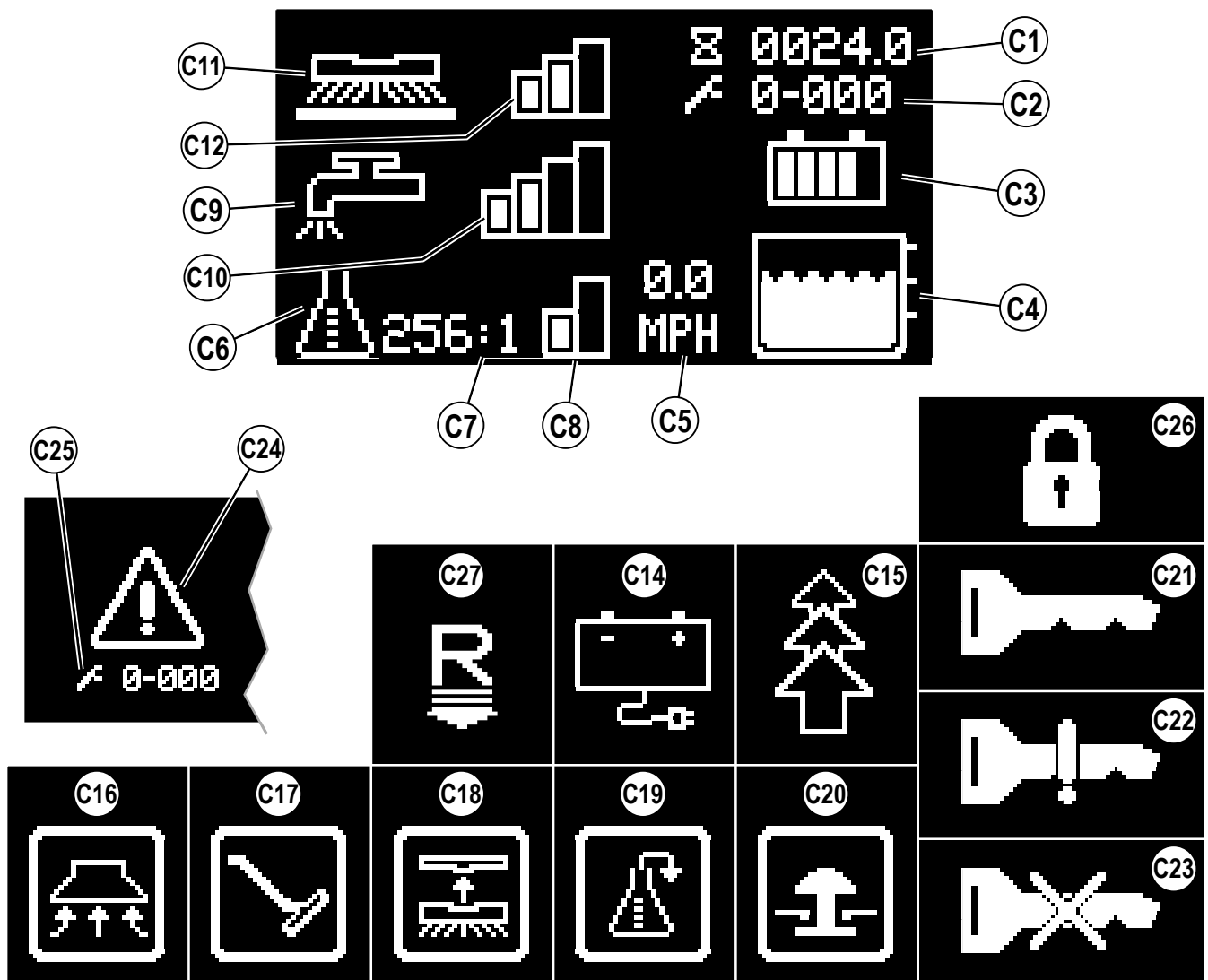
- |   |   |
|---|---|
| A Arrêt d'urgence   | J Interrupteur de détergent                             |
| B Interrupteur d'information et interrupteurs de navigation | K Interrupteur de l'installation des brosses            |
| C Affichage (voir Panneau de commande (suite))              | L Interrupteur du limiteur de vitesse                   |
| D Levier de marche arrière                                  | M Interrupteur de marche / arrêt du lavage One-Touch™   |
| E Levier du klaxon  | M+ Interrupteur d'augmentation de la pression de lavage |
| F Interrupteur de solution                                  | M- Interrupteur de réduction de la pression de lavage   |
| F+ Interrupteur d'augmentation du débit de solution         | N Levier de puissance supplémentaire                    |
| F- Interrupteur de réduction du débit de solution           | O Levier d'arrêt minuté de la solution                  |
| G Interrupteur d'aspiration                                 |   |
| H Interrupteur d'alimentation                               |   |





## PANNEAU DE COMMANDE - SUITE

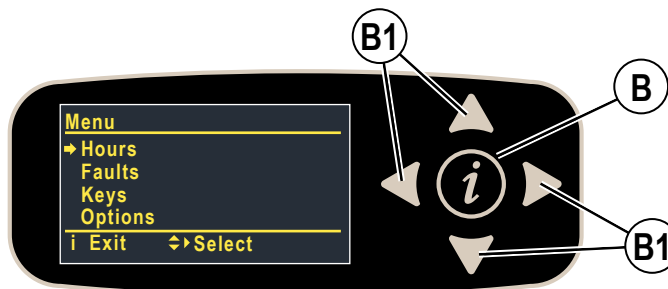
- C1 Compteur horaire (heures de transport)
- C2 Codes de pannes actifs
- C3 Indicateur de la batterie
- C4 Indicateur du niveau du réservoir de solution
- C5 Vitesse (M/H ou KM/H)
- C6 Indicateur de détergent (modèles EcoFlex uniquement)
- C7 Indicateur du pourcentage de détergent
- C8 Graphique à barres de l'indicateur de détergent
  - PREMIÈRE = Mode de concentration minimum du détergent
  - DEUXIÈME = Mode de concentration maximum du détergent
  - AUCUN = Éteint
- C9 Indicateur du débit de solution
- C10 Graphique à barres du débit de solution
  - PREMIER = Bas
  - DEUXIÈME = Moyen
  - TROISIÈME = Haut
  - QUATRIÈME = Extrême
  - AUCUN = Éteint
- C11 Indicateur de la pression de lavage
  - C12 Graphique à barres de la pression de la brosse de lavage
    - PREMIER = Normal
    - DEUXIÈME = Fort
    - TROISIÈME = Extrême
    - AUCUN = Éteint
  - C14 Indicateur de tension faible de la batterie
  - C15 Indicateur de puissance supplémentaire (modèles EcoFlex uniquement)
  - C16 Indicateur d'aspiration
  - C17 Indicateur de la lance
  - C18 Indicateur de l'installation des brosses
  - C19 Indicateur de vidange (modèles EcoFlex uniquement)
  - C20 Indicateur d'arrêt d'urgence activé
  - C21 Indicateur de clé absente
  - C22 Indicateur d'erreur de lecture de la clé (voir Dépannage)
  - C23 Indicateur de clé d'utilisateur limitée (voir Dépannage)
  - C24 Indicateur de défaut critique
  - C25 Code d'erreur (critique)
  - C26 Indicateur de verrouillage pour impact (voir page 13)
  - C27 Indicateur de marche arrière



## AFFICHAGE DU MENU D'INFORMATION

### Affichage du menu

Appuyer sur l'interrupteur d'information (B) pour afficher le menu illustré ci-dessous. Ce menu permet à l'opérateur de modifier les paramètres de la machine et de collecter des données sur celle-ci. Utilisez les quatre flèches de navigation (B1) (haut, bas, gauche et droite) pour parcourir le menu, et l'interrupteur d'information pour quitter le menu.



Menu visible avec la clé intelligente SmartKey bleue (utilisateur) ou jaune (superviseur).

Niveau du menu		Notes
1	2	
Heures		Affiche les différentes durées en heure du système
	Temps de fonctionnement	Affiche la durée en heures de fonctionnement
	Temps de conduite	Affiche la durée de transport (non neutre)
	Temps de lavage	Affiche la durée en heures de lavage/brossage
	Temps de récupération	Affiche la durée en heures de MARCHE de la récupération/aspiration
Pannes**		
	Pannes actives	Affiche la liste des pannes actives avec l'heure et la description
	Historique des pannes	Affiche l'historique des pannes avec l'heure et la description
Clés		
	Lecture de la clé	Lit le numéro de série, la famille et le type de clé qui est insérée dans l'interrupteur - En cas de clé utilisateur, autorise le superviseur à l'ajouter à la liste des clefs
	Liste des clés	Affiche la liste des clés utilisateurs actuellement approuvées. Le superviseur peut également retirer la clé sélectionnée de la liste.

\*\*Voir Affichage des codes d'erreurs

Menu visible uniquement avec la clé intelligente SmartKey jaune (superviseur).

Niveau du menu			Notes
1	2	3	
Options			Options que l'utilisateur peut sélectionner
	Langues	Anglais* Italien Allemand Portugais Français Español	Langue d'affichage du menu
	Sol	Standard* Lisse Polisseuse**	Type de sol **polisseuse disponible uniquement pour les machines 34D
	Démarrage du lavage	Léger Fort Extrême Dernier utilisé*	Niveau de lavage au démarrage
	Lavage max.	Léger Fort Extrême*	Niveau de lavage maximal autorisé

\*Réglage par défaut

## AFFICHAGE DU MENU D'INFORMATION - SUITE

Menu Options visible uniquement avec la clé intelligente SmartKey jaune (superviseur).

Menu Système visible avec la clé intelligente SmartKey bleue (utilisateur) ou jaune (superviseur).

Niveau du menu			Notes
1	2	3	
Options			Options que l'utilisateur peut sélectionner
	Solution	Proportionnel* Fixe UK (Royaume-Uni)	Mode de solution ; Proportionnel – le débit de solution augmente avec la vitesse de la machine. Fixe – Le débit de solution reste le même en dépit de la vitesse de la machine. UK (Royaume-Uni) – Le débit de solution est réduit pour économiser l'eau.
	Solution en MAR. ARR.	Non* Oui	Laisser la solution activée en marche arrière ?
	Verrouillage détergent	Non* Oui	Verrouiller le réglage du pourcentage de détergent pour l'utilisateur ?
	Gyrophare	Marche* Arrêt	Gyrophare allumé/éteint
	Burst Of Power (s)	min = 60* max = 300 palier = 60	Durée (secondes) de la puissance supplémentaire (« Burst of Power » ou BOP) EcoFlex
	Vitesse max. déplacement (%)	min = 50 max = 100* palier = 10	Vitesse d'avance maximum sous forme de pourcentage de la vitesse maximum disponible
	Verrouille vitesse	Non* Oui	Verrouillage de la limite de vitesse de lavage pour l'utilisateur ?
	Durée inactif (min)	min = 1 max = 30 palier = 1 par défaut = 15	Durée d'inactivité avant que la machine passe en mode de veille (minutes)
	Détecteur d'impact	Arrêt** Journalisation Blocage	Statut de détection d'impact Journalisation – L'impact est enregistré Blocage - L'impact est enregistré et l'utilisateur est bloqué pour les fonctions de lavage (l'écran affiche (C26)) jusqu'à la réinitialisation de la machine avec une clé Superviseur.
	Niveau d'impact	Haut* Bas	Niveau de sensibilité du détecteur d'impact. En cas d'arrêt intempestif (c.-à-d. conduite sur une transition au sol), réglez ce paramètre sur Bas.
Système			
	MMC Firmware		Révision du micrologiciel du contrôleur principal (mmc)
	UI Firmware		Révision du micrologiciel du panneau d'interface utilisateur (ui)
	CSP190-Comm F/W		Révision du micrologiciel comm du contrôleur de traction
	CSP190-Motor F/W		Révision du micrologiciel de commande du moteur/contrôleur principal de traction
	MMC S/N		Numéro de série de la carte du circuit imprimé du contrôleur principal (mmc)
	UI S/N		Numéro de série de la carte du circuit imprimé du panneau d'interface utilisateur (ui)
	Historique impacts		Affiche la liste des impacts avec la valeur max., l'horodatage et l'identité de l'utilisateur (uniquement si activé) - la vue d'un seul élément affichera les valeurs max. pour chaque axe (x,y,z)

\*Réglage par défaut

**REMARQUE POUR L'ENTRETIEN :** Les menus supplémentaires (Service et Configuration) ne sont accessibles qu'en mode service/technicien. Le menu de service permet d'observer les paramètres utilisateur et opérationnel. Le menu de configuration permet d'ajuster les paramètres de la machine. Consultez le Manuel d'entretien pour de plus amples informations.

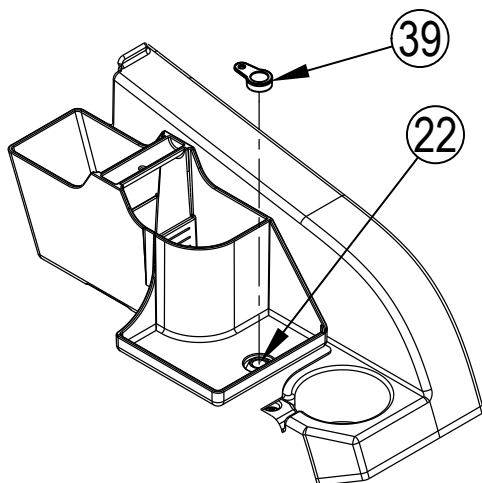
## CLÉ INTELLIGENTE MAGNÉTIQUE SMARTKEY

L'utilisation d'une clé intelligente magnétique SmartKey (39) est indispensable au fonctionnement de cette machine. Si vous appuyez sur l'interrupteur d'alimentation sans avoir inséré une clé dans le lecteur de SmartKey (22), la machine s'allumera momentanément et affichera le indicateur de clé absente (C21) avant de s'éteindre.

Il existe deux types différents de clés intelligentes magnétiques SmartKey (39).

1. La clé « utilisateur » (bleue) permet d'avoir accès au niveau de base du menu d'information (appuyez sur l'interrupteur d'information (B)).
2. La clé « superviseur » (jaune) donne un niveau d'accès supplémentaire pour voir le menu Options.

FIGURE 1-1



## PRÉPARATION DE LA MACHINE

### BATTERIES

**Si votre machine est livrée avec des batteries installées, procédez comme suit :**

- Vérifiez que les batteries sont branchées à la machine.
- Mettez l'interrupteur d'alimentation (H) en position de marche et contrôlez l'indicateur de la batterie (C3). Si la jauge est complètement remplie, les batteries sont prêtes à être utilisées. Si la jauge n'indique pas une charge pleine, chargez les batteries avant l'utilisation. Consultez la section « Chargement des batteries ».
- **IMPORTANT ! SI VOTRE MACHINE EST DOTÉE D'UN CHARGEUR DE BATTERIE EMBARQUÉ, VEUILLEZ CONSULTER LE MANUEL DU FABRICANT POUR OBTENIR DES INSTRUCTIONS SUR LE RÉGLAGE DU CHARGEUR EN FONCTION DU TYPE DE BATTERIE.**

**Si votre machine est livrée sans batteries installées, procédez comme suit :**

- Consultez votre revendeur Advance agréé pour connaître les modèles de batterie recommandés.
- Installez les batteries en suivant les instructions ci-dessous.
- **IMPORTANT ! SI VOTRE MACHINE EST DOTÉE D'UN CHARGEUR DE BATTERIE EMBARQUÉ, VEUILLEZ CONSULTER LE MANUEL DU FABRICANT POUR OBTENIR DES INSTRUCTIONS SUR LE RÉGLAGE DU CHARGEUR EN FONCTION DU TYPE DE BATTERIE.**

### INSTALLATION DES BATTERIES

## ⚠ AVERTISSEMENT !

Soyez très prudent lorsque vous manipulez les batteries. L'acide sulfurique qu'elles contiennent peut provoquer des blessures graves en cas de contact avec la peau ou les yeux. L'évacuation de l'hydrogène explosif présent dans les batteries est réalisée par le biais d'orifices dans les bouchons des batteries. Ce gaz peut être enflammé par un arc électrique, une étincelle ou une flamme. N'installez pas de batterie au plomb acide dans un conteneur ou un boîtier hermétique. Prévoyez l'évacuation de l'hydrogène en cas de surcharges.

**Lors de l'entretien des batteries...**

- Retirez tous vos bijoux.
- Ne fumez pas.
- Portez des lunettes de protection, ainsi qu'un tablier et des gants en caoutchouc.
- Travaillez dans une zone bien aérée
- Veillez à ce que les outils ne touchent pas plusieurs bornes de batterie en même temps.
- Débranchez TOUJOURS le câble de polarité négative (terre) en premier lors du remplacement des batteries afin d'éviter des étincelles.
- Branchez TOUJOURS le câble négatif en dernier lors de l'installation des batteries.

**BATTERIES (SUITE)****⚠ ATTENTION !**

Les composants électriques de cette machine peuvent être gravement endommagés si les batteries ne sont pas installées et branchées correctement. Nous vous conseillons de faire installer les batteries par un technicien Nilfisk ou un électricien qualifié.


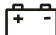
- 1 Enlevez les batteries de leur emballage et inspectez-les avec soin pour vérifier qu'elles ne sont pas fissurées ou endommagées de toute autre manière. Si vous constatez un dommage, contactez immédiatement la société qui vous les a livrées ou le fabricant, afin de remplir une déclaration de dommage de fret.
- 2 Placez l'interrupteur d'alimentation (**H**) en position d'arrêt et enlevez la clé intelligente magnétique SmartKey (**39**).
- 3 Tournez le loquet du compartiment de la batterie (**20**) pour le déverrouiller, puis inclinez le siège vers l'avant (le ressort à gaz maintient le siège ouvert).
- 4 S'il est installé, enlevez l'arceau de sécurité.
- 5 Pour un accès supplémentaire, le réservoir de récupération peut être retiré de la machine. **REMARQUE** : Débranchez le tuyau de récupération, le câblage du moteur d'aspiration et celui du gyrophare, puis soulevez le réservoir vers le haut pour le sortir de la machine avec l'aide de deux personnes ou d'un palan aérien.
- 6 Votre machine vous a été livrée avec suffisamment de câbles pour installer six batteries de 6 V. À l'aide d'au moins (2) personnes et d'une sangle de levage, placez soigneusement les batteries dans le compartiment des batteries et disposez-les comme illustré à la **FIGURE 2-1**. Fixez les batteries le plus près possible du côté arrière droit de la machine. Utilisez des entretoises de batterie pour éviter que les batteries ne se déplacent. En cas d'installation d'une batterie monobloc, utilisez un palan suspendu.
- 7 Installez les câbles de la batterie comme illustré. Placez les câbles de sorte que les couvercles des batteries puissent être facilement enlevés pour l'entretien de ces dernières.

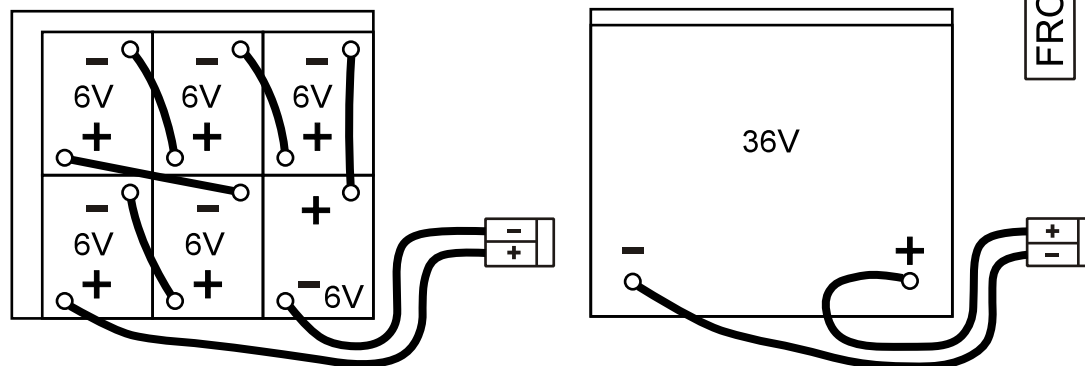
**IMPORTANT !** Les couvercles de protection fournis avec les batteries doivent rester en place ou être réutilisés pour couvrir complètement la partie des bornes de batteries qui n'est pas protégée par les cache-bornes fournis avec les câbles des batteries. Ce point s'applique également à l'embout du porte-fusible en ligne.

- 8 Serrez délicatement l'écrou de chaque borne de batterie jusqu'à ce que la borne ne tourne plus. Toutefois, ne serrez pas trop fort car les écrous seront très difficiles à dévisser lors des futurs entretiens.
- 9 Enduisez les bornes d'un enduit spécialement prévu à cet effet (disponible dans la plupart des magasins de pièces automobiles).
- 10 Placez ensuite les raccords de batterie en caoutchouc noir sur chacune des bornes et branchez le connecteur de batterie de la machine (**19**).
- 11 Assurez-vous que l'embout du porte-fusible recouvre bien le porte-fusible, l'extrémité câble du connecteur de batterie de la machine (**19**), et autant de bornes de batteries que possible. Laissez en place les couvercles de protection fournis avec les batteries ou réutilisez-les pour couvrir les zones des bornes qui ne sont pas protégées par les cache-bornes.

Pendant le remplacement des batteries ou du chargeur, veuillez contacter votre centre technique local agréé pour connaître les réglages corrects de la batterie, du chargeur et de la machine afin d'éviter tout dommage.

**FIGURE 2-1**

MAX 420 AH @ 20HR RATE  
 MAX  805 LB / 365 KG  
 MAX (6) 



## INSTALLATION DES BROSSES (SYSTÈME AVEC BROSSES À DISQUE)

### ⚠ ATTENTION !

Arrêtez la machine à l'aide de l'interrupteur d'alimentation avant de remplacer les brosses et avant d'ouvrir un panneau d'accès.

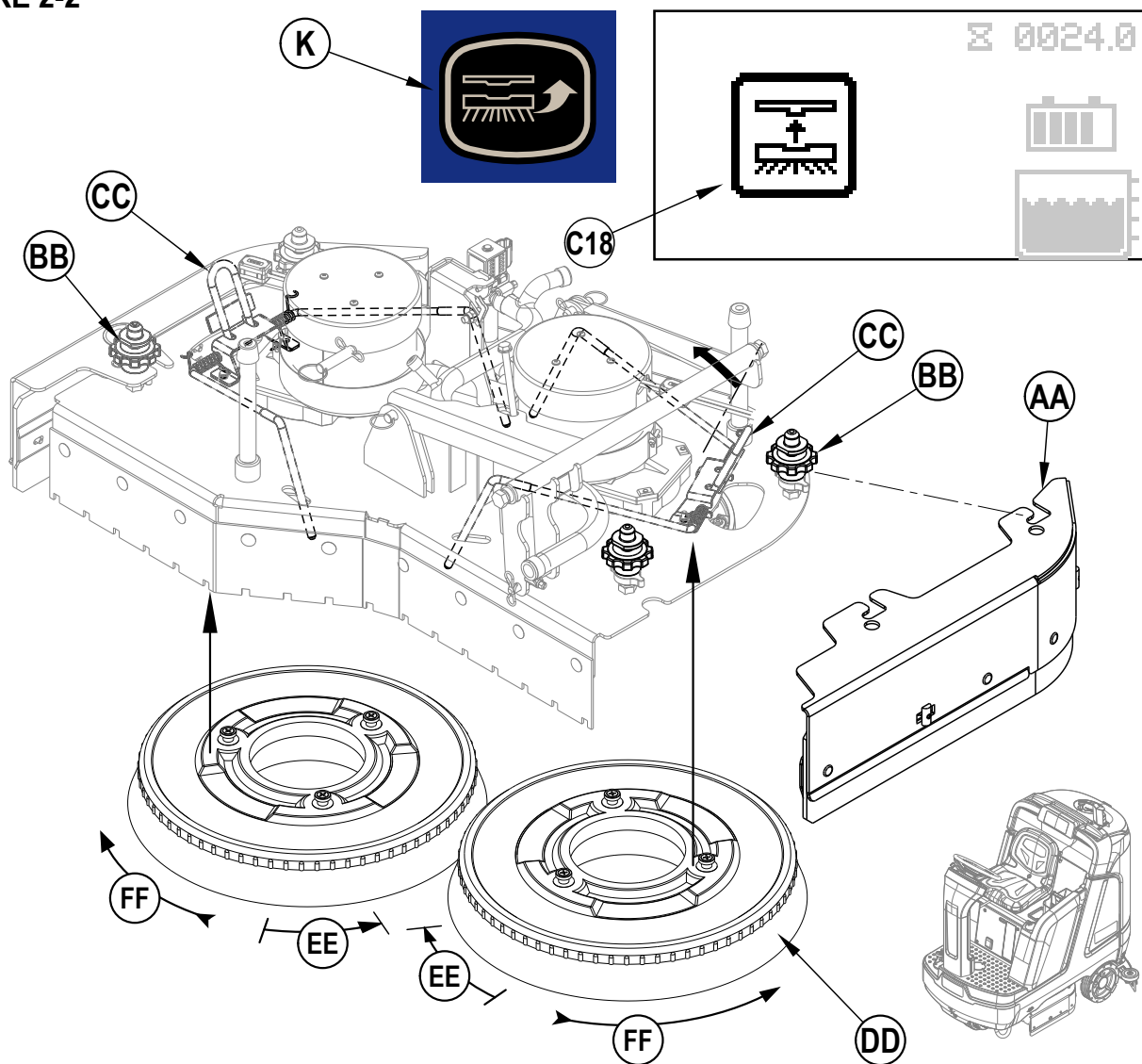
- 1 Assurez-vous que le plateau de lavage est en position HAUTE. Assurez-vous que l'interrupteur d'alimentation (H) est en position d'arrêt.
- 2 Voir Figure 2-2. Retirer les lames des deux côtés (AA). **REMARQUE** : Les ensembles de lame sont retenus en place par deux grands boutons (BB). Desserrez ces boutons et faites glisser les lames (AA) légèrement vers l'avant, puis retirez-les du plateau de lavage.
- 3a **Pour installer manuellement les brosses** : Soulever les brosses (DD) (ou supports de tampon) et alignez les oreilles de la brosse avec les orifices du plateau de montage, puis tournez pour bloquer en place (faites tourner le bord extérieur de la brosse vers l'avant de la machine, comme illustré par la flèche (EE)).
- 3b **Pour utiliser la fonction d'installation automatique des brosses** :
  - i. Poussez la tige de guidage (CC) vers l'avant tout en glissant la brosse sous le plateau et arrêtez quand la brosse entre en contact avec les deux pattes de la tige de guidage. Répétez cette étape de l'autre côté du plateau. **REMARQUE** : ne décentrez pas la première brosse lors de l'installation de la deuxième.
  - ii. Mettez la machine en marche à l'aide de l'interrupteur d'alimentation (H). **(LE SYSTÈME DE LAVAGE DOIT ÊTRE ÉTEINT et LA MACHINE IMMOBILE)**

### ⚠ ATTENTION !

Évitez de mettre les mains et les pieds sous le plateau. Prenez toutes les mesures nécessaires pour éviter que des cheveux, bijoux ou vêtements amples ne soient entraînés dans les parties mobiles de la machine.

- iii. Un appui sur l'interrupteur d'installation des brosses (K) permet d'afficher l'indicateur d'installation des brosses (C18). Ensuite, attendez que la séquence d'installation soit terminée.
- 4 Remettez les ensembles de lame latérales. **REMARQUE** : Pendant le lavage, les brosses tournent dans le sens indiqué par la flèche (FF).

FIGURE 2-2



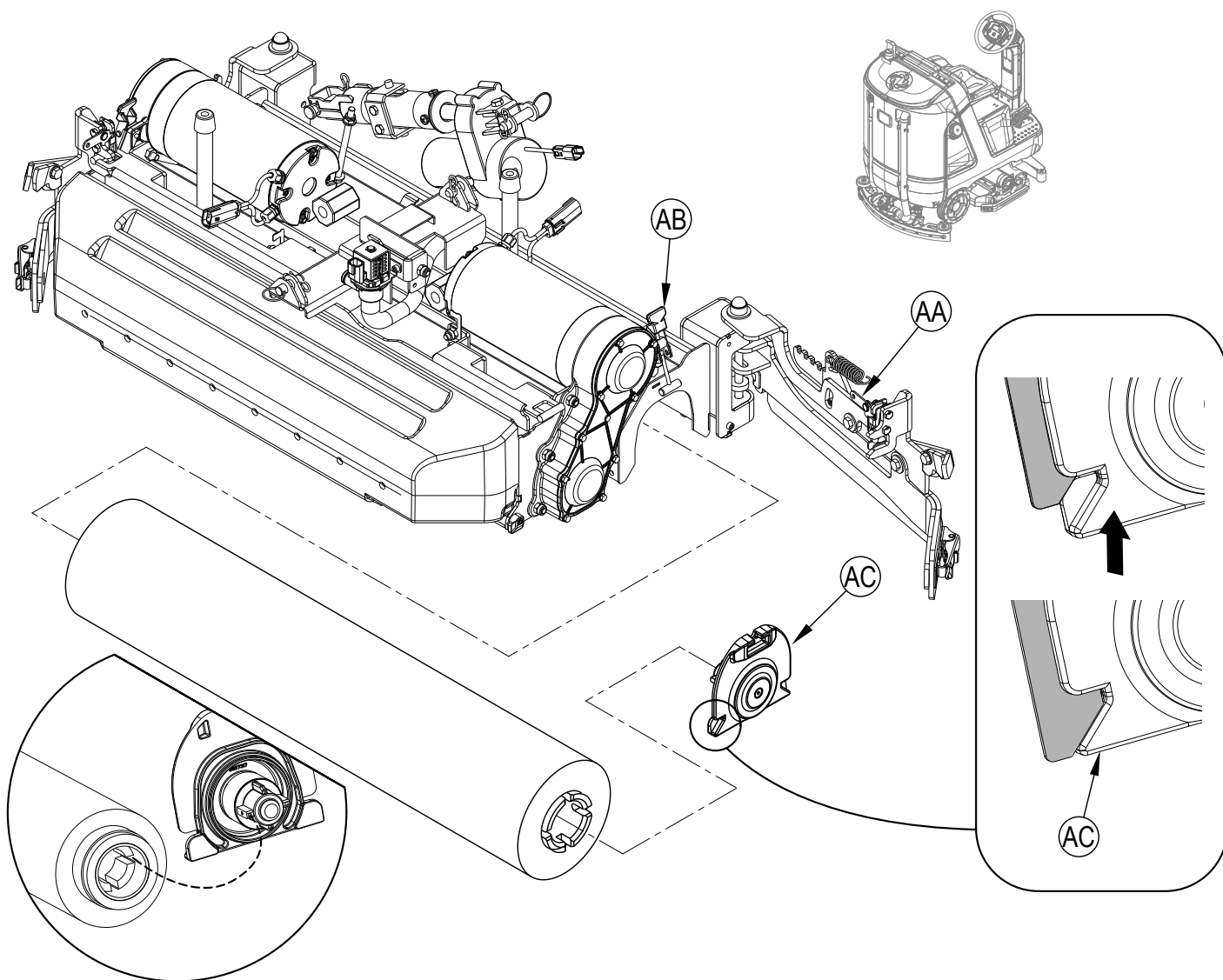
## INSTALLATION DES BROSSES (SYSTÈME CYLINDRIQUE)

### ⚠ ATTENTION !

Arrêtez la machine à l'aide de l'interrupteur d'alimentation avant de remplacer les brosses et avant d'ouvrir un panneau d'accès.

- 1 Assurez-vous que le plateau de lavage est en position HAUTE. Assurez-vous que l'interrupteur d'alimentation (H) est en position d'arrêt.
- 2 Voir Figure 2-3. Détachez et basculez les deux lames (AA).
- 3 Détachez le loquet (AB) situé au sommet des tendeurs (AC) et enlevez.
- 4 Glissez la brosse dans le logement, soulevez légèrement, poussez et tournez jusqu'à ce que les languettes du siège du moyeu d'entraînement entrent dans les crans de la brosse. REMARQUE : le tendeur est conçu pour être bien ajusté dans la brosse pour réduire les vibrations. Réinstallez les tendeurs (AC) en veillant à insérer les languettes du tendeur à l'intérieur de l'ensemble soudé (comme illustré à la Figure 2-3). Bloquez avec le loquet (AB). Fermez et bloquez les ensembles de lames (AA).

FIGURE 2-3



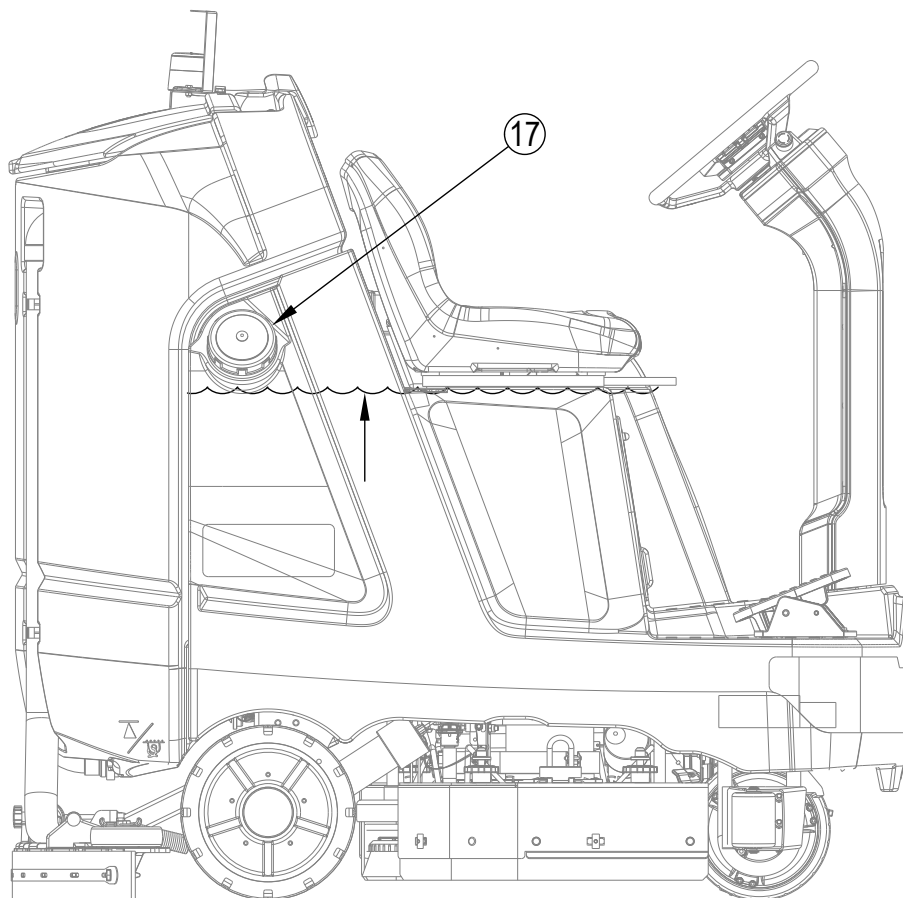
## REPLISSAGE DU RÉSERVOIR DE SOLUTION

Voir **Figure 2-4**. Remplissez le réservoir de solution avec 37 gallons (140 litres) de solution de lavage. Le réservoir de solution peut être rempli jusqu'à la base du goulot de remplissage (17). La solution doit être composée d'eau et du détergent adapté au nettoyage à effectuer. Respectez toujours les instructions de dilution figurant sur l'étiquette de l'emballage du détergent. **REMARQUE** : les machines EcoFlex peuvent être utilisées de manière classique en mélangeant le détergent dans le réservoir ou en utilisant le système de distribution de détergent. Si vous utilisez le système de distribution de détergent, ne mélangez pas le détergent dans le réservoir et utilisez de l'eau pure.

### ⚠ ATTENTION !

Veillez à n'utiliser que des produits de lavage peu moussants et ininflammables adaptés aux autolaveuses. La température de l'eau ne doit pas dépasser 130 degrés Fahrenheit (54,4 degrés Celsius).

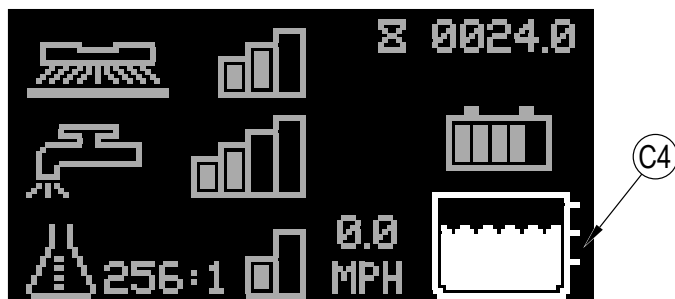
**FIGURE 2-4**



## INDICATEUR DU RÉSERVOIR DE SOLUTION

Voir **Figure 2-5**. Le réservoir de solution possède trois capteurs de niveau qui correspondent à trois points de mesure. L'indicateur de niveau de solution (C4) affiche le niveau (1-3) de solution dans le réservoir. Dès que le réservoir est vide, l'indicateur de réservoir de solution vide (C26) clignote sur l'affichage.

**FIGURE 2-5**

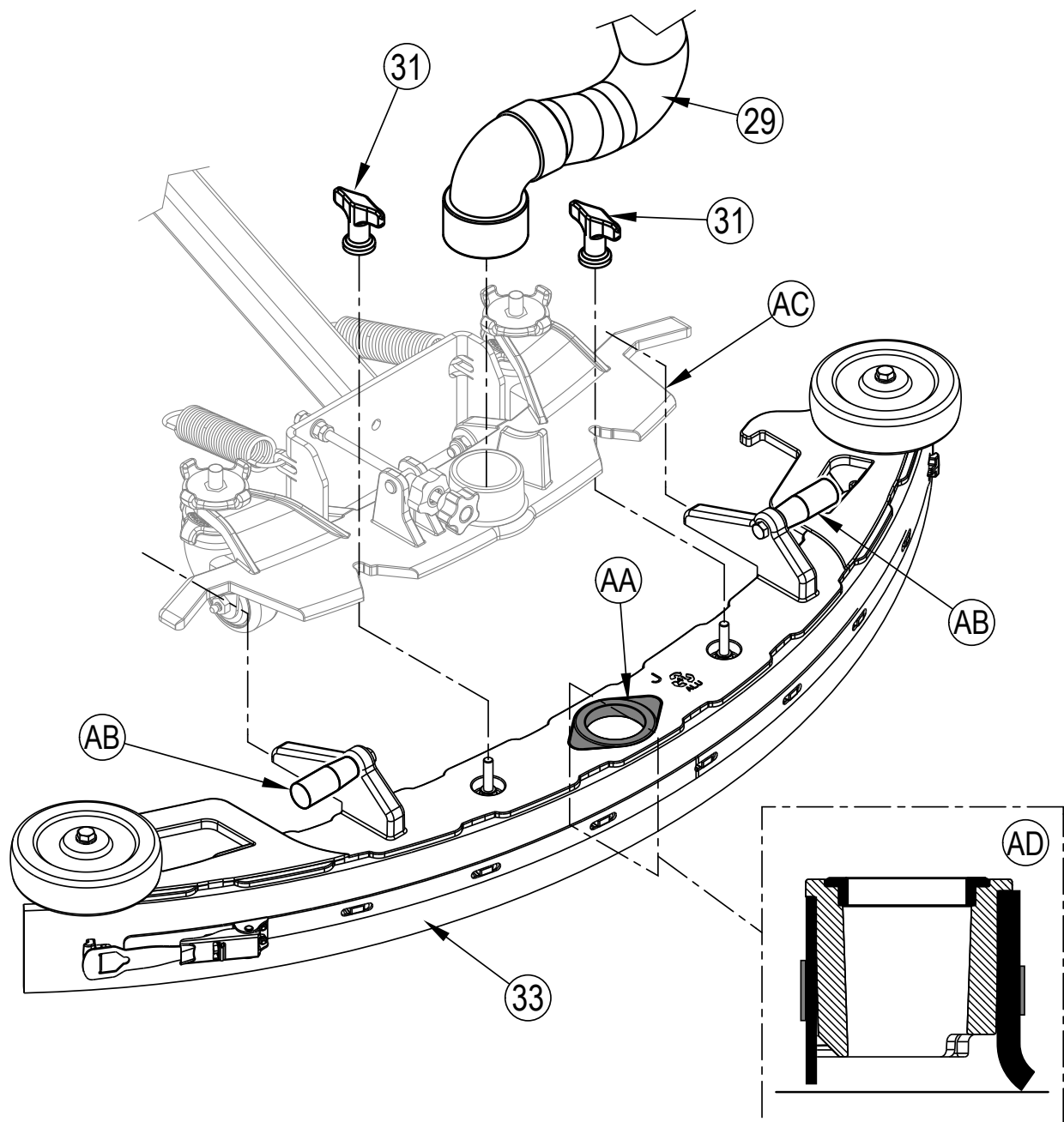




## INSTALLATION DE LA RACLETTE

- 1 Voir Figure 2-6. Vérifiez que le joint de la raclette (AA) n'est pas sale et qu'il est positionné sur la raclette (33). Soulevez la raclette par ses poignées (AB), glissez-la sur le support de la raclette (AC) et serrez les écrous à ailettes du support de la raclette (31).
- 2 Raccordez le tuyau de récupération (29) au support de la raclette (AC).
- 3 Abaissez la raclette et faites avancer légèrement la machine. Vérifiez que la lame arrière de la raclette touche le sol de manière uniforme sur toute sa largeur et qu'elle est légèrement courbée, comme illustré sur la coupe transversale de la raclette (AD). Si nécessaire, réglez la raclette arrière à la hauteur et l'inclinaison appropriées en suivant les étapes de la section « Ajustement de la raclette ».

FIGURE 2-6



**PRÉPARATION DU SYSTÈME DE DÉTERGENT (MODÈLES ECOFLEX UNIQUEMENT)****REMPLEZ LA CARTOUCHE DE DÉTERGENT****⚠ ATTENTION !**

Suivez toujours les instructions des étiquettes des cartouches de détergent lorsque vous en utilisez pour le nettoyage des sols. Portez l'équipement de protection personnel approprié comme des gants et des lunettes lorsque vous manipulez des détergents pour le nettoyage des sols.

En cas de déversement de détergent, procédez comme suit :

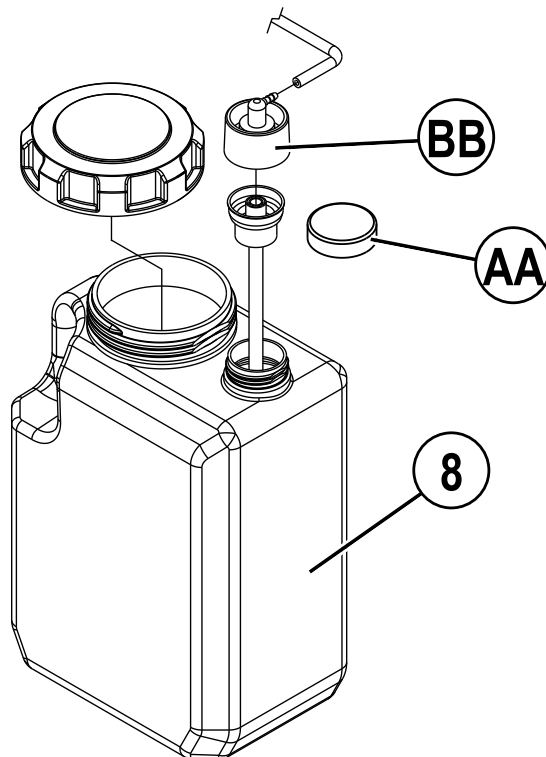
- Indiquez le danger. Informez immédiatement du danger les autres personnes travaillant dans la zone et tout le personnel de supervision et, si la situation le justifie, évacuez la zone.
- Contrôlez le déversement. Assurez-vous que le déversement ne s'aggrave pas.
- Contenez le danger.
- Nettoyez le déversement et tout dommage en toute sécurité.

La cartouche de détergent (8) est située sous le siège. Remplissez la cartouche de détergent avec 1 gallon (4 litres) maximum de détergent.

**REMARQUE POUR L'ENTRETIEN :** retirez la cartouche de détergent de la machine avant de la remplir afin d'éviter de renverser du détergent sur la machine.

Nous vous recommandons d'utiliser une cartouche différente pour chaque détergent à utiliser. Les cartouches de détergent portent un autocollant blanc afin de pouvoir écrire le nom du détergent sur chaque cartouche pour plus de clarté. Lors de l'installation d'une nouvelle cartouche, déposez le bouchon d'usine (AA) et placez la cartouche dans la machine. Installez le bouchon de raccord rapide (BB) et le tuyau de détergent comme indiqué à la **Figure 2-7**.

Les résidus d'ancien détergent doivent être vidangés du système avant d'utiliser un détergent différent (voir « Pour vidanger lors d'un changement de détergent »).

**FIGURE 2-7**

## VIDANGE DU SYSTÈME DE DÉTERGENT (MODÈLES ECOFLEX UNIQUEMENT)

Pour vidanger lors d'un changement de détergent (LES SYSTÈMES DE LAVAGE ET DE SOLUTION DOIVENT ÊTRE ÉTEINTS) :

**REMARQUE POUR L'ENTRETIEN** : déplacez la machine sur une bouche d'écoulement avant la vidange car une petite quantité de détergent s'écoulera lors de ce processus.

- 1 Débranchez et retirez la cartouche de détergent (8).
- 2 Placez la clé intelligente magnétique SmartKey (39) dans le lecteur de SmartKey (22). Voir Figure 2-8. Appuyez sur l'interrupteur d'alimentation (H) pour allumer la machine. Attendez quelques secondes que la séquence de démarrage se termine.
- 3 Appuyez et maintenez enfoncés pendant 2 secondes l'interrupteur de solution (F) et l'interrupteur de détergent (J). Relâchez les interrupteurs quand l'indicateur de vidange (C19) apparaît sur l'écran (le voyant de l'interrupteur de détergent (J1) et le voyant de l'interrupteur de solution (F1) sont allumés). **REMARQUE** : une fois activé, le processus de vidange dure 20 secondes. Réappuyez sur (F) ou (J) avant 20 secondes pour annuler la vidange. En général, un seul cycle de vidange suffit pour vidanger le système.

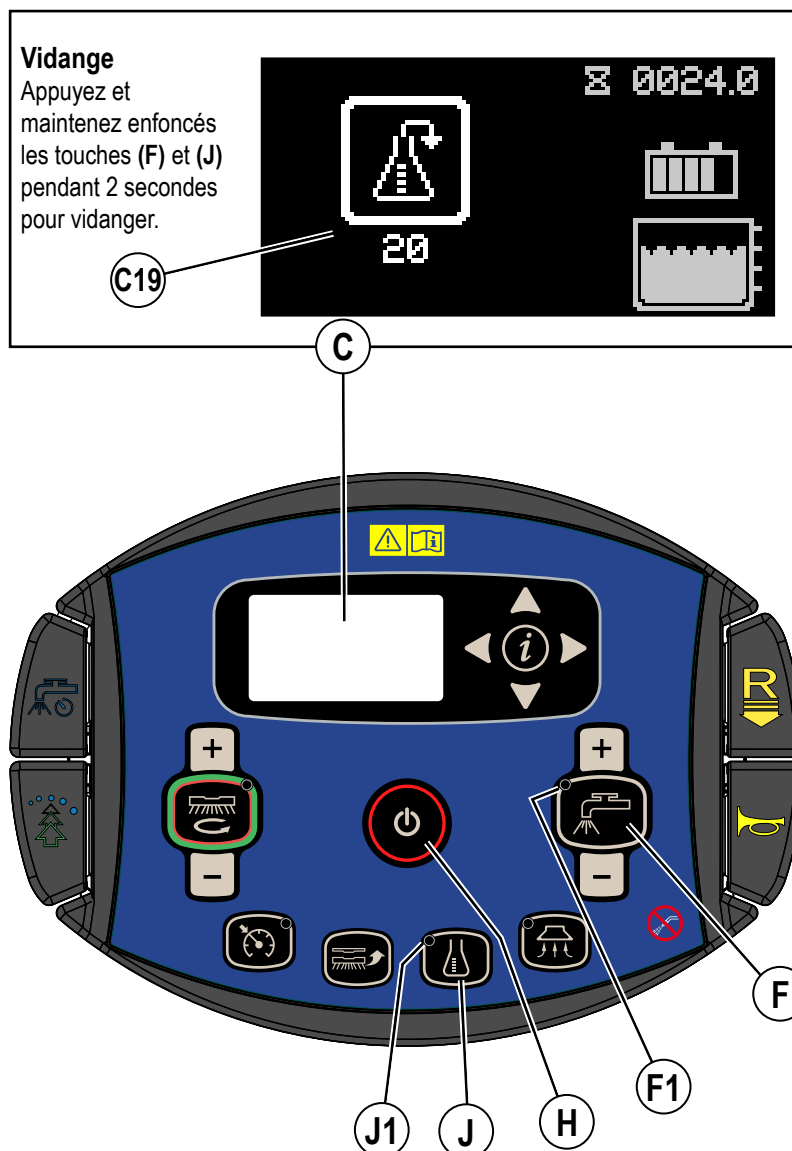
Pour une vidange hebdomadaire (LES SYSTÈMES DE LAVAGE ET DE SOLUTION DOIVENT ÊTRE ÉTEINTS) :

- 1 Débranchez et retirez la cartouche de détergent. Installez et branchez une cartouche remplie d'eau chaude et propre.
- 2 Suivez les étapes 2 et 3 de la section « Pour vidanger lors d'un changement de détergent ».

Lorsque le niveau de détergent a presque atteint le fond de la cartouche, il est temps de remplir ou de remplacer la cartouche.

**REMARQUE POUR L'ENTRETIEN** : Suivez les instructions de la section « Pour une vidange hebdomadaire » ci-dessus si la machine doit être rangée pendant une période prolongée.

FIGURE 2-8



## UTILISATION DU SYSTÈME DE DÉTERGENT (ECOFLEX)

**Utilisation du détergent (LE SYSTÈME DE LAVAGE ET DE SOLUTION DOIT ÊTRE ALLUMÉ) : Voir Figure 2-9.**

Aucun détergent ne s'écoule jusqu'à ce que les systèmes de lavage et de détergent soient activés et que la pédale d'accélérateur (3) ne soit enfoncée.

- L'indicateur de détergent (C6) s'affiche en mode de lavage quand le système de détergent est installé sur la machine.
- L'indicateur du pourcentage de détergent (C7) affiche le pourcentage sélectionné quand le système de détergent est allumé.

Le système EcoFlex dispose de 4 modes de fonctionnement :

- 1A. Mode de nettoyage à l'eau pure** – Pendant le lavage, vous pouvez arrêter à tout moment en appuyant sur l'interrupteur de détergent (J) afin d'effectuer un lavage à l'eau uniquement. L'indicateur du pourcentage de détergent (C7) est vide et le graphique à barres de l'indicateur de détergent (C8) n'affiche que des barres vides. Le voyant du détergent (J1) est éteint.
- 2A. Mode Détergent bas** – Activé en appuyant sur l'interrupteur de détergent (J) quand le système de détergent est arrêté (des appuis répétés permettent de passer du mode Élevé, à l'arrêt et retour au mode bas). L'indicateur du pourcentage de détergent (C7) affiche le niveau bas actuel de détergent et le graphique à barres de l'indicateur de détergent (C8) affiche la première barre remplie. Le voyant du détergent (J1) est allumé. Voir ci-dessous les étapes « Programmation du niveau bas de détergent ».
- 3A. Mode de détergent haut** – Activé en appuyant sur l'interrupteur de détergent (J) quand le système de détergent est en mode bas (des appuis répétés permettent de passer du mode d'arrêt, au mode bas et de revenir au mode haut). L'indicateur de pourcentage de détergent (C7) affiche le niveau haut actuel de détergent et le graphique à barres de l'indicateur de détergent (C8) affiche les barres gauche et droite remplies. Le voyant du détergent (J1) est allumé. Voir ci-dessous les étapes « Programmation du niveau de détergent haut ».
- 4A. Mode de nettoyage avec puissance supplémentaire** – Appuyez sur le levier de la Puissance supplémentaire (N) pour augmenter le taux/pourcentage de détergent pendant une minute jusqu'au niveau de détergent « haut » préprogrammé (comme indiqué dans les instructions de programmation ci-dessous).. S'il était éteint, le système de détergent s'allume au niveau de détergent « bas ». En outre, le débit de solution augmente au niveau suivant, tout comme la pression de lavage qui passe au prochain niveau. L'indicateur de puissance supplémentaire (C15) clignote pendant la durée du processus de puissance supplémentaire à l'écran, accompagné d'une minuterie de compte à rebours. Réappuyez sur le levier (N) avant l'expiration de la minuterie de compte à rebours pour annuler la puissance supplémentaire. La durée de la puissance supplémentaire est ajustable (voir le menu secondaire « Affichage du menu d'information », « Options »).

### Programmation du niveau de détergent haut

1. Appuyez sur l'interrupteur du lavage OneTouch™ (M) pour activer le système de lavage.
2. Appuyez brièvement sur l'interrupteur de détergent (J) jusqu'à ce que vous passiez en mode de détergent haut ((C8) affiche les barres gauche et droite remplies).
3. Appuyez et maintenez enfoncé l'interrupteur de détergent (J) pendant environ 2 secondes jusqu'à ce que l'indicateur du pourcentage (C7) clignote.
4. Pendant que le taux/pourcentage clignote, une brève pression sur l'interrupteur de détergent permet de faire défiler les paramètres disponibles ;  
Pourcentage = 0,3 %, 0,4 %, 0,5 %, 0,66 %, 0,8 %, 1 %, 1,5 %, 2 %, 3 %, 3,8 %  
Taux = 300:1, 256:1, 200:1, 150:1, 128:1, 100:1, 64:1, 50:1, 32:1, 26:1



## ATTENTION !

N'utilisez pas un niveau de concentration supérieur aux recommandations du fabricant du détergent.

5. Dès que le niveau désiré s'affiche à l'écran, arrêtez et le paramètre sera enregistré après 3 secondes.
6. Dès que le paramètre de détergent haut est réglé sur une concentration plus basse que le paramètre de concentration basse programmé actuellement, le paramètre bas par défaut sera égal au paramètre haut jusqu'à ce que l'opérateur le modifie.

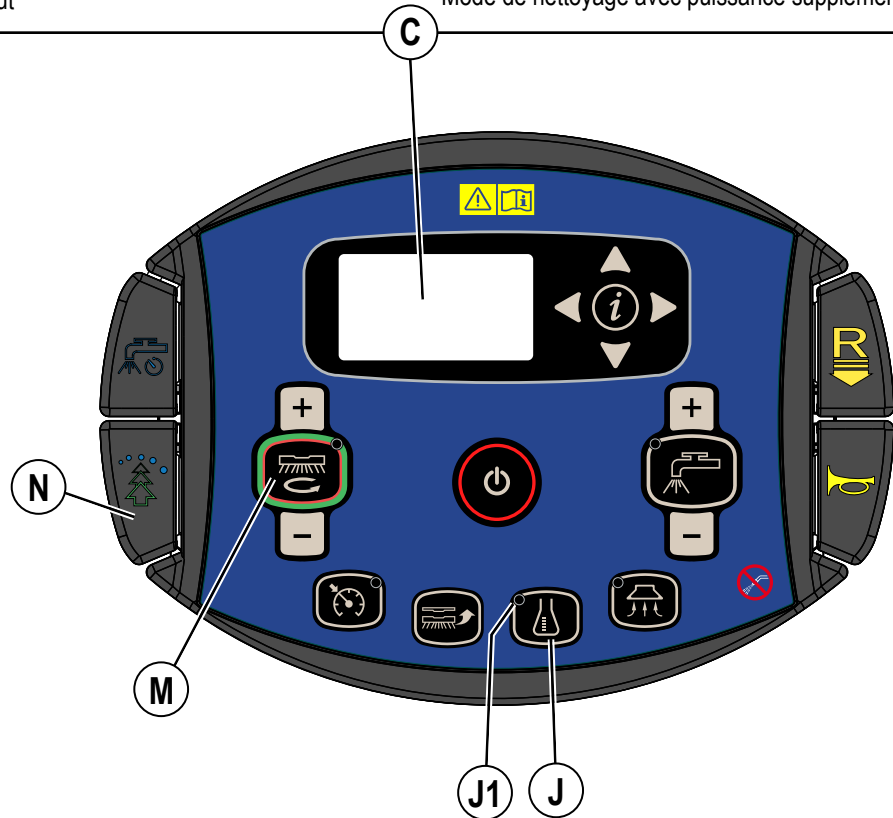
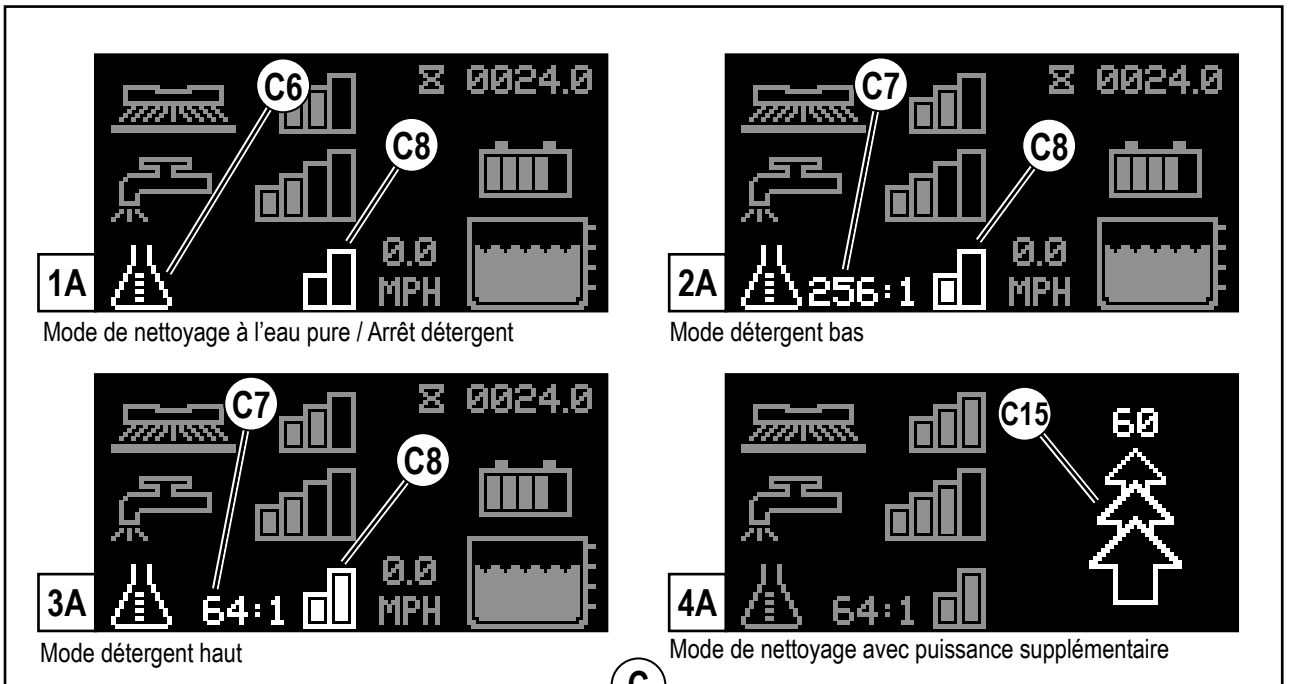
### Programmation du niveau de détergent bas

7. Appuyez sur l'interrupteur du lavage OneTouch™ (M) pour activer le système de lavage.
8. Appuyez brièvement sur l'interrupteur de détergent (J) jusqu'à ce que vous passiez en mode de détergent bas ((C8) affiche la barre gauche remplie).
9. Appuyez et maintenez enfoncé l'interrupteur de détergent (J) pendant environ 2 secondes jusqu'à ce que l'indicateur du pourcentage (C7) clignote.
10. Quand le taux/pourcentage clignote, une brève pression sur l'interrupteur de détergent fait défiler les paramètres disponibles (remarque : seuls les taux/pourcentages dont la concentration est inférieure ou égale au paramètre de détergent haut seront disponibles).
11. Dès que le niveau désiré s'affiche à l'écran, arrêtez et le paramètre sera enregistré après 3 secondes.

Une fois réglé, le débit de détergent augmente et diminue automatiquement en fonction du débit de solution, mais le taux/pourcentage de détergent reste le même.

PRÉPARATION ET UTILISATION DU SYSTÈME DE DÉTERGENT (ECOFLEX)

FIGURE 2-9



## FONCTIONNEMENT DE LA MACHINE

### ⚠ AVERTISSEMENT !

Assurez-vous de bien comprendre les commandes et leurs fonctions.

Évitez les arrêts soudains lorsque la machine se trouve sur des rampes ou des pentes. Évitez les virages serrés. Adoptez une vitesse réduite lorsque la machine est en descente.

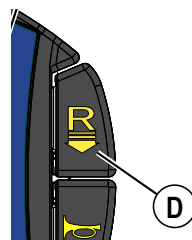
## DÉMARRAGE DE LA MACHINE

- 1 Respectez les instructions figurant dans la section « Préparation de la machine » de ce manuel et vérifiez les éléments suivants :
  - Les batteries sont complètement chargées.
  - L'extérieur de la machine n'est pas endommagé. Signalez tout dommage à votre superviseur.
  - Les bonnes brosses sont correctement installées.
  - La raclette est installée.
  - Le réservoir de solution est plein.
  - Le réservoir de récupération est vide.
  - Vérifiez que la zone à laver est dépourvue d'obstacles qui ne sont pas fixes, comme des tuyaux, seaux, boîtes, câbles électriques, chariots, palettes, etc.

### ⚠ AVERTISSEMENT !

Ne déversez pas des produits nettoyants inflammables, ne faites pas fonctionner la machine sur ou à proximité de tels produits ou dans des zones contenant des liquides inflammables.

- 2 **Consultez les illustrations aux pages 8 à 11 si nécessaire.** Asseyez-vous sur le siège de l'opérateur (2), réglez-le dans une position confortable à l'aide du levier de réglage du siège situé sous ce siège.
- 3 Placez la clé intelligente magnétique SmartKey (39) dans le lecteur de SmartKey (22) sur la machine. Appuyez sur l'interrupteur d'alimentation (H) pour allumer la machine.
- 4 Vérifiez l'indicateur de la batterie (C3) et le compteur horaire (C1) avant de procéder.
- 5 Pour conduire la machine dans la zone de travail, appliquez une pression uniforme avec votre pied sur l'avant de la pédale d'accélérateur (3) pour avancer. Pour inverser, appuyez d'abord sur le levier de marche arrière (D). L'indicateur de marche arrière (C27) apparaît sur l'écran, puis appliquez une pression uniforme avec votre pied sur l'avant de la pédale d'accélérateur (3). Une alerte sonore retentira en marche arrière.
- 6 Réglez la vitesse de la machine en faisant varier la pression sur la pédale d'accélérateur (3).



## ARRÊT DE LA MACHINE

- 1 Arrêtez la machine en relâchant la pédale d'accélérateur (3).
- 2 Après avoir relâché la pédale d'accélérateur, vous pouvez pousser sur la pédale de frein (40) pour arrêter la machine.
- 3 **UNIQUEMENT EN CAS D'URGENCE !**

Pour arrêter immédiatement toutes les fonctions de la machine, appuyez sur l'arrêt d'urgence (A).

- L'écran affichera l'indicateur d'arrêt d'urgence activé (C20).
- Pour rétablir les fonctions de la machine, tournez l'arrêt d'urgence dans le sens des aiguilles d'une montre.

## FONCTIONNEMENT DE LA MACHINE - SUITE

### ⚠ AVERTISSEMENT !

Assurez-vous de bien comprendre les commandes et leurs fonctions.

Évitez les arrêts soudains lorsque la machine en charge se trouve sur des rampes ou des pentes. Évitez les virages serrés. Adoptez une vitesse réduite lorsque la machine est en descente.

**Pour le lavage...**

Suivez les instructions de la section « Démarrage de la machine » et conduisez la machine jusqu'au point de démarrage pour le nettoyage.

- 1 **Voir Figure 3-1.** Appuyez une fois sur l'interrupteur de marche du lavage One-Touch (**M**) pour un lavage normal. Appuyez une fois sur l'interrupteur d'augmentation de la pression de lavage (**M+**) pour un lavage intensif ou deux fois pour un lavage extrême. Le débit de solution propose des réglages qui correspondent à la pression de lavage ; il augmentera et diminuera conjointement à la pression de lavage.  
**REMARQUE :** Le débit de solution peut également augmenter ou diminuer indépendamment de la pression de lavage en appuyant sur l'interrupteur d'augmentation du débit de solution (**F+**) ou l'interrupteur de réduction du débit de solution (**F-**) ; observez le graphique à barres du débit de solution (**C10**). Les réglages consécutifs de la pression du lavage rétabliront le débit de solution sur le débit par défaut.
- 2 Lorsque vous appuyez sur le bouton de mise en marche du lavage One-Touch (**M**), les brosses et la raclette sont automatiquement abaissées jusqu'au sol. Les systèmes de lavage, de solution, d'aspiration et de détergent (modèles EcoFlex) démarrent tous automatiquement quand la pédale d'accélérateur (**3**) est enfoncée. Pour arrêter ou réactiver un système individuel, il suffit d'appuyer sur l'interrupteur qui lui correspond à tout moment pendant le lavage.  
**REMARQUE :** lorsque la machine fonctionne en marche arrière, la raclette remonte automatiquement.  
Détergent : Voir « Préparation et utilisation du système de détergent (EcoFlex) » pour obtenir des informations détaillées sur son réglage et son utilisation.
- 3 Entamez le lavage en guidant la machine en ligne droite à la vitesse de marche et en veillant à ce que les passages se chevauchent de 50 à 75 mm (2 à 3 pouces). Réglez le débit de solution et la vitesse de la machine en fonction de l'état du sol que vous traitez. Poussez le levier d'arrêt minuté de la solution (**O**) avant de prendre un virage pour arrêter temporairement le débit de solution. Le graphique à barres du débit de solution (**C10**) est remplacé par un décompte de 5 secondes indiquant la durée d'arrêt du débit de solution. Repoussez sur le levier avant que la minuterie ne se termine pour annuler l'arrêt de la solution.  
**REMARQUE :** Pendant le lavage, la vitesse maximum de la machine peut être réglée en appuyant sur l'interrupteur du limiteur de vitesse (**L**). Réglez la machine à vitesse désirée en utilisant la pédale d'accélérateur (**3**), puis appuyez sur l'interrupteur du limiteur de vitesse (**N**). L'opérateur peut maintenant enfoncer la pédale jusqu'au bout sans augmenter la vitesse de la machine, ce qui réduit ainsi la fatigue. La vitesse de la machine (**C5**) est indiquée sur l'écran. La limite de vitesse sera active à chaque lavage, jusqu'à ce que vous appuyiez à nouveau sur l'interrupteur du limiteur de vitesse (pendant le lavage) pour désactiver la limite de vitesse.

### ⚠ ATTENTION !

Pour éviter d'endommager le sol, maintenez toujours la machine en mouvement lorsque les brosses tournent.

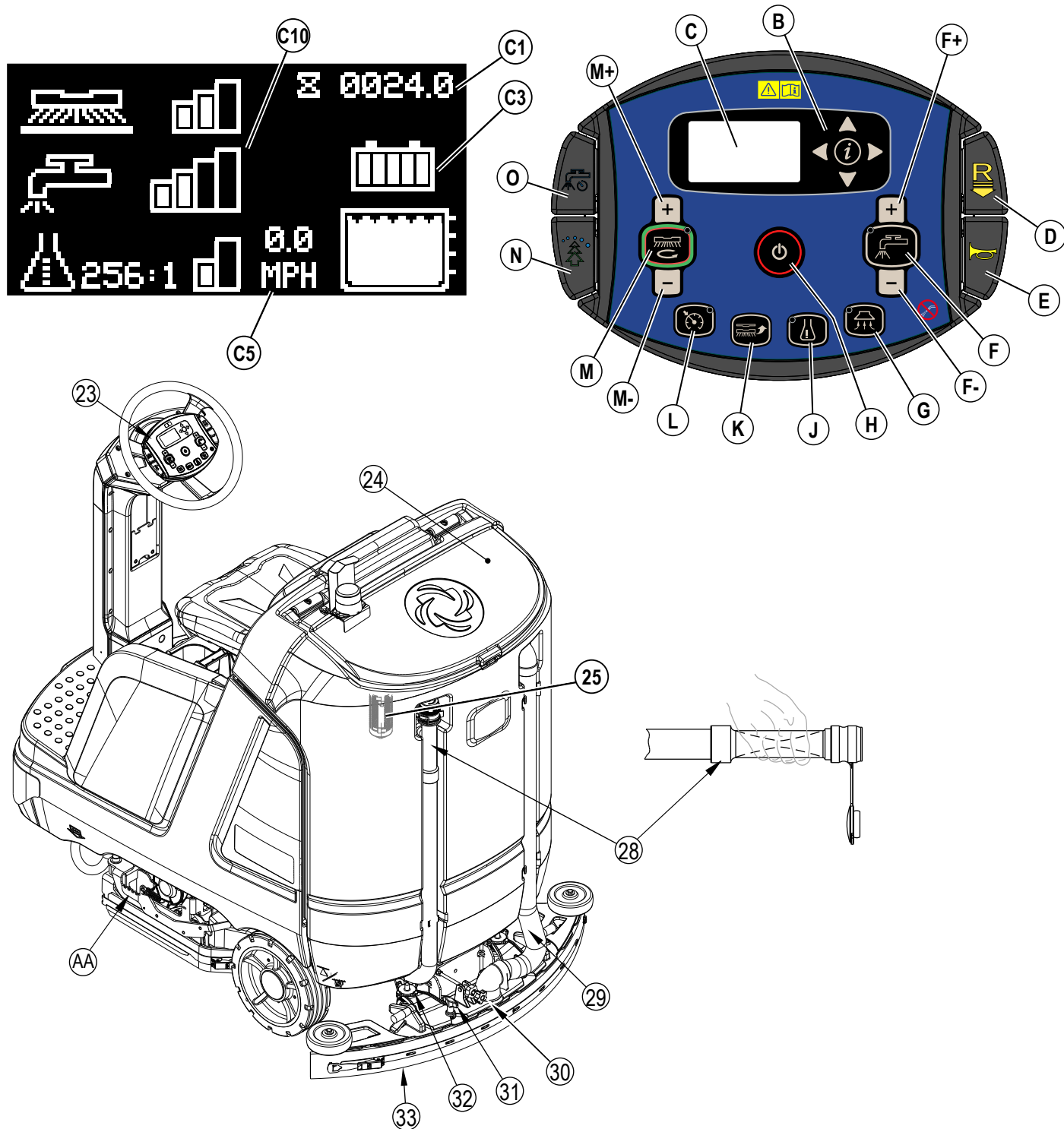
- 4 Lorsque vous nettoyez, assurez-vous, après votre passage, qu'il ne reste plus d'eau sale sur le sol. Si vous remarquez des traînées d'eau derrière la machine, il se peut que cette dernière distribue trop de solution, que le réservoir de récupération soit plein ou que la raclette soit mal réglée.
- 5 Pour les sols extrêmement sales, il se peut qu'un seul passage ne suffise pas et que vous deviez adopter la technique des « deux passages ». Cette technique est fort semblable à la méthode habituelle. Cependant, lors du premier passage, la raclette (**33**) et les lames du plateau de lavage (**AA**) sont relevées voir [Lame latérale - Position de lavage double](#). Appuyez sur l'interrupteur d'aspiration (**G**) pour lever la raclette. La solution de lavage peut ainsi agir plus longtemps sur le sol. Le passage final est réalisé sur la même zone, la raclette et les lames latérales étant abaissées pour ramasser la solution accumulée.
- 6 Le réservoir de récupération est équipé d'un flotteur d'arrêt (**25**). Lorsque le réservoir est plein, le flotteur est activé et ferme l'entrée afin que l'eau ne puisse plus entrer dans le réservoir de récupération. Lorsque le flotteur est activé, l'opérateur peut remarquer un changement dans le son du moteur d'aspiration ou alors il remarquera que la machine ne capte plus d'eau. Si le flotteur est activé, le réservoir de récupération doit être vidé. Lorsque le flotteur est activé, la machine ne capte plus d'eau, mais aucune fonction de la machine ne s'arrête.
- 7 Lorsque l'opérateur souhaite arrêter de laver ou lorsque le réservoir de récupération est plein, il doit appuyer une fois sur l'interrupteur de lavage One-Touch (**M**). De cette manière, les brosses de lavage et le débit de solution s'arrêtent automatiquement et le plateau de lavage est relevé. La raclette remonte après un court instant et l'aspiration s'arrête peu après (afin de pouvoir ramasser l'eau résiduelle sans devoir relancer l'aspiration). Lorsque le lavage est éteint, la limite de vitesse l'est également et la vitesse de la machine revient à son fonctionnement normal.
- 8 Conduisez la machine vers un « SITE DE DÉCHARGE » destiné aux eaux usées et videz le réservoir de récupération. Pour la vidange, tirez le tuyau de vidange du réservoir de récupération (**28**) de son dispositif de rangement. Maintenez l'extrémité du tuyau au-dessus du niveau d'eau du réservoir, puis dévissez le bouchon. Pressez le tuyau tel qu'illustré jusqu'à ce qu'il soit près de la vidange afin d'éviter tout déversement accidentel des eaux usées. Vissez le bouchon et repoussez le tuyau de vidange du réservoir de récupération dans son dispositif de rangement. Remplissez le réservoir de solution et poursuivez le lavage.

**REMARQUE :** Assurez-vous que le couvercle du réservoir de récupération (**24**) et le bouchon du tuyau de vidange du réservoir de récupération (**28**) sont bien en place. Dans le cas contraire, la machine ne captera pas l'eau correctement.

Si les batteries sont déchargées jusqu'au seuil de coupure à basse tension, l'indicateur de tension faible de la batterie (**C14**) s'allume, les brosses de lavage et le débit de solution s'arrêtent et le plateau de lavage remonte. La raclette remonte après un court instant et l'aspiration s'arrête après un délai supplémentaire. Transportez la machine vers une zone d'entretien. Rechargez les batteries conformément aux instructions des sections « Chargement des batteries humides » ou « Chargement des batteries Gel/AGM (VRLA) » de ce manuel.

## FONCTIONNEMENT DE LA MACHINE - SUITE

### FIGURE 3-1



## ASPIRATION HUMIDE

Procédure à suivre afin d'équiper la machine des accessoires nécessaires à l'aspiration humide.

- 1 Débranchez le tuyau de récupération (29) du support de la raclette. Branchez le coupleur et le tube du kit de la lance au tuyau de récupération.
- 2 Fixez au tuyau les accessoires adaptés au ramassage humide. (Nilfisk propose un Kit de lance d'aspiration en option, réf. PN56116355).
- 3 Placez la clé intelligente magnétique SmartKey sur le lecteur de SmartKey (22) et appuyez sur l'interrupteur d'alimentation (H). Tout en vous tenant à côté de la machine (pas sur le siège), appuyez sur l'interrupteur d'aspiration (G). Le moteur d'aspiration continuera de tourner jusqu'à ce que l'opérateur appuie une nouvelle fois sur l'interrupteur pour l'éteindre. L'indicateur de lance (C17) s'affiche. **REMARQUE** : Un appui sur l'interrupteur d'aspiration (G) pendant que vous êtes assis sur la machine abaissera la raclette et le(s) moteur(s) d'aspiration fonctionne(nt) pendant que la machine avance. L'indicateur d'aspiration (C16) s'affiche.



## APRÈS L'UTILISATION

- 1 Une fois le lavage terminé, appuyez sur l'interrupteur de lavage One-Touch (**M**). Cela permet de relever, rétracter et arrêter tous les systèmes de la machine (brosse, raclette, aspiration, solution et détergent (modèles EcoFlex)). Conduisez ensuite la machine dans une zone d'entretien où un technicien procédera à son entretien quotidien et effectuera les éventuelles réparations.
- 2 Pour vider le réservoir de solution, retirez le tuyau de vidange de la solution (**13**) de son dispositif de rangement sous le pare-chocs avant de la machine. Dirigez le tuyau de vidange vers un « SITE DE DÉCHARGE » des eaux usées et enlevez le bouchon. Rincez le réservoir à l'eau claire.
- 3 Pour vider le réservoir de récupération, tirez le tuyau de vidange du réservoir de récupération (**28**) de son dispositif de rangement. Maintenez l'extrémité du tuyau au-dessus du niveau d'eau du réservoir, puis dévissez le bouchon. Vous pouvez également comprimer le tuyau de vidange du réservoir de récupération pour réguler le débit et éviter un écoulement soudain et incontrôlé des eaux usées. Rincez le réservoir de récupération à l'eau claire. Vérifiez les tuyaux de récupération et d'aspiration, et remplacez-les s'ils sont endommagés ou présentent une quelconque anomalie.
- 4 Enlevez les supports de brosses ou les porte-tampons. Rincez les brosses ou les tampons à l'eau chaude et suspendez-les pour qu'ils sèchent.
- 5 Retirez la raclette, rincez à l'eau chaude et réinstallez sur le support ou suspendez-le à l'arrière du réservoir de récupération.
- 6 Sur les systèmes cylindriques, enlevez la trémie et nettoyez-la soigneusement. Elle peut être enlevée de chaque côté de la machine. Pour ce faire décrochez et inclinez vers le haut la lame latérale, puis tirez la trémie hors de la machine en l'inclinant vers le haut, hors de son logement.
- 7 Consultez le programme d'entretien ci-dessous et effectuez toutes les opérations requises avant de ranger la machine.
- 8 Rangez la machine dans un endroit sec et propre à l'intérieur d'un bâtiment. Maintenez-la à l'abri du gel. Laissez les réservoirs ouverts pour les aérer.
- 9 Arrêtez la machine en appuyant sur l'interrupteur d'alimentation (**H**), puis en retirant la clé magnétique.
- 10 Les batteries sont les pièces de rechange les plus chères de cette machine. Pour protéger votre investissement et réaliser autant de cycles de nettoyage que possible, gardez les points suivants à l'esprit :
  - Les batteries durent plus longtemps si elles sont constamment à pleine charge.
  - Les batteries montées sur cette machine ne développent aucune mémoire.
  - Les batteries durent plus longtemps et permettent de faire davantage de cycles de nettoyage si elles sont rechargées à chaque moment opportun.
  - Les chargeurs de batteries ne chargent pas les batteries de manière excessive ou insuffisante.
  - Les batteries tombent en panne prématurément si elles sont entreposées en étant déchargées.
  - Après chaque utilisation journalière, le chargeur de batterie doit être branché et il doit fonctionner pendant une séquence de charge complète pour charger entièrement les batteries.

## ENTRETIEN

### PROGRAMME D'ENTRETIEN

ÉLÉMENT	Tous les jours	Toutes les semaines	Tous les mois	Tous les ans
Chargement des batteries	X			
Vérification/nettoyage des réservoirs et tuyaux	X			
Vérification / lavage / rotation des brosses / tampons	X			
Vérification/nettoyage de la raclette	X			
Vidage / nettoyage du bac collecteur de débris dans le réservoir de récupération	X			
Vérification / nettoyage du ou des filtres en mousse du moteur d'aspiration	X			
Lavage de la trémie sur les systèmes cylindriques	X			
Nettoyez la surface du lecteur de SmartKey magnétique ( <b>22</b> )		X		
Vérification du niveau d'eau de chaque cellule de batterie (batteries humides)		X		
Inspection des lames du plateau de lavage		X		
Inspection et lavage du filtre de solution		X		
Nettoyage des conduites de solution sur les systèmes cylindriques		X		
Vidangez le système de détergent (EcoFlex uniquement)		X		
* Nettoyer le réservoir de solution			X	
Graissage – voir « Graissage de la machine »			X	
** Vérification des balais de carbone				X

\* Le nettoyage du réservoir de solution n'est nécessaire que si vous utilisez un mélange d'eau et de détergent de nettoyage à l'intérieur du réservoir.

\*\* Demandez à Nilfisk de vérifier les balais de carbone, le(s) moteur(s) d'aspiration après 1200 heures de récupération (remplacez le(s) moteur(s) après 2000 heures de récupération), les moteurs de lavage (disque et cylindrique) après 1200 heures de lavage.

**REMARQUE :** pour de plus amples informations sur l'entretien et les pièces de rechange, reportez-vous au Manuel d'entretien.

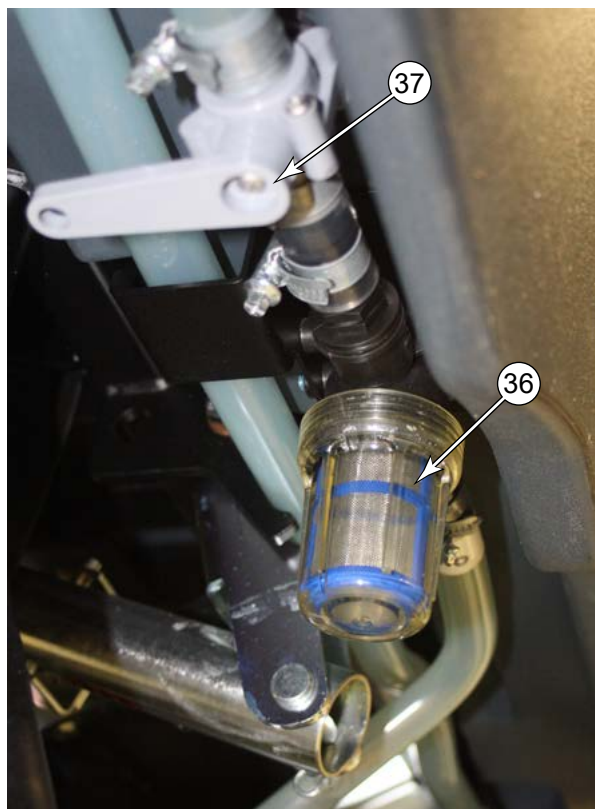
## NETTOYAGE DU RÉSERVOIR DE RÉCUPÉRATION

- 1 Conduisez la machine dans la zone d'élimination désignée.
- 2 Vérifiez que la machine est éteinte et que la clé magnétique SmartKey (39) est enlevée.
- 3 Tirez le tuyau de vidange du réservoir de récupération (28) de son espace de rangement.
- 4 Dirigez le tuyau de vidange vers un « SITE DE DÉCHARGE » désigné et dévissez le bouchon (maintenez l'extrémité du tuyau au-dessus du niveau d'eau du réservoir afin d'éviter tout déversement accidentel des eaux usées). Vous pouvez également presser le tuyau de vidange du réservoir de récupération pour réguler le flux.
- 5 Ouvrez le couvercle du réservoir de récupération (24).
- 6 Rincez soigneusement le réservoir de récupération pour retirer tous les débris du réservoir. Pour nettoyer le réservoir de récupération, laissez le tuyau de vidange ouvert vers une bouche d'écoulement et aspergez l'intérieur du réservoir avec un tuyau. Vous pouvez utiliser un tuyau avec un embout vaporisateur pour asperger le réservoir de récupération mais il ne doit pas être dirigé vers le logement du filtre du moteur d'aspiration (26). L'eau vaporisée ne doit pas éclabousser l'extérieur du réservoir ou l'entrée du moteur d'aspiration.  
**REMARQUE** : Le tuyau de vaporisation ne doit pas être utilisé pour nettoyer l'extérieur de la machine à proximité du panneau de commande de l'opérateur afin d'éviter que l'eau ne pénètre dans les composants électroniques sensibles.
- 7 Retirez le bac collecteur de débris (27) du réservoir de récupération. Videz et rincez le bac collecteur de débris puis réinstallez-le.
- 8 Ouvrez le boîtier du filtre du moteur d'aspiration (26) et enlevez le filtre. Retirez tous les débris accumulés à l'intérieur du boîtier de filtre. Rincez le filtre puis réinstallez-le.
- 9 Vérifiez l'état du joint de couvercle du réservoir de récupération et de la surface où il s'appuie. Pour une bonne étanchéité, ils doivent être propres.  
**REMARQUE** : Le joint d'étanchéité permet la création d'une aspiration dans le réservoir, qui est nécessaire pour aspirer l'eau récupérée.
- 10 Fermez le couvercle du réservoir de récupération. **REMARQUE** : Le couvercle peut rester ouvert pour aérer le réservoir entre les utilisations.

## NETTOYAGE DU FILTRE DE SOLUTION

- 1 Conduisez la machine dans la zone d'élimination désignée.
- 2 Vérifiez que la machine est éteinte et que la clé magnétique SmartKey (39) est enlevée.
- 3 Fermez la vanne d'arrêt de la solution (37) en tournant la poignée de 90° vers la droite de la machine (la figure 4-1 montre la poignée en position fermée).
- 4 Dévissez le couvercle du filtre de solution (36). De la solution sera probablement présente dans la conduite qui se déversera.
- 5 Nettoyez le couvercle du filtre et la grille.
- 6 Réinstallez la grille et le couvercle et vérifiez que le joint est en place.
- 7 Ouvrez la vanne d'arrêt de la solution (37).

FIGURE 4-1



## LUBRIFICATION DE LA MACHINE

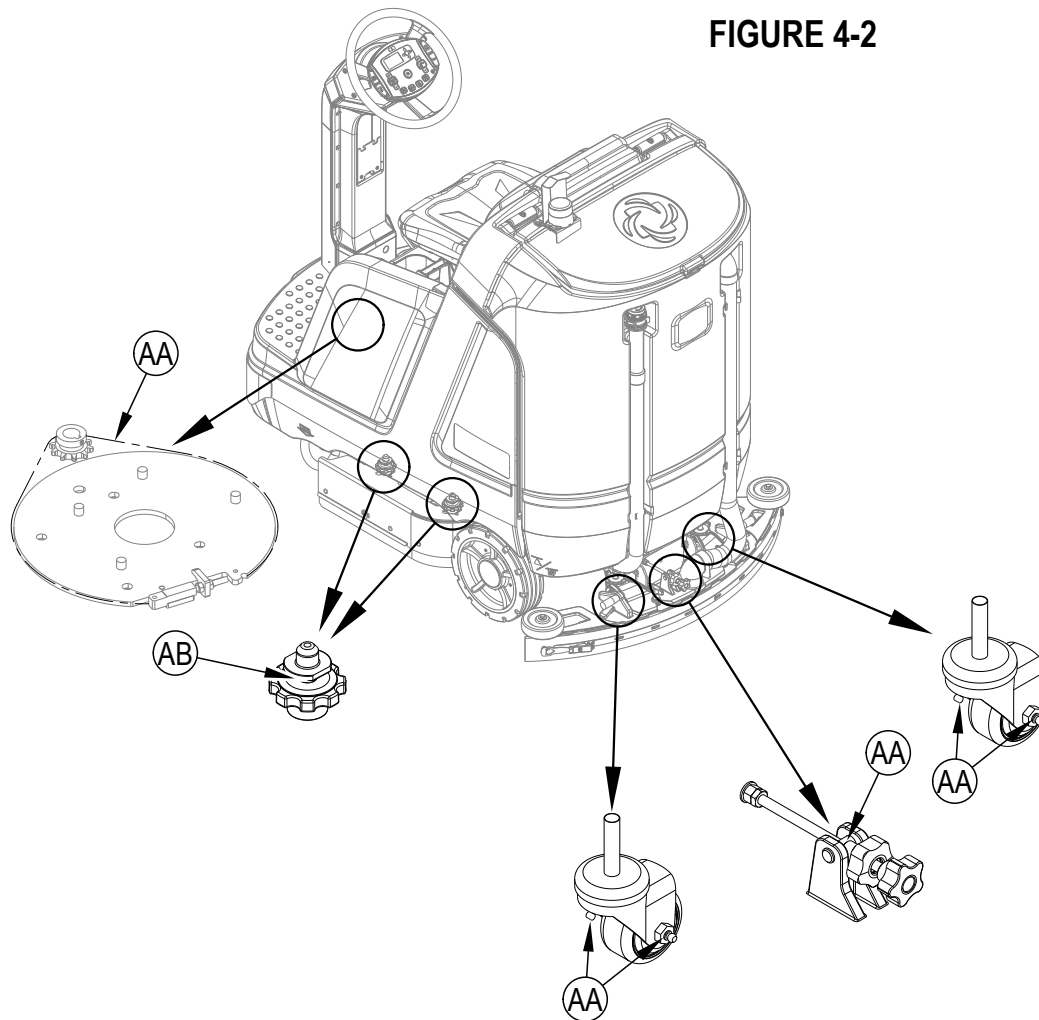
Une fois par mois, mettez une petite quantité de graisse sur chaque raccord de graissage de la machine jusqu'à ce que la graisse coule autour des roulements. Voir Figure 4-2.

**Emplacement des raccords de graissage (ou appliquez de la graisse sur) (AA) :**

- Axe et pivot de la roue de la raclette
- Chaîne de direction
- Filetages des boutons de réglage de l'inclinaison de la raclette

**Une fois par mois, appliquez un peu d'huile machine légère ou pulvérisez un lubrifiant synthétique pour graisser (AB) :**

- Filetages de réglage de la butée inférieure de la lame latérale

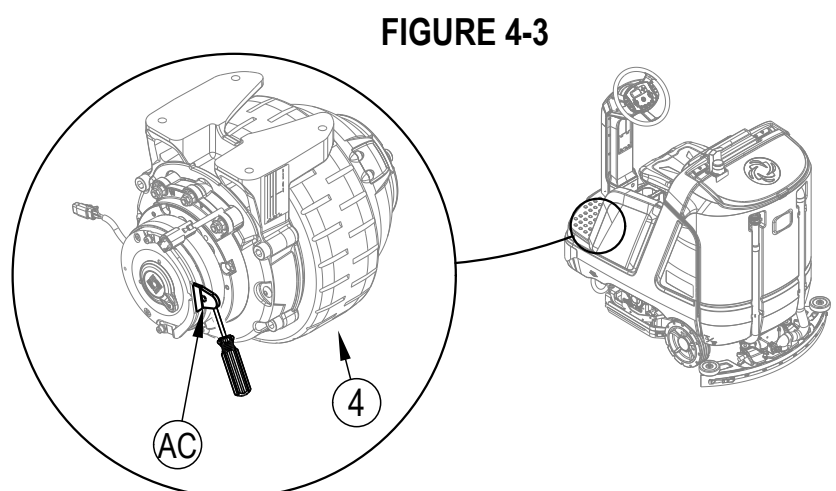


## FREIN ÉLECTROMAGNÉTIQUE

### ⚠ ATTENTION !

Pour éviter tout déplacement incontrôlé de la machine, bloquez les roues et assurez-vous la machine est sur une surface plane avant de débloquent le frein électromagnétique.

Voir Figure 4-3. La roue motrice (4) est dotée d'un frein électromagnétique intégré qui est activé dès que l'alimentation de la machine est en position d'arrêt ou que la pédale d'accélérateur (3) n'est pas enfoncée. Au besoin, vous pouvez contourner manuellement ce frein en insérant un tournevis grand ou moyen derrière le poussoir (AC) comme illustré. Ce n'est nécessaire que si vous devez pousser ou tracter la machine sur une courte distance.



## CHARGEMENT DES BATTERIES HUMIDES

Chargez les batteries à chaque utilisation de la machine ou lorsque l'indicateur de charge de la batterie (C3) indique qu'elle n'est pas complètement chargée.

### ⚠ AVERTISSEMENT !

Ne remplissez pas les batteries avant de les charger. Assurez-vous que les plaques sont simplement couvertes.

Chargez les batteries dans une zone bien aérée. Si l'acide de batterie entre en contact avec votre peau, rincez la zone contaminée à l'eau pendant 5 minutes et consultez un médecin.

Ne fumez pas lorsque vous procédez à l'entretien des batteries.

#### Lors de l'entretien des batteries...

- \* Retirez tous vos bijoux.
- \* Ne fumez pas.
- \* Portez des lunettes de protection, ainsi qu'un tablier et des gants en caoutchouc.
- \* Travaillez dans une zone bien aérée
- \* Veillez à ce que les outils ne touchent pas plusieurs bornes de batterie en même temps.
- \* Débranchez TOUJOURS le câble de polarité négative (terre) en premier lors du remplacement des batteries afin d'éviter des étincelles.
- \* Branchez TOUJOURS le câble négatif en dernier lors de l'installation des batteries.

#### Si votre machine est livrée avec un chargeur de batterie embarqué, procédez comme suit :

- 1 Arrêtez la machine à l'aide de l'interrupteur d'alimentation (H).
- 2 **Voir Figure 4-4.** Basculez le siège vers l'avant (le ressort à gaz maintient le siège ouvert) pour avoir accès à la batterie et au chargeur et assurer une ventilation correcte.
- 3 Déroulez le cordon d'alimentation (18A) du chargeur embarqué et branchez-le à une prise correctement reliée à la terre. Consultez le manuel du fabricant pour obtenir des consignes plus détaillées sur l'utilisation. Pendant que la puissance c.a. est appliquée au chargeur embarqué, toutes les fonctions de la machine sont désactivées.
- 4 L'indicateur d'état de charge de la batterie (C3) commencera à montrer des signes de changement de charge des batteries. Cela indique que le cycle de charge a commencé. Alors que le cycle de charge se poursuit, le niveau de charge de la batterie augmente.
- 5 Quand l'indicateur d'état de charge de la batterie (C3) est complètement terminé, la machine détecte des batteries totalement chargées. Cependant, le processus de charge peut ne pas être terminé. Comptez sur les voyants d'état du chargeur (18) (et son manuel OEM) pour vérifier quand les batteries sont complètement chargées. Cela peut prendre plusieurs heures selon l'état des batteries avant la charge.
- 6 Quand la charge est terminée, débranchez le chargeur et enroulez le cordon (18A). Attendez au moins 10 secondes avant d'allumer la machine après avoir débranché le chargeur.

#### Si votre machine est livrée sans chargeur de batterie embarqué, procédez comme suit :

- 1 Arrêtez la machine à l'aide de l'interrupteur d'alimentation (H).
- 2 **Voir Figure 4-4.** Basculez le siège vers l'avant pour avoir accès à la batterie et assurer une ventilation correcte, le ressort à gaz maintient le siège ouvert.
- 3 Débranchez les batteries de la machine et enfoncez le connecteur du chargeur dans le connecteur de la batterie de la machine (19). Suivez les instructions sur le chargeur de batterie et le manuel du fabricant. **REMARQUE POUR L'ENTRETIEN :** veillez à brancher le chargeur de batterie dans le connecteur qui se fixe aux batteries.

### ⚠ ATTENTION !

Pour éviter d'endommager le sol, essuyez l'eau et l'acide situés au sommet des batteries après un chargement. Un chargement insuffisant ou excessif réduira la durée de vie de la batterie et limitera ses performances. Assurez-vous de SUIVRE ATTENTIVEMENT LES INSTRUCTIONS DE CHARGEMENT !

## VÉRIFICATION DU NIVEAU D'EAU DES BATTERIES

Vérifiez le niveau d'eau des batteries au moins une fois par semaine.

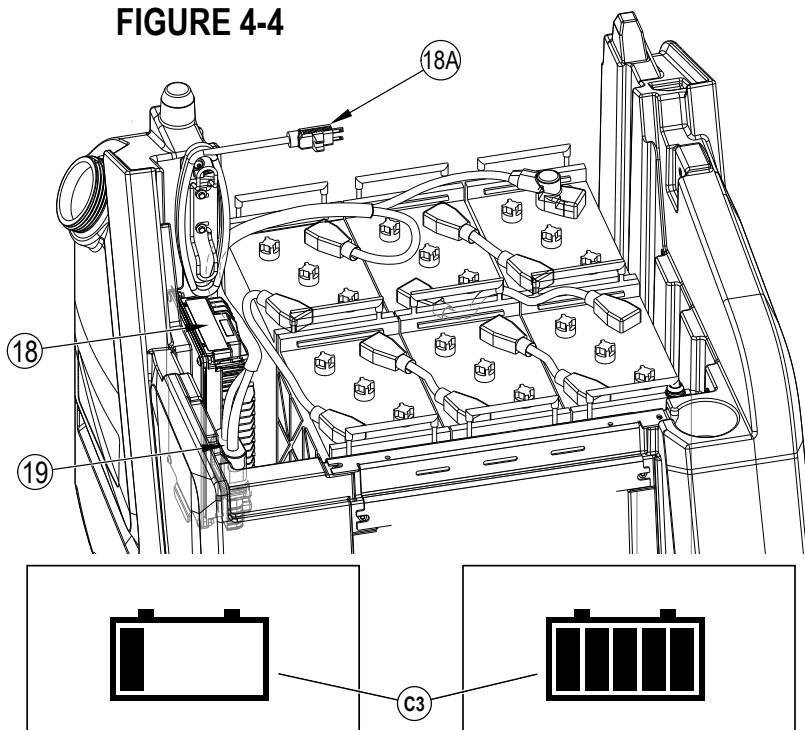
Retirez les bouchons à évent et vérifiez le niveau d'eau dans chaque cellule de batterie. Utilisez un distributeur rempli d'eau distillée ou déminéralisée (disponible dans la plupart des magasins de pièces automobiles) pour remplir chaque cellule jusqu'au niveau indicateur (0,39 pouce ou 10 mm au-dessus du sommet des séparateurs). NE remplissez PAS trop les batteries !

### ⚠ ATTENTION !

De l'acide peut être projeté sur le sol si les batteries sont trop remplies.

Serrez les bouchons à évent. Lavez les sommets des batteries avec une solution de bicarbonate de soude et d'eau (2 cuillères à soupe de bicarbonate de soude pour 1 litre d'eau).

FIGURE 4-4



## CHARGEMENT DES BATTERIES SÈCHES/AGM (VRLA)

Chargez les batteries à chaque utilisation de la machine ou lorsque l'indicateur de charge de la batterie (**C3**) indique qu'elle n'est pas complètement chargée.

### AVERTISSEMENT !

Chargez les batteries dans une zone bien aérée. Si l'acide de batterie entre en contact avec votre peau, rincez la zone contaminée à l'eau pendant 5 minutes et consultez un médecin.

Ne fumez pas lorsque vous procédez à l'entretien des batteries.

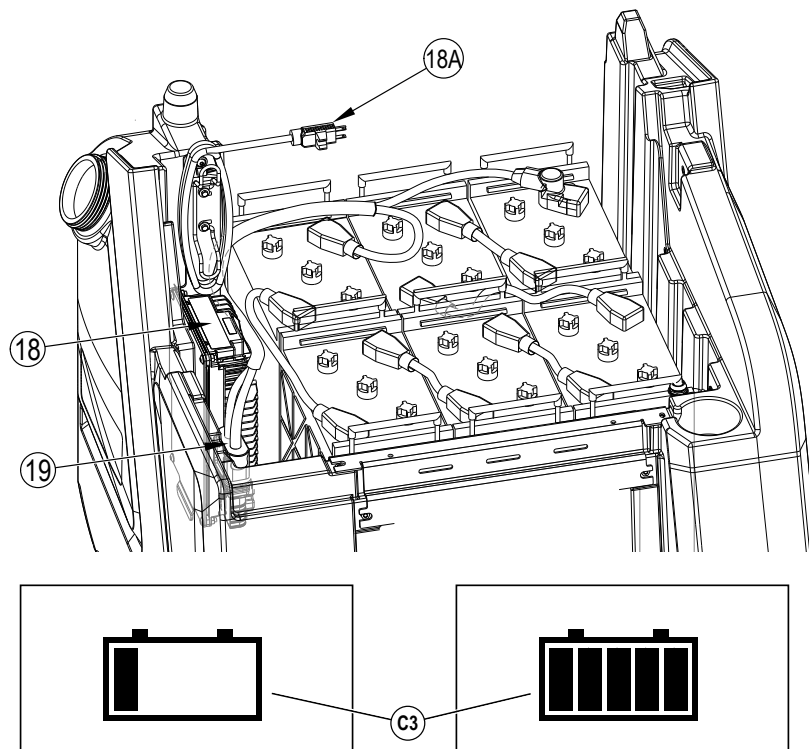
FIGURE 4-4

#### Lors de l'entretien des batteries...

- \* Retirez tous vos bijoux.
- \* Ne fumez pas.
- \* Portez des lunettes de protection, ainsi qu'un tablier et des gants en caoutchouc.
- \* Travaillez dans une zone bien aérée
- \* Veillez à ce que les outils ne touchent pas plusieurs bornes de batterie en même temps.
- \* Débranchez TOUJOURS le câble de polarité négative (terre) en premier lors du remplacement des batteries afin d'éviter des étincelles.
- \* Branchez TOUJOURS le câble négatif en dernier lors de l'installation des batteries.

### ATTENTION !

La batterie au plomb à régulation par soupape (VRLA) vous offrira des performances et une durée de vie supérieures UNIQUEMENT SI VOUS LA RECHARGEZ CORRECTEMENT ! Un chargement insuffisant ou excessif réduira la durée de vie de la batterie et limitera ses performances. Assurez-vous de SUIVRE ATTENTIVEMENT LES INSTRUCTIONS DE CHARGEMENT ! N'ESSAYEZ PAS D'OUVRIR CETTE BATTERIE ! Si vous ouvrez une batterie VRLA, elle perdra sa pression et les plaques seront contaminées par l'oxygène. LA GARANTIE SERA ANNULÉE SI LA BATTERIE EST OUVERTE.



#### Si votre machine est livrée avec un chargeur de batterie embarqué, procédez comme suit :

- 1 Arrêtez la machine à l'aide de l'interrupteur d'alimentation (**H**).
- 2 Voir Figure 4-4. Basculez le siège vers l'avant pour avoir accès à la batterie et au chargeur et assurer une ventilation correcte, le ressort à gaz maintient le siège ouvert.
- 3 Déroulez le cordon d'alimentation (**18A**) du chargeur embarqué et branchez-le à une prise correctement reliée à la terre. Consultez le manuel du fabricant pour obtenir des consignes plus détaillées sur l'utilisation. pendant que la puissance c.a. est appliquée au chargeur embarqué, toutes les fonctions de la machine sont désactivées.
- 4 L'indicateur d'état de charge de la batterie (**C3**) commencera à montrer des signes de changement de charge des batteries. Cela indique que le cycle de charge a commencé. Alors que le cycle de charge se poursuit, le niveau de charge de la batterie augmente.
- 5 Quand l'indicateur d'état de la charge de la batterie (**C3**) est complètement terminé, la machine détecte des batteries totalement chargées. Cependant, le processus de charge peut ne pas être terminé. Comptez sur les voyants d'état du chargeur (**18**) (et son manuel OEM) pour vérifier quand les batteries sont complètement chargées. Cela peut prendre plusieurs heures selon l'état des batteries avant la charge.
- 6 Quand la charge est terminée, débranchez le chargeur et enrroulez le cordon (**18A**). Attendez au moins 10 secondes avant d'allumer la machine après avoir débranché le chargeur.

#### Si votre machine est livrée sans chargeur de batterie embarqué, procédez comme suit :

- 1 Arrêtez la machine à l'aide de l'interrupteur d'alimentation (**H**).
- 2 Voir Figure 4-4. Basculez le siège vers l'avant pour avoir accès à la batterie et assurer une ventilation correcte, le ressort à gaz maintient le siège ouvert.
- 3 Débranchez les batteries de la machine et enfoncez le connecteur du chargeur dans le connecteur de la batterie de la machine (**19**). Suivez les instructions sur le chargeur de batterie et le manuel du fabricant. **REMARQUE POUR L'ENTRETIEN** : veillez à brancher le chargeur de batterie dans le connecteur qui se fixe aux batteries.

**IMPORTANT** : assurez-vous d'utiliser un chargeur adapté aux batteries à cellule sèche. Utilisez uniquement des chargeurs « à tension régulée » ou « à tension limitée ». N'utilisez JAMAIS des chargeurs standards à courant constant ou à courant alternatif. Il est recommandé d'utiliser un chargeur à détection de température, car les réglages manuels manquent de précision et risquent d'endommager toutes les batteries VRLA.

## ENTRETIEN DE LA RACLETTE

Si la raclette ne ramasse pas toute l'eau ou laisse des traces derrière elle, il est possible que ses lames soient sales ou endommagées. Enlevez la raclette, rincez-la sous l'eau chaude et vérifiez les lames. Si les lames sont abîmées, tordues ou usées, remplacez-les ou retournez-les.

### Pour retourner ou remplacer la lame arrière de la raclette...

- 1 Voir **Figure 4-5**. Levez la raclette, puis déverrouillez le loquet **(AA)** situé sur celle-ci.
- 2 Retirez la sangle de tension **(AB)**.
- 3 Faites glisser la lame arrière **(AJ)** hors des goupilles de positionnement.
- 4 Cette lame de raclette présente 4 bords de travail, comme indiqué ci-dessous. Tournez la lame de sorte qu'un bord propre et non endommagé soit dirigé vers l'avant de la machine. Si les 4 bords sont très abîmés, tordus ou usés, remplacez la lame.
- 5 Installez la lame en suivant la procédure dans l'ordre inverse et réglez l'inclinaison de la raclette.

### Pour retourner ou remplacer la lame avant de la raclette...

- 1 Soulevez la raclette du sol et desserrez les 2 écrous à ailettes **(31)** situés au sommet de la raclette, puis enlevez la raclette de son support **(AG)**.
- 2 Desserrez l'écrou à ailettes de démontage de la lame avant de la raclette **(AC)**, puis enlevez la sangle de tension **(AD)** et la lame avant **(AK)**.
- 3 Cette lame de raclette présente 4 bords de travail, comme indiqué ci-dessous. Tournez la lame de sorte qu'un bord propre et non endommagé soit dirigé vers l'avant de la machine. Si les 4 bords sont très abîmés, tordus ou usés, remplacez la lame.
- 4 Installez la lame en suivant la procédure dans l'ordre inverse et réglez l'inclinaison/angle de la raclette.

## RÉGLAGE DE LA RACLETTE

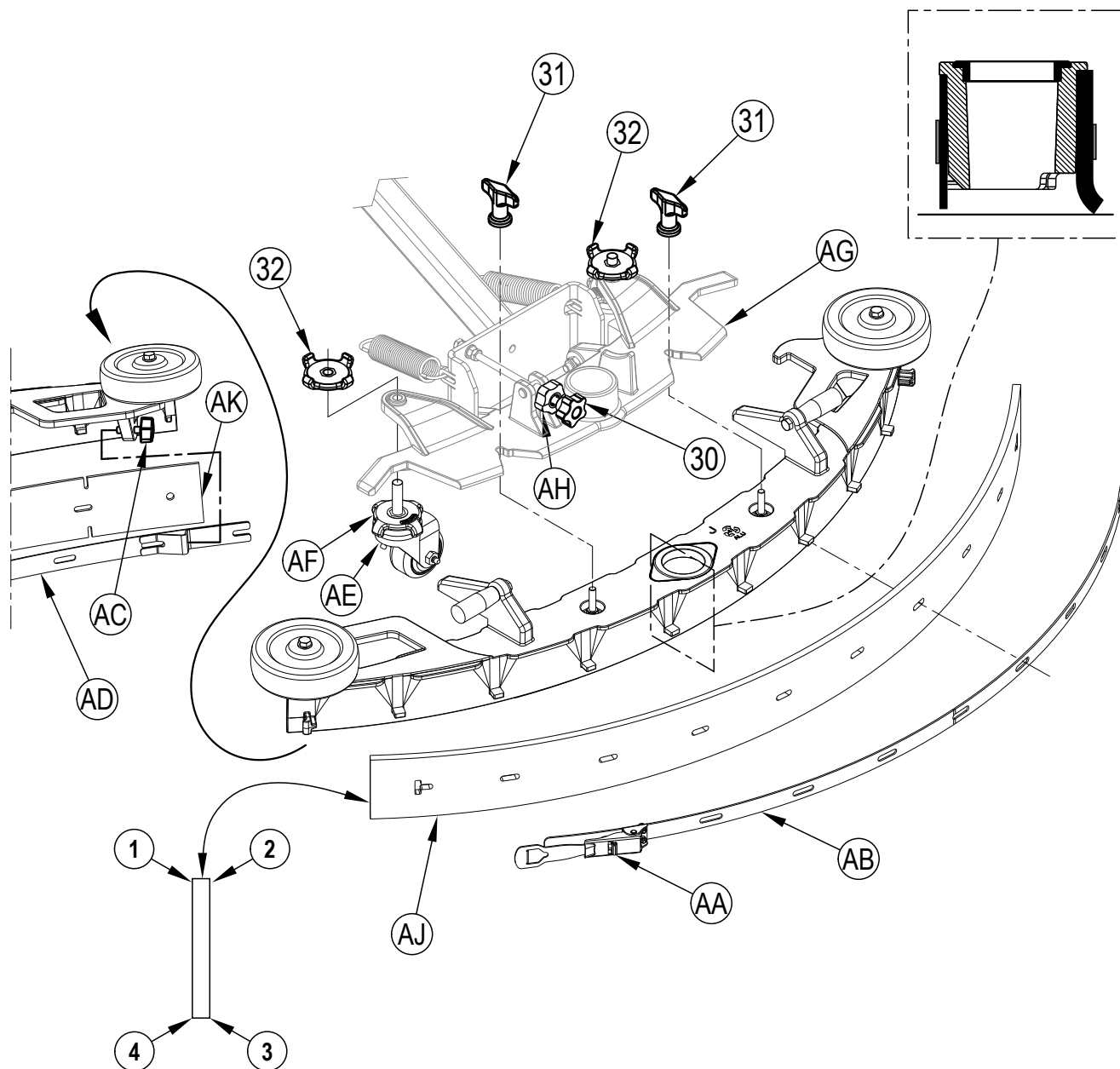
Il y a deux réglages possible de la raclette : son inclinaison et sa hauteur.

Réglez l'inclinaison de la raclette à chaque fois qu'une lame est retournée ou remplacée, ou si le sol n'est pas sec après le passage de la raclette.

- 1 Placez la machine sur une surface plane et régulière.
- 2 Abaissez la raclette, faites avancer légèrement la machine et réglez l'inclinaison et la hauteur de la raclette à l'aide du bouton de réglage de l'inclinaison de la raclette **(30)** et des boutons de blocage de la roue de la raclette **(32)**, afin que la lame arrière de la raclette touche le sol de manière uniforme sur toute sa largeur et soit légèrement pliée, comme indiqué sur la coupe transversale de la raclette.
- 3 La hauteur de la raclette est prédéfini à l'usine mais elle peut nécessiter des ajustements réguliers en raison de l'usure des roulettes. La bonne hauteur de la raclette est obtenue lorsque la lame arrière de la raclette touche uniformément le sol sur toute sa largeur et qu'elle est légèrement pliée avec la roue de la roulette qui touche simplement le sol.
  - a. Desserrez les boutons de blocage de roue **(32)**.
  - b. Vissez les roues **(AE)** vers le bas ou le haut pour atteindre la bonne hauteur et vérifiez que la position de la lame est uniforme de gauche à droite.
  - c. Serrez les butées de roue **(AF)** contre le support de la raclette **(AG)**.
  - d. Serrez les boutons de blocage de roue de la raclette **(32)** contre le support de la raclette pour verrouiller ce réglage.
- 4 Le bouton de réglage de l'inclinaison **(30)** permet d'ajuster l'inclinaison/angle de l'outil pour obtenir un contact uniforme, du centre aux extrémités de la lame.
  - a. Desserrez le bouton d'arrêt de l'inclinaison **(AH)**.
  - b. Tournez le bouton de réglage de l'inclinaison comme requis pour ajuster.
  - c. Serrez le bouton d'arrêt de l'inclinaison **(AH)** contre le support de la raclette pour verrouiller ce réglage.

# ENTRETIEN DE LA RACLETTE - SUITE

## FIGURE 4-5



## ENTRETIEN DE LA LAME LATÉRALE

Les lames latérales permettent de canaliser les eaux usées vers la raclette, permettant de contenir l'eau dans le chemin de la machine. Il est normal que les lames s'usent avec le temps. L'opérateur remarquera alors qu'un peu d'eau s'échappe sous les lames latérales. La hauteur peut être facilement réglée. Il est ainsi possible d'abaisser les lames de sorte que toute l'eau soit ramassée par la raclette.

### DISQUE - Pour retourner ou remplacer la (les) lame(s) latérale(s) du système de lavage ...

- 1 **Voir Figure 4-6.** Desserrez les deux boutons de démontage de l'ensemble de lames latérales **(16)** (2 par côté) et tirez légèrement les lames latérales **(AA)** vers l'avant, puis hors du plateau de lavage.
- 2 Desserrez les deux écrous à ailettes **(AL)**, puis tournez les deux dispositifs de retenue **(AB)** pour qu'ils soient horizontaux et séparez la lame de la sangle de retenue.
- 3 La principale lame latérale présente 4 bords de travail, comme indiqué. Tournez la lame de sorte qu'un bord propre et non endommagé soit dirigé vers le centre de la machine. Si les bords de lames sont abîmés, tordus ou usés à un tel point qu'il s'avère impossible de les régler, remplacez-les par jeu complet.
- 4 Réinstallez la lame sur l'ensemble de lames et fixez avec des dispositifs de retenue **(AB)** en retournant en position verticale et serrez les écrous à ailettes **(AL)**. Réglez la hauteur de lames afin qu'elles soient parfaitement en contact avec le sol lorsque le plateau de lavage est en position de lavage. Consultez la section « Ajustement de la hauteur de la lame latérale ».

### CYLINDRIQUE - Pour retourner ou remplacer les lames latérales du système de lavage ...

- 1 **Voir Figure 4-7.** Décrochez la sangle de retenue **(AD)** et retirez la sangle et la lame.
- 2 La principale lame latérale présente 4 bords de travail, comme indiqué. Tournez la lame de sorte qu'un bord propre et non endommagé soit dirigé vers le centre de la machine. Échangez les lames latérales droite et gauche pour utiliser les deux bords restants. Si les bords de lames sont abîmés, tordus ou usés à un tel point qu'il s'avère impossible de les régler, remplacez-les par jeu complet.
- 3 Réinstallez la lame sur l'ensemble de lames et fixez en accrochant la sangle de retenue **(AD)**. Réglez les lames afin qu'elles soient parfaitement en contact avec le sol lorsque le plateau de lavage est en position de lavage. Consultez la section « Ajustement de la hauteur de la lame latérale ».

## RÉGLAGE DE LA HAUTEUR DE LA LAME LATÉRALE

### DISQUE -

- 1 **Voir Figure 4-6.** Les tiges de vis de retrait du bouton de l'ensemble de lames latérales ont des colliers de réglage de niveau **(AC)**, qui doivent être relevés ou abaissés pour compenser l'usure des lames.
- 2 Vérifiez que la machine est sur une surface plane.
- 3 Abaissez le plateau de lavage en appuyant sur le commutateur de lavage One-Touch **(M)** et conduisez la machine sur une courte distance pour assurer le repli des lames.
- 4 Observez le repli des lames.
- 5 Les boutons de retrait de lames latérales **(16)** peuvent être desserrés avec l'ensemble gauche et les colliers de réglage **(AC)** peuvent être tournés en passant sous l'ensemble de lames.
- 6 Tourner les colliers de réglage **(AC)** (vers le haut ou vers le bas) jusqu'à ce que les lames soient suffisamment repliées lors du lavage pour retenir toute l'eau usée.

Remarque : effectuez de petits réglages de manière à ce que le travail des lames soit parfait. N'abaissez pas trop les lames car, si elles sont trop courbées, elles risquent de s'user prématurément.

### CYLINDRIQUE -

- 1 **Voir Figure 4-7.** Chaque ensemble de lames latérales a une butée inférieure **(AE)**, qui peut être relevée ou abaissée pour compenser l'usure des lames.
- 2 Vérifiez que la machine est sur une surface plane.
- 3 Abaissez le plateau de lavage en appuyant sur le commutateur de lavage One-Touch **(M)** et conduisez la machine sur une courte distance pour assurer le repli des lames.
- 4 Observez le repli des lames.
- 5 Desserrez la butée inférieure **(AE)** et réglez-la (vers le haut ou le bas) jusqu'à ce que les lames se courbent suffisamment pour que tous les déchets restent contenus dans le plateau de lavage.

Remarque : effectuez de petits réglages de manière à ce que le travail des lames soit parfait. N'abaissez pas trop les lames car, si elles sont trop courbées, elles risquent de s'user prématurément.



ENTRETIEN DES LAMES LATÉRALES - SUITE

FIGURE 4-6

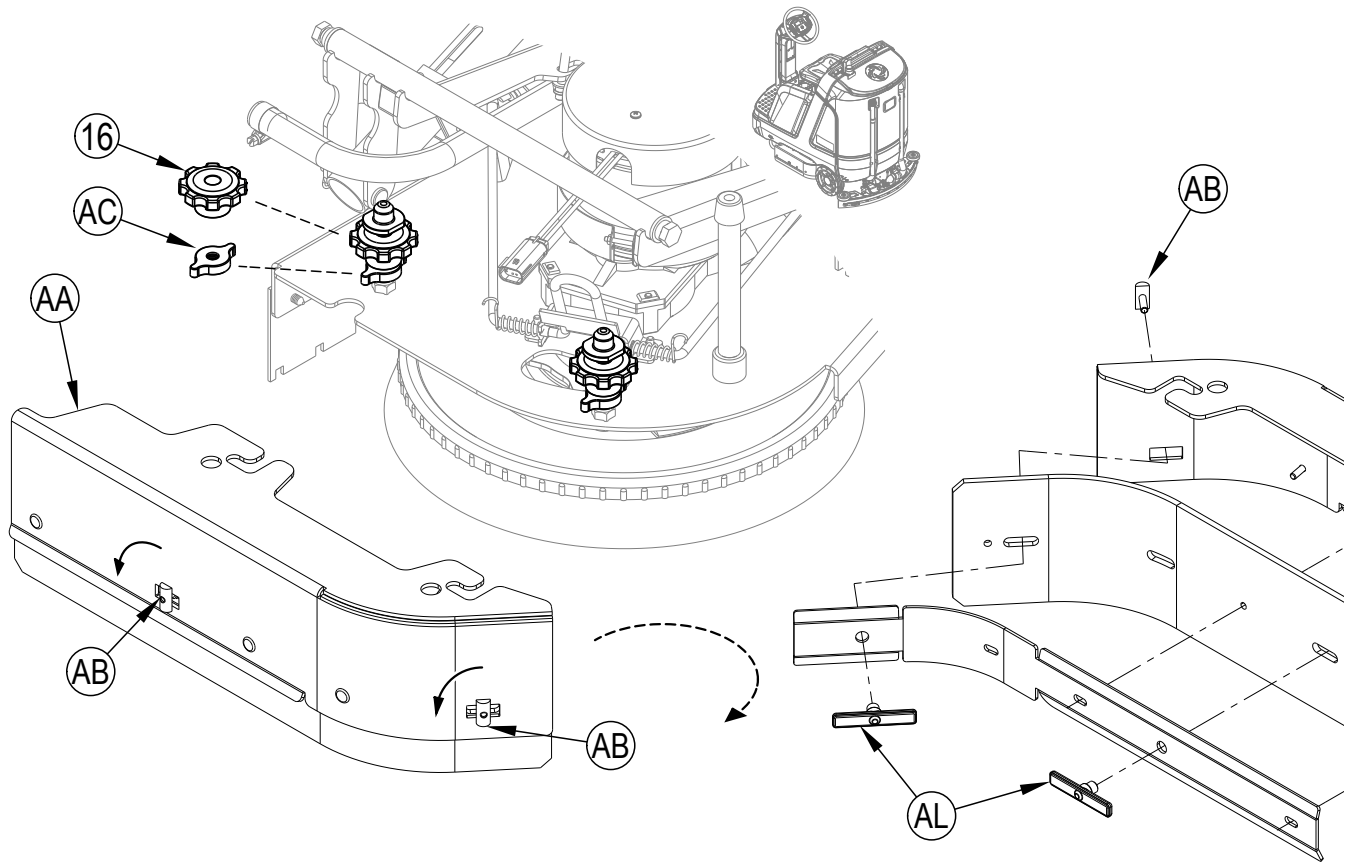
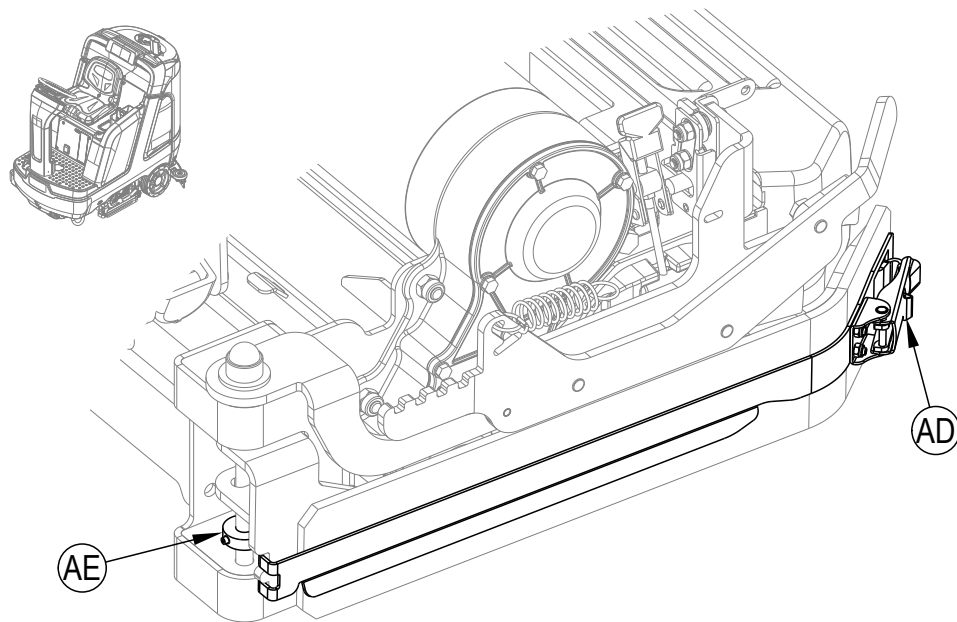


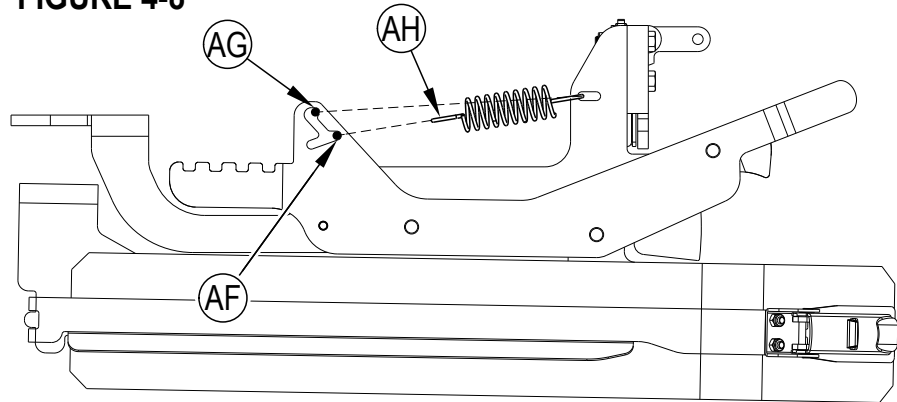
FIGURE 4-7



## RÉGLAGE DE LA PRESSION DES LAMES LATÉRALES - CYLINDRIQUES UNIQUEMENT

- 1 Les lames latérales cylindriques du plateau de lavage ont deux réglages pour la pression vers le bas. **Voir Figure 4-8.**
- 2 La position 1 (**AF**) correspond à la pression de raclage normale ; elle est recommandée pour commencer.  
La position 2 (**AG**) correspond à une pression de raclage intensive. Ce réglage peut être utilisé si les performances de raclage ne sont pas satisfaisantes. **REMARQUE :** La position 2 entraîne une usure plus rapide de la lame.
- 3 Tirez sur la fin du ressort (**AH**) et bougez entre les deux réglages. Utilisez la même position des deux côtés du plateau de lavage.

FIGURE 4-8

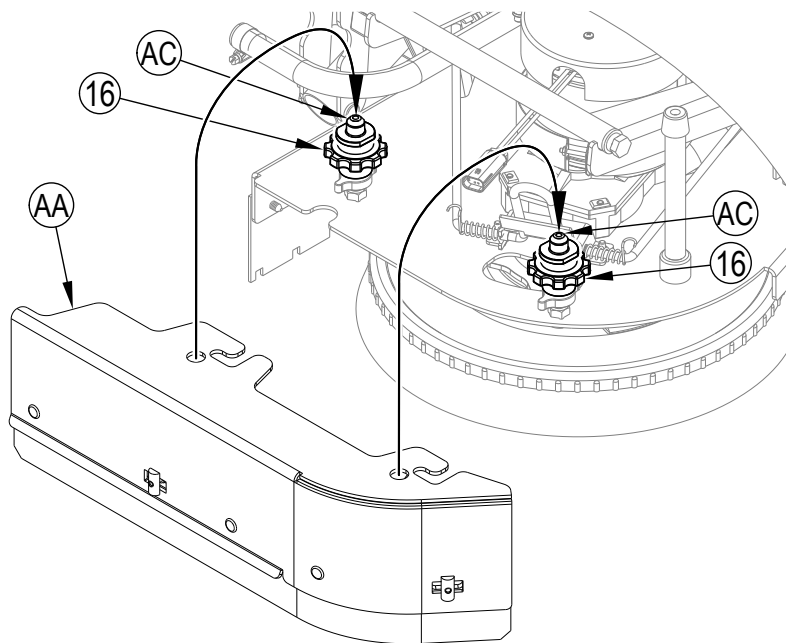


## LAME LATÉRALE - POSITION DE LAVAGE DOUBLE

### DISQUE -

- 1 **Voir Figure 4-9.** Desserrez les boutons de démontage de l'ensemble de lames latérales (16) et retirez les ensembles de lames latérales (AA).
- 2 Pliez les ensembles de lames (AA) sur les porte-lames (AC) au niveau des trous ronds des ensembles de lames. En faire de même pour l'ensemble de lame de l'autre côté du plateau de lavage.
- 3 Lorsque le double lavage est terminé avec la machine, réinstallez les ensembles de lames latérales dans leur position de fonctionnement normale et serrez les boutons de démontage (16).

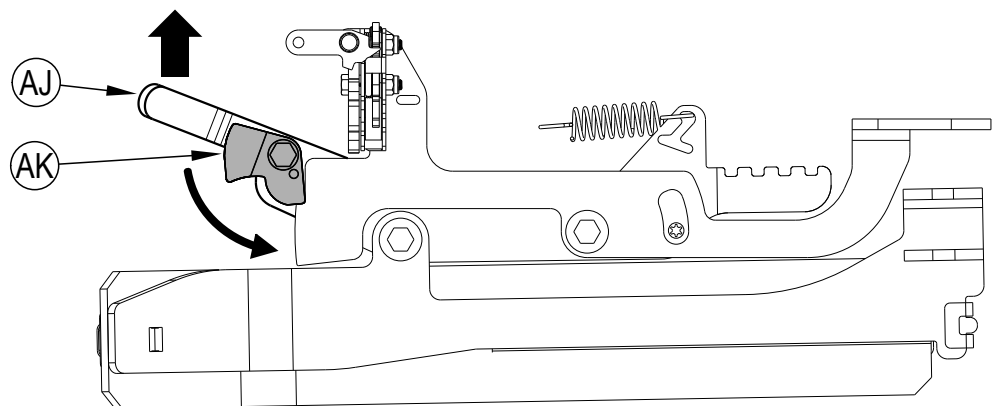
FIGURE 4-9



### CYLINDRIQUE -

- 1 **Voir Figure 4-10.** Levez le levier de levage/abaissement de lame (**AJ**) pour relever la lame. Tout en maintenant le levier en position levée, tournez et engagez le loquet (**AK**).
- 2 Lorsque le double lavage est terminé, soulevez à nouveau le levier de levage/abaissement (**AJ**) et tirez le loquet (**AK**) et rabaissez la lame latérale en position normale.

FIGURE 4-10



Ensemble de lame latérale gauche levé en position de lavage double, vue de l'intérieur pour plus de clarté.


## DÉPANNAGE

## DÉPANNAGE GÉNÉRAL DE LA MACHINE

Problème	Cause possible	Solution
Mauvaise récupération de l'eau	Lames de raclette usées ou tordues	Retournez ou remplacez
	Raclette mal réglée	Réglez les lames de telle sorte qu'elles touchent le sol de manière uniforme sur toute leur largeur
	Réservoir de récupération plein	Videz le réservoir de récupération
	Fuite au niveau du tuyau de vidange du réservoir de récupération	Serrez le bouchon du tuyau de vidange ou remplacez
	Fuite au niveau du joint du couvercle du réservoir de récupération	Nettoyer le joint et la surface d'étanchéité/ Remplacer le joint d'étanchéité s'il est endommagé / Remettre le couvercle correctement
	Débris coincés dans la raclette	Nettoyer la raclette
	Joint de la raclette bouché ou absent	Nettoyer ou remplacer le joint de la raclette
	Tuyau d'aspiration colmaté	Enlevez les débris
	Utilisation d'une quantité trop importante de solution	Réduire le débit à l'aide du bouton de solution du panneau de commande
	Couvercle du filtre en mousse mal positionné	Repositionner le couvercle correctement.
Mauvaises performances de lavage	Brosse ou tampon usé(e)	Retourner ou remplacer les brosses
	Mauvais type de brosse ou de tampon	Contactez un centre technique agréé Advance
	Produit chimique inadapté	Contactez un centre technique agréé Advance
	Déplacement trop rapide de la machine	Ralentissez
	Utilisation d'une quantité de solution trop faible	Augmenter le débit à l'aide du bouton de solution du panneau de commande
Débit de solution incorrect ou absence de solution	Réservoir de solution vide	Remplissez le réservoir de solution
	Conduits, valves et filtre de solution encrassés	Rincer les conduites et nettoyer le filtre de solution
	Le débit de solution a été ARRÊTÉ	Activer le débit de solution à l'aide de l'interrupteur du panneau de commande (F) Tournez la vanne d'arrêt de la solution (37) en position de marche
	Électrovanne de solution colmatée ou défectueuse	Nettoyez ou remplacez la vanne <b>(contacter un centre technique agréé Advance)</b>
La machine ne se met pas sous tension	Connecteur de batterie (19) débranché	Rebranchez les connecteurs de batterie
	Disjoncteur de 70 A déclenché (10a)	Vérifiez la présence d'un court-circuit et réarmez
	Le fusible principal 150 A a sauté	Remplacer le fusible principal 150 A
Absence d'entraînement avance/recul de roue motrice	Interrupteur de siège ouvert	Asseyez-vous sur le siège pour fermer l'interrupteur de siège
	Contrôleur de vitesse du système d'entraînement	Vérifiez les codes d'erreur <b>(contacter un centre technique agréé Advance)</b>
	Bouton d'arrêt d'urgence (A) activé, l'indicateur d'arrêt d'urgence activé (C20) est affiché à l'écran.	Réarmer l'interrupteur d'arrêt d'urgence
Mauvaises performances du balayage (modèle cylindrique)	Trémie remplie	Vider et nettoyer la trémie
	Brosses usées	Remplacer les brosses
	Poils de brosses endommagés	Retourner les brosses
Aucun débit de détergent (modèles EcoFlex uniquement)	Cartouche de détergent vide	Remplissez la cartouche de détergent
	Conduite de débit de détergent tordue ou colmatée	Vidangez le système et redressez les conduites pour éliminer les torsions
	Le bouchon de fermeture hermétique sur la cartouche de détergent est mal fermé	Bien refermer le bouchon de fermeture hermétique
	Panne de la pompe de détergent	Vérifiez la pompe, le câblage et les conduites
Erreurs de la clé intelligente magnétique SmartKey :	Indicateur de clé absente (C21). -Aucune clé intelligente magnétique SmartKey n'est présente dans le lecteur de SmartKey (22).	Placez une clé intelligente SmartKey dans le lecteur de SmartKey. Nettoyez à la fois la clé intelligente SmartKey et le lecteur de SmartKey avec un chiffon propre. Serrez la clé intelligente SmartKey entre le pouce et l'index pour garantir un libre déplacement de l'aimant.
	Indicateur d'erreur du lecteur de clé (C22). - La clé intelligente magnétique SmartKey présente dans le lecteur de SmartKey (22) n'est pas lisible.	Nettoyez à la fois la clé intelligente SmartKey et le lecteur de SmartKey avec un chiffon propre. Serrez la clé intelligente SmartKey entre le pouce et l'index pour garantir un libre déplacement de l'aimant.
	Indicateur de clé utilisateur limitée (C23). -La clé intelligente magnétique SmartKey présente sur le lecteur de SmartKey (22) n'est pas programmée pour être utilisée avec cette machine.	Placez sur le lecteur de SmartKey une clé intelligente SmartKey qui a été programmée pour être utilisée avec cette machine.

## DÉPANNAGE GÉNÉRAL DE LA MACHINE


### AFFICHAGE DES CODES D'ERREUR

Tous les codes d'erreur détectés par les contrôleurs seront affichés sur l'écran du panneau de commande au fil de leur survenue voir **Figure 5-1**. Si plusieurs erreurs surviennent en même temps, l'écran affichera les codes d'erreurs à une seconde d'intervalle. L'erreur s'affiche sous forme de clé mécanique  suivie d'un code à quatre chiffres.

Les codes d'erreur sont affichés sous la forme X-YYY, où

X = numéro du système (1: contrôleur principal, 2: module de puissance, 3: contrôleur de traction)

YYY = numéro du code d'erreur

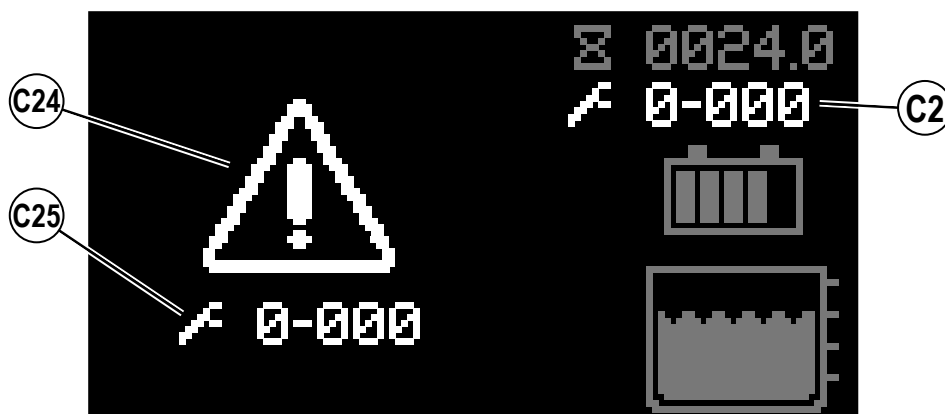
Par exemple,  1-101 indique un court-circuit de l'électrovanne de solution.

**C2** Code d'erreur actif

**C24** Indicateur de défaut critique

**C25** Code d'erreur (critique)

**FIGURE 5-1**

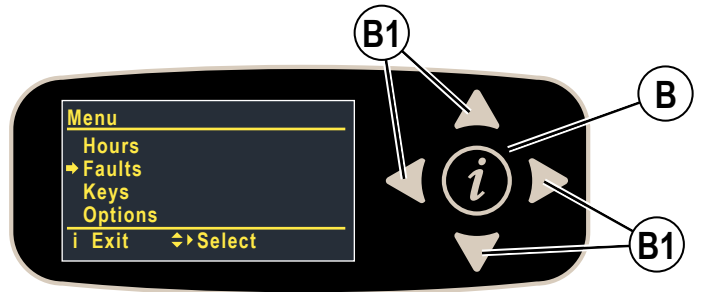
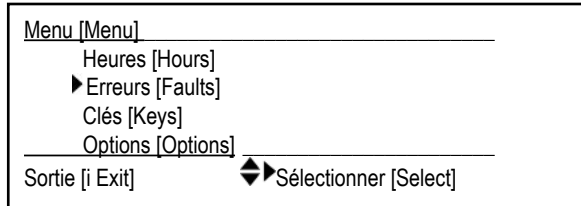


## HISTORIQUE DES CODES D'ERREUR

Chaque code d'erreur qui s'affiche est enregistré par la machine et conservé dans un historique. Voir Figures 5-2 - 5-4. Pour voir l'historique des codes d'erreur, appuyez sur l'interrupteur d'information (B) pour afficher le menu d'information. Utilisez les quatre flèches de navigation (B1) (haut, bas, gauche et droite) pour parcourir le menu, et l'interrupteur d'information pour quitter le menu.

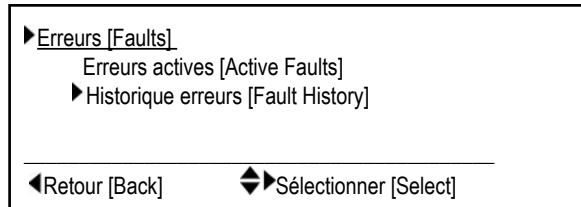
FIGURE 5-2

Faites défiler les erreurs et utilisez la flèche droite pour sélectionner.



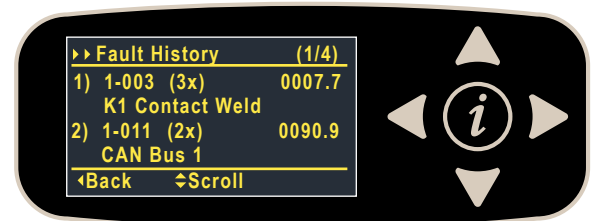
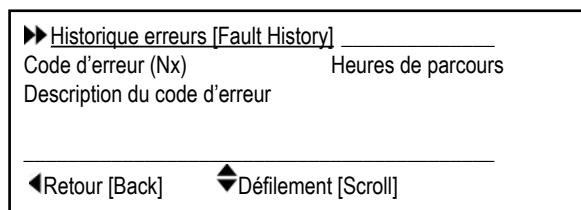
Faites défiler l'historique des erreurs et utilisez la flèche droite pour sélectionner.

FIGURE 5-3



Chaque panne est affichée avec : (Nx) où « N » est le nombre de fois où la panne s'est produite, l'horodatage montre l'occurrence et la description les plus récentes. Utilisez les touches fléchées (haut et bas) pour faire défiler la liste des erreurs.

FIGURE 5-4



**SPÉCIFICATIONS****ACCESSOIRES/OPTIONS**

En plus des composants standard, la machine peut être dotée des options/accessoires suivants, en fonction de son utilisation spécifique :

Brosses avec des poils plus durs ou plus souples	Kit de protection des pieds de l'opérateur
Raclette et lames latérales dans des matériaux différents	Kit d'outils Scrub-N-Vac
Kit de double moteur d'aspiration	Kit de lance d'aspiration
Kit feu bleu	Kit de phare avant
Kit de siège standard	Kit de protecteur pour raclette
Kit d'arceau protecteur	Kit d'accoudoir
Kit de ceinture de sécurité	Kit EcoFlex
Kit de remplissage de la batterie	Kit du pare-chocs avant très résistant
Kit de tuyau de nettoyage	Kit de porte-balai
Kit de chargeur embarqué	Rallonge de tuyau de vidange
Kit Multicon	Kit de brosse droite
Kit de remplissage automatique de la solution	

Pour de plus amples informations sur les accessoires précités, veuillez contacter un revendeur agréé.

**COMPOSITION DES MATÉRIAUX ET RECYCLABILITÉ**

<b>Composition des matériaux et recyclabilité</b>		
<b>Type</b>	<b>% du poids de la machine</b>	<b>% recyclable</b>
Aluminium	5%	100%
Système électrique/moteurs électriques/moteurs – divers	17%	80%
Métaux ferreux	43%	100%
Faisceaux/câbles	1%	90%
Liquides	0%	0%
Plastique – non recyclable	3%	0%
Plastique – recyclable	5%	100%
Polyéthylène	25%	100%
Caoutchouc	1%	0%

**DÉBIT DE SOLUTION**

	<b>Débit standard</b>			<b>Débit en contournement*</b>
	1 bar	2 bars	3 bars	4 bars
Cylindrique 32	0,70 GPM / litres/minute	0,84 GPM / litres/minute	1,00 GPM / litres/minute	1,50 GPM / litres/minute
Cylindrique 36	0,70 GPM / litres/minute	0,84 GPM / litres/minute	1,00 GPM / litres/minute	1,50 GPM / litres/minute
Disque 34	0,70 GPM / litres/minute	0,84 GPM / litres/minute	1,00 GPM / litres/minute	2,00 GPM / litres/minute

\* Ces valeurs concernent le mode à débit fixe. Les débits sont définis pour être à peu près constants (environ +/-10%) sur toute la plage de capacité du réservoir.

\*\* Il s'agit des valeurs maximum avec un réservoir de solution plein.

## SPÉCIFICATIONS TECHNIQUES (TELLES QU'INSTALLÉES ET TESTÉES SUR L'UNITÉ)

Modèle		SC5000 32C	SC5000 36C	SC5000 34D
Modèle N°		56117001	56117003	56117004
Tension, batteries	V	36V	36V	36V
Capacité de batterie (max)	Ah C20	420	420	420
Niveau de protection, fonctionnement		Classe 3	Classe 3	Classe 3
Niveau de protection, charge		Classe 1	Classe 1	Classe 1
Niveau de pression sonore CEI 60335-2-72 : Modif. 2002 1:2005, ISO 11203, ISO 3744	dB(A)/20µPa	63	63	61
Niveau de pression sonore - KpA (CEI 60335-2-72, ISO 11203) Incertitude	dB(A)	3,0	3,0	3,0
Poids brut du véhicule*	livres/kg	1876/850	1886/855	1870/848
Poids de transport**	livres/kg	1416/642	1426/646	1410/640
Charge de roue maximum au sol (avant centre)	psi/kg/cm <sup>2</sup>	177.7 / 12.5	184.1 / 12.9	182.1 / 12.8
Charge de roue maximum au sol (arrière droit)	psi/kg/cm <sup>2</sup>	169.8 / 11.9	167.5 / 11.8	161.3 / 11.3
Charge de roue maximum au sol (arrière gauche)	psi/kg/cm <sup>2</sup>	187.4 / 13.2	183.6 / 12.9	173.5 / 12.2
Vibrations au niveau des commandes manuelles (ISO 5349-1)	m/s <sup>2</sup>	1,14	1,14	1,14
Vibrations au niveau du siège (EN 1032)	m/s <sup>2</sup>	0,19	0,19	0,19
Transport en pente*	% (°)	20/11	20/11	20/11
Nettoyage en pente*	% (°)	12/6,8	12/6,8	12/6,8
Longueur de la machine	pouce/cm		62,6/159	
Hauteur de la machine	pouce/cm		57,7/146	
Hauteur de la machine (avec arceau de protection)	pouce/cm		79/200	
Largeur de la machine	pouce/cm	37,5/95	41,3/105	37,5/95
Largeur de la machine avec raclette	pouce/cm	43 / 109 « J »	43 / 109 « J »	43 / 109 « J »
Diamètre de braquage min. dans les couloirs	pouce/cm		66/168	
Capacité du réservoir de solution	Gallon/L		37/140	
Capacité du réservoir de récupération	Gallon/L		38,8/147	
Vitesse de transport (avance max)	m/h / km/h		5/8	
Vitesse de transport (recul maximum)	m/h / km/h		3/4,8	
Taille du compartiment batteries (approximative)				
Hauteur (maximum)	pouce/cm		17,1/43,5	
Largeur (maximum)	pouce/cm		21,8/55,5	
Longueur (maximum)	pouce/cm		24,8/62,9	
Taille des brosses de lavage				
Diamètre extérieur des brosses de lavage - <b>Cylindrique</b> (le mandrin mesure Ø 1,75 po. / 4,5 cm)	pouce/cm	Ø 5,75 / 14,6	Ø 5,75 / 14,6	—
Longueur de la brosse de lavage - <b>Cylindrique</b> (deux brosses par machine)	pouce/cm	31,1/78,9	35,1/89,1	—
Diamètre des brosses - <b>Disque</b> (Quantité de 2)	pouce/cm	—	—	Ø 17,0 / 43,2
Vitesse des brosses de lavage	<b>Modèle cylindrique</b>	Tr./min.	776,5	776,5
	<b>Disque</b>	Tr./min.	—	250
Capacité de la trémie - <b>Cylindrique</b>	in <sup>3</sup> / l	575/9,4	652/10,7	—
Largeur de lavage (chemin de récurage)	pouce/cm	31,6/80,3	35,6/90,5	33,2/84,3
Largeur de balayage avec brosse latérale optionnelle - <b>Cylindrique</b>	pouce/cm	37,4/95,0	37,4/95,0	—

\*Poids brut du véhicule : La machine standard sans option, réservoir de solution plein et réservoir de récupération vide, avec brosses de lavage amovibles, batteries installées et opérateur de 165 lb/75 kg.

\*\* Poids de transport : machine standard sans option, réservoirs de solution et de récupération vides, batteries installées et sans opérateur.



9435 Winnetka Ave North  
Minneapolis, MN 55445  
[www.advance-us.com](http://www.advance-us.com)  
Phone: 800-989-2235  
Fax: 800-989-6566  
©2021 Nilfisk, Inc.

