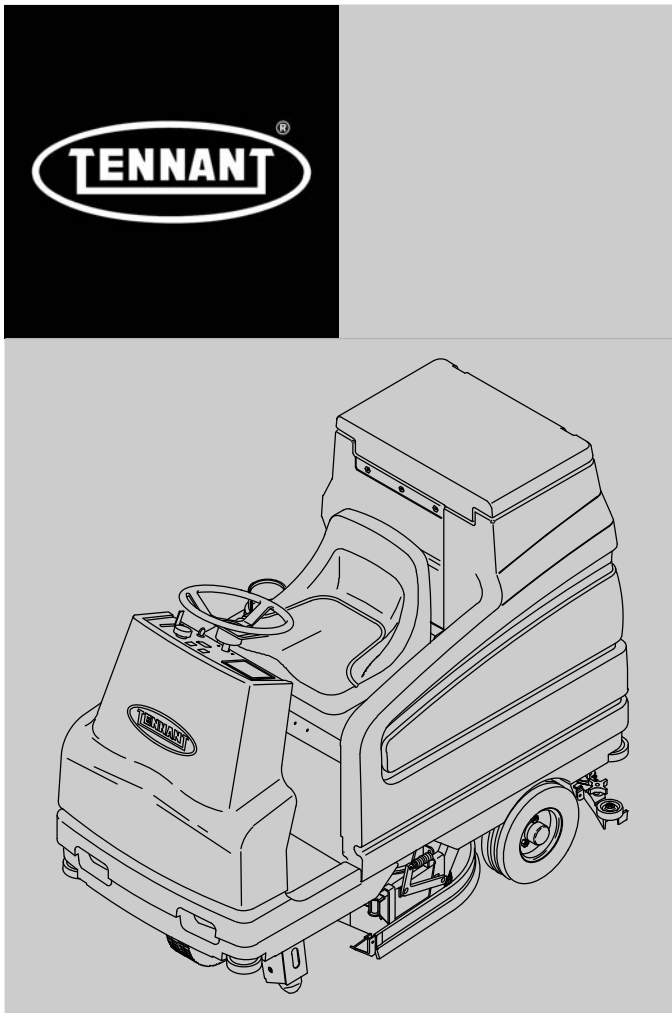
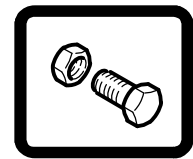




# 7100

Automatic Rider Scrubber

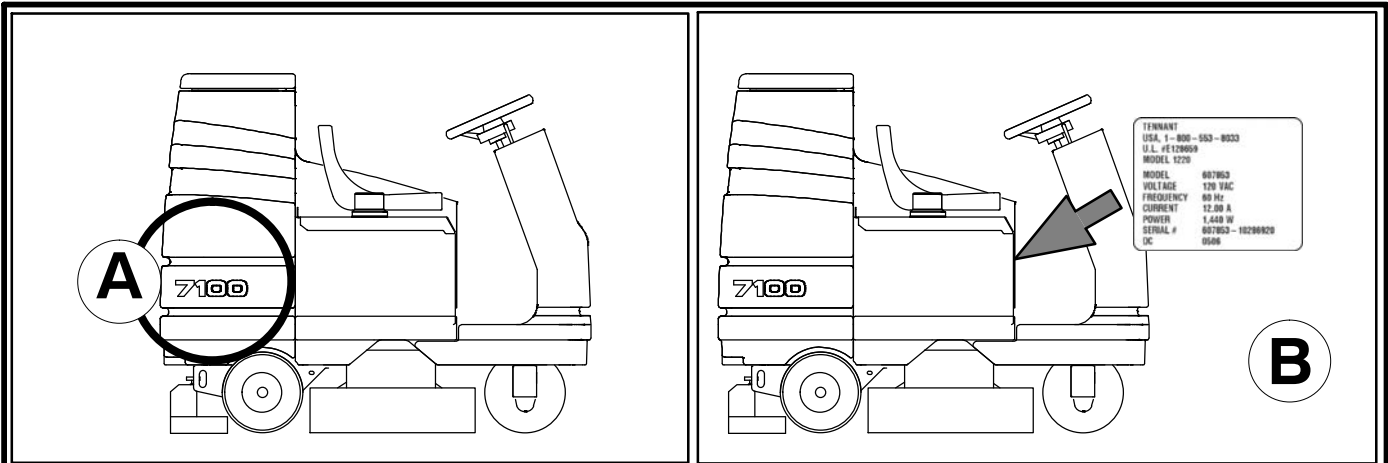
## Parts Manual



***FAST***  
Foam Scrubbing Technology  
*The Safe Scrubbing Alternative*<sup>®</sup>

**ecH<sub>2</sub>O**<sup>™</sup>  
ELECTRICALLY CONVERTED WATER





| Ref | Part No. | Serial Number   | Description                     | Qty. |
|-----|----------|-----------------|---------------------------------|------|
| 1   | 82681    | (000000- )      | Bracket Wldt, Lpg Mount         | 1    |
| ∇ 2 | 63810    | (000000- )      | Latch Assy, Lpg Tank Mtg, W/Nut | 4    |
| ▲ 3 | 51839    | (000000- )      | Nut Adjustable, Lpg Tank Mtg    | 2    |
| 4   | 49263    | (000000- )      | Tie, Cable                      | 3    |
| (D) | 82556    | (000000-001039) | Bracket, Vaporizer              | 1    |
|     | 54930    | (000000- )      | Vaporizer, LPG                  | 1    |

**HOW TO ORDER PARTS – See diagram above**

Only use TENNANT Company supplied or equivalent parts. Parts and supplies may be ordered online, by phone, by fax or by mail.

Follow the steps below to ensure prompt delivery.

1. (A) Identify the machine model.
2. (B) Identify the machine serial number from the data label.
3. (C) Ensure the proper serial number is used from the parts list.
4. Identify the part number and quantity.  
Do not order by page or reference numbers.
5. Provide your name, company name, customer ID number, billing and shipping address, phone number and purchase order number.
6. Provide detail shipping instructions.

- (D) ∇ – identifies an assembly  
▲ – identifies parts included in assembly

**Please fill out at time of installation for future reference.**

Model No. – \_\_\_\_\_

Serial No. – \_\_\_\_\_

Machine Options – \_\_\_\_\_

Sales Rep. – \_\_\_\_\_

Sales Rep. phone no. – \_\_\_\_\_

Customer ID Number – \_\_\_\_\_

Installation Date – \_\_\_\_\_

**Tennant Company**

PO Box 1452

Minneapolis, MN 55440

Phone: (800) 553-8033 or (763) 513-2850

www.tennantco.com

Specifications and parts are subject to change without notice.

Copyright © 2000–2011 TENNANT Company, Printed in U.S.A.

# GENERAL RECOMMENDED MAINTENANCE

7100, NA, CE

## General Recommended Maintenance Items

| Ref. | Tenant Part No. | Description                            | Qty. |
|------|-----------------|--|------|
|      | 390942          | Blade, Sqge, Rear, 700mm               | 1    |
|      | 390922          | Blade, Sqge, Rear, 800mm               | 1    |
| ▽    | 391384          | Kit, Sqge, Oil-Rstn, 700mm             | 1    |
| ▲    | 391377          | Blade, Sqge, Front, 700mm, Oil-Rstn    | 1    |
| ▲    | 391378          | Blade, Sqge, Rear, 700mm, Oil-Rstn     | 1    |
| ▽    | 391386          | Kit, Sqge, Tile, 700mm                 | 1    |
| ▲    | 390943          | Blade, Sqge, Front, 700mm              | 1    |
| ▲    | 390936          | Blade, Sqge, Rear, Gum Rbr, 700mm      | 1    |
| ▽    | 391383          | Kit, Sqge, Oil-Rstn, 800mm             | 1    |
| ▲    | 391379          | Blade, Sqge, Front, 800mm, Oil-Rstn    | 1    |
| ▲    | 391380          | Blade, Sqge, Rear, 800mm, Oil-Rstn     | 1    |
| ▽    | 391385          | Kit, Sqge, Tile, 800mm                 | 1    |
| ▲    | 390923          | Blade, Sqge, Front, 800mm              | 1    |
| ▲    | 390934          | Blade, Sqge, Rear, Gum Rbr, 800mm      | 1    |
|      | 86859           | Blade Assy, Sqge, Side                 | 2    |
|      | 391334          | Squeegee Assy, Side                    | 2    |
|      | 12472           | Squeegee Assy, Side                    | 2    |
|      | 1010560         | Wheel, Bmpr, 80d X 25w, Non-marking    | 1    |
|      | 1044952         | Caster, Swivel, 2.5D 1.3W, .50-13 Stem | 2    |
|      | 223568          | Deflector, Water                       | 2    |
|      | 390633          | Skirt, Front, Scb, Disk, 28 Inch       | 1    |
|      | 390634          | Skirt, Rear, Scb, Disk, 28 Inch        | 1    |
|      | 390650          | Skirt, Front, Scb, Disk, 32 Inch       | 1    |
|      | 390651          | Skirt, Rear, Scb, Disk, 32 Inch        | 1    |
|      | 86865           | Guide, Side Sqge                       | 1    |
|      | 390882          | Seal, Tank, Recvy                      | 1    |
|      | 390883          | Seal, Tank, Soltn                      | 1    |
|      | 390946          | Hose, Vacuum                           | 1    |
|      | 375200          | Gasket, Lid                            | 2    |
|      | 391343          | Seal, Fan                              | 1    |
|      | 222201          | Belt, 15mm 05p 500l                    | 1    |
|      | 223569          | Gasket, Shield                         | 1    |

▽ ASSEMBLY

▲ INCLUDED IN ASSEMBLY

# GENERAL RECOMMENDED MAINTENANCE

7100, NA, CE

## General Recommended Maintenance Items – cont'd.

|             | <b>Tenant</b>   |  |             |
|-------------|-----------------|--|-------------|
| <b>Ref.</b> | <b>Part No.</b> | <b>Description</b>                     | <b>Qty.</b> |
| ▽           | 374333          | Perf Kit, Brush, Disc, 28 In           | 1           |
| ▲           | 397914          | Driver Assy, Pad, 14d                  | 2           |
| ▲           | 222325          | Pad, Buff, 14.0d, Red                  | 12          |
| ▲           | 390936          | Blade , Rear, Gum Rbr, 700mm           | 1           |
| ▲           | 390943          | Blade, Sqge, Front, 700mm, Linatex     | 1           |
| ▲           | 1001290         | Blade, Sqge, Rh                        | 4           |
| ▽           | 374334          | Perf Kit, Brush, Cyc, 28 In            | 1           |
| ▲           | 222304          | Brush, Scb, 28l, 18 Sr, Pyp Grout ,Spl | 4           |
| ▲           | 390936          | Blade , Rear, Gum Rbr, 700mm           | 4           |
| ▲           | 390943          | Blade, Sqge, Front, 700mm, Linatex     | 4           |
| ▲           | 391334          | Blade Assy, Sqge, Side                 | 4           |
| ▽           | 374335          | Perf Kit, Brush, Disk, 32 In           | 1           |
| ▲           | 397916          | Driver Assy, Pad, 16d                  | 2           |
| ▲           | 63248-3         | Pad, Buff, 16.0d, Red                  | 10          |
| ▲           | 390934          | Blade, Sqge, Rear, Gum Rbr, 800mm      | 2           |
| ▲           | 390923          | Blade, Sqge, Front, 800mm, Linatex     | 1           |
| ▽           | 374336          | Perf Kit, Brush, Cyl, 32 In            | 1           |
| ▲           | 222307          | Brush, Scb, 32l, 18 Sr, Pyp Grout ,Spl | 4           |
| ▲           | 390936          | Blade , Rear, Gum Rbr, 700mm           | 2           |
| ▲           | 390943          | Blade, Sqge, Front, 700mm, Linatex     | 4           |
| ▲           | 86859           | Blade Assy, Sqge, Side [Linatex]       | 2           |

▽ ASSEMBLY

▲ INCLUDED IN ASSEMBLY

## SECTION 2

| Contents   | Page |
|--|------|
| Fig. 1 – Replacement Brushes, 700 mm (28 in) . . .                       | 2-2  |
| Fig. 2 – Replacement Brushes, 800 mm (32 in) . . .                       | 2-4  |
| Fig. 3 – Main Frame Group . . . . .                                      | 2-6  |
| Fig. 4 – Seat Group (S/N 10108252– ) . . . .                             | 2-8  |
| Fig. 5 – Seat Group (S/N 0000000–10108251) . .                           | 2-10 |
| Fig. 6 – Steering Group . . . . .  | 2-12 |
| Fig. 7 – Instrument Panel . . . . .                                      | 2-14 |
| Fig. 8 – Circuit Breaker and Contactor Group . . .                       | 2-16 |
| Fig. 9 – Circuit Board and Controller Group . . . .                      | 2-18 |
| Fig. 10 – Front Drive Wheel Group . . . . .                              | 2-20 |
| Fig. 11 – Front Brake Linkage Group<br>(S/N 10160410– ) . . . . .        | 2-22 |
| Fig. 12 – Front Brake Linkage Group<br>(S/N 00000000–10160409) . . . . . | 2-24 |
| Fig. 13 – Brake Pedal Group . . . . .                                    | 2-26 |
| Fig. 14 – Directional Pedal Group<br>(S/N 10117238– ) . . . . .          | 2-28 |
| Fig. 15 – Directional Pedal Group<br>(S/N 00000000–10117237) . . . . .   | 2-30 |
| Fig. 16 – Rear Wheel Group . . . . .                                     | 2-32 |
| Fig. 17 – Scrub Head Lift Group . . . . .                                | 2-34 |
| Fig. 18 – Disk Scrub Head Drive Motor Group,<br>700 mm (28 in) . . . . . | 2-36 |
| Fig. 19 – Disk Scrub Head Squeegee Group,<br>700 mm (28 in) . . . . .    | 2-38 |
| Fig. 20 – Recovery Tank Group . . . . .                                  | 2-40 |
| Fig. 21 – Recovery Tank Drain Assembly . . . . .                         | 2-42 |
| Fig. 22 – Vacuum Fan Group . . . . .                                     | 2-44 |
| Fig. 23 – Solution Tank Group . . . . .                                  | 2-46 |
| Fig. 24 – Solution Control Group . . . . .                               | 2-48 |
| Fig. 25 – Battery Cable Group . . . . .                                  | 2-50 |
| Fig. 26 – Rear Squeegee Lift Group . . . . .                             | 2-52 |
| Fig. 27 – Rear Squeegee Linkage Group . . . . .                          | 2-54 |
| Fig. 28 – Rear Squeegee Group, 700 mm (28 in)                            | 2-56 |
| Fig. 29 – Electrical Schematic . . . . .                                 | 2-58 |
| Fig. 30 – Wire Harness Group . . . . .                                   | 2-61 |
| Fig. 31 – Label Group . . . . .  | 2-67 |

**Fig. 1 – Replacement Brushes, 700 mm (28 in)**

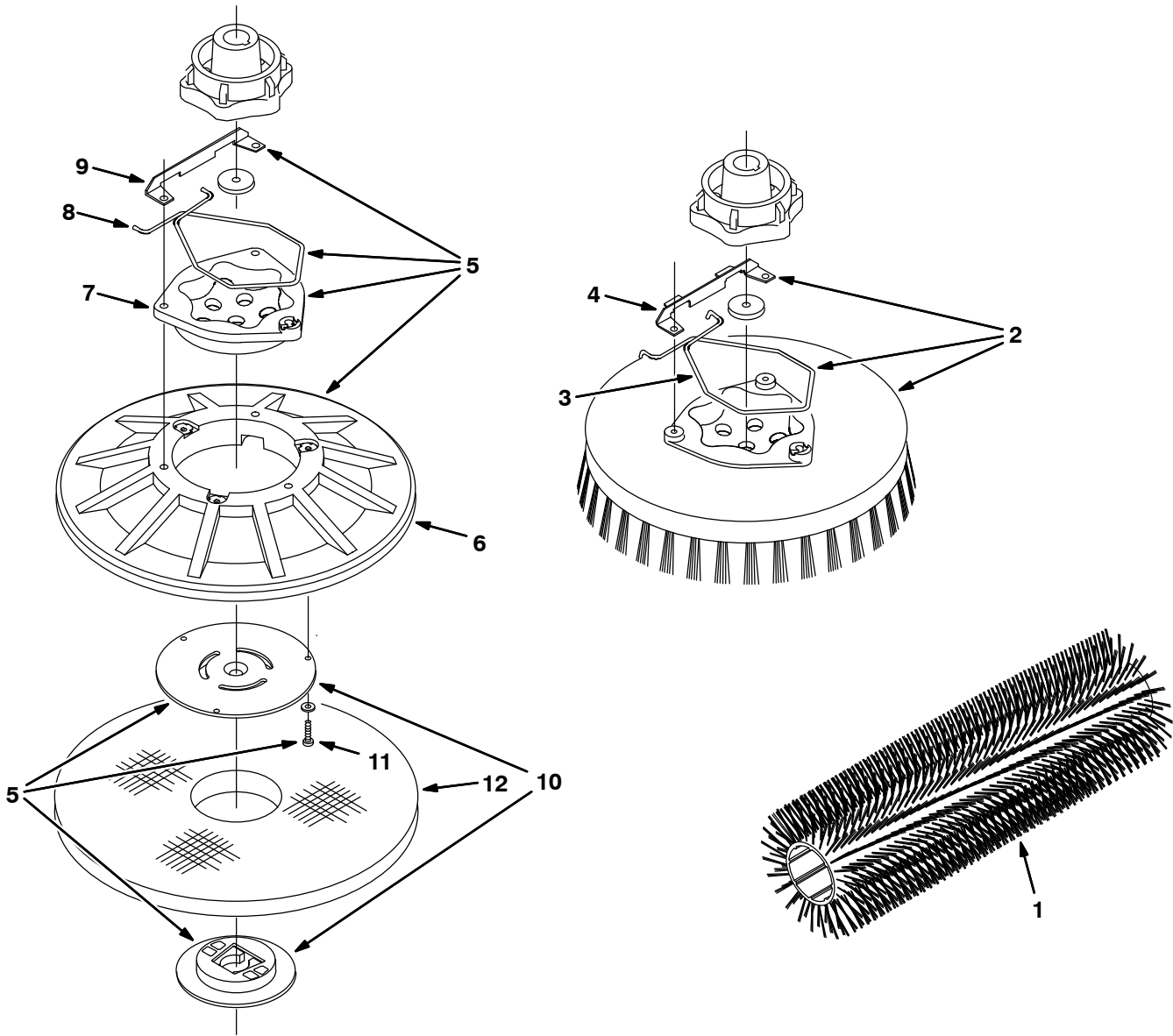


Fig. 1 – Replacement Brushes, 700 mm (28 in)

| Ref. | Tennant Part No. | Description   | Qty.   |   |
|------|------------------|---|--|---|
| 1    | 222304           | Brush, Scb, 28l, 18sr, Pyp, Spl (Stiff Polypropylene)     | 2  |   |
| 1    | 374041           | Brush, Scb, 28l, 18sr, Hd Pyp, Spl (Medium Polypropylene) | 2  |   |
| 1    | 222305           | Brush, Scb, 28l, 18sr, Nyl, Spl (Soft Nylon)              | 2  |   |
| 1    | 222306           | Brush, Scb, 28l, 18sr, Abr, Spl (Abrasive)                | 2  |   |
| ▽    | 2                | 222321  | Brush Assy, Disk, Scb, 14.0 D, Nylon                                   | 2 |
| ▲    | 3                | 14838   | Spring, Wir, 0.16d, Brush Retaining                                    | 1 |
| ▲    | 4                | 24299   | Bracket, Retainer, Spring  | 1 |
| ▽    | 2                | 222320  | Brush Assy, Disk, Scb, 14.0 D, Polypropylene                           | 2 |
| ▲    | 3                | 14838   | Spring, Wir, 0.16d, Brush Retaining                                    | 1 |
| ▲    | 4                | 24299   | Bracket, Retainer, Spring  | 1 |
| ▽    | 2                | 222322  | Brush Assy, Disk, Scb, 14.0 D, Super Abrasive                          | 2 |
| ▲    | 3                | 14838   | Spring, Wir, 0.16d, Brush Retaining                                    | 1 |
| ▲    | 4                | 24299   | Bracket, Retainer, Spring  | 1 |
| ▽    | 5                | 397914  | Driver Assy, Pad. 14D  | 2 |
| ▲    | 6                | 397974  | Disk, Pad Driver, W/ Face, 14d   | 1 |
| ▲    | 7                | 15539   | Hub, Drive, Brush, Disk, 3hole 5.8bc                                   | 1 |
| ▲    | 8                | 14838   | Spring, Wir, 0.16d, Brush Retaining                                    | 1 |
| ▲    | 9                | 24299   | Bracket, Retainer, Spring  | 1 |
| ▲    | 10               | 370095  | Device, Centering  | 1 |
| ▲    | 11               | 09198   | Screw, Pan, M04 X 0.7 X 35, Ss   | 3 |
|      | 12               | 222324  | Pad, Polish, 14.0d, White [1pick=1pad] (Polishing)                     | 2 |
|      | 12               | 222325  | Pad, Buff, 14.0d, Red (Light Scrubbing & Buffing)                      | 2 |
|      | 12               | 222326  | Pad, Scb, 14.0d, Blu [1pick=1pad] (Blue) (Medium Scrubbing)            | 2 |
|      | 12               | 222327  | Pad, Stripping, 14.0d, Brown[1pick=1pad] (Deep Scrubbing & Stripping)  | 2 |
|      | 12               | 370091  | Pad, Stripping, 14.0d, Blk [Hi Prod] (Black) (Stripping)               | 2 |
|      | 12               | 1051026   | Pad, Surf Prep, 14.0d [Mar, 1pick=1pad] (Maroon) (Surface Preparation) | 2 |

▽ ASSEMBLY

▲ INCLUDED IN ASSEMBLY

**Fig. 2 – Replacement Brushes, 800 mm (32 in)**

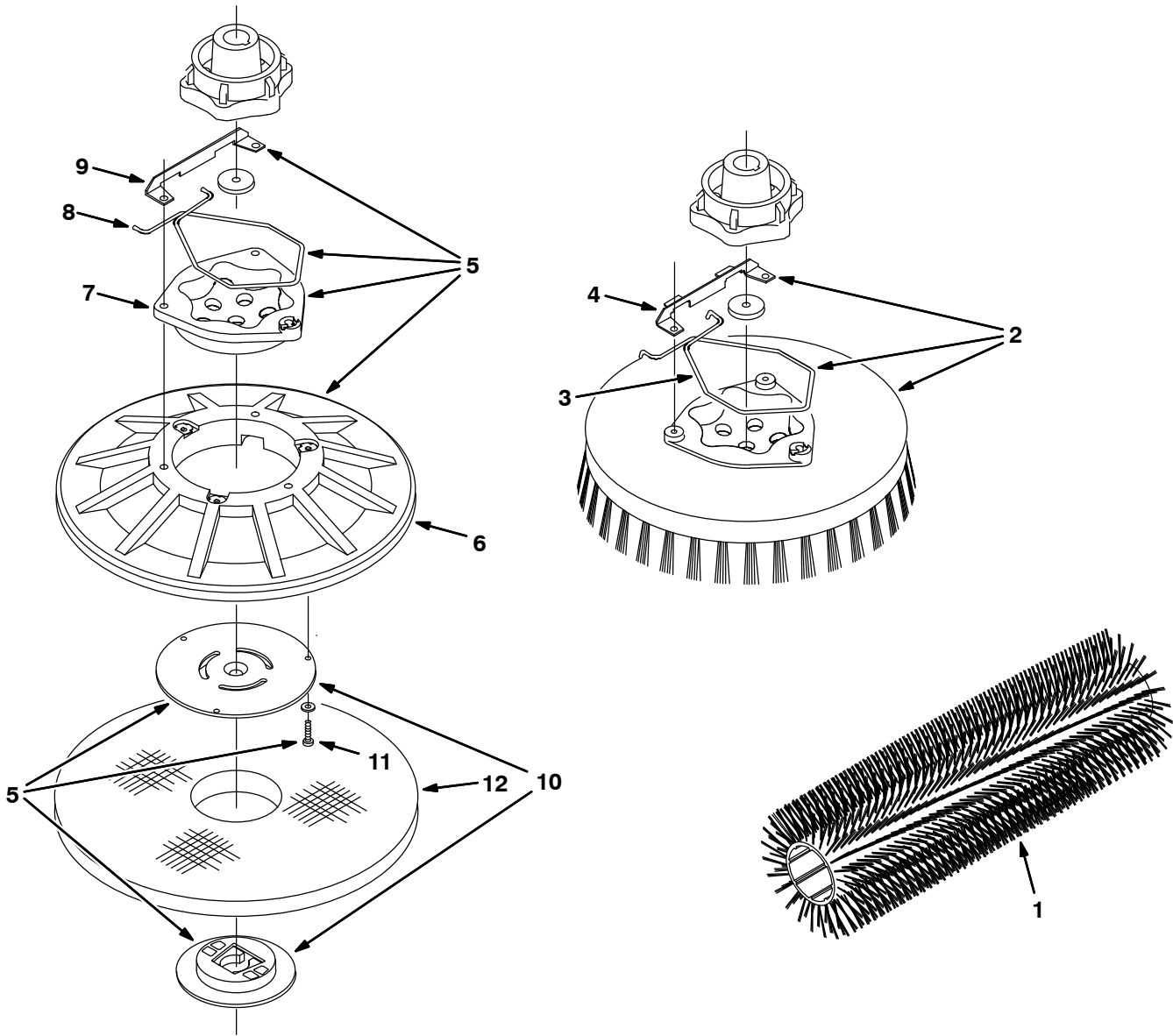




Fig. 2 - Replacement Brushes, 800 mm (32 in)

| Ref. | Tennant Part No. | Description  | Qty.  |   |
|------|------------------|--|---|---|
| 1    | 222307           | Brush, Scb, 32l, 18sr, Pyp, Spl (Stiff Polypropylene)  | 2   |   |
| 1    | 374042           | Brush, Scb, 32l, 18sr, Pyp, Spl (Medium Polypropylene) | 2   |   |
| 1    | 222308           | Brush, Scb, 32l, 18sr, Nyl, Spl (Soft Nylon)           | 2   |   |
| 1    | 222309           | Brush, Scb, 32l, 18sr, Abr, Spl (Abrasive)             | 2   |   |
| ▽    | 2                | 1042499  | Brush Assy, Disk, Scb, 16.0 D, Nylon                                    | 2 |
| ▲    | 3                | 14838  | Spring, Wir, 0.16d, Brush Retaining                                     | 1 |
| ▲    | 4                | 24299  | Bracket, Retainer, Spring   | 1 |
| ▽    | 2                | 30241  | Brush Assy, Disk, Scb, 16.0 D, Polypropylene                            | 2 |
| ▲    | 3                | 14838  | Spring, Wir, 0.16d, Brush Retaining                                     | 1 |
| ▲    | 4                | 24299  | Bracket, Retainer, Spring   | 1 |
| ▽    | 2                | 1042504  | Brush Assy, Disk, Scb, 16.0 D, Super Abrasive                           | 2 |
| ▲    | 3                | 14838  | Spring, Wir, 0.16d, Brush Retaining                                     | 1 |
| ▲    | 4                | 24299  | Bracket, Retainer, Spring   | 1 |
| ▽    | 5                | 397916   | Driver Assy, Pad. 16D   | 2 |
| ▲    | 6                | 397976   | Disk, Pad Driver, W/ Face, 16d  | 1 |
| ▲    | 7                | 15539  | Hub, Drive, Brush, Disk, 3hole 5.8bc                                    | 1 |
| ▲    | 8                | 14838  | Spring, Wir, 0.16d, Brush Retaining                                     | 1 |
| ▲    | 9                | 24299  | Bracket, Retainer, Spring   | 1 |
| ▲    | 10               | 370095   | Device, Centering   | 1 |
| ▲    | 11               | 09198  | Screw, Pan, M04 X 0.7 X 35, Ss  | 3 |
|      | 12               | 63248-1  | Pad, Stripping, 16.0d, Brown[1pick=1pad] (Deep Scrubbing & Stripping)   | 2 |
|      | 12               | 63248-2  | Pad, Scb, 16.0d, Blu [1pick=1pad] (Blue) (Medium Scrubbing)             | 2 |
|      | 12               | 63248-3  | Pad, Buff, 16.0d, Red [1pick=1pad] (Light Scrubbing & Buffing)          | 2 |
|      | 12               | 63248-4  | Pad, Polish, 16.0d, White [1pick=1pad] (Polishing)                      | 2 |
|      | 12               | 370092   | Pad, Stripping, 16.0d[Hi Prod,1pick=1pad (Black) (Stripping)            | 2 |
|      | 12               | 1051027  | Pad, Surf Prep, 16.0d[Mar,1pick=1carton] (Maroon) (Surface Preparation) | 2 |

▽ ASSEMBLY

▲ INCLUDED IN ASSEMBLY

Fig. 3 - Main Frame Group

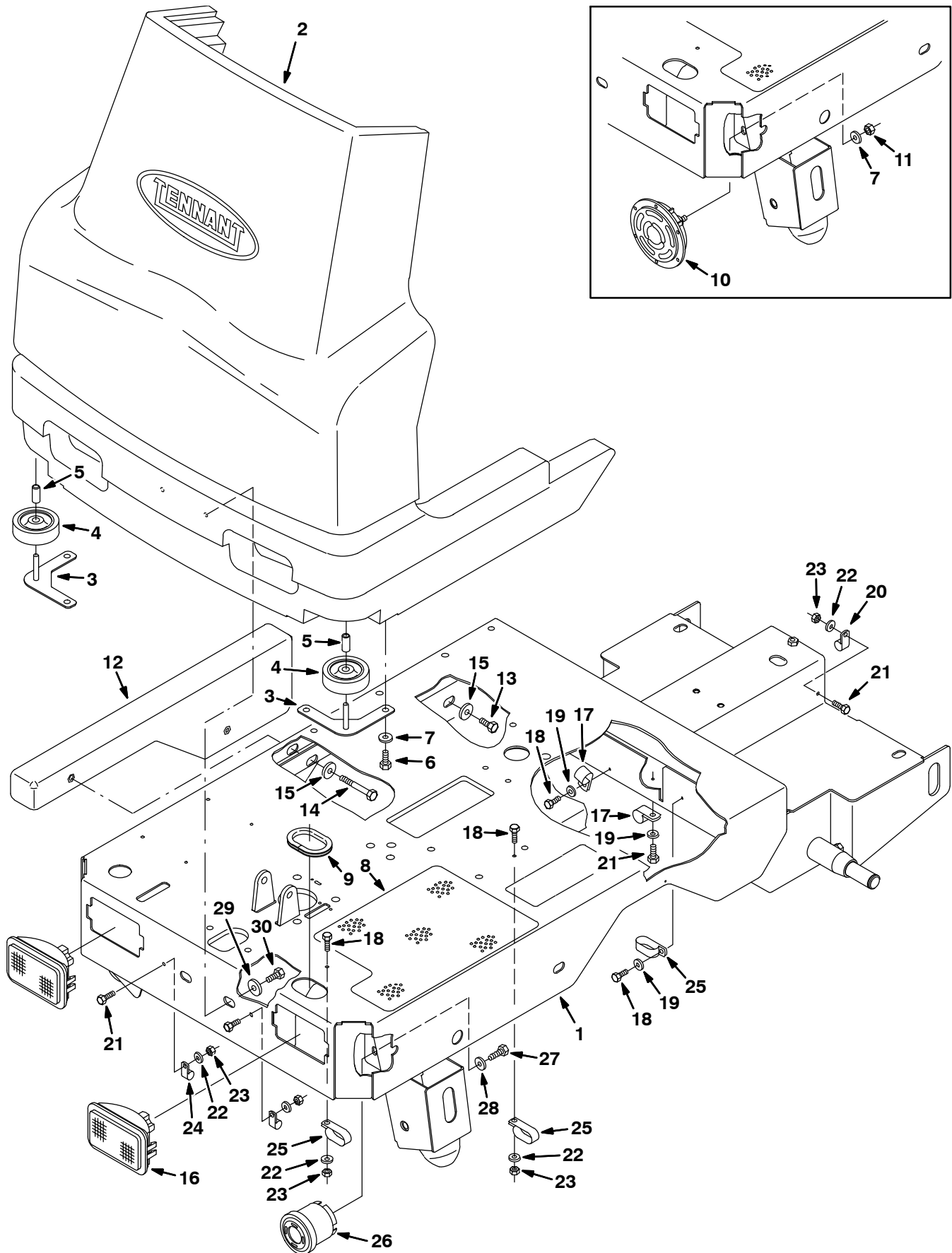


Fig. 3 - Main Frame Group

| Ref. | Tennant Part No. | Description                            | Qty.                                     |   |
|------|------------------|--|--|---|
| 1    | 390800           | Frame Wldt, Micro Scrubber             | 1  |   |
| 2    | 9006253          | Shroud Kit, Front W/Labels [7100]      | 1  |   |
| 3    | 1007845          | Plate Wldt, Mtg, Wheel                 | 2  |   |
| 4    | 81580            | Wheel, 4.0d 0.87w 0.44b                | 2  |   |
| 5    | 393129           | Sleeve, P/M, 0.437d 0.318b 1.15l 430ss | 2  |   |
| 6    | 09740            | Screw, Hex, M08 X 1.25 X 20, Ss        | 4  |   |
| 7    | 01685            | Washer, Flt, .31 Ss                    | 5  |   |
| 8    | 391304           | Tread, Non-Skid, 14.0 9.6              | 1  |   |
| 9    | 390696           | Molding, Trim, .08-.11 10.00           | 1  |   |
| 10   | 369702           | ① Horn, 36vdc, Db                      | 1  |   |
| 11   | 08713            | ① Nut, Hex, Lock, M08 X 1.25, NI, Ss   | 1  |   |
| 12   | 1035797          | Panel, Tank, Filler, Plstc             | 1  |   |
| 13   | 16931            | Screw, Hex, M08 X 1.25 X 20, 8.8       | 1  |   |
| 14   | 06957            | Screw, Hex, M08 X 1.25 X 60, 8.8       | 1  |   |
| 15   | 13248            | Washer, 0.40b 1.12d .12, Stl, PI       | 2  |   |
| ▽    | 16               | 390772                                 | Headlight, 36vdc                         | 2 |
| ▲    |                  | 360518                                 | Lamp, 36vdc, 32cp .72a                   | 1 |
|      | 17               | 69234                                  | Clamp, Cable, Stl, 1.00d X 0.62w, 1h     | 2 |
|      | 18               | 09007                                  | Screw, Hex, M06 X 1.0 X 25 Ss            | 4 |
|      | 19               | 32483                                  | Washer, Flt, .25 Sae                     | 3 |
|      | 20               | 67767                                  | Clamp, Cable, Stl, 0.69d X 0.62w, 1h     | 1 |
|      | 21               | 08716                                  | Screw, Hex, M06 X 1.0 X 20, Ss           | 4 |
|      | 22               | 01684                                  | Washer, Flt, .25 Ss                      | 5 |
|      | 23               | 08712                                  | Nut, Hex, Lock, M06 X 1.0, NI, Ss        | 5 |
|      | 24               | 26395-1                                | Clamp, Cable, Stl, 0.56d X 0.38w, 1h     | 2 |
|      | 25               | 09570                                  | Clamp, Cable, Stl, 0.9x1.8 X 0.88w, 1h   | 3 |
|      | 26               | 398463                                 | ② Kit, Modif, Horn, Sound [7100/Ezrider] | 1 |
|      | 27               | 01697                                  | ② Screw, Hex, .25-20 X 0.62, Ss          | 1 |
|      | 28               | 140016                                 | ② Washer, Lock, 0.25 Ss                  | 1 |
|      | 29               | 13248                                  | Washer, 0.40b 1.12d .12, Stl, PI         | 6 |
|      | 30               | 09740                                  | Screw, Hex, M08 X 1.25 X 20, Ss          | 6 |

① Serial number (1000000-xxxxxxx)

② Serial number ( xxxxxxx- )

▽ ASSEMBLY

▲ INCLUDED IN ASSEMBLY

**Fig. 4 - Seat Group (S/N 10108252- )**

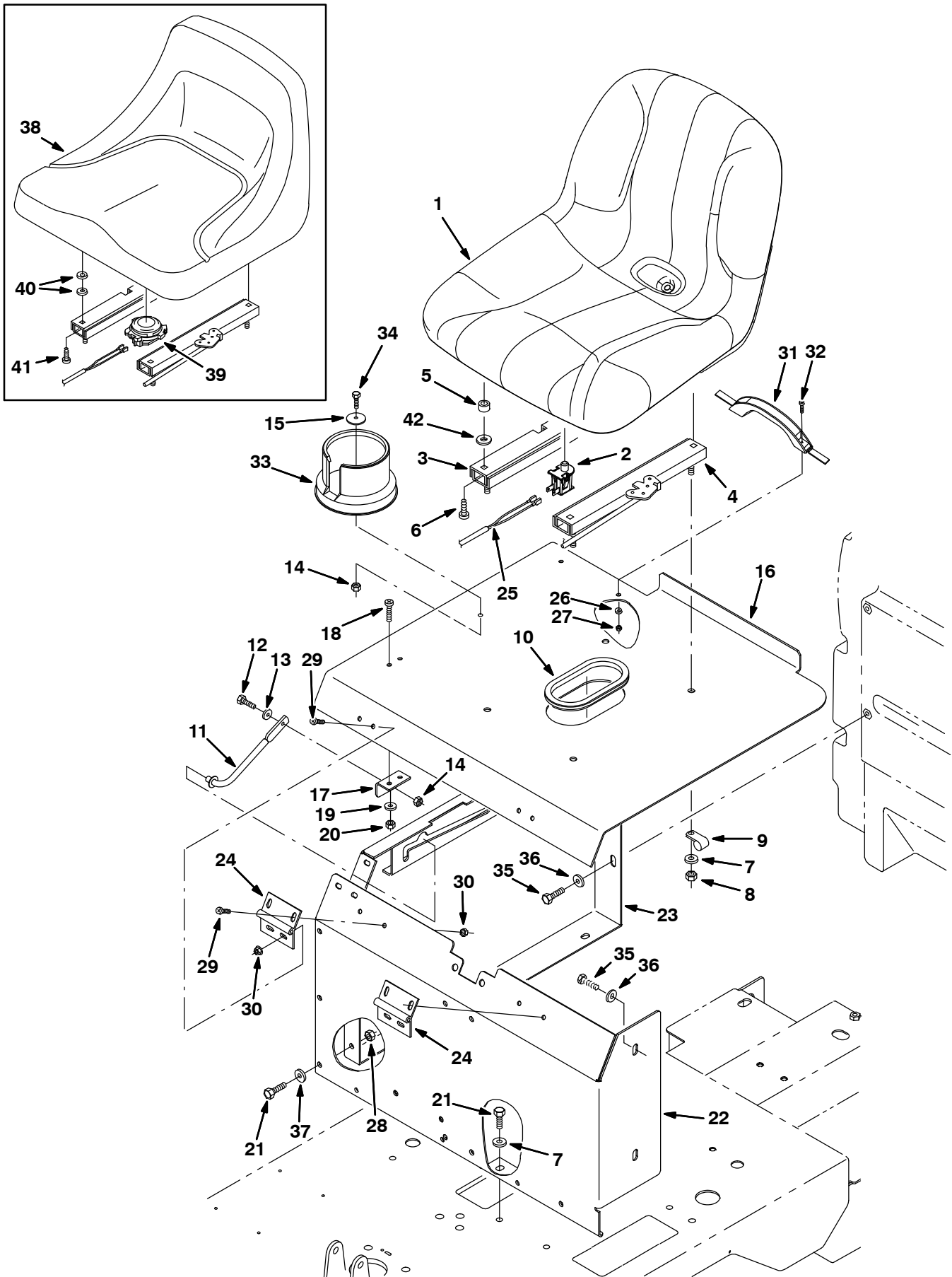


Fig. 4 - Seat Group (S/N 10108252- )

| Ref. | Tennant-<br>Part No. | Description                              | Qty.  |   |
|------|----------------------|--|---|---|
| 1    | 1048932              | [4] Seat, Std                            | 1   |   |
| 2    | 1048958              | [4] Switch, Seat, Nc                     | 1   |   |
| 3    | 360369               | [2] Rail                                 | 1   |   |
| 4    | 360370               | [2] Rail                                 | 1   |   |
| 5    | 1049092              | [4] Spacer, Rnd, .38b .88d .63l          | 4   |   |
| 6    | 49177                | [4] Screw, Pan, Phl, .31-18 X 1.0, G2    | 4   |   |
| 7    | 32491                | [2] Washer, Flt, .31 Std                 | 10  |   |
| 8    | 32983                | [2] Nut, Hex, Lock, .31-18, NI           | 4   |   |
| 9    | 40678-1              | [2] Clamp, Cable, Stl, 0.88d X 0.62w, 1h | 1   |   |
| 10   | 390694               | [2] Molding, Trim, .08-.11 19.00         | 1   |   |
| 11   | 223080               | [2] Rod Wldt, Prop                       | 1   |   |
| 12   | 06943                | [2] Screw, Hex, M06 X 1.0 X 20, 8.8      | 1   |   |
| 13   | 32483                | [2] Washer, Flt, .25 Sae                 | 1   |   |
| 14   | 08708                | [2] Nut, Hex, Lock, M06 X 1.0, NI        | 2   |   |
| 15   | 41178                | [2] Washer, Flat, 0.25 Fender            | 1   |   |
| ▽    | 16                   | 393130                                   | [2] Plate, Seat W/ Labels, Blk              | 1 |
| ▲    | 17                   | 392846                                   | [2] Angle, Rod, Prop                        | 1 |
| ▲    | 18                   | 09164                                    | [2] Screw, Pan, M 6 X 1.0 X 20, 4.8         | 2 |
| ▲    | 19                   | 32483                                    | [2] Washer, Flat, .25 Sae                   | 2 |
| ▲    | 20                   | 08708                                    | [2] Nut, Hex, Lock, M06 X 1.0, NI           | 2 |
|      | 21                   | 16931                                    | [2] Screw, Hex, M08 X 1.25 X 20, 8.8        | 9 |
|      | 22                   | 392818                                   | [2] Panel, Front                            | 1 |
|      | 23                   | 392822                                   | [2] Support Wldt, Seat                      | 1 |
|      | 24                   | 58484                                    | [2] Hinge, .25pin .12 3.0w 03.0l 4/0.28slot | 2 |
|      | 25                   | 223330                                   | [2] Harness, Switch, Seat                   | 1 |
|      | 26                   | 19324                                    | [2] Washer, Flat, #10 Sae                   | 2 |
|      | 27                   | 06549                                    | [2] Nut, Hex, Lock, M05X0.8, NI             | 2 |
|      | 28                   | 07791                                    | [2] Nut, Hex, Flng, M08X1.25                | 3 |
|      | 29                   | 363503                                   | [2] Screw, Pan, M 6 X 1.0 X 12, Ss          | 8 |
|      | 30                   | 07790                                    | [2] Nut, Hex, Flng, M06 X 1.0               | 8 |
|      | 31                   | 382264                                   | [2] Handle, Hood                            | 1 |
|      | 32                   | 06934                                    | [2] Screw, Pan, M 5 X 0.8 X 20, 4.8         | 2 |
|      | 33                   | 223599                                   | [2] Cup Holder                              | 1 |
|      | 34                   | 06944                                    | [2] Screw, Hex, M06 X 1.0 X 25, 8.8         | 1 |
|      | 35                   | 12273                                    | [2] Screw, Hex, M08 X 1.25 X 20, Ss, NI     | 4 |
|      | 36                   | 13248                                    | [2] Washer, 0.40b 1.12d .12, Stl, PI        | 4 |
|      | 37                   | 32490                                    | [2] Washer, Flt, .25 Std                    | 3 |
|      | 38                   | 9005082                                  | [3] Seat Kit, Std, Replmt                   | 1 |
|      | 39                   | 390769                                   | [3] Switch, Seat, Nc                        | 1 |
|      | 40                   | 69461                                    | [3] Washer, 0.38b 0.88d .12, Stl, PI        | 8 |
|      | 41                   | 25537                                    | [3] Screw, Pan, .31-18 X 0.75, 2            | 4 |
|      | 42                   | 69461                                    | [4] Washer, Flat, 0.38b 0.88d .12, Stl, PI  | 4 |

[2] Serial number (10108252- )

[3] Serial number (10108252-10399475)

[4] Serial number (10399476- )

▽ ASSEMBLY

▲ INCLUDED IN ASSEMBLY

**Fig. 5 – Seat Group (S/N 0000000–10108251)**

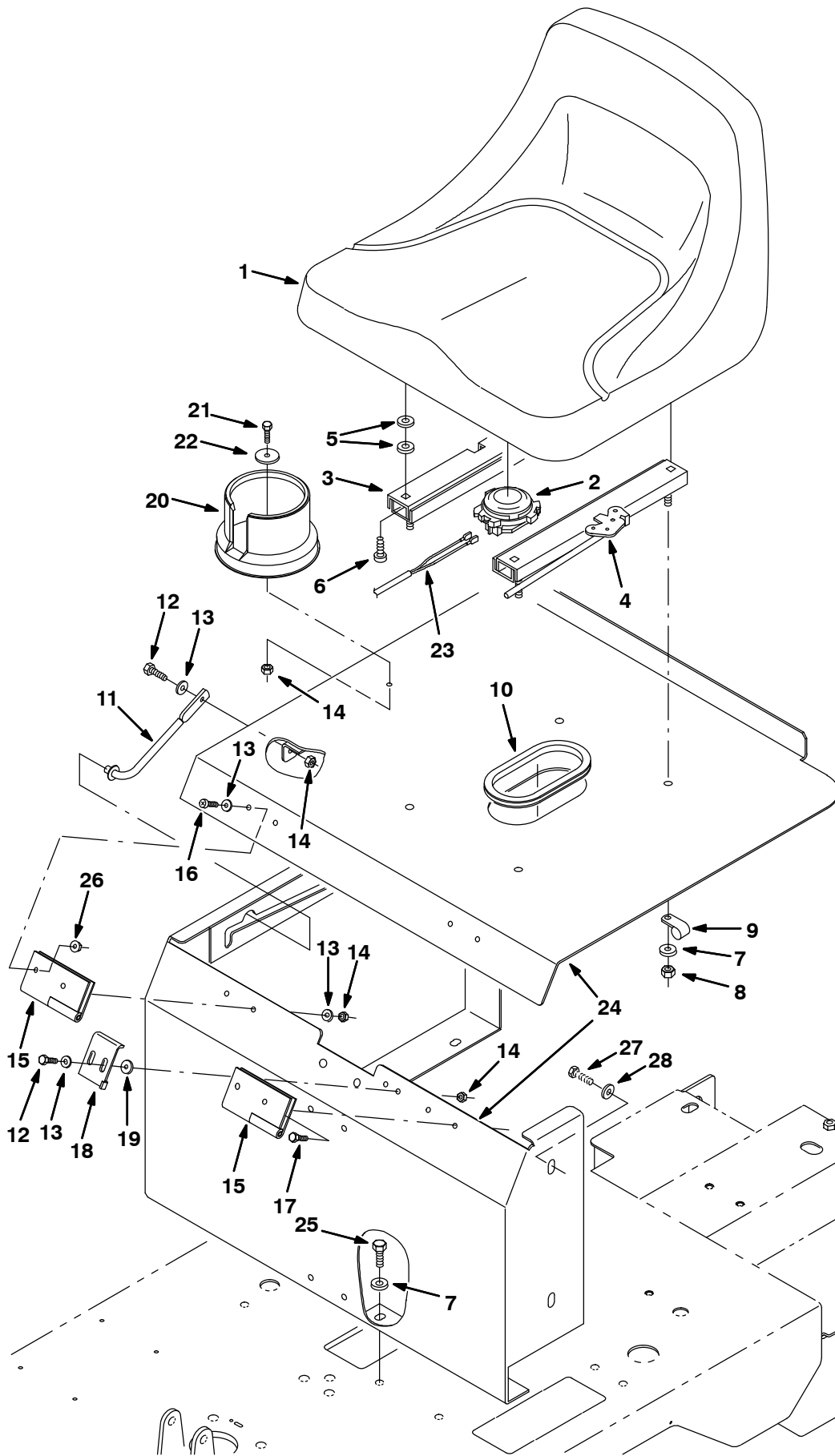


Fig. 5 – Seat Group (S/N 0000000–10108251)

| Ref. | Tennant Part No. | Description                               | Qty. |
|------|------------------|---|------|
| 1    | 9005082          | ① Seat Kit, Std, Replmt                   | 1    |
| 2    | 390769           | ① Switch, Seat, Nc                        | 1    |
| 3    | 360369           | ① Rail                                    | 1    |
| 4    | 360370           | ① Rail                                    | 1    |
| 5    | 69461            | ① Washer, 0.38b 0.88d .12, Stl, Pl        | 8    |
| 6    | 25537            | ① Screw, Pan, .31–18 X 0.75, 2            | 4    |
| 7    | 32491            | ① Washer, Flt, .31 Std                    | 10   |
| 8    | 32983            | ① Nut, Hex, Lock, .31–18, NI              | 4    |
| 9    | 40678–1          | ① Clamp, Cable, Stl, 0.88d X 0.62w, 1h    | 1    |
| 10   | 390694           | ① Molding, Trim, .08–.11 19.00            | 1    |
| 11   | 223080           | ① Rod Wldt, Prop                          | 1    |
| 12   | 06943            | ① Screw, Hex, M06 X 1.0 X 20, 8.8         | 3    |
| 13   | 32483            | ① Washer, Flt, .25 Sae                    | 11   |
| 14   | 08708            | ① Nut, Hex, Lock, M06 X 1.0, NI           | 8    |
| 15   | 223248           | ① Hinge, .25pin .12 4.0w 04.0l 4/0.30h    | 2    |
| 16   | 74027            | ① Screw, Pan, M06 X 1.0 X 12, NI          | 4    |
| 17   | 06942            | ① Screw, Hex, M06 X 1.0 X 16, 8.8         | 4    |
| 18   | 391122           | ① Bracket, Lock, Seat                     | 1    |
| 19   | 16236            | ① Washer, 0.26b 0.72d .06, Nyl            | 2    |
| 20   | 223599           | ① Cup Holder                              | 1    |
| 21   | 06944            | ① Screw, Hex, M06 X 1.0 X 25, 8.8         | 1    |
| 22   | 41178            | ① Washer, Flat, .25 Fender                | 1    |
| 23   | 223330           | ① Harness, Switch, Seat                   | 1    |
| 24   | 393139           | ① Kit, Ci, Seat Assy Replmt[7100/Ezrider] | 1    |
| 25   | 16931            | ① Screw, Hex, M08 X 1.25 X 20, 8.8        | 8    |
| 26   | 07790            | ① Nut, Hex, Flng, M06 X 1.0               | 4    |
| 27   | 12273            | ① Screw, Hex, M08 X 1.25 X 20, Ss, NI     | 4    |
| 28   | 13248            | ① Washer, 0.40b 1.12d .12, Stl, Pl        | 4    |

① Serial number (0000000–10108251)

**Fig. 6 - Steering Group**

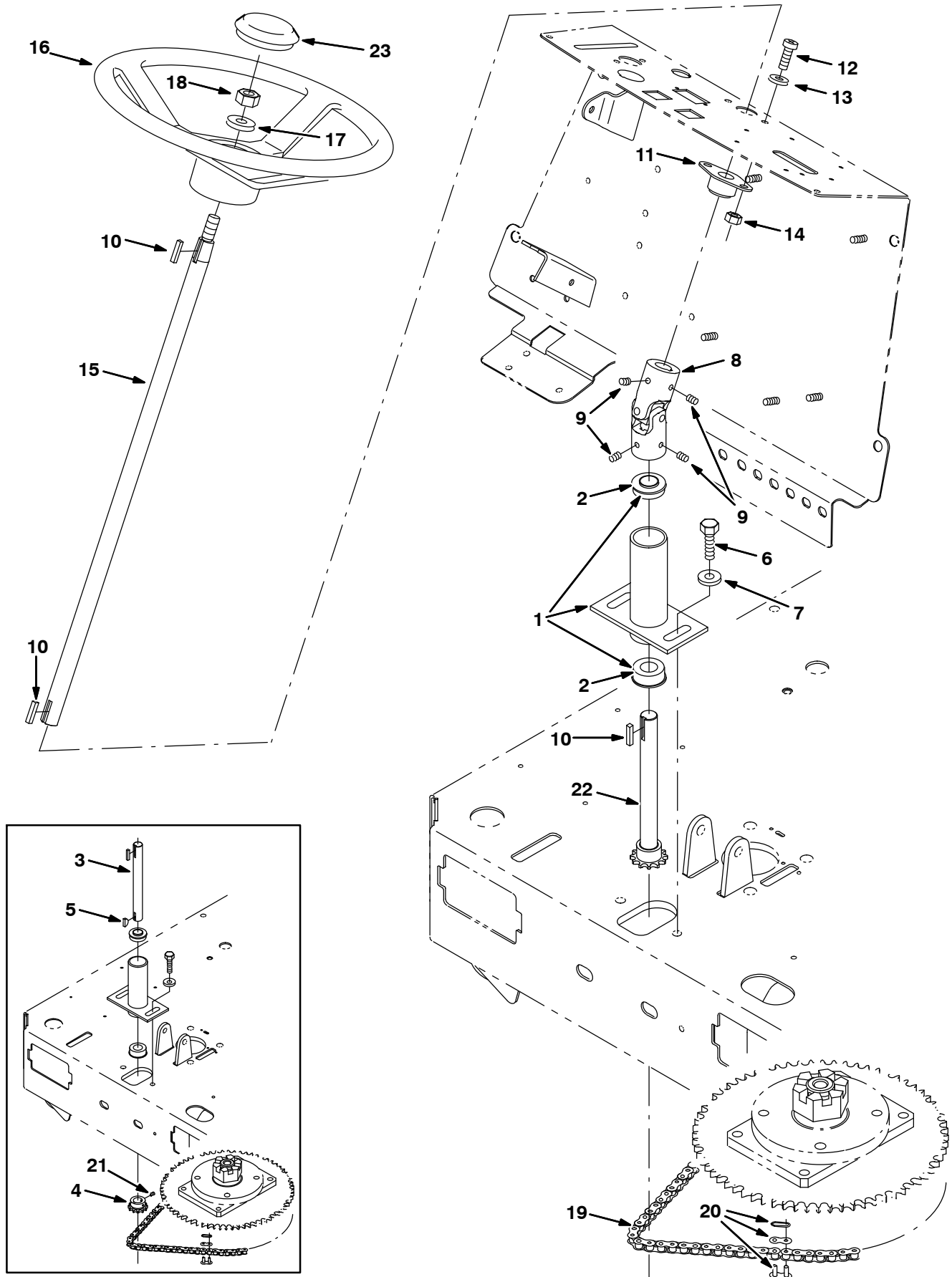




Fig. 6 - Steering Group

|   | Ref. | Tennant Part No. | Description                              | Qty. |
|---|------|------------------|--|------|
| ▽ | 1    | 391381           | Housing Assy, Steering                   | 1    |
| ▲ | 2    | 223073           | Bearing, Ball, 0.75b 1.38d 0.50w         | 2    |
|   | 3    | 223068           | ① Shaft, Steering (Replaced by 391401)   | 1    |
|   | 4    | 223070           | ① Sprocket, #35, 12tooth, 0.750b         | 1    |
|   | 5    | 00500-10         | ① Key, Woodruff, 0.19 0.75, [Asa#0606]   | 1    |
|   | 6    | 39284            | Screw, Hex, M10 X 1.5 X 35, 8.8          | 2    |
|   | 7    | 41187            | Washer, Belleville, .38                  | 2    |
|   | 8    | 1040295          | Joint U                                  | 1    |
|   | 9    | 46820            | Screw, Set, .31-18 X 0.38, NI            | 4    |
|   | 10   | 00912            | Key, Sq, 0.19 X 0.19, 01.00l             | 3    |
|   | 11   | 223065           | Bushing Assy, Flng, 2 Hole, 0.75b, Nyl   | 1    |
|   | 12   | 09737            | Screw, Pan, M08 X 1.25 X 20, 4.8         | 2    |
|   | 13   | 32490            | Washer, Flt, .25 Std                     | 2    |
|   | 14   | 08709            | Nut, Hex, Lock, M08 X 1.25, NI           | 2    |
|   | 15   | 223061           | Shaft, Steering, Upper, Mach, .75d 24.1l | 1    |
|   | 16   | 1036490          | Wheel, Steering, 14.0d, Taper Bore       | 1    |
|   | 17   | 32493            | Washer, Flt, .50 Std                     | 1    |
|   | 18   | 08711            | Nut, Hex, Lock, M12 X 1.75, NI           | 1    |
|   | 19   | 390788           | Chain, Roller #35, .375 Pitch            | 1    |
|   | 20   | 14799            | Link, Chain, Roller, #35                 | 1    |
|   | 21   | 39326            | ① Screw, Set, .25-20 X 0.25, Al          | 2    |
|   | 22   | 391401           | ② Shaft, W/ Sprocket, Steering           | 1    |
|   | 23   | 1038966          | Cap, Wheel, Steering                     | 1    |

① Serial number (0000000-10073591)

② Serial number (10073591 - )

▽ ASSEMBLY

▲ INCLUDED IN ASSEMBLY

Fig. 7 - Instrument Panel

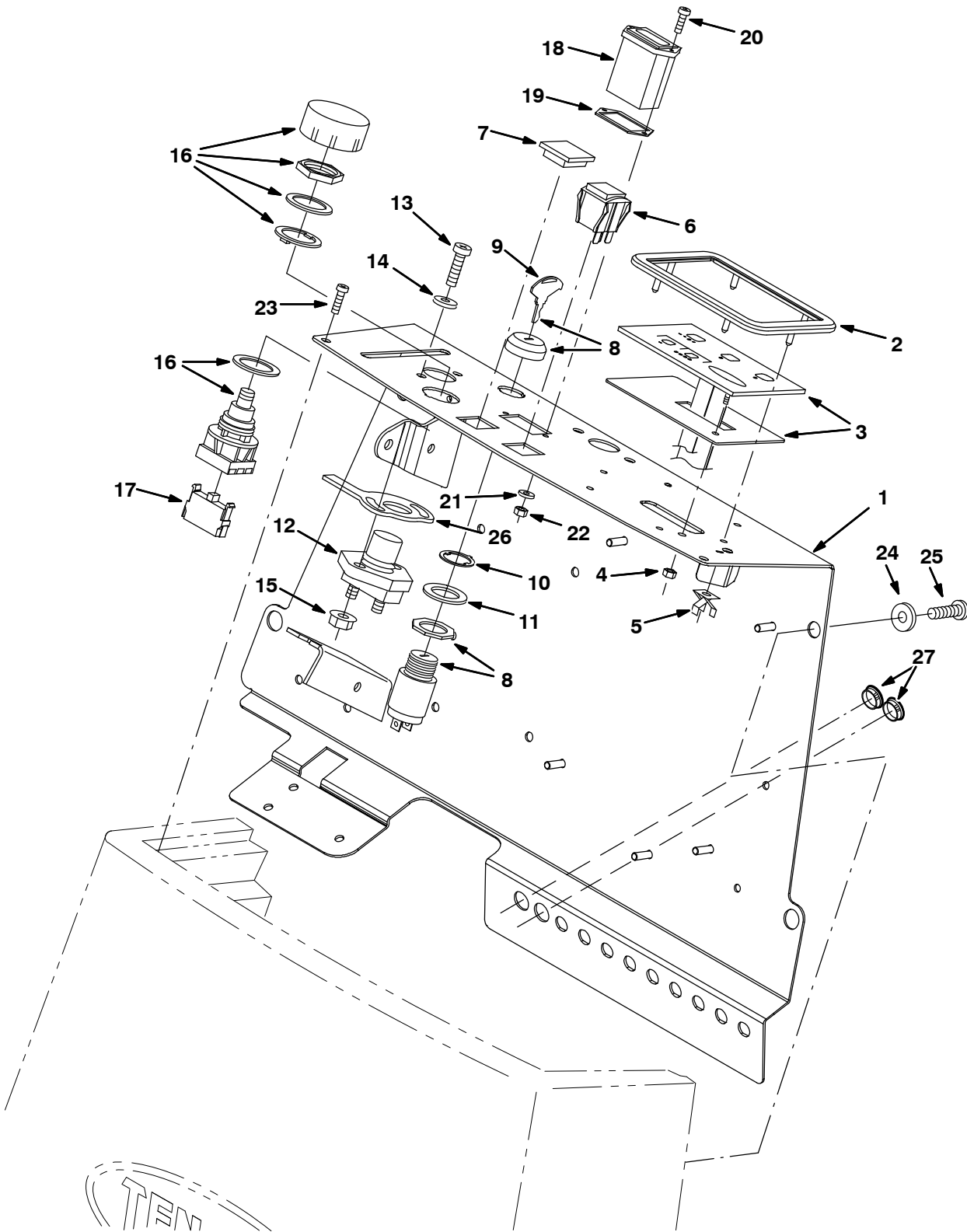


Fig. 7 – Instrument Panel

| Ref. | Tennant Part No. | Description                             | Qty.          |   |
|------|------------------|---|---------------|---|
| 1    | 1056104          | Panel Wldt, Instmt [Xp]                 | 1             |   |
| 2    | 16906            | Bezel, Panl, Touch                      | 1             |   |
| 3    | 390613           | Panel Assy, Touch                       | 1             |   |
| 4    | 75939            | Nut, Hex, Lock, #06–32, NI              | 1             |   |
| 5    | 05280            | Clip, Stud                              | 6             |   |
| 6    | 360521           | Switch, Rocker                          | 1             |   |
| 7    | 222534           | Button, Plug, 1.1 X 1.1h, Black, Plstc  | 1             |   |
| ▽    | 8                | 361076                                  | Switch, Start | 1 |
| ▲    | 9                | 361144                                  | Key, Ignition | 1 |
| 10   | 360969           | Washer                                  | 1             |   |
| 11   | 82226            | Washer, 0.91b 1.38d .06, Stl, PI        | 1             |   |
| 12   | 44078            | Switch                                  | 1             |   |
| 13   | 382726           | Screw, Pan, M06 X 1.0 X 25, 4.8         | 2             |   |
| 14   | 32483            | Washer, Flt, .25 Sae                    | 2             |   |
| 15   | 07790            | Nut, Hex, Flng, M06 X 1.0               | 2             |   |
| 16   | 78553            | Switch                                  | 1             |   |
| 17   | 65665            | Contact, Switch                         | 1             |   |
| 18   | 377433           | Gauge, Hourmeter, 12–80 VDC Analog      | 1             |   |
| 19   | 222683           | Gasket, Hourmeter                       | 1             |   |
| 20   | 09146            | Screw, Pan, M03 X 0.5 X 12, 4.8         | 2             |   |
| 21   | 39658            | Washer, Lock, Int, #04                  | 2             |   |
| 22   | 01754            | Nut, Hex, Std, M03 X 0.5                | 2             |   |
| 23   | 360973           | Screw, Pan, #12–16 X 0.50, F/ Plstc     | 2             |   |
| 24   | 01685            | Washer, Flt, .31 Ss                     | 4             |   |
| 25   | 09737            | Screw, Pan, M08 X 1.25 X 20, 4.8        | 4             |   |
| 26   | 390993           | Stop, Valve, Soltn                      | 1             |   |
| 27   | 57167            | Plug, Hole, Rnd, 0.62h .03–.12, Blk Nyl | 2             |   |

▽ ASSEMBLY

▲ INCLUDED IN ASSEMBLY

**Fig. 8 - Circuit Breaker and Contactor Group**

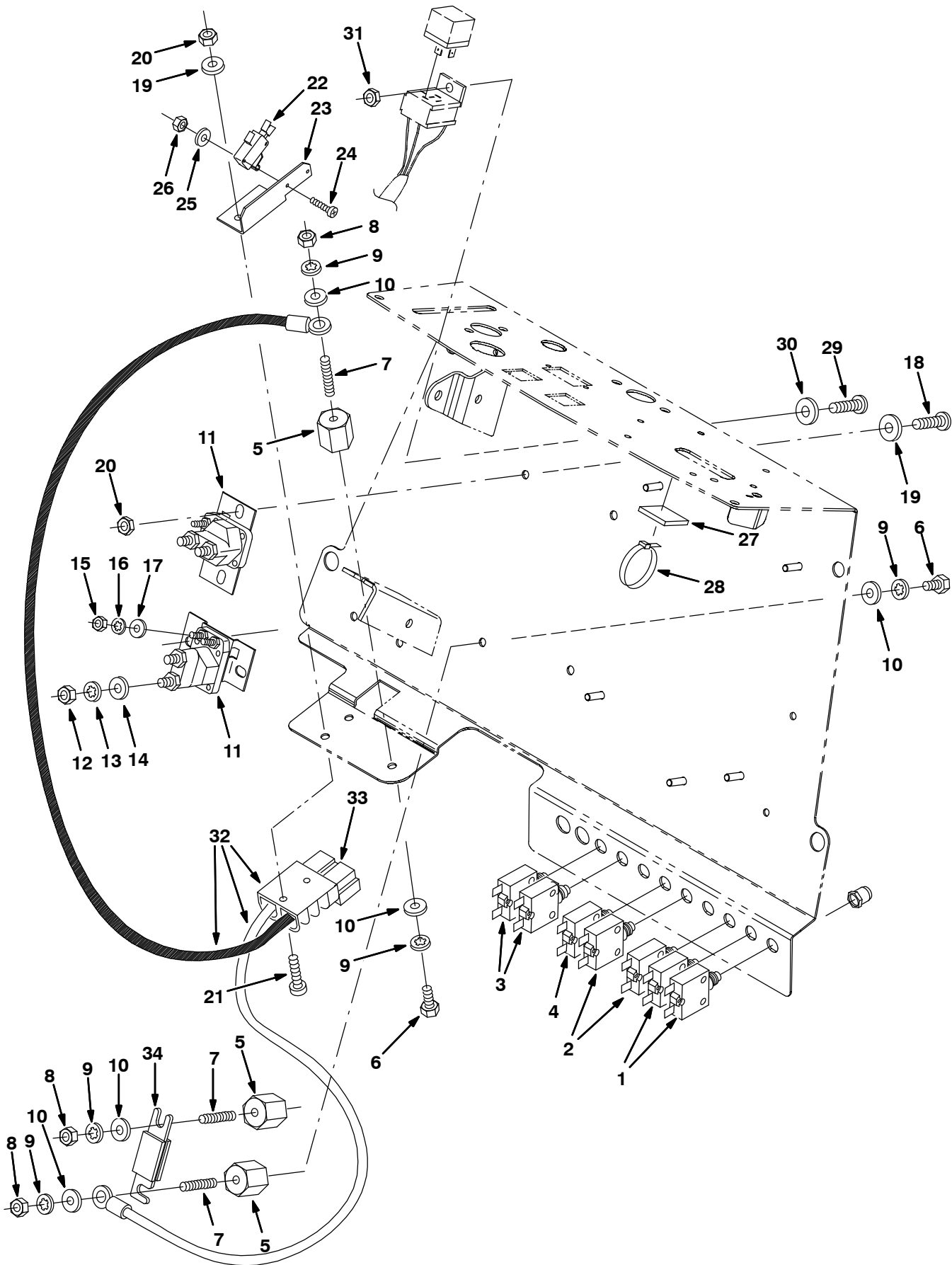


Fig. 8 – Circuit Breaker and Contactor Group

| Ref. | Tennant Part No. | Description                           | Qty.                            |   |
|------|------------------|---------------------------------------|---------------------------------|---|
| 1    | 1054855          | Circuitbreaker, 2.5a, Resetable       | 2                               |   |
| 2    | 383721           | Circuitbreaker, 10.0a                 | 2                               |   |
| 3    | 383724           | Circuitbreaker, 25.0a                 | 2                               |   |
| 4    | 383723           | Circuitbreaker, 20.0a                 | 1                               |   |
| 5    | 76062            | Insulator, Panel                      | 3                               |   |
| 6    | 58670            | Screw, Hex, .25–20 X 0.50, NI         | 3                               |   |
| 7    | 41702            | Rod, Thrd, Full, .25–20 01.5l         | 3                               |   |
| 8    | 32520            | Nut, Hex, Jam, .25–20                 | 3                               |   |
| 9    | 32982            | Washer, Lock, Int, .25                | 6                               |   |
| 10   | 32490            | Washer, Flt, .25 Std                  | 6                               |   |
| 11   | 386810           | Contactor, 36vdc                      | 2                               |   |
| 12   | 20170            | Nut, Hex, Jam, .31–24                 | 4                               |   |
| 13   | 32984            | Washer, Lock, Int, .31                | 4                               |   |
| 14   | 32490            | Washer, Flt, .25 Std                  | 4                               |   |
| 15   | 01713            | Nut, Hex, Std, #10–32                 | 4                               |   |
| 16   | 32980            | Washer, Lock, Int, #10                | 4                               |   |
| 17   | 19324            | Washer, Flat, #10 Sae                 | 4                               |   |
| 18   | 09145            | Screw, Pan, M06 X 1.0 X 16, 4.8       | 4                               |   |
| 19   | 32483            | Washer, Flt, .25 Sae                  | 6                               |   |
| 20   | 08708            | Nut, Hex, Lock, M06 X 1.0, NI         | 6                               |   |
| 21   | 33944            | Screw, Pan, M06 X 1.0 X 35, 4.8       | 2                               |   |
| 22   | 12259            | Switch, Micro                         | 1                               |   |
| 23   | 390783           | Bracket, Switch                       | 1                               |   |
| 24   | 06922            | Screw, Pan, M03 X 0.5 X 20, 4.8       | 2                               |   |
| 25   | 39658            | Washer, Lock, Int, #04                | 2                               |   |
| 26   | 01754            | Nut, Hex, Std, M03 X 0.5              | 2                               |   |
| 27   | 55248            | Mount, Cable Tie                      | 1                               |   |
| 28   | 49263            | Tie, Cable, Nyl, 11.4l .19w 3.0 Max D | 1                               |   |
| 29   | 06932            | Screw, Pan, M05 X 0.8 X 10, 4.8       | 1                               |   |
| 30   | 19066            | Washer, Flt, #10                      | 1                               |   |
| 31   | 06549            | Nut, Hex, Lock, M05 X 0.8, NI         | 1                               |   |
| ▽    | 32               | 390774                                | Harness, Wire, Charger          | 1 |
| ▲    | 33               | 22892                                 | Connector, Anderson, 175a, Gray | 1 |
|      | 34               | 87319                                 | Fuse, .88 X 3.2l 40a 125vac     | 1 |

▽ ASSEMBLY

▲ INCLUDED IN ASSEMBLY

Fig. 9 – Circuit Board and Controller Group

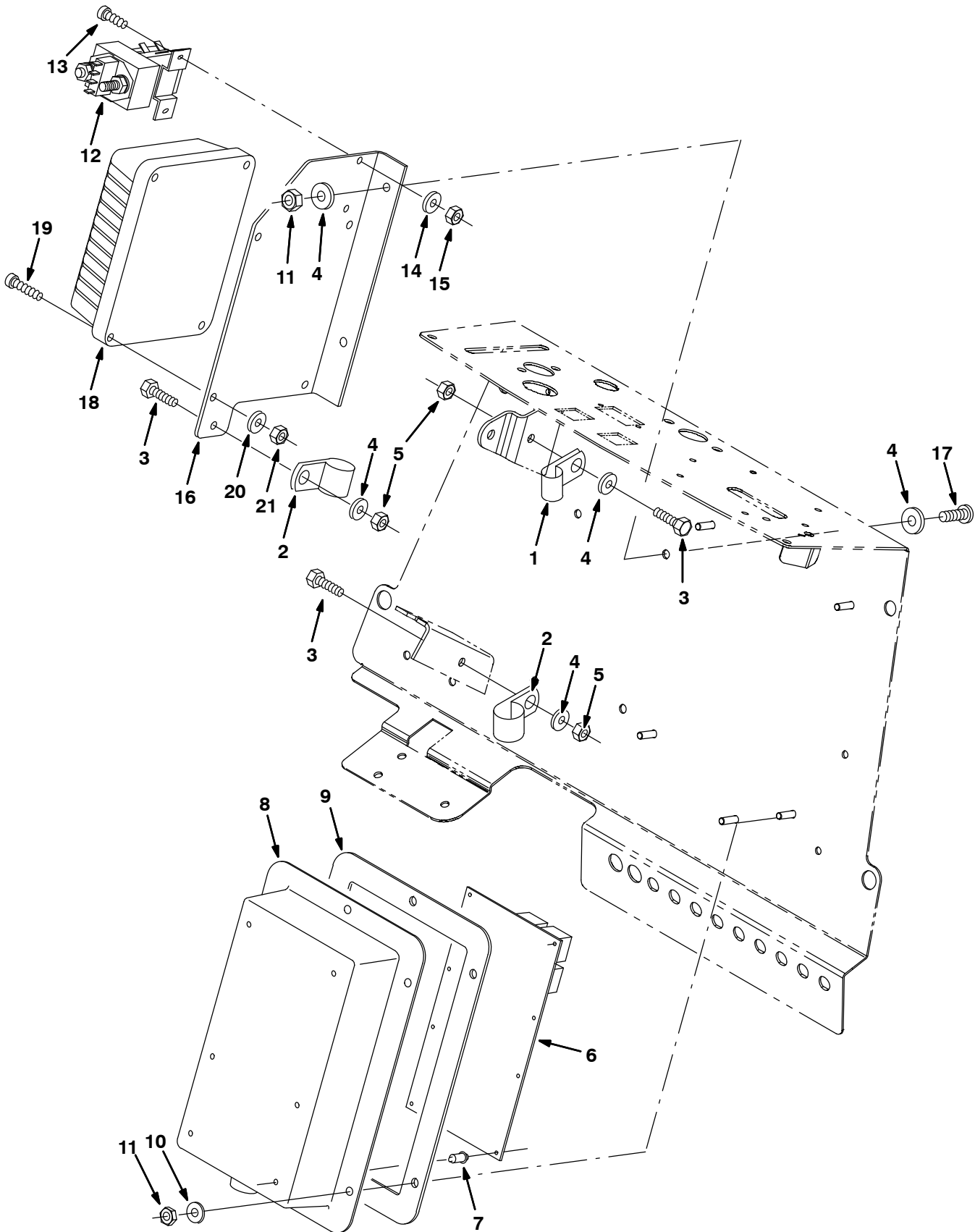
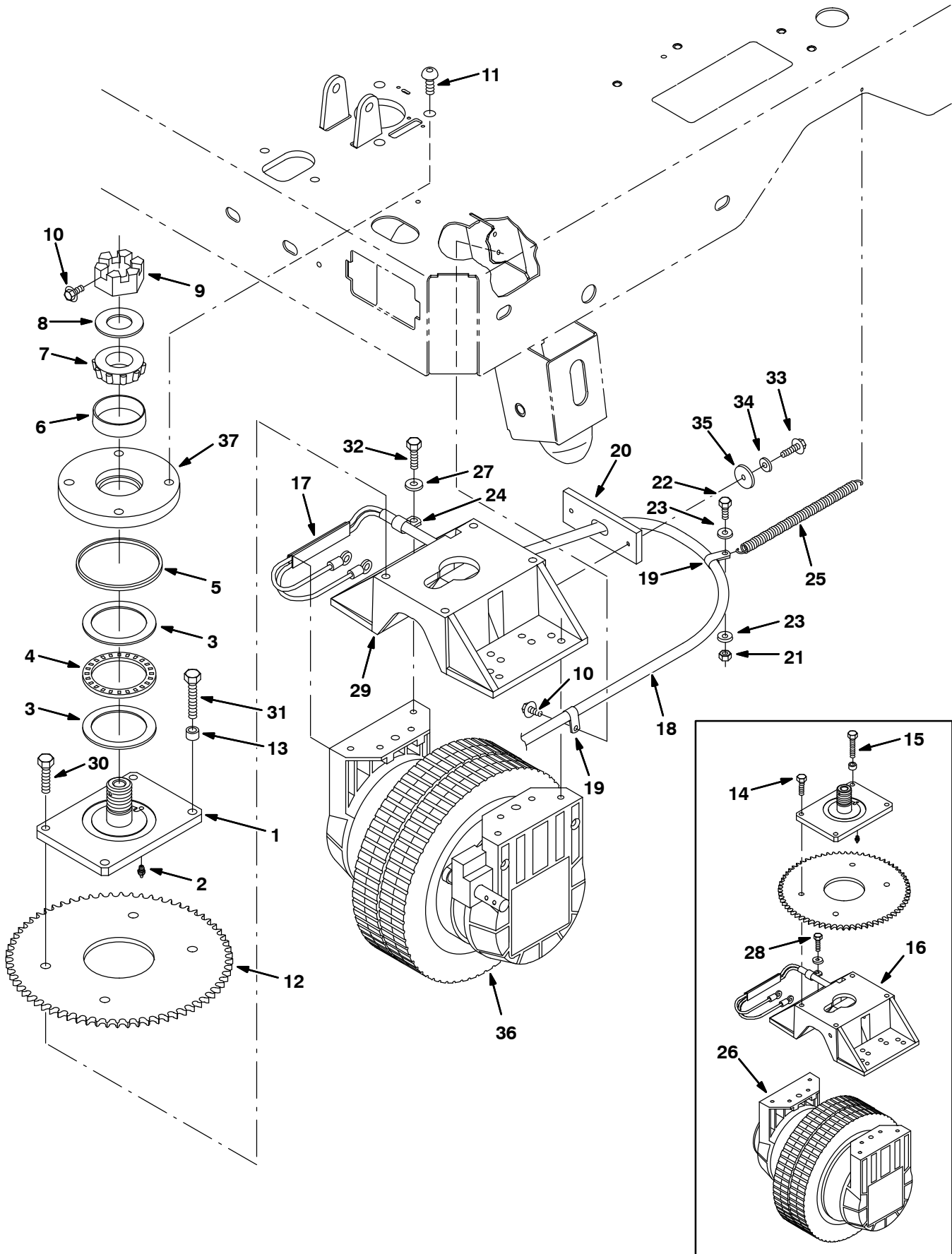


Fig. 9 – Circuit Board and Controller Group

| Ref. | Tennant Part No. | Description                          | Qty. |
|------|------------------|--------------------------------------|------|
| 1    | 67767            | Clamp, Cable, Stl, 0.69d X 0.62w, 1h | 1    |
| 2    | 69234            | Clamp, Cable, Stl, 1.00d X 0.62w, 1h | 2    |
| 3    | 08716            | Screw, Hex, M06 X 1.0 X 20, Ss       | 3    |
| 4    | 32483            | Washer, Flt, .25 Sae                 | 7    |
| 5    | 08712            | Nut, Hex, Lock, M06 X 1.0, NI, Ss    | 3    |
| 6    | 1014736          | Circuitboard Assy                    | 1    |
| 7    | 222493           | Clip, Circuitboard                   | 6    |
| 8    | 223046           | Cover, Ele                           | 1    |
| 9    | 223047           | Gasket, Cover                        | 1    |
| 10   | 32490            | Washer, Flt, .25 Std                 | 6    |
| 11   | 08708            | Nut, Hex, Lock, M06 X 1.0, NI        | 8    |
| 12   | 383719           | Contacto, 36vdc, No                  | 1    |
| 13   | 06933            | Screw, Pan, M05 X 0.8 X 16, 4.8      | 2    |
| 14   | 19066            | Washer, Flt, #10                     | 2    |
| 15   | 06549            | Nut, Hex, Lock, M05 X 0.8, NI        | 2    |
| 16   | 391121           | Bracket, Controller                  | 1    |
| 17   | 09145            | Screw, Pan, M06 X 1.0 X 16, 4.8      | 2    |
| 18   | 384462           | Controller, Propell                  | 1    |
| 19   | 06930            | Screw, Pan, M04 X 0.7 X 30, 4.8      | 4    |
| 20   | 19065            | Washer, Flt, #08                     | 4    |
| 21   | 02850            | Nut, Hex, Lock, M04 X 0.7, NI        | 4    |

Fig. 10 – Front Drive Wheel Group





**Fig. 10 – Front Drive Wheel Group**

| Ref. | Tennant Part No. | Description  | Qty. |
|------|------------------|--|------|
|      | 1 390855         | Plate Wldt, Swivel   | 1    |
|      | 2 07259          | Fitting, Grease, Str Pm04 .47l                             | 1    |
| ∇    | 374299           | Bearing Kit, Front Drive Wheel, Repllmt                    | 1    |
| ▲    | 3 223161         | Washer, Thrust   | 2    |
| ▲    | 4 223154         | Bearing, Thrust, 2.75b 3.63d 0.13w                         | 1    |
| ▲    | 5 223160         | Seal, Felt, .19th, 4.3d 04.0h                              | 1    |
| ▲    | 6 24989          | Bearing, Cup   | 1    |
| ▲    | 7 24988          | Bearing, Cone  | 1    |
|      | 8 223153         | Washer   | 1    |
|      | 9 223159         | Nut, Hex, Sltd, 1.25-12                                    | 1    |
|      | 10 361339        | Screw, Hex, M06 X 1.0 X 16, Fmg                            | 2    |
|      | 11 83097         | Screw, Btn, M12 X 1.75 X 25, 10.9 NI                       | 4    |
|      | 12 390785        | Sprocket, Steering, Drive                                  | 1    |
|      | 13 390879        | Spacer, .41b X .63od X .38l                                | 1    |
|      | 14 39284         | ① Screw, Hex, M10 X 1.5 X 35, 8.8                          | 3    |
|      | 15 06962         | ① Screw, Hex, M10 X 1.5 X 45, 8.8                          | 1    |
|      | 16 390847        | ① Kit, Repair, Adapter Plate                               | 1    |
|      | 17 391300        | Duct, Pvc, 0.40 X 0.75 0.40l                               | 1    |
|      | 18 390771        | Harness, Motor   | 1    |
|      | 19 26395-1       | Clamp, Cable, Stl, 0.56d X 0.38w, 1h                       | 2    |
|      | 20 1001959       | Flap, Strainrelief   | 1    |
|      | 21 08712         | Nut, Hex, Lock, M06 X 1.0, NI, Ss                          | 1    |
|      | 22 15678         | Screw, Hex, M06 X 1.0 X 16, Ss                             | 1    |
|      | 23 32483         | Washer, Flt, .25 Sae                                       | 2    |
|      | 24 67767         | Clamp, Cable, Stl, 0.69d X 0.62w, 1h                       | 1    |
|      | 25 22298         | Spring, Extn, 0.50od X 0.05wir, 8.0l                       | 1    |
|      | 26 390850        | ③ Gearbox, Wheel, Front, 300mm (See Breakdowns)            | 1    |
|      | 26 390851        | ④ Gearbox, Wheel, Front, 250mm (See Breakdowns)            | 1    |
|      | 27 01685         | Washer, Flt, .31 Ss  | 6    |
|      | 28 09011         | ① Screw, Hex, M08 X 1.25 X 30, Ss                          | 8    |
|      | 29 390848        | ② Plate, Adapter, Wheel                                    | 1    |
|      | 30 06942         | ② Screw, Hex, M10 X 1.0 X 45, 8.8                          | 3    |
|      | 31 16930         | ② Screw, Hex, M10 X 1.5 X 50, 8.8                          | 1    |
|      | 32 222504        | ② Screw, Hex, M08 X 1.25 X 30, Ss                          | 6    |
|      | 33 222159        | Screw, Hex, M06 X 1.0 X 25, Fmg                            | 2    |
|      | 34 32490         | Washer, Flt, .25 Std                                       | 2    |
|      | 35 41178         | Washer, Flt, 0.25 Fender                                   | 2    |
|      | 36 1007541       | ⑤ Gearbox, Wheel, 250mm, 36vdc Band Brake (See Breakdowns) | 1    |
|      | 36 374346        | ⑥ Gearbox, Wheel, 250mm, 36vdc Band Brake (See Breakdowns) | 1    |
|      | 37 223157        | Plate, Swivel, Bottom                                      | 1    |

- ① Serial number (000000-001176)
- ② Serial number (001177- )
- ③ Serial number (00000000-10146633)
- ④ Serial number (10146634-10160409)
- ⑤ Serial number (10160410-10262871)
- ⑥ Serial number (10262872- )

∇ ASSEMBLY  
 ▲ INCLUDED IN ASSEMBLY

# STANDARD PARTS

Fig. 11 – Front Brake Linkage Group (S/N 10160410– )

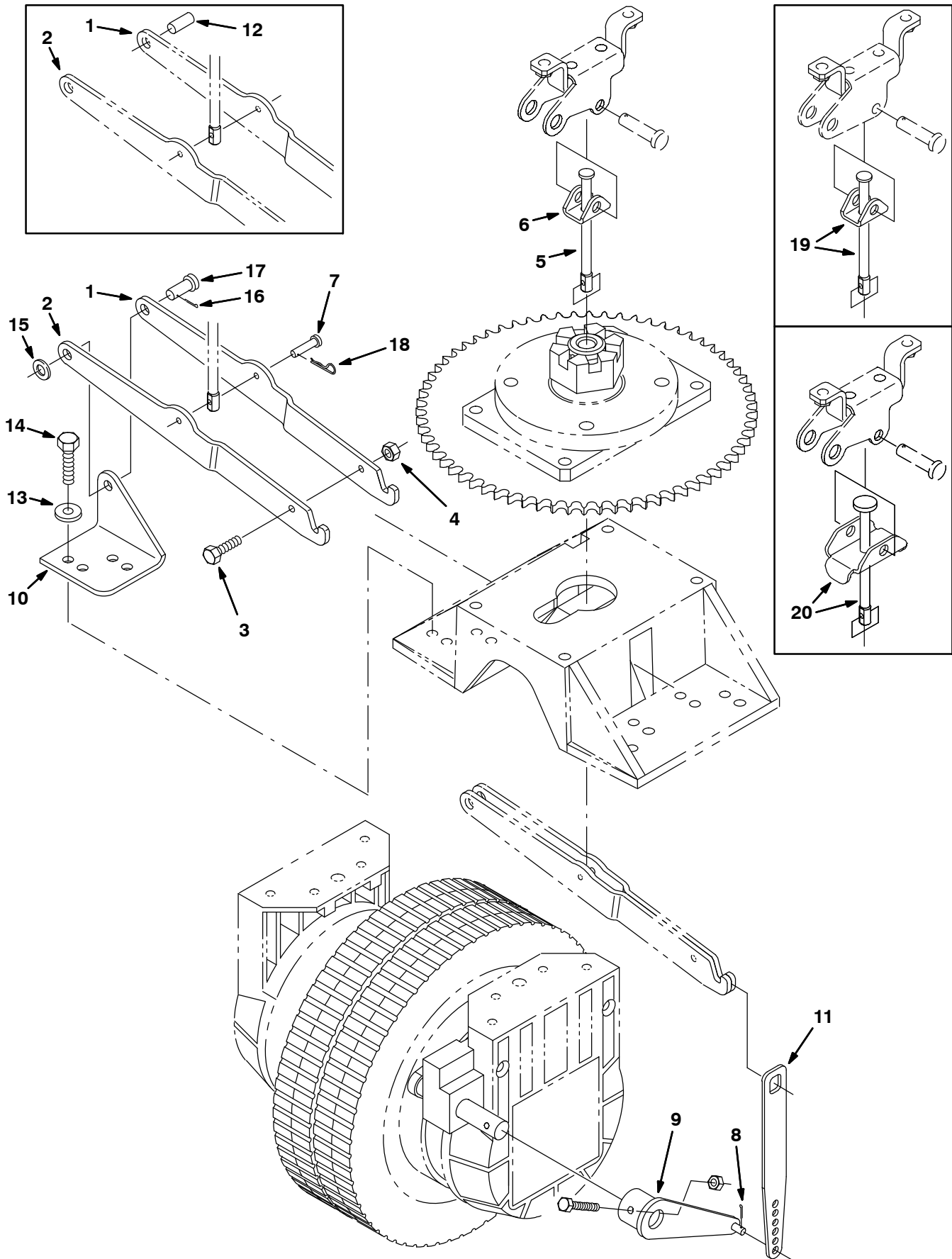


Fig. 11 - Front Brake Linkage Group (S/N 10160410- )

| Ref. | Tennant Part No. | Description                         | Qty. |
|------|------------------|-------------------------------------|------|
| 1    | 1017440          | ⑤ Arm, Link, Brake, Lh              | 1    |
| 2    | 1017439          | ⑤ Arm, Link, Brake, Rh              | 1    |
| 3    | 08716            | ⑤ Screw, Hex, M06 X 1.0 X 20, Ss    | 1    |
| 4    | 08712            | ⑤ Nut, Hex, Lock, M06 X 1.0, NI, Ss | 1    |
| 5    | 1026028          | ⑩ Link, Brake, Upper                | 1    |
| 6    | 1026017          | ⑩ Channel, Brake                    | 1    |
| 7    | 36191            | ⑤ Pin, Clevis, 0.19 D X 1.00I       | 1    |
| 8    | 08170            | ⑤ Pin, Cotter, 0.62 X 0.50          | 1    |
| 9    | 1002522          | ⑤ Arm Wldt, Brake                   | 1    |
| 10   | 1002536          | ⑤ Bracket, Brake, Pivot             | 1    |
| 11   | 1002537          | ⑤ Link, Brake                       | 1    |
| 12   | 86240            | ⑥ Pin, Clevis, 0.38d X 1.13I        | 1    |
| 13   | 01685            | ⑤ Washer, Flt, .31 Ss               | 2    |
| 14   | 06957            | ⑤ Screw, Hex, M8 X 1.25 X 60, 8.8   | 2    |
| 15   | 32492            | ⑦ Washer                            | 1    |
| 16   | 08182            | ⑦ Pin, Cotter, .125 X 1.00          | 1    |
| 17   | 140608           | ⑦ Pin, Clevis, 0.38d X 1.25I        | 1    |
| 18   | 86866            | ⑤ Pin, Hair Cotter, 0.38 D .072 Wir | 1    |
| 19   | 377411           | ⑧ Linkage Kit, Brake, Replmt        | 1    |
| 20   | 377411           | ⑨ Linkage Kit, Brake, Replmt        | 1    |

⑤ Serial number (10160410- )

⑥ Serial number (10160410-10235461)

⑦ Serial number (10235462- )

⑧ Serial number (10160410-10230074)

⑨ Serial number (10230075-10251077)

⑩ Serial number (10251078- )

**Fig. 12 – Front Brake Linkage Group (S/N 0000000–10160409)**

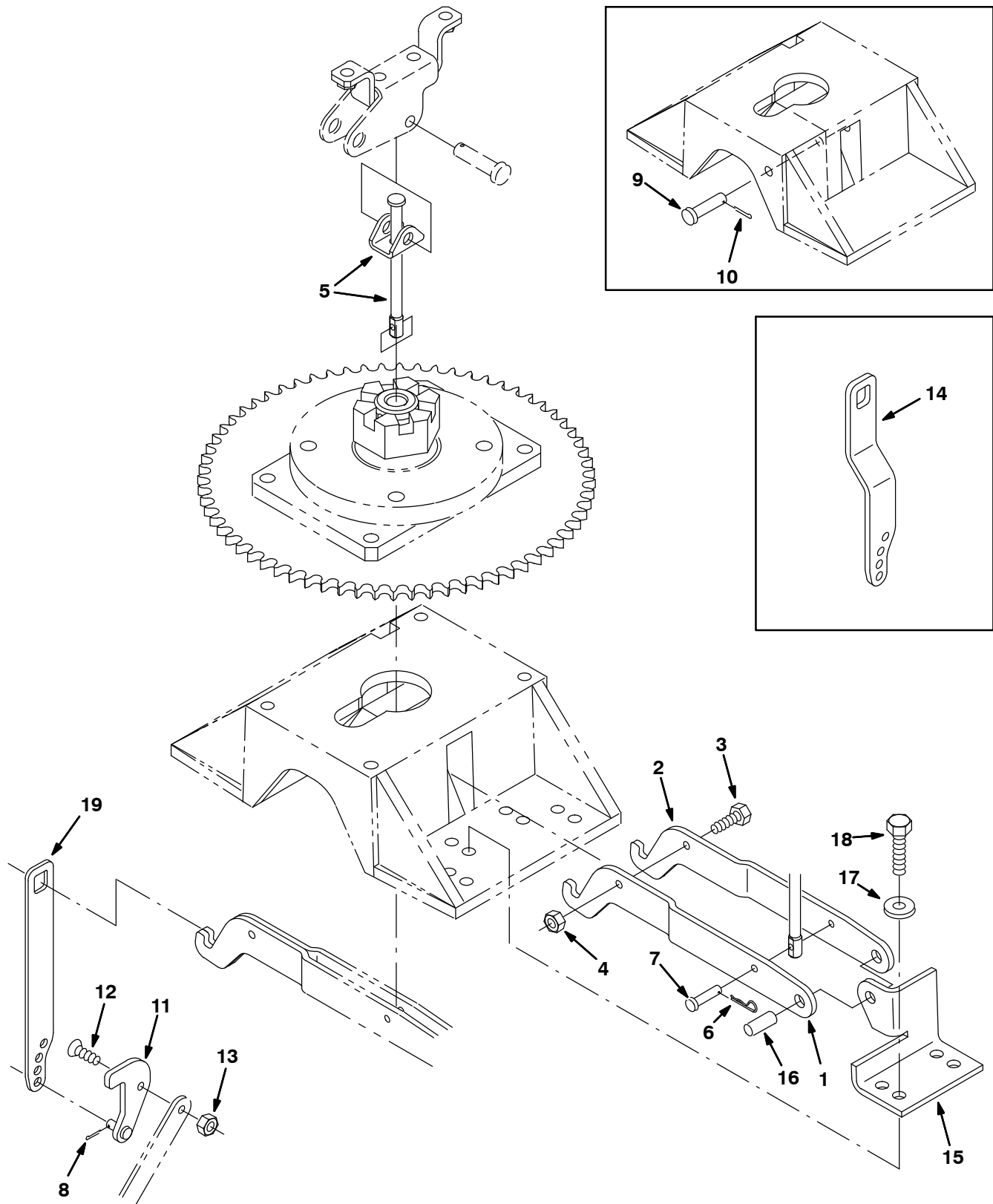


Fig. 12 - Front Brake Linkage Group (S/N 00000000-10160409)

| Ref. | Tennant Part No. | Description                         | Qty. |
|------|------------------|-------------------------------------|------|
| 1    | 390892           | ④ Arm, Link, Brake, Lh              | 1    |
| 2    | 390893           | ④ Arm, Link, Brake, Rh              | 1    |
| 3    | 08716            | ④ Screw, Hex, M06 X 1.0 X 20, Ss    | 1    |
| 4    | 08712            | ④ Nut, Hex, Lock, M06 X 1.0, NI, Ss | 1    |
| 5    | 377411           | Linkage Kit, Brake, Replmt.         | 1    |
| 6    | 86866            | ④ Pin, Hair Cotter, 0.38 D .072 Wir | 1    |
| 7    | 36191            | ④ Pin, Clevis, 0.19 D X 1.00l       | 1    |
| 8    | 08170            | ④ Pin, Cotter, .062 X 0.50          | 1    |
| 9    | 222260           | ① Pin, Clevis, 0.37 D X 2.25l       | 1    |
| 10   | 39005            | ① Pin, Cotter, .094 X 0.75          | 1    |
| 11   | 390895           | ④ Arm Wldt, Brake                   | 1    |
| 12   | 09062            | ④ Screw, Flat, M06 X 1.0 X 16, 10.9 | 1    |
| 13   | 08708            | ④ Nut, Hex, Lock, M06 X 1.0, NI     | 1    |
| 14   | 392965           | ③ Link, Brake                       | 1    |
| 15   | 390856           | ② Bracket, Brake, Pivot             | 1    |
| 16   | 140608           | ② Pin, Clevis, 0.38d X 1.25l        | 1    |
| 17   | 01685            | ② Washer, Flt, .31 Ss               | 2    |
| 18   | 09023            | ② Screw, Hex, M08 X 1.25 X 35, Ss   | 2    |
| 19   | 392968           | ④ Link, Brake, Flt .12 1.0w 7.7l    | 1    |

① Serial number (000000-001176)

② Serial number (001177-10160409)

③ Serial number (00000000-10046633)

④ Serial number (10046634-10160409)

Fig. 13 - Brake Pedal Group

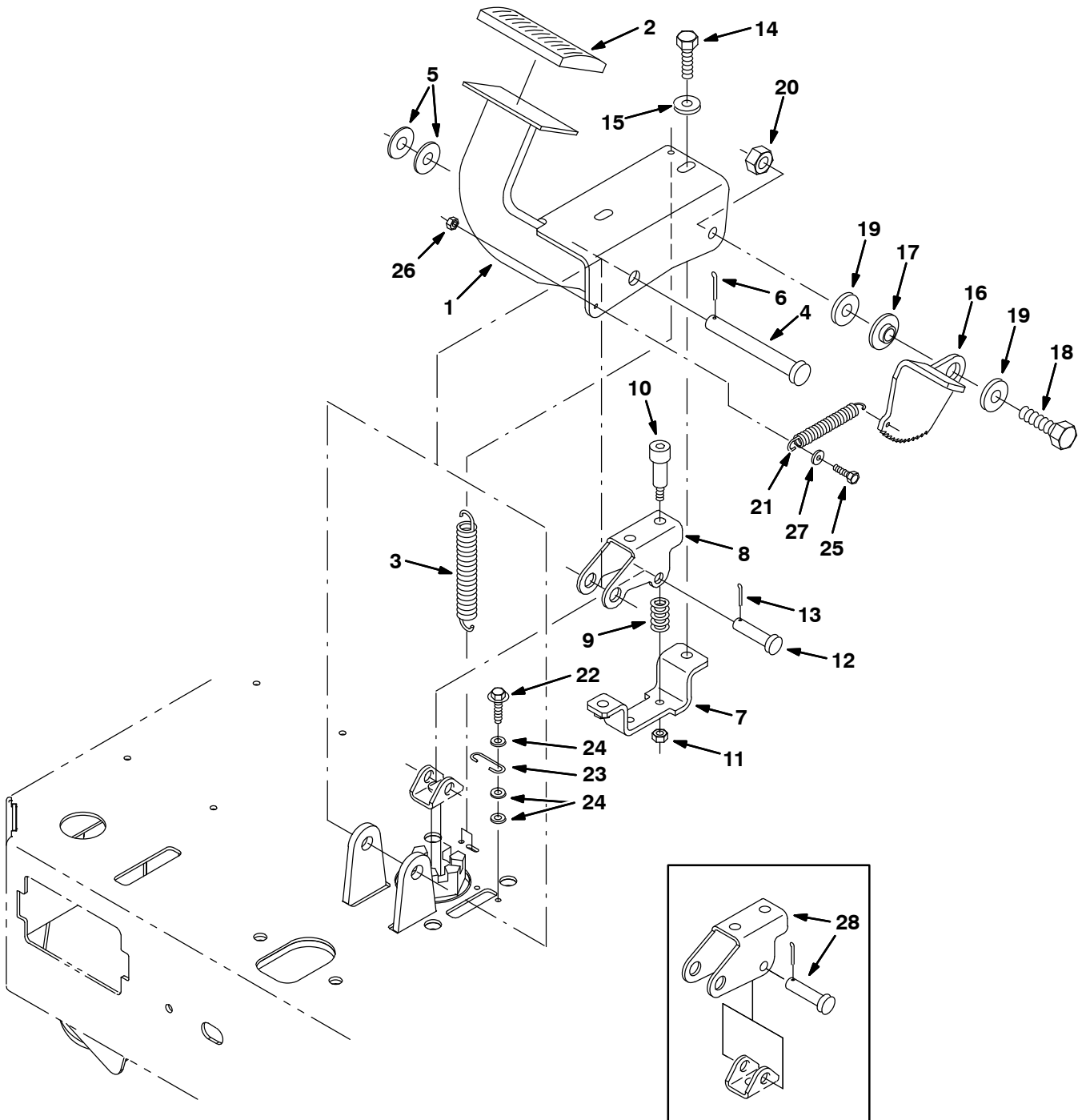


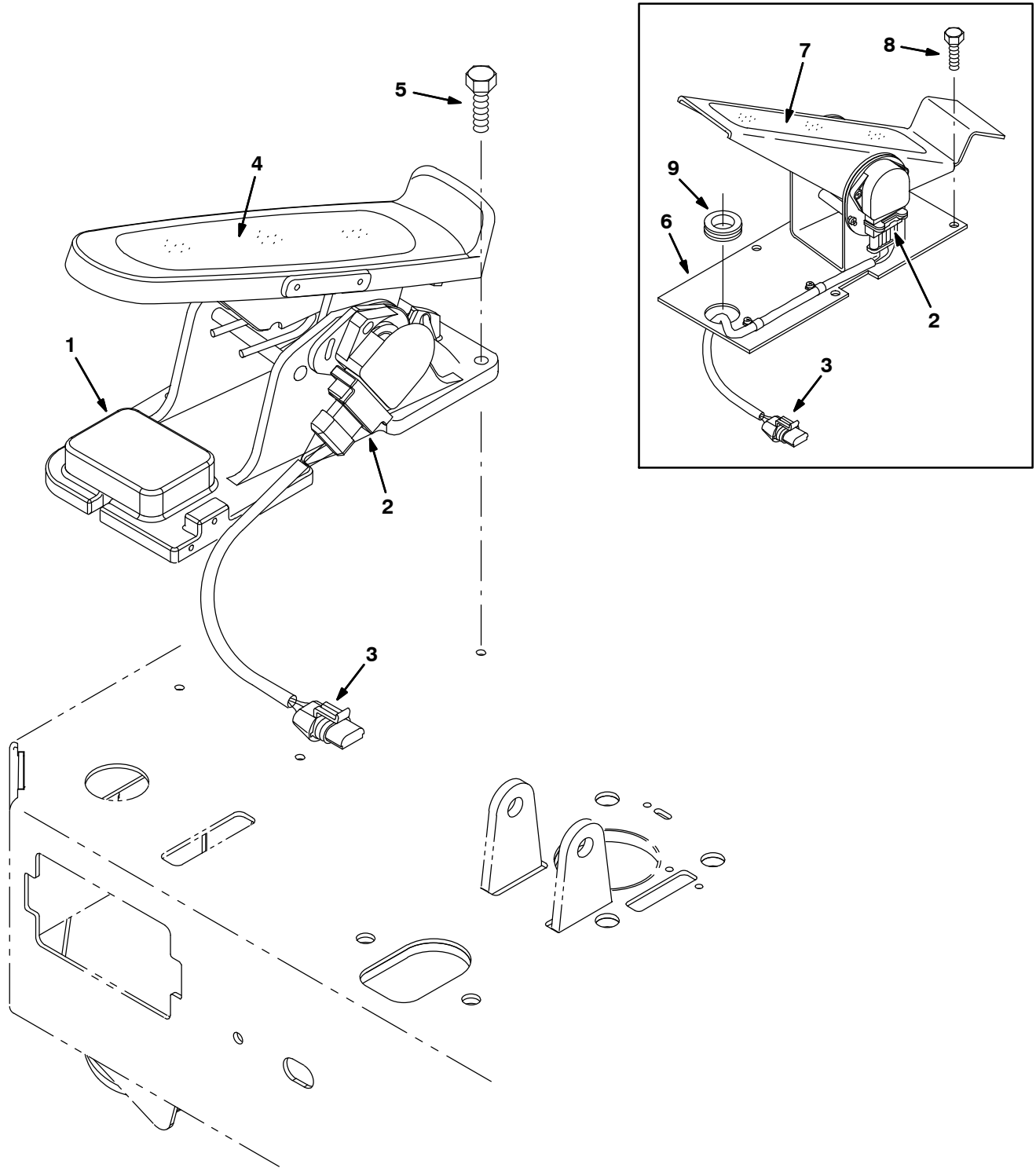
Fig. 13 – Brake Pedal Group

| Ref. | Tennant-<br>Part No. | Description                               | Qty. |
|------|----------------------|---|------|
| 1    | 1006723              | Pedal Wldt, Brake                         | 1    |
| 2    | 51109                | Pad                                       | 1    |
| 3    | 363981               | Spring, Extn, 0.50od X 0.04wir, 3.0l      | 1    |
| 4    | 374225               | Pin, Clevis, 0.50 D X 3.75l               | 1    |
| 5    | 32486                | Washer, Flt, .50 Sae                      | 2    |
| 6    | 02942                | Pin, Hair, Cotter, 0.62D .120 Wir         | 1    |
| 7    | 392966               | Channel Wldt, Mtg, Spring                 | 1    |
| 8    | 1019764              | <sup>④</sup> Bracket, Channel, Mtg, Brake | 1    |
| 9    | 81672                | Spring, Cmpr, .37id X Flat Wir 1.0l       | 2    |
| 10   | 16213                | Bolt, Shld, .31d X 1.00, .25–20           | 2    |
| 11   | 75934                | Nut, Hex, Lock, .25–20, NI                | 2    |
| 12   | 29558                | Pin, Clevis, 0.37d X 1.50l                | 1    |
| 13   | 39005                | Pin, Cotter, .094 X 0.75                  | 1    |
| 14   | 12274                | Screw, Hex, M06 X 1.0 X 20, NI            | 2    |
| 15   | 32483                | Washer, Flt, .25 Sae                      | 2    |
| 16   | 83149                | Pedal, Brake, Lock                        | 1    |
| 17   | 363087               | Bushing, Flng, 0.44b 1.25d 0.25l          | 1    |
| 18   | 39284                | Screw, Hex, M10 X 1.5 X 35, 8.8           | 1    |
| 19   | 32492                | Washer, Flt, .38 Std                      | 2    |
| 20   | 41430                | Nut, Hex, Lock, M10 X 1.5, NI             | 1    |
| 21   | 54745                | Spring, Extn, 0.38od X 0.04wir, 2.3l      | 1    |
| 22   | 55845                | Screw, Hex, M5 X 0.80 X 16, Fmg           | 2    |
| 23   | 97031                | Spring, Wir, 0.08d, Brake, Parking        | 1    |
| 24   | 19066                | Washer, Flt, #10                          | 6    |
| 25   | 09228                | Screw, Hex, M04 X 0.7 X 20, 8.8           | 1    |
| 26   | 02850                | Nut, Hex, Lock, M04 X 0.7, NI             | 1    |
| 27   | 19065                | Washer, Flat, #08                         | 1    |
| 28   | 377411               | <sup>③</sup> Linkage Kit, Brake, Replmt   | 1    |

<sup>③</sup> Serial number (00000000–10251077)

<sup>④</sup> Serial number (10251078– )

Fig. 14 – Directional Pedal Group (S/N 10117238– )





**Fig. 14 - Directional Pedal Group (S/N 10117238- )**

|   | <b>Ref.</b> | <b>Tennant-<br/>Part No.</b> | <b>Description</b>                       | <b>Qty.</b> |
|---|-------------|------------------------------|--|-------------|
| ▽ | 1           | 1042523                      | ② Pedal Kit, Propel, 12Vdc               | 1           |
| ▲ | 2           | 385728                       | ② Sensor, Pedal Position                 | 1           |
| ▲ | 3           | 385729                       | ② Harness, Pedal                         | 1           |
| ▲ | 4           | 1042514                      | ④ Vr, Tread, Non-Skid                    | 1           |
|   | 5           | 222159                       | ④ Screw, Hex, M6 X 1.00 X 25, Fmg        | 4           |
|   | 6           | N/A                          | ③ Replaced By 1042523                    | 1           |
|   | 7           | 82839                        | ③ Tread, Non-Skid, 02.2w 11.5l           | 1           |
|   | 8           | 74455                        | ③ Screw, Hex, M06 X 1.0 X 12, Fmg        | 4           |
|   | 9           | 10632                        | ③ Grommet, Rbr, 0.89id, F/ 1.2h, .14matl | 1           |

② Serial number (10117238- )

③ Serial number (10117238-10371923)

④ Serial number (10371924- )

▽ ASSEMBLY

▲ INCLUDED IN ASSEMBLY

# STANDARD PARTS

Fig. 15 - Directional Pedal Group (S/N 0000000-10117237)

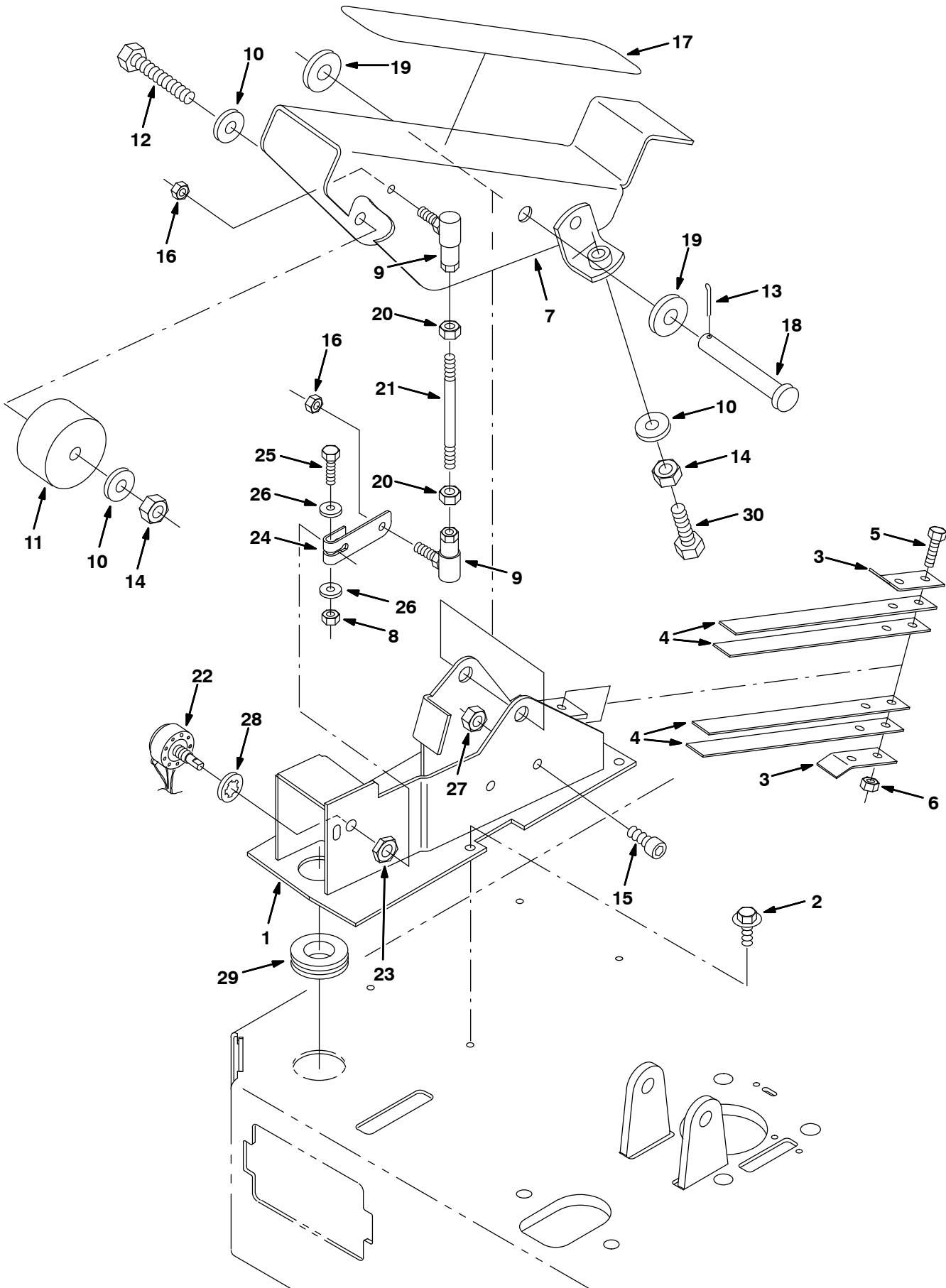
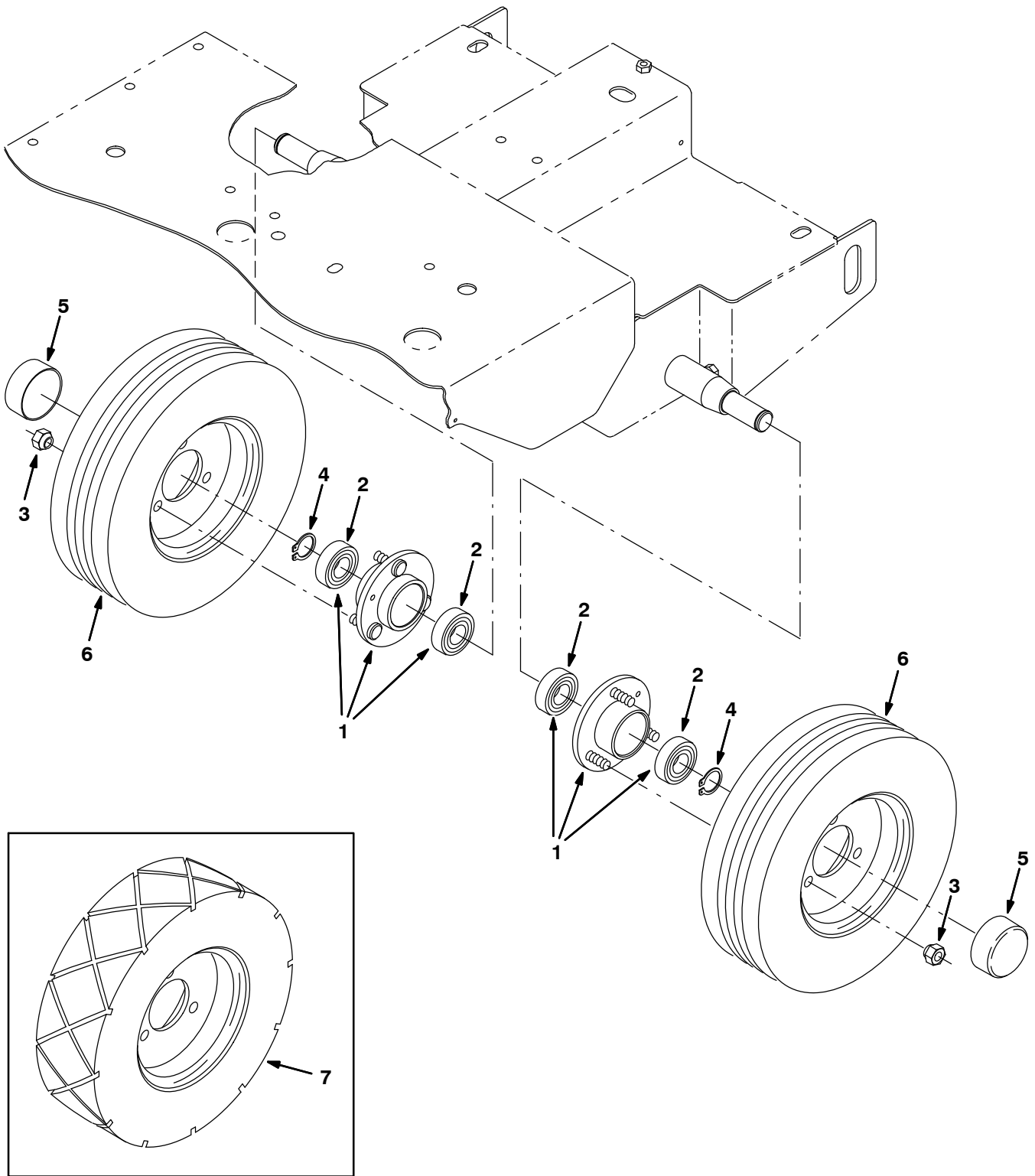


Fig. 15 – Directional Pedal Group (S/N 00000000–10117237)

| Ref. | Tennant Part No. | Description                              | Qty. |
|------|------------------|--|------|
| 1    | 81569            | 1 Plate Wldt, Cntrl                      | 1    |
| 2    | 74455            | 1 Screw, Hex, M06 X 1.0 X 12, Fmg        | 4    |
| 3    | 223601           | 1 Retainer, Spring                       | 2    |
| 4    | 223600           | 1 Strip, Stl, 0.05th X 00.75w, 07.80l    | 4    |
| 5    | 06944            | 1 Screw, Hex, M06 X 1.0 X 25, 8.8        | 2    |
| 6    | 08708            | 1 Nut, Hex, Lock, M06 X 1.0, NI          | 2    |
| 7    | 223320           | 1 Pedal Wldt, Accelerator                | 1    |
| 8    | 32981            | 1 Nut, Hex, Lock, .25–20, NI             | 1    |
| 9    | 14601            | 1 Balljoint, .25–28 Fem/.25–28mal        | 2    |
| 10   | 32485            | 1 Washer, Flt, .38 Sae                   | 3    |
| 11   | 87725            | 1 Spacer                                 | 1    |
| 12   | 06963            | 1 Screw, Hex, M10 X 1.5 X 60, 8.8        | 1    |
| 13   | 08182            | 1 Pin, Cotter, .125 X 1.00               | 1    |
| 14   | 41430            | 1 Nut, Hex, Lock, M10 X 1.5, NI          | 2    |
| 15   | 49609            | 1 Screw, Soc, M08–1.25 x 16              | 2    |
| 16   | 13513            | 1 Nut, Hex, Lock, .25–28, NI             | 2    |
| 17   | 82839            | 1 Tread, Non–Skid, 02.2 11.5             | 1    |
| 18   | 06474A           | 1 Pin, Clevis, 0.50 D X 3.50l            | 1    |
| 19   | 32486            | 1 Washer, Flt, .50 Sae                   | 2    |
| 20   | 32899            | 1 Nut, Hex, Jam, .25–28                  | 2    |
| 21   | 384414           | 1 Rod, Threaded, 2 End, .25–28 3.38l     | 1    |
| 22   | 81942            | 1 Potentiometer                          | 1    |
| 23   | 222607           | 1 Nut, Hex, Thin, .38–32                 | 1    |
| 24   | 81989            | 1 Lever                                  | 1    |
| 25   | 25047            | 1 Screw, Hex, .25–20 X 1.25, 5           | 1    |
| 26   | 32483            | 1 Washer, Flt, .25 Sae                   | 2    |
| 27   | 08709            | 1 Nut, Hex, Lock, M08 X 1.25, NI         | 2    |
| 28   | 32988            | 1 Washer, Lock, Int, .38                 | 1    |
| 29   | 10632            | 1 Grommet, Rbr, 0.89id, F/ 1.2h, .14matl | 1    |
| 30   | 06963            | 1 Screw, Hex, M10 X 1.5 X 60, 8.8        | 1    |

1 Serial number (00000000–10117237)

Fig. 16 - Rear Wheel Group



**Fig. 16 – Rear Wheel Group**

|   | <b>Ref.</b> | <b>Tennant<br/>Part No.</b> | <b>Description</b>                                | <b>Qty.</b> |
|---|-------------|-----------------------------|---|-------------|
| ▽ | 1           | 391382                      | Housing Assy, Wheel                               | 2           |
| ▲ | 2           | 13534                       | Bearing, Ball, 0.98b 2.05d 0.59w                  | 2           |
|   | 3           | 11109                       | Nut, Wheel, .44–20 X 60 Angle                     | 6           |
|   | 4           | 09005                       | Ring, Retaining, Ext, 1.00d, Basic                | 2           |
|   | 5           | 390905                      | Cap, Axle, Vyl, 02.38d                            | 2           |
|   | 6           | 369345                      | Tire Assy, Solid, 12.3x3.5 3.5bc/3bolt (Standard) | 2           |
|   | 7           | 1036256                     | Tire Assy, Solid, 12.0X3.5 3.5Bc/3bolt (Optional) | 2           |

▽ ASSEMBLY

▲ INCLUDED IN ASSEMBLY

Fig. 17 - Scrub Head Lift Group

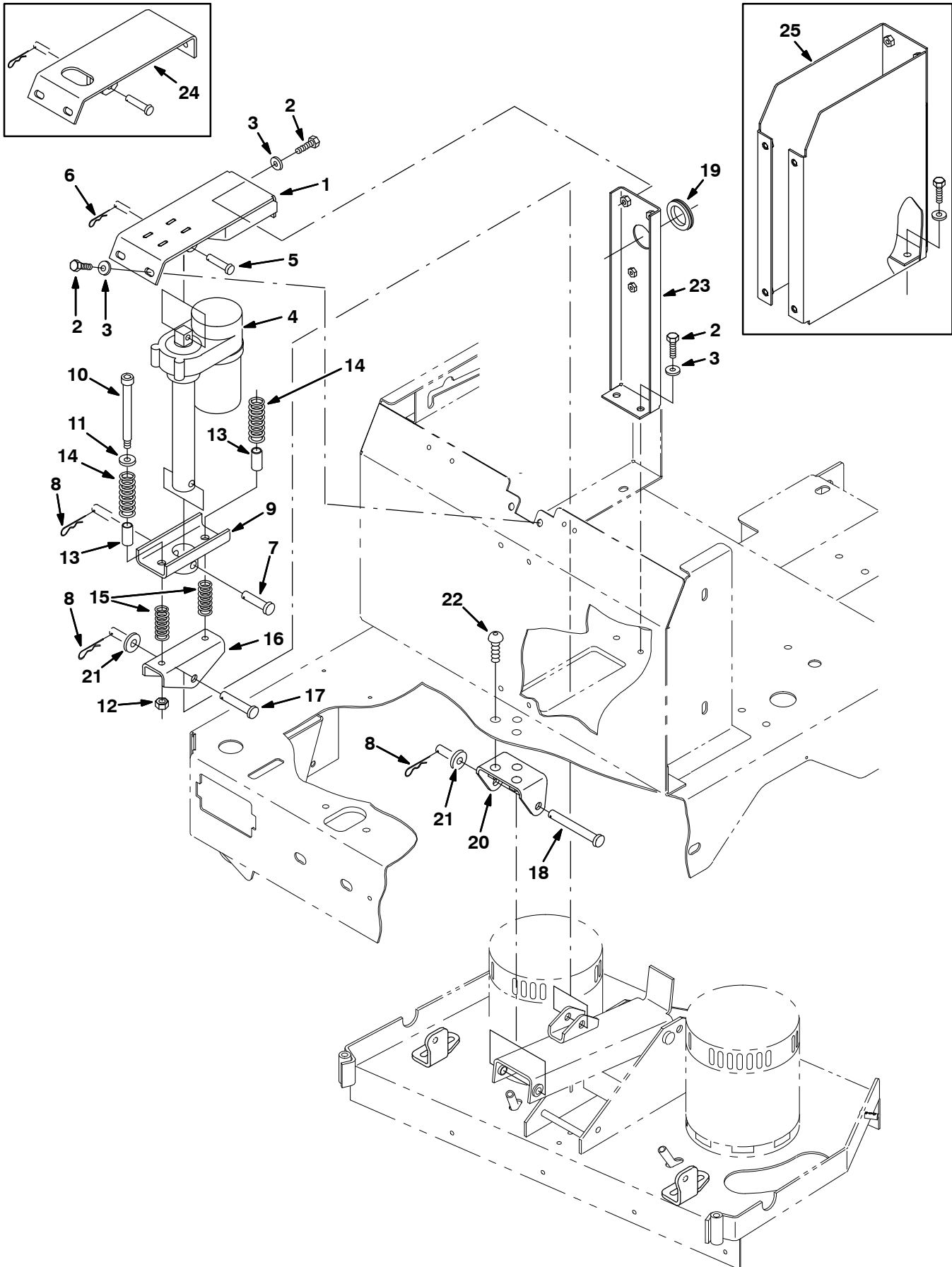


Fig. 17 – Scrub Head Lift Group

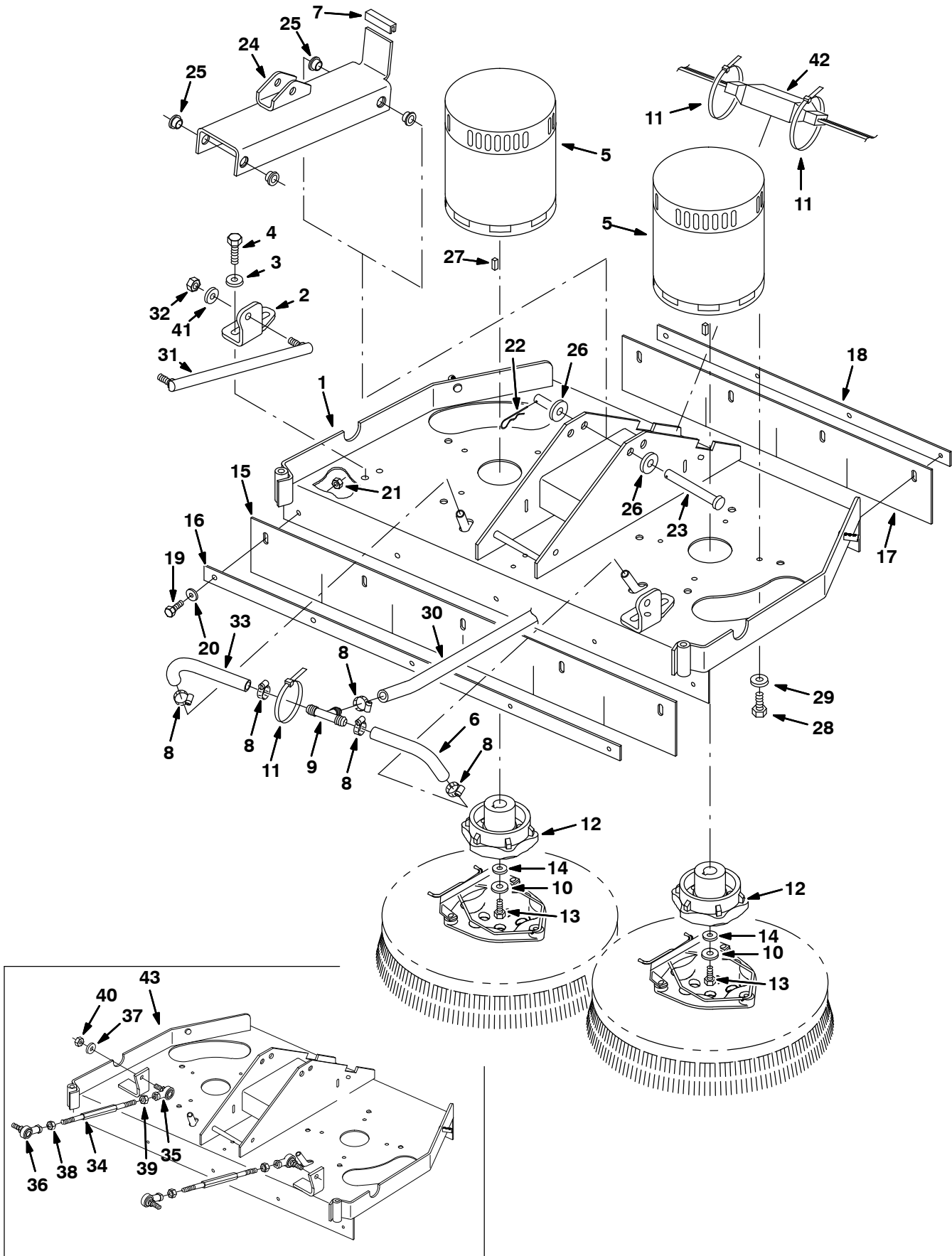
| Ref. | Tennant Part No. | Description                            | Qty. |
|------|------------------|--|------|
| 1    | 393023           | ② Channel Wldt, Actuator, Mtg          | 1    |
| 2    | 39277            | Screw, Hex, M08 X 1.25 X 25, 8.8       | 6    |
| 3    | 32490            | Washer, Flat, .25 Std                  | 6    |
| 4    | 1053340          | Actuator, 36vdc, [Head Lift]           | 1    |
| 5    | 17461            | Pin, Clevis, 0.37 D X 1.75l            | 1    |
| 6    | 86866            | Pin, Hair Cotter, 0.38 D .072 Wir      | 1    |
| 7    | 51534            | Pin, Clevis, 0.50 D X 2.00l            | 1    |
| 8    | 02942            | Pin, Hair, Cotter, 0.62D .120 Wir      | 3    |
| 9    | 223450           | Channel Wldt, Mtg, Actuator            | 1    |
| 10   | 45960            | Bolt, Shld, .50d X 4.25, .38-16        | 2    |
| 11   | 32486            | Washer, Flt, .50 Sae                   | 2    |
| 12   | 36643            | Nut, Hex, Lock, .38-16, NI, Thin       | 2    |
| 13   | 50682            | Sleeve, .50id X .62od X 1.31l          | 2    |
| 14   | 223518           | Spring, Cmpr, 0.98od .14wir 2.5l       | 2    |
| 15   | 223517           | Spring, Cmpr, 0.84od .11wir 2.0l       | 2    |
| 16   | 390665           | Channel, Input, Tool, Lift             | 1    |
| 17   | 11211            | Pin, Clevis, 0.50 D X 2.25l            | 1    |
| 18   | 222196           | Pin, Clevis, 0.50 D X 4.00l            | 1    |
| 19   | 04051            | Grommet, Rbr, 1.31id, F/ 1.6h, .12matl | 1    |
| 20   | 392967           | Channel Wldt, Mtg, Tool, Lift          | 1    |
| 21   | 32486            | Washer, Flt, .50 Sae                   | 2    |
| 22   | 83097            | Screw, Btn, M12 X 1.75 X 25, 10.9 NI   | 3    |
| 23   | 392816           | ② Channel Wldt, Sppt                   | 1    |
| 24   | N/A              | ① Replaced by item #1                  | 1    |
| 25   | N/A              | ① Replaced by item #23                 | 1    |

① Serial number (00000000-10108251)

② Serial number (10108252- )

# STANDARD PARTS

Fig. 18 – Disk Scrub Head Drive Motor Group, 700 mm (28 in)





**Fig. 18 – Disk Scrub Head Drive Motor Group, 700 mm (28 in)**

NOTE: Disk Scrub Head Kit, Tennant Part Number 391029, includes Fig. 18, and Fig. 19.

| Ref. | Tennant Part No. | Description | Qty.   |        |
|------|------------------|-------------|--|--------|
| ▽    | 1                | 1040861     | Head Kit, Ci, 28 Inch [7100]                 | 1      |
| ▲    | 2                | 1006123     | ② Bracket, Link, Head, Disk                  | 2      |
| ▲    | 3                | 01686       | ② Washer, Flat, 0.44B 1.00D .08, Ss          | 4      |
| ▲    | 4                | 10959       | ② Screw, Hex, M10 X 1.5 X 20, SS, NL         | 4      |
| ▽    | 5                | 390849      | Motor, Ele, 36vdc, 0.50hp, 0320rpm           | 2      |
| ▲    |                  | 611287000   | Kit, Brush, Motor, Ele.                      | 1      |
|      | 6                | 1011403     | Hose, Afmkt Pvc, Brd 0.50id X 1 Ft (376716)  | 0.550' |
|      | 7                | 223645      | Molding, Trim, Rbr, .13 03.0                 | 1      |
|      | 8                | 54333       | Clamp, Hose, Wormdrive, 0.31–0.88d           | 5      |
|      | 9                | 63245–1     | Fitting, Plstc, Tee, Bm08/Bm08/Bm08          | 1      |
|      | 10               | 01686       | Washer, Flat, 0.44B 1.00 .08, Ss             | 2      |
|      | 11               | 44961       | Tie, Cable, Nyl, 14.5l .30w 4.0 Max D        | 3      |
|      | 12               | 377364      | Hub, Drive, Brush, Disk, 0.75b 6t            | 2      |
|      | 13               | 02991       | Screw, Hex, .31–18 X 0.75, Ss                | 2      |
|      | 14               | 41186       | Washer, Belleville, .31                      | 2      |
|      | 15               | 390633      | Skirt, Front, Scb, Disk, 28 Inch             | 1      |
|      | 16               | 390635      | Strip, Retainer, Skirt, Front, 28 Inch       | 1      |
|      | 17               | 390634      | Skirt, Rear, Scb, Disk, 28 Inch              | 1      |
|      | 18               | 390636      | Strip, Retainer, Skirt, Rear, 28 Inch        | 1      |
|      | 19               | 08716       | Screw, Hex, M06 X 1.0 X 20, Ss               | 9      |
|      | 20               | 01684       | Washer, Flt, .25 Ss                          | 9      |
|      | 21               | 08712       | Nut, Hex, Lock, M06 X 1.0, NI, Ss            | 9      |
|      | 22               | 02942       | Pin, Hair, Cotter, 0.62D .120 Wir            | 1      |
|      | 23               | 222196      | Pin, Clevis, 0.50 D X 4.00l                  | 1      |
|      | 24               | 390741      | Channel Wldt, Lift Tool                      | 1      |
|      | 25               | 15648       | Bushing, Flng, 0.50b 0.59d 0.38l             | 4      |
|      | 26               | 32486       | Washer, Flt, .50 Sae                         | 2      |
|      | 27               | 00926       | Key, Sq, 0.25 X 0.25, 0.75l                  | 2      |
|      | 28               | 24672       | Screw, Hex, .25–20 X 0.75, Ss                | 8      |
|      | 29               | 01684       | Washer, Flt, 0.25 Ss                         | 8      |
|      | 30               | 1006401     | Hose, Afmkt, Pvc, Brd, 0.50id, 03ft (376716) | 2.330' |
|      | 31               | 392882      | ② Link, Balljoint, M10 X 1.5, 11.0L          | 2      |
|      | 32               | 08714       | ② Nut, Hex, Lock, M10 X 1.5, NL, SS          | 2      |
|      | 33               | 1011403     | Hose, Afmkt Pvc, Brd 0.50id X 1 Ft (376716)  | 0.550' |
|      | 34               | 390666      | ① Rod, Thrd, 2 End, .38–24 09.0l Lh/Rh       | 2      |
|      | 35               | 86780       | ① Rod–End, .38–24lh Fem 0.38–24stud          | 2      |
|      | 36               | 86781       | ① Rod–End, .38–24rh Fem 0.38–24stud          | 2      |
|      | 37               | 01686       | ① Washer, Flat, 0.44B 1.00D .08, Ss          | 4      |
|      | 38               | 20171       | ① Nut, Hex, Jam, .38–24                      | 2      |
|      | 39               | 82889       | ① Nut, Hex, Jam, .38–24, Lh                  | 2      |
|      | 40               | 50269       | ① Nut, Hex, Lock, .38–24, NI, Ss             | 4      |
|      | 41               | 01686       | ② Washer, Flat, 0.44B 1.00D .08, Ss          | 2      |
|      | 42               | 390777      | Harness, Disk Head, Ele                      | 1      |
|      | 43               | N/A         | ① Replaced by item #1                        | –      |

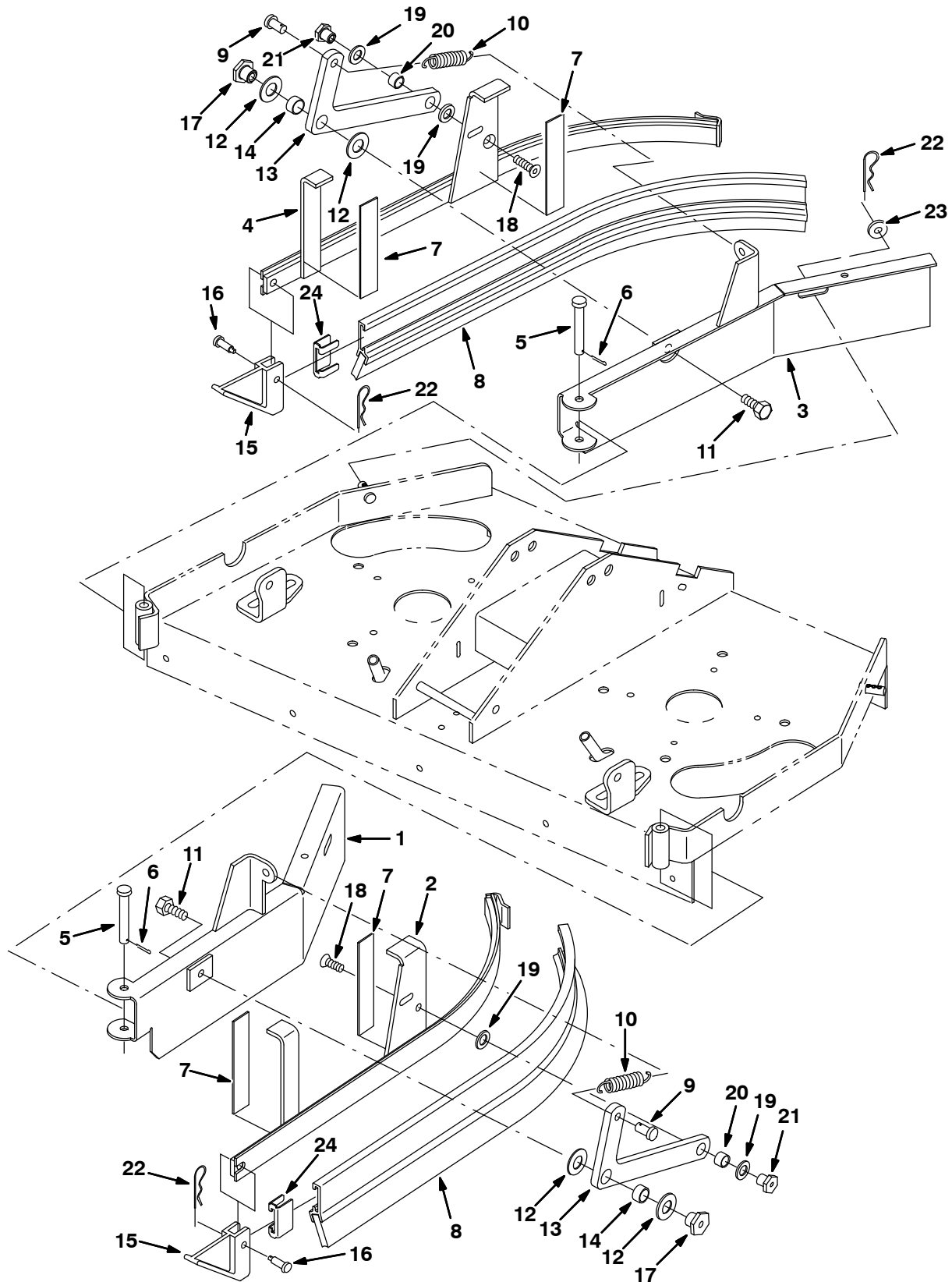
① Serial number (00000000–10195059)

② Serial number (10195060– )

▽ ASSEMBLY

▲ INCLUDED IN ASSEMBLY

**Fig. 19 – Disk Scrub Head Squeegee Group, 700 mm (28 in)**



**Fig. 19 - Disk Scrub Head Squeegee Group, 700 mm (28 in)**

NOTE: Disk Scrub Head Kit, Tennant Part Number 391029, includes Fig. 18, and Fig. 19.

| Ref. | Tennant Part No. | Description                             | Qty. |
|------|------------------|---|------|
| 1    | 390702           | Door Wldt, Mtg, Lh, 28 Inch Disk        | 1    |
| 2    | 390707           | Bladeholder Wldt, Sqge, Disk, Lh        | 1    |
| 3    | 390710           | Door Wldt, Mtg, Rh, 28 Inch Disk        | 1    |
| 4    | 390720           | Bladeholder Wldt, Sqge, Disk, Rh        | 1    |
| 5    | 391179           | Pin, Clevis, 0.37 D X 2.62l             | 2    |
| 6    | 08182            | Pin, Cotter, .125 X 1.00                | 2    |
| 7    | 390988           | Tape, [Protective], .0080th, 1.0w, 5.0l | 4    |
| 8    | 86859            | Blade Assy, Sqge, Side                  | 2    |
| 9    | 39019            | Pin, Clevis, 0.37 D X 0.75l             | 2    |
| 10   | 15047            | Spring, Extn, 0.62od X 0.08wir, 3.0l    | 2    |
| 11   | 09291            | Screw, Hex, M10 X 1.5 X 20, Ss          | 2    |
| 12   | 64425            | Washer, Thrust, 0.61b 1.25d .06, Fgl    | 4    |
| 13   | 25709            | Bellcrank, Lift, Sqge                   | 2    |
| 14   | 71607            | Bushing, Sleeve, 0.63b 0.72d 0.38l      | 2    |
| 15   | 86865            | Guide, Side Sqge                        | 2    |
| 16   | 69582            | Pin, Clevis, 0.31 D X 1.00l             | 2    |
| 17   | 391345           | Nut, T, M 10 X1.5 0.623od .516lg        | 2    |
| 18   | 79246            | Screw, Flat, M08-1.25x 20, Ss           | 2    |
| 19   | 86860            | Bearing, Thrust                         | 4    |
| 20   | 64173            | Bushing, Sleeve, 0.50b 0.59d 0.38l, Stl | 2    |
| 21   | 391346           | Nut, T, M8x1.25 X0.498od, 0.516lg       | 2    |
| 22   | 44906            | Pin, Hair Cotter, 0.69 D .092 Wir       | 4    |
| 23   | 01686            | Washer, Flat, 0.44B 1.00D .08, Ss       | 2    |
| 24   | 86759            | Retainer, Sqge                          | 2    |

**Fig. 20 - Recovery Tank Group**

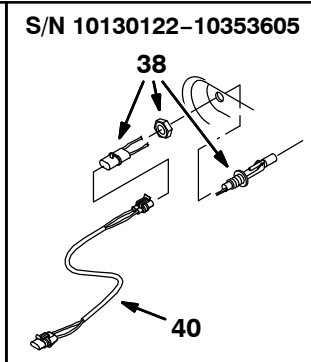
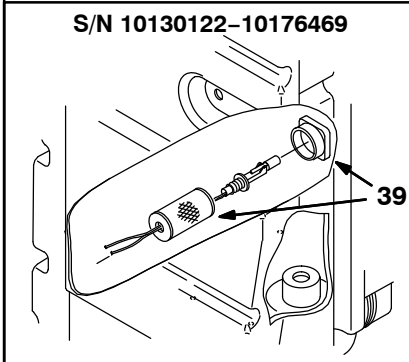
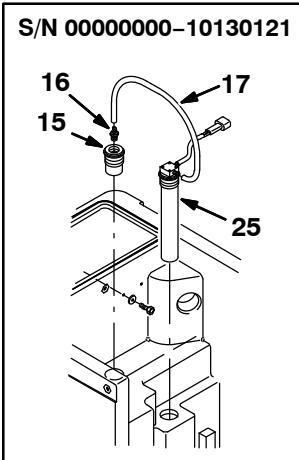
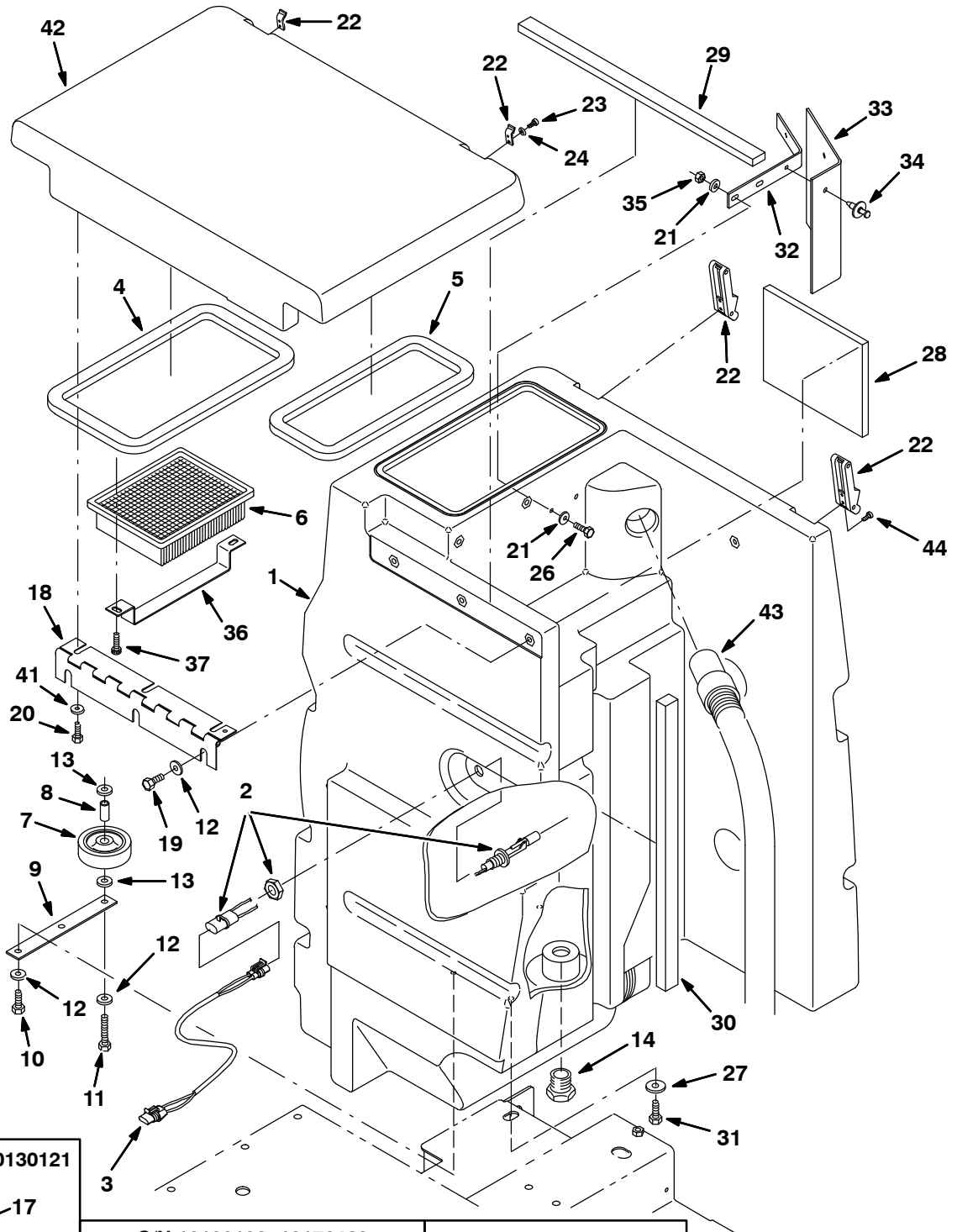


Fig. 20 – Recovery Tank Group

| Ref. | Tennant Part No. | Description | Qty.                                   |   |
|------|------------------|-------------|--|---|
| ▽    | 1                | 9006255     | Tank Kit, Recvy W/Labels [7100]        | 1 |
| ▲    | 2                | 385685      | ④ Sensor, Level, Liq, 14vdc 01a .62–11 | 1 |
| ▲    | 3                | 1035054     | ④ Harness, Sensor, Jumper              | 1 |
|      | 4                | 390882      | Seal, Tank, Recvy                      | 1 |
|      | 5                | 390883      | Seal, Tank, Soltn                      | 1 |
|      | 6                | 1037822     | Filter, Panl, Dust, 2.0 X 06.1 X 07.6  | 1 |
|      | 7                | 81580       | Wheel, 4.0d 0.87w 0.44b                | 1 |
|      | 8                | 393129      | Sleeve, P/M, 0.437d 0.318b 1.15l 430ss | 1 |
|      | 9                | 390822      | Strip                                  | 1 |
|      | 10               | 09740       | Screw, Hex, M08 X 1.25 X 20, Ss        | 2 |
|      | 11               | 49694       | Screw, Hex, M08 X 1.25 X 50, Ss        | 1 |
|      | 12               | 01685       | Washer, Flt, .31 Ss                    | 6 |
|      | 13               | 32490       | Washer, Flt, .25 Std                   | 2 |
|      | 14               | 75611       | Fitting, Plstc, Plug, Pm12             | 1 |
|      | 15               | 385750      | ① Tube Assy, 2 Inch                    | 1 |
|      | 16               | 40607       | ① Fitting, Brs, Str, Pm02/Bm03         | 1 |
|      | 17               | 390698      | ① Hose, Vacuum, 0.16id X 19.0l         | 1 |
|      | 18               | 391351      | Hinge, Cover                           | 1 |
|      | 19               | 15675       | Screw, Hex, M08 X 1.25 X 20, Ss        | 3 |
|      | 20               | 200031433   | Screw, Hex, M06 X 1.0 X 12             | 3 |
|      | 21               | 01684       | Washer, Flt, .25 Ss                    | 4 |
|      | 22               | 49800       | Latch                                  | 2 |
|      | 23               | 391403      | Screw, Pan, M04 X 0.7 X 8, Ss          | 4 |
|      | 24               | 41578       | Washer, Flt, #06 Ss                    | 4 |
|      | 25               | 375426      | ① Switch Assy, Press, 3 Inch, 8" Tube  | 1 |
|      | 26               | 09007       | Screw, Hex, M06 X 1.0 X 25, Ss         | 2 |
|      | 27               | 13248       | Washer, 0.40b 1.12d .12, Stl, Pl       | 1 |
|      | 28               | 391338      | Insulation, Sound                      | 1 |
|      | 29               | 391339      | Insulation, Sound                      | 1 |
|      | 30               | 391341      | Insulation, Sound                      | 1 |
|      | 31               | 12273       | Screw, Hex, M08 X 1.25 X 20, Ss, NI    | 1 |
|      | 32               | 391375      | Strip, Mtg, Skirt                      | 1 |
|      | 33               | 391376      | Flap, Deflector                        | 1 |
|      | 34               | 72968       | Rivet, Plstc, .250 X 0.898             | 2 |
|      | 35               | 08712       | Nut, Hex, Lock, M06 X 1.0, NI, Ss      | 2 |
|      | 36               | 393133      | Bracket, Filter                        | 1 |
|      | 37               | 603012      | Knob, Rnd, . D . L                     | 2 |
|      | 38               | 222822      | ③ Sensor, Level, Liquid, 30w [Mag]     | 1 |
|      | 39               | N/A         | ② Strainer, Soltn, Switch Guard        | 1 |
|      | 40               | 369766      | ③ Harness, Sensor, Jumper              | 1 |
|      | 41               | 25183.4     | Washer, 1/4 Neoprene Back              | 3 |
|      | 42               | 9006256     | Cover Kit, Tank W/Labels [7100]        | 1 |
|      | 43               | 390946      | Hose, Vacuum                           | 1 |
|      | 44               | 607006      | Screw, Trs, M4 X .7 X 12, Ny           | 4 |

① Serial number (00000000–10130121)

② Serial number (10130122–10176469)

③ Serial number (10130122–10353605)

④ Serial number (10353606– )

▽ ASSEMBLY

▲ INCLUDED IN ASSEMBLY

Fig. 21 - Recovery Tank Drain Assembly

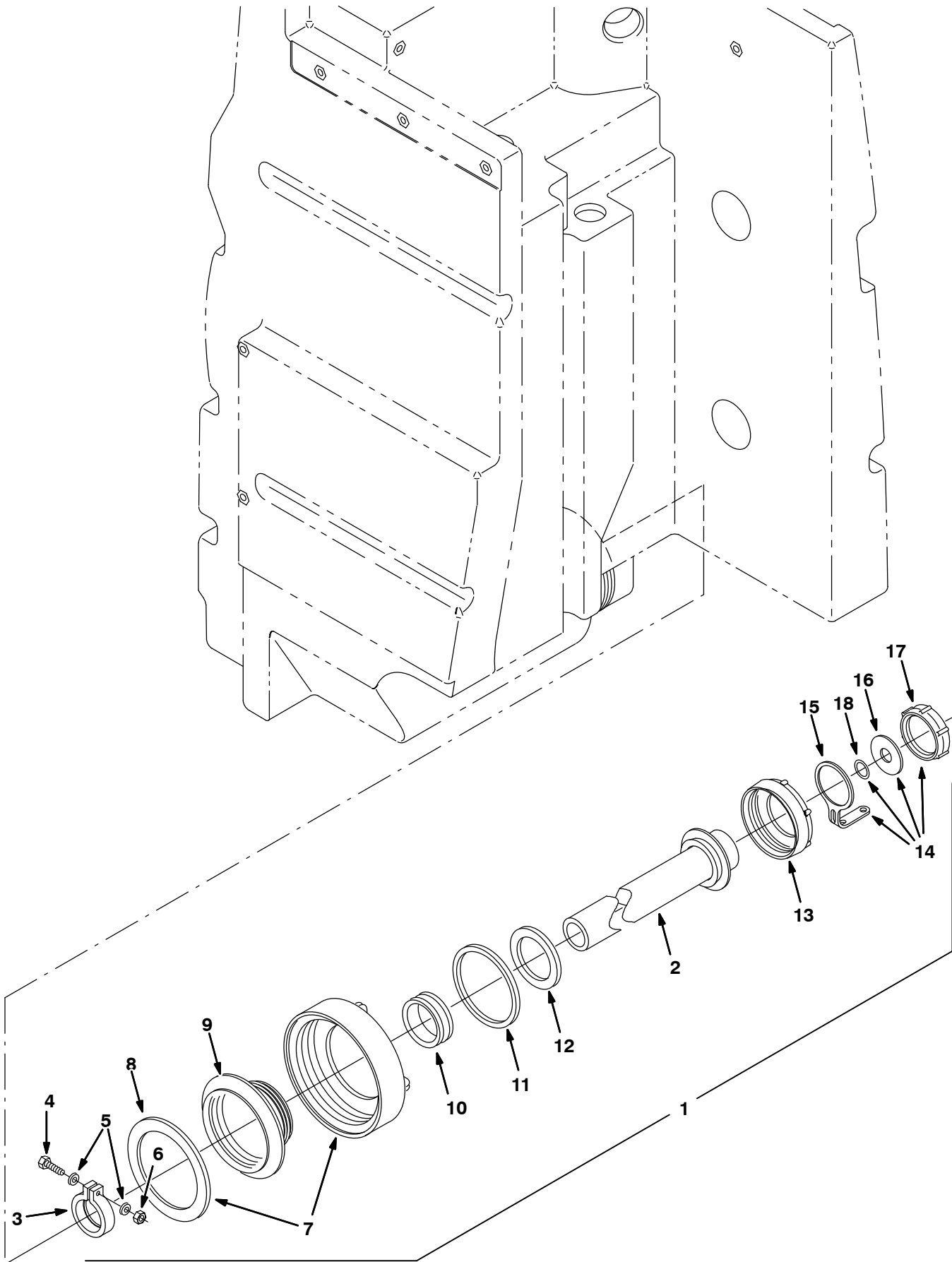


Fig. 21 – Recovery Tank Drain Assembly

|    | Ref. | Tennant<br>Part No. | Description                       | Qty. |
|----|------|---------------------|-----------------------------------|------|
| ▽  | 1    | 391066              | Hose Assy, Drain, Retractable     | 1    |
| ▲  | 2    | 390884              | Hose, Drain                       | 1    |
| ▲  | 3    | 41454               | Clamp, Hose, Plstc, 1.60d X 0.62w | 1    |
| ▲  | 4    | 12316               | Screw, Hex, M05 X 0.8 X 25, Ss    | 1    |
| ▲  | 5    | 01683               | Washer, Flt, #10 Ss               | 2    |
| ▲  | 6    | 09739               | Nut, Hex, Lock, M05 X 0.8, NI, Ss | 1    |
| ▲▽ | 7    | 24358               | Cap, Tank                         | 1    |
| ▲▲ | 8    | 375206              | Gasket, Lid                       | 1    |
| ▲  | 9    | 14864               | Cover, Insert                     | 1    |
| ▲  | 10   | 41421               | Seal                              | 1    |
| ▲  | 11   | 79320               | Gasket, Cap, Drain                | 1    |
| ▲  | 12   | 41451               | Gasket, Lid                       | 1    |
| ▲  | 13   | 14880               | Cap, Tank, Drain, 3.85 Thread Pye | 1    |
| ▲▽ | 14   | 32501               | Kit, Cap, Drain                   | 1    |
| ▲▲ | 15   | 32508               | Strap                             | 1    |
| ▲▲ | 16   | 32614               | Gasket, Cap                       | 1    |
| ▲▲ | 17   | 32613               | Cap, Tank, Drain, 2.25 Thread Pye | 1    |
| ▲▲ | 18   | 32669               | Ring, Retaining, Ext, 0.75d, Ss   | 1    |

▽ ASSEMBLY

▲ INCLUDED IN ASSEMBLY

Fig. 22 – Vacuum Fan Group

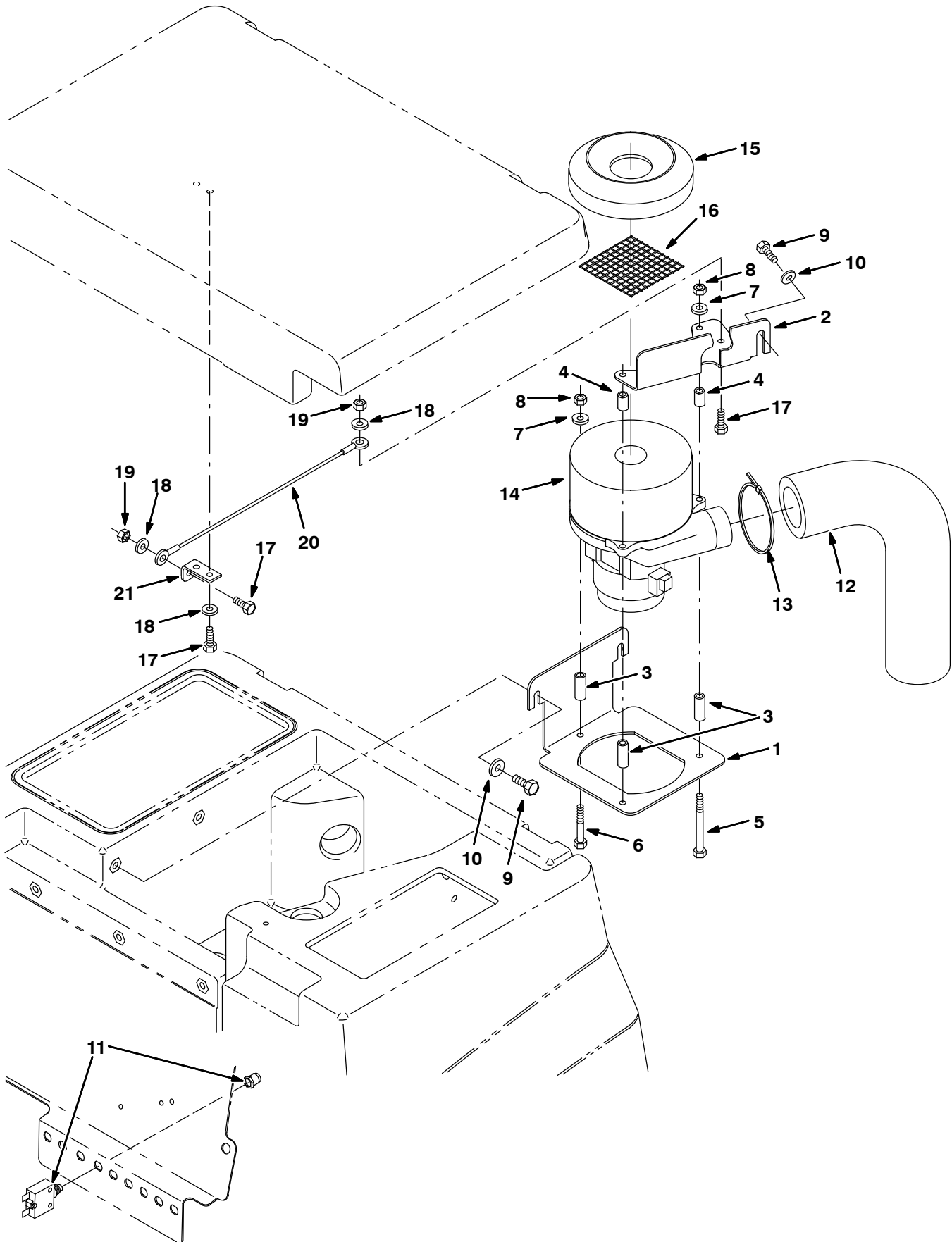




Fig. 22 – Vacuum Fan Group

| Ref. | Tennant Part No. | Description                           | Qty.                               |   |
|------|------------------|---------------------------------------|------------------------------------|---|
| 1    | 392971           | Bracket, Fan                          | 1                                  |   |
| 2    | 392972           | Bracket, Fan                          | 1                                  |   |
| 3    | 222497           | Sleeve                                | 3                                  |   |
| 4    | 360930           | Sleeve                                | 2                                  |   |
| 5    | 391434           | Screw, Hex, M06 X 1.0 X 80, Ss        | 2                                  |   |
| 6    | 58979            | Screw, Hex, M06 X 1.0 X 55, Ss        | 1                                  |   |
| 7    | 01684            | Washer, Flt, .25 Ss                   | 3                                  |   |
| 8    | 08712            | Nut, Hex, Lock, M06 X 1.0, NI, Ss     | 3                                  |   |
| 9    | 09740            | Screw, Hex, M08 X 1.25 X 20, Ss       | 3                                  |   |
| 10   | 01685            | Washer, Flt, .31 Ss                   | 3                                  |   |
| 11   | 383723           | Circuitbreaker, 20.0a                 | 1                                  |   |
| 12   | 390677           | Muffler, Vacuum Fan                   | 1                                  |   |
| 13   | 44961            | Tie, Cable, Nyl, 14.5l .30w 4.0 Max D | 1                                  |   |
| ▽    | 14               | 391296                                | Fan Assy, Vacuum (See Breakdowns)  | 1 |
| ▲    | 15               | 391343                                | Seal, Fan                          | 1 |
| ▲    | 16               | 391350                                | Screen, Fan Inlet                  | 1 |
|      | 17               | 08716                                 | Screw, Hex, M06 X 1.0 X 20, Ss     | 4 |
|      | 18               | 01684                                 | Washer, Flt, .25 Ss                | 4 |
|      | 19               | 08712                                 | Nut, Hex, Lock, M06 X 1.0, NI, Ss  | 2 |
|      | 20               | 19676                                 | Cable, .09d, 13.0l, .38eye /.38eye | 1 |
|      | 21               | 391309                                | Bracket, Cable                     | 1 |

▽ ASSEMBLY

▲ INCLUDED IN ASSEMBLY

**Fig. 23 – Solution Tank Group**

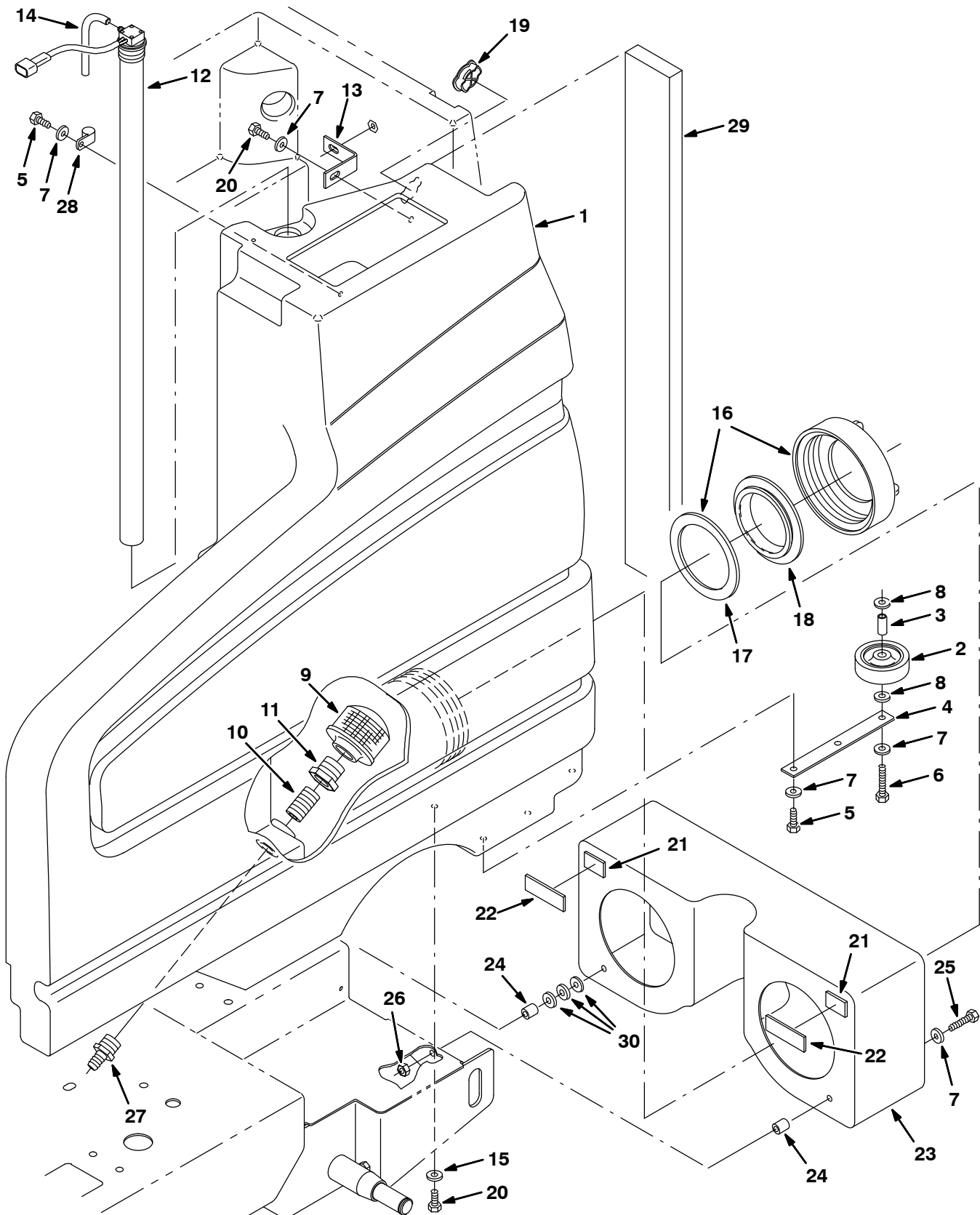


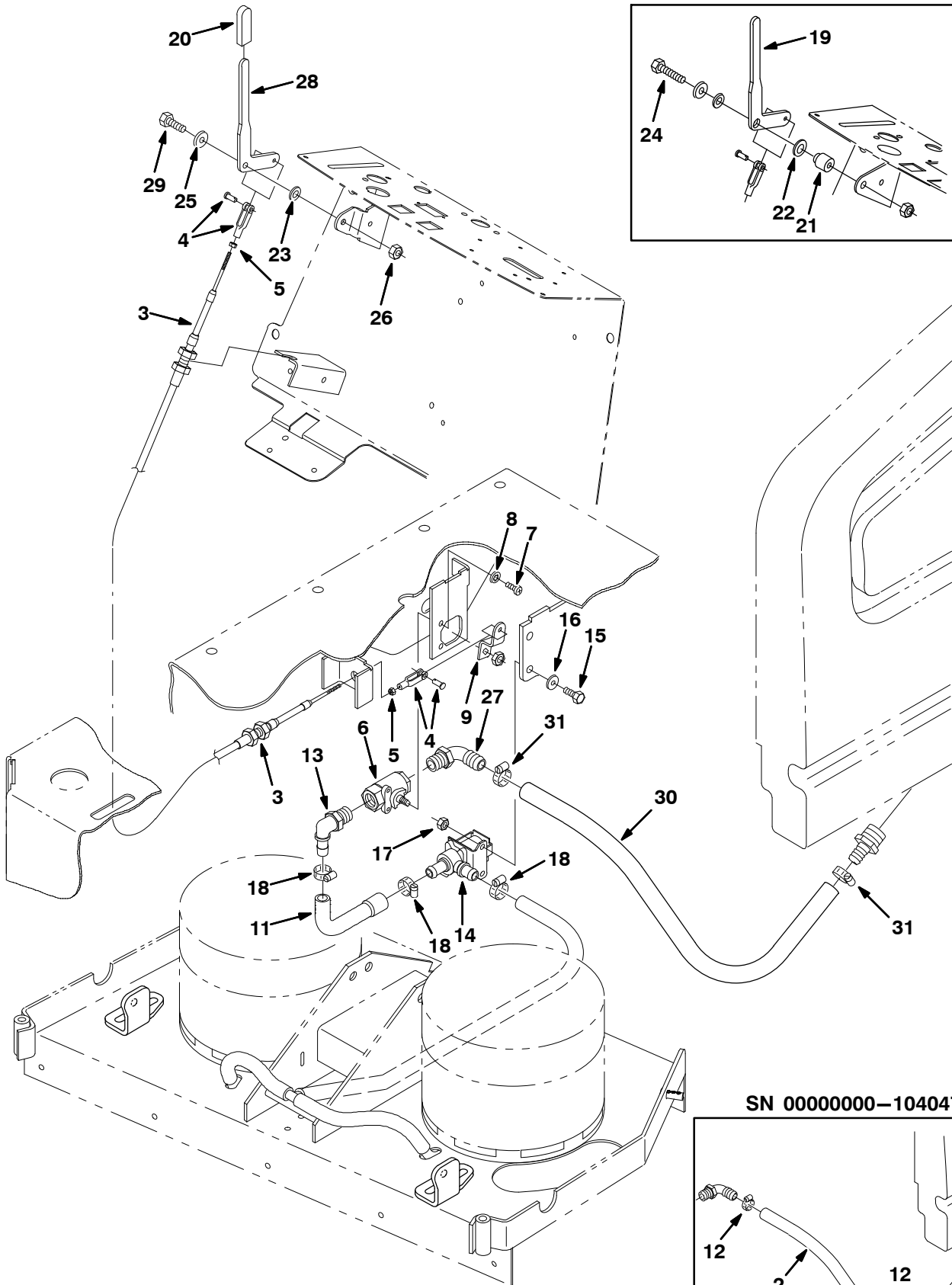
Fig. 23 – Solution Tank Group

| Ref. | Tennant Part No. | Description                            | Qty.                                    |   |
|------|------------------|--|---|---|
| 1    | 9006254          | Tank Kit, Soltn W/Labels [7100]        | 1                                       |   |
| 2    | 81580            | Wheel, 4.0d 0.87w 0.44b                | 1                                       |   |
| 3    | 393129           | Sleeve, P/M, 0.437d 0.318b 1.15l 430ss | 1                                       |   |
| 4    | 390822           | Strip                                  | 1                                       |   |
| 5    | 09740            | Screw, Hex, M08 X 1.25 X 20, Ss        | 3                                       |   |
| 6    | 49694            | Screw, Hex, M08 X 1.25 X 50, Ss        | 1                                       |   |
| 7    | 01685            | Washer, Flt, .31 Ss                    | 8                                       |   |
| 8    | 32490            | Washer, Flt, .25 Std                   | 2                                       |   |
| 9    | 20810            | Filter, Soltn, 20mesh, Pf16 3.1d 02.3l | 1                                       |   |
| 10   | 69784            | Fitting, Plstc, Str, Pm12/Pm12 Close   | 1                                       |   |
| 11   | 20811            | Fitting, Plstc, Str, Pf12/Pf16         | 1                                       |   |
| 12   | 1014574          | Switch Assy, Press                     | 1                                       |   |
| 13   | 392963           | Angle, Bracket, Tank                   | 1                                       |   |
| 14   | 390700           | Hose, Vacuum, 0.16id X 06.0l           | 1                                       |   |
| 15   | 13248            | Washer, 0.40b 1.12d .12, Stl, Pl       | 1                                       |   |
| ▽    | 16               | 24358                                  | Cap, Tank                               | 1 |
| ▲    | 17               | 375206                                 | Gasket, Lid                             | 1 |
|      | 18               | 86636                                  | Cover, Tank                             | 1 |
|      | 19               | 390994                                 | Plug, Tank, Solution                    | 1 |
|      | 20               | 12273                                  | Screw, Hex, M08 X 1.25 X 20, Ss, NI     | 3 |
|      | 21               | 391391                                 | Strip, Velcro, 1.5 In                   | 2 |
|      | 22               | 391392                                 | Strip, Velcro, 3.0 In                   | 2 |
|      | 23               | 391142                                 | Shield, Drip                            | 1 |
|      | 24               | 222277                                 | Sleeve                                  | 2 |
|      | 25               | 1014163                                | Screw, Hex, M8 X 1.25 X 60, Ss, Fl      | 2 |
|      | 26               | 08713                                  | Nut, Hex, Lock, M08 X 1.25,NI, Ss       | 2 |
|      | 27               | 365095                                 | Fitting, Plstc, Str, Bm10/Pm12          | 1 |
|      | 28               | 67767                                  | Clamp, Cable, Stl, 0.69d X 0.62w, 1h    | 1 |
|      | 29               | 390676                                 | Insulation, Acstc, 1.0th, 03.5w, 33.00l | 1 |
|      | 30               | 69461                                  | Washer, Flat, 0.38b 0.88d .12, Stl, Pl  | 3 |

▽ ASSEMBLY

▲ INCLUDED IN ASSEMBLY

**Fig. 24 – Solution Control Group**



**SN 0000000-10404791**

Fig. 24 – Solution Control Group

| Ref. | Tenant Part No. | Description                                   | Qty.              |
|------|-----------------|---|-------------------|
| 1    | 391365          | ③ Fitting, Plstc, E90, Bm10/Bm10              | 1                 |
| 2    | 390799          | ③ Hose, Vyl, Brd 0.62id 0.88od 17.5l          | 1                 |
| 3    | 390926          | Cable, Push / Pull                            | 1                 |
| 4    | 27880           | Clevis, Adj, 0.19pin, #10–32                  | 2                 |
| 5    | 01713           | Nut, Hex, Std, #10–32, 2                      | 2                 |
| 6    | 12083           | Valve, Water                                  | 1                 |
| 7    | 39648           | Screw, Pan, #10–24 X 0.38, 1                  | 2                 |
| 8    | 32980           | Washer, Lock, Int, #10                        | 2                 |
| 9    | 391250          | Arm, Valve, Water                             | 1                 |
| 10   | 390899          | ③ Hose, Vyl, Brd 0.62id 0.88od 05.5 L         | 1                 |
| 11   | 390779          | Hose, Soltn                                   | 1                 |
| 12   | 63810           | ③ Clamp, Hose, Wormdrive, 0.56–1.06d          | 4                 |
| 13   | 63244–1         | Fitting, Plstc, E90, Bm08/Pm08                | 1                 |
| ▽ 14 | 1059587         | Valve, Water, Solenoid, 36vdc Bm10/Bm10       | 1                 |
| ▲    | 614265          | Kit, Water, Valve, Rebuild                    | 1                 |
| 15   | 15678           | Screw, Hex, M06 X 1.0 X 16, Ss                | 2                 |
| 16   | 01684           | Washer, Flt, .25 Ss                           | 2                 |
| 17   | 08712           | Nut, Hex, Lock, M06 X 1.0, NI, Ss             | 2                 |
| 18   | 54333           | Clamp, Hose, Wormdrive, 0.31–0.88d            | 3                 |
| 19   | 391139          | ① Lever, Flow, Solution (Replaced by 391192)  | 1                 |
| 20   | 222190          | Grip, Handle                                  | 1                 |
| 21   | 223235          | ① Sleeve, Lever                               | 1                 |
| 22   | 86860           | ① Bearing, Thrust                             | 1                 |
| 23   | 43611           | Washer, 0.39b 0.75d .06, Nyl                  | 1                 |
| 24   | 41342           | ① Screw, Hex, M08 X 1.25 X 40, 8.8            | 1                 |
| 25   | 32490           | Washer, Flt, .25 Std                          | 1                 |
| 26   | 08709           | Nut, Hex, Lock, M08 X 1.25, NI                | 1                 |
| 27   | 47701           | Fitting, Plstc, E90, Bm10/Pm08                | 1                 |
| 28   | 391192          | ② Lever, Flow, Solution                       | 1                 |
| 29   | 39277           | ② Screw, Hex, M08 X 1.25 X 25, 8.8            | 1                 |
| 30   | 1015025         | ④ Hose Afmkt, Pvc, Brd, 0.62id 02Ft (C460117) | 24.0 <sup>o</sup> |
| 31   | 63810           | ④ Clamp, Hose, Wormdrive, 0.56–1.06d          | 2                 |

① Serial number (1000000–10032184)

② Serial number (10032185– )

③ Serial number (00000000–10404791)

④ Serial number (10404792– )

▽ ASSEMBLY

▲ INCLUDED IN ASSEMBLY

Fig. 25 – Battery Cable Group

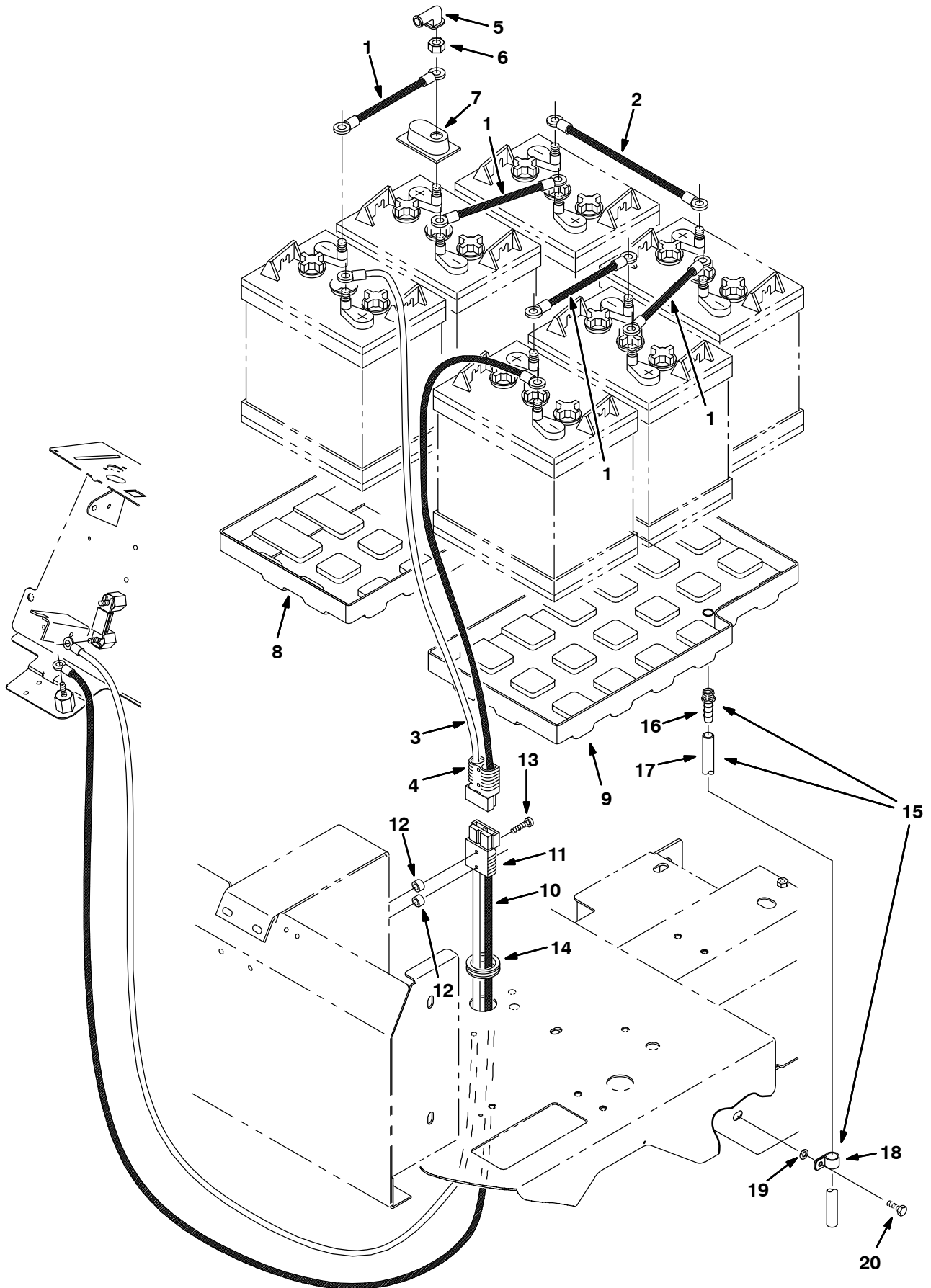


Fig. 25 – Battery Cable Group

|   | Ref. | Tennant<br>Part No. | Description                                 | Qty. |
|---|------|---------------------|---|------|
|   | 1    | 223355              | Wire, 04ga 08.0l Blk .34ring /.34ring       | 4    |
|   | 2    | 223356              | Wire, 04ga 12.0l Blk .34ring /.34ring       | 1    |
| ▽ | 3    | 223361              | Cable Assy, Battery, 04ga 2, 175a           | 1    |
| ▲ | 4    | 22892               | Connector, Anderson, 175a, Gray             | 1    |
|   | 5    | 02076               | Boot, 90deg .50d .57d X .84                 | 12   |
|   | 6    | 87435               | Nut, Hex, Flexlock, .31-18                  | 12   |
|   | 7    | 45962               | Cap, Plstc, .04 1.38 X 2.30 0.5l            | 12   |
|   | 8    | 393117              | Tray, Battery, Rh                           | 1    |
|   | 9    | 393118              | Tray, Battery, Lh                           | 1    |
| ▽ | 10   | 390775              | Harness, Wire, Controller                   | 1    |
| ▲ | 11   | 22892               | Connector, Anderson, 175a, Gray             | 1    |
|   | 12   | 390879              | Spacer, .41b X .63od X .38l                 | 2    |
|   | 13   | 09258               | Screw, Pan, M06 X 1.0 X 40, 4.8             | 2    |
|   | 14   | 04051               | Grommet, Rbr, 1.31id, F/ 1.6h, .12matl      | 1    |
| ▽ | 15   | 377393              | Drain Kit                                   | 1    |
| ▲ | 16   | 150516              | Fitting, Brs, Str, BM06/PM04                | 1    |
| ▲ | 17   | 1014929             | Hose, Afmkt, Pvc, Clr, 0.38ld 1Ft (C080172) | 1    |
| ▲ | 18   | 67767               | Clamp, Cable, Stl, 0.69d X 0.62w, 1h        | 1    |
|   | 19   | 01685               | Washer, Flt, .31 Ss                         | 1    |
|   | 20   | 09010               | Screw, Hex, M08 X 1.25 X 25, Ss             | 1    |

▽ ASSEMBLY

▲ INCLUDED IN ASSEMBLY

Fig. 26 - Rear Squeegee Lift Group

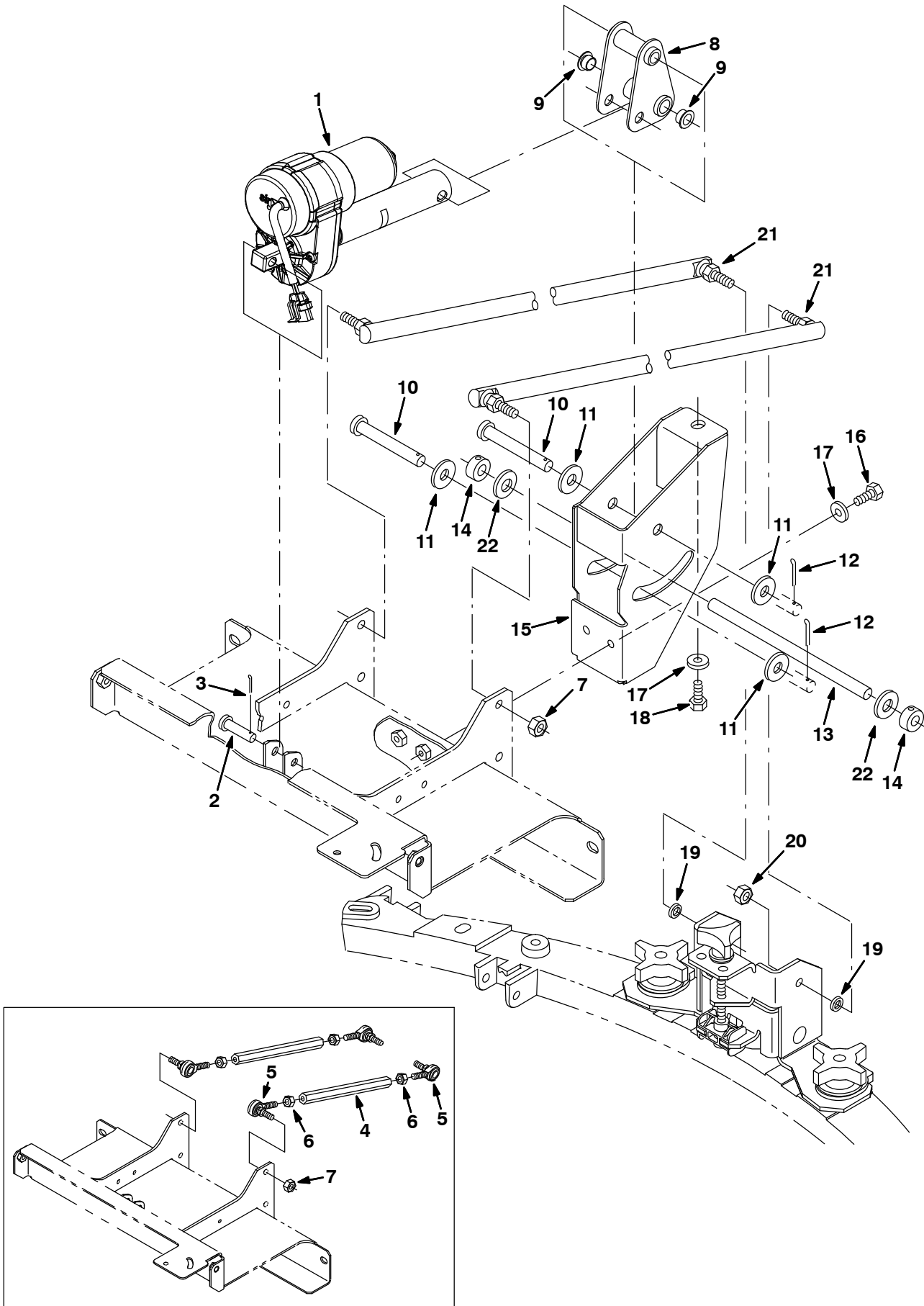




Fig. 26 – Rear Squeegee Lift Group

| Ref. | Tennant Part No. | Description                         | Qty. |
|------|------------------|-------------------------------------|------|
| 1    | 1054595          | Actuator, 36vdc, 02.0strk, 300lb    | 1    |
| 2    | 29558            | Pin, Clevis, 0.37 D X 1.50l         | 1    |
| 3    | 39005            | Pin, Cotter, .094 X 0.75            | 1    |
| 4    | 390971           | ① Link, Sqge, Tapped, Upper         | 2    |
| 5    | 35972            | ① Rod-End, .38-24rh Mal 0.38-24stud | 4    |
| 6    | 20171            | ① Nut, Hex, Jam, .38-24             | 4    |
| 7    | 50269            | Nut, Hex, Lock, .38-24, NI, Ss      | 2    |
| 8    | 390965           | Pivot Wldt, Actuator                | 1    |
| 9    | 15648            | Bushing, Flng, 0.50b 0.59d 0.38l    | 2    |
| 10   | 06474A           | Pin, Clevis, 0.50 D X 3.50l         | 2    |
| 11   | 41619            | Washer, Flt, .50 Ss                 | 4    |
| 12   | 02942            | Pin, Hair, Cotter, 0.62D .120 Wir   | 2    |
| 13   | 390970           | Rod, Lift, Sqge                     | 1    |
| 14   | 75371            | Collar, Locking                     | 2    |
| 15   | 1008388          | Guide Wldt, Linkage, Sqge           | 1    |
| 16   | 12273            | Screw, Hex, M08 X 1.25 X 20, Ss, NI | 2    |
| 17   | 01685            | Washer, Flt, .31 Ss                 | 3    |
| 18   | 09740            | Screw, Hex, M08 X 1.25 X 20, Ss     | 1    |
| 19   | 390880           | Spacer, .41b .63d .13l, Ss 430pm    | 2    |
| 20   | 02185            | Nut, Hex, Lock, .38-24, NI, Thin    | 2    |
| 21   | 392881           | ② Link, Balljoint, .38-24, 10.5l    | 2    |
| 22   | 608562           | Washer, Flat, 0.51b 0.94d .06, Nyl  | 2    |

① Serial number (00000000-10195059)

② Serial number (10195060- )

Fig. 27 - Rear Squeegee Linkage Group

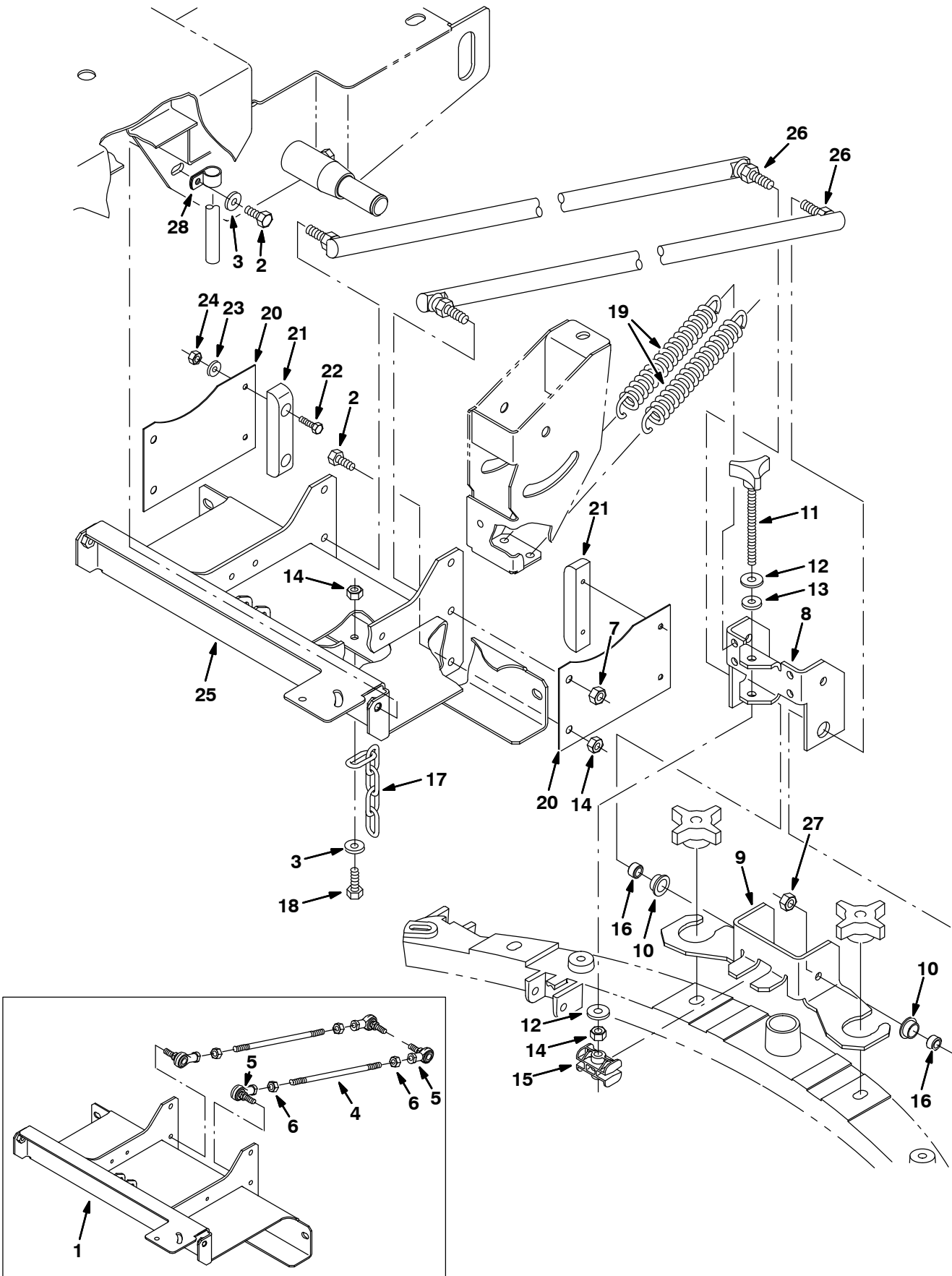


Fig. 27 – Rear Squeegee Linkage Group

| Ref. | Tennant Part No. | Description                           | Qty. |
|------|------------------|---------------------------------------|------|
| 1    | 1006382          | ① Frame Wldt, Linkage, Sqge           | 1    |
| 2    | 09740            | Screw, Hex, M08 X 1.25 X 20, Ss       | 6    |
| 3    | 01685            | Washer, Flt, .31 Ss                   | 5    |
| 4    | 391137           | ③ Rod, Thrd, 2 End, .38–24 09.0l      | 2    |
| 5    | 86781            | ③ Rod–End, .38–24rh Fem 0.38–24stud   | 4    |
| 6    | 20171            | ③ Nut, Hex, Jam, .38–24               | 8    |
| 7    | 50269            | Nut, Hex, Lock, .38–24, NI, Ss        | 2    |
| 8    | 392902           | Channel, Sqge, Upper                  | 1    |
| 9    | 392934           | Channel, Sqge, Lower                  | 1    |
| 10   | 25735            | Bushing, Flng, 0.63b 0.75d 0.38l      | 2    |
| 11   | 71090            | Knob                                  | 1    |
| 12   | 01686            | Washer, Flat, 0.44B 1.00D .08, Ss     | 2    |
| 13   | 63416            | Washer, 0.31b 0.88d .12, Rbr          | 1    |
| 14   | 08713            | Nut, Hex, Lock, M08 X 1.25, NI, Ss    | 4    |
| 15   | 222233           | Block, Sqge, Adj                      | 1    |
| 16   | 390879           | Spacer, .41b X .63od X .38l           | 2    |
| 17   | 40758            | Chain, Coil, Str, #210, 06.9l 05 Link | 1    |
| 18   | 09010            | Screw, Hex, M08 X 1.25 X 25, Ss       | 1    |
| 19   | 222236           | Spring, Extn, 1.00od X 0.12wir, 5.0l  | 2    |
| 20   | 390975           | Spring, Centering                     | 2    |
| 21   | 71211            | Block, Centering                      | 2    |
| 22   | 09007            | Screw, Hex, M06 X 1.0 X 25, Ss        | 4    |
| 23   | 01684            | Washer, Flt, .25 Ss                   | 4    |
| 24   | 08712            | Nut, Hex, Lock, M06 X 1.0, NI, Ss     | 4    |
| 25   | 1048852          | ⑤ Frame Wldt, Linkage, Sqge           | 1    |
| 25   | 1016045          | ② Frame Wldt, Linkage, Sqge           | 1    |
| 26   | 392881           | ④ Link, Balljoint, .38–24, 10.5l      | 2    |
| 27   | 02185            | ④ Nut, Hex, Lock, .38–24, NI, Thin    | 2    |
| 28   | 67767            | Clamp, Cable, Stl, 0.69d X 0.62w, 1h  | 1    |

① Serial number (00000000–10179104)

② Serial number (10179105–10404791)

③ Serial number (00000000–10195059)

④ Serial number (10195060– )

⑤ Serial number (10404792– )

**Fig. 28 - Rear Squeegee Group, 700 mm (28 in)**

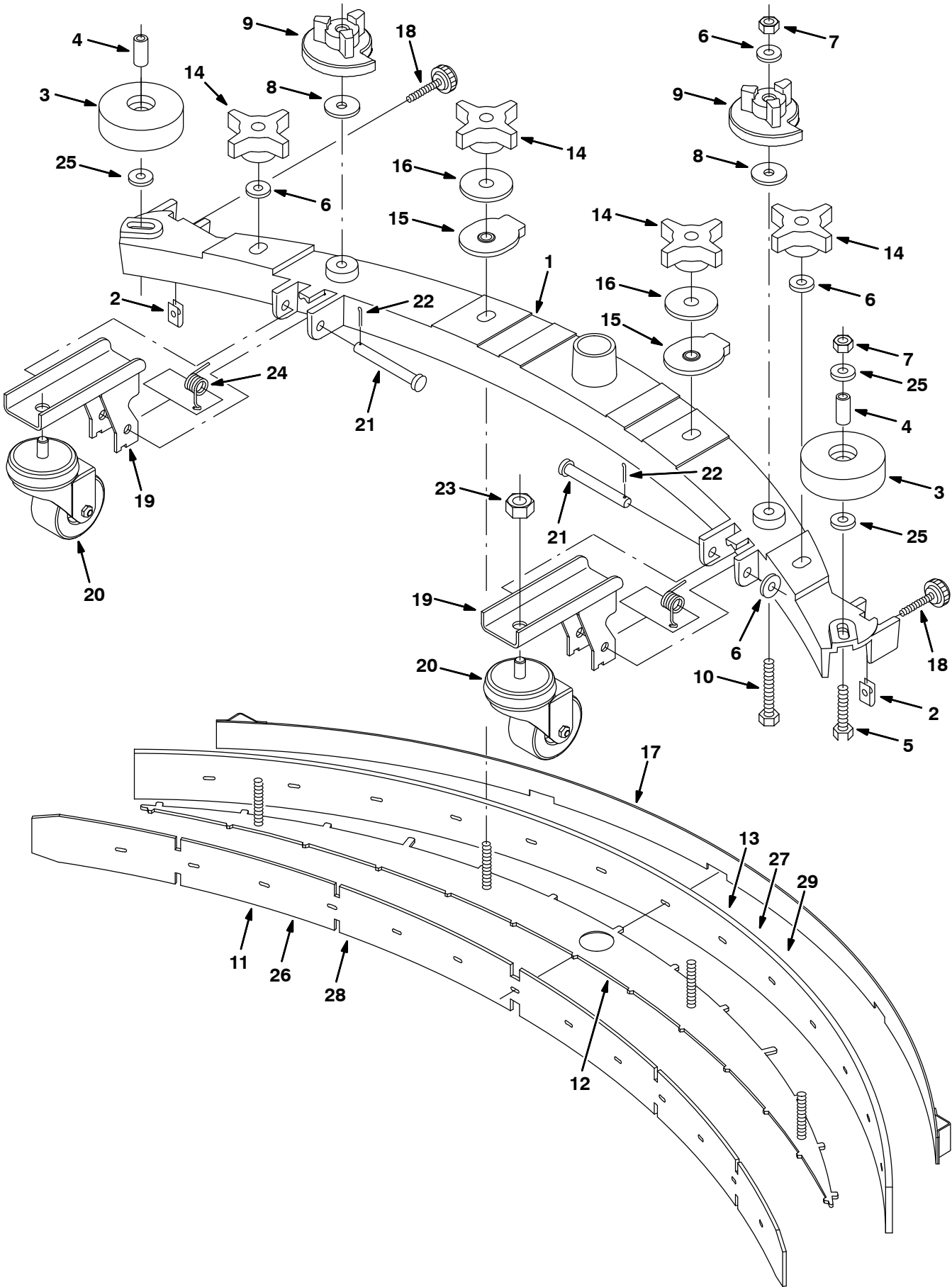


Fig. 28 - Rear Squeegee Group, 700 mm (28 in)

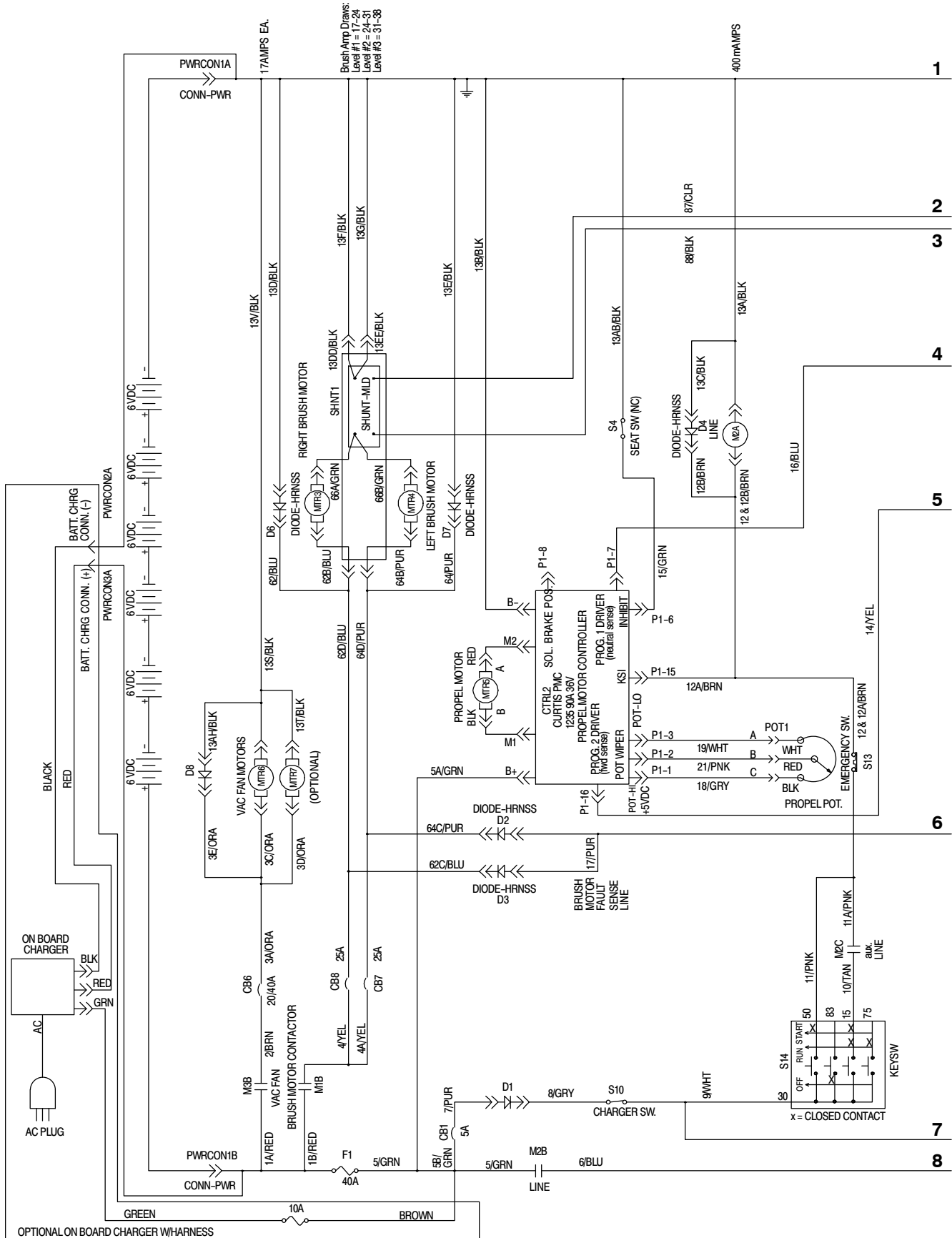
| Ref. | Tennant Part No. | Description   | Qty. |
|------|------------------|---|------|
| ▽    | 391043           | Kit, Ci, Sqge, 700mm,                                 | 1    |
| ▲    | 1 390670         | Frame, Casting, Sqge, 700mm                           | 1    |
| ▲    | 2 82138          | Nut, Speed, Retainer, .25-20                          | 2    |
| ▲    | 3 1010560        | Wheel, Bmpr, 80d X 25w, Non-marking                   | 2    |
| ▲    | 4 222460         | Sleeve, P/M, 0.496d 0.318b 0.50l 430ss                | 2    |
| ▲    | 5 09011          | Screw, Hex, M08 X 1.25 X 30, Ss                       | 2    |
| ▲    | 6 01685          | Washer, Flt, .31 Ss                                   | 6    |
| ▲    | 7 08713          | Nut, Hex, Lock, M08 X 1.25, NI, Ss                    | 4    |
| ▲    | 8 222268         | Washer, 0.38b 1.25d .12, Neo                          | 2    |
| ▲    | 9 222244         | Cam, Adj, Sqge  | 2    |
| ▲    | 10 09767         | Screw, Hex, M08 X 1.25 X 70, Ss                       | 2    |
| ▲    | 11 390943        | Blade, Sqge, Front, 700mm Linatex, Red                | 1    |
| ▲    | 12 390940        | Plate, Retainer, Blade, 700mm                         | 1    |
| ▲    | 13 390942        | Blade, Sqge, Rear, 700mm Linatex, Red                 | 1    |
| ▲    | 14 1057203       | Knob, Star, 2.75d 4ear 1.1l, .31-18, Thru             | 4    |
| ▲    | 15 390982        | Ring, Mtg, Sqge                                       | 2    |
| ▲    | 16 04414         | Washer, 0.53b 1.88d .12, Stl, Pl                      | 2    |
| ▲    | 17 390944        | Retainer Wldt, Sqge, 700mm                            | 1    |
| ▲    | 18 222794        | Knob  | 2    |
| ▲    | 19 223590        | Bracket Wldt, Wheel, Sqge                             | 2    |
| ▲    | 20 1044952       | Caster, Swivel, 2.5D 1.3W, .50-13 Stem                | 2    |
| ▲    | 21 23191         | Pin, Clevis, 0.37 D X 3.00l                           | 2    |
| ▲    | 22 39005         | Pin, Cotter, .094 X 0.75                              | 2    |
| ▲    | 23 25015         | Nut, Hex, Std, .50-13                                 | 2    |
| ▲    | 24 222130        | Spring, Tors, 0.50ld .07Wir 07.9 Coil                 | 2    |
| ▲    | 25 140027        | Washer, Flat, 0.35b 0.75d .04 Ss                      | 4    |
| ▽    | 391384           | Kit, Sqge, Oil-Rstn, 700mm                            | 1    |
| ▲    | 26 391377        | Blade, Sqge, Front, 700mm, Oil-Rstn Urethane, Natural | 1    |
| ▲    | 27 391378        | Blade, Sqge, Rear, 700mm, Oil-Rstn Urethane, Natural  | 1    |
| ▽    | 391386           | Kit, Sqge, Tile, 700mm                                | 1    |
| ▲    | 28 390943        | Blade, Sqge, Front, 700mm Linatex, Red                | 1    |
| ▲    | 29 390936        | Blade, Sqge, Rear, 700mm Gum Rubber, Tan              | 1    |

▽ ASSEMBLY

▲ INCLUDED IN ASSEMBLY

Fig. 29 - Electrical Schematic

390600



1  
2  
3  
4  
5  
6  
7  
8

Brush Amp Draws:  
Level #1 = 17-24  
Level #2 = 24-31  
Level #3 = 31-38

400 mAmps

17AMPS EA.

OPTIONAL ON BOARD CHARGER WHARNESS

Fig. 29 - Electrical Schematic

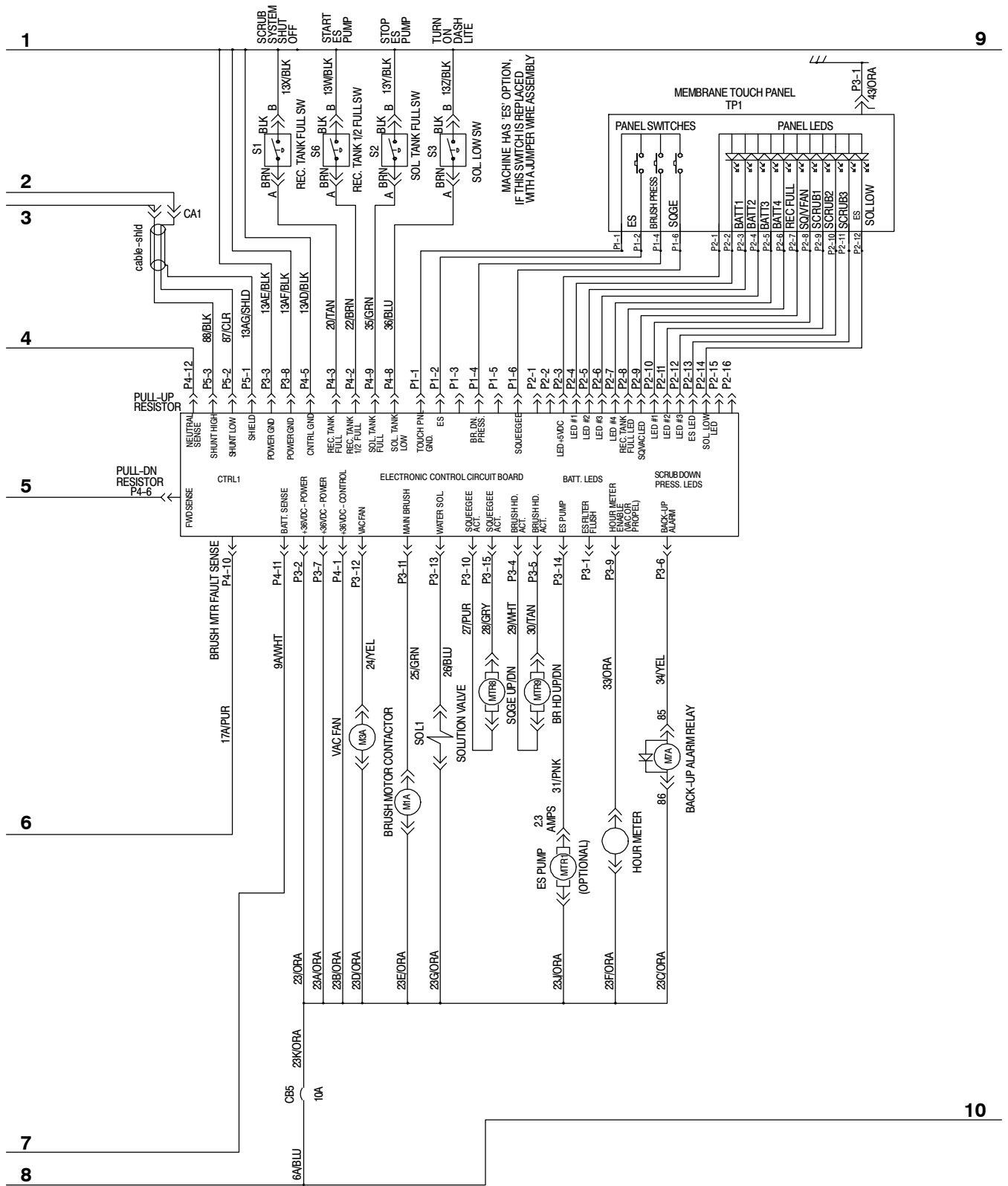


Fig. 29 - Electrical Schematic

390600

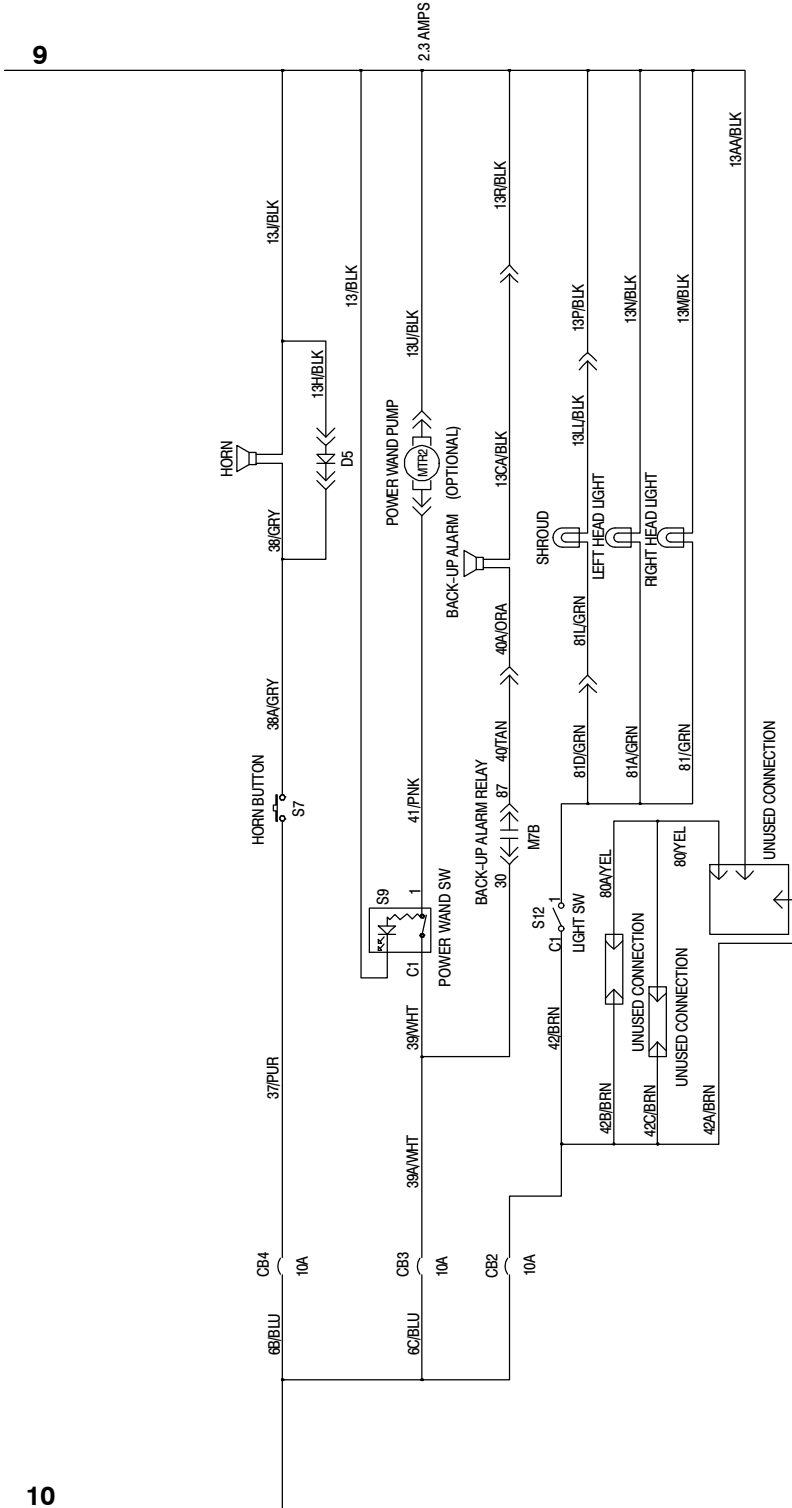
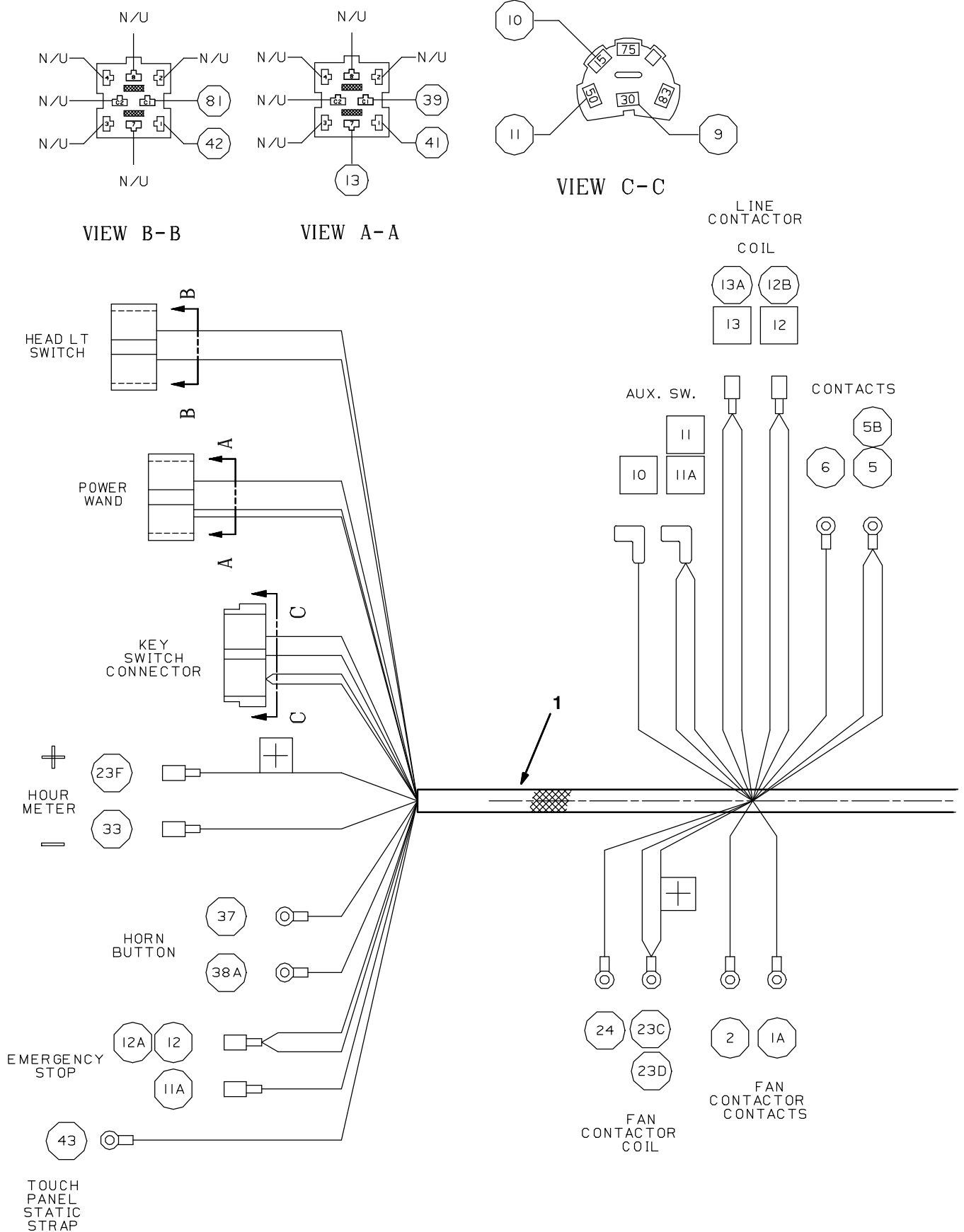
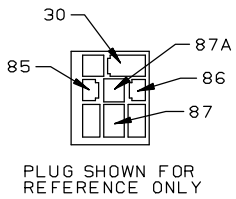




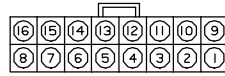
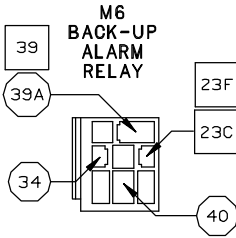
Fig. 30 - Wire Harness Group



**Fig. 30 – Wire Harness Group**



| SOCKET NO. | WIRE NO. | SOCKET NO. | WIRE NO. |
|------------|----------|------------|----------|
| 1          | ○ 18     | 9          | × N/U    |
| 2          | ○ 21     | 10         | × N/U    |
| 3          | ○ 19     | 11         | × N/U    |
| 4          | × N/U    | 12         | × N/U    |
| 5          | × N/U    | 13         | × N/U    |
| 6          | ○ 15     | 14         | × N/U    |
| 7          | ○ 16     | 15         | □ 12A    |
| 8          | × N/U    | 16         | ○ 14     |



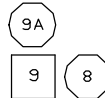
**DETAIL K-K**

CONNECTOR ROTATED 90°

× = NOT USED

PROPEL  
CONTROLLER  
CONTROL LINES

CHARGER  
SWITCH



**DETAIL D-D**

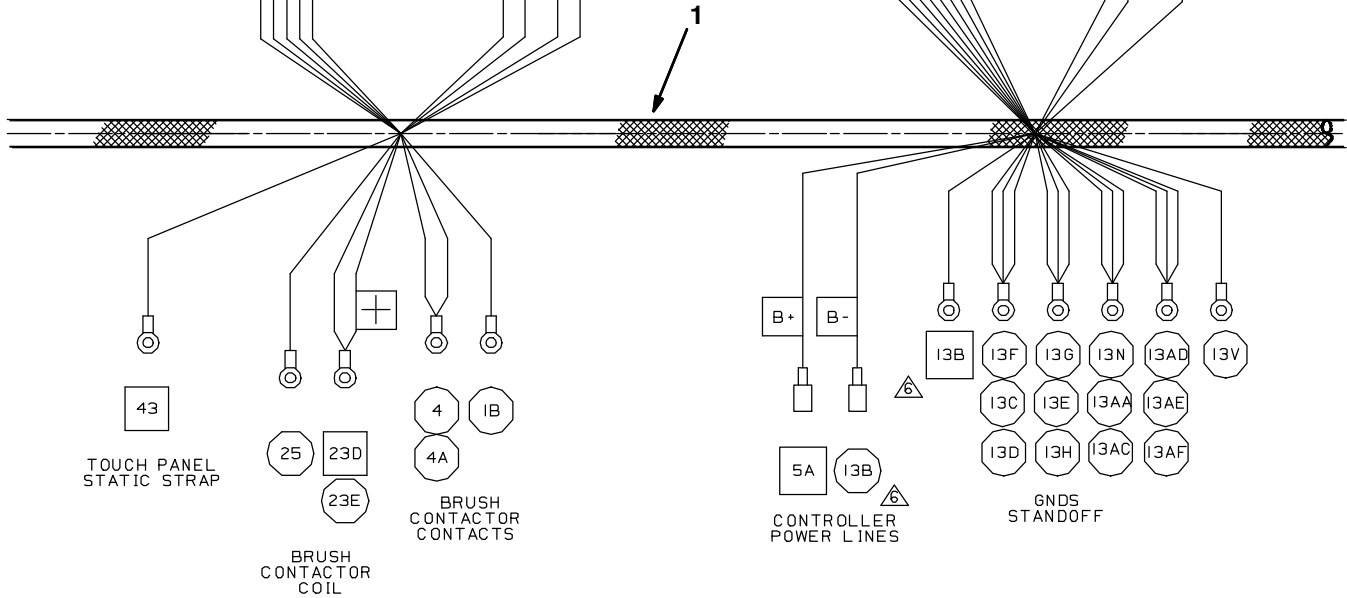
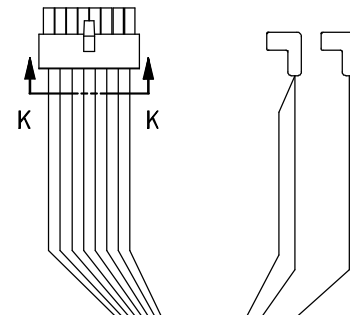
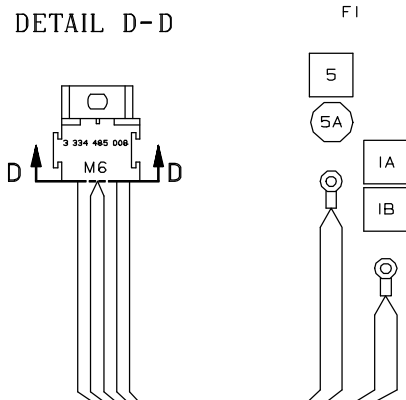


Fig. 30 - Wire Harness Group

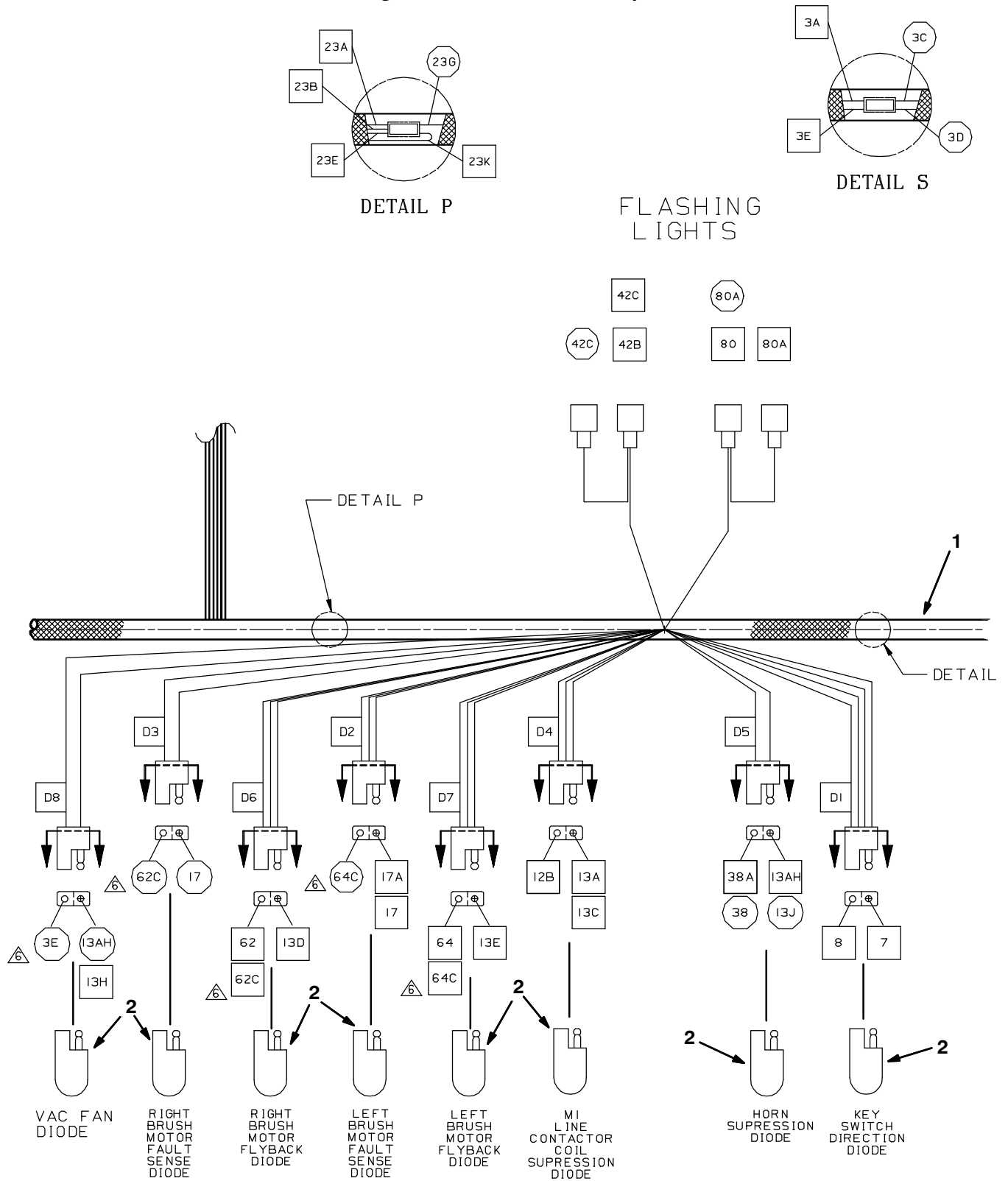


Fig. 30 - Wire Harness Group

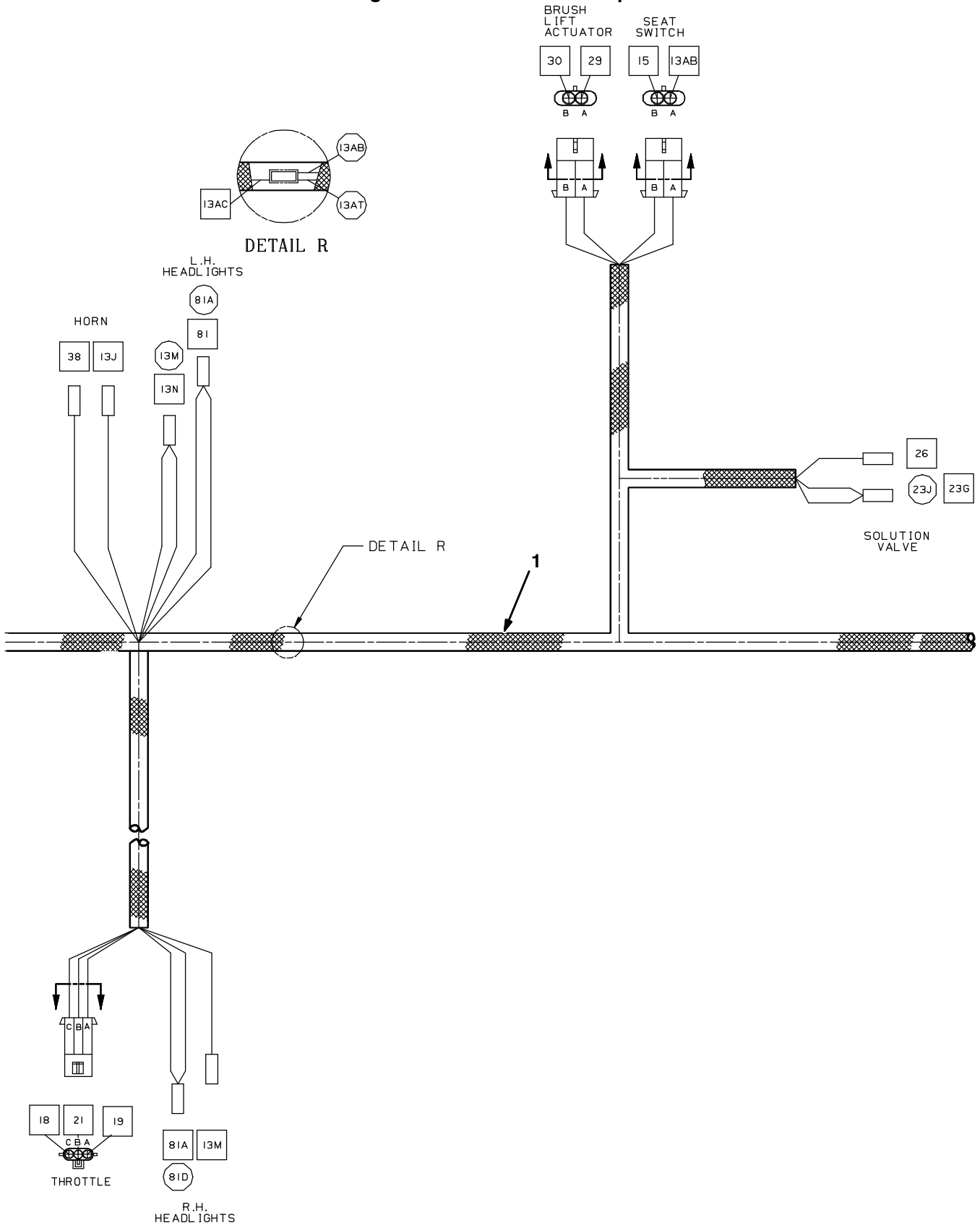


Fig. 30 - Wire Harness Group

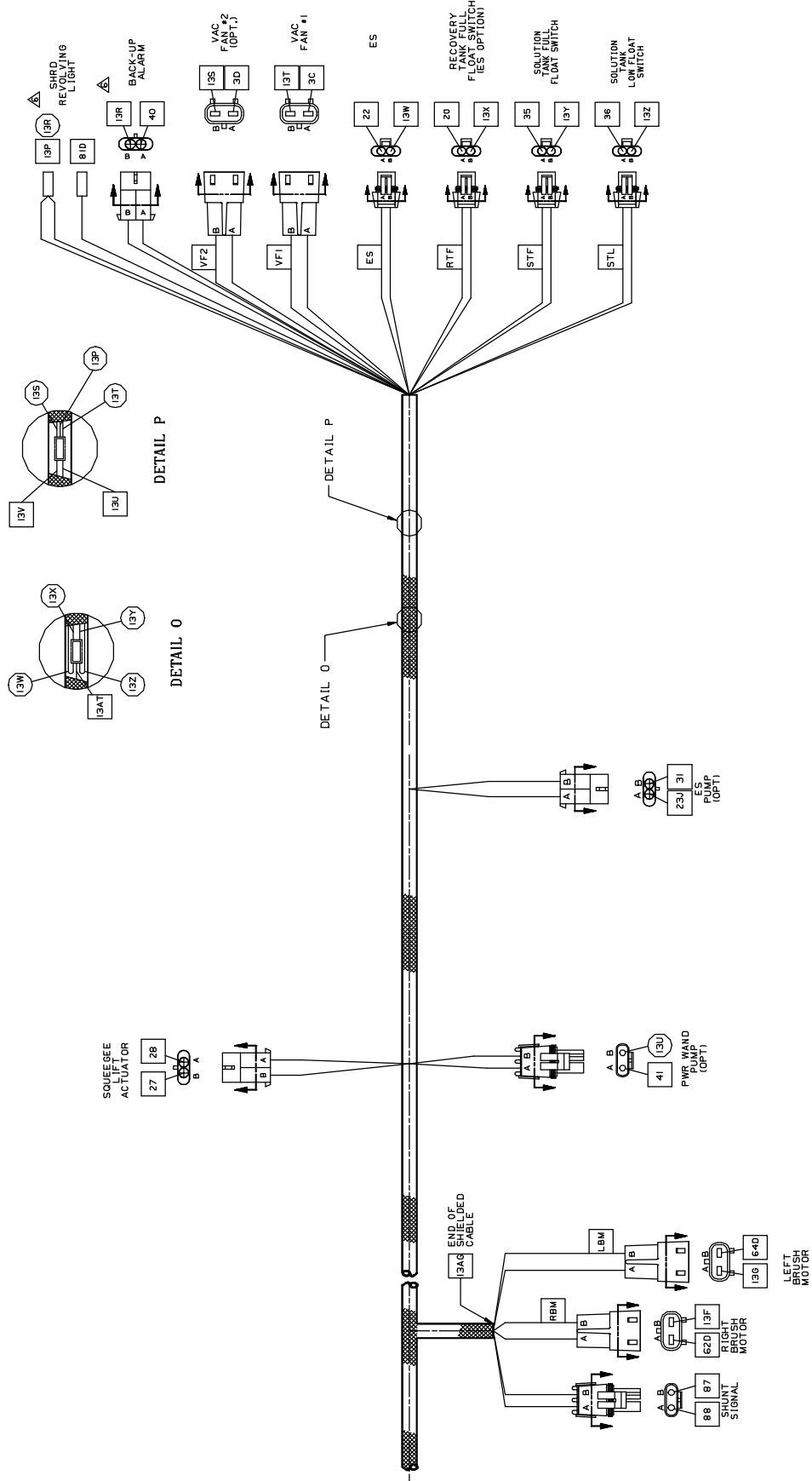
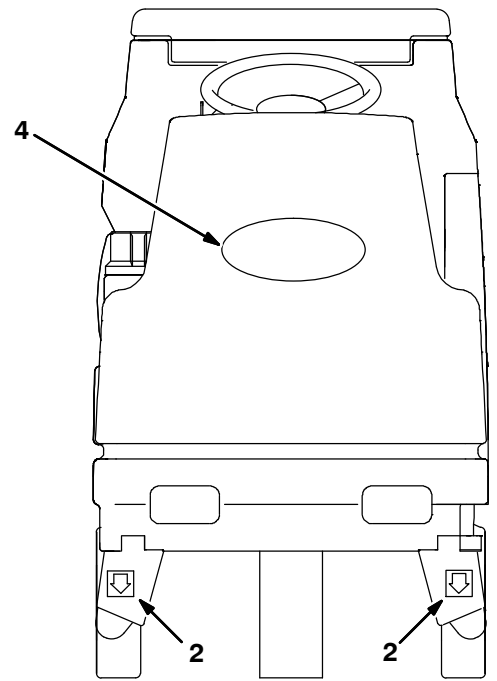
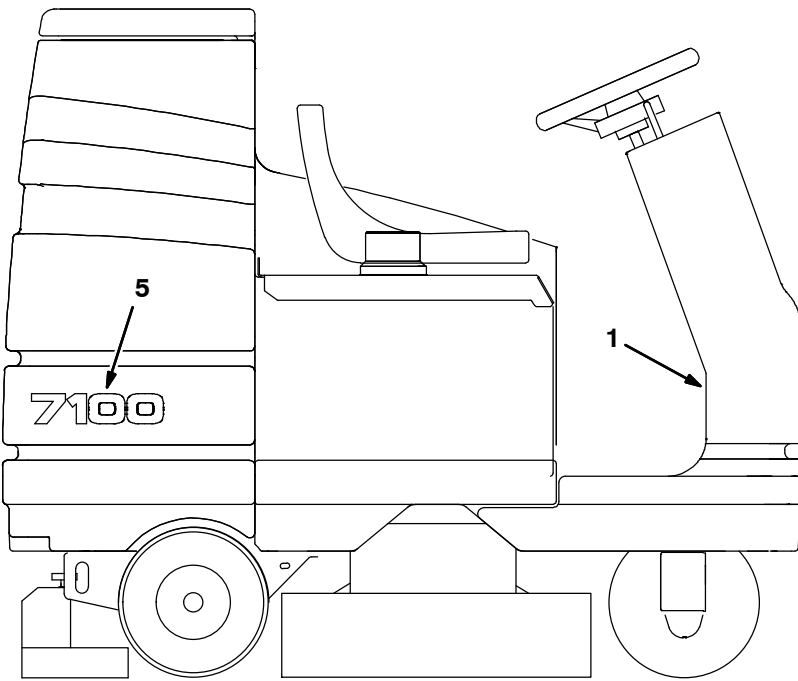
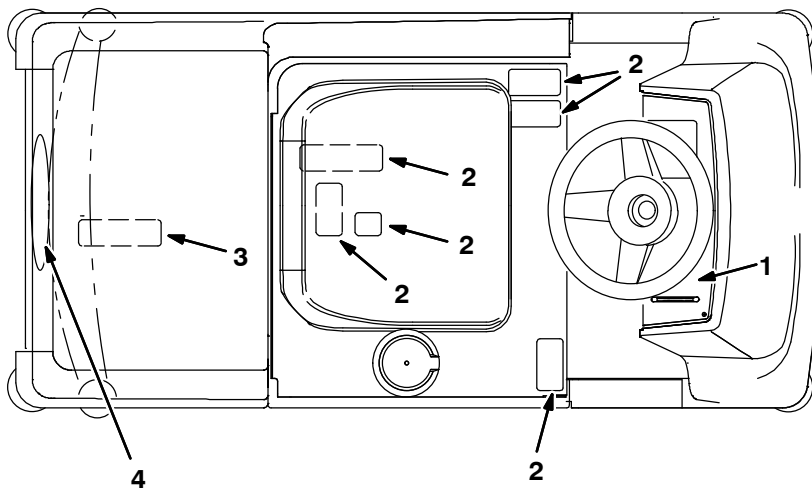




Fig. 31 - Label Group



353502

| Ref. | Tennant Part No. | Description                     | Qty. |
|------|------------------|---------------------------------|------|
| 1    | 391129           | Label Set, Opertnl              | 1    |
| 2    | 391297           | Label Set, Info/hzrd            | 1    |
| 3    | 1050910          | Label, Hzrd, Flammable Matl, Na | 1    |
| 4    | 1047741          | Label, Logo, 264mml, [Tennant]  | 2    |
| 5    | 1047740          | Label, Numerals, Side [7100]    | 2    |





# SECTION 3

| Contents   | Page | Contents  | Page  |
|--|------|---|-------|
| Fig. 1 – Quick Mop Kit   | 3-2  | Fig. 35 – Heavy Duty Disk Scrub Head Drive<br>Motor Group, 700 mm (28 in)       | 3-60  |
| Fig. 2 – ES (Extended Scrub) Pump Group  | 3-4  | Fig. 36 – Heavy Duty Disk Scrub Head Squeegee<br>Group, 700 mm (28 in)          | 3-62  |
| Fig. 3 – ES (Extended Scrub) Drain Group   | 3-6  | Fig. 37 – Disk Scrub Head Drive Motor Group,<br>800 mm (32 in)                  | 3-64  |
| Fig. 4 – FaST Detergent Supply Group<br>(S/N 10404792– )   | 3-8  | Fig. 38 – Disk Scrub Head Squeegee Group,<br>800 mm (32 in)                     | 3-66  |
| Fig. 5 – FaST Air Pump and Detergent Group<br>(S/N 10167421–10404791)                                  | 3-10 | Fig. 39 – Cylindrical Scrub Head Drive Motor Group,<br>700 mm (28 in)           | 3-68  |
| Fig. 6 – FaST Solution Pump and Injector Group<br>(S/N 10404792– )                                     | 3-12 | Fig. 40 – Cylindrical Scrub Head Frame Group,<br>700 mm (28 in)                 | 3-70  |
| Fig. 7 – FaST Solution Pump Group<br>(S/N 10167421–10404791)   | 3-14 | Fig. 41 – Cylindrical Scrub Head Squeegee Group,<br>700 mm (28 in)              | 3-72  |
| Fig. 8 – FaST Foam Delivery Group, Disk<br>Scrub Head (S/N 10404792– )                                 | 3-16 | Fig. 42 – Cylindrical Scrub Head Drive Motor Group,<br>800 mm (32 in)           | 3-74  |
| Fig. 9 – FaST Foam Filter Group, Disk<br>Scrub Head (S/N 10167421–10404791)                            | 3-18 | Fig. 43 – Cylindrical Scrub Head Frame Group,<br>800 mm (32 in)                 | 3-76  |
| Fig. 10 – FaST Foam Delivery Group,<br>Cylindrical Scrub Head, 700 mm (28 in)<br>(S/N 10404792– )      | 3-20 | Fig. 44 – Cylindrical Scrub Head Squeegee Group,<br>800 mm (32 in)              | 3-78  |
| Fig. 11 – FaST Foam Filter Group, Cylindrical<br>Scrub Head, 700 mm (28 in)<br>(S/N 10167421–10404791) | 3-22 | Fig. 45 – Rollout Battery Disk Scrub Head<br>Drive Motor Group, 700 mm (28 in)  | 3-80  |
| Fig. 12 – FaST Foam Delivery Group, Cylindrical<br>Scrub Head, 800 mm (32 in)<br>(S/N 10404792– )      | 3-24 | Fig. 46 – Rollout Battery Disk Scrub Head<br>Squeegee Group, 700 mm (28 in)     | 3-82  |
| Fig. 13 – FaST Foam Filter Group, Cylindrical<br>Scrub Head, 800 mm (32 in)<br>(S/N 10167421–10404791) | 3-26 | Fig. 47 – Rollout Battery Disk Scrub Head<br>Drive Motor Group, 800 mm (32 in)  | 3-84  |
| Fig. 14 – FaST Instrument Panel Group  | 3-28 | Fig. 48 – Rollout Battery Cylindrical Scrub Head<br>Frame Group, 700 mm (28 in) | 3-86  |
| Fig. 15 – FaST Electrical Schematic<br>(S/N 10404792– )  | 3-30 | Fig. 49 – Rollout Battery Cylindrical Scrub Head<br>Frame Group, 800 mm (32 in) | 3-88  |
| Fig. 16 – FaST Electrical Schematic<br>(S/N 10167421–10404791)   | 3-31 | Fig. 50 – Rollout Battery Case Group  | 3-90  |
| Fig. 17 – FaST Wire Harness Group<br>(S/N 10404792– )  | 3-32 | Fig. 51 – Rollout Battery Extra Case Kit  | 3-92  |
| Fig. 18 – FaST Wire Harness Group<br>(S/N 10167421–10404791)   | 3-33 | Fig. 52 – Rollout Battery Seat Support Group                                    | 3-94  |
| Fig. 19 – FaST Label Group   | 3-35 | Fig. 53 – Rollout Battery Scrub Head Lift Group                                 | 3-96  |
| Fig. 20 – ec-H2O Module Mount Group  | 3-36 | Fig. 54 – Rollout Battery Pack Kit  | 3-98  |
| Fig. 21 – ec-H2O Solution Pump Group   | 3-38 | Fig. 55 – Rollout Battery Cart Kit  | 3-100 |
| Fig. 22 – ec-H2O Group, Disk Scrub Head  | 3-40 | Fig. 56 – Rear Squeegee Group, 800 mm (32 in)                                   | 3-102 |
| Fig. 23 – ec-H2O Group, Cylindrical Scrub Head,<br>700 mm (28 in)                                      | 3-42 | Fig. 57 – Battery Kit, Wet, 244AH   | 3-104 |
| Fig. 24 – ec-H2O Group, Cylindrical Scrub Head,<br>800 mm (32 in)                                      | 3-44 | Fig. 58 – Battery Group, Maintenance Free,<br>180AH                             | 3-105 |
| Fig. 25 – ec-H2O Instrument Panel Group  | 3-46 | Fig. 59 – Off-Board Battery Charger Group                                       | 3-106 |
| Fig. 26 – ec-H2O Label Group   | 3-47 | Fig. 60 – On-Board Battery Charger Group  | 3-107 |
| Fig. 27 – ec-H2O Electrical Schematic  | 3-48 | Fig. 61 – Flashing Light Kit  | 3-108 |
| Fig. 28 – ec-H2O Wire Harness Group  | 3-49 | Fig. 62 – Strobe Light Kit  | 3-110 |
| Fig. 29 – ec-H2O Wire Harness Group,<br>Jumper, Pump   | 3-50 | Fig. 63 – Backup Alarm Kit  | 3-112 |
| Fig. 30 – Power Wand Pump and Fittings Group   | 3-52 | Fig. 64 – Fire Extinguisher Kit   | 3-114 |
| Fig. 31 – Power Wand Mount Group   | 3-54 | Fig. 65 – Positive Solution Control Drain Kit                                   | 3-115 |
| Fig. 32 – Power Wand Hose Assembly   | 3-55 | Fig. 66 – Positive Solution Control Drain Kit, ES<br>(Extended Scrub)           | 3-116 |
| Fig. 33 – Power Wand Assembly  | 3-56 | Fig. 67 – Storage Bag Kit   | 3-117 |
| Fig. 34 – Heavy Duty Vacuum Fan Kit  | 3-58 | Fig. 68 – Documentation Group   | 3-118 |

Fig. 1 - Quick Mop Kit

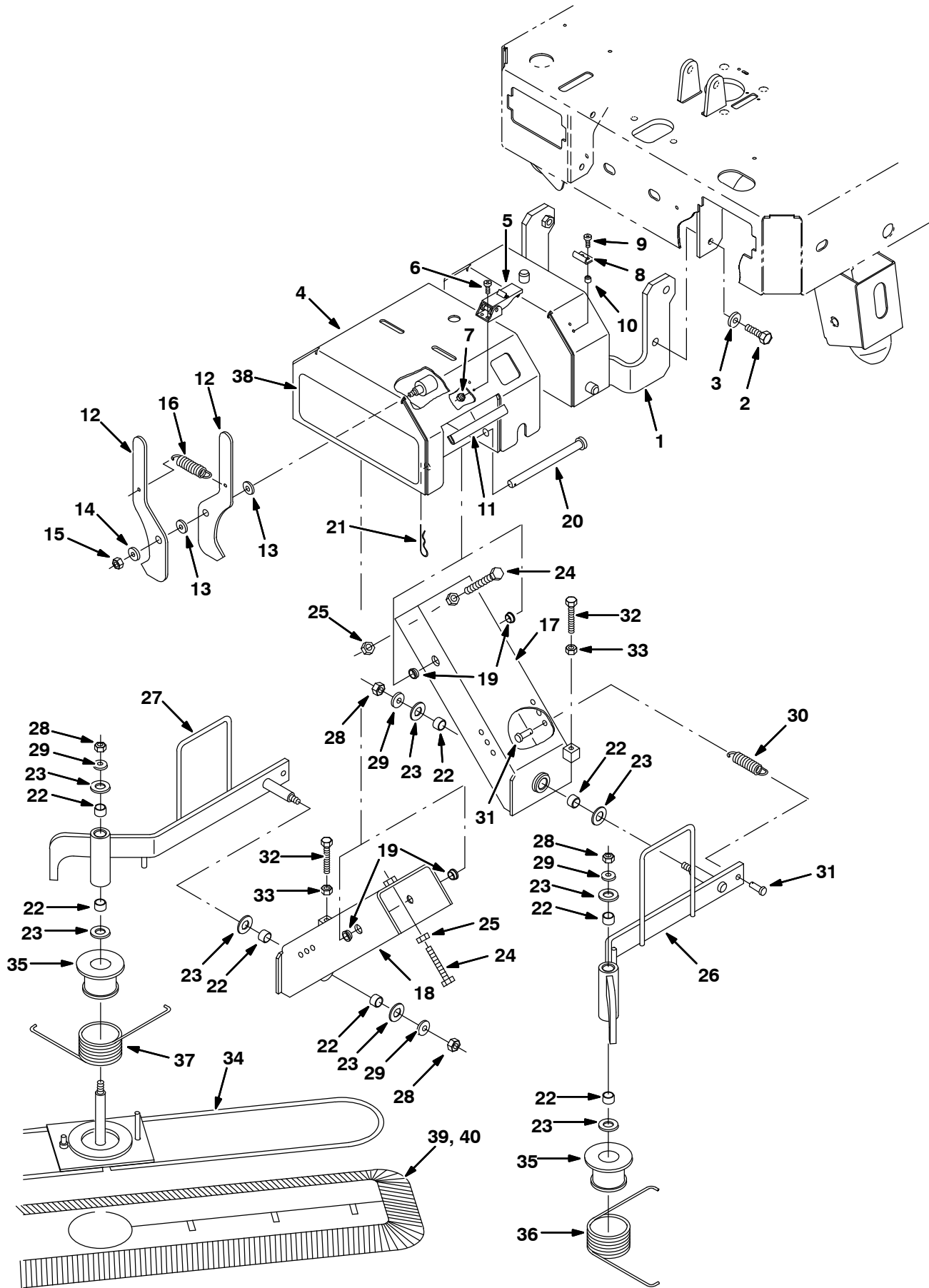


Fig. 1 – Quick Mop Kit

| Ref. | Tennant Part No. | Description                             | Qty. |
|------|------------------|---|------|
| ▽    | 391051           | Kit, Ci, V-Mop                          | 1    |
| ▲    | 1 391257         | Bumper Wldt, V-Mop                      | 1    |
| ▲    | 2 77347          | Screw, Hex, M10 X 1.5 X 35, Ss          | 4    |
| ▲    | 3 01686          | Washer, Flat, 0.44B 1.00D .08, Ss       | 4    |
| ▲    | 4 384287         | Housing Wldt, Quick-Mop                 | 1    |
| ▲    | 5 384418         | Latch, Door                             | 2    |
| ▲    | 6 49697          | Screw, Pan, M04 X 0.7 X 10, Ss          | 4    |
| ▲    | 7 02850          | Nut, Hex, Lock, M04 X 0.7, NI           | 4    |
| ▲    | 8 384419         | Bracket, Keeper                         | 2    |
| ▲    | 9 12323          | Screw, Pan, M04 X 0.7 X 20, Ss          | 4    |
| ▲    | 10 65441         | Spacer                                  | 4    |
| ▲    | 11 391287        | Molding, Trim, Pvc, .08-.11 04.75l      | 2    |
| ▲    | 12 81542         | Plate, Latch                            | 2    |
| ▲    | 13 86860         | Bearing, Thrust                         | 2    |
| ▲    | 14 32491         | Washer, Flt, .31 Std                    | 1    |
| ▲    | 15 08709         | Nut, Hex, Lock, M08 X 1.25,NI           | 1    |
| ▲    | 16 87816         | Spring, Extn, 0.75od X 0.09wir, 2.5l    | 1    |
| ▲    | 17 81541         | Channel Wldt, Lift, Lh                  | 1    |
| ▲    | 18 81540         | Channel Wldt, Lift, Rh                  | 1    |
| ▲    | 19 15648         | Bushing, Flng, 0.50b 0.59d 0.38l        | 4    |
| ▲    | 20 51225-1       | Pin, Clevis, 0.50 D X 6.00l             | 2    |
| ▲    | 21 02942         | Pin, Hair Cotter, 0.62 D .120 Wir       | 2    |
| ▲    | 22 07449         | Bushing, Sleeve, 0.62b 0.72d 0.50l, Fgl | 8    |
| ▲    | 23 64425         | Washer, Thrust, 0.61b 1.25d .06, Fgl    | 8    |
| ▲    | 24 76438         | Screw, Hex, M10 X 1.5 X 90, FI          | 2    |
| ▲    | 25 39312         | Nut, Hex, Std, M10 X 1.5                | 2    |
| ▲    | 26 81539         | Arm Wldt, Lift, Mop, Lh                 | 1    |
| ▲    | 27 81538         | Arm Wldt, Lift, Mop, Rh                 | 1    |
| ▲    | 28 41430         | Nut, Hex, Lock, M10 X 1.5, NI           | 4    |
| ▲    | 29 32492         | Washer, Flt, .38 Std                    | 4    |
| ▲    | 30 15047         | Spring, Extn, 0.62od X 0.08wir, 3.0l    | 2    |
| ▲    | 31 39019         | Pin, Clevis, 0.37 D X 0.75l             | 4    |
| ▲    | 32 363976        | Screw, Hex, M08 X 1.25 X 60, FI         | 2    |
| ▲    | 33 39311         | Nut, Hex, Std, M08 X 1.25               | 2    |
| ▲    | 34 81537         | Frame Wldt, Mop, V                      | 2    |
| ▲    | 35 83332         | Spacer, Spring                          | 2    |
| ▲    | 36 80317         | Spring, Tors, 2.36id .18wir 07.5coil    | 1    |
| ▲    | 37 80318         | Spring, Tors, 2.36id .18wir 07.5coil    | 1    |
| ▲    | 38 384265        | Label, [Quick Mop]                      | 1    |
| ▲    | 39 83347         | Mop, Dust                               | 2    |
|      | 40 83348         | Mop, Dust, Industrial                   | 1    |

▽ ASSEMBLY

▲ INCLUDED IN ASSEMBLY

**Fig. 2 - ES (Extended Scrub) Pump Group**

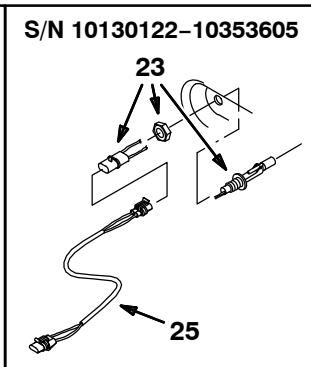
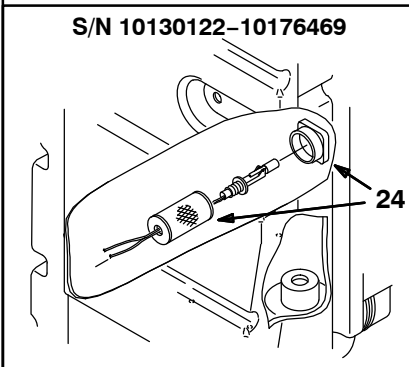
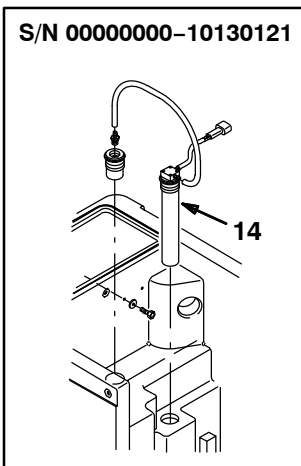
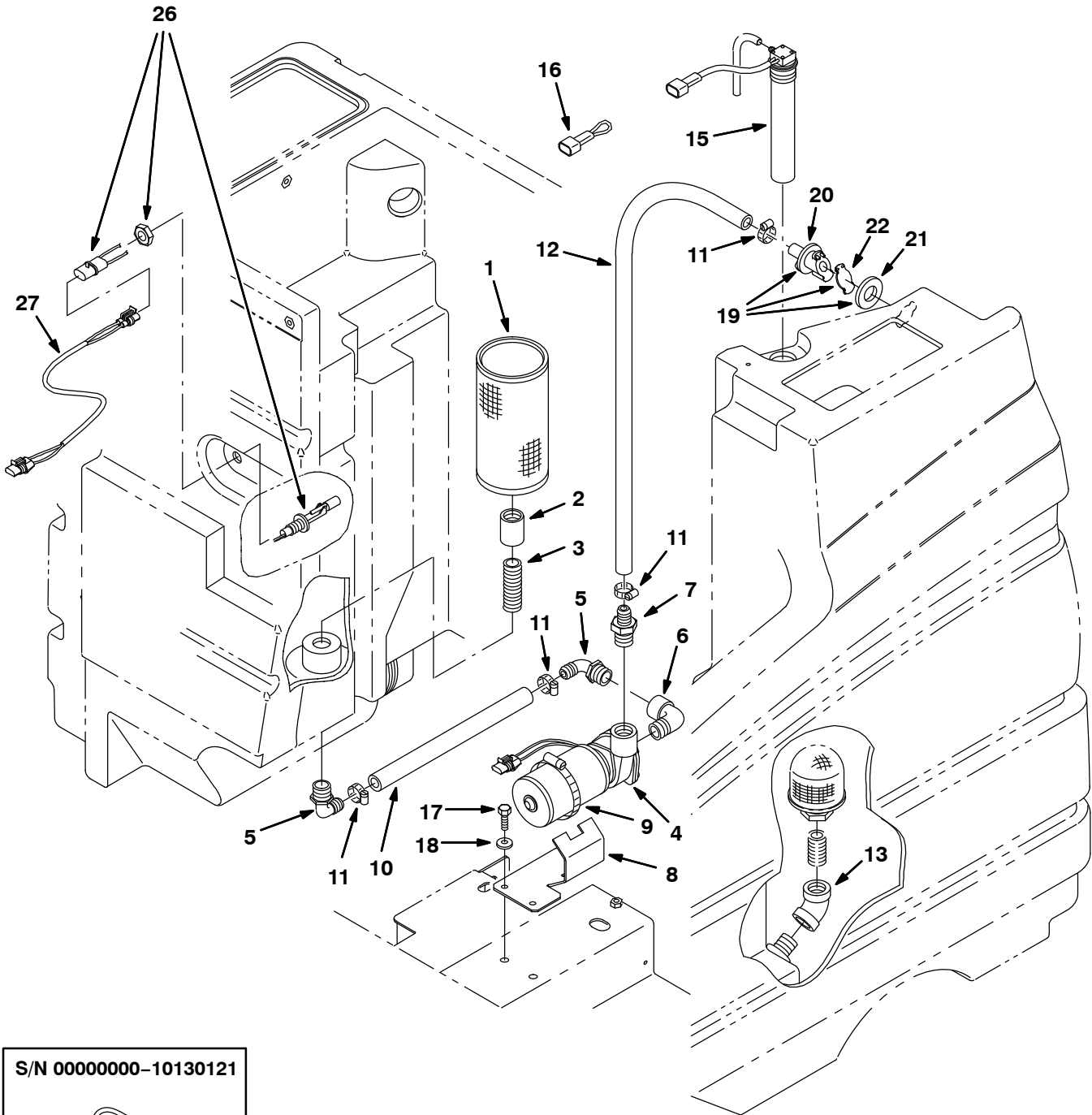


Fig. 2 – ES (Extended Scrub) Pump Group

| Ref. | Tennant Part No. | Description                                   | Qty.                                   |   |
|------|------------------|---|--|---|
| 1    | 10573            | Screen, Soltn, 20mesh, Dbl Cyl                | 1                                      |   |
| 2    | 05134            | Fitting, Plstc, Str, Pf12/Pf12                | 1                                      |   |
| 3    | 385665           | Fitting, Plstc, Str, Pm12/Pm12 03.0l          | 1                                      |   |
| 4    | 369865           | Pump, Solution, Impeller, 36vdc               | 1                                      |   |
| 5    | 73468            | Fitting, Plstc, E90, Bm10/Pm12                | 2                                      |   |
| 6    | 69785            | Fitting, Plstc, E90, Pm12/Pf12                | 1                                      |   |
| 7    | 365095           | Fitting, Plstc, Str, Bm10/Pm12                | 1                                      |   |
| 8    | 391115           | Bracket, Pump, Es                             | 1                                      |   |
| 9    | 17188            | Clamp, Hose, Wormdrive, 1.62–3.50d            | 1                                      |   |
| 10   | 390925           | Hose, PVC, Brd, 0.62id 0.96od 13.0L (C460117) | 8.00"                                  |   |
| 11   | 63810            | Clamp, Hose, Wormdrive, 0.56–1.06d            | 4                                      |   |
| 12   | 390797           | Hose, PVC, Brd, 0.62id 0.96od 36.0L (C460117) | 36.00"                                 |   |
| 13   | 10575            | Fitting, Plstc, E45, Pf12/Pf12                | 1                                      |   |
| 14   | 375427           | ① Switch Assy, Dual Press, 14" Tube           | 1                                      |   |
| 15   | 375426           | Switch Assy, Press, 3 Inch, 8" Tube           | 1                                      |   |
| 16   | 390620           | Harness, Jumper                               | 1                                      |   |
| 17   | 49826            | Screw, Hex, M08 X 1.25 X 16, Ss, NI           | 2                                      |   |
| 18   | 01685            | Washer, Flt, .31 Ss                           | 2                                      |   |
| ▽    | 19               | 78842   | Kit, Valve, Check                      | 1 |
| ▲    | 20               | 78840   | Valve, Check                           | 1 |
| ▲    | 21               | 73342   | Gasket, Check, Valve                   | 1 |
| ▲    | 22               | 78841   | Flapper, Valve                         | 1 |
|      | 23               | 222822  | ③ Sensor, Level, Liquid, 30w [Mag]     | 1 |
|      | 24               | N/A   | ② Strainer, Soltn, Switch Guard        | 1 |
|      | 25               | 369766  | ③ Harness, Sensor, Jumper              | 1 |
|      | 26               | 385685  | ④ Sensor, Level, Liq, 14vdc 01a .62–11 | 1 |
|      | 27               | 1035054                                       | ④ Harness, Sensor, Jumper              | 1 |

① Serial number (00000000–10130121)

② Serial number (10130122–10176469)

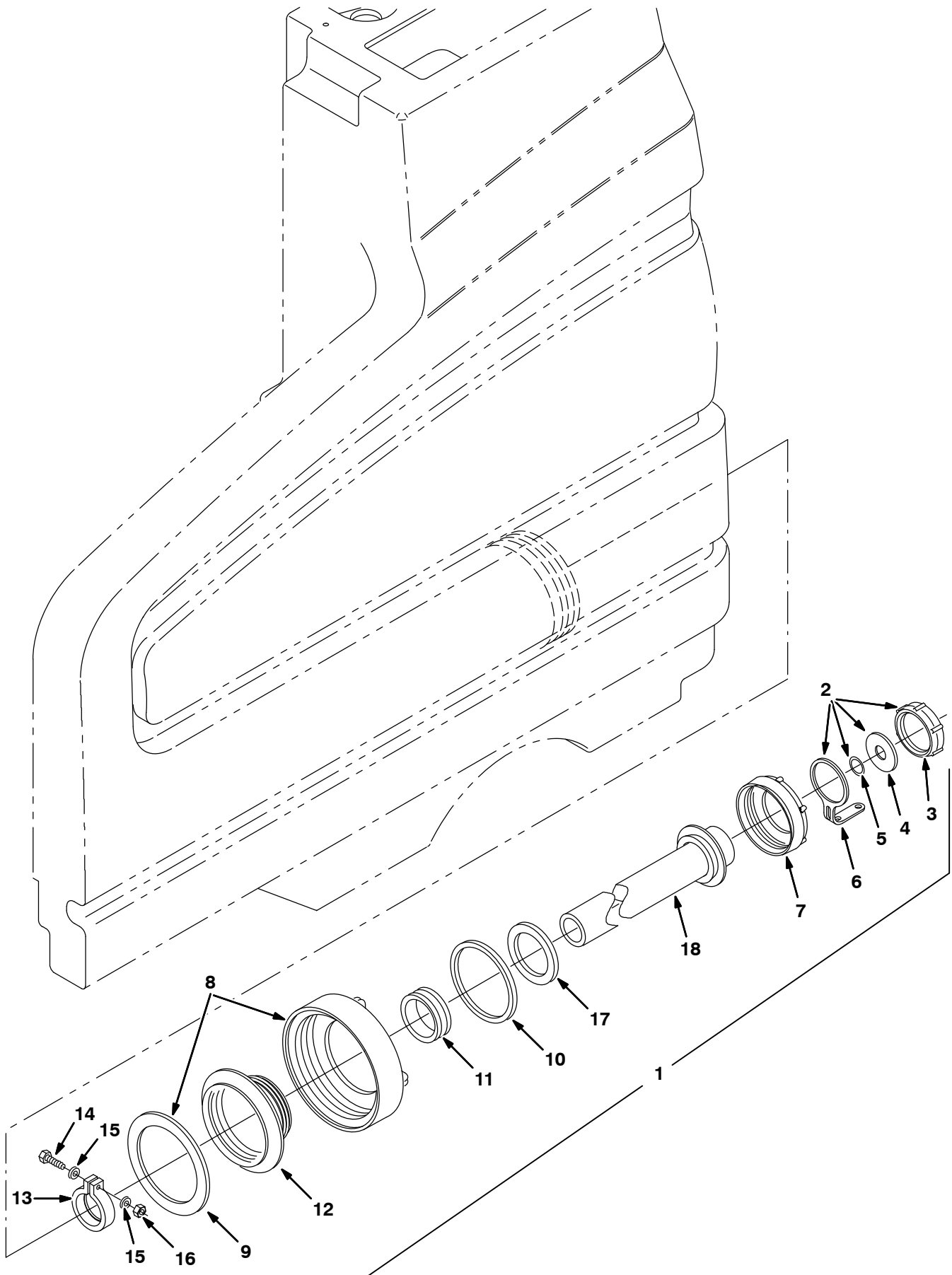
③ Serial number (10130122–10353605)

④ Serial number (10353606– )

▽ ASSEMBLY

▲ INCLUDED IN ASSEMBLY

Fig. 3 - ES (Extended Scrub) Drain Group



**Fig. 3 - ES (Extended Scrub) Drain Group**

|    | <b>Ref.</b> | <b>Tennant Part No.</b> | <b>Description</b>                | <b>Qty.</b> |
|----|-------------|-------------------------|-----------------------------------|-------------|
| ▽  | 1           | 391066                  | Hose Assy, Drain, Retractable     | 1           |
| ▲▽ | 2           | 32501                   | Kit, Cap, Drain                   | 1           |
| ▲▲ | 3           | 32613                   | Cap, Tank, Drain, 2.25 Thread Pye | 1           |
| ▲▲ | 4           | 32614                   | Gasket, Cap                       | 1           |
| ▲▲ | 5           | 32669                   | Ring, Retaining, Ext, 0.75d, Ss   | 1           |
| ▲▲ | 6           | 32508                   | Strap                             | 1           |
| ▲  | 7           | 14880                   | Cap, Tank, Drain, 3.85 Thread Pye | 1           |
| ▲▽ | 8           | 24358                   | Cap, Tank                         | 1           |
| ▲▲ | 9           | 375206                  | Gasket, Lid                       | 1           |
| ▲  | 10          | 79320                   | Gasket, Cap, Drain                | 1           |
| ▲  | 11          | 41421                   | Seal                              | 1           |
| ▲  | 12          | 14864                   | Cover, Insert                     | 1           |
| ▲  | 13          | 41454                   | Clamp, Hose, Plstc, 1.60d X 0.62w | 1           |
| ▲  | 14          | 12316                   | Screw, Hex, M05 X 0.8 X 25, Ss    | 1           |
| ▲  | 15          | 01683                   | Washer, Flt, #10 Ss               | 2           |
| ▲  | 16          | 09739                   | Nut, Hex, Lock, M05 X 0.8, NI, Ss | 1           |
| ▲  | 17          | 41451                   | Gasket, Lid                       | 1           |
| ▲  | 18          | 390884                  | Hose, Drain                       | 1           |

▽ ASSEMBLY

▲ INCLUDED IN ASSEMBLY

Fig. 4 - FaST Detergent Supply Group (S/N 10404792- )

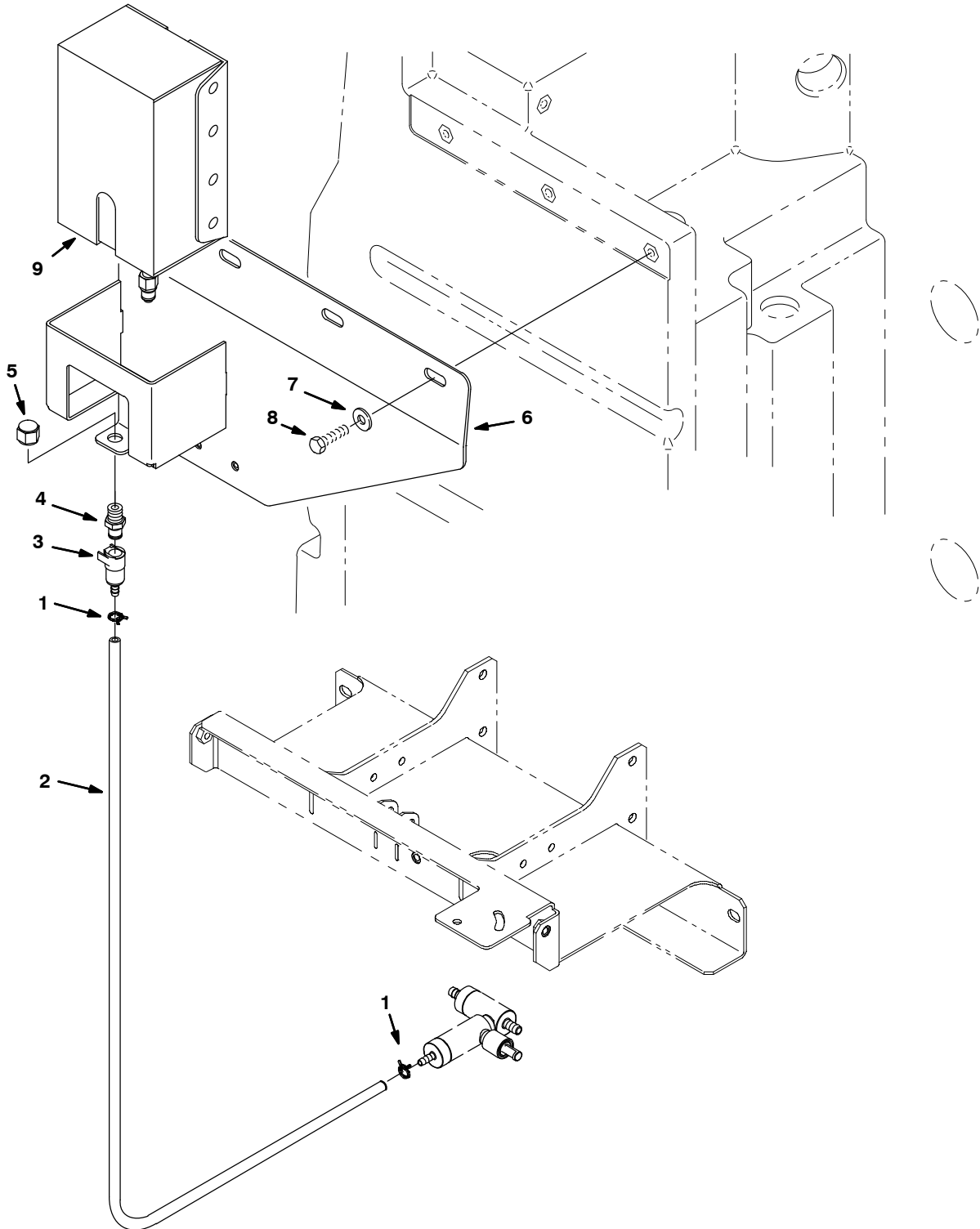




Fig. 4 - FaST Detergent Supply Group (S/N 10404792- )

| Ref. | Tenant Part No. | Description                                   | Qty.   |
|------|-----------------|---|--------|
| 1    | 613735          | ④ Clamp, Hose .40 - .42 2 Wire                | 2      |
| 2    | 1014985         | ④ Hose, Afmkt, Pvc, Clr 0.25id 08Ft (C460126) | 4.000' |
| 3    | 1002898         | ④ Coupling, Fem, W/ Valve, .25 Brb            | 1      |
| 4    | 1002899         | ④ Coupling, Mal, .25 Npt                      | 1      |
| 5    | 1005435         | ④ Fitting, Plstc, Cap, Pf04                   | 1      |
| 6    | 1012831         | ④ Bracket Wldt, Box Detgt                     | 1      |
| 7    | 01685           | ④ Washer, Flt, .31 Ss                         | 3      |
| 8    | 15675           | ④ Screw, Hex, M08 X 1.25 X 20, Ss             | 3      |
| 9    | 1017015         | ④ Fast 365 2 Ltr, Detergent                   | -      |
| 9    | 1017022         | ④ Fast 665 2 Ltr, Detergent                   | -      |
| 9    | 9002021         | ④ Fast 965 2 Ltr, Detergent                   | -      |

④ Serial number (10404792- )

# OPTIONS

Fig. 5 – FaST Air Pump and Detergent Group (S/N 10167421–10404791)

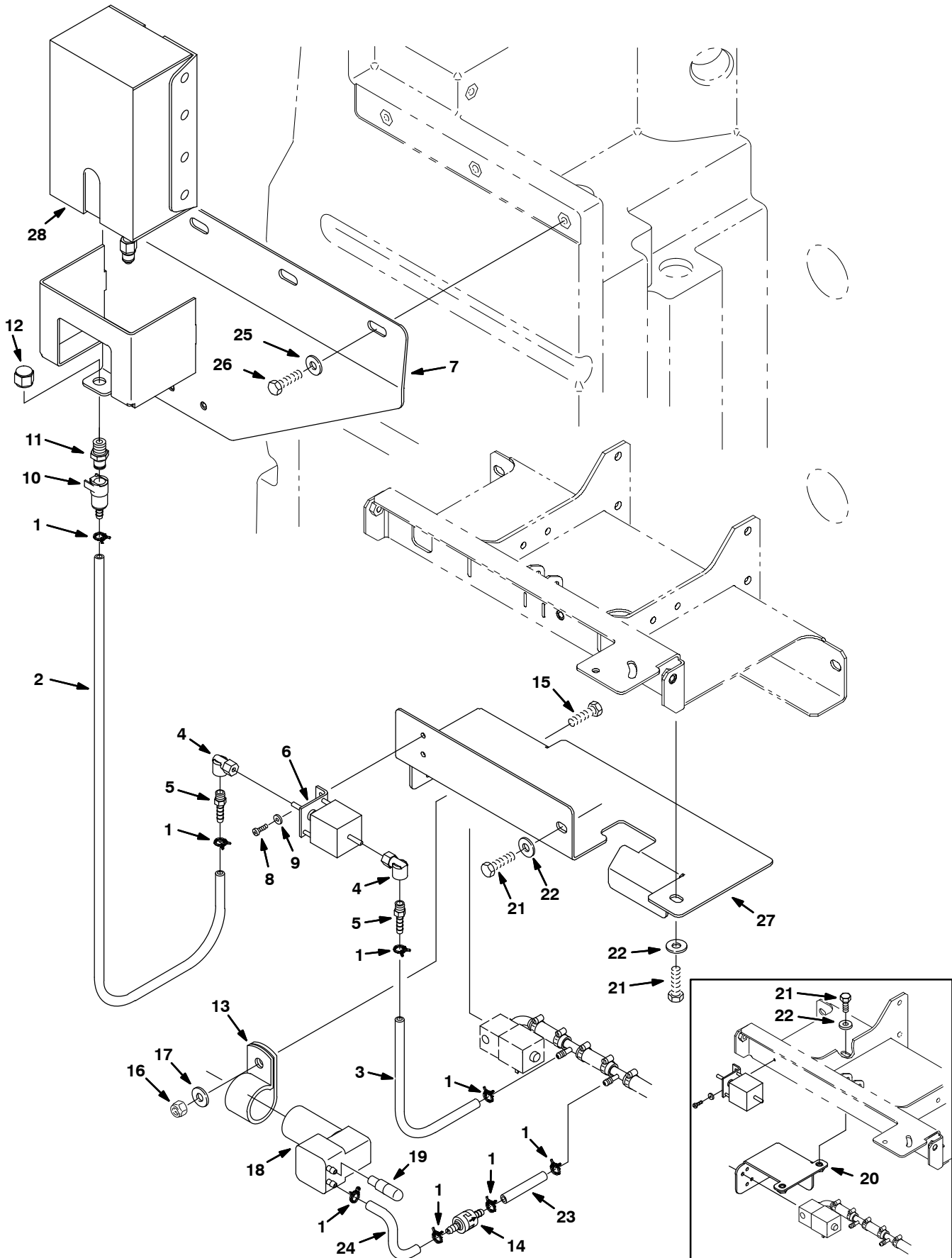


Fig. 5 – FaST Air Pump and Detergent Group (S/N 10167421–10404791)

| Ref. | Tennant Part No. | Description                                   | Qty.   |
|------|------------------|---|--------|
| 1    | 613735           | ① Clamp, Hose .40 – .42 2 Wire                | 8      |
| 2    | 1006415          | ① Hose, Afmkt, Pvc, Clr 0.25id 03ft (C460126) | 3.000' |
| 3    | 613727           | ① Hose, .25id X 12" Pvc (C460126)             | 0.540' |
| 4    | 1014082          | ① Fitting, Brs, E90, Cf03/Pf02                | 2      |
| 5    | 150525           | ① Fitting, Brs, Str, Pm02/Bm04                | 2      |
| 6    | 1013789          | ① Pump, Detgt [560s]                          | 1      |
| 7    | 1012831          | ① Bracket Wldt, Box Detgt                     | 1      |
| 8    | 06927            | ① Screw, Pan, M4 X 0.7 X 16, 4.8              | 2      |
| 9    | 19064            | ① Washer, Flat, #06                           | 2      |
| 10   | 1002898          | ① Coupling, Fem, W/ Valve, .25 Brb            | 1      |
| 11   | 1002899          | ① Coupling, Mal, .25 Npt                      | 1      |
| 12   | 1005435          | ① Fitting, Plstc, Cap, Pf04                   | 1      |
| 13   | 53466            | ① Clamp, Cable, Stl, 1.50d X 1.00w, 1h        | 1      |
| 14   | 1013902          | ① Valve, Check, 2 Gpm 2 Psi Bm04/Bm04         | 1      |
| 15   | 09010            | ① Screw, Hex, M8 X 1.25 X 25, Ss              | 1      |
| 16   | 08713            | ① Nut, Hex, Lock, M 8 X 1.25, NI, Ss          | 1      |
| 17   | 01685            | ① Washer, Flat, 0.31 Ss                       | 1      |
| ▽ 18 | 1008211          | ① Pump, Air, Ele, 36vdc                       | 1      |
| ▲    | 391449           | ① Kit, Repair, Diaphragm, Air Compressor      | 1      |
| 19   | 1005255          | ① Filter Assy, Air, Molded Ure                | 1      |
| 20   | 1013736          | ② Bracket, Mtg, Pump                          | 1      |
| 21   | 09740            | ① Screw, Hex, M8 X 1.25 X 20, Ss              | 3      |
| 22   | 01685            | ① Washer, Flat, 0.31 Ss                       | 3      |
| 23   | 613727           | ① Hose, .25id X 12" Pvc (C460126)             | 0.440' |
| 24   | 613727           | ① Hose, .25id X 12" Pvc (C460126)             | 0.104' |
| 25   | 01685            | ① Washer, Flt, .31 Ss                         | 3      |
| 26   | 15675            | ① Screw, Hex, M08 X 1.25 X 20, Ss             | 3      |
| 27   | 1015365          | ③ Bracket, Mtg, Pump                          | 1      |
| 28   | 1017015          | ① Fast 365 2 Ltr, Detergent                   | –      |
| 28   | 1017022          | ① Fast 665 2 Ltr, Detergent                   | –      |
| 28   | 9002021          | ① Fast 965 2 Ltr, Detergent                   | –      |

① Serial number (10167421–10404791)

② Serial number (10167421–10179104)

③ Serial number (10179105–10404791)

▽ ASSEMBLY

▲ INCLUDED IN ASSEMBLY

Fig. 6 – FaST Solution Pump and Injector Group (S/N 10404792– )

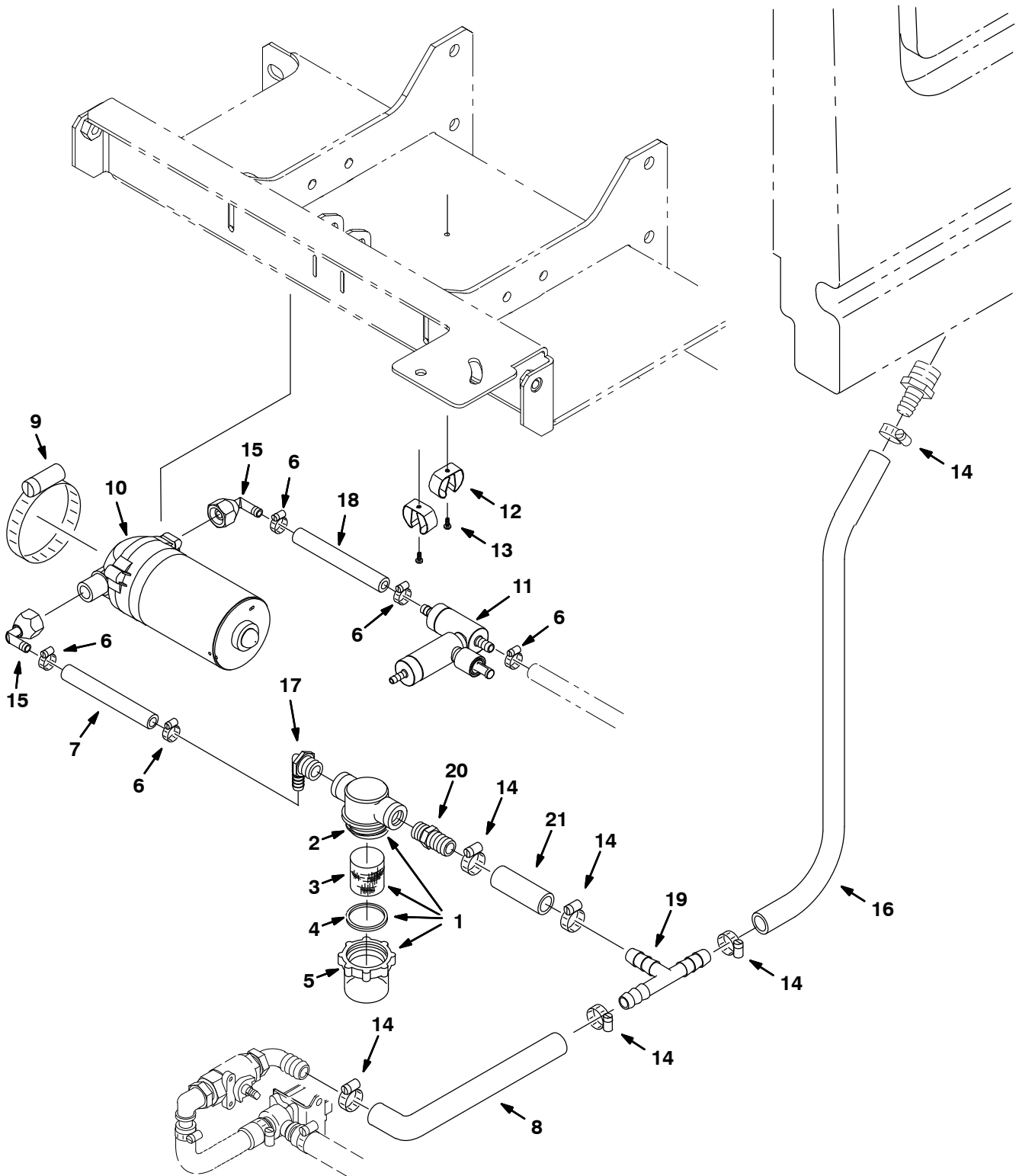


Fig. 6 – FaST Solution Pump and Injector Group (S/N 10404792– )

|   | Ref. | Tennant Part No. | Description   | Qty.   |
|---|------|------------------|---|--------|
| ▽ | 1    | 1005302          | [4] Filter, Inline, Pf06/Pf06, 80 Mesh                | 1      |
| ▲ | 2    | 613993           | [4] Housing, Top                                      | 1      |
| ▲ | 3    | 1005304          | [4] Screen, Fltr, 80 Mesh                             | 1      |
| ▲ | 4    | 613992           | [4] Gasket  | 1      |
| ▲ | 5    | 613991           | [4] Bowl, Clr, Short                                  | 1      |
|   | 6    | 43844            | [4] Clamp, Hose, Wormdrive, 0.25–0.62d                | 5      |
|   | 7    | 1014971          | [4] Hose, Afmkt, Pvc, Brd, 0.38id 01Ft (376720)       | 3.50"  |
|   | 8    | 1015025          | [4] Hose Afmkt, Pvc, Brd, 0.62id 02Ft (C460117)       | 20.5"  |
|   | 9    | 17188            | [4] Clamp, Hose, Wormdrive, 1.62–3.50d                | 1      |
|   | 10   | 1037108          | [4] Pump, Soltn, Ele, 36Vdc, 60Psi (Packard)          | 1      |
|   | 11   | 9006003          | [4] FaST Kit, Injector Ci [FaST II+] (See Breakdowns) | 1      |
|   | 12   | 573073           | [4] Clip, Grip, Hose, 1.00–1.50, Stl, PL              | 2      |
|   | 13   | 16944            | [4] Screw, Hex, M4 X 0.70 X 10, FMG                   | 2      |
|   | 14   | 63810            | [4] Clamp, Hose, Wormdrive, 0.56–1.06d                | 6      |
|   | 15   | 611010           | [4] Fitting, Plstc, E90, Bm06/Pf08, Swivel            | 2      |
|   | 16   | 1015033          | [4] Hose, Afmkt, Pvc, Brd, 0.62id 01Ft (C460117)      | 5.50"  |
|   | 17   | 150412           | [4] Fitting, Plstc, E90, Bm08/Pm06                    | 1      |
|   | 18   | 1014971          | [4] Hose, Afmkt, Pvc, Brd, 0.38id 01Ft (376720)       | 6.50"  |
|   | 19   | 16356            | [4] Fitting, Plstc, Tee, Bm10/Bm10/Bm10               | 1      |
|   | 20   | 1013900          | [4] Fitting, Plstc, Str, Bm10/Pm06, Nyl               | 1      |
|   | 21   | 1015033          | [4] Hose, Afmkt, Pvc, Brd, 0.62id 01Ft (C460117)      | 11.00" |

[4] Serial number (10404792– )

▽ ASSEMBLY

▲ INCLUDED IN ASSEMBLY

**Fig. 7 – FaST Solution Pump Group (S/N 10167421–10404791)**

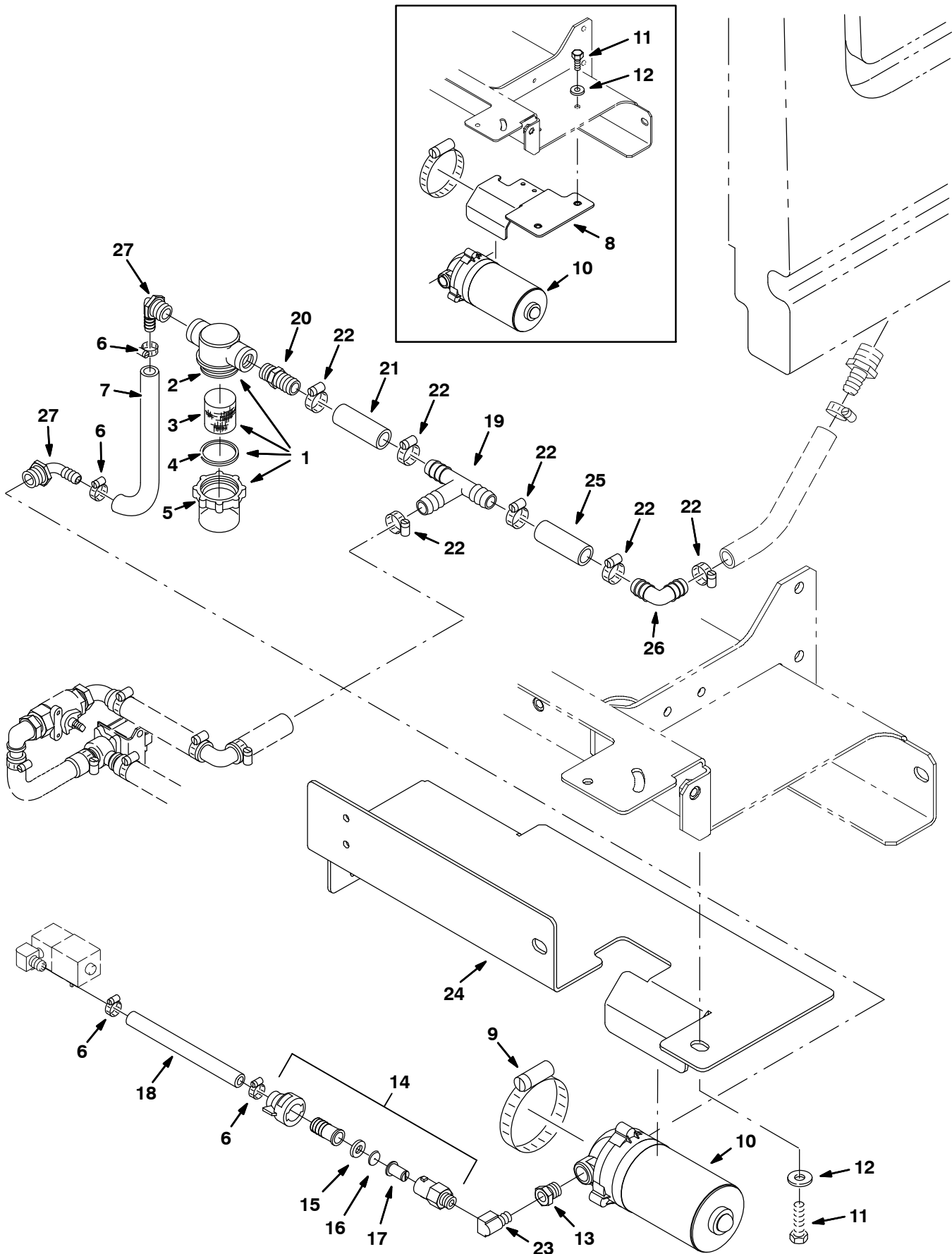


Fig. 7 – FaST Solution Pump Group (S/N 10167421–10404791)

|   | Ref. | Tennant Part No. | Description                                    | Qty.   |
|---|------|------------------|--|--------|
| ▽ | 1    | 1005302          | ① Filter, Inline, Pf06/Pf06, 80 Mesh           | 1      |
| ▲ | 2    | 613993           | ① Housing, Top                                 | 1      |
| ▲ | 3    | 1005304          | ① Screen, Fltr, 80 Mesh                        | 1      |
| ▲ | 4    | 613992           | ① Gasket                                       | 1      |
| ▲ | 5    | 613991           | ① Bowl, Clr, Short                             | 1      |
|   | 6    | 54333            | ① Clamp, Hose, Wormdrive, 0.31–0.88d           | 4      |
|   | 7    | 1011521          | ① Hose, Afmkt Pvc, Brd 0.50id X 2 Ft (376716)  | 1.750' |
|   | 8    | 1012340          | ② Bracket, Pump, Soltn                         | 1      |
|   | 9    | 17188            | ① Clamp, Hose, Wormdrive, 1.62–3.50d           | 1      |
|   | 10   | 1005866          | ① Pump, Soltn, Ele, 36vdc                      | 1      |
|   | 11   | 09740            | ① Screw, Hex, M8 X 1.25 X 20, Ss               | 2      |
|   | 12   | 01685            | ① Washer, Flat, 0.31 Ss                        | 2      |
|   | 13   | 150006           | ① Fitting, Brs, Str, Pm04/Pm06, Bshg           | 1      |
| ▽ | 14   | 1014675          | ① Fitting Assy, Cap, 0.045b, Pm04/Bm08         | 1      |
| ▲ | 15   | 1005508          | ① Washer, Flat, .34b .75d .12, Viton           | 1      |
| ▲ | 16   | 1014011          | ① Plate, Orifice, 0.045id                      | 1      |
| ▲ | 17   | 1006447          | ① Screen, 50 Mesh, Ss                          | 1      |
|   | 18   | 1011403          | ① Hose, Afmkt Pvc, Brd 0.50id X 1 Ft (376716)  | 0.590' |
|   | 19   | 16356            | ① Fitting, Plstc, Tee, Bm10/Bm10/Bm10          | 1      |
|   | 20   | 1013900          | ① Fitting, Plstc, Str, Bm10/Pm06, Nyl          | 1      |
|   | 21   | 1015033          | ① Hose, Afmkt, Pvc, Brd, 0.62id 01Ft (C460117) | 0.250' |
|   | 22   | 63810            | ① Clamp, Hose, Wormdrive, 0.56–1.06d           | 6      |
|   | 23   | 27048            | ① Fitting, Brs, E90, Pm04/Pf04                 | 1      |
|   | 24   | 1015365          | ③ Bracket, Mtg, Pump Assy                      | 1      |
|   | 25   | 1015033          | ① Hose, Afmkt, Pvc, Brd, 0.62id 01Ft (C460117) | 0.416' |
|   | 26   | 391365           | ① Fitting, Plstc, E90, Bm10/Bm10               | 1      |
|   | 27   | 64778            | ① Fitting, Plstc, E90, Bm08/Pm06               | 2      |

① Serial number (10167421–10404791)

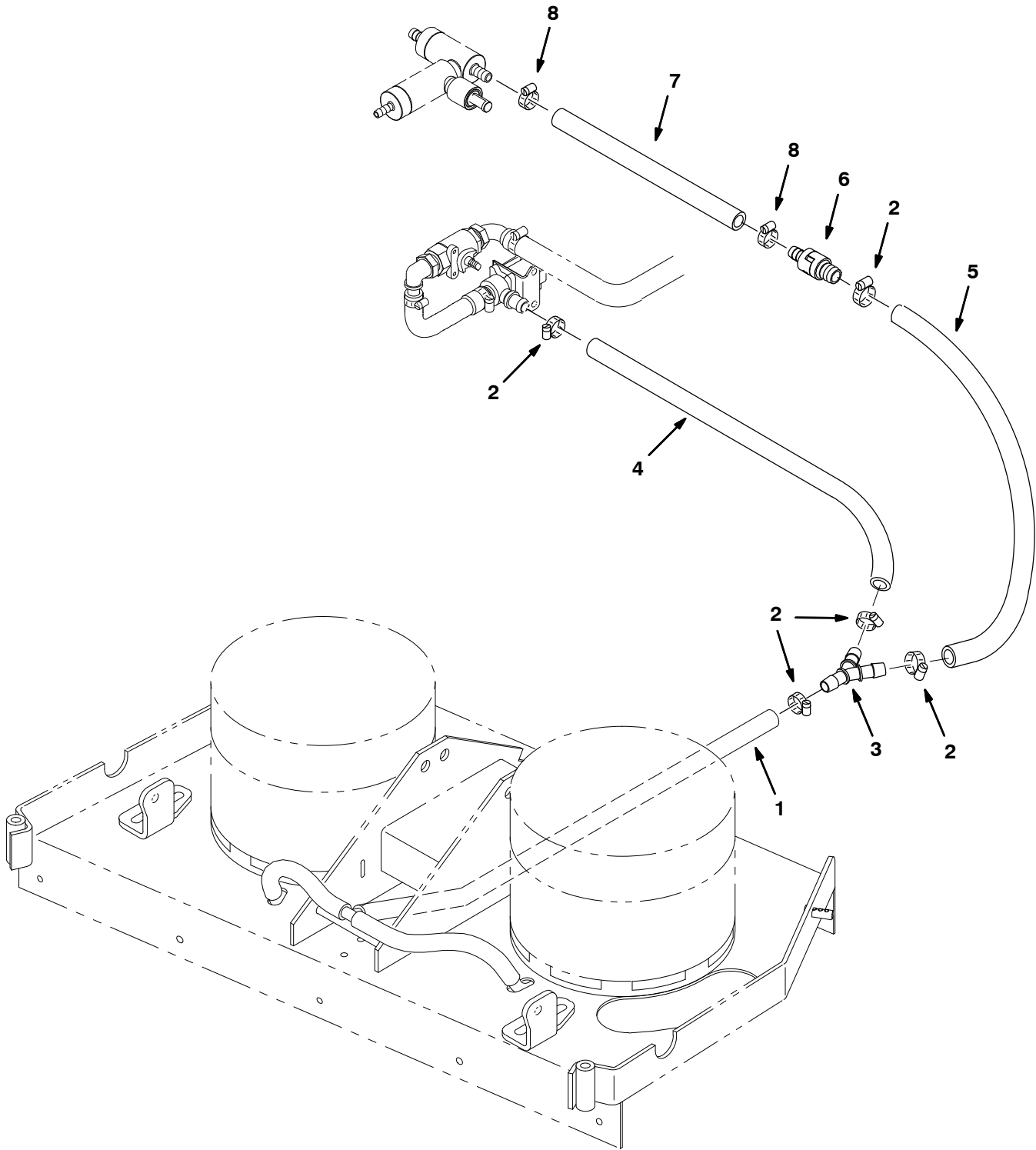
② Serial number (10167421–10179104)

③ Serial number (10179105–10404791)

▽ ASSEMBLY

▲ INCLUDED IN ASSEMBLY

Fig. 8 – FaST Foam Delivery Group, Disk Scrub Head (S/N 1040792- )





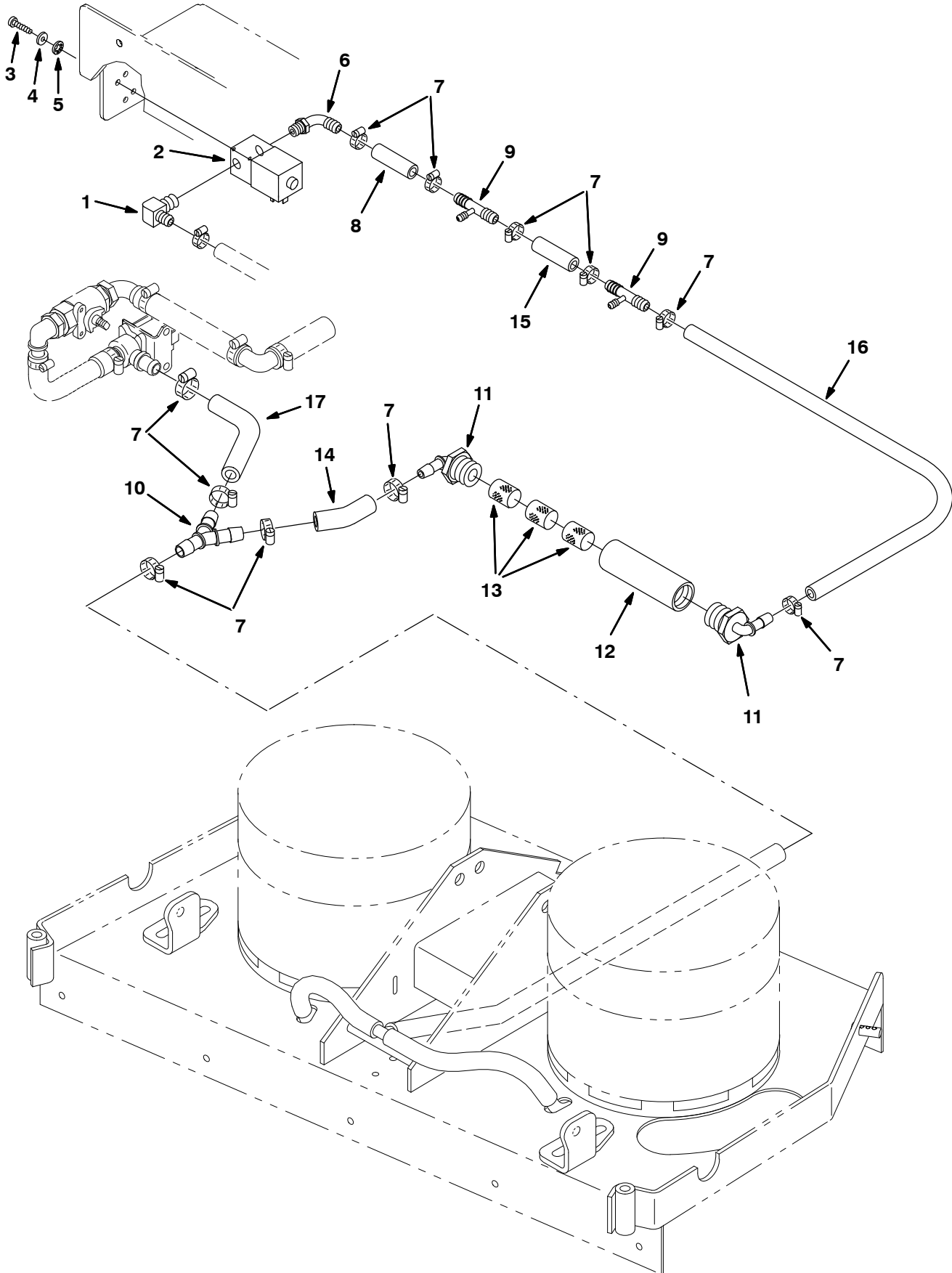
**Fig. 8 – FaST Foam Delivery Group, Disk Scrub Head (S/N 10404792– )**

| <b>Ref.</b> | <b>Tennant Part No.</b> | <b>Description</b>                            | <b>Qty.</b> |
|-------------|-------------------------|---|-------------|
| 1           | 1011521                 | ☐ Hose, Afmkt, Pvc, Brd, 0.50id 02Ft (376716) | 14.0"       |
| 2           | 54333                   | ☐ Clamp, Hose, Wormdrive, 0.31–0.88d          | 5           |
| 3           | 1010668                 | ☐ Fitting, Plstc, Y, Bm08/Bm08/Bm08 Nyl       | 1           |
| 4           | 1011521                 | ☐ Hose, Afmkt, Pvc, Brd, 0.50id 02Ft (376716) | 14.0"       |
| 5           | 1011403                 | ☐ Hose, Afmkt, Pvc, Brd, 0.50id 01Ft (376716) | 6.00"       |
| 6           | 1043317                 | ☐ Valve, Check, 0015Psi Bm06/Bm08             | 1           |
| 7           | 1014971                 | ☐ Hose Afmkt, Pvc, Brd, 0.38id 01Ft (376720)  | 10.0"       |
| 8           | 43844                   | ☐ Clamp, Hose, Wormdrive, 0.25–0.62d          | 2           |

☐ Serial number (10404792– )

# OPTIONS

Fig. 9 - FaST Foam Filter Group, Disk Scrub Head (S/N 10167421-10404791)



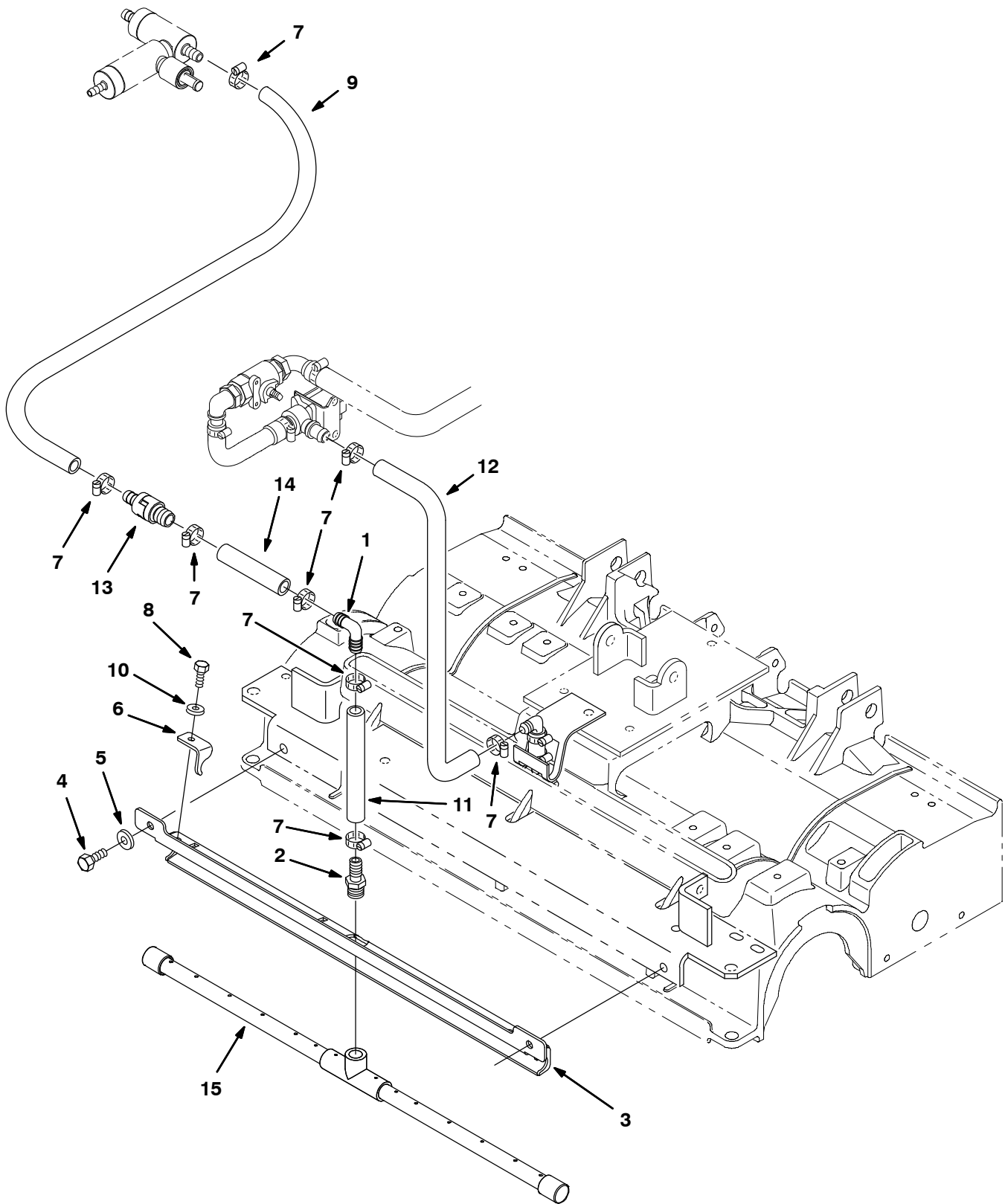
**Fig. 9 – FaST Foam Filter Group, Disk Scrub Head (S/N 10167421–10404791)**

| <b>Ref.</b> | <b>Tennant Part No.</b> | <b>Description</b>                             | <b>Qty.</b> |
|-------------|-------------------------|--|-------------|
| 1           | 1010836                 | ① Fitting, Brs, E90, Pm04/Bm08                 | 1           |
| 2           | 1028579                 | ① Valve, Water, Sol , 36vdc 02pf               | 1           |
| 3           | 06932                   | ① Screw, Pan, M5 X 0.8 X 10, 4.8               | 2           |
| 4           | 19324                   | ① Washer, Flat, #10 Sae                        | 2           |
| 5           | 32980                   | ① Washer, Lock, Int, #10                       | 2           |
| 6           | 1010713                 | ① Fitting, Plstc, E90, Bm08/Pm04               | 1           |
| 7           | 54333                   | ① Clamp, Hose, Wormdrive, 0.31–0.88d           | 10          |
| 8           | 1011403                 | ① Hose, Afmkt Pvc, Brd 0.50id X 1 Ft (376716)  | 0.250'      |
| 9           | 1010684                 | ① Fitting, Plstc, Tee, Bm08/Bm04/Bm08          | 2           |
| 10          | 1010668                 | ① Fitting, Plstc, Y, Bm08/Bm08/Bm08 Nyl        | 1           |
| 11          | 1005552                 | ① Fitting, Plstc, E90, Bm08/Pm12               | 2           |
| 12          | 1005086                 | ① Tube, Pvc, Shc80, Clear, 4.0l                | 1           |
| 13          | 1002789                 | ① Filter, Foam                                 | 3           |
| 14          | 1015033                 | ① Hose, Afmkt Pvc, Brd 0.62id X 1 Ft (C460117) | 0.250'      |
| 15          | 1011403                 | ① Hose, Afmkt Pvc, Brd 0.50id X 1 Ft (376716)  | 0.500'      |
| 16          | 1011521                 | ① Hose, Afmkt Pvc, Brd 0.50id X 2 Ft (376716)  | 1.420'      |
| 17          | 1015033                 | ① Hose, Afmkt Pvc, Brd 0.62id X 1 Ft (C460117) | 1.000'      |

① Serial number (10167421–10404791)

# OPTIONS

Fig. 10 – FaST Foam Delivery Group, Cylindrical Scrub Head, 700 mm (28 in) (S/N 10404792– )



**Fig. 10 – FaST Foam Delivery Group, Cylindrical Scrub Head, 700 mm (28 in) (S/N 10404792– )**

| Ref. | Tennant Part No. | Description                                     | Qty.   |
|------|------------------|---|--------|
| 1    | 63987-1          | [2] Fitting, Plstc, E90, Bm08/Bm08              | 1      |
| 2    | 64743            | [2] Fitting, Plstc, Str, Bm08/Pm06              | 1      |
| 3    | 1014993          | [2] Bracket Wldt, Bar, Spray, 700mm [7100]      | 1      |
| 4    | 12273            | [2] Screw, Hex, M8 X 1.25 X 20, Ss, NI          | 2      |
| 5    | 01685            | [2] Washer, Flat, 0.31 Ss                       | 2      |
| 6    | 1014673          | [2] Bracket, Bar, Spray                         | 3      |
| 7    | 54333            | [2] Clamp, Hose, Wormdrive, 0.31-0.88d          | 8      |
| 8    | 11635            | [2] Screw, Hex, M6 X 1.0 X 12, Ss, NI           | 3      |
| 9    | 1006400          | [2] Hose, Afmkt, Pvc, Brd, 0.38id 03Ft (376720) | 28.0"  |
| 10   | 01684            | [2] Washer, Flat, 0.25 Ss                       | 3      |
| 11   | 1011403          | [2] Hose, Afmkt, Pvc, Brd, 0.50id 01Ft (376716) | 0.460' |
| 12   | 1006401          | [2] Hose, Afmkt, Pvc, Brd, 0.50id 03Ft (376716) | 27.0"  |
| 13   | 1043317          | [2] Valve, Check, 0015Psi Bm06/Bm08             | 1      |
| 14   | 1011403          | [2] Hose, Afmkt, Pvc, Brd, 0.50id 01Ft (376716) | 1.8"   |
| 15   | 1014791          | [2] Tube Assy, Bar, Spray 700mm [7100]          | 1      |

[2] Serial number (10404792– )

# OPTIONS

Fig. 11 - FaST Foam Filter Group, Cylindrical Scrub Head, 700 mm (28 in) (S/N 10167421-10404791)

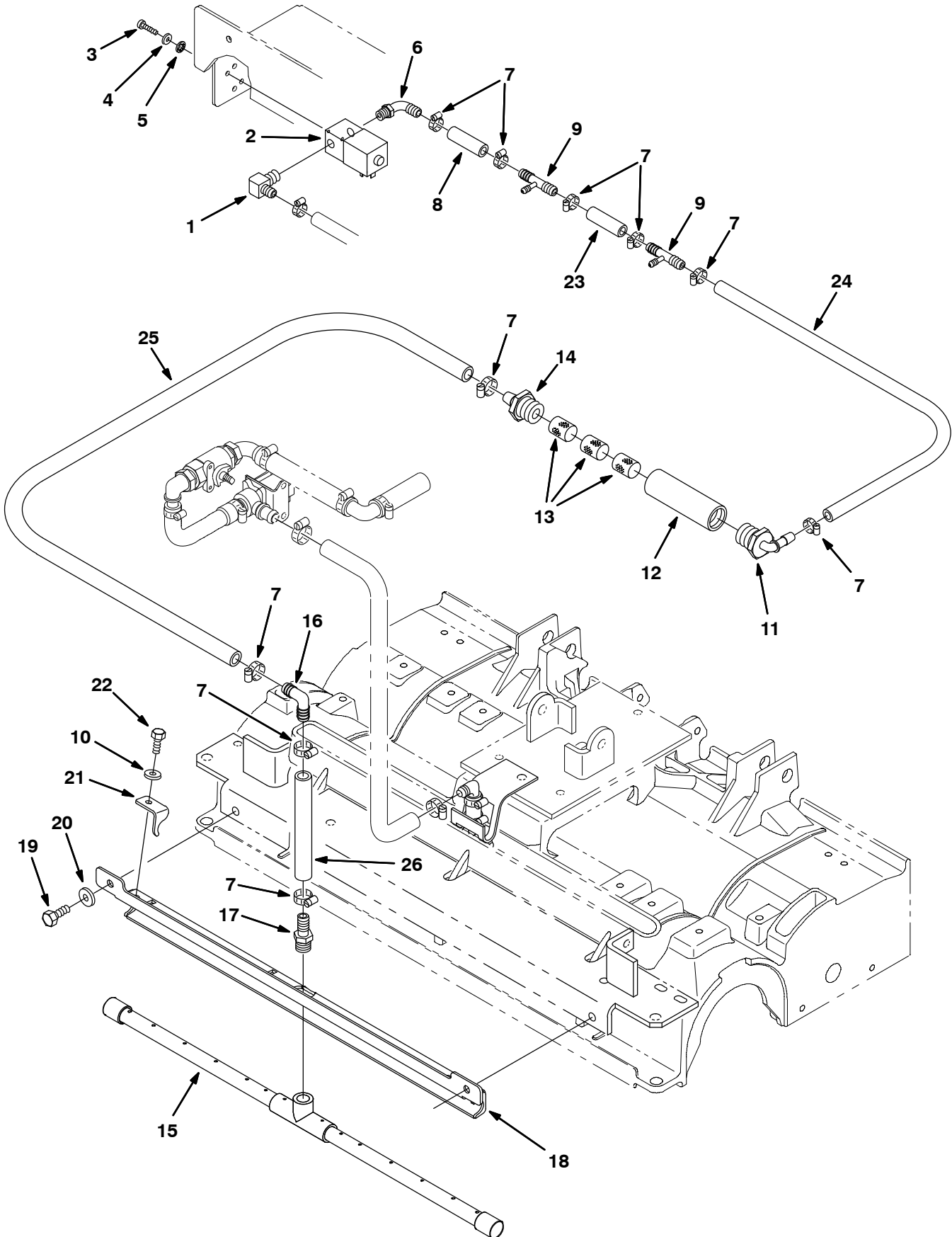


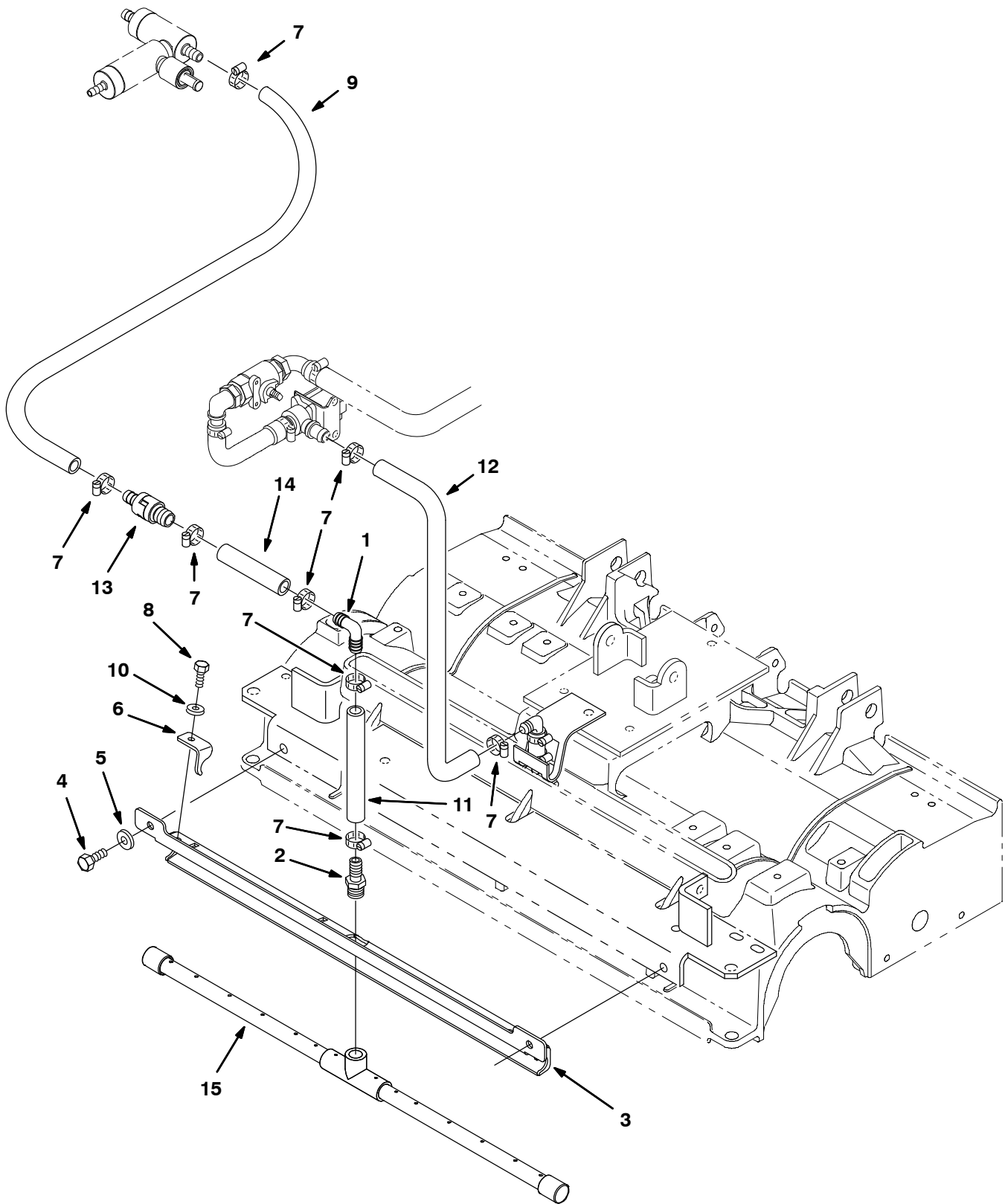
Fig. 11 – FaST Foam Filter Group, Cylindrical Scrub Head, 700 mm (28 in) (S/N 10167421–10404791)

| Ref. | Tennant Part No. | Description                                   | Qty.   |
|------|------------------|---|--------|
| 1    | 1010836          | ① Fitting, Brs, E90, Pm04/Bm08                | 1      |
| 2    | 1028579          | ① Valve, Water, Sol , 36vdc 02pf              | 1      |
| 3    | 06932            | ① Screw, Pan, M5 X 0.8 X 10, 4.8              | 2      |
| 4    | 19324            | ① Washer, Flat, #10 Sae                       | 2      |
| 5    | 32980            | ① Washer, Lock, Int, #10                      | 2      |
| 6    | 1010713          | ① Fitting, Plstc, E90, Bm08/Pm04              | 1      |
| 7    | 54333            | ① Clamp, Hose, Wormdrive, 0.31–0.88d          | 10     |
| 8    | 1011403          | ① Hose, Afmkt Pvc, Brd 0.50id X 1 Ft (376716) | 0.250' |
| 9    | 1010684          | ① Fitting, Plstc, Tee, Bm08/Bm04/Bm08         | 2      |
| 10   | 01684            | ① Washer, Flat, 0.25 Ss                       | 3      |
| 11   | 1005552          | ① Fitting, Plstc, E90, Bm08/Pm12              | 1      |
| 12   | 1005086          | ① Tube, Pvc, Shc80, Clear, 4.0l               | 1      |
| 13   | 1002789          | ① Filter, Foam                                | 3      |
| 14   | 79273–1          | ① Fitting, Plstc, Str, Bm08/Pm12              | 1      |
| 15   | 1014791          | ① Tube Assy, Bar, Spray 700mm [7100]          | 1      |
| 16   | 63987–1          | ① Fitting, Plstc, E90, Bm08/Bm08              | 1      |
| 17   | 64743            | ① Fitting, Plstc, Str, Bm08/Pm06              | 1      |
| 18   | 1014993          | ① Bracket Wldt, Bar, Spray, 700mm [7100]      | 1      |
| 19   | 12273            | ① Screw, Hex, M8 X 1.25 X 20, Ss, NI          | 2      |
| 20   | 01685            | ① Washer, Flat, 0.31 Ss                       | 2      |
| 21   | 1014673          | ① Bracket, Bar, Spray                         | 3      |
| 22   | 11635            | ① Screw, Hex, M6 X 1.0 X 12, Ss, NI           | 3      |
| 23   | 1011403          | ① Hose, Afmkt Pvc, Brd 0.50id X 1 Ft (376716) | 0.500' |
| 24   | 1011521          | ① Hose, Afmkt Pvc, Brd 0.50id X 2 Ft (376716) | 1.420' |
| 25   | 1011521          | ① Hose, Afmkt Pvc, Brd 0.50id X 2 Ft (376716) | 1.080' |
| 26   | 1011403          | ① Hose, Afmkt Pvc, Brd 0.50id X 1 Ft (376716) | 0.460' |

① Serial number (10167421–10404791)

# OPTIONS

Fig. 12 – FaST Foam Delivery Group, Cylindrical Scrub Head, 800 mm (32 in) (S/N 10404792– )





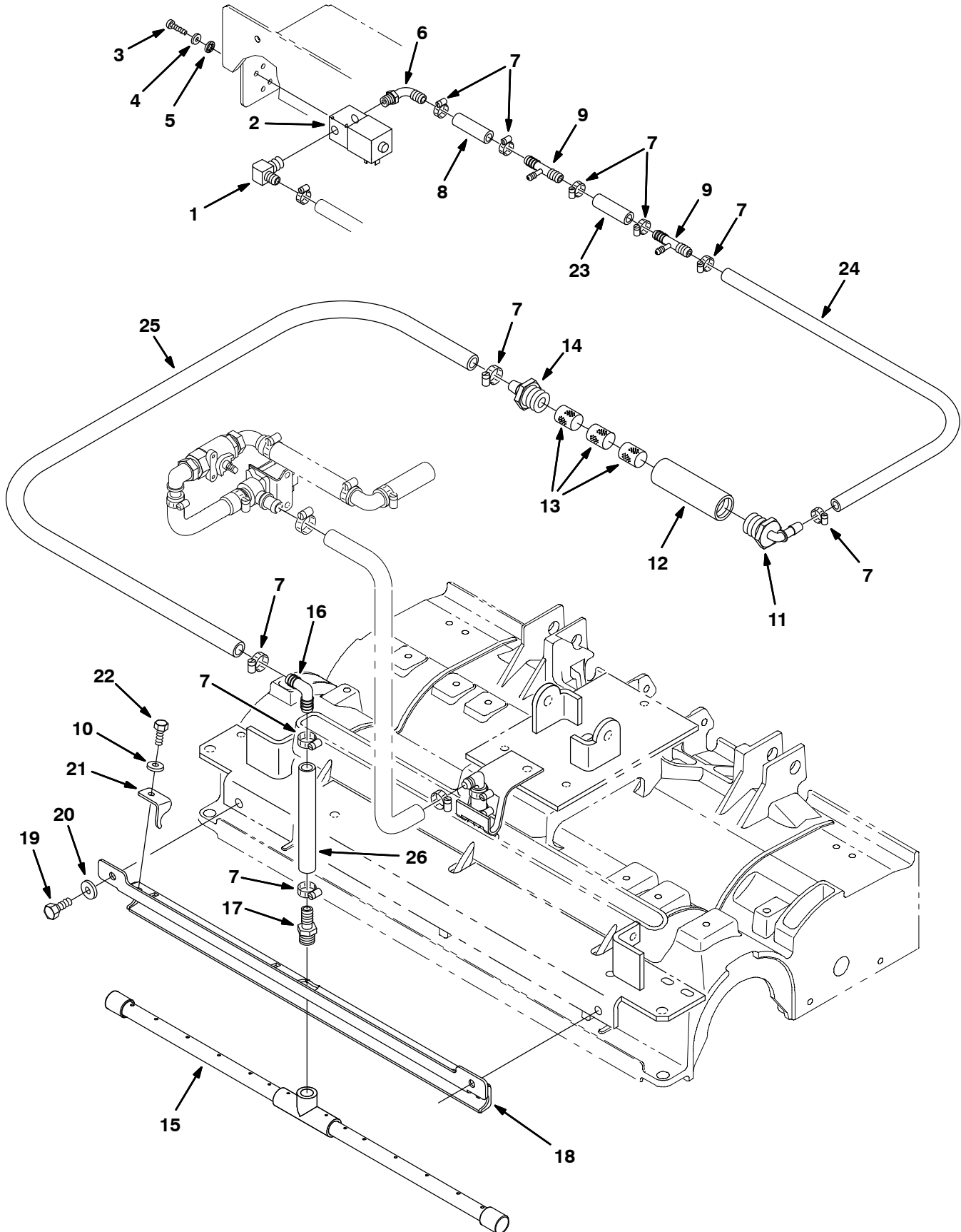
**Fig. 12 – FaST Foam Delivery Group, Cylindrical Scrub Head, 800 mm (32 in) (S/N 10404792– )**

| <b>Ref.</b> | <b>Tennant Part No.</b> | <b>Description</b>                              | <b>Qty.</b> |
|-------------|-------------------------|---|-------------|
| 1           | 63987-1                 | [2] Fitting, Plstc, E90, Bm08/Bm08              | 1           |
| 2           | 64743                   | [2] Fitting, Plstc, Str, Bm08/Pm06              | 1           |
| 3           | 1014957                 | [2] Bracket Wldt, Bar, Spray, 800mm [7100]      | 1           |
| 4           | 12273                   | [2] Screw, Hex, M8 X 1.25 X 20, Ss, NI          | 2           |
| 5           | 01685                   | [2] Washer, Flat, 0.31 Ss                       | 2           |
| 6           | 1014673                 | [2] Bracket, Bar, Spray                         | 3           |
| 7           | 54333                   | [2] Clamp, Hose, Wormdrive, 0.31-0.88d          | 8           |
| 8           | 11635                   | [2] Screw, Hex, M6 X 1.0 X 12, Ss, NI           | 3           |
| 9           | 1006400                 | [2] Hose, Afmkt, Pvc, Brd, 0.38id 03Ft (376720) | 28.0"       |
| 10          | 01684                   | [2] Washer, Flat, 0.25 Ss                       | 3           |
| 11          | 1011403                 | [2] Hose, Afmkt, Pvc, Brd, 0.50id 01Ft (376716) | 0.460'      |
| 12          | 1006401                 | [2] Hose, Afmkt, Pvc, Brd, 0.50id 03Ft (376716) | 27.0"       |
| 13          | 1043317                 | [2] Valve, Check, 0015Psi Bm06/Bm08             | 1           |
| 14          | 1011403                 | [2] Hose, Afmkt, Pvc, Brd, 0.50id 01Ft (376716) | 1.8"        |
| 15          | 1014791                 | [2] Tube Assy, Bar, Spray 700mm [7100]          | 1           |

[2] Serial number (10404792– )

# OPTIONS

Fig. 13 – FaST Foam Filter Group, Cylindrical Scrub Head, 800 mm (32 in) (S/N 10167421–10404791)



**Fig. 13 – FaST Foam Filter Group, Cylindrical Scrub Head, 800 mm (32 in) (S/N 10167421–10404791)**

| Ref. | Tennant Part No. | Description                                     | Qty.   |
|------|------------------|---|--------|
| 1    | 1010836          | [1] Fitting, Brs, E90, Pm04/Bm08                | 1      |
| 2    | 1028579          | [1] Valve, Water, Sol , 36vdc 02pf              | 1      |
| 3    | 06932            | [1] Screw, Pan, M5 X 0.8 X 10, 4.8              | 2      |
| 4    | 19324            | [1] Washer, Flat, #10 Sae                       | 2      |
| 5    | 32980            | [1] Washer, Lock, Int, #10                      | 2      |
| 6    | 1010713          | [1] Fitting, Plstc, E90, Bm08/Pm04              | 1      |
| 7    | 54333            | [1] Clamp, Hose, Wormdrive, 0.31–0.88d          | 10     |
| 8    | 1011403          | [1] Hose, Afmkt Pvc, Brd 0.50id X 1 Ft (376716) | 0.250' |
| 9    | 1010684          | [1] Fitting, Plstc, Tee, Bm08/Bm04/Bm08         | 2      |
| 10   | 01684            | [1] Washer, Flat, 0.25 Ss                       | 3      |
| 11   | 1005552          | [1] Fitting, Plstc, E90, Bm08/Pm12              | 1      |
| 12   | 1005086          | [1] Tube, Pvc, Shc80, Clear, 4.0l               | 1      |
| 13   | 1002789          | [1] Filter, Foam                                | 3      |
| 14   | 79273–1          | [1] Fitting, Plstc, Str, Bm08/Pm12              | 1      |
| 15   | 1013079          | [1] Tube Assy, Spray, Cyl 800mm [7100]          | 1      |
| 16   | 63987–1          | [1] Fitting, Plstc, E90, Bm08/Bm08              | 1      |
| 17   | 64743            | [1] Fitting, Plstc, Str, Bm08/Pm06              | 1      |
| 18   | 1014957          | [1] Bracket Wldt, Bar, Spray, 800mm [7100]      | 1      |
| 19   | 12273            | [1] Screw, Hex, M8 X 1.25 X 20, Ss, NI          | 2      |
| 20   | 01685            | [1] Washer, Flat, 0.31 Ss                       | 2      |
| 21   | 1014673          | [1] Bracket, Bar, Spray                         | 3      |
| 22   | 11635            | [1] Screw, Hex, M6 X 1.0 X 12, Ss, NI           | 3      |
| 23   | 1011403          | [1] Hose, Afmkt Pvc, Brd 0.50id X 1 Ft (376716) | 0.500' |
| 24   | 1011521          | [1] Hose, Afmkt Pvc, Brd 0.50id X 2 Ft (376716) | 1.420' |
| 25   | 1011521          | [1] Hose, Afmkt Pvc, Brd 0.50id X 2 Ft (376716) | 1.080' |
| 26   | 1011403          | [1] Hose, Afmkt Pvc, Brd 0.50id X 1 Ft (376716) | 0.460' |

[1] Serial number (10167421–10404791)

Fig. 14 – FaST Instrument Panel Group

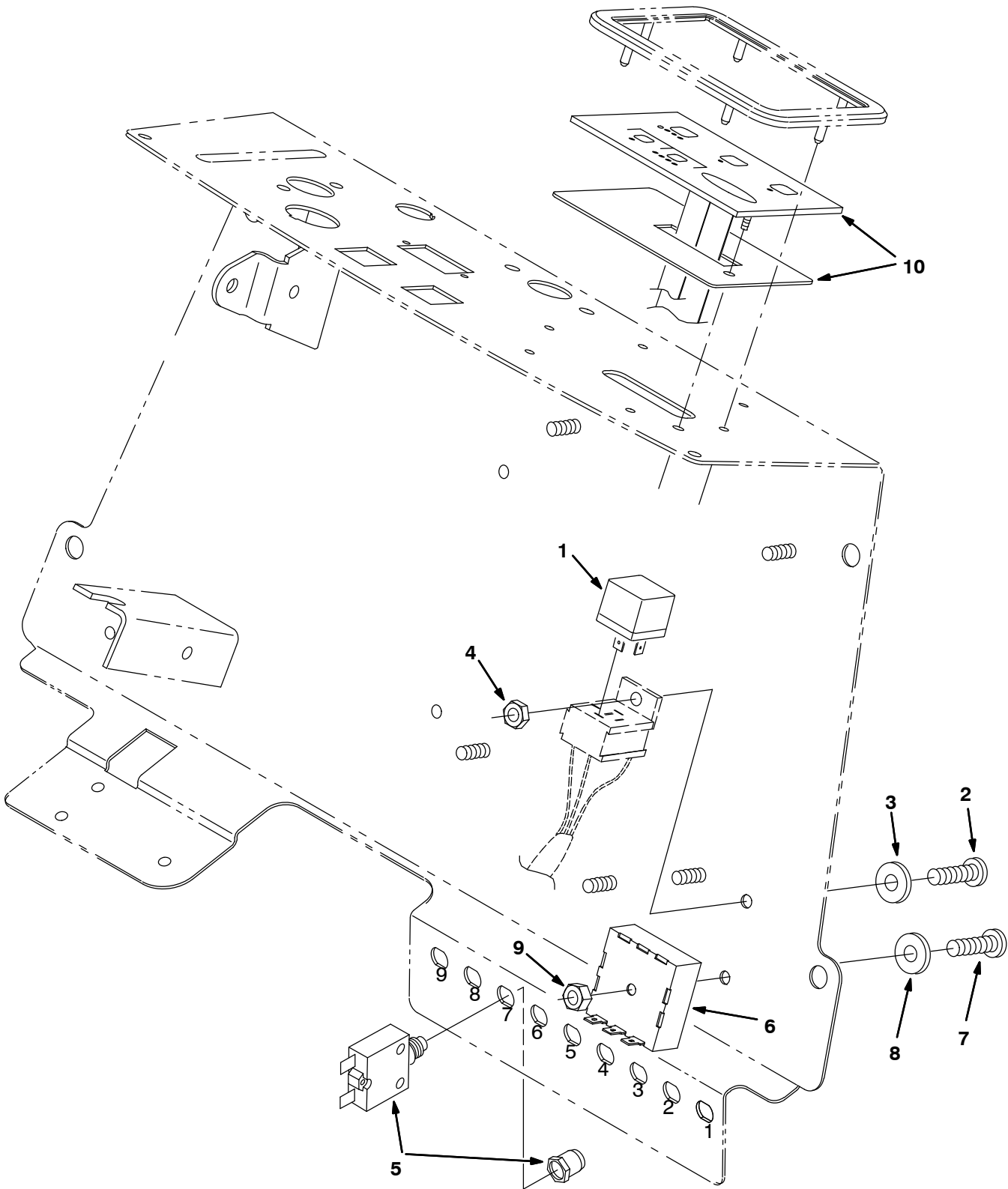


Fig. 14 – FaST Instrument Panel Group

| Ref. | Tenant Part No. | Description                               | Qty. |
|------|-----------------|---|------|
| 1    | 398526          | ① Relay, 36vdc, 05a, Spdt N/O [Greenwich] | 1    |
| 2    | 06932           | ① Screw, Pan, M5 X 0.8 X 10, 4.8          | 1    |
| 3    | 19066           | ① Washer, Flt, #10                        | 1    |
| 4    | 06549           | ① Nut, Hex, Lock, M 5 X 0.8, NI           | 1    |
| 5    | 383721          | ① Circuitbreaker, 10.0a                   | 1    |
| 6    | 1028487         | ① Module, Timer, Detgt, 36vdc             | 1    |
| 7    | 33944           | ① Screw, Pan, M6 X 1.0 X 35, 4.8          | 1    |
| 8    | 32490           | ① Washer, Flat, 0.25 Std                  | 1    |
| 9    | 08708           | ① Nut, Hex, Lock, M 6 X 1.0, NI           | 1    |
| 10   | 391898          | ② Panel Assy, Touch [7100 Fast]           | 1    |

① Serial number (10167421–10404791)

② Serial number (10167421– )

Fig. 15 – FaST Electrical Schematic (S/N 10404792– )

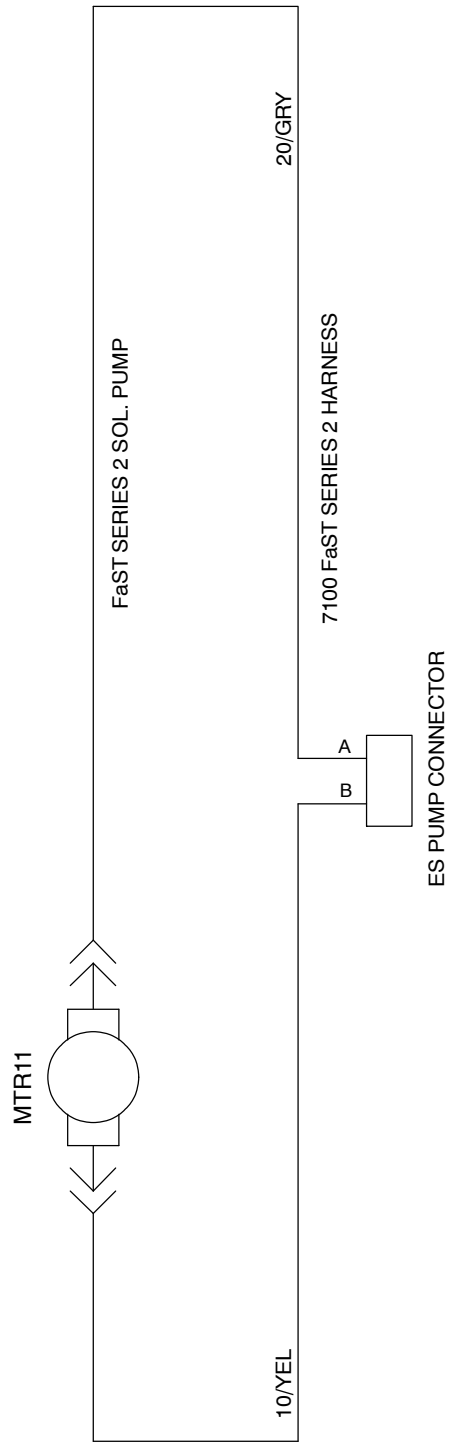
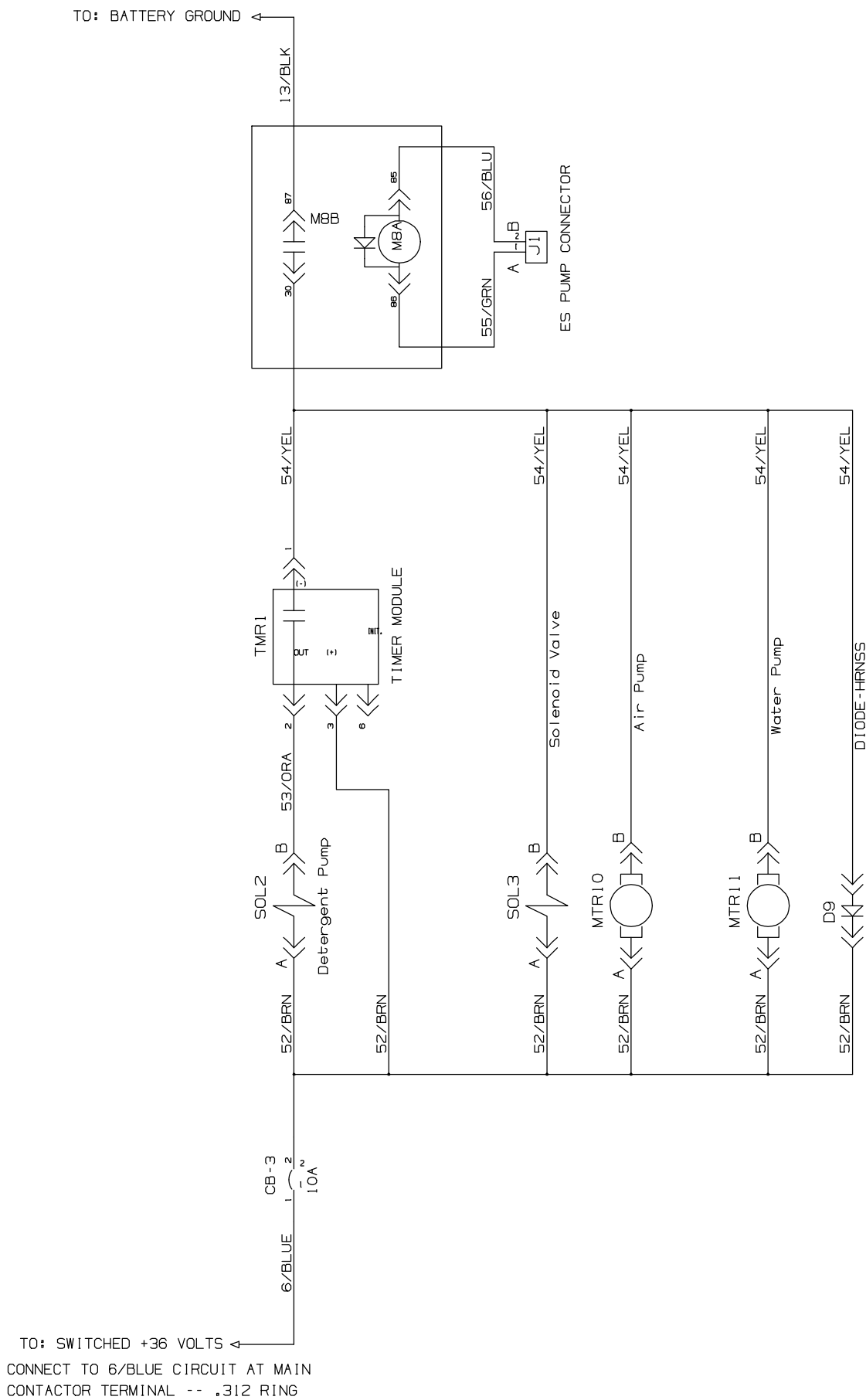
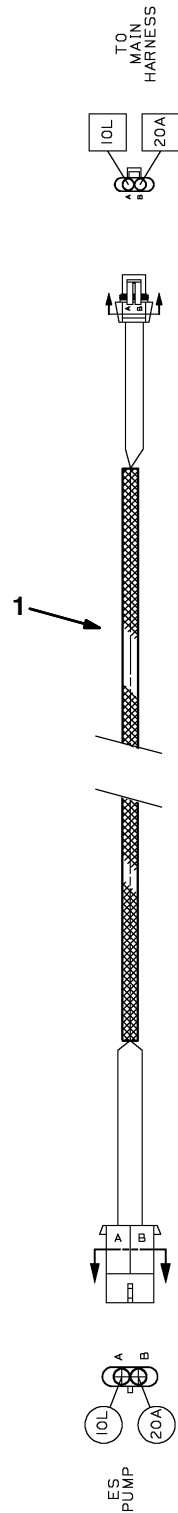


Fig. 16 – FaST Electrical Schematic (S/N 10167421–10404791)



**Fig. 17 – FaST Wire Harness Group (S/N 10404792– )**

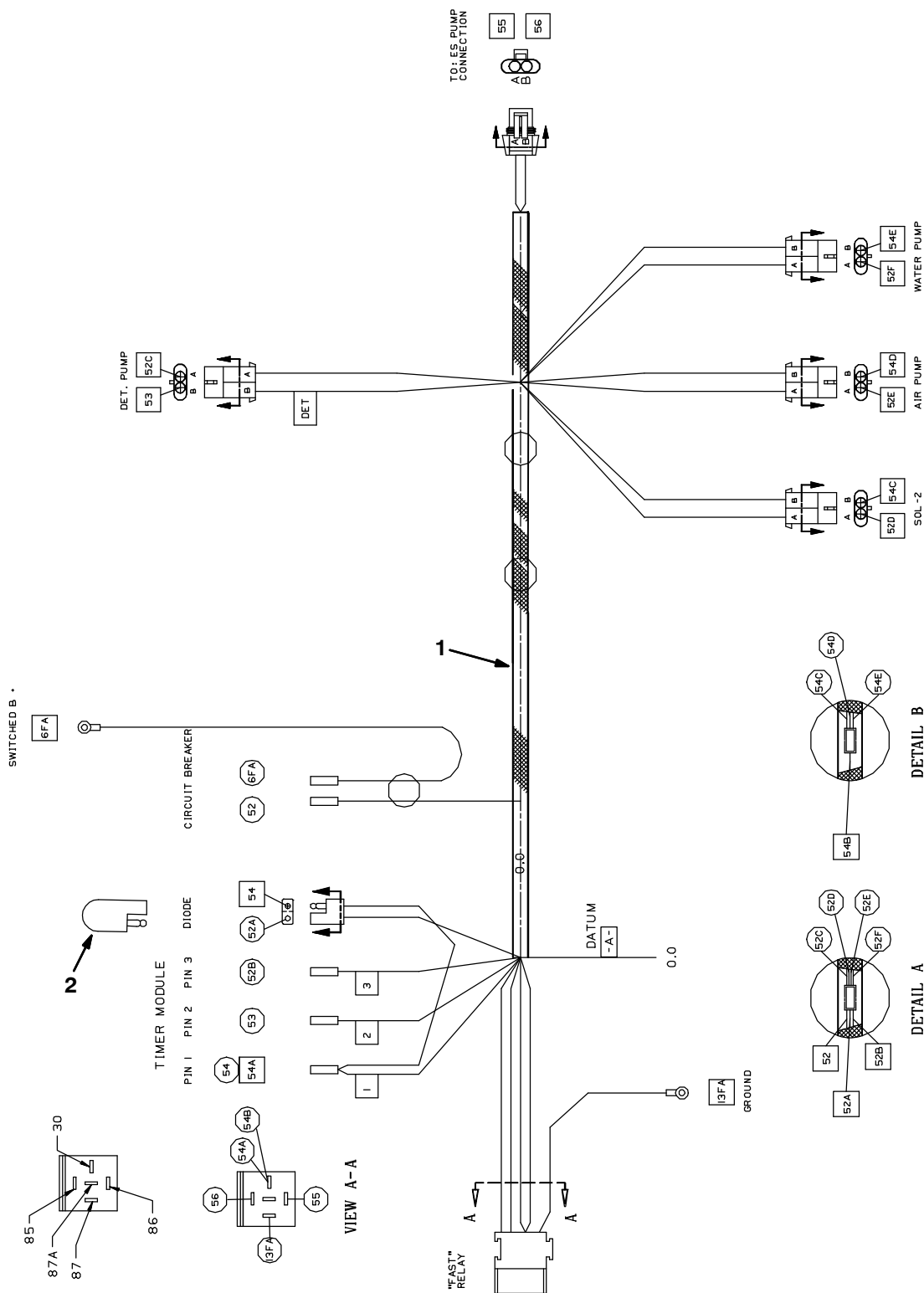


| Ref. | Tennant Part No. | Description            | Qty. |
|------|------------------|------------------------|------|
| 1    | 385623           | ② Harness Jumper, Pump | 1    |

② Serial number (10404792– )



Fig. 18 – FaST Wire Harness Group (S/N 10167421–10404791)



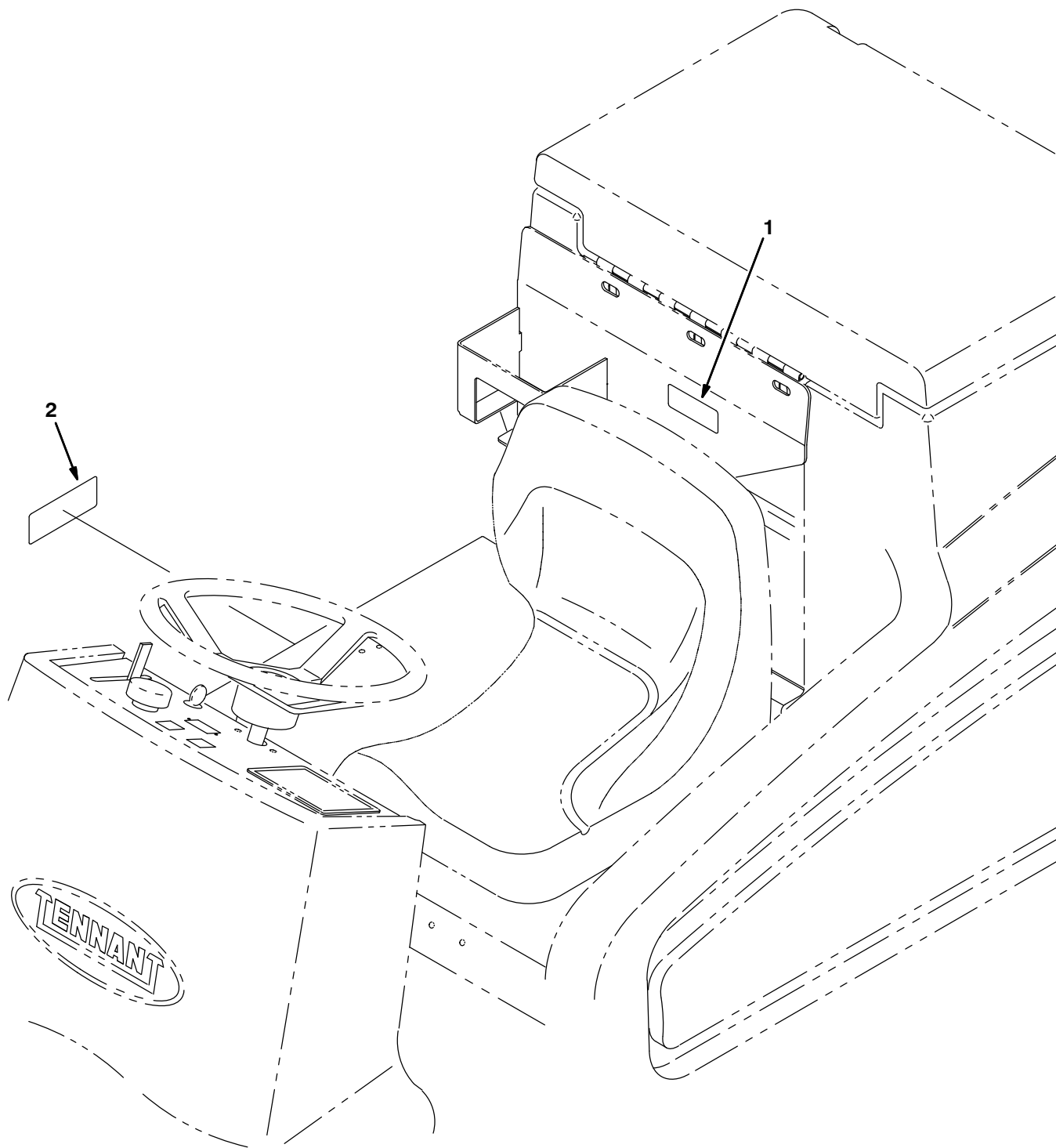
354184

| Ref. | Tennant Part No. | Description             | Qty. |
|------|------------------|-------------------------|------|
| 1    | 391910           | [1] Harness [7100 Fast] | 1    |
| 2    | 222290           | [1] Diode, Ele, Plug    | 1    |

[1] Serial number (10167421–10404791)



Fig. 19 – FaST Label Group

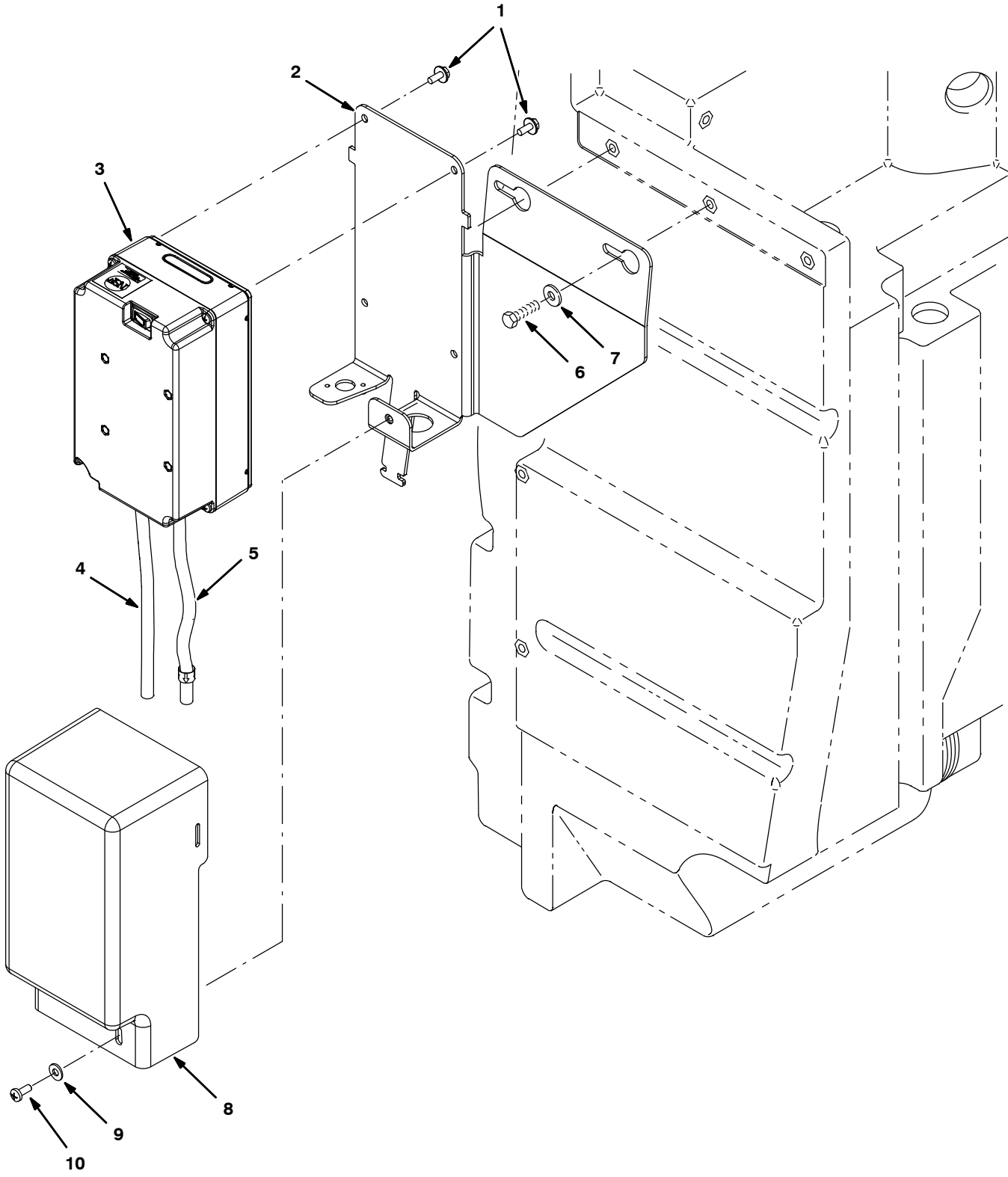


354185

| Ref. | Tennant Part No. | Description                 | Qty. |
|------|------------------|-----------------------------|------|
| 1    | 391451           | Label, Attention Fast Users | 1    |
| 2    | 1005416          | Label, Fast                 | 1    |

☐ Serial number (10167421- )

Fig. 20 – ec-H2O Module Mount Group



**Fig. 20 – ec-H2O Module Mount Group**

| <b>Ref.</b> | <b>Tennant Part No.</b> | <b>Description</b>                                   | <b>Qty.</b> |
|-------------|-------------------------|--|-------------|
| 1           | 1034731                 | Screw, Hex, M6 X 1.00 X 16, Ss, Sems                 | 4           |
| 2           | 1056122                 | Plate, Detgt [7100]                                  | 1           |
| ▽ 3         | 9007970                 | Module Kit, Replmt [Ec-H2o] (See Breakdowns)         | 1           |
| ▲ 4         | 578820000               | Hose, Pvc, Brd, 0.25id 0.44od 157.2l,Clr (578227000) | 1           |
| ▲ 5         | 9006574                 | Hose, Pvc, Brd, 0.25id 0.45od, 65l, Clr (1046508)    | 1           |
| 6           | 15675                   | Screw, Hex, M8 X 1.25 X 16, Ss                       | 2           |
| 7           | 01685                   | Washer, Flat, 0.38b 0.88d .08, Ss                    | 2           |
| 8           | 1051164                 | Cover, Module, Water                                 | 1           |
| 9           | 32483                   | Washer, Flat, 0.25, Sae                              | 1           |
| 10          | 367770                  | Screw, Pan, Phl, M6 X 1.00 X 16, Ss                  | 1           |

▽ ASSEMBLY

▲ INCLUDED IN ASSEMBLY

Fig. 21 - ec-H<sub>2</sub>O Solution Pump Group

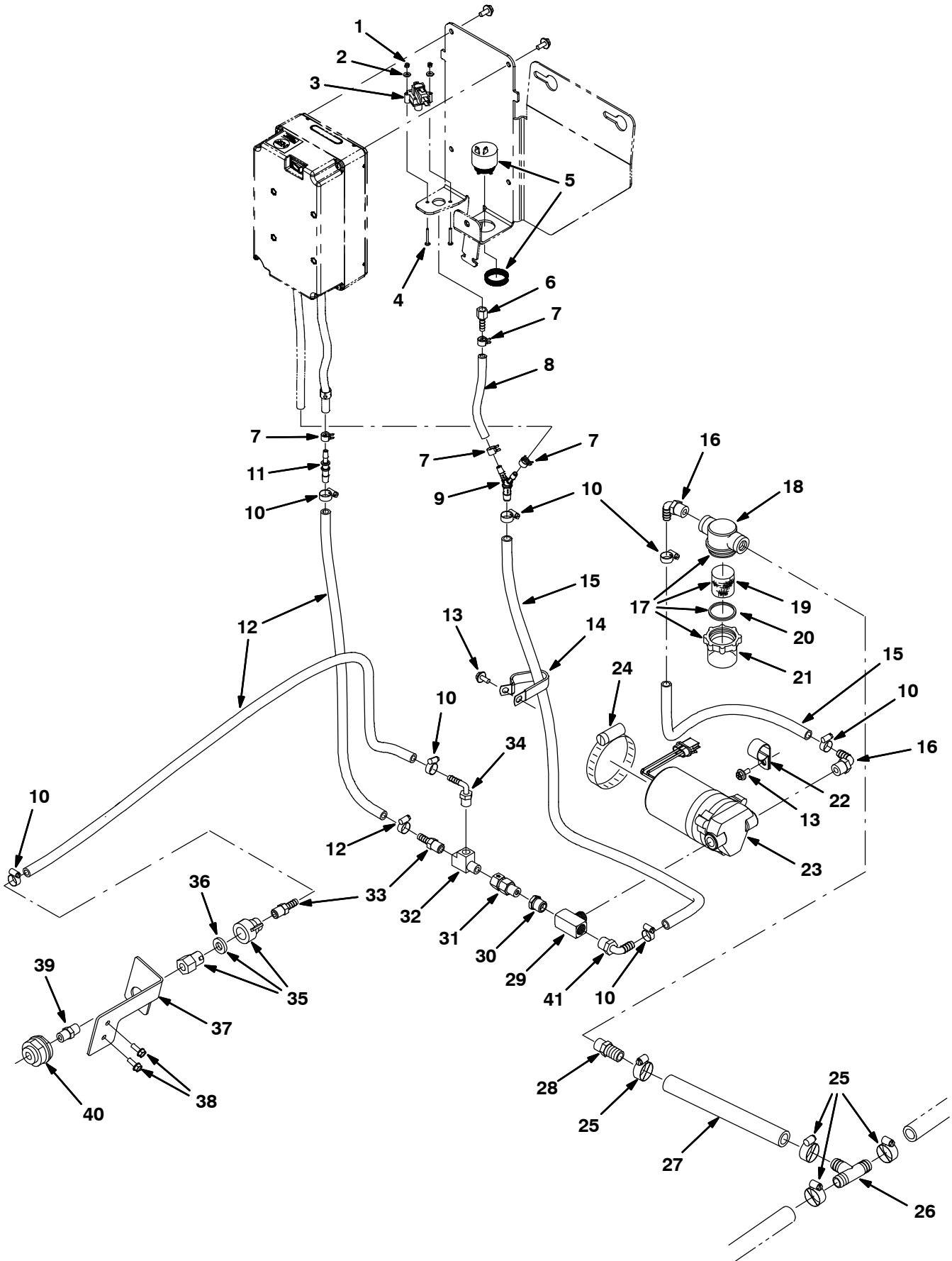


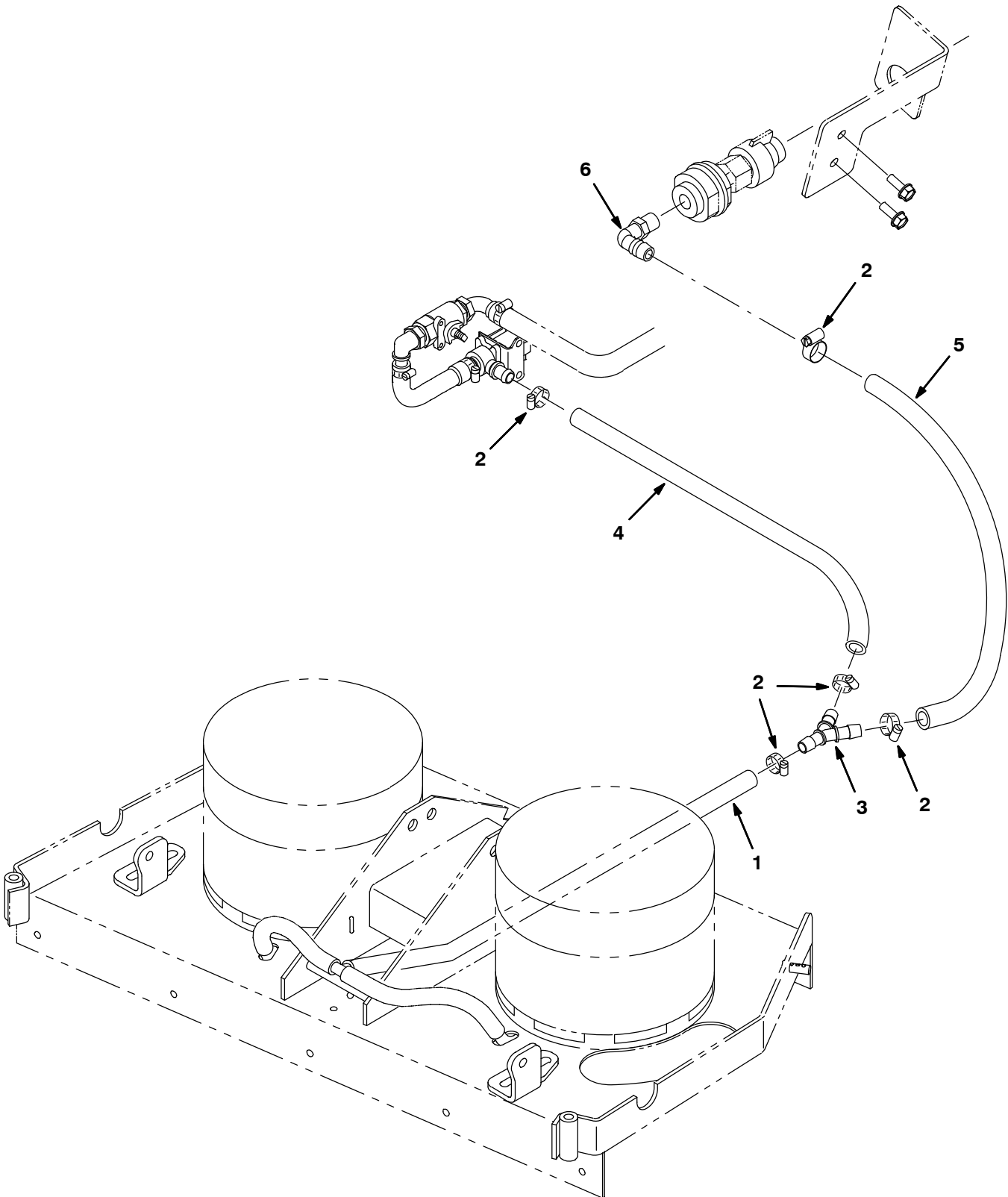
Fig. 21 – *ec-H2O* Solution Pump Group

| Ref. | Tennant Part No. | Description                                   | Qty.   |   |
|------|------------------|---|--|---|
| 1    | 579211           | Nut, Hex, Lock, M3 X 0.50, Ni, Ss             | 2  |   |
| 2    | 19064            | Washer, Flat, 06                              | 2  |   |
| 3    | 1044415          | Switch, Press, 20psi, Pm02                    | 1  |   |
| 4    | 33933            | Screw, Pan, Phl, M3 X 0.50 X 25, Ss           | 2  |   |
| 5    | 1052726          | Alarm, 9–48vdc, 95 Db(A) [Ec–H20]             | 1  |   |
| 6    | 150520           | Fitting, Brs, Str, Bm04/Pf02                  | 1  |   |
| 7    | 603654           | Clamp, Hose, Ear, .44d [Ctb]                  | 4  |   |
| 8    | 1006415          | Hose, Afmkt, Pvc, Clr, 0.25id, 03ft (C460126) | 1  |   |
| 9    | 1057664          | Fitting, Plstc, Y, Bm04/Bm06/Bm04             | 1  |   |
| 10   | 43844            | Clamp, Hose, Wormdrive, 0.25–0.62d            | 8  |   |
| 11   | 1052014          | Fitting, Plstc, Str, Bm04/Bm05                | 1  |   |
| 12   | 1058761          | Hose, Afmkt, Pvc, Brd, 0.311d, 08Ft (1058266) | 1  |   |
| 13   | 1034731          | Screw, Hex, M6 X 1.00 X 16, Ss, Sems          | 2  |   |
| 14   | 09570            | Clamp, Cable, Stl, 0.9x1.8x0.62w, 1hole       | 1  |   |
| 15   | 1014930          | Hose, Afmkt, Pvc, Clr, 0.38id, 08ft (C080172) | 1  |   |
| 16   | 150412           | Fitting, Plstc, E90, Bm06/Pm06                | 2  |   |
| ▽    | 17               | 1005302                                       | Filter, Inline, Pf06/Pf06, 80 Mesh           | 1 |
| ▲    | 18               | 613993  | Housing, Top                                 | 1 |
| ▲    | 19               | 1005304                                       | Screen, Fltr, 80 Mesh                        | 1 |
| ▲    | 20               | 613992  | Gasket                                       | 1 |
| ▲    | 21               | 613991  | Bowl, Clr, Short                             | 1 |
|      | 22               | 69234   | Clamp, Cable, Stl, 1.00d X 0.75w, 1hole      | 1 |
|      | 23               | 1042495                                       | Pump, Soltn, Ele, 24vdc, 35psi               | 1 |
|      | 24               | 17188   | Clamp, Hose, Wormdrive, 1.62–3.50d           | 1 |
|      | 25               | 63810   | Clamp, Hose, Wormdrive, 0.56–1.06d           | 6 |
|      | 26               | 16356   | Fitting, Plstc, Tee, Bm10/Bm10/Bm10          | 1 |
|      | 27               | 1015033                                       | Hose, Afmkt, Pvc, Brd, 0.62id 01Ft (C460117) | 1 |
|      | 28               | 1013900                                       | Fitting, Plstc, Str, Bm10/Pm06, Nyl          | 1 |
|      | 29               | 1051621                                       | Fitting, Brs, Tee, Pf06/Pf06/Pm06            | 1 |
|      | 30               | 1016383                                       | Fitting, Brs, Str, Pf04/Pm06                 | 1 |
|      | 31               | 1044790                                       | Valve, Check, 0025psi Pm04/Pf04              | 1 |
|      | 32               | 24929   | Fitting, Brs, Tee, Pf04/Pf04/Pm04, Run       | 1 |
|      | 33               | 1052017                                       | Fitting, Plstc, Str, Bm05/Pm04               | 2 |
|      | 34               | 1052015                                       | Fitting, Plstc, E90, Bm05/Pm04               | 1 |
| ▽    | 35               | 1043866                                       | Fitting Assy, Qdc, Pf04                      | 1 |
| ▲    | 36               | 1047655                                       | Washer, Flat, 0.40b 0.75d .12 [Viton]        | 1 |
|      | 37               | 1057633                                       | Bracket, Hose, Drain                         | 1 |
|      | 38               | 361339  | Screw, Hex, M6 X 1.00 X 16, Fmg              | 2 |
|      | 39               | 1052010                                       | Fitting, Plstc, Str, Pm04/Pm04               | 1 |
|      | 40               | 1052026                                       | Fitting, Plstc, Str, Pf04/Pf04, Bh           | 1 |
|      | 41               | 1005630                                       | Fitting, Plstc, E90, Bm06/Pm06, Nyl          | 1 |

▽ ASSEMBLY

▲ INCLUDED IN ASSEMBLY

Fig. 22 – *ec-H2O* Group, Disk Scrub Head

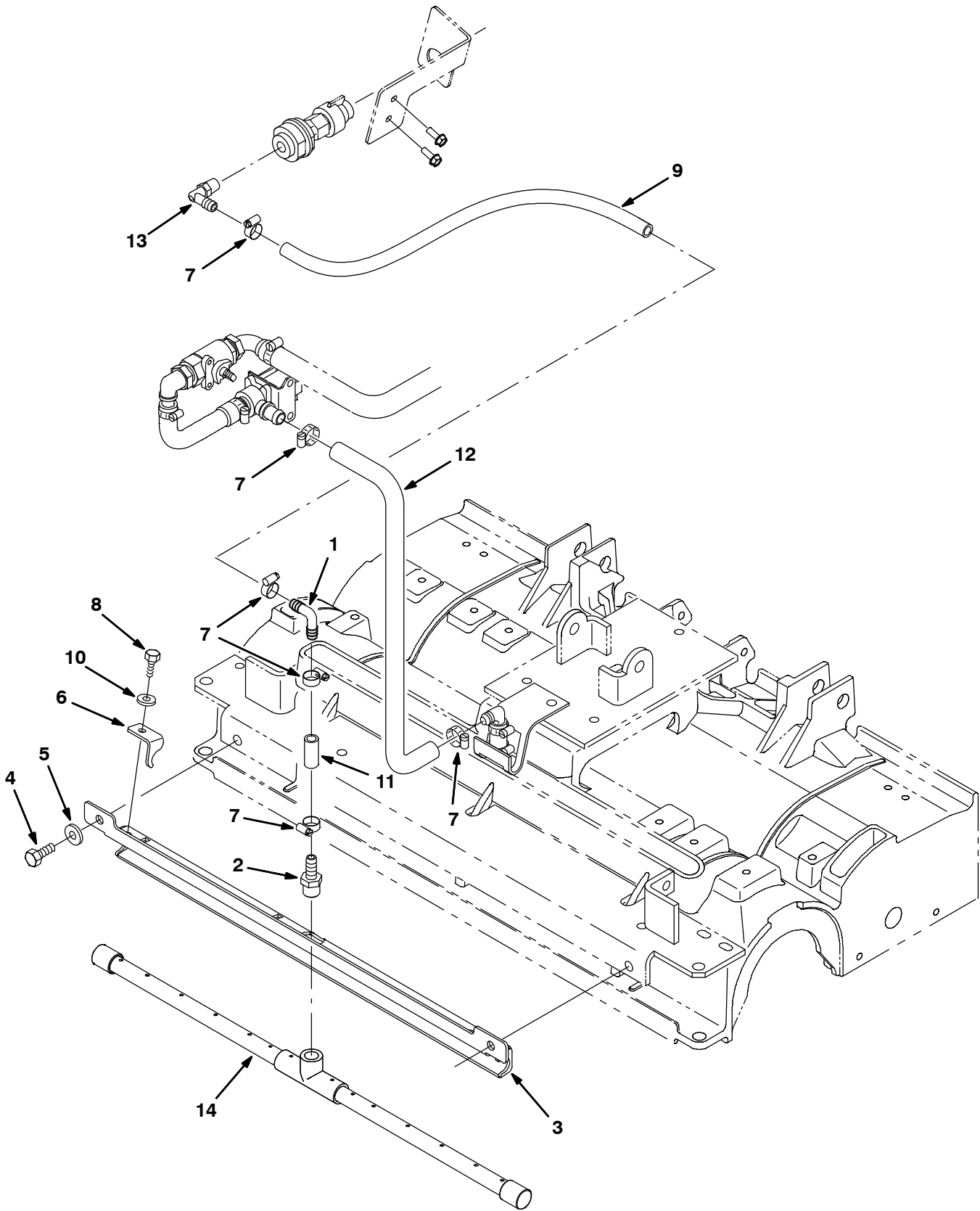




**Fig. 22 – ec-H2O Group, Disk Scrub Head**

| <b>Ref.</b> | <b>Tennant<br/>Part No.</b> | <b>Description</b>                                | <b>Qty.</b> |
|-------------|-----------------------------|---|-------------|
| 1           | 1011521                     | Hose, Afmkt, Pvc, Brd, 0.50id 02Ft (376716)       | 1           |
| 2           | 54333                       | Clamp, Hose, Wormdrive, 0.31–0.88d                | 5           |
| 3           | 1010668                     | Fitting, Plstc, Y, Bm08/Bm08/Bm08 Nyl             | 1           |
| 4           | 1011521                     | Hose, Afmkt, Pvc, Brd, 0.50id 02Ft (376716)       | 1           |
| 5           | 1006401                     | Hose, Afmkt, Pvc, Brd, 0.50id, 03ft, Clr (376716) | 1           |
| 6           | 1010713                     | Fitting, Plstc, E90, Bm08/Pm04, Nyl               | 1           |

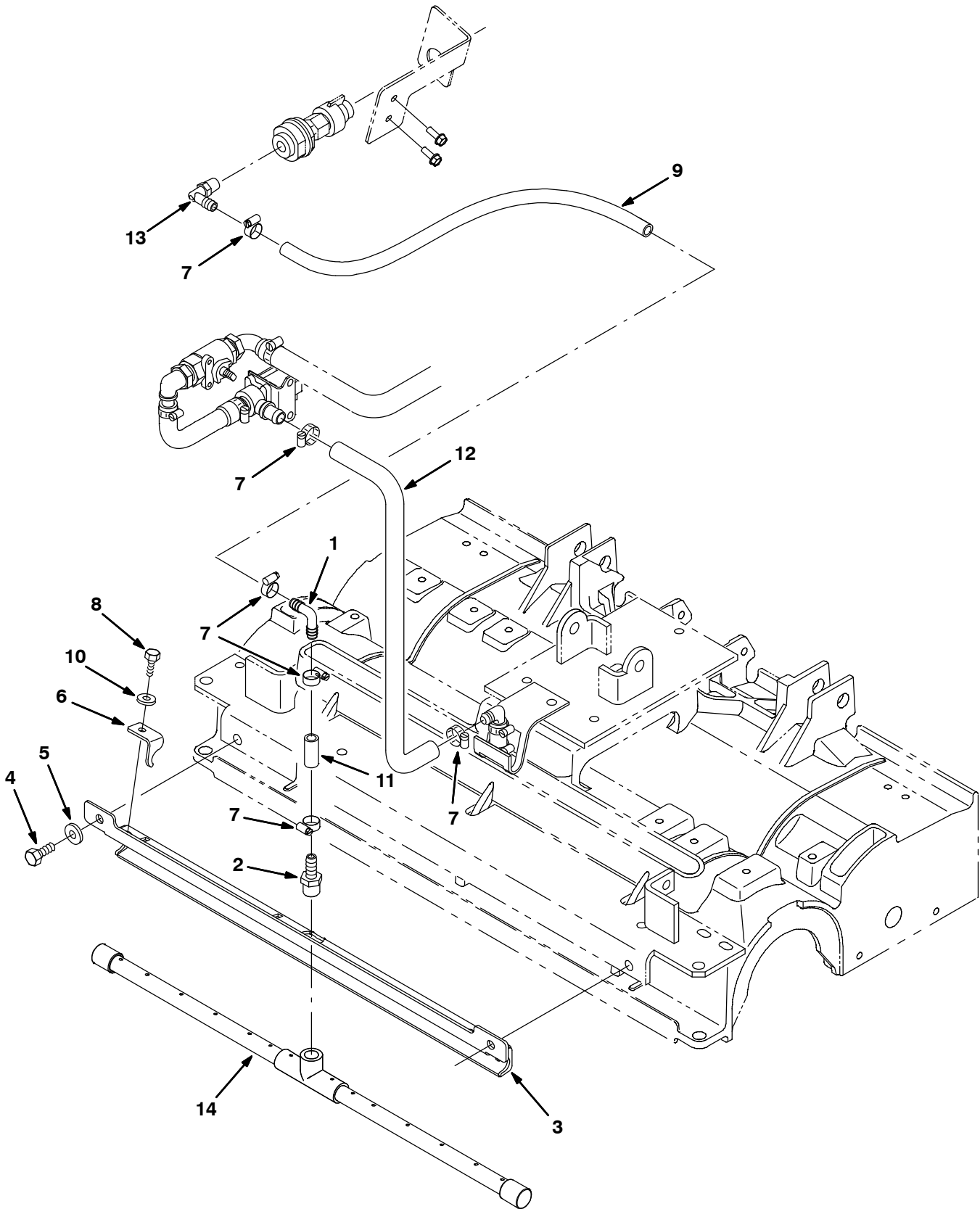
Fig. 23 – ec-H2O Group, Cylindrical Scrub Head, 700 mm (28 in)



**Fig. 23 – ec-H2O Group, Cylindrical Scrub Head, 700 mm (28 in)**

| <b>Ref.</b> | <b>Tennant Part No.</b> | <b>Description</b>                            | <b>Qty.</b> |
|-------------|-------------------------|---|-------------|
| 1           | 20951                   | Fitting, Plstc, E90, Bm06/Bm06                | 1           |
| 2           | 150538                  | Fitting, Plstc, Str, Bm06/Pm06                | 1           |
| 3           | 1014993                 | Bracket Wldt, Bar, Spray, 700mm [7100]        | 1           |
| 4           | 12273                   | Screw, Hex, M8 X 1.25 X 20, Ss, NI            | 2           |
| 5           | 01685                   | Washer, Flat, 0.31 Ss                         | 2           |
| 6           | 1014673                 | Bracket, Bar, Spray                           | 3           |
| 7           | 54333                   | Clamp, Hose, Wormdrive, 0.31–0.88d            | 6           |
| 8           | 11635                   | Screw, Hex, M6 X 1.0 X 12, Ss, NI             | 3           |
| 9           | 1006416                 | Hose, Afmkt, Pvc, Clr, 0.38id, 03ft (C080172) | 1           |
| 10          | 01684                   | Washer, Flat, 0.25 Ss                         | 3           |
| 11          | 1006416                 | Hose, Afmkt, Pvc, Clr, 0.38id, 03ft (C080172) | 1           |
| 12          | 1006401                 | Hose, Afmkt, Pvc, Brd, 0.50id 03Ft (376716)   | 1           |
| 13          | 150415                  | Fitting, Plstc, E90, Bm06/Pm04                | 1           |
| 14          | 1014791                 | Tube Assy, Bar, Spray 700mm [7100]            | 1           |

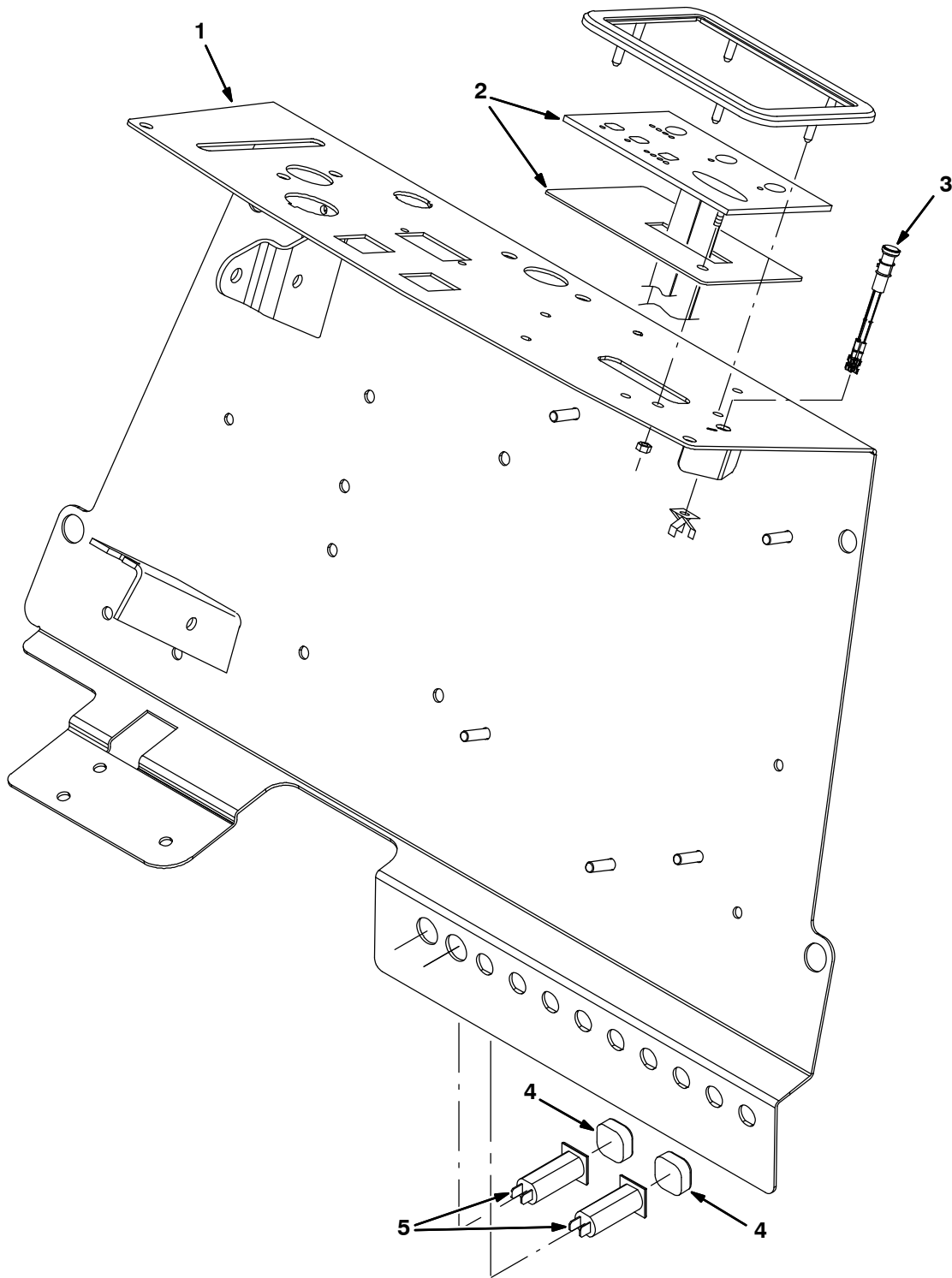
Fig. 24 – ec-H2O Group, Cylindrical Scrub Head, 800 mm (32 in)



**Fig. 24 – ec-H2O Group, Cylindrical Scrub Head, 800 mm (32 in)**

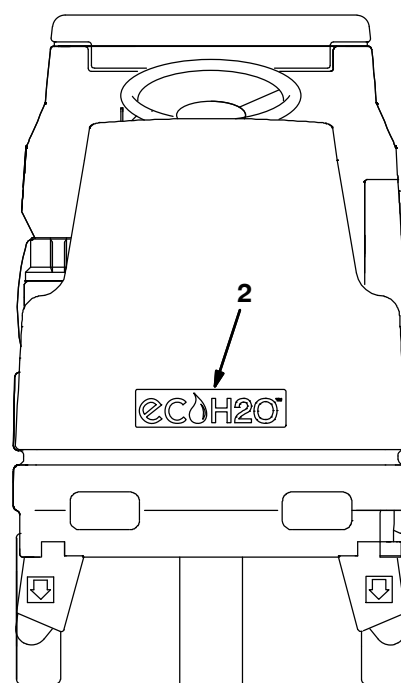
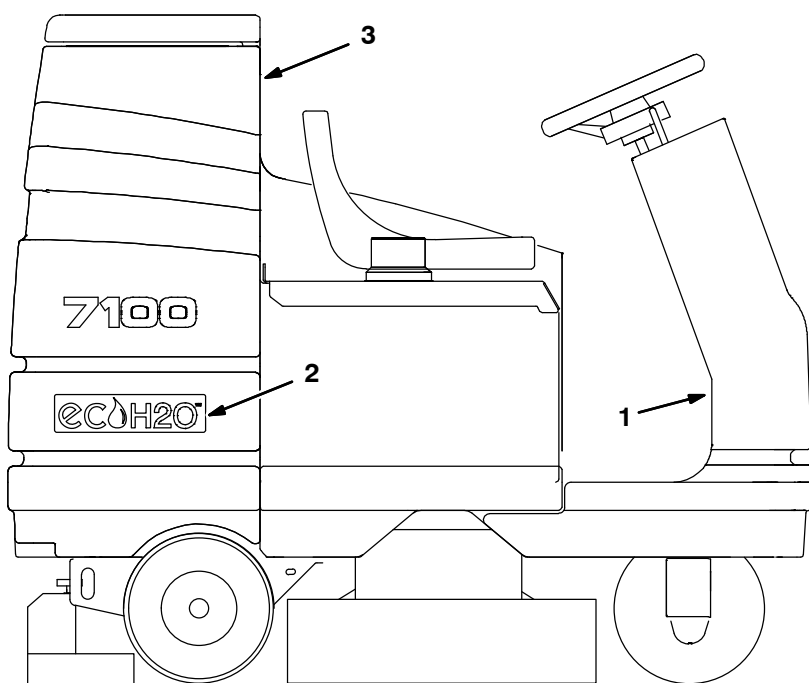
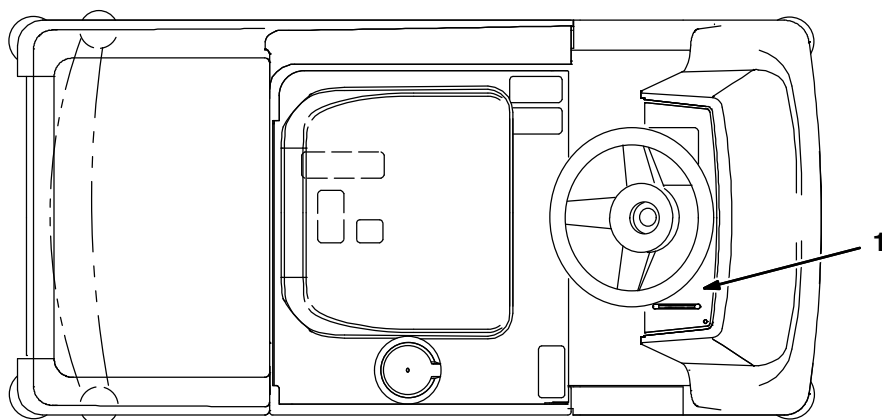
| <b>Ref.</b> | <b>Tennant Part No.</b> | <b>Description</b>                            | <b>Qty.</b> |
|-------------|-------------------------|---|-------------|
| 1           | 20951                   | Fitting, Plstc, E90, Bm06/Bm06                | 1           |
| 2           | 150538                  | Fitting, Plstc, Str, Bm06/Pm06                | 1           |
| 3           | 1014957                 | Bracket Wldt, Bar, Spray, 800mm [7100]        | 1           |
| 4           | 12273                   | Screw, Hex, M8 X 1.25 X 20, Ss, NI            | 2           |
| 5           | 01685                   | Washer, Flat, 0.31 Ss                         | 2           |
| 6           | 1014673                 | Bracket, Bar, Spray                           | 3           |
| 7           | 54333                   | Clamp, Hose, Wormdrive, 0.31–0.88d            | 6           |
| 8           | 11635                   | Screw, Hex, M6 X 1.0 X 12, Ss, NI             | 3           |
| 9           | 1006416                 | Hose, Afmkt, Pvc, Clr, 0.38id, 03ft (C080172) | 1           |
| 10          | 01684                   | Washer, Flat, 0.25 Ss                         | 3           |
| 11          | 1006416                 | Hose, Afmkt, Pvc, Clr, 0.38id, 03ft (C080172) | 1           |
| 12          | 1006401                 | Hose, Afmkt, Pvc, Brd, 0.50id 03Ft (376716)   | 1           |
| 13          | 150415                  | Fitting, Plstc, E90, Bm06/Pm04                | 1           |
| 14          | 1013079                 | Tube Assy, Spray, Cyl, 0800mm [7100]          | 1           |

**Fig. 25 – ec-H2O Instrument Panel Group**



| Ref. | Tennant Part No. | Description                           | Qty. |
|------|------------------|---------------------------------------|------|
| 1    | 1056104          | Panel Wldt, Instmt [Xp]               | 1    |
| 2    | 1056240          | Panel Assy, Touch [7100 Ec-H2o]       | 1    |
| 3    | 1041822          | Light, Led, .312d, 2 Volt [Tri-Color] | 1    |
| 4    | 1046173          | Boot, Circuitbreaker                  | 2    |
| 5    | 1046152          | Circuitbreaker, 2.5a, Resetable       | 2    |

Fig. 26 – ec-H2O Label Group



| Ref. | Tennant Part No. | Description                        | Qty. |
|------|------------------|------------------------------------|------|
| 1    | 1057583          | Label Set, Opertnl [7100]          | 1    |
| 2    | 1050014          | Label, Front [5680/5700/T7 Ec-H2o] | 3    |
| 3    | 1050003          | Label [User, Attention, Ec-H2o]    | 1    |

Fig. 27 - ec-H2O Electrical Schematic

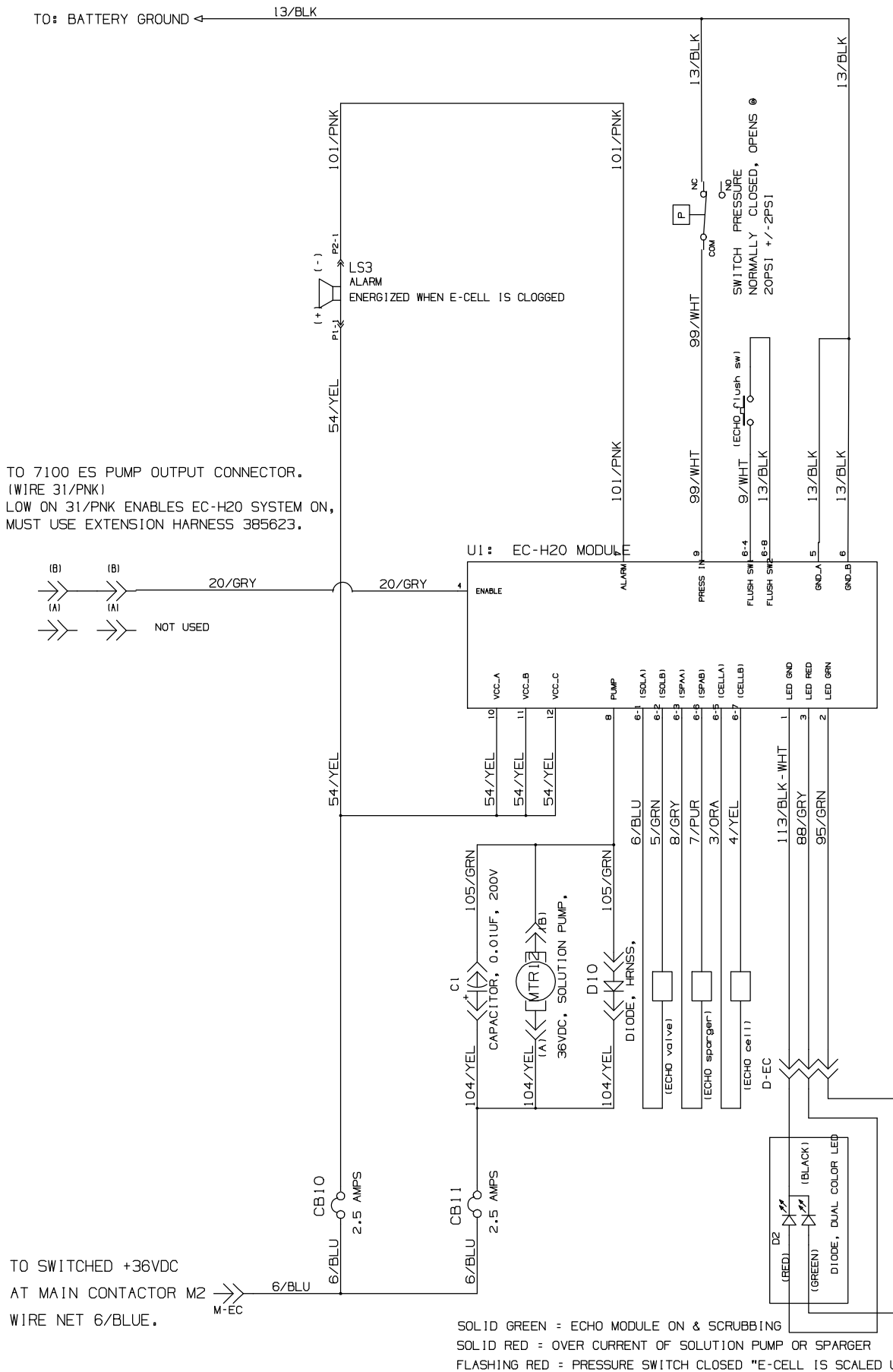
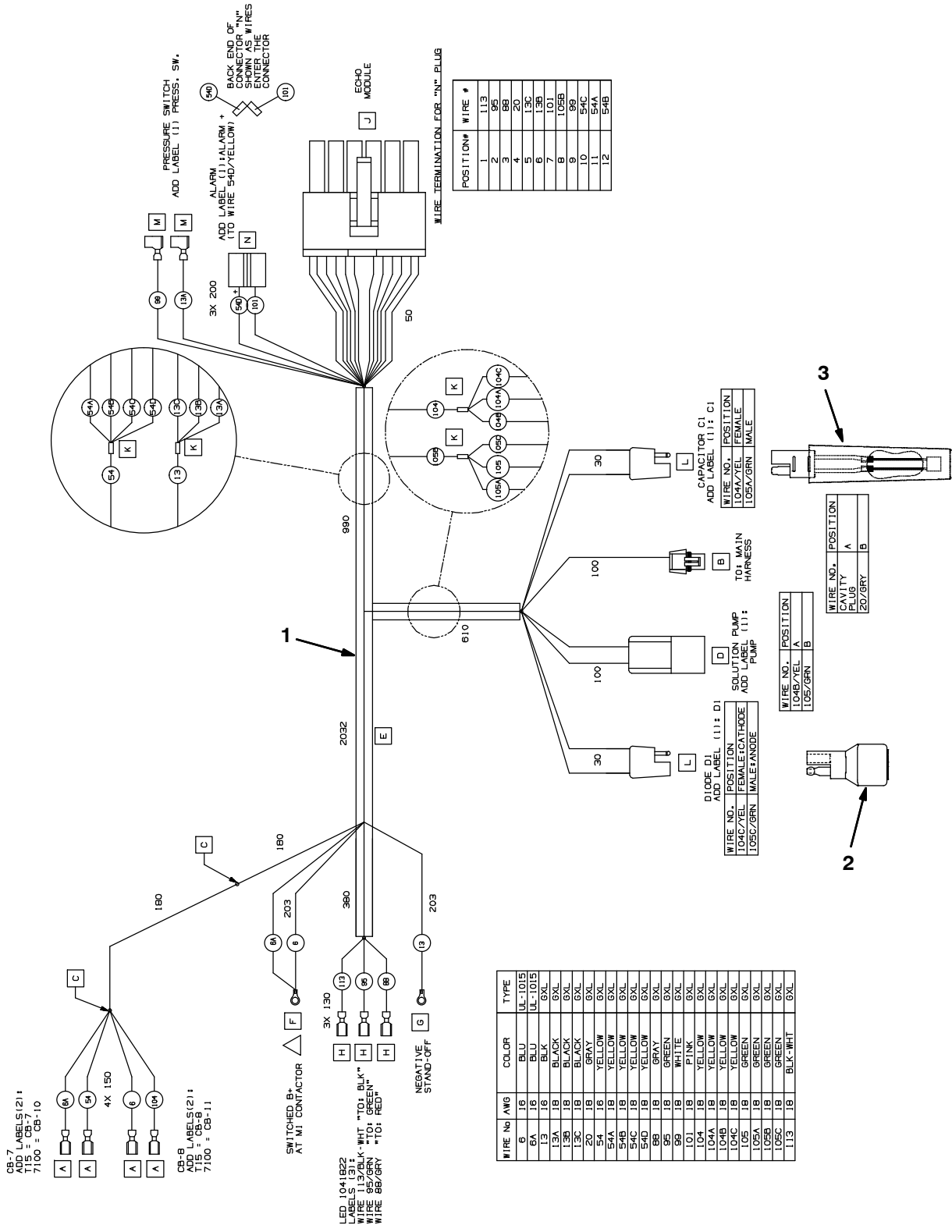


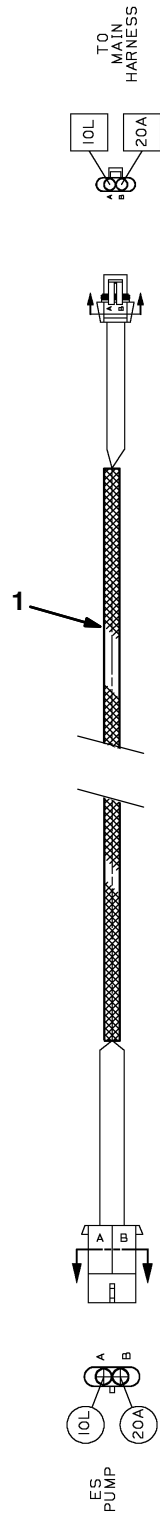


Fig. 28 - ec-H2O Wire Harness Group



| Ref. | Tennant Part No. | Description                    | Qty. |
|------|------------------|--------------------------------|------|
| 1    | 1050759          | Harness, Wire [T15 Ec-H2o]     | 1    |
| 2    | 222290           | Diode, Ele, Plug               | 1    |
| 3    | 1040868          | Capacitor, Plug [.01 Uf, 200v] | 1    |

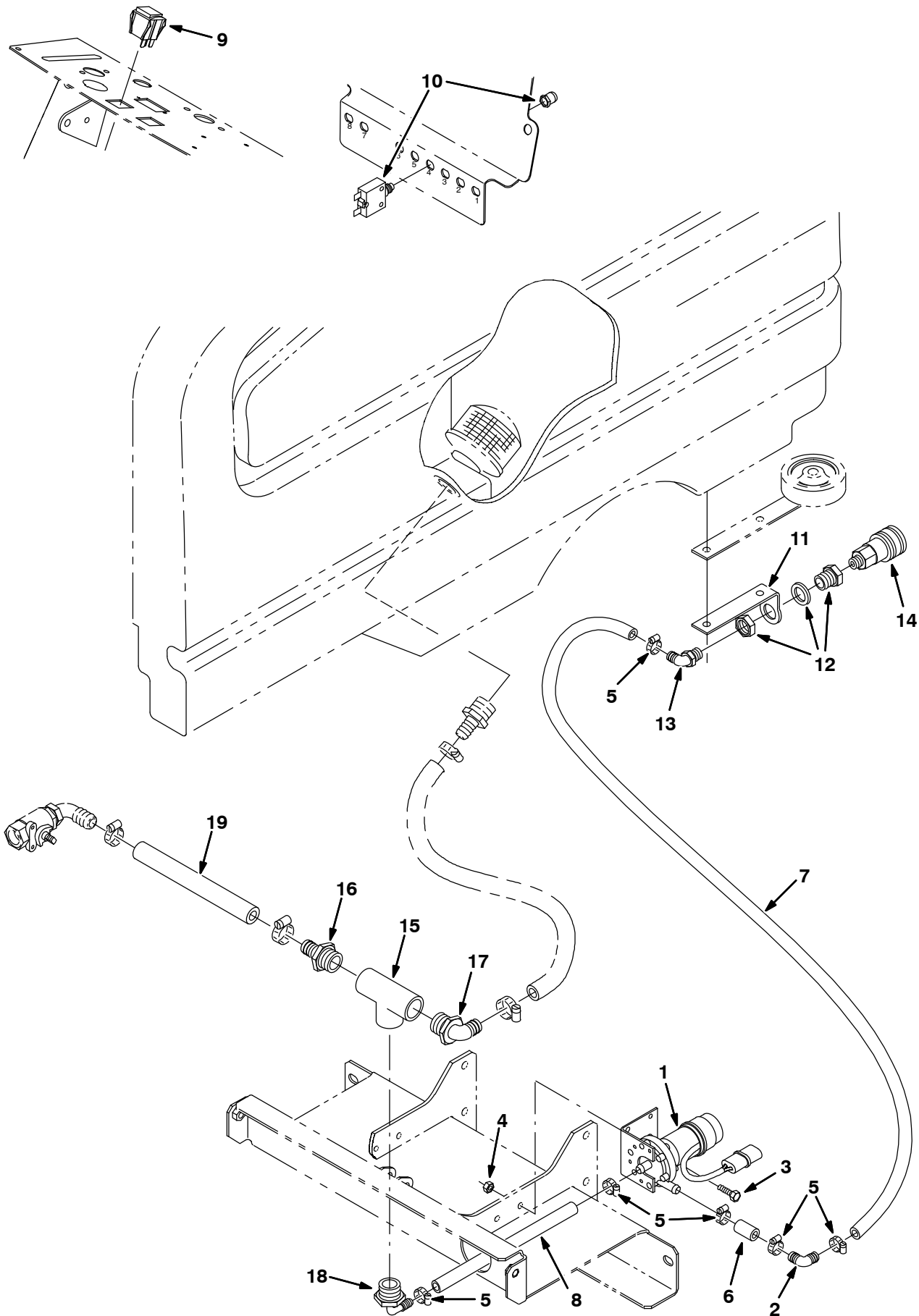
**Fig. 29 – ec-H2O Wire Harness Group, Jumper, Pump**



| Ref. | Tennant Part No. | Description          | Qty. |
|------|------------------|----------------------|------|
| 1    | 385623           | Harness Jumper, Pump | 1    |



Fig. 30 – Power Wand Pump and Fittings Group



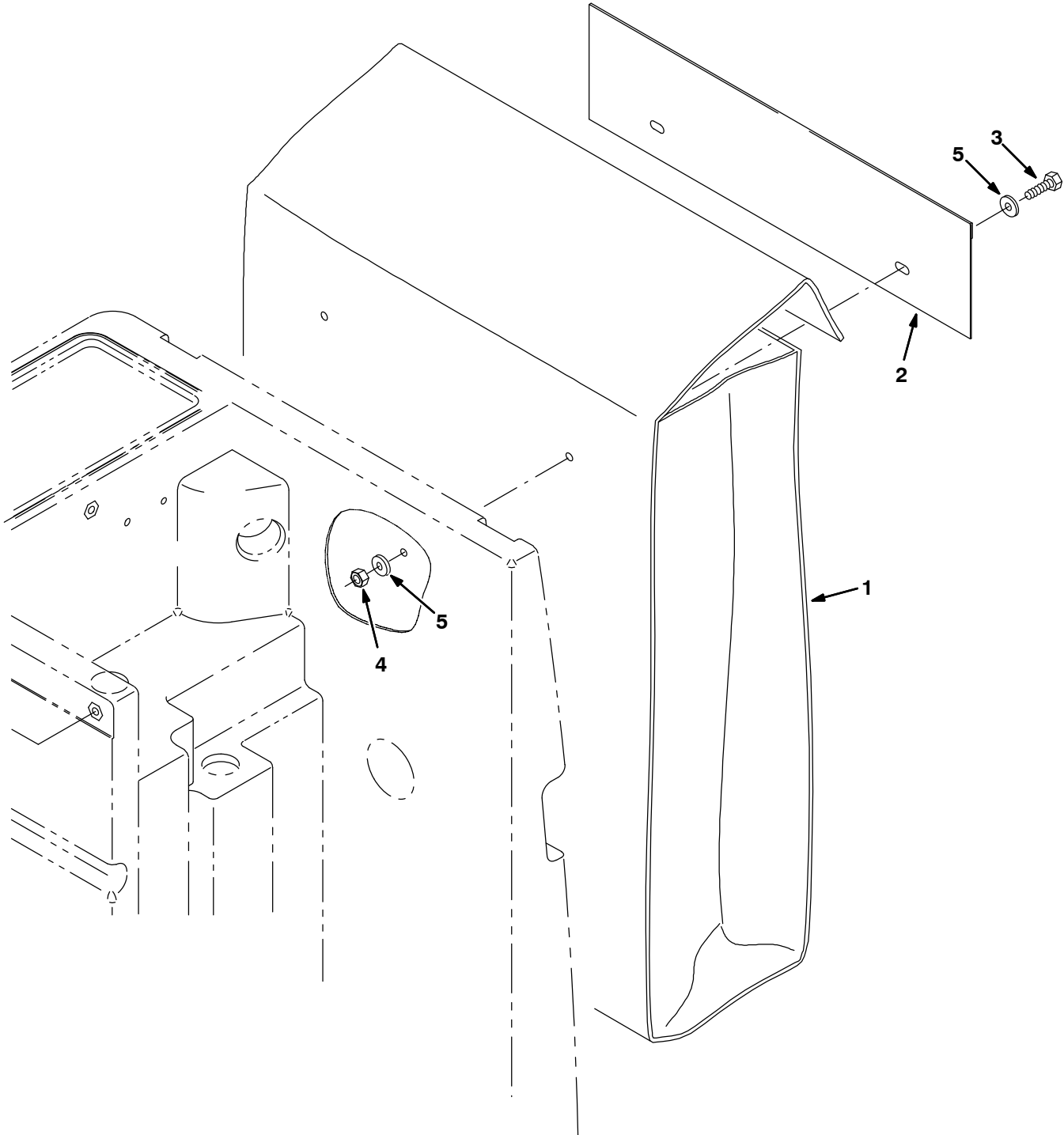
**Fig. 30 – Power Wand Pump and Fittings Group**

NOTE: Power Wand Kit, Tennant Part Number 391057, includes; Fig. 30, Fig. 31, Fig. 32, and Fig. 33.

| Ref. | Tennant Part No. | Description                                   | Qty.   |
|------|------------------|---|--------|
| 1    | 223496           | Pump, Water, 36vdc, Gpm Psi (See Breakdowns)  | 1      |
| 2    | 20951            | Fitting, Plstc, E90, Bm06/Bm06                | 1      |
| 3    | 24199            | Screw, Hex, M05 X 0.8 X 16, Ss                | 2      |
| 4    | 09739            | Nut, Hex, Lock, M05 X 0.8, NI, Ss             | 2      |
| 5    | 43844            | Clamp, Hose, Wormdrive, 0.25–0.62d            | 6      |
| 6    | 391291           | Hose, Pvc, Brd, 0.38id 0.60od 01.50l (376720) | 1.500' |
| 7    | 391289           | Hose, Pvc, Brd, 0.38id 0.60od 20.00l (376720) | 20.00' |
| 8    | 391293           | Hose, Pvc, Brd, 0.38id 0.60od 07.00l (376720) | 0.583' |
| 9    | 222117           | Switch  | 1      |
| 10   | 383721           | Circuitbreaker, 10.0a                         | 1      |
| 11   | 390887           | Bracket, Water Line                           | 1      |
| 12   | 78122            | Fitting, Brs, Str, Pf04/Pf04 Bkhd             | 1      |
| 13   | 57248            | Fitting, Plstc, E90, Bm06/Pm04                | 1      |
| 14   | 65342            | Fitting, Brs, Qdc, Pm04/Qf06                  | 1      |
| 15   | 42133A           | Fitting, Plstc, Tee, Pf12/Pf12/Pf12           | 1      |
| 16   | 71628            | Fitting, Plstc, Str, Bm10/Pm12 [Nylon]        | 1      |
| 17   | 73468            | Fitting, Plstc, E90, Bm10/Pm12                | 1      |
| 18   | 79484            | Fitting, Plstc, E90, Bm06/Pm12                | 1      |
| 19   | 391249           | Hose, Pvc, Brd 0.62id 0.88od 14.5l (C460117)  | 14.50' |

**Fig. 31 – Power Wand Mount Group**

*NOTE: Power Wand Kit, Tennant Part Number 391057, includes; Fig. 30, Fig. 31, Fig. 32, and Fig. 33.*

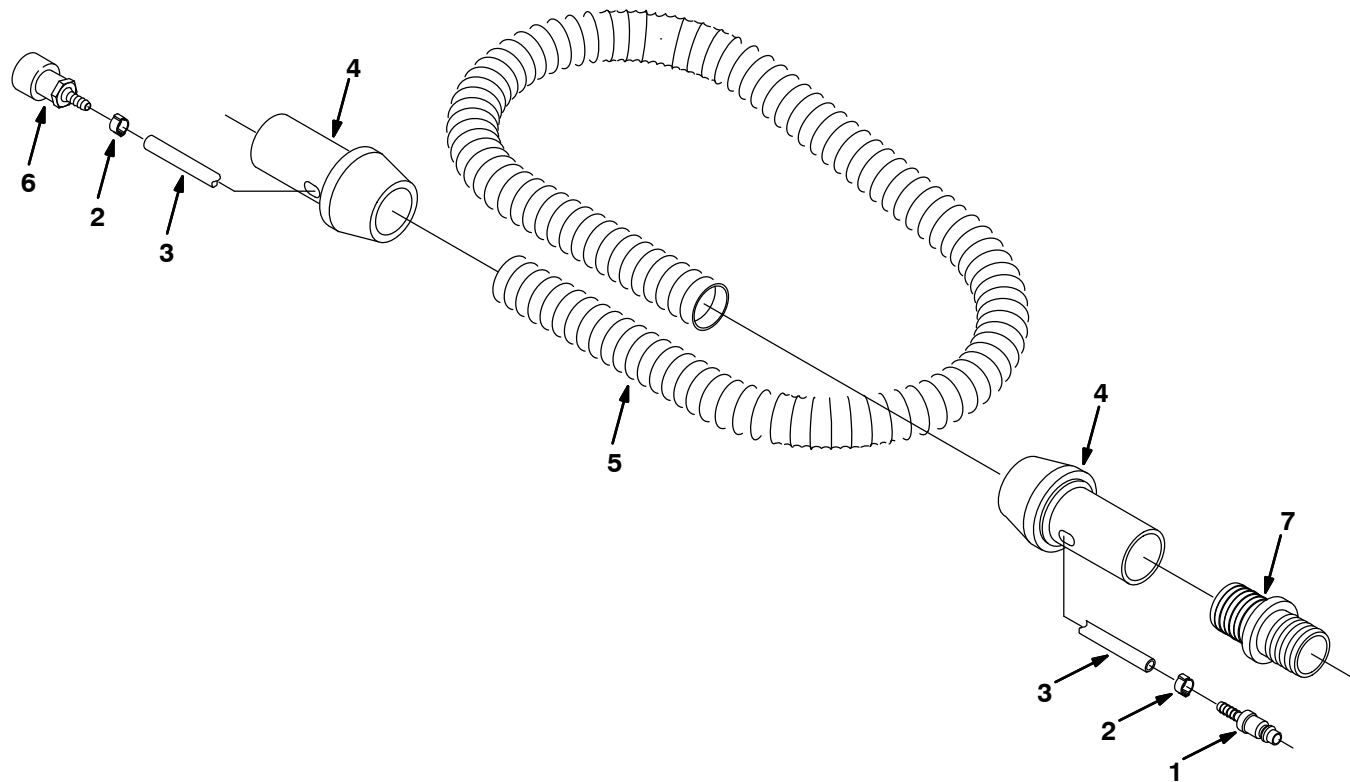


353495

| Ref. | Tennant Part No. | Description                        | Qty. |
|------|------------------|------------------------------------|------|
| 1    | 391258           | Bag, Power Wand                    | 1    |
| 2    | 391342           | Strip, Mtg, Bag                    | 1    |
| 3    | 09011            | Screw, Hex, M08 X 1.25 X 30, Ss    | 2    |
| 4    | 08713            | Nut, Hex, Lock, M08 X 1.25, NI, Ss | 2    |
| 5    | 01685            | Washer, Flt, .31 Ss                | 4    |

**Fig. 32 – Power Wand Hose Assembly**

NOTE: Power Wand Kit, Tennant Part Number 391057, includes; Fig. 30, Fig. 31, Fig. 32, and Fig. 33.



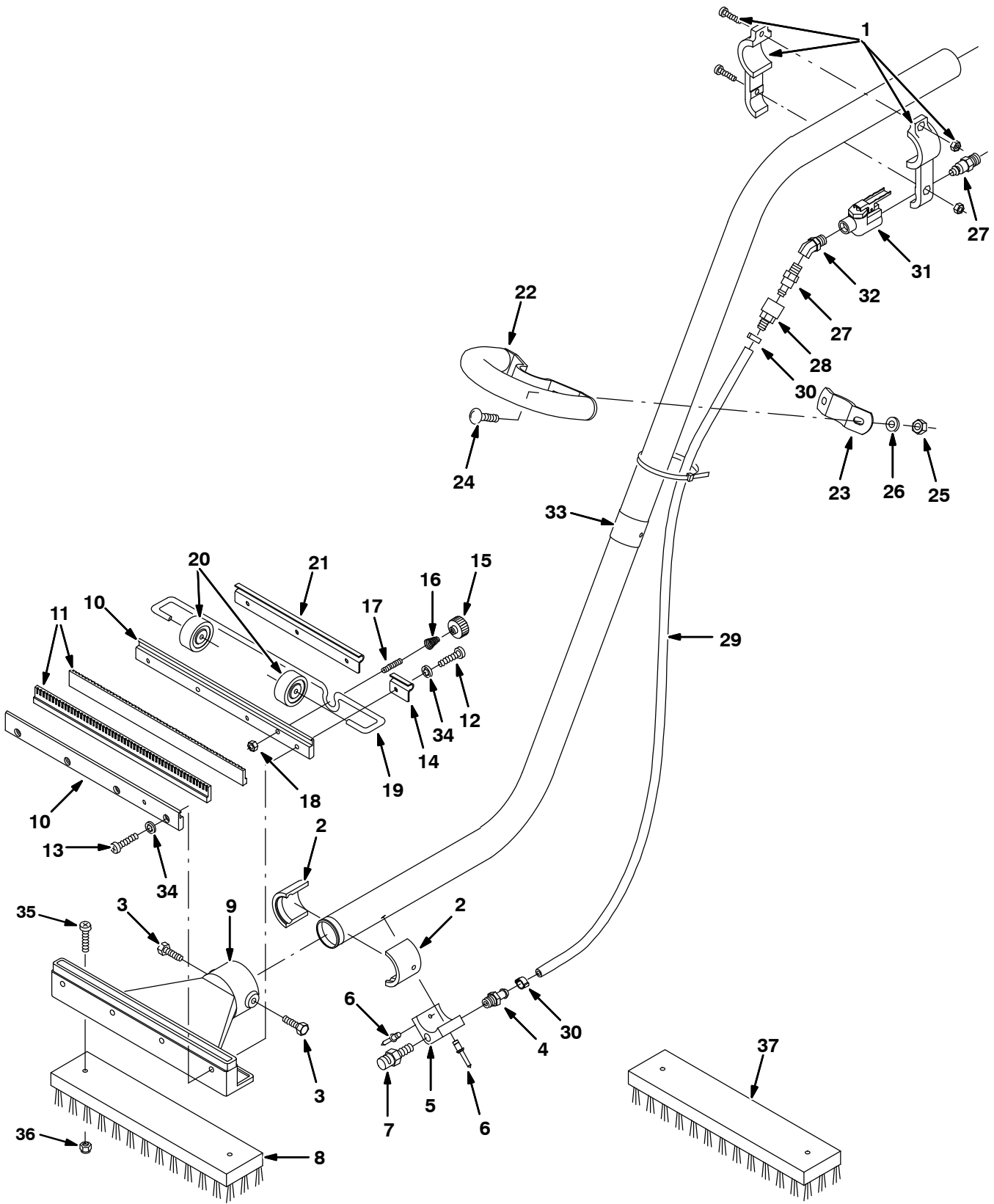
08042 – NA, CE

| Ref. | Tennant Part No. | Description                     | Qty. |
|------|------------------|---------------------------------|------|
| ▽    | 65341            | Hose Assy, W/2cuff, Wand        | 1    |
| ▲    | 1 578318000      | Fitting, Brs, Qdc, Pm04/Qm06    | 1    |
| ▲    | 2 578160000      | Clamp, Hose, Plstc, 0.43d X . W | 2    |
| ▲    | 3 578820000      | Hose, Vacuum                    | 1    |
| ▲    | 4 578072000      | Cuff, Swivel                    | 2    |
| ▲    | 5 578276000      | Hose, Vacuum, 38.1mm D X 3.05cm | 1    |
| ▲    | 6 578071000      | Fitting, Brs, Qdc, Bm04/Qm06    | 1    |
|      | 7 12694          | Fitting, Plstc, Str, Bm24/Bm24  | 1    |

▽ ASSEMBLY

▲ INCLUDED IN ASSEMBLY

Fig. 33 – Power Wand Assembly





**Fig. 33 – Power Wand Assembly**

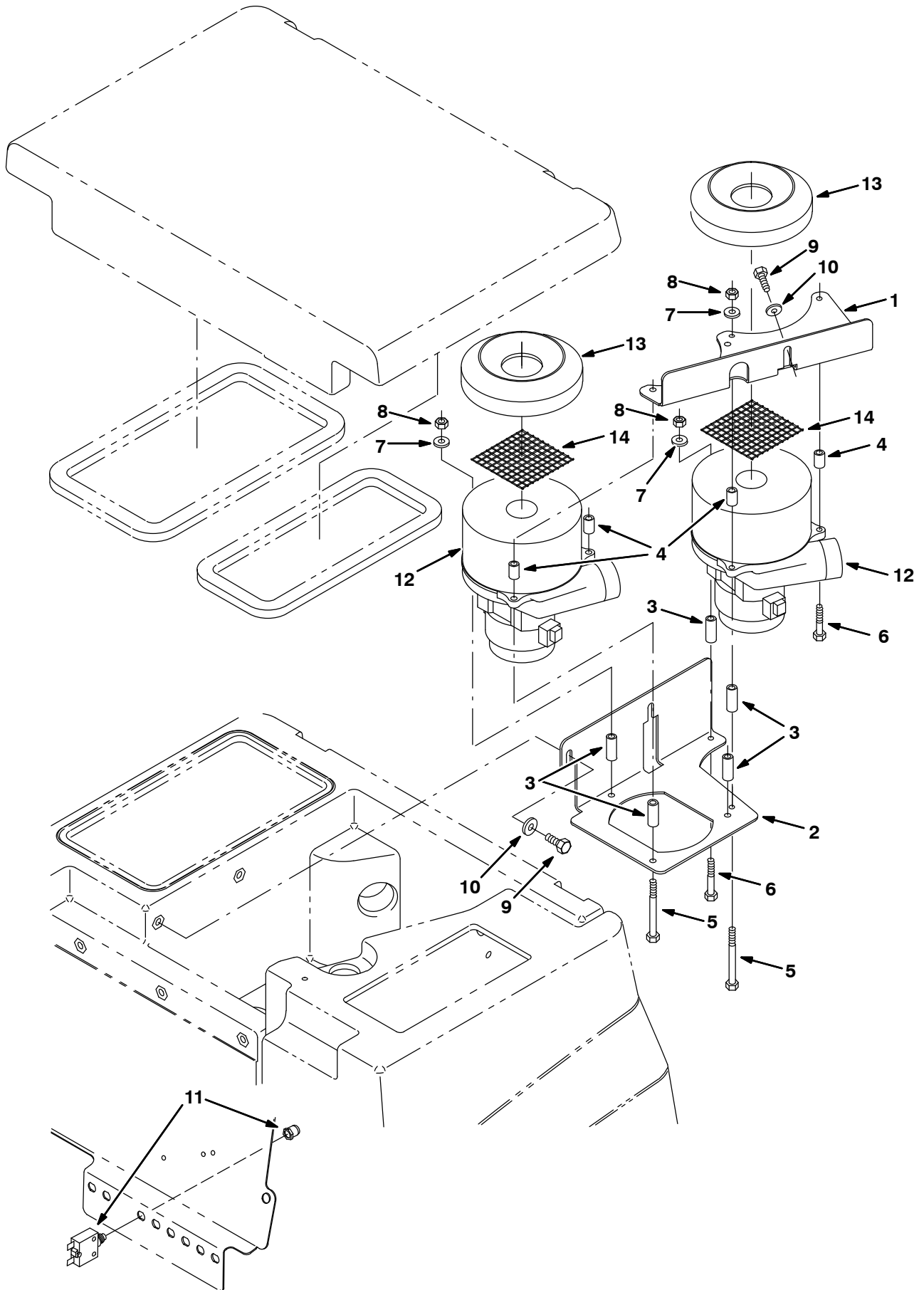
NOTE: Power Wand Kit, Tennant Part Number 391057, includes; Fig. 30, Fig. 31, Fig. 32, and Fig. 33.

| Ref. | Tennant Part No. | Description                                    | Qty.  |
|------|------------------|--|-------|
| ▽    | 391312           | Wand Assy                                      | 1     |
| ▲ 1  | 578077000        | Bracket, Mtg, Valve                            | 2     |
| ▲ 2  | 578061000        | Adaptor, Head To Wand                          | 2     |
| ▲ 3  | 01696            | Screw, Hex, .25–20 X 0.50, Ss                  | 2     |
| ▲ 4  | 61686            | Fitting, Brs, Str, Pm02/Em04                   | 1     |
| ▲ 5  | 391311           | Adaptor, Spray Nozzle                          | 1     |
| ▲ 6  | 68567            | Rivet, Blind, .187d X 0.53 X .62d, Alm         | 2     |
| ▲ 7  | 578066000        | Nozzle, Spray, 02pm, 75deg                     | 1     |
| ▲ 8  | 578073000        | Brush, Deck, Polypro                           | 1     |
| ▲ 9  | 578063000        | Head, Wand                                     | 1     |
| ▲ 10 | 578078000        | Strip, Retainer                                | 2     |
| ▲ 11 | 578074000        | Blade, Sqge, Wand                              | 2     |
| ▲ 12 | 578144000        | Screw, Pan, M05 X 0.8 X 16, Ss                 | 4     |
| ▲ 13 | 578141000        | Screw, Pan, M05 X 0.8 X 10, Ss                 | 4     |
| ▲ 14 | 578124000        | Bracket, Axle, 1–Hole                          | 1     |
| ▲ 15 | 578439           | Nut, Thumb, M6 X 30mm Dia                      | 1     |
| ▲ 16 | 613732           | Spring, Cmpr, Conical 15mm                     | 1     |
| ▲ 17 | 578143000        | Rod, Thrd, 2 End, M06x1.0 01.6l                | 1     |
| ▲ 18 | 07785            | Nut, Hex, Std, M06 X 1.0 , Ss                  | 1     |
| ▲ 19 | 578126000        | Axle, Wand                                     | 1     |
| ▲ 20 | 578125000        | Wheel  | 2     |
| ▲ 21 | 578123000        | Bracket, Axle, 3–Hole                          | 1     |
| ▲ 22 | 578155000        | Handle, Wand                                   | 1     |
| ▲ 23 | 578154000        | Bracket, Mtg, Handle To Wand                   | 1     |
| ▲ 24 | 20399            | Bolt, Carriage, .25–20 X 0.75                  | 2     |
| ▲ 25 | 41169            | Nut, Hex, Lock, .25–20, NI, Ss                 | 2     |
| ▲ 26 | 01684            | Washer, Flt, .25 Ss                            | 2     |
| ▲ 27 | 578091000        | Fitting, Brs, Qdc, Pm04/Qm04                   | 2     |
| ▲ 28 | 578071000        | Fitting, Brs, Qdc, Pf04/Bm04                   | 1     |
| ▲ 29 | 578821000        | Hose, 1/4ld X 3/8Od X 1.22m (578095000)        | 1.22M |
| ▲ 30 | 578161000        | Clamp, 0.31–0.43d                              | 2     |
| ▲ 31 | 578064000        | Valve, Water                                   | 1     |
| ▲ 32 | 47720            | Fitting, Hyd, E45, Pm04/Pf04                   | 1     |
| ▲ 33 | 391310           | Wand   | 1     |
| ▲ 34 | 07514            | Washer, Lock, Int, #10 Ss                      | 8     |
| ▲ 35 | 578566           | Screw, 4 X 30 Fltphl Ss                        | 2     |
| ▲ 36 | 33932            | Nut, Hex, Lock, M4 X 0.7, NI, Ss               | 2     |
| ▲ 37 | 65582            | Brush, Power Wand, W/ Fastener, Abr (Optional) | 1     |

▽ ASSEMBLY

▲ INCLUDED IN ASSEMBLY

Fig. 34 – Heavy Duty Vacuum Fan Kit



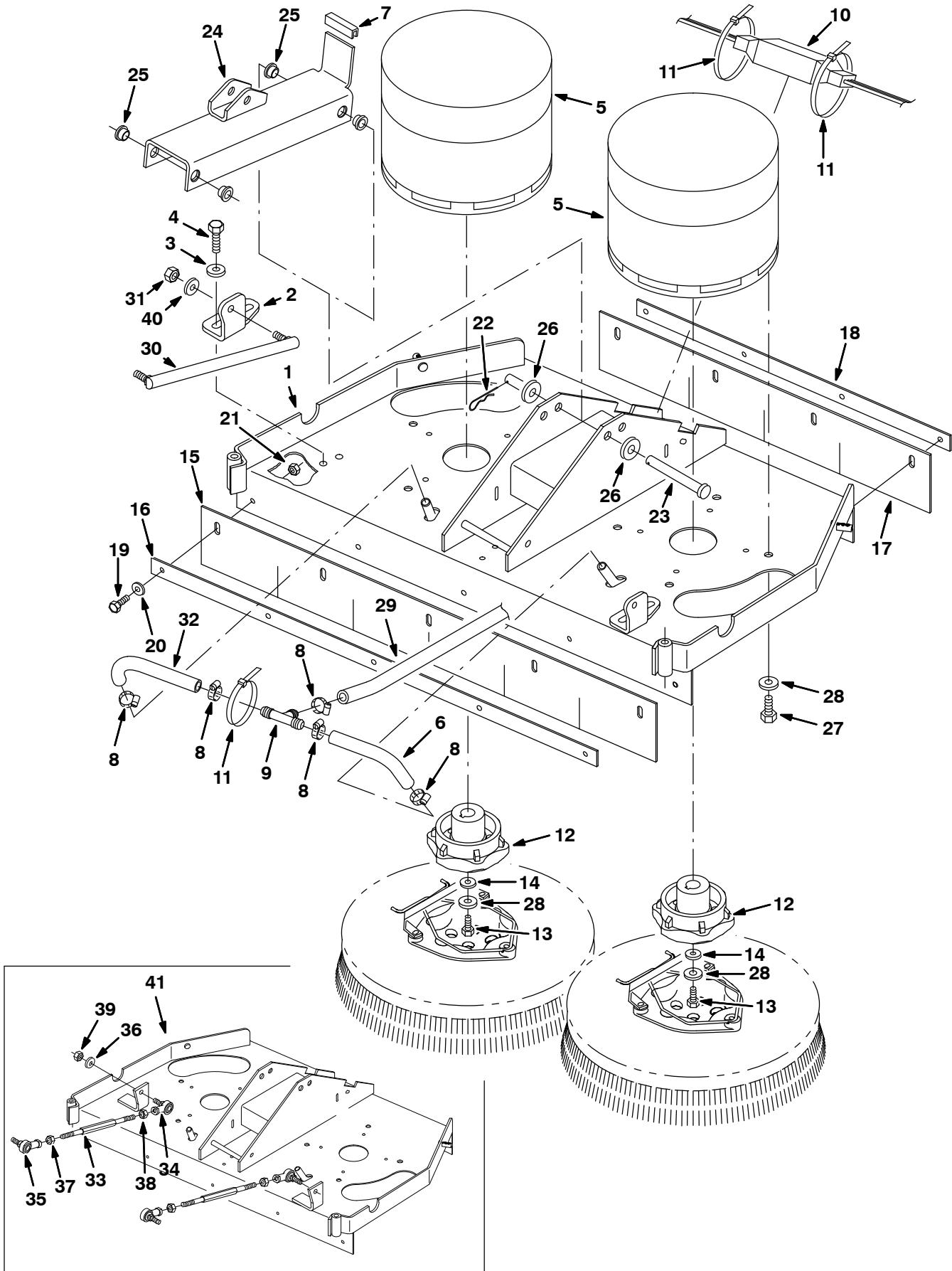
**Fig. 34 – Heavy Duty Vacuum Fan Kit**

|    | <b>Ref.</b> | <b>Tennant<br/>Part No.</b> | <b>Description</b>                | <b>Qty.</b> |
|----|-------------|-----------------------------|-----------------------------------|-------------|
| ▽  |             | 391055                      | Kit, Ci, Vacfan, Dual             | 1           |
| ▲  | 1           | 391141                      | Bracket, Fan                      | 1           |
| ▲  | 2           | 391140                      | Bracket, Fan                      | 1           |
| ▲  | 3           | 222497                      | Sleeve                            | 5           |
| ▲  | 4           | 360930                      | Sleeve                            | 4           |
| ▲  | 5           | 391434                      | Screw, Hex, M06 X 1.0 X 80, Ss    | 3           |
| ▲  | 6           | 58979                       | Screw, Hex, M06 X 1.0 X 55, Ss    | 3           |
| ▲  | 7           | 01684                       | Washer, Flt, .25 Ss               | 6           |
| ▲  | 8           | 08712                       | Nut, Hex, Lock, M06 X 1.0, NI, Ss | 6           |
| ▲  | 9           | 09740                       | Screw, Hex, M08 X 1.25 X 20, Ss   | 3           |
| ▲  | 10          | 01685                       | Washer, Flt, .31 Ss               | 3           |
| ▲  | 11          | 383727                      | Circuitbreaker, 40.0a             | 1           |
| ▲▽ | 12          | 391296                      | Fan Assy, Vacuum (See Breakdowns) | 2           |
| ▲▲ | 13          | 391343                      | Seal, Fan                         | 1           |
| ▲▲ | 14          | 391350                      | Screen, Fan Inlet                 | 1           |

▽ ASSEMBLY

▲ INCLUDED IN ASSEMBLY

**Fig. 35 – Heavy Duty Disk Scrub Head Drive Motor Group, 700 mm (28 in)**



**Fig. 35 – Heavy Duty Disk Scrub Head Drive Motor Group, 700 mm (28 in)**

NOTE: Disk Scrub Head Kit, Tennant Part Number 391031, includes Fig. 35, and Fig. 36.

| Ref. | Tennant Part No. | Description  | Qty.   |
|------|------------------|--|--------|
| ▽    | 1                | 1040861 Head Kit, Ci, 28 Inch [7100]                           | 1      |
| ▲    | 2                | 1006123 [2] Bracket, Link, Head, Disk                          | 2      |
| ▲    | 3                | 01686 [2] Washer, Flat, 0.44B 1.00D .08, Ss                    | 4      |
| ▲    | 4                | 10959 [2] Screw, Hex, M10 X 1.5 X 20, SS, NL                   | 4      |
|      | 5                | 9006323 [4] Motor Kit, Ele, 36vdc 0.80hp, Replmt               | 2      |
|      | 5                | 223358 [3] Motor, Ele, 36vdc, 0.80hp, 0320rpm (See Breakdowns) | 2      |
|      | 6                | 1011403 Hose, Afmkt Pvc, Brd 0.50id X 1 Ft (376716)            | 0.550' |
|      | 7                | 223645 Molding, Trim, Rbr, .13 03.0                            | 1      |
|      | 8                | 54333 Clamp, Hose, Wormdrive, 0.31–0.88d                       | 5      |
|      | 9                | 63245–1 Fitting, Plstc, Tee, Bm08/Bm08/Bm08                    | 1      |
|      | 10               | 222836 Shunt   | 1      |
|      | 11               | 44961 Tie, Cable, Nyl, 14.5l .30w 4.0 Max D                    | 3      |
|      | 12               | 377364 Hub, Drive, Brush, Disk, 0.75b 6t                       | 2      |
|      | 13               | 02991 Screw, Hex, .31–18 X 0.75, Ss                            | 2      |
|      | 14               | 41186 Washer, Belleville, .31                                  | 2      |
|      | 15               | 390633 Skirt, Front, Scb, Disk, 28 Inch                        | 1      |
|      | 16               | 390635 Strip, Retainer, Skirt, Front, 28 Inch                  | 1      |
|      | 17               | 390634 Skirt, Rear, Scb, Disk, 28 Inch                         | 1      |
|      | 18               | 390636 Strip, Retainer, Skirt, Rear, 28 Inch                   | 1      |
|      | 19               | 08716 Screw, Hex, M06 X 1.0 X 20, Ss                           | 9      |
|      | 20               | 01684 Washer, Flt, .25 Ss                                      | 9      |
|      | 21               | 08712 Nut, Hex, Lock, M06 X 1.0, NI, Ss                        | 9      |
|      | 22               | 02942 Pin, Hair Cotter, 0.62 D .120 Wir                        | 1      |
|      | 23               | 222196 Pin, Clevis, 0.50 D X 4.00l                             | 1      |
|      | 24               | 390741 Channel Wldt, Lift Tool                                 | 1      |
|      | 25               | 15648 Bushing, Flng, 0.50b 0.59d 0.38l                         | 4      |
|      | 26               | 32486 Washer, Flt, .50 Sae                                     | 2      |
|      | 27               | 02994 Screw, Hex, .38–16 X 0.75, Ss                            | 8      |
|      | 28               | 01686 Washer, Flat, 0.44B 1.00D .08, Ss                        | 10     |
|      | 29               | 1006401 Hose, Afmkt, Pvc, Brd, 0.50id, 03ft (376716)           | 2.330' |
|      | 30               | 392882 [2] Link, Balljoint, M10 X 1.5, 11.0L                   | 2      |
|      | 31               | 08714 [2] Nut, Hex, Lock, M10 X 1.5, NL, SS                    | 2      |
|      | 32               | 1011403 Hose, Afmkt Pvc, Brd 0.50id X 1 Ft (376716)            | 0.550' |
|      | 33               | 390666 [1] Rod, Thrd, 2 End, .38–24 09.0l Lh/Rh                | 2      |
|      | 34               | 86780 [1] Rod–End, .38–24lh Fem 0.38–24stud                    | 2      |
|      | 35               | 86781 [1] Rod–End, .38–24rh Fem 0.38–24stud                    | 2      |
|      | 36               | 01686 [1] Washer, Flat, 0.44B 1.00D .08, Ss                    | 4      |
|      | 37               | 20171 [1] Nut, Hex, Jam, .38–24                                | 2      |
|      | 38               | 82889 [1] Nut, Hex, Jam, .38–24, Lh                            | 2      |
|      | 39               | 50269 [1] Nut, Hex, Lock, .38–24, NI, Ss                       | 4      |
|      | 40               | 01686 [2] Washer, Flat, 0.44B 1.00D .08, Ss                    | 2      |
|      | 41               | N/A [1] Replaced by item #1                                    | –      |

[1] Serial number (00000000–10195059)

[2] Serial number (10195060– )

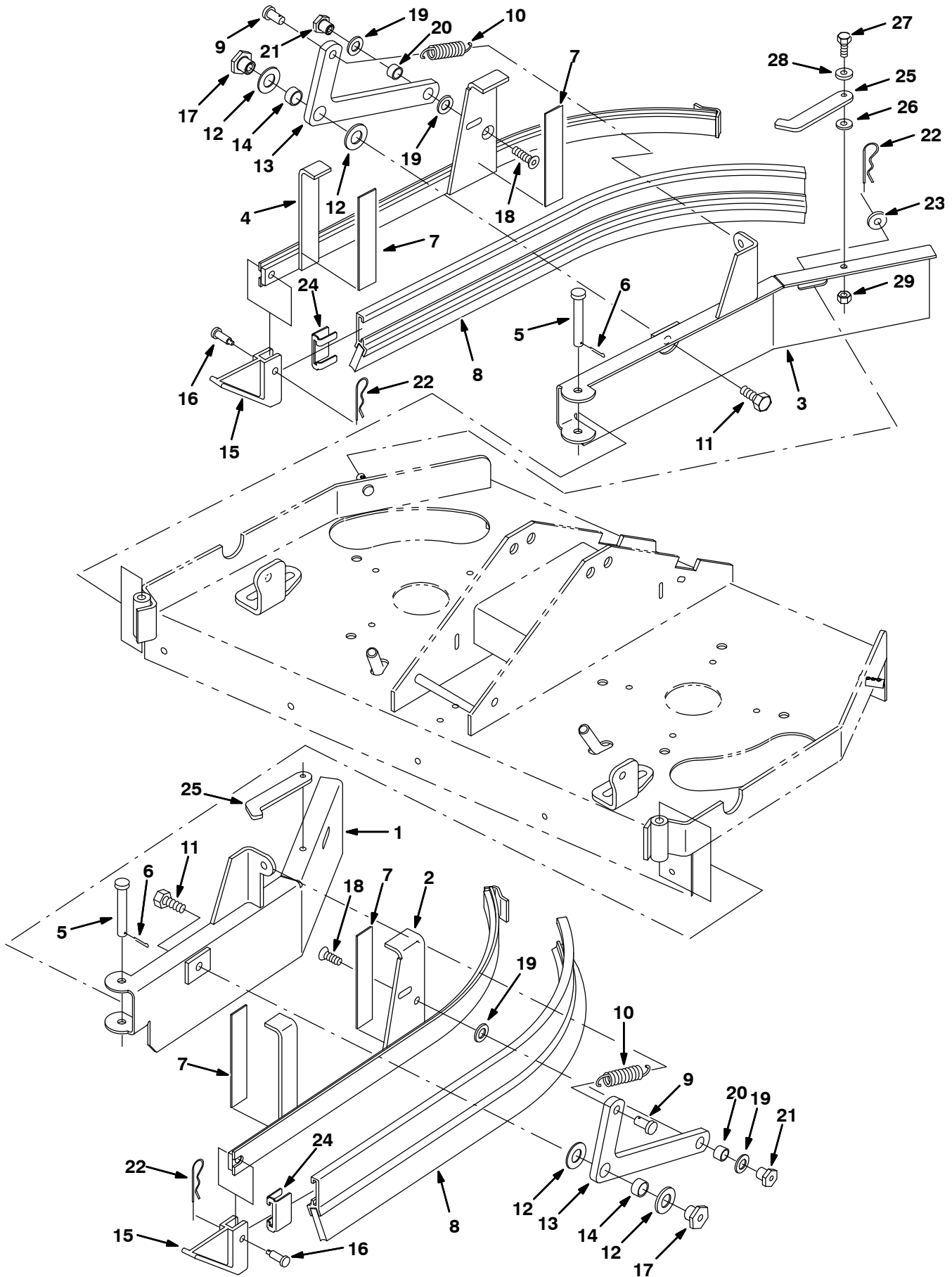
[3] Serial number (00000000–OCT 09)

[4] Serial number (NOV 09– )

▽ ASSEMBLY

▲ INCLUDED IN ASSEMBLY

Fig. 36 - Heavy Duty Disk Scrub Head Squeegee Group, 700 mm (28 in)

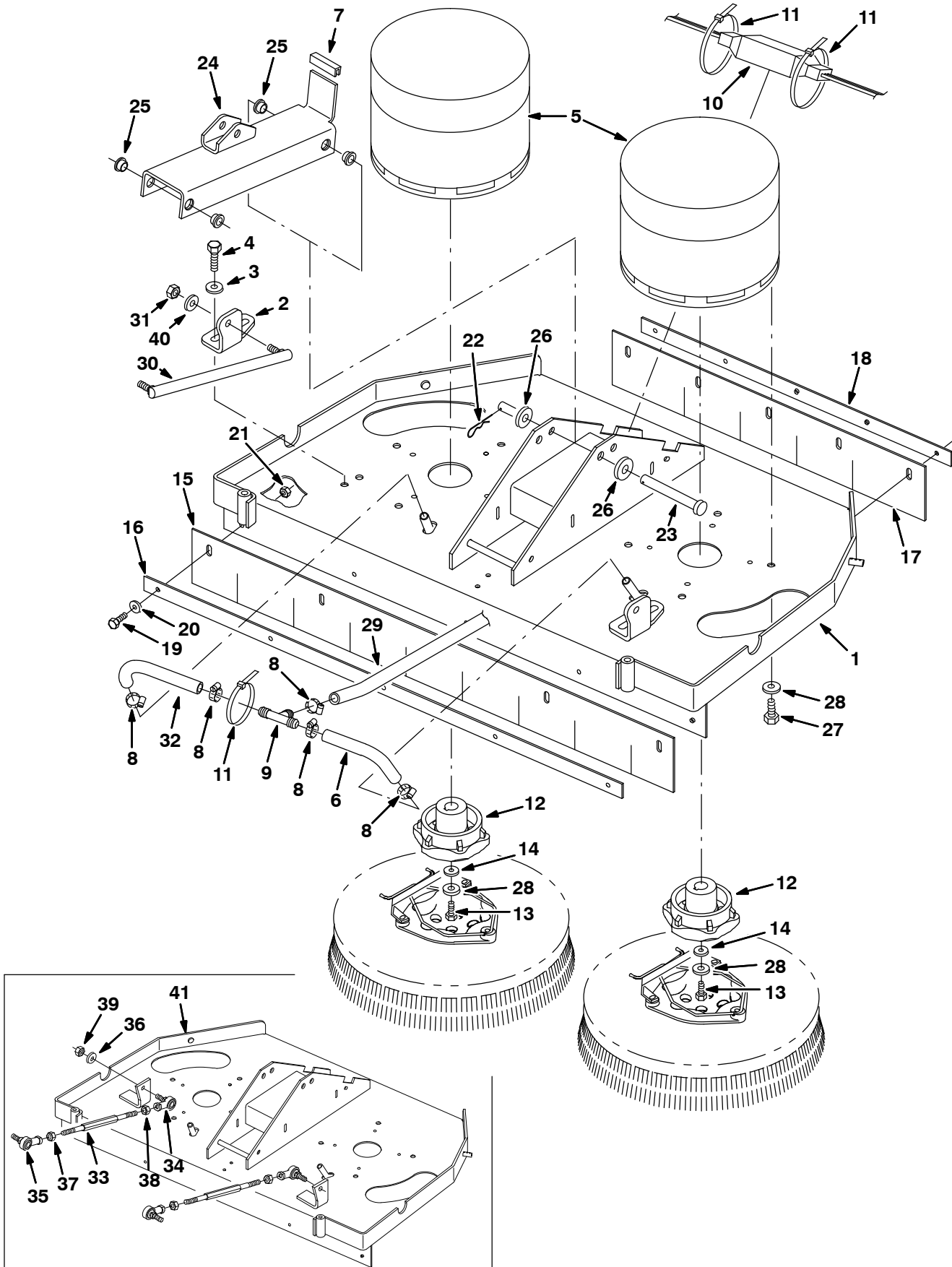


**Fig. 36 – Heavy Duty Disk Scrub Head Squeegee Group, 700 mm (28 in)**

*NOTE: Disk Scrub Head Kit, Tennant Part Number 391031, includes Fig. 35, and Fig. 36.*

| <b>Ref.</b> | <b>Tennant Part No.</b> | <b>Description</b>                      | <b>Qty.</b> |
|-------------|-------------------------|---|-------------|
| 1           | 390702                  | Door Wldt, Mtg, Lh, 28 Inch Disk        | 1           |
| 2           | 390707                  | Bladeholder Wldt, Sqge, Disk, Lh        | 1           |
| 3           | 390710                  | Door Wldt, Mtg, Rh, 28 Inch Disk        | 1           |
| 4           | 390720                  | Bladeholder Wldt, Sqge, Disk, Rh        | 1           |
| 5           | 391179                  | Pin, Clevis, 0.37 D X 2.62l             | 2           |
| 6           | 08182                   | Pin, Cotter, .125 X 1.00                | 2           |
| 7           | 390988                  | Tape, [Protective], .0080th, 1.0w, 5.0l | 4           |
| 8           | 86859                   | Blade Assy, Sqge, Side                  | 2           |
| 9           | 39019                   | Pin, Clevis, 0.37 D X 0.75l             | 2           |
| 10          | 15047                   | Spring, Extn, 0.62od X 0.08wir, 3.0l    | 2           |
| 11          | 09291                   | Screw, Hex, M10 X 1.5 X 20, Ss          | 2           |
| 12          | 64425                   | Washer, Thrust, 0.61b 1.25d .06, Fgl    | 4           |
| 13          | 25709                   | Bellcrank, Lift, Sqge                   | 2           |
| 14          | 71607                   | Bushing, Sleeve, 0.63b 0.72d 0.38l      | 2           |
| 15          | 86865                   | Guide, Side Sqge                        | 2           |
| 16          | 69582                   | Pin, Clevis, 0.31 D X 1.00l             | 2           |
| 17          | 391345                  | Nut, T, M 10 X1.5 0.623od .516lg        | 2           |
| 18          | 79246                   | Screw, Flat, M08–1.25x 20, Ss           | 2           |
| 19          | 86860                   | Bearing, Thrust                         | 4           |
| 20          | 64173                   | Bushing, Sleeve, 0.50b 0.59d 0.38l, Stl | 2           |
| 21          | 391346                  | Nut, T, M8x1.25 X0.498od, 0.516lg       | 2           |
| 22          | 44906                   | Pin, Hair Cotter, 0.69 D .092 Wir       | 4           |
| 23          | 01686                   | Washer, Flat, 0.44B 1.00D .08, Ss       | 2           |
| 24          | 86759                   | Retainer, Sqge                          | 2           |
| 25          | 390997                  | Lever, Lock, Side Sqge                  | 2           |
| 26          | 16236                   | Washer, 0.26b 0.72d .06, Nyl            | 2           |
| 27          | 08716                   | Screw, Hex, M06 X 1.0 X 20, Ss          | 2           |
| 28          | 01684                   | Washer, Flat, .25 Ss                    | 2           |
| 29          | 08712                   | Nut, Hex, Lock, M06 X 1.0, NI, Ss       | 2           |

**Fig. 37 – Disk Scrub Head Drive Motor Group, 800 mm (32 in)**





**Fig. 37 – Disk Scrub Head Drive Motor Group, 800 mm (32 in)**

NOTE: Disk Scrub Head Kit, Tennant Part Number 391037, includes Fig. 37, and Fig. 38.

| Ref. | Tennant Part No. | Description  | Qty.   |
|------|------------------|--|--------|
| ▽    | 1                | 1040839 Head Kit, Ci, 32 Inch [7100]                           | 1      |
| ▲    | 2                | 1006123 [2] Bracket, Link, Head, Disk                          | 2      |
| ▲    | 3                | 01686 [2] Washer, Flat, 0.44B 1.00D .08, Ss                    | 4      |
| ▲    | 4                | 10959 [2] Screw, Hex, M10 X 1.5 X 20, SS, NL                   | 4      |
|      | 5                | 9006323 [4] Motor Kit, Ele, 36vdc 0.80hp, Replmt               | 2      |
|      | 5                | 223358 [3] Motor, Ele, 36vdc, 0.80hp, 0320rpm (See Breakdowns) | 2      |
|      | 6                | 1011403 Hose, Afmkt Pvc, Brd 0.50id X 1 Ft (376716)            | 0.550' |
|      | 7                | 223645 Molding, Trim, Rbr, .13 03.0                            | 1      |
|      | 8                | 54333 Clamp, Hose, Wormdrive, 0.31–0.88d                       | 5      |
|      | 9                | 63245–1 Fitting, Plstc, Tee, Bm08/Bm08/Bm08                    | 1      |
|      | 10               | 222836 Shunt   | 1      |
|      | 11               | 44961 Tie, Cable, Nyl, 14.5l .30w 4.0 Max D                    | 3      |
|      | 12               | 377364 Hub, Drive, Brush, Disk, 0.75b 6t                       | 2      |
|      | 13               | 02991 Screw, Hex, .31–18 X 0.75, Ss                            | 2      |
|      | 14               | 41186 Washer, Belleville, .31                                  | 2      |
|      | 15               | 390650 Skirt, Front, Scb, Disk, 32 Inch                        | 1      |
|      | 16               | 390652 Strip, Retainer, Skirt, Front, 32 Inch                  | 1      |
|      | 17               | 390651 Skirt, Rear, Scb, Disk, 32 Inch                         | 1      |
|      | 18               | 390653 Strip, Retainer, Skirt, Rear, 32 Inch                   | 1      |
|      | 19               | 08716 Screw, Hex, M06 X 1.0 X 20, Ss                           | 9      |
|      | 20               | 01684 Washer, Flt, .25 Ss                                      | 9      |
|      | 21               | 08712 Nut, Hex, Lock, M06 X 1.0, NI, Ss                        | 9      |
|      | 22               | 02942 Pin, Hair Cotter, 0.62 D .120 Wir                        | 1      |
|      | 23               | 222196 Pin, Clevis, 0.50 D X 4.00l                             | 1      |
|      | 24               | 390741 Channel Wldt, Lift Tool                                 | 1      |
|      | 25               | 15648 Bushing, Flng, 0.50b 0.59d 0.38l                         | 4      |
|      | 26               | 32486 Washer, Flt, .50 Sae                                     | 2      |
|      | 27               | 02994 Screw, Hex, .38–16 X 0.75, Ss                            | 8      |
|      | 28               | 01686 Washer, Flat, 0.44B 1.00D .08, Ss                        | 10     |
|      | 29               | 1006401 Hose, Afmkt, Pvc, Brd, 0.50id, 03ft (376716)           | 2.330' |
|      | 30               | 392882 [2] Link, Balljoint, M10 X 1.5, 11.0L                   | 2      |
|      | 31               | 08714 [2] Nut, Hex, Lock, M10 X 1.5, NL, SS                    | 2      |
|      | 32               | 1011403 Hose, Afmkt Pvc, Brd 0.50id X 1 Ft (376716)            | 0.550' |
|      | 33               | 390666 [1] Rod, Thrd, 2 End, .38–24 09.0l Lh/Rh                | 2      |
|      | 34               | 86780 [1] Rod–End, .38–24lh Fem 0.38–24stud                    | 2      |
|      | 35               | 86781 [1] Rod–End, .38–24rh Fem 0.38–24stud                    | 2      |
|      | 36               | 01686 [1] Washer, Flat, 0.44B 1.00D .08, Ss                    | 4      |
|      | 37               | 20171 [1] Nut, Hex, Jam, .38–24                                | 2      |
|      | 38               | 82889 [1] Nut, Hex, Jam, .38–24, Lh                            | 2      |
|      | 39               | 50269 [1] Nut, Hex, Lock, .38–24, NI, Ss                       | 4      |
|      | 40               | 01686 [2] Washer, Flat, 0.44B 1.00D .08, Ss                    | 2      |
|      | 41               | N/A [1] Replaced by item #1                                    | –      |

[1] Serial number (00000000–10204102)

[2] Serial number (10204103– )

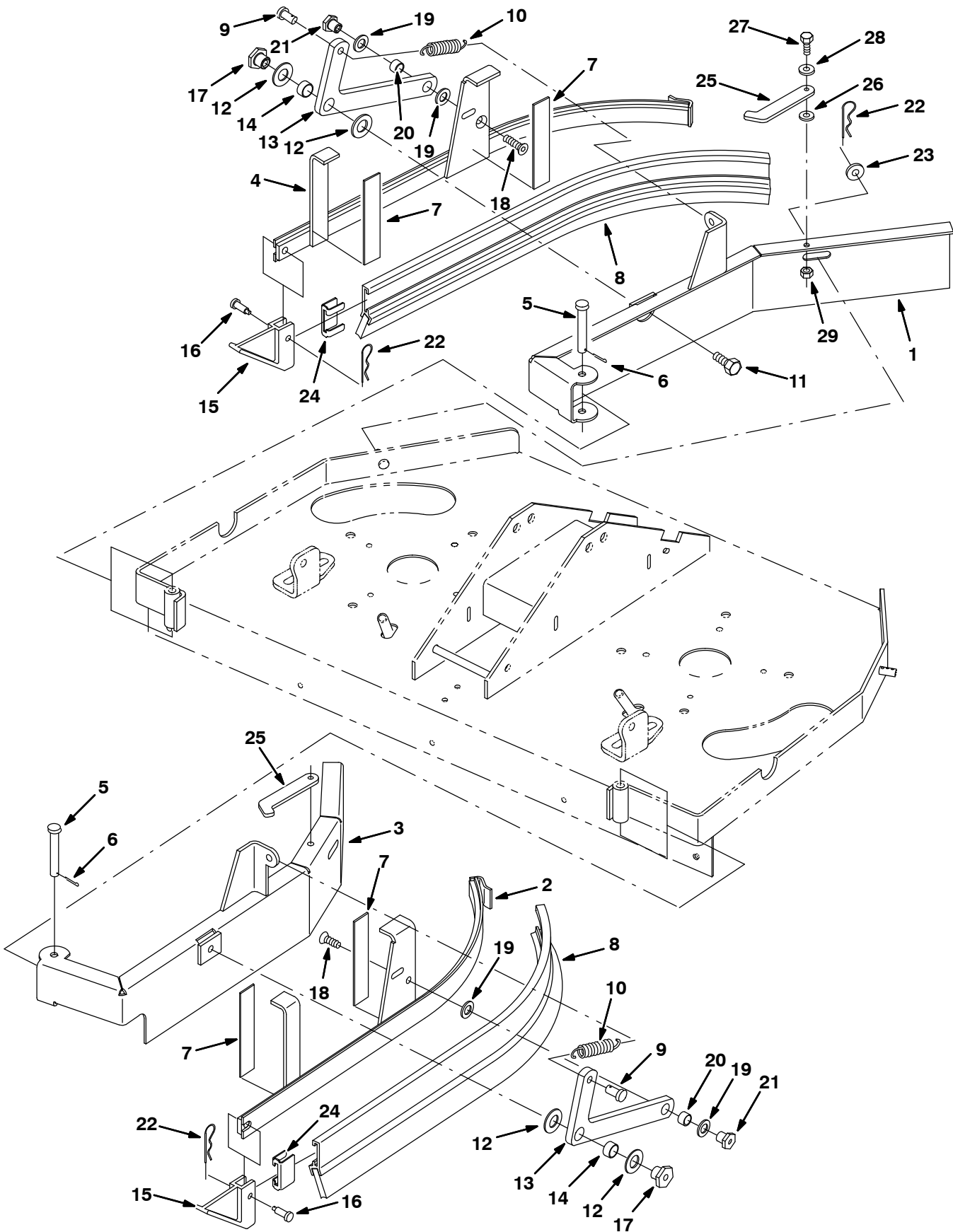
[3] Serial number (00000000–OCT 09)

[4] Serial number (NOV 09– )

▽ ASSEMBLY

▲ INCLUDED IN ASSEMBLY

Fig. 38 - Disk Scrub Head Squeegee Group, 800 mm (32 in)



**Fig. 38 – Disk Scrub Head Squeegee Group, 800 mm (32 in)**

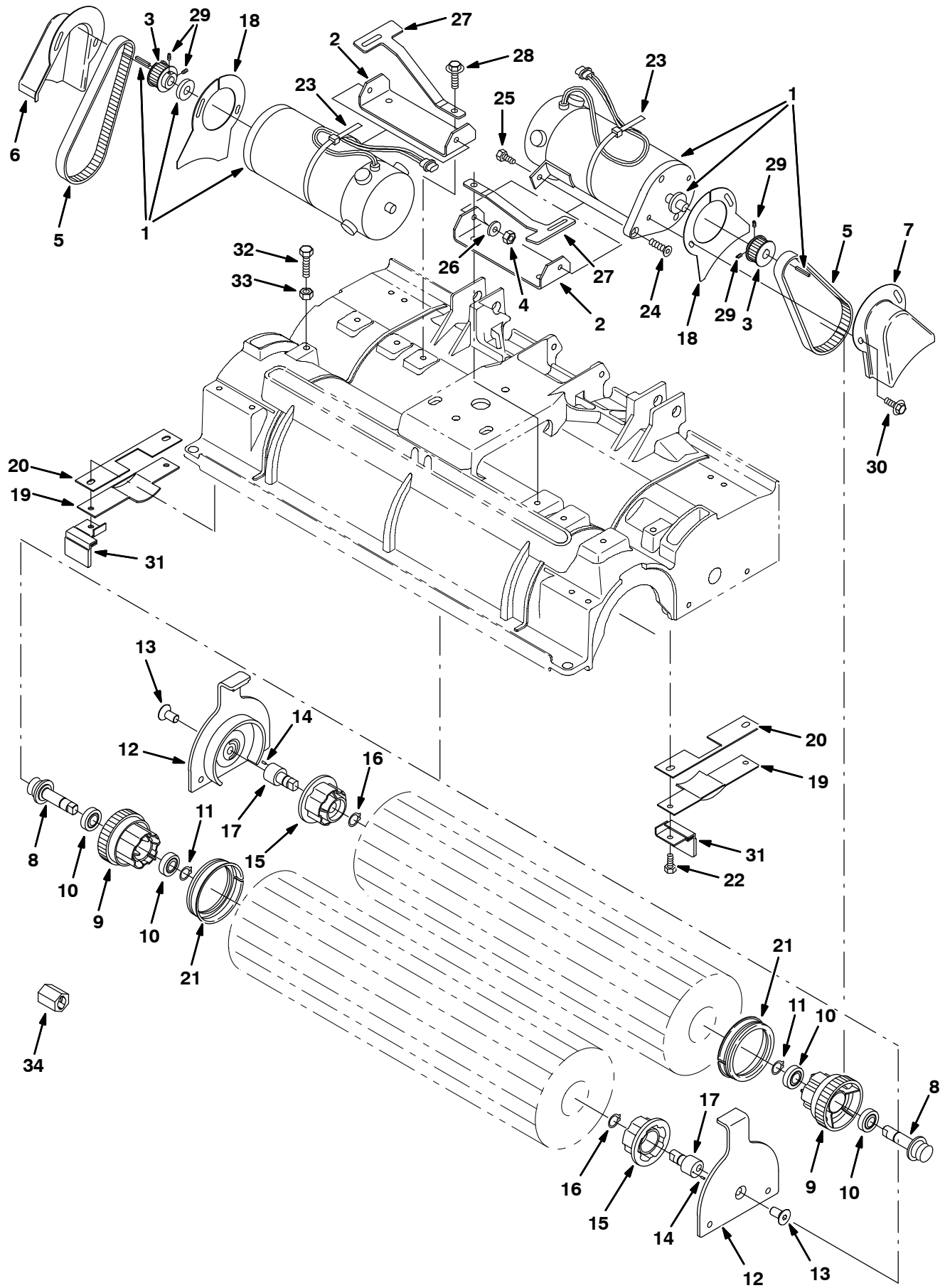
*NOTE: Disk Scrub Head Kit, Tennant Part Number 391037, includes Fig. 37, and Fig. 38.*

*NOTE: Rollout Battery Disk Scrub Head Kit, Tennant Part Number 391208, includes Fig. 38, and Fig. 47.*

| <b>Ref.</b> | <b>Tennant Part No.</b> | <b>Description</b>                      | <b>Qty.</b> |
|-------------|-------------------------|---|-------------|
| 1           | 390734                  | Door Wldt, Mtg, Rh, 32 Inch Disk        | 1           |
| 2           | 390707                  | Bladeholder Wldt, Sqge, Disk, Lh        | 1           |
| 3           | 390736                  | Door Wldt, Mtg, Lh, 32 Inch Disk        | 1           |
| 4           | 390720                  | Bladeholder Wldt, Sqge, Disk, Rh        | 1           |
| 5           | 391179                  | Pin, Clevis, 0.37 D X 2.62l             | 2           |
| 6           | 08182                   | Pin, Cotter, .125 X 1.00                | 2           |
| 7           | 390988                  | Tape, [Protective], .0080th, 1.0w, 5.0l | 4           |
| 8           | 86859                   | Blade Assy, Sqge, Side                  | 2           |
| 9           | 39019                   | Pin, Clevis, 0.37 D X 0.75l             | 2           |
| 10          | 15047                   | Spring, Extn, 0.62od X 0.08wir, 3.0l    | 2           |
| 11          | 09291                   | Screw, Hex, M10 X 1.5 X 20, Ss          | 2           |
| 12          | 64425                   | Washer, Thrust, 0.61b 1.25d .06, Fgl    | 4           |
| 13          | 25709                   | Bellcrank, Lift, Sqge                   | 2           |
| 14          | 71607                   | Bushing, Sleeve, 0.63b 0.72d 0.38l      | 2           |
| 15          | 86865                   | Guide, Side Sqge                        | 2           |
| 16          | 69582                   | Pin, Clevis, 0.31 D X 1.00l             | 2           |
| 17          | 391345                  | Nut, T, M 10 X1.5 0.623od .516lg        | 2           |
| 18          | 79246                   | Screw, Flat, M08–1.25x 20, Ss           | 2           |
| 19          | 86860                   | Bearing, Thrust                         | 4           |
| 20          | 64173                   | Bushing, Sleeve, 0.50b 0.59d 0.38l, Stl | 2           |
| 21          | 391346                  | Nut, T, M8x1.25 X0.498od, 0.516lg       | 2           |
| 22          | 44906                   | Pin, Hair Cotter, 0.69 D .092 Wir       | 4           |
| 23          | 01686                   | Washer, Flat, 0.44B 1.00D .08, Ss       | 2           |
| 24          | 86759                   | Retainer, Sqge                          | 2           |
| 25          | 390997                  | Lever, Lock, Side Sqge                  | 2           |
| 26          | 16236                   | Washer, 0.26b 0.72d .06, Nyl            | 2           |
| 27          | 08716                   | Screw, Hex, M06 X 1.0 X 20, Ss          | 2           |
| 28          | 01684                   | Washer, Flat, .25 Ss                    | 2           |
| 29          | 08712                   | Nut, Hex, Lock, M06 X 1.0, NI, Ss       | 2           |

# OPTIONS

Fig. 39 – Cylindrical Scrub Head Drive Motor Group, 700 mm (28 in)



**Fig. 39 – Cylindrical Scrub Head Drive Motor Group, 700 mm (28 in)**

NOTE: Cylindrical Scrub Head Kit, Tennant Part Number 391033, includes Fig. 39, Fig. 40, and Fig. 41.

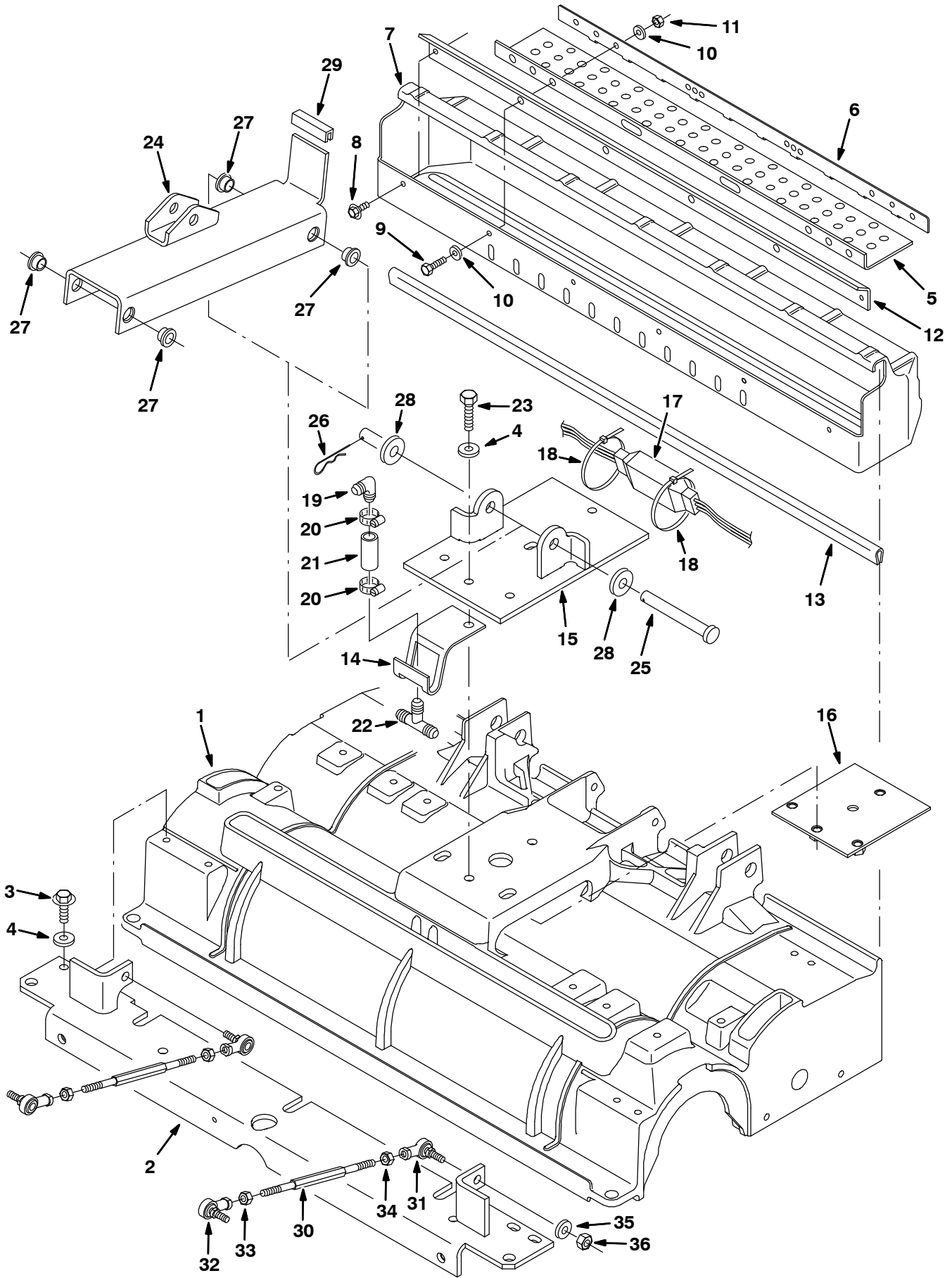
NOTE: Rollout Battery Cylindrical Scrub Head Kit, Tennant Part Number 391207, includes Fig. 39, Fig. 41, and Fig. 48.

| Ref. | Tennant Part No. | Description   | Qty. |
|------|------------------|---|------|
| 1    | 1038426          | ③ Motor, Ele, 36vdc 1700rpm 0.75hp                    | 2    |
| 1    | 375175           | ② Motor, Ele 1700Rpm 36Vdc, 0.75Hp (See Breakdowns)   | 2    |
| 1    | 222753           | ① Motor, Ele, 36vdc, 0.75hp, 1700rpm (See Breakdowns) | 2    |
| 2    | 223564           | Bracket, Mtg, Motor                                   | 2    |
| 3    | 375195           | Sprocket, Timing, 22tooth, 0.50b                      | 2    |
| 4    | 08713            | Nut, Hex, Lock, M08 X 1.25,NI, Ss                     | 4    |
| 5    | 377505           | Belt, Replmt, Brush Drive, F/222201                   | 2    |
| 6    | 223560           | Guard, Belt, Rh                                       | 1    |
| 7    | 223561           | Guard, Belt, Lh                                       | 1    |
| ▽    | 222751           | Plug Assy, Drive, Brush                               | 2    |
| ▲    | 8 222176         | Shaft, Drive Plug                                     | 1    |
| ▲    | 9 1040931        | Plug, Drive, Brush                                    | 1    |
| ▲    | 10 41360         | Bearing, Ball, 0.59b 1.26d 0.35w                      | 2    |
| ▲    | 11 01516         | Ring, Retaining, Ext, 0.59d, Basic                    | 1    |
| ▽    | 1057922          | Door Assy, Cyl Head, [7100]                           | 2    |
| ▲    | 12 1044145       | Door, Brush   | 2    |
| ▲    | 13 390996        | Screw, Flat, M10 X 1.5 X 20, Ss. NI                   | 2    |
| ▲▽   | 222752           | Plug Assy, Idler, Brush                               | 2    |
| ▲▲   | 14 222184        | Pin, Roll, .090 D 0.25l, .094/.097                    | 1    |
| ▲▲   | 15 379202        | Plug, Idler, Brush                                    | 1    |
| ▲▲   | 16 01516         | Ring, Retaining, Ext, 0.59d, Basic                    | 1    |
| ▲▲   | 17 222177        | Shaft, Idler Plug                                     | 1    |
|      | 18 223563        | Guard, Belt, Drive, Scrbr Head, Lh                    | 2    |
|      | 19 223566        | Bracket, Shield                                       | 2    |
|      | 20 223569        | Gasket, Shield  | 2    |
|      | 21 222820        | Seal, Ring  | 2    |
|      | 22 15675         | Screw, Hex, M8 X 1.25 X 16, Ss                        | 4    |
|      | 23 44961         | Tie, Cable, Nyl, 14.5l .30w 4.0 Max D                 | 2    |
|      | 24 79506         | Screw, Flat, M08-1.25x 30, Ss                         | 2    |
|      | 25 09740         | Screw, Hex, M08 X 1.25 X 20, Ss                       | 2    |
|      | 26 01685         | Washer, Flt, .31 Ss                                   | 4    |
|      | 27 222209        | Spring, Flt, Door, Scrbr Head                         | 2    |
|      | 28 76099         | Screw, Hex, M08 X 1.25 X 25, Fmg                      | 4    |
|      | 29 222818        | Screw, Set, #08-32 X 0.25, NI                         | 4    |
|      | 30 1034731       | Screw, Hex, M6 X 1.00 X 16, Ss, Sems                  | 4    |
|      | 31 223568        | Deflector, Water                                      | 2    |
|      | 32 09023         | Screw, Hex, M08 X 1.25 X 35, Ss FI                    | 2    |
|      | 33 08713         | Nut, Hex, Lock, M08 X 1.25,NI, Ss                     | 2    |
|      | 34 1010506       | Tool, Removal, Shaft, F/222176                        | 1    |

- ① Serial number (000000-xxxxxx)
- ② Serial number (xxxxxx-10355468)
- ③ Serial number (10355469- )

▽ ASSEMBLY  
 ▲ INCLUDED IN ASSEMBLY

**Fig. 40 - Cylindrical Scrub Head Frame Group, 700 mm (28 in)**



**Fig. 40 – Cylindrical Scrub Head Frame Group, 700 mm (28 in)**

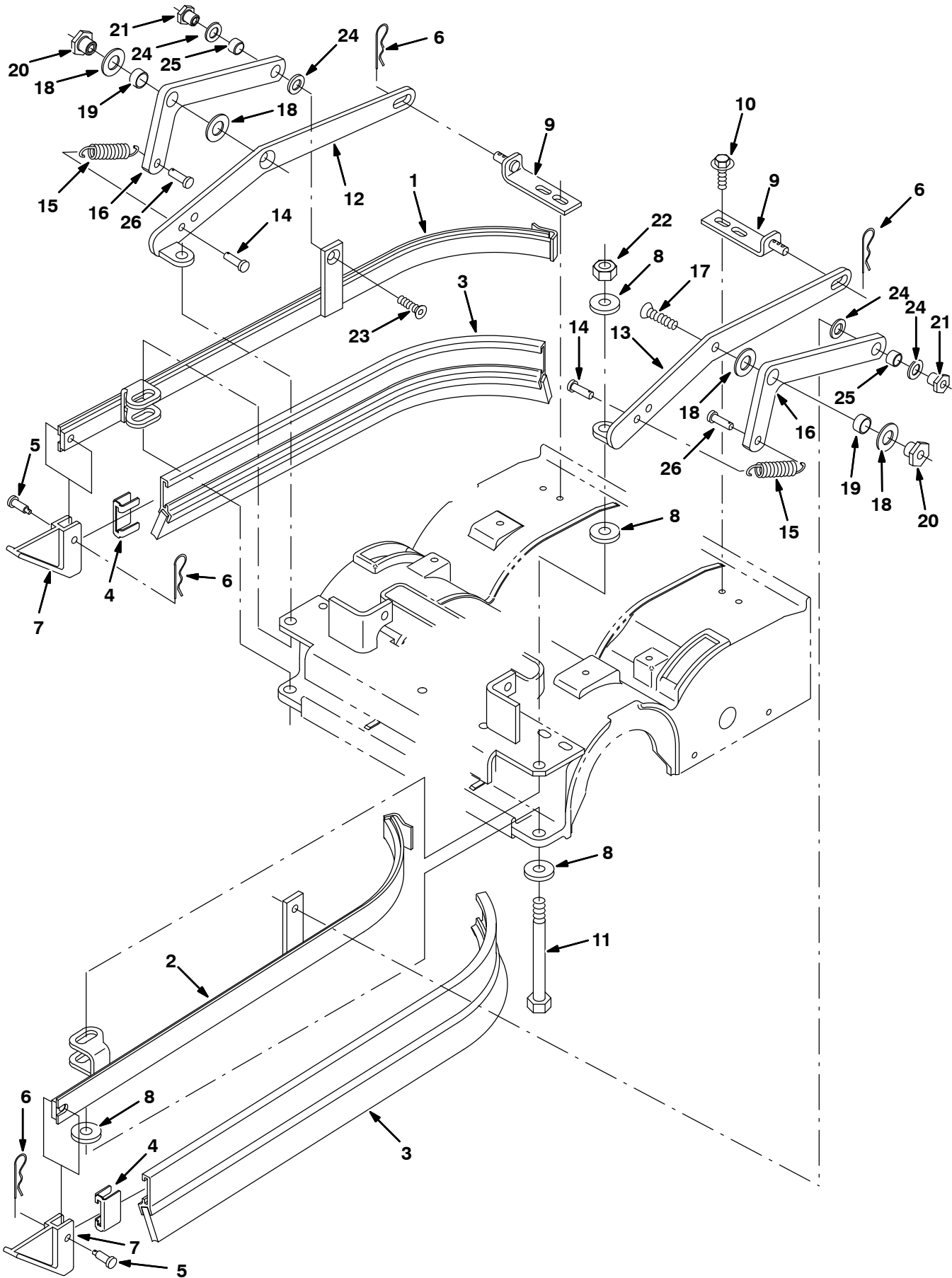
NOTE: Cylindrical Scrub Head Kit, Tennant Part Number 391033, includes Fig. 39, Fig. 40, and Fig. 41.

| Ref. | Tennant Part No. | Description                                 | Qty. |
|------|------------------|---|------|
| 1    | 1022254          | Housing, Cyl, Mach 700mm                    | 1    |
| 2    | 390641           | Angle Wldt, Tool, Lift, Cyl, 28 Inch        | 1    |
| 3    | 76099            | Screw, Hex, M08 X 1.25 X 25, Fmg            | 4    |
| 4    | 01685            | Washer, Flt, .31 Ss                         | 8    |
| ▽    | 222824           | Kit, Tray, Debris, 28 In                    | 1    |
| ▲    | 5                | 222669 Skirt                                | 1    |
| ▲    | 6                | 222670 Strip, Debris Tray                   | 1    |
| ▲    | 7                | 222167 Tray                                 | 1    |
| ▲    | 8                | 74455 Screw, Hex, M06 X 1.0 X 12, Fmg       | 2    |
| ▲    | 9                | 09007 Screw, Hex, M06 X 1.0 X 25, Ss        | 4    |
| ▲    | 10               | 01684 Washer, Flt, .25 Ss                   | 8    |
| ▲    | 11               | 08712 Nut, Hex, Lock, M06 X 1.0, NI, Ss     | 4    |
| ▲    | 12               | 222203 Lip, Debris Tray, 28in               | 1    |
|      | 13               | 374006 Channel, .18 0.50 0.03 29.0l         | 1    |
|      | 14               | 222523 Bracket, Guide, Hose                 | 1    |
|      | 15               | 393016 Plate Wldt, Tool, Lift, Cyl          | 1    |
|      | 16               | 223412 Plate, Mounting, Tool Lift, Sc       | 1    |
|      | 17               | 222835 Shunt                                | 1    |
|      | 18               | 49263 Tie, Cable, Nyl, 11.4l .19w 3.0 Max D | 2    |
|      | 19               | 63987-1 Fitting, Plstc, E90, Bm08/Bm08      | 1    |
|      | 20               | 54333 Clamp, Hose, Wormdrive, 0.31-0.88d    | 2    |
|      | 21               | 71793 Hose, Pvc, Clr, 0.50id 0.69od 01.50l  | 1    |
|      | 22               | 63245-1 Fitting, Plstc, Tee, Bm08/Bm08/Bm08 | 1    |
|      | 23               | 09011 Screw, Hex, M08 X 1.25 X 30, Ss       | 4    |
|      | 24               | 391387 Channel Wldt, Lift Tool, Cyl         | 1    |
|      | 25               | 59668 Pin, Clevis, 0.50 D X 4.50l           | 1    |
|      | 26               | 21120 Pin, Hair Cotter, 0.43 D .079 Wir     | 1    |
|      | 27               | 15648 Bushing, Flng, 0.50b 0.59d 0.38l      | 4    |
|      | 28               | 32486 Washer, Flt, .50 Sae                  | 2    |
|      | 29               | 223645 Molding, Trim, Rbr, .13 03.0         | 1    |
|      | 30               | 390666 Rod, Thrd, 2 End, .38-24 09.0l Lh/Rh | 2    |
|      | 31               | 86780 Rod-End, .38-24lh Fem 0.38-24stud     | 2    |
|      | 32               | 86781 Rod-End, .38-24rh Fem 0.38-24stud     | 2    |
|      | 33               | 20171 Nut, Hex, Jam, .38-24                 | 2    |
|      | 34               | 82889 Nut, Hex, Jam, .38-24, Lh             | 2    |
|      | 35               | 01686 Washer, Flat, 0.44B 1.00D .08, Ss     | 2    |
|      | 36               | 50269 Nut, Hex, Lock, .38-24, NI, Ss        | 2    |

▽ ASSEMBLY

▲ INCLUDED IN ASSEMBLY

**Fig. 41 – Cylindrical Scrub Head Squeegee Group, 700 mm (28 in)**





**Fig. 41 – Cylindrical Scrub Head Squeegee Group, 700 mm (28 in)**

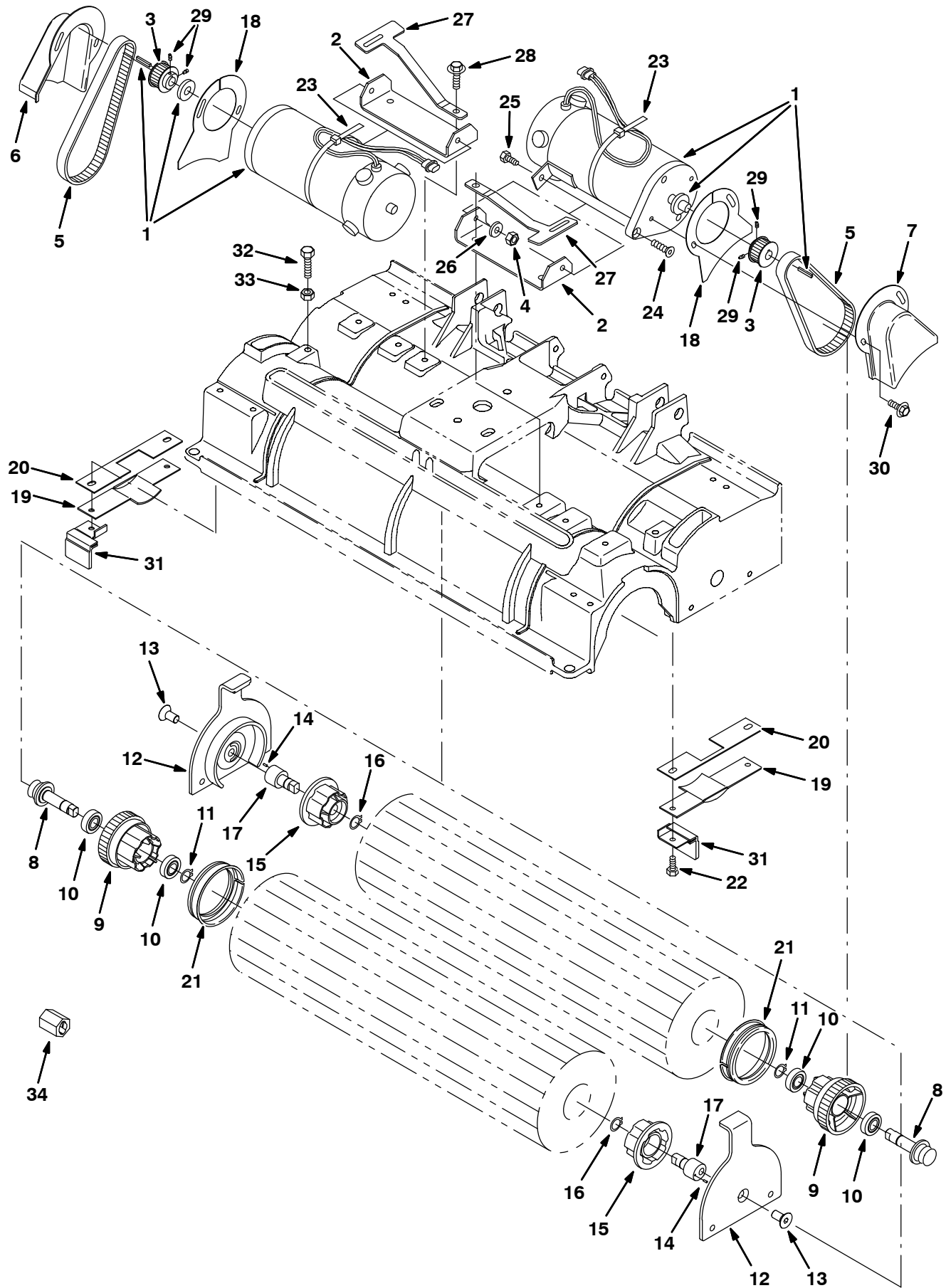
NOTE: Cylindrical Scrub Head Kit, Tennant Part Number 391033, includes Fig. 39, Fig. 40, and Fig. 41.

NOTE: Rollout Battery Cylindrical Scrub Head Kit, Tennant Part Number 391207, includes Fig. 39, Fig. 41, and Fig. 48.

| Ref. | Tennant Part No. | Description                             | Qty. |
|------|------------------|---|------|
| 1    | 391327           | Frame Wldt, Sqge, Side, Rh              | 1    |
| 2    | 391328           | Frame Wldt, Sqge, Side, Lh              | 1    |
| 3    | 391334           | Squeegee Assy, Side                     | 2    |
| 4    | 86759            | Retainer, Sqge                          | 2    |
| 5    | 69582            | Pin, Clevis, 0.31 D X 1.00l             | 2    |
| 6    | 44906            | Pin, Hair Cotter, 0.69 D .092 Wir       | 4    |
| 7    | 86865            | Guide, Side Sqge                        | 2    |
| 8    | 33925            | Washer, Flat, M12, 13x24x2.5ss          | 8    |
| 9    | 391176           | Angle Wldt, Stop, Side Sqge, Cyl, Head  | 2    |
| 10   | 76099            | Screw, Hex, M08 X 1.25 X 25, Fmg        | 4    |
| 11   | 45280            | Screw, Hex, .50–13 X 5.50, G5           | 2    |
| 12   | 393017           | Arm, Mtg, Link, Rh Sqge, Cyl Head       | 1    |
| 13   | 393018           | Arm, Mtg, Link, Lh Sqge, Cyl Head       | 1    |
| 14   | 69582            | Pin, Clevis, 0.31 D X 1.00l             | 2    |
| 15   | 15047            | Spring, Extn, 0.62od X 0.08wir, 3.0l    | 2    |
| 16   | 25709            | Bellcrank, Lift, Sqge                   | 2    |
| 17   | 380587           | Screw, Flat, M10 X 1.5 X 20, Ss         | 2    |
| 18   | 64425            | Washer, Thrust, 0.61b 1.25d .06, Fgl    | 4    |
| 19   | 71607            | Bushing, Sleeve, 0.63b 0.72d 0.38l      | 2    |
| 20   | 391345           | Nut, T, M 10 X1.5 0.623od .516lg        | 2    |
| 21   | 391346           | Nut, T, M8x1.25 X0.498od, 0.516lg       | 2    |
| 22   | 02931            | Nut, Hex, Lock, .50–13, NI, Ss          | 2    |
| 23   | 79246            | Screw, Flat, M08–1.25x 20, Ss           | 2    |
| 24   | 86860            | Bearing, Thrust                         | 4    |
| 25   | 64173            | Bushing, Sleeve, 0.50b 0.59d 0.38l, Stl | 2    |
| 26   | 39019            | Pin, Clevis, 0.37 D X 0.75l             | 2    |

# OPTIONS

Fig. 42 – Cylindrical Scrub Head Drive Motor Group, 800 mm (32 in)



**Fig. 42 – Cylindrical Scrub Head Drive Motor Group, 800 mm (32 in)**

NOTE: Cylindrical Scrub Head Kit, Tennant Part Number 391039, includes Fig. 42, Fig. 43, and Fig. 44.

NOTE: Rollout Battery Cylindrical Scrub Head Kit, Tennant Part Number 391209, includes Fig. 42, Fig. 44, and Fig. 49.

| Ref. | Tennant Part No. | Description   | Qty. |
|------|------------------|---|------|
| 1    | 1038426          | ③ Motor, Ele, 36vdc 1700rpm 0.75hp                    | 2    |
|      | 375175           | ② Motor, Ele 1700Rpm 36Vdc, 0.75Hp (See Breakdowns)   | 2    |
|      | 222753           | ① Motor, Ele, 36vdc, 0.75hp, 1700rpm (See Breakdowns) | 2    |
| 2    | 223564           | Bracket, Mtg, Motor                                   | 2    |
| 3    | 375195           | Sprocket, Timing, 22tooth, 0.50b                      | 2    |
| 4    | 08713            | Nut, Hex, Lock, M08 X 1.25,NI, Ss                     | 4    |
| 5    | 377505           | Belt, Replmt, Brush Drive, F/222201                   | 2    |
| 6    | 223560           | Guard, Belt, Rh                                       | 1    |
| 7    | 223561           | Guard, Belt, Lh                                       | 1    |
| ∇    | 222751           | Plug Assy, Drive, Brush                               | 2    |
| ▲    | 8 222176         | Shaft, Drive Plug                                     | 1    |
| ▲    | 9 1040931        | Plug, Drive, Brush                                    | 1    |
| ▲    | 10 41360         | Bearing, Ball, 0.59b 1.26d 0.35w                      | 2    |
| ▲    | 11 01516         | Ring, Retaining, Ext, 0.59d, Basic                    | 1    |
| ∇    | 1057922          | Door Assy, Cyl Head, [7100]                           | 2    |
| ▲    | 12 1044145       | Door, Brush   | 2    |
| ▲    | 13 390996        | Screw, Flat, M10 X 1.5 X 20, Ss, NI                   | 2    |
| ▲∇   | 222752           | Plug Assy, Idler, Brush                               | 2    |
| ▲▲   | 14 222184        | Pin, Roll, .090 D 0.25l, .094/.097                    | 1    |
| ▲▲   | 15 379202        | Plug, Idler, Brush                                    | 1    |
| ▲▲   | 16 01516         | Ring, Retaining, Ext, 0.59d, Basic                    | 1    |
| ▲▲   | 17 222177        | Shaft, Idler Plug                                     | 1    |
|      | 18 223563        | Guard, Belt, Drive, Scrbr Head, Lh                    | 2    |
|      | 19 223566        | Bracket, Shield                                       | 2    |
|      | 20 223569        | Gasket, Shield  | 2    |
|      | 21 222820        | Seal, Ring  | 2    |
|      | 22 15675         | Screw, Hex, M8 X 1.25 X 16, Ss                        | 4    |
|      | 23 44961         | Tie, Cable, Nyl, 14.5l .30w 4.0 Max D                 | 2    |
|      | 24 79506         | Screw, Flat, M08-1.25x 30, Ss                         | 2    |
|      | 25 09740         | Screw, Hex, M08 X 1.25 X 20, Ss                       | 2    |
|      | 26 01685         | Washer, Flt, .31 Ss                                   | 4    |
|      | 27 222209        | Spring, Flt, Door, Scrbr Head                         | 2    |
|      | 28 76099         | Screw, Hex, M08 X 1.25 X 25, Fmg                      | 4    |
|      | 29 222818        | Screw, Set, #08-32 X 0.25, NI                         | 4    |
|      | 30 1034731       | Screw, Hex, M6 X 1.00 X 16, Ss, Sems                  | 4    |
|      | 31 223568        | Deflector, Water                                      | 2    |
|      | 32 09023         | Screw, Hex, M08 X 1.25 X 35, Ss FI                    | 2    |
|      | 33 08713         | Nut, Hex, Lock, M08 X 1.25,NI, Ss                     | 2    |
|      | 34 1010506       | Tool, Removal, Shaft, F/222176                        | 1    |

① Serial number (000000-xxxxxx)

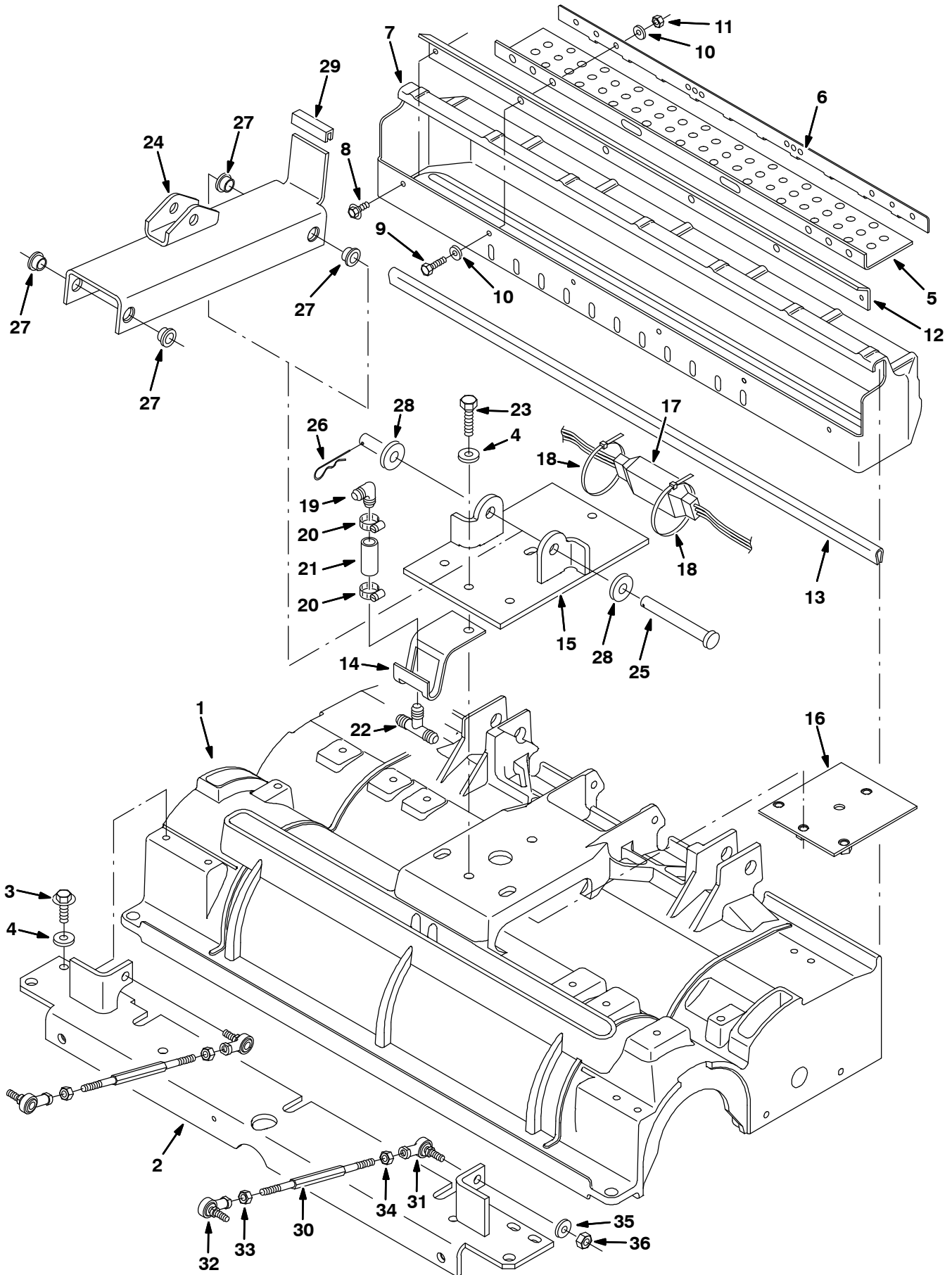
② Serial number (xxxxxx-10355468)

③ Serial number (10355469- )

∇ ASSEMBLY

▲ INCLUDED IN ASSEMBLY

**Fig. 43 - Cylindrical Scrub Head Frame Group, 800 mm (32 in)**



**Fig. 43 – Cylindrical Scrub Head Frame Group, 800 mm (32 in)**

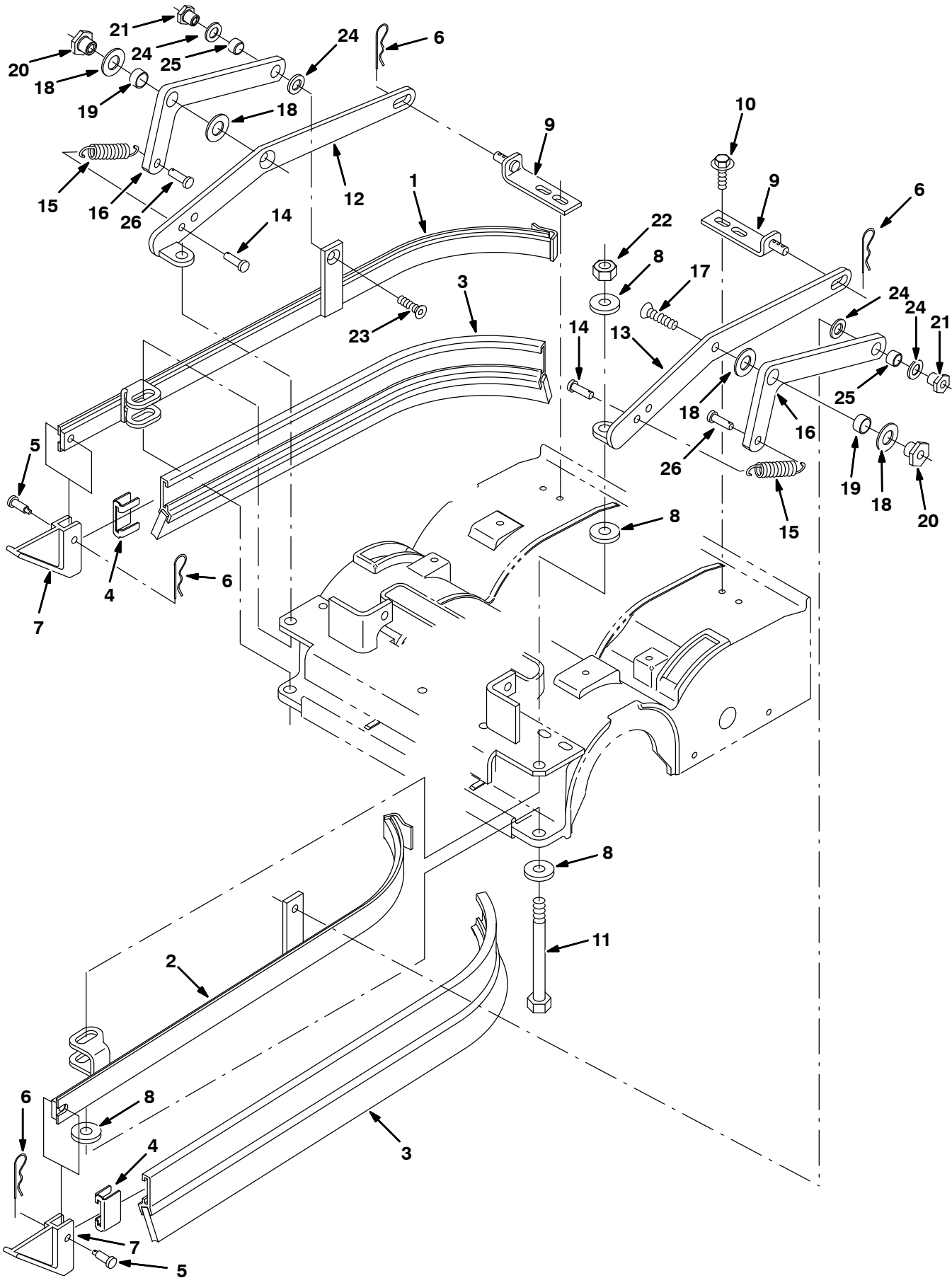
*NOTE: Cylindrical Scrub Head Kit, Tennant Part Number 391039, includes Fig. 42, Fig. 43, and Fig. 44.*

| Ref. | Tennant Part No. | Description                           | Qty. |
|------|------------------|---------------------------------------|------|
| 1    | 1022253          | Housing, Cyl, Mach 800mm              | 1    |
| 2    | 390667           | Angle Wldt, Mtg, Scb, Cyl, 32 Inch    | 1    |
| 3    | 76099            | Screw, Hex, M08 X 1.25 X 25, Fmg      | 4    |
| 4    | 01685            | Washer, Flt, .31 Ss                   | 3    |
| ▽    | 222825           | Kit, Tray, Debris, 32 In              | 1    |
| ▲    | 5 222669         | Skirt                                 | 1    |
| ▲    | 6 222670         | Strip, Debris Tray                    | 1    |
| ▲    | 7 391330         | Tray, Debris, 32 Inch                 | 1    |
| ▲    | 8 74455          | Screw, Hex, M06 X 1.0 X 12, Fmg       | 2    |
| ▲    | 9 09007          | Screw, Hex, M06 X 1.0 X 25, Ss        | 4    |
| ▲    | 10 01684         | Washer, Flt, .25 Ss                   | 8    |
| ▲    | 11 08712         | Nut, Hex, Lock, M06 X 1.0, NI, Ss     | 4    |
| ▲    | 12 222204        | Lip, Debris Tray, 32 In               | 1    |
|      | 13 374007        | Channel, .18 0.50 0.03 33.0l          | 1    |
|      | 14 222523        | Bracket, Guide, Hose                  | 1    |
|      | 15 393016        | Plate Wldt, Tool, Lift, Cyl           | 1    |
|      | 16 223412        | Plate, Mounting, Tool Lift, Sc        | 1    |
|      | 17 222835        | Shunt                                 | 1    |
|      | 18 49263         | Tie, Cable, Nyl, 11.4l .19w 3.0 Max D | 2    |
|      | 19 63987-1       | Fitting, Plstc, E90, Bm08/Bm08        | 1    |
|      | 20 54333         | Clamp, Hose, Wormdrive, 0.31-0.88d    | 2    |
|      | 21 71793         | Hose, Pvc, Clr, 0.50id 0.69od 01.50l  | 1    |
|      | 22 63245-1       | Fitting, Plstc, Tee, Bm08/Bm08/Bm08   | 1    |
|      | 23 09011         | Screw, Hex, M08 X 1.25 X 30, Ss       | 4    |
|      | 24 391387        | Channel Wldt, Lift Tool, Cyl          | 1    |
|      | 25 59668         | Pin, Clevis, 0.50 D X 4.50l           | 1    |
|      | 26 21120         | Pin, Hair Cotter, 0.43 D .079 Wir     | 1    |
|      | 27 15648         | Bushing, Flng, 0.50b 0.59d 0.38l      | 4    |
|      | 28 32486         | Washer, Flt, .50 Sae                  | 2    |
|      | 29 223645        | Molding, Trim, Rbr, .13 03.0          | 1    |
|      | 30 390666        | Rod, Thrd, 2 End, .38-24 09.0l Lh/Rh  | 2    |
|      | 31 86780         | Rod-End, .38-24lh Fem 0.38-24stud     | 2    |
|      | 32 86781         | Rod-End, .38-24rh Fem 0.38-24stud     | 2    |
|      | 33 20171         | Nut, Hex, Jam, .38-24                 | 2    |
|      | 34 82889         | Nut, Hex, Jam, .38-24, Lh             | 2    |
|      | 35 01686         | Washer, Flat, 0.44B 1.00D .08, Ss     | 2    |
|      | 36 50269         | Nut, Hex, Lock, .38-24, NI, Ss        | 2    |

▽ ASSEMBLY

▲ INCLUDED IN ASSEMBLY

**Fig. 44 – Cylindrical Scrub Head Squeegee Group, 800 mm (32 in)**



**Fig. 44 – Cylindrical Scrub Head Squeegee Group, 800 mm (32 in)**

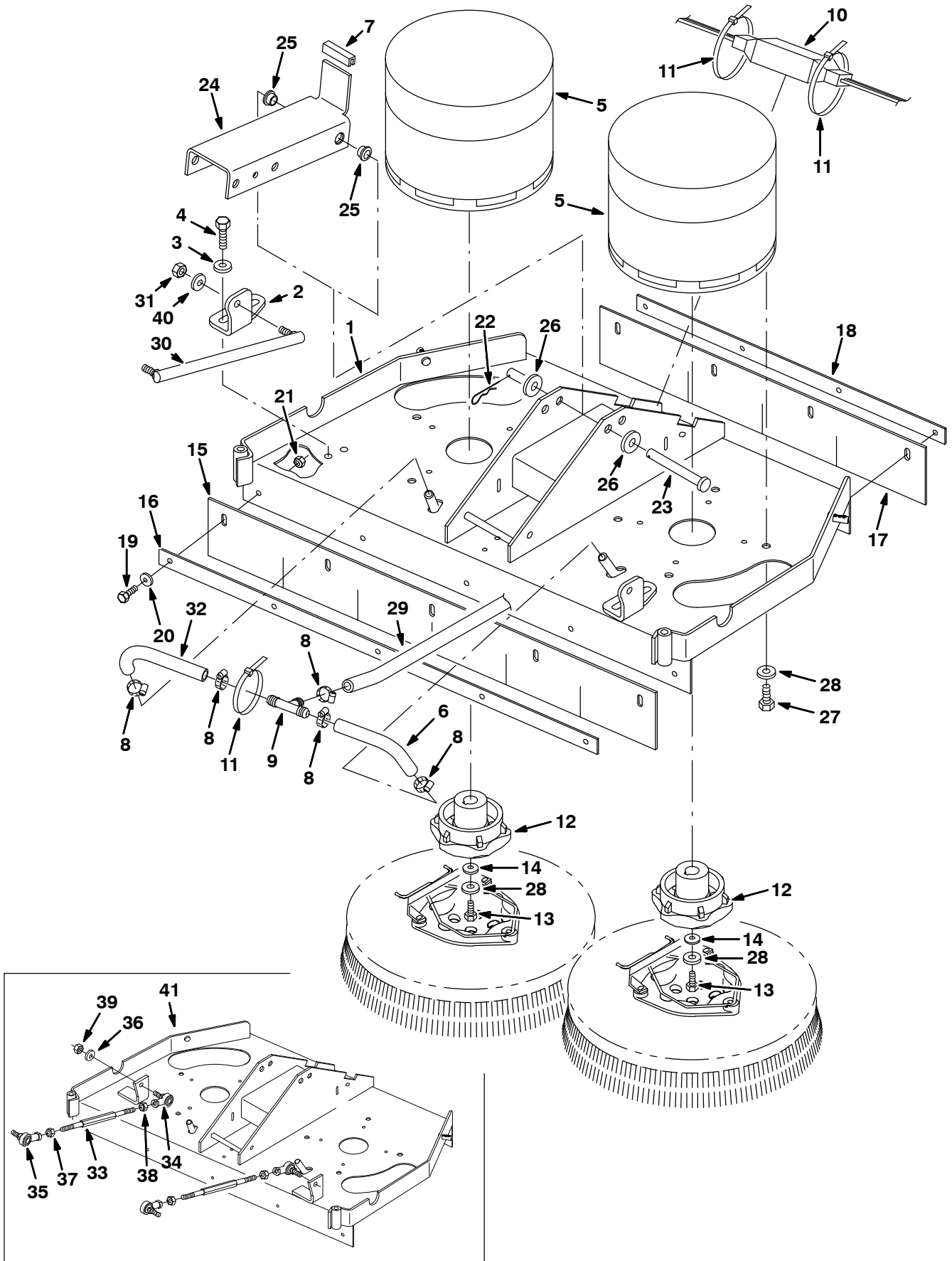
NOTE: Cylindrical Scrub Head Kit, Tennant Part Number 391039, includes Fig. 42, Fig. 43, and Fig. 44.

NOTE: Rollout Battery Cylindrical Scrub Head Kit, Tennant Part Number 391209, includes Fig. 42, Fig. 44, and Fig. 49.

| Ref. | Tennant Part No. | Description                             | Qty. |
|------|------------------|---|------|
| 1    | 223413           | Frame Wldt, Sqge, Rh, Cyl               | 1    |
| 2    | 223304           | Frame Wldt, Sqge, Lh, Cyl               | 1    |
| 3    | 86859            | Blade Assy, Sqge, Side                  | 2    |
| 4    | 86759            | Retainer, Sqge                          | 2    |
| 5    | 69582            | Pin, Clevis, 0.31 D X 1.00l             | 2    |
| 6    | 44906            | Pin, Hair Cotter, 0.69 D .092 Wir       | 4    |
| 7    | 86865            | Guide, Side Sqge                        | 2    |
| 8    | 33925            | Washer, Flat, M12, 13x24x2.5ss          | 8    |
| 9    | 391176           | Angle Wldt, Stop, Side Sqge, Cyl, Head  | 2    |
| 10   | 76099            | Screw, Hex, M08 X 1.25 X 25, Fmg        | 4    |
| 11   | 45280            | Screw, Hex, .50–13 X 5.50, G5           | 2    |
| 12   | 393017           | Arm, Mtg, Link, Rh Sqge, Cyl Head       | 1    |
| 13   | 393018           | Arm, Mtg, Link, Lh Sqge, Cyl Head       | 1    |
| 14   | 69582            | Pin, Clevis, 0.31 D X 1.00l             | 2    |
| 15   | 15047            | Spring, Extn, 0.62od X 0.08wir, 3.0l    | 2    |
| 16   | 25709            | Bellcrank, Lift, Sqge                   | 2    |
| 17   | 380587           | Screw, Flat, M10 X 1.5 X 20, Ss         | 2    |
| 18   | 64425            | Washer, Thrust, 0.61b 1.25d .06, Fgl    | 4    |
| 19   | 71607            | Bushing, Sleeve, 0.63b 0.72d 0.38l      | 2    |
| 20   | 391345           | Nut, T, M 10 X1.5 0.623od .516lg        | 2    |
| 21   | 391346           | Nut, T, M8x1.25 X0.498od, 0.516lg       | 2    |
| 22   | 02931            | Nut, Hex, Lock, .50–13, NI, Ss          | 2    |
| 23   | 79246            | Screw, Flat, M08–1.25x 20, Ss           | 2    |
| 24   | 86860            | Bearing, Thrust                         | 4    |
| 25   | 64173            | Bushing, Sleeve, 0.50b 0.59d 0.38l, Stl | 2    |
| 26   | 39019            | Pin, Clevis, 0.37 D X 0.75l             | 2    |

# OPTIONS

Fig. 45 – Rollout Battery Disk Scrub Head Drive Motor Group, 700 mm (28 in)





**Fig. 45 – Rollout Battery Disk Scrub Head Drive Motor Group, 700 mm (28 in)**

NOTE: Rollout Battery Disk Scrub Head Kit, Tennant Part Number 391206, includes Fig. 45, and Fig. 46.

| Ref. | Tennant Part No. | Description | Qty.  |        |
|------|------------------|-------------|---|--------|
| ▽    | 1                | 1040861     | Head Kit, Ci, 28 Inch [7100]                        | 1      |
| ▲    | 2                | 1006123     | ② Bracket, Link, Head, Disk                         | 2      |
| ▲    | 3                | 01686       | ② Washer, Flat, 0.44B 1.00D .08, Ss                 | 4      |
| ▲    | 4                | 10959       | ② Screw, Hex, M10 X 1.5 X 20, SS, NL                | 4      |
|      | 5                | 223358      | Motor, Ele, 36vdc, 0.80hp, 0320rpm (See Breakdowns) | 2      |
|      | 6                | 1011403     | Hose, Afmkt Pvc, Brd 0.50id X 1 Ft (376716)         | 0.550' |
|      | 7                | 223645      | Molding, Trim, Rbr, .13 03.0                        | 1      |
|      | 8                | 54333       | Clamp, Hose, Wormdrive, 0.31–0.88d                  | 5      |
|      | 9                | 63245–1     | Fitting, Plstc, Tee, Bm08/Bm08/Bm08                 | 1      |
|      | 10               | 222836      | Shunt   | 1      |
|      | 11               | 44961       | Tie, Cable, Nyl, 14.5l .30w 4.0 Max D               | 3      |
|      | 12               | 377364      | Hub, Drive, Brush, Disk, 0.75b 6t                   | 2      |
|      | 13               | 02991       | Screw, Hex, .31–18 X 0.75, Ss                       | 2      |
|      | 14               | 41186       | Washer, Belleville, .31                             | 2      |
|      | 15               | 390633      | Skirt, Front, Scb, Disk, 28 Inch                    | 1      |
|      | 16               | 390635      | Strip, Retainer, Skirt, Front, 28 Inch              | 1      |
|      | 17               | 390634      | Skirt, Rear, Scb, Disk, 28 Inch                     | 1      |
|      | 18               | 390636      | Strip, Retainer, Skirt, Rear, 28 Inch               | 1      |
|      | 19               | 08716       | Screw, Hex, M06 X 1.0 X 20, Ss                      | 9      |
|      | 20               | 01684       | Washer, Flt, .25 Ss                                 | 9      |
|      | 21               | 08712       | Nut, Hex, Lock, M06 X 1.0, NI, Ss                   | 9      |
|      | 22               | 02942       | Pin, Hair Cotter, 0.62 D .120 Wir                   | 1      |
|      | 23               | 222196      | Pin, Clevis, 0.50 D X 4.00l                         | 1      |
|      | 24               | 390642      | Channel, Tool, Lift, R/O                            | 1      |
|      | 25               | 15648       | Bushing, Flng, 0.50b 0.59d 0.38l                    | 2      |
|      | 26               | 32486       | Washer, Flt, .50 Sae                                | 2      |
|      | 27               | 02994       | Screw, Hex, .38–16 X 0.75, Ss                       | 8      |
|      | 28               | 01686       | Washer, Flat, 0.44B 1.00D .08, Ss                   | 10     |
|      | 29               | 1006401     | Hose, Afmkt Pvc, Brd, 0.50id, 03ft (376716)         | 2.330' |
|      | 30               | 392882      | ② Link, Balljoint, M10 X 1.5, 11.0L                 | 2      |
|      | 31               | 08714       | ② Nut, Hex, Lock, M10 X 1.5, NL, SS                 | 2      |
|      | 32               | 1011403     | Hose, Afmkt Pvc, Brd 0.50id X 1 Ft (376716)         | 0.550' |
|      | 33               | 390666      | ① Rod, Thrd, 2 End, .38–24 09.0l Lh/Rh              | 2      |
|      | 34               | 86780       | ① Rod–End, .38–24lh Fem 0.38–24stud                 | 2      |
|      | 35               | 86781       | ① Rod–End, .38–24rh Fem 0.38–24stud                 | 2      |
|      | 36               | 01686       | ① Washer, Flat, 0.44B 1.00D .08, Ss                 | 4      |
|      | 37               | 20171       | ① Nut, Hex, Jam, .38–24                             | 2      |
|      | 38               | 82889       | ① Nut, Hex, Jam, .38–24, Lh                         | 2      |
|      | 39               | 50269       | ① Nut, Hex, Lock, .38–24, NI, Ss                    | 4      |
|      | 40               | 01686       | ② Washer, Flat, 0.44B 1.00D .08, Ss                 | 2      |
|      | 41               | N/A         | ① Replaced by item #1                               | –      |

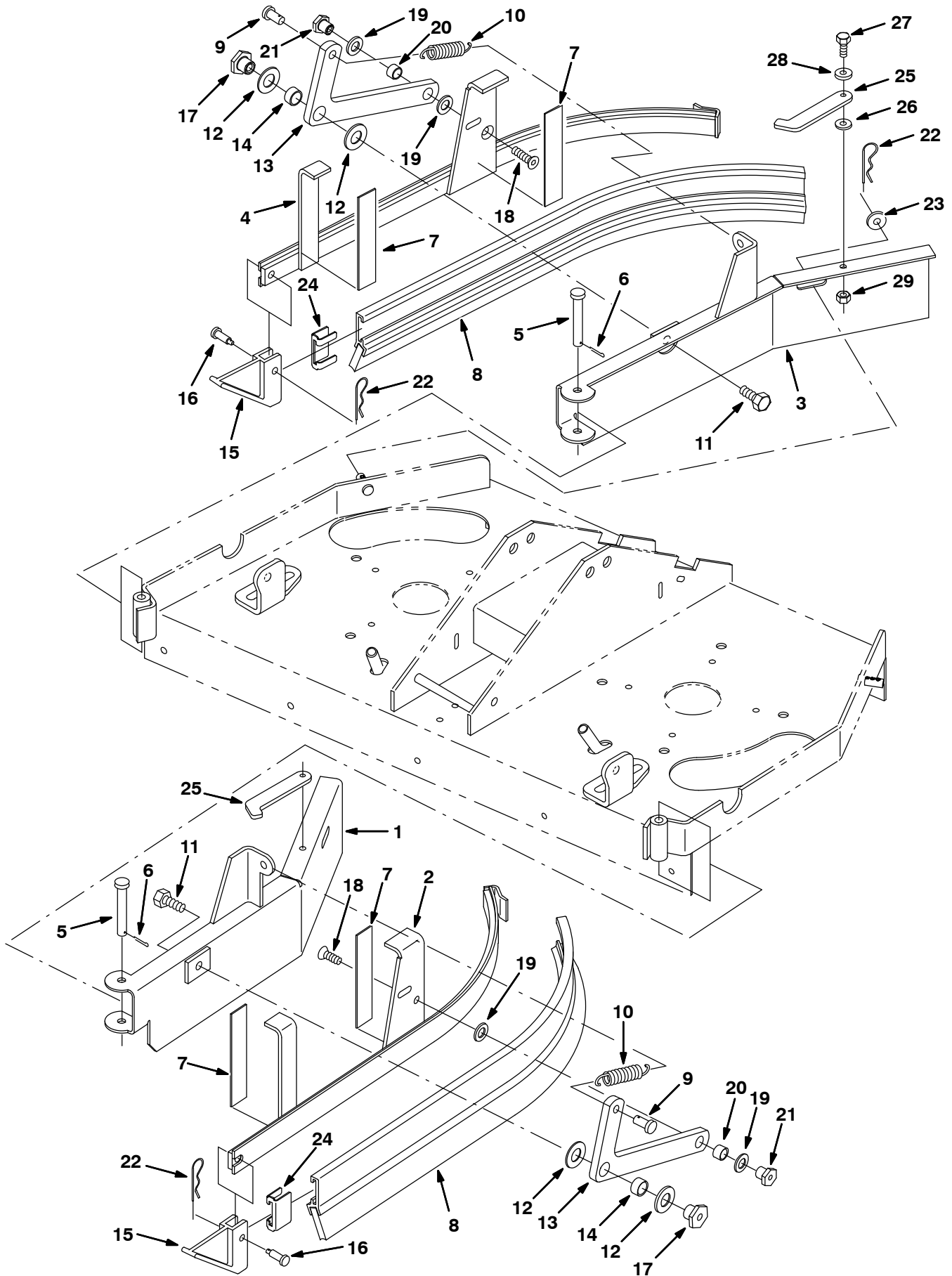
① Serial number (00000000–10195059)

② Serial number (10195060– )

▽ ASSEMBLY

▲ INCLUDED IN ASSEMBLY

**Fig. 46 – Rollout Battery Disk Scrub Head Squeegee Group, 700 mm (28 in)**

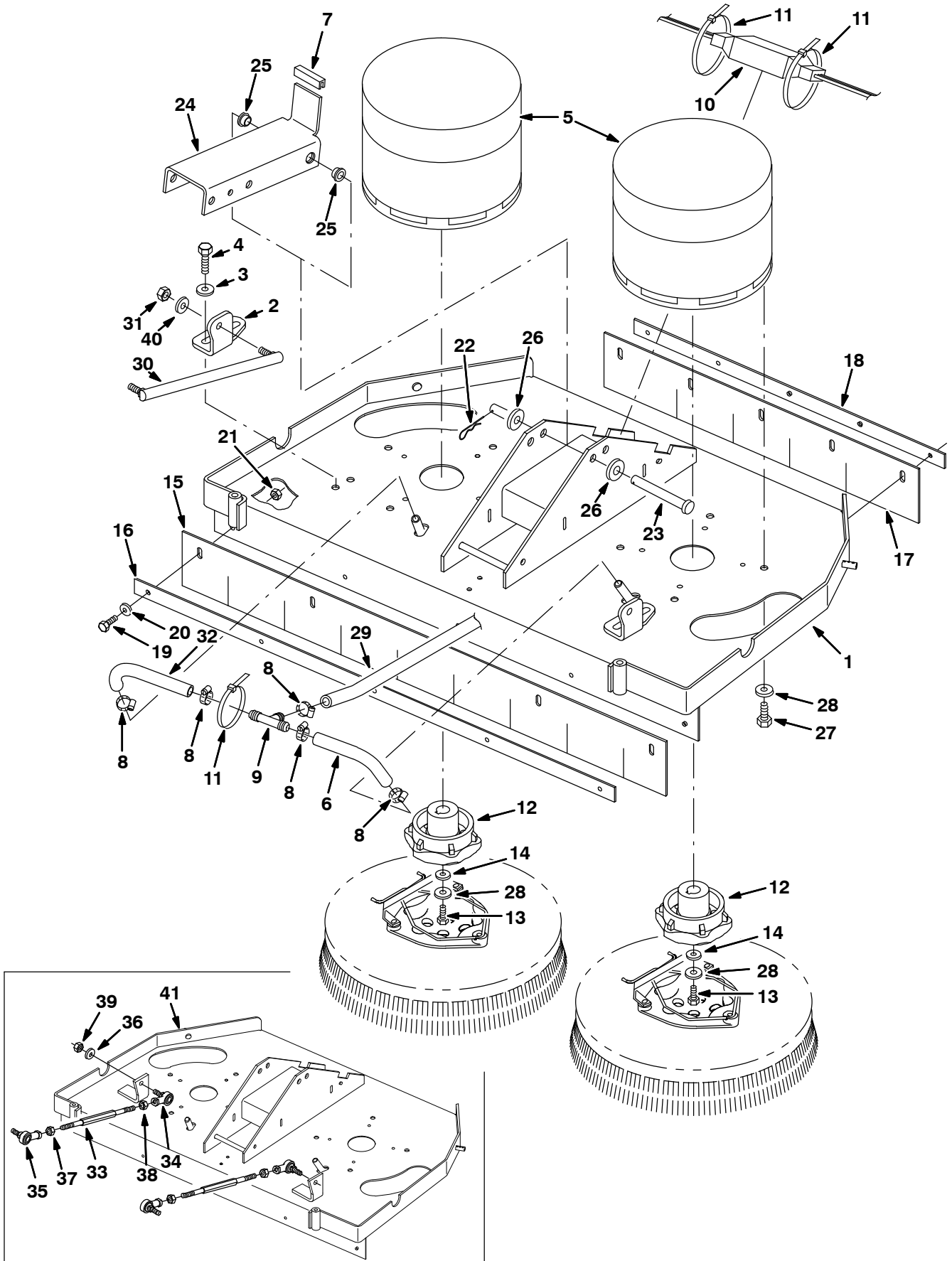


**Fig. 46 – Rollout Battery Disk Scrub Head Squeegee Group, 700 mm (28 in)**

*NOTE: Rollout Battery Disk Scrub Head Kit, Tennant Part Number 391206, includes Fig. 45, and Fig. 46.*

| <b>Ref.</b> | <b>Tennant Part No.</b> | <b>Description</b>                      | <b>Qty.</b> |
|-------------|-------------------------|---|-------------|
| 1           | 390702                  | Door Wldt, Mtg, Lh, 28 Inch Disk        | 1           |
| 2           | 390707                  | Bladeholder Wldt, Sqge, Disk, Lh        | 1           |
| 3           | 390710                  | Door Wldt, Mtg, Rh, 28 Inch Disk        | 1           |
| 4           | 390720                  | Bladeholder Wldt, Sqge, Disk, Rh        | 1           |
| 5           | 391179                  | Pin, Clevis, 0.37 D X 2.62l             | 2           |
| 6           | 08182                   | Pin, Cotter, .125 X 1.00                | 2           |
| 7           | 390988                  | Tape, [Protective], .0080th, 1.0w, 5.0l | 4           |
| 8           | 86859                   | Blade Assy, Sqge, Side                  | 2           |
| 9           | 39019                   | Pin, Clevis, 0.37 D X 0.75l             | 2           |
| 10          | 15047                   | Spring, Extn, 0.62od X 0.08wir, 3.0l    | 2           |
| 11          | 09291                   | Screw, Hex, M10 X 1.5 X 20, Ss          | 2           |
| 12          | 64425                   | Washer, Thrust, 0.61b 1.25d .06, Fgl    | 4           |
| 13          | 25709                   | Bellcrank, Lift, Sqge                   | 2           |
| 14          | 71607                   | Bushing, Sleeve, 0.63b 0.72d 0.38l      | 2           |
| 15          | 86865                   | Guide, Side Sqge                        | 2           |
| 16          | 69582                   | Pin, Clevis, 0.31 D X 1.00l             | 2           |
| 17          | 391345                  | Nut, T, M 10 X1.5 0.623od .516lg        | 2           |
| 18          | 79246                   | Screw, Flat, M08-1.25x 20, Ss           | 2           |
| 19          | 86860                   | Bearing, Thrust                         | 4           |
| 20          | 64173                   | Bushing, Sleeve, 0.50b 0.59d 0.38l, Stl | 2           |
| 21          | 391346                  | Nut, T, M8x1.25 X0.498od, 0.516lg       | 2           |
| 22          | 44906                   | Pin, Hair Cotter, 0.69 D .092 Wir       | 4           |
| 23          | 01686                   | Washer, Flat, 0.44B 1.00D .08, Ss       | 2           |
| 24          | 86759                   | Retainer, Sqge                          | 2           |
| 25          | 390997                  | Lever, Lock, Side Sqge                  | 2           |
| 26          | 16236                   | Washer, 0.26b 0.72d .06, Nyl            | 2           |
| 27          | 08716                   | Screw, Hex, M06 X 1.0 X 20, Ss          | 2           |
| 28          | 01684                   | Washer, Flat, .25 Ss                    | 2           |
| 29          | 08712                   | Nut, Hex, Lock, M06 X 1.0, NI, Ss       | 2           |

**Fig. 47 – Rollout Battery Disk Scrub Head Drive Motor Group, 800 mm (32 in)**



**Fig. 47 – Rollout Battery Disk Scrub Head Drive Motor Group, 800 mm (32 in)**

NOTE: Rollout Battery Disk Scrub Head Kit, Tennant Part Number 391208, includes Fig. 38, and Fig. 47.

| Ref. | Tennant Part No. | Description  | Qty.   |
|------|------------------|--|--------|
| ▽    | 1                | 1040839 Head Kit, Ci, 32 Inch [7100]                       | 1      |
| ▲    | 2                | 1006123 [2] Bracket, Link, Head, Disk                      | 2      |
| ▲    | 3                | 01686 [2] Washer, Flat, 0.44B 1.00D .08, Ss                | 4      |
| ▲    | 4                | 10959 [2] Screw, Hex, M10 X 1.5 X 20, SS, NL               | 4      |
|      | 5                | 223358 Motor, Ele, 36vdc, 0.80hp, 0320rpm (See Breakdowns) | 2      |
|      | 6                | 1011403 Hose, Afmkt Pvc, Brd 0.50id X 1 Ft (376716)        | 0.550' |
|      | 7                | 223645 Molding, Trim, Rbr, .13 03.0                        | 1      |
|      | 8                | 54333 Clamp, Hose, Wormdrive, 0.31–0.88d                   | 5      |
|      | 9                | 63245–1 Fitting, Plstc, Tee, Bm08/Bm08/Bm08                | 1      |
|      | 10               | 222836 Shunt   | 1      |
|      | 11               | 44961 Tie, Cable, Nyl, 14.5l .30w 4.0 Max D                | 3      |
|      | 12               | 377364 Hub, Drive, Brush, Disk, 0.75b 6t                   | 2      |
|      | 13               | 02991 Screw, Hex, .31–18 X 0.75, Ss                        | 2      |
|      | 14               | 41186 Washer, Belleville, .31                              | 2      |
|      | 15               | 390650 Skirt, Front, Scb, Disk, 32 Inch                    | 1      |
|      | 16               | 390652 Strip, Retainer, Skirt, Front, 32 Inch              | 1      |
|      | 17               | 390651 Skirt, Rear, Scb, Disk, 32 Inch                     | 1      |
|      | 18               | 390653 Strip, Retainer, Skirt, Rear, 32 Inch               | 1      |
|      | 19               | 08716 Screw, Hex, M06 X 1.0 X 20, Ss                       | 9      |
|      | 20               | 01684 Washer, Flt, .25 Ss                                  | 9      |
|      | 21               | 08712 Nut, Hex, Lock, M06 X 1.0, NI, Ss                    | 9      |
|      | 22               | 02942 Pin, Hair Cotter, 0.62 D .120 Wir                    | 1      |
|      | 23               | 222196 Pin, Clevis, 0.50 D X 4.00l                         | 1      |
|      | 24               | 390642 Channel, Tool, Lift, R/O                            | 1      |
|      | 25               | 15648 Bushing, Flng, 0.50b 0.59d 0.38l                     | 2      |
|      | 26               | 32486 Washer, Flt, .50 Sae                                 | 2      |
|      | 27               | 02994 Screw, Hex, .38–16 X 0.75, Ss                        | 8      |
|      | 28               | 01686 Washer, Flat, 0.44B 1.00D .08, Ss                    | 10     |
|      | 29               | 1006401 Hose, Afmkt Pvc, Brd, 0.50id, 03ft (376716)        | 2.330' |
|      | 30               | 392882 [2] Link, Balljoint, M10 X 1.5, 11.0L               | 2      |
|      | 31               | 08714 [2] Nut, Hex, Lock, M10 X 1.5, NL, SS                | 2      |
|      | 32               | 1011403 Hose, Afmkt Pvc, Brd 0.50id X 1 Ft (376716)        | 0.550' |
|      | 33               | 390666 [1] Rod, Thrd, 2 End, .38–24 09.0l Lh/Rh            | 2      |
|      | 34               | 86780 [1] Rod–End, .38–24lh Fem 0.38–24stud                | 2      |
|      | 35               | 86781 [1] Rod–End, .38–24rh Fem 0.38–24stud                | 2      |
|      | 36               | 01686 [1] Washer, Flat, 0.44B 1.00D .08, Ss                | 4      |
|      | 37               | 20171 [1] Nut, Hex, Jam, .38–24                            | 2      |
|      | 38               | 82889 [1] Nut, Hex, Jam, .38–24, Lh                        | 2      |
|      | 39               | 50269 [1] Nut, Hex, Lock, .38–24, NI, Ss                   | 4      |
|      | 40               | 01686 [2] Washer, Flat, 0.44B 1.00D .08, Ss                | 2      |
|      | 41               | N/A [1] Replaced by item #1                                | –      |

[1] Serial number (00000000–10204102)

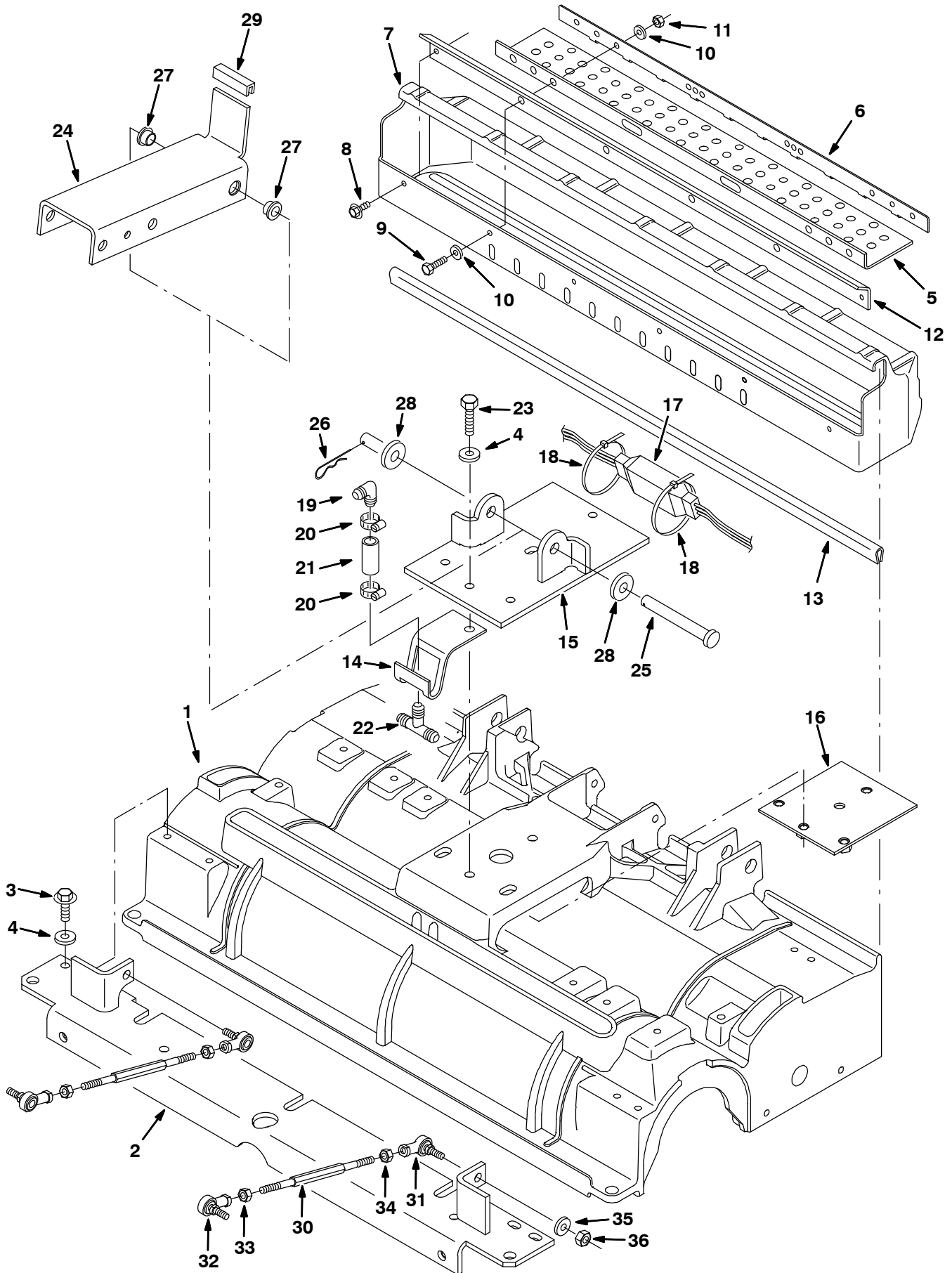
[2] Serial number (10204103– )

▽ ASSEMBLY

▲ INCLUDED IN ASSEMBLY

# OPTIONS

Fig. 48 – Rollout Battery Cylindrical Scrub Head Frame Group, 700 mm (28 in)



**Fig. 48 – Rollout Battery Cylindrical Scrub Head Frame Group, 700 mm (28 in)**

*NOTE: Rollout Battery Cylindrical Scrub Head Kit, Tennant Part Number 391207, includes Fig. 39, Fig. 41, and Fig. 48.*

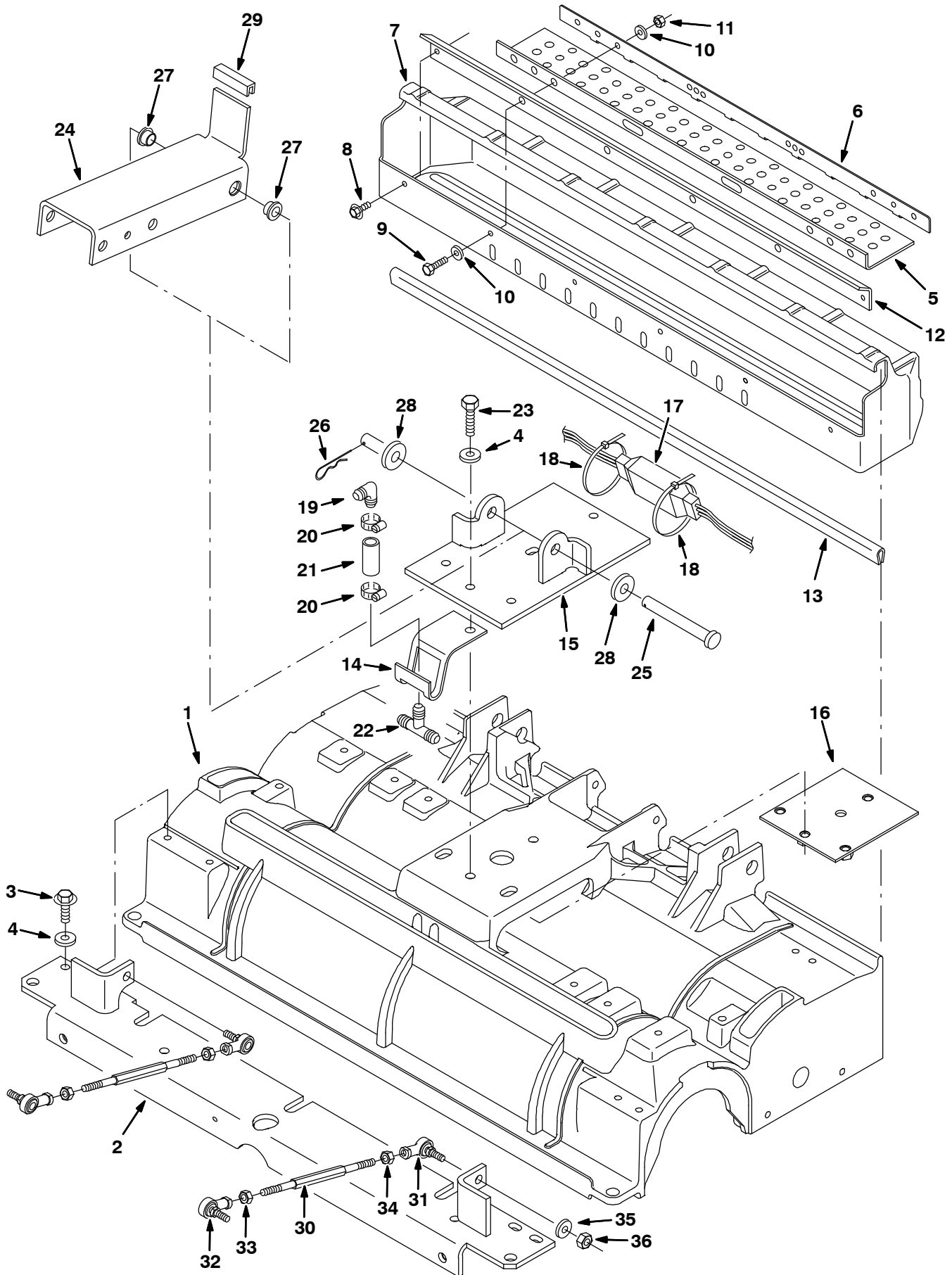
| Ref. | Tennant Part No. | Description                          | Qty.                                  |   |
|------|------------------|--------------------------------------|---------------------------------------|---|
| 1    | 1022254          | Housing, Cyl, Mach 700mm             | 1                                     |   |
| 2    | 390641           | Angle Wldt, Tool, Lift, Cyl, 28 Inch | 1                                     |   |
| 3    | 76099            | Screw, Hex, M08 X 1.25 X 25, Fmg     | 4                                     |   |
| 4    | 01685            | Washer, Flt, .31 Ss                  | 3                                     |   |
| ▽    | 222824           | Kit, Tray, Debris, 28 In             | 1                                     |   |
| ▲    | 5                | 222669                               | Skirt                                 | 1 |
| ▲    | 6                | 222670                               | Strip, Debris Tray                    | 1 |
| ▲    | 7                | 222167                               | Tray                                  | 1 |
| ▲    | 8                | 74455                                | Screw, Hex, M06 X 1.0 X 12, Fmg       | 2 |
| ▲    | 9                | 09007                                | Screw, Hex, M06 X 1.0 X 25, Ss        | 4 |
| ▲    | 10               | 01684                                | Washer, Flt, .25 Ss                   | 8 |
| ▲    | 11               | 08712                                | Nut, Hex, Lock, M06 X 1.0, NI, Ss     | 4 |
| ▲    | 12               | 222203                               | Lip, Debris Tray, 28in                | 1 |
|      | 13               | 374006                               | Channel, .18 0.50 0.03 29.0l          | 1 |
|      | 14               | 222523                               | Bracket, Guide, Hose                  | 1 |
|      | 15               | 393016                               | Plate Wldt, Tool, Lift, Cyl           | 1 |
|      | 16               | 223412                               | Plate, Mounting, Tool Lift, Sc        | 1 |
|      | 17               | 222835                               | Shunt                                 | 1 |
|      | 18               | 49263                                | Tie, Cable, Nyl, 11.4l .19w 3.0 Max D | 2 |
|      | 19               | 63987-1                              | Fitting, Plstc, E90, Bm08/Bm08        | 1 |
|      | 20               | 54333                                | Clamp, Hose, Wormdrive, 0.31-0.88d    | 2 |
|      | 21               | 71793                                | Hose, Pvc, Clr, 0.50id 0.69od 01.50l  | 1 |
|      | 22               | 63245-1                              | Fitting, Plstc, Tee, Bm08/Bm08/Bm08   | 1 |
|      | 23               | 09011                                | Screw, Hex, M08 X 1.25 X 30, Ss       | 4 |
|      | 24               | 390642                               | Channel, Tool, Lift, R/O              | 1 |
|      | 25               | 59668                                | Pin, Clevis, 0.50 D X 4.50l           | 1 |
|      | 26               | 21120                                | Pin, Hair Cotter, 0.43 D .079 Wir     | 1 |
|      | 27               | 15648                                | Bushing, Flng, 0.50b 0.59d 0.38l      | 2 |
|      | 28               | 32486                                | Washer, Flt, .50 Sae                  | 2 |
|      | 29               | 223645                               | Molding, Trim, Rbr, .13 03.0          | 1 |
|      | 30               | 390666                               | Rod, Thrd, 2 End, .38-24 09.0l Lh/Rh  | 2 |
|      | 31               | 86780                                | Rod-End, .38-24lh Fem 0.38-24stud     | 2 |
|      | 32               | 86781                                | Rod-End, .38-24rh Fem 0.38-24stud     | 2 |
|      | 33               | 20171                                | Nut, Hex, Jam, .38-24                 | 2 |
|      | 34               | 82889                                | Nut, Hex, Jam, .38-24, Lh             | 2 |
|      | 35               | 01686                                | Washer, Flat, 0.44B 1.00D .08, Ss     | 2 |
|      | 36               | 50269                                | Nut, Hex, Lock, .38-24, NI, Ss        | 2 |

▽ ASSEMBLY

▲ INCLUDED IN ASSEMBLY

# OPTIONS

Fig. 49 – Rollout Battery Cylindrical Scrub Head Frame Group, 800 mm (32 in)





**Fig. 49 – Rollout Battery Cylindrical Scrub Head Frame Group, 800 mm (32 in)**

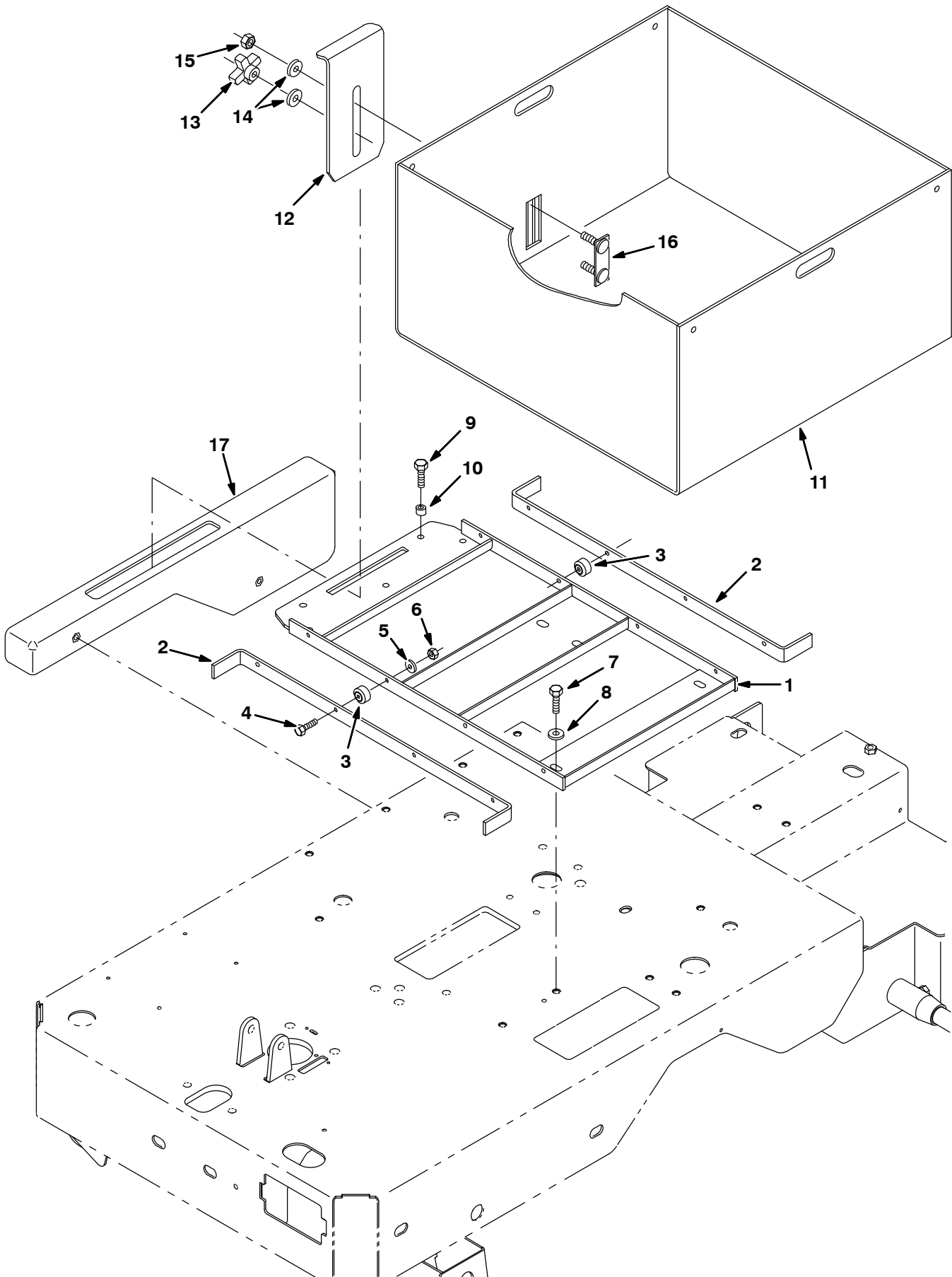
*NOTE: Rollout Battery Cylindrical Scrub Head Kit, Tennant Part Number 391209, includes Fig. 42, Fig. 44, and Fig. 49.*

| Ref. | Tennant Part No. | Description                           | Qty. |
|------|------------------|---------------------------------------|------|
| 1    | 1022253          | Housing, Cyl, Mach 800mm              | 1    |
| 2    | 390667           | Angle Wldt, Mtg, Scb, Cyl, 32 Inch    | 1    |
| 3    | 76099            | Screw, Hex, M08 X 1.25 X 25, Fmg      | 4    |
| 4    | 01685            | Washer, Flt, .31 Ss                   | 8    |
| ▽    | 222824           | Kit, Tray, Debris, 28 In              | 1    |
| ▲    | 5 222669         | Skirt                                 | 1    |
| ▲    | 6 222670         | Strip, Debris Tray                    | 1    |
| ▲    | 7 391330         | Tray, Debris, 32 Inch                 | 1    |
| ▲    | 8 74455          | Screw, Hex, M06 X 1.0 X 12, Fmg       | 2    |
| ▲    | 9 09007          | Screw, Hex, M06 X 1.0 X 25, Ss        | 4    |
| ▲    | 10 01684         | Washer, Flt, .25 Ss                   | 8    |
| ▲    | 11 08712         | Nut, Hex, Lock, M06 X 1.0, NI, Ss     | 4    |
| ▲    | 12 222204        | Lip, Debris Tray, 32 In               | 1    |
|      | 13 374007        | Channel, .18 0.50 0.03 33.0l          | 1    |
|      | 14 222523        | Bracket, Guide, Hose                  | 1    |
|      | 15 393016        | Plate Wldt, Tool, Lift, Cyl           | 1    |
|      | 16 223412        | Plate, Mounting, Tool Lift, Sc        | 1    |
|      | 17 222835        | Shunt                                 | 1    |
|      | 18 49263         | Tie, Cable, Nyl, 11.4l .19w 3.0 Max D | 2    |
|      | 19 63987-1       | Fitting, Plstc, E90, Bm08/Bm08        | 1    |
|      | 20 54333         | Clamp, Hose, Wormdrive, 0.31-0.88d    | 2    |
|      | 21 71793         | Hose, Pvc, Clr, 0.50id 0.69od 01.50l  | 1    |
|      | 22 63245-1       | Fitting, Plstc, Tee, Bm08/Bm08/Bm08   | 1    |
|      | 23 09011         | Screw, Hex, M08 X 1.25 X 30, Ss       | 4    |
|      | 24 390642        | Channel, Tool, Lift, R/O              | 1    |
|      | 25 59668         | Pin, Clevis, 0.50 D X 4.50l           | 1    |
|      | 26 21120         | Pin, Hair Cotter, 0.43 D .079 Wir     | 1    |
|      | 27 15648         | Bushing, Flng, 0.50b 0.59d 0.38l      | 2    |
|      | 28 32486         | Washer, Flt, .50 Sae                  | 2    |
|      | 29 223645        | Molding, Trim, Rbr, .13 03.0          | 1    |
|      | 30 390666        | Rod, Thrd, 2 End, .38-24 09.0l Lh/Rh  | 2    |
|      | 31 86780         | Rod-End, .38-24lh Fem 0.38-24stud     | 2    |
|      | 32 86781         | Rod-End, .38-24rh Fem 0.38-24stud     | 2    |
|      | 33 20171         | Nut, Hex, Jam, .38-24                 | 2    |
|      | 34 82889         | Nut, Hex, Jam, .38-24, Lh             | 2    |
|      | 35 01686         | Washer, Flat, 0.44B 1.00D .08, Ss     | 2    |
|      | 36 50269         | Nut, Hex, Lock, .38-24, NI, Ss        | 2    |

▽ ASSEMBLY

▲ INCLUDED IN ASSEMBLY

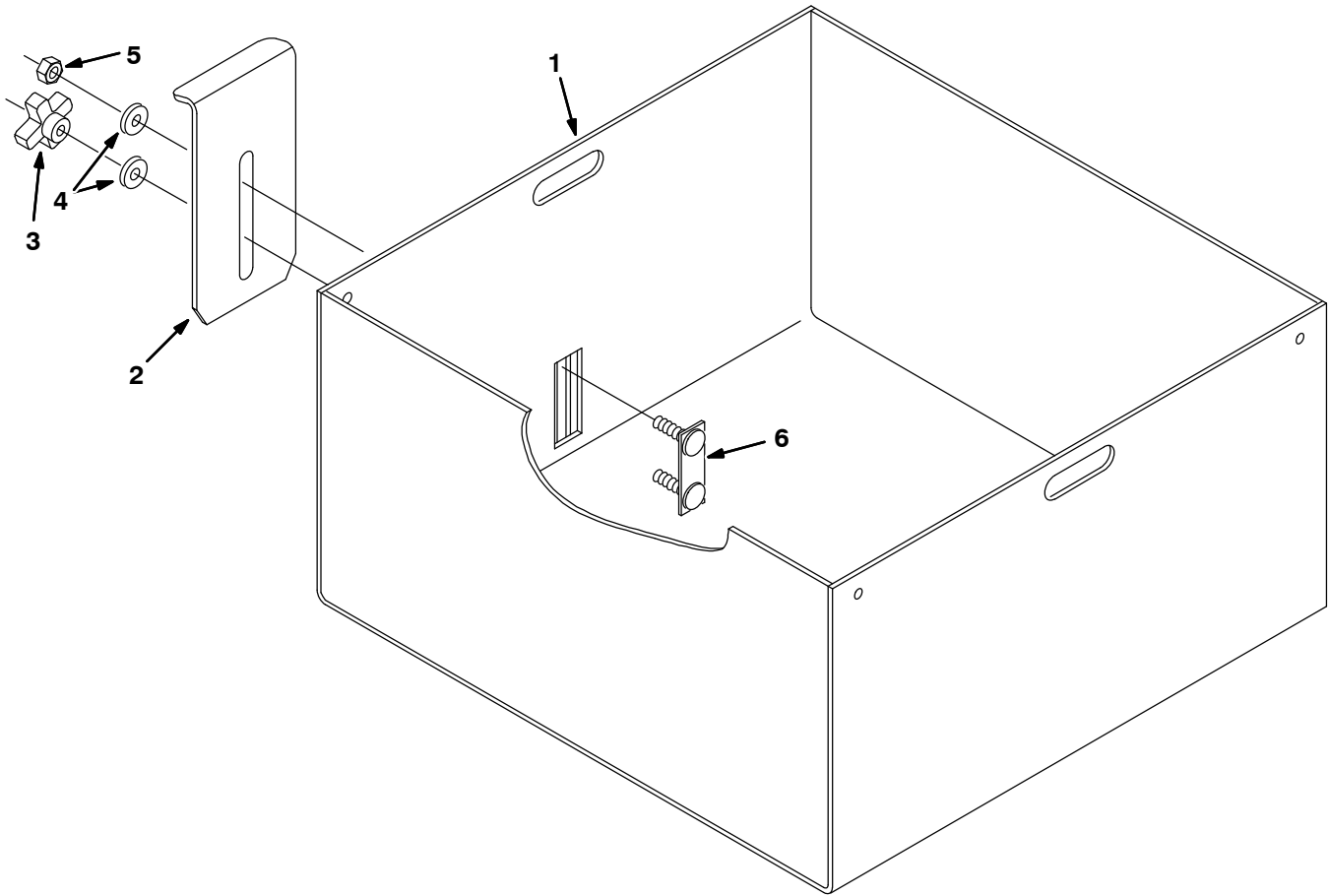
Fig. 50 – Rollout Battery Case Group



**Fig. 50 – Rollout Battery Case Group**

| <b>Ref.</b> | <b>Tennant Part No.</b> | <b>Description</b>                  | <b>Qty.</b> |
|-------------|-------------------------|-------------------------------------|-------------|
| 1           | 391152                  | Frame Wldt, Mtg, Roller, R/O        | 1           |
| 2           | 391155                  | Angle, Mtg, Roller, Battery, R/O    | 2           |
| 3           | 369415                  | Bearing, Needle, 0.25b 0.88d 0.50w  | 8           |
| 4           | 33930                   | Screw, Hex, M06 X 1.0 X 40, Ss      | 8           |
| 5           | 01684                   | Washer, Flt, .25 Ss                 | 8           |
| 6           | 08712                   | Nut, Hex, Lock, M06 X 1.0, NI, Ss   | 8           |
| 7           | 16931                   | Screw, Hex, M08 X 1.25 X 20, 8.8    | 7           |
| 8           | 32491                   | Washer, Flt, .31 Std                | 7           |
| 9           | 39277                   | Screw, Hex, M08 X 1.25 X 25, 8.8    | 2           |
| 10          | 222516                  | Sleeve                              | 2           |
| 11          | 1005072                 | Housing Wldt, Battery, R/O          | 1           |
| 12          | 391150                  | Angle, Latch, Battery, R/O          | 1           |
| 13          | 390955                  | Knob, 2.00d 1.00h .38-16 Thread Alm | 1           |
| 14          | 41187                   | Washer, Belleville, .38             | 2           |
| 15          | 59156                   | Nut, Hex, Lock, .38-16, NI, Ss      | 1           |
| 16          | 390956                  | Stud Wldt, Thrd, 2.38-16 1.50l      | 1           |
| 17          | 391166                  | Panel, Tank, Filler, Rwk, R/O       | 1           |

Fig. 51 - Rollout Battery Extra Case Kit



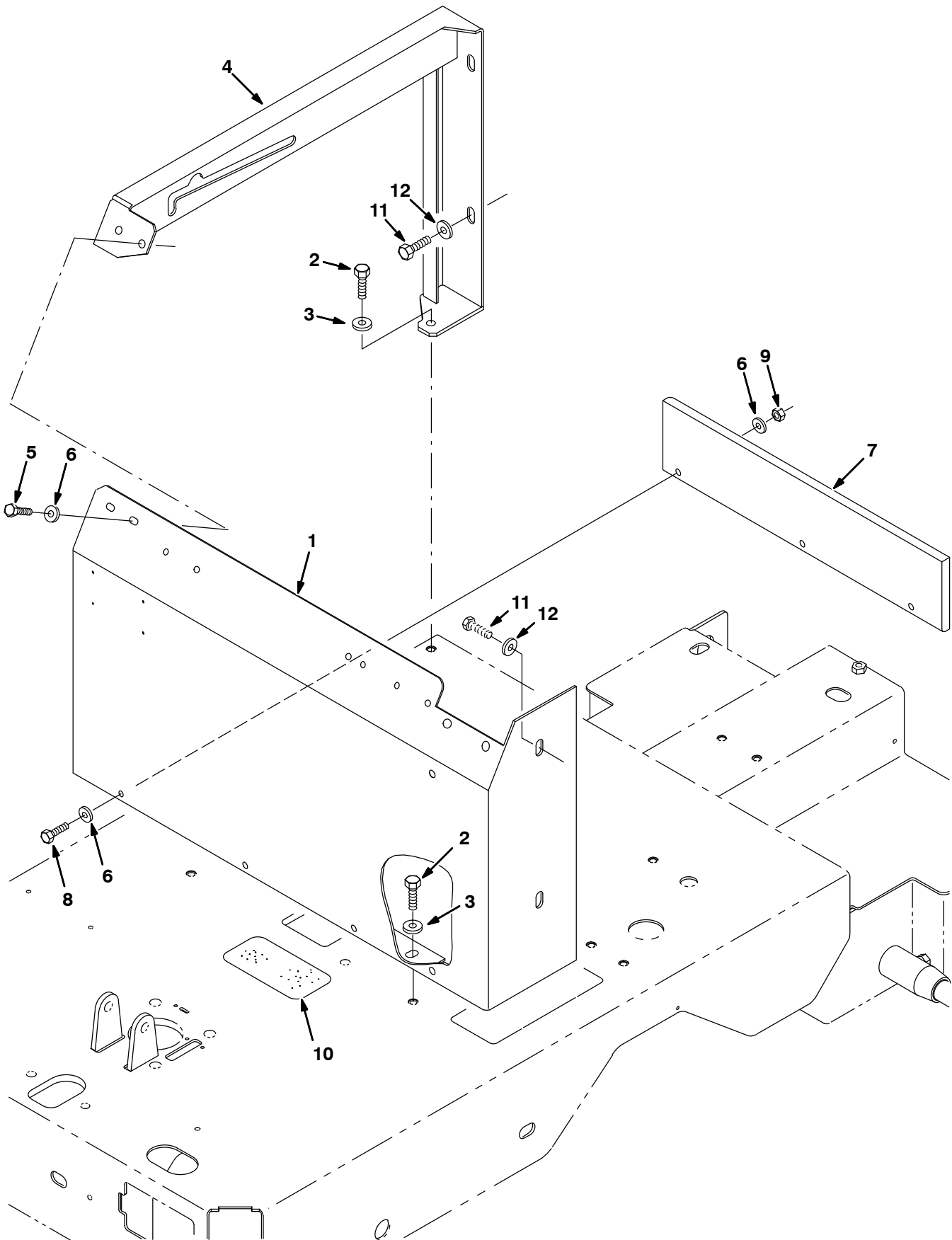
**Fig. 51 – Rollout Battery Extra Case Kit**

|   | <b>Ref.</b> | <b>Tennant Part No.</b> | <b>Description</b>                  | <b>Qty.</b> |
|---|-------------|-------------------------|-------------------------------------|-------------|
| ▽ |             | 390846                  | Box, Extra, W/O Battery, F/ R/O     | 1           |
| ▲ | 1           | 1005072                 | Housing Wldt, Battery, R/O          | 1           |
| ▲ | 2           | 391150                  | Angle, Latch, Battery, R/O          | 1           |
| ▲ | 3           | 390955                  | Knob, 2.00d 1.00h .38-16 Thread Alm | 1           |
| ▲ | 4           | 41187                   | Washer, Belleville, .38             | 2           |
| ▲ | 5           | 59156                   | Nut, Hex, Lock, .38-16, NI, Ss      | 1           |
| ▲ | 6           | 390956                  | Stud Wldt, Thrd, 2 .38-16 1.50l     | 1           |

▽ ASSEMBLY

▲ INCLUDED IN ASSEMBLY

Fig. 52 - Rollout Battery Seat Support Group



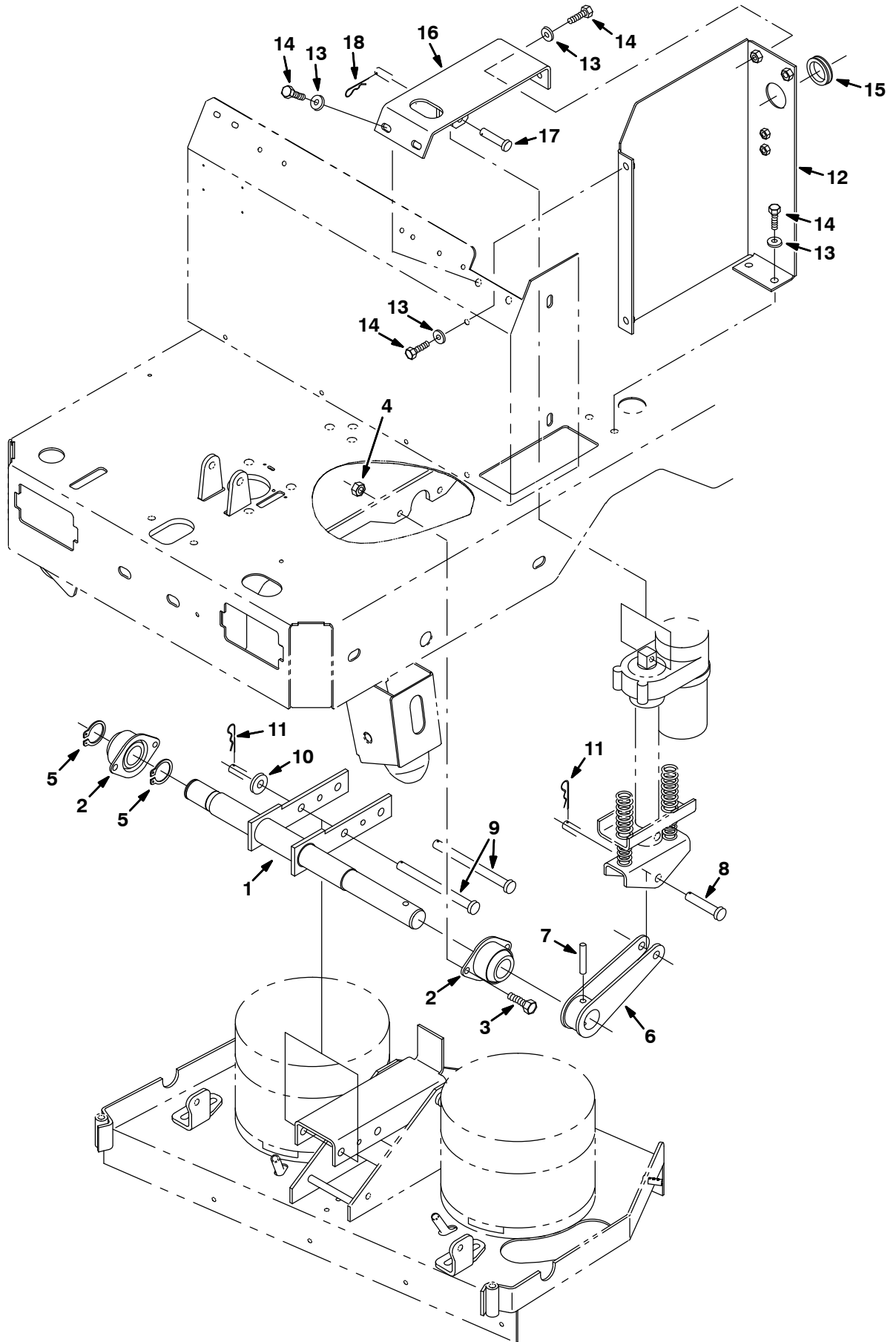
**Fig. 52 – Rollout Battery Seat Support Group**

| <b>Ref.</b> | <b>Tennant Part No.</b> | <b>Description</b>  | <b>Qty.</b> |
|-------------|-------------------------|---|-------------|
| 1           | 390752                  | ① Support Wldt, Seat, Battery, R/O, Blue/Green (Replaced by 393142) | 1           |
| 1           | 392923                  | ② Support Wldt, Seat, Battery, R/O                                  | 1           |
| 2           | 16931                   | Screw, Hex, M08 X 1.25 X 20, 8.8                                    | 4           |
| 3           | 32491                   | Washer, Flt, .31 Std  | 4           |
| 4           | 390755                  | ① Brace Wldt, Sppt, Seat, R/O, Blue/Green (Replaced by 393142)      | 1           |
| 4           | 1005007                 | ② Brace Wldt, Sppt, Seat, R/O [7100]                                | 1           |
| 5           | 06943                   | Screw, Hex, M06 X 1.0 X 20, 8.8                                     | 2           |
| 6           | 32483                   | Washer, Flt, .25 Sae  | 8           |
| 7           | 390751                  | Pad, Hi-Dns Pye, 0.50 X 4.00 X 18.00I                               | 1           |
| 8           | 06945                   | Screw, Hex, M06 X 1.0 X 30, 8.8                                     | 3           |
| 9           | 08708                   | Nut, Hex, Lock, M06 X 1.0, NI                                       | 3           |
| 10          | 391305                  | Tread, Non-Skid, 5.0 2.5  | 1           |
| 11          | 12273                   | Screw, Hex, M08 X 1.25 X 20, Ss, NI                                 | 4           |
| 12          | 13248                   | Washer, 0.40b 1.12d .12, Stl, PI                                    | 4           |

① Serial number (0000000–10108251)

② Serial number (10108252– )

Fig. 53 – Rollout Battery Scrub Head Lift Group

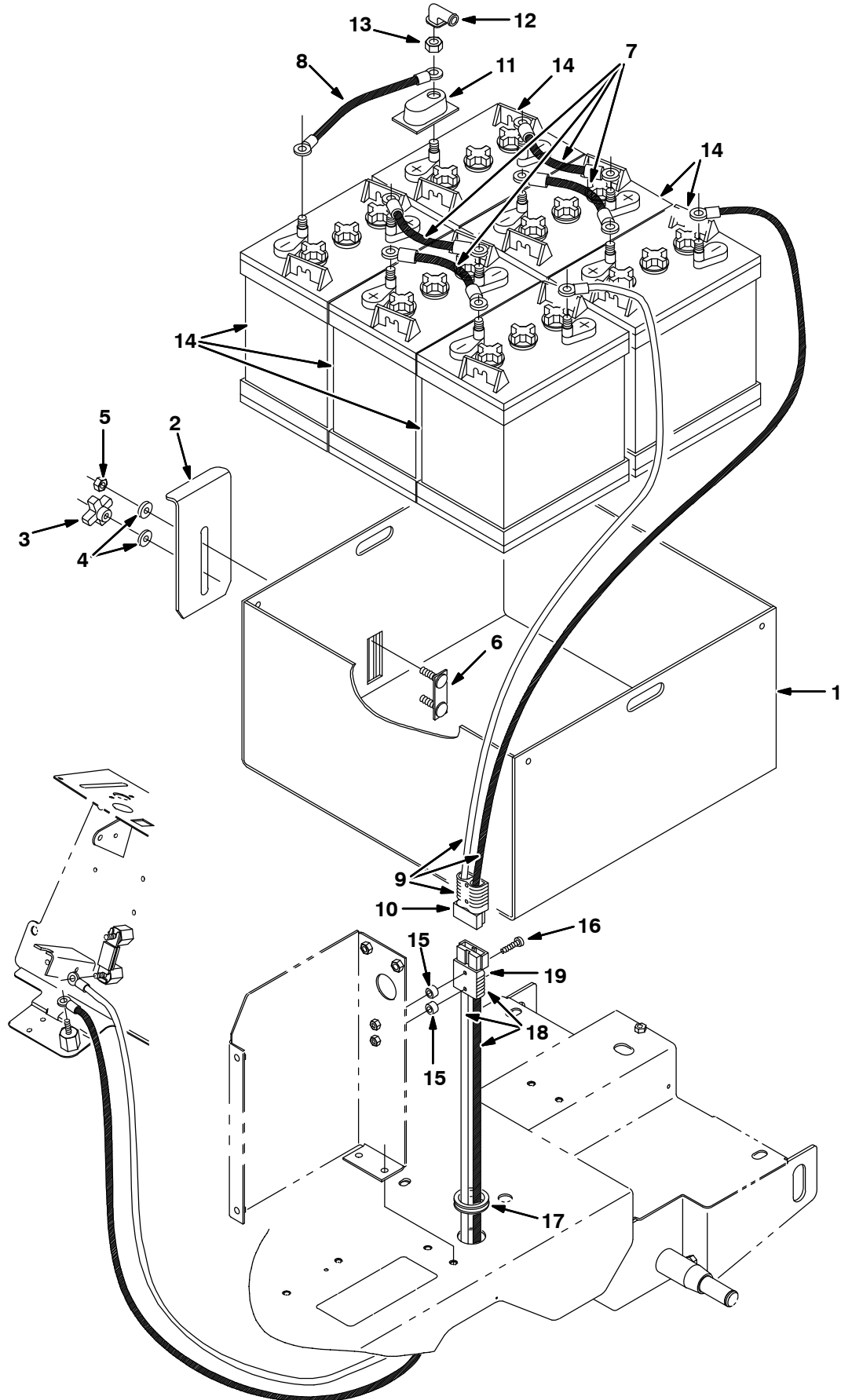




**Fig. 53 – Rollout Battery Scrub Head Lift Group**

| <b>Ref.</b> | <b>Tennant Part No.</b> | <b>Description</b>                     | <b>Qty.</b> |
|-------------|-------------------------|--|-------------|
| 1           | 390655                  | Shaft Wldt, Tool, Lift, R/O            | 1           |
| 2           | 369337                  | Bearing Assy, 2hole, 1.25b             | 2           |
| 3           | 09028                   | Screw, Hex, M10 X 1.5 X 25, Ss         | 4           |
| 4           | 08714                   | Nut, Hex, Lock, M10 X 1.5, NI, Ss      | 4           |
| 5           | 59861                   | Ring, Retaining, Ext, 1.25d            | 2           |
| 6           | 390658                  | Arm Wldt, Input, Tool, Lift, R/O       | 1           |
| 7           | 51317                   | Pin, Roll, .380 D X 2.00l, .375/.382   | 1           |
| 8           | 11211                   | Pin, Clevis, 0.50 D X 2.25L            | 1           |
| 9           | 222196                  | Pin, Clevis, 0.50 D X 4.00l            | 2           |
| 10          | 32486                   | Washer, Flat, 0.50 Sae                 | 2           |
| 11          | 02942                   | Pin, Hair Cotter, 0.62 D .120 Wir      | 3           |
| 12          | 390661                  | Housing, Tool, Lift                    | 1           |
| 13          | 32491                   | Washer, Flat, 0.31, Std                | 8           |
| 14          | 16931                   | Screw, Hex, M8 X 1.25 X 20, 8.8        | 8           |
| 15          | 04051                   | Grommet, Rbr, 1.31id, F/ 1.6h, .12matl | 1           |
| 16          | 390748                  | Plate, Wldt, Mtg, Actuator             | 1           |
| 17          | 17461                   | Pin, Clevis, 0.37 D X 1.75 L           | 1           |
| 18          | 86866                   | Pin, Hair Cotter, 0.38 D .072 Wir      | 1           |

Fig. 54 – Rollout Battery Pack Kit



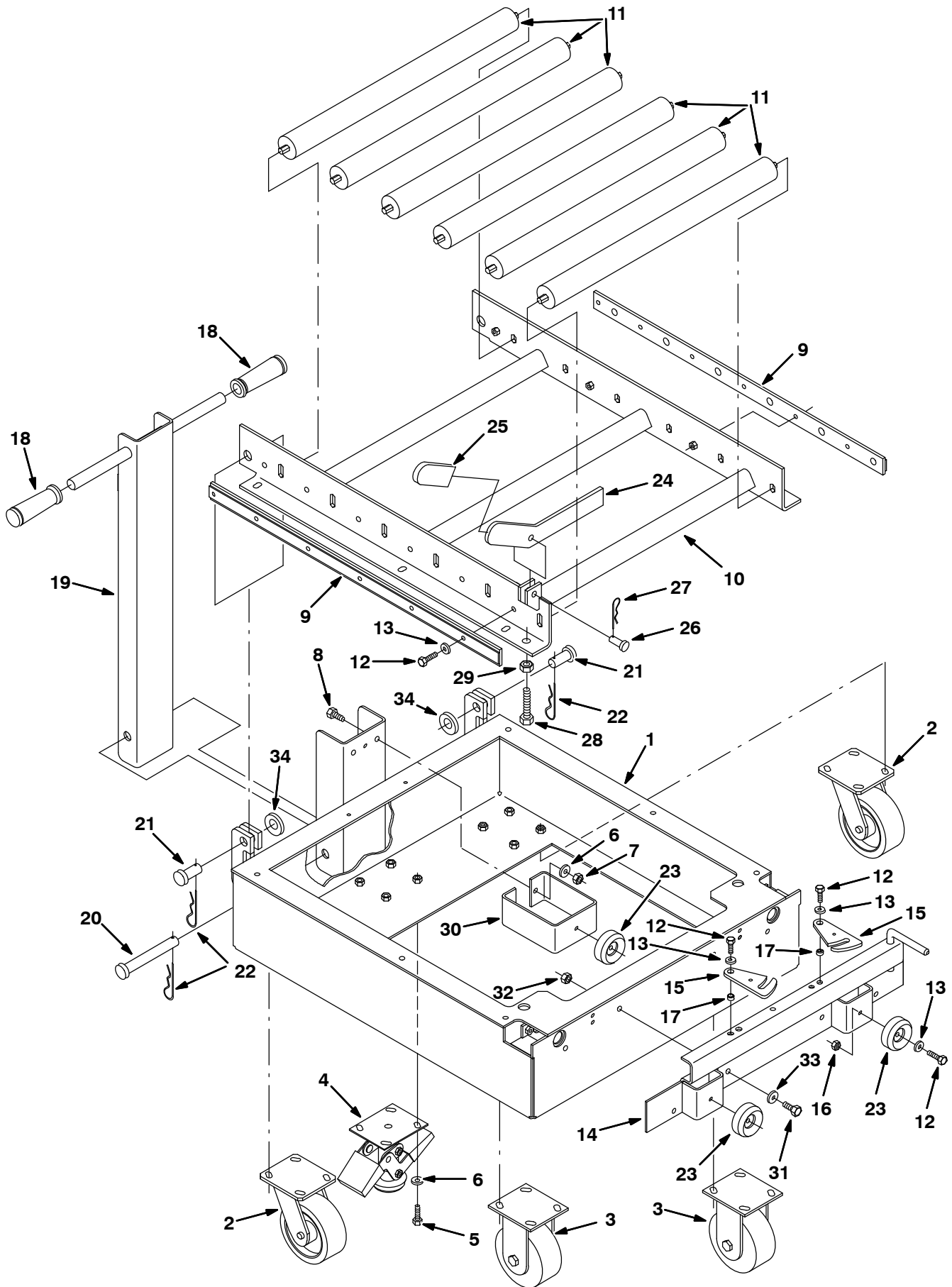
**Fig. 54 – Rollout Battery Pack Kit**

|    | <b>Ref.</b> | <b>Tennant Part No.</b> | <b>Description</b>                     | <b>Qty.</b> |
|----|-------------|-------------------------|--|-------------|
| ▽  |             | 390833                  | Kit, Ci, Pack, Battery, R/O            | 1           |
| ▲  | 1           | 1005072                 | Housing Wldt, Battery, R/O             | 1           |
| ▲  | 2           | 391150                  | Angle, Latch, Battery, R/O             | 1           |
| ▲  | 3           | 390955                  | Knob, 2.00d 1.00h .38-16 Thread Alm    | 1           |
| ▲  | 4           | 41187                   | Washer, Belleville, .38                | 2           |
| ▲  | 5           | 59156                   | Nut, Hex, Lock, .38-16, NI, Ss         | 1           |
| ▲  | 6           | 390956                  | Stud Wldt, Thrd, 2 .38-16 1.50l        | 1           |
| ▲  | 7           | 223355                  | Wire, 04ga 08.0l Blk .34ring /.34ring  | 4           |
| ▲  | 8           | 223356                  | Wire, 04ga 12.0l Blk .34ring /.34ring  | 1           |
| ▲▽ | 9           | 223361                  | Cable Assy, Battery, 04ga 2, 175a      | 1           |
| ▲▲ | 10          | 22892                   | Connector, Anderson, 175a, Gray        | 1           |
| ▲  | 11          | 45962                   | Cover, Terminal, Battery, Pye          | 12          |
| ▲  | 12          | 02076                   | Boot, 90deg .50d .57d X .84            | 12          |
| ▲  | 13          | 87435                   | Nut, Hex, Flexlock, .31-18             | 12          |
| ▲  | 14          | 390825                  | Battery, 06vdc, 244ah, Wet             | 6           |
|    | 15          | 390879                  | Spacer, .41b X .63od X .38l            | 2           |
|    | 16          | 09258                   | Screw, Pan, M06 X 1.0 X 40, 4.8        | 2           |
|    | 17          | 04051                   | Grommet, Rbr, 1.31id, F/ 1.6h, .12matl | 1           |
| ▽  | 18          | 390776                  | Harness, Wire, Controller, R/O         | 1           |
| ▲  | 19          | 22892                   | Connector, Anderson, 175a, Gray        | 1           |

▽ ASSEMBLY

▲ INCLUDED IN ASSEMBLY

Fig. 55 - Rollout Battery Cart Kit



**Fig. 55 – Rollout Battery Cart Kit**

|   | <b>Ref.</b> | <b>Tennant Part No.</b> | <b>Description</b>                     | <b>Qty.</b> |
|---|-------------|-------------------------|--|-------------|
| ▽ |             | 391049                  | Dolly Assy, Cart, Battery, R/O         | 1           |
| ▲ | 1           | 390947                  | Frame Wldt, Cart, Battery              | 1           |
| ▲ | 2           | 1049046                 | Caster, Swivel, 5.0D 2.0W, 4Hole, Gray | 2           |
| ▲ | 3           | 1049021                 | Caster, Rigid, 5.0d X 2.0w, 4hole      | 2           |
| ▲ | 4           | 377328                  | Lock, Floor                            | 1           |
| ▲ | 5           | 03192                   | Screw, Hex, M10 X 1.5 X 30, 8.8        | 20          |
| ▲ | 6           | 32492                   | Washer, Flt, .38 Std                   | 22          |
| ▲ | 7           | 41430                   | Nut, Hex, Lock, M10 X 1.5, NI          | 2           |
| ▲ | 8           | 39283                   | Screw, Hex, M10 X 1.5 X 25, 8.8        | 2           |
| ▲ | 9           | 369466                  | Cap, Roller Shaft                      | 2           |
| ▲ | 10          | 369462                  | Frame Wldt, Mtg, Roller                | 1           |
| ▲ | 11          | 369371                  | Roller                                 | 6           |
| ▲ | 12          | 39277                   | Screw, Hex, M08 X 1.25 X 25, 8.8       | 17          |
| ▲ | 13          | 32491                   | Washer, Flt, .31 Std                   | 17          |
| ▲ | 14          | 391157                  | Bracket Wldt, Mtg, Latch, R/O          | 1           |
| ▲ | 15          | 391162                  | Plate, Latch, Battery, R/O, Cart       | 2           |
| ▲ | 16          | 08709                   | Nut, Hex, Lock, M08 X 1.25, NI         | 3           |
| ▲ | 17          | 222516                  | Sleeve                                 | 2           |
| ▲ | 18          | 222648                  | Grip, Handle, Round                    | 2           |
| ▲ | 19          | 369470                  | Handle Wldt, Battery Cart              | 1           |
| ▲ | 20          | 54660                   | Pin, Clevis, 0.75 D X 5.50l            | 1           |
| ▲ | 21          | 02141                   | Pin, Clevis, 0.75 D X 4.69l            | 2           |
| ▲ | 22          | 55094                   | Pin, Hair Cotter, 0.75 D .148 Wir      | 3           |
| ▲ | 23          | 369481                  | Bumper, Rbr, 2.5d 1.00t .50h           | 3           |
| ▲ | 24          | 369496                  | Bar, Flt, Stop, Battery, 0.31          | 1           |
| ▲ | 25          | 385612                  | Grip, Handle                           | 1           |
| ▲ | 26          | 58078                   | Pin, Clevis, 0.50 D X 1.25l            | 1           |
| ▲ | 27          | 21120                   | Pin, Hair Cotter, 0.43 D .079 Wir      | 1           |
| ▲ | 28          | 06416                   | Screw, Hex, M12 X 1.75 X 50, FI        | 2           |
| ▲ | 29          | 39313                   | Nut, Hex, Std, M12 X 1.75              | 2           |
| ▲ | 30          | 391167                  | Bracket, Stop, Battery, R/O            | 1           |
| ▲ | 31          | 39283                   | Screw, Hex, M10 1.5 X 25, 8.8          | 4           |
| ▲ | 32          | 41430                   | Nut, Hex, Lock, M10 X 1.5, NI          | 4           |
| ▲ | 33          | 32492                   | Washer, Flt, .38 Std                   | 4           |
| ▲ | 34          | 86610                   | Washer, Flt, .75b 1.25d .12, Stl.      | 2           |

▽ ASSEMBLY

▲ INCLUDED IN ASSEMBLY

**Fig. 56 - Rear Squeegee Group, 800 mm (32 in)**

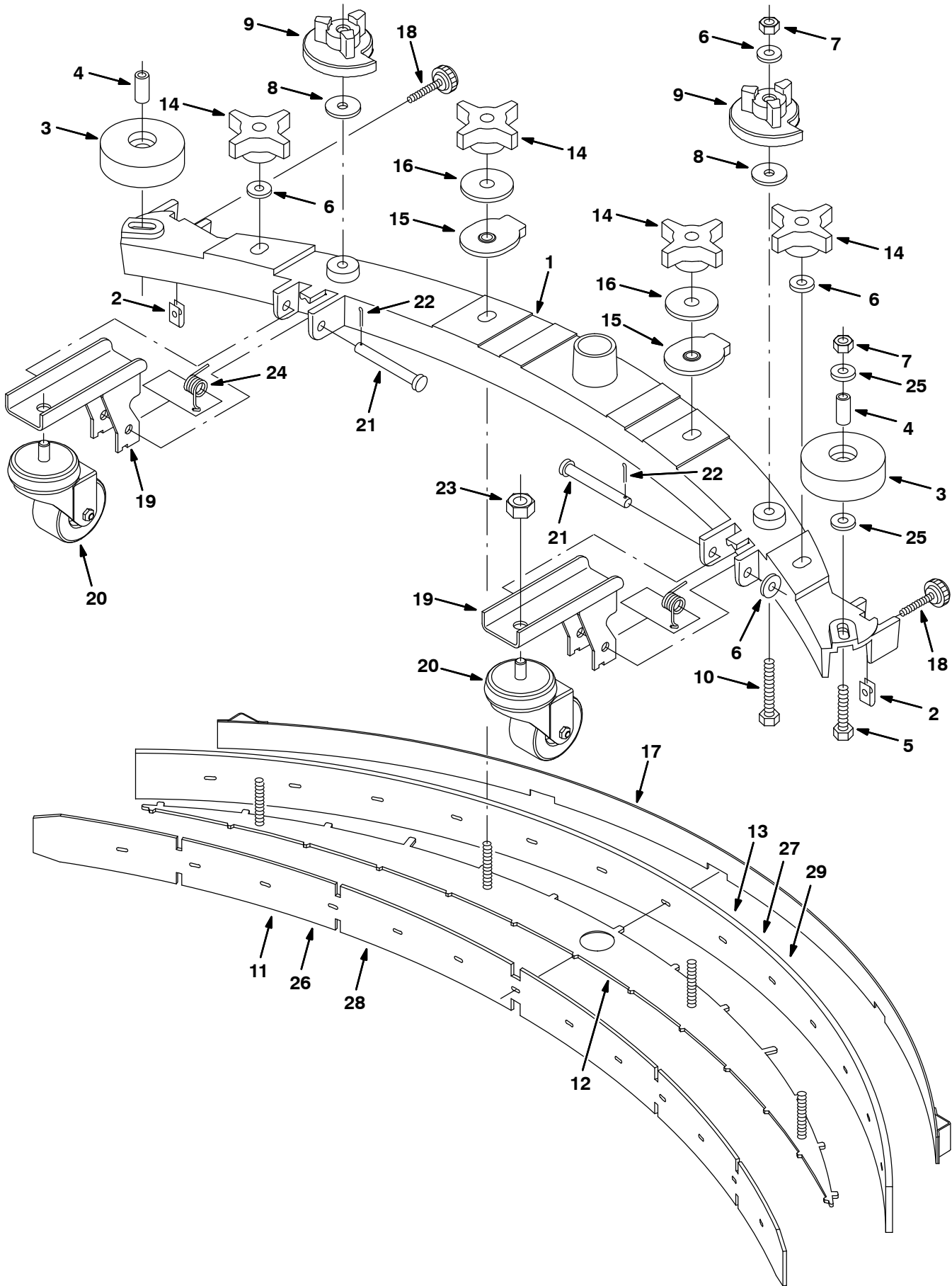


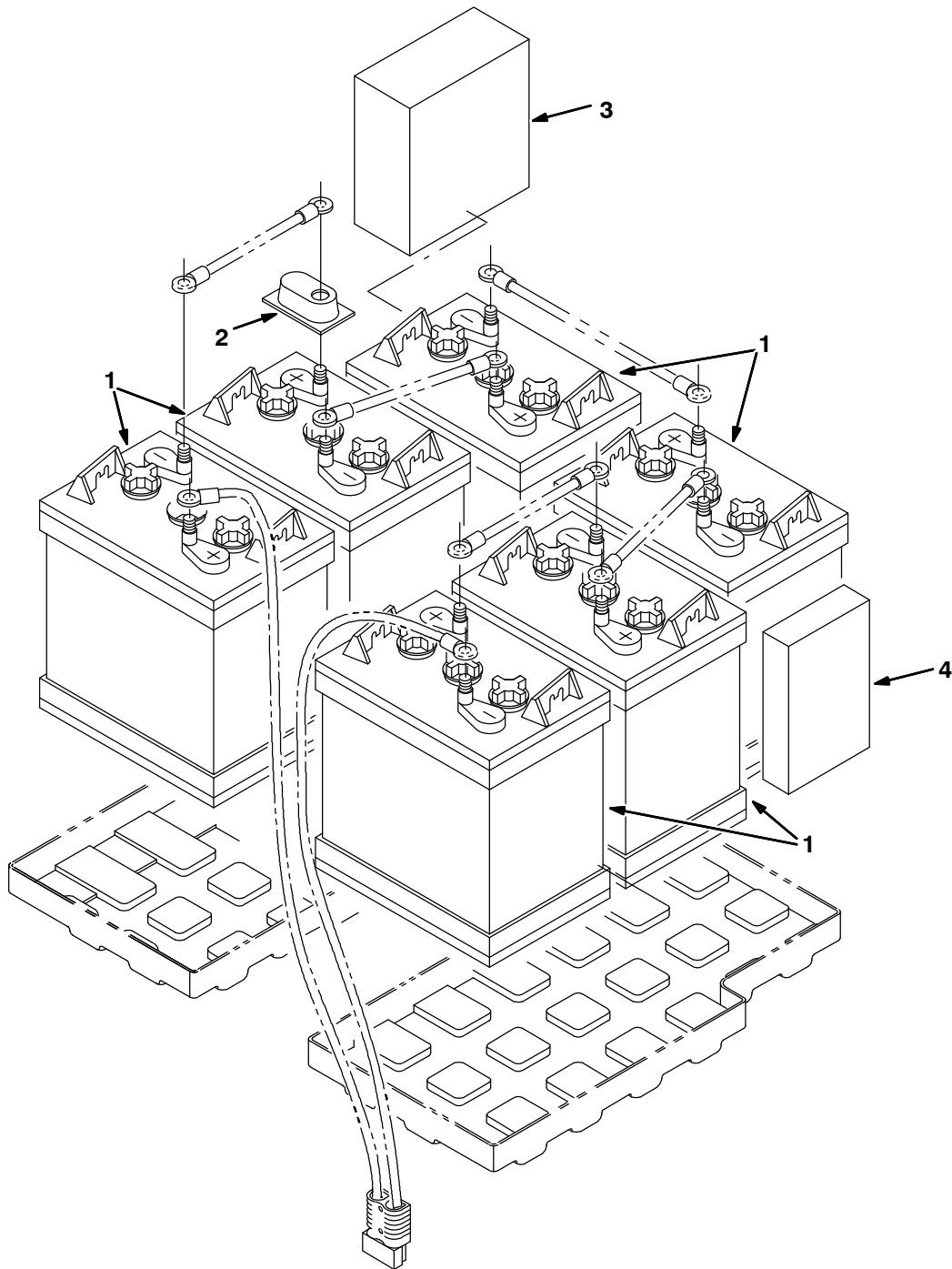
Fig. 56 – Rear Squeegee Group, 800 mm (32 in)

| Ref. | Tennant Part No. | Description   | Qty. |
|------|------------------|---|------|
| ▽    | 391045           | Kit, Ci, Sqge, 800mm                                  | 1    |
| ▲    | 1 390671         | Frame, Casting, Sqge, 800mm                           | 1    |
| ▲    | 2 82138          | Nut, Speed, Retainer, .25–20                          | 2    |
| ▲    | 3 1010560        | Bmpr, 80d X 25w, Non–Marking                          | 2    |
| ▲    | 4 222460         | Sleeve, P/M, 0.496d 0.318b 0.50l 430ss                | 2    |
| ▲    | 5 09011          | Screw, Hex, M08 X 1.25 X 30, Ss                       | 2    |
| ▲    | 6 01685          | Washer, Flt, .31 Ss                                   | 6    |
| ▲    | 7 08713          | Nut, Hex, Lock, M08 X 1.25,NI, Ss                     | 4    |
| ▲    | 8 222268         | Washer, 0.38b 1.25d .12, Neo                          | 2    |
| ▲    | 9 222244         | Cam, Adj, Sqge  | 2    |
| ▲    | 10 09767         | Screw, Hex, M08 X 1.25 X 70, Ss                       | 2    |
| ▲    | 11 390923        | Blade, Sqge, Front, 800mm, Linatex, Red               | 1    |
| ▲    | 12 390920        | Plate, Retainer, Blade, 800mm                         | 1    |
| ▲    | 13 390922        | Blade, Sqge, Rear, 800mm, Linatex, Red                | 1    |
| ▲    | 14 1057203       | Knob, Star, 2.75d 4ear 1.1l, .31–18,Thru              | 4    |
| ▲    | 15 390982        | Ring, Mtg, Sqge                                       | 2    |
| ▲    | 16 04414         | Washer, 0.53b 1.88d .12, Stl, Pl                      | 2    |
| ▲    | 17 390924        | Retainer Wldt, Sqge, 800mm                            | 1    |
| ▲    | 18 222794        | Knob  | 2    |
| ▲    | 19 223590        | Bracket Wldt, Wheel, Sqge                             | 2    |
| ▲    | 20 1044952       | Caster, Swivel, 2.5D 1.3W, .50–13 Stem                | 2    |
| ▲    | 21 23191         | Pin, Clevis, 0.37 D X 3.00l                           | 2    |
| ▲    | 22 39005         | Pin, Cotter, .094 X 0.75                              | 2    |
| ▲    | 23 25015         | Nut, Hex, Std, .50–13                                 | 2    |
| ▲    | 24 222130        | Spring, Tors, 0.50ld .07Wir 07.9 Coil                 | 2    |
| ▲    | 25 140027        | Washer, Flat, 0.35b 0.75d .04 Ss                      | 4    |
| ▽    | 391383           | Kit, Sqge, Oil–Rstn, 800mm                            | 1    |
| ▲    | 26 391379        | Blade, Sqge, Front, 800mm, Oil–Rstn Urethane, Natural | 1    |
| ▲    | 27 391380        | Blade, Sqge, Rear, 800mm, Oil–Rstn Urethane, Natural  | 1    |
| ▽    | 391385           | Kit, Sqge, Tile, 800mm                                | 1    |
| ▲    | 28 390923        | Blade, Sqge, Front, 800mm Linatex, Red                | 1    |
| ▲    | 29 390934        | Blade, Sqge, Rear, 800mm Gum Rubber, Tan              | 1    |

▽ ASSEMBLY

▲ INCLUDED IN ASSEMBLY

**Fig. 57 – Battery Kit, Wet, 244AH**



353482

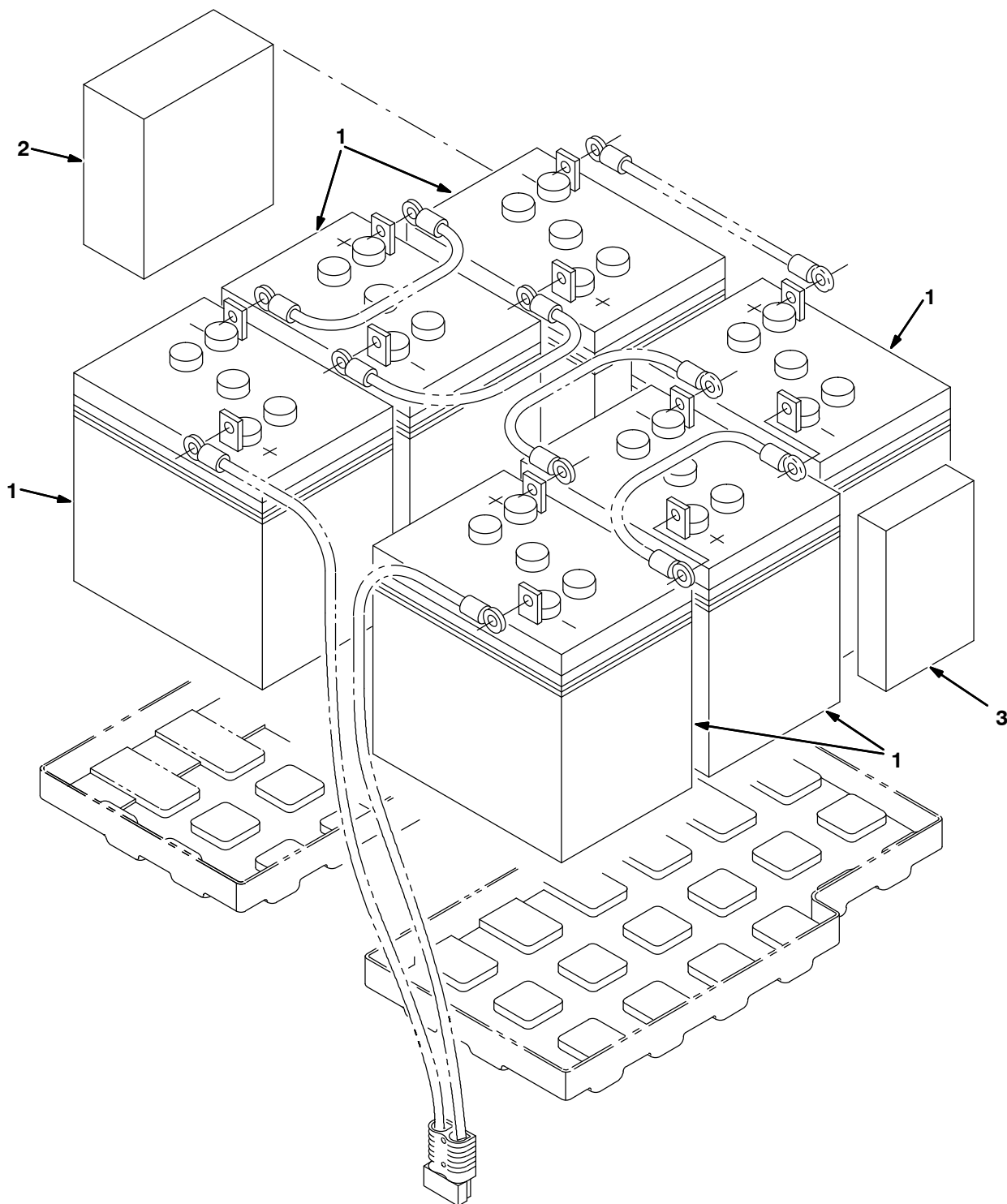
|   | <b>Ref.</b> | <b>Tennant Part No.</b> | <b>Description</b>                 | <b>Qty.</b> |
|---|-------------|-------------------------|------------------------------------|-------------|
| ▽ |             | 390829                  | Kit, Ci, Battery, 36vdc, 244ah Wet | 1           |
| ▲ | 1           | 390825                  | Battery, 06vdc, 244ah, Wet         | 6           |
| ▲ | 2           | 45962                   | Cover, Terminal, Battery, Pye      | 12          |
| ▲ | 3           | 391362                  | Spacer, Battery                    | 1           |
| ▲ | 4           | 223639                  | Spacer, Battery 1.50x4.75x7.5      | 1           |

▽ ASSEMBLY

▲ INCLUDED IN ASSEMBLY



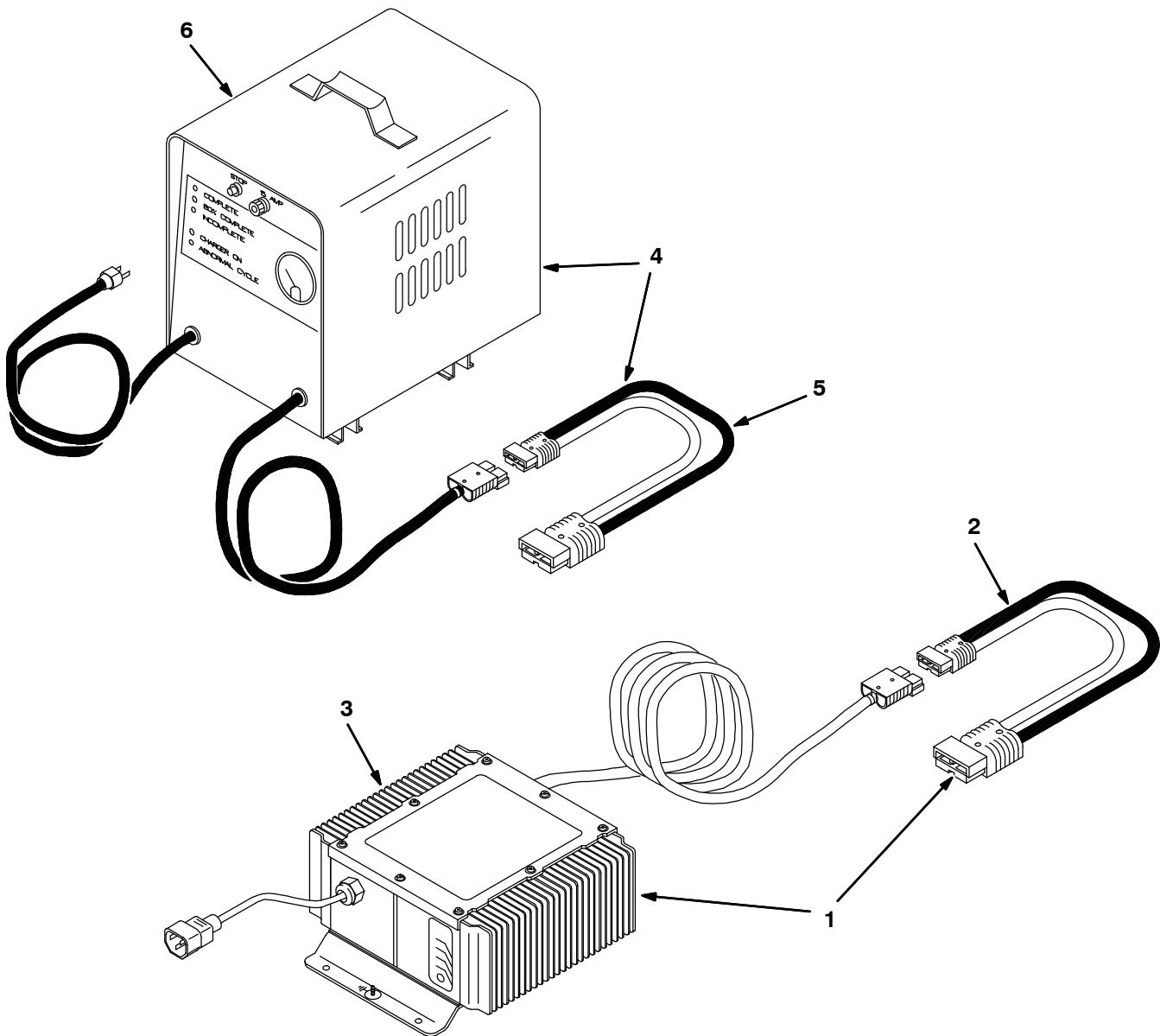
Fig. 58 – Battery Group, Maintenance Free, 180AH



353680

| Ref. | Tennant Part No. | Description                       | Qty. |
|------|------------------|-----------------------------------|------|
| 1    | 390764           | Battery, 06vdc, 180ah, Maint Free | 6    |
| 2    | 391362           | Spacer, Battery                   | 1    |
| 3    | 223639           | Spacer, Battery 1.50x4.75x7.5     | 1    |

**Fig. 59 – Off-Board Battery Charger Group**

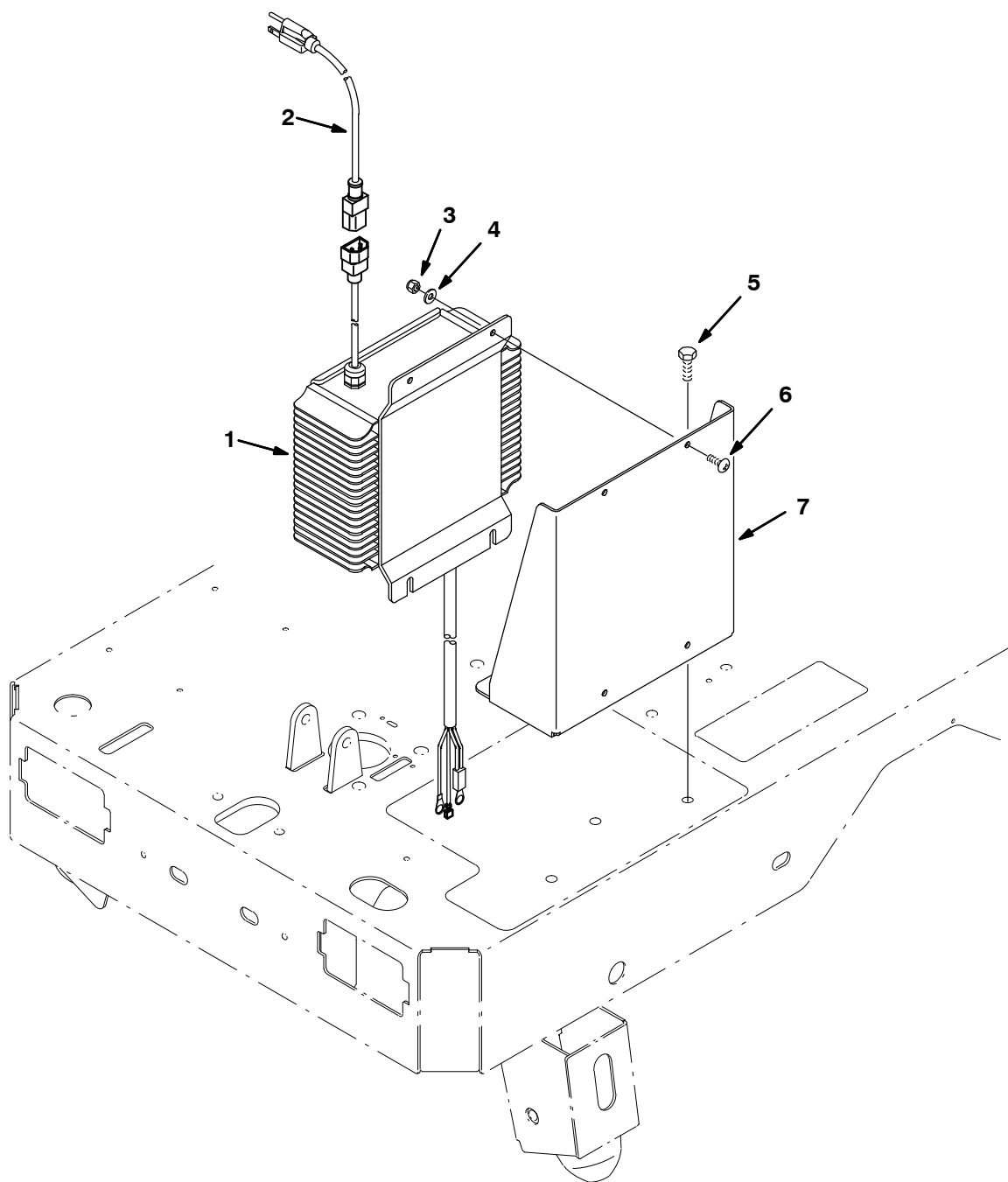


| Ref.                      | Tennant Part No. | Description | Qty.   |   |
|---------------------------|------------------|-------------|--|---|
| ▽                         | 1                | 9008265     | Charger, 36vdc 21a 85-265vac[Gel+Harnes]                 | 1 |
| ▲                         | 2                | 223679      | Cable Assy, 06ga Red / Blk, 050a /175a                   | 1 |
| ▲                         | 3                | 1043662     | Charger, 36vdc 21a 85-265vac 1ph 45/65hz                 | 1 |
|                           | N/S              | 469764962   | Charger, 36vdc 25a 115vac 1ph 60hz                       | 1 |
| <b>International Only</b> |                  |             |  |   |
| ▽                         | 4                | 223691      | Kit, Ci, Charger, 36vdc, 30a,50hz,245vac(See Breakdowns) | 1 |
| ▲                         | 5                | 223679      | Cable Assy, Battery, 06ga 2, 50a/175a                    | 1 |
| ▲                         | 6                | 222691      | Charger, 36vdc 30a 50hz 1ph 245vac                       | 1 |
|                           | N/S              | 600600      | Charger, 36vdc 25a 230vac 1ph 50hz                       | 1 |

▽ ASSEMBLY

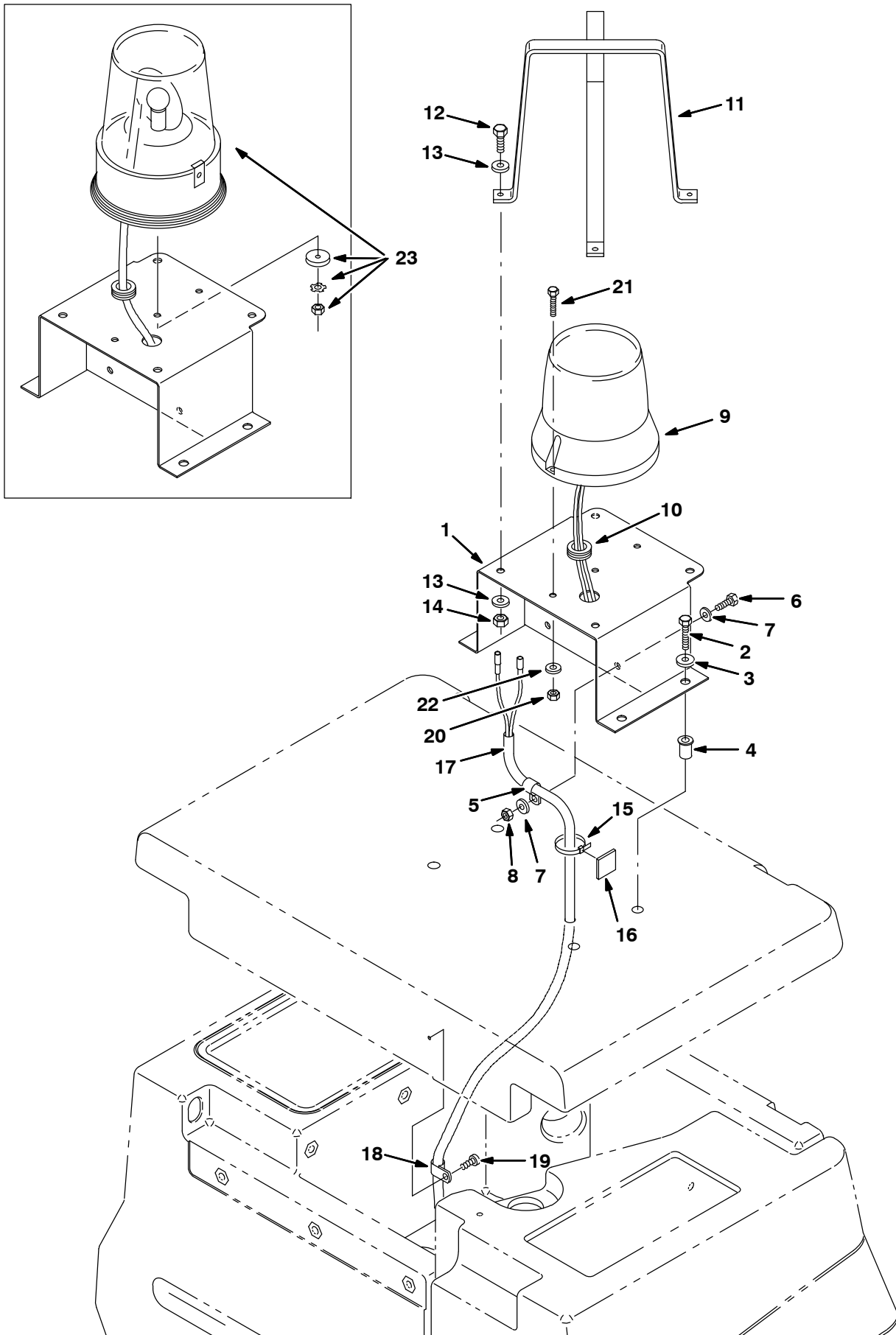
▲ INCLUDED IN ASSEMBLY

Fig. 60 – On-Board Battery Charger Group



| Ref. | Tennant Part No. | Description                            | Qty. |
|------|------------------|--|------|
| 1    | 1023020          | Charger, Battery, 36vdc, 21a [Onboard] | 1    |
| 2    | 1017079          | Cord, Extn, 16ga /3, 010ft [Sjt]       | 1    |
| 3    | 08712            | Nut, Hex, Lock, M6 X 1.00, Ss, NI      | 4    |
| 4    | 140000           | Washer, Flat, 0.28b 0.62d .04, Ss      | 4    |
| 5    | 74455            | Screw, Hex, M6 X 1.0 X 12, Fmg         | 3    |
| 6    | 608322           | Screw, Trs, M6 X 1.00 X 16, Phl, Ss    | 4    |
| 7    | 1022078          | Bracket, Chrgr, On Board [Ezriderhp]   | 1    |

Fig. 61 - Flashing Light Kit



**Fig. 61 - Flashing Light Kit**

| Ref. | Tennant Part No. | Description                                   | Qty. |
|------|------------------|---|------|
| ▽    | 391083           | Kit, Ci, Light, Revl                          | 1    |
| ▲    | 1 392962         | Bracket Wldt, Light                           | 1    |
| ▲    | 2 16951          | Screw, Hex, .25-20 X 1.25, Sems               | 4    |
| ▲    | 3 32491          | Washer, Flt, .31 Std                          | 4    |
| ▲    | 4 397644         | Nut, Isolator, .25-20 Wall Thk .187-.343      | 4    |
| ▲    | 5 26395-1        | Clamp, Cable, Stl, 0.56d X 0.38w, 1h          | 1    |
| ▲    | 6 06943          | Screw, Hex, M06 X 1.0 X 20, 8.8               | 1    |
| ▲    | 7 32483          | Washer, Flt, .25 Sae                          | 2    |
| ▲    | 8 08708          | Nut, Hex, Lock, M06 X 1.0, NI                 | 1    |
| ▲▽   | 9 1017248        | ② Light, Flsh, Amb, 12-48 Vdcl                | 1    |
| ▲▲   | 9000846          | ② Vr, Lamp, Bulb, Lamp, Flsh                  | 1    |
| ▲▲   | 9000879          | ② Vr, Lens, Amb, F/ Revl / Flasher            | 1    |
|      | 1027798          | ② Vr, Lens, Red, F/ Revl / Flasher (Optional) | 1    |
|      | 1027800          | ② Vr, Lens, Blu, F/ Revl / Flasher (Optional) | 1    |
| ▲    | 10 10632-2       | Grommet, Rbr, 0.62id, F/ 0.9h, .12matl        | 1    |
| ▲    | 11 45272         | Guard Wldt, Light, Revl/Flsh                  | 1    |
| ▲    | 12 06943         | Screw, Hex, M06 X 1.0 X 20, 8.8               | 4    |
| ▲    | 13 32483         | Washer, Flt, .25 Sae                          | 8    |
| ▲    | 14 08708         | Nut, Hex, Lock, M06 X 1.0, NI                 | 4    |
| ▲    | 15 49263         | Tie, Cable, Nyl, 11.4l .19w 3.0 Max D         | 2    |
| ▲    | 16 55248         | Mount, Cable Tie                              | 1    |
| ▲    | 17 390784        | Harness, Light                                | 1    |
| ▲    | 18 26395-2       | Clamp, Cable, Stl, 0.38d X 0.38w, 1h          | 1    |
| ▲    | 19 360973        | Screw, Pan, #12-16 X 0.50, F/ Plstc           | 1    |
| ▲    | 20 06549         | ② Nut, Hex, Lock, M5 X 0.8, NI                | 2    |
| ▲    | 21 09244         | ② Screw, Hex, M5 X 0.8 X 16, 8.8              | 2    |
| ▲    | 22 19066         | ② Washer, Flat, #10                           | 2    |
| ▲▽   | 23 390916        | ① Lamp Assy, Revl                             | 1    |
| ▲▲   | 45283            | ① Lamp, 40vdc, 0.9a                           | 1    |
| ▲▲   | 44681-1          | ① Lens, Amber, Light, Revl (Standard)         | 1    |
|      | 44681            | ① Lens, Red, Light, Revl (Optional)           | 1    |
|      | 44681-2          | ① Lens, Blue, Light, Revl (Optional)          | 1    |

① Serial number (0000000-10221852)

② Serial number (10221853- )

▽ ASSEMBLY

▲ INCLUDED IN ASSEMBLY

Fig. 62 – Strobe Light Kit

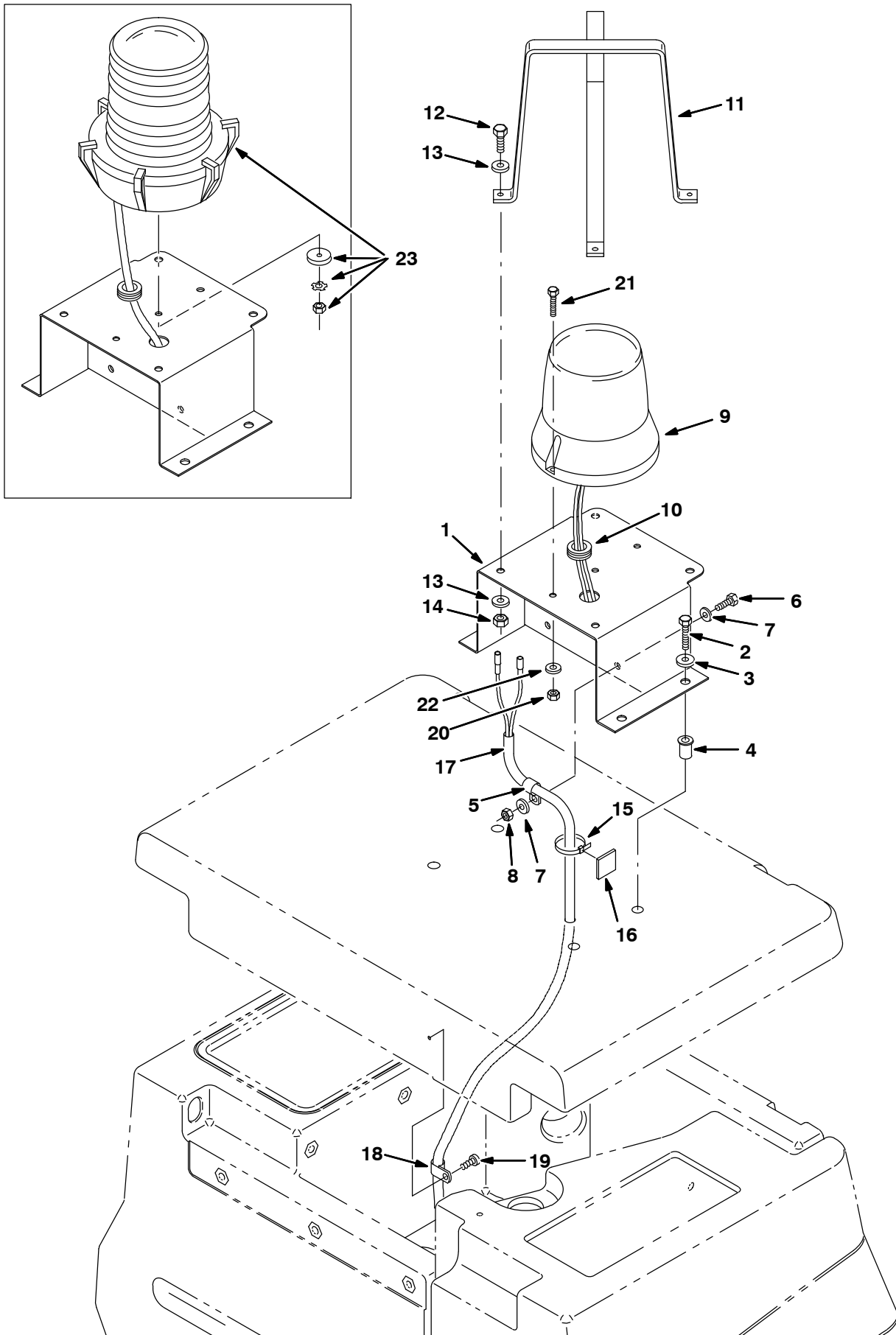


Fig. 62 – Strobe Light Kit

| Ref. | Tennant Part No. | Description                                      | Qty. |
|------|------------------|--|------|
| ▽    | 391081           | Kit, Ci, Light, Flsh                             | 1    |
| ▲    | 1 392962         | Bracket Wldt, Light                              | 1    |
| ▲    | 2 16951          | Screw, Hex, .25–20 X 1.25, Sems                  | 4    |
| ▲    | 3 32491          | Washer, Flt, .31 Std                             | 4    |
| ▲    | 4 397644         | Nut, Isolator, .25–20 Wall Thk .187–.343         | 4    |
| ▲    | 5 26395–1        | Clamp, Cable, Stl, 0.56d X 0.38w, 1h             | 1    |
| ▲    | 6 06943          | Screw, Hex, M06 X 1.0 X 20, 8.8                  | 1    |
| ▲    | 7 32483          | Washer, Flt, .25 Sae                             | 2    |
| ▲    | 8 08708          | Nut, Hex, Lock, M06 X 1.0, NI                    | 1    |
| ▲▽   | 9 1017250        | ② Lamp, Strobe, Amb, 12–80 Vdc                   | 1    |
| ▲▲   | 9000845          | ② Vr, Lamp, Bulb, Strobe                         | 1    |
| ▲▲   | 9000879          | ② Vr, Lens, Lamp, Amb, Strobe/Flasher (Standard) | 1    |
|      | 1027798          | ② Vr, Lens, Red, F/ Revl / Flasher (Optional)    | 1    |
|      | 1027800          | ② Vr, Lens, Blu, F/ Revl / Flasher (Optional)    | 1    |
| ▲    | 10 10632–2       | Grommet, Rbr, 0.62id, F/ 0.9h, .12matl           | 1    |
| ▲    | 11 45272         | Guard Wldt, Light, Revl/Flsh                     | 1    |
| ▲    | 12 06943         | Screw, Hex, M06 X 1.0 X 20, 8.8                  | 4    |
| ▲    | 13 32483         | Washer, Flt, .25 Sae                             | 8    |
| ▲    | 14 08708         | Nut, Hex, Lock, M06 X 1.0, NI                    | 4    |
| ▲    | 15 49263         | Tie, Cable, Nyl, 11.4l .19w 3.0 Max D            | 2    |
| ▲    | 16 55248         | Mount, Cable Tie                                 | 1    |
| ▲    | 17 390784        | Harness, Light                                   | 1    |
| ▲    | 18 26395–2       | Clamp, Cable, Stl, 0.38d X 0.38w, 1h             | 1    |
| ▲    | 19 360973        | Screw, Pan, #12–16 X 0.50, F/ Plstc              | 1    |
| ▲    | 20 06549         | ② Nut, Hex, Lock, M5 X 0.8, NI                   | 2    |
| ▲    | 21 09244         | ② Screw, Hex, M5 X 0.8 X 16, 8.8                 | 2    |
| ▲    | 22 19066         | ② Washer, Flat, #10                              | 2    |
| ▲▽   | 23 390915        | ① Lamp Assy, Flsh                                | 1    |
| ▲▲   | 45283            | ① Lamp, 40vdc, 0.9a                              | 1    |
| ▲▲   | 58520            | ① Lens, Amber, Light, Flsh (Standard)            | 1    |
|      | 58518            | ① Lens, Red, Light, Flsh (Optional)              | 1    |
|      | 58519            | ① Lens, Blue, Light, Flsh (Optional)             | 1    |

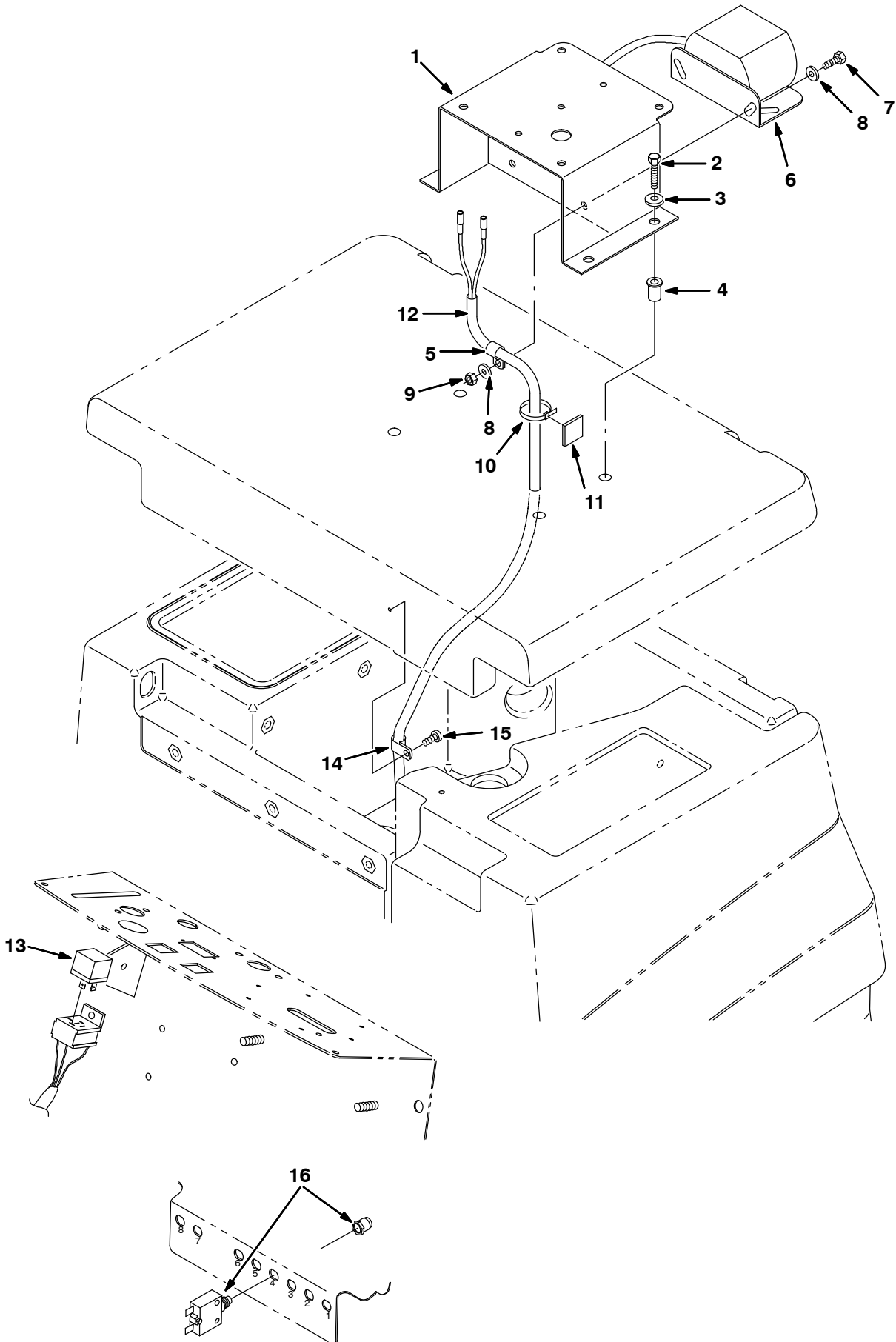
① Serial number (0000000–10221852)

② Serial number (10221853– )

▽ ASSEMBLY

▲ INCLUDED IN ASSEMBLY

Fig. 63 – Backup Alarm Kit





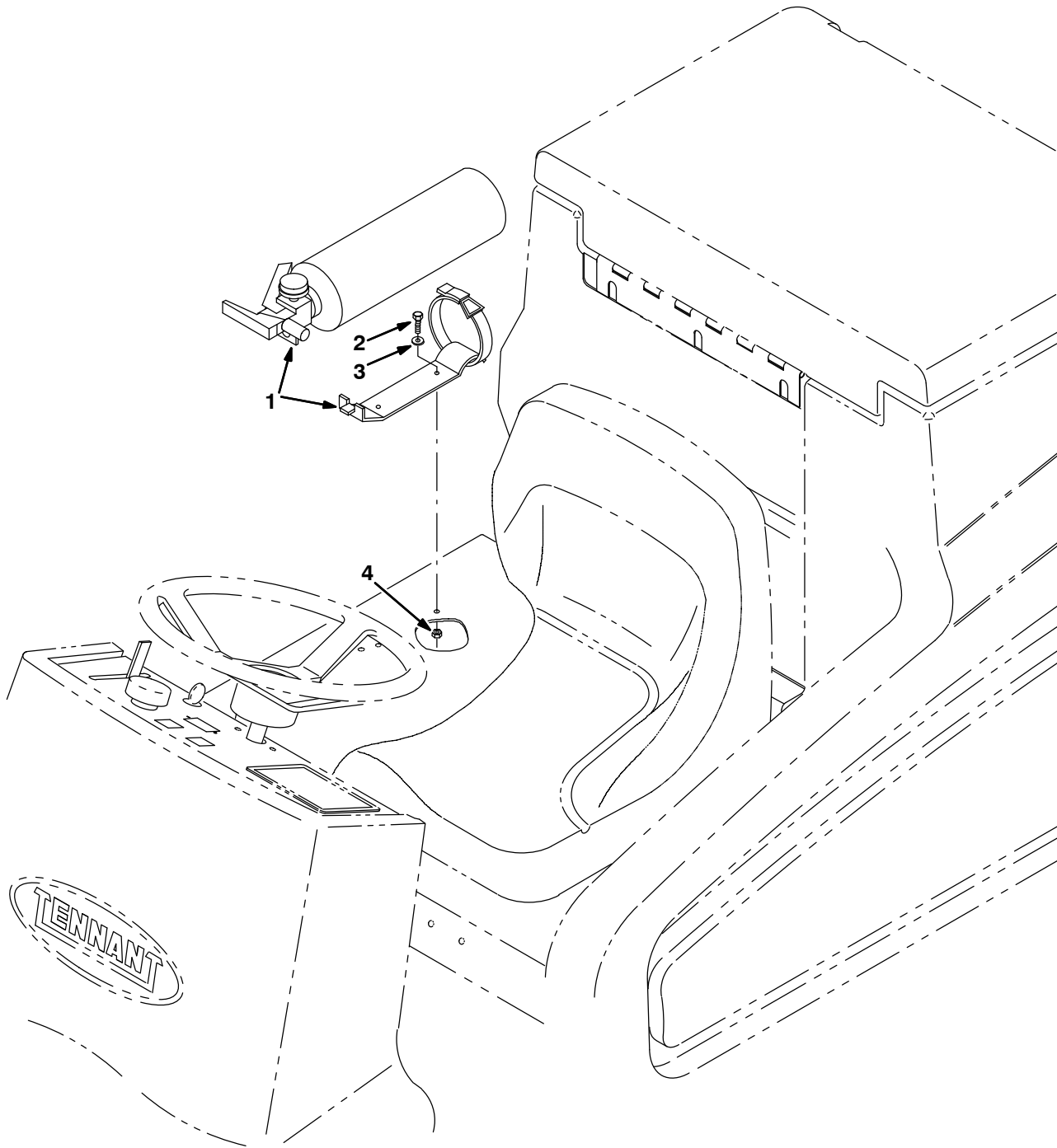
**Fig. 63 – Backup Alarm Kit**

|   | <b>Ref.</b> | <b>Tennant Part No.</b> | <b>Description</b>                       | <b>Qty.</b> |
|---|-------------|-------------------------|--|-------------|
| ▽ |             | 391061                  | Kit, Ci, Alarm, Backup, W/ Bracket       | 1           |
| ▲ | 1           | 392962                  | Bracket Wldt, Light                      | 1           |
| ▲ | 2           | 16951                   | Screw, Hex, .25–20 X 1.25, Sems          | 4           |
| ▲ | 3           | 32491                   | Washer, Flt, .31 Std                     | 4           |
| ▲ | 4           | 397644                  | Nut, Isolator, .25–20 Wall Thk .187–.343 | 4           |
| ▲ | 5           | 26395–1                 | Clamp, Cable, Stl, 0.56d X 0.38w, 1h     | 1           |
| ▲ | 6           | 9007131                 | Alarm Assy, Backup, 12/48vdc             | 1           |
| ▲ | 7           | 06943                   | Screw, Hex, M06 X 1.0 X 20, 8.8          | 2           |
| ▲ | 8           | 32483                   | Washer, Flt, .25 Sae                     | 4           |
| ▲ | 9           | 08708                   | Nut, Hex, Lock, M06 X 1.0, NI            | 2           |
| ▲ | 10          | 49263                   | Tie, Cable, Nyl, 11.4l .19w 3.0 Max D    | 2           |
| ▲ | 11          | 55248                   | Mount, Cable Tie                         | 1           |
| ▲ | 12          | 390778                  | Harness, Alarm                           | 1           |
| ▲ | 13          | 398526                  | Relay, 36vdc, 5a, Spdt                   | 1           |
| ▲ | 14          | 26395–2                 | Clamp, Cable, Stl, 0.38d X 0.38w, 1h     | 1           |
| ▲ | 15          | 360973                  | Screw, Pan, #12–16 X 0.50, F/ Plstc      | 1           |
| ▲ | 16          | 383721                  | Circuitbreaker, 10.0a                    | 1           |

▽ ASSEMBLY

▲ INCLUDED IN ASSEMBLY

**Fig. 64 – Fire Extinguisher Kit**



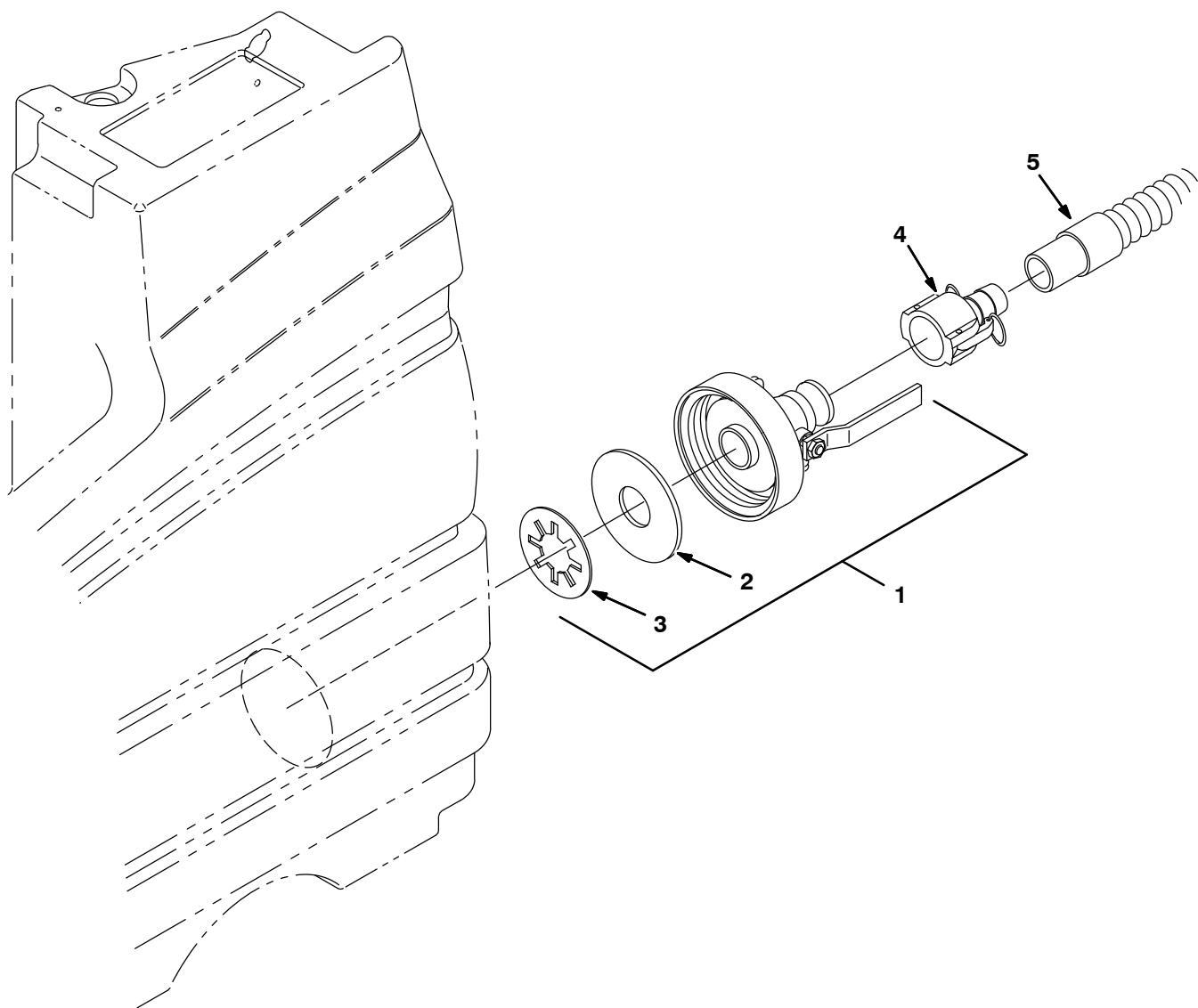
353497

|   | <b>Ref.</b> | <b>Tennant Part No.</b> | <b>Description</b>              | <b>Qty.</b> |
|---|-------------|-------------------------|---------------------------------|-------------|
| ▽ |             | 391315                  | Kit, Ci, Extinguisher, Fire     | 1           |
| ▲ | 1           | 25312                   | Extinguisher, Fire              | 1           |
| ▲ | 2           | 12312                   | Screw, Hex, M05 X 0.8 X 12, 8.8 | 2           |
| ▲ | 3           | 19066                   | Washer, Flt, #10                | 2           |
| ▲ | 4           | 06549                   | Nut, Hex, Lock, M05 X 0.8, NI   | 2           |

▽ ASSEMBLY

▲ INCLUDED IN ASSEMBLY

Fig. 65 – Positive Solution Control Drain Kit



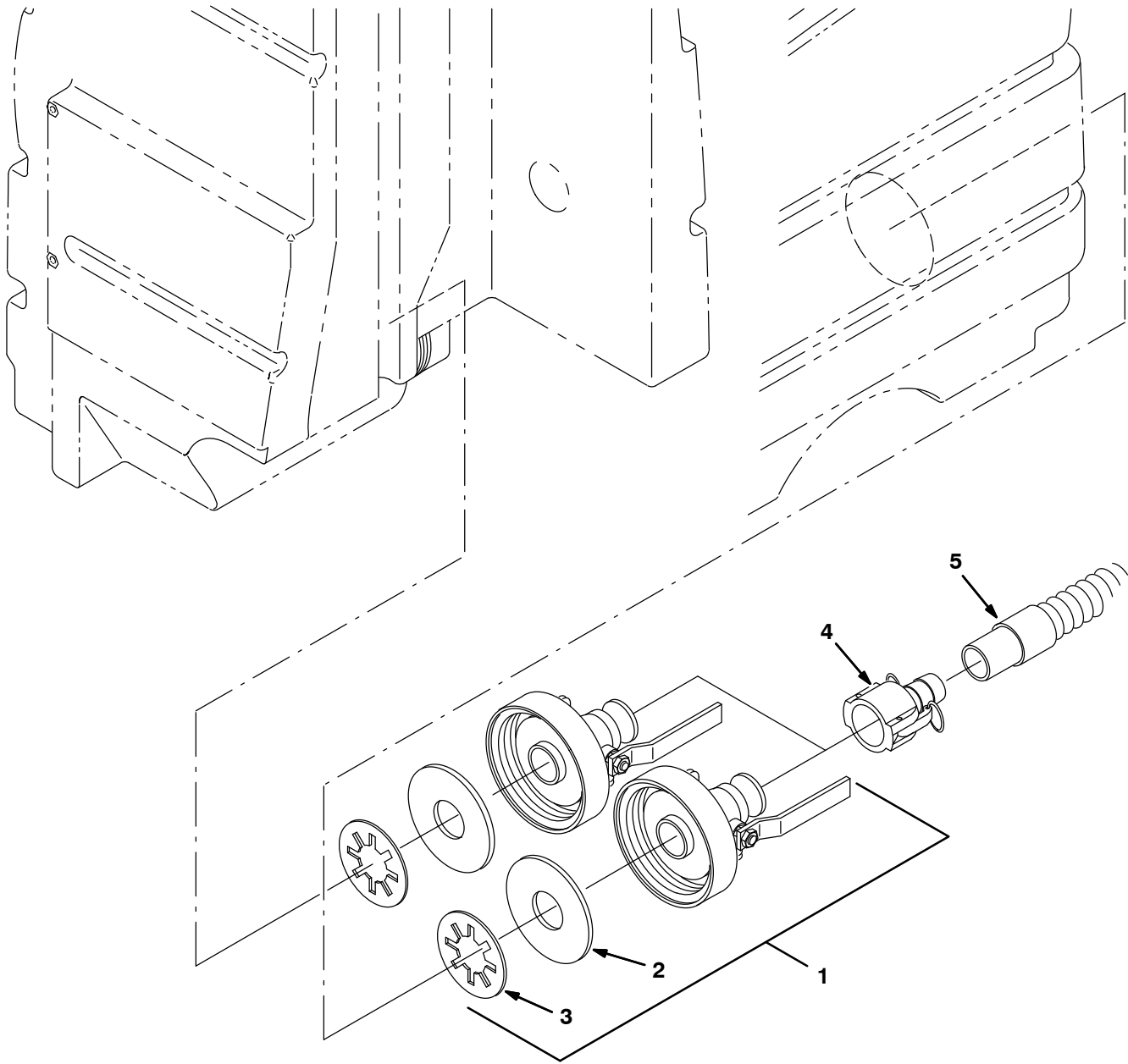
353490

| Ref. | Tennant Part No. | Description                           | Qty. |
|------|------------------|---------------------------------------|------|
| ▽    | 397673           | Kit, Ci, Drain, Soltn, Pos Cntrl, Std | 1    |
| ▲▽   | 1 25783          | Valve Assy, Drain, Pos Cntrl, W/ Cap  | 1    |
| ▲▲   | 23456            | Cap, Tank, Drain, 6.17 Thread Pye     | 1    |
| ▲▲   | 375014           | Kit, Handle, Valve                    | 1    |
| ▲▲   | 2 375208         | Gasket, Lid, Posi Drain               | 1    |
| ▲▲   | 3 20932          | Washer, Polye                         | 1    |
| ▲    | 4 48734          | Fitting, Coupler, Hose, Shank, Fem    | 1    |
| ▲    | 5 75635          | Hose Assy, Pvc, W/ Cuff, 1.5d, 10.0l  | 1    |

▽ ASSEMBLY

▲ INCLUDED IN ASSEMBLY

**Fig. 66 – Positive Solution Control Drain Kit, ES (Extended Scrub)**



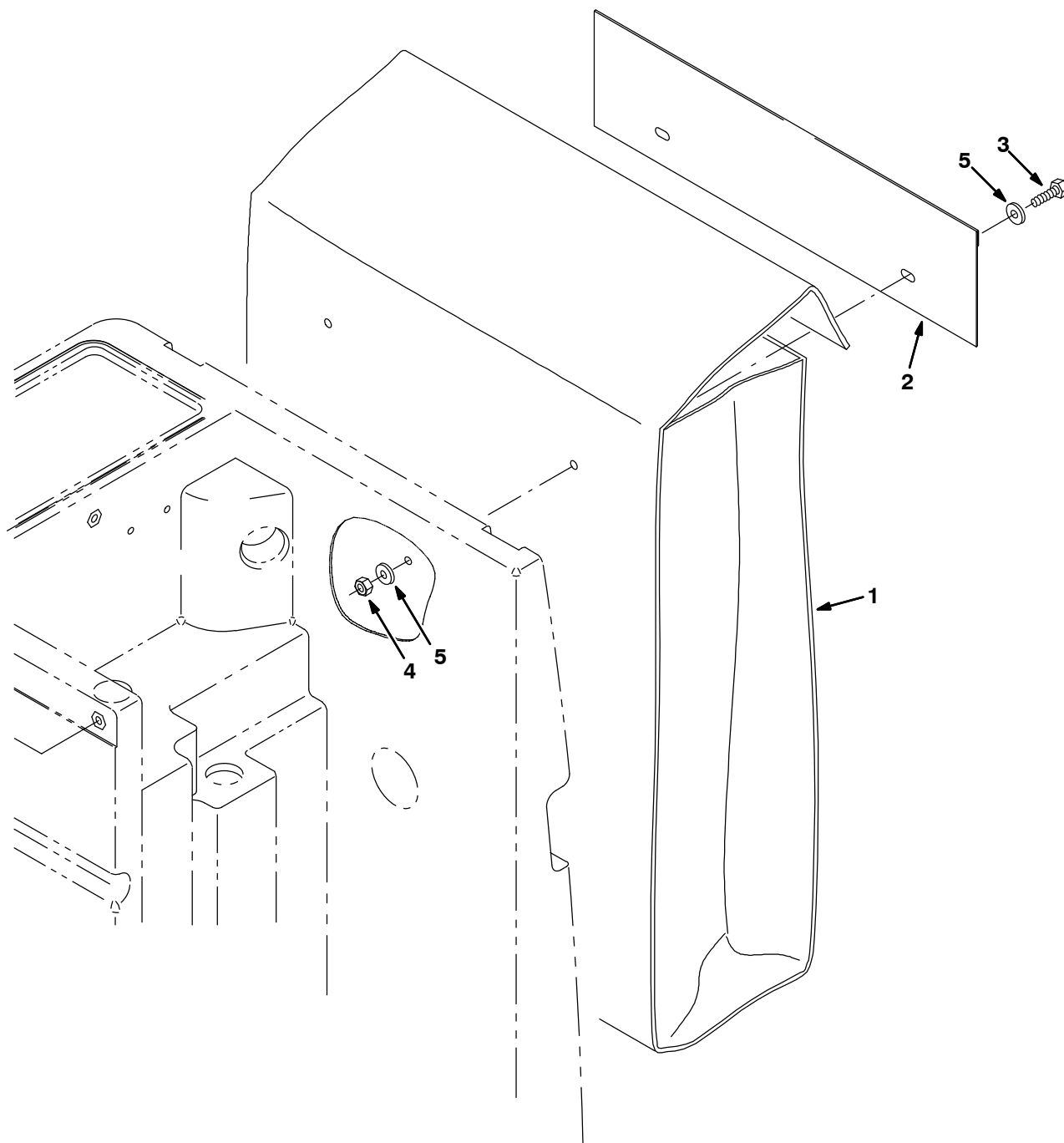
353491

| Ref. | Tennant Part No. | Description                          | Qty. |
|------|------------------|--------------------------------------|------|
| ▽    | 397675           | Kit, Ci, Drain, Soltn, Pos Cntrl, Es | 1    |
| ▲▽   | 1 25783          | Valve Assy, Drain, Pos Cntrl, W/ Cap | 2    |
| ▲▲   | 23456            | Cap, Tank, Drain, 6.17 Thread Pye    | 1    |
| ▲▲   | 375014           | Kit, Handle, Valve                   | 1    |
| ▲▲   | 2 375208         | Gasket, Lid, Posi Drain              | 1    |
| ▲▲   | 3 20932          | Washer, Polye                        | 1    |
| ▲    | 4 48734          | Fitting, Coupler, Hose, Shank, Fem   | 1    |
| ▲    | 5 75635          | Hose Assy, Pvc, W/ Cuff, 1.5d, 10.0l | 1    |

▽ ASSEMBLY

▲ INCLUDED IN ASSEMBLY

Fig. 67 – Storage Bag Kit



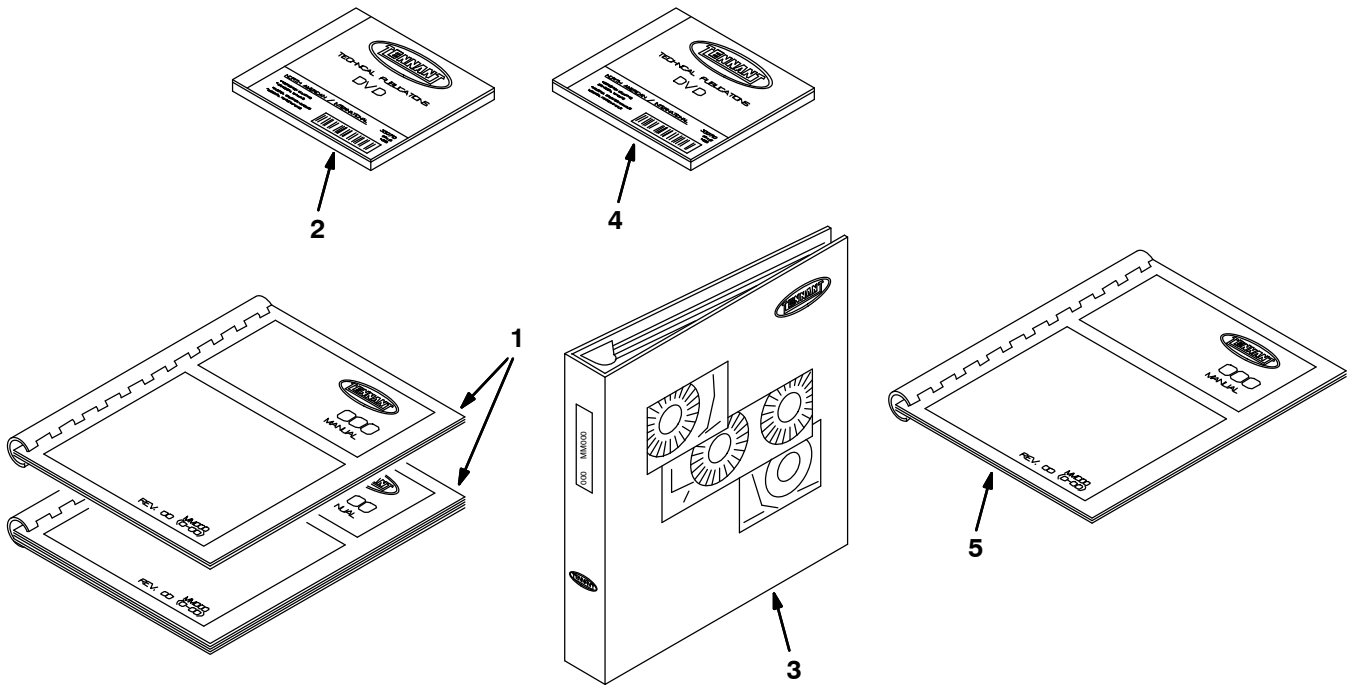
353495

| Ref. | Tennant Part No. | Description                        | Qty. |
|------|------------------|------------------------------------|------|
| ▽    | 391193           | Kit, Ci, Bag Only                  | 1    |
| ▲    | 1 391258         | Bag, Power Wand                    | 1    |
| ▲    | 2 391342         | Strip, Mtg, Bag                    | 1    |
| ▲    | 3 09011          | Screw, Hex, M08 X 1.25 X 30, Ss    | 2    |
| ▲    | 4 08713          | Nut, Hex, Lock, M08 X 1.25, NI, Ss | 2    |
| ▲    | 5 01685          | Washer, Flt, .31 Ss                | 4    |

▽ ASSEMBLY

▲ INCLUDED IN ASSEMBLY

**Fig. 68 – Documentation Group**



07501 – NA

| Ref. | Tennant Part No. | Description                          | Qty. |
|------|------------------|--------------------------------------|------|
| 1    | 330690           | Manual Pkg, [7100 Ele En Na]         | 1    |
| 1    | 330694           | Manual Pkg, [7100 Ele Jp]            | 1    |
| 2    | 9004761          | Manual, Dvd, Oprtr / Parts [All, Na] | 1    |
| 3    | 330695           | Manual, Service, [7100 Ele Na]       | 1    |
| 4    | 1041883          | Video, Oprtr, Training, Dvd [7100]   | 1    |
| 5    | 330692           | Manual, Oprtr, [7100 Ele Es Na]      | 1    |
| 5    | 330693           | Manual, Oprtr, [7100 Ele Fr Na]      | 1    |

# SECTION 4

| Contents  | Page |
|---|------|
| Fig. 1 – Electric Motor Breakdown, 391296 . . . . .                                   | 3-2  |
| Fig. 2 – Electric Motor Breakdown, 223358 . . . . .                                   | 3-4  |
| Fig. 3 – Electric Motor Breakdown, 222753 . . . . .                                   | 3-5  |
| Fig. 4 – Electric Motor Breakdown, 375175 . . . . .                                   | 3-6  |
| Fig. 5 – Electric Motor Breakdown, 1038426 . . . . .                                  | 3-7  |
| Fig. 6 – FaST Injector Assembly Breakdown<br>(S/N 10404792– ) . . . . .               | 3-8  |
| Fig. 7 – Battery Charger Breakdown, 50 Hz<br>(305 Ah batteries), 222691 . . . . .     | 3-9  |
| Fig. 8 – Front Wheel Gearbox Breakdown,<br>390850 (S/N 00000000–10046633) . . . . .   | 3-10 |
| Fig. 9 – Front Wheel Gearbox Breakdown,<br>390851 (S/N 10046634–10160409) . . . . .   | 3-11 |
| Fig. 10 – Front Wheel Gearbox Breakdown,<br>1007541 (S/N 10160410–10262871) . . . . . | 3-12 |
| Fig. 11 – Front Wheel Gearbox Breakdown,<br>374346 . . . . .                          | 3-13 |
| Fig. 12 – <i>ec-H2O</i> Module Assembly Breakdown,<br>9007970 . . . . .               | 3-14 |

Fig. 1 - Electric Motor Breakdown, 391296

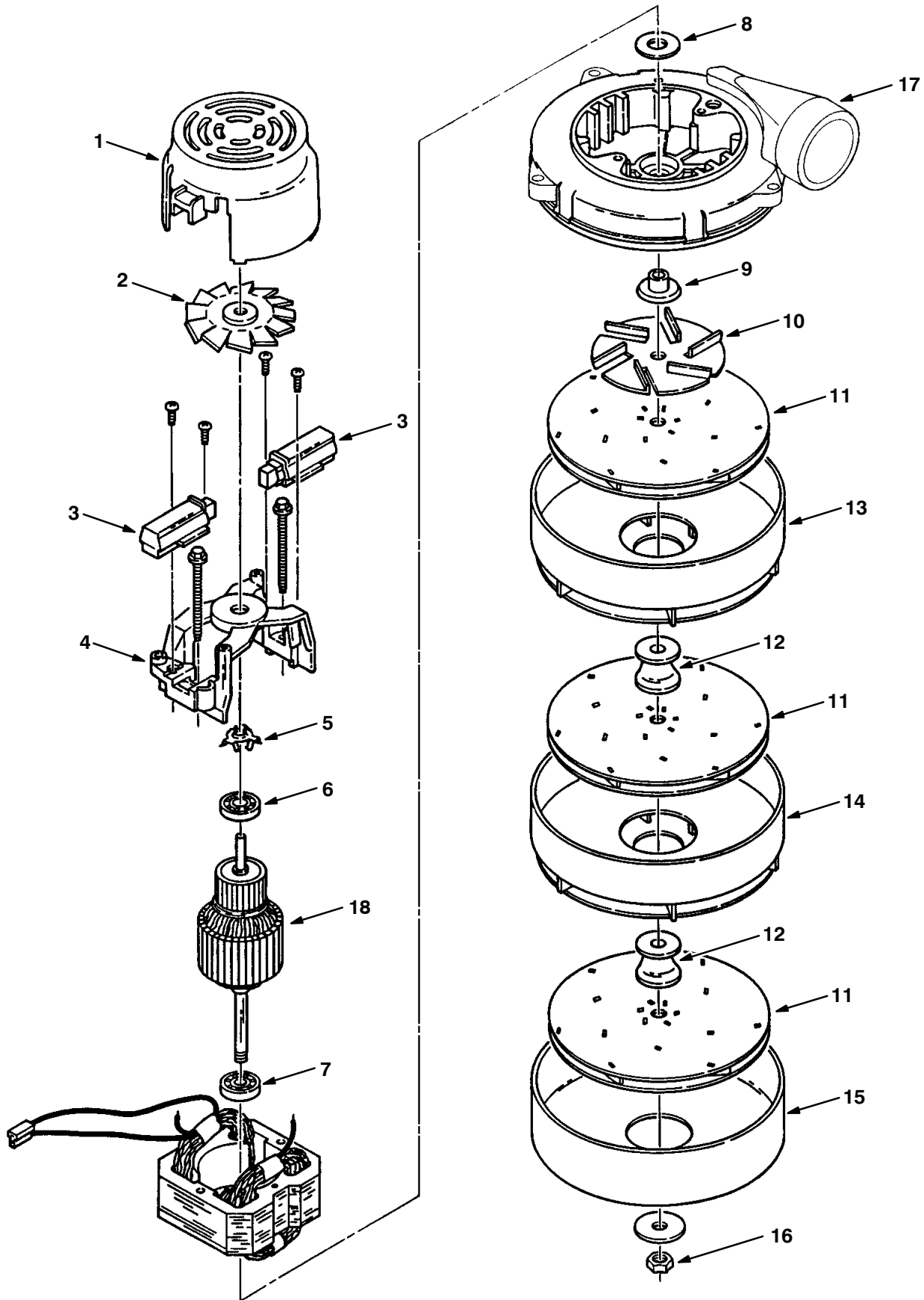




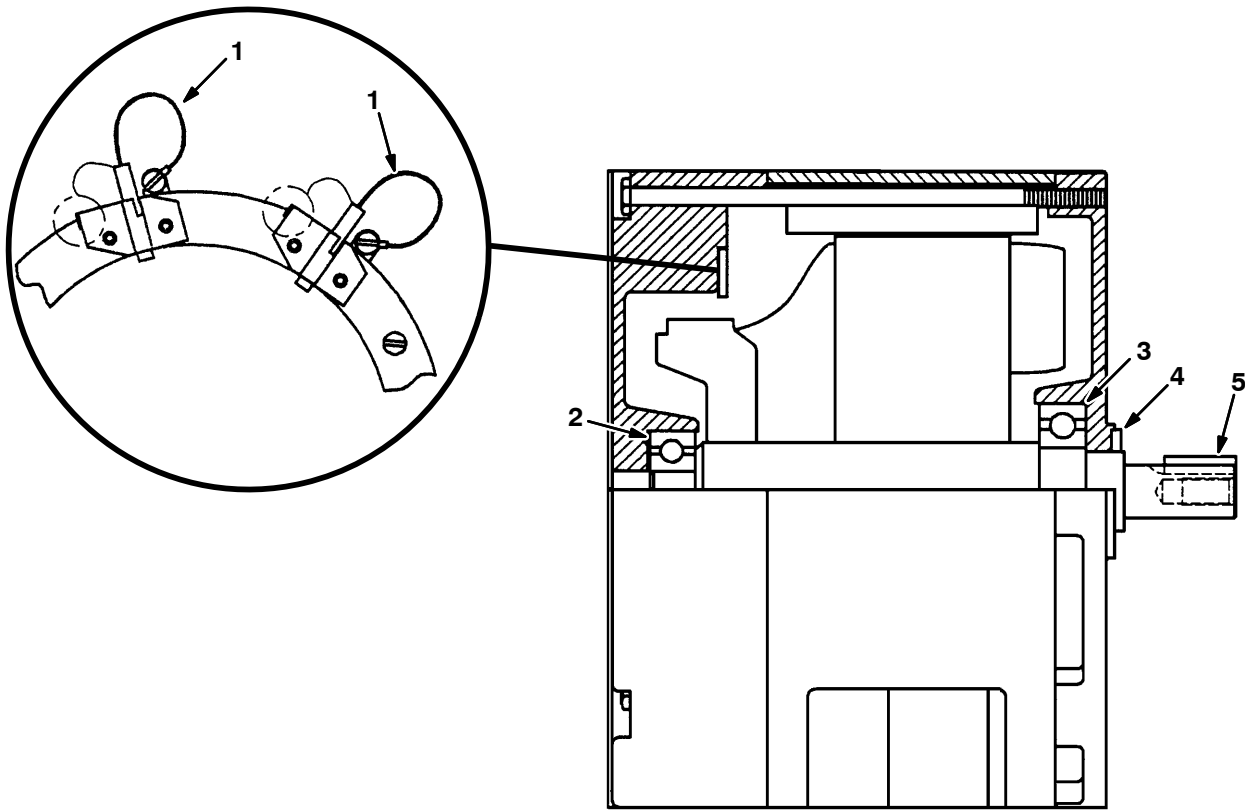
Fig. 1 – Electric Motor Breakdown, 391296

|   | Ref. | Tennant<br>Part No. | Description                     | Qty. |
|---|------|---------------------|---------------------------------|------|
| ▽ |      | 391296              | Fan, Vacuum, 5.7d, 036vdc       | 1    |
| ▲ | 1    | 398511              | Housing                         | 1    |
| ▲ | 2    | 398512              | Fan                             | 1    |
| ▲ | 3    | 398513              | Brush Mechanism                 | 2    |
| ▲ | 4    | 398514              | Comm. Bracket                   | 1    |
| ▲ | 5    | 01856               | Spring                          | 1    |
| ▲ | 6    | 398515              | Bearing                         | 1    |
| ▲ | 7    | 01837               | Bearing                         | 1    |
| ▲ | 8    | 37912               | Washer, Neo.                    | 1    |
| ▲ | 9    | 398516              | Spacer                          | 1    |
| ▲ | 10   | 01971               | Fan                             | 1    |
| ▲ | 11   | 18628               | Vacuum Fan                      | 3    |
| ▲ | 12   | 398517              | Spacer                          | 2    |
| ▲ | 13   | 61300               | Stationary Fan                  | 1    |
| ▲ | 14   | 61297               | Stationary Fan                  | 1    |
| ▲ | 15   | 398518              | Shell                           | 1    |
| ▲ | 16   | 37929               | Nut                             | 1    |
| ▲ | 17   | 60386               | Bracket, Fan End                | 1    |
| ▲ | 18   | 398519              | Armature                        | 1    |
| ▲ |      | 391343              | Seal, Rbr, Fan, 5.6d 2.0b 1.37l | 1    |
| ▲ |      | 10925               | Connector, 2 Conductor          | 1    |
| ▲ |      | 10926               | Terminal, Female                | 2    |
| ▲ |      | 391350              | Screen, Fan Inlet               | 1    |

▽ ASSEMBLY

▲ INCLUDED IN ASSEMBLY

**Fig. 2 – Electric Motor Breakdown, 223358**



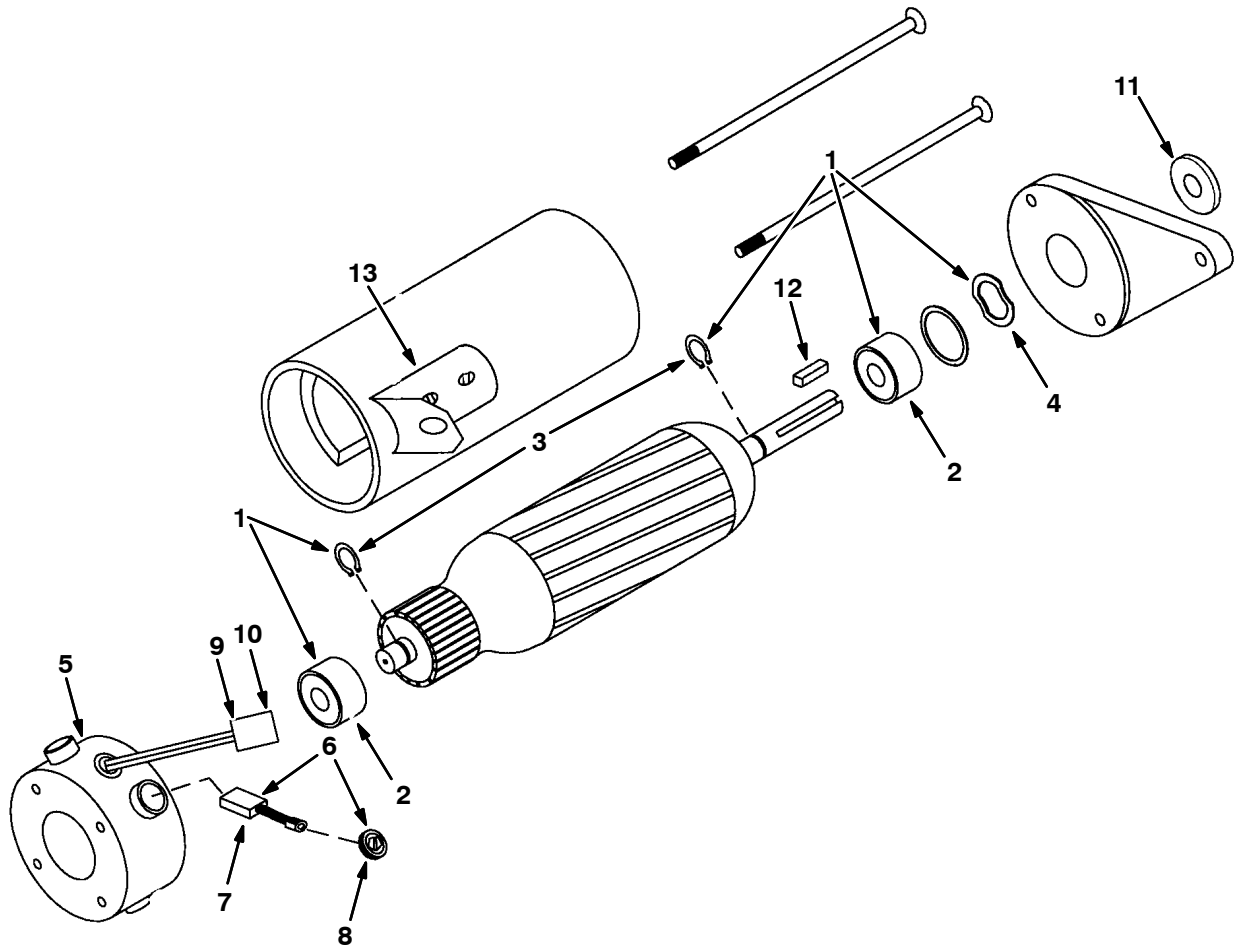
350783

| Ref. | Tennant Part No. | Description                      | Qty.                          |   |
|------|------------------|----------------------------------|-------------------------------|---|
| ▽    | 223358           | Motor, Ele, 36Vdc, 0.8Hp, 320Rpm | 1                             |   |
| ▲    | 1                | 222606                           | Brush Kit,                    | 1 |
| ▲    | 2                | 222618                           | Bearing                       | 1 |
| ▲    | 3                | 223351                           | Bearing Be                    | 1 |
| ▲    | 4                | 223352                           | Oil Seal                      | 1 |
| ▲    | 5                | 00928                            | Key Square 0.25 0.25 01.00 Lg | 1 |
| ▲    |                  | 10925                            | Connector, 2 Conductor        | 1 |
| ▲    |                  | 24537                            | Terminal Female Metri-Pack    | 2 |

▽ ASSEMBLY

▲ INCLUDED IN ASSEMBLY

**Fig. 3 – Electric Motor Breakdown, 222753**



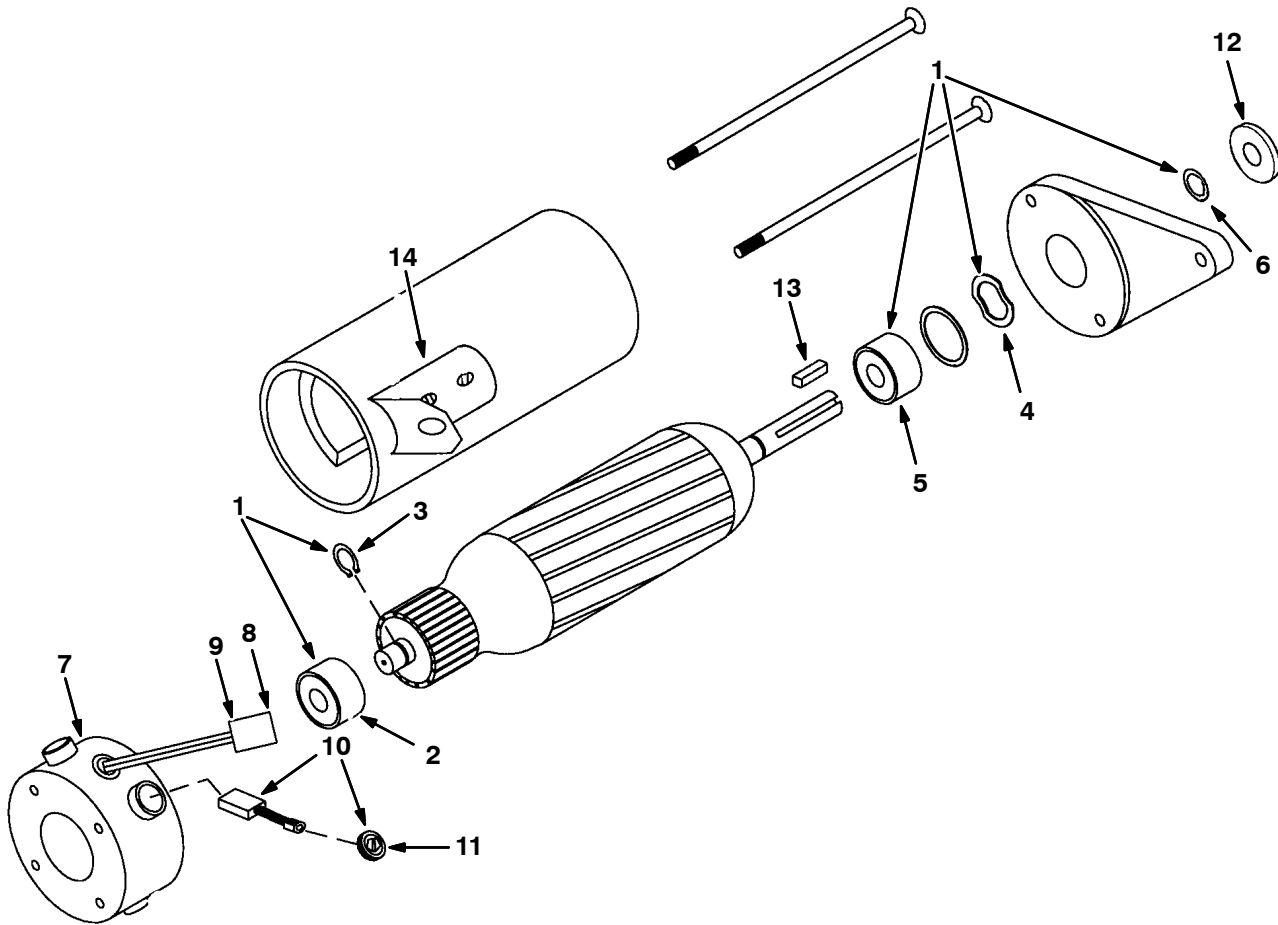
10301

| Ref. | Tennant Part No. | Description                     | Qty. |
|------|------------------|---------------------------------|------|
| ▽    | 222753           | Motor, .75 Hp, 36V, 1700Rpm     | 1    |
| ▲▽   | 1 222623         | Bearing Kit                     | 1    |
| ▲▲   | 2 222635         | Bearing                         | 2    |
| ▲▲   | 3 222637         | Snap Ring                       | 2    |
| ▲▲   | 4 222638         | Wavy Washer                     | 1    |
| ▲▽   | 5 374004         | End Ass'y, Brush                | 1    |
| ▲▲   | 6 222625         | Brush Kit                       | 1    |
| ▲▲   | 7 222627         | Brush&Spring Assy               | 4    |
| ▲▲   | 8 222629         | Brush Holder Cap                | 4    |
| ▲    | 9 10925          | Connector, 2 Conductor          | 1    |
| ▲    | 10 24537         | Terminal, Female                | 2    |
| ▲    | 11 20536-2       | Washer, .467B 1.19D .03Nylon    | 1    |
| ▲    | 12 00954         | Key, Square 0.12 0.12 0 1.00 Lg | 1    |
| ▲    | 13 222877        | Brace Kit                       | 1    |

▽ ASSEMBLY

▲ INCLUDED IN ASSEMBLY

**Fig. 4 – Electric Motor Breakdown, 375175**

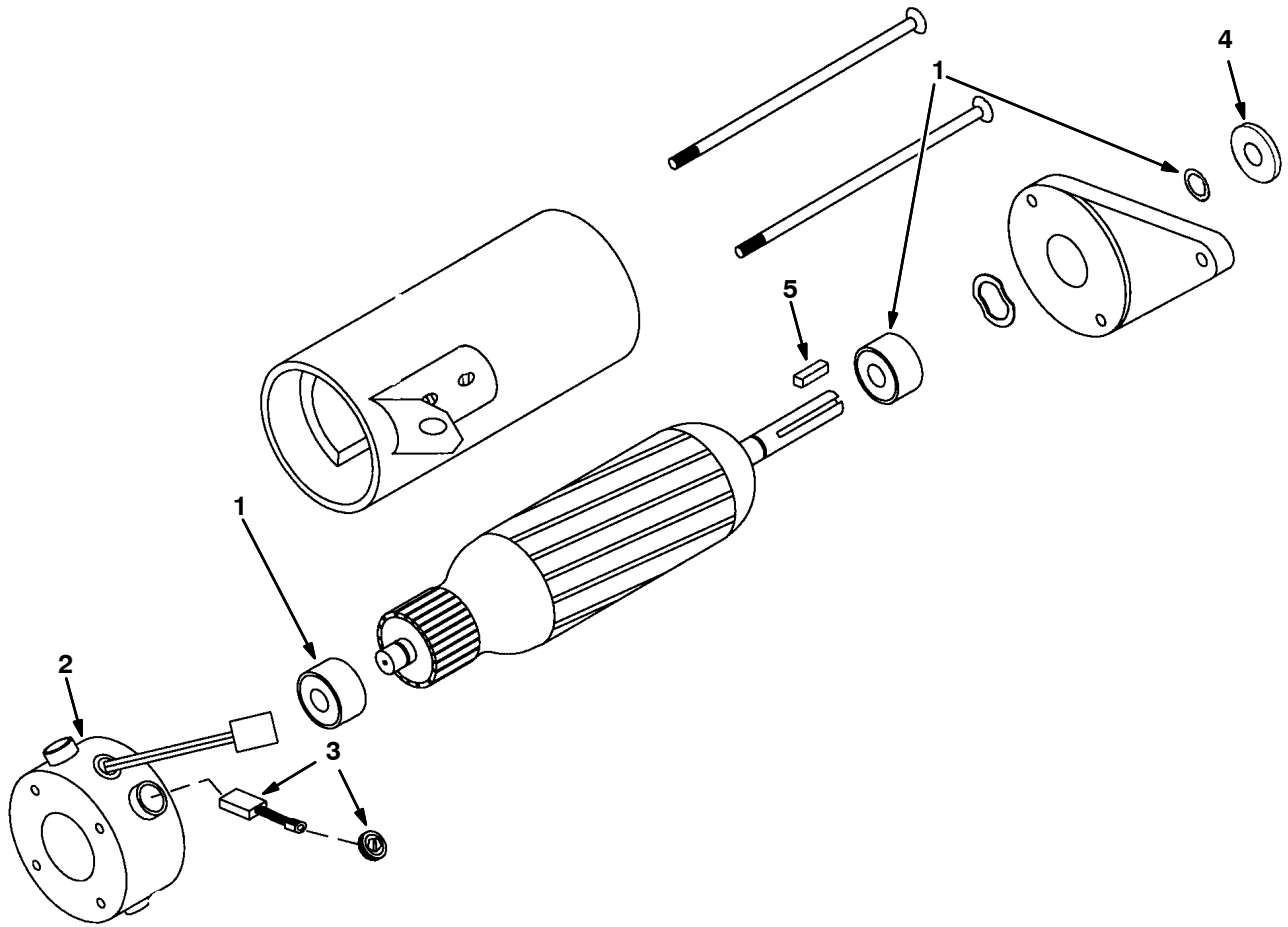


| Ref. | Tennant Part No. | Description                      | Qty. |
|------|------------------|----------------------------------|------|
| ▽    | 375175           | Motor, Ele, 36Vdc 1700Rpm 0.75Hp | 1    |
| ▲▽   | 1 375176         | Kit, Motor Bearing               | 1    |
| ▲▲   | 2 222635         | Bearing                          | 1    |
| ▲▲   | 3 222637         | Ring, Snap                       | 1    |
| ▲▲   | 4 375177         | Washer, Spring                   | 1    |
| ▲▲   | 5 375178         | Bearing, Drive End               | 1    |
| ▲▲   | 6 375179         | Seal                             | 1    |
| ▲▽   | 7 374004         | Endbell, Brush End, Motor-Ele    | 1    |
| ▲▲   | 8 10925          | Connector, 2-Conductor           | 1    |
| ▲▲   | 9 24537          | Terminal, Female                 | 2    |
| ▲▽   | 10 222625        | Kit, Brush                       | 1    |
| ▲▲   | 11 222629        | Cap, Brush Holder                | 4    |
| ▲    | 12 20536-2       | Washer, 0.47b 1.19d .03, Nyl     | 1    |
| ▲    | 13 00954         | Key, Sq, 0.12 X 0.12, 01.00l     | 1    |
| ▲    | 14 222877        | Kit, Brace                       | 1    |

▽ ASSEMBLY

▲ INCLUDED IN ASSEMBLY

**Fig. 5 – Electric Motor Breakdown, 1038426**



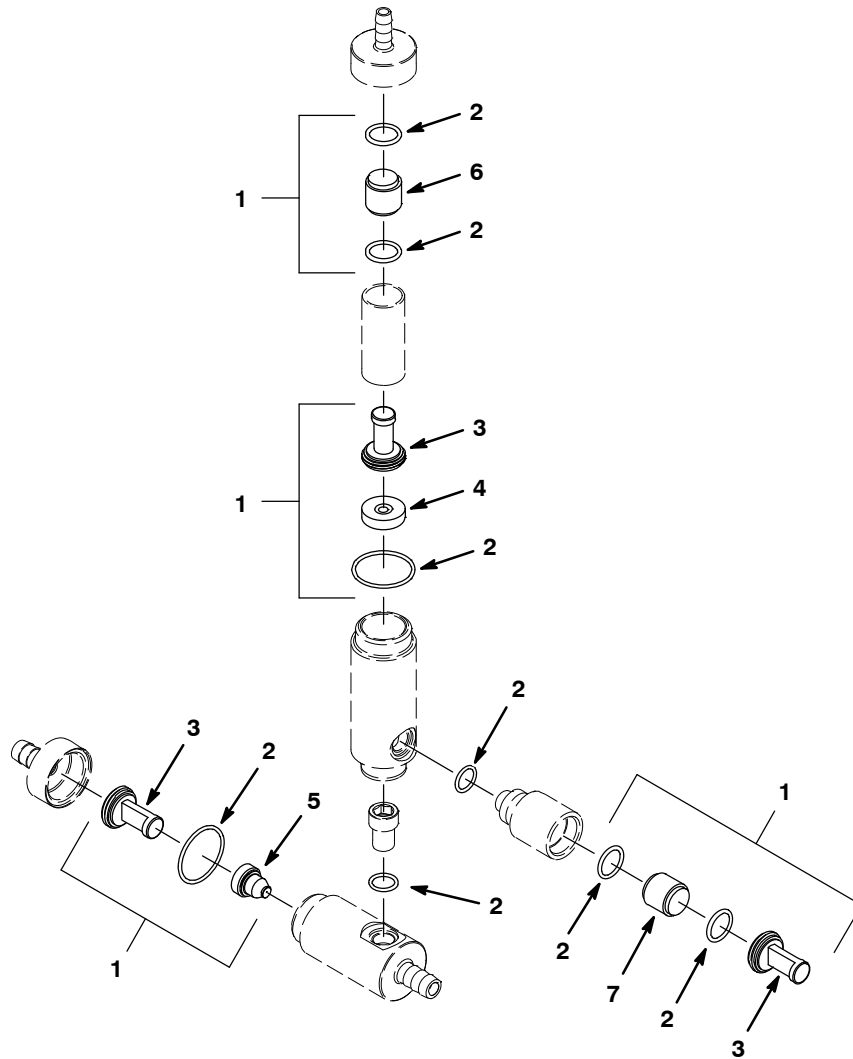
|   | <b>Ref.</b> | <b>Tennant Part No.</b> | <b>Description</b>               | <b>Qty.</b> |
|---|-------------|-------------------------|----------------------------------|-------------|
| ▽ |             | 1038426                 | Motor, Ele, 36vdc 1700rpm 0.75hp | 1           |
| ▲ | 1           | 1039816                 | Vr, Bearing Kit, Motor, Ele      | 1           |
| ▲ | 2           | 1039818                 | Vr, Cap Assy, Brush, Ele Motor   | 1           |
| ▲ | 3           | 1039817                 | Vr, Brush Kit, Motor, Ele        | 1           |
| ▲ | 4           | 20536-2                 | Washer, 0.47b 1.19d .03, Nyl     | 1           |
| ▲ | 5           | 00954                   | Key, Sq, 0.12 X 0.12, 01.00l     | 1           |

▽ ASSEMBLY

▲ INCLUDED IN ASSEMBLY

# BREAKDOWNS

Fig. 6 – FaST Injector Assembly Breakdown, 9006003 (S/N 10404792– )



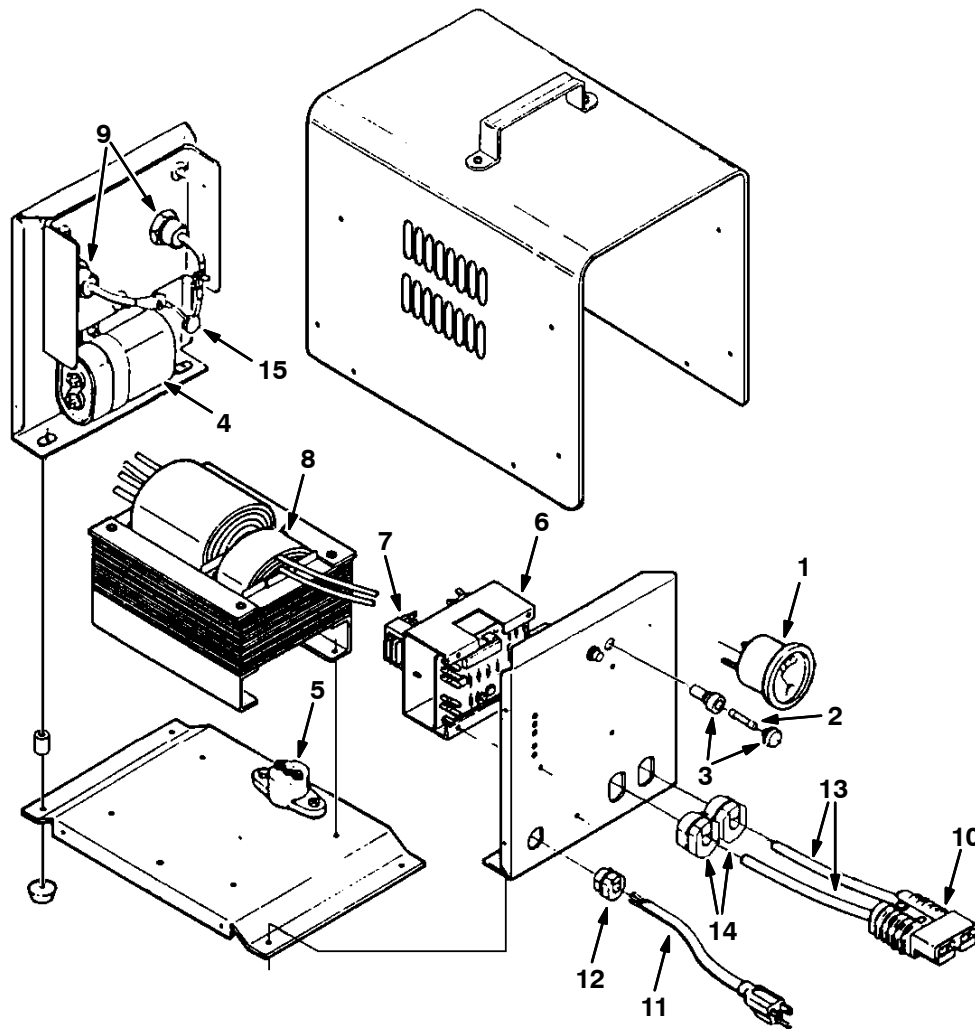
| Ref. | Tennant Part No. | Description   | Qty. |
|------|------------------|---|------|
| ▽    | 9006003          | [1] Fast Kit, Ci[Inj Reblid, 7100/7080/Ezhp] [Fast II+] | 1    |
| ▲    | 1                | [1] Fast Kit, Ci[Inj Reblid, 7100/7080/Ezhp] [Fast II+] | 1    |
| ▲    | 2                | [1] Fast Kit, Ci, Injector Seals [Fast II+]             | 1    |
| ▲    | 3                | [1] Fast Kit, Ci, Injector Filters [Fast II+]           | 1    |
| ▲    | 4                | [1] Plate Assy, Orifice, 0.0075id, Blu                  | 1    |
| ▲    | 5                | [1] Plug, Orifice, 0.041, Ss [Fast II+]                 | 1    |
| ▲    | 6                | [1] Valve, Check, 0002psi [Fast II+]                    | 1    |
| ▲    | 7                | [1] Valve, Check, 0005psi [Fast II+]                    | 1    |

▽ ASSEMBLY

▲ INCLUDED IN ASSEMBLY

[1] Serial number (10404792– )

**Fig. 7 – Battery Charger Breakdown, 50 Hz (305 Ah batteries), 222691**



10263

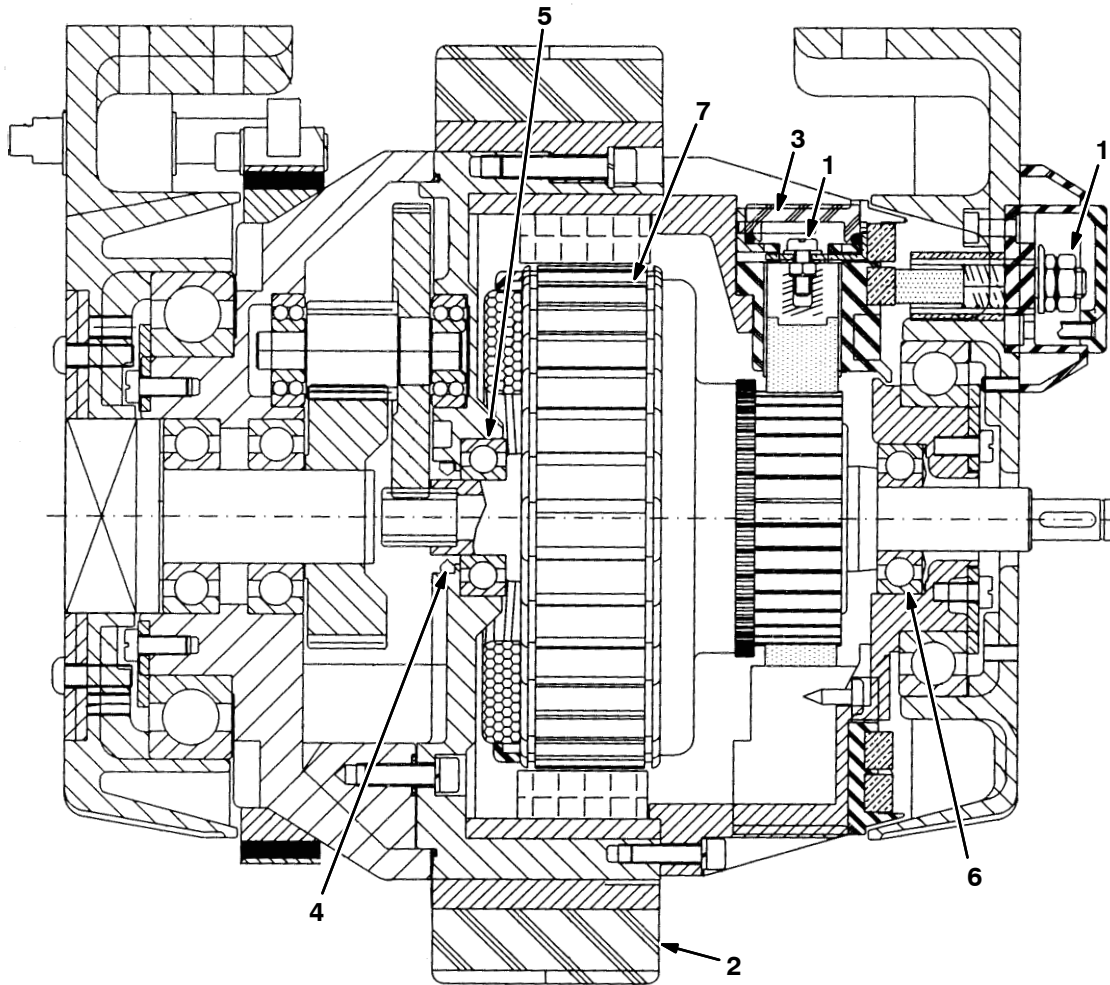
| Ref. | Tennant Part No. | Description                              | Qty. |
|------|------------------|--|------|
| ▽    | 222691           | Charger, 36V/30A 50H/1Ph 245V            | 1    |
| ▲    | 1 38889          | Ammeter                                  | 1    |
| ▲    | 2 65614          | Fuse, A.C. 15 Amp                        | 1    |
| ▲    | 3 30058          | Holder, Fuse Ac                          | 1    |
| ▲    | 4 65726          | Capasitor 15Mfd                          | 1    |
| ▲    | 5 65619          | Circuit Breaker                          | 1    |
| ▲    | 6 65620          | Control Assy                             | 1    |
| ▲    | 7 65959          | Control Transformer                      | 1    |
| ▲    | 8 65727          | Power Transformer                        | 1    |
| ▲    | 9 65616          | Diode                                    | 2    |
| ▲    | 10 130155        | Connector, Battery, 6Ga 50A, Gray[2Cont] | 1    |
| ▲    | 11 21770         | A.C.Cordset W/Plug                       | 1    |
| ▲    | 12 21775         | A.C.Strain Relief                        | 1    |
| ▲    | 13 21773         | D.C.Cordset W/Plug                       | 1    |
| ▲    | 14 21776         | D.C.Strain Relief                        | 2    |
| ▲    | 15 65630         | Varistor                                 | 1    |

▽ ASSEMBLY

▲ INCLUDED IN ASSEMBLY

# BREAKDOWNS

Fig. 8 – Front Wheel Gearbox Breakdown, 390850 (S/N 00000000–10046633)



| Ref. | Tennant Part No. | Description                      | Qty. |
|------|------------------|----------------------------------|------|
| ▽    | 390850           | Gearbox, Wheel, Front, 300mm     | 1    |
| ▲    | 1 391261         | Kit, Brush, Motor                | 1    |
| ▲    | 2 391260         | Tire, Pyu, 300mm                 | 1    |
| ▲    | 3 391262         | Kit, Brush, Cover                | 1    |
| ▲    | 4 391263         | Seal, Ring                       | 1    |
| ▲    | 5 391264         | Bearing, Gearbox Side            | 1    |
| ▲    | 6 391265         | Bearing, Motor Side              | 1    |
| ▲    | 7 391267         | Armature, Assy, 300mm            | 1    |
| ▲    | 391271           | Caliper, Brake                   | 1    |
| ▲    | 391274           | ② Rotor, Brake, (14mm Shaft Dia) | 1    |
| ▲    | 391270           | ① Rotor, Brake, (11mm Shaft Dia) | 1    |

① Serial number (000000–xxxxxx)

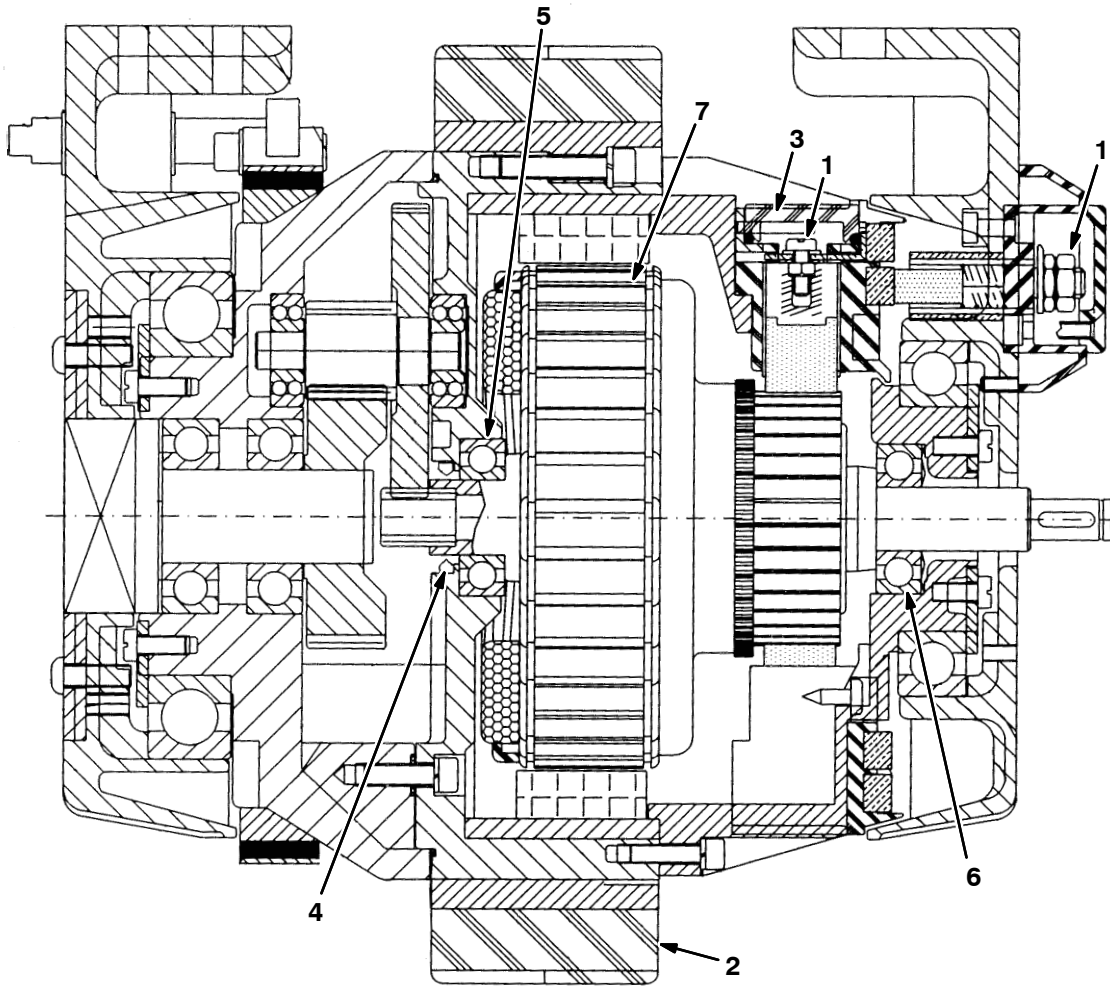
② Serial number (xxxxxx– )

▽ ASSEMBLY

▲ INCLUDED IN ASSEMBLY



**Fig. 9 – Front Wheel Gearbox Breakdown, 390851 (S/N 10046634–10160409)**



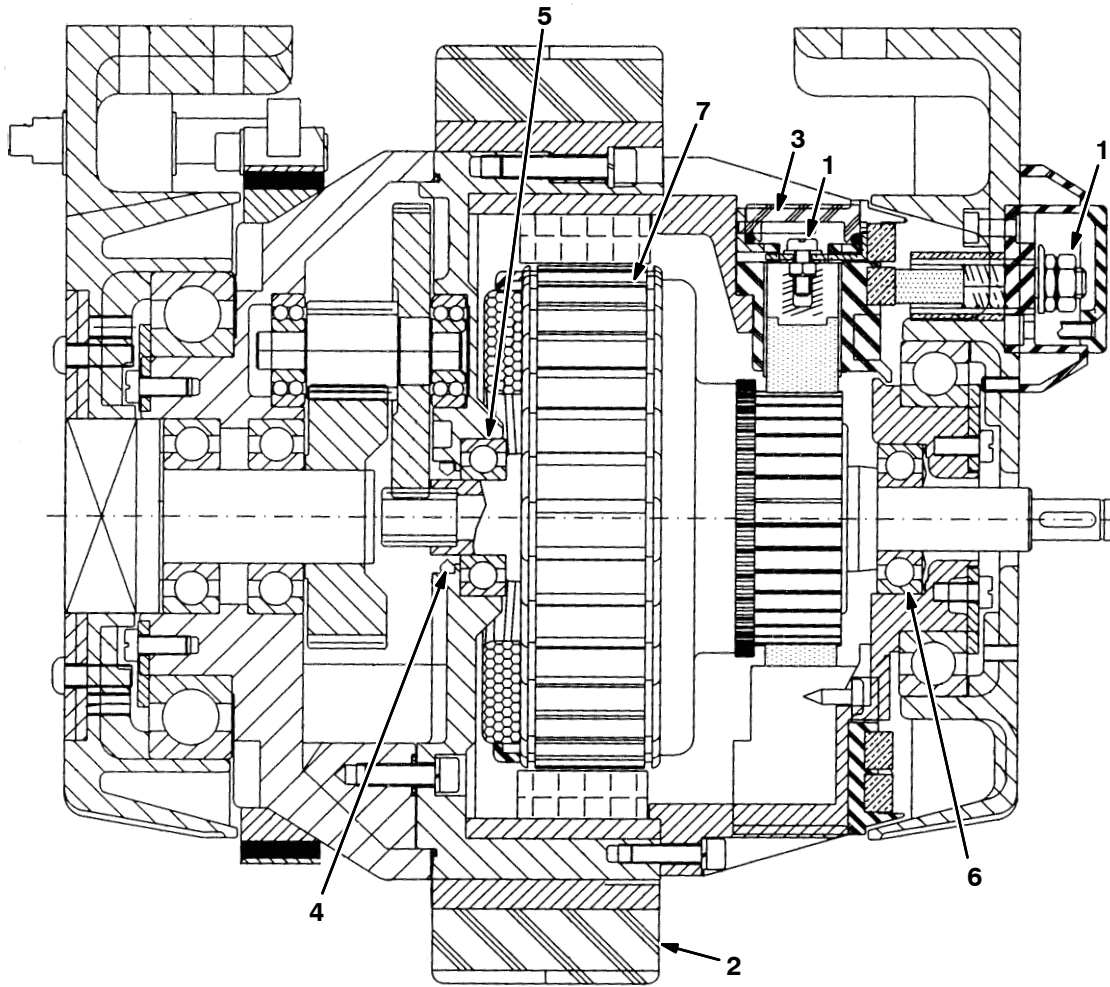
| Ref. | Tennant Part No. | Description                    | Qty. |
|------|------------------|--------------------------------|------|
| ▽    | 390851           | Gearbox, Wheel, Front, 250mm   | 1    |
| ▲    | 1 391261         | Kit, Brush, Motor              | 1    |
| ▲    | 2 391259         | Tire, Pyu, 250mm               | 1    |
| ▲    | 3 391262         | Kit, Brush, Cover              | 1    |
| ▲    | 4 391263         | Seal, Ring                     | 1    |
| ▲    | 5 391264         | Bearing, Gearbox Side          | 1    |
| ▲    | 6 391265         | Bearing, Motor Side            | 1    |
| ▲    | 7 391266         | Armature, Assy, 250mm          | 1    |
| ▲    | 391271           | Caliper, Brake                 | 1    |
| ▲    | 391274           | Rotor, Brake, (14mm Shaft Dia) | 1    |

▽ ASSEMBLY

▲ INCLUDED IN ASSEMBLY

# BREAKDOWNS

Fig. 10 – Front Wheel Gearbox Breakdown, 1007541 (S/N 10160410–10262871)

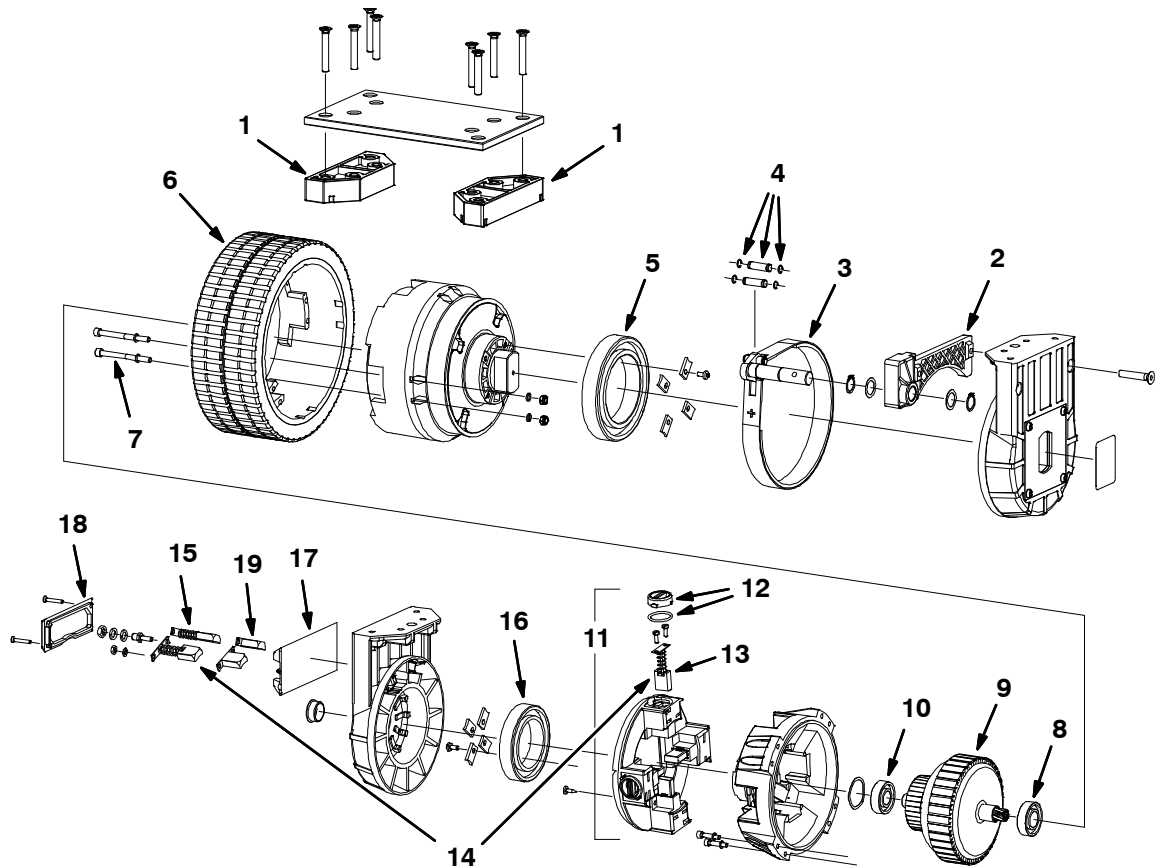


| Ref. | Tennant Part No. | Description                             | Qty. |
|------|------------------|---|------|
| ▽    | 1007541          | Gearbox, Wheel, 250mm, 36vdc Band Brake | 1    |
| ▲    | 1                | Kit, Brush, Motor                       | 1    |
| ▲    | 2                | Tire, Solid, 250mmx90mm Grey Pyu        | 1    |
| ▲    | 3                | Kit, Brush, Cover                       | 1    |
| ▲    | 4                | Seal, Ring                              | 1    |
| ▲    | 5                | Bearing, Gearbox Side                   | 1    |
| ▲    | 6                | Bearing, Motor Side                     | 1    |
| ▲    | 7                | Armature, Assy, 250mm                   | 1    |
| ▲    | 391465           | Brake, Band [Amer]                      | 1    |

▽ ASSEMBLY

▲ INCLUDED IN ASSEMBLY

Fig. 11 – Front Wheel Gearbox Breakdown, 374346



| Ref. | Tennant Part No. | Description                             | Qty. |
|------|------------------|---|------|
| ▽    | 374346           | Gearbox, Wheel, 250mm, 36vdc Band Brake | 1    |
| ▲    | 1 1029223        | Spacer, Aluminum                        | 2    |
| ▲    | 2 1029220        | Bracket, Brake, Complete                | 1    |
| ▲▽   | 3 391465         | Brake, Band [Amer]                      | 1    |
| ▲    | 4 1030477        | Pin Kit, Retainer, Snap Rings           | 1    |
| ▲    | 5 372874         | Bearing, Steering                       | 1    |
| ▲    | 6 391259         | Tire, Solid, 250mmx90mm Red             | 1    |
| ▲    | 7 1029218        | Screw, Wheel Mount                      | 8    |
| ▲    | 8 391264         | Bearing, Gearbox Side [Amer]            | 1    |
| ▲    | 9 1029217        | Armature, Motor, 250mm                  | 1    |
| ▲    | 10 391265        | Bearing, Motor Side                     | 1    |
| ▲▽   | 11 1029228       | Vr, Ring, Brushholder                   | 1    |
| ▲▲   | 12 391262        | Vr, Brush Kit, Cover [Amer]             | 4    |
| ▲▲   | 13 1029225       | Vr, Brush Kit, Carbon                   | 1    |
| ▲    | 13 1029224       | Vr, Brush, Carbon                       | 4    |
| ▲▽   | 14 391261        | Vr, Brush Kit, Motor [Amer, 1pick=1kit] | 1    |
| ▲▲   | 13 1029225       | Vr, Brush Kit, Carbon                   | 1    |
| ▲    | 13 1029224       | Vr, Brush, Carbon                       | 4    |
| ▲▲   | 15 1029226       | Vr, Brush Kit, Carbon                   | 1    |
| ▲    | 15 398492        | Brush, Carbon, Motor, Ele [Amer]        | 2    |
| ▲    | 16 1029227       | Bearing, Ball, Brush Side               | 1    |
| ▲    | 17 391467        | Box, Elec, Connection                   | 1    |
| ▲    | 18 391468        | Cover, Elec, Connection                 | 1    |
| ▲    | 19 372877        | Guide, Brushholder, Slip Ring [Amer]    | 2    |

▽ ASSEMBLY

▲ INCLUDED IN ASSEMBLY

**Fig. 12 – ec-H2O Module Assembly Breakdown, 9007970**

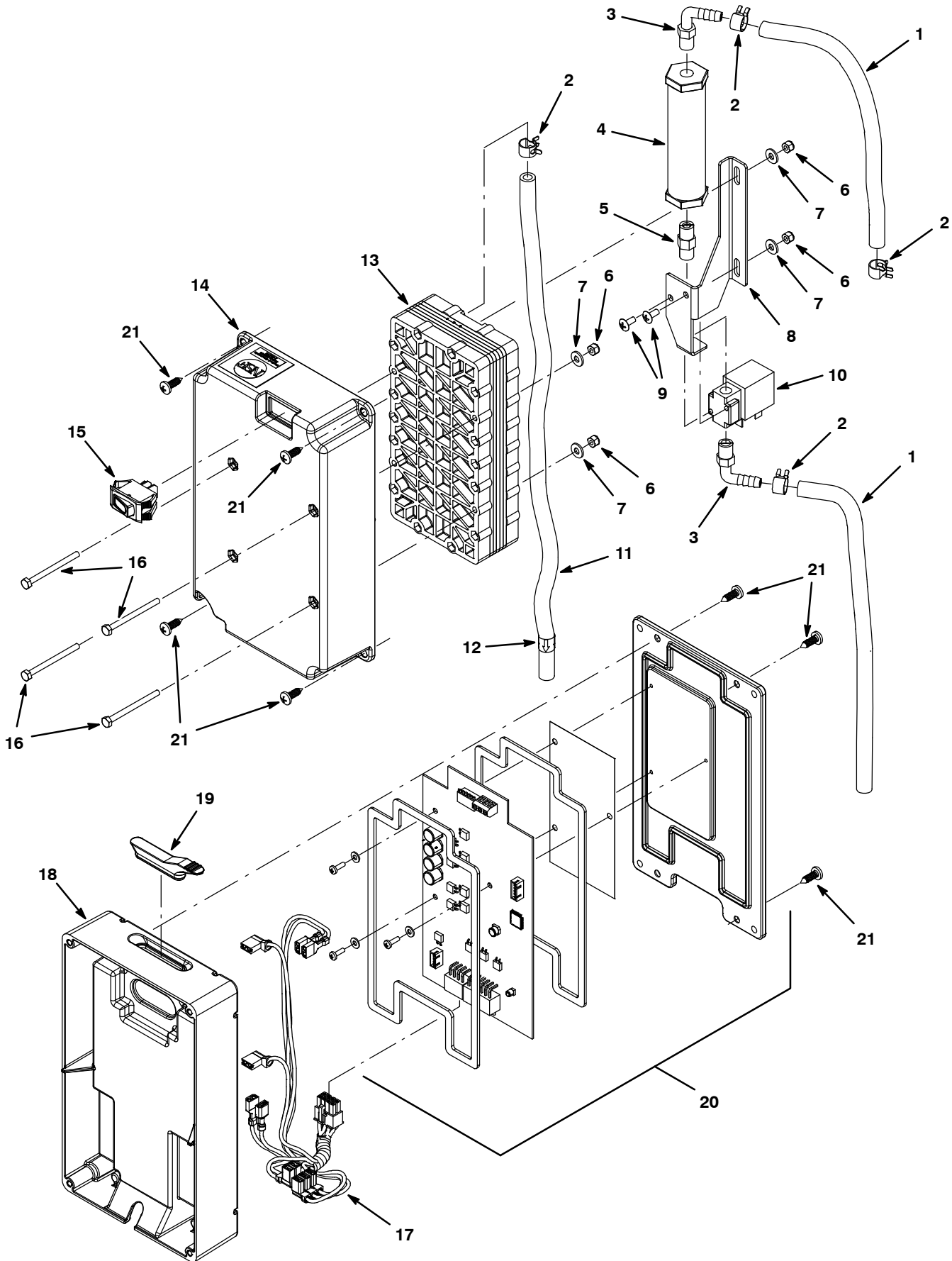


Fig. 12 – *ec-H2O* Module Assembly Breakdown, 9007970

| Ref. | Tennant Part No. | Description  | Qty. |
|------|------------------|--|------|
| ▽    | 9007970          | Module Kit, Replmt [Ec-H2o]                          | 1    |
| ▲▽   | 9006324          | Ec-H2o Kit [Module B, Plumbing]                      | 1    |
| ▲▲   | 1 578820000      | Hose, Pvc, Brd, 0.25id 0.44od 157.2l,Clr (578227000) | 1    |
| ▲▲   | 2 603654         | Clamp, Hose, Ear, .44d [Ctb]                         | 4    |
| ▲▲   | 3 1037595        | Fitting, Plstc, E90, Bm04/Pm02, Nyl                  | 2    |
| ▲▲   | 4 1062006        | Electrode, Cylindrical                               | 1    |
| ▲▲   | 5 1045030        | Fitting, Brs, Str, Pm02/Pm02                         | 1    |
| ▲▲   | 6 33932          | Nut, Hex, Lock, M4 X 0.70, NI, Ss                    | 4    |
| ▲▲   | 7 41579          | Washer, Flat, 08, Ss                                 | 4    |
| ▲▲   | 8 1048490        | Bracket, Valve                                       | 1    |
| ▲▲   | 9 140801         | Screw, Trs, Phl, 08-32 X 0.38, Ss                    | 2    |
| ▲▲   | 10 1013236       | Valve, Shutoff, Ele, 24vdc                           | 1    |
| ▲▲   | 11 9006574       | Hose, Pvc, Brd, 0.25id 0.45od, 65l, Clr (1046508)    | 1    |
| ▲▲   | 12 1049637       | Label, Direction [Ec-H2o]                            | 1    |
| ▲▲   | 13 1057637       | Electrode, 5 Plate, High Flow                        | 1    |
| ▲▲   | 14 1051519       | Housing, Upper, Module, High Flow                    | 1    |
| ▲▲   | 15 1044393       | Switch, Rocker, Spst, Mom                            | 1    |
| ▲▲   | 16 32509         | Screw, Hex, M4 X 0.70 X 50, Ss                       | 4    |
| ▲▲   | 17 1049489       | Harness, Main,Controlboard[Ec-H2o 5cell]             | 1    |
| ▲    | 18 1037032       | Housing, Bottom                                      | 1    |
| ▲    | 19 1054776       | Grommet, Blind                                       | 1    |
| ▲    | 20 9007969       | Controller Kit, Replmt [Ec-H2o]                      | 1    |
| ▲    | 21 1018155       | Screw, Pan, Phl, M5 X 0.80 X 16, Tcut,Ss             | 8    |

▽ ASSEMBLY

▲ INCLUDED IN ASSEMBLY