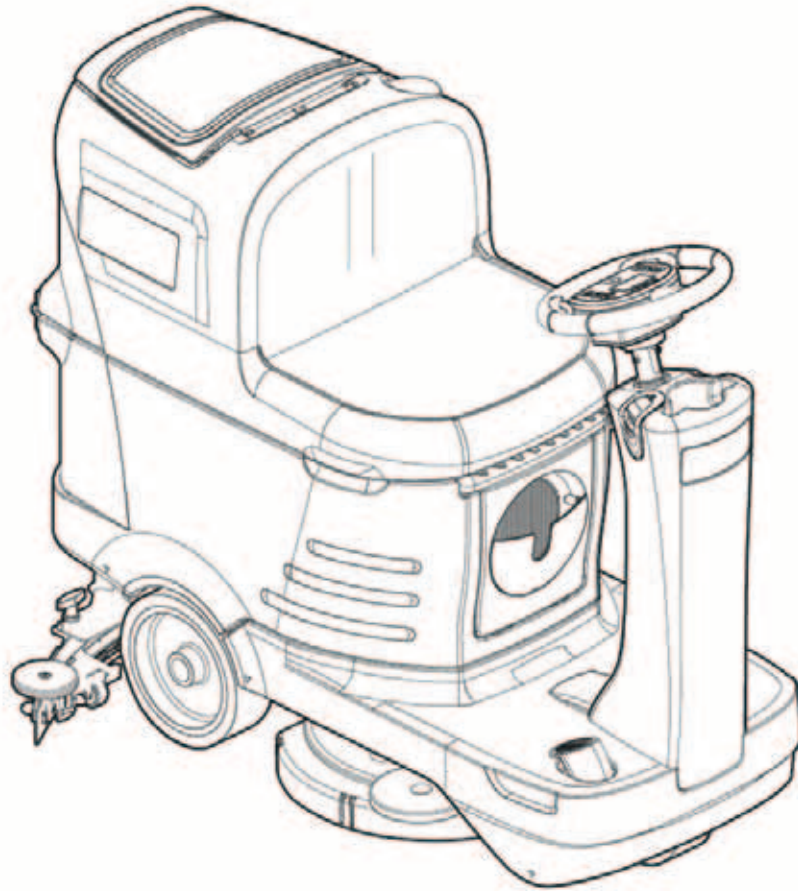


Clarke®

RA40



Instructions For Use - Original Instructions / Instrucciones de uso / Mode d'emploi
Model: 9087363020



READ THIS BOOK

LEA ESTE MANUAL



LISEZ CE MANUEL

EN English (1 - 26)

ES Español (27 - 52)

FR Français (53 - 78)

This book has important information for the use and safe operation of this machine. Failure to read this book prior to operating or attempting any service or maintenance procedure to your Clarke machine could result in injury to you or to other personnel; damage to the machine or to other property could occur as well. You must have training in the operation of this machine before using it. If your operator(s) cannot read this manual, have it explained fully before attempting to operate this machine.

All directions given in this book are as seen from the operator's position on the driver's seat.

TABLE OF CONTENTS

INTRODUCTION	2
MANUAL PURPOSE AND CONTENTS	2
TARGET	2
HOW TO KEEP THIS MANUAL	2
IDENTIFICATION DATA	2
OTHER REFERENCE MANUALS	2
SPARE PARTS AND MAINTENANCE	2
CHANGES AND IMPROVEMENTS	2
OPERATION CAPABILITIES	3
CONVENTIONS	3
UNPACKING/DELIVERY	3
SAFETY	3
VISIBLE SYMBOLS ON THE MACHINE	3
SYMBOLS THAT APPEAR ON THIS MANUAL	4
GENERAL INSTRUCTIONS	4
MACHINE DESCRIPTION	6
MACHINE STRUCTURE	6
CONTROL PANEL	8
ACCESSORIES/OPTIONS	9
TECHNICAL DATA	9
WIRING DIAGRAM	10
USE	11
BATTERY CHECK/SETTING ON A NEW MACHINE	11
BATTERY INSTALLATION	11
BEFORE MACHINE START-UP	12
MACHINE START AND STOP	14
MACHINE OPERATION (SCRUBBING/DRYING)	14
TANK EMPTYING	17
AFTER USING THE MACHINE	17
PUSHING/TOWING THE MACHINE	17
MACHINE LONG INACTIVITY	17
MAINTENANCE	18
SCHEDULED MAINTENANCE TABLE	18
BATTERY CHARGING	19
CHANGE OF OPERATING PARAMETERS	20
SQUEEGEE CLEANING	21
SQUEEGEE BLADE CHECK AND REPLACEMENT	21
CLEANING THE BRUSH	22
RECOVERY TANK CLEANING	22
SOLUTION FILTER CLEANING	23
CHEMICAL MIXING SYSTEM DRAINING	23
FUSE CHECK/REPLACEMENT	24
SAFETY FUNCTIONS	24
EMERGENCY PUSH-BUTTON	24
ANTI-SKID SAFETY SYSTEM	24
DRIVER'S SEAT MICROSWITCH	24
ELECTROMAGNETIC BRAKE	24
TROUBLESHOOTING	25
SCRAPPING	26
PARTS LIST	79

INTRODUCTION



NOTE

The numbers in brackets refer to the components shown in Machine Description chapter.

MANUAL PURPOSE AND CONTENTS

The purpose of this Manual is to provide the operator with all necessary information to use the machine properly, in a safe and autonomous way. It contains information about technical data, safety, operation, storage, maintenance, spare parts and disposal. Before performing any procedure on the machine, the operators and qualified technicians must read this Manual carefully. Contact Clarke in case of doubts concerning the interpretation of the instructions and for any further information.

TARGET

This Manual is intended for operators and technicians qualified to perform the machine maintenance.

The operators must not perform procedures reserved for qualified technicians. Clarke will not be answerable for damages coming from the non-observance of this prohibition.

HOW TO KEEP THIS MANUAL

The Instructions for Use Manual must be kept near the machine, inside an adequate case, away from liquids and other substances that can cause damage to it.

IDENTIFICATION DATA

The machine serial number and model name are marked on the plate (23).

Product number and year of production are marked on the same plate.

This information is useful when requiring machine spare parts. Use the following table to write down the machine identification data.

MACHINE model
PRODUCT code
MACHINE serial number

OTHER REFERENCE MANUALS

- Electronic battery charger Manual, to be considered as integral part of this Manual
- Spare Parts List (supplied with the machine)
- Service Manual (that can be consulted at Clarke Service Centers)

SPARE PARTS AND MAINTENANCE

All necessary operating, maintenance and repair procedures must be performed by qualified personnel or by Clarke Service Centers. Only original spare parts and accessories must be used.

Contact Clarke for service or to order spare parts and accessories, specifying the machine model, product code and serial number.

CHANGES AND IMPROVEMENTS

Clarke constantly improves its products and reserves the right to make changes and improvements at its discretion without being obliged to apply such benefits to the machines that were previously sold.

Any change and/or addition of accessories must be approved and performed by Clarke.

OPERATION CAPABILITIES

The RA40 scrubber-dryer is used to clean (scrubbing and drying) smooth and solid floors, in civil or industrial environment, under safe operation conditions by a qualified operator.

The scrubber-dryer cannot be used for fitted carpet and carpet cleaning.

CONVENTIONS

Forward, backward, front, rear, left or right are intended with reference to the operator's position, that is to say on the driver's seat (12).

UNPACKING/DELIVERY

To unpack the machine, carefully follow the instructions on the packing.

To move the machine manually, see the Pushing/Towing The Machine paragraph.

When the machine is delivered, check that the packing and the machine were not damaged during transportation.

In case of visible damages, keep the packing and have it checked by the carrier that delivered it. Call the carrier immediately to fill in a damage claim.

Please check that the following items have been supplied with the machine:

- Technical documents:
 - Scrubber-dryer Instructions for Use Manual
 - Scrubber-dryer Spare Parts List
- No. 2 lamellar fuses
- No. 1 splash guard



WARNING!

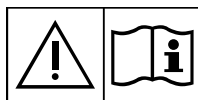
The Products sold with this Manual contain or may contain chemicals that are known to certain governments (such as the State of California, as identified in its Proposition 65 Regulatory Warning Law) to cause cancer, birth defects or other reproductive harm. In certain locations (including the State of California) purchasers of these Products that place them in service at an employment job site or a publicly accessible space are required by regulation to make certain notices, warnings or disclosures regarding the chemicals that are or may be contained in the Products at or about such work sites. It is the purchaser's responsibility to know the content of, and to comply with, any laws and regulations relating to the use of these Products in such environments. The Manufacturer disclaims any responsibility to advise purchasers of any specific requirements that may be applicable to the use of the Products in such environments.

SAFETY

The following symbols indicate potentially dangerous situations. Always read this information carefully and take all necessary precautions to safeguard people and property.

The operator's cooperation is essential in order to prevent injury. No accident prevention program is effective without the total cooperation of the person responsible for the machine operation. Most of the accidents that may occur in a factory, while working or moving around, are caused by failure to comply with the simplest rules for exercising prudence. A careful and prudent operator is the best guarantee against accidents and is essential for successful completion of any prevention program.

VISIBLE SYMBOLS ON THE MACHINE



WARNING!

Carefully read all the instructions before performing any operation on the machine.



WARNING!

Do not wash the machine with direct or pressurized water jets.



WARNING!

Do not use the machine on slopes with a gradient exceeding the specifications.

SYMBOLS THAT APPEAR ON THIS MANUAL



DANGER!

It indicates a dangerous situation with risk of death for the operator.



WARNING!

It indicates a potential risk of injury for people.



CAUTION!

It indicates a caution or a remark related to important or useful functions. Pay careful attention to the paragraphs marked by this symbol.



NOTE

It indicates a remark related to important or useful functions.



CONSULTATION

It indicates the necessity to refer to the Instructions for Use Manual before performing any procedure.

GENERAL INSTRUCTIONS

Specific warnings and cautions to inform about potential damages to people and machine are shown below.



DANGER!

- *Before performing any maintenance, repair, cleaning or replacement procedure, remove the ignition key and disconnect the battery connector.*
- *This machine must be used by properly trained operators only.*
- *Do not wear jewels when working near electrical components.*
- *Do not work under the lifted machine without supporting it with safety stands.*
- *Do not operate the machine near toxic, dangerous, flammable and/or explosive powders, liquids or vapors. This machine is not suitable for collecting dangerous powders.*
- *When using lead (WET) batteries, keep sparks, flames and smoking materials away from the batteries. During the normal operation explosive gases are released.*
- *When using lead (WET) batteries, battery charging produces highly explosive hydrogen gas. During battery charging, lift the recovery tank and perform this procedure in well-ventilated areas and away from naked flames.*



WARNING!

- *Carefully read all the instructions before performing any maintenance/repair procedure.*
- *Before using the battery charger, ensure that frequency and voltage values, indicated on the machine serial number plate, match the electrical mains voltage.*
- *Do not pull or carry the machine by the battery charger cable and never use the battery charger cable as a handle. Do not close a door on the battery charger cable, or pull the battery charger cable around sharp edges or corners. Do not run the machine on the battery charger cable.*
- *Keep the battery charger cable away from heated surfaces.*
- *Do not charge the batteries if the battery charger cable or the plug are damaged.*
- *To reduce the risk of fire, electric shock, or injury, do not leave the machine unattended when it is plugged in. Before performing any maintenance procedure, disconnect the battery charger cable from the electrical mains.*
- *Do not smoke while charging the batteries.*
- *To avoid any unauthorized use of the machine, remove the ignition key.*
- *Do not leave the machine unattended without being sure that it cannot move independently.*

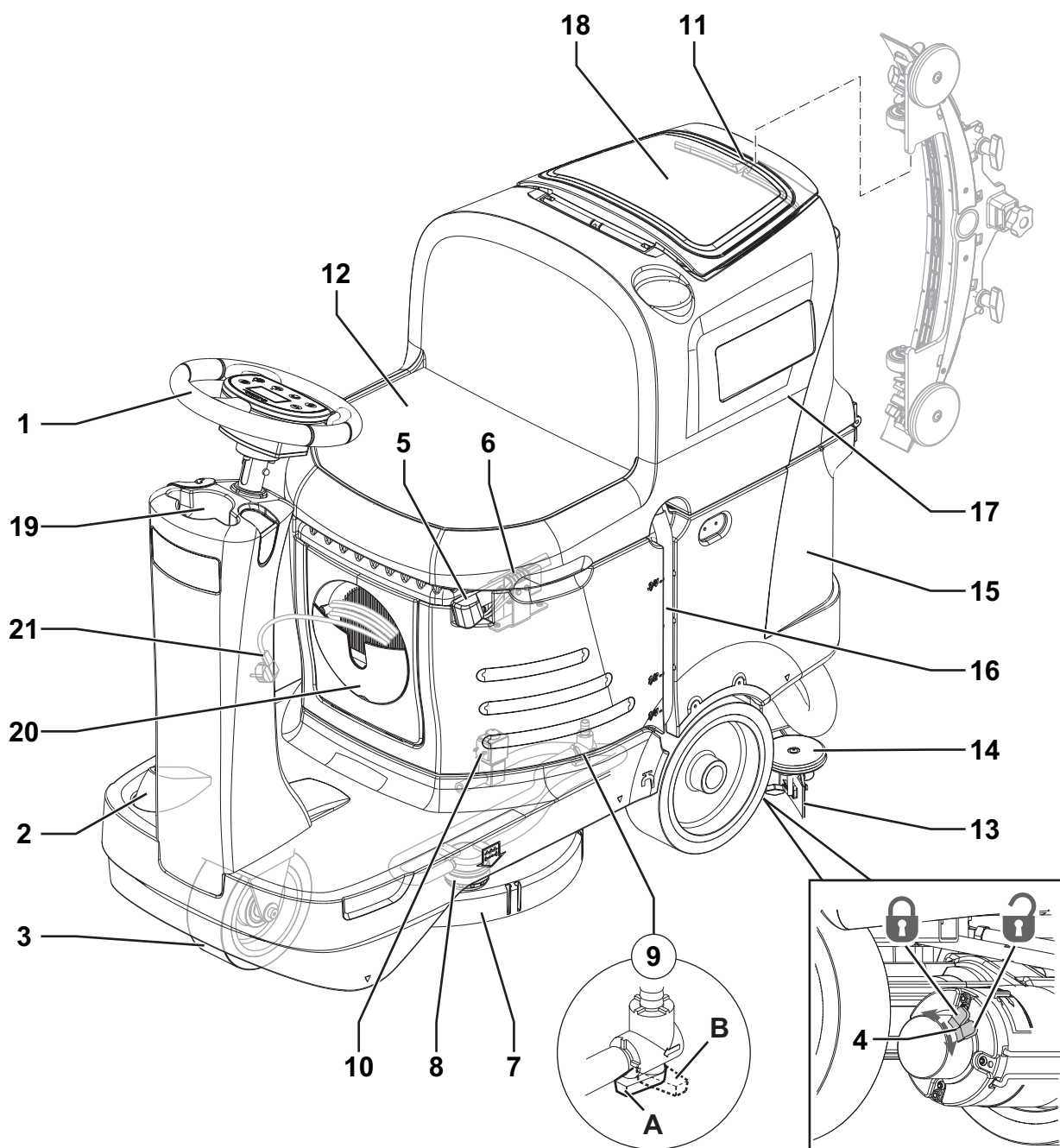
**WARNING!**

- *Always protect the machine against the sun, rain and bad weather, both under operation and inactivity condition. This machine must be used in dry conditions, it must not be used or kept outdoors in wet conditions.*
- *Before using the machine, close all doors and/or covers as shown in the Instructions for Use Manual.*
- *This machine is not intended for use by persons (including children) with reduced physical, sensory or mental capabilities, or lack of experience and knowledge, unless they have been given supervision or instruction concerning use of the machine by a person responsible for their safety. Children should be supervised to ensure that they do not play with the machine.*
- *Close attention is necessary when used near children. Use only as shown in this Manual. Only Clarke recommended accessories must be used.*
- *Check the machine carefully before each use, always check that all the components have been properly assembled before use. If the machine is not perfectly assembled it can cause damages to people and properties.*
- *Take all necessary precautions to prevent hair, jewels and loose clothes from being caught by the machine moving parts.*
- *Do not use the machine on incline.*
- *Do not tilt the machine more than the angle indicated on the machine itself, in order to prevent instability.*
- *Do not use the machine in particularly dusty areas.*
- *Use the machine only where a proper lighting is provided.*
- *If the machine is to be used where there are other people besides the operator, it is necessary to install the pivoting light (optional).*
- *While using this machine, take care not to cause damage to people or objects.*
- *Do not bump into shelves or scaffoldings, especially where there is a risk of falling objects.*
- *Do not lean liquid containers on the machine, use the relevant can holder.*
- *The machine operating temperature must be between +32 °F and 104 °F (0 °C and +40 °C).*
- *The machine storage temperature must be between +32 °F and 104 °F (0 °C and +40 °C).*
- *The humidity must be between 30 % and 95 %.*
- *When using floor cleaning detergents, follow the instructions on the labels of the detergent bottles.*
- *To handle floor cleaning detergents, wear suitable gloves and protections.*
- *Do not use the machine as a means of transport.*
- *Do not allow the brush/pad to operate while the machine is stationary to avoid damaging the floor.*
- *In case of fire, use a powder fire extinguisher, not a water one.*
- *Do not tamper with the machine safety guards and follow the ordinary maintenance instructions scrupulously.*
- *Do not allow any object to enter into the openings. Do not use the machine if the openings are clogged. Always keep the openings free from dust, hairs and any other foreign material which could reduce the air flow.*
- *Do not remove or modify the plates affixed to the machine.*
- *To manually move the machine, the electromagnetic brake must be disengaged. After moving the machine manually, engage the electromagnetic brake again. Do not use the machine when the electromagnetic brake handwheel is screwed down.*
- *When the machine is to be pushed for service reasons (missing or discharged batteries, etc.), the speed must not exceed 2.5 mi/h (4 km/h).*
- *This machine cannot be used on roads or public streets.*
- *Pay attention during machine transportation when temperature is below freezing point. The water in the recovery tank or in the hoses could freeze and seriously damage the machine.*
- *Use brushes and pads supplied with the machine or those specified in the Instructions for Use Manual. Using other brushes or pads could reduce safety.*
- *In case of machine malfunctions, ensure that these are not due to lack of maintenance. If necessary, request assistance from the authorised personnel or from an authorised Service Center.*
- *If parts must be replaced, require ORIGINAL spare parts from an Authorised Dealer or Retailer.*
- *To ensure machine proper and safe operation, the scheduled maintenance shown in the relevant chapter of this Manual, must be performed by the authorised personnel or by an authorised Service Center.*
- *Do not wash the machine with direct or pressurised water jets, or with corrosive substances.*
- *The machine must be disposed of properly, because of the presence of toxic-harmful materials (batteries, etc.), which are subject to standards that require disposal in special centres (see Scrapping chapter).*

MACHINE DESCRIPTION

MACHINE STRUCTURE

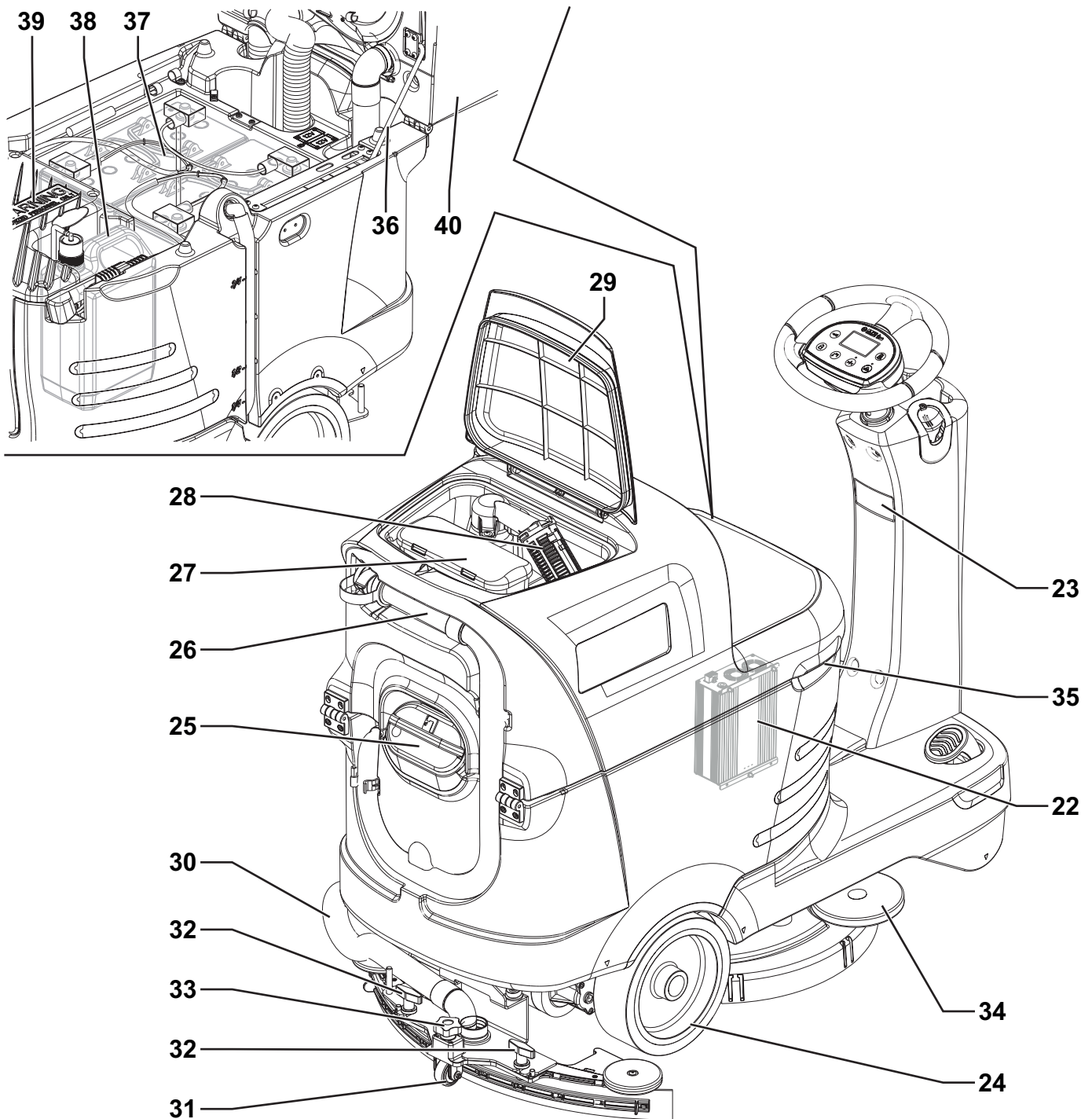
- | | |
|--|--|
| <ol style="list-style-type: none"> 1. Steering wheel with control panel (see the following paragraph) 2. Drive pedal 3. Front steering wheel 4. Electromagnetic brake locking/unlocking lever 5. EMERGENCY push-button, to stop immediately all functions 6. Battery connector 7. Brush deck 8. Solution filter 9. Solution valve <ul style="list-style-type: none"> A) Open valve B) Closed valve | <ol style="list-style-type: none"> 10. Solenoid valve 11. Squeegee hook 12. Seat 13. Squeegee 14. Squeegee bumper wheels 15. Solution tank 16. Solution drain and level check hose 17. Dumping recovery tank assembly 18. Recovery tank cover 19. Can holder 20. Battery charger cable housing and document holder 21. Battery charger cable |
|--|--|



P100876

MACHINE STRUCTURE (Continues)

- | | |
|---|---|
| 22. Battery charger | 31. Squeegee support wheel |
| 23. Serial number plate/technical data/conformity certification | 32. Squeegee mounting handwheels |
| 24. Rear driving wheels | 33. Squeegee adjusting knob |
| 25. Solution tank filler neck | 34. Brush deck bumper wheel |
| 26. Recovery water drain hose | 35. Tank assembly and seat lifting handle |
| 27. Container with debris collection grid | 36. Tank assembly and seat support rod |
| 28. Vacuum grid with automatic shut-off float | 37. Batteries (*) |
| 29. Recovery water tank cover (open) | 38. Chemical Mixing System detergent tank (*) |
| 30. Squeegee vacuum hose | 39. Electronic component compartment cover |
| | 40. Lifted recovery tank assembly and driver's seat |
- (*) Optional



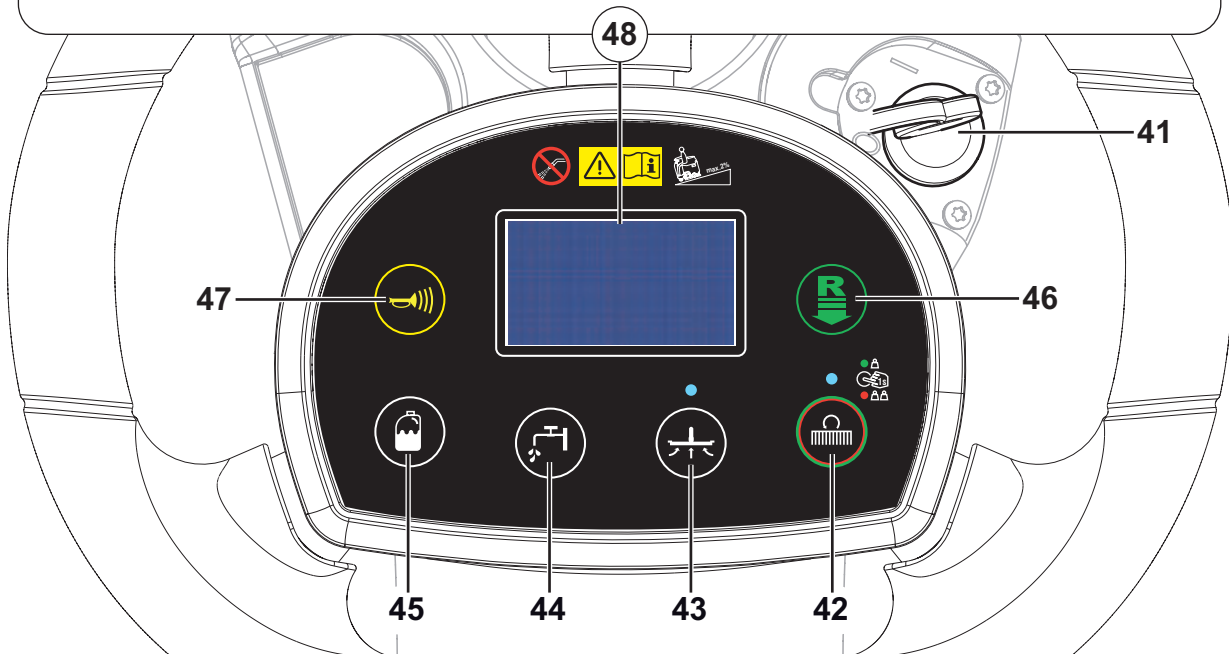
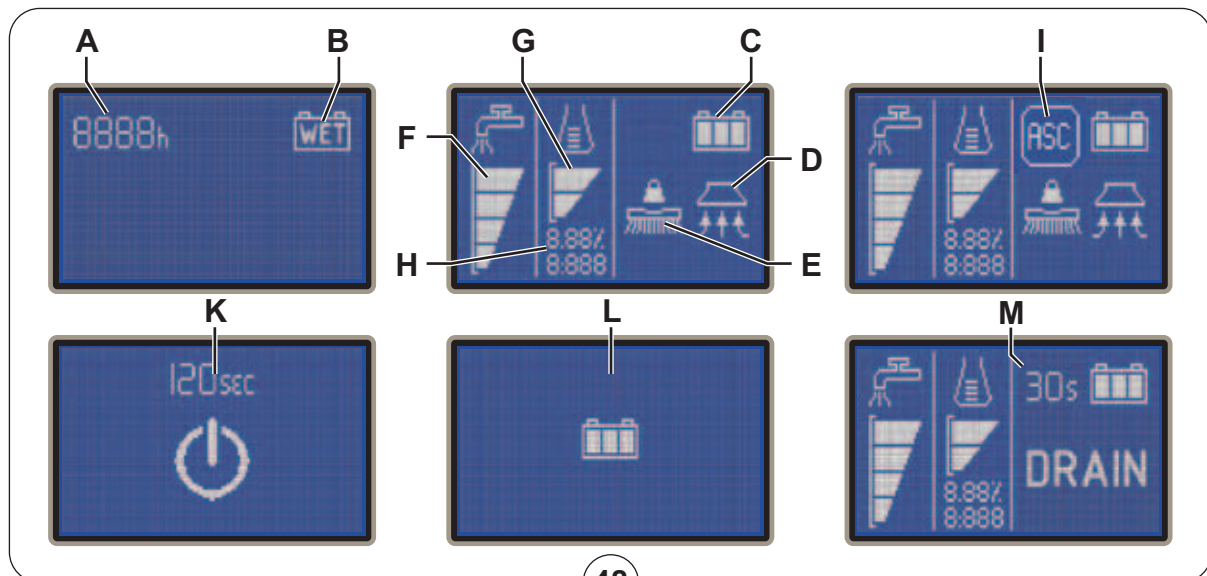
P100877

CONTROL PANEL

- 41. Machine ignition key
 - 42. "One Touch" Scrub ON/OFF push-button
 - Flashing green LED: Brush deck moving up/down
 - Steady green LED: Ready for work
 - Steady red LED: Extra pressure active (hold for one second)
 - 43. Vacuum system adjustment/deactivation push-button:
 - LED on - solution flow activated
 - 44. Detergent flow adjustment push-button
 - 45. Detergent percentage adjustment push-button (*)
 - 46. Reverse gear activation/deactivation push-button
 - 47. Horn switch
 - 48. Multifunction display

Items displayed:

 - A) Hours worked
 - B) Battery type
 - C) Battery charge level
 - D) Vacuum system activation
 - E) Brush activation
 - F) Detergent solution flow quantity
 - G) Detergent quantity (*)
 - H) Percentages of detergent in the washing water (*)
 - I) Anti-skid control
 - K) Auto shut-off timer
 - L) Battery charging with on-board battery charger (*)
 - M) Chemical Mixing System draining activation (*)
- (*) Optional



P100878

ACCESSORIES/OPTIONS

In addition to the standard components, the machine can be equipped with the following accessories/options, according to the machine specific use:

- GEL/AGM batteries
- Brushes of different materials
- Pads of different materials
- Squeegee blades of different materials
- Filling hose
- Chemical Mixing System
- Pivoting light
- Mop a trash kit
- USB port

For further information concerning the optional accessories, contact an authorised Retailer.

TECHNICAL DATA

Model	RA40
Solution tank capacity	18.5 US gal (70 liters)
Recovery tank capacity	18.5 US gal (70 liters)
Machine length	50 in (1,270 mm)
Machine width with squeegee	28.3 in (720 mm)
Machine width without squeegee	21.6 in (550 mm)
Machine height	40.1 in (1,020 mm)
Turning space for U-turns	71 in (1,800 mm)
Cleaning width	21 in (530 mm)
Rear driving wheel diameter	10 in (254 mm)
Rear driving wheel specific pressure on the floor	145 psi (1.0 N/mm ²)
Front steering wheel diameter	7.9 in (200 mm)
Front wheel specific pressure on the floor	188 psi (1.3 N/mm ²)
Brush/pad diameter	21 in (530 / 508 mm)
Brush pressure with extra-pressure function turned off	33 lb (15 kg)
Brush pressure with extra-pressure function turned on	66 lb (30 kg)
Solution flow values	0.75 cl/m / 1.5 cl/m / 3.0 cl/m / (2.8 l/min, if enabled)
Chemical Mixing System detergent percentage (optional)	0.25 % - 3 %
Sound pressure level at workstation (ISO 11201, ISO 4871, EN 60335-2-72) (LpA)	68 ± 3 dB(A)
Sound pressure level at workstation in silent mode (LpA)	62 ± 3 dB(A)
Machine sound power level (ISO 3744, ISO 4871, EN 60335-2-72) (LwA)	84 dB(A)
Vibration level at the operator's arms (ISO 5349-1, EN 60335-2-72)	130 in/s ² (3.3 m/s ²)
Vibration level at the operator's body (ISO 5349-1, EN 60335-2-72)	35.4 in/s ² (0.9 m/s ²)
Maximum gradient when working	2 %
Drive system motor power	0.53 hp (400 W)
Drive speed (variable)	0 - 3.7 mi/h (0 - 6 km/h)
Vacuum system motor power	0.4 hp (310 W)
Vacuum system circuit capacity	39 in H ₂ O (1,000 mm H ₂ O)
Brush motor power	0.6 hp (450 W)
Brush motor speed	155 rpm
Total absorbed power	26 A (620 W)
IP protection class	X4
Protection class (electric)	III (I for the battery charger)
Battery compartment size	13.8x14.2x11 in (350x360x280 mm)
System voltage	24V
Standard batteries (2)	Discover 12V-105Ah
Battery charger	100-240Vac 50-60Hz, 24Vdc 13A
Work autonomy (standard batteries)	2.5 hour
Weight without batteries and with empty tanks	267 lb (121 kg)
Gross vehicle weight (GVW)	754 lb (342 kg)
Shipping weight	342 lb (155 kg)

WIRING DIAGRAM

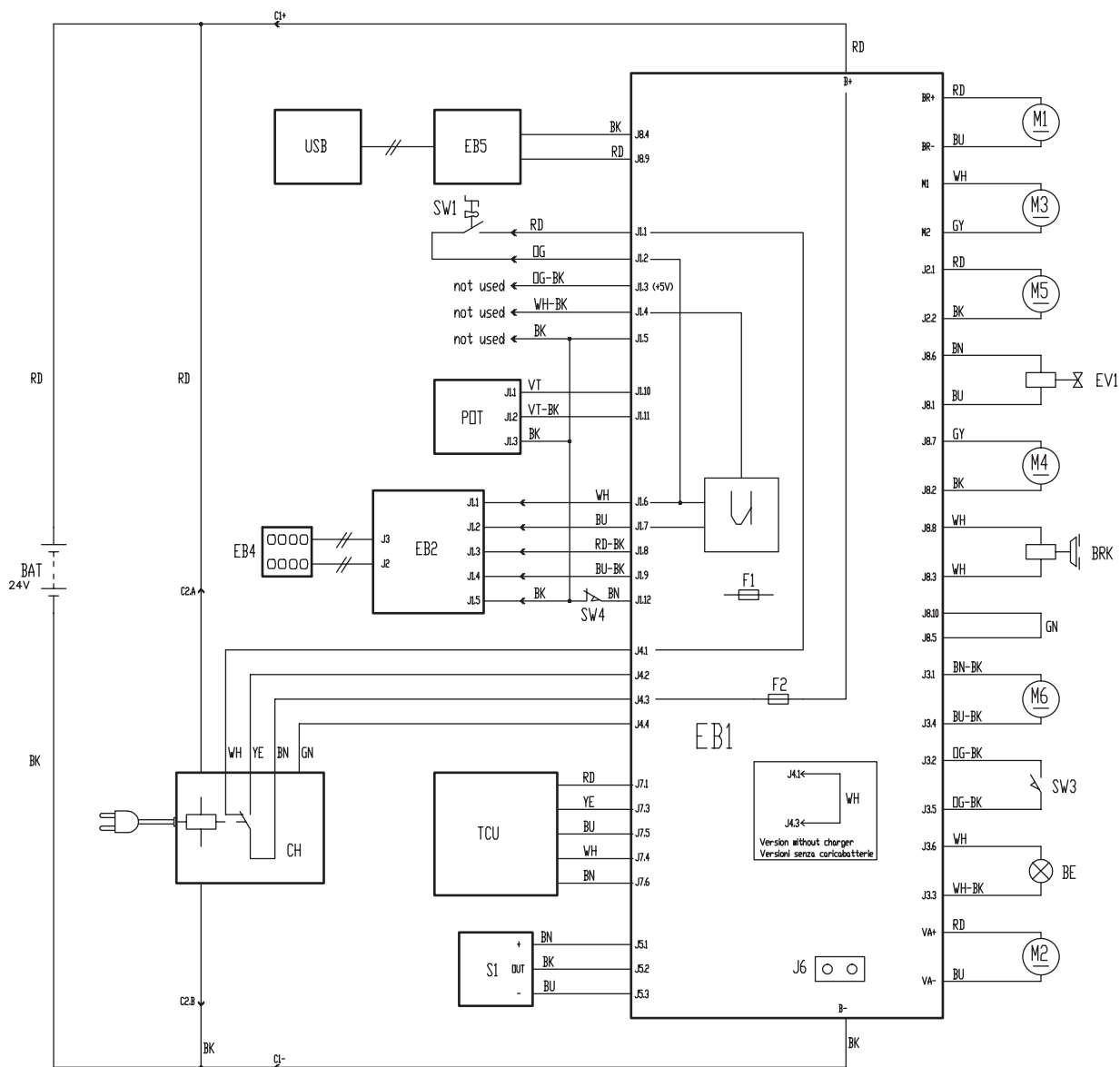
Key

BAT	24V batteries
BE	Pivoting light (optional)
BRK	Electromagnetic brake
C1	Battery connector
C2	Battery charger connector
CH	Battery charger
EB1	Function electronic board
EB2	Display electronic board
EB4	Dashboard instrument electronic board
EB5	5V power unit (optional)
EV1	Solenoid valve
F1	Main electronic board fuse
F2	Signal circuit fuse
M1	Brush motor
M2	Vacuum system motor
M3	Drive system motor
M4	Chemical Mixing System pump (optional)
M5	Brush deck actuator motor
M6	Squeegee actuator motor
POT	Drive pedal potentiometer
S1	Solution level sensor

SW1	Key
SW3	Seat microswitch
SW4	Anti-skid control sensor
TCU	TrackClean™ (optional)
USB	USB port (optional)

Color codes

BK	Black
BU	Blue
BN	Brown
GN	Green
GY	Grey
OG	Orange
PK	Pink
RD	Red
VT	Violet
WH	White
YE	Yellow



P100862

USE



WARNING!

On some points of the machine there are some adhesive plates indicating:

- **DANGER**
- **WARNING**
- **CAUTION**
- **CONSULTATION**

While reading this Manual, the operator must pay particular attention to the symbols shown on the plates (see Visible Symbols On The Machine paragraph).

Do not cover these plates for any reason and immediately replace them if damaged.

BATTERY CHECK/SETTING ON A NEW MACHINE



WARNING!

The electric components of the machine can be seriously damaged if the batteries are either improperly installed or connected. The batteries must be installed by qualified personnel only.

Set the machine according to the type of batteries used.

Check the batteries for damage before installation.

Disconnect the battery connector and the battery charger plug.

Handle the batteries with great care.

Install the battery terminal protection caps supplied with the machine.

The machine requires 2 12V batteries, connected according to the diagram shown in Figure 1.

The machine can be supplied in one of the following modes:

Batteries already installed on the machine

1. Ensure that the battery connector (6) is connected.
2. When first using the machine with new batteries, perform a full charging cycle (see the procedure in Maintenance chapter).

Without batteries

1. Buy appropriate batteries (see "Technical Data" paragraph). For battery choice and installation, apply to qualified battery Retailers.
2. Set the machine according to the type of batteries installed as shown in the Service key paragraph, in Maintenance chapter.

BATTERY INSTALLATION

Battery Installation

1. Turn the ignition key (41) to "O" to turn off the machine.
2. Disconnect the battery connector by pressing the emergency push-button (5).
3. Lift the cover (18) and check that the recovery tank (17) is empty, otherwise empty it with the drain hose (26).
4. Close the cover (18).
5. Grasp the handle (35) and carefully lift the recovery tank assembly (17).
6. The machine is supplied with cables suitable to install 2 12V batteries.
7. Carefully lift the batteries until the relevant compartment, then place them properly.
8. Route and install the battery cable as shown in Figure 1, then carefully tighten the nut on each battery terminal.
9. Place the protection cap on each terminal, then connect the battery connector (6).
10. Disengage the support rod (36), then grasp the handle (35) and carefully lower the recovery tank assembly (17).

Battery Charging

11. Fully charge the batteries (see the procedure in Maintenance chapter).

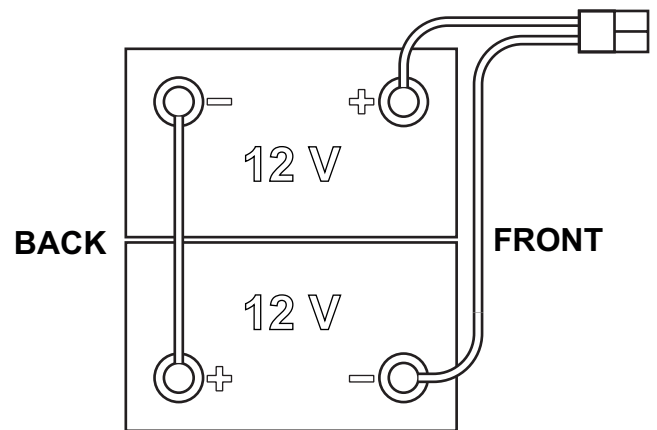


Figure 1

P100863

BEFORE MACHINE START-UP



WARNING!

When starting the machine, or before operating the “One Touch” button (42), make sure that there is no foreign material between the deck and the tank assembly which could obstruct the deck movement. If the machine has been turned off without lifting the deck, the deck would lift automatically at next machine start-up.

Brush or pad-holder removal/installation

1. According to the kind of cleaning to be performed, the machine can be equipped either with the brush (A, Fig. 2) or the pad-holder (B) with pad (C) together with the appropriate deck.
2. Place the brush (A) or the pad-holder (B) under the deck (7).
3. Turn the ignition key (41) to “I”.
4. Press the push-button (42) to lower the deck on the brush.
5. To engage the brush, press the drive pedal (2) shortly, if necessary repeat the procedure until the brush is engaged.
6. To remove the brush, lift the deck by pressing the push-button (42), then manually release the brush from the hub by turning it abruptly in its normal rotation direction (D).

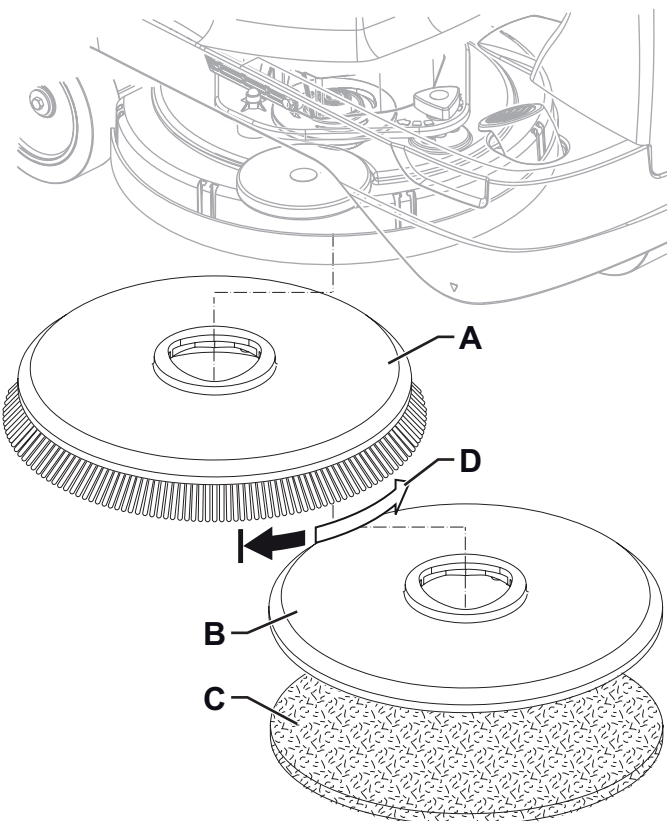


Figure 2

P100864

Available brushes and their relevant application guides (suggestions only)

Models	46 GRIT	80 GRIT	180 GRIT	240 GRIT	500 GRIT	PROLENE	PROLITE	UNION MIX
General cleaning:								
Concrete								
Terrazzo floor								
Ceramic tiles/quarystones								
Marble								
Vinyl tiles								
Rubber tiles								
Polishing:								
Rubber tiles								
Marble								
Vinyl tiles								

Squeegee installation

1. Install the squeegee (A, Fig. 3) and fasten it to the bracket (C) with the handwheels (B).
2. If necessary, adjust the squeegee with the knob (D) so that the rear blade (E) and front blade (F) touch the floor as shown in the figure.

Solution tank filling**CAUTION!**

Use only low-foam and non-flammable detergents, intended for automatic scrubber applications.

**WARNING!**

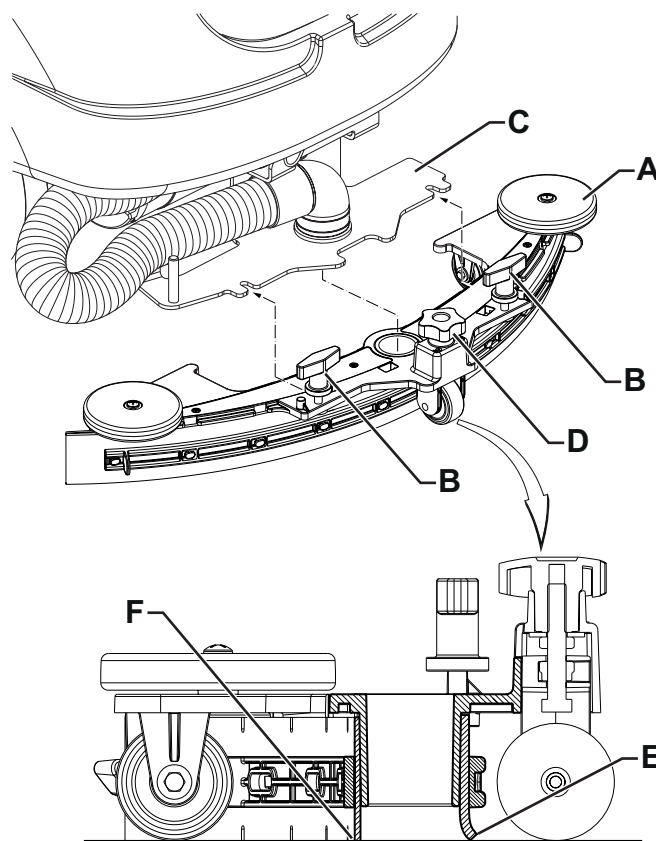
When using floor cleaning detergents, follow the instructions on the labels of the detergent bottles.

To handle floor cleaning detergents, wear suitable gloves and protections.

**NOTE**

If the machine is equipped with Chemical Mixing System (optional) pour clean water in the tank, otherwise pour solution.

1. Ensure that the solution valve (9) is open (9-A).
2. To fill the solution tank (15) remove the filler neck plug (25).

**Figure 3**

P100865

(For machines without Chemical Mixing System)

3. Fill the tank (15) with a solution suitable for the work to be performed.
Do not fill the tank completely, leave a few inches from the edge. Use the level hose (16) as reference.
Always follow the dilution instructions on the label of the chemical product used to prepare the solution.
The solution temperature must not exceed 40 °C.

(For machines with Chemical Mixing System)

4. Fill the tank (15) with clean water. If equipped, use the water filler hose (optional) located in the filler neck (25).
Do not fill the tank completely, leave a few inches from the edge. Use the level hose (16) as reference.
The water temperature must not exceed 40 °C.

Detergent tank replacement (For machines with Chemical Mixing System)

5. Lift the cover (18) and check that the recovery tank (17) is empty, otherwise empty it with the drain hose (26).
6. Close the cover (18).
7. Grasp the handle (35) and carefully lift the recovery tank assembly (17).
8. Unscrew the plug with hose on the detergent container (38).
9. Remove the empty container from its housing and replace it with a new one.
10. Insert the hose properly and screw down the plug on the detergent container.

**CAUTION!**

For the supply and the type of detergent to use, contact an authorized Service Center.

**NOTE**

In case of new system, system emptied for cleaning, etc., wait for the hoses to fill up completely before turning on. In order to fill the Chemical Mixing System quickly it may be useful to drain it once or several times (see the procedure in Maintenance chapter).

MACHINE START AND STOP

Starting the machine

1. Prepare the machine as shown in the previous paragraph.
2. Turn the ignition key (41) to "I" without pressing the drive pedal (2).
3. In the first 2 seconds after machine start-up, the multifunction display (58) indicates the machine working hours (48-A) and the type of batteries installed (48-B).



NOTE

Check the battery charge level.

When the multifunction display shows at least one segment of the battery symbol (48-C) which is on but not flashing, the machine is ready for use.

When the battery symbol (48-C) shows just one segment flashing, the batteries have to be charged (see the procedure in Maintenance chapter).

4. Drive the machine to the working place, by starting it with both hands on the steering wheel (1) and by pressing the drive pedal (2).

The drive speed can be adjusted from zero to maximum speed according to the pressure on the drive pedal (2).

5. The forward/reverse gear is selected with the relevant push-button (46).



NOTE

The driver's seat (12) is equipped with a safety sensor, which allows the machine to be driven by pressing the pedal (2) only when the operator is on the driver's seat.



NOTE

The machine is equipped with an anti-skid safety system (display icon (48-I)) that reduces the speed when turning and when the machine tilts laterally, irrespectively of the pressure on the pedal.

In this case, the reduction of speed is not a malfunction but a characteristic that improves the machine stability and safety in every condition.

Stopping the machine

6. Stop the machine by releasing the drive paddle (2). It is not necessary to lock the machine during stopping or parking, because the electromagnetic brake on the wheels turn on automatically when the drive pedal is not pressed.
7. Turn off the machine by turning the ignition key (41) to "O".



NOTE

If the machine is on but not working, it automatically turns off after 2 minutes.

Turn on the machine by turning the ignition key to "O" and then to "I".



CAUTION!

In the event of an emergency, to stop all machine functions immediately, press the push-button (5).

To reset the machine functions, connect the connector (6) again.

MACHINE OPERATION (SCRUBBING/DRYING)

1. Start the machine as shown in the previous paragraph.
2. Press the "One Touch" button (42) to lower the brush deck (7) and the squeegee (13) and start scrubbing and drying.
3. Start scrubbing, by starting it with both hands on the steering wheel (1) and by pressing the drive pedal (2) as necessary.
4. If necessary, to reduce the noise, turn on the vacuum system mute function by pressing the push-button (44).



NOTE

The machine is equipped with a safety system that turns on the brush and vacuum system only when the machine is moving.

5. Adjust the solution flow by pressing the push-button (44) as necessary, depending on the type of cleaning to be performed.



NOTE

For the first 3 flow levels (Fig. 4), the amount of solution dispensed is automatically adjusted according to the machine speed, in order to obtain a constant amount of solution per linear meter of cleaning. Level 4 (when enabled) supplies the maximum possible quantity of detergent solution, regardless of the machine speed (to enable or disable this, see the Super User key section in the Maintenance chapter). The level 0 closes the solution flow completely.

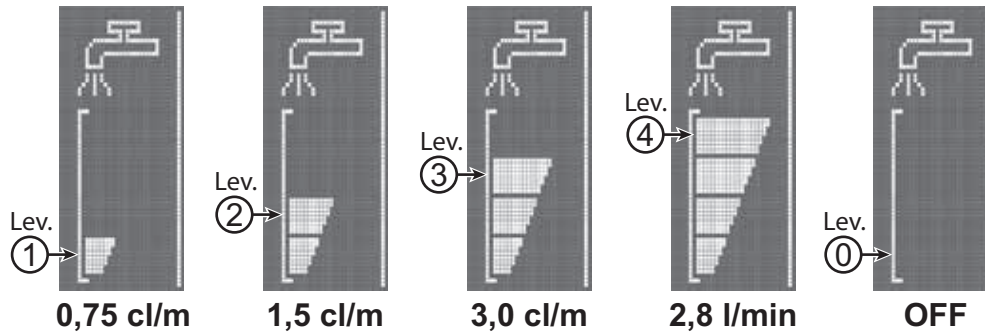


Figure 4

P100866



NOTE

For correct scrubbing/drying of floors at the sides of the walls, Clarke suggests to go near the walls with the right side of the machine as shown in figure 5.

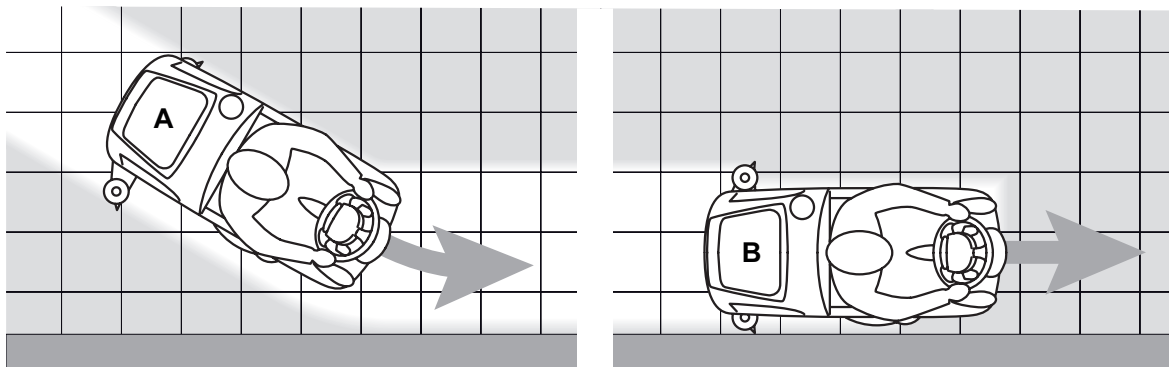


Figure 5

P100867

6. To stop scrubbing/drying, press the push-button (42) and wait for the brush deck (7) to lift. After 10 seconds, the vacuum system turns off too and the squeegee (13) lifts.

Adjusting of detergent concentration in the washing water

(For machines with Chemical Mixing System)

The system for mixing the detergent in the washing water is automatically activated when the brush is running.

The percentage of detergent added to the washing water is set to level 1 (Fig. 6).

By pressing the push-button (46), it is possible to set the percentage level to 2, or reset it to level 0.

The set percentages are shown on the multifunction display (48-G).

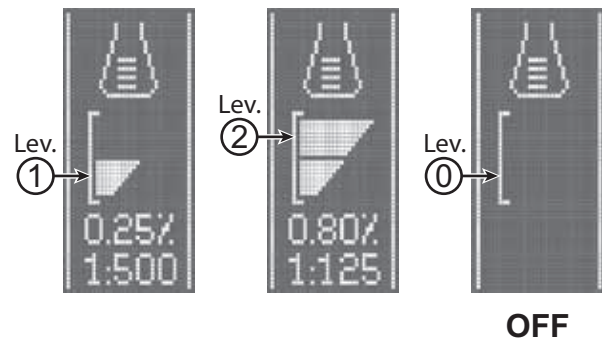


Figure 6

P100868




NOTE

All of the above solution flow and detergent concentration values are factory settings. To change the settings, see the Service key paragraph, in Maintenance chapter.

Working with brush extra pressure function turned on

If the floor proves to be particularly difficult to clean, it is possible to turn on the brush extra pressure function, according to the following procedure:

1. Press the push-button (42) to lower the brush deck as shown in "Starting The Machine" paragraph.
2. Press and hold the push-button (42) for more than 1 second. The extra pressure function activation is shown by LED which turns from green to red, and by the icon  on the display (48).
3. To return to normal pressure, press and hold the push-button (42) for more than 1 second.
4. To lift the brush deck without returning to the normal pressure, press the push-button (42) and release it immediately.



CAUTION!

In case of brush motor overload, due to foreign bodies which prevent them from turning, or to excessively aggressive floors/brushes, the safety system stops the brush after about one minute of continuous overload. If the overload takes place when the extra pressure function is on, the system automatically turns the extra pressure function off.

If the overload persists, the brush stops.

To start scrubbing again after a brush stop due to overload, stop the machine by turning the ignition key (41) to "0". Turn on the machine by turning the ignition key (41) to "I".

Battery discharge during operation

When there is only one segment turned on and flashing on the battery symbol (48-C), it is advisable to charge the batteries, because the residual autonomy will last for a few minutes (depending on battery characteristics and work to be performed). When the battery symbol (48-C) is flashing and no segment is turned on, the battery autonomy is over. After a few seconds, the brush is automatically tuned off, while the vacuum system and the drive system stay on, to finish drying the floor and drive the machine to the appointed recharging area.



CAUTION!

Do not use the machine with discharged batteries, to avoid damaging the batteries and reducing the battery life.



NOTE

In case the machine drive system cannot be used in order to move the machine, see Pushing/Towing The Machine paragraph.

TANK EMPTYING

An automatic float shut-off system (28) turns off the vacuum system when the recovery tank (17) is full.

The vacuum system deactivation is signalled by a sudden increase in the vacuum system motor noise, and the floor is not dried.



CAUTION!

If the vacuum system turns off accidentally (for example, when the float is activated because of a sudden machine movement), to resume the operation: turn off the vacuum system by pressing the push-button (44), then open the cover (18) and check that the float inside the grid (28) has gone down. Then close the cover (18) and turn on the vacuum system by pressing the push-button (43).

When the recovery tank (17) is full, empty it according to the following procedure.

Recovery tank emptying

1. Lift the brush deck and the squeegee by pressing the push-button (42).
2. Drive the machine to the appointed disposal area.
3. Turn off the machine by turning the ignition key (41) to "O".
4. Empty the recovery tank (17) with the drain hose (26). Then, rinse the tank with clean water.

Solution tank emptying

5. Perform steps 1 to 3.
6. Empty the detergent solution tank (15) using the level hose (16). Then, rinse the tank with clean water.

AFTER USING THE MACHINE

After working, before leaving the machine:

1. Remove the brush as shown in the relevant paragraph.
2. Empty the tanks (17 and 15) as shown in the previous paragraph.
3. Remove the squeegee (13) and clean it with hot water. Open the recovery tank cover (18) and hang the squeegee on the tank hook (11).
4. Perform the daily maintenance procedures (see the Maintenance chapter).
5. Store the machine in a clean and dry place, with the brush and the squeegee lifted or removed.

PUSHING/TOWING THE MACHINE

To push/tow the machine easily when the drive system cannot be used (for example in case of missing batteries, discharged batteries, etc.), disengage the electromagnetic brake with the lever (4).

When pushing/towing procedure is over, turn the lever (4) to the original position, to engage the electromagnetic brake again.



WARNING!

If the lever (4) is not repositioned after pushing/towing the machine, the electromagnetic brake is disengaged.



WARNING!

Do not start the machine when the electromagnetic brake is disengaged.

For safety reasons, it is recommended to disengage the electromagnetic brake only for the time necessary to manually move the machine.

MACHINE LONG INACTIVITY

If the machine is not going to be used for more than 30 days, proceed as follows:

1. Perform the procedures shown in After using the machine paragraph.
2. For versions with Chemical Mixing System, empty the detergent tank (38) and clean the system with a draining cycle (see the procedure in Maintenance chapter).
3. Close the solution tank valve (9-B).
4. Press the emergency push-button (5) to disconnect the battery connector (6).

MAINTENANCE

The lifespan of the machine and its maximum operating safety are ensured by correct and regular maintenance. The following table provides the scheduled maintenance. The intervals shown may vary according to particular working conditions, which are to be defined by the person in charge of the maintenance.



WARNING!

The procedures must be performed with the machine off and the battery disconnected. Moreover, read carefully the instructions in the Safety chapter before performing any maintenance procedure.

All scheduled or extraordinary maintenance procedures must be performed by qualified personnel, or by an authorised Service Center.



CAUTION!



When the Service icon appears on the display (48), contact an authorised Clarke Service Centre for scheduled maintenance.

This Manual describes only the simplest and most common maintenance procedures. For other maintenance procedures shown in the Scheduled Maintenance Table, refer to the Service Manual that can be consulted at any Service Center.

SCHEDULED MAINTENANCE TABLE

Procedure	Daily, after using the machine	Weekly	Every six months	Yearly
Battery Charging				
Squeegee Cleaning				
Brush/pad cleaning				
Recovery tank and debris tray cleaning, and cover gasket check				
Chemical Mixing System cleaning and draining (optional)				
Squeegee blade check				
Solution Filter Cleaning				
Battery (WET) fluid level check				
Squeegee blade replacement				
Electromagnetic brake efficiency check			(1)	
Brush/pad-holder motor carbon brush check or replacement				(1)
Drive system motor carbon brush check or replacement				(1)

(1) This maintenance procedure must be performed by an authorised Clarke Service Center.

BATTERY CHARGING**NOTE**

Charge the batteries when there is only one flashing segment displayed in the battery symbol (48-C), or at the end of the shift.

Keeping the batteries charged make their life last longer.

**CAUTION!**

When the batteries are discharged, charge them as soon as possible, as that condition makes their life shorter. Check for battery charge at least once a week.

**WARNING!**

When using lead (WET) batteries, battery charging produces highly explosive hydrogen gas. Charge the batteries in well-ventilated areas and away from naked flames.

Do not smoke while charging the batteries.

Keep the recovery tank raised until the battery charging cycle is over.

**WARNING!**

Pay close attention when charging WET CELL batteries, as there may be battery fluid leakages. The battery fluid is corrosive. If it comes in contact with skin or eyes, rinse thoroughly with water and consult a physician.

1. Drive the machine to the appointed recharging area.
2. Ensure that the machine is off and the operator key (41) is turned to "O".
3. Lift the cover (29) and check that the recovery tank (17) is empty; if not, empty it using the drain hose (26).
4. Close the cover (18).
5. Grasp the handle (35) and carefully lift the recovery tank assembly (17).
6. (For WET CELL batteries only) Check the level of electrolyte inside the batteries. If necessary, unscrew the caps and top up. When the correct level is restored, close the caps and clean the tops of the batteries.
7. Plug the battery charger cable (21) into the electrical mains (the mains voltage and frequency must be compatible with the battery charger values shown on the machine serial number plate).

**NOTE**

When the battery charger is connected to the electrical mains, all machine functions are automatically cut off.

When the first or second segment from the left in the battery symbol (48-L) is flashing, this means that the battery charger is charging the batteries.

When the third segment from the left in the battery symbol (48-L) is flashing, this means that the battery charger is finishing the battery charging cycle.

8. When all segments of the battery symbol (48-L) are steadily lit, the battery charging cycle is complete.
9. Disconnect the battery charger cable plug (21) from the mains and place it in its holder (20).
10. Disengage the support rod (36), then grasp the handle (35) and carefully lower the recovery tank assembly (17).
11. Now the machine is ready to be used.

**NOTE**

For further information about the operation of the battery charger (22), see the relevant Manual.

CHANGE OF OPERATING PARAMETERS

This function allows you to enter the screen (F, Fig. 7) to customise some parameter values described in the following table of modifiable parameters.

1. Turn the ignition key (41) to "I" by pressing and holding the push-buttons (A) and (B).
2. Press push-button (C) to increase the value of the current parameter.
Press push-button (D) to decrease the value of the current parameter.
3. Press push-button (E) to move to the next parameter.
4. To return to the main screen, press and hold the push-button (E) for more than 2 seconds.

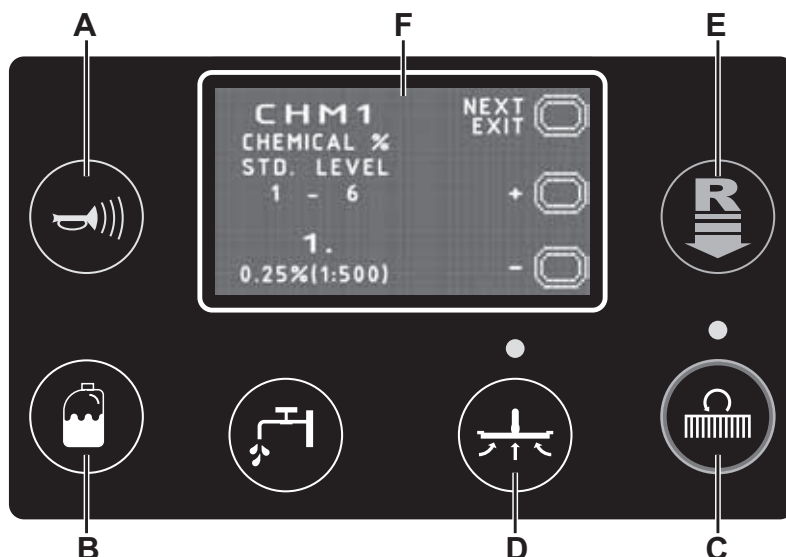


Figure 7

P100879

TABLE OF MODIFIABLE PARAMETERS		Values		
Code	Description	Minimum	Factory Setting	Maximum
P1/P3	Level 1 solution flow rate in relation to level 3	0 %	25 %	100 %
P2/P3	Level 2 solution flow rate in relation to level 3	0 %	50 %	100 %
P3	Level 3 solution flow rate (flow rate as function of speed)	1.0 cl/m	3.0 cl/m	5.0 cl/m
P4	Enablement of level 4 (2.8 l/min regardless of speed)	OFF	OFF	ON
XPRES	Brush deck extra pressure enablement	OFF	ON	ON
FVMAX	Maximum forward speed	10 %	100 %	100 %
RVMAX	Maximum reverse speed	10 %	40 %	50 %
WSMIN	Minimum working speed	10 %	25 %	100 %
WSMAX	Maximum working speed	10 %	100 %	100 %
BRK	Electromagnetic brake activation delay	0 sec.	3 sec.	5 sec.
BAT (*)	Installed battery type (see table)	0	1	5
TOFF	Automatic shut-off time	0 (disabled)	300 sec.	600 sec.
BRGH	Display contrast	5	20	50
RPM (**)	Reduced brush rpm activation threshold	5	9	20
RESET	Restore factory settings for all parameters	OFF	OFF	ON

(*) As described in the Use chapter, set the machine and the on-board battery charger on the basis of the type of battery to be installed by modifying the BAT parameter from the table below:

Installed battery type	Value	
WET	Wet cell batteries	0
GEL / AGM	Generic GEL or AGM batteries	1
GEL EXIDE	GEL batteries or EXIDE®/SONNENSHINE brand	2
GEL OPTIMA	GEL batteries or OPTIMA™ brand	3
GEL DISCOVER	GEL batteries or DISCOVER® brand	4
GEL FULLRIVER	GEL batteries or FULLRIVER® brand	5

(**) Increase the value of this parameter to reduce the brush motor speed in a wider range of applications and vice versa.

SQUEEGEE CLEANING



NOTE

The squeegee must be clean and its blades must be in good conditions in order to get a good drying.



CAUTION!

It is advisable to wear protective gloves when cleaning the squeegee because there may be sharp debris.

1. Drive the machine on a level floor.
2. Ensure that the machine is off and the operator key (41) is turned to "O".
3. Loosen the handwheels (32) and remove the squeegee (13).
4. Wash and clean the squeegee. In particular, clean the compartments (A, Fig. 8) and the vacuum hole (B). Check the condition of the front (C) and rear (D) blades, ensuring there are no cuts and tears; if necessary, replace them as shown below.
5. Install the squeegee in the reverse order of removal.

SQUEEGEE BLADE CHECK AND REPLACEMENT

1. Clean the squeegee as shown in the previous paragraph.
2. Check the condition of the front (C, Fig. 8) and rear (D) blades, ensuring there are no cuts and tears; if necessary, replace them as shown below. Check that the front corner (E) of the rear blade is not worn; otherwise, turn the blade to replace the worn corner with one of the three remaining intact corners. If the other corners are worn too, replace the blade according to the following procedure:
 - Using the tab (F), release and remove the elastic strap (G) from the fasteners (H), then turn or replace the rear blade (D).
 - Install the blade in the reverse order of removal.
 - Unscrew the handwheels (I) and remove the strap (J), then turn or replace the front blade (C).
 - Install the blade in the reverse order of removal.
3. Install the squeegee (13) and screw down the handwheels (32).
4. Lower the squeegee to the floor to check the height of the blades, proceeding as follows:
 - Check that the lip (K) of the front blade (C) and the lip (L) of the rear blade (D) are resting as shown in the figure.
 - Use the knob (33) to make adjustments.

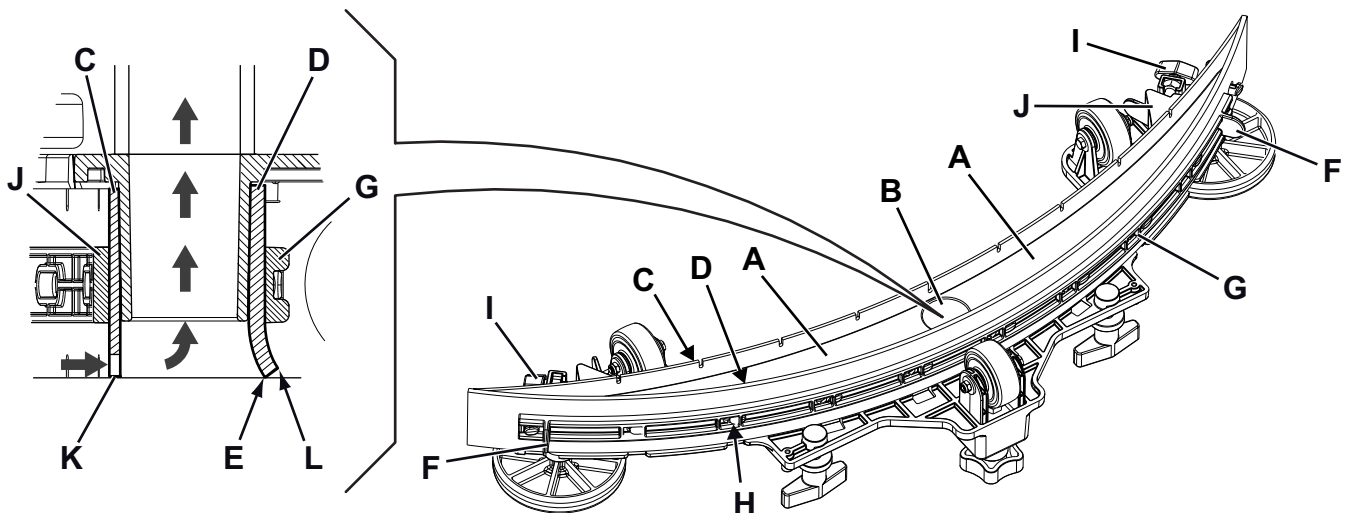


Figure 8

P100872

CLEANING THE BRUSH**CAUTION!**

It is advisable to wear protective gloves when cleaning the brush because there may be sharp debris.

1. Remove the brush as shown in Use chapter.
2. Clean the brush with water and detergent.
3. Check the condition of the brush bristles, ensuring they are not excessively worn; if necessary, replace the brush.

RECOVERY TANK CLEANING

1. Drive the machine to the appointed disposal area.
2. Ensure that the machine is off and the operator key (41) is turned to "O".
3. Raise the cover (18).
4. Wash the inside of the tank (17) and the cover with clean water.
5. Drain the water in the tank through the hose (26).
6. Clean the vacuum grid (28), release the fasteners (A, Fig. 9), open the grid (B) and recover the float (C) then clean it carefully and reinstall it.
7. Remove the debris collection tank (D) and open its cover, then clean it carefully and reinstall it on the vacuum hose.
8. Check the condition of the tank cover gasket (E).

**NOTE**

The gasket (E) allows the creation of a vacuum in the tank, which is necessary to suck up the recovery water.

If necessary, replace the gasket (E) by removing it from its housing (F). When fitting the new gasket, position the joint (G) in the lower area, as shown in the figure.

9. Check that the seating surface (H) of the gasket (E) is in good condition, clean and suitable to form a seal with the gasket itself.
10. Close the cover (18).

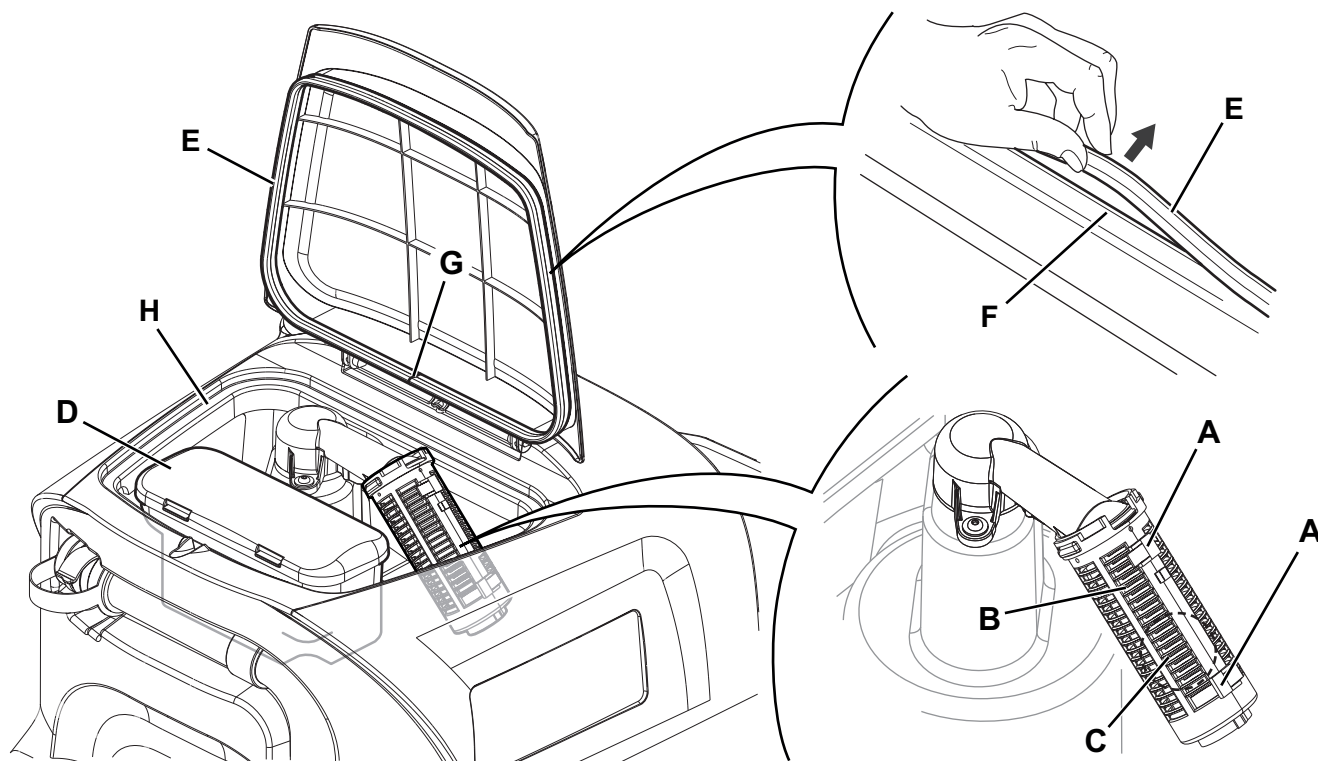


Figure 9

P100873

SOLUTION FILTER CLEANING

1. Drive the machine on a level floor.
2. Ensure that the machine is off and the operator key (41) is turned to "O".
3. Close the solution tank valve (9). The valve is closed when it is in position (9-B) and it is open when it is in position (9-A).
4. Remove the transparent cover (A, Fig. 10), retrieve the gasket (B), then remove the filter strainer (C). Wash and rinse them with clean water, then refit them carefully onto the filter support (D).
5. Open the valve (9-A).

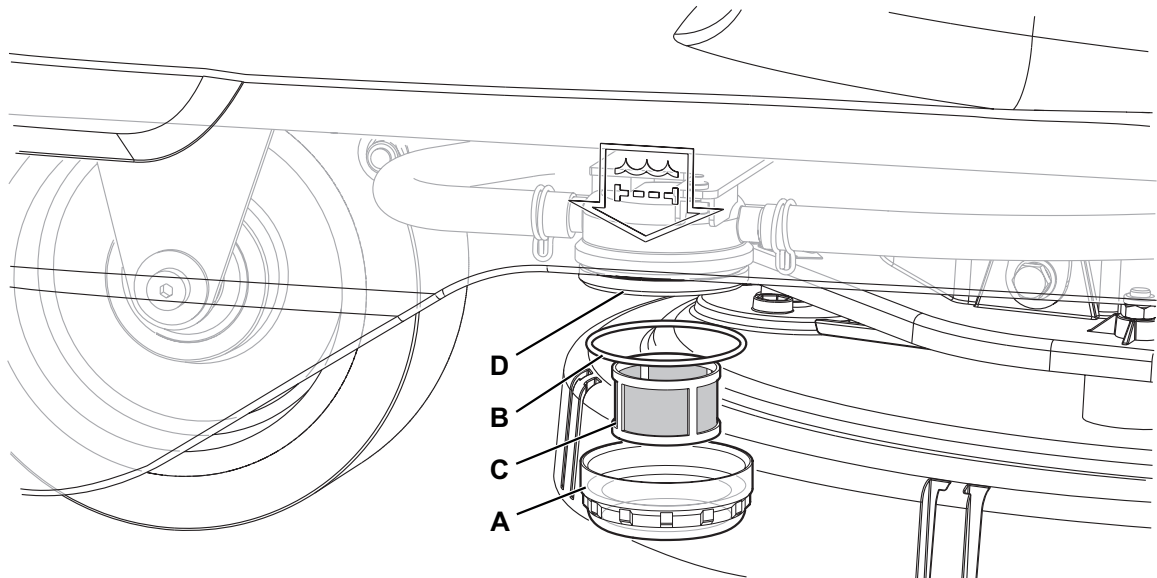


Figure 10

P100874

CHEMICAL MIXING SYSTEM DRAINING

(For machines with Chemical Mixing System)

To remove residual detergent from the detergent hoses and pump, proceed as follows.

6. Turn on the machine by turning the ignition key (41) to "I".
7. Press the push-button (42). Check that the detergent quantity indicator (48-G) on the display has at least one segment lit.
8. Press and hold buttons (44) and (45) at the same time until screen (48-M) appears on the display (after approximately 5 seconds).
9. Release buttons (44) and (45) and wait for the countdown timer on the display to finish and the vacuum system to be activated.
10. Collect the detergent remained on the floor.
11. Turn off the machine by turning the ignition key (41) to "O".
12. Lift the recovery tank assembly (17), then check that the detergent tank hose (38) is empty, otherwise perform steps 3 to 7 again.



NOTE

The draining cycle lasts about 30 seconds, then the vacuum function automatically turns on, which allows to remove the detergent remained.

The draining cycle can also be performed with the detergent tank (38) full of water, thus cleaning the system thoroughly. It is advisable to perform this type of draining to clean the Chemical Mixing System from dirt and deposits if the machine has not been used/cleaned for a long time.

The draining cycle can also be performed to quickly fill the detergent supply hose when the tank (38) is full but the system is still empty.

If necessary, the draining cycle can be performed several times in succession.

FUSE CHECK/REPLACEMENT



NOTE

All machine electrical circuits are protected by auto-resettable electronic devices. The safety fuses activates only in case of serious damage.

It is recommended to have the fuses replaced by qualified personnel only.

Refer to the Service Manual available at any Clarke Retailer.

SAFETY FUNCTIONS

The machine is equipped with the following safety functions.

EMERGENCY PUSH-BUTTON

The emergency push-button (5) is located in an easily accessible position. Press it firmly in case of immediate necessity to stop all machine functions.

To reset the machine operation, lift the recovery tank assembly (17) and reconnect the battery connector (6).

ANTI-SKID SAFETY SYSTEM

This system reduces the speed when turning and when the machine tilts laterally to avoid sudden skids, this increasing the machine stability in any condition. The system activation is shown by the icon (48-I) on the display.

DRIVER'S SEAT MICROSWITCH

It is located inside the driver's seat (12) and it does not allow the machine drive system to operate if the operator is not seated on the driver's seat.

ELECTROMAGNETIC BRAKE

It is built-in the rear driving wheels (24) and keeps the machine braked when the machine is off or stopped.

TROUBLESHOOTING

TROUBLE	POSSIBLE CAUSE	REMEDY
The motors are not operating; the display (48) and button LEDs do not turn on.	The battery connector is disconnected.	Connect.
	The batteries are completely discharged.	Charge the batteries.
The machine does not move and the display (48) shows the alarm: WARNING ALARM T3	Machine turned on with paddle pressed.	Release the paddle. If the problem persists, contact an authorised Service Center.
At machine start-up, the button (42) LED flashes and the brushes do not work.	Machine switched off without first raising the brush deck.	Wait for the deck to raise before turning the brushes on again by pressing the switch.
The brush does not operate; the battery symbol (48-C) border flashes and the display shows the alarm message: WARNING ALARM G4	The batteries are discharged.	Charge the batteries. If the problem persists, replace the batteries.
When working, the display shows the alarm message: WARNING ALARM F2	Brush motor overload.	Use a different/less aggressive brush and/or avoid working with extra pressure turned on.
	There are foreign materials (tangled threads, etc.) preventing the brush from rotating.	Clean the brush hub.
The display (48) shows the alarm message: WARNING ALARM T2	Drive motor overload.	Turn off the machine and then turn it on again. Avoid using the machine on slopes greater than those indicated or going over excessively tall obstacles.
While recharging the batteries with the on-board battery charger, the display (48) shows the alarm message: WARNING ALARM C4 or C5	Battery charger not able to correctly recharge the batteries within the maximum time.	Run the battery charging cycle again. If the problem persists, replace the batteries.
The display (48) shows an alarm message of the following type: WARNING ALARM XX Where "XX" is a code other than those listed above.	The machine electronic control system is in alarm condition.	Turn off the machine and then turn it on again. If the problem persists, contact an authorised Service Center.
The dirty water vacuuming is insufficient.	The recovery tank is full.	Empty the tank.
	The vacuum grid is clogged or the float is stuck closed.	Clean the vacuum grid.
	Debris collection filter container clogged.	Clean.
	The hose is disconnected from the squeegee.	Connect.
	The squeegee is dirty or the squeegee blades are worn or damaged.	Clean the squeegee or overturn/replace the blades.
	The tank cover is not properly closed, or the gasket is damaged.	Correctly close the cover or clean/replace the gasket.
The solution flow is insufficient.	Empty detergent solution tank.	Refill.
	The solution filter is dirty.	Clean the filter.
	The Chemical Mixing System tank (optional) is dirty/clogged.	Clean with the drain cycle.
The squeegee leaves marks on the floor.	There is debris under the squeegee blades.	Remove the debris.
	The squeegee blades are worn, chipped or torn.	Overturn or replace the blades.
	The squeegee has not been balanced with the handwheel.	Adjust the squeegee.



NOTE

*The machine is inoperative without the battery charger.
In case of battery charger malfunction, contact an authorised Service Center.*

For any further information, contact Clarke Service Centres.

SCRAPPING

Have the machine scrapped by a qualified scrapper.

Before scrapping the machine, remove and separate the following materials, which must be disposed of properly according to the Law in force:

- Batteries
- Brushes
- Plastic hoses and components
- Electrical and electronic components (*)

(*) Refer to the nearest Clarke Center especially when scrapping electrical and electronic components.

Machine material composition and recyclability

Type	Recyclable percentage	RA40 weight percentage
Aluminium	100 %	3 %
Electric motors - various	29 %	32 %
Ferrous materials	100 %	23 %
Wiring harness	80 %	7 %
Liquids	100 %	0 %
Plastic - non-recyclable material	0 %	3 %
Plastic - recyclable material	100 %	3 %
Polyethylene	92 %	26 %
Rubber	20 %	2 %

LEA ESTE LIBRO

Contiene información importante para el uso correcto y seguro de la máquina. Lea este libro completamente antes de arrancar la máquina o hacer cualquier operación de mantenimiento. Si no siga las instrucciones, corre el peligro de herirse o causar lesiones al personal, o causar daños importantes a la máquina o a su entorno. Antes de usar la máquina, es indispensable seguir una formación. Si Usted (o el operador) no habla español, solicite (o proporciónese) todas las informaciones necesarias. El libro está traducido en otros idiomas. Todas las indicaciones de dirección dadas en este libro están dadas desde la posición del operador en la parte de atrás de la máquina. Puede Ud. conseguir libros suplementarios dirigiéndose a su distribuidor Clarke.

ÍNDICE

INTRODUCCIÓN.....	28
FINALIDAD Y OBJETO DE ESTE MANUAL	28
DESTINATARIOS	28
CONSERVACIÓN DEL MANUAL	28
DATOS DE IDENTIFICACIÓN.....	28
OTROS MANUALES DE REFERENCIA	28
PIEZAS DE REPUESTO Y MANTENIMIENTO	28
MODIFICACIONES Y MEJORAS	28
CARACTERÍSTICAS DE FUNCIONAMIENTO	29
CONVENCIONES.....	29
DESEMBALAJE/ENTREGA.....	29
SEGURIDAD	29
SÍMBOLOS VISIBLES EN LA MÁQUINA	29
SÍMBOLOS QUE APARECEN EN EL MANUAL	30
INSTRUCCIONES GENERALES	30
DESCRIPCIÓN DE LA MÁQUINA.....	32
ESTRUCTURA DE LA MÁQUINA.....	32
PANEL DE CONTROL	34
ACCESORIOS/OPCIONES	35
DATOS TÉCNICOS	35
ESQUEMA ELÉCTRICO	36
USO.....	37
CONTROL/PREPARACIÓN DE LAS BATERÍAS EN LA MÁQUINA NUEVA	37
INSTALACIÓN DE LAS BATERÍAS.....	37
ANTES DE LA PUESTA EN MARCHA DE LA MÁQUINA.....	38
PUESTA EN MARCHA Y PARADA DE LA MÁQUINA.....	40
MÁQUINA EN FUNCIÓN (LAVADO/SECAMIENTO).....	40
VACIADO DE LOS DEPÓSITOS.....	43
DESPUÉS DEL USO DE LA MÁQUINA.....	43
DESPLAZAMIENTO DE LA MÁQUINA MEDIANTE EMPUJE/REMOLQUE.....	43
PERIODO DE LARGA INACTIVIDAD DE LA MÁQUINA.....	43
MANTENIMIENTO	44
ESQUEMA DE MANTENIMIENTO PROGRAMADO.....	44
CARGA DE LAS BATERÍAS	45
MODIFICACIÓN DE LOS PARÁMETROS DE FUNCIONAMIENTO	46
LIMPIEZA DE LA BOQUILLA.....	47
CONTROL Y SUSTITUCIÓN DE LOS CAUCHOS DE LA BOQUILLA.....	47
LIMPIEZA DEL CEPILLO.....	48
LIMPIEZA DEL DEPÓSITO DEL AGUA DE RECUPERACIÓN.....	48
LIMPIEZA DEL FILTRO DE LA SOLUCIÓN DETERGENTE.....	49
EXPURGACIÓN DEL CHEMICAL MIXING SYSTEM	49
CONTROL/SUSTITUCIÓN DE LOS FUSIBLES	50
FUNCIONES DE SEGURIDAD.....	50
PULSADOR DE EMERGENCIA.....	50
SISTEMA DE SEGURIDAD ANTIDERRAPE	50
MICROINTERRUPTOR DEL ASIENTO DE CONDUCCIÓN.....	50
FRENO ELECTROMAGNÉTICO	50
BÚSQUEDA AVERÍAS	51
ELIMINACIÓN.....	52

INTRODUCCIÓN



NOTA

Los números entre paréntesis se refieren a los componentes ilustrados en el capítulo Descripción de la máquina.

FINALIDAD Y OBJETO DE ESTE MANUAL

Este manual contiene todas las informaciones necesarias para que el operador utilice la máquina de forma adecuada, autónoma y segura. Incluye informaciones inherentes a los datos técnicos, la seguridad, el funcionamiento, el almacenamiento, el mantenimiento, las piezas de repuesto y la eliminación.

Antes de efectuar cualquier operación de mantenimiento, los operadores y los técnicos calificados tienen que leer cuidadosamente las instrucciones incluidas en este manual. En caso de dudas sobre la correcta interpretación de las instrucciones, consultar Clarke para obtener explicaciones.

DESTINATARIOS

Este manual es para los operadores y los técnicos encargados del mantenimiento de la máquina.

Los operadores no deben efectuar procedimientos reservados a los técnicos calificados. Clarke no es responsable para los daños causados a la máquina por falta de observación de esta prohibición.

CONSERVACIÓN DEL MANUAL

El Manual de instrucciones de uso y mantenimiento debe conservarse junto a la máquina, dentro de su contenedor, lejos de líquidos y otras sustancias que podrían dañarlo.

DATOS DE IDENTIFICACIÓN

El número de serie y el modelo de la máquina están marcados en la placa del número de serie (23).

En la misma placa se indican también el año de fabricación y el código del producto.

Esta información es necesaria cuando se pidan piezas de repuesto para la máquina. Usar el espacio siguiente para escribir los datos de identificación de la máquina.

Modelo MÁQUINA
Código del PRODUCTO
Número de serie MÁQUINA

OTROS MANUALES DE REFERENCIA

- Manual del cargador de baterías electrónico, que debe considerarse parte integrante de este manual
- Catálogo piezas de repuestos (en dotación a la máquina)
- Manual de asistencia (solo los técnicos calificados lo puede consultar cerca de los Centros de asistencia Clarke)

PIEZAS DE REPUESTO Y MANTENIMIENTO

Para cualquier necesidad inherente al uso, mantenimiento y reparación, consultar al personal calificado o los Centros de asistencia Clarke. Se recomienda usar sólo piezas de repuesto y accesorios originales.

Para la asistencia o para pedir piezas de repuesto y accesorios acudir a Clarke, especificando siempre el modelo, el código del producto y el número de serie de la máquina.

MODIFICACIONES Y MEJORAS

Clarke está constantemente mejorando sus productos y se reserva el derecho de realizar modificaciones y mejoras a su discreción, sin verse obligada a aplicar dichas ventajas a las máquinas vendidas previamente.

Sólo Clarke puede aprobar y efectuar cualquier modificación y/o instalación de accesorios.

CARACTERÍSTICAS DE FUNCIONAMIENTO

La fregadora/secadora RA40 es adecuada para limpiar (lavar y secar) suelos lisos y sólidos, en ambiente privado o industrial, en condiciones de seguridad, por un operador calificado.

La fregadora/secadora no es adecuada para limpiar alfombras o moqueta.

CONVENCIONES

En este manual, las indicaciones de adelante, atrás, delantero, trasero, derecho e izquierdo, se refieren al operador en posición de conducción en su asiento (12).

DESEMBALAJE/ENTREGA

Para desembalar la máquina seguir cuidadosamente las instrucciones colocadas sobre el embalaje.

Para desplazar manualmente la máquina, consultar el párrafo Desplazamiento de la máquina mediante empuje/remolque.

Al momento de la entrega, controlar con cuidado el embalaje y la máquina por si hayan sufrido daños durante el transporte.

Si los daños son evidentes, conservar el embalaje, de forma que el transportista que lo ha entregado lo pueda inspeccionar.

Contactarlo de inmediato para compilar una indemnización daños y perjuicios.

Controlar que la máquina sea entregada junto a los siguientes componentes:

- Documentación técnica:
 - Manual de instrucciones de uso de la fregadora/secadora
 - Catálogo piezas de repuestos de la fregadora/secadora
- N° 2 fusibles laminares
- N° 1 parasalpicaduras



¡ATENCIÓN!

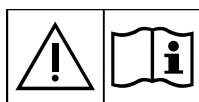
Los Productos a la venta en este Manual contienen, o pueden contener, productos químicos reconocidos por algunos gobiernos (como el Estado de California, según lo indica en su Proposición 65, Ley de Advertencia Regulatoria) como causantes de cáncer, defectos de nacimiento u otros daños reproductivos. En algunas jurisdicciones (incluido el Estado de California), los compradores de estos Productos que los coloquen en servicio en un emplazamiento laboral o en un espacio de acceso público tienen la obligación regulatoria de realizar determinados avisos, advertencias o divulgaciones respecto de los productos químicos contenidos o posiblemente contenidos en los Productos utilizados en tal lugar. Es la responsabilidad del comprador conocer y cumplir con todas las leyes y reglamentaciones relacionadas con el uso de estos Productos en tales entornos. El Fabricante niega toda responsabilidad de informar a los compradores sobre requisitos específicos que pueden regir el uso de los Productos en tales entornos.

SEGURIDAD

La siguiente simbología sirve para señalar situaciones de peligro potencial. Leer siempre cuidadosamente estas informaciones y tomar las precauciones necesarias para proteger personas y cosas.

Para evitar desgracias, la cooperación del operador de la máquina es fundamental. Ningún programa de prevención de accidentes resulta eficaz sin la total cooperación de la persona directamente responsable del funcionamiento de la máquina. La mayoría de los accidentes que pueden ocurrir en una empresa, durante el trabajo o los traslados, son causados por no observar las reglas de seguridad fundamentales. Un operador cuidadoso y cauto es la mejor garantía para evitar posibles accidentes y resulta más eficaz que cualquier programa de prevención.

SÍMBOLOS VISIBLES EN LA MÁQUINA



¡ATENCIÓN!

Leer con cuidado todas las instrucciones antes de efectuar cualquier operación en la máquina.



¡ATENCIÓN!

No lavar la máquina con chorros de agua directa o presurizada.



¡ATENCIÓN!

No usar la máquina sobre rampas o inclinaciones superiores a las especificaciones.

SÍMBOLOS QUE APARECEN EN EL MANUAL



¡PELIGRO!
Indica un peligro con riesgo, incluso mortal, para el operador.



¡ATENCIÓN!
Indica el riesgo potencial de infortunios para las personas.



¡ADVERTENCIA!
Indica una advertencia o una nota sobre una función importante o útil.
Tener cuidado de las partes del texto marcadas con este símbolo.



NOTA
Indica una nota sobre una función importante o útil.



CONSULTAS
Indica la necesidad de consultar el Manual de instrucciones de uso antes de efectuar cualquier operación.

INSTRUCCIONES GENERALES

Se describen aquí las advertencias y precauciones específicas por lo que se refiere a los potenciales riesgos de daños a la máquina o a las personas.



- ¡PELIGRO!**
- Antes de efectuar cualquier operación de limpieza de la máquina, mantenimiento o sustitución de piezas, quitar la llave de encendido (o de puesta en marcha) y desconectar el conector de las baterías.
 - Sólo los operadores cualificados pueden usar esta máquina.
 - Quitarse las joyas cuando se trabaja cerca de los componentes eléctricos.
 - No trabajar bajo la máquina levantada si ésta no está fijada con los soportes de seguridad adecuados.
 - No activar la máquina en un ambiente donde haya polvo, líquidos o vapores nocivos, peligrosos, inflamables y/o explosivos: esta máquina no es adecuada para recoger polvos peligrosos.
 - Si se usan baterías de plomo (WET), tener chispas, llamas y materiales fumantes lejos de las baterías. Durante el uso normal pueden salir gases explosivos.
 - Si se usan baterías de plomo (WET), cargando las baterías se produce gas hidrógeno muy explosivo. Levantar el depósito del agua de recuperación durante las operaciones de carga de las baterías y efectuar la carga solo en áreas muy bien ventiladas y lejos de llamas libres.



- ¡ATENCIÓN!**
- Antes de efectuar cualquier operación de mantenimiento/repación, leer cuidadosamente todas las instrucciones relacionadas.
 - Antes de usar el cargador de baterías, asegurarse de que la frecuencia y la tensión indicadas en la placa del número de serie de la máquina coincidan con la tensión de la red.
 - No tirar o transportar la máquina por el cable del cargador de baterías; no utilizar el cable como manilla. No cerrar el cable del cargador de baterías en una puerta o tirarlo sobre bordes o ángulos afilados. No atropellar el cable del cargador de baterías con la máquina.
 - Tener el cable del cargador de baterías lejos de superficies calientes.
 - Si el cable o el enchufe del cargador de baterías están dañados, no cargar las baterías de la máquina.
 - Para reducir el riesgo de incendio, electrochoque o lesiones, no dejar la máquina conectada a la red eléctrica cuando está sin custodia. Antes de efectuar las operaciones de mantenimiento, desconectar el cable del cargador de baterías de la red eléctrica.
 - No fumar cuando se cargan las baterías.
 - Para evitar usos no autorizados de la máquina, quitar la llave de encendido.
 - No dejar la máquina sin custodia y sin haberse asegurado que no pueda moverse de forma autónoma.

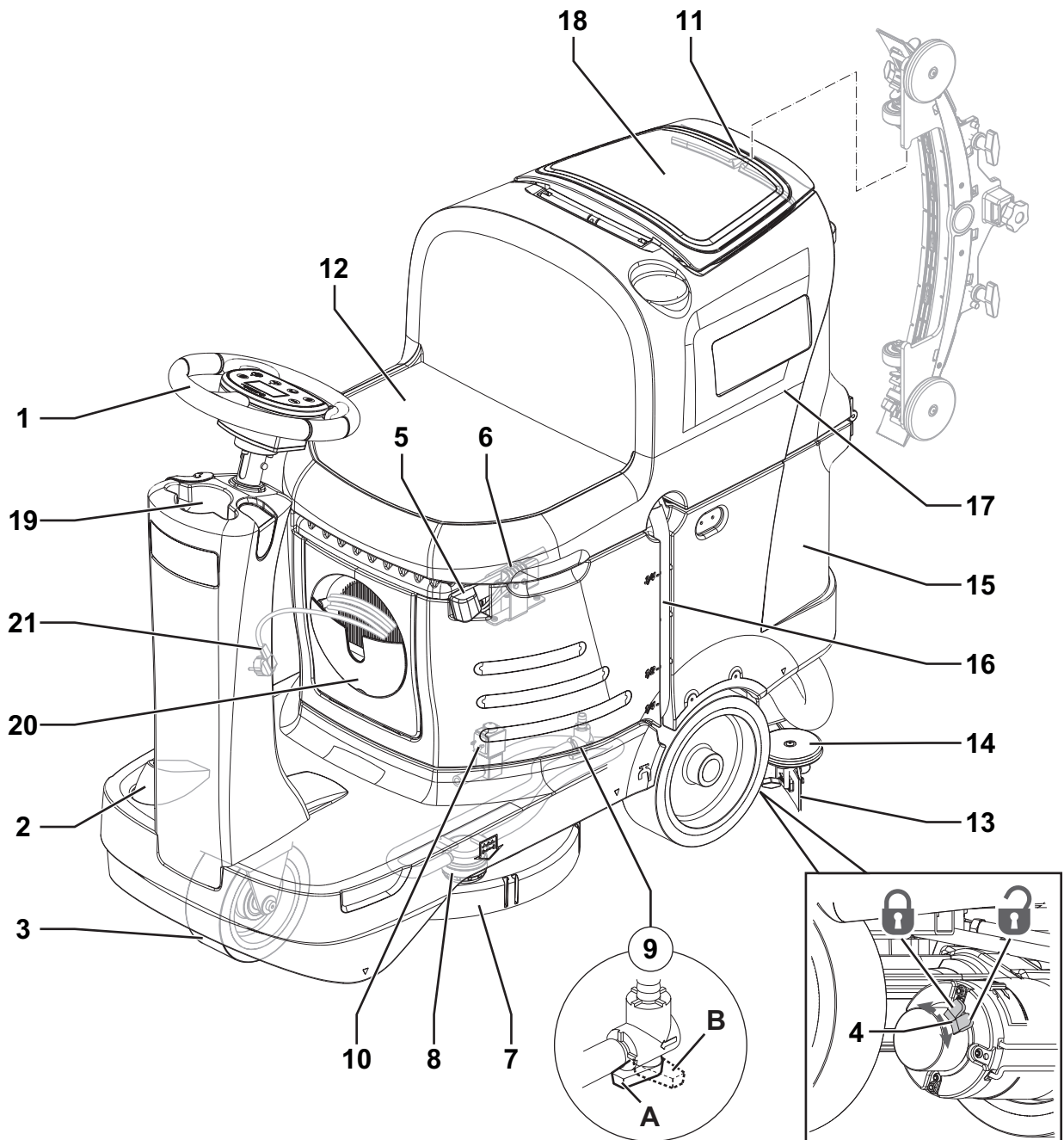
**¡ATENCIÓN!**

- *Proteger siempre la máquina del sol, lluvia y otras intemperies, tanto durante el funcionamiento como durante los periodos de inactividad. Almacenar la máquina en un lugar cerrado y seco: esta máquina sólo se puede usar en seco y no se debe usar o tener al exterior en condiciones de humedad.*
- *Antes de usar la máquina, cerrar todos los portillos y/o las tapas como indicado en el Manual de instrucciones de uso.*
- *El aparato no está diseñado para que lo usen personas (incluidos los niños) con reducidas capacidades físicas, mentales o sensoriales o con experiencia y/o competencias insuficientes, a no ser que lo utilicen bajo la supervisión de una persona responsable de su seguridad o que ésta les enseñe a usarlo. Los niños deben ser supervisados para asegurarse de que no jueguen con el aparato.*
- *Tener mucho cuidado cuando se utiliza cerca de niños. No usar con finalidades diferentes de aquellas indicadas en este manual. Usar sólo los accesorios recomendados por Clarke.*
- *Controlar con cuidado la máquina antes de usarla, siempre comprobar que se hayan montados correctamente todos los componentes antes de usarla. El uso de la máquina no perfectamente montada puede causar lesiones a personas y daños a los aparatos.*
- *Tomar todas las precauciones necesarias para que el pelo, las joyas y las ropas no sean capturados por las partes móviles de la máquina.*
- *No usar la máquina sobre pendientes.*
- *No inclinar la máquina con un ángulo superior al valor indicado en la máquina misma, para no perjudicar la estabilidad.*
- *No usar la máquina en ambientes demasiado polvorientos.*
- *Usar la máquina sólo en áreas con suficiente iluminación.*
- *Si se va a usar la máquina en presencia de otras personas, además del operador, es necesario equipar la máquina con la luz rotativa (opcional).*
- *Cuando se usa esta máquina, tener cuidado de salvaguardar la incolumidad de personas y cosas.*
- *No chocar contra estanterías o andamios de los que puedan caer objetos.*
- *No apoyar contenedores de líquidos sobre la máquina, usar el portabebidas.*
- *La temperatura de la máquina en trabajo debe estar entre +32 °F y 104 °F (0 °C y +40 °C).*
- *La temperatura de almacenamiento de la máquina debe estar entre 0 °C y +40 °C (+32 °F y 104 °F).*
- *La humedad debe estar entre el 30 % y el 95 %.*
- *Cuando se usan detergentes, seguir las instrucciones y advertencias indicadas en las etiquetas de los frascos.*
- *Cuando se usan detergentes, usar guantes y protecciones adecuadas.*
- *No usar la máquina como vehículo de transporte.*
- *No permitir que el cepillo/filtro funcione mientras la máquina está parada en un punto para evitar posibles daños al suelo.*
- *En caso de incendio usar un extintor de polvo, no de agua.*
- *No adulterar por ninguna razón la máquina, respetar escrupulosamente las instrucciones previstas para el mantenimiento ordinario.*
- *No dejar que material extraño entre en las aperturas. No usar la máquina si las aperturas están obstruidas. Las aperturas deben mantenerse libre de polvo, hilacha, pelos y cualquier otro cuerpo extraño que pueda reducir el flujo de aire.*
- *No quitar ni modificar las placas colocadas en la máquina.*
- *Para desplazar manualmente la máquina es necesario desactivar el freno electromagnético. Tras haber desplazado la máquina manualmente, volver a activar el freno electromagnético. Non usar la máquina si el freno electromagnético está desactivado.*
- *Si se desplaza la máquina mediante empuje por causas de servicio (falta de baterías, baterías descargadas, etc.), no superar la velocidad de 2,5 mph (4 km/h).*
- *Esta máquina no tiene aprobación para el uso en carreteras o vías públicas.*
- *Tener cuidado durante el traslado de la máquina en condiciones de temperatura muy baja. El agua en el depósito del agua de recuperación o en los tubos, podría congelarse y dañar la máquina.*
- *Utilizar sólo los cepillos y los filtros suministrados con la máquina o aquellos especificados en el Manual de instrucciones de uso. Usar otros cepillos o filtros puede perjudicar la seguridad.*
- *Cuando la máquina no funciona correctamente, asegurarse de que esto no sea causado por falta de mantenimiento. En caso contrario, pedir la intervención del personal autorizado o del Centro de asistencia autorizado.*
- *Si deben sustituirse piezas, solicitar piezas de repuesto ORIGINALES a un Concesionario y/o Revendedor autorizado.*
- *Para asegurar condiciones de funcionamiento correcto y seguro, el personal autorizado o el Centro de asistencia autorizado debe llevar a cabo el mantenimiento programado según las especificaciones indicadas en el capítulo relacionado de este manual.*
- *No lavar la máquina con chorros de agua directa o presurizada, o con sustancias corrosivas.*
- *Nunca se debe abandonar la máquina al final del ciclo vital, por la presencia de materiales tóxicos y dañinos (baterías, aceites, etc.) sujetos a normativas que exigen que se realice la eliminación en centros especiales (véase el capítulo Eliminación).*

DESCRIPCIÓN DE LA MÁQUINA

ESTRUCTURA DE LA MÁQUINA

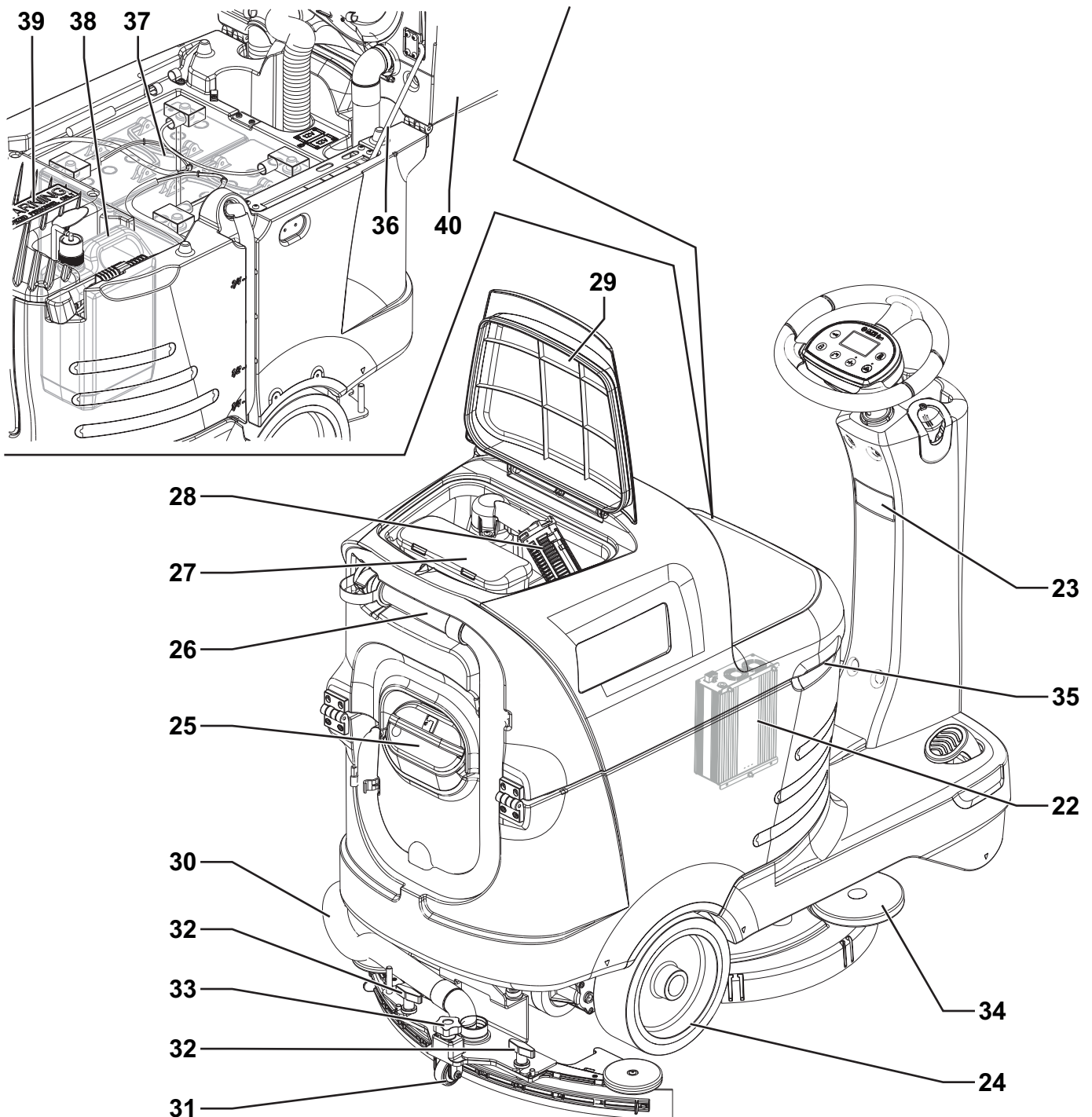
- | | |
|---|---|
| <ol style="list-style-type: none"> 1. Volante con panel de control y mandos (véase el párrafo siguiente) 2. Pedal de marcha 3. Rueda delantera directriz 4. Palanca de desbloqueo/bloqueo del freno electromagnético 5. Pulsador de EMERGENCIA, para la interrupción inmediata de todas las funciones 6. Conector de las baterías 7. Cabezal portacepillo 8. Filtro de la solución detergente 9. Grifo de la solución detergente
A) Grifo abierto
B) Grifo cerrado | <ol style="list-style-type: none"> 10. Electroválvula 11. Gancho para boquilla 12. Asiento 13. Boquilla 14. Rueda paragolpes de la boquilla 15. Depósito de la solución detergente 16. Tubo de nivel y de descarga de la solución detergente 17. Conjunto depósito del agua de recuperación plegable 18. Tapa del depósito del agua de recuperación 19. Portabebidas 20. Vano alojamiento cable cargador de baterías y portadocumentos 21. Cable de alimentación del cargador de baterías |
|---|---|



P100876

ESTRUCTURA DE LA MÁQUINA (Sigue)

- | | |
|--|---|
| 22. Cargador de baterías | 31. Ruedas de apoyo de la boquilla |
| 23. Placa número de serie/datos técnicos/marcación de conformidad | 32. Empuñaduras de fijación de la boquilla |
| 24. Ruedas traseras de tracción | 33. Perilla de ajuste de la boquilla |
| 25. Boca de llenado del depósito de la solución detergente | 34. Rueda paragolpes del cabezal portacepillo |
| 26. Tubo de descarga del agua de recuperación | 35. Manilla de levantamiento del conjunto depósitos y asiento de conducción |
| 27. Contenedor con rejilla de recogida de residuos | 36. Barra de soporte del conjunto depósitos y asiento de conducción |
| 28. Rejilla de aspiración con sistema de cierre automático de flotador | 37. Baterías (*) |
| 29. Tapa del depósito del agua de recuperación abierta | 38. Tanque del detergente Chemical Mixing System (*) |
| 30. Tubo de aspiración de la boquilla | 39. Tapa del compartimento electrónico |
| | 40. Conjunto depósito del agua de recuperación y asiento de conducción levantados |
- (*) Opcional



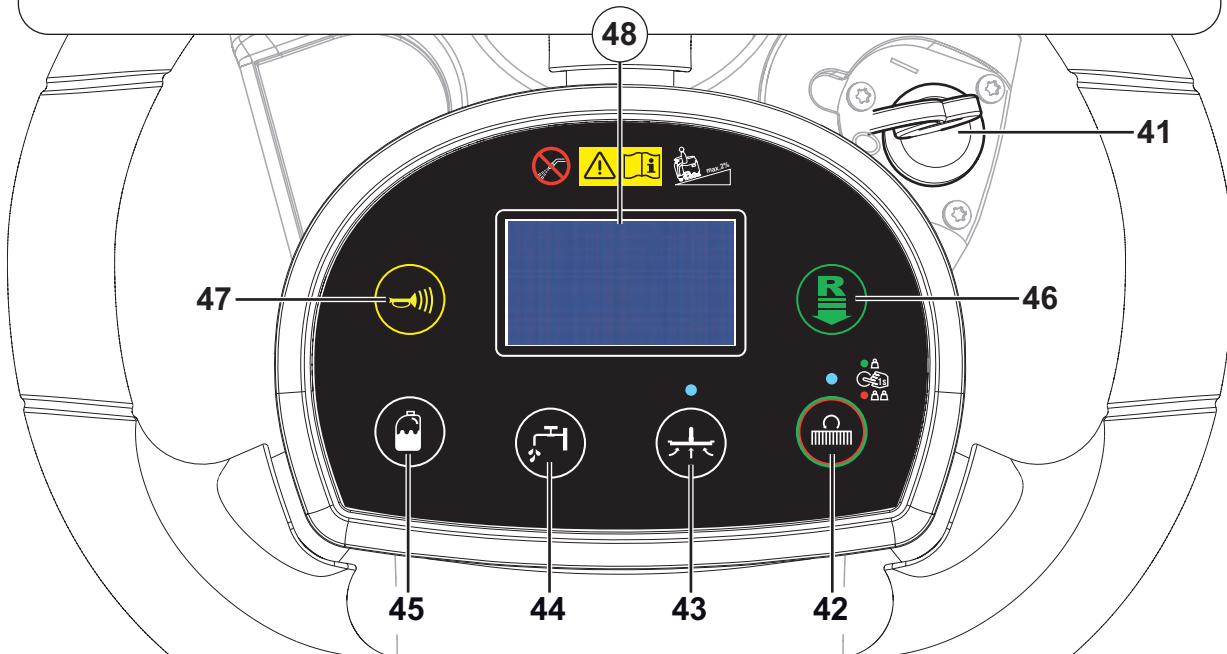
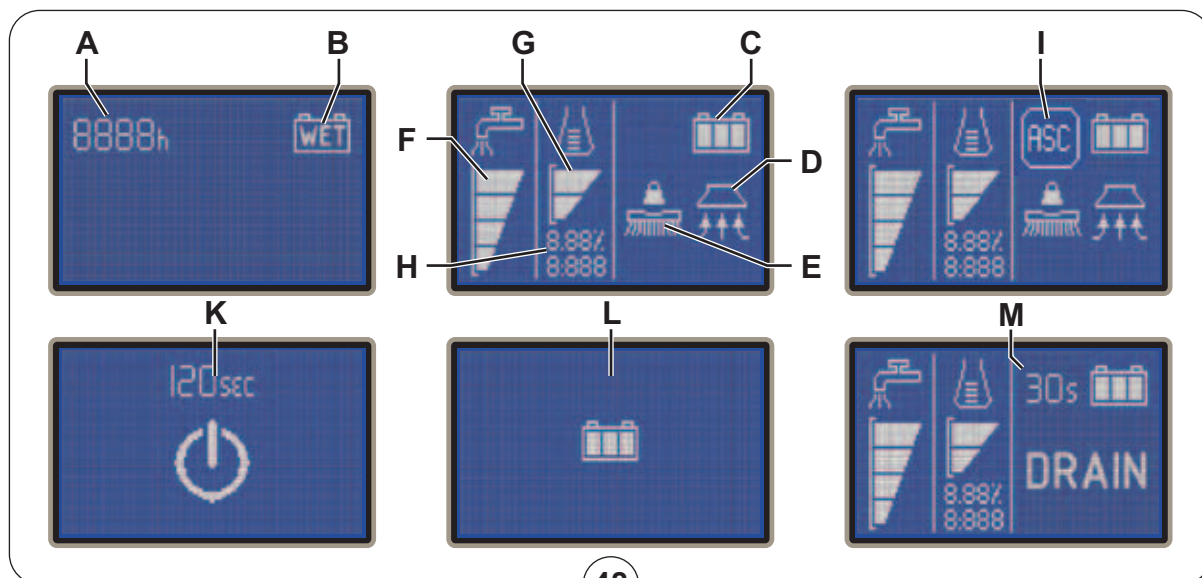
P100877

PANEL DE CONTROL

- 41. Llave de encendido/apagado máquina
- 42. Pulsador "One Touch" lavado/secado
 - LED verde intermitente - subida/bajada cabezal portacepillo
 - LED verde fijo - máquina en función
 - LED rojo fijo - (pulsar durante unos segundos) presión cepillo suplementar
- 43. Pulsador regulación/desactivación sistema de aspiración:
 - LED encendido - sistema de aspiración activado
- 44. Pulsador regulación del flujo del detergente
- 45. Pulsador regulación porcentaje detergente de lavado (*)
- 46. Pulsador de activación/desactivación marcha atrás
- 47. Pulsador de la bocina

- 48. Pantalla multifunción
- Visualizaciones:
- A) Horas de trabajo
 - B) Tipología baterías
 - C) Estado de carga de las baterías
 - D) Aspiración activada
 - E) Cepillo activado
 - F) Cantidad de flujo de la solución detergente
 - G) Cantidad detergente (*)
 - H) Porcentaje detergente en el agua de lavado (*)
 - I) Control antiderrape
 - K) Timer de auto apagado
 - L) Cargador de baterías con cargador integrado (*)
 - M) Activación expurgación sistema Chemical Mixing System (*)

(*) Opcional



P100878

ACCESORIOS/OPCIONES

Además de los componentes instalados en la versión estándar, la máquina puede equiparse con los siguientes accesorios/ opciones, según el uso específico:

- Baterías GEL/AGM
- Cepillos de diferentes materiales
- Filtros de diferentes materiales
- Cauchos de la boquilla de diferentes materiales
- Tubo de llenado
- Chemical Mixing System
- Luz rotativa
- Conjunto "mop a trash"
- Puerta USB

Para informaciones suplementarias sobre estos accesorios opcionales, acudir al Revendedor autorizado.

DATOS TÉCNICOS

Modelo	RA40
Capacidad del depósito de la solución detergente	18,5 US gal (70 litros)
Capacidad del depósito del agua de recuperación	18,5 US gal (70 litros)
Longitud de la máquina	50 in (1.270 mm)
Anchura de la máquina con boquilla	28,3 in (720 mm)
Anchura de la máquina sin boquilla	21,6 in (550 mm)
Altura de la máquina	40,1 in (1.020 mm)
Espacio de giro para vuelta en U	71 in (1.800 mm)
Anchura de barrido	21 in (530 mm)
Diámetro ruedas traseras de tracción	10 in (254 mm)
Presión específica al suelo de las ruedas traseras de tracción	145 psi (1,0 N/mm ²)
Diámetro rueda delantera directriz	7,9 in (200 mm)
Presión específica al suelo de la rueda delantera	188 psi (1,3 N/mm ²)
Diámetro cepillo/filtro	21 in (530/508 mm)
Presión del cepillo con presión suplementaria desactivada	33 lb (15 kg)
Presión del cepillo con presión suplementaria activada	66 lb (30 kg)
Valores flujo de la solución detergente	0,75 cl/m / 1,5 cl/m / 3,0 cl/m / (2,8 l/min, si habilitado)
Porcentaje detergente sistema Chemical Mixing System (opcional)	0,25 % - 3 %
Presión sonora a la oreja del operador (ISO 11201, ISO 4871, EN 60335-2-72) (LpA)	68 ± 3 dB(A)
Presión sonora a la oreja del operador en modalidad silenciosa (LpA)	62 ± 3 dB(A)
Potencia acústica emitida por la máquina (ISO 3744, ISO 4871, EN 60335-2-72) (LwA)	84 dB(A)
Nivel de vibraciones al brazo del operador (ISO 5349-1, EN 60335-2-72)	130 in/s ² (3,3 m/s ²)
Nivel de vibraciones al cuerpo del operador (ISO 5349-1, EN 60335-2-72)	35,4 in/s ² (0,9 m/s ²)
Inclinación máxima de trabajo	2 %
Potencia del motor del sistema de tracción	0,53 hp (400 W)
Velocidad de tracción (variable)	0 - 3,7 mi/h (0 - 6 km/h)
Potencia del motor del sistema de aspiración	0,4 hp (310 W)
Vacío del circuito del sistema de aspiración	39 in H ₂ O (1.000 mm H ₂ O)
Potencia motor cepillo	0,6 hp (450 W)
Velocidad motor cepillo	155 rpm
Potencia total absorbida	26 A (620 W)
Grado de protección IP	X4
Clase de protección (eléctrica)	III (I para cargador de baterías)
Dimensiones compartimiento baterías	13,8x14,2x11 in (350x360x280 mm)
Tensión del sistema	24V
Baterías estándares (cantidad 2)	Discover 12V-105Ah
Cargador de baterías	100-240Vca 50-60Hz, 24Vcc 13A
Autonomía de trabajo (baterías estándar)	2,5 hora
Peso sin baterías y con los depósitos vacíos	267 lb (121 kg)
Peso máximo en orden de marcha (GVW)	754 lb (342 kg)
Peso de envío	342 lb (155 kg)

ESQUEMA ELÉCTRICO

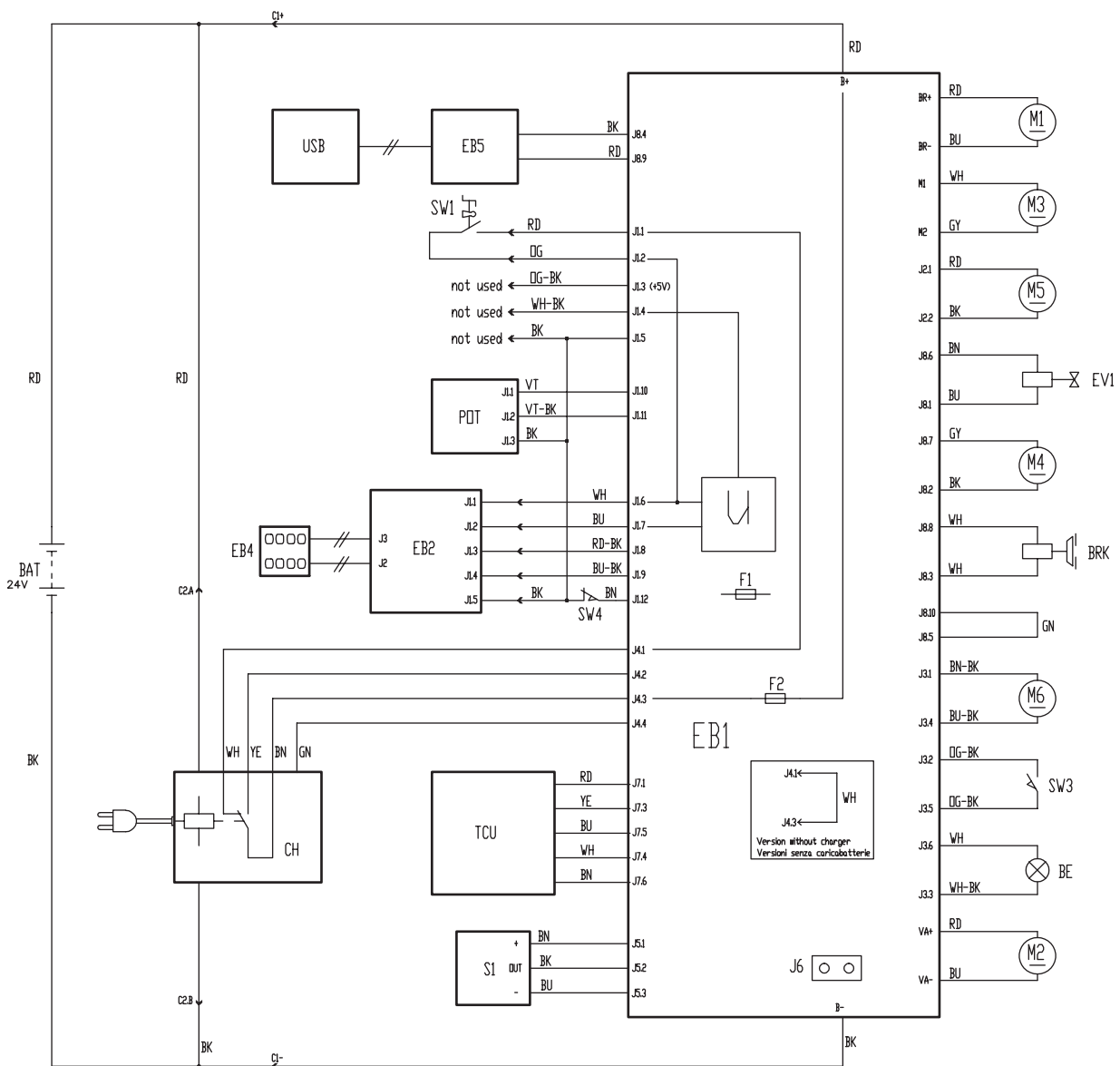
Leyenda

BAT	Baterías 24 V
BE	Luz rotativa (opcional)
BRK	Freno electromagnético
C1	Conector de las baterías
C2	Conector del cargador de baterías
CH	Cargador de baterías
EB1	Tarjeta electrónica funciones
EB2	Tarjeta electrónica del visualizador
EB4	Tarjeta electrónica serigrafía tablero de instrumentos
EB5	Unidad de energía de 5V (opcional)
EV1	Electroválvula
F1	Fusible tarjeta electrónica principal
F2	Fusible de los circuitos de señal
M1	Motor del cepillo
M2	Motor del sistema de aspiración
M3	Motor tracción
M4	Bomba Chemical Mixing System (opcional)
M5	Motor actuador cabezal portacepillo
M6	Motor actuador boquilla
POT	Potenciómetro pedal de marcha
S1	Sensor nivel solución detergente

SW1	Llave
SW3	Microinterruptor asiento
SW4	Sensor de control antiderrape
TCU	TrackClean™ (opcional)
USB	USB puerto (opcional)

Códigos color

BK	Negro
BU	Azul
BN	Marrón
GN	Verde
GY	Gris
OG	Anaranjado
PK	Rosado
RD	Rojo
VT	Morado
WH	Blanco
YE	Amarillo



P100862

USO**¡ATENCIÓN!**

En unas partes de la máquina hay unas placas adhesivas que indican:

- PELIGRO
- ATENCIÓN
- ADVERTENCIA
- CONSULTAS

Leyendo este Manual, el operador tiene que aprender el sentido de los símbolos indicados en las placas (véase el párrafo Símbolos visibles en la máquina).

Por ninguna razón estas placas deben cubrirse y si están dañadas tienen que sustituirse de inmediato.

CONTROL/PREPARACIÓN DE LAS BATERÍAS EN LA MÁQUINA NUEVA**¡ATENCIÓN!**

Si no se instalan correctamente las baterías, los componentes eléctricos de la máquina podrían dañarse. Sólo el personal calificado puede efectuar la instalación de las baterías.

Configurar la máquina según el tipo de baterías utilizadas.

Antes de instalar las baterías, controlar que no estén dañadas.

Desconectar el conector de las baterías o el enchufe del cargador de baterías.

Desplazar las baterías con mucho cuidado.

Instalar las tapas de protección de los terminales de las baterías, en dotación a la máquina.

La máquina necesita de 2 baterías de 12 V, conectadas según el esquema que se indica en la Figura 1.

La máquina puede ser entregada con las siguientes configuraciones:

Baterías instaladas en la máquina y listas para su uso

1. Asegurarse de que el conector de las baterías (6) esté conectado.
2. Cuando se utiliza la máquina por primera vez con baterías nuevas, efectuar un ciclo de carga completa de las baterías (véase procedimiento en el capítulo Mantenimiento).

Sin baterías

1. Comprar baterías adecuadas (véase el párrafo "Datos técnicos"). Para escoger e instalar las baterías, acudir a un Revendedor calificado.
2. Según el tipo de baterías elegidas, configurar la máquina actuando como se indica en el párrafo Llave de servicio en el capítulo Mantenimiento.

INSTALACIÓN DE LAS BATERÍAS**Instalación de las baterías**

1. Girar la llave de encendido (41) en "O" para apagar la máquina.
2. Desconectar el conector de las baterías pulsando el pulsador de emergencia (5).
3. Levantar la tapa (18) y controlar que el depósito del agua de recuperación (17) esté vacío, si no vaciarlo mediante el tubo de descarga (26).
4. Cerrar la tapa (18).
5. Empuñar la manilla (35) y levantar el conjunto depósito del agua de recuperación (17) con cuidado.
6. La máquina está equipada en fábrica con cables adecuados para instalar 2 baterías de 12 V.
7. Levantar con cuidado las baterías hasta su alojamiento, luego colocarlas de manera correcta.
8. Colocar e instalar los cables de las baterías como se indica en el esquema de la Figura 1, luego apretar con atención el dado sobre cada borne de las baterías.
9. Colocar la tapa de protección encima de cada borne, luego conectar el conector de las baterías (6).
10. Soltar la barra de soporte (36), luego empuñar la manilla (35) y levantar el conjunto depósito del agua de recuperación (17) con cuidado.

Carga de las baterías

11. Efectuar un ciclo de carga completa de las baterías (véase procedimiento en el capítulo Mantenimiento).

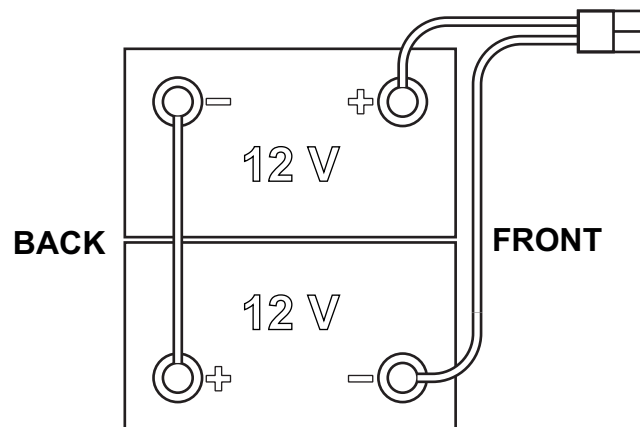


Figura 1

P100863

ANTES DE LA PUESTA EN MARCHA DE LA MÁQUINA



¡ATENCIÓN!

Cada vez que se pone en marcha la máquina o antes de accionar el pulsador “One Touch” (42), comprobar que no hay cuerpos extraños entre el cabezal y la estructura del depósito, que puedan obstaculizar la subida del cabezal. Si se ha apagado la máquina sin haber levantado el cabezal, cuando se va a poner de nuevo en marcha la máquina, el cabezal se levantará automáticamente.

Instalación/remoción del cepillo o del portafiltro

1. En la máquina se pueden instalar tanto el cepillo (A, Fig. 2) como el portafiltro (B) con filtro (C), según el tipo de tratamiento a efectuar en el suelo.
2. Colocar el cepillo (A) o el portafiltro (B) bajo el cabezal portacepillo (7).
3. Girar la llave de encendido (41) en la posición “I”.
4. Apretar el pulsador (42), para bajar el cabezal sobre el cepillo.
5. Para enganchar el cepillo, pulsar brevemente el pedal de marcha (2), si es necesario repetir la operación hasta que el cepillo se engancha.
6. Para quitar el cepillo es necesario levantar el cabezal apretando el pulsador (42), luego desenganchar manualmente el cepillo del cubo girándolo de golpe en el sentido de rotación (D).

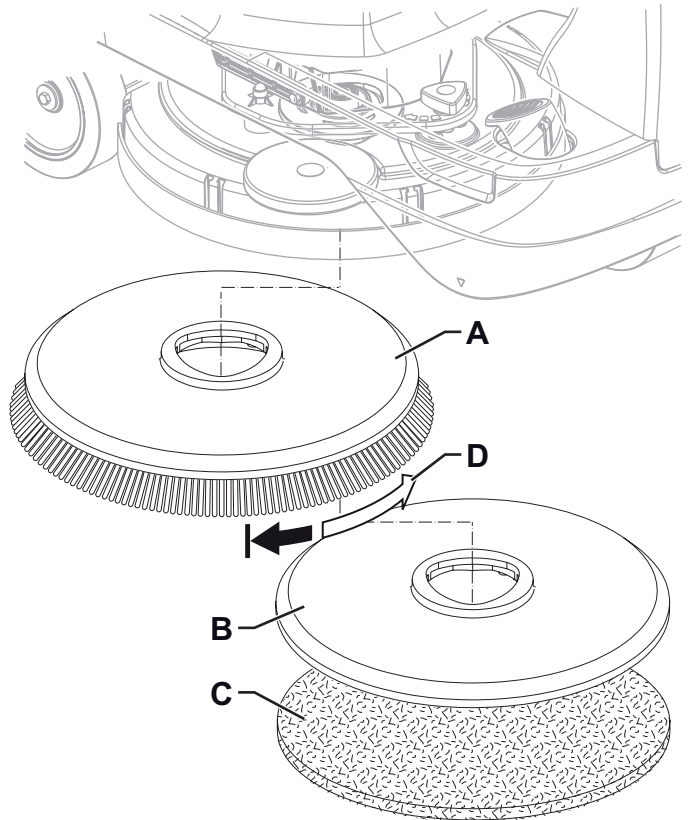


Figura 2

P100864

Tipos de cepillos disponibles y guía para su aplicación (sólo sugerencias)

Modelos	46 GRIT	80 GRIT	180 GRIT	240 GRIT	500 GRIT	PROLENE	PROLITE	UNION MIX
Limpeza general:								
Hormigón								
Suelo terraza								
Baldosas de cerámica/de cantera								
Mármol								
Baldosas de vinilo								
Baldosas de caucho								
Lustrado:								
Baldosas de caucho								
Mármol								
Baldosas de vinilo								

Instalación de la boquilla

1. Instalar la boquilla (A, Fig. 3) y fijarla con las empuñaduras (B) en la abrazadera (C).
2. Si necesario, regular la boquilla con la perilla (D) para que el caucho posterior (E) y el caucho anterior (F) toquen el suelo como indicado en la figura.

Llenado del depósito de la solución detergente**¡ADVERTENCIA!**

Usar exclusivamente detergentes líquidos poco espumosos y no inflamables, que sean adecuados para este tipo de máquina.

**¡ATENCIÓN!**

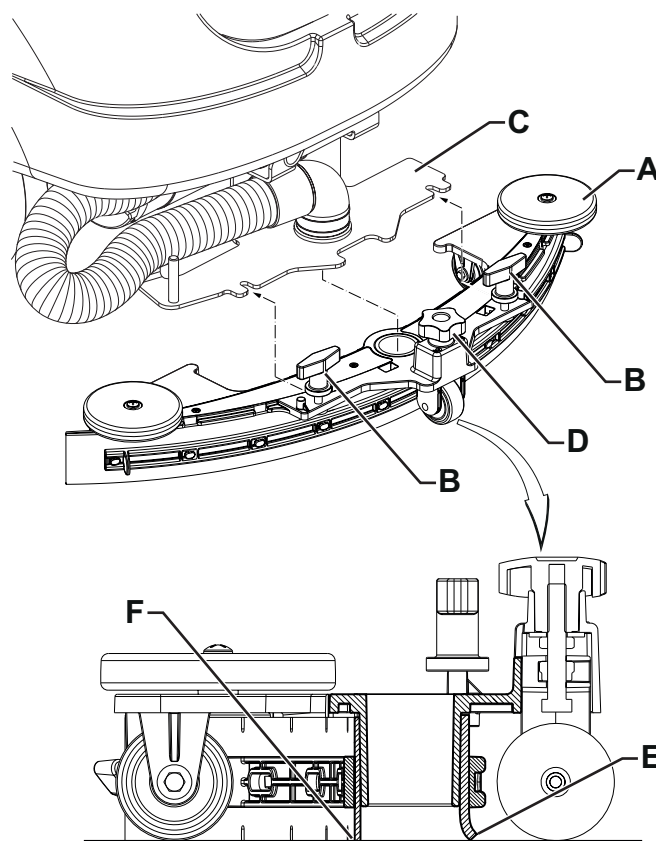
Cuando se usan detergentes, seguir las instrucciones y advertencias indicadas en las etiquetas de los frascos.

Cuando se usan detergentes, usar guantes y protecciones adecuadas.

**NOTA**

Para la máquina equipada con Chemical Mixing System (opcional) verter agua limpia en el depósito, si no verter solución detergente.

1. Asegurarse que el grifo de las soluciones detergente (9) esté en la posición de abierto (9-A).
2. Para llenar el depósito de solución detergente (15) quitar el tapón de la boca de llenado (25).

**Figura 3**

P100865

(Para máquinas sin Chemical Mixing System)

3. Rellenar el depósito (15) con una solución detergente adecuada. No llenar completamente el depósito, dejar unos centímetros del borde. Utilizar el tubo de nivel (16) como referencia. Seguir las instrucciones indicadas en la etiqueta para la dilución del producto químico usado para componer la solución detergente. La temperatura de la solución detergente no debe superar los 40 °C.

(Para máquinas con Chemical Mixing System)

4. Llenar el depósito (15) con agua limpia. Si está presente, el tubo de llenado agua (opcional) posicionado en la boca de llenado (25). No llenar completamente el depósito, dejar unos centímetros del borde. Utilizar el tubo de nivel (16) como referencia. La temperatura del agua no debe superar los 40 °C.

Sustitución del tanque del detergente (para máquinas con Chemical Mixing System)

5. Levantar la tapa (18) y controlar que el depósito del agua de recuperación (17) esté vacío, si no vaciarlo mediante el tubo de descarga (26).
6. Cerrar la tapa (18).
7. Empuñar la manilla (35) y levantar el conjunto depósito del agua de recuperación (17) con cuidado.
8. Desenroscar el tapón con el tubo en el tanque del detergente (38).
9. Quitar el tanque vacío de su alojamiento y sustituirlo con uno nuevo.
10. Colocar correctamente el tubo y enroscar el tapón en el tanque del detergente.

**¡ADVERTENCIA!**

Para el suministro y el tipo de detergente que debe usar, ponerse en contacto con un Centro de Asistencia autorizado.

**NOTA**

En caso de sistema nuevo, de sistema vaciado para limpieza, etc., esperar el llenado de los tubos antes de activarlo. Para acelerar el llenado del sistema, podría ser útil efectuar uno o más ciclos de expurgación del Chemical Mixing System (véase el capítulo Mantenimiento).

PUESTA EN MARCHA Y PARADA DE LA MÁQUINA

Puesta en marcha de la máquina

1. Preparar la máquina como indicado en el párrafo precedente.
2. Colocar la llave de encendido (41) en la posición "I" y pisar el pedal de marcha (2).
3. Durante los 2 primeros segundos desde el encendido, la pantalla multifunción (58) indica las horas de trabajo de la máquina (48-A) y la tipología de baterías instaladas (48-B).



NOTA

Controlar el estado de carga de las baterías.

Cuando en la pantalla multifunción se enciende por lo menos un segmento no intermitente en el símbolo batería (48-C) la máquina está lista para su uso.

Cuando en el símbolo batería (48-C) se queda encendido un solo segmento intermitente es conveniente cargar las baterías (véase procedimiento en el capítulo Mantenimiento).

4. Llegar al lugar de trabajo, conduciendo la máquina con ambas manos sobre el volante (1) y pisando el pedal de marcha (2). La velocidad de marcha se puede ajustar de cero al valor máximo según la presión aplicada al pedal de marcha (2).
5. La marcha adelante/atrás se selecciona mediante la palanca (46).



NOTA

El asiento (12) está equipado de un sensor de seguridad para permitir que la máquina se mueva mediante el pedal (2) sólo cuando el operador está sentado en el asiento mismo.



NOTA

La máquina está equipada de un sistema de seguridad antiderrape [icono en la pantalla (48-I)] que reduce la velocidad de marcha durante las vueltas y en caso de inclinación de la máquina, independientemente de la presión sobre el pedal. La reducción de velocidad durante las vueltas, por lo tanto, no es un funcionamiento incorrecto, sino una característica que aumenta la estabilidad y la seguridad de la máquina en cada condición.

Parada de la máquina

6. Parar la marcha de la máquina soltando el pedal de marcha (2). No es necesario bloquear la máquina durante la parada o el estacionamiento, porque el freno electromagnético en las ruedas frena automáticamente la máquina cuando no se pisa el pedal de marcha.
7. Apagar la máquina colocando la llave de encendido (41) en la posición "O".



NOTA

La máquina que se queda encendida pero parada de cualquier actividad de trabajo, se apaga automáticamente después de 2 minutos.

Volver a encender la máquina colocando la llave de encendido en la posición "O" y luego en "I".



¡ADVERTENCIA!

En caso de necesidad inmediata y para parar la máquina y todas sus funciones en caso de emergencia, apretar el pulsador (5).

Para volver a reactivar todas las funciones, reconectar el conector (6).

MÁQUINA EN FUNCIÓN (LAVADO/SECAMIENTO)

1. Poner en marcha la máquina como indicado en el párrafo precedente.
2. Apretar el pulsador "One Touch" (42) para bajar el cabezal portacepillo (7) y la boquilla (13) y empezar el trabajo de lavado y secado.
3. Empezar el trabajo, conduciendo la máquina con ambas manos sobre el volante (1) y pisando adecuadamente el pedal de marcha (2).
4. Si necesario, para reducir el ruido al mínimo, activar la función de aspiración silenciosa apretando el pulsador (44).



NOTA

La máquina está equipada de un sistema de seguridad que permite activar el cepillo y el sistema de aspiración sólo cuando la máquina se mueve.

5. Regular la cantidad de flujo del detergente apretando el pulsador (44) según las propias necesidades, en función del trabajo que se debe efectuar.



NOTA

Para los 3 primeros niveles de flujos (Fig. 4), la cantidad de solución detergente dispensada se ajusta automáticamente según la velocidad de marcha de la máquina, para poder obtener una cantidad de solución detergente constante por metro lineal de limpieza.

El nivel 4 (si habilitado) proporciona la cantidad máxima posible de solución detergente, independientemente de la velocidad de marcha de la máquina (para modificar la habilitación véase el párrafo Llave de servicio en el capítulo Mantenimiento).

El nivel 0 cierra completamente el flujo de la solución detergente.

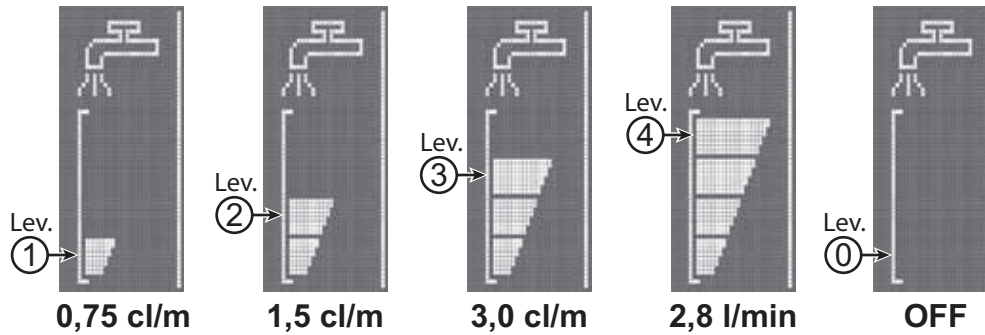


Figura 4

P100866



NOTA

Para un correcto lavado/secamiento de los suelos en los bordes de las paredes, Clarke sugiere acercarse con el lado derecho de la máquina como indicado en la figura 5.

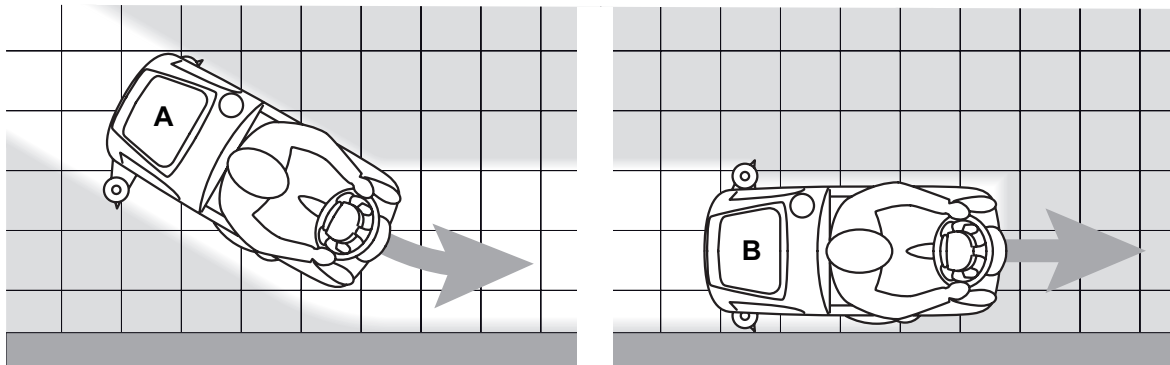


Figura 5

P100867

6. Para acabar el trabajo de lavado y secamiento, apretar el pulsador (42) y esperar el levantamiento del cabezal portacepillo (7). Después de 10 segundos se desactiva también el sistema de aspiración y se levanta la boquilla (13).

Ajuste de la concentración de detergente en el agua de lavado

(Para máquinas con Chemical Mixing System)

El sistema para la mezcla del detergente con el agua de lavado se activa automáticamente cuando el cepillo está en función.

El porcentaje de detergente añadido al agua de lavado está configurado en el nivel 1 (Fig. 6).

Apretando el pulsador (46) es posible incrementar el porcentaje en el nivel 2 o ponerlo a cero en el nivel 0.

Los porcentajes configurados se visualizan en la pantalla multifunción (48-G).

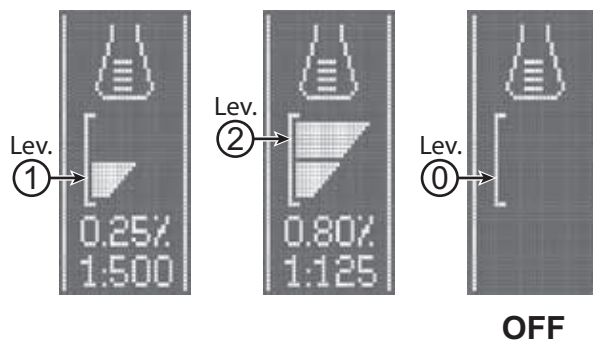


Figura 6

P100868



NOTA

Todos los valores indicados arriba de los niveles de las funciones del flujo del detergente y de su concentración, son de configuración de fábrica.

Para modificar las configuraciones de los valores ver el párrafo Llave de servicio en el capítulo Mantenimiento.

Trabajo con la función de presión suplementaria del cepillo

En caso de suelo con suciedad muy resistente, es posible trabajar con una presión suplementar de los cepillos sobre el suelo, según el procedimiento siguiente:

1. Apretar el pulsador (42) para bajar el cabezal portacepillo como se indica en el párrafo "Puesta en marcha de la máquina".
2. Mantener apretado el pulsador (42) por más de 1 segundo. La activación de la presión suplementaria está confirmada por un



LED que cambia de verde a rojo y por un icono en la pantalla (48).

3. Para volver a un trabajo con presión normal, apretar el pulsador (42) por más de 1 segundo.
4. Para levantar el cabezal portacepillo sin volver al trabajo con presión normal, apretar y soltar de inmediato el pulsador (42).



¡ADVERTENCIA!

En caso de sobrecarga del motor del cepillo, debido a cuerpos extraños que obstaculizan su movimiento, o a suelos/cepillos demasiado agresivos, un sistema de seguridad se encarga de bloquear el motor.

Si la sobrecarga ocurre durante el trabajo con la función de presión suplementaria activada, el sistema desconecta automáticamente la función de presión suplementaria.

Si la sobrecarga persiste, el cepillo se para.

Para empezar de nuevo el trabajo tras la parada del cepillo por causa de la sobrecarga, es necesario reajustar la máquina, colocando la llave de encendido (41) en la posición "0". Poner en marcha la máquina colocando la llave de encendido (41) en la posición "I".

Descarga de las baterías durante el trabajo

Cuando solo se queda encendido un segmento intermitente en el símbolo de la batería (48-C) es oportuno cargar las baterías, porque la autonomía residual de la máquina es de pocos minutos (variables en función de las características de las baterías usada y del trabajo que se debe efectuar).

Cuando el símbolo de la batería (48-C) parpadea sin ningún segmento encendido la autonomía es agotada. Tras unos segundos el cepillo se para automáticamente; funciona solo el sistema de aspiración y el sistema de tracción, para poder secar eventuales partes del suelo mojado y llevar la máquina en el lugar de recarga.



¡ADVERTENCIA!

Si se insiste en usar la máquina con las baterías descargadas, las baterías se pueden dañar y su vida útil se acorta.



NOTA

Si el sistema de tracción de la máquina no se puede usar más, para desplazarla, consultar el párrafo Desplazamiento de la máquina mediante empuje/remolque.

VACIADO DE LOS DEPÓSITOS

Un sistema de cierre automático de flotador (28) bloquea el sistema de aspiración cuando el depósito del agua de recuperación (17) está lleno.

Es posible darse cuenta del bloqueo del sistema de aspiración porque el ruido del motor del sistema de aspiración aumenta y el suelo no seca.



¡ADVERTENCIA!

Si el sistema de aspiración se apaga de forma accidental (por ejemplo por la intervención prematura del flotador durante un desplazamiento imprevisto de la máquina), para reactivarlo apagarlo apretando el pulsador (44), luego abrir la tapa (18) y asegurarse de que el flotador en el interior de la rejilla (28) haya bajado; por último cerrar la tapa (18) y reactivar el sistema de aspiración pulsando el interruptor (43).

Cuando el depósito del agua de recuperación (17) está lleno, vaciarlo según el procedimiento siguiente.

Vaciado del depósito del agua de recuperación

1. Levantar el cabezal portacepillo y la boquilla apretando el pulsador (42).
2. Llevar la máquina en el área de eliminación designada.
3. Apagar la máquina colocando la llave de encendido (41) en la posición "O".
4. Vaciar el depósito del agua de recuperación (17) mediante el tubo de descarga (26). Al final del trabajo, enjuagar el depósito con agua limpia.

Vaciado del depósito de la solución detergente

5. Llevar a cabo los pasos de 1 a 3.
6. Vaciar el depósito de la solución detergente (15) mediante el tubo de nivel (16). Al final del trabajo, enjuagar el depósito con agua limpia.

DESPUÉS DEL USO DE LA MÁQUINA

Cuando el trabajo está acabado, antes de alejarse de la máquina:

1. Quitar el cepillo, mediante el procedimiento específico.
2. Vaciar los depósitos (17) y (15) como indicado en el párrafo antecedente.
3. Quitar la boquilla (13) y lavarla con agua caliente. Abrir la tapa del depósito del agua de recuperación (18) y colgar la boquilla al gancho del depósito (11).
4. Efectuar las operaciones de mantenimiento necesarias después del uso de la máquina (véase el capítulo Mantenimiento).
5. Guardar la máquina en un lugar seco y limpio, con el cepillo y la boquilla levantados o desmontados.

DESPLAZAMIENTO DE LA MÁQUINA MEDIANTE EMPUJE/REMOLQUE

Cuando no es posible utilizar el sistema de tracción, (por ejemplo en caso de falta de baterías, baterías descargadas, etc.) para desplazar la máquina mediante empuje/remolque, es necesario desbloquear el freno electromagnético desplazando la palanca (4). Tras haber desplazado la máquina, llevar la palanca (4) a la posición original para reactivar el freno electromagnético.



¡ATENCIÓN!

Si tras el desplazamiento de la máquina mediante empuje/remolque, no se cambia la posición de la palanca (4), el freno electromagnético de la máquina se queda desactivado.



¡ATENCIÓN!

Non poner en marcha la máquina si la palanca (4) está en posición de freno electromagnético desbloqueado. Para mayor seguridad, se recomienda desbloquear el freno electromagnético sólo durante el tiempo necesario para desplazar la máquina manualmente.

PERIODO DE LARGA INACTIVIDAD DE LA MÁQUINA

Si se piensa que la máquina no va a ser usada durante 30 días o más, seguir las indicaciones siguientes:

1. Llevar a cabo los procedimientos indicados en el párrafo Después del uso de la máquina.
2. Para las versiones con sistema Chemical Mixing System, vaciar el tanque del detergente (38) y limpiar el sistema con el ciclo de expurgación (véase los procedimientos en el capítulo Mantenimiento).
3. Desconectar el grifo de la solución detergente (9-B).
4. Desconectar el conector de las baterías (6) pulsando el pulsador de emergencia (5).

MANTENIMIENTO

Un mantenimiento cuidadoso y continuo garantiza la vida útil y la seguridad de funcionamiento de la máquina. El esquema siguiente resume el mantenimiento programado. Los períodos indicados pueden variar según las condiciones de trabajos, que el encargado del mantenimiento debe establecer.



¡ATENCIÓN!

Las operaciones deben efectuarse con la máquina apagada y con las baterías desconectadas. Antes de efectuar las operaciones de mantenimiento, leer cuidadosamente todas las instrucciones del capítulo Seguridad.

Todas las operaciones de mantenimiento programado o extraordinario deben ser efectuadas por el personal calificado o por un Centro de asistencia autorizado.



¡ADVERTENCIA!



Cada vez que se visualiza el icono Service en la pantalla (48), contactar con un Centro de Asistencia autorizado Clarke para el mantenimiento programado.

En este manual, después del esquema de mantenimiento programado, se describen sólo los procedimientos de mantenimiento más sencillos y frecuentes.

Para las operaciones de mantenimiento no indicadas en el esquema de mantenimiento programado y las operaciones de mantenimiento extraordinario, véase el Manual de asistencia disponible en los Centros de asistencia.

ESQUEMA DE MANTENIMIENTO PROGRAMADO

Operación	Diaria, después del uso de la máquina	Semanaria	Semestral	Anual
Carga de las baterías				
Limpieza de la boquilla				
Limpieza del cepillo/filtro				
Limpieza de los depósitos, del filtro del depósito del agua de recuperación y control de la guarnición de la tapa				
Limpieza y descarga del Chemical Mixing System (opcional)				
Control de los cauchos de la boquilla				
Limpieza del filtro de la solución detergente				
Control del nivel del líquido de las baterías (WET)				
Sustitución de los cauchos de la boquilla				
Control del freno electromagnético			(1)	
Control o sustitución de las escobillas de carbón del motor del cepillo/portafiltro				(1)
Control o sustitución de las escobillas de carbón del motor del sistema de tracción				(1)

(1) Mantenimiento de competencia de un Centro de asistencia autorizado Clarke.

CARGA DE LAS BATERÍAS**NOTA**

Cargar las baterías cuando en el símbolo de la batería (48-C) se queda encendido solo un segmento intermitente, o cada vez que se acaba un trabajo.

Si se mantienen las baterías cargadas, su durabilidad aumenta.

**¡ADVERTENCIA!**

No dejar las baterías descargadas durante mucho tiempo, porque su durabilidad podría reducirse. Controlar la carga de las baterías por lo menos una vez por semana.

**¡ATENCIÓN!**

Si se usan baterías de plomo (WET), cargando las baterías se produce gas hidrógeno muy explosivo. Cargar las baterías sólo en áreas bien ventiladas y lejos de llamas libres.

No fumar cuando se cargan las baterías.

Dejar levantado el depósito del agua de recuperación mientras que se cargan las baterías.

**¡ATENCIÓN!**

Durante la carga de las baterías de plomo (WET) tener mucho cuidado que el líquido de las baterías no sobresalga. Este líquido es corrosivo. En caso de contacto con la piel o los ojos lavar a conciencia con agua y consultar un médico.

1. Llevar la máquina en el área designada para la carga de las baterías.
2. Asegurarse que la máquina esté apagada con la llave operador (41) en "O".
3. Levantar la tapa (29) y controlar que el depósito del agua de recuperación (17) esté vacío, si no vaciarlo mediante el tubo de descarga (26).
4. Cerrar la tapa (18).
5. Empuñar la manilla (35) y levantar el conjunto depósito del agua de recuperación (17) con cuidado.
6. (Sólo para baterías WET) controlar el nivel de electrolito de las baterías. Si necesario, desenroscar los tapones y rellenar. Luego, cerrar los tapones y limpiar la superficie superior de las baterías.
7. Conectar el enchufe del cable del cargador de baterías (21) a la red eléctrica [la tensión y la frecuencia de la red deben ser compatibles con los valores del cargador de baterías indicados en la placa del número de serie de la máquina].

**NOTA**

Cuando el cargador de baterías está conectado a la red eléctrica, todas las funciones de la máquina se paran automáticamente.

Cuando parpadea el primero o el segundo de los segmentos (desde izquierda) (48-L) en el símbolo de la batería, indica que el cargador de batería está cargando las baterías.

Cuando parpadea el tercer segmento (desde izquierda) en el símbolo de la batería (48-L), indica que el cargador de batería está completando la carga de las baterías.

8. Cuando todos los segmentos en el símbolo de la batería (48-L) están encendidos con luz fija, el ciclo de carga de las baterías se ha acabado.
9. Desconectar el enchufe del cable del cargador de baterías (21) de la red eléctrica e introducirlo en su alojamiento (20).
10. Soltar la barra de soporte (36), luego empuñar la manilla (35) y levantar el conjunto depósito del agua de recuperación (17) con cuidado.
11. La máquina está lista para el uso.

**NOTA**

Para informaciones suplementarias sobre el funcionamiento del cargador de baterías (22) véase el manual relacionado.

MODIFICACIÓN DE LOS PARÁMETROS DE FUNCIONAMIENTO

Mediante esta funcionalidad se llega a la pantalla (F, Fig. 7) para personalizar el valor de los parámetros descritos en la siguiente tabla de parámetros modificables.

1. Colocar la llave de encendido (41) en la posición "I" y tener apretados los pulsadores (A) y (B).
2. Para aumentar el valor del parámetro corriente apretar el pulsador (C).
Para reducir el valor del parámetro corriente apretar el pulsador (D).
3. Para pasar el parámetro siguiente apretar el pulsador (E).
4. Para volver a la pantalla principal, apretar el pulsador (E) por más de 2 segundos.

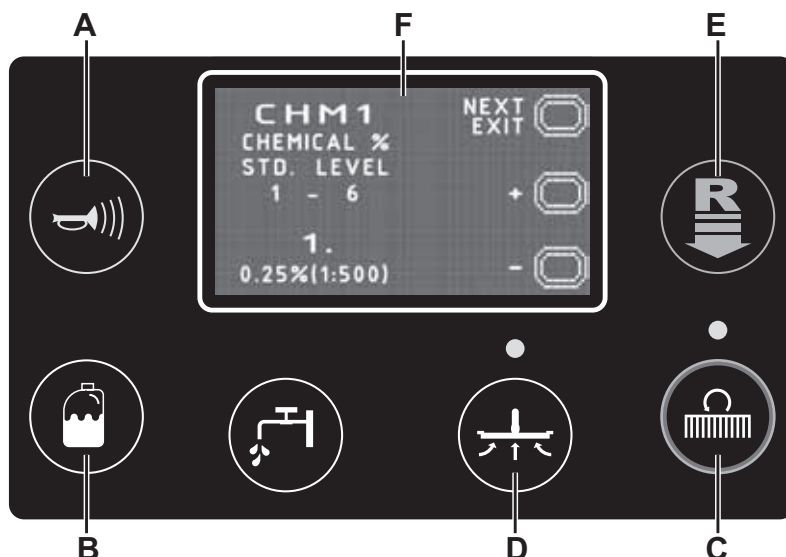


Figura 7

P100879

TABLA PARÁMETROS MODIFICABLES		Valores		
Cod.	Descripción	Mínimo	Configuración de fábrica	Máximo
P1/P3	Relación caudal flujo solución nivel 1 en caudal de nivel 3	0 %	25 %	100 %
P2/P3	Relación caudal flujo solución nivel 2 en caudal de nivel 3	0 %	50 %	100 %
P3	Caudal flujo solución nivel 3 (caudal en función de la velocidad)	1,0 cl/m	3,0 cl/m	5,0 cl/m
P4	Habilitación nivel 4 (2,8 L/min. independientemente de la velocidad)	OFF	OFF	ON
XPRES	Habilitación presión suplementar cabezal	OFF	ON	ON
FVMAX	Máxima velocidad marcha adelante	10 %	100 %	100 %
RVMAX	Máxima velocidad marcha atrás	10 %	40 %	50 %
WSMIN	Velocidad de trabajo mínima	10 %	25 %	100 %
WSMAX	Velocidad de trabajo máxima	10 %	100 %	100 %
BRK	Retraso inserción electrofreno	0 seg.	3 seg.	5 seg.
BAT (*)	Tipología baterías instaladas (ver tabla)	0	1	5
TOFF	Tiempo apagado automático	0 (deshabilitado)	300 seg.	600 seg.
BRGH	Contraste pantalla	5	20	50
RPM (**)	Límite activación giros reducidos cepillo	5	9	20
RESET	Restablecimiento de todos los parámetros a los valores de configuración de fábrica	OFF	OFF	ON

(*) Como se indica en el capítulo Uso según la tipología de las baterías que se quiera instalar, configurar la máquina y el cargador de baterías incorporado modificando el parámetro BAT como se indica en la tabla:

Tipología baterías instaladas		Valor
WET	Baterías con ácido líquido	0
GEL / AGM	Baterías GEL o AGM genéricas	1
GEL EXIDE	Baterías de GEL o marca EXIDE®/SONNENSHINE	2
GEL OPTIMA	Baterías de GEL o marca OPTIMA™	3
GEL DISCOVER	Baterías de GEL o marca DISCOVER®	4
GEL FULLRIVER	Baterías de GEL o marca FULLRIVER®	5

(**) Aumentar el valor de este parámetro para reducir los giros del motor del cepillo en un rango más amplio de aplicaciones y viceversa.

LIMPIEZA DE LA BOQUILLA



NOTA

Para un buen secamiento, la boquilla debe estar limpia y con los cauchos en buenas condiciones.



¡ADVERTENCIA!

Durante estas operaciones se aconseja usar guantes de trabajo, porque residuos cortantes podrían estar en la boquilla.

1. Llevar la máquina sobre un suelo llano.
2. Asegurarse que la máquina esté apagada con la llave operador (41) en "O".
3. Aflojar las empuñaduras (32) y quitar la boquilla (13).
4. Lavar y limpiar la boquilla. Limpiar especialmente los huecos (A, Fig. 8) y el orificio (B). Controlar que los cauchos delantero (C) y trasero (D) estén en buenas condiciones, que no estén cortados o desgarrados, de lo contrario, sustituirlos mediante el procedimiento indicado en el párrafo siguiente.
5. Montar la boquilla en orden contrario al desmontaje.

CONTROL Y SUSTITUCIÓN DE LOS CAUCHOS DE LA BOQUILLA

1. Limpiar la boquilla como indicado en el párrafo anterior.
2. Controlar que los cauchos delantero (C, Fig. 8) y trasero (D) estén en buenas condiciones, que no estén cortados o desgarrados, de lo contrario, sustituirlos mediante el procedimiento siguiente. Controlar también que la esquina delantera (E) del caucho posterior no esté desgastado; de lo contrario volcar el caucho mismo, llevando en su posición uno de las otras tres esquinas todavía enteros. Si todos los bordes están desgastados, sustituir el caucho, mediante el procedimiento siguiente:
 - Utilizando el trinquete (F), desvincular y quitar la bisagra elástica (G) de los retenes (H), luego sustituir/volcar el caucho posterior (D).
 - Montar el caucho en orden contrario al desmontaje.
 - Desenroscar las empuñaduras (I) y quitar la bisagra (L), luego sustituir/volcar el caucho delantero (C).
 - Montar el caucho en orden contrario al desmontaje.
3. Montar la boquilla (13) y apretar las empuñaduras (32).
4. Bajar la boquilla en el suelo para controlar la altura de los cauchos, actuando mediante el procedimiento siguiente:
 - Controlar que el borde (K) del caucho anterior (C) y el borde (L) del caucho posterior (D) se apoyen como indicado en la figura.
 - Para la regulación utilizar la perilla (33).

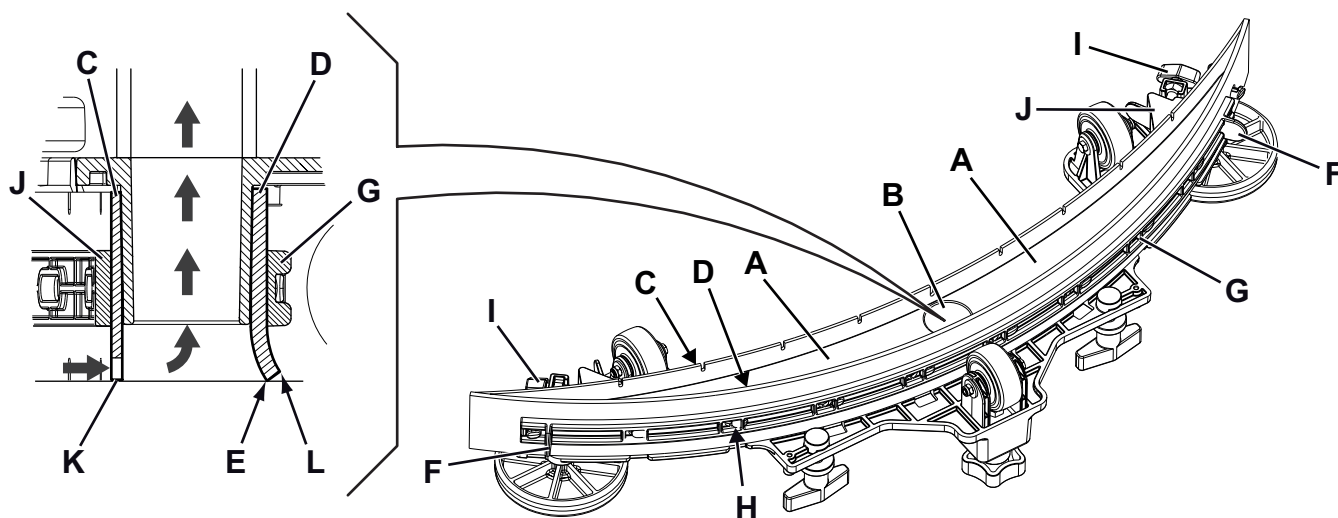


Figura 8

P100872

LIMPIEZA DEL CEPILLO



¡ADVERTENCIA!

Durante estas operaciones se aconseja utilizar guantes de trabajo, porque residuos cortantes podrían estar en el cepillo.

1. Quitar el cepillo de la máquina como indicado en el capítulo Uso.
2. Limpiar y lavar el cepillo con agua y detergente.
3. Controlar que las cerdas no estén dañadas o excesivamente desgastadas; de lo contrario, sustituir las.

LIMPIEZA DEL DEPÓSITO DEL AGUA DE RECUPERACIÓN

1. Llevar la máquina en el área de eliminación designada.
2. Asegurarse que la máquina esté apagada con la llave operador (41) en "O".
3. Levantar la tapa (18).
4. Limpiar y lavar con agua limpia el interior del depósito (17) y de la tapa.
5. Descargar el agua del depósito mediante el tubo (26).
6. Limpiar la rejilla de aspiración (28), desenganchar los retenes (A, Fig. 9), abrir la rejilla (B) y quitar el flotador (C), luego limpiar con cuidado y volver a instalar.
7. Desmontar la cubeta para la recogida de los residuos (D) abrir la tapa y limpiar cuidadosamente y volverla a instalar en el tubo de aspiración.
8. Controlar la integridad de la guarnición (E) de la tapa del depósito.



NOTA

La guarnición (E) permite la formación de vacío en el depósito, necesario para la aspiración del agua de recuperación.

Si necesario, sustituir la guarnición (E), quitándola de su alojamiento (F). Cuando se instala la nueva guarnición, posicionar la unión (G) en el área inferior indicada en la figura.

9. Controlar que toda la superficie perimetral (H) de apoyo de la guarnición (E) no esté dañada, sea limpia y adecuada para la estanqueidad de la guarnición misma.
10. Cerrar la tapa (18).

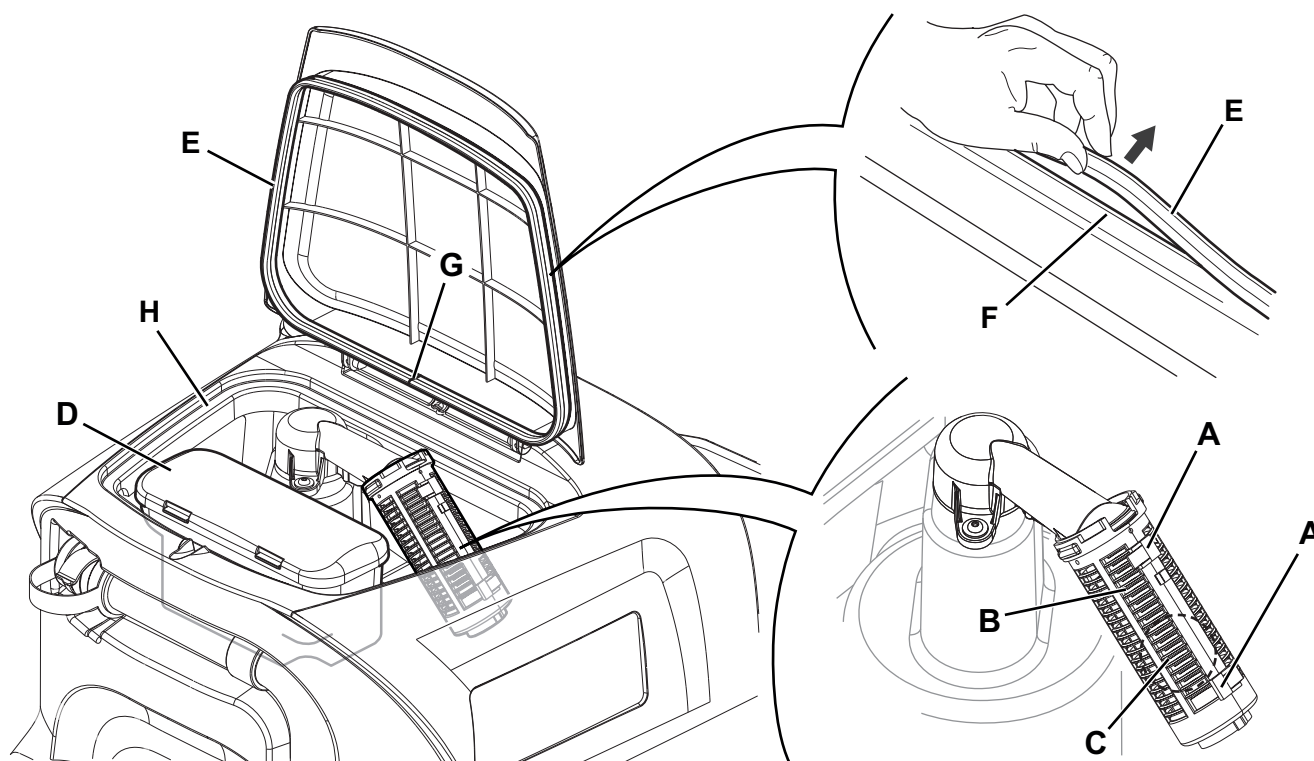


Figura 9

P100873

LIMPIEZA DEL FILTRO DE LA SOLUCIÓN DETERGENTE

1. Llevar la máquina sobre un suelo llano.
2. Asegurarse que la máquina esté apagada con la llave operador (41) en "O".
3. Cerrar el grifo de la solución detergente (9). El grifo está cerrado cuando está en la posición (9-B) y está abierto cuando está en la posición (9-A).
4. Quitar la tapa transparente (A, Fig. 10), recuperar la guarnición (B), luego quitar la rejilla filtrante (C). Lavarlos y enjuagarlos con agua, luego volverlos a montar con cuidado en el soporte del filtro (D).
5. Abrir el grifo (9-A).

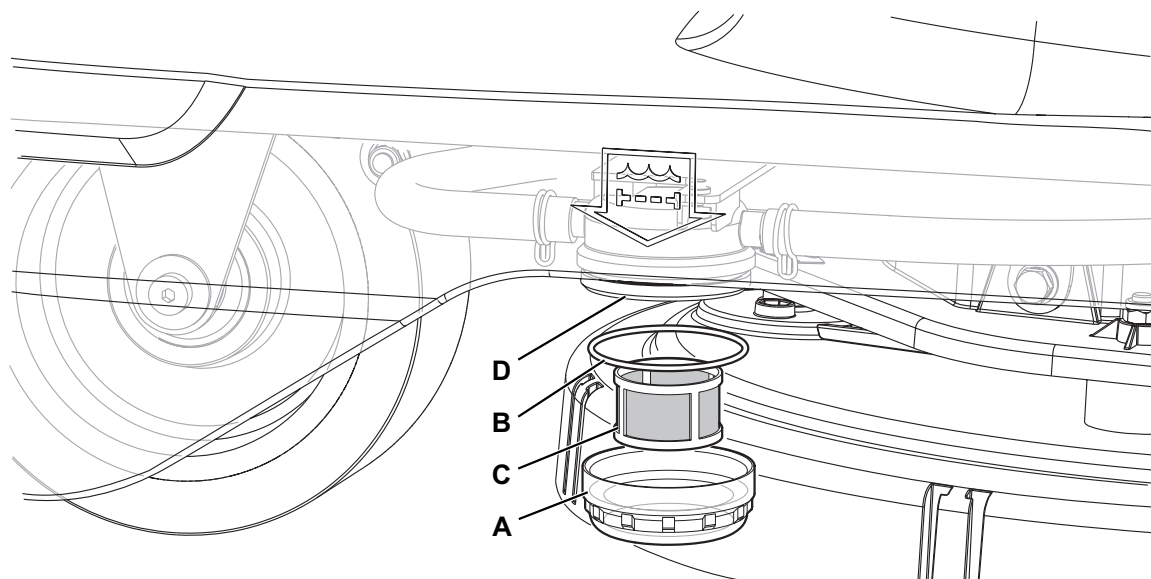


Figura 10

P100874

EXPURGACIÓN DEL CHEMICAL MIXING SYSTEM

(Para máquinas con Chemical Mixing System)

Para quitar los residuos de detergente en las tuberías y en la bomba del detergente, efectuar el procedimiento siguiente.

6. Poner en marcha la máquina colocando la llave de encendido (41) en la posición "I".
7. Apretar el pulsador (42). Controlar que en pantalla el indicador de cantidad del detergente (48-G) tenga encendido por los menos un segmento.
8. Apretar contemporáneamente los pulsadores (44) y (45), hasta que no aparece en pantalla (48-M) (después de unos 5 segundos).
9. Soltar los pulsadores (44) y (45) y esperar que en pantalla acabe la cuenta atrás y que el sistema de aspiración empiece a funcionar.
10. Aspirar los residuos de detergente que han quedado en el suelo.
11. Apagar la máquina colocando la llave de encendido (41) en la posición "O".
12. Levantar el conjunto depósito del agua de recuperación (17), luego controlar que el tubo del depósito del detergente (38) esté vacío, de lo contrario repetir los pasos de 3 a 7.



NOTA

El ciclo de expurgación dura unos 30 segundos, después de que se activa automáticamente la función de aspiración que permite eliminar los residuos de detergente.

La expurgación se puede efectuar aun si el depósito del detergente (38) está lleno de agua. De esta forma, el lavado del sistema sería total.

Es necesario efectuar esta expurgación cuando el Chemical Mixing System está muy sucio/incrustado después de inactividad/falta de limpieza de la máquina durante largos periodos.

También se puede efectuar la expurgación para acelerar el llenado del tubo de aspiración del detergente cuando el depósito (38) está lleno y el sistema está todavía vacío.

La expurgación, si necesaria, puede efectuarse varias veces consecutivamente.

CONTROL/SUSTITUCIÓN DE LOS FUSIBLES



NOTA

Todos los circuitos eléctricos de la máquina están protegidos por dispositivos electrónicos de auto-reactivación. Los fusibles de seguridad se activan sólo en caso de avería grave.

Por lo tanto se recomienda que la sustitución de los fusibles sea efectuada sólo por el personal cualificado. Consultar el Manual de asistencia disponible en los revendedores Clarke.

FUNCIONES DE SEGURIDAD

La máquina está equipada de las siguientes funciones de seguridad.

PULSADOR DE EMERGENCIA

El pulsador de emergencia (5) se encuentra en una posición fácilmente accesible por el operador. Pulsarlo en caso de necesidad inmediata para parar la máquina y todas sus funciones.

Para reactivar las funciones de la máquina levantar el conjunto depósito del agua de recuperación (17) y reconectar el conector de las baterías (6).

SISTEMA DE SEGURIDAD ANTIDERRAPE

Disminuye, si necesario, la velocidad durante los virajes y en caso de inclinación lateral de la máquina para evitar derrape imprevisto y aumentar la estabilidad de la máquina en cada condición. La activación del sistema se muestra mediante el icono (48-1) en la pantalla.

MICROINTERRUPTOR DEL ASIENTO DE CONDUCCIÓN

Se encuentra al interior del asiento de conducción (12) y no permite el funcionamiento del sistema de tracción de la máquina cuando el operador no está sentado en el asiento de conducción.

FRENO ELECTROMAGNÉTICO

Está integrado en las ruedas traseras de tracción (24) y mantiene la máquina frenada cuando está apagada o parada.

BÚSQUEDA AVERÍAS

AVERÍA	PROBABLE CAUSA	SOLUCIÓN
Los motores no funcionan, no se enciende ni la pantalla (48) ni los LEDs de los pulsadores.	El conector de la batería está desconectado.	Conectar.
	Baterías completamente descargadas.	Cargar las baterías.
La máquina no se mueve y la pantalla (48) muestra el mensaje de alarma: AVISO DE ALARMA T3	Encendido de la máquina con asa presionada.	Soltar el asa. Si el problema sigue existiendo, contactar con un Centro de asistencia autorizado.
Cuando se pone en marcha la máquina, el LED del pulsador (42) parpadea y el cepillo no funciona.	Apagado de la máquina sin haber levantado previamente el cabezal portacepillo.	Esperar que el cabezal esté levantado antes de activar de nuevo el cepillo apretando el pulsador.
El cepillo no funciona, el contorno del símbolo batería (48-C) parpadea y en la pantalla se visualiza el mensaje de alarma: AVISO DE ALARMA G4	Baterías descargadas.	Cargar las baterías. Si el problema persiste, sustituir las baterías.
Durante el trabajo aparece el mensaje de alarma: AVISO DE ALARMA F2	Sobrecarga del motor del cepillo.	Usar un cepillo menos duro o de tipo diferente o no trabajar con la presión suplementaria activada.
	Cuerpos extraños (hilos enrollados, etc.) que puedan frenar la rotación del cepillo.	Limpiar los cubos de los cepillos.
La pantalla (48) muestra el mensaje de alarma: AVISO DE ALARMA T2	Sobrecarga motor de tracción.	Apagar y volver a encender la máquina. Evitar el uso de la máquina en inclinaciones superiores a la indicada, y de superar obstáculos demasiado altos.
Durante la carga de las baterías con cargador de baterías integrado, en pantalla (48) se visualiza el mensaje de alarma: AVISO DE ALARMA C4 o C5	Cargador de batería no puede cargar correctamente las baterías en los tiempos máximos previstos.	Efectuar nuevamente el ciclo de carga de las baterías. Si el problema persiste, sustituir las baterías.
La pantalla (48) muestra el mensaje de alarma: AVISO DE ALARMA XX Donde "XX" se sustituye por un código diferente de los antecedentes.	Condición de alarma del sistema electrónico de control de la máquina.	Apagar y volver a encender la máquina. Si el problema sigue existiendo, contactar con un Centro de asistencia autorizado.
La aspiración de agua sucia es insuficiente.	El depósito del agua de recuperación está lleno.	Vaciar el depósito.
	Rejilla de aspiración obstruida o flotador en cierre.	Limpiar la rejilla de aspiración.
	Contenedor con rejilla de recogida de residuos obstruido.	Limpiar.
	Tubo desconectado de la boquilla.	Conectarlo.
	Boquilla sucia o cauchos de la boquilla desgastados o dañados.	Limpiar la boquilla o volcar/sustituir los cauchos.
	La tapa del depósito no está cerrada correctamente, o la guarnición está desgastada.	Cerrar correctamente la tapa o limpiar/sustituir la guarnición.
El flujo de la solución detergente al cepillo es insuficiente.	Depósito de la solución detergente vacío.	Llenarlo.
	Filtro del detergente sucio.	Limpiar el filtro.
	Depósito del Chemical Mixing System (opcional) está sucio/obstruido.	Limpiar mediante ciclo de purga.
La boquilla causa estriados en el suelo.	Residuos bajo de los cauchos de la boquilla.	Quitar los residuos.
	Cauchos de la boquilla desgastados, astillados o desgarrados.	Volcar o sustituir los cauchos.
	Boquilla no fue equilibrada mediante la empuñadura.	Ajustar la boquilla.



NOTA

La máquina no puede funcionar sin el cargador de baterías.

Si el cargador de baterías está averiado, acudir a un Centro de asistencia autorizado.

Para cualquier aclaración o para más información, contactar con los Centros de asistencia Clarke.

ELIMINACIÓN

Eliminar la máquina en un demoledor calificado.

Antes de eliminar la máquina es necesario quitar y separar los siguientes materiales y eliminarlos según las actuales normas de higiene ambiental:

- Baterías
- Cepillos
- Tubos y componentes de plástico
- Componentes eléctricos y electrónicos (*)

(*) En particular, para la eliminación de componentes eléctricos y electrónicos, contactar con Clarke.

Composición de material de la máquina y reciclabilidad

Tipo	% reciclable	% de peso de la RA40
Aluminio	100 %	3 %
Motores eléctricos - misc.	29 %	32 %
Materiales ferrosos	100 %	23 %
Cableados	80 %	7 %
Líquidos	100 %	0 %
Plástico - no reciclable	0 %	3 %
Plástico - reciclable	100 %	3 %
Polietileno	92 %	26 %
Caucho	20 %	2 %

LISEZ CE MANUEL

Il contient des informations importantes pour une utilisation correcte de la machine, en toute sécurité. Lisezle complètement avant de mette la machine en marche ou d'effectuer un entretien. A défaut, vous risqueriez de vous blesser ou de blesser d'autres membres du personnel, d'endommager sérieusement la machine ou de provoquer des dégâts dans son environnement. Avant de se servir de la machine, il est indispensable d'avoir reçu une formation. Si vous-même (ou le conducteur) ne parlez pas français, veuillez demander (ou lui fournir) toutes les explications nécessaires. Des versions du manuel existent en d'autres langues. Toutes les indications de direction figurant dans ce manuel sont visualisées depuis la position du conducteur, à l'arrière de la machine. Des manuels supplémentaires peuvent être obtenus auprès de votre revendeur Clarke.

TABLE DES MATIÈRES

INTRODUCTION	54
BUT ET CONTENU DU MANUEL	54
DESTINATAIRES.....	54
CONSERVATION DU MANUEL.....	54
DONNÉES D'IDENTIFICATION	54
AUTRES MANUELS DE RÉFÉRENCE.....	54
PIÈCES DE RECHANGE ET ENTRETIEN	54
MODIFICATIONS ET AMÉLIORATIONS.....	54
CAPACITÉS OPÉRATIONNELLES	55
CONVENTIONS	55
DÉBALLAGE / LIVRAISON	55
SÉCURITÉ	55
SYMBOLES VISIBLES SUR LA MACHINE.....	55
SYMBOLES UTILISÉS DANS LE MANUEL.....	56
INSTRUCTIONS GÉNÉRALES.....	56
DESCRIPTION DE LA MACHINE	58
STRUCTURE DE LA MACHINE.....	58
TABLEAU DE BORD	60
ACCESSOIRES / OPTIONS.....	61
CARACTÉRISTIQUES TECHNIQUES.....	61
SCHÉMA ÉLECTRIQUE.....	62
UTILISATION	63
CONTRÔLE / PRÉPARATION DES BATTERIES SUR UNE MACHINE NEUVE	63
INSTALLATION DES BATTERIES.....	63
AVANT LA MISE EN MARCHÉ DE LA MACHINE	64
MISE EN MARCHÉ ET ARRÊT DE LA MACHINE	66
MACHINE AU TRAVAIL (LAVAGE / SÉCHAGE)	66
VIDANGE DES RÉSERVOIRS.....	69
APRÈS L'UTILISATION DE LA MACHINE	69
MOUVEMENT PAR POUSSÉE/REMORQUAGE DE LA MACHINE.....	69
INACTIVITÉ PROLONGÉE DE LA MACHINE	69
ENTRETIEN	70
PLAN D'ENTRETIEN PROGRAMMÉ.....	70
CHARGEMENT DES BATTERIES	71
MODIFICATION DES PARAMÈTRES DE FONCTIONNEMENT	72
NETTOYAGE DE L'EMBOUCHURE	73
CONTRÔLE ET REMPLACEMENT DES LAMELLES EN CAOUTCHOUC DE L'EMBOUCHURE.....	73
NETTOYAGE DE LA BROSSE À DISQUE.....	74
NETTOYAGE DU RÉSERVOIR DE L'EAU DE RÉCUPÉRATION	74
NETTOYAGE DU FILTRE DE LA SOLUTION	75
VIDANGE DU SYSTÈME CHEMICAL MIXING SYSTEM	75
CONTRÔLE / REMPLACEMENT DES FUSIBLES	76
FONCTIONS DE SECURITE	76
BOUTON-POUSSOIR D'URGENCE.....	76
SYSTEME DE SECURITE ANTI-DERAPAGE.....	76
MICROINTERRUPTEUR DU SIEGE DE CONDUITE.....	76
FREIN ELECTROMAGNETIQUE.....	76
DÉPISTAGE DES PANNES	77
MISE À LA FERRAILLE	78

INTRODUCTION



REMARQUE

Les nombres entre parenthèses se réfèrent aux composants indiqués au chapitre Description de la machine.

BUT ET CONTENU DU MANUEL

Ce manuel se propose de fournir à l'opérateur toutes les informations nécessaires afin qu'il puisse utiliser la machine correctement et la gérer de la manière la plus autonome et sûre. Il comprend des informations concernant l'aspect technique, la sécurité, le fonctionnement, l'arrêt de la machine, l'entretien, les pièces de rechange et la mise à la ferraille.

Avant d'effectuer toute opération sur la machine, les opérateurs et les techniciens qualifiés doivent lire attentivement les instructions contenues dans ce manuel. En cas de doutes sur la correcte interprétation des instructions, contacter Clarke pour avoir plus de renseignements.

DESTINATAIRES

Ce manuel s'adresse aux opérateurs aussi bien qu'aux techniciens préposés à l'entretien de la machine.

Les opérateurs ne doivent pas exécuter les opérations réservées aux techniciens qualifiés. Clarke ne répond pas des dommages dus à l'inobservance de cette interdiction.

CONSERVATION DU MANUEL

Le Manuel de Mode d'emploi doit être gardé près de la machine, dans une enveloppe spéciale et, surtout, loin de liquides et de tout ce qui pourrait en compromettre l'état de lisibilité.

DONNÉES D'IDENTIFICATION

Le numéro de série et le modèle de la machine sont indiqués sur la plaque (23).

La plaque indique également l'année de fabrication et le code du produit.

Ces informations sont nécessaires lors de la commande des pièces de rechange de la machine. Utiliser l'espace suivant pour noter les données d'identification de la machine.

Modèle de la MACHINE
Code du PRODUIT
Numéro de série de la MACHINE

AUTRES MANUELS DE RÉFÉRENCE

- Manuel du chargeur de batterie électronique, qui constitue une partie intégrante de ce manuel
- Catalogue de pièces de rechange (livré avec la machine)
- Manuel d'entretien (consultable seulement par les techniciens préposés auprès des Services après-vente Clarke)

PIÈCES DE RECHANGE ET ENTRETIEN

Pour toute nécessité concernant l'emploi, l'entretien et la réparation, s'adresser au personnel qualifié ou directement aux Services après-vente Clarke. N'utiliser que des pièces de rechange et accessoires d'origine.

Pour l'assistance ou la commande de pièces de rechange et d'accessoires, contacter Clarke en spécifiant toujours le modèle, le code du produit et le numéro de série.

MODIFICATIONS ET AMÉLIORATIONS

Clarke vise à un constant perfectionnement de ses produits et se réserve le droit d'effectuer des modifications et des améliorations lorsqu'elle le considère nécessaire sans l'obligation de modifier les machines précédemment vendues.

Il est entendu que toute modification et / ou addition d'accessoires doit toujours être approuvée et réalisée par Clarke.

CAPACITÉS OPÉRATIONNELLES

L'autolaveuse RA40 est conçue et fabriquée pour le nettoyage (lavage et séchage) de sols lisses et solides, en milieux civils et industriels, en conditions de complète sécurité, par un opérateur qualifié.
L'autolaveuse n'est pas adaptée au lavage de tapis ou moquettes.

CONVENTIONS

Toutes les références à en avant, en arrière, avant, arrière, droite ou gauche indiquées dans ce manuel doivent être considérées comme référées à l'opérateur assis sur son siège (12) en position de conduite.

DÉBALLAGE / LIVRAISON

Pour déballer la machine, suivre attentivement les instructions sur l'emballage.

Pour le déplacement manuel de la machine, consulter le paragraphe Mouvement de la machine par poussée / remorquage.

Lors de la livraison de la machine, contrôler attentivement que l'emballage et la machine n'ont pas été endommagés pendant le transport.

Si les dommages sont évidents, garder l'emballage de façon qu'il puisse être examiné par le transporteur qui l'a livré. Contacter immédiatement le transporteur pour remplir une demande de dommages-intérêts.

Contrôler que les composants suivants sont livrés avec la machine :

- Documentation technique :
 - Manuel de Mode d'emploi de l'autolaveuse
 - Catalogue de pièces de rechange de l'autolaveuse
- N° 2 fusibles lamellaires
- N° 1 jupe de protection



AVERTISSEMENT !

Les Produits vendus avec le présent manuel contiennent ou peuvent contenir des produits chimiques reconnus par certains gouvernements (comme l'État de Californie, par le biais de la proposition de loi d'avertissement réglementaire 65) comme provoquant des cancers, des anomalies congénitales et autres dangers pour la reproduction. Dans certains endroits (comme l'État de Californie), les acheteurs de ces Produits, qui les utilisent sur un lieu de travail ou dans un espace public, ont l'obligation d'apposer certains avis, avertissements ou informations concernant les produits chimiques qui sont ou peuvent être contenus dans les Produits dans ces lieux ou aux alentours de ces lieux de travail. Il incombe à l'acheteur de connaître les dispositions de, et de respecter, toutes les lois et réglementations ayant trait à l'utilisation de ces Produits au sein de tels environnements. Le Fabricant rejette toute responsabilité d'informer les acheteurs concernant des exigences spécifiques qui peuvent s'appliquer à l'utilisation des Produits dans de tels environnements.

SÉCURITÉ

On utilise les symboles suivants pour signaler les conditions de danger potentielles. Lire attentivement ces informations et prendre les précautions nécessaires pour protéger les personnes et les choses.

Pour éviter tout accident, la collaboration de l'opérateur est essentielle. Aucun programme de prévention des accidents du travail ne peut résulter efficace sans la totale collaboration de la personne directement responsable du fonctionnement de la machine. La plupart des accidents qui peuvent survenir dans une entreprise, pendant le travail ou les déplacements, sont dus à l'inobservance des plus simples règles de prudence. Un opérateur attentif et prudent est la meilleure garantie contre les accidents du travail et se révèle indispensable pour compléter n'importe quel programme de prévention.

SYMBOLES VISIBLES SUR LA MACHINE



ATTENTION !

Lire attentivement toutes les instructions avant toute opération dans la machine.



ATTENTION !

Ne pas laver la machine avec des jets d'eau directs ou sous pression.



ATTENTION !

Ne pas utiliser la machine sur des surfaces ayant une pente supérieure aux valeurs indiquées.

SYMBOLES UTILISÉS DANS LE MANUEL



DANGER !

Indique une situation dangereuse exposant l'opérateur au risque de blessures graves, voire mortelles.



ATTENTION !

Indique une situation exposant les personnes au risque de blessures.



AVERTISSEMENT !

Indique un avertissement ou une remarque sur des fonctions clé ou utiles.

Prêter la plus grande attention aux segments de texte marqués par ce symbole.



REMARQUE

Indique une remarque sur des fonctions clé ou utiles.



CONSULTATION

Indique la nécessité de consulter le Manuel de Mode d'emploi avant toute opération.

INSTRUCTIONS GÉNÉRALES

Les avertissements et précautions spécifiques suivants informent sur les potentiels dangers de dommages matériels ou blessures.



DANGER !

- Avant d'effectuer toute opération de nettoyage, d'entretien et de remplacement des composants ou la conversion en d'autres fonctions, enlever la clé de contact (ou de démarrage) et débrancher le connecteur de la batterie.
- Cette machine doit être utilisée uniquement par le personnel adéquatement formé.
- Ne pas porter de bijoux quand on travaille près de composants électriques.
- Ne pas travailler sous la machine soulevée, sans des supports fixes de sécurité convenables.
- Ne pas opérer avec cette machine en présence de poudres, liquides ou vapeurs nuisibles, dangereux, inflammables et / ou explosifs : la machine ne doit pas être utilisée pour ramasser des matériaux dangereux.
- Si des batteries au plomb (WET) sont installées dans la machine, tenir les étincelles, les flammes et les matériaux fumants loin des batteries. Les batteries produisent des gaz potentiellement explosifs pendant l'utilisation ordinaire.
- Si des batteries au plomb (WET) sont installées dans la machine, le chargement des batteries produit un gaz hydrogène très explosif. Soulever le réservoir de l'eau de récupération pendant le cycle de rechargement des batteries et effectuer cette opération dans un endroit bien aéré et loin de flammes libres.



ATTENTION !

- Avant d'effectuer toute opération d'entretien / réparation, lire attentivement toutes les instructions qui concernent l'entretien / réparation.
- Avant d'utiliser le chargeur de batterie, s'assurer que la fréquence et la tension indiquées sur la plaque avec numéro de série coïncident avec la tension du réseau.
- Ne pas utiliser le câble du chargeur de batterie pour tirer ou transporter la machine et ne pas utiliser le câble comme poignée. Ne pas fermer de porte sur le câble du chargeur de batterie, ne pas tirer le câble sur des surfaces ou coins tranchants. Ne pas faire passer la machine sur le câble du chargeur de batterie.
- Tenir le câble du chargeur de batterie éloigné des surfaces chaudes.
- Ne pas charger les batteries de la machine si le câble du chargeur ou la fiche sont endommagés.
- Pour réduire le risque d'incendie, chocs électriques ou blessures, ne pas laisser la machine sans surveillance lorsqu'elle est branchée au réseau électrique. Débrancher le câble du chargeur de batterie du réseau électrique avant d'effectuer toute opération d'entretien.
- Ne pas fumer pendant le chargement des batteries.
- Pour éviter toute utilisation non autorisée de la machine, enlever la clé de contact.
- Avant de laisser la machine sans surveillance, veiller à ce que celle-ci ne puisse pas bouger de façon autonome.

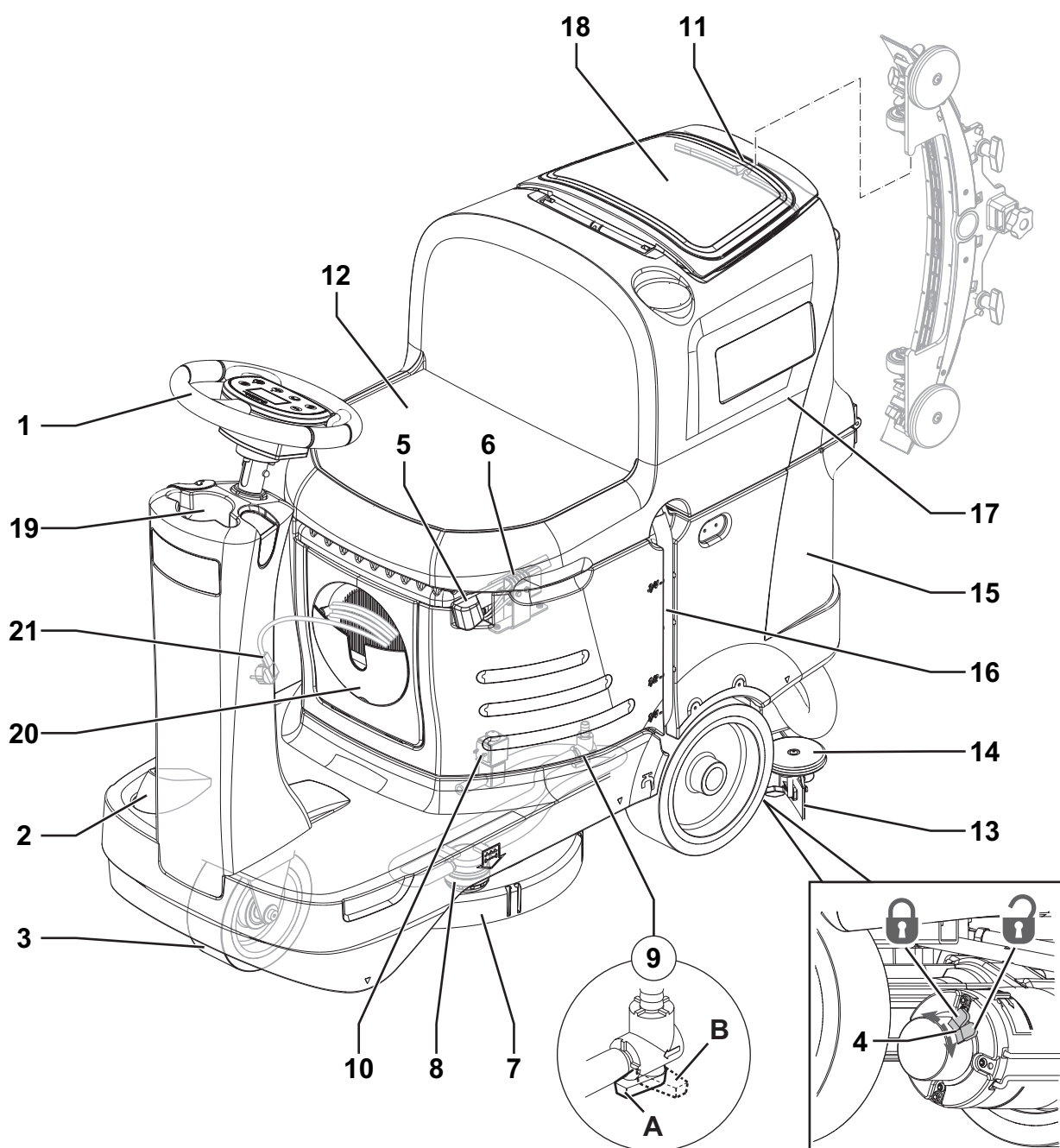
**ATTENTION !**

- *Protéger toujours la machine du soleil, de la pluie et d'autres intempéries, pendant le fonctionnement et en état d'arrêt. Garder la machine dans un endroit couvert et sec : elle a été conçue pour l'utilisation à sec, par conséquent elle ne doit pas être utilisée ou gardée dehors, dans des conditions d'humidité.*
- *Avant d'utiliser la machine, fermer tous les volets et/ou carters comme indiqué sur le Manuel de Mode d'emploi.*
- *La machine ne doit être utilisée par des personnes (y compris les enfants) aux capacités physiques, mentales et sensorielles limitées ou dépourvues de l'expérience ou de la formation que sous la supervision ou avec les directives d'une personne responsable de leur sécurité.
Les enfants doivent être surveillés afin de s'assurer qu'ils ne jouent pas avec la machine.*
- *Faire attention lorsque la machine est utilisée à proximité des enfants. Ne pas utiliser à des fins autres que celles prévues dans ce manuel. Utiliser seulement les accessoires recommandés par Clarke.*
- *Inspecter la machine avec soin avant de l'utiliser et vérifier toujours que tous les composants ont été correctement installés avant de mettre la machine en service. L'utilisation de la machine qui n'est pas installée parfaitement peut provoquer des lésions aux personnes et endommager les équipements.*
- *Prendre les précautions convenables afin que les cheveux, les bijoux, les parties non adhérentes des vêtements ne soient pas capturés par les parties en mouvement de la machine.*
- *Ne pas utiliser la machine sur des surfaces en pente.*
- *Afin de ne pas compromettre la stabilité, ne pas incliner la machine d'un angle supérieur à la valeur indiquée sur la machine même.*
- *Ne pas utiliser la machine dans des endroits très poussiéreux.*
- *Utiliser la machine seulement dans des endroits bien illuminés.*
- *Si la machine est utilisée en présence d'autres personnes, il faut allumer le feu tournant (optionnel).*
- *Pendant l'utilisation de la machine, faire attention à sauvegarder l'intégrité des personnes et des choses.*
- *Ne pas heurter contre des étagères ou des échafaudages, en particulier en cas de danger de chute d'objets.*
- *Ne pas poser de conteneurs de liquides sur la machine, utiliser le porte-boissons spécial.*
- *La température de travail de la machine doit être comprise entre +32 °F et 104 °F (0 °C et +40 °C).*
- *La température de stockage de la machine doit être comprise entre +32 °F et 104 °F (0 °C et +40 °C).*
- *L'humidité doit être comprise entre 30 % et 95 %.*
- *Pendant l'utilisation de détergents pour le nettoyage des sols, suivre toujours les instructions et les avertissements indiqués sur les étiquettes des flacons.*
- *Avant la manipulation de détergents pour le nettoyage des sols, mettre les gants et les vêtements de protection adéquats.*
- *Ne pas utiliser la machine comme moyen de transport.*
- *Ne pas faire travailler la brosse / disque lorsque la machine est arrêtée pour ne pas endommager le sol.*
- *En cas d'incendie, il est préférable d'utiliser un extincteur à poudre, plutôt qu'un extincteur à eau.*
- *Ne pas altérer pour aucune raison les protections prévues pour la machine, respecter scrupuleusement les instructions prévues pour l'entretien ordinaire.*
- *Ne pas laisser entrer d'objets dans les ouvertures. Ne pas utiliser la machine si les ouvertures sont obstruées. Garder les ouvertures de la machine libres de poussière, filasse, poils et tout autre corps étranger à même de réduire le flux d'air.*
- *Ne pas enlever ou altérer les plaques apposées sur la machine.*
- *Pour déplacer la machine manuellement, il est nécessaire de débloquer le frein électromagnétique. Après avoir déplacé la machine manuellement, activer à nouveau le frein électromagnétique. Ne jamais utiliser la machine avec le frein électromagnétique désactivé.*
- *Si l'on doit déplacer la machine par poussée pour des raisons de service (manque de batteries, batteries déchargées, etc.), ne jamais dépasser la vitesse de 2,5 mi/h (4 km/h).*
- *La machine n'est pas approuvée pour l'utilisation sur la voie publique.*
- *Faire attention pendant les déplacements de la machine en conditions de températures inférieures au point de congélation. L'eau présente dans le réservoir de l'eau de récupération ou dans les tuyaux pourrait se congeler et endommager sérieusement la machine.*
- *Utiliser les brosses et les disques livrés avec la machine et ceux spécifiés dans le Manuel de Mode d'emploi. L'utilisation de brosses ou disques différents peut compromettre la sécurité.*
- *S'assurer que les éventuelles anomalies de fonctionnement de la machine ne dépendent pas du manque d'entretien. En cas contraire, demander l'intervention du personnel autorisé ou d'un Service après-vente autorisé.*
- *En cas de remplacement de pièces, demander les pièces de rechange D'ORIGINE à un Concessionnaire ou Revendeur autorisé.*
- *Afin de garantir la sécurité et le bon fonctionnement de la machine, faire effectuer l'entretien programmé prévu au chapitre spécifique de ce manuel par du personnel autorisé ou par un Service après-vente autorisé.*
- *Ne pas laver la machine avec des jets d'eau directs ou sous pression ou avec des substances corrosives.*
- *Lors de la mise à la ferraille, la machine ne doit pas être abandonnée par la présence de matériaux toxiques (batteries, etc.), sujets à des lois qui prévoient l'élimination auprès de centres spéciaux (voir le chapitre Mise à la ferraille).*

DESCRIPTION DE LA MACHINE

STRUCTURE DE LA MACHINE

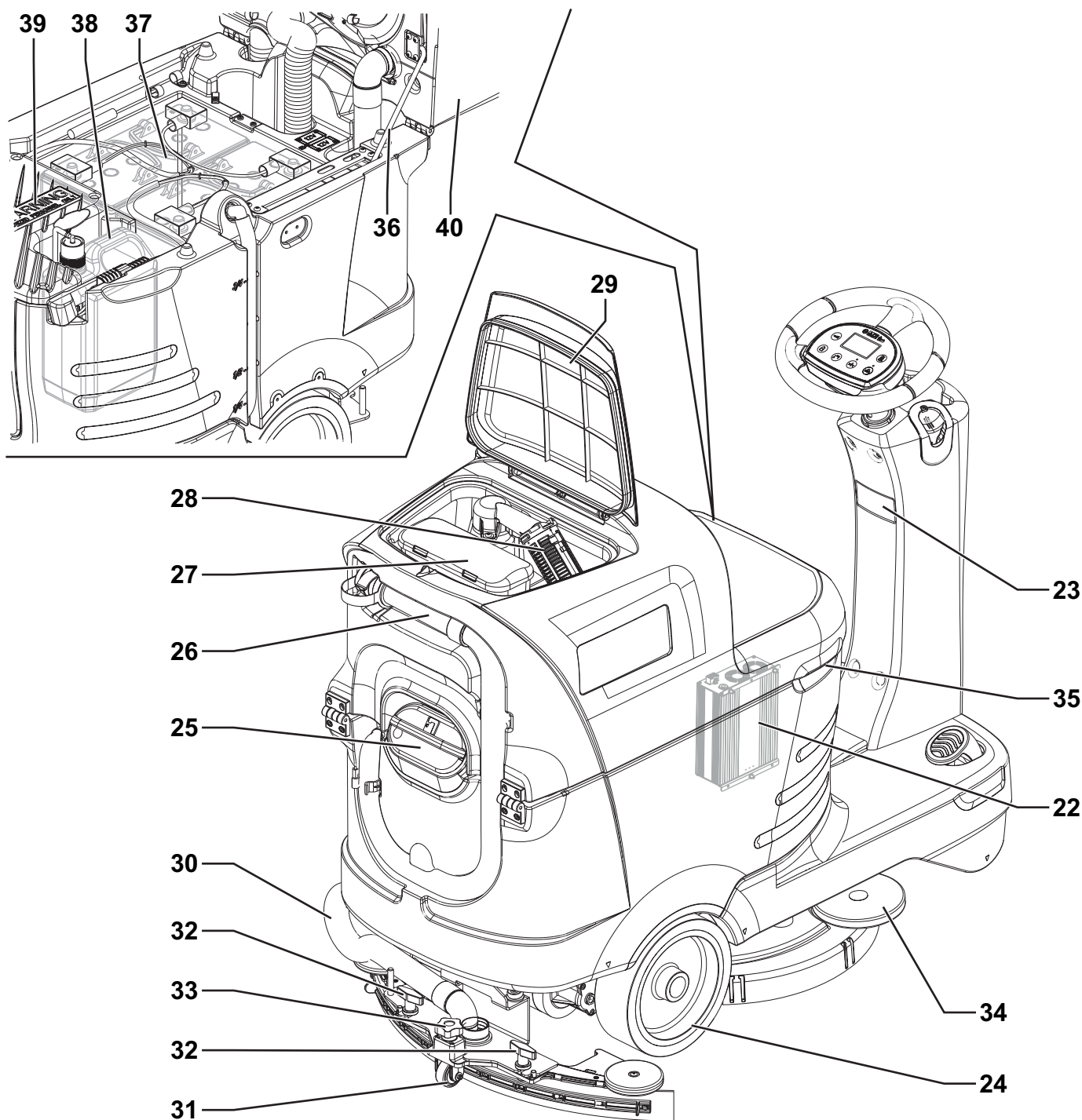
- | | |
|---|---|
| 1. Volant avec tableau de bord (voir le paragraphe suivant) | 10. Électrovanne |
| 2. Pédale de marche | 11. Crochet pour embouchure |
| 3. Roue avant de direction | 12. Siège |
| 4. Levier de déblocage / blocage frein électromagnétique | 13. Embouchure |
| 5. Bouton-poussoir D'URGENCE, pour l'arrêt immédiat de toutes les fonctions | 14. Rouleau pare-chocs embouchure |
| 6. Connecteur batteries | 15. Réservoir solution |
| 7. Tête porte-brosse | 16. Tuyau de niveau et de vidange solution |
| 8. Filtre de solution | 17. Groupe réservoir basculant eau de récupération |
| 9. Robinet solution | 18. Couverture réservoir eau de récupération |
| A) Robinet ouvert | 19. Porte-boissons |
| B) Robinet fermé | 20. Compartiment de logement du câble du chargeur de batterie et du porte-documents |
| | 21. Câble d'alimentation chargeur de batterie |



P100876

STRUCTURE DE LA MACHINE (suite)

- 22. Chargeur de batterie
 - 23. Plaque avec numéro de série / données techniques / marquage de conformité
 - 24. Roues arrière de traction
 - 25. Goulotte de remplissage réservoir solution
 - 26. Tuyau de vidange eau de récupération
 - 27. Conteneur déchets avec grille
 - 28. Grille d'aspiration avec système de fermeture automatique à flotteur
 - 29. Couvercle réservoir eau de récupération ouvert
 - 30. Tuyau d'aspiration embouchure
 - 31. Roue d'appui embouchure
 - 32. Boutons de fixation embouchure
 - 33. Poignée de réglage embouchure
 - 34. Rouleau pare-chocs tête porte-brosses
 - 35. Poignée de soulèvement groupe réservoir et siège
 - 36. Tige de support groupe réservoir et siège
 - 37. Batteries (*)
 - 38. Réservoir de détergent Chemical Mixing System (*)
 - 39. Couvercle logement dispositifs électroniques
 - 40. Groupe réservoir d'eau de récupération et siège soulevé
- (*) Optionnelle

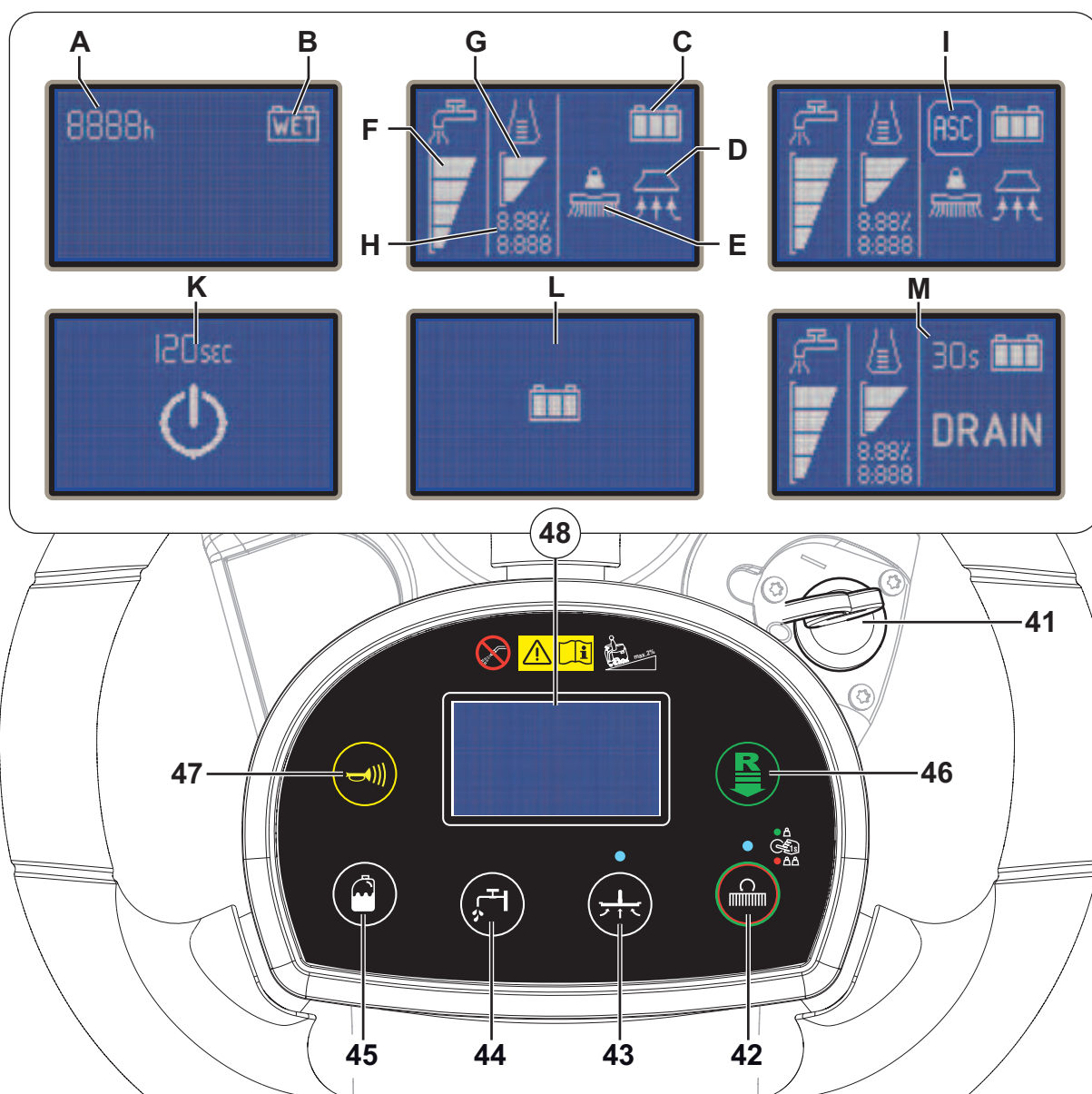


P100877

TABLEAU DE BORD

41. Clé de contact / arrêt machine
42. Bouton « One-Touch » lavage/séchage
- LED verte clignotante - montée/descente du bloc de lavage
 - LED verte allumé fixe - machine en fonction
 - LED rouge allumé fixe - (appuyer et maintenir pendant une seconde) pression de la brosse supplémentaire
43. Bouton de réglage / arrêt du système d'aspiration :
- LED allumée - système d'aspiration activé
44. Bouton de réglage du flux de détergent
45. Bouton de réglage du pourcentage de la lessive de lavage (*)
46. Bouton d'activation / désactivation marche arrière
47. Bouton d'avertisseur sonore
48. Écran multi-fonction
- Affichages :
- A) Heures de travail
 - B) Type de batteries
 - C) État de charge des batteries
 - D) Aspiration activée
 - E) Brosse activée
 - F) Montant de flux de la solution détergente
 - G) Montant de détergent (*)
 - H) Pourcentages de détergent dans l'eau de lavage (*)
 - I) Contrôle anti-dérappage
 - K) Minuterie arrêt automatique
 - L) Rechargement des batteries avec chargeur de batteries intégré (*)
 - M) Activation de purge du système Chemical Mixing System (*)

(*) Optionnelle



P100878

ACCESSOIRES / OPTIONS

Outre les composants présents dans le modèle standard, la machine peut être équipée des accessoires optionnels suivants, selon l'emploi spécifique de la machine :

- Batteries GEL / AGM
- Tuyau flexible de remplissage
- Brosses de matériaux différents par rapport aux brosses standard
- Chemical Mixing System
- Disques de matériaux différents par rapport aux disques standard
- Feu tournant
- Lamelles en caoutchouc de l'embouchure de matériaux différents
- Kit mop a trash
- Port USB

Pour de plus amples informations relatives aux accessoires optionnels susmentionnés, s'adresser au revendeur agréé.

CARACTÉRISTIQUES TECHNIQUES

Modèle	RA40
Capacité réservoir solution	18,5 US gal (70 litres)
Capacité réservoir eau de récupération	18,5 US gal (70 litres)
Longueur machine	50 in (1 270 mm)
Largeur machine avec embouchure	28,3 in (720 mm)
Largeur machine sans embouchure	21,6 in (550 mm)
Hauteur machine	40,1 in (1 020 mm)
Espace de virage en U	71 in (1 800 mm)
Largeur de nettoyage	21 in (530 mm)
Diamètre roues arrière de traction	10 in (254 mm)
Pression spécifique au sol des roues arrière de traction	145 psi (1,0 N/mm ²)
Diamètre roue avant de direction	7,9 in (200 mm)
Pression spécifique au sol roue avant	188 psi (1,3 N/mm ²)
Diamètre brosse / disque	21 in (530 / 508 mm)
Pression brosse avec extra-pression désactivée	33 lb (15 kg)
Pression brosse avec extra-pression activée	66 lb (30 kg)
Valeurs du débit de la solution détergente	0,75 cl/m / 1,5 cl/m / 3,0 cl/m / (2,8 l/min, si activé)
Pourcentage de détergent du système Chemical Mixing System (en option)	0,25 % - 3 %
Pression acoustique à l'oreille de l'opérateur (ISO 11201, ISO 4871, EN 60335-2-72) (LpA)	68 ± 3 dB(A)
Pression acoustique à l'oreille de l'opérateur en mode silencieux (LpA)	62 ± 3 dB(A)
Puissance acoustique émise par la machine (ISO 3744, ISO 4871, EN 60335-2-72) (LwA)	84 dB(A)
Niveau de vibrations au bras de l'opérateur (ISO 5349-1, EN 60335-2-72)	130 in/s ² (3,3 m/s ²)
Niveau de vibrations au corps de l'opérateur (ISO 5349-1, EN 60335-2-72)	35,4 in/s ² (0,9 m/s ²)
Pente maximum d'usage	2 %
Puissance moteur système de traction	0,53 hp (400 W)
Vitesse de traction (variable)	0 - 3,7 mi/h (0 - 6 km/h)
Puissance moteur système d'aspiration	0,4 hp (310 W)
Dépression système d'aspiration	39 in H ₂ O (1 000 mm H ₂ O)
Puissance moteur brosse	0,6 hp (450 W)
Vitesse du moteur de la brosse	155 tr/mn
Puissance totale absorbée	26 A (620 W)
Degré de protection IP	X4
Classe de protection (électrique)	III (I pour le câble du chargeur)
Dimensions logement batteries	13,8x14,2x11 in (350x360x280 mm)
Tension système	24V
Batteries standard (quantité 2)	Discover 12V-105Ah
Chargeur de batterie	100-240Vca 50-60Hz, 24Vcc 13A
Autonomie de travail (batteries standard)	2,5 h
Poids sans batteries et avec réservoirs vides	267 lb (121 kg)
Poids maximum en ordre de marche (PTC)	754 lb (342 kg)
Poids d'expédition	342 lb (155 kg)

SCHÉMA ÉLECTRIQUE

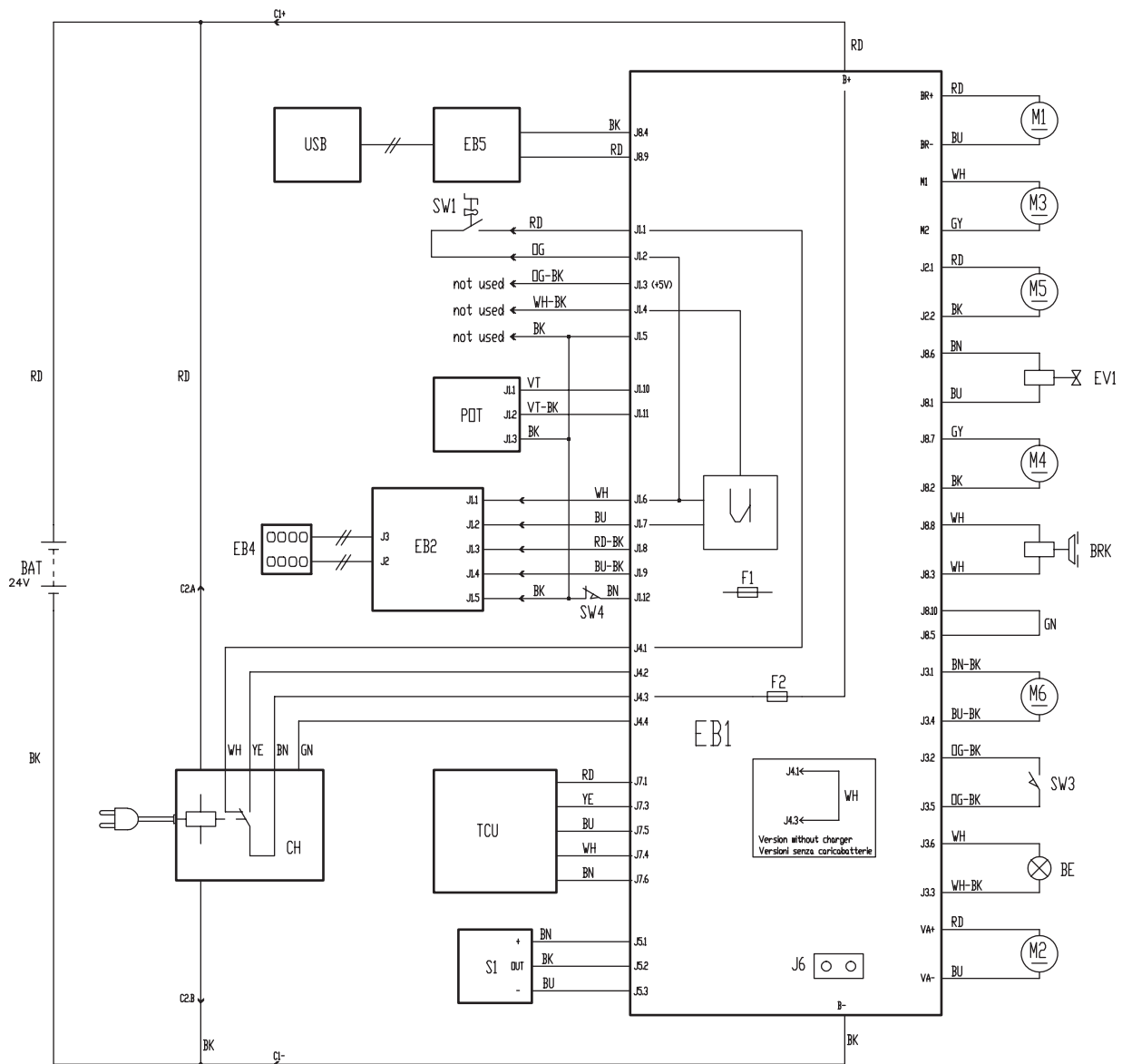
Légende

BAT	Batteries 24 V
BE	Feu tournant (optionnel)
BRK	Frein électromagnétique
C1	Connecteur batteries
C2	Connecteur chargeur de batterie
CH	Chargeur de batterie
EB1	Carte électronique de fonctions
EB2	Carte électronique afficheur
EB4	Carte électronique sérigraphie tableau de bord
EB5	Unité de puissance 5V (optionnel)
EV1	Électrovanne
F1	Fusible carte électronique principale
F2	Fusible circuits de signaux
M1	Moteur brosse
M2	Moteur d'aspiration
M3	Moteur de traction
M4	Pompe Chemical Mixing System (en option)
M5	Moteur actionneur tête porte-brosses
M6	Moteur actionneur embouchure
POT	Potentiomètre pédale de marche
S1	Capteur de niveau de solution détergente

SW1	Clé
SW3	Microinterrupteur siège
SW4	Capteur de contrôle anti-dérapage
TCU	TrackClean™ (optionnel)
USB	Port USB (optionnel)

Codes des couleurs

BK	Noir
BU	Bleu
BN	Marron
GN	Vert
GY	Gris
OG	Orange
PK	Rose
RD	Rouge
VT	Violet
WH	Blanc
YE	Jaune



P100862

UTILISATION



ATTENTION !

Des plaques adhésives appliquées sur certains points de la machine indiquent :

- DANGER
- ATTENTION
- AVERTISSEMENT
- CONSULTATION

Lors de la lecture de ce manuel, l'opérateur doit bien comprendre le sens des symboles illustrés sur les plaques (voir le paragraphe Symboles visibles sur la machine).

Ne pas couvrir les plaques et les remplacer immédiatement en cas d'endommagement.

CONTRÔLE / PRÉPARATION DES BATTERIES SUR UNE MACHINE NEUVE



ATTENTION !

Les composants électriques de la machine peuvent être sérieusement endommagés si les batteries ne sont pas installées et branchées correctement. Les batteries doivent être installées par le personnel qualifié.

Régler la machine en fonction du type de batterie utilisé.

Contrôler les batteries avant l'installation pour vérifier qu'elles ne sont pas endommagées.

Débrancher le connecteur des batteries et la fiche du chargeur de batterie.

Déplacer les batteries avec attention.

Installer les protections des bornes des batteries équipées avec la machine.

La machine requiert 2 batteries de 12 V, branchées selon le schéma indiqué en Figure 1.

La machine peut être livrée selon les modèles suivants :

Batteries installées dans la machine et prêtes à l'utilisation

1. S'assurer que le connecteur des batteries (6) est branché.
2. Lors de la première utilisation de la machine avec des batteries neuves, effectuer un cycle de rechargement complet de la batterie (voir la procédure dans le chapitre Entretien).

Sans batteries

1. Acheter des batteries adéquates (voir le paragraphe « Caractéristiques techniques »). Pour le choix et l'installation, s'adresser à des revendeurs de batteries qualifiés.
2. En fonction du type de batterie choisi, régler la machine selon les indications dans le paragraphe Clé de service dans le chapitre Entretien.

INSTALLATION DES BATTERIES

Installation des batteries

1. Tourner la clé de contact (41) sur « O » pour arrêter la machine.
2. Débrancher le connecteur des batteries en appuyant sur le bouton-poussoir d'urgence (5).
3. Ouvrir le couvercle (18) et vérifier si le réservoir de l'eau de récupération (17) est vide. Dans le cas contraire, le vider au moyen du tuyau de vidange (26).
4. Fermer le couvercle (18).
5. Saisir la poignée (35) et soulever le groupe réservoir eau de récupération (17) avec soin.
6. La machine est équipée en usine avec des câbles adéquats pour installer 2 batteries de 12 V.
7. Soulever délicatement la batterie jusqu'au compartiment correspondant, puis les ranger correctement.
8. Placer et installer les câbles des batteries comme indiqué dans le schéma de la Figure 1, puis serrer soigneusement l'écrou sur chaque borne de la batterie.
9. Placer le capuchon de protection sur chaque borne, puis brancher le connecteur des batteries (6).
10. Dégager la tige de support (36), puis saisir la poignée (35) et baisser le groupe réservoir eau de récupération (17) avec soin.

Chargement des batteries

11. Effectuer un cycle de rechargement complet des batteries (voir la procédure au chapitre Entretien).

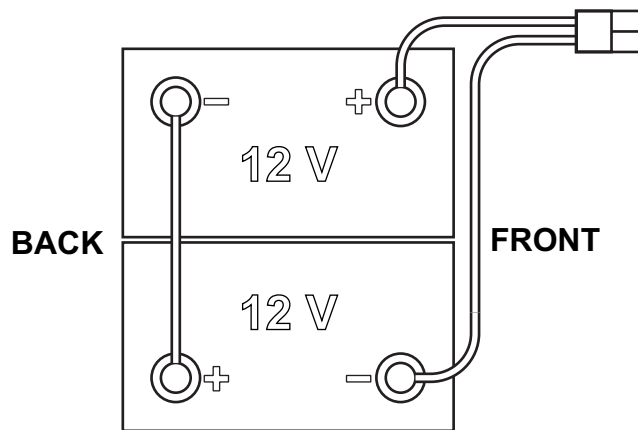


Figure 1

P100863

AVANT LA MISE EN MARCHÉ DE LA MACHINE



ATTENTION !

Lors de l'allumage de la machine, chaque fois que l'on allume la machine ou avant d'actionner le bouton « One-Touch » (42), vérifier qu'il n'y ait pas de corps étrangers entre la tête et le groupe réservoir qui peuvent empêcher le mouvement de la tête. Lorsqu'on rallume la machine, la tête se soulève automatiquement, si la machine a été éteinte sans que l'on ait soulevé la tête.

Installation / dépose de la brosse ou du plateau support disque

1. Sur la machine, et la brosse (A, Fig. 2) et le plateau support disque (B) avec disque (C) peuvent être installés, en fonction du traitement à effectuer sur le sol.
2. Positionner la brosse (A) ou le plateau support disque (B) sous la tête porte-brosses (7).
3. Positionner la clé de contact (41) sur « I ».
4. Appuyer sur le bouton (42) pour abaisser la tête sur la brosse.
5. Pour accrocher la brosse, appuyer sur la pédale de marche (2). Si besoin est, répéter la procédure jusqu'à l'accrochage de la brosse.
6. Pour déposer la brosse il faut soulever la tête en appuyant sur le bouton-poussoir (42), puis décrocher manuellement la brosse du moyeu en la faisant tourner dans le sens de rotation (D).

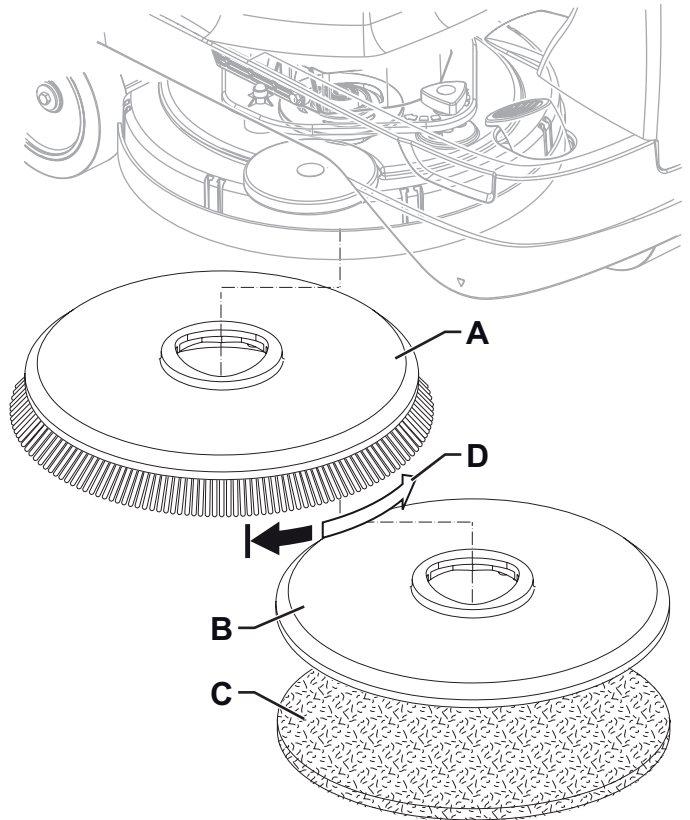


Figure 2

P100864

Types de brosses disponibles et guide pour leur application (suggestions uniquement)

Modèles	46 GRIT	80 GRIT	180 GRIT	240 GRIT	500 GRIT	PROLENE	PROLITE	UNION MIX
Nettoyage général :								
Béton								
Pavage terrasse								
Carreaux de céramique / de carrière								
Marbre								
Carreaux de vinyle								
Carreaux de caoutchouc								
Polissage :								
Carreaux de caoutchouc								
Marbre								
Carreaux de vinyle								

Installation de l'embouchure

1. Installer l'embouchure (A, Fig. 3) et la fixer avec les boutons (B) à l'étrier (C).
2. Si nécessaire, régler l'embouchure avec la poignée (D) de sorte que le pneu arrière (E) et le pneu avant (F) touchent le sol, comme indiqué dans la figure.

Remplissage du réservoir de solution**AVERTISSEMENT !**

Utiliser exclusivement des détergents liquides peu mousseux et non inflammables, adéquats pour les machines utilisées.

**ATTENTION !**

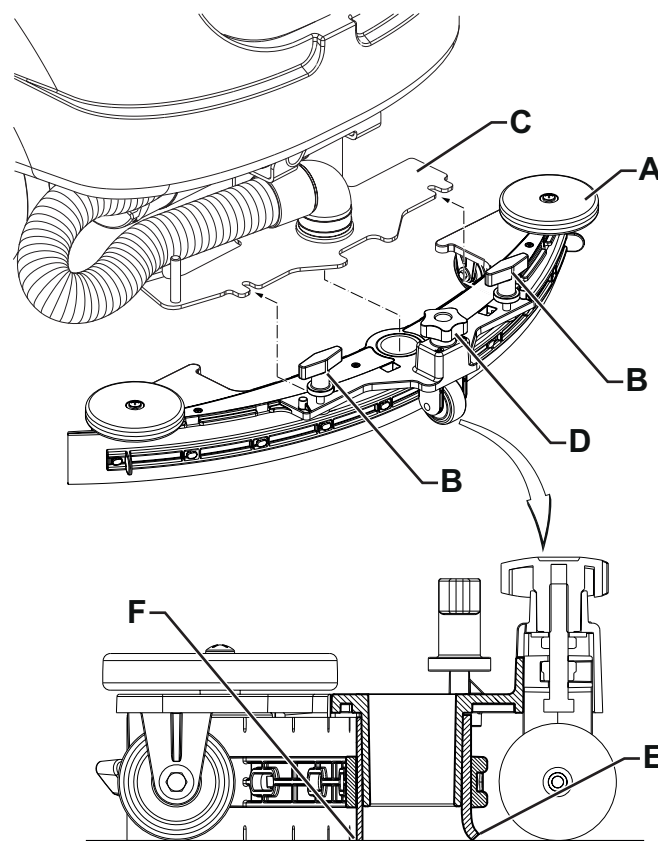
Pendant l'utilisation de détergents pour le nettoyage des sols, suivre toujours les instructions et les avertissements indiqués sur les étiquettes des flacons.

Avant la manipulation de détergents pour le nettoyage des sols, mettre les gants et les vêtements de protection adéquats.

**REMARQUE**

Si la machine est équipée avec le système Chemical Mixing System (optionnel), verser de l'eau propre ou de la solution détergente dans le réservoir.

1. S'assurer que le robinet de la solution détergente (9) est en position ouverte (9-A).
2. Pour remplir le réservoir avec une solution détergente (15), enlever le bouchon de la goulotte (25).

**Figure 3**

P100865

(Pour autolaveuses sans système Chemical Mixing System)

3. Remplir le réservoir (15) avec une solution adéquate au travail à effectuer.
Ne jamais remplir complètement le réservoir, mais laisser toujours quelques centimètres du bord. Utiliser le tuyau de niveau (16) comme référence.
Suivre toujours les instructions de dilution sur l'étiquette du conteneur du produit chimique utilisé pour la solution.
La température de la solution ne doit jamais être supérieure à 40 °C.

(Pour autolaveuses avec système Chemical Mixing System)

4. Remplir le réservoir (15) avec de l'eau propre. Si présent, utiliser le tuyau flexible de remplissage eau (en option) placé dans la goulotte (25).
Ne jamais remplir complètement le réservoir, mais laisser toujours quelques centimètres du bord. Utiliser le tuyau de niveau (16) comme référence.
La température de l'eau ne doit jamais être supérieure à 40 °C.

Remplacement du réservoir du détergent (pour autolaveuses avec système Chemical Mixing System)

5. Ouvrir le couvercle (18) et vérifier si le réservoir de l'eau de récupération (17) est vide. Dans le cas contraire, le vider au moyen du tuyau de vidange (26).
6. Fermer le couvercle (18).
7. Saisir la poignée (35) et soulever le groupe réservoir eau de récupération (17) avec soin.
8. Dévisser le bouchon avec le tuyau d'immersion sur le réservoir du détergent (38).
9. Enlever le réservoir vide de son logement et le remplacer avec un réservoir neuf.
10. Insérer correctement le tube d'immersion et visser le bouchon sur le réservoir du détergent.

**AVERTISSEMENT !**

Contacter un centre de service agréé pour la fourniture et le type de détergent à utiliser.

**REMARQUE**

En cas de système neuf ou de système vidé pour le nettoyage, etc., attendre que les tuyaux se remplissent avant de le mettre en marche. Pour accélérer le remplissage du système, il peut être utile d'effectuer un ou plusieurs cycles de vidange du système Chemical Mixing System (voir la procédure au chapitre Entretien).

MISE EN MARCHÉ ET ARRÊT DE LA MACHINE

Mise en marche de la machine

1. Préparer la machine comme indiqué au paragraphe précédent.
2. Tourner la clé de contact (41) sur « I » sans appuyer sur la pédale de marche (2).
3. Dans les 2 premières secondes de l'allumage, l'écran multi-fonction (58) montre les heures de travail de la machine (48-A) et le type de batteries installées (48-B).



REMARQUE

Contrôler l'état de charge des batteries.

Quand sur l'écran multifonction est allumé au moins un segment qui ne clignote pas dans le symbole de la batterie (48-C), la machine est prête à l'emploi.

Lorsque dans le symbole de la batterie (48-C) reste allumé un seul segment clignotant il faudrait charger les batteries (voir la procédure au chapitre Entretien).

4. Se porter sur le lieu de travail en démarrant la machine les mains sur le guidon (1) et en appuyant sur la pédale de marche (2). La vitesse d'avance est réglable de 0 à la valeur maximum, selon la pression exercée sur la pédale de marche (2).
5. La marche avant / marche arrière est sélectionnée au moyen du bouton-poussoir (46).



REMARQUE

Le siège (12) est équipé d'un capteur de sécurité qui ne permet le mouvement de la machine, à l'aide de la pédale (2), que lorsque l'opérateur est assis.



REMARQUE

La machine est équipée d'un système de sécurité anti-dérapiage [icône (48-I) sur l'écran] qui, si besoin est, réduit la vitesse lors des braquages et en cas de dérapage latéral de la machine, indépendamment de la pression exercée sur la pédale.

Cette réduction de la vitesse ne constitue pas un mauvais fonctionnement mais une caractéristique qui augmente la stabilité et la sécurité de la machine en toute condition.

Arrêt de la machine

6. Arrêter l'avance de la machine, en relâchant la pédale de marche (2). Il n'est pas nécessaire de bloquer la machine pendant l'arrêt ou le stationnement, puisque le frein électromagnétique sur les roues freine automatiquement la machine quand la pédale de marche n'est pas activée.
7. Arrêter le moteur en tournant la clé de contact (41) en position « O ».



REMARQUE

La machine, laissée allumée mais à l'arrêt de toute activité de travail, se désactive automatiquement au bout de 2 minutes.

Démarrer le moteur à nouveau en tournant la clé de contact en position « O », puis sur « I ».



AVERTISSEMENT !

En cas de nécessité immédiate et pour arrêter toutes les fonctions de la machine en cas d'urgence, appuyer sur le bouton-poussoir (5).

Pour restaurer le fonctionnement de la machine, brancher à nouveau le connecteur (6).

MACHINE AU TRAVAIL (LAVAGE / SÉCHAGE)

1. Mettre la machine en marche comme prévu au paragraphe précédent.
2. Appuyer sur le bouton « One-Touch » (42) pour abaisser la tête porte-brosses (7) et l'embouchure (13) et lancer le travail de lavage et de séchage.
3. Commencer le travail de nettoyage en gardant les deux mains sur le guidon (1) et en appuyant sur la pédale de marche (2) pour faire avancer la machine.
4. Si besoin est, pour réduire au minimum le bruit, activer la fonction d'aspiration silencieuse en appuyant sur le bouton (44).



REMARQUE

La machine est équipée d'un système de sécurité qui démarre la rotation de la brosse et le système d'aspiration seulement si la machine est en marche.

5. Régler le montant de flux du détergent en appuyant sur e bouton (44) selon le besoin, et en fonction du lavage à effectuer.



REMARQUE

Pour les 3 premiers niveaux de débit (Fig. 4), la quantité de solution détergente distribuée est automatiquement réglée en fonction de la vitesse d'avance de la machine, de manière à obtenir une quantité constante de solution détergente par mètre linéaire de nettoyage.

Le niveau 4 (si activé) fournit le maximum de solution détergente possible, quelle que soit la vitesse d'avance de la machine (pour modifier l'activation voir le paragraphe Clé de service au chapitre Entretien).

Le niveau 0 ferme complètement l'écoulement de la solution de nettoyage.

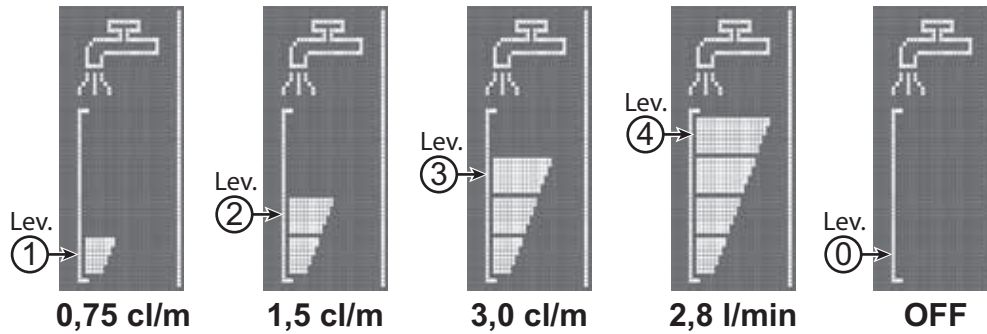


Figure 4

P100866



REMARQUE

Pour un lavage / séchage correct du sol près du mur, Clarke recommande d'approcher le côté droit de la machine, comme illustré sur la figure 5.

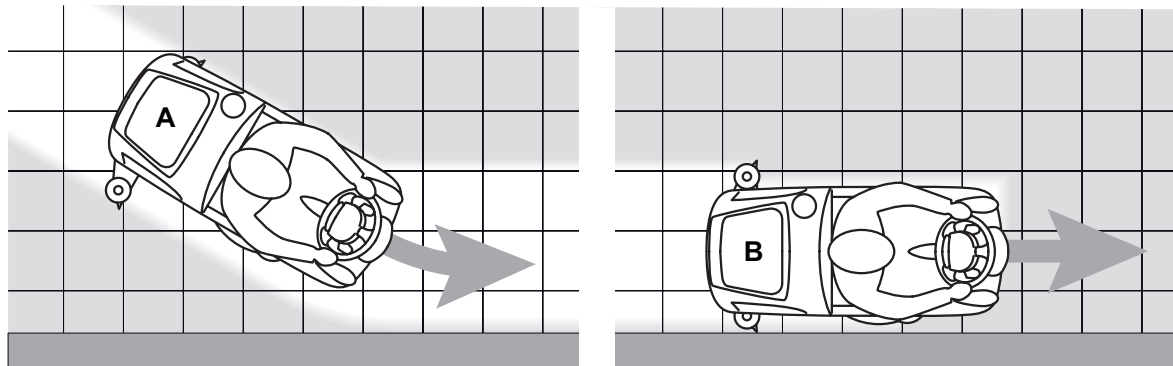


Figure 5

P100867

6. Pour terminer le travail de lavage et de séchage, appuyer sur le bouton-poussoir (42) et attendre le soulèvement de la tête (7) de la brosse. Après 10 secondes, le système d'admission se désactive aussi et l'embouchure se soulève (13).

Réglage de la concentration de détergent dans l'eau de lavage

(Pour autolaveuses avec système Chemical Mixing System)

Le système pour le mélange du détergent à l'eau de lavage est automatiquement activé lorsque la brosse est en fonctionnement.

Le pourcentage de détergent ajouté à l'eau de lavage est réglé au niveau 1 (Fig. 6).

Appuyer sur la touche (46) pour augmenter le pourcentage au niveau 2, ou le réinitialiser au niveau 0.

Les pourcentages réglés sont affichés sur l'écran multi-fonction (48-G).

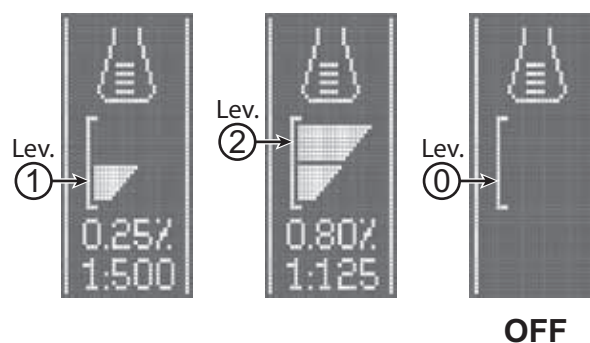


Figure 6

P100868



REMARQUE

Toutes les valeurs ci-dessus indiquées sur les niveaux des fonctions de l'écoulement du détergent et de la concentration du détergent, sont des réglages d'usine.

Pour modifier les paramètres par défaut, voir le paragraphe Clé de service dans le chapitre Entretien.

Travail avec la fonction de pression supplémentaire de la brosse

Si le sol est particulièrement sale, il est possible de travailler avec l'extra-pression des brosses sur le sol, comme suit :

1. Appuyer sur l'interrupteur (42) pour abaisser la tête porte-brosses comme indiqué dans le paragraphe « Mise en marche de la machine ».
2. Maintenir le bouton (42) enfoncé pendant plus d'1 seconde. L'activation de l'extra-pression est confirmée par la LED qui passe



de la lumière verte à la rouge et par l'icône sur l'écran (48).

3. Pour revenir au travail à pression normale, maintenir le bouton (42) enfoncé durant plus d'1 seconde.
4. Pour soulever la tête porte-brosses sans revenir au travail à pression normale, appuyer et relâcher immédiatement l'interrupteur (42).



AVERTISSEMENT !

En cas de surcharge du moteur de la brosse, dû à corps étrangers qui empêchent son mouvement, ou à sols difficiles / brosses dures, un système de sécurité arrête le moteur après un minute environ de surcharge continue.

Si la surcharge se vérifie pendant le travail avec la fonction d'extra-pression activée, le système soulage automatiquement la pression sur les brosses en désactivant la fonction d'extra-pression.

Si la surcharge persiste, la brosse s'arrête.

Pour reprendre le travail après l'arrêt des brosses à cause de la surcharge, il est nécessaire d'arrêter la machine, en tournant la clé de contact (41) sur "0". Démarrer à nouveau la machine en tournant la clé de contact (41) sur "I".

Déchargement des batteries pendant le travail

Lorsque un seul segment clignotant reste allumé dans le symbole de la batterie (48-C) procéder au rechargement des batteries, parce que l'autonomie résiduelle de fonctionnement de la machine n'est que de quelques minutes (variables en fonction des caractéristiques des batteries utilisées et du nettoyage à effectuer).

Lorsque le symbole de la batterie (48-C) clignote sans aucun segment allumé l'autonomie est épuisée. Après quelques secondes, la brosse s'arrête automatiquement ; seulement le système d'aspiration et le système de traction restent en fonction, pour permettre d'essuyer des endroits éventuels de sol mouillé et d'amener la machine dans la zone de rechargement.



AVERTISSEMENT !

Ne pas insister à utiliser la machine avec batteries déchargées, pour ne pas endommager les batteries en réduisant leur vie utile.



REMARQUE

Lorsque il n'est plus possible de déplacer la machine à l'aide du système de traction, consulter le paragraphe Déplacement par poussée / remorquage de la machine.

VIDANGE DES RÉSERVOIRS

Un système de fermeture automatique à flotteur (28) bloque le système d'aspiration lorsque le réservoir de l'eau de récupération (17) est plein.

Le blocage du système d'aspiration peut être détecté grâce à l'augmentation soudaine de la fréquence du bruit du moteur d'aspiration ; en outre, le système d'aspiration ne sèche pas le sol.



AVERTISSEMENT !

Si le système d'aspiration s'arrête pour causes accidentelles (par exemple pour l'intervention prématurée du flotteur pendant un déplacement soudain de la machine), pour le démarrer, arrêter le système en appuyant sur le bouton (44), puis ouvrir le couvercle (18) et vérifier que le flotteur dans la grille (28) est descendu ; enfin, fermer le couvercle (18) et appuyer sur le bouton (43) pour démarrer à nouveau le système d'aspiration.

Lorsque le réservoir de l'eau de récupération (17) est plein, le vider en procédant comme suit.

Vidange du réservoir de l'eau de récupération

1. Soulever la tête porte-brosse et l'embouchure en appuyant sur le bouton-poussoir (42).
2. Porter la machine dans la zone destinée à l'écoulement.
3. Arrêter le moteur en tournant la clé de contact (41) en position « O ».
4. Vider le réservoir de l'eau de récupération (17) au moyen du tuyau de vidange (26). Le travail effectué, rincer le réservoir à l'eau propre.

Vidange du réservoir de la solution

5. Exécuter les étapes de 1 à 3.
6. Vider le réservoir de la solution détergente (15) au moyen du tuyau de niveau (16). Le travail effectué, rincer le réservoir à l'eau propre.

APRÈS L'UTILISATION DE LA MACHINE

Le travail effectué, avant de laisser la machine :

1. Déposer la brosse en procédant comme indiqué au paragraphe spécifique.
2. Vider les réservoirs (17) et (15) comme indiqué au paragraphe spécifique.
3. Enlever l'embouchure (13) et le laver à l'eau chaude. Ouvrir le couvercle du réservoir de récupération (18) et attacher l'embouchure au crochet du réservoir (11).
4. Effectuer les opérations d'entretien prévues après l'utilisation de la machine (voir le chapitre Entretien).
5. Garder la machine dans un endroit sec et propre, avec la brosse et l'embouchure déposés ou soulevés.

MOUVEMENT PAR POUSSEE/REMORQUAGE DE LA MACHINE

Lorsque il n'est plus possible d'utiliser le système de traction (par exemple pour manque de batteries, batteries excessivement déchargées, etc.), pour déplacer aisément la machine par poussée / remorquage, il est nécessaire de débloquent le frein électromagnétique en déplaçant le levier (4).

Après avoir déplacé la machine, positionner le levier (4) dans la position d'origine pour activer à nouveau le frein électromagnétique.



ATTENTION !

Après avoir déplacé la machine par poussée / remorquage, si le levier (4) n'est pas repositionnée, le frein électromagnétique de la machine n'est pas activé.



ATTENTION !

Ne jamais démarrer la machine avec le levier (4) dans la position de frein électromagnétique débloqué. Pour plus de sécurité, il est conseillé de débloquent le frein électromagnétique seulement pour le temps strictement nécessaire pour déplacer manuellement la machine.

INACTIVITÉ PROLONGÉE DE LA MACHINE

Si on prévoit de ne pas utiliser la machine pendant plus de 30 jours, il est convenable d'effectuer les opérations suivantes :

1. Effectuer les opérations prévues au paragraphe Après l'utilisation de la machine.
2. Pour les versions avec le système Chemical Mixing System, vider le réservoir de détergent (38) et nettoyer le système avec le cycle de purge (voir les procédures au chapitre Entretien).
3. Fermer le robinet de la solution détergente (9-B).
4. Appuyer sur le bouton-poussoir d'urgence (5) pour débrancher le connecteur des batteries (6).

ENTRETIEN

La durée de vie de la machine et sa sécurité de fonctionnement sont garanties par un entretien soigné et régulier. Veuillez trouver ci-dessous le plan d'entretien programmé. Les périodicités indiquées peuvent subir des variations en fonction de conditions de travail particulières, à définir par le responsable de l'entretien.



ATTENTION !

Les opérations doivent être effectuées avec la machine arrêtée et avec les batteries débranchées. En outre, lire attentivement toutes les instructions du chapitre Sécurité avant d'effectuer les opérations d'entretien.

Toutes les opérations d'entretien programmé ou extraordinaire doivent être effectuées par du personnel qualifié ou par un Service après-vente autorisé.



AVERTISSEMENT !



Chaque fois que l'on voit l'icône Service sur l'écran (48), contacter un centre de service agréé Clarke pour l'entretien programmé.

Dans ce manuel, après le plan d'entretien programmé, seulement les procédures des opérations d'entretien les plus simples et les plus récurrentes sont indiquées.

Pour les procédures des autres opérations d'entretien prévues par le plan récapitulatif d'entretien programmé et extraordinaire, se référer au manuel d'entretien consultable auprès des Services après-vente.

PLAN D'ENTRETIEN PROGRAMMÉ

Procédure	Quotidienne, après l'utilisation de la machine	Hebdomadaire	Semestrielle	Annuelle
Chargement des batteries				
Nettoyage de l'embouchure				
Nettoyage de la brosse / disque				
Nettoyage des réservoirs, du filtre à cuve du réservoir à eau de récupération et contrôle du joint d'étanchéité du couvercle				
Nettoyage et vidange du Chemical Mixing System (optionnel)				
Contrôle des lamelles en caoutchouc de l'embouchure				
Nettoyage du filtre de la solution				
Contrôle du niveau du liquide des batteries (WET)				
Remplacement des lamelles en caoutchouc de l'embouchure				
Contrôle de l'efficacité du frein électromagnétique			(1)	
Contrôle ou remplacement des charbons du moteur de la brosse / plateau support disque				(1)
Contrôle ou remplacement des charbons du moteur du système de traction				(1)

(1) Opération d'entretien de ressort d'un Service après vente agréé Clarke.

CHARGEMENT DES BATTERIES



REMARQUE

Recharger les batteries lorsque dans le symbole de la batterie (48-C) reste allumé un seul segment clignotant, ou bien à la fin de chaque travail.

Garder les batteries chargées afin de prolonger leur vie utile.



AVERTISSEMENT !

Lorsque les batteries sont déchargées, les recharger dès que possible, afin de ne pas réduire leur durée de vie utile.

Contrôler la charge des batteries au moins une fois par semaine.



ATTENTION !

Si des batteries au plomb (WET) sont installées dans la machine, le chargement des batteries produit un gaz hydrogène très explosif. Charger les batteries dans un endroit bien aéré et loin de flammes libres.

Ne pas fumer pendant le chargement des batteries.

Laisser soulevé le réservoir de l'eau de récupération pendant le cycle de rechargement des batteries.



ATTENTION !

Pendant le rechargement des batteries au plomb (WET), faire attention à d'éventuelles pertes de liquide des batteries. Ce liquide est corrosif. En cas de contact avec les yeux ou la peau, rincer abondamment à l'eau et consulter un médecin.

1. Porter la machine dans la zone destinée au chargement des batteries.
2. S'assurer que la machine est éteinte avec la clé opérateur (41) en position « O ».
3. Ouvrir le couvercle (29) et vérifier si le réservoir de l'eau de récupération (17) est vide. Dans le cas contraire, le vider au moyen du tuyau de vidange (26).
4. Fermer le couvercle (18).
5. Saisir la poignée (35) et soulever le groupe réservoir eau de récupération (17) avec soin.
6. (Exclusivement pour batteries WET) Contrôler le niveau de l'électrolyte dans les batteries. Si besoin est, dévisser les bouchons et remplir.
Après l'ajout du niveau, fermer les bouchons et, si besoin est, nettoyer la surface supérieure des batteries.
7. Brancher la fiche du câble du chargeur de batterie (21) au réseau électrique [la tension et la fréquence de réseau doivent être égales aux valeurs correspondantes du chargeur de batterie, indiquées sur la plaque avec numéro de série de la machine].



REMARQUE

Lorsque le chargeur de batterie est branché au réseau électrique, toutes les fonctions de la machine sont automatiquement exclues.

Lorsque (de gauche à droite) le premier ou le deuxième segment clignote dans le symbole de la batterie (48-L), cela indique que le chargeur est en train de charger les batteries.

Lorsque (de gauche à droite) le troisième segment clignote dans le symbole de la batterie (48-L), cela indique que le chargeur est en train de terminer la charge des batteries.

8. Lorsque tous les segments du symbole de la batterie (48-L) sont allumés en permanence, le cycle de charge de la batterie est terminé.
9. Débrancher la fiche du câble du chargeur de batterie (21) du réseau électrique et l'insérer dans son logement (20).
10. Dégager la tige de support (36), puis saisir la poignée (35) et baisser le groupe réservoir eau de récupération (17) avec soin.
11. La machine est prête à l'utilisation.



REMARQUE

Pour de plus amples informations relatives au fonctionnement du chargeur de batterie (22), consulter le manuel spécifique.

MODIFICATION DES PARAMÈTRES DE FONCTIONNEMENT

En utilisant cette fonctionnalité, il est possible d'accéder à l'écran (F, Fig. 7) pour personnaliser les valeurs des paramètres décrits dans le tableau suivant des paramètres modifiables.

1. Tourner la clé de contact (41) sur « I » en appuyant sur les boutons-poussoirs (A) et (B).
2. Pour augmenter la valeur du paramètre actuel appuyer sur le bouton (C).
Pour diminuer la valeur du paramètre actuel appuyer sur le bouton (D).
3. Pour passer au paramètre suivant appuyer sur le bouton (E).
4. Pour revenir à l'écran principal, maintenir le bouton-poussoir (E) enfoncé durant plus de 2 secondes.

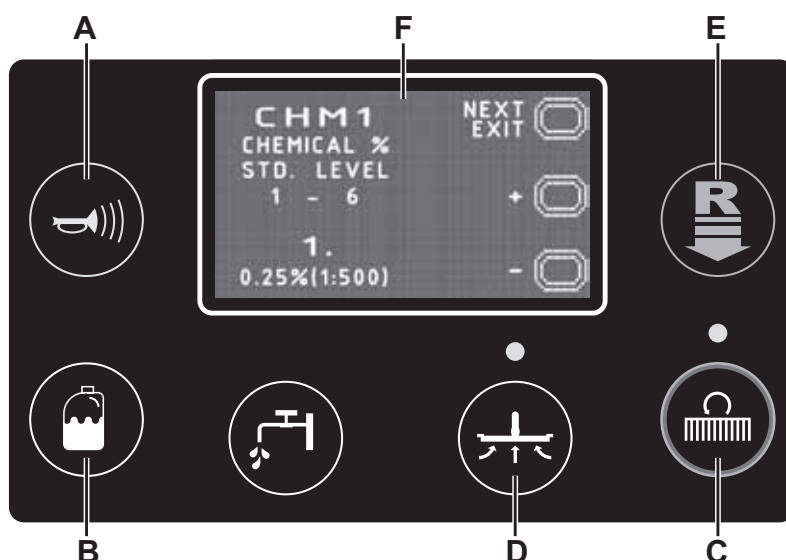


Figure 7

P100879

TABLEAU PARAMÈTRES MODIFIABLES		Valeurs		
Cod.	Description	Minimum	Réglages d'usine	Maximum
P1/P3	Rapport entre débit de la solution au niveau 1 et au niveau 3	0 %	25 %	100 %
P2/P3	Rapport entre débit de la solution au niveau 2 et au niveau 3	0 %	50 %	100 %
P3	Débit de la solution au niveau 3 (débit en fonction de la vitesse)	1,0 cl/m	3,0 cl/m	5,0 cl/m
P4	Activation du niveau 4 (2,8 L/min indépendamment de la vitesse)	OFF	OFF	ON
XPRES	Activation pression supplémentaire de la tête	OFF	ON	ON
FVMAX	Vitesse maximale marche avant	10 %	100 %	100 %
RVMAX	Vitesse maximale marche arrière	10 %	40 %	50 %
WSMIN	Vitesse minimale de travail	10 %	25 %	100 %
WSMAX	Vitesse maximale de travail	10 %	100 %	100 %
BRK	Retard activation électro-frein	0 sec.	3 sec.	5 sec.
BAT (*)	Type de batteries installées (voir tableau)	0	1	5
TOFF	Temps d'arrêt automatique	0 (désactivé)	300 sec.	600 sec.
BRGH	Contraste de l'écran	5	20	50
RPM (**)	Seuil d'activation basse vitesse de la brosse	5	9	20
RESET	Réinitialisation de tous les paramètres au réglage d'usine	OFF	OFF	ON

(*) Comme décrit dans le chapitre Utilisation, selon le type de batteries que l'on prévoit d'installer, configurer la machine et le chargeur de batterie intégré en changeant le paramètre BAT comme indiqué dans le tableau suivant :

Type de batteries installées		Valeur
WET	Batteries avec acide liquide	0
GEL / AGM	Batteries au GEL ou AGM génériques	1
GEL EXIDE	Batteries au GEL ou marque EXIDE®/SONNENSHINE	2
GEL OPTIMA	Batteries au GEL ou marque OPTIMA™	3
GEL DISCOVER	Batteries au GEL ou marque DISCOVER®	4
GEL FULLRIVER	Batteries au GEL ou marque FULLRIVER®	5

(**) Augmenter la valeur de ce paramètre pour réduire la vitesse du moteur de la brosse dans une plus large gamme d'applications et vice versa.

NETTOYAGE DE L'EMBOUCHURE



REMARQUE

Pour un bon séchage, l'embouchure doit être propre et les lamelles en caoutchouc doivent être en bon état.



AVERTISSEMENT !

Lors du nettoyage de l'embouchure, il est conseillé de porter des gants de protection à cause de la présence éventuelle de débris tranchants.

1. Porter la machine sur un sol plat.
2. S'assurer que la machine est éteinte avec la clé opérateur (41) en position « O ».
3. Desserrer les boutons (32) et déposer l'embouchure (13).
4. Laver et nettoyer l'embouchure. Nettoyer en particulier les compartiments (A, Fig. 8) et l'orifice (B) de la saleté et des déchets. Contrôler que la lamelle en caoutchouc avant (C) et la lamelle en caoutchouc arrière (D) sont intactes et qu'elles ne présentent pas de coupures ou déchirures ; en cas contraire, les remplacer comme indiqué au paragraphe suivant.
5. Pour la repose, procéder dans l'ordre inverse de la dépose.

CONTRÔLE ET REMPLACEMENT DES LAMELLES EN CAOUTCHOUC DE L'EMBOUCHURE

1. Nettoyer l'embouchure comme indiqué au paragraphe précédent.
2. Contrôler que la lamelle en caoutchouc avant (C, Fig. 8) et la lamelle en caoutchouc arrière (D) sont intactes et qu'elles ne présentent pas de coupures ou déchirures ; en cas contraire, les remplacer en procédant comme suit. Contrôler que l'arête avant (E) de la lamelle en caoutchouc arrière n'est pas usée ; en cas contraire, tourner la lamelle en caoutchouc, en remplaçant l'arête usée avec l'une des trois arêtes intactes. Si toutes les arêtes sont usées, remplacer la lamelle en caoutchouc en procédant comme suit :
 - À l'aide de la lamelle (F), libérer et retirer la bande élastique (G) des dispositifs de retenue (H), puis remplacer/renverser la lamelle en caoutchouc arrière (D).
 - Pour la repose, procéder dans l'ordre inverse de la dépose.
 - Dévisser les boutons (I) et enlever la bande de retenue (J), puis remplacer/renverser la lamelle en caoutchouc avant (C).
 - Pour la repose, procéder dans l'ordre inverse de la dépose.
3. Reposer l'embouchure (13) et serrer les boutons (32).
4. Abaisser l'embouchure sur le sol pour contrôler la hauteur des lamelles en caoutchouc, comme décrit ci-dessous :
 - Vérifier que le rabat (K) de la lamelle en caoutchouc (C) et le rabat (L) de la lamelle en caoutchouc arrière (D) posent comme indiqué sur la figure.
 - Pour le réglage, utiliser la manette (33).

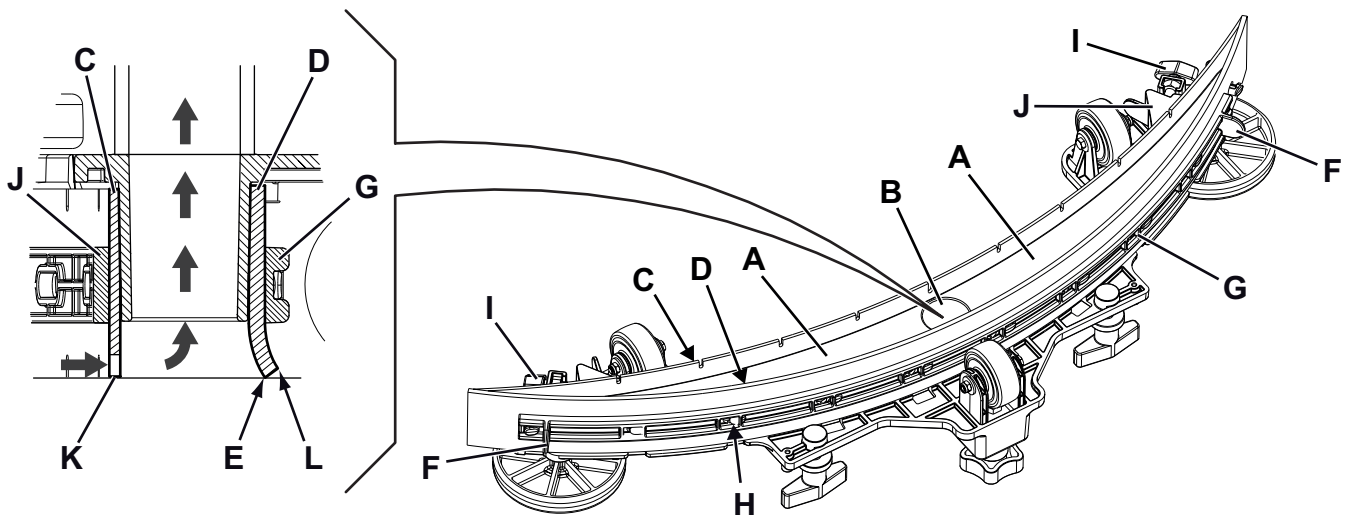


Figure 8

P100872

NETTOYAGE DE LA BROSSE À DISQUE



AVERTISSEMENT !

Lors du nettoyage de la brosse, il est conseillé de porter des gants de protection à cause de la présence éventuelle de débris tranchants.

1. Déposer la brosse de la machine comme prévu au chapitre Utilisation.
2. Nettoyer et laver la brosse avec de l'eau et du détergent.
3. Contrôler que les poils sont intacts et non excessivement usés ; dans le cas contraire, remplacer la brosse.

NETTOYAGE DU RÉSERVOIR DE L'EAU DE RÉCUPÉRATION

1. Porter la machine dans la zone destinée à l'écoulement.
2. S'assurer que la machine est éteinte avec la clé opérateur (41) en position « O ».
3. Ouvrir le couvercle (18).
4. Nettoyer et laver avec de l'eau propre l'intérieur du réservoir (17) et du couvercle.
5. Vider l'eau du réservoir avec le tuyau (26).
6. Nettoyer la grille d'aspiration (28), dégager les dispositifs de retenue (A, Fig. 9), ouvrir la grille (B), récupérer le flotteur (C) et nettoyer soigneusement ; enfin reposer en place.
7. Démontez le bac de récupération des débris (D) et ouvrez son couvercle, puis nettoyez soigneusement et ré-installez le tuyau d'aspiration.
8. Contrôler l'intégrité du joint d'étanchéité (E) du couvercle du réservoir.



REMARQUE

Le joint d'étanchéité (E) permet la création d'une dépression dans le réservoir, nécessaire à l'aspiration de l'eau de récupération.

Si besoin est, déposer le joint d'étanchéité (E) de son logement (F) et le remplacer. Lors de la pose du nouveau joint d'étanchéité, positionner le raccord (G) dans la zone inférieure indiquée dans la figure.

9. Contrôler aussi l'intégrité, l'efficacité et la propreté de toute la surface périmétrale d'appui (H) du joint d'étanchéité (E).
10. Fermer le couvercle (18).

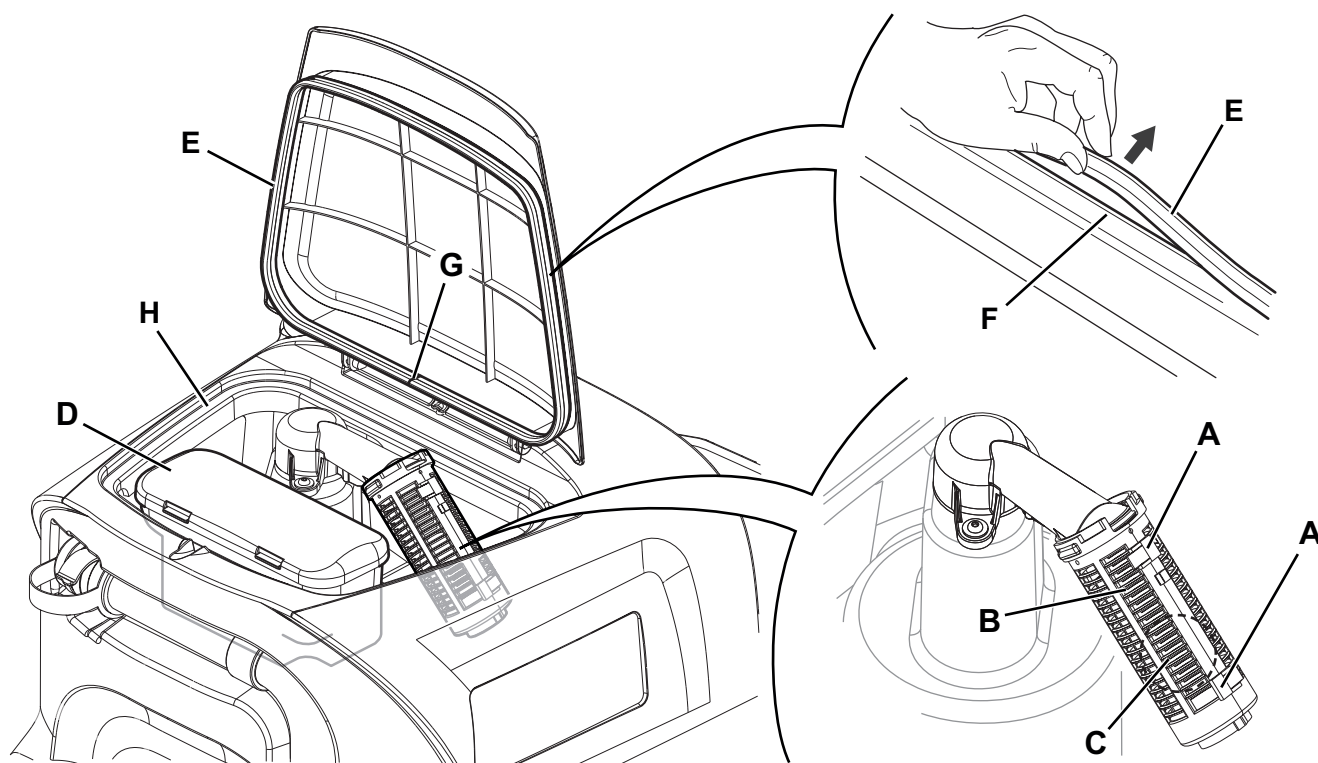


Figure 9

P100873

NETTOYAGE DU FILTRE DE LA SOLUTION

1. Porter la machine sur un sol plat.
2. S'assurer que la machine est éteinte avec la clé opérateur (41) en position « O ».
3. Fermer le robinet de la solution détergente (9). Le robinet est fermé quand il se trouve dans la position (9-B) et ouvert quand il se trouve dans la position (9-A).
4. Dévisser le petit glas transparent (A, Fig. 10), récupérer le joint d'étanchéité (B), puis retirer le filet filtrant (C). Les laver et les rincer avec de l'eau, puis les réinstaller soigneusement sur le support filtre (D).
5. Ouvrir le robinet (9-A).

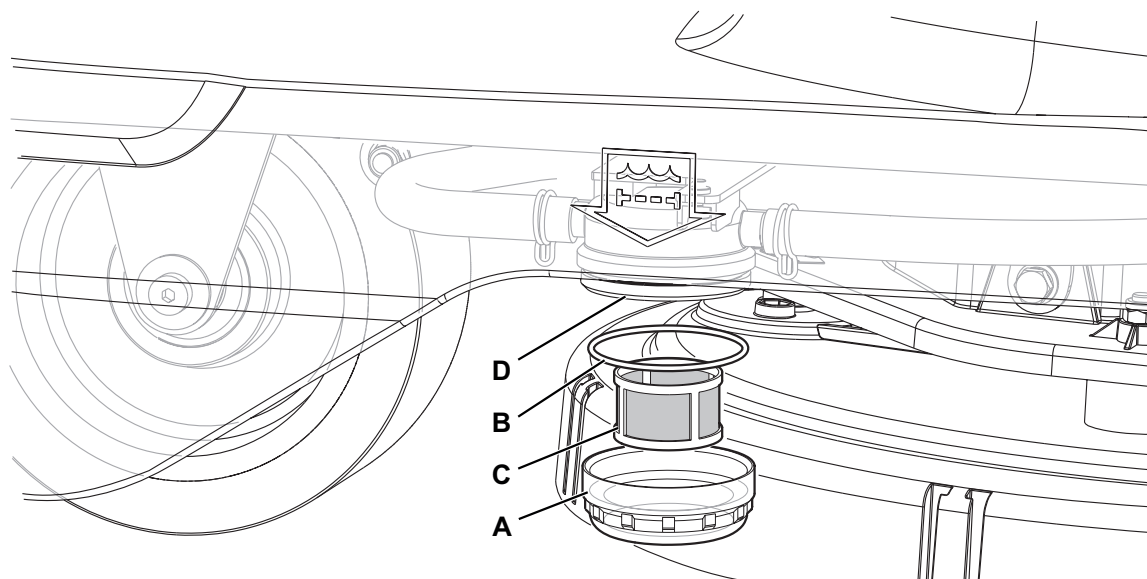


Figure 10

P100874

VIDANGE DU SYSTÈME CHEMICAL MIXING SYSTEM

(Pour autolaveuses avec système Chemical Mixing System)

Pour éliminer toute trace de détergent dans les tuyaux et dans la pompe du détergent, procéder comme suit.

6. Démarrer la machine en tournant la clé de contact (41) en position « I ».
7. Appuyer sur la touche (42). Vérifier qu'à l'écran l'indicateur de la quantité de détergent (48-G) a au moins un segment allumé.
8. Appuyer simultanément sur les boutons (44) et (45) jusqu'à ce que l'écran affiche la page-écran (48-M) (environ après 5 secondes).
9. Relâcher les boutons (44) et (45) et attendre que le compte à rebours sur l'écran s'arrête et que le système d'aspiration soit actionné.
10. Aspirer les traces de détergent sur le sol.
11. Arrêter le moteur en tournant la clé de contact (41) en position « O ».
12. Soulever le groupe réservoir eau de récupération (17), puis contrôler que le tuyau du réservoir du détergent (38) soit vide ; dans le cas contraire, répéter les étapes de 3 à 7.



REMARQUE

Le cycle de purge, qui permet d'éliminer les traces de détergent, dure 30 secondes environ, ensuite la fonction d'aspiration s'enclenche automatiquement.

L'opération de vidange peut être effectuée même avec le réservoir du détergent (38) plein d'eau ; de cette façon on effectue un lavage à fond du système.

Il est convenable d'effectuer ce type de vidange lorsque le système Chemical Mixing System est très sale / incrusté après de longues périodes d'inactivité / d'absence de nettoyage de la machine.

L'opération de vidange peut être effectuée aussi pour accélérer le remplissage du tuyau d'alimentation du détergent avec le réservoir (38) plein et le système encore vide.

L'opération de vidange, en cas de nécessité, peut être effectuée plusieurs fois de suite.

CONTRÔLE / REMPLACEMENT DES FUSIBLES



REMARQUE

Tous les circuits électriques de la machine sont protégés par des dispositifs électroniques à restaurer automatiquement. Les fusibles de sécurité agissent seulement en cas de pannes graves. Par conséquent, on conseille de contacter le personnel qualifié pour l'éventuel remplacement des fusibles. Se référer au manuel d'entretien consultable auprès des revendeurs Clarke.

FONCTIONS DE SECURITE

La machine est équipée des fonctions de sécurité suivantes.

BOUTON-POUSSOIR D'URGENCE

Le bouton-poussoir d'urgence (5) est placé dans une position facilement accessible par l'opérateur. Il doit être appuyé avec force en cas de nécessité immédiate, pour arrêter toutes les fonctions de la machine.

Pour restaurer le fonctionnement de la machine, soulever le groupe réservoir eau de récupération (17) et brancher à nouveau le connecteur (6) des batteries.

SYSTEME DE SECURITE ANTI-DERAPAGE

Si besoin est, il réduit la vitesse lors des braquages et en cas de dérapage latéral de la machine à une valeur de sécurité, pour éviter toute dérapage soudain et augmenter la stabilité de la machine en toute condition. L'activation du système est affichée par l'icône (48-l) sur l'afficheur.

MICROINTERRUPTEUR DU SIEGE DE CONDUITE

Il est positionné à l'intérieur du siège de conduite (12) et il ne permet pas le fonctionnement du système de traction de la machine si l'opérateur n'est pas assis sur son siège.

FREIN ELECTROMAGNETIQUE

Il est intégré dans les roues arrière de traction (24) et empêche le déplacement de la machine quand elle n'est pas démarrée et, de toute façon, lorsqu'elle est à l'arrêt.

DÉPISTAGE DES PANNES

PROBLÈME	CAUSE POSSIBLE	SOLUTION
Les moteurs ne fonctionnent pas ; l'écran (48) et aucune LED des boutons s'allume.	Le connecteur des batteries est débranché.	Connecter.
	Batteries complètement déchargées.	Charger les batteries.
La machine ne bouge pas et l'écran (48) affiche le message d'alarme : ALARME D'AVERTISSEMENT T3	Allumage de la machine effectuée avec paddle appuyé.	Relâcher le paddle. Si le problème persiste, contacter un service après-vente agréé.
Lors de l'allumage de la machine, la LED du bouton (42) clignote et la brosse ne tourne pas.	Éteindre la machine sans avoir d'abord soulevé la tête porte-brosses.	Attendre que la tête se soulève avant d'actionner à nouveau les brosses en appuyant sur le bouton.
La brosse ne fonctionne pas ; le contour du symbole de la batterie (48-C) se met à clignoter et l'écran affiche le message d'alerte : ALARME D'AVERTISSEMENT G4	Batteries déchargées.	Charger les batteries. Si le problème persiste, remplacer les batteries.
Pendant les travaux, le message d'alerte s'affiche : ALARME D'AVERTISSEMENT F2	Surcharge du moteur de la brosse.	Utiliser une brosse moins dure ou de type différent, ou ne pas travailler avec la fonction d'extra-pression activée.
	Présence de corps étrangers (fils entortillés, etc.) qui risquent de freiner la rotation de la brosse.	Nettoyer les moyeux de la brosse.
L'écran (48) affiche le message d'alerte : ALARME D'AVERTISSEMENT T2	Surcharge du moteur de traction.	Arrêter et démarrer à nouveau la machine. Ne pas utiliser la machine sur des pentes supérieures à celle indiquée, et ne pas surmonter les obstacles trop élevés.
Pendant la recharge des batteries avec chargeur intégré, l'écran (48) affiche le message d'alarme : ALARME D'AVERTISSEMENT C4 o C5	Chargeur de batterie pas en mesure de bien recharger les batteries dans les délais maximum prévus.	Relancer à nouveau le cycle de charge des batteries. Si le problème persiste, remplacer les batteries.
L'écran (48) affiche un message d'alarme du type suivant : ALARME D'AVERTISSEMENT XX Où « XX » est remplacé par un code différent des codes précédemment énumérés.	Condition d'alarme du système électronique de contrôle de la machine.	Arrêter et démarrer à nouveau la machine. Si le problème persiste, contacter un service après-vente agréé.
L'aspiration de l'eau sale est insuffisante.	Réservoir d'eau de récupération plein.	Vider le réservoir.
	Grille d'aspiration obstruée ou flotteur bloqué en position fermée.	Nettoyer la grille d'aspiration.
	Conteneur déchets avec la grille correspondante colmaté.	Nettoyer.
	Tuyau flexible déconnecté de l'embouchure.	Connecter.
	Embouchure sale ou lamelles en caoutchouc d'embouchure usées ou endommagées.	Nettoyer l'embouchure ou tourner / remplacer les lamelles en caoutchouc.
	Le couvercle du réservoir n'est pas bien fermé ou le joint d'étanchéité est usé.	Fermer correctement le couvercle ou nettoyer / remplacer le joint.
Le flux de solution à la brosse est insuffisant.	Réservoir de la solution détergente vide.	Remplir.
	Filtre de la solution sale.	Nettoyer le filtre.
	Réservoir du système Chemical Mixing System (optionnel) sale / encrassé.	Nettoyer avec le cycle de vidange.
L'embouchure laisse des traces au sol.	Débris sous les lamelles en caoutchouc de l'embouchure.	Enlever les débris.
	Lamelles en caoutchouc de l'embouchure usées, ébréchées ou déchirées.	Tourner ou remplacer les lamelles en caoutchouc.
	Embouchure non équilibrée au moyen du bouton de réglage.	Régler l'embouchure.



REMARQUE

La machine ne peut pas fonctionner sans le chargeur de batterie.

En cas de panne du chargeur de batterie, s'adresser à un Service après-vente autorisé.

Pour avoir plus de renseignements ou de plus amples informations, contacter les Service après-vente Clarke.

MISE À LA FERRAILLE

Effectuer la mise à la ferraille de la machine auprès d'un démolisseur autorisé.

Avant d'effectuer la mise à la ferraille de la machine il est nécessaire de déposer et séparer les éléments suivants et les envoyer aux collectes sélectives, conformément aux normes d'hygiène de l'environnement en vigueur :

- Batteries
- Broses
- Tuyaux et pièces en matériel plastique
- Parties électriques et électroniques (*)

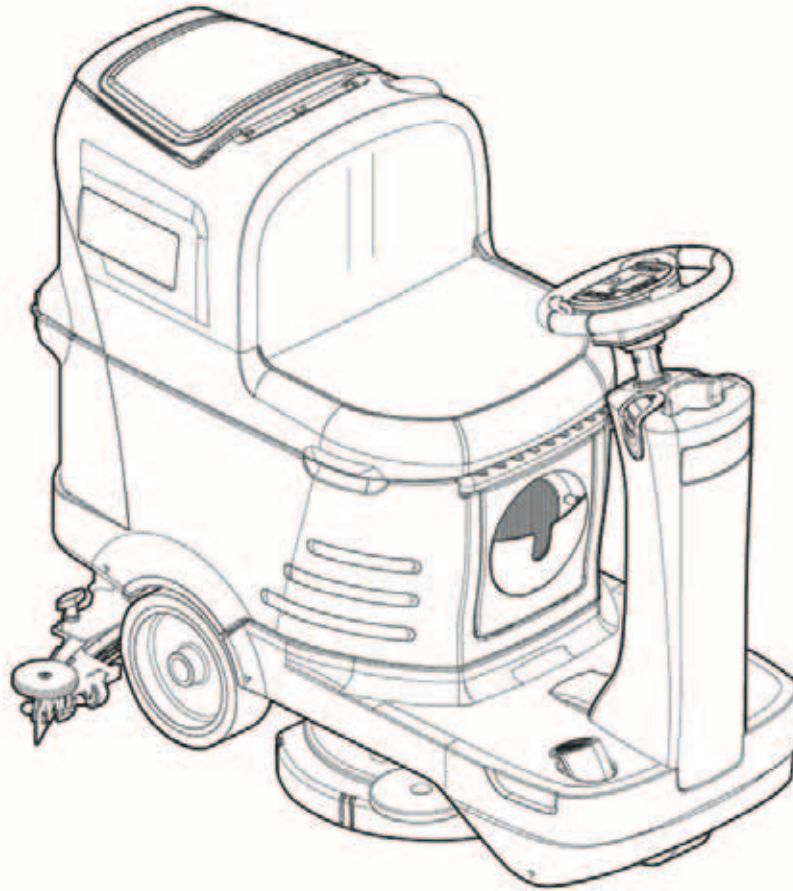
(*) Notamment pour la mise en décharge des parties électriques et électroniques, s'adresser auprès du centre Clarke le plus proche.

Composition du matériel de la machine et recyclage

Type	% recyclable	% de poids de la RA40
Aluminium	100 %	3 %
Moteurs électriques - divers	29 %	32 %
Matériaux en fer	100 %	23 %
Câbles	80 %	7 %
Liquides	100 %	0 %
Plastique - non recyclable	0 %	3 %
Plastique - recyclable	100 %	3 %
Polyéthylène	92 %	26 %
Caoutchouc	20 %	2 %

Clarke®

RA40



WHEN ORDERING PARTS

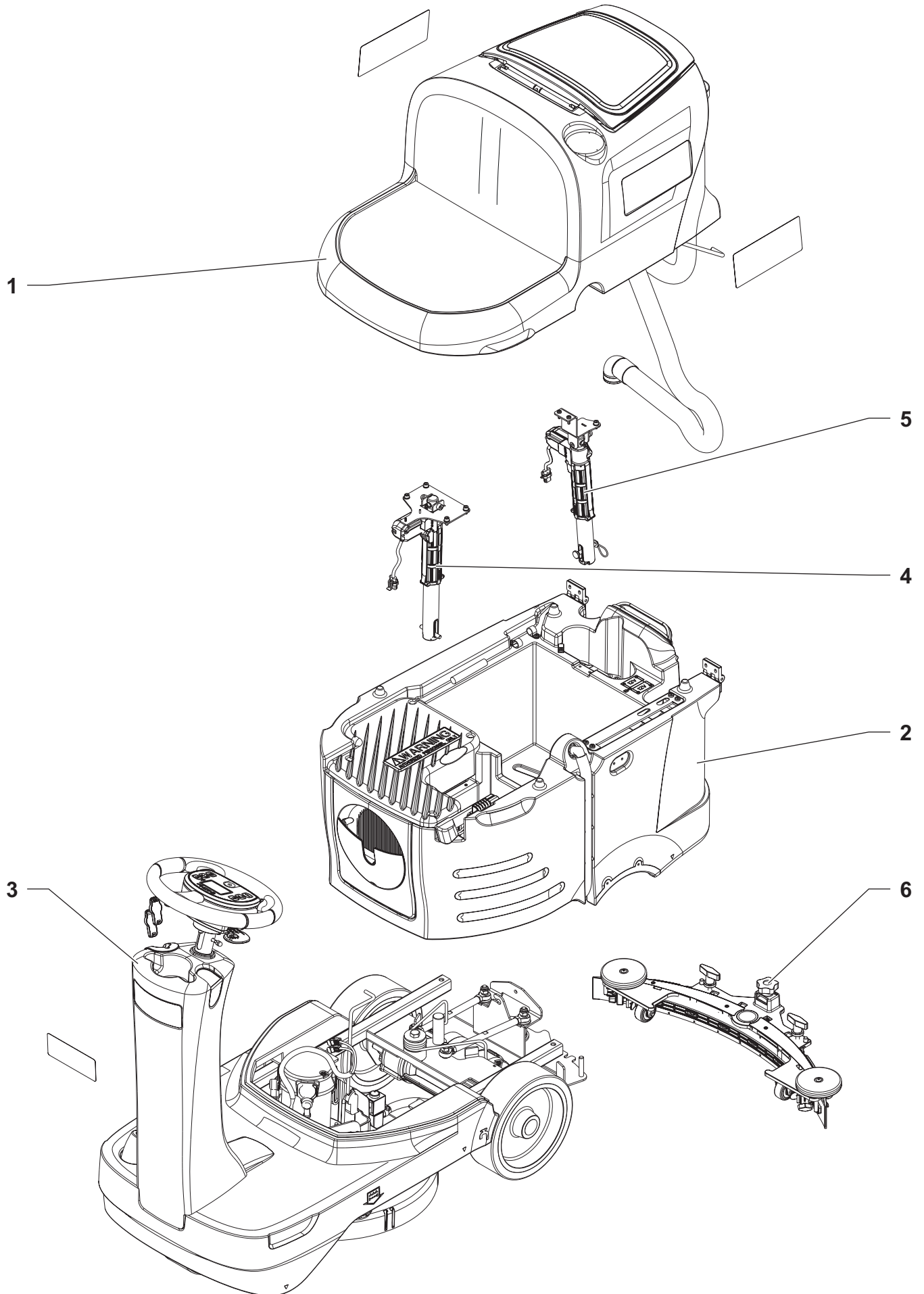
- Use the part numbers from the "REF. NO." columns in this parts list. If the "REF. NO." column is blank; look under the "KIT" column to identify which kit contains the part in question, then use the kit callout, for example "K1", to find the "REF. NO." for that kit.
- Specify the model and serial number of the machine.
- Use the space below to record the model and serial number for future reference.

Model

Serial No.

- * = Optional
- # = Modified item No. or New item No.
- [] = Not shown

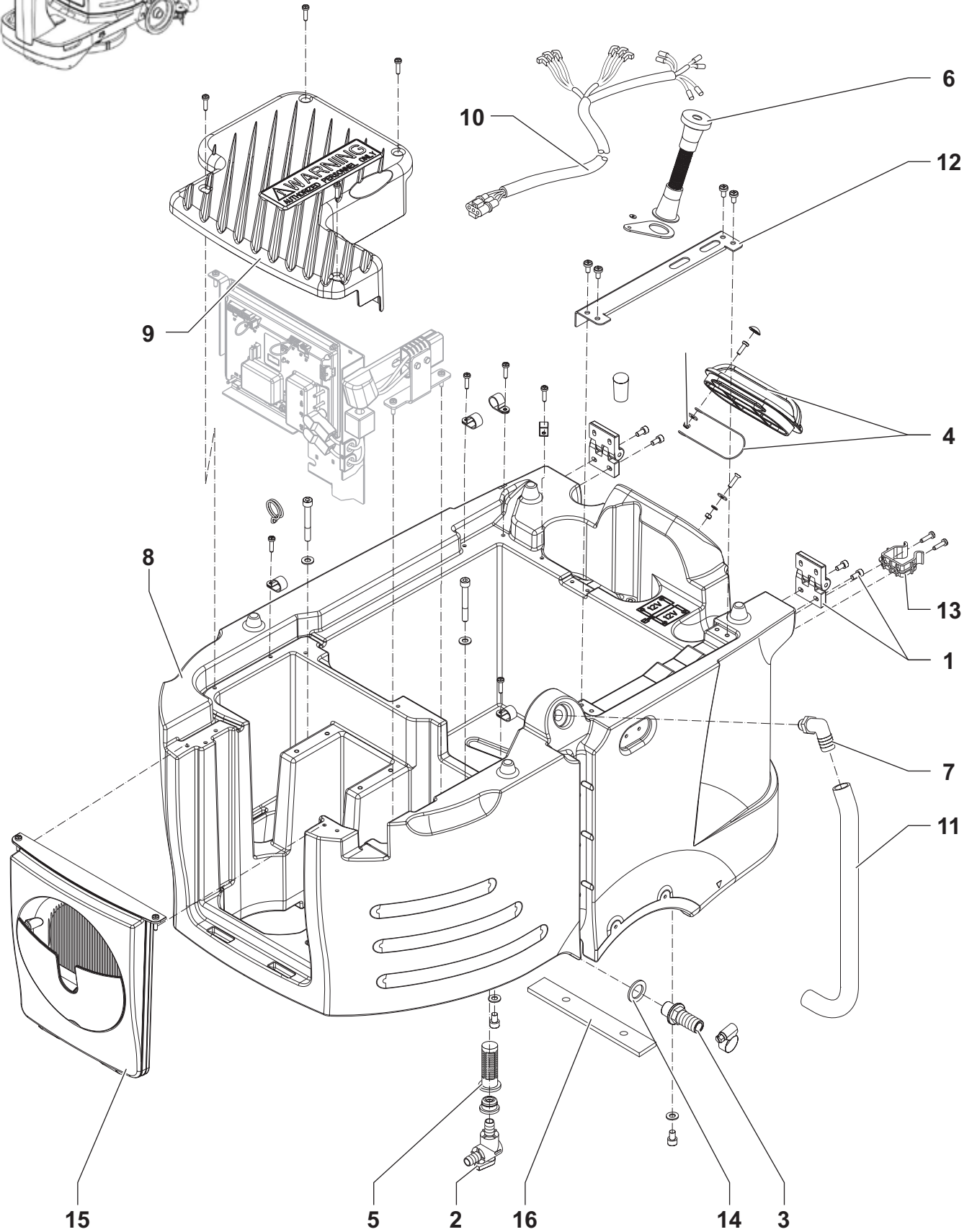
GENERAL VIEW



GENERAL VIEW

KIT	ITEM	REF. NO.	QTY	DESCRIPTION
	1		1	RECOVERY ASSEMBLY ASSIEME
	2		1	SOLUTION NILFISK ASSEMBLY
	3		1	BODY MACHINE NILFISK ASSEMBLY
	4		1	ACTUATOR FRONT ASSEMBLY
	5		1	ACTUATOR REAR ASSEMBLY
	6		1	SQUEEGEE ASSEMBLY

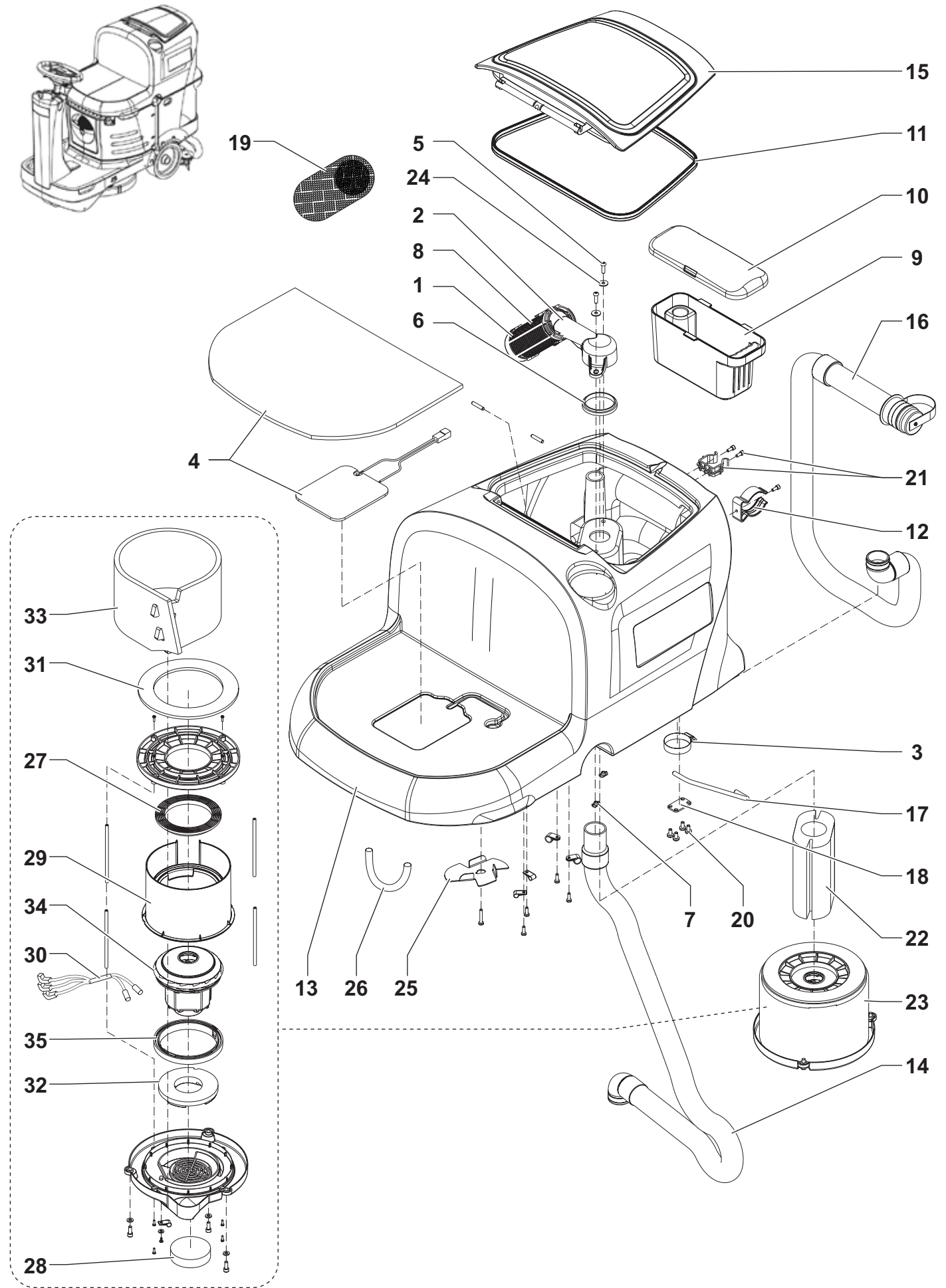
SOLUTION TANK



SOLUTION TANK

KIT	ITEM	REF. NO.	QTY	DESCRIPTION
	1	9098329000	1	HINGES KIT
	2	9100000803	1	VALVE ELBOW PKD
	3	9100000574	1	FITTING STRAIGHT G1/2 D.20 KIT
	4	1465355000	1	CAP SOLUTION TANK KIT
	5*	9100001192	1	FILTER SOLUTION TANK PKD
	6*	9100000952	1	FILLING HOSE
		9100001072	1	INSTRUCTIONS INSTALL. KIT 9100000952
	7	9100000771	1	FITTING 90. M 3/8-18 NPT HOSE D.19 PKD
	8	9100001134	1	TANK SOLUTION 70 LT BLUE PKD
	9	9100001102	1	COVER BATTERY CHARGER PKD
	10	9100001120	1	HARNES TANK PKD
	11	9100001128	1	HOSE FRESH WATER LEVEL PKD
	12	9100001129	1	SUPPORT F SAFETY BAR PKD
	13	9100001164	1	CLAMP HOSE D.40 BLACK
	14	9100001139	2	GASKET RUBBER D.21X33X2.5 BLACK PKD
	15	9100001182	1	COVER FUNCTIONS CARD KIT
	16	9100001150	1	PROTECTION RUBBER ADHESIVE F TANK PKD

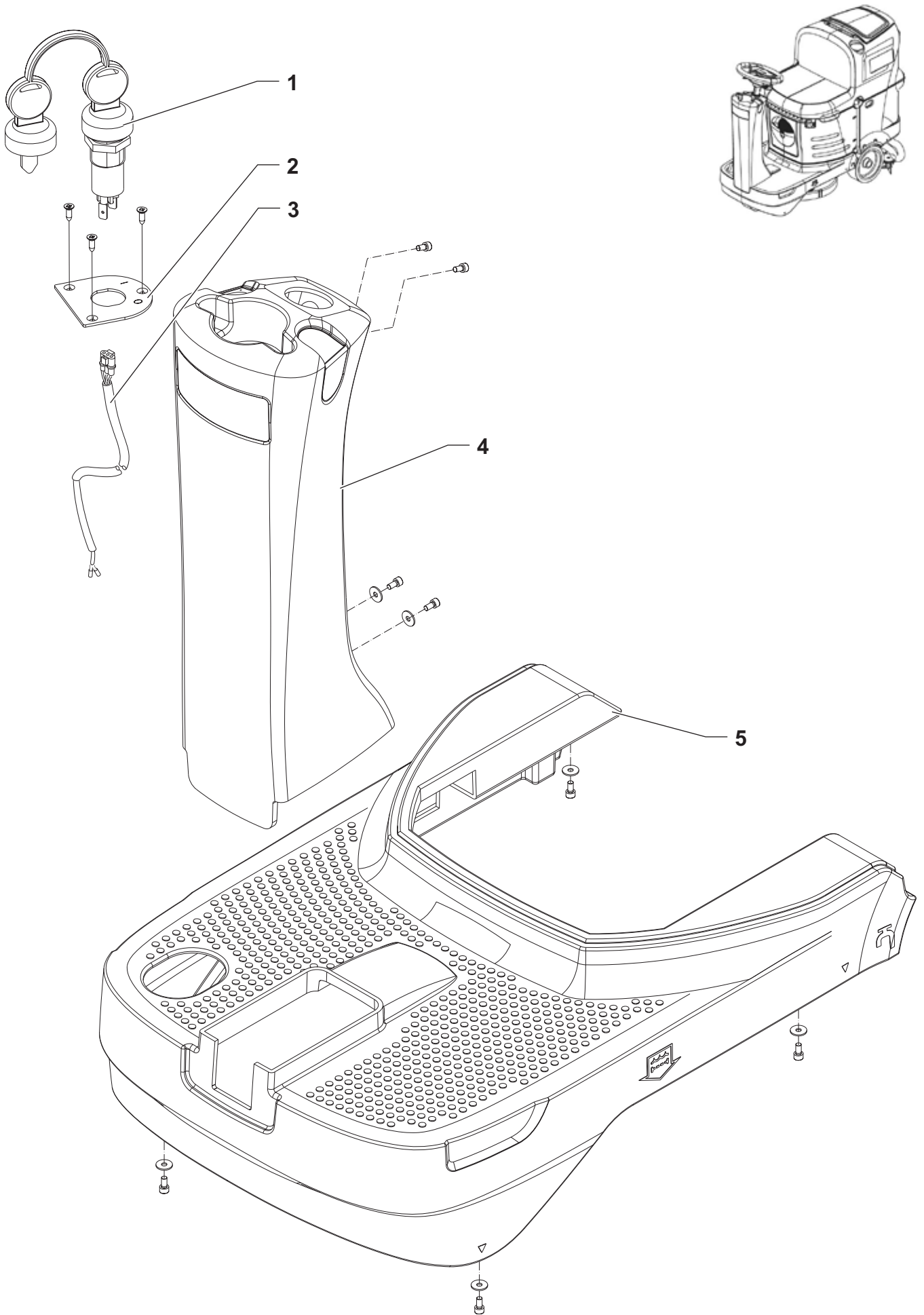
RECOVERY TANK



RECOVERY TANK

KIT	ITEM	REF. NO.	QTY	DESCRIPTION
	1	9100000817	1	BALL FLOATING PKD
K1	2		1	CAGE FLOAT
	3	9100001187	1	CLAMP 14/32-52 10 PCS SET
	4	9100001130	1	CUSHION SEAT W. MICROSWITCH PKD
K1	5		2	SCREW M6X20 ISO7380 SS
K1	6	9100000928	1	GASKET FLOAT SUPPORT PKD
K1	7		2	NUT JAW M6X6 INOX SS
	8	9100000818	1	CAGE FLOAT HALF 2 PCS SET
	9	9100001091	1	TRAY DEBRIS PKD
	10	9100001092	1	COVER TRAY DEBRIS PKD
	11	9100001153	1	GASKET RUBBER L.1200MM PKD
	12	909 6380 000	1	CLAMP KIT
	13	9100001135	1	TANK RECOVERY 70 LT BLUE PKD
	14	9100001106	1	HOSE SUCTION BLACK PKD
	15	9100001111	1	COVER RECOVERY TANK PKD
	16	9100001113	1	HOSE DRAIN BLACK PKD
K2	17		1	BAR SAFETY F TANK
K2	18		1	PLATE F SAFETY BAR
	19*	909 5065 000	1	FILTER ANTIFOAMING
K2	20		4	SCREW M6X12 ISO7380
	21	9100001164	1	CLAMP HOSE D.40 BLACK
	22	9100001143	1	SOUNDPROOFING UPPER VACUUM MOT. PKD
	23	9100001181	1	MOTOR VACUUM 24V 310W KIT
K1	24		2	WASHER 6X18X1.5 UNI6593 SS
	25	9100001146	1	PLATE HARNESS PROTECTION PKD
	26	9100001154	1	HOSE CORRUGATED BLACK D.6 L.150MM PKD
K3	27		1	MOTOR GASKET LOWER DOMEL
K3	28		1	FILTER
	29	9100000822	1	SUPPORT INT. INSULATION VAC. MOTOR PKD
	30	9100001116	1	HARNESS VACUUM MOTOR PKD
K3	31		1	GASKET F VACUUM UPPER COVER
K3	32		1	GASKET F VACUUM LOWER COVER
	33	9100001142	1	SOUNDPROOFING VACUUM MOTOR PKD
	34	9100001144	1	MOTOR VACUUM 24V 310W PKD
K3	35		1	RUBBER SEALING DOMEL UPPER
	[K1]	9099767000	1	SUPPORT FLOAT KIT
	[K2]	9100001165	1	BAR SAFETY F TANK KIT
	[K3]	9100001166	1	GASKETS VACUUM MOTOR KIT

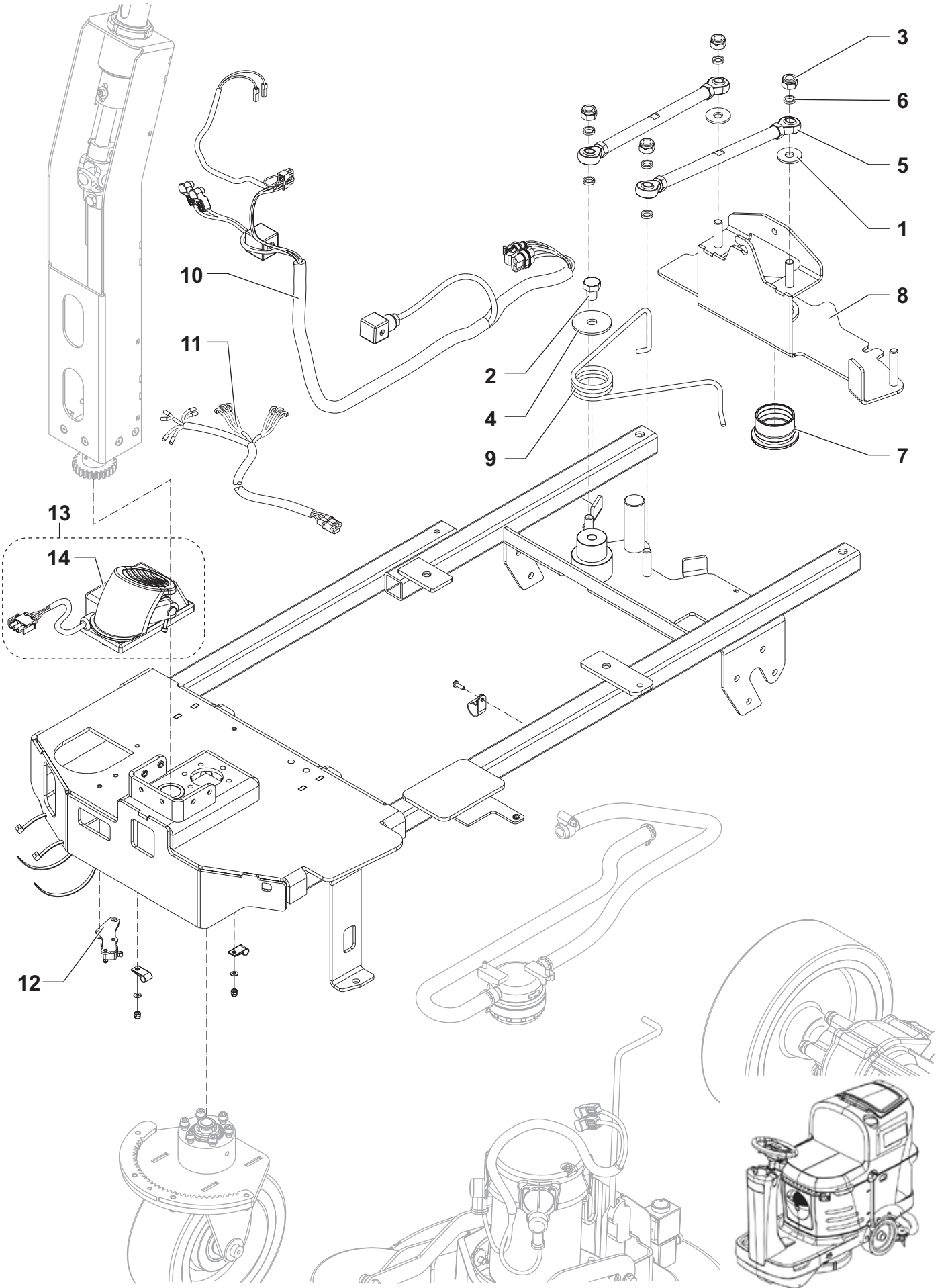
FOOTBOARD, COLUMN AND KEY HOUSING



FOOTBOARD, COLUMN AND KEY HOUSING

KIT	ITEM	REF. NO.	QTY	DESCRIPTION
	1	9100001193	1	SWITCH KEY WITH CAP PKD
	2	9100001138	1	PLATE SWITCH KEY FIXING PKD
	3	9100001147	3	HARNESS SWITCH KEY PKD
	4	9100001137	1	COLUMN STEERING BLUE PKD
	5	9100001136	1	FOOTBOARD BLUE PKD

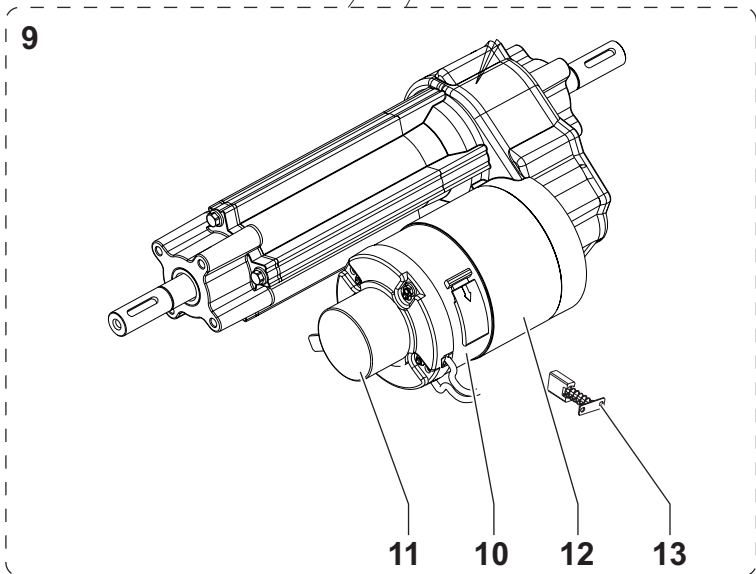
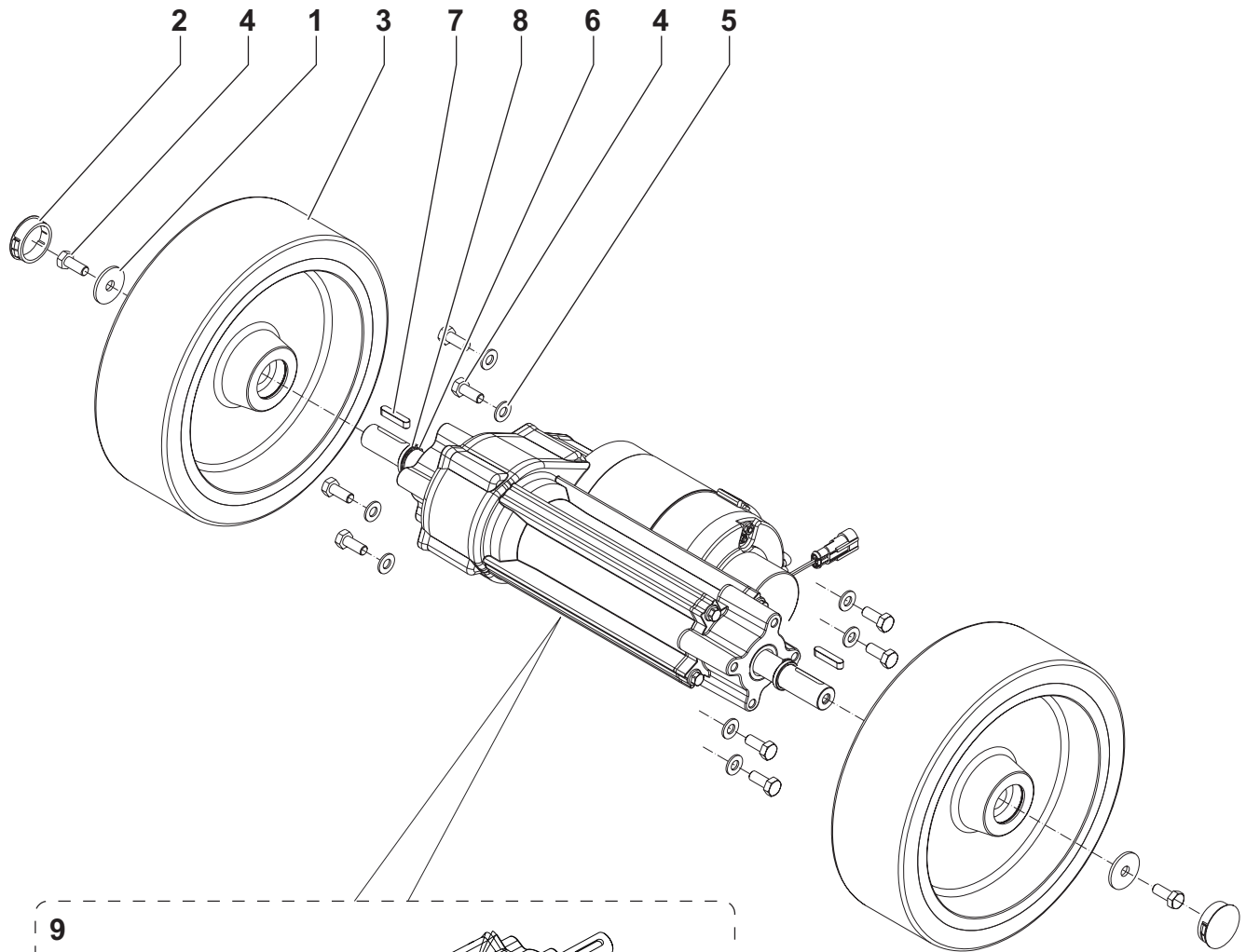
CHASSIS



CHASSIS

KIT	ITEM	REF. NO.	QTY	DESCRIPTION
K1	1		2	WASHER 10X30 UNI6593
K2	2		1	SCREW M12X16 UNI5739
K1	3		4	NUT SELF L. M10 UNI7473
K2	4		1	WASHER 12X48X3 UNI6593
	5	9100001090	2	ROD EYE M10 PKD
K1	6		6	SPACER D.10.5X14X3MM
	7	9100001096	1	SLEEVE SUCTION HOSE PKD
	8	9100001108	1	SUPPORT SQUEEGEE PKD
K2	9		1	SPRING ZERO SETTING SQUEEGEE
	10	9100001119	1	HARNESS MACHINE PKD
	11	9100001121	1	HARNESS FOOTBOARD PKD
	12	9100001183	1	MICROSWITCH KIT
	13	9100001180	1	THROTTLE KIT
	14	9100001140	1	THROTTLE ELECTRONIC PKD
[K1]		9100001167	1	HARDWARE SAFETY BAR KIT
[K2]		9100001168	1	SPRING ZERO SETTING SQUEEGEE KIT

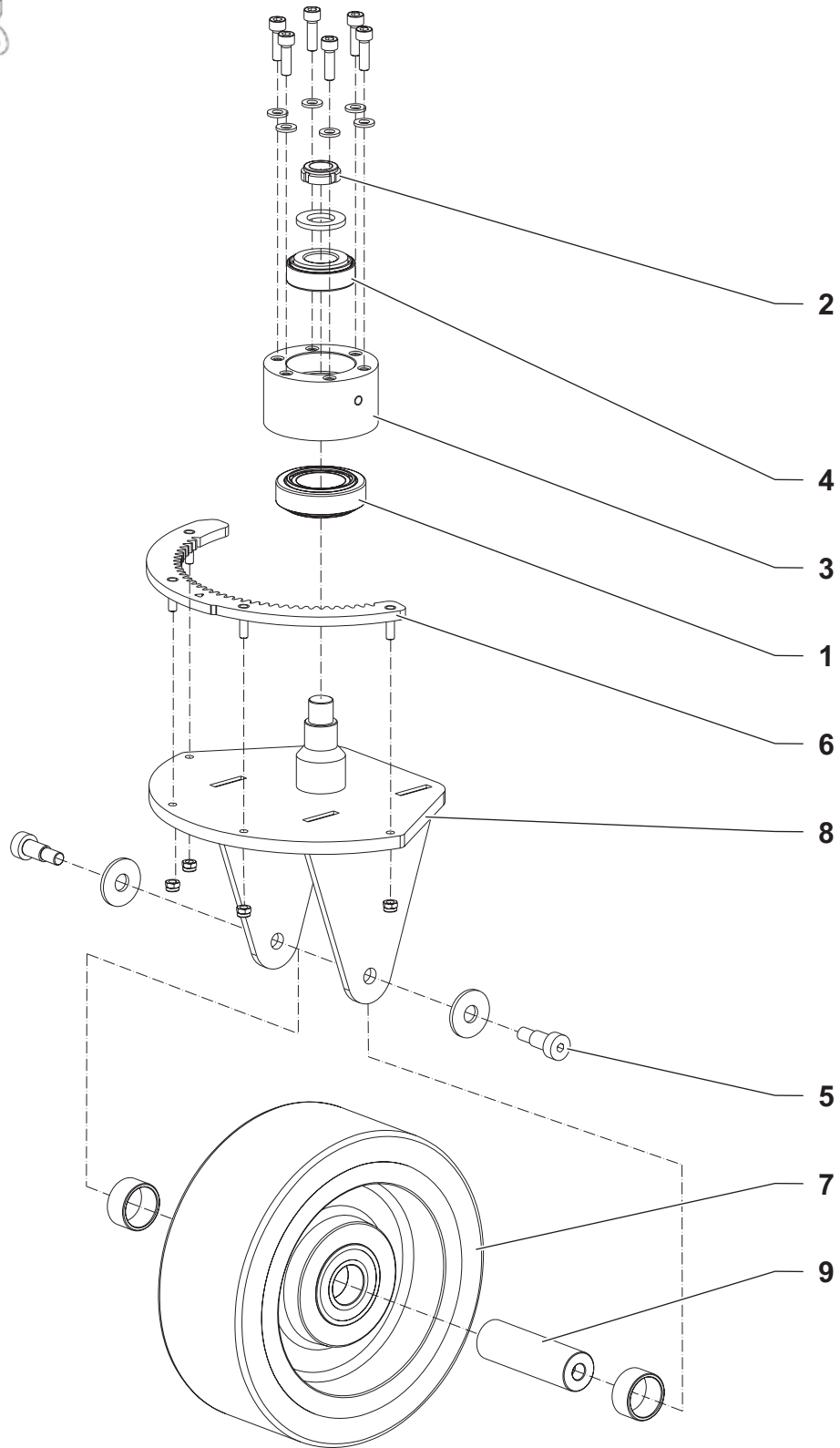
MOTOR DRIVE



MOTOR DRIVE

KIT	ITEM	REF. NO.	QTY	DESCRIPTION
K1	1		2	WASHER 8.5X32X2 SS
K1	2		2	CAP D.38.1
	3	9100001162	1	WHEEL D.254X80 GREY-BLACK 2 PCS SET
K1	4		10	SCREW M8X20 UNI5739 SS
	5	9100001190	1	WASHER M8 UNI6592 SS10 PCS SET
	6	9100001185	1	RING D 20 UNI7435 10 PCS SET
	7	9100001156	1	KEY JOINT 6X30 UNI6604A 10 PCS SET
	8	9100001161	1	SPACER 20.5X25X4 10 PCS SET
	9	9100001099	1	MOTOR DRIVE 400W 24V 125RPM PKD
	10	9100001198	1	BAND METAL F ELECTRIC MOTOR FIXING KIT
	11	9100001199	1	ELECTROMAGNETIC BRAKE PKD
	12	9100001200	1	MOTOR ELECTRIC 400W 24V PKD
	13	1464432000	1	CARBON BRUSHES KIT 4 PCS
[K1]		9100001169	1	HARDWARE WHEEL D.254X80 KIT

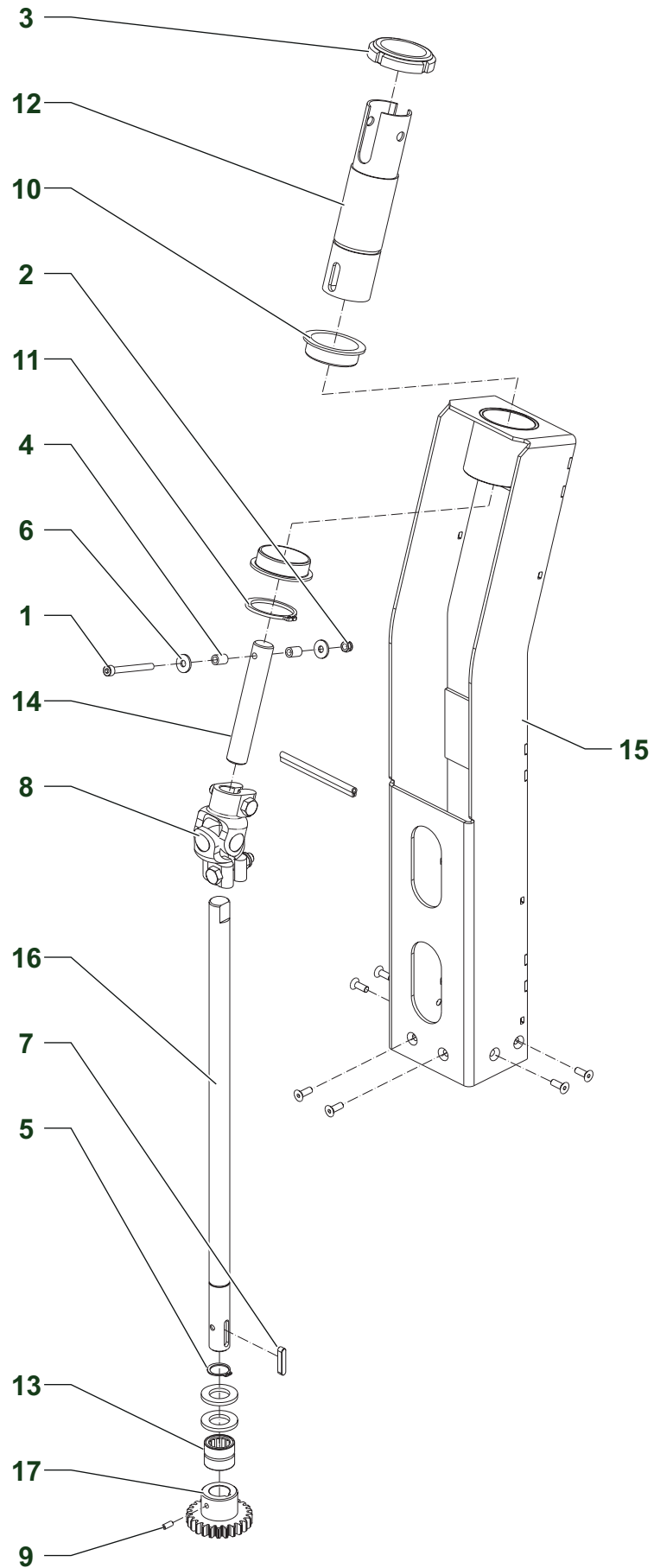
FRONT WHEEL SYSTEM



FRONT WHEEL SYSTEM

KIT	ITEM	REF. NO.	QTY	DESCRIPTION
	1	145 4691 000	1	BEARING TAPER ROLLER 32006
	2	9100001188	1	NUT RING M15X1 KMA2 LIGHT S. 10 PCS SET
	3	909 5941 000	1	SUPPORT BALL BEARING
	4	909 5942 000	1	BEARING TAPER ROLLER 32004X
	5	9100001160	1	SCREW 10X16 M8 ISO7379 12.9 10 PCS SET
	6	9100001112	1	CROWN STEERING PKD
	7	9100001098	1	WHEEL D.200X76 GREY-BLACK PKD
	8	9100001100	1	SUPPORT WHEEL PKD
	9	9100001101	1	PIN WHEEL PKD

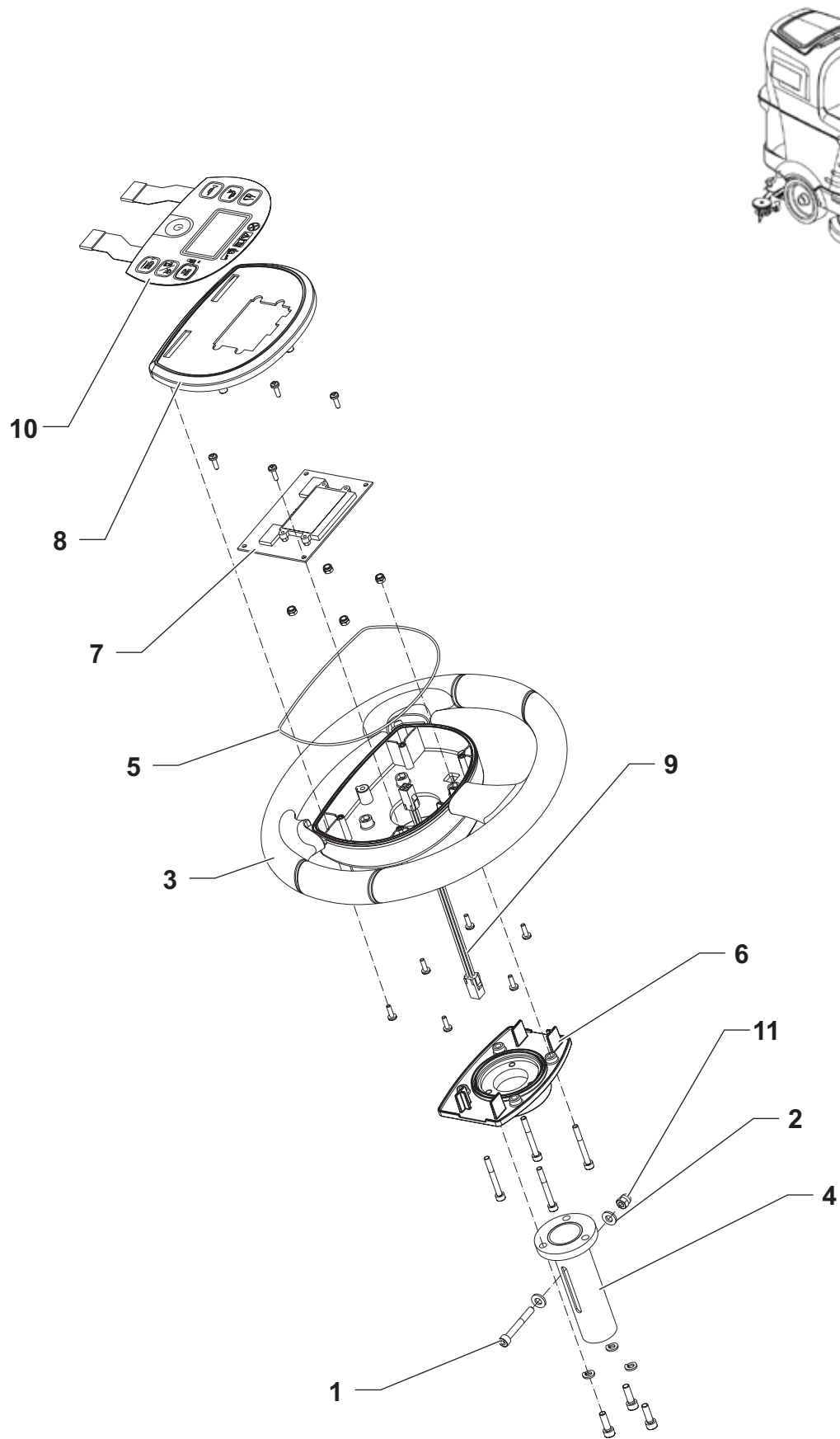
STEERING COLUMN SYSTEM



STEERING COLUMN SYSTEM

KIT	ITEM	REF. NO.	QTY	DESCRIPTION
K1	1		1	SCREW M5X50 UNI5931 5X50
K1	2		1	NUT SELF L. M5 UNI7474
	3	9100001155	1	NUT RING M40X1.5 KMA8 10 PCS SET
K1	4		2	SPACER D.5X8X11.5
	5	9100001184	1	RING D 17 UNI7435 10 PCS SET
K1	6		2	WASHER 5X15X1.5 UNI6593
	7	1466146000	1	KEY 5X5X25 UNI6604A PKD
	8	1466319000	1	JOINT UNIVERSAL D.17 PKD
	9	9100001189	1	SCREW GRUB M5X10 UNI5929 10 PCS SET
	10	9100001085	2	BEARING FLANGE IGLIDUR GFM-4044-14 PKD
	11	9100001087	1	RING D.40 UNI7436 PKD
	12	9099425000	1	TUBE STEERING KIT
	13	9100001093	1	BEARING NEEDLE ROLLER NK 17/20 PKD
	14	9100001107	1	SHAFT STEERING UPPER PKD
	15	9100001109	1	SUPPORT STEERING COLUMN PKD
	16	9100001110	1	SHAFT STEERING LOWER PKD
	17	9100001125	1	PINION Z25 PKD
[K1]	9100001170		1	HARDWARE STEERING TUBE KIT

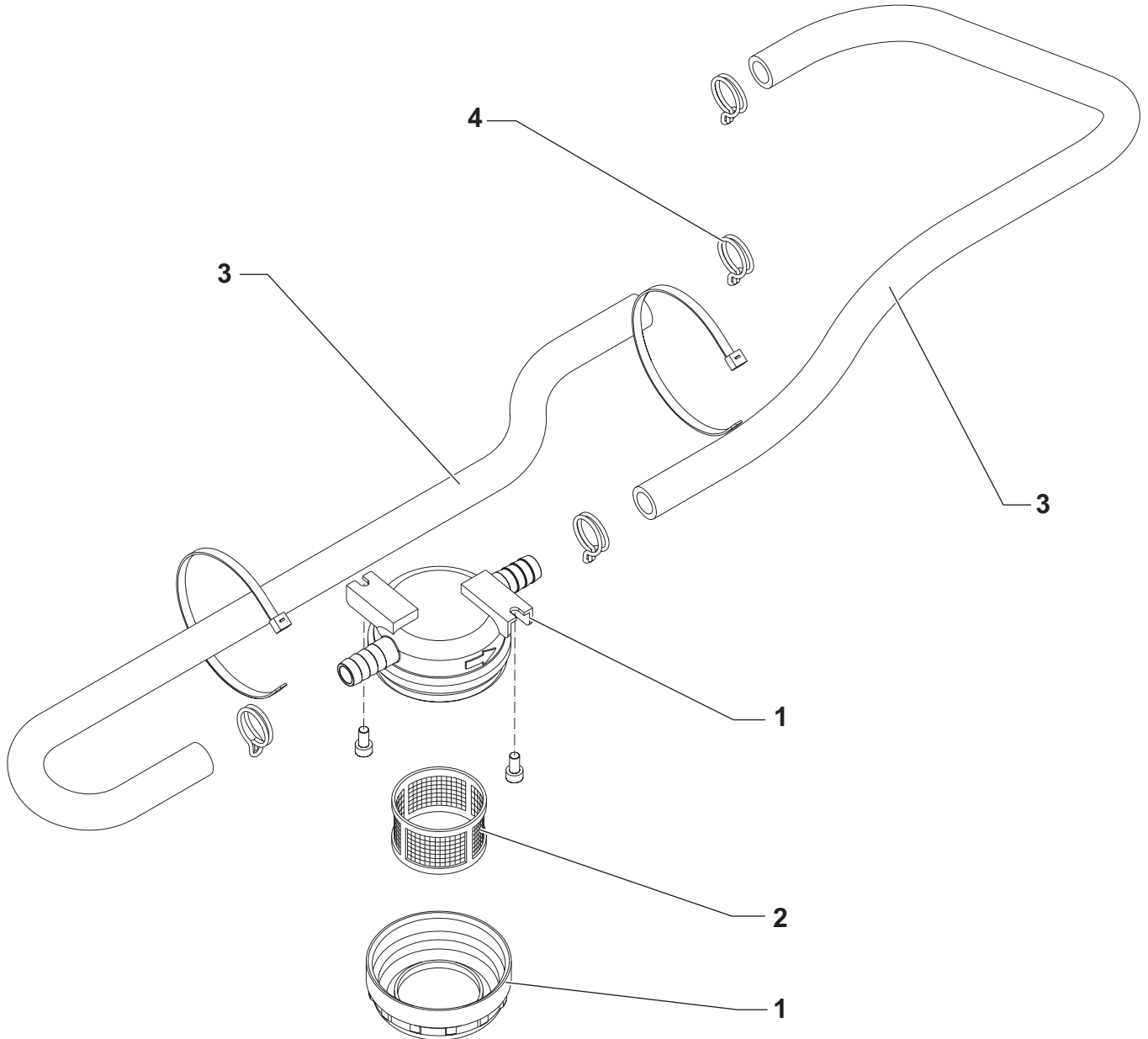
STEERING WHEEL



STEERING WHEEL

KIT	ITEM	REF. NO.	QTY	DESCRIPTION
K1	1		1	SCREW M6X20 UNI5931
K1	2		2	WASHER M6 UNI6592
	3	9100001082	1	WHEEL STEERING D.320X281 PKD
	4	9100001086	1	TUBE ADJUST.STEERING WHEEL PKD
	5	9100001088	1	GASKET ROUND D.2MM PKD
	6	9100001089	1	COVER LOWER PKD
	7	9100001104	1	CARD ELECTRONIC DISPLAY PKD
	8	9100001114	1	COVER STEERING WHEEL PKD
	9	9100001115	1	CABLE DISPLAY CARD EXTENSION PKD
	10	9100001124	1	DASHBOARD CONTROL PANEL PKD
K1	11		1	NUT HEX M6 UNI5721
[K1]		9100001171	1	HARDWARE STEERING WHEEL KIT

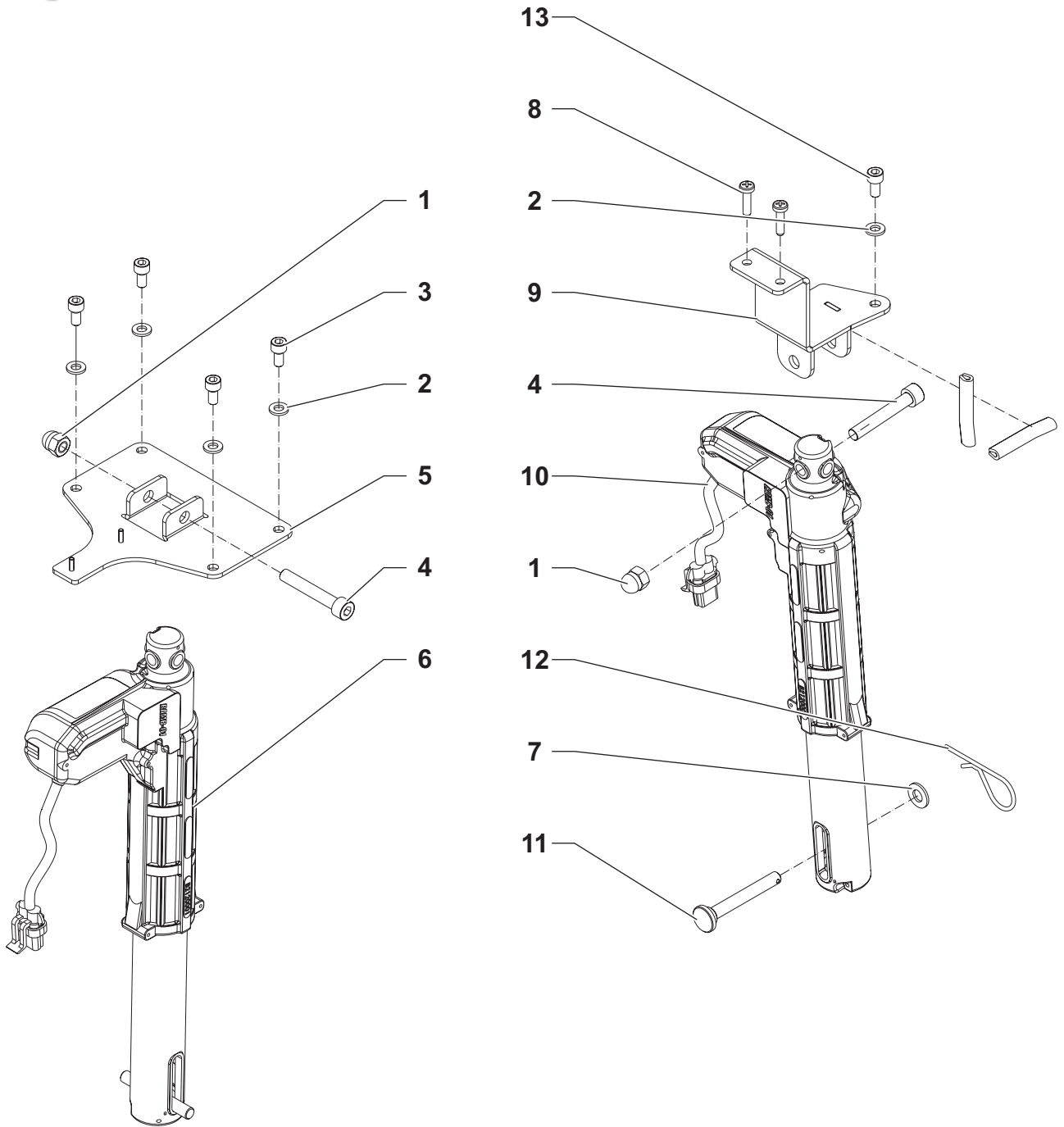
SOLUTION SYSTEM



SOLUTION SYSTEM

KIT	ITEM	REF. NO.	QTY	DESCRIPTION
	1	910000860	1	FILTER WATER PKD
	2	910000861	1	NET WATER FILTER REINFORCED PKD
	3	910001174	1	HOSES SOLUTION KIT
	4	910001159	1	CLAMP DOUBLE W. SPRING D.18 10 PCS SET

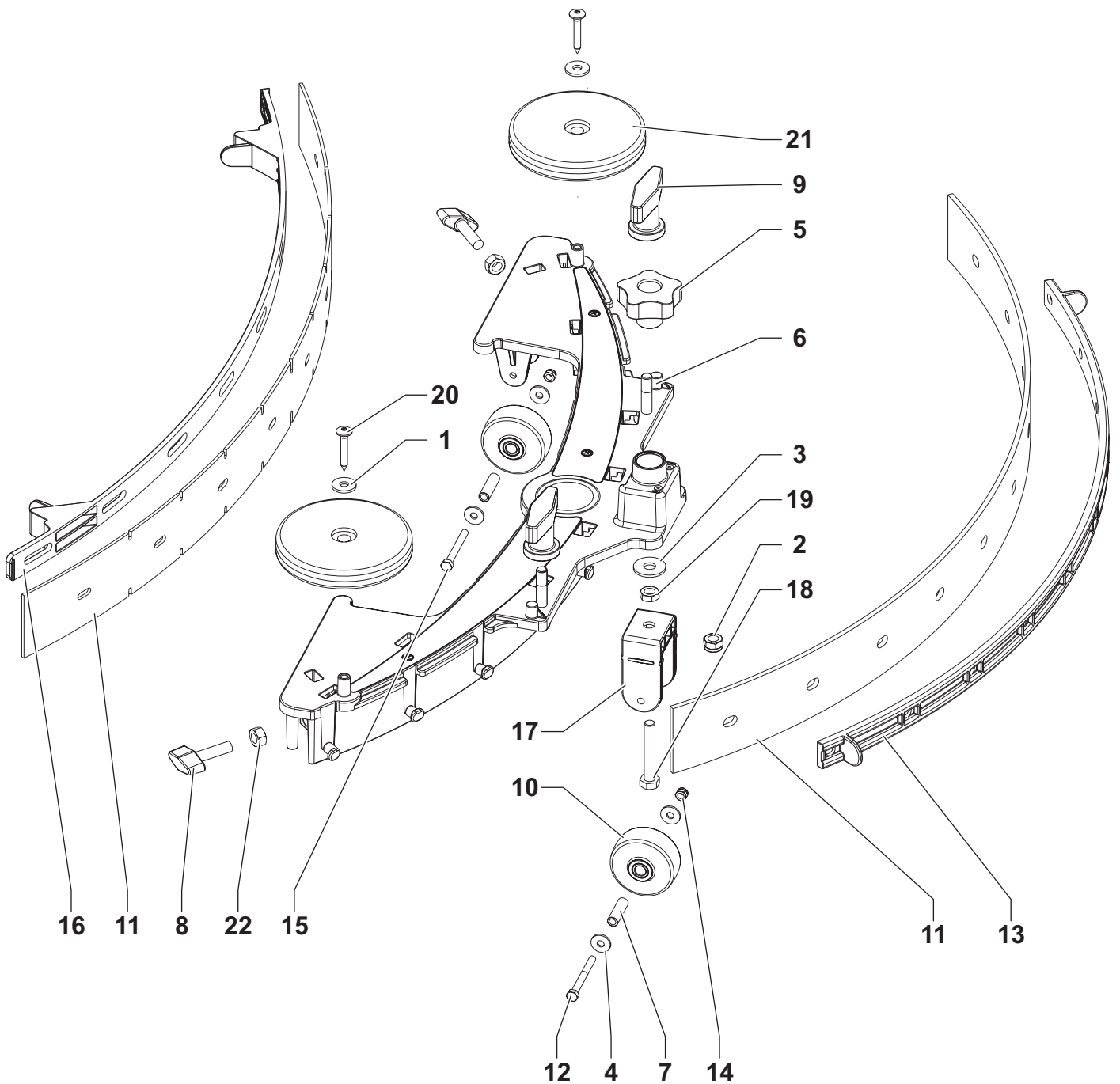
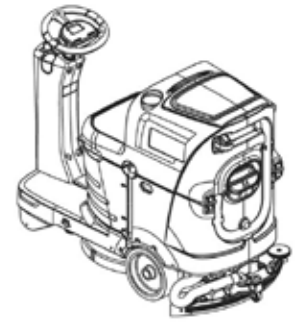
ACTUATORS



ACTUATORS

KIT	ITEM	REF. NO.	QTY	DESCRIPTION
K2	1		2	NUT.M8
K1	2		5	WASHER M6 UNI6592
K1	3		5	SCREW M6X12 UNI5931 SS
K2	4		2	SCREW M8X50 UNI5931 THREADED TOTALLY
	5	9100001126	1	SUPPORT DECK ACTUATOR PKD
	6	9100001131	1	ACTUATOR 24V DC STROKE 98MM PKD
K2	7		1	WASHER M8 UNI6592
K1	8		2	SCREW CYL HD 5X20 SELF L. PLASTOFAST
	9	9100001103	1	SUPPORT SQUEEGEE ACTUATOR PKD
	10	9100001133	1	ACTUATOR 24V DC STROKE 77.5MM PKD
K2	11		1	PIN SQUEEGEE ACTUATOR
K2	12		1	PIN SPLIT 2X50 UNI8833
K1	13		1	SCREW M6X12 UNI5931
	[K1]	9100001172	1	HARDWARE ACTUATOR SUPPORT KIT
	[K2]	9100001173	1	HARDWARE ACTUATOR KIT

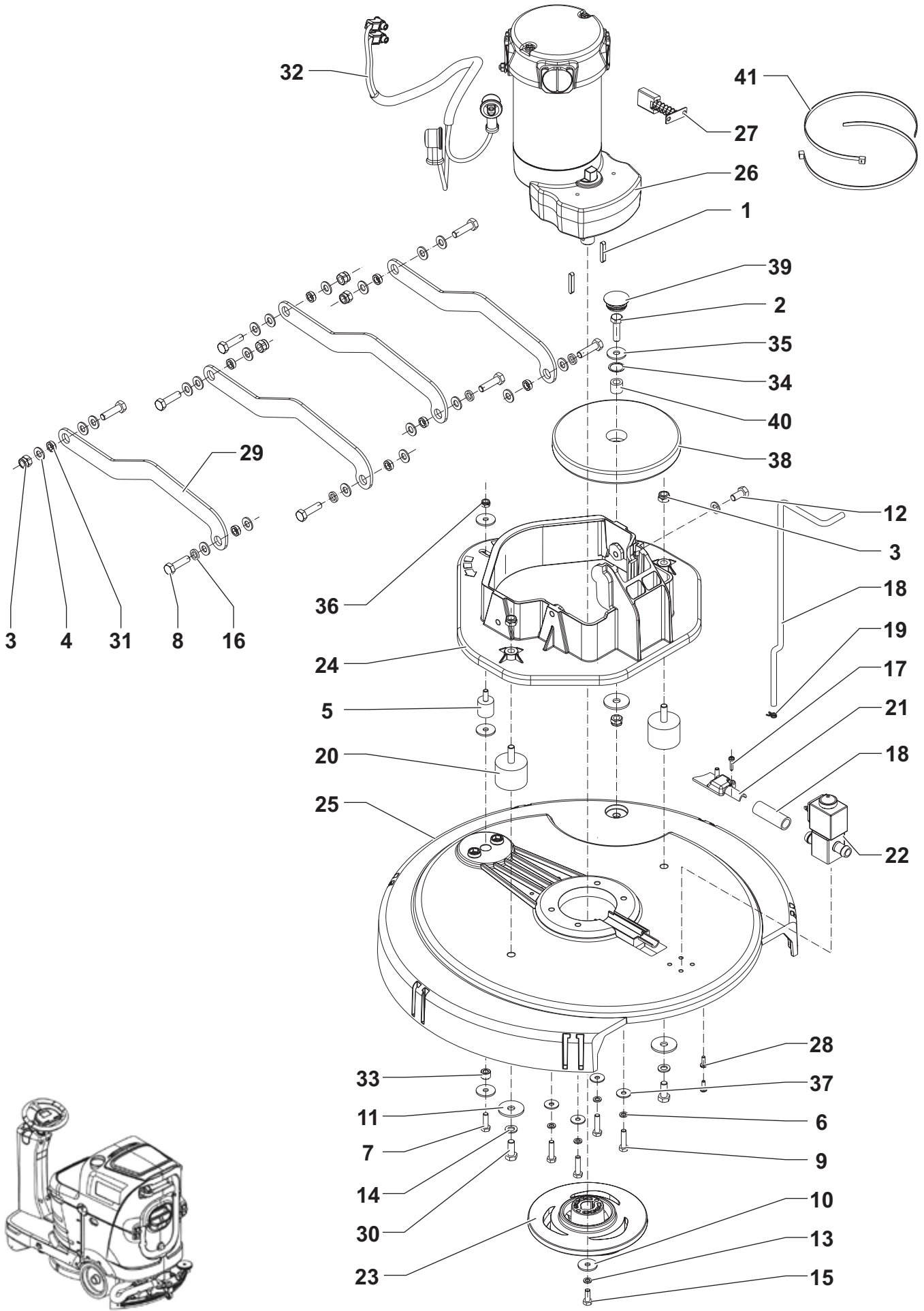
SQUEEGEE SYSTEM



SQUEEGEE SYSTEM

KIT	ITEM	REF. NO.	QTY	DESCRIPTION
K1	1		2	WASHER 6X18X1.5 UNI6593 SS
K1	2		1	NUT SELFLOCKING LOW M8 UNI7474 SS
K1	3		1	WASHER 8X24 UNI6592 SS
K1	4		6	WASHER 5X15X1.2 UNI6593 SS
	5	9100000862	1	KNOB LOBES M8 FEMALE PKD
	6	9100000747	1	SQUEEGEE 730MM/29 PRE-ASSEMBLED PKD
K1	7		3	SPACER 5.1X8X28.5 PLASTIC
	8	9100000791	2	KNOB M8X30 THD STUD SS PKD
	9	9097637000	1	SQUEEGEE FIXING KIT
	10	9100000559	3	WHEEL D.51 GREY PKD
	11*	9100000810	1	BLADE SQUEEGEE 740MM 29 GUM KIT
	11*	9100000490	1	BLADE SQUEEGEE 730MM 29 PU KIT
	11*	9100000060	1	BLADE SQUEEGEE 730MM 29 RED GUM KIT
K1	12		1	SCREW M5X50 UNI5737 SS
	13	9100000864	1	STRAP ELASTIC F REAR SQUEEGEE BL. PKD
K1	14		3	NUT SELFLOCKING LOW M5 UNI7474 SS
K1	15		2	SCREW M5X45 UNI5737 SS
	16	9100000865	1	STRAP FRONT SQUEEGEE BLADE PKD
	17	9100000866	1	SUPPORT SQUEEGEE WHEEL PKD
K1	18		1	SCREW M8X50 HEX HD F/THD SS ISO4017
K1	19		1	NUT HEX M8 ISO4035 SS
K1	20		2	SCREW 5X35 SELF THD TAPPING AW20 BLACK
	21	9100000867	1	GUIDE WHEEL 2 PCS SET
K1	22		2	NUT HEX M8 UNI5588 SS
	[K1]	9100000748	1	HARDWARE SQUEEGEE KIT

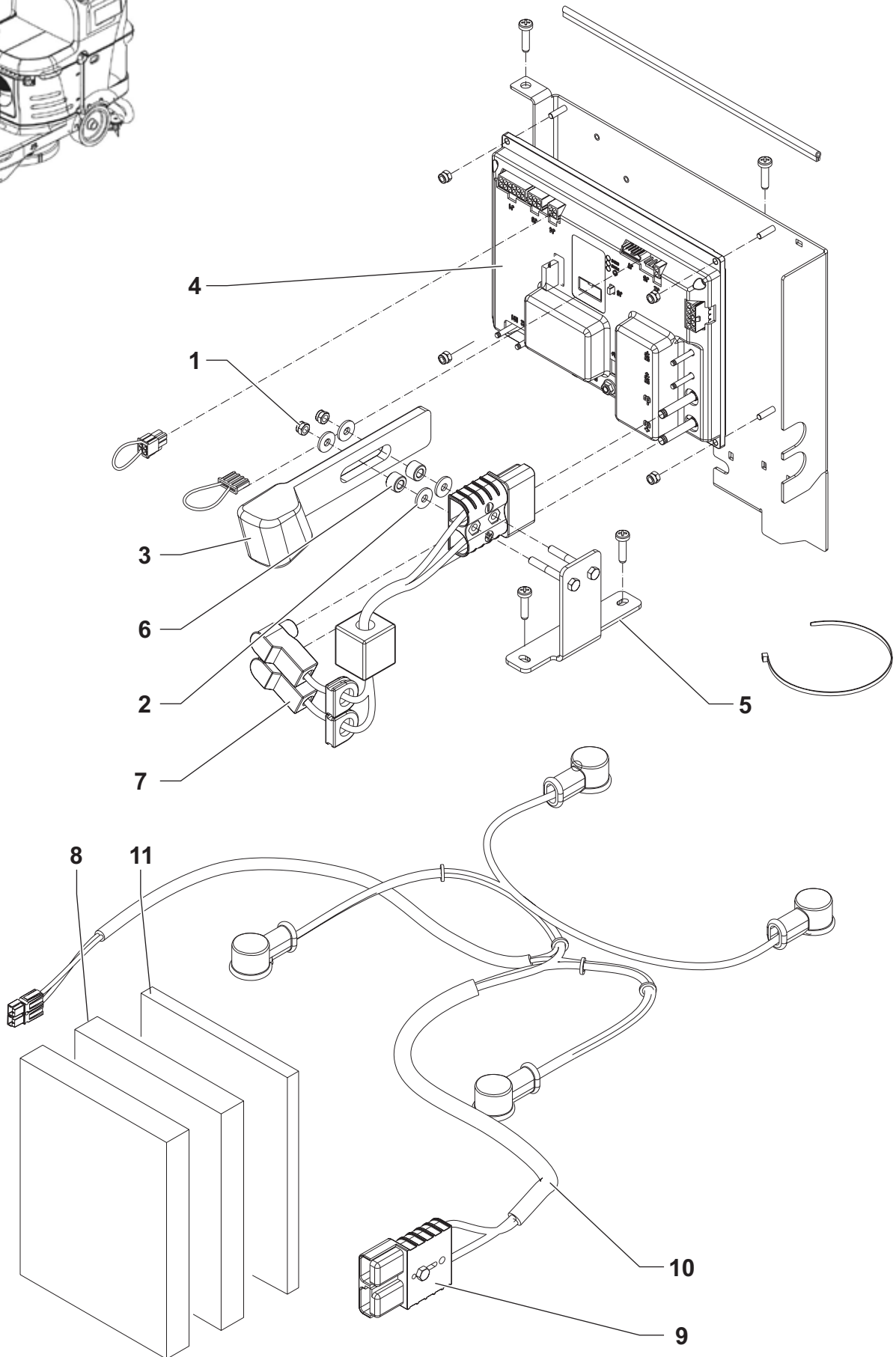
BRUSH DECK



BRUSH DECK

KIT	ITEM	REF. NO.	QTY	DESCRIPTION
	1	9100000875	1	KEY 5X5X30 DIN6885 2 PCS SET
K1	2		1	SCREW M8X30 UNI5739
K2-3	3		7	NUT SELFLOCKING LOW M8 UNI7474 SS
K2	4		20	WASHER M8 UNI6592 SS
	5	9100001191	1	VIBRATION-DAMPING M6 60SH PKD
K3	6		5	WASHER M6 UNI8842A SS
	7	9100001186	1	SCREW M6X20 UNI5739 SS 10 PCS SET
K2	8		8	SCREW M8X25 UNI5739 SS
K3	9		4	SCREW M6X25 UNI5739 SS
K3	10		4	WASHER 6.6X24X2 UNI6593 SS
K3	11		3	WASHER 8.5X32X2 SS
K3	12		1	SCREW M8X16 UNI5739 SS
K3	13		1	WASHER NORD LOCK M6 DIN25201
K3	14		3	WASHER M8 UNI8842A SS
K3	15		1	SCREW M6X16 UNI5739 SS
K2	16		4	WASHER NORD LOCK M8
K3	17		1	SCREW 3.5X16 SELF THD PAN PHIL F PLASTIC
	18	9100000797	1	HOSES BRUSH DECK KIT
K3	19		1	CLAMP 6.6X 7
	20	9100000868	1	VIBRATION DAMPING M8 60SH 2 PCS SET
	21	9100000869	1	COVER SOLUTION HOSE SUPPORT PKD
	22	9100000870	1	SOLENOID VALVE 24V PKD
	23	9100000871	1	HUB BRUSH PKD
	24	9100000872	1	PLATE BRUSH DECK HOLDER PKD
	25	9100000873	1	DECK BRUSH PKD
	26	9100000874	1	REDUCTION GEARMOTOR 450W 24V PKD
	27	9098376000	1	CARBON BRUSHES KIT 4 PCS
K3	28		2	SCREW PAN HD SELF 4x12 SS
	29	9100001163	1	ARM BRUSH DECK LIFTING 4 PCS SET
K3	30		2	SCREW M8X20 UNI5739 SS
K2	31		8	BUSHING D.8.1X13X4.3
	32	9100001132	1	HARNESS BRUSH MOTOR PKD
K3	33		1	SPACER D.6X12X8.5
K1	34		1	WASHER 15
K1	35		1	WASHER 8X24X2 FLAT ISO7093
K3	36		1	NUT SELF L. M6 UNI7474 SS
K3	37		4	WASHER 6X18X1.5 UNI6593 SS
K1	38		1	ROLLER BUMPER D.160 BLACK
K1	39		1	CAP. BLACK
K1	40		1	SPACER 9X15X13
K3	41		2	TIE CABLE 4.8X500 BLACK
[K1]	909 6887 000		1	ROLLER BUMPER KIT
[K2]	9100001175		1	HARDWARE BRUSH DECK LIFTING ARMS KIT
[K3]	9100001176		1	HARDWARE BRUSH DECK KIT

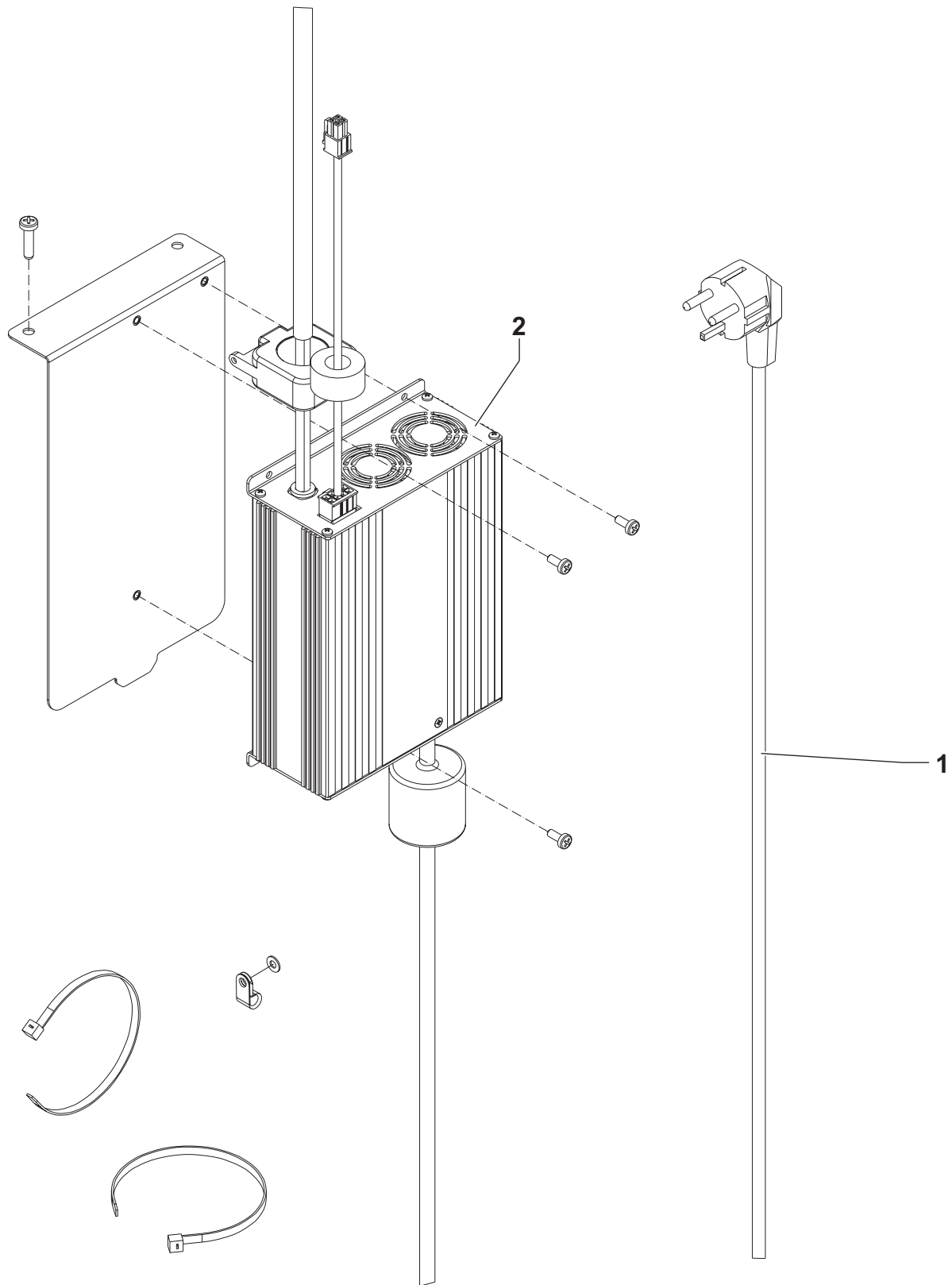
ELECTRICAL SYSTEM



ELECTRICAL SYSTEM

KIT	ITEM	REF. NO.	QTY	DESCRIPTION
K2	1		2	NUT SELF L. M5 UNI7474
K2	2		4	WASHER 5X15X1.5 UNI6593
K2	3		1	LEVER BATTERY CONNECTOR
	4	9100001122	1	CONTROLLER MAIN MACHINE PKD
K2	5		1	SUPPORT F BATTERY CONNECTOR
K2	6		2	SPACER D.6X12X8.5
	7	9100001141	1	HARNESS F ELECT. COMPONENTS BOX PKD
K1	8		2	PANEL INSULATING
	9	9100000884	1	CONNECTOR RED 120A 2 PCS SET
	10	9100001015	1	HARNESS BATTERY US PKD
K1	11		1	ISOLANT PANEL
	[K1]	9100001177	1	PANELS INSULATING KIT
	[K2]	9100001179	1	LEVER EMERGENCY KIT

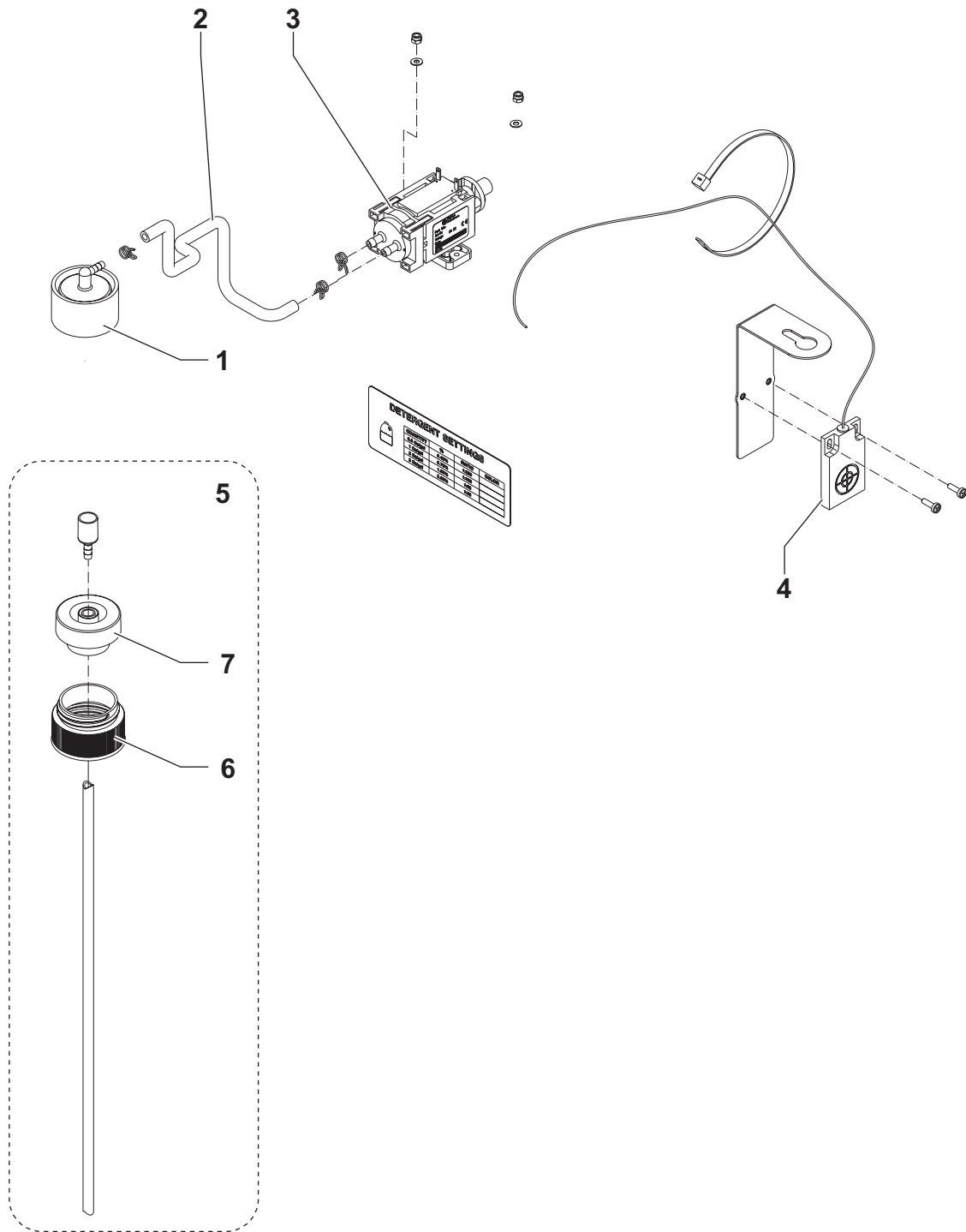
BATTERY CHARGER



BATTERY CHARGER

KIT	ITEM	REF. NO.	QTY	DESCRIPTION
K1	1	910000890	1	CABLE EXTENSION US PLUG L.2000MM PKD
K1	2	910001145	1	CHARGER BATT. O/B 24V 13A 100-230V PKD

CHEMICAL MIXING SYSTEM

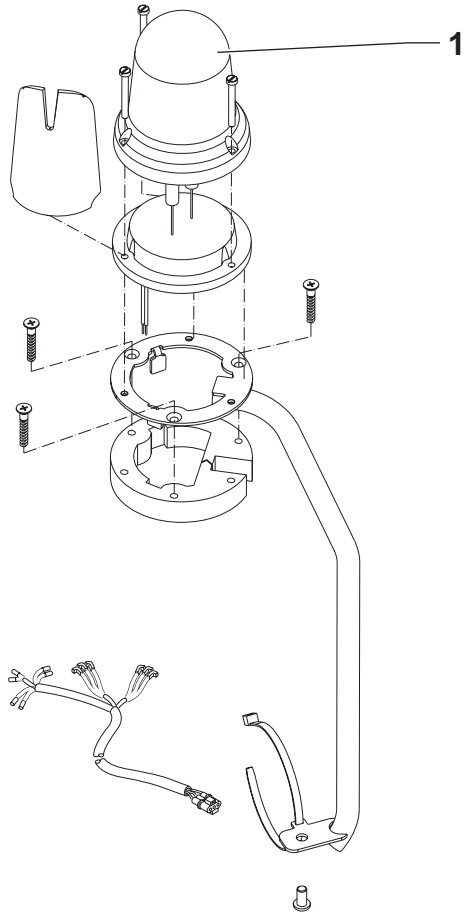


CHEMICAL MIXING SYSTEM

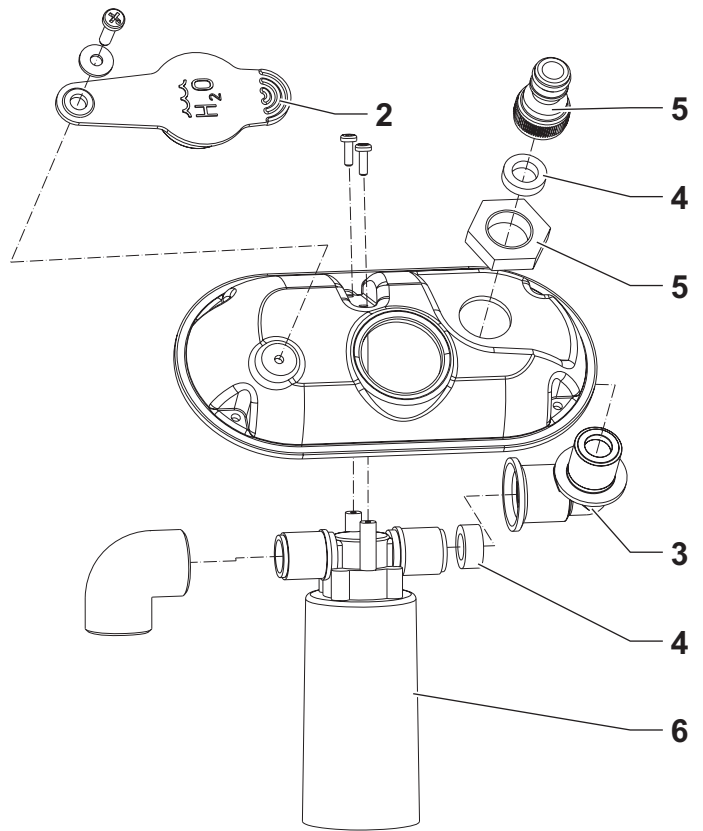
KIT	ITEM	REF. NO.	QTY	DESCRIPTION
K1	1	56315523	1	CAP DRY BREAK 1/8 BARB
K1	2	910000891	1	HOSE SILICONE D.4X7 L.300MM PKD
K1	3	910000892	1	PUMP CHEMICAL MIX PKD
K1	4	9100001149	1	SENSOR WATER LEVEL PKD
K1	5	9098025000	1	ADAPTER CHEMICAL KIT
K1	6	9097023000	1	ADAPTER CHEMICAL TANK
K1	7	9097022000	1	SENSOR CHEMICAL MIX LEVEL
K1*	910000953	1	1	NILFISK-ALTO CHEMICAL MIX SYSTEM KIT
	9100001070	1	1	INSTRUCTIONS INSTALL. KIT 9100000953

ACCESSORIES

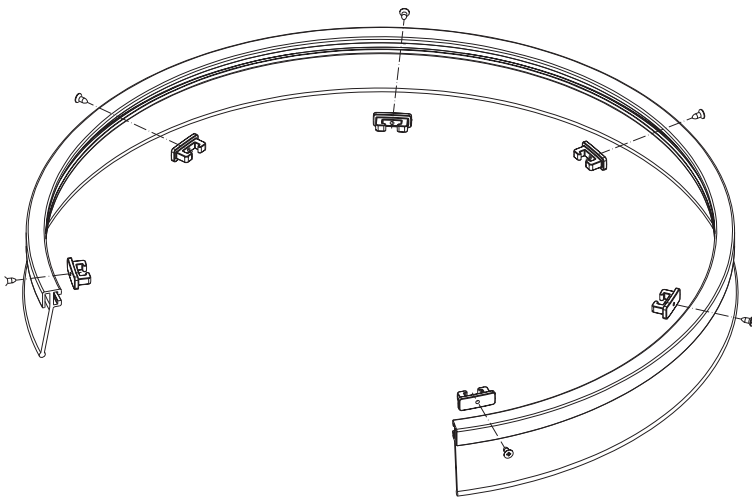
K1



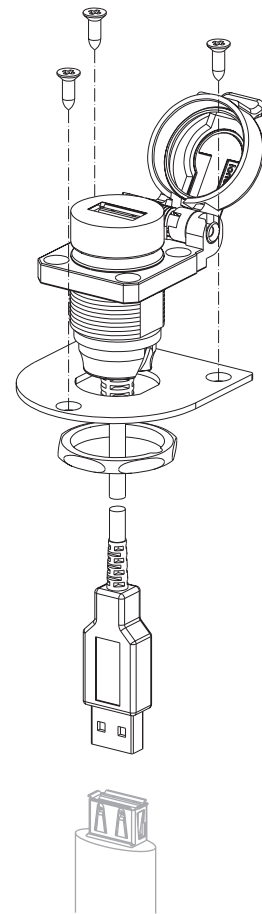
K2



K3



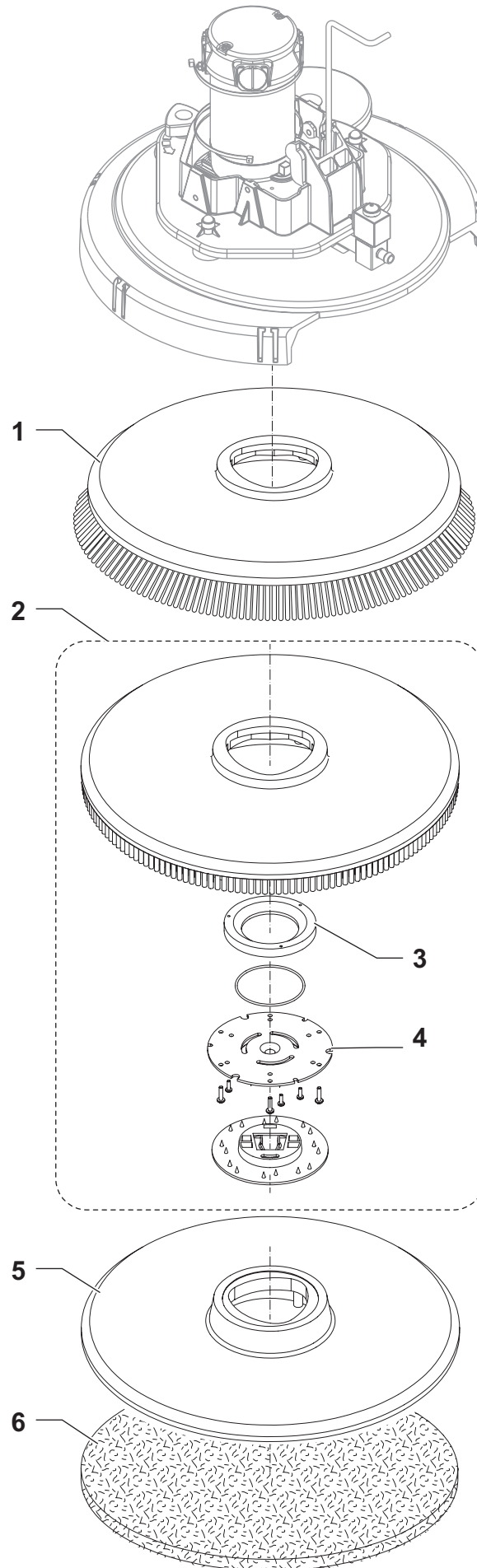
K4



ACCESSORIES

KIT	ITEM	REF. NO.	QTY	DESCRIPTION
	1	33023155	1	BEACON FLASHING PKD
K1*	910000663	1	1	BEACON FLASHING KIT
		910000982	1	INSTRUCTIONS INSTALL. KIT 910000663
	2	910000808	1	RUBBER SOLUTION CAP PKD
	3	910000894	1	ELBOW CURVED M/F PKD
	4	910000622	2	GASKET RUBBER D.11.5x19x5 BLACK PKD
	5	9099675000	1	FITTING QUICK KIT
	6	910000897	1	VALVE WATER STOP PKD
K2*	910000707	1	1	AUTOMATIC WATER FILLING KIT
		910000984	1	INSTRUCTIONS INSTALL. KIT 910000707
K3*	9099826000	1	1	SPLASH GUARD 510MM 20 KIT
K4*	910000784	1	1	USB PORT KIT
		910000983	1	INSTRUCTIONS INSTALL. KIT 910000784

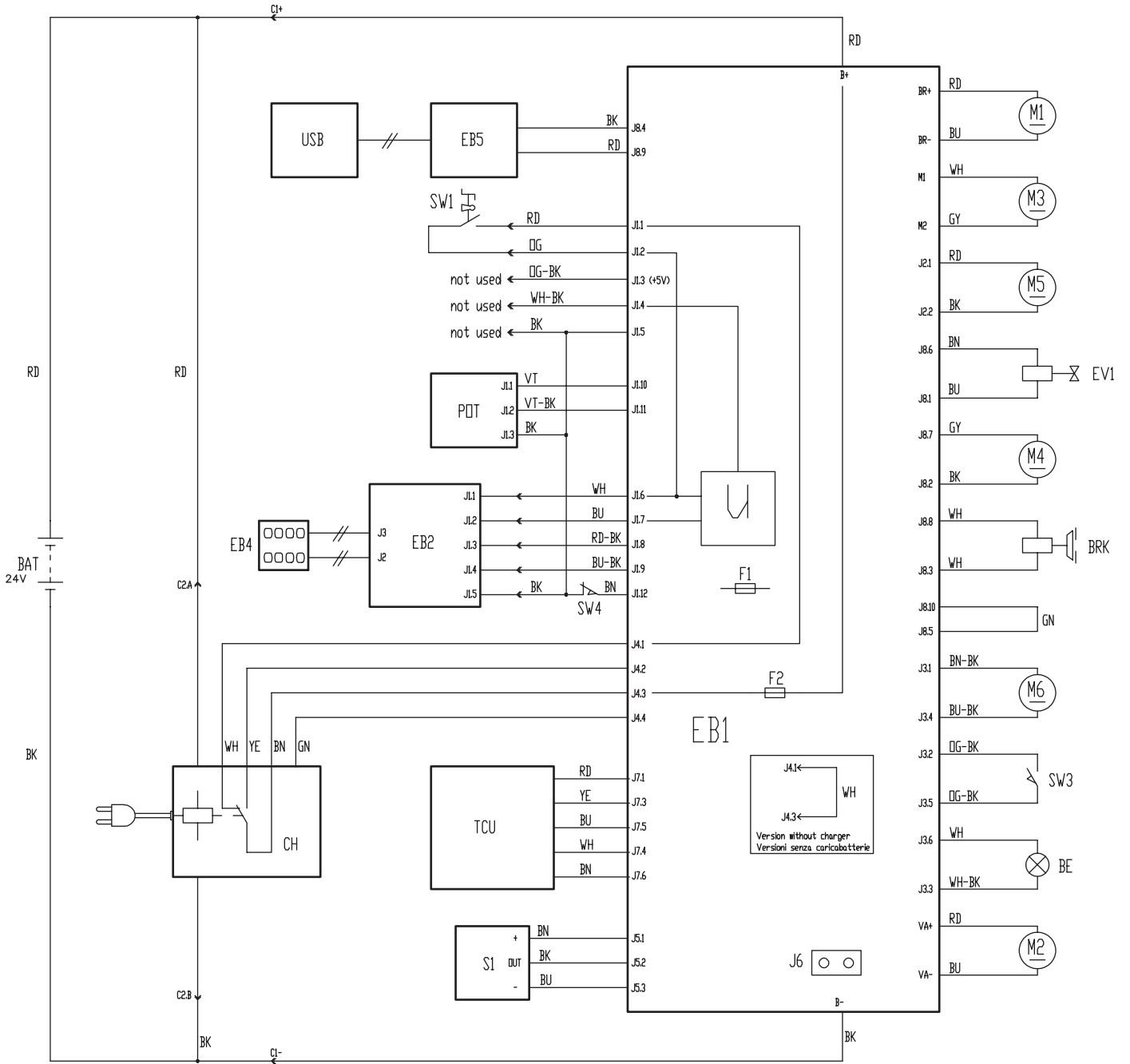
ACCESSORIES



ACCESSORIES

KIT	ITEM	REF. NO.	QTY	DESCRIPTION
	1*	L08837025	1	BRUSH DISC 530MM 21 PROLENE
	1*	L08837026	1	BRUSH DISC 530MM 21 PROLITE
	1*	L08837027	1	BRUSH DISC 530MM 21 UNION MIX
	1*	L08837028	1	BRUSH DISC 530MM 21 MIDLITE GRIT 180
	1*	L08837029	1	BRUSH DISC 530MM 21 MID GRIT 240
	1*	L08837065	1	BRUSH DISC 530MM 21 MAGNA GRIT 46
	1*	L08837066	1	BRUSH DISC 530MM 21 DYNA GRIT 80
	1*	L08837067	1	BRUSH DISC 530MM 21 AGLITE GRIT 500
	2*	L08837018	1	PAD HOLDER 530MM
	3	L08603966	1	RING NYLON
	4	56505195	1	PAD RETAINER
	5*	9099671000	1	PAD HOLDER FLAT 20 508MM
	6*	10001955	1	PAD 20 508MM ECO BLACK 5PCS
	6*	10001956	1	PAD 20 508MM ECO BLUE 5PCS
	6*	10001957	1	PAD 20 508MM ECO BROWN 5PCS
	6*	10001958	1	PAD 20 508MM ECO GREEN 5PCS
	6*	10001959	1	PAD 20 508MM ECO RED 5PCS
	6*	10001960	1	PAD 20 508MM ECO WHITE 5PCS
	6*	10002348	1	PAD 20 508MM ECO BRILLIANCE RED 2PCS
	6*	10002349	1	PAD 20 508MM ECO BRILLIANCE BLUE 2PCS
	6*	10002350	1	PAD 20 508MM ECO BRILL. YELLOW 2PCS
	6*	10002351	1	PAD 20 508MM ECO BRILLIANCE GREEN 2PCS

WIRING DIAGRAM



WIRING DIAGRAM

KEY	REF. NO.	DESCRIPTION
BAT	-	24 V BATTERIES
BE	9100000663	BEACON FLASHING KIT
BRK	9100001199	ELECTROMAGNETIC BRAKE PKD
C1	-	BATTERY CONNECTOR
C2	-	CHARGER BATT. CONNECTOR
CH	9100001145	CHARGER BATT. O/B 24V 13A 100-230V PKD
EB1	9100001122	CONTROLLER MAIN MACHINE PKD
EB2	9100001104	CARD ELECTRONIC DISPLAY PKD
EB4	9100001123	DASHBOARD CONTROL PANEL PKD
EB5	-	5V POWER UNIT (OPTIONAL)
EV1	9100000870	SOLENOID VALVE 24V PKD
F1	9100000877	FUSE MIDIFUSE 100A PKD
F2	9100000878	FUSE BLADE 3A PKD
M1	9100000874	REDUCTION GEARMOTOR 450W 24V PKD
M2	9100001144	MOTOR VACUUM 24V 310W PKD
M3	9100001200	MOTOR ELECTRIC 400W 24V PKD
M4	9100000892	PUMP CHEMICAL MIX PKD
M5	9100001131	ACTUATOR 24V DC STROKE 98MM 16MM/S PKD
M6	9100001133	ACTUATOR 24V DC STROKE 77.5MM 16MM/S PKD
POT	9100001140	THROTTLE ELECTRONIC PKD
S1	9100001149	SENSOR WATER LEVEL PKD
SW1	9100001193	SWITCH KEY WITH CAP PKD
SW3	9100001130	CUSHION SEAT W. MICROSWITCH PKD
SW4	9100001183	MICROSWITCH KIT
TC	-	TRACKCLEAN™ (OPTIONAL)
USB	9100000784	USB PORT KIT

KEY	COLOUR	COLORE
BK	BLACK	NERO
BU	LIGHT BLUE	AZZURRO
BN	BROWN	MARRONE
GN	GREEN	VERDE
GY	GREY	GRIGIO
OG	ORANGE	ARANCIONE

KEY	COLOUR	COLORE
PK	PINK	ROSA
RD	RED	ROSSO
VT	VIOLET	VIOLA
WH	WHITE	BIANCO
YE	YELLOW	GIALLO

RECOMMENDED PARTS

REF. NO.	QTY	DESCRIPTION
NORMAL WEAR		
9100001153	1	GASKET RUBBER L.1200MM PKD
9100000810	1	BLADE SQUEEGEE 740MM 29 GUM KIT
9100000490	1	BLADE SQUEEGEE 730MM 29 PU KIT
9100000060	1	BLADE SQUEEGEE 730MM 29 RED GUM KIT
L08837025	1	BRUSH DISC 530MM 21 PROLENE
ORDINARY MAINTENANCE		
9100000803	1	VALVE ELBOW PKD
9100000574	1	FITTING STRAIGHT G1/2 D.20 KIT
1465355000	1	CAP SOLUTION TANK KIT
9100001192	1	FILTER SOLUTION TANK PKD
9100001128	1	HOSE FRESH WATER LEVEL PKD
9100001139	2	GASKET RUBBER D.21X33X2.5 BLACK PKD
9100000817	1	BALL FLOATING PKD
9097587000	1	CAGE FLOAT
9100000928	1	GASKET FLOAT SUPPORT PKD
9100001106	1	HOSE SUCTION BLACK PKD
9100001113	1	HOSE DRAIN BLACK PKD
9100001144	1	MOTOR VACUUM 24V 310W PKD
9100001193	1	SWITCH KEY WITH CAP PKD
1464432000	1	CARBON BRUSHES KIT 4 PCS
9100001098	1	WHEEL D.200X76 GREY-BLACK PKD
9100000860	1	FILTER WATER PKD
9100000861	1	NET WATER FILTER REINFORCED PKD
9100000862	1	KNOB LOBES M8 FEMALE PKD
9100000791	2	KNOB M8X30 THD STUD SS PKD
9100000559	3	WHEEL D.51 GREY PKD
9100000864	1	STRAP ELASTIC F REAR SQUEEGEE BLADE PKD
9100000865	1	STRAP FRONT SQUEEGEE BLADE PKD
9100000867	1	GUIDE WHEEL 2 PCS SET
9100000748	1	HARDWARE SQUEEGEE KIT
9100000870	1	SOLENOID VALVE 24V PKD
9100000871	1	HUB BRUSH PKD
9098376000	1	CARBON BRUSHES KIT 4 PCS
L08812204	1	ROLLER BUMPER D.160 BLACK
9100000891	1	HOSE SILICONE D.4X7 L.300MM PKD
9100000892	1	PUMP CHEMICAL MIX PKD
EXTRA ORDINARY MAINTENANCE		
9100001130	1	CUSHION SEAT W. MICROSWITCH PKD
9100001091	1	TRAY DEBRIS PKD
9100001092	1	COVER TRAY DEBRIS PKD
9100001180	1	THROTTLE KIT
9100001168	1	SPRING ZERO SETTING SQUEEGEE KIT
9100001162	1	WHEEL D.254X80 GREY-BLACK 2 PCS SET
9100001200	1	MOTOR ELECTRIC DRIVE PKD
909 5941 000	1	SUPPORT BALL BEARING
909 5942 000	1	BEARING TAPER ROLLER 32004X
9100001160	1	SCREW 10X16 M8 ISO7379 12.9 10 PCS SET
9100001101	1	PIN WHEEL PKD
9100001189	1	SCREW GRUB M5X10 UNI5929 10 PCS SET
9100001093	1	BEARING NEEDLE ROLLER NK 17/20 PKD
9100001104	1	CARD ELECTRONIC DISPLAY PKD
9100001124	1	DASHBOARD CONTROL PANEL PKD
9100001174	1	HOSES SOLUTION KIT
9100001131	1	ACTUATOR 24V DC STROKE 98MM 16MM/S PKD
9100001133	1	ACTUATOR 24V DC STROKE 77.5MM 16MM/S PKD
9100001173	1	HARDWARE ACTUATOR KIT
9100000874	1	REDUCTION GEARMOTOR 450W 24V PKD
909 6887 000	1	ROLLER BUMPER KIT
9100001122	1	CONTROLLER MAIN MACHINE PKD
9100000884	1	CONNECTOR RED 120A 2 PCS SET

RECOMMENDED PARTS - ACCESSORIES/ OPTIONAL

REF. NO.	QTY	DESCRIPTION
9100001179	1	LEVER EMERGENCY KIT
9100001145	1	CHARGER BATT. O/B 24V 13A 100-230V PKD
9100001081	1	CHEMICAL TANK PKD
56104189	1	INSERT-DRY BRAKE
56315517	1	CAP
56315523	1	CAP DRY BREAK 1/8 BARB
9100001149	1	SENSOR WATER LEVEL PKD
56315523	1	CAP DRY BREAK 1/8 BARB
9100000891	1	HOSE SILICONE D.4X7 L.300MM PKD
9098025000	1	ADAPTER CHEMICAL KIT
		ACCESSORIES/OPTIONAL
9100001192	1	FILTER SOLUTION TANK PKD
9100000952	1	FILLING HOSE
909 5065 000	1	FILTER ANTIFOAMING
9100000843	1	OPERATOR KEY
9100000848	1	SUPERUSER KEY
9100000810	1	BLADE SQUEEGEE 740MM 29 GUM KIT
9100000490	1	BLADE SQUEEGEE 730MM 29 PU KIT
9100000060	1	BLADE SQUEEGEE 730MM 29 RED GUM KIT
9100000953	1	NILFISK-ALTO CHEMICAL MIX SYSTEM KIT
9098025000	1	ADAPTER CHEMICAL KIT
9100000663	1	BEACON FLASHING KIT
9100000707	1	AUTOMATIC WATER FILLING KIT
9099826000	1	SPLASH GUARD 510MM 20 KIT
9100000784	1	USB PORT KIT
L08837025	1	BRUSH DISC 530MM 21 PROLENE
L08837026	1	BRUSH DISC 530MM 21 PROLITE
L08837027	1	BRUSH DISC 530MM 21 UNION MIX
L08837028	1	BRUSH DISC 530MM 21 MIDLITE GRIT 180
L08837029	1	BRUSH DISC 530MM 21 MID GRIT 240
L08837065	1	BRUSH DISC 530MM 21 MAGNA GRIT 46
L08837066	1	BRUSH DISC 530MM 21 DYNA GRIT 80
L08837067	1	BRUSH DISC 530MM 21 AGLITE GRIT 500
L08837018	1	PAD HOLDER 530MM
9099671000	1	PAD HOLDER FLAT 20 508MM
10001955	1	PAD 20 508MM ECO BLACK 5PCS
10001956	1	PAD 20 508MM ECO BLUE 5PCS
10001957	1	PAD 20 508MM ECO BROWN 5PCS
10001958	1	PAD 20 508MM ECO GREEN 5PCS
10001959	1	PAD 20 508MM ECO RED 5PCS
10001960	1	PAD 20 508MM ECO WHITE 5PCS
10002348	1	PAD 20 508MM ECO BRILLIANCE RED 2PCS
10002349	1	PAD 20 508MM ECO BRILLIANCE BLUE 2PCS
10002350	1	PAD 20 508MM ECO BRILL. YELLOW 2PCS
10002351	1	PAD 20 508MM ECO BRILLIANCE GREEN 2PCS

Clarke[®]

14600 21st Avenue North
Plymouth, MN 55447-3408
www.clarkeus.com
Phone: 800-253-0367
Fax: 800-825-2753
©2015 Nilfisk-Advance, Inc.

A Nilfisk-Advance Brand