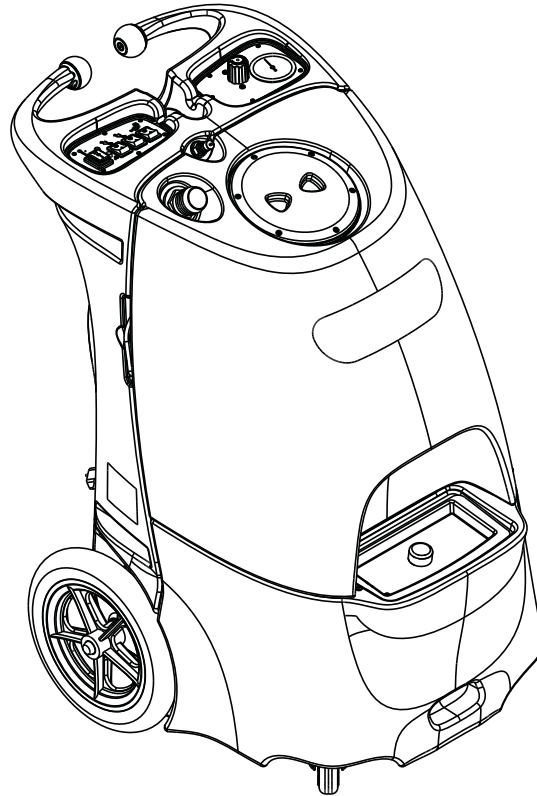

Clarke®

EX30 500H



Parts List

Models: 56113178

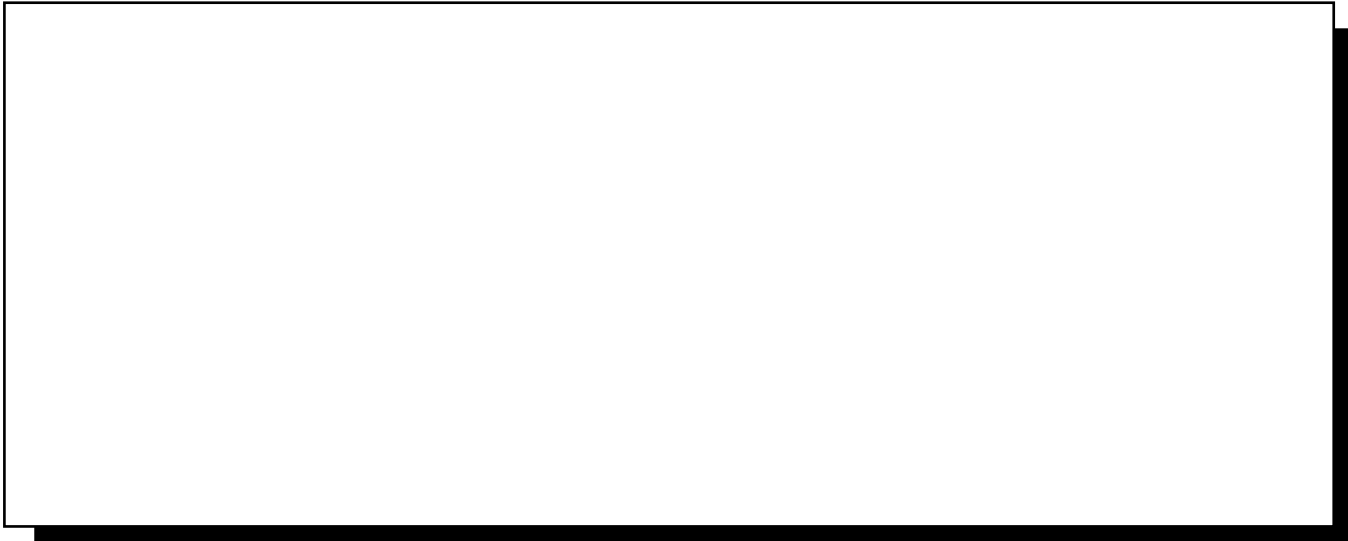


TABLE OF CONTENTS

DESCRIPTION	PAGE
Decal System.....	2-3
Pallet System EX30-1.....	4-5
Pallet System EX30-2.....	6-7
Recovery System.....	8
Solution System.....	9
Wiring Diagram.....	10-11
Options & Accessories.....	11
Water Flow Diagram-EX30.....	12

WHEN ORDERING PARTS

* Use the part numbers from the "Ref. No." columns in this parts list. If the "Ref. No." column is blank; look under the "Kit" column to identify which kit contains the part in question, then use the kit callout, for example "K1", to find the "Ref. No." for that kit.

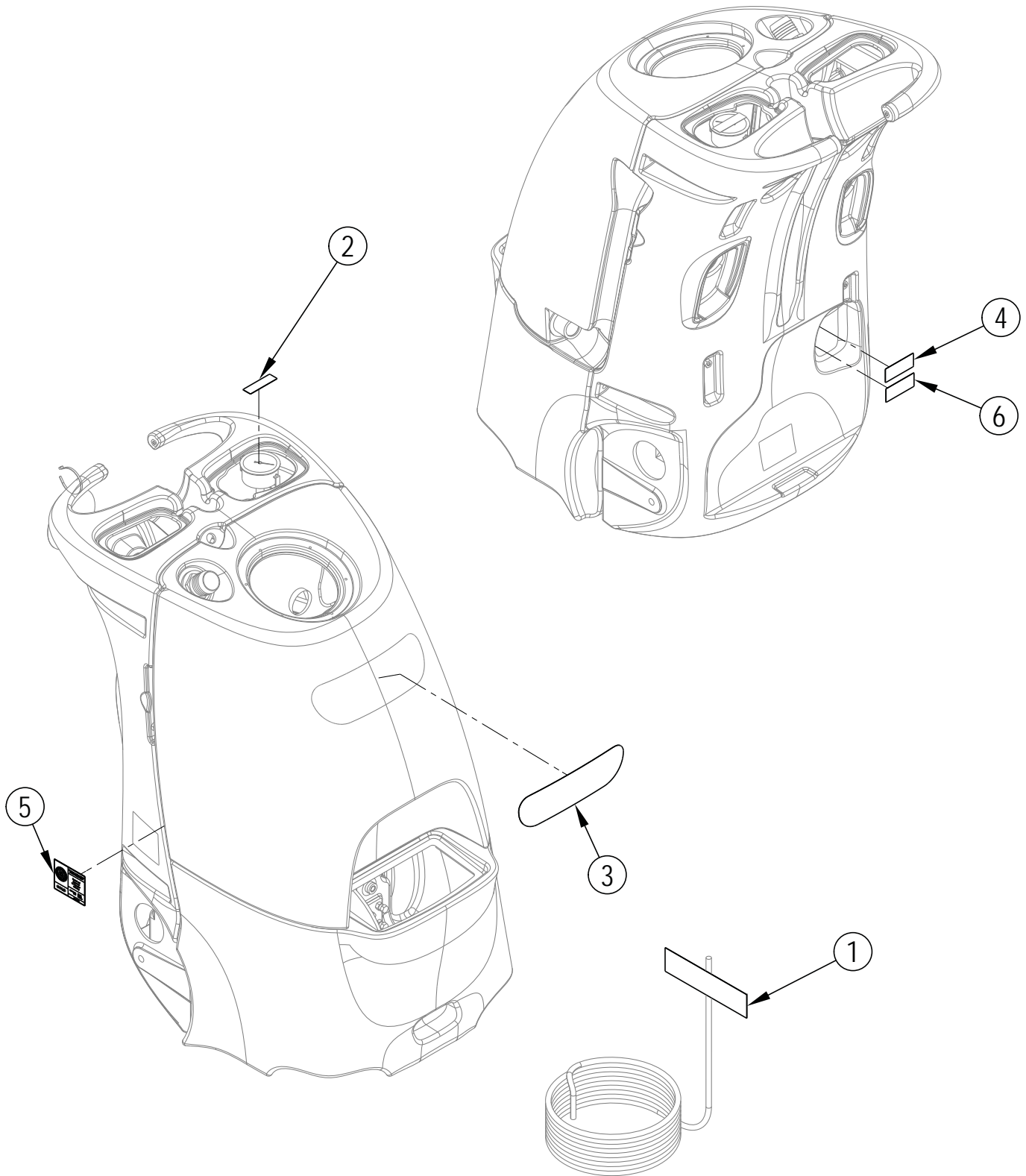
Kit	Item	Ref. No.	Qty	Description
K1	1		16	Washer Flat 3/16 Zinc Plat
K1	2		2	Screw-BHS-Brass-10-32x3/8-MS
K1	3		3	Washer EPDM 7/32 X 1/8
	4	805	1	Chain-Cover
	5	905	2	Caster Swivel 4 Gray Non MA
K1	6		2	Nut, Hex Nyl Loc 10-24
K1	7		3	Scr- Hex SS 1/4-20 X .75
K1	8		16	Scr, Hex Hd Loc 1/4-20 x .50
K1	9		3	Wsh, Flt SS .260 X 1.000 X .074
	10	56113012	1	Solution Tank
	11	56113034	2	Hinge Plate
K1		56113103	1	Kit-Hardware Solution Tank

* Specify the model and serial number of the machine.

* Use the space below to record the model and serial number for future reference.

Model _____ Serial No. _____

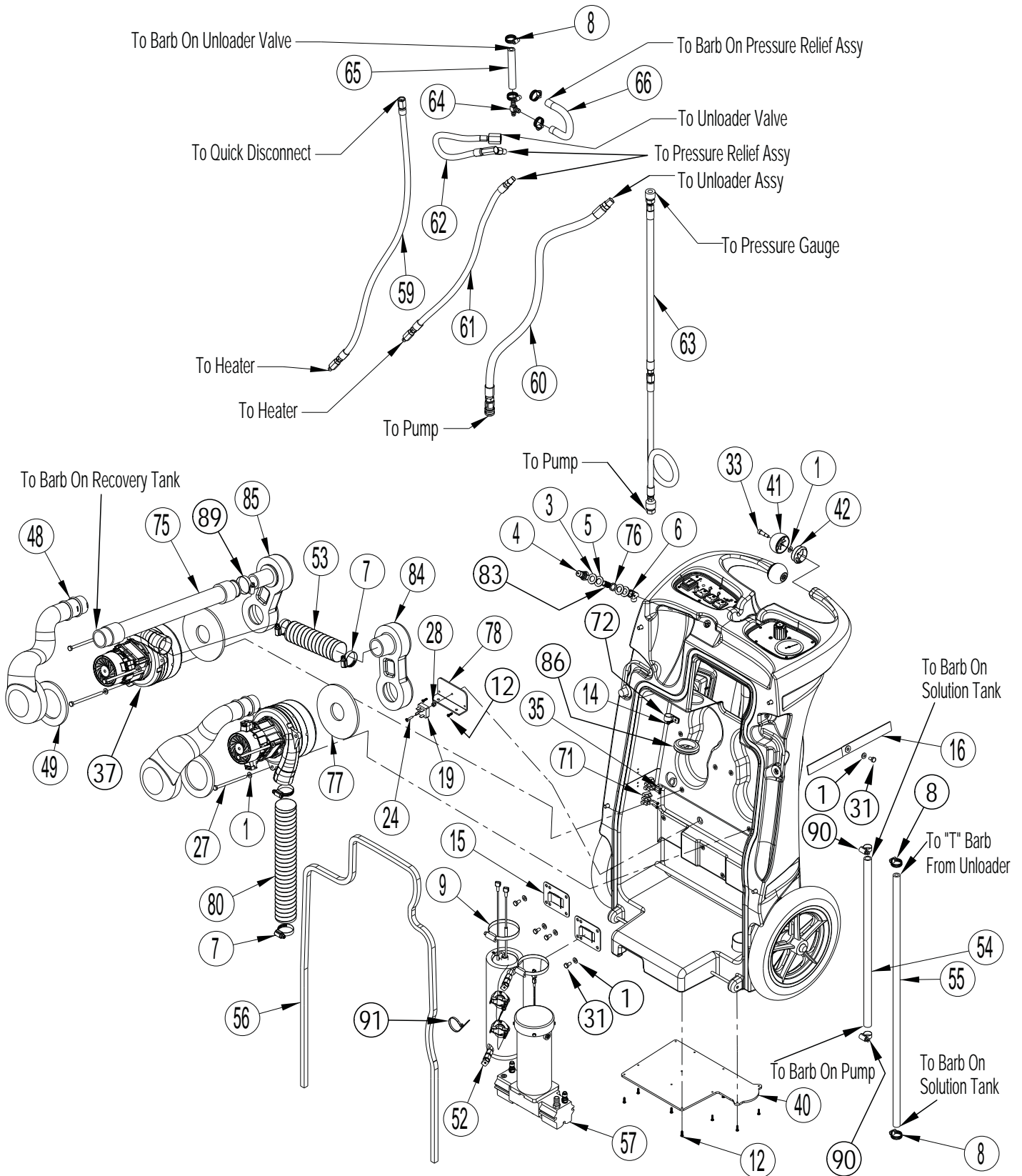
DECAL SYSTEM



DECAL SYSTEM

<u>Kit</u>	<u>Item</u>	<u>Ref. No.</u>	<u>Qty</u>	<u>Description</u>
	1	4339	2	Label Caution / Extension Cord
	2	4344	1	Label Gauge Priming Warning 2
	3	56113167	1	Decal-EX30
	4	56380692	1	Label Danger Electric Shock
	5	56380831	1	Decal-CRI Gold
	6	1503A	1	Label Danger Electric Shock (CSA only)

PALLET SYSTEM EX30-1



PALLET SYSTEM EX30-1

Kit	Item	Ref. No.	Qty	Description
K1	1		20	Washer Flat 3/16 Zinc Plat
K1	2		11	Screw-Php-SS-4 x 3/8-SMS
	3	31USP	1	Washer Brass Half Hard 1 X
	4	45USP	1	Quick Disconnect Plug Male
	5	115USP	3	Washer 1 OD X 9/16 ID X
	6	140USP	1	Elbow 45deg.Angle 1/4 Male X 1
	7	156USP	4	Hose Clamp-Size 28-1-9/16- 2 1/2
	8	50248A	6	Clamp, Hose
	9	198USP	2	Hose Clamp 48 3-1/2dia 9
	10	219USP	1	Quick Connect Brass 1/4 FPT
	11	230USP	2	Retainer Power Cord Water T
K1	12		24	Screw-Php-SS-6 x 1/2-SMS
K1	13		6	Screw-Fhp-SS-2 x 1/4-SMS
K1	14		4	Screw-Ph-Combo-Tapping-8 x 5/8 AB
	15	455USP	2	Mount Heat Exchanger
	16	1130	2	Strap-Velcro-1.0 X 11-Black-Hook
	17	1554	1	Mount-Plate-Valve
	18	1555	1	Clamp-Valve-Mount
	19	1579	1	Bridge Rectifier
	20	1603	4	Strap-Buckle/Cord-W/Spur Grommet
	21	1644	3	Switch Rocker DPST On/Off 20
	22	2092	2	Wheel 12" X 1" Black On Gray 1/2" Axle
	23	2165	1	Gauge-Pressure
K1	24		1	Scr-Pan Phil 8-32 X .75
K1	25		4	Wsh, Flt SAE 5/16
K1	26		2	Scr, Soc Hd 1/4-20 X 1.00
K1	27		6	Scr, Hex 1/4-20 X 4.25
K1	28		1	Nut, Hex Nyl Loc 8-32
K1	29		2	Scr, Pan Phil Loc 1/4-20 X .62
K1	30		3	Scr, Pan Phil SS 8-32 X .50
K1	31		9	Scr, Hex Hd Loc 1/4-20x.50
K1	32		4	Scr, Soc Hd 5/16-18 X 1.25 Zinc Plated
K1	33		2	Scr-Soc Shd SS Loc .31 X .625 X 1/4-20
K1	34		2	Scr-Flt Phil Sm #8 X .50
K1	35		4	Scr-Pan Phil Sm #6 X .75
K1	36		1	Scr-Pan Phil 8-32 X .31
	37	56113145	2	Vac Mtr-6.5A-120V-3 Stage-CSA
	*	56113056	1	Vac Motor Brush Kit-120V
	38	56113014	1	Equipment Pallet
	39	56113015	2	Cover-Intake-Pallet
	40	56113016	1	Cover-Exhaust Chamber
	41	56113017	2	Roller Ball-Pallet
	42	56113019	2	Roller Ball Bushing-Pallet
	43	56113020	1	Wand Clip
	44	56113021	2	Hose Hanger SS
	45	56113027	1	Cover Plate Pressure 500PSI
	46	56113028	1	Switchplate Assy 120V
	47	56113029	1	Rocker Switch-3 Position
	48	56113032	2	Vac Motor Intake-3 Stage
	49	56113033	2	Gasket Vac Intake
	50	56113035	1	Wand Bracket
	[]	56113046	1	Harness-Main
	52	56113060	1	Heat Exch Complete-120V 1750W
	*	56113109	1	Kit-Heater Repair
	53	56113135	1	Vac Hose Rubber 7.75 X 2.0 ID

Kit	Item	Ref. No.	Qty	Description
	54	56412277	1	Solution Hose
	55	56113063	1	Hose 3/8 ID
	56	56113064	1	Gasket-Pallet
	57	56113074	1	120v-500PSI Pump Assy
	*	56113117	1	Kit-Pump Head 500 PSI Complete (Pump w/fittings & Bearing & Cam Assy)
	*	56113101	1	Kit-Pump Motor 120V (Motor w/Bearing & Cam Assembly)
	58	56113076	2	Power Cord Pigtail
	[]	2154	2	Power Cord 12/3 SJTW 25' Yellow
	59	56113077	1	Hose-1/4" ID 1/8mnpt 1/4 FNPT
	60	56113078	1	Hose-3/8 ID 1/4qd 3/8mnpt
	61	56113079	1	Hose-1/4 ID 1/8mnpt 1/4 FNPT
	62	56113080	1	Hose-1/4id 3/8 FNPT 90-1/4mnpt
	63	56113110	1	Hose-Assy
	64	56113085	1	Union Tee-Barb 3/8ID Hose
	65	56113086	1	Hose-3/8 ID
	66	56113087	1	Hose-3/8 ID
	67	56113091	1	Light Green 250V Assy
	68	56113093	2	Hose Hanger Bushing
	69	56113104	1	Pressure Relief Assembly
	70	56113105	1	Unloader Assembly
	71	56183523	2	Terminal Block
	72	56442003	1	Clamp-P
	73	56003873	2	Nut-Hex Flange SS M4-0.7
	74	56900000	1	Plug, Cap
	75	56113127	1	Vacuum Hose
	76	116A	1	Bushing 3/4 X 9/16
	77	2013A	2	Gasket 1 Side Adhesive 5 1/2
	78	2025A	1	Heat Sink Plate Bridge Rectifier
	79	27AUSP	2	Axel Cap Black Pal Nut
	80	430A	1	Vac Hose 2" ID X 13.5 Black Rubber
	81	910-2450	1	Axel Rod Zinc Plate 1/2 OD
	82	928B	2	Louver 3 Black Plastic
	83	92AUSP	1	Nipple-SS-1/4 Pipe-Length .90
	84	MA-6	1	Manifold for Cobra Black
	85	SUBMA-6	1	Manifold Black w/1063 S-W
	86	56056215	1	Grommet
	87	912	6in.	Shrink Tubing 1/2 Red Poly
	88	56113124	1	Gasket Switchplate
	89	1518	1	Hose Clamp 3/4 x 1 3/4 SS
	90	56219932	2	Clamp-Hose SAE #6
	91	35	1	Tie 4 Black Weather Resis

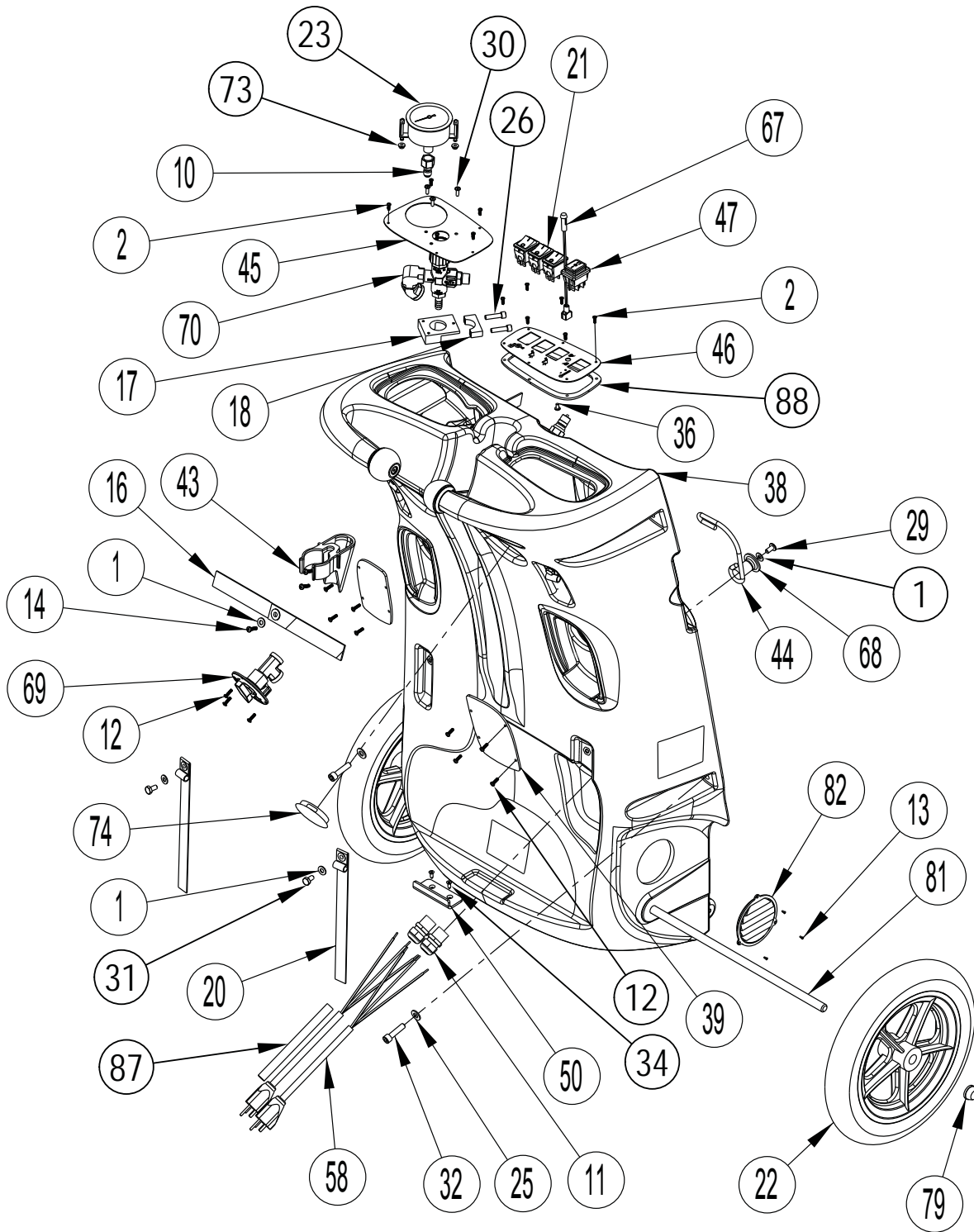
Service Kits

K1 56113107 1 Kit-Hardware Pallet Sys 500

[] = Not Shown

* = Optional, Not Included

PALLET SYSTEM EX30-2



PALLET SYSTEM EX30-2

Kit	Item	Ref. No.	Qty	Description	Kit	Item	Ref. No.	Qty	Description
K1	1		20	Washer Flat 3/16 Zinc Plat		54	56412277	1	Solution Hose
K1	2		11	Screw-Php-SS-4 x 3/8-SMS		55	56113063	1	Hose 3/8 ID
	3	31USP	1	Washer Brass Half Hard 1 X		56	56113064	1	Gasket-Pallet
	4	45SUP	1	Quick Disconnect Plug Male		57	56113074	1	120v-500PSI Pump Assy
	5	115USP	3	Washer 1 OD X 9/16 ID X		*	56113117	1	Kit-Pump Head 500 PSI Complete (Pump w/fittings & Bearing & Cam Assy)
	6	140USP	1	Elbow 45deg.Angle 1/4 Male X 1		*	56113101	1	Kit-Pump Motor 120V (Motor w/Bearing & Cam Assembly)
	7	156USP	4	Hose Clamp-Size 28-1-9/16- 2 1/2		58	56113076	2	Power Cord Pigtail
	8	50248A	6	Clamp, Hose		[]	2154	2	Power Cord 12/3 SJTW 25' Yellow
	9	198USP	2	Hose Clamp 48 3-1/2dia 9		59	56113077	1	Hose-1/4" ID 1/8mnpt 1/4 FNPT
	10	219USP	1	Quick Connect Brass 1/4 FPT		60	56113078	1	Hose-3/8 ID 1/4qd 3/8mnpt
	11	230USP	2	Retainer Power Cord Water T		61	56113079	1	Hose-1/4 ID 1/8mnpt 1/4 FNPT
K1	12		24	Screw-Php-SS-6 x 1/2-SMS		62	56113080	1	Hose-1/4id 3/8 FNPT 90-1/4mnpt
K1	13		6	Screw-Fhp-SS-2 x 1/4-SMS		63	56113110	1	Hose-Assy
K1	14		4	Screw-Ph-Combo-Tapping-8 x 5/8 AB		64	56113085	1	Union Tee-Barb 3/8ID Hose
	15	455USP	2	Mount Heat Exchanger		65	56113086	1	Hose-3/8 ID
	16	1130	2	Strap-Velcro-1.0 X 11-Black-Hook		66	56113087	1	Hose-3/8 ID
	17	1554	1	Mount-Plate-Valve		67	56113091	1	Light Green 250V Assy
	18	1555	1	Clamp-Valve-Mount		68	56113093	2	Hose Hanger Bushing
	19	1579	1	Bridge Rectifier		69	56113104	1	Pressure Relief Assembly
	20	1603	4	Strap-Buckle/Cord-W/Spur Grommet		70	56113105	1	Unloader Assembly
	21	1644	3	Switch Rocker DPST On/Off 20		71	56183523	2	Terminal Block
	22	2092	2	Wheel 12" X 1" Black On Gray 1/2" Axle		72	56442003	1	Clamp-P
	23	2165	1	Gauge-Pressure		73	56003873	2	Nut-Hex Flange SS M4-0.7
K1	24		1	Scr-Pan Phil 8-32 X .75		74	56900000	1	Plug, Cap
K1	25		4	Wsh, Flt SAE 5/16		75	56113127	1	Vacuum Hose
K1	26		2	Scr, Soc Hd 1/4-20 X 1.00		76	116A	1	Bushing 3/4 X 9/16
K1	27		6	Scr, Hex 1/4-20 X 4.25		77	2013A	2	Gasket 1 Side Adhesive 5 1/2
K1	28		1	Nut, Hex Nyl Loc 8-32		78	2025A	1	Heat Sink Plate Bridge Rectifier
K1	29		2	Scr, Pan Phil Loc 1/4-20 X .62		79	27AUSP	2	Axel Cap Black Pal Nut
K1	30		3	Scr, Pan Phil SS 8-32 X .50		80	430A	1	Vac Hose 2" ID X 13.5 Black Rubber
K1	31		9	Scr, Hex Hd Loc 1/4-20x.50		81	910-2450	1	Axel Rod Zinc Plate 1/2 OD
K1	32		4	Scr, Soc Hd 5/16-18 X 1.25 Zinc Plated		82	928B	2	Louver 3 Black Plastic
K1	33		2	Scr-Soc Shd SS Loc .31 X .625 X 1/4-20		83	92AUSP	1	Nipple-SS-1/4 Pipe-Length .90
K1	34		2	Scr-Fit Phil Sm #8 X .50		84	MA-6	1	Manifold for Cobra Black
K1	35		4	Scr-Pan Phil Sm #6 X .75		85	SUBMA-6	1	Manifold Black w/1063 S-W
K1	36		1	Scr-Pan Phil 8-32 X .31		86	56056215	1	Grommet
	37	56113145	2	Vac Mtr-6.5A-120V-3 Stage-CSA		87	912	6in.	Shrink Tubing 1/2 Red Poly
	*	56113056	1	Vac Motor Brush Kit-120V		88	56113124	1	Gasket Switchplate
	38	56113014	1	Equipment Pallet		89	1518	1	Hose Clamp 3/4 x 1 3/4 SS
	39	56113015	2	Cover-Intake-Pallet		90	56219932	2	Clamp-Hose SAE #6
	40	56113016	1	Cover-Exhaust Chamber		91	35	1	Tie 4 Black Weather Resis
	41	56113017	2	Roller Ball-Pallet					
	42	56113019	2	Roller Ball Bushing-Pallet					
	43	56113020	1	Wand Clip					
	44	56113021	2	Hose Hanger SS					
	45	56113027	1	Cover Plate Pressure 500PSI					
	46	56113028	1	Switchplate Assy 120V					
	47	56113029	1	Rocker Switch-3 Position					
	48	56113032	2	Vac Motor Intake-3 Stage					
	49	56113033	2	Gasket Vac Intake					
	50	56113035	1	Wand Bracket					
	[]	56113046	1	Harness-Main					
	52	56113060	1	Heat Exch Complete-120V 1750W					
	*	56113109	1	Kit-Heater Repair					
	53	56113135	1	Vac Hose Rubber 7.75 X 2.0 ID					

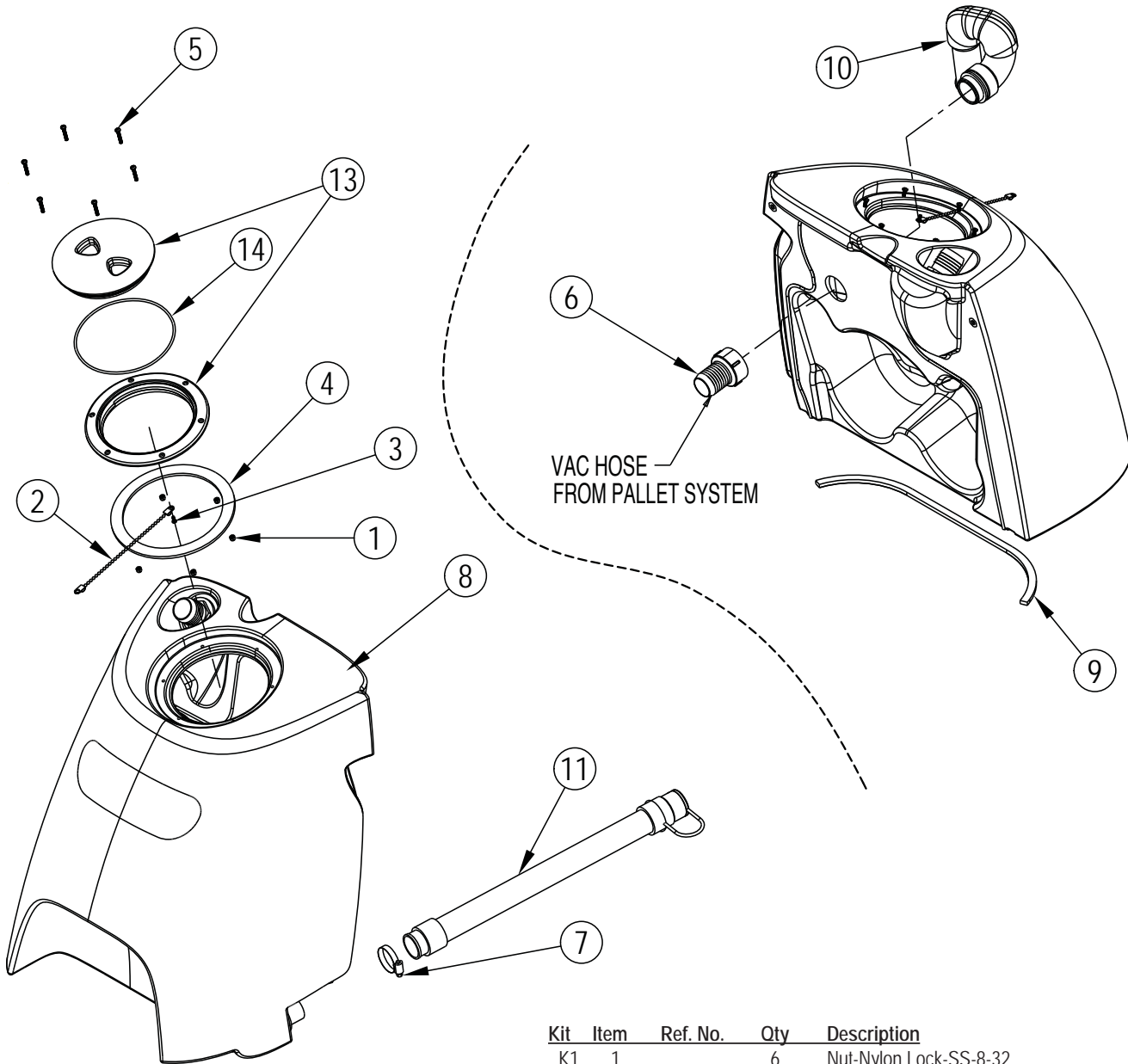
Service Kits

K1 56113107 1 Kit- Hardware Pallet Sys 500

[] = Not Shown

* = Optional, Not Included

RECOVERY SYSTEM

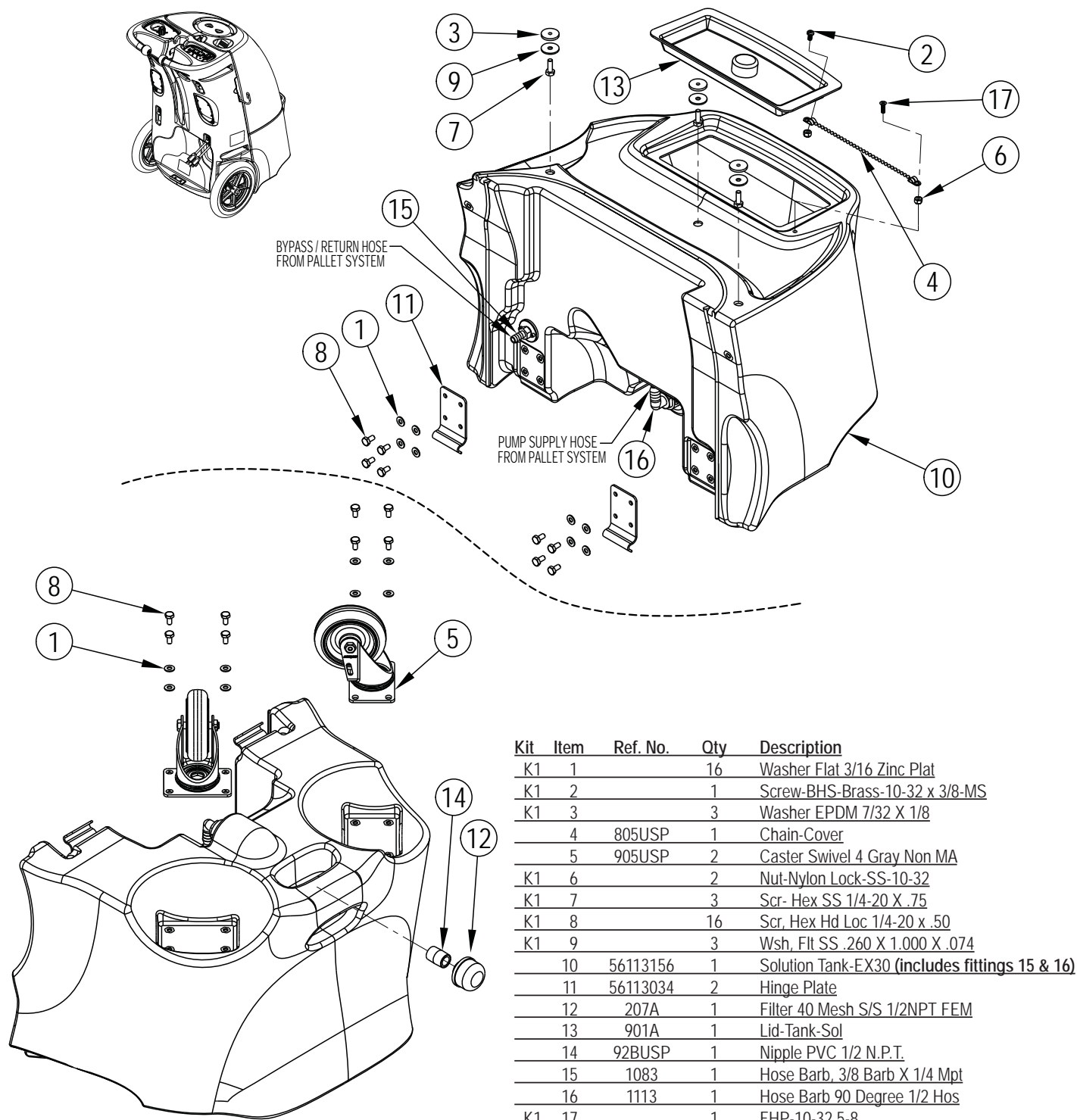


Kit	Item	Ref. No.	Qty	Description
K1	1		6	Nut-Nylon Lock-SS-8-32
K1	2		1	Chain-Cover
K1	3		1	Screw 6 x 3/8 S/S Trusshead P
K1	4		1	Gasket-Lid-XLPE-6.5ID x 3/16 Thick
K1	5		6	Screw-Php-SS-8-32 x 1-1/8
	6	1277	1	Barb 1-1/2 X FIPT ABS
	7	1518	1	Hose Clamp 3/4 X 1 3/4 SS
	8	56113158	1	Recovery Tank-EX30
	9	56113036	1	Recovery Tank Gasket
	10	56113039	1	Ball Float Assy
	11	56113125	1	Drain Hose
		56113126	1	Plug-Drain Hose (for 56113125)
K1	13		1	Lid Clear With Ring
K1	14	56383436	1	O-Ring

Service Kits

K1	56113100	1	Kit-Recovery Tank Lid
----	----------	---	-----------------------

SOLUTION SYSTEM

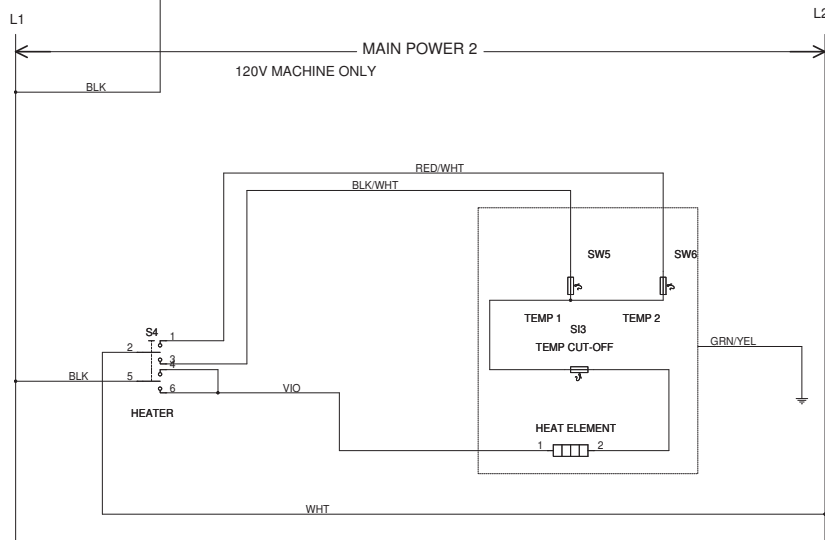
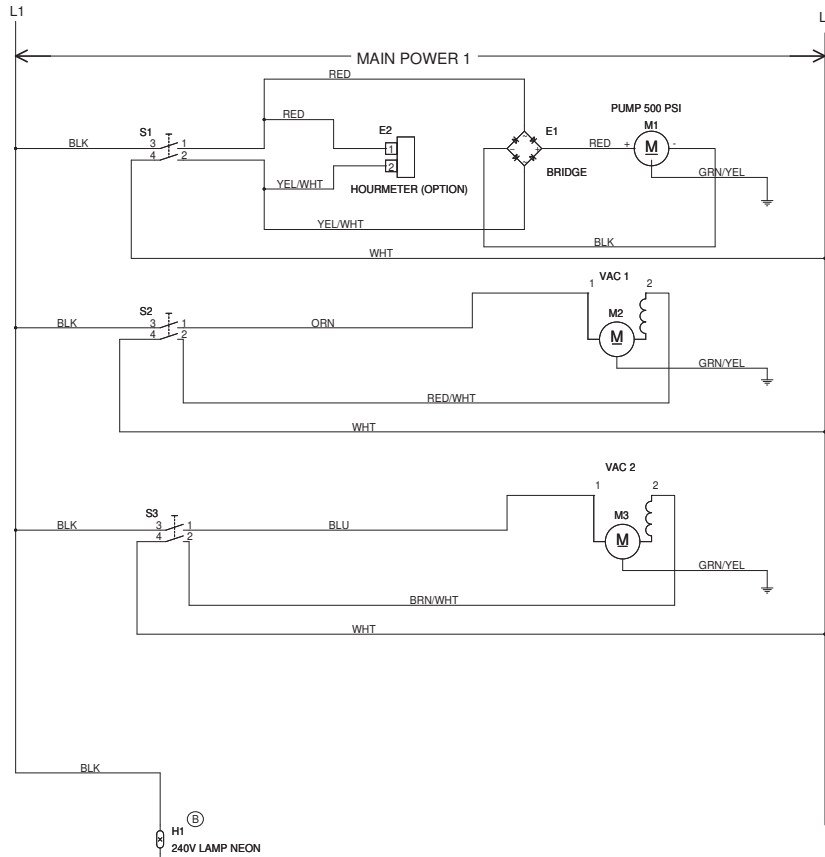
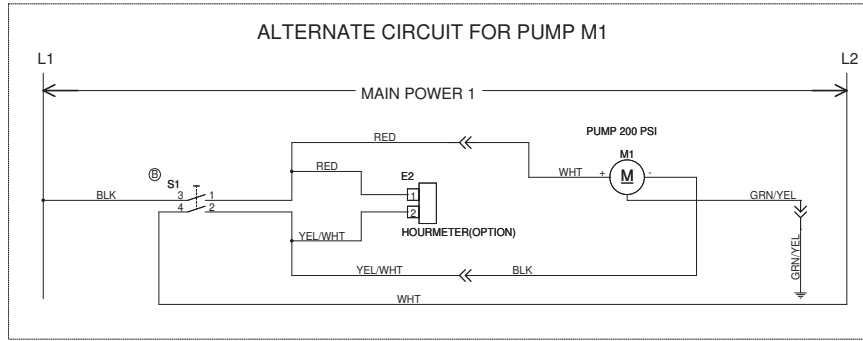


Kit	Item	Ref. No.	Qty	Description
K1	1		16	Washer Flat 3/16 Zinc Plat
K1	2		1	Screw-BHS-Brass-10-32 x 3/8-MS
K1	3		3	Washer EPDM 7/32 X 1/8
	4	805USP	1	Chain-Cover
	5	905USP	2	Caster Swivel 4 Gray Non MA
K1	6		2	Nut-Nylon Lock-SS-10-32
K1	7		3	Scr- Hex SS 1/4-20 X .75
K1	8		16	Scr, Hex Hd Loc 1/4-20 x .50
K1	9		3	Wsh, Flt SS .260 X 1.000 X .074
	10	56113156	1	Solution Tank-EX30 (includes fittings 15 & 16)
	11	56113034	2	Hinge Plate
	12	207A	1	Filter 40 Mesh S/S 1/2NPT FEM
	13	901A	1	Lid-Tank-Sol
	14	92BUSP	1	Nipple PVC 1/2 N.P.T.
	15	1083	1	Hose Barb, 3/8 Barb X 1/4 Mpt
	16	1113	1	Hose Barb 90 Degree 1/2 Hos
K1	17		1	FHP-10-32 5-8

Service Kits

K1	56113103	1	Kit-Hardware Solution Tank
----	----------	---	----------------------------

WIRING DIAGRAM



WIRING DIAGRAM

<u>Kit</u>	<u>Item</u>	<u>Ref. No.</u>	<u>Qty</u>	<u>Description</u>
	E1	1579	1	Bridge Rectifier
	E2	56113108	1	Kit-Hour Meter (Optional)
	H1	56113091	1	Light Green
	M1	56113101	1	Kit-Pump Motor 120V-500 PSI
	M2	56113145	2	Vac Mtr-6.5A-120V-3 Stage-CSA
	*	56113056	1	Vac Motor Brush Kit-120V
	M3	56113145	2	Vac Mtr-6.5A-120V-3 Stage-CSA
	*	56113056	1	Vac Motor Brush Kit-120V
	S1	1644	1	Switch, Pump
	S2	1644	1	Switch, Vac
	S3	1644	1	Switch, Vac
	S4	56113029	1	Switch, Heater
K1	SW5	399	1	Thermostat
K1	SW6	56113030	1	Thermostat
K1	S13	NA	1	Thermal Cutout

Service Kits

K1	56113109	1	Kit-Heater Repair
----	----------	---	-------------------

OPTIONS & ACCESSORIES

<u>Item</u>	<u>Ref. No.</u>	<u>Qty</u>	<u>Description</u>
			<u>Options</u>
*	56113108	1	Kit-Hour Meter
*	FP203	1	Vac Hose/Pressure Ln. 15' Exte
*	FP196	1	Vac Hose/Pressure Ln. 25' Exte
*	FPHT-5	1	Hand Tool Detailer S/S
	SUBSYP1	1	Syphon-Hose-Red (for priming pump)
	56044696	1	Literature Pack

* = Optional, Not Included

WATER FLOW DIAGRAM-EX30

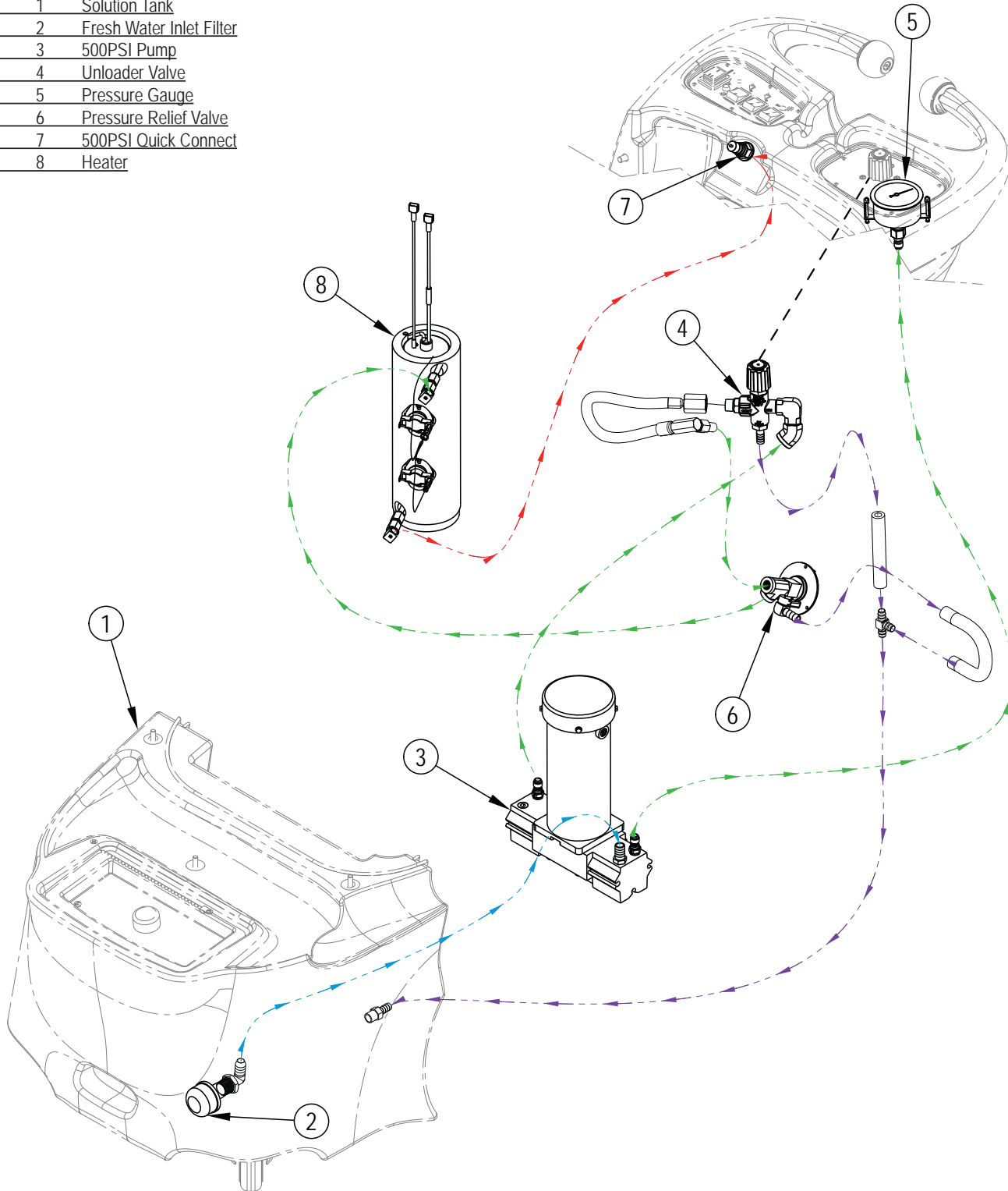
BLUE = FRESH WATER

GREEN = 500PSI WATER FLOW

PURPLE = PRESSURE RELIEF RETURN TO TANK

RED = 500PSI HEATED WATER FLOW

Item	Description
1	Solution Tank
2	Fresh Water Inlet Filter
3	500PSI Pump
4	Unloader Valve
5	Pressure Gauge
6	Pressure Relief Valve
7	500PSI Quick Connect
8	Heater



Clarke®

14600 21st Avenue North
Plymouth, MN 55447-3408

www.clarkeus.com

Phone: 800-253-0367

Fax: 800-825-2753

©2015 Nilfisk-Advance, Inc.

A Nilfisk-Advance Brand