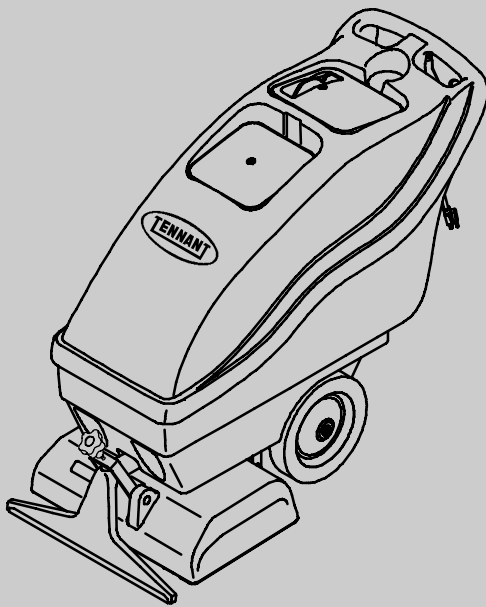




# 1240/1260

**Self-Contained Carpet Extractor**  
**Aspirador para moquetas con**  
**depósito incorporado**  
**Nettoyeur de moquettes autonome**

**Operator and Parts Manual**  
**Manual De Operador**  
**Y Lista De Repuestos**  
**Opérateur Manuel et**  
**Liste Des Pièces**



Model Part No.:  
1002090 - 1240 (120V)  
1000552 - 1260 (120V)



# OPERATION

---

This manual is furnished with each new model. It provides necessary operation and maintenance instructions and an illustrated parts list.

**Read this manual completely and understand the machine before operating or servicing it.**

Use the illustrated Parts Lists to order parts. Before ordering parts or supplies, be sure to have your machine model number and serial number handy. Parts and supplies may be ordered by phone or mail from any authorized parts and service center, distributor or from any of the manufacturer's subsidiaries.

This machine will provide excellent service. However, the best results will be obtained at minimum costs if:

- The machine is operated with reasonable care.
- The machine is maintained regularly - per the maintenance instructions provided.
- The machine is maintained with manufacturer supplied or equivalent parts.

---

## MACHINE DATA


---

Please fill out at time of installation for future reference.

Model No.- \_\_\_\_\_


Install. Date - \_\_\_\_\_

Serial No.- \_\_\_\_\_



**PROTECT THE ENVIRONMENT**

Please dispose of packaging materials, old machine components such as batteries, hazardous fluids such as antifreeze and oil, in a safe environmentally way according to your local waste disposal regulations.



Always remember to recycle.

### Tennant Company

PO Box 1452

Minneapolis, MN 55440

Phone: (800) 553-8033 or (763) 513-2850

[www.tennantco.com](http://www.tennantco.com)

The Tennant logo is a registered United States trademark of Tennant Company.

Specifications and parts are subject to change without notice.

Copyright ©2002, 2006 Tennant Company. All rights reserved.  
Printed in U.S.A.

<b>TABLE OF CONTENTS</b>	<b>(ESPAÑOL....13)</b>	<b>(FRANÇAIS....25)</b>	
<b>SAFETY PRECAUTIONS</b> .....	<b>4</b>	<b>RECOMMENDED STOCK ITEMS</b> .....	<b>10</b>
GROUNDING INSTRUCTIONS .....	4	<b>TROUBLE SHOOTING</b> .....	<b>11</b>
<b>SAFETY LABEL</b> .....	<b>5</b>	<b>SPECIFICATIONS</b> .....	<b>12</b>
<b>MACHINE COMPONENTS</b> .....	<b>5</b>	<b>MACHINE DIMENSIONS</b> .....	<b>12</b>
<b>MACHINE SETUP</b> .....	<b>6</b>	<b>ELECTRICAL DIAGRAMS</b> .....	<b>38</b>
<b>MACHINE OPERATION</b> .....	<b>7</b>	<b>PARTS LIST</b> .....	<b>40</b>
PRE-OPERATION .....	7	RECOVERY TANK GROUP .....	40
CLEANING CARPETS .....	7	CHASSIS GROUP .....	42
WHILE OPERATING .....	7	CONTROL CONSOLE GROUP .....	44
CLEANING WITH ACCESSORY TOOLS ...	7	BRUSH BASE GROUP .....	46
<b>DRAINING TANKS</b> .....	<b>8</b>	PUMP BREAKDOWN .....	48
DRAINING RECOVERY TANK .....	8	<b>OPTIONS</b> .....	<b>49</b>
DRAINING LEFTOVER CLEANING SOL. ...	8	127mm (5 in) HAND TOOL GROUP .....	49
<b>MACHINE MAINTENANCE</b> .....	<b>8</b>	CREVICE TOOL GROUP .....	49
DAILY MAINTENANCE .....	8	330mm (13 in) LOW PRESSURE WAND ...	50
MONTHLY MAINTENANCE .....	10	406mm (16 in) LOW PRESSURE WAND ...	52
QUARTERLY MAINTENANCE .....	10	UPHOLSTERY TOOL GROUP .....	54
SERVICING MACHINE .....	10	SOLUTION AND VACUUM HOSES .....	55
<b>STORING MACHINE</b> .....	<b>10</b>		

# OPERATION

---

---

## SAFETY PRECAUTIONS

---

This machine is intended for commercial use only. It is designed exclusively to clean carpet and upholstery in an indoor environment and is not constructed for any other use. Use only recommended cleaning solutions and accessory tools.

All operators must read, understand and practice the following safety precautions.

The following warning alert symbol and the "FOR SAFETY" heading are used throughout this manual as indicated in their description:

**⚠ WARNING:** To warn of hazards or unsafe practices which could result in severe personal injury or death.

**FOR SAFETY:** To identify actions which must be followed for safe operation of equipment.

---

Failure to follow these warnings may result in: personal injury, electrocution, electric shock, fire or explosion:

**⚠ WARNING:** Do Not Use Flammable Liquids Or Operate Machine In Or Near Flammable Liquids, Vapors Or Combustible Dusts.

**⚠ WARNING:** Do Not Pick Up Flammable Materials Or Reactive Metals.

**⚠ WARNING:** Do Not Operate With Damaged Power Cord. Do Not Modify Plug. Unplug Power Cord Before Servicing Machine.

**⚠ WARNING:** Do Not Use Outdoors. Do Not Expose to Rain. Store Indoors.

---

The following information signals potentially dangerous conditions to the operator or equipment:

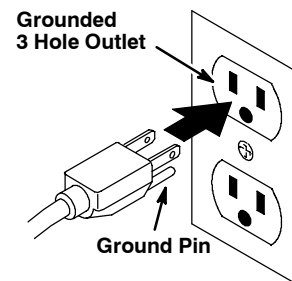
**FOR SAFETY:**

1. Do not operate machine:
  - Unless trained and authorized.
  - Unless operator manual is read and understood.
  - In flammable or explosive areas.
  - Unless cord is properly grounded.
  - With damaged cord or plug.
  - If not in proper operating condition.
  - In outdoor areas.

- In standing water.
  - With the use of additional extension cords. Only use manufacturer's extension cord equipped with machine which has proper capacity and is grounded.
2. Before operating machine:
    - Make sure all safety devices are in place and operate properly.
  3. When using machine:
    - Do not run machine over cord.
    - Do not pull machine by plug or cord.
    - Do not pull cord around sharp edges or corners.
    - Do not close doors on cord.
    - Do not unplug by pulling on cord.
    - Do not stretch cord.
    - Do not handle plug with wet hands.
    - Keep cord away from heated surfaces.
    - Report machine damage or faulty operation immediately.
    - Follow mixing and handling instructions on chemical containers.
  4. Before leaving or servicing machine:
    - Turn off machine.
    - Unplug cord from wall outlet.
  5. When servicing machine:
    - Unplug cord from wall outlet.
    - Avoid moving parts. Do not wear loose jackets, shirts, or sleeves.
    - Use manufacturer supplied or approved replacement parts.
- 

## GROUNDING INSTRUCTIONS

Machine must be grounded. If it should malfunction or breakdown, grounding provides a path of least resistance for electrical current to reduce the risk of electrical shock. This machine is equipped with a cord having an equipment-grounding conductor and grounding plug. The plug must be plugged into an appropriate outlet that is properly installed in accordance with all local codes and ordinances. Do not remove ground pin; if missing, replace plug before use.



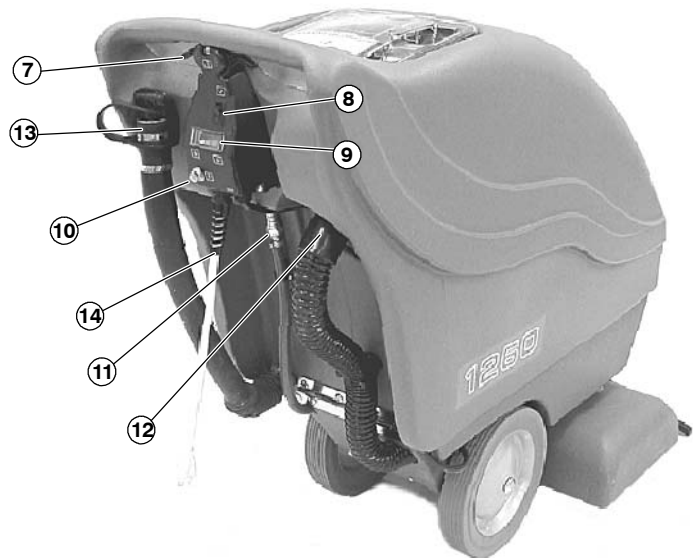
## SAFETY LABEL

The safety label appears on the machine in the location indicated. Replace label if it becomes damaged or illegible.



⚠️ WARNING	⚠️ AVERTISSEMENT	⚠️ ADVERTENCIA
<p><b>EXPLOSION, FIRE AND SHOCK HAZARD. AVOID INJURY.</b></p> <ul style="list-style-type: none"> <li>• Do Not Use or Pick Up Flammable Materials.</li> <li>• Do Not Use Near Flammable Liquids, Vapors or Combustible Dusts.</li> <li>• Do Not Operate With Damaged Power Cord. Do Not Modify Plug. Unplug Power Cord Before Servicing Machine.</li> <li>• Do Not Use Outdoors. Do Not Expose to Rain. Store Indoors.</li> </ul>	<p><b>RISQUE D'EXPLOSION, D'INCENDIE ET DE DÉCHARGE. ÉVITEZ LES BLESSURES.</b></p> <ul style="list-style-type: none"> <li>• N'utilisez Pas ou Ne Ramassez Pas de Matériaux Inflammables.</li> <li>• N'utilisez Pas Près de Liquides, Vapeurs ou Poussières Inflammables.</li> <li>• N'utilisez Pas la Machine Avec un Cordon d'Alimentation Endommagé. Ne Modifiez Pas la Prise. Débranchez le Cordon d'Alimentation Avant d'Entretien la Machine.</li> <li>• N'utilisez Pas en Extérieur. N'Exposez Pas à la Pluie. Entrezposez à l'Intérieur.</li> </ul>	<p><b>PELIGRO DE EXPLOSIÓN, FUEGO, DESCARGA EVITE LESIONES.</b></p> <ul style="list-style-type: none"> <li>• No Use O Recoja Materiales Flammables.</li> <li>• No Use Cerca De Líquidos Flammables, Vapores O Materiales Combustibles.</li> <li>• No Use Con Cable De Corriente Dañado. No Altere El Enchufe. Desconecte Cable De Corriente Antes Del Mantenimiento.</li> <li>• No Use Al Aire Libre. No Exponga A La Lluvia. Guarde Bajo Techo.</li> </ul>
1026383		

## MACHINE COMPONENTS



1. Power Brush Head
2. Spray Tips (below Brush Housing)
3. Pickup Head
4. Brush Height Adjustment Knob
5. Solution Tank Lid
6. Recovery Tank Lid
7. Brush/Spray ON/OFF Triggers

8. Vacuum/Pump ON/OFF Switch
9. Brush Pressure Meter
10. Brush Circuit Breaker
11. Accessory Tool Solution Hose Hookup
12. Accessory Tool Vacuum Hose Hookup
13. Drain Hose
14. Power Cord Pigtail

# OPERATION

## MACHINE SETUP

1. Carefully check carton for signs of damage. Report damages at once to carrier. The machine is shipped fully assembled and is ready for use.
2. Remove solution tank lid. Using a hose or bucket, fill tank with 38L (10 gal) of hot water, 60°C (140°F) maximum (Figure 1).

**ATTENTION:** Use different buckets to fill and drain machine to prevent solution system clogs.



FIG. 1

**⚠ WARNING:** Do Not Use Flammable Liquids Or Operate Machine In Or Near Flammable Liquids, Vapors Or Combustible Dusts.

3. Add a recommended cleaning solution.

**FOR SAFETY:** When using machine, follow mixing and handling instructions on chemical containers.

**ATTENTION:** If using powdered cleaning chemicals, mix chemical with water prior to adding to the tank.

**NOTE:** If desired, water alone achieves excellent cleaning results.

4. Replace lid after filling.
5. Connect the supplied extension cord to machine. Plug cord into a grounded wall outlet (Figure 2).

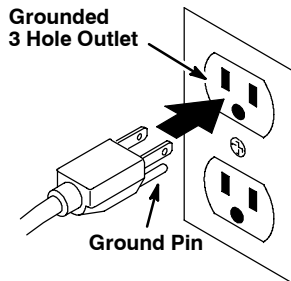


FIG. 2

**FOR SAFETY:** Do not operate machine unless cord is properly grounded.

**FOR SAFETY:** Do not operate machine with the use of additional extension cords. Only use manufacturer's extension cord equipped with machine which has proper capacity and is grounded.

6. Adjust brush to proper height. Turn height adjustment knob until bristles slightly touch carpet, then turn knob another one full turn. Turn knob clockwise to raise and counterclockwise to lower (Figure 3).



FIG. 3

7. Attach belt clip to power cord (Figure 4).



FIG. 4

## MACHINE OPERATION

**FOR SAFETY: Do not operate machine unless operator manual is read and understood.**

### PRE-OPERATION

1. Vacuum carpet to remove particles and other debris.
2. Inspect power cord for damage. Replace cord if damaged.

### CLEANING CARPETS

**⚠ WARNING: Do Not Pick Up Flammable Materials Or Reactive Metals.**

1. Turn on Vacuum/Pump switch.

**NOTE:** Solution spray is activated when the Brush/Spray triggers are pulled.

2. To begin cleaning, pull triggers and slowly pull machine backwards at a pace of approximately 3m (10 ft.) per 15 seconds (Figure 5).



FIG. 5

3. Release triggers at end of path and continue to pull machine backwards for another 30cm (12 in) to pick up excess solution.
4. Tip machine back and push forward to return at beginning of next path.

### WHILE OPERATING

1. View brush pressure meter and adjust brush pressure adjustment knob if necessary. Operate brush pressure in the green zone ONLY. Turn knob counterclockwise to increase brush pressure and clockwise to decrease (Figure 6).

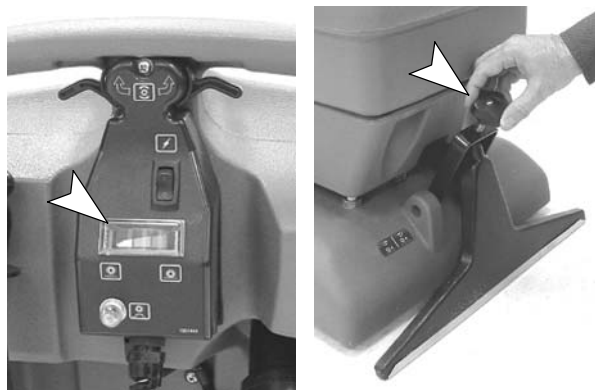


FIG. 6

**ATTENTION: To prevent brush motor overload, do not operate the brush pressure meter in red zone.**

2. Overlap each path by 50mm (2 in).
3. Work away from wall outlet and power cord to prevent cord damage.
4. Check for excessive foam buildup in recovery tank. Use a recommended foam control solution to prevent vacuum motor damage.

**ATTENTION: Excessive foam buildup will not activate the float shut-off screen. Vacuum motor damage may result.**

5. If brush stops, the circuit breaker may have been tripped. Unplug power cord, check brush for obstruction OR raise brush height. Push brush reset button located on switch box to resume.
6. Repeat cleaning path for heavily soiled areas.
7. Once water recovery stops, or when solution tank runs dry, you must drain recovery tank (See DRAINING TANKS).

### CLEANING WITH ACCESSORY TOOLS

1. Disconnect vacuum hose from inlet tube and replace with accessory vacuum hose. Connect accessory solution hose to quick coupler located below handle (Figure 7).

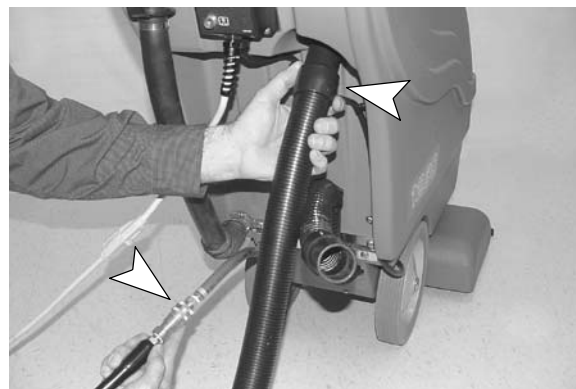


FIG. 7

## OPERATION

---

2. Attach desired accessory tool to hoses.
3. Turn on Vacuum/Pump switch.
4. Operate accessory tools as normal (Figure 8).

**NOTE:** When cleaning upholstery, always check cleaning instructions sewn in furniture by manufacturer.



FIG. 8

5. After cleaning, relieve water pressure from tool before disconnecting hose. Squeeze trigger for five seconds after turning off switch.

---

## DRAINING TANKS

---

**FOR SAFETY:** When servicing machine, unplug cord from wall outlet.

**ATTENTION:** Use different buckets to fill and drain machine to prevent solution system clogs.

---

### DRAINING RECOVERY TANK

1. Turn off machine and unplug power cord.
2. Turn drain hose knob counterclockwise and pull out plug to drain (Figure 9).



FIG. 9

3. After draining, replace drain hose knob securely.

---

## DRAINING LEFTOVER CLEANING SOLUTION

1. Disconnect vacuum hose from inlet tube and replace with 1.4m (4 1/2 ft) clean-out hose, supplied with machine (Figure 10).



FIG. 10

2. Turn on Vacuum/Pump switch.
3. Remove solution tank lid and vacuum out leftover solution.
4. Drain recovery tank.

---

## MACHINE MAINTENANCE

---

To keep machine in good working condition, simply follow machines daily, weekly and monthly maintenance procedures.

**FOR SAFETY:** When servicing machine, unplug cord from wall outlet.

---

### DAILY MAINTENANCE (Every 4 Hours of Operation)

1. Drain and rinse out recovery tank thoroughly (Figure 11).



FIG. 11



- Remove and clean float shut-off screen, located in recovery tank (Figure 12).



FIG. 12

- Inspect spray pattern for plugging. If plugged, remove spray tips and screens and soak them in acetic acid solution for up to six hours. Do not use pointed objects to unplug tips, damage will occur (Figure 13).

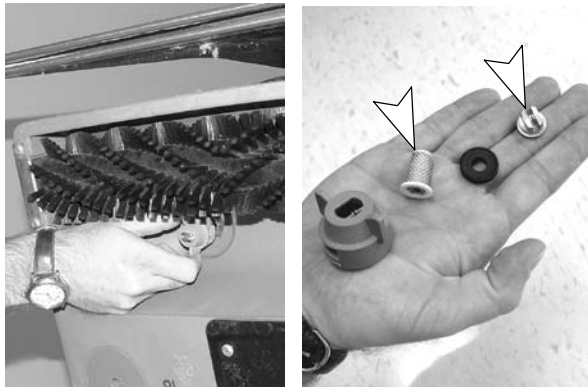


FIG. 13

- Vacuum out leftover solution in solution tank (Figure 14).



FIG. 14

- Remove and rinse solution tank screen (Figure 15).

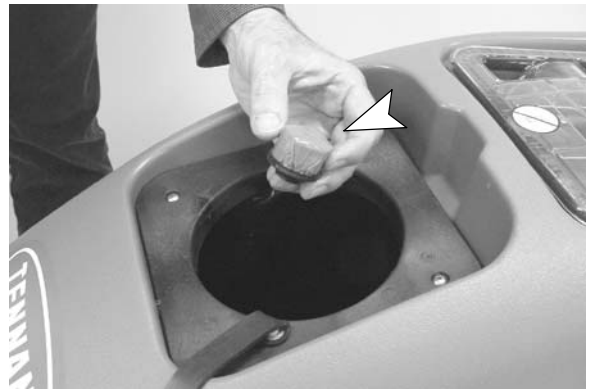


FIG. 15

- Remove any entangled carpet fibers and debris from brush (Figure 16).



FIG. 16

- Remove any clogged debris in pickup head (Figure 17).



FIG. 17

- Inspect condition of the stainless steel pickup shoes. For best pick up performance, the shoes must touch the floor the entire length of the pickup head. Repair or replace shoes as needed.
- Inspect cord and cord grip for damage, replace if damaged. Coil cord neatly after each use.

## OPERATION

10. Clean machine with a nonabrasive, nonsolvent cleaner (Figure 18).



FIG. 18

### MONTHLY MAINTENANCE (Every 80 Hours of Operation)

1. Flush pump system with an acetic acid solution to dissolve normal alkaline chemical buildup.

#### FOR SAFETY: When using machine, follow mixing and handling instructions on chemical containers.

- a. Premix .5L (16 oz) of an acetic acid solution with 7.5L (2 gal) of hot water 60° C (140° F) and pour into solution tank.
  - b. Turn on Vacuum/Pump switch.
  - c. Position brush over floor drain and operate machine for one minute.
  - d. Shut off machine and allow remaining solution to break down alkaline buildup overnight.
  - e. Next day, spray out remaining solution and flush system with 11L (3 gal) of clean water.
2. Lubricate wheels with a water resistant oil.
  3. Inspect machine for water leaks.
  4. Inspect machine for loose screws.

### QUARTERLY MAINTENANCE (Every 250 of Hours of Operation)

Check vacuum motor for carbon brush wear. Replace brushes when worn to a length of 10mm (0.38 in) or less. Contact your Authorized Service Center for carbon brush inspection.

### SERVICING MACHINE

To access internal components for repair, open machine as described below.

**⚠ WARNING: Unplug Power Cord Before Servicing Machine.**

**FOR SAFETY: When servicing machine, use manufacturer supplied or approved replacement parts.**

1. Remove two hex-head bolts at front of machine, using a 9/16" wrench.

**ATTENTION: Make sure tanks are empty before opening.**

2. Carefully hinge tank backwards away from chassis (Figure 19).



FIG. 19

3. When closing machine, keep fingers clear and be careful not to pinch or kink internal hoses or wiring. Replace and tighten hex-head bolts.

### STORING MACHINE

1. Before storing machine, be certain to flush tanks and drain machine of all water.
2. Store machine in a dry area in the upright position with brush raised off floor.
3. Remove recovery lid to promote air circulation.

**⚠ WARNING: Do not expose to rain. Store indoors.**

**ATTENTION: If storing machine in freezing temperatures, be sure that machine, pump and spraying system are completely drained and dry.**

### RECOMMENDED STOCK ITEMS

Refer to Parts List section for recommended stock items. Stock Items are clearly identified with a bullet preceding the parts description. See example below:

Ref.	Part No.	Description	Qty.
1	701103	ASM., STANDPIPE	1
2	180619	● FLOAT, SHUTOFF	1
3	230197	NIPPLE	1
4	101714	● GASKET	1
5	210240	NUT, FLANGED	1

**TROUBLE SHOOTING**

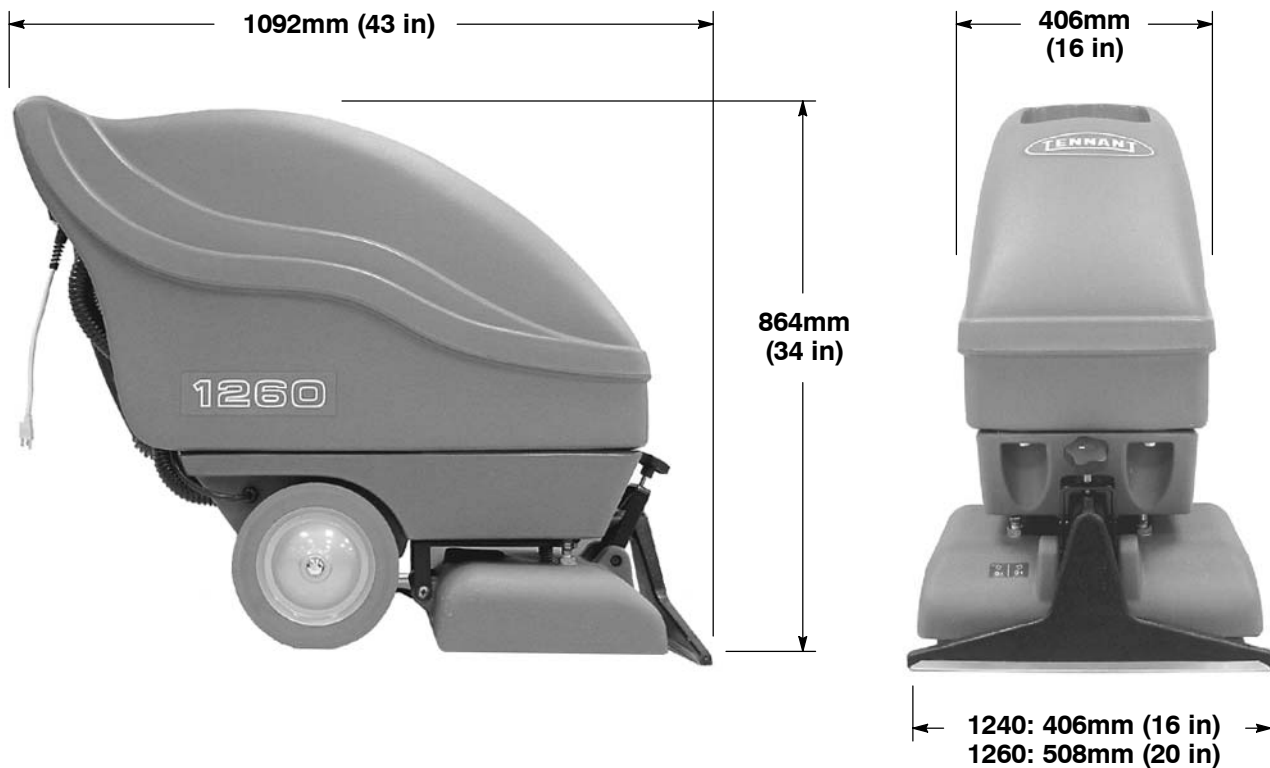
<b>PROBLEM</b>	<b>CAUSE</b>	<b>SOLUTION</b>
Machine does not operate.	Faulty switches or wiring.	Contact Service Center.
	Faulty power cord.	Contact Service Center.
	Building circuit breaker tripped.	Reset breaker.
Solution pump does not operate.	Overheated pump.	Determine cause and wait 20 minutes for pump to cool.
	Faulty solution pump.	Contact Service Center.
	Faulty solenoid.	Contact Service Center.
	Faulty switch.	Contact Service Center.
	Loose or broken wiring.	Contact Service Center.
Vacuum motor does not operate.	Vacuum motor thermal overload tripped.	Check air flow for obstruction, wait 20 minutes for motor to cool.
	Loose or broken wiring.	Contact Service Center.
	Faulty Vacuum/Pump switch.	Contact Service Center.
	Defective vacuum motor.	Contact Service Center.
	Worn carbon brushes.	Replace brushes or call for service.
Brush motor does not operate.	Brush/Spray Triggers not pulled.	Pull Brush/Spray Triggers.
	Brush motor circuit breaker tripped.	Remove brush obstruction OR readjust brush height. Reset brush breaker button at bottom of switch box.
	Faulty brush motor.	Contact Service Center.
	Loose or broken brush belt.	Contact Service Center.
	Faulty switch or wiring.	Contact Service Center.
Poor pick up.	Float shut-off screen is activated.	Drain recovery tank.
	Loose drain hose plug.	Cap drain hose securely.
	Clogged float shut-off screen.	Remove recovery lid and clean float shut-off screen.
	Air leakage around recovery lid.	Re-position recovery lid or replace gaskets.
	Loose vacuum hose connections.	Secure connections.
	Defective vacuum hose.	Replace hose.
	Loose vacuum hose cuffs.	Secure cuffs to hose.
	Damaged, loose or missing pickup head shoes.	Repair or replace pickup head shoes.
	Pulling machine too fast.	Slow down cleaning process.
Uneven or no spray.	Solution tank low or empty.	Refill solution tank.
	Dirty or plugged spray tips and screens.	Clean or replace tips and screens.
	Improper spray tip size or spray angle.	Replace with proper tips.
	Worn spray tips.	Replace spray tips.
	Faulty solution pump.	Contact Service Center.
	Plugged solution tank filter.	Clean filter.
	Pinched or kinked internal solution hoses.	Reroute or replace solution hose.

# OPERATION

## SPECIFICATIONS

Model	1240	1260
LENGTH	1092mm (43 in)	1092mm (43 in)
WIDTH	406mm (16 in)	508mm (20 in)
HEIGHT	864mm (34 in)	864mm (34 in)
WEIGHT	47 Kg (104 lb)	48 Kg (106 lb)
SOLUTION TANK CAPACITY	38L (10 gal)	38L (10 gal)
RECOVERY TANK CAPACITY	55L (14.5 gal)	55L (14.5 gal)
MAXIMUM CLEANING RATE	1951m <sup>2</sup> per hour (2,100 sq. ft)	2415m <sup>2</sup> per hour (2,600 sq. ft.)
BRUSH MOTOR	120V, .25hp, 1.5A, 180W, 1800 rpm	120V, .25hp, 1.5A, 180W, 1800 rpm
BRUSH SPEED	1200 rpm	1200 rpm
SOLUTION PUMP	120V, 6.9bar (100psi), 1A	120V, 6.9bar (100psi), 1A
VACUUM MOTOR	120V, 1.8 hp, 13A, 1560W, 3 stage	120V, 1.8 hp, 13A, 1560W, 3 stage
SEALED WATER LIFT	3.5m (136 in)	3.5m (136 in)
TOTAL POWER CONSUMPTION	120V, 14.5A, 1740W	120V, 14.5A, 1740W
DECIBEL RATING AT OPERATOR'S EAR, INDOORS ON CARPET	78dB(A)	78dB(A)

## MACHINE DIMENSIONS



Este manual se proporciona con cada nuevo modelo. Proporciona instrucciones necesarias de mantenimiento y lista ilustrada de piezas.

**Antes de operar o prestar servicio a la máquina, lea completamente este manual y entienda la máquina.**

Para ordenar piezas use las Listas Ilustradas de las Piezas. Asegúrese de tener listo el número de modelo y de serie de la máquina, antes de ordenar piezas o suministros. Las piezas y suministros pueden ordenarse por teléfono o por correo de cualquier centro autorizado de piezas y servicio, distribuidor o de cualquiera de las subsidiarias del fabricante.

Esta máquina proporcionará un servicio excelente. Sin embargo, los mejores resultados se obtienen a un costo mínimo si:

- La máquina se opera con un cuidado razonable.
- La máquina se mantiene con regularidad, según las instrucciones de mantenimiento provistas.
- La máquina se mantiene con las piezas provistas por el fabricante o equivalentes.

## DATOS DE LA MÁQUINA

Por favor rellene estos datos en el momento de la instalación para utilizarlos como referencia en el futuro.

Nº Modelo- \_\_\_\_\_

Fecha de instal. - \_\_\_\_\_

Nº de serie de la máquina - \_\_\_\_\_



### PROTECCIÓN DEL MEDIO AMBIENTE

Deseche el material de embalaje, los componentes usados de la máquina como las baterías y los líquidos peligrosos como el anticongelante y el aceite, de forma segura para el medio ambiente, de acuerdo con las normativas o disposiciones locales.



No olvide reciclar.

## ÍNDICE

<b>MEDIDAS DE SEGURIDAD</b> .....	<b>14</b>	<b>RECOMENDACIONES PARA EL</b>	
INSTRUCCIONES PARA LA CONEXIÓN A LA		<b>ALMACENAMIENTO</b> .....	<b>22</b>
TOMA DE TIERRA .....	15	<b>LOCALIZACIÓN DE AVERÍAS</b> .....	<b>23</b>
<b>ADHESIVOS DE SEGURIDAD</b> .....	<b>15</b>	<b>ESPECIFICACIONES</b> .....	<b>24</b>
<b>COMPONENTES DE LA MÁQUINA</b> .....	<b>16</b>	<b>DIMENSIONES DE LA MÁQUINA</b> .....	<b>24</b>
<b>INSTALACIÓN DE LA MÁQUINA</b> .....	<b>17</b>	<b>DIAGRAMAS ELECTRICAS</b> .....	<b>38</b>
<b>FUNCIONAMIENTO DE LA MÁQUINA</b> .....	<b>18</b>	<b>LISTA DE PIEZAS</b> .....	<b>40</b>
ANTES DE LA PUESTA EN MARCHA .....	18	CONJ. DEPOSITO RECUPERAR .....	40
LIMPIEZA DE MOQUETAS .....	18	CONJUNTO TELAIO .....	42
DURANTE LA UTILIZACIÓN .....	18	CONJUNTO CONSOLA DE CONTROLES ..	44
LIMPIEZA CON ACCESORIOS .....	19	GRUPO DE LA BASE DEL CEPILLO .....	46
<b>VACIADO DE LOS DEPÓSITOS</b> .....	<b>19</b>	CLASIFICCIÓN DE LA BOMBA .....	48
VACIADO DEL DEPÓSITO DE		<b>OPCIONES</b> .....	<b>49</b>
RECUPERACIÓN .....	19	127mm (5 in) ACCESORIO MANUAL .....	49
VACIADO DE LA DISOLUCIÓN LIMPIADORA		76mm (3 in) ACCESORIO PARA	
SOBRANTE .....	19	HENDIDURAS .....	49
<b>MANTENIMIENTO</b> .....	<b>20</b>	330mm (13 in) ACCESORIO	
MANTENIMIENTO DIARIO .....	20	PARA EL SUELO .....	50
MANTENIMIENTO MENSUAL .....	21	406mm (16 in) ACCESORIO	
MANTENIMIENTO TRIMESTRAL .....	21	PARA EL SUELO .....	52
REVISIÓN DE LA MÁQUINA .....	22	ACCESORIO PARA TAPICERÍA .....	54
<b>ALMACENAMIENTO DE LA MÁQUINA</b> .....	<b>22</b>	MANGUERAS DE DISOLUCIÓN	
		Y ASPIRACIÓN .....	55

---


## MEDIDAS DE SEGURIDAD

---

Esta máquina está destinada únicamente al uso comercial. Está diseñada exclusivamente para limpiar alfombras y tapicerías en interiores y no es adecuada para ningún otro uso. Utilice únicamente los detergentes y accesorios recomendados.

**Todos los operarios deben leer, comprender y cumplir las siguientes medidas de seguridad.**

A lo largo de todo el manual se utilizan los siguientes símbolos de advertencia y apartados "PARA SU SEGURIDAD" descritos a continuación:

 **ADVERTENCIA:** Para advertir sobre riesgos o hábitos peligrosos que podrían causar lesiones corporales graves o fatales.


**PARA SU SEGURIDAD:** Para indicar las operaciones que deben realizarse para una utilización segura del equipo.


---

La no observancia de estas advertencias podría provocar: lesiones personales, riesgo de electrocución, descargas eléctricas, incendios o explosiones:

 **ADVERTENCIA:** No utilice líquidos inflamables o haga funcionar la máquina cerca de líquidos, vapores o materiales inflamables.

 **ADVERTENCIA:** No recoja materiales inflamables ni metales reactivos.

 **ADVERTENCIA:** No utilice la máquina con el cable eléctrico deteriorado. No modifique el enchufe. Desconecte el cable eléctrico antes de revisar la máquina.

 **ADVERTENCIA:** No utilice la máquina al aire libre. No exponga la máquina a la lluvia. Guárdela en un lugar cerrado.

---

**PARA SU SEGURIDAD:**

1. No utilice la máquina:

- Salvo que esté adecuadamente cualificado y autorizado.
- Salvo que haya leído y comprendido el manual del operario
- En lugares con material inflamable o explosivo.

- Si la toma de tierra del cable eléctrico no funciona correctamente.
- Con el cable eléctrico o enchufe en malas condiciones.
- Si la máquina no funciona correctamente.
- Al aire libre.
- Cuando haya agua en el suelo.
- Con el uso de cordones de extensión adicionales. Use sólo el cordón de extensión del fabricante equipado con la máquina que tenga una capacidad apropiada y esté conectado a tierra.

2. Antes de utilizar la máquina:

- Asegúrese de que todos los dispositivos de control se encuentran en su sitio y funcionan correctamente.

3. Al utilizar la máquina:

- No permita que la máquina pase por encima del cable eléctrico.
- No mueva la máquina tirando del cable eléctrico o del enchufe.
- No tire del cable eléctrico cuando se encuentre contra aristas o esquinas.
- Tenga cuidado de no pillar el cable eléctrico al cerrar puertas.
- No desenchufe la máquina tirando del cable eléctrico.
- No intente estirar demasiado el cable eléctrico.
- No toque el enchufe con las manos húmedas.
- Mantenga el cable eléctrico alejado de superficies calientes.
- Informe inmediatamente si la máquina presenta averías o funciona incorrectamente.
- Siga las instrucciones de manipulación y mezcla indicadas en los envases de los productos químicos.

4. Antes de estacionar o revisar la máquina:

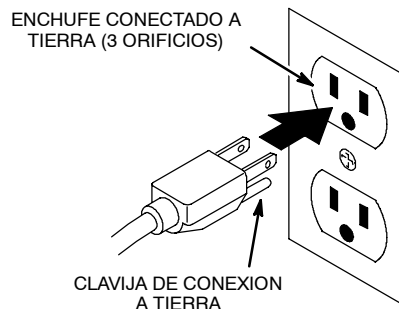
- Apague la máquina.
- Desconecte el cable eléctrico del enchufe de la pared.

5. Al revisar la máquina:

- Desconecte el cable eléctrico del enchufe de la pared.
- Evite las partes en movimiento. No lleve chaquetas, camisas o mangas sueltas.
- Utilice piezas de recambio suministradas o aprobadas por el fabricante.

## INSTRUCCIONES PARA LA CONEXIÓN A LA TOMA DE TIERRA

La máquina debe conectarse a tierra. Si funciona mal o se rompe, la conexión a tierra proporciona un recorrido de menor resistencia para la corriente eléctrica para reducir el riesgo de choque eléctrico. Esta máquina está equipada con un cordón que tiene un conductor de conexión a tierra del equipo y un enchufe de conexión a tierra. El enchufe debe enchufarse en un tomacorrientes apropiado que esté bien instalado de acuerdo con todos los códigos y ordenanzas locales. No extraiga la clavija de conexión a tierra; en caso de faltar, vuelva a colocar el enchufe antes de usar.



## ADHESIVOS DE SEGURIDAD

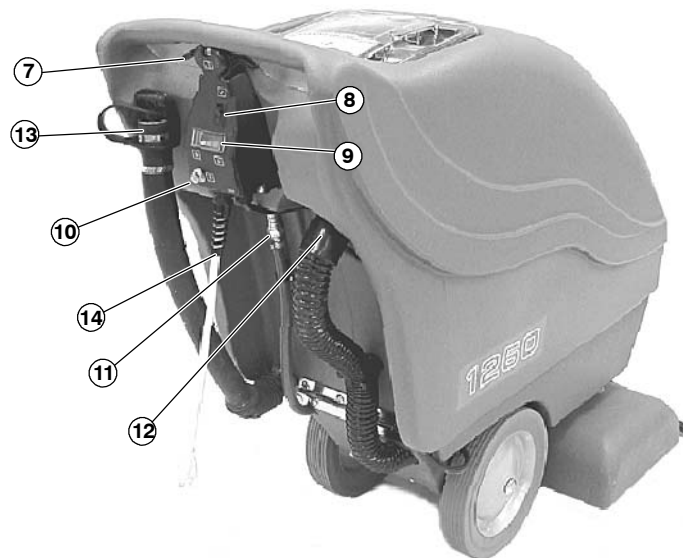
Los adhesivos de seguridad de la máquina se encuentran en los lugares indicados a continuación. Sustituya los adhesivos deteriorados o ilegibles.



⚠ WARNING	⚠ AVERTISSEMENT	⚠ ADVERTENCIA
<p><b>EXPLOSION, FIRE AND SHOCK HAZARD. AVOID INJURY.</b></p> <ul style="list-style-type: none"> <li>• Do Not Use or Pick Up Flammable Materials.</li> <li>• Do Not Use Near Flammable Liquids, Vapors or Combustible Dusts.</li> <li>• Do Not Operate With Damaged Power Cord. Do Not Modify Plug. Unplug Power Cord Before Servicing Machine.</li> <li>• Do Not Use Outdoors. Do Not Expose to Rain. Store Indoors.</li> </ul>	<p><b>RISQUE D'EXPLOSION, D'INCENDIE ET DE DÉCHARGE. ÉVITEZ LES BLESSURES.</b></p> <ul style="list-style-type: none"> <li>• N'utilisez Pas ou Ne Ramassez Pas de Matériaux Inflammables.</li> <li>• N'utilisez Pas Près de Liquides, Vapeurs ou Possibles Inflammables.</li> <li>• N'utilisez Pas la Machine Avec un Cordon d'Alimentation Endommagé. Ne Modifiez Pas la Prise. Débranchez le Cordon d'Alimentation Avant d'Entretenir la Machine.</li> <li>• N'utilisez Pas en Extérieur. N'Exposez Pas à la Pluie. Entrezposez à l'Intérieur.</li> </ul>	<p><b>PELIGRO DE EXPLOSIÓN, FUEGO, DESCARGA EVITE LESIONES.</b></p> <ul style="list-style-type: none"> <li>• No Use o Recoja Materiales Flammables.</li> <li>• No Use Cerca De Líquidos Flammables, Vapores o Materiales Combustibles.</li> <li>• No Use Con Cable De Corriente Dañado. No Altere El Enchufe. Desconecte Cable De Corriente Antes Del Mantenimiento.</li> <li>• No Use Al Aire Libre. No Exponga A La Lluvia. Guarde Bajo Techo.</li> </ul>
1026383		

# OPERACIÓN

## COMPONENTES DE LA MÁQUINA



1. Cabezal del cepillo eléctrico
2. Punta de pulverizador (debajo de la caja de cepillo)
3. Cabezal de recogida
4. Botón de ajuste de la altura del cepillo
5. Tapa del depósito de la disolución
6. Tapa del depósito de recuperación
7. Accionadores de ENCENDIDO/APAGADO de la pulverización/cepillo

8. Interruptor de ENCENDIDO/APAGADO de la aspiración/bomba
9. Indicador de la presión del cepillo
10. Cortacircuitos del cepillo
11. Soporte para el accesorio de la manguera para la disolución.
12. Soporte de la manguera de aspiración del accesorio.
13. Manguera de vaciado
14. Cordón flexible de energía



## INSTALACIÓN DE LA MÁQUINA

1. Compruebe cuidadosamente si la caja de cartón está deteriorada. En caso de que encontrar cualquier desperfecto, informe inmediatamente al transportista. La máquina se entrega totalmente montada y lista para su utilización.
2. Retire la tapa del depósito de la disolución y llene dicho depósito con 10 galones/38 litros de agua caliente, a una temperatura máxima de 140°F/60°C (Figura 1).

**ATENCIÓN:** Utilice cubos diferentes para llenar y vaciar la máquina y evitar que el sistema de la disolución se bloquee.



FIG. 1

**⚠ ADVERTENCIA:** No utilice líquidos inflamables o haga funcionar la máquina cerca de líquidos o vapores o polvos inflamables.

3. Añada la solución limpiadora recomendada. Siga cuidadosamente las instrucciones del envase.

**PARA SU SEGURIDAD:** Siga las instrucciones de mezcla y manipulación indicadas en los envases de los productos químicos cuando utilice la máquina.

**ATENCIÓN:** Si usa el polvo de limpieza, mezcla el polvo con agua antes de agregarlo al tanque.

**NOTA:** Si quiere, también se obtienen excelentes resultados utilizando únicamente agua.

4. Vuelva a instalar la tapa después de la operación de llenado.
5. Conecte a la máquina el cable alargador que se incluye en la misma. Enchufe el cable en una toma de la pared con toma de tierra (Figura 2).

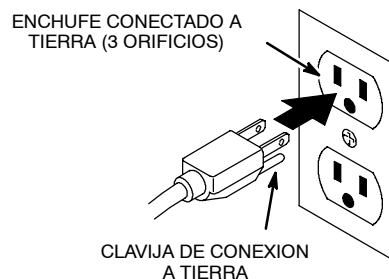


FIG. 2

**PARA SU SEGURIDAD:** No utilice la máquina salvo que el cable eléctrico tenga una toma de tierra que funcione correctamente.

**PARA PROTECCION:** No opere la máquina usando cordones de extensión adicionales. Use sólo el cordón de extensión del fabricante equipado con la máquina que tenga una capacidad apropiada y esté conectado a tierra.

6. Ajuste el cepillo a la altura adecuada. Gire el botón de ajuste de la altura hasta que las cerdas toquen ligeramente la alfombra y, a continuación, gire el botón una vuelta entera. Gire el botón en el sentido de las agujas del reloj para elevarlo y en sentido contrario para bajarlo (Figura 3).



FIG. 3

7. Fije el clip de la correa al cable eléctrico (Figura 4).



FIG. 4

# OPERACIÓN

## FUNCIONAMIENTO DE LA MÁQUINA

**PARA SU SEGURIDAD: No utilice la máquina salvo que haya leído y comprendido el manual de instrucciones.**

### ANTES DE LA PUESTA EN MARCHA

1. Pase el aspirador por la moqueta para eliminar partículas y otros residuos.
2. Compruebe si el cable eléctrico está deteriorado. Sustitúyalo si está deteriorado.

### LIMPIEZA DE MOQUETAS

**⚠ ADVERTENCIA: No recoja materiales inflamables ni metales reactivos.**

1. Encienda el interruptor de aspiración/de la bomba.

**NOTA:** La pulverización de disolución se activa al tirar de los accionadores del cepillo/de la pulverización.

2. Para comenzar la operación de limpieza, tire de los accionadores y empuje lentamente la máquina hacia atrás con una velocidad aproximada de 3 m (10 pies) por 15 seg. (Figura 5).



FIG. 5

3. Suelte el gatillo al fin de la trayectoria y continúe estirando la máquina para tras por unos 30 centrimetros (12 pulgadas) para recoger el liquido en exceso.
4. Incline la máquina hacia atrás y empújela hacia delante para comenzar con la siguiente pista de limpieza.

### DURANTE LA UTILIZACIÓN

1. Observe el indicador de presión del cepillo y, en caso necesario, ajuste dicha presión con el botón de ajuste de la presión. El indicador de presión debe encontrarse SIEMPRE en la zona verde. Gire el botón en sentido contrario al de las agujas del reloj para incrementar la presión del cepillo y en sentido contrario para reducirla (Figura 6).

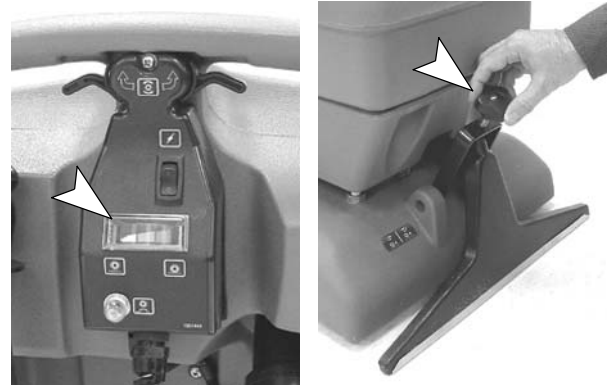


FIG. 6

**ATENCIÓN: Para prevenir que el motor del cepillo sea recargado, no opere la caja de presión del cepillo bajo la zona color rojo.**

2. Haga que las pistas de limpieza se superpongan 2"/5 cm.
3. Comience la limpieza desde la pared a la que está enchufada la máquina y vaya alejándose de dicha pared para evitar el deterioro del cable eléctrico.
4. Controle si existe formación excesiva de espuma en el depósito de recuperación. Utilice una disolución recomendada para controlar la formación de espuma y evitar averías del motor.

**ATENCIÓN: La excesiva formación de espuma evitará que el filtro de cierre del flotador se active. Esto podría causar la avería del motor de aspiración.**

5. Si el cepillo se detiene, es posible que se haya activado el cortacircuitos. Desenchufe el cable eléctrico, controle si el cepillo está bloqueado O suba más el cepillo. Para reanudar la operación de limpieza, pulse el botón de reajuste situado en la caja de interruptores.
6. En zonas especialmente sucias, pase varias veces la máquina por la pista de limpieza.
7. Vacíe el depósito de recuperación cuando se detenga la recuperación de agua o cuando el depósito de disolución se vacíe (VACIADO DE LOS DEPÓSITOS).

## LIMPIEZA CON ACCESORIOS

1. Desconecte la manguera de aspiración del tubo de entrada y sustitúyala por la manguera de aspiración accesoria. Conecte la manguera accesoria de la disolución al acoplamiento rápido situado debajo del asa (Figura 7).

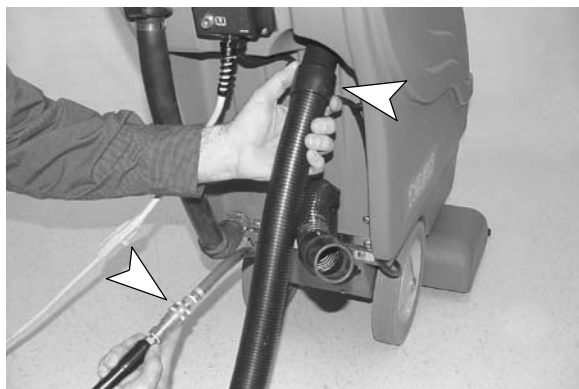


FIG. 7

2. Acople el accesorio que desee utilizar a las mangueras.
3. Encienda el interruptor de aspiración/de la bomba.
4. Utilice los accesorios como lo haría normalmente (Figura 8).

**NOTA:** Al limpiar tapicerías, compruebe siempre las instrucciones de limpieza del fabricante que se encuentran cosidas al mueble.



FIG. 8

5. Después de la limpieza, libere la presión del agua del accesorio antes de desconectar la manguera. Apriete el mando durante cinco segundos después de apagar todos los interruptores.

## VACIADO DE LOS DEPÓSITOS

**PARA SU SEGURIDAD:** Al revisar la máquina, desconecte el cable eléctrico del enchufe de la pared.

**ATENCIÓN:** Utilice cubos diferentes para llenar y vaciar la máquina y evitar que el sistema de la disolución se bloquee.

## VACIADO DEL DEPÓSITO DE RECUPERACIÓN

1. Apague la máquina y desenchufe el cable eléctrico.
2. Gire el tapón de la manguera de vaciado en sentido contrario al de las agujas del reloj y retírelo (Figura 9).



FIG. 9

3. Después de la operación de vaciado, cierre bien el tapón de la manguera de vaciado.

## VACIADO DE LA DISOLUCIÓN LIMPIADORA SOBRENTE

1. Desconecte la manguera de aspiración del tubo de entrada y sustitúyalo por la manguera de aclarado de 1,4m (4.5 pies), suministrados con la máquina. (Figura 10).



FIG. 10

# OPERACIÓN

2. Encienda el interruptor de aspiración/de la bomba.
3. Retire la tapa del depósito de la disolución y aspire la disolución sobrante.
4. Vacíe el depósito de recuperación.

## MANTENIMIENTO

Para mantener la máquina en buenas condiciones de funcionamiento bastará realizar las operaciones de mantenimiento diarias, semanales o mensuales de la máquina

**PARA SU SEGURIDAD: Al revisar la máquina, desconecte el cable eléctrico del enchufe de la pared.**

### MANTENIMIENTO DIARIO (Cada 4 horas de utilización)

1. Vacíe y aclare bien el depósito de recuperación (Figura 11).



FIG. 11

2. Extraiga y limpie el filtro del flotador cierre situado en el depósito de recuperación (Figura 12).



FIG. 12

3. Inspeccione el patrón del pulverizador para asegurar que no este tapado. En caso de que se tape, remueva las puntas del pulverizador y la mampara y remojadlos en ácido acético por unas 6 horas. Para prevenir daño a las puntas del pulverizador, no use objetos con punta para remover las puntas (Figura 13).

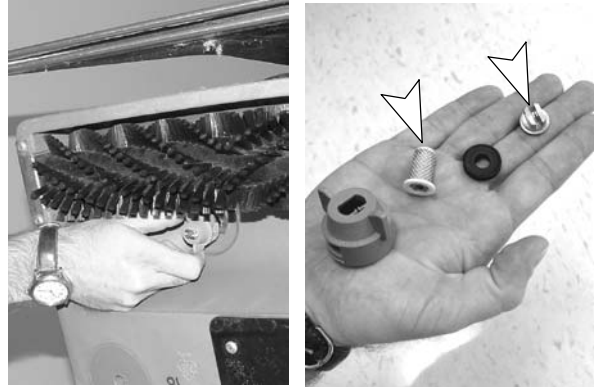


FIG. 13

4. Extraiga aspirando la disolución que pueda quedar en el depósito de disolución (Figura 14).



FIG. 14

5. Extraiga y aclare el filtro del depósito de disolución (Figura 15).

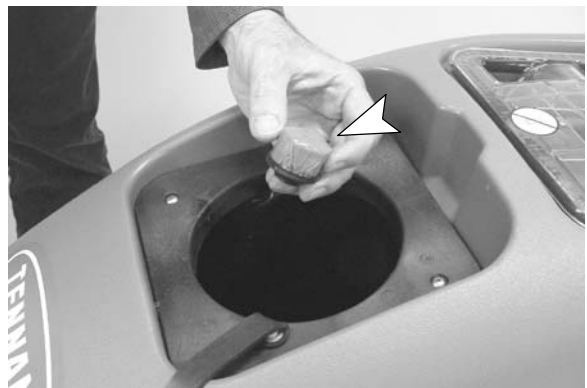


FIG. 15

6. Retire las fibras de moqueta y restos que pueda haber enredados en el cepillo (Figura 16).



FIG. 16

7. Retire los restos que puedan bloquear el cabezal de recogida (Figura 17).



FIG. 17

8. Inspeccione la condición de las herraduras de acero. Para lograr el mejor desempeño de las herraduras de acero, estos deben tocar al piso a lo largo de la cabeza de la máquina. Repare o reemplace estas herraduras cuantas veces sea requerido.
9. Controle si el cable o su soporte están deteriorados, sustitúyalos si mostraran deterioro. Guarde el cable enrollado después de cada uso.
10. Limpie la máquina con un limpiador no abrasivo que no contenga disolventes (Figura 18).



FIG. 18

## MANTENIMIENTO MENSUAL (Cada 80 horas de utilización)

1. Aclare el sistema de la bomba con una solución de ácido acético para disolver las acumulaciones normales de productos alcalinos.

**PARA SU SEGURIDAD: Siga las instrucciones de mezcla y manipulación indicadas en los envases de los productos químicos cuando utilice la máquina.**

- a. Mezcle 16 oz./,5 litros de solución de ácido acético con 2 gal/7,5 litros de agua caliente (temperatura máxima: 140°F/60°C) y viértala en el depósito de la disolución.
  - b. Encienda el interruptor de aspiración/de la bomba.
  - c. Sitúe el cabezal del cepillos sobre el desagüe y haga funcionar la máquina durante 1 minuto.
  - d. Apague la máquina y deje que la solución restante actúe durante la noche y disuelva las acumulaciones alcalinas.
  - e. Al día siguiente, pulverice el resto de la disolución y aclare el sistema con 3 gal/11 l de agua limpia.
2. Lubrique las ruedas con aceite impermeable.
  3. Controle si la máquina presenta fugas de agua.
  4. Controle si los tornillos de la máquina están sueltos.

## MANTENIMIENTO TRIMESTRAL (Cada 250 horas de utilización)

Controle el desgaste de los cepillos de carbón del motor de aspiración. Sustituya los cepillos cuando la longitud de sus cerdas sea igual o inferior a 3/8"/1 cm debido al desgaste.

# OPERACIÓN

## REVISIÓN DE LA MÁQUINA

El diseño de la máquina permite abrirla y acceder a los componentes internos para su reparación.

**⚠ ADVERTENCIA:** Desconecte el cable eléctrico antes de revisar la máquina.

**PARA SU SEGURIDAD:** Utilice piezas de recambio suministradas o aprobadas por TENNANT.

1. Retire los dos pernos hexagonales del delantero de la máquina utilizando una llave de 9/16".

**ATENCIÓN:** Asegúrese de que los depósitos estén vacíos antes de abrirlos.

2. Abra el depósito desplazándolo hacia atrás y alejándolo del chasis (Figura 19).



FIG. 19

3. Mantenga sus dedos fuera y cuidar de no pellizcar o arrugar las mangueras y alambrado interno de la máquina. Reemplace y apreté los cerrojos.

## LOCALIZACIÓN DE AVERÍAS

PROBLEMA	CAUSA	SOLUCIÓN
La máquina no funciona.	Cableado o interruptores averiados.	Contactar con el Servicio Técnico
	Cable eléctrico defectuoso.	Contactar con el Servicio Técnico
	Cortacircuitos del edificio activado.	Reajustar el cortacircuitos.
La bomba de la disolución no funciona.	Sobrecalentamiento de la bomba.	Determinar la causa y esperar 20 minutos a que la bomba se enfríe.
	Bomba de la disolución defectuosa.	Contactar con el Servicio Técnico
	Solenoides defectuosos.	Contactar con el Servicio Técnico
	Interruptor defectuoso	Contactar con el Servicio Técnico
	Cables rotos o sueltos.	Contactar con el Servicio Técnico

## ALMACENAMIENTO DE LA MÁQUINA

1. Antes de guardar la máquina, asegúrese de aclarar y vaciar todo el agua de los depósitos de la máquina.
2. Guarde la máquina en posición vertical en un sitio seco con el cepillo levantado, sin que toque el suelo.
3. Retire la tapa de recuperación para facilitar la circulación de aire.

**⚠ ADVERTENCIA:** No exponga la máquina a la lluvia. Guárdela en un lugar cerrado.

**ATENCIÓN:** Si guarda la máquina a temperaturas iguales o inferiores a 0°C, asegúrese de que la máquina, la bomba y el sistema de pulverización están totalmente vacíos y secos.

## RECOMENDACIONES PARA EL ALMACENAMIENTO

Consulte la sección de Lista de Repuestos para ver que productos son los recomendados. Los elementos de almacén están claramente identificados con una marca colocada delante de la descripción de la pieza. Consulte el siguiente ejemplo:

Ref.	Part No.	Description	Qty.
1	701193	ASM., STANDPIPE	1
2	180613	● FLOAT, SHUTOFF	1
3	230197	● NIPPLE	1
4	101714	● GASKET	1
5	210240	● NUT, FLANGED	1

**LOCALIZACIÓN DE AVERÍAS - CONTINUADO**

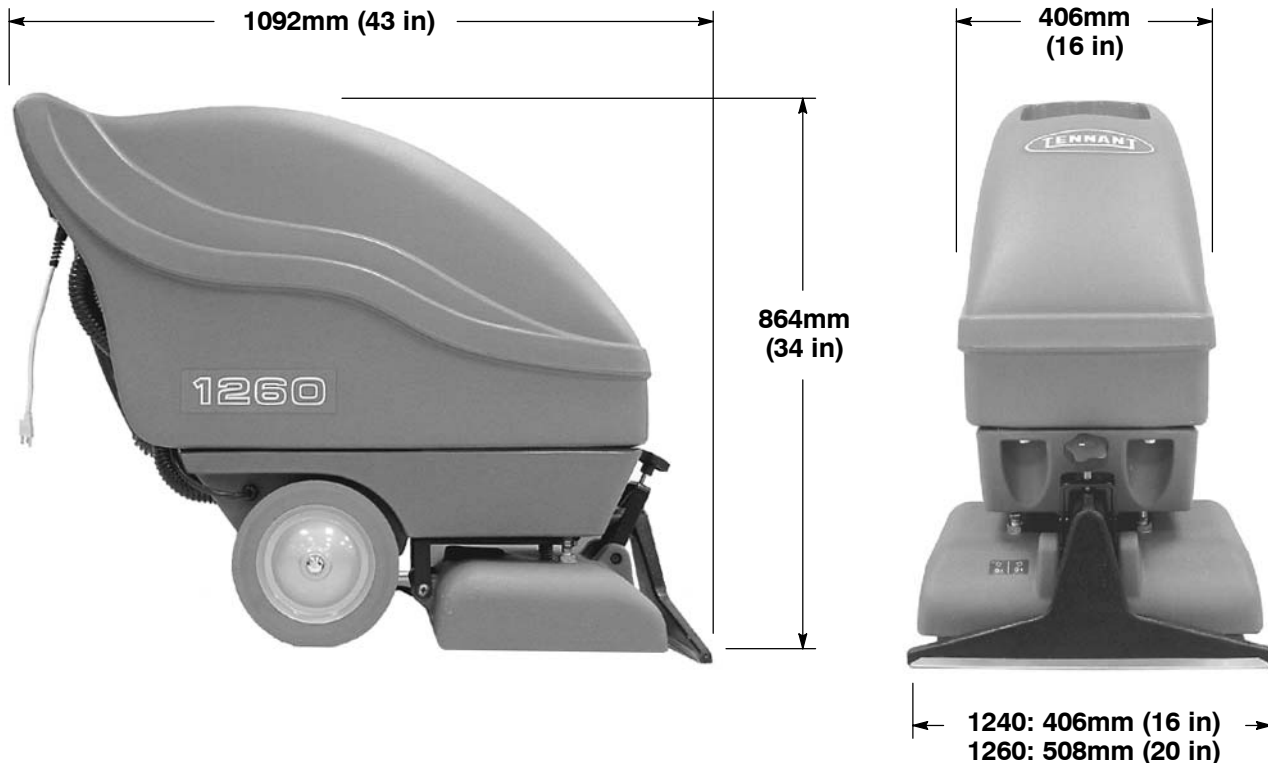
<b>PROBLEMA</b>	<b>CAUSA</b>	<b>SOLUCIÓN</b>
Motor de aspiración no funciona.	Sobrecarga térmica del motor de aspiración	Controlar si está bloqueado el flujo de aire, esperar 20 minutos a que el motor se enfríe.
	Cables rotos o sueltos.	Contactar con el Servicio Técnico
	Interruptor de aspiración / de la bomba defectuoso.	Contactar con el Servicio Técnico
	Motor de aspiración averiado.	Contactar con el Servicio Técnico
	Cepillos de carbón gastados.	Sustituir los cepillos o llamar al servicio técnico.
El motor del cepillo no funciona.	No se ha tirado de los accionadores del cepillo.	Tirar de los accionadores del cepillo/pulverización.
	Cortacircuitos del motor del cepillo activado.	Retirar la obstrucción del cepillo o reajustar la altura del cepillo. Reajustar el botón del cortacircuitos del cepillo de la caja de interruptores.
	Motor del cepillo defectuoso.	Contactar con el Servicio Técnico
	Correa del cepillo floja o rota.	Contactar con el Servicio Técnico
	Cableado o interruptor averiados.	Contactar con el Servicio Técnico
Recogida insuficiente.	Es activado la mampara de flotar.	Tanque de recobro desaguadero.
	Tapón de la manguera de vaciado mal cerrado.	Cierre bien el tapón de la manguera de vaciado.
	Filtro del flotador de cierre bloqueado.	Retire la tapa de recuperación y limpie el filtro del flotador de cierre.
	Fuga de aire alrededor de la tapa de recuperación.	Colocar de nuevo la tapa de recuperación o sustituir las juntas.
	Conexiones de la manguera de aspiración sueltas.	Fijar bien las conexiones.
	Manguera de aspiración defectuosa.	Sustituir la manguera
	Conexiones de la manguera de aspiración sueltas.	Fijar bien las conexiones a la manguera.
	Herraduras dañados, sueltos o desaparecidos.	Repáre o reemplace herraduras.
	La máquina se desplaza demasiado rápido.	Reduzca la velocidad de la operación de limpieza.
Pulverización irregular o inexistente.	Nivel del depósito de la disolución bajo o vacío.	Rellenar el depósito de la disolución.
	Puntas pulverizadores y mamparas sucias o tapados.	Limpie o reemplace las puntas y mamparas.
	Tamaño o ángulo de la punta de pulverización incorrectos.	Sustituir por las puntas correctas.
	Puntas de pulverización gastadas.	Sustituir las puntas de pulverización.
	Bomba de la disolución defectuosa.	Contactar con el Servicio Técnico
	Filtro del depósito de la disolución bloqueado.	Limpiar filtro.
	Mangueras o alambrados pellizcados o arrugados.	Reemplace o cambie la ruta de la manguera de solución.

# OPERACIÓN

## ESPECIFICACIONES

Modelo	1240	1260
LONGITUD	1092mm (43 in)	1092mm (43 in)
ANCHURA	406mm (16 in)	508mm (20 in)
ALTURA	864mm (34 in)	864mm (34 in)
PESO	47 Kg (104 lb)	48 Kg (106 lb)
CAPACIDAD DEL DEPÓSITO DE LA DISOLUCIÓN	38L (10 gal)	38L (10 gal)
CAPACIDAD DEL DEPÓSITO DE RECUPERACIÓN	55L (14.5 gal)	55L (14.5 gal)
VELOCIDAD MÁXIMA DE LIMPIEZA	2,100 sq. ft./1951m <sup>2</sup> por hora	2,600 sq. ft./2415m <sup>2</sup> por hora
MOTOR DEL CEPILLO	120V, .25hp, 1.5A, 180W, 1800 rpm	120V, .25hp, 1.5A, 180W, 1800 rpm
VELOCIDAD DEL CEPILLO	1200 rpm	1200 rpm
BOMBA DE LA DISOLUCIÓN	120V, 6.9bar (100psi), 1A	120V, 6.9bar (100psi), 1A
MOTOR DE ASPIRACIÓN	120V, 1.8 hp, 13A, 1560W, 3 stage	120V, 1.8 hp, 13A, 1560W, 3 stage
ELEVACIÓN SELLADA DE AGUA	3.5m (136 in)	3.5m (136 in)
POTENCIA TOTAL	120V, 14.5, 1740W	120V, 14.5, 1740W
DECIBELIOS A LA ALTURA DEL OPERARIO EN RECINTO CERRADO CON SUELO ENMOQUETADO.	78dB(A)	78dB(A)

## DIMENSIONES DE LA MÁQUINA





Ce manuel est fourni avec chaque nouveau modèle. Il fournit les instructions nécessaires au fonctionnement et à l'entretien.

**Lisez complètement ce manuel et familiarisez-vous avec la machine avant de l'utiliser ou de l'entretenir.**

Une liste complète de pièces détachées avec illustrations accompagne également chaque nouveau modèle. Utilisez la liste de pièces détachées pour commander des pièces de rechange. Avant de commander des pièces ou des fournitures, soyez sûr d'avoir avec vous le numéro de modèle de la machine et le numéro de série. Les pièces et les fournitures se commandent par téléphone ou par courrier auprès de tout centre de dépannage agréé, de tout distributeur ou de l'une des filiales du fabricant.

Cette machine vous fournira d'excellents services. Toutefois, vous obtiendrez les meilleurs résultats pour un prix de revient minimum si:

- La machine est manipulée avec un certain soin.
- La machine fait l'objet d'un entretien régulier conformément aux instructions d'entretien de ce manuel.
- L'entretien de la machine est effectué avec des pièces fournies par le fabricant ou des pièces équivalentes.

## DONNÉES DE LA MACHINE

A remplir au moment de l'installation à titre de référence.

Modèle n° \_\_\_\_\_

Date d'installation - \_\_\_\_\_

N° série - \_\_\_\_\_



### PROTECTION DE L'ENVIRONNEMENT

Veillez éliminer les matériaux d'emballage, les composants d'anciennes machines comme les batteries, les fluides dangereux tels que l'antigel ou l'huile, d'une manière sûre au point de vue environnemental, suivant la réglementation locale en vigueur en matière d'élimination des déchets.



N'oubliez pas de toujours recycler.

## TABLE DES MATIÈRES

<b>MESURES DE SÉCURITÉ</b> .....	<b>26</b>	<b>ENTREPOSAGE DE LA MACHINE</b> .....	<b>34</b>
INSTRUCTIONS DE MISE À LA TERRE ...	27	<b>PIECES DE STOCK RECOMMANDEES</b> .....	<b>34</b>
<b>ÉTIQUETTES DE MISE EN GARDE</b> .....	<b>27</b>	<b>DEPISTAGE DES PANNES</b> .....	<b>35</b>
<b>COMPOSANTS DE LA MACHINE</b> .....	<b>28</b>	<b>CARACTERISTIQUES TECHNIQUES</b> .....	<b>36</b>
<b>REGLAGE DE LA MACHINE</b> .....	<b>29</b>	<b>DIMENSIONS DE LA MACHINE</b> .....	<b>37</b>
<b>UTILISATION DE LA MACHINE</b> .....	<b>30</b>	<b>SYSTÈM ÉLECTRIQUE</b> .....	<b>38</b>
OPERATIONS PRELIMINAIRES .....	30	<b>LISTE DES PIÈCES</b> .....	<b>40</b>
NETTOYAGE DES MOQUETTES .....	30	GROUPE RESERVOIR DE RECUPERATION	40
PENDANT LE FONCTIONNEMENT .....	30	GROUPE DU CHASSIS .....	42
NETTOYAGE AVEC LES INSTRUMENTS ..	31	GROUPE TABLEAU DE COMMANDE .....	44
<b>VIDANGE DES RESERVOIRS</b> .....	<b>31</b>	GROUPE LOGEMENT DE BROSSE .....	46
VIDANGE DU RESERVOIR		ENSEMBLE DE LA BROSSE .....	48
DE RECUPERATION .....	31	<b>ÉQUIPEMENT AU CHOIX</b> .....	<b>49</b>
VIDANGE DE LA SOLUTION NETTOYANTE		OUTIL A MAIN, 127 mm (5 in) .....	49
RESTANTE .....	31	OUTIL POUR FISSURES, 76 mm (3 in) .....	49
<b>ENTRETIEN</b> .....	<b>32</b>	330mm (13 in) OUTIL DE SOL .....	50
ENTRETIEN QUOTIDIEN .....	32	406mm (16 in) OUTIL DE SOL .....	52
ENTRETIEN MENSUEL .....	33	TAPICERÍA BAJA PRESIÓN .....	54
ENTRETIEN TRIMESTRIEL .....	33	TUYAUX DE SOLUTION ET D'EXTRACTION	55
ENTRETIEN DE LA MACHINE: .....	33		

---

## MESURES DE SÉCURITÉ

---

Cette machine est conçue pour un usage commercial. Elle est destinée exclusivement au nettoyage des moquettes et tissus d'ameublement dans un environnement intérieur et ne convient pas à un quelconque autre usage. Utilisez uniquement des accessoires et des produits nettoyants pour moquettes disponibles dans le commerce, prévus pour l'utilisation de la machine.

Tous les opérateurs sont tenus de lire et comprendre les consignes de sécurité suivantes et de se familiariser avec celles-ci.


Le symbole de mise en garde suivant et l'en-tête « POUR VOTRE SECURITE » sont utilisés tout au long de ce manuel comme indiqué dans leur description :


 **MISE EN GARDE** : identifie la présence de dangers ou les opérations dangereuses susceptibles de blesser grièvement ou de provoquer la mort.


**POUR VOTRE SECURITÉ** : identifie les instructions qui doivent être suivies afin de garantir la sécurité lors de l'utilisation de l'équipement.

---

Le fait de ne pas respecter ces avertissements peut entraîner des blessures, un choc électrique, un incendie ou une explosion.

 **MISE EN GARDE**: N'utilisez jamais de liquides inflammables ou n'utilisez pas la machine dans ou près de liquides ou vapeurs inflammables ou de poussières combustibles.

 **MISE EN GARDE**: Ne ramassez pas de matériaux inflammables ou de métaux réactifs.

 **MISE EN GARDE** : danger électrique. N'utilisez pas la machine avec un cordon d'alimentation endommagé. Ne modifiez pas la prise. Débranchez le cordon d'alimentation avant d'entretenir la machine.

 **MISE EN GARDE** : Point de coincement du vérin. Restez hors de portée de la zone de levage de la tête.

---

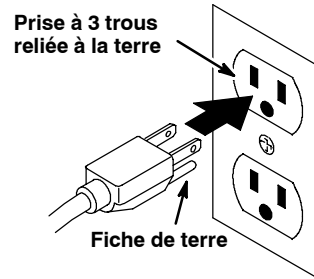
Les signaux d'information ci-après indiquent les situations potentiellement dangereuses pour l'opérateur ou l'équipement:

## POUR VOTRE SECURITÉ:

1. N'utilisez pas la machine:
  - Si vous n'y êtes pas formé et autorisé.
  - Avant d'avoir lu et compris le manuel opérateur.
  - Dans des zones inflammables ou comportant des risques d'explosion.
  - Si le cordon n'est pas correctement relié à la terre.
  - Avec des cordons ou prises endommagés.
  - Si elle n'est pas en bon état de marche.
  - À l'extérieur.
  - Dans l'eau stagnante.
  - Avec des rallonges de cordons supplémentaires. Utilisez uniquement les rallonges de cordons équipées avec la machine ; celles-ci possèdent la capacité adéquate et sont reliées à la terre.
2. Avant d'utiliser la machine:
  - Assurez-vous que tous les dispositifs de sécurité se trouvent à leur place et fonctionnent correctement.
3. Lors de l'utilisation de la machine:
  - Ne roulez pas sur le cordon avec l'appareil.
  - Ne tirez pas la machine par la prise ou le cordon.
  - Ne tirez pas le cordon près des bords ou des coins vifs.
  - Ne fermez pas de portes sur le cordon.
  - Ne débranchez pas l'appareil en tirant sur le cordon.
  - N'étirez pas le cordon.
  - Ne manipulez pas la prise avec des mains mouillées.
  - Éloignez le cordon des surfaces chaudes.
  - Signalez immédiatement tout dommage occasionné à la machine ou tout mauvais fonctionnement.
  - Suivez les instructions de mélange et de manipulation indiquées sur les conteneurs chimiques.
4. Avant de quitter ou d'entretenir la machine:
  - Coupez le contact de la machine.
  - Débranchez le cordon de la prise murale.
5. Lors de l'entretien de la machine :
  - Débranchez le cordon de la prise murale.
  - Évitez les pièces mobiles. Ne portez pas de veste ou de chemise large ou de manches amples.
  - Utilisez des pièces de rechanges fournies ou agréées par le fabricant.

## INSTRUCTIONS DE MISE À LA TERRE

La machine doit être mise à la terre. En cas de dysfonctionnement ou de panne, la mise à la terre offre une voie de moindre résistance au courant électrique, afin de réduire le risque de décharge électrique. Cette machine est équipée d'un cordon muni d'un conducteur de terre principale et d'une fiche avec mise à la terre. La fiche doit être branchée sur une prise appropriée montée correctement, conformément aux réglementations et codes en vigueur au niveau local. Ne supprimez pas la fiche de mise à la terre ; si celle-ci manque, remplacez la prise avant d'utiliser la machine.



## ÉTIQUETTES DE MISE EN GARDE

L'étiquette de mise en garde apparaît sur la machine à l'emplacement indiqué. Remplacez l'étiquette lorsqu'elle est endommagée ou qu'elle devient illisible.



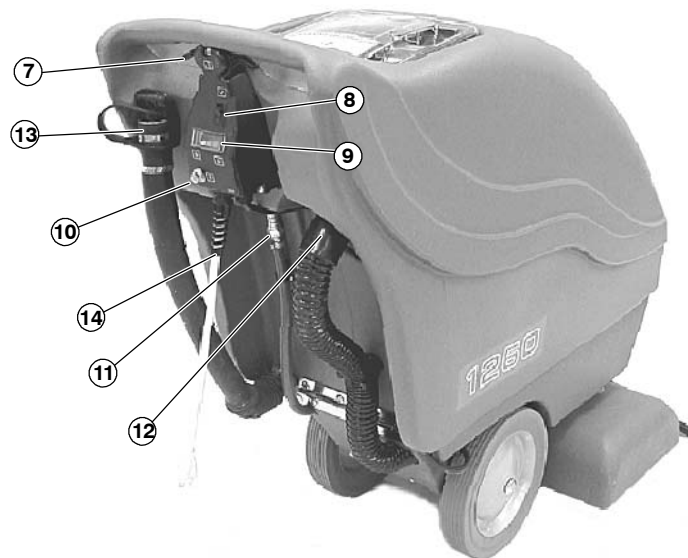
	<b>⚠ WARNING</b>	<b>⚠ AVERTISSEMENT</b>	<b>⚠ ADVERTENCIA</b>
	<b>EXPLOSION, FIRE AND SHOCK HAZARD. AVOID INJURY.</b>	<b>RISQUE D'EXPLOSION, D'INCENDIE ET DE DÉCHARGE. ÉVITEZ LES BLESSURES.</b>	<b>PELIGRO DE EXPLOSIÓN, FUEGO, DESCARGA EVITE LESIONES.</b>
	<ul style="list-style-type: none"> <li>• Do Not Use or Pick Up Flammable Materials.</li> <li>• Do Not Use Near Flammable Liquids, Vapors or Combustible Dusts.</li> <li>• Do Not Operate With Damaged Power Cord. Do Not Modify Plug. Unplug Power Cord Before Servicing Machine.</li> <li>• Do Not Use Outdoors. Do Not Expose to Rain. Store Indoors.</li> </ul>	<ul style="list-style-type: none"> <li>• N'utilisez Pas ou Ne Ramassez Pas de Matériaux Inflammables.</li> <li>• N'utilisez Pas Près de Liquides, Vapeurs ou Poussières Inflammables.</li> <li>• N'utilisez Pas la Machine Avec un Cordon d'Alimentation Endommagé. Ne Modifiez Pas la Prise. Débranchez le Cordon d'Alimentation Avant d'Entretenir la Machine.</li> <li>• N'utilisez Pas en Extérieur. N'Exposez Pas à la Pluie. Entrezposez à l'intérieur.</li> </ul>	<ul style="list-style-type: none"> <li>• No Use Or Recoja Materiales Flammables, Vapores O Materiales Combustibles.</li> <li>• No Use Con Cable De Corriente Dañado. No Altare El Enchufe. Desconecte Cable De Corriente Antes Del Mantenimiento.</li> <li>• No Use Al Aire Libre. No Exponga A La Lluvia. Guarde Bajo Techo.</li> </ul>
			1028383

# FONCTIONNEMENT

---

## COMPOSANTS DE LA MACHINE

---



1. Tête de la brosse haute puissance
2. Gicleurs (Sous le carter de brosse)
3. Tête de ramassage
4. Bouton de réglage de la hauteur de la brosse
5. Couvercle du réservoir de solution
6. Couvercle du réservoir de récupération
7. Commutateur Marche/Arrêt Brosse/Déclencheurs
8. Interrupteur Marche/Arrêt d'extracteur/pompe

9. Indicateur de pression des brosses
10. Coupe-circuit de la brosse
11. Crochet d'attache du tuyau de solution de l'accessoire
12. Crochet d'attache du tuyau d'aspiration de l'accessoire
13. Tuyau de vidange
14. Toron de raccordement d'alimentation

## REGLAGE DE LA MACHINE

1. Vérifiez soigneusement si le carton ne présente pas de dommages. Signalez immédiatement tout dommage au transporteur. La machine est expédiée montée et prête à l'emploi.
2. Enlevez le couvercle du réservoir de solution et remplissez le réservoir de 38 litres (10 gal) d'eau chaude d'une température de 60 °C (140°F) maximum (Figure 1).

**ATTENTION: Utilisez différents seaux pour remplir et pour vider la machine, afin d'éviter l'obstruction du système de solution.**



FIG. 1

**⚠ MISE EN GARDE: N'utilisez jamais de liquides inflammables ou n'utilisez pas la machine dans ou près de liquides ou vapeurs inflammables ou de poussières combustibles.**

3. Ajoutez la solution de nettoyage recommandée. Suivez scrupuleusement les instructions de dosage figurant sur le flacon.

**POUR VOTRE SECURITE: Quand vous utilisez la machine, suivez les instructions de mélange et de manipulation indiquées sur les conteneurs chimiques.**

**ATTENTION: Si vous utilisez des produits d'entretien en poudre, mélangez avant d'ajouter.**

**REMARQUE: Si vous le souhaitez, utilisez de l'eau uniquement : vous obtiendrez un excellent résultat.**

4. Remettez le couvercle fermement après le remplissage.

5. Branchez le cordon d'alimentation de 15m à la machine; ensuite, branchez le cordon dans une prise murale de terre (Figure 2).

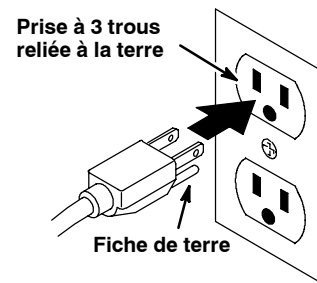


FIG. 2

**POUR VOTRE SECURITE: N'utilisez la machine que si le câble est correctement relié à la terre.**

**POUR VOTRE SECURITÉ : N'utilisez pas la machine avec des rallonges de câbles supplémentaires. Utilisez uniquement les rallonges de cordons équipées avec la machine ; celles-ci possèdent la capacité adéquate et sont reliées à la terre.**

6. Réglez la brosse à la bonne hauteur. Tournez le bouton de réglage de la hauteur en faisant pivoter la brosse jusqu'à ce que les poils soient en contact avec la moquette, puis, tournez le bouton d'un demi-tour supplémentaire. Tournez le bouton dans le sens des aiguilles d'une montre pour relever la brosse et tournez-le dans le sens contraire des aiguilles d'une montre pour la rabaisser (Figure 3).



FIG. 3

# FONCTIONNEMENT

7. Fixez l'attache de ceinture au cordon d'alimentation (Figure 4).



FIG. 4

## UTILISATION DE LA MACHINE

**POUR VOTRE SECURITE: N'utilisez la machine qu'après avoir lu et compris le manuel opérateur.**

### OPERATIONS PRELIMINAIRES

1. Aspirez la moquette pour enlever les particules et les autres débris.
2. Vérifiez si le cordon d'alimentation n'est pas endommagé.

### NETTOYAGE DES MOQUETTES

**⚠ MISE EN GARDE: Ne ramassez pas de matériaux inflammables ou de métaux réactifs.**

1. Activez l'interrupteur de l'extracteur/de la pompe.

**REMARQUE:** Le système de diffusion de la solution n'est pas activé tant que le bouton de la brosse/de diffusion n'est pas enfoncé.

2. Pour commencer le nettoyage, appuyez sur le bouton et tirez lentement la machine vers l'arrière à une allure d'environ 3m (10 ft.) par 15 secondes (Figure 5)



FIG. 5

3. Relâchez le bouton à la fin du couloir et continuez à tirer la machine vers l'arrière d'environ 30cm (12in), pour ramasser l'excédent de solution.
4. Faites basculer la machine sur l'arrière et poussez-la vers l'avant pour commencer à nettoyer le couloir suivant.

### PENDANT LE FONCTIONNEMENT

1. Examinez l'indicateur de pression de brossage et ajustez le cas échéant le bouton de réglage de la pression de brossage. Utilisez la pression de brossage **UNIQUEMENT** dans la zone verte. Tournez le bouton dans le sens contraire des aiguilles d'une montre pour augmenter la pression de brossage et dans le sens des aiguilles d'une montre pour la diminuer (Figure 6).

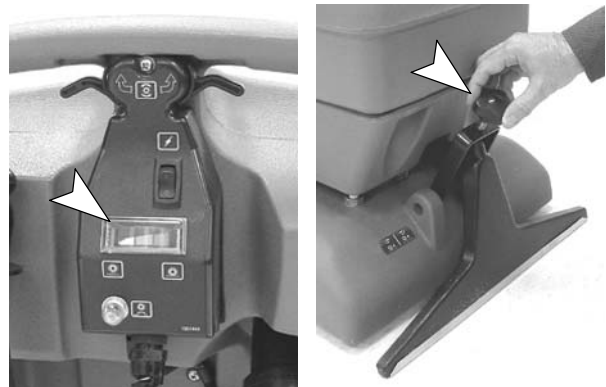


FIG. 6

**ATTENTION : Pour éviter une surcharge du moteur de la brosse, n'utilisez pas la machine lorsque l'aiguille indiquant la pression de brossage se trouve dans la zone rouge.**

2. Laissez les traces se chevaucher de 5cm (2 in).
3. Restez à l'écart de la prise murale et du cordon d'alimentation pour éviter d'endommager le cordon d'alimentation.
4. Vérifiez qu'une quantité importante de mousse ne s'est pas formée dans le réservoir de récupération. Utilisez un désémulsifiant recommandé pour prévenir tout dommage du moteur.

**ATTENTION : Une accumulation excessive de mousse empêche l'activation du filtre d'arrêt à flotteur. Ceci peut endommager le moteur de l'extracteur.**

5. Un arrêt de la brosse peut signifier que le coupe-circuit a sauté. Débranchez le cordon d'alimentation, vérifiez si la brosse n'est pas obstruée OU relevez la hauteur de la brosse. Appuyez sur le bouton de réenclenchement qui se trouve sous la boîte des interrupteurs pour reprendre le nettoyage.

6. Répétez la trajectoire de nettoyage pour les zones particulièrement sales.
7. Une fois que le ramassage s'interrompt ou que le réservoir de solution est vide, la vidange du réservoir de récupération doit être faite (Voir VIDANGE DES RESERVOIRS).

## NETTOYAGE AVEC LES INSTRUMENTS

1. Débranchez le tuyau d'aspiration du couvercle du réservoir et branchez le tuyau d'aspiration de l'instrument à la place. Branchez le tuyau de solution de l'instrument au raccord rapide qui se trouve à l'avant de la poignée (Figure 7).

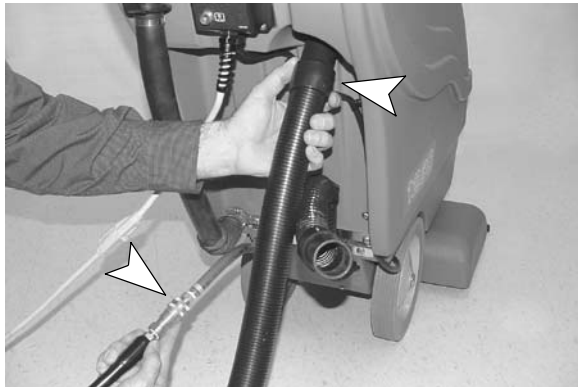


FIG. 7

2. Fixez l'instrument de votre choix aux tuyaux.
3. Activez l'interrupteur de l'extracteur/de la pompe.
4. Utilisez les instruments normalement (Figure 8).

**REMARQUE:** Lorsque vous nettoyez des tissus d'ameublement, vérifiez toujours les instructions de nettoyage du fabricant cousues dans le meuble.



FIG. 8

5. Une fois le nettoyage effectué, relâchez la pression d'eau de l'instrument avant de débrancher le tuyau. Pressez la gâchette pendant cinq secondes après avoir désactivé les interrupteurs.

## VIDANGE DES RESERVOIRS

**POUR VOTRE SECURITE:** Quand vous entretenez la machine, débranchez le câble de la prise murale.

**ATTENTION:** Utilisez différents seaux pour remplir et pour vider la machine, afin d'éviter l'obstruction du système de solution.

## VIDANGE DU RESERVOIR DE RECUPERATION

1. Désactivez la machine et débranchez le cordon d'alimentation.
2. Tournez le bouton du bouchon de vidange dans le sens contraire des aiguilles d'une montre et tirez le bouchon pour faire la vidange (Figure 9).



FIG. 9

3. Remettez le bouchon du tuyau de vidange fermement.

## VIDANGE DE LA SOLUTION NETTOYANTE RESTANTE

1. Débranchez le tuyau d'aspiration du couvercle du réservoir de récupération et remplacez-le par le tuyau de nettoyage de 1.4m (4 1/2ft) fourni avec la machine (Figure 10).



FIG. 10

## FONCTIONNEMENT

2. Activez l'interrupteur de l'extracteur/de la pompe.
3. Enlevez le couvercle du réservoir de solution et aspirez la solution restante.
4. Faites la vidange du réservoir de récupération.

## ENTRETIEN

Pour garder la machine en bon état de marche, suivez simplement les procédures d'entretien quotidiennes, hebdomadaires et mensuelles.

**POUR VOTRE SECURITE: Quand vous entretenez la machine, débranchez le câble de la prise murale.**

### ENTRETIEN QUOTIDIEN (Toutes les 4 heures de service)

1. Rincez le réservoir de récupération et le couvercle du réservoir de récupération après l'emploi. (Figure 11).



FIG. 11

2. Retirez les peluches du filtre de coupure à flotteur qui se trouve dans le réservoir de récupération. (Figure 12).



FIG. 12

3. Vérifiez si le système de diffusion n'est pas obstrué. S'il est obstrué, enlevez les gicleurs et les filtres et faites-les tremper dans une solution d'acide acétique pendant six heures maximum. N'utilisez pas d'objets pointus pour retirer les gicleurs; vous risquez de les endommager (Figure 13).

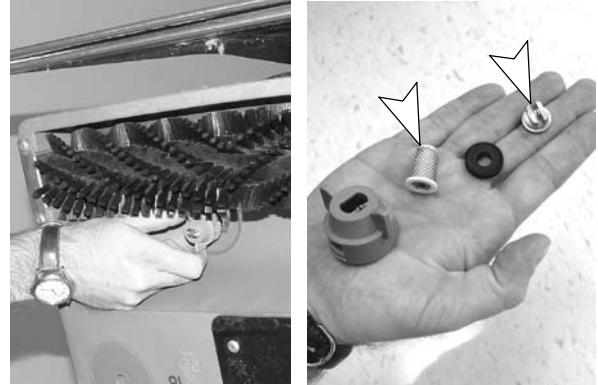


FIG. 13

4. Aspirez toute la solution restante dans le réservoir de solution (Figure 14).



FIG. 14

5. Retirez et rincez le filtre du réservoir de solution (Figure 15).

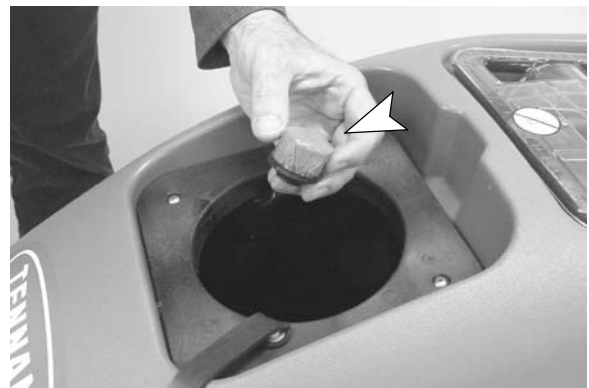


FIG. 15



6. Retirez les fibres de moquette et les débris coincés dans la brosse. (Figure 16).



FIG. 16

7. Enlevez tous les débris qui se trouvent dans la tête de ramassage. (Figure 17).



FIG. 17

8. Inspectez l'état des sabots de ramassage en acier inoxydable. Pour les meilleures performances de ramassage, les sabots doivent toucher le sol sur la totalité de la longueur de la tête de ramassage. Réparez ou remplacez les sabots si nécessaire.
9. Contrôlez si le cordon d'alimentation n'est pas endommagé et remplacez-le si nécessaire. Enroulez convenablement le cordon après chaque emploi.
10. Nettoyez la machine avec un produit non abrasif et non solvant (Figure 18).



FIG. 18

## ENTRETIEN MENSUEL (Toutes les 80 heures de service)

1. Rincez le système de pompage avec une solution d'acide acétique pour dissoudre la formation normale de produits chimiques alcalins.

### FOR SAFETY: When using machine, follow mixing and handling instructions on chemical containers.

- a. Préparez au préalable une solution à base de 5 litres (16 oz) d'acide acétique et de 7,5 litres (2 gal) d'eau chaude 60 °C (140°F) max. et versez-la dans le réservoir de solution.
  - b. Activez l'interrupteur de l'extracteur/de la pompe.
  - c. Positionnez la tête de la brosse au-dessus d'un trou de vidange et faites fonctionner la machine pendant une minute.
  - d. Coupez la machine et laissez la solution restante décomposer les dépôts alcalins toute la nuit.
  - e. Le lendemain, diffusez le reste de la solution et rincez le système avec 11 litres (3 gal) d'eau claire.
2. Lubrifiez les roulettes avec une huile résistant à l'eau.
  3. Vérifiez si la machine n'a pas de fuite.
  4. Inspect machine for loose screws.

## ENTRETIEN TRIMESTRIEL (Toutes les 250 heures de service)

Vérifiez le degré d'usure des balais en charbon du moteur de l'extracteur. Remplacez les brosses lorsque la longueur des poils est de 10mm (0.38 in) ou moins. Contactez votre centre d'entretien agréé pour un contrôle des balais de charbon.

## ENTRETIEN DE LA MACHINE:

La machine s'ouvre en pivotant sur des charnières pour permettre l'accès aux composants internes en cas de réparation (Figure 19).

**⚠ MISE EN GARDE: Tension dangereuse. Risque de décharge ou d'électrocution. Débranchez toujours la machine avant de procéder à l'entretien.**

**POUR VOTRE SECURITE: Quand vous entretenez la machine, utilisez les pièces de rechange fournies ou agréées par le fabricant.**

# FONCTIONNEMENT

1. A l'aide d'une clé de 9/16", retirez les deux boulons à tête hexagonale à l'avant de la machine pour ouvrir la machine.

**ATTENTION: Assurez-vous que les réservoirs sont vides avant de les ouvrir.**

2. Faites basculer le réservoir vers l'arrière en l'écartant du châssis (Figure 19).



FIG. 19

3. Lorsque vous refermez la machine, éloignez vos doigts et veillez à ne pas pincer ou coincer les tuyaux internes ou le câblage. Replacez et serrez les boulons à tête hexagonale.

## ENTREPOSAGE DE LA MACHINE

1. Avant d'entreposer la machine, veillez à rincer les réservoirs et à faire la vidange de toute l'eau de la machine.
2. Entrez la machine verticalement à l'abri de l'humidité en veillant à ce que les brosses soient relevées du sol.
3. Enlevez le couvercle du réservoir de récupération pour favoriser la circulation d'air.

**⚠ MISE EN GARDE: N'exposez pas la machine à la pluie. Entrez-la à l'intérieur.**

**ATTENTION: En cas d'entreposage de la machine à des températures inférieures à 0°C, veillez à ce que la machine, la pompe et le système de pulvérisation soient tout à fait vides et secs.**

## PIECES DE STOCK RECOMMANDEES

Reportez-vous à la section Liste des pièces pour les pièces de stock recommandées. Les pièces de stock sont identifiées clairement à l'aide d'un point précédant la description des pièces. Voir exemple ci-dessous:

Ref.	Part No.	Description	Qty.
1	701103	ASM.,STANDPIPE	1
2	180613	●FLOAT, SHUTOFF	1
3	230197	NIPPLE	1
4	101714	●GASKET	1
5	210240	NUT, FLANGED	1

**DEPISTAGE DES PANNES**

<b>PROBLEME</b>	<b>CAUSE</b>	<b>REMEDE</b>
La machine ne fonctionne pas.	Interrupteurs ou fils défectueux.	Contactez le service de dépannage.
	Cordon d'alimentation défectueux.	Contactez le service de dépannage.
	Coupe-circuit du bâtiment déclenché.	Réenclenchez le coupe-circuit.
La pompe de solution ne fonctionne pas.	Surchauffe de la pompe.	Déterminez la cause et laissez refroidir la pompe 20 minutes.
	Pompe de solution défectueuse.	Contactez le service de dépannage.
	Solénoïde défectueux.	Contactez le service de dépannage.
	Interrupteur défectueux.	Contactez le service de dépannage.
	Fil débranché ou défectueux.	Contactez le service de dépannage.
Le moteur de l'extracteur ne fonctionne pas.	Dispositif de surcharge thermique du moteur de l'extracteur déclenché.	Vérifiez si le passage d'air n'est pas obstrué, laissez le moteur refroidir 20 minutes.
	Fil détaché ou cassé.	Contactez le service de dépannage.
	Interrupteur de l'extracteur/de la pompe défectueux.	Contactez le service de dépannage.
	Moteur de l'extracteur défectueux.	Contactez le service de dépannage.
	Balais en charbon usés.	Remplacez les balais ou faites faire un entretien.
Le moteur de la brosse ne fonctionne pas.	Bouton de la brosse/de diffusion n'est pas enfoncé.	Appuyez sur le bouton de la brosse/de diffusion.
	Coupe-circuit du moteur de la brosse déclenché.	Enlevez les débris causant l'obstruction OU réglez la hauteur de la brosse. Réenclenchez le bouton du coupe-circuit de la brosse qui se trouve dans le bas de la boîte des interrupteurs.
	Moteur de la brosse défectueux.	Contactez le service de dépannage.
	Courroie de la brosse détachée ou cassée.	Contactez le service de dépannage.
	Bouton ou fil défectueux.	Contactez le service de dépannage.
	Ramassage non satisfaisant de l'eau.	Le filtre d'arrêt à flotteur est activé.
Bouchon du tuyau de vidange desserré.		Mettez le bouchon fermement sur le tuyau de vidange.
Filtre de coupure à flotteur obstrué.		Retirez le couvercle du réservoir de récupération et débarrassez-le des peluches.
Fuite d'air autour du couvercle du réservoir de récupération.		Resserrez les boutons du couvercle du réservoir de récupération ou remplacez les joints.
Raccords du tuyau d'aspiration détachés.		Rattachez fermement les raccords.
Tuyau d'aspiration défectueux.		Remplacez le tuyau.
Raccords du tuyau d'aspiration détachés.		Rattachez fermement les raccords au tuyau.
Sabots de tête de ramassage endommagés, lâches ou manquants.		Réparez ou remplacez les sabots de tête de ramassage.
Déplacement trop rapide de la machine.		Réduisez la vitesse du processus de nettoyage.

# FONCTIONNEMENT

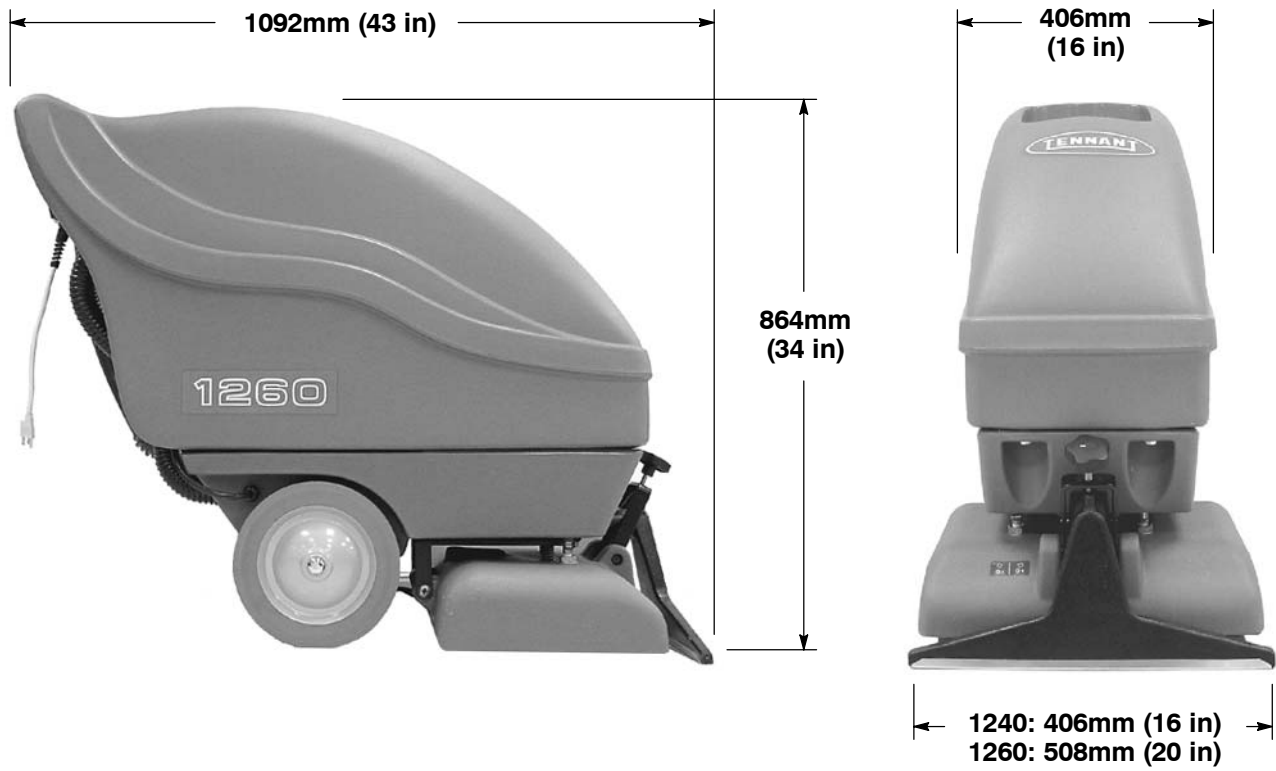
## DEPISTAGE DES PANNES - CONTINUÉ

PROBLEME	CAUSE	REMEDE
Diffusion irrégulière ou nulle.	Réservoir de solution plus assez rempli ou vide.	Remplissez le réservoir de solution.
	Gicleurs sales ou obstrués.	Nettoyez ou remplacez les gicleurs.
	Taille des gicleurs ou angle d'aspersion inapproprié.	Remplacez par des gicleurs appropriés.
	Gicleurs usés.	Remplacez les gicleurs.
	Réservoir de solution plus assez rempli ou vide.	Contactez le service de dépannage.
	Filtre du réservoir obstrué.	Nettoyez le filtre.
	Tuyaux internes de solution pincés ou coincés	Détournez ou remplacez le tuyau de solution.

## CARACTERISTIQUES TECHNIQUES

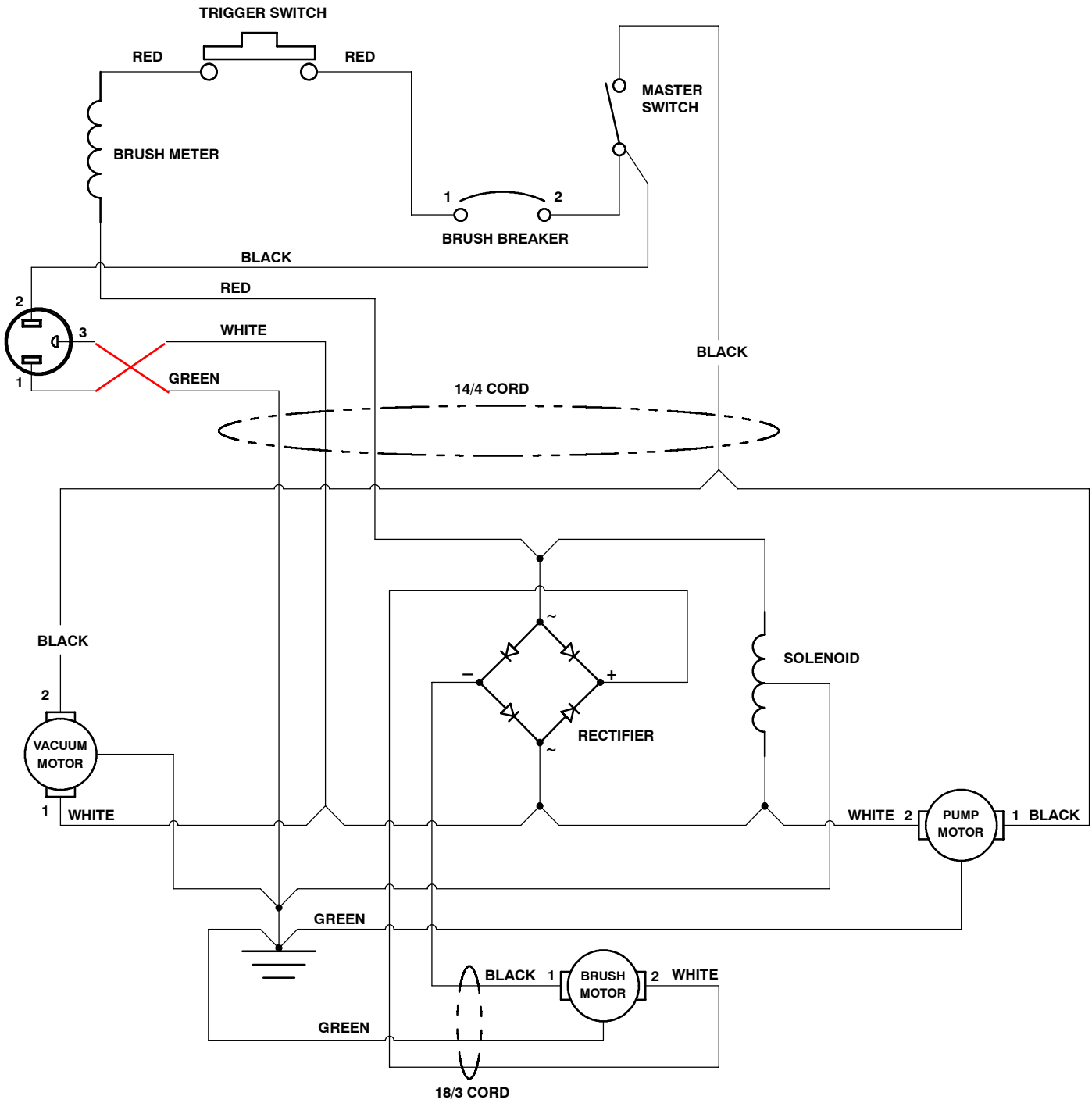
Modèle	1240	1260
LONGUEUR	1092mm (43 in)	1092mm (43 in)
LARGEUR	406mm (16 in)	508mm (20 in)
HAUTEUR	864mm (34 in)	864mm (34 in)
POIDS	47 Kg (104 lb)	48 Kg (106 lb)
CAPACITE RESERVOIR SOLUTION	38L (10 gal)	38L (10 gal)
CAPACITE RESERVOIR RECUPERATION	55L (14.5 gal)	55L (14.5 gal)
CAPACITE DE NETTOYAGE MAXIMUM	2,100 sq. ft./1951m <sup>2</sup> par heure	2,600 sq. ft./2415m <sup>2</sup> par heure
MOTEUR DE BROSSE	120V, .25hp, 1.5A, 180W, 1800 rpm	120V, .25hp, 1.5A, 180W, 1800 rpm
VITESSE DE LA BROSSE	1200 rpm	1200 rpm
POMPE DE LA SOLUTION	120V, 6.9bar (100psi), 1A	120V, 6.9bar (100psi), 1A
MOTEUR DE L'EXTRACTEUR	120V, 1.8 hp, 13A, 1560W, 3 stage	120V, 1.8 hp, 13A, 1560W, 3 stage
HAUTEUR D'EAU SCELLEE	3.5m (136 in)	3.5m (136 in)
CONSOMMATION ELECTRIQUE TOTALE	120V, 14.5A, 1740W	120V, 14.5A, 1740W
NIVEAU SONORE AU NIVEAU DE L'OREILLE DE L'OPERATEUR, A L'INTERIEUR SUR DE LA MOQUETTE	78dB(A)	78dB(A)

DIMENSIONS DE LA MACHINE



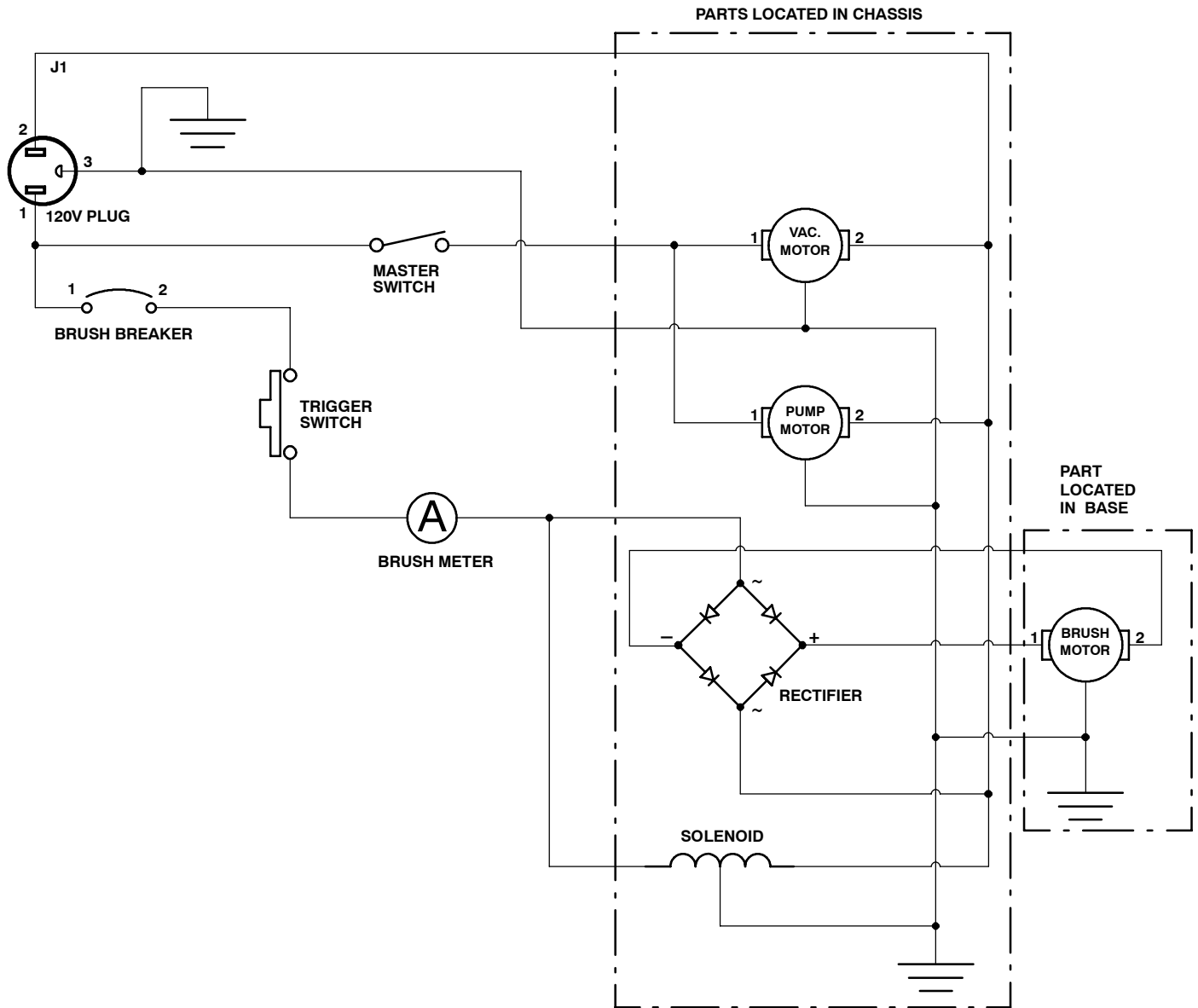
# ELECTRICAL DIAGRAMS - DIAGRAMAS ELECTRICAS - SYSTEM ÉLECTRIQUE

## 120V WIRING DIAGRAM DIAGRAMA DE CABLEADO



# ELECTRICAL DIAGRAMS - DIAGRAMAS ELECTRICAS - SYSTEM ÉLECTRIQUE

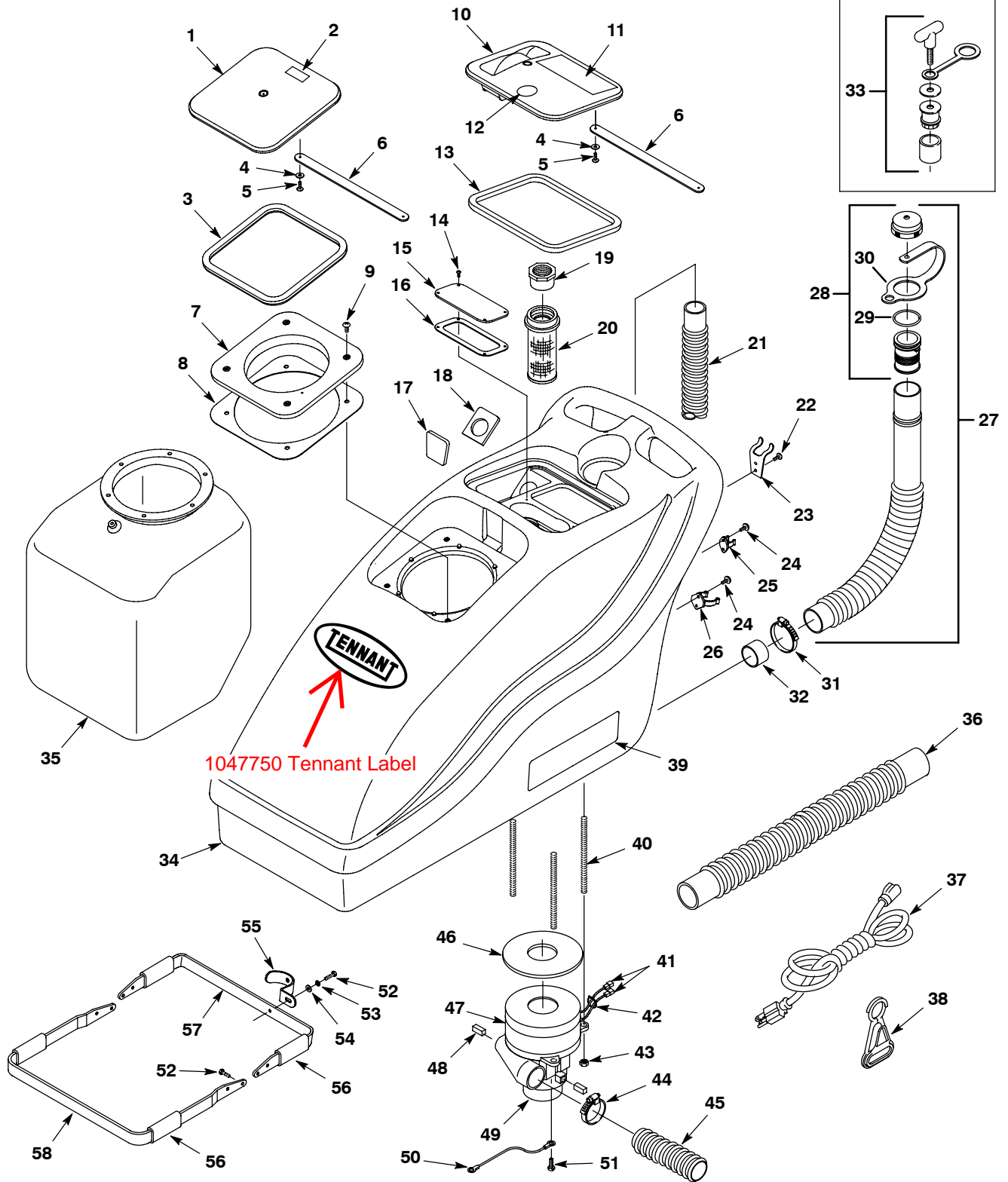
## 120V LADDER DIAGRAM DIAGRAMA ESCALONADO



# PARTS LIST - LISTA DE PIEZAS - LISTE DES PIÈCES

## RECOVERY TANK GROUP / CONJ. DEPOSITO RECUPERAR / GROUPE RESERVOIR DE RECUPERATION

Before SN 10126650





# PARTS LIST - LISTA DE PIEZAS - LISTE DES PIÈCES

## RECOVERY TANK GROUP / CONJ. DEPOSITO RECUPERAR / GROUPE RESERVOIR DE RECUPERATION

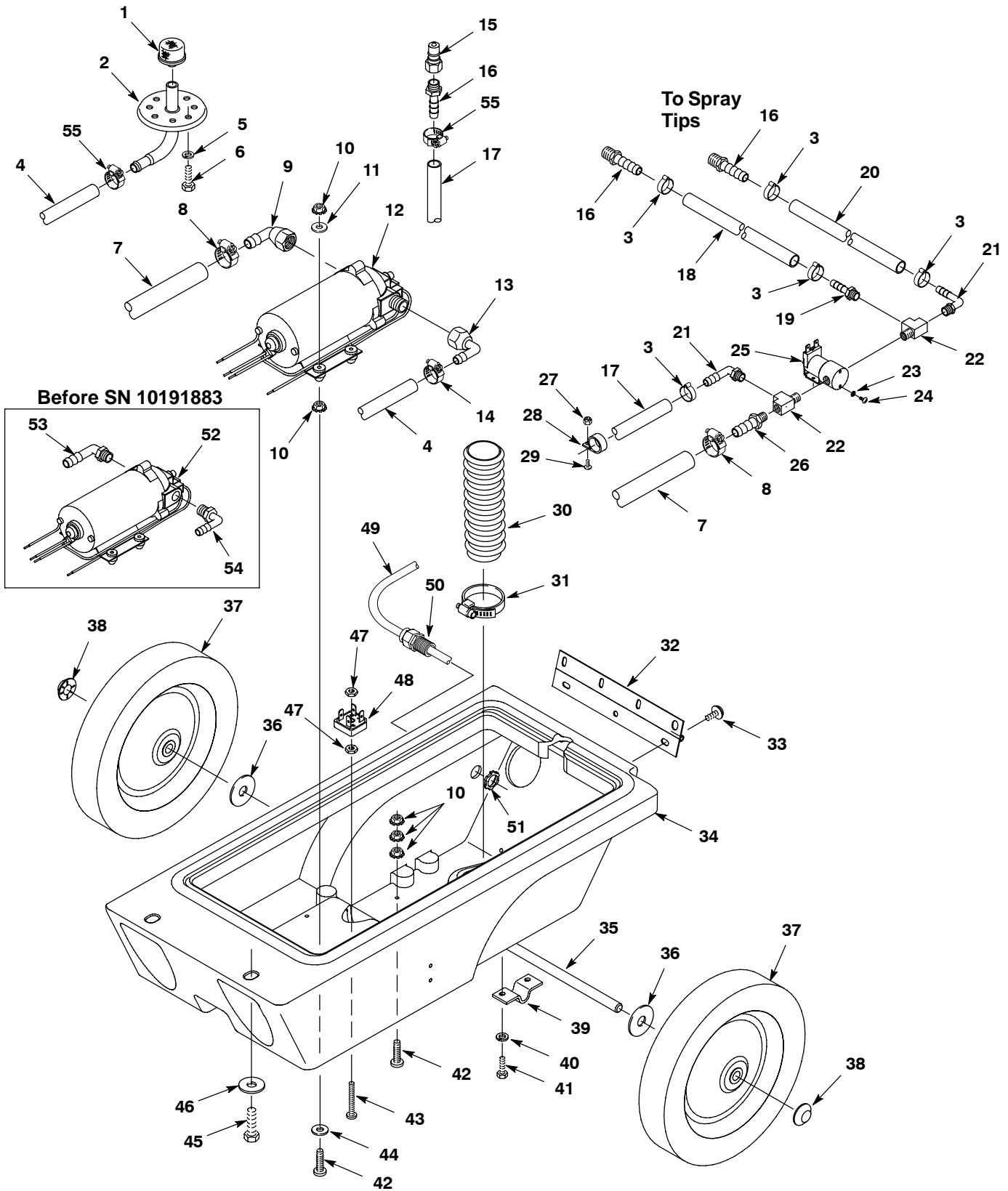
REF	PART #	DESCRIPTION	QTY.
▽	1002631	●ASM., COVER SQ. CLEAR LEXAN	1
▲ 1	1000704	COVER, SQ. CLEAR LEXAN	1
▲ 2	120906	LABEL, IMPORTANT DRAIN	1
▲ 3	1001608	●GASKET, SQ. BLADDER COVER	1
4	1009168	WASHER, FLAT, 0.174X0.75X0.04 SS	4
5	3701.6	SCREW, #6X3/8 PANPHL	4
6	1001005	●STRAP, COVER	2
7	1000567	ADAPTER, COVER SQ. NYLON BLK	1
8	1000987	GASKET, BLADDER ADAPTER	1
9	140823	SCREW, 10-24X5/8 TRSPHL	4
▽ 10	1002626	●ASM., COVER RECOVERY DOME	1
▲ 11	1026383	LABEL, WARNING [EXPL, FIRE, SHK, EN/FR/ES]	1
▲ 12	120399	LABEL, DO NOT ALLOW FOAM	1
▲ 13	1001889	●GASKET, RECOVERY COVER	1
14	3701.6	SCREW, #6X3/8 PANPHL	4
15	1000847	COVER, REC. STANDPIPE CLEAR	1
16	1000824	GASKET, STANDPIPE COVER	1
17	1002195	●GASKET, REC. COVER FRONT	1
18	1000764	●GASKET, REC. COVER REAR	1
19	230833	FITTING, ADAPTER PVC	1
20	609531	●FLOAT, VACUUM SHUT-OFF	1
21	603547	●HOSE, VAC 1-1/2X46" W/CUFFS	1
22	140825	SCREW, #6X1/2 PANPHL	2
23	611978	BRACKET, DRAIN HOSE HANGER	1
24	140959	SCREW, 10-24X1/2 FHP	4
25	1001995	CLIP, HOSE .75ID BLACK NYLON	1
26	1001992	CLIP, HOSE 1.75ID BLACK NYLON	1
▽ 27	1007072	●HOSE, DRAIN, ASSY, 1.5D X 21.9L	1
▲▽ 28	1008639	●CAP, DRAIN ASSY	1
▲ 29	1008637	●O RING, 1.48" ID, 1.76" OD	1
▲ 30	1019563	●STRAP, DRAIN CAP	1
31	11531	CLAMP, HOSE, WORMDRIVE, 1.06-2.00D, .56W	1
32	1009610	SLEEVE, HOSE ADAPTER 1.5-1.25	1

REF	PART #	DESCRIPTION	QTY.
33	N/A	ASM., DRAIN HOSE - <b>REPLACED BY ITEM #27</b>	1
34	1000857	TANK, RECOVERY 10GAL TEAL	1
	1028607	TANK, REC, 10GAL RM-HG C-O (HAWK GRAY)	1
35	602715	BAG, SOLUTION BLADDER 10GAL	1
36	160464	●HOSE, VAC 1-1/2X53" W/CUFFS	1
37	130250	●CORD, POWER 16/3X50' YLW	1
38	130176	●CLIP, CORD STRAIN-RELIEF	1
39	611973	LABEL, "1240" SIDE	2
	611974	LABEL, "1260" SIDE	2
40	140227	SCREW, STUD 1/4-20X5	3
41	281004001	TERMINAL, FEMALE .25 RED	2
42	130040	WIRE TIE	2
43	41169	NUT, .25-20 HEXLOCK	4
44	11531	CLAMP, HOSE, WORMDRIVE, 1.06-2.00D, .56W	1
45	069760778	HOSE, 2"X31.5" EXHAUST	1
46	100118	●GASKET, VACUUM MOTOR	1
▽ 47	130996	●MOTOR, VACUUM 5.7 3STG 120V	1
	130130	TERMINAL, RING #10 22-18 NI	1
▲ 48	602741	●BRUSH, CARBON W/HLDR (2/PK)	1
▲ 49	130486	●FAN SHELL, 5.7" MOTOR	1
50	1002068	ASM., WIRE #18X16"	1
51	140897	SCREW, 10-32X.25 HEX	1
52	01696	SCREW, HEX 1/4-20X.50	5
53	140016	WASHER, LOCK .25	1
54	140000	WASHER, FLAT 1/4	1
55	1002053	CLAMP, TANK BRACE	1
56	102569	GRIP, 3/4IDX4-1/4LG FOAM BLK	4
57	1002848	BRACKET, TANK BRACE	1
58	1002874	BRACKET, TANK BRACE FRONT	1

- ▽ ASSEMBLY / CONJUNTO / ENSEMBLE
- ▲ INCLUDED IN ASSEMBLY / INCLUIDO A CONJUNTA / Y COMPRIS EN ENSEMBLE
- RECOMMENDED STOCK ITEM / PIEZAS RECOMENDADAS EN ALMACÉN / ÉLÉMENTS DE STOCK RECOMMANDÉS

# PARTS LIST - LISTA DE PIEZAS - LISTE DES PIÈCES

## CHASSIS GROUP / CONJUNTO TELAIO / GROUPE DU CHASSIS



# PARTS LIST - LISTA DE PIEZAS - LISTE DES PIÈCES

## CHASSIS GROUP / CONJUNTO TELAIO / GROUPE DU CHASSIS

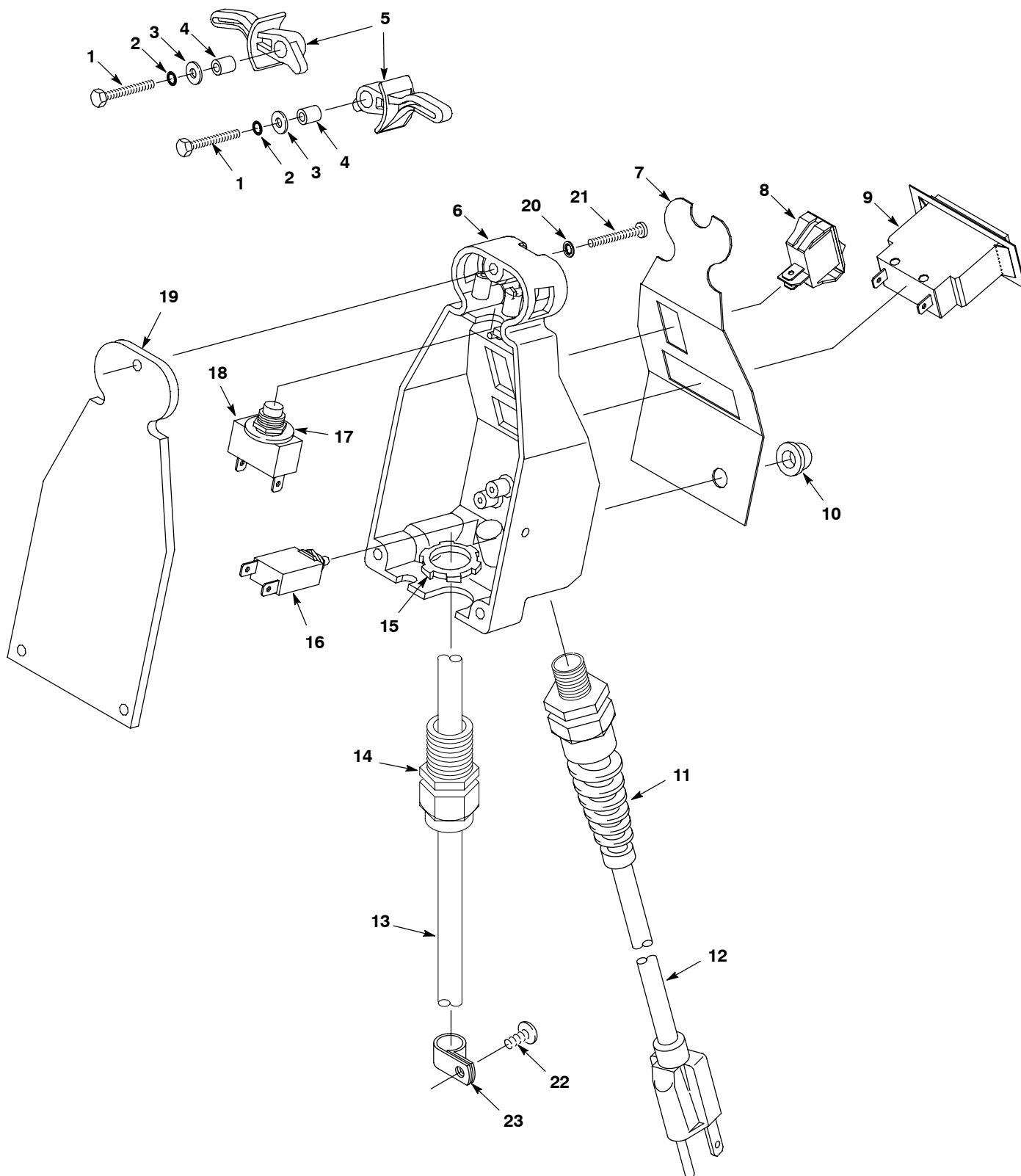
REF	PART #	DESCRIPTION	QTY.
1	180628	●FILTER, SCREEN 100 MESH	1
2	600451	FITTING, BAG BLADDER PLATE	1
3	140301	CLAMP, HOSE 5/8ID EAR	5
4	606245	HOSE, 3/8IDX5/8ODX31" (160207)	2.583 FT
5	140016	WASHER, LOCK .25	4
6	140259	SCREW, HEX 1/4-20X5/8	4
7	609436	HOSE, 1/2 ID X 24" (160220)	1.792 FT
8	63810	CLAMP, HOSE, WORMDRIVE, 0.56-1.06D, .56W	2
9	1009748	FITTING, PLSTC, E90, BM08/PF08, SWVL	1
10	140519	NUT, KEP 10-24	11
11	19066	WASHER, FLAT #10	4
12	1009625	●PUMP, SOLTN, ELE 120VAC 100PSI, MAL THD	1
	130133	TERMINAL, TAB, 22-18GA, F-INS	1
	130130	TERMINAL, RING #10STUD 22-18GA	1
13	611010	FITTING, BRS, STR, PF08/BM06, SWIVEL	1
14	54333	CLAMP, HOSE, WORMDRIVE, 0.31-0.88D, .31W	1
15	150933	●FITTING, CPLR 1/4F ML SER60	1
16	150516	FITTING, BRS 1/4MX3/8H	3
17	613499	HOSE, 3/8IDX5/8O LP GRY 160207 FT 4.080	3.917 FT
18	613492	HOSE, 3/8IDX5/8OD LP GRY 160207 FT 2.660	2.25 FT
19	150540	FITTING, BARB 1/4MX3/8H NYLON	1
20	613486	HOSE, 3/8IDX5/8OD LP GRY 160207 FT 1.875	1.708 FT
21	150415	FITTING, 1/4MX3/8H ELBOW 90 NY	2
22	150709	FITTING, 1/4FX1/4FX1/4M BRS T	2
23	140023	WASHER, LOCK INT #8	2
24	140802	SCREW, 8-32X5/8 PANPHL	2
25	210033	●VALVE, SOLENOID 120V 60HZ	1
26	150517	FITTING, BARB 1/4MX1/2H BRS	1
27	140552	NUT, 10-24 NYLON	1
28	140916	CLAMP, CABLE 5/8ID NYLON	1
29	140895	SCREW, 10-24X3/4 RNDPHL	1

REF	PART #	DESCRIPTION	QTY.
30	1022164	●HOSE, VACUUM, 2.0D X 26L, BLK EXH	1
31	11531	CLAMP, HOSE, WORMDRIVE 1.06-2.00D, .56W	1
32	230390	HINGE, SOL. REC. TANK	1
33	140885	SCREW, 1/4-20X1/2 TRSPHL	7
34	1002149	FRAME, CHASSIS 1240 TEAL	1
	1002136	FRAME, CHASSIS 1260 TEAL	1
	1028605	CHASSIS, 10GAL RM-HG C-O (HAWK GRAY)	1
35	230739	AXLE, WHEEL 1/2DX 13-1/8L	1
36	140008	WASHER, FLAT .570X1.28X.075	2
37	103068	●WHEEL, TRANSPORT 10"X1.75	2
38	103019	CAP, HUB WHEEL 0.5ID	2
39	230746	BRACKET, AXLE 1/2DIA OFFSET	2
40	140016	WASHER, LOCK .25	4
41	01697	SCREW, HEX, .25-20 X 0.62	4
42	1014262	SCREW, PAN, #10-24 X 1.50 PHL	5
43	140335	SCREW, 10-24X1 RNDPHL	1
44	19066	WASHER, FLAT #10	4
45	611048	SCREW, 3/8-16X1-1/4	2
46	140028	WASHER, FLAT	2
47	140336	NUT, HEX 10-24 NYLON	2
48	130304	●RECTIFIER, BRIDGE 600V 15AMP	1
49	1001745	ASM., CORD 14/4X66"	1
50	130181	GRIP, CORD STRAIN-RELIEF 1/2NPT	1
51	140504	NUT, CONDUIT 1/2NPT LOCK	1
52	180103	●PUMP, SOL 100PSI 120V <b>(BEFORE SN 10191883)</b>	1
	281004001	TERMINAL, FEM .25 18-22 RED <b>(BEFORE SN 10191883)</b>	1
	130130	TERMINAL, RING #10STUD 22-18GA <b>(BEFORE SN 10191883)</b>	1
53	150425	FITTING, 3/8MX1/2H ELBOW 90 NY <b>(BEFORE SN 10191883)</b>	1
54	150412	FITTING, 3/8MX3/8H ELBOW 90 NY <b>(BEFORE SN 10191883)</b>	1
55	54333	CLAMP, HOSE, WORMDRIVE, 0.31-0.88D, .31W	1

- RECOMMENDED STOCK ITEM / PIEZAS RECOMENDADAS EN ALMACÉN / ÉLÉMENTS DE STOCK RECOMMANDÉS

# PARTS LIST - LISTA DE PIEZAS - LISTE DES PIÈCES

## CONTROL CONSOLE GROUP / CONJUNTO CONSOLA DE CONTROLES / GROUPE TABLEAU DE COMMANDE



# PARTS LIST - LISTA DE PIEZAS - LISTE DES PIÈCES

## CONTROL CONSOLE GROUP / CONJUNTO CONSOLA DE CONTROLES / GROUPE TABLEAU DE COMMANDE

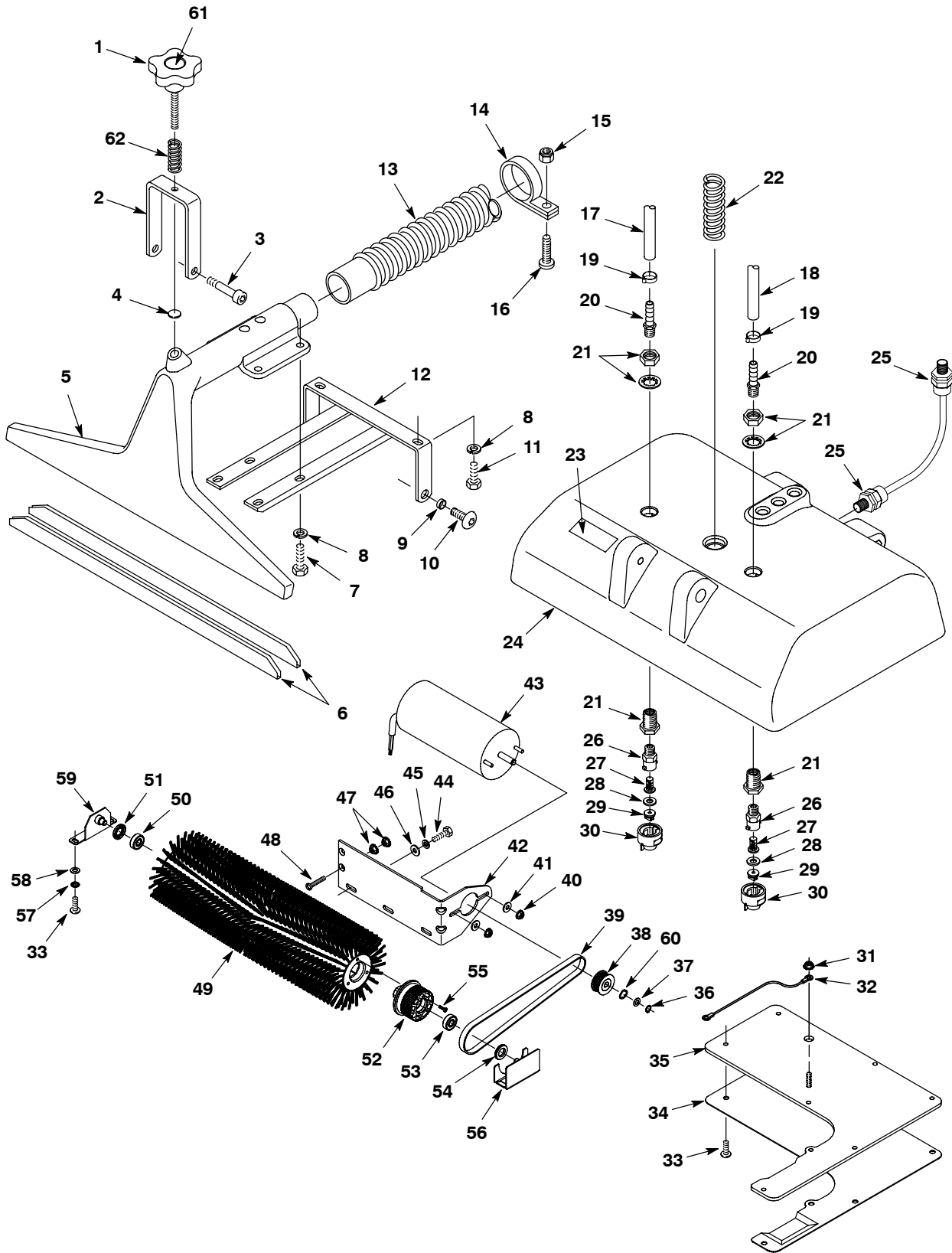
REF	PART #	DESCRIPTION	QTY.
∇	1000060	ASM., TRIGGER CONSOLE	1
▲ 1	069764190	SCREW, HEX M3X.5X16	2
▲ 2	200662012	WASHER, INT M3	2
▲ 3	578186000	WASHER, FLAT M4.3X12X1.0	2
▲ 4	578082000	SPACER, .14X.31X.44 NYLON	2
▲ 5	578002000	ARM, TRIGGER CONSOLE	2
▲ 6	578001000	COVER, CONSOLE	1
▲ 7	1001449	DECAL, TRIGGER CONSOLE	1
▲ 8	578005000	●SWITCH, ROCKER SPST	1
▲ 9	1001931AM	METER, BRUSH PRESSURE	1
▲ 10	578734	●SPLASHGUARD, CIRCUIT BRKR	1
▲ 11	130166	●GRIP, STRAIN-RELIEF W/NUT	1
▲ 12	130237	CORD, 14/3X18" YELLOW	1
▲∇13	1001745	ASM., CORD 16/4X66"	1

REF	PART #	DESCRIPTION	QTY.
▲14	130181	GRIP, CORD STRAIN-RELIEF 1/2NPT	2
▲ 15	140504	NUT, LOCK CONDUIT 1/2NPT	1
▲ 16	609080AM	●BREAKER, CIRCUIT 2.0A	1
▲ 17	578430	WASHER, 1/2 SPRING DISC	1
▲ 18	130712	●SWITCH, MOMENTARY PULSE	1
▲N/S	609073	ASM., WIRE #18X5" BLK PBXFLAG	1
▲N/S	609078	ASM., WIRE #18X5" RED FXFLAG	2
▲N/S	1002067	ASM., WIRE #18X7" WHT PBXF	1
19	575576000	GASKET, TRIGGER CONSOLE	1
20	140018	WASHER, LOCK INT #10	3
21	140889	SCREW, 10-24X1-1/4 RNDPHL	3
22	140823	SCREW, 10-24X5/8 TRSPHL	3
23	140328	CLAMP, CABLE 3/8ID BLK NYLON	3

- ∇ ASSEMBLY / CONJUNTO / ENSEMBLE
- ▲ INCLUDED IN ASSEMBLY / INCLUIDO A CONJUNTA / Y COMPRIS EN ENSEMBLE
- RECOMMENDED STOCK ITEM / PIEZAS RECOMENDADAS EN ALMACÉN / ÉLÉMENTS DE STOCK RECOMMANDÉS

# PARTS LIST - LISTA DE PIEZAS - LISTE DES PIÈCES

## BRUSH BASE GROUP / GRUPO DE LA BASE DEL CEPILLO / GROUPE LOGEMENT DE BROSSSE



# PARTS LIST - LISTA DE PIEZAS - LISTE DES PIÈCES

## BRUSH BASE GROUP / GRUPO DE LA BASE DEL CEPILLO / GROUPE LOGEMENT DE BROSSE

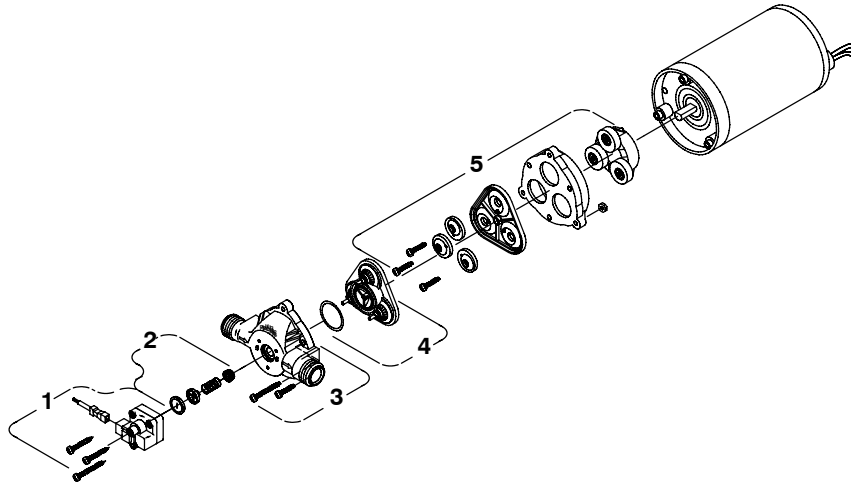
REF	PART #	DESCRIPTION	QTY.
1	1001384	KNOB, ADJ 3/8-16X2" STUD BLK	1
2	230461.BK	BRACKET, ADJ. HEIGHT BLACK	1
3	140564	SCREW, 3/8DIA X 3/4 SHOULDER	2
4	140919	SPACER, .38X.50X.25 NYLON	1
5	230706.BK	NOZZLE, CARPET 16" BLACK	1
	230840.BK	NOZZLE, CARPET 20" BLACK	1
6	200956	●SHOE, CARPET NOZZLE 16"	2
	200825	●SHOE, CARPET NOZZLE 20"	2
7	140219	SCREW, HEX .31-18X1.00	4
8	140015	WASHER, SPLIT LOCK 0.31	6
9	140914	SPACER, .38X.50X.25 NYLON	2
10	140898	SCREW, 3/8-16X3/4 TRSPHL	2
11	140226	SCREW, HEX 5/16-18X5/8	2
12	230459	BRACKET, BRUSH BASE MOUNT	1
13	160464	●HOSE, VACUUM, 1.5D X 53L, 2-CUFF BLK	1
14	140327	CLAMP, CABLE 1-1/2 NYLON	1
15	140552	NUT, 10-24 NYLOCK	1
16	140804	SCREW, 10-24X1 RNDPHL	1
17	606163	HOSE, PVC, DBL 0.38ID 0.62OD 22.0L (160207)	1.708 FT
18	607305	HOSE, 3/8ID X 30" (160207)	2.250 FT
19	140301	CLAMP, HOSE 5/8ID EAR	2
20	150516	FITTING, 1/4MX3/8H BARB BRS	2
21	150300	FITTING, BRASS STR BKHD	2
22	1002390	SPRING, COMPRESSION	1
23	120617	LABEL, BRUSH HEIGHT ADJ.	1
24	1001977	BASE, BRUSH 16" TEAL	1
	1000970	BASE, BRUSH 20" TEAL	1
	1028609	BASE, BRUSH 20" RM-HG C-O (HAWK GRAY)	1
25	130190	GRIP, CORD 3/8N NYLON BLACK	2
26	575281000	FITTING, SPRAY BODY QUICK-JET	2
27	575603	●FILTER, SCREEN CHECK VALVE	2
	575276000	●FITTING, GASKET QUICK-JET	2
29	1002543	●FITTING, TIP 11004E T-JET (20")	2
	1002544	●FITTING, TIP 9503E T-JET (16")	2
30	575282000	●FITTING, CAP QUICK-JET	2
31	140519	NUT, KEP 10-24	1
32	700551	ASM., WIRE #18X9" GREEN	1

REF	PART #	DESCRIPTION	QTY.
33	609062	SCREW, TRS M5X.8X12 PHL	10
34	1001853	PLATE, BRUSH BASE	1
35	1001048	GASKET, BASE PLATE	1
36	609474	CLIP, RETAINING .31ID SER-5100	1
37	<del>069760311</del>	WASHER, FLAT (p/n 069762311)	1
38	1000245	●PULLEY, MOTOR NYLON	1
39	1001045	●BELT, BRUSH	1
40	140518	NUT, KEP 10-32	2
41	19066	WASHER, FLAT #10	2
42	575256000	BRACKET, MOTOR MOUNT	1
43	1018487	●MOTOR, ELE, 115VDC, .25 HP, 3IN	1
44	01697	SCREW, HEX 1/4-20X5/8	2
45	140016	WASHER, LOCK 0.25	2
46	140000	WASHER, FLAT 1/4	2
47	140519	NUT, KEP 10-24	2
48	140959	SCREW, 10-24X1/2 FHP	1
▽ 49	1002040	●ASM., BRUSH CHEVRON 13" (1240) SCRUB STIFF	1
	1002041	●ASM., BRUSH CHEVRON 13" (1240) SCRUB SOFT (OPTIONAL)	1
	1001272	●ASM., BRUSH CHEVRON 17" (1260) SCRUB STIFF	1
	1002039	●ASM., BRUSH CHEVRON 17" (1260) SCRUB SOFT (OPTIONAL)	1
▲ 50	140125	●BEARING, BRUSH	1
▲ 51	575266000	●SEAL, BRUSH BEARING	1
▽	1001217	●PULLEY, BRUSH 3MX50T ASSY	1
▲ 52	N/A	<del>●PULLEY, 3M X 50T BRUSH DRIVE</del>	<del>1</del>
▲ 53	140125	●BEARING, BRUSH	1
▲ 54	575266000	●SEAL, BRUSH BEARING	1
55	140827	SCREW, #6X1 PANPHL	3
56	1000542	BRACKET, PULLEY BEARING MNT	1
57	140018	WASHER, LOCK INT #10	2
58	140011	WASHER, FLAT 0.18	2
59	<del>1000880</del> 1001083	BRACKET, BRUSH IDLER BEARING MOUNT	1
60	621290000	WASHER, WAVE .38X.59	1
61	1002953	LABEL, KNOB POSITION	1
62	1002391	SPRING, COMPRESSION	1

- ▽ ASSEMBLY / CONJUNTO / ENSEMBLE
- ▲ INCLUDED IN ASSEMBLY / INCLUIDO A CONJUNTA / Y COMPRIS EN ENSEMBLE
- RECOMMENDED STOCK ITEM / PIEZAS RECOMENDADAS EN ALMACÉN / ÉLÉMENTS DE STOCK RECOMMANDÉS

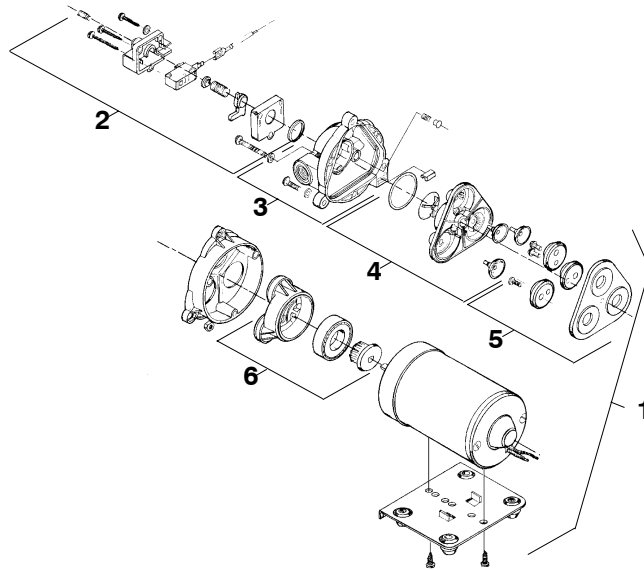
# PARTS LIST - LISTA DE PIEZAS - LISTE DES PIÈCES

## PUMP BREAKDOWN / CLASIFICACIÓN DE LA BOMBA / ENSEMBLE DE LA BROSSE



REF	PART #	DESCRIPTION	QTY.
▽	1009625	●PUMP, SOLTN, ELE, 120VAC, 100PSI, MAL THD (COMPLETE)	1
▲ 1	190129	●SWITCH, PRESS, SOLUTION PUMP	1
▲ 2	190124	●VALVE KIT, CHECK, REPLMT	1

REF	PART #	DESCRIPTION	QTY.
▲ 3	614349	●HOUSING KIT, UPPER, MALE THREAD	1
▲ 4	190171	●VALVE KIT [VITON]	1
▲ 5	9002418	●DRIVE ASSY, PUMP	1



REF	PART #	DESCRIPTION	QTY.
1	180103	●PUMP, SOLUTION 100PSI 120V (BEFORE SN 10191883)	1
2	190129	●KIT, PRESSURE SWITCH	1
	190172	●KIT PRESSURE SWITCH (VITON)	1
	190134	●KIT, DIAPHRAGM ONLY	1

REF	PART #	DESCRIPTION	QTY.
3	190128	●KIT, UPPER PUMP HOUSING	1
	190124	●KIT, CHECK VALVE ONLY	1
4	190171	●KIT, VALVE (VITON)	1
5	190131	●KIT, SERVICE	1
6	190130	●KIT, LOWER PUMP HOUSING	1

▽ ASSEMBLY / CONJUNTO / ENSEMBLE

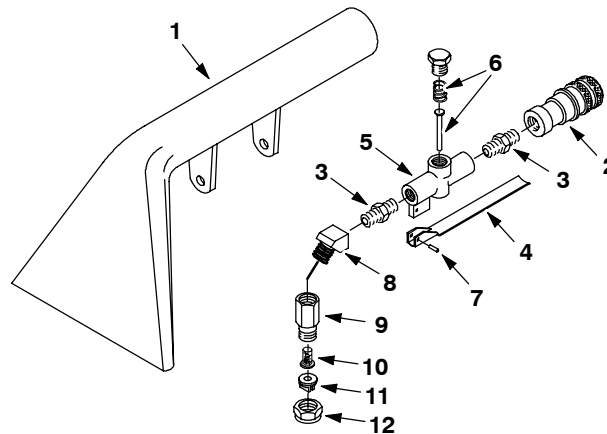
▲ INCLUDED IN ASSEMBLY / INCLUIDO A CONJUNTA / Y COMPRIS EN ENSEMBLE

● RECOMMENDED STOCK ITEM / PIEZAS RECOMENDADAS EN ALMACÉN / ÉLÉMENTS DE STOCK RECOMMANDÉS



# OPTIONS - OPCIONES - ÉQUIPEMENT AU CHOIX

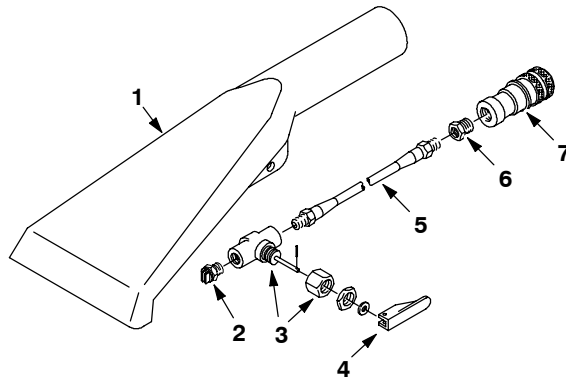
## HAND TOOL, 127 mm (5 in) / HERRAMIENTA MANUAL / OUTIL A MAIN



REF	PART #	DESCRIPTION	QTY.
∇	200505	●ASM., HAND TOOL 5"	1
▲ 1	200431.BK	TOOL, HAND	1
▲ 2	150913	FITTING, 1/4F QD FML COUPLER	1
▲ 3	150606	NIPPLE, HEX 1/4	1
▲ 4	200905	TRIGGER, HAND TOOL	1
▲ 5	210210	●VALVE, FLOW CONTROL	1
▲ 6	190600	VALVE PIN & SPRING	1

REF	PART #	DESCRIPTION	QTY.
▲ 7	140609	PIN, ROLL 3/16	1
▲ 8	150403	ELBOW, ST 1/4 45°	1
▲ 9	200992	BODY, SPRAY 1/4F	1
▲ 10	200996	SCREEN, SPRAY NOZZLE	1
▲ 11	200965	●TIP, SPRAY #8002	1
▲ 12	200994	CAP, SPRAY BODY	1

## CREVICE TOOL, 76 mm (3 in) / HERRAMIENTA MANUAL, HENDIDURAS / OUTIL POUR FISSURES



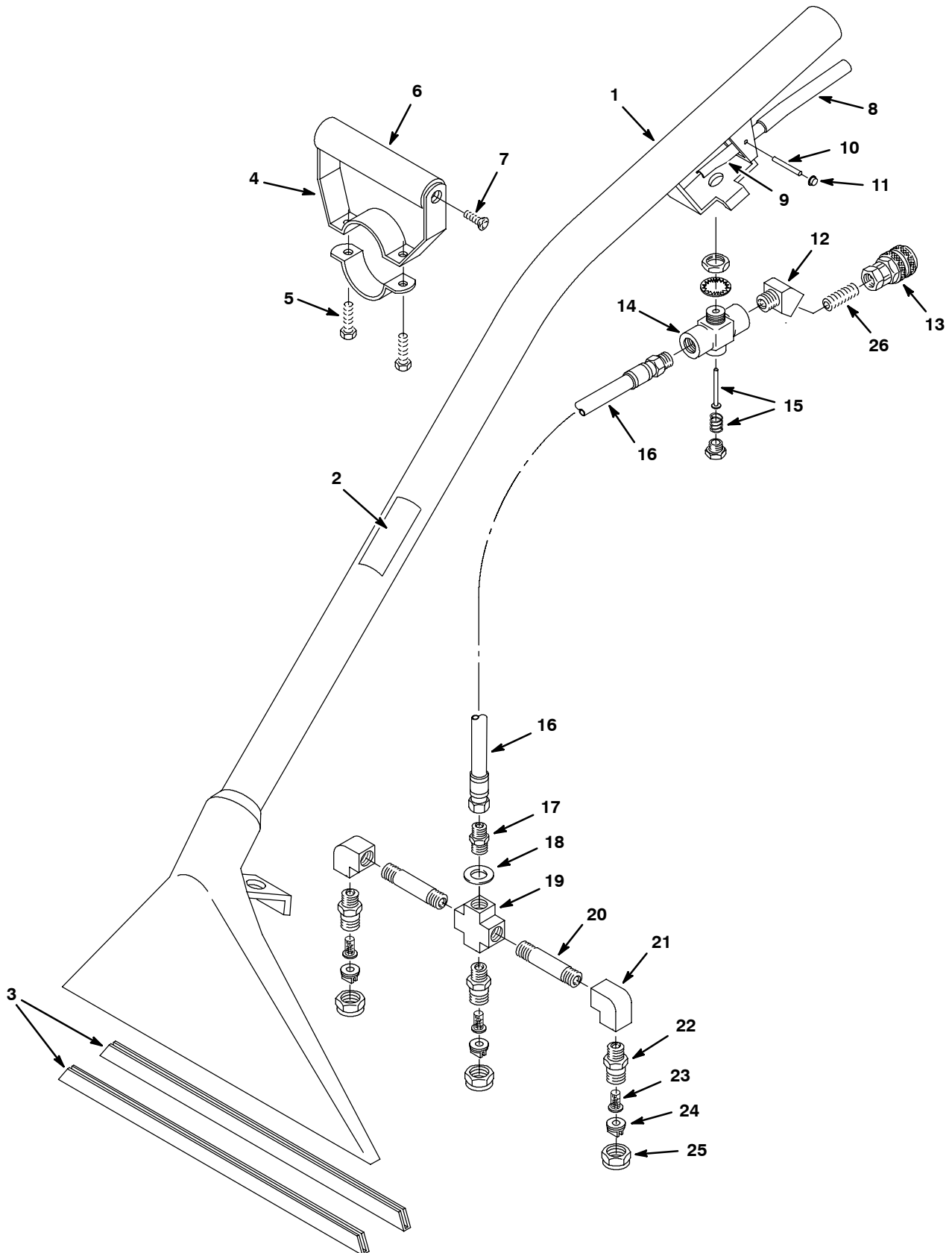
REF	PART #	DESCRIPTION	QTY.
∇	200517	●ASM., CREVICE TOOL SER.60	1
▲ 1	200436.BK	TOOL, CREVICE BLACK	1
▲ 2	200975	●FITTING, TIP #5002 V-JET	1
▲ 3	210014	●VALVE, TOGGLE W/NUT	1

REF	PART #	DESCRIPTION	QTY.
▲ 4	210020	POSITIONER, VALVE HANDLE	1
▲ 5	160106	HOSE, SOLUTION	1
▲ 6	150100	FITTING, 1/4MX1/8F BUSHING	1
▲ 7	150913	FITTING, 1/4F QD FML COUPLER	1

- ∇ ASSEMBLY / CONJUNTO / ENSEMBLE
- ▲ INCLUDED IN ASSEMBLY / INCLUIDO A CONJUNTA / Y COMPRIS EN ENSEMBLE
- RECOMMENDED STOCK ITEM / PIEZAS RECOMENDADAS EN ALMACÉN / ÉLÉMENTS DE STOCK RECOMMANDÉS

# OPTIONS - OPCIONES - ÉQUIPEMENT AU CHOIX

330mm (13 in) LOW PRESSURE WAND GROUP / ACCESORIO PARA EL SUELO / OUTIL DE SOL



## OPTIONS - OPCIONES - ÉQUIPEMENT AU CHOIX

### 330mm (13 in) LOW PRESSURE WAND GROUP / ACCESORIO PARA EL SUELO / OUTIL DE SOL

REF	PART #	DESCRIPTION	QTY.
▽	600048	●ASM., WAND LOW PRESSURE	1
▲ 1	200403.BK	TOOL, FLOOR BLACK	1
▲ 2	120846	DECAL, LOW PRESSURE TOOL	1
▲ 3	200939	●SHOE, 330MM (13 IN) FLR TOOL	2
▲▽ 4	200927AM	GRIP, HAND ADJ. COMPLETE	1
▲ 5	01697	SCREW, HEX, .25-20X0.62	2
▲ 6	200912	GRIP, HANDLE FOAM	1
▲ 7	140834	SCREW, 1/4-20X5/8	2
▲ 8	200809	SLEEVE, HANDLE	1
▲ 9	200902	HANDLE, VALVE	1
▲ 10	140605	PIN, HANDLE	1
▲ 11	140520	NUT, 1/4 PUSH BLK	2
▲ 12	150403	FITTING, 1/4MX1/4F 45 STR	1
▲ 13	150913	●FITTING, 1/4F QD CPLR SER 60	1

REF	PART #	DESCRIPTION	QTY.
▲▽ 14	210150	●VALVE, FLOW CONTROL	1
▲ 15	190603	●KIT, VALVE PIN AND SPRING	1
▲ 16	160170	ASM, HOSE LOW PRESSURE	1
▲ 17	150606	FITTING, 1/4MX1-3/8HEXNIP	1
▲ 18	140058	WASHER, .543X.875X.062 WAND	1
▲▽	700062	ASM., SPRAYBAR WO/TIPS	1
▲ 19	150700	CROSS, 1/4 FPT	1
▲ 20	150600	FITTING, 1/4MX2" NIPPLE	2
▲ 21	150401	FITTING, 1/4FX1/4F ELBOW 90	2
▲ 22	200993	SPRAY BODY, 1/4" MALE	3
▲ 23	200996	●FILTER, SCREEN 100 MESH	3
▲ 24	200964	●FITTING, TIP 11003 T-JET	3
▲ 25	200994	●CAP, SPRAY BODY	3
▲ 26	150615	FITTING, 1/4MX7/8 CLSNIP	1

- ▽ ASSEMBLY / CONJUNTO / ENSEMBLE
- ▲ INCLUDED IN ASSEMBLY / INCLUIDO A CONJUNTA / Y COMPRIS EN ENSEMBLE
- RECOMMENDED STOCK ITEM / PIEZAS RECOMENDADAS EN ALMACÉN / ÉLÉMENTS DE STOCK RECOMMANDÉS



## OPTIONS - OPCIONES - ÉQUIPEMENT AU CHOIX

### 406mm (16 in) LOW PRESSURE WAND GROUP / ACCESORIO PARA EL SUELO / OUTIL DE SOL

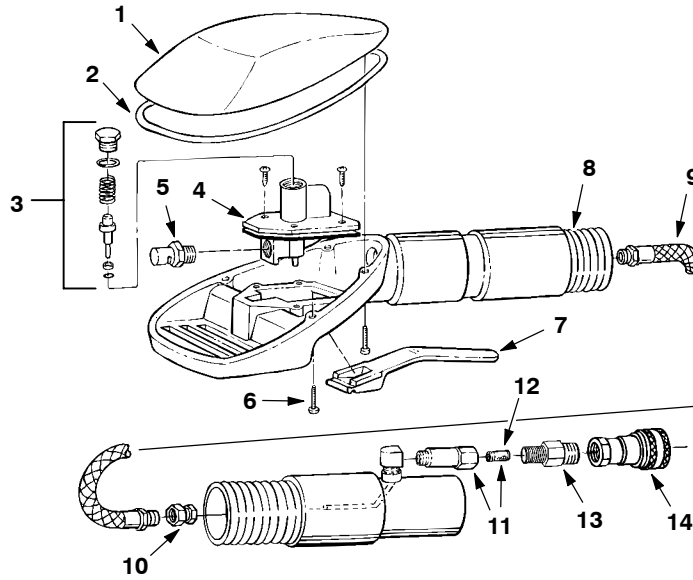
REF	PART #	DESCRIPTION	QTY.
▽	200503	●ASM., FLOOR TOOL	1
▲ 1	200411.BK	TOOL, FLOOR 406MM (16 IN)	1
▲ 2	120846	DECAL, LOW PRESSURE TOOL	1
▲ 3	200956	●SHOE, 406MM (16 IN) FLR TOOL	2
▲▽ 4	200927AM	GRIP, HAND ADJ. COMPLETE	1
▲ 5	01697	SCREW, HEX, .25-20X0.62	2
▲ 6	200912	GRIP, HANDLE FOAM	1
▲ 7	140834	SCREW, 1/4-20X5/8	2
▲ 8	200809	SLEEVE, HANDLE	1
▲ 9	200902	HANDLE, VALVE	1
▲ 10	140605	PIN, HANDLE	1
▲ 11	140520	NUT, 1/4 PUSH BLK	2
▲ 12	150403	FITTING, 1/4MX1/4F 45 STR	1
▲ 13	150913	●COUPLER, SER. 60	1
▲ 14	150615	NIPPLE, CLOSE 1/4	1

REF	PART #	DESCRIPTION	QTY.
▲▽ 15	210150	●VALVE, FLOW CONTROL	1
▲ 16	190603	●KIT, VALVE PIN AND SPRING	1
▲ 17	160170	ASM, HOSE LOW PRESSURE	1
▲ 18	150606	FITTING, 1/4MX1-3/8HEXNIP	1
▲ 19	140058	WASHER, .543X.875X.062 WAND	1
▲▽	700656	ASM., SPRAYBAR 16" WO/TIPS	1
▲ 20	150706	FITTING, 1/4F TEE	1
▲ 21	150709	FITTING, 1/4F X 1/4F X 1/4M	2
▲ 22	150600	FITTING, 1/4MX2" NIPPLE	2
▲ 23	150401	FITTING, 1/4FX1/4F ELBOW 90	2
▲ 24	200993	SPRAY BODY, 1/4" MALE	4
▲ 25	200996	●FILTER, SCREEN 100 MESH	4
▲ 26	200964	●FITTING, TIP 11003 T-JET	4
▲ 27	200994	●CAP, SPRAY BODY	4

- ▽ ASSEMBLY / CONJUNTO / ENSEMBLE
- ▲ INCLUDED IN ASSEMBLY / INCLUIDO A CONJUNTA / Y COMPRIS EN ENSEMBLE
- RECOMMENDED STOCK ITEM / PIEZAS RECOMENDADAS EN ALMACÉN / ÉLÉMENTS DE STOCK RECOMMANDÉS

# OPTIONS - OPCIONES - ÉQUIPEMENT AU CHOIX

## HAND TOOL, UPHOLSTERY LOW PRESSURE HERRAMIENTA MANUAL, TAPICERÍA BAJA PRESIÓN



REF	PART #	DESCRIPTION	QTY.
▽	200540	●TOOL, UPHOLSTERY LP SER 60	1
▲ 1	200845	COVER, UPHOLSTERY TOOL	1
▲ 2	200843	GASKET, COVER	1
▲ 3	190631	●KIT, SERVICE LP UPHOLSTERY	1
▲ 4	210226	●VALVE, WATER/SOL 120VAC LP	1
▲ 5	200991	●FITTING, SS TIP 1/8K-JET	1
▲ 6	200838	SCREW, #06-32 X 0.75	4
▲ 7	200840	TRIGGER, UPHOLSTERY TOOL	1

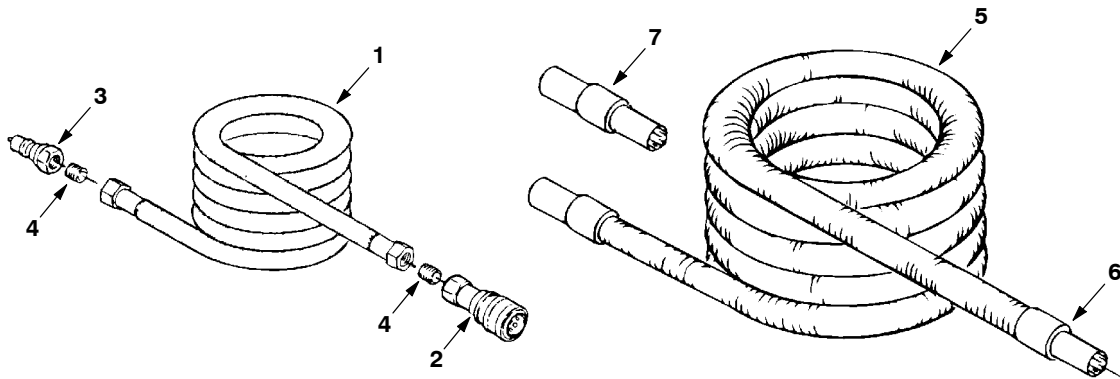
REF	PART #	DESCRIPTION	QTY.
▲ 8	200844	●HOSE, VAC UPHOLSTERY TOOL W/O CUFFS	1
▲ 9	200837	●HOSE, UPHOLSTERY TOOL	1
▲ 10	200848	FITTING, BRASS (3 PCS)	1
▲ 11	200842	FILTER, INLINE COMPLETE	1
▲ 12	200841	SCREEN ONLY, INLINE FILTER	1
▲ 13	150606	FITTING, BRS STR PF04 HEX NIP	1
▲ 14	150913	●FITTING , BRS QDC PF04 SER 60	1

▽ ASSEMBLY / CONJUNTO / ENSEMBLE

▲ INCLUDED IN ASSEMBLY / INCLUIDO A CONJUNTA / Y COMPRIS EN ENSEMBLE

● RECOMMENDED STOCK ITEM / PIEZAS RECOMENDADAS EN ALMACÉN / ÉLÉMENTS DE STOCK RECOMMANDÉS

## SOLUTION AND VACUUM HOSES GROUP / MANGUERAS DE DISOLUCIÓN Y ASPIRACIÓN / TUYAUX DE SOLUTION ET D'EXTRACTION



REF	PART #	DESCRIPTION	QTY.
∇ 1	160185	HOSE, SOLUTION 4.6M (15FT)	1
	160186	HOSE, SOLUTION 7.6M (25FT)	1
	160187	HOSE, SOLUTION 15.2M (50FT)	1
▲ 2	150913	●COUPLER, QUICK SER. 60	1
▲ 3	150933	PLUG, QUICK COUPLER	1
▲ 4	150615	NIPPLE	2

REF	PART #	DESCRIPTION	QTY.
∇ 5	160400	HOSE, VACUUM 4.6M (15FT)	1
	160401	HOSE, VACUUM 7.6M (25FT)	1
	160402	HOSE, VACUUM 15.2M (50FT)	1
▲ 6	160430	●CUFF, HOSE 1-1/2"	2
▲ 7	160451	●CONNECTOR, VAC HOSE 1-1/2"	1
N/S	220040	●BAG, HOSE NYLON MESH W/DRAWSTRING	1

∇ ASSEMBLY / CONJUNTO / ENSEMBLE

▲ INCLUDED IN ASSEMBLY / INCLUIDO A CONJUNTA / Y COMPRIS EN ENSEMBLE

● RECOMMENDED STOCK ITEM / PIEZAS RECOMENDADAS EN ALMACÉN / ÉLÉMENTS DE STOCK RECOMMANDÉS