



## Owners Manual for the AV12QX



**PRIOR TO USING THIS MACHINE, MAKE SURE THAT YOU HAVE READ, AND UNDERSTAND THE SAFETY AND OPERATING INSTRUCTIONS FOR THIS MACHINE.**



NaceCare Solutions  
1205 Britannia Road East  
Mississauga, Ontario, Canada  
L4W 1C7  
Toll Free: 1 800 387 3210  
Toll Free Fax: 1 800 709 2896



## **Safety instructions (read carefully)**

Every electrical device must be used for its particular function only, respecting the manufacturer's instructions. Failure to adhere to these instructions could result in serious bodily injury to the operator (shock, electrocution, etc.).

Please read the following safety instructions carefully and ensure that you understand them prior to using the machine.

- Before putting the machine's plug in the wall socket, check that the voltage available is the same indicated on the label of the machine.
- Be sure that the electrical system is well grounded and that it has a GFI.
- Verify that the cable plug is the same as the outlet.
- Do not use adapters or multiple sockets
- If any electrical extension is used, ensure it is the correct gauge of wire and make sure it is watertight.
- Take care of the electrical cable. Do not repair the cable in case of tears, but replace it with a new one.
- Do not pull the cable to drag the machine or to pull the plug out. Pull the plug out only when the machine is switched off.
- Do not handle the plug with wet hands.
- Do not spray water near electrical outlets. Do not use the machine to spray or to suck dust, corrosive liquids (acids or bases) and explosive or inflammable liquids.
- Do not use the machine in an explosive atmosphere.
- Do not let the machine be used by children and people unable to understand the danger connected with the use of electrical power.
- Do not bring the end of the suction hose or one of the accessories near your face or others', particularly near ears and eyes: the sucked air could seriously damage them.
- If the machine is used as a wet vacuum cleaner, you must check the level of water in the recovery tank, in order to prevent water from being sucked through the vacuum motor.
- If the chemical you are using produces foam, or if you are cleaning carpet previously treated with shampoo, you **must** add **defoamer** into the recovery tank to prevent damage to the vacuum motor.
- In case of abnormal working (very noisy motor, pump not running, extreme temperature rise, or other suspicious signals) switch off the machine and pull the plug out.
- After using, store the machine, well cleaned, in a cool and dry place.

**Attention:** all electrical repairs must be performed by qualified personal only!

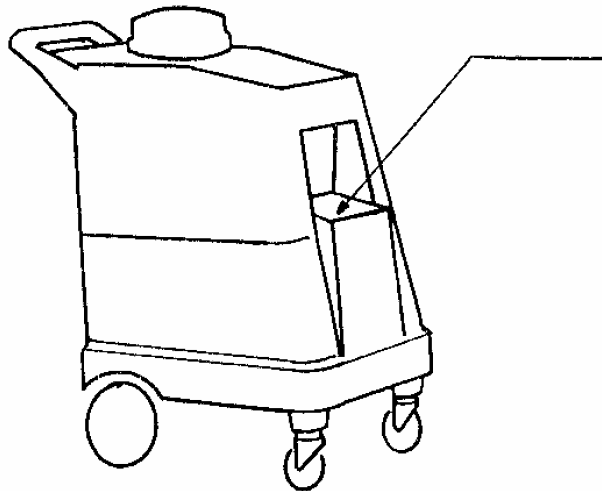
## **SETUP**

This machine is designed to clean large areas of carpet. For normal operation, the machine drives forward, cleaning a path of 20 inches of carpet (see [Using as a Self-propelled Machine](#)).

It can also be used to clean small areas of carpet, with an additional hose and floor wand (see [Using with Accessories](#))

The following steps explain how to prepare the machine for use:

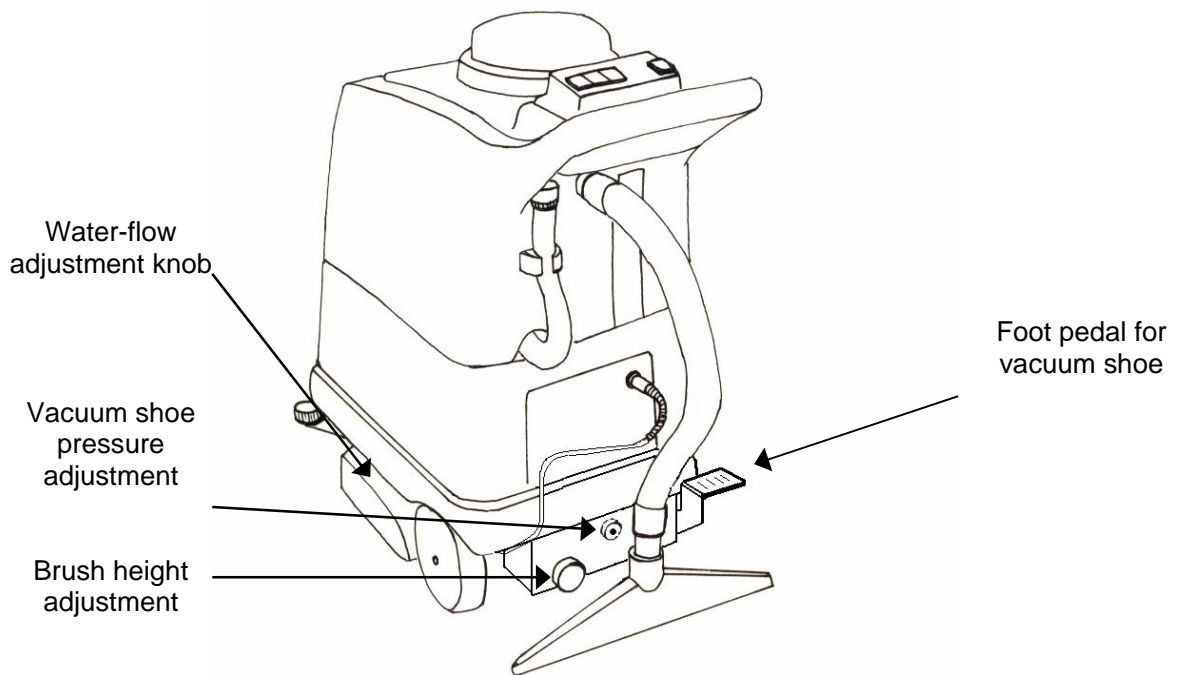
1. Fill in the lower tank (solution tank) with cold or warm water, through the filling hole, adding chemical according to the manufacturer's specifications.



**Attention:** wool carpet must be washed with cold water only!

2. Plug the power cord into the wall outlet (see [Safety Regulations](#)).

## Using as a Self-contained Extractor



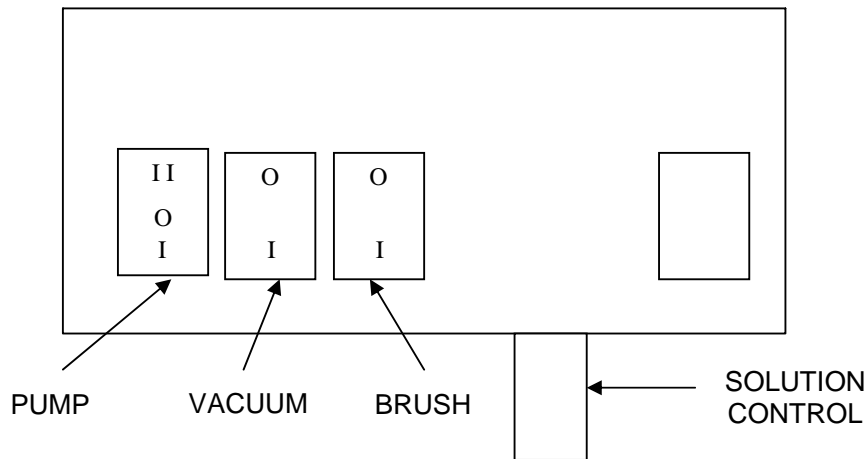
1. This machine is capable of being converted to a scrubber/dryer with an optional hard floor squeegee (P/N#18270E).
2. Lower the brush by turning the brush height adjustment knob counter clockwise. For carpet, the recommended setting is the second last notch. If using on hard floor, lower the brush all the way down. When you are finished using the machine, you must raise the brush all the way to transport the machine.

**NOTE:** For hard floor cleaning, a more aggressive brush is available (P/N#1536930). This hard floor brush should not be used on carpet as it may damage the carpet or the brush motor.

**ATTENTION:** The brush motor is protected by a circuit breaker located on the top control panel. If the circuit breaker trips, reduce the brush pressure on the carpet. If the problem persists, contact the nearest service center.

3. Lower the vacuum head by pushing on the foot pedal, which is located on the lower right side of the machine.

## CONTROL PANEL TOP VIEW



4. Turn the vac motor, and brush motor switches to the “I” position.
5. Set the pump switch to the “I” position. In the “I” position, the pump will only work when the solution control lever is engaged.
6. On the lower left side of the machine, you can adjust the water flow by turning the ball valve knob. Turning the knob clockwise reduces the water flow. Turning the knob counter clockwise increases the water flow. When priming the pump, this knob should be turned counter clockwise for maximum water flow.

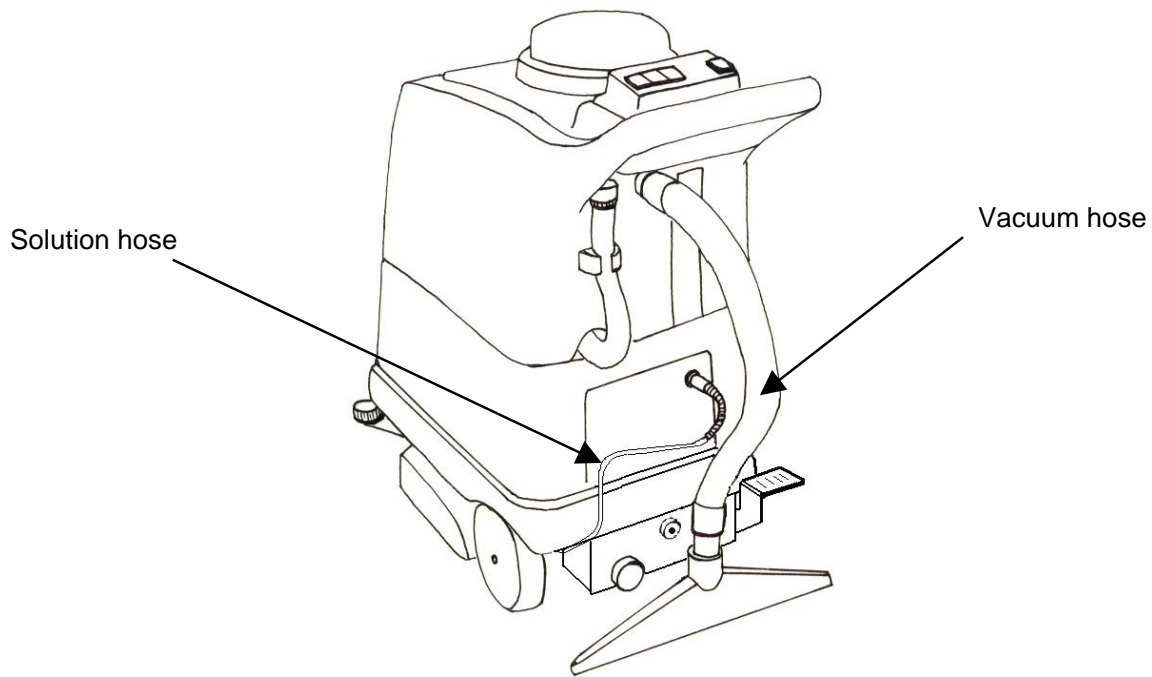
7.

**Attention:** Do not let the pump function without water!

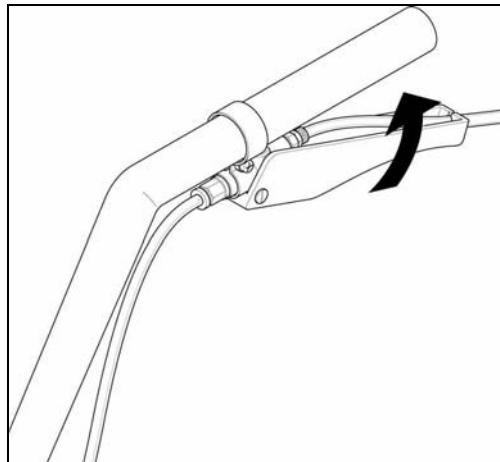
### **Using with Accessories**

After filling the tanks with solution and plugging the power cable in to the wall outlet (see steps 1 and 2 of the paragraph SETUP), you need to perform the following operations:

1. Connect the machine to the wand or to the hand-tool using the solution and the vacuum hoses. To connect the hoses to the machine, remove the vacuum hose, which connects the solution tank to the vacuum shoe, and the solution hose.



2. Connect the longer vacuum hose to the machine
3. Connect the longer solution hose to the machine
4. Switch on the vacuum motor by setting the switch to the "I" position.
5. Turn the pump to the "II" position. In this position, the solution pump is always on.
6. To spray water you need to pull the lever situated on the handle of the floor wand or hand tool.



## **AFTER USE, FOLLOW THESE STEPS**

1. Empty solution tank.
2. Put some fresh water in the solution tank and pump this through the system. This will help keep the pump system clean.
1. Clean the recovery dome and gasket.
2. Thoroughly rinse and drain the recovery tank to prevent odors from developing.
3. Run the vacuum motor for 1 to 2 minutes. This will help remove any moisture from the motor fans and fan casing.
4. When storing the machine, make sure to leave the recovery dome off of the machine. This will allow any water left in the recovery tank to evaporate into the air. This will also help prevent odors in the recovery tank.
5. Periodically check and clean the filter for the vacuum motor. It is located below the recovery dome.
6. Periodically clean the water filter located inside the solution tank.
7. Periodically remove and clean the brush. Remove any hair or carpet fibres that have built up on the brush shaft of the machine as well. **For this procedure, make sure that the machine is unplugged.**

## **MAINTENANCE**

1. After 500 working hours, the machine should be brought in to be serviced. The carbon brushes on the vacuum motor and pump motor should be replaced at this time.
2. Worn-out carbon brushes may result in damage to the vacuum motor or to the pump, which are not covered by warranty. Replacing the carbon brushes should be done by authorized personnel.