

# 7765

---



---

## **PARTS LIST**

**American-Lincoln Models (7765): 56514750 (VD Gas), 56514851 (VD LP),  
56514853 (VD Diesel), 56514855 (MD Gas), 56514856 (MD LP GM3.0L),  
56514857 (MD Diesel S4Q2), 56514858 (VD LP)**

**American-Lincoln®**

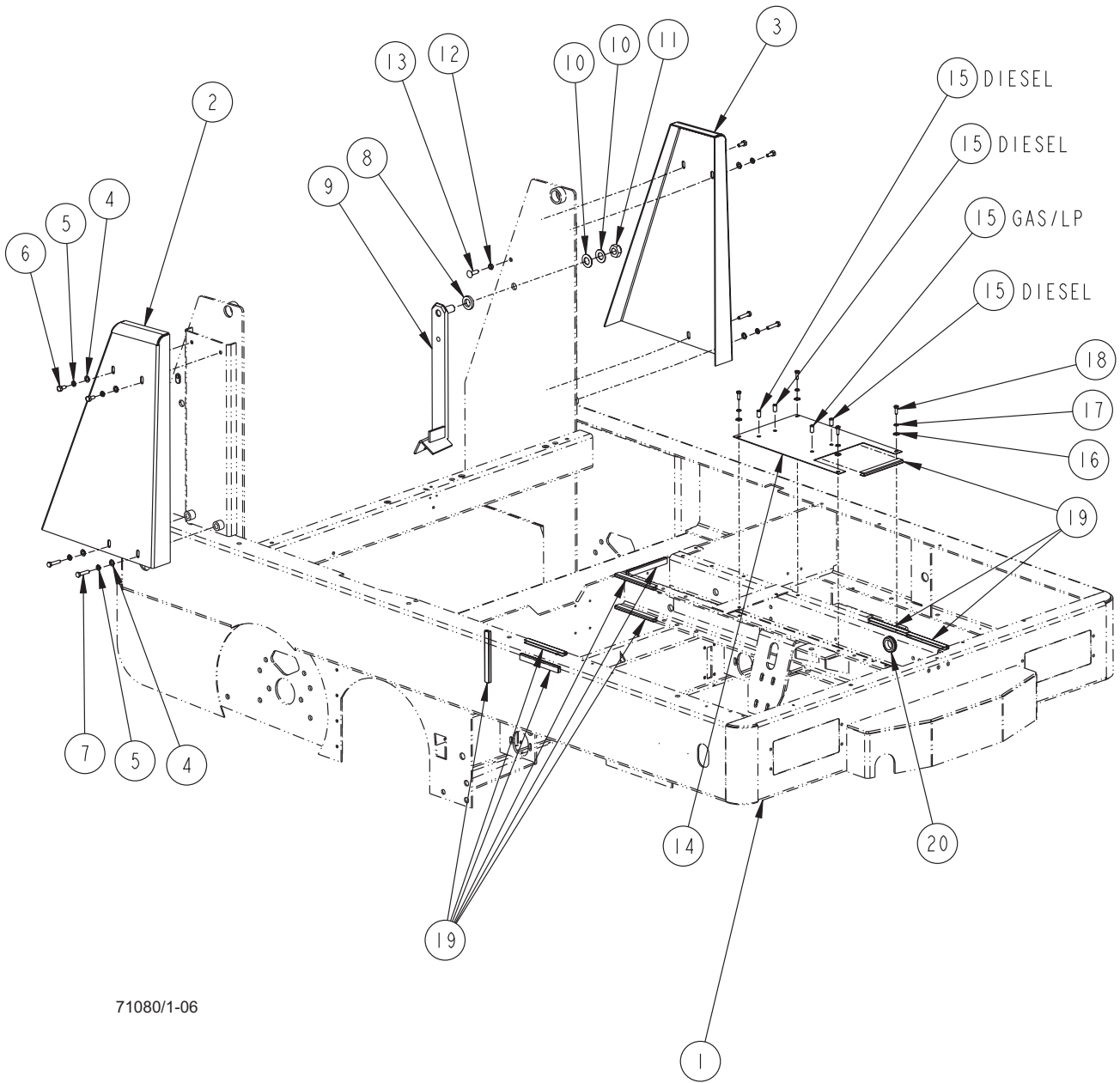
| <b>DESCRIPTION</b>   | <b>Page</b> |
|--|-------------|
| Main Frame (Variable Dump) .....                                   | 5           |
| Main Frame (Manual Dump) .....                                     | 7           |
| Main Broom Assembly .....  | 9           |
| Main Broom Lift Linkage .....                                      | 11          |
| Side Broom Assy. (Variable Dump) .....                             | 13          |
| Broom and Brush Chamber Door .....                                 | 15          |
| Hopper System (Manual Dump) .....                                  | 17          |
| Hopper System (Variable Dump) .....                                | 19          |
| Hopper System (Filter and Impeller) .....                          | 21          |
| Hopper System (Valve, Dump Linkage) .....                          | 23          |
| Scrub Deck and Brushes .....                                       | 25          |
| Rear and Side Squeegees .....                                      | 27          |
| Squeegee Lift .....  | 29          |
| Swing Squeegee Support .....                                       | 31          |
| Solution Tank .....  | 33          |
| Solution Feed Linkage .....  | 35          |
| Recovery Tank .....  | 37          |
| Recovery Tank Lid .....  | 39          |
| Vacuum Motor & Float .....   | 41          |
| Front Wheel and Brake .....  | 43          |
| Brake Linkage .....  | 45          |
| Rear Wheel .....   | 47          |
| Forward/Reverse Control – GM 3.0 .....                             | 49          |
| Forward/Reverse Control – GM 3.0 - Foot Pedal Assy .....           | 51          |
| Forward/Reverse Control – Mitsubishi .....                         | 53          |
| Operator Compartment .....   | 55          |
| Hydraulic Hose System (Variable Dump) .....                        | 57          |
| Suction & Return Hoses (Variable Dump) .....                       | 59          |
| Hydraulic Hose System (Manual Dump) .....                          | 61          |
| Suction & Return Hoses (Manual Dump) .....                         | 63          |
| Main Broom Motor and Fittings .....                                | 64          |
| Side Broom Motor and Fittings .....                                | 65          |
| Scrub Motors and Fittings .....                                    | 66          |
| Squeegee and Scrub Deck Cylinders and Fittings .....               | 67          |
| Power Steering, Hopper Dump & Hopper Lift Cyl's and Fittings ..... | 69          |
| Rear Wheel Motor and Fittings .....                                | 71          |
| Hydraulic Reservoir, Filter, and Fittings .....                    | 73          |
| Drive Pump and Fittings .....                                      | 74          |
| Vacuum Motor and Fittings .....                                    | 75          |
| Dust Control Impeller and Fittings .....                           | 76          |
| Power Steering Unit and Fittings .....                             | 77          |
| Main Control Valve and Fittings .....                              | 79          |
| Return Manifold and Fittings (Variable Dump) .....                 | 81          |
| Return Manifold and Fittings (Manual Dump) .....                   | 83          |
| Cylinder Control Valve and Fittings .....                          | 85          |
| Auxiliary Pump and Fittings - GM 3.0 .....                         | 86          |
| Auxiliary Pump and Fittings – Mitsubishi .....                     | 87          |
| Battery .....  | 89          |
| Engine Cover .....   | 91          |
| Fuel Tank (Gas) .....  | 93          |
| GM 3.0 Liter Gas Engine (Air Filtration System) .....              | 95          |
| GM 3.0 Liter LP Engine (Air Filtration System) .....               | 97          |
| GM 3.0 Liter Engine - Gas & LP (Supports, Brackets) .....          | 99          |
| GM 3.0 Liter Engine - Gas & LP (Exhaust System) .....              | 101         |
| GM 3.0 Liter Engine - Gas & LP (Fan, Radiator Hoses) .....         | 103         |
| Fuel Tank Assembly (LP) .....                                      | 105         |
| Mitsubishi S4Q2 Diesel Engine (Fan, Exhaust, Hoses) .....          | 107         |
| Mitsubishi S4Q2 Diesel Engine (Supports, Brackets, Throttle) ..... | 109         |
| Mitsubishi S4Q2 Diesel Engine (Fuel System) .....                  | 111         |
| Mitsubishi S4Q2 Diesel Engine (Air Filtration System) .....        | 113         |
| Fuel Tank (Diesel) .....   | 115         |

| DESCRIPTION   | Page    |
|---|---------|
| Radiator Assembly .....                             | 116-117 |
| Decals .....  | 118-119 |
| Steering and Instrument Panel .....                 | 120-121 |
| Instrument Panel Connections .....                  | 122-123 |
| Spare Parts .....                                   | 124-126 |
| Engine Service Parts - Mitsubishi S4Q2 Diesel ..... | 127     |
| Engine Service Parts - GM 3.0 Gas/LP .....          | 128-129 |
| Machine Harness Routing Diagram .....               | 130-131 |
| Hydraulics Schematic (Variable Dump) .....          | 132     |
| Hydraulics Schematic (Manual Dump) .....            | 133     |
| Electrical Schematic .....                          | 134     |
| Options .....                                       | 135     |
| Overhead Guard Option .....                         | 136-137 |
| Side Broom Option (Manual Dump) .....               | 138-139 |
| Broom Options .....                                 | 140     |
| Back-Up Alarm Option .....                          | 141     |
| Lights Options .....                                | 142-143 |
| Lights & Turn Signals Option .....                  | 144-145 |
| Warning Lights w/o Overhead Guard Option .....      | 146-147 |
| Warning Lights with Overhead Guard Option .....     | 148-149 |
| Curb Light Option .....                             | 150-151 |
| Fire Extinguisher Option .....                      | 152     |
| Protecto-Seal Gas Cap Option .....                  | 153     |
| Debris Basket Option .....                          | 154     |
| Suspension Seat Option .....                        | 155     |
| Seat Belt Option .....                              | 156-157 |
| ESP Option (Detergent & Solution Tank) .....        | 158-159 |
| ESP Option (Recovery Tank & Detergent Pump) .....   | 160-161 |
| ESP Option (Instrument Panel) .....                 | 162-163 |
| ESP Option (Wiring) .....                           | 164-165 |
| Tire Options .....                                  | 166     |
| Vacuum Wand Option .....                            | 167     |
| Wet Sweep Bypass Option .....                       | 168-169 |
| Auxiliary LP Tank Option .....                      | 170-171 |
| Dual Feed LP Tanks Option .....                     | 172-173 |
| Solution Off in Neutral Option .....                | 174-175 |
| Stainless Steel Variable Dump Hopper Option .....   | 176     |
| Stainless Steel Manual Dump Hopper Option .....     | 177     |
| Extended Bumpers Option .....                       | 178-179 |
| Wrap-Around Bumpers Option .....                    | 180-181 |
| High Torque Drive Wheel Motor Option .....          | 182     |
| Hopper High Temperature Shutdown Option .....       | 183     |
| Clogged Filter Indicator Option .....               | 184-185 |
| 125 Gallon Solution & Recovery Tanks Option .....   | 186-187 |
| Power Spray Wand Option .....                       | 188-189 |
| Timed Filter Shaker Option .....                    | 190     |
| Broom Selector Guide .....                          | 191     |
| Brush Selector Guide .....                          | 192     |

#### WHEN ORDERING PARTS

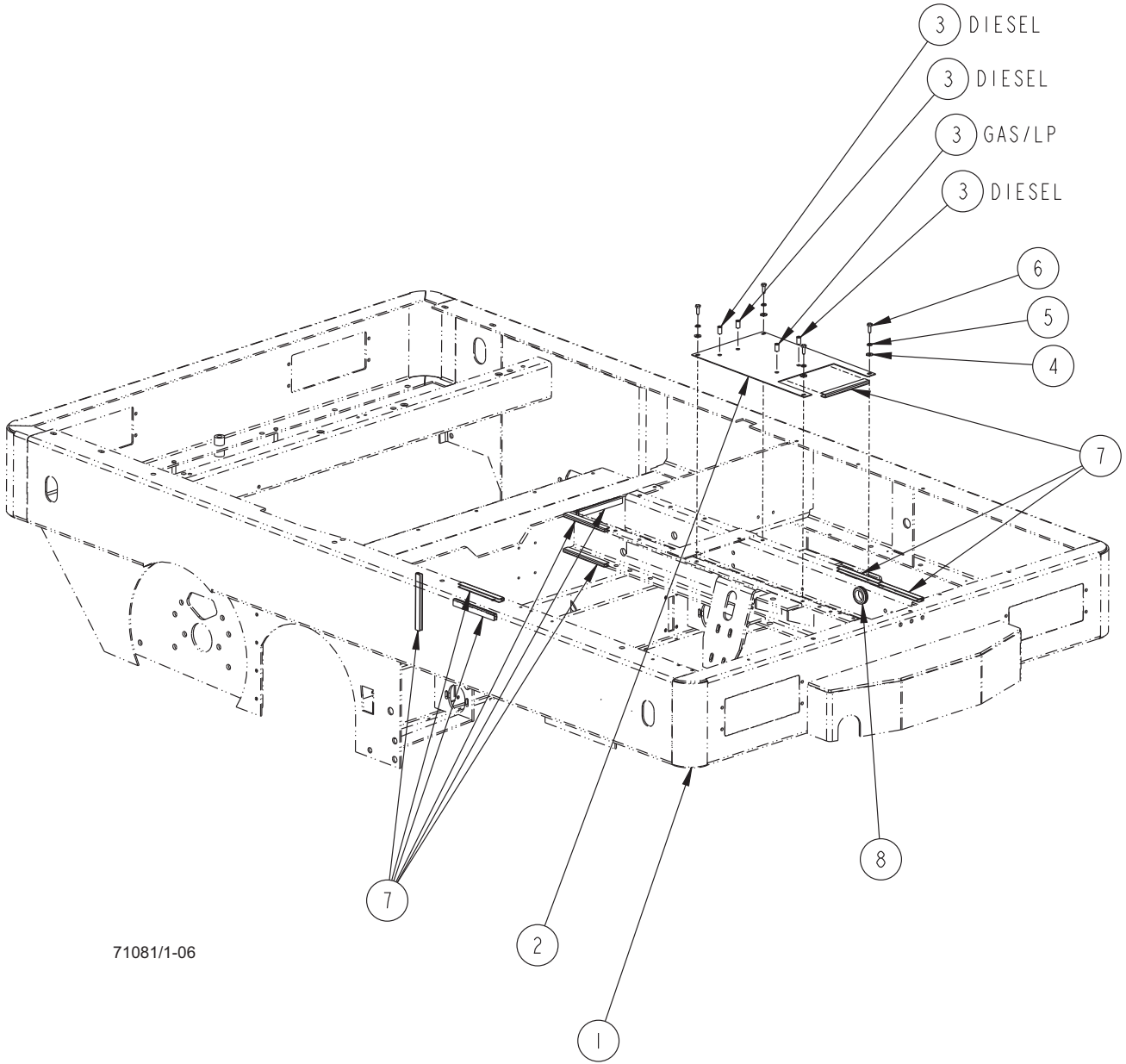
- \* Use the numbers from the "Ref. No." columns in this parts list.
- \* Specify the model and serial number of the machine.
- \* Use the space below to record the model and serial number for future reference.

Model \_\_\_\_\_ Serial No. \_\_\_\_\_



71080/1-06

| Item | Ref. No.   | Qty | Description                      |
|------|------------|-----|----------------------------------|
| 1    | 56514812   | 1   | Main Frame                       |
| 2    | 56514813   | 1   | Cover, LH Support Wing           |
| 3    | 56514814   | 1   | Cover, RH Support Wing           |
| 4    | 2-00-00409 | 8   | Flat Washer, .687 x .344 x .062  |
| 5    | 2-00-00530 | 8   | Lock Washer, 5/16 Med HS         |
| 6    | 2-00-00208 | 4   | Screw, 5/16-18 x 3/4 HHC         |
| 7    | 2-00-00225 | 4   | Screw, 5/16-18 x 1.50 Lg HHC     |
| 8    | 7-75-01167 | 1   | Spacer                           |
| 9    | 7-81-00189 | 1   | Support, Safety Arm (Right)      |
| 10   | 2-00-05807 | 2   | Washer, 3/4 Spring               |
| 11   | 2-00-05255 | 1   | Nut                              |
| 12   | 2-00-02369 | 1   | Nut, 3/8-16 Hex Jam              |
| 13   | 2-00-05187 | 1   | Carriage Bolt, 3/8-16 x 1.0"     |
| 14   | 56514815   | 1   | Cover, Steering Gear Assy.       |
| 15   | 2-00-05261 | 4   | Insert, 1/4-20 Threaded          |
| 16   | 2-00-03702 | 4   | Flat Washer, .562 x .265 x .062  |
| 17   | 2-00-00518 | 4   | Lock Washer, 1/4 Helical Spring  |
| 18   | 2-00-00221 | 4   | Bolt, 1/4-20 x 3/4 Fin. Hex Head |
| 19   | 7-21-04031 | 9   | Edging, Brush Drive Support      |
| 20   | 2-00-04721 | 1   | Rubber Grommet                   |



71081/1-06

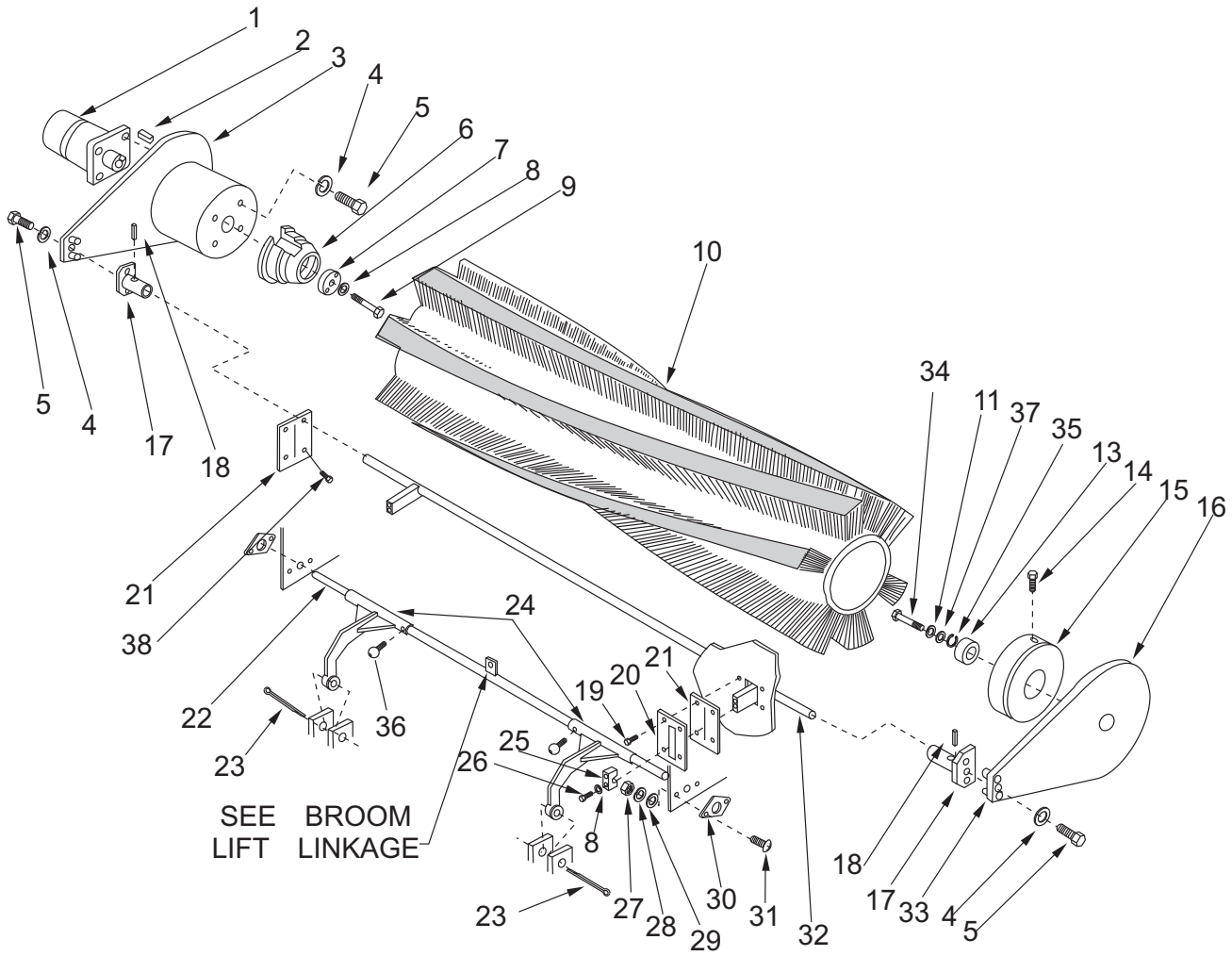
08-4

**MAIN FRAME - MANUAL DUMP**

**7765**

**7**

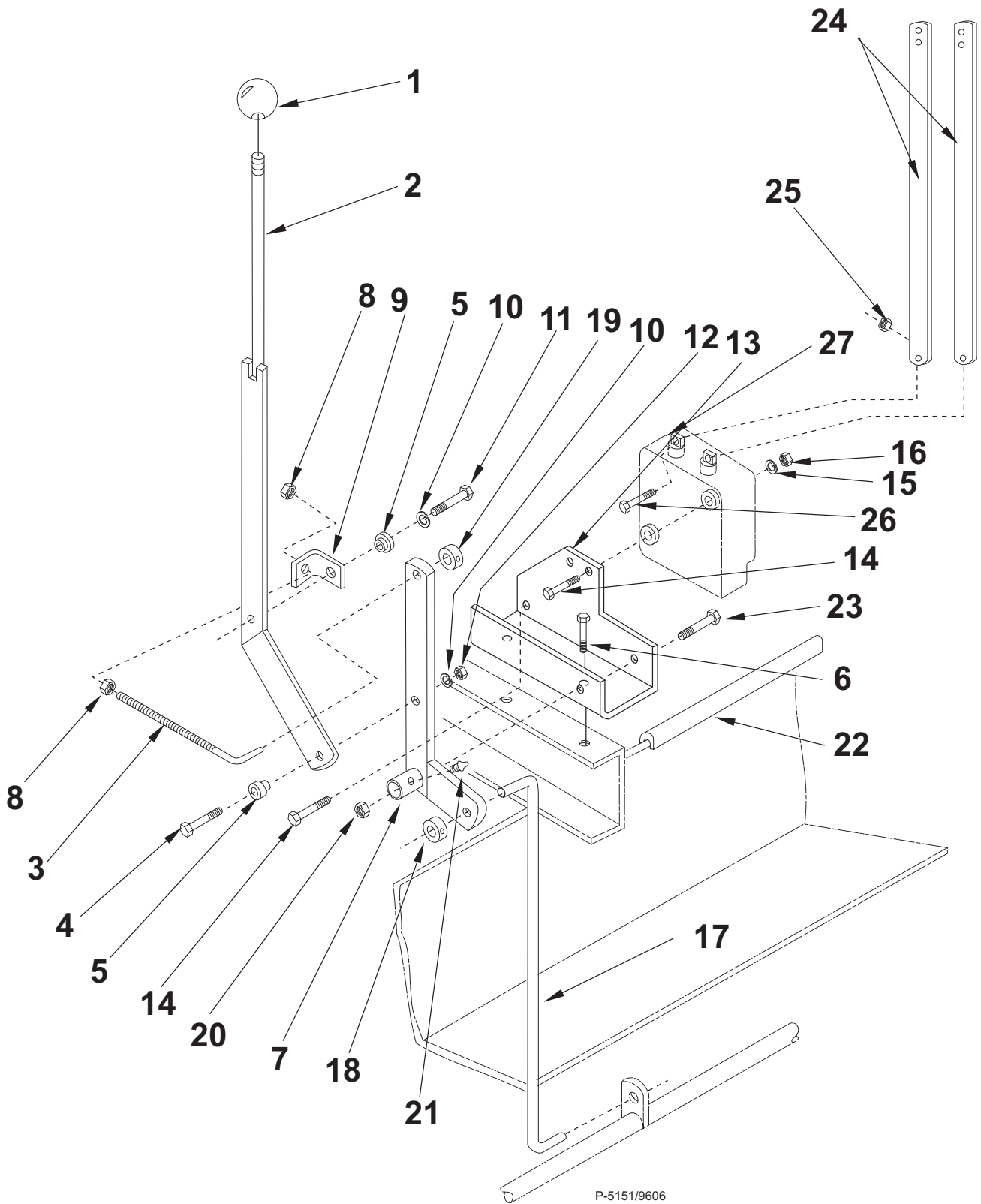
| Item | Ref. No.   | Qty | Description                      |
|------|------------|-----|----------------------------------|
| 1    | 56514840   | 1   | Main Frame                       |
| 2    | 56514815   | 1   | Cover, Steering Gear Assy.       |
| 3    | 2-00-05261 | 4   | Insert, 1/4-20 Threaded          |
| 4    | 2-00-03702 | 4   | Flat Washer, .562 x .265 x .062  |
| 5    | 2-00-00518 | 4   | Lock Washer, 1/4 Helical Spring  |
| 6    | 2-00-00221 | 4   | Bolt, 1/4-20 x 3/4 Fin. Hex Head |
| 7    | 7-21-04031 | 9   | Edging, Brush Drive Support      |
| 8    | 2-00-04721 | 1   | Rubber Grommet                   |



P4738/9606

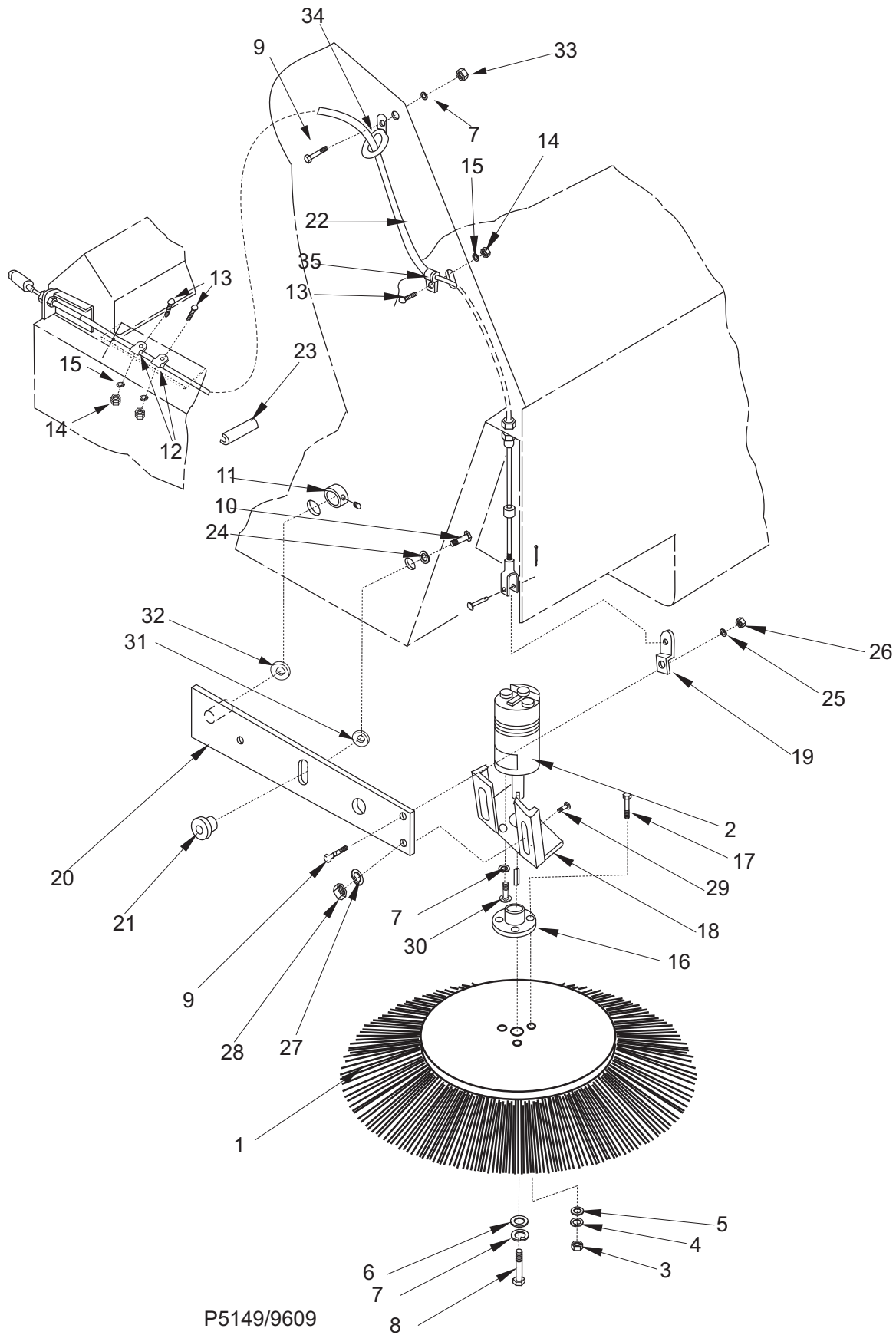


| Item | Ref. No.          | Qty | Description                         |
|------|-------------------|-----|-------------------------------------|
| 1    | 0882-040          | 1   | Hydraulic Motor, Broom Drive        |
| 2    | 2-00-03838        | 1   | Key, 1/4 x 1.0 (#15) W              |
| 3    | 8-16-00041        | 1   | Arm, Drive Broom                    |
| 4    | 2-00-02310        | 6   | Lock Washer, 3/8 Helical Spring     |
| 5    | 2-00-00232        | 6   | Screw, 3/8-14 x 3/4 HHC             |
| 6    | 8-33-09046-1      | 1   | Hub, Broom Driver                   |
| 7    | 8-58-05160        | 1   | Plate, Hub Locking                  |
| 8    | 2-00-00518        | 7   | Lock Washer, 1/4 Helical Spring     |
| 9    | 2-00-03039        | 3   | Screw, 1/4-20 x .625 HSHC           |
| 10   | See Broom Options |     |                                     |
| 11   | 2-00-00522        | 1   | Lock Washer, 3/4 Helical Spring     |
| 12   |                   |     | Intentionally Omitted               |
| 13   | 2-00-04889        | 1   | Bearing                             |
| 14   | 2-00-04886        | 2   | Screw, 3/8-16 x 1/2 HSHC            |
| 15   | 8-33-09090        | 1   | Idler                               |
| 16   | 8-16-00039        | 1   | Arm, Idler                          |
| 17   | 56514825          | 2   | Pivot Collar (Weldment)             |
| 18   | 2-00-04943        | 2   | Spring Pin, 3/8 x 1.50              |
| 19   | 2-00-00221        | 8   | Screw, 1/4-20 x 3/4 HHC             |
| 20   | 7-16-07274        | 2   | Gasket, Cover Plate                 |
| 21   | 7-29-00148        | 3   | Gasket, Broom Arm                   |
| 22   | 7-70-05137        | 1   | Shaft                               |
| 23   | 7-55-08119        | 2   | Lift Pin (with Cotter Pin)          |
| 24   | 7-03-04151        | 1   | RH Arm Assembly                     |
|      | 7-03-04152        | 1   | LH Arm Assembly                     |
| 25   | 56514827          | 2   | End Clamp                           |
| 26   | 2-00-02587        | 4   | Screw, 1/4-20 x 1.25 HHC            |
| 27   | 2-00-00586        | 4   | Nut, 5/16-18 x .500 x .187 Hex Jam  |
| 28   | 2-00-00530        | 4   | Lock Washer, 5/16 Helical Spring    |
| 29   | 2-00-05103        | 4   | Flat Washer, SS, .750 x .343 x .050 |
| 30   | 2-00-03997        | 2   | Flange Bearing, 3.75 x 1.00         |
| 31   | 2-00-00196        | 4   | Carriage Bolt, 5/16-18 x 1.0        |
| 32   | 56514826          | 1   | Shaft, Broom Chamber (Weldment)     |
| 33   | 8-55-08098        | 4   | Dowel Pin                           |
| 34   | 2-00-04887        | 1   | Screw, 3/4-10 x 1.25 HHC            |
| 35   | 2-00-04890        | 1   | Retaining Ring, 3.341 Int.          |
| 36   | 2-00-02558        | 2   | Lubrication Fitting, 45° 1/8 NPT    |
| 37   | 8-75-01157        | 1   | Flat Washer, 3/4                    |
| 38   | 2-00-00432        | 4   | Screw, 1/4-20 x 1/2                 |



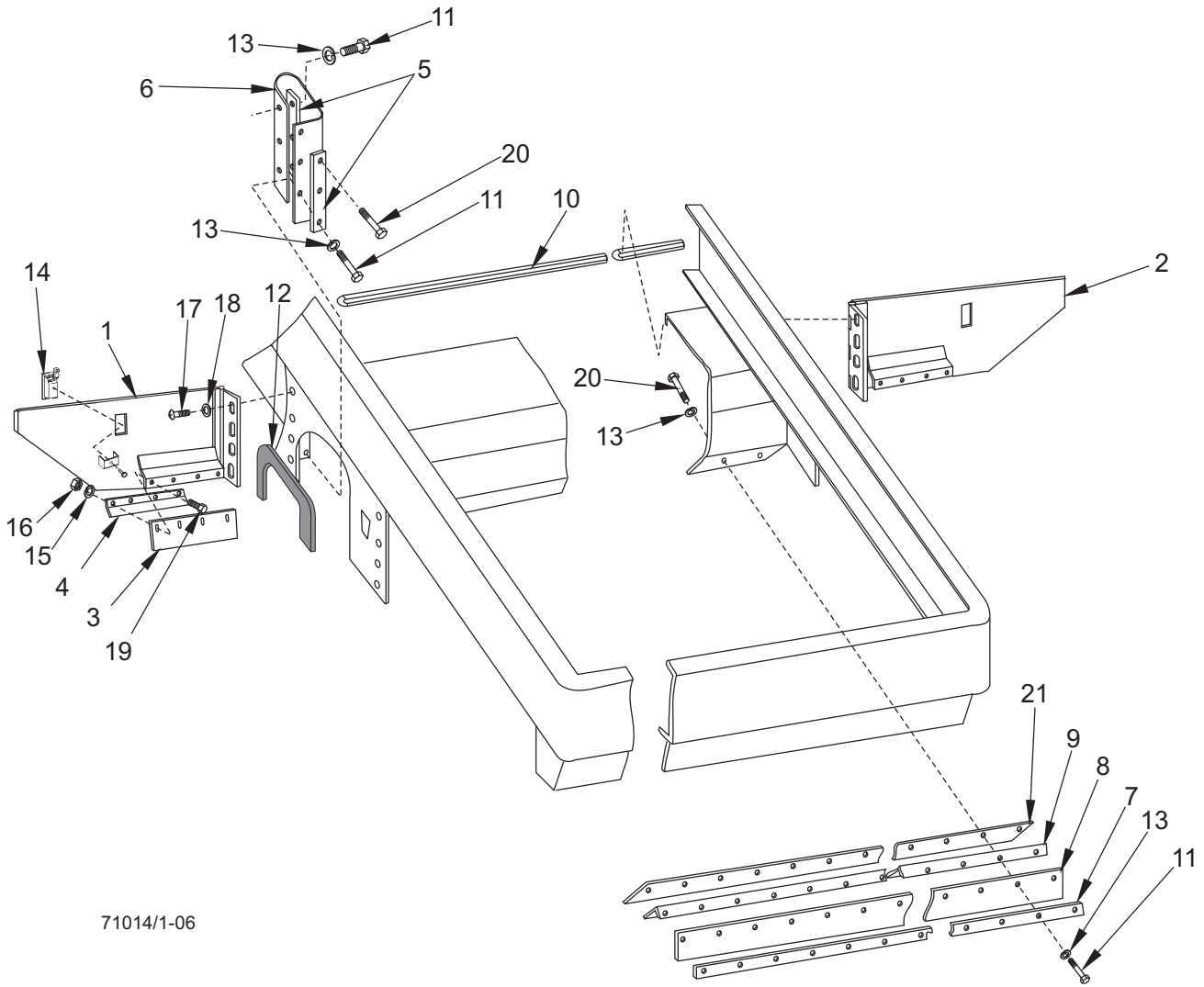
P-5151/9606

| Item | Ref. No.   | Qty | Description                           |
|------|------------|-----|---------------------------------------|
| 1    | 8-39-00003 | 2   | Knob                                  |
| 2    | 7-41-05082 | 1   | Lever, Main Broom                     |
| 3    | 7-66-00142 | 1   | Adjusting Rod                         |
| 4    | 2-00-00207 | 1   | Screw, 5/16-18 x 1.25                 |
| 5    | 7-09-01057 | 2   | Spacer                                |
| 6    | 2-00-01255 | 2   | Screw, 5/16-18 x .875 HHC             |
| 7    | 56514828   | 1   | Crank                                 |
| 8    | 2-00-02369 | 2   | Nut, 3/8-16 x .562 x .218 Hex Jam     |
| 9    | 7-08-00493 | 1   | Bracket, Broom Lever                  |
| 10   | 2-00-00530 | 2   | Lock Washer, Helical Spring 5/16 Med  |
| 11   | 2-00-00208 | 1   | Screw, 5/16-18 x 3/4 HHC              |
| 12   | 2-00-00585 | 1   | Nut, 5/16-18 x .500 x .265 Hex        |
| 13   | 7-89-06700 | 1   | Bracket, Hopper Valve                 |
| 14   | 2-00-02589 | 2   | Screw, 1/4-20 x 2.0 HHC               |
| 15   | 2-00-00518 | 2   | Lock Washer, 1/4 Helical Spring       |
| 16   | 2-00-00594 | 2   | Nut, 1/4-20 x .437 x .218 Hex         |
| 17   | 56514829   | 1   | Broom Lift Link                       |
| 18   | 2-00-03589 | 1   | Setscrew Collar, 1.00 x .500 x .437   |
| 19   | 7-15-01022 | 1   | Setscrew Collar, .750 x .378 x .375   |
| 20   | 2-00-04936 | 1   | Nut, 1/2-13 Fiber Insert Hex          |
| 21   | 2-00-00566 | 1   | Lubrication Fitting, Straight 1/8 NPT |
| 22   | 7-21-04030 | 1   | Edging                                |
| 23   | 2-00-05059 | 2   | Screw, 1/2-13 x 3.75 HHC              |
| 24   | 7-42-05084 | 2   | Link                                  |
| 25   | 2-00-00605 | 2   | Nut, #10-24 Fiber Lock                |
| 26   | 2-00-00056 | 2   | Screw, #10-24 x 3/4 RHM               |
| 27   | 8-88-00053 | 1   | Control Valve                         |



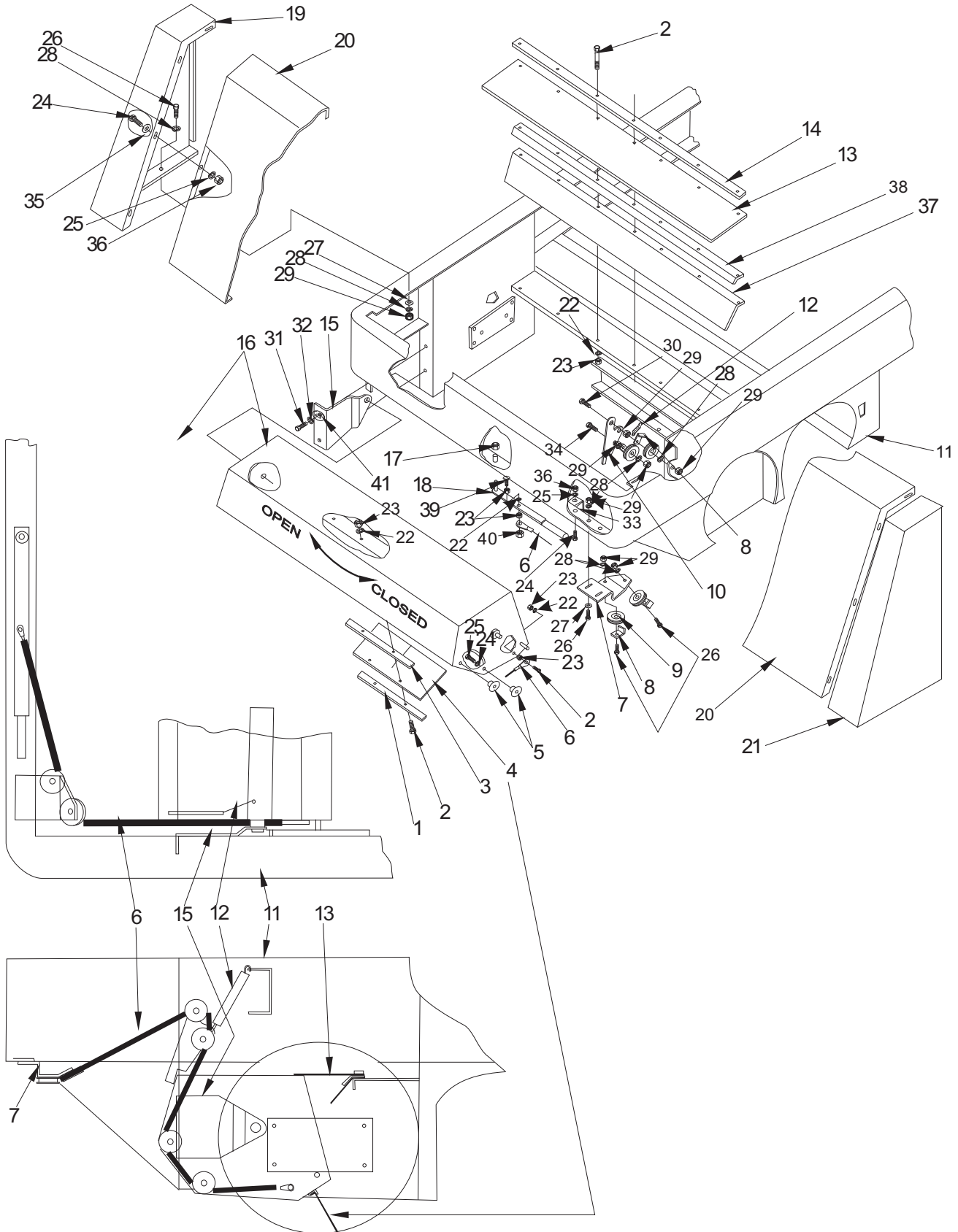
P5149/9609

| Item | Ref. No.   | Qty | Description                                    |
|------|------------|-----|--|
| 1    | 8-08-03107 | 1   | Side Broom                                     |
| 2    | 0885-061   | 1   | Hydraulic Broom Drive Motor                    |
| 3    | 2-00-00585 | 3   | Nut, Hex 5/16 - 18 x .500 x .265               |
| 4    | 2-00-00530 | 3   | Lock Washer, Helical Spring 5/16 Med           |
| 5    | 2-00-00409 | 2   | Washer, Flat 5/16                              |
| 6    | 2-00-01676 | 1   | Flat Washer, 1.063 x .266 x .063               |
| 7    | 2-00-00518 | 5   | Lock Washer, Helical Spring 1/4 Med            |
| 8    | 2-00-05976 | 1   | Screw, 1/4 - 28 x 1.50 HHC                     |
| 9    | 2-00-00221 | 2   | Screw, 1/4-20 x .75                            |
| 10   | 2-00-00232 | 1   | Screw, 3/8 - 16 x .750 HHC                     |
| 11   | 8-15-01003 | 1   | Setscrew Collar, 1.250 x .750 x .562           |
| 12   | 2-00-04210 | 2   | Clamp  |
| 13   | 2-00-00049 | 3   | Screw, #10 - 24 x .500 RHM                     |
| 14   | 2-00-00605 | 3   | Nut, Hex MS #10-24 x .375 x .12                |
| 15   | 2-00-00512 | 3   | Lock Washer, #10 Int.                          |
| 16   | 7-25-06038 | 1   | Flange   |
| 17   | 2-00-00218 | 3   | Screw, 5/16 - 18 x 2.000 HHC                   |
| NS   | 0880-293   | 1   | Seal Kit- 0885-061 (Up to Serial No. 750056)   |
| NS   | 0780-144   | 1   | Seal Kit- 0885-061 (Serial No. 750056 & Above) |
| 18   | 7-08-00841 | 1   | Bracket, Side Broom                            |
| 19   | 7-79-00092 | 1   | Strap  |
| 20   | 56514783   | 1   | Side Broom Arm Weldment                        |
| 21   | 7-09-01134 | 1   | Bushing  |
| 22   | 7-10-00029 | 1   | Cable  |
| 23   | 8-21-04030 | 1   | Edging   |
| 24   | 2-00-02310 | 1   | Lock Washer, Helical Spring 3/8 Med            |
| 25   | 2-00-03702 | 1   | Washer, Flat .625 x .281 x .063                |
| 26   | 2-00-00641 | 1   | Nut, 1/4-20 Hex Fiber Lock                     |
| 27   | 2-00-02303 | 2   | Lock Washer, 5/16 Int. Tooth                   |
| 28   | 2-00-00585 | 2   | Nut, Hex 5/16-18                               |
| 29   | 2-00-03569 | 2   | Carriage Bolt, 5/16-18                         |
| 30   | 2-00-05350 | 3   | Screw, 1/4-28 x .63                            |
| 31   | 2-00-03979 | 1   | Washer, 1.00 x .391 x .06                      |
| 32   | 2-00-03808 | 1   | Washer, 1.50 x .750 x .06                      |
| 33   | 2-00-00594 | 1   | Nut, Hex MS 1/4-20 x .125                      |
| 34   | 2-00-04603 | 1   | Clamp  |
| 35   | 2-00-04378 | 1   | Clamp  |



71014/1-06

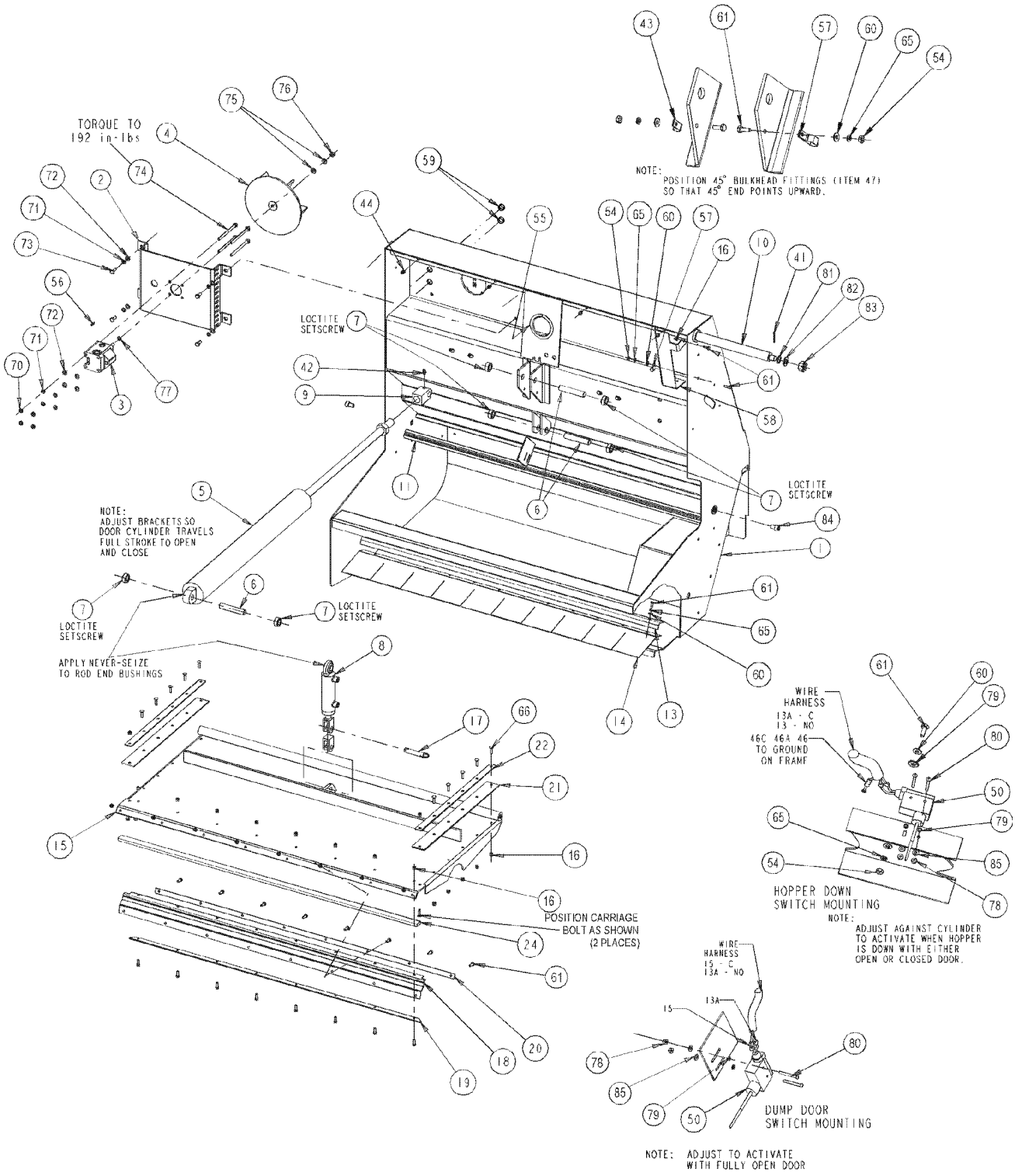
| Item | Ref. No.   | Qty | Description                     |
|------|------------|-----|---------------------------------|
| 1    | 56514779   | 1   | Door, Left Hand Broom Chamber   |
| 2    | 56514780   | 1   | Door, Right Hand Broom Chamber  |
| 3    | 7-25-08033 | 2   | Flap, Broom Chamber Door        |
| 4    | 56514781   | 2   | Strap, Door Flap                |
| 5    | 56514782   | 4   | Strap, Broom Chamber            |
| 6    | 7-25-08034 | 2   | Flap, Broom Chamber             |
| 7    | 7-79-00054 | 1   | Strap, Broom Chamber Flap       |
| 8    | 7-25-08032 | 1   | Flap, Broom Chamber             |
| 9    | 7-08-00487 | 1   | Bracket, Flap (Weldment)        |
| 10   | 7-29-00147 | 1   | Gasket                          |
| 11   | 2-00-00221 | 25  | Screw, 1/4-20 x 3/4 HHC         |
| 12   | 3-73-01020 | 2   | Gasket (36")                    |
| 13   | 2-00-00518 | 33  | Lock Washer, 1/4 Helical Spring |
| 14   | 7-41-00065 | 2   | Latch, Flush Mount              |
| 15   | 2-00-00501 | 8   | Lock Washer, 1/4                |
| 16   | 2-00-00589 | 8   | Nut, 1/4-20 Hex                 |
| 17   | 2-00-04880 | 8   | Screw, 1/4-20 x 3/4 BHS         |
| 18   | 2-00-00407 | 8   | Flat Washer, .687 x .343 x .062 |
| 19   | 2-00-04190 | 8   | Carriage Bolt, 1/4-20 x .63     |
| 20   | 2-00-01490 | 13  | Screw, 1/4-20 x .875 HHC        |
| 21   | 7-25-08036 | 1   | Flap, Front Broom Chamber       |



C-0355/9606

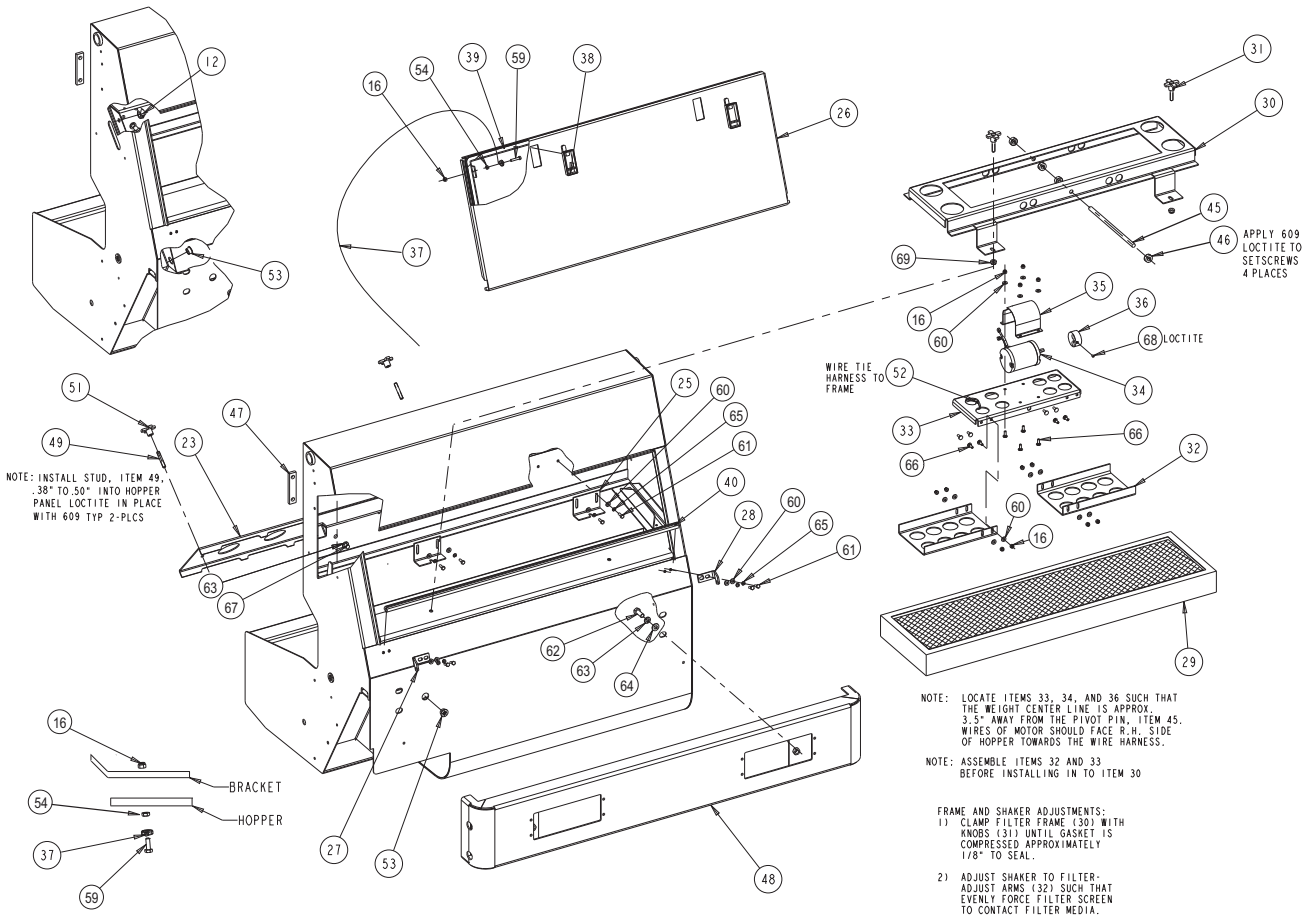


| Item | Ref. No.   | Qty | Description                      |
|------|------------|-----|----------------------------------|
| 1    | 7-79-00091 | 4   | Hopper Flap Strap                |
| 2    | 2-00-00205 | 15  | Screw, 1/4-20 x 1.000 HHC        |
| 3    | 7-13-07169 | 4   | Hopper Flap Clamp                |
| 4    | 7-25-08050 | 4   | Hopper Flap                      |
| 5    | 7-30-08013 | 2   | Cable Guide                      |
| 6    | 7-10-00027 | 1   | Hopper Lift Cable                |
| 7    | 7-08-00860 | 1   | Pulley Mounting Bracket          |
| 8    | 7-13-07170 | 4   | Cable Retainer Clip              |
| 9    | 7-60-00160 | 4   | Cable Pulley                     |
| 10   | 7-41-00029 | 1   | Hopper Latch                     |
| 11   | 56514840   | 1   | Main Frame                       |
| 12   | 8-76-00045 | 1   | Spring                           |
| 13   | 7-25-08051 | 1   | Baffle Flap                      |
| 14   | 56514845   | 1   | Baffle Clamp                     |
| 15   | 7-08-00861 | 2   | Hopper Pivot Plate               |
| 16   | 56514847   | 1   | Hopper                           |
| 17   | 2-00-03589 | 1   | Collar                           |
| 18   | 7-31-06073 | 1   | Hopper Dump Handle               |
| 19   | 56514843   | 1   | Right Hand Cover                 |
| 20   | 56514844   | 1   | Center Cover                     |
| 21   | 56514848   | 1   | Left Hand Cover                  |
| 22   | 2-00-00518 | 17  | Lock Washer, 1/4 Helical Spring  |
| 23   | 2-00-00594 | 19  | Nut, Hex 1/4-20                  |
| 24   | 2-00-01255 | 11  | Screw, 5/16-18 x .875 HHC        |
| 25   | 2-00-00530 | 11  | Lock Washer, 5/16 Helical Spring |
| 26   | 2-00-00209 | 8   | Screw, 3/8-16 x 1.250 HHC        |
| 27   | 2-00-00402 | 10  | Flat Washer, 3/8 Bs              |
| 28   | 2-00-02310 | 8   | Lock Washer, 3/8 Helical Spring  |
| 29   | 2-00-02360 | 14  | Nut, Hex 3/8-16                  |
| 30   | 2-00-02711 | 1   | Screw, 3/8-16 x2.750 HHM         |
| 31   | 2-00-00240 | 4   | Screw, 1/2-13 x 1.250 HHC        |
| 32   | 2-00-02312 | 4   | Lock Washer, 1/2 Helical Spring  |
| 33   | 7-41-00031 | 1   | Handle Latch                     |
| 34   | 2-00-00235 | 1   | Screw, 3/8-16 x 1.750 HHC        |
| 35   | 2-00-00409 | 8   | Flat Washer, 5/16 BS             |
| 36   | 2-00-00585 | 9   | Nut, Hex 5/16-18                 |
| 37   | 7-25-08052 | 1   | Lower Baffle Flap                |
| 38   | 56514849   | 1   | Lower Baffle Clamp               |
| 39   | 2-00-00198 | 1   | Carriage Bolt, 1/4-20 x 2.000    |
| 40   | 2-00-00641 | 1   | Nut, Fiber Lock 1/4-20           |
| 41   | 2-00-00405 | 4   | Flat Washer 1/2 B.S              |



| Item | Ref. No.   | Qty  | Description                          |
|------|------------|------|--------------------------------------|
| 1    | 56514763   | 1    | Hopper                               |
| 2    | 56514764   | 1    | Bracket, Impellor Mounting and Guard |
| 3    | 0882-041   | 1    | Vac Fan Motor                        |
| 4    | 8-23-00012 | 1    | Impellor                             |
| 5    | 7-17-05013 | Ref. | Cylinder                             |
| 6    | 7-55-08117 | 3    | Pin                                  |
| 7    | 8-15-01003 | 6    | Collar                               |
| 8    | 7-17-05020 | Ref. | Cylinder                             |
| 9    | 8-14-01010 | 1    | Rod End                              |
| 10   | 7-55-08127 | 1    | Rod                                  |
| 11   | 7-29-00233 | 2    | Gasket, Dump Door                    |
| 13#  | 56514897   | 1    | Clamp, Hopper Flap                   |
| 14   | 7-25-08068 | 1    | Flap, Hopper                         |
| 15   | 56514765   | 1    | Dump Door, Hopper                    |
| 16   | 2-00-00641 | 31   | Nut, 1/4-20 Insert Fiber             |
| 17   | 7-55-08121 | 1    | Pin                                  |
| 18   | 7-68-05019 | 1    | Seal, Outer Door                     |
| 19#  | 56514896   | 1    | Strap, Inner Seal                    |
| 20#  | 56514895   | 1    | Strap, Outer Seal                    |
| 21   | 7-68-05014 | 2    | Seal, Door Side                      |
| 22#  | 56514894   | 2    | Clamp, Door Side Seal                |
| 24   | 7-68-05018 | 1    | Seal, Dump Door                      |
| 41   | 2-00-00776 | 2    | Cotter Pin                           |
| 42   | 2-00-02558 | 1    | Lube Fitting                         |
| 43   | 2-00-04378 | 1    | Clamp                                |
| 44   | 2-00-00566 | 4    | Lube Fitting                         |
| 50   | 8-82-00058 | 2    | Switch                               |
| 54   | 2-00-00594 | 6    | Nut, Hex 1/4-20 x .437 x .218        |
| 55   | 7-21-04041 | 1    | Edging, Hopper                       |
| 56   | 2-00-02227 | 1    | Key                                  |
| 57   | 2-00-04603 | 2    | Clamp                                |
| 58   | 56514777   | 1    | Bracket, Safety Arm Stop             |
| 59   | 2-00-05382 | 2    | Hole Plug                            |
| 60   | 2-00-03702 | 17   | Washer, .625 x .281 x .063           |
| 61   | 2-00-00221 | 33   | Screw, 1/4-20 x .750 HHC             |
| 65   | 2-00-00518 | 16   | Lock Washer, Helical Spring          |
| 66   | 2-00-03575 | 12   | Carriage Bolt, 1/4-20 x .750         |
| 70   | 2-00-00585 | 4    | Hex Nut, .13-18 Finished             |
| 71   | 2-00-00530 | 8    | Lock Washer, 5/16 Med.               |
| 72   | 2-00-00409 | 8    | Flat Washer, .688 x .344 x .063      |
| 73   | 2-00-00208 | 4    | Screw, .313-18 x .75 HHC             |
| 74   | 2-00-02655 | 4    | Screw, .313-18 x 4.50 HHC            |
| 75   | 2-00-00402 | 2    | Flat Washer, .750 x .391 x .093      |
| 76   | 2-00-03412 | 1    | Lock Nut, .38-24 (1-piece)           |
| 77   | 2-00-00484 | 1    | Spacer, .625 x .375 x .047           |
| 78   | 2-00-01372 | 4    | Nut, 8-32 Fiber Insert               |
| 79   | 2-00-00498 | 5    | Lock Washer                          |
| 80   | 2-00-00090 | 4    | Screw, 8-32 x 1.50 PH RHM            |
| 81   | 2-00-00432 | 2    | Flat Washer, 1.125 x .766 x .063     |
| 82   | 2-00-03170 | 2    | Spacer, .75-1.50 x .125              |
| 83   | 2-00-04841 | 2    | Nut, .75-16 Slotted Hex              |
| 84   | 2-00-05277 | 2    | Screw, .50-13 x .75 HSHC             |
| 85   | 2-00-00460 | 4    | Flat Washer, .438 x .192 x .031      |

# = Revised or new since last update

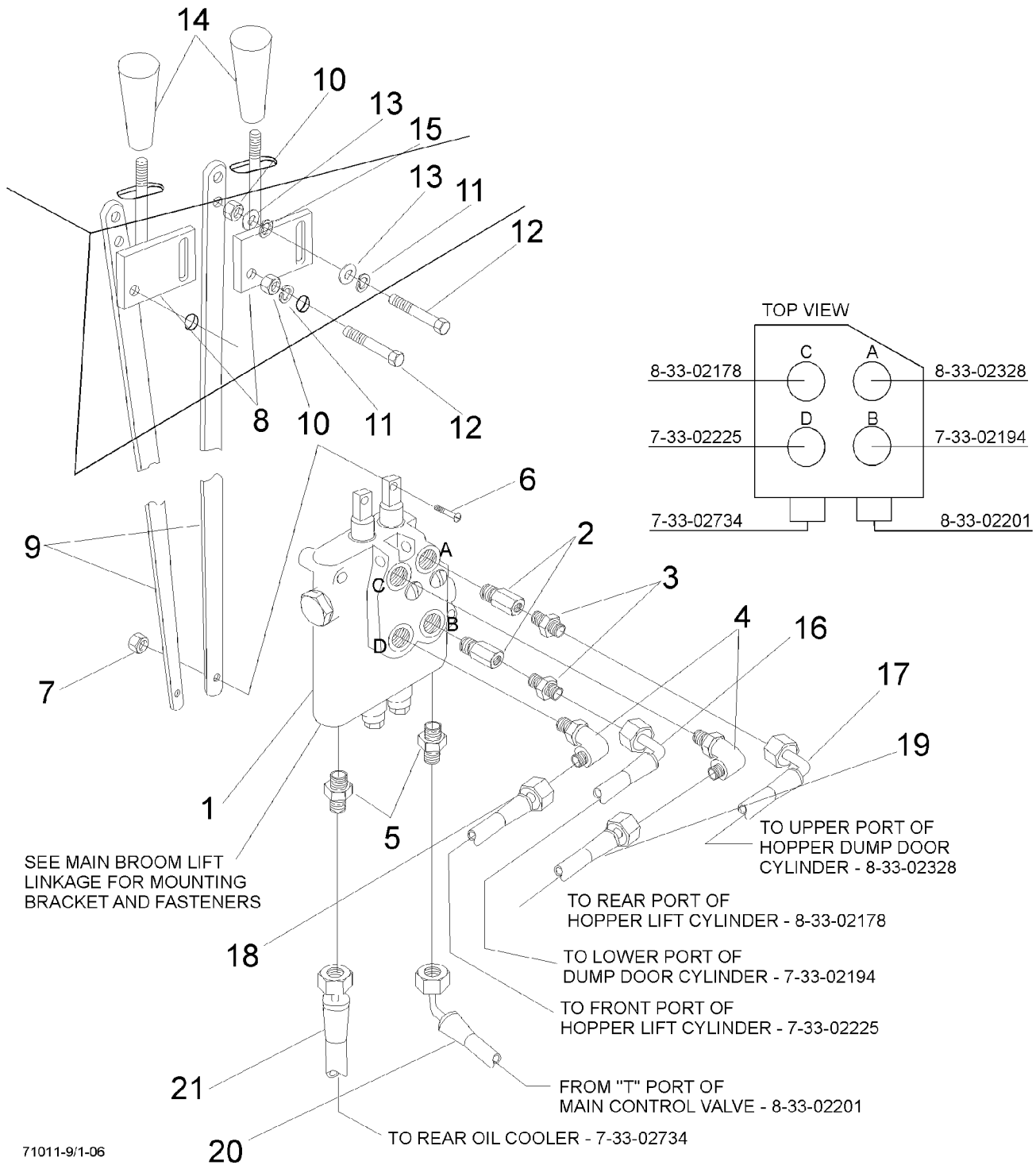


P5148a-ecp/1-04

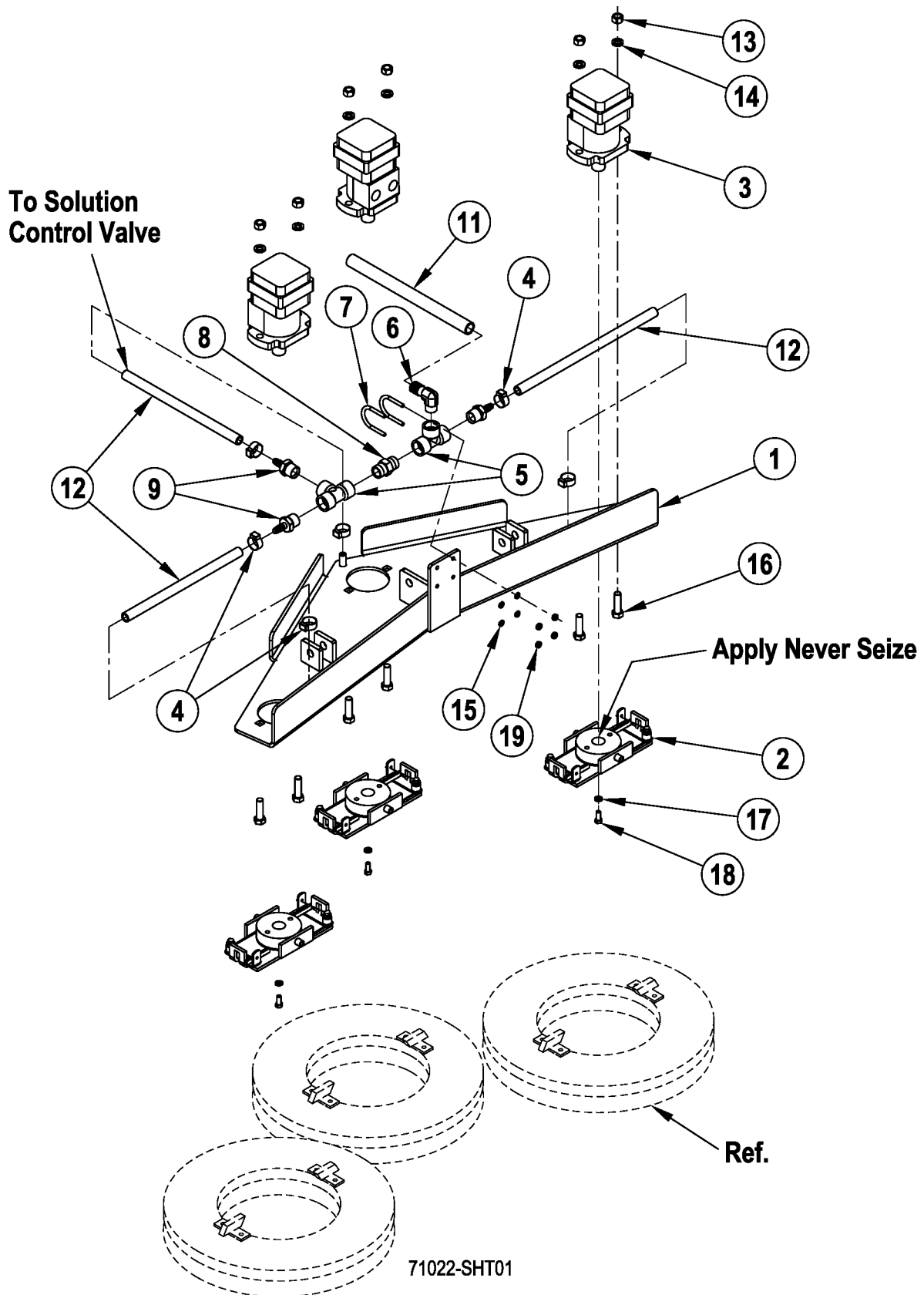
| Item | Ref. No.     | Qty | Description                      |
|------|--------------|-----|----------------------------------|
| 12   | 2-00-00491   | 1   | Grommet                          |
| 16   | 2-00-00641   | 6   | Nut, 1/4-20 Insert Fiber         |
| 23#  | 56514893     | 1   | Air Deflector, Top               |
| 25   | 56514766     | 2   | Rear Clamp                       |
| 26   | 56514767     | 1   | Filter Access Door               |
| 27   | 56514768     | 1   | Bracket, Door Filter Access (RH) |
| 28   | 56514769     | 1   | Bracket, Door Filter Access (LH) |
| 29   | 7-24-04046   | 1   | Filter Panel                     |
|      | 7-24-04046-2 |     | POLY Filter Panel Option         |
| 30   | 56514770     | 1   | Filter Clamp, Weldment           |
| 31   | 7-39-00027   | 2   | Knob Assembly                    |
| 32   | 56514771     | 1   | Shaker Arm                       |
| 33   | 56514772     | 1   | Plate, Shaker Motor              |
| *34  | 0860-623     | 1   | Motor, Shaker                    |
| *35  | 56514773     | 1   | Cover, Filter Shaker Motor       |
| *36  | 56514774     | 1   | Weight, Filter Shaker            |
| 37   | 8-10-00036   | 1   | Cable                            |
| 38   | 8-41-00040   | 2   | Latch                            |
| 39   | 7-29-00234   | 1   | Gasket, Hopper Access Door       |
| 40   | 7-29-00235   | 1   | Gasket, Hopper Access Door       |
| 45   | 7-55-08146   | 1   | Pin, Shaker Pivot                |
| 46   | 2-00-03589   | 4   | Collar                           |
| 47   | 56514872     | 1   | Bracket                          |
| 48   | 56514776     | 1   | Bumper                           |
| 49   | 7-89-07423   | 2   | Stud                             |
| 51   | 25201A       | 2   | Knob                             |
| 52   | 2-00-04345   | 1   | Tye-Rap                          |
| 53   | 8-09-01082   | 2   | Bushing                          |
| 54   | 2-00-00594   | 2   | Nut, Hex 1/4-20 x .437 x .218    |
| 59   | 2-00-02587   | 2   | Screw, 1/4-20 x 1.250 HHC        |
| 60   | 2-00-03702   | 12  | Washer, .625 x .281 x .063       |
| 61   | 2-00-00221   | 8   | Screw, 1/4-20 x .750 HHC         |
| 62   | 2-00-00240   | 4   | Screw, 1/2-13 x 1.250 HHC        |
| 63   | 2-00-02312   | 6   | Lock Washer, 1/2 HS Med.         |
| 64   | 2-00-04159   | 4   | Washer, 9/16 x 1 3/8 x .109      |
| 65   | 2-00-00518   | 8   | Lock Washer, Helical Spring      |
| 66   | 2-00-03575   | 12  | Carriage Bolt, 1/4-20 x .750     |
| 67   | 2-00-02676   | 2   | Screw, 1/2-13 x .75              |
| 68   | 2-00-00263   | 1   | Setscrew, 1/4-20 x .250 HSKCP    |
| 69   | 2-00-00643   | 2   | Nut, 3/8-16 Stop                 |

\*Contained in Kit 0880-705

# = Revised or new since last update



| Item | Ref. No.   | Qty  | Description                           |
|------|------------|------|---------------------------------------|
| 1    | 8-88-00053 | 1    | Hopper Control Valve                  |
| 2    | 2-00-04917 | 2    | ORFS Boss Reducer, 9/16-18 to 7/16-20 |
| 3    | 2-00-04895 | 2    | ORFS Connector, 7/16-20 to 9/16-18    |
| 4    | 2-00-04926 | 2    | ORFS 90° Elbow, 9/16-18               |
| 5    | 2-00-04970 | 2    | Fitting - Straight                    |
| 6    | 2-00-00056 | 2    | Screw, #10-24 x .750 RHM              |
| 7    | 2-00-00605 | 2    | Nut, Hex MS #10-24 x .375 x .125      |
| 8    | 7-41-05084 | 2    | Lever                                 |
| 9    | 7-42-05089 | 2    | Link                                  |
| 10   | 2-00-00594 | 4    | Nut, Hex 1/4-20 x .437 x .218         |
| 11   | 2-00-00518 | 4    | Lock Washer, Helical Spring 1/4 Med   |
| 12   | 2-00-00205 | 4    | Screw, 1/4-20 x 1.0 HHM               |
| 13   | 2-00-03702 | 4    | Flat Washer, .625 x .281 x .062       |
| 14   | 7-31-06059 | 2    | Handle                                |
| 15   | 2-00-00498 | 2    | Lock Washer, 1/4 Ext                  |
| 16   | 7-33-02195 | Ref. | Hose                                  |
| 17   | 8-33-02328 | Ref. | Hose                                  |
| 18   | 7-33-02225 | Ref. | Hose                                  |
| 19   | 8-33-02178 | Ref. | Hose                                  |
| 20   | 8-33-02201 | Ref. | Hose                                  |
| 21   | 7-33-02734 | Ref. | Hose                                  |



71022-SHT01

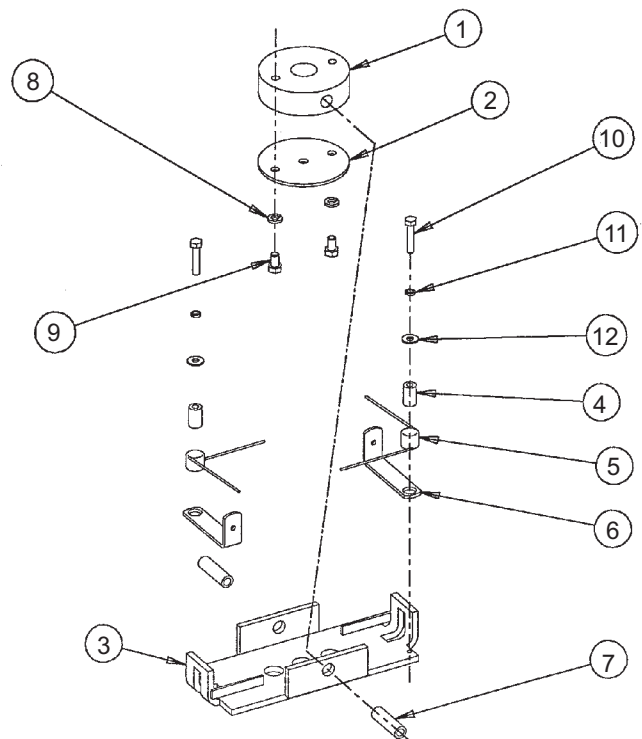


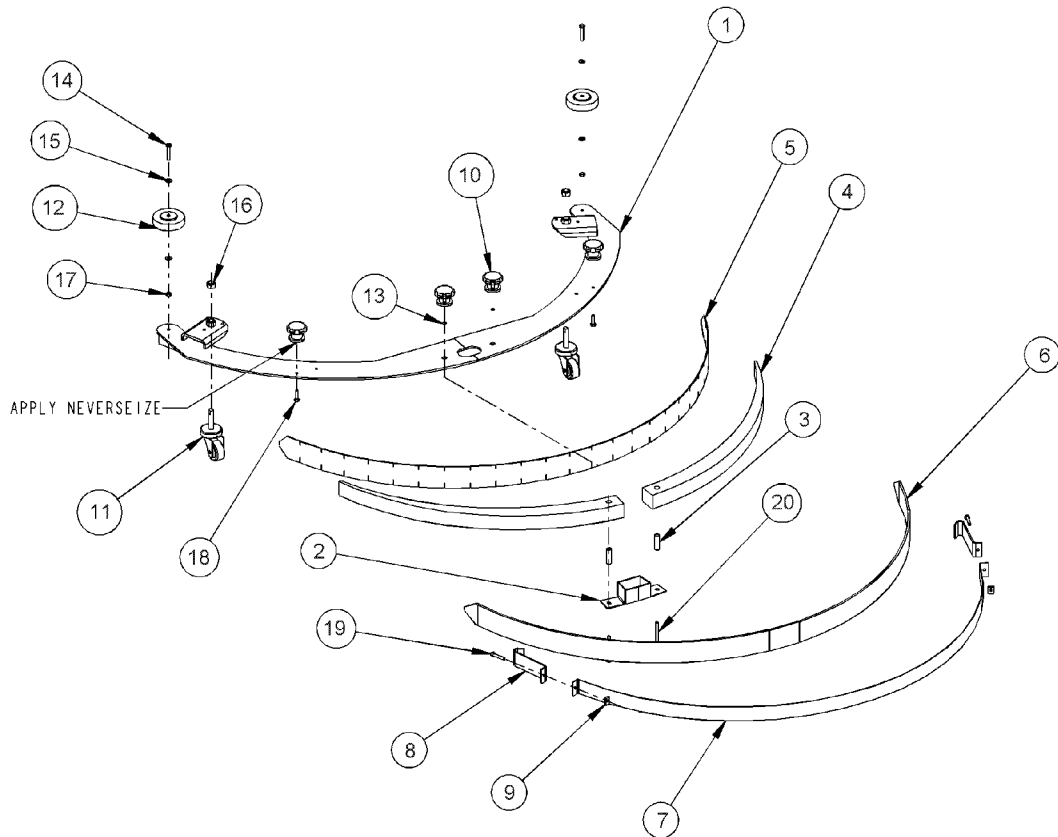
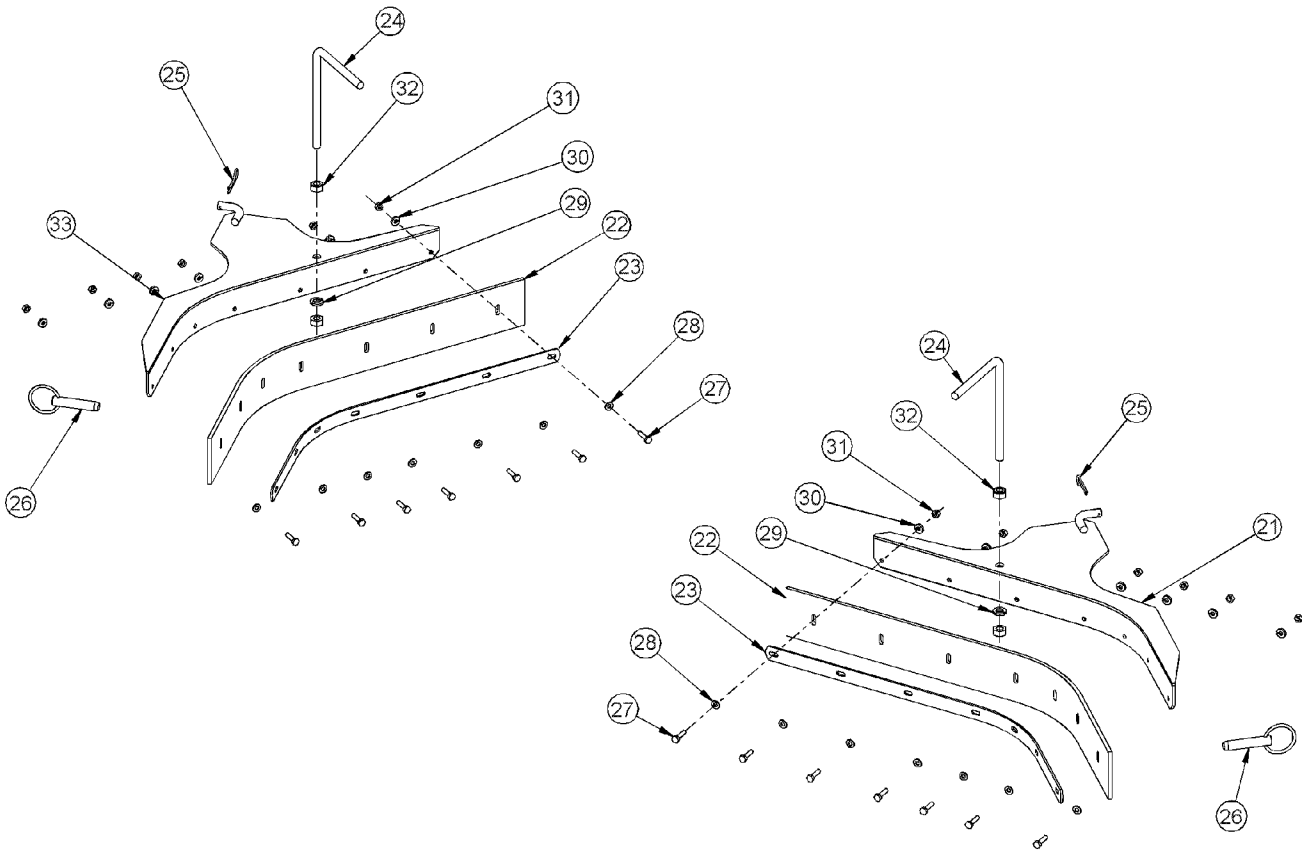
| Item | Ref. No.   | Qty | Description             |
|------|------------|-----|-------------------------|
| 1    | 56514805   | 1   | 53" Scrub Deck          |
| *2   | 0702-069   | 3   | Drive Brush Assembly    |
| 3    | 0782-111   | 3   | Hyd. Scrub Motor        |
| 4    | 2-00-03407 | 6   | Clamp-Hose              |
| 5    | 2-00-05662 | 2   | Fitting, Tee            |
| 6    | 7-25-02053 | 1   | 90° Nipple              |
| 7    | 8-13-07003 | 2   | "U" Bolt - 1/4-20       |
| 8    | 2-00-05686 | 1   | Nipple                  |
| 9    | 2-00-05681 | 3   | Nipple                  |
| 10   |            |     | Intentionally Omitted   |
| 11#  | 56449850   | 1   | Hose-Water Feed - 12"   |
| 12   | 7-33-02324 | 3   | Hose-Water Feed - 12.5" |
| 13   | 2-00-00596 | 6   | Nut, 1/2 - 13           |
| 14   | 2-00-02312 | 6   | Washer, .50 Split       |
| 15   | 2-00-00518 | 4   | Washer, Helical Spring  |
| 16   | 2-00-00241 | 6   | Bolt, 1/2-13 x 1.75 LG  |
| 17   | 2-00-00530 | 3   | Lockwasher, 5/16        |
| 18   | 2-00-05087 | 3   | Screw, 5/16 with Nylok  |
| 19   | 2-00-00594 | 4   | Nut, Finish Hex, .25-20 |

## \*0702-069 SERVICE PARTS

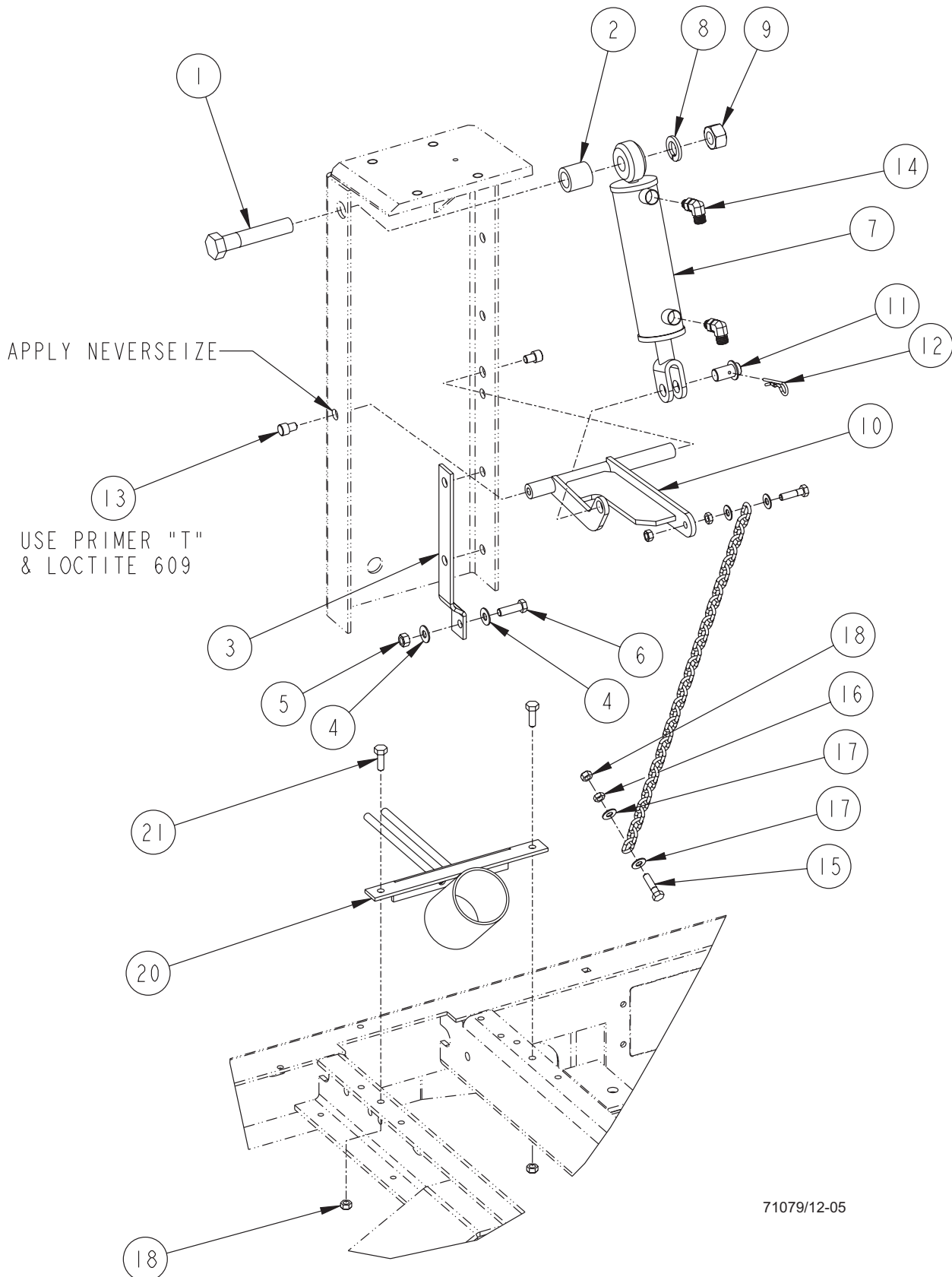
| Item | Ref. No.   | Qty | Description      |
|------|------------|-----|------------------|
| 1    | 7-33-09013 | 1   | Drive Hub        |
| 2    | 7-58-05181 | 1   | Hub Plate        |
| 3    | 7-03-04070 | 1   | Brush Drive Arm  |
| 4    | 7-09-01062 | 2   | Spacer           |
| 5    | 7-76-00089 | 2   | Latch Spring     |
| 6    | 7-41-00007 | 2   | Brush Latch      |
| 7    | 2-00-04663 | 2   | Roll Pin         |
| 8    | 2-00-00530 | 2   | 5/16 Lock Washer |
| 9    | 2-00-00224 | 2   | Screw            |
| 10   | 2-00-02587 | 2   | Screw            |
| 11   | 2-00-00518 | 2   | 1/4 Lock Washer  |
| 12#  | 2-00-03702 | 2   | Washer           |

# = Revised or new since last update



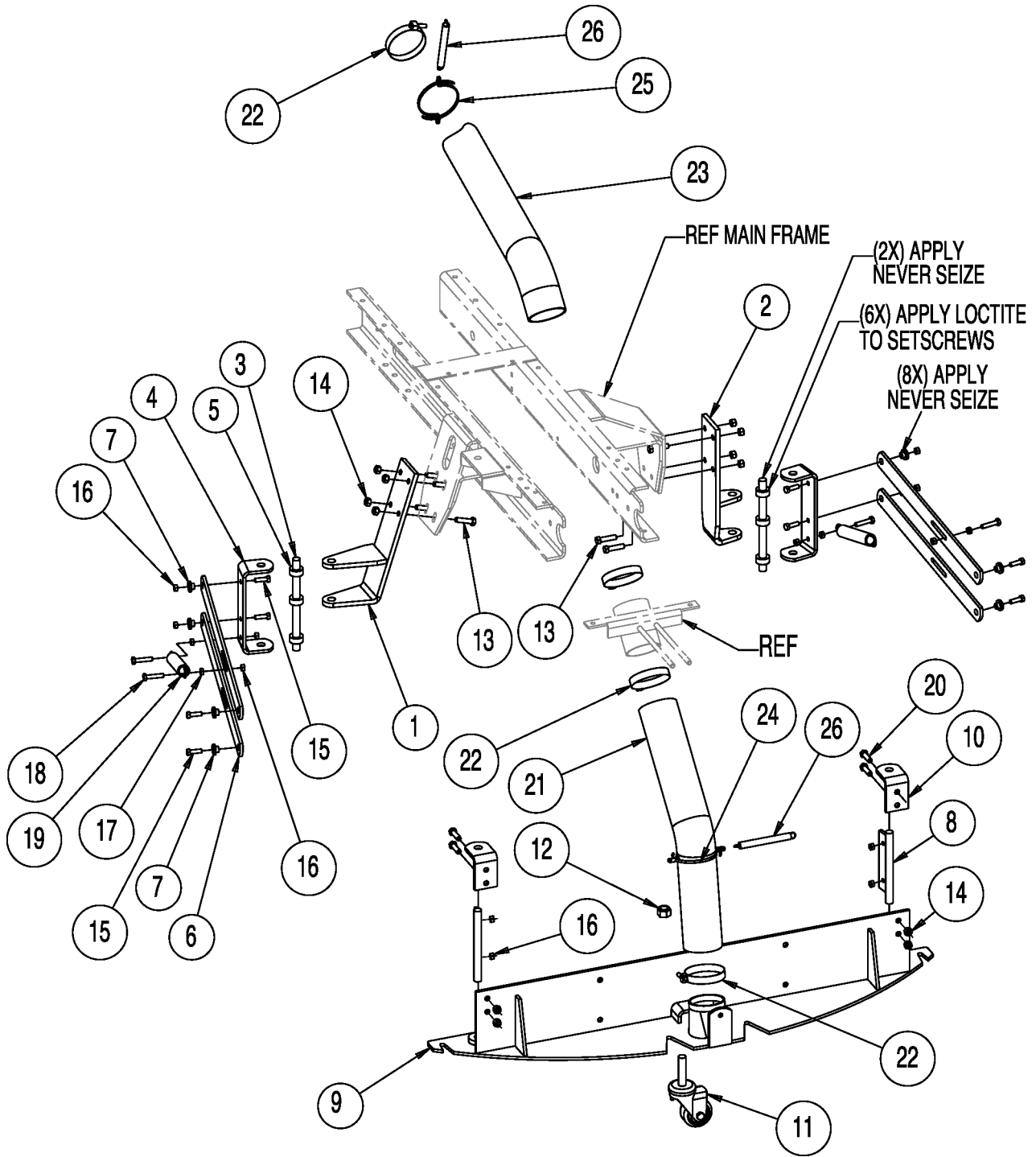


| Item | Ref. No.   | Qty | Description                          |
|------|------------|-----|--------------------------------------|
| 1    | 56514832   | 1   | Squeegee - Weldment                  |
| 2    | 7-20-06009 | 1   | Duct - Squeegee Inlet                |
| 3    | 7-75-01164 | 2   | Spacer - Bushing                     |
| 4    | 7-75-01191 | 2   | Spacer - Squeegee                    |
| 5    | 56514860   | 1   | Kit, Rear Skirt, Squeegee            |
| 6    |            |     | Intentionally Omitted                |
| 7    | 7-79-00085 | 1   | Strap - Squeegee Clamp               |
| 8    | 7-13-07157 | 2   | Clamp - End Squeegee                 |
| 9    | 7-13-07156 | 2   | Clamp - Nut                          |
| 10   | 7-39-00026 | 4   | Knob - Squeegee                      |
| 11   | 56304266   | 2   | Caster Assembly                      |
| 12   | 2-14-00184 | 2   | Wheel                                |
| 13   | 2-00-04962 | 2   | O-Ring                               |
| 14   | 2-00-00216 | 2   | Screw, 3/8-16 x 2.000 HHC            |
| 15   | 2-00-00402 | 4   | Flat Washer, .750 x .390 x .094      |
| 16   | 2-00-00615 | 2   | Nut, Finish Hex                      |
| 17   | 2-00-02360 | 2   | Nut, 3/8 -16 Hex                     |
| 18   | 2-00-05302 | 2   | Screw, 3/8-16 x 1.25 HHC SS          |
| 19   | 2-00-05344 | 2   | Bolt, Hex Tap 5/16-18 x 1.75 SS      |
| 20   | 2-00-05343 | 2   | Bolt, Carriage, .38-16 x 3.50        |
| 21   | 56514792   | 1   | Weldment - RH Bracket                |
| 22   | 56514859   | 1   | Kit, Side Skirt, Squeegee            |
| 23   | 7-79-00086 | 2   | Strap                                |
| 24   | 7-55-08145 | 2   | Pin - Lift                           |
| 25   | 2-00-05320 | 2   | Hair Pin                             |
| 26   | 7-55-08121 | 2   | Pin - Lock Up                        |
| 28   | 2-00-05361 | 14  | Washer, .563 x .281 x .063 SS        |
| 27   | 2-00-04690 | 14  | Screw, 1/4-20 x 1.00 HHC SS #304     |
| 29   | 2-00-02312 | 2   | Lock Washer, 1/2 HS Med.             |
| 30   | 2-00-04687 | 14  | Lock Washer, Helical Spring 1/4 Med. |
| 31   | 2-00-04688 | 14  | Nut, 1/4-20 Hex                      |
| 32   | 2-00-00598 | 4   | Nut, .50-13 Hex                      |
| 33   | 56514793   | 1   | Weldment - LH Bracket                |



71079/12-05

| Item | Ref. No.   | Qty | Description                         |
|------|------------|-----|-------------------------------------|
| 1    | 2-00-05345 | 1   | Screw, 3/4-10 X 4.0 HHC             |
| 2    | 7-75-01166 | 1   | Spacer                              |
| 3    | 56514810   | 1   | Bracket                             |
| 4    | 2-00-00410 | 2   | Flat Washer, .875 x .375 x .060     |
| 5    | 2-95-04182 | 1   | Nut, 3/8-18 Hex Stop                |
| 6    | 2-00-00209 | 1   | Bolt, 3/8-16 x 1.25 HHC             |
| 7    | 7-17-05019 | 1   | Lift Cylinder                       |
| 8    | 2-00-00522 | 1   | Lock Washer, 3/4 Helical Spring     |
| 9    | 2-00-03293 | 1   | Nut, 3/4-10 Fin. Hex Head           |
| 10   | 56514811   | 1   | Arm, Squeegee Lift                  |
| 11   | 7-55-08147 | 1   | Pin Assembly                        |
| 12   | 2-00-05320 | 1   | Cotter Pin                          |
| 13   | 2-00-04886 | 2   | Set Screw, 3/8-16 x 1/2 (Allen Set) |
| 14   | 2-00-04892 | 2   | Fitting, 90° Elbow (O-Ring)         |
| 15   | 2-00-05356 | 2   | Screw, 3/8-18 x 1.25 Hex Head       |
| 16   | 2-00-00586 | 2   | Nut, 5/16-18 Jam                    |
| 17   | 2-00-05103 | 4   | Flat Washer .750 x .343 x .50       |
| 18   | 2-00-00644 | 4   | Nut, 5/16-18 Fiber Insert Hex       |
| 19   | 7-13-05074 | 1   | Chain, Squeegee Lift                |
| 20   | 56514835   | 1   | Bracket, Squeegee Lift              |
| 21   | 2-00-02708 | 2   | Screw, 5/16-18 x 1.0 HHM            |



08-4

**SWING SQUEEGEE SUPPORT**

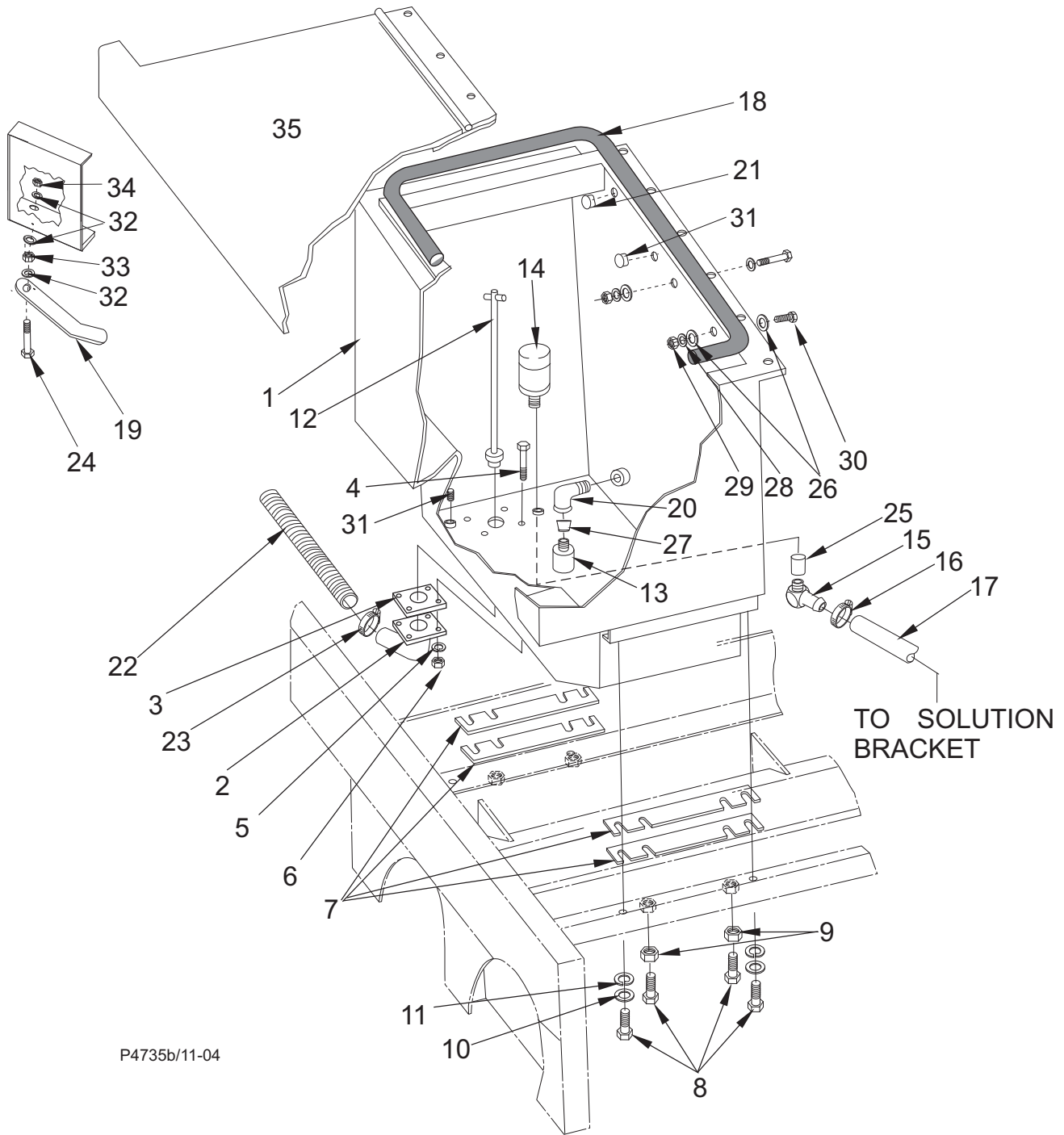
08-6

**7765****31**

| Item | Ref. No.     | Qty | Description                       |
|------|--------------|-----|-----------------------------------|
| 1    | 56514785     | 1   | Pivot Bracket, Left               |
| 2    | 56514786     | 1   | Pivot Bracket, Right              |
| 3    | 7-70-05174   | 2   | Shaft                             |
| 4    | 56514787     | 2   | Support-Squeegee                  |
| 5    | 8-15-01002   | 6   | Collar, W/Setscrew                |
| 6    | 56514788     | 4   | Arm-Squeegee                      |
| 7    | 7-09-01057   | 8   | Bushing, Brush Lift               |
| 8    | 56514790     | 2   | Pin, Rear, Weldment               |
| 9    | 56514789     | 1   | Weldment - Squeegee Support       |
| 10   | 56514791     | 2   | Bracket, Angle                    |
| 11   | 56304266     | 1   | Wheel, Caster                     |
| 12   | 2-00-00615   | 1   | Nut, Hex, 5/8-11                  |
| 13   | 2-00-00234   | 8   | Screw, 3/8-16 X 1-1/2 HHC         |
| 14   | 2-95-04182   | 12  | Nut, Hex, Stop, 3/8-16            |
| 15   | 2-00-05356   | 8   | 5/16-18 X 1.25", Hex Head Screw   |
| 16   | 2-00-00644   | 12  | Nut, Hex, Insert Fiber, 5/16-18   |
| 17   | 2-00-00585   | 4   | 5/16-18, Hex Nut                  |
| 18   | 2-00-00225   | 4   | SCREW, 5/16 - 18 X 1.5 HHC        |
| 19   | 7-76-00114   | 2   | Spring                            |
| 20   | 2-00-00209   | 4   | Bolt, Hex Head, 3/8-16 X 1 1/4 SS |
| 21#  | 7-33-02381   | 1   | Hose-Vacuum - 26" <b>NOTE 1</b>   |
| 22#  | 7-13-07104   | 4   | Hose Clamp <b>NOTE 1</b>          |
| 23#  | 7-33-02380   | 1   | Hose-Vacuum - 78.5" <b>NOTE 1</b> |
| 24   | 56109196     | 2   | Tie, Cable Nylon 6/6              |
| 25   | 2-00-04937   | 2   | Hose Tie W/ Eyelet                |
| 26   | 7-76-00050-1 | 2   | Spring - Extension                |

# = Revised or new since last update

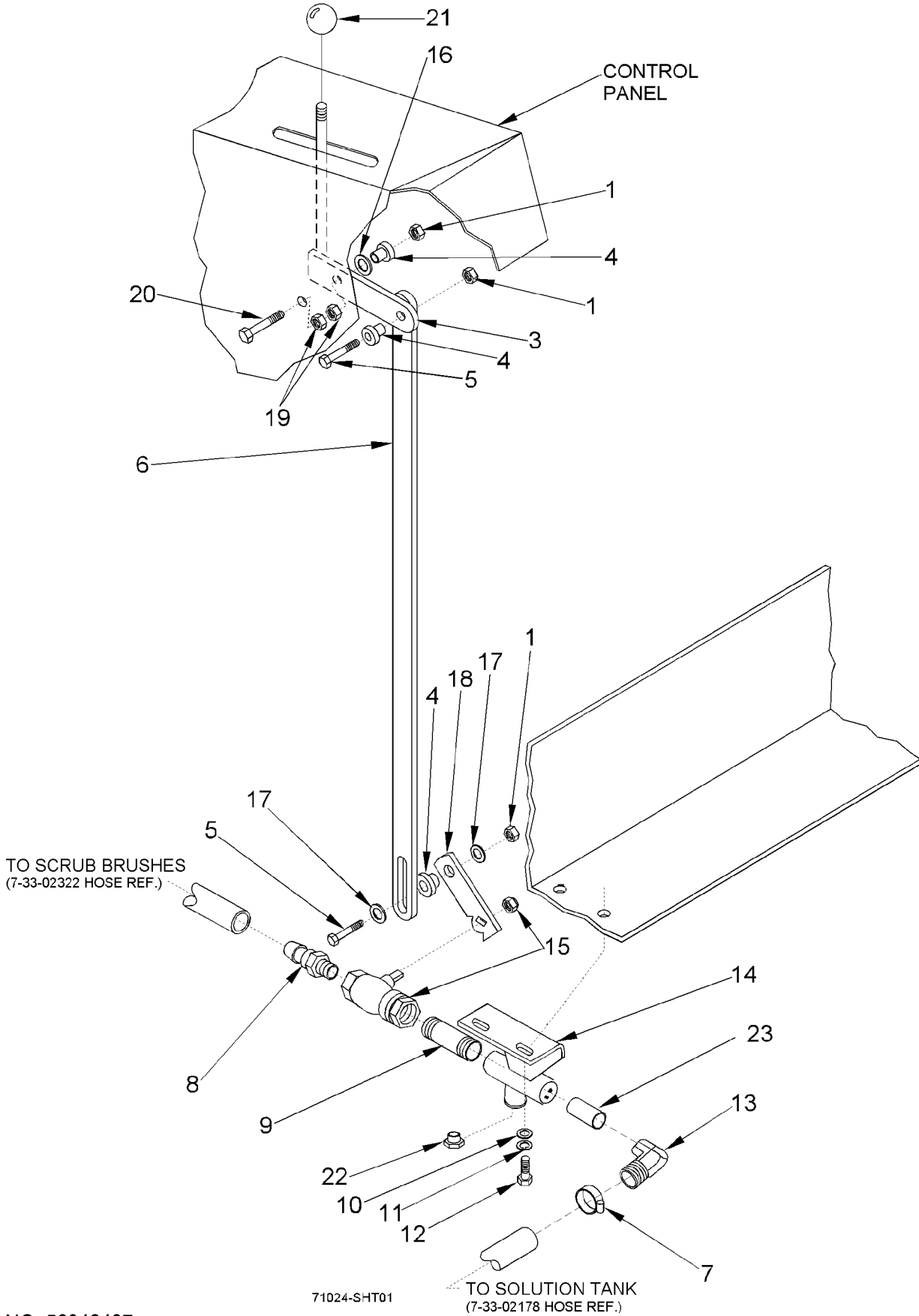
**NOTE 1:** Part of Kit 0780-467



P4735b/11-04



| Item | Ref. No.   | Qty | Description                               |
|------|------------|-----|---|
| 1    | 56514830   | 1   | Solution Tank, Stainless Steel (Standard) |
|      | 56514871   |     | Solution Tank, Mild Steel (Option)        |
| 2    | 7-25-02046 | 1   | Fitting, Drain                            |
| 3    | 7-29-00100 | 1   | Gasket, Tank Drain                        |
| 4    | 56002884   | 4   | Cap Screw, 5/16-18 x 1 1/4 SS             |
| 5    | 2-00-04691 | 4   | Lock Washer, Helical Spring 5/16 Med SS   |
| 6    | 2-00-04692 | 4   | Nut, Hex 5/16 - 18 x .50 x .265 SS        |
| 7    | 56514831   | 4   | Spacer                                    |
| 8    | 2-00-01254 | 4   | Screw, 1/2 - 13 x 1.50 HHC                |
| 9    | 2-00-02371 | 4   | Nut, 1/2-13 Hex Jam                       |
| 10   | 2-00-02312 | 4   | Lock Washer, Helical Spring 1/2 Med       |
| 11   | 2-00-00405 | 4   | Flat Washer, 1.062 x .531 x .093          |
| 12   | 7-25-02095 | 1   | Drain Plug Assembly                       |
| 13   | 7-82-00017 | 1   | Switch, Float                             |
| 14   | 7-24-04022 | 1   | Strainer, Pump Inlet                      |
| 15   | 2-00-05132 | 1   | Fitting, 3/4 NPT, 3/4 Barb 90°            |
| 16   | 2-00-02220 | 2   | Hose Clamp, .812 - 1.500                  |
| 17   | 7-33-02178 | 1   | Hose                                      |
| 18   | 7-29-00176 | 1   | Gasket, Solution Tank                     |
| 19   | 7-32-03020 | 1   | Holder, Hose                              |
| 20   | 2-00-06529 | 1   | Elbow, 90° 1/4 NPT                        |
| 21   | 2-00-05724 | 1   | Plug, 3/4 NPT Nylon                       |
| 22   | 7-33-02335 | 1   | Drain Hose, 44"                           |
| 23   | 2-00-02216 | 1   | Clamp, Hose                               |
| 24   | 2-00-00234 | 1   | Screw, 3/8-16 x 1.50 HHC                  |
| 25   | 2-00-05686 | 1   | Fitting, 3/4 NPT x 2" Nylon Nipple        |
| 26   | 2-00-04590 | 4   | Washer, SS Sealing                        |
| 27   | 2-00-06528 | 1   | Reducer, 1/4 NPT - 1/8 NPT Brass          |
| 28   | 2-00-04687 | 4   | Lock Washer, 1/4 SS                       |
| 29   | 2-00-04688 | 4   | Nut, 1/4-20 SS Hex                        |
| 30   | 2-00-04685 | 4   | Screw, 1/4 - 20 x .500 HHC SS             |
| 31   | 2-00-05940 | 2   | Plug, 1/4 NPT Nylon                       |
| 32   | 2-00-03979 | 3   | Flat Washer, 3/8                          |
| 33   | 2-00-02360 | 1   | Nut, 3/8-16 Hex                           |
| 34   | 2-00-04182 | 1   | Nut, 3/8-16 Fiber Lock                    |
| 35   | 56514796   | 1   | Cover, Solution Tank                      |

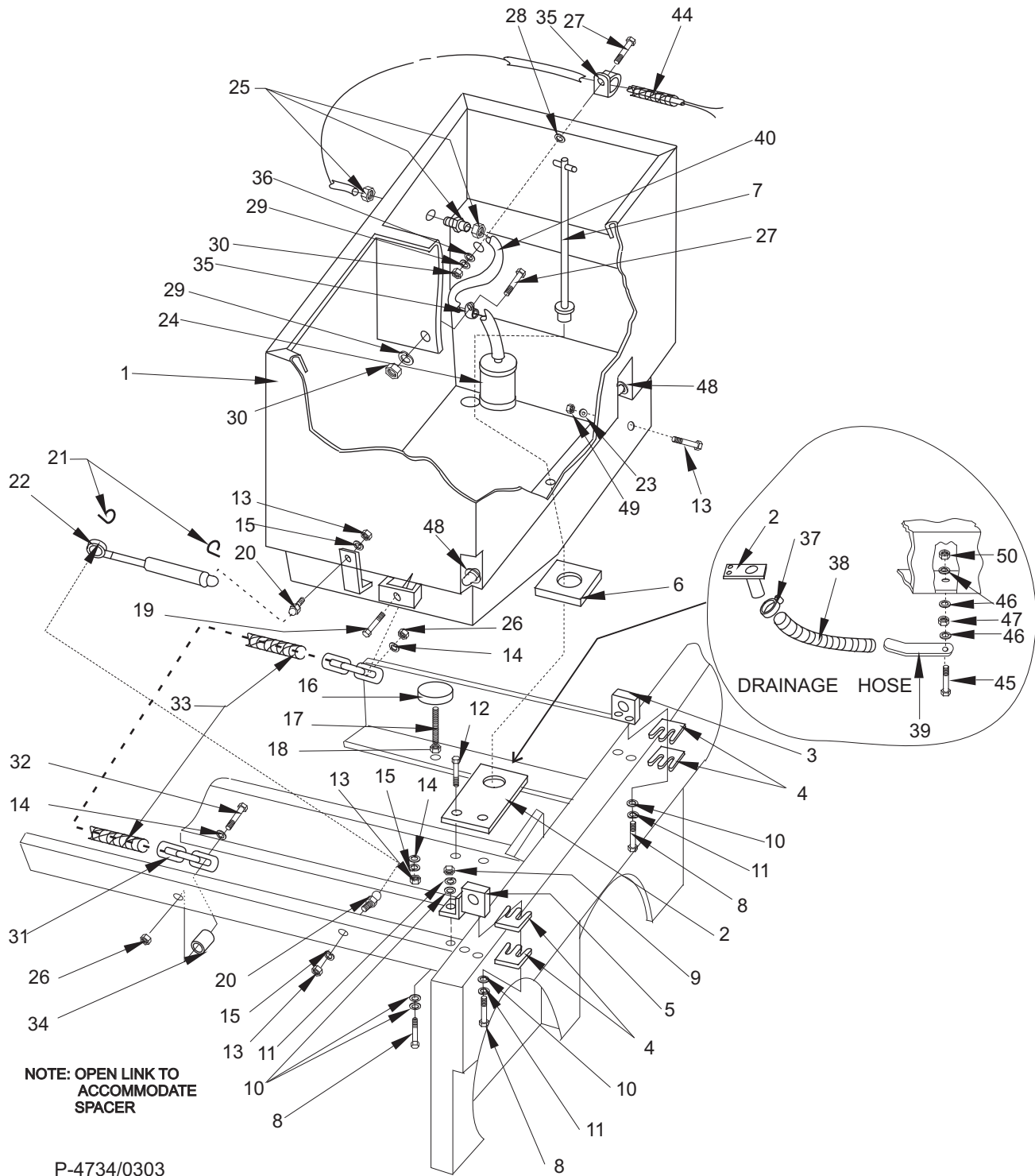


TO SCRUB BRUSHES  
(7-33-02322 HOSE REF.)

TO SOLUTION TANK  
(7-33-02178 HOSE REF.)

71024-SHT01

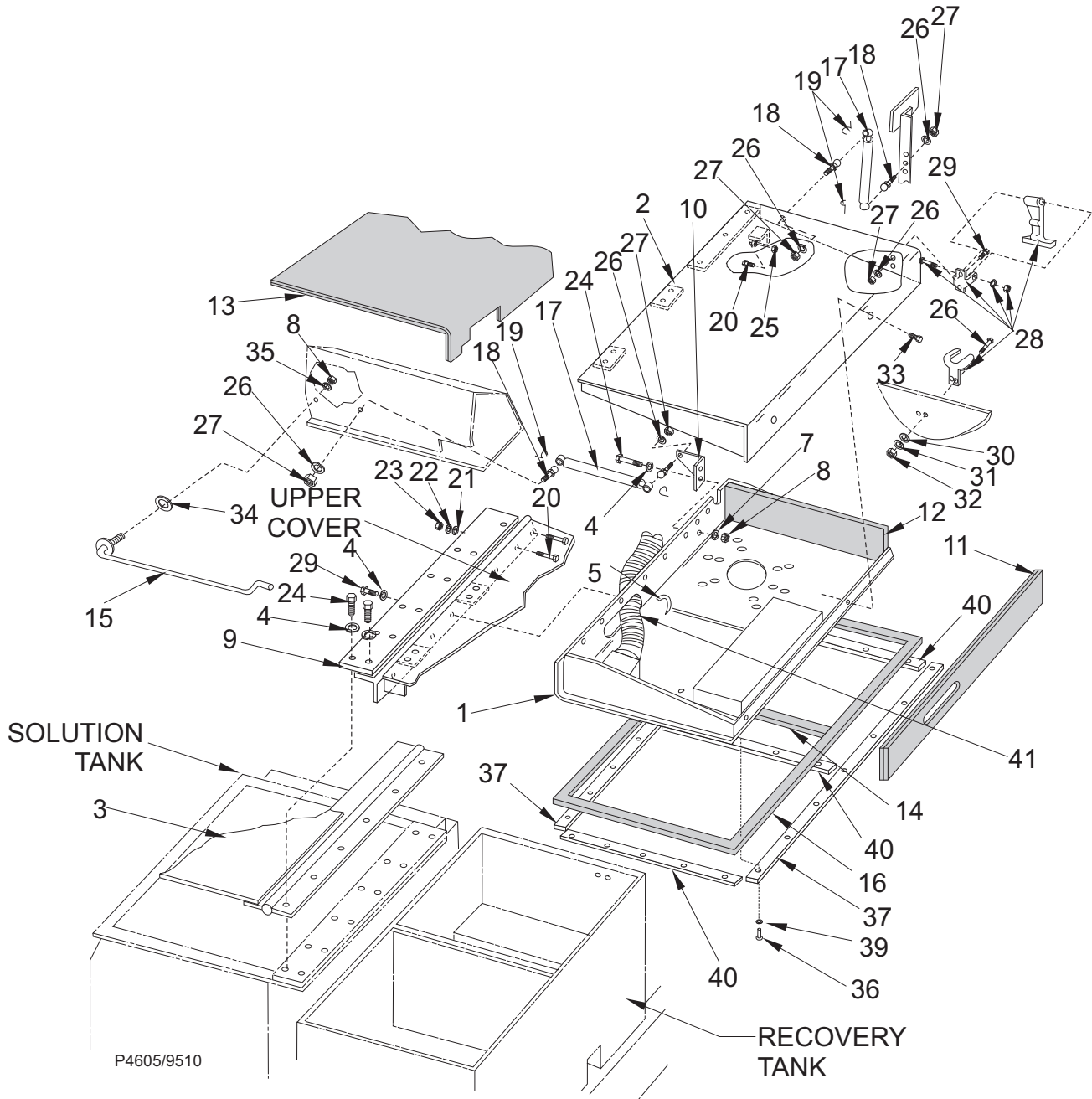
| Item | Ref. No.   | Qty | Description                              |
|------|------------|-----|--|
| 1    | 2-00-00644 | 3   | Fiber Insert Nut, Hex 5/16 - 18 x Hex    |
| 2    |            |     |  |
| 3    | 7-41-05086 | 1   | Solution Control Lever                   |
| 4    | 7-09-01057 | 3   | Bushing                                  |
| 5    | 2-00-00207 | 2   | Screw, 5/16 - 18 x 1.250 HHC             |
| 6    | 56514784   | 1   | Solution Control Link                    |
| 7    | 2-00-03407 | 1   | Hose Clamp                               |
| 8    | 7-25-02052 | 1   | Hose Fitting, 3/4 Barbed, 14 NPT Nylon   |
| 9    | 2-00-03586 | 2   | Pipe Nipple, 3/4 NPT x 2.00 short        |
| 10   | 2-00-03702 | 2   | Flat Washer, .625 x .281 x .062          |
| 11   | 2-00-00518 | 2   | Lock Washer, Helical Spring 1/4 Med      |
| 12   | 2-00-00221 | 2   | Screw, 1/4 - 20 x .750 HHC               |
| 13   | 2-00-05132 | 1   | Fitting, 3/4 NPT, 3/4 Barbed, 90°, Nylon |
| 14   | 7-08-00437 | 1   | Bracket, Solution Pipe                   |
| 15   | 7-88-00027 | 1   | Ball Valve                               |
| 16   | 2-00-03382 | 1   | Spring Washer, .875 x .500 x .015        |
| 17   | 2-00-00409 | 2   | Flat Washer, .687 x .343 x .0623         |
| 18   | 7-41-05085 | 1   | Solution Valve Lever                     |
| 19   | 2-00-00600 | 2   | Nut, Hex Hvy. 3/8 - 16 x .687 x .359     |
| 20   | 2-00-00211 | 1   | Screw, 5/16 - 18 x 1.750 HHC             |
| 21   | 8-39-00002 | 1   | Knob                                     |
| 22   | 2-00-05724 | 1   | Plug, Pipe, 3/4 NPT, Nylon               |
| 23   | 2-00-05131 | 1   | Nipple, Closed 3/4 NPT x 1.38            |



P-4734/0303

| Item | Ref. No.   | Qty | Description                                |
|------|------------|-----|--|
| 1#   | 56514775   | 1   | Recovery Tank - Stainless Steel (Standard) |
|      | 56514870   |     | Recovery Tank - Mild Steel (Option)        |
| 2    | 7-56-05023 | 1   | Fitting Weldment                           |
| 3    | 56514753   | 1   | Support                                    |
| 4    | 7-71-00009 | 4   | Shim                                       |
| 5    | 56514841   | 1   | Bracket Weldment                           |
| 6    | 7-29-00146 | 1   | Gasket                                     |
| 7    | 7-25-02095 | 1   | Drain Plug Assembly                        |
| 8    | 2-00-00209 | 4   | Screw, 3/8 - 16 x 1.250 HHC                |
| 9    | 2-00-02360 | 1   | Nut, Hex, 3/8 - 16 x .562 x .328           |
| 10   | 2-00-04801 | 7   | Washer, Flat, 1.000 x .390 x .062          |
| 11   | 2-00-02310 | 5   | Washer, Lock, Helical Spring 3/8 Med       |
| 12   | 2-00-03569 | 2   | Bolt, Carriage, 5/16 - 18 x .75            |
| 13   | 2-00-00183 | 1   | Screw, PH THM 1/4-20 x .75                 |
| 14   | 2-00-00409 | 4   | Washer, 5/16 Flat SS                       |
| 15   | 2-00-00530 | 4   | Washer, Lock, Helical Spring 5/16 Med      |
| 16   | 7-78-05009 | 2   | Stop                                       |
| 17   | 8-80-05014 | 2   | Stud, 1/2-13 UNF-2A x 2.50                 |
| 18   | 2-00-02371 | 2   | Nut, Hex Jam, 1/2 - 13 x .750 x .312       |
| 19   | 2-00-00206 | 1   | Screw, .313-18 x 1.00                      |
| 20   | 7-80-05067 | 2   | Stud, Gas Spring                           |
| 21   | 7-13-07102 | 2   | Safety Clip, Gas Spring                    |
| 22   | 7-76-00103 | 1   | Gas Spring, Recovery Tank Tilt             |
| 23   | 2-00-00518 | 1   | Washer, 1/4 Med. Lock                      |
| 24   | 7-82-00021 | 1   | Switch, Float                              |
| 25   | 8-09-01083 | 1   | Connector, Float Switch                    |
| 26   | 2-00-00644 | 6   | Nut, Insert Fiber, .313-18                 |
| 27   | 2-00-04685 | 9   | Screw 1/4-20 x .75 HHC S.S.                |
| 28   | 2-00-04590 | 12  | Washer, Sealing 1/4                        |
| 29   | 2-00-04687 | 13  | Washer, 1/4 Lock Split S.S.                |
| 30   | 2-00-04688 | 13  | Nut, 1/4-20 Hex S.S.                       |
| 31   | 7-13-05058 | 1   | Chain                                      |
| 32   | 2-00-00207 | 2   | Screw, 5/16-18 X 1.250 HHC                 |
| 33   | 7-34-09018 | 1   | Sleeve                                     |
| 34   | 7-75-01130 | 1   | Spacer, .500 X .370 X .375                 |
| 35   | 2-00-04602 | 3   | Clamp, Float Switch                        |
| 36   | 2-00-04689 | 1   | Washer, 1/4 Flat S.S.                      |
| 37   | 2-00-02216 | 1   | Clamp                                      |
| 38   | 7-33-02336 | 1   | Hose, 50.00                                |
| 39   | 7-32-03020 | 1   | Holder, Hose                               |
| 40   | 8-08-07038 | 1   | Hose                                       |
| 41   | 2-00-04690 | 3   | Screw, 1/4 - 20 X 1.000 HHC                |
| 42   | 2-00-05028 | 6   | Washer, Rubber                             |
| 43   | 2-00-05236 | 6   | Washer, Flat, 2.000 X .28 X .08 SS         |
| 44   | 8-43-00002 | 1   | Loom, Wire                                 |
| 45   | 2-00-00234 | 1   | Screw, HHC 3/8 - 16 X 1.500                |
| 46   | 2-00-00410 | 3   | Washer, Flat, 3/8                          |
| 47   | 2-00-02360 | 1   | Nut, Hex, 3/8 - 16                         |
| 48   | 2-00-00432 | 2   | Washer, Flat, 1.125 x .766 x .063          |
| 49   | 2-00-00594 | 1   | Nut, Hex, STD FIN 1/4-20                   |
| 50   | 2-00-00643 | 1   | Nut, Fiber, 3/8 - 16                       |

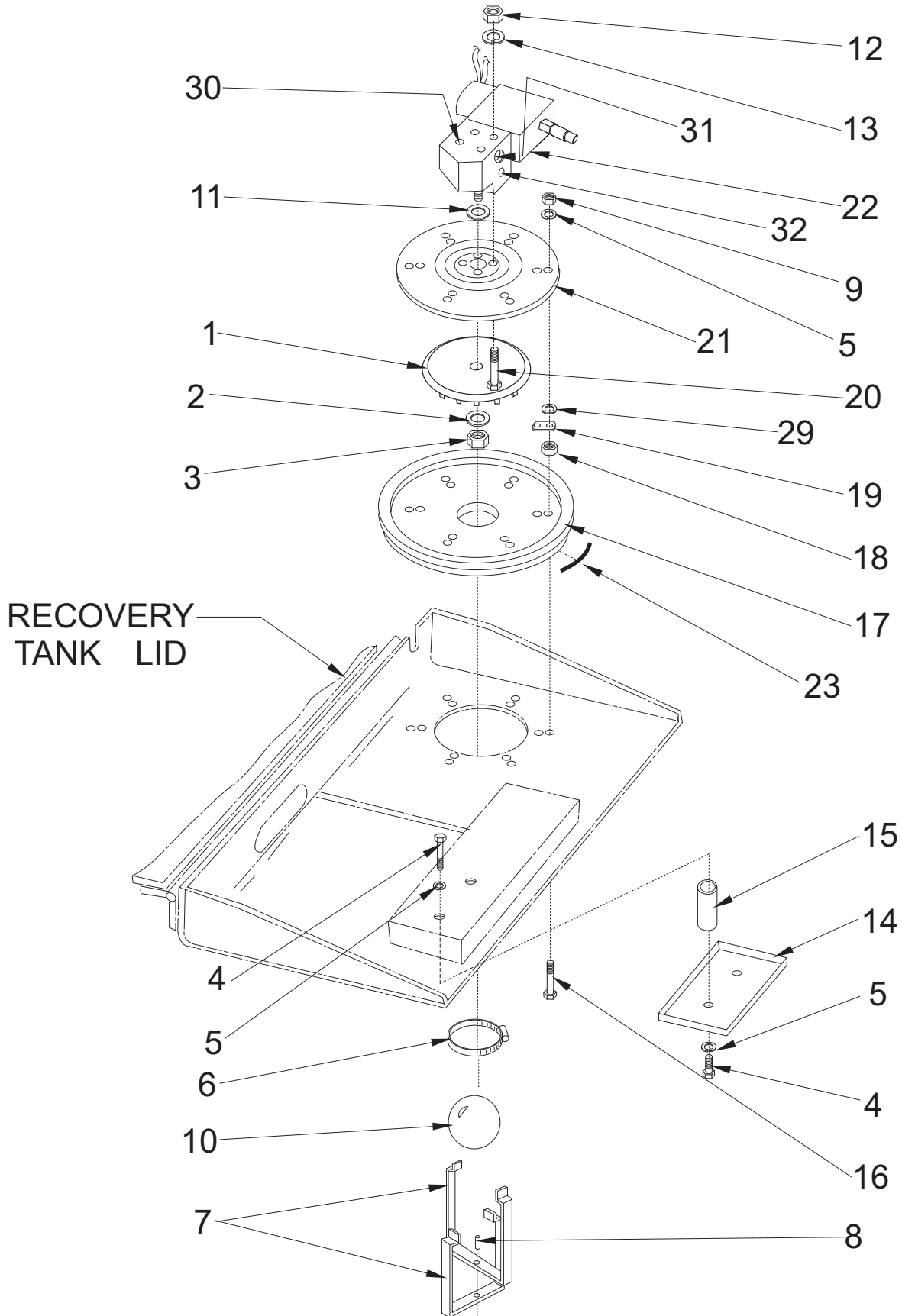
# = Revised or new since last update



| Item | Ref. No.   | Qty   | Description                       |
|------|------------|-------|-----------------------------------|
| 1    | 56514794   | 1     | Recovery Tank Lower Cover         |
| 2    | 56514795   | 1     | Recovery Tank Upper Cover         |
| 3    | 56514796   | 1     | Solution Tank Cover               |
| 4    | 2-00-03702 | 2     | Flat Washer, 1/4                  |
| 5    | 3-73-00076 | 2.33' | Edging                            |
| 6    | 2-00-02708 | 2     | Screw, 5/16-18 x 1.0 HHC          |
| 7    | 2-00-01803 | 6     | Flat Washer, 5/16                 |
| 8    | 2-00-00644 | 1     | Nut, Hex Fiber Insert 5/16-18     |
| 9    | 56514833   | 2     | Strap                             |
| 10   | 7-08-00490 | 1     | Bracket                           |
| 11   | 7-34-09020 | 1     | Lower Cover Insulation            |
| 12   | 7-34-09019 | 1     | Lower Cover Insulation            |
| 13   | 7-34-09021 | 1     | Lower Cover Insulation            |
| 14   | 7-29-00229 | 1     | Gasket, Center Section            |
| 15   | 7-66-00145 | 1     | Cover Support Rod                 |
| 16   | 7-29-00228 | 1     | Gasket, Perimeter                 |
| 17   | 7-76-00104 | 2     | Gas Spring                        |
| 18   | 7-80-05067 | 4     | Stud (13 mm)                      |
| 19   | 7-13-07102 | 4     | Clip                              |
| 20   | 2-00-01254 | 1     | Screw, 1/2-13 x 1.50 HHC          |
| 21   | 2-00-00518 | 6     | Lock Washer, 1/4                  |
| 22   | 2-00-00594 | 2     | Nut, Hex 1/4-20 x .437 x .218     |
| 23   | 2-00-04876 | 8     | Screw, 1/4-20 x 1/2 BHS           |
| 24   | 2-00-00205 | 14    | Screw, 1/4-20 x 1.0 HHC           |
| 25   | 2-00-00596 | 1     | Nut, Hex 1/2-13 x .750 x .437     |
| 26   | 2-00-00530 | 8     | Lock Washer, 5/16 Helical Spring  |
| 27   | 2-00-00585 | 6     | Nut, 5/16-18                      |
| 28   | 8-41-00033 | 1     | Latch Assembly                    |
| 29   | 2-00-00049 | 4     | Screw, 10-24 x 1/2                |
| 30   | 2-00-01974 | 2     | Sealing Washer, .562 x #10 x .065 |
| 31   | 2-00-00519 | 4     | Lock Washer, #10 Helical Spring   |
| 32   | 2-00-00605 | 4     | Nut, Hex MS #10-24 x .375 x .125  |
| 33   | 2-00-00208 | 2     | Screw, 5/16-18 x 3/4 HHC          |
| 34   | 7-23-03048 | 1     | Spring Washer, .750 x .312 x .013 |
| 35   | 2-00-00409 | 3     | Flat Washer, 5/16                 |
| 36   | 2-00-04707 | 31    | Pop Rivet, .125 Dia.              |
| 37   | 7-79-00081 | 2     | Strap, Gasket Retainer            |
| 38   | 7-79-00082 | 1     | Strap, Gasket Retainer            |
| 39   | 2-00-00455 | 31    | Flat Washer #6                    |
| 40   | 7-79-00087 | 2     | Strap, Gasket Retainer            |
| 41   | 0780-467   | 1     | Vac Hose                          |

Key No.s 4, 5 and 6 must be ordered together for proper fit.

Lid Gasket Kit: 0880-644



P-4721/8-02



08-4

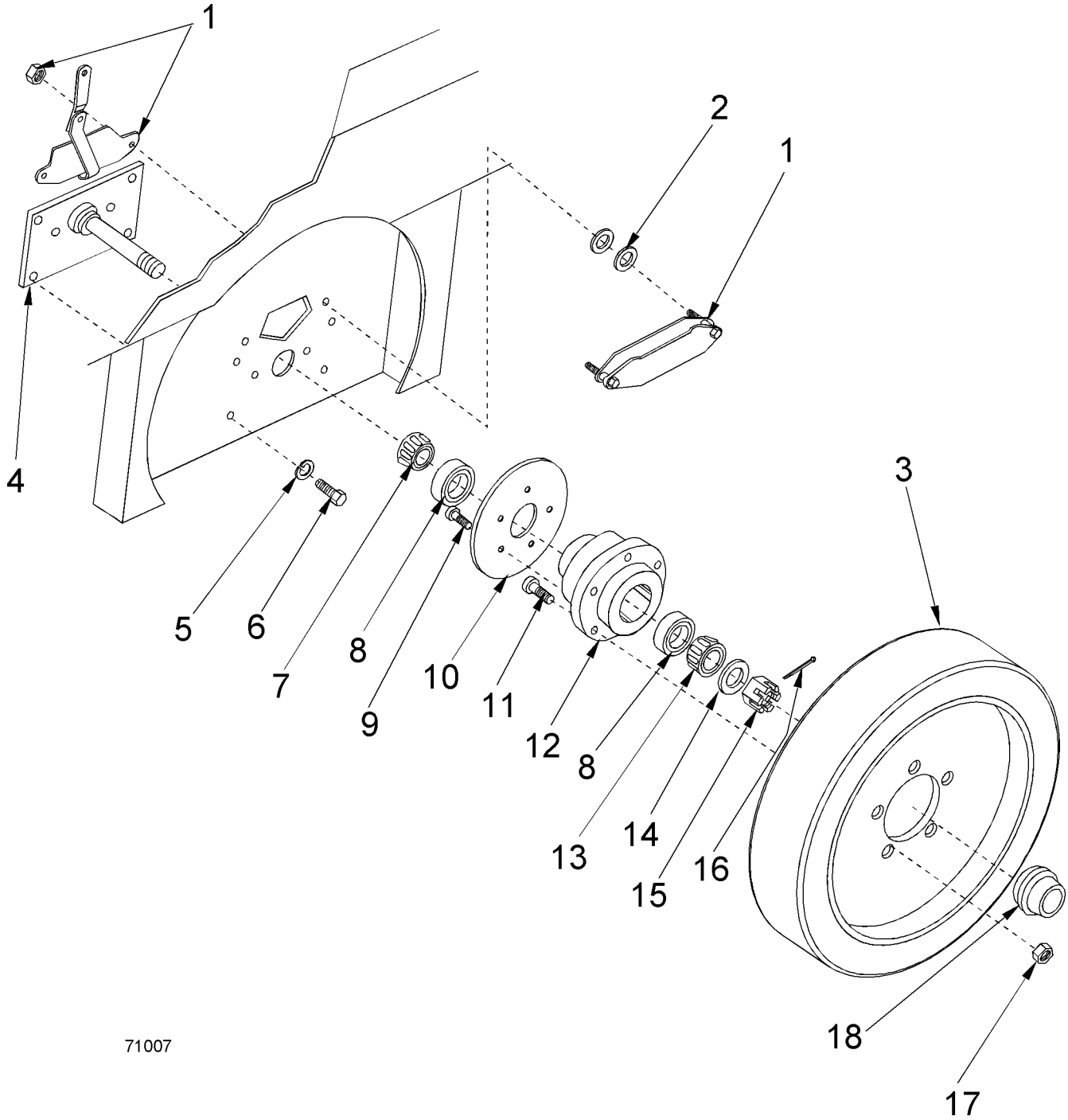
**VACUUM MOTOR & FLOAT**

08-6

**7765****41**

| Item | Ref. No.   | Qty | Description                              |
|------|------------|-----|--|
| 1    | 7-34-04002 | 1   | Impellor                                 |
| 2    | 2-00-00402 | 1   | Flat Washer, .750 x .390 x .093          |
| 3    | 2-00-03412 | 1   | Nut, Lock 3/8 - 24 x .562 x .281         |
| 4    | 2-00-00251 | 4   | Screw, 1/4 - 20 x .500 HHCBB             |
| 5    | 2-00-00518 | 16  | Lock Washer, Helical Spring 1/4 Med      |
| 6    | 2-00-03959 | 1   | Hose Clamp, 3.562 - 4.500                |
| 7    | 7-79-00061 | 2   | Strap-Float Ball                         |
| 8    | 2-00-04115 | 1   | Pop Rivet                                |
| 9    | 2-00-00594 | 12  | Nut, Hex 1/4 - 20 x .437 x .218          |
| 10   | 7-26-04011 | 1   | Ball Float                               |
| 11   | 2-00-00484 | 1   | Spacer, .625 x .375 x .046               |
| 12   | 2-00-00585 | 4   | Nut, Hex 5/16 - 18 x .50 x .265          |
| 13   | 2-00-00530 | 4   | Lock Washer, Helical Spring 5/16 Med     |
| 14   | 7-68-00025 | 1   | Screen                                   |
| 15   | 7-81-00134 | 2   | Support                                  |
| 16   | 2-00-00222 | 12  | Screw, 1/4 - 20 x 1.250 HHC              |
| 17   | 7-20-06004 | 1   | Fan Duct                                 |
| 18   | 2-00-00641 | 12  | Nut, Hex Fiber Insert 1/4 - 20           |
| 19   | 7-75-01159 | 6   | Spacer                                   |
| 20   | 2-00-02653 | 4   | Screw, 5/16 - 18 x 3.500 HHC             |
| 21   | 7-16-07276 | 1   | Fan Cover                                |
| 22   | 0782-145   | 1   | Vacuum Motor                             |
| #    | 7-70-00020 |     | Seal Kit                                 |
| #    | 7-14-07007 |     | Coil                                     |
| #    | 7-12-02019 |     | Valve                                    |
| 23   | 7-21-04029 | 1   | Edging                                   |
| 24   | 2-00-04707 | 31  | Rivet, 1/8 x .312                        |
| 25   | 7-79-00081 | 2   | Strap, Gasket Retainer                   |
| 26   | 7-79-00082 | 1   | Strap, Gasket Retainer                   |
| 27   | 2-00-00455 | 31  | Flat Washer, #10 Brass                   |
| 28   | 7-79-00087 | 2   | Strap, Gasket Retainer                   |
| 29   | 2-00-03702 | 1   | Washer, .625 x .281 x .063               |
| 30   | 2-00-04885 | 1   | Fitting, SAE - OR 90 EL (not shown)      |
| 31   | 2-00-04975 | 1   | Fitting, 45 - EL 8 ORS-8 SAE (not shown) |
| 32   | 2-00-04976 | 1   | Fitting, 45 - EL 4 ORS-4 SAE (not shown) |

# = Revised or new since last update



71007

08-4

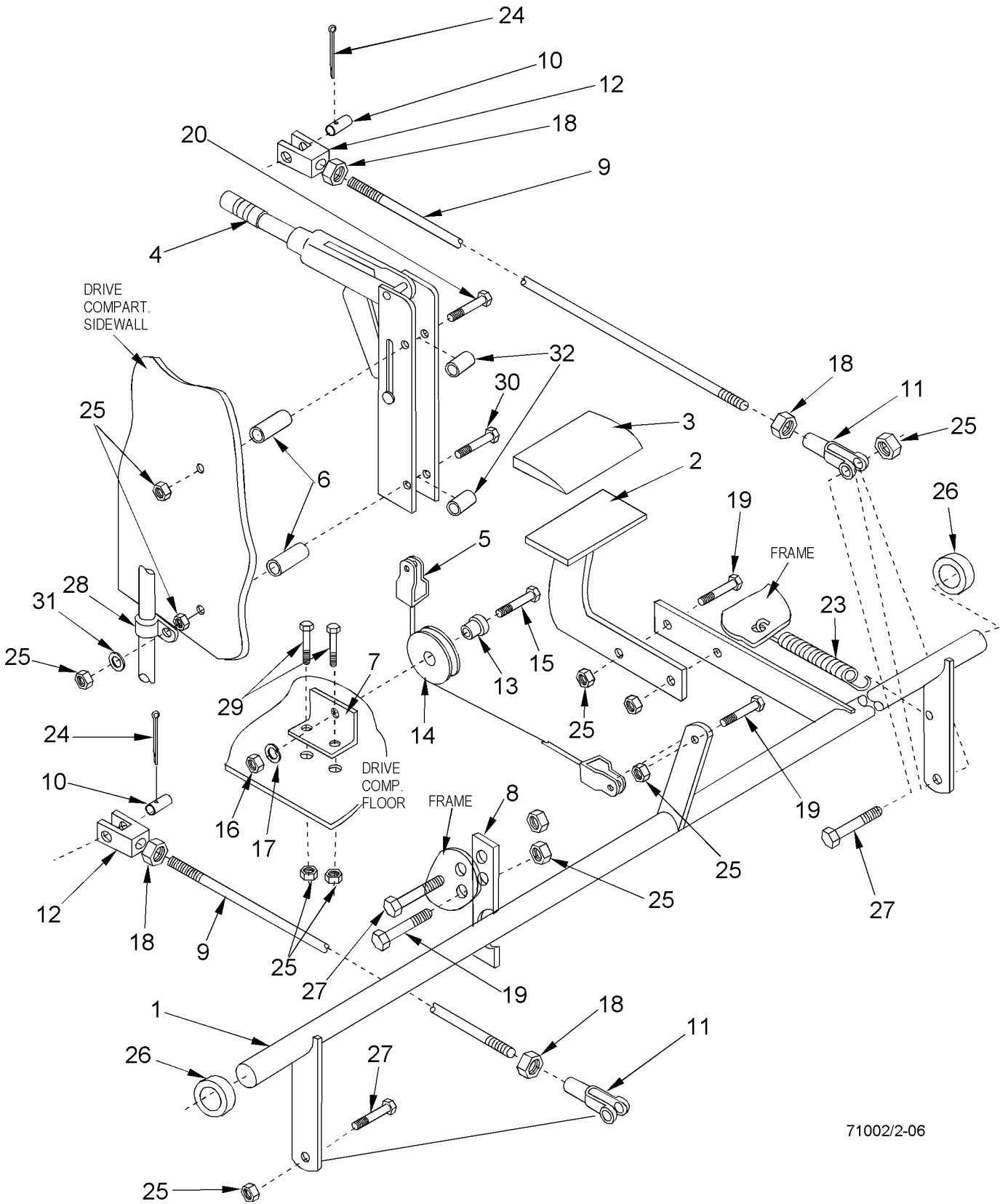
**FRONT WHEEL & BRAKE**

08-6

**7765****43**

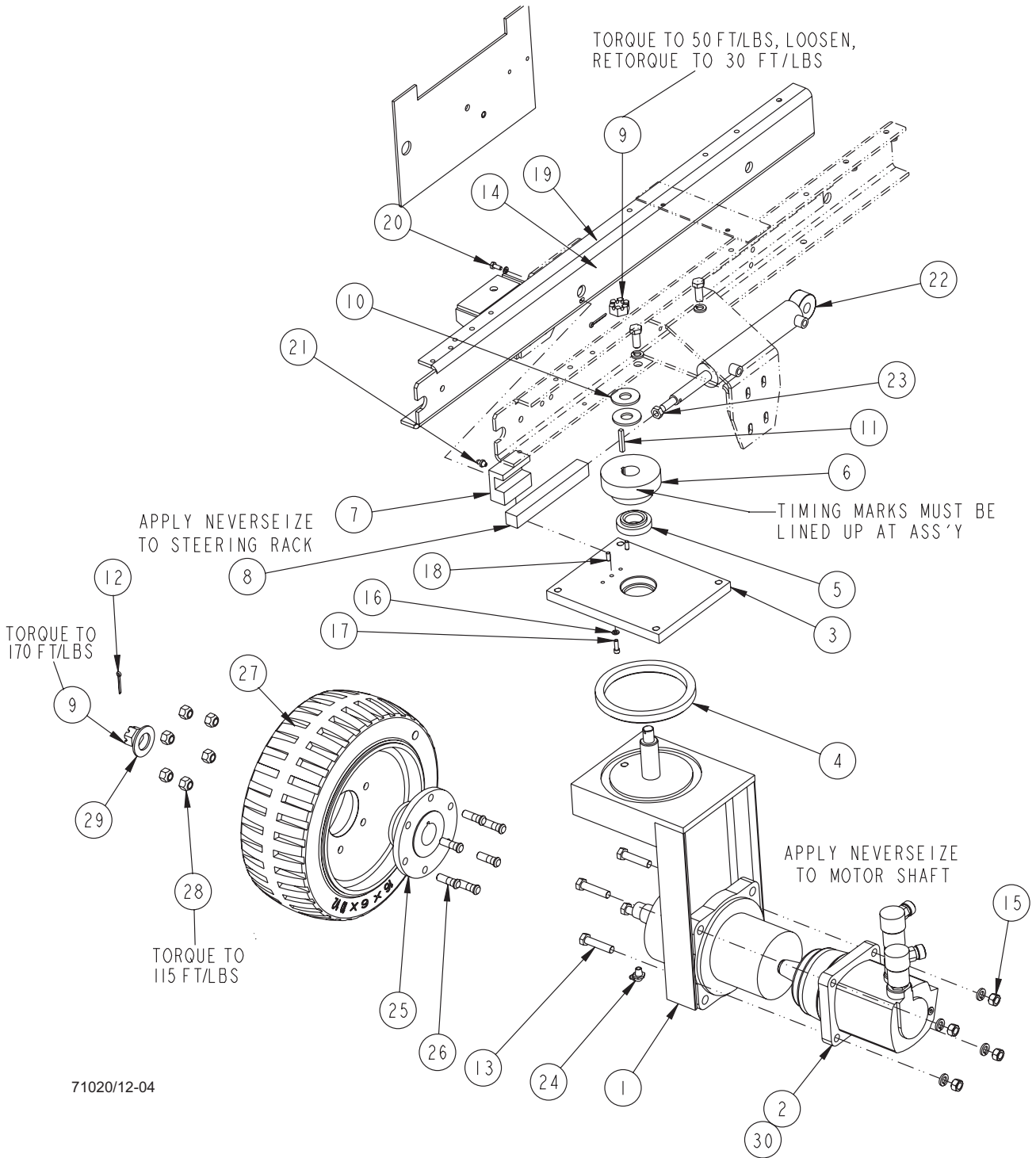
| Item | Ref. No.   | Qty | Description                          |
|------|------------|-----|--------------------------------------|
| 1    | 7-08-02006 | 1   | Brake Caliper Assembly Weldment      |
| #    |            |     | DELETED                              |
| 2    | 2-00-04801 | 2   | Flat Washer                          |
| 3    | 7-89-08098 | 1   | Molded Wheel                         |
| 4    | 7-03-09007 | 1   | Stub Axle Weldment                   |
| 5    | 2-00-02312 | 6   | Lock Washer, Helical Spring ½ Med.   |
| 6    | 2-00-02689 | 6   | Screw, 1/2-20 x 1.0 HHC              |
| 7    | 2-00-02079 | 1   | Roller Bearing, 2.328 x 1.250 x .703 |
| 8    | 2-00-04621 | 2   | Roller Bearing, Cup Only             |
| 9    | 2-00-03051 | 5   | Screw, 1/4-20 x 3/4 HSHC             |
| 10   | 7-08-02007 | 1   | Brake Disc                           |
| 11   | 8-80-05036 | 5   | Stud, 1/2-20 x 1.56                  |
| 12   | 7-33-09027 | 1   | Hub, Front Wheel                     |
| 13   | 2-00-04622 | 1   | Roller Bearing, Cone (Timken)        |
| 14#  | 2-00-05024 | 1   | Wash Flat                            |
| 15   | 2-00-05026 | 1   | Nut, 1-14 Fin. Slotted Hex           |
| 16   | 2-00-02436 | 1   | Cotter Pin, .187 x 1.50              |
| 17   | 8-23-03065 | 5   | Lug Nut, 1/2-20 x .800 x .620        |
| 18   | 8-11-00030 | 1   | Dust Cap                             |

# = Revised or new since last update



71002/2-06

| Item | Ref. No.     | Qty | Description                             |
|------|--------------|-----|---|
| 1    | 7-70-05145   | 1   | Cross Shaft                             |
| 2    | 56514754     | 1   | Brake Pedal                             |
| 3    | 8-50-05063   | 1   | Pad, Brake Pedal                        |
| 4    | 7-41-05083   | 1   | Lever, Parking Brake                    |
| 5    | 7-10-00019   | 1   | Cable, Parking Brake                    |
| 6    | 7-75-01096   | 2   | Spacer, Lever Mounting                  |
| 7    | 7-08-00501   | 1   | Bracket, Brake Pulley                   |
| 8    | 7-08-00502   | 1   | Bracket, Brake Cross Shaft              |
| 9    | 7-66-00143   | 2   | Rod, Brake                              |
| 10   | 7-55-08122   | 2   | Pin, Brake Clevis                       |
| 11   | 8-14-01001   | 2   | Clevis, 3/8 Rod                         |
| 12   | 8-14-01007-1 | 2   | Clevis, Brake Pedal                     |
| 13   | 8-09-01065   | 1   | Bushing, Pulley                         |
| 14   | 8-60-00140   | 1   | Pulley                                  |
| 15   | 2-00-00234   | 1   | Screw, 3/8-16 x 1.50 HHC                |
| 16   | 2-00-02360   | 1   | Nut, 3/8-16 x .562 x .328 Hex           |
| 17   | 2-00-02310   | 1   | Lock Washer, 3/8 Helical Spring         |
| 18   | 2-00-02369   | 4   | Nut, 3/8-16 x .562 x .218 Hex Jam       |
| 19   | 2-00-00206   | 5   | Screw, 5/16-18 x 1.0                    |
| 20   | 2-00-01770   | 1   | Screw, 5/16-18 x 2.75 HHC               |
| 21   |              |     | Intentionally Omitted                   |
| 22   |              |     | Intentionally Omitted                   |
| 23   | 7-76-00102   | 1   | Spring                                  |
| 24   | 2-00-02428   | 2   | Cotter Pin, .062 x .750                 |
| 25   | 2-00-00644   | 12  | Nut, 5/16-18 Fiber Insert Hex           |
| 26   | 7-15-01014   | 2   | Collar w/setscrew, 1.625 x 1.00 x .750  |
| 27   | 2-00-00207   | 3   | Screw, 5/16-18 x 1.25 HHC               |
| 28   | 2-00-04873   | 1   | Clamp, 1/2 Cable                        |
| 29   | 2-00-00208   | 2   | Screw, 5/16-18 x .75 HHC                |
| 30   | 2-00-02597   | 1   | Screw, 5/16-18 x 3.25 HHC               |
| 31   | 2-00-00409   | 1   | Flat Washer, .687 x .343 x .062         |
| 32   | 7-75-01126   | 2   | Spacer, .500 x .327 x .780 (Part of #4) |



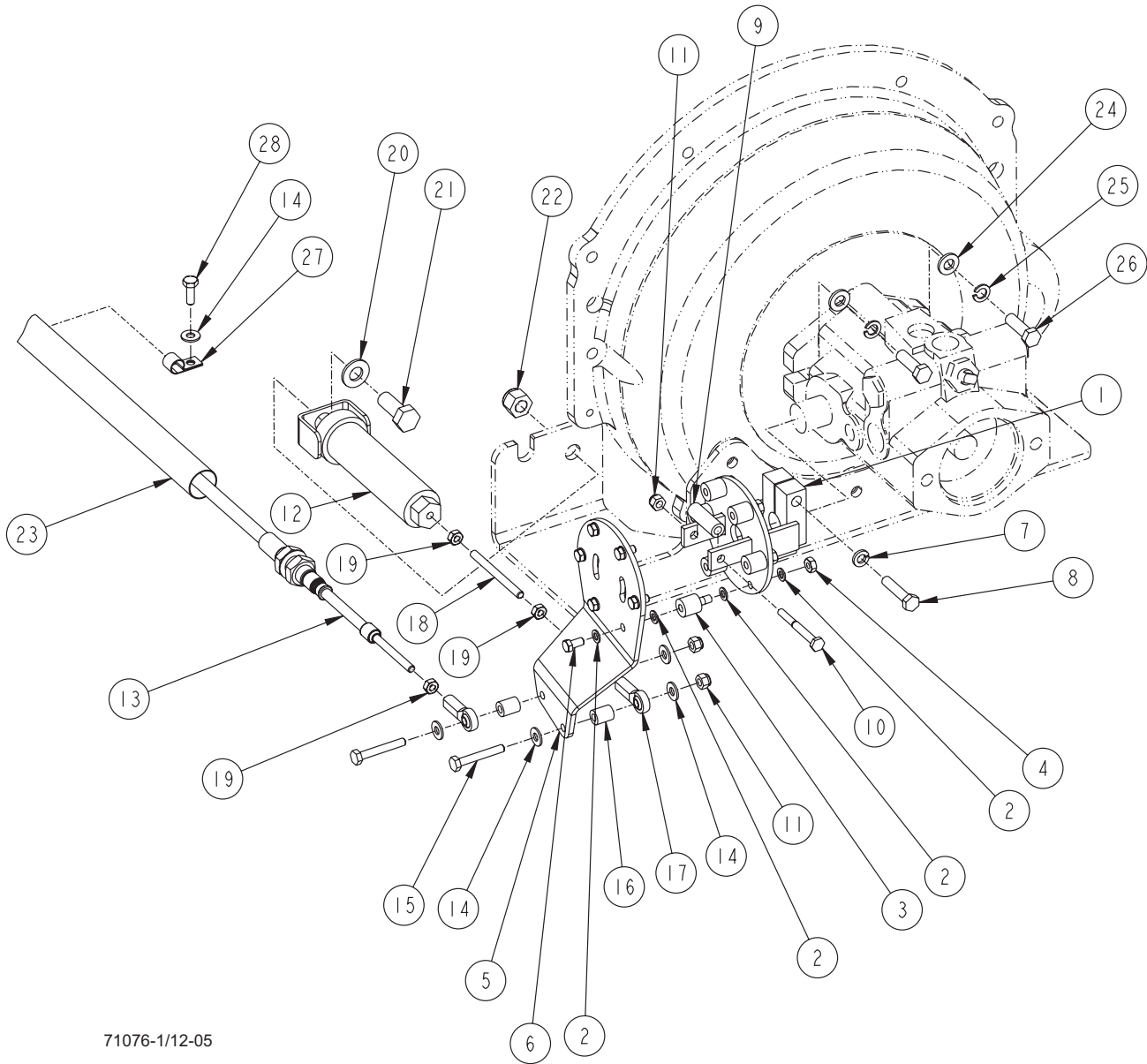
|      |                   |  |  |           |
|------|-------------------|--|--|-----------|
| 08-4 | <b>REAR WHEEL</b> |  |  |           |
| 08-6 | <b>7765</b>       |  |  | <b>47</b> |

| Item | Ref. No.     | Qty | Description  |
|------|--------------|-----|--|
| 1#   | 7-81-00125   | 1   | Support, Rear Wheel                                  |
| 2    | 0885-051-1   | 1   | Hydraulic Motor                                      |
| #    | 8-70-00026   |     | (Key: - one comes w/motor)                           |
| #    |              |     | DELETED  |
| #    | 0880-586     |     | (Motor Seal Kit: - Service Part)                     |
| #    | 0880-238     |     | (Shaft Seal Kit: - Service Part)                     |
| 3    | 7-58-05229   | 1   | Bearing Plate  |
| 4    | 2-00-04455   | 1   | Thrust Bearing (TIMKEN -#T581)                       |
| 5    | 2-00-04456   | 1   | Cup Bearing (TIMKEN - #15245)                        |
| 6    | 7-29-05037   | 1   | Spur Gear  |
| 7    | 7-30-08012   | 1   | Rack Guide   |
| 8    | 7-62-00006   | 1   | Rack   |
| 9    | 2-00-04841   | 2   | Nut, 3/4-16 x 1.125 x .641 Slotted Hex               |
| 10   | 8-75-01157   | 2   | Flat Washer, 3/4 Series W                            |
| 11   | 2-00-03761   | 1   | Key, .250 x 1.750 SQ.                                |
| 12   | 2-00-04803   | 2   | Cotter Pin, 1/8" dia. x 2.00 STL                     |
| 13   | 2-00-00242   | 4   | Screw, 1/2 - 13 x 2.250 HHC                          |
| 14   | 2-00-02312   | 8   | Lock Washer, Helical Spring 1/2 Med                  |
| 15   | 2-00-00596   | 4   | Nut, Hex 1/2 - 13 x .750 x .437                      |
| 16   | 2-00-00518   | 2   | Lock Washer, Helical Spring 1/4 Med                  |
| 17   | 2-00-03051   | 1   | Screw, 1/4-20 x .750 SHCS                            |
| 18   | 2-00-01260   | 2   | Dowel Pin, .250 x .625                               |
| 19   | 2-00-00240   | 4   | Screw, 1/2 - 13 x 1.250 HHC                          |
| 20   | 2-00-00220   | 1   | Screw, 1/4 - 20 x .625 HHC                           |
| 21   | 2-00-00566   | 1   | Lubrication Fitting, Straight 1/8 NPT                |
| 22   | 7-17-05010   | 1   | Power Steering Hydraulic Cylinder                    |
| 23   | 2-00-00591   | 1   | Nut, Hex Jam 1/2 - 20 x .750 x .312                  |
| 24   | 2-00-02568   | 1   | Lubrication Fitting, 45° 1/8 NPT                     |
| 25*  | 7-33-09063   | 1   | Hub, Drive Wheel                                     |
| 26*  | 7-80-05056-1 | 6   | Studs Only   |
| 27*  | 7-89-08069   | 1   | Tire & Outer Rim                                     |
| [ ]# | 0780-711     | 1   | Tire, Rear Wheel Non Marking                         |
| [ ]# | 7-89-08047   | 1   | Tire, Rear Wheel Extra Traction                      |
| [ ]# | 7-85-06008   | 1   | Tire, Rear Wheel (Hvy Duty Option)                   |
| [ ]# | 56504483     | 1   | Tire, Rear Wheel (Directional) <b>TSBUS2008-1006</b> |
| 28*  | 8-23-03065   | 6   | Nut, Wheel   |
| 29   | 2-00-05225   | 1   | Washer, 1.25 ID x 2.25 OD x .13                      |

# = Revised or new since last update

\*Part of 6" press-on wheel complete assembly 7-89-08068

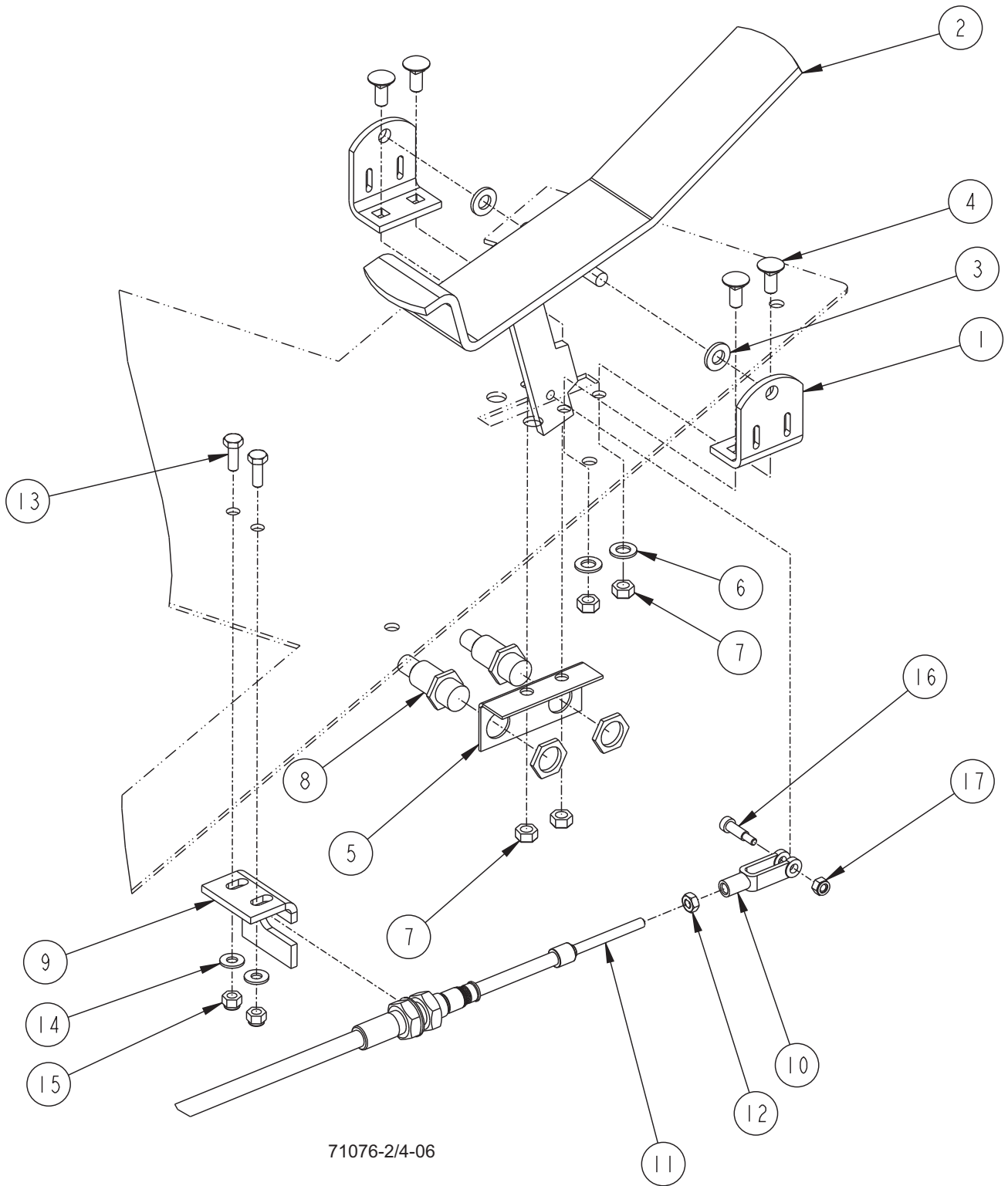
Hub Assembly w/pressed-in studs (Item No.'s 25 & 26): 0780-656



71076-1/12-05

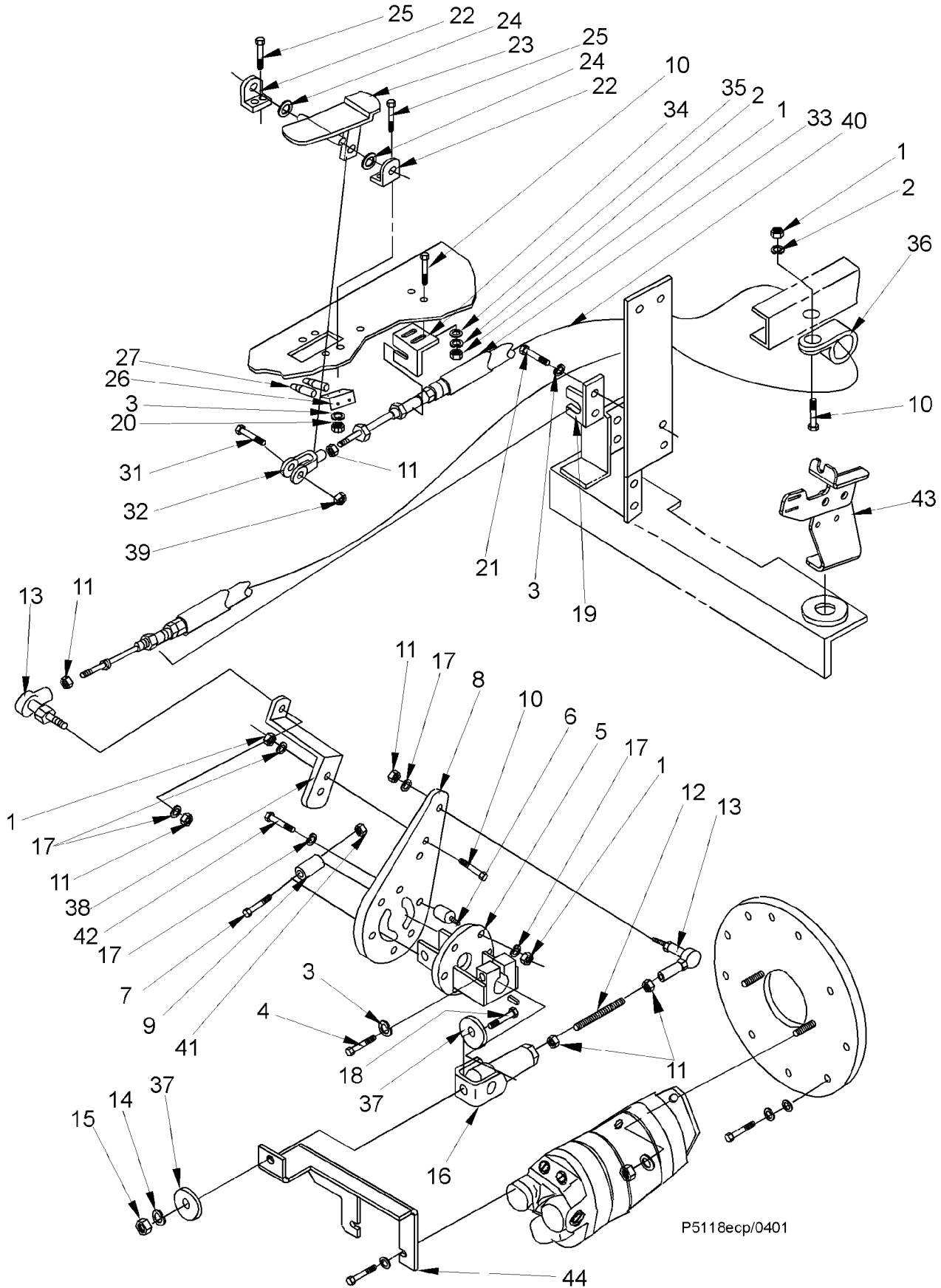


| Item | Ref. No.   | Qty | Description                                    |
|------|------------|-----|--|
| 1    | 7-03-04105 | 1   | Transmission Arm                               |
| 2    | 2-00-00501 | 24  | Lock Washer, 1/4 Int.                          |
| 3    | 7-75-01089 | 6   | Isolator                                       |
| 4    | 2-00-00594 | 6   | Nut, 1/4-20 Hex                                |
| 5    | 7-58-05361 | 1   | Plate, Hydrostat Arm                           |
| 6    | 2-00-00219 | 6   | Screw, 1/4-20 x 1/2 HHC                        |
| 7    | 2-00-00530 | 1   | Lock Washer, 5/16 Med Helical Spring           |
| 8    | 2-00-00225 | 1   | Screw, 5/16-18 x 1.5 HHC                       |
| 9    | 7-75-01110 | 1   | Spacer, Transmission Arm                       |
| 10   | 2-00-00246 | 1   | Screw, 1/4-20 x 2.25 HHC                       |
| 11   | 2-00-00641 | 3   | Nut, 1/4-20 Fiber Insert                       |
| 12   | 8-16-00025 | 1   | Centering Control                              |
| 13   | 7-16-00009 | 1   | Cable, Forward/Reverse Cable                   |
| 14   | 2-00-03702 | 5   | Washer, .625 x .281 x .063                     |
| 15   | 2-00-01769 | 2   | Screw, 1/4-20 x 1.75                           |
| 16   | 7-75-01274 | 2   | Spacer, 1/4 OD x 1/2 ID x 5/8                  |
| 17   | 7-25-02111 | 2   | Rod End, 1/4 Female                            |
| 18   | 7-66-00147 | 1   | Rod, 1/4-28 x 3.0 Centering Control Adjustment |
| 19   | 2-95-01999 | 3   | Nut, 1/4-28 x .437 x .156 Hex Jam              |
| 20   | 2-00-00405 | 1   | Flat Washer, .750 x .281 x .062                |
| 21   | 2-00-00240 | 1   | Screw, 1/2-13 x 1.25 HHC                       |
| 22   | 2-00-04936 | 1   | Nut, 1/2-13 Elastic Lock                       |
| 23   | 7-34-09034 | 1   | Reflective Sleeve, 1" dia. x 16"               |
| 24   | 2-00-00402 | 2   | Flat Washer, .750 x .390 x .093                |
| 25   | 2-00-02310 | 2   | Lock Washer, 3/8 Helical Spring                |
| 26   | 2-00-00209 | 2   | Bolt, 3/8-16 x 1.25 Hex Head                   |
| 27   | 2-00-04602 | 1   | Clamp  |
| 28   | 2-00-00221 | 1   | Screw, 1/4-20 x .750 HHC                       |



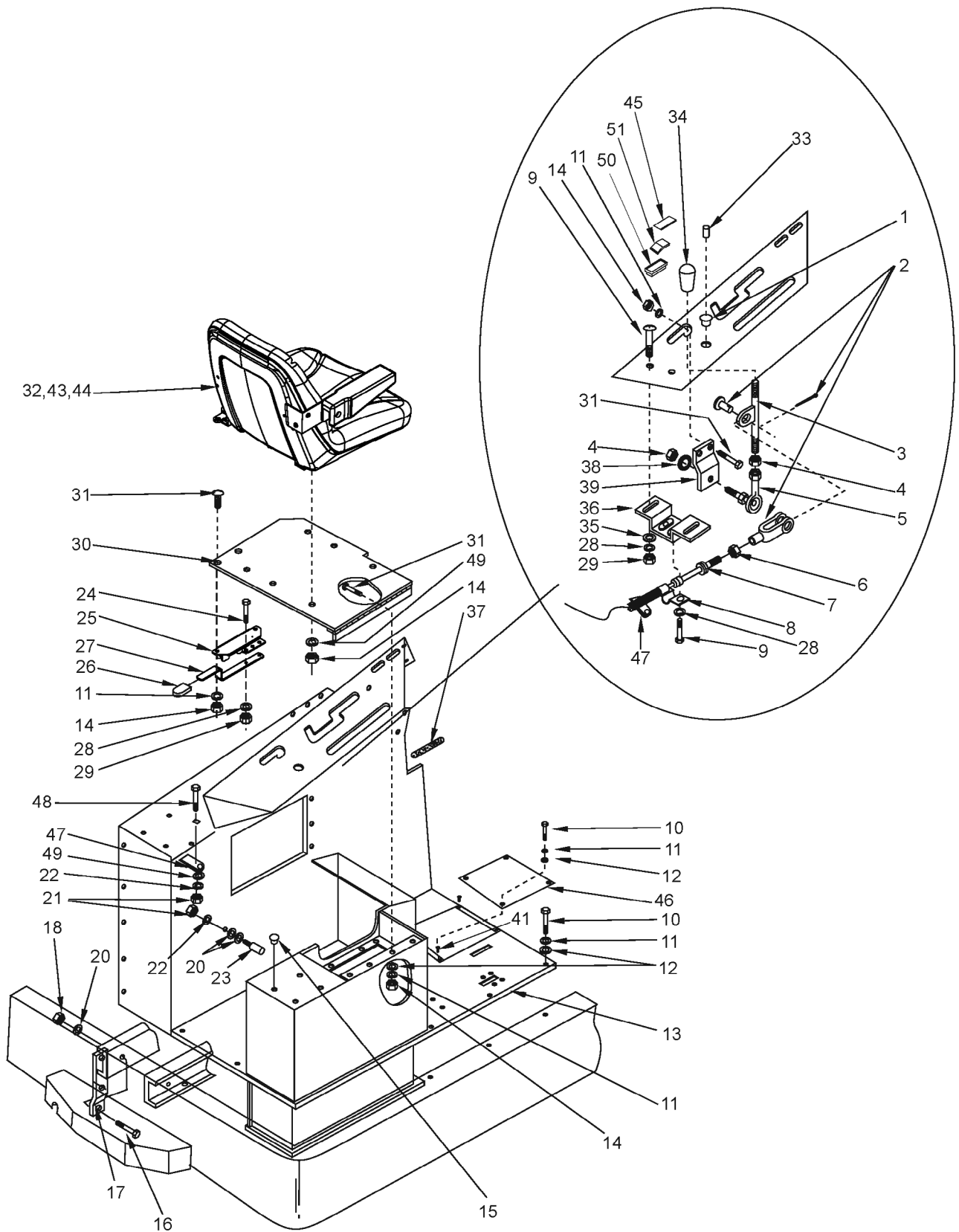
71076-2/4-06

| Item | Ref. No.   | Qty | Description                       |
|------|------------|-----|-----------------------------------|
| 1    | 56514806   | 2   | Bracket, Foot Pedal Mount         |
| 2    | 56514807   | 1   | Foot Pedal                        |
| 3    | 2-00-00402 | 2   | Flat Washer, .750 x .390 x .093   |
| 4    | 2-00-03569 | 4   | Carriage Bolt, 5/16-18 x 3/4      |
| 5    | 56514808   | 1   | Bracket, Foot Pedal Prox. Switch  |
| 6    | 2-00-00409 | 2   | Flat Washer, .687 x .344 x .062   |
| 7    | 2-00-00585 | 4   | Nut, 5/16-18 Fiber Insert Hex     |
| 8    | 7-82-00047 | 2   | Switch, Low Dump Hopper Proximity |
| 9    | 56514809   | 1   | Bracket, Accel. Cable Mounting    |
| 10   | 8-14-01006 | 1   | Clevis                            |
| 11   | 7-16-00009 | 1   | Cable, Forward/Reverse Cable      |
| 12   | 2-95-01999 | 1   | Nut, 1/4-28 x .437 x .156 Hex Jam |
| 13   | 2-00-00221 | 2   | Screw, 1/4-20 x 3/4 HHC           |
| 14   | 2-00-03702 | 2   | Washer, .625 x .281 x .063        |
| 15   | 2-00-00641 | 2   | Nut, 1/4-20 Fiber Insert          |
| 16   | 2-00-04563 | 1   | Shoulder Screw, 1/4 x 5/8         |
| 17   | 2-00-01246 | 1   | Nut, #10-24 Elastic Stop          |



P5118ecp/0401

| Item | Ref. No.   | Qty | Description                          |
|------|------------|-----|--------------------------------------|
| 1    | 2-00-00594 | 11  | Nut, Hex 1/4 - 20 x .437 x .218      |
| 2    | 2-00-00518 | 3   | Lock Washer, Helical Spring 1/4 Med  |
| 3    | 2-00-00530 | 5   | Lock Washer, Helical Spring 5/16 Med |
| 4    | 2-00-00225 | 1   | Screw, 5/16-18 x 1.500 HHC           |
| 5    | 7-03-04105 | 1   | Transmission Arm                     |
| 6    | 7-75-01089 | 6   | Isolator, 1/4-20                     |
| 7    | 2-00-00246 | 1   | Screw, 1/4-20 x 2.250 HHC            |
| 8    | 7-58-05220 | 1   | Transmission Arm Plate               |
| 9    | 7-75-01110 | 1   | Spacer, Transmission Arm             |
| 10   | 2-00-00221 | 5   | Screw, 1/4-20 x .750 HHC             |
| 11   | 2-95-01999 | 4   | Nut, Hex Jam 1/4-28 x .437 x .156    |
| 12   | 7-66-00147 | 1   | Rod, 1/4-28 x 3.000                  |
| 13   | 7-25-02050 | 2   | Rod End, 1/4-28                      |
| 14   | 2-00-02312 | 1   | Lock Washer, Helical Spring 1/2 Med  |
| 15   | 2-00-02352 | 1   | Nut, Hex 1/2-13 x .875 x .484        |
| 16   | 8-16-00025 | 1   | Centering Control                    |
| 17   | 2-00-00501 | 16  | Lock Washer, 1/4 Int.                |
| 18   | 2-00-00240 | 1   | Screw, 1/2-13 x 1.250 HHC            |
| 19   | 7-08-00583 | 1   | Centering Control Bracket            |
| 20   | 2-00-00585 | 4   | Nut, Hex 5/16-18 x .500 x.265        |
| 21   | 2-00-00208 | 2   | Screw, 5/16-18 x .750 HHC            |
| 22   | 56514806   | 2   | Forward Reverse Pedal Bracket        |
| 23   | 56514807   | 1   | Forward Reverse Pedal                |
| 24   | 2-00-00402 | 2   | Flat Washer, .750 x .390 x .093      |
| 25   | 2-00-03569 | 4   | Carriage Bolt, 5/16 - 18 x .75       |
| 26   | 56514808   | 1   | Bracket, Foot Pedal Prox. Switch     |
| 27   | 7-82-00047 | 2   | Switch, Proximity                    |
| 31   | 2-00-04563 | 1   | Screw, #10-24 x .625 x .375 SH       |
| 32   | 8-14-01006 | 1   | Clevis                               |
| 33   | 7-16-00009 | 1   | Forward / Reverse Cable              |
| 34   | 56514809   | 1   | Cable Mounting Bracket               |
| 35   | 2-00-03702 | 2   | Flat Washer, .750 x .281 x .062      |
| 36   | 2-00-04602 | 1   | Hose Clamp, .500                     |
| 37   | 2-00-00405 | 2   | Flat Washer, .500                    |
| 38   | 7-03-04106 | 1   | Transmission Arm                     |
| 39   | 2-00-01246 | 1   | Nut, Hex Fiber Insert #10-24         |
| 40   | 7-34-09018 | 1   | Insulating Sleeve                    |
| 41   | 2-00-00641 | 1   | Nut, Hex Fiber Insert 1/4-20         |
| 42   | 2-00-00219 | 6   | Screw, 1/4-20 x .500 HHC             |
| 43   | 7-08-01209 | 1   | Bracket, Forward/Reverse Cable       |
| 44   | 7-08-00585 | 1   | Hydroback Bracket                    |

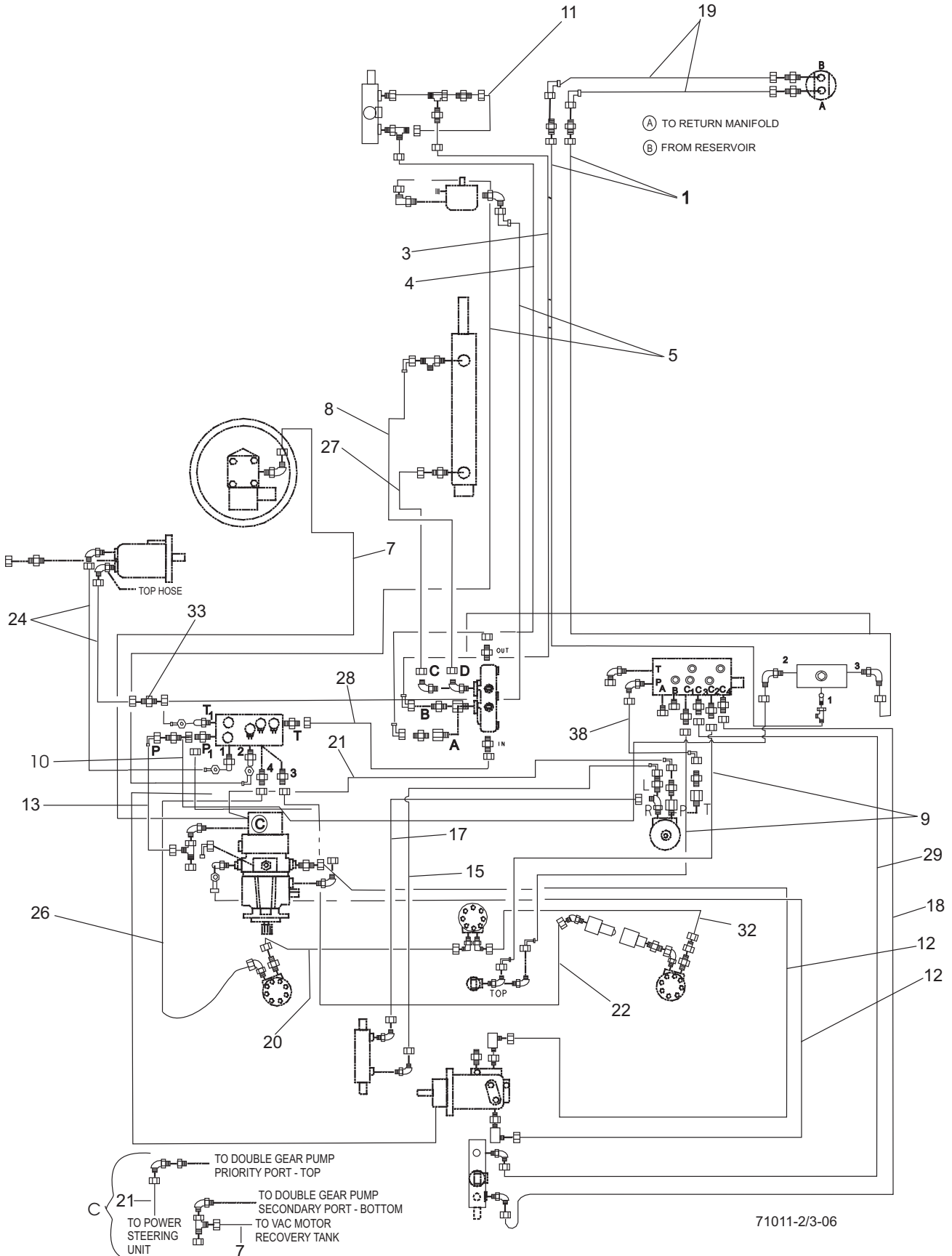


| Item | Ref. No.   | Qty | Description                        |
|------|------------|-----|------------------------------------|
| 1*   | 2-00-02011 | 1   | Plastic Plug, .440 Dia.            |
| 2*   | 7-14-07006 | 1   | Clevis                             |
| 3*   | 7-41-05092 | 1   | Lever, Throttle Control            |
| 4    | 2-95-01999 | 2   | Nut, Hex Jam 1/4-28 x .437 x .156  |
| 5*   | 7-25-02050 | 1   | Rod End, 1/4-28                    |
| 6    | 2-00-00626 | 1   | Nut, Hex MS #10-32 x .375 x .125   |
| 7*   | 7-10-00024 |     | Cable, Throttle                    |
| 8*   | 8-13-07094 | 1   | Clamp                              |
| 9    | 2-00-03061 | 4   | Screw, #10-24 x 1/2THM             |
| 10   | 2-00-00221 | 6   | Screw, 1/4-20 x 3/4 HHC            |
| 11   | 2-00-00518 | 14  | Lock Washer, 1/4 Helical Spring    |
| 12   | 2-00-03702 | 10  | Flat Washer, .625 x .281 x .062    |
| 13   | 56514836   | 1   | Shell, Drive Compartment           |
| 14   | 2-00-00594 | 8   | Nut, Hex 1/4-20 x .437 x .218      |
| 15   | 2-00-04514 | 4   | Plastic Plug, .562 Dia.            |
| 16   | 2-00-00209 | 1   | Screw, 3/8-16 x 1.0 HHC            |
| 17   | 56514810   | 1   | Bracket, Drive Compartment Support |
| 18#  | 56002839   | 1   | Nut, Hex Nyl Loc 7/16-14           |
| 19#  |            |     | DELETED                            |
| 20   | 2-00-00402 | 3   | Flat Washer, .750 x .390 x .062    |
| 21   | 2-00-00585 | 1   | Nut, 5/16-18 x .500 x .265 Hex     |
| 22   | 2-00-00530 | 1   | Lock Washer, 5/16 Helical Spring   |
| 23   | 7-55-08116 | 1   | Striker Pin                        |
| 24   | 2-00-04794 | 2   | Screw, #10-24 x .625 BHS           |
| 25   | 8-41-00037 | 1   | Rotary Latch                       |
| 26   | 7-31-06061 | 1   | Grip, Cover Latch                  |
| 27   | 56514797   | 1   | Handle, Seat Cover Latch           |
| 28   | 2-00-00519 | 6   | Lock Washer, #10 Helical Spring    |
| 29   | 2-00-00605 | 4   | Nut, #10-24 x .375 x .125 Hex      |
| 30   | 56514838   | 1   | Cover                              |
| 31   | 2-00-00220 | 8   | Screw, 1/4-20 x .625 HHC           |
| 32   | 7-69-00008 | 1   | Seat                               |
| 33<  | 7-11-04080 | 1   | Check Engine Light                 |
| 34*  | 7-39-00017 | 1   | Knob                               |
| 35   | 2-00-00426 | 2   | Flat Washer, .500 x .218 x .062    |
| 36*  | 56514799   | 1   | Bracket, Throttle Cable Mounting   |
| 37   | 8-21-04019 | 1   | Edging                             |
| 38   | 2-00-00501 | 1   | Lock Washer, 1/4 Int               |
| 39*  | 56514798   | 1   | Bracket, Throttle Control Mounting |
| 41   | 2-00-05261 | 4   | Riv-Nut - 1/4-20 THD               |
| 43   | 7-72-05005 | 1   | Slide Adjuster Kit                 |
| 44   | 7-03-04249 | 1   | Arm Rest Kit                       |
| 45*  | 2-00-05868 | 1   | Cover, Switch                      |
| 46   | 56514800   | 1   | Panel, Access                      |
| 47*  | 2-00-04873 | 1   | Clamp                              |
| 48*  | 2-00-00196 | 1   | Carriage Bolt, 5/16-18 x 1.0       |
| 49   | 2-00-00409 | 5   | Flat Washer, .687 x .344 x .062    |
| 50<  | 2-00-05827 | 1   | Base, Switch                       |
| 51<  | 2-00-05988 | 1   | Actuator, Throttle                 |

# = Revised or new since last update

\* = Diesel Only

< = Gas & LP Only



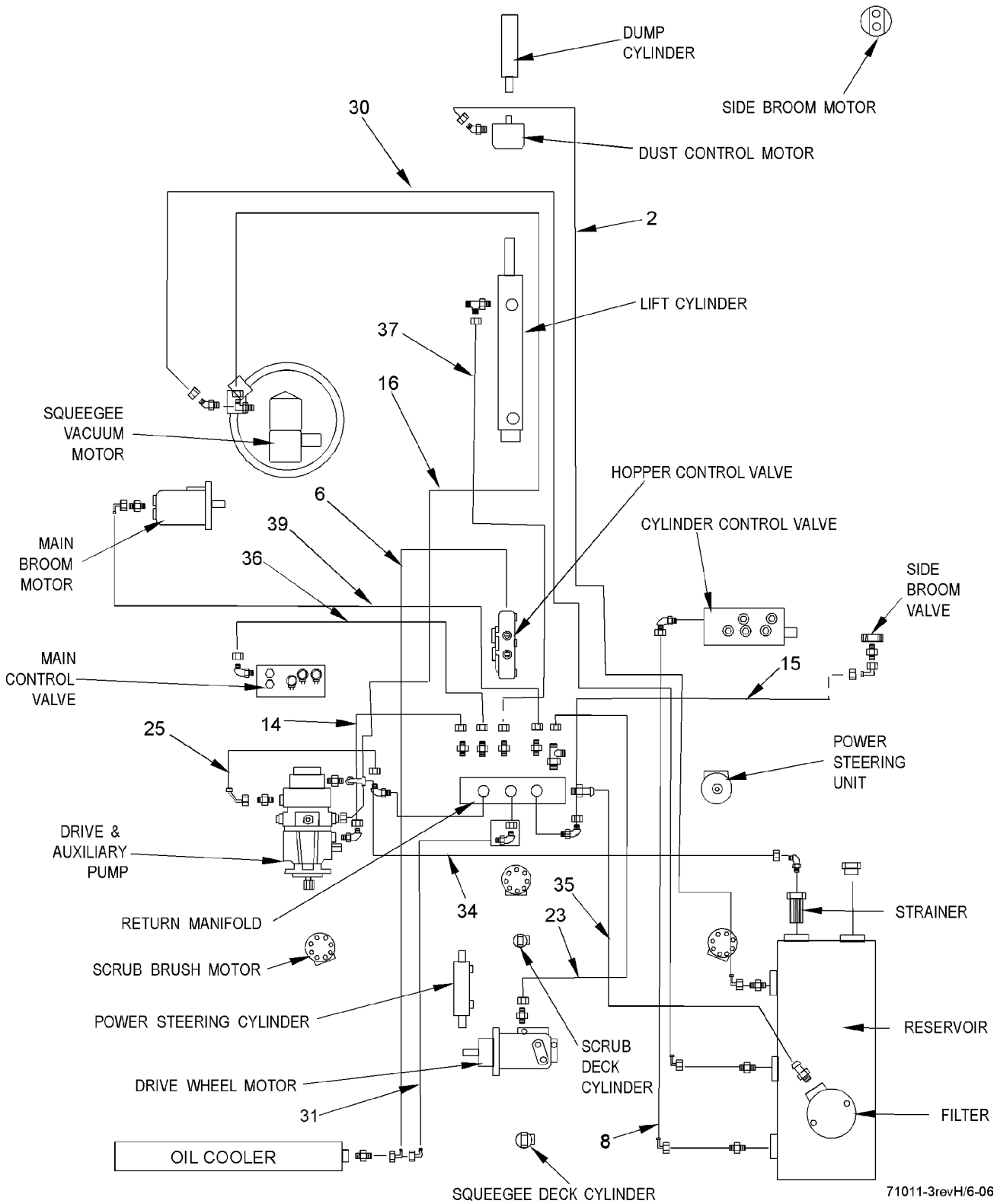


| Item | Ref. No.   | Qty | Description                            |
|------|------------|-----|--|
| 1<   | 8-33-02277 | 2   | Hydraulic Hose ORS 4-STR 110"          |
| 3<   | 8-33-02328 | 1   | Hydraulic Hose ORS 4-90° to STR 78.5"  |
| 4<   | 7-33-02194 | 1   | Hydraulic Hose ORS 4-90° to STR 80"    |
| 5<   | 7-33-02332 | 2   | Hydraulic Hose ORS 8-90° to STR 102"   |
| 7+   | 8-33-02327 | 1   | Hydraulic Hose ORS 8-STR 94"           |
| 7*   | 8-33-02195 | 1   | Hydraulic Hose ORS 8-STR 69.5"         |
| 8+   | 7-33-02225 | 1   | Hydraulic Hose ORS 4-90° to STR 38"    |
| 9+   | 7-33-02189 | 2   | Hydraulic Hose ORS 4-90° to STR 26"    |
| 10<  | 8-33-02218 | 1   | Hydraulic Hose ORS 4-STR 60"           |
| 11<  | 8-33-02178 | 1   | Hydraulic Hose ORS 4-STR 15"           |
| 12+  | 7-33-02223 | 2   | Hydraulic Hose ORS 8-45° to STR 87"    |
| 13+  | 8-33-02202 | 1   | Hydraulic Hose ORS 8-90° to STR 20"    |
| 15+  | 7-33-02191 | 1   | Hydraulic Hose ORS 4-90° to STR 42"    |
| 17+  | 7-33-02225 | 1   | Hydraulic Hose ORS 4-90° to STR 38"    |
| 18+  | 8-33-02218 | 1   | Hydraulic Hose ORS 4-STR 60"           |
| 19   | 8-33-02320 | 2   | Hydraulic Hose ORS 4 90° to STR 64"    |
| 20   | 7-33-02327 | 1   | Hydraulic Hose ORS 8-90° to STR 15.25" |
| 21+  | 7-33-02334 | 1   | Hydraulic Hose ORS 4-90° to STR 52.25" |
| 22+  | 7-33-02546 | 1   | Hydraulic Hose ORS 8-90° to STR 42.5"  |
| 24+  | 8-33-02214 | 2   | Hydraulic Hose ORS 8-STR 29"           |
| 26+  | 7-33-02403 | 1   | Hydraulic Hose, ORS 4-90° to STR 29"   |
| 27<  | 8-33-02178 | 1   | Hydraulic Hose ORS 4-STR 15"           |
| 28<  | 8-33-02201 | 1   | Hydraulic Hose ORS 8-45° to STR 18"    |
| 29+  | 8-33-02189 | 1   | Hydraulic Hose ORS 4-STR 65"           |
| 32   | 7-33-02326 | 1   | Hydraulic Hose ORS 8-90° to STR 17"    |
| 33   | 2-00-04987 | 1   | ORFS Union, 13/16-16                   |
| 38+  | 7-33-02190 | 1   | Hydraulic Hose ORS 4-STR 67"           |

\* = Diesel Only

+ = Components of 0760-961, 7765 common hydraulic hose kit.

< = Components of 0760-962, 7765 VD hydraulic hose kit.



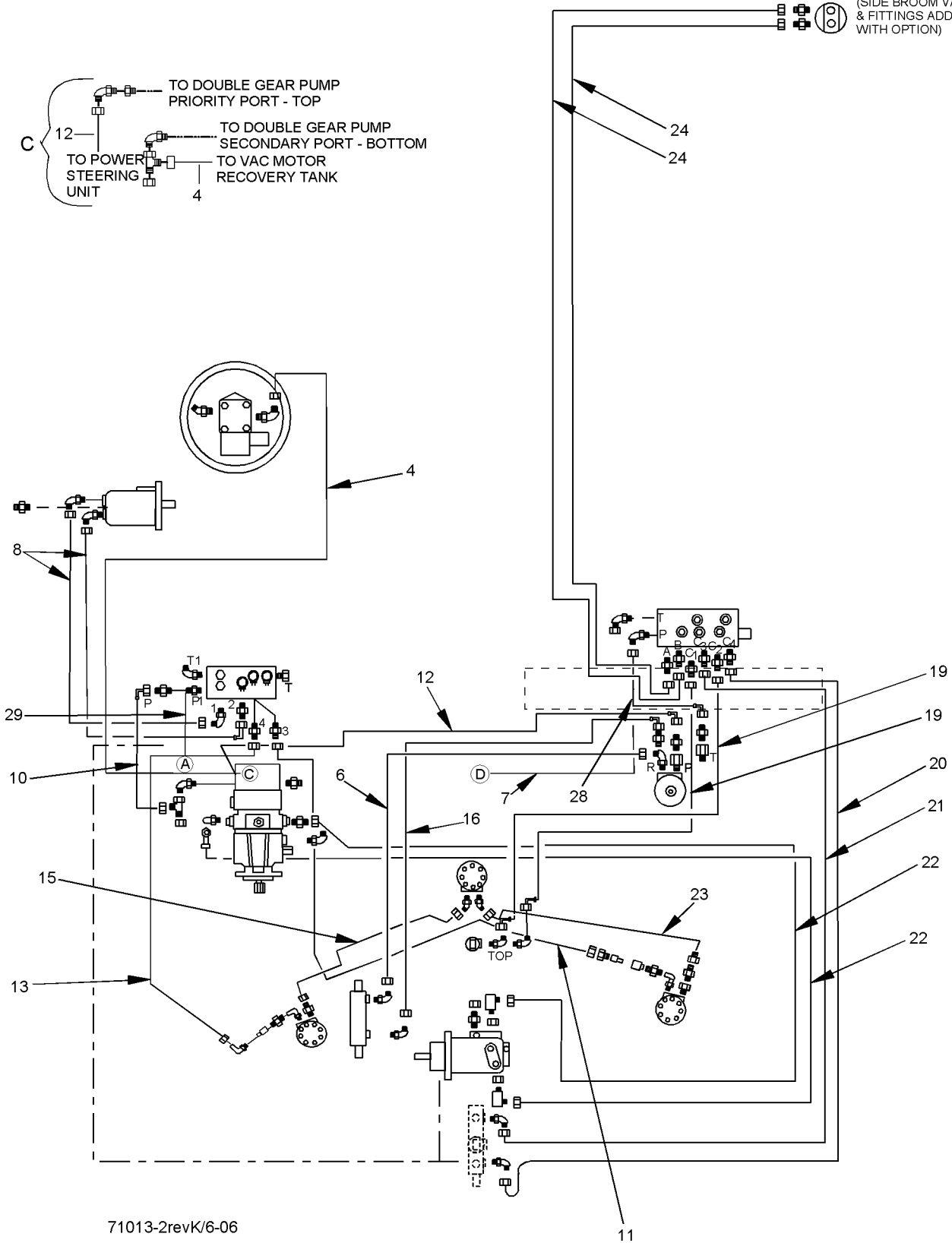
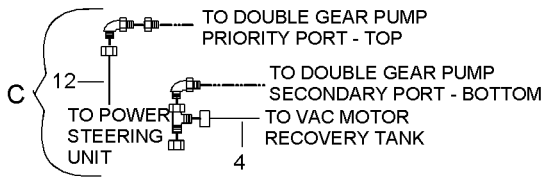
71011-3revH/6-06

| Item | Ref. No.   | Qty | Description                             |
|------|------------|-----|---|
| 2*   | 7-33-02333 | 1   | Hydraulic Hose ORS 4-90° to STR 119"    |
| 6*   | 7-33-02734 | 1   | Hydraulic Hose ORS 8-90° to STR 68"     |
| 8*   | 7-33-02225 | 1   | Hydraulic Hose ORS 4-90° to STR 38"     |
| 14#  | 7-33-02186 | 1   | Hydraulic Hose ORS 4-STR 30"            |
| 15#  | 7-33-02191 | 1   | Hydraulic Hose ORS 4-90° to STR 42"     |
| 16*  | 8-33-02192 | 1   | Hydraulic Hose ORS 8-STR 80"            |
| 23#  | 8-33-02184 | 1   | Hydraulic Hose ORS 4-STR 50.5"          |
| 25#  | 7-33-02197 | 1   | Hydraulic Hose ORS 8-45° to STR 52.5"   |
| 30#  | 7-33-02224 | 1   | Hydraulic Hose ORS 4-90° to STR 155"    |
| 31#  | 7-33-02551 | 1   | Hydraulic Hose ORS 8-90° to STR 35"     |
| 34#  | 7-33-02331 | 1   | Hydraulic Hose ORS 16-STR 46"           |
| 35   | 7-33-02244 | 1   | Hydraulic Hose 1.0" ID Low Pressure 33" |
| 36#  | 7-33-02180 | 1   | Hydraulic Hose ORS 4-STR 37"            |
| 37*  | 8-33-02183 | 1   | Hydraulic Hose ORS 4-STR 49"            |
| 39#  | 8-33-02200 | 1   | Hydraulic Hose ORS 4-90° to STR 55"     |

# = Components of 0760-961, 7765 common hydraulic hose kit.

\* = Components of 0760-962, 7765 VD hydraulic hose kit.

SIDE BROOM  
OPTIONAL  
(SIDE BROOM VALVE  
& FITTINGS ADDED  
WITH OPTION)



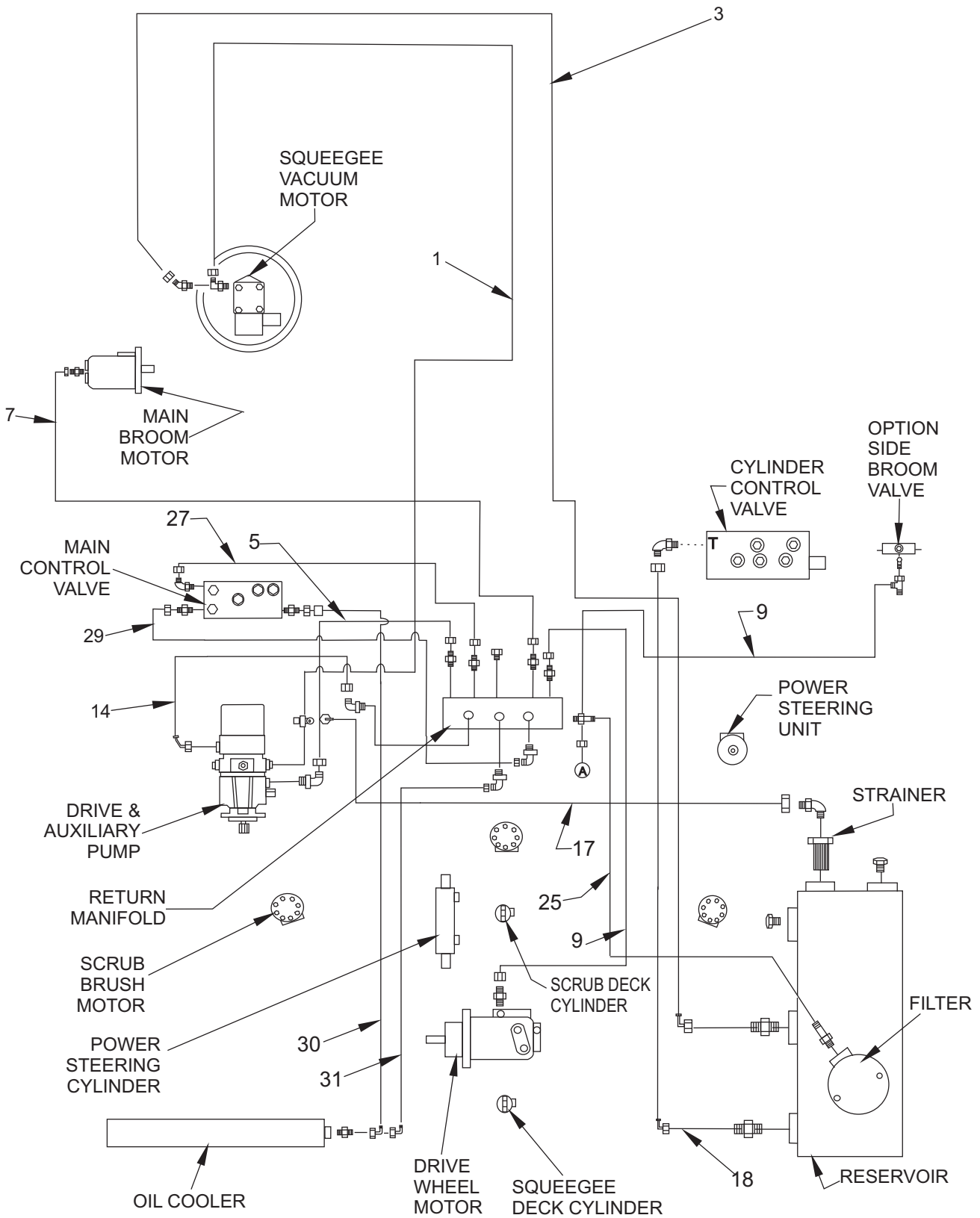
71013-2revK/6-06

| Item | Ref. No.                    | Qty | Description                                 |
|------|-----------------------------|-----|---|
| 1    | 8-33-02192 (see page 62-63) | 1   | Hydraulic Hose ORS 8 Str. to JIC 8 Str. 80" |
| 3+   | 7-33-02224 (see page 62-63) | 1   | Hydraulic Hose ORS 4-90° to Str. 155"       |
| 4+   | 8-33-02327                  | 1   | Hydraulic Hose ORS 8-Str.to 8 Str. 94"      |
| 4*   | 8-33-02195                  | 1   | Hydraulic Hose ORS 8-Str.to 8 Str. 69.5"    |
| 5    | 7-33-02186 (see page 62-63) | 1   | Hydraulic Hose ORS 4-Str. Ends 30"          |
| 6+   | 7-33-02225                  | 1   | Hydraulic Hose ORS 4-90° to Str. 38"        |
| 7+<  | 8-33-02200 (see page 62-63) | 1   | Hydraulic Hose ORS 4-90° to Str. 55"        |
| 8+   | 8-33-02214                  | 2   | Hydraulic Hose ORS 4-Str. to 4 Str. 29"     |
| 9    | 8-33-02184 (see page 62-63) | 1   | Hydraulic Hose ORS 4-Str. to 4 Str. 50.5"   |
| 10+  | 8-33-02202                  | 1   | Hydraulic Hose ORS 8-90° to 8 Str. 20"      |
| 11+  | 7-33-02546                  | 1   | Hydraulic Hose ORS 8-90° to 8 Str. 42.5"    |
| 12+  | 7-33-02334                  | 1   | Hydraulic Hose ORS 4-90° to 4 Str. 52.25"   |
| 13+  | 7-33-02403                  | 1   | Hydraulic Hose ORS 8-90° to 8 Str. 29"      |
| 14   | 7-33-02197                  | 1   | Hydraulic Hose ORS 8-45° to 8 Str. 52.50"   |
| 17   | 7-33-02331 (see page 62-63) | 1   | Hydraulic Hose ORS 16-Str. Ends 46"         |
| 18   | 7-33-02225 (see page 62-63) | 1   | Hydraulic Hose ORS 4-90° to Str. 38"        |
| 15   | 7-33-02327                  | 1   | Hydraulic Hose ORS 8-90° to 12 Str. 15.25"  |
| 16+  | 7-33-02191                  | 1   | Hydraulic Hose ORS 4-90° to Str. 42"        |
| 19+  | 7-33-02189                  | 2   | Hydraulic Hose ORS 4-90° to Str. 26"        |
| 20+  | 8-33-02218                  | 1   | Hydraulic Hose ORS 4-Str. 60"               |
| 21+  | 8-33-02189                  | 1   | Hydraulic Hose ORS 4-Str. 65"               |
| 22+  | 7-33-02223                  | 2   | Hydraulic Hose ORS 8-45° to Str. 87"        |
| 23   | 7-33-02326                  | 1   | Hydraulic Hose ORS 8-90° to 8 Str.17"       |
| 24+< | 8-33-02216                  | 2   | Hydraulic Hose ORS 4-Str. 88"               |
| 25   | 7-33-02244 (see page 62-63) | 1   | 1.0" Low Pressure 33"                       |
| 28+  | 7-33-02190                  | 1   | Hydraulic Hose ORS 4-90° to Str. 67"        |
| 29   | 7-33-02187 (see page 62-63) | 1   | Hydraulic Hose ORS 8-Str. 42"               |
| 30+  | 7-33-02428 (see page 62-63) | 1   | Hydraulic Hose ORS 8-90° to Str. 57"        |
| 31+  | 7-33-02551 (see page 62-63) | 1   | Hydraulic Hose ORS 8-90° to Str. 35"        |

\* = Diesel Only

+ = Hoses are components of 0760-961 7765 common hydraulic hose kit.

< = Hoses for Side Broom Option

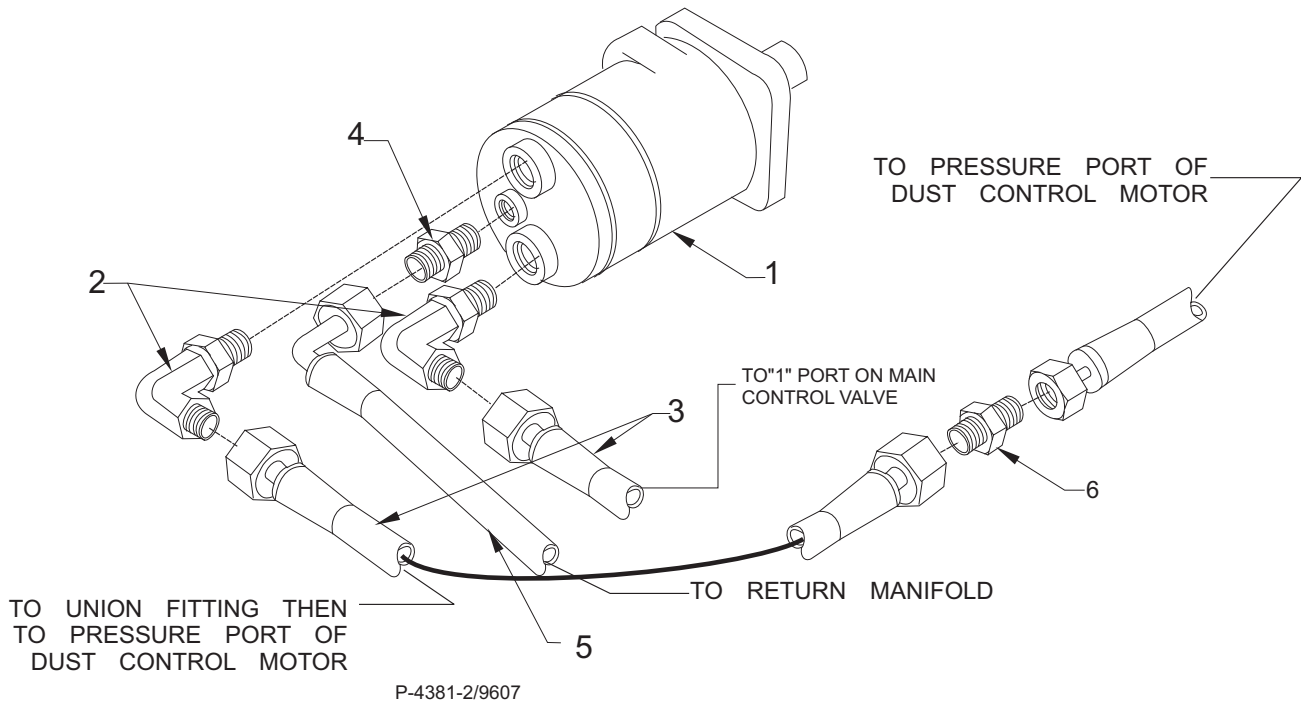


71013-3/1-06

| Item | Ref. No.   | Qty | Description                                 |
|------|------------|-----|---|
| 1    | 8-33-02192 | 1   | Hydraulic Hose ORS 8 Str. to JIC 8 Str. 80" |
| 3+   | 7-33-02224 | 1   | Hydraulic Hose ORS 4-90° to Str. 155"       |
| 5    | 7-33-02186 | 1   | Hydraulic Hose ORS 4-Str. Ends 30"          |
| 7+<  | 8-33-02200 | 1   | Hydraulic Hose ORS 4-90° to Str. 55"        |
| 9    | 8-33-02184 | 1   | Hydraulic Hose ORS 4-Str. to 4 Str. 50.5"   |
| 14   | 7-33-02197 | 1   | Hydraulic Hose ORS 8-45° to 8 Str. 52.50"   |
| 17   | 7-33-02331 | 1   | Hydraulic Hose ORS 16-Str. Ends 46"         |
| 18   | 7-33-02225 | 1   | Hydraulic Hose ORS 4-90° to Str. 38"        |
| 25   | 7-33-02244 | 1   | 1.0" Low Pressure 33"                       |
| 27   | 7-33-02180 | 1   | Hydraulic Hose ORS 4-Str. to 4 Str. 37"     |
| 29   | 7-33-02187 | 1   | Hydraulic Hose ORS 8-Str. 42"               |
| 30+  | 7-33-02428 | 1   | Hydraulic Hose ORS 8-90° to Str. 57"        |
| 31   | 7-33-02551 | 1   | Hydraulic Hose ORS 8-90° to Str. 35"        |

+ = Hoses are components of 0760-961 7765 common hydraulic hose kit.

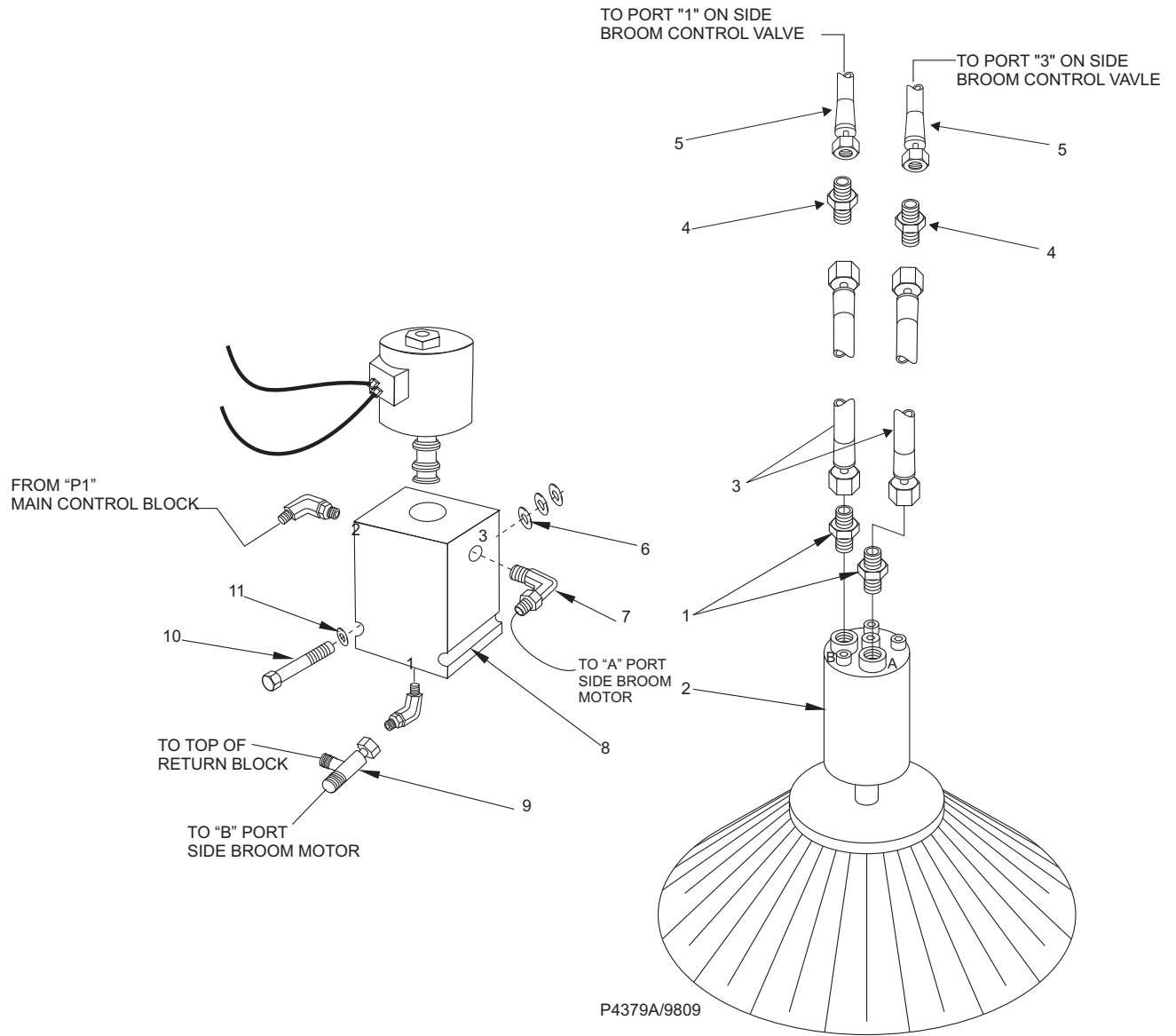
< = Hoses for Side Broom Option



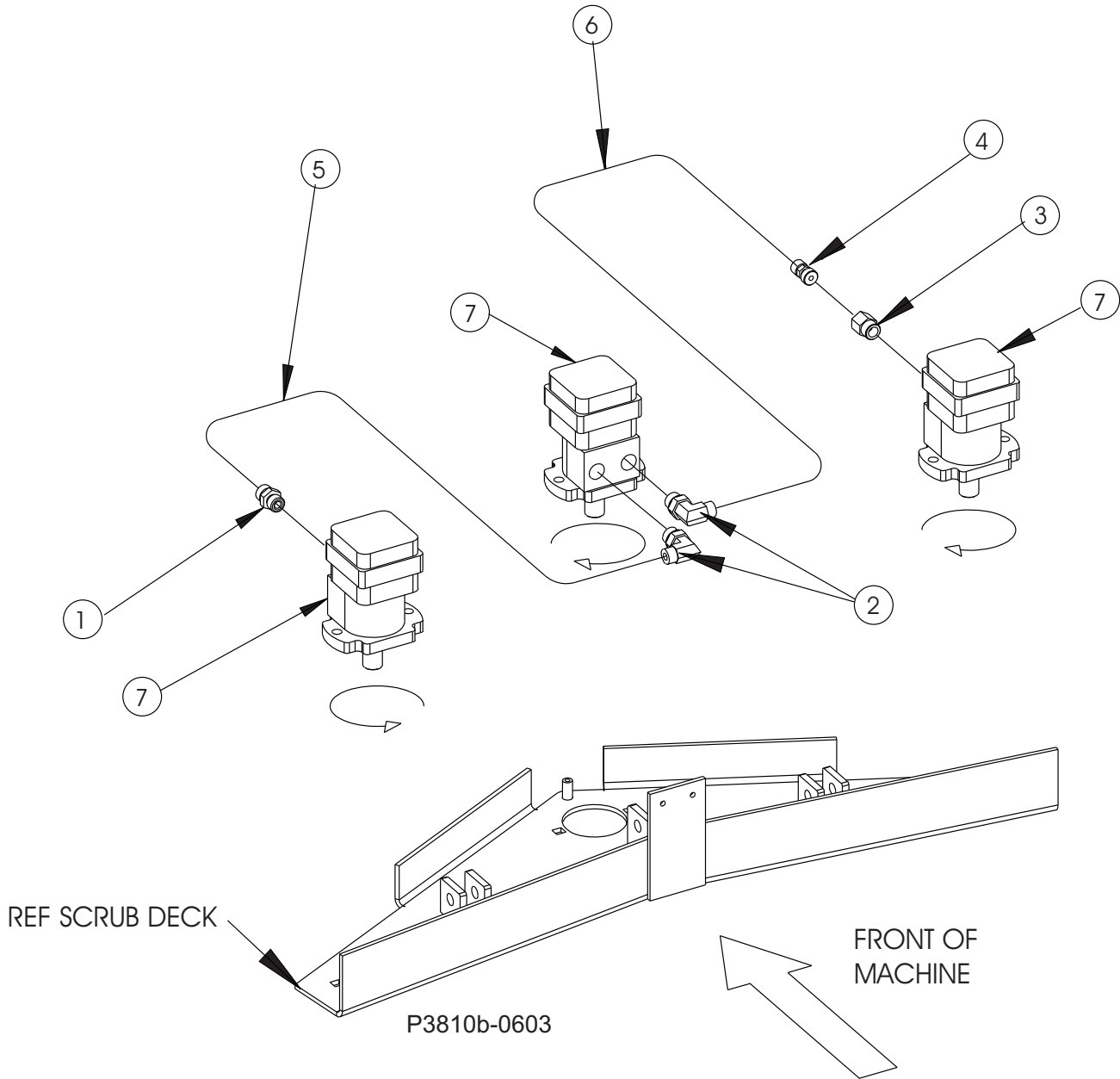
| Item | Ref. No.   | Qty  | Description                        |
|------|------------|------|------------------------------------|
| 1    | 0882-040   | 1    | Main Broom Motor                   |
| #    |            |      | DELETED                            |
|      | 56479577   |      | Motor Seal Kit (Service Part)      |
| 2    | 2-00-04885 | 2    | ORFS 90° Elbow, 3/4-16 to 13/16-16 |
| 3    | 8-33-02214 | Ref. | Hose                               |
| 4    | 2-00-04895 | 1    | ORFS Connector, 7/16-20 to 9/16-18 |
| 5    | 8-33-02200 | Ref. | Hose                               |
| 6    | 2-00-04987 | Ref. | ORFS Union, 13/16 - 16             |

# = Revised or new since last update

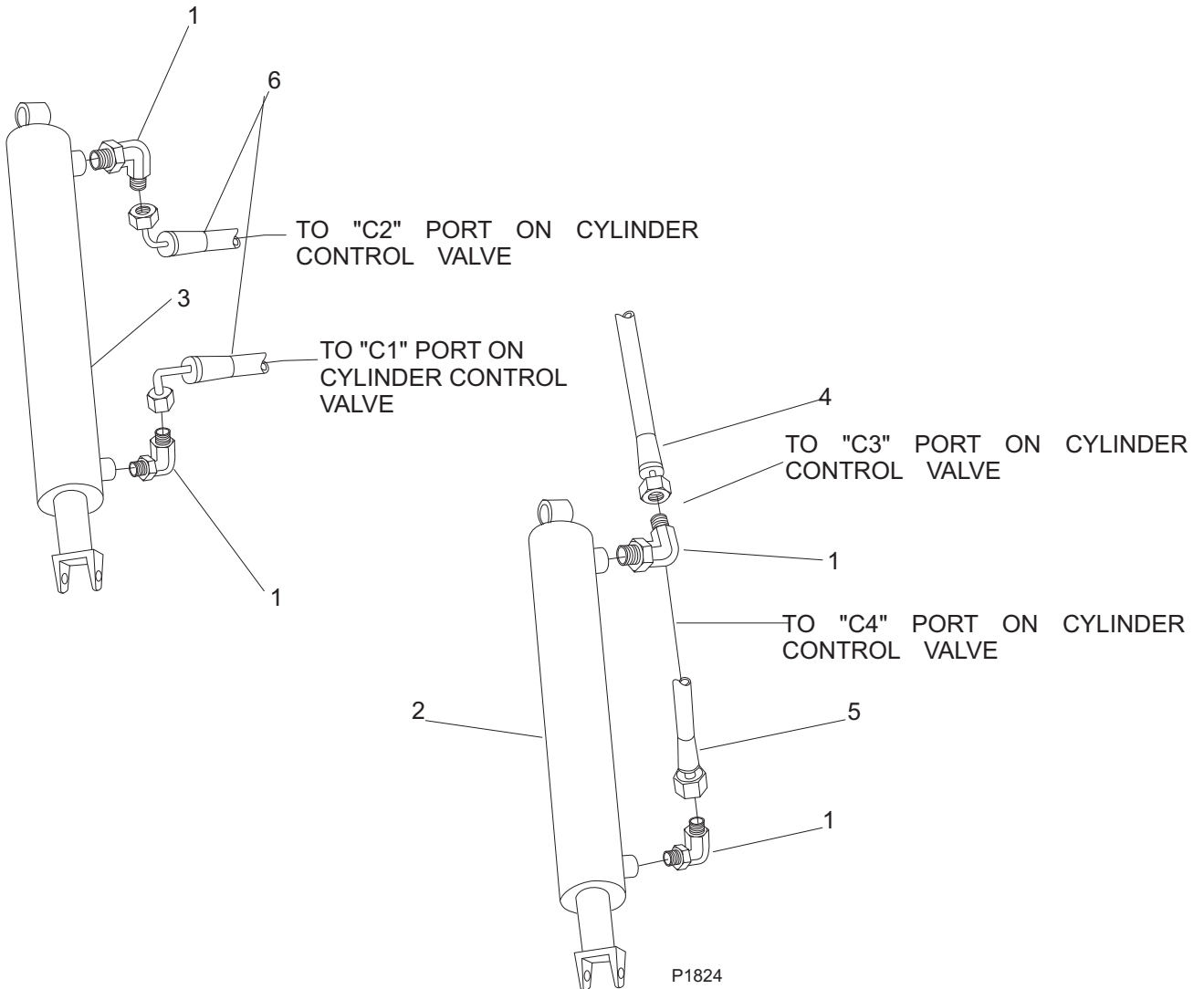




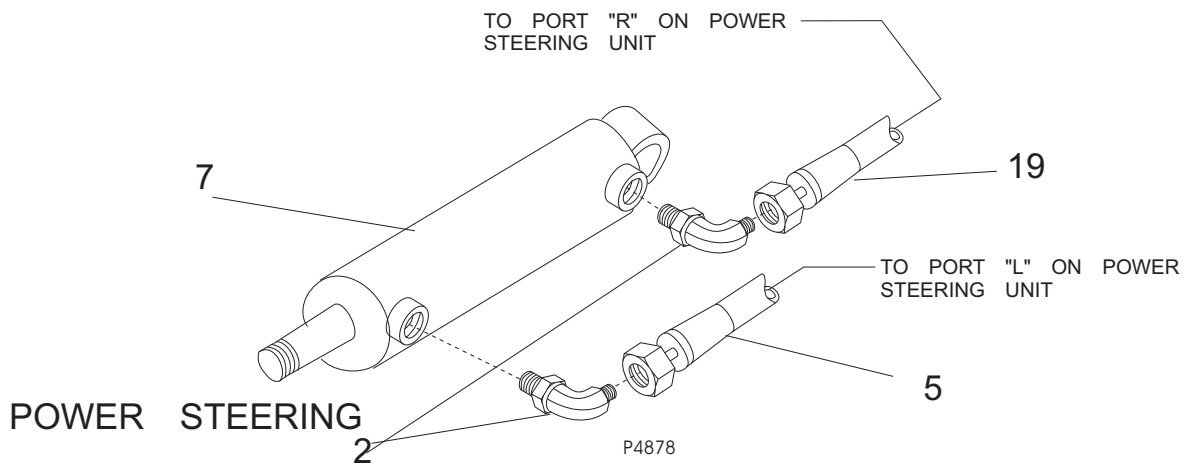
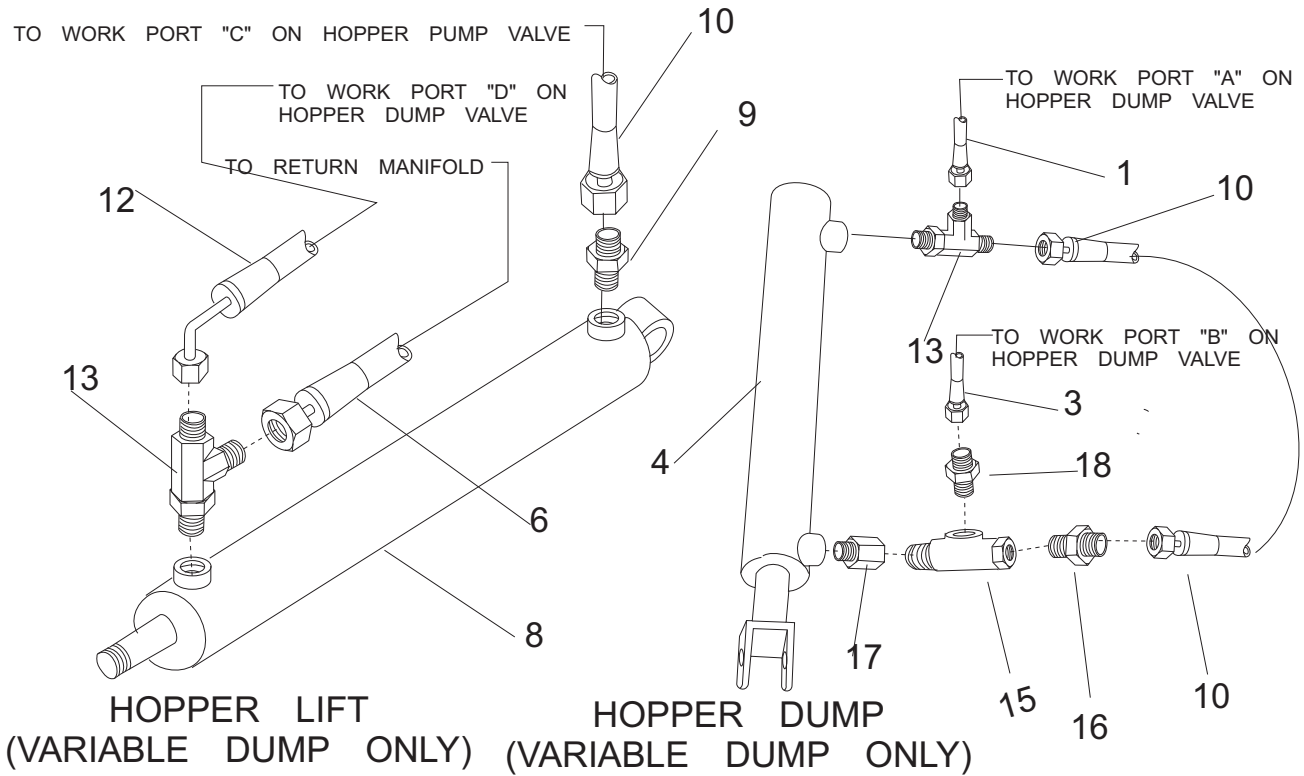
| Item | Ref. No.   | Qty  | Description                                       |
|------|------------|------|---|
| 1    | 2-00-04918 | 2    | ORFS Connector, 9/16-18                           |
| 2    | 0885-061   | 1    | Hydraulic Motor                                   |
|      | 0880-293   | 1    | Seal Kit for 0885-061 (Up to Serial No. 750056)   |
|      | 0780-144   | 1    | Seal Kit for 0885-061 (Serial No. 750056 & Above) |
| 3    | 7-33-02181 | Ref. | Hose  |
| 4    | 2-00-05373 | 2    | Fitting, Union 9/16 - 18 ORS                      |
| 5    | 8-33-02277 | Ref. | Hose  |
| 6    | 2-00-03702 | 6    | Washer, Flat                                      |
| 7    | 2-00-04926 | 3    | Fitting, 90°                                      |
| 8    | 7-88-00077 | 1    | Valve, Housing - 3 way                            |
| 9    | 2-00-05162 | 1    | Fitting, Run tee                                  |
| 10   | 2-00-02589 | 2    | Screw   |
| 11   | 2-00-00518 | 2    | Lock Washer                                       |



| Item | Ref. No.             | Qty | Description                                     |
|------|----------------------|-----|---|
| 1    | 2-00-04974           | 1   | Fitting - 10 SAE - 8 ORS                        |
| 2    | 2-00-04921           | 4   | Fitting - 10 SAE - 90° - 8 ORS                  |
| 3    | 2-00-04990           | 1   | Fitting - 10 SAE - 8 ORS                        |
| 4    | 2-00-04970           | 1   | Fitting - 8 SAE - 8 ORS                         |
| 5    | 7-33-02326           | 1   | Hose - 17" 90° End                              |
| 6    | 7-33-02327           | 1   | Hose - 15.25" 90° End                           |
| 7    | 0782-111<br>0780-070 | 3   | Scrub Motor Hyd.<br>Seal Kit for Motor 0782-111 |



| Item | Ref. No.   | Qty  | Description                        |
|------|------------|------|------------------------------------|
| 1    | 2-00-04892 | 4    | ORFS 90° Elbow, 7/16-20 to 9/16-18 |
| 2    | 7-17-05019 | 1    | Hydraulic Cylinder (Squeegee)      |
| 3    | 7-17-05011 | 1    | Hydraulic Cylinder (Scrub Deck)    |
| 4    | 8-33-02189 | Ref. | Hose                               |
| 5    | 8-33-02218 | Ref. | Hose                               |
| 6    | 7-33-02189 | Ref. | Hose                               |



08-4

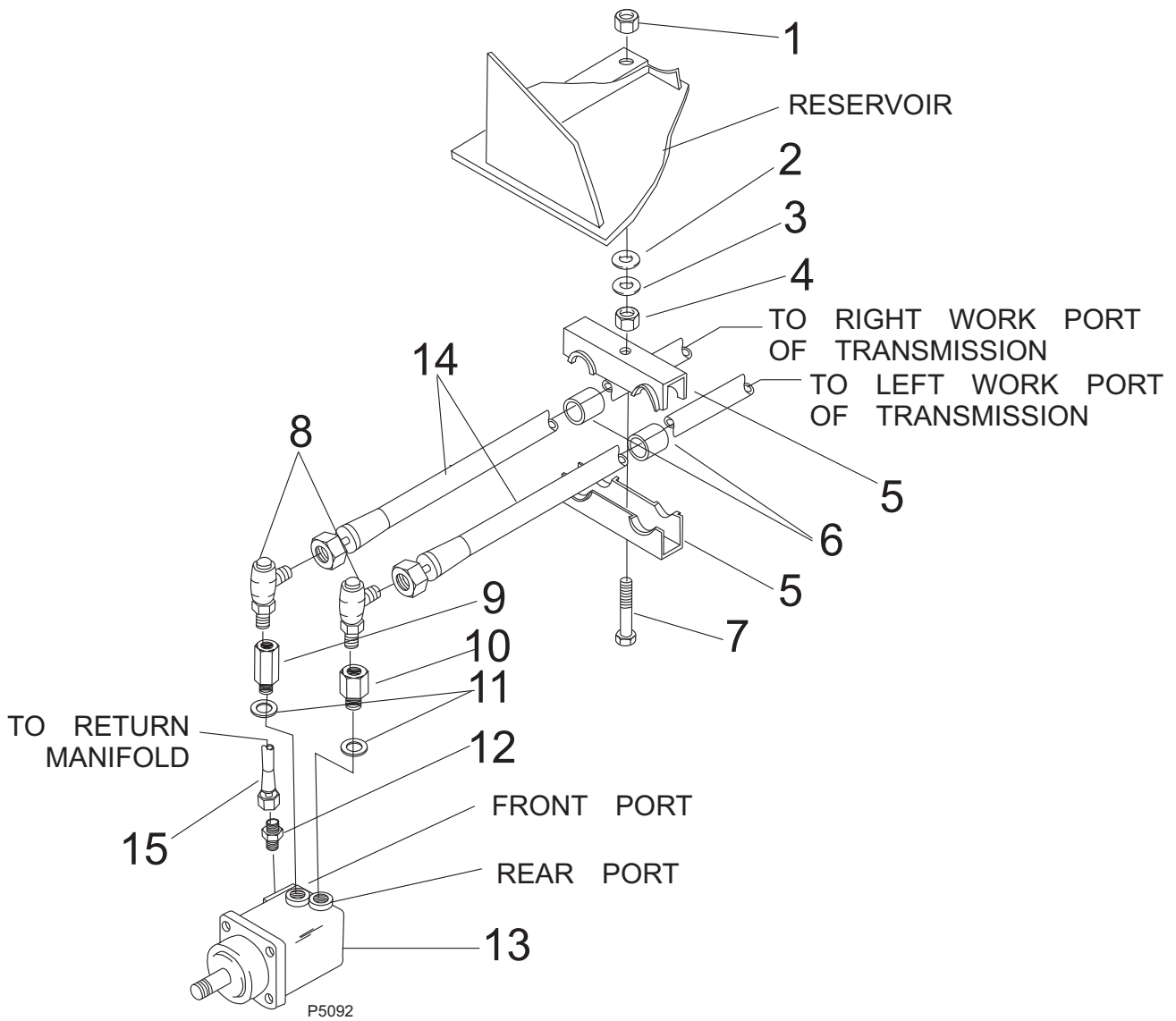
**POWER STEERING, HOPPER DUMP, HOPPER LIFT CYLINDERS, & FITTINGS**

08-6

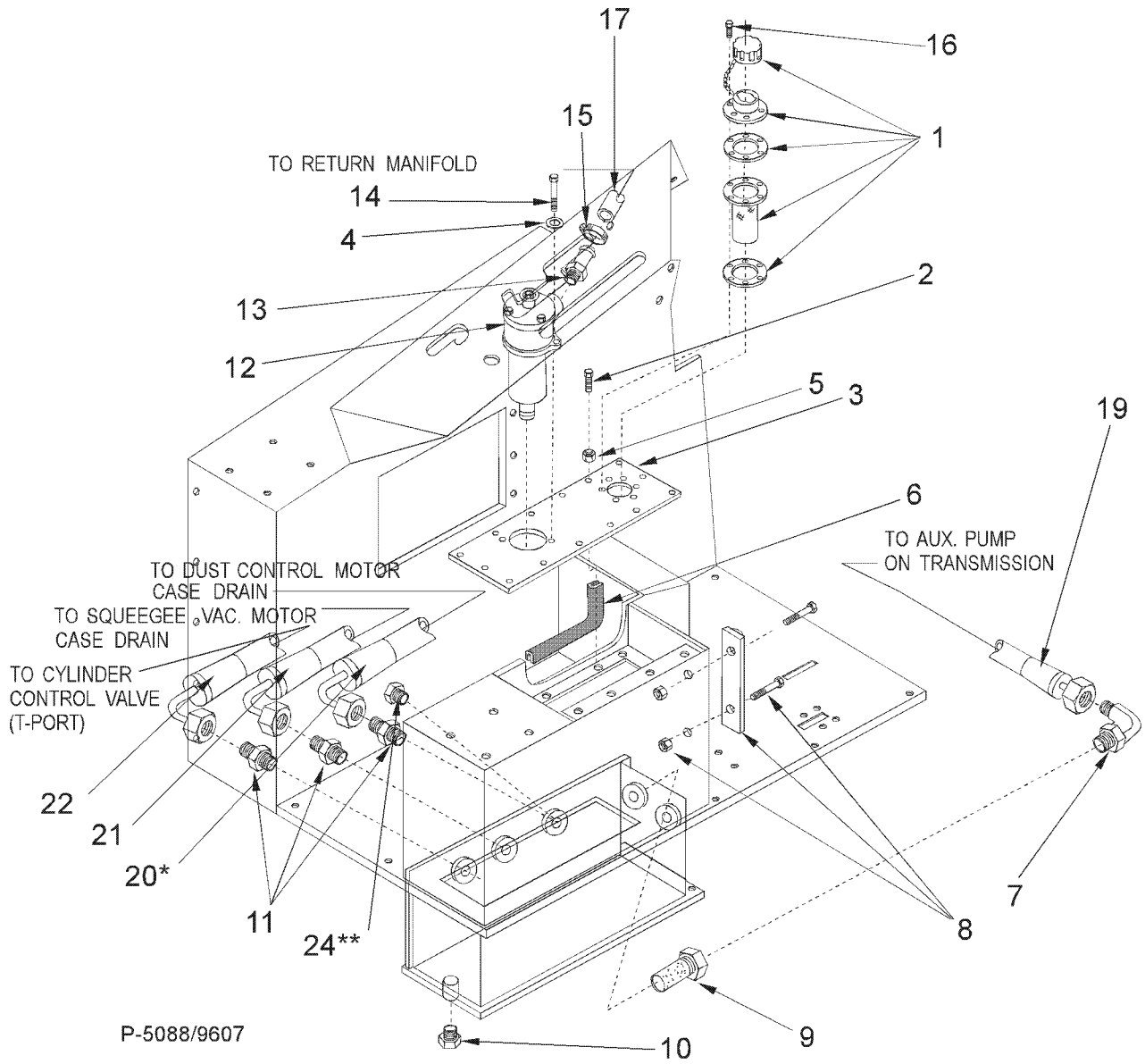
**7765****69**

| Item | Ref. No.   | Qty  | Description                                |
|------|------------|------|--|
| 1    | 7-33-02194 | Ref. | Hose                                       |
| 2    | 2-00-04892 | 2    | ORFS 90° Elbow, 7/16-20 to 9/16-18         |
| 3    | 7-33-02195 | Ref. | Hose                                       |
| 4    | 7-17-05020 | 1    | Dump Cylinder                              |
| 5    | 7-33-02191 | Ref. | Hose                                       |
| 6    | 8-33-02183 | Ref. | Hose                                       |
| 7    | 7-17-05010 | 1    | Steering Cylinder                          |
| NS   | 7-70-00021 | 2    | Dump and Steering Cylinders Seal Kit       |
| 8    | 7-17-05013 | 1    | Lift Cylinder                              |
| NS   | 0880-506   | 1    | Lift Cylinder Seal Kit                     |
| 9    | 2-00-04895 | 1    | ORFS Connector, 7/16-20 to 9/16-18         |
| 10   | 8-33-02178 | Ref. | Hose                                       |
| 11   |            |      |  |
| 12   | 7-33-02225 | Ref. | Hose                                       |
| 13   | 2-00-04927 | 2    | Run Tee Fitting                            |
| 14   |            |      |  |
| 15   | 8-88-00045 | 1    | Fitting, Check Valve                       |
| 16   | 2-00-04997 |      | Fitting Adapter, 9/16-18 ORFS - 1/4-18 NPT |
| 17   | 2-00-04994 | 1    | Adapter Fitting                            |
| 18   | 2-00-05054 | 1    | Adapter Fitting                            |
| 19#  | 7-33-02225 | Ref. | Hose                                       |

# = Revised or new since last update



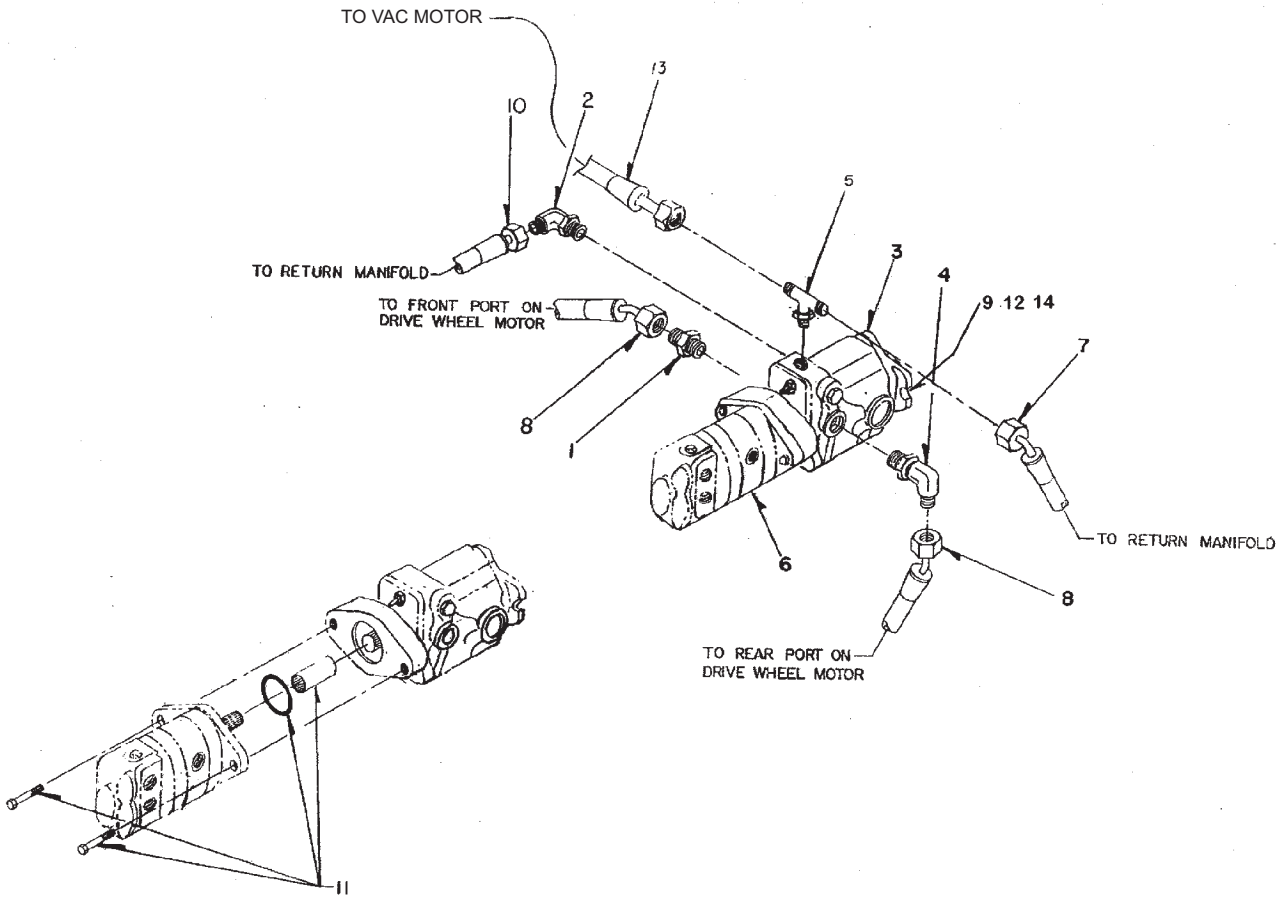
| Item | Ref. No.   | Qty  | Description                                     |
|------|------------|------|---|
| 1    | 2-00-00644 | 1    | Nut, Fiber Lock 5/16 - 18 THD's                 |
| 2    | 7-23-03048 | 1    | Spring Washer, .750 x .312 x .013               |
| 3*   | 2-00-00409 | 1    | Flat Washer, For 5/16 Bolt (.687 x .343 x .062) |
| 4    | 2-00-00586 | 1    | Nut, Hex Jam 5/16-18 x .500 x .187              |
| 5    | 7-13-07110 | 1    | Hose Clamping Unit                              |
| 6*   | 7-09-01121 | 2    | Split Hose Bushing                              |
| 7    | 2-00-01770 | 1    | Screw, 5/16-18 x 2.750 HHC                      |
| 8    | 2-00-05358 | 2    | Fitting   |
| 9    | 8-03-02035 | 1    | Fitting   |
| 10   | 7-03-00054 | 1    | Fitting   |
| 11   | 2-00-04620 | 2    | Seal  |
| 12   | 2-00-04895 | 1    | Fitting   |
| 13   | 0885-051-1 | 1    | Rear Wheel Motor                                |
|      | 0880-238   |      | Motor Seal                                      |
|      | 0880-237   |      | Shaft Seal for Eaton P/N 110-1085-004           |
|      | 0880-586   |      | Shaft Seal for Eaton P/N 110-1085-006           |
| 14   | 7-33-02223 | 2    | Hose  |
| 15   | 8-33-02184 | Ref. | Hose  |



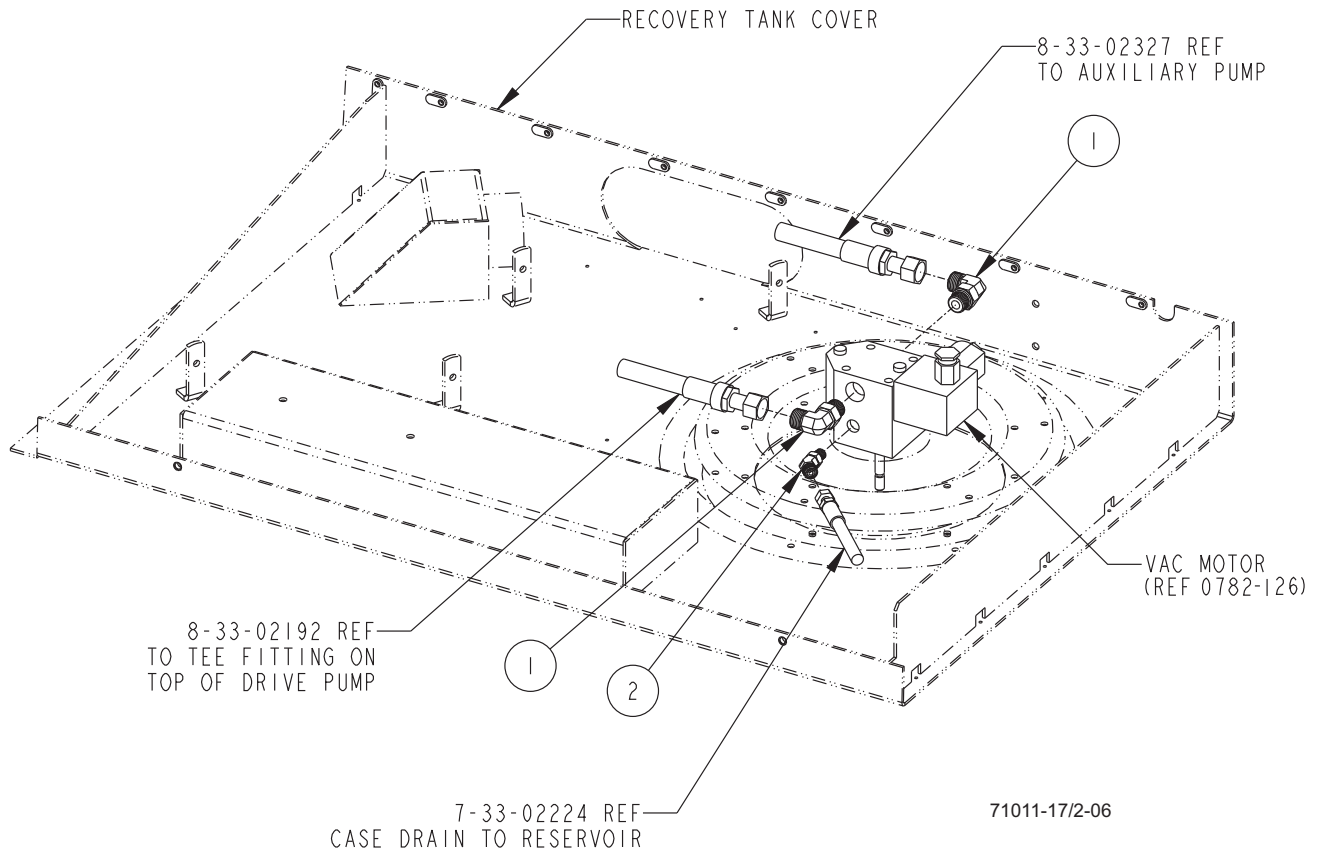


| Item | Ref. No.   | Qty | Description                                    |
|------|------------|-----|--|
| 1    | 8-11-00026 | 1   | Reservoir Filter Cap                           |
| 2    | 2-00-00049 | 14  | Screw, #10-24 x .1/2 RHM                       |
| 3    | 56514778   | 1   | Hydraulic Reservoir Cover                      |
| 4    | 2-00-00530 | 2   | Lock Washer, 5/16 Helical Spring               |
| 5    | 2-00-00519 | 14  | Lock Washer, #10                               |
| 6    | 7-21-03003 | 1   | Edging   |
| 7    | 2-00-05354 | 2   | Fitting, 3/4 NPT x 1 7/16-12                   |
| 8    | 8-48-05034 | 1   | Fluid Level Sight Gauge                        |
| 9    | 8-24-04115 | 2   | Strainer                                       |
| 10   | 2-00-02474 | 1   | Pipe Plug, 1/2 NPT                             |
| 11   | 2-00-04895 | 3   | ORFS Connector, 7/16-20 to 9/16-18             |
| 12   | 7-24-04031 | 1   | Return Filter Assembly                         |
| NS   | 7-24-04032 | 1   | Return Filter Replacement Filter               |
| 13   | 2-00-05073 | 1   | Straight Barbed Stem, 1-11 1/2 to 1.375 x 2.87 |
| 14   | 2-00-02708 | 2   | Screw, 5/16-18 x 1.0 HHC                       |
| 15   | 2-00-02220 | 1   | Hose Clamp, .812-1.50                          |
| 16   | 2-00-03940 | 6   | Screw, #10-24 x 1/2 TC/HH                      |
| 17   | 7-33-02244 | 1   | Hose   |
| 18   |            |     | Intentionally Omitted                          |
| 19   | 7-33-02331 | 1   | Hose   |
| 20   | 7-33-02333 | 1   | Hose   |
| 21   | 7-33-02224 | 1   | Hose   |
| 22   | 7-33-02225 | 1   | Hose   |
| 23   |            |     | Intentionally Omitted                          |
| 24** | 2-00-05177 | 1   | Plug, 7/16-20 O-Ring                           |

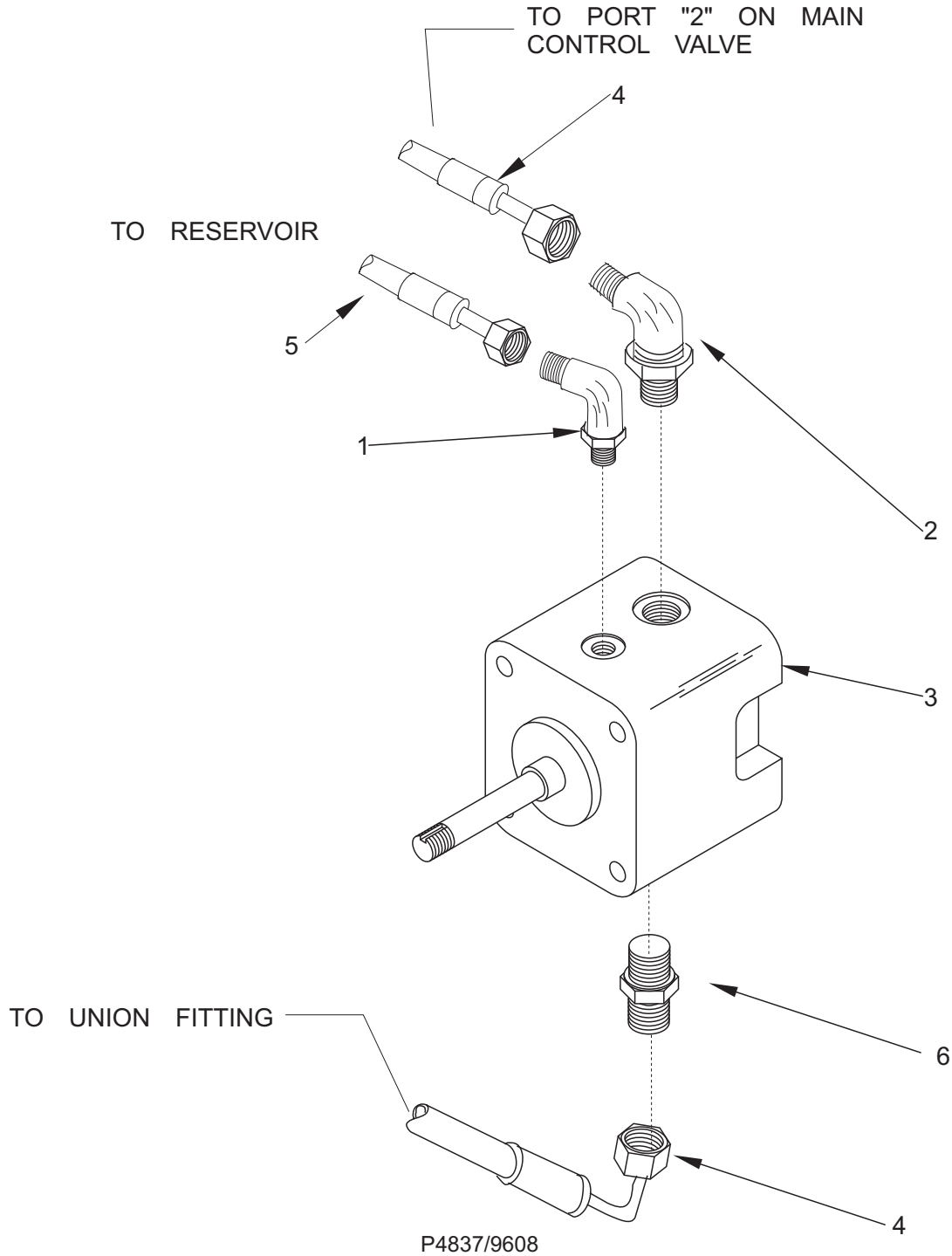
\*\* = Manual Dump Only



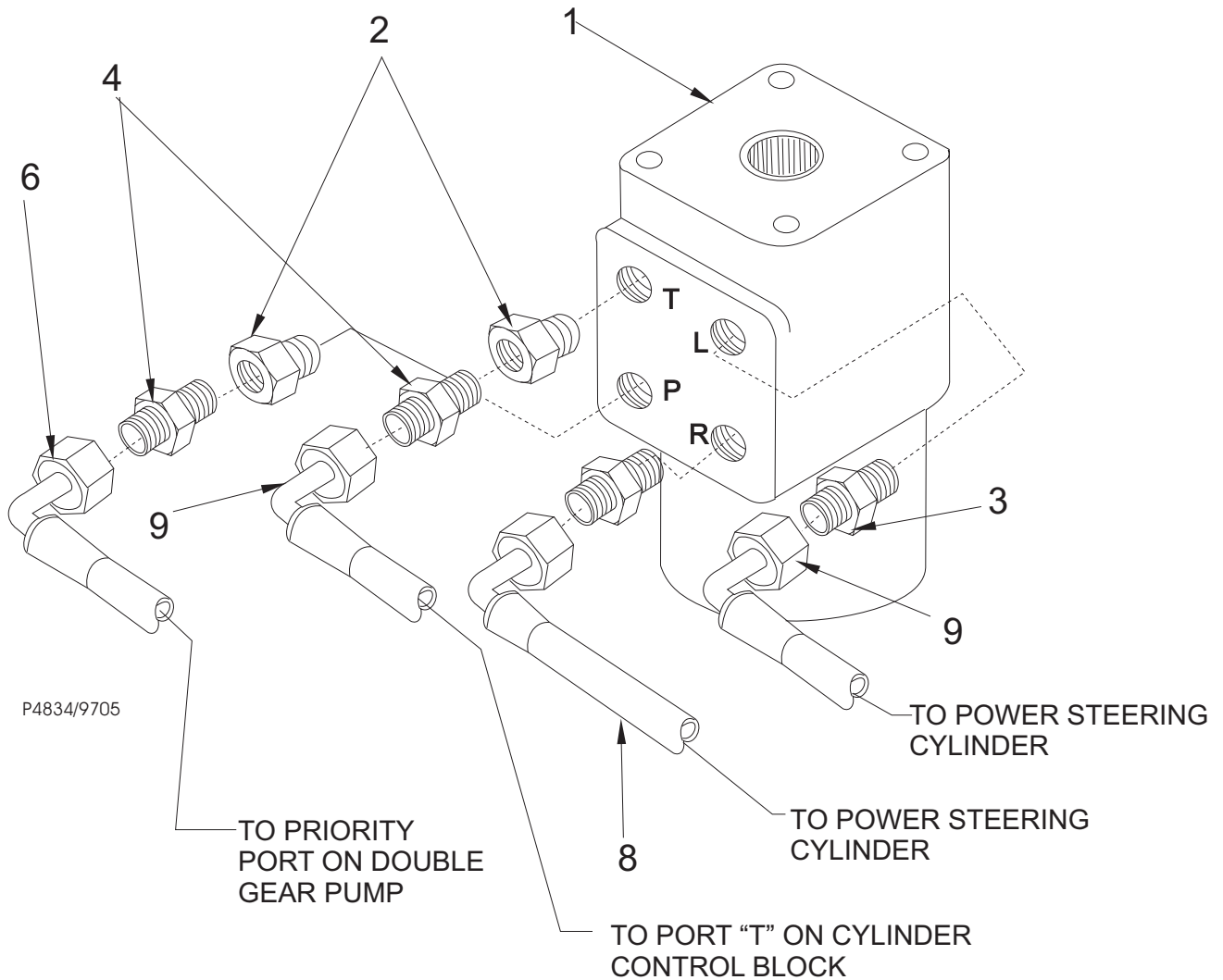
| Item | Ref. No.   | Qty  | Description                           |
|------|------------|------|---------------------------------------|
| 1    | 2-00-04979 | 1    | ORFS Connector, 1 1/16-12 to 13/16-16 |
| 2    | 2-00-04926 | 1    | ORFS 90° Elbow, 9/16-18               |
| 3    | 7-60-05026 | 1    | Drive Pump                            |
| 4    | 2-00-04922 | 1    | ORFS 90° Elbow, 1 1/16-12 to 13/16-16 |
| 5    | 2-00-04978 | 1    | Tee Fitting                           |
| 6    | 7-60-05027 | Ref. | Auxiliary Pump (Double Gear)          |
| 7    | 7-33-02197 | Ref. | Hose                                  |
| 8    | 7-33-02223 | Ref. | Hose                                  |
| 9    | 2-00-00209 | 2    | Screw, .375-16 x 1.25 HHC             |
| 10   | 7-33-02186 | Ref. | Hose                                  |
| 11   | 0880-685   | 1    | Kit, Pump Assembly                    |
| 12   | 2-00-02310 | 2    | Lock Washer, Helical Spring           |
| 13   | 8-33-02192 | 1    | Hose, ORS 8-STR, 74"                  |
| 14   | 2-00-00402 | 2    | Flat Washer, .750 x .391 x .093       |



| Item | Ref. No.   | Qty | Description                         |
|------|------------|-----|-------------------------------------|
| 1    | 2-00-04885 | 2   | Fitting, 90° Elbow (O-Ring)         |
| 2    | 2-00-04976 | 1   | Fitting, -4 ORB x -4 ORS, 45° Elbow |

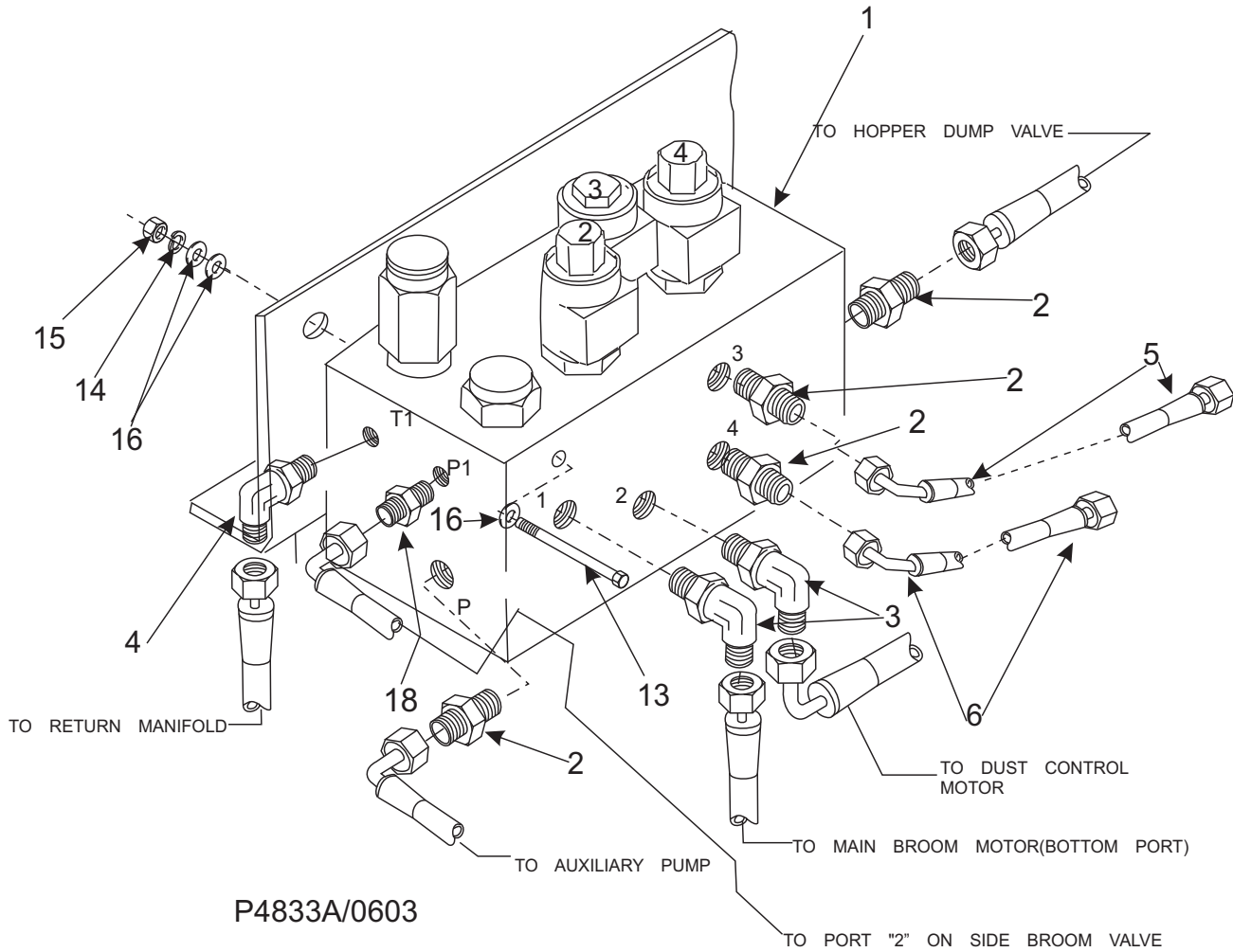


| Item | Ref. No.   | Qty  | Description                   |
|------|------------|------|-------------------------------|
| 1    | 2-00-04892 | 1    | Fitting, 90° #4 SAE x #4 ORS  |
| 2    | 2-00-04885 | 1    | Fitting, 90° #8 SAE x #8 ORS  |
| 3    | 0882-041   | 1    | Dust Control Motor            |
| 4    | 7-33-02332 | Ref. | Hose                          |
| 5    | 7-33-02333 | Ref. | Hose                          |
| 6    | 2-00-04970 | 1    | Fitting, STRT #8 SAE x #8 ORS |



| Item | Ref. No.   | Qty  | Description                          |
|------|------------|------|--------------------------------------|
| 1    | 7-60-05029 | 1    | Power Steering Unit                  |
| 2    | 2-00-04932 | 2    | ORFS Boss Reducer, 3/4-16 to 9/16-18 |
| 3    | 2-00-05264 | 2    | Fitting, Straight                    |
| 4    | 2-00-04918 | 1    | ORFS Connector, 9/16-18              |
| 6    | 7-33-02334 | Ref. | Hose                                 |
| 8#   | 7-33-02225 | Ref. | Hose                                 |
| 9    | 7-33-02191 | Ref. | Hose, 67"                            |

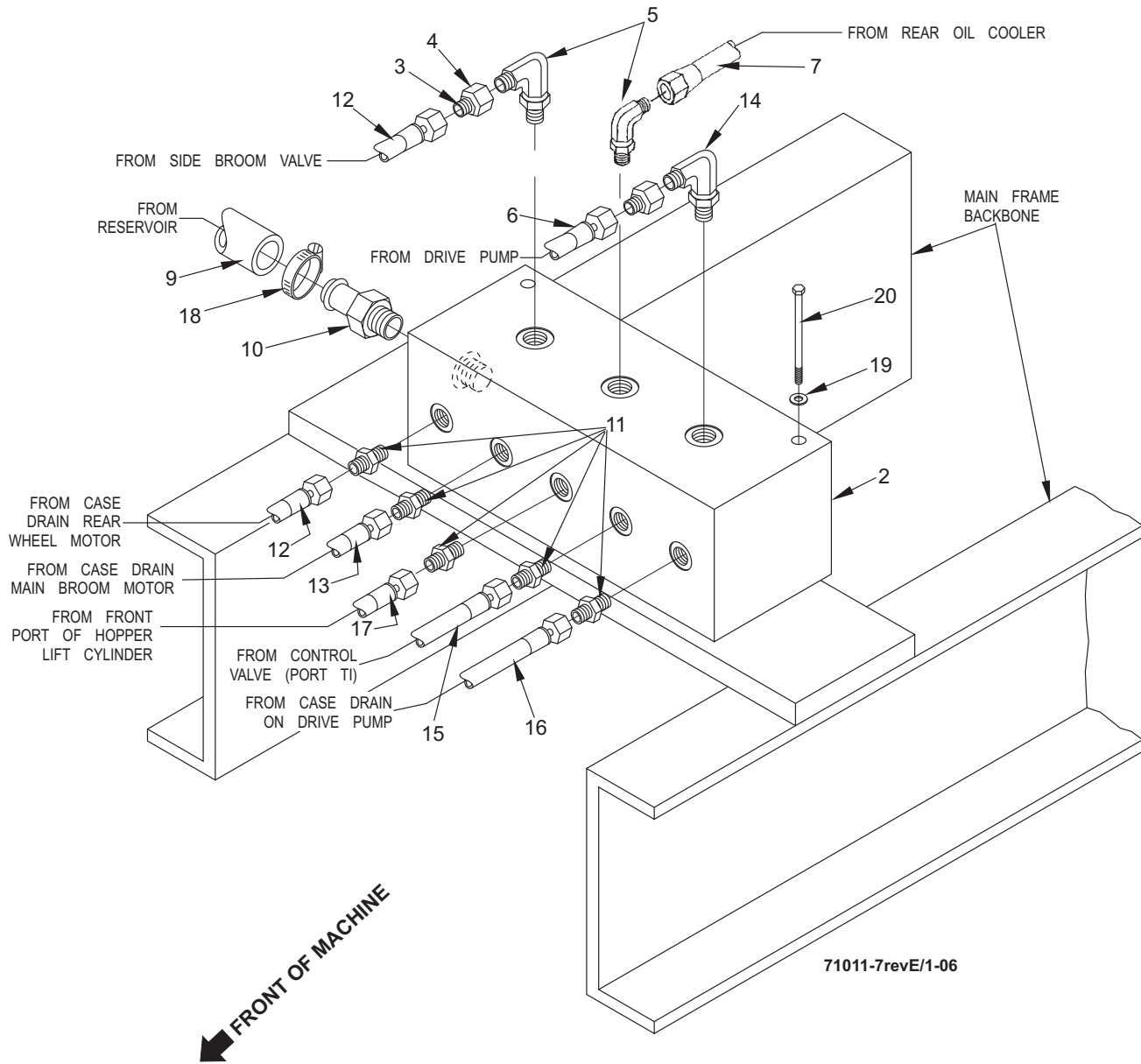
# = Revised or new since last update



| Item | Ref. No.   | Qty  | Description                                   |
|------|------------|------|---|
| 1    | 7-88-00071 | 1    | Valve   |
| 2    | 2-00-04970 | 4    | Fitting - Straight                            |
| 3    | 2-00-04885 | 2    | ORFS 90° Elbow, 3/4-16 to 13/16-16            |
| 4    | 2-00-04892 | 1    | ORFS 90° Elbow, 7/16-20 to 9/16-18 (Gas Only) |
| 5**  | 8-33-02326 | Ref. | Hose  |
| 5#   | 7-33-02325 | Ref. | Hose  |
| 6    | 7-33-02205 | Ref. | Hose  |
| 9**  | 2-00-04978 | 1    | Fitting - 90 °                                |
| 11** | 2-00-04895 | 1    | Fitting - Straight                            |
| 13   | 2-00-04986 | 2    | Screw, 1/4 - 20 x 4.500 HHC                   |
| 14   | 2-00-00518 | 2    | Lock Washer, 1/4 Split                        |
| 15   | 2-00-00594 | 2    | Nut, Hex 1/4 - 20 x .437 x .218               |
| 16   | 2-00-03702 | 6    | Flat Washer For 1/4 Bolt                      |
| 18** | 2-00-04895 | 1    | Fitting - Straight                            |
| 18#  | 2-00-04885 | 1    | ORFS 90° Elbow, 3/4-16 to 13/16-16            |

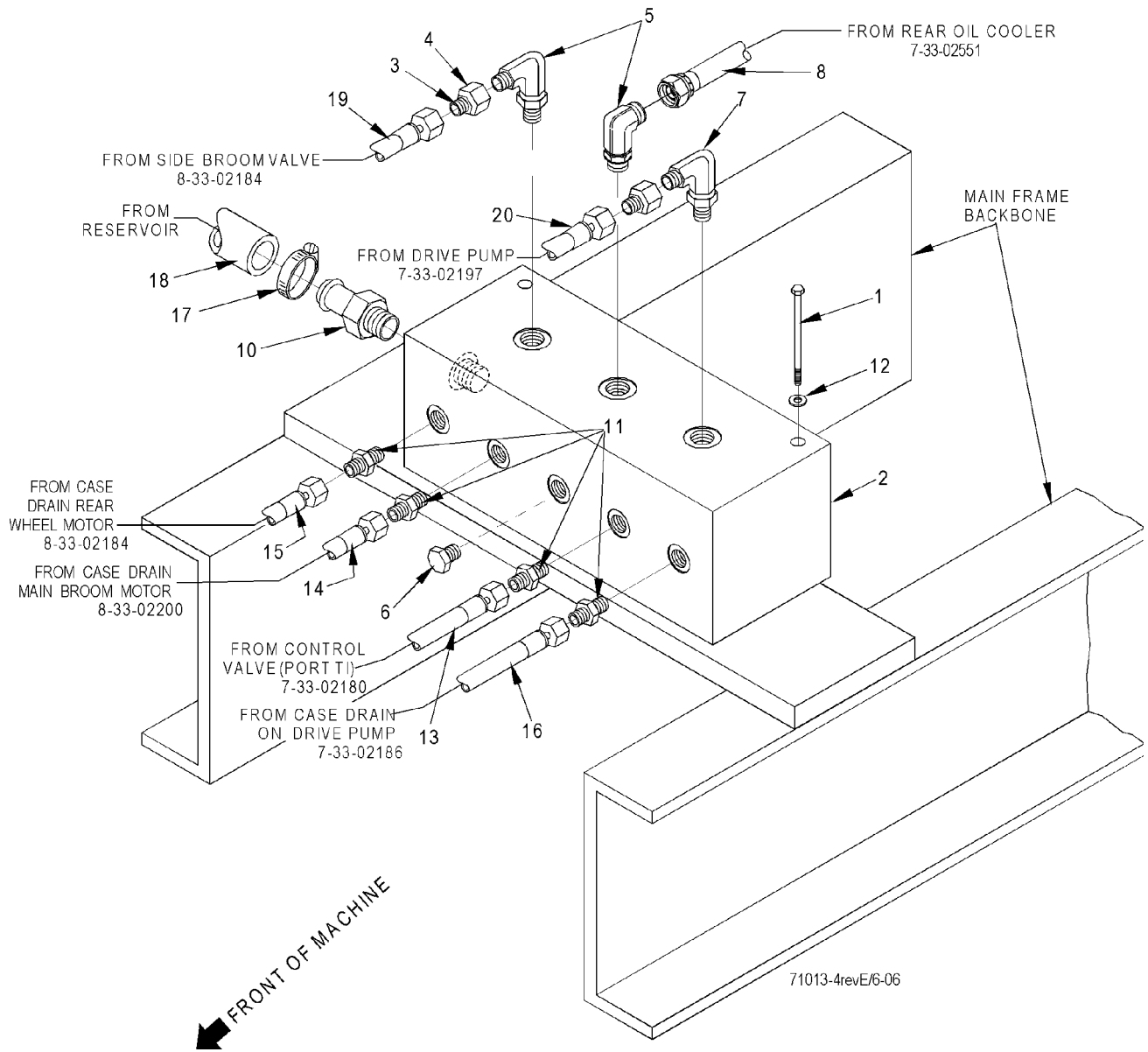
\*\* = Diesel Only

# = Gas Only

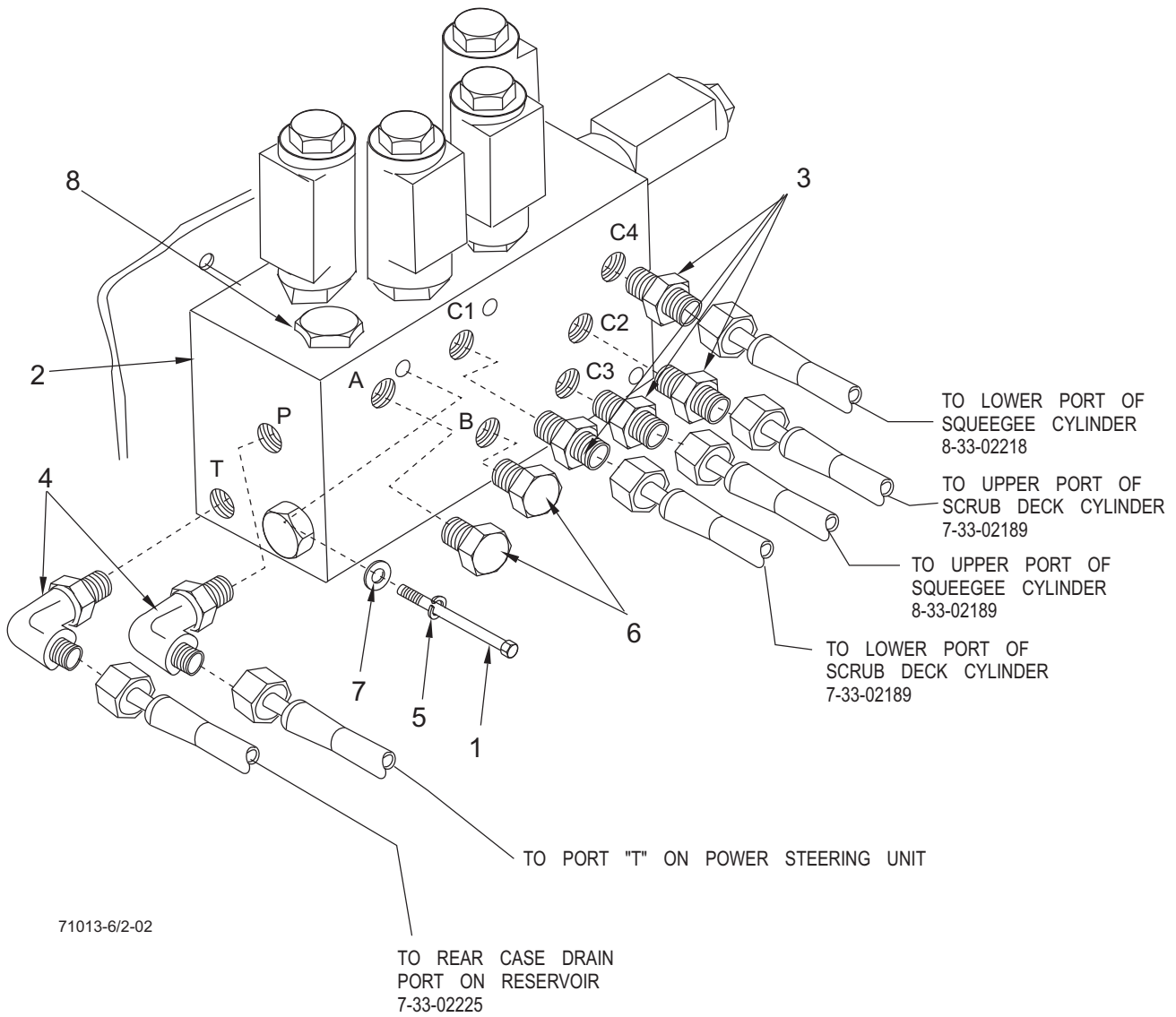




| Item | Ref. No.   | Qty | Description  |
|------|------------|-----|--|
| 1    | 2-00-02638 | 2   | Screw, 1/4-20 x 3.0 HHC                              |
| 2    | 7-48-00019 | 1   | Return Manifold                                      |
| 3    | 2-00-04929 | 1   | Reducer (O-Ring Face), ORS 8 to 4                    |
| 4    | 2-00-04939 | 1   | Nut for Reducer                                      |
| 5    | 2-00-04885 | 2   | ORFS 90° Elbow, 3/4-16 to 13/16-16                   |
| 6    | 7-33-02197 | 1   | Hose   |
| 7    | 7-33-02551 | 1   | Hose   |
| 8    | 7-33-02191 | 1   | Hose   |
| 9    | 7-33-02244 | 1   | Hose   |
| 10   | 2-00-05073 | 1   | Fitting, Straight Barbed Stem, 1-11 1/2 x .50 x 2.57 |
| 11   | 2-00-04895 | 5   | Fitting, ORFS Connector, 7/16-20 to 9/16-18          |
| 12   | 8-33-02184 | 1   | Hose   |
| 13   | 8-33-02200 | 1   | Hose   |
| 14   | 2-00-05479 | 1   | Fitting, Reducer                                     |
| 15   | 7-33-02180 | 1   | Hose   |
| 16   | 7-33-02186 | 1   | Hose   |
| 17   | 8-33-02183 | 1   | Hose   |
| 18   | 2-00-02220 | 1   | Clamp, 13/16 to 1.50 Hose                            |
| 19   | 2-00-00407 | 2   | Flat Washer, .56 x .26 x .063                        |
| 20   | 2-00-00518 | 2   | Lock Washer, 1/4                                     |



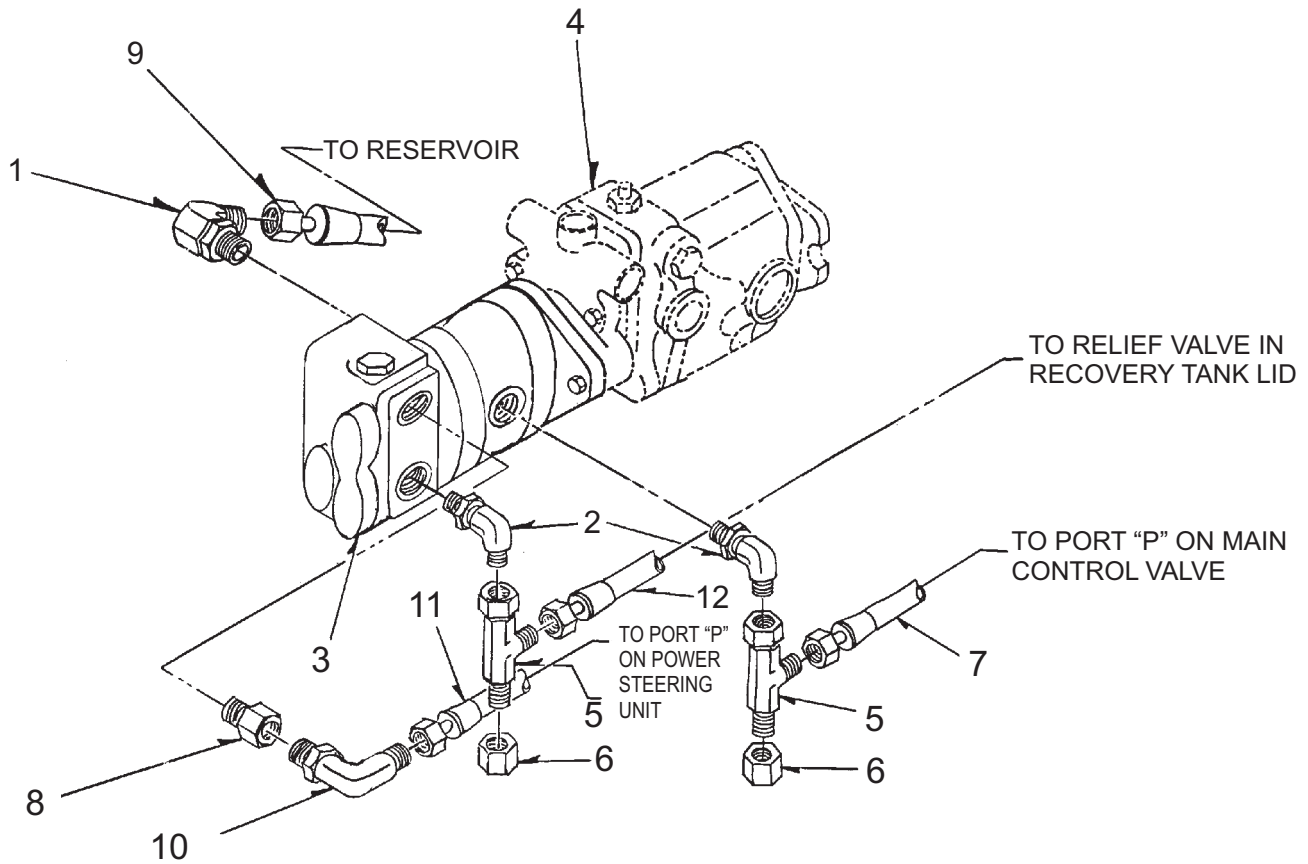
| Item | Ref. No.   | Qty | Description  |
|------|------------|-----|--|
| 1    | 2-00-02638 | 2   | Screw, 1/4-20 x 3.0 HHC                              |
| 2    | 7-48-00019 | 1   | Return Manifold                                      |
| 3    | 2-00-04929 | 1   | Reducer (O-Ring Face), ORS 8 to 4                    |
| 4    | 2-00-04939 | 1   | Nut for Reducer                                      |
| 5    | 2-00-04885 | 2   | ORFS 90° Elbow, 3/4-16 to 13/16-16                   |
| 6    | 2-00-05171 | 1   | Plug, 7/16-20 O-Ring                                 |
| 7    | 2-00-05479 | 1   | Fitting, Reducer                                     |
| 8    | 7-33-02551 | 1   | Hose   |
| 9    | 2-00-00407 | 2   | Flat Washer, .56 x .26 x .063                        |
| 10   | 2-00-05073 | 1   | Fitting, Straight Barbed Stem, 1-11 1/2 x .50 x 2.57 |
| 11   | 2-00-04895 | 4   | Fitting, ORFS Connector, 7/16-20 to 9/16-18          |
| 12   | 2-00-00518 | 2   | Lock Washer, 1/4                                     |
| 13   | 7-33-02180 | 1   | Hose   |
| 14   | 8-33-02200 | 1   | Hose   |
| 15   | 8-33-02184 | 2   | Hose   |
| 16   | 7-33-02186 | 1   | Hose   |
| 17   | 2-00-02220 | 1   | Clamp, 13/16 to 1.50 Hose                            |
| 18   | 7-33-02244 | 1   | Hose   |
| 19   | 7-33-02197 | 1   | Hose   |



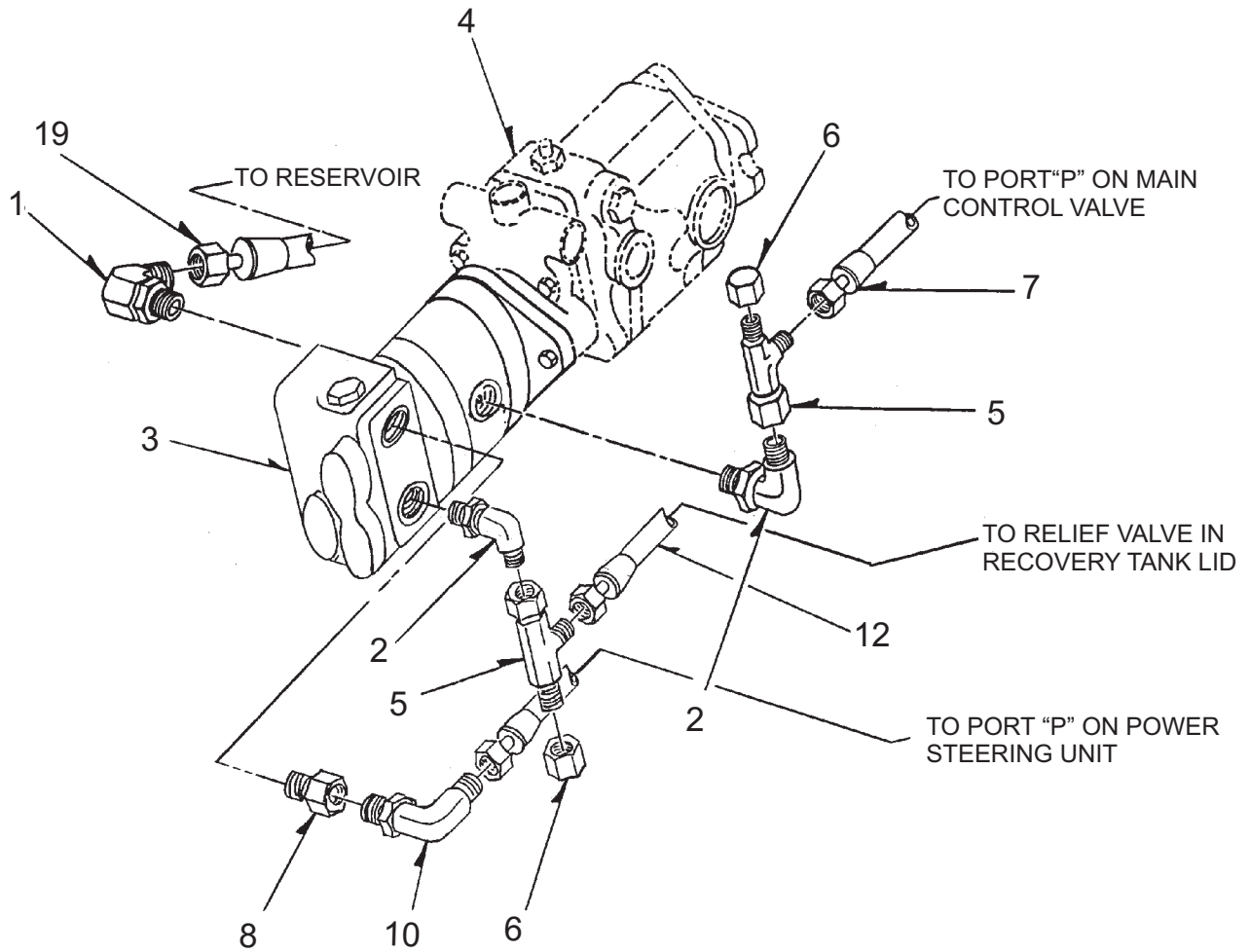
08-4

**CYLINDER CONTROL VALVE & FITTINGS****7765****85**

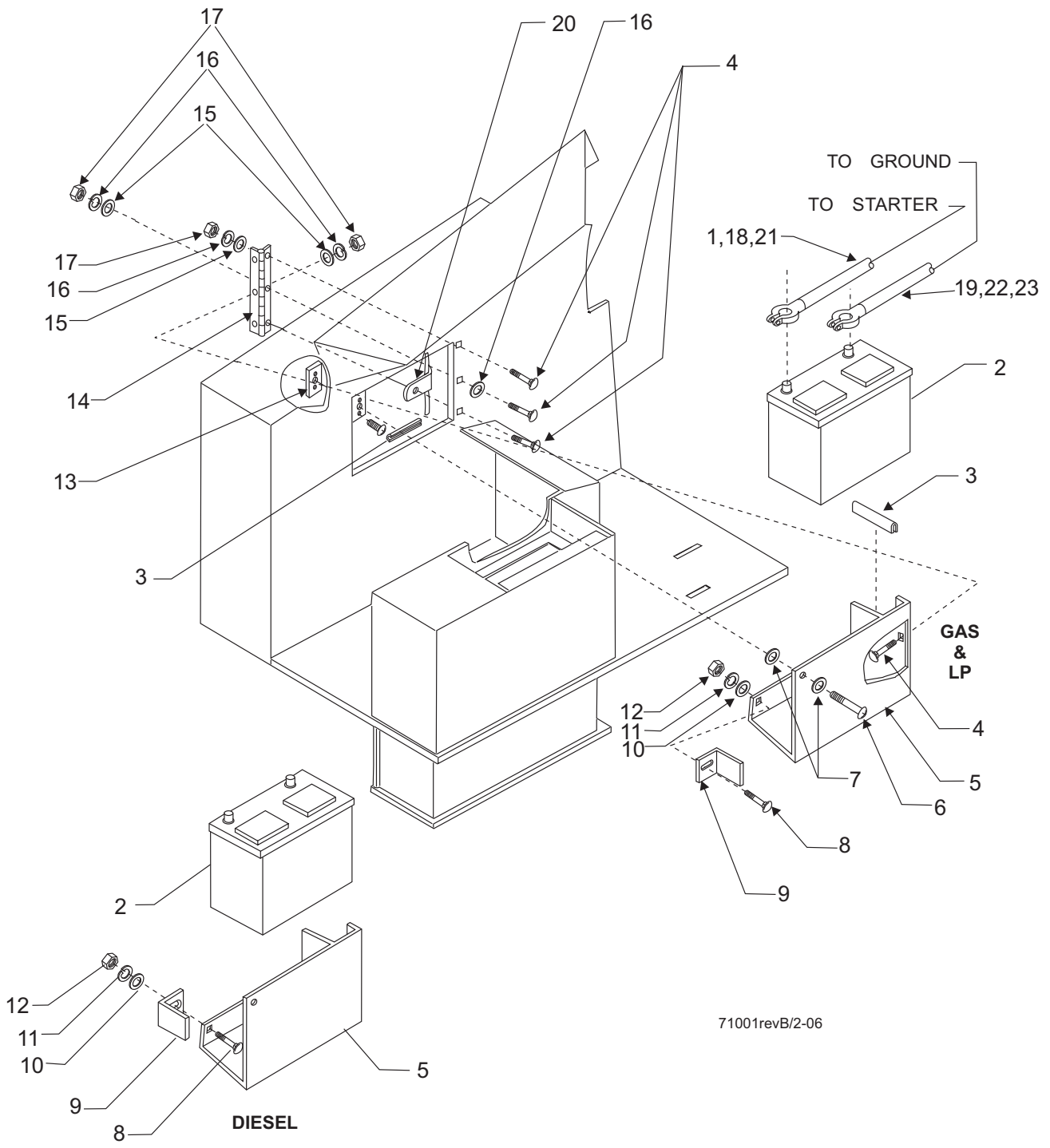
| Item | Ref. No.   | Qty | Description                        |
|------|------------|-----|------------------------------------|
| 1    | 2-00-04596 | 2   | Screw, 1/4-20 x 3.50 HHC           |
| 2    | 7-88-00069 | 1   | Valve                              |
| 3    | 2-00-04895 | 6   | Straight Fitting                   |
| 4    | 2-00-04892 | 2   | ORFS 90° Elbow, 7/16-20 to 9/16-18 |
| 5    | 2-00-00518 | 2   | Lock Washer, 1/4 Split             |
| 6    | 2-00-05177 | 2   | Plug                               |
| 7    | 2-00-00409 | 2   | Flat Washer, 1/4                   |
| 8    | 7-12-02032 | 1   | Cavity Plug                        |



| Item | Ref. No.   | Qty  | Description              |
|------|------------|------|--------------------------|
| 1    | 2-00-05353 | 1    | Fitting, 90° Elbow       |
| 2    | 2-00-04921 | 2    | Fitting, 90° Elbow       |
| 3    | 7-60-05027 | 1    | Auxiliary Pump           |
| 4    | 7-60-05026 | Ref. | Drive Pump               |
| 5    | 2-00-04928 | 1    | ORFS Run Tee, 13/16 - 16 |
| 6    | 2-00-04957 | 1    | ORFS Cap, #8 ORS         |
| 7    | 8-33-02202 | Ref. | Hose                     |
| 8    | 2-00-04932 | 1    | Fitting, Reducer         |
| 9    | 7-33-02331 | Ref. | Hose, 16ORS 46"          |
| 10   | 2-00-04926 | 1    | Fitting, 90° Elbow       |
| 11   | 7-33-02334 | Ref. | Hose, 52.25"             |
| 12   | 8-33-02327 | Ref. | Hose, 94"                |



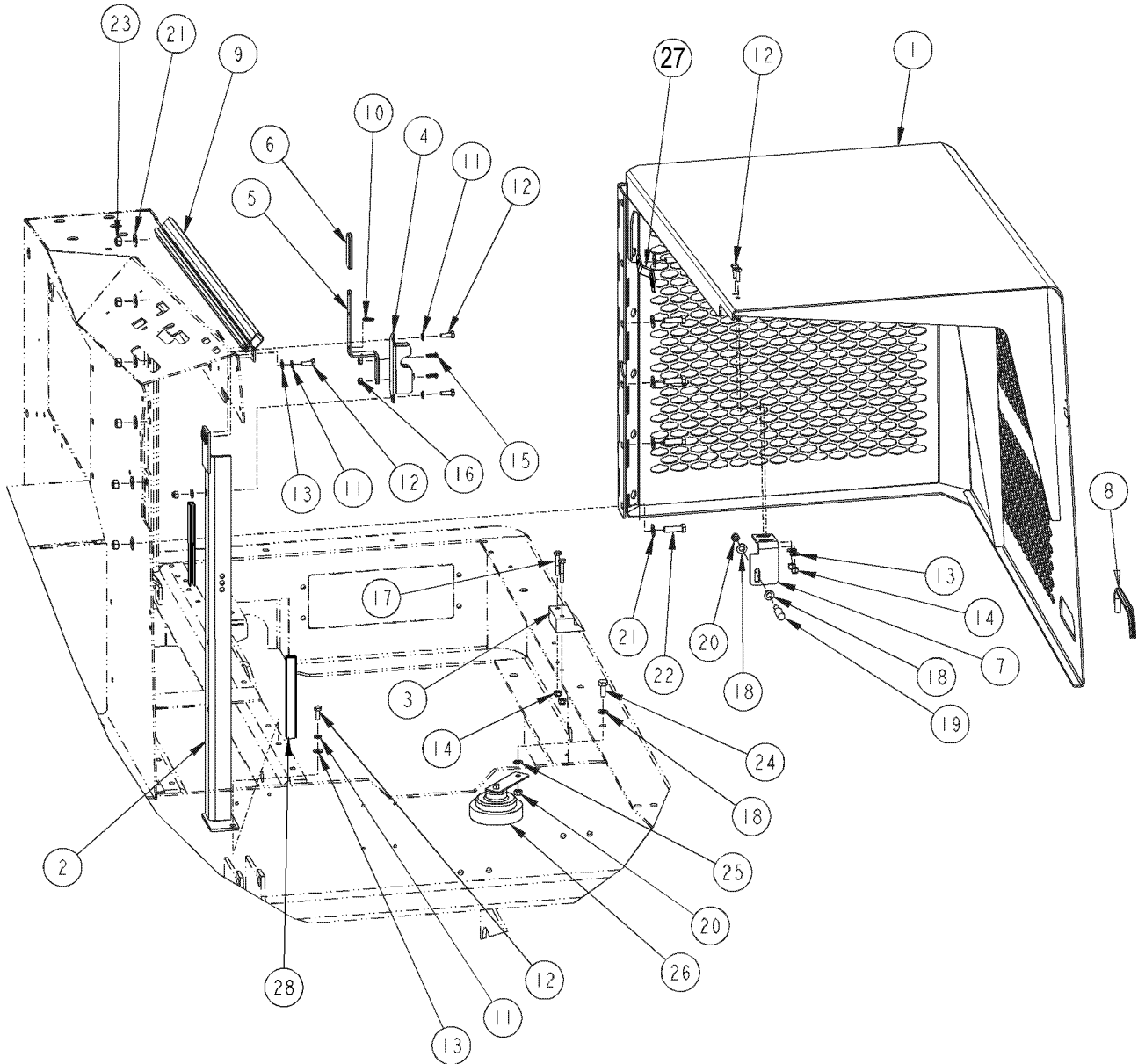
| Item | Ref. No.   | Qty  | Description              |
|------|------------|------|--------------------------|
| 1    | 2-00-05353 | 1    | Fitting, 90° Elbow       |
| 2    | 2-00-04921 | 2    | Fitting, 90° Elbow       |
| 3    | 7-60-05027 | 1    | Auxiliary Pump           |
| 4    | 7-60-05026 | Ref. | Drive Pump               |
| 5    | 2-00-04928 | 1    | ORFS Run Tee, 13/16 - 16 |
| 6    | 2-00-04957 | 1    | ORFS Cap, #8 ORS         |
| 7    | 8-33-02202 | Ref. | Hose                     |
| 8    | 2-00-04932 | 1    | Fitting, Reducer         |
| 9    | 7-33-02331 | Ref. | Hose, 16ORS 46"          |
| 10   | 2-00-04926 | 1    | Fitting, 90° Elbow       |
| 11   | 7-33-02334 | Ref. | Hose, 52.25"             |
| 12   | 8-33-02195 | Ref. | Hose, 69.5"              |



71001revB/2-06



| Item | Ref. No.   | Qty | Description                              |
|------|------------|-----|--|
| 1    | 7-90-07514 | 1   | Cable, Battery (+) (to Starter) (Gas/LP) |
| 2    | 0875-008   | 1   | Battery (Gas & LP)                       |
|      | 0875-057   | 1   | Battery (Diesel)                         |
| 3    | 8-21-04016 | 2   | Edging                                   |
| 4    | 2-00-03569 | 6   | Carriage Bolt, 5/16-18 x 3/4             |
| 5    | 56514751   | 1   | Door, Battery Access                     |
| 6    | 7-23-03113 | 1   | Fastener, Quarter-Turn                   |
| 7    | 7-23-03106 | 2   | Retainer Washer, .265 x .625 x .025      |
| 8    | 2-00-03575 | 1   | Carriage Bolt, 1/4-20 x .75              |
| 9    | 56514752   | 1   | Clamp, Battery                           |
| 10   | 2-00-03702 | 1   | Flat Washer, .625 x .281 x .062          |
| 11   | 2-00-00518 | 1   | Lock Washer, 1/4 Helical Spring          |
| 12   | 2-00-00594 | 1   | Nut, Hex 1/4-20 x .437 x .218            |
| 13   | 7-23-03108 | 1   | U-Clip                                   |
| 14   | 7-23-00023 | 1   | Hinge                                    |
| 15   | 2-00-00409 | 6   | Flat Washer, .687 x .343 x .062          |
| 16   | 2-00-00530 | 6   | Lock Washer, Helical Spring 5/16 Med.    |
| 17   | 2-00-00585 | 6   | Nut, Hex 5/16-18 x .500 x .265           |
| 18   | 7-90-07280 | 1   | Cable, Battery (+) (to Starter) (Diesel) |
| 19   | 7-90-07515 | 1   | Cable, Battery (-) (to Ground) (Gas/LP)  |
| 20   | 2-00-05253 | 1   | Clamp, 1/2" Battery Cable                |
| 21   | 2-00-05171 | 1   | Boot, Protective (Red)                   |
| 22   | 2-00-05173 | 1   | Boot, Protective (Black)                 |
| 23   | 7-90-07262 | 1   | Cable, Battery (-) (to Ground) (Diesel)  |



08-4

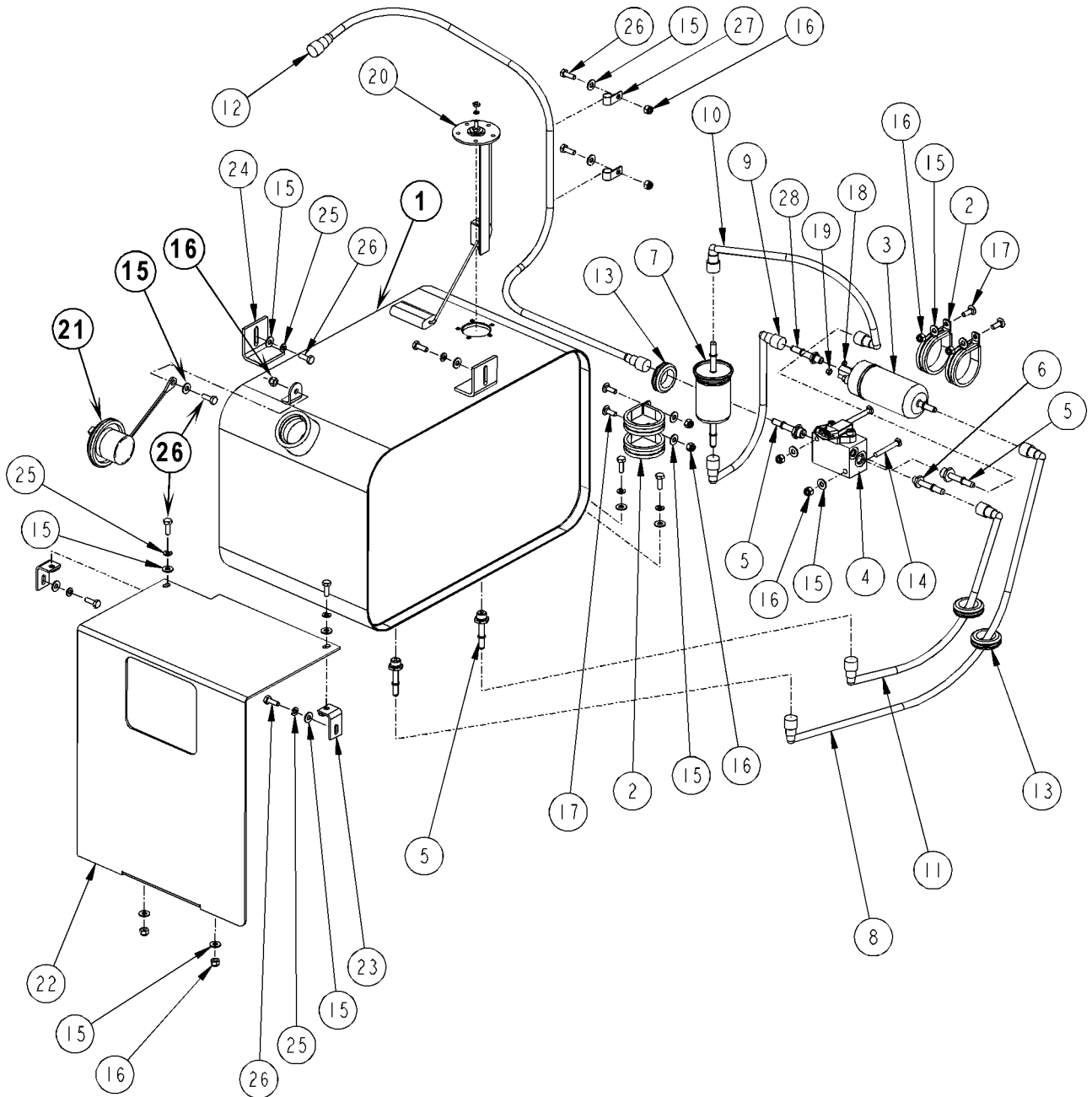
**ENGINE COVER**

08-6

**7765****91**

| Item | Ref. No.   | Qty | Description                         |
|------|------------|-----|-------------------------------------|
| 1    | 56514801   | 1   | Engine Cover                        |
| 2    | 56514802   | 1   | Center Support Weldment             |
| 3    | 7-78-05016 | 1   | Stop, Engine Cover                  |
| 4    | 8-41-00037 | 1   | Slam Latch                          |
| 5    | 56514803   | 1   | Handle, Cover Latch                 |
| 6    | 7-31-06061 | 1   | Grip, Cover Latch                   |
| 7    | 56514804   | 1   | Bracket, Engine Cover               |
| 8    | 8-21-04038 | 1   | Edging                              |
| 9    | 7-29-00157 | 1   | Gasket, Engine Cover Seal           |
| 10   | 7-76-00106 | 1   | Spring, Handle Return               |
| 11   | 2-00-00518 | 4   | Lock Washer, Helical Spring 1/4 Med |
| 12   | 2-00-00221 | 6   | Screw, 1/4-20 x .75 HHC             |
| 13   | 2-00-03702 | 5   | Flat Washer, .625 x .281 x .062     |
| 14   | 2-00-00641 | 5   | Nut, 1/4-20 Fiber Insert Hex        |
| 15   | 2-00-04794 | 2   | Screw, #10-24 x .625 HHC            |
| 16   | 2-00-01246 | 2   | Nut, #10-24 Elastic Stop            |
| 17   | 2-00-00203 | 2   | Bolt, 1/4-20 x 1.5 Hex              |
| 18   | 2-00-00409 | 3   | Flat Washer, .687 x .343 x .062     |
| 19   | 7-55-08116 | 1   | Striker Pin                         |
| 20   | 2-00-00644 | 2   | Nut, 5/16-18 Fiber Insert Hex       |
| 21   | 2-00-00410 | 12  | Flat Washer, .875 x .375 x .062     |
| 22   | 2-00-00209 | 6   | Screw, 3/8-16 x 1.25 HHC            |
| 23#  | 2-95-04182 | 6   | Nut, 3/8-16 Hex Stop                |
| 24   | 2-00-01255 | 1   | Screw, 5/16-18 x 7/8 HHC            |
| 25   | 2-00-02303 | 1   | Lock Washer, 5/16 HS Med.           |
| 26   | 8-32-09013 | 1   | Horn                                |
| 27   | 56109092   | 1   | Bracket, Radiator Support           |
| 28   | 7-21-04031 | 2   | Edging-Brush Drive Support          |

# = Revised or new since last update

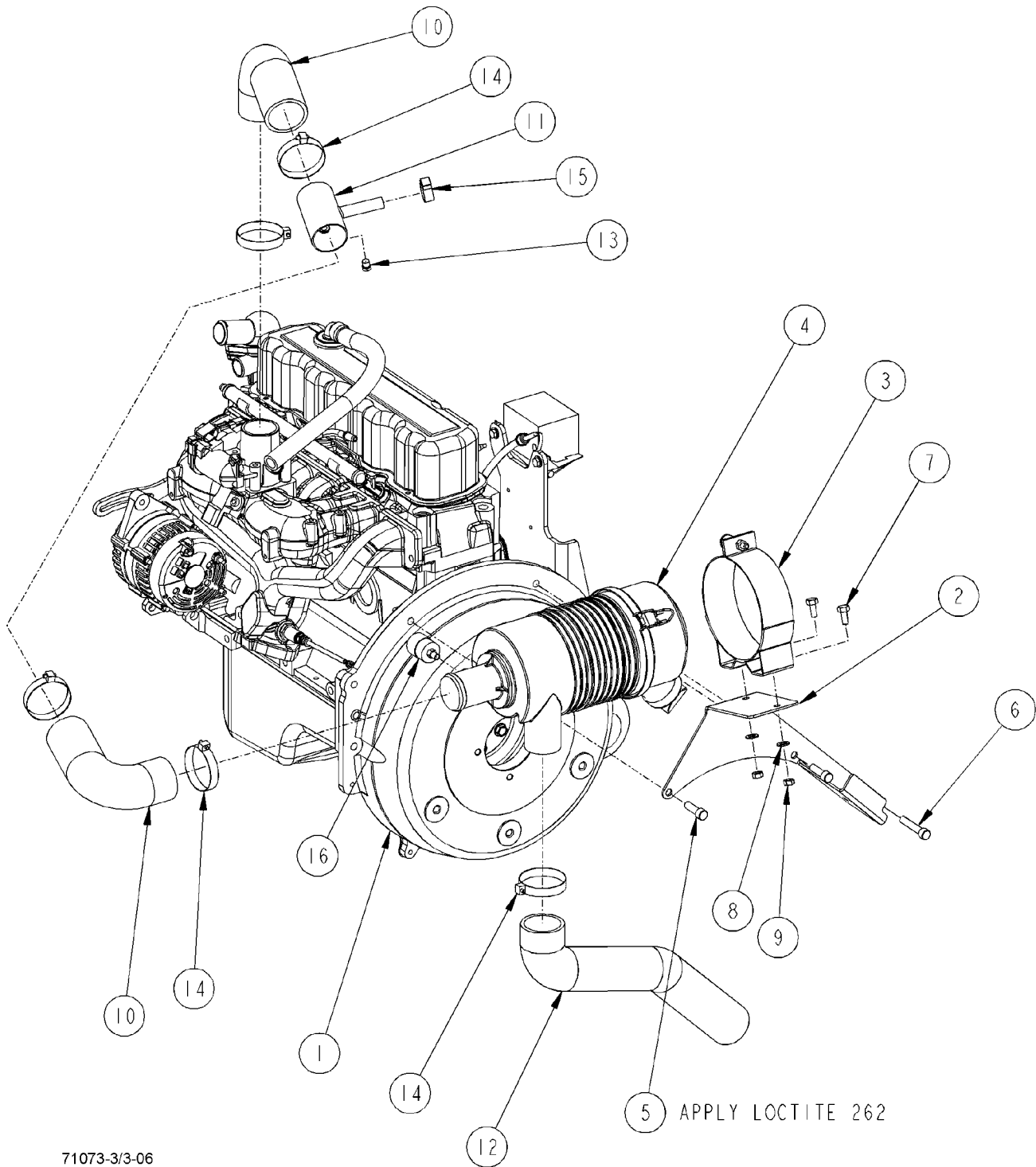


| Item | Ref. No.   | Qty | Description                          |
|------|------------|-----|--------------------------------------|
| 1    | 56109112   | 1   | Gasoline Tank Weldment               |
| 2    | 7-13-07243 | 4   | Clamp, Fuel Pump                     |
| *3   | 56305062   | 1   | Fuel Pump                            |
| *4   | 7-11-04082 | 1   | Fuel Temp Manifold                   |
| *5   | 7-11-04083 | 4   | Fitting, -6 SAE x 5/16 Quick Connect |
| *6   | 7-11-04084 | 1   | Fitting, -3 SAE x 5/16 Quick Connect |
| *7   | 56305412   | 1   | Fuel Filter                          |
| 8    | 7-33-02735 | 1   | Hose, Low Permeation Fuel Line       |
| 9    | 7-33-02736 | 1   | Hose, Low Permeation Fuel Line       |
| 10   | 7-33-02737 | 1   | Hose, Low Permeation Fuel Line       |
| 11   | 7-33-02738 | 1   | Hose, Low Permeation Fuel Line       |
| 12   | 7-33-02739 | 1   | Hose, Low Permeation Fuel Line       |
| 13   | 2-00-04721 | 3   | Rubber Grommet                       |
| 14   | 2-00-00198 | 2   | Carriage Bolt, 1/4-20 x 2.0          |
| 15   | 2-00-03702 | 19  | Washer, .625 x .281 x .063           |
| 16   | 2-00-00641 | 11  | Nut, 1/4-20 Fiber Insert             |
| 17   | 2-00-03575 | 4   | Carriage Bolt, 1/4-20 x 3/4          |
| 18   | 2-00-06572 | 1   | Nut, M4 Distorted Thread             |
| 19   | 2-00-06573 | 1   | Nut, M5 Distorted Thread             |
| 20   | 8-26-04003 | 1   | Float, Fuel Level                    |
| 21   | 56508354   | 1   | Fuel Cap                             |
| 22   | 56514816   | 1   | Cover (Weldment)                     |
| 23   | 56514817   | 2   | Bracket, Clamp                       |
| 24#  | 56514818   | 2   | Bracket, Clamp                       |
| 25   | 2-00-00518 | 8   | Lock Washer, 1/4 Helical Spring      |
| 26   | 2-00-00221 | 11  | Bolt, 1/4-20 x 3/4 LG Fin. Hex Head  |
| 27   | 2-00-04602 | 2   | Clamp                                |
| *28  | 56109052   | 1   | Fitting, Fuel Pump                   |

# = Revised or new since last update

\* = Included with 0777-069 engine

See "Spare Parts" and "Engine Service Parts" pages for additional engine replacement parts.



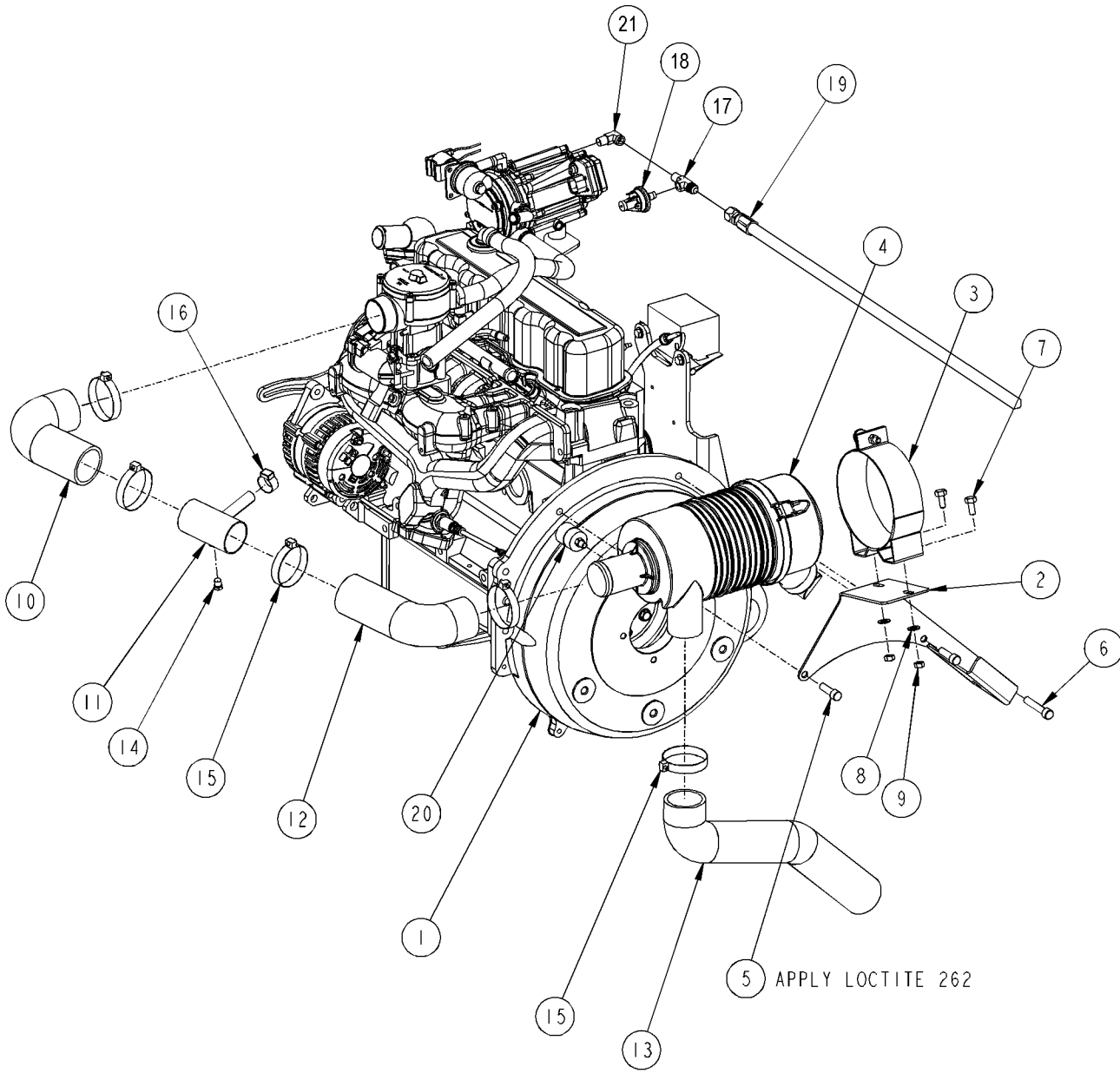
71073-3/3-06

|      |  |  |           |
|------|--|--|-----------|
| 08-4 | <b>GM 3.0 LITER - GAS ENGINE (AIR FILTRATION SYSTEM)</b> |  |           |
| 08-6 | <b>7765</b>  |  | <b>95</b> |

| Item | Ref. No.   | Qty | Description                            |
|------|------------|-----|--|
| 1#   | 0777-069   | 1   | Engine, GM 3.0 GAS                     |
| 2    | 7-08-01324 | 1   | Bracket, Air Cleaner                   |
| 3    | 7-13-07242 | 1   | Clamp, Air Cleaner                     |
| 4    | 7-24-04083 | 1   | Filter Assy., Air Cleaner              |
| 5#   |            | 2   | Cap Screw, 3/8-16 x 1.25 <b>NOTE 1</b> |
| 6#   |            | 1   | Cap Screw, 3/8-16 x 2.0 <b>NOTE 1</b>  |
| 7    | 2-00-00208 | 2   | Screw, 5/16-18 x 3/4 HHC               |
| 8    | 2-00-00409 | 2   | Flat Washer, .687 x .344 x .062        |
| 9    | 2-00-00644 | 2   | Nut, 5/16-18 Fiber Insert Hex          |
| 10   | 7-33-02711 | 2   | Hose, Air Intake                       |
| 11   | 56305240   | 1   | Tube Weldment                          |
| 12   | 7-33-02714 | 1   | Hose, Air Intake                       |
| 13   | 2-00-03778 | 1   | Plug, 1/8 NPT                          |
| 14   | 2-00-02216 | 5   | Clamp, Hose                            |
| 15   | 2-00-03407 | 1   | Clamp, Hose                            |
| 16   | 56478461   | 1   | Filter Service Indicator               |

# = Revised or new since last update

**NOTE 1:** Included with 0777-069 engine  
See "Spare Parts" and "Engine Service Parts" pages for additional engine replacement parts.



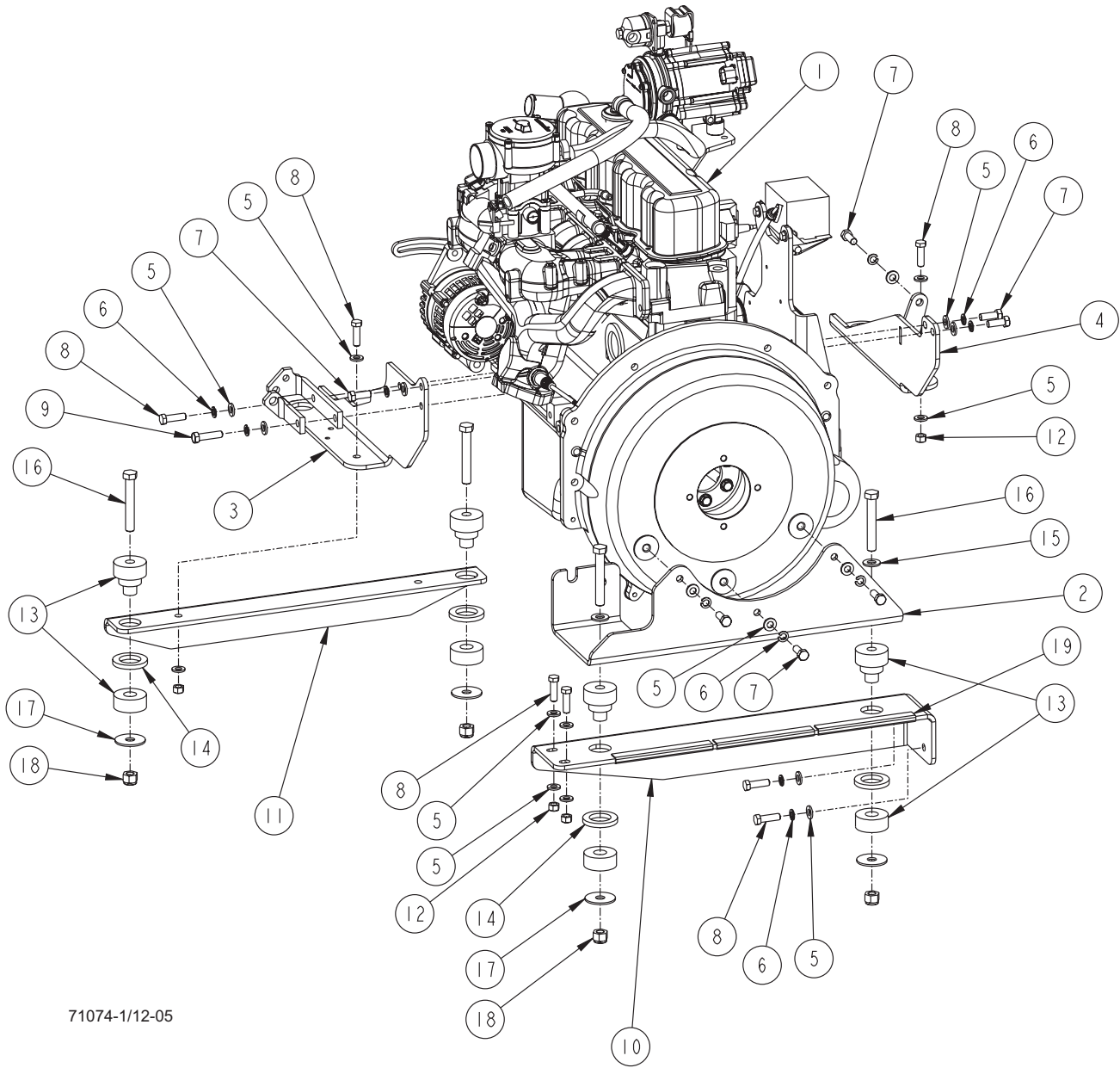


|      |   |  |           |
|------|---|--|-----------|
| 08-4 | <b>GM 3.0 LITER - LP ENGINE (AIR FILTRATION SYSTEM)</b> |  |           |
| 08-6 | <b>7765</b>   |  | <b>97</b> |

| Item | Ref. No.   | Qty | Description                               |
|------|------------|-----|---|
| 1    | 0777-068   | 1   | Engine, GM 3.0 LP                         |
| 2    | 7-08-01324 | 1   | Bracket, Air Cleaner                      |
| 3    | 7-13-07242 | 1   | Clamp, Air Cleaner                        |
| 4    | 7-24-04083 | 1   | Filter Assy., Air Cleaner                 |
| 5#   |            | 2   | Cap Screw, 3/8-16 x 1.25 <b>NOTE 1</b>    |
| 6#   |            | 1   | Cap Screw, 3/8-16 x 2.0 <b>NOTE 1</b>     |
| 7    | 2-00-00208 | 2   | Screw, 5/16-18 x 3/4 HHC                  |
| 8    | 2-00-00409 | 2   | Flat Washer, .687 x .344 x .062           |
| 9    | 2-00-00644 | 2   | Nut, 5/16-18 Fiber Insert Hex             |
| 10   | 7-33-02711 | 1   | Hose, Air Intake                          |
| 11   | 56305240   | 1   | Tube Weldment                             |
| 12   | 7-33-02712 | 1   | Hose, Air Intake                          |
| 13   | 7-33-02714 | 1   | Hose, Air Intake                          |
| 14   | 2-00-03778 | 1   | Plug, 1/8 NPT                             |
| 15   | 2-00-02216 | 5   | Clamp, Hose                               |
| 16   | 2-00-03407 | 1   | Clamp, Hose                               |
| 17   | 2-00-05942 | 1   | Fitting, 1/4 NPT x 1/8 NPT x 3/8 JIC Tee  |
| 18   | 8-82-00046 | 1   | Switch, Low Pressure                      |
| 19   | 7-33-02721 | 1   | Hose, LP High Pressure (64")              |
| 20   | 56478461   | 1   | Filter Service Indicator                  |
| 21   | 2-00-05678 | 1   | Fitting, 1/4" NPT Street Elbow, 90, Brass |

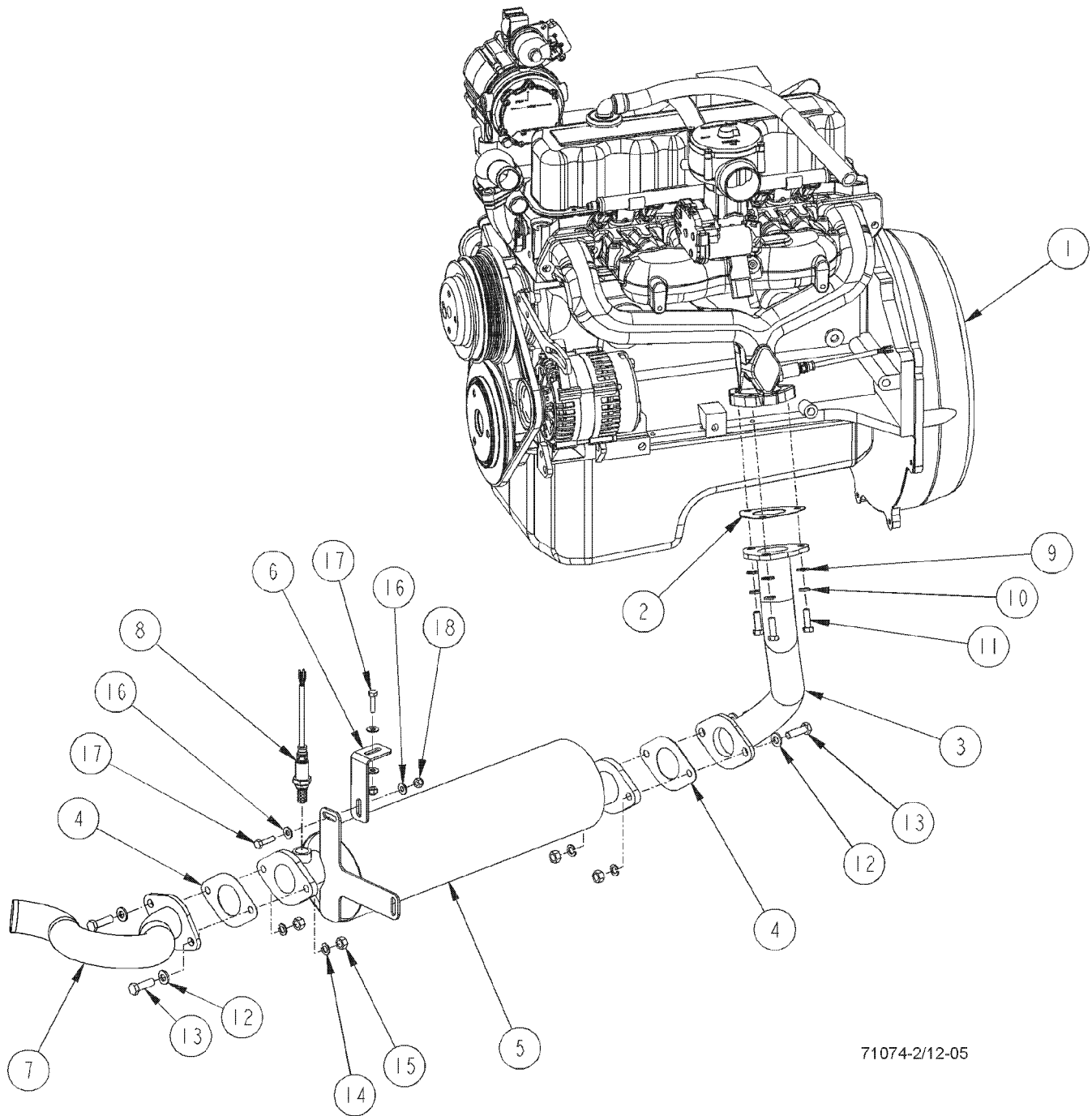
# = Revised or new since last update

**NOTE 1:** Included with 0777-068 engine  
See "Spare Parts" and "Engine Service Parts" pages for additional engine replacement parts.



71074-1/12-05

| Item | Ref. No.   | Qty | Description                       |
|------|------------|-----|-----------------------------------|
| 1    | 0777-068   | 1   | Engine, GM 3.0 LP                 |
|      | 0777-069   | 1   | Engine, GM 3.0 GAS                |
| 2    | 7-08-01325 | 1   | Bracket, Engine Mount             |
| 3    | 7-08-01326 | 1   | Bracket, Engine Mount             |
| 4    | 7-08-01327 | 1   | Bracket, Engine Mount             |
| 5    | 2-00-00402 | 19  | Washer, 25/64 ID x 3/4 OD         |
| 6    | 2-00-02310 | 11  | Lock Washer, 3/8 Helical Spring   |
| 7    | 2-00-00233 | 7   | Bolt, 3/8-16 x 1.25 Fin. Hex Head |
| 8    | 2-00-00209 | 7   | Bolt, 3/8-16 x 1.25 Hex Head      |
| 9    | 2-00-00234 | 1   | Screw, 3/8-16 x 1.50 HHC          |
| 10   | 7-81-00289 | 1   | Support, Engine                   |
| 11   | 7-81-00290 | 1   | Support, Engine                   |
| 12   | 2-95-04182 | 4   | Nut, 3/8-16 Hex Stop              |
| 13   | 7-35-00017 | 4   | Isolator, Engine Mount (Red Dot)  |
| 14   | 2-00-05955 | 4   | Washer                            |
| 15   | 2-00-00405 | 2   | Flat Washer, 1.063 x .531 x .094  |
| 16   | 2-00-02617 | 4   | Screw, 1/2-13 x 3.5 SS            |
| 17   | 2-00-05067 | 4   | Spacer, Snubbing Washer           |
| 18   | 2-00-04936 | 4   | Nut, 1/2-13 Elastic Lock          |
| 19   | 7-21-04031 | 3   | Edging, Brush Drive Support       |

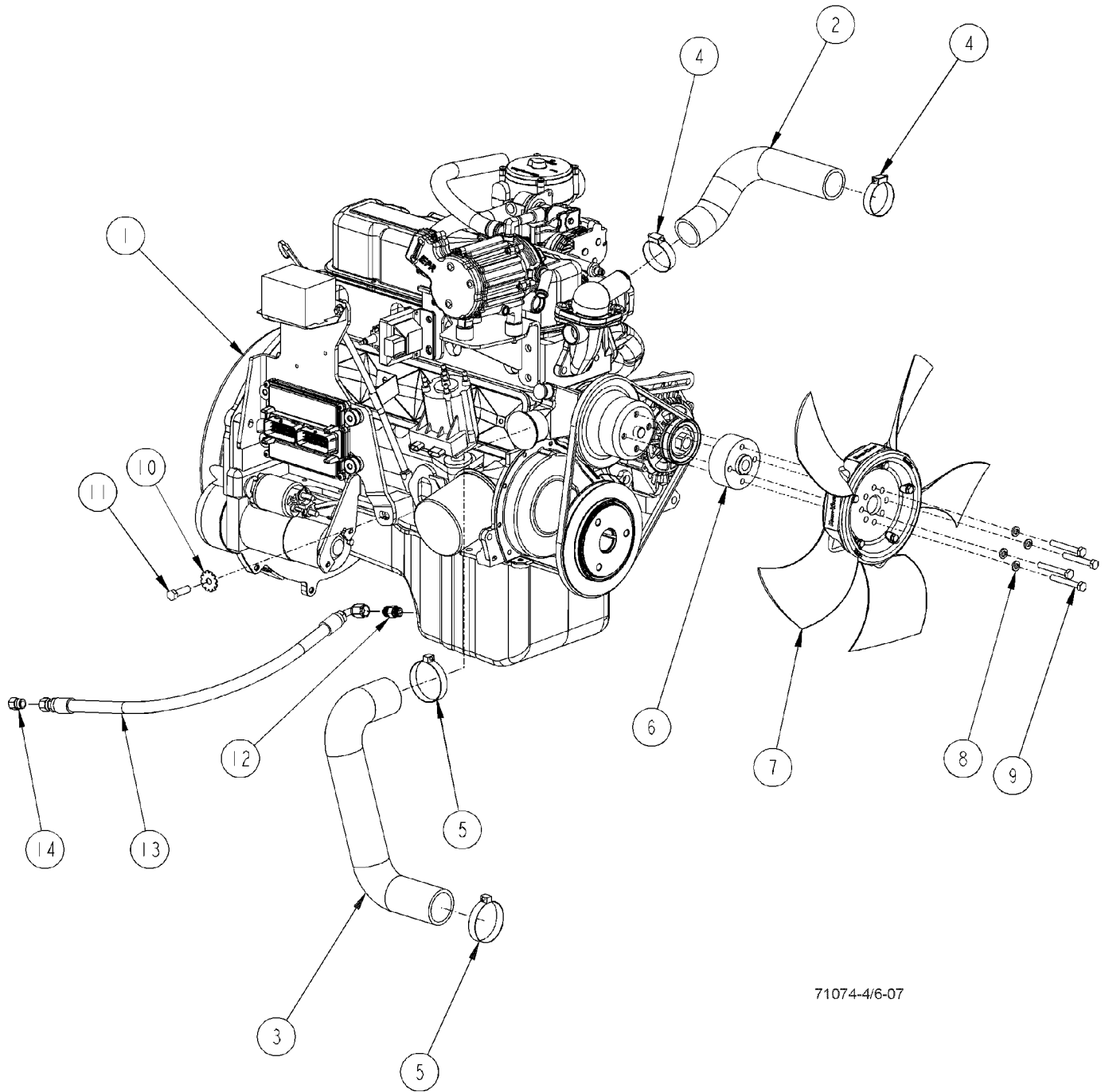


71074-2/12-05

| Item | Ref. No.   | Qty | Description                     |
|------|------------|-----|---------------------------------|
| 1    | 0777-068   | 1   | Engine, GM 3.0 LP               |
|      | 0777-069   | 1   | Engine, GM 3.0 GAS              |
| *2   | 7-29-00344 | 1   | Gasket, Exhaust Flange          |
| 3    | 7-56-04081 | 1   | Exhaust Downpipe                |
| *4   | 7-29-00345 | 2   | Gasket, Exhaust Flange          |
| *5   | 7-49-00045 | 1   | Muffler, Catalyst               |
| 6    | 7-31-07036 | 1   | Hanger, Muffler                 |
| 7    | 7-56-04082 | 1   | Exhaust Tailpipe                |
| *8   | 7-11-04081 | 1   | O2 Sensor, GM 3.0               |
| 9    | 2-00-00409 | 3   | Flat Washer, .687 x .344 x .062 |
| 10   | 2-00-00530 | 3   | Lock Washer, 5/16               |
| 11   | 2-00-04948 | 3   | Screw, M8 x 1.25 x 25mm HHC     |
| 12   | 2-00-00402 | 4   | Washer, 25/64 ID x 3/4 OD       |
| 13   | 2-00-00209 | 4   | Bolt, 3/8-16 x 1.25 Hex Head    |
| 14   | 2-00-02310 | 4   | Lock Washer, 3/8 Helical Spring |
| 15   | 2-00-02360 | 4   | Nut, 3/8-16 Hex                 |
| 16   | 2-00-03702 | 4   | Washer, .625 x .281 x .063      |
| 17   | 2-00-00205 | 2   | Bolt, 1/4-20 Fin. Hex Head      |
| 18   | 2-00-00641 | 2   | Nut, 1/4-20 Fiber Insert        |

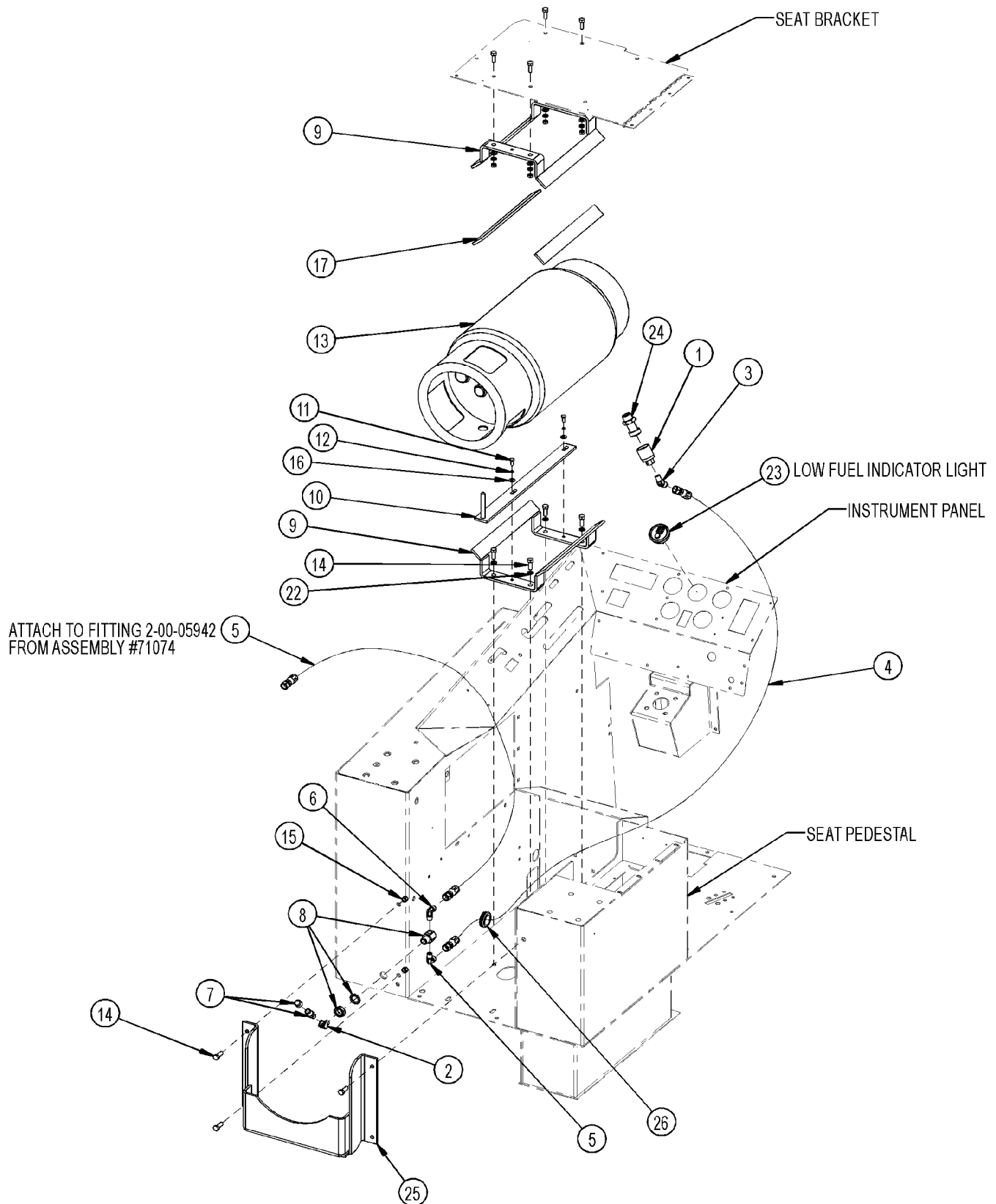
\* = Included with 0777-068 and 0777-069 engines

See "Spare Parts" and "Engine Service Parts" pages for additional engine replacement parts.



71074-4/6-07

| Item | Ref. No.   | Qty | Description                       |
|------|------------|-----|-----------------------------------|
| 1    | 0777-068   | 1   | Engine, GM 3.0 LP                 |
|      | 0777-069   | 1   | Engine, GM 3.0 GAS                |
| 2    | 7-33-02706 | 1   | Hose, Upper Radiator              |
| 3    | 7-33-02713 | 1   | Hose, Lower Radiator              |
| 4    | 2-00-03404 | 2   | Clamp, Hose                       |
| 5    | 2-00-02216 | 2   | Clamp, Hose                       |
| 6    | 7-75-01282 | 1   | Spacer, Fan                       |
| 7    | 56109130   | 1   | Fan, 18" 5-Blade Sickle           |
| 8    | 2-00-00530 | 4   | Lock Washer, 5/16                 |
| 9    | 2-00-06557 | 4   | Screw, 5/16-24 x 2.25 Hex Head    |
| 10   | 2-00-03829 | 1   | Lock Washer, 3/8 Int./Ext. Tooth  |
| 11   | 2-00-04705 | 1   | Bolt, 3/8-16 x 1.25 Fin. Hex Head |
| 12   | 56109184   | 1   | Connector, O-Ring                 |
| 13   | 56305142   | 1   | Hose Assy                         |
| 14   | 56462247   | 1   | Plug, Hex 37 Flared               |





|      |                              |  |  |            |
|------|------------------------------|--|--|------------|
| 08-4 | <b>LP FUEL TANK ASSEMBLY</b> |  |  |            |
| 08-6 | <b>7765</b>                  |  |  | <b>105</b> |

| Item | Ref. No.   | Qty | Description   |
|------|------------|-----|---|
| 1~!  | 7-16-05049 | 1   | Coupling (Woodward N3-0042-1)                         |
| 2~!  | 8-56-05026 | 1   | Fitting, 1/4 NPT x 1/4 FM 45° (Woodward N2-1106)      |
| 3~!  | 2-00-05721 | 1   | Fitting, 1/4 NPT x 3/8 SAE 45, 45° (Woodward N2-1105) |
| 4~!  | 7-33-02740 | 1   | Hose, 5/16 ID x 44", #6 UL (Woodward 44" N8-3001)     |
| 6~!  | 8-56-05023 | 2   | Fitting, 1/4 NPT x 3/8 SAE 90° (Woodward N2-1107)     |
| 5~!  | 7-33-02721 | 1   | Hose, 5/16 ID x 64", #6 UL (Woodward 64" N8-3001)     |
| 7~   | 2-00-06094 | 1   | Relief Valve (Woodward N3-0038-1)                     |
| 8~   | 2-00-06555 | 1   | Fitting, Bulkhead (Woodward N3-0037)                  |
| 9#   | 56514887   | 2   | Weldt, LP Collar                                      |
| 10   | 56514842   | 1   | Lock  |
| 11   | 2-00-00220 | 2   | Screw, 1/4-20 x .625 HHC                              |
| 12   | 2-00-00518 | 2   | Lock Washer, 1/4 Helical Spring                       |
| 13!  | 56456590   | 1   | LP Tank   |
| 14   | 2-00-00233 | 9   | 3/8-16 x 1.0 LG                                       |
| 15   | 2-95-04182 | 5   | Nut, 3/8-16 Fiber Insert                              |
| 16   | 2-00-03702 | 2   | Washer, .625 x .281 x .063                            |
| 17   | 7-50-05143 | 2   | Pad   |
| 18   |            |     | Intentionally Omitted                                 |
| 19   |            |     | Intentionally Omitted                                 |
| 20   |            |     | Intentionally Omitted                                 |
| 21   |            |     | Intentionally Omitted                                 |
| 22   | 2-00-02310 | 4   | Lock Washer, 3/8 Helical Spring                       |
| 23!  | 7-11-04035 | 1   | Light, Low LP Indicator                               |
| 24!< | REF        |     | Fitting   |
| 25   | 56514839   | 1   | Guard, LP Tank  |
| 26   | 2-00-04721 | 1   | Rubber Grommet  |

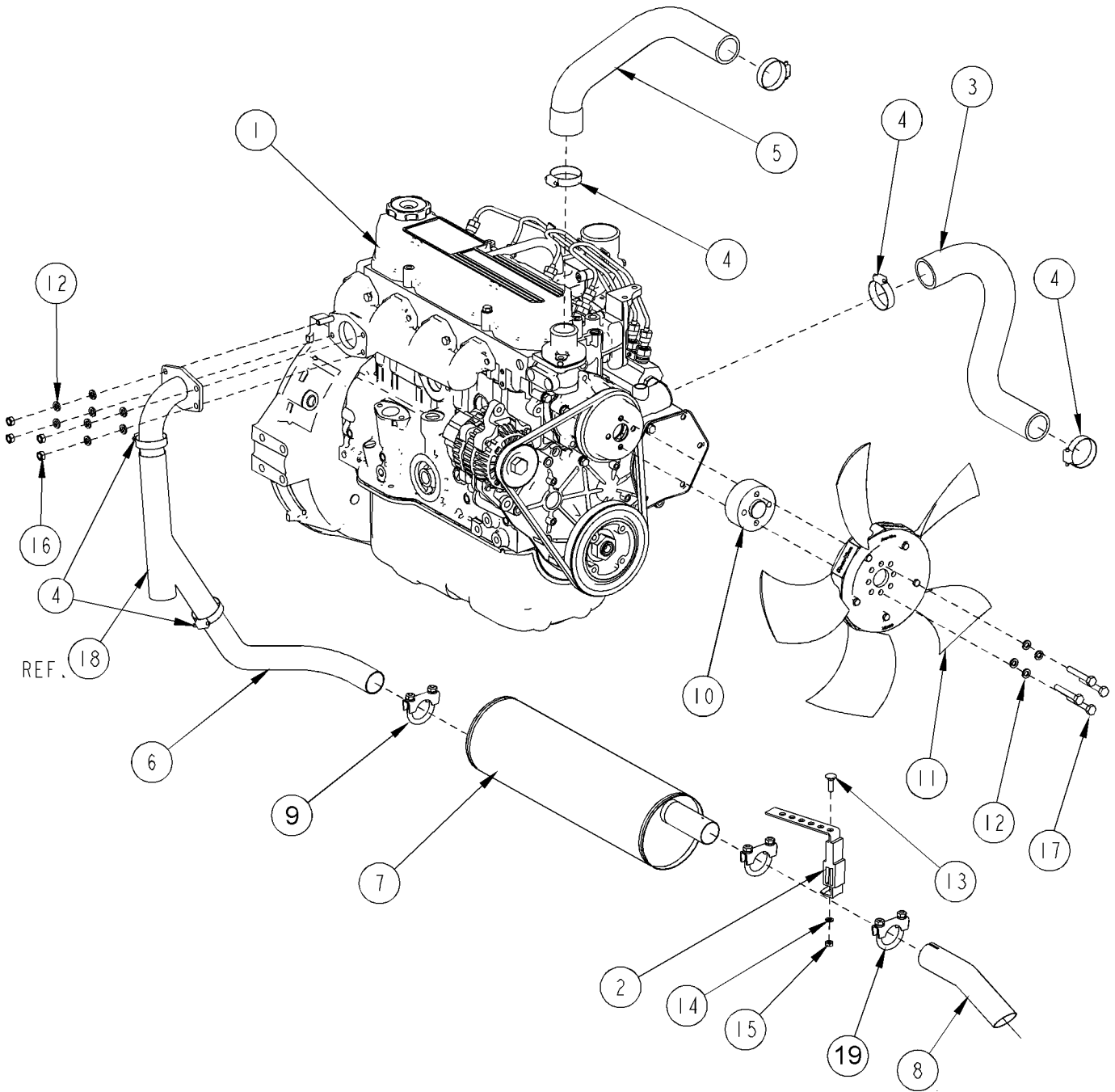
~ = Contained in LP Kit 7-11-04009

< = Comes with LP Tank

! = All NON-VGB/CE models

# = Revised or new since last update

See "Spare Parts" and "Engine Service Parts" pages for additional engine replacement parts.



08-4

**mitsubishi S4Q2 DIESEL ENGINE (FAN, EXHAUST, HOSES)**

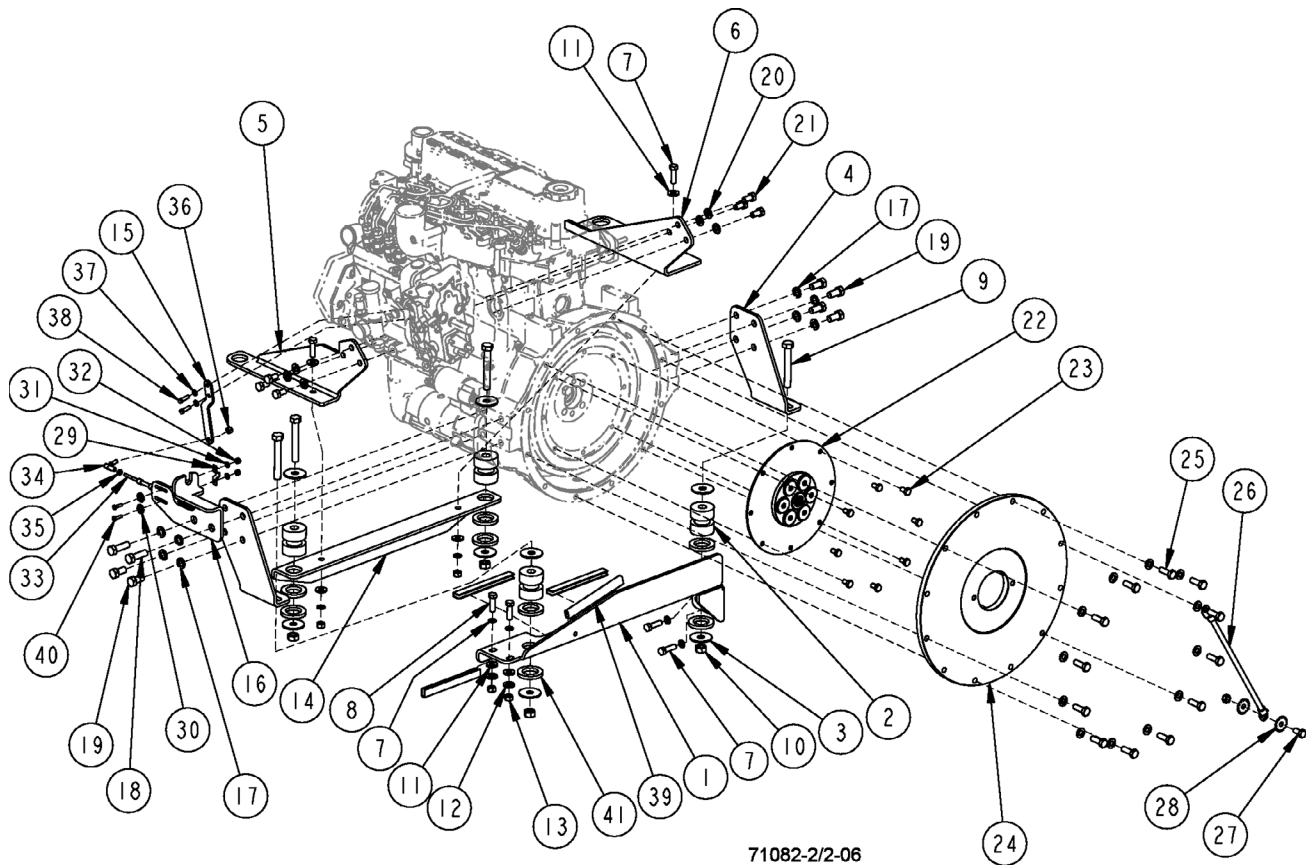
08-6

**7765****107**

| Item | Ref. No.   | Qty | Description                          |
|------|------------|-----|--------------------------------------|
| 1    | 0777-052   | 1   | Engine Assy., Mitsubishi S4Q2 Diesel |
| 2#   | 7-31-07017 | 1   | Hanger, Muffler                      |
| 3    | 7-33-02709 | 1   | Hose, Lower Radiator                 |
| 4    | 2-00-03404 | 6   | Clamp                                |
| 5    | 7-33-02708 | 1   | Hose, Upper Radiator                 |
| 6    | 7-87-02239 | 1   | Tube, Exhaust Downpipe               |
| 7    | 7-49-00031 | 1   | Muffler                              |
| 8    | 7-56-04055 | 1   | Tailpipe                             |
| 9    | 2-00-04040 | 2   | Clamp, 1/4" Muffler                  |
| 10   | 7-75-01248 | 1   | Spacer, S4Q2 Engine Fan              |
| 11   | 56109130   | 1   | Fan, 18" 5-Blade Sickle              |
| 12   | 2-00-00530 | 12  | Lock Washer, 5/16                    |
| 13   | 2-00-00196 | 1   | Carriage Bolt, .31-18 x 1.0          |
| 14   | 2-00-00518 | 1   | Lock Washer, 1/4" Helical Spring     |
| 15   | 2-00-00594 | 1   | Nut, 1/4-20 Hex                      |
| 16   | 2-00-05964 | 4   | Nut, M8 x 1.25                       |
| 17   | 2-00-05981 | 4   | Screw, M8 x 1.25 x 55mm HHC          |
| 18   | 7-34-09016 | 1   | Sleeve, Insulating                   |
| 19   | 7-13-07075 | 1   | Clamp Muffler 1 5/8                  |

# = Revised or new since last update

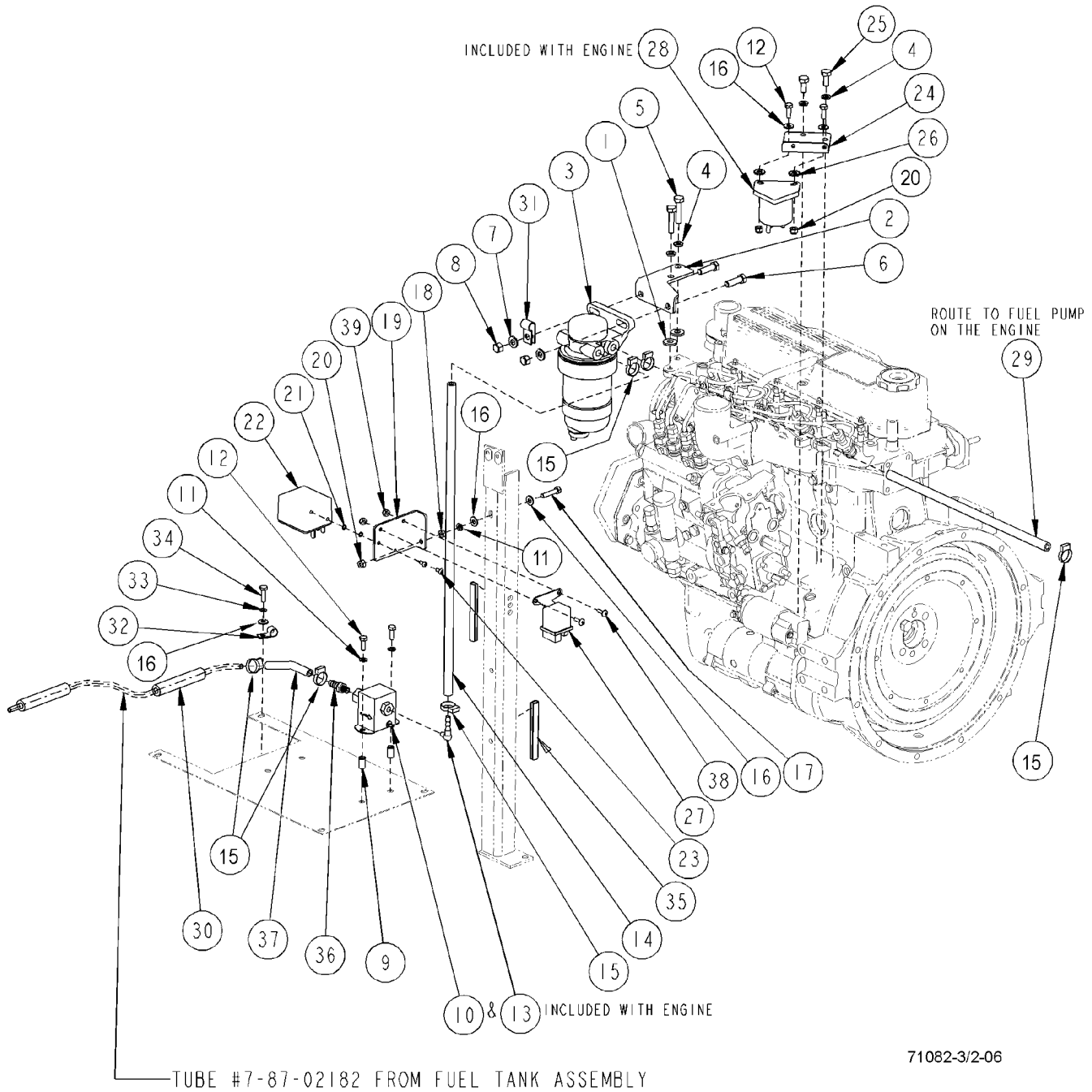
See "Spare Parts" and "Engine Service Parts" pages for additional engine replacement parts.



71082-2/2-06

| Item | Ref. No.   | Qty | Description                          |
|------|------------|-----|--------------------------------------|
| 1    | 7-81-00273 | 1   | Support, Engine                      |
| 2    | 7-35-00017 | 4   | Isolator, Engine Mount (Red Dot)     |
| 3    | 2-00-05067 | 8   | Spacer, Snubbing Washer              |
| 4    | 7-08-01341 | 2   | Bracket, Engine Rear                 |
| 5    | 7-08-01339 | 1   | Bracket, Engine Mount                |
| 6    | 7-08-01340 | 1   | Bracket, Engine Mount                |
| 7    | 2-00-02310 | 6   | Lock Washer, 3/8 Helical Spring      |
| 8    | 2-00-04705 | 6   | Bolt, 3/8-16 x 1.25 LG Fin. Hex Head |
| 9    | 2-00-02698 | 4   | Screw, 1/2-20 x 3.50 LG HHC          |
| 10   | 2-00-00640 | 4   | Nut, 1/2-20 Fiber Insert             |
| 11   | 2-00-04801 | 6   | Flat Washer, 1.00 x .39 x .06        |
| 12   | 2-00-02312 | 2   | Lock Washer, 1/2"                    |
| 13   | 2-00-02360 | 5   | Nut, 3/8-16 Hex                      |
| 14   | 7-81-00290 | 1   | Support, Engine                      |
| 15   | 8-03-04321 | 1   | Arm, Throttle                        |
| 16   | 7-08-01209 | 1   | Bracket, Forward/Reverse Cable       |
| 17   | 2-00-05043 | 8   | Washer, 25/64 ID x 3/4 OD Plain      |
| 18   | 2-00-05370 | 2   | Screw, M12 x 1.75 x 40mm HHC         |
| 19   | 2-00-05957 | 6   | Screw, M12 x 1.75 x 25mm HHC         |
| 20   | 2-00-05042 | 18  | Lock Washer, M10 Helical Spring      |
| 21   | 2-00-05958 | 6   | Screw, M10 x 1.25 x 20mm HHC         |
| 22   | 7-16-05045 | 1   | Coupling, Engine                     |
| 23   | 2-00-05963 | 8   | Screw, M8 x 1.25 x 15mm 8.8 Blox     |
| 24   | 7-33-05144 | 1   | Casting, Pump Plate                  |
| 25   | 2-00-05961 | 12  | Screw, M10 x 1.25 x 30mm HHC         |
| 26   | 8-90-07328 | 1   | Wire, Ground to Frame                |
| 27   | 2-00-00232 | 1   | Bolt, 3/8-16 Fin. Hex Head           |
| 28   | 2-00-03829 | 2   | Lock Washer, 3/8 Int./Ext. Tooth     |
| 29   | 8-13-07094 | 1   | Clamp, Conduit                       |
| 30   | 2-00-00498 | 2   | Lock Washer, #10 Ext.                |
| 31   | 2-00-00426 | 2   | Flat Washer, .500 x .219 x .063      |
| 32   | 2-00-01246 | 2   | Nut, #10-24 Elastic Stop             |
| 33   | 7-10-00024 | 1   | Cable, Throttle (80")                |
| 34   | 8-25-02036 | 1   | Connector, Ball Joint                |
| 35   | 2-00-00626 | 1   | Nut, 10-32                           |
| 36   | 2-00-00633 | 1   | Nut, 1/4-28 Fiber Insert             |
| 37   | 2-00-00518 | 2   | Lock Washer, 1/4" Helical Spring     |
| 38   | 2-00-05279 | 2   | Screw, M6 x1.0 x 20mm HHC            |
| 39   | 7-21-04031 | 4   | Edging, Brush Drive Support          |
| 40   | 2-00-04795 | 2   | Screw, 8-32 BHC                      |
| 41   | 2-00-05955 | 8   | Washer                               |

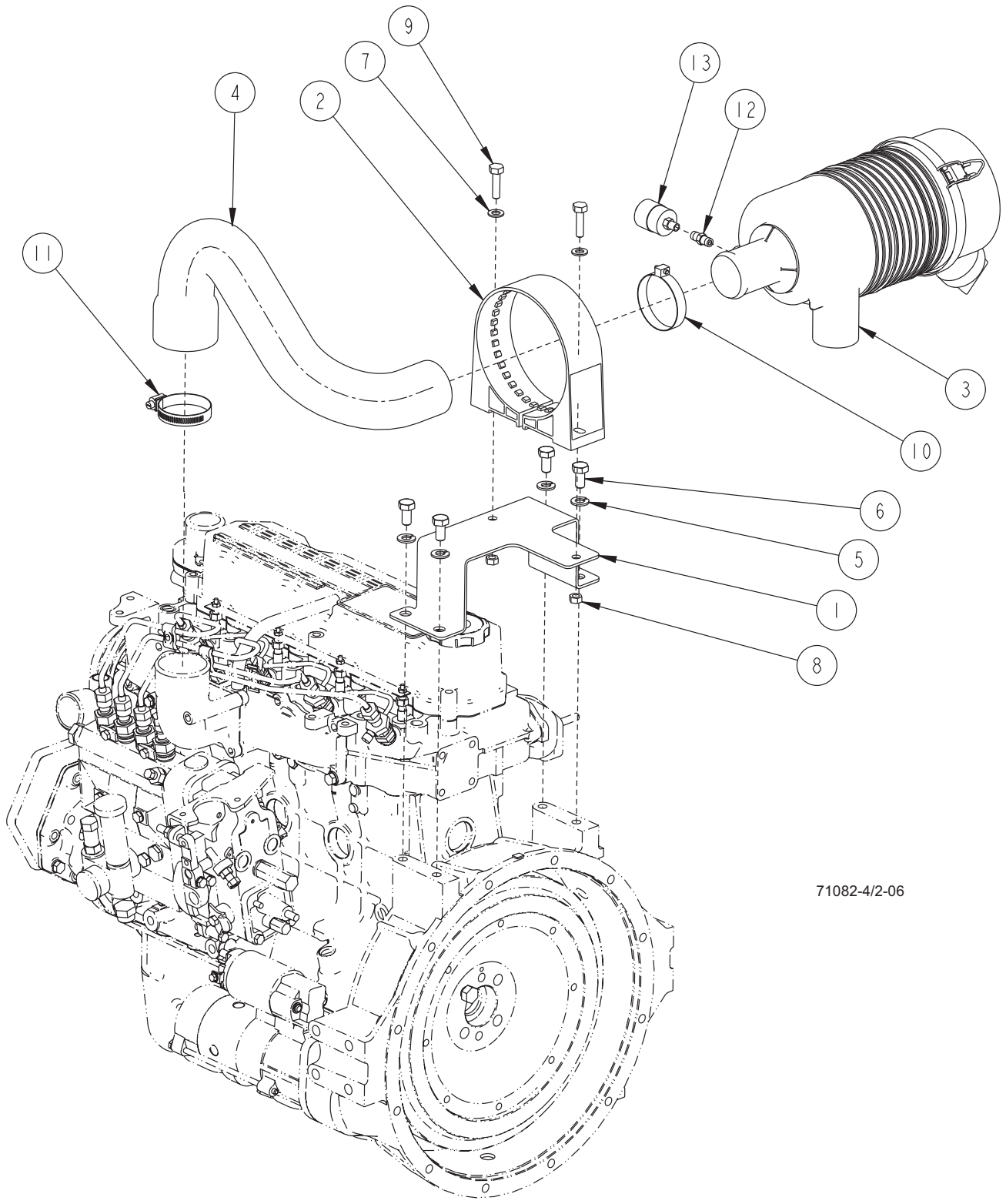
See "Spare Parts" and "Engine Service Parts" pages for additional engine replacement parts.



| Item | Ref. No.   | Qty | Description                         |
|------|------------|-----|-------------------------------------|
| 1    | 2-00-04801 | 2   | Flat Washer, 1.00 x .39 x .06       |
| 2    | 8-08-00940 | 1   | Bracket, Fuel Filter                |
| 3    | 7-24-04078 | 1   | Filter, Diesel Fuel                 |
| 4    | 2-00-00530 | 4   | 5/16" Lock Washer                   |
| 5    | 2-00-06532 | 2   | Screw, M8 x 1.25 x 40mm             |
| 6    | 2-00-00209 | 2   | Bolt, 3/8-16 x 1.25 Hex Head        |
| 7    | 2-00-00402 | 2   | Washer, 25/64 ID x 3/4 OD           |
| 8    | 2-95-04182 | 2   | Nut, 3/8-16 Hex Stop                |
| 9    | 2-00-05261 | 2   | Insert, 1/4-20 Threaded             |
| *10  | 8-60-05028 | 1   | Pump, Fuel                          |
| 11   | 2-00-00518 | 3   | Lock Washer, 1/4" Helical Spring    |
| 12   | 2-00-00221 | 4   | Bolt, 1/4-20 x .75 Fin. Hex Head    |
| *13  | 2-00-05973 | 1   | Hose Barb, 1/8 NPT x 5/16 90° Elbow |
| 14   | 8-33-02145 | 1   | Hose, Fuel (22")                    |
| 15   | 2-95-04388 | 6   | Clamp, Hose                         |
| 16   | 2-00-03702 | 5   | Flat Washer, .625 x .281 x .062     |
| 17   | 2-00-02587 | 1   | Cap Screw, 1/4-20 x 1.25 Hex Head   |
| 18   | 2-00-00594 | 1   | Nut, 1/4-20 Hex                     |
| 19   | 8-08-00936 | 1   | Bracket, Murphy                     |
| 20   | 2-00-00641 | 3   | Nut, 1/4-20 Fiber Insert            |
| 21   | 2-00-00512 | 2   | Star Washer                         |
| 22   | 7-64-00040 | 1   | Relay, Murphy                       |
| 23   | 2-00-00052 | 2   | Screw, #10-24 x .38 RHMS            |
| 24   | 8-08-00939 | 1   | Bracket, Murphy                     |
| 25   | 2-00-04363 | 2   | Screw, M8 x 1.25 x 20mm             |
| 26   | 2-00-00503 | 2   | Lock Washer, 1/4-20                 |
| 27   | 7-64-00041 | 1   | Relay, Glow Plug                    |
| *28  | 8-74-00012 | 1   | Solenoid, Starter                   |
| 29   | 8-33-02172 | 1   | Hose, Fuel (15")                    |
| 30   | 8-08-07038 | 2   | Bumper, Fuel Line                   |
| 31   | 2-00-04873 | 1   | Clamp, Cable                        |
| 32   | 2-00-04602 | 1   | Clamp                               |
| 33   | 2-00-00501 | 1   | Washer, 1/4 ID x .44 OD x .046      |
| 34   | 2-00-01490 | 1   | Screw, 1/4-20 x .875 Hex Head       |
| 35   | 7-21-04051 | 2   | Edging, Frame                       |
| 36   | 2-00-05983 | 1   | Fitting, 1/8 NPT x 5/16 Hose Barb   |
| 37   | 7-33-02641 | 1   | Hose, 5/16 ID x 4" Fuel             |
| 38   | 2-00-03062 | 2   | Screw, #10-24 x 5/8                 |
| 39   | 2-00-01246 | 2   | Nut, #10-24 Elastic Stop            |

\* = Comes with Engine Assembly

See "Spare Parts" and "Engine Service Parts" pages for additional engine replacement parts.

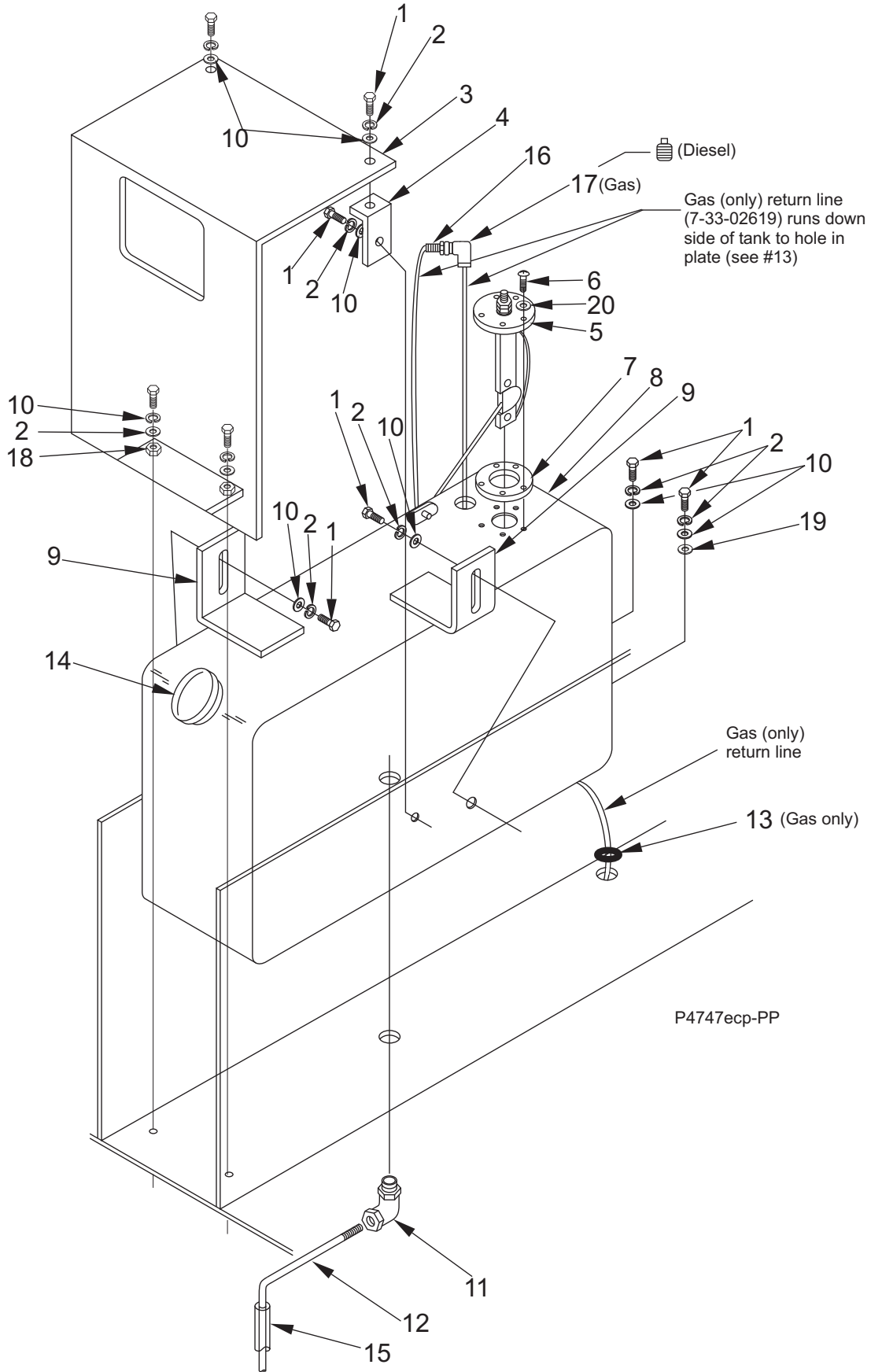


71082-4/2-06



| Item | Ref. No.   | Qty | Description                     |
|------|------------|-----|---------------------------------|
| 1    | 7-08-01206 | 1   | Bracket, Air Cleaner            |
| 2    | 7-13-07231 | 1   | Band, Air Cleaner Assy.         |
| 3    | 7-24-04083 | 1   | Filter Assy., Air Cleaner       |
| 4    | 7-33-02613 | 1   | Hose, Air Intake                |
| 5    | 2-00-05042 | 4   | Lock Washer, M10 Helical Spring |
| 6    | 2-00-05958 | 4   | Screw, M10 x 1.25 x 20mm HHC    |
| 7    | 2-00-00409 | 2   | Flat Washer, .687 x .344 x .062 |
| 8    | 2-00-00644 | 2   | Nut, 5/16-18 Fiber Insert Hex   |
| 9    | 2-00-00207 | 2   | Screw, 5/16-18 x 1.25 Hex Head  |
| 10   | 2-00-02216 | 1   | Clamp, Hose                     |
| 11   | 2-00-02217 | 1   | Clamp, Hose                     |
| 12   | 2-00-05004 | 1   | Fitting, 1/8 NPT Nipple         |
| 13   | 56478461   | 1   | Filter Service Indicator        |

See "Spare Parts" and "Engine Service Parts" pages for additional engine replacement parts.



08-4

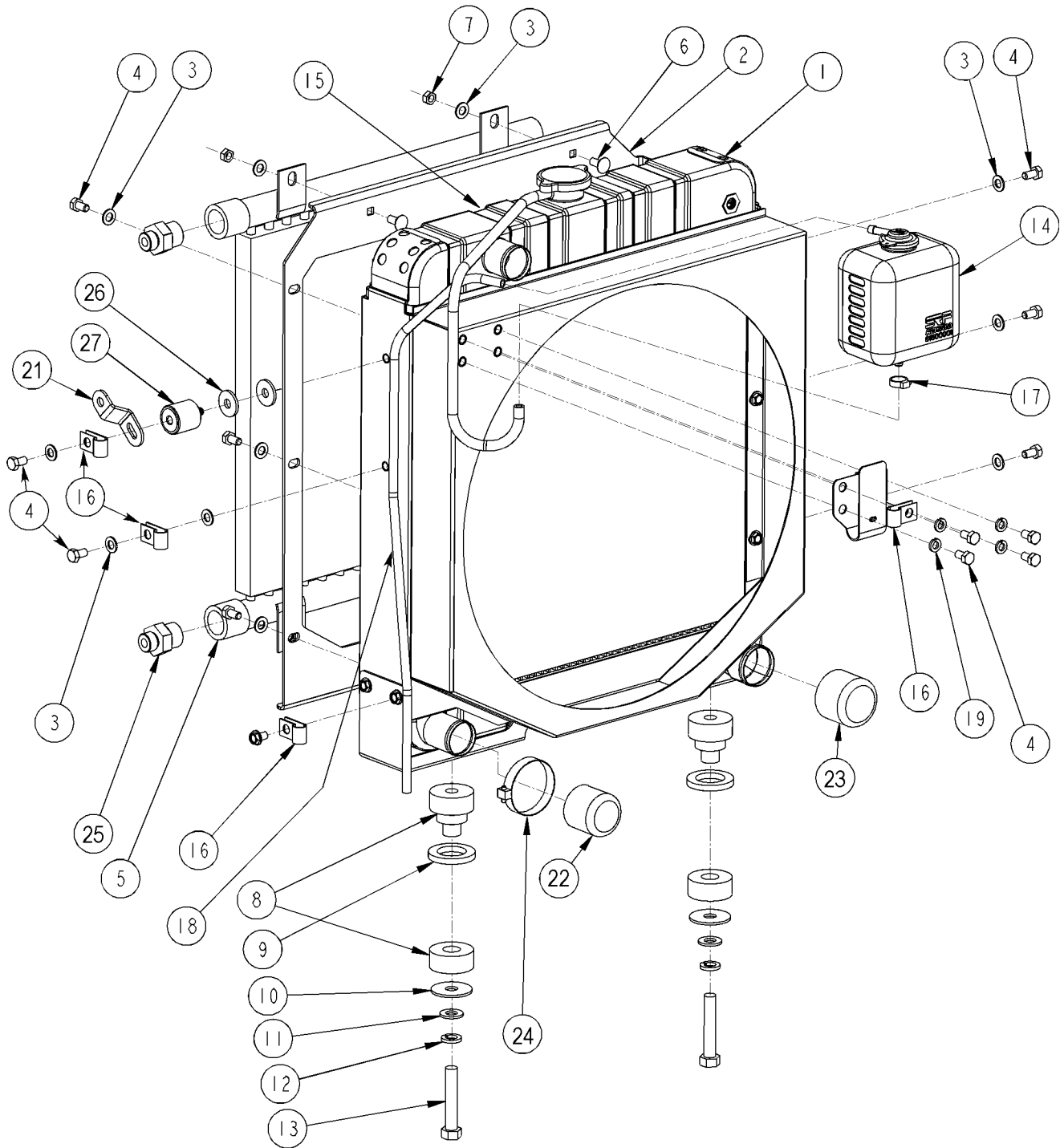
**FUEL TANK (DIESEL)**

08-6

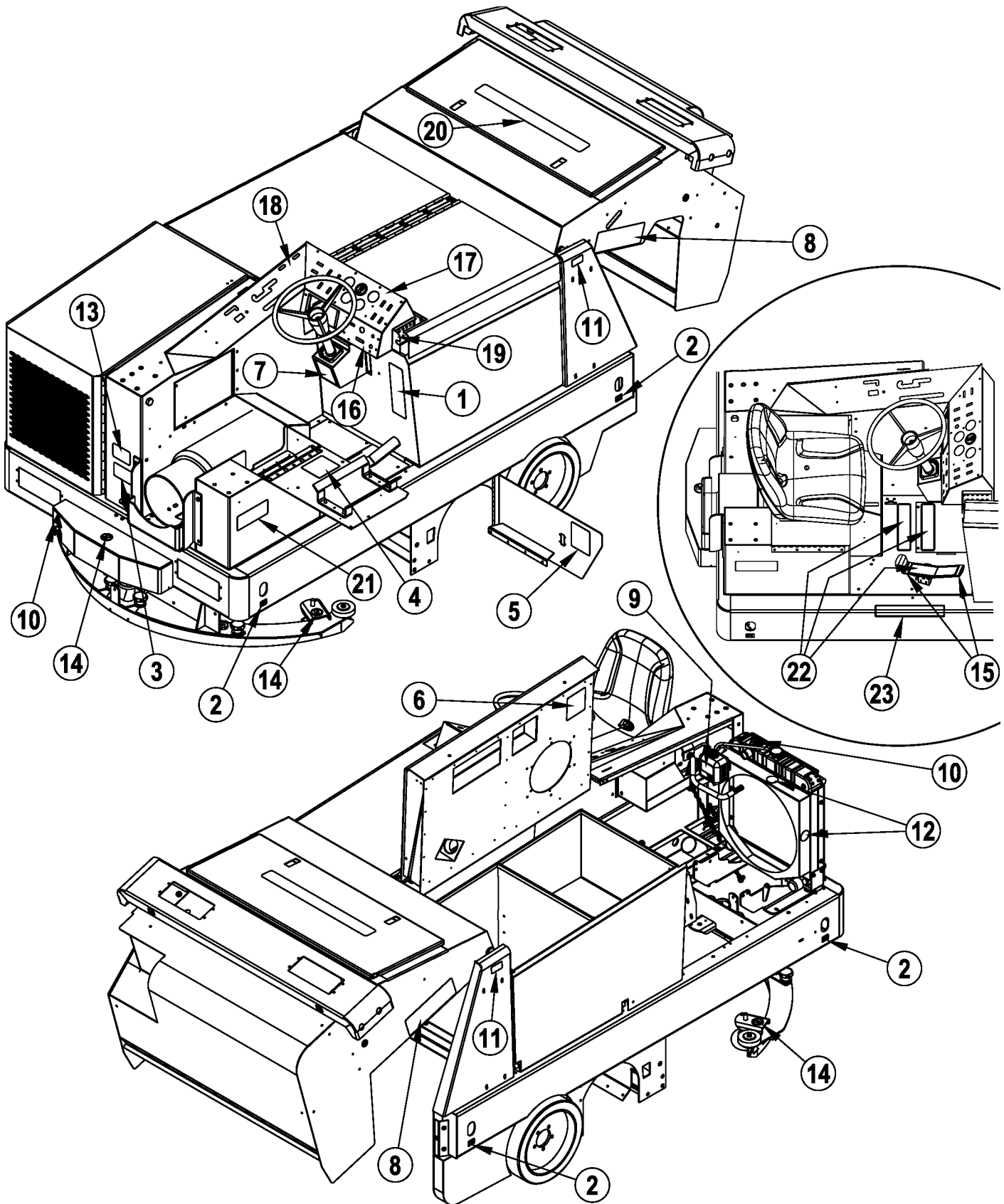
**7765****115**

| Item | Ref. No.   | Qty | Description                              |
|------|------------|-----|--|
| 1    | 2-00-00221 | 8   | Screw, 1/4-20 x .750 HHC                 |
| 2    | 2-00-00518 | 10  | Lock Washer, 1/4 Helical Spring          |
| 3    | 56514816   | 1   | Cover                                    |
| 4    | 56514817   | 2   | Bracket                                  |
| 5    | 8-26-04003 | 1   | Float                                    |
| 6    | 2-00-04737 | 5   | Screw, #10-32 x .44 (Self-Seal)          |
| 7#   | 7-29-00348 | 1   | Gasket                                   |
| 8    | 8-83-04029 | 1   | Fuel Tank                                |
| 9    | 56514818   | 2   | Bracket                                  |
| 10   | 2-00-03702 | 10  | Flat Washer, 1.062 x .265 x .062         |
| 11   | 2-00-04494 | 1   | Fitting, 1/8" 90° Male Elbow Compression |
| 12   | 7-87-02160 | 1   | Fuel Line                                |
| 13   | 2-00-03878 | 1   | Grommet, 1.125 x .625 x .437 x .187      |
| 14   | 7-11-00029 | 1   | Fuel Cap                                 |
| 15   | 8-08-07038 | 2   | Bumper, Fuel Line                        |
| 18   | 2-00-00594 | 2   | Nut, 1/4-20 Fin. Hex                     |
| 19#  | 2-00-03829 | 1   | Star Washer                              |
| 20   | 2-00-00512 | 1   | Star Washer                              |

# = Revised or new since last update



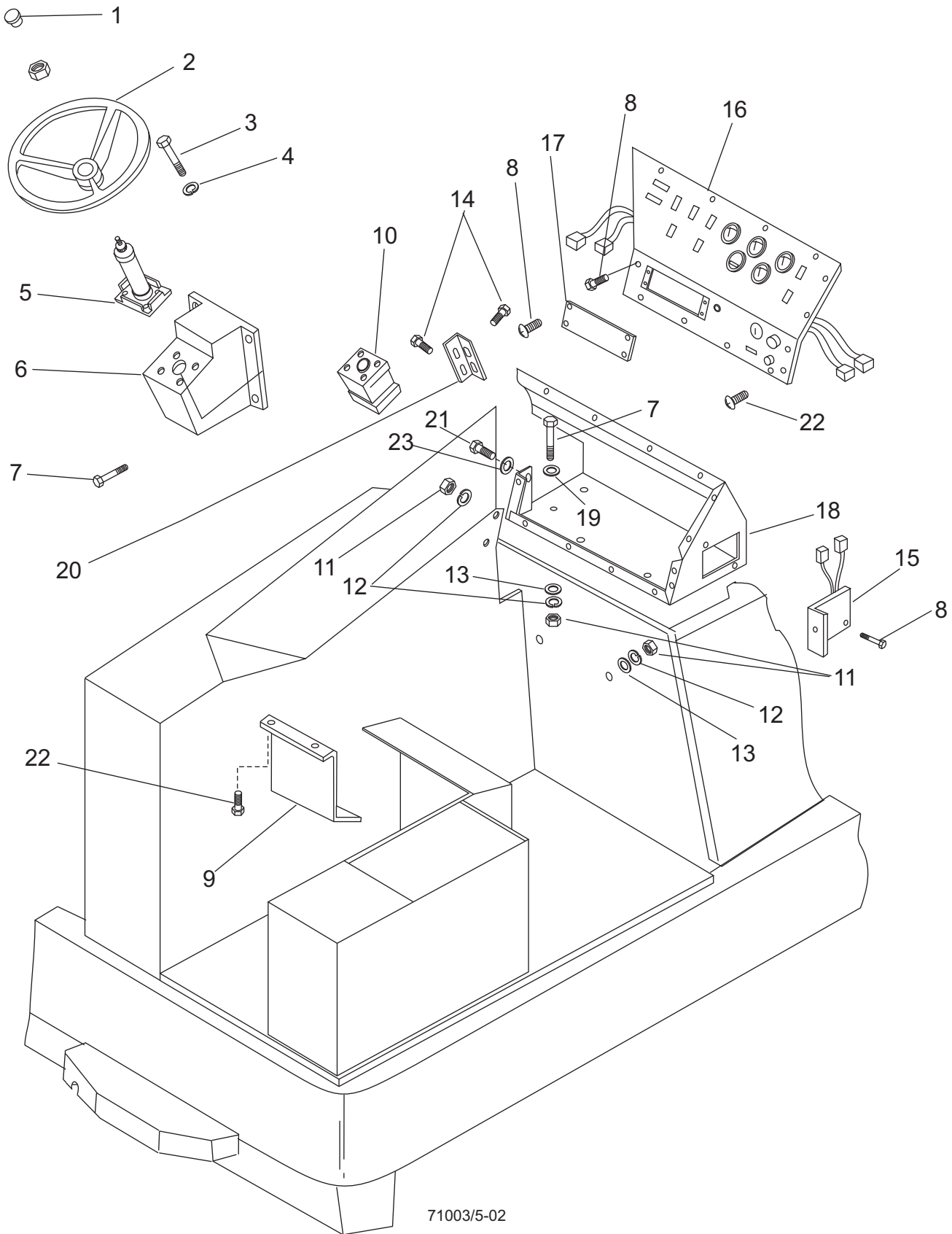
| Item | Ref. No.   | Qty | Description                          |
|------|------------|-----|--------------------------------------|
| 1    | 56109131   | 1   | Radiator                             |
| 2    | 7-08-01337 | 1   | Bracket, Oil Cooler                  |
| 3    | 2-00-00409 | 13  | Flat Washer, .687 x .344 x .062      |
| 4    | 2-00-05963 | 12  | Screw, M8 x 1.25 x 15mm HHC          |
| 5    | 7-62-01014 | 1   | Oil Cooler                           |
| 6    | 2-00-03569 | 4   | Carriage Bolt                        |
| 7    | 2-00-00644 | 4   | Nut, 5/16-18 Fiber Insert Hex        |
| 8    | 7-35-00017 | 2   | Isolator, Engine Mount (Red Dot)     |
| 9    | 2-00-05955 | 2   | Washer                               |
| 10   | 2-00-05067 | 2   | Spacer, Snubbing Washer              |
| 11   | 2-00-00405 | 2   | Flat Washer, 1.063 x .531 x .094     |
| 12   | 2-00-02312 | 2   | Lock Washer, 1/2"                    |
| 13   | 2-00-02682 | 2   | Screw, 1/2-13 x 2.75                 |
| 14   | 7-07-02002 | 1   | Overflow Bottle Assy. (1 liter)      |
| 15   | 7-33-02723 | 1   | Hose, 1/4" ID x 20", Black           |
| 16   | 2-00-04873 | 4   | Clamp, Cable                         |
| 17   | 2-00-05363 | 1   | Clamp, Hose                          |
| 18   | 7-33-02724 | 1   | Hose, 1/4" ID x 28", Clear           |
| 19   | 2-00-00530 | 4   | Lock Washer, 5/16                    |
| 20   |            |     | Intentionally Omitted                |
| 21   | 56109092   | 1   | Bracket, Radiator Support            |
| 22   | 2-00-05956 | 1   | Plug, Radiator Outlet (Gasoline/LPG) |
| 23   | 2-00-06571 | 1   | Plug, Radiator Outlet (Diesel)       |
| 24   | 2-00-02216 | 1   | Clamp, Hose                          |
| 25   | 2-00-04979 | 2   | Fitting, Straight -8 ORS x -12 SAE   |
| 26   | 2-00-03266 | 2   | Fan Washer                           |
| 27   | 7-35-00028 | 1   | Isolator, 32 x 32, M8-1.25           |



| Item | Ref. No.   | Qty | Description                                     |
|------|------------|-----|---|
| 1    | 56014601   | 1   | Decal, Caution                                  |
| 2    | 56015370   | 4   | Decal, Tie Down                                 |
| 3    | 56111419   | 1   | Decal, LPG ( <b>LPG only</b> )                  |
| 4    | 56015424   | 1   | Decal, Warning Hydraulic                        |
| 5    | 56015425   | 2   | Decal, Warning Broom                            |
| 6    | 56015426   | 2   | Decal, Warning Fan                              |
| 7    | 56015427   | 1   | Decal, Warning Tip Over                         |
| 8    | 56015428   | 2   | Decal, Warning Hopper                           |
| 9    | 56015463   | 1   | Decal, Coolant Level                            |
| 10   | 56016363   | 2   | Decal, Warning Hot                              |
| 11   | 56025496   | 2   | Decal, Caution                                  |
| 12   | 56030080   | 2   | Decal, Hands Clear                              |
| 13   | 56016226   | 1   | Decal, Unleaded Fuel ( <b>Petrol only</b> )     |
|      | 56109404   | 1   | Decal, Low Sulfur Diesel ( <b>Diesel only</b> ) |
| 14   | 56016163   | 3   | Decal, No Step                                  |
| 15   | 8-18-00490 | 1   | Bi-directional Pedal                            |
| 16   | 8-18-00517 | 1   | Front Instrument Panel                          |
| 17   | 8-18-00516 | 1   | Top Instrument Panel                            |
| 18   | 8-18-00521 | 1   | Left Side Control Panel                         |
| 19   | 8-18-00500 | 1   | Side Broom-Pull to Raise                        |
| 20   | 56514819   | 1   | American-Lincoln (large)                        |
| 21   | 56514821   | 2   | Decal, 7765                                     |
| 22   | 8-50-05022 | 3   | Pad (foot pedal)                                |
| 23   | 7-50-05136 | 1   | Pad (edge)                                      |

120

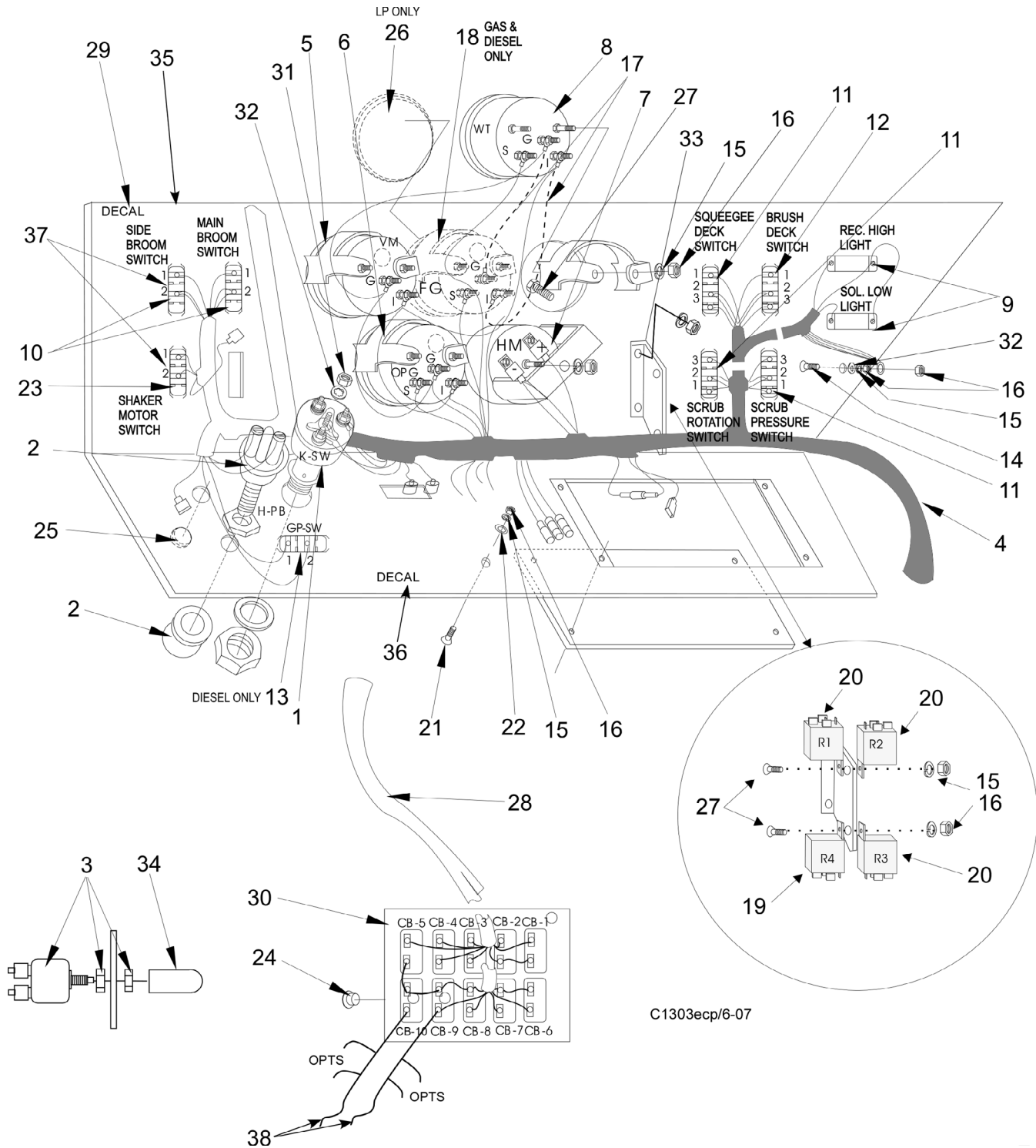
7765



71003/5-02



| Item | Ref. No.   | Qty | Description                     |
|------|------------|-----|---------------------------------|
| 1    | 8-11-00022 | 1   | Cap, Steering Wheel             |
| 2    | 7-89-08041 | 1   | Steering Wheel                  |
| 3    | 2-00-00233 | 4   | Screw, 3/8-16 x 1.0 HHC         |
| 4    | 2-00-02310 | 4   | Lock Washer, 3/8 Helical Spring |
| 5    | 7-70-05135 | 1   | Steering Column Assembly        |
| 6    | 56514761   | 1   | Housing, Steering               |
| 7    | 2-00-04685 | 8   | Screw, 1/4-20 x 3/4 SS          |
| 8    | 2-00-03059 | 7   | Screw, #10-24 x .375 THM        |
| 9    | 56514759   | 1   | Cover, Panel                    |
| 10   | 7-60-05029 | 1   | Pump, Steering Control Unit     |
|      | 0880-675   | 1   | Pump Seal Kit (Service item)    |
| 11   | 2-00-04688 | 10  | Nut, 1/4 -20 SS Hex             |
| 12   | 2-00-04687 | 10  | Lock Washer, 1/4 SS             |
| 13   | 2-00-04590 | 6   | Sealing Washer, .63 x .25       |
| 14   | 2-00-04876 | 4   | Screw, 1/4-20 x 1/2 BHS         |
| 15   | 56514758   | 1   | Panel, Circuit Breaker          |
| 16   | 56514757   | 1   | Instrument Panel                |
| 17   | 56514760   | 1   | Blank Panel                     |
| 18   | 56514756   | 1   | Housing, Console                |
| 19   | 2-00-05237 | 4   | Flat Washer, 1.06 x .265 x .063 |
| 20   | 56514762   | 1   | Bracket, Console Support        |
| 21   | 2-00-00219 | 2   | Screw, 1/4-20 x 1/2             |
| 22   | 2-00-03466 | 12  | Screw, #10-16 x 1/2 T/F RHM     |
| 23   | 2-00-00518 | 2   | Lock Washer, 1/4                |



C1303ecp/6-07

| Item | Ref. No.   | Qty | Description                             |
|------|------------|-----|---|
| 1^   | 7-82-00026 | 1   | Key Switch (K-SW)                       |
| 2^   | 8-82-00024 | 1   | Horn, Push Button (H-PB)                |
| 3^   | 8-64-00008 | 10  | Circuit Breaker (15 AMP)                |
| 4^   | 0795-186   | 1   | Harness, Instrument Panel               |
| 5^   | 8-48-00016 | 1   | Voltmeter (VM)                          |
| 6^   | 8-48-05027 | 1   | Gauge, Oil Pressure (OPG)               |
| 7^   | 56478363   | 1   | Gauge, Hour Meter (HM)                  |
| 8^   | 8-48-05028 | 1   | Gauge, Water Temperature (WTG)          |
| 9^   | 7-40-05028 | 2   | Light, Rec High - Solution Low          |
| 10^  | 8-82-00044 | 2   | Switch, Main & Side Broom (SPST On/Off) |
| 11^  | 7-82-00019 | 3   | Switch, SPST On/Off (L)                 |
| 12^  | 7-82-00020 | 2   | Switch, SPDT On/On                      |
| 13   | 8-82-00045 | 1   | Switch, Glow Plug (Diesel Only)         |
| 14   | 2-00-03062 | 1   | Screw, #10 - 24 x .625 THM              |
| 15^  | 2-00-00519 | 2   | Washer, #10 Lock Med. Helical Spring    |
| 16^  | 2-00-00605 | 3   | Nut, #10 - 24 Hex.                      |
| 17   | 8-90-07357 | 2   | Wire, WTG to FG (Gas & Diesel Only)     |
| 18   | 8-48-05032 | 1   | Gauge, Fuel (Gas & Diesel Only)         |
| 19^  | 8-64-05009 | 1   | Relay                                   |
| 20^  | 8-64-00012 | 3   | Relay                                   |
| 21   | 2-00-03063 | 3   | Screw, #10 - 24 x .750 THM              |
| 22   | 2-00-00466 | 1   | Flat Washer, .833 x .250 x .031         |
| 23   | 8-82-00045 | 1   | Switch, Shaker Motor (SM-SW)            |
| 24   | 2-00-04757 | 2   | Hole Plug                               |
| 25^  | 2-00-04942 | 1   | Hole Plug (Light SW)                    |
| 26   | 7-11-04035 | 1   | Kit, Low LP Indicator Light (LP Only)   |
| 27^  | 2-00-03061 | 2   | Screw, #10-24 x .50 THM                 |
| 28^  | 0795-111   | 1   | Harness, Circuit Breaker                |
| 29^  | 56514757   | 1   | Weldment, Instrument Panel              |
| 30^  | 56514758   | 1   | Panel, Circuit Breaker Mount            |
| 31   | 2-00-02330 | 4   | Nut, #10-32 Hex.                        |
| 32   | 2-00-00512 | 5   | Washer, #10 Int.                        |
| 33^  | 8-08-00748 | 1   | Bracket, Relay                          |
| 34^  | 8-11-00044 | 10  | Boot                                    |
| 35^  | 8-18-00516 | 1   | Decal, Control Top Instr Panel          |
| 36^  | 8-18-00517 | 1   | Decal, Control Top Instr Panel          |
| 37<  | 2-00-04896 | 2   | Hole Plug                               |
| 38^  | 8-90-07434 | 2   | Wire Assy.                              |

^ = Used on all models

< = Used on MD models

**SPARE PARTS – GAS/LP (VARIABLE DUMP) MACHINES****BROOM & HOPPER COMPONENTS**

|            |   |                                 |
|------------|---|---------------------------------|
| 7-25-08036 | 1 | Flap, Broom Chamber Front       |
| 7-25-08032 | 1 | Flap - Broom Chamber            |
| 7-25-08034 | 2 | Flap - Broom Chamber Rear Sides |
| 7-25-08033 | 2 | Flap - Broom Door               |
| 7-29-00226 | 4 | Gasket - Broom Door             |
| 7-25-08068 | 1 | Flap - Hopper Lip               |
| 7-68-05019 | 1 | Seal Outer Door                 |

**SQUEEGEE COMPONENTS**

|          |   |                           |
|----------|---|---------------------------|
| 56514860 | 1 | Kit, Rear Skirt, Squeegee |
| 56514859 | 1 | Kit, Side Skirt, Squeegee |

**FILTERS**

|            |   |                                 |
|------------|---|---------------------------------|
| 7-24-04032 | 1 | Hydraulic Return Filter Element |
| 7-24-04046 | 1 | Hopper Panel Filter             |
| 7-24-04086 | 1 | Engine Air Filter (Safety)      |
| 56482029   | 1 | Engine Air Filter (Main)        |

**ENGINE-RELATED COMPONENTS****GM 3.0L Gas/LP Engine**

|          |     |                               |
|----------|-----|-------------------------------|
| 56109023 | 1   | Oil Filter                    |
| 56305412 | 1   | Fuel Filter (Gasoline)        |
| 56305410 | 1   | Filter (Propane)              |
| 56109028 | 1   | Belt, Water Pump & Alternator |
| 56504459 | A/R | Seal, Front Crankshaft        |

**SPARE PARTS - GAS/LP (MANUAL DUMP) MACHINES****BROOM & HOPPER COMPONENTS**

|            |   |                           |
|------------|---|---------------------------|
| 7-25-08052 | 1 | Flap, Broom Chamber Front |
| 7-25-08051 | 1 | Flap, Broom Chamber Upper |
| 7-25-08050 | 4 | Flap, Hopper Lip          |

**SQUEEGEE COMPONENTS**

|          |   |                           |
|----------|---|---------------------------|
| 56514860 | 1 | Kit, Rear Skirt, Squeegee |
| 56514859 | 1 | Kit, Side Skirt, Squeegee |

**FILTERS**

|            |   |                                 |
|------------|---|---------------------------------|
| 7-24-04032 | 1 | Hydraulic Return Filter Element |
| 7-24-04086 | 1 | Engine Air Filter (Safety)      |
| 56482029   | 1 | Engine Air Filter (Main)        |

**ENGINE-RELATED COMPONENTS****GM 3.0L Gas/LP Engine**

|          |     |                               |
|----------|-----|-------------------------------|
| 56109023 | 1   | Oil Filter                    |
| 56305412 | 1   | Fuel Filter (Gasoline)        |
| 56305410 | 1   | Filter (Propane)              |
| 56109028 | 1   | Belt, Water Pump & Alternator |
| 56504459 | A/R | Seal, Front Crankshaft        |

**SPARE PARTS - DIESEL (VARIABLE DUMP) MACHINE****OPTION NO. 0780-621****BROOM & HOPPER COMPONENTS**

|            |   |                                 |
|------------|---|---------------------------------|
| 7-25-08036 | 1 | Flap - Broom Chamber Front      |
| 7-25-08032 | 1 | Flap - Broom Chamber            |
| 7-25-08034 | 2 | Flap - Broom Chamber Rear Sides |
| 7-25-08033 | 2 | Flap - Broom Door               |
| 7-29-00226 | 4 | Gasket - Broom Door             |
| 7-25-08068 | 1 | Flap - Hooper Lip               |
| 7-68-05019 | 1 | Seal - Outer Door               |

**SQUEEGEE COMPONENTS**

|          |   |                           |
|----------|---|---------------------------|
| 56514860 | 1 | Kit, Rear Skirt, Squeegee |
| 56514859 | 1 | Kit, Side Skirt, Squeegee |

**FILTERS**

|   |            |   |  |
|---|------------|---|--|
| # | 7-24-04086 | 1 | Engine Air Filter (Safety) <b>NOTE 1</b> |
| # | 56482029   | 1 | Engine Air Filter (Main) <b>NOTE 1</b>   |
|   | 7-24-04032 | 1 | Hydraulic Return Filter Element          |
|   | 7-24-04046 | 1 | Hopper Panel Filter                      |

**NOTE 1:** Both filters should be changed at the same time

**ENGINE-RELATED COMPONENTS****Mitsubishi S4Q2 Diesel Engine**

|            |     |                               |
|------------|-----|-------------------------------|
| 7-24-04097 | 1   | Oil Filter                    |
| 7-24-04089 | 1   | Element, Fuel Filter          |
| 2-00-05968 | 1   | Belt, Alternator/Fan          |
| 56504421   | 1   | Solenoid & Linkage, Shut Down |
| 56504455   | A/R | Ring Set, Piston              |
| 56504456   | A/R | Bushing, Con-Rod              |

126

7765

**SPARE PARTS - DIESEL (MANUAL DUMP) MACHINES**

OPTION NO. 0780-625

**BROOM & HOPPER COMPONENTS**

|            |   |                           |
|------------|---|---------------------------|
| 7-25-08052 | 1 | Flap, Broom Chamber Front |
| 7-25-08051 | 1 | Flap, Broom Chamber Upper |
| 7-25-08050 | 4 | Flap, Hopper Lip          |

**REAR SQUEEGEE COMPONENTS**

|          |   |                           |
|----------|---|---------------------------|
| 56514860 | 1 | Kit, Rear Skirt, Squeegee |
| 56514859 | 1 | Kit, Side Skirt, Squeegee |

**FILTERS**

|            |   |                                 |
|------------|---|---------------------------------|
| 7-24-04086 | 1 | Engine Air Filter (Safety)      |
| 56482029   | 1 | Engine Air Filter (Main)        |
| 7-24-04032 | 1 | Hydraulic Return Filter Element |

**ENGINE-RELATED COMPONENTS****Mitsubishi S4Q2 Diesel Engine**

|            |     |                               |
|------------|-----|-------------------------------|
| 7-24-04097 | 1   | Oil Filter                    |
| 7-24-04089 | 1   | Element, Fuel Filter          |
| 2-00-05968 | 1   | Belt, Fan/Alternator          |
| 56504421   | 1   | Solenoid & Linkage, Shut Down |
| 56504455   | A/R | Ring Set, Piston              |
| 56504456   | A/R | Bushing, Con-Rod              |

08-4

**ENGINE SERVICE PARTS - MITSUBISHI S4Q2 DIESEL**

08-6

**7765****127**

| Ref. No.   | Qty | Description                                  |
|------------|-----|--|
| 0775-287   | 1   | Alternator                                   |
| 7-23-00022 | 1   | Fan, S4Q2 Engine                             |
| 2-00-05968 | 1   | Belt, Alternator/Fan                         |
| 7-60-05048 | 1   | Water Pump                                   |
| 7-29-00339 | 1   | Gasket, Water Pump                           |
| 7-24-04097 | 1   | Oil Filter                                   |
| 7-75-03005 | 4   | Glow Plug                                    |
| 7-64-00041 | 1   | Relay, Glow Plug (installed on wire harness) |
| 7-64-00040 | 1   | Relay, Murphy (installed on wire harness)    |
| 0769-029   | 1   | Injector                                     |
| 7-56-04071 | 1   | Pipe, Cylinder #1                            |
| 7-56-04072 | 1   | Pipe, Cylinder #2                            |
| 7-56-04073 | 1   | Pipe, Cylinder #3                            |
| 7-56-04074 | 1   | Pipe, Cylinder #4                            |
| 7-56-04079 | 1   | Pipe, Fuel Leak-Off                          |
| 7-29-00312 | 1   | Gasket, Thermostat                           |
| 7-84-08016 | 1   | Thermostat                                   |
| 0775-285   | 1   | Starter                                      |
| 7-29-00338 | 1   | Gasket, Cylinder Head                        |
| 56504421   | 1   | Solenoid & Linkage, Shut Down                |
| 7-24-04089 | 1   | Element, Fuel Filter                         |
| 7-24-04088 | 1   | Filter, Water Separator                      |
| 7-82-00052 | 1   | Switch, Water Temperature                    |
| 7-82-00055 | 1   | Switch, Oil Pressure (for Murphy Shutdown)   |
| # 56504485 | 1   | Manifold, Exhaust S4Q2                       |
| # 56504486 | 1   | Gasket, Manifold to Head                     |
| # 56504487 | 1   | Gasket, Manifold to Pipe                     |
| #          |     | DELETED                                      |
| #          |     | DELETED                                      |
| #          |     | DELETED                                      |

# = Revised or new since last update

| Ref. No.   | Qty | Description                                |
|------------|-----|--|
| 56109000   | 1   | ECU, 2006 LP Cert 3.0L <b>NOTE 1</b>       |
| 56109113   | 1   | ECU, 2007 LP Cert 3.0L <b>NOTE 1</b>       |
| 56109001   | 1   | ECU, 2006 Gas Cert 3.0L <b>NOTE 2</b>      |
| 56109114   | 1   | ECU, 2007 Gas Certified 3.0L <b>NOTE 2</b> |
| 0795-225   | 1   | Harness, 3.0L LP                           |
| 0795-228   | 1   | Harness, 3.0L Gas                          |
| 0795-220   | 1   | Harness, Engine To Machine Interface       |
| 0795-226   | 1   | Harness, Fuel Temp Extension               |
| 56109002   | 1   | Sensor, Coolant                            |
| 56109003   | 1   | Sensor, Crankshaft Position                |
| 56109004   | 1   | Sensor, TMAP                               |
| 56109005   | 1   | Sensor, O2 Pre Cat                         |
| 56109006   | 1   | Switch, Oil Pressure                       |
| # 56504476 | 1   | Sender, Water Temp                         |
| 8-69-00005 | 1   | Sender, Oil Pressure                       |
| 56109007   | 1   | Water Pump                                 |
| 56109008   | 1   | Oil Pump                                   |
| 56109009   | 1   | Gasket, Cylinder Head                      |
| 56109010   | 1   | Gasket, Valve Cover                        |
| 56109011   | 1   | Gasket, Lifter Cover                       |
| 56109012   | 1   | Gasket, Intake Manifold                    |
| 56109013   | 1   | Plate, Drive, SAE 13T B-B                  |
| 56109014   | 6   | Bolt, Drive Plate                          |
| 56109015   | 1   | Distributor Assembly (Complete)            |
| 56109016   | 1   | Distributor Cap                            |
| 56109017   | 1   | Distributor Rotor                          |
| 56109018   | 1   | Ignition Module                            |
| 56109019   | 1   | Ignition Coil                              |
| 56109020   | 1   | Coil Wire                                  |
| 56109021   | 1   | Spark Plug Wire Set                        |
| 56109022   | 4   | Spark Plug                                 |
| 56109023   | 1   | Oil Filter                                 |
| 56109024   | 1   | PCV Valve                                  |
| 56109025   | 1   | Starter                                    |
| 56109026   | 2   | Bolt, Starter                              |
| 56305867   | 1   | Alternator                                 |
| 56109028   | 1   | Belt, Water Pump & Alternator              |
| 56109029   | 1   | Thermostat, 180                            |
| 56109030   | 1   | Gasket, Thermostat                         |
| 56109032   | 1   | Gasket, Thermostat Housing                 |

# = Revised or new since last update

**NOTE 1:** Use ECU 56109000 for 2006 engine (P/N: 39000558). Use ECU 56109113 for 2007 engine (P/N: 39000653).

**NOTE 2:** Use ECU 56109001 for 2006 engine (P/N: 39000559). Use ECU 56109114 for 2007 engine (P/N: 39000655).



08-4

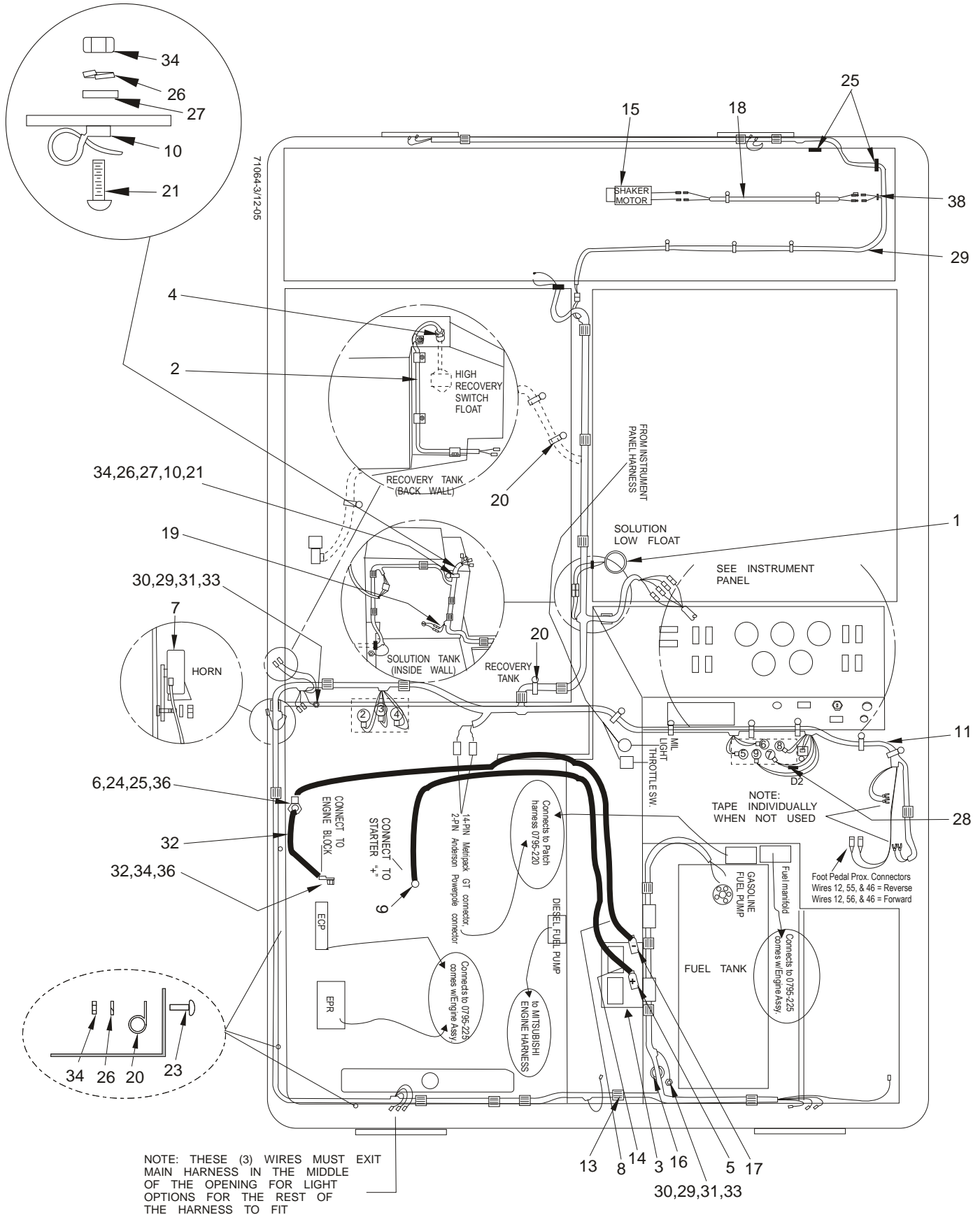
**ENGINE SERVICE PARTS - GM 3.0 GAS/LP (continued)**

08-6

**7765****129**

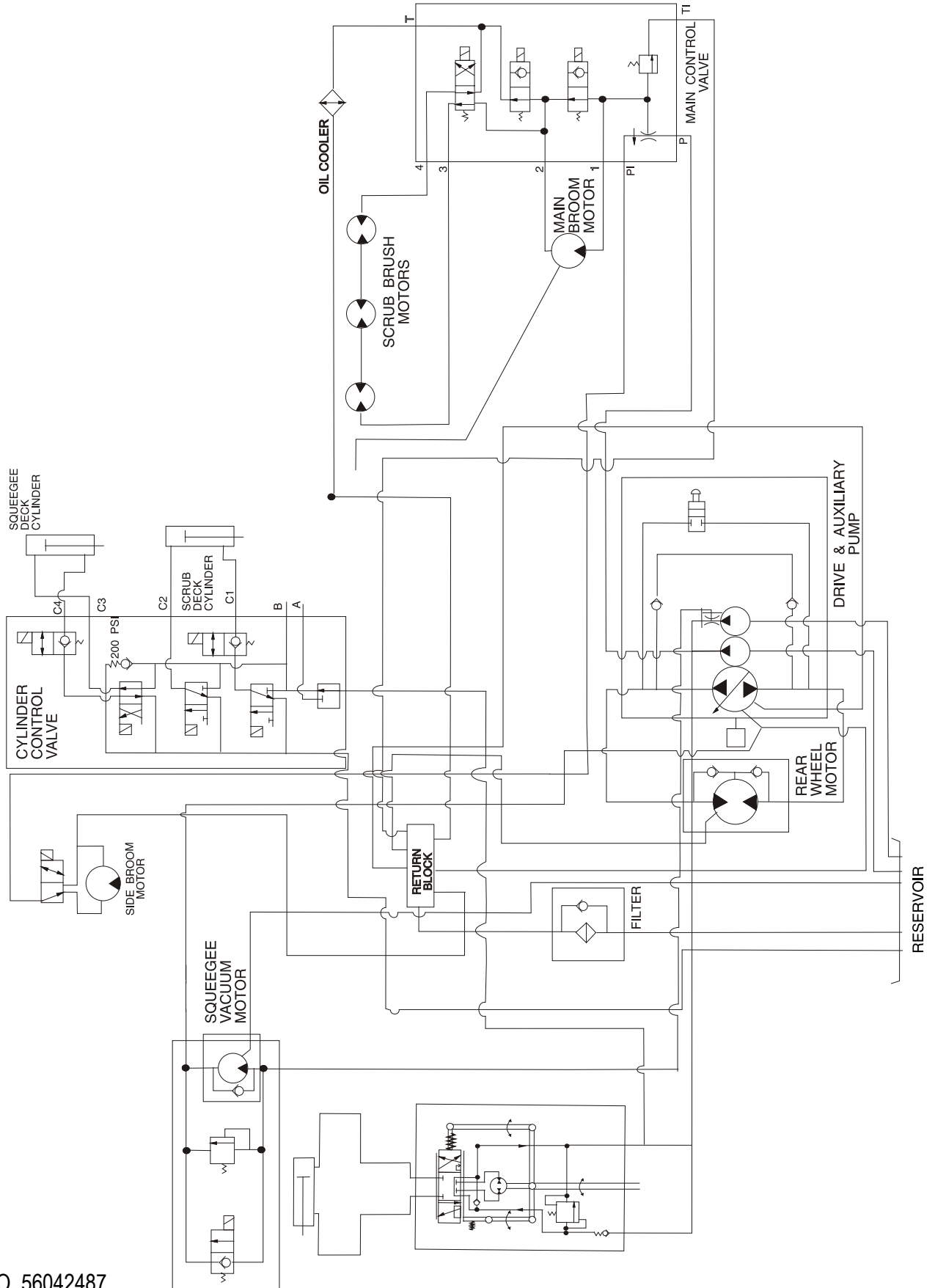
| Ref. No.   | Qty | Description                         |
|------------|-----|-------------------------------------|
| 56109033   | 1   | Throttle Body, Bosch 40mm           |
| 56109034   | 1   | Gasket, Bosch Throttle Body         |
| 56109035   | 1   | Mixer, IMPCO Model 100              |
| 56109036   | 1   | Gasket, Adapter – Mixer             |
| 56109040   | 1   | Adapter, Mixer - Throttle Body      |
| 56109041   | 2   | Seal, Mixer Adapter                 |
| 56109042   | 1   | O-Ring, Mixer Adapter               |
| 56109043   | 1   | Electronic Pressure Regulator (EPR) |
| 56109044   | 1   | Sender, LPG Temp - EPR              |
| 56109045   | 1   | Fitting Kit - EPR                   |
| 56109046   | 3   | Isolator, EPR                       |
| 56109047   | 1   | Hose, Water - EPR                   |
| 7-88-00110 | 1   | Valve, LP Safety                    |
| 56109048   | 1   | Connector, Safety Valve             |
| 56109049   | 1   | Lock, Safety Valve Connector        |
| 56305410   | 1   | Filter, Propane                     |
| 56109050   | 1   | Fuel Rail Assembly                  |
| 56109051   | 4   | Fuel Injector                       |
| 56109185   | 1   | Intake Manifold, GM 3.0L            |
| 56508791   | 1   | Intake Gasket                       |
| 56109186   | 1   | Exhaust Manifold, GM 3.0L           |
| 56109284   | 1   | Exhaust Manifold Gasket             |
| 56109187   | A/R | Head Bolt                           |
| 56504459   | A/R | Seal, Front Crankshaft              |
| 56109084   |     | Engine Service Kit                  |
| 56109085   |     | Engine Service Manual               |
| # 56504475 | 1   | Hose, Breather Cap                  |
| # 56504474 | 1   | Cap, Oil Fill                       |

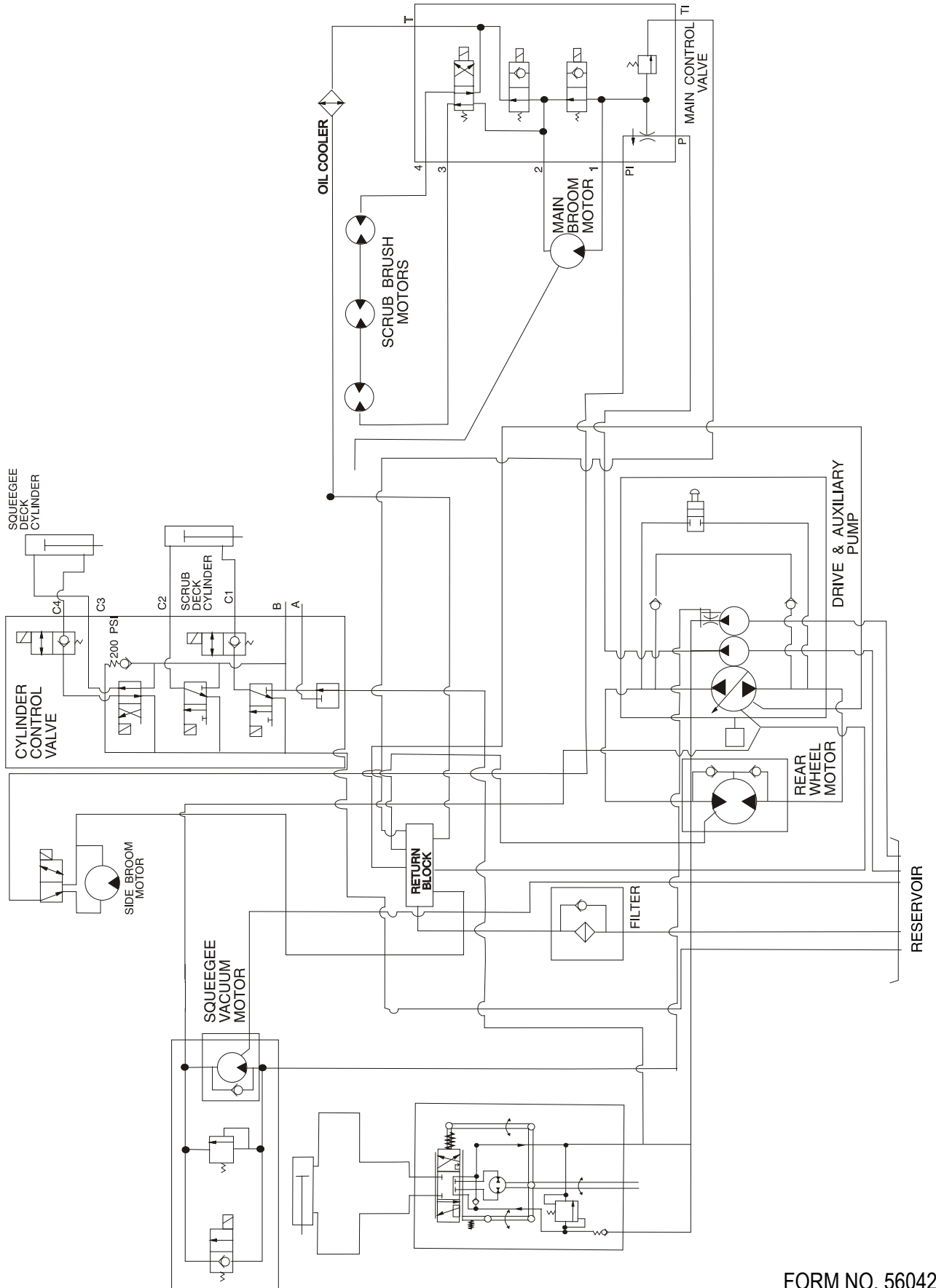
# = Revised or new since last update

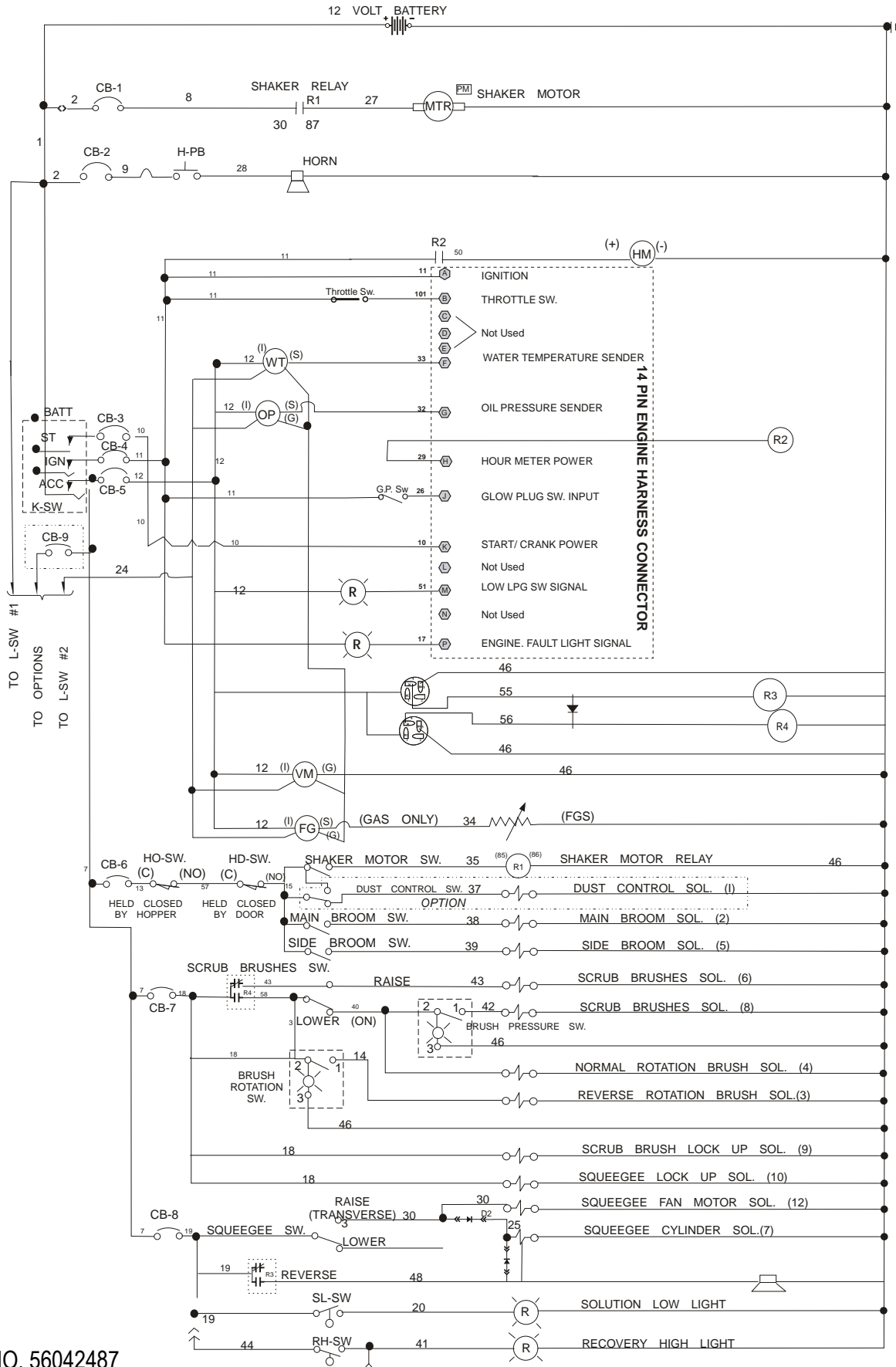


| Item | Ref. No.   | Qty  | Description                        |
|------|------------|------|------------------------------------|
| 1    | 7-82-00017 | Ref. | Switch, Float (Solution Low)       |
| 2    | 7-82-00021 | Ref. | Switch, Float (Rec. High)          |
| 3    | 0875-008   | Ref. | Battery (Gas/LP Only)              |
|      | 0875-057   | Ref. | Battery (Diesel Only)              |
| 4    | 8-09-01083 | 1    | Bushing, Connector (Liquid Tight)  |
| 5    | 2-00-05171 | Ref. | Boot, Protective (Red)             |
| 6    | 2-00-00232 | Ref. | Screw, 3/8-16 x .75 HHC            |
| 7    | 8-32-09013 | Ref. | Horn                               |
| 8    | 7-90-07515 | Ref. | Cable, Battery (Negative)(Gas/LP)  |
|      | 7-90-07262 | Ref. | Cable, Battery (Negative)(Diesel)  |
| 9    | 2-00-04952 | 1    | Boot, Protective (Red)             |
| 10   | 2-00-04937 | 1    | Tie, Cable                         |
| 11   | 0795-187   | 1    | Harness, Machine                   |
| 12   | 2-00-03060 | Ref. | Screw, #10-24 x .25 THMS           |
| 13   | 7-13-07096 | 33   | Clamp, Adjustable                  |
| 14   | 7-90-07514 | Ref. | Cable, Battery (Positive)(Gas/LP)  |
|      | 7-90-07280 | Ref. | Cable, Battery (Positive)(Diesel)  |
| 15   | 0880-705   | Ref. | Motor, Shaker                      |
| 16   | 8-09-01081 | 1    | Bushing, Snap                      |
| 17   | 2-00-05173 | Ref. | Boot, Protective (Black)           |
| 18   | 8-90-07433 | 1    | Wire Assembly, Hopper (HO - WA)    |
| 19   | 2-00-04551 | 2    | Terminal, .156 Male Bullet         |
| 20   | 2-00-04602 | 3    | Clamp                              |
| 21   | 2-00-03061 | Ref. | Screw, #10-24 x .50 RHM            |
| 22   | 2-00-04345 | 30   | Ty-Rap                             |
| 23   | 2-00-00056 | Ref. | Screw, #10-24 x .75 THM            |
| 24   | 2-00-03829 | Ref. | Lock Washer, 3/8 Int./Ext.         |
| 25   | 2-00-02360 | Ref. | Nut, 3/8-16 Hex                    |
| 26   | 2-00-00519 | 5    | Lock Washer, #10                   |
| 27   | 2-00-00460 | Ref. | Flat Washer, #10                   |
| 28   | 0875-087   | 1    | Diode Assembly (D2)                |
| 29   | 2-00-00183 | 2    | Screw, 1/4 - 20 x .75 THM          |
| 30   | 2-00-00518 | 2    | Lock Washer, 1/4 ID Helical Spring |
| 31   | 2-00-00594 | 2    | Nut, 1/4-20 Hex                    |
| 32   | 8-90-07328 | Ref. | Cable, Ground                      |
| 33   | 2-00-00498 | 2    | Lock Washer, 1/4 Ext.              |
| 34   | 2-00-00605 | 5    | Nut, #10-24                        |
| 35   | 0795-164   | 1    | Harness, Hopper                    |
| 36   | 2-00-00402 | 2    | Flat Washer, 3/8                   |
| 37#  |            |      | DELETED                            |
| 38   | 2-00-03878 | 1    | Grommet                            |

# = Revised or new since last update





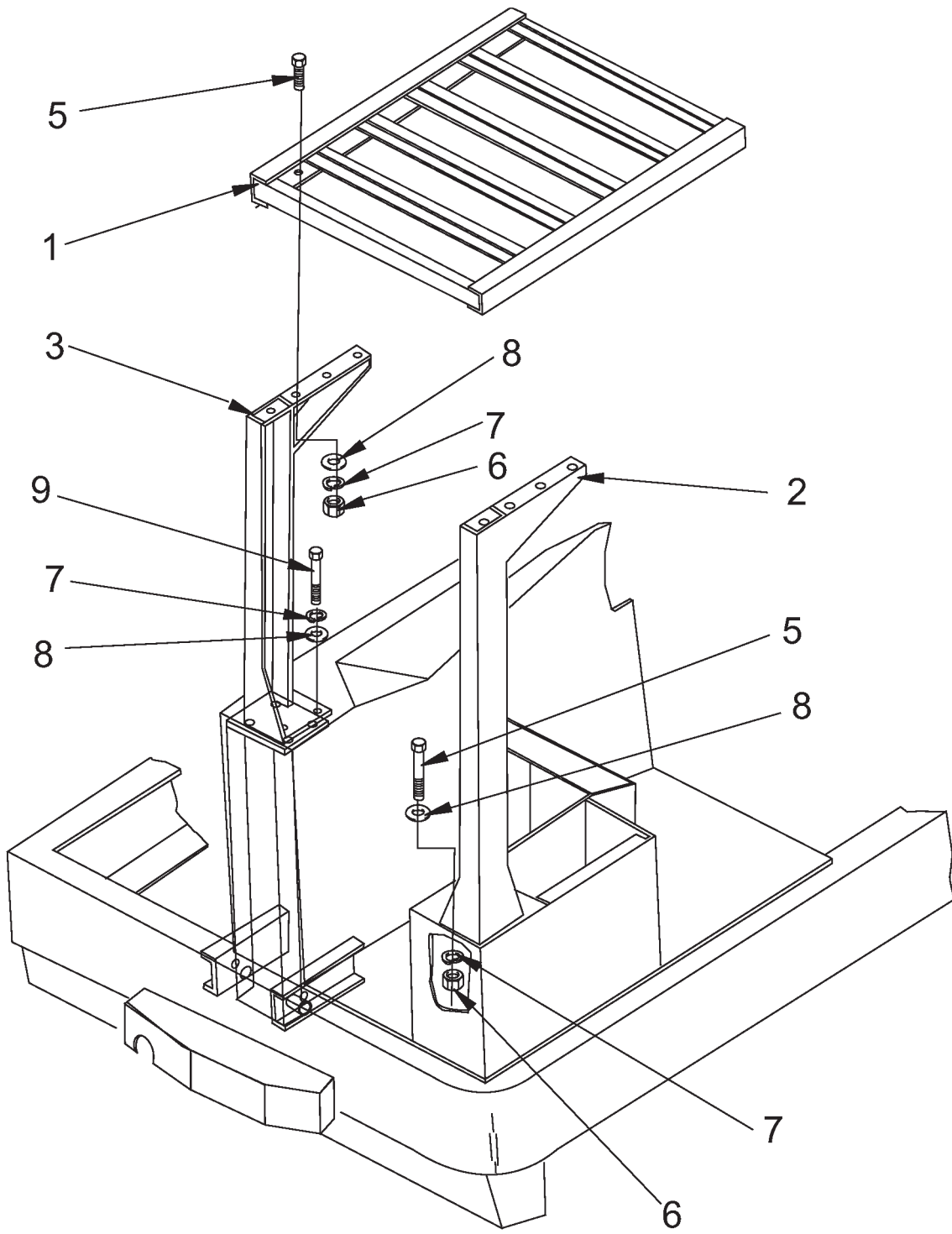


|      |                |  |            |
|------|----------------|--|------------|
| 08-4 | <b>OPTIONS</b> |  |            |
| 08-6 | <b>7765</b>    |  | <b>135</b> |

| Item | Ref. No.   | Qty | Description   |
|------|------------|-----|---|
|      |            |     | <b>Factory Installed Option</b>   |
| *    | 0780-377   | 1   | Back Up Alarm   |
| *#   | 56514864   | 1   | ESP Option  |
| *    | 0780-443   | 1   | Seat Belt   |
| *    | 0780-380   | 1   | Fire Extinguisher   |
| *    | 56514874   | 1   | Overhead Guard  |
| *    | 0780-378   | 1   | Spray & Vac Wand  |
| *    | 0780-387   | 1   | Side Broom (for MD Models)  |
| *    | 0780-382   | 1   | Squeegee Wand   |
| *    | 0780-109   | 1   | Suspension seat with RH Arm Rest  |
| *    | 56514878   | 1   | Stainless Steel VD Hopper (in lieu of Standard)                                 |
| *    | 56514881   | 1   | Stainless Steel Low Dump Hopper (in lieu of standard)                           |
| *    | 56514880   | 1   | 125 Gal Solution & Recovery tanks (Manual Dump models only in lieu of standard) |
| *    | 56514879   | 1   | Auxillary LP Tank Mount w/o Tank  |
| *#   | 56514862   | 1   | Dual Feed LP Tanks (w/o auxillary tank)   |
| *    | 0780-723   | 1   | Extended 4 corner roller bumpers  |
| *    | 0780-724   | 1   | Bumper Frame Wrap Around (poly)   |
| *#   | 56514869   | 1   | Curb Broom Light  |
| *    | 56514883   | 1   | Amber Flashing Light on OHG (must order 0780-379)                               |
| *    | 56514876   | 1   | Amber Flashing Light without OHG  |
| *    | 56514882   | 1   | Amber Rotating Light on OHG (must order 0780-379)                               |
| *    | 56514875   | 1   | Amber Rotating Light without OHG  |
| *    | 56514884   | 1   | Amber Strobe Light on OHG (must order 0780-379)                                 |
| *    | 56514877   | 1   | Amber Strobe Light without OHG  |
| *#   | 56514868   | 1   | Head, Tail and Instrument Lights  |
| *#   | 56514867   | 1   | Head, Tail, Instrument and Brake Lights   |
| *#   | 56514866   | 1   | Head, Tail, Instrument, Brake Lights, Turn Signals and 4-Way Flashers           |
| *    | 0780-236   | 1   | Recovery Tank Debris Basket   |
| *    | 0780-381   | 1   | Wet Sweep Bypass (not available on manual dump)                                 |
| *    | 0780-710   | 1   | High Torque Drive Wheel Motor (in lieu of standard)                             |
| *    | 0780-726   | 1   | Timed filter shaker   |
| *    | 0780-728   | 1   | Clogged filter indicator  |
| *    | 0780-727   | 1   | Hopper High Temp Shutdown   |
| *    | 0780-729   | 1   | Solution Off in Neutral   |
| *#   | 0780-098   | 1   | Urethane Front Tires  |
| *#   | 0780-711   | 1   | Tire, Rear Wheel Non Marking  |
| *#   | 7-89-08047 | 1   | Tire, Rear Wheel Extra Traction   |
| *#   | 7-85-06008 | 1   | Tire, Rear Wheel (Hvy Duty Option)  |
| *#   | 56504483   | 1   | Tire, Rear Wheel (Directional) <b>TSBUS2008-1006</b>                            |

\* = Optional, Not Included

# = Revised or new since last update





08-4

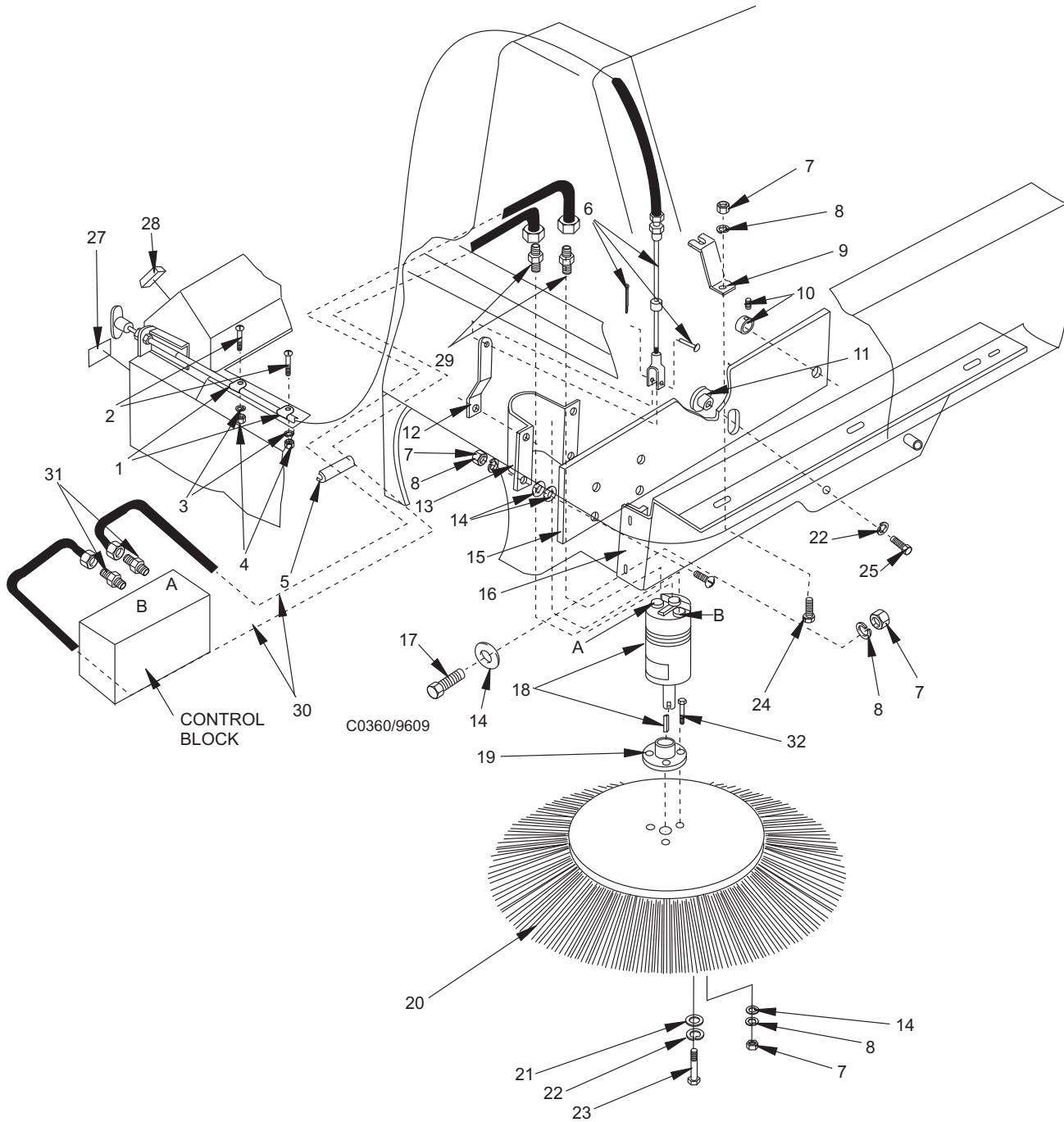
**OVERHEAD GUARD OPTION**

08-6

**7765****137**

| Item | Ref. No.   | Qty | Description                         |
|------|------------|-----|-------------------------------------|
|      | 56514874   |     | Overhead Guard Option               |
| 1    | 56514900   | 1   | Guard (Weldment)                    |
| 2    | 56514901   | 1   | Support (Weldment)                  |
| 3    | 56514902   | 1   | Support-(Weldment)                  |
| 4#   |            |     | DELETED                             |
| 5    | 2-00-00239 | 12  | Screw, 1/2 - 13 x 1.000 HHC         |
| 6    | 2-00-02352 | 12  | Nut, Hex 1/2 - 13 x .875 x .484     |
| 7    | 2-00-02312 | 16  | Lock Washer, Helical Spring 1/2 Med |
| 8    | 2-00-01444 | 16  | Flat Washer, .750 x .520 x .062     |
| 9    | 2-00-00240 | 4   | Screw, 1/2 - 13 x 1.250 HHC         |

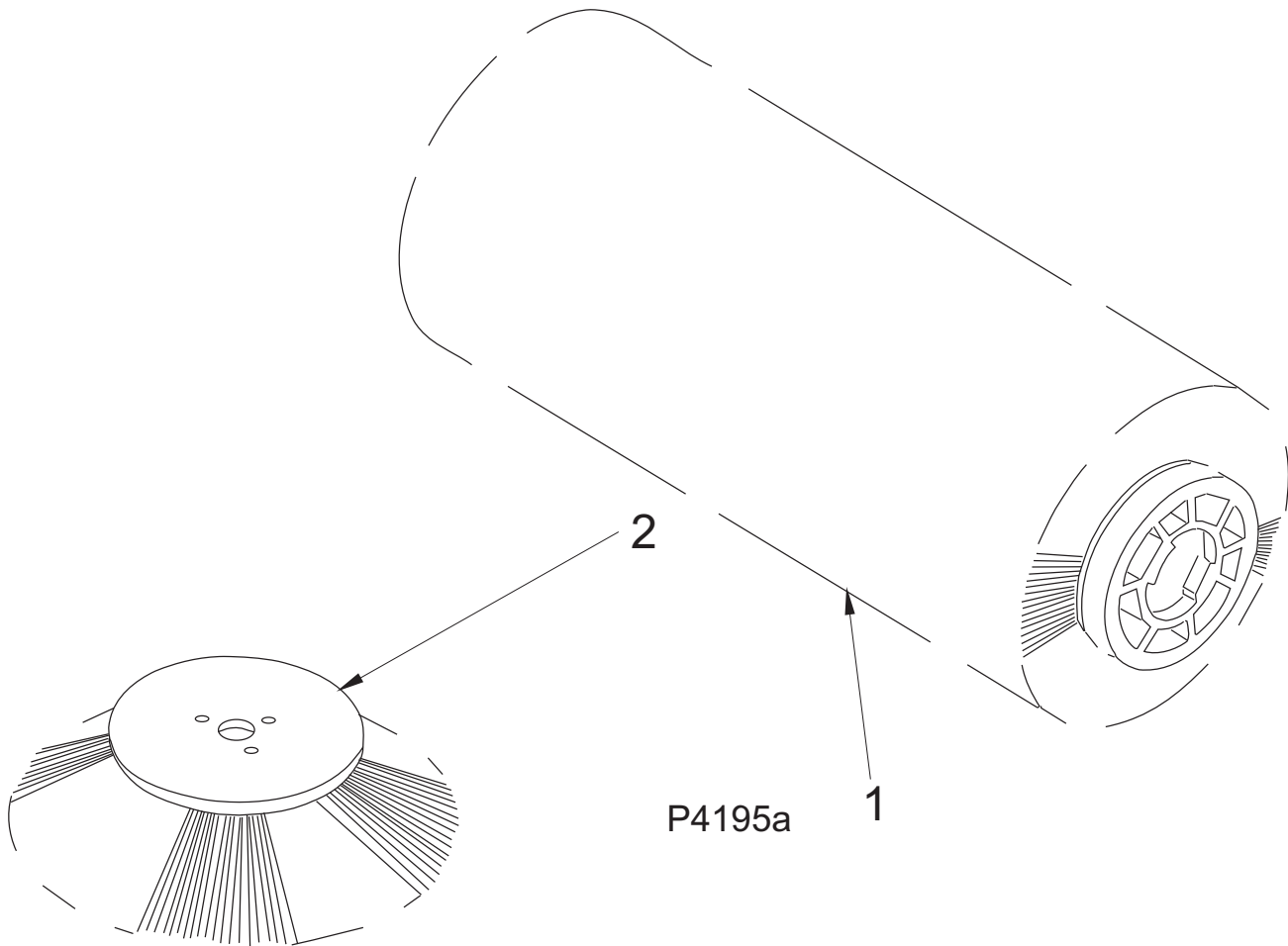
# = Revised or new since last update



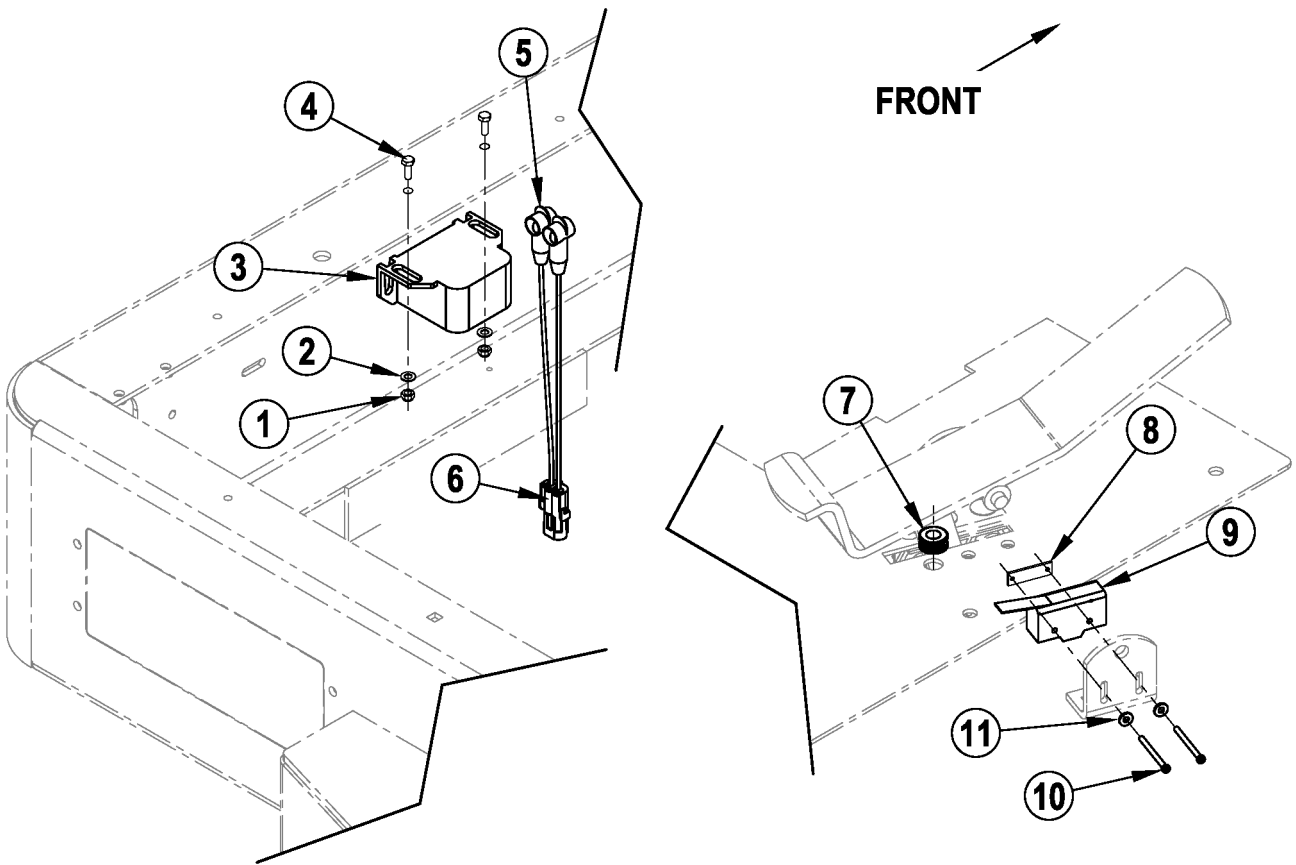
| Item | Ref. No.   | Qty | Description                        |
|------|------------|-----|------------------------------------|
|      | 0780-387   |     |                                    |
| 1    | 2-00-04210 | 2   | Clamp                              |
| 2    | 2-00-00049 | 2   | Screw, 10-24 x .50                 |
| 3    | 2-00-00512 | 2   | Lock Washer, 10                    |
| 4    | 2-00-00605 | 2   | Nut, Hex 10-24                     |
| 5    | 8-21-04030 | 1   | Edging                             |
| 6    | 7-10-00029 | 1   | Cable                              |
| 7    | 2-00-00585 | 11  | Nut, Hex 5/16-18                   |
| 8    | 2-00-00530 | 11  | Lock Washer, Helical Spring 5/16   |
| 9    | 7-08-00705 | 1   | Cable Bracket                      |
| 10   | 8-15-01003 | 1   | Collar, 3/4 ID w/setscrew          |
| 11   | 7-09-01134 | 1   | Bushing, 3/8-16 Thd.               |
| 12   | 7-79-00060 | 1   | Lift Cable Strap                   |
| 13   | 7-08-00841 | 1   | Bracket Side Broom                 |
| 14   | 2-00-00409 | 5   | Flat Washer, 5/16                  |
| 15   | 7-03-04154 | 1   | Side Broom Arm                     |
| 16   | 7-08-00859 | 1   | Side Broom Bracket                 |
| 17   | 2-00-03029 | 3   | Screw, 5/16-18 x 1.0 HSFHC         |
| 18   | 0885-061   | 1   | Hydraulic Broom Drive Motor, w/Key |
| 19   | 7-25-06038 | 1   | Adapter Flange                     |
| 20   | 8-08-03107 | 1   | Side Broom                         |
| 21   | 2-00-00447 | 1   | Flat Washer 1.25 x .25             |
| 22   | 2-00-00518 | 4   | Lock Washer, 1/4                   |
| 23   | 2-00-03537 | 1   | Screw, 1/4-28 x 2.0 HHC            |
| 24   | 2-00-03564 | 5   | Screw, 5/16-18 x 1.0               |
| 25   | 2-00-02310 | 1   | Lock Washer, Helical Spring 3/8    |
| 26   | 2-00-00232 | 1   | Screw, 3/8-16 x .75- HHC           |
| 27   | 7-18-00215 | 1   | Side Broom Label                   |
| 28   | 8-82-00044 | 1   | Switch                             |
| 29   | 2-00-04918 | 2   | Fitting                            |
| 30   | 8-33-02216 | 2   | Hose, ORS-4-Str. Ends              |
| 31   | 2-00-04895 | 2   | Fitting                            |
| 32   | 2-00-00218 | 3   | Screw, 5/16-18 x 2.0 HHC           |
| 33   | 2-00-05350 | 3   | Screw, 1/4-28 x .625 HHC           |

140

7765

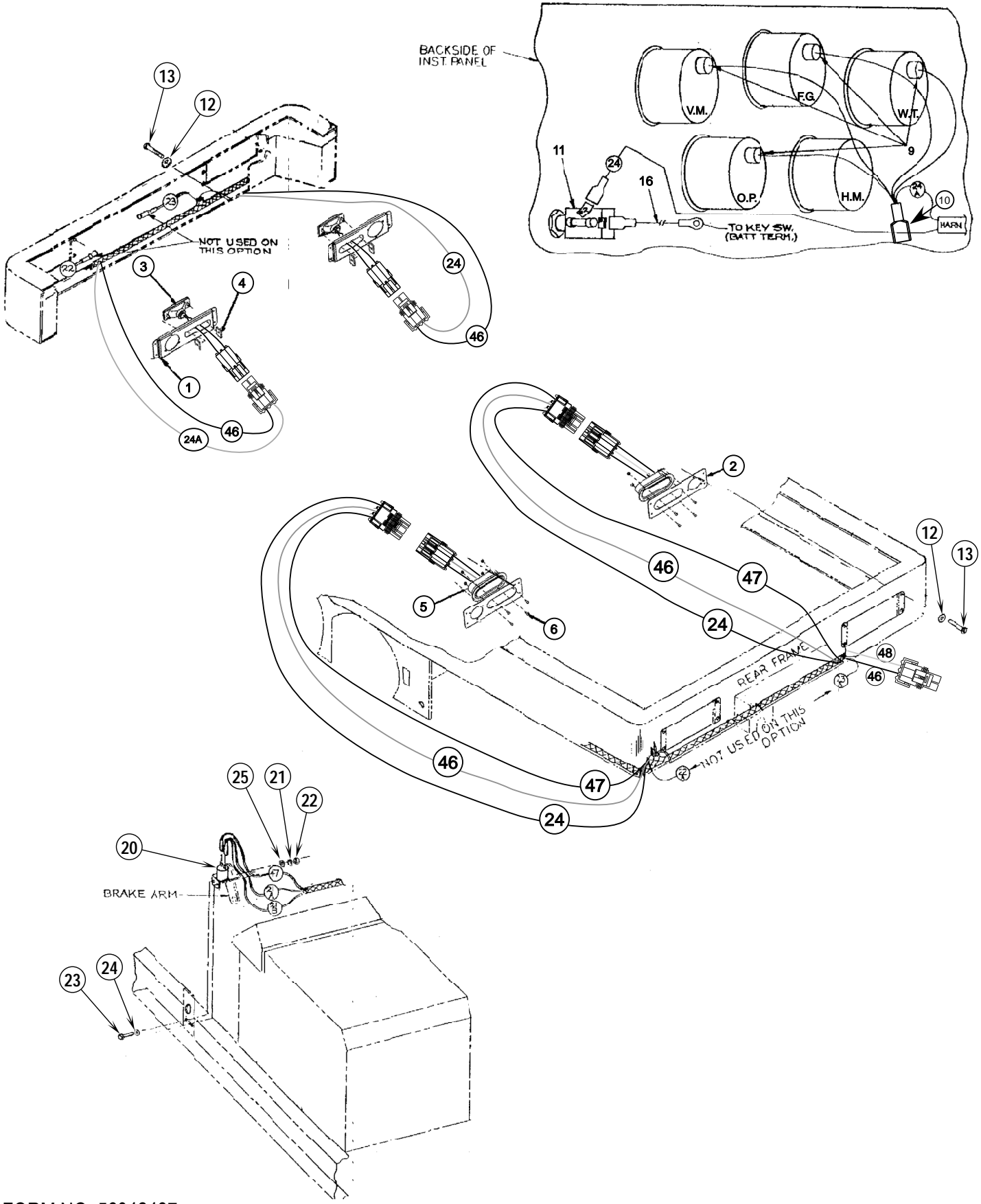


| Item | Ref. No.   | Qty | Description                  |
|------|------------|-----|------------------------------|
| 1    | 8-08-03180 | 1   | Proex and Wire               |
| 1    | 8-08-03190 | 1   | Proex                        |
| 1    | 8-08-03191 | 1   | Natural Fiber and Wire       |
| 1    | 8-08-03193 | 1   | Nylon                        |
| 1    | 8-08-03200 | 1   | Polypro Prolene              |
| 1    | 8-08-03196 | 1   | Nylon, High Density          |
| 1    | 8-08-03198 | 1   | Fiber and Wire, High Density |
| 2    | 8-08-03107 | 1   | Poly Prolene                 |
| 2    | 8-08-03177 | 1   | Nylon                        |



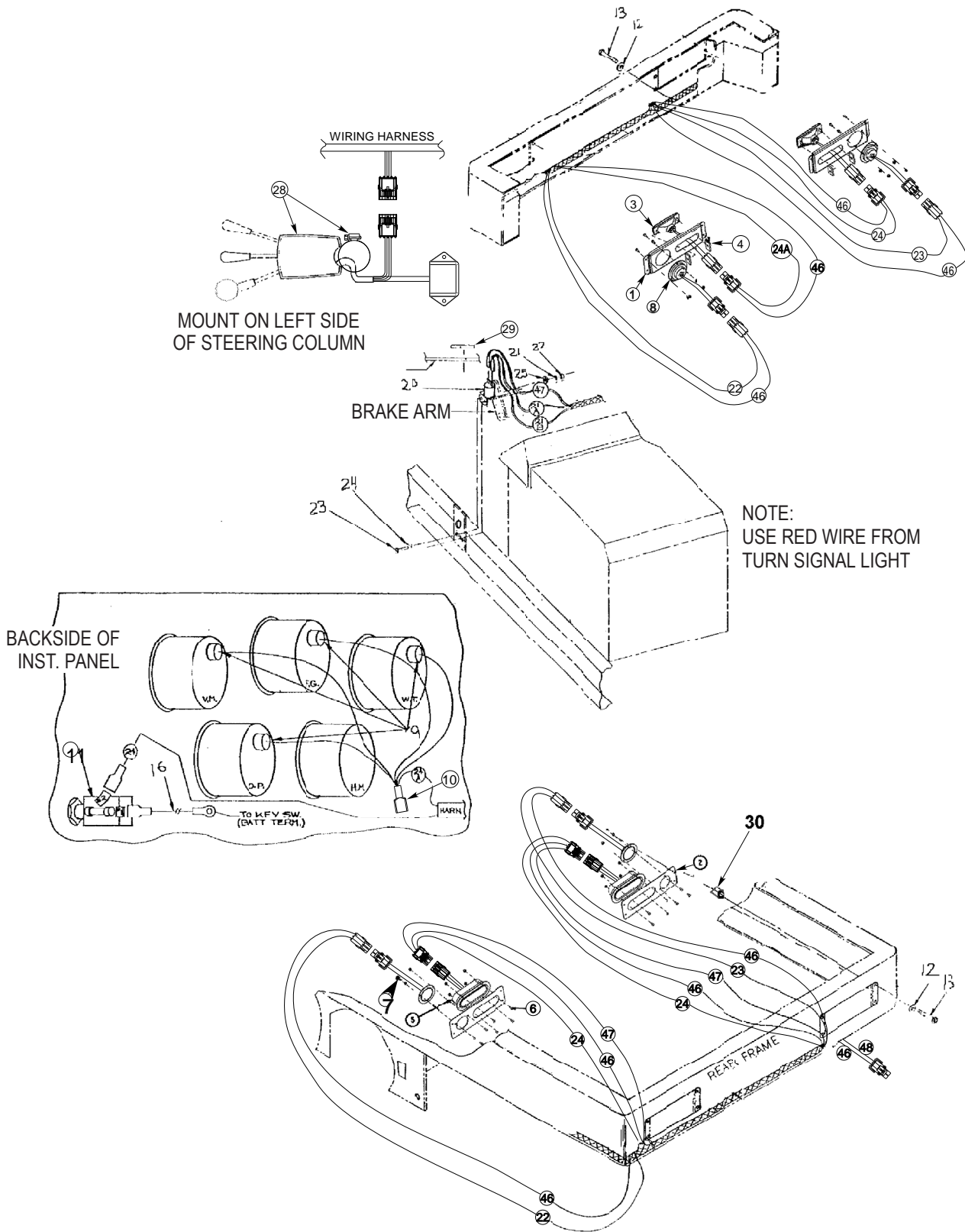
| Item | Ref. No.   | Qty | Description                   |
|------|------------|-----|-------------------------------|
|      | 0780-377   |     | Back-Up Alarm Option          |
| 1#   | 56002708   | 2   | Nut, Hex Nyl Loc 1/4-20       |
| 2#   | 56002098   | 2   | Wsh, Flt SAE 1/4              |
| 3#   | 56409232   | 1   | Back-Up Alarm                 |
| 4#   | 56002155   | 2   | Scr, Hex 1/4-20 x .75         |
| 5#   | 56409538   | 2   | Terminal Insulator            |
| 6#   | 56409495   | 1   | Wire Assy, Pigtail            |
| 7#   | 2-00-00491 | 1   | Grommet                       |
| 8#   | 56376015   | 1   | Nut Plate                     |
| 9#   | 7-82-00008 | 1   | Switch                        |
| 10#  | 2-00-05060 | 2   | Screw-PH. RHM 6-32 x 1.25 ZN  |
| 11#  | 2-00-00455 | 2   | Wshr-Flat .375x.156x.047 Stl. |

# = Revised or new since last update



| Item | Ref. No.   | Qty | Description   |
|------|------------|-----|---|
| #    | 56514867   |     | Headlights/Taillights/Brake Lights/Instrument Lights (items 1-26) |
| #    | 56514868   |     | Headlights/Taillights/Instrument Lights (items 1-16, 26)          |
| 1#   | 56514886   | 2   | Bracket, Front Light  |
| 2#   | 56514885   | 2   | Bracket, Rear Light   |
| 3    | 7-40-05046 | 1   | Light, 12VDC, 55W Headlight                                       |
| 4    | 7-08-01174 | 4   | Bracket, Headlight Mount  |
| 5    | 7-40-05047 | 2   | Taillight   |
| 6    | 2-00-00049 | 8   | Scw - RHM 10-24 x .50 Zn Pl                                       |
| 7    | 2-00-01246 | 8   | Nut - #10-24 Elastic Stop Nut                                     |
| 8    |            |     | Intentionally Omitted   |
| 9    | 8-40-05030 | 4   | Instrument Light and Lead   |
| 10   | 2-00-05183 | 1   | Spade Terminal, Female  |
| 11   | 8-82-00027 | 1   | Light Switch, Push/Pull   |
| 12   | 2-00-00501 | 16  | Washer - 1/4 Lock Int   |
| 13   | 2-00-04876 | 16  | Screw, 1/4 - 20 x .500 BHS  |
| 14   | 2-00-04578 | 6   | Male Bullet Plug  |
| 15   |            |     | Intentionally Omitted   |
| 16   | 7-90-07229 | 1   | Wire  |
| 17   | 8-64-00008 | 1   | Circuit Breaker (15 Amp)  |
| 18   | 8-11-00044 | 1   | Boot  |
| 19   | 8-11-00015 | 1   | Terminal  |
| 20   | 8-82-00039 | 1   | Switch-Brake  |
| 21   | 2-00-00519 | 2   | Lockwasher - 10-24  |
| 22   | 2-00-00605 | 2   | Nut, 10-24 Hex  |
| 23   | 2-00-00006 | 2   | Screw, 10-24 Hex  |
| 24   | 2-00-00512 | 2   | Lockwasher, #10 Int   |
| 25   | 2-00-00455 | 2   | Washer, Flat, #10   |
| 26   | 2-00-05261 | 16  | Insert, 1/4-20  |

# = Revised or new since last update

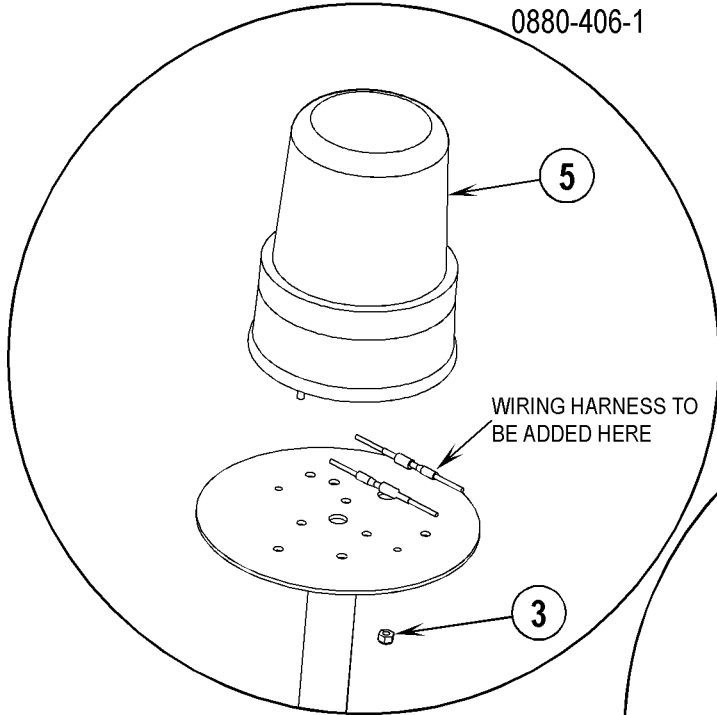




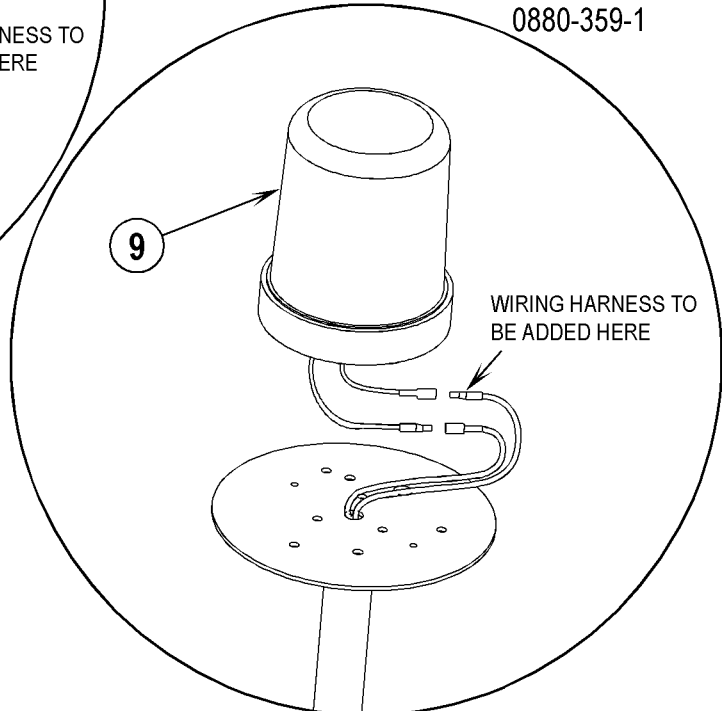
| Item | Ref. No.   | Qty | Description   |
|------|------------|-----|---|
| #    | 56514866   |     | Headlights/Taillights/Instrument Lights/Brake Lights & Turn Signals |
| 1#   | 56514886   | 2   | Bracket, Front Light  |
| 2#   | 56514885   | 2   | Bracket, Rear Light   |
| 3    | 7-40-05046 | 2   | Head Light, 12VDC/55W   |
| 4    | 7-08-01174 | 2   | Bracket, Head Light Mount   |
| 5    | 7-40-05047 | 2   | Light, Red Tail/Brake/Turn  |
| 6    | 2-00-00049 | 20  | Screw, 10-24 x .50 RHM  |
| 7    | 2-00-01246 | 20  | Nut, 10-24 Elastic Stop   |
| 8    | 7-40-05048 | 4   | Light, Amber Side Marker  |
| 9    | 8-40-05030 | 4   | Instrument Light and Lead   |
| 10   |            |     | Intentionally Omitted   |
| 11   | 8-82-00027 | 1   | Light Switch, Push/Pull   |
| 12   | 2-00-00501 | 16  | Lock Washer, 1/4 Int.   |
| 13   | 2-00-04876 | 16  | Screw, 1/4 - 20 x .50 BHS   |
| 14   | 2-00-04578 | 11  | Bullet Plug (Male)  |
| 15   |            |     | Intentionally Omitted   |
| 16   | 7-90-07229 | 1   | Wire  |
| 17   |            |     | Intentionally Omitted   |
| 18   |            |     | Intentionally Omitted   |
| 19   |            |     | Intentionally Omitted   |
| 20   | 8-82-00039 | 1   | Switch, Brake   |
| 21   | 2-00-00519 | 2   | Lock Washer, 10-24  |
| 22   | 2-00-00605 | 2   | Nut, Hex MS 1/4 - 20 x .437 x .187                                  |
| 23   | 2-00-00006 | 2   | Screw, 10-24 Hex  |
| 24   | 2-00-00512 | 2   | Lock Washer, 10 Int.  |
| 25   | 2-00-00455 | 2   | Flat Washer 10  |
| 26   |            |     | Intentionally Omitted   |
| 27   |            |     | Intentionally Omitted   |
| 28   | 8-82-00025 | 1   | Turn Signal Switch  |
| 29   | 2-14-03197 | 1   | Rubber Washer, 1.000 x .187 x .125                                  |
| 30   | 2-00-05261 | 16  | Insert  |
| 31   |            |     | Intentionally Omitted   |
| 32   | 2-00-05183 | 1   | Spade Terminal, Female  |

# = Revised or new since last update

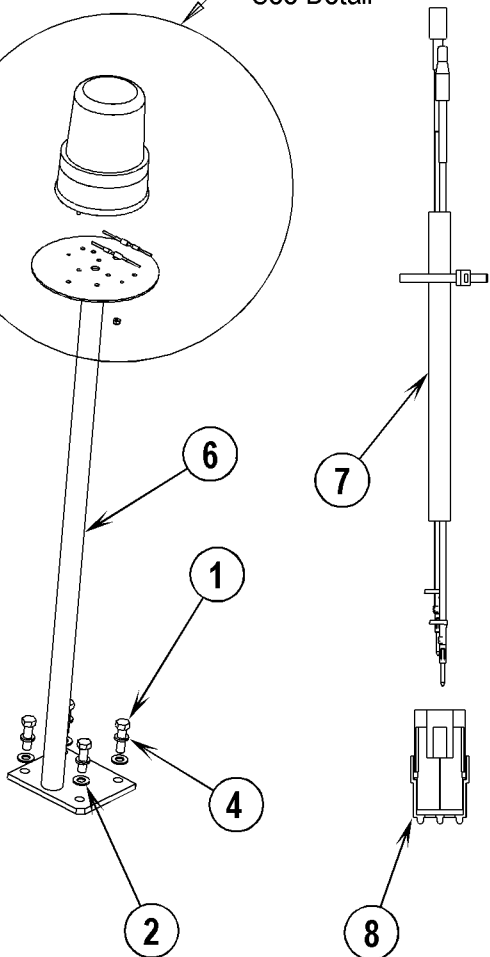
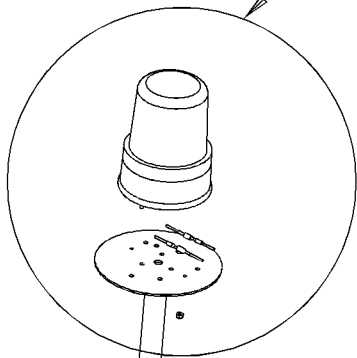
0880-406-1



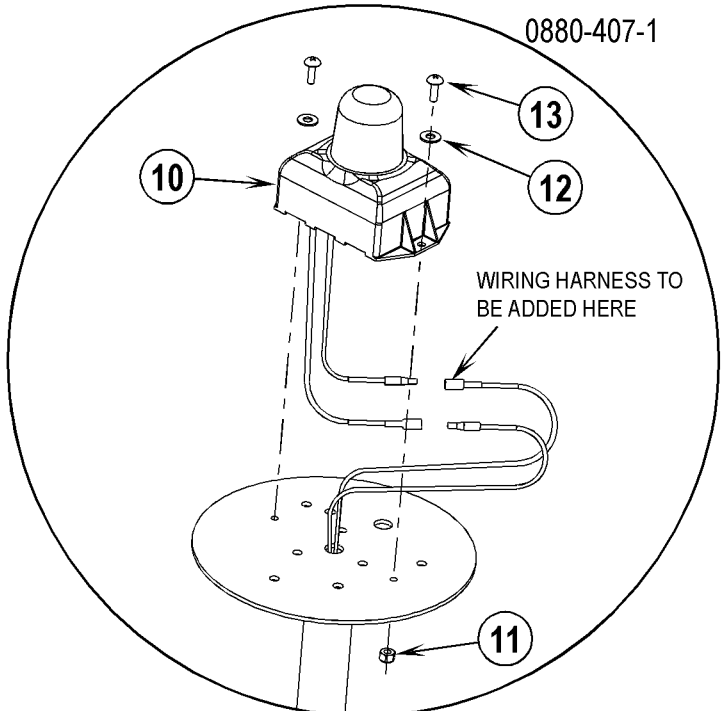
0880-359-1



See Detail



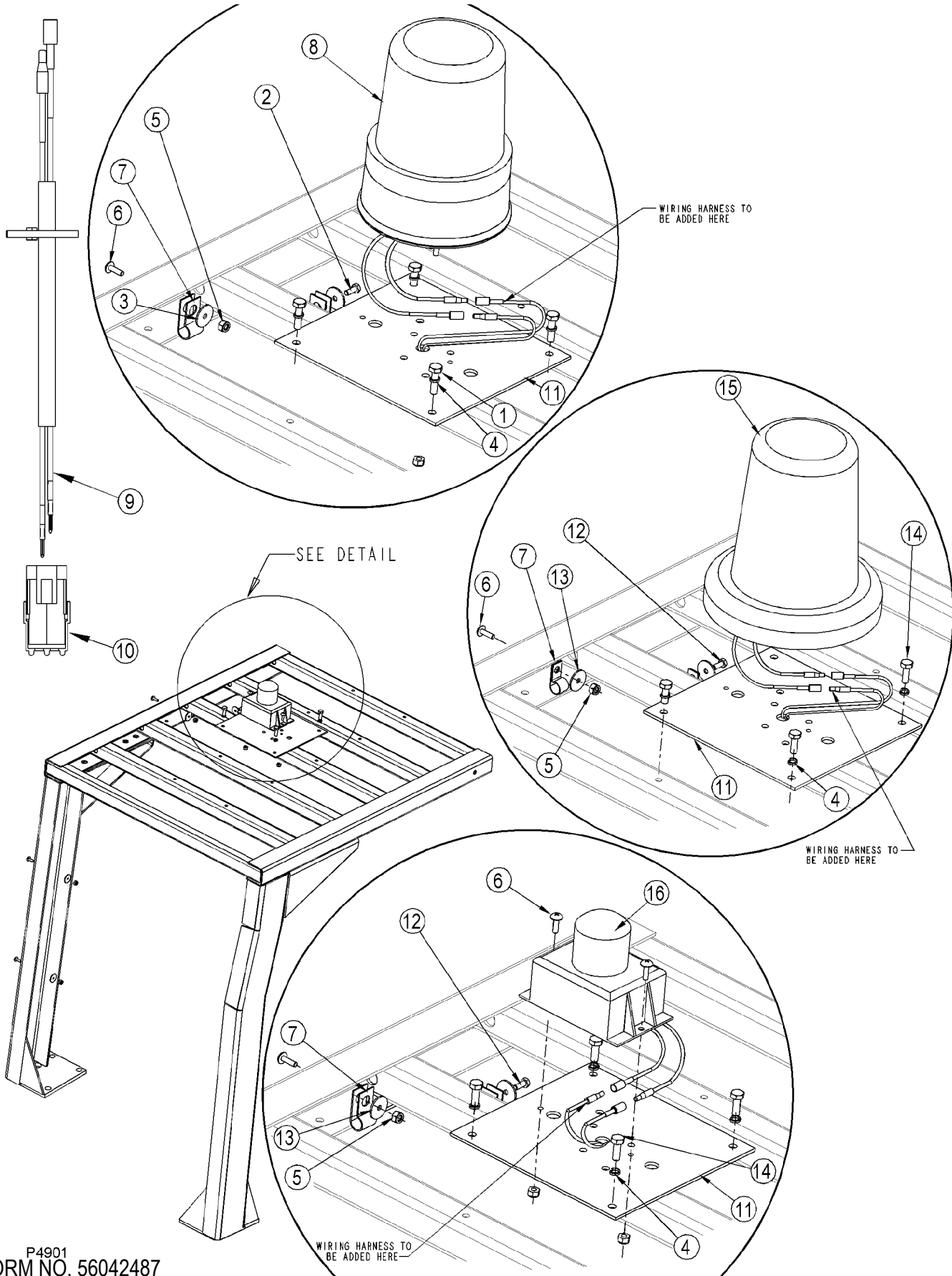
0880-407-1



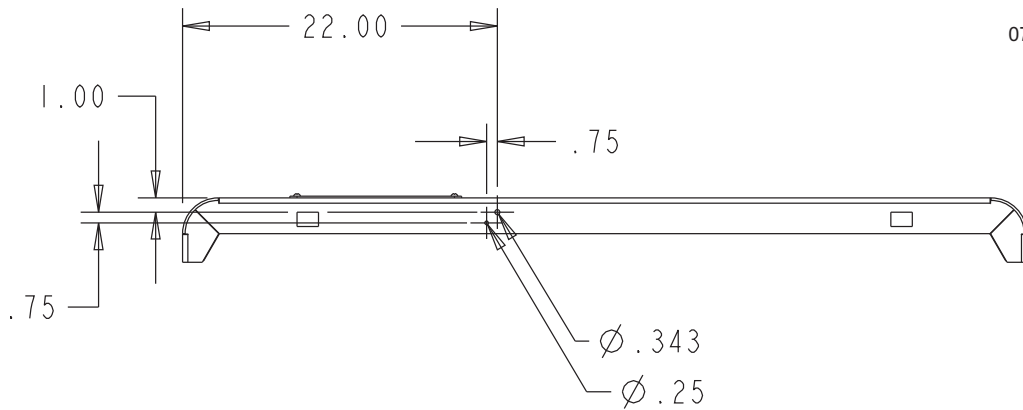
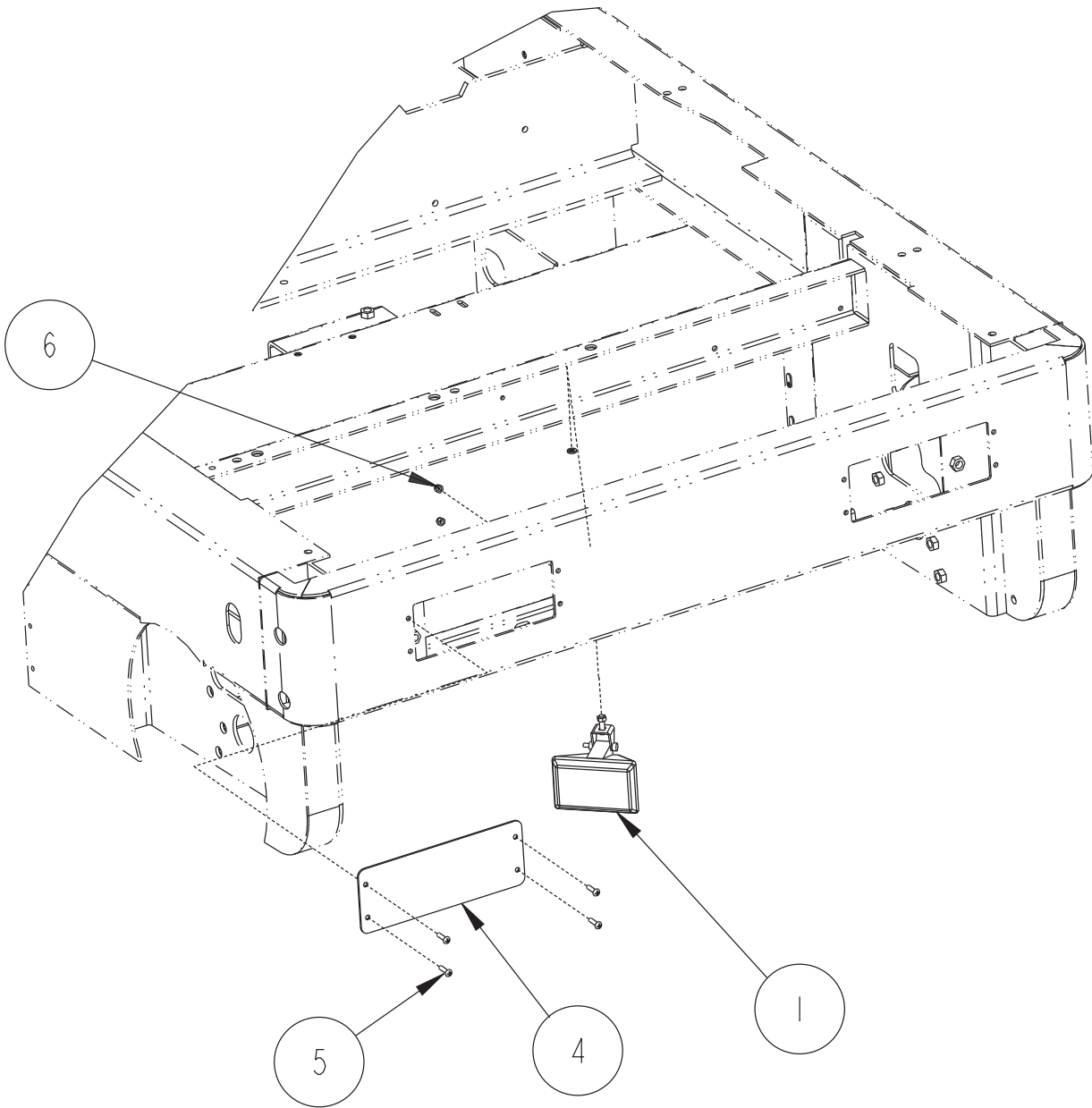
| Item | Ref. No.   | Qty | Description                      |
|------|------------|-----|----------------------------------|
|      | 56514875   |     | Rotating Light                   |
| 1    | 2-00-00241 | 4   | Bolt 1/2-13 X 1-3/4 LG           |
| 2    | 2-00-00405 | 4   | Flat Washer, 1.063 x .531 x .094 |
| 3    | 2-00-01246 | 2   | Nut-10-24 Elastic Stop Nut       |
| 4    | 2-00-02312 | 4   | Washer, 1/2" Lock                |
| 5    | 8-40-05039 | 1   | Warning Light, Amber Revolving   |
| 6    | 56514904   | 1   | Pole, Light                      |
| 7    | 56109254   | 1   | Harness, Warning Light           |
| 8    | 56462360   | 1   | Connector, 2-Way                 |

| Item | Ref. No.   | Qty | Description                      |
|------|------------|-----|----------------------------------|
|      | 56514876   |     | Flashing Light                   |
| 1    | 2-00-00241 | 4   | Bolt 1/2-13 X 1-3/4 Lg           |
| 2    | 2-00-00405 | 4   | Flat Washer, 1.063 x .531 x .094 |
| 4    | 2-00-02312 | 4   | Washer, 1/2" Lock                |
| 6    | 56514904   | 1   | Pole, Light                      |
| 7    | 56109254   | 1   | Harness, Warning Light           |
| 8    | 56462360   | 1   | Connector, 2-Way                 |
| 9    | 8-40-05041 | 1   | Light, Emergency, Amber          |

| Item | Ref. No.   | Qty | Description                      |
|------|------------|-----|----------------------------------|
|      | 56514877   |     | Strobe Light                     |
| 1    | 2-00-00241 | 4   | Bolt 1/2-13 X 1-3/4 LG           |
| 2    | 2-00-00405 | 4   | Flat Washer, 1.063 x .531 x .094 |
| 4    | 2-00-02312 | 4   | Washer, 1/2" Lock                |
| 6    | 56514904   | 1   | Pole, Light                      |
| 7    | 56109254   | 1   | Harness, Warning Light           |
| 8    | 56462360   | 1   | Connector, 2-Way                 |
| 10   | 8-40-05036 | 1   | Strobe - Amber (12 to 80 VDC)    |
| 11   | 56002836   | 2   | Nut, Hex Nyl Loc SS 10-24        |
| 12   | 56002919   | 2   | Wsh, Fit STD SS 10               |
| 13   | 2-00-03062 | 2   | Screw, 10-24 x 5/8 LG            |



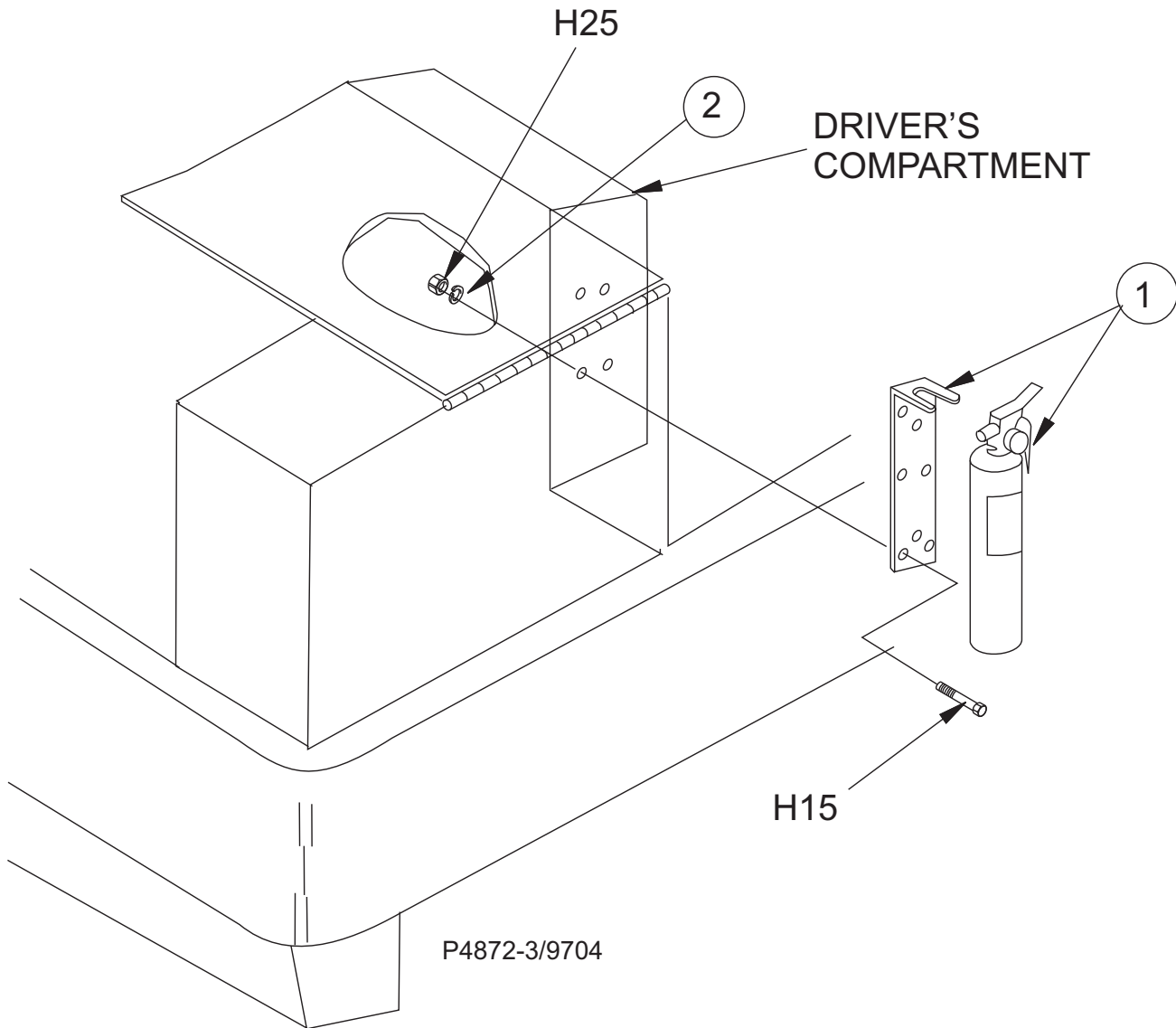
| Item | Ref. No.   | Qty | Description                            |
|------|------------|-----|--|
|      | 56514882   |     | Rotating Light                         |
| 1    | 56002883   | 4   | Scr, Hex SS 1/4-20 x 1.00              |
| 2    | 56009039   | 1   | Scr, Hex Thd Form 10-24 X .50          |
| 3    | 56009096   | 4   | Wsh, Flt .193 X .875 X .060            |
| 4    | 2-00-00548 | 4   | 1/4" Lock Washer                       |
| 5    | 2-00-01246 | 5   | Nut-10-24 Elastic Stop Nut             |
| 6    | 2-00-03062 | 3   | Screw, 10-24 X 5/8 LG                  |
| 7    | 2-00-04602 | 4   | Clamp                                  |
| 8    | 8-40-05039 | 1   | Warning Light, Amber Revolving         |
| 9    | 56109253   | 1   | Harness, Warning Light                 |
| 10   | 56462360   | 1   | Connector, 2-Way                       |
| 11   | 56514906   | 1   | Plate, Flasher                         |
|      | 56514883   |     | Flashing Light                         |
| 4    | 2-00-00548 | 4   | 1/4" Lock Washer                       |
| 5    | 2-00-01246 | 3   | Nut-10-24 Elastic Stop Nut             |
| 6    | 2-00-03062 | 3   | Screw, 10-24 X 5/8 LG                  |
| 7    | 2-00-04602 | 4   | Clamp                                  |
| 9    | 56109253   | 1   | Harness, Warning Light                 |
| 10   | 56462360   | 1   | Connector, 2-Way                       |
| 11   | 56514906   | 1   | Plate, Flasher                         |
| 12   | 56009039   | 1   | Scr, Hex Thd Form 10-24 X .50          |
| 13   | 56009096   | 4   | Wsh, Flt .193 X .875 X .060            |
| 14   | 2-00-00221 | 4   | Bolt-Hex Head, Finished, 1/4-20x3/4 LG |
| 15   | 8-40-05041 | 1   | Light, Emergency, Amber                |
|      | 56514884   |     | Strobe Light                           |
| 4    | 2-00-00548 | 4   | 1/4" Lock Washer                       |
| 5    | 2-00-01246 | 5   | Nut-10-24 Elastic Stop Nut             |
| 6    | 2-00-03062 | 5   | Screw, 10-24 X 5/8 LG                  |
| 7    | 2-00-04602 | 4   | Clamp                                  |
| 9    | 56109253   | 1   | Harness, Warning Light                 |
| 10   | 56462360   | 1   | Connector, 2-Way                       |
| 11   | 56514906   | 1   | Plate, Flasher                         |
| 12   | 56009039   | 1   | Scr, Hex Thd Form 10-24 X .50          |
| 13   | 56009096   | 4   | Wsh, Flt .193 X .875 X .060            |
| 14   | 2-00-00221 | 4   | Bolt-Hex Head, Finished, 1/4-20x3/4 LG |
| 16   | 8-40-05036 | 1   | Strobe-Amber (12 to 80 VDC)            |



|      |                          |  |            |
|------|--------------------------|--|------------|
| 08-4 | <b>CURB LIGHT OPTION</b> |  |            |
| 08-6 | <b>7765</b>              |  | <b>151</b> |

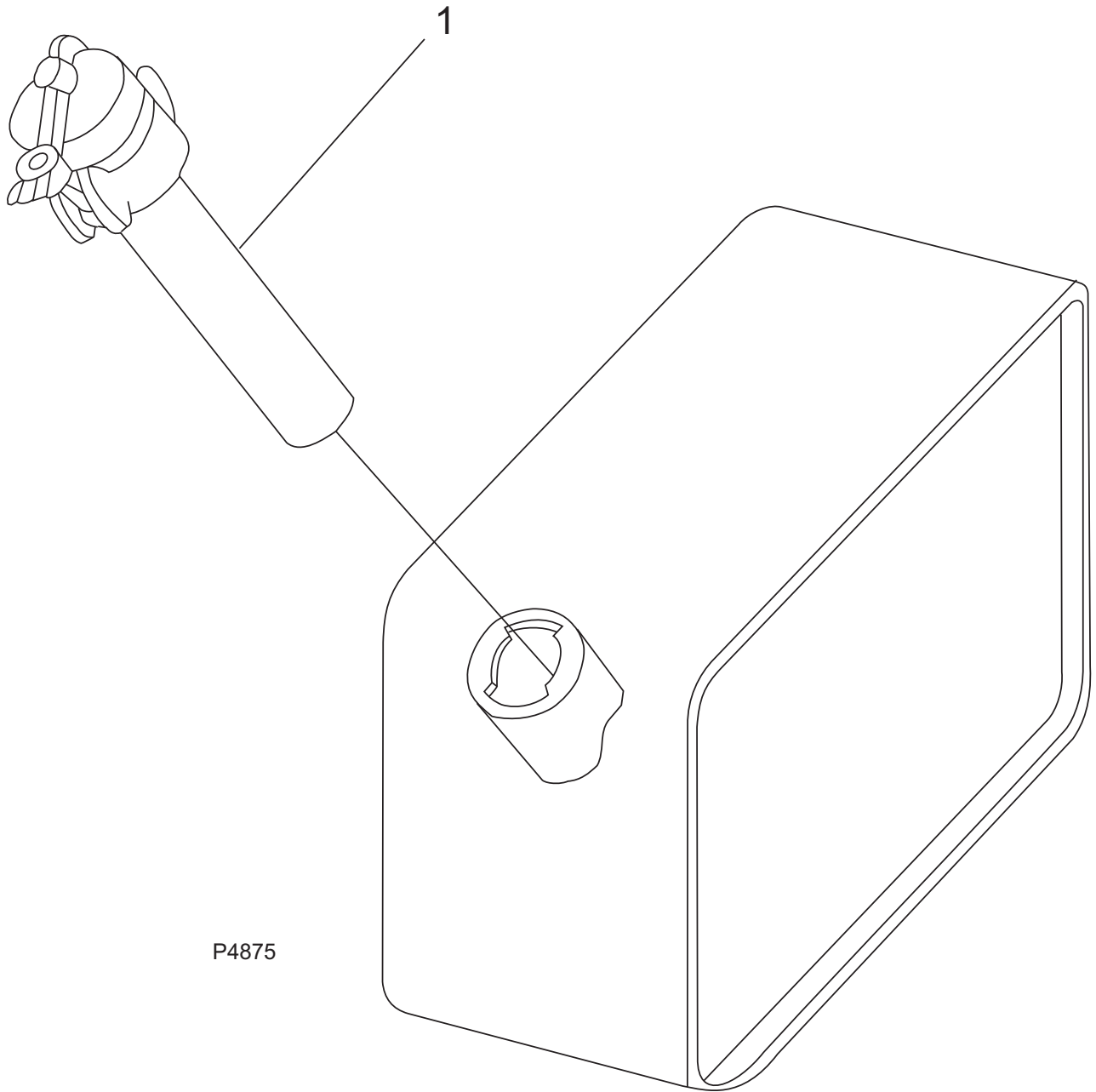
| Item | Ref. No.   | Qty | Description                     |
|------|------------|-----|---------------------------------|
| #    | 56514869   |     | Curb Light Option               |
| 1    | 8-40-05049 | 1   | Light                           |
| 2    | 2-00-04578 | 1   | Male Terminal, .156 (not shown) |
| 3    | 2-00-01128 | 1   | Butt Splice (not shown)         |
| 4#   | 56514898   | 1   | Cover, Light                    |
| 5    | 2-00-00081 | 4   | Screw, 1/4-20 x 1.0 Phillips    |
| 6    | 2-00-00641 | 4   | Nut, 1/4-20 Fiber Insert        |

# = Revised or new since last update

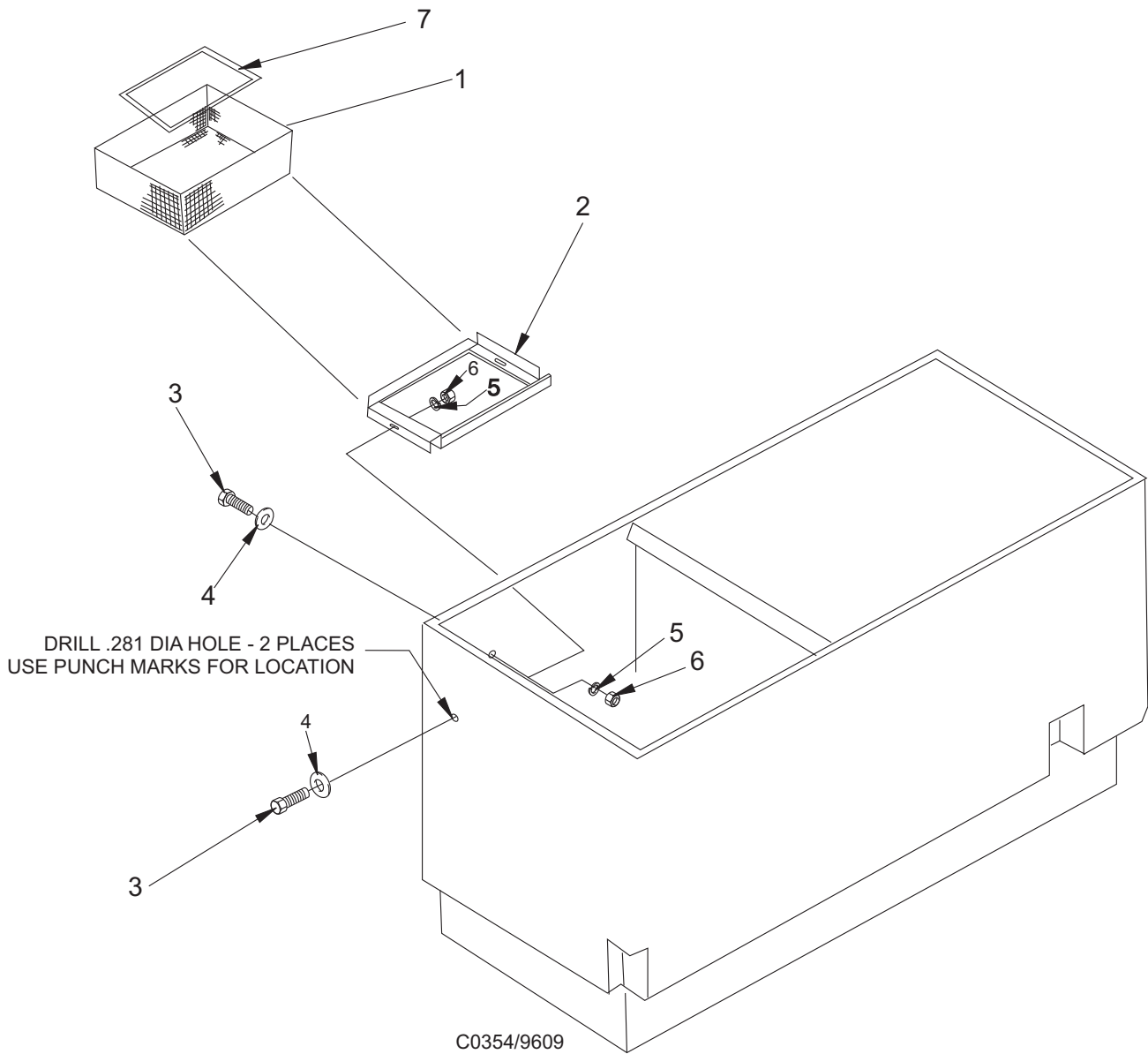


| Item | Ref. No.   | Qty | Description                     |
|------|------------|-----|---------------------------------|
|      | 0780-380   |     | Fire Extinguisher Option        |
| 1    | 8-83-04033 | 1   | Fire Extinguisher               |
| 2    | 2-00-00221 | 4   | Screw, 1/4 - 20 x .750 HHC      |
| 3    | 980657     | 4   | Lock Washer, 1/4 Split          |
| 4    | 2-00-00594 | 4   | Nut, Hex 1/4 - 20 x .437 x .218 |

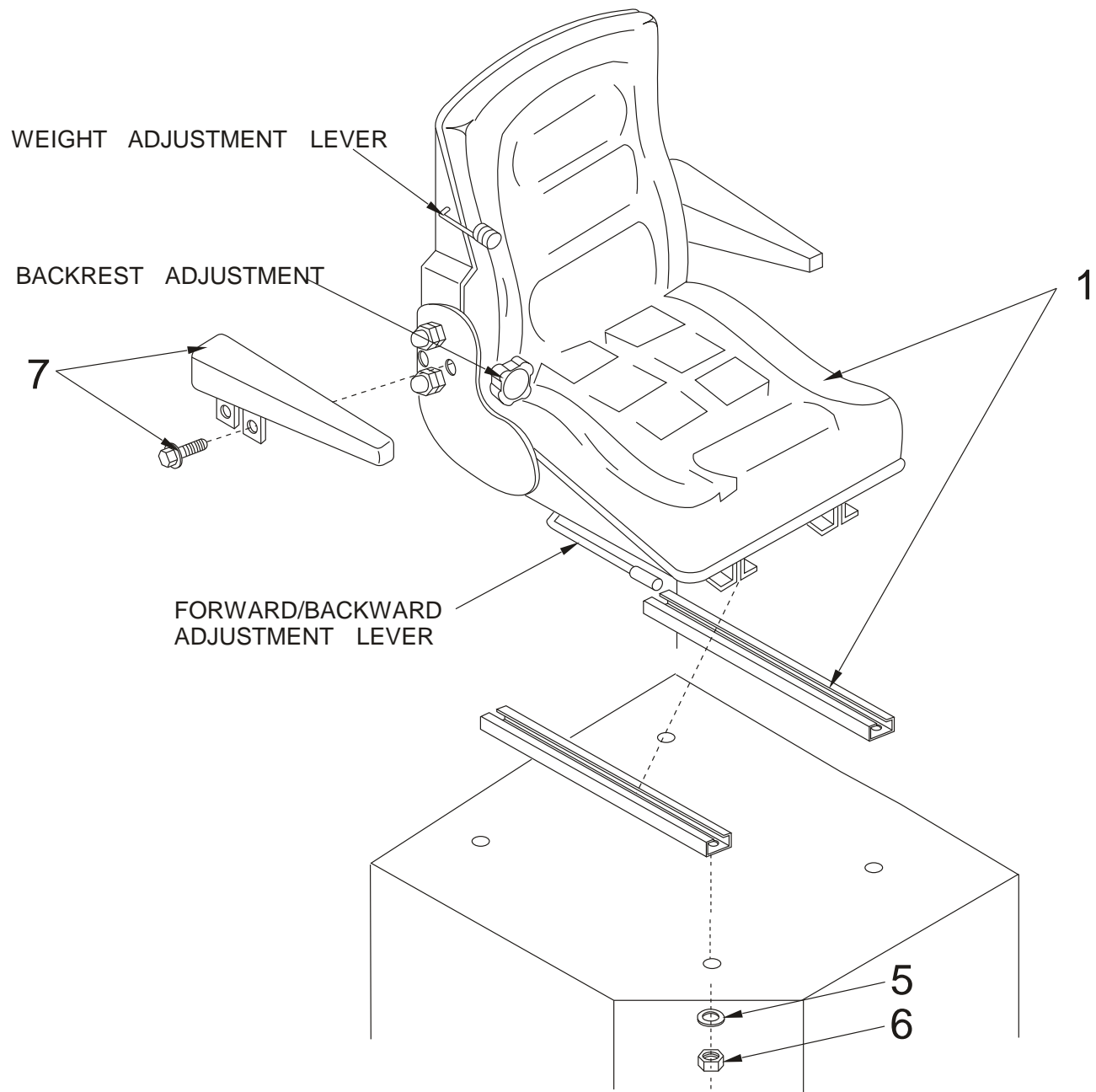




| Item | Ref. No.   | Qty | Description           |
|------|------------|-----|-----------------------|
| 1    | 8-11-00024 | 1   | Protecto-Seal Gas Cap |

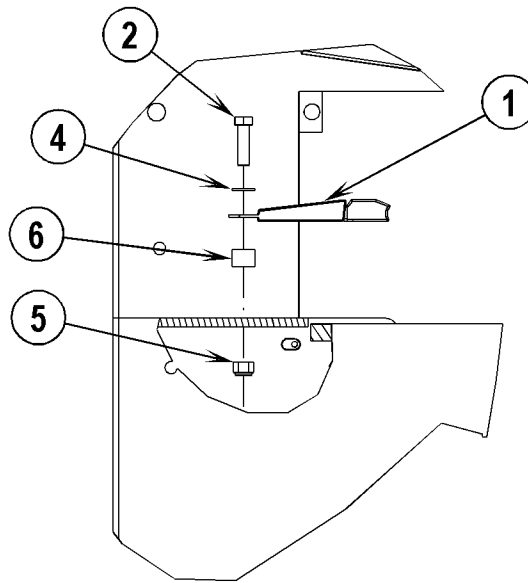
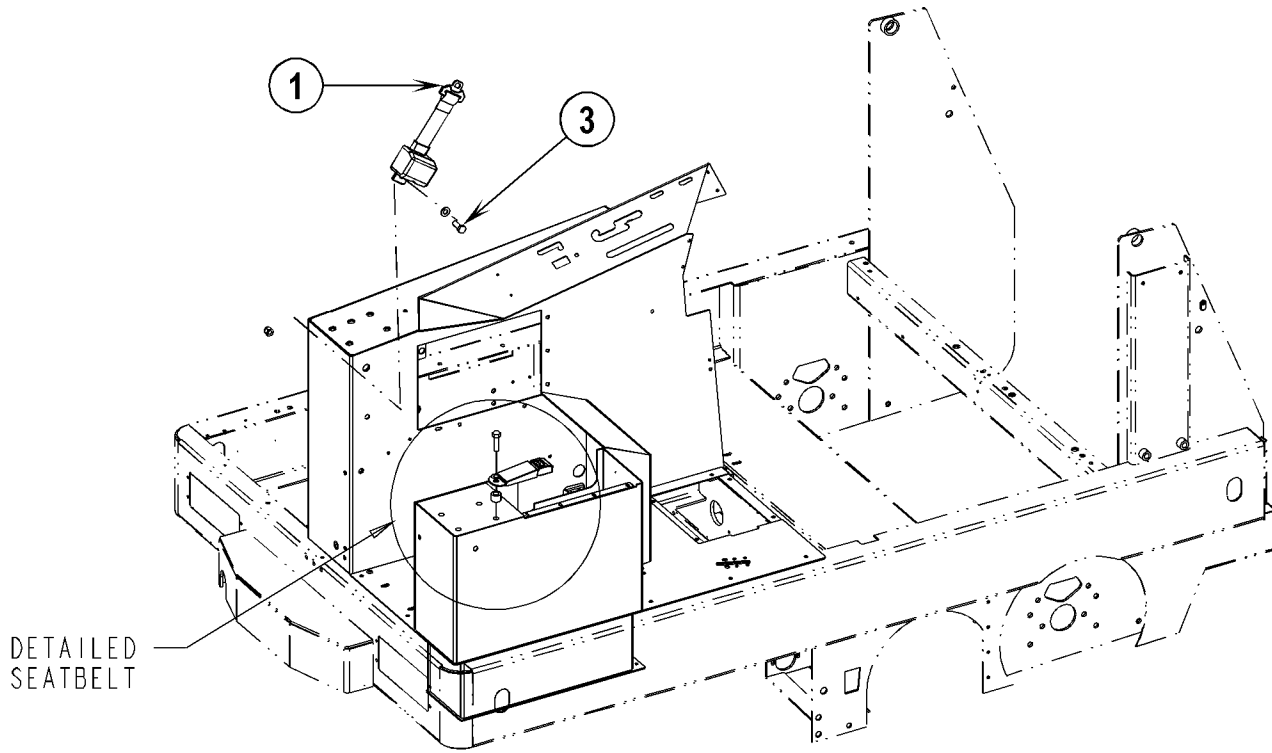


| Item | Ref. No.   | Qty      | Description              |
|------|------------|----------|--------------------------|
|      | 0780-236   |          | Debris Basket Option     |
| 1    | 7-06-00001 | 1        | Debris Basket            |
| 2    | 7-27-07156 | 1        | Debris Basket Frame      |
| 3    | 2-00-04685 | 2        | Screw, 1/4-20 x .750 HHC |
| 4    | 2-00-04590 | 2        | Sealing Washer, 1/4      |
| 5    | 2-00-04686 | 2        | Lock Washer, 1/4         |
| 6    | 2-00-04688 | 2        | Nut, Hex 1/4-20          |
| 7    | 3-73-00024 | 3.75 ft. | Edging                   |

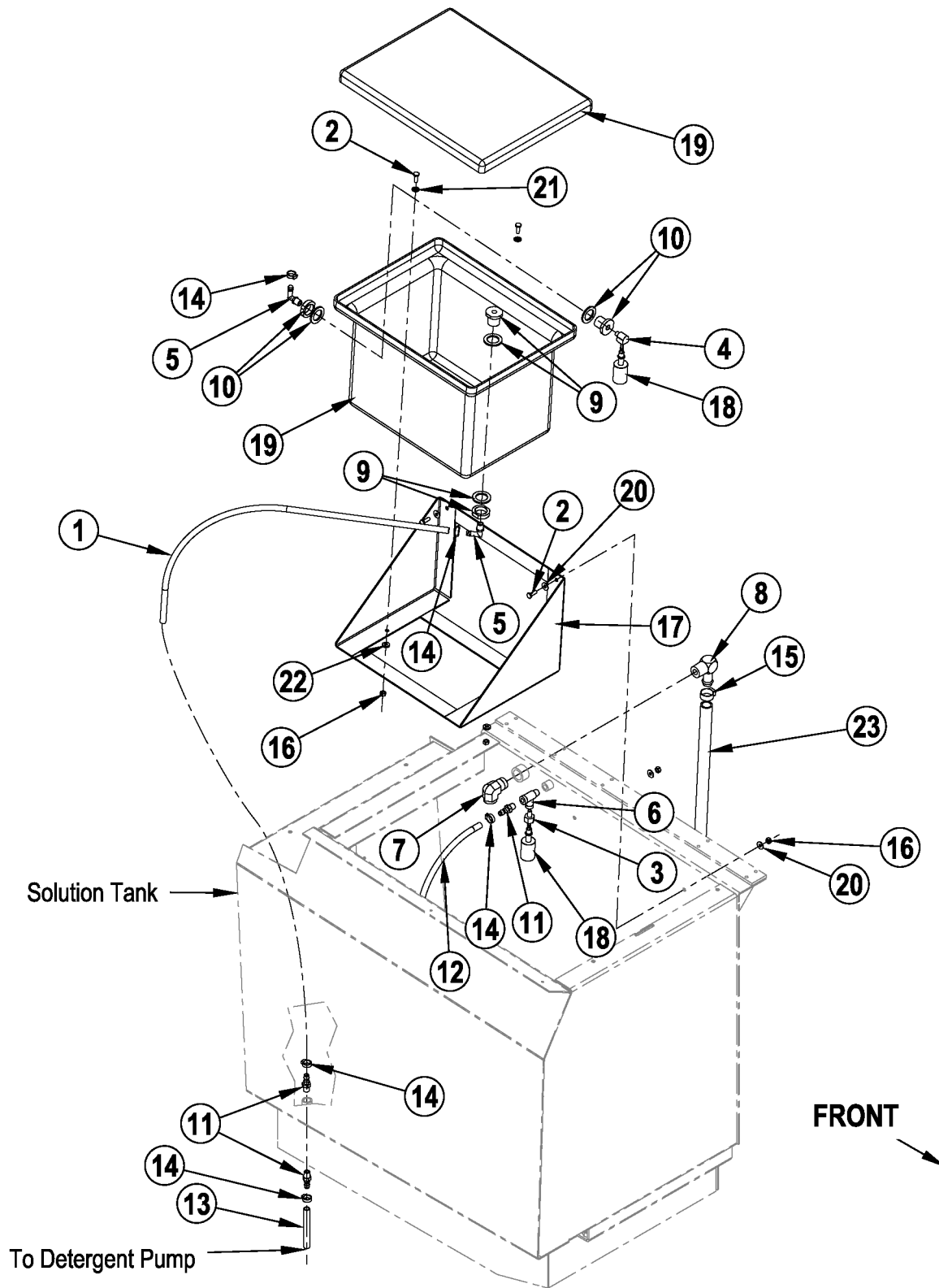


| Item | Ref. No.   | Qty | Description                          |
|------|------------|-----|--------------------------------------|
|      | 0780-109   |     | Suspension Seat Option               |
| 1    | 8-69-00019 | 1   | Seat without armrests                |
| 2#   |            |     | DELETED                              |
| 3#   |            |     | DELETED                              |
| 4#   |            |     | DELETED                              |
| 5    | 2-00-02322 | 4   | Lock Washer 5/16                     |
| 6    | 2-00-00644 | 4   | Nut, 5/16-18 Lock                    |
| 7    | 8-03-04320 | 1   | Armrest Kit (Includes both Armrests) |

# = Revised or new since last update

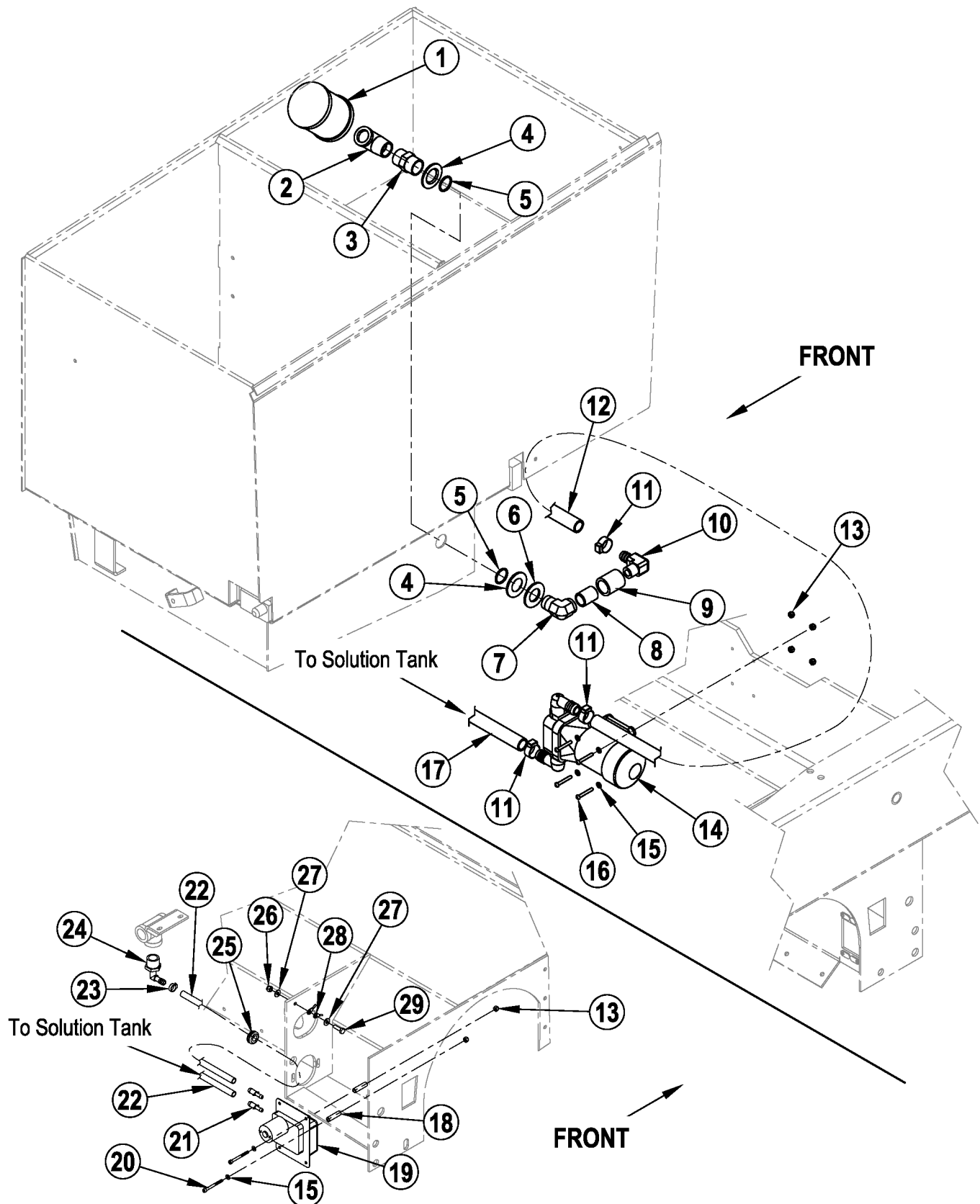


| Item | Ref. No.   | Qty | Description                        |
|------|------------|-----|------------------------------------|
|      | 0780-443   |     | Seat Belt Option for Standard Seat |
| 1    | 56109301   | 1   | Seat Belt 60"                      |
| 2    | 2-00-00241 | 1   | Bolt 1/2-13 x 1-3/4 LG             |
| 3    | 2-00-00240 | 1   | Screw, 1/2-13 x 1.250 HHC          |
| 4    | 2-00-00405 | 2   | Flat Washer, 1.063 x .531 x .094   |
| 5    | 2-00-04936 | 2   | Locknut-Elastic, 1/2-13            |
| 6    | 7-75-01099 | 1   | Spacer-For Idler Pulley            |



| Item | Ref. No.   | Qty | Description                                  |
|------|------------|-----|--|
| #    | 56514864   |     | ESP Option (Detergent and Solution Tank)     |
| 1#   | 7-87-02129 | 1   | Hose   |
| 2#   | 2-00-04685 | 4   | 1/4-20 X 0.75" Hex Head Screw, Ss            |
| 3#   | 2-00-05465 | 1   | Adapter, 1/4 Female X 1/8 Male               |
| 4#   | 2-00-05035 | 1   | Fitting, 1/4 Npt X 1/8 Npt, Street Elbow, 90 |
| 5#   | 2-00-04654 | 2   | Fitting, 1/4 Npt X 3/8 Hose Barb, 90         |
| 6#   | 2-00-04515 | 1   | Fitting, 1/4 Npt, Running Tee                |
| 7#   | 2-00-05672 | 1   | Fitting, 3/4" Npt Street Elbow, 90, Brass    |
| 8#   | 7-25-02038 | 1   | Fitting, 3/4" Npt x 3/4" Hose Barb, 90       |
| 9#   | 2-00-05346 | 1   | Fitting, Bulkhead ( Detergent Tank)          |
| 10#  | 7-25-02080 | 1   | Fitting, Bulkhead (Detergent Float)          |
| 11#  | 2-74-00001 | 3   | Fitting-Plastic                              |
| 12#  | 7-87-02130 | 1   | Tube-Detergent Feed                          |
| 13#  | 7-87-02147 | 1   | Tube-Detergent Feed                          |
| 14#  | 7-13-07084 | 5   | Hose Clamp                                   |
| 15#  | 2-00-03407 | 1   | Hose Clamp- Witteck #10p                     |
| 16#  | 2-00-04688 | 4   | Nut - 1/4-20 Hex                             |
| 17#  | 7-81-00187 | 1   | Support, Detergent Tank                      |
| 18#  | 7-82-00017 | 2   | Switch, Liquid Level                         |
| 19#  | 7-83-04162 | 1   | Tank, Detergent                              |
| 20#  | 2-00-04689 | 4   | Washer, 11/16 Od X .260 Id X .050 Thk        |
| 21#  | 2-00-04590 | 2   | Washer, Sealing                              |
| 22#  | 2-00-04687 | 2   | Washer-Lock, 1/4" Helical Spring             |
| 23#  | 7-33-02328 | 1   | Hose   |

# = Revised or new since last update

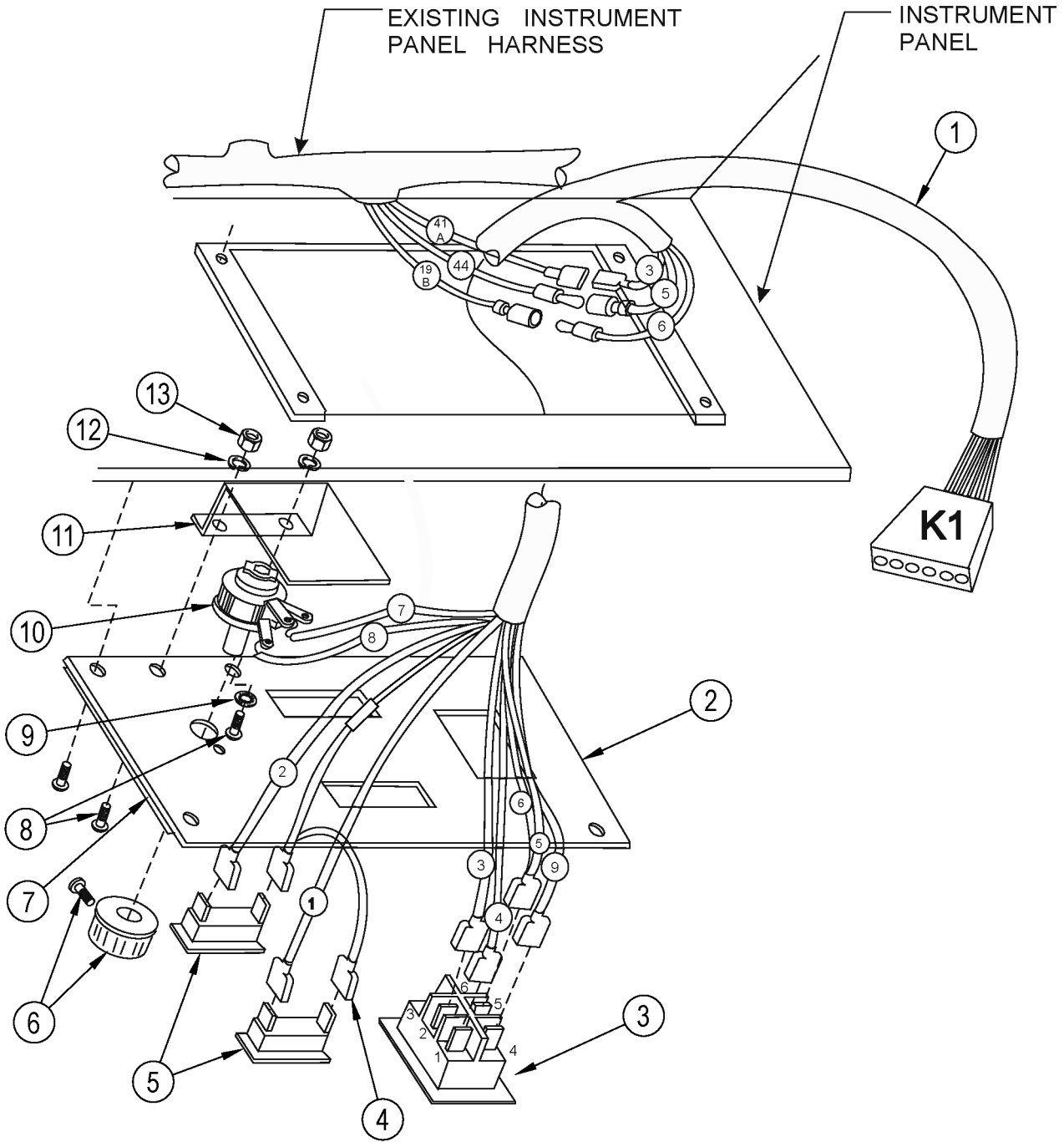




|      |  |  |            |
|------|--|--|------------|
| 08-4 | <b>ESP OPTION (RECOVERY TANK &amp; DETERGENT PUMP)</b> |  |            |
| 08-6 | <b>7765</b>  |  | <b>161</b> |

| Item | Ref. No.   | Qty | Description                                 |
|------|------------|-----|---|
| #    | 56514864   |     | ESP Option (Recovery Tank & Detergent Pump) |
| 1#   | 7-24-04022 | 1   | Solution Inlet Filter                       |
| 2#   | 2-95-04268 | 1   | Elbow, Street 3/4 NPT                       |
| 3#   | 2-00-04736 | 1   | Fitting, 3/4 NPT Connector                  |
| 4#   | 2-00-05015 | 2   | Sealing Washer                              |
| 5#   | 2-00-05014 | 2   | O-Ring Seal                                 |
| 6#   | 2-00-05024 | 1   | Wash Flat 2 x 1.06 x .109 ZN                |
| 7#   | 2-00-04469 | 1   | Fitting, 90° Elbow                          |
| 8#   | 2-95-02518 | 1   | Fitting, 3/4 NPT Close Nipple               |
| 9#   | 2-00-04608 | 1   | Fitting, 3/4 NPT Coupling                   |
| 10#  | 2-00-04751 | 1   | Fitting, 90° Swivel Elbow                   |
| 11#  | 2-00-03407 | 3   | Clamp                                       |
| 12#  | 7-33-02329 | 1   | Hose, Pump to Recovery Tank                 |
| 13#  | 2-00-01246 | 6   | Nut, 10-24 Hex                              |
| 14#  | 7-60-05025 | 1   | Pump, ESP                                   |
| 15#  | 2-00-00426 | 6   | Flat Washer                                 |
| 16#  | 2-00-00089 | 4   | Screw, 10-24 x 1.500 RHM                    |
| 17#  | 7-33-02328 | 1   | Hose, Pump to Solution Tank                 |
| 18#  | 8-75-01207 | 2   | Spacer                                      |
| 19#  | 7-60-05031 | 1   | Pump, Peristaltic Metering                  |
| 20#  | 2-00-05056 | 2   | Screw, 10-24 x 2.00 SHC                     |
| 21#  | 2-00-05412 | 2   | Fitting, Union-Reducer Connector            |
| 22#  | 7-87-02147 | 2   | Detergent Feed Tube 18"                     |
| 23#  | 2-00-05363 | 1   | Hose Clamp                                  |
| 24#  | 2-00-04655 | 1   | Fitting, 90°                                |
| 25#  | 2-00-03261 | 1   | Grommet                                     |
| 26#  | 2-00-00641 | 1   | Nut, Fiber                                  |
| 27#  | 2-00-03702 | 2   | Washer, Flat                                |
| 28#  | 2-00-00828 | 2   | Terminal                                    |
| 29#  | 2-00-01490 | 1   | Screw                                       |

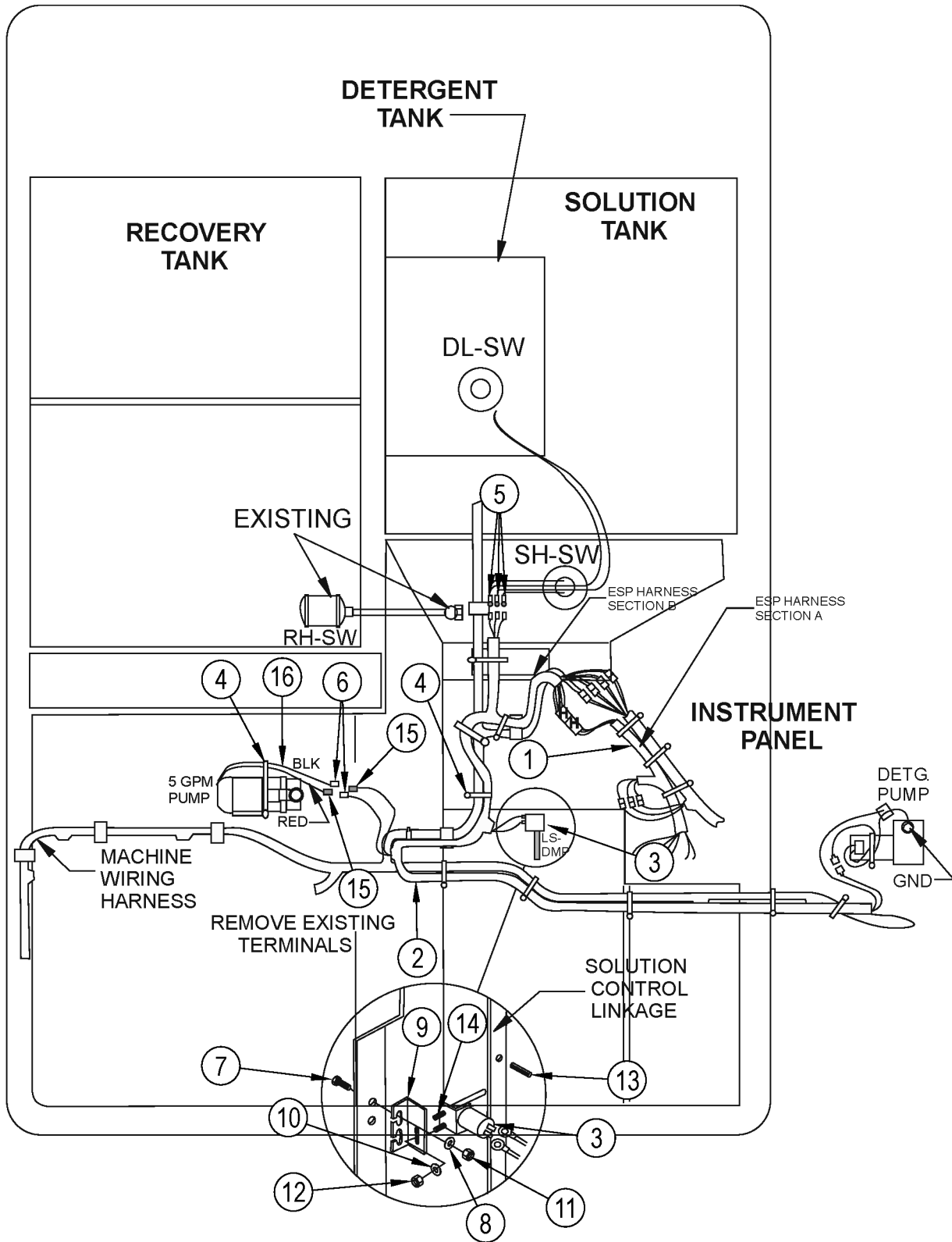
# = Revised or new since last update



|      |                                      |  |            |
|------|--------------------------------------|--|------------|
| 08-4 | <b>ESP OPTION (INSTRUMENT PANEL)</b> |  |            |
| 08-6 | <b>7765</b>                          |  | <b>163</b> |

| Item | Ref. No.   | Qty | Description  |
|------|------------|-----|--|
| #    | 56514864   |     | ESP Option (Instrument Panel)                        |
| 1    | 0795-114   | 1   | ESP Wiring Harness                                   |
| 2#   | 56514865   | 1   | ESP Instrument Panel                                 |
| 3    | 7-82-00022 | 1   | DPS ON/OFF Switch                                    |
| 4    | 7-90-07233 | 1   | Wire Assembly, Gr. for Detergent Low & Solution High |
| 5    | 7-40-05028 | 2   | Light  |
| 6    | 7-39-00021 | 1   | Knob   |
| 7#   | 7-18-00136 | 1   | Decal, Detergent Flow                                |
| 8#   | 2-00-03061 | 2   | Screw, 10-24 x .50                                   |
| 9#   | 2-00-02296 | 2   | Lock Washer, 10 Ext.                                 |
| 10#  |            |     | Included with harness                                |
| 11#  | 7-30-05057 | 1   | Guard, Rheostat                                      |
| 12#  | 2-00-00512 | 2   | Lock Washer  |
| 13#  | 2-00-01246 | 2   | Nut, Hex 10-24                                       |

# = Revised or new since last update



08-4

**ESP OPTION (WIRING)**

08-6

**7765****165**

| Item | Ref. No.   | Qty | Description                     |
|------|------------|-----|---------------------------------|
| #    | 56514864   |     | ESP Option (Wiring)             |
| 1#   | 0795-114   | 1   | ESP Wiring Harness, Section A   |
| 2#   | 0795-114   | 1   | ESP Wiring Harness, Section B   |
| 3#   | 8-82-00036 | 1   | LS - DMP Switch                 |
| 4#   | 56478246   | 9   | Wire Tie                        |
| 5#   | 2-00-04551 | 3   | Terminal, .156 Male             |
| 6#   | 2-00-03418 | 2   | Terminal, .250 FISO Female      |
| 7#   | 2-00-03575 | 2   | Carriage Bolt                   |
| 8#   | 2-00-00407 | 2   | Flat Washer, .562 x .265 x .062 |
| 9#   | 8-08-00532 | 1   | Bracket                         |
| 10#  | 2-00-00426 | 2   | Flat Washer, .500 x .218 x .062 |
| 11#  | 2-00-00641 | 2   | Nut-Ins-Fiber 1/4-20 ZN PL      |
| 12#  | 56002768   | 2   | Nut, Hex Nyl Loc 10-24          |
| 13#  | 2-00-04749 | 1   | Roll Pin .125 x 1.375           |
| 14#  | 2-00-03059 | 2   | Screw, 10-24 x .375 THM         |
| 15#  | 8-11-00015 | 2   | Terminal, .250 FISO             |
| 16#  | 3-61-02014 | 1   | Conduit                         |

# = Revised or new since last update

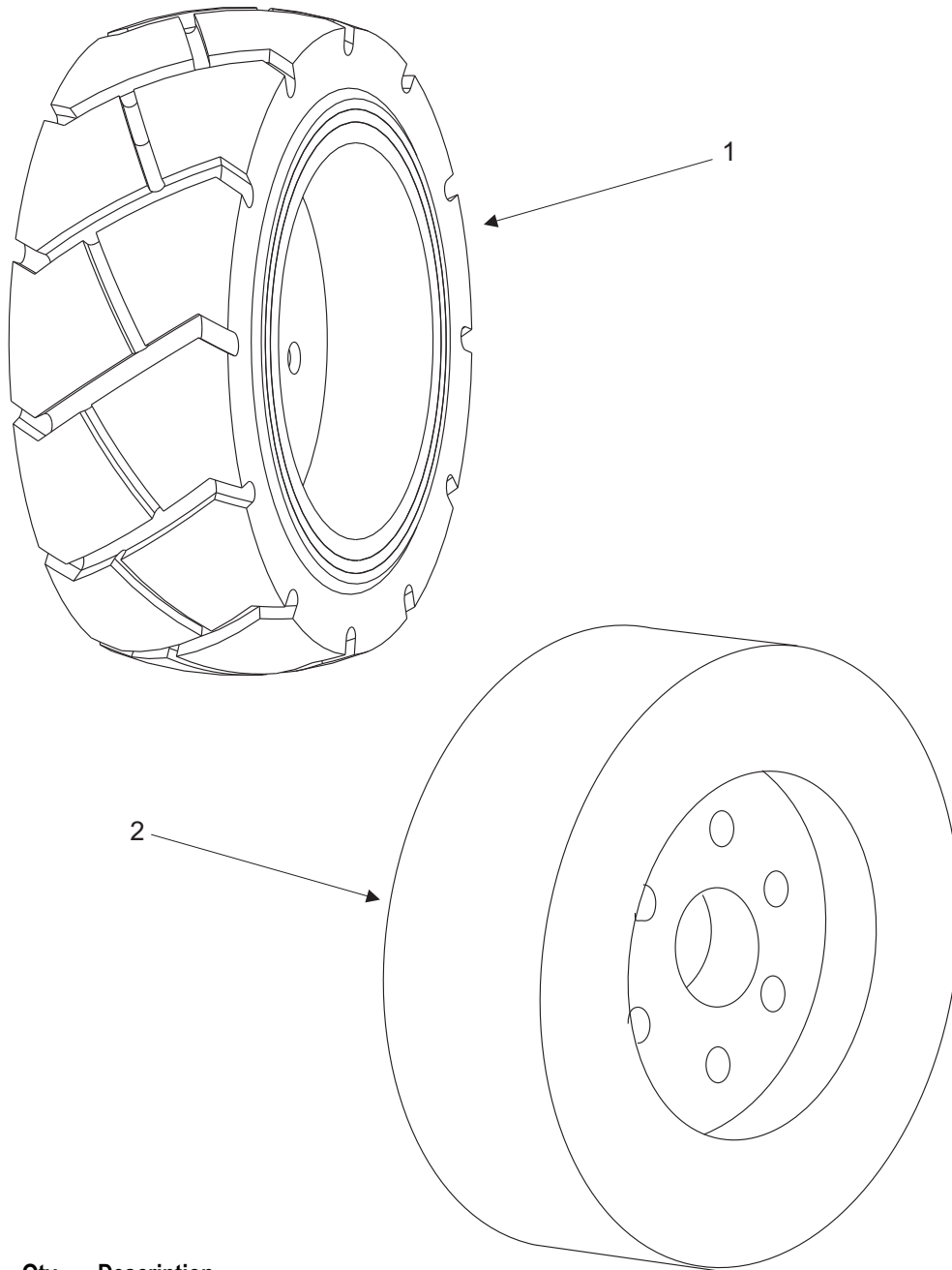
**TIRE OPTIONS**

08-4

166

7765

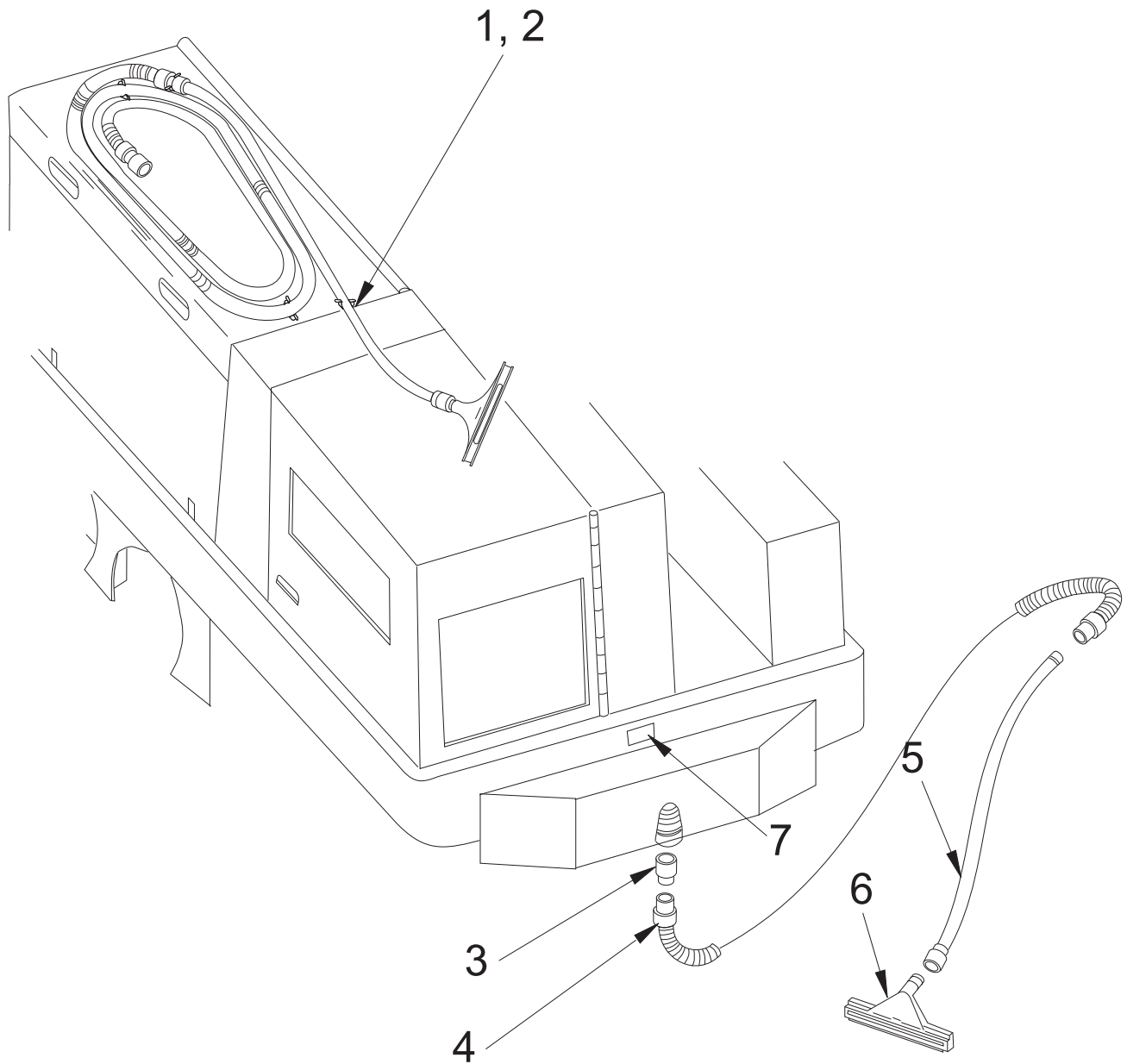
08-6



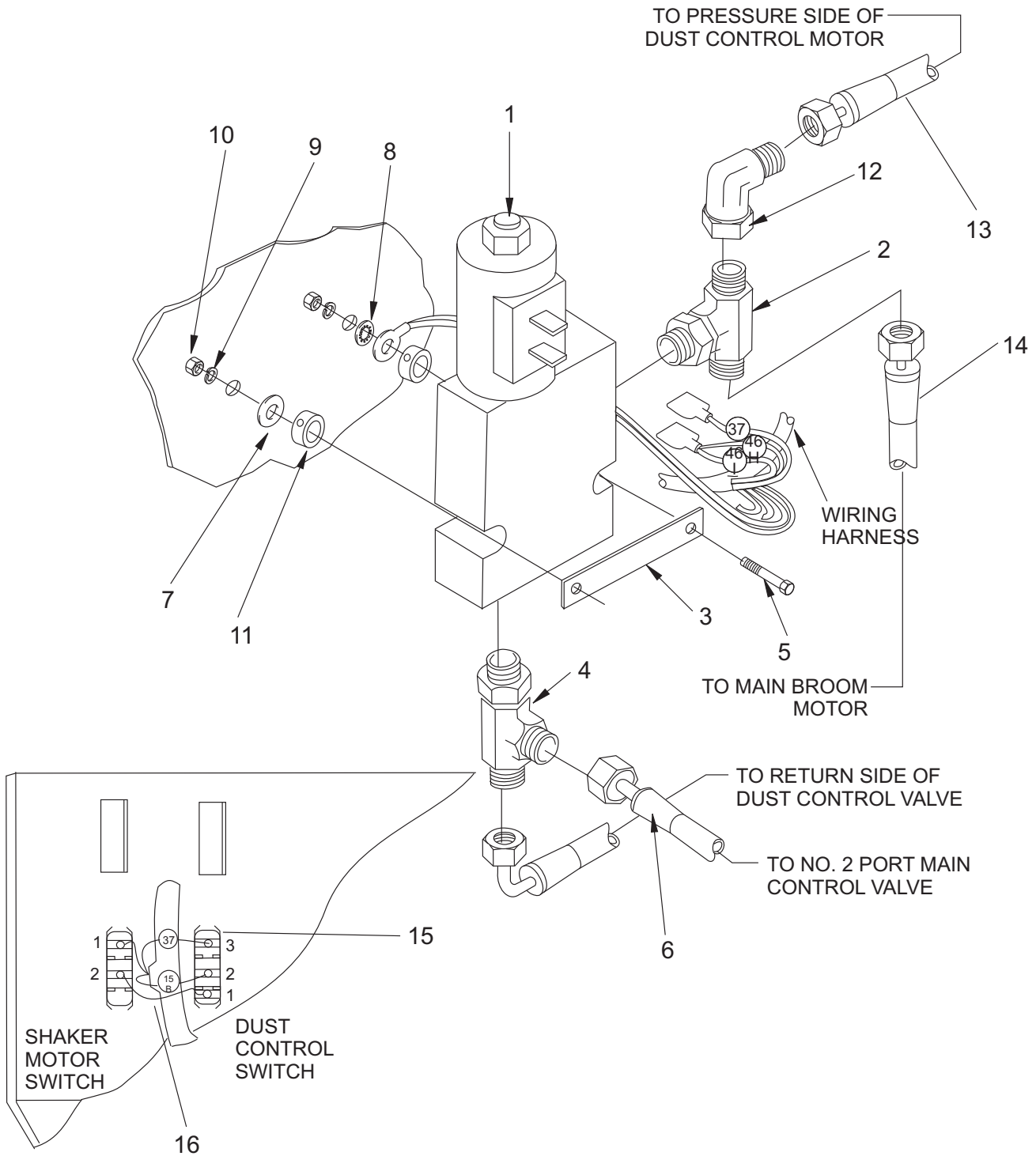
| Item | Ref. No.   | Qty | Description  |
|------|------------|-----|--|
| 1#   | 0780-711   | 1   | Tire, Rear Wheel Non Marking                         |
| [ ]# | 7-89-08047 | 1   | Tire, Rear Wheel Extra Traction                      |
| [ ]# | 7-85-06008 | 1   | Tire, Rear Wheel (Hvy Duty Option)                   |
| [ ]# | 56504483   | 1   | Tire, Rear Wheel (Directional) <b>TSBUS2008-1006</b> |
| 2    | 0780-098   | 2   | Front Tire, Urethane<br>(7-89-08043 tire)            |

[ ] = Not Shown

# = Revised or new since last update



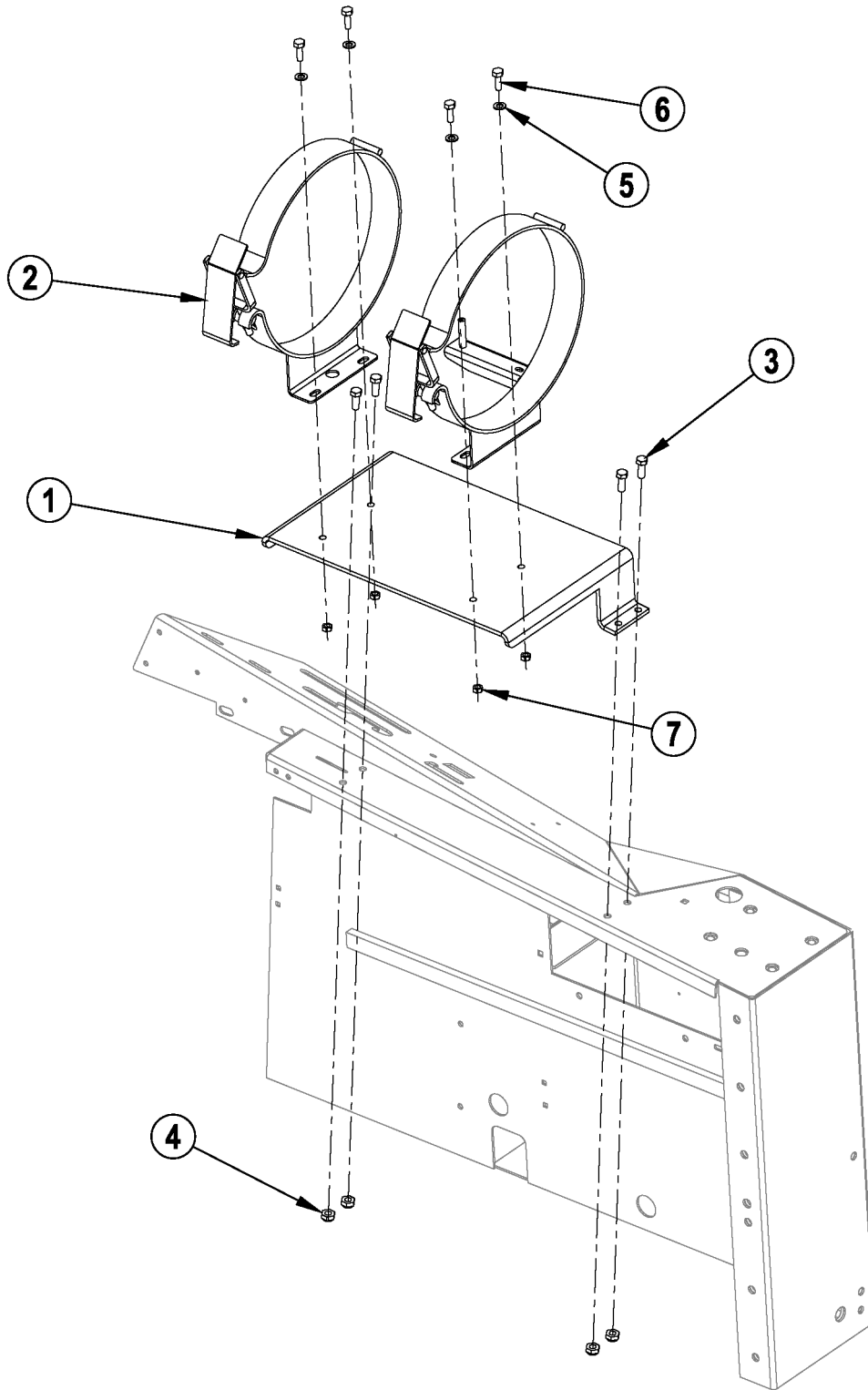
| Item | Ref. No.   | Qty | Description                  |
|------|------------|-----|------------------------------|
|      | 0780-382   |     | Vacuum Wand Option           |
| 1    | 7-13-07097 | 10  | Clip                         |
| 2    | 2-00-04312 | 10  | Screw, 10 - 24 x .625 T/C HH |
| 3    | 7-03-00040 | 1   | Adapter                      |
| 4    | 634118     | 1   | Clarke Hose                  |
| 5    | 639804     | 1   | Clarke 1 1/2" Wand Assembly  |
| 6    | 638828     | 1   | 14" Squeegee                 |
| 7    | 7-18-00121 | 1   | Decal, Warning               |



P4881/9809



| Item | Ref. No.   | Qty  | Description                         |
|------|------------|------|-------------------------------------|
|      | 0780-381   |      | Wet Sweep Bypass Option             |
| 1    | 7-88-00038 | 1    | Solenoid Valve (N.O.)               |
| 2    | 2-00-04978 | 1    | ORFS Run Tee, 3/4-16 to 13/16-16    |
| 3    | 8-08-00590 | 1    | Bracket                             |
| 4    | 2-00-04924 | 1    | ORFS Run Tee, 3/4-16 to 13/16-16    |
| 5    | 2-00-01980 | 2    | Screw, 1/4 - 20 x 2.500 HHC         |
| 6    | 8-33-02190 | 1    | Hose (Gas)                          |
| 6    | 7-33-02205 | 1    | Hose (Diesel)                       |
| 7    | 2-00-03702 | 1    | Flat Washer, .625 x .281 x .062     |
| 8    | 2-00-00501 | 1    | Lock Washer, 1/4 Int.               |
| 9    | 2-00-00518 | 2    | Lock Washer, Helical Spring 1/4 Med |
| 10   | 2-00-00594 | 2    | Nut, Hex 1/4 - 20 x .437 x .218     |
| 11   | 7-15-01031 | 2    | Spacer                              |
| 12   | 2-00-05046 | 1    | Fitting, 90° Elbow                  |
| 13   | 7-33-02192 | Ref. | Hose                                |
| 14   | 8-33-02214 | Ref. | Hose                                |
| 15   | 7-82-00020 | 1    | Switch                              |
| 16   | 7-90-07228 | 1    | Wire, Jumper                        |



08-4

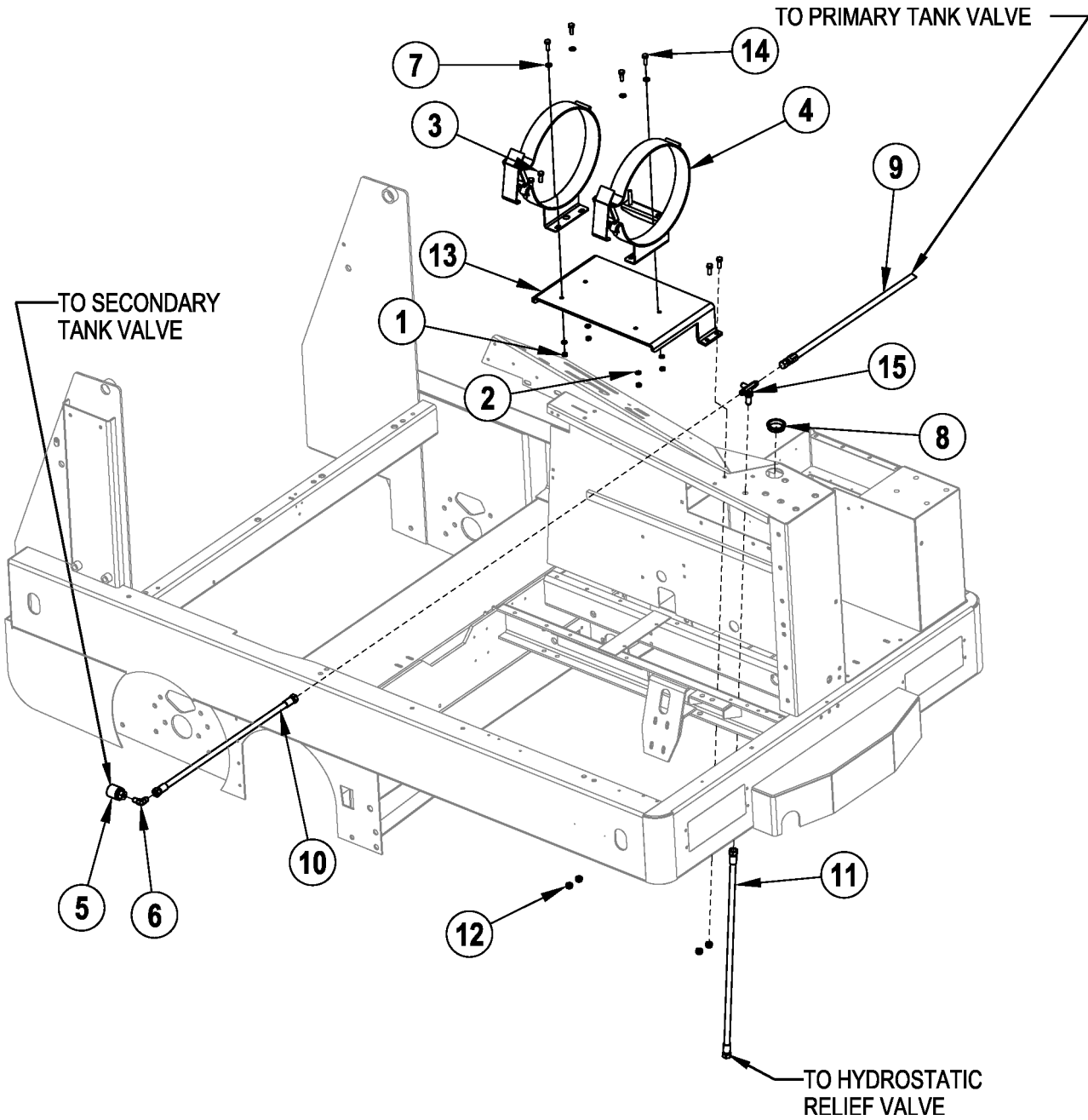
**AUXILIARY LP TANK OPTION**

08-6

**7765****171**

| Item | Ref. No.   | Qty | Description                      |
|------|------------|-----|----------------------------------|
|      | 56514879   |     | Auxiliary LP Tank Option         |
| 1    | 56514909   | 1   | Plate, Bracket Mounting          |
| 2#   | 7-08-00059 | 1   | Bracket, Tank Mounting           |
| 3    | 2-00-00233 | 4   | Bolt, 3/8-16 x 1.0 Fin. Hex Head |
| 4    | 2-00-00643 | 4   | Nut, 3/8-16 Elastic Lock         |
| 5    | 2-00-00409 | 4   | Flat Washer, .687 x .344 x .062  |
| 6    | 2-00-02708 | 4   | Screw, 5/16-18 x 1.0 Hex Head    |
| 7    | 2-00-00644 | 4   | Nut, Hex, Insert Fiber, 5/16-18  |

# = Revised or new since last update



08-4

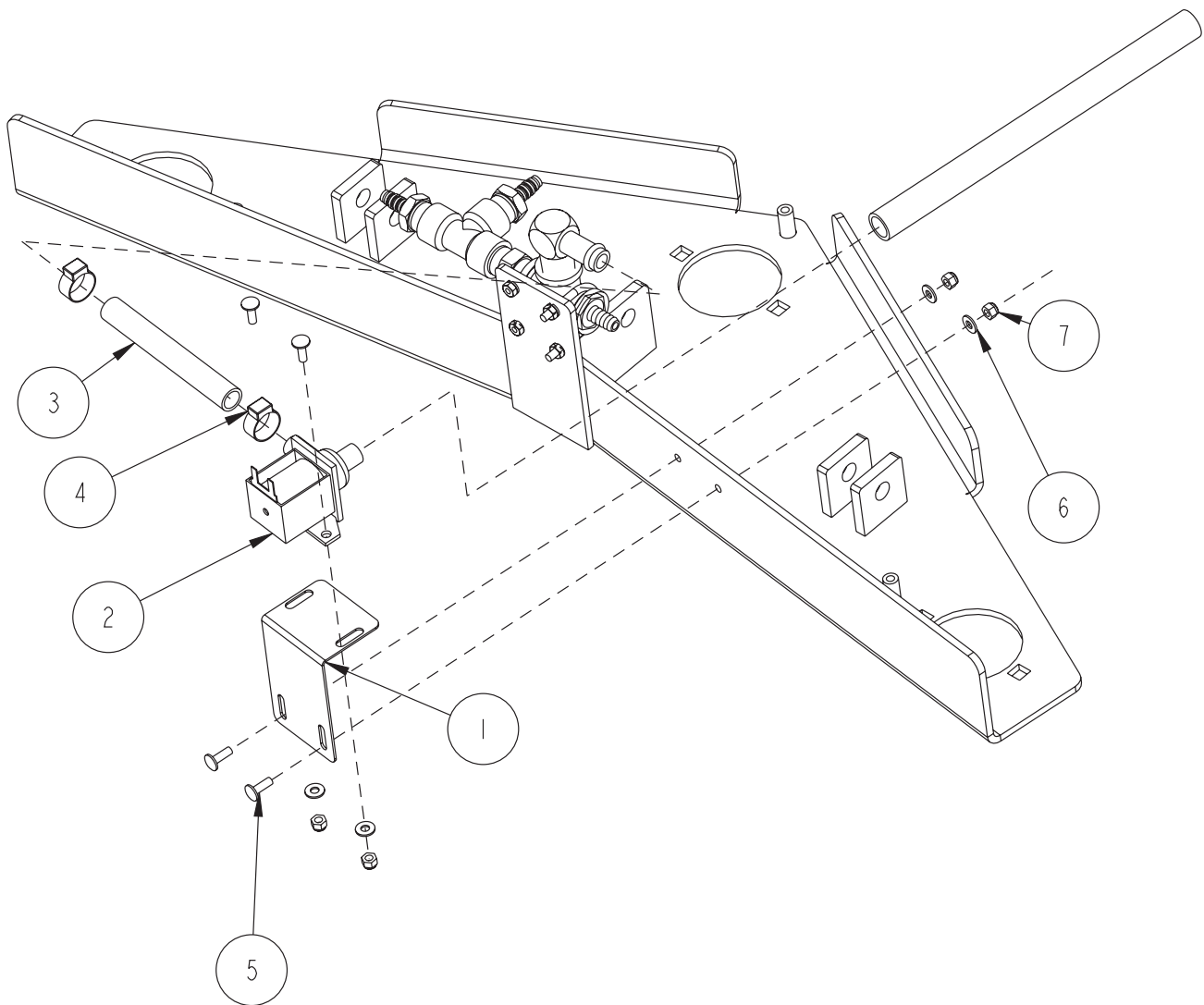
**DUAL FEED LP TANKS OPTION**

08-6

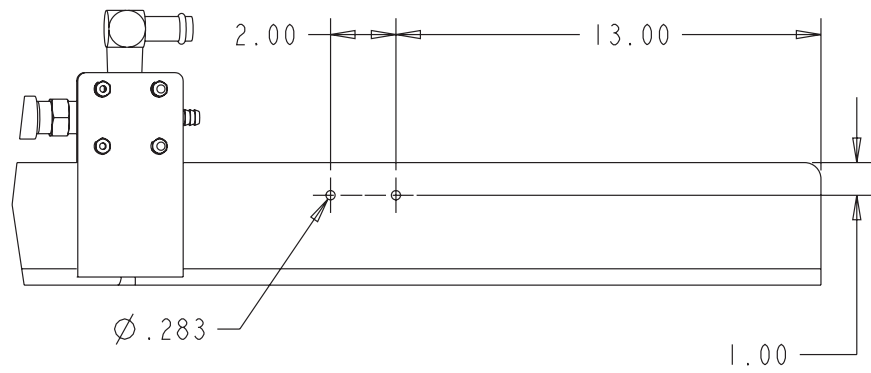
**7765****173**

| Item | Ref. No.   | Qty | Description                            |
|------|------------|-----|--|
| #    | 56514862   |     | Dual Feed LP Tanks Option              |
| 1#   | 2-00-00585 | 4   | 5/16-18, Hex Nut                       |
| 2#   | 2-00-00530 | 4   | 5/16" Lock Washer                      |
| 3#   | 2-00-00233 | 4   | Bolt-Hex Head, Finished, 3/8-16 X 1.00 |
| 4#   | 7-08-00059 | 1   | Bracket, Tank Mounting                 |
| 5#   | 7-16-05049 | 1   | Coupling, Lp Tank, Acme Rego 7141f     |
| 6#   | 8-56-05023 | 1   | Fitting, 45 Flare Elbow, 1/4 Npt       |
| 7#   | 2-00-00409 | 4   | Flat Washer, .687 X .344 X .062        |
| 8#   | 8-09-01077 | 1   | Grommet                                |
| 9#   | 7-33-02741 | 1   | Hose, Lp High Pressure 72"             |
| 10#  | 7-33-02718 | 1   | Hose, Lp High Pressure, 24"            |
| 11#  | 7-33-02719 | 1   | Hose, Lp High Pressure, 28"            |
| 12#  | 2-00-00643 | 4   | Locknut-Elastic, 3/8-16                |
| 13#  | 56514909   | 1   | Plate, Bracket Mounting                |
| 14#  | 2-00-02708 | 4   | Screw, Hex Head, 5/16-18 X 1.00"       |
| 15#  | 7-88-00129 | 1   | Valve, Dual Tank Check                 |

# = Revised or new since last update



0780-729



08-4

**SOLUTION OFF IN NEUTRAL OPTION**

08-6

**7765****175**

| Item | Ref. No.   | Qty | Description                       |
|------|------------|-----|-----------------------------------|
|      | 0780-729   |     | Solution Off In Neutral Option    |
| 1    | 7-08-01334 | 1   | Valve, Bracket                    |
| 2    | 7-88-00088 | 1   | Valve, Solution (12VDC)           |
| 3#   | 7-33-02443 | 1   | Hose, Solution Tube 1/2" ID x 6.2 |
| 4    | 2-00-03407 | 2   | Clamp, Hose (Witteck 10P)         |
| 5    | 2-00-00183 | 4   | Screw, 1/4-20 Round Head          |
| 6    | 2-00-03702 | 4   | Washer, .625 x .281 x .063        |
| 7    | 2-00-00641 | 4   | Nut, 1/4-20 Fiber Insert          |

# = Revised or new since last update

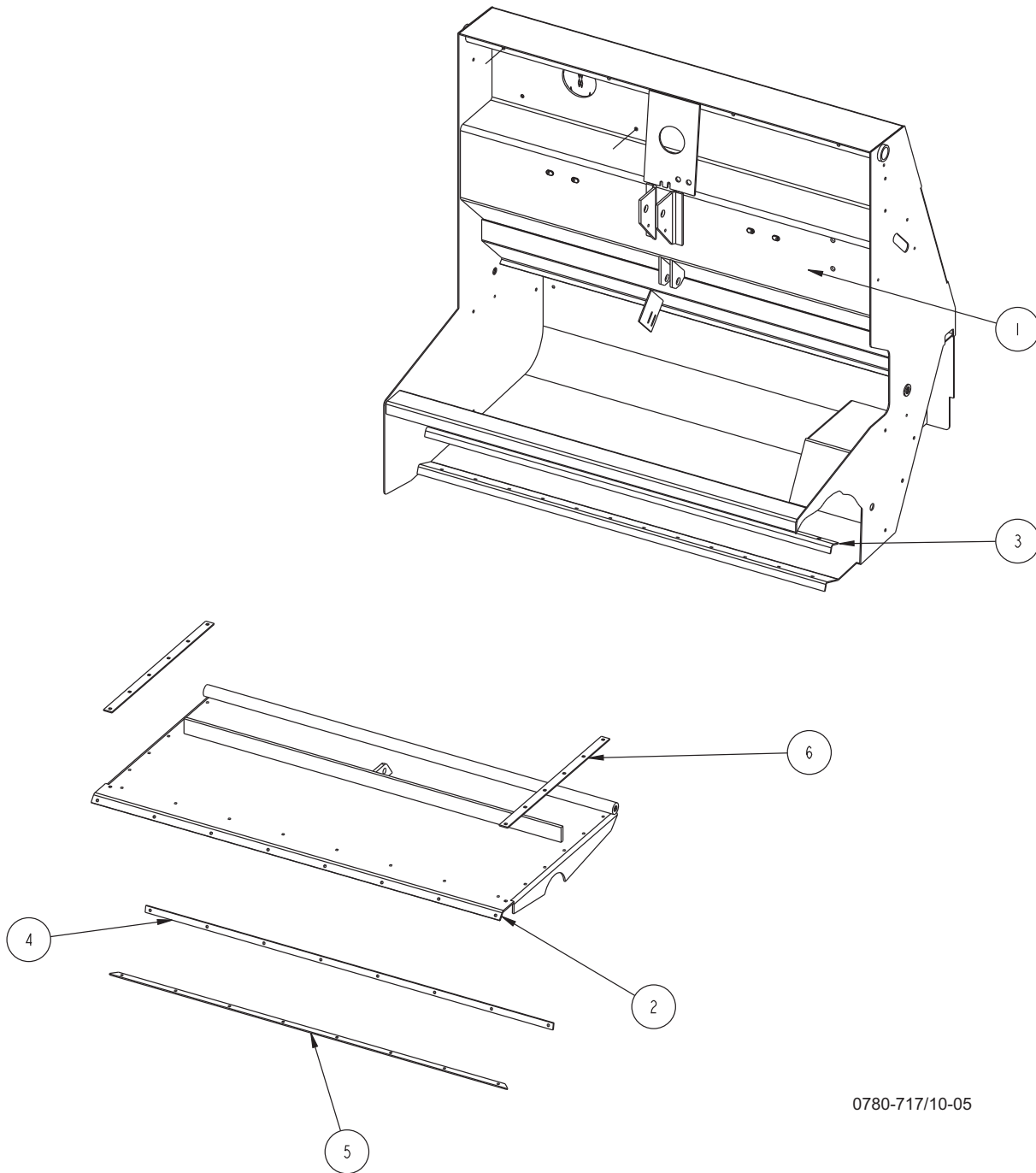
**STAINLESS STEEL VARIABLE DUMP HOPPER OPTION**

08-4

176

7765

08-6

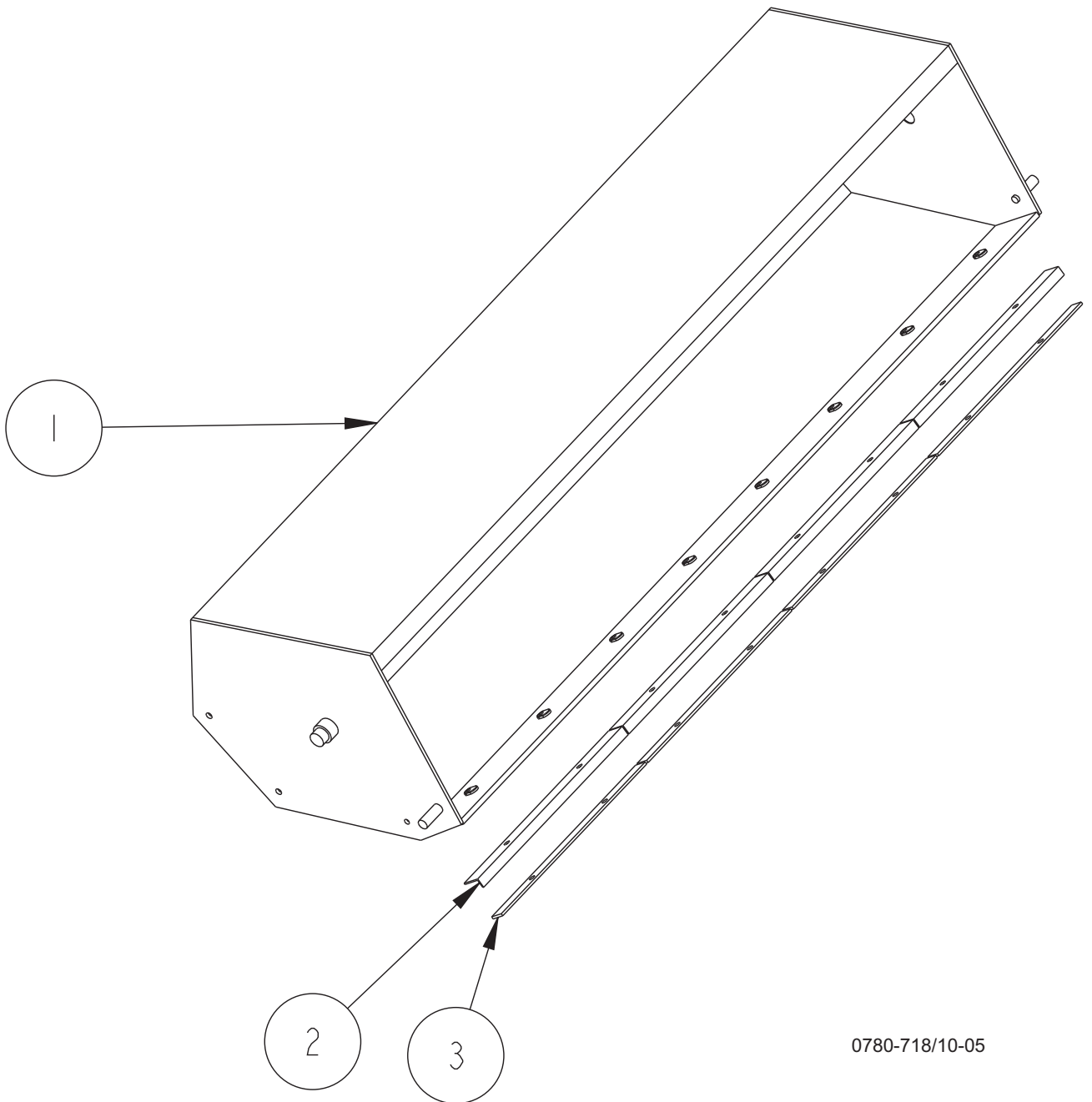


0780-717/10-05

| Item | Ref. No. | Qty | Description                                 |
|------|----------|-----|---|
|      | 56514878 |     | Stainless Steel Variable Dump Hopper Option |
| 1    | 56514907 | 1   | Hopper, Stainless Steel                     |
| 2    | 56514908 | 1   | Door, Hopper Dump                           |
| 3#   | 56514891 | 1   | Clamp, Hopper Flap                          |
| 4#   | 56514889 | 1   | Strap, Outer Seal                           |
| 5#   | 56514890 | 1   | Strap, Inner Sea                            |
| 6#   | 56514892 | 2   | Clamp, Door Side Seal                       |

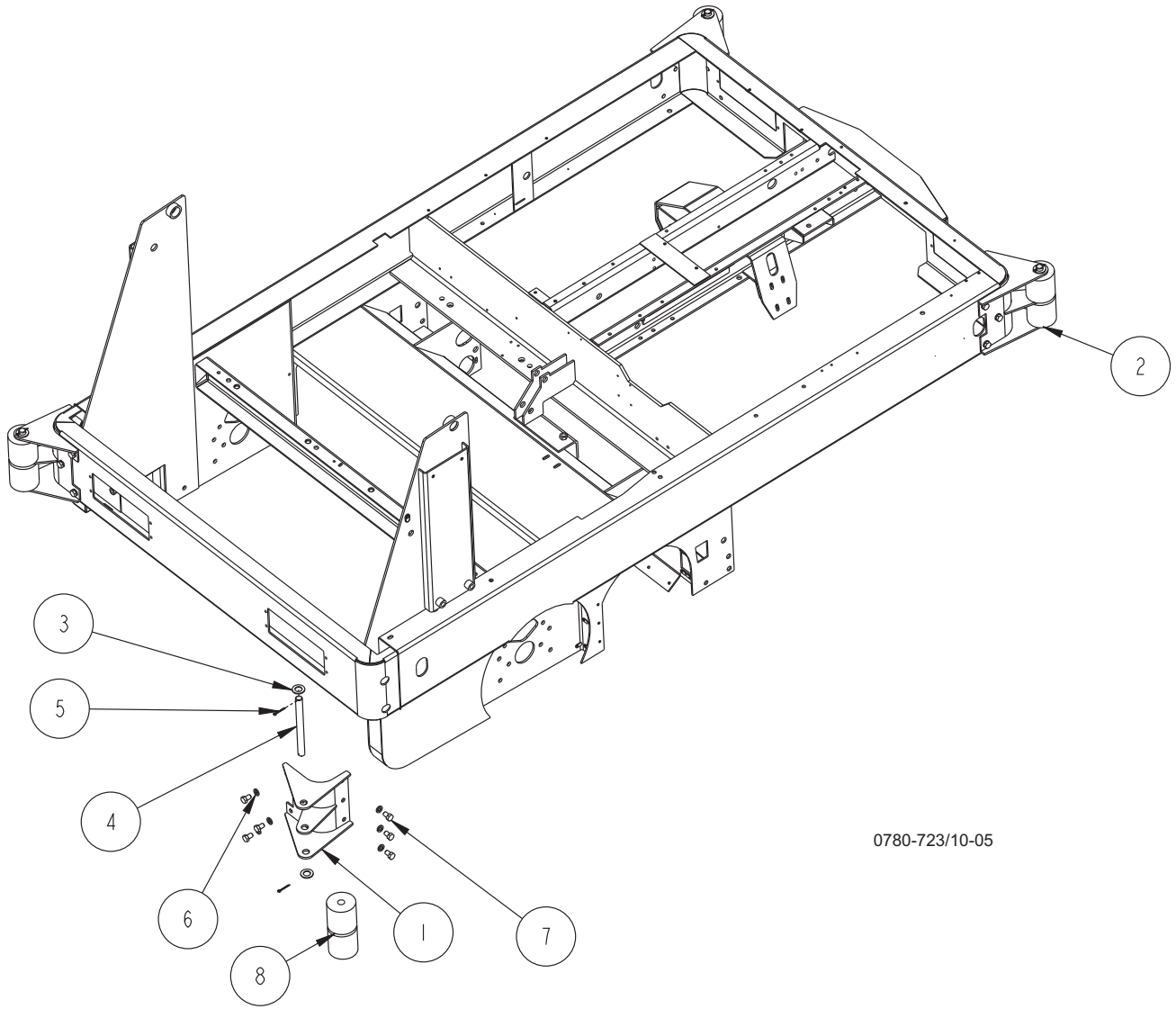
# = Revised or new since last update





0780-718/10-05

| Item | Ref. No.     | Qty | Description                               |
|------|--------------|-----|---|
|      | 56514881     |     | Stainless Steel Manual Dump Hopper Option |
| 1    | 56514912     | 1   | Hopper, Stainless Steel                   |
| 3    | 7-13-07169-1 | 4   | Clamp, Hopper Flap                        |
| 5    | 7-79-00091-1 | 4   | Strap, Hopper Flap                        |

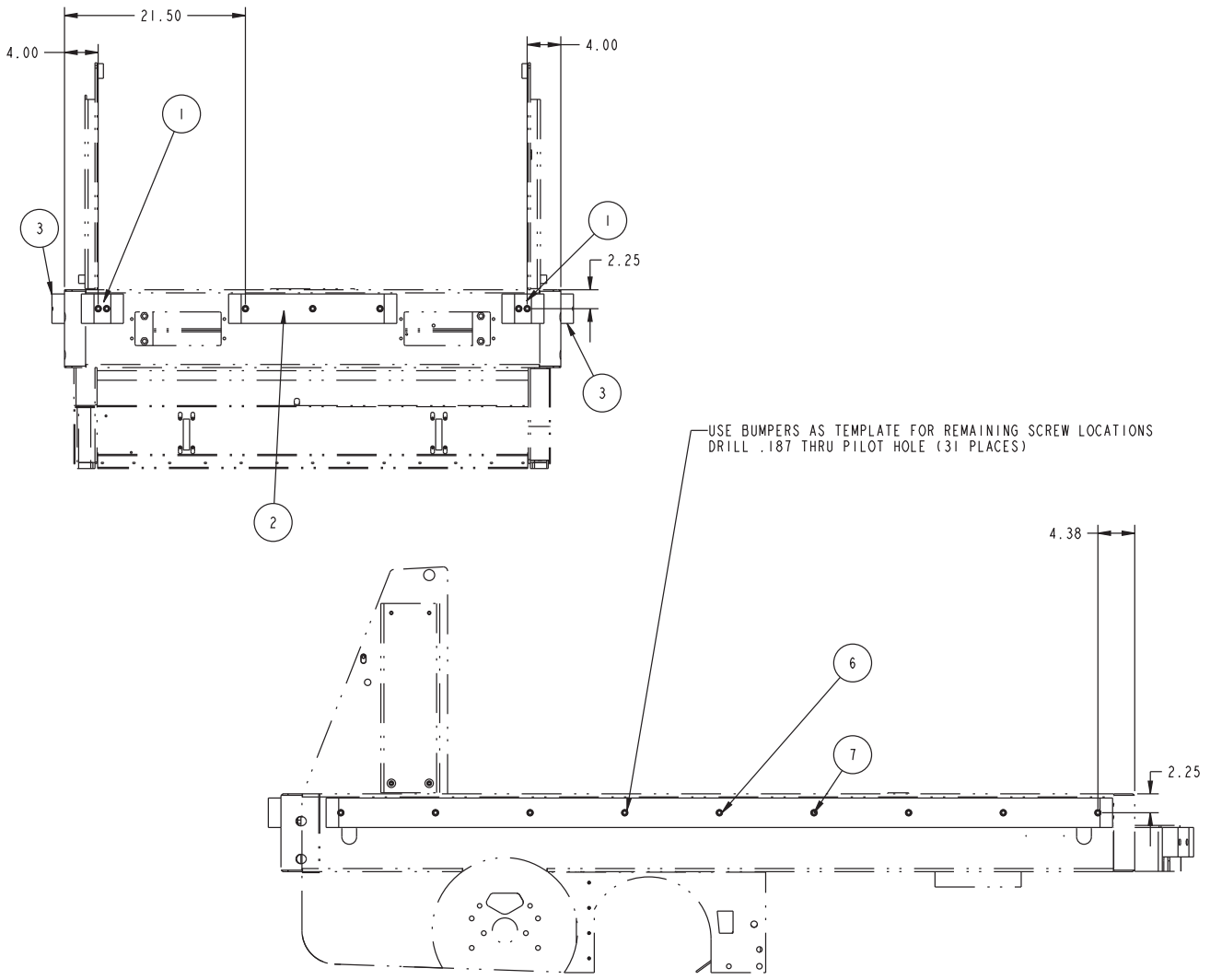


0780-723/10-05

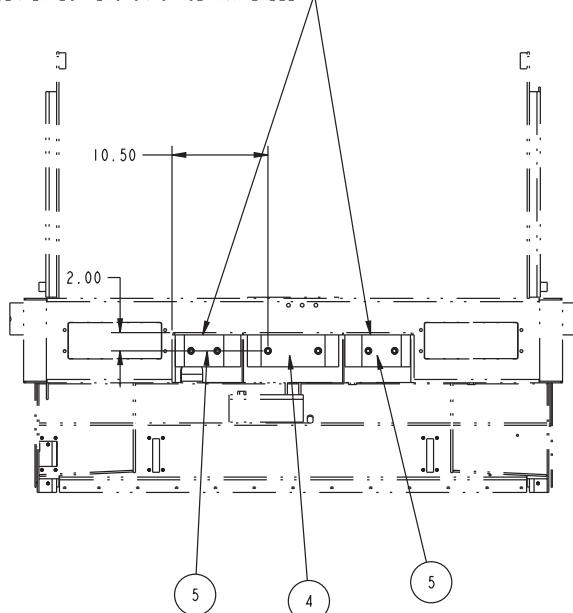
08-4

**EXTENDED BUMPERS OPTION****7765****179**

| Item | Ref. No.   | Qty | Description                       |
|------|------------|-----|-----------------------------------|
|      | 0780-723   |     | Extended Bumpers Option           |
| 1    | 7-08-01331 | 2   | Bracket, Bumper Mount             |
| 2    | 7-08-01330 | 2   | Bracket, Bumper Mount             |
| 3    | 2-00-04176 | 8   | Flat Washer                       |
| 4    | 7-70-05206 | 4   | Shaft, Bumper                     |
| 5    | 2-00-00776 | 8   | Cotter Pin (1/8 dia. x 1.5" long) |
| 6    | 2-00-02312 | 24  | Lock Washer, 1/2"                 |
| 7    | 2-00-02676 | 24  | Screw, 1/2-13 x 3/4               |
| 8    | 7-66-05009 | 8   | Roller, Bumper                    |



CENTER BUMPERS ON SPACE AVAILABLE



0780-724/10-05

08-4

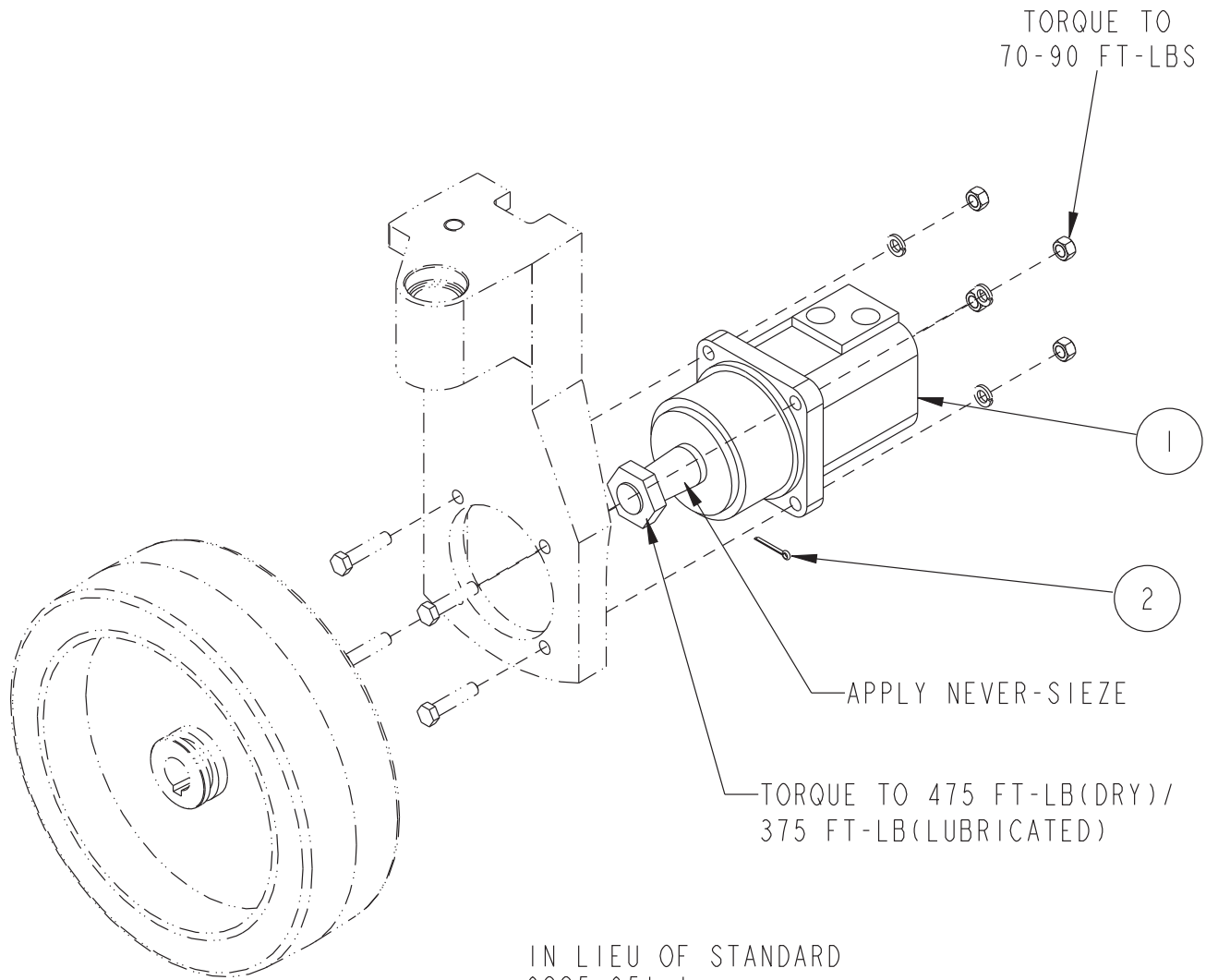
**WRAP-AROUND BUMPERS OPTION**

08-6

**7765****181**

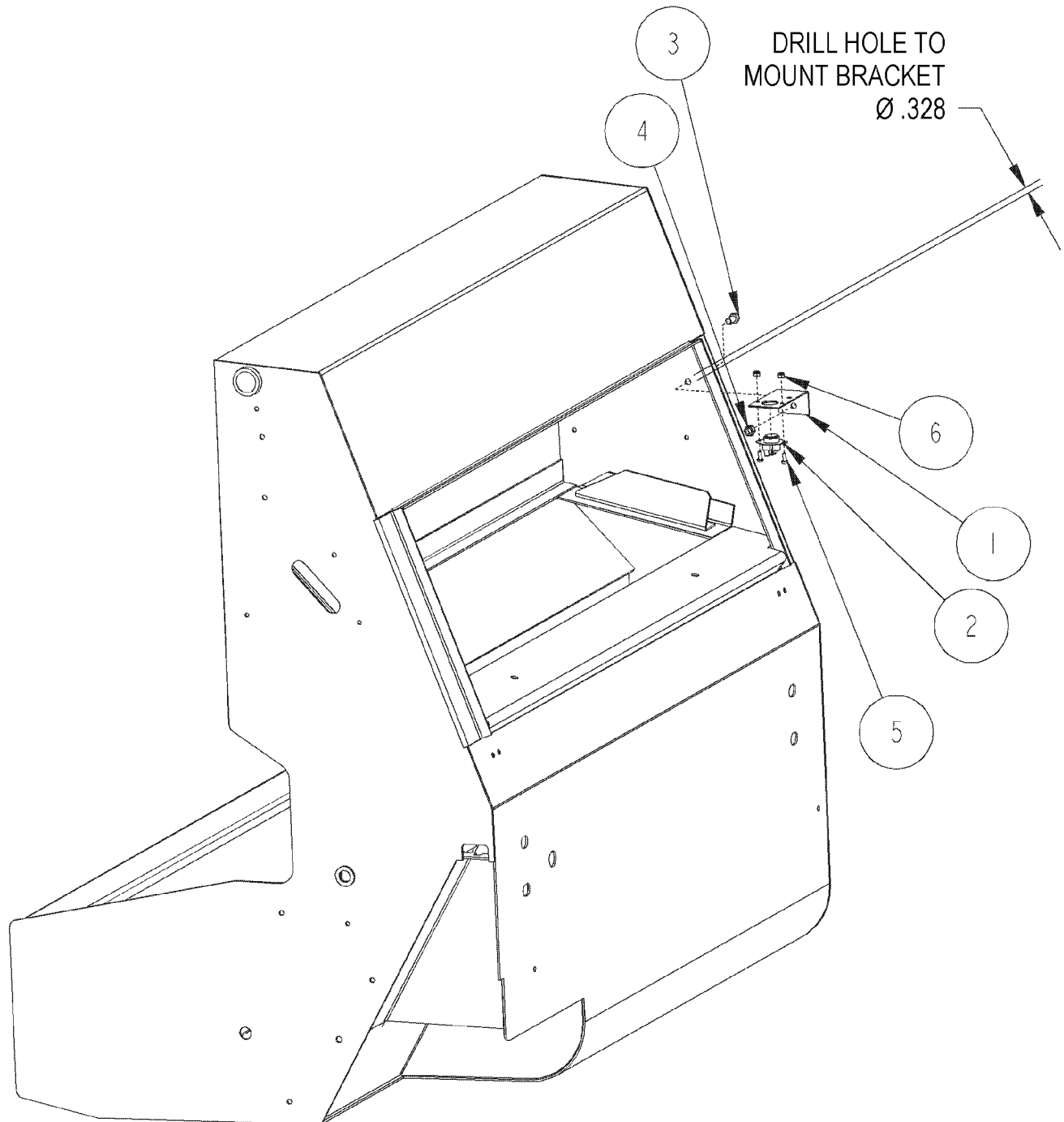
| Item | Ref. No.   | Qty | Description                     |
|------|------------|-----|---------------------------------|
|      | 0780-724   |     | Wrap-Around Bumpers Option      |
| 1    | 7-08-07129 | 2   | Bumper, Poly, 5"                |
| 2    | 7-08-07126 | 1   | Bumper, Poly, 20"               |
| 3#   | 7-08-07125 | 2   | Bumper, Poly, 93.5"             |
| 4#   | 7-08-07127 | 1   | Bumper, Poly, 10"               |
| 5#   | 7-08-07128 | 2   | Bumper, Poly, 7.5"              |
| 6    | 2-00-00409 | 31  | Flat Washer, .687 x .344 x .062 |
| 7    | 2-00-06556 | 31  | Screw, 1/4-20 x 2.0             |

# = Revised or new since last update

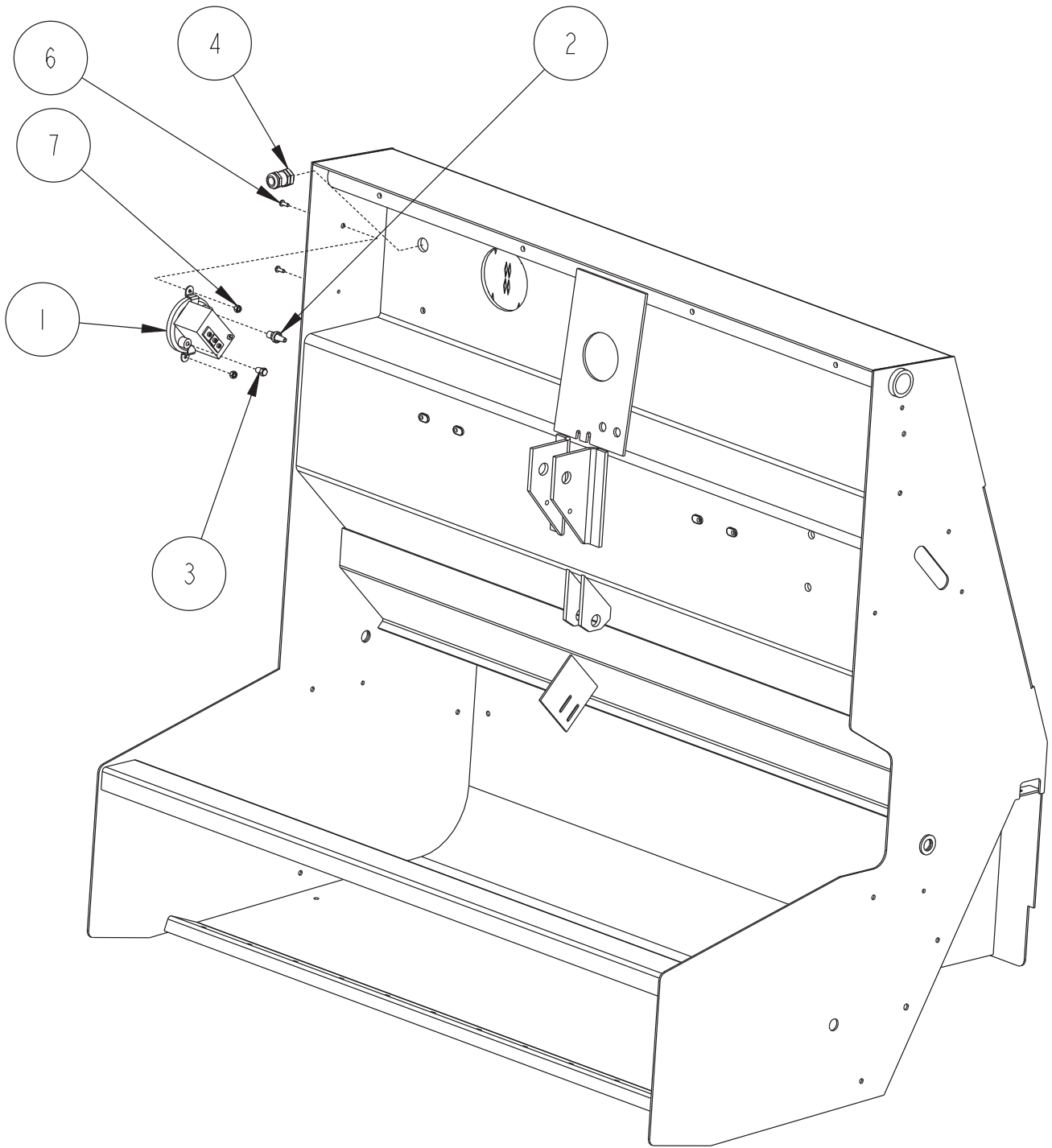


0780-710/10-05

| Item | Ref. No.   | Qty | Description                          |
|------|------------|-----|--------------------------------------|
|      | 0780-710   |     | High Torque Drive Wheel Motor Option |
| 1    | 0885-083   | 1   | Motor, Hydraulic Drive               |
| 2    | 2-00-00776 | 1   | Cotter Pin, 1/8 dia. x 1.5" long     |



| Item | Ref. No.   | Qty | Description                      |
|------|------------|-----|----------------------------------|
|      | 0780-727   |     | Hopper High Temp Shutdown Option |
| 1    | 8-08-00803 | 1   | Bracket, Thermostat Switch       |
| 2    | 8-82-00056 | 1   | Switch, Thermostat               |
| 3    | 2-00-00232 | 1   | Bolt, 3/8-16 x 3/4 Fin. Hex Head |
| 4    | 2-95-04182 | 1   | Nut, 3/8-16 Hex Stop             |
| 5    | 2-00-00049 | 2   | Screw, 10-24 x 1/2 RHM           |
| 6    | 2-00-01246 | 2   | Nut, 10-24 Elastic Stop          |





08-4

**CLOGGED FILTER INDICATOR OPTION**

08-6

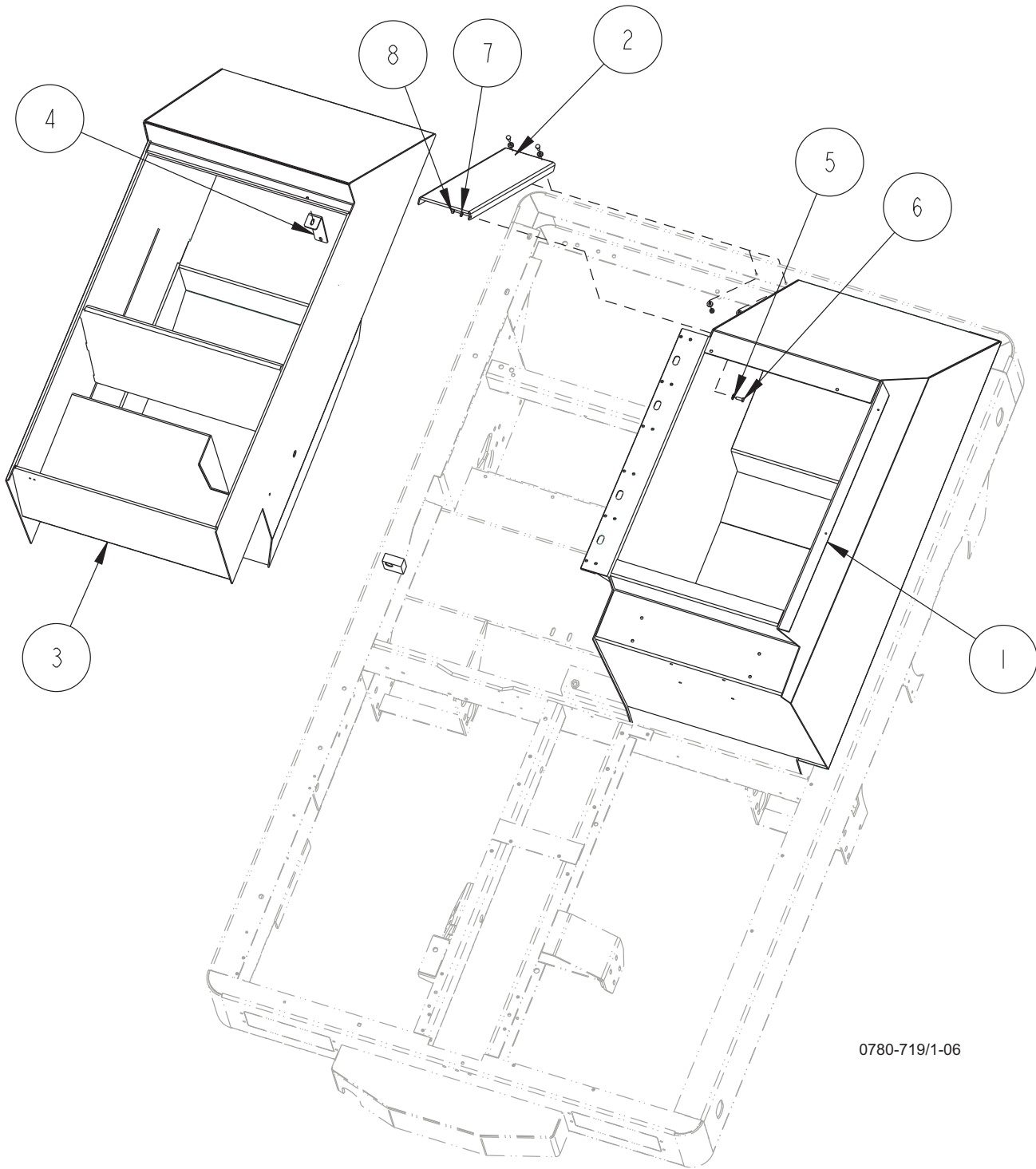
**7765****185**

| Item | Ref. No.   | Qty | Description                             |
|------|------------|-----|---|
|      | 0780-728   |     | Clogged Filter Indicator Option         |
| 1    | 8-63-05014 | 1   | Regulator, Differential Pressure Switch |
| 2    | 2-00-04518 | 1   | Fitting, 1/8 NPT Barbed End             |
| 3    | 8-24-04075 | 1   | Filter, Vent Plug                       |
| 4    | 8-09-01083 | 1   | Connector, Bulkhead                     |
| 5    | 7-87-02155 | 1   | Hose                                    |
| 6    | 2-00-00049 | 2   | Screw, 10-24 x 1/2 RHM                  |
| 7    | 2-00-01246 | 2   | Nut, 10-24 Elastic Stop                 |

On Control Panel (not shown):

|   |          |   |                          |
|---|----------|---|--------------------------|
| # |          |   | DELETED                  |
| # |          |   | DELETED                  |
| # | 56305660 | 1 | Light, Red LED Indicator |
| # |          |   | DELETED                  |

# = Revised or new since last update

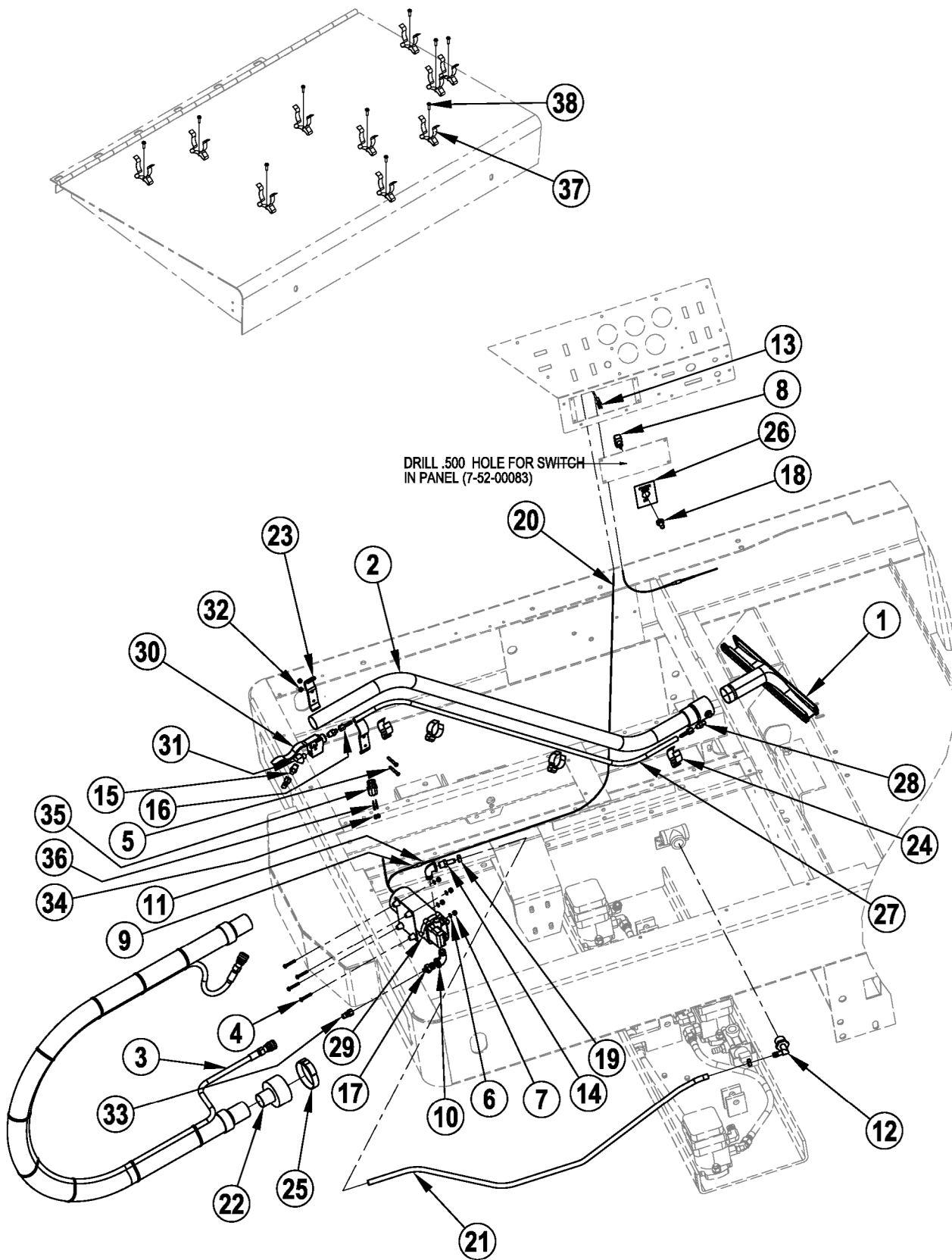


0780-719/1-06

| Item | Ref. No.   | Qty | Description  |
|------|------------|-----|--|
|      | 56514880   |     | 125 Gallon Solution & Recovery Tanks Option (Manual Dump Only) |
| 1*   | 56514911   | 1   | Solution Tank  |
| 2    | 7-08-01254 | 1   | Bracket, Filler  |
| 3*   | 56514913   | 1   | Recovery Tank  |
| 4<   | 7-08-01338 | 1   | Support, Debris Basket   |
| 5    | 2-00-04590 | 3   | Washer, Sealing  |
| 6    | 2-00-04685 | 3   | Screw, 1/4-20 x 3/4 SS Hex Head                                |
| 7    | 2-00-04687 | 3   | Lock Washer, 1/4 Helical Spring                                |
| 8    | 2-00-04688 | 3   | Nut, 1/4-20 Hex  |

\*In lieu of standards 56514775 & 7-83-04168

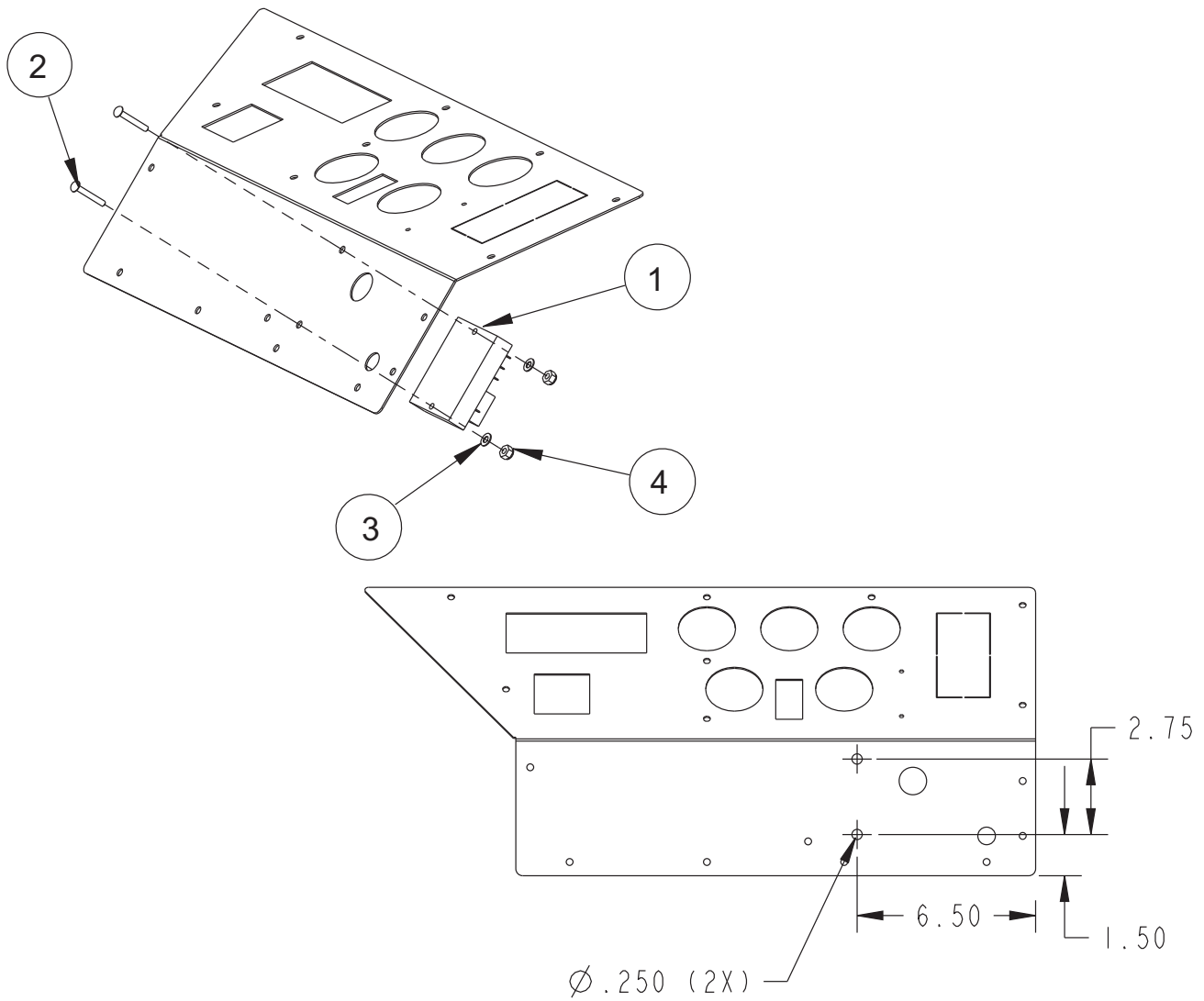
<Required only if equipped with debris basket (Option 0780-236)



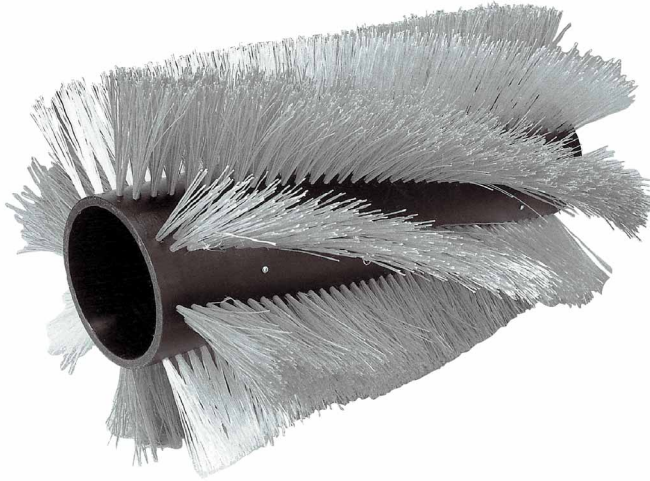
|      |                                |  |            |
|------|--------------------------------|--|------------|
| 08-4 | <b>POWER SPRAY WAND OPTION</b> |  |            |
| 08-6 | <b>7765</b>                    |  | <b>189</b> |

| Item | Ref. No.   | Qty | Description                                |
|------|------------|-----|--|
|      | 0780-378   |     | Power Spray Wand Option                    |
| 1    | 638828     | 1   | Tool Assembly                              |
| 2    | 639804     | 1   | Wand Assembly                              |
| 3    | 0261-029   | 1   | Hose Assembly                              |
| 4    | 2-00-00071 | 4   | Screw 10-24 X 1.25 Lg                      |
| 5    | 2-00-00089 | 2   | Screw 10-24 X1.5 Lg, RHM                   |
| 6    | 2-00-00460 | 4   | Washer-Flat .438 X .192 X .031             |
| 7    | 2-00-01246 | 4   | Nut-10-24 Elastic Stop Nut                 |
| 8    | 2-00-03499 | 1   | Switch, Toggle, On-Off                     |
| 9    | 2-00-04578 | 2   | Terminal (.156 Male)                       |
| 10   | 2-00-04589 | 2   | Fitting- 3/8 to 3/8 90° Street Elbow       |
| 11   | 2-00-04626 | 2   | Terminal (.156 Female)                     |
| 12   | 2-00-04655 | 1   | Fitting-90° Elbow (Nylon)                  |
| 13   | 2-00-04808 | 2   | Terminal, 8 Spring Spade Tongue, 16-14 Awg |
| 14   | 2-00-05201 | 1   | Fitting                                    |
| 15   | 2-00-05206 | 2   | Reducer-Male Pipe 1/4 X 1/8                |
| 16   | 2-00-05207 | 2   | Adapter, 1/4 Hose X 1/8 NPT                |
| 17   | 2-00-05913 | 1   | Fitting, 3/8" Npt-1/8" NPT Reducer Nipple  |
| 18   | 2-74-00059 | 1   | Boot                                       |
| 19   | 2-95-04388 | 2   | Clamp, Hose                                |
| 20   | 3-61-00193 | 1   | Wire, Red, 16 Awg X 15'                    |
| 21   | 3-71-03025 | 1   | 1/2 OD X .375 ID Cobon Tubing              |
| 22   | 7-03-00040 | 1   | Adapter, 3" OD - 1.5" OD                   |
| 23   | 7-13-07139 | 2   | Clamp, Valve                               |
| 24   | 7-13-07140 | 4   | Clamp, Hose                                |
| 25   | 7-13-07225 | 1   | Clamp, Over-Center Hose, 3"                |
| 26   | 7-18-00217 | 1   | Decal-Power Wand                           |
| 27   | 7-33-02306 | 1   | Hose-Solution Feed                         |
| 28   | 7-50-01002 | 1   | Spray Nozzle                               |
| 29   | 7-60-05022 | 1   | Pump, Water 12V DC                         |
| 30   | 7-88-00058 | 1   | Valve-Solution 1/4 NPT                     |
| 31   | 8-56-05026 | 1   | 45 Street Elbow                            |
| 32   | 56003053   | 2   | Nut, Hex Nyl Loc-Thin 10-32                |
| 33   | 56220055   | 2   | Plug                                       |
| 34   | 56462074   | 2   | Seal, Weatherpack                          |
| 35   | 56462360   | 1   | Shroud, Delphi . W.P. 2 Way                |
| 36   | 56459264   | 2   | Terminal, Weather Pack, Male               |
| 37#  | 7-13-07097 | 10  | Clip, Tool                                 |
| 38#  | 2-00-04312 | 10  | Screw, HWH 10-24 x .63                     |

# = Revised or new since last update



| Item | Ref. No.   | Qty | Description                     |
|------|------------|-----|---------------------------------|
|      | 0780-726   |     | Timed Filter Shaker Option      |
| 1    | 8-64-05011 | 1   | Timer                           |
| 2    | 2-00-04897 | 2   | Screw, 10-24 x 1.25 long        |
| 3    | 2-00-00426 | 2   | Flat Washer, .500 x .219 x .063 |
| 4    | 2-00-01246 | 2   | Nut, 10-24 Elastic Stop         |

**Main Broom:****PN8-08-03180 Proex & Wire (STD.) (8 Double Rows)**

This broom has a more aggressive cleaning action, used to pick up heavier debris.

**PN8-08-03193 Nylon (Optional) (8 Double Rows)**

General purpose broom that can be used for all types of light soil. High wear material so uneven surfaces do not cause excessive wear. Nylon has a high heat deflection temperature, is chemical resistant and will absorb water in wet conditions. Truly a general purpose broom.

**PN8-08-03190 Proex (Optional) (8 Double Rows)**

Synthetic fiber made of polypropylene designed to pick up paper, gravel, sand and other lighter less bulky litter.

**PN8-08-03198 High Density Fibre/Wire (Optional)**

Fiber and wire bristles offer dust control from the natural vegetable fibers and a light cutting action from the crinkle wire. Designed for applications with fine dust and light compacted soilage.

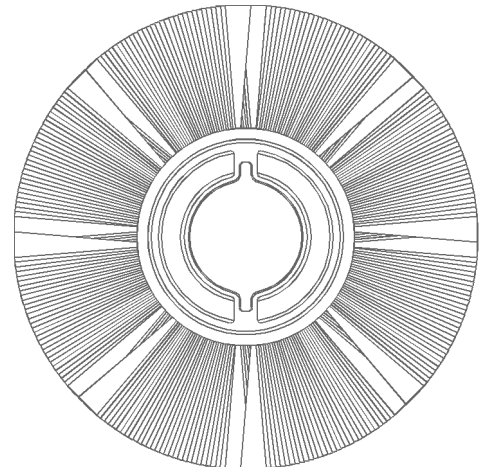
**PN8-08-03196 High Density Nylon (Optional)****PN8-08-03200 Polypropylene (Optional) (8 Double Row)****Side Broom:****PN8-08-03107 Polypropylene (STD. on Variable Dump)**

The side broom function is to sweep the dirt and debris away from the curb, wall, pallet, etc. into the path of the main broom.

**PN8-08-03177 Nylon (Optional)****8 Double Row**

Length.....**50" (127 cm)**

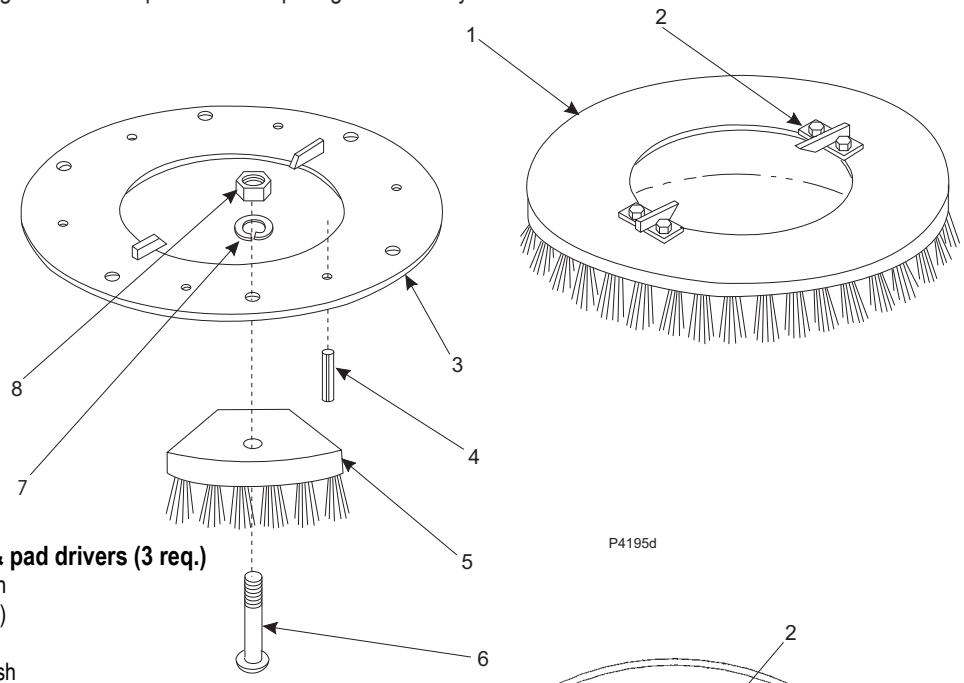
Diameter.....**14" (35.5 cm)**



Diameter.....**24" (60.9 cm)**

We provide brushes and pad holders that will give you the best possible performance between machine and floor. Following are descriptions of the materials and their applications when used on the CR .

- SuperGrit:** The most aggressive grit filament available. Used primarily on concrete floors in factories to remove heavy built up soilage. The color of the filament is orange with bristle diameter of .070 and grit size of 46.
- Clean Grit:** The most widely used grit filament. Ideal for concrete or sealed concrete surfaces. The color of the filament is blue with a bristle diameter of .050 and a grit size of 80.
- Soft and Black Nylon:** Resistant to many chemicals. Do not use with acids. Soft nylon is used for light cleaning and Black nylon is used where a more aggressive brush is required combined with a long life. Soft nylon is white and blacknylon is black.
- Polypropylene:** Used for general purpose scrubbing of most hard surfaces. Commonly offered in .040" diameter bristles. Color is black.
- Straight Wire:** Used when scrubbing floors with impacted build up. A grit brush may be a better alternative.



| Item | Ref. No. | Qty | Description |
|------|----------|-----|-------------|
|------|----------|-----|-------------|

**Disc Brushes: 18" one piece disc brushes & pad drivers (3 req.)**

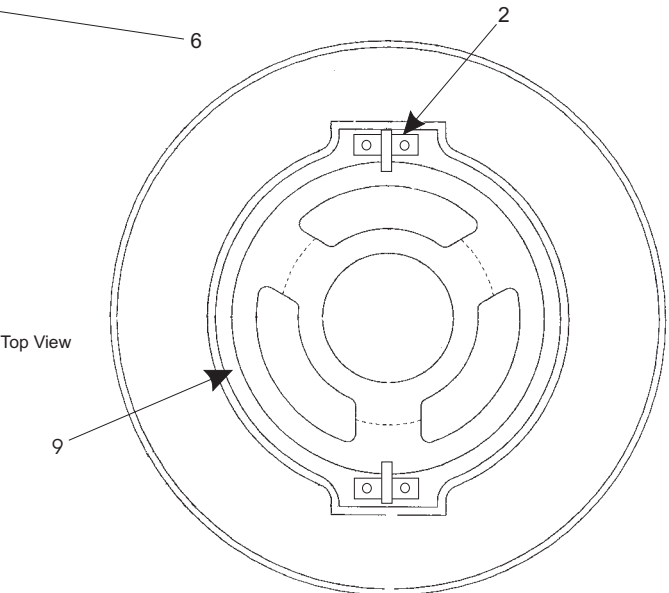
|   |              |   |                             |
|---|--------------|---|-----------------------------|
| 1 | 7-08-03170-1 | 3 | Black Nylon Brush           |
| 1 | 7-08-03172-1 | 3 | Polypropylene (.040)        |
| 1 | 7-08-03269   | 3 | Clean Grit Brush            |
| 1 | 7-08-03173-1 | 3 | Straight Wire Brush         |
| 1 | 7-08-03205-1 | 3 | Super Grit (60/45/25) Brown |
| 1 | 7-08-03262-1 | 3 | Soft Nylon Brush            |

**Sectional Brushes:**

|   |            |   |                         |
|---|------------|---|-------------------------|
| 3 | 0760-284   | 3 | Brush Plate Attachments |
| 4 | 2-00-04221 | 6 | Pin, Spring             |

**Plastic Back: (18 req. per machine. Must also order 3 Brush Plates)**

|   |            |    |                                 |
|---|------------|----|---------------------------------|
| 5 | 7-08-03207 | 18 | Super Grit                      |
| 5 | 7-08-03193 | 18 | Straight Wire                   |
| 5 | 7-08-03194 | 18 | Nylon (Black)                   |
| 5 | 7-08-03248 | 18 | Soft Nylon                      |
| 5 | 7-08-03196 | 18 | Polypropylene/Amerfil (.040)    |
| 5 | 7-08-03197 | 18 | Amergrit                        |
| 6 | 2-00-02706 | 6  | Screw, 1/4 - 20 x 1.0 HHM       |
| 7 | 2-00-00518 | 6  | Washer, Helical Spring 1/4 Med  |
| 8 | 2-00-00594 | 6  | Nut, Hex 1/4 - 20 x .437 x .218 |



**Pad Driver Assembly: 0772-074**

Individual service pieces which can be ordered separately include:

|   |            |                  |
|---|------------|------------------|
| 2 | 7-45-05026 | Lug (2 required) |
| 9 | 7-70-00098 | Center-Lok III   |









## **American-Lincoln®**

14600 21<sup>st</sup> Avenue North  
Plymouth, MN 55447-3408  
[www.americanlincoln.com](http://www.americanlincoln.com)  
Phone: 800-331-7692  
Fax: 877-877-2586  
©2008 American-Lincoln