

Retriever™ 5100G/P



PARTS LIST

Advance MODELS 56497000, 56497010

This parts list is for machines after serial number 353005

All models covered in this manual are OBSOLETE



Advance

by Nilfisk-Advance

11/89 revised 10/02 FORM NO. 56042216

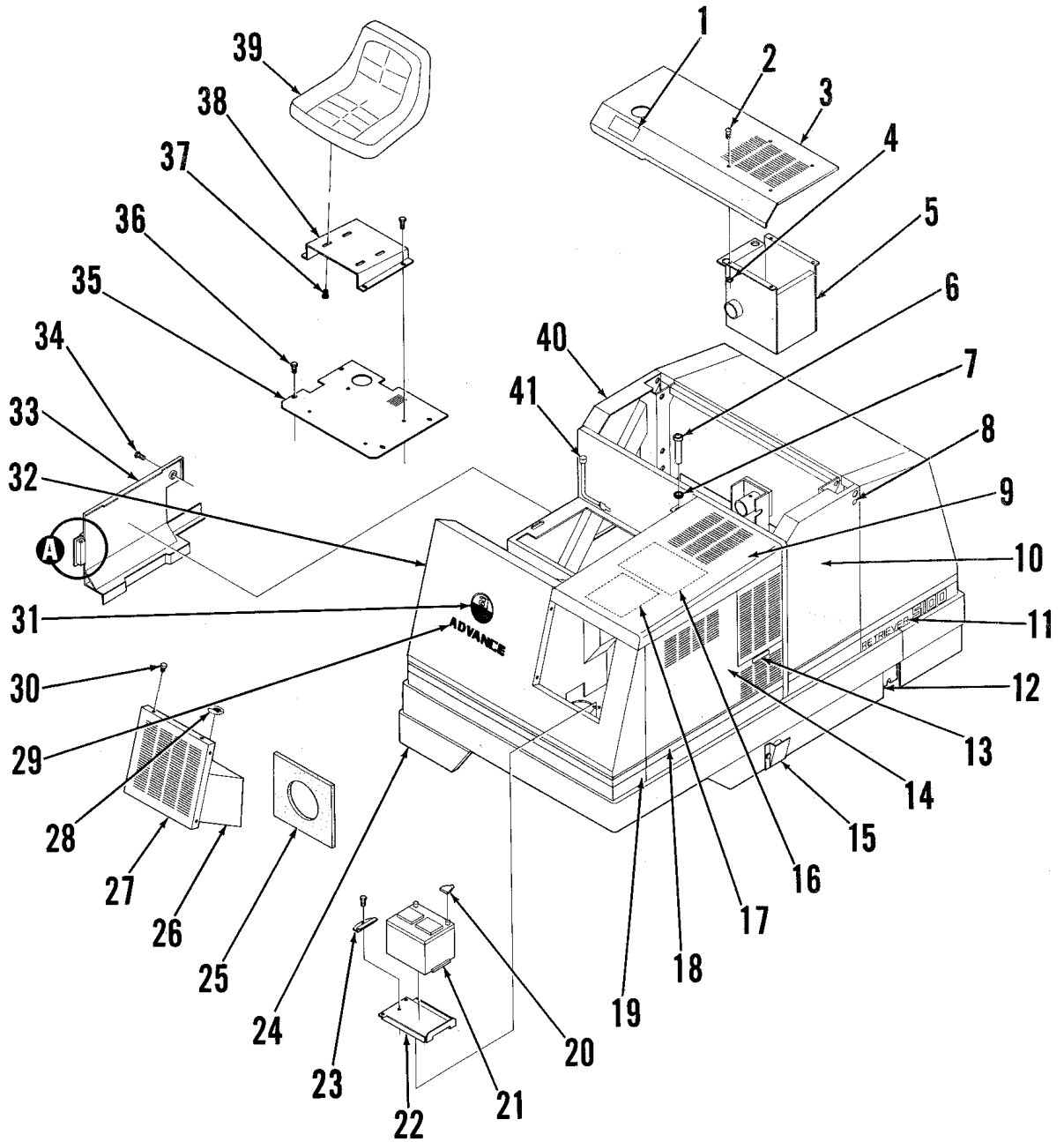
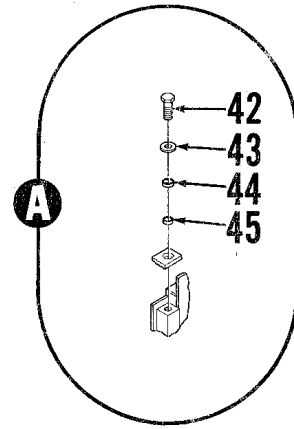
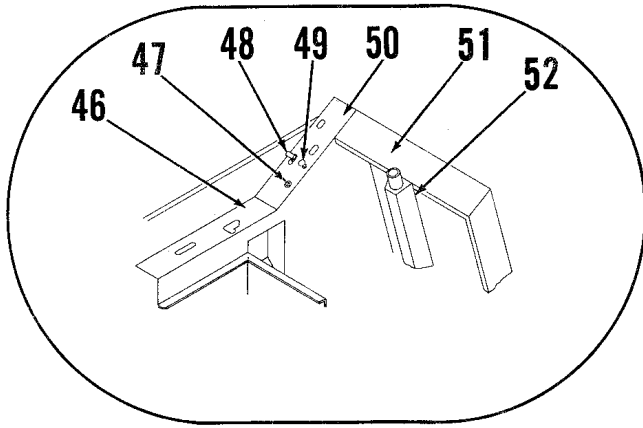
TABLE OF CONTENTS

DESCRIPTION	PAGE
Chassis Assembly	1-2
Engine Assembly	3-4
LP System	5-6
Accelerator Assembly	7-8
Impeller Assembly	9-10
Front Wheel And Steering	11-12
Rear Wheel Assembly	13-14
Skirt Assembly	15-16
Main Broom Assembly	17-18
Fixed Side Broom	19-20
Moveable Side Broom	21-22
Hopper Assembly	23-24
Hydraulic Controls	25-26
Hydraulic Diagram	27-28
Gas Wiring Diagram	29-30
LP Wiring Diagram	31-32
Accessories And Options	33

WHEN ORDERING PARTS

- * Use the 8 digit numbers from the "Part No." columns in this parts list.
- * Specify the model and serial number of the machine.
- * Use the space below to record the model and serial number for future reference.

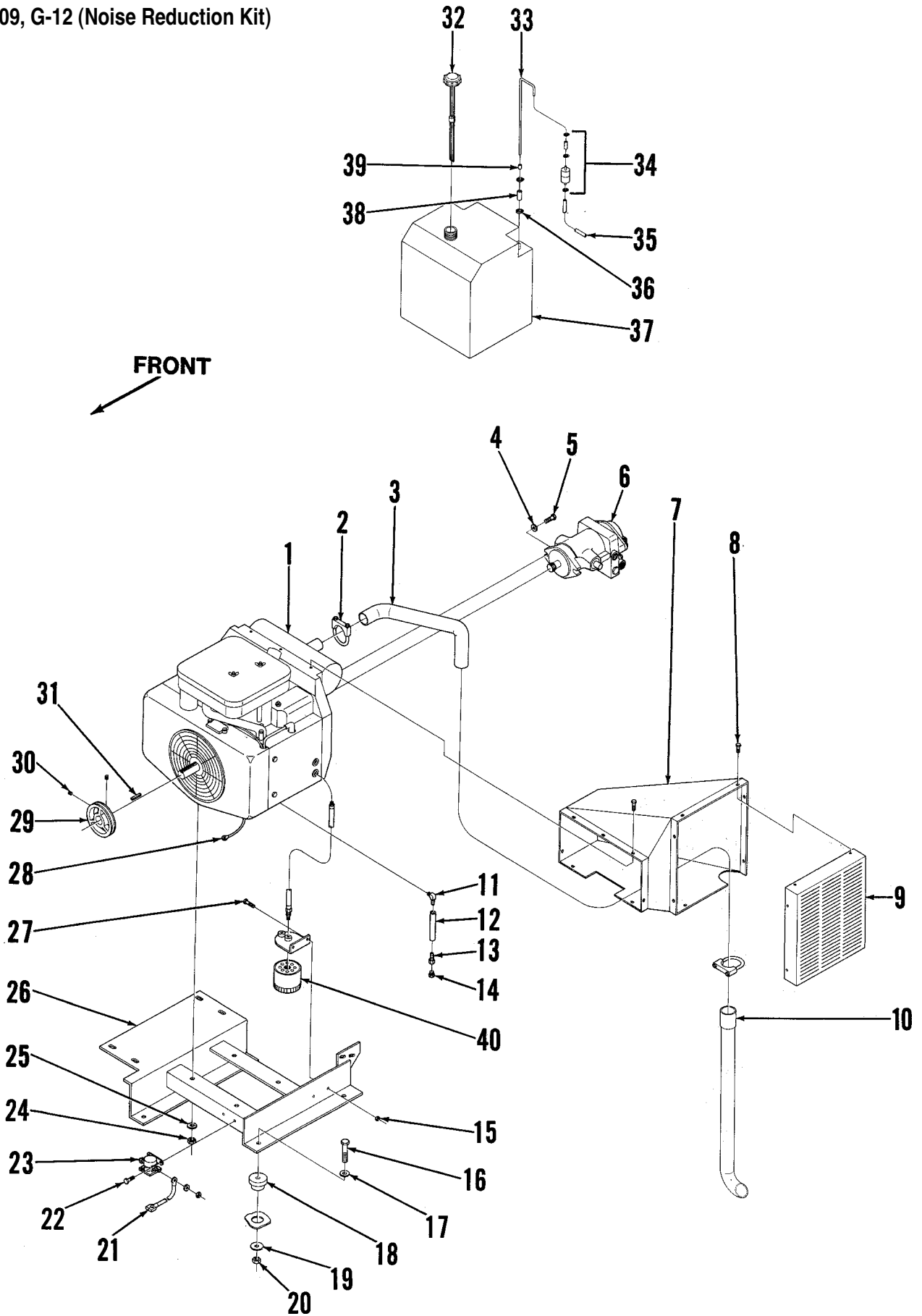
Model _____ Serial No. _____



CHASSIS ASSEMBLY

Item	Part No.	Qty	Description	Item	Part No.	Qty	Description
1	56026050	1	Decal, Gas	27	56497452	1	Front Grill
2		4	1/4-20 x 5/8 Screw	28	56030080	1	Decal, Hands Clear
3	56497455	1	Cover Panel	29	56016543	1	Decal, Advance
4		4	1/4-20 Nut	30	56386321	2	Hood Stops
5	56497533	1	Duct Weldment	31	56014322	1	Decal, Logo
6	56477580	2	Safety Pin	32	56497150	1	Chassis
7	56477514	2	Grommet	33	56497473	1	Side Door Assembly
8	56025120	4	Decal, Safety Pin	34		1	1/2-13 x 2 Screw
9	56497454	1	Hood	35	56497448	1	Seat Deck
	56497554	1	Hinge	36		8	1/4-20 x 3/4 Screw
	56482158	1	Prop Rod	37		4	3/8-16 x 3/4 Screw
	56168744	1	Grommet	38	56497179	1	Bracket, Standard Seat
	56477583	1	Cotter Pin		56497641	1	Bracket, Optional Seat
10	56497472	1	Left Panel	39	56448080	1	Seat (Standard)
11	56014681	2	Decal, Retriever 5100		56481346	1	Seat (Optional)
12	56497062	1	Panel, Weldment	40	56497471	1	Right Panel
13	56030072	1	Decal, Caution	41	56477598	1	Wrench
14	56497485	1	Door Panel		56477620	1	Clip
15	56497572	1	Exhaust Deflector	42		2	1/2-13 x 1-1/4 Screw
16	56014685	1	Decal, Hydraulic System	43		2	1/2 Flat Washer
17	56014684	1	Decal, Electrical Schematic	44	56367168	2	Bearing
18	56024006	4	Red and Black Stripe	45	56367206	2	Bushing
19	56014778	4	Grey Stripe	46	56014687	1	Decal, Lower Panel
20	56372673	2	Boot	47	56470793	1	Ignition Switch
21	56441511	1	Battery	48	56478456	1	Throttle Control W/Cable
22	56497451	1	Battery Tray	49	56760210	1	Choke W/Cable (Gas only)
23	56469193	1	Hold Down Assembly		56403602	1	Primer Switch (LP only)
		1	5/16-18 x 1 Screw	50	56014686	1	Decal, Control Panel
24	56497453	1	Broom Guard	51	56014688	1	Decal
25	56497555	1	Foam Gasket	52	56497151	1	Channel Weldment
26	56497556	1	Engine Cowl				

TSB 509, G-12 (Noise Reduction Kit)



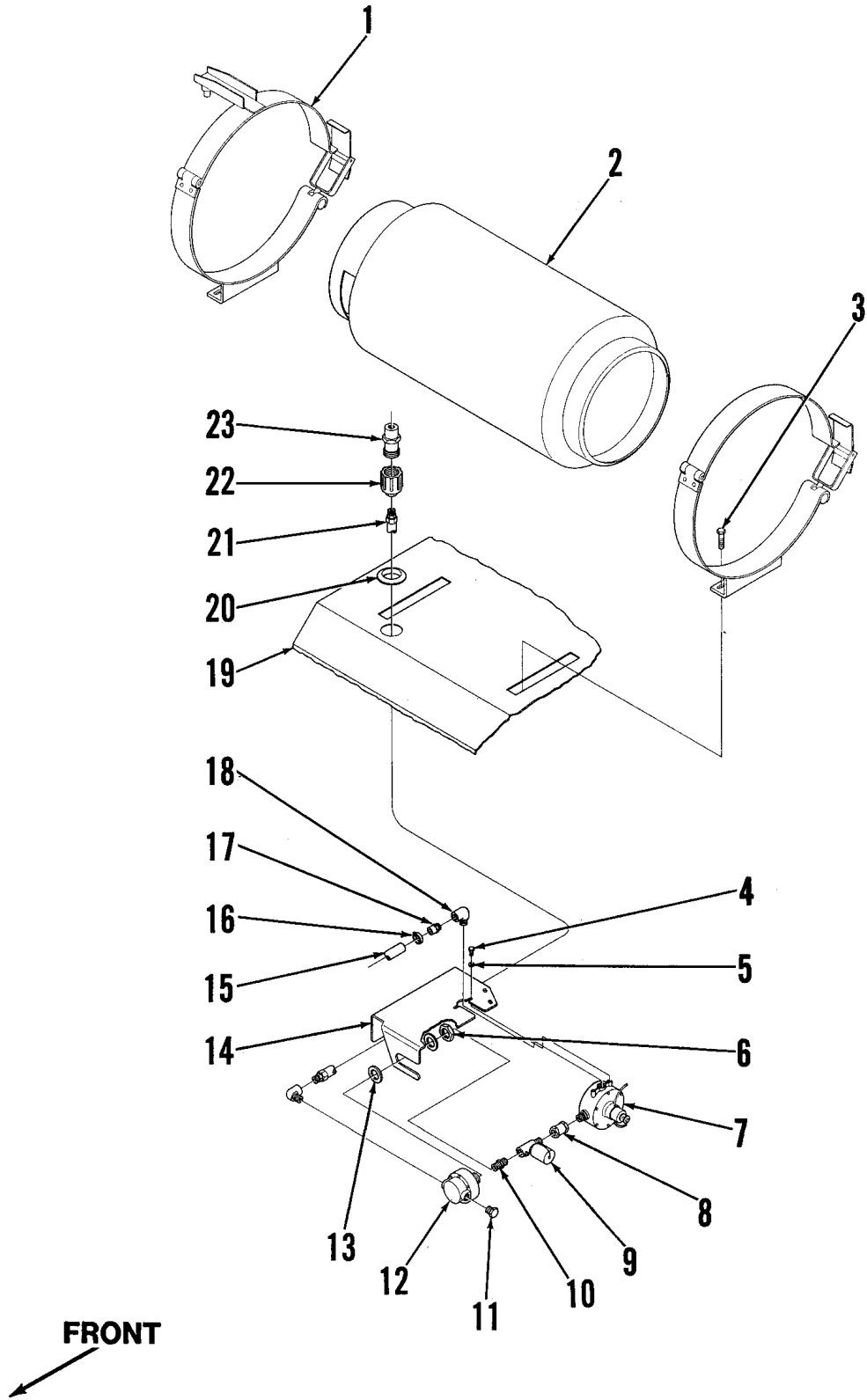
ENGINE ASSEMBLY

Item	Part No.	Qty	Description
1	56497285	1	Engine, Gas
	56497605	1	Engine, LP
2	56343236	2	Muffler Clamp
3	56497272	1	Exhaust Pipe
4		2	3/8 Flat Washer
5		2	3/8-16 x 1-1/2 Screw
6	56497326	1	Pump
7	56497279	1	Shroud
8		14	1/4-20 x 1/2 Screw
9	56497283	1	Side Grill
10	56497541	1	Exhaust Pipe
11	56753691	1	Elbow Barb
12	56456594	1	6" Hose
13	56900030	1	Barb Fitting
14	56740136	1	Plug
15		2	#10-24 Nut
16		4	1/2-13 x 2-1/4 Screw
17		4	1/2 Flat Washer
18	56478685	4	Rubber Mount
19		4	1/2 Flat Washer
20		4	1/2-13 Nut
21	56497425	1	Positive Battery Cable
*	56497426	1	Negative Battery Cable
22		2	#10-24 x 1-1/2 Screw
23	56441546	1	Solenoid
24		4	1/2-13 Nut
25		4	1/2 Lock Washer
26	56497273	1	Skid Weldment
27		2	#10-24 x 1-1/2 Screw
28	56497428	1	Ground Strap
29	56497303	1	Sheave
30		2	5/16-16 x 3/8 Set Screw
31	56122203	1	1/4 x 1-3/16 Square Key
32	56497427	1	Fuel Gauge
33	56497536	1	Stand Tube
34	56492885	1	Fuel Filter Assembly
35	56497540	1	Fuel Line
36		2	3/4" Hose Clamp
37	56497515	1	Fuel Tank
38	56497539	1	Hose
39	56497537	1	Hose
*	56497421	1	Engine Wiring Harness
40	56497568	1	Oil Filter

Air Filter Elements:

*	56497569	1	Inner Paper Filter
*	56497570	1	Outer Foam Filter

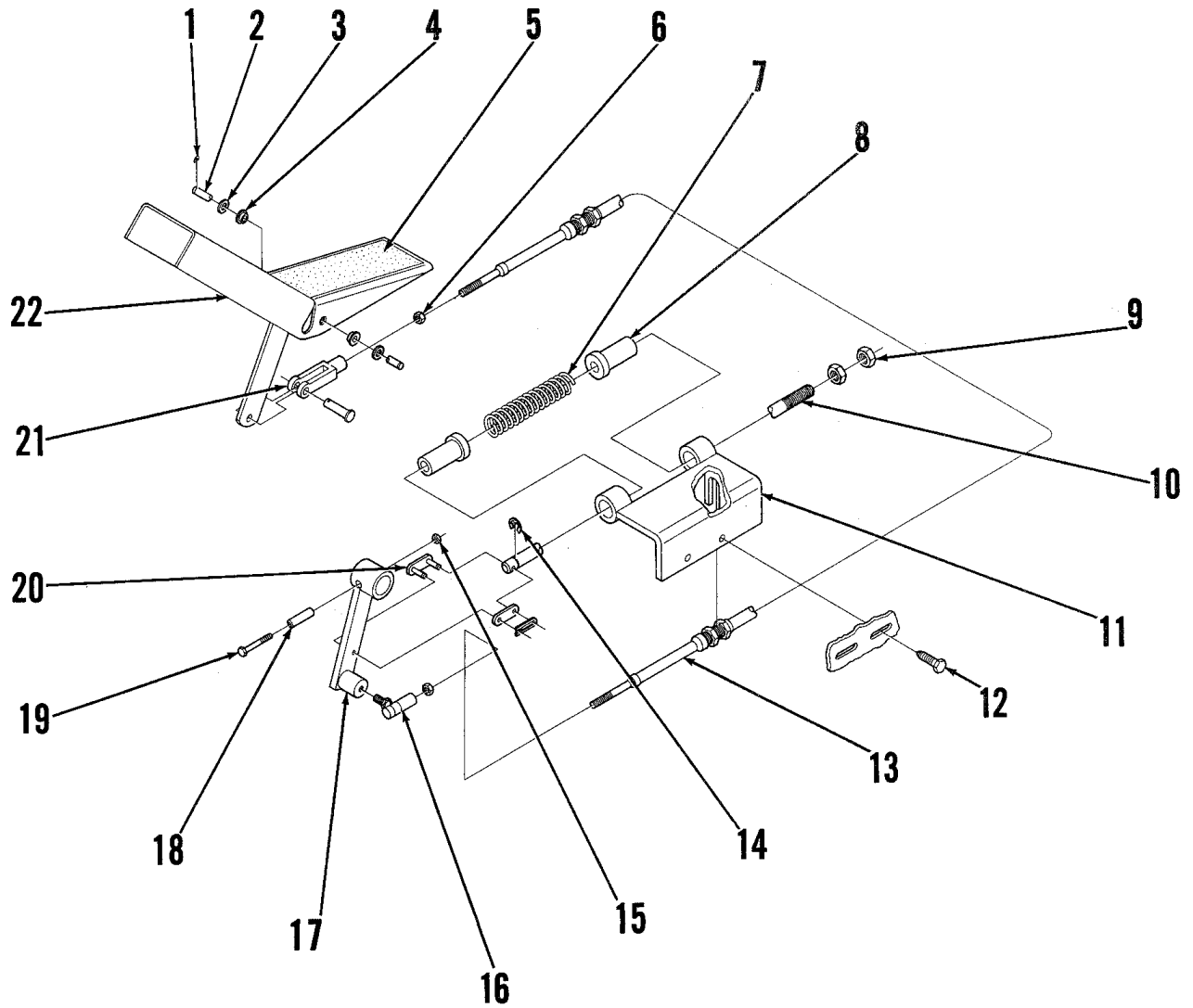
* = Not Shown



LP SYSTEM

Item	Part No.	Qty	Description
1	56497606	1	Bracket Set
2	56456590	1	LP Tank (Not Included)
3		4	1/4-20 x 1 Screw
4		2	#10-32 x 5/8 Screw
5		2	#10 Flat Washer
6		1	7/8-14 Nut
7	56470101	1	Regulator
8	56220526	1	Coupling
9	56403582	1	Solenoid Valve
10	56742317	1	Nipple
11		1	1/4 Pipe Plug
12	56403586	1	Filter
13		2	7/8 Flat Washer
14	56497601	1	Regulator Mount
15	56497608	1	Hose
16	56219932	2	Hose Clamp
17	56497609	1	Fitting
18	56456954	2	Elbow
19	56497603	1	Panel
20	56344621	1	Grommet
21	56497607	1	Hose
22	56369675	1	Female Coupler
23	56369683	1	Male Coupler
*	56497605	1	Engine, LP
*	56497604	1	LP System Wiring Harness
*	56493063	1	Diode Assembly (near Carburetor)

* = Not Shown

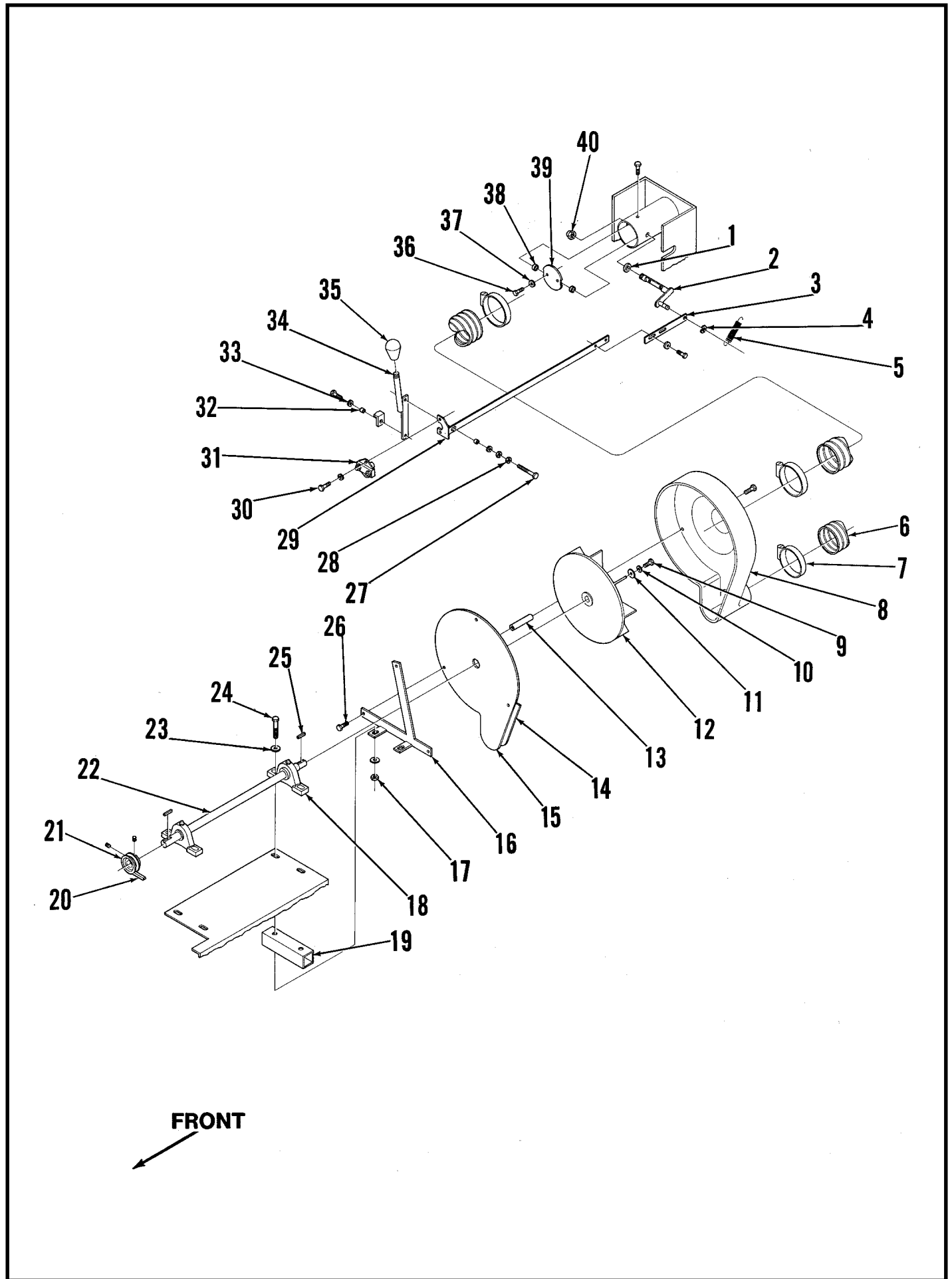


FRONT
↙

ACCELERATOR LINKAGE ASSEMBLY

Item	Part No.	Qty	Description
	56497312	1	Accelerator Linkage Assembly
1	56321125	2	Retaining Ring
2	56448050	1	Shaft
3		2	1/4 Flat Washer
4	56206849	2	Bushing
5	56449958	1	Pedal Mat
6		2	#10-32 Nut
7	56373869	1	Spring
8	56497577	2	Flange Bushing
9		2	3/8-16 Nut
10	56497317	1	Centering Shaft
11	56497581	1	Centering Weldment
12		2	1/4-20 x 1/2 Screw
13	56497319	1	Cable
14	56321427	1	Retaining Ring
15		1	#6-32 Nut
16	56488290	1	Ball Joint
17	56497547	1	Lever
18	56469872	1	Roll Pin
19		1	#6-32 x 1-1/4 Screw
20	56445096	1	Link Assembly
21	56492543	1	Clevis Assembly
	56493008	1	Pin
		1	Cotter Pin
22	56497313	1	Pedal
*		1	3/8-16 x 2-3/4 Screw (Forward Pedal Stop)
*		1	3/8-16 x 1-3/4 Screw (Reverse Pedal Stop)

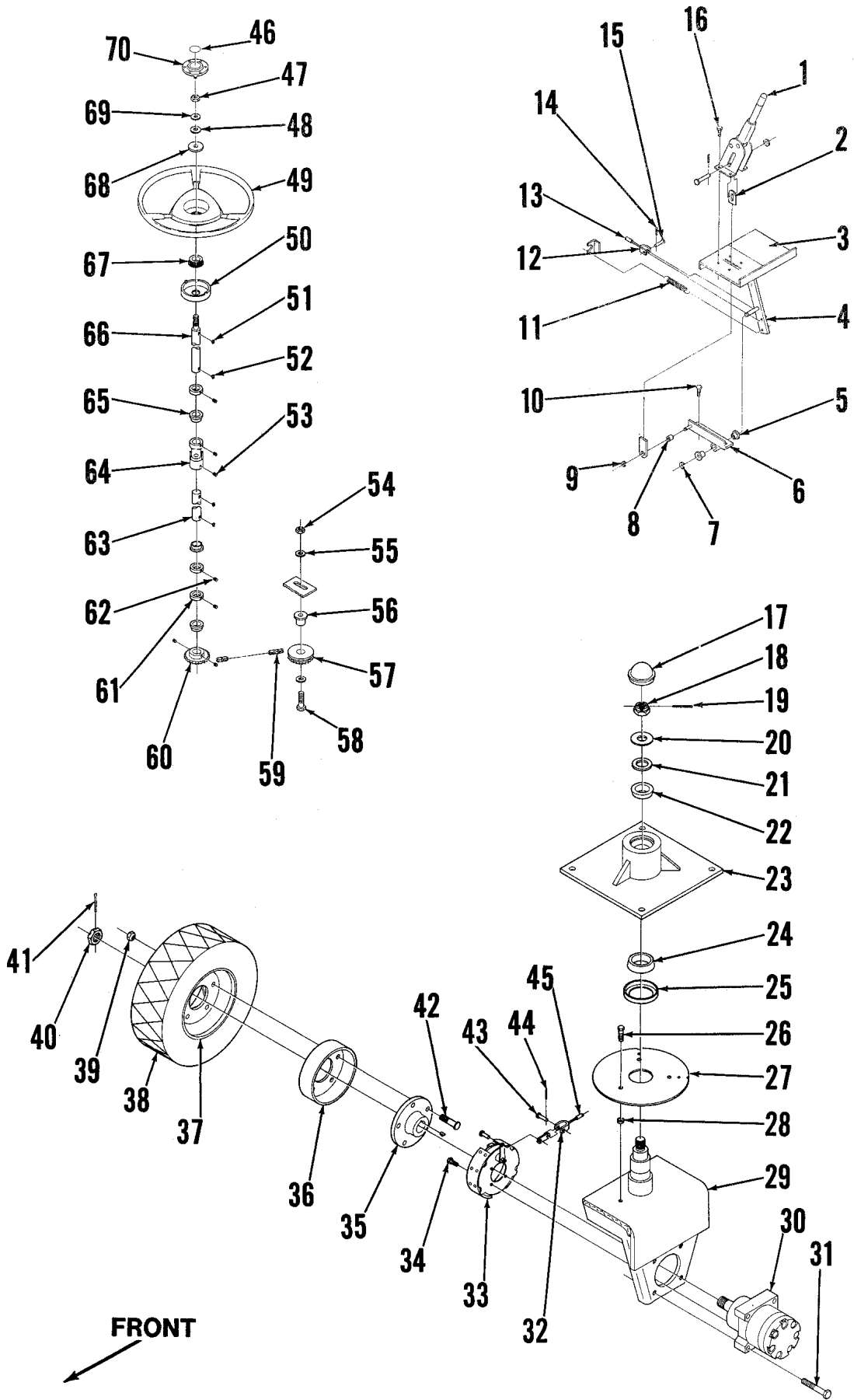
* = Not Shown



IMPELLER ASSEMBLY

Item	Part No.	Qty	Description
1	56232181	1	Bushing
2	56482224	1	Shaft
3	56497302	1	Bar
4	56373797	1	Retaining Ring
5	56365068	1	Spring
6	56482319	2	Flex Hose
7	56352829	4	Hose Clamp
8	56482217	1	Shroud
9		1	5/16-24 x 1-1/4 Screw
10		1	5/16 Lock Washer
11	56358956	1	Washer
12	56478668	1	Impeller
13	56478762	3	Spacer
14	56209434	1	Gasket
15	56482321	1	Plate
16	56481490	1	Bracket
17		4	3/8-16 Whiz Nut
18	56494506	2	Pillow Block TSB 639, G-8
	56101737	2	Grease Fitting
19	56497527	1	Spacer
20	56471087	1	V-Belt
21	56482138	1	Pulley
		2	5/16-18 x 3/8 Set Screw
22	56497296	1	Shaft
23		8	3/8 Flat Washer
24		2	3/8-16 x 3 Screw
		2	3/8-16 x 1-1/2 Screw
25	56367958	2	Square Key
26		6	1/4-20 x 1 Screw
27		1	1/4-20 x 2-3/4 Screw
28		2	1/4-20 Nut
29	56478002	1	Linkage Arm
30		5	1/4-20 x 3/4 Screw
31	56441555	1	Switch
32	56379298	2	Bushing
33		5	1/4 Flat Washer
34	56477993	1	Lever
35	56492792	1	Knob
36		2	#6-32 x 3/4 Screw
37		2	#6 Flat Washer
38	56329098	2	Bearing
39	56469208	1	Plate
40	56453771	1	Acorn Nut
*	56497423	1	Shaker Motor Wiring Harness

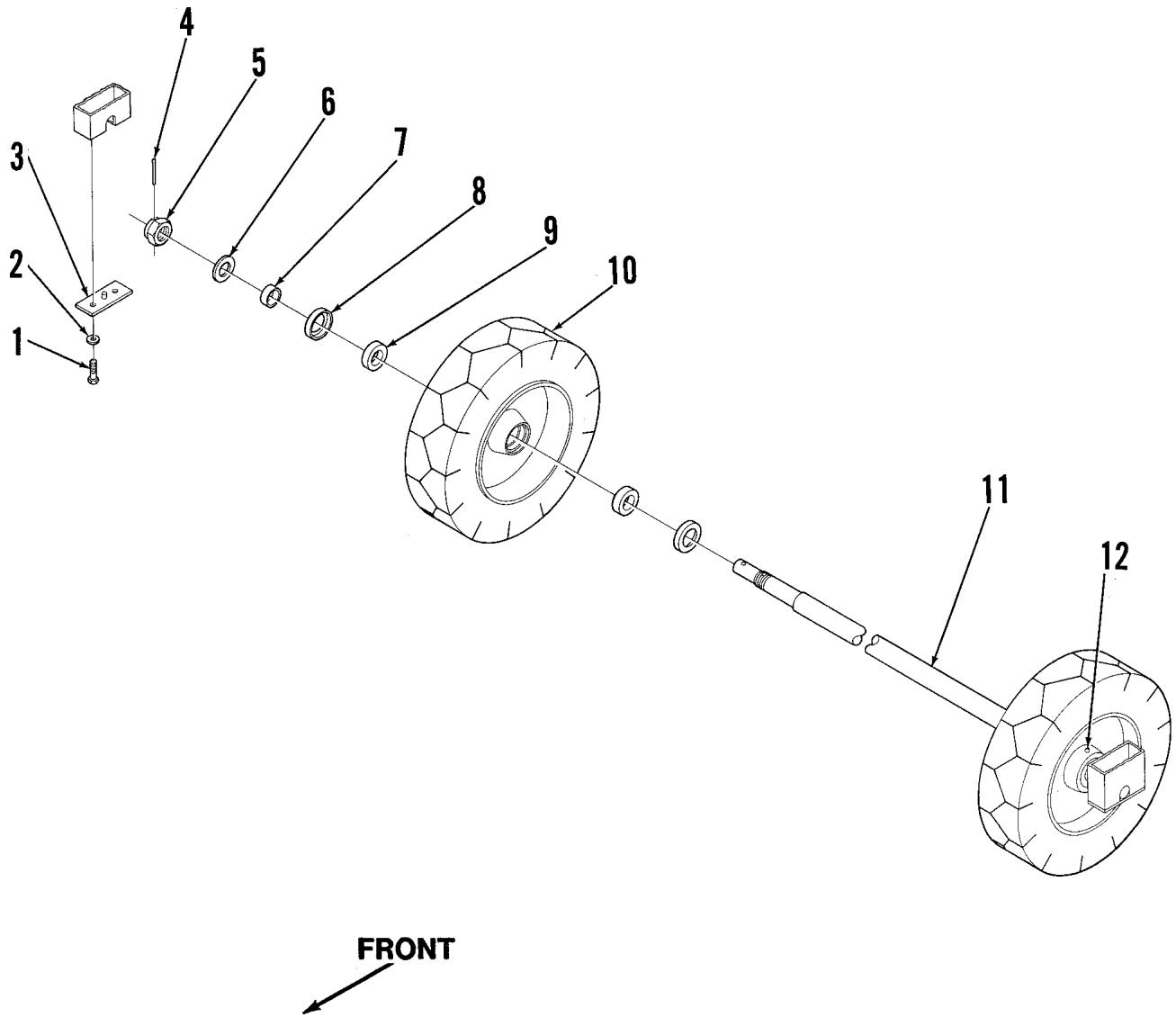
* = Not Shown



FRONT WHEEL AND STEERING ASSEMBLY

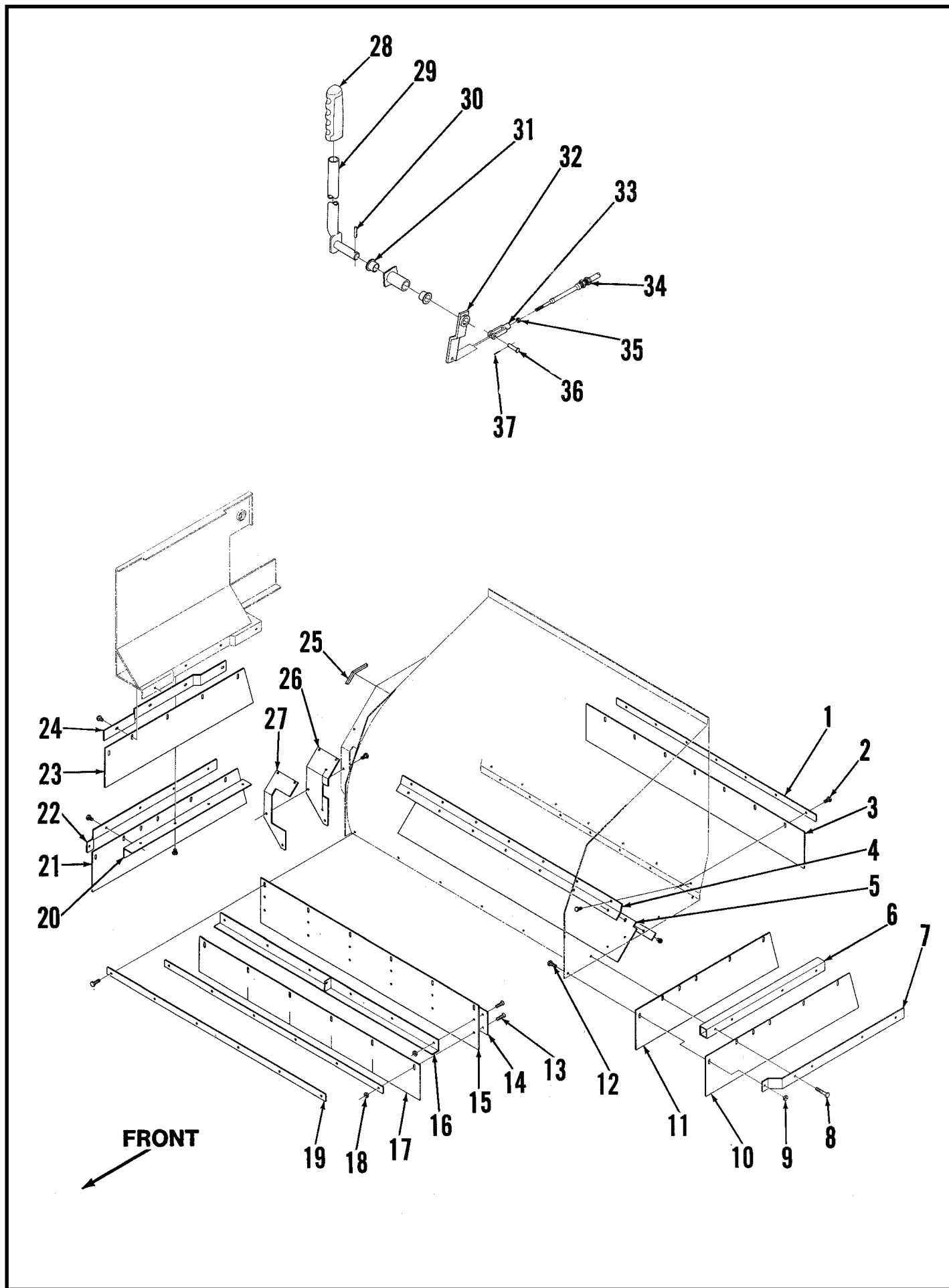
Item	Part No.	Qty	Description	Item	Part No.	Qty	Description
1	56448200	1	Brake Lever Assembly	36	56497254	1	Drum
2	56497268	1	Link	37	56497256	1	Hub
3	56497066	1	Pedal Mat	38	56448145	1	Tire
4	56497260	1	Pedal Weldment	39	56497257	5	Lug Nut
5	56185264	2	Flange Bearing	40	56477739	1	Nut (old style 1-20 nut)
6	56497264	1	Bracket Weldment		56462927	1	Nut (new style 1-1/8-18 nut)
7	56468834	1	Retaining Ring	41		1	Cotter Pin
8	56368970	1	Bushing	42	56497252	5	Stud
9	56321427	1	Retaining Ring	43	56493030	2	Pin
10		2	5/16-18 x 1 Screw	44		2	Cotter Pin
11	56365068	1	Spring	45	56493010	1	Brake Cable
12	56493045	1	Clevis	46	56014448	1	Decal, Logo
13	56493010	1	Cable	47		1	1/2-20 Jam Nut
14		2	3/32 x 3/4 Cotter Pin	48		1	1/2 Flat Washer
15	56493030	1	Pin	49	56497306	1	Steering Wheel
16		4	1/4-20 x 1/2 Screw	50	56497308	1	Cup
17	56483135	1	Grease Cap	51	56154083	1	Woodruff Key
18	56110817	1	Castle Nut	52	56124028	3	Woodruff Key
19		1	1/8 x 1-1/2 Cotter Pin	53		2	3/8-16 x 1/2 Set Screw
20	56101656	1	Washer	54		1	5/16-18 Whiz Nut
21	56497241	1	Bushing	55		2	5/16 Flat Washer
22	56492699	1	Bearing	56	56497311	1	Flange Bushing
	56492697	1	Bearing Race	57	56454079	1	Sprocket
23	56497242	1	Mounting Plate	*	56101737	1	Grease Fitting
24	56492700	1	Bearing	58		1	5/16-18 x 1-3/4 Screw
	56492702	1	Race	59	56497310	1	Chain
25	56493191	1	Seal	60	56471148	1	Sprocket
26		3	5/16-18 x 1-1/4 Screw	61	56367095	3	Collar
27	56497258	1	Sprocket	62		5	5/16-18 x 5/16 Set Screw
28	56232181	3	Spacer	63	56497309	1	Lower Shaft
29	56497246	1	Spindle Weldment	64	56454081	1	Universal Joint
30	56497329	1	Motor TSB 543, G-9	65	56250414	3	Flange Bearing
	56497787	1	Motor after SN468199	66	56454093	1	Upper Shaft
*	56503025	1	Seal Kit for 497329	67	56497560	1	Adapter
*	56498000	1	Seal Kit for 497787	68	56497542	1	Washer
31		4	1/2-13 x 2 Screw	69		1	1/2" Shakeproof Washer
32	56493045	1	Clevis	70	56497543	1	Cap
33	56497251	1	Brake Assembly				
34		4	5/16-18 x 3/4 Screw				
35	56497253	1	Adapter				

* = Not Shown



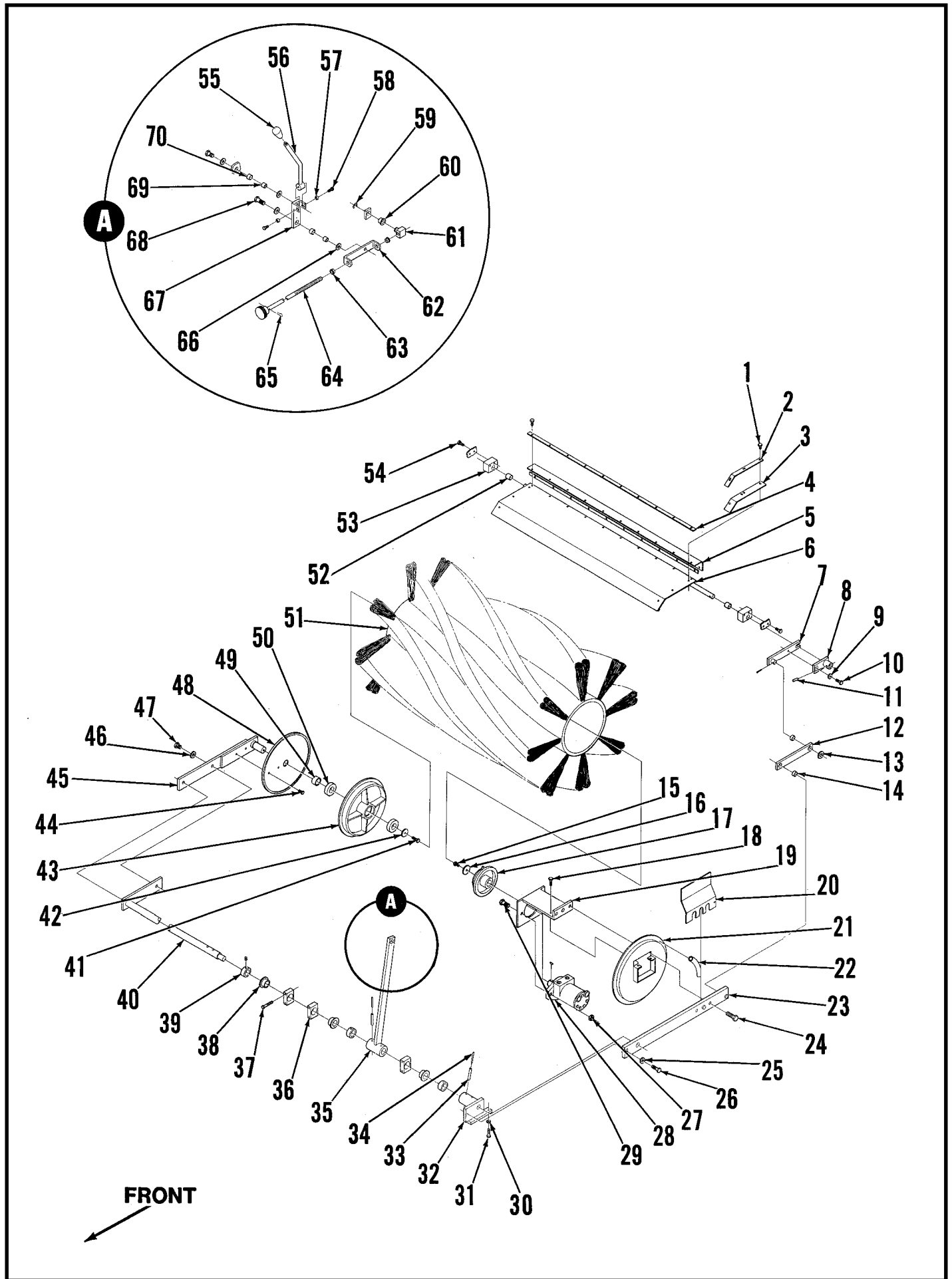
REAR WHEEL ASSEMBLY

Item	Part No.	Qty	Description
1		4	3/8-16 x 1-1/4 Screw
2		4	3/8 Washer
3	56497232	2	Plate Assembly
4		2	3/16 x 1 Cotter Pin
5	56101265	2	Castle Nut
6	56101656	2	Washer
7	56477729	2	Spacer
8	56477724	4	Seal
9	56378267	4	Roller Bearing
*	56378259	4	Bearing Race
10	56448145	2	Tire
	56497233	2	Hub
11	56497231	1	Axle
12	56344362	2	Grease Fitting



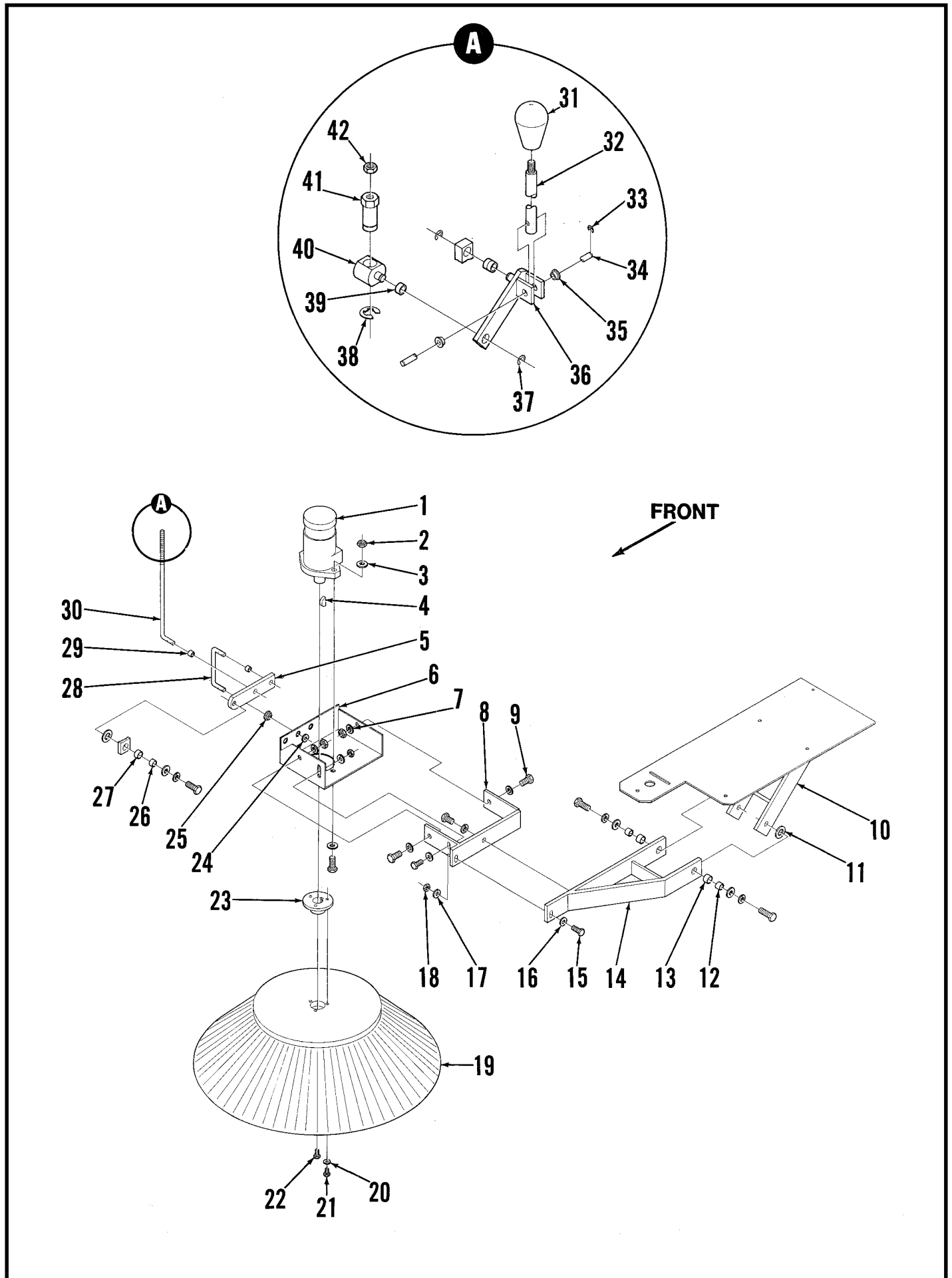
BROOM HOUSING SKIRTS

Item	Part No.	Qty	Description
1	56497509	2	Strap
2		30	1/4-20 x 3/4 Screw
3	56497508	1	Outer Rear Skirt
4	56497526	1	Skirt Bracket
5	56497506	1	Inner Rear Skirt
6	56497413	1	Skirt Bracket
7	56497419	1	Strap
8		4	1/4-20 x 2-1/2 Screw
9		2	1/4-20 Nut
10	56497504	1	Outer Left Skirt
11	56497505	1	Inner Left Skirt
12		2	1/4-20 x 1 Screw
13		12	1/4-20 x 1-1/2 Screw
14	56497498	1	Strap
15	56497496	1	Front Skirt
16	56497499	1	Angle Weldment
17	56497497	1	Front Skirt
18		12	1/4-20 Nut
19	56497494	2	Front Strap
20	56497415	1	Skirt Bracket
21	56497504	1	Outer Right Skirt
22	56497419	1	Strap
23	56497482	1	Inner Right Skirt
24	56497424	1	Strap
25	56490110	1	Gasket
26	56497322	1	Seal
27	56497323	1	Seal Bracket
28	56514085	1	Hand Grip
29	56497489	1	Lever
30		1	3/16 x 1 Roll Pin
31	56171095	2	Flange Bearing
32	56497492	1	Lever
33	56492543	2	Clevis
34	56497444	1	Cable
35		2	#10-32 Nut
36	56493008	2	Pin
37		2	Cotter Pin



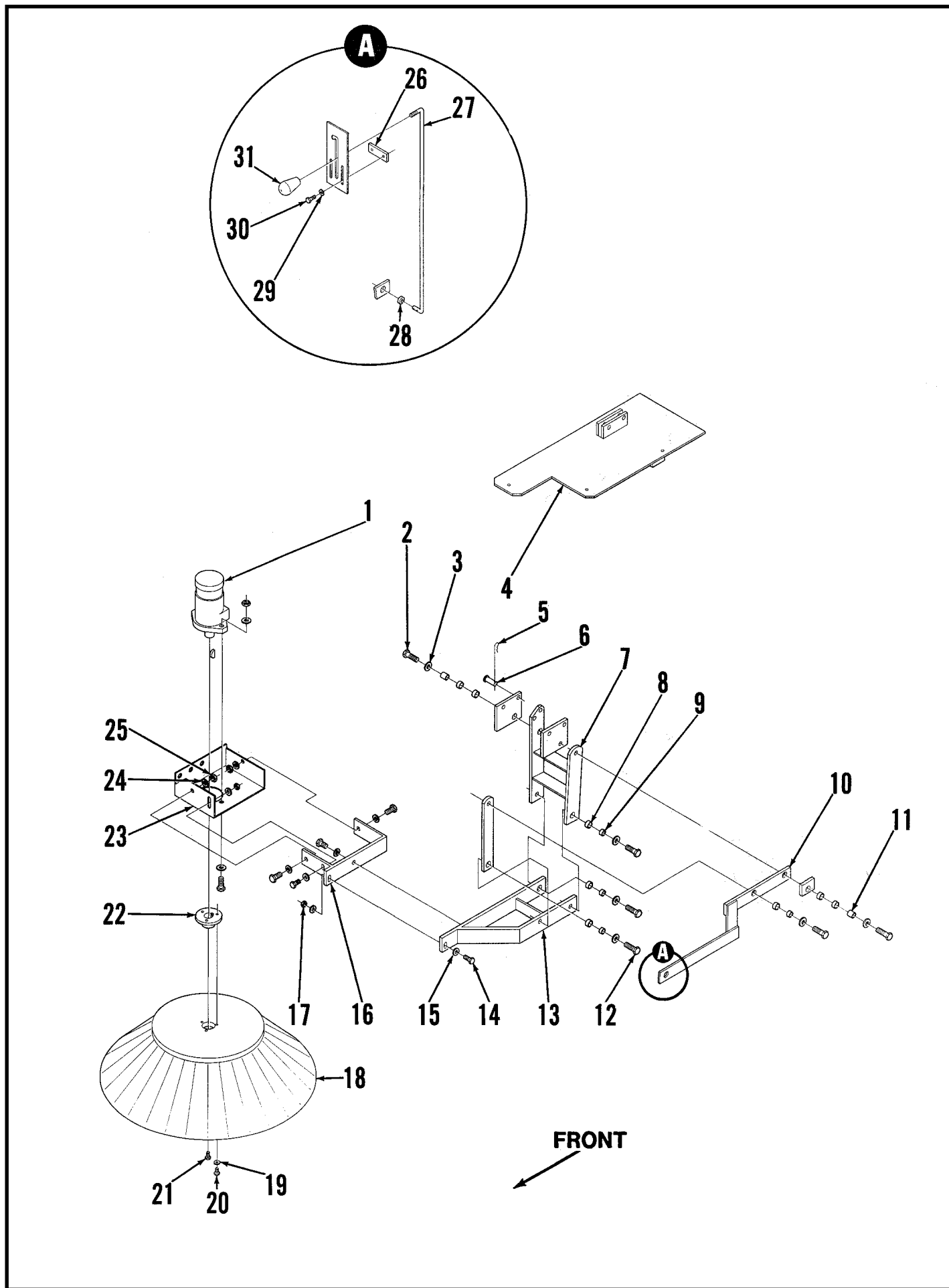
MAIN BROOM ASSEMBLY

Item	Part No.	Qty	Description	Item	Part No.	Qty	Description
1		16	3/16-18 x 1/2 Screw	36	56497383	3	Block
2	56497403	2	Strap	37		6	5/16-18 x 1 Screw
3	56497402	2	Wrap Side Seal	38	56444944	3	Flange Bearing
4	56497401	2	Strap	39	56444820	3	Collar
5	56497400	1	Wrap Skirt			3	5/16-18 x 1/2 Set Screw
6	56497395	1	Wrap Weldment	40	56497380	1	Pivot Shaft
7	56497535	1	Arm	41		1	5/16-18 x 1 Screw
		1	1/8 x 1 Cotter Pin	42	56358959	1	Plated Washer
8	56497391	1	Wrap Adjuster	43	56477760	1	Idler Hub
9		1	5/16 Flat Washer	44		2	1/4-20 x 1/2 Screw
10		1	5/16-18 x 5/8 Screw	45	56497385	1	Arm
11		1	1/4 x 1 Roll Pin	46		1	1/2 Flat Washer
12	56497389	1	Wrap Link	47		1	1/2-13 x 3/4 Screw
13		2	5/8 Flat Washer	48	56497439	1	String Guard
14	56370878	2	Sleeve Bearing	49	56497434	1	Bushing
15		1	1/4-20 x 3/4 Screw	50	56497430	2	Roller Bearing
16		1	1/4 Flat Washer	51	56505044	1	Main Broom
17	56477762	1	Hub Driver		56477736	2	Broom Insert
18		2	1/4-20 x 3/4 Screw	52	56367168	2	Bushing
19	56497362	1	Motor Mount	53	56497394	2	Wrap Pivot Block
20	56497236	1	Bracket	54		4	1/4-20 x 1 Screw
21	56497366	1	String Guard	55	56364527	1	Knob
22	56483549	1	Gasket	56	56497411	1	Handle
23	56497371	1	Arm	57	56320595	2	Bushing
24		2	1/2-13 x 1 Screw	58		2	5/16-18 x 1/2 Screw
25		1	7/16 Flat Washer	59		1	Retaining Ring
26		1	7/16-20 x 3/4 Screw	60	56171095	1	Flange Bearing
27		2	1/2-13 Nut	61	56497404	1	Swivel
28	56497525	1	Main Broom Motor	62	56497408	1	Swivel
	56503062	1	Seal Kit for 497525	63	56185264	2	Flange Bearing
		1	1 x 1/4 Woodruff Key	64	56497405	1	Adjuster Rod
29		2	1/2-13 x 1-1/2 Screw	65		1	Pin
30		2	3/8-16 Nut	66		4	1/2 Flat Washer
31		2	3/8-16 x 2 Screw	67	56497409	1	Lever Weldment
32	56497373	1	Adjuster Weldment	68		2	1/2-13 x 3/4 Screw
33		4	5/16 x 1-1/2 Roll Pin	69	56367206	2	Bushing
34		4	3/32 x 1-1/2 Roll Pin	70	56367168	2	Sleeve Bearing
35	56497377	1	Lift Arm				



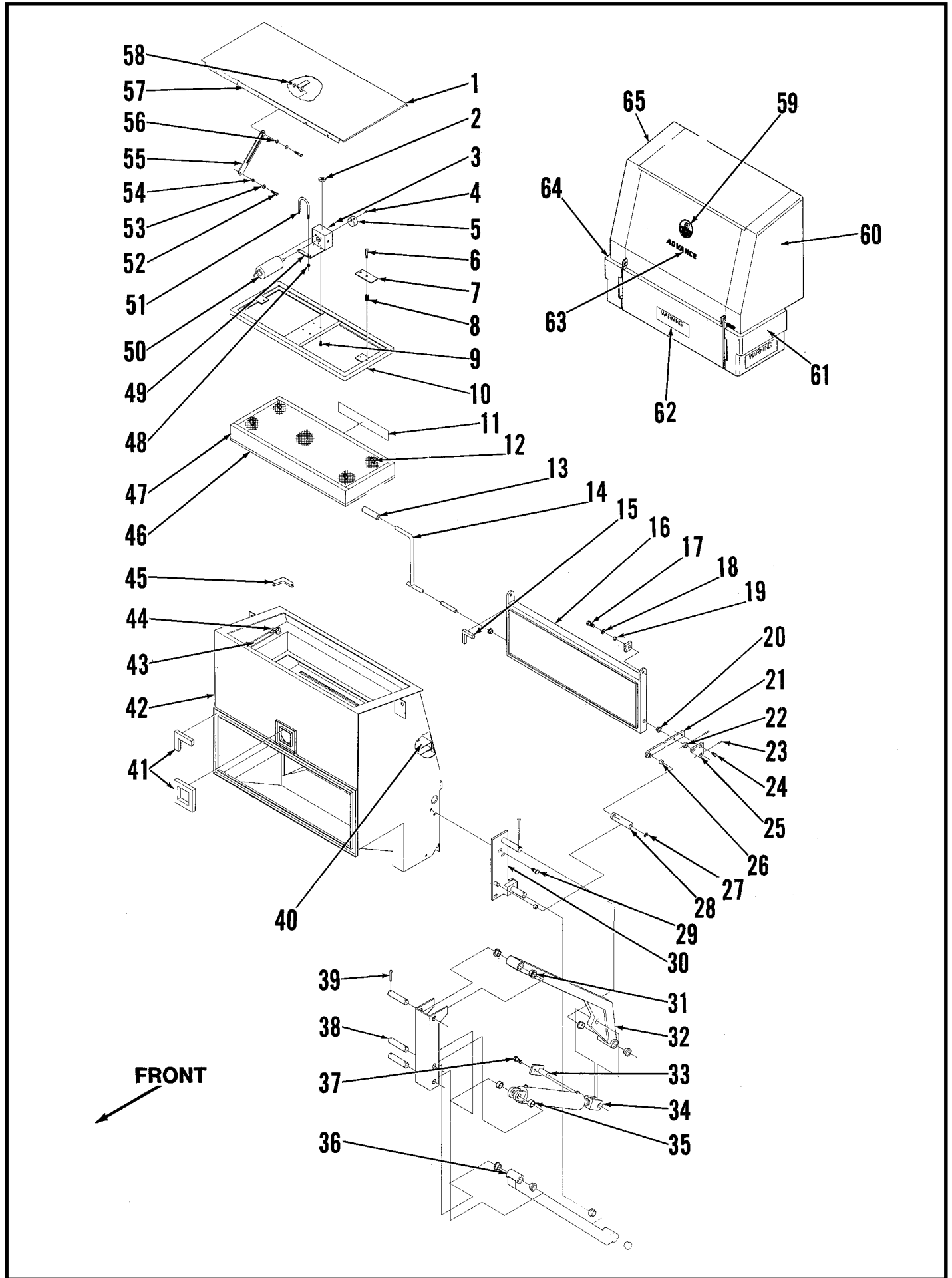
FIXED SIDE BROOM ASSEMBLY

Item	Part No.	Qty	Description
	56497430	1	Fixed Side Broom Assembly
1	56479609	1	Side Broom Motor
	56479575	1	Seal Kit for 479609
2		4	1/2-13 Nut
3		9	1/2 Flat Washer
4		1	1 x 1/4 Woodruff Key
5	56497561	1	Link
6	56479945	1	Bracket
7		6	1/2 Lock Washer
8	56479903	1	Bracket
9		8	1/2-13 x 1-1/2 Screw
10	56497324	1	Side Broom Weldment
11		3	3/4 Washer
12	56367206	2	Bushing
13	56367168	2	Bushing
14	56497431	1	Bracket
15		2	3/8-16 x 1-1/2 Screw
16		2	3/8 Flat Washer
17		2	3/8 Lock Washer
18		2	3/8-16 Nut
19	56477812	1	Side Broom
20		3	5/16 Flat Washer
21		3	5/16-18 x 1-1/2 Screw
22		1	1/4-20 x 1 Screw
23	56479948	1	Hub
24		1	3/8 Flat Washer
25	56497437	1	Step Bushing
26	56360627	1	Bushing
27	56370878	1	Bushing
28	56497562	1	Linkage
29	56370754	2	Bushing
30	56497436	1	Rod
31	56364527	1	Knob
32	56497429	1	Lever
33		2	Retaining Ring
34	56469298	1	Pin
35	56756318	2	Flange Bushing
36	56497440	1	Lever
37	56373797	2	Retaining Ring
38	56478775	1	Retaining Ring
39	56368970	3	Bushing
40	56497438	1	Swivel
41	56497439	1	Nut



MOVEABLE SIDE BROOM ASSEMBLY

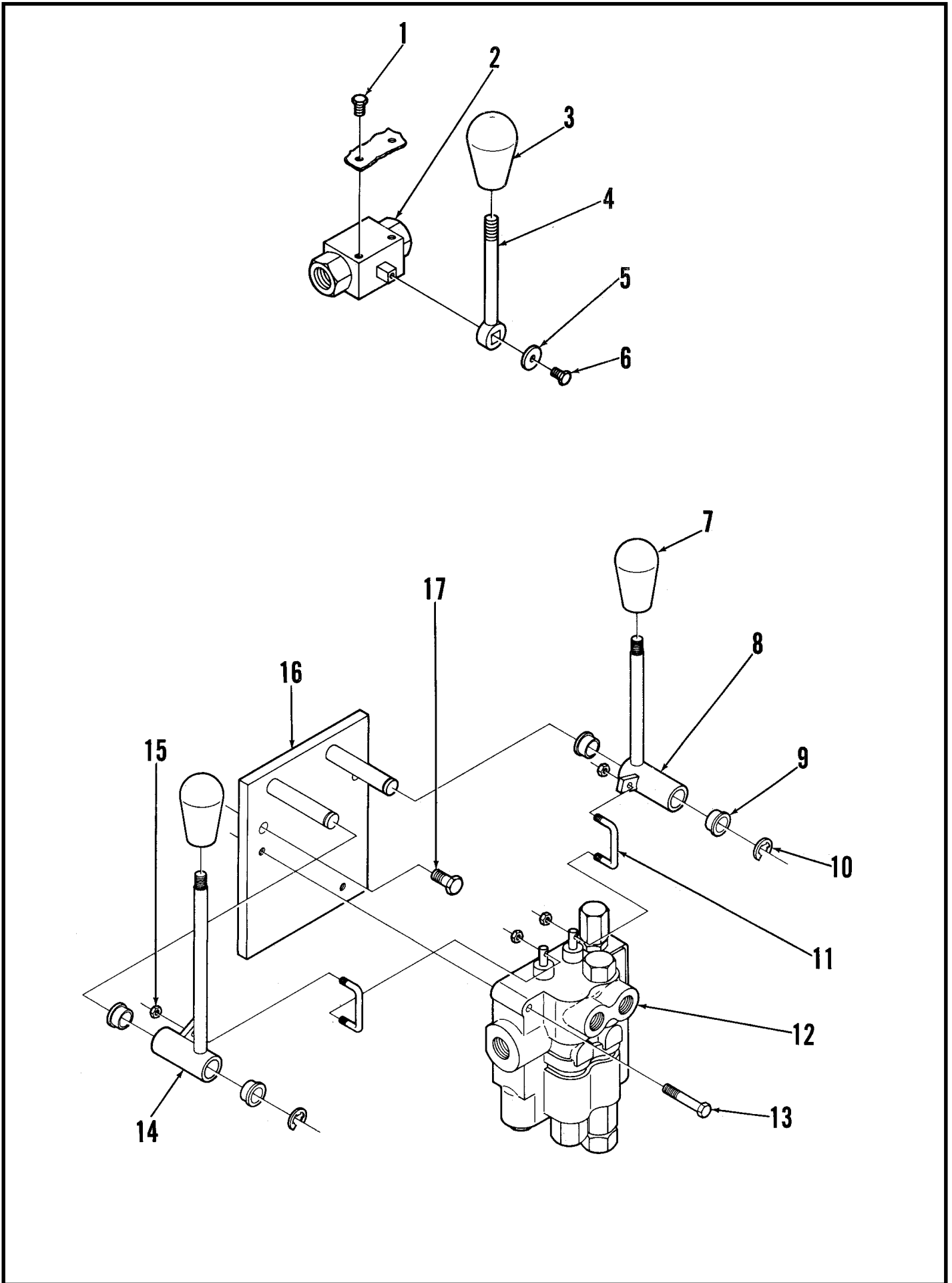
Item	Part No.	Qty	Description
	56497591	1	Moveable Side Broom Assembly
1	56479609	1	Side Broom Motor
	56479575	1	Seal Kit for 479609
		1	1 x 1/4 Woodruff Key
2		2	1/2-13 x 1-1/2 Screw
3		12	1/2 Flat Washer
4	56497616	1	Mount Plate
5	56321406	1	Hair Pin
6	56486733	1	Pin
7	56497594	1	Pivot Weldment
8	56370878	8	Bushing
9	56360627	4	Bushing
10	56497114	1	Lift Arm
11	56367486	2	Bushing
12		9	1/2-13 x 1 Screw
13	56497592	1	Bracket
14		2	3/8-16 x 1-1/2 Screw
15		2	3/8 Flat Washer
16	56479903	1	Bracket
17		2	3/8-16 Whiz Nut
18	56477812	1	Broom
19		3	5/16 Flat Washer
20		3	5/16-18 x 1-1/4 Screw
21		1	1/4-20 x 1 Screw
22	56479948	1	Hub
23	56479945	1	Bracket
24		3	1/2 Lock Washer
25		4	1/2-13 Nut
26	56497118	1	Plate
27	56497599	1	Lift Rod
28	56368970	1	Bearing
29		2	1/4 Flat Washer
30		2	1/4-20 x 1/2 Screw
31	56364527	1	Knob



HOPPER ASSEMBLY

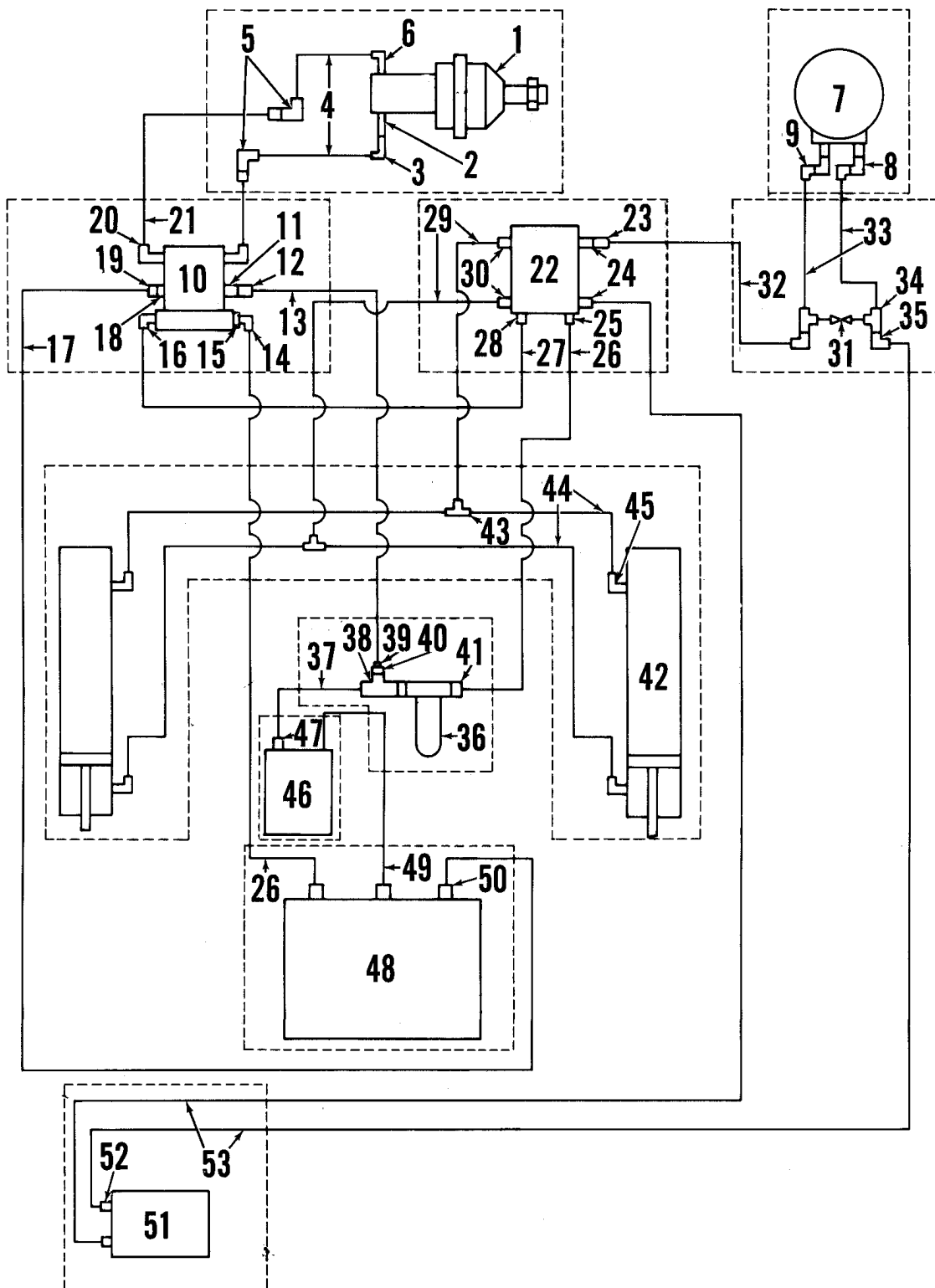
Item	Part No.	Qty	Description	Item	Part No.	Qty	Description
1	56497201	1	Door Weldment	36	56497209	2	Lower Arm
2		1	Decal, Hands Clear	37		2	3/8-24 x 3/4 Screw
3		3	#10-32 x 3/4 Screw	38	56497220	6	Pin
4		2	#10-24 x 1/2 Set Screw	39		16	1/8 x 1-1/2 Cotter Pin
5	56491822	1	Eccentric	40	56497205	1	Screen Weldment
6	56491872	4	Shoulder Bolt	41	56490110	1	Gasket
7	56489109	2	Bracket	42	56497120	1	Hopper Weldment
8	56171177	2	Spring	43	56491848	2	Lever
9		4	1/4-20 x 3/4 Screw		56491826	2	Pin
10	56494381	1	Hold Down		56321125	4	Retaining Ring
	56497204	1	Hold Down Assembly	44	56491860	2	Hold Down
11	56023320	1	Decal, Filter			8	#8-32 Screw HP-5
12	56478246	4	Cable Tie	45	56483549	1	Gasket (9 Feet)
13	56497197	1	Grip	46	56494485	1	Gasket
14	56497182	1	Lever	47	56494479	1	Filter W/Gasket
15	56449227	1	Gasket (9 Feet)	48		2	5/16-18 Nut
16	56497184	1	Dump Door	49	56468331	1	Motor Mount
17		2	1/2-13 x 1 Screw	50	56491820	1	Shaker Motor
18		2	1/2 Flat Washer	*	56491823	1	Carbon Brush Kit (for 491820)
19	56360627	2	Bushing		56497422	1	Shaker Motor Wire Assembly
20	56171095	2	Bearing		56323092	1	Strain Relief
21	56497192	2	Link	51	56468329	1	U-Bolt
22		1	Collar	52		2	1/4-20 x 3/4 Screw
23		2	3/16 x 1 Pin	53		4	1/4 Flat Washer
24		4	5/16-18 x 3/4 Screw	54	56206784	1	Bushing
25	56497196	2	Plate	55	56449262	1	Latch
26	56370878	6	Bushing	56	56384708	1	Step Bushing
27	56478775	4	Retaining Ring	57	56761068	1	Hinge
28	56497195	2	Link	58		2	1/4-20 Lock Nut
29		6	1/2-13 x 1-1/4 Screw	59	56014322	1	Decal, Logo
30	56497224	1	Left Plate	60	56497470	1	Right Hopper Side Panel
*	56497225	1	Right Plate	61	56497457	1	Right Brace
31	56444944	16	Bushing	62	56025100	3	Decal, Warning
32	56497214	1	Upper Left Arm	63	56016543	1	Decal, Advance
*	56497215	1	Right Arm	64	56497456	1	Left Brace
	56344362	8	Grease Fitting	65	56497469	1	Left Hopper Side Panel
33	56497221	2	Cylinder Pin				
34	56479646	2	Cylinder				
35	56378372	4	Bushing				

* = Not Shown



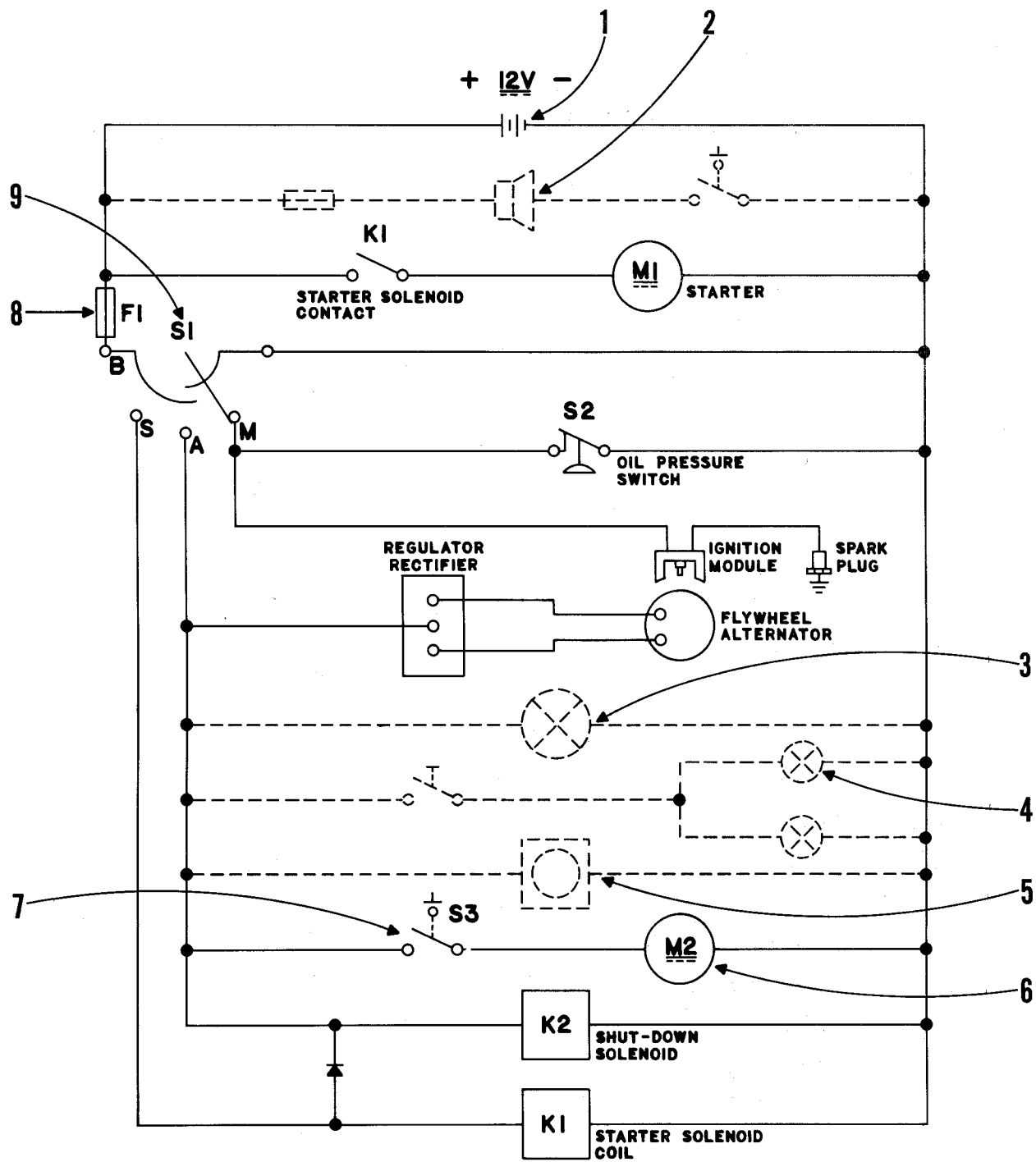
HYDRAULIC CONTROL VALVES

Item	Part No.	Qty	Description
1		2	1/4-20 x 3/8 Screw
2	56496273	1	Valve
3	56492792	1	Knob
4	56493228	1	Lever
5	56151807	1	Washer
6		1	#10-32 x 3/4 Screw
7	56364527	2	Knob
8	56497347	1	Collar
9	56185264	4	Flange Bushing
10	56468834	2	Retaining Ring
11	56477988	2	Linkage
12	56497524	1	Valve
13		2	1/4-20 x 1-3/4 Screw
14	56497351	1	Collar Weldment
15		4	#10-24 Nut
16	56497353	1	Plate Weldment
17		2	5/16-18 x 3/4 Screw



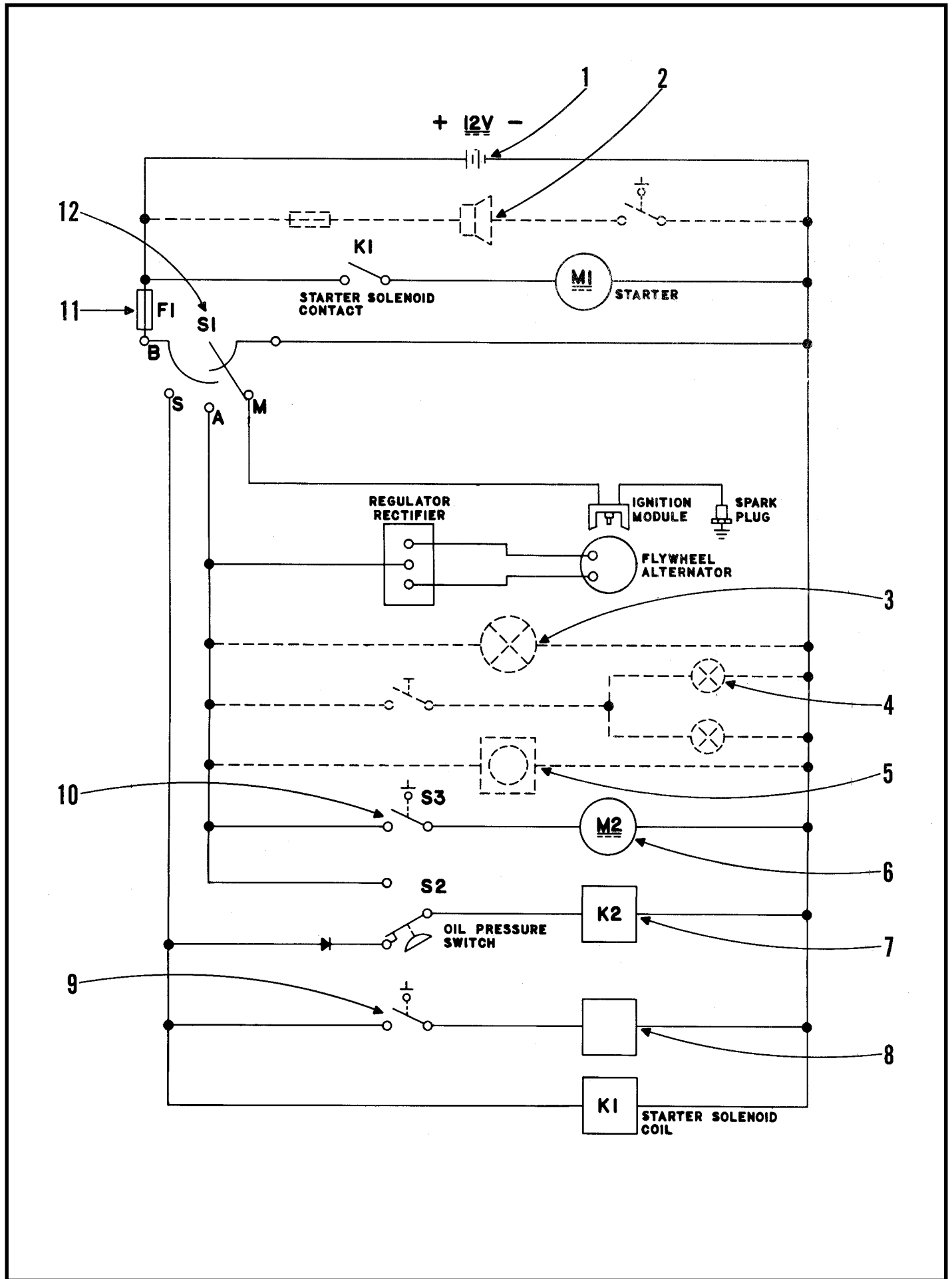
HYDRAULIC DIAGRAM

Item	Part No.	Qty	Description	Item	Part No.	Qty	Description
1	56497329	1	Wheel Motor	27	56497344	1	Hose Assembly
2	56900055	1	Connector	28	56900004	1	Connector
3	56900305	1	Elbow	29	56488745	2	Hose
4	56497330	2	Hose	30	56900110	2	Elbow
5	56900306	2	Elbow	31	56496273	1	Valve
	56900406	2	Elbow	32	56496216	1	Hose
6	56900525	1	Elbow	33	56479593	2	Hose Assembly
7	56479609	1	Side Broom Motor	34	56900204	2	Tee
8	56900114	2	Elbow	35	56900304	2	Elbow
9	56900304	2	Elbow	36	56497332	1	Filter, Oil
10	56496241	1	Pump	*	56496209	1	Filter Element
11	56900303	1	Elbow	*	56496001	1	Filter Head Assy.
12	56900112	1	Elbow	37	56456911	1	Hose
13	56497327	1	Hose	38	56900206	1	Tee
14	56900306	1	Elbow	39	56900468	1	Bushing
15	56900018	1	Connector	40	56900506	1	Nut
16	56900114	1	Elbow	41	56900006	1	Connector
17	56457284	1	Hose Assembly	42	56479646	2	Hydraulic Cylinder
18	56900020	1	Connector	43	56900441	2	Tee
19	56900304	1	Elbow	44	56488750	4	Hose Assembly
20	56900106	2	Elbow	45	56900101	4	Elbow
21	56456943	2	Hose Assembly	46	56457282	1	Cooler
22	56497524	1	Control Valve	47	56900326	1	Elbow
23	56900304	1	Elbow	48	56497336	1	Reservoir
24	56900020	2	Connector	49	56457284	1	Hose Assembly
25	56900104	1	Elbow	50	56900106	3	Elbow
26	56497345	1	Hose	51	56497525	1	Main Broom Motor
				52	56900004	2	Connector
				53	56497564	2	Hose



WIRING DIAGRAM - GAS

Item	Part No.	Qty	Description
1	56441511	1	Battery
2	56497024	1	Horn Kit (Optional)
	56441555	1	Switch
	56900229	1	10A Fuse
3	56497026	1	Beacon Kit (Optional)
4	56497022	1	Headlight Kit (Optional)
5	56497021	1	Hour Meter Kit (Optional)
6	56491820	1	Shaker Motor
7	56441555	1	Shaker Motor Switch
8	56900224	1	20A Fuse
9	56470793	1	Ignition Switch



WIRING DIAGRAM - LP

Item	Part No.	Qty	Description
1	56441511	1	Battery
2	56497024	1	Horn Kit (Optional)
	56441555	1	Switch
	56900229	1	10A Fuse
3	56497027	1	Beacon Kit (Optional)
4	56497022	1	Headlight Kit (Optional)
5	56497021	1	Hour Meter Kit (Optional)
6	56491820	1	Shaker Motor
7	56403582	1	Fuel Solenoid Valve
8	56470101	1	Regulator
9	56403602	1	Primer Switch
10	56441555	1	Shaker Motor Switch
11	56900224	1	20A Fuse
12	56470793	1	Ignition Switch

ACCESSORIES AND OPTIONS

Part No.	Qty	Description
56497031	1	Dual Element Air Filter Kit
56497024	1	Horn Kit
56497022	1	Headlight Kit
56497026	1	Beacon Kit
56497021	1	Hour Meter Kit
56505046	1	Main Broom, 16 Row Polycorn & Polypropylene
56505047	1	Main Broom, 16 Row Polypropylene



Nilfisk-Advance, Inc.
14600 21st Avenue North
Plymouth, MN, 55447-3408
www.nilfisk-advance.com
Phone: 800-989-2235
Fax: 800-989-6566
©2000 Nilfisk-Advance, Inc.,
Plymouth, MN 55447-3408
Printed in the U.S.A.