

# Retriever™

---



## **PARTS LIST**

### **Advance MODEL 360B(OBSOLETE)**

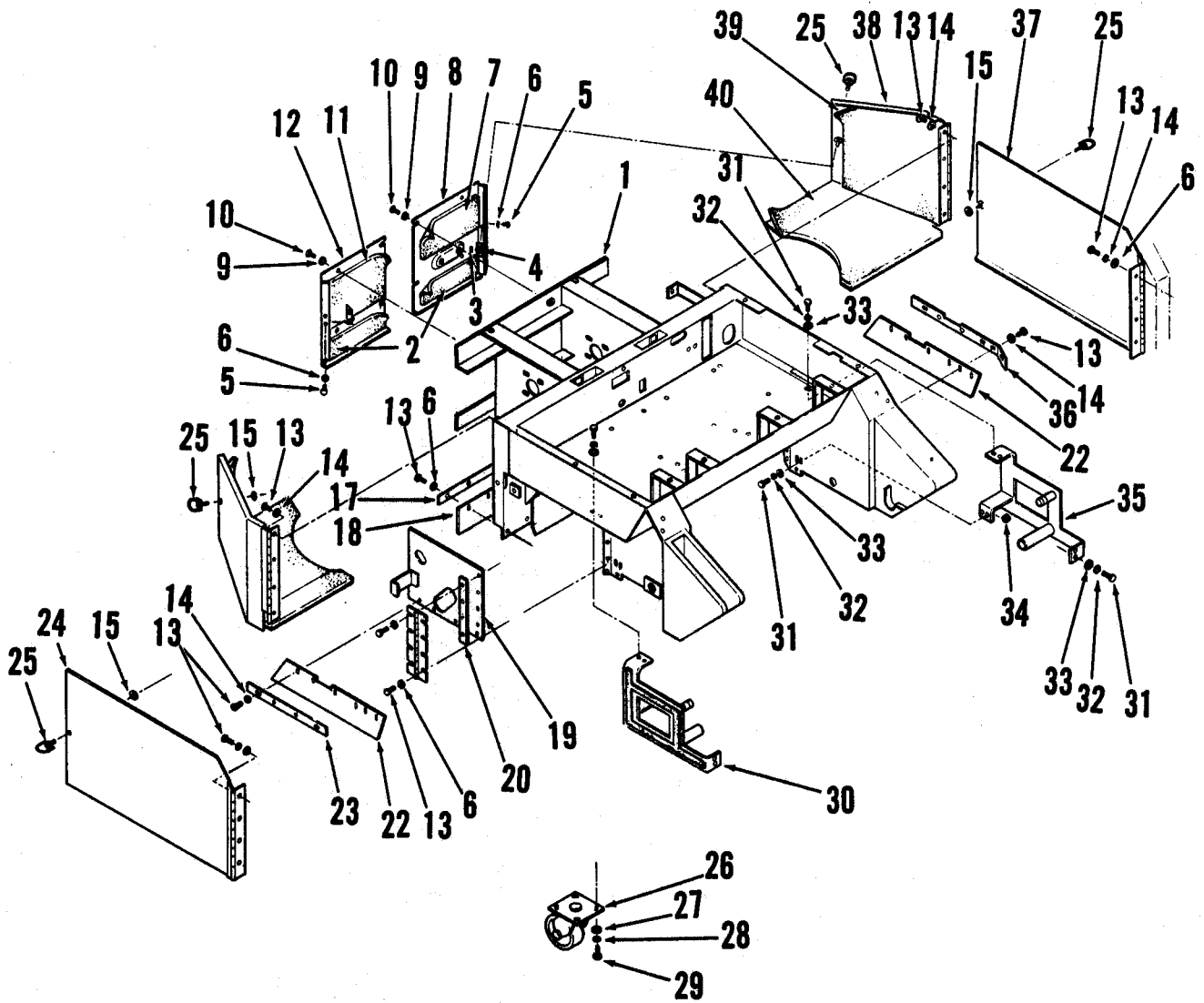
**This parts list is for machines after serial number 069838**



**Nilfisk  
Advance**

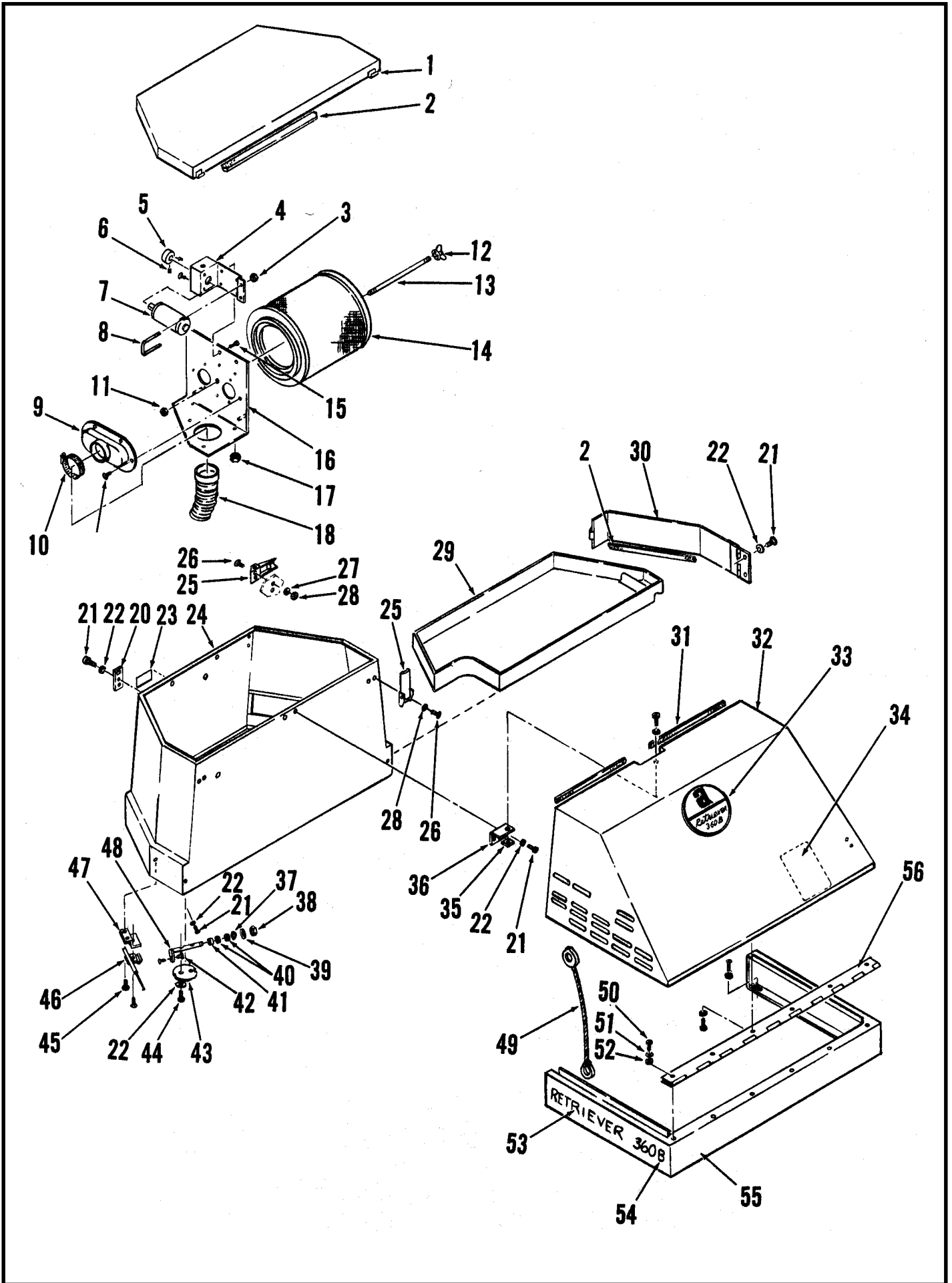
*setting standards*

7/85 revised 2/01 FORM NO. 56042136



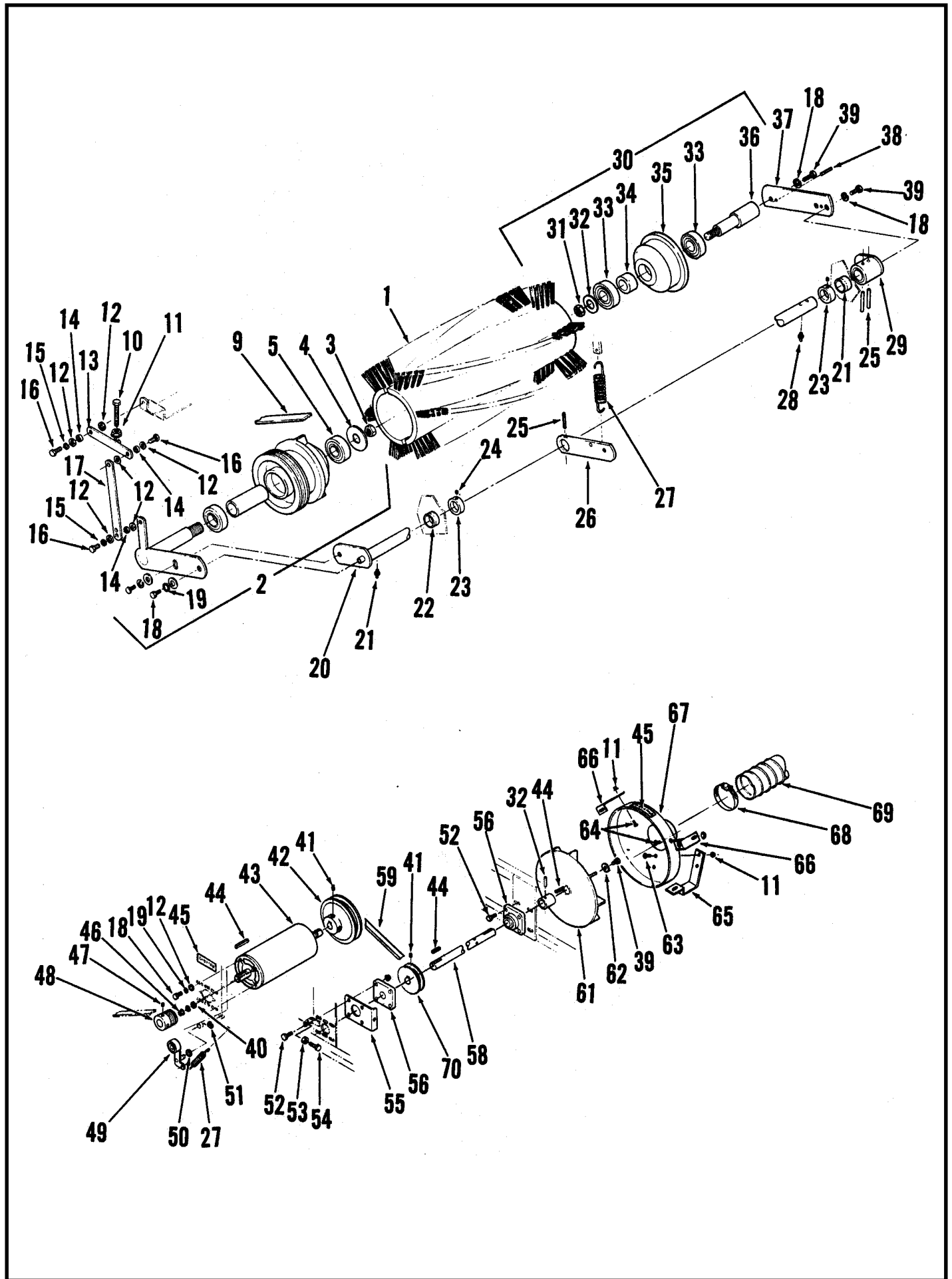
# CHASSIS

Item	Part No.	Qty	Description
1	468051	1	Chassis
2	469548	2	Acoustical Foam
3		4	Whiz Nut 10-24
4	448109	2	Mounting Plate
5		4	Screw 10-24 x 3/8
6		4	Flat Washer #10
7	469546	1	Acoustical Foam
8	469614	1	Left Panel
9	449340	15	Finishing Washer
10		12	Screw 10-24 x 5/16
11	469554	1	Acoustical Foam
12	469616	1	Right Panel
13		40	Screw 10-24 x 1/2
14		40	Shakeproof Washer #10
15	448108	4	Retainer Washer
16	469550	1	Foam, Right-Rear Door
17	470598	1	Blade
18	470604	1	Strap
19	469092	1	Broom Door
20	469096	1	Broom Door Spacer
21	469098	1	Broom Door Hinge
22	469314	2	Blade
23	469316	1	Strap
24	469606	1	Right Side Door
25	448104	4	Fastener Screw
26	470582	1	Swivel Caster
27		4	Flat Washer
28		4	Lock Washer
29		4	Screw 3/8-16 x 3/4
30	468836	1	Right Axle
31		12	Screw 1/4-20 x 5/8
32		12	Lock Washer 1/4
33		12	Flat Washer 1/4
34		12	Nut 1/4-20
35	468820	1	Left Axle
36	469318	1	Left Strap
37	469608	1	Left Door
38	469602	1	Left Door
39	469554	1	Acoustical Foam
40	469552	1	Acoustical Foam



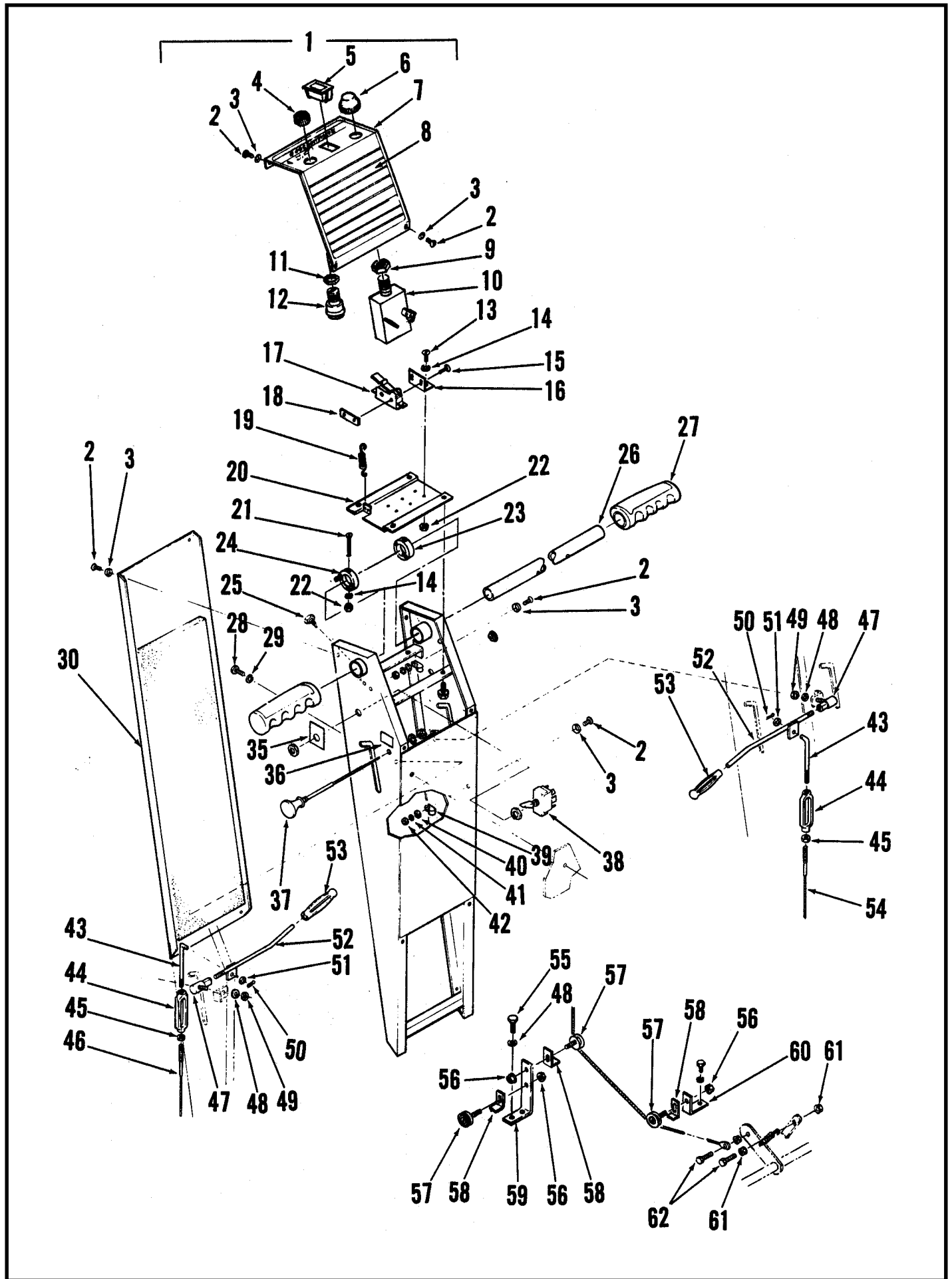
## FILTER HOUSING AND HOOD

Item	Part No.	Qty	Description	Item	Part No.	Qty	Description
1	469640	1	Cover	29	469216	1	Tray
2	200754	15"	Gasket	30	468188	1	Door
3	469021	2	Nut	31	209434	1	Gasket
4	468331	1	Motor Mount	32	468191	1	Hood
5	491822	1	Eccentric	33	024958	1	Decal, Advance Logo
6		2	Set Screw 10-24 x 3/8	34	025131	1	Decal, Wiring
7	468176	1	Shaker Motor	35	468960	1	Screw Receptacle
*	491823	1	Carbon Brush Kit (for 468176)	36	469231	1	Bracket
8	468329	1	U-Bolt	37	163767	1	Spring Washer
9	468017	1	Hose Mount	38	481708	1	Lock Nut
10	352829	1	Hose Clamp	39		1	Flat Washer 3/8
11		2	Jam Nut 7/16-20	40	329098	2	Nylon Bearing
12	468015	1	Nut	41	232181	1	Bushing
13	468021	1	Filter Stud	42	442445	1	Swivel
14	468019	1	Filter Element	43	469208	1	Plate
15		8	Screw 1/4-20 x 3/4	44		2	Screw 6-32 x 5/16
16	468011	3	Filter Mount	45		2	Screw 10-24 x 1/2
17		3	Hex Nut 1/4-20	46	468522	1	Cable Clamp
18	469370	1	Hose	47	469366	1	Cable Bracket
19		8	Screw 10-32 x 1/2	48	469214	1	Cable Bracket
20	468762	2	Plate	49	755830	1	Wire Rope Assembly
21		10	Screw 8-32 x 1/2	50		8	Screw 10-24 x 3/8
22		10	Flat Washer #8	51		8	Shakeproof Washer #10
23	024976	1	Decal, Main Broom	52		8	Flat Washer #10
24	468002	1	Filter Housing	53	025148	2	Decal, Retriever
25	471194	3	Latch Assembly	54	025230	2	Decal, B
26		6	Screw 6-32 x 1/2	55	468198	1	Base
27		8	Shakeproof. Washer #6	56	472030	1	Hinge
28		6	Hex Nut 6-32				



# MAIN BROOM

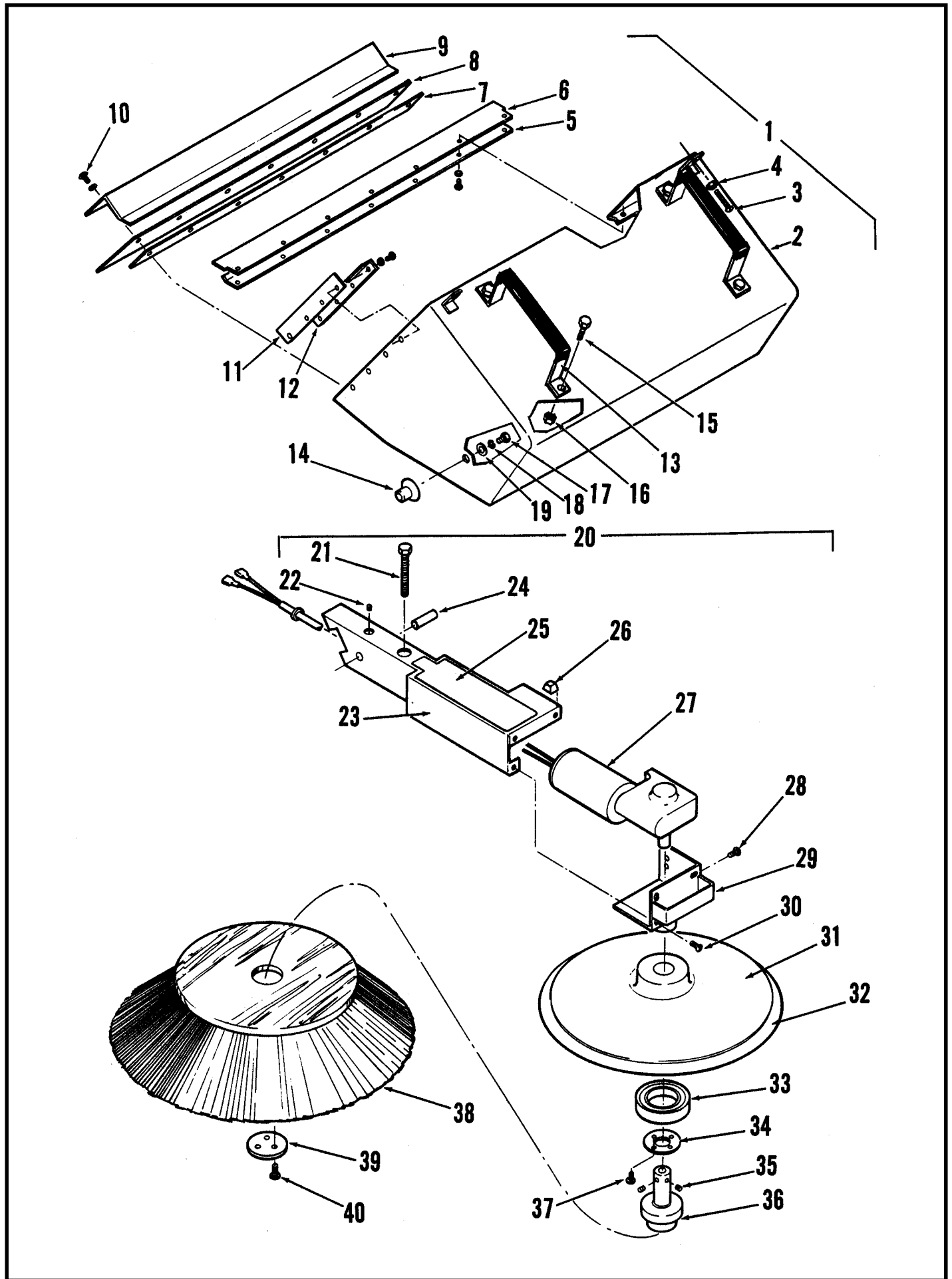
Item	Part No.	Qty	Description	Item	Part No.	Qty	Description
1	475024	1	Main Broom	45	030080	1	Decal, Caution
2	468197	1	Lug Assembly	46		4	Whiz Nut 5/16-18
3		1	Hex Nut 3/4-10	47		2	Set Screw 5/16-18 x 1/4
4		1	Washer 3/4	48	756061	1	Sheave
5	479430	2	Ball Bearing	49	469390	1	Idler Assembly
6	470642	1	Drive Lug Pulley	50		1	Flat Washer 3/8
7	470730	1	Spacer	51	321427	1	Retaining Ring
8	468200	1	Shaft	52		8	Screw 3/8-16 x 1 1/4
9	470630	1	Belt	53		1	Hex Nut 5/16-18
10		1	Screw 1/4-20 x 1-1/2	54		1	Screw 5/16-18 x 2
11		8	Whiz Nut 1/4-20	55	469336	1	Clamp
12		14	Flat Washer 1/4	56	469242	2	Flanged Bearing
13	472157	1	Bar	57		8	Whiz Nut 3/8-16
14	206784	3	Bushing	58	468089	1	Impeller Shaft
15		3	Shakeproof Washer 1/4	59	468098	1	Belt <b>TSB 458 - G12</b>
16		3	Screw 1/4-20 x 5/8	60	469393	1	Spacer
17	468244	1	Bar	61	469347	1	Impeller
18		4	Screw 5/16-18 x 1	62	152781	3	Washer
19		4	Lock Washer 5/16	63		2	Screw 1/4-20 x 1/2
20	469060	1	Shaft	64		2	Screw 1/4-20 x 1/2
21	101737	1	Grease Fitting	65	468083	1	Shroud Support
22	441406	2	Oilite Bearing	66	468081	2	Shroud Support
23	367095	2	Collar	67	469346	1	Impeller Shroud
24		8	Set Screw 5/16-18 x 1/4	68	352829	1	Hose Clamp
25		3	Spring Pin 3/16 x 1-1/4	69	469340	1	Hose
26	472189	1	Bar	70	481623	1	Sheave <b>TSB 458 - G12</b>
27	470672	2	Spring				
28	101761	1	Grease Fitting				
29	469057	1	Arm				
30	469050	1	Idler Lug Assembly				
31		1	Hex Nut 3/4-10				
32		1	Flat Washer 3/4				
33	479430	2	Ball Bearing				
34	470728	1	Bushing				
35	470636	1	Idler Lug				
36	469056	1	Shaft				
37	469052	1	Plate				
38	469054	2	Spring Pin				
39		3	Screw 5/16-18 x 3/4				
40		4	Flat Washer 5/16				
41		4	Set Screw 1/4-20 x 1/2				
42	468093	1	Sheave				
43	469504	1	Motor				
	342021	1	Motor Brush (Set)				
44	740168	4	Square Key 3/16 x 1				





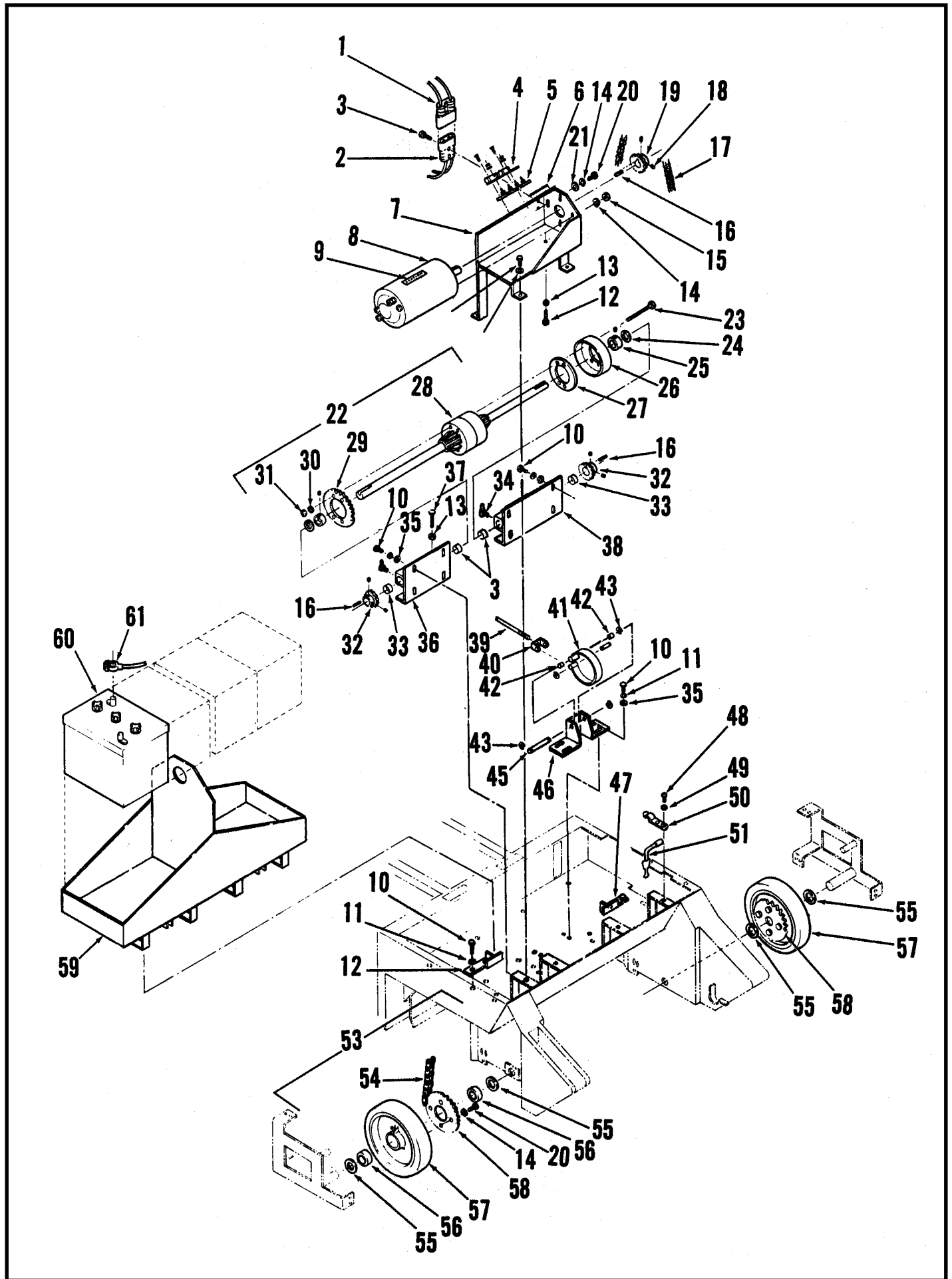
# CONTROL HANDLE

Item	Part No.	Qty	Description	Item	Part No.	Qty	Description
1	468178	1	Control Handle Assembly	47	363685	2	Rod End
2		6	Screw 10-24 x 3/8	48		8	Lock Washer 5/16
3	449340	6	Finishing Washer	49		2	Hex Nut 5/16-24
4		1	Face Nut 3/4-20	50		2	Cotter Pin 1/16 x 1
5	467410	1	Indicator Light	51		2	Flat Washer 1/4
6		1	Face Nut 5/8-32	52	471523	2	Rod
7	468327	1	Control Panel	53	471193	2	Grip
8	025123	1	Control Panel Decal	54	469042	1	Brake Cable
9		1	Hex Nut 5/8-32	55		2	Screw 5/16-18 x 1/2
10	468175	1	Push Button Switch	56		4	Hex Nut 7/16-14
11		1	Hex Nut 3/4-20	57	159749	3	Idler Pulley
12	441538	1	Key Switch	58	390778	3	Cable Guide
13		6	Screw 10-24 x 1/2	59	468087	1	Guide Bracket
14		7	Shakeproof Washer #10	60	468085	1	Bracket
15		6	Screw 6-32 x 1	61		3	Whiz Nut 1/4-20
16	468213	3	Switch Plate	62		2	Screw 1/4-20 x 7/8
17	385615	3	Snap Switch	63	469644	1	Handle
18	385747	3	Nut Plate				
19	321087	2	Spring				
20	468217	1	Plate				
21		2	Screw 10-24 x 1 3/4				
22		7	Hex Nut 10-24				
23	468223	1	Collar				
24	468219	1	Collar Assembly				
25	234079	1	Screw				
26	468211	1	Handle Tube				
27	514085	2	Handle Grip				
28		5	Screw 1/4-20 x 1/2				
29		5	Lock Washer 1/4				
30	496646	1	Back Panel				
31	153648	1	Button Plug				
32		4	Screw 1/4-20 X 1/2				
33		1	Hex Nut 3/8-24				
34		1	Lock Washer 3/8				
35	023316	1	Decal, On-Off				
36	025090	1	Decal, Wet Sweep				
37	469034	1	Control Cable				
38	754092	1	Toggle Switch				
39	152617	2	Cable Clamp				
40		2	Flat Washer #10				
41		2	Lock Washer #10				
42		2	Hex Nut 10-24				
43	350079	2	Linkage Rod				
44	206814	2	Turnbuckle				
45		3	Hex Nut 1/4-20				
46	472191	1	Broom Cable				



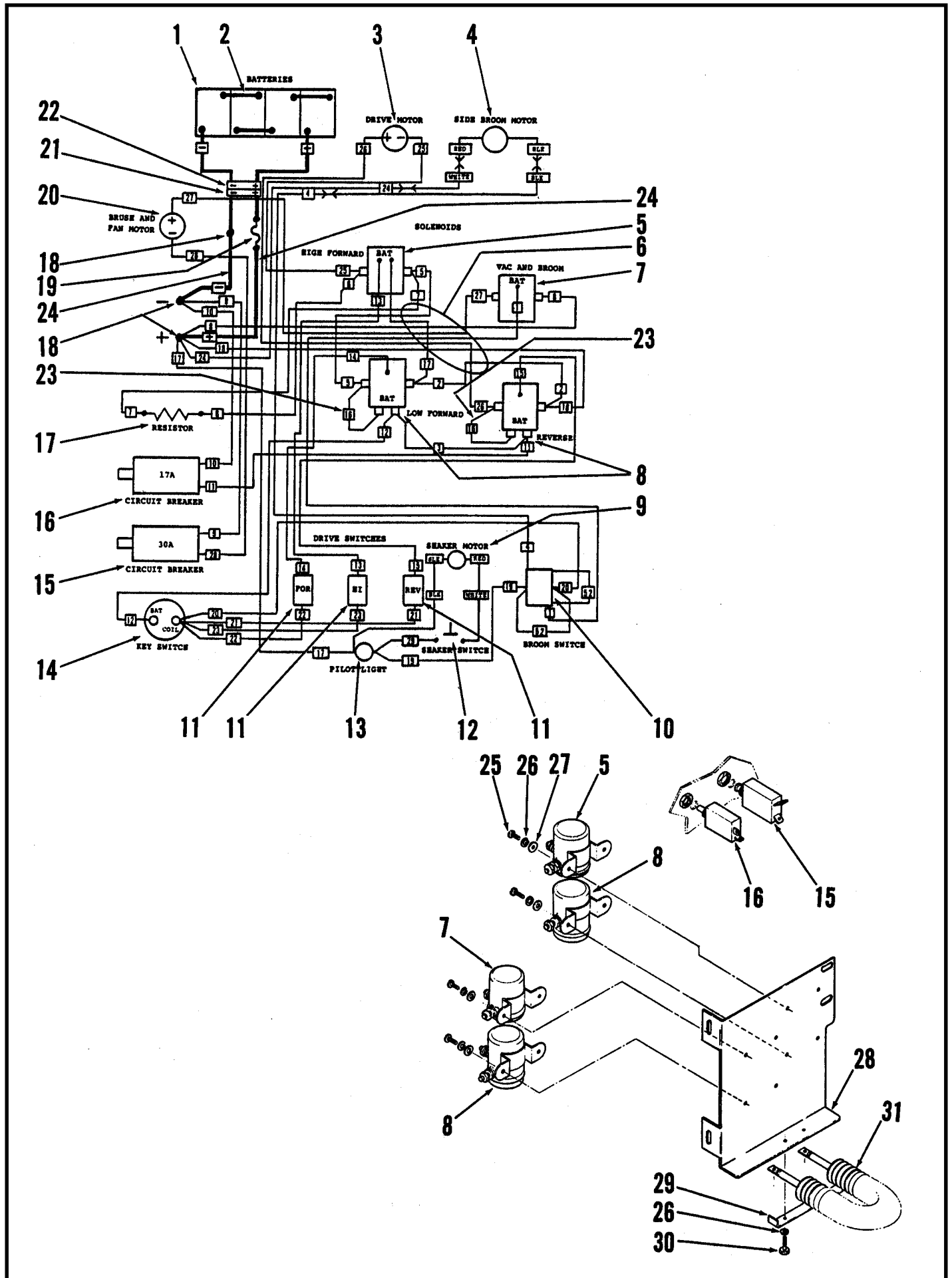
## HOPPER AND SIDE BROOM

Item	Part No.	Qty	Description
1	468181	1	Hopper Assembly
2	468182	1	Hopper
3		2	Screw 5/16-18 x 2
4		2	Nut 5/16-18
5	472114	1	Strap
6	468672	1	Blade
7	468688	1	Back-Up Plate
8	468677	1	Blade
9	468679	1	Bracket
10		22	Screw 10-24 x 1/2
11	468680	2	Gasket
12	468681	2	Strap
13	468280	2	Handle
14	472110	2	Stud
15		4	Screw 1/4-20 x 1/2
16		4	Whiz Nut 1/4-20
17		2	Screw 3/8-16 x 1/2
18		2	Lock Washer 3/8
19		2	Flat Washer 3/8
20	469622	1	Brush Arm Assembly
21	470800	1	Adjusting Screw
22		2	Screw 1/4-20 x 3/8
23	469624	1	Brush Arm
24	470812	1	Pin
25	025050	1	Decal, Side Broom
26	382566	1	Bumper
27	469530	1	Motor Assembly
28		4	Screw 1/4-20 x 3/8
29	469626	1	Mounting Bracket
30		3	Screw 10-24 x 5/8
31	469628	1	Side Broom Guide
32	470648	1	Bumper
33	470656	1	Ball Bearing
34	470773	1	Washer
35		2	Set Screw 1/4-20 x 1/4
36	470796	1	Brush Adapter
37		4	Screw 8-32 x 1/2
38	473936	1	Side Broom
39	473871	1	Washer
40		3	Screw 1/4-20 x 1



## WHEEL DRIVE

Item	Part No.	Qty	Description	Item	Part No.	Qty	Description
1	468179	1	Connector Assembly	46	468159	1	Brake Anchor
2	469868	1	Connector Assembly	47	468173	1	Battery Stop Left
3		4	Screw 1/4-20 x 1	48		1	Screw 10-24 x 3/8
4	448733	2	Fuse 70 Amp	49		1	Lock Washer #10
5	448741	1	Fuse Block	50	477620	1	Tool Clamp
6	054192	1	Decal Charger	51	471362	1	Tool
7	468166	1	Motor Mount	52	468174	1	Battery Stop Right
8	471140	1	Motor	53	470577	2	Wheel Assembly
9	030080	1	Decal, Caution	54	468830	2	Chain
10		15	Screw 1/4-20 x 1/2	55	367192	4	Washer
11		15	Lock Washer 1/4	56	362352	4	Bearing
12		1	Screw 1/4-20 x 1 1/4	57	470575	2	Wheel
13		3	Hex Nut 1/4-20	58	470576	2	Sprocket
14		12	Lock Washer 5/16	59	468225	1	Battery Box
15		2	Hex Nut 5/16-18	60	372370	4	Battery 6 Volt
16	443719	3	Key	61	363928	3	Battery Cable
17	467414	1	Chain	62	372673	8	Battery Post Boot (not shown)
18		8	Set Screw 1/4-20 x 3/8				
19	470790	1	Sprocket				
20		10	Screw 5/16-18 x 3/4				
21		10	Flat Washer 5/16				
22	468029	1	Differential Assembly				
23	468033	4	Bolt				
24	367184	2	Thrust Washer				
25	367095	2	Collar				
26	469026	1	Brake Drum				
27	468031	1	Brake Spacer				
28	469028	1	Differential				
29	467368	1	Sprocket				
30		4	Lock Washer 5/16				
31	468027	4	Nut				
32	471157	2	Sprocket				
33	441406	1	Sleeve Bearing				
34	101753	4	Grease Fitting				
35		11	Flat Washer 1/4				
36	468041	1	Differential Support Right				
37		2	Screw 1/4-20 x 1-1/2				
38	468047	1	Differential Support Left				
39	469042	1	Brake Cable Assembly				
40	402971	1	Bracket				
41	402745	1	Brake Strap Assembly				
42	468163	2	Brake Bushing				
43	321427	4	Retaining Ring				
44	104760	1	Pin				
45	468161	1	Pin				



## WIRING DIAGRAM

Item	Part No.	Qty	Description
1	372730	4	Battery
2	363928	3	Battery Cable
3	471140	1	Drive Motor
*	342021	1	Carbon Brush/Set (for 471140)
4	469530	1	Side Broom Motor
*	471129	1	Carbon Brush/Set (for 469530)
5	468358	1	Solenoid
6	469532	1	Wiring Harness
7	371394	1	Solenoid
8	470750	2	Solenoid
9	468176	1	Shaker Motor
10	754092	1	Toggle Switch
11	385615	3	Snap Switch
12	468175	1	Shaker Motor Switch
13	467410	1	Indicator Light
14	441538	1	Key Switch
15	454423	1	Circuit Breaker 30 Amp
16	171535	1	Circuit Breaker 17 Amp
17	470752	1	Resistor
18	469858	3	Stand-Off Insulator
19	448733	1	Fuse 70 Amp
20	469504	1	Broom/Impeller Motor
*	342021	1	Carbon Brush/Set (for 469504)
21	469868	1	Connector Assembly
22	468179	1	Connector Assembly
23	467446	2	Wire Assembly
24	469538	2	Cable Assembly
25		8	Screw 1/4-20 x 3/8
26		10	Lock Washer 1/4
27		10	Flat Washer 1/4
28	468184	1	Electrical Panel
29	470754	1	Strap
30		2	Screw 1/4-20 x 7/8
31	470752	1	Resistor

\* = Not Shown



Nilfisk-Advance, Inc.  
14600 21st Avenue North  
Plymouth, MN, 55447-3408  
[www.nilfisk-advance.com](http://www.nilfisk-advance.com)  
Phone: 800-989-2235  
Fax: 800-989-6566  
©2000 Nilfisk-Advance, Inc.,  
Plymouth, MN 55447-3408  
Printed in the U.S.A.