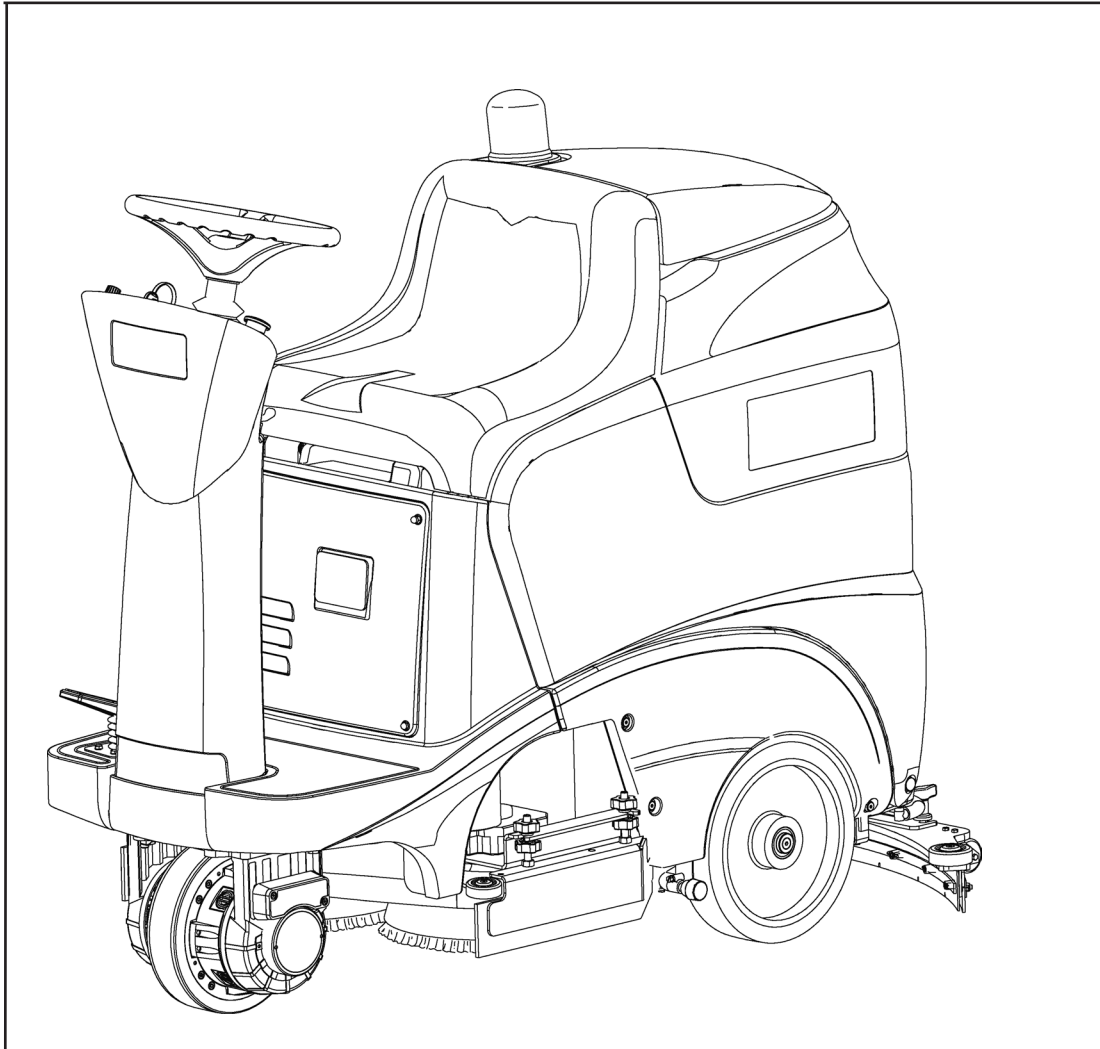


Razor Blade 26D-28D

Razor Blade 28C



PARTS LIST

KENT MODELS:

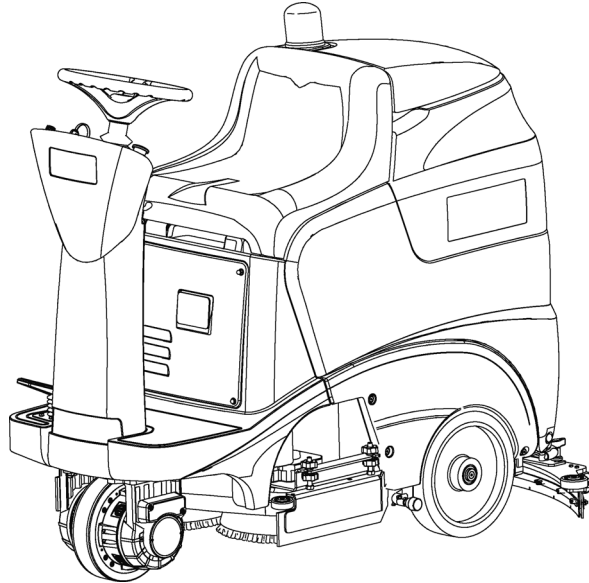
908 7099 020 - 908 7100 020

908 7101 020

KENT

Simple. Clean.

909 6458 000(7)2008-05



DESCRIPTION

PLAN

GENERAL VIEW	2 - 3
TANKS ASSEMBLY	4 - 5
RECOVERY TANK	6 - 9
CHASSIS SYSTEM	10 - 11
FRONT WHEEL ASSEMBLY	12 - 15
MOTOR DRIVE WHEEL	16 - 17
STEERING SYSTEM	18 - 19
CONTROL PANEL ASSEMBLY	20 - 21
PEDAL ASSEMBLY	22 - 25
FOOTBOARD ASSEMBLY	26 - 27
SOLUTION SYSTEM	28 - 29
SQUEEGEE SYSTEMS	30 - 31
BRUSH DECK SYSTEMS	32 - 35
CYLINDRICAL BRUSHES SYSTEM	36 - 37
SEAT ASSEMBLY	38 - 39
LIFTING BRUSH DECK SYSTEM	40 - 41
ELECTRICAL COMPONENTS	42 - 43
BATTERY CHARGER ASSEMBLY	44 - 45
WIRING DIAGRAM	46 - 47
ACCESSORIES	48 - 51
RECOMMENDED SPARE PARTS	52 - 53

WHEN ORDERING PARTS

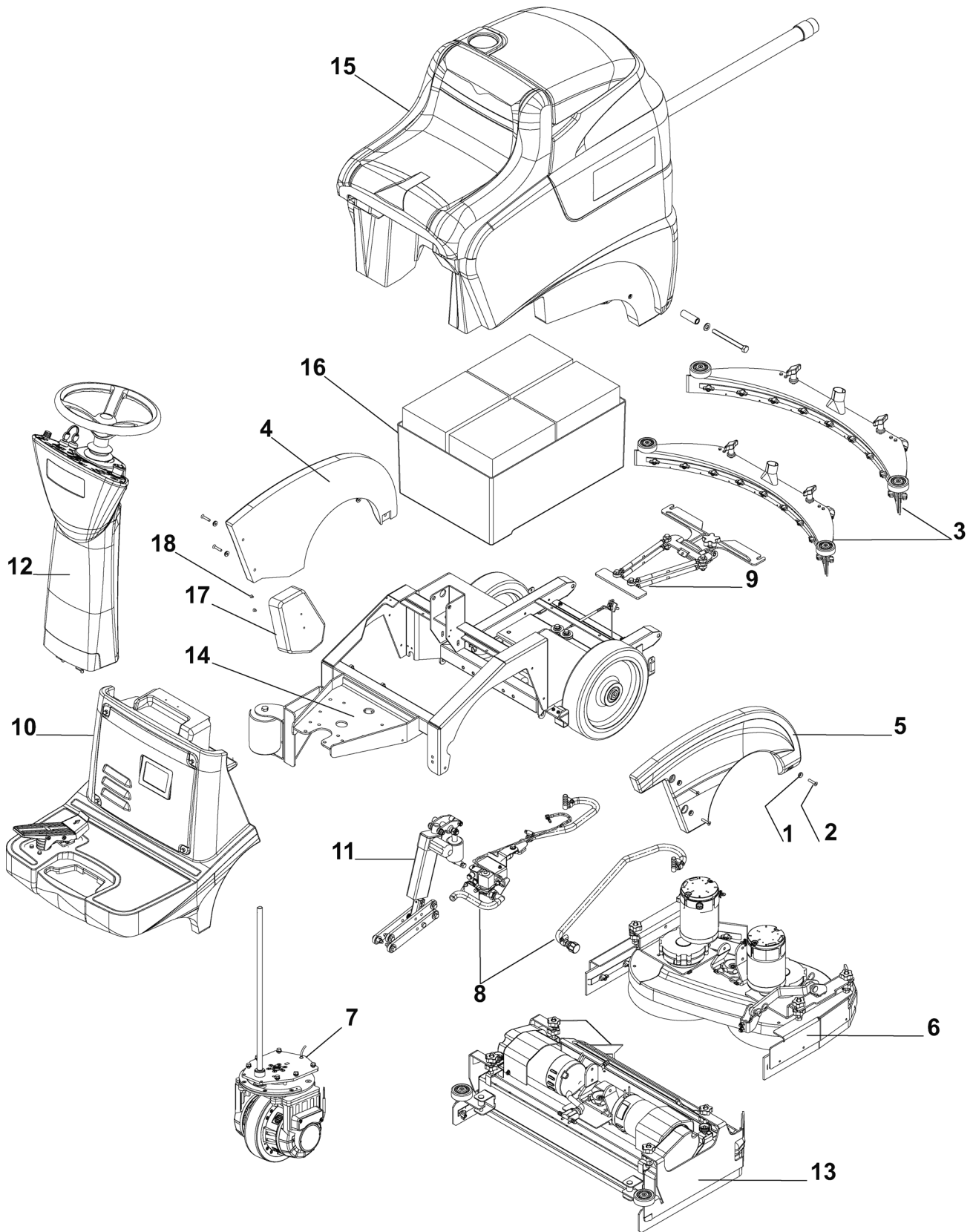
- * Use the 8, 9 or 10 digit numbers from the "Ref. No." columns in this parts list.
- * Specify the model and serial number of the machine.
- * Use the space below to record the model and serial number for future reference.

Model _____ Serial No. _____

*** = Optional**

= Modified item No. or New item No.

[] = Not shown



2005-12

GENERAL VIEW

2007-11

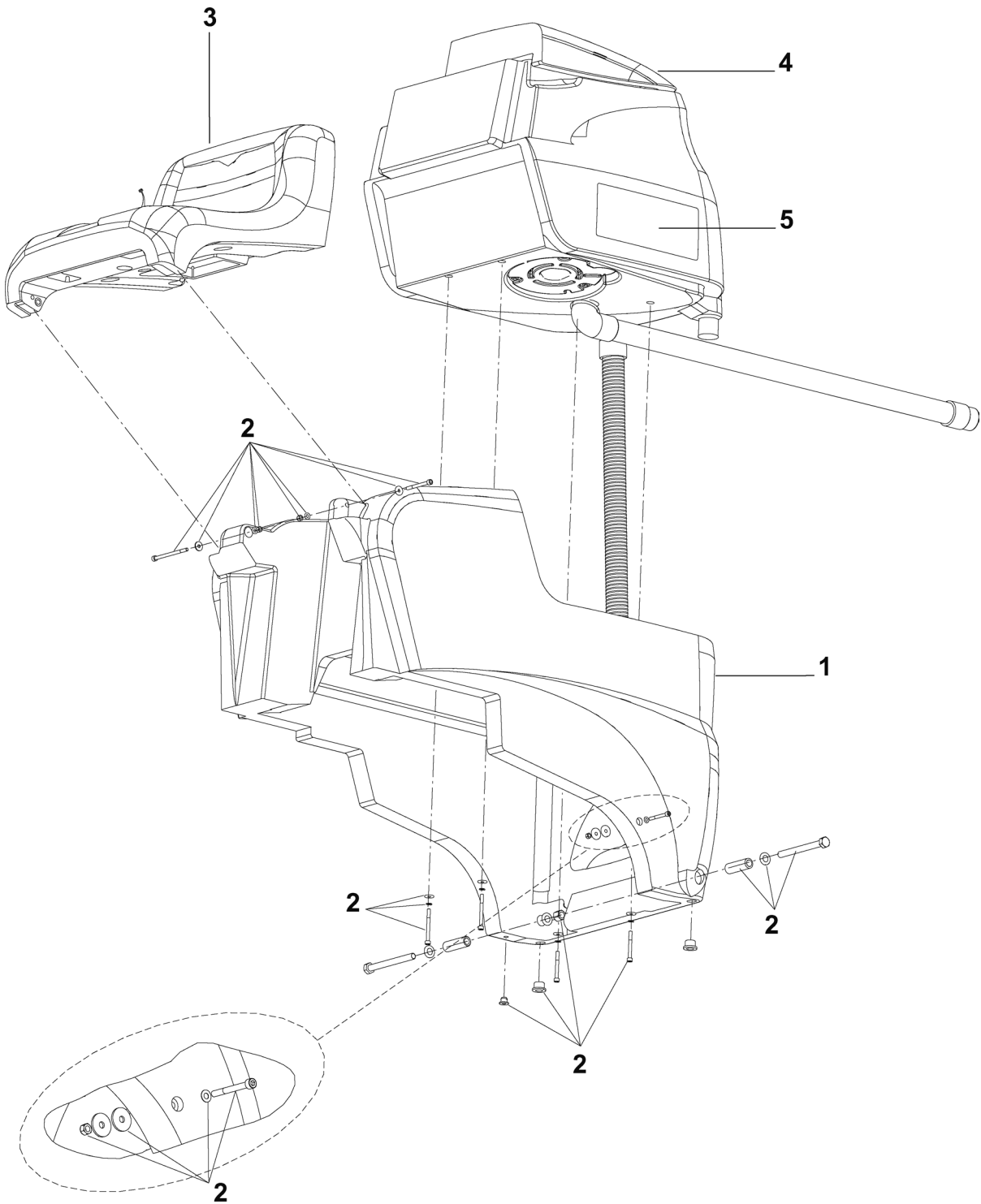
RAZOR BLADE 26D - 28D - 28C

3

Item No.	Ref. No.	Qty	Description
1	145 1129 000	6	WASHER 16X6
2	145 1894 000	6	SCREW M6X30
3		1	SQUEEGEE SYSTEMS
4	909 5903 000	1	HATCH RIGHT
5	909 5904 000	1	HATCH LEFT
6		1	BRUSH SYSTEMS
7		1	FRONT WHEEL ASSEMBLY
8		1	SOLUTION SYSTEM
9		1	SQUEEGEE SUPPORT SYSTEM
10		1	FOOTBOARD ASSEMBLY
11		1	BRUSH DECK LIFTING SYSTEM
12		1	STEERING SYSTEM
13		1	CYLINDRICAL BRUSHES SYSTEM 28C
14		1	CHASSIS ASSEMBLY
15		1	TANKS ASSEMBLY
16	909 6068 000	1	BATTERY CONTAINER
17	909 6158 000	1	BOX FOR BATTERY CHARGER CABLE
18	146 0765 000	2	SCREW 6X10

SEE SEAT ASSEMBLY

SEE RECOVERY TANK



2005-12	TANKS ASSEMBLY			
2007-11	RAZOR BLADE 26D - 28D - 28C			5

Item No.	Ref. No.	Qty	Description
1	909 6245 000	1	SOLUTION TANK
2	909 6401 000	1	HARDWARE WATER TANK KIT
3		1	SEAT ASSEMBLY
4		1	RECOVERY TANK
5		2	RAZOR BLADE DECAL (KIT DECALS)
[6]	909 6470 000	1	KIT DECALS (RAZOR BLADE DECALS POS.5; KENT LOGO DECAL POS. 22 - PAG.19; BATTERY DECAL POS. 26 - PAG. 11; DECAL FUSE 60A, DECAL FUSE 5A, DECAL FUSE 100A POS. 25-25-26 - PAG. 43)

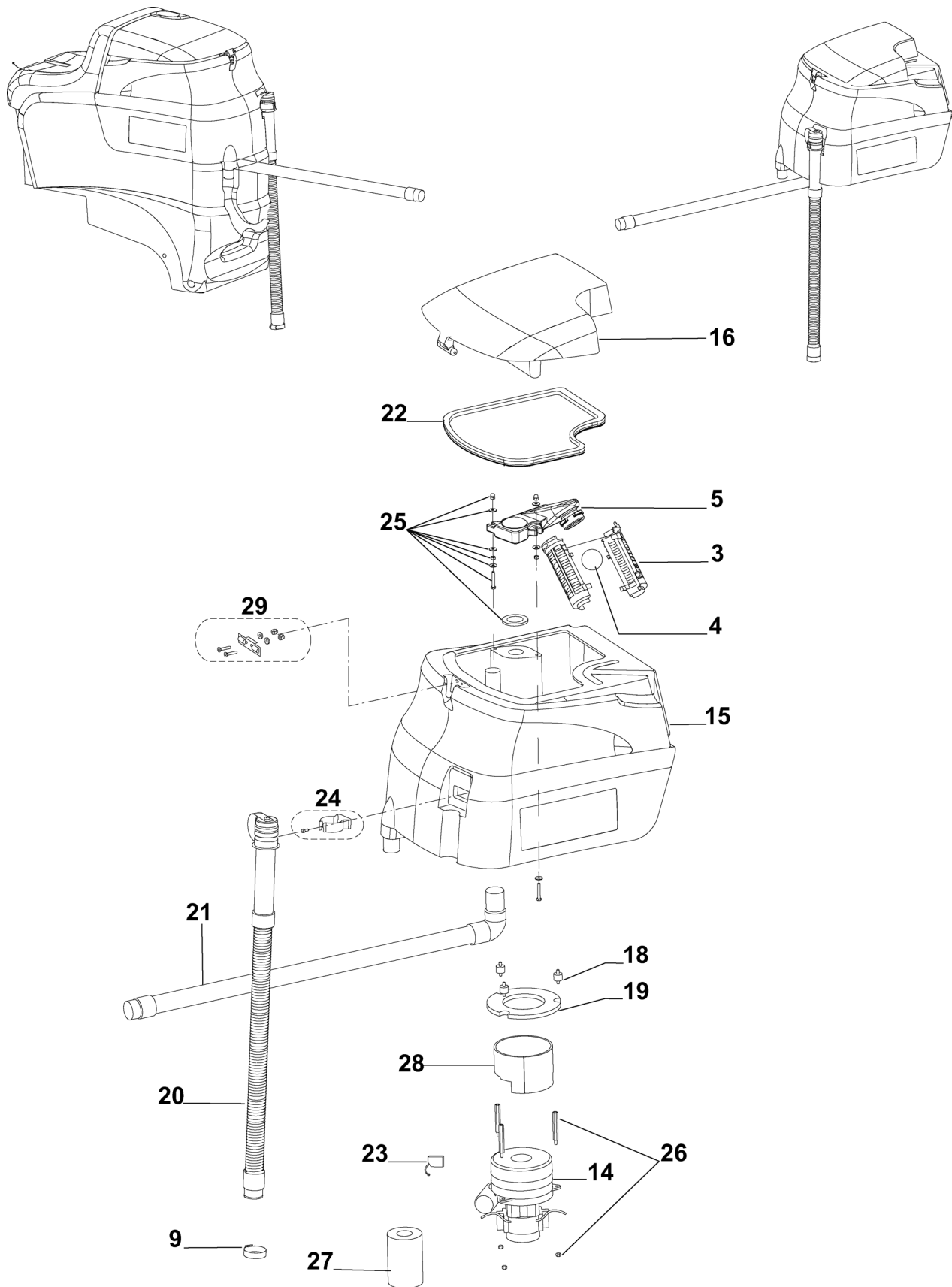
RECOVERY TANK

2005-12

6

RAZOR BLADE 26D - 28D - 28C BEFORE S/N 074531009

2007-11



2005-12	RECOVERY TANK			
2007-11	RAZOR BLADE 26D - 28D - 28C BEFORE S/N 074531009			7

Item No.	Ref. No.	Qty	Description
3	L08812259	2	CAGE, FLOAT
4	L08812373	1	FLOATING BALL
5	909 6199 000	1	HOLDER, FLOAT CAGE
9	145 0543 000	1	HOSE CLAMP 14/32-52
14	909 5196 000	1	VACUUM MOTOR 24V 500W
15	9097401000	1	RECOVERY TANK KIT
16	909 6247 000	1	TANK COVER
18	909 6094 000	3	VIBRATION DAMPING
19	909 6095 000	1	GASKET
20	909 6096 000	1	DRAIN HOSE
21	909 6097 000	1	VACUUM HOSE
22	146 0629 000	1	GASKET
23	909 5371 000	2	CARBON BRUSH
24	909 6380 000	1	HOSE CLAMP KIT
25	909 6381 000	1	FLOAT CAGE FITTING KIT
26	909 6382 000	1	DIRTY WATER TANK HARDWARE KIT
27A	909 6442 000	1	ACOUSTIC INSULATION HOSE
28A	909 6569 000	1	ACOUSTIC INSULATION
29	909 6810 000	1	COVER TANK LOCKING KIT
[30]	909 6812 000	1	INSTALLATION INSTRUCTIONS FOR COVER TANK LOCKING KIT
[31]	909 6128 000	1	CLAMP

A: ON MACHINES WITH SERIAL NUMBER STARTING FROM **060803403**

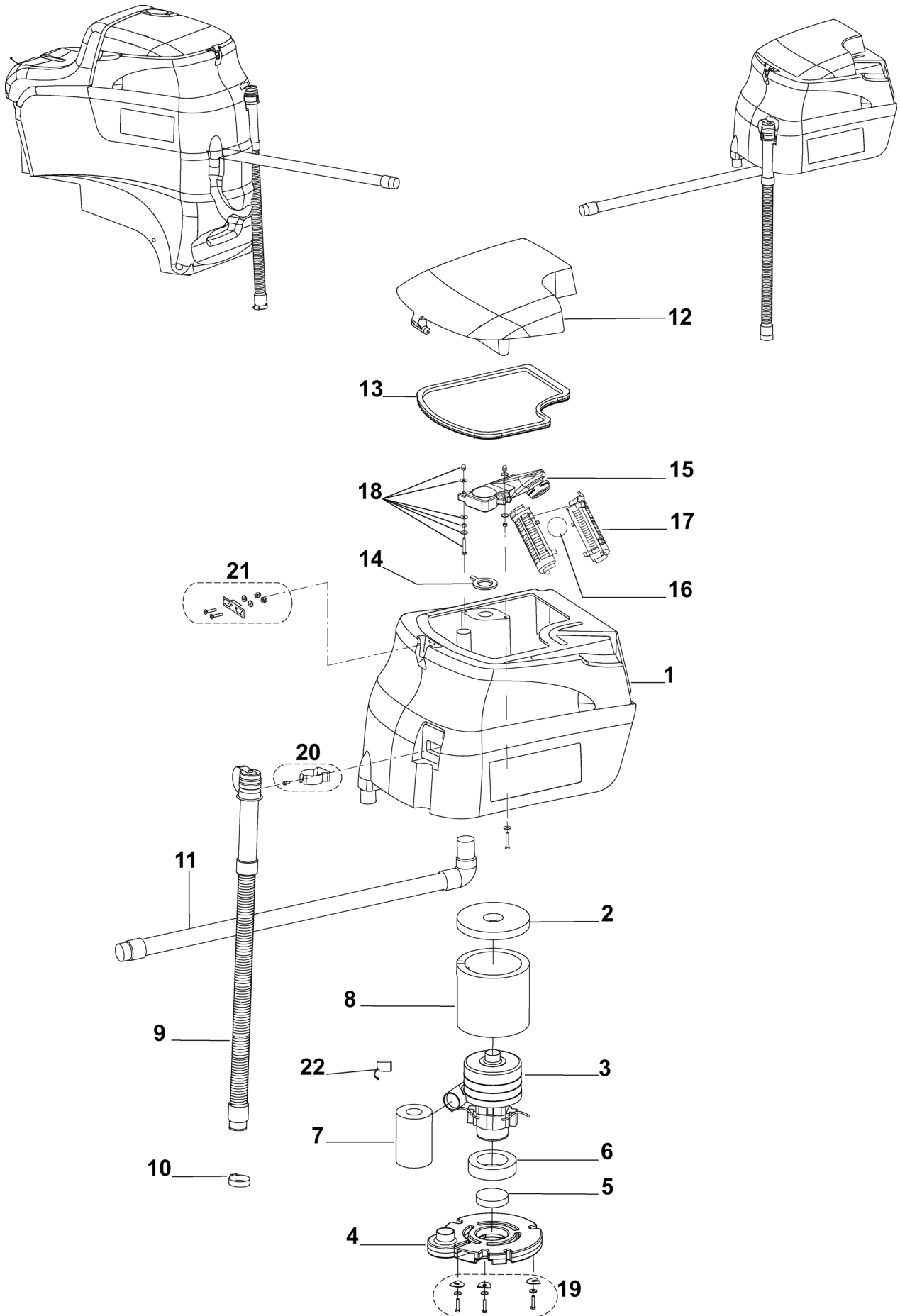
RECOVERY TANK

2007-11

8

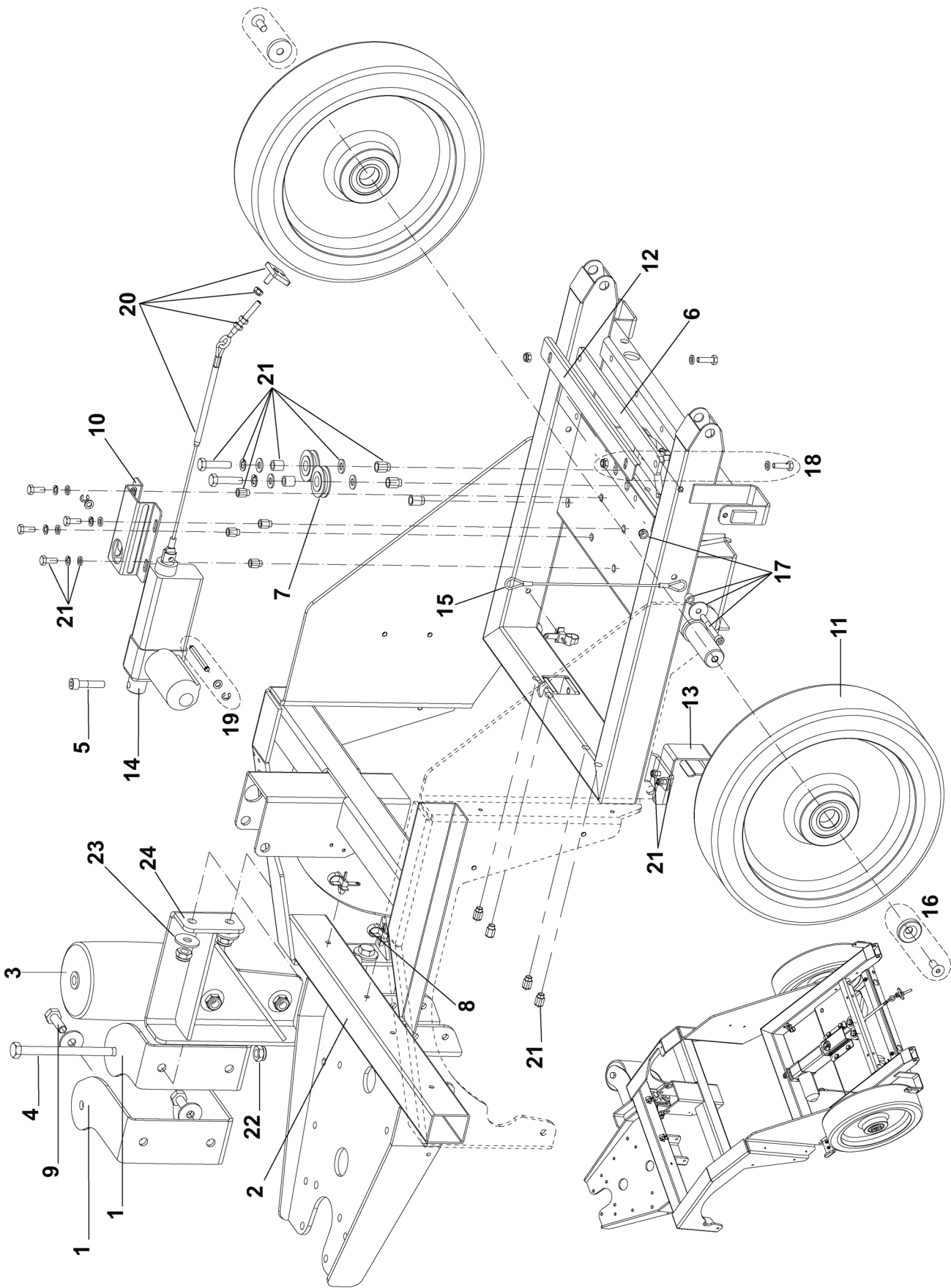
RAZOR BLADE 26D - 28D - 28C STARTING FROM S/N 074531009

2007-11



2007-11	RECOVERY TANK			
2007-11	RAZOR BLADE 26D - 28D - 28C STARTING FROM S/N 074531009			9

Item No.	Ref. No.	Qty	Description
1	9097340000	1	RECOVERY TANK
2	909 6489 000	1	GASKET VACUUM MOTOR
3	9097466000	1	MOTOR VACUUM 3ST 500W CPL
4	909 6247 000	1	COVER VACUUM MOTOR
5	9097399000	1	FILTER
6	909 6490 000	1	GASKET VACUUM MOTOR
7	909 6442 000	1	PIPE ACOUSTIC INSULATION
8	909 6491 000	1	PANEL ACOUSTIC INSULATION
9	909 6096 000	1	HOSE DRAIN
10	145 0543 000	1	CLAMP 24/32-52
11	909 6097 000	1	HOSE VACUUM
12	909 6247 000	1	COVER TANK
13	909 6268 000	1	GASKET
14	L08812968	1	GASKET
15	909 6199 000	1	HOLDER FLOAT CAGE
16	L08812373	1	BALL FLOATING
17	L08812259	2	CAGE FLOAT CPL
18	909 6876 000	1	HARDWARE RECOVERY TANK KIT
19	909 6877 000	1	HARDWARE MOTOR FIXING KIT
20	909 6380 000	1	HOSE CLAMP KIT
21	909 6810 000	1	COVER TANK LOCKING KIT
22	909 5371 000	2	CARBON BRUSH
[23]	909 6812 000	1	INSTALLATION INSTRUCTION COVER TANK LOCKING KIT



2005-12

CHASSIS SYSTEM

2007-11

RAZOR BLADE 26D - 28D - 28C

11

Item No.	Ref. No.	Qty	Description
1	9097206000	1	SUPPORT ROLLER BUMPER STARTING FROM 074531009
1	9097205000	1	SUPPORT ROLLER BUMPER STARTING FROM 074531009
2	909 6065 000	1	CHASSIS
3	L08812248	1	BUMPER ROLLER STARTING FROM 074531009
4	33003824	1	SCREW M10X150 UNI5737 STARTING FROM 074531009
5	33004368	1	SCREW M8X35
6	909 6240 000	1	PLATE
7	145 2612 000	2	PULLEY
8	146 0987 000	4	CLAMP
9	33004010	2	SCREW HEX M10X30 UNI5739 STARTING FROM 074531009
10	909 6066 000	1	ACTUATOR PROTECTION
11	909 6895 000	2	REAR WHEEL Ø 300X70
12	909 6069 000	1	BAR PROTECTION CABLE
13	909 6070 000	1	DRAIN HOSE BRACKET
14	909 6715 000	1	JACK MOTOR 24V
15	909 6151 000	1	TANK CABLE
16	909 6364 000	1	REAR WHEELS FITTING KIT
17	909 6365 000	1	KIT TANK CABLE
18	909 6366 000	1	BAR PROTECTION FITTING KIT
19	909 6367 000	1	ACTUATOR'S PIN FITTING KIT
20	909 6718 000	1	CABLE SQUEEGEE KIT
21	909 6368 000	1	CHASSIS HARDWARE KIT
22	33005608	5	NUT SELF L. M10 UNI7474
23	L08604251	8	WASHER 10X30 UNI6592
24	9097207000	1	PLATE ROLLER BUMPER SUP.
[25]	909 6719 000	1	INSTALLATION INSTRUCTIONS FOR CABLE SQUEEGEE KIT
[26]		1	BATTERY DECAL (KIT DECALS POS.6 PAGE 5)

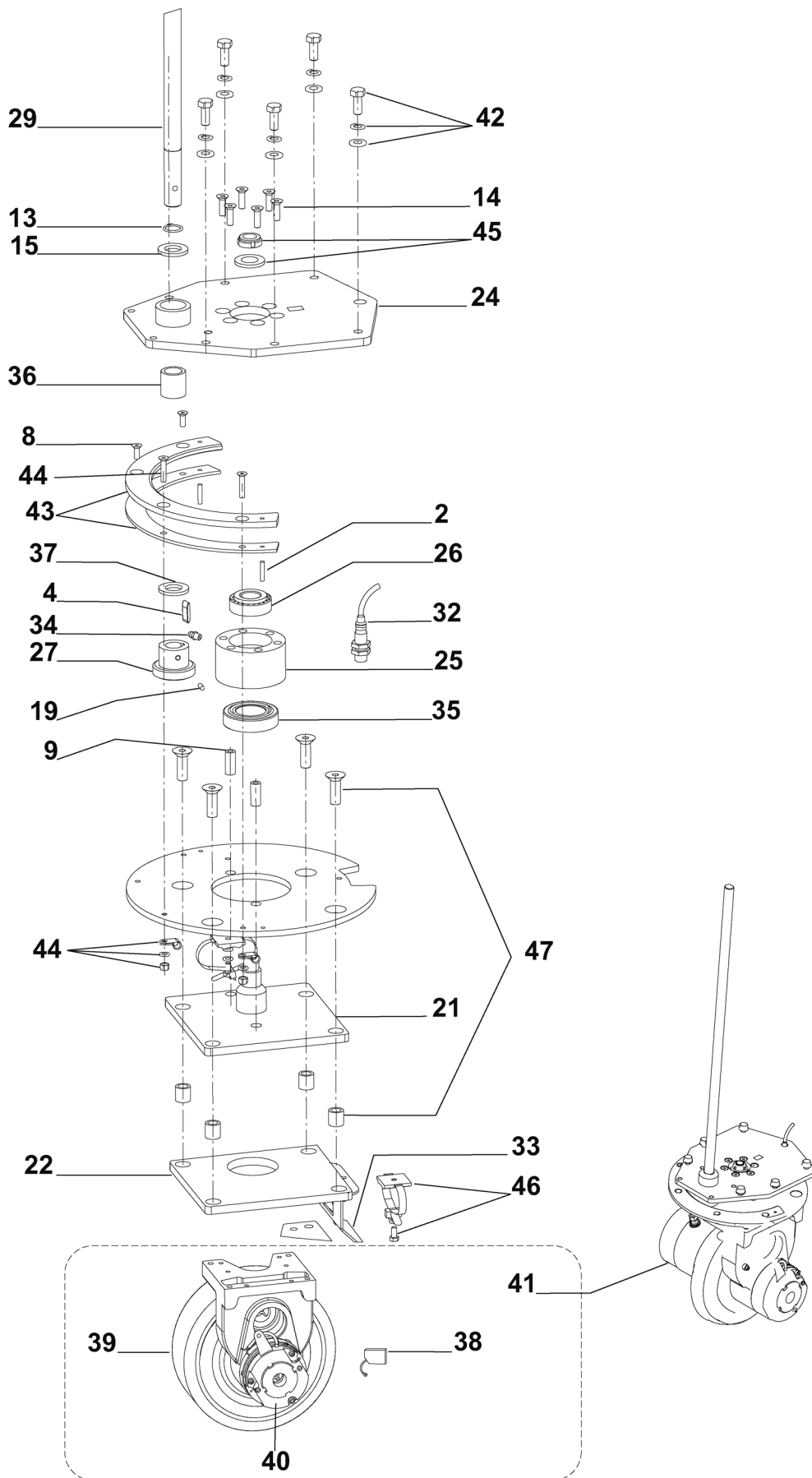
FRONT WHEEL ASSEMBLY

2005-12

12

RAZOR BLADE 26D - 28D - 28C (BEFORE JANUARY 2007)

2007-11



2005-12

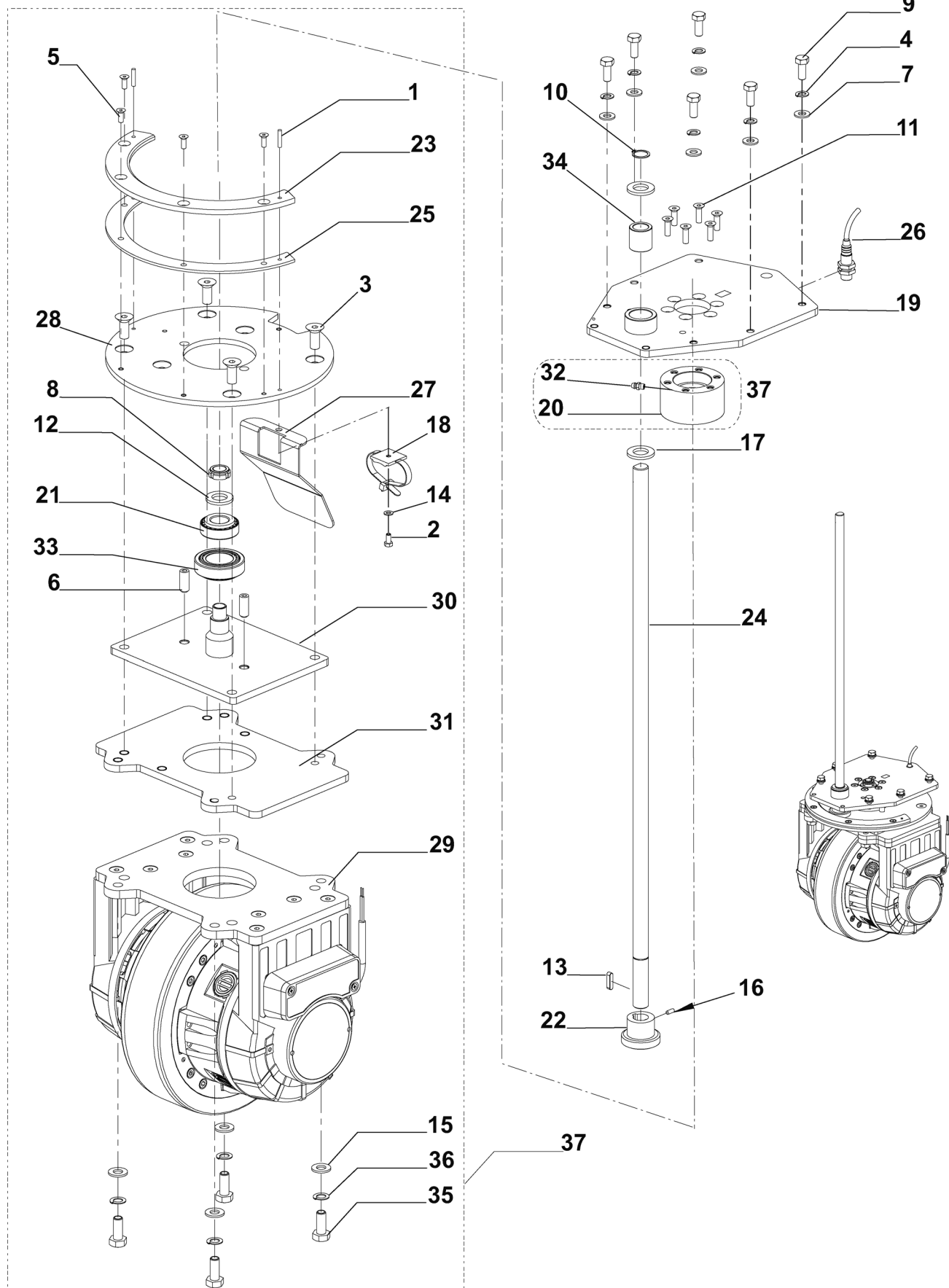
FRONT WHEEL ASSEMBLY

2007-11

RAZOR BLADE 26D - 28D - 28C (BEFORE JANUARY 2007)

13

Item No.	Ref. No.	Qty	Description
2	L08600669	2	PIN 4X20
4	145 9774 000	1	KEY 5X5X20
8	33004562	2	SCREW M5X14
9	145 5919 000	2	DOWEL M10X25
13	33006056	1	RETAINING RING
14	33004578	6	SCREW M6X20
19	146 1533 000	1	DOWEL M5X10
21	909 5937 000	1	STEERING SUPPORT
22	909 5938 000	1	VIBRATION DAMPING
24	909 5940 000	1	STEERING SUPPORT PLATE
25	909 5941 000	1	BALL BEARING SUPPORT
26	909 5942 000	1	BALL BEARING
27	909 5943 000	1	STEERING PINION
29	909 5945 000	1	STEERING SHAFT
32	909 6317 000	1	SENSOR KIT
33	909 6221 000	1	BRACKET WIRE PROTECTION
34	145 2330 000	1	GREASER
35	145 4691 000	1	BALL BEARING
36	145 9505 000	1	BUSHING
37	146 2873 000	1	WASHER FLAT 16X30 NYLON
38	909 6324 000	1	CARBON BRUSH KIT (4PCS)
39	909 6323 000	1	TYRE WHEEL
40	909 6326 000	1	ELECTROMAGNETIC BRAKE
41	909 6325 000	1	MOTOR 600W 24V
42	909 6370 000	1	FITTING PLATE KIT
43	909 6371 000	1	CROWN KIT
44	909 6372 000	1	CABLE CLAMPS FITTING KIT
45	909 6373 000	1	RING NUT KIT
46	909 6374 000	1	CLAMP KIT
47	909 6375 000	1	FRONT WHEEL ASSY HARDWARE KIT
[48]	9097053000	1	HARNESS DRIVE WHEEL



2005-12

FRONT WHEEL ASSEMBLY

2007-11

RAZOR BLADE 26D - 28D - 28C (AFTER JANUARY 2007)

15

Item No.	Ref. No.	Qty	Description
1	L08600669	2	SPLIT PIN
2	L08603041	1	SCREW HEX HD M5X10
3	33004605	4	SREW HEX THD TO HD M5X10
4	33005842	6	WASHER SPLIT 8
5	33004562	4	SCREW M5X14
6	145 5919 000	2	DOWEL M10X25
7	33005915	6	WASHER FLAT 8X17
8	145 9157 000	1	RING NUT
9	33005444	6	SCREW HEX HD 8X20
10	33006056	1	RETAINING RING
11	33004578	6	SCREW M6X20
12	33005919	2	WASHER FLAT
13	145 9774 000	1	KEY
14	33005912	1	WASHER FLAT 5X10 SS
15	145 9966 000	4	WASHER FLAT 10X21X2 SS
16	146 1533 000	1	DOWEL
17	146 2873 000	1	WASHER FLAT 16X30 NYLON
18	909 5606 000	1	CLAMP
19	909 5940 000	1	STEERING SUPPORT PLATE
20	909 5941 000	1	BALL BEARING SUPPORT
21	909 5942 000	1	BALL BEARING
22	909 5943 000	1	STEERING PINION
23	909 5944 000	1	CROWN
24	909 5945 000	1	STEERING SHAFT
25	909 5947 000	1	SPACER
26	909 6121 000	1	SENSOR
27	909 6221 000	1	BRACKET WIRE PROTECTION
28	9096930000	1	GEAR SUPPORT
29	9096931000	1	MOTOR DRIVE WHEEL CPL
30	9096933000	1	STEERING SUPPORT
31	9096934000	1	MOTOR DRIVE WHEEL UPPER PLATE
32	145 2330 000	1	GREASER
33	145 4691 000	1	BALL BEARING
34	145 9505 000	1	BUSHING
35	9097462000	4	SCREW M10X25
36	33005843	4	WASHER SPLIT 10
[37]A	9096928000	1	WHEEL DRIVE KIT
[38]	9096929000	1	ISTALLATION INSTRUCTIONS
[39]	9096927000	1	MOTOR DRIVE WHEEL HARNESS

A: SEE TSB IT 2007-023

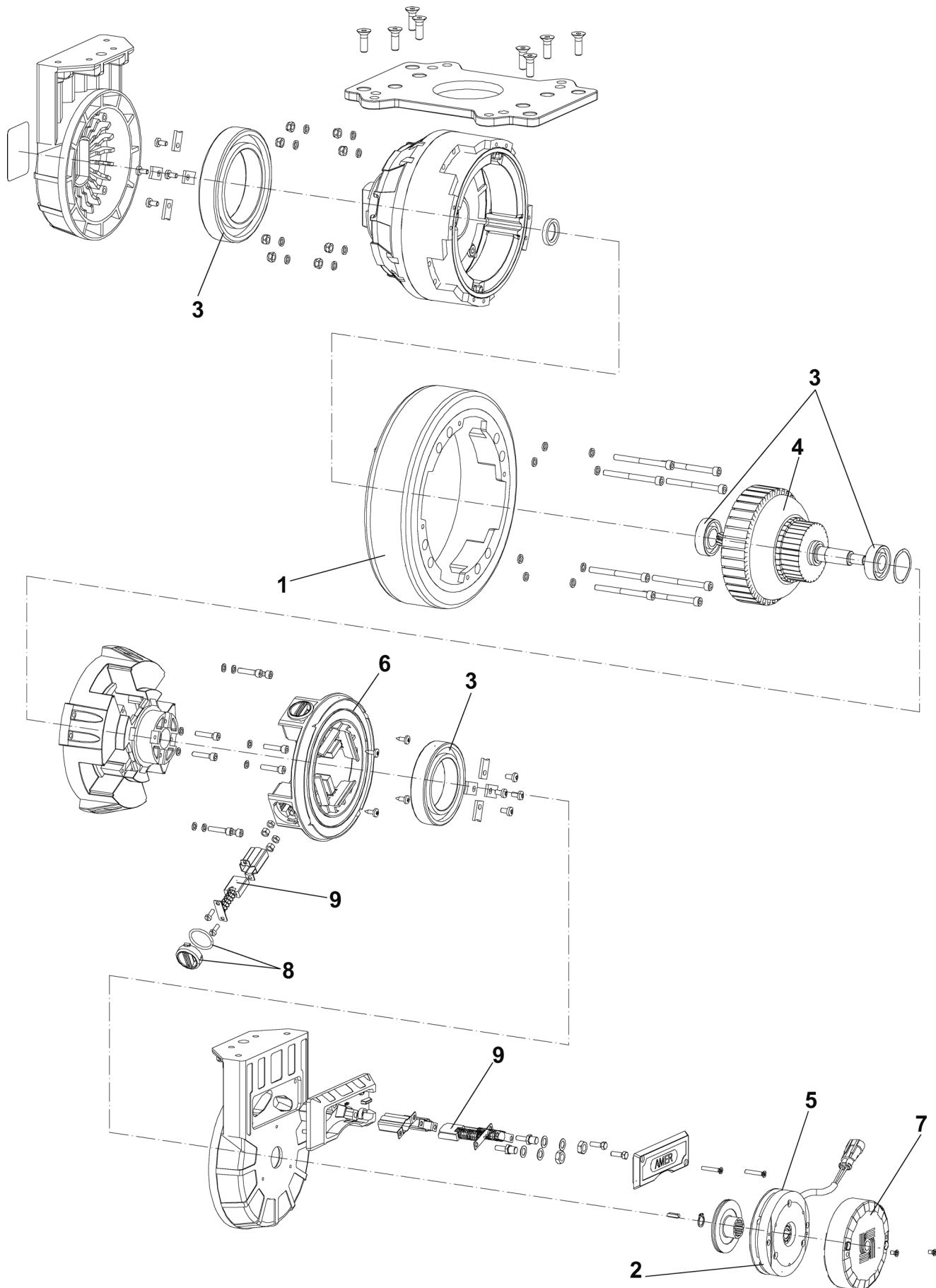
MOTOR DRIVE WHEEL

2007-11

16

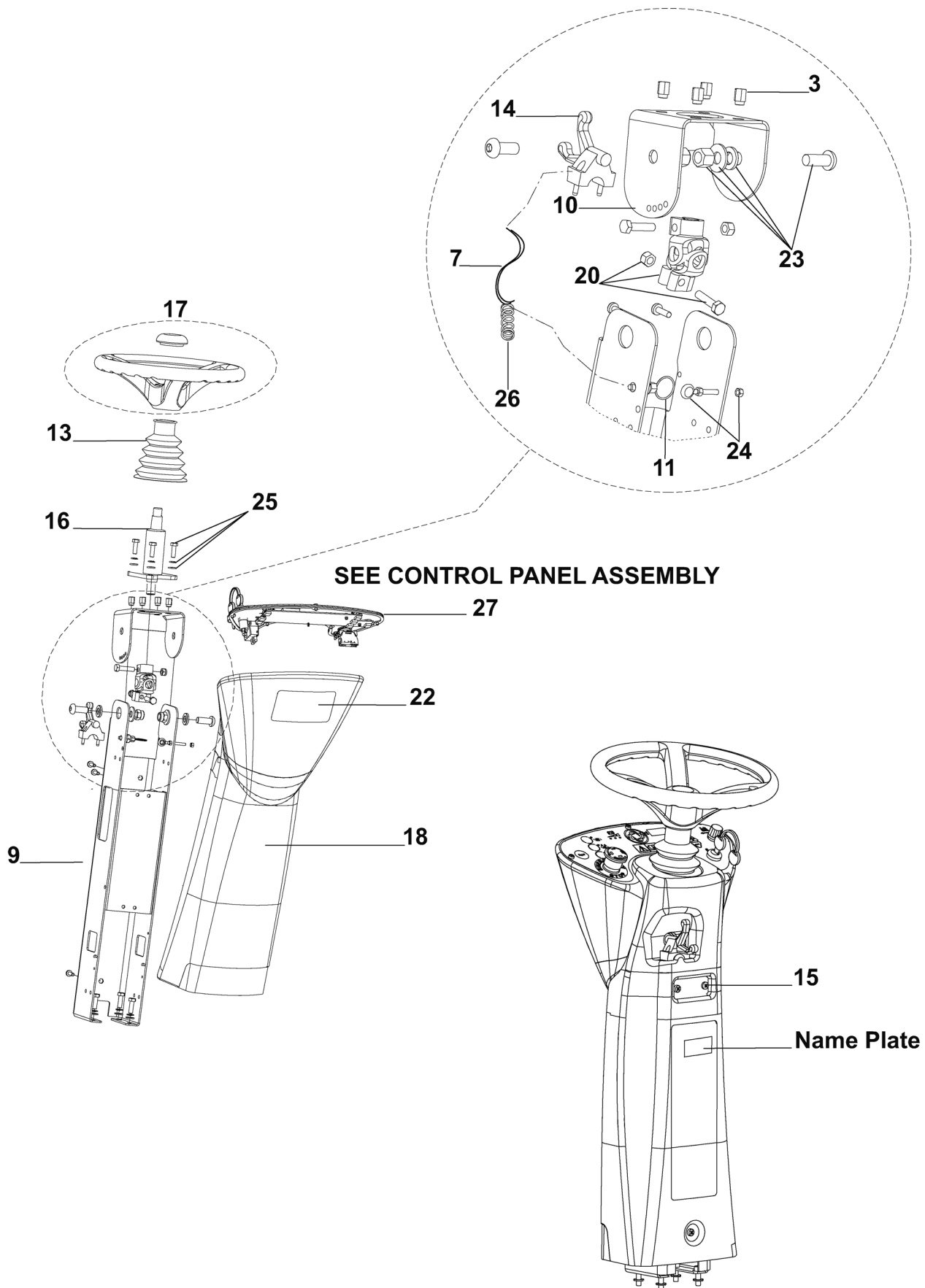
RAZOR BLADE 26D - 28D - 28C

2007-11



2007-11	MOTOR DRIVE WHEEL		
2007-11	RAZOR BLADE 26D - 28D - 28C		17

Item No.	Ref. No.	Qty	Description
1	9096935000	1	TYRE WHEEL
2	9096966000	1	ELECTROMAGNETIC BRAKE
3	9096959000	1	BALL BEARING KIT
4	9096967000	1	ARMATURE
5	9096976000	1	BRAKE SHOE
6	9096968000	1	RING
7	9096970000	1	BRAKE COVER
8	9096969000	1	PLUG
9	9096960000	1	BRUSHES KIT



2005-12

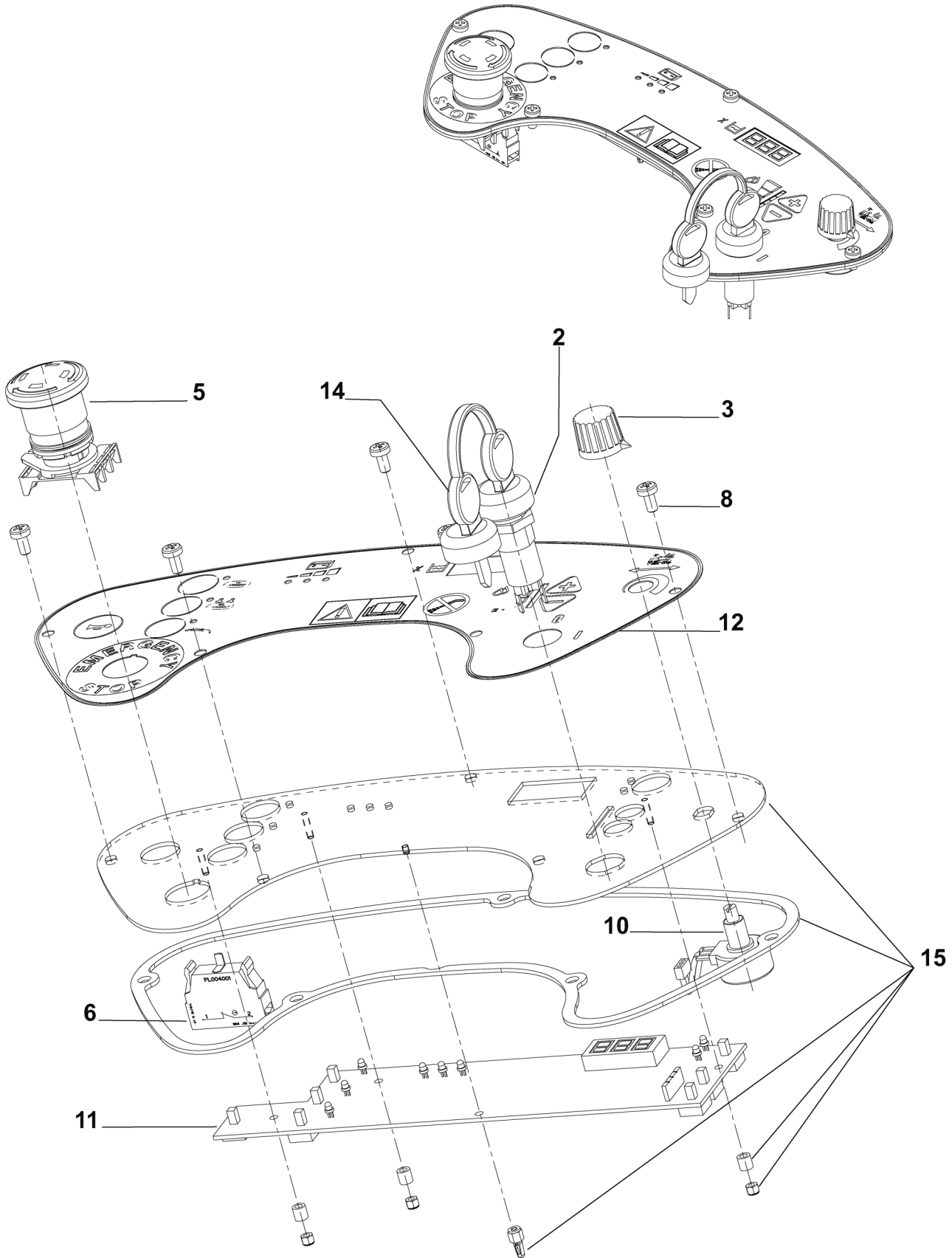
STEERING SYSTEM

2007-11

RAZOR BLADE 26D - 28D - 28C

19

Item No.	Ref. No.	Qty	Description
3	145 4773 000	4	INSERT HEX. M8
7	909 6074 000	1	CABLE
9	146 2445 000	1	STEERING COLUMN
10	146 2446 000	1	SUPPORT
11	146 2449 000	1	PLUNGER INDEXING
13	146 2457 000	1	BELLOW RUBBER
14	146 2458 000	1	LEVER
15	909 5011 000	3	SCREW OVAL HD M6X20 SS
16	909 6071 000	1	STEERING COLUMN
17	909 6072 000	1	WHEEL STEERING
18	909 6073 000	1	FRONT COVER
20	145 9619 000	1	JOINT
22		1	KENT LOGO DECAL (KIT DECALS POS.6 PAGE 5)
23	909 6398 000	1	SUPPORT FITTING KIT
24	909 6399 000	1	KIT ROD TENSION
25	909 6400 000	1	STEERING SYSTEM HARDWARE KIT
26	145 9290 000	1	SPRING
27		1	CONTROL PANEL ASSEMBLY



2005-12**CONTROL PANEL ASSEMBLY**

2007-11

RAZOR BLADE 26D - 28D - 28C**21**

Item No.	Ref. No.	Qty	Description
2	146 2888 000	1	KEY SWITCH
3	145 4719 000	1	KNOB FOR POTENTIOMETER
5	146 1727 000	1	EMERGENCY SWITCH
6	146 1728 000	1	CONTACT
8	146 1710 000	5	SCREW M 5X10
10	909 6076 000	1	POTENTIOMETER
11	909 6077 000	1	ELECTRONIC BOARD
12	909 6078 000	1	DECAL CONTROL PANEL
14	146 2887 000	1	KEY
15	909 6647 000	1	CONTROL PANEL KIT

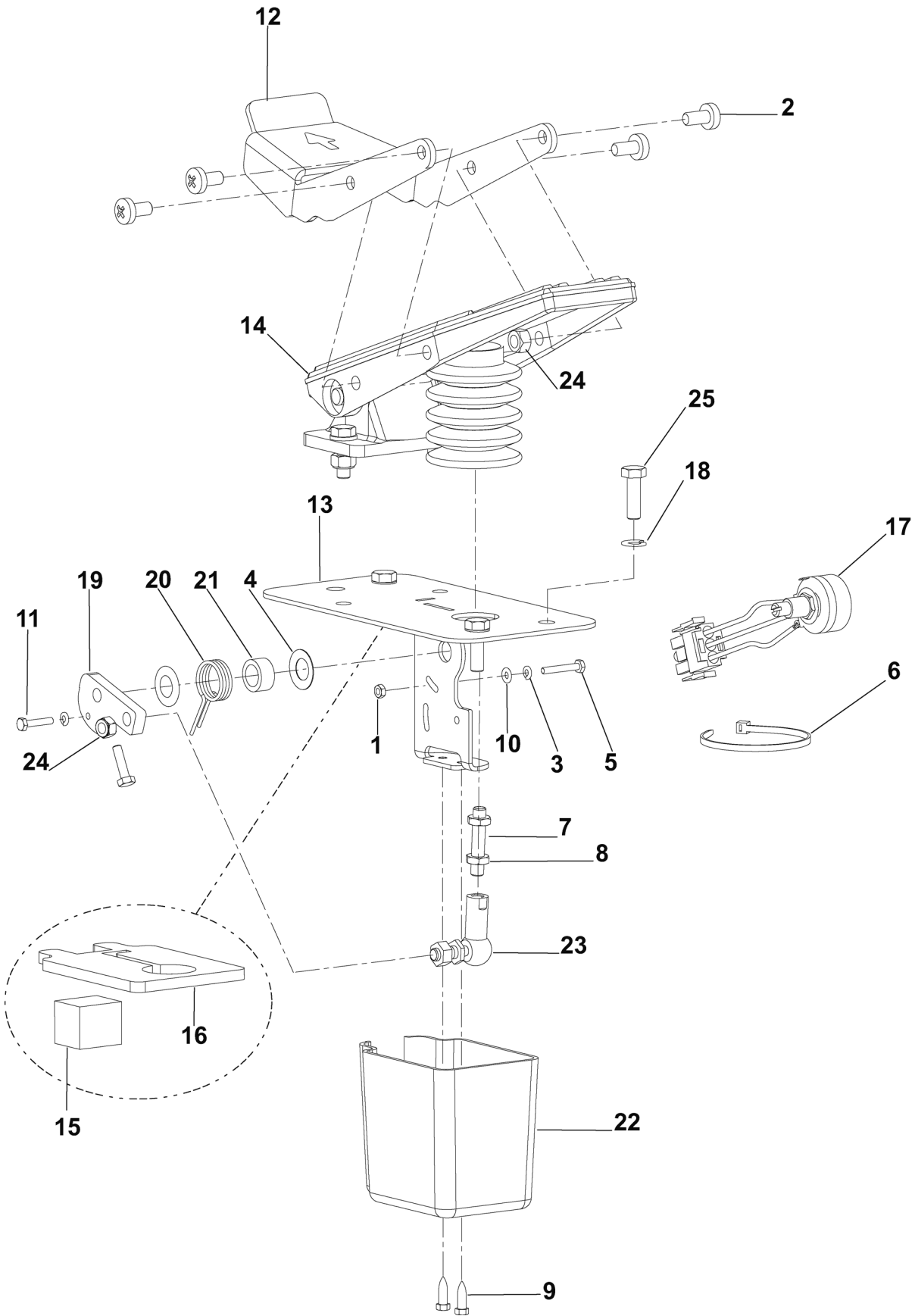
PEDAL ASSEMBLY

2005-12

22

RAZOR BLADE 26D-28D-28C BEFORE S/N 061808338

2006-12



2005-12 PEDAL ASSEMBLY**2006-12 RAZOR BLADE 26D-28D-28C BEFORE S/N 061808338****23**

Item No.	Ref. No.	Qty	Description
1	33005500	1	NUT M4
2	L08812095	4	SCREW M6X16
3	33005838	2	WASHER SPLIT 4
4	145 1147 000	2	SPRING WASHER
5	145 6015 000	1	SCREW HEX HD M4X20
6	145 1241 000	1	CLAMP
7	145 2473 000	1	ROD TENSION M6X32
8	33005531	2	NUT HEX LOW M6
9	145 5867 000	2	SCREW HEX HD 3,9X13
10	33005911	1	WASHER FLAT 4X9
11	33003950	2	SCREW HEX HD M4X16
12	146 1938 000	1	SPEED CONTR. PEDAL BRACKET
13	146 1939 000	1	SPEED CONTR. PEDAL SUPPORT
14	146 2910 000	1	SPEED CONTROL PEDAL
15	146 2062 000	1	GASKET
16	146 2315 000	1	PEDAL GASKET
17	146 2480 000	1	HARNESS DRIVE PEDAL
18	33005851	3	WASHER SPLIT 6
19	146 2882 000	1	LEVER
20	146 2883 000	1	SPRING
21	146 2884 000	1	SPACER
22	145 4086 000	1	PEDAL COVER
23	145 8479 000	1	DOWEL M6
24	33005604	7	NUT HEX SELFLOCK LOW M6
25	33003975	3	SCREW HEX HD M6X20
[26]	146 2881 000	1	SPEED CONTROL PEDAL COMPLETE KIT (1,2,3,4,5,6,7,8,9,10,11,12,13,14,15,16, 17, 18,19,20,21,22,23,24,25,)

2005-12**PEDAL ASSEMBLY**

2007-11

RAZOR BLADE 26D-28D-28C STARTING FROM S/N 061808339)**25**

Item No.	Ref. No.	Qty	Description
1	146 2952 000	1	SPEED CONTROL PEDAL COMPLETE KIT
2	909 6834 000	1	PEDAL ASSEMBLY HARDWARE KIT
4	145 1147 000	2	SPRING WASHER
12	146 2929 000	1	SPEED CONTROL PEDAL BRACKET
13	146 2930 000	1	SPEED CONTROL PEDAL SUPPORT
14	146 2910 000	1	SPEED CONTROL PEDAL
15	146 2062 000	1	GASKET
16	146 2315 000	1	PEDAL GASKET
17	146 2480 000	1	HARNESS DRIVE PEDAL
19	146 2882 000	1	LEVER
20	146 2883 000	1	SPRING
21	146 2884 000	1	SPACER
22	145 4086 000	1	PEDAL COVER

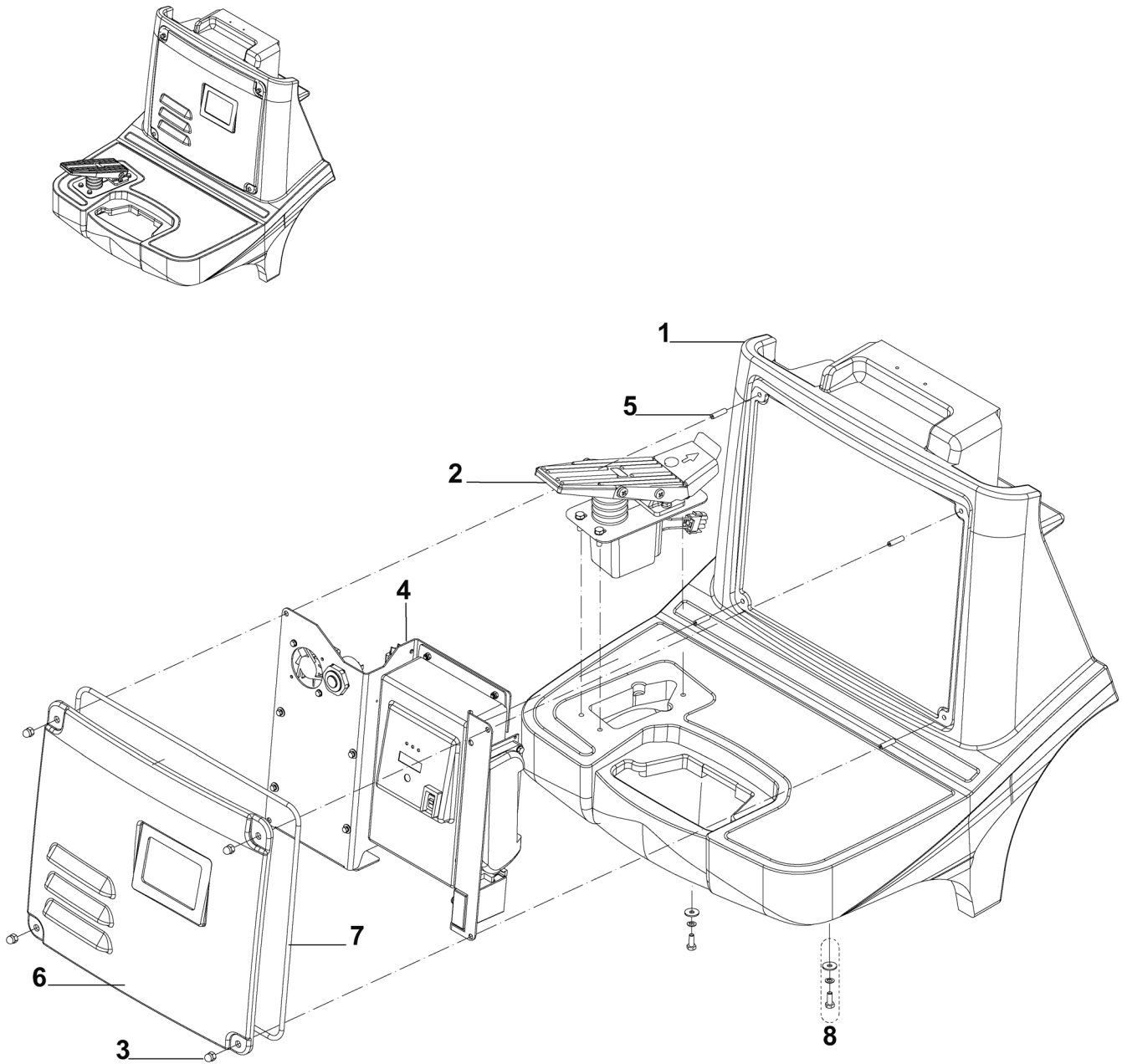
FOOTBOARD ASSEMBLY

2005-12

26

RAZOR BLADE 26D - 28D - 28C

2007-11



2005-12

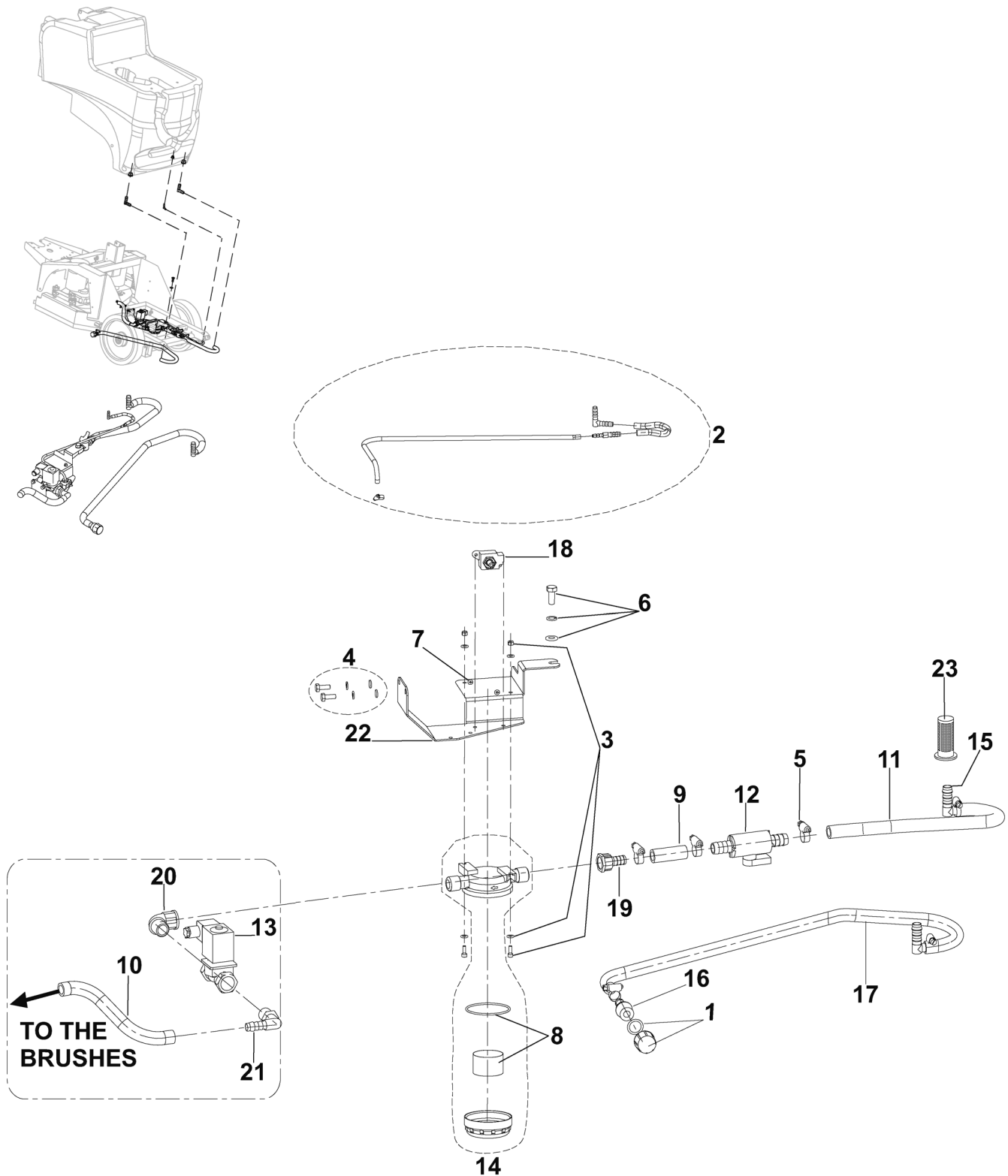
FOOTBOARD ASSEMBLY

2007-11

RAZOR BLADE 26D - 28D - 28C

27

Item No.	Ref. No.	Qty	Description
1	909 5899 000	1	FOOTBOARD
2		1	PEDAL ASSEMBLY
3	145 4618 000	4	BLIND NUT M6 SS
4		1	ELECTRICAL COMPONENTS
5	146 0759 000	4	DOWEL M6X25
6	909 6122 000	1	ELECTRONIC CARD COVER
7	909 6838 000	1	GASKET
8	909 6369 000	1	FOOTBOARD ASSY HARDWARE KIT



2005-12

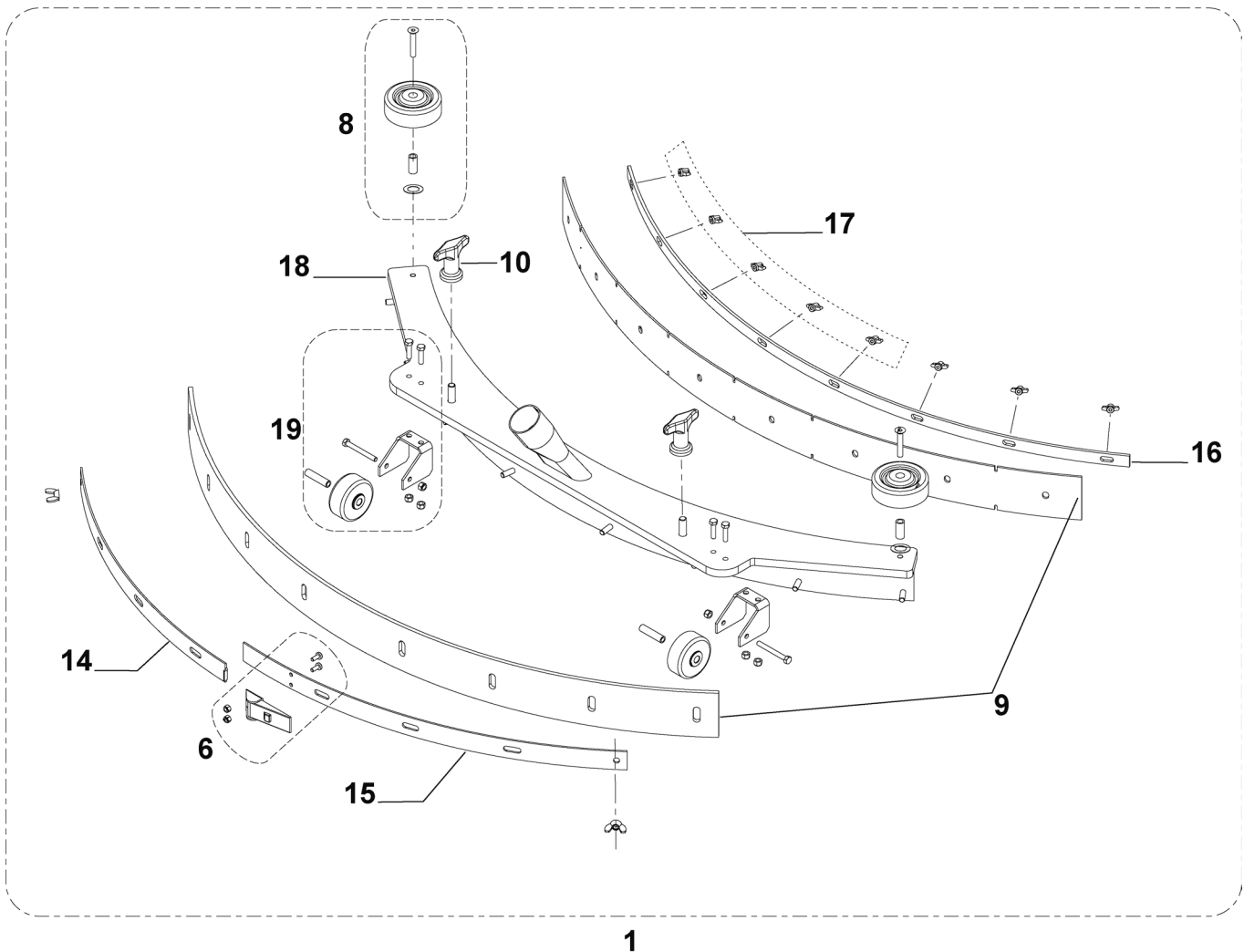
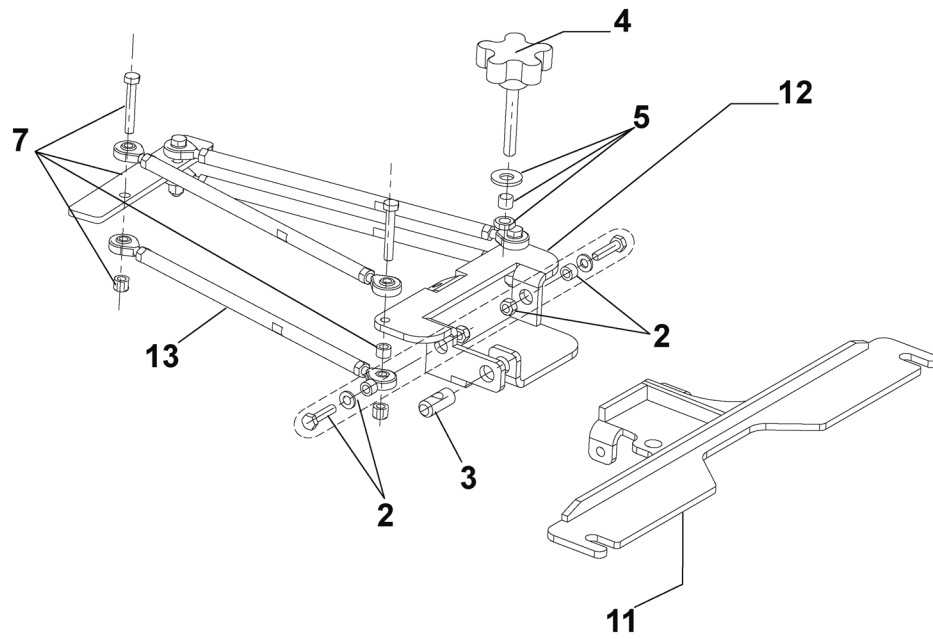
SOLUTION SYSTEM

2007-11

RAZOR BLADE 26D - 28D - 28C

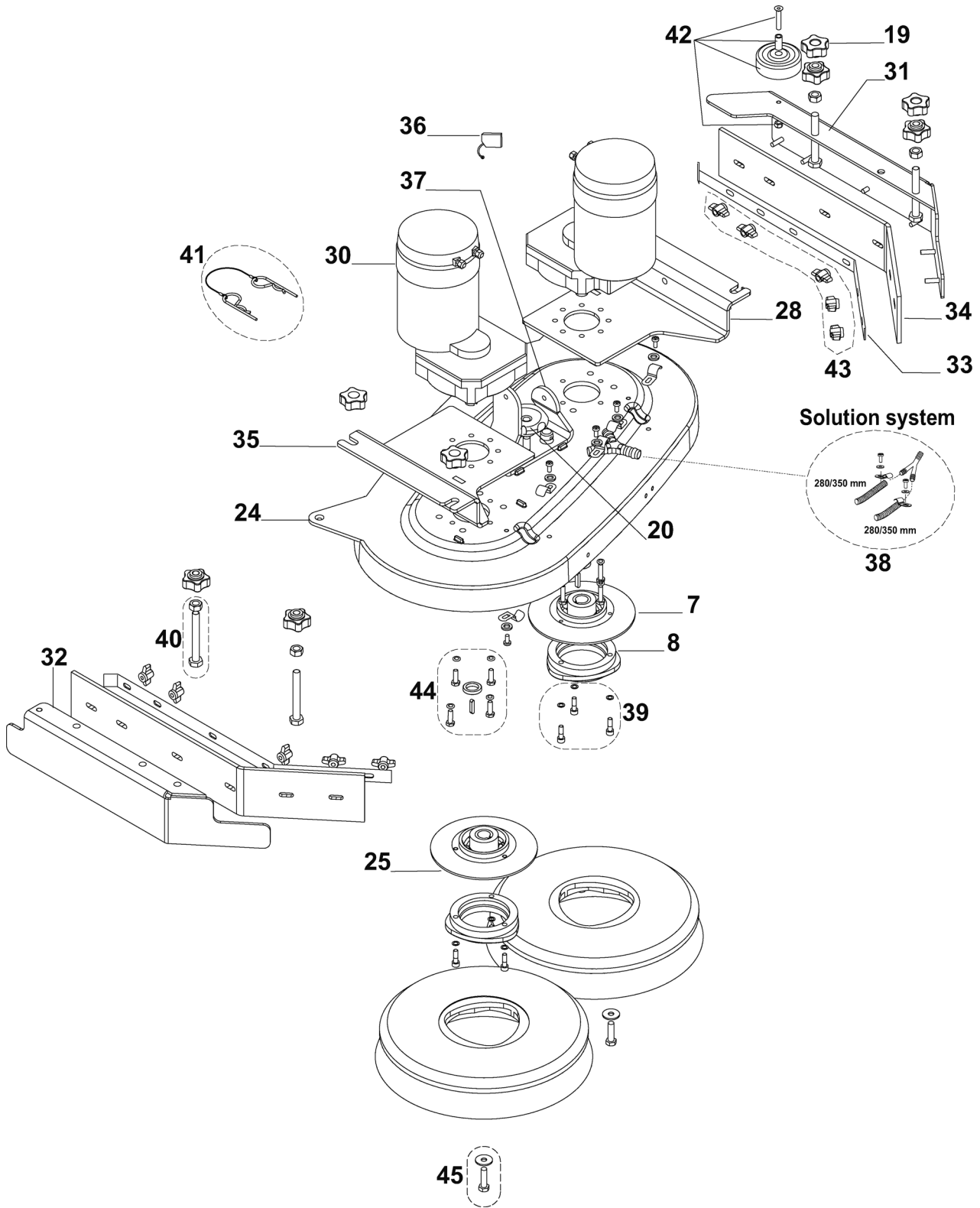
29

Item No.	Ref. No.	Qty	Description
1	909 6389 000	1	CAP KIT
2	909 6390 000	1	PRESSURE SENSOR HOSE KIT
3	909 6391 000	1	FILTER FITTING KIT
4	909 6392 000	1	SUPPORT FITTING KIT
5	33003496	6	HOSE CLAMP
6	909 6393 000	1	SOLUTION SYSTEM HARDWARE KIT
7	145 5869 000	2	SCREW 3,9X9,5
8	909 5215 000	1	NET, WATER FILTER AND GASKET
9	909 6348 000	1	HOSE
10	909 6347 000	1	HOSE
11	909 6346 000	1	HOSE
12	9096954000	1	VALVE
13	909 5443 000	1	SOLENOID VALVE 24V UL
14	909 5207 000	1	WATER FILTER
15	909 6080 000	2	ELBOW 90°
16	909 6081 000	1	PIPE HOLDER 1/2 MALE
17	909 6328 000	1	HOSE
18	909 6091 000	1	PRESSURE SENSOR
19	909 6085 000	1	PIPE HOLDER STRAIGHT
20	909 6086 000	1	CURVED ELBOW M/F
21	909 6087 000	1	CURVED ELBOW 90° M
22	909 6088 000	1	SUPPORT, SOLENOID VALVE
23*	9096916000	1	SOLUTION TANK FILTER



Item No.	Ref. No.	Qty	Description
1	909 5372 000	1	KIT SQUEEGEE 32" - RAZOR BLADE 26D
1	909 5373 000	1	KIT SQUEEGEE 34" - RAZOR BLADE 28D - 28C
2	909 6397 000	1	SQUEEGEE SYSTEM HARDWARE KIT
3	L08601509	1	PIN, SQUEEGEE SUPPORT
4	909 6223 000	1	HANDWHEEL M8X45
5	909 6396 000	1	HANDWHEEL FITTING KIT
6	909 6394 000	1	SQUEEGEE LATCH KIT
7	9096973000	1	TENSION ROD FITTING KIT
8	L08603880	1	KIT BUMPER ROLLER
9	9097499000	1	BLADES NEOPRENE KIT 32" - RAZOR BLADE 26D
9	9097500000	1	BLADES NEOPRENE KIT 34" - RAZOR BLADE 28D - 28C
10	L08603675	2	THUMB NUT SQUEEGEE FIXING
11	909 6103 000	1	SQUEEGEE SUPPORT
12	909 6104 000	1	PLATE, SQUEEGEE SUPPORT
13	9096944000	4	TENSION ROD
14	L08603833	1	STRAP LEFT REAR - RAZOR BLADE 26D
14	909 5351 000	1	STRAP LEFT REAR - RAZOR BLADE 28D - 28C
15	L08603834	1	STRAP RIGHT REAR - RAZOR BLADE 26D
15	909 5352 000	1	STRAP RIGHT REAR - RAZOR BLADE 28D - 28C
16	L08603831	1	STRAP FRONT - RAZOR BLADE 26D
16	909 5349 000	1	STRAP FRONT - RAZOR BLADE 28D - 28C
17	909 6356 000	2	WING NUTS KIT
18	909 5294 000	1	WELDMENT SQUEEGEE TOOL - RAZOR BLADE 26D
18	909 5487 000	1	WELDMENT SQUEEGEE TOOL - RAZOR BLADE 28D - 28C
19	L08603879	1	KIT SQUEEGEE WHEEL
[20]A	9096945000	1	TENSION ROD KIT

A: FOR MACHINES BEFORE S/N 070100618 - SEE TSB IT 2007-014



2005-12

BRUSH DECK SYSTEMS

2007-11

RAZOR BLADE 26D - 28D BEFORE S/N 074531009

33

Item No.	Ref. No.	Qty	Description
7	L08812306	1	HUB BRUSH RIGHT REDUCTIONGEAR MOTOR
8	9097090000	2	HUB
19	146 1036 000	8	HANDWHEEL M10
20	146 1037 000	1	HANDWHEEL
24	909 5226 000	1	BRUSH DECK 650MM/26" - RAZOR BLADE 26D
24	909 6250 000	1	BRUSH DECK 740MM/28" - RAZOR BLADE 28D
25	L08603822	1	HUB, BRUSH LEFT RED. GEARMOTOR
28	909 6163 000	1	DECK MOTOR BRACKET RIGHT - RAZOR BLADE 26D
28	909 6166 000	1	DECK MOTOR BRACKET RIGHT - RAZOR BLADE 28D
30	909 6165 000	2	REDUCTIONGEAR MOTOR
31	909 6168 000	1	RIGHT SKIRT SUPPORT
32	909 6169 000	1	LEFT SKIRT SUPPORT
33	909 6170 000	2	SIDE SKIRT PLATE
34	909 6172 000	2	SIDE SKIRT
35	909 6220 000	1	DECK MOTOR BRACKET LEFT - RAZOR BLADE 26D
35	909 6167 000	1	DECK MOTOR BRACKET LEFT - RAZOR BLADE 28D
36	909 5877 000	2	CARBON BRUSH KIT (4 PCS)
37	909 6162 000	1	BRACKET
38	909 6351 000	1	BRUSH DECKWATER HOSE KIT
39	909 6352 000	2	HUB FITTING KIT
40	909 6353 000	1	SIDE SKIRT FITTING KIT
41	909 6354 000	1	SPLIT PIN KIT
42	909 6355 000	1	ROLLER BUMPER FITTING KIT
43	909 6356 000	2	WING NUTS KIT
44	909 6357 000	1	REDUCTIONGEAR MOTOR FITTING KIT
45	909 6358 000	1	BRUSH DECK HARDWARE KIT
[46]	909 6179 000	1	HARNES BRUSH DECK

2005-12

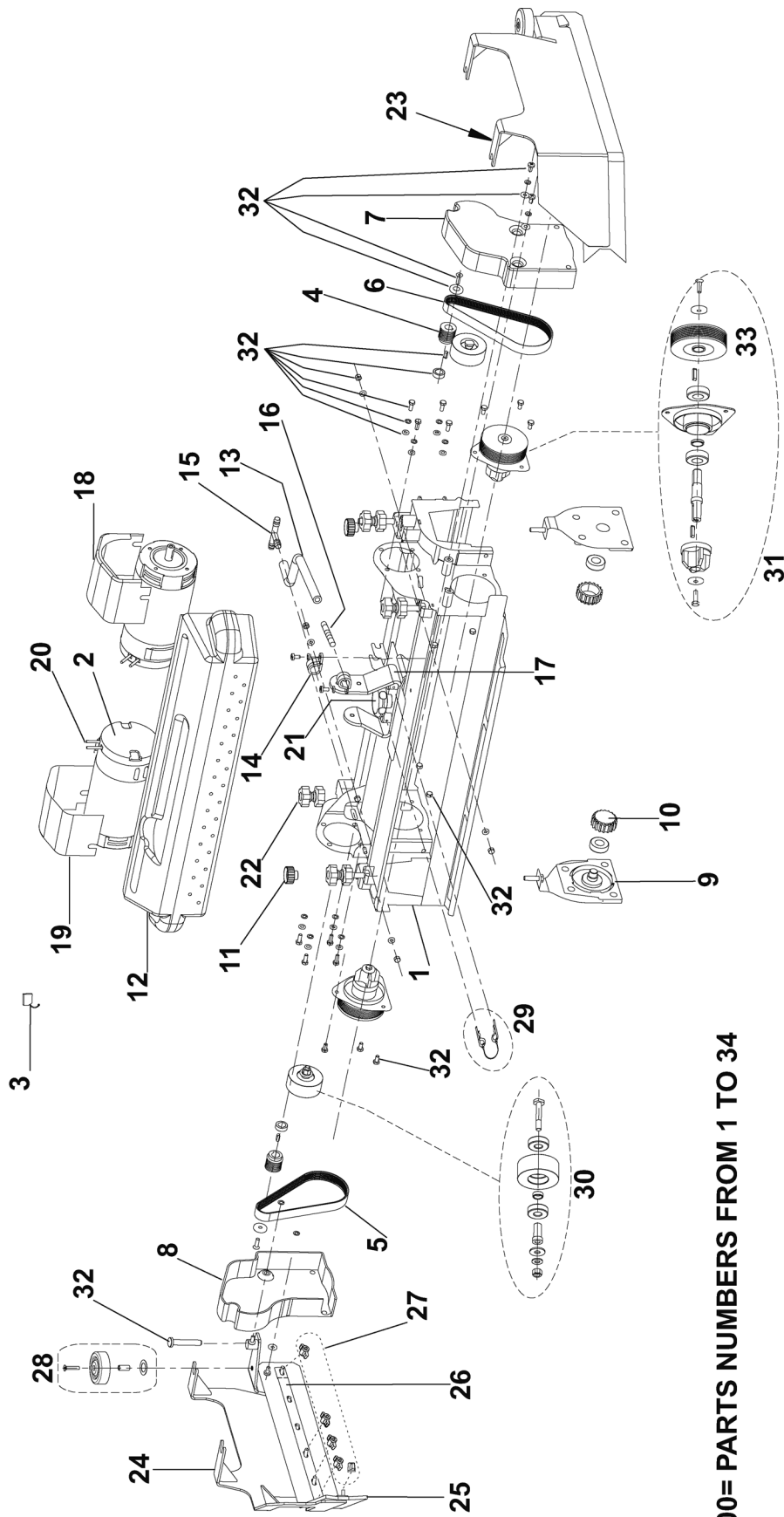
BRUSH DECK SYSTEMS

2008-05

RAZOR BLADE 26D - 28D STARTING FROM S/N 074531009

35

Item No.	Ref. No.	Qty	Description
1	909 5226 000	1	BRUSH DECK 650MM/26" - RAZOR BLADE 26D
1	909 6250 000	1	BRUSH DECK 740MM/28" - RAZOR BLADE 28D
2#	9097426000	1	LEFT SKIRT SUPPORT - TSB IT 2008-004
3	909 6352 000	2	HARDWARE HUB FIXING KIT
4	9097090000	2	HUB
5	9097496000	1	HOLDER POLYGONAL RIGHT KIT
6	9097497000	1	HOLDER POLYGONAL LEFT KIT
7#	9097425000	1	RIGHT SKIRT SUPPORT - TSB IT 2008-004
8	909 6354 000	2	SPLIT PINS KIT
9	909 5380 000	2	CARBON BRUSH KIT
10	9097178000	2	REDUCTION GEAR MOTOR 400W 24V
11	909 6356 000	2	WING NUTS KIT
12	909 6163 000	1	BRACKET BRUSH MOTOR RIGHT - RAZOR BLADE 26D
12	909 6166 000	1	BRACKET BRUSH MOTOR RIGHT - RAZOR BLADE 28D
13	909 6220 000	1	BRACKET BRUSH MOTOR LEFT - RAZOR BLADE 26D
13	909 6167 000	1	BRACKET BRUSH MOTOR LEFT - RAZOR BLADE 28D
14	909 6353 000	4	HARDWARE SKIRT FIXING KIT
15#	9097428000	2	SIDE SKIRT - TSB IT 2008-004
16#	9097427000	2	SIDE SKIRT PLATE - TSB IT 2008-004
16	909 6170 000	2	SIDE SKIRT PLATE - TSB IT 2008-004
17	909 6351 000	1	HOSE WATER BRUSH DECK KIT
18	146 1036 000	8	HANDWHEEL M10
19	909 6162 000	1	BRACKET BRUSH DECK
20	146 1037 000	1	HANDWHEEL
21	9097498000	1	ARM BRUSH DECK REINFORCEMENT KIT
22	909 6355 000	1	ROLLER BUMPER FITTING KIT
[23]	909 6179 000	1	HARNES BRUSH DECK
24#	9097494000	1	RIGHT SKIRT SUPPORT WITH PLATE KIT - TSB IT 2008-004
25#	9097495000	1	LEFT SKIRT SUPPORT WITH PLATE KIT - TSB IT 2008-004
[26]#	9097599000	1	PROTECTION MOTOR KIT - TSB IT 2008-014
[27]#	9097600000	1	INSTALLATION INSTRUCTION FOR PROTECTION MOTOR KIT - TSB IT 2008-014
100	909 6343 000	1	BRUSH DECK 650MM/26" KIT - RAZOR BLADE 26D
100	909 6344 000	1	BRUSH DECK 740MM/28" KIT - RAZOR BLADE 28D



100= PARTS NUMBERS FROM 1 TO 34

2005-12

CYLINDRICAL BRUSHES SYSTEM

2007-11

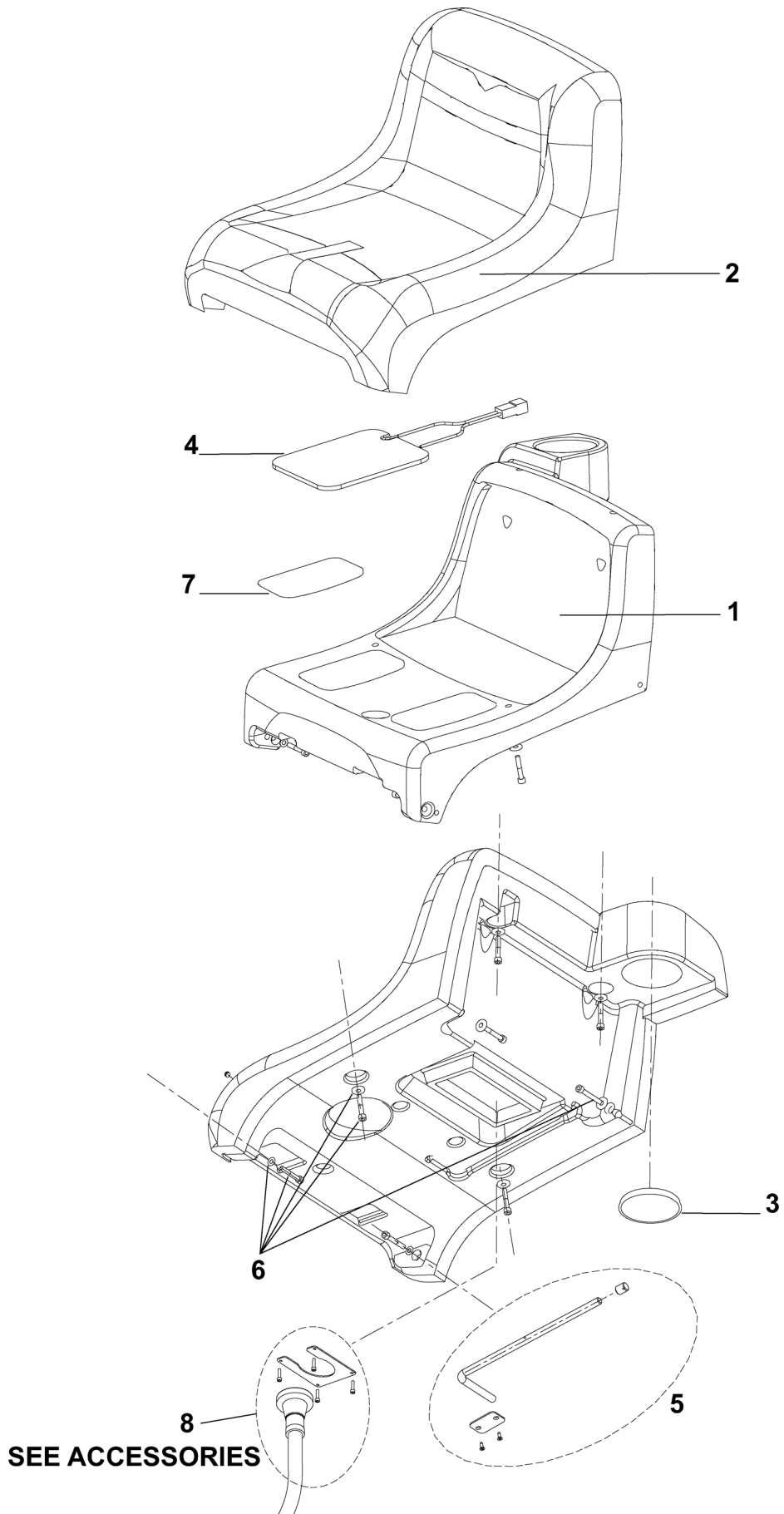
RAZOR BLADE 28C

37

Item No.	Ref. No.	Qty	Description
1	909 6189 000	1	CYLINDRICAL BRUSH DECK FRAME
2	909 5774 000	2	ELECTRIC MOTOR 24V 600W
3	L08603949	2	CARBON BRUSH SET (4 PCS)
4	909 5758 000	2	PULLEY
5A	909 5761 000	1	CINGHIA POLY-V SX
5B	909 6731 000	1	BELT POLY-V LEFT
6A	909 5760 000	1	BELT POLY-V RIGHT
6B	909 5761 000	1	BELT POLY-V RIGHT
7A	909 5724 000	1	CRANK CASE BELT PROTECTION RIGHT
7B	909 6785 000	1	CRANK CASE BELT PROTECTION RIGHT
8A	909 5725 000	1	CRANK CASE BELT PROTECTION LEFT
8B	909 6786 000	1	CRANK CASE BELT PROTECTION LEFT
9	909 6190 000	2	BRUSH SUPPORT
10	56407551	2	HUB
11	909 5964 000	2	HANDWHEEL M8
12	909 6225 000	1	DIRT CONTAINER
13	909 5141 000	1	HOSE
14	909 5516 000	2	CABLE CLAMP Ø 18
15	145 4366 000	1	PIPE HOLDER
16	9096953000	1	FITTING
17	909 6162 000	1	BRACKET
18	909 5802 000	1	CRANKCASE MOTOR PROTECTION RIGHT
19	909 5803 000	1	CRANKCASE MOTOR PROTECTION LEFT
20	909 5957 000	4	CAP INSULATING
21	146 1037 000	1	HANDWHEEL
22	146 1036 000	8	HANDWHEEL M10
23	909 6192 000	1	RIGHT SKIRT SUPPORT
24	909 6193 000	1	LEFT SKIRT SUPPORT
25	909 6194 000	2	SIDE SKIRT
26	909 6195 000	2	SIDE SKIRT PLATE
27	909 6356 000	2	WING NUTS KIT
28	L08603880	1	KIT BUMPER ROLLER
29	909 6354 000	1	SPLIT PINS KIT
30	909 6360 000	2	ROLLER KIT
31	909 6361 000	2	PULLEY KIT
32	909 6362 000	1	CYLINDRICAL BRUSH DECK HARDWARE KIT
33A	909 5759 000	2	PULLEY POLY-V
33B	909 6730 000	2	PULLEY POLY-V
[34]	909 6196 000	1	HARNESS CYL. BRUSH DECK
100	909 6345 000	1	BRUSH DECK 710MM/28" CYL KIT

A: FOR MACHINES TILL S/N 063719996

B: FOR MACHINES STARTING FROM S/N 063719997

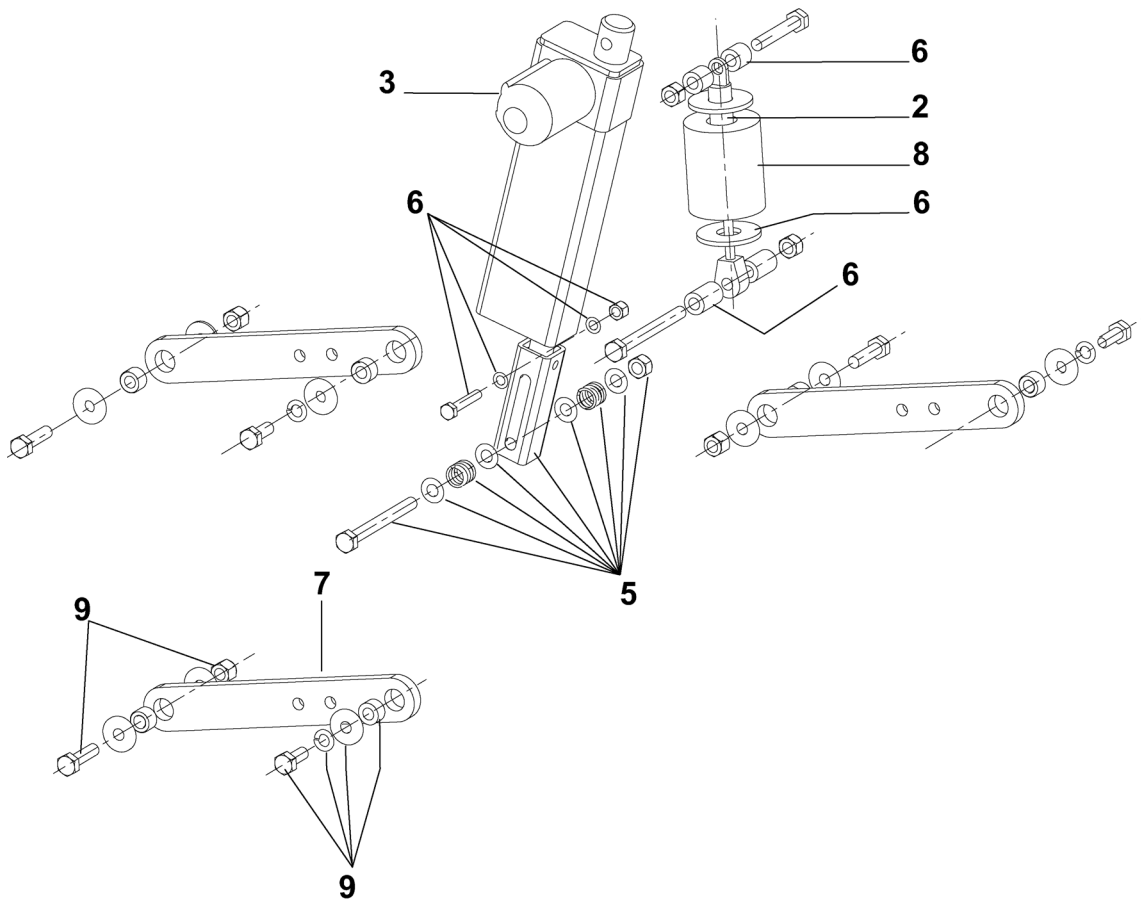
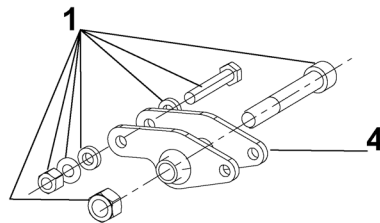
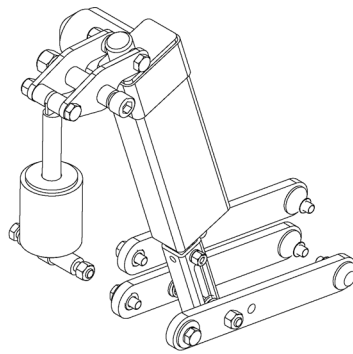


2005-12**SEAT ASSEMBLY**

2007-11

RAZOR BLADE 26D - 28D - 28C**39**

Item No.	Ref. No.	Qty	Description
1	909 6244 000	1	SEAT SUPPORT
2	909 5897 000	1	SEAT
3	909 6098 000	1	CAP Ø 85
4	909 6242 000	1	MICROSWITCH
5	909 6383 000	1	LEVER FITTING KIT
6	909 6384 000	1	SEAT ASSY HARDWARE KIT
7	909 6241 000	2	GUMMI PLATTE
8		1	SEE ACCESSORIES



2005-12

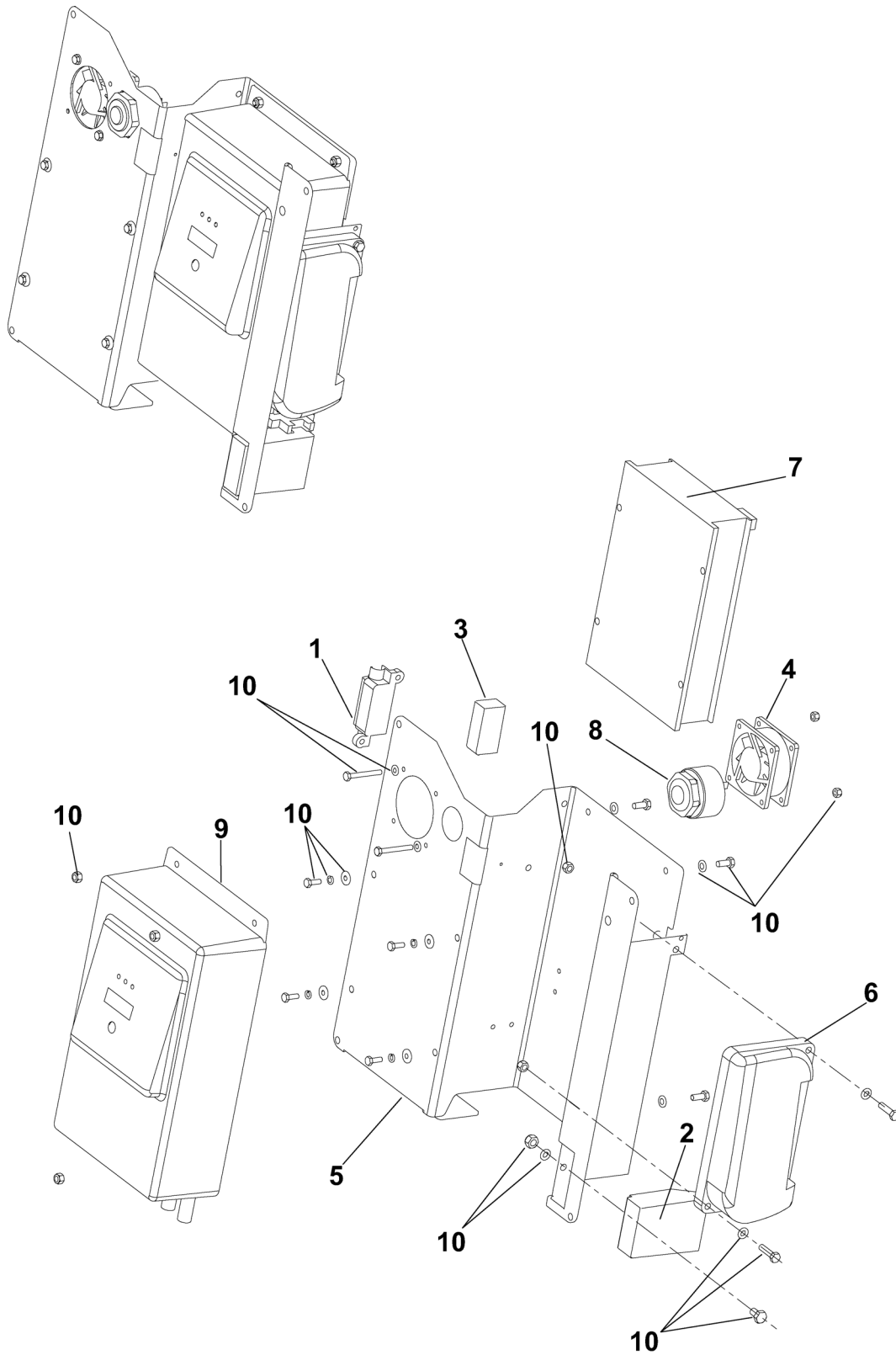
LIFTING BRUSH DECK SYSTEM

2007-11

RAZOR BLADE 26D - 28D - 28C

41

Item No.	Ref. No.	Qty	Description
1	909 6385 000	1	LEVER KIT
2	909 5637 000	1	SPRING GAS
3	909 6107 000	1	ACTUATOR 24V
4	909 6109 000	1	LEVER
5	909 6387 000	1	ACTUATOR TUBE FITTING KIT
6	909 6388 000	1	HARDWARE KIT
7	909 6115 000	3	LEVER BRUSHES SUPPORT
8	909 6117 000	1	SPRING
9	909 6386 000	3	LEVER BRUSHES SUPPORT KIT



2005-12

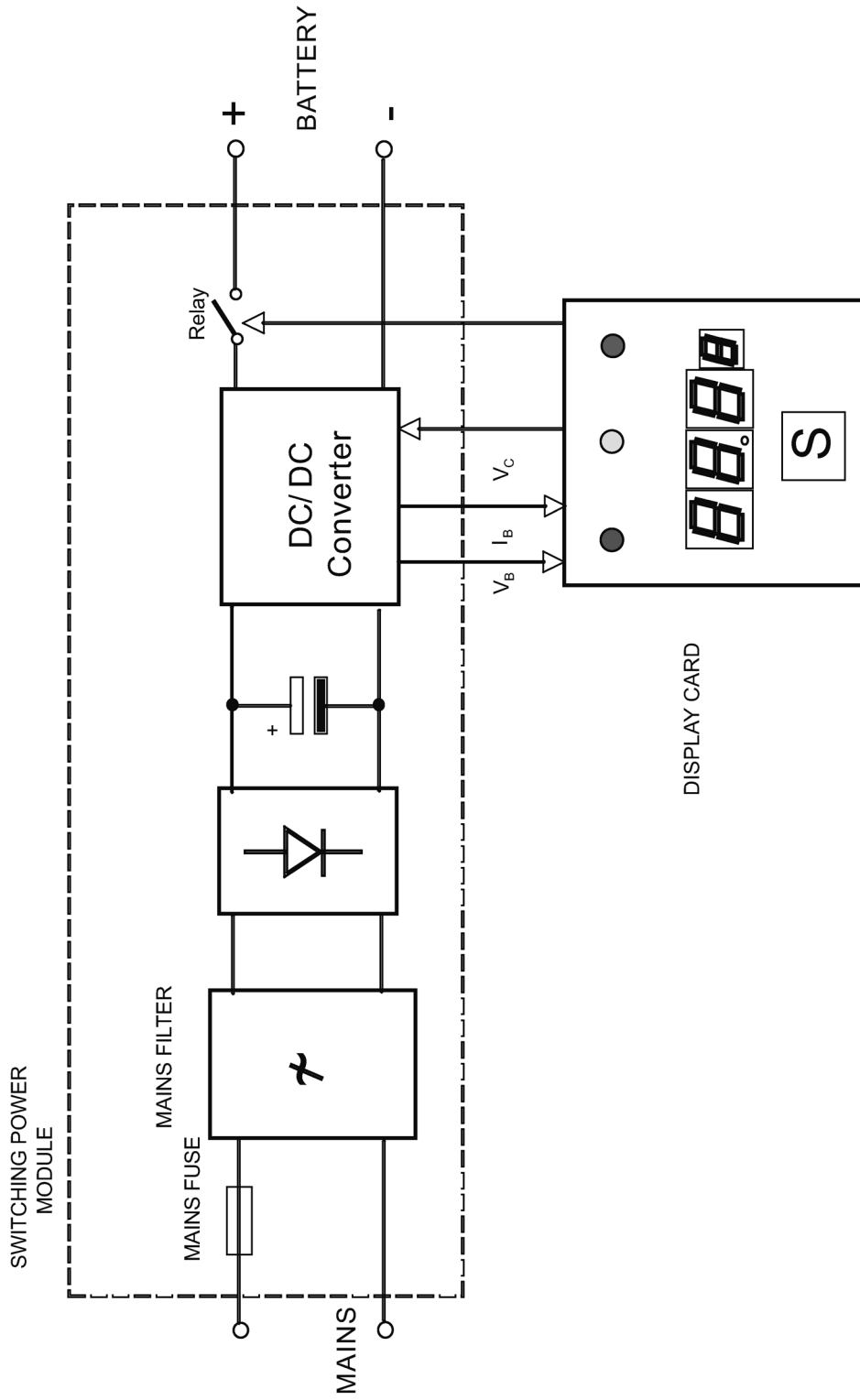
ELECTRICAL COMPONENTS

2008-05

RAZOR BLADE 26D - 28D - 28C

43

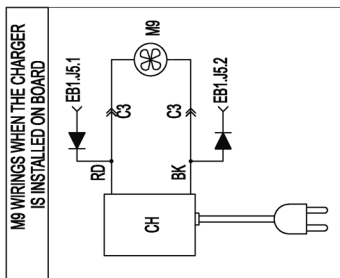
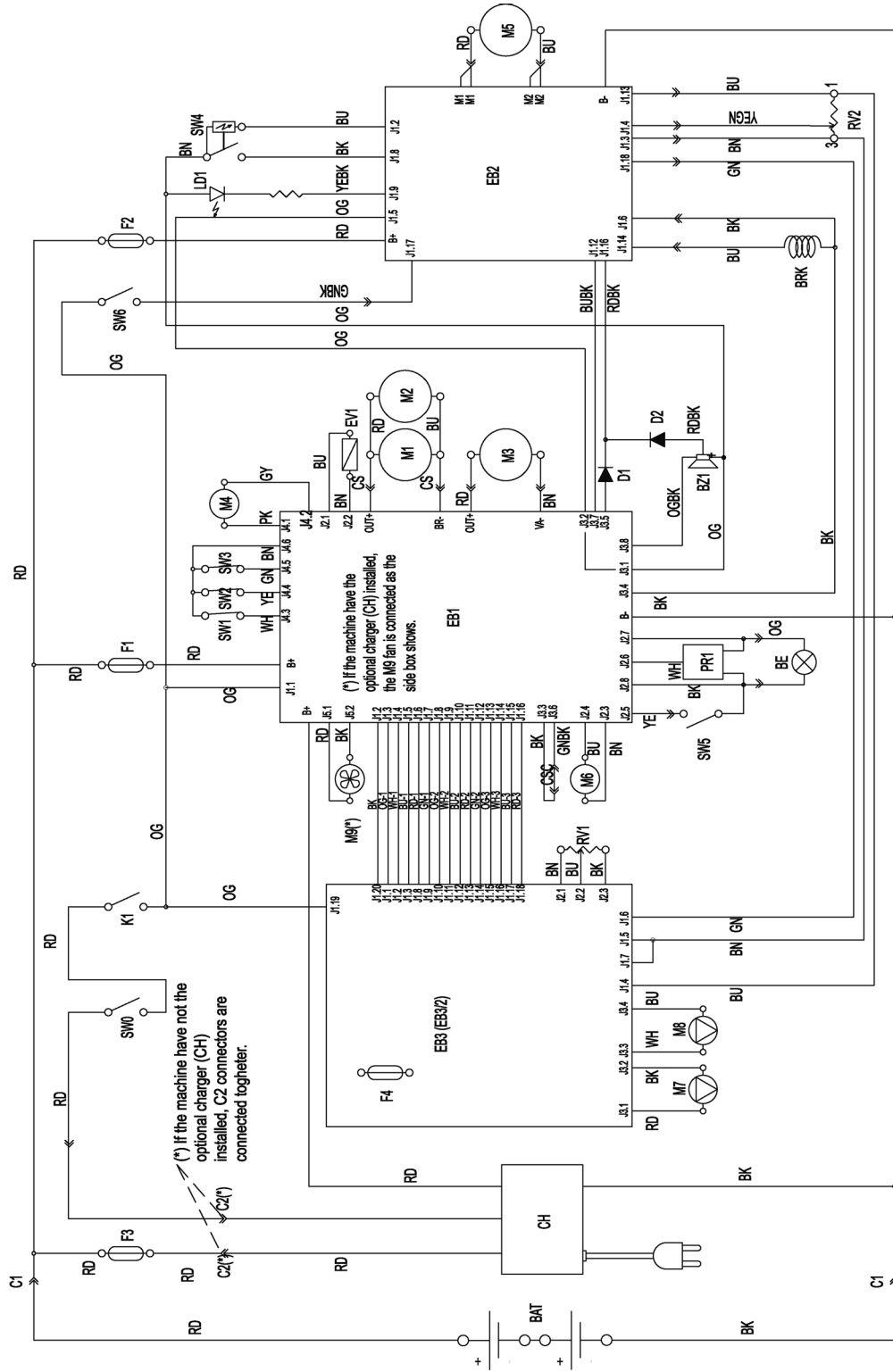
Item	Ref. No.	Qty	Description
1	145 8046 000	1	FUSE CARRIER
2	146 0659 000	1	FUSE CARRIER, MAXIFUSE
3	909 6341 000	1	FUSE CARRIER
4	909 6131 000	1	FAN COOLING
5	909 6116 000	1	ELECTRONIC COMPONENTS SUPPORT
6	909 6118 000	1	ELECTRONIC CARD, TRACTION
7	909 6119 000	1	ELECTRONIC CARD
8	909 6126 000	1	BUZZER 5-32V
9	909 6257 000	1	CHARGER BATTERY 24V 25A 100-115V
10	909 6363 000	1	HARDWARE ELECTRICAL COMPONENTS KIT SPARE BATTERY CHARGER 24V 100-115V
[11]	146 2141 000	1	FUSE 15A
[12]	909 6259 000	1	CARD ELECTRONIC BATTERY CHARGER
[13]	909 6258 000	1	CARD DISPLAY
[14]	909 6260 000	1	CABLE NET
[15]	146 0801 000	1	SWITCH WET/GEL
[16]	145 1980 000	1	FUSE 100A
[17]	145 9852 000	1	FUSE 5A
[18]	909 6218 000	1	FUSE 60A
[19]	9096926000	1	MACHINE HARNESS
[20]	909 6125 000	1	BATTERY HARNESS
[21]	909 6123 000	1	HARNESS ELECTRIC BOX
[22]	146 1986 000	1	CONNECTOR
[23]	909 6350 000	1	PROGRAMMER ELECTRONIC CARD TRACTION
[24]		1	DECAL FUSE 60A (KIT DECALS PAGE 5 POSITION 19)
[25]		1	DECAL FUSE 5A (KIT DECALS PAGE 5 POSITION 19)
[26]		1	DECAL FUSE 100A (KIT DECALS PAGE 5 POSITION 19)
[27]#	9097601000	1	GASKET BATTERY CHARGER - TSB IT 2008-008
[28]#	9097722000	1	INSTALLATION INSTRUCTION BATTERY CHARGER GASKET - TSB IT 2008-008
[29]#	9097723000	1	BATTERY CHARGER GASKET KIT - TSB IT 2008-008
[30]#	9097590000	1	CABLE BATTERY INTERCONNECTION



2005-12**BATTERY CHARGER ASSEMBLY****RAZOR BLADE 26D - 28D - 28C****45**

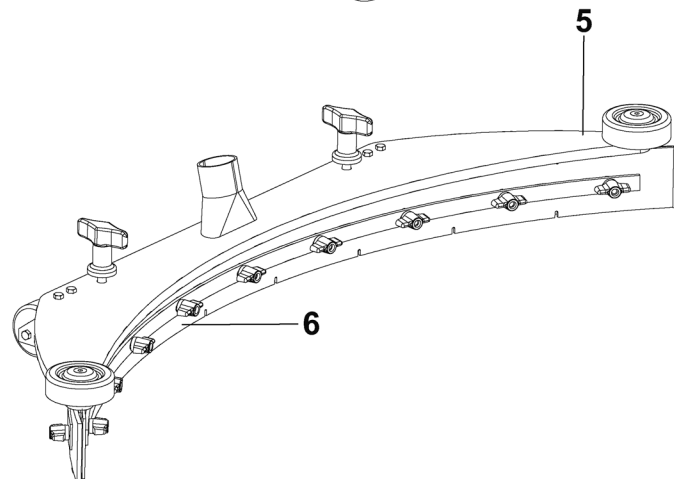
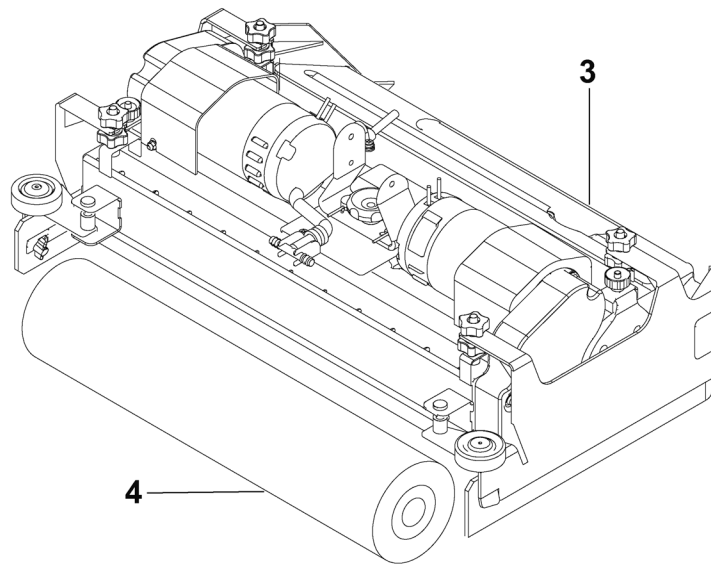
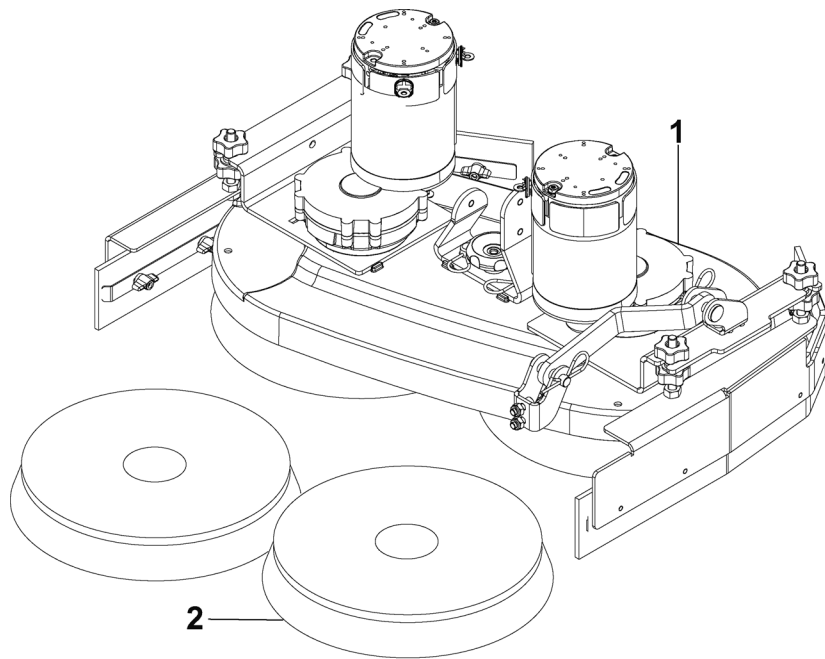
Diagram Reference	Ref. No.	Qty	Description
NOT SHOWN	909 6251 000	1	COOLING FAN FOR BATTERY CHARGER 110-115V
NOT SHOWM	146 0801 000	1	SWITCH - BATTERY CHARGER 110-115V
MAINS FUSE	146 2141 000	1	FUSE 15A FOR BATTERY CHARGER - 110-115V
NOT SHOWN	909 6259 000	1	BATTERY CHARGER CARD -110-115V
DISPLAY CARD	909 6258 000	1	DISPLAY CARD - BATTERY CHARGER - 110-115V
NOT SHOWN	909 6260 000	1	NET CABLE - BATTERY CHARGER 110-115V

WIRING DIAGRAM
909 6134 000 REV.A



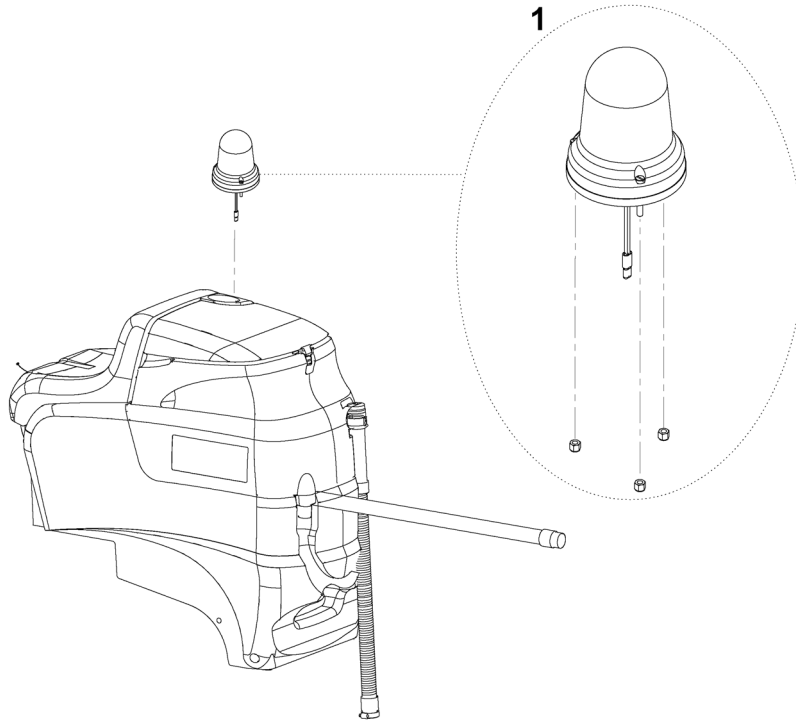
COMPONENTS

BAT	24V BATTERIES
BE	BEACON
BRK	ELECTROMAGNETIC BRAKE
BZ1	BACK-UP ALARM / HORN
C1	BATTERY CONNECTOR
C2	SECONDARY CHARGER CONNECTOR
C3	EXT. FAN CHARGER CONNECTOR (OPT)
CH	BATTERY CHARGER (OPT)
CS	BRUSH DECK CONNECTOR
CSC	CILINDRICAL DECK SECONDARY CONNECTOR
EB1	FUNCTIONS ELECTRONIC BOARD
EB2	DRIVE ELECTRONIC BOARD
EB3	CONTROL PANEL BOARD
EB3/2	C.P. BOARD W. PUMP DRIVERS (OPT)
EV1	WATER ELECTROVALVE
F1	FUNCTIONS FUSE
F2	DRIVE SYSTEM FUSE
F3	LOW POWER CIRCUIT FUSE
F4	CHEMICALS FUSE (only with EB3/2)
K1	KEY SWITCH
LD1	DRIVE DIAGNOSTIC WARNING LIGHT
M1	LEFT BRUSH MOTOR
M2	RIGHT BRUSH MOTOR
M3	VACUUM MOTOR
M4	BRUSH DECK ACTUATOR
M5	DRIVE MOTOR
M6	SQUEEGEE ACTUATOR
M7	WATER PUMP (OPT)
M8	DETERGENT PUMP (OPT)
M9	FAN
PR1	WATER LEVEL SENSOR
RV1	WORK SPEED LIMITER
RV2	DRIVE SPEED POTENTIOMETER (PEDAL)
SW0	EMERGENCY STOP SWITCH
SW1	ACTUATOR LIMIT MICROSWITCH (POS.0)
SW2	ACTUATOR LIMIT MICROSWITCH (POS.1)
SW3	ACTUATOR LIMIT MICROSWITCH (POS.2)
SW4	STEERING SENSOR
SW5	SEAT MICROSWITCH
SW6	REV. GEAR SWITCH (IF PRESENT)

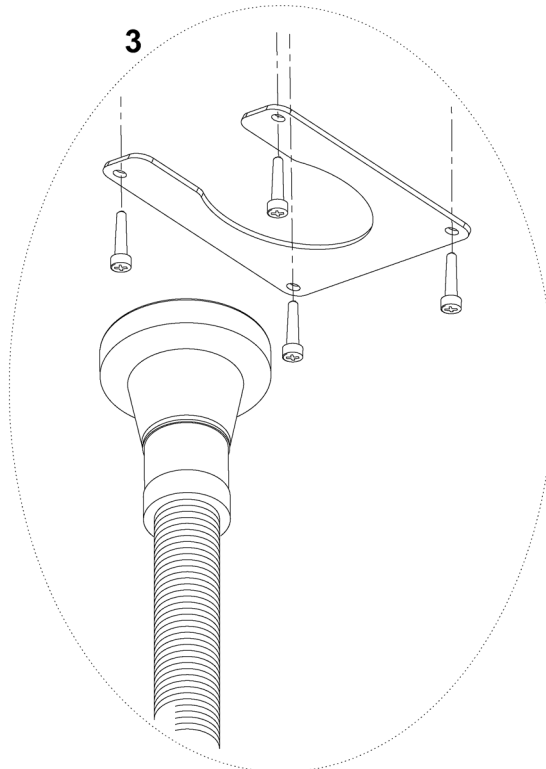


Item No.	Ref. No.	Qty	Description
			BRUSH DECK KITS
1*	909 6343 000	1	BRUSH DECK 650MM/26" KIT - RAZOR BLADE 26D
1*	909 6344 000	1	BRUSH DECK 740MM/28" KIT - RAZOR BLADE 28D
			RAZOR BLADE 26D BRUSHES
2*	909 5332 000	2	PROLENE
2*	909 5334 000	2	MIDGRIT 240
2*	909 5336 000	2	MIDLITE GRIT 180
2*	909 5338 000	2	PROLITE
2*	909 5340 000	2	UNION MIX
2*	909 5330 000	2	PAD HOLDER KIT
NOT SHOWN	L08603966	1	RING NYLON
NOT SHOWN	L08837030	1	RETAINER PAD
			RAZOR BLADE 28D BRUSHES
2*	909 5333 000	2	PROLENE
2*	909 5335 000	2	MIDGRIT 240
2*	909 5337 000	2	MIDLITE GRIT 180
2*	909 5339 000	2	PROLITE
2*	909 5341 000	2	UNION MIX
2*	909 5331 000	2	PAD HOLDER KIT
NOT SHOWN	L08603966	1	RING NYLON
NOT SHOWN	L08837030	1	RETAINER PAD
			CYLINDRICAL BRUSH DECK KIT
3*	909 6345 000	1	BRUSH DECK 690MM/28" CYL. KIT -
			RAZOR BLADE 28C BRUSHES
4*	56412191	2	UNION MIX
4*	56412192	2	PROLITE
4*	56412046	2	PROLENE
4*	56412193	2	MIDLITE GRIT 180
4*	56412194	2	DYNA GRIT 80
4*	56412195	2	MAGNA GRIT 46
			SQUEEGEE KITS
5	909 5372 000	1	KIT SQUEEGEE 32" - RAZOR BLADE 26D
5	909 5373 000	1	KIT SQUEEGEE 34" - RAZOR BLADE 28D - 28C
			BLADES KITS
6	9097499000	1	BLADES RUBBER KIT 32"- RAZOR BLADE 26D
6	909 6859 000	1	BLADES POLYURETHAN KIT 32"- RAZOR BLADE 26D
6	9097500000	1	BLADES RUBBER KIT 34" - RAZOR BLADE 28D - 28C
6	9096991000	1	BLADES POLYURETHAN KIT 34"- RAZOR BLADE 28D - 28C

FLASHING BEACON KIT



WATER FEED HOSE KIT



2005-12**ACCESSORIES**

2007-11

RAZOR BLADE 26D - 28D - 28C**51**

Item No.	Ref. No.	Qty	Description
1*	909 6465 000	1	BEACON FLASHING ON SUPPORT KIT
[2]	909 6466 000	1	INSTALLATION INSTRUCTION FOR BEACON FLASHING ON SUPPORT KIT
3*	909 6815 000	1	HOSE FILLING KIT
[4]	909 6817 000	1	INSTALLATION INSTRUCTION FOR HOSE FILLING KIT
[5]*	909 6468 000	1	SILENCER REVERSE ALARM KIT
[6]	909 6469 000	1	INSTALLATION INSTRUCTION FOR SILENCER REVERSE ALARM KIT

RECOMMENDED SPARE PARTS

2005-12

52

RAZOR BLADE 26D - 28D - 28C

2007-11

Ref. No.	DESCRIPTION	QTY	MACHINES
RECOVERY TANK			
909 6489 000	GASKET VACUUM MOTOR	1	RAZOR BLADE 26D - 28D - 28C
9097466000	MOTOR VACUUM KIT	1	RAZOR BLADE 26D - 28D - 28C
9097399000	FILTER	1	RAZOR BLADE 26D - 28D - 28C
909 6490 000	GASKET VACUUM MOTOR	1	RAZOR BLADE 26D - 28D - 28C
909 6096 000	HOSE DRAIN BLACK	1	RAZOR BLADE 26D - 28D - 28C
909 6097 000	HOSE VACUUM BLACK	1	RAZOR BLADE 26D - 28D - 28C
909 6268 000	GASKET L=1370 MM	1	RAZOR BLADE 26D - 28D - 28C
L08812968	GASKET	1	RAZOR BLADE 26D - 28D - 28C
L08812373	FLOATING BALL	1	RAZOR BLADE 26D - 28D - 28C
L08812259	CAGE FLOATING BALL	2	RAZOR BLADE 26D - 28D - 28C
909 6380 000	HARDWARE CLAMP KIT	1	RAZOR BLADE 26D - 28D - 28C
909 5371 000	CARBON BRUSH	2	RAZOR BLADE 26D - 28D - 28C
CHASSIS SYSTEM			
L08812248	BUMPER ROLLER	1	RAZOR BLADE 26D - 28D - 28C
145 2612 000	PULLEY	2	RAZOR BLADE 26D - 28D - 28C
909 6895 000	WHEEL REAR D.300 BLUE	2	RAZOR BLADE 26D - 28D - 28C
909 6715 000	JACK MOTOR 24V	1	RAZOR BLADE 26D - 28D - 28C
909 6151 000	CABLE	1	RAZOR BLADE 26D - 28D - 28C
909 6365 000	HARDWARE CABLE FIXING KIT	1	RAZOR BLADE 26D - 28D - 28C
909 6718 000	CABLE SQUEEGEE KIT	1	RAZOR BLADE 26D - 28D - 28C
FRONT WHEEL ASSEMBLY			
909 5942 000	BALL BEARING	1	RAZOR BLADE 26D - 28D - 28C
909 5943 000	PINION STEERING	1	RAZOR BLADE 26D - 28D - 28C
909 6121 000	SENSOR	1	RAZOR BLADE 26D - 28D - 28C
9096931000	MOTOR WHEEL W600 24V	1	RAZOR BLADE 26D - 28D - 28C
145 2330 000	GREASER NIPPLE M6	1	RAZOR BLADE 26D - 28D - 28C
145 4691 000	BALL BEARING	1	RAZOR BLADE 26D - 28D - 28C
9096928000	WHEEL DRIVE KIT	1	RAZOR BLADE 26D - 28D - 28C
9096927000	HARNES DRIVE WHEEL	1	RAZOR BLADE 26D - 28D - 28C
MOTOR DRIVE WHEEL			
9096935000	WHEEL D.250	1	RAZOR BLADE 26D - 28D - 28C
9096959000	BALL BEARING KIT	1	RAZOR BLADE 26D - 28D - 28C
9096976000	SHOE BRAKE	1	RAZOR BLADE 26D - 28D - 28C
9096960000	CARBON BRUSH KIT	1	RAZOR BLADE 26D - 28D - 28C
9096966000	BRAKE ELECTRICALLY RELEASED	1	RAZOR BLADE 26D - 28D - 28C
STEERING SYSTEM			
909 6074 000	CABLE	1	RAZOR BLADE 26D - 28D - 28C
146 2458 000	LEVER	1	RAZOR BLADE 26D - 28D - 28C
145 9290 000	SPRING	1	RAZOR BLADE 26D - 28D - 28C
CONTROL PANEL ASSEMBLY			
146 2888 000	SWITCH KEY WITH CAP	1	RAZOR BLADE 26D - 28D - 28C
146 1727 000	SWITCH EMERGENCY	1	RAZOR BLADE 26D - 28D - 28C
146 1728 000	CONTACT NC.	1	RAZOR BLADE 26D - 28D - 28C
909 6077 000	CARD ELECTRONIC	1	RAZOR BLADE 26D - 28D - 28C
909 6078 000	DECAL CONTROL PANEL	1	RAZOR BLADE 26D - 28D - 28C
146 2887 000	KEY (2PCS)	1	RAZOR BLADE 26D - 28D - 28C
PEDAL ASSEMBLY			
146 2480 000	HARNES PEDAL	1	RAZOR BLADE 26D - 28D - 28C
146 2952 000	PEDAL COMPLETE KIT	1	RAZOR BLADE 26D - 28D - 28C
SOLUTION SYSTEM			
909 6389 000	CAP F 1/2 KIT	1	RAZOR BLADE 26D - 28D - 28C
909 6390 000	HOSE KIT	1	RAZOR BLADE 26D - 28D - 28C
909 5215 000	NET & GASKET WATER FILTER	1	RAZOR BLADE 26D - 28D - 28C
9096954000	VALVE	1	RAZOR BLADE 26D - 28D - 28C
909 5443 000	SOLENOID VALVE 24V	1	RAZOR BLADE 26D - 28D - 28C
909 5207 000	FILTER WATER	1	RAZOR BLADE 26D - 28D - 28C
909 6328 000	HOSE L=730MM	1	RAZOR BLADE 26D - 28D - 28C
909 6091 000	SENSOR PRESSURE	1	RAZOR BLADE 26D - 28D - 28C
SQUEEGEE SYSTEMS			
909 6223 000	HANDWHEEL M8X45	1	RAZOR BLADE 26D - 28D - 28C
909 6394 000	SQUEEGEE LATCH KIT	1	RAZOR BLADE 26D - 28D - 28C
9096973000	TENSION ROD FITTING KIT	4	RAZOR BLADE 26D - 28D - 28C
L08603880	KIT BUMPER ROLLER	1	RAZOR BLADE 26D - 28D - 28C
9097499000	KIT SQUEEGEE BLADE 32"	1	RAZOR 26D
9097500000	KIT SQUEEGEE BLADE 34"	1	RAZOR 28D - 28C
L08603675	THUMB NUT SQUEEGEE FIXING	2	RAZOR BLADE 26D - 28D - 28C

Ref. No.	DESCRIPTION	QTY	MACHINES
909 6103 000	SQUEEGEE SUPPORT	1	RAZOR BLADE 26D - 28D - 28C
909 6104 000	PLATE, SQUEEGEE SUPPORT	1	RAZOR BLADE 26D - 28D - 28C
9096944000	TENSION ROD	4	RAZOR BLADE 26D - 28D - 28C
L08603833	STRAP LEFT REAR	1	RAZOR BLADE 26D
909 5351 000	STRAP LEFT REAR	1	RAZOR BLADE 28D - 28C
L08603834	STRAP RIGHT REAR	1	RAZOR BLADE 26D
909 5352 000	STRAP RIGHT REAR	1	RAZOR BLADE 28D - 28C
L08603831	STRAP FRONT	1	RAZOR BLADE 26D
909 5349 000	STRAP FRONT	1	RAZOR BLADE 28D - 28C
909 6356 000	WING NUTS KIT	2	RAZOR BLADE 26D - 28D - 28C
L08603879	KIT SQUEEGEE WHEEL	1	RAZOR BLADE 26D - 28D - 28C
BRUSH DECK SYSTEMS			
9097090000	HUB BRUSH	2	RAZOR BLADE 26D - 28D
909 6354 000	SPLIT PINS W/CABLE KIT	2	RAZOR BLADE 26D - 28D
909 5380 000	CARBON BRUSH KIT	2	RAZOR BLADE 26D - 28D
9097178000	REDUCTIONGEAR MOTOR 400W	2	RAZOR BLADE 26D - 28D
909 6356 000	WING NUTS KIT	2	RAZOR BLADE 26D - 28D
909 6172 000	BLADE SIDE	2	RAZOR BLADE 26D - 28D
909 6170 000	PLATE SIDE SKIRT	2	RAZOR BLADE 26D - 28D
909 6351 000	HOSE WATER BRUSH DECK KIT	1	RAZOR BLADE 26D - 28D
146 1036 000	KNOB	8	RAZOR BLADE 26D - 28D
9097498000	ARM BRUSH DECK REINFORCEMENT KIT	1	RAZOR BLADE 26D - 28D
909 6179 000	HARNES BRUSH DECK	1	RAZOR BLADE 26D - 28D
CYLINDRICAL BRUSH DECK SYSTEM			
909 5774 000	MOTOR ELECTRIC 600W 24V	2	RAZOR BLADE 28C
L08603949	BRUSH CARBON KIT (4 PCS)	2	RAZOR BLADE 28C
909 6731 000	BELT POLY-V LEFT	1	RAZOR BLADE 28C
909 5761 000	BELT POLY-V RIGHT	1	RAZOR BLADE 28C
909 6190 000	SUPPORT BRUSH	2	RAZOR BLADE 28C
56407551	HUB	2	RAZOR BLADE 28C
909 5964 000	KNOB M8	2	RAZOR BLADE 28C
909 5141 000	HOSE D.10 L=320MM	1	RAZOR BLADE 28C
909 5957 000	CAP INSULATING	4	RAZOR BLADE 28C
909 6194 000	BLADE SIDE	2	RAZOR BLADE 28C
909 6195 000	SIDE SKIRT PLATE	2	RAZOR BLADE 28C
909 6356 000	WING NUTS KIT	2	RAZOR BLADE 28C
L08603880	KIT BUMPER ROLLER	1	RAZOR BLADE 28C
909 6354 000	SPLIT PINS KIT	1	RAZOR BLADE 28C
909 6360 000	BELT TENSIONER KIT	2	RAZOR BLADE 28C
909 6361 000	PULLEY KIT	2	RAZOR BLADE 28C
909 6196 000	HARNES CYL. BRUSH DECK	1	RAZOR BLADE 28C
SEAT ASSEMBLY			
909 6242 000	MICROSWITCH	1	RAZOR BLADE 26D - 28D - 28C
BRUSH DECK LIFTING SYSTEM			
909 5637 000	SPRING GAS	1	RAZOR BLADE 26D - 28D - 28C
909 6107 000	JACK MOTOR 24V	1	RAZOR BLADE 26D - 28D - 28C
ELECTRICAL COMPONENTS			
145 8046 000	FUSE CARRIER	1	RAZOR BLADE 26D - 28D - 28C
146 0659 000	FUSE CARRIER MAXIFUSE	1	RAZOR BLADE 26D - 28D - 28C
909 6341 000	FUSE CARRIER	1	RAZOR BLADE 26D - 28D - 28C
909 6131 000	FAN COOLING	1	RAZOR BLADE 26D - 28D - 28C
909 6118 000	CARD ELECTRONIC DRIVE	1	RAZOR BLADE 26D - 28D - 28C
909 6119 000	CARD ELECTRONIC FUNCTIONS	1	RAZOR BLADE 26D - 28D - 28C
909 6126 000	BUZZER 5-32V	1	RAZOR BLADE 26D - 28D - 28C
909 6257 000	CHARGER BATTERY 24V 25A 100-115V	1	RAZOR BLADE 26D - 28D - 28C
145 1980 000	FUSE 100A	1	RAZOR BLADE 26D - 28D - 28C
145 9852 000	FUSE 5A	1	RAZOR BLADE 26D - 28D - 28C
909 6218 000	FUSE 60A	1	RAZOR BLADE 26D - 28D - 28C
9096926000	HARNES MACHINE	1	RAZOR BLADE 26D - 28D - 28C
909 6125 000	HARNES BATTERY	1	RAZOR BLADE 26D - 28D - 28C
909 6123 000	HARNES ELECTRIC BOX	1	RAZOR BLADE 26D - 28D - 28C
146 1986 000	CONNECTOR	1	RAZOR BLADE 26D - 28D - 28C

KENT

Simple. Clean.

14600 21st Avenue North
Plymouth, MN, 55447-3408
www.kenteuroclean.com
Phone: 800-334-1083
Fax: 866-261-4779
©2007 Printed in Italy