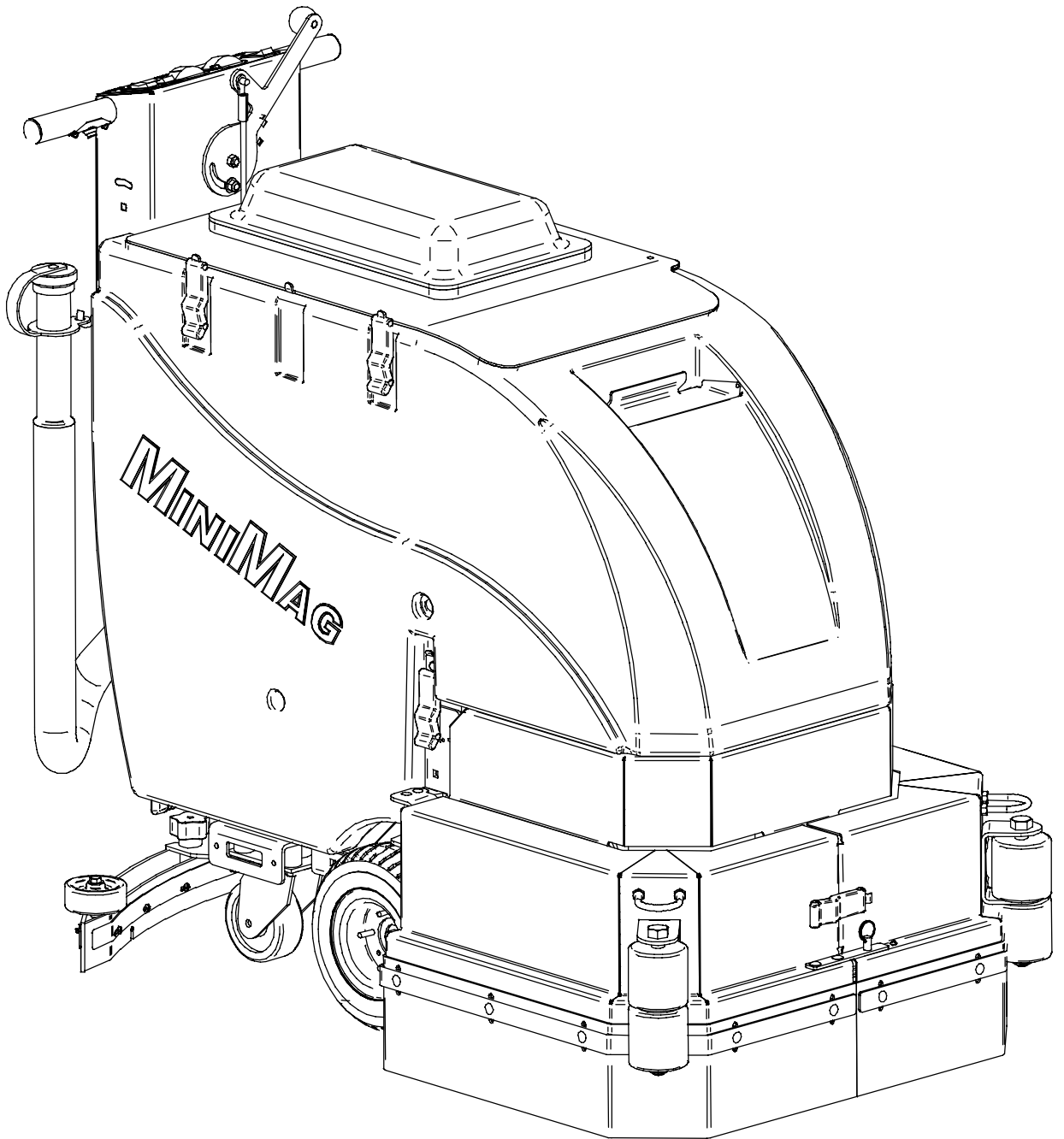


Version 3.7

# PARTS MANUAL

# MINI-MAG SERIES



**R.P.S. Corporation**  
**P.O. Box 241**  
**Racine, Wisconsin 53401**

**Phone: 1-800-450-9824**  
**Fax: 1-866-632-6961**



---

Soap Choices .....	4
Actuator Lift Assembly .....	6
Tank Assembly .....	8
Tank Assembly .....	10
Tank Baffle Assembly .....	12
Vac Motor Assembly .....	13
Frame Assembly-Traction Drive .....	14
Frame Assembly-Brush Drive.....	16
Frame Assembly-Brush Drive.....	18
Tank Lid Assembly.....	20
Squeegee Suspension .....	22
Control Panel-Brush Drive.....	24
Control Panel-Brush Drive.....	26
Control Panel-Traction Drive .....	28
Control Panel-Traction Drive .....	30
32 Inch Squeegee Assembly.....	32
35 Inch Squeegee Assembly.....	34
Shroud Assembly .....	36
26 Inch Shroud Assembly.....	37
Disk Deck-Brush Drive .....	38
Disk Deck-Traction Drive.....	40
23 Inch Disk Deck-Brush Drive .....	42
23 Inch Disk Deck-Traction Drive .....	44
26 Inch Disk Deck-Traction Drive .....	46
26 Inch Disk Jaws .....	48
Cylindrical Door Assembly.....	50
Cylindrical Deck Assembly .....	52
Vac Wand Kit.....	60
Electric Squeegee Lift .....	61
Battery Packs .....	62
SUDS System.....	64



Industrial • Commercial • Environmentally Safe

**TRADITIONAL DRUMS / TOTES**



**DEMO / RENTAL QUARTS**



**WALL-MOUNTED SUPERCON**



**ONBOARD AUTO DISPENSING**



Onboard Availability

**FORMULAS**

**SUDS Approved**



**707 Citrus Green** An environmentally cleaner that works! It is a solvent free degreaser that works on oil, carbon, even rubber marks. Incorporates the latest technology in "Green Cleaning".

**SUDS Approved**



**733 Low pH** Safe on most surfaces not harmed by water alone. Low scale formula to prevent alkali buildup in cleaning equipment, while offer detergent to emulsify oil.

**SUDS Approved**



**755 High Power** Ideal solvent fortified degreaser. This butyl based detergent is penetrating, fast acting, and deep cleaning with built-in corrosion inhibitors. It is our most effective degreaser.

**SUDS Approved**



**757 Gloss** A high gloss detergent designed to dry to a bright shine. It is ideal for use on finished surfaces, tile, epoxy, or enamel. The special formula removes salt residue, scuff marks and dirt, while leaving no residue behind. The result is a clean, non-slip surface, ready for immediate use.

**SUDS Approved**



**797 HD** The Heavy Duty concentrate is a Super alkaline detergent, formulated for heavy soil, grease, and thick buildup. Popular in machine shops, auto and truck repair, and other facilities with oil, hydraulic fluids and cutting oils.

*\*\*Below Sold in bulk concentrate only. Not available as a SuperCon, PowerDose or SUDS product.*

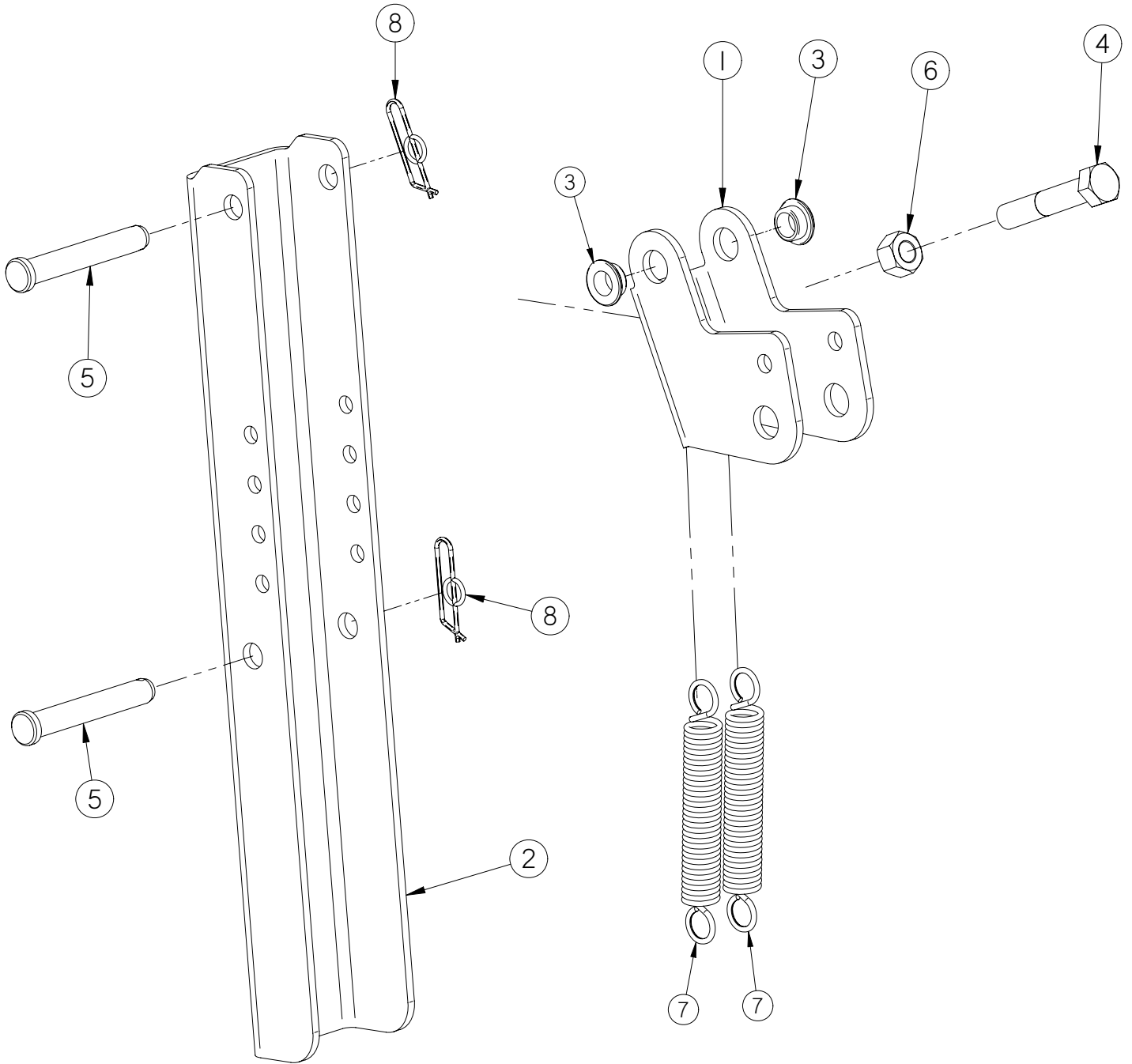
**727 Pretreat\*\*** Designed to quickly remove tire marks, oil stains and buildup that has accumulated. This pretreat uses the powerful cleaning of natural citrus extract and is intended to be used directly on the floor at 100% concentrate.

**744 Tough Stuff\*\*** Ideal for applications with Hard Water problems. It is safe to use in pressure washers and automatic scrubbers. The formulation enhances soil suspension, digests oil and grease, while supporting extra water conditioner.

**Distributed by:**

**PowerCat  
P.O. Box 503  
Racine, WI 53404-0503  
Phone: 414-745-9337  
Fax: 262-632-1630  
www.powercatsolutions.com**

PowerCat, LLC, 2008.

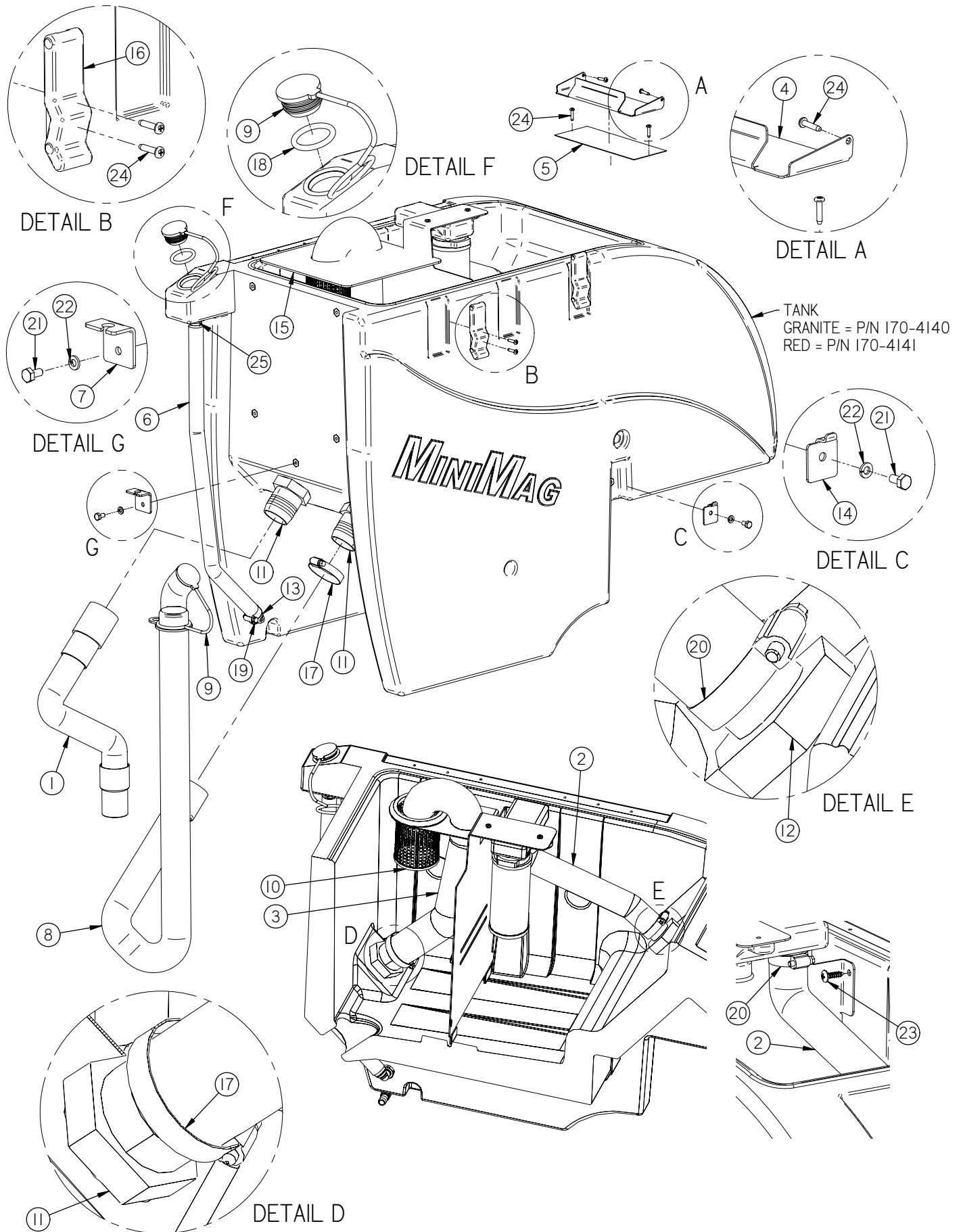


Item	Part Number	Part Description	Qty
1	190-1150	ACTUATOR ARM	1
2	190-1155	ACTUATOR ANCHOR	1
3	290-1233	3/8" ID, 1/2" OD, 1/4" LG BEARING	2
4	H-0172949	HCS 3/8"- 24 X 2" SS	1
5	H-15675	CLEVIS PIN, 3/8" X 2-1/2"	2
6	H-70732	HN 3/8"- 24 SS	1
7	H-96544	SPRING, 4-1/8" LG X 9/16" OD (42E)	2
8	H-RUE14	3/8" RUE RING COTTER	2

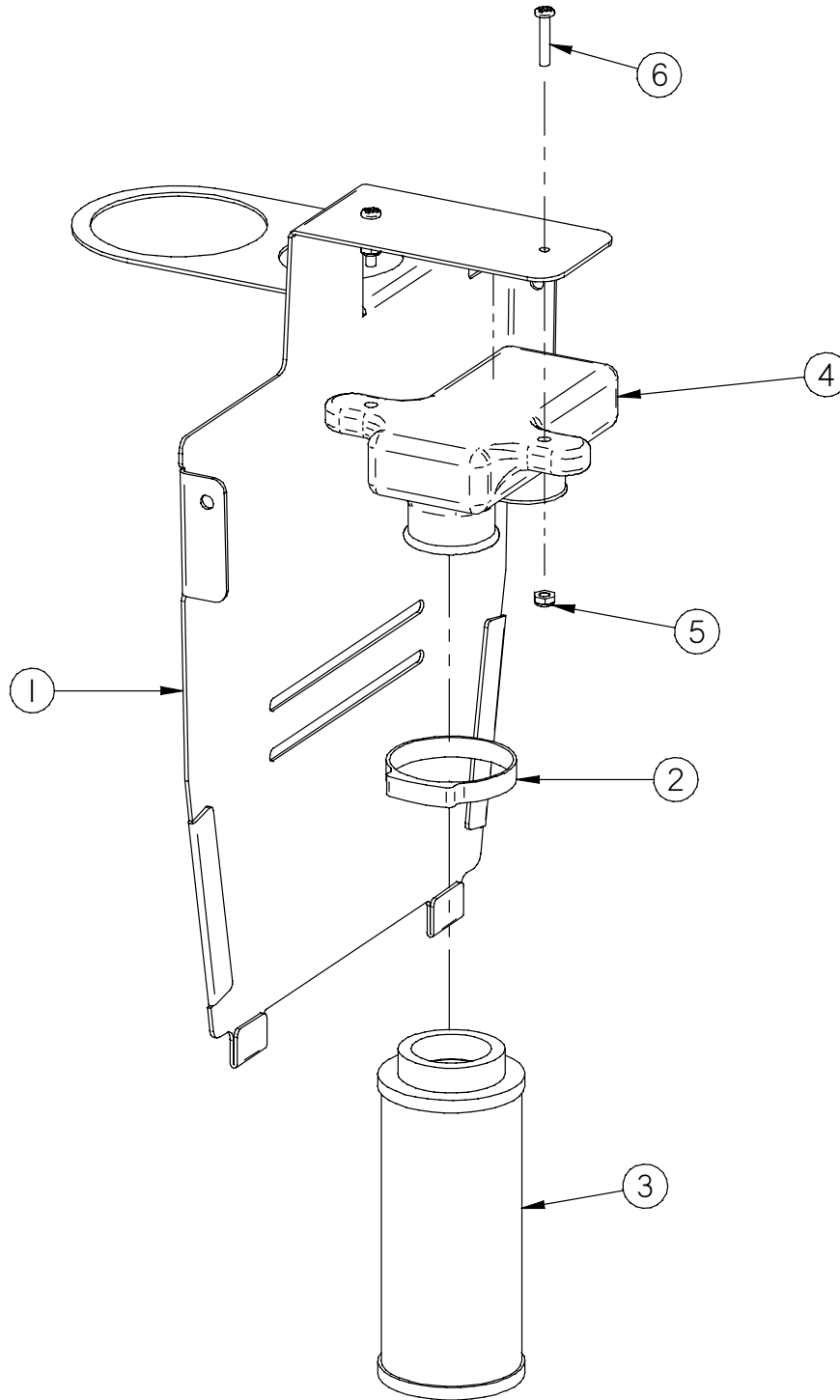


Item	Part Number	Part Description	Qty
1	170-1045	TANK STRAP, 35" LG X 4" WIDE	1
2	170-1137	VAC MOTOR INSULATION	1
3	170-1139	VAC MOTOR INSULATION SUPPORT	1
4	170-1147	BANDEAU COVER, PLASTIC	1
5	170-1603	1/2" ID X 21" LG WIRE REINF. CLEAR TUBE	1
6	170-1604	1/2" ID X 23" LG WIRE REINF. CLEAR TUBE	1
7	170-4100	WIRE PLATE	1
8	170-4140	SOLUTION/RECOVERY TANK - GRANITE	1
9	190-5779	ELBOW, MALE 1/2" NPT X 1/2" TUBE OD, GLASS FILLED NYLON	1
10	H-0127288	#6 3/8" RUBBER LOOP CLAMP	1
11	H-081	HOSE CLAMP, 5/8"- 1-1/2" S/S	2
12	H-70001	HCS 1/4"-20 X 1/2 SS"	1
13	H-70002	HCS 1/4"-20 X 5/8" SS	3
14	H-70003	HCS 1/4"- 20 X 3/4" SS	2
15	H-71013	FNW 1/4" X 5/8" SS	8
16	H-71063	LW 1/4" SS	6
17	H-74417	CB 1/4"- 20 X .5" SS	3
18	H-NJ04C	JNYL 1/4" - 20 SS	3
19	M-53525K21	ELBOW, 3/8" MNPT X 1/2" BARB, BRASS	2
20	M-5463K727	WYE, 1/2", NYLON	1

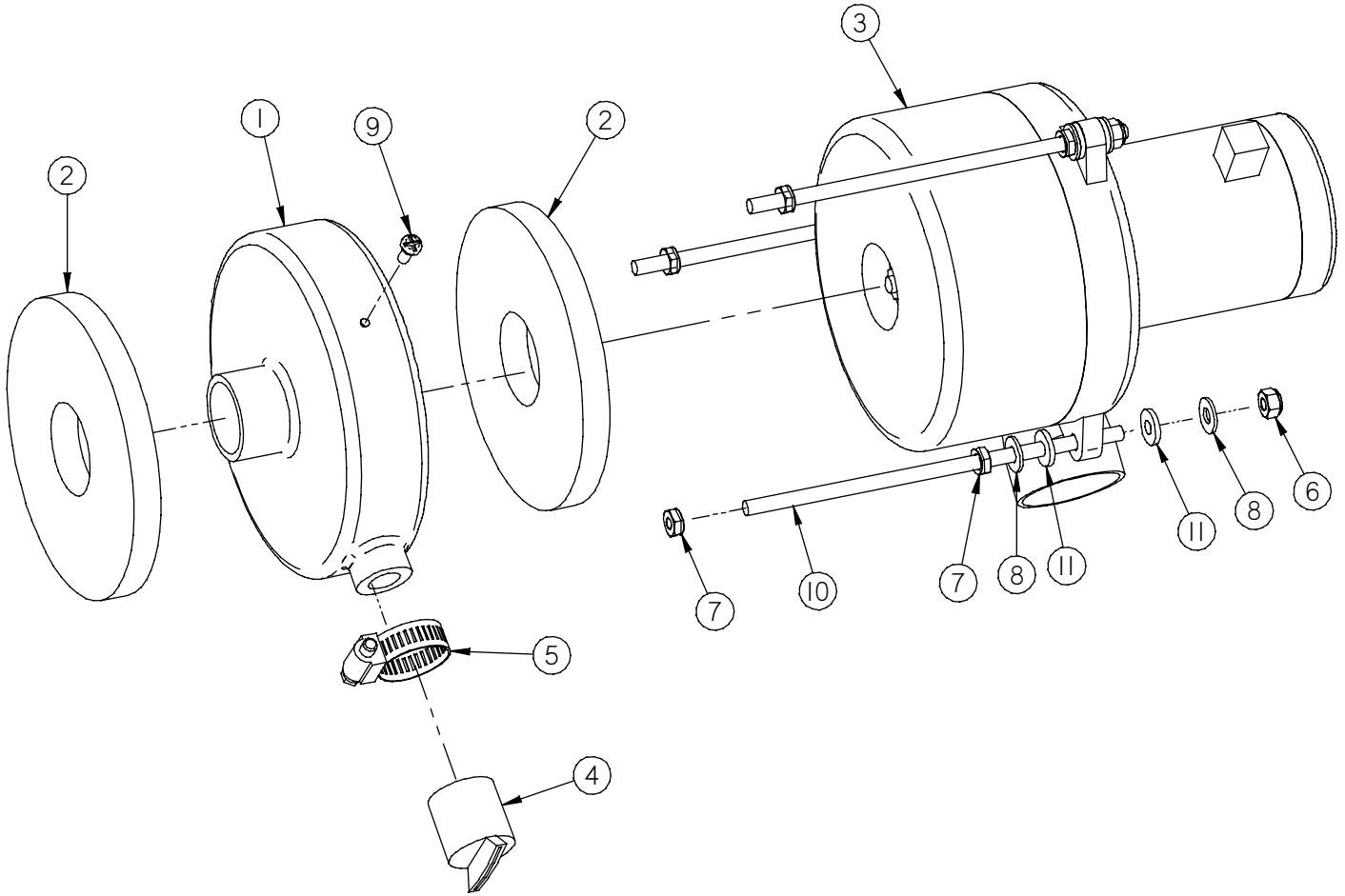
# 10 Tank Assembly



Item	Part Number	Part Description	Qty
1	170-0111	1.50" ID X 35.50" LG MW255 BLACK MG HOSE W/1.50" ENLARGED CUFF ONE END ONLY	1
2	170-0120	BLACK HOSE, 1-1/2" ID X 15" LG WIRE REINF.	1
3	170-0121	GRAY HOSE, 2" ID X 22" LG WIRE REINF.	1
4	170-1180	SOLUTION FILL LID	1
5	170-1220	SCREEN	1
6	170-1370	SIGHT TUBE	1
7	170-7110	SQUEEGEE CABLE GUIDE	1
8	170-7210	DRAIN HOSE	1
9	170-7211	HOSE CAP	2
10	170-8911	SCREEN STRAINER, 4-1/4" LG	1
11	190-1210	2.0" MNPT X 2.0" BARB, PVC	3
12	190-1215	2.0" MNPT X 1.50" BARB, PVC	1
13	190-5779	ELBOW, MALE 1/2" NPT X 1/2" TUBE OD, GLASS FILLED NYLON	1
14	253-1240	CLIP	2
15	370-1129	TANK BACK SPLASH	1
16	4-124	LATCH	2
17	5-719	CLAMP 1 9/16 - 2 1/2 " SS	2
18	5-8290	O-RING, #324, 1.35" X 1.77" X .210" BUNA-N	1
19	5-848	CLAMP 9/16"- 1 1/16" SS	1
20	H-0427612	CLAMP 3/4"- 1-3/4" SS	2
21	H-70001	HCS 1/4"-20 X 1/2 SS"	3
22	H-71063	LW 1/4" SS	2
23	H-71894	#14 X 1" SELF TAPPING SCREW	2
24	H-72536	PPH SMS #8 X 3/4" SS	8
25	M-5346K68	1/2" MNPT X 3/4" BARB, BRASS	1

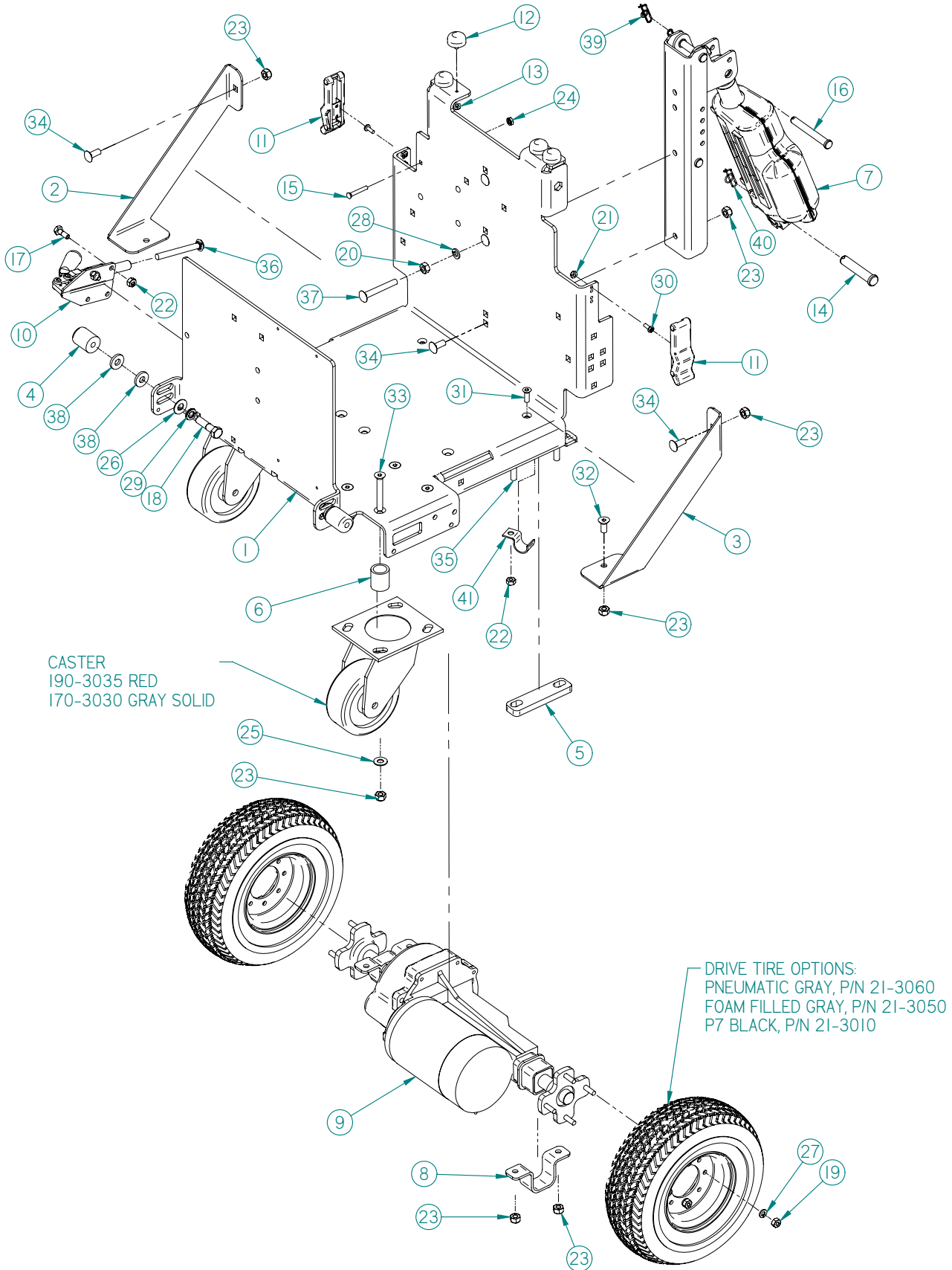


Item	Part Number	Part Description	Qty
1	170-1131	BAFFLE - PAINTED	1
2	21-4028	SNAP GRIP CLAMP	1
3	21-4085	VAC SCREEN	1
4	21-7060	VAC BOX	1
5	H-70858	NYLOK #10-32 SS	2
6	H-72536	PPH #10-32 X 1" S/S	2



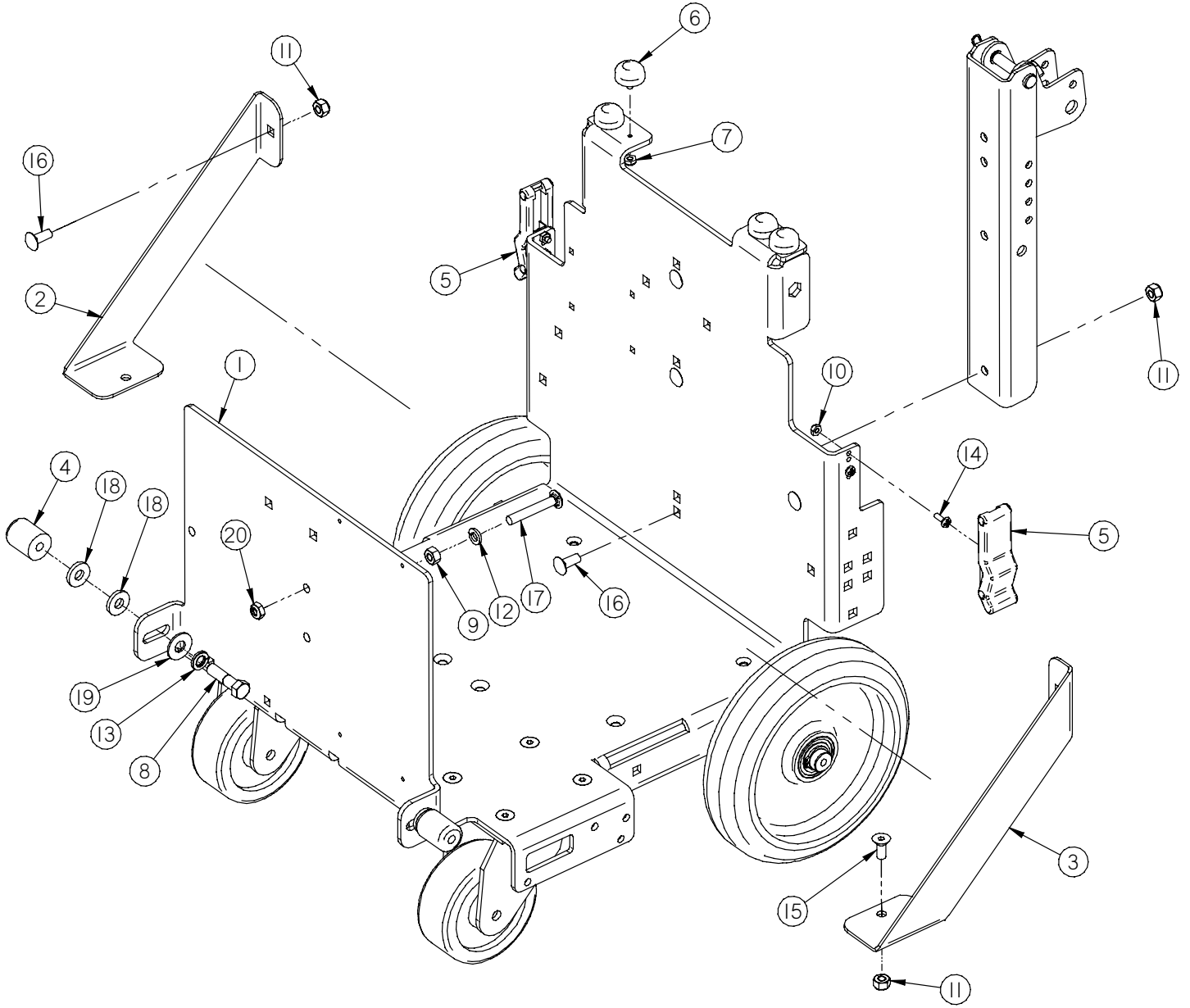
Item	Part Number	Part Description	Optional	Qty
1	190-1450	VAC BOX		1
2	190-3002	VAC MOTOR GASKET		2
3	190-5250	VAC MOTOR, 3/4 HP, TANGENTIAL		1
4	253-1505	LOADER VALVE		1
5	H-62005	CLAMP 5/8"- 1-1/2" SS		1
6	H-70860	NYLOK 1/4"- 20 SS		3
7	H-70925	KN 1/4-20 S/S		6
8	H-71013	FNW 1/4" X 5/8" SS		6
9	H-72515	PPH #10-32 X 1/2" S/S		1
10	H-WI579194	1/4-20 X 7" FT STUD S/S		3
11	M-90130A029	.25" NEOPRENE WASHER		6

# 14 Frame Assembly-Traction Drive



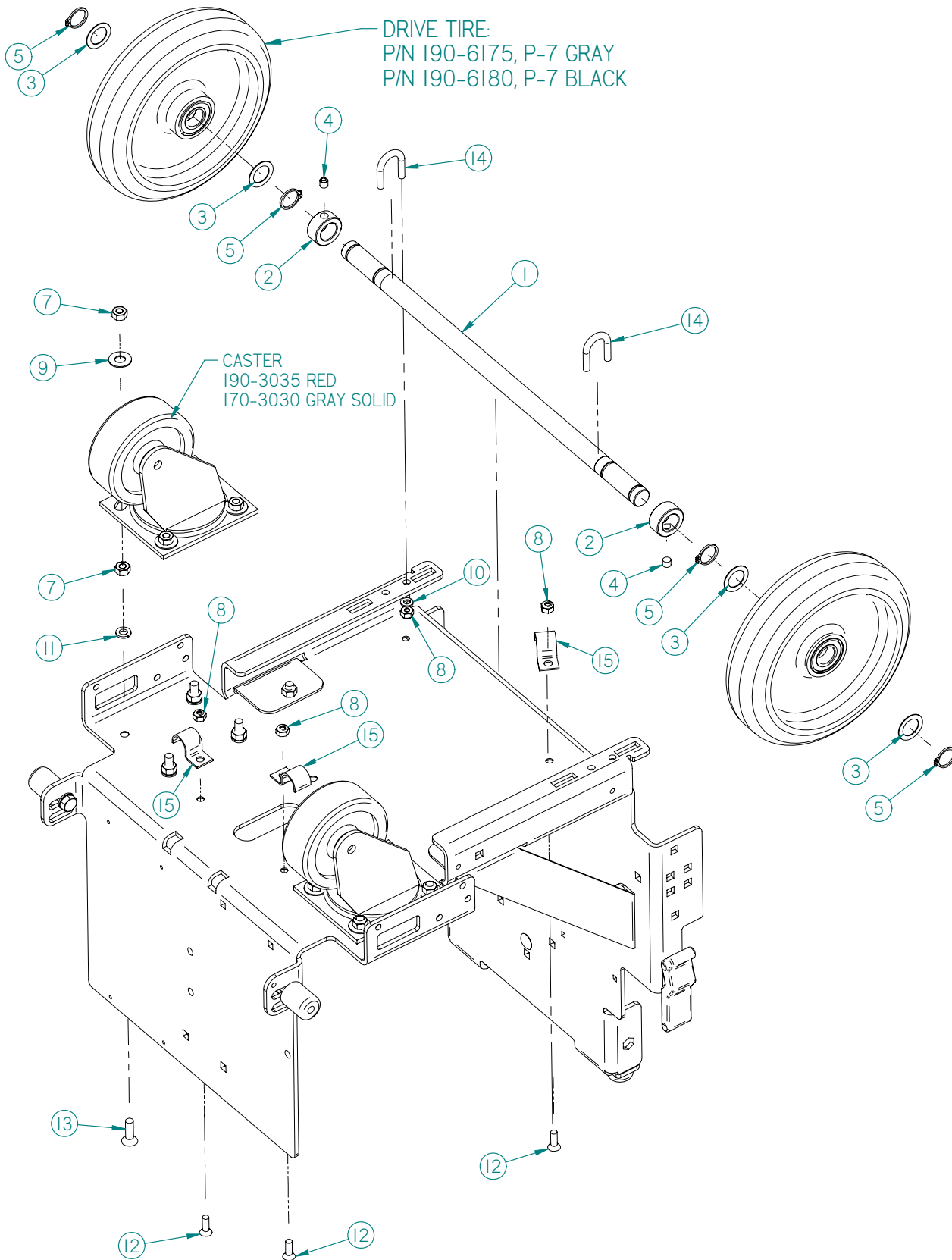
Item	Part Number	Part Description	Qty
1	170-1000	MAINFRAME	1
2	170-1005	FRAME SUPPORT - LH	1
3	170-1006	FRAME SUPPORT - RH	1
4	170-1060	BOSS	2
5	170-1270	TRACTION SPACER	2
6	170-1375	SPACER	8
7	190-2210	4" STROKE 24V ACTUATOR 450 LB LOAD	1
8	21-1010	AXLE MOUNT	2
9	21-3009	TRANSAXLE	1
10	253-4000	PARKING BRAKE (OPTIONAL)	1
11	4-124	LATCH	2
12	H-01201	GROMMET	4
13	H-0129154	JAM NYLOK #10-24 SS	4
14	H-0156773	CLEVIS PIN, 1/2" X 2-1/2"	1
15	H-0172522	CB #10-32 X 1-1/4" SS	4
16	H-03183	CLEVIS PIN 3/8" x 3.00"	1
17	H-70003	HCS 1/4"-20 X 5/8" SS	2
18	H-70109	HCS 3/8"- 16 X 1-1/2" SS	2
19	H-70710	HN 1/4"- 20 SS	8
20	H-70711	HN 5/16"- 18 SS	9
21	H-70856	NYLOK #8-32 SS	4
22	H-70860	NYLOK 1/4"- 20 SS	3
23	H-70861	NYLOK 5/16" - 18 SS	19
24	H-70923	KN #10-32 SS	4
25	H-71015	FW 5/16 ID X 3/4 OD SS	8
26	H-71017	FW 3/8 ID X 7/8 OD SS	2
27	H-71063	LW 1/4" SS	8
28	H-71065	LW 5/16" SS	9
29	H-71067	LW 3/8" SS	2
30	H-72398	PPH #8-32 X 1/2" S/S	4
31	H-73882	FHSCS 1/4- 20 X 3/4" S/S	1
32	H-73907	FHSCS 5/16"- 18 X 3/4" SS	2
33	H-73913	FHSCS 5/16"- 18 X 2-1/4" S/S	8
34	H-74429	CB 5/16"- 18 X 3/4" SS	5
35	H-74431	CB 5/16"- 18 X 1-1/4" SS	4
36	H-74435	CB 5/16"- 18 X 3.0" SS	1
37	H-74463	CB 5/16"- 18 X 2-1/4" SS	1
38	H-98025	FW 3/8" GRADE 8	4
39	H-RUE14	3/8" RUE RING COTTER	1
40	H-RUE22	1/2" RUE RING COTTER	1
41	M-9434T27	3/4" DIA 1 HOLE TUBE STRAP	1

# 16 Frame Assembly-Brush Drive

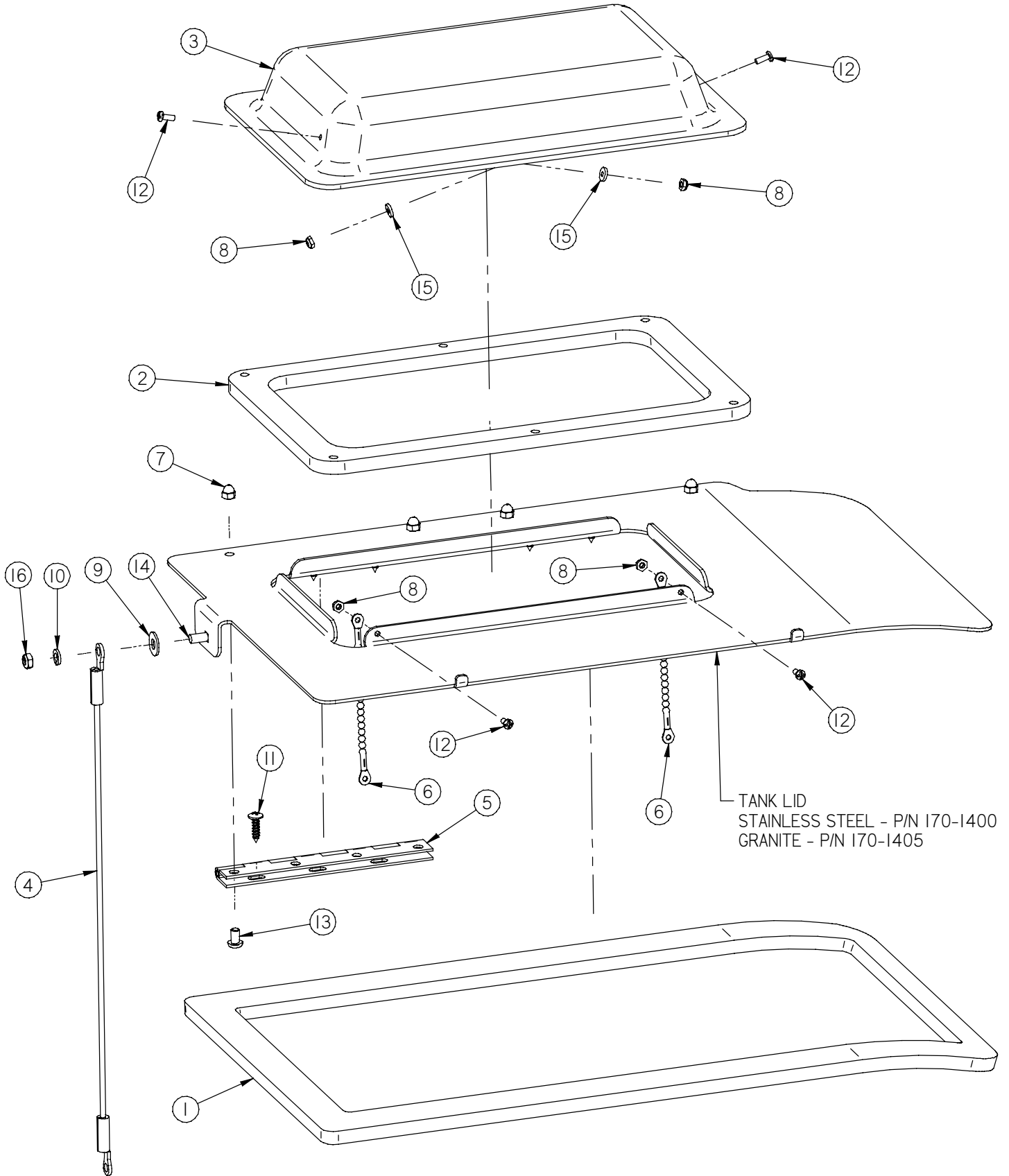


Item	Part Number	Part Description	Qty
1	170-1000	MAINFRAME	1
2	170-1005	FRAME SUPPORT - LH	1
3	170-1006	FRAME SUPPORT - RH	1
4	170-1060	BOSS	2
5	4-124	LATCH	2
6	H-01201	GROMMET	4
7	H-0129154	JAM NYLOK #10-24 SS	4
8	H-70109	HCS 3/8"- 16 X 1-1/2" SS	2
9	H-70711	HN 5/16"- 18 SS	1
10	H-70856	NYLOK #8-32 SS	4
11	H-70861	NYLOK 5/16" - 18 SS	7
12	H-71065	LW 5/16" SS	1
13	H-71067	LW 3/8" SS	2
14	H-72398	PPH #8-32 X 1/2" S/S	4
15	H-73907	FHSCS 5/16"- 18 X 3/4" SS	2
16	H-74429	CB 5/16"- 18 X 3/4" SS	5
17	H-74433	CB 5/16"- 18 X 2" SS	1
18	H-98025	FW 3/8" GRADE 8	2
19	H-99001	FW 3/8" SS	1
20	H-NJ05C	JNYL 5/16"- 18 SS	1

# 18 Frame Assembly-Brush Drive

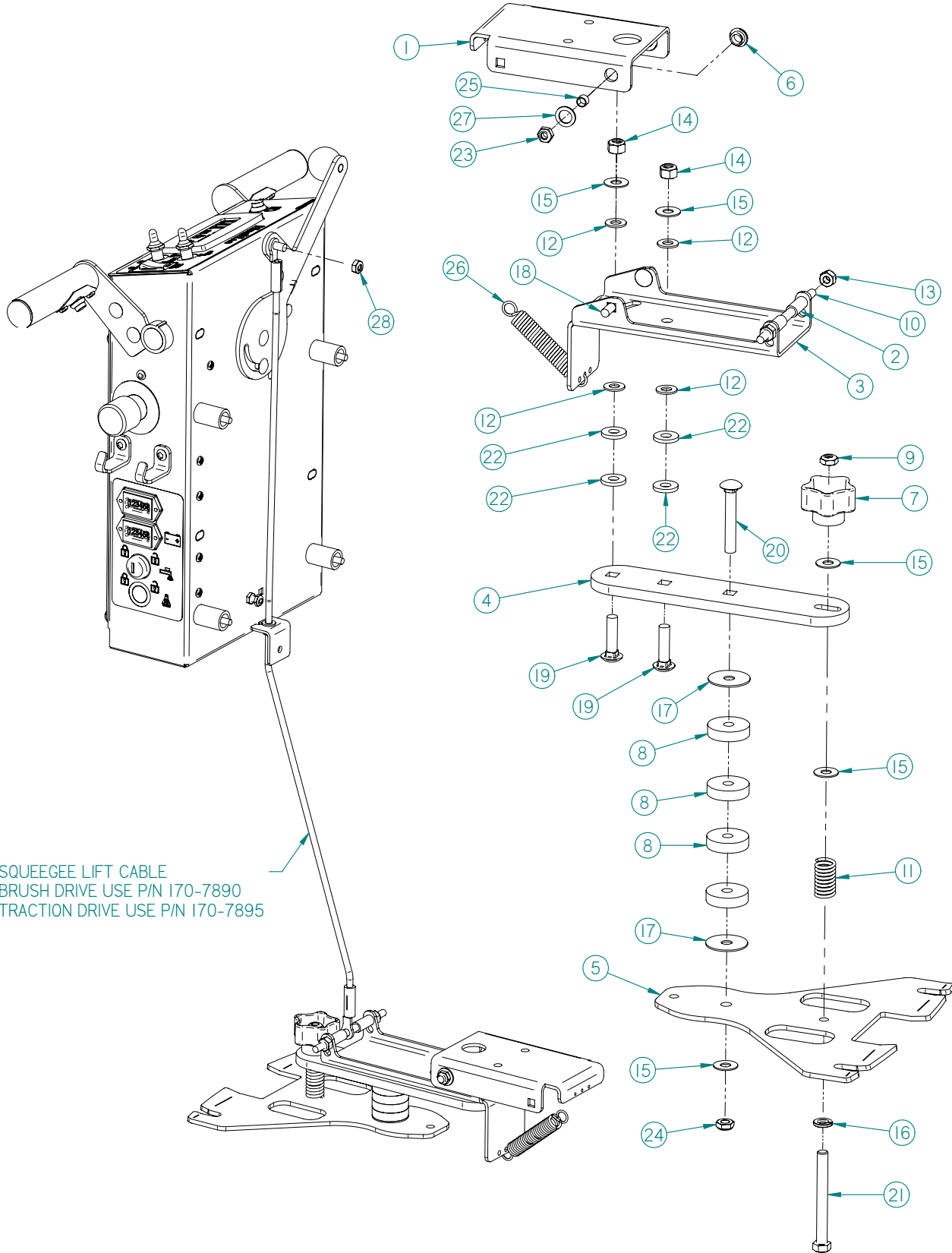


Item	Part Number	Part Description	Qty
1	I90-I170	AXLE	1
2	4-410A	3/4" SHAFT COLLAR	2
3	H-00273	FW 3/4 X 1 1/8 X 1/32 SS	4
4	H-25435	SSS CP 5/16" X 1/4"	2
5	H-68015	SNAPRING 3/4"	4
6	H-70109	HCS 3/8"- 16 X 1-1/2" SS	1
7	H-70711	HN 5/16"- 18 SS	12
8	H-70860	NYLOK 1/4"- 20 SS	7
9	H-71017	FW 3/8 ID X 7/8 OD SS	8
10	H-71063	LW 1/4" SS	4
11	H-71065	LW 5/16" SS	4
12	H-73882	FHSCS 1/4- 20 X 3/4" S/S	3
13	H-73908	FHSCS 5/16"- 18 X 1" SS	8
14	H-74620	1/4-20 X 3/4" U-BOLT	2
15	M-9434T27	3/4" DIA 1 HOLE TUBE STRAP	3



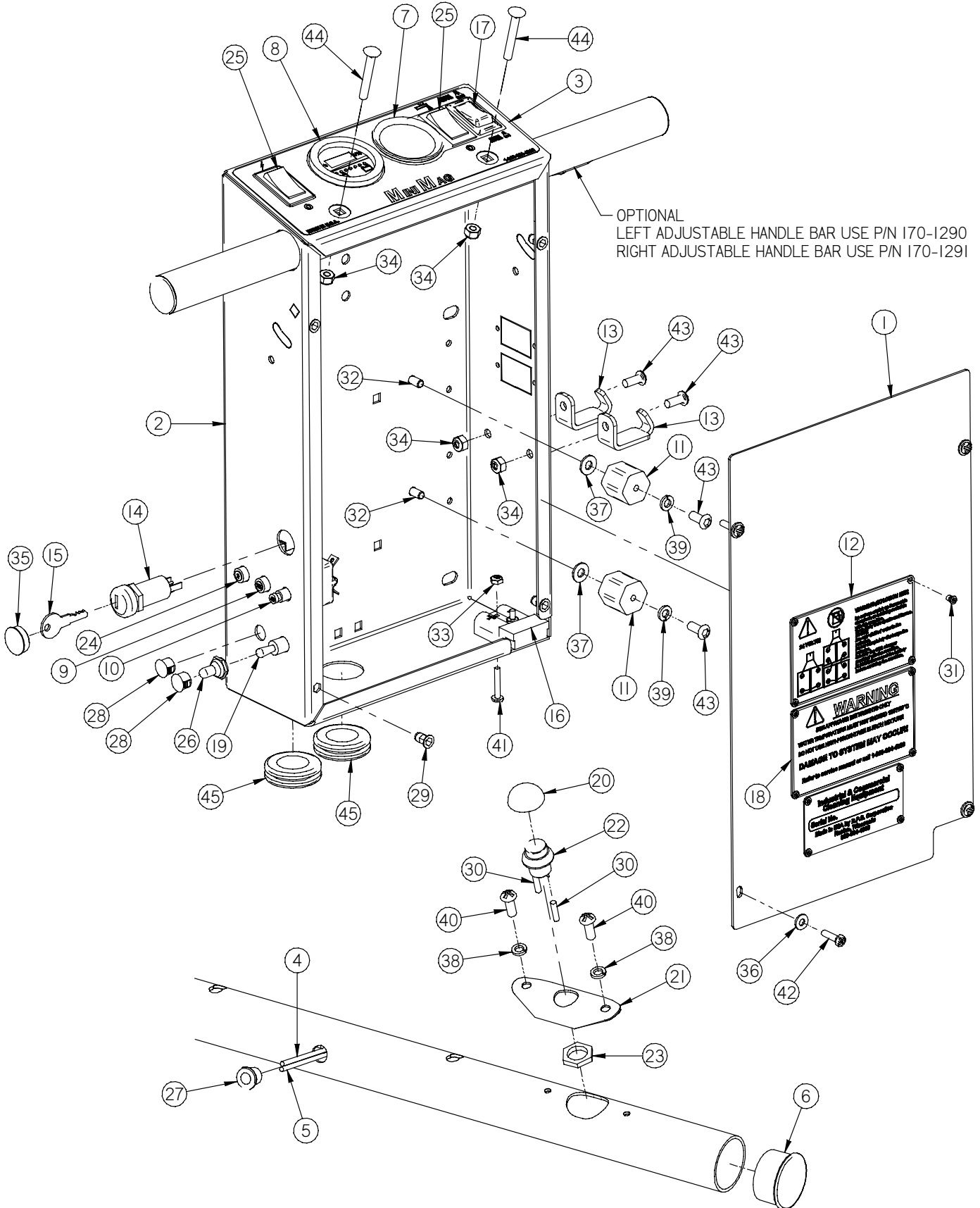
Item	Part Number	Part Description	Qty
1	170-1070	TANK LID GASKET	1
2	190-1075	TANK CLEAR COVER GASKET	1
3	190-1410	VAC FORMED CLEAR COVER	1
4	253-1450	RECOVERY TANK CABLE, 20"	1
5	32-8000	8" CONTINUOUS HINGE	2
6	370-4060	6" LANYARD	2
7	H-37709	5/16-18 ACORN NUT	4
8	H-70858	NYLOK #10-32 SS	4
9	H-71017	FW 3/8" X 7/8" SS	1
10	H-71065	LW 5/16" SS	1
11	H-71894	#14 X 1" SELF TAPPING SCREW	6
12	H-72515	PPH #10-32 X 1/2" S/S	4
13	H-73777	BHSCS 5/16-18 X 1/2"	4
14	H-74429	CB 5/16"- 18 X 3/4" SS	1
15	H-90133	.170 ID X .50 OD X .093 TH NEOPRENE WASHER	2
16	H-NJ05C	JNYL 5/16"- 18 SS	1

# 22 Squeegee Suspension



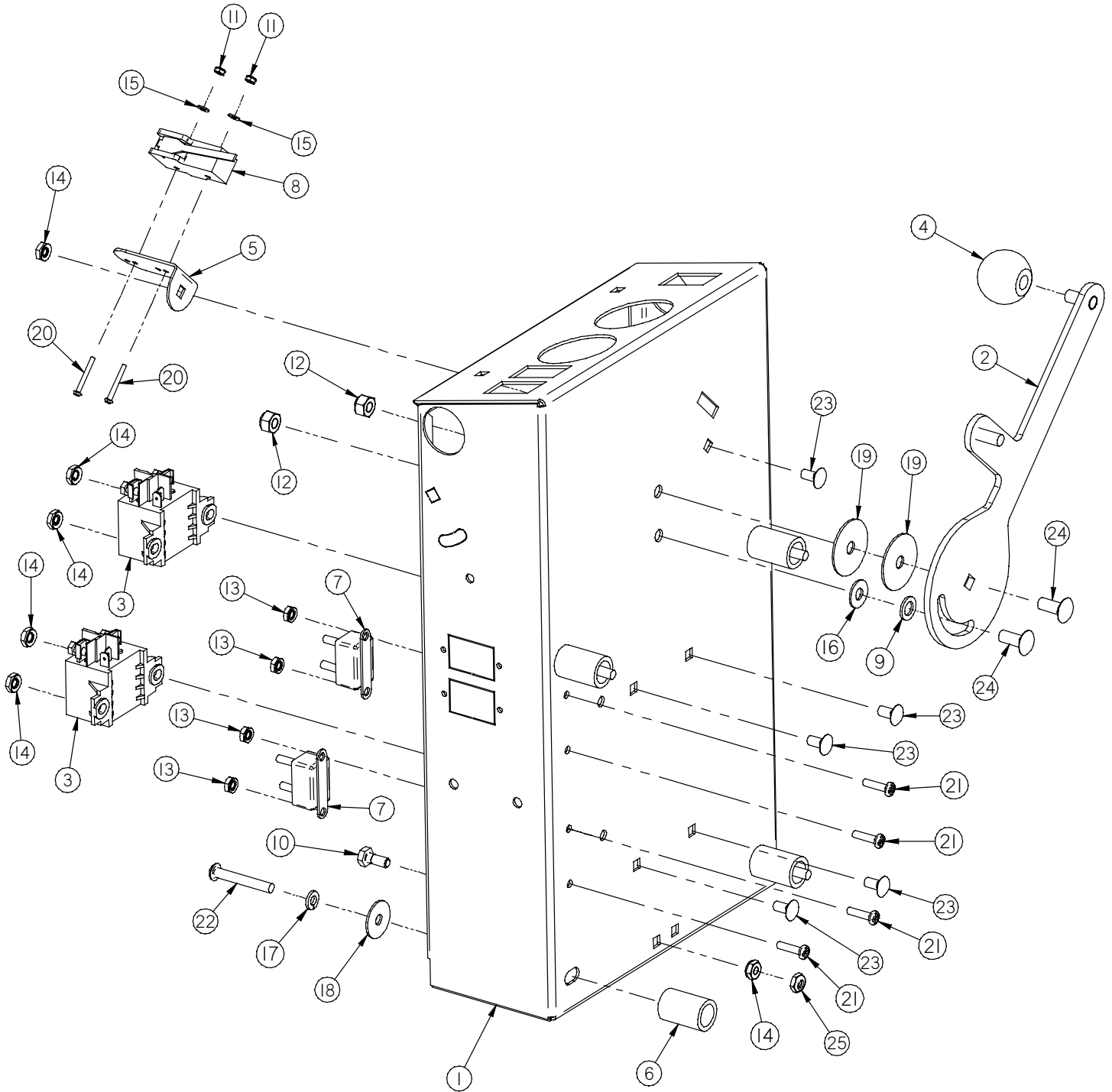
SQUEEGEE LIFT CABLE  
 BRUSH DRIVE USE P/N 170-7890  
 TRACTION DRIVE USE P/N 170-7895

Item	Part Number	Part Description	Qty
1	170-1050	SQUEEGEE SUPPORT	1
2	170-1055	TUBE, 5/16" ID X 7/16" OD X 1-1/2" LG	2
3	170-7140	SQUEEGEE SWING PLATE	1
4	253-7150	SQUEEGEE TRAIL ARM	1
5	253-7610	SQUEEGEE TRIANGLE PLATE	1
6	290-1233	3/8" ID, 1/2" OD, 1/4" LG BEARING	2
7	290-5787	STAR KNOB, 3/8-24 THREAD	1
8	4-446	GROMMET-3/8 ID X 1-1/2 OD X .375	4
9	H-0171004	JNYL 3/8- 24 SS	1
10	H-10097811	5/16-18 X 5" DOUBLE ENDED STUD S/S	1
11	H-1111	SPRING, 1/2" ID X 2-1/2" LG	1
12	H-4440024	FW 3/8" X 3/4" NYLON	4
13	H-70861	NYLOK 5/16" - 18 SS	2
14	H-70862	NYLOK 3/8"-16 SS	2
15	H-71017	FW 3/8" X 7/8" SS	5
16	H-71067	LW 3/8" SS	1
17	H-71217	FNW 3/8" X 1-1/2" SS	2
18	H-74429	CB 5/16"- 18 X 3/4" SS	2
19	H-74438	CB 3/8"- 16 X 1-1/2" SS	2
20	H-74440	CB 3/8"- 16 X 2-1/2" SS	1
21	H-92865A227	HCS 3/8"- 24 X 3.5" SS	1
22	H-98025	FW 3/8" GRADE 8	4
23	H-NJ05C	JNYL 5/16"- 18 SS	2
24	H-NJ06C	JNYL 3/8- 16 SS	1
25	M-6391K403	.312 ID X .375 OD X .25 LG BEARING SLEEVE	2
26	M-9654K302	SPRING, 4.0" LG X 23/32" OD X .105 WIRE	1
27	M-98126A739	SHIM, 1/2" ID X 3/4" OD X 1/16" THICK, S/S	2
28	H-NJ05C	JNYL 5/16"- 18 SS	1



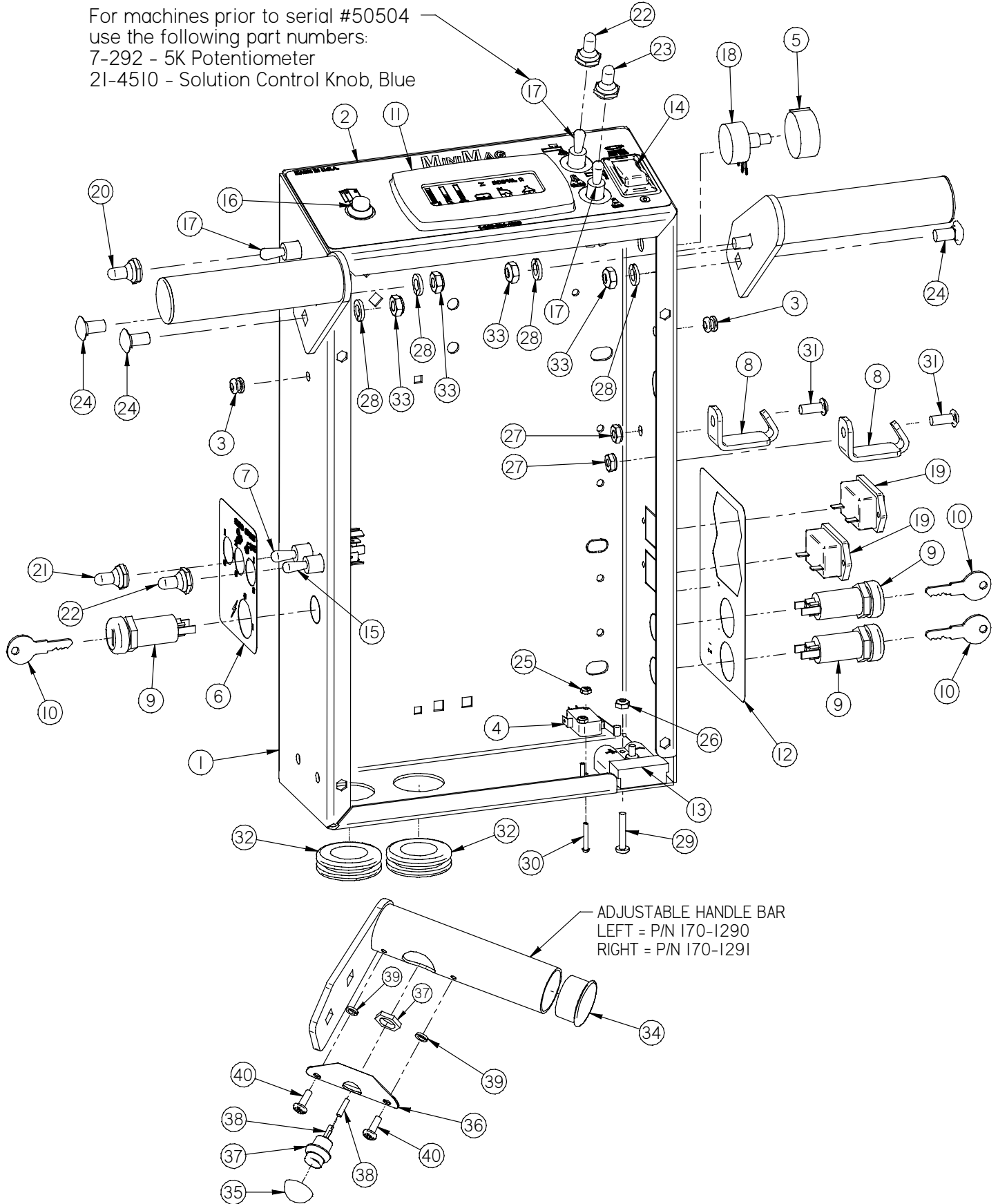
Item	Part Number	Part Description	Options	Qty
1	170-2001	CONTROL PANEL COVER		1
2	170-2011	CONTROL PANEL BOX, HD		1
3	170-2013	MINI MAG HD CONTROL PANEL STICKER		1
4	190-1041	RED WIRE, 16 GAGE, 12" LG		1
5	190-1042	YELLOW WIRE, 16 GAGE, 12" LG		1
6	190-1390	END CAP		1
7	190-4852	BRUSH PRESSURE GAUGE, 40 AMP		1
8	190-4855	BATTERY METER		1
9	190-8370	FUSE RESETTABLE 25 AMP		1
10	190-9609	FUSE, RESETTABLE, 40 AMP		1
11	200-1011	SWITCHBOARD INSULATOR		2
12	253-7280	EXPLOSION WARNING PLATE		1
13	253-9491	HOOK		2
14	290-234	KEY SWITCH	OPTIONAL	1
15	290-234A	KEY SET (REPLACE)	OPTIONAL	1
16	4-259	CONNECTOR, RED 50, HOUSING ONLY		1
17	5-234	SWITCH, ROCKER, DPDT, ON/ON		1
18	5-728	DETERGENT WARNING PLATE		1
19	5-892	TOGGLE, ON-OFF SPST	OPTIONAL	1
20	7-227	BUTTON COVER		1
21	7-228	SWITCH MOUNT PLATE		1
22	7-229	PUSH BUTTON SWITCH		1
23	7-229	PLASTIC SWITCH NUT		1
24	7-837	FUSE RESETTABLE 2 AMP		1
25	8-231	SWITCH, ON-OFF ROCKER SPST		2
26	H-01199	PROTECTIVE BOOT, TOGGLE SWITCH, (BLUE)	OPTIONAL	1
27	H-03124	1/4" ID, 3/8" OD, 3/8" LG FLANGED BEARING, NYLON		1
28	H-070887	DOME PLUG 1/2", BLK	OPTIONAL	2
29	H-1032HCN	HCN #10-32		1
30	H-108	HEAT SHRINK		2
31	H-41007	AB4-3A BLIND RIVET		12
32	H-70001	HCS 1/4"-20 X 1/2 SS"		2
33	H-70856	NYLOK #8-32 SS		1
34	H-70860	NYLOK 1/4"- 20 SS		4
35	H-70888	HOLE PLUG 3/4"	OPTIONAL	1
36	H-71009	FW #10 SS		4
37	H-71013	FNW 1/4" X 5/8" SS		2
38	H-71059	LW #10, SS		2
39	H-71063	LW 1/4" SS		2
40	H-72398	PPHMS #8-32 X 1/2" SS		2
41	H-72418	PPH #8-32 X 1" S/S		1
42	H-72534	PPH #10-32 X 3/4" S/S		4
43	H-73753	BHSCS 1/4 - 20 X 5/8" SS		4
44	H-74396	CB 1/4"- 20 X 1-3/4" SS		2
45	H-9307K74	GROMMET, 1" ID X 1-3/4" OD BUNA-N		2

# 26 Control Panel-Brush Drive

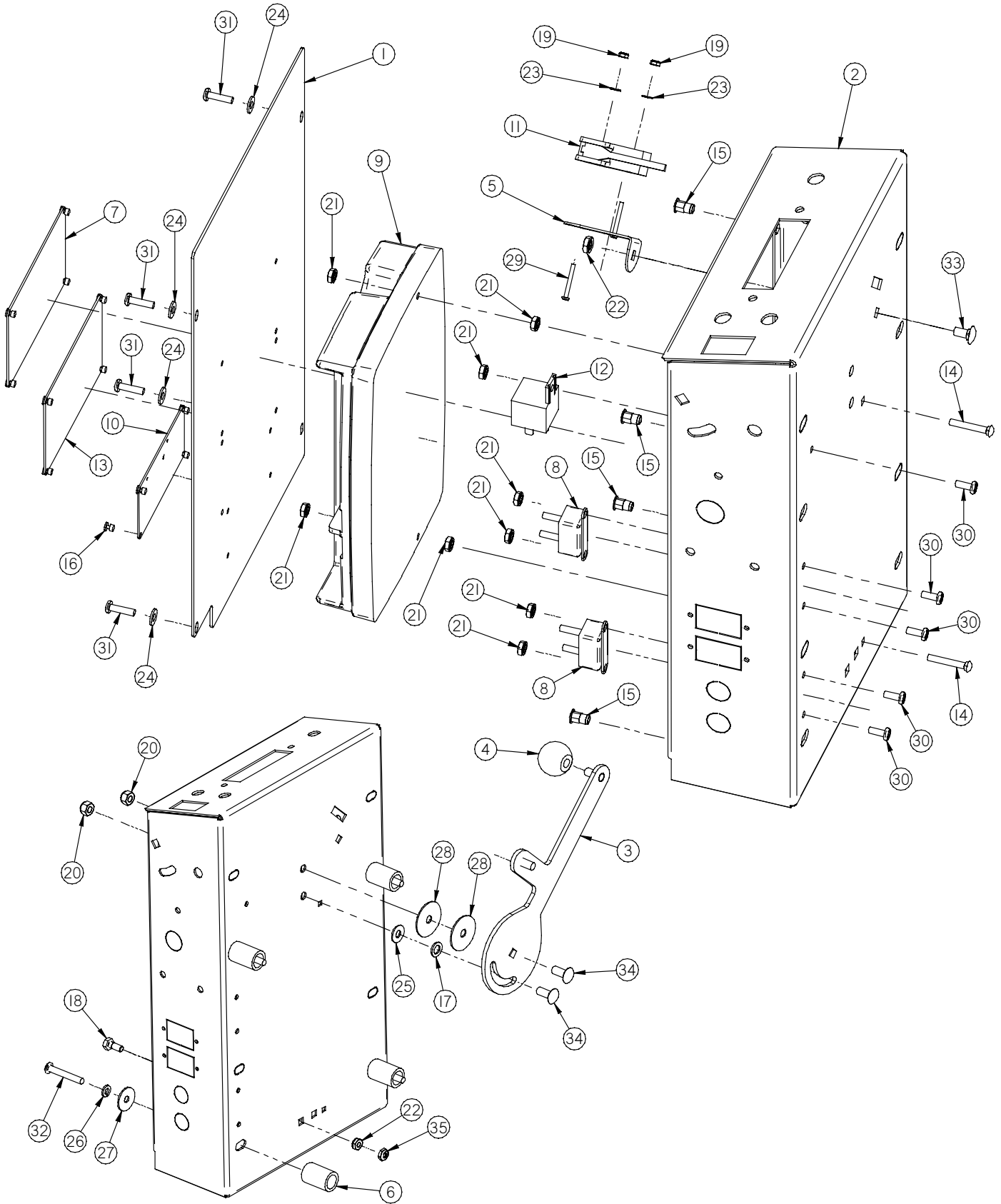


Item	Part Number	Part Description	Qty
1	170-2011	CONTROL PANEL BOX, HD	1
2	170-7100	SQUEEGEE LIFT LEVER	1
3	190-8283	RELAY, 24V, 50 AMP	2
4	21-7101	LIFT KNOB	1
5	253-2020	BRACKET, LIMIT SWITCH	1
6	253-2700	SPACER, 1-1/4" LG	4
7	290-2815	CIR. BREAKER - 15A, 24V	2
8	5-223	LIMIT SWITCH	1
9	H-4440024	FW 3/8" X 3/4 NYLON	1
10	H-70002	HCS 1/4"-20 X 5/8" SS	1
11	H-70854	NYLOK #4-40 SS	2
12	H-70861	NYLOK 5/16" - 18 SS	2
13	H-70923	KN #10-32 SS	4
14	H-70925	KN 1/4-20 S/S	6
15	H-71004	FW 1/8" X 5/16" SS	2
16	H-71015	FW 5/16" X 3/4" SAE SS	1
17	H-71063	LW 1/4" SS	1
18	H-71212	FNW 1/4" X 1" SS	1
19	H-71215	FNW 5/16" X 1-1/2" SS	2
20	H-72494	PPH #4-40 X 1" S/S	2
21	H-72534	PPH #10-32 X 3/4" S/S	4
22	H-73758	BHSCS 1/4 - 20 X 1-3/4" SS	4
23	H-74417	CB 1/4"- 20 X .5" SS	5
24	H-74429	CB 5/16"- 18 X 3/4" SS	2
25	H-NJ04C	JNYL 1/4" - 20 SS	1

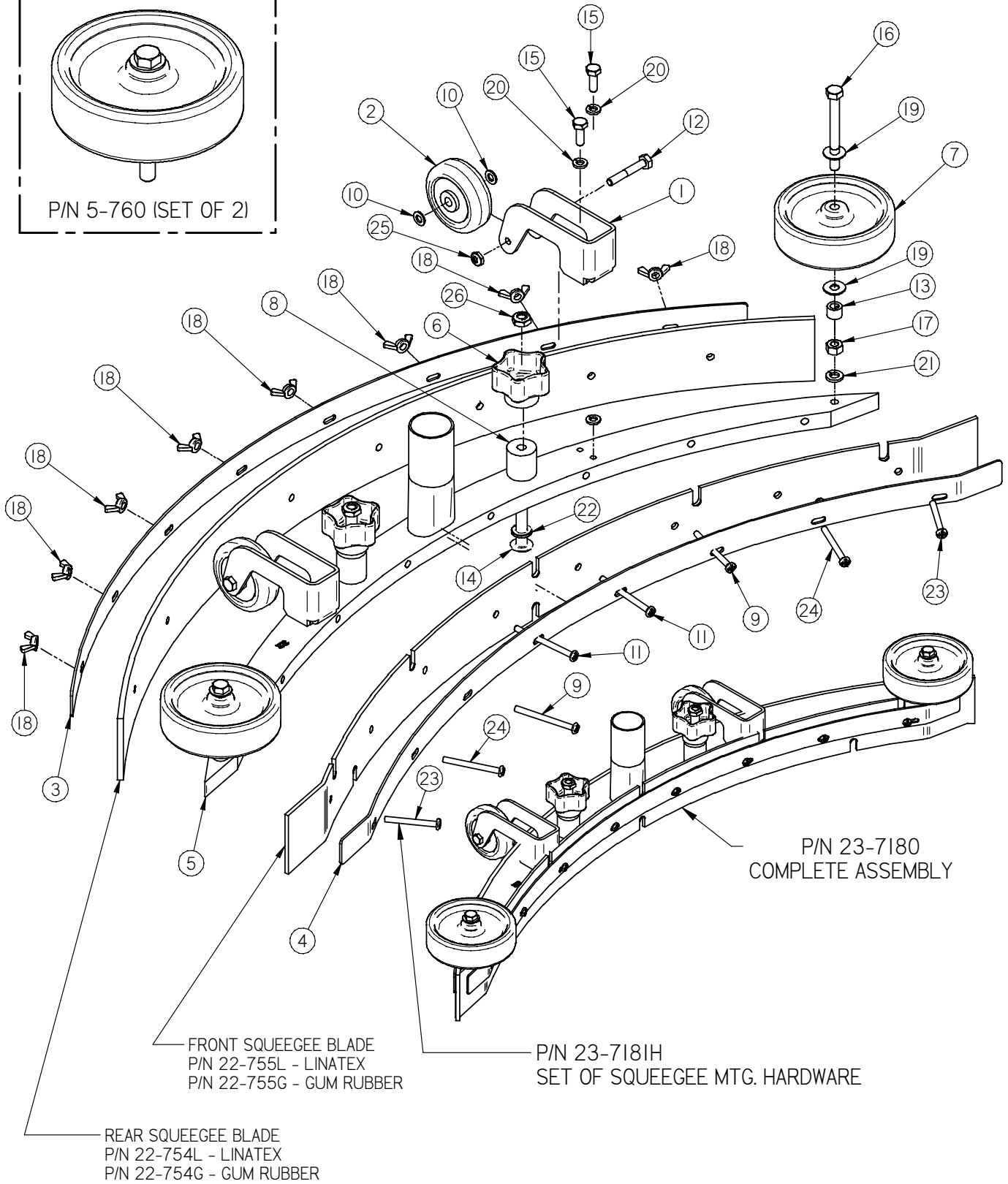
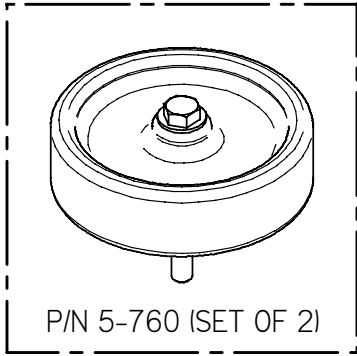
For machines prior to serial #50504  
 use the following part numbers:  
 7-292 - 5K Potentiometer  
 21-4510 - Solution Control Knob, Blue



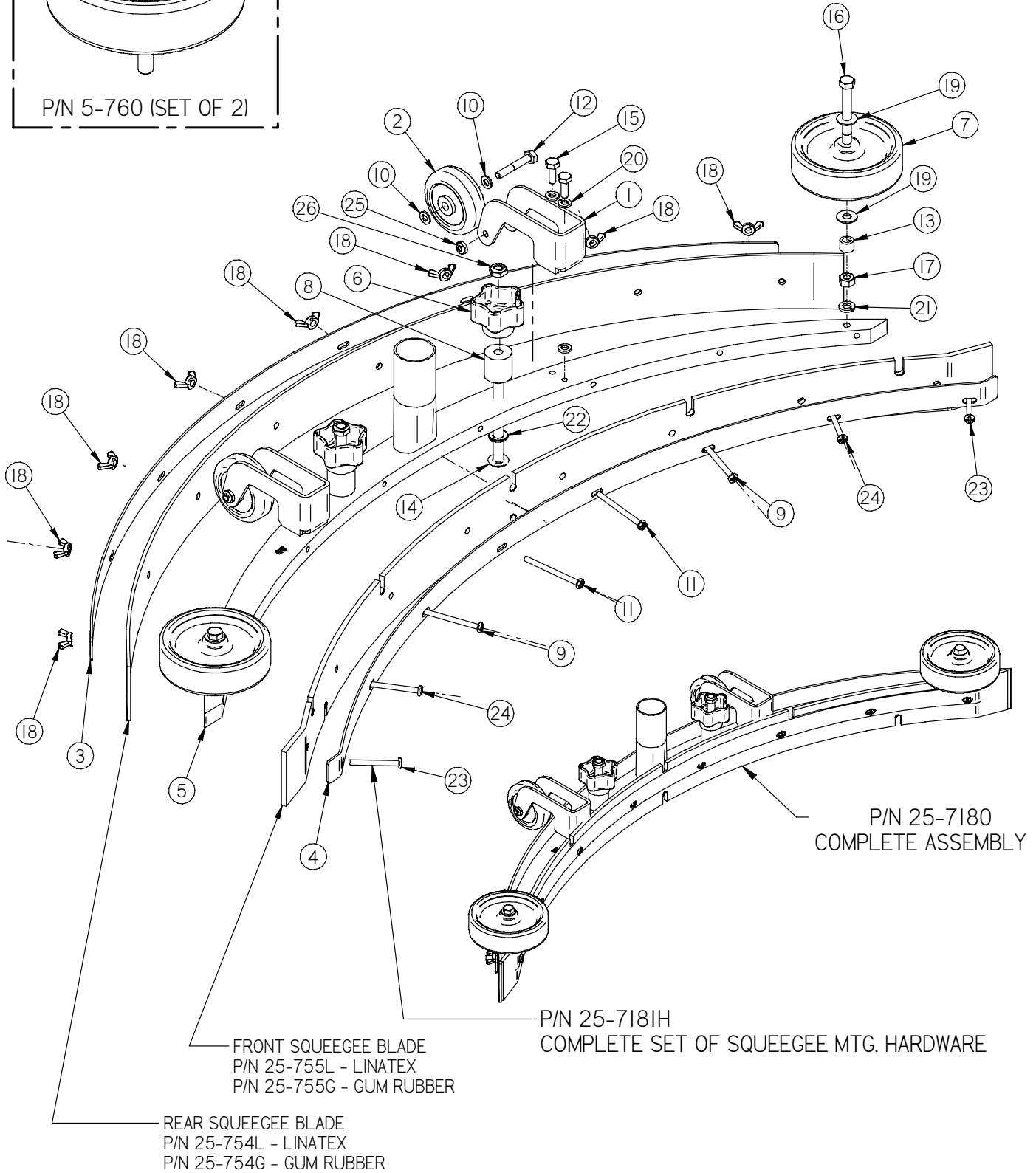
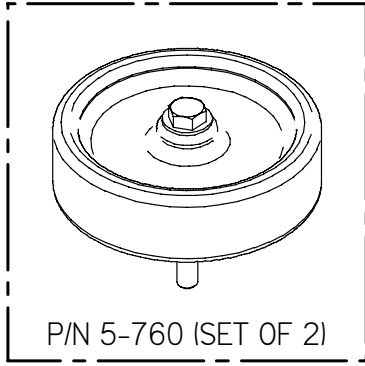
Item	Part Number	Part Description	Options	Qty
1	170-2012	CONTROL PANEL BOX, TRACTION		1
2	170-2016	MINI MAG TD CONTROL PANEL STICKER		1
3	21-2203	GROMMET, RUBBER 3/16 ID X 13/32 OD X 3/32 TH.		2
4	21-2230	MICRO SWITCH	Optional	1
5	21-4520	SPEED CONTROL KNOB, RED		1
6	253-2017	SUDS/SPRAY STICKER		1
7	253-283	SWITCH, TOGGLE, ON/OFF/ON (DPDT)		1
8	253-9491	HOOK		2
9	290-234	KEY SWITCH		3
10	290-234A	KEY SET (REPLACE)		3
11	290-2891	LCD SCREEN		1
12	370-7204	METER STICKER		1
13	4-259	CONNECTOR, RED 50, HOUSING ONLY		1
14	5-234	SWITCH, ROCKER, DPDT, ON/ON		1
15	5-892	TOGGLE, ON-OFF SPST	Optional	1
16	7-229	PUSH BUTTON SWITCH		1
17	7-283	SWITCH, TOGGLE, MOM/OFF/MOM (DPDT)		3
18	7-292	5K POTENTIOMETER		1
19	8-262	HOUR METER		2
20	H-01196	PROTECTIVE BOOT, TOGGLE SWITCH, (RED)		1
21	H-01198	PROTECTIVE BOOT, TOGGLE SWITCH, (GREEN)		1
22	H-01199	PROTECTIVE BOOT, TOGGLE SWITCH, (BLUE)	Optional	2
23	H-01200	PROTECTIVE BOOT, TOGGLE SWITCH, (BLACK)		1
24	H-0172526	CB 5/16" - 18 X 5/8" SS		4
25	H-70854	NYLOK #4-40 SS		2
26	H-70856	NYLOK #8-32 SS		2
27	H-70925	KN 1/4-20 S/S		2
28	H-71065	LW 5/16" SS		4
29	H-72418	PPH #8-32 X 1" S/S		2
30	H-72489	RPH #4-40 X 3/4"		2
31	H-73753	BHSCS 1/4 - 20 X 5/8" SS		2
32	H-9307K74	GROMMET, 1" ID X 1-3/4" OD BUNA-N		2
33	H-NJ05C	JNYL 5/16" - 18 SS		4
34	190-1390	END CAP		2
35	7-227	BUTTON COVER		1
36	7-228	SWITCH MOUNT PLATE		2
37	7-229	PUSH BUTTON SWITCH		2
38	H-108	HEAT SHRINK		4
39	H-71059	LW #10, SS		4
40	H-72398	PPH #8-32 X 1/2" S/S		4



Item	Part Number	Part Description	Qty
1	170-2001	CONTROL PANEL COVER	1
2	170-2012	CONTROL PANEL BOX, TRACTION	1
3	170-7100	SQUEEGEE LIFT LEVER	1
4	21-7101	LIFT KNOB	1
5	253-2020	BRACKET, LIMIT SWITCH	1
6	253-2700	SPACER, 1-1/4" LG	4
7	253-7280	EXPLOSION WARNING PLATE	1
8	290-2815	CIR. BREAKER - 15A, 24V	2
9	390-2899	CONTROLLER V4	1
10	4-101	SERIAL NUMBER PLATE	1
11	5-223	LIMIT SWITCH	1
12	5-293	15 AMP RELAY	1
13	5-728	DETERGENT WARNING PLATE	1
14	H-0172522	CB #10-32 X 1-1/4" SS	2
15	H-1032HCN	HCN #10-32	4
16	H-41007	AB4-3A BLIND RIVET	12
17	H-4440024	FW 3/8" X 3/4 NYLON	1
18	H-70002	HCS 1/4"-20 X 5/8" SS	1
19	H-70854	NYLOK #4-40 SS	2
20	H-70861	NYLOK 5/16" - 18 SS	2
21	H-70923	KN #10-32 SS	9
22	H-70925	KN 1/4-20 S/S	2
23	H-71004	FW 1/8" X 5/16" SS	2
24	H-71009	FW #10 SS	4
25	H-71015	FW 5/16" X 3/4" SS	1
26	H-71063	LW 1/4" SS	1
27	H-71212	FNW 1/4" X 1" SS	1
28	H-71215	FNW 5/16" X 1-1/2" SS	2
29	H-72494	PPH #4-40 X 1" S/S	2
30	H-72515	PPH #10-32 X 1/2" S/S	5
31	H-72534	PPH #10-32 X 3/4" S/S	4
32	H-73758	BHSCS 1/4 - 20 X 1-3/4" SS	4
33	H-74417	CB 1/4"- 20 X .5" SS	1
34	H-74429	CB 5/16"- 18 X 3/4" SS	2
35	H-NJ04C	JNYL 1/4" - 20 SS	1

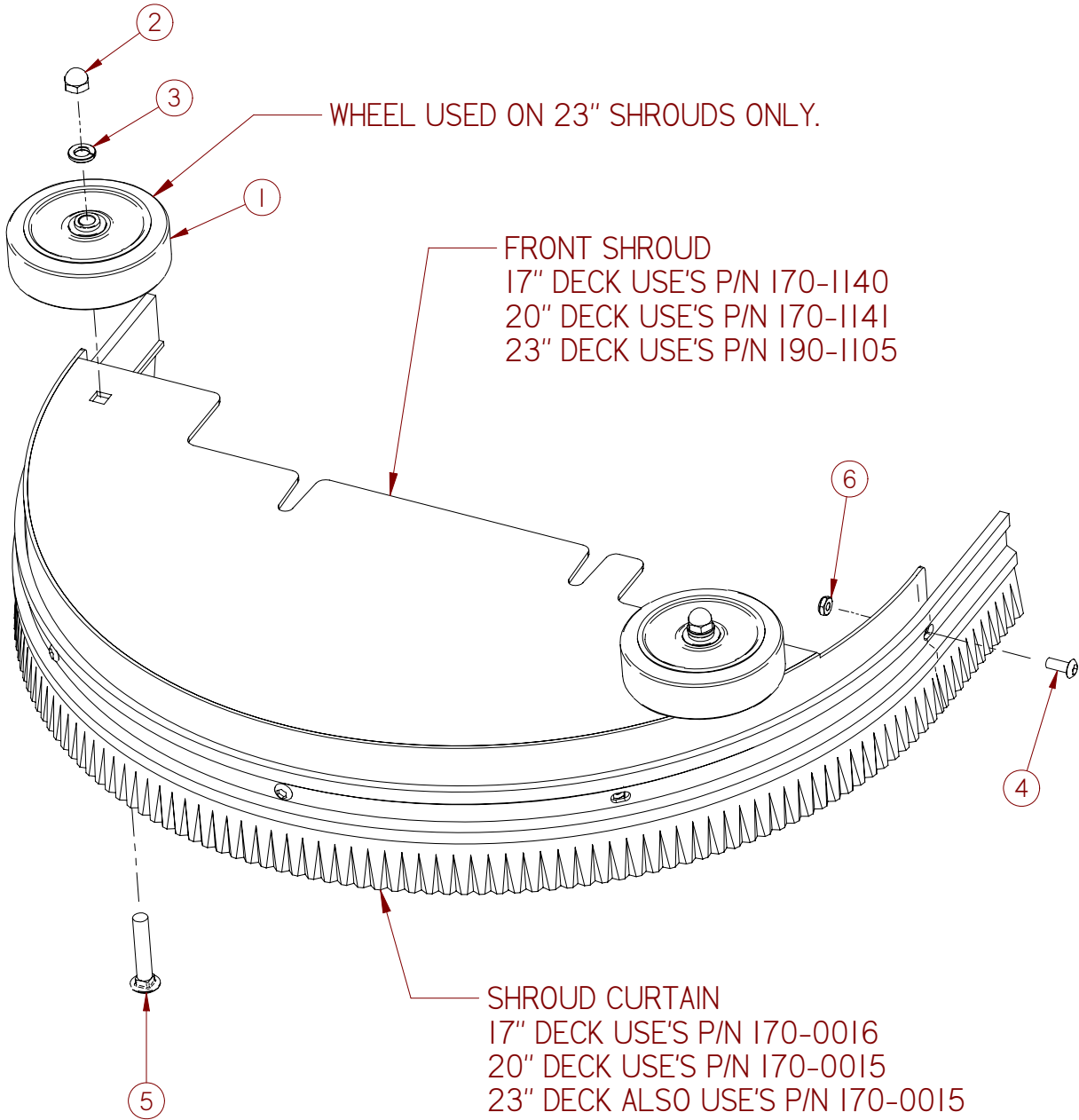


Item	Part No.	Part Description	Qty
1	21-7220	SQUEEGEE TRAIL MOUNTS	2
2	21-7570	BACK UP WHEEL (GREY)	2
3	23-7160	SQUEEGEE BAND, REAR	1
4	23-7170	SQUEEGEE BAND, FRONT	1
5	23-7181	32" SQUEEGEE BODY	1
6	290-5786	STAR KNOB, 3/8-16 THREAD	2
7	5-760B	4" SIDE WHEEL (GREY)	2
8	5-846	STANDOFF, 1.03"	2
9	H-00249	PPH #10-32 X 2 1/4" SS	2
10	H-00283	FW 1/4" NYLON	4
11	H-00288	PPH #10-32 X 2 1/2" SS	2
12	H-0172248	HCS 1/4"- 20 X 1.625" SS	2
13	H-33371	5/16" ID SHAFT COLLAR	2
14	H-37350	BHSCS 3/8"- 16 X 3-1/2" S/S	2
15	H-70003	HCS 1/4"- 20 X 3/4" SS	4
16	H-70065	HCS 5/16"- 18 X 3" SS	2
17	H-70711	HN 5/16"- 18 SS	2
18	H-70908	WINGNUT 10-32 SS	8
19	H-71015	FW 5/16" X 3/4" SAE SS	4
20	H-71063	LW 1/4" SS	6
21	H-71065	LW 5/16" SS	2
22	H-71067	LW 3/8" SS	2
23	H-72555	PPH #10-32 X 1 3/4" SS	2
24	H-72556	PPH #10-32 X 2" SS	2
25	H-NJ04C	JNYL 1/4" - 20 SS	2
26	H-NJ06C	JNYL 3/8- 16 SS	2

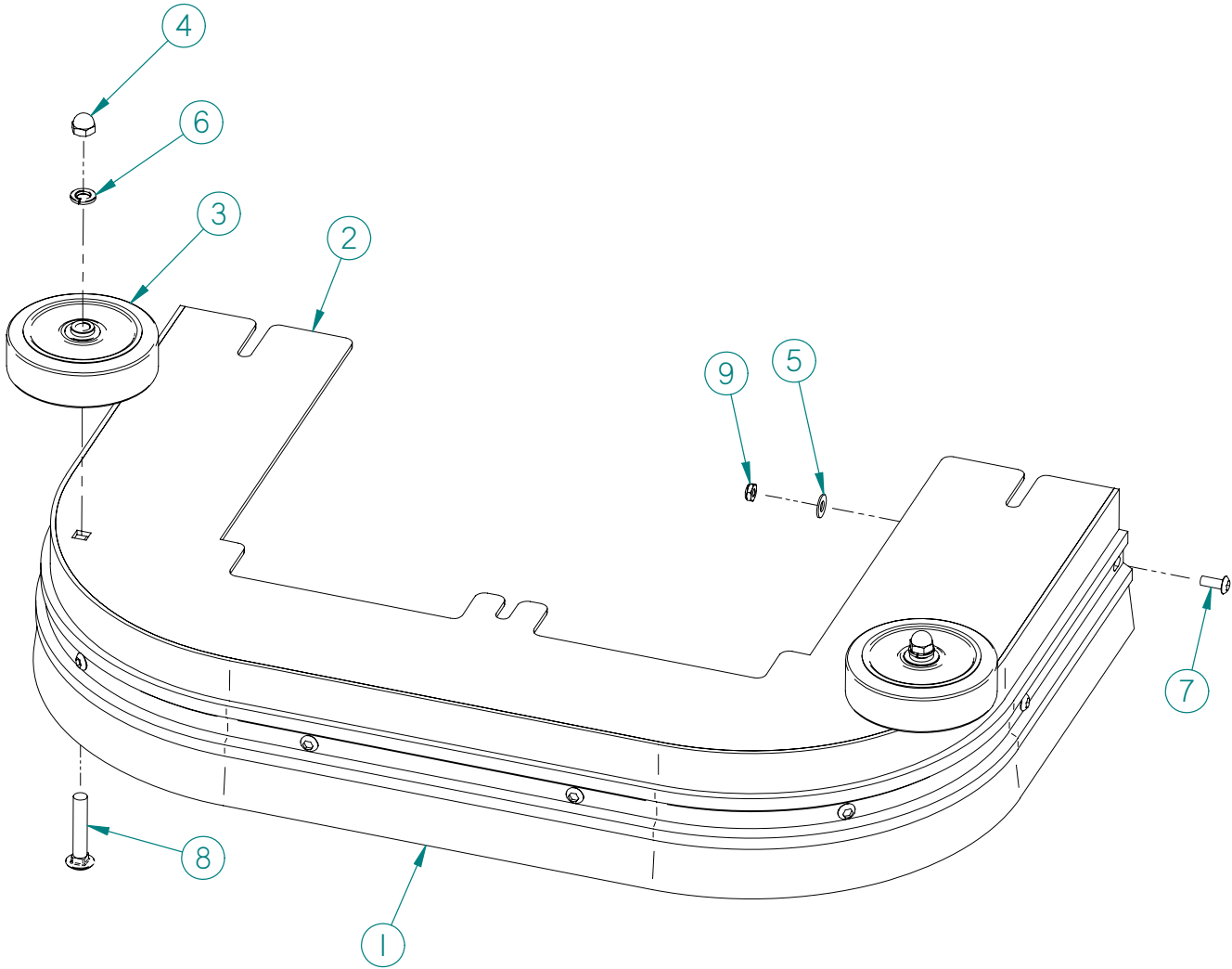


Item	Part No.	Part Description	Qty
1	21-7220	SQUEEGEE TRAIL MOUNTS	2
2	21-7570	BACK UP WHEEL (GREY)	2
3	25-7160	SQUEEGEE BAND, REAR	1
4	25-7170	SQUEEGEE BAND, FRONT	1
5	25-7181	35" SQUEEGEE BODY	1
6	290-5786	STAR KNOB, 3/8-16 THREAD	2
7	5-760B	4" SIDE WHEEL (GREY)	2
8	5-846	STANDOFF, 1.03"	2
9	H-00249	PPH #10-32 X 2 1/4" SS	2
10	H-00283	FW 1/4" NYLON	4
11	H-00288	PPH #10-32 X 2 1/2" SS	2
12	H-0172248	HCS 1/4"- 20 X 1.625" SS	2
13	H-33371	5/16" ID SHAFT COLLAR	2
14	H-37350	BHSCS 3/8"- 16 X 3-1/2" S/S	2
15	H-70003	HCS 1/4"- 20 X 3/4" SS	4
16	H-70065	HCS 5/16"- 18 X 3" SS	2
17	H-70711	HN 5/16"- 18 SS	2
18	H-70908	WINGNUT 10-32 SS	8
19	H-71015	FW 5/16" X 3/4" SAE SS	4
20	H-71063	LW 1/4" SS	6
21	H-71065	LW 5/16" SS	2
22	H-71067	LW 3/8" SS	2
23	H-72555	PPH #10-32 X 1 3/4" SS	2
24	H-72556	PPH #10-32 X 2" SS	2
25	H-NJ04C	JNYL 1/4" - 20 SS	2
26	H-NJ06C	JNYL 3/8- 16 SS	2

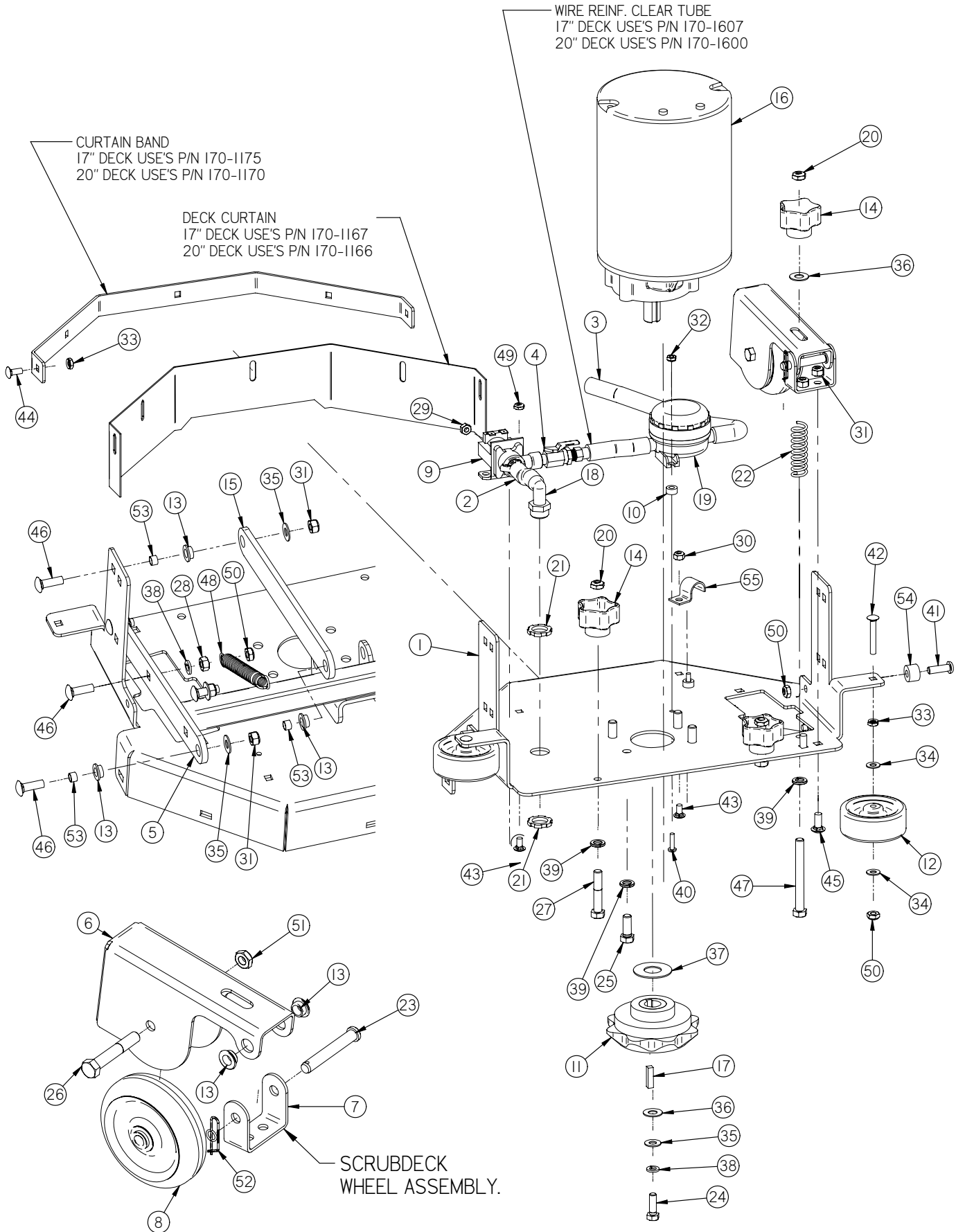
# 36 Shroud Assembly



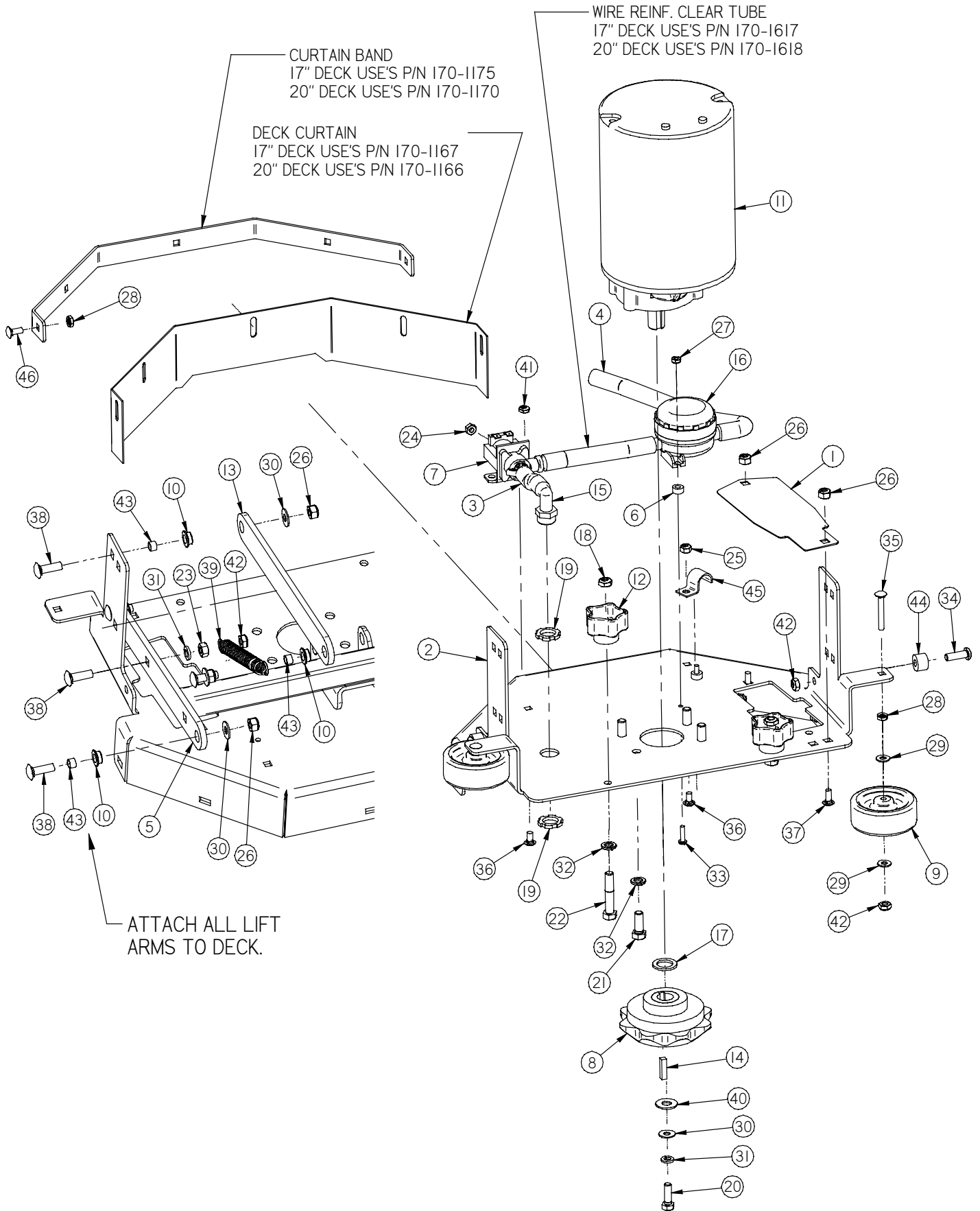
Item	Part Number	Part Description	Qty
1	190-3030	4.0" WHEEL (GRAY)	2
2	H-37710	3/8-16 LC ACORN NUT, NICKEL	2
3	H-71067	LW 3/8" SS	2
4	H-73753	BHSCS 1/4 - 20 X 5/8" SS	5
5	H-74439	CB 3/8"- 16 X 2.0" SS	2
6	H-NJ04C	JNYL 1/4" - 20 SS	5



Item	Part Number	Part Description	Qty
1	170-0017	SHROUD CURTAIN, 26"	1
2	170-1110	26" DUAL DISK SHROUD	1
3	190-3030	4.0" WHEEL (GRAY)	2
4	H-37710	3/8-16 LC ACORN NUT, NICKEL	2
5	H-71013	FW 1/4 ID X 5/8 OD SS	8
6	H-71067	LW 3/8" SS	2
7	H-73753	BHSCS 1/4 - 20 X 5/8" SS	8
8	H-74439	CB 3/8"- 16 X 2.0" SS	2
9	H-NJ04C	JNYL 1/4" - 20 SS	8



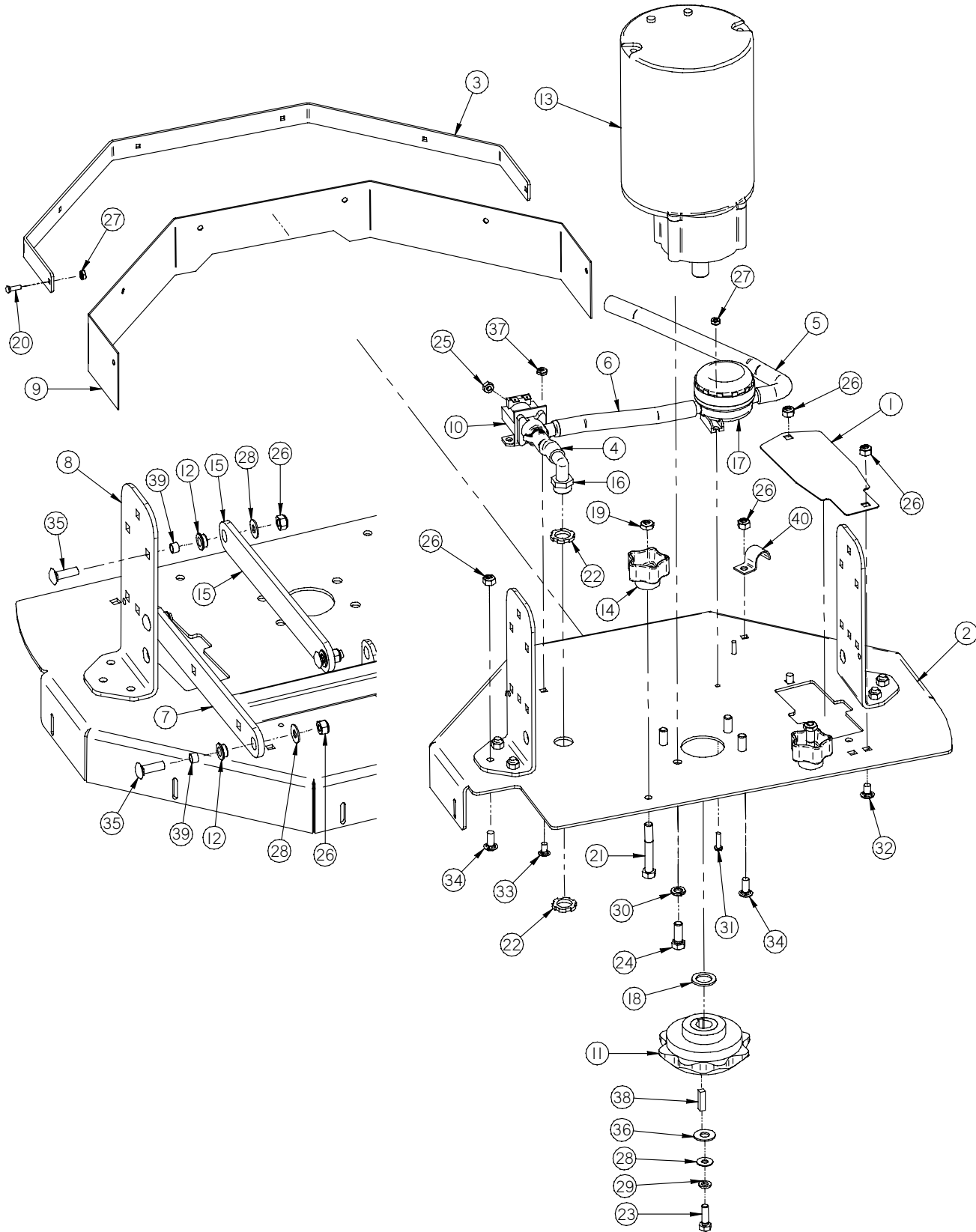
Item	Part Number	Part Description	Qty
1	170-1125	DISK DECK PLATFORM, 17"	1
2	170-1601	1/2" ID X 2-3/4" LG WIRE REINF. CLEAR TUBE	1
3	170-1602	1/2" ID X 14" LG WIRE REINF. CLEAR TUBE	1
4	170-4159	BALL VALVE, 1/4" W/BARBED FITTING	1
5	170-9586	LATERAL ARM	1
6	190-1030	DECK WHEEL PIVOT BRACKET	1
7	190-1035	DECK WHEEL PIVOT SUPPORT	1
8	190-3020	4.0" WHEEL (RED)	1
9	190-4500	ADJUSTABLE SOLUTION FLOW VALVE, WITH 1/4" NPTF	1
10	21-2211	SPACER 1/2 OD X 1/4"	2
11	21-5000	BRUSH DRIVER	1
12	21-7600	SIDE WHEEL (GREY)	2
13	290-1233	3/8" ID, 1/2" OD, 1/4" LG BEARING	10
14	290-5787	STAR KNOB, 3/8-24 THREAD	3
15	5-124	LATERAL ARM	2
16	5-222	MOTOR 1 HP X 200 RPM	1
17	5-431	1/4" X 1" KEY	1
18	5-447	1/2 NPT X 1/2" BARB ELBOW	1
19	5-913	INLINE FILTER	1
20	H-0171004	JNYL 3/8- 24 SS	3
21	H-07005	1/2" NPT LOCKNUT	2
22	H-111	SPRING, 1/2" ID X 2-1/2" LG	1
23	H-15675	CLEVIS PIN, 3/8" X 2-1/2"	1
24	H-70055	HCS 5/16"- 18 X 1" SS	1
25	H-70105	HCS 3/8"- 16 X 1" SS	4
26	H-70112	HCS 3/8"- 16 X 2-1/4" SS	1
27	H-70146	HCS 3/8"- 24 X 2" SS	2
28	H-70711	HN 5/16"- 18 SS	2
29	H-70730	HN 1/4"- 28 SS	1
30	H-70860	NYLOK 1/4"- 20 SS	1
31	H-70861	NYLOK 5/16" - 18 SS	10
32	H-70923	KN #10-32 SS	2
33	H-70925	KN 1/4-20 S/S	7
34	H-71013	FW 1/4 ID X 5/8 OD SS	4
35	H-71015	FW 5/16 ID X 3/4 OD SS	9
36	H-71017	FW 3/8 ID X 7/8 OD SS	2
37	H-71027	FW 3/4 ID X 1-3/4 OD SS	1
38	H-71065	LW 5/16" SS	3
39	H-71067	LW 3/8" SS	7
40	H-72534	PPH #10-32 X 3/4" S/S	2
41	H-73780	BHSCS 5/16-18 X 1	2
42	H-74396	CB 1/4"- 20 X 1-3/4" SS	2
43	H-74417	CB 1/4"- 20 X .5" SS	3
44	H-74418	CB 1/4"- 20 X 5/8" S/S	5
45	H-74429	CB 5/16"- 18 X 3/4" SS	2
46	H-74430	CB 5/16"- 18 X 1" SS	10
47	H-92865A227	HCS 3/8"- 24 X 3.5" SS	1
48	H-96546	SPRING, 5" LG X 1/2" OD X .073 WIRE	2
49	H-NJ04C	JNYL 1/4" - 20 SS	2



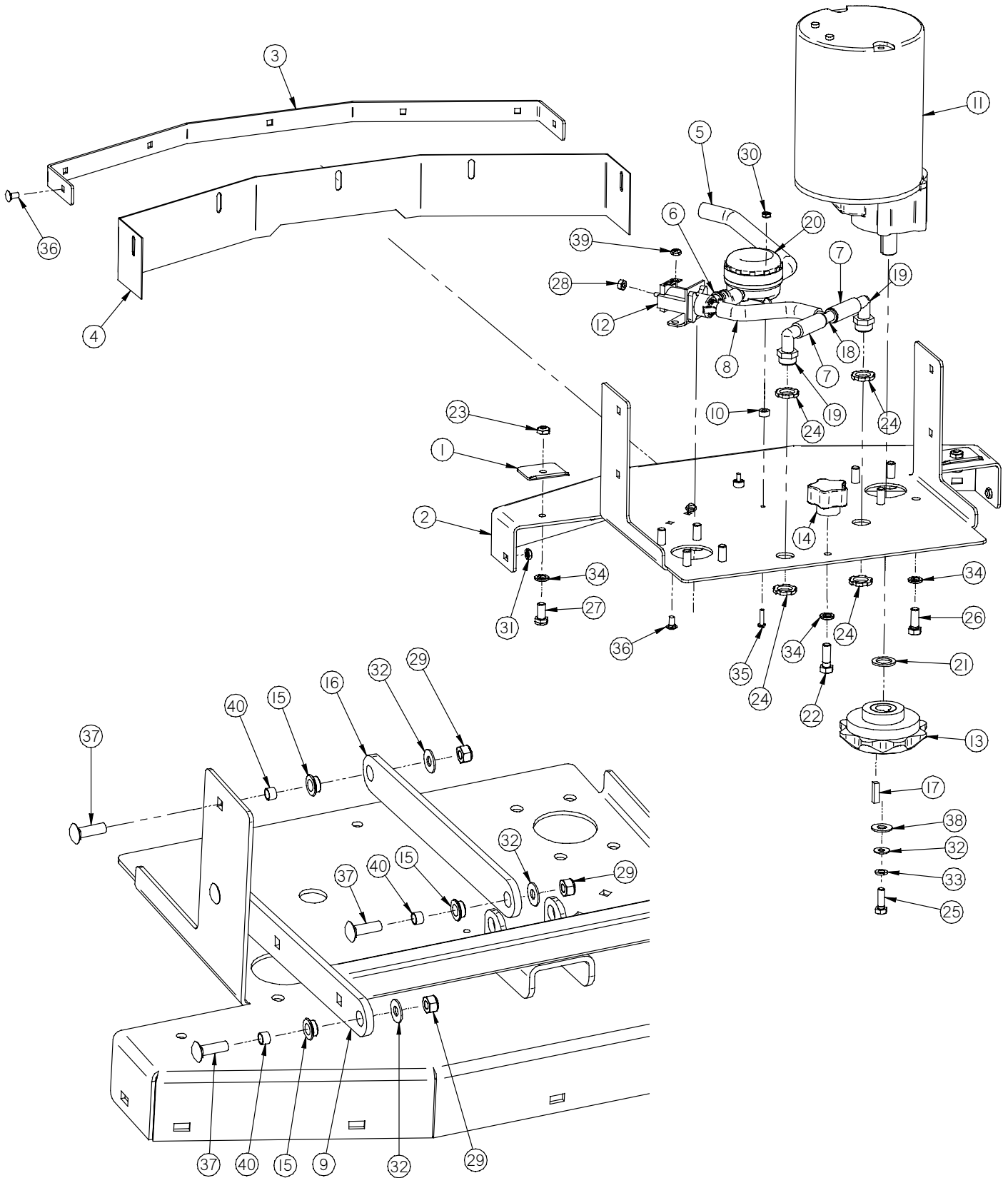
Item	Part Number	Part Description	Qty
1	170-1030	DISK DECK COVER PLATE	1
2	170-1125	DISK DECK PLATFORM, 17"	1
3	170-1601	1/2" ID X 2-3/4" LG WIRE REINF. CLEAR TUBE	1
4	170-1602	1/2" ID X 14" LG WIRE REINF. CLEAR TUBE	1
5	170-9586	LATERAL ARM	1
6	21-2211	SPACER 1/2 OD X 1/4"	2
7	21-4500	ADJUSTABLE SOLUTION FLOW VALVE	1
8	21-5000	BRUSH DRIVER	1
9	21-7600	SIDE WHEEL (GREY)	2
10	290-1233	3/8" ID, 1/2" OD, 1/4" LG BEARING	8
11	290-2222	MOTOR, 24V, 1 HP X 265 RPM	1
12	290-5787	STAR KNOB, 3/8-24 THREAD	2
13	5-124	LATERAL ARM	2
14	5-431	1/4" X 1" KEY	1
15	5-447	1/2 NPT X 1/2" BARB ELBOW	1
16	5-913	INLINE FILTER	1
17	H-00222	FW 3/4 X 1 1/8 X 3/32 SS	1
18	H-0171004	JNYL 3/8- 24 SS	2
19	H-07005	1/2" NPT LOCKNUT	2
20	H-70055	HCS 5/16"- 18 X 1" SS	1
21	H-70105	HCS 3/8"- 16 X 1" SS	4
22	H-70146	HCS 3/8"- 24 X 2" SS	2
23	H-70711	HN 5/16"- 18 SS	2
24	H-70730	HN 1/4"- 28 SS	1
25	H-70860	NYLOK 1/4"- 20 SS	1
26	H-70861	NYLOK 5/16" - 18 SS	10
27	H-70923	KN #10-32 SS	2
28	H-70925	KN 1/4-20 S/S	7
29	H-71013	FNW 1/4" X 5/8" SS	4
30	H-71015	FW 5/16" X 3/4" SAE SS	9
31	H-71065	LW 5/16" SS	3
32	H-71067	LW 3/8" SS	6
33	H-72534	PPH #10-32 X 3/4" S/S	2
34	H-73780	BHSCS 5/16-18 X 1	2
35	H-74396	CB 1/4"- 20 X 1-3/4" SS	2
36	H-74417	CB 1/4"- 20 X .5" SS	3
37	H-74418	CB 1/4"- 20 X 5/8" S/S	7
38	H-74430	CB 5/16"- 18 X 1" SS	10
39	H-96546	SPRING, 5" LG X 1/2" OD X .073 WIRE	2
40	H-99001	FW 3/8" SS	1
41	H-NJ04C	JNYL 1/4" - 20 SS	2
42	H-NJ05C	JNYL 5/16"- 18 SS	6
43	M-6391K403	.312 ID X .375 OD X .25 LG BEARING SLEEVE	8
44	M-92825A201	.325" ID X 3/4" OD X 1/2" LDPE SPACER	2
45	M-9434T27	3/4" DIA I HOLE TUBE STRAP	1



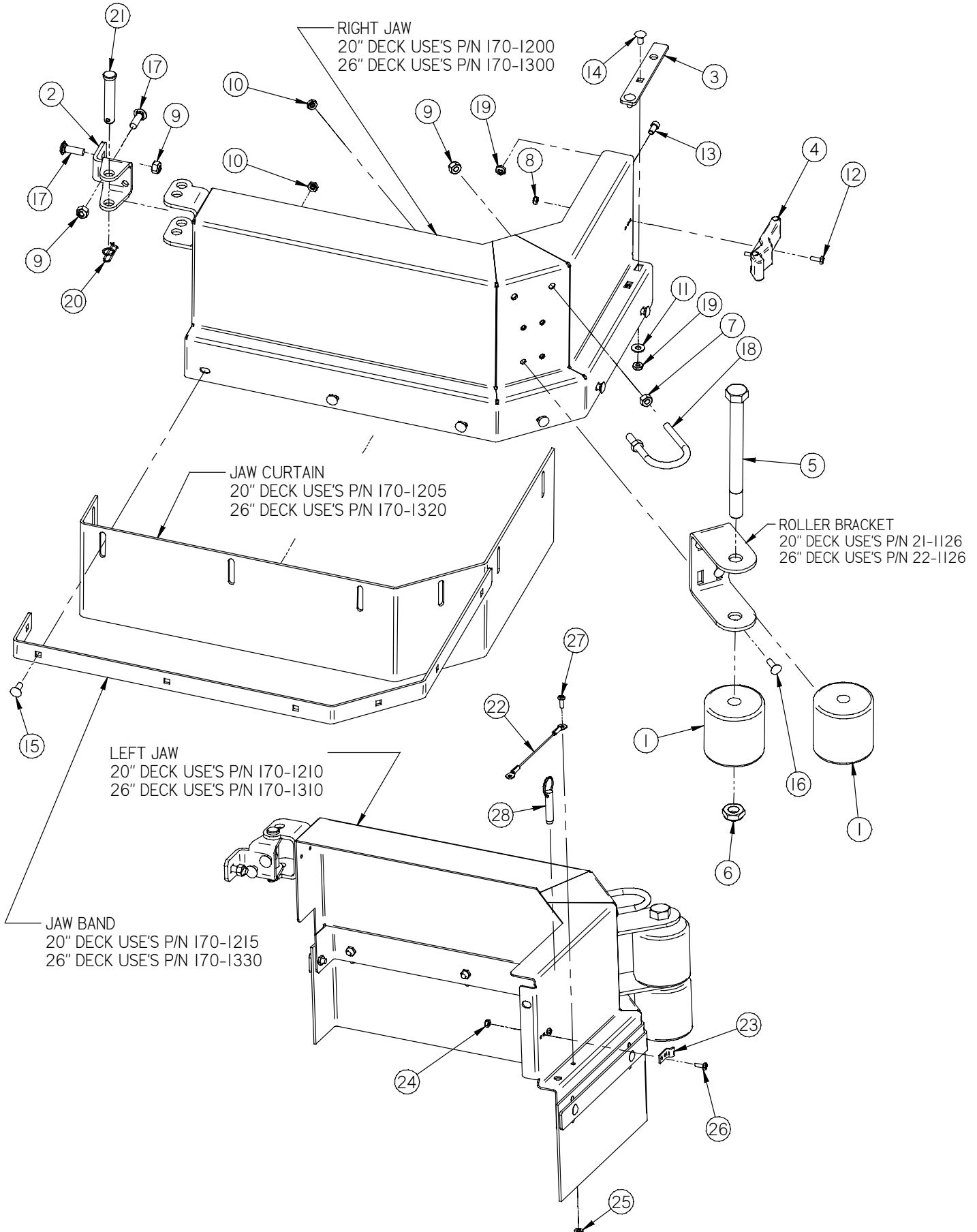
Item	Part Number	Part Description	Qty
1	170-1160	DISK DECK PLATFORM, 23"	1
2	170-1165	CURTAIN BAND, 23"	1
3	170-1600	1/2" ID X 4-1/2" LG WIRE REINF. CLEAR TUBE	1
4	170-1601	1/2" ID X 2-3/4" LG WIRE REINF. CLEAR TUBE	1
5	170-1602	1/2" ID X 14" LG WIRE REINF. CLEAR TUBE	1
6	170-4159	BALL VALVE, 1/4" W/BARBED FITTING	1
7	170-9586	LATERAL ARM	1
8	190-1030	DECK WHEEL PIVOT BRACKET	1
9	190-1035	DECK WHEEL PIVOT SUPPORT	1
10	190-1115	20" LIFT BRACKET	2
11	190-1176	23" DECK CURTAIN, REAR	1
12	190-3020	4.0" WHEEL (RED)	1
13	190-4500	ADJUSTABLE SOLUTION FLOW VALVE, WITH 1/4" NPTF	1
14	21-2211	SPACER 1/2 OD X 1/4"	2
15	21-5000	BRUSH DRIVER	1
16	290-1233	3/8" ID, 1/2" OD, 1/4" LG BEARING	6
17	290-5787	STAR KNOB, 3/8-24 THREAD	3
18	290-9584	ROD END, 3/8-24 LEFT HAND THREAD	2
19	290-9585	ROD END, 3/8-24 RIGHT HAND THREAD	2
20	5-222	MOTOR 1 HP X 200 RPM	1
21	5-431	1/4" X 1" KEY	1
22	5-447	1/2 NPT X 1/2" BARB ELBOW	1
23	5-913	INLINE FILTER	1
24	7-842	ADJUSTABLE LATERAL ARM BODY	2
25	H-0171004	JNYL 3/8- 24 SS	3
26	H-0172519	CB #10-32 X 5/8" SS	6
27	H-0172951	HCS 3/8"- 24 X 2 1/2" S/S	2
28	H-02949	3/8 ID X 5/8 OD SHIM	4
29	H-07005	1/2" NPT LOCKNUT	2
30	H-111	SPRING, 1/2" ID X 2-1/2" LG	1
31	H-15675	CLEVIS PIN, 3/8" X 2-1/2"	1
32	H-36956	LH HX JAM .375-24 SS	2
33	H-63913	.312 ID X .375 OD X .50 LG BEARING SLEEVE	4
34	H-70055	HCS 5/16"- 18 X 1" SS	1
35	H-70105	HCS 3/8"- 16 X 1" SS	4
36	H-70112	HCS 3/8"- 16 X 2-1/4" SS	1
37	H-70710	HN 1/4"- 20 SS	1
38	H-70832	HX JAM .375-24 SS	2
39	H-70861	NYLOK 5/16" - 18 SS	17
40	H-70923	KN #10-32 SS	8
41	H-71015	FW 5/16 ID X 3/4 OD SS	9
42	H-71017	FW 3/8 ID X 7/8 OD SS	2
43	H-71027	FW 3/4 ID X 1-3/4 OD SS	1
44	H-71065	LW 5/16" SS	1
45	H-71067	LW 3/8" SS	11
46	H-72534	PPH #10-32 X 3/4" S/S	2
47	H-74417	CB 1/4"- 20 X .5" SS	2
48	H-74429	CB 5/16"- 18 X 3/4" SS	9
49	H-74430	CB 5/16"- 18 X 1" SS	4
50	H-74431	CB 5/16"- 18 X 1-1/4" SS	4
51	H-92865A227	HCS 3/8"- 24 X 3.5" SS	1
52	H-98025	FW 3/8" GRADE 8	4
53	H-NJ04C	JNYL 1/4" - 20 SS	2
54	H-NJ06C	JNYL 3/8- 16 SS	1
55	H-RUE14	3/8" RUE RING COTTER	1
56	M-6391K403	.312 ID X .375 OD X .25 LG BEARING SLEEVE	4
57	M-9434T27	3/4" DIA I HOLE TUBE STRAP	1



Item	Part Number	Part Description	Qty
1	170-1030	DISK DECK COVER PLATE	1
2	170-1160	DISK DECK PLATFORM, 23"	1
3	170-1165	CURTAIN BAND, 23"	1
4	170-1601	1/2" ID X 2-3/4" LG WIRE REINF. CLEAR TUBE	1
5	170-1602	1/2" ID X 14" LG WIRE REINF. CLEAR TUBE	1
6	170-1620	1/2 ID X 6-3/4" LG WIRE REINF. CLEAR TUBE	1
7	170-9586	LATERAL ARM	1
8	190-1115	20" LIFT BRACKET	2
9	190-1176	23" DECK CURTAIN, REAR	1
10	21-4500	ADJUSTABLE SOLUTION FLOW VALVE	1
11	21-5000	BRUSH DRIVER	1
12	290-1233	3/8" ID, 1/2" OD, 1/4" LG BEARING	8
13	290-2222	MOTOR, 24V, 1 HP X 265 RPM	1
14	290-5787	STAR KNOB, 3/8-24 THREAD	2
15	5-124	LATERAL ARM	2
16	5-447	1/2 NPT X 1/2" BARB ELBOW	1
17	5-913	INLINE FILTER	1
18	H-00222	FW 3/4 X 1 1/8 X 3/32 SS	1
19	H-0171004	JNYL 3/8- 24 SS	2
20	H-0172519	CB #10-32 X 5/8" SS	6
21	H-0172951	HCS 3/8"- 24 X 2 1/2" S/S	2
22	H-07005	1/2" NPT LOCKNUT	2
23	H-70055	HCS 5/16"- 18 X 1" SS	1
24	H-70105	HCS 3/8"- 16 X 1" SS	4
25	H-70730	HN 1/4"- 28 SS	1
26	H-70861	NYLOK 5/16" - 18 SS	17
27	H-70923	KN #10-32 SS	8
28	H-71015	FW 5/16" X 3/4" SAE SS	9
29	H-71065	LW 5/16" SS	1
30	H-71067	LW 3/8" SS	6
31	H-72534	PPH #10-32 X 3/4" S/S	2
32	H-744??	CB 5/16"- 18 X 1/2" SS	2
33	H-74417	CB 1/4"- 20 X .5" SS	2
34	H-74429	CB 5/16"- 18 X 3/4" SS	7
35	H-74430	CB 5/16"- 18 X 1" SS	8
36	H-99001	FW 3/8" SS	1
37	H-NJ04C	JNYL 1/4" - 20 SS	2
38	INCL. W/MOTOR	1/4" X 1" KEY	1
39	M-6391K403	.312 ID X .375 OD X .25 LG BEARING SLEEVE	8
40	M-9434T27	3/4" DIA I HOLE TUBE STRAP	1

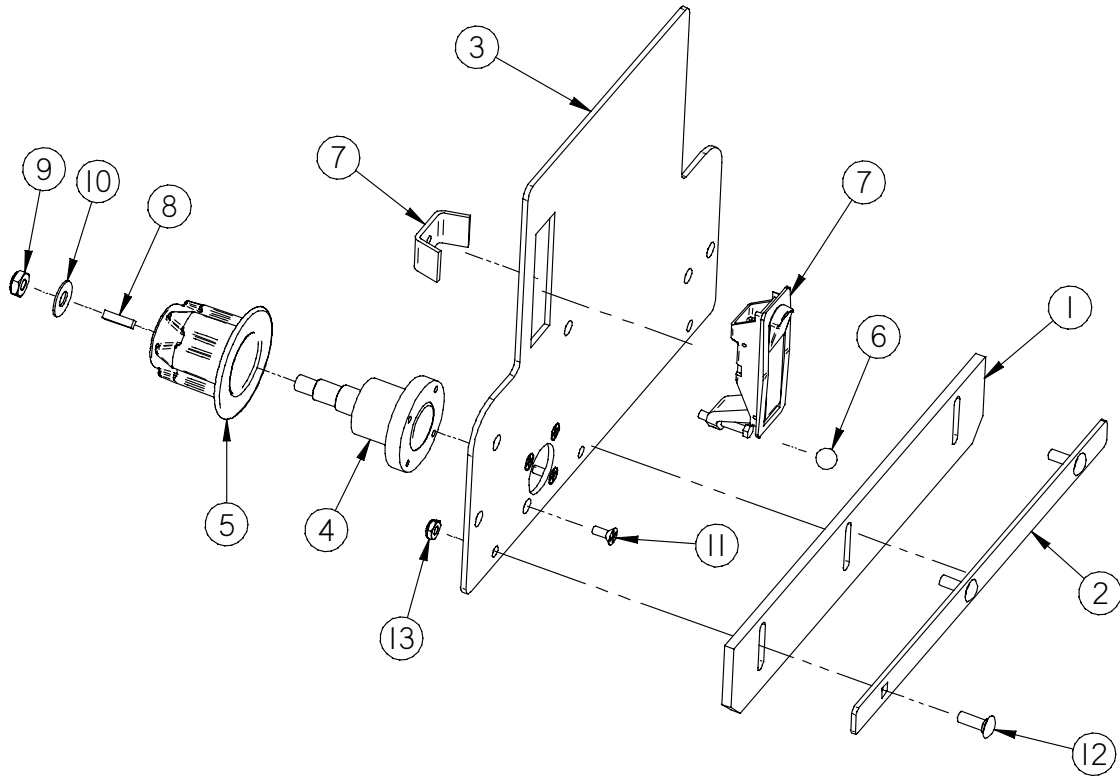


Item	Part Number	Part Description	Qty
1	170-1111	SHROUD PLATE	2
2	170-1150	DISK DECK PLATFORM, 26"	1
3	170-1155	CURTAIN BAND, 26"	1
4	170-1168	DISK DECK CURTAIN, 26"	1
5	170-1602	1/2" ID X 14" LG WIRE REINF. CLEAR TUBE	1
6	170-1605	1/2" ID X 2" LG WIRE REINF. CLEAR TUBE	1
7	170-1606	1/2" ID X 2-1/2" LG WIRE REINF. CLEAR TUBE	2
8	170-1609	1/2" ID X 5-1/2" LG WIRE REINF. CLEAR TUBE	1
9	170-9586	LATERAL ARM	1
10	21-2211	SPACER 1/2 OD X 1/4"	2
11	21-2500	MOTOR 3/4 HP X 270 RPM	2
12	21-4500	ADJUSTABLE SOLUTION FLOW VALVE	1
13	21-5000	BRUSH DRIVER	2
14	21-7205	STAR KNOB	1
15	290-1233	3/8" ID, 1/2" OD, 1/4" LG BEARING	8
16	5-124	LATERAL ARM	2
17	5-431	1/4" X 1" KEY	2
18	5-446	1/2" PLASTIC BARB TEE	1
19	5-447	1/2 NPT X 1/2" BARB ELBOW	2
20	5-913	INLINE FILTER	1
21	H-00222	FW 3/4 X 1 1/8 X 3/32 SS	2
22	H-01219	HCS 3/8"- 24 X 1 1/8" SS	1
23	H-0171004	JNYL 3/8- 24 SS	2
24	H-07005	1/2" NPT LOCKNUT	4
25	H-70055	HCS 5/16"- 18 X 1" SS	2
26	H-70105	HCS 3/8"- 16 X 1" SS	8
27	H-70141	HCS 3/8"-24 X 3/4" SS	2
28	H-70730	HN 1/4"- 28 SS	1
29	H-70861	NYLOK 5/16" - 18 SS	8
30	H-70923	KN #10-32 SS	2
31	H-70925	KN 1/4-20 S/S	5
32	H-71015	FW 5/16" X 3/4" SAE SS	10
33	H-71065	LW 5/16" SS	2
34	H-71067	LW 3/8" SS	11
35	H-72534	PPH #10-32 X 3/4" S/S	2
36	H-74417	CB 1/4"- 20 X .5" SS	7
37	H-74430	CB 5/16"- 18 X 1" SS	8
38	H-99001	FW 3/8" SS	2
39	H-NJ04C	JNYL 1/4" - 20 SS	2
40	M-639IK403	.312 ID X .375 OD X .25 LG BEARING SLEEVE	8



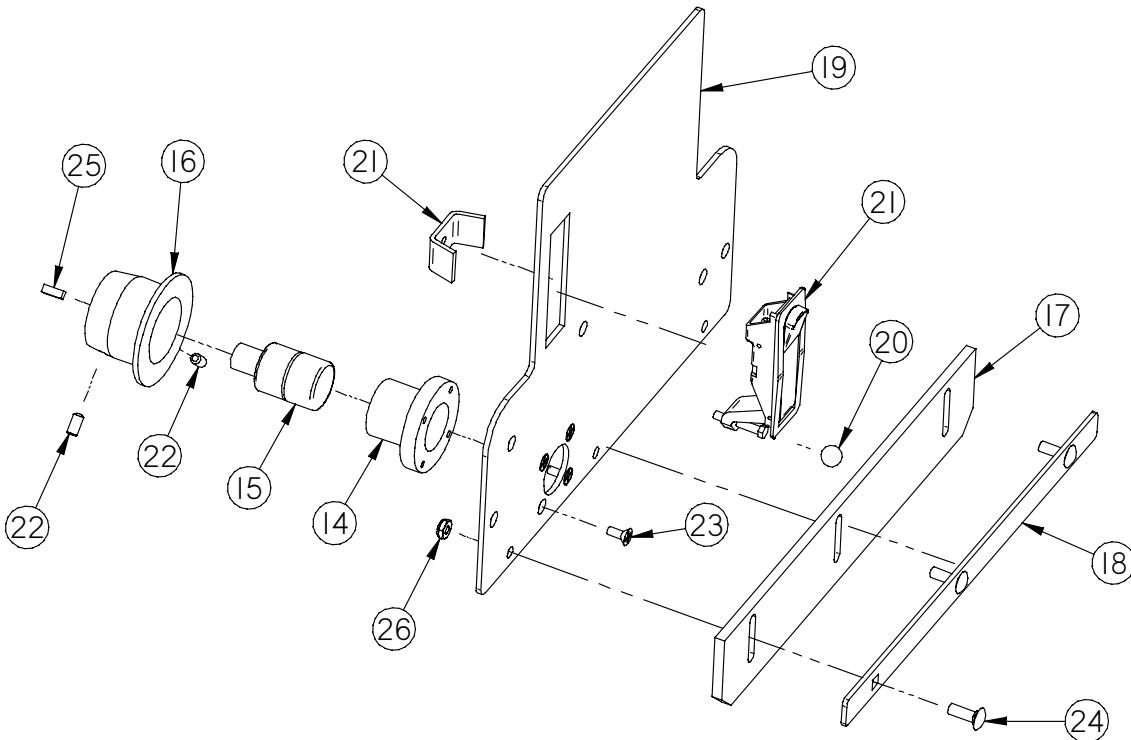
Item	Part Number	Part Description	Qty
1	21-1127	ROLLER	2
2	253-1160	JAW HINGE, INNER	1
3	253-1350	JAW LOCK	1
4	4-124	LATCH	1
5	H-13327	HB 5/8"- 11 X 7.0"	1
6	H-37038	JNYL 5/8"- 11	1
7	H-70711	HN 5/16"- 18 SS	2
8	H-70856	NYLOK #8-32 SS	2
9	H-70861	NYLOK 5/16" - 18 SS	5
10	H-70925	KN 1/4-20 S/S	11
11	H-71013	FNW 1/4" X 5/8" SS	2
12	H-72398	PPH #8-32 X 1/2" S/S	2
13	H-73459	SHCS 1/4-20 X 1/2 SS	1
14	H-74417	CB 1/4"- 20 X .5" SS	2
15	H-74418	CB 1/4"- 20 X 5/8" S/S	7
16	H-74419	CB 1/4"- 20 X .75" SS	4
17	H-74430	CB 5/16"- 18 X 1" SS	3
18	H-74631	5/16-18 X 2 1/4" SS U BOLT	1
19	H-NJ04C	JNYL 1/4" - 20 SS	3
20	H-RUE22	1/2" RUE RING COTTER	1
21	H-ZCP234	1/2" X 2 5/8" CLEVIS PIN	1
22	21-4060	6" LANYARD	1
23	4-124	CLIP, LATCH	1
24	H-70856	NYLOK #8-32 SS	2
25	H-70858	NYLOK #10-32 SS	1
26	H-72398	PPH #8-32 X 1/2" S/S	2
27	H-72515	PPH #10-32 X 1/2" S/S	1
28	H-ZCPI42	DET RING PIN, 3/8" X 1"	1

### "NEW STYLE" DOOR ASSEMBLY SERIAL #50000 & GREATER



---

### "OLD STYLE" DOOR ASSEMBLY PRIOR TO SERIAL #50000



## "NEW STYLE" DOOR ASSEMBLY SERIAL #50000 & GREATER

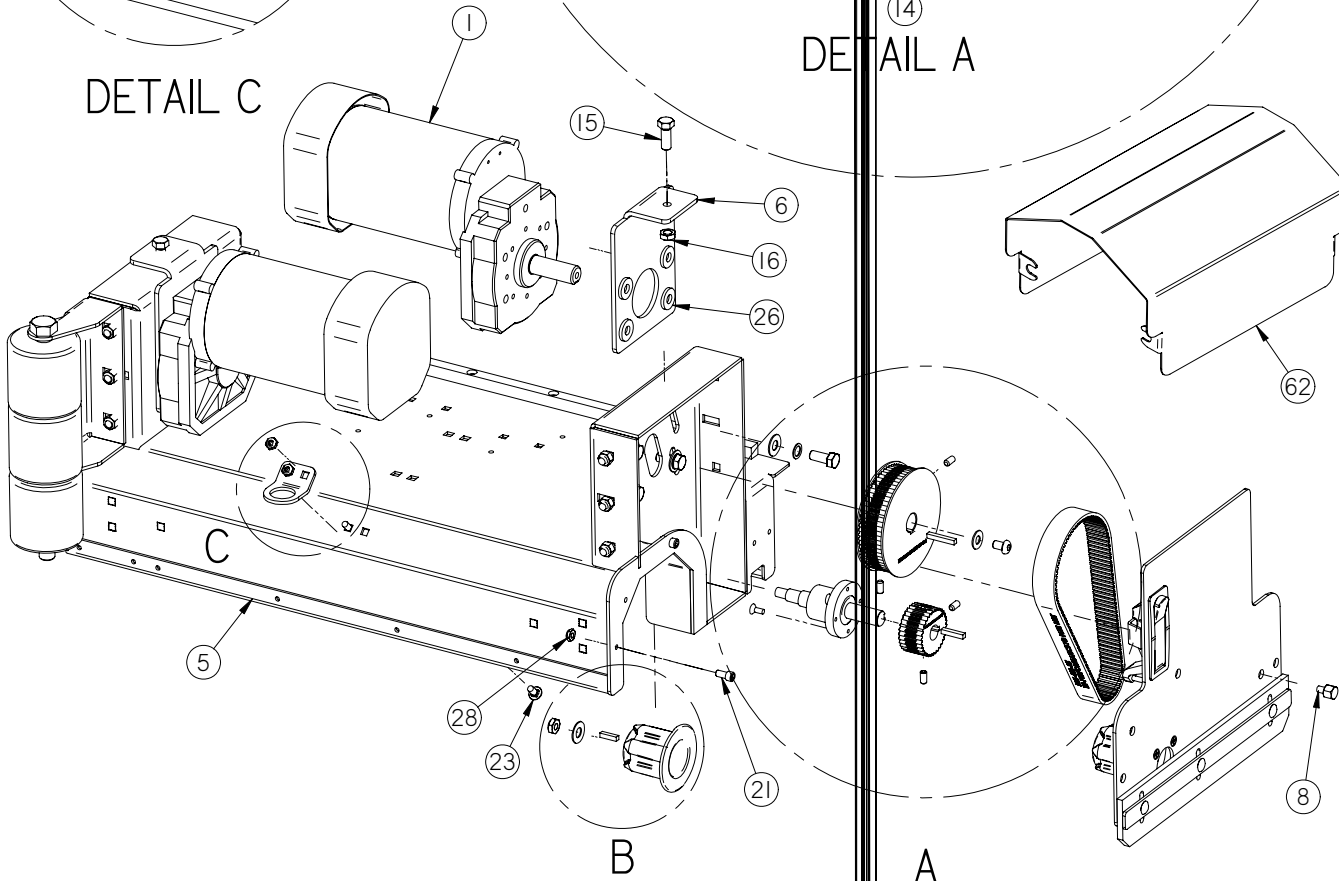
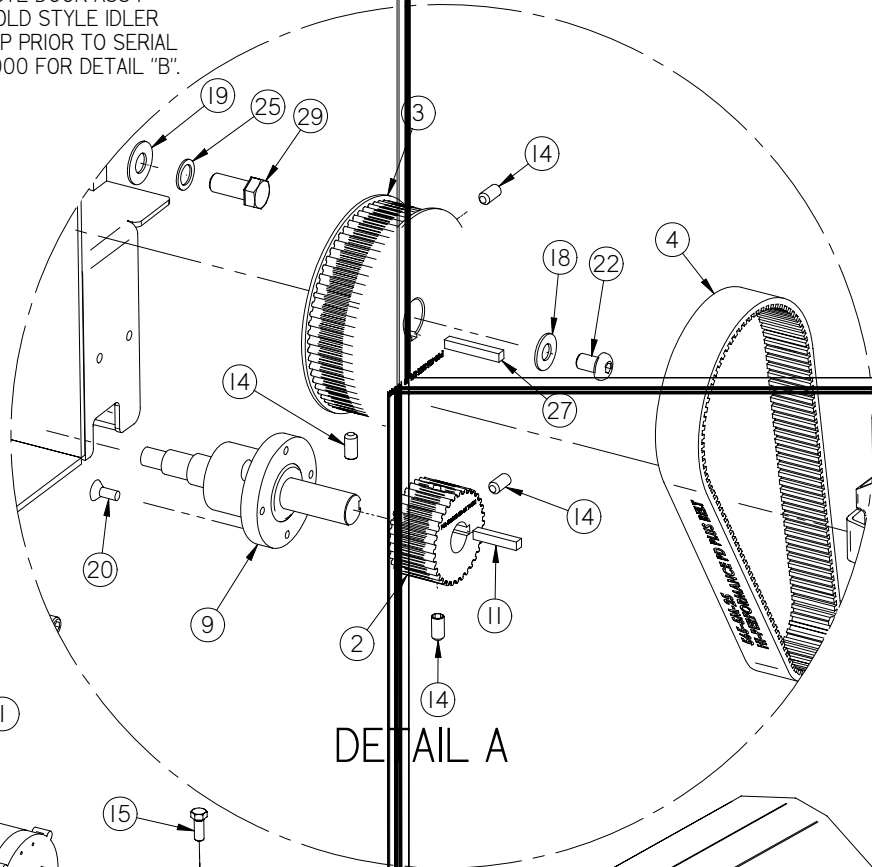
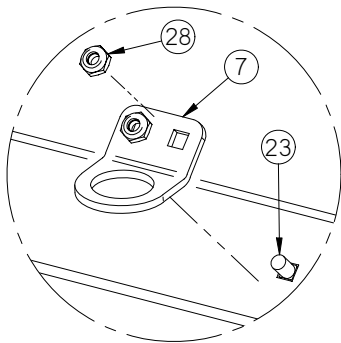
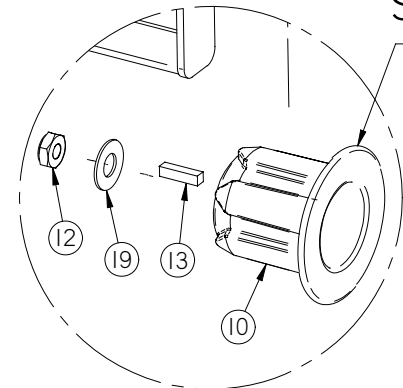
Item	Part Number	Part Description	Qty
1	253-9010	CYLINDRICAL WIPER	1
2	253-9015	WIPER BAND	1
3	253-9022	DRIVE COVER	1
4	370-8241A	IDLER DRIVE BEARING	1
5	370-8370	BRUSH DRIVER/IDLER (NEW STYLE)	1
6	5-100	GROMMET	1
7	5-130	DOOR LATCH	1
8	H-00270	3/16" X 3/4" KEY	1
9	H-0171004	JNYL 3/8- 24 SS	1
10	H-71017	FW 3/8" X 7/8" SS	1
11	H-72682	FHP #10-32 X 1/2" SS	4
12	H-74419	CB 1/4"- 20 X .75" SS	3
13	H-NJ04C	JNYL 1/4" - 20 SS	3

## "OLD STYLE" DOOR ASSEMBLY PRIOR TO SERIAL #50000

Item	Part Number	Part Description	Qty
14	1-305	BEARING HOUSING	1
15	253-8241	IDLER BEARING	1
16	253-8370	CYLINDRICAL BRUSH IDLER	1
17	253-9010	CYLINDRICAL WIPER	1
18	253-9015	WIPER BAND	1
19	253-9022	DRIVE COVER	1
20	5-100	GROMMET	1
21	5-130	DOOR LATCH	1
22	H-25382	SETSCREW, KCP, 1/4"-20 X 1/2"	2
23	H-72682	FHP #10-32 X 1/2" SS	4
24	H-74419	CB 1/4"- 20 X .75" SS	3
25	H-K1432	3/16" X 1/2" KEY	1
26	H-NJ04C	JNYL 1/4" - 20 SS	3

### SERIAL #50000 & GREATER

NOTE:  
SEE CYL DOOR ASSY  
FOR OLD STYLE IDLER  
SETUP PRIOR TO SERIAL  
#50000 FOR DETAIL "B".

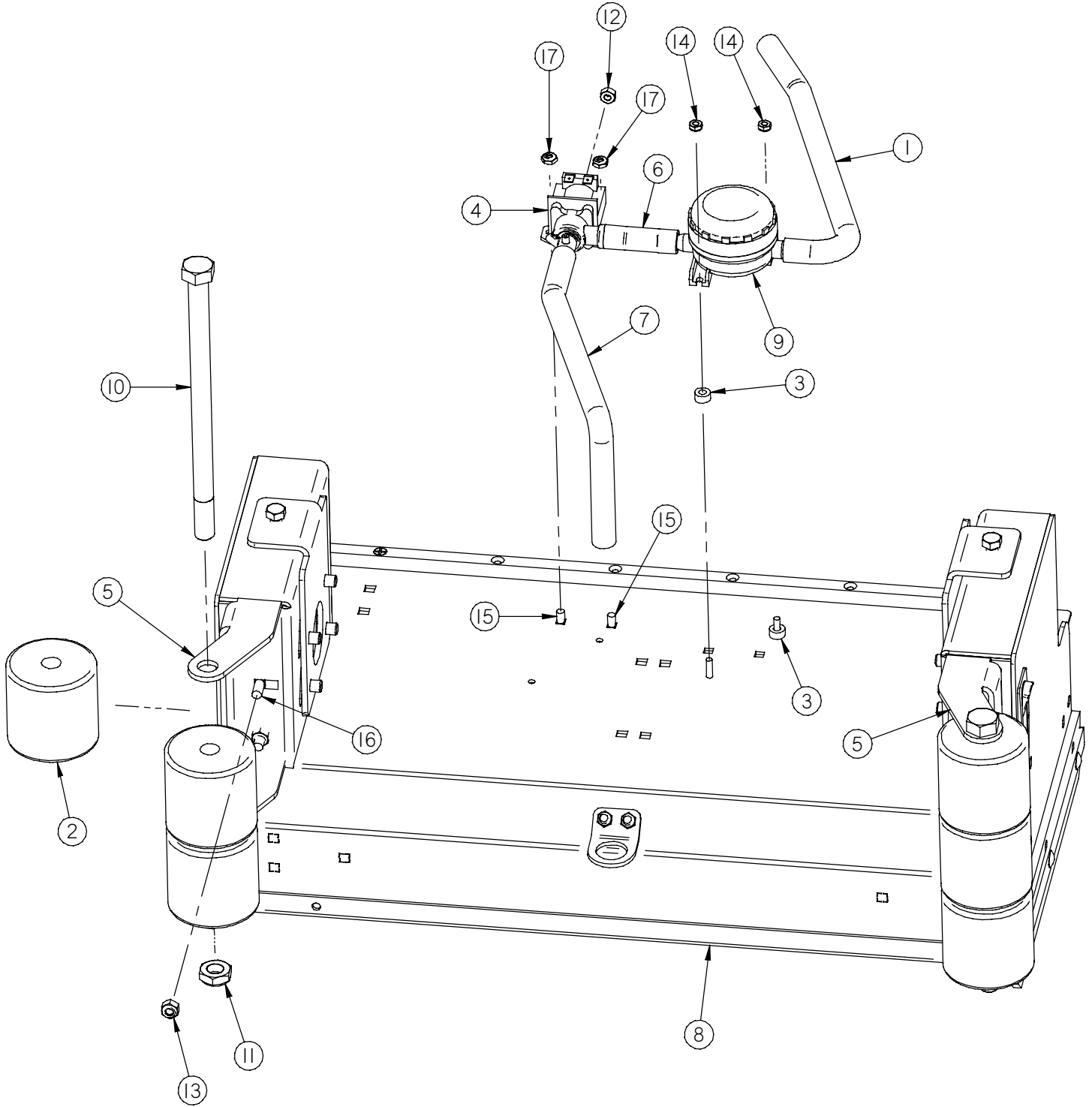


## SERIAL #50000 &amp; GREATER

Item	Part Number	Part Description	Qty
1	253-211	MOTOR, 24V, 3/4 HP, 350 RPM	2
2	253-8215	TIMING SPROCKET 32 TOOTH	2
3	253-8225	TIMING SPROCKET 68 TOOTH	2
4	253-8230	565-5M-25 HI-PERFORMANCE PD PLUS BELT	2
5	253-9000	CYLINDRICAL BRUSHHEAD, 24"	1
6	253-9002	MOTOR ADJ BRACKET	2
7	253-9003	QUICK DISCONNECT BRACKET	1
8	253-9024	THUMB SCREW	2
9	370-8240A	BEARING HOUSING/BEARING	2
10	370-8370	BRUSH DRIVER/IDLER (NEW STYLE)	2
11	H-01125	3/16" X 1" KEY	2
12	H-0171004	JNYL 3/8- 24 SS	2
13	H-0953152	3/16" X 3/4" KEY	2
14	H-25382	SETSCREW, KCP, 1/4"-20 X 1/2"	8
15	H-70142	HCS 3/8"- 24 X 1" S/S	2
16	H-70832	HX JAM .375-24 SS	2
17	H-70861	NYLOK 5/16" - 18 SS	5
18	H-71015	FW 5/16 ID X 3/4 OD SS	2
19	H-71017	FW 3/8 ID X 7/8 OD SS	10
20	H-72682	FHP #10-32 X 1/2" SS	8
21	H-73459	SHCS 1/4-20 X 1/2 SS	4
22	H-73777	BHSCS 5/16-18 X 1/2"	2
23	H-74417	CB 1/4"- 20 X .5" SS	2
24	H-74429	CB 5/16"- 18 X 3/4" SS	5
25	H-90895	WASHER, SERRATED BELLEVILLE, 3/8", S/S	8
26	H-98025	FW 3/8" GRADE 8	10
27	H-K14320	3/16" X 1 1/4" KEY	2
28	H-NJ04C	JNYL 1/4" - 20 SS	2
29	M-92865A214	HCS 3/8"-24 X 7/8" SS	6

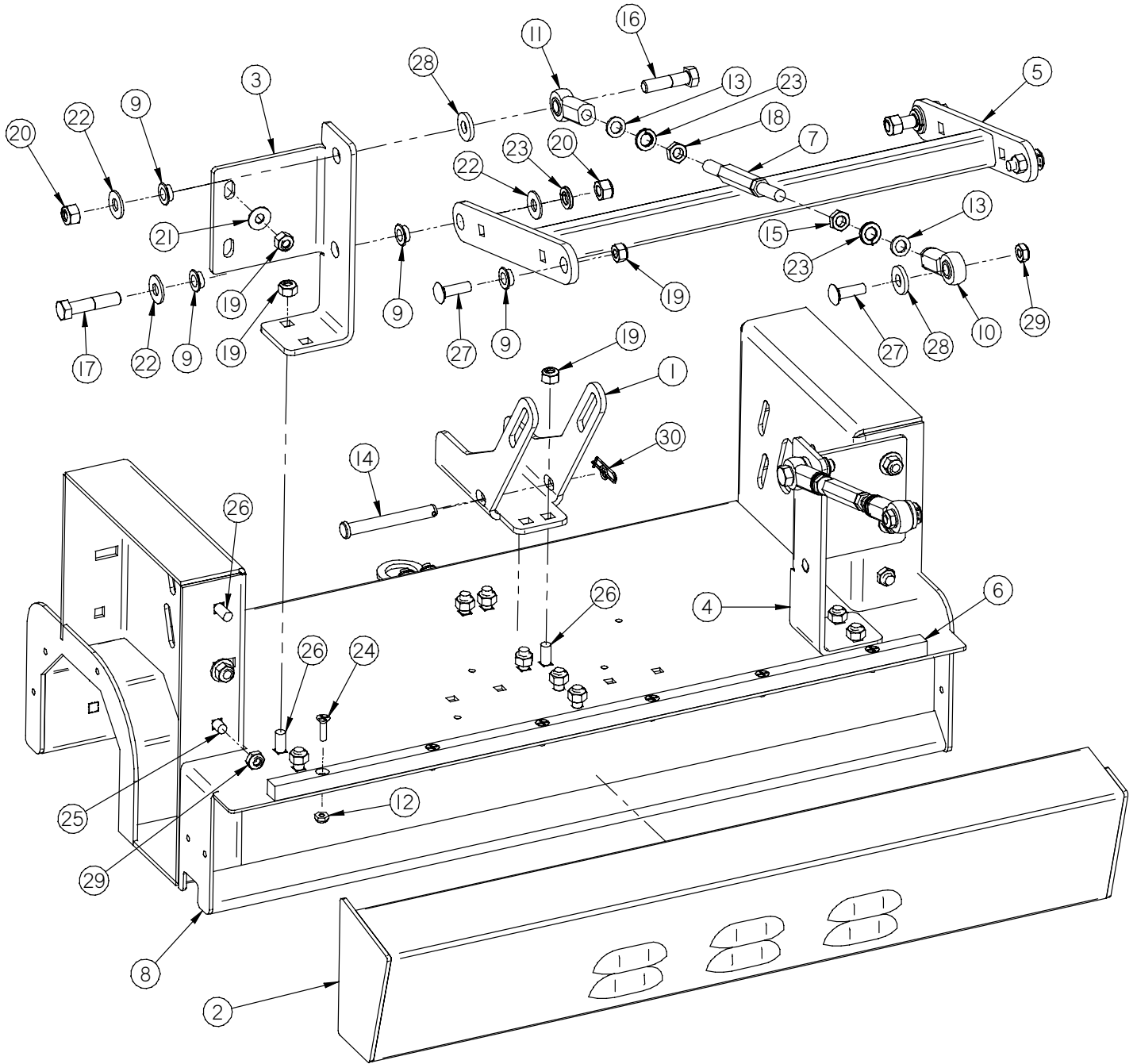
NOTE: SEE COMMON WEAR PARTS PAGE FOR BRUSH SELECTION.

# 54 Cylindrical Deck Assembly



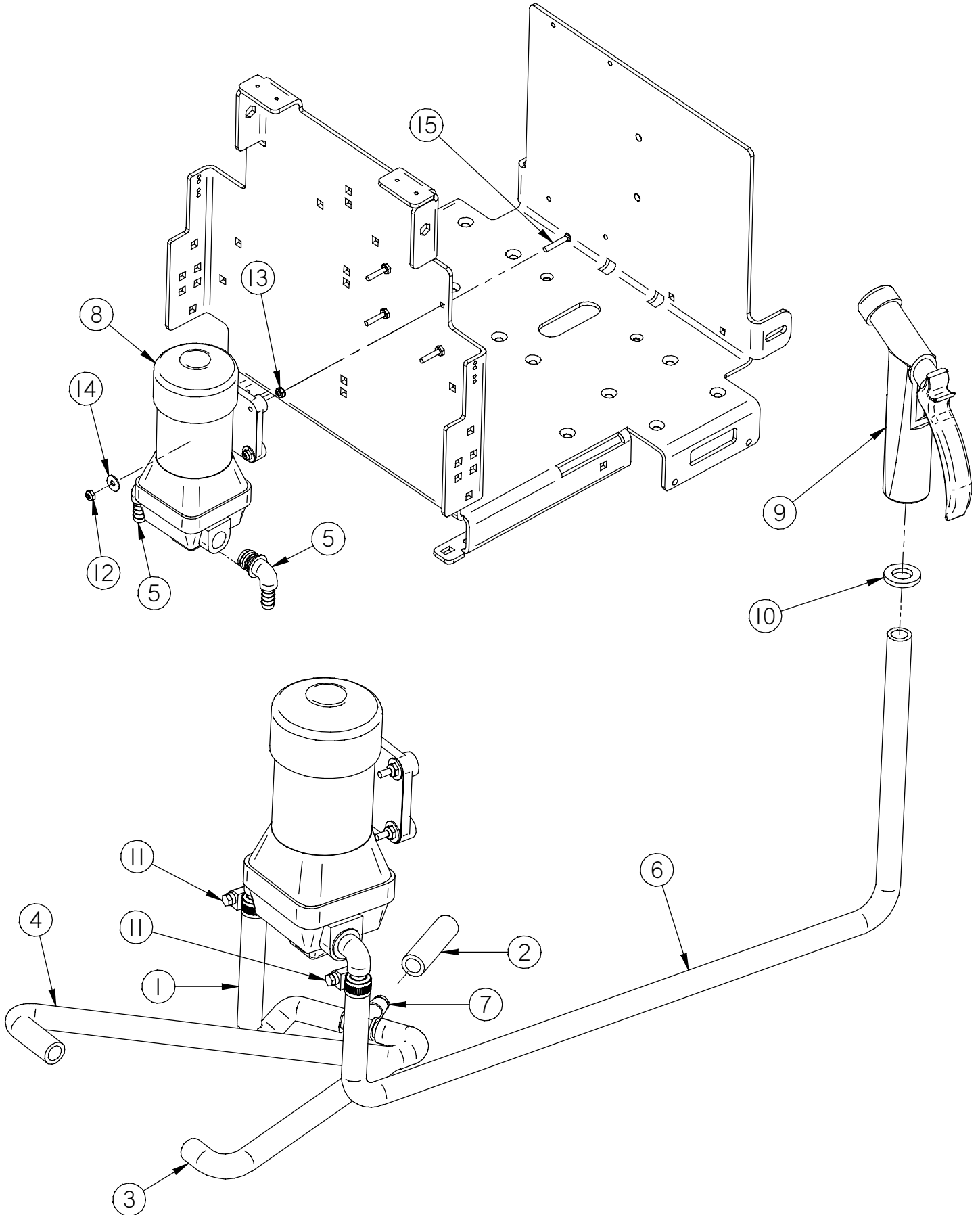
Item	Part Number	Part Description	Qty
1	170-1615	1/2" ID X 16" LG WIRE REINF. CLEAR TUBE	1
2	21-1127	ROLLER	6
3	21-2211	SPACER 1/2 OD X 1/4"	2
4	21-4500	ADJUSTABLE SOLUTION FLOW VALVE	1
5	253-1128	ROLLER BRACKET	2
6	253-1606	1/2" ID X 2-3/4" LG WIRE REINF. CLEAR TUBE	1
7	253-1607	1/2" ID X 12-1/4" LG WIRE REINF. CLEAR TUBE	1
8	253-9000	CYLINDRICAL BRUSHHEAD, 24"	1
9	5-913	INLINE FILTER	1
10	H-11333	HB 5/8"- 11 X 10"	2
11	H-37038	JNYL 5/8"- 11	2
12	H-70730	HN 1/4"- 28 SS	1
13	H-70861	NYLOK 5/16" - 18 SS	1
14	H-70923	KN #10-32 SS	2
15	H-74417	CB 1/4"- 20 X .5" SS	2
16	H-74429	CB 5/16"- 18 X 3/4" SS	1
17	H-NJ04C	JNYL 1/4" - 20 SS	2

# 56 Cylindrical Deck Assembly

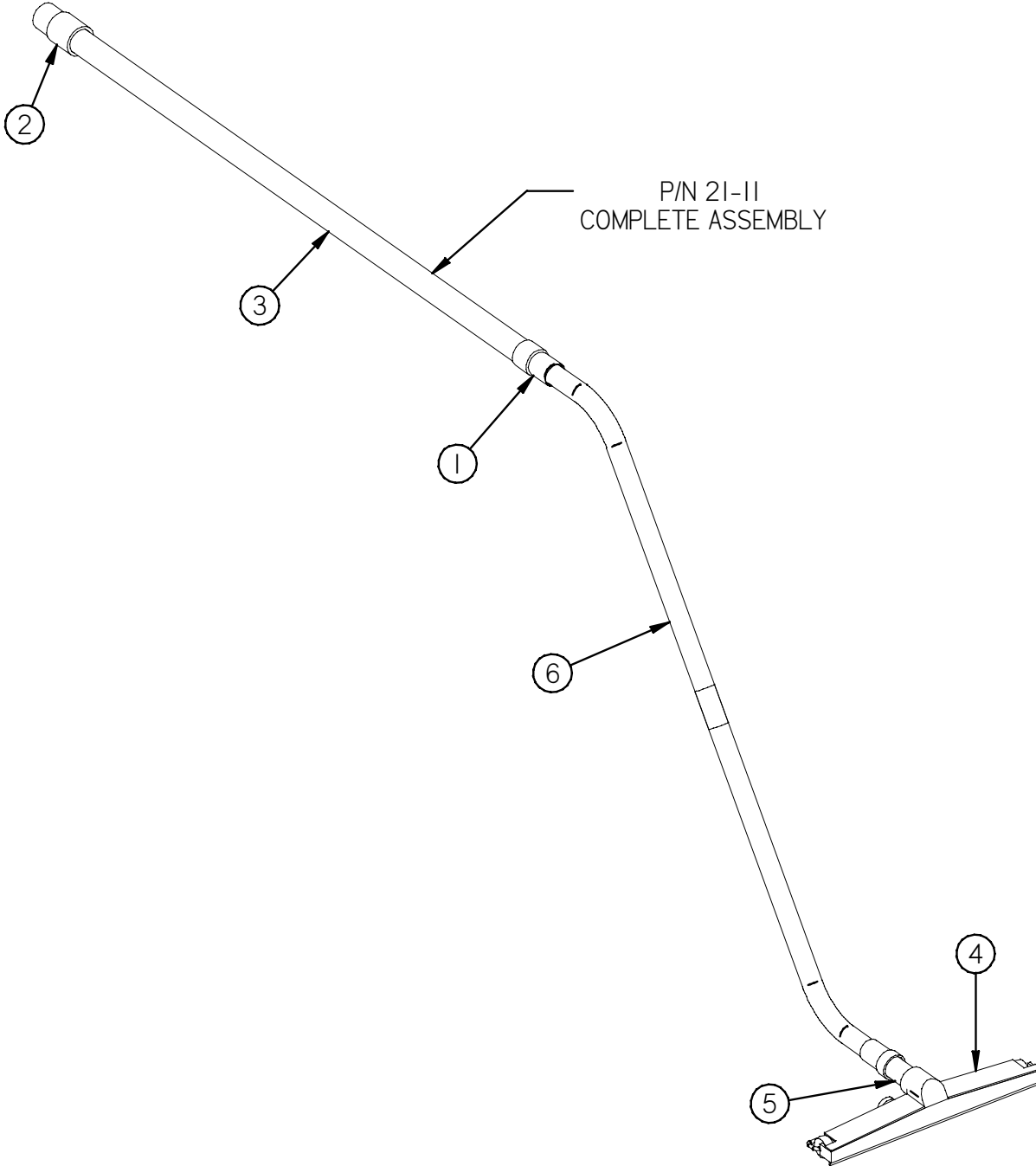


Item	Part Number	Part Description	Qty
1	170-9003	CYLINDRICAL LIFTING BRACKET	1
2	170-9060	24" HOPPER	1
3	170-9070	CYLINDRICAL LIFTING BRACKET, LEFT, 24"	1
4	170-9071	CYLINDRICAL LIFTING BRACKET, RIGHT, 24"	1
5	170-9590	LATERAL ARM	1
6	22-8320	HOPPER RAIL	1
7	253-8435	ADJUSTABLE LATERAL ARM BODY	2
8	253-9000	CYLINDRICAL BRUSHHEAD, 24"	1
9	290-1233	3/8" ID, 1/2" OD, 1/4" LG BEARING	8
10	290-9584	ROD END, 3/8-24 LEFT HAND THREAD	2
11	290-9585	ROD END, 3/8-24 RIGHT HAND THREAD	2
12	H-0129155	JNYL #10-32, 18-8 S/S	8
13	H-02949	3/8 ID X 5/8 OD SHIM	4
14	H-03183	CLEVIS PIN 3/8" x 3.00"	1
15	H-36956	LH HX JAM .375-24 SS	2
16	H-70109	HCS 3/8"- 16 X 1-1/2" SS	2
17	H-70110	HCS 3/8"- 16 X 1-3/4" SS	2
18	H-70832	HX JAM .375-24 SS	2
19	H-70861	NYLOK 5/16" - 18 SS	11
20	H-70862	NYLOK 3/8"-16 SS	4
21	H-71015	FW 5/16" X 3/4" SS	4
22	H-71017	FW 3/8" X 7/8" SS	6
23	H-71067	LW 3/8" SS	6
24	H-72684	FHP 10-32 X 3/4" SS	6
25	H-744??	CB 5/16"- 18 X 1/2" SS	2
26	H-74429	CB 5/16"- 18 X 3/4" SS	10
27	H-74430	CB 5/16"- 18 X 1" SS	4
28	H-98025	FW 3/8" GRADE 8	4
29	H-NJ05C	JNYL 5/16"- 18 SS	4
30	H-RUE14	3/8" RUE RING COTTER	1

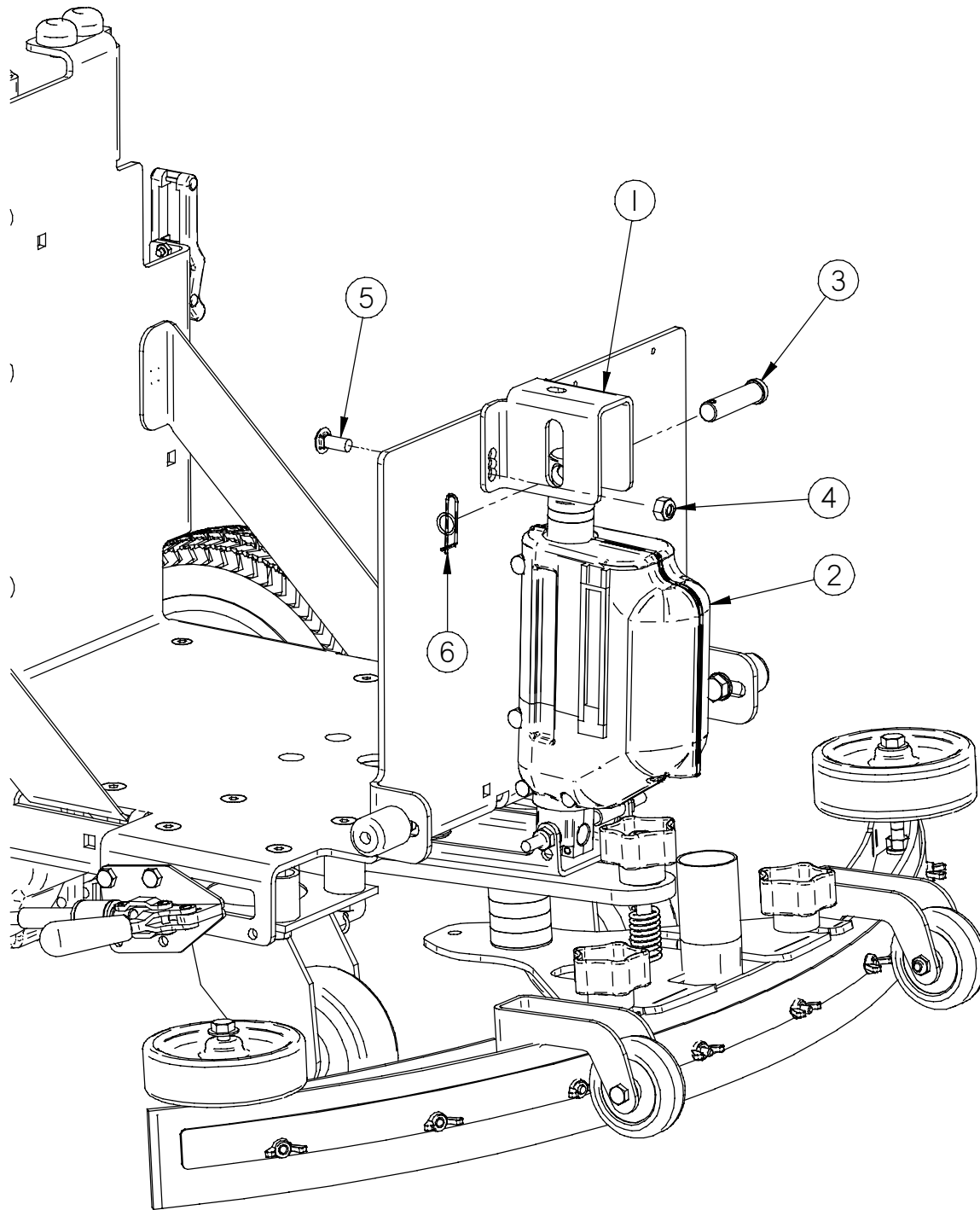
NOTE: SEE COMMON WEAR PARTS PAGE FOR BRUSH SELECTION.



Item	Part Number	Part Description	Comments	Qty
1	170-1610	1/2" ID X 8-1/2" LG. WIRE REINF. CLEAR TUBE		1
2	170-1611	1/2" ID X 2-1/2" LG. WIRE REINF. CLEAR TUBE		1
3	170-1612	1/2" ID X 11" LG. WIRE REINF. CLEAR TUBE	Disk Machine's Only	1
4	170-1616	1/2" ID X 17" LG. WIRE REINF. CLEAR TUBE	Cylindrical Machine's Only	1
5	21-1601	1/2" BARBED ELBOW (PLASTIC)		2
6	253-8960	GARDEN HOSE, 10' LG		1
7	5-446	1/2 " PLASTIC BARB TEE		1
8	5-891	PUMP, WATER JET		1
9	5-895	SPRAY NOZZLE		1
10	H-0491686	.625 ID X 1.125 OD RUBBER WASHER		1
11	H-62005	HOSE CLAMP 5/8"- 1-1/2" SS		2
12	H-70858	NYLOK #10-32 SS		4
13	H-70923	KN #10-32 SS		4
14	H-71010	FW 3/16 x 11/16 OD SS		4
15	H-72522	CB #10-32 X 1-1/4" SS		4



Item	Part Number	Part Description	Qty
1	21-4072	HOSE CUFF, 1 1/2"	1
2	290-7212	1-1/2" - 2" HOSE CUFF	1
3	5-883	HOSE, VACUUM, 1-1/2" X 15', W/CUFFS	1
4	5-889	VACUUM NOZZLE	1
5	7-884	COUPLER, S/S	1
6	7-887	TWO PIECE CHROME VAC WAND	1

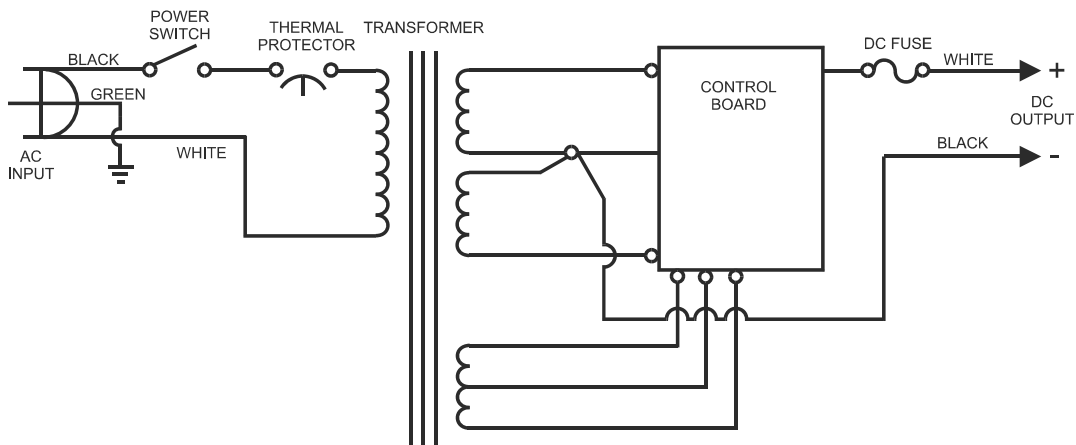


Item	Part Number	Part Description	Qty
1	253-1099	AUTO SQUEEGEE LIFT BRACKET	1
2	253-2240	2" STROKE 24V ACTUATOR 450 LB LOAD	1
3	H-0156771	CLEVIS PIN, 1/2" OD X 2" LG.	1
4	H-70861	NYLOK 5/16" - 18 SS	2
5	H-74429	CB 5/16"- 18 X 3/4" SS	2
6	H-RUE22	1/2" RUE RING COTTER	1



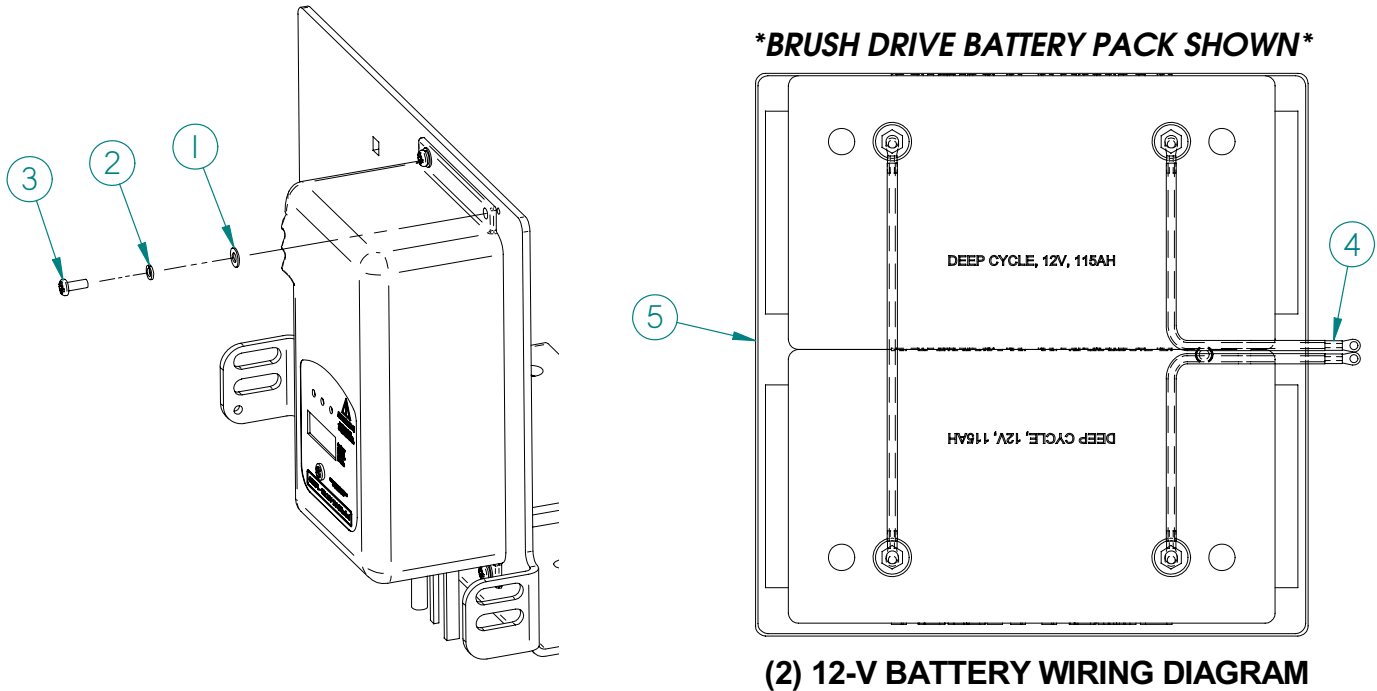
## 170-2440 CHARGER PARTS LIST

### WIRING DIAGRAM



PARTS LIST FOR  
 PART # 170-2440  
 115 VAC / 60 HZ  
 24 VDC - 12A

PART NO.	QTY.	DESCRIPTION
S/O	1	CASE ASSEMBLY
S/O	1	TRANSFORMER
170-2440S	1	POWER SWITCH
21-2449	1	BUSHING, STRAIN RELIEF, FOR CORDS
S/O	1	CORDSET, AC, 18/3, 102", W/ MOLDED PLUG
21-2451	1	CORDSET, DC, 14/2, 108", W/ SB50 RED PLUG
19630S	1	ELECTRONIC TIMER ASSEMBLY



Item	Part Number	Part Description	Qty
1	H-71009	FW #10 SS	1
2	H-71059	LW #10, SS	1
3	H-72440	PPH #10-24 X 1/2" S/S	1
4	170-1900	WIRE HARNESS, COMPLETE	1
5	190-0000	BATTERY TRAY	1

WHICH BATTERY CHARGER TO USE WITH BATTERY SELECTION				
Battery Part Number & Description	Off-Board Charger North American	Off-Board Charger Export	On-Board Charger North American	On-Board Charger Export
170-2110 (12V, 115 AH)	170-2440	170-2443	170-2441	170-2442
170-2111 (12V, 155 AH)	170-2440	170-2443	170-2441	170-2442
190-2271 (12V, 115 AH, M.F.)	170-2440	170-2443	170-2452	170-2453
170-2109 (12V, 130 AH)	170-2440	170-2443	170-2441	170-2442

Note: Japan & Korea are not included for list above.

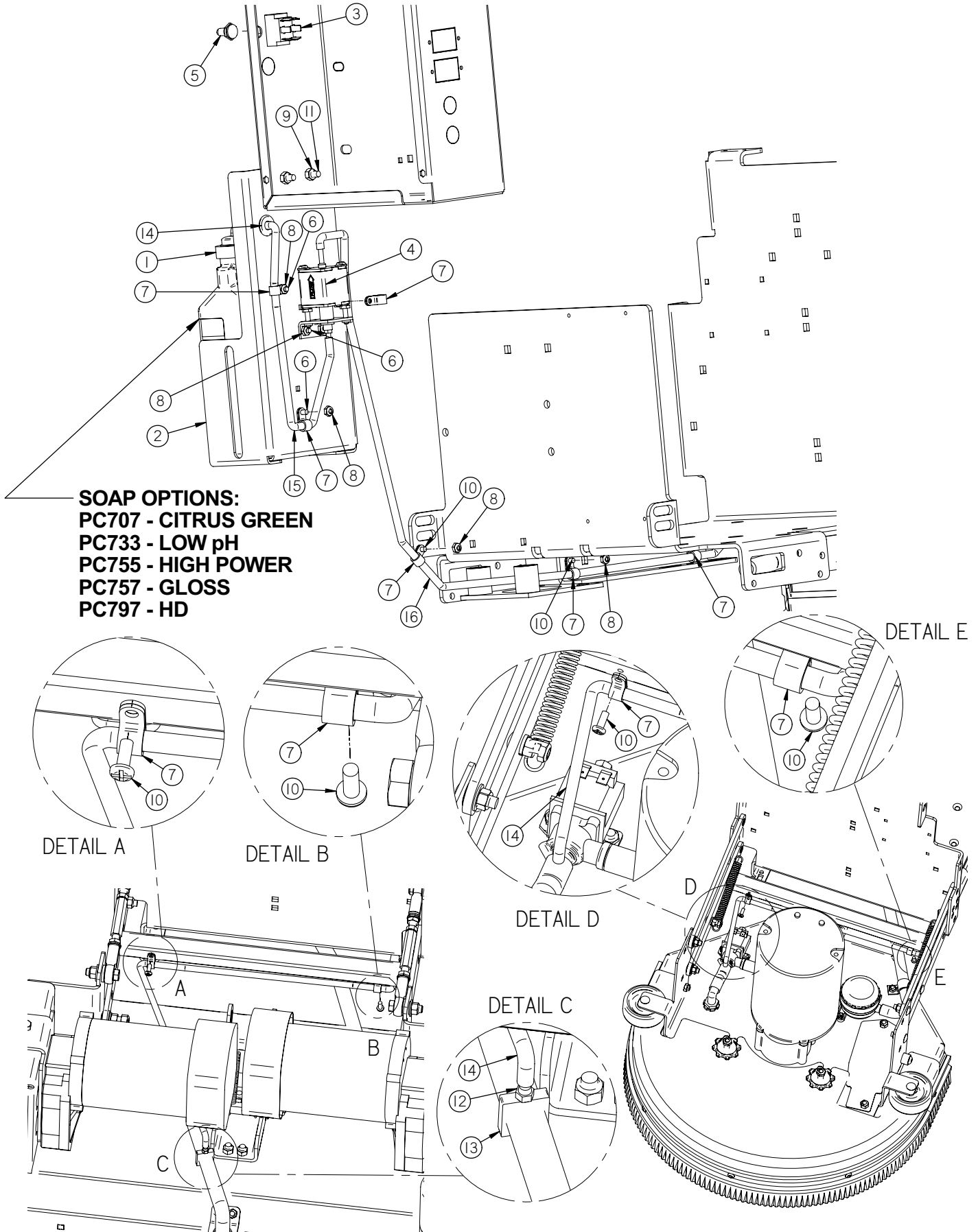
**BATTERY NOTE:**

P/N 170-2110 IS STANDARD ON BRUSH DRIVE MACHINES.

P/N 170-2111 IS STANDARD ON TRACTION DRIVE & OPTIONAL ON BRUSH DRIVE MACHINES.

P/N 190-2271 IS OPTIONAL ON TRACTION DRIVE & BRUSH DRIVE MACHINES.

P/N 170-2109 IS OPTIONAL ON TRACTION DRIVE & BRUSH DRIVE MACHINES.



Item	Part Number	Part Description	Qty
1	253-0115	SOAPJUG CAP	1
2	253-1760	SOAP TRAY, SINGLE	1
3	253-283	SWITCH, TOGGLE, ON/OFF/ON (DPDT)	1
4	253-8500	SOAP PUMP, 24V	1
5	H-01198	PROTECTIVE BOOT, TOGGLE SWITCH, (GREEN)	1
6	H-0172518	CB #10-32 X 1/2" SS	5
7	H-02239	3/8" NYLON LOOP CLAMP	8
8	H-70858	NYLOK #10-32 SS	8
9	H-70860	NYLOK 1/4"- 20 SS	2
10	H-72515	PPH #10-32 X 1/2" S/S	5
11	H-74419	CB 1/4"- 20 X .75" SS	2
12	M-2974K369	NYLON BARBED TUBE FITTING, 3/16 ID X 1/16" NPT	1
13	M-5116K46	1/2" X 1/2" BARB	1
14	M-9307K23	GROMMET, RUBBER 3/8 ID X 7/8 OD X 1/8 TH.	1
15	T-018CR2000	3/16" ID X 20" LG. C.R. TUBE	1
16	T-018CR7200	3/16" ID X 72" LG. C.R. TUBE	1