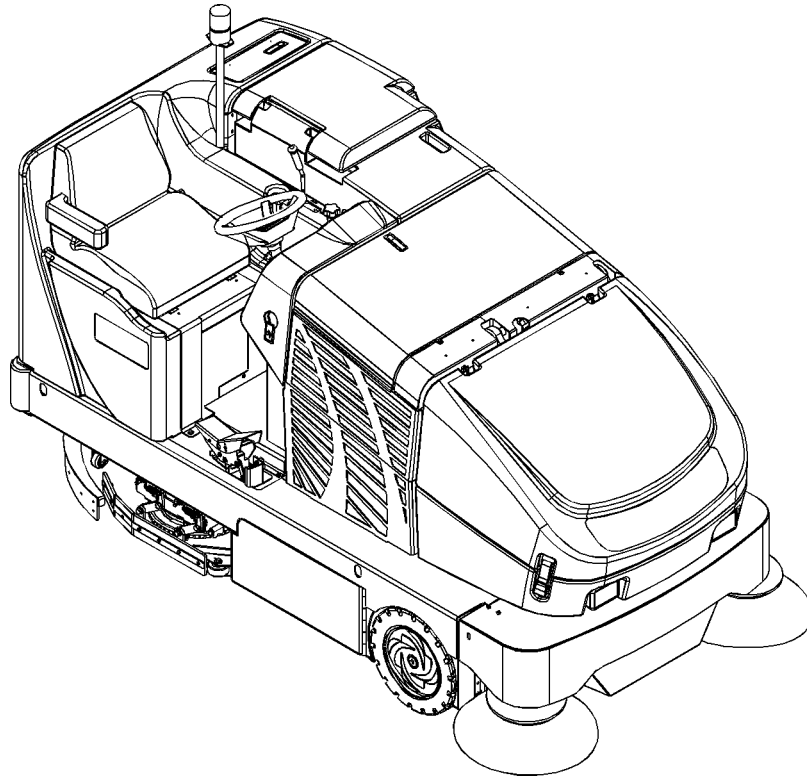


Captor™ 4300B, 4800B



PARTS LIST

Advance MODELS: 56303000 (4800), 56303001 (4300)
56303591 (4300 AXP), 56303592 (4800 AXP)



Advance

by Nilfisk-Advance

3/04 revised 11/08 FORM NO. 56042441

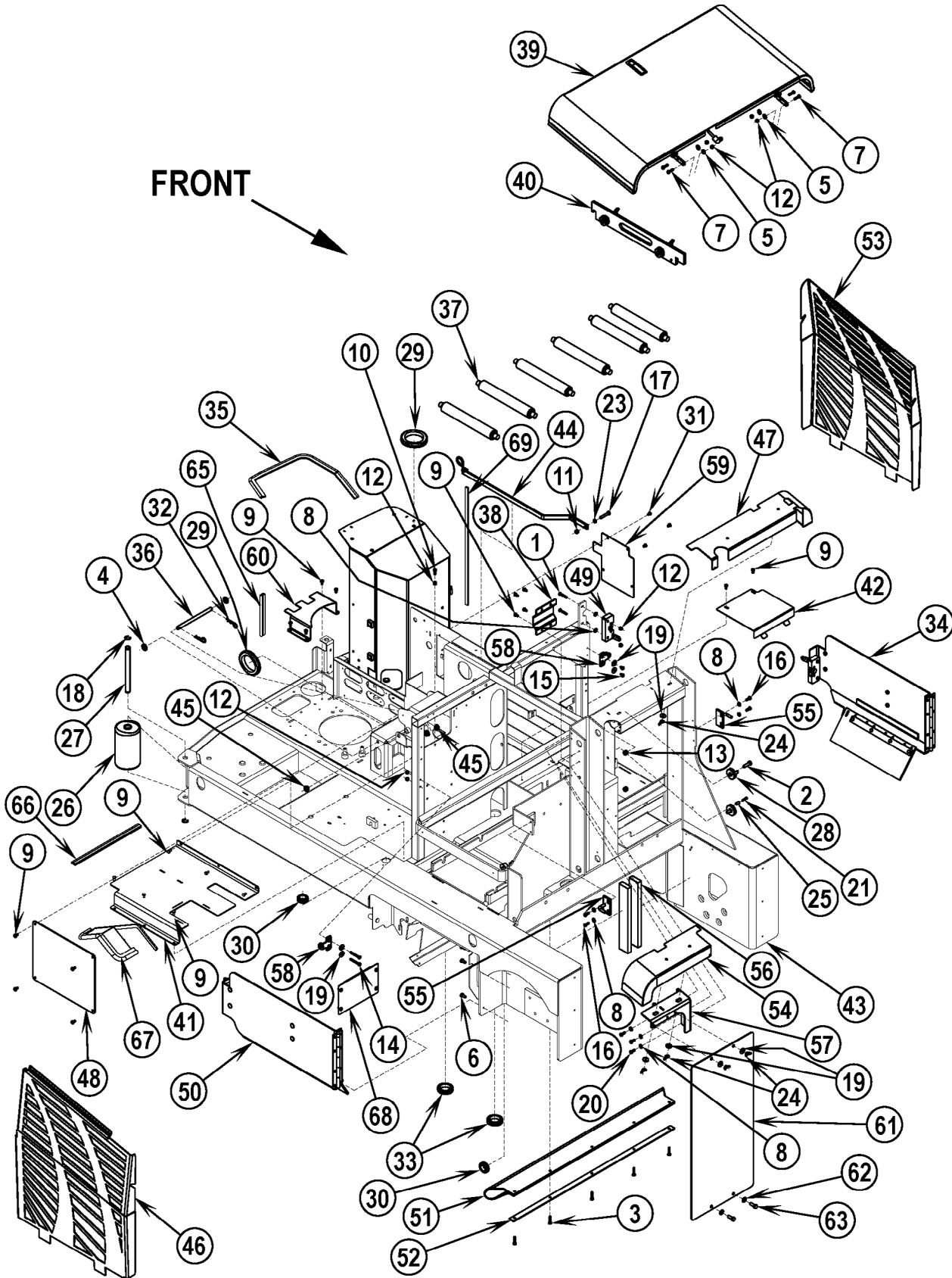
| DESCRIPTION | PAGE |
|----------------------------------------------------|-------|
| Chassis System..... | 2-3 |
| Chassis System Sub-Assemblies..... | 4-5 |
| Control System..... | 6-7 |
| Control System Sub-Assemblies..... | 8-9 |
| Decal System..... | 10-11 |
| Detergent Injection System (Control Box Assy)..... | 12-13 |
| Detergent Injection System (Pump Assy)..... | 14-15 |
| Drive System..... | 16-17 |
| Dust Control System..... | 18-19 |
| Electrical System..... | 20-21 |
| Electrical System Sub-Assemblies..... | 22-23 |
| Front Wheel System..... | 24-25 |
| Hopper System..... | 26-27 |
| Hopper System Sub-Assemblies..... | 28-29 |
| Hydraulic System..... | 30-31 |
| Main Broom System..... | 32-33 |
| Main Broom System Sub-Assemblies..... | 34-35 |
| Recovery System..... | 36-37 |
| Recovery Tank Assembly-4300B..... | 38-39 |
| Recovery Tank Assembly-4800B..... | 40-41 |
| Scrub System..... | 42-43 |
| Scrub System Skirt-Assemblies..... | 44-45 |
| Side Broom System..... | 46-47 |
| Side Broom System Sub-Assemblies..... | 48-49 |
| Solution System-4300B..... | 50-51 |
| Solution System-4800B..... | 52-53 |
| Solution System Sub-Assemblies..... | 54-55 |
| Squeegee System-4300B..... | 56-57 |
| Squeegee System-4800B..... | 58-59 |
| Squeegee Assembly..... | 60-61 |
| Steering System (before April 2009)..... | 62-63 |
| Steering System (after March 2009)..... | 64-65 |
| Wiring Diagram - 1 (before SN1779197)..... | 66-67 |
| Wiring Diagram - 2 (before SN1779197)..... | 68-69 |
| Wiring Diagram - 1 (after SN1779196)..... | 70-71 |
| Wiring Diagram - 2 (after SN1779196)..... | 72-73 |
| Wiring Diagram - 3 (after March 2009)..... | 74 |
| Optional Kits and Accessories..... | 75 |
| Broom Selector Guide..... | 76 |
| Brush Selector Guide..... | 77 |

WHEN ORDERING PARTS

- * Use the part numbers from the "Ref. No." columns in this parts list.
- * Specify the model and serial number of the machine.
- * Use the space below to record the model and serial number for future reference.

Model _____ Serial No. _____

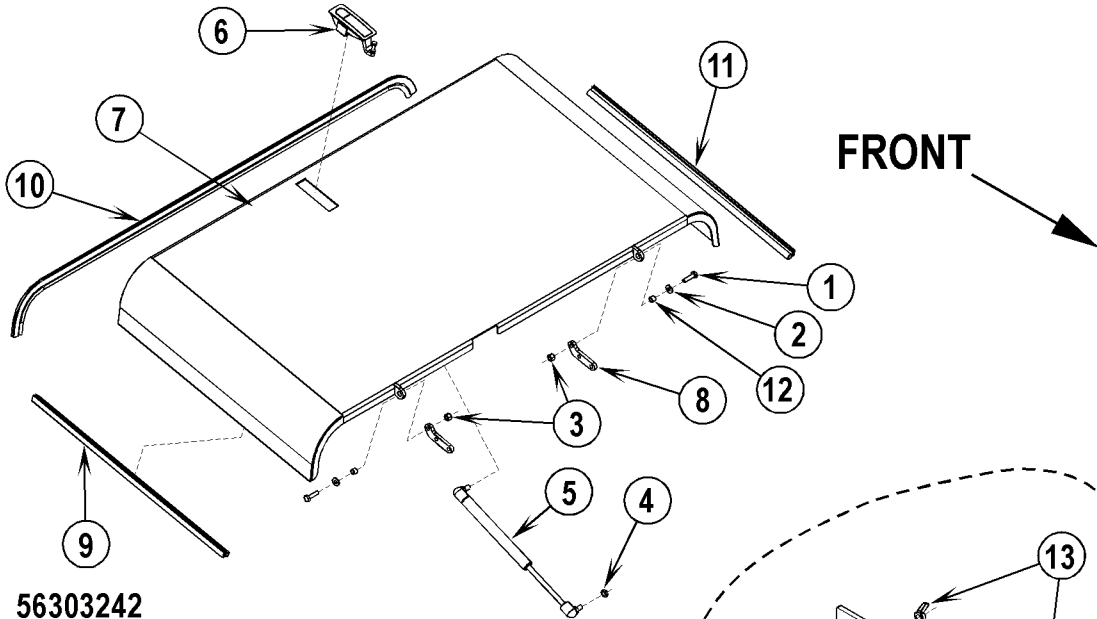
FRONT



| Item | Ref. No. | Qty | Description | Item | Ref. No. | Qty | Description |
|------|----------|-----|-------------------------------------|------|----------|-----|--------------------------------|
| 1 | 56002786 | 2 | Scr, Pan Phil 1/4-20 x 1.50 | 41 | 56303312 | 1 | Floor Weldment, Operator |
| 2 | 56001858 | 2 | Scr, Hex Hd 3/8-16 x 1.25 | 42 | 56303315 | 1 | Cover, Broom Motor |
| 3 | 56001878 | 5 | Scr, Hex Hd 1/4-20 x 1.25 | 43 | 56303319 | 1 | Weldment, Chassis |
| 4 | 56001879 | 2 | Wsh, Flt SAE 1/2 | 44 | 56304473 | 1 | Prop Rod Linkage Weldment |
| 5 | 56001906 | 4 | Wsh, Flt Std 1/4 | 45 | 56304519 | 3 | Bearing, Fl .625 x .500 x .375 |
| 6 | 56002929 | 6 | Scr, Hex Hd Loc 5/16-18 x .62 | 46# | 56304583 | 1 | Panel, Right |
| 7 | 56002093 | 4 | Scr, Hex Hd 1/4-20 x 1.00 | 47 | 56304692 | 1 | Top Cosmetic Cover |
| 8 | 56002098 | 9 | Wsh, Flt SAE 1/4 | 48 | 56304787 | 1 | Cover, Control Box |
| 9 | 56009033 | 20 | Scr, Hex Thd Form 1/4-20 x .50 | 49 | 56304827 | 1 | Latch, RH |
| 10 | 56002155 | 2 | Scr, Hex Hd 1/4-20 x .75 | 50 | 56304876 | 1 | Right Broom Door Assy |
| 11 | 56002701 | 1 | Nut, Hex Nyl Loc 5/16-18 | 51 | 56304926 | 1 | Blade, Dump Door Shield |
| 12 | 56002708 | 10 | Nut, Hex Nyl Loc 1/4-20 | 52 | 56304927 | 1 | Strap, Dump Door Shield |
| 13 | 56002769 | 2 | Nut, Hex Nyl Loc 3/8-16 | 53 | 56304958 | 1 | Panel, Left |
| 14 | 56001874 | 2 | Scr, Hex Hd 1/4-20 x 2.00 | 54 | 56304968 | 1 | Top Cover |
| 15 | 56002933 | 2 | Scr, Hex Hd Loc 1/4-20 x .38 | 55 | 56305095 | 2 | Latch Weldment |
| 16 | 56002948 | 4 | Scr, Hex Hd Loc 1/4-20 x .75 | 56 | 56305197 | 2 | Gasket |
| 17 | 56003005 | 1 | Scr, Hex Hd 5/16-18 x 1.75 | 57 | 56305281 | 1 | Cover Mount Weldment |
| 18 | 56003266 | 4 | Ring, Ret Ext Type E 0.75 Dia. | 58 | 56305331 | 2 | Weldment, Panel Lock |
| 19 | 56009002 | 10 | Wsh, Flt .266 x .906 x .060 | 59 | 56307168 | 1 | Panel, Broom Lift Adjust |
| 20 | 56009018 | 3 | Scr, Hex Thd Form 1/4-20 x .75 | 60 | 56303380 | 1 | Guard, Steering Chain |
| 21 | 56009038 | 2 | Scr, Hex Thd Form 10-24 x .88 | 61 | 56303384 | 1 | Cover, Rubber |
| 22 | | | Intentionally Omitted | 62 | 56002063 | 2 | Wsh, Flt SAE 3/8 |
| 23 | 56009086 | 1 | Nut, Hex Jam 5/16-18 | 63 | 56002947 | 2 | Scr, Hex Hd Loc 3/8-16 x 1.00 |
| 24 | 56002084 | 6 | Nut, Wing 1/4-20 | 64 | | | Intentionally Omitted |
| 25 | 56200239 | 2 | Bushing .20 x .37 x .62 | 65 | 56303462 | 1 | Gasket |
| 26 | 56409335 | 2 | Bumper | 66 | 56303463 | 1 | Gasket |
| 27 | 56409336 | 2 | Pin | 67 | 56303454 | 1 | Shield Assy |
| 28 | 56416546 | 2 | Shielded Pulley | * | 56009019 | 2 | Scr, Hex Thd Form 1/4-20 x .38 |
| 29 | 56418198 | 2 | Grommet | * | 56303449 | 1 | Shield |
| 30 | 56418199 | 2 | Grommet | * | 56303452 | 1 | Gasket, Bulb |
| 31 | 56003603 | 4 | Scr, Pan Phil Thd Form 1/4-20 x .38 | * | 56303453 | 1 | Gasket |
| 32# | 56003222 | 2 | Pin, Cotter Hair .125 x .5 | 68 | 56303494 | 1 | Cover Assy |
| 33 | 56056215 | 2 | Grommet | * | 56009033 | 4 | Scr, Hex Thd Form 1/4-20 x .50 |
| 34 | 56303143 | 1 | Left Broom Door Assembly | * | 56303465 | 1 | Gasket |
| 35 | 56303461 | 1 | Trim-Seal | * | 56303468 | 1 | Cover |
| 36 | 56303205 | 1 | Pin, Actuator Mount | 69 | 56303465 | 1 | Gasket |
| 37 | 56303228 | 6 | Roller Assembly | | | | |
| 38 | 56303229 | 1 | Guard, Hydraulic Hoses | | | | |
| 39 | 56303242 | 1 | Cover Battery Assembly | | | | |
| 40 | 56303307 | 1 | Plate, Battery Removal Assembly | | | | |

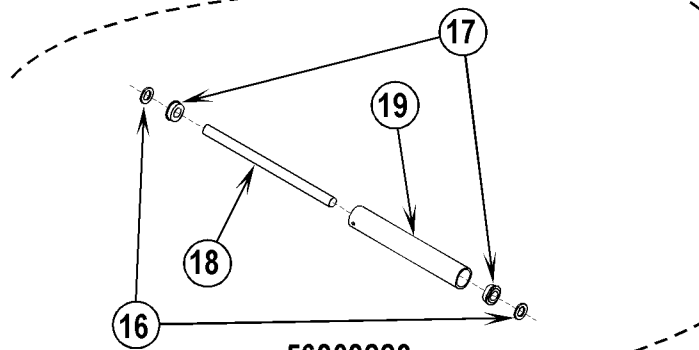
* = Not Shown

= Revised or new since last update

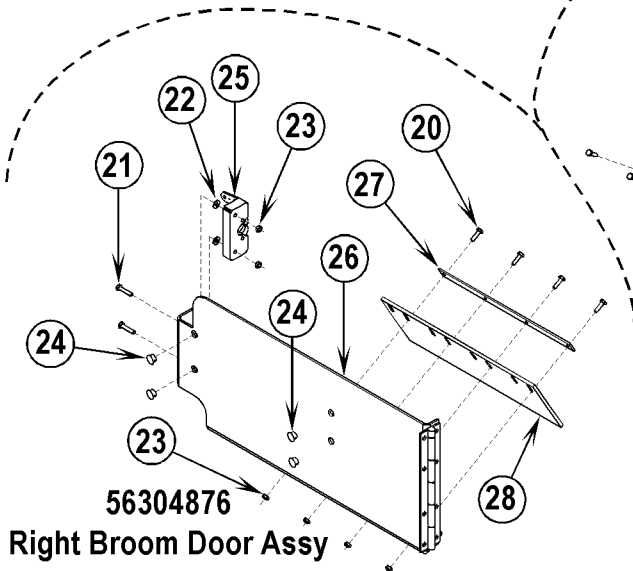


56303242
Engine Cover Assy

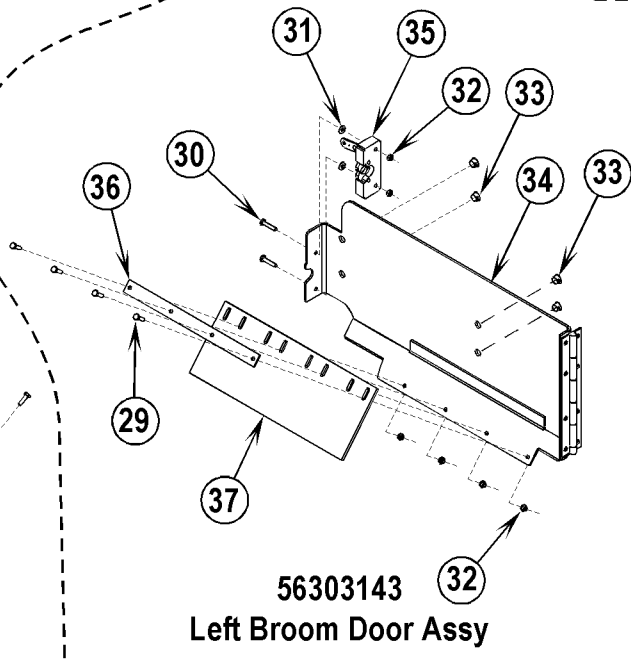
56303307
Plate, Battery Removal
Assembly



56303228
Roller Assembly



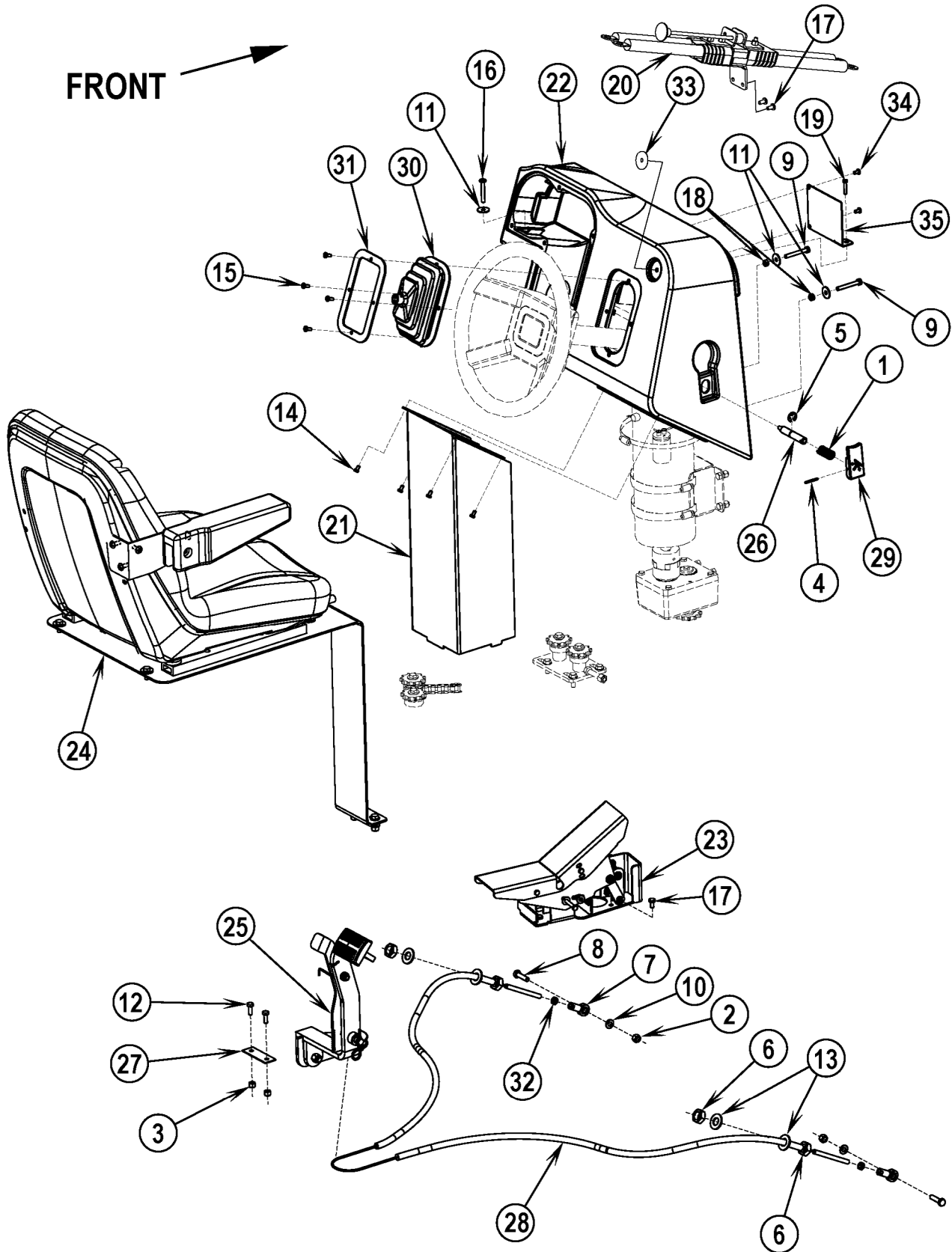
56304876
Right Broom Door Assy



56303143
Left Broom Door Assy

| Item | Ref. No. | Qty | Description |
|------|----------|-----|-------------------------------------------|
| | 56303242 | 1 | Cover Battery Assembly (items 1-12) |
| 1 | 56002093 | 2 | Scr, Hex Hd 1/4-20 x 1.00 |
| 2 | 56002098 | 2 | Wsh, Flt SAE 1/4 |
| 3 | 56002708 | 2 | Nut, Hex Nyl Loc 1/4-20 |
| 4 | 56002826 | 2 | Nut, Hex Nyl Loc-Thin 5/16-18 |
| 5 | 56385238 | 1 | Gas Cylinder |
| 6 | 56418471 | 1 | Door Latch |
| 7 | 56303241 | 1 | Cover Battery Weldment |
| 8 | 56304690 | 2 | Hinge Front, Engine Cover |
| 9 | 56305268 | 1 | Trim-Seal, Raw |
| 10 | 56305269 | 1 | Trim-Seal, Raw |
| 11 | 56305502 | 1 | Trim-Seal, Raw |
| 12 | 56330027 | 2 | Bushing |
| | 56303307 | 1 | Plate, Battery Removal Assy (items 13-15) |
| 13 | 56003289 | 2 | Nut, Wing 1/2-13 |
| 14# | 56303156 | 1 | Plate, Battery Removal |
| 15 | 56449221 | 2 | Bumper, 1.43 Dia. |
| | 56303228 | 1 | Roller Assembly (items 16-19) |
| 16 | 56009022 | 2 | Washer |
| 17 | 56362352 | 2 | Bearing, Ball |
| 18 | 56303227 | 1 | Bar |
| 19 | 56303226 | 1 | Roller |
| | 56304876 | 1 | Right Broom Door Assy (items 20-28) |
| 20 | 56001821 | 4 | Scr, Hex Hd 1/4-20 x .88 |
| 21 | 56001878 | 2 | Scr, Hex Hd 1/4-20 x 1.25 |
| 22 | 56002098 | 2 | Wsh, Flt SAE 1/4 |
| 23 | 56002840 | 6 | Nut, Hex Nyl Loc-Thin 1/4-20 |
| 24 | 56418888 | 4 | Plug, Cap |
| 25 | 56304827 | 1 | Latch, RH |
| 26 | 56304877 | 1 | Right Broom Door Weldt |
| 27 | 56304881 | 1 | Strap, Broom Door |
| 28 | 56304882 | 1 | Skirt, Broom Door |
| | 56303143 | 1 | Left Broom Door Assy (items 29-37) |
| 29 | 56001821 | 4 | Scr, Hex Hd 1/4-20 x .88 |
| 30 | 56001878 | 2 | Scr, Hex Hd 1/4-20 x 1.25 |
| 31 | 56002098 | 2 | Wsh, Flt SAE 1/4 |
| 32 | 56002840 | 6 | Nut, Hex Nyl Loc-Thin 1/4-20 |
| 33 | 56418888 | 4 | Plug, Cap |
| 34 | 56303150 | 1 | Left Broom Door Weldt |
| 35 | 56304826 | 1 | Latch, LH |
| 36 | 56304881 | 1 | Strap, Broom Door |
| 37 | 56304882 | 1 | Skirt, Broom Door |

= Revised or new since last update



04-3

CONTROL SYSTEM

08-11

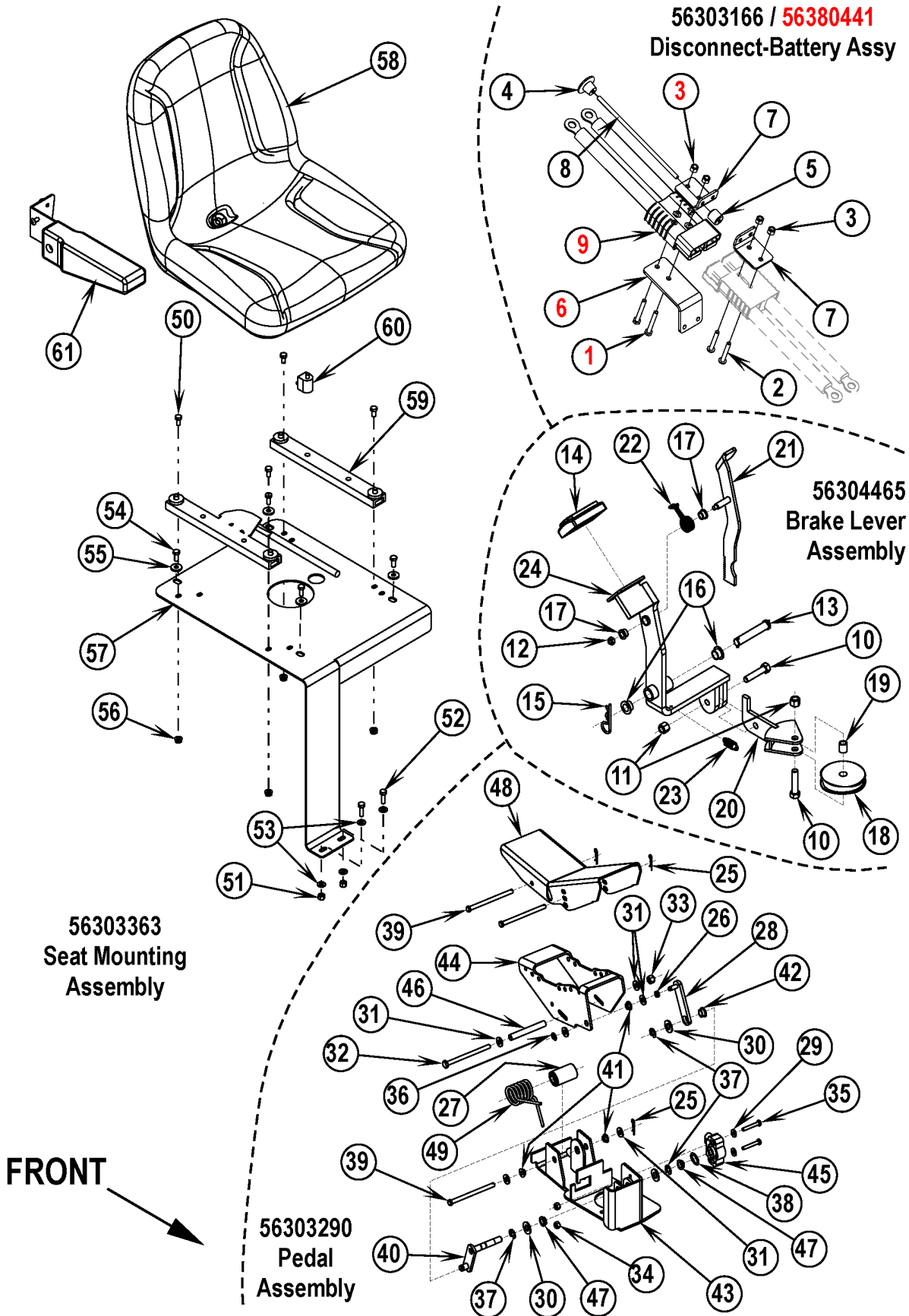
Captor™ 4300B, 4800B

7

| Item | Ref. No. | Qty | Description |
|------|----------|-----|------------------------------------------------|
| 1 | 56304531 | 1 | Spring, Compression |
| 2 | 56002701 | 2 | Nut, Hex Nyl Loc 5/16-18 |
| 3 | 56002708 | 2 | Nut, Hex Nyl Loc 1/4-20 |
| 4 | 56002763 | 1 | Pin, Spr .12 x 1.12 |
| 5 | 56003264 | 1 | Ring, Ret Ext Type E 0.50 Dia |
| 6 | 56009099 | 4 | Nut, Hex Jam 5/8-18 |
| 7 | 56418478 | 2 | Rod, End .31 |
| 8 | 56001834 | 2 | Scr, Hex Hd 5/16-18 x 1.25 |
| 9 | 56001874 | 2 | Scr, Hex 1/4-20 x 2.00 |
| 10 | 56001939 | 2 | Wsh, Flt SAE 5/16 |
| 11 | 56009002 | 3 | Wsh, Flt .266 x .906 x .060 |
| 12 | 56002155 | 2 | Scr, Hex Hd 1/4-20 x .75 |
| 13 | 56002319 | 4 | Wsh, Flt SAE 9/16 |
| 14 | 56009012 | 4 | Scr, Hex Thd Form 10-24 x .38 |
| 15 | 56002831 | 4 | Scr, Pan Phil Blk 10-24 x .50 |
| 16 | 56002997 | 1 | Scr, Pan Phil 1/4-20 x 1.75 |
| 17 | 56009033 | 5 | Scr, Hex Thd Form 1/4-20 x .50 |
| 18 | 56002840 | 2 | Nut, Hex Nyl Loc-Thin 1/4-20 |
| 19 | 56009176 | 1 | Scr, Hex Thd Form 10-24 x 1.00 |
| 20 | 56380441 | 1 | Disconnect, Battery Assembly NOTE 1 |
| | 56303166 | 1 | Disconnect, Battery Assembly NOTE 2 |
| 21 | 56303177 | 1 | Cover, Steering Shaft |
| 22 | 56380437 | 1 | Console Assembly, Battery Captor NOTE 1 |
| | 56303225 | 1 | Console Assembly, Battery Captor NOTE 2 |
| 23 | 56303290 | 1 | Pedal Assembly |
| 24 | 56303363 | 1 | Seat Mounting Assembly |
| 25 | 56304465 | 1 | Brake Lever Assembly |
| 26 | 56304530 | 1 | Pin, Lock |
| 27 | 56304543 | 1 | Catch, Brake Lock |
| 28 | 56304599 | 1 | Cable, Pull Brake |
| 29 | 56304774 | 1 | Steering Adjustment Lever |
| 30 | 56304812 | 1 | Boot, Steering |
| 31 | 56304813 | 1 | Steering Boot Retainer |
| 32# | 56001884 | 2 | Nut, Hex Jam 5/16-24 |
| 33 | 56015257 | 1 | Decal, Emergency Disconnect NOTE 2 |
| 34 | 56009030 | 2 | Scr, Pan Phil Thd Form 10-24 x .38 |
| 35 | 56303467 | 1 | Cover |

= Revised or new since last update

NOTE 1: Only used after March 2009.**NOTE 2:** Only used before April 2009.



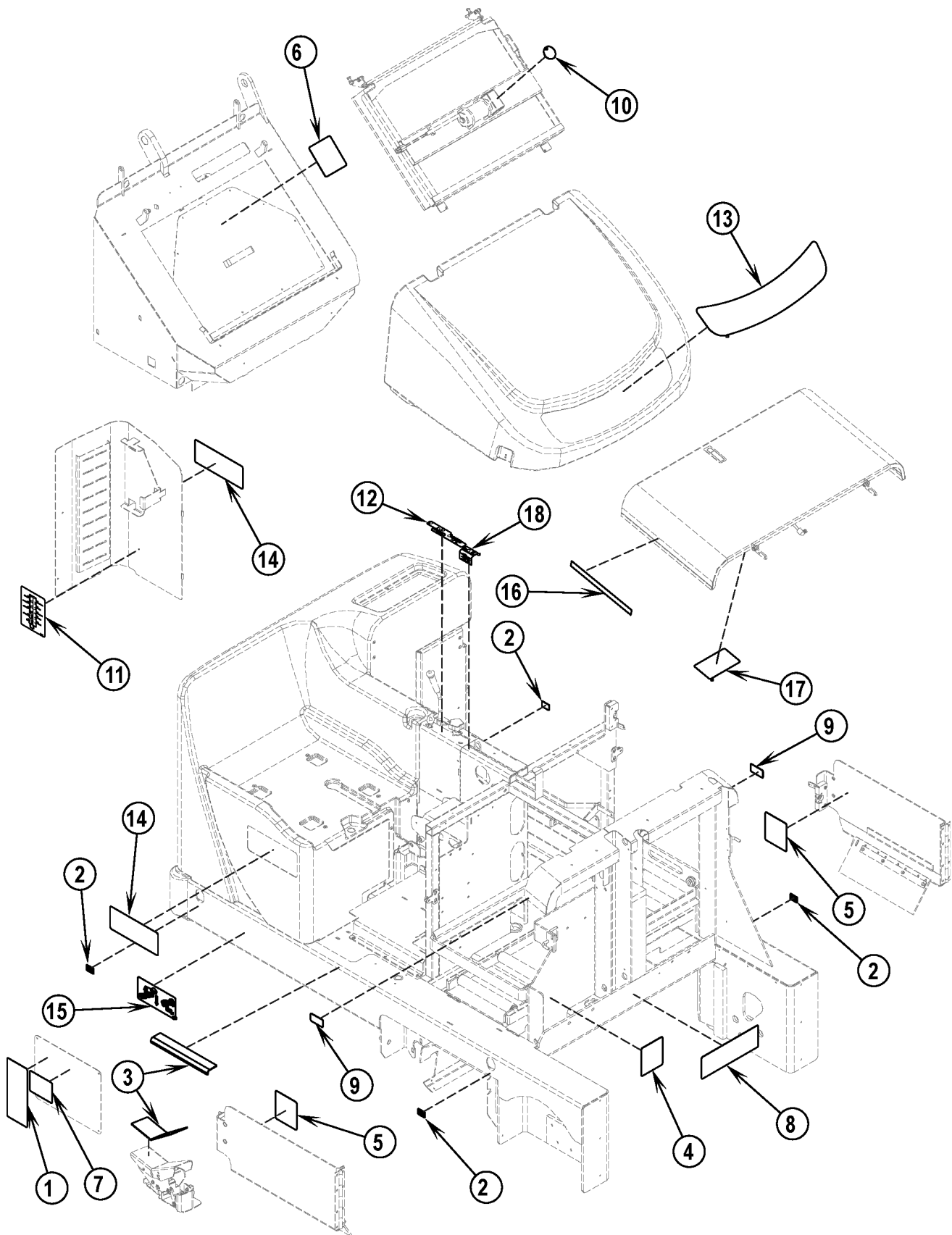
| Item | Ref. No. | Qty | Description | Item | Ref. No. | Qty | Description |
|------|----------|-----|-------------------------------------------------------|------|------------|-----|--------------------------------------|
| | 56303166 | 1 | Disconnect Battery Assembly (items 1-9) NOTE 3 | | 56303290 | 1 | Pedal Assembly (items 25-49) |
| # | 56380441 | 1 | Disconnect Battery Assembly (items 1, 3, 6, 9) NOTE 2 | 25 | 56003332 | 3 | Pin, Cot Hair .042 x .188 |
| 1 | 56001874 | 2 | Scr, Hex Hd 1/4-20 x 2.00 | 26 | 56328758 | 1 | Bushing |
| # | 56001967 | 2 | Scr-Hex 1/4-20 x 1.75 (56380441 only) | 27 | 56409378 | 1 | Spacer, Nylon |
| 2 | 56002997 | 2 | Scr, Pan Phil 1/4-20 x 1.75 | 28 | 56409610 | 1 | Link Weldment |
| 3# | 56002708 | 4 | Nut, Hex Nyl Loc 1/4-20 (qty of 2 on 56380441) | 29 | 56001954 | 2 | Wsh, Flt SAE #10 |
| 4 | 56478605 | 1 | Knob | 30 | 56002063 | 3 | Wsh, Flt SAE 3/8 |
| 5 | 56478660 | 1 | Block | 31 | 56002098 | 6 | Wsh, Flt SAE 1/4 |
| 6 | 56303168 | 1 | Mount, Battery Disconnect | 32 | 56002689 | 1 | Scr, Hex Hd 1/4-20 x 3.50 |
| 7 | 56303169 | 2 | Tab, Battery Disconnect | 33 | 56002840 | 1 | Nut, Hex Nyl Loc-Thin 1/4-20 |
| 8 | 56303170 | 1 | Rod, Battery Disconnect | 34 | 56002768 | 2 | Nut, Hex Nyl Loc 10-24 |
| 9 | 56303218 | 1 | Connector Assy, Main | 35 | 56003687 | 2 | Scr, Hex Hd 10-24 x 1.25 |
| | 56303167 | 1 | Connector, SB350 Grey | 36 | 56003268 | 1 | Ring, Ret Ext Type E Reinf. 0.25 Dia |
| | 56304465 | 1 | Brake Lever Assembly (items 10-24) | 37 | 56003269 | 3 | Ring, Ret Ext Type E Reinf. 0.38 Dia |
| 10 | 56002684 | 2 | Scr, Hex Hd 3/8-16 x 1.75 | 38 | 56479764 | 1 | O-Ring -113 NBR 70 |
| 11 | 56002769 | 2 | Nut, Hex Nyl Loc 3/8-16 | 39 | 56003669 | 3 | Clevis, Pin .25 x 3.50 |
| 12 | 56002840 | 1 | Nut, Hex Nyl Loc-Thin 1/4-20 | 40 | 56303283 | 1 | Link Weldment |
| 13 | 56003207 | 1 | Clevis, Pin .50 x 2.75 | 41 | 56303284 | 3 | Bearing, Fl .375 x .250 x .188 |
| 14 | 56365002 | 1 | Pad, Rubber | 42 | 56303285 | 2 | Bearing, Fl .500 x .375 x .250 |
| 15# | 56003222 | 1 | Pin, Cotter Hair .125 x .5 | 43 | 56303286 | 1 | Pedal Base Weldment |
| 16 | 56304519 | 2 | Bearing, Fl .625 x .500 x .375 | 44 | 56303288 | 1 | Pedal Pivot |
| 17 | 56304554 | 2 | Bearing, Fl .500 x .375 x .313 | 45 | 56303313 | 1 | Rotary Sensor, No Spring |
| 18 | 56304557 | 1 | Pulley, 3.00 Dia. | 46 | 56303318 | 1 | Bushing |
| 19 | 56304558 | 1 | Bearing, .500 x .375 x .625 | 47 | 56304518 | 1 | Bearing, Fl .500 x .375 x .188 |
| 20 | 56304562 | 1 | Pulley Weldment | 48 | 56304777 | 1 | Pedal |
| 21 | 56304902 | 1 | Weldment, Brake Lock | 49 | 56314037 | 1 | Spring, Torsion |
| 22 | 56304972 | 1 | Spring, Torsion .095 | | 56303363 | 1 | Seat Mounting Assembly (items 50-61) |
| 23 | 56305072 | 1 | Spring, Extension .075 | 50 | 56002035 | 4 | Scr, Hex Hd 5/16-18 x .62 |
| 24 | 56305472 | 1 | Weldment, Brake Lever | 51 | 56002856 | 2 | Nut, Hex Nyl Loc SS 5/16-18 |
| | | | | 52 | 56002913 | 2 | Scr, Hex Hd SS 5/16-18 x 1.00 |
| | | | | 53 | 56002938 | 4 | Wsh, Flt SAE SS 5/16 |
| | | | | 54 | 56002956 | 4 | Scr, Hex Hd Loc 5/16-18 x .75 |
| | | | | 55 | 56009122 | 4 | Wsh, Flt .344 x .938 x .125 |
| | | | | 56 | 56001806 | 4 | Nut, Hex Whiz W/Flange Loc 5/16-18 |
| | | | | 57 | 56305115 | 1 | Plate, Seat Mount |
| | | | | 58 | 7-69-00008 | 1 | Seat Assembly NOTE 1 |
| | | | | 59 | 56109300 | 1 | Slide Kit, No Studs NOTE 1 |
| | | | | 60 | 7-82-00050 | 1 | Switch (S9) NOTE 1 |
| | | | | 61 | 7-03-04250 | 1 | Arm Rest Option NOTE 1 |

= Revised or new since last update

NOTE 1: Seat 56409021 has been obsoleted and replaced with 7-69-00008. If you order the old seat 56409021 you will receive Seat Assy Kit 56109291 in it's place which includes items (58-61).

NOTE 2: Only used after March 2009.

NOTE 3: Only used before April 2009.



04-3

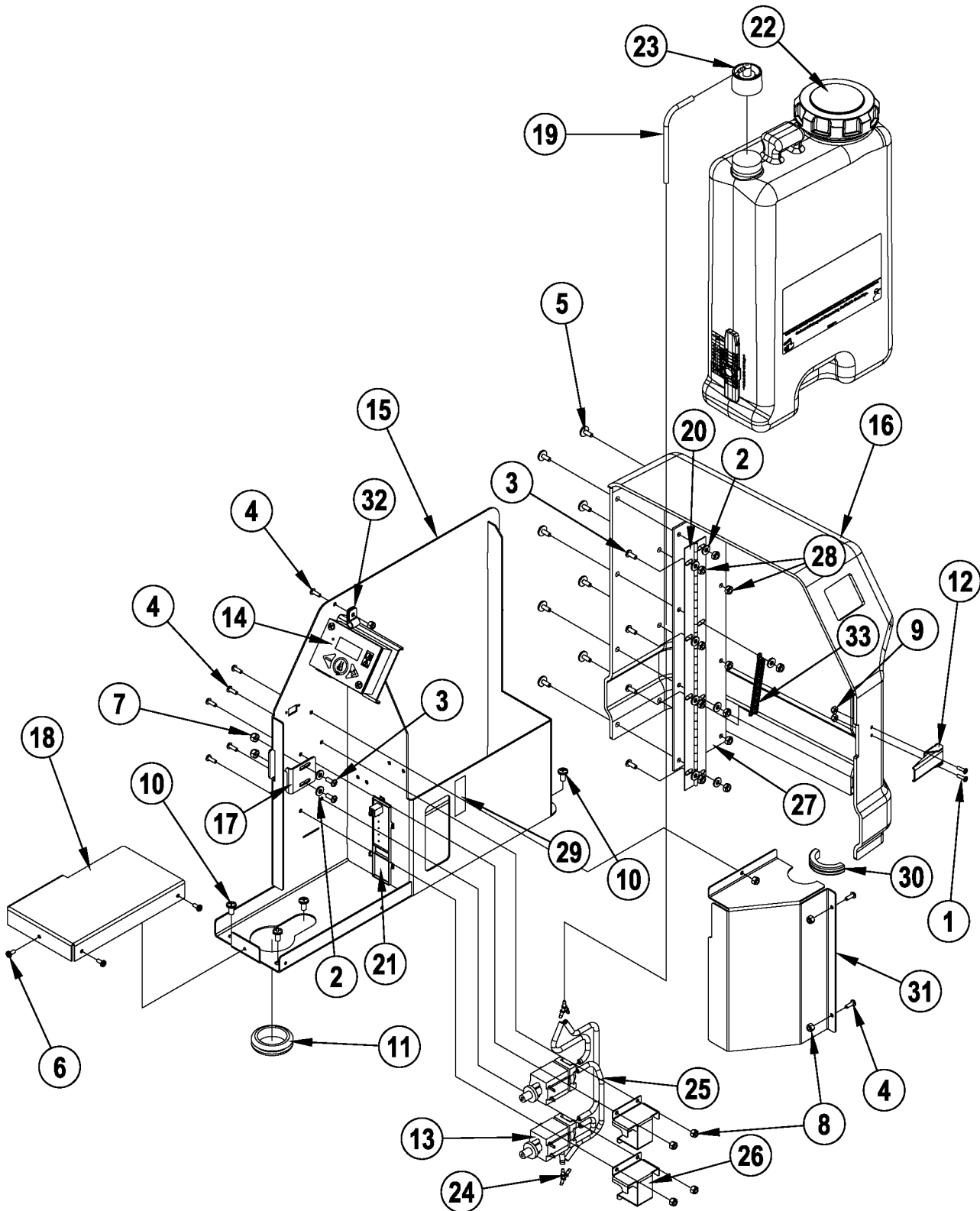
DECAL SYSTEM

08-11

Captor™ 4300B, 4800B**11**

| Item | Ref. No. | Qty | Description |
|------|----------|-----|------------------------------|
| 1 | 56014601 | 1 | Decal, Caution |
| 2 | 56015370 | 4 | Decal, Tie Down |
| 3 | 56305606 | 2 | Mat, Pedal |
| 4 | 56015424 | 1 | Warning, Hydraulic |
| 5 | 56015425 | 2 | Decal, Warning Broom |
| 6 | 56015426 | 1 | Decal, Warning Fan |
| 7 | 56015427 | 1 | Decal, Warning Tip Over |
| 8 | 56015428 | 1 | Decal, Warning Hopper |
| 9 | 56025496 | 2 | Decal, Caution |
| 10 | 56030080 | 1 | Decal, Hands Clear |
| 11 | 56015164 | 1 | Decal, Contactor Location |
| 12 | 56015185 | 1 | Decal, Main Broom/Solution |
| 13# | 56015190 | 1 | Decal, Advance |
| 14# | 56303650 | 2 | Decal, Captor |
| # | 56303590 | 2 | Decal, Captor AXP |
| 15 | 56015221 | 1 | Decal, Solution Drain |
| 16# | 56015223 | 1 | Decal, Total Clean |
| 17 | 56015244 | 1 | Decal, Battery Wiring |
| 18 | 56015245 | 1 | Decal, Hopper Safety Support |

= Revised or new since last update



| Item | Ref. No. | Qty | Description |
|------------------------------------------------------------|----------|-----|----------------------------------------|
| | 56306197 | 1 | Control Box Assy NOTE 1 |
| 1 | 56001830 | 2 | Scr, Pan Phil 6-32 X .50 |
| 2 | 56001954 | 10 | Wsh, Flt Sae #10 |
| 3 | 56001993 | 6 | Scr, Pan Phil 10-24 X .50 |
| 4 | 56002003 | 8 | Scr, Pan Phil 8-32 X .50 |
| 5# | 56009100 | 8 | Scr, Pan Phil Thd Form-Blk 10-24 X .62 |
| 6 | 56002523 | 3 | Scr, Pan Phil Thd Form 8-32 X .38 |
| 7# | 56002768 | 2 | Nut, Hex Nyl Loc 10-24 |
| 8 | 56002808 | 8 | Nut, Hex Nyl Loc 8-32 |
| 9 | 56002830 | 2 | Nut, Hex Nyl Loc 6-32 |
| 10# | 56009033 | 5 | Scr, Hex Thd Form 1/4-20 X .50 |
| 11 | 56054715 | 1 | Grommet |
| 12 | 56054856 | 1 | Latch |
| 13 | 56110742 | 2 | Pump, Detergent, 12v |
| 14# | 56306195 | 1 | AXP Control Assy |
| 15 | 56306124 | 1 | Box Weldment, Chemical |
| 16 | 56306133 | 1 | Cover, Chemical Injection |
| 17 | 56306147 | 1 | Catch |
| 18 | 56306148 | 1 | Cover |
| 19 | 56306169 | 1 | Hose, Chem Resistant, 17.00 |
| 20 | 56306181 | 1 | Hinge |
| 21 | 56315340 | 1 | Chemical Sensor Assy |
| 22 | 56413999 | 1 | Chemical Bottle Assy |
| * | 56315517 | 1 | Cap, raw |
| * | 56315690 | 1 | Cap, 38mm Buttress |
| * | 56413119 | 1 | Bottle, Chemical Assy |
| * | 56413784 | 1 | Insert, Dry Break |
| 23 | 56315523 | 1 | Cap, Dry Break, 1/8 Barb |
| 24 | 56413691 | 2 | Fitting, Y, Barb, .125 |
| 25 | 56413693 | 4 | Hose, Chem Resistant, 5.00 |
| 26 | 56413775 | 2 | Bracket, Pump Mount |
| 27 | 56306191 | 1 | Plate, Reinforcing |
| 28# | 56002832 | 12 | Nut, Hex Nyl Loc-Thin 10-24 |
| 29 | 56016331 | 1 | Decal, Chemical Ratio |
| 30 | 56344621 | 1 | Grommet |
| 31 | 56306198 | 1 | Pump Cover |
| 32 | 56300152 | 1 | Clamp, P |
| 33# | 56379301 | 1 | Spring Ext .37 x 3.62 |
| * | 56478246 | 1 | Tie, Cable |
| Items included with 56306145 Chemical Injection Kit | | | |
| | 56306197 | 1 | Control Box Assy NOTE 1 |
| | 56306160 | 1 | Pump Assy, 36VDC NOTE 1 |
| * | 56040942 | 1 | Instruction Sheet |
| * | 56306167 | 1 | Harness, Captor AXP |
| * | 56387316 | 1 | Circuit Breaker, 10A (F12) |
| * | 56459367 | 1 | Boot, Reset Button (for 56387316) |
| * | 56009039 | 1 | Scr, Hex Thd Form 10-24 x .50 |
| * | 56303588 | 1 | Plate, Circuit Breaker Mount |
| * | 56303589 | 1 | Decal, Circuit Breaker |
| * | 56051474 | 1 | Clamp, P |
| * | 56305232 | 1 | Gasket, RS Strip |
| * | 56459825 | 1 | Bushing, Reducer |
| *# | 56303590 | 2 | Decal, Captor AXP |

= Revised or new since last update

NOTE 1: The detergent injection system is standard on the following Advance models: 56303591, 56303592.

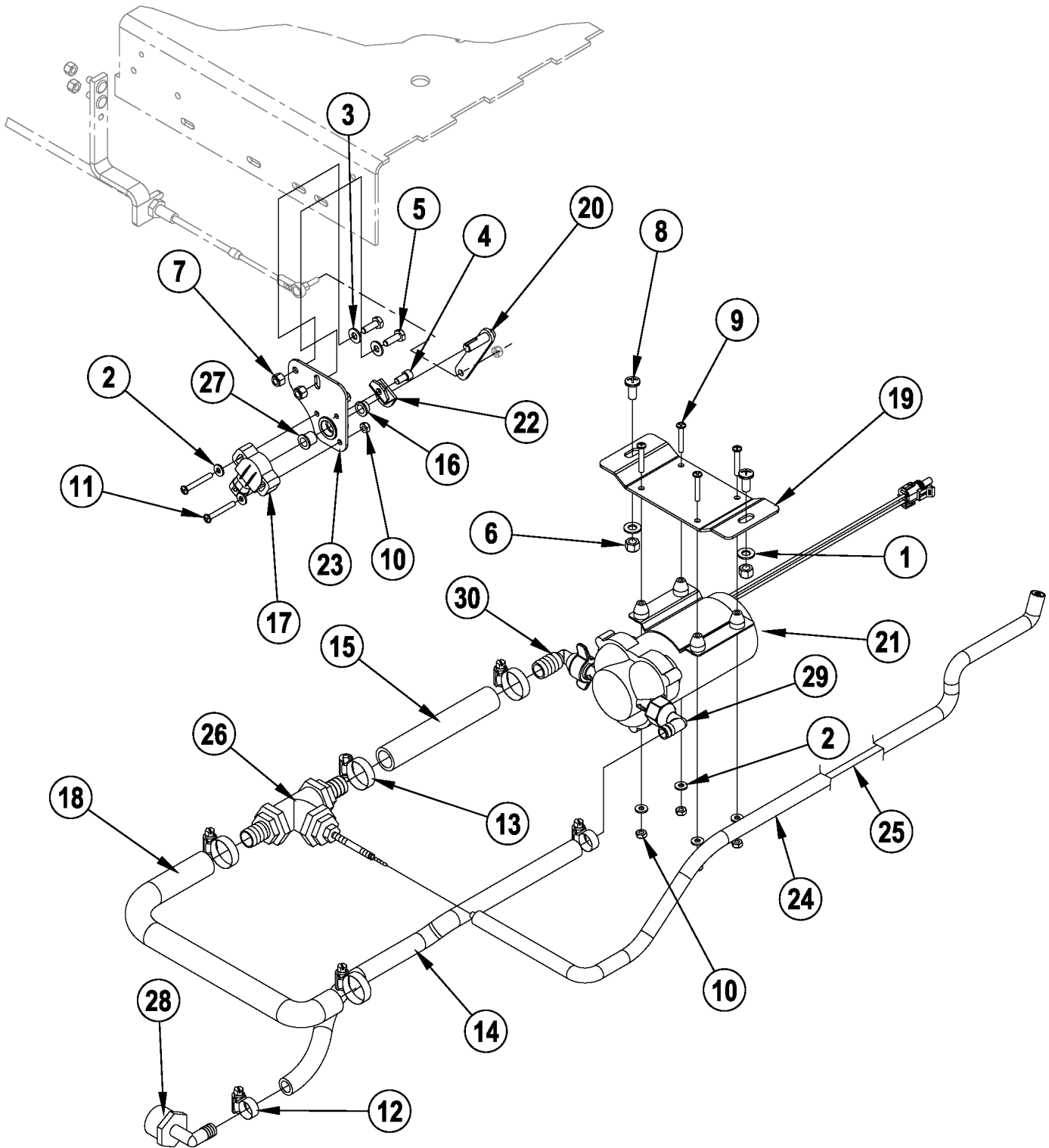
DETERGENT INJECTION SYSTEM (PUMP ASSY)

04-3

14

Captor™ 4300B, 4800B

07-12



04-3

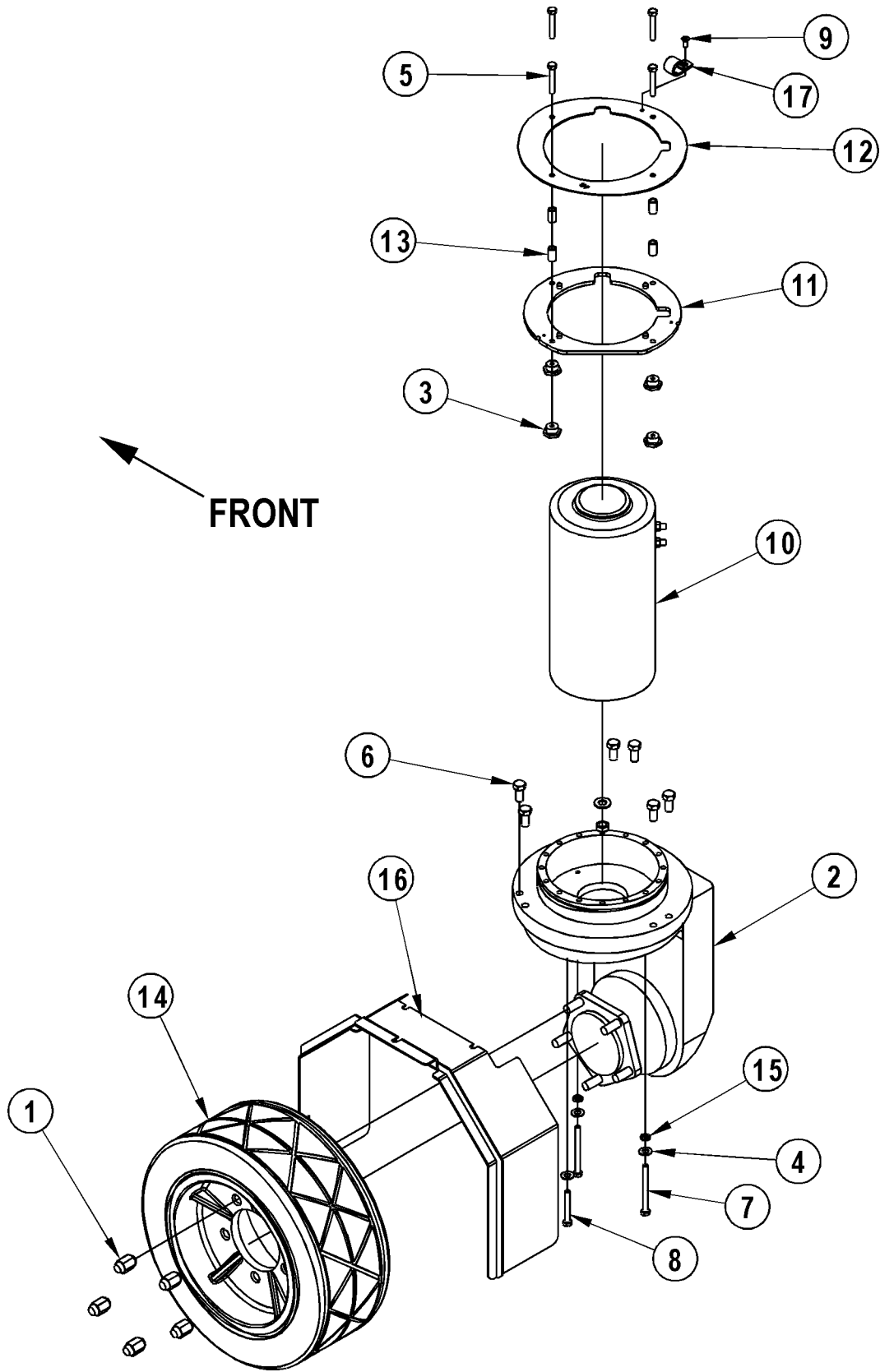
DETERGENT INJECTION SYSTEM (PUMP ASSY)

08-11

Captor™ 4300B, 4800B**15**

| Item | Ref. No. | Qty | Description |
|------|----------|-----|--------------------------------------|
| | 56306160 | 1 | Pump Assy, 36VDC NOTE 1 |
| 1 | 56001939 | 2 | Wsh, Flt Sae 5/16 |
| 2 | 56001954 | 6 | Wsh, Flt Sae #10 |
| 3 | 56002098 | 2 | Wsh, Flt Sae 1/4 |
| 4 | 56002115 | 2 | Scr, Soc Hd 1/4-20 X 0.50 |
| 5 | 56002155 | 2 | Scr, Hex 1/4-20 X .75 |
| 6 | 56002701 | 2 | Nut, Hex Nyl Loc 5/16-18 |
| 7 | 56002708 | 2 | Nut, Hex Nyl Loc 1/4-20 |
| 8 | 56002793 | 2 | Scr, Pan Phil 5/16-18 X .75 |
| 9 | 56002824 | 4 | Scr, Pan Phil 10-24 X 1.25 |
| 10 | 56002832 | 6 | Nut, Hex Nyl Loc-Thin 10-24 |
| 11 | 56003574 | 2 | Scr, Pan Phil Ss 10-24 X 1.50 |
| 12 | 56219932 | 2 | Clamp, Hose Sae #6 |
| 13 | 56244969 | 4 | Clamp, Hose Sae #12 |
| 14 | 56412277 | 1 | Hose, Spiral .50 |
| 15 | 56305762 | 1 | Hose, Spiral .75 x 6" |
| 16 | 56303285 | 1 | Bearing, Fl .500x.375x.250 |
| 17 | 56303313 | 1 | Rotary Sensor, No Spring (R2) |
| 18 | 56305591 | 1 | Hose 3/4 Id X 1.0 Od X 22 Lg |
| 19 | 56306122 | 1 | Mount, Pump |
| 20 | 56306129 | 1 | Control Arm Weldt |
| 21 | 56413810 | 1 | Pump Assy, 36vdc (M17) |
| 22 | 56306162 | 1 | Bracket Pivot |
| 23 | 56306165 | 1 | Pivot Sensor Weldt |
| 24 | 56306168 | 1 | Conduit Solution Hose 44 Lg |
| 25 | 56314942 | 1 | Hose 1/8 X 1/4 X 48 Lg |
| 26 | 56306194 | 1 | Tee Assembly |
| 27 | 56508737 | 1 | Bearing, Fl .500x.375x.500 |
| 28 | 56900245 | 1 | Barb, 90 Elbow 1/2 X 1.00npt |
| 29 | 56261246 | 1 | Elbow |
| 30 | 56306146 | 1 | Elbow, Poly 1/2 x 3/4 |

NOTE 1: The detergent injection system is standard on the following Advance models: 56303591, 56303592.



04-3

DRIVE SYSTEM

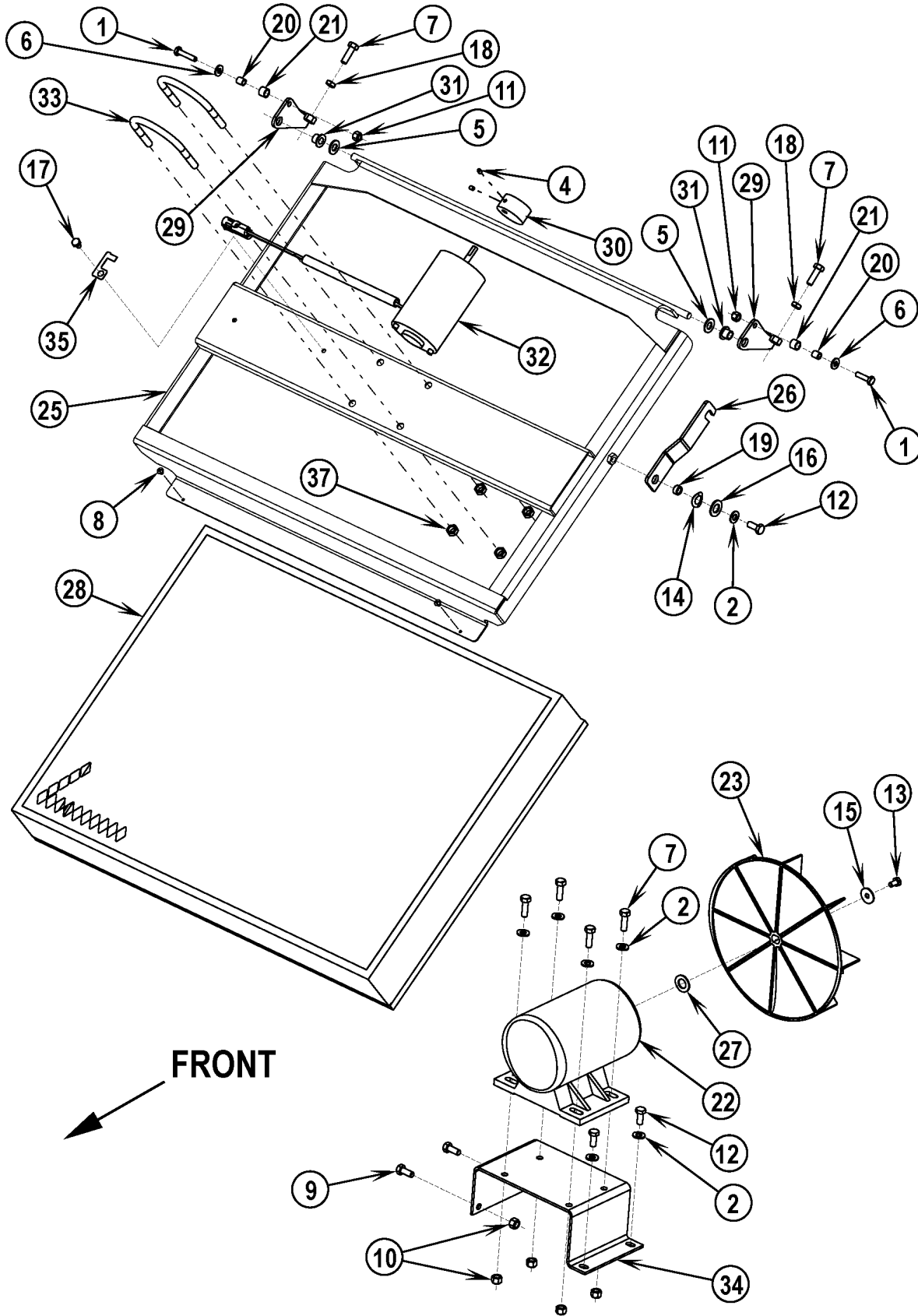
07-12

Captor™ 4300B, 4800B**17**

| Item | Ref. No. | Qty | Description |
|------|----------|-------|-------------------------------------|
| 1 | 56003384 | 5 | Nut, Lug |
| 2 | 56416024 | 1 | Gearbox, Drive Wheel |
| 3 | 56416296 | 4 | Clamp, Steering |
| 4 | 56002063 | 3 | Wsh, Flt SAE 3/8 |
| 5 | 56002721 | 4 | Scr, Hex Hd 5/16-18 x 2.00 |
| 6 | 56003382 | 6 | Scr, Hex M12-1.75 x 25mm |
| 7 | 56003390 | 2 | Scr, Hex M8-1.25 x 90mm |
| 8 | 56003398 | 1 | Scr, Hex M8-1.25 x 60mm |
| 9 | 56009137 | 1 | Scr, Flt Phil Thd Form 1/4-20 x .62 |
| 10 | 56303032 | 1 | Wheel Drive Motor Assy |
| * | 56303033 | 1 | Motor, 36VDC, 4 HP |
| * | 56303426 | 4 | Replacement Carbon Brushes |
| * | 56409746 | 4 | Replacement Brush Spring |
| * | 56001879 | 1 | Wsh, Flt SAE 1/2 |
| * | 56002868 | 1 | Nut, Hex Nyl Loc Thin 1/2-20 |
| * | 56416299 | 1 | O-Ring |
| 11 | 56303082 | 1 | Steering Plate Weldt |
| 12 | 56303308 | 1 | Plate, Chain Cover |
| 13 | 56303309 | 4 | Spacer Bushing |
| 14 | 56303324 | 1 | Rear Wheel Assy |
| | 56303029 | 1 | Hub, Rear |
| | 56305036 | 1 | Tire, Press-on 16-1/4 x 6 |
| ** | 56303560 | 1 | Wheel Assy, 3x-Groove 6 |
| | 56305996 | 1 | Tire, 3x-Groove 6 |
| ** | 56303028 | 1 | High Durability Rear Wheel Assy |
| | 56304025 | 1 | High Durability Drive Tire |
| 15 | 56303497 | 2 | Spacer |
| 16 | 56303502 | 1 | Fender Weldment |
| 17 | 56303651 | 1 | Clamp, Hose Support |
| * | 56501001 | 1 .70 | Lube, Gear SAE 90 (Gal) |

* = Not Shown

** = Optional, Not Included

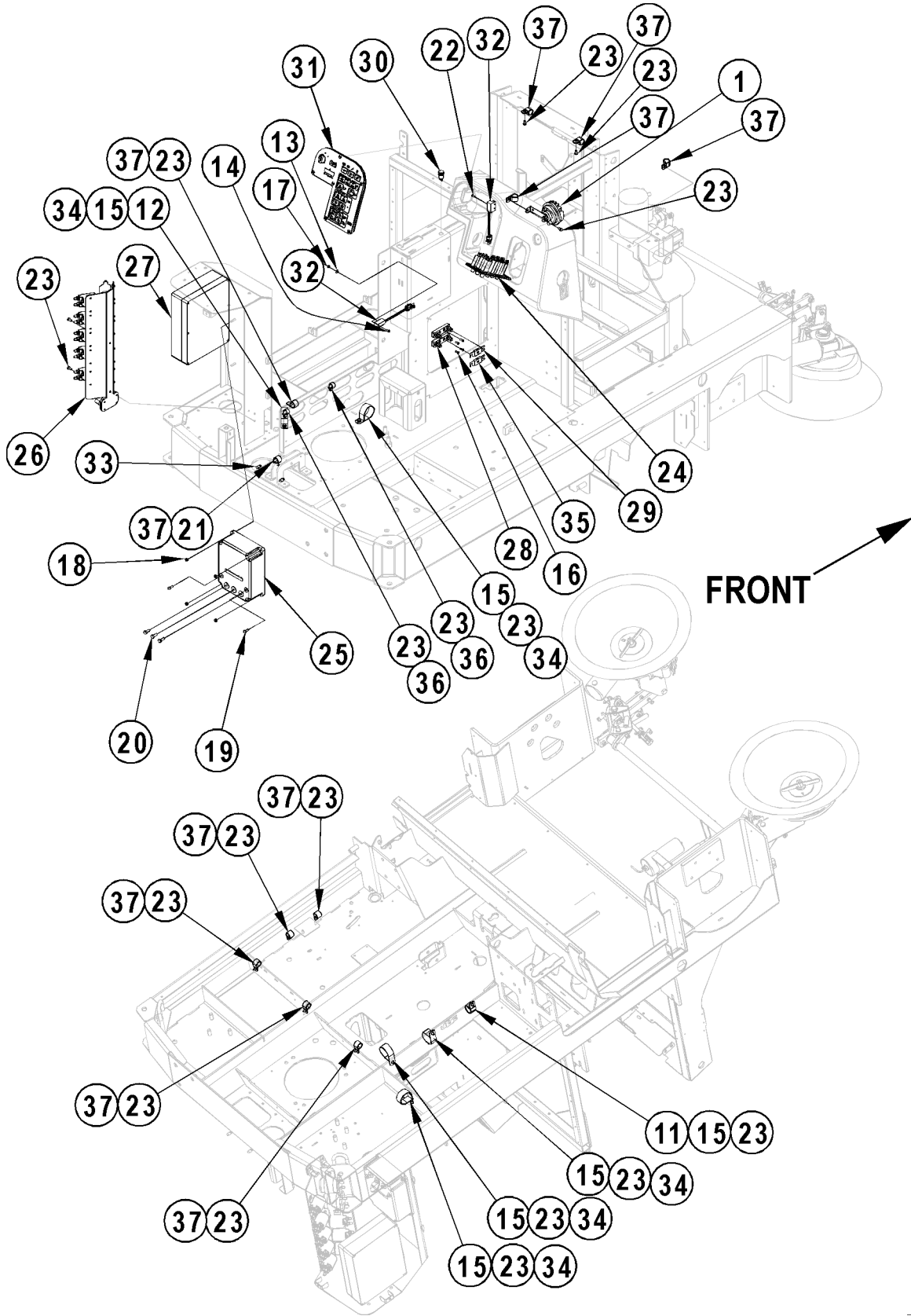


| Item | Ref. No. | Qty | Description |
|------|----------|-----|-------------------------------------------|
| 1 | 56002093 | 2 | Scr, Hex Hd 1/4-20 x 1.00 |
| 2# | 56001939 | 7 | Wsh, Flt SAE 5/16 |
| 3# | | | DELETED |
| 4 | 56002015 | 2 | Scr, Soc Set Loc 10-24 x .25 |
| 5 | 56002063 | 2 | Wsh, Flt SAE 3/8 |
| 6 | 56002098 | 2 | Wsh, Flt SAE 1/4 |
| 7 | 56002221 | 6 | Scr, Hex Hd 5/16-18 x 1.00 |
| 8 | 56002453 | 2 | Scr, Pan Phil 10-24 x .25 |
| 9 | 56002667 | 2 | Scr, Hex Hd 5/16-18 x .75 |
| 10# | 56002701 | 6 | Nut, Hex Nyl Loc 5/16-18 |
| 11 | 56002708 | 2 | Nut, Hex Nyl Loc 1/4-20 |
| 12 | 56002956 | 3 | Scr, Hex Hd Loc 5/16-18 x .75 |
| 13 | 56003039 | 1 | Scr, Hex Hd Loc 1/4-20 x .50 |
| 14 | 56009001 | 1 | Wsh, Bowed .516 x .906 x .008 |
| 15 | 56009002 | 1 | Wsh, Flt .266 x .906 x .060 |
| 16 | 56009003 | 1 | Wsh, Flt .516 x .938 x .075 |
| 17 | 56009019 | 1 | Scr, Hex Thd Form 1/4-20 x .38 |
| 18 | 56009086 | 2 | Nut, Hex Jam 5/16-18 |
| 19 | 56320595 | 1 | Bushing .32 x .50 x .28 |
| 20 | 56321532 | 2 | Bushing .25 x .37 x .40 |
| 21 | 56370754 | 2 | Bearing, Sleeve |
| 22 | 56416020 | 1 | Motor, .33 HP (M5) |
| * | 56416595 | 1 | Carbon Brush Set |
| 23 | 56416021 | 1 | Impeller |
| 24# | | | DELETED |
| 25 | 56416289 | 1 | Filter Clamp Weldt |
| 26 | 56416511 | 1 | Latch, Shaker |
| 27 | 56416613 | 1 | Wsh, Flt .563 x 1.000 x .060 |
| 28 | 56303580 | 1 | Filter Assy, Water Resistant |
| 29 | 56416625 | 2 | Shaker Hinge Weldment |
| 30 | 56416671 | 1 | Eccentric |
| 31 | 56416675 | 2 | Bushing, Flange |
| 32 | 56467307 | 1 | Motor Assy NOTE 1 |
| 33# | 56508888 | 2 | U-Bolt NOTE 1 |
| 34 | 56303058 | 1 | Mount, Fan |
| 35 | 56409769 | 1 | Clip, Weatherpack Mount |
| 36# | | | DELETED |
| 37# | 56002841 | 4 | Nut-Hex Nyl Loc-Thin 3/8-16 NOTE 1 |

* = Not Shown

= Revised or new since last update

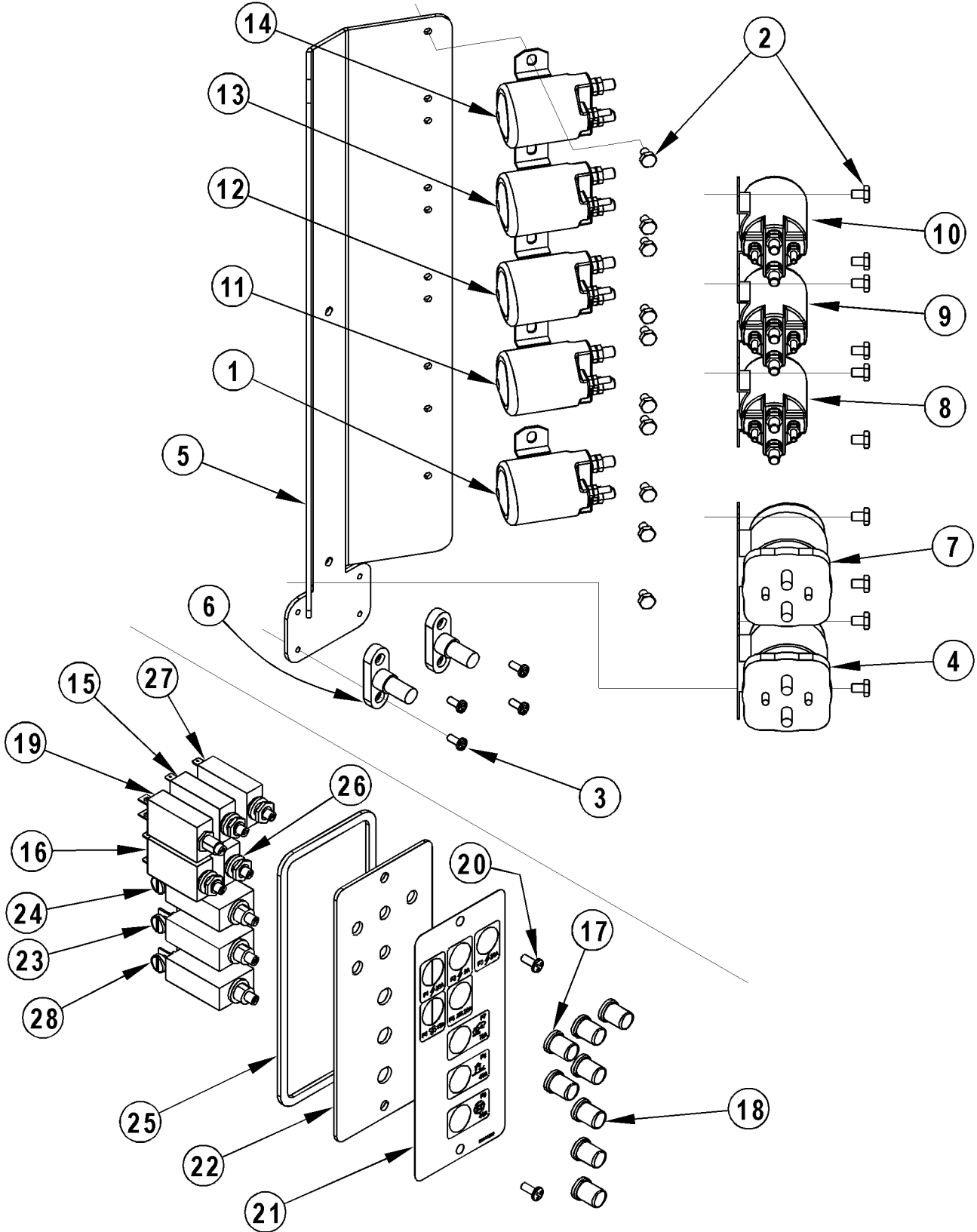
NOTE 1: The configuration of Shaker Motor 56467307 has changed as of October 2008. It was previously a VonWeise brand motor and now is AMER. As of this change the U-Bolts securing the motor have also changed from 56468329 to 56508888. The following parts are no longer used; 56380446, 56416280, 56002001. If you need to replace any of the following parts (56380446, 56416280, 56468329, 56467307) please order a new style Shaker Motor 56467307, two U-Bolts 56508888 and four Nuts 56002841.



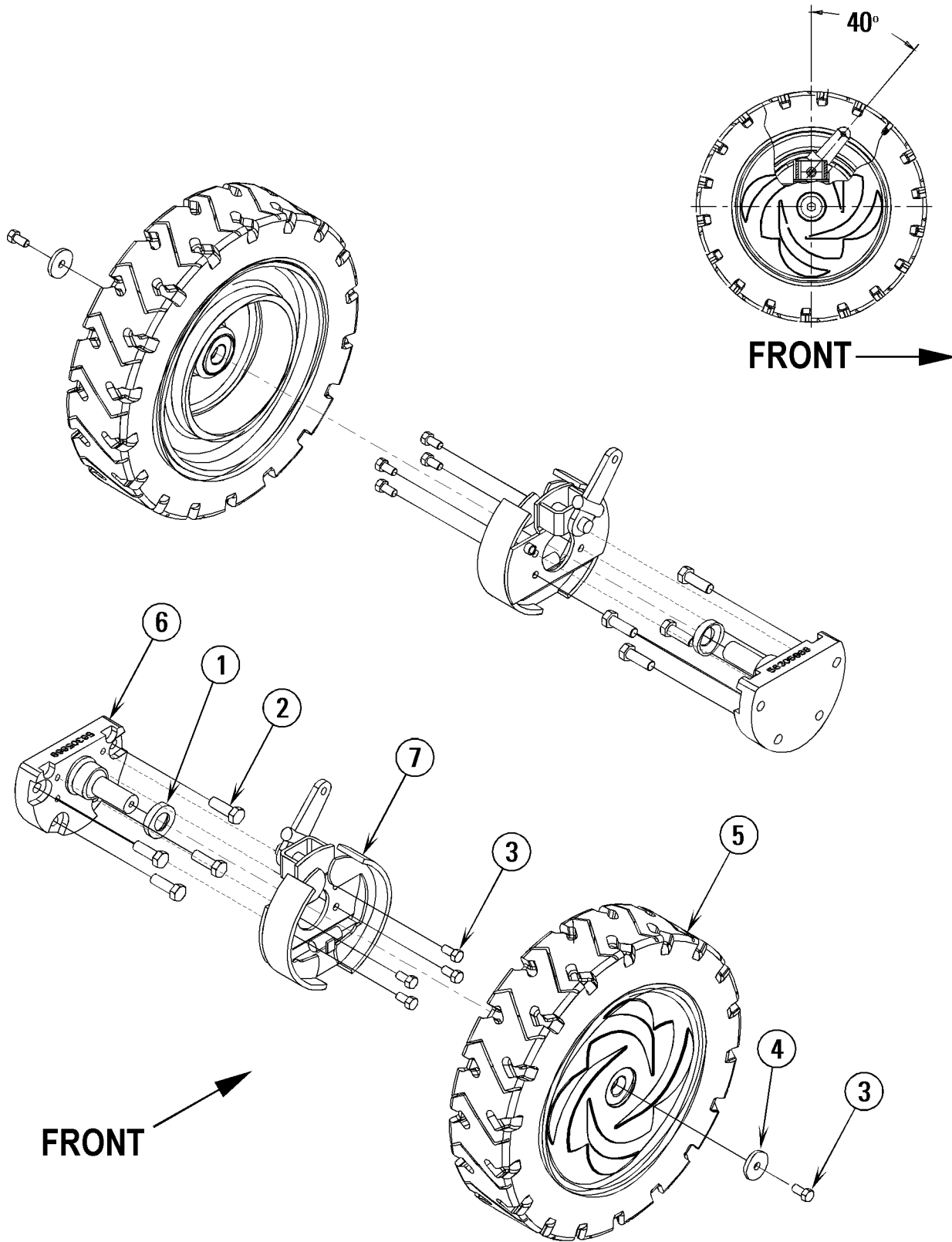
| Item | Ref. No. | Qty | Description |
|------|------------|-----|-----------------------------------------------------|
| 1 | 56482365 | 1 | Horn 36v |
| 2 | 56303213 | 1 | Harness, Drive Motor (not shown) |
| 3 | 56303214 | 1 | Harness, Hopper (not shown) |
| 4 | 56303215 | 1 | Harness, Lower (not shown) |
| 5 | 56303216 | 1 | Harness, Upper (not shown) Before SN1779197 |
| | 56303542 | 1 | Harness, Upper (not shown) After SN1779196 |
| 6 | 56303217 | 1 | Cable Asm, Red 3/0-2 (not shown) |
| 7 | 56303219 | 1 | Cable Asm, Blk 3/0-2 (not shown) |
| 8 | 56303251 | 1 | Cable Asm, Red 1-1 (not shown) |
| 9 | 56303252 | 1 | Cable Asm, Red 1-2 (not shown) |
| 10 | 56303253 | 1 | Cable Asm, Blk 1-2 (not shown) |
| 11 | 56409463 | 1 | Clamp, 1.25 Hose Support |
| 12 | 56001854 | 1 | Scr, Hex Hd 1/4-20 x .50 |
| 13 | 56001954 | 1 | Wsh, Flt SAE #10 |
| 14 | 56001993 | 1 | Scr, Pan Phil 10-24x.50 |
| 15 | 56002098 | 6 | Wsh, Flt SAE 1/4 |
| 16 | 56009166 | 4 | Scr, Flt Phil 10-24x.75 |
| 17 | 56002832 | 1 | Nut, Hex Nyl Loc-Thin 10-24 |
| 18 | 56002840 | 4 | Nut, Hex Nyl Loc-Thin 1/4-20 |
| 19 | 56003174 | 2 | Scr Hex Thd To Hd M6-1.0 x 16mm |
| 20 | 56003435 | 3 | Scr, Hex Hd SS 8-1.25 x 20mm |
| 21 | 56009018 | 1 | Scr, Hex Thd Form 1/4-20 x .75 |
| 22 | 56009029 | 1 | Scr, Pan Phil Thd Form 10-24 x .50 |
| 23 | 56009033 | 18 | Scr, Hex Thd Form 1/4-20 x .50 |
| 24 | 56303176 | 1 | Circuit Breaker Assembly |
| 25 | 56303197 | 1 | Controller, Electric Drive |
| 26 | 56303200 | 1 | Electric Panel Assy |
| 27 | 56303201 | 1 | Control Box Assy Before SN1779197 |
| | 56303543 | 1 | Control Box Assy After SN1779196 |
| 28 | 56303295 | 2 | Fuse Block |
| 29 | 56303297 | 1 | Fuse, 400 Amp |
| 30 | 56303350 | 1 | Light, Red Led Indicator |
| 31 | 56303374 | 1 | Gauge Panel Assembly Before SN1779197 |
| | 56303552 | 1 | Gauge Panel Assembly After SN1779196 |
| * | 56303373 | 1 | Panel Assy |
| *# | | | DELETED |
| * | 56303553 | 1 | Key Switch Assy TSBUS2004-873 |
| * | 56303526 | 1 | Key, Replacement Set (replacement key for 56303553) |
| * | 56009206 | 6 | Scr, Truss Phil-Blk 10-24 x .50 |
| 32 | 56305053 | 2 | Sensor, Proximity |
| 33 | 56305237 | 2 | Bulb, Light |
| 34 | 56305492 | 5 | P-Clamp |
| 35 | 56410044 | 1 | Fuse, 250 Amp |
| 36 | 2-00-04602 | 2 | Clamp, P |
| 37 | 56303651 | 11 | Clamp, Hose Support |

* = Not Shown

= Revised or new since last update



| Item | Ref. No. | Qty | Description |
|------|----------|-----|---------------------------------------------|
| | 56303200 | 1 | Electric Panel Assembly (items 1-14) |
| 1 | 56395450 | 1 | Contactactor 36V (K10 Auxiliary) |
| 2 | 56009019 | 20 | Scr, Hex Thd Form 1/4-20 x .38 |
| 3 | 56009029 | 4 | Scr, Pan Phil Thd Form 10-24 x .50 |
| 4 | 56303198 | 1 | Contactactor 36V, Type 4 (K5 Drive) |
| 5 | 56303199 | 1 | Panel, Electric |
| 6 | 56303298 | 2 | Stud Type Junction Block |
| 7 | 56303198 | 1 | Contactactor 36V, Type 4 (K4 Main Broom) |
| 8 | 56395450 | 1 | Contactactor 36V (K3 Right Brush) |
| 9 | 56395450 | 1 | Contactactor 36V (K2 Center Brush) |
| 10 | 56395450 | 1 | Contactactor 36V (K1 Left Brush) |
| 11 | 56395450 | 1 | Contactactor 36V (K9 Steering) |
| 12 | 56395450 | 1 | Contactactor 36V (K8 Side Brooms) |
| 13 | 56395450 | 1 | Contactactor 36V (K7 Vacuum) |
| 14 | 56395450 | 1 | Contactactor 36V (K6 Dust Control) |
| | 56303176 | 1 | Circuit Breaker Assembly (items 15-28) |
| 15 | 56387328 | 1 | Circuit Breaker, 5 Amp (F2 Auxiliary) |
| 16 | 56454538 | 1 | Circuit Breaker, 15 Amp (F4 Dust Control) |
| 17 | 56459367 | 5 | Boot, Reset Button |
| 18 | 56459368 | 3 | Boot, Reset Button |
| 19 | 56469788 | 1 | Circuit Breaker 25 Amp (F1 Auxiliary) |
| 20 | 56001993 | 2 | Scr, Pan Phil 10-24 x .50 |
| 21 | 56303589 | 1 | Decal, Circuit Breaker |
| 22 | 56303588 | 1 | Plate, Circuit Breaker Mount |
| 23 | 56303299 | 1 | Circuit Breaker, 40 Amp (F8 Vacuum Motors) |
| 24 | 56303301 | 1 | Circuit Breaker, 70 Amp (F7 Hydraulic Pump) |
| 25 | 56305232 | 1 | Gasket, RS Strip |
| 26 | 56395454 | 1 | Circuit Breaker, 20 Amp (F5 Side Brooms) |
| 27 | 56395454 | 1 | Circuit Breaker, 20 Amp (F3 Auxiliary) |
| 28 | 56303299 | 1 | Circuit Breaker, 40 Amp (F9 Power Steering) |



04-3

FRONT WHEEL SYSTEM

08-11

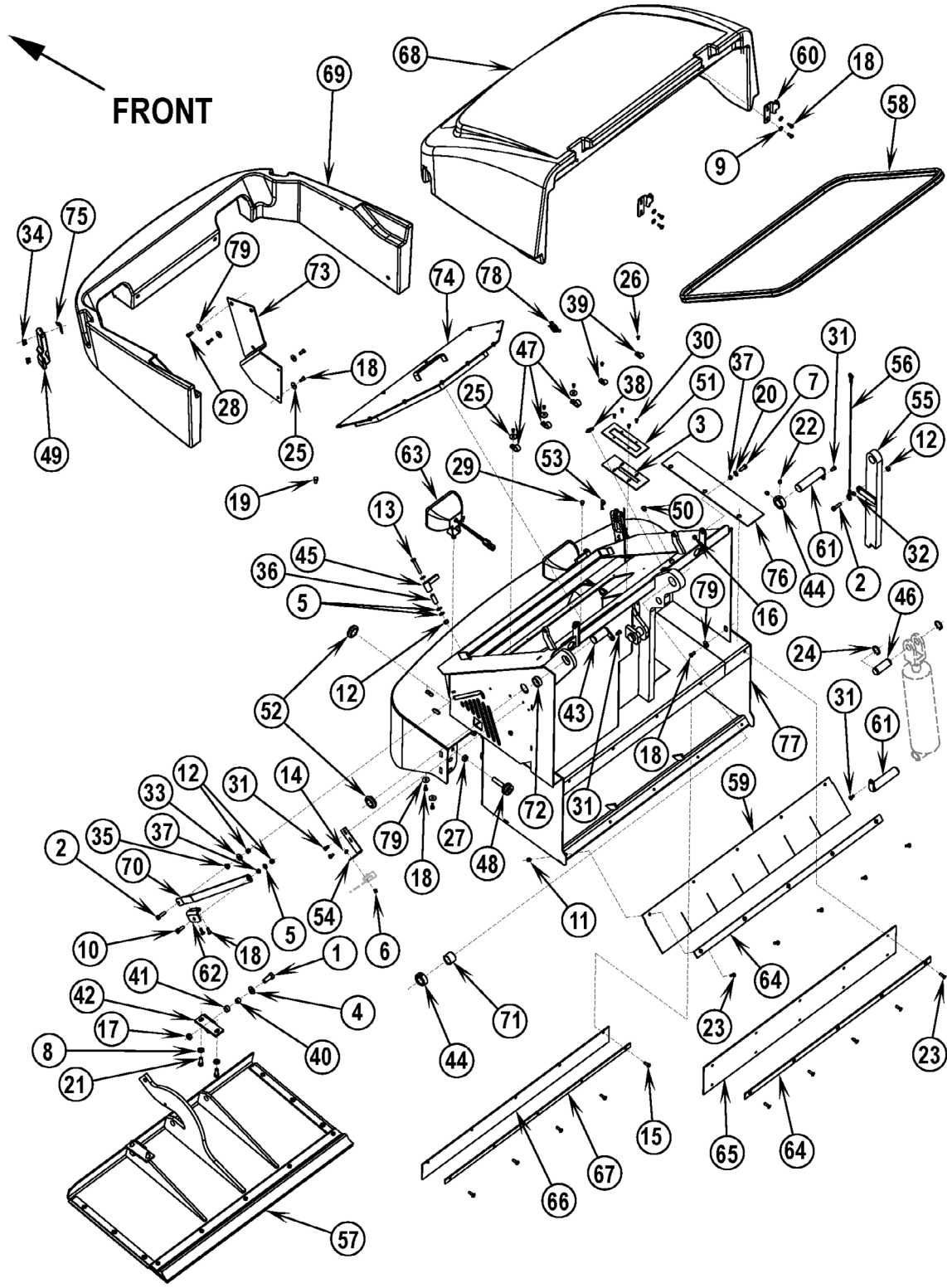
Captor™ 4300B, 4800B

25

| Item | Ref. No. | Qty | Description |
|------|----------|-----|------------------------------------------------|
| 1 | 56305742 | 2 | Spindle Spacer |
| 2 | 56002954 | 8 | Scr, Hex Hd Loc 1/2-13 x 1.50 |
| 3 | 56003079 | 10 | Scr, Hex Hd Loc 3/8-16 x .75 |
| 4 | 56367117 | 2 | Wsh, Flt .406 x 1.5 x .1875 |
| 5 | 56304020 | 2 | Front Wheel Assy |
| *# | 56111531 | 2 | Bearing, Ball (2 per wheel assy) TSBUS2007-981 |
| * | 56304024 | 1 | Tire, Front (1 per wheel assy) |
| *# | 56304021 | 1 | Hub, Front (1 per wheel assy) TSBUS2007-981 |
| 6 | 56305927 | 2 | Machining, Front Spindle |
| 7 | 56410012 | 2 | Brake Assy |
| * | 56305600 | A/R | Brake Shoe (2 required per Brake Assy) |

* = Not Shown

= Revised or new since last update



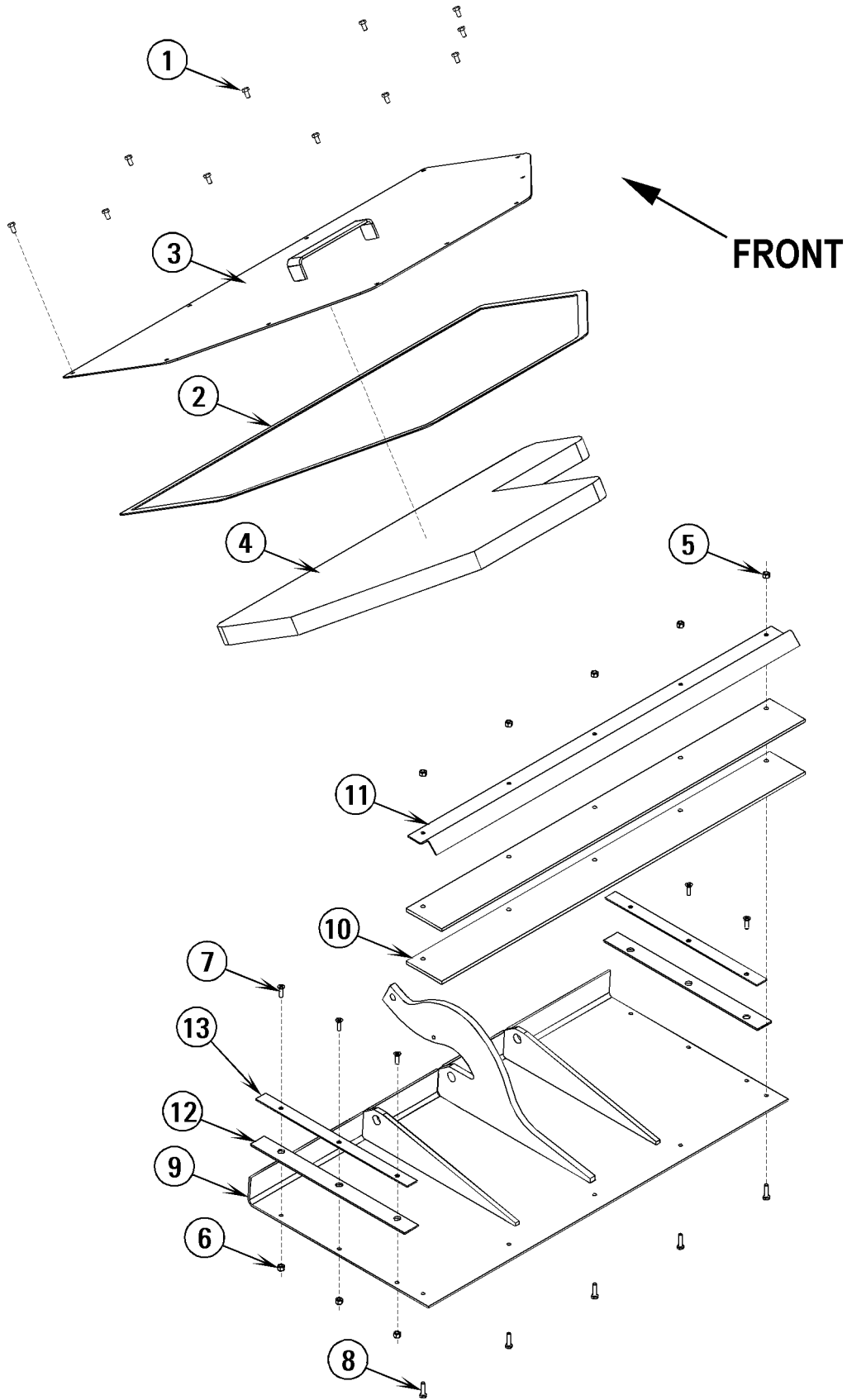
| Item | Ref. No. | Qty | Description | Item | Ref. No. | Qty | Description |
|------|----------|-----|---------------------------------------------|------|----------|-----|--------------------------------------|
| 1 | 56001831 | 2 | Scr, Hex Hd 1/2-13 x 1.25 | 41 | 56370878 | 2 | Bearing, Sleeve |
| 2 | 56001834 | 2 | Scr, Hex Hd 5/16-18 x 1.25 | 42 | 56416253 | 2 | Hinge Weldment |
| 3 | 56419264 | 1 | Boot, Hopper | 43 | 56416308 | 2 | Left Hinge Pin Weldment |
| 4 | 56001879 | 2 | Wsh, Flt SAE 1/2 | 44 | 56416498 | 2 | Collar, Hopper Hinge |
| 5 | 56001939 | 7 | Wsh, Flt SAE 5/16 | 45 | 56416674 | 2 | Filter Clamp Weldment |
| 6 | 56001818 | 1 | Scr, Pan Phil 8-32 x .38 | 46 | 56418625 | 1 | Pin, Cylinder Short |
| 7 | 56002037 | 2 | Scr, Hex Hd 5/16-18 x .88 | 47 | 56442003 | 3 | Clamp, P |
| 8 | 56002063 | 4 | Wsh, Flt SAE 3/8 | 48 | 56449221 | 2 | Bumper, 1.43 Dia. |
| 9 | 56002098 | 4 | Wsh, Flt SAE 1/4 | 49 | 56462746 | 2 | Latch Assembly |
| 10 | 56002221 | 1 | Scr, Hex Hd 5/16-18 x 1.00 | 50 | 56481546 | 1 | Plug, Hex Pipe |
| 11 | 56002491 | 15 | Nut, Hex Nyl Loc SS 1/4-20 | 51 | 56419265 | 1 | Plate, Boot |
| 12 | 56002701 | 5 | Nut, Hex Nyl Loc 5/16-18 | 52 | 56486116 | 3 | Grommet |
| 13 | 56002721 | 2 | Scr, Hex Hd 5/16-18 x 2.00 | 53 | 56003120 | 1 | Pin, Cotter Hair .0915 x .375 |
| 14 | 56002865 | 1 | Nut, Hex Nyl Loc-Thin 8-32 | 54 | 56304416 | 1 | Bracket, Magnetic Switch |
| 15 | 56002807 | 5 | Scr, Hex Hd SS 1/4-20 x .75 | 55 | 56304526 | 1 | Prop Rod Weldment |
| 16 | 56002826 | 2 | Nut, Hex Nyl Loc-Thin 5/16-18 | 56 | 56304548 | 1 | Cable Assembly |
| 17 | 56002843 | 2 | Nut, Hex Nyl Loc-Thin 1/2-13 | 57 | 56304596 | 1 | Dump Door Assembly |
| 18 | 56002922 | 14 | Scr, Hex Hd Loc 1/4-20 x .62 | 58 | 56304617 | 1 | Gasket |
| 19 | 56002929 | 1 | Scr, Hex Hd Loc 5/16-18 x .62 Note 1 | 59 | 56304665 | 1 | Skirt, Hopper |
| 20 | 56002938 | 2 | Wsh, Flt SAE SS 5/16 | ** | 56305593 | 1 | Skirt, Hopper Heavy (3/16" thick) |
| 21 | 56002947 | 4 | Scr, Hex Hd Loc 3/8-16 x 1.00 | 60 | 56304677 | 2 | Hinge Plate |
| 22 | 56003081 | 4 | Scr, Soc Set Loc 3/8-16 x .38 | 61 | 56304683 | 2 | Pin Hopper Hinge Weldment |
| 23 | 56003086 | 10 | Scr, Flt Phil SS 1/4-20 x .88 | 62 | 56304685 | 1 | Bracket, Prop |
| 24 | 56003258 | 2 | Ring, Ret Ext | 63 | 56304768 | 2 | Lamp, 12V |
| 25 | 56009002 | 3 | Wsh, Flt .266 x .906 x .060 | | 56304783 | A/R | Bulb, Light (for 56304768) |
| 26 | 56009012 | 5 | Scr, Hex Thd Form 10-24 x .38 | 64 | 56304807 | 2 | Strap, Hopper |
| 27 | 56009016 | 2 | Nut, Hex Jam 1/2-13 | 65 | 56304810 | 1 | Seal, Horizontal Note 2 |
| 28 | 56009018 | 2 | Scr, Hex Thd Form 1/4-20 x .75 | 66 | 56304815 | 1 | Blade |
| 29 | 56009019 | 1 | Scr, Hex Thd Form 1/4-20 x .38 | 67 | 56304816 | 1 | Strap |
| 30 | 56009029 | 4 | Scr, Pan Phil Thd Form 10-24 x .50 | 68 | 56304832 | 1 | Cover, Hopper |
| 31 | 56009033 | 5 | Scr, Hex Thd Form 1/4-20 x .50 | 69 | 56304833 | 1 | Cover, Hopper Bottom |
| 32 | 56009086 | 1 | Nut, Hex Jam 5/16-18 | 70 | 56304863 | 1 | Prop Rod |
| 33 | 56009122 | 1 | Wsh, Flt .344 x .938 x .125 | 71 | 56304896 | 1 | Bearing, Sleeve 1.125 x 1.375 x 1.00 |
| 34 | 56009139 | 8 | Scr, Pan Phil Loc 10-24 x .38 | 72 | 56304897 | 1 | Bearing, Sleeve 1.125 x 1.375 x .500 |
| 35 | 56244937 | 1 | Bushing, Flange .328 | 73 | 56305183 | 1 | Bracket, Lower Hopper Cover |
| 36 | 56300241 | 2 | Bushing .33 x .5 x 1.3 | 74 | 56305190 | 1 | Access Panel Assembly |
| 37 | 56320595 | 3 | Bushing .32 x .50 x .28 | 75# | 56462746 | 2 | Hook, Latch |
| 38 | 56009095 | 1 | Nut, Conduit Lock 1/2-14 | 76 | 56305196 | 1 | Blade, Dust Shield |
| 39 | 56442011 | 2 | Clamp, P | 77 | 56305465 | 1 | Hopper Weldment |
| 40 | 56360627 | 2 | Bushing | 78 | 56462361 | 1 | Conn, 2 Way Female |
| | | | | 79 | 56100094 | 8 | Washer, Balance-9.4 GR |
| | | | | * | 56172017 | 2 | Clamp, Cable |

* = Not Shown

** = Optional

= Revised or new since last update

Note 1: Hex head screw for right headlight.**Note 2:** Fold 180° around the top of strap.



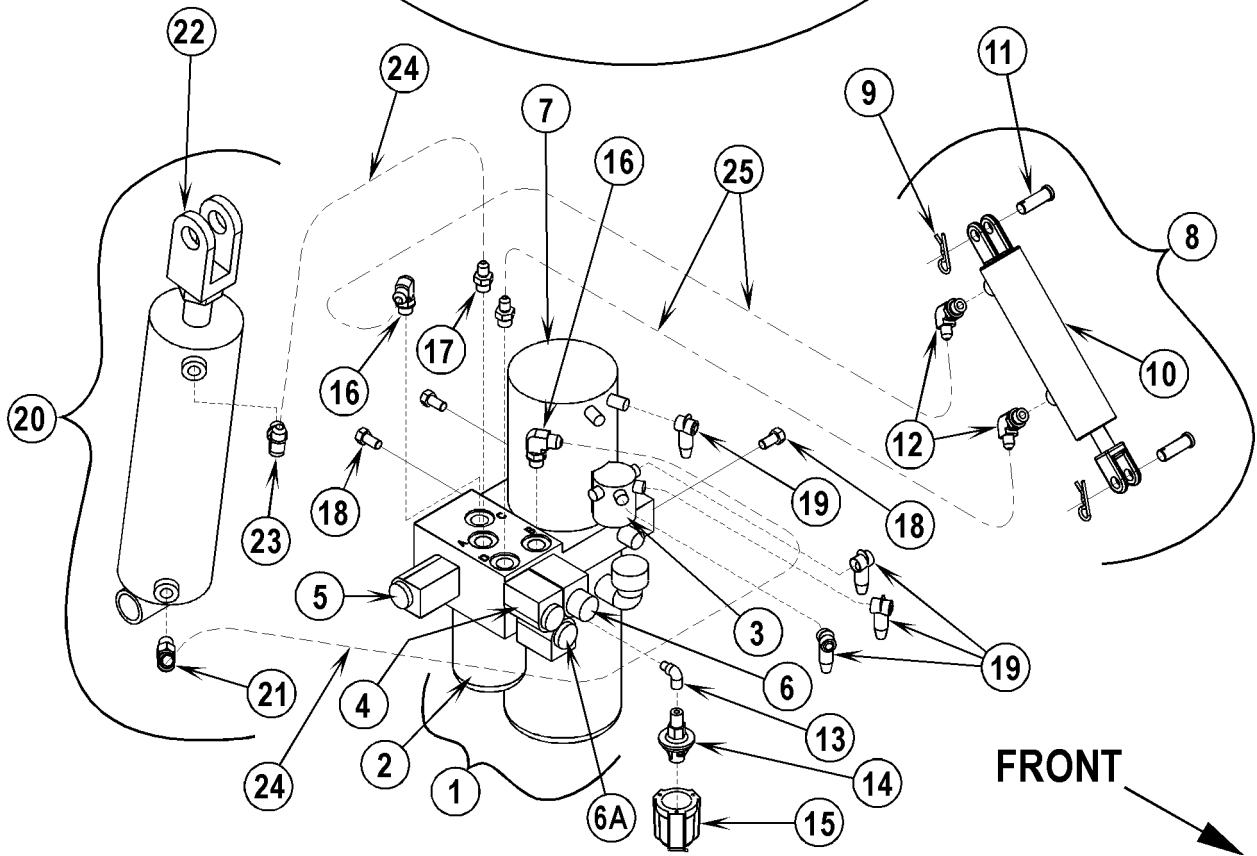
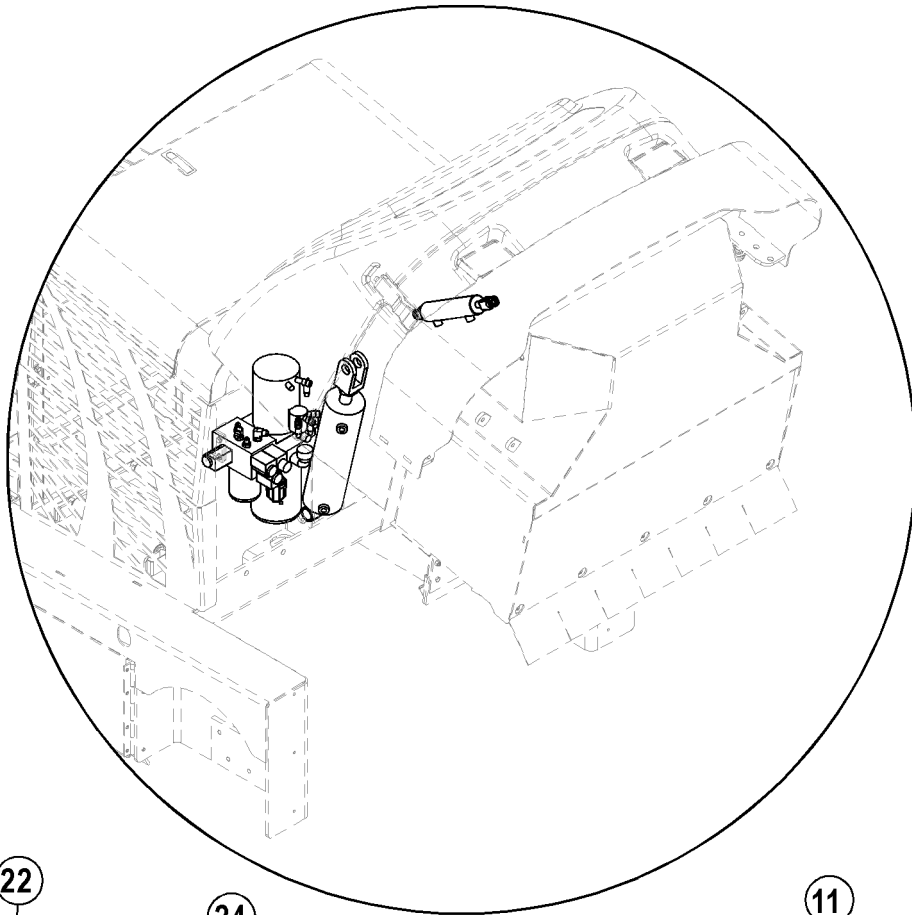
04-3

HOPPER SYSTEM SUB-ASSEMBLIES

05-7

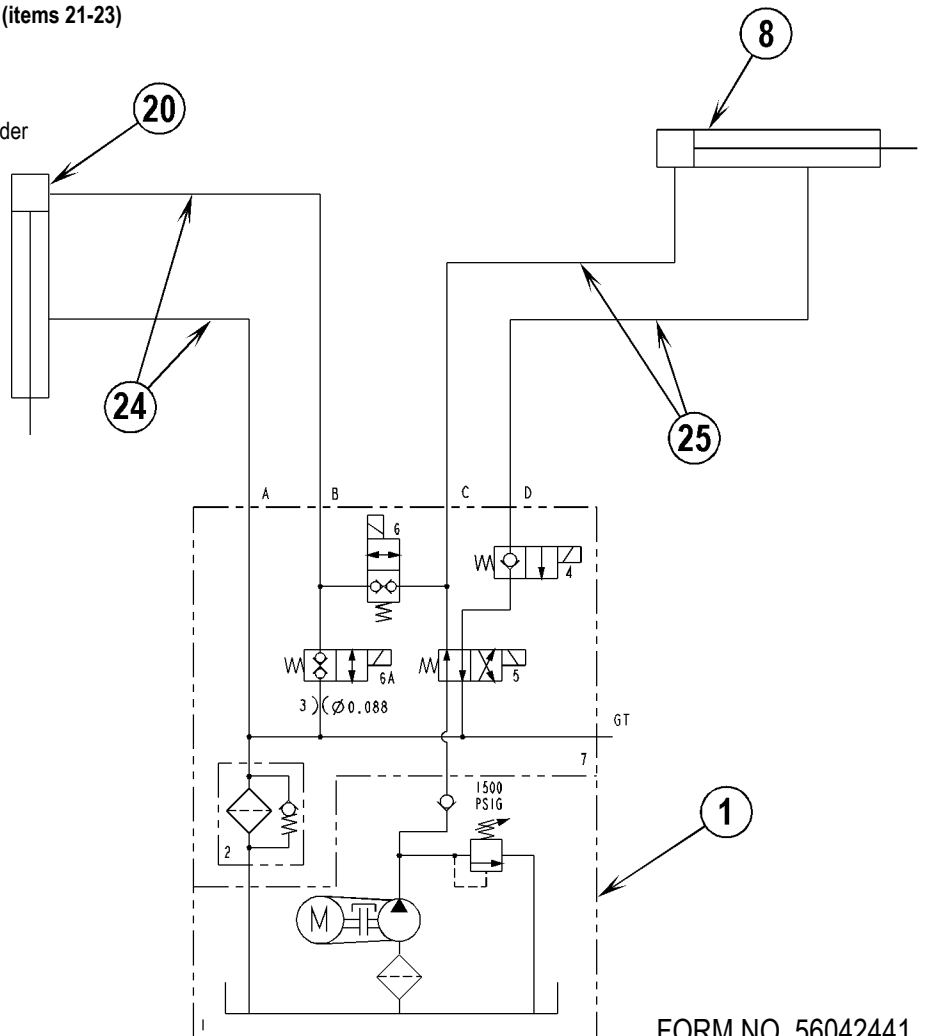
Captor™ 4300B, 4800B**29**

| Item | Ref. No. | Qty | Description |
|------|----------|-----|----------------------------------------|
| | 56305190 | 1 | Access Panel Assy (items 1-4) |
| 1 | 56009012 | 11 | Scr, Hex Thd Form 10-24x.38 |
| 2 | 56200754 | 6.5 | Gasket, Strip-Raw Stock (qty in feet) |
| 3 | 56304401 | 1 | Access Panel Weldt |
| 4 | 56304729 | 1 | Foam, Access Panel |
| | 56304596 | 1 | Dump Door Assy (items 5-13) |
| 5 | 56002850 | 5 | Nut, Hex Nyl Loc-Thin SS 1/4-20 |
| 6 | 56002491 | 6 | Nut, Hex Nyl Loc SS 1/4-20 |
| 7 | 56003086 | 6 | Scr, Flt Phil SS 1/4-20 x .88 |
| 8 | 56002883 | 5 | Scr, Hex Hd SS 1/4-20 x 1.00 |
| 9 | 56304597 | 1 | Dump Door Weld't |
| 10 | 56304808 | 2 | Blade, Hopper Door |
| 11 | 56304809 | 1 | Angle |
| 12 | 56419440 | 2 | Wiper, Dump Door |
| 13 | 56419441 | 2 | Strap |



| Item | Ref. No. | Qty | Description |
|------|----------|-----|---------------------------------------------------------------------|
| 1 | 56303040 | 1 | Hydraulic Power Unit (includes replacement items 2-7) TSBUS2006-916 |
| 2 | 56303432 | 1 | Replacement Hydraulic Filter Element |
| 3 | 56303441 | 1 | Contactant (K11) |
| * | 56303433 | 1 | Brush and Spring Kit (for replacement on 56303040) |
| 4 | 56303435 | 1 | Solenoid Valve Dump Door Open (L4) |
| 5 | 56303436 | 1 | Solenoid Valve Dump Door Close (L5) |
| 6 | 56303437 | 1 | Solenoid Valve Hopper Raise (L6) |
| 6A | 56303437 | 1 | Solenoid Valve Hopper Lower (L6A) |
| * | 56303434 | 4 | Coil, 36V DC (1 per each Solenoid Valve above) |
| 7 | 56303440 | 1 | Motor Assembly (M10) |
| * | 56303561 | 1 | Reservoir, Kit (for replacement on 56303040) |
| 8 | 56416121 | 1 | Hopper Door Cylinder Assy (items 9-12) |
| 9 | 56003222 | 2 | Pin, Cotter Hair |
| 10 | 56416202 | 1 | Cylinder, Hydraulic |
| 11 | 56486733 | 2 | Pin |
| 12 | 56900110 | 2 | Elbow, 90 O-Ring |
| 13 | 56111309 | 1 | Elbow, 90 Street |
| 14 | 56418994 | 1 | Switch, N.O. Pressure (S7) |
| 15 | 56419241 | 1 | Dust Boot |
| 16 | 56900103 | 2 | Elbow, 90 O-Ring |
| 17 | 56900011 | 2 | Connector, O-Ring |
| 18 | 56003079 | 3 | Scr, Hex Hd Loc 3/8-16 x .75 |
| 19 | 56409538 | 4 | Insulator, Terminal |
| * | 56463427 | 1 | Sleeve, Nylon |
| 20 | 56303274 | 1 | Cylinder, Hopper Lift Assy (items 21-23) |
| 21 | 56900153 | 1 | Elbow, 45 O-Ring W/Nut |
| 22 | 56303103 | 1 | Cylinder, Hopper Lift |
| 23 | 56900103 | 1 | Elbow, 90 O-Ring |
| 24 | 56303276 | 2 | Hose Assy – Hopper Cylinder |
| 25 | 56303277 | 2 | Hose Assy – Hopper Door |

* = Not Shown



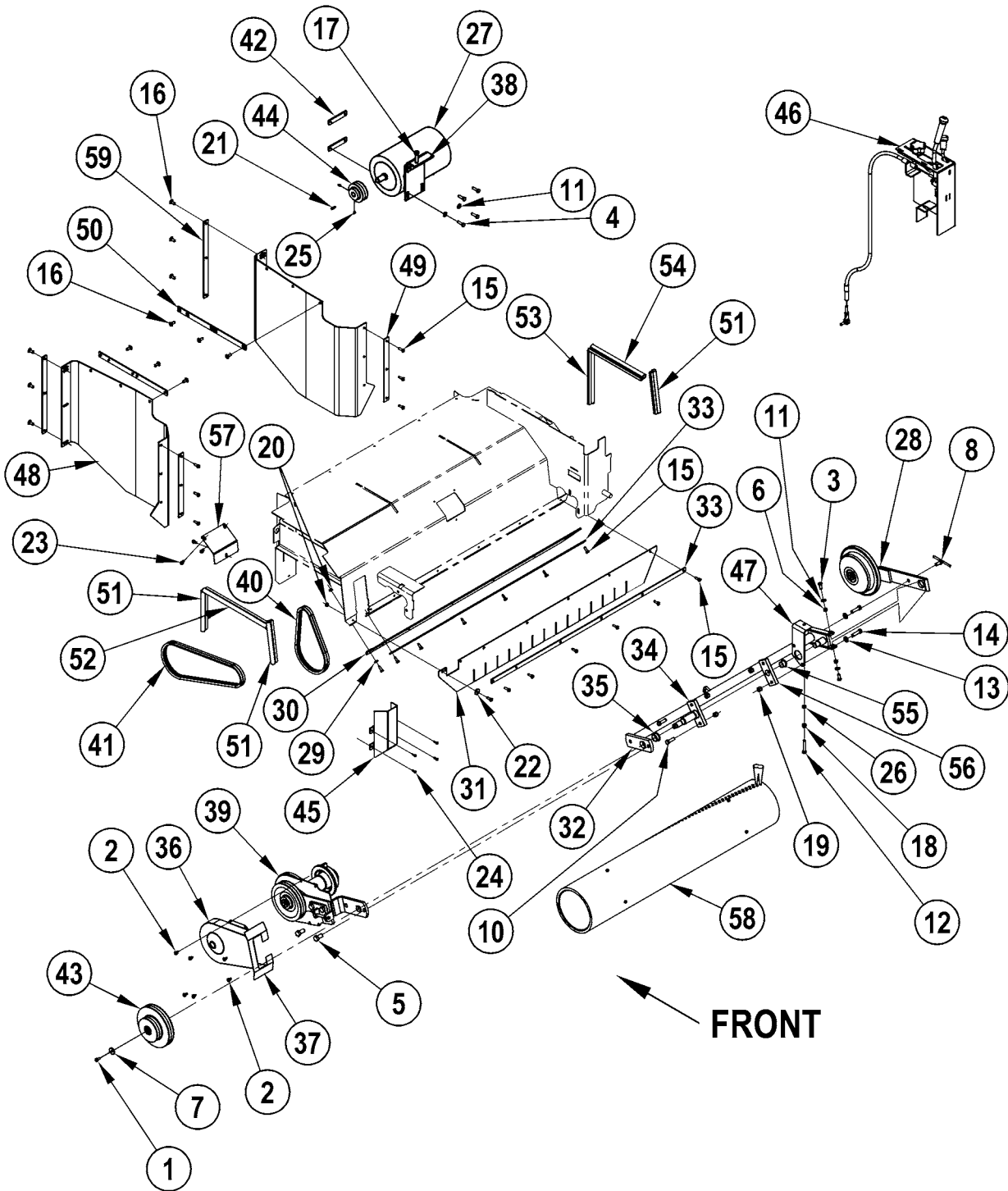
MAIN BROOM SYSTEM

04-3

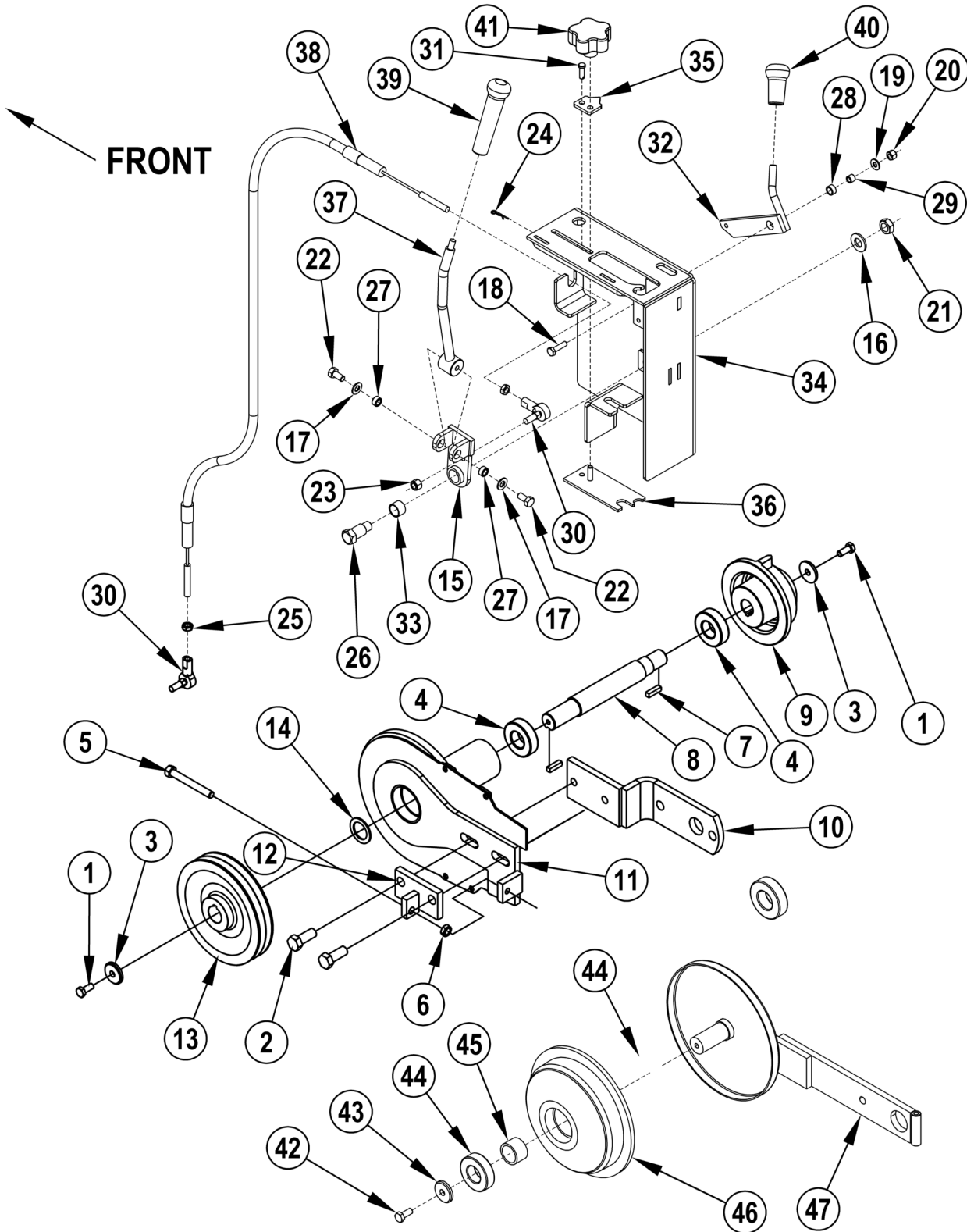
32

Captor™ 4300B, 4800B

05-7

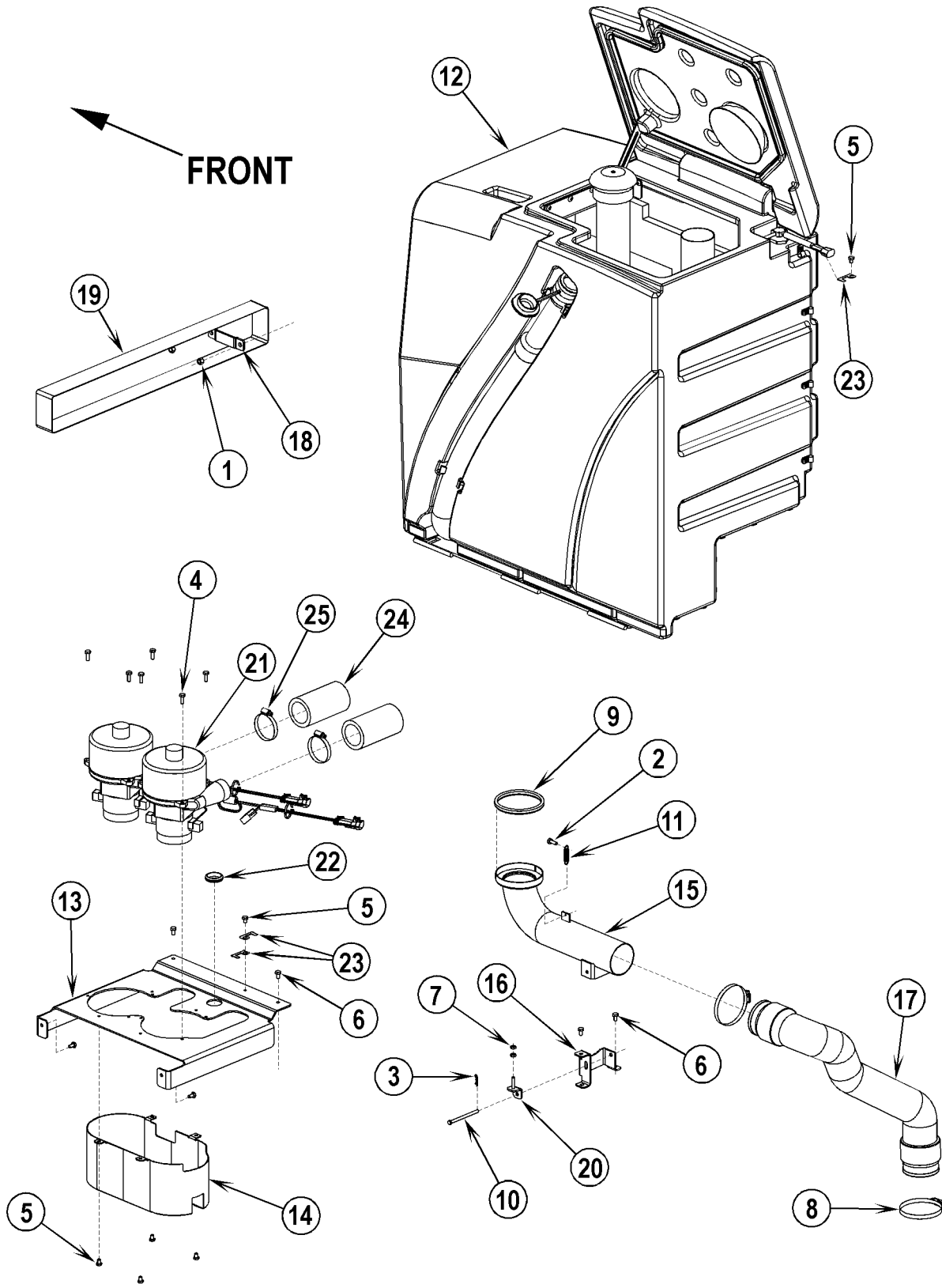


| Item | Ref. No. | Qty | Description | Item | Ref. No. | Qty | Description |
|------|----------|-----|-----------------------------------|------|----------|-----|--------------------------------------|
| 1 | 56002922 | 1 | Scr, Hex Hd Loc 1/4-20 x .62 | 46 | 56304753 | 1 | Lift Asm, Broom |
| 2 | 56009019 | 6 | Scr, Hex Thd Form 1/4-20 x .38 | 47 | 56304919 | 1 | Broom Adjuster |
| 3 | 56002956 | 2 | Scr, Hex Hd Loc 5/16-18 x .75 | 48 | 56304924 | 2 | Skirt, Broom Housing |
| 4 | 56003073 | 4 | Scr, Hex Hd Loc 5/16-18 x 1.00 | 49 | 56304925 | 2 | Strap, Vertical |
| 5 | 56003083 | 2 | Scr, Hex Hd Loc 1/2-13 x 1.00 | 50 | 56305102 | 4 | Strap (qty of 2 after SN 1789305) |
| 6 | 56320595 | 2 | Bushing .32 x .50 x .28 | 51 | 56305198 | 3 | Gasket (7.25") |
| 7 | 56388766 | 1 | Washer, Balance-12.5 Gr. | 52 | 56305199 | 1 | Gasket (13.62") |
| 8 | 56416382 | 1 | Broom Arm Nut Weldt | 53 | 56305200 | 1 | Gasket (10.00") |
| 9 | | | Intentionally Omitted | 54 | 56305201 | 1 | Gasket |
| 10 | 56001858 | 2 | Scr, Hex Hd 3/8-16 x 1.25 | 55 | 56305255 | 1 | Bearing, Flange |
| 11 | 56001939 | 4 | Wsh, Flt SAE 5/16 | 56 | 56305276 | 1 | Pillow Block |
| 12 | 56002013 | 1 | Scr, Hex Thd To Hd 5/16-18 x 2.00 | 57 | 56305819 | 1 | Cover, Access |
| 13 | 56002063 | 2 | Wsh, Flt SAE 3/8 | 58 | 56505955 | 1 | Main Broom, Proex-Wire |
| 14 | 56002095 | 2 | Scr, Hex Hd 3/8-16 x 1.50 | ** | 56505951 | 1 | Main Broom, Poly/Wire, 8 Double Rows |
| 15 | 56002155 | 20 | Scr, Hex Hd 1/4-20 x .75 | ** | 56505952 | 1 | Main Broom, Proex, 12 Double Rows |
| 16 | 56002395 | 12 | Scr, Flt Phil 5/16-18 x .75 | ** | 56505953 | 1 | Main Broom, Nylon, 8 Double Rows |
| 17 | 56002470 | 1 | Scr, Hex Thd To Hd 3/8-16 x 2.00 | ** | 56505954 | 1 | Main Broom, Proex, 8 Double Rows |
| 18 | 56002701 | 1 | Nut, Hex Nyl Loc 5/16-18 | ** | 56505956 | 1 | Main Broom, Prolene, 8 Double Rows |
| 19 | 56002769 | 4 | Nut, Hex Nyl Loc 3/8-16 | 59 | 56305960 | 2 | Strap (after SN 1789305) |
| 20 | 56002840 | 14 | Nut, Hex Nyl Loc-Thin 1/4-20 | | | | |
| 21 | 56003238 | 1 | Key, Sq .19 x .78 | | | | * = Not Shown |
| 22 | 56009002 | 1 | Wsh, Flt .266 x .906 x .060 | | | | ** = Optional |
| 23 | 56009033 | 3 | Scr, Hex Thd Form 1/4-20 x .50 | | | | |
| 24 | 56009039 | 4 | Scr, Hex Thd Form 10-24 x .50 | | | | |
| 25 | 56009076 | 2 | Scr, Soc Set Loc | | | | |
| 26 | 56009086 | 1 | Nut, Hex Jam 5/16-18 | | | | |
| 27 | 56303039 | 1 | Motor, 2.0 HP | | | | |
| * | 56303419 | 4 | Carbon Brushes | | | | |
| * | 56303444 | 4 | Brush Spring | | | | |
| 28 | 56303128 | 1 | Right Broom Arm Assy | | | | |
| 29 | 56002098 | 1 | Wsh, Flt SAE 1/4 | | | | |
| 30 | 56303148 | 1 | Skirt, Rear | | | | |
| 31 | 56303149 | 1 | Skirt, Rear | | | | |
| 32 | 56303273 | 1 | Main Broom Hanger Weldt | | | | |
| 33 | 56303280 | 2 | Strap, Rear | | | | |
| 34 | 56303366 | 1 | Shaft Weldment | | | | |
| 35 | 56303367 | 1 | Bearing, FL 1.125 X 1.000 X .500 | | | | |
| 36 | 56303523 | 1 | Belt Guard Weldt | | | | |
| 37 | 56303496 | 1 | Shield | | | | |
| 38 | 56303506 | 1 | Bracket, Motor Adjuster | | | | |
| 39 | 56303507 | 1 | Drive Lug Assy | | | | |
| 40 | 56303519 | 1 | Belt, V 3VX280 (Matched Set of 2) | | | | |
| 41 | 56303520 | 1 | Belt, V 3VX400 (Matched Set of 2) | | | | |
| 42 | 56303522 | 2 | Nut Plate | | | | |
| 43 | 56303528 | 1 | Sheave Assy | | | | |
| 44 | 56303529 | 1 | Sheave, 3v 2.75 | | | | |
| 45 | 56303532 | 1 | Guard, Belt Rear | | | | |



| Item | Ref. No. | Qty | Description |
|------|----------|-----|-------------------------------|
| | 56303507 | 1 | Drive Lug Assembly |
| 1 | 56002956 | 2 | Scr, Hex Hd Loc 5/16-18 x .75 |
| 2 | 56003022 | 2 | Scr, Hex Hd Loc 1/2-13 x 1.25 |
| 3 | 56358959 | 2 | Washer, Flat |
| 4 | 56479430 | 2 | Bearing, Ball |
| 5 | 56002204 | 1 | Scr, Hex Hd 3/8-16 x 3.00 |
| 6 | 56003015 | 1 | Nut, Hex Jam SS 3/8-16 |
| 7 | 56003244 | 2 | Key, Sq .25 X 0.94 |
| 8 | 56303045 | 1 | Shaft, Broom Drive |
| 9 | 56303087 | 1 | Hub, Driver |
| 10 | 56303480 | 1 | Broom Arm Weldt |
| 11 | 56303509 | 1 | Broom Arm Weldt |
| 12 | 56303524 | 1 | Belt Tensioner Weldt |
| 13 | 56303531 | 1 | Sheave, 3v 5.95 |
| 14 | 56748926 | 1 | Wsh, Flt .075 X 1.03 X 1.50 |
| | 56304753 | 1 | Broom Adjuster |
| 15 | 56305474 | 1 | Lift Pivot Weldment |
| 16 | 56001879 | 1 | Wsh, Flt SAE 1/2 |
| 17 | 56001939 | 2 | Wsh, Flt SAE 5/16 |
| 18 | 56002093 | 1 | Scr, Hex Hd 1/4-20 x 1.00 |
| 19 | 56002098 | 1 | Wsh, Flt SAE 1/4 |
| 20 | 56002708 | 1 | Nut, Hex Nyl Loc 1/4-20 |
| 21 | 56002843 | 1 | Nut, Hex Nyl Loc-Thin 1/2-13 |
| 22 | 56002929 | 2 | Scr, Hex Hd Loc 5/16-18 x .62 |
| 23 | 56002950 | 1 | Nut, Hex Nyl Loc 5/16-24 |
| 24 | 56003332 | 1 | Pin, Cot Hair .042 x .188 |
| 25# | 56001884 | 2 | Nut, Hex Jam 5/16-24 |
| 26 | 56171336 | 1 | Bolt, Shoulder |
| 27 | 56320595 | 2 | Bushing .32 x .50 x .28 |
| 28 | 56368970 | 1 | Bearing, Sleeve |
| 29 | 56368989 | 1 | Bushing |
| 30 | 56477756 | 2 | Rod End |
| 31 | 56003663 | 1 | Clevis Pin .25 x .75 |
| 32 | 56304345 | 1 | Lever Weldment |
| 33 | 56304586 | 1 | Bearing .750 x .625 x .500 |
| 34 | 56304752 | 1 | Weldment, Broom Lift |
| 35 | 56304821 | 1 | Plate, Indicator |
| 36 | 56304822 | 1 | Stop Plate Weldment |
| 37 | 56304825 | 1 | Lever Weldment |
| 38 | 56305009 | 1 | Cable, Broom Lift |
| 39 | 56305010 | 1 | Knob, Broom |
| 40 | 56305011 | 1 | Knob, Solution |
| 41 | 56305030 | 1 | Knob, Adjust |
| | 56303128 | 1 | Right Broom Arm Assembly |
| 42 | 56002956 | 1 | Scr, Hex Hd Loc 5/16-18 x .75 |
| 43 | 56358959 | 1 | Washer, Flat |
| 44 | 56479430 | 2 | Bearing, Ball |
| 45 | 56479434 | 1 | Bushing |
| 46 | 56493845 | 1 | Hub-Idler |
| 47 | 56303279 | 1 | Right Broom Arm Weldment |

= Revised or new since last update



04-3

RECOVERY SYSTEM

08-11

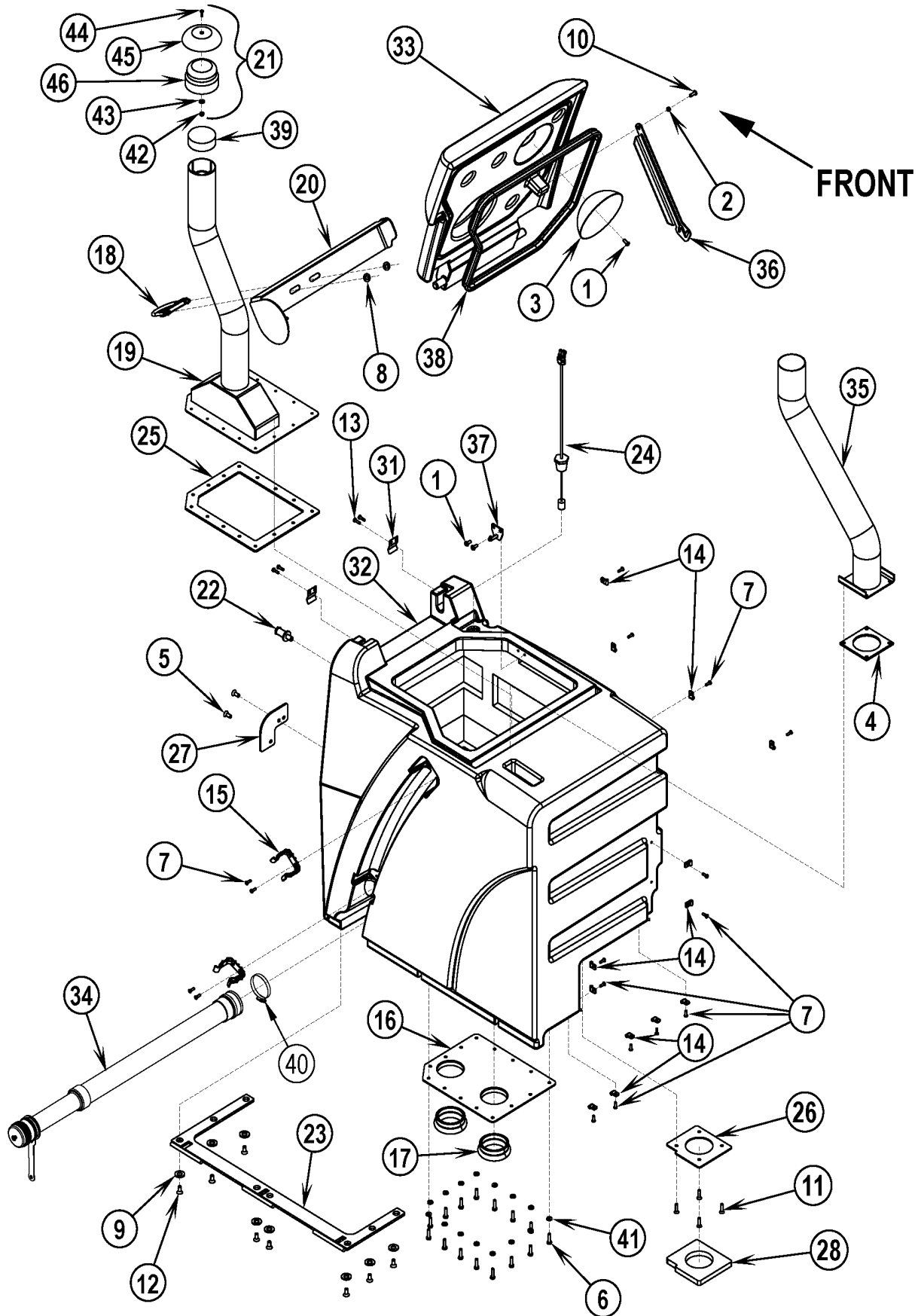
Captor™ 4300B, 4800B

37

| Item | Ref. No. | Qty | Description |
|------|----------|-----|-------------------------------------------------------------------|
| 1 | 56002701 | 2 | Nut, Hex Nyl Loc 5/16-18 |
| 2 | 56002948 | 1 | Scr, Hex Hd Loc 1/4-20 x .75 |
| 3 | 56003332 | 1 | Pin, Cot Hair .042 x .188 |
| 4 | 56009018 | 6 | Scr, Hex Thd Form 1/4-20 x .75 |
| 5 | 56009019 | 6 | Scr, Hex Thd Form 1/4-20 x .38 |
| 6 | 56009033 | 6 | Scr, Hex Thd Form 1/4-20 x .50 |
| 7 | 56009087 | 2 | Nut, Hex Jam 1/4-20 |
| 8 | 56352829 | 2 | Clamp, Hose SAE #52 |
| 9 | 56307220 | 1 | Trim, Edge TSBUS2006-920 |
| 10 | 56003669 | 1 | Clevis, Pin .25 x 3.50 |
| 11 | 56112054 | 1 | Spring, Extension .43 x .175 |
| 12# | 56303376 | 1 | Recovery Tank Assembly (see Recovery Tank Assembly-4300B) |
| # | 56303172 | 1 | Recovery Tank Assembly (see Recovery Tank Assembly-4800B) |
| 13 | 56303181 | 1 | Plate, Fan Mount |
| 14 | 56303220 | 1 | Motor Guard Weldment |
| 15 | 56304840 | 1 | Tube Weldment, Squeegee |
| 16 | 56304844 | 1 | Mount, Pivot |
| 17 | 56305377 | 1 | Hose Assembly |
| 18 | 56305488 | 1 | Tie Down |
| 19 | 56305491 | 1 | Tether |
| 20 | 56305721 | 1 | Tab Adjust |
| 21 | 56410065 | 2 | Vac Motor Assembly |
| * | 56212223 | 1 | Carbon Brush Set |
| 22 | 56056871 | 1 | Grommet |
| 23 | 56409769 | 3 | Clip, Weatherpack Mount |
| 24 | 56324358 | 2 | Hose, Vac 2.00 x 5.00 x 975018 |
| 25 | 56440213 | 2 | Clamp, Hose SAE #32 |

* = Not Shown

= Revised or new since last update

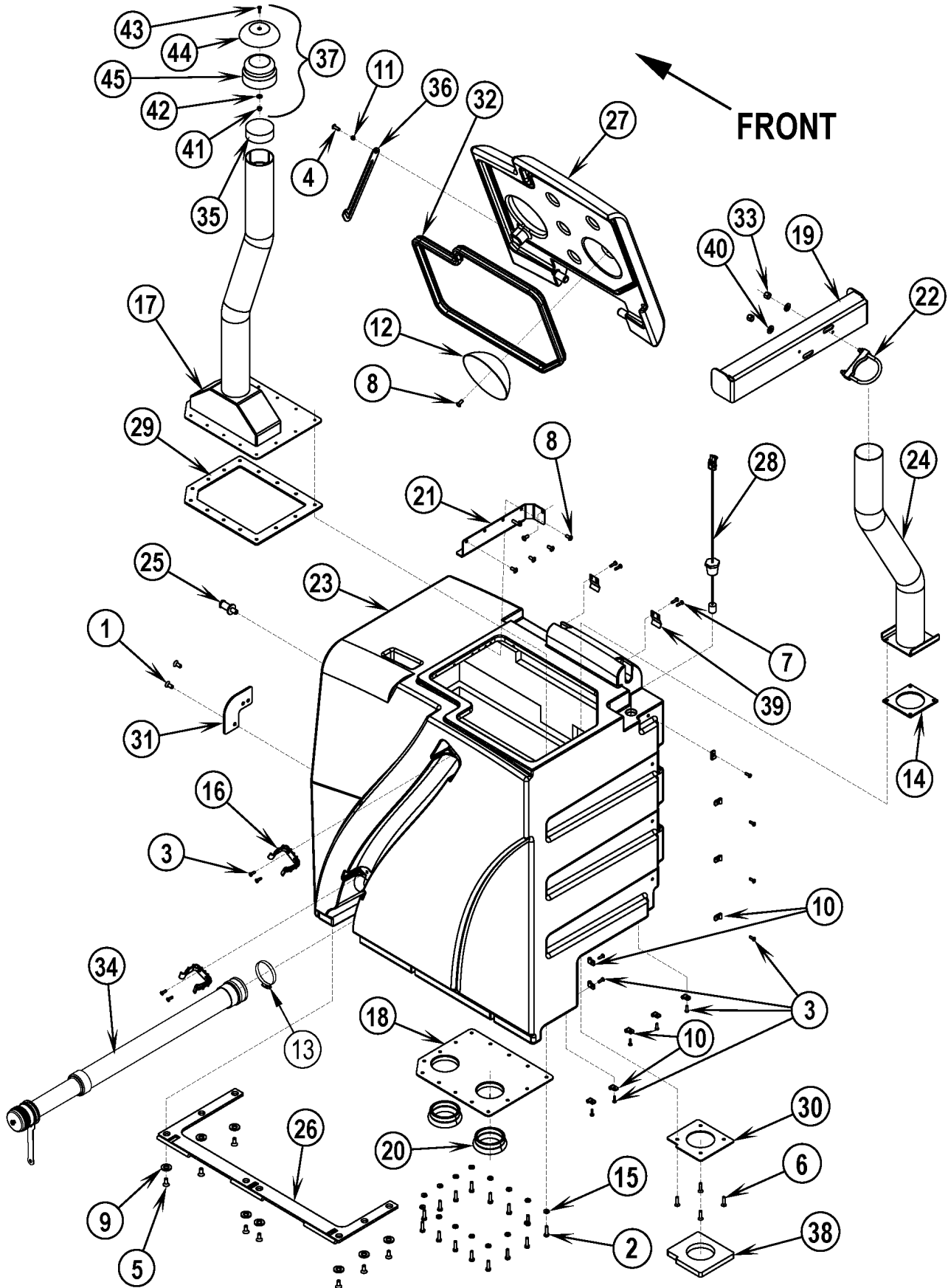


| Item | Ref. No. | Qty | Description |
|------|----------|-----|-------------------------------------------|
| | 56303376 | 1 | Recovery Tank Assembly (items 1-41) |
| 1 | 56009120 | 3 | Scr, Pan Phil SS Type B 1/4-14 x .62 |
| 2 | 56206784 | 1 | Bushing |
| 3 | 56454718 | 1 | Deflector |
| 4 | 56459136 | 1 | Gasket |
| 5 | 56002395 | 2 | Scr, Flt Phil 5/16-18 x .75 |
| 6 | 56002883 | 15 | Scr, Hex Hd SS 1/4-20 x 1.00 |
| 7 | 56002896 | 17 | Scr, Pan Phil SS 10-24 x .62 |
| 8 | 56002910 | 2 | Wsh, Flt SAE SS 3/8 |
| 9 | 56002918 | 8 | Wsh, Flt SAE SS 1/2 |
| 10 | 56002957 | 1 | Scr, Pan Phil SS 1/4-20 x .75 |
| 11 | 56003074 | 4 | Scr, Flt Phil SS 1/4-20 x 1.00 |
| 12 | 56003689 | 8 | Scr, Flt Phil SS 5/16-18 x .75 |
| 13 | 56009005 | 4 | Scr, Pan Phil SS Type B 10-16 x .75 |
| 14 | 56220507 | 13 | Clamp, P TSBUS2005-875 |
| 15 | 56212236 | 2 | Clamp, Plastic |
| 16 | 56303185 | 1 | Seal Weldment |
| 17 | 56303317 | 2 | Gasket, Bulb |
| 18 | 56303330 | 1 | Clamp, Muffler 3.63 SS |
| 19 | 56303377 | 1 | Standtube Weldment |
| 20 | 56303385 | 1 | Brace, Recovery Tank (60) |
| 21 | 56303392 | 1 | Cap, Recovery Vac Tube Asm (items 42-46) |
| 22 | 56304864 | 1 | Pin, Slam Lock |
| 23 | 56304871 | 1 | Pivot Weldment |
| 24 | 56305977 | 1 | Switch, Liquid Level TSBUS2005-875 |
| 25 | 56305054 | 1 | Gasket |
| 26 | 56305060 | 1 | Plate, Seal, Squeegee |
| 27 | 56305202 | 1 | Plate, Tether Cover |
| 28 | 56307219 | 1 | Gasket, Foam TSBUS2006-920 |
| 29 | | | Intentionally Omitted |
| 30 | | | Intentionally Omitted |
| 31 | 56305457 | 2 | Clip, Lid |
| 32 | 56305523 | 1 | Tank, Recovery 60 Gal |
| 33 | 56305548 | 1 | Lid, Recovery Tank 60 Gal |
| 34 | 56601407 | 1 | Drain Hose TSBUS2008-985 |
| * | 56601411 | 1 | Drain Hose Cap Kit TSBUS2008-985 |
| **# | 56601410 | 1 | Drain Hose Extension |
| 35 | 56305632 | 1 | Standpipe Weldment, Right |
| 36 | 56305642 | 1 | Support Arm |
| 37 | 56305644 | 1 | Prop Support Weldment |
| 38 | 56305834 | 1 | Gasket |
| 39 | 56303451 | 1 | Filter |
| 40 | 56456797 | 1 | Clamp, Hose SAE #36 |
| 41 | 56900737 | 15 | Washer, Sealing 1/4 |
| 42 | 56002836 | 1 | Nut, Hex Nyl Loc SS 10-24 |
| 43 | 56002919 | 1 | Wsh, Flt STD SS #10 |
| 44 | 56003056 | 1 | Scr, Flt Phil SS 10-24 x .62 |
| 45 | 56303383 | 1 | Cap, Recovery Vac Tube |
| 46 | 56303393 | 1 | Screen, Fan Inlet Long |

* = Not Shown

** = Optional, Not Included

= Revised or new since last update

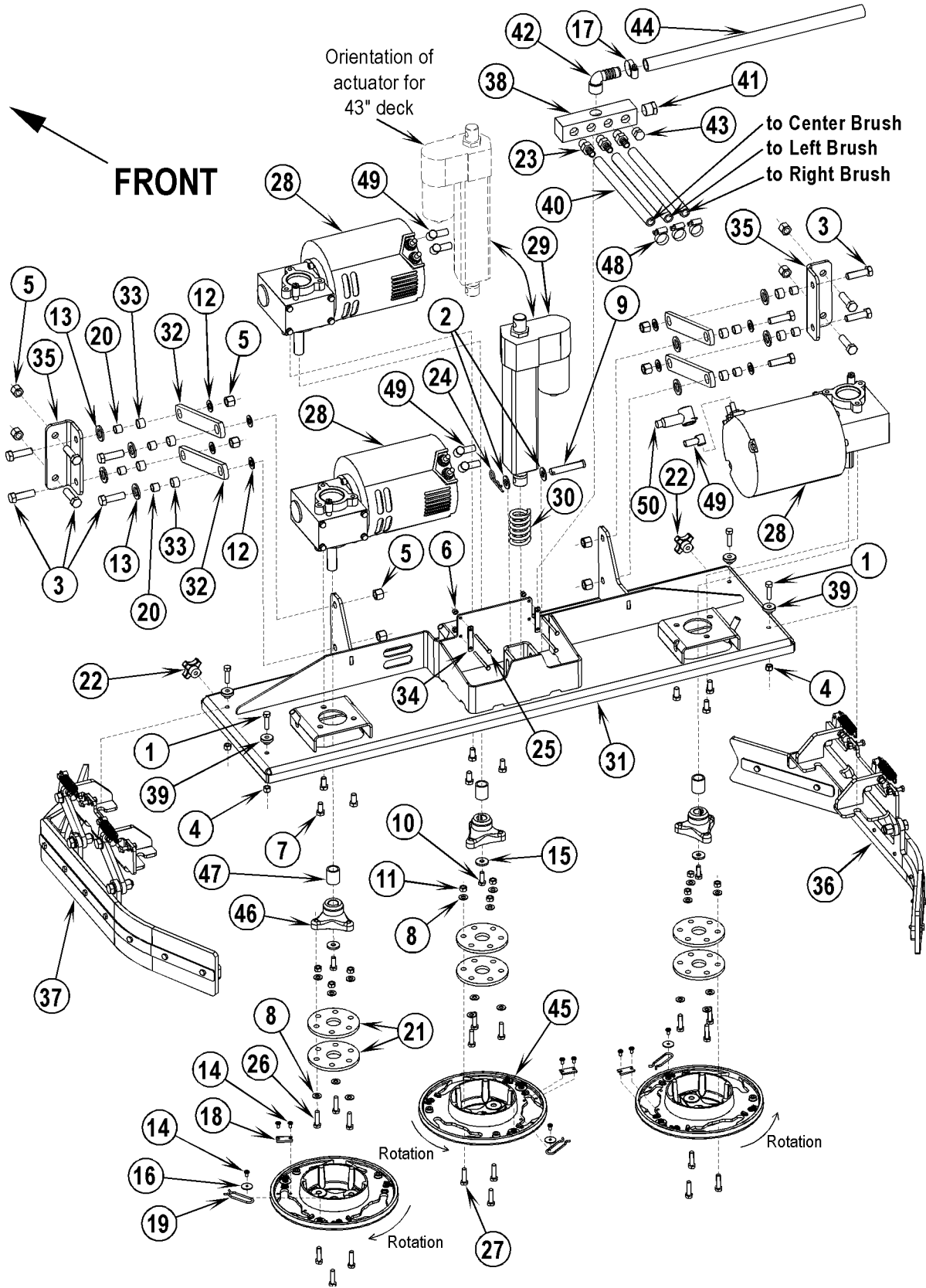


| Item | Ref. No. | Qty | Description |
|------|----------|-----|-------------------------------------------|
| | 56303172 | 1 | Recovery Tank Assembly (items 1-40) |
| 1 | 56002395 | 2 | Scr, Flt Phil 5/16-18 x .75 |
| 2 | 56002883 | 15 | Scr, Hex Hd SS 1/4-20 x 1.00 |
| 3 | 56002896 | 15 | Scr, Pan Phil SS 10-24 x .62 |
| 4 | 56002957 | 1 | Scr, Pan Phil SS 1/4-20 x .75 |
| 5 | 56003689 | 8 | Scr, Flt Phil SS 5/16-18 x .75 |
| 6 | 56003074 | 4 | Scr, Flt Phil SS 1/4-20 x 1.00 |
| 7 | 56009005 | 4 | Scr, Pan Phil SS Type B 10-16 x .75 |
| 8 | 56009120 | 6 | Scr Pan Phil SS Type B 1/4-14 x .62 |
| 9 | 56002918 | 8 | Wsh, Flt SAE SS 1/2 |
| 10 | 56220507 | 11 | Clamp, P TSBUS2005-875 |
| 11 | 56206784 | 1 | Bushing |
| 12 | 56454718 | 1 | Deflector |
| 13 | 56456797 | 1 | Clamp, Hose SAE #36 |
| 14 | 56459136 | 1 | Gasket |
| 15 | 56900737 | 15 | Washer, Sealing 1/4 |
| 16 | 56212236 | 2 | Clamp, Plastic |
| 17 | 56303180 | 1 | Standtube Weldment |
| 18 | 56303185 | 1 | Seal Weldment |
| 19 | 56303235 | 1 | Brace, Recovery Tank |
| 20 | 56303317 | 2 | Gasket, Bulb |
| 21 | 56303328 | 1 | Support Weldment |
| 22 | 56303330 | 1 | Clamp, Muffler 3.63 SS |
| 23 | 56304483 | 1 | Recovery Tank Assembly |
| 24 | 56304653 | 1 | Standpipe Weldment, Right |
| 25 | 56304864 | 1 | Pin, Slam Lock |
| 26 | 56304871 | 1 | Pivot Weldment |
| 27 | 56305005 | 1 | Lid, Recovery Tank |
| 28 | 56305977 | 1 | Switch, Liquid Level TSBUS2005-875 |
| 29 | 56305054 | 1 | Gasket |
| 30 | 56305060 | 1 | Plate, Seal, Squeegee |
| 31 | 56305202 | 1 | Plate, Tether Cover |
| 32 | 56305203 | 1 | Gasket |
| 33 | 56003219 | 2 | Nut, Hex Nyl Loc SS 3/8-16 |
| 34 | 56601406 | 1 | Drain Hose TSBUS2008-985 |
| * | 56601411 | 1 | Drain Hose Cap Kit TSBUS2008-985 |
| **# | 56601410 | 1 | Drain Hose Extension |
| 35 | 56303451 | 1 | Filter |
| 36 | 56305236 | 1 | Slide |
| 37 | 56303392 | 1 | Cap, Recovery Vac Tube (items 41-45) |
| 38 | 56307219 | 1 | Gasket, Foam TSBUS2006-920 |
| 39 | 56305457 | 2 | Clip, Lid |
| 40 | 56002910 | 2 | Wsh, Flt SAE SS 3/8 |
| 41 | 56002836 | 1 | Nut, Hex Nyl Loc SS 10-24 |
| 42 | 56002919 | 1 | Wsh, Flt STD SS #10 |
| 43 | 56003056 | 1 | Scr, Flt Phil SS 10-24 x .62 |
| 44 | 56303383 | 1 | Cap, Recovery Vac Tube |
| 45 | 56303393 | 1 | Screen, Fan Inlet Long |
| * | 56478246 | 2 | Tie, Cable |

* = Not Shown

** = Optional, Not Included

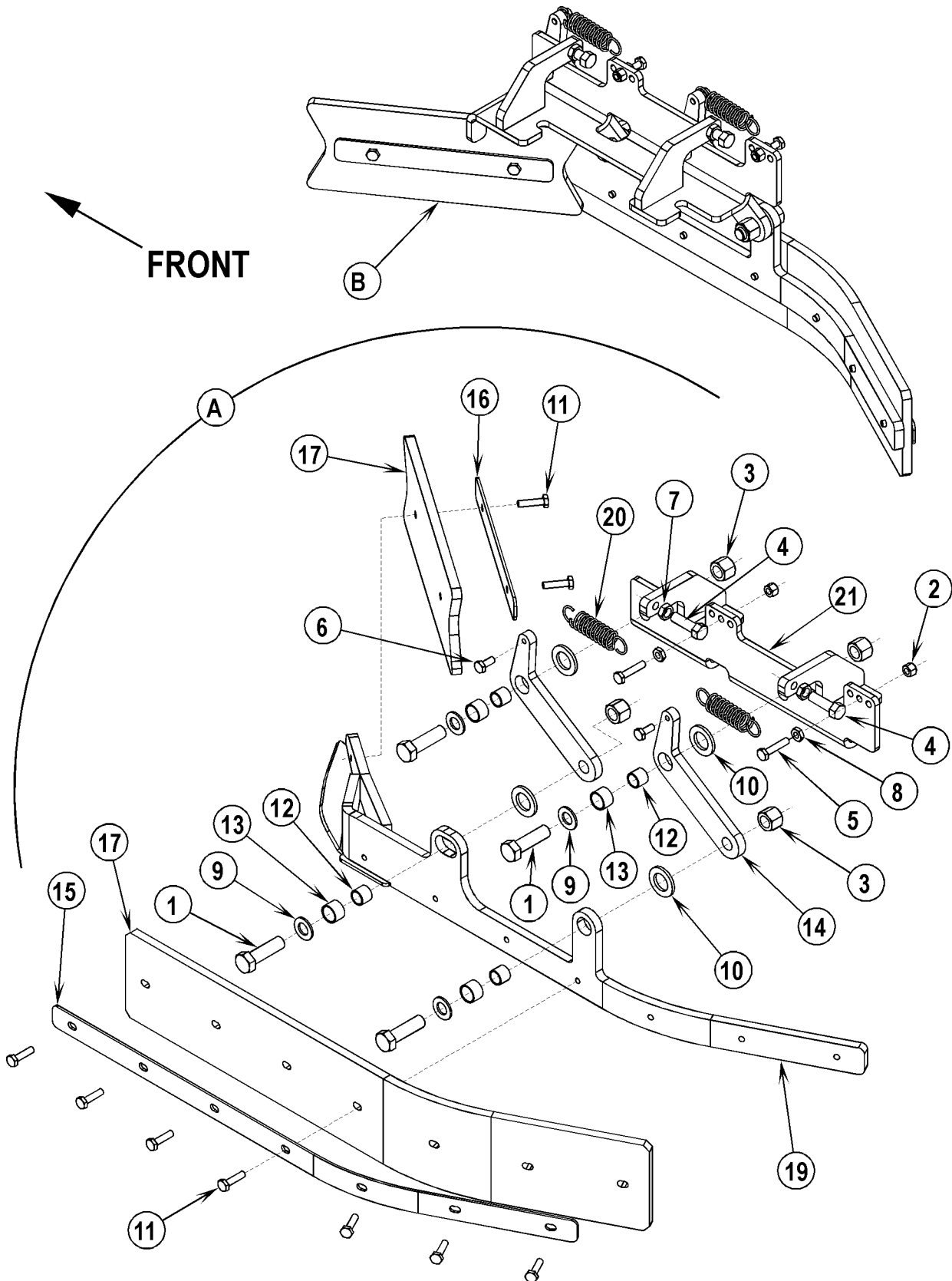
= Revised or new since last update



| Item | Ref. No. | Qty | Description |
|------|----------|-----|------------------------------------------------------------------|
| 1 | 56001834 | 4 | Scr, Hex Hd 5/16-18 x 1.25 |
| 2 | 56001879 | 2 | Wsh, Flt SAE 1/2 |
| 3 | 56001995 | 12 | Scr, Hex Hd 1/2-13 x 1.75 |
| 4 | 56002701 | 4 | Nut, Hex Nyl Loc 5/16-18 |
| 5 | 56002770 | 12 | Nut, Hex Nyl Loc 1/2-13 |
| 6 | 56002836 | 4 | Nut, Hex Nyl Loc SS 10-24 |
| 7 | 56002885 | 9 | Scr, Hex SS 3/8-16 x .75 |
| 8 | 56002938 | 18 | Wsh, Flt SAE SS 5/16 |
| 9 | 56003207 | 1 | Clevis Pin .50 x 2.75 |
| 10 | 56003372 | 3 | Scr Hex Loc SS 5/16-18 x 1.25 |
| 11 | 56003405 | 9 | Nut, Hex Nyl Loc SS M8 x 1.25 |
| 12 | 56009017 | 8 | Wsh, Flt Harden .516 x .938 x.75 |
| 13 | 56009022 | 8 | Wsh, Flt .754 x 1.250 x .120 |
| 14 | 56009030 | 9 | Scr, Pan Phil Thd Form 10-24 x .38 |
| 15 | 56009057 | 3 | Wsh, Flt Harden .344 x 1.000 x .120/.135 |
| 16 | 56009096 | 3 | Wsh, Flt .193 x .875 x .060 |
| 17 | 56244969 | 1 | Clamp, Hose SAE #12 |
| 18 | 56366455 | 3 | Plate, Stop |
| 19 | 56366463 | 3 | Spring Retainer |
| 20 | 56367206 | 8 | Bushing |
| 21 | 56407053 | 6 | Thermoid Disk |
| 22 | 56407303 | 2 | Knob |
| 23 | 56412184 | 3 | Barb, Adapter 1/2 x 1/2 NPT |
| 24# | 56003222 | 1 | Pin, Cotter Hair .125 x .5 |
| 25 | 56003131 | 4 | Scr, Hex Hd SS 10-24 x 2.50 |
| 26 | 56003278 | 9 | Scr, Hex Loc SS M8-1 x 30mm |
| 27 | 56003639 | 9 | Scr, Hex Hd SS M8-1.25 x 30mm |
| 28 | 56303083 | 3 | Gearmotor Assembly |
| * | 56303419 | A/R | Replacement Carbon Brushes (4 per motor) |
| * | 56303444 | A/R | Replacement Spring (4 per motor) |
| 29 | 56303095 | 1 | Actuator, Motor 36V, Scrub Lift |
| 30 | 56303106 | 1 | Compression Spring |
| 31 | 56303335 | 1 | Deck Weldt 48 in. (CR 1200) |
| | 56303428 | 1 | Deck Weldt 43 in. (CR 1100) |
| 32 | 56305467 | 4 | Arm Parallel 7.5 in |
| 33 | 56304586 | 8 | Bearing .750 x .625 x .500 |
| 34 | 56304601 | 2 | Plate |
| 35 | 56304605 | 2 | Mount Chassis Scrub Deck |
| 36 | 56304988 | 1 | Side Skirt Right Assy (see Scrub System Skirt-Assemblies) |
| 37 | 56304998 | 1 | Side Skirt Left Assy (see Scrub System Skirt-Assemblies) |
| 38 | 56305090 | 1 | Manifold, Solution |
| 39 | 56305258 | 4 | Mounting Lugs |
| 40# | 56303395 | 3 | Hose, Spiral .750 x 31" (4800B) |
| # | 56303423 | 3 | Hose, Spiral .750 x 31" (4300B) |
| 41 | 56305464 | 1 | Plug, 3/4 Hex Pipe |
| 42 | 56305545 | 1 | Barb, 90 Elbow 3/4 x 3/4 NPT |
| 43 | 56305547 | 1 | Plug, 1/2 Hex Pipe |
| 44 | 56303394 | 1 | Hose, Spiral .750 x 25" |
| 45 | 56314030 | 3 | Brush Holder |
| 46 | 56314108 | 3 | Hub, Drive |
| 47 | 56314109 | 3 | Spacer |
| 48 | 56112771 | 3 | Clamp, Hose SAE #10 |
| 49 | 56492305 | 5 | Boot, Rubber |
| 50 | 56493357 | 1 | Insulator, Terminal |

* = Not Shown

= Revised or new since last update



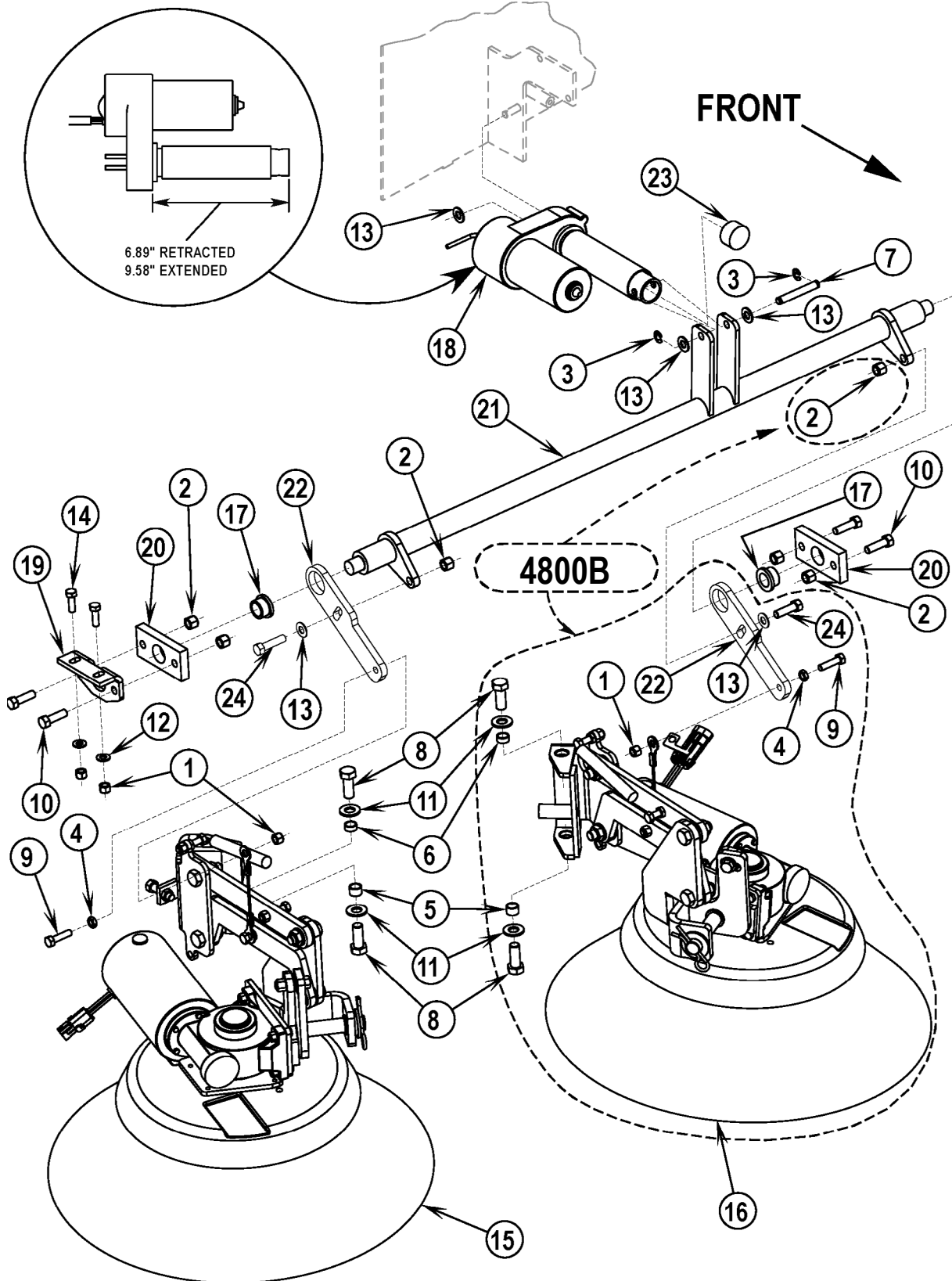
| Item | Ref. No. | Qty | Description |
|------|----------|-----|---------------------------------------------------------------------|
| A | 56304998 | 1 | Side Skirt Left Assy (items 1-21) |
| B | 56304988 | 1 | Side Skirt Right Assy (items 1-21) |
| 1 | 56001995 | 4 | Scr, Hex Hd 1/2-13 x 1.75 |
| 2 | 56002491 | 2 | Nut, Hex Nyl Loc SS 1/4-20 |
| 3 | 56002770 | 4 | Nut, Hex Nyl Loc 1/2-13 |
| 4 | 56002881 | 2 | Scr, Hex Hd SS 3/8-16 x 1.25 |
| 5 | 56002897 | 2 | Scr, Hex Hd SS 1/4-20 x 1.25 |
| 6 | 56002922 | 2 | Scr, Hex Hd Loc 1/4-20 x .62 |
| 7 | 56003015 | 2 | Nut, Hex Jam SS 3/8-16 |
| 8 | 56003145 | 2 | Nut, Hex Jam SS 1/4-20 |
| 9 | 56009017 | 4 | Wsh, Flt Harden .516 x .938 x .75 |
| 10 | 56009022 | 4 | Wsh, Flt .754 x 1.250 x .120 |
| 11 | 56009054 | 9 | Scr, Hex Type 23 1/4-20 x 1.00 |
| 12 | 56367206 | 4 | Bushing |
| 13 | 56304586 | 4 | Bearing .750 x .625 x .500 |
| 14 | 56304993 | 2 | Arm Parallel Side Skirts |
| 15 | 56304994 | 1 | Strap Long Side Skirts |
| 16 | 56304995 | 1 | Strap Short Side Skirts |
| 17 | 56305697 | 1 | Side Blade Kit (contains 2 long blades and 2 short blades) |
| 18 | | | Intentionally Omitted |
| 19 | 56304999 | 1 | Side Skirt Left Weldment (56304998 Assy) |
| * | 56304989 | 1 | Side Skirt Right Weldment (56304988 Assy) |
| 20 | 56305253 | 2 | Spring, Extension |
| 21# | 56305879 | 1 | Mount, Left Side Squeegee Weldt (56304998 Assy) |
| # | 56305880 | 1 | Mount, Right Side Squeegee Weldt (56304988 Assy) |
| ** | 56305685 | 1 | Neoprene Side Blade Kit (contains 2 long blades and 2 short blades) |

* = Not Shown

** = Optional

= Revised or new since last update

NOTE: All quantities are for ONE side skirt assembly only. There are two side skirt assemblies on the machine.



04-3

SIDE BROOM SYSTEM

08-11

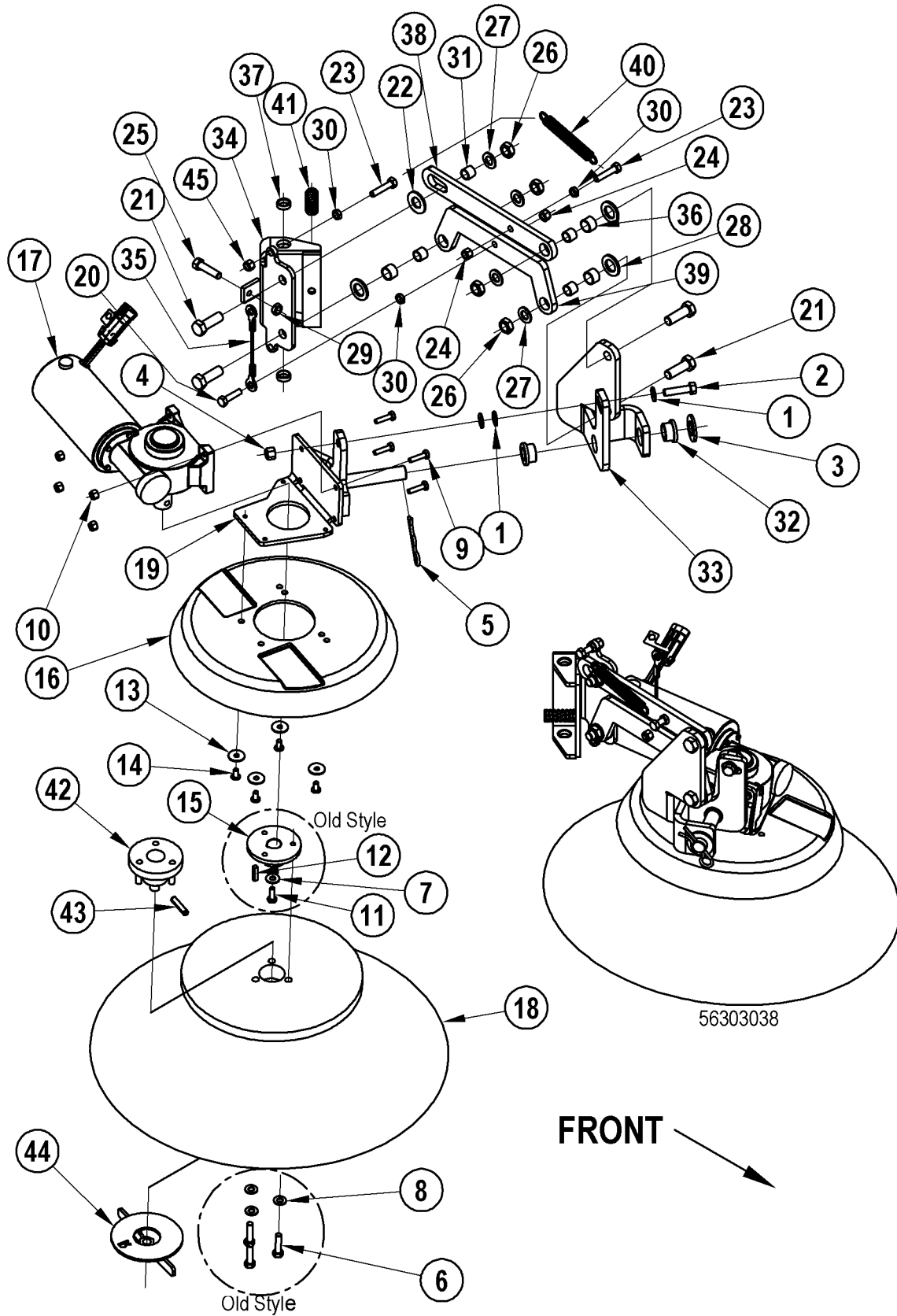
Captor™ 4300B, 4800B

47

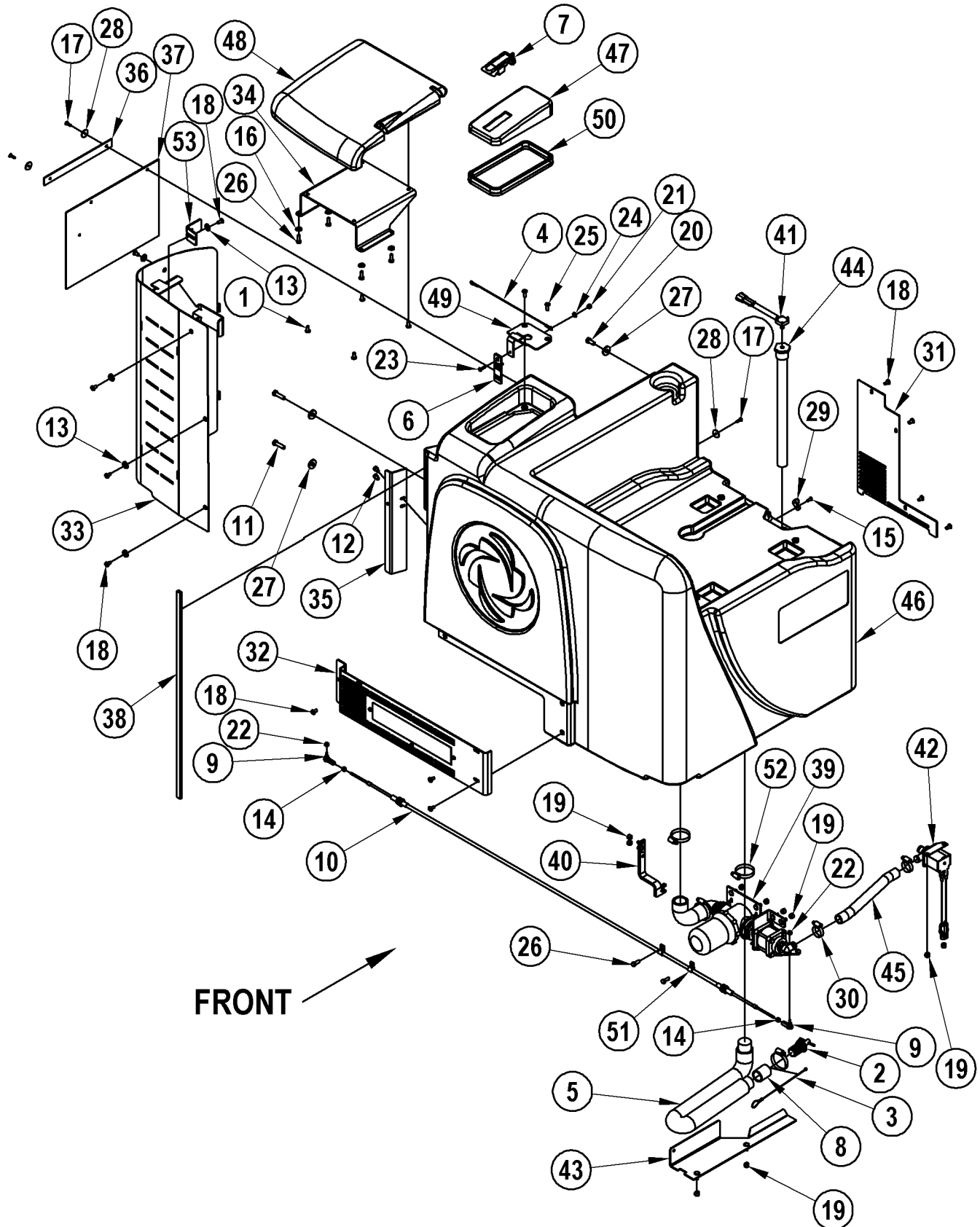
| Item | Ref. No. | Qty | Description |
|------|----------|-----|--------------------------------------------------------------|
| 1 | 56002701 | 4 | Nut, Hex Nyl Loc 5/16-18 |
| 2 | 56002769 | 6 | Nut, Hex Nyl Loc 3/8-16 |
| 3 | 56003262 | 2 | Ring, Ret Ext Type E 0.38 Dia. |
| 4 | 56009086 | 2 | Nut, Hex Jam 5/16-18 |
| 5 | 56360627 | 2 | Bushing |
| 6 | 56365030 | 2 | Bushing .50 x .62 x .27 |
| 7 | 56412088 | 1 | Pin |
| 8 | 56001831 | 4 | Scr, Hex Hd 1/2-13 x 1.25 |
| 9 | 56001834 | 2 | Scr, Hex Hd 5/16-18 x 1.25 |
| 10 | 56001858 | 4 | Scr, Hex Hd 3/8-16 x 1.25 (Qty of 6 before SN1767915) |
| 11 | 56001879 | 4 | Wsh, Flt SAE 1/2 |
| 12 | 56001939 | 2 | Wsh, Flt SAE 5/16 |
| 13 | 56002063 | 5 | Wsh, Flt SAE 3/8 (Qty of 3 before SN1767915) |
| 14 | 56002221 | 2 | Scr, Hex Hd 5/16-18 x 1.00 |
| 15 | 56303037 | 1 | Right Side Broom Assy |
| 16# | 56303038 | 1 | Left Side Broom Assy (4800B only) |
| 17 | 56303071 | 2 | Bearing, Flange |
| 18 | 56303119 | 1 | Actuator, Motor |
| 19 | 56305080 | 1 | Bracket, Side Broom Lift |
| 20 | 56305091 | 2 | Pillow Block |
| 21 | 56305442 | 1 | Lifter Shaft Weldment |
| 22 | 56305470 | 2 | Arm, Side Broom Lift (Qty of 1 on 43" models) NOTE #1 |
| 23 | 56305798 | 1 | Foam Seal |
| 24 | 56002095 | 2 | Scr, Hex Hd 3/8-16 x 1.50 (Used after SN1767914) |

= Revised or new since last update

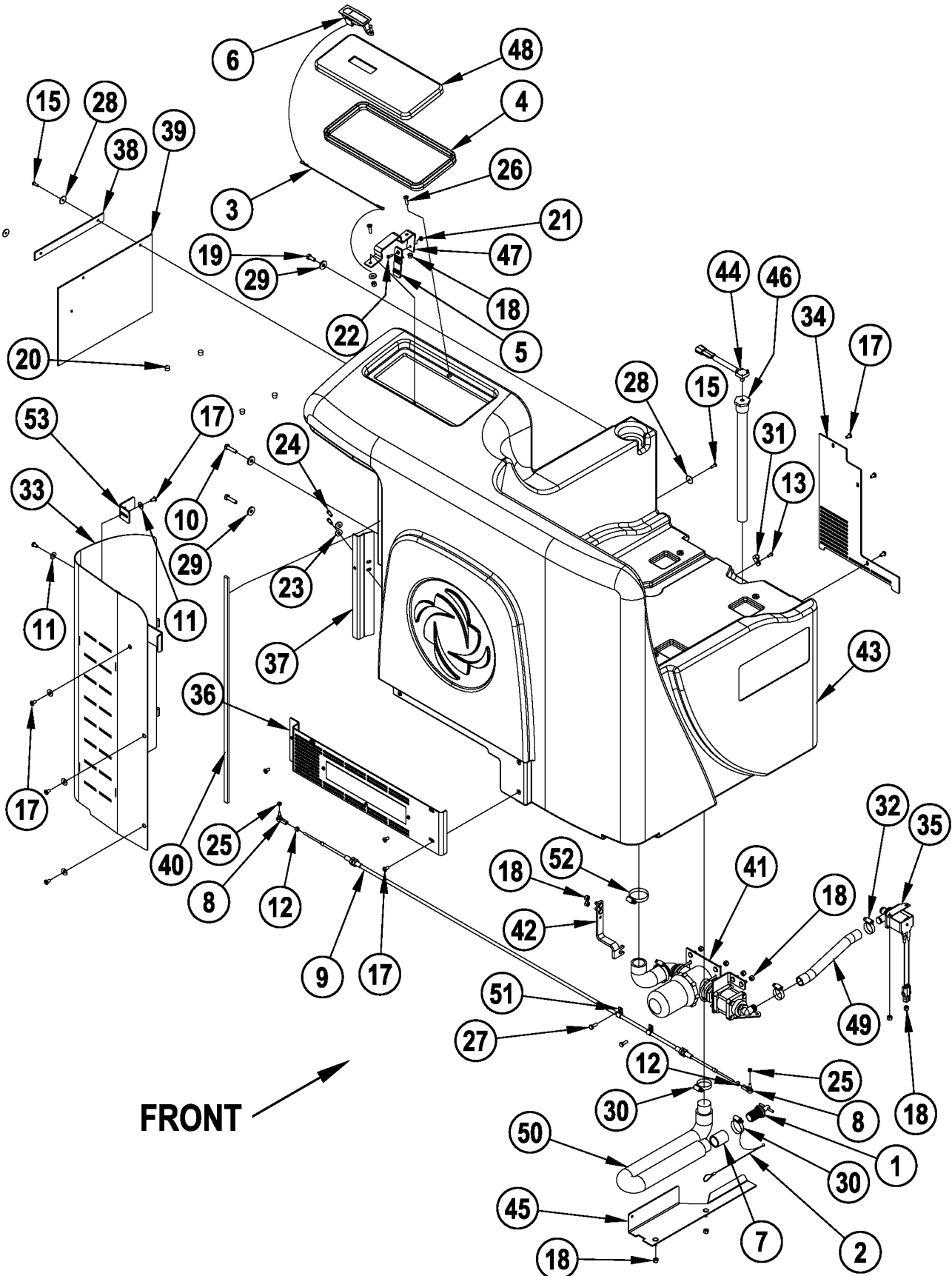
NOTE #1: The design of this part changed as of SN17679145. It is a direct replacement for the previous design except that it requires item 24 and item 13. It should be replaced in a matched pair on 48" models.



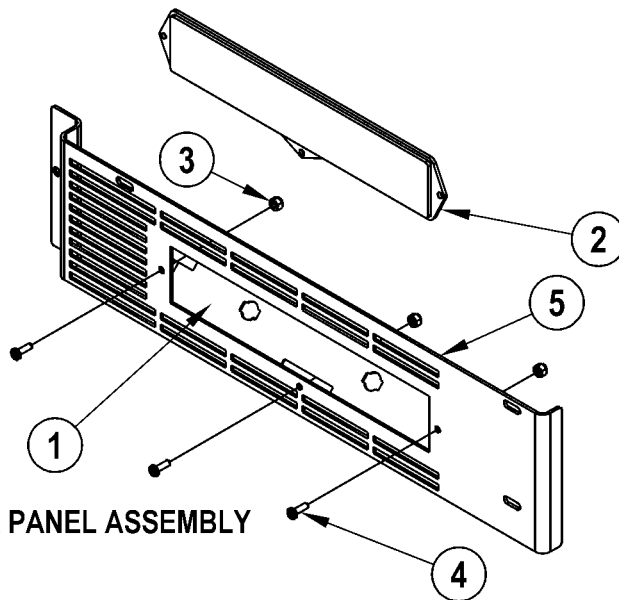
| Item | Ref. No. | Qty | Description | Item | Ref. No. | Qty | Description |
|------|----------|-----|----------------------------------------------------------------|------|----------|-----|--------------------------------------------------|
| | 56303037 | 1 | Right Side Broom Assy (items 1-44) | 42 | 56418543 | 1 | Right Hub Assy NOTE 2 |
| # | 56303038 | 1 | Left Side Broom Assy (4800B only) (items 1-44) | | 56305723 | 1 | Left Hub Assy NOTE 2 |
| 1 | 56002063 | 3 | Wsh, Flt SAE 3/8 | 43 | 56003494 | 1 | Pin, Spr .31 x 1.38 NOTE 2 |
| 2 | 56002095 | 1 | Scr, Hex Hd 3/8-16 x 1.50 | 44 | 56305731 | 1 | Right Thumb Nut Weldment NOTE 2 |
| 3 | 56002141 | 1 | Wsh, Flt SAE 3/4 | | 56305725 | 1 | Left Thumb Nut Weldment NOTE 2 |
| 4 | 56002769 | 1 | Nut, Hex Nyl Loc 3/8-16 | 45 | 56002826 | 1 | Nut, Hex Nyl Loc-Thin 5/16-18 |
| 5 | 56003223 | 1 | Pin, Cot Hair .148 x Dia .62/1.00 | | | | |
| | 56303258 | 1 | Side Broom/Gearmotor Assy-Right (items 6-19, 42-44) | | | | * = Not Shown |
| | 56303256 | 1 | Side Broom/Gearmotor Assy-Left (items 6-19, 42-44) | | | | # = Revised or new since last update |
| 6 | 56001834 | 3 | Scr, Hex Hd 5/16-18 x 1.25 NOTE 1 | | | | NOTE 1: Used on machines built before May 2004. |
| 7 | 56001906 | 1 | Wsh, Flt Std 1/4 NOTE 1 | | | | NOTE 2: Used on machines built after April 2004. |
| 8 | 56001939 | 3 | Wsh, Flt SAE 5/16 NOTE 1 | | | | |
| 9 | 56002093 | 4 | Scr, Hex Hd 1/4-20 x 1.00 | | | | |
| 10 | 56002708 | 4 | Nut, Hex Nyl Loc 1/4-20 | | | | |
| 11 | 56002948 | 1 | Scr, Hex Hd Loc 1/4-20 x .75 NOTE 1 | | | | |
| 12 | 56003239 | 1 | Key, Sq .19 x 1.00 NOTE 1 | | | | |
| 13 | 56009002 | 4 | Wsh, Flt .266 x .906 x .060 | | | | |
| 14 | 56009069 | 4 | Scr, Pan Phil Loc 1/4-20 x .50 | | | | |
| 15 | 56416023 | 1 | Hub NOTE 1 | | | | |
| 16 | 56416538 | 1 | Broom Guard | | | | |
| 17 | 56416578 | 1 | Gearmotor Assy (right) NOTE 1 | | | | |
| | 56410307 | 1 | Gearmotor Assy (left) NOTE 1 | | | | |
| | 56303442 | 1 | Gearmotor Assy (right) NOTE 2 | | | | |
| | 56303443 | 1 | Gearmotor Assy (left) NOTE 2 | | | | |
| * | 56416608 | 2 | Replacement Carbon Brushes (for item 17, 2 required per motor) | | | | |
| 18 | 56462252 | 1 | Broom, Side | | | | |
| 19 | 56303270 | 1 | Right Side Broom Bracket Weldment | | | | |
| | 56303272 | 1 | Left Side Broom Bracket Weldment | | | | |
| | 56303259 | 1 | Side Broom Arm Assy-Right (items 20-42) | | | | |
| | 56303257 | 1 | Side Broom Arm Assy-Left (items 20-42) | | | | |
| 20 | 56001834 | 1 | Scr, Hex Hd 5/16-18 x 1.25 | | | | |
| 21 | 56001968 | 4 | Scr, Hex Hd 1/2-13 x 1.50 | | | | |
| 22 | 56002022 | 1 | Wsh, Flt SAE 5/8 | | | | |
| 23 | 56002094 | 2 | Scr, Hex Hd 5/16-18 x 1.50 | | | | |
| 24 | 56002701 | 2 | Nut, Hex Nyl Loc 5/16-18 | | | | |
| 25 | 56002747 | 1 | Scr, Hex Thd To Hd 3/8-16 x 1.50 | | | | |
| 26 | 56002843 | 4 | Nut, Hex Nyl Loc-Thin 1/2-13 | | | | |
| 27 | 56009017 | 4 | Wsh, Flt Harden .516 x .938 x .75 | | | | |
| 28 | 56009022 | 3 | Wsh, Flt .754 x 1.250 x .120 | | | | |
| 29 | 56009085 | 1 | Nut, Hex Jam 3/8-16 | | | | |
| 30 | 56009086 | 3 | Nut, Hex Jam 5/16-18 | | | | |
| 31 | 56367206 | 4 | Bushing | | | | |
| 32 | 56303071 | 2 | Bearing, Flange | | | | |
| 33 | 56303269 | 1 | Right Side Broom Bracket Weldment | | | | |
| | 56303271 | 1 | Left Side Broom Bracket Weldment | | | | |
| 34 | 56304052 | 1 | Side Broom Hinge Weldment | | | | |
| 35 | 56304126 | 1 | Cable Assy | | | | |
| 36 | 56304586 | 3 | Bearing .750 x .625 x .500 | | | | |
| 37 | 56304893 | 2 | Bearing, Sleeve .625 x .750 x .250 | | | | |
| 38 | 56305460 | 1 | Arm, Side Broom | | | | |
| 39 | 56305462 | 1 | Arm, Side Broom, Lower | | | | |
| 40 | 56448112 | 1 | Spring Ext. | | | | |
| 41 | 56761327 | 1 | Spring, Comp | | | | |



| Item | Ref. No. | Qty | Description |
|------|----------|-----|------------------------------------------|
| 1 | 56009120 | 4 | Scr Pan Phil SS Type B 1/4-14 X .62 |
| 2 | 56260098 | 1 | Plug, T-Handle |
| 3 | 56261378 | 1 | Cork Strap |
| 4 | 56330391 | 1 | Wire Rope, 12 Inch |
| 5 | 56305602 | 1 | Hose, Recovery Drain |
| 6 | 56412309 | 1 | Water Level Gauge |
| 7 | 56418471 | 1 | Door Latch |
| 8 | 56459433 | 1 | Sleeve, Hose End |
| 9 | 56488290 | 2 | Rod End |
| 10 | 56488292 | 1 | Cable |
| 11 | 56001834 | 2 | Scr, Hex Hd 5/16-18 x 1.25 |
| 12 | 56001854 | 2 | Scr, Hex Hd 1/4-20 x .50 |
| 13 | 56001906 | 8 | Wsh, Flt Std 1/4 |
| 14 | 56001987 | 2 | Nut, Hex Machine 10-32 |
| 15 | 56001993 | 1 | Scr, Pan Phil 10-24 x .50 |
| 16 | 56002098 | 4 | Wsh, Flt SAE 1/4 |
| 17 | 56002124 | 3 | Scr, Pan Phil 10-24 x .62 |
| 18 | 56002145 | 12 | Scr, Pan Phil 1/4-20 x .50 |
| 19 | 56002491 | 10 | Nut, Hex Nyl Loc SS 1/4-20 |
| 20 | 56002667 | 1 | Scr, Hex Hd 5/16-18x.75 |
| 21 | 56002836 | 1 | Nut, Hex Nyl Loc SS 10-24 |
| 22 | 56002873 | 2 | Nut, Hex Nyl Loc 10-32 |
| 23 | 56002894 | 1 | Scr, Pan Phil SS 10-24 x .75 |
| 24 | 56002916 | 1 | Wsh, Flt SAE SS #10 |
| 25 | 56002969 | 2 | Scr, Flt Phil SS 1/4-20 x .75 |
| 26 | 56009018 | 6 | Scr, Hex Thd Form 1/4-20 X .75 |
| 27 | 56009057 | 3 | Wsh, Flt Harden .344 x 1.000 x .120/.135 |
| 28 | 56009096 | 3 | Wsh, Flt .193 X .875 X .060 |
| 29 | 56172017 | 1 | Clamp, P |
| 30 | 56244969 | 2 | Clamp, Hose SAE #12 |
| 31 | 56303212 | 1 | Cover, Sol Tank Front |
| 32 | 56303358 | 1 | Rear Panel Assembly |
| 33 | 56303391 | 1 | Door Weldment, Battery 60 Gal |
| 34 | 56303424 | 1 | Mount, Cover |
| 35 | 56303425 | 1 | Tab, Rear Door |
| 36 | 56303446 | 1 | Strap |
| 37 | 56303447 | 1 | Cover |
| 38 | 56303466 | 1 | Gasket |
| 39 | 56304272 | 1 | Solution Filter Assy |
| 40 | 56304681 | 1 | Bracket, Cable |
| 41 | 56305032 | 1 | Switch, Pressure |
| 42 | 56305103 | 1 | Solenoid Valve Assy |
| 43 | 56305195 | 1 | Bracket, Sol. Drain |
| 44 | 56305205 | 1 | Tube Assy |
| 45 | 56392833 | 1 | Hose, Spiral .750 X 10.50 |
| 46 | 56305514 | 1 | Tank, Solution 60 Gal |
| 47 | 56305522 | 1 | Cover, Solution Tank 60 Gal |
| 48 | 56305666 | 1 | Corner Cover |
| 49 | 56305802 | 1 | Plate, Fill Valve |
| 50 | 56305812 | 1 | Trim Seal |
| 51 | 56323260 | 2 | Clamp, Hose Support |
| 52 | 56329145 | 3 | Clamp, Hose SAE #24 |
| 53 | 56303396 | 1 | Tab, Retainer |

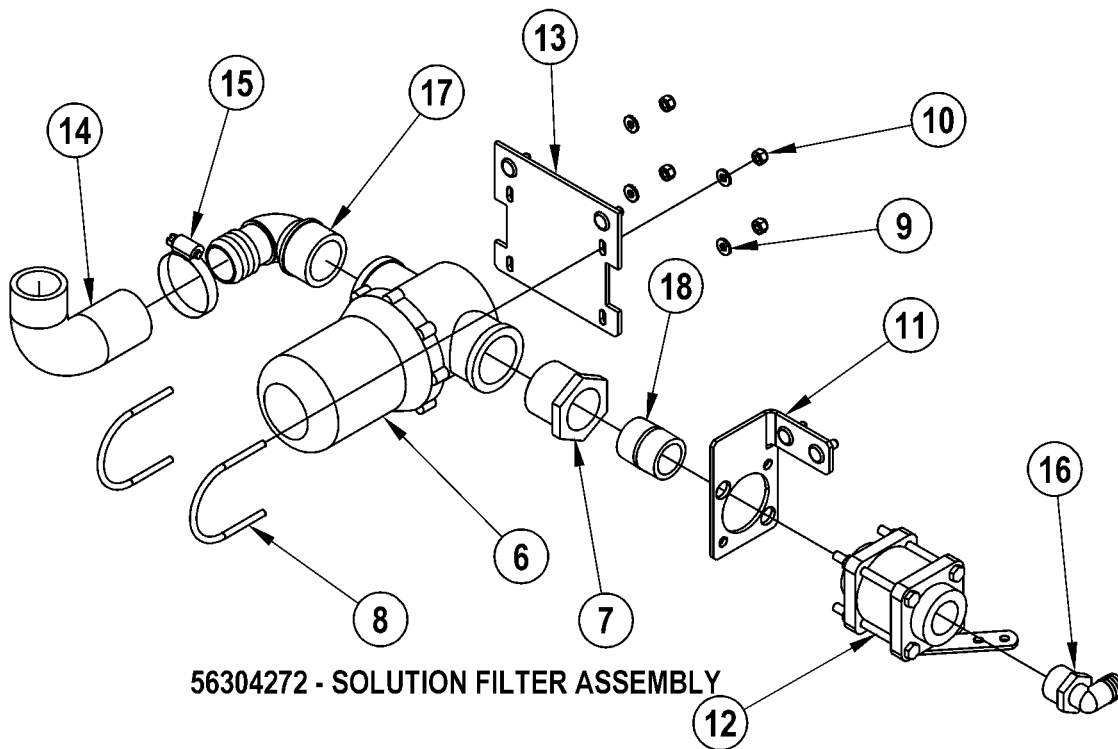


| Item | Ref. No. | Qty | Description |
|------|------------|-----|--------------------------------|
| 1 | 56260098 | 1 | Plug, T-Handle |
| 2 | 56261378 | 1 | Cork Strap |
| 3 | 56330391 | 1 | Wire Rope, 12 Inch |
| 4 | 56407282 | 1 | Gasket |
| 5 | 56412309 | 1 | Water Level Gauge |
| 6 | 56418471 | 1 | Door Latch |
| 7 | 56459433 | 1 | Sleeve, Hose End |
| 8 | 56488290 | 2 | Rod End |
| 9 | 56488292 | 1 | Cable |
| 10 | 56001834 | 2 | Scr, Hex Hd 5/16-18 x 1.25 |
| 11 | 56001906 | 8 | Wsh, Flt Std 1/4 |
| 12 | 56001987 | 2 | Nut, Hex Machine 10-32 |
| 13 | 56001993 | 1 | Scr, Pan Phil 10-24 x .50 |
| 14 | | | Deleted Intentionally |
| 15 | 56002124 | 3 | Scr, Pan Phil 10-24 x .62 |
| 16 | | | Deleted Intentionally |
| 17 | 56002145 | 11 | Scr, Pan Phil 1/4-20 x .50 |
| 18 | 56002491 | 12 | Nut, Hex Nyl Loc SS 1/4-20 |
| 19 | 56002667 | 1 | Scr, Hex Hd 5/16-18 x .75 |
| 20 | 2-00-05283 | 4 | Plug, Button |
| 21 | 56002849 | 1 | Nut, Hex Nyl Loc-Thin SS 10-24 |
| 22 | 56002900 | 1 | Scr, Pan Phil SS 10-24 x .50 |
| 23 | 56002914 | 3 | Wsh, Flt Std SS 1/4 |
| 24 | 56003047 | 2 | Scr, Hex Hd SS 1/4-20 x .62 |
| 25 | 56003053 | 2 | Nut, Hex Nyl Loc-Thin 10-32 |
| 26 | 56003074 | 2 | Scr, Flt Phil SS 1/4-20 x 1.00 |
| 27 | 56009018 | 2 | Scr, Hex Thd Form 1/4-20 x .75 |
| 28 | 56009096 | 3 | Wsh, Flt .193 X .875 X .060 |
| 29 | 56009122 | 3 | Wsh, Flt .344 X .938 X .125 |
| 30 | 56131601 | 2 | Clamp, Hose SAE #16 |
| 31 | 56172017 | 1 | Clamp, P |
| 32 | 56244969 | 2 | Clamp, Hose SAE #12 |
| 33 | 56303203 | 1 | Cover, Rear Weldt |
| 34 | 56303212 | 1 | Cover, Sol Tank Front |
| 35 | 56303275 | 1 | Solenoid Valve Assy |
| 36 | 56303358 | 1 | Rear Panel Assembly |
| 37 | 56303359 | 1 | Tab, Door Weldmt |
| 38 | 56303446 | 1 | Strap |
| 39 | 56303447 | 1 | Cover |
| 40 | 56303464 | 1 | Gasket |
| 41 | 56304272 | 1 | Solution Filter Assy |
| 42 | 56304681 | 1 | Bracket, Cable |
| 43 | 56304834 | 1 | Tank, Solution (75 Gal.) |
| 44 | 56305032 | 1 | Switch, Pressure |
| 45 | 56305195 | 1 | Bracket, Sol. Drain |
| 46 | 56305205 | 1 | Tube Assy |
| 47 | 56305206 | 1 | Plate, Latch |
| 48 | 56305209 | 1 | Cover, Solution Tank |
| 49 | 56392833 | 1 | Hose, Spiral |
| 50 | 56305602 | 1 | Hose, Flex Drain |
| 51 | 56323260 | 2 | Clamp, Hose Support |
| 52 | 56329145 | 1 | Clamp, Hose SAE #24 |
| 53 | 56303396 | 1 | Tab, Retainer |



56303358 - REAR PANEL ASSEMBLY

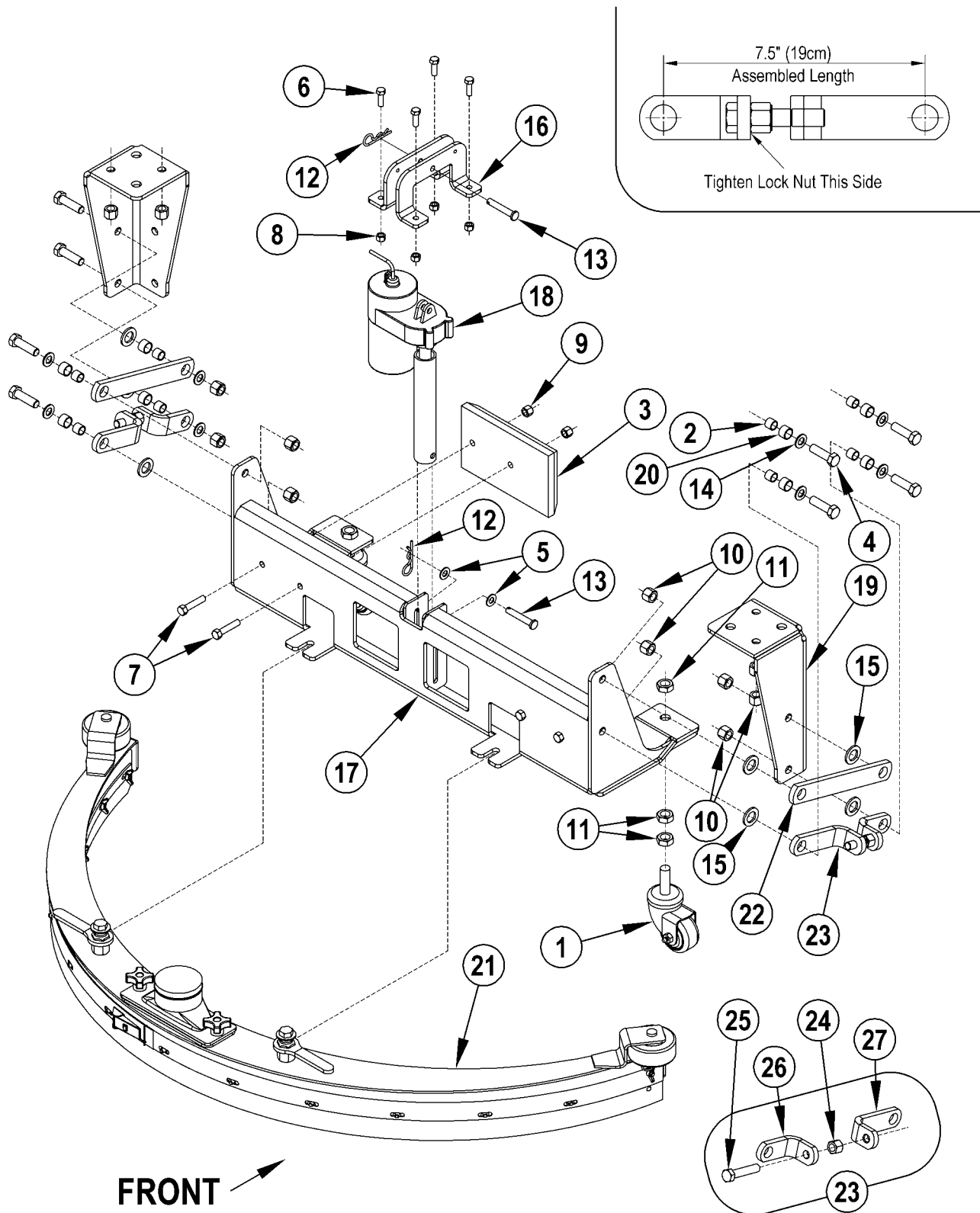
FRONT



56304272 - SOLUTION FILTER ASSEMBLY

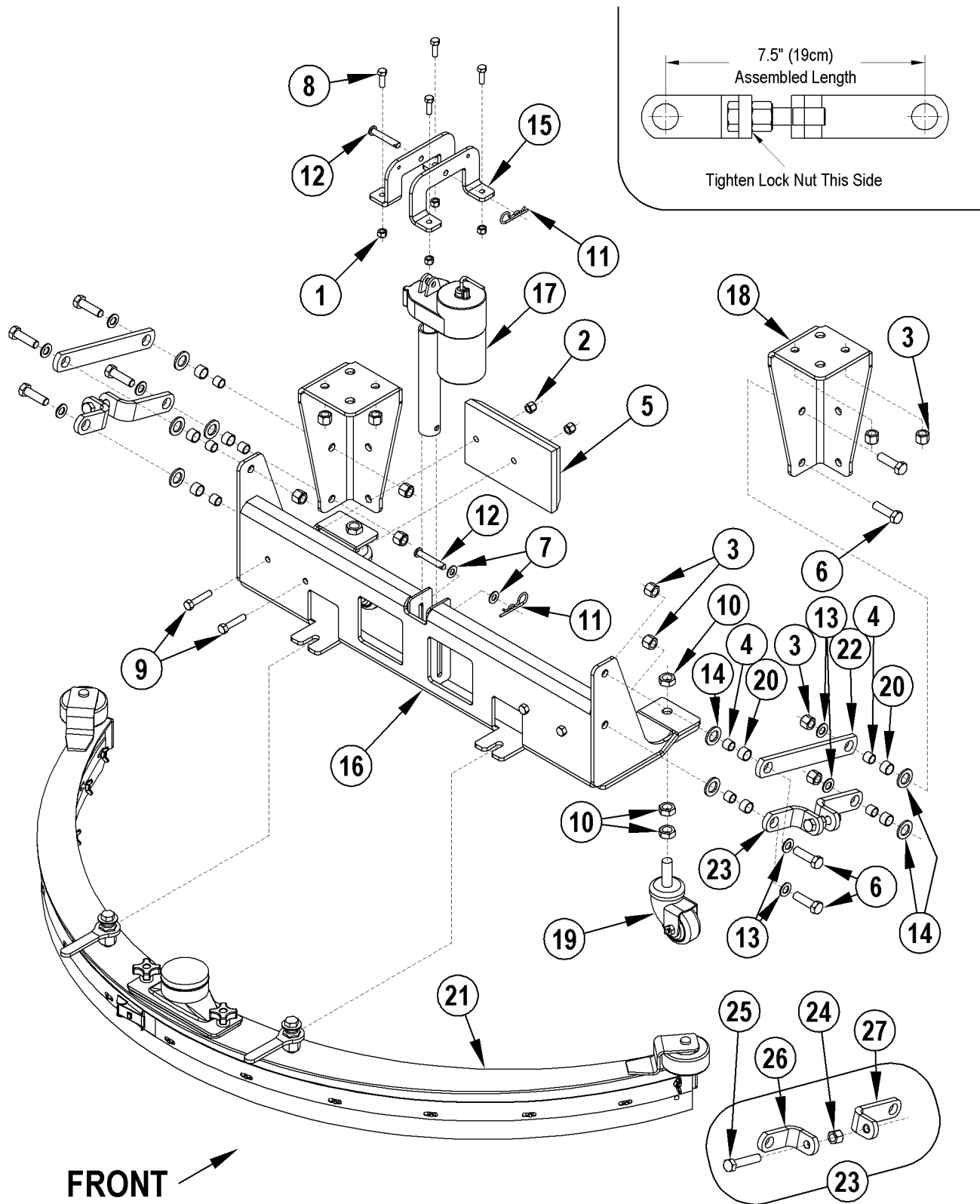
| Item | Ref. No. | Qty | Description |
|------|----------|-----|----------------------------------------|
| | 56303358 | 1 | Rear Panel Assy (1-5) |
| 1 | 56016097 | 1 | Decal, Reflective |
| 2 | 56416418 | 1 | Lens, Tail Light |
| 3 | 56002768 | 3 | Nut, Hex Nyl Loc 10-24 |
| 4 | 56009100 | 3 | Scr, Pan Phil Thd Form-Blk 10-24 x .62 |
| 5 | 56303357 | 1 | Door Wldmt, Rear |
| | 56304272 | 1 | Solution Filter Assy (6-18) |
| 6 | 56456241 | 1 | Strainer, In-Line |
| * | 56455838 | 1 | Nylon Strainer Bowl |
| 7 | 56459825 | 1 | Bushing, Reducer |
| 8 | 56459830 | 2 | U-Bolt |
| 9 | 56001954 | 4 | Wsh, Flt SAE #10 |
| 10 | 56002768 | 4 | Nut, Hex Nyl Loc 10-24 |
| 11 | 56304260 | 1 | Bracket |
| 12 | 56304275 | 1 | Valve Assy |
| 13 | 56305114 | 1 | Bracket, Filter |
| 14 | 56305319 | 1 | Hose, Radiator |
| 15 | 56329145 | 1 | Clamp, Hose SAE #24 |
| 16 | 56456802 | 1 | Barb, 90 Elbow 11/16 X 3/4NPT |
| 17 | 56900913 | 1 | Barb, Elbow Male |
| 18 | 56900914 | 1 | Nipple, Close PVC |

* = Not Shown



| Item | Ref. No. | Qty | Description |
|------|----------|-----|----------------------------------------|
| 1 | 56304266 | 2 | Wheel, Caster |
| 2 | 56367206 | 8 | Bushing |
| 3 | 56453907 | 2 | Weight Casting |
| 4 | 56001995 | 8 | Scr, Hex Hd 1/2-13 x 1.75 |
| 5 | 56002063 | 2 | Wsh, Flt SAE 3/8 |
| 6 | 56002221 | 4 | Scr, Hex Hd 5/16-18 x 1.00 |
| 7 | 56002684 | 4 | Scr, Hex Hd 3/8-16 x 1.75 |
| 8 | 56002701 | 4 | Nut, Hex Nyl Loc 5/16-18 |
| 9 | 56002769 | 4 | Nut, Hex Nyl Loc 3/8-16 |
| 10 | 56002770 | 12 | Nut, Hex Nyl Loc 1/2-13 |
| 11 | 56003272 | 6 | Nut, Hex Jam SS 5/8-11 |
| 12# | 56003222 | 2 | Pin, Cotter Hair .125 x .5 |
| 13 | 56003656 | 2 | Clevis Pin .375 x 2.25 |
| 14 | 56009017 | 8 | Wsh, Flt Harden .516 x .938 x .75 |
| 15 | 56009022 | 8 | Wsh, Flt .754 x 1.250 x .120 |
| 16 | 56303117 | 2 | Mount, Squeegee Actuator |
| 17 | 56303174 | 1 | Squeegee Mount Weld. |
| 18 | 56303360 | 1 | Actuator 36V, Squeegee Lift |
| 19 | 56304157 | 2 | Bracket Deck Tower Mount |
| 20 | 56304586 | 8 | Bearing .750 x .625 x .500 |
| 21 | 56303459 | 1 | Squeegee Assy. (see Squeegee Assembly) |
| 22 | 56305467 | 2 | Arm Parallel 7.5in |
| 23 | 56305610 | 2 | Arm, Adjustable Asm (items 24-27) |
| 24 | 56002773 | 1 | Nut, Hex Nyl Loc 1/2-20 |
| 25 | 56003672 | 1 | Scr, Hex Thd to Hd 1/2-20 x 2.50 Grd 8 |
| 26 | 56305608 | 1 | Arm, Adjustable |
| 27 | 56305609 | 1 | Arm, Adjustable Threaded |

= Revised or new since last update



04-3

SQUEEGEE SYSTEM-4800B

08-11

Captor™ 4300B, 4800B

59

| Item | Ref. No. | Qty | Description |
|------|----------|-----|-------------------------------------------|
| 1 | 56002701 | 4 | Nut, Hex Nyl Loc 5/16-18 |
| 2 | 56002769 | 4 | Nut, Hex Nyl Loc 3/8-16 |
| 3 | 56002770 | 12 | Nut, Hex Nyl Loc 1/2-13 |
| 4 | 56367206 | 8 | Bushing |
| 5 | 56453907 | 2 | Weight Casting |
| 6 | 56001995 | 8 | Scr, Hex Hd 1/2-13 x 1.75 |
| 7 | 56002063 | 2 | Wsh, Flt SAE 3/8 |
| 8 | 56002221 | 4 | Scr, Hex Hd 5/16-18 x 1.00 |
| 9 | 56002684 | 4 | Scr, Hex Hd 3/8-16 x 1.75 |
| 10 | 56003272 | 6 | Nut, Hex Jam SS 5/8-11 |
| 11# | 56003222 | 2 | Pin, Cotter Hair .125 x .5 |
| 12 | 56003656 | 2 | Clevis Pin .375 x 2.25 |
| 13 | 56009017 | 8 | Wsh, Flt Harden .516 x .938 x .75 |
| 14 | 56009022 | 8 | Wsh, Flt .754 x 1.250 x .120 |
| 15 | 56303117 | 2 | Mount, Squeegee Actuator |
| 16 | 56303174 | 1 | Squeegee Mount Weldment |
| 17 | 56303360 | 1 | Actuator 36V, Squeegee Lift |
| 18 | 56304157 | 2 | Bracket Deck Tower Mount |
| 19 | 56304266 | 2 | Wheel, Caster |
| 20 | 56304586 | 8 | Bearing .750 x .625 x .500 |
| 21 | 56303460 | 1 | Squeegee Assembly (see Squeegee Assembly) |
| 22 | 56305467 | 2 | Arm Parallel 7.5 in. |
| 23 | 56305610 | 2 | Arm, Adjustable Assembly (items 24-27) |
| 24 | 56002773 | 1 | Nut, Hex Nyl Loc 1/2-20 |
| 25 | 56003672 | 1 | Scr, Hex Thd to Hd 1/2-20 x 2.50 Grd 8 |
| 26 | 56305608 | 1 | Arm, Adjustable |
| 27 | 56305609 | 1 | Arm, Adjustable Threaded |

= Revised or new since last update

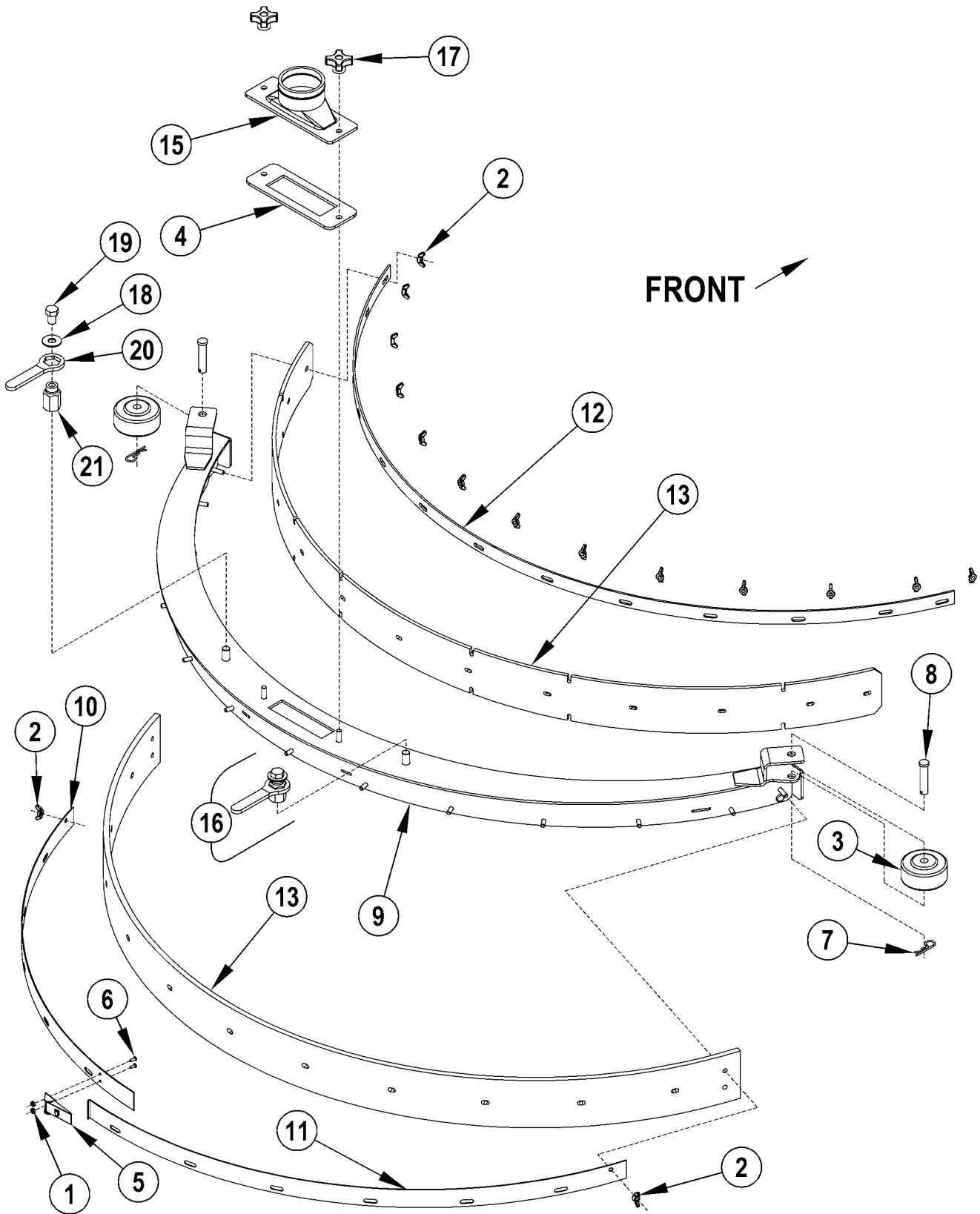
SQUEEGEE ASSEMBLY

04-3

60

Captor™ 4300B, 4800B

05-2

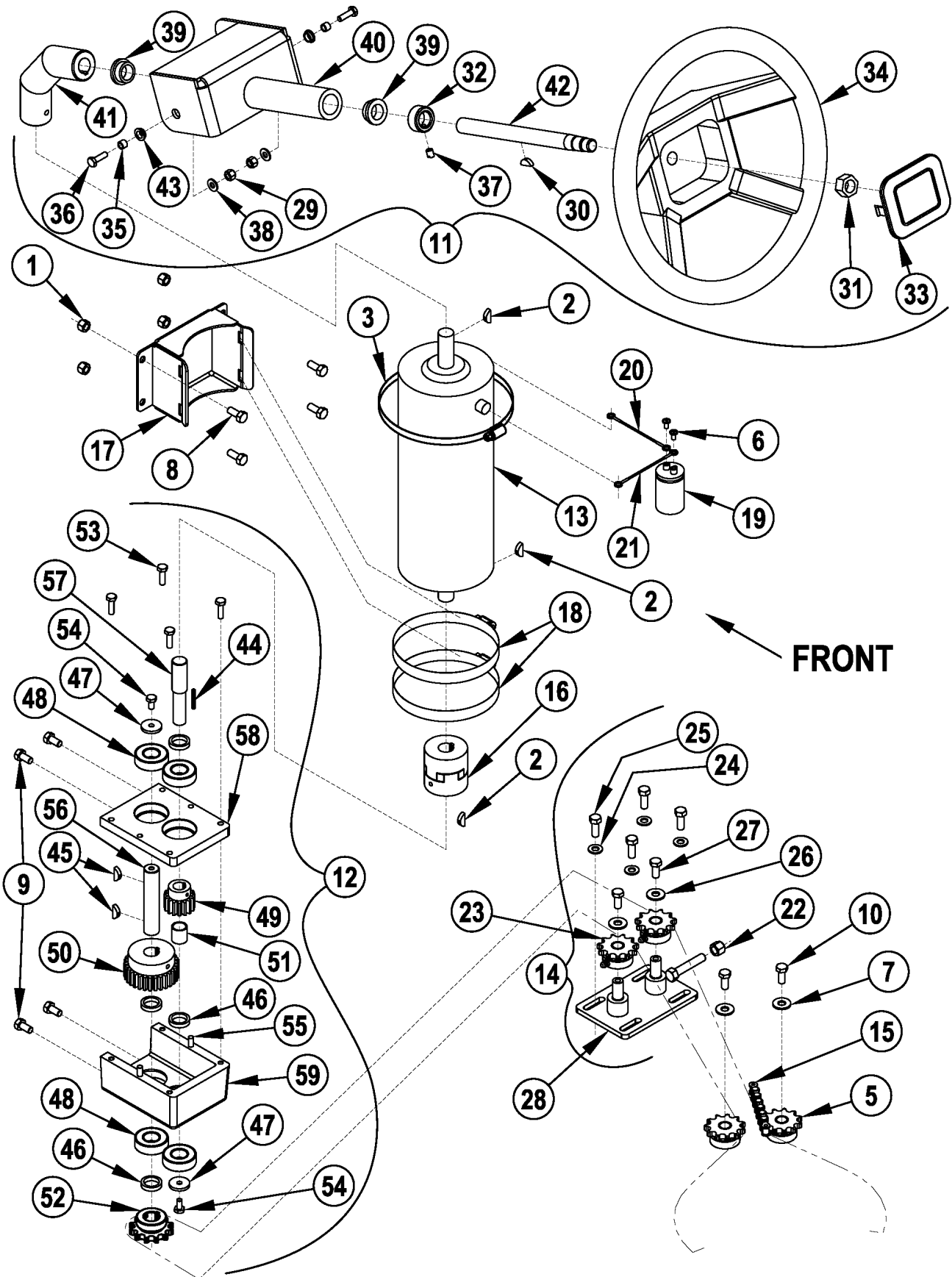


| Item | Ref. No. | Qty | Description |
|------|----------|-----|---------------------------------------------------------------------|
| # | 56303459 | 1 | 43 in. Squeegee Assy (4300B) |
| # | 56303460 | 1 | 48 in. Squeegee Assy (4800B) |
| 1 | 56002964 | 2 | Nut, Hex Nyl Loc-Thin SS 6-32 |
| 2 | 56009048 | 15 | Nut, Wing Loc 1/4-20 |
| 3 | 56386127 | 2 | Wheel 3.00 x 1.25 |
| 4 | 56459281 | 1 | Gasket, Inlet |
| 5 | 56471194 | 1 | Latch Assembly |
| 6 | 56002909 | 2 | Scr, Pan Phil SS 6-32 x .38 |
| 7 | 56003120 | 2 | Pin, Cotter Hair .0915 x .375 |
| 8 | 56003620 | 2 | Clevis Pin |
| 9# | 56304937 | 1 | 43 in. Squeegee Weldt (4300B) |
| # | 56304953 | 1 | 48 in. Squeegee Weldt (4800B) |
| 10# | 56305808 | 1 | Strap, 43 in. Rear Left Blade (4300B) |
| # | 56304962 | 1 | Strap, 48 in. Rear Left Blade (4800B) |
| 11# | 56305807 | 1 | Strap, 43 in. Rear Right Blade (4300B) |
| # | 56304963 | 1 | Strap, 48 in. Rear Right Blade (4800B) |
| 12# | 56305806 | 1 | Strap, Front Blade 43 in. (4300B) |
| # | 56304964 | 1 | Strap, Front Blade 48 in. (4800B) |
| 13# | 56303471 | 1 | Squeegee Blade Kit 43 (4300B) (contains both front and rear blades) |
| # | 56303472 | 1 | Squeegee Blade Kit 48 (4800B) (contains both front and rear blades) |
| 14 | | | Intentionally Omitted |
| 15 | 56305373 | 1 | Adapter, Squeegee |
| 16 | 56305616 | 2 | Crank Assembly (items 18-21) |
| 17 | 56407510 | 2 | Knob, 5/16-18 Nyloc |
| 18 | 56002024 | 1 | Wsh, Flt Std 7/16 |
| 19 | 56003032 | 1 | Scr, Hex Hd Loc 1/2-13 x .75 |
| 20 | 56305614 | 1 | Crank Handle |
| 21 | 56305615 | 1 | Crank Hex |
| **# | 56303469 | 1 | Neoprene Squeegee Blade Kit 43 (4300B) NOTE #1 |
| **# | 56303470 | 1 | Neoprene Squeegee Blade Kit 48 (4800B) NOTE #1 |
| **# | 56303562 | 1 | Polyurethane Squeegee Blade Kit 43 (4300B) NOTE #1 |
| **# | 56303564 | 1 | Polyurethane Squeegee Blade Kit 48 (4800B) NOTE #1 |

** = Optional

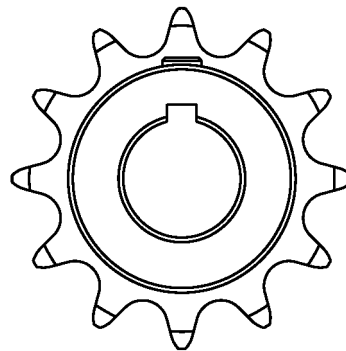
= Revised or new since last update

NOTE #1 All squeegee blade kits include both front and rear squeegee blades.

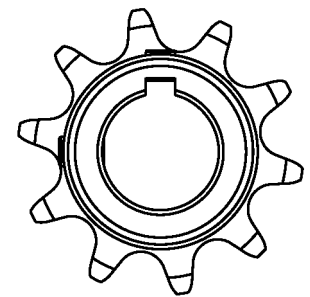


| Item | Ref. No. | Qty | Description | Item | Ref. No. | Qty | Description |
|------|----------|-----|-------------------------------------------------------------------|------|----------|-----|----------------------------------|
| 1 | 56002701 | 4 | Nut, Hex Nyl Loc 5/16-18 | 44 | 56003793 | 1 | Key, SQ .12 x 1.12 NOTE 1 |
| 2 | 56003228 | 3 | Key, Wdf .75 x .19 | 45 | 56003228 | 2 | Key, WDF .75 x .19 |
| 3 | 56355488 | 1 | Clamp, Hose SAE #96 | 46 | 56366315 | 4 | Spacer |
| 4 | | | Intentionally Omitted | 47 | 56388766 | 2 | Washer, Balance-12.5 Gr. |
| 5 | 56454079 | 2 | Sprocket Assembly | 48 | 56416038 | 4 | Bearing, Ball |
| 6 | 56002001 | 2 | Scr, Pan Phil (UNF) 10-32 x .38 | 49 | 56380403 | 1 | Gear, Spur |
| 7 | 56002220 | 2 | Wsh, Flt Std 5/16 | 50 | 56380402 | 1 | Gear, Spur |
| 8 | 56002667 | 4 | Scr, Hex Hd 5/16-18 x .75 | 51 | 56416557 | 1 | Sleeve |
| 9 | 56002929 | 4 | Scr, Hex Hd Loc 5/16-18 x .62 | 52 | 56380404 | 1 | Sprocket, 12 Tooth |
| 10 | 56002956 | 2 | Scr, Hex Hd Loc 5/16-18 x .75 | 53 | 56001821 | 4 | Scr, Hex Hd 1/4-20 x .88 |
| 11 | 56303021 | 1 | Steering Assembly (items 29-43) | 54# | 56002922 | 2 | Scr, Hex Hd Loc 1/4-20 x .62 |
| 12 | 56380401 | 1 | Steering Gearbox Assy (items 44-59) TSBUS2007-982 | 55 | 56003224 | 2 | Pin, Dwl Std .25 x 1.25 |
| | | | NOTE 2 | 56 | 56303101 | 1 | Shaft, Steering |
| 13# | 56303073 | 1 | Power Steering Unit - ZTA35 TSBUS2007-982 | 57 | 56380447 | 1 | Shaft, Steering NOTE 1 |
| 14 | 56303108 | 1 | Tensioner Assembly (items 22-28) | 58 | 56303210 | 1 | Cover, Steering Block |
| 15 | 56303133 | 1 | Chain, Roller Upper | 59 | 56303246 | 1 | Steering Gear Mount |
| 16 | 56303536 | 1 | Coupler Assembly (before SN1784445) | | | | |
| | 56303535 | 1 | Coupler, Machined | | | | |
| | 56002119 | 1 | Scr, Soc Set Loc 1/4-20 x .50 | | | | |
| | 56303244 | 1 | Coupler, Elastimer | | | | |
| | 56303243 | 1 | Coupler, Steering Shaft | | | | |
| | 56303245 | 1 | Coupler Assembly (after SN1784444) | | | | |
| | 56303243 | 2 | Coupler, Steering Shaft | | | | |
| | 56303244 | 1 | Coupler, Elastimer | | | | |
| 17 | 56303247 | 1 | Bracket, Power Steering Unit | | | | |
| 18 | 56303323 | 2 | Clamp, Hose Heavy Duty | | | | |
| 19 | 56303337 | 1 | Capacitor, Torque Amplifier | | | | |
| 20 | 56303351 | 1 | Wire Assembly, Blk 18 AWG (3.25") | | | | |
| 21 | 56303352 | 1 | Wire Assembly, Grn/Wht 18 AWG (3.25") | | | | |
| 22 | 56002769 | 1 | Nut, Hex Nyl Loc 3/8-16 | | | | |
| 23 | 56454079 | 2 | Sprocket Assembly | | | | |
| 24 | 56001939 | 4 | Wsh, Flt SAE 5/16 | | | | |
| 25 | 56002037 | 4 | Scr, Hex Hd 5/16-18 x .88 | | | | |
| 26 | 56002220 | 2 | Wsh, Flt Std 5/16 | | | | |
| 27 | 56002956 | 2 | Scr, Hex Hd Loc 5/16-18 x .75 | | | | |
| 28 | 56303224 | 1 | Tensioner Weldment | | | | |
| 29 | 56002708 | 2 | Nut, Hex Nyl Loc 1/4-20 | | | | |
| 30 | 56003228 | 1 | Key, Wdf .75 x .19 | | | | |
| 31 | 56003440 | 1 | Nut, Steering Wheel | | | | |
| 32 | 56367095 | 1 | Collar, Shaft | | | | |
| 33 | 56418459 | 1 | Cap, Steering Wheel | | | | |
| 34 | 56418460 | 1 | Steering Wheel | | | | |
| 35 | 56453849 | 2 | Bushing, 26 x .37 x .28 | | | | |
| 36 | 56001821 | 2 | Scr, Hex Hd 1/4-20 x .88 | | | | |
| 37 | 56002021 | 1 | Scr, Soc Set Loc 5/16-18 x .38 | | | | |
| 38 | 56002098 | 2 | Wsh, Flt SAE 1/4 | | | | |
| 39 | 56303024 | 2 | Bearing, FL 1.000 x .750 x .500 | | | | |
| 40 | 56303027 | 1 | Steering Mount Weldment | | | | |
| 41 | 56303539 | 1 | Universal Joint Assy (before SN1784445) | | | | |
| | 56303075 | 1 | Universal Shaft, Double (after SN1784444) | | | | |
| 42 | 56303211 | 1 | Shaft, Steering Wheel | | | | |
| 43 | 56304518 | 2 | Bearing, FL .500 x .375 x .188 | | | | |

= Revised or new since last update



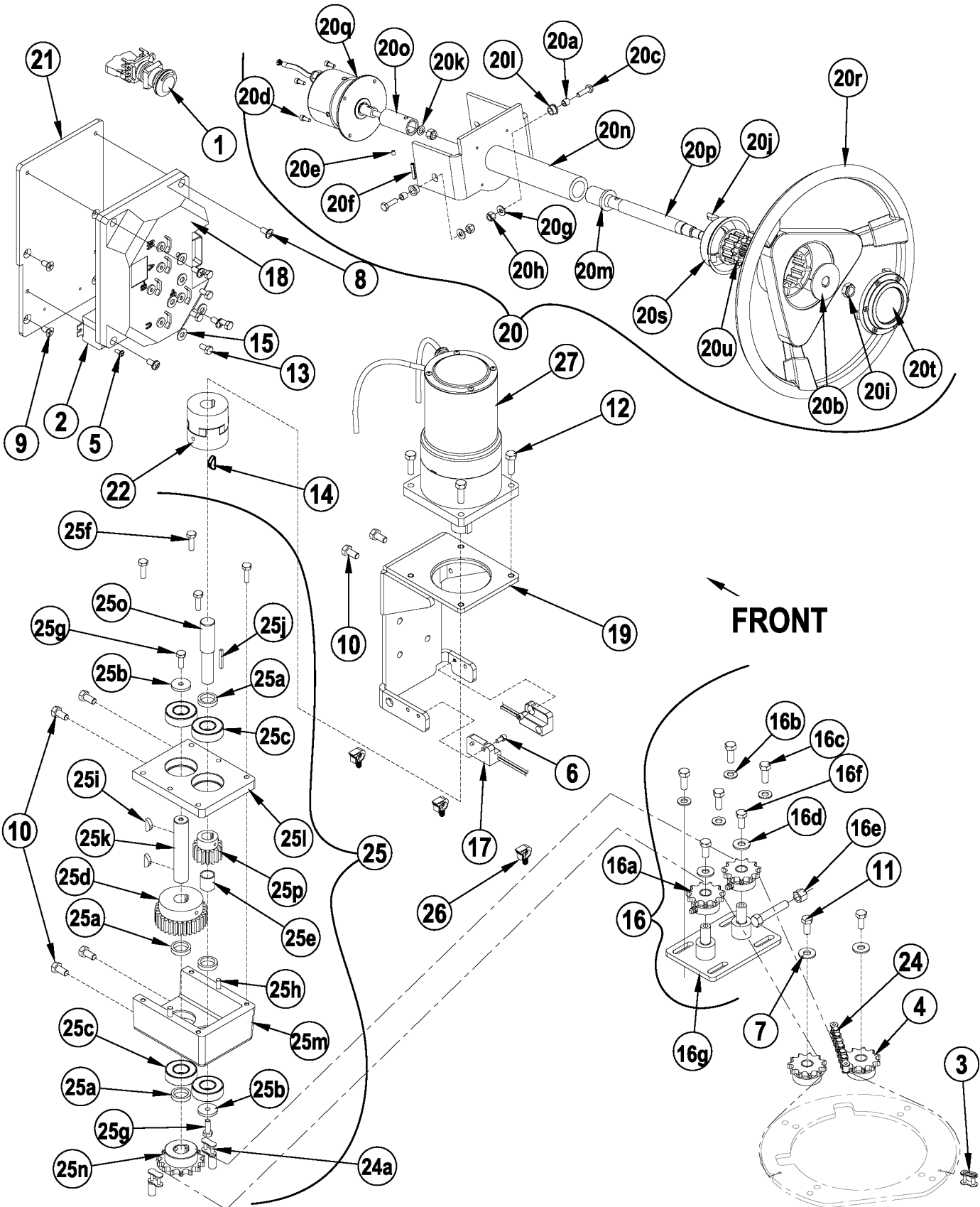
Bottom sprocket
on 56303072
(12 teeth)



Bottom sprocket
on 56380401
(10 teeth)

NOTE 1: Shaft 56303102 is obsolete and replaced by 56380447. When replacing 56303102 with 56380447 you will also need to order Key 56003793 to replace Key 56003226.

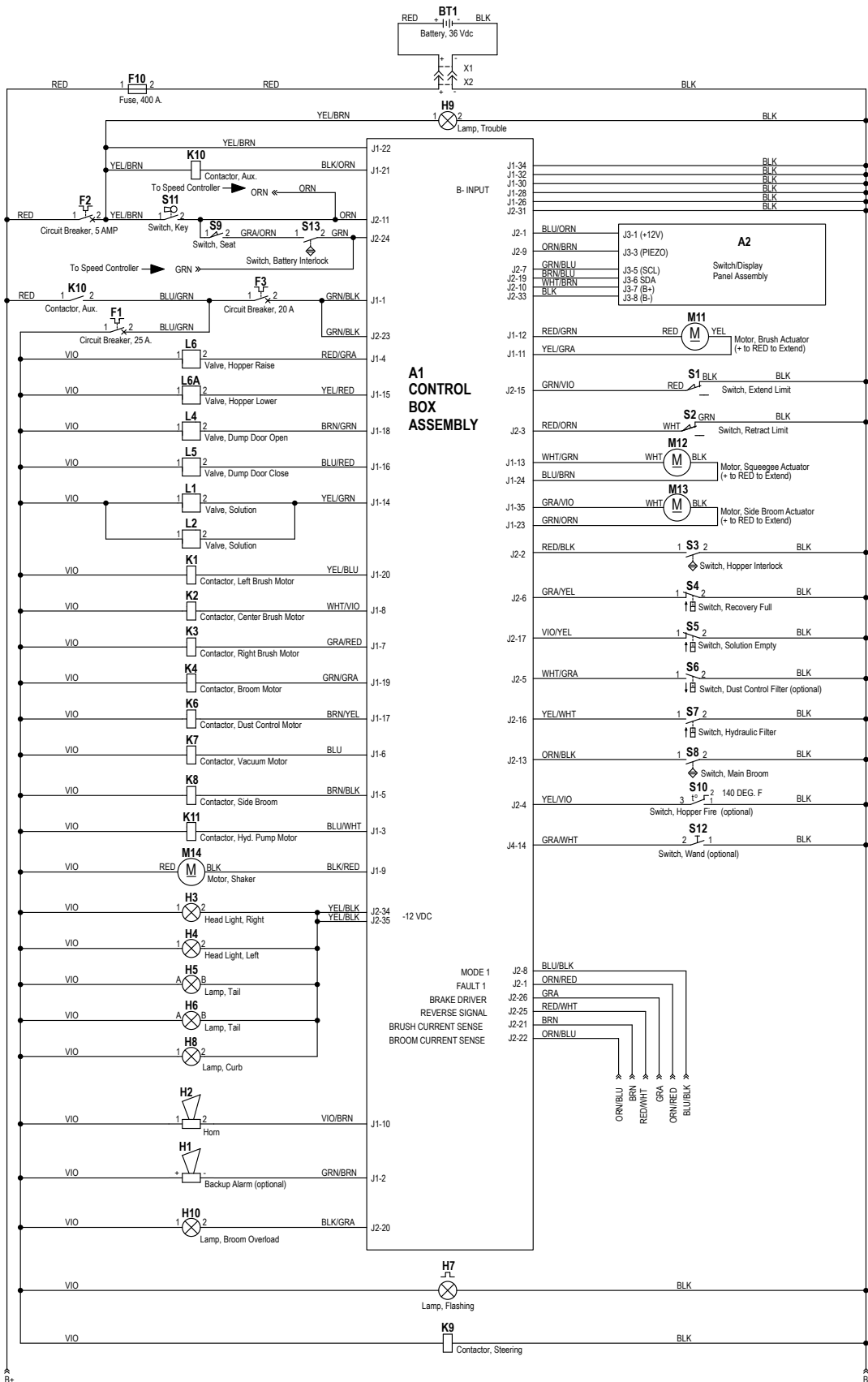
NOTE 2: Gearbox 56303072 is no longer available and replaced in production by 56380401 as of serial #203376. Please replace 56303072 with the improved gearbox 56380401 rather than servicing 56303072. If you are not sure of your machine's serial # you can identify which unit you have by looking at the sprocket #52. The illustration above shows the difference between the old and new sprocket.



| Item | Ref. No. | Qty | Description | Item | Ref. No. | Qty | Description |
|------|----------|-----|--------------------------------|------|------------|-----|---------------------------------------|
| 1 | 56407130 | 1 | Disconnect, Emergency (S15) | 21 | 56380407 | 1 | Plate, Mount, AC Driver |
| 2 | 56416157 | 1 | Relay,Spst (K13) | 22 | 56380408 | 1 | Assy, Coupler |
| 3 | 56445096 | 1 | Link, Connector | [23] | 56380426 | 1 | Steer By Wire Harness |
| 4 | 56454079 | 2 | Sprocket Assy | 24 | 56380442 | 1 | Chain, Assy |
| 5 | 56001818 | 2 | Scr, Pan Phil 8-32 X .38 | 24a | 56380429 | 2 | Link, Assy (replacement for 56380442) |
| 6 | 56002087 | 2 | Scr, Soc Hd 10-24 X 0.38 | 25 | 56380448 | 1 | Steering, Gearbox Assy |
| 7 | 56002220 | 2 | Wsh, Flt Std 5/16 | 25a | 56366315 | 4 | Spacer |
| 8 | 56002828 | 4 | Scr, Pan Phil Loc 1/4-20 X .62 | 25b | 56388766 | 2 | Washer, Balance-12.5 Gr. |
| 9 | 56002921 | 4 | Scr, Flt Phil Loc 1/4-20 X .50 | 25c | 56416038 | 4 | Bearing, Ball |
| 10 | 56002929 | 6 | Scr,Hex Hd Loc 5/16-18x.62 | 25d# | 56380498 | 1 | Gear, Spur |
| 11 | 56002956 | 2 | Scr,Hex Hd Loc 5/16-18x.75 | 25e | 56416557 | 1 | Sleeve |
| 12 | 56003073 | 4 | Scr,Hex Hd Loc 5/16-18x1.00 | 25f | 56001821 | 4 | Scr, Hex 1/4-20 X .88 |
| 13 | 56003155 | 5 | Scr, Hex M6-1 X 12mm | 25g# | 56002922 | 2 | Scr,Hex Hd Loc 1/4-20x.62 |
| 14 | 56003228 | 1 | Key, Wdf .75 X .19 | 25h | 56003224 | 2 | Pin, Dwl Std .25 X 1.25 |
| 15 | 56009064 | 5 | Wsh, Int Shprf 1/4 | 25i | 56003228 | 2 | Key, Wdf .75 X .19 |
| 16 | 56303108 | 1 | Tensioner Assy | 25j | 56003793 | 1 | Key, Sq .12 X 1.12 |
| 16a | 56454079 | 2 | Sprocket Assy | 25k | 56303101 | 1 | Shaft,Steering |
| 16b | 56001939 | 4 | Wsh, Flt Sae 5/16 | 25l | 56303210 | 1 | Cover, Steering Block |
| 16c | 56002037 | 4 | Scr, Hex 5/16-18 X .88 | 25m | 56303246 | 1 | Steering Gear Mount |
| 16d | 56002220 | 2 | Wsh, Flt Std 5/16 | 25n | 56380398 | 1 | Sprocket, 14 Tooth |
| 16e | 56002769 | 1 | Nut, Hex Nyl Loc 3/8-16 | 25o | 56380447 | 1 | Shaft,Steering |
| 16f | 56002956 | 2 | Scr,Hex Hd Loc 5/16-18x.75 | 25p | 56380480 | 1 | Gear, Spur |
| 16g | 56303224 | 1 | Tensioner Weldt | []# | 2-00-00566 | 1 | Fitting-Lubrication Straight |
| 17 | 56305053 | 2 | Switch, Magnetic (S16 / S17) | 26 | 56507793 | 3 | Clip, Conduit |
| 18 | 56380383 | 1 | AC Drive (A4) | 27 | 56380406 | 1 | Gearmotor, 36vdc, Steer (M16) |
| 19 | 56380392 | 1 | Bracket, Motor | | | | |
| 20 | 56380395 | 1 | Steering, Upper Sbw | | | | |
| 20a | 56151106 | 2 | Bushing | | | | |
| 20b | 56497542 | 1 | Washer | | | | |
| 20c | 56001821 | 2 | Scr, Hex 1/4-20 X .88 | | | | |
| 20d | 56001867 | 4 | Scr, Soc Hd 10-24 X 0.50 | | | | |
| 20e | 56002015 | 1 | Scr, Soc Set Loc 10-24 X .25 | | | | |
| 20f | 56002082 | 1 | Pin, Spr .19 X 1.00 | | | | |
| 20g | 56002098 | 2 | Wsh, Flt Sae 1/4 | | | | |
| 20h | 56002708 | 2 | Nut, Hex Nyl Loc 1/4-20 | | | | |
| 20i | 56002868 | 1 | Nut, Hex Nyl Loc-Thin 1/2-20 | | | | |
| 20j | 56003227 | 1 | Key, Wdf .62 X .19 | | | | |
| 20k | 56009384 | 1 | Wsh, Flt .328 X .563 X .031 | | | | |
| 20l | 56304554 | 2 | Bearing, Fl .500x.375x.313 | | | | |
| 20m | 56380384 | 1 | Bearing, Fl 1.00x .75x 1.50 | | | | |
| 20n | 56380387 | 1 | Steering Mount Weldt | | | | |
| 20o | 56380388 | 1 | Coupler, Steering Shaft | | | | |
| 20p | 56380391 | 1 | Shaft, Steering Wheel | | | | |
| 20q | 56380405 | 1 | Torque Feedback Device (E1) | | | | |
| 20r | 56497306 | 1 | Steering Wheel | | | | |
| 20s | 56497308 | 1 | Cup | | | | |
| 20t | 56497543 | 1 | Cap | | | | |
| 20u | 56497560 | 1 | Wheel Adapter | | | | |
| 20v# | | | DELETED | | | | |

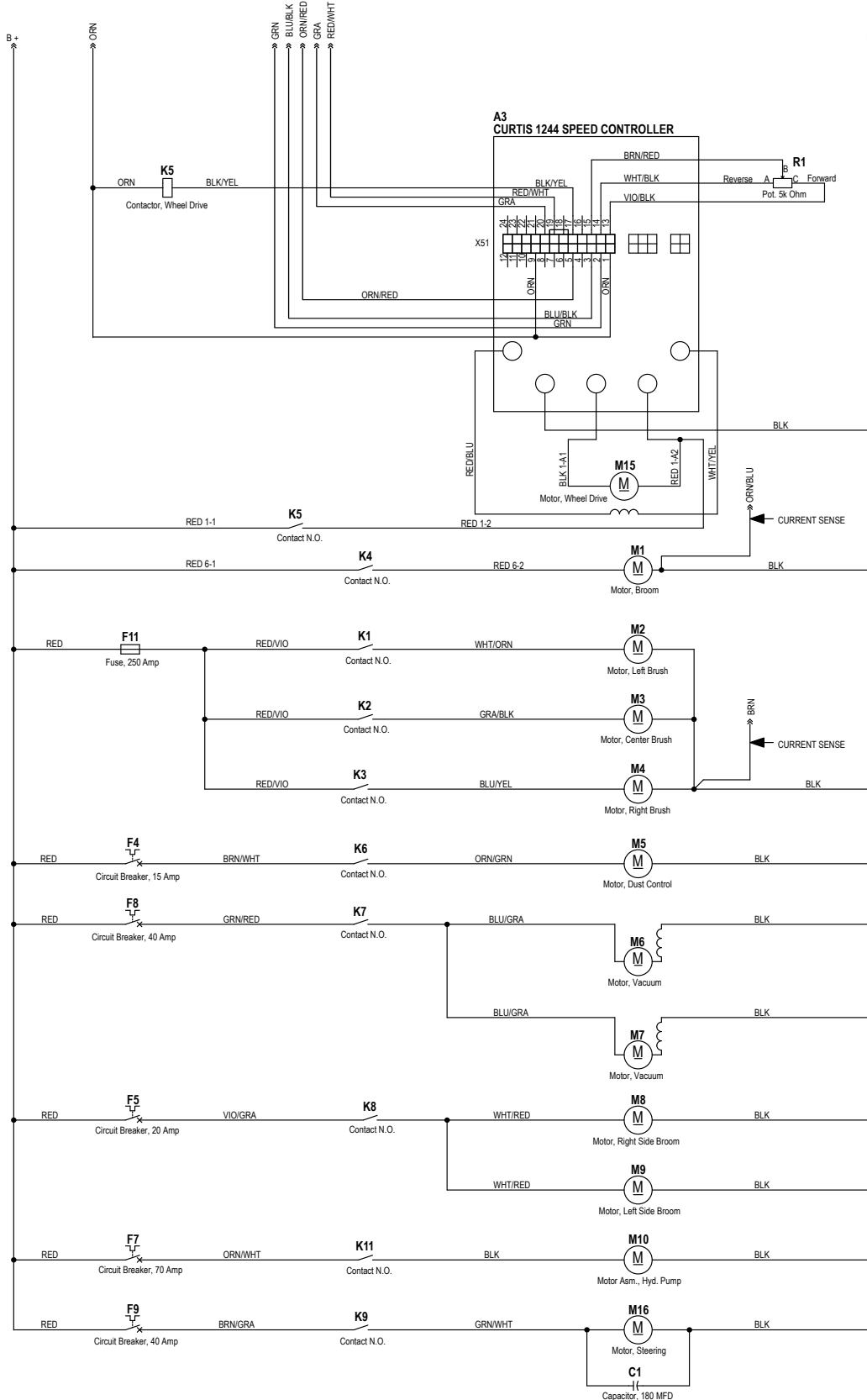
[] = Not Shown

= Revised or new since last update



| Item | Ref. No. | Qty | Description |
|------|----------|-----|-----------------------------------------------|
| A1 | 56303201 | 1 | Control Box Assembly |
| A2 | 56303374 | 1 | Switch/Display Panel Assembly |
| BT1 | N/A | 1 | Battery 36Vdc |
| F1 | 56469788 | 1 | Circuit Breaker, 25 Amp (Auxiliary Circuit 1) |
| F2 | 56387328 | 1 | Circuit Breaker, 5 Amp (Auxiliary Circuit 2) |
| F3 | 56395454 | 1 | Circuit Breaker, 20 Amp (Auxiliary Circuit 3) |
| F10 | 56303297 | 1 | Fuse, 400 Amp (Main) |
| H1 | N/A | 1 | Backup Alarm (optional) |
| H2 | 56482365 | 1 | Horn |
| H3 | 56304768 | 1 | Headlight, Right |
| | 56304783 | A/R | Bulb, Light (for 56304768) |
| H4 | 56304768 | 1 | Headlight, Left |
| | 56304783 | A/R | Bulb, Light (for 56304768) |
| H5 | 56305237 | 1 | Lamp, Tail |
| H6 | 56305237 | 1 | Lamp, Tail |
| H7 | N/A | 1 | Lamp, Flashing (optional) |
| H8 | N/A | 1 | Lamp, Curb (optional) |
| H9 | 56303353 | 1 | Lamp, Trouble (optional) |
| H10 | 56303350 | 1 | Lamp, Broom Overload |
| K1 | 56395450 | 1 | Contactactor, Left Brush Motor |
| K2 | 56395450 | 1 | Contactactor, Center Brush Motor |
| K3 | 56395450 | 1 | Contactactor, Right Brush Motor |
| K4 | 56303198 | 1 | Contactactor, Broom Motor |
| K6 | 56395450 | 1 | Contactactor, Dust Control Motor |
| K7 | 56395450 | 1 | Contactactor, Vacuum Motor |
| K8 | 56395450 | 1 | Contactactor, Side Broom |
| K9 | 56395450 | 1 | Contactactor, Steering |
| K10 | 56395450 | 1 | Contactactor, Auxiliary |
| K11 | 56303434 | 1 | Contactactor, Hydraulic Pump Motor |
| L1 | 56303189 | 1 | Valve, Solution |
| L2 | 56303189 | 1 | Valve, Solution |
| L4 | 56303435 | 1 | Valve, Dump Door Open |
| L5 | 56303436 | 1 | Valve, Dump Door Close |
| L6 | 56303437 | 1 | Valve, Hopper Raise |
| L6A | 56303437 | 1 | Valve, Hopper Lower |
| M11 | 56303095 | 1 | Motor, Brush Actuator |
| M12 | 56303360 | 1 | Motor, Squeegee Actuator |
| M13 | 56303119 | 1 | Motor, Side Broom Actuator |
| M14 | 56467307 | 1 | Motor, Shaker |
| S1 | N/A | 1 | Switch, Extend Limit |
| S2 | N/A | 1 | Switch, Retract Limit |
| S3 | 56305053 | 1 | Switch, Hopper Interlock |
| S4 | 56305977 | 1 | Switch, Recovery Full TSBUS2005-875 |
| S5 | 56305032 | 1 | Switch, Solution Empty |
| S6 | N/A | 1 | Switch, Dust Control Filter (optional) |
| S7 | 56418994 | 1 | Switch, Hydraulic Filter |
| S8 | 56305053 | 1 | Switch, Main Broom |
| S9 | N/A | 1 | Switch, Seat |
| S10 | N/A | 1 | Switch, Hopper Fire (optional) |
| S11# | 56303554 | 1 | Switch, Key TSBUS2004-873 |
| S12 | 56209321 | 1 | Switch, Wand (optional) |
| S13 | 56305053 | 1 | Switch, Battery Interlock |

= Revised or new since last update



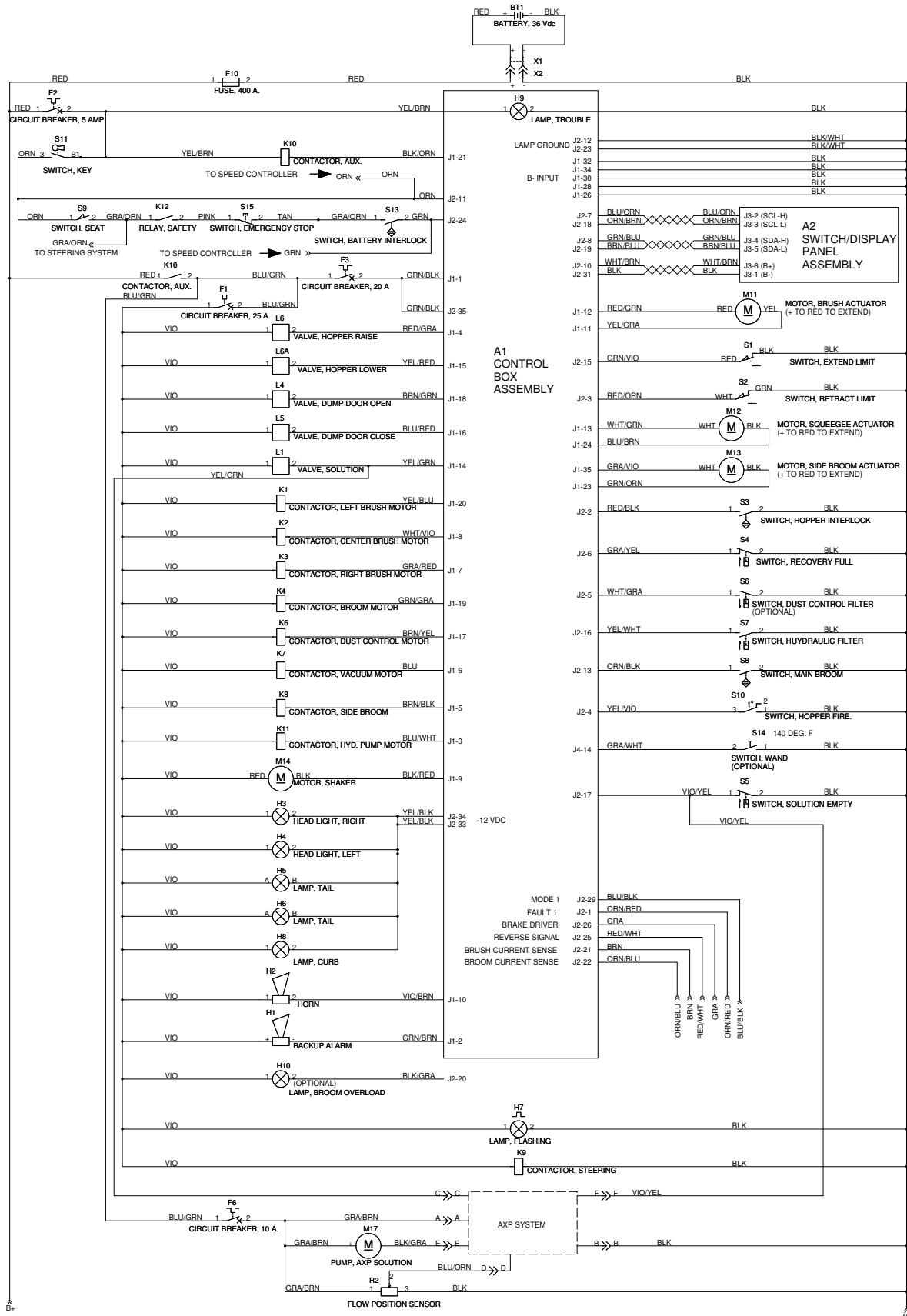
| Item | Ref. No. | Qty | Description |
|------|----------|-----|-------------------------------------------|
| A3 | 56303197 | 1 | Curtis 1244 Speed Controller |
| C1 | 56303337 | 1 | Capacitor, 180 MFD |
| F4 | 56454538 | 1 | Circuit Breaker, 15 Amp (Dust Control) |
| F5 | 56395454 | 1 | Circuit Breaker, 20 Amp (Side Brooms) |
| F7 | 56303301 | 1 | Circuit Breaker, 70 Amp (Hydraulic Pump)) |
| F8 | 56303299 | 1 | Circuit Breaker, 40 Amp (Vacuum Motors) |
| F9 | 56303299 | 1 | Circuit Breaker, 40 Amp (Power Steering) |
| F11 | 56410044 | 1 | Fuse, 250 Amp (Brush Motors) |
| K1 | 56395450 | 1 | Contact N.O. (Left Brush) |
| K2 | 56395450 | 1 | Contact N.O. (Center Brush) |
| K3 | 56395450 | 1 | Contact N.O. (Right Brush) |
| K4 | 56303198 | 1 | Contact N.O. (Main Broom) |
| K5 | 56303198 | 1 | Contact N.O. (Drive Wheel) |
| K6 | 56395450 | 1 | Contact N.O. (Dust Control) |
| K7 | 56395450 | 1 | Contact N.O. (Vacuum) |
| K8 | 56395450 | 1 | Contact N.O. (Side Brooms) |
| K9 | 56395450 | 1 | Contact N.O. (Steering) |
| K11 | 56303434 | 1 | Contact N.O. (Hydraulic Pump Motor) |
| M1 | 56303039 | 1 | Motor, Broom 2.0 HP |
| * | 56303419 | 4 | Replacement Carbon Brushes |
| * | 56303444 | 4 | Replacement Spring |
| M2 | 56303083 | 1 | Motor, Left Brush |
| * | 56303419 | 4 | Replacement Carbon Brushes |
| * | 56303444 | 4 | Replacement Spring |
| M3 | 56303083 | 1 | Motor, Center Brush |
| * | 56303419 | 4 | Replacement Carbon Brushes |
| * | 56303444 | 4 | Replacement Spring |
| M4 | 56303083 | 1 | Motor, Right Brush |
| * | 56303419 | 4 | Replacement Carbon Brushes |
| * | 56303444 | 4 | Replacement Spring |
| M5 | 56416020 | 1 | Motor, Dust Control |
| | 56416595 | 1 | Carbon Brush Set |
| M6 | 56410065 | 1 | Motor, Vacuum |
| * | 56212223 | 1 | Carbon Brush Set |
| M7 | 56410065 | 1 | Motor, Vacuum |
| * | 56212223 | 1 | Carbon Brush Set |
| M8# | 56416578 | 1 | Gearmotor Assy (right) NOTE 1 |
| # | 56303442 | 1 | Gearmotor Assy (right) NOTE 2 |
| * | 56416608 | 1 | Carbon Brush Set |
| M9# | 56410307 | 1 | Gearmotor Assy (left) NOTE 1 |
| # | 56303443 | 1 | Gearmotor Assy (left) NOTE 2 |
| * | 56416608 | 1 | Carbon Brush Set |
| M10 | 56303040 | 1 | Motor, Assembly, Hydraulic Pump |
| * | 56303433 | 1 | Brush and Spring Kit |
| * | 56303561 | 1 | Reservoir, Kit |
| M15 | 56303033 | 1 | Motor, Wheel Drive |
| * | 56303426 | 4 | Replacement Carbon Brushes |
| * | 56409746 | 4 | Replacement Brush Spring |
| M16# | 56303073 | 1 | Motor, Steering TSBUS2007-982 |
| R1 | 56303313 | 1 | Potentiometer, 5K Ohm |

* = Not Shown

= Revised or new since last update

NOTE 1: Used on machines built before May 2004.

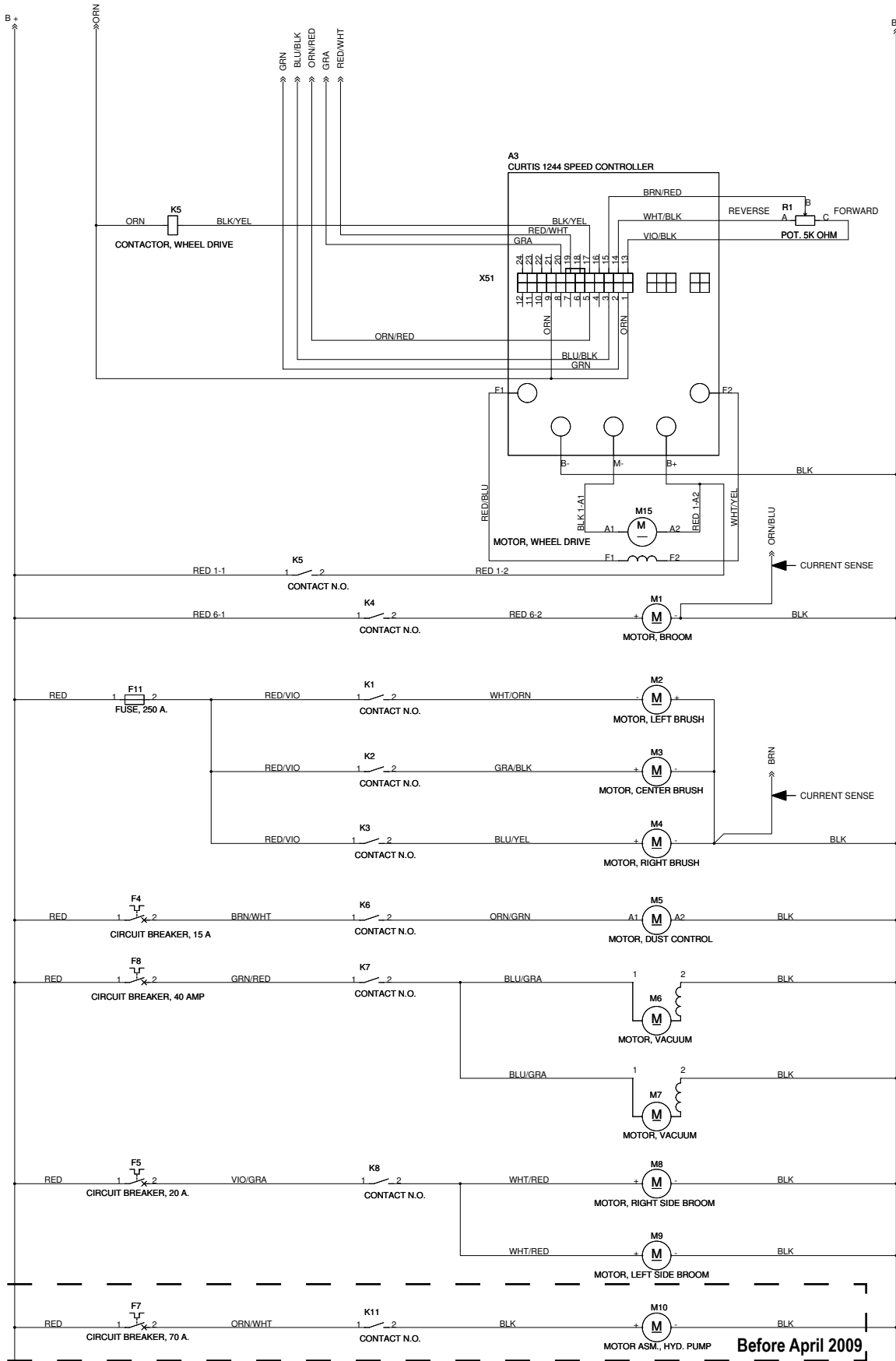
NOTE 2: Used on machines built after April 2004.



| Item | Ref. No. | Qty | Description |
|------|------------|-----|-----------------------------------------------------|
| A1 | 56303543 | 1 | Control Box Assembly |
| A2 | 56303552 | 1 | Switch/Display Panel Assembly |
| BT1 | N/A | 1 | Battery 36Vdc |
| F1 | 56469788 | 1 | Circuit Breaker, 25 Amp (Auxiliary Circuit 1) |
| F2 | 56387328 | 1 | Circuit Breaker, 5 Amp (Auxiliary Circuit 2) |
| F3 | 56395454 | 1 | Circuit Breaker, 20 Amp (Auxiliary Circuit 3) |
| F10 | 56303297 | 1 | Fuse, 400 Amp (Main) |
| F12# | 56387316 | 1 | Circuit Breaker, 10A (AXP) |
| H1 | N/A | 1 | Backup Alarm (optional) |
| H2 | 56482365 | 1 | Horn |
| H3 | 56304768 | 1 | Headlight, Right |
| | 56304783 | A/R | Bulb, Light (for 56304768) |
| H4 | 56304768 | 1 | Headlight, Left |
| | 56304783 | A/R | Bulb, Light (for 56304768) |
| H5 | 56305237 | 1 | Lamp, Tail |
| H6 | 56305237 | 1 | Lamp, Tail |
| H7 | N/A | 1 | Lamp, Flashing (optional) |
| H8 | N/A | 1 | Lamp, Curb (optional) |
| H9 | 56303353 | 1 | Lamp, Trouble (optional) |
| H10 | 56303350 | 1 | Lamp, Broom Overload |
| K1 | 56395450 | 1 | Contact, Left Brush Motor |
| K2 | 56395450 | 1 | Contact, Center Brush Motor |
| K3 | 56395450 | 1 | Contact, Right Brush Motor |
| K4 | 56303198 | 1 | Contact, Broom Motor |
| K6 | 56395450 | 1 | Contact, Dust Control Motor |
| K7 | 56395450 | 1 | Contact, Vacuum Motor |
| K8 | 56395450 | 1 | Contact, Side Broom |
| K9 | 56395450 | 1 | Contact, Steering |
| K10 | 56395450 | 1 | Contact, Auxiliary |
| K11 | 56303434 | 1 | Contact, Hydraulic Pump Motor |
| L1 | 56303189 | 1 | Valve, Solution |
| L2 | 56303189 | 1 | Valve, Solution |
| L4 | 56303435 | 1 | Valve, Dump Door Open |
| L5 | 56303436 | 1 | Valve, Dump Door Close |
| L6 | 56303437 | 1 | Valve, Hopper Raise |
| L6A | 56303437 | 1 | Valve, Hopper Lower |
| M11 | 56303095 | 1 | Motor, Brush Actuator |
| M12 | 56303360 | 1 | Motor, Squeegee Actuator |
| M13 | 56303119 | 1 | Motor, Side Broom Actuator |
| M14 | 56467307 | 1 | Motor, Shaker |
| M17# | 56413810 | 1 | Pump, 36VDC (AXP) |
| R2# | 56303313 | 1 | Flow Position Sensor (AXP) |
| S1 | N/A | 1 | Switch, Extend Limit |
| S2 | N/A | 1 | Switch, Retract Limit |
| S3 | 56305053 | 1 | Switch, Hopper Interlock |
| S4 | 56305977 | 1 | Switch, Recovery Full TSBUS2005-875 |
| S5 | 56305032 | 1 | Switch, Solution Empty |
| S6 | N/A | 1 | Switch, Dust Control Filter (optional) |
| S7 | 56418994 | 1 | Switch, Hydraulic Filter |
| S8 | 56305053 | 1 | Switch, Main Broom |
| S9 | 7-82-00050 | 1 | Switch, Seat |
| S10 | N/A | 1 | Switch, Hopper Fire (optional) |
| S11 | 56303553 | 1 | Switch, Key TSBUS2004-873 |
| * | 56303526 | 1 | Key, Replacement Set (replacement key for 56303553) |
| S12 | 56209321 | 1 | Switch, Wand (optional) |
| S13 | 56305053 | 1 | Switch, Battery Interlock |

* = Not Shown

= Revised or new since last update

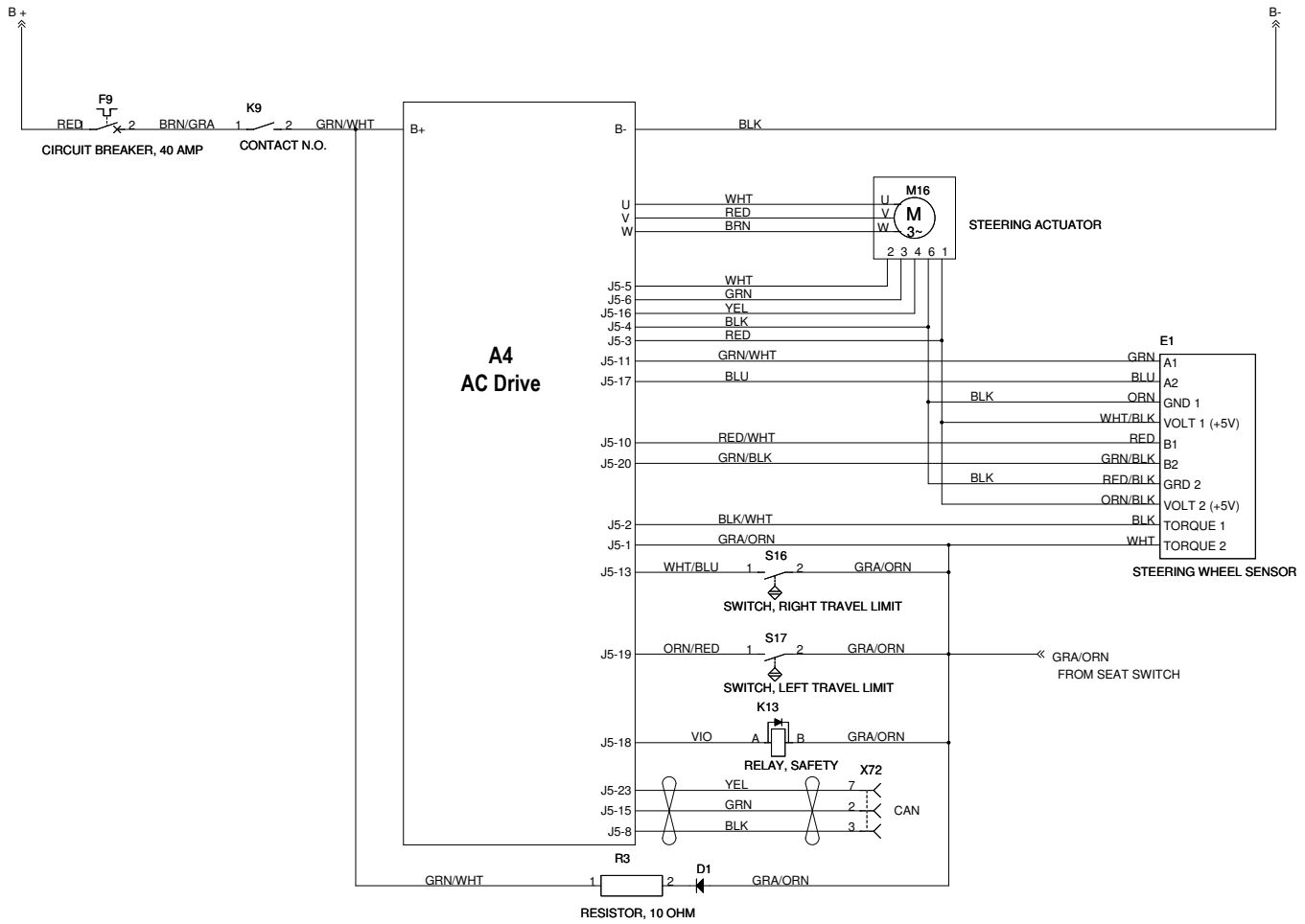


| Item | Ref. No. | Qty | Description |
|------|----------|-----|---------------------------------------------|
| A3 | 56303197 | 1 | Curtis 1244 Speed Controller |
| C1 | 56303337 | 1 | Capacitor, 180 MFD |
| F4 | 56454538 | 1 | Circuit Breaker, 15 Amp (Dust Control) |
| F5 | 56395454 | 1 | Circuit Breaker, 20 Amp (Side Brooms) |
| F7 | 56303301 | 1 | Circuit Breaker, 70 Amp (Hydraulic Pump)) |
| F8 | 56303299 | 1 | Circuit Breaker, 40 Amp (Vacuum Motors) |
| F9 | 56303299 | 1 | Circuit Breaker, 40 Amp (Power Steering) |
| F11 | 56410044 | 1 | Fuse, 250 Amp (Brush Motors) |
| K1 | 56395450 | 1 | Contact N.O. (Left Brush) |
| K2 | 56395450 | 1 | Contact N.O. (Center Brush) |
| K3 | 56395450 | 1 | Contact N.O. (Right Brush) |
| K4 | 56303198 | 1 | Contact N.O. (Main Broom) |
| K5 | 56303198 | 1 | Contact N.O. (Drive Wheel) |
| K6 | 56395450 | 1 | Contact N.O. (Dust Control) |
| K7 | 56395450 | 1 | Contact N.O. (Vacuum) |
| K8 | 56395450 | 1 | Contact N.O. (Side Brooms) |
| K9 | 56395450 | 1 | Contact N.O. (Steering) |
| K11 | 56303434 | 1 | Contact N.O. (Hydraulic Pump Motor) |
| M1 | 56303039 | 1 | Motor, Broom 2.0 HP |
| * | 56303419 | 4 | Replacement Carbon Brushes |
| * | 56303444 | 4 | Replacement Spring |
| M2 | 56303083 | 1 | Motor, Left Brush |
| * | 56303419 | 4 | Replacement Carbon Brushes |
| * | 56303444 | 4 | Replacement Spring |
| M3 | 56303083 | 1 | Motor, Center Brush |
| * | 56303419 | 4 | Replacement Carbon Brushes |
| * | 56303444 | 4 | Replacement Spring |
| M4 | 56303083 | 1 | Motor, Right Brush |
| * | 56303419 | 4 | Replacement Carbon Brushes |
| * | 56303444 | 4 | Replacement Spring |
| M5 | 56416020 | 1 | Motor, Dust Control |
| | 56416595 | 1 | Carbon Brush Set |
| M6 | 56410065 | 1 | Motor, Vacuum |
| * | 56212223 | 1 | Carbon Brush Set |
| M7 | 56410065 | 1 | Motor, Vacuum |
| * | 56212223 | 1 | Carbon Brush Set |
| M8# | 56303442 | 1 | Gearmotor Assy (right) |
| * | 56416608 | 1 | Carbon Brush Set |
| M9# | 56303443 | 1 | Gearmotor Assy (left) |
| * | 56416608 | 1 | Carbon Brush Set |
| M10 | 56303040 | 1 | Motor, Assembly, Hydraulic Pump |
| * | 56303433 | 1 | Brush and Spring Kit |
| * | 56303561 | 1 | Reservoir, Kit |
| M15 | 56303033 | 1 | Motor, Wheel Drive |
| * | 56303426 | 4 | Replacement Carbon Brushes |
| * | 56409746 | 4 | Replacement Brush Spring |
| M16# | 56303073 | 1 | Motor, Steering NOTE 1 TSBUS2007-982 |
| R1 | 56303313 | 1 | Potentiometer, 5K Ohm |

* = Not Shown

= Revised or new since last update

NOTE 1: Only used before April 2009.



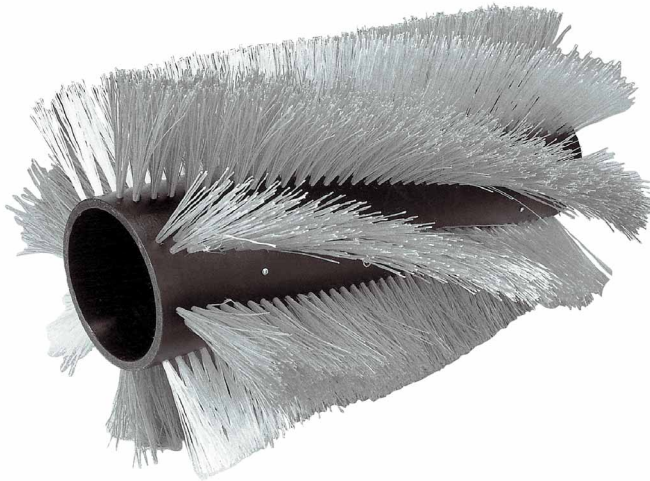
| Item | Ref. No. | Qty | Description |
|------|----------|-----|------------------------------------------|
| A4 | 56380383 | 1 | AC Drive NOTE 1 |
| D1 | NA | 1 | Diode NOTE 1 |
| E1 | 56380405 | 1 | Torque Feedback Device NOTE 1 |
| K13 | 56416157 | 1 | Relay, SPST NOTE 1 |
| M16 | 56380406 | 1 | Gearmotor, 36VDC, Steer NOTE 1 |
| R3 | NA | 1 | Resistor, 10 Ohm NOTE 1 |
| S15 | 56407130 | 1 | Disconnect, Emergency NOTE 1 |
| S16 | 56305053 | 1 | Switch, Right Travel Limit NOTE 1 |
| S17 | 56305053 | 1 | Switch, Left Travel Limit NOTE 1 |

NOTE 1: Only used after March 2009.

| Item | Ref. No. | Qty | Description |
|------|----------|-----|-------------------------------------------------------------------------------------------|
| | | | Optional Kits |
| ** | 56305509 | 1 | Temperature Switch Kit |
| **# | 56305519 | 1 | Backup Alarm Kit (Std on Nilfisk models) |
| ** | 56305517 | 1 | Hopper Filter Switch Kit |
| ** | 56305881 | 1 | Beacon Kit (4300B / CR 1100B) |
| ** | 56305482 | 1 | Beacon Kit (4800B / CR 1200B) |
| **# | 56305896 | 1 | Solution Fill Shutoff Kit (4800B Models) |
| **# | 56305820 | 1 | Solution Fill Shutoff Kit (4300B Models) |
| ** | 56305493 | 1 | Tower Bumper Kit |
| ** | 56303362 | 1 | Trouble Lamp Kit |
| ** | 56305530 | 1 | Vacuum Wand Kit |
| ** | 56305637 | 1 | Low Clearance Overhead Guard Kit |
| ** | 56303573 | 1 | Overhead Guard Kit |
| ** | 56303579 | 1 | Overhead Guard Beacon Kit |
| ** | 56305641 | 1 | Curb Light Kit |
| ** | 56305494 | 1 | Left Side Broom Guard Kit |
| ** | 56305495 | 1 | Right Side Broom Guard Kit |
| ** | 56305652 | 1 | Both Side Broom Guard Kit |
| ** | 56303431 | 1 | Fire Extinguisher Kit |
| ** | 56305794 | 1 | Pre-Filter Grid Kit |
| ** | 56109306 | 1 | Seat Belt Kit For use on Seat 7-69-00008 |
| **# | | | DELETED |
| ** | 56303445 | 1 | Main Broom Belt Kit |
| ** | 56303381 | 1 | Deluxe Seat Kit |
| ** | 56306145 | 1 | Kit, Chemical Injection 36VDC |
| ** | 56303572 | 1 | Cleanout Kit |
| ** | 56111418 | 1 | Puddle Pick-Up Kit |
| **# | 56307221 | A/R | Recovery Inlet Seal Kit |
| | | | See Accessories Parts List 56042449 for an individual parts break down of each kit |
| | | | 4300B Squeegee Blade Kits (contains both front and rear blades) |
| ** | 56303471 | 1 | Squeegee Blade Kit 43 |
| ** | 56303469 | 1 | Neoprene Squeegee Blade Kit 43 |
| ** | 56303562 | 1 | Polyurethane Squeegee Blade Kit 43 |
| | | | 4800B Squeegee Blade Kits (contains both front and rear blades) |
| ** | 56303472 | 1 | Squeegee Blade Kit 48 |
| ** | 56303470 | 1 | Neoprene Squeegee Blade Kit 48 |
| ** | 56303564 | 1 | Polyurethane Squeegee Blade Kit 48 |
| | | | Side Blade Kits (All Models / contains 2 long blades & 2 short blades) |
| ** | 56305697 | 1 | Side Blade Kit |
| ** | 56305685 | 1 | Neoprene Side Blade Kit |
| | | | Optional Batteries |
| ** | 56303054 | 1 | Battery 36V 770 A/H |
| ** | 56303055 | 1 | Battery 36V 560 A/H Sealed |
| **# | | | DELETED |
| ** | 56303057 | 1 | Battery 36V 510 A/H |
| ** | 56303593 | 1 | Battery 36V 770 A/H - Export |
| | | | Optional Chargers |
| ** | 56303331 | 1 | Charger 36V Scr, 1 Phase |
| ** | 56303332 | 1 | Charger 36V Scr, 3 Phase |
| ** | 56303333 | 1 | Charger 36V Ferro, 1 Phase |
| ** | 56303334 | 1 | Charger 36V Ferro, 3 Phase |
| ** | 56303594 | 1 | Charger 36V 3PH China |
| | | | Battery Accessories |
| ** | 56303429 | 1 | Cart, Battery Exchange |
| ** | 56303430 | 1 | Rack, Battery Storage |
| ** | 56303386 | 1 | Disconnect, Battery Bracket Kit |

** = Optional Accessories

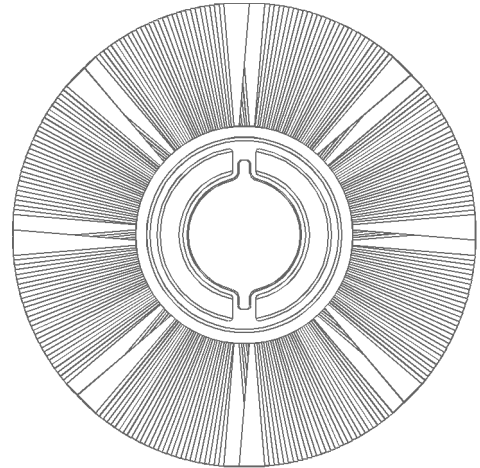
= Revised or new since last update



8 Double Row

Length.....**40" (101.6 cm)**

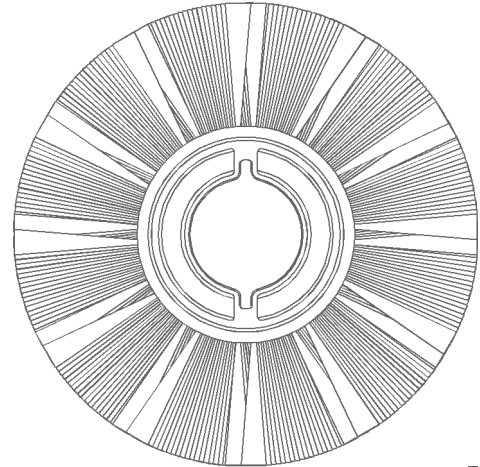
Diameter**14" (35.56 cm)**



12 Double Row

Length.....**40" (101.6 cm)**

Diameter**14" (35.56 cm)**



Main Broom:

PN56505955 Proex & Wire (STD.) (8 Double Rows)

This broom has a more aggressive cleaning action, used to pick up heavier debris.

PN56505956 Prolene (Optional) (8 Double Rows)

A top quality synthetic fiber. This filament is made for a wide variety of applications. Retains its stiffness when wet and resists abrasive chemicals, solvents and oils. A general purpose material offering high performance for a wide range of applications.

PN56505953 Nylon (Optional) (8 Double Rows)

General purpose broom that can be used for all types of light soil. High wear material so uneven surfaces do not cause excessive wear. Nylon has a high heat deflection temperature, is chemical resistant and will absorb water in wet conditions. Truly a general purpose broom.

PN56505952 Proex (Optional) (12 Double Rows)

PN56505954 Proex (Optional) (8 Double Rows)

Synthetic fiber made of polypropylene designed to pick up paper, gravel, sand and other lighter less bulky litter.

PN56505951 Poly/Wire (Optional) (8 Double Rows)

Side Broom:

PN56462252 Polypropylene (STD.)

The side broom function is to sweep the dirt and debris away from the curb, wall, pallet, etc. into the path of the main broom.



Diameter**20" (50.8 cm)**

We provide brushes and pad holders that will give you the best possible performance between machine and floor. Following are descriptions of the materials and their applications when used on the CR .

- Union Mix:** Medium grade natural fibers for polishing finished floors with standard-speed equipment. Recommended for use in place of white pads.
- ProLite:** Bristles are made from light-duty polypropylene for general scrubbing when you do not want to scratch or remove finish from the floor. Recommended for use in place of red pads.
- Prolene:** Polypropylene material for medium-duty scrubbing on concrete, terrazzo and vinyl floor tile. Recommended for use in place of green or blue pads.
- Magna Grit:** For extreme heavy-duty scrubbing or stripping of floors. This brush has extra large diameter silicon carbide grit impregnated synthetic bristles. Recommended for use in place of black pads.
- Dyna Grit:** For aggressive, heavy-duty scrubbing or stripping of floors. Recommended for use in place of brown pads.
- MidLite Grit:** For general purpose scrubbing of sealed or unsealed concrete, stone, terrazzo, quarry tile and other resilient hard floor surfaces. Recommended for use in place of green or blue pads.
- MidGrit:** For general purpose scrubbing when you need a lighter action for sealed or unsealed concrete, stone, terrazzo, quarry tile and other resilient hard floor surfaces. Recommended for use in place of green or blue pads.
- AgLite Grit:** For light scrubbing when used wet; buffing or polishing when used dry on urethane coated, sealed concrete or other resilient hard surface floors. Recommended for use in place of red or white pads.
- Short Trim**
- Pad Holder:** Made with a structural foam block and center ring for correct pad centering. It has a "shower feed" design for getting solution to the floor.

4300B BRUSHES

56505946 - Union Mix
 56505944 - Prolene
 56505942 - Dyna Grit 80
 56505947 - MidGrit 240
 56505940 - Short Trim Pad Holder
 56505195 - Pad Retainer for 56505940
 56505945 - ProLite
 56505941 - Magna Grit 46
 56505948 - MidLite Grit 180 (std)
 56505943 - AgLite Grit 500

4800B BRUSHES

56505786 - Union Mix
 56505784 - Prolene
 56505782 - Dyna Grit 80
 56505787 - MidGrit 240
 56505780 - Short Trim Pad Holder
 56505195 - Pad Retainer for 56505940
 56505785 - ProLite
 56505781 - Magna Grit 46
 56505788 - MidLite Grit 180 (std)
 56505783 - AgLite Grit 500

DISC BRUSH APPLICATION GUIDE (SUGGESTION ONLY)

| Application | 46 Grit | 80 Grit | 180 Grit | 240 Grit | 500 Grit | Prolene | Prolite | Union Mix |
|---------------------------|------------|------------|-------------|-------------|-------------|---------|---------|--------------|
| Stripping: | | | | | | | | |
| Concrete | X | X | | | | | | |
| Terrazzo | X | X | | | | | | |
| Ceramic/Quarry tile | | X | | | | | | |
| Vinyl tile | | X | | | | | | |
| General Scrubbing: | | | | | | | | |
| Concrete | X | X | X | X | | X | | |
| Terrazzo | | | X | X | X | X | | |
| Ceramic/Quarry tile | | | X | X | X | X | | |
| Marble | | | | | X | | X | |
| Vinyl tile | | | X | | X | X | | |
| Raised-rubber tile | | | | | X | | X | |
| Polishing: | | | | | | | | |
| Raised Disc Tile | | | | | | | | X |
| Marble | | | | | | | | X |
| Vinyl tile | | | | | | | | X |



**Nilfisk
Advance**

setting standards

Nilfisk-Advance, Inc.
14600 21st Avenue North
Plymouth, MN 55447-3408
www.nilfisk-advance.com
Phone: 800-989-2235
Fax: 800-989-6566
©2008 Nilfisk-Advance, Inc.