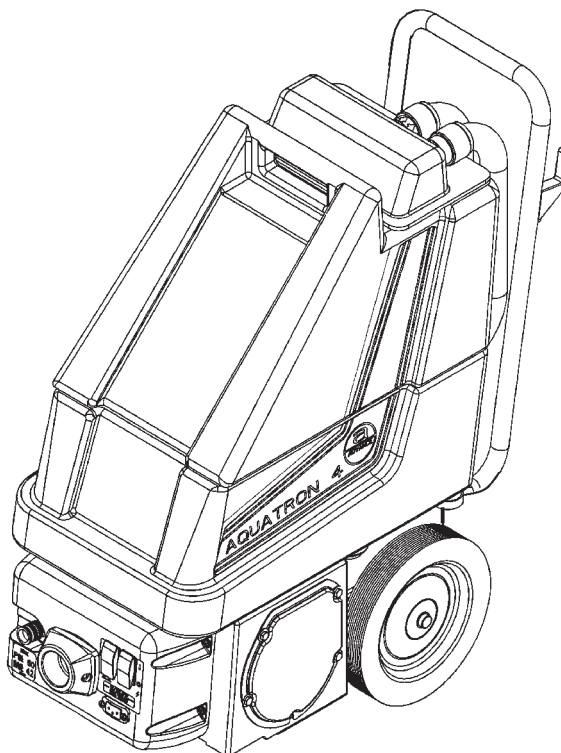


# Aquatron™ 4, 8, 11

---



---

## Instructions For Use

**Advance Models 56250191, 56250192, 56250193, 56250205, 56250207**



**Advance**  
by Nilfisk-Advance

10/95 Form Number 56041318



**Nilfisk  
Advance**

*setting standards*

Nilfisk-Advance, Inc.  
14600 21st Avenue North  
Plymouth, MN 55447-3408  
[www.nilfisk-advance.com](http://www.nilfisk-advance.com)  
Phone: 800-989-2235  
Fax: 800-989-6566  
©2005 Nilfisk-Advance, Inc.



---

# TABLE OF CONTENTS

---

	Page
Introduction.....	2
Parts and Service .....	2
Nameplate .....	2
Uncrating the Machine .....	2
Important Safety Instructions.....	3
Importantes Mesures de Securite .....	4
Grounding Instructions .....	5
Know Your Machine.....	6
Prepare The Machine For Use .....	7
To Fill The Solution Tank .....	7
Pre-spray The Carpet.....	8
Plan For Cleaning.....	8
Select The Cleaning Attachment .....	8
Operation Of Machine .....	9
Operating Tips .....	9
After Use And Maintenance.....	10
Power Cord Maintenance .....	10
Vacuum Motor Maintenance.....	10
Troubleshooting.....	11
Accessory Attachments And Chemicals .....	12

---

# INTRODUCTION

---

This manual will help you get the most from your **Advance Aquatron™**. Read it thoroughly before operating the machine.

**Note: Bold numbers in parentheses indicate an item illustrated on page 6.**

This product is intended for commercial use only.

---

## PARTS AND SERVICE

Repairs, when required, should be performed by your Authorized Advance Service Center, who employs factory trained service personnel, and maintains an inventory of Advance original replacement parts and accessories.

Call the ADVANCE DEALER named below for repair parts or service. Please specify the Model and Serial number when discussing your machine.

(Dealer, affix service sticker here.)

---

## NAME PLATE

The Model and Serial Number of your machine are shown on the Nameplate on the back of the machine. This information is needed when ordering repair parts for the machine. Use the space below to note the Model and Serial Number of your machine for future reference.

MODEL \_\_\_\_\_

SERIAL NUMBER \_\_\_\_\_

---

## UNCRATING THE MACHINE

When the machine is delivered, carefully inspect the shipping carton and the machine for damage. If damage is evident, save the shipping carton so that it can be inspected by the trucking company that delivered it. Contact the trucking company immediately to file a freight damage claim.

---

# IMPORTANT SAFETY INSTRUCTIONS

---

When using an electrical appliance, basic precautions should always be followed, including the following:

Read all instructions before using this appliance.

## **WARNING!**

To reduce the risk of fire, electric shock, or injury:

- 1 Do not leave the appliance when it is plugged in. Unplug the unit from the outlet when not in use and before servicing.
- 2 To avoid electric shock, do not expose to rain. Store indoors.
- 3 Do not allow to be used as a toy. Close attention is necessary when used near children.
- 4 Use only as described in this manual. Use only the manufacturer's recommended attachments.
- 5 Do not use with damaged cord or plug. If the appliance is not working as it should be, has been dropped, damaged, left outdoors or dropped into water, return it to a service center.
- 6 Do not pull or carry by the cord, use the cord as a handle, close a door on the cord, or pull the cord around sharp edges or corners. Do not run the appliance over the cord. Keep the cord away from heated surfaces.
- 7 Do not unplug by pulling on the cord. To unplug, grasp the plug, not the cord.
- 8 Do not handle the plug, cord or appliance with wet hands.
- 9 Do not put any object into openings. Do not use with any opening blocked; keep free of dust, lint, hair, and anything that may reduce air flow.
- 10 Keep loose clothing, hair, fingers, and all parts of body away from openings and moving parts.
- 11 Do not pick up anything that is burning or smoking, such as cigarettes, matches, or hot ashes, or any health endangering dusts.
- 12 Turn off all controls before unplugging.
- 13 Use extra care when cleaning on stairs.
- 14 Do not use to pick up flammable or combustible liquids such as gasoline or use in areas where they may be present.
- 15 Connect to a properly grounded outlet only. See Grounding Instructions.

## SAVE THESE INSTRUCTIONS

---

# IMPORTANTES MESURES DE SECURITE

---

L'utilisation d'un appareil électrique demande certaines précautions:

LIRE TOUTES LES INSTRUCTIONS AVANT DE FAIRE FONCTIONNER (CET APPAREIL)

## **AVERTISSEMENT!**

Pour réduire les risques d'incendie, de choc électrique ou de blessure:

- 1 Ne pas laisser l'appareil sans surveillance lorsqu'il est branché. Débrancher lorsque l'appareil n'est pas utilisé et avant l'entretien.
- 2 Pour réduire les risques de choc électrique, utiliser à l'intérieur seulement.
- 3 Ne pas permettre aux enfants de jouer avec l'appareil. Une attention particulière est nécessaire lorsque l'appareil est utilisé par des enfants ou à proximité de ces derniers.
- 4 N'utiliser que conformément à cette notice avec les accessoires recommandés par le fabricant.
- 5 Ne pas utiliser si le cordon ou la fiche est endommagé. Retourner l'appareil à un atelier de réparation s'il ne fonctionne pas bien, s'il est tombé ou s'il a été endommagé, oublié à l'extérieur ou immergé.
- 6 Ne pas tirer soulever ou traîner l'appareil par le cordon. Ne pas utiliser le cordon comme une poignée, le coincer dans l'embrasure d'une porte ou l'appuyer contre des arêtes vives ou des coins. Ne pas faire rouler l'appareil sur le cordon. Garder le cordon à l'écart des surfaces chaudes.
- 7 Ne pas débrancher en tirant sur le cordon. Tirer plutôt la fiche.
- 8 Ne pas toucher la fiche ou l'appareil lorsque vos mains sont humides.
- 9 N'insérer aucun objet dans les ouvertures. Ne pas utiliser l'appareil lorsqu'une ouverture est bloquée. S'assurer que de la poussière, de la peluche, des cheveux ou d'autres matières ne réduisent pas le débit d'air.
- 10 Maintenir les cheveux, les vêtements amples, les doigts et toutes les parties du corps à l'écart des ouvertures et des pièces mobiles.
- 11 Ne pas aspirer de matières en combustion ou qui dégagent de la fumée, comme des cigarettes, des allumettes ou des cendres chaudes.
- 12 Mettre toutes les commandes à la position ARRÊT avant de débrancher l'appareil.
- 13 User de prudence lors du nettoyage des escaliers.
- 14 Ne pas aspirer des liquides inflammables or combustibles, comme de l'essence, et ne pas faire fonctionner dans des endroits ou peuvent se trouver de tels liquides.
- 15 Ne brancher qu'à une prise de courant avec mise à la terre. Voir les instructions visant la mise à la terre.

## CONSERVER CES INSTRUCTIONS

---

# GROUNDING INSTRUCTIONS

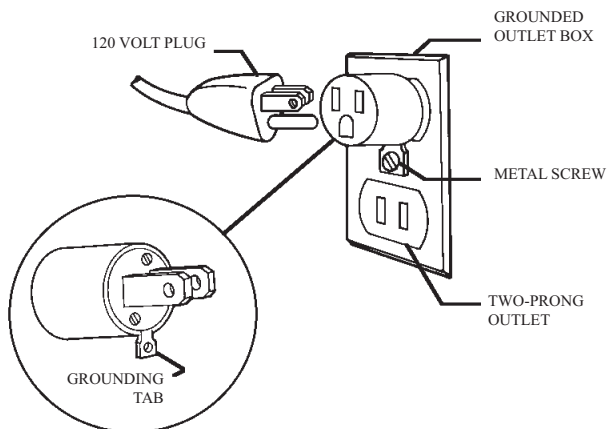
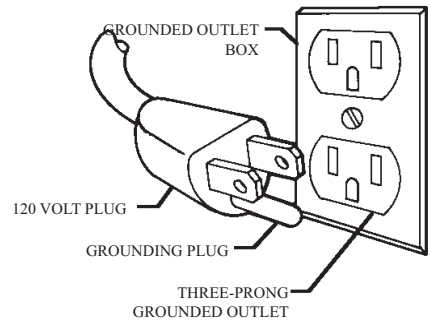
---

## **WARNING!**

This machine must be properly grounded to protect the operator from electrical shock. Read the safety instructions below before operating this machine.

---

120 volt machines have this kind of three-prong plug at the end of a three-wire electrical cord. The grounding pin on this plug grounds the machine when it is plugged into a three-prong outlet.



A grounding adapter must be installed as shown here if only two-prong outlets are available. The outlet box must be grounded and the grounding tab (or wire) on the adapter must be installed under the head of the screw in the center of the outlet cover. Grounding adapters for 120 volt plugs are available at most hardware stores.

---

Grounding adapters are not approved for use in Canada.

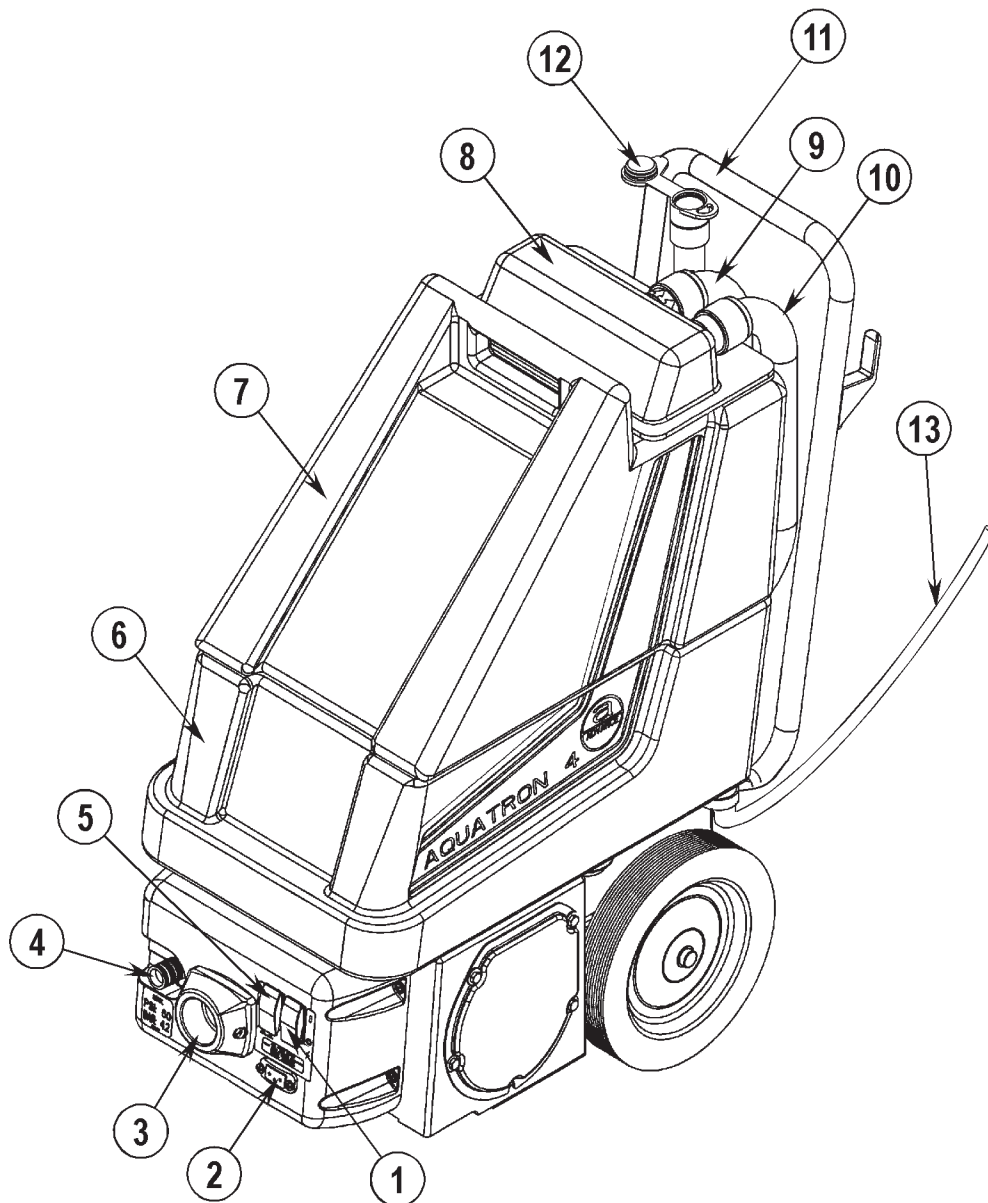
- Replace the plug if the grounding pin is damaged or broken.
- The green (or green/yellow) wire in the cord is the grounding wire. When replacing a plug, this wire must be attached to the grounding pin only.
- Extension cords connected to this machine should be 12 gauge, three-wire cords with three-prong plugs and outlets. Do not use extension cords more than 50 feet (15 m) long.



# KNOW YOUR MACHINE

As you read this manual, you will occasionally run across a bold number in parentheses - example: **(2)**. These numbers refer to an item on this page. Refer back to this page whenever necessary to pinpoint the location of an item mentioned in the text.

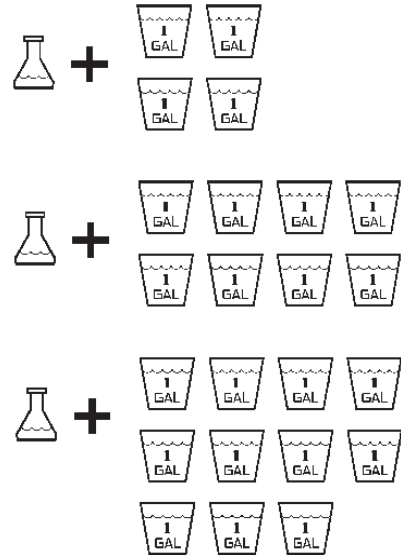
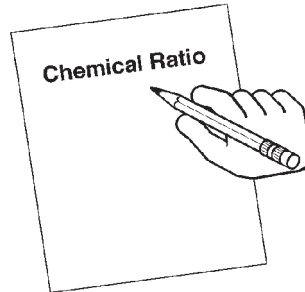
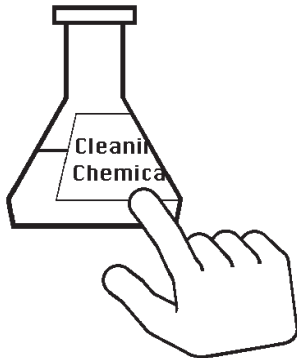
- 1 Master Power Switch
- 2 Electrical Receptacle
- 3 Vac Hose Inlet Connection
- 4 Solution Hose Quick Disconnect Fitting
- 5 Solution Pump ON/OFF Switch
- 6 Solution Tank
- 7 Recovery Tank
- 8 Dome Lid / Vac Shut-Off Float
- 9 Vac Hose
- 10 Recovery Hose
- 11 Transport Handle / With Cord Hook
- 12 Recovery Tank Drain Hose
- 13 Solution Tank Drain Hose



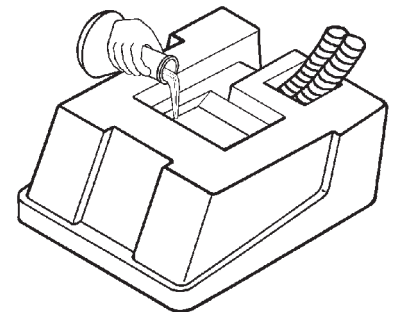
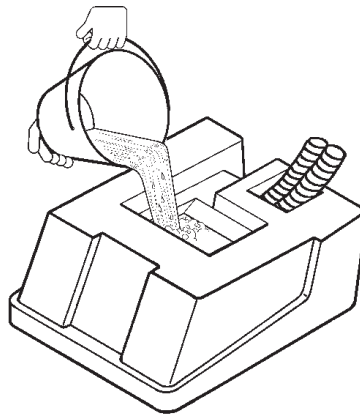
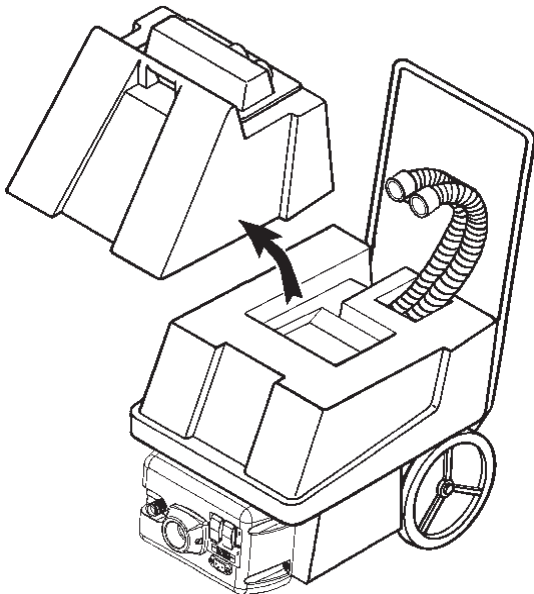
# PREPARE THE MACHINE FOR USE

## TO FILL THE SOLUTION TANK

- 1 Read the cleaning chemical label and figure the proper amount for your machine. The solution tank capacities for the different Aquatrons are 4 gallon (15 liters), 8 gallon (30 liters) and 11 gallon (41.5 liters).
- 2 Lift the recovery tank (7) off the machine and add water and chemical as shown.



- 3 Put the recovery tank (7) on the machine with the recovery dome lid (8) and hoses in place.



## PRE-SPRAY CARPET

Pre-spray spots and traffic lanes before extracting. Use a hand-held bottle sprayer or a pressurized "Hudson" type sprayer. Mix the pre-spray according to the chemical manufacturer's directions. For best results, use an Advance CarpeTeam pre-spray chemical specially formulated for Advance carpet extractors.

---

# PREPARE THE MACHINE FOR USE

---

## PLAN FOR CLEANING

Before you begin extracting, look at the area to be cleaned and plan your work. Divide the space into sections. Work away from where you plug in the electrical cable. Overlap each pass 2 inches (5cm).

---

## SELECT THE CLEANING ATTACHMENT

These machines have optional attachments for both carpet and hard floor cleaning. See your Advance Distributor for a recommendation on the correct combination of accessory tools and chemicals for your cleaning job. Reference the last page of this manual for a list of part numbers for ordering.

To use accessory tools, connect to appropriate, solution, vac inlet and power receptacle connectors all located on the front console assembly.

---

# OPERATION OF THE MACHINE

---

## **WARNING!!!**

**This appliance is intended for wet use only! Do not use to pick up dry debris!**

- 1 Unwrap the power cord and plug it into a properly grounded electrical outlet.
- 2 Turn the master power switch **(1)** ON (vac motor will run).
- 3 Turn the solution pump switch **(5)** ON.
- 4 Position the cleaning pickup tool on the surface to be cleaned. Squeeze the solution trigger lever and pull back the tool slowly, dispensing solution as you go.
- 5 Release the solution lever at completion of the pass and continue pulling back the pick up tool to ensure recovery of all the solution.
- 6 Move to the next pass, allowing a 2 inch (5cm) overlap.

---

## OPERATING TIPS

Use only low sudsing, liquid detergents designed for carpet extraction.

Watch the recovery waste water entering the recovery tank dome lid for suds. If there is a large amount of suds, add a defoamer chemical that is formulated to break up a high sudsing condition.

The recovery tank has an automatic float shut-off to block the vacuum system when the recovery tank is full. You can tell when the float closes by the sudden change in the sound of the vacuum motor. When the float closes, the recovery tank must be emptied. The machine will not pick up water with the float closed.

Prolonged drying time and mildew can result from cleaning a carpet in an unventilated room. Use drying fans if necessary.

---

# AFTER USE AND MAINTENANCE

---

- 1 Turn the master power switch (1) OFF, unplug the power cord, coil it up and hang on handle hook.
- 2 Disconnect both the vac and solution hoses (electrical cable if used) and store attachments.
- 3 Empty the recovery tank (7) using the drain hose (12) and rinse with clean water. Then inspect and clean the vac float shut off screen located on the recovery tank dome lid (8).
- 4 Empty the solution tank (6). To drain, pull the clear hose (13) down from its storage barb, reconnect hose when the tank is empty.
- 5 Inspect and clean the filter screen locate inside the solution tank.
- 6 Wipe down the machine with a damp cloth then store the machine indoors in a clean , dry place. Keep from freezing. Leave the tanks open to air them out.

## **⚠ WARNING!!!**

To reduce the risk of electrical shock or injury , unplug the power cord before servicing the machine.

---

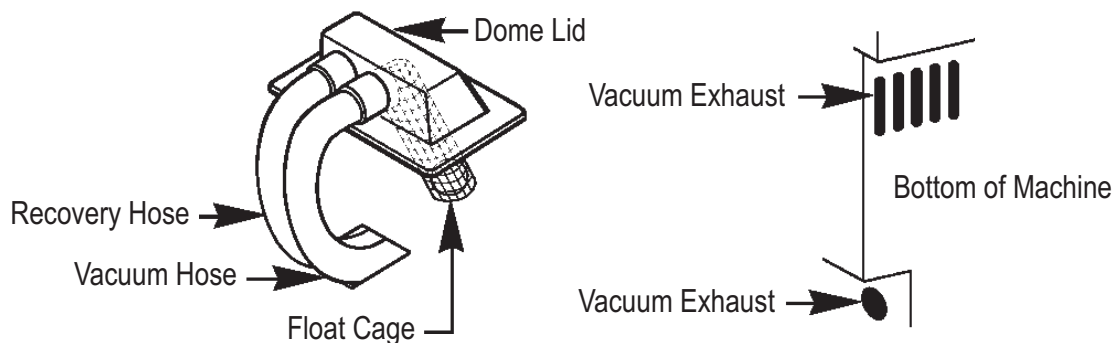
## **POWER CORD MAINTENANCE**

Once a week (or more often if necessary), check the power cord for cracked or damaged insulation, exposed wires in the cord or plug, and damaged or missing ground pin. Repair or replace damaged cord or plug immediately.

---

## **VACUUM MOTOR MAINTENANCE**

Once a month, check the vacuum motor to make sure the airways are not blocked. Clean the dome lid on the recovery tank thoroughly. Clear hoses of debris and keep the vacuum motor exhaust area clean.



Once a year, have the carbon brushes in the vacuum motor checked by a qualified service person. Replace the carbon brushes if they are worn to 3/8 inch (9.5mm) or less.

## **⚠ IMPORTANT!!!**

Motor damage from the failure to service the carbon brushes is not covered under warranty. See the limited warranty statement.

---

# TROUBLESHOOTING

---

## POOR VACUUM PICK-UP

- Leaking or plugged hoses and accessories.
- Recovery tank dome lid not seated on tank.
- Damaged recovery tank dome lid gasket.
- Recovery tank drain plug cover not seated.
- Vacuum shut-off float blocked.
- Foam entering vacuum motor (use low sudsing extraction cleaner).

## IRREGULAR DISPENSING OF CLEANING SOLUTION

- Solution tank low or empty.
- Nozzle plugged on accessory attachment.
- Solution pump filter plugged.

---

# ACCESSORY ATTACHMENTS AND CHEMICALS

---

## OPTIONAL ACCESSORY TOOLS

The Aquatron can be fitted with optional attachments which must be ordered separately. To use these accessory tools, attach the accessory vacuum hose to the vac hose inlet connection (3) on the front of the machine. Attach the accessory solution hose to the solution hose quick disconnect (4) on the front of the machine. Connect the other end of the vacuum and solution hoses to the accessory tool.

CARPET TOOLS	PART NUMBER
4' Stainless Steel Drag Tool .....	260387
Stainless Steel Hand Tool .....	204203
Aqua Kit .....	801000
Plastic Hand Tool .....	800385
Plastic & Stainless Drag Tool .....	800390
15' Scrub and Vac Hose.....	249318
Power Liquidator-14" / 230V .....	249385
Power Liquidator-14" / 120V .....	249311
Power Liquidator-14" / 100V .....	249314
Liquidator Assembly.....	249360

HARD FLOOR TOOLS	PART NUMBER
4' Scrub and Vac Wand.....	204197
14" Scrub and Vac Tool.....	250314
20" Scrub and Vac Tool.....	250320
15' Scrub and Vac Hose .....	249318

CHEMICALS	PART NUMBER
Foam Buster (case of 6 gallon).....	050100
Extraction Cleaner (case of 6 gallon).....	050098
Spot Pre Spray (case of 6 gallon).....	050099

