

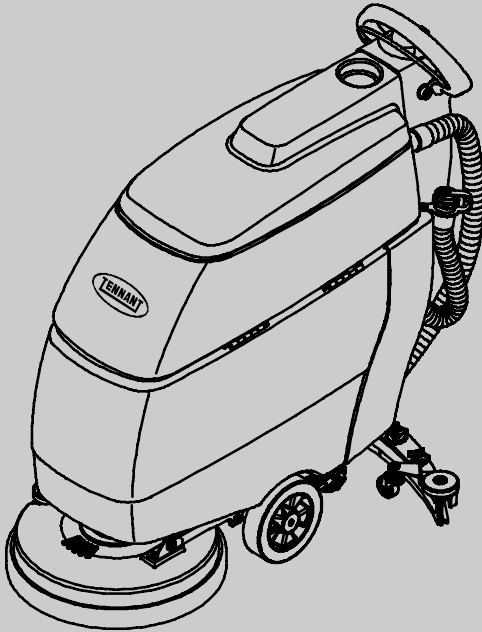


(S/N 00000000 - 10309874)

T3

**Scrubber-Dryer
Fregadora-Secadora
Brosseuse-Sècheuse**

**Operator and Parts Manual
Manual De Operador
Y Lista De Repuestos
Opérateur Manuel et
Liste Des Pièces**



The Safe Scrubbing Alternative®

Hygenic® Fully Cleanable Tanks



OPERATION

This manual is furnished with each new model. It provides necessary operation and maintenance instructions.

Read this manual completely and understand the machine before operating or servicing it.

When ordering replacement parts, use the illustrated parts list section in this manual. Before ordering parts or supplies, be sure to have your machine model number and serial number available. Parts and supplies may be ordered by phone or mail from any authorized parts and service center, distributor or from any of the manufacturer's subsidiaries.

This machine will provide excellent service. However, the best results will be obtained at minimum costs if:

- The machine is operated with reasonable care.
- The machine is maintained regularly - per the machine maintenance instructions provided.
- The machine is maintained with manufacturer supplied or equivalent parts.

MACHINE DATA

Please fill out at time of installation for future reference.

Model No.- _____

Install. Date - _____

Serial No.- _____



PROTECT THE ENVIRONMENT

Please dispose of packaging materials, old machine components such as batteries, hazardous fluids such as antifreeze and oil, in a safe environmentally way according to your local waste disposal regulations.



Always remember to recycle.

Tennant Company

PO Box 1452

Minneapolis, MN 55440

Phone: (800) 553-8033 or (763) 513-2850

www.tennantco.com

Specifications and parts are subject to change without notice.

Copyright ©2004, 2005, 2007 Tennant Company. All rights reserved.
Printed in U.S.A.

TABLE OF CONTENTS	(ESPAÑOL....27)	(FRANÇAIS....56)	
SAFETY PRECAUTIONS	4	SPECIFICATIONS	25
SAFETY LABELS	5	MACHINE DIMENSIONS	26
MACHINE COMPONENTS	6	ELECTRICAL DIAGRAMS	84
CONTROL PANEL SYMBOLS	6	PARTS LIST	86
MACHINE INSTALLATION	7	REPLACEMENT BRUSH AND PAD DRIVER	
UNCRATING MACHINE	7	GROUP	86
INSTALLING BATTERIES	7	RECOVERY TANK GROUP	88
HOW THE MACHINE WORKS	8	SOLUTION TANK GROUP	90
BRUSH AND PAD INFORMATION	8	CONTROL CONSOLE GROUP,	
MACHINE SETUP	9	DRIVE MODEL	92
ATTACHING SQUEEGEE ASSEMBLY	9	CONTROL CONSOLE GROUP,	
INSTALLING BRUSH/PAD	9	BRUSH ASSIST MODEL	94
INSTALLING FAST-PAK (FaST Model)	10	COMPONENT PANEL GROUP,	
FILLING SOLUTION TANK	10	DRIVE MODEL	96
MACHINE OPERATION	11	COMPONENT PANEL GROUP,	
PRE-OPERATION CHECKS	11	BRUSH ASSIST MODEL	98
OPERATING THE MACHINE	11	WHEEL GROUP, DRIVE MODEL	
WHILE OPERATING MACHINE	13	(After Serial #10309875)	100
BATTERY METER	13	WHEEL GROUP, DRIVE MODEL	
CIRCUIT BREAKER / FUSES	14	(Before Serial #10309875)	102
HOUR METER	14	WHEEL GROUP, BRUSH ASSIST MODEL	
DRAINING TANKS	14	(After Serial #10309875)	104
DRAINING RECOVERY TANK	14	WHEEL GROUP, BRUSH ASSIST MODEL	
DRAINING SOLUTION TANK	15	(Before Serial #10309875)	106
CHARGING BATTERIES	15	SCRUB HEAD GROUP, 50 cm	
MACHINE MAINTENANCE	17	(20 in) MODEL	108
DAILY MAINTENANCE	17	SCRUB HEAD GROUP, 43 cm	
MONTHLY MAINTENANCE	18	(17 in) MODEL	110
QUARTERLY MAINTENANCE	19	SCRUB HEAD LIFT GROUP	
ANNUAL MAINTENANCE	19	(After Serial #10309875)	112
SQUEEGEE BLADE REPLACEMENT	19	SCRUB HEAD LIFT GROUP	
SQUEEGEE BLADE ADJUSTMENT	20	(Before Serial #10309875)	114
BATTERY MAINTENANCE	20	SOLUTION GROUP, FaST MODEL	116
TRANSPORTING MACHINE	21	SOLUTION GROUP, STANDARD MODEL ..	118
STORING MACHINE	21	SQUEEGEE GROUP	120
FaST SYSTEM FREEZE PROTECTION		BATTERY AND CHARGER GROUP, 12V/155AH,	
(FaST Model)	22	50 cm (20 in) DRIVE MODEL	122
RECOMMENDED STOCK ITEMS	22	BATTERY AND CHARGER GROUP, 12V/130AH,	
TROUBLESHOOTING	23	50 cm (20 in) BRUSH ASSIST MODEL	123
LED FAULT CODES (Drive Model Battery Meter		BATTERY AND CHARGER GROUP, 12V/105AH,	
Display)	24	43 cm (17 in) BRUSH ASSIST MODEL	124


OPERATION

SAFETY PRECAUTIONS

This machine is intended for commercial use. It is designed exclusively to scrub hard floors in an indoor environment and is not constructed for any other use. Only use recommended pads, brushes and commercially approved floor cleaners intended for machine application.

All operators must read, understand and practice the following safety precautions.

The following warning alert symbol and the "FOR SAFETY" heading are used throughout this manual as indicated in their description:

 **WARNING:** To warn of hazards or unsafe practices which could result in severe personal injury or death.

FOR SAFETY: To identify actions which must be followed for safe operation of equipment.

Failure to follow these warnings may result in personal injury, electrical shock, fire or explosion.

 **WARNING:** Fire Or Explosion Hazard:

- **Never Use Flammable Liquids Or Operate Machine in Or Near Flammable Liquids, Vapors Or Combustible Dusts.**

This machine is not equipped with explosion proof motors. The electric motors will spark upon start up and during operation which could cause a flash fire or explosion if machine is used in an area where flammable vapors/liquids or combustible dusts are present.

- **Do Not Pick Up Flammable Materials Or Reactive Metals.**
- **Batteries Emit Hydrogen Gas. Keep Sparks And Open Flame Away. Keep Battery Compartment Open When Charging.**

 **WARNING:** Electrical Hazard. Disconnect Battery Cables Before Servicing Machine.

 **WARNING:** Spinning Brush. Keep Hands Away. Turn Off Power Before Working On Machine.

The following information signals potentially dangerous conditions to the operator or equipment:

FOR SAFETY:

1. **Do not operate machine:**
 - With flammable liquids or near flammable vapors as an explosion or flash fire may occur.
 - Unless trained and authorized.
 - Unless operator manual is read and understood.
 - If not in proper operating condition.
2. **Before starting machine:**
 - Make sure all safety devices are in place and operate properly.
3. **When using machine:**
 - Go slow on inclines and slippery surfaces.
 - Wear non-slip shoes.
 - Reduce speed when turning.
 - Report machine damage or faulty operation immediately.
 - Never allow children to play on or around.
 - Follow mixing and handling instructions on chemical containers.
4. **Before leaving or servicing machine:**
 - Stop on level surface.
 - Turn off machine.
 - Remove key.
5. **When servicing machine:**
 - Avoid moving parts. Do not wear loose jackets, shirts, or sleeves.
 - Disconnect battery connections before working on machine.
 - Wear protective gloves and eye protection when handling batteries or battery cables.
 - Avoid contact with battery acid.
 - Do not power spray or hose off machine. Electrical malfunction may occur.
 - Use manufacturer supplied or approved replacement parts.
 - All repairs must be performed by a qualified service person.
 - Do not modify the machine from its original design.

6. When transporting machine:

- Turn machine off.
- Do not lift machine when batteries are installed.
- Get assistance when lifting machine.

- Use a recommended ramp when loading/unloading into/off truck or trailer.
- Use tie-down straps to secure machine to truck or trailer.
- Put scrub head in the lowered position.

SAFETY LABELS

The safety labels appear on the machine in the locations indicated. Replace labels if they are missing or become damaged or illegible.

WARNING LABEL - Located on recovery tank cover.



BATTERY CHARGE LABEL - Located on bottom side of recovery tank.

WARNING: Fire Or Explosion Hazard. Batteries Emit Hydrogen Gas. Keep Sparks And Open Flame Away. Keep Battery Compartment Open When Charging.

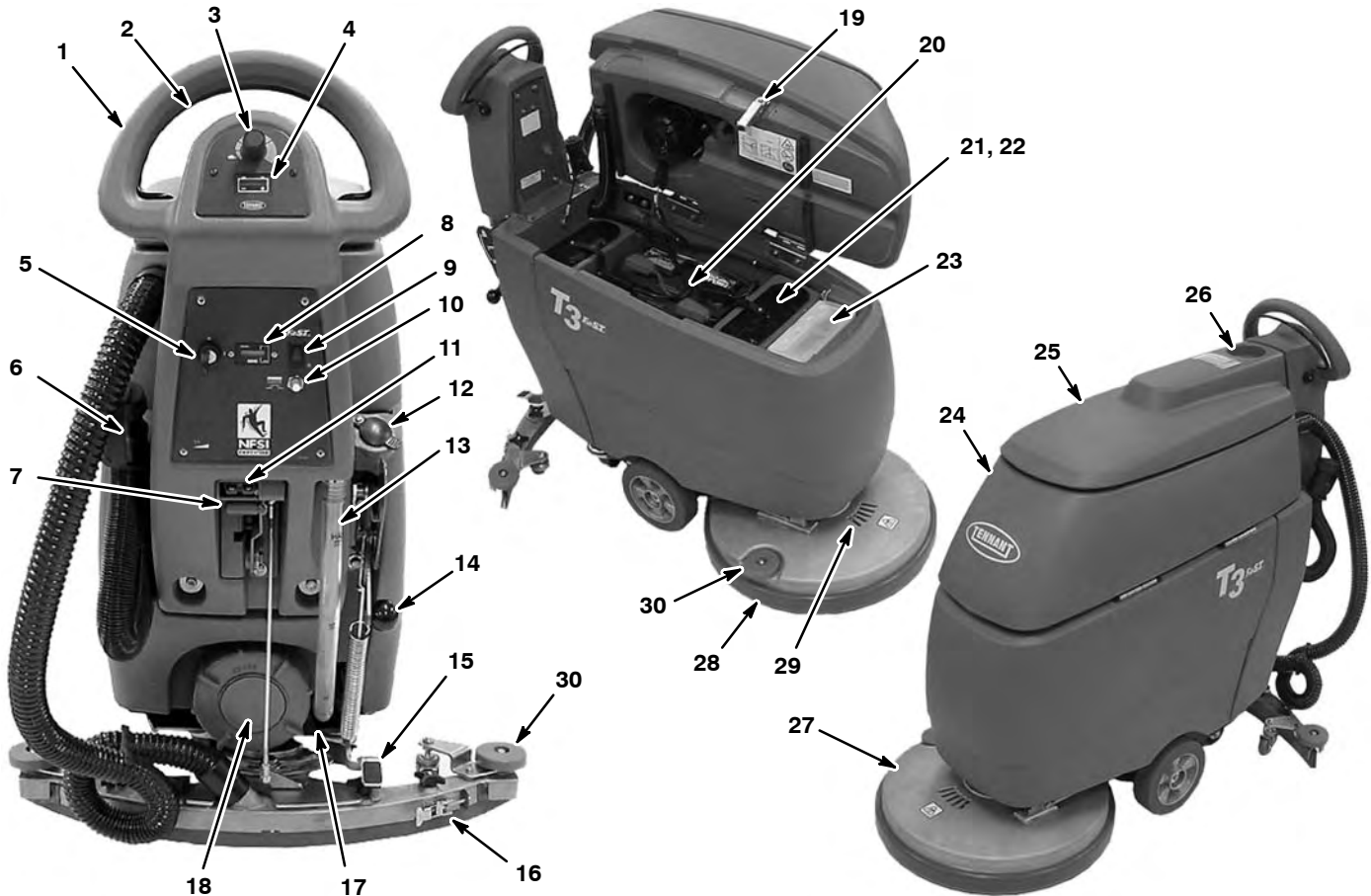


SPINNING BRUSH LABEL - Located on scrub head

WARNING: Spinning Brush. Keep Hands Away. Turn Off Power Before Working On Machine.



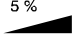






OPERATION

MACHINE COMPONENTS



- | | |
|--|---|
| <ol style="list-style-type: none"> 1. Control Handle 2. Activation Bail 3. Speed Control Knob (drive model) 4. Battery Meter 5. Main Power Key Switch 6. Recovery Tank Drain Hose 7. Squeegee Lift Lever 8. Hour Meter 9. FaST System On/Off Switch (FaST Model) 10. Brush Motor Circuit Breaker Button 11. Battery Charge Receptacle 12. Hose Fill-Port 13. Solution Tank Sight Gauge/Drain Hose 14. Down Pressure Lever 15. Scrub Head Lift Pedal | <ol style="list-style-type: none"> 16. Squeegee Assembly 17. Solution Flow Control Knob 18. Solution Tank Clean-Out Port 19. Recovery Tank Support Stand 20. Batteries 21. Solution Tank 22. Bucket Fill Port/Clean-out Port 23. FaST-PAK Concentrate (FaST Model) 24. Recovery Tank 25. Recovery Tank Cover 26. Cup Holder 27. Scrub Head 28. Scrub Head Skirt 29. Pad Driver/Brush Window 30. Wall Rollers |
|--|---|

CONTROL PANEL SYMBOLS

	Main Power I/O Key Switch		FaST System I/O Switch (FaST Model)		5% (3°) Maximum Machine Climb
	Slow Speed		Brush Motor Circuit Breaker		Solution Flow Control
	Fast Speed		Bail Direction		Brush Down Pressure

MACHINE INSTALLATION

UNCRATING MACHINE

- Carefully check the shipping crate for signs of damage. Report damages at once to carrier.
- Check the contents list. Contact distributor for missing items.

Contents:

- 2-12 V Batteries – Optional
- 24V Battery Charger – Optional
- 2-Foam Battery Spacers (#630375)
- Battery Tray (#1012994)
- 38 cm (15 in.) Battery Cable (#130364)
- 4-Battery Cable Rubber Boots
- 1-FaST-PAK 365 Concentrate (#1017015) (FaST Model)
- Squeegee Assembly (#9001178)
- Pad Driver – Optional

Brushes and pads must be purchased separately.

- To uncrate your machine, remove the shipping hardware and straps that secure the machine to the pallet. With assistance, carefully lift the machine off the pallet.

ATTENTION: Do not roll machine off pallet unless a ramp is used, machine damage may occur.

ATTENTION: To prevent possible machine damage, install batteries after removing machine from shipping pallet.

INSTALLING BATTERIES

⚠ WARNING: Fire Or Explosion Hazard. Batteries Emit Hydrogen Gas. Keep Sparks And Open Flame Away. Keep Battery Hood Open When Charging.

FOR SAFETY: When servicing machine, wear protective gloves and eye protection when handling batteries and battery cables. Avoid contact with battery acid.

Battery Specifications:

Two 12 volt deep cycle lead acid batteries.

- 105 AH battery – 43cm (17 in) Brush Assist Model
- 130 AH battery – 50cm (20 in) Brush Assist Model
- 155 AH battery – 50cm (20 in) Drive Model

Maximum battery dimensions: 174 mm (8.85 in) W x 380 mm (15 in) L x 284 mm (11.18 in) H.

- Park the machine on a level surface and remove the key.

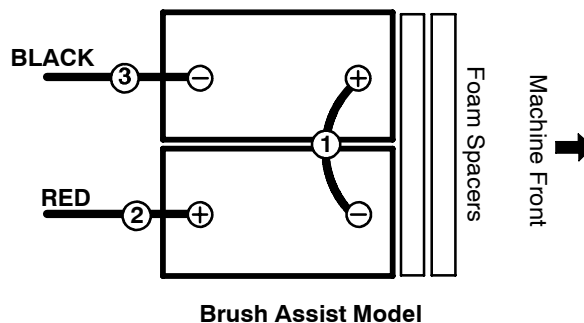
- Lift the recovery tank to access the battery compartment (Figure 1).



FIG. 1

- Carefully install the batteries into the battery compartment tray and arrange the battery posts as shown (Figure 2). Insert the two foam spacers along side the batteries as shown.

ATTENTION: Do not drop the batteries into the compartment, battery and machine housing damage may result.



Brush Assist Model

Drive Model

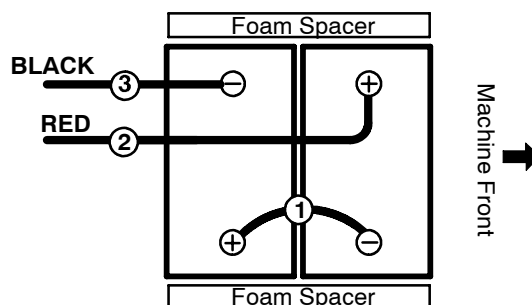


FIG. 2

- Before connecting the battery cables, make sure the terminals and posts are clean. Use a post cleaner and wire brush if necessary.

NOTE: Apply a light coating of non-metallic grease or protective spray on the cable connections to prevent battery corrosion.

OPERATION

- Using the supplied battery post boots, connect the cables to the battery posts in numerical order as labeled (Figure 2), RED TO POSITIVE (+) & BLACK TO NEGATIVE (-).
- After installing the batteries, check the battery meter charge level (Figure 3). Charge batteries if needed. (See *BATTERY METER* on page 13 for further details)



FIG. 3

HOW THE MACHINE WORKS

Conventional Scrubbing:

Water and detergent from the solution tank flow to the floor through a manually controlled solution valve. The brush uses the detergent and water solution to scrub the floor clean. As the machine moves forward, the squeegee wipes the dirty solution from the floor into the recovery tank.

Foam Scrubbing (FaST Model): (FaST-Foam Scrubbing Technology)

Unlike conventional scrubbing, the FaST system injects the patented FaST-PAK concentrate formula with a small amount of water and air onto the floor. The mixture creates a large volume of expanded wet foam for the brush to scrub the floor clean. As the machine moves forward, the foam collapses and the squeegee wipes the dirty solution into the recovery tank leaving the floor clean, dry and residue free.

FaST, *the Safe Scrubbing Alternative*™, is certified by the National Floor Safety Institute (NFSI) for providing high traction walk-way surfaces.

Using the foam scrubbing application (FaST) can increase productivity by 30% by reducing the empty/fill cycle. It will also reduce chemical usage and storage space. One FaST-PAK can scrub up to 90,000 m² (1 million sq. ft.).

NOTE: *The FaST model can also be operated as a conventional scrubber. However, it's important that you follow the instructions in this manual to prevent FaST system failure.*

BRUSH AND PAD INFORMATION

For best results, use the correct brush type for the cleaning application. The following are recommended brushes and pads.

Polypropylene Bristle Scrub Brush (Black) -

Part No. 1016765 - 43 cm (17 in),

Part No. 1016811 - 50 cm (20 in)

This general purpose polypropylene bristle scrub brush is used for scrubbing lightly compacted soilage. This brush works well for maintaining concrete, wood and grouted tile floors.

Soft Nylon Bristle Scrub Brush (White) -

Part No. 1016764 - 43 cm (17 in),

Part No. 1016810 - 50 cm (20 in)

Recommended for cleaning coated floors without removing finish. Cleans without scuffing.

Super Abrasive Bristle Scrub Brush (Gray) -

Part No. 1016763 - 43 cm (17 in),

Part No. 1016805 - 50 cm (20 in)

Nylon fiber impregnated with abrasive grit to remove stains and soilage. Strong action on any surface. Performs well on buildup, grease, or tire marks.

Polishing Pad (White) -

Used to maintain highly polished or burnished floors.

Buffing Pad (Red) -

Used for light duty scrubbing without removing floor finish.

Scrubbing Pad (Blue) -

Used for medium to heavy-duty scrubbing. Removes dirt, spills, and scuffs and leaves surface clean ready for recoating.

Stripping Pad (Brown) -

Used for stripping of floor finish to prepare the floor for recoating.

Heavy Duty Stripping Pad (Black) -

Used for aggressive stripping of heavy finishes/sealers, or very heavy duty scrubbing.

MACHINE SETUP

ATTACHING SQUEEGEE ASSEMBLY

1. Park the machine on a level surface and remove the key.
2. Lift the squeegee lift lever to the upward position (Figure 4).



FIG. 4

3. Mount the squeegee assembly to the squeegee pivot bracket as shown (Figure 5). Make sure the knobs are completely seated into the slots before securing knobs.



FIG. 5

4. Connect the vacuum hose to the squeegee assembly. Loop the hose as shown using the hose clip provided (Figure 6).

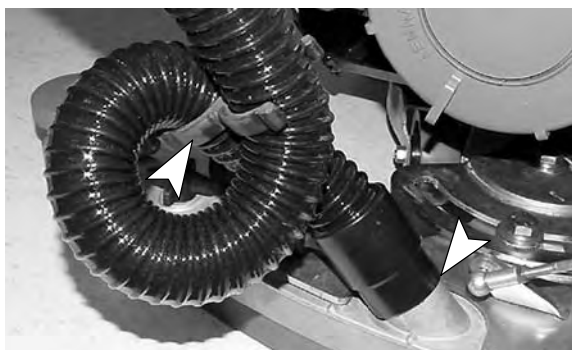


FIG. 6

5. Check the squeegee blades for proper adjustment (See *SQUEEGEE BLADE ADJUSTMENT*).

INSTALLING BRUSH/PAD

NOTE: Refer to the *BRUSH AND PAD INFORMATION* section in this manual or consult your authorized distributor for brush and pad recommendations.

1. Park the machine on a level surface and remove the key.
2. Step down on the scrub head lift pedal to raise the scrub head off the floor (Figure 7).



FIG. 7

3. Attach the pad to the pad driver before installing the driver (Figure 8). Secure pad with centerlock.

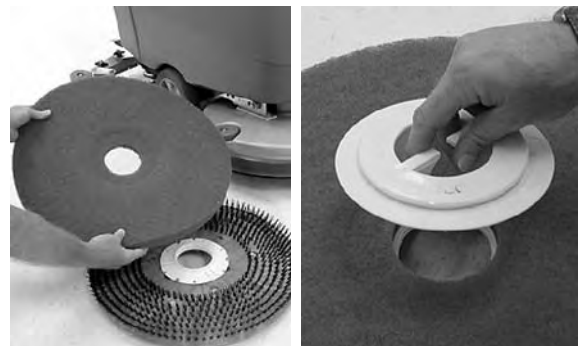


FIG. 8

4. Align the pad driver/brush mounting studs into the motor hub slots and give it a quick counter-clockwise turn towards the spring clip (Figure 9).



FIG. 9

5. To remove a pad driver or brush, simply give it a quick turn away from the spring clip.

OPERATION

INSTALLING FaST-PAK (FaST Model)

FaST 365 Floor Cleaning Concentrate (#1017015)

ATTENTION: The FaST-PAK Concentrate Formula is specifically designed for the FaST system. NEVER use a substitute, machine damage may result.

1. Remove the perforated knock-out from the FaST-PAK carton. Do not remove the bag from the carton. Pull the hose connector through the knock-out and remove the orange cap (Figure 10).

FOR SAFETY: When using machine, always follow the handling instructions on chemical container.



FIG. 10

2. Lift the recovery tank to access the FaST-PAK compartment. Connect the supply hose to the FaST-PAK and place the FaST-PAK carton into the compartment as shown (Figure 11). Make sure that the supply hose doesn't get kinked or pinched.

NOTE: *If any dried concentrate is visible on the supply hose connector or on the FaST-PAK connector, soak and clean with warm water.*



FIG. 11

3. When the supply hose is not in use, make sure to connect it to the storage plug (Figure 12). This will prevent the FaST system from drying out and clogging up the supply hose.



FIG. 12

FILLING SOLUTION TANK

The machine is equipped with a hose fill-port at the rear of the machine, and a bucket fill-port located under the recovery tank (Figure 13). Before accessing the bucket fill-port make sure that the recovery tank is empty.

Fill the solution tank to the "40 L MAX" level on the solution tank sight gauge. When using the bucket fill-port, stop filling when the level reaches the bottom edge of the fill-port (Figure 13).

FOR FOAM SCRUBBING (FaST Model) : FILL THE TANK WITH ONLY CLEAN COOL WATER (<21°C / 70°F). DO NOT use hot water or add any conventional floor cleaning detergents, FaST system failure may result.

FOR CONVENTIONAL SCRUBBING: Fill the tank with hot water, 60°C (140°F) maximum. Pour a recommended cleaning detergent into the solution tank according to mixing instructions on the bottle.



FIG. 13

NOTE: When filling the solution tank with a bucket, make sure that the bucket is clean. Do not use the same bucket for filling and draining the machine.

ATTENTION: For Conventional Scrubbing, only use recommended cleaning detergents. Machine damage due to improper detergent usage will void the manufacturer's warranty.

⚠ WARNING: Fire or Explosion Hazard. Never Use Flammable Liquids.

FOR SAFETY: When using machine, follow mixing and handling instructions on chemical containers.

MACHINE OPERATION

FOR SAFETY: Do not operate machine, unless operator manual is read and understood.

⚠ WARNING: Fire Or Explosion Hazard. Never Operate Machine In Or Near Flammable Liquids, Vapors Or Combustible Dusts.

FIRST TIME USE (FaST Model): The FaST system is protected against freezing during shipment. You must operate the FaST system for 10 minutes to disperse the mixture of RV anti-freeze/FaST concentrate before achieving maximum foam.

PRE-OPERATION CHECKS

- Sweep and dust-mop the floor.
- Check the battery meter charge level (See BATTERY METER).
- Check the pad/brush for wear.
- Check the squeegee blades for wear and proper adjustment.
- Make sure the recovery tank is empty and the float shut-off screen is installed and clean.
- Check the scrub head skirt for wear.
- Foam scrubbing (FaST Model): Check the FaST-PAK concentrate level.
- Foam scrubbing (FaST Model): Make sure the solution tank is filled with only cool clean water, no detergents.

OPERATING THE MACHINE

1. Turn the main power key switch to the on (I) position (Figure 14).



FIG. 14

2. FaST Model: To foam scrub, press the FaST system switch to the on (I) position (Figure 15).

NOTE: When using the FaST model for conventional scrubbing DO NOT turn the FaST system switch on. Conventional cleaning detergents/restorers may cause failure to the FaST injection system. Drain, rinse and refill solution tank with cool clean water before operating the FaST system.



FIG. 15

3. Lower the squeegee assembly to floor by lowering the squeegee lift lever (Figure 16). The vacuum motor will automatically turn on.



FIG. 16

OPERATION

4. Lower the scrub head to the floor by stepping on the scrub head lift pedal as shown (Figure 17).



FIG. 17

5. Pull the activation bail towards you to start scrubbing (Figure 18). The drive model will automatically propel forward. To reverse the drive model, simply push the activation bail forward.

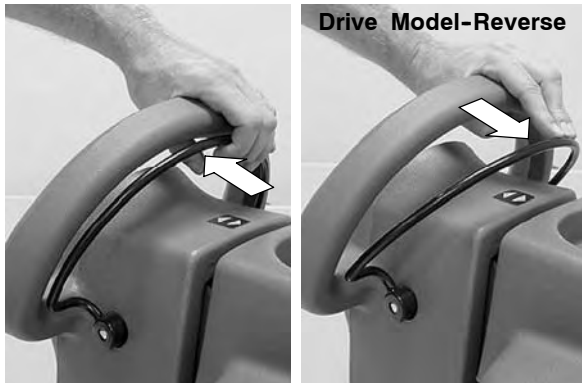


FIG. 18

6. Drive Model: Adjust the speed control knob to a desired scrubbing speed (Figure 19).

NOTE: 45–60 meters (150–200 ft) per minute is the recommended scrubbing speed.



FIG. 19

7. For conventional scrubbing, turn the solution flow control knob to a desired flow rate (Figure 20).

NOTE: FaST Model - When using the FaST system, the solution flow control knob is nonfunctional. The FaST system has a set solution flow rate.



FIG. 20

8. When more brush pressure is needed for heavily soiled areas simply lift the down pressure lever (Figure 21).



FIG. 21

9. To stop scrubbing, release the activation bail, raise the scrub head and the squeegee.

WHILE OPERATING MACHINE

⚠ WARNING: Fire Or Explosion Hazard. Do Not Pick Up Flammable Materials Or Reactive Metals.

1. Overlap each scrubbing path by 5 cm (2 in).
2. Keep the machine moving to prevent damage to floor finish.
3. Wipe the squeegee blades with a cloth if blades leave streaks. Pre-sweep the area to prevent streaking.
4. Do not operate the machine on inclines that exceed 5% (3°).

FOR SAFETY: When using machine, go slow on inclines and slippery surfaces.

5. Pour a recommended foam control solution into the recovery tank if excessive foam appears.

ATTENTION: Do not allow foam to enter the float shut-off screen, vacuum motor damage will result. Foam will not activate the float shut-off screen.

6. Use the double scrubbing method for heavily soiled areas. First scrub the area with the squeegee up, let solution set for 3–5 minutes, then scrub the area a second time with the squeegee down.
7. Change or rotate pads as needed.
8. Observe the battery meter discharge level (See BATTERY METER).
9. Observe the solution tank sight gauge for remaining solution. 10 liters will last approximately 10 minutes during conventional scrubbing and 20 minutes during foam scrubbing with the FaST Model.
10. When the solution tank runs dry, empty the recovery tank before refilling.
11. When leaving the machine unattended, park the machine on a level surface and remove the key.
12. Perform the Daily Maintenance procedures after scrubbing (See MACHINE MAINTENANCE).

BATTERY METER

The battery meter displays the charge level of the batteries. When the batteries are fully charged, all indicator lights are lit. As the batteries discharge, the indicator lights will begin to go out from right to left. To prolong the life of the batteries, do not allow the indicator lights to go beyond the discharge level as described below.

NOTE: To prolong the life of the batteries ONLY recharge the batteries when the machine is used for a total of 30 minutes or more.

DRIVE MODEL: When the discharge level reaches the first red light (Figure 22), stop scrubbing and recharge the batteries. If the last red light begins to flash, the scrubbing function will shut off automatically. This protects the batteries from total discharge. Drive the machine to the charging area and recharge the batteries immediately.

NOTE: The Drive Model battery meter also displays machine fault codes. If a fault is detected the LED bars will flash specific fault codes (See LED FAULT CODES).



FIG. 22

BRUSH ASSIST MODEL: When the discharge level reaches the last yellow light (Figure 23), the light will begin to flash, stop scrubbing and recharge the batteries. If the red light appears, the scrubbing function will shut off automatically. This protects the batteries from total discharge. Recharge the batteries immediately.

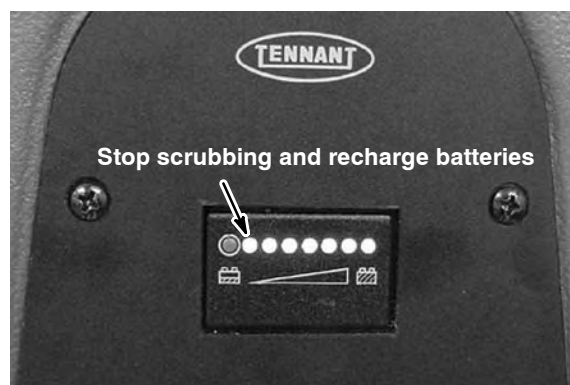


FIG. 23

OPERATION

CIRCUIT BREAKER / FUSES

The machine is equipped with a resettable circuit breaker to protect the brush motor from damage. The circuit breaker button is located on the control panel (Figure 24). If the circuit breaker should trip, determine the cause, allow the motor to cool, and then manually reset the circuit breaker button.

The machine is also equipped with three fuses located inside the control console: 30A Main fuse (drive model), 5A Main fuse (brush assist model), 25A vacuum motor fuse and 7.5A FaST Pump fuse. When replacing a fuse never substitute a higher Amp rated fuse than specified.

Contact an Authorized Service Center for machine repairs.



FIG. 24

HOUR METER

The hour meter records the number of total hours the brush motor has been powered on. Use the hour meter to determine when to perform recommended maintenance procedures and to record service history (Figure 25).



FIG. 25

DRAINING TANKS

The recovery tank should be drained and cleaned out after every use. The solution tank should be cleaned out periodically to remove any corrosion.

Transport the machine to a draining site, turn the key off and follow the draining instructions below:

FOR SAFETY: Before leaving or servicing machine, stop on level surface, turn off machine and remove key.

DRAINING RECOVERY TANK

1. Remove the recovery tank drain hose cap by turning it counter-clockwise and drain the tank (Figure 26).

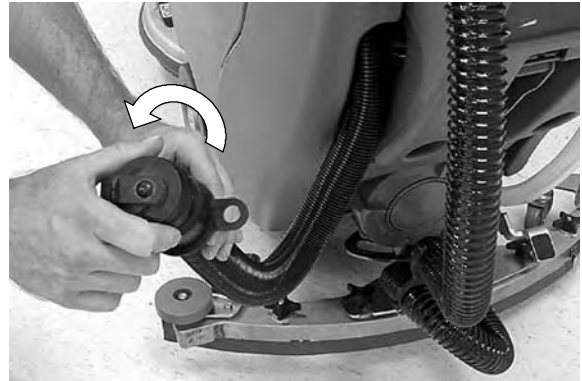


FIG. 26

NOTE: When using a bucket to drain the machine, do not use the same bucket to fill the solution tank.

2. Open the recovery tank cover and rinse out the tank. Use a rag to remove any excess dirt (Figure 27).



FIG. 27

- Remove and clean the float shut-off screen located in the recovery tank (Figure 28).



FIG. 28

DRAINING SOLUTION TANK

- To drain any remaining water from the solution tank, pull the solution tank level hose off the hose fitting as shown (Figure 29).



FIG. 29

- To rinse out the solution tank, remove the clean-out cap at the rear of the machine and spray water, 60°C (140°F) maximum, directly into the two fill-ports located under the recovery tank (Figure 30).

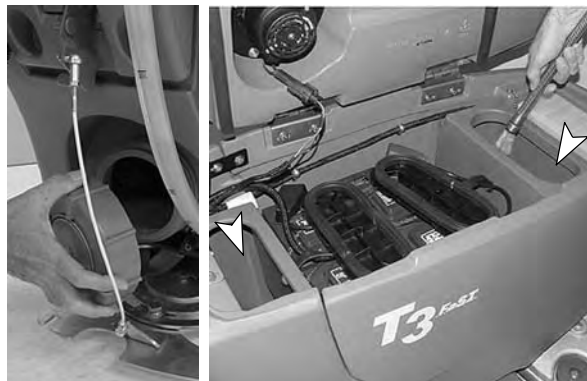


FIG. 30

- Remove and clean the solution tank filter (Figure 31). Turn the filter counter-clockwise to remove.



FIG. 31

- After rinsing out the tank, securely replace the solution tank filter, clean-out cap, fill-port covers and hose.

CHARGING BATTERIES

ATTENTION: To prolong the life of the batteries and to provide optimum machine performance, ONLY recharge the batteries after a total of 30 minutes of use or more. Do not leave batteries discharged for lengthy periods.

The following charging instructions are intended for battery chargers supplied with the machine. Only use a battery charger with the following specifications to prevent battery damage.

BATTERY CHARGER SPECIFICATIONS:

- CHARGER TYPE:
- FOR LEAD ACID BATTERIES
- OUTPUT VOLTAGE - 24 VOLTS
- OUTPUT CURRENT - 15 AMPS
- AUTOMATIC SHUTOFF CIRCUIT
- FOR DEEP CYCLE BATTERY CHARGING

- Transport the machine to a well-ventilated area for charging.

⚠ WARNING: Fire Or Explosion Hazard. Batteries Emit Hydrogen Gas. Keep Sparks And Open Flame Away. Keep Battery Compartment Open When Charging.

- Park the machine on a level surface and turn the key off.

OPERATION

3. Before charging the batteries, check the electrolyte level in each battery cell (Figure 32).

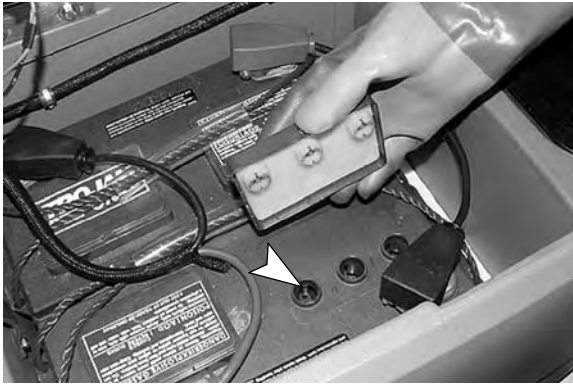


FIG. 32

FOR SAFETY: When servicing machine, wear protective gloves and eye protection when handling batteries and battery cables. Avoid contact with battery acid.

The electrolyte level (A) should slightly cover the battery plates (B). Add distilled water as needed. DO NOT OVERFILL, the fluid may expand and overflow while charging. Replace cell caps before charging (Figure 33).

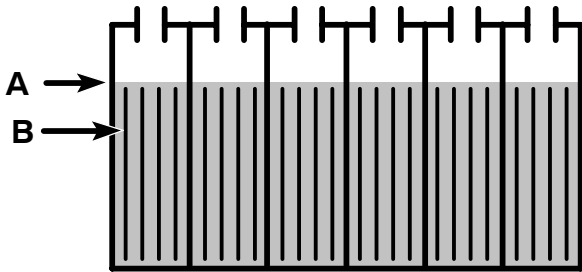


FIG. 33

4. Rest the recovery tank on the support stand to promote ventilation during charging (Figure 34).

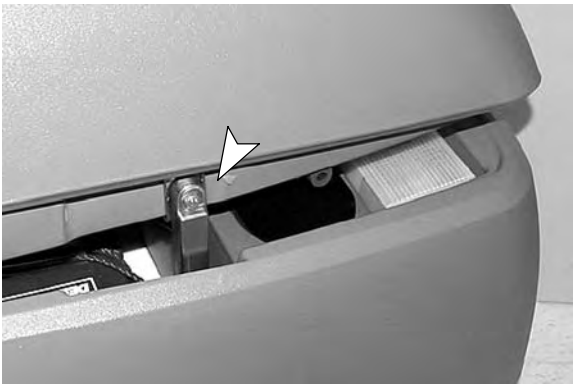


FIG. 34

5. Connect the charger's AC power supply cord to a properly grounded receptacle.
6. Connect the charger's DC cord to the machine's battery receptacle at the rear of the machine (Figure 35).

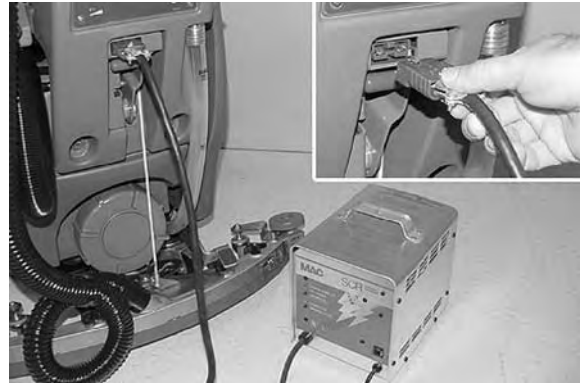


FIG. 35

7. The charger will automatically begin charging and shut off when fully charged.

NOTE: The machine will not operate once the battery charger is connected.

ATTENTION: Do not disconnect the charger's DC cord from the machine's receptacle when the charger is operating. Arcing may result. If the charger must be interrupted during charging, disconnect the AC power supply cord first.

⚠ WARNING: Fire Or Explosion Hazard. Batteries Emit Hydrogen Gas. Keep Sparks And Open Flame Away. Keep Battery Compartment Open When Charging.

8. After charging, check the electrolyte level (A) again. The level should be approximately 1 cm (.375 in) from the bottom of the fill-port (B) (Figure 36). Add distilled water if needed. DO NOT OVERFILL.

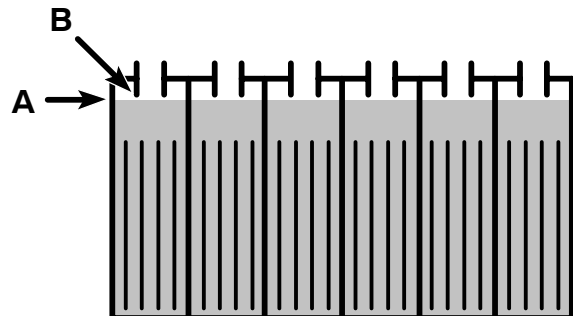


FIG. 36

MACHINE MAINTENANCE

To keep the machine in good working condition, simply follow the daily, monthly and quarterly maintenance procedures.

⚠ WARNING: Electrical Hazard. Disconnect Battery Cables Before Servicing Machine.

DAILY MAINTENANCE (After Every Use)

1. Drain and clean out the recovery tank (Figure 37).



FIG. 37

2. Remove and clean the float shut-off screen located in the recovery tank (Figure 38).



FIG. 38

3. Drain the solution tank and rinse out the inside with hot water, 60°C (140°F) maximum temperature, as needed (Figure 39)

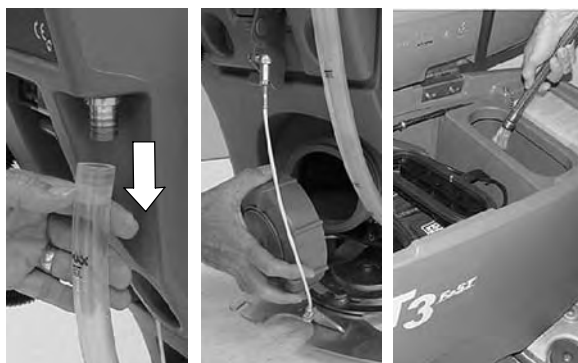


FIG. 39

4. Remove and clean the solution tank filter (Figure 40). Turn the filter counter-clockwise to remove.



FIG. 40

5. Remove the pad/brush and clean. Rotate pad or replace when worn (Figure 41).



FIG. 41

6. Wipe the squeegee blades clean (Figure 42). Store the squeegee assembly in the raised position to prevent blade damage.

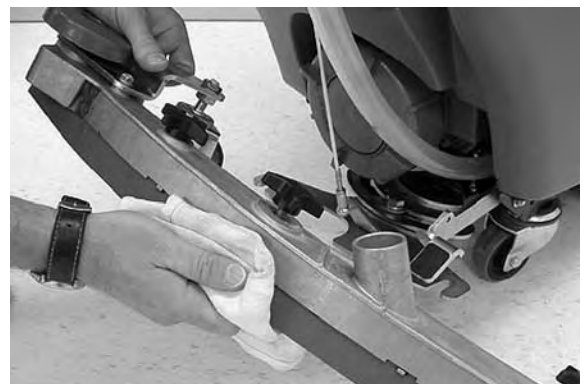


FIG. 42

OPERATION

7. Check the condition of the squeegee blade wiping edge (Figure 43). Rotate blade if worn. (See SQUEEGEE BLADE REPLACEMENT)



FIG. 43

8. Clean the machine with an all purpose cleaner and damp cloth (Figure 44).

FOR SAFETY: When cleaning machine, do not power spray or hose off machine. Electrical malfunction may occur.



FIG. 44

9. Inspect the condition of the scrub head skirt, replace if worn or damaged (Figure 45).



FIG. 45

10. FaST Model: Connect the FaST-PAK supply hose to the storage plug when not in use (Figure 46). Remove any dried concentrate from the hose connector by soaking it in warm water.



FIG. 46

11. Recharge the batteries after a total of 30 minutes of use or more (Figure 47). (See CHARGING BATTERIES).

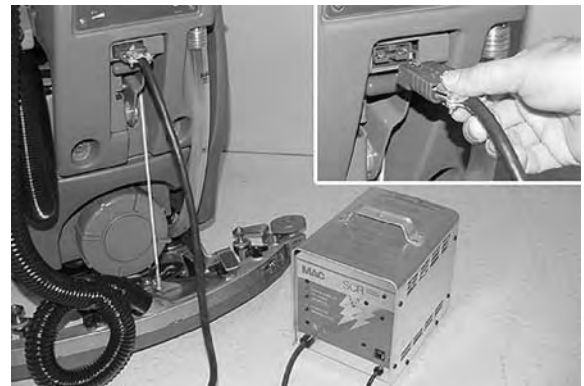


FIG. 47

MONTHLY MAINTENANCE (Every 80 hours of use)

1. Clean the battery tops to prevent corrosion (See BATTERY MAINTENANCE).
2. Check for loose battery cable connections.
3. Inspect and clean the recovery tank cover seal (Figure 48). Replace if damaged.



FIG. 48

4. Lubricate all pivot points and rollers with silicone spray then coat with a water resistant grease to maintain smooth operation.
5. Check the machine for loose nuts and bolts.

6. Check the machine for leaks.

QUARTERLY MAINTENANCE

Every 250 hours, check the drive transaxle motor (drive model), the vacuum motor and the brush motor for carbon brush wear. Replace carbon brushes when worn to a length of 10 mm (.375 in) or less.

Contact an Authorized Service Center for machine repairs.

⚠ WARNING: Electrical Hazard. Disconnect Battery Cables Before Servicing Machine.

ANNUAL MAINTENANCE (Every 1000 hours of use)

FaST Model Only:

Clean or replace the orifice plate and filter screen located inside the solution injector assembly. Order service kit p/n 9001489.

1. To access the orifice plate and filter, lower the scrub head and remove the injector assembly from the clamps located behind the front edge of the machine (Figure 49).

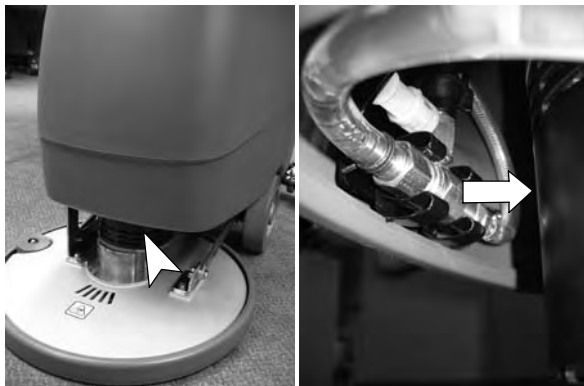


FIG. 49

2. Open the black filter housing and clean or replace the orifice plate and filter (Figure 50).

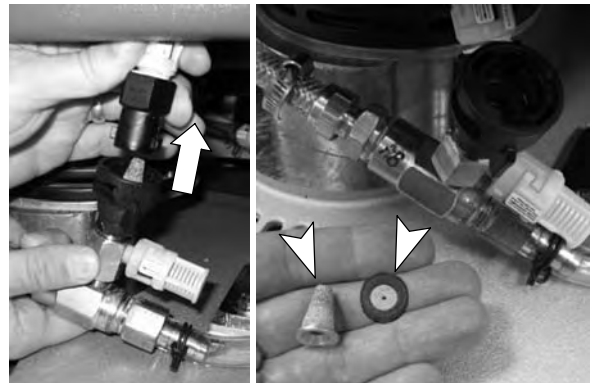


FIG. 50

SQUEEGEE BLADE REPLACEMENT

Each squeegee blade has four wiping edges. When the blades become worn, simply rotate the blades end-for-end or top-to-bottom for a new wiping edge. Replace blade if all four edges are worn.

1. Remove the squeegee assembly from the machine.
2. Loosen the band clamp and remove the band from the squeegee assembly (Figure 51).

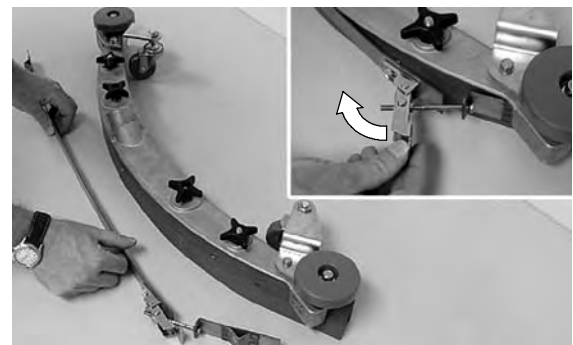


FIG. 51

3. Rotate the rear blade to a new wiping edge and reinstall the band. Make sure the notched edge of the band is facing downward (Figure 52).

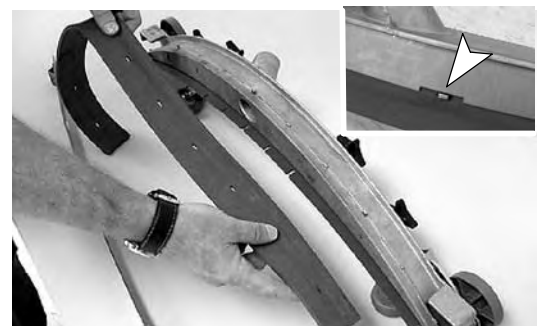


FIG. 52

OPERATION

- To replace the front blade, remove the rear band and fully loosen the four squeegee assembly knobs, do not remove the knobs. Lift and tilt the retainer plate to access the front blade (Figure 53). Rotate the front blade to a new wiping edge and return the retainer plate. Make sure the retainer plate tabs engage the blade slots. Reinstall the band then retighten the knobs.

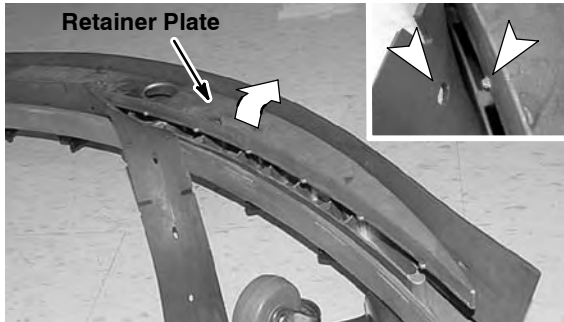


FIG. 53

SQUEEGEE BLADE ADJUSTMENT

The adjustment of the squeegee blades are factory set and require no further adjustment. Squeegee adjustment is only necessary if it comes out of adjustment.

For optimum squeegee blade performance, the squeegee assembly casters must be adjusted to a specified height as described below.

- To check the squeegee assembly for proper adjustment, remove the squeegee assembly from the machine and place it on a level surface. Measure the distance between the caster and the surface. It should measure approximately 3 mm (1/16") (Figure 54).
- To adjust the caster height, loosen the top nut and remove the plastic bearing cover to access the adjustment nut. Turn the adjustment nut until properly adjusted (Figure 54). After adjusting, tighten the top nut and replace the plastic bearing cover. Repeat step for the other caster.

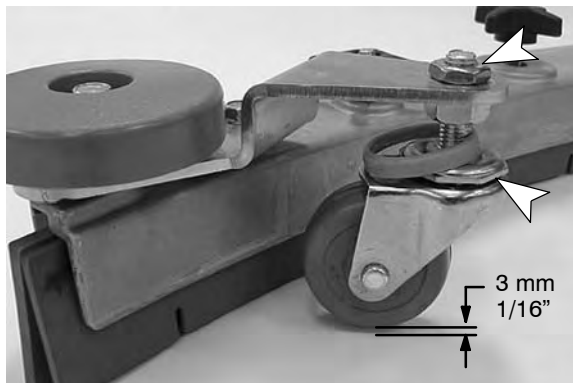


FIG. 54

- During machine operation, with the casters properly adjusted, the squeegee blades should deflect as shown (Figure 55).

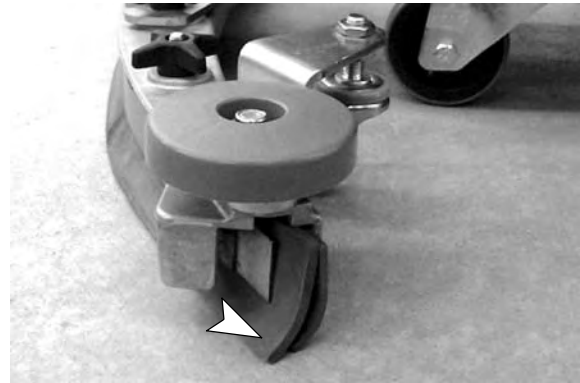


FIG. 55

BATTERY MAINTENANCE

⚠ WARNING: Fire Or Explosion Hazard. Batteries Emit Hydrogen Gas. Keep Sparks And Open Flame Away. Keep Battery Compartment Open When Charging.

FOR SAFETY: When servicing machine, wear protective gloves and eye protection when handling batteries and battery cables. Avoid contact with battery acid.

- Check the specific gravity using a hydrometer to determine the charge level and the condition of the batteries (Figure 56). If one or more of the battery cells read lower than the other battery cells (0.050 or more), the cell is damaged, shorted, or is about to fail. Check the hydrometer readings against the following chart to determine the remaining battery charge level.

NOTE: Do not take readings immediately after adding distilled water. If the water and acid are not thoroughly mixed, the readings may not be accurate.

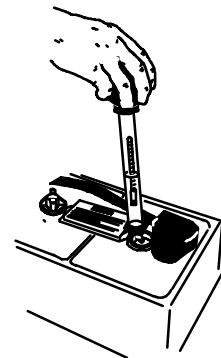


FIG. 56

SPECIFIC GRAVITY at 27° C (80°F)	BATTERY CHARGE
1.265	100% CHARGED
1.223	75% CHARGED
1.185	50% CHARGED
1.148	25% CHARGED
1.110	DISCHARGED

NOTE: If the readings are taken when the battery electrolyte is any temperature other than 27° C (80° F), the reading must be temperature corrected. Add or subtract to the specific gravity reading 0.004, 4 points, for each 6° C (43° F) above or below 27° C (80° F).

- Always follow proper charging instructions (See CHARGING BATTERIES).
- Check the electrolyte level (A) in each battery cell **after charging batteries**. The level should be approximately 1 cm (.375 in) from the bottom of the fill-port (B). Add distilled water if needed (Figure 57). **DO NOT OVERFILL.**

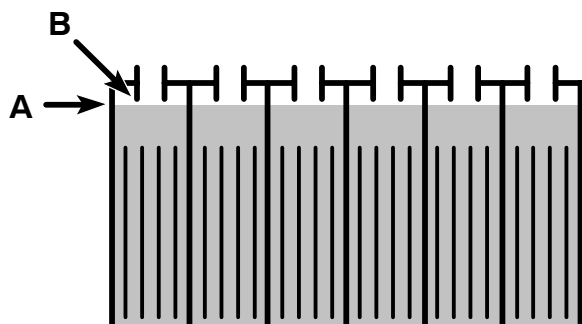


FIG. 57

- Keep the battery tops clean to prevent battery corrosion.

To clean batteries:

FOR SAFETY: When servicing machine, wear protective gloves and eye protection when handling batteries and battery cables. Avoid contact with battery acid.

- Mix a strong solution of baking soda and water (Figure 58).



FIG. 58

- Brush the solution sparingly over the battery tops and cable connectors.

NOTE: Do not allow baking soda solution to enter battery cells.

- Use a wire brush to clean the battery terminals and cable connectors.
- After cleaning, apply a coating of clear battery post protectant to the terminals and cable connectors.

- Check for loose or worn cables. Replace if worn.

TRANSPORTING MACHINE

When transporting the machine by use of trailer or truck, be certain to follow the tie-down procedure below:

- Raise the squeegee and scrub head.
- Load the machine using a recommended loading ramp.
- Position the front of machine up against the front of the trailer or truck. Once the machine is positioned, lower the scrub head and squeegee.
- Place a block behind each wheel to prevent the machine from rolling.
- Place tie-down straps over the top of machine to prevent it from tipping. It may be necessary to install tie-down brackets to the floor of your trailer or truck.

FOR SAFETY: When transporting machine, use a recommended ramp when loading/unloading into/off truck or trailer. Use tie-down straps to secure machine to truck or trailer.

STORING MACHINE

- Charge the batteries before storing. Never store the machine with discharged batteries.
- Drain and rinse the tanks thoroughly.
- Store the machine in a dry area with the squeegee and scrub head in the up position.
- Open the recovery tank cover to promote air circulation.

ATTENTION: Do not expose machine to rain, store indoors.

- If storing machine in freezing temperatures, make sure to drain machine of all water.

For models equipped with the FaST System, follow the FaST SYSTEM FREEZE PROTECTION procedure below.

OPERATION

FaST SYSTEM FREEZE PROTECTION (FaST Model)

Valve Coupling #1002856 and 15 cm (6.0 in) Hose #63182 are required (Purchased separately).

1. Disconnect the FaST-PAK from the FaST system and route the supply hose down to the scrub head (Figure 59).



FIG. 59

2. Connect the valve coupling (purchased part) to the supply hose and drain the remaining concentrate into a small container (Figure 60). Squeeze the supply hose several times if the concentrate does not flow.

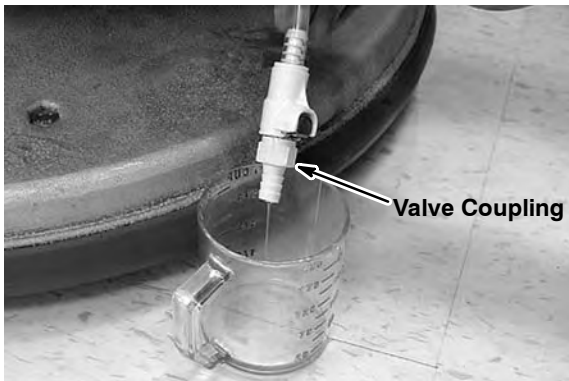


FIG. 60

3. Route the supply hose back up to the FaST-PAK compartment. Connect the 15 cm (6.0 in) hose (purchased part) to the valve coupling and pour RV anti-freeze into the hose until full (Figure 61). Squeeze the supply hose several times if the anti-freeze does not flow.

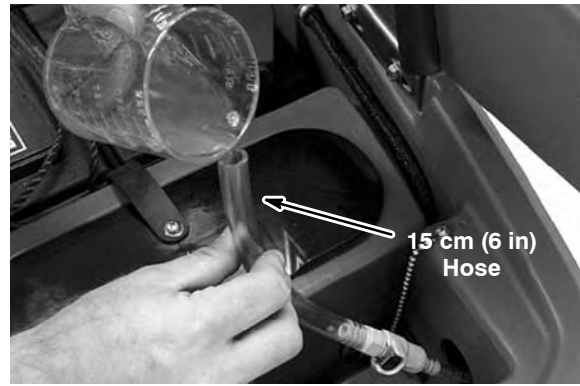


FIG. 61

4. Keep the hose upright to prevent the Anti-freeze from spilling and lower the recovery tank.
5. Operate the FaST system until the foaming stops. This step could take anywhere from 5-10 minutes.
6. Drain the solution tank.
7. Remove the valve coupling and connect the supply hose to the storage plug (Figure 62).



FIG. 62

8. To drain the anti-freeze, repeat the draining process above and reconnect the supply hose to the FaST-PAK.

RECOMMENDED STOCK ITEMS

Refer to the Parts List section in this manual for recommended stock items. Stock Items are clearly identified with a bullet preceding the parts description. See example below:

Ref.	Part No.	Description	Qty.
1	701103	ARM, STAND PIPE	1
2	180612	● FLOAT, SHUTOFF	1
3	230197	NIPPLE	1
4	101714	● GASKET	1
5	210240	NUT, FLANGED	1

TROUBLESHOOTING

PROBLEM	CAUSE	SOLUTION
Machine will not operate	Activation bail not pulled	Pull activation bail
	Discharged batteries	Charge batteries
	Faulty battery(s)	Replace battery(s)
	Loose battery cable	Tighten loose cable
	Main fuse blown	Replace fuse
	Faulty key switch	Contact Service Center
Brush motor will not operate	Scrub head is raised off floor	Lower scrub head
	Battery meter lockout activated	Recharge batteries
	Tripped brush motor circuit breaker	Reset brush circuit breaker button
	Faulty scrub head (up/down) switch	Contact Service Center
	Faulty activation bail switch	Contact Service Center
	Faulty brush motor or wiring	Contact Service Center
	Worn motor carbon brushes	Contact Service Center
Machine does not propel (Drive model)	Main fuse blown	Replace 30 Amp fuse
	Faulty relay switch	Contact Service Center
	Faulty transaxle motor or wiring	Contact Service Center
	Worn motor carbon brushes	Contact Service Center
Vacuum motor will not operate	Squeegee is raised off floor	Lower squeegee
	Vacuum motor fuse blown	Replace 25 Amp fuse
	Faulty vacuum motor or wiring	Contact Service Center
	Worn motor carbon brushes	Contact Service Center
FaST Model: FaST System does not operate or operate correctly	FaST system switch is not turned on	Turn on FaST system switch
	FaST-PAK supply hose not connected	Connect supply hose
	FaST Pump fuse blown	Replace 7.5 Amp fuse
	Clogged FaST-PAK supply hose or connectors	Soak in warm water to unclog
	Empty FaST-PAK carton	Replace FaST PAK carton
	Kink in FaST-PAK supply hose	Undo hose kink
	Clogged FaST solution system	Contact Service Center
	Faulty FaST system on/off switch	Contact Service Center
	Faulty pump	Contact Service Center
	Clogged solution tank filter	Drain solution tank. remove solution tank filter, clean and reinstall
Clogged orifice/filter screen	Replace orifice/filter screen (See ANNUAL MAINTENANCE)	
Little or no solution flow (Conventional Scrubbing)	Clogged solution tank filter or solution hose	Clean solution tank filter or flush out solution hose
	Clogged solution valve	Remove valve and clean
	Solution flow control knob set too low	Adjust solution control flow knob
	Loose screw on control knob	Calibrate knob and retighten screw

OPERATION

TROUBLESHOOTING - *continued*

PROBLEM	CAUSE	SOLUTION
Poor water pickup	Recovery tank is full	Drain recovery tank
	Loose drain hose cap	Tighten cap
	Clogged float shut-off screen located in recovery tank	Clean screen
	Clogged squeegee assembly	Clean squeegee assembly
	Worn squeegee blades	Replace or rotate squeegee blades
	Incorrect Squeegee blade deflection	Adjust Squeegee blade height
	Loose vacuum hose connections	Secure hose connections
	Clogged vacuum hose	Remove clogged debris
	Damaged vacuum hose	Replace vacuum hose
	Recovery tank cover not in place	Properly position cover
	Damaged recovery tank cover seal	Replace seal
	Faulty vacuum motor	Contact Service Center
	Low battery charge	Recharge batteries.
Short run time	Low battery charge	Fully recharge batteries
	Defective batteries	Replace battery
	Batteries need maintenance	See BATTERY MAINTENANCE
	Faulty battery charger	Repair or replace battery charger
	Down pressure lever is set for extra scrub head pressure	Lower down pressure lever

LED FAULT CODES *(Drive Model Battery Meter Display)*

CODE (Flashing LED Bars)	FAULT	SOLUTION
One	Low voltage shut-off. Scrubbing function stops.	Recharge batteries.
		Check battery connection.
Two	Battery charge level getting low.	Recharge batteries.
Three	Drive motor tripped.	Remove overload condition and reset key.
	Short circuit to drive motor.	Contact Service Center.
Four	Battery lockout.	Recharge batteries immediately.
Eight	Controller tripped.	Contact Service Center.
Ten	High battery voltage reading	Check battery connections.
No Bars	Sleep mode	Turn key to restore.
Bars Rippling	Throttle engaged.	Release activation bail.

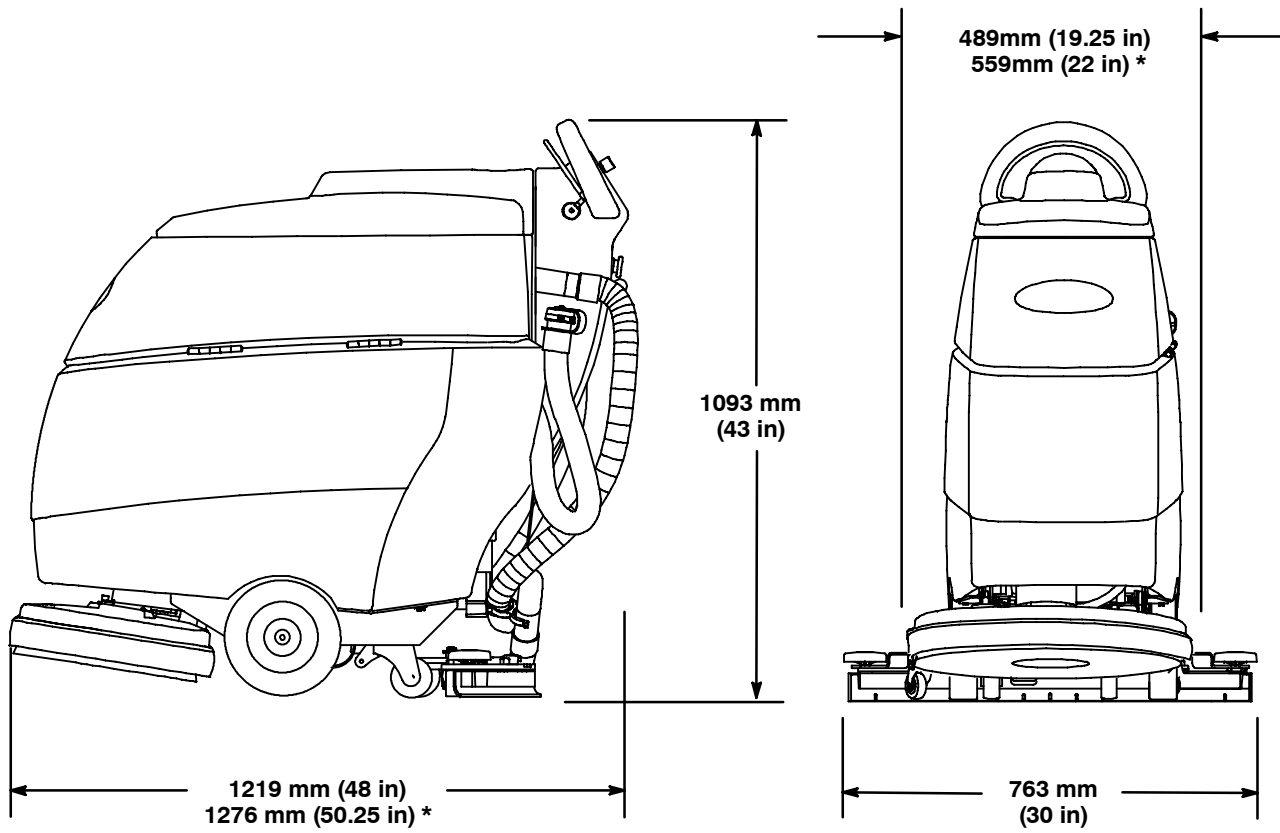
SPECIFICATIONS

MODEL	43cm (17 in) Brush Assist	50cm (20 in) Brush Assist	50cm (20 in) w/ Drive
LENGTH	1219 mm (48 in)	1276 mm (50.25 in)	1276 mm (50.25 in)
WIDTH	489 mm (19.25 in)	559 mm (22 in)	559 mm (22 in)
	763 mm (30 in) with squeegee	763 mm (30 in) with squeegee	763 mm (30 in) with squeegee
HEIGHT	1093 mm (43 in)	1093 mm (43 in)	1093 mm (43 in)
WEIGHT	94 Kg (208 lbs)	95 Kg (210 lbs)	100 Kg (221 lbs)
	145 Kg (319 lbs) with batteries	156 Kg (343 lbs) with batteries	177 Kg (391 lbs) with batteries
RECOVERY TANK CAPACITY	40 L (10.5 gal)	40 L (10.5 gal)	40 L (10.5 gal)
SOLUTION TANK CAPACITY	40 L (10.5 gal)	40 L (10.5 gal)	40 L (10.5 gal)
DRIVE SYSTEM	Brush Assisted	Brush Assisted	Self Propel - Transaxle, 24V, 0.104 Kw (.14 hp)
PRODUCTIVITY RATE - AVG.	888 m ² (9,563 ft ²) per hour (FaST Model)	1066 m ² (11,475 ft ²) per hour (FaST Model)	1691m ² (18,207 ft ²) per hour (FaST Model)
	784 m ² (8,438 ft ²) per hour	941m ² (10,125 ft ²) per hour	1492m ² (16,065 ft ²) per hour
CLEANING PATH WIDTH	430 mm (17 in)	500 mm (20 in)	500 mm (20 in)
PAD/BRUSH PRESSURE	18.1 Kg (40 lbs) and 31.75 Kg (70 lbs)	18.1 Kg (40 lbs) and 31.75 Kg (70 lbs)	18.1 Kg (40 lbs) and 31.75 Kg (70 lbs)
BRUSH MOTOR	24 V, 0.56 Kw (.75 hp), 240 brush rpm	24 V, 0.56 Kw (.75 hp), 240 brush rpm	24 V, 0.56 Kw (.75 hp), 240 brush rpm
VACUUM MOTOR	24 V, .373 kW (.5 hp), 2-stage 5.7, 13 A	24 V, .373 kW (.5 hp), 2-stage 5.7, 13 A	24 V, .373 kW (.5 hp), 2-stage 5.7, 13 A
WATER LIFT	1016 mm (40 in)	1016 mm (40 in)	1016 mm (40 in)
VOLTAGE DC	24 VDC	24 VDC	24 VDC
BATTERIES	2-12 V, 105AH @ 20 hr rate	2-12 V, 130AH @ 20 hr rate	2-12 V, 155AH @ 20 hr rate
RUN TIME PER CHARGE	2.5 hours	2.5 hours	3 hours
TOTAL POWER CONSUMPTION	27 Amps @ 18.1 Kg (40 lbs) of brush pressure	29 Amps @ 18.1 Kg (40 lbs) of brush pressure	30 Amps @ 18.1 Kg (40 lbs) of brush pressure
	29 Amps @ 31.75 Kg (70 lbs) of brush pressure	30 Amps @ 31.75 Kg (70 lbs) of brush pressure	35 Amps @ 31.75 Kg (70 lbs) of brush pressure
DECIBEL RATING AT OPERATOR'S EAR, INDOORS.	68.5 dB(A)	68.5 dB(A)	68.5 dB(A)
MAXIMUM GRADE LEVEL	8% (5°) Transporting 5% (3°) Cleaning	8% (5°) Transporting 5% (3°) Cleaning	8% (5°) Transporting 5% (3°) Cleaning

FaST SYSTEM - FaST MODEL	
SOLUTION PUMP	24 Volt DC, 3.5 A, 5.6 LPM (1.5 GPM) open flow, 4.13 Bar (60 PSI) bypass setting
SOLUTION FLOW RATE	0.47 LPM (.125 GPM)
CONCENTRATE FLOW RATE	0.47 CC (.016 OZ) / Minute
CONCENTRATE TO WATER DILUTION RATIO	1:1000

OPERATION

MACHINE DIMENSIONS



* 50 cm (20 in) Model

Este manual se incluye en todos los modelos nuevos. Proporciona la información necesaria para su utilización y mantenimiento.

Lea todo el manual detenidamente para comprender la máquina antes de utilizarla o revisarla.

Use la Lista de Piezas incluida en este manual al ordenar piezas de repuesto. Antes de ordenar piezas o suministros, asegúrese de tener el número de modelo y el número de serie de su máquina. Las piezas y los suministros pueden ordenarse por teléfono o por correo de cualquier centro autorizado de piezas y servicios, distribuidor de piezas o de cualquier subsidiaria del fabricante.

Esta máquina le proporcionará excelentes resultados. Sin embargo, los resultados serán óptimos a un coste mínimo si:

- Utiliza la máquina con un cuidado razonable.
- Realiza las operaciones de mantenimiento de acuerdo con las instrucciones adjuntas.
- Las operaciones de mantenimiento de la máquina se realizan con piezas suministradas por el fabricante o equivalentes.

DATOS DE LA MÁQUINA

Cumplimente los siguientes datos en el momento de instalación de la máquina para utilizarlos como referencia en el futuro.

Número de modelo: _____

Fecha de instalación: _____

Número de serie: _____

PROTECCIÓN DEL MEDIO AMBIENTE



Deseche el material de embalaje, los componentes usados de la máquina como las baterías y los líquidos peligrosos como el anticongelante y el aceite, de forma segura para el medio ambiente, de acuerdo con las normativas o disposiciones locales.



No olvide reciclar.

ÍNDICE DE MATERIAS

MEDIDAS DE SEGURIDAD	29	CÓDIGOS DE ERROR DE LA PANTALLA LED	53
ADHESIVOS DE SEGURIDAD	30	ESPECIFICACIONES	54
COMPONENTES DE LA MÁQUINA	31	DIMENSIONES DE LA MÁQUINA	55
SÍMBOLOS DEL PANEL DE CONTROL	31	DIAGRAMAS ELECTRICAS	84
INSTALACIÓN DE LA MÁQUINA	32	LISTA DE PIEZAS	86
DESEMBALADO DE LA MÁQUINA	32	SUSTITUCIÓN DEL CONJUNTO DE CEPILLOS E IMPULSOR DE LA ALMOHADILLA	86
MONTAJE DE LAS BATERÍAS	32	CONJUNTO DESPOSITO RECUPERAR ...	88
FUNCIONAMIENTO DE LA MÁQUINA	33	GRUPE DEL DEPÓSITO DE DISOLUCIÓN	90
INFORMACION DE CEPILLOS Y ALMOHADILLAS	33	GRUPO DE CONTROL DE LA CONSOLA, MODELO DRIVE	92
INSTALACIÓN DE LA MÁQUINA	34	GRUPO DE CONTROL DE LA CONSOLA, MODELO BRUSH ASSIST	94
FIJACIÓN DEL CONJUNTO DE LA ESCOBILLA DE GOMA	34	GRUPO DE COMPONENTES DEL PANEL, MODELO DRIVE	96
MONTAJE DE CEPILLO/ALMOHADILLA ...	34	GRUPO DE COMPONENTES DEL PANEL, MODELO BRUSH ASSIST	98
MONTAJE DE FaST-PAK (Modelo FaST) ..	35	GRUPO DE RUEDAS, MODELO DRIVE (DESPUÉS DEL NÚMERO DE SERIE 10309875)	100
LLENADO DEL DEPÓSITO DE DISOLUCIÓN	36	GRUPO DE RUEDAS, MODELO DRIVE (ANTES DEL NÚMERO DE SERIE 10309875) .	102
FUNCIONAMIENTO DE LA MÁQUINA	36	GRUPO DE RUEDAS, MODELO BRUSH ASSIST (DESPUÉS DEL NÚMERO DE SERIE 10309875)	104
LISTA DE COMPROBACIÓN ANTES DE LA PUESTA EN MARCHA	36	GRUPO DE RUEDAS, MODELO BRUSH ASSIST (ANTES DEL NÚMERO DE SERIE 10309875) ..	106
UTILIZACIÓN DE LA MÁQUINA	37	GRUPO DE CABEZAL DE LIMPIEZA, MODELO DE 50 cm (20 pul)	108
AL UTILIZAR LA MÁQUINA	38	GRUPO DE CABEZAL DE LIMPIEZA, MODELO DE 43 cm (17 pul)	110
NIVEL DE CARGA DE LA BATERÍA	39	GRUPO DE ELEVACIÓN DEL CABEZAL DE FREGADO (DESPUÉS DEL NÚMERO DE SERIE 10309875)	112
CORTACIRCUITOS / FUSIBLES	39	GRUPO DE ELEVACIÓN DEL CABEZAL DE FREGADO (ANTES DEL NÚMERO DE SERIE 10309875)	114
CONTADOR DE HORAS	40	GRUPO DE SOLUCION, MODELO FaST ..	116
VACIADO DE LOS DEPÓSITOS	40	GRUPO DE SOLUCION, MODELO ESTANDARD	118
VACIADO DEL DEPÓSITO DE RECUPERACIÓN	40	CONJUNTO PALETA	120
VACIADO DEL DEPÓSITO DE DISOLUCIÓN	41	GRUPO DE BATERIA Y CARGADOR, MODELO DRIVE DE 12V/155AH, 50 cm (20 pul)	122
CARGA DE LAS BATERÍAS	41	GRUPO DE BATERIA Y CARGADOR, MODELO BRUSH ASSIST DE 12V/130AH, 50 cm (20 pul)	123
MANTENIMIENTO DE LA MÁQUINA	43	GRUPO DE BATERIA Y CARGADOR, MODELO BRUSH ASSIST DE 12V/105AH, 43 cm (17 pul)	124
MANTENIMIENTO DIARIO	43		
MANTENIMIENTO MENSUAL	45		
MANTENIMIENTO TRIMESTRAL	45		
MANTENIMIENTO ANUAL	45		
SUSTITUCIÓN DE LA LÁMINA DE LA ESCOBILLA DE GOMA	46		
AJUSTE DE LAS LÁMINAS DE LA ESCOBILLA	46		
MANTENIMIENTO DE LAS BATERÍAS	47		
TRANSPORTE DE LA MÁQUINA	48		
ALMACENAMIENTO DE LA MÁQUINA	48		
PROTECCIÓN CONTRA HELADAS DEL SISTEMA FaST (Modelo FaST)	48		
STOCK RECOMENDADO DE REPUESTOS ...	49		
LOCALIZACIÓN DE AVERÍAS	50		

MEDIDAS DE SEGURIDAD

Esta máquina está destinada al uso comercial. Está diseñada exclusivamente para fregar suelos en recintos cerrados y no debe utilizarse para ningún otro uso. Utilice únicamente los cepillos, almohadillas y limpiadores de suelos específicos recomendados para máquinas disponibles en el mercado.

Todos los operarios deben leer, comprender y cumplir las siguientes medidas de seguridad:

A lo largo de todo el manual se utilizan los siguientes símbolos de advertencia y encabezados "PARA SU SEGURIDAD" descritos a continuación:

⚠ ADVERTENCIA: Advierte sobre riesgos o prácticas inseguras que podrían provocar lesiones personales graves o fatales.

PARA SU SEGURIDAD: Identifica las operaciones que debe realizar para una utilización segura del equipo.

El no cumplimiento de estas advertencias puede causar lesiones personales, descargas eléctricas, incendios y explosiones.

⚠ ADVERTENCIA: Peligro de incendio o explosión:

- Nunca utilice líquidos inflamables ni haga funcionar la máquina en las proximidades de líquidos, vapores o polvos inflamables.

La máquina no está equipada con motores a prueba de explosiones. Los motores eléctricos producirán chispas tanto durante el arranque y como durante su utilización que pueden provocar incendios o explosiones si utiliza la máquina en presencia de líquidos o vapores inflamables o partículas combustibles.

- No recoja materiales inflamables ni metales reactivos.
- Las baterías emiten hidrógeno. Mantenga chispas y llamas alejadas de la máquina. Mantenga el compartimento de la batería abierto mientras realiza la operación de carga.

⚠ ADVERTENCIA: Peligro eléctrico. Desconecte los cables de la batería antes de realizar reparaciones en la máquina.

⚠ ADVERTENCIA: Cepillo giratorio. Mantenga alejadas las manos. Apague la máquina antes de trabajar en ella.

La siguiente información indica las condiciones potencialmente peligrosas para el operario o equipo.

PARA SU SEGURIDAD:

1. No utilice la máquina:
 - Con líquidos inflamables o cerca de gases inflamables, ya que podría provocar explosiones o llamaradas.
 - Salvo que esté debidamente formado y autorizado.
 - Salvo haber leído y comprendido el manual del operario.
 - Si la máquina no funciona correctamente.
2. Antes de arrancar la máquina:
 - Asegúrese de que todos los dispositivos de seguridad se encuentren en su lugar y funcionen correctamente.
3. Al utilizar la máquina:
 - Conduzca despacio en pendientes y superficies resbaladizas.
 - Utilice calzado antideslizante.
 - Reduzca la velocidad al realizar giros.
 - Informe inmediatamente de las averías de la máquina o si el funcionamiento no es correcto.
 - No permita nunca que los niños jueguen encima o alrededor de la máquina.
 - Siga las instrucciones de mezcla y manipulación indicadas en los depósitos para los productos químicos.
4. Antes de abandonar o revisar la máquina:
 - Deténgase en una superficie horizontal.
 - Apague la máquina.
 - Retire la llave.
5. Al revisar la máquina:
 - Evite las partes en movimiento. No utilice chaquetas, camisas o mangas sueltas.
 - Desconecte las conexiones de la batería antes de empezar a trabajar en la máquina.
 - Utilice guantes y gafas de protección al trabajar con las baterías o sus cables.
 - Evite el contacto con el ácido de la batería.
 - No moje la máquina rociándola o utilizando una manguera. Pueden producirse fallos eléctricos.
 - Utilice repuestos suministrados o aprobados por el fabricante.
 - Todas las reparaciones deben ser realizadas por personal técnico cualificado.
 - No modifique el diseño original de la máquina.

OPERACIÓN

6. Al transportar la máquina:

- Apague la máquina.
- No levante la máquina con las baterías instaladas.
- Pida ayuda para levantar la máquina.
- Utilice una rampa al cargar/descargar la máquina en/de un camión o remolque.
- Utilice las cintas para fijar la máquina al camión o remolque.
- Coloque el cabezal de fregado en la posición bajada.

ADHESIVOS DE SEGURIDAD

Los adhesivos de seguridad se encuentran en las posiciones indicadas a continuación. Sustituya los adhesivos si se han desprendido, están deteriorados o son ilegibles.

ETIQUETA DE ADVERTENCIA - Ubicada en la cubierta del tanque de recuperación.



ADHESIVO DE NIVEL DE CARGA DE LA BATERÍA: Situado en el lado inferior del depósito de recuperación.

ADVERTENCIA: Peligro de incendio o explosión. Las baterías emiten hidrógeno. Mantenga chispas y llamas alejadas de la máquina. Mantenga el compartimento de la batería abierto mientras realiza la operación de carga.

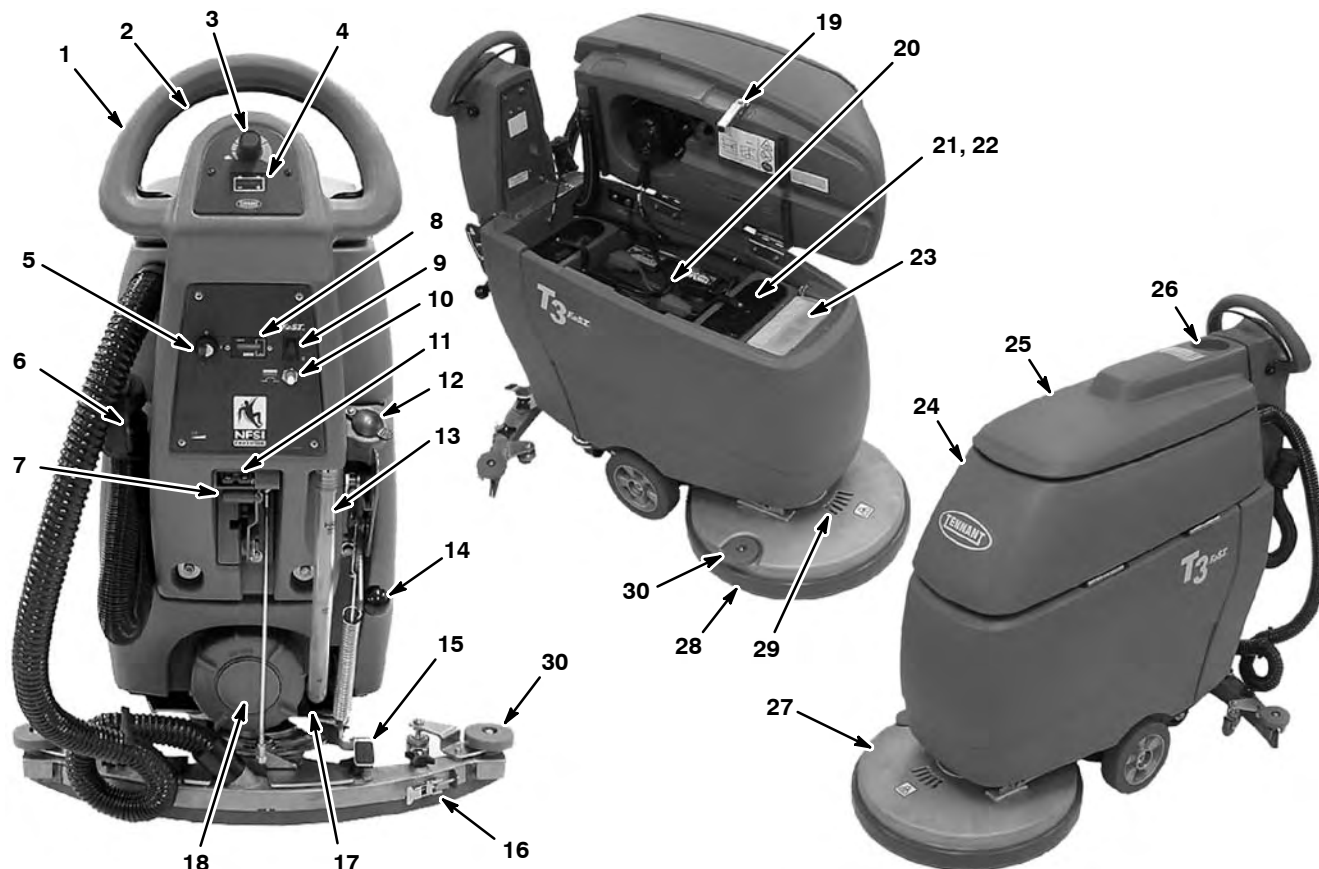


ADHESIVO DE CEPILLO GIRATORIO: Ubicado en el cabezal de fregado.

ADVERTENCIA: Cepillo giratorio. Mantenga alejadas las manos. Apague la máquina antes de trabajar en ella.






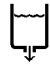





COMPONENTES DE LA MÁQUINA



- | | |
|--|---|
| <ul style="list-style-type: none"> 1. Mando de control 2. Aro de activación 3. Botón de control de la velocidad (modelo impulsado) 4. Nivel de carga de la batería 5. Interruptor principal de alimentación 6. Manguera de vaciado del depósito de recuperación 7. Palanca de elevación de la escobilla de goma 8. Contador de horas 9. Interruptor de encendido/apagado del sistema FaST (modelo FaST) 10. Botón del cortacircuitos del motor del cepillo 11. Receptáculo de carga de la batería 12. Orificio de llenado con manguera 13. Manguera de nivel/vaciado del depósito de la disolución 14. Palanca de disminución de presión | <ul style="list-style-type: none"> 15. Pedal de elevación del cabezal de fregado 16. Conjunto de la escobilla de goma 17. Mando de control del flujo de disolución 18. Orificio de limpieza del depósito de la disolución 19. Soporte del depósito de recuperación 20. Baterías 21. Depósito de la disolución 22. Orificio de llenado con cubo/limpieza 23. Concentrado FaST-PAK (modelo FaST) 24. Depósito de recuperación 25. Tapa del depósito de recuperación 26. Soporte para vasos 27. Cabezal de fregado 28. Cepillo falda 29. Ventanilla del impulsor de la almohadilla 30. Rodillos de pared |
|--|---|

SÍMBOLOS DEL PANEL DE CONTROL

	Interruptor de llave de encendido/apagado de alimentación principal		Interruptor de encendido/apagado del 5% sistema FaST (modelo FaST)		5% (3°) pendiente máxima de ascenso
	Velocidad baja		Cortacircuitos del motor del cepillo		Control de flujo de disolución
	Velocidad rápida		Dirección de avance		presión del cepillo

OPERACIÓN

INSTALACIÓN DE LA MÁQUINA

DESEMBALADO DE LA MÁQUINA

1. Controle cuidadosamente si la caja de embalaje presenta signos de deterioro. Si existieran desperfectos, informe inmediatamente al transportista.
2. Compruebe la lista del contenido. Póngase en contacto con el distribuidor en caso de no haber recibido todos los accesorios.

Contenido:

- 2 baterías de 12 V - Opcional
- 24V Cargador de baterías - Opcional
- 2 separadores de batería de espuma (núm. 630375)
- Bandeja de batería (núm. 1012994)
- Cable de batería de 38 cm (núm. 130364)
- 4 cubiertas de goma de cable de batería
- 1 concentrado FaST-PAK 365 (núm. 1017015) (modelo FaST)
- Conjunto de la escobilla de goma (#9001178)
- Impulsor de almohadilla - Opcional

Los cepillos y almohadillas deben comprarse separadamente.

3. Para desembalar la máquina, retire los elementos y cintas de embalaje que fijan la máquina al pallet. Con ayuda, levante la máquina del pallet.

ATENCIÓN: No haga rodar la máquina para retirarla del pallet si no utiliza una rampa, ya que podría averiarse.

ATENCIÓN: Para evitar el posible deterioro de la máquina, monte las baterías después de retirar la máquina del pallet de transporte.

MONTAJE DE LAS BATERÍAS

⚠ ADVERTENCIA: Peligro de incendio o explosión. Las baterías emiten hidrógeno. Mantenga chispas y llamas alejadas de la máquina. Mantenga la tapa del compartimento de la batería abierto mientras realiza la operación de carga.

PARA SU SEGURIDAD: Al revisar la máquina, utilice guantes y gafas de protección cuando manipule las baterías y sus cables. Evite el contacto con el ácido de la batería.

Especificaciones de la batería:

Dos baterías de plomo-ácido de 12 voltios de ciclo profundo.

Batería de 105 AH - 43 cm (17 pul.). Modelo Brush Assist
Batería de 130 AH - 50 cm (20 pul.). Modelo Brush Assist
Batería de 155 AH - 50 cm (20 pul.). Modelo Drive

Máximas de la batería son: 8.85 pul. (174 mm) W x 15 pul. (380 mm) L x 11.18 pul. (284 mm) H.

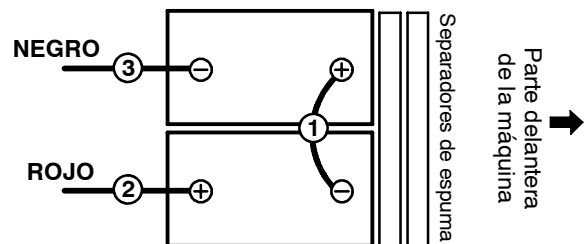
1. Estacione la máquina en una superficie horizontal.
2. Abra el depósito de recuperación para acceder al compartimento de la batería. (Figura 1).



FIG. 1

3. Monte con cuidado las baterías en la bandeja del compartimento de la batería y coloque los bornes de la batería como se indica (Figura 2). Inserte los dos separadores de espuma a el lado de las baterías como se muestra.

ATENCIÓN: Deposite las baterías en el compartimento, no las deje caer, tanto la batería como su soporte podrían averiarse.



Modelo Brush Assist

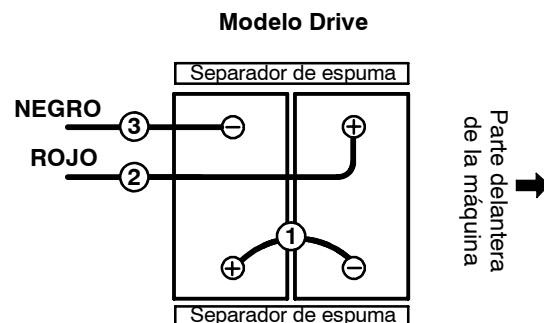


FIG. 2

- Antes de conectar los cables de la batería, asegúrese de que los bornes y terminales están limpios. Utilice un limpiador de bornes y un cepillo de cerdas metálicas si es necesario.

NOTA: Aplique una fina capa de grasa no metálica o spray de protección en las conexiones del cable para evitar la aparición de corrosión en la batería.

- Usando las cubiertas de goma de borne de batería provistas, conecte los cables a los bornes de la batería en orden numérico según rotulados (Figura 2), ROJO A POSITIVO (+) y NEGRO A NEGATIVO (-).
- Después de montar las baterías, compruebe el nivel de carga de las baterías (Figura 3). Cargue las baterías en caso necesario (Consulte NIVEL DE CARGA DE LA BATERÍA en la página 39 para obtener más detalles.)



FIG. 3

FUNCIONAMIENTO DE LA MÁQUINA

Fregado convencional:

El agua y detergente procedentes del depósito de disolución fluyen hacia el suelo a través de una válvula de disolución que se controla manualmente. El cepillo utiliza la solución de agua y detergente para limpiar el suelo. Al desplazarse la máquina hacia delante, la escobilla recoge la disolución sucia del suelo y la dirige al depósito de recuperación.

Fregado con espuma (modelo FaST):

(Tecnología de fregado con espuma-FaST)

A diferencia del fregado convencional, el sistema FaST inyecta sobre el suelo el producto patentado concentrado FaST-PAK con una pequeña cantidad de agua y aire comprimido. La mezcla crea una gran cantidad de espuma húmeda expandida para que el cepillo friegue el suelo. A medida que la máquina avanza, la espuma se desintegra y el escurridor impulsa la solución sucia al tanque de recuperación, dejando el piso limpio, seco y libre de residuos.

FaST, la alternativa segura de limpieza de pisos, está certificada por el Instituto Nacional de Seguridad de Pisos (NFSI) para proporcionar superficies de tráfico de tracción elevada.

La utilización del sistema de fregado con espuma FaST puede incrementar un 30% la eficacia del fregado gracias a la reducción del ciclo de vaciado/llenado. También reduce el empleo de productos químicos y el espacio necesario para el almacenamiento. Un paquete FaST-PAK puede fregar hasta 90,000 m² (1 millón sq. ft.).

NOTA: El modelo FaST también puede utilizarse como una fregadora convencional. Sin embargo, es importante que siga las instrucciones del operador en este manual para evitar fallos del sistemas FaST.

INFORMACION DE CEPILLOS Y ALMOHADILLAS

Para obtener los mejores resultados, use el tipo correcto de cepillo para cada aplicación de limpieza. Los siguientes son los cepillos y almohadillas recomendados.

Cepillo limpia pisos de cerda de polipropileno (Negro)

Pieza No. 1016765 - 43 cm (17 pul.),

Pieza No. 1016811 - 50 cm (20 pul.)

Este cepillo de cerda de polipropileno de uso universal se usa para limpiar pesos con suciedad de consistencia mediana. Este cepillo funciona bien para mantener pisos de concreto, madera y de losas con separación de lechada de cemento.

Cepillo limpia pisos de cerda blanda de nilón (Blanco)

Pieza No. 1016764 - 43 cm (17 pul.),

Pieza No. 1016810 - 50 cm (20 pul.)

Recomendado para limpiar pisos recubiertos sin dañar el acabado. Limpia sin desgastar la superficie.

Cepillo limpia pisos de cerda muy abrasiva (Gris)

Pieza No. 1016763 - 43 cm (17 pul.),

Pieza No. 1016805 - 50 cm (20 pul.)

Fibra de nylon impregnada con granos abrasivos para eliminar manchas y suciedad. Acción potente sobre cualquier superficie. Actúa bien en acumulación de suciedad, grasa, o marcas de neumáticos.

Almohadilla lustradora (Blanca) -

Usada para mantener pesos muy lustrados o pulidos.

Almohadilla pulidora (Roja) -

Usada para limpieza liviana sin eliminar el acabado del piso.

Almohadilla limpiadora (Azul) -

Usada para limpieza mediana a intensa. Elimina suciedad, derrames y ralladuras y deja la superficie limpia, lista para el recubrimiento.

OPERACIÓN

Almohadilla peladora (Marrón) -

Usada para pelar el acabado del piso en preparación para el recubrimiento.

Almohadilla peladora de servicio pesado (Negra) -

Usada para un pelado intenso de acabados/sellantes gruesos, o limpieza muy intensa.

INSTALACIÓN DE LA MÁQUINA

FIJACIÓN DEL CONJUNTO DE LA ESCOBILLA DE GOMA

1. Estacione la máquina en una superficie horizontal, retire la llave.
2. Levante la palanca de elevación de la escobilla de goma a la posición vertical (Figura 4).

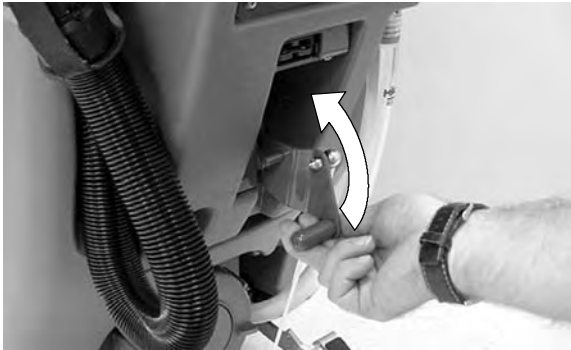


FIG. 4

3. Monte el conjunto de la escobilla de goma en el soporte de pivote de la escobilla como se muestra (Figura 5). Asegúrese de que los botones estén completamente asentados en las ranuras antes de fijarlos.



FIG. 5

4. Conecte la manguera de aspiración al conjunto de la escobilla de goma. Enrolle la manguera como se muestra utilizando el clip de manguera que se proporciona (Figura 6).

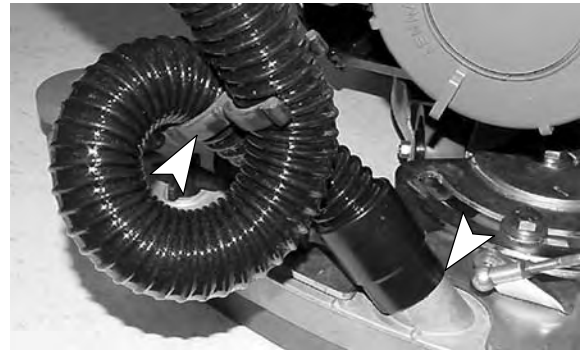


FIG. 6

5. Compruebe que las láminas de la escobilla tienen el ajuste adecuado (consulte AJUSTE DE LAS LÁMINAS DE LA ESCOBILLA).

MONTAJE DE CEPILLO/ALMOHADILLA

NOTA: Refiérase a la sección de INFORMACION DE CEPILLOS Y ALMOHADILLAS de este manual o consulte con su distribuidor autorizado para recomendaciones acerca de cepillos y almohadillas.

1. Estacione la máquina en una superficie horizontal, retire la llave.
2. Pise el pedal de elevación del cabezal de fregado para levantarlo del suelo (Figura 7).



FIG. 7

3. Fije la almohadilla al impulsor de la almohadilla antes de instalar el impulsor (Figura 8). Asegure la almohadilla con la traba central.

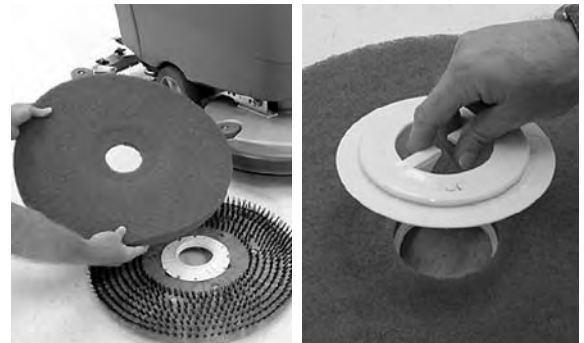


FIG. 8

4. Alinee los espárragos de montaje del impulsor de la almohadilla en las ranuras del cubo del motor y dé al impulsor de la almohadilla un giro rápido hacia la izquierda para enganchar el clip de resorte (Figura 9).



FIG. 9

5. Para retirar el impulsor de la almohadilla, sujete el impulsor y dé un giro rápido en sentido contrario al clip de resorte.

MONTAJE DE FaST-PAK (Modelo FaST)

Concentrado de limpieza de suelos FaST 365
(núm. 1017015)

ATENCIÓN: La fórmula del concentrado FaST-PAK está diseñada específicamente para el sistema FaST. No utilice NUNCA sustitutos, podría averiar la máquina.

1. Abra el envase de FaST-PAK por la marca perforada. No retire la bolsa del envase. Saque el conector de la manguera a través de la marca y retire el tapón naranja (Figura 10).

PARA SU SEGURIDAD: Al utilizar la máquina, siga siempre las instrucciones de uso indicadas en el envase del producto químico.



FIG. 10

2. Abra el depósito de recuperación para acceder al compartimento de FaST-PAK. Conecte la manguera de alimentación a FaST-PAK y coloque el envase de FaST-PAK en el compartimento como se muestra (Figura 11). Asegúrese de que la manguera de alimentación no queda pillada o doblada.

NOTA: Si observa restos de producto concentrado seco en el conector de la manguera de alimentación o en el conector de FaST-PAK, sumérjalos y límpielos con agua caliente.



FIG. 11

3. Cuando no se utilice la manguera de alimentación, asegúrese de conectarla al tapón de almacenamiento (Figura 12). Esto evitará que el sistema FaST se reseque y se bloquee la manguera de alimentación.



FIG. 12

OPERACIÓN

LLENADO DEL DEPÓSITO DE DISOLUCIÓN

La máquina está equipada con un orificio de llenado con manguera en la parte posterior de la máquina y un orificio de llenado con cubo situado bajo el depósito de recuperación (Figura 13). Antes de acceder al orificio de llenado con cubo, asegúrese de que el depósito de recuperación esté vacío.

Llene el tanque de solución al nivel de "40 L MAX" en el indicador de la mirilla del tanque de solución. Cuando se utilice el orificio de llenado con cubo, detenga el llenado cuando el nivel alcance el borde inferior del orificio de llenado (Figure 13).

PARA FREGADO CON ESPUMA (modelo FaST): LLENAR EL DEPÓSITO ÚNICAMENTE CON AGUA FRÍA LIMPIA (< 21 °C / 70 °F). NO utilice agua caliente o añada detergentes de limpieza de suelos convencionales, puede producirse un fallo en el sistema FaST.

PARA FREGADO CONVENCIONAL: Llene el depósito con la agua caliente (a un máximo de 60 °C / 140 °F) Vierta un detergente recomendado en el depósito de disolución siguiendo las instrucciones de uso indicadas en el envase.



FIG. 13

NOTA: Cuando se llene el depósito de disolución con un cubo, asegúrese de que el cubo esté limpio. No utilice el mismo cubo para llenar y vaciar la máquina.

ATENCIÓN: Para el fregado convencional, utilice únicamente detergentes de limpieza. Los daños en la máquina debidos al uso inapropiado de detergentes anularán la garantía del fabricante.

⚠ ADVERTENCIA: Peligro de incendio o explosión. No utilizar NUNCA líquidos inflamables.

PARA SU SEGURIDAD: Siga las instrucciones de mezcla y manipulación indicadas en los envases de los productos químicos cuando utilice la máquina.

FUNCIONAMIENTO DE LA MÁQUINA

PARA SU SEGURIDAD: No utilice la máquina salvo que haya leído y comprendido el manual del operario.

⚠ ADVERTENCIA: Peligro de incendio o explosión. NUNCA haga funcionar la máquina sobre o en las proximidades de líquidos, vapores o polvos inflamables.

PRIMERA UTILIZACIÓN (modelo FaST): El sistema FaST está protegido contra la congelación durante el transporte. Debe hacer funcionar el sistema FaST durante 10 minutos para dispersar la mezcla de anticongelante RV/detergente FaST antes de obtener el grado máximo de espuma.

LISTA DE COMPROBACIÓN ANTES DE LA PUESTA EN MARCHA

- Barra el suelo y quite el polvo que pueda quedar con una mopa.
- Compruebe el nivel de carga de la batería (consulte NIVEL DE CARGA DE LA BATERÍA).
- Compruebe si hay desgaste en la almohadilla/cepillo.
- Controle el desgaste y el ajuste de las láminas de la escobilla de goma.
- Asegúrese de que el depósito de recuperación está vacío y que el filtro del flotador de cierre está colocado y limpio.
- Modelo de disco simple de 43cm: Controle el desgaste de la aleta del cabezal de fregado.
- Fregado con espuma (modelo FaST): Compruebe el nivel del concentrado FaST-PAK.
- Fregado con espuma (modelo FaST): Asegúrese de que el depósito de disolución esté lleno sólo con agua limpia y fría, sin ningún tipo de detergente.

UTILIZACIÓN DE LA MÁQUINA

1. Gire la llave de alimentación principal a la posición (I) (Figura 14).



FIG. 14

2. Modelo FaST: Para fregar con espuma, ponga el interruptor del sistema FaST en la posición (I) (Figura 15).

NOTA: NO active el interruptor del sistema FaST durante el fregado convencional. Los detergentes/restauradores convencionales puede averiar el sistema de inyección FaST. Vacíe, lave y rellene el depósito de disolución con agua limpia y fría antes de activar el sistema FaST.



FIG. 15

3. Baje el conjunto de la escobilla de goma al suelo bajando la palanca de elevación de la escobilla (Figura 16). El motor de aspiración se encenderá automáticamente.



FIG. 16

4. Baje el cabezal de fregado al suelo pisando el pedal de elevación del cabezal de fregado como se muestra (Figura 17).



FIG. 17

5. Tire del aro de activación para comenzar la limpieza (Figura 18). El modelo de impulsor avanza automáticamente. Para retroceder el modelo de impulsión, simplemente empuje el aro de activación.

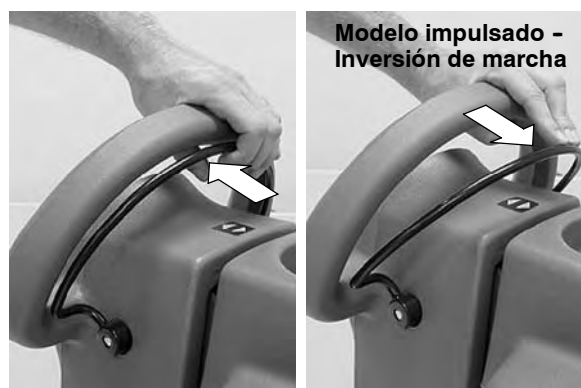


FIG. 18

OPERACIÓN

6. Modelo impulsado: Gire el botón de control de la velocidad hasta situarlo a la velocidad de fregado que desee (Figura 19).

NOTA: La velocidad de fregado recomendada es de 150-200 ft (45-60 metros) por minuto.



FIG. 19

7. Para realizar el fregado convencional, gire el botón de control del flujo de disolución a la posición que desee (Figura 20).

NOTA: Modelo FaST: cuando se utiliza el sistema FaST, el botón de control del flujo de disolución no funciona. El sistema FaST tiene una velocidad de flujo de la disolución preestablecida.



FIG. 20

8. Cuando se requiere más presión en el cepillo para áreas muy sucias, simplemente eleve la palanca de disminución de presión (Figura 21).



FIG. 21

9. Para detener el fregado, suelte el aro de activación de avance, levante el cabezal de fregado y la escobilla de goma.

AL UTILIZAR LA MÁQUINA

⚠ ADVERTENCIA: Peligro de incendio o explosión. NO recoja materiales inflamables ni metales reactivos.

1. Superponga cada pasada de fregado 5 cm (2 pul.).
2. Mantenga la máquina en movimiento para evitar que el acabado del suelo se deteriore.
3. Limpie las láminas de la escobilla con un trapo si las láminas dejan marcas. Barra con anterioridad la zona que desea fregar para evitar la formación de marcas.
4. No haga funcionar la máquina en pendientes que superen el 5% (3°).

PARA SU SEGURIDAD: Conduzca despacio cuando utilice la máquina en pendientes o superficies resbaladizas.

5. Vierta un producto para el control de la formación de espuma en el depósito de recuperación si existe exceso de espuma.

ATENCIÓN: No permita que la espuma se introduzcan en el filtro del flotador de cierre de la aspiración porque podría averiar el motor de aspiración. La espuma no activará el filtro del flotador de cierre.

6. Utilice el método de fregado doble en zonas con mucha suciedad. En primer lugar, friegue la zona con la escobilla de goma elevada, permita que la disolución actúe durante 3-5 minutos y, a continuación, friegue la zona por segunda vez con la escobilla de goma bajada.
7. Cambie o gire las almohadillas si es necesario.
8. Compruebe el nivel de carga de la batería (consulte NIVEL DE CARGA DE LA BATERÍA).
9. Observe el nivel de disolución restante en la manguera de nivel del depósito de disolución. 10 litros durarán aproximadamente 10 minutos durante un fregado convencional y 20 minutos durante el fregado con espuma del modelo FaST.
10. Cuando se agote el depósito de disolución, vacíe el depósito de recuperación antes de rellenar.
11. Cuando se aleje de la máquina, retire la llave y.
12. Después de la operación de fregado, realice las Operaciones Diarias de Mantenimiento (consulte MANTENIMIENTO DE LA MÁQUINA).

NIVEL DE CARGA DE LA BATERÍA

El indicador de la batería muestra el nivel de carga de las baterías. Cuando las baterías están totalmente cargadas, se encienden todos los indicadores luminosos. Al ir descargándose las baterías, los indicadores luminosos se van apagando de derecha a izquierda. Para prolongar la vida útil de las baterías, no permita que los indicadores sobrepasen los niveles de descarga descritos a continuación.

NOTA: Para prolongar la duración de las baterías recargue ÚNICAMENTE las baterías cuando se utilice la máquina más de 30 minutos.

MODELO IMPULSADO: Cuando el nivel de descarga alcance el primer indicador rojo, deje de fregar y recargue las baterías (Figura 22). Si el último indicador rojo empieza a parpadear, la función de fregado se detendrá automáticamente. Esta función protege a las baterías de una descarga total. Dirija la máquina a la zona de carga y recargue las baterías inmediatamente.

NOTA: El indicador de carga de la batería del modelo impulsado también muestra códigos de error de la máquina. Si se detecta un error, los segmentos de la pantalla LED parpadearán mostrando códigos de error específicos (consulte CÓDIGOS DE ERROR DE LA PANTALLA LED).



FIG. 22

MODELO MANUAL: Cuando el nivel de descarga alcance el último indicador amarillo, el indicador empezará a parpadear, deje de fregar y recargue las baterías (Figura 23). Si se enciende el indicador rojo, la función de fregado se detendrá automáticamente. Esta función protege a las baterías de una descarga total. Recargue las baterías inmediatamente.



FIG. 23

CORTACIRCUITOS / FUSIBLES

La máquina está equipada con un cortacircuitos reajutable que protege el motor del cepillo. El botón del cortacircuitos está ubicado en el panel de control (Figura 24). Si se dispara el cortacircuitos, determine la causa, deje que el motor se enfríe y reajuste manualmente el botón del cortacircuitos.

La máquina también está equipada con tres fusibles ubicados dentro de la consola de control: fusible principal de 30A (modelo de impulsor), fusible principal de 5A (modelo Brush Assist), fusible de 5A del motor de vacío y fusible de 7.5A de la bomba FaST. Al reemplazar un fusible nunca substituya por un fusible de mayor amperaje nominal que el especificado.

Para reparaciones a la máquina consulte con un Centro Autorizado de Servicio.



FIG. 24

OPERACIÓN

CONTADOR DE HORAS

El contador de horas registra el número total de horas que el motor del cepillo ha estado encendido. Utilice el contador de horas para determinar cuándo deben realizarse las operaciones de mantenimiento recomendadas y registrar el historial de servicio (Figura 25).



FIG. 25

VACIADO DE LOS DEPÓSITOS

Debe vaciarse y limpiarse el depósito de recuperación después de cada uso. El depósito de disolución debe limpiarse periódicamente para retirar cualquier corrosión.

Transporte la máquina a un punto de vaciado, apague la llave de alimentación y realice las siguientes instrucciones de vaciado:

PARA SU SEGURIDAD: Antes de abandonar o revisar la máquina, deténgala en una superficie horizontal, apague la máquina y retire la llave del contacto.

VACIADO DEL DEPÓSITO DE RECUPERACIÓN

1. Retire el tapón de la manguera de vaciado del depósito de recuperación girándolo en sentido contrario a las agujas del reloj y vacíe el depósito (Figura 26).

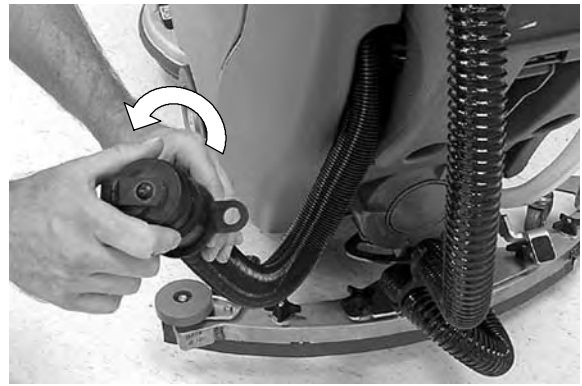


FIG. 26

NOTA: Cuando se utilice un cubo para vaciar la máquina, no utilice el mismo cubo para llenar el depósito de disolución.

2. Abra la tapa del depósito de recuperación y enjuague el depósito. Utilice un trapo para retirar la suciedad persistente (Figura 27).



FIG. 27

3. Retire y limpie el filtro del flotador de cierre situado en el depósito de recuperación (Figura 28).



FIG. 28

VACIADO DEL DEPÓSITO DE DISOLUCIÓN

1. Para vaciar el agua restante en el depósito de disolución, saque la manguera de nivel del depósito de disolución de su conector como se muestra (Figura 29).



FIG. 29

2. Para enjuagar el depósito de disolución, retire el tapón de limpieza de la parte trasera de la máquina y pulverice agua a un máximo de 60 °C (140 °F) directamente en los dos orificios de llenado situados bajo el depósito de recuperación (Figura 30).

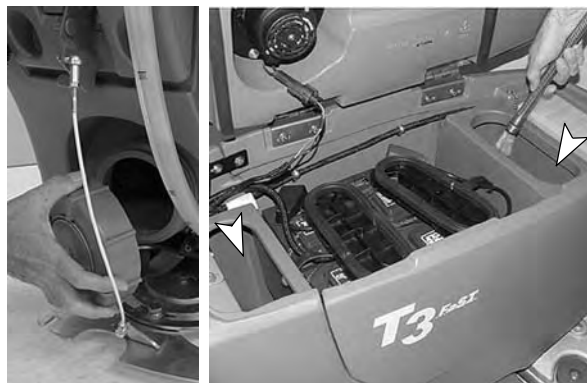


FIG. 30

3. Retire y limpie el filtro del depósito de disolución (Figura 31). Gire el filtro en sentido contrario a las agujas del reloj para sacarlo.



FIG. 31

4. Después de lavar el depósito, vuelva a colocar correctamente el filtro del depósito de disolución, limpie el tapón, las tapas del orificio de llenado y la manguera.

CARGA DE LAS BATERÍAS

ATENCIÓN: Para prolongar la vida útil de las baterías y obtener un rendimiento óptimo de la máquina, recargue **ÚNICAMENTE** las baterías si se ha utilizado la máquina más de 30 minutos. No deje nunca las baterías descargadas durante periodos largos.

Las siguientes instrucciones de carga se refieren sólo a los cargadores suministrados con la máquina. Utilice únicamente cargadores de baterías de las siguientes características para evitar el deterioro de las baterías.

CARACTERÍSTICAS DEL CARGADOR DE BATERÍAS:

- TIPO DE CARGADOR:
 - PARA BATERÍAS DE PLOMO CON ÁCIDO
- VOLTAJE DE SALIDA - 24 VOLTIOS
- TENSIÓN DE SALIDA - 15 AMPERIOS
- CIRCUITO DE DESCONEXIÓN AUTOMÁTICA
- PARA CARGAR BATERÍAS DE CICLO PROFUNDO

1. Dirija la máquina a una zona bien ventilada para la operación de carga.

⚠ ADVERTENCIA: Peligro de incendio o explosión. Las baterías emiten hidrógeno. Mantenga chispas y llamas alejadas de la máquina. Mantenga el compartimento de la batería abierto mientras realiza la operación de carga.

2. Estacione la máquina en una superficie horizontal, retire la llave y ponga el freno de estacionamiento.

3. Baterías de plomo con ácido: Antes de cargar las baterías, compruebe el nivel de electrólito en cada elemento de la batería (Figura 32).



FIG. 32

OPERACIÓN

PARA SU SEGURIDAD: Al revisar la máquina, utilice guantes y gafas de protección cuando manipule las baterías y sus cables. Evite el contacto con el ácido de la batería.

El nivel del electrolito (A) debe cubrir ligeramente los electrodos de la batería (B). Añada agua destilada si es necesario. **NO LLENE EN EXCESO**, el nivel del líquido puede expandirse y desbordarse al cargar. Coloque de nuevo las tapas de los elementos antes de la operación de carga (Figura 33).

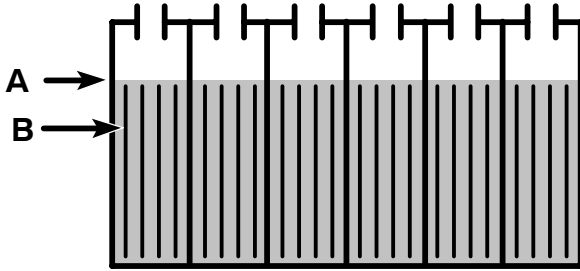


FIG. 33

4. Coloque el depósito de recuperación sobre su soporte para facilitar la ventilación durante la carga (Figura 34).

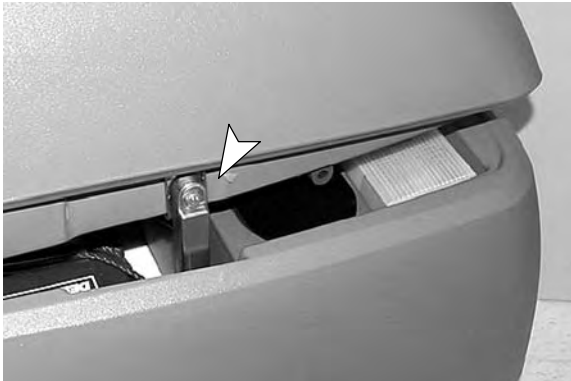


FIG. 34

5. Conecte el cable de alimentación eléctrica de CA del cargador a un enchufe con toma de tierra adecuada.
6. Conecte el cable del cargador de CC al receptáculo de la batería de la máquina en la parte trasera de la máquina (Figura 35).

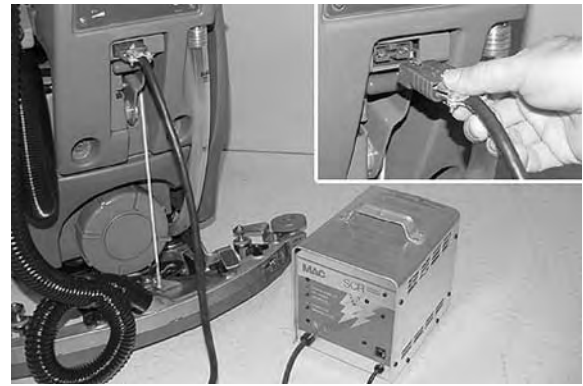


FIG. 35

7. El cargador comenzará la carga automáticamente y se apagará cuando la carga sea completa.

NOTA: La máquina no funcionará cuando se haya conectado el cargador de baterías.

ATENCIÓN: No desenchufe del receptáculo de la máquina el cable de CC del cargador cuando esté en funcionamiento. Pueden producirse arcos voltaicos. Si es necesario interrumpir la carga, desenchufe el cable de alimentación de CA primero.

⚠ ADVERTENCIA: Peligro de incendio o explosión. Las baterías emiten hidrógeno. Mantenga chispas y llamas alejadas de la máquina. Mantenga el compartimento de la batería abierto mientras realiza la operación de carga.

8. Después de realizar la carga, compruebe el nivel del electrolito (A) de nuevo. El nivel debe estar a aproximadamente 1 cm (.375 in) de la parte inferior del orificio de llenado (B) (Figura 36). Añada agua destilada en caso necesario. **NO LLENE EN EXCESO.**

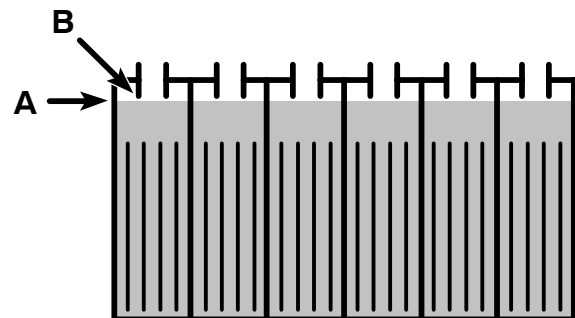


FIG. 36

MANTENIMIENTO DE LA MÁQUINA

Para mantener la máquina en buenas condiciones de funcionamiento bastará realizar las siguientes operaciones de mantenimiento diaria, mensual o trimestralmente.

⚠ ADVERTENCIA: Peligro eléctrico. Desconecte los cables de la batería antes de realizar reparaciones en la máquina.

MANTENIMIENTO DIARIO (Después de cada uso)

1. Vacíe y limpie el depósito de recuperación (Figura 37).



FIG. 37

2. Retire y limpie el filtro del flotador de cierre situado en el depósito de recuperación (Figura 38).



FIG. 38

3. Vacíe el depósito de disolución y enjuague el interior con la agua caliente a un máximo de 60°C (140°F) si es necesario (Figura 39)

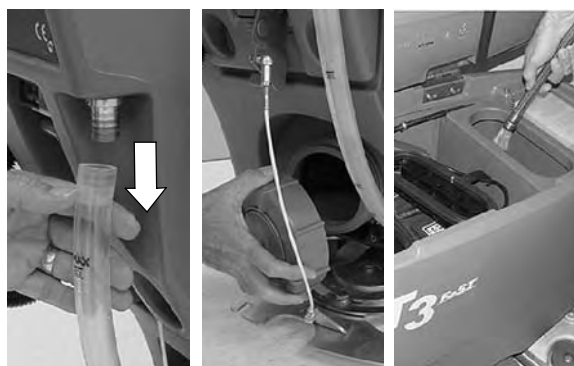


FIG. 39

4. Retire y limpie el filtro del depósito de disolución (Figure 40). Gire el filtro en sentido contrario a las agujas del reloj para sacarlo.



FIG. 40

5. Retire la almohadilla/cepillo y realice la limpieza. Gire las almohadillas o sustítuyalas cuando estén desgastadas (Figura 41).

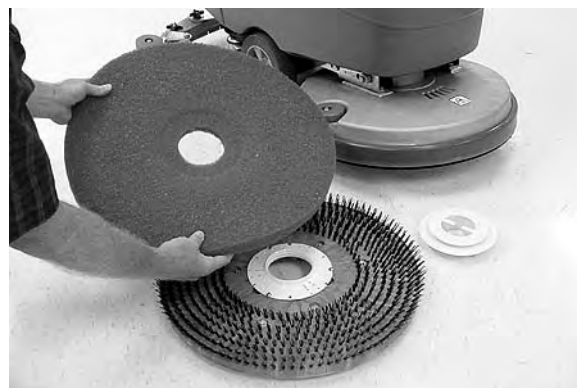


FIG. 41

6. Limpie las láminas de la escobilla de goma (Figura 42). Guarde el conjunto de la escobilla de goma en la posición elevada para evitar que se estropee.

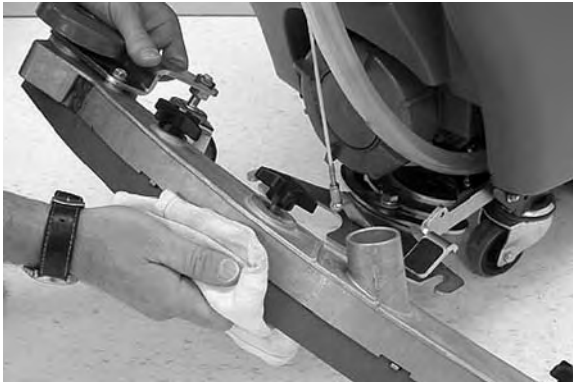


FIG. 42

7. Compruebe el estado del borde de secado de la lámina de la escobilla de goma (Figura 43). Gire la lámina si está gastada. (Consulte SUSTITUCIÓN DE LA LÁMINA DE LA ESCOBILLA DE GOMA.)



FIG. 43

8. Limpie la máquina con un limpiador general y con un paño húmedo (Figura 44).

PARA SU SEGURIDAD: Cuando limpie la máquina, no moje la máquina rociándola o utilizando una manguera. Pueden producirse fallos eléctricos.



FIG. 44

9. Compruebe el estado de la aleta del cabezal de fregado; sustitúyala si está gastada o dañada (Figura 45).



FIG. 45

10. Modelo FaST: Conecte la manguera de alimentación FaST-PAK al tapón de almacenamiento cuando no se esté utilizando (Figura 46). Retire el concentrado resecado del conector de la manguera humedeciéndolo con agua caliente.



FIG. 46

11. Recargue las baterías después de haberlas utilizado durante un tiempo mínimo de 30 minutos (Figura 47). (Consulte CARGA DE LAS BATERÍAS.)

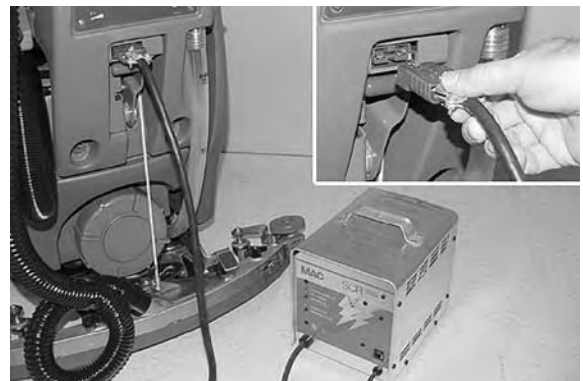


FIG. 47

MANTENIMIENTO MENSUAL (Cada 80 horas de uso)

1. Baterías de plomo con ácido: Limpie la parte superior de las baterías para evitar la corrosión (consulte MANTENIMIENTO DE LAS BATERÍAS).
2. Compruebe si hay conexiones de cables de las baterías sueltas.
3. Inspeccione y limpie la junta de la tapa del depósito de recuperación (Figura 48). Sustitúyala si está dañada.



FIG. 48

4. Lubrique todos los puntos pivotantes y rodillos con spray de silicona y a continuación cúbralos con grasa impermeable para que funcionen suavemente.
5. Compruebe si hay tuercas y tornillos sueltos en la máquina.
6. Controle si debajo de la máquina existen manchas que indiquen la presencia de fugas.

MANTENIMIENTO TRIMESTRAL

Cada 250 horas, compruebe si hay desgaste de las escobillas de carbón en el motor del eje de transmisión (modelo impulsado), en el motor de aspiración y en el motor del cepillo. Sustituya las escobillas de carbón cuando su longitud sea igual o inferior a 10 mm in (.375 in) debido al desgaste.

Póngase en contacto con un Centro de Servicio autorizado para reparar las reparaciones necesarias.

⚠ ADVERTENCIA: Peligro eléctrico. Desconecte los cables de la batería antes de realizar reparaciones en la máquina.

MANTENIMIENTO ANUAL (Cada 1000 horas de uso)

Modelos FaST solamente:

Limpie o reemplace la placa perforada y el filtro situados dentro de la unidad inyectora de solución. Pida el kit de servicio, repuesto No. 9001489.

1. Para acceder a la placa perforada y el filtro, baje el cabezal de limpieza y extraiga la unidad inyectora aflojándola de las pinzas situadas detrás del borde delantero de la máquina (Figura 49).

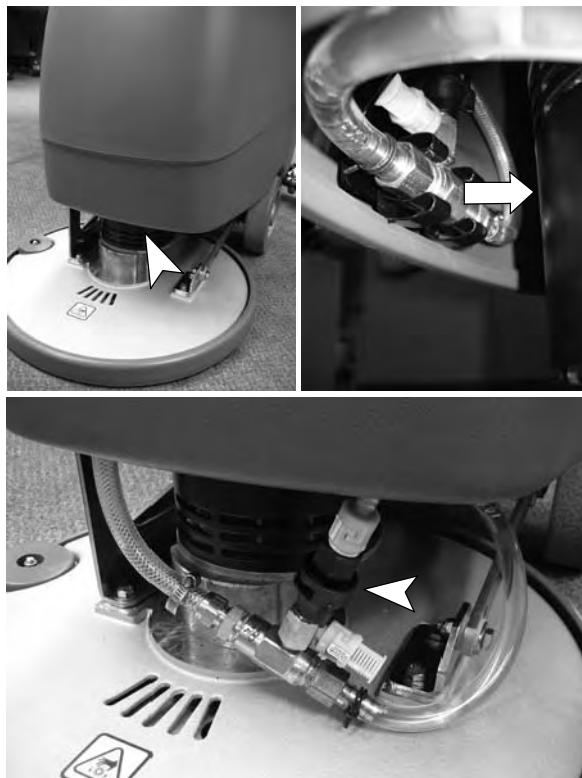


FIG. 49

2. Abra la carcasa del filtro negro y limpie o cambie la placa perforada y el filtro (Figura 50).

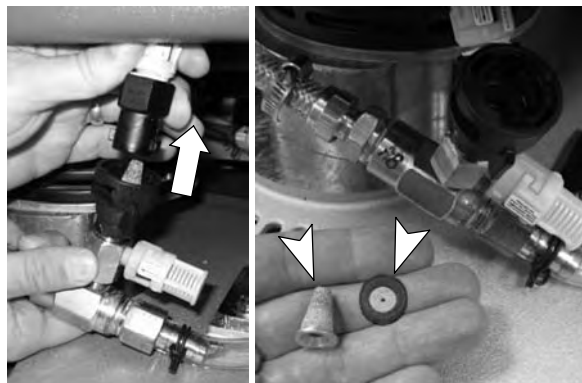


FIG. 50

SUSTITUCIÓN DE LA LÁMINA DE LA ESCOBILLA DE GOMA

Cada lámina de la escobilla de goma tiene cuatro bordes de secado. Cuando las láminas se gasten, simplemente gírelas de un extremo a otro o de arriba hacia abajo para obtener un nuevo borde de secado. Sustituya la lámina si los cuatro bordes están gastados.

1. Extraiga el conjunto de la escobilla de goma de la máquina.
2. Afloje la banda de fijación y retírela del conjunto de la escobilla (Figura 51).

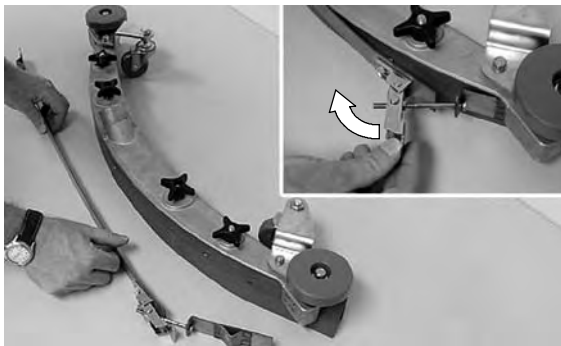


FIG. 51

3. Gire la lámina posterior para obtener un nuevo borde de secado y vuelva a montar la banda. Asegúrese de que el borde ranurado de la banda está boca abajo (Figura 52).



FIG. 52

4. Para sustituir la lámina delantera, retire la banda trasera y afloje completamente los cuatro botones del conjunto de la escobilla, pero no los retire. Levante e incline la placa de fijación para acceder a la lámina delantera (Figura 53). Gire la lámina delantera para obtener un nuevo borde de secado y vuelva a montar la placa de fijación. Asegúrese de que las lengüetas de la placa de fijación sujetan las ranuras de la lámina. Vuelva a montar la banda y apriete los botones.

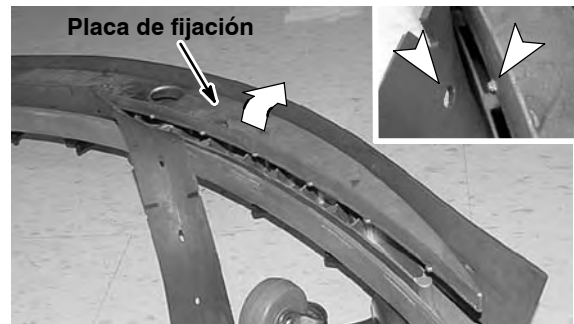


FIG. 53

AJUSTE DE LAS LÁMINAS DE LA ESCOBILLA

El ajuste de las cuchillas del escurridor se efectúa de fábrica y no se requiere un ajuste adicional. El ajuste del escurridor es sólo necesario si se desajusta.

Para obtener un rendimiento óptimo de la lámina de la escobilla, las ruedecillas del conjunto de la escobilla deben ajustarse a una altura especificada como se describe a continuación.

1. Para comprobar el correcto ajuste del conjunto de la escobilla, retire el conjunto de la escobilla de la máquina y colóquelo sobre una superficie horizontal. Mida la distancia entre la ruedecilla y la superficie. Debe medir aproximadamente 2 mm (1/16 in) (Figura 54).
2. Para ajustar la altura de la ruedecilla, afloje la tuerca superior y retire la cubierta de plástico del cojinete para acceder a la tuerca de ajuste. Gire la tuerca de ajuste hasta que el ajuste sea el correcto (Figura 54). Después de realizar el ajuste, apriete la tuerca superior y vuelva a colocar la cubierta de plástico del cojinete. Repita la misma operación con la otra ruedecilla.

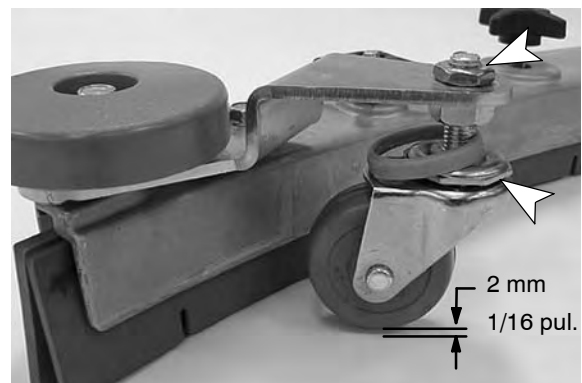


FIG. 54

- Durante el funcionamiento de la máquina, con las ruedecillas adecuadamente ajustadas, las láminas de la escobilla deben curvarse como se muestra (Figure 55).

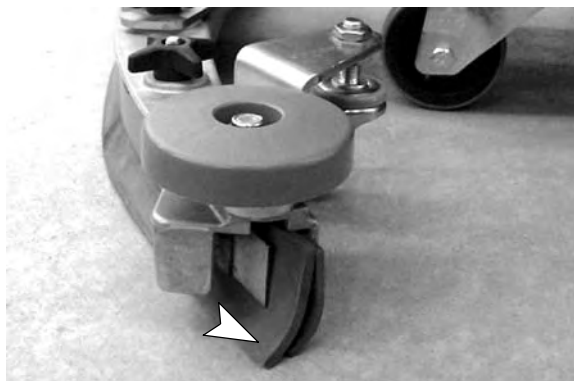


FIG. 55

MANTENIMIENTO DE LAS BATERÍAS

⚠ ADVERTENCIA: Peligro de incendio o explosión. Las baterías emiten hidrógeno. Mantenga chispas y llamas alejadas de la máquina. Mantenga el compartimento de la batería abierto mientras realiza la operación de carga.

PARA SU SEGURIDAD: Al revisar la máquina, utilice guantes y gafas de protección cuando manipule las baterías y sus cables. Evite el contacto con el ácido de la batería.

- Compruebe la densidad específica utilizando un densímetro para determinar el nivel de carga y el estado de las baterías (Figura 56). Si el valor de uno o más elementos de la batería es inferior al de los otros elementos de la batería (0,050 ó más), este elemento está deteriorado, en cortocircuito o a punto de fallar. Compare los valores obtenidos con el densímetro con los del siguiente esquema para determinar el nivel de carga que queda en la batería.

NOTA: No tome medidas inmediatamente después de añadir agua destilada. Si el agua y el ácido no están bien mezclados, es posible que el valor medido puede no sea correcto.

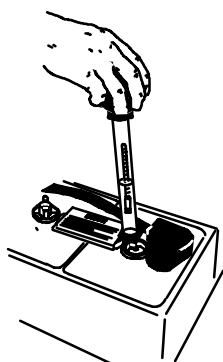


FIG. 56

DENSIDAD ESPECÍFICA a 27° C (80°F)	CARGA DE LA BATERÍA
1.265	100% DE CARGA
1.223	75% DE CARGA
1.185	50% DE CARGA
1.148	25% DE CARGA
1.110	DESCARGADA

NOTA: Si la temperatura del electrolito de la batería a la que se miden los valores no es de 27 °C (80 °F), deberá corregir el valor dependiendo de la temperatura. Sume o reste 0,004, 4 puntos, al valor de la densidad específica por cada 6 °C (43 °F) de diferencia por encima o debajo de 27 °C (80 °F).

- Siga siempre las instrucciones de la operación de carga (consulte CARGA DE LAS BATERÍAS).
- Controle el nivel de electrolito (A) en todos los elementos de las baterías después de realizar la operación de carga. El nivel debe estar a aproximadamente 1 cm (.375 in) de la parte inferior del orificio de llenado (B). Añada agua destilada en caso necesario (Figura 57). **NO LLENE EN EXCESO.**

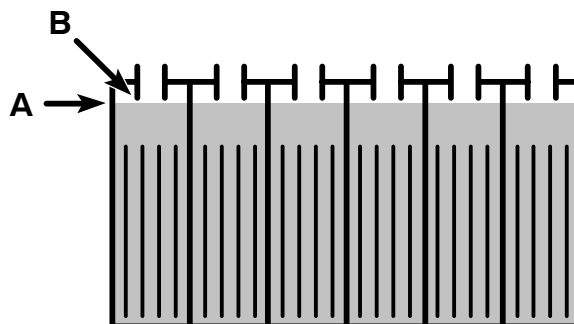


FIG. 57

- Mantenga limpias las partes superiores de las baterías para evitar la corrosión.

Limpieza de las baterías:

PARA SU SEGURIDAD: Al revisar la máquina, utilice guantes y gafas de protección cuando manipule las baterías y sus cables. Evite el contacto con el ácido de la batería.

- Haga una solución concentrada de bicarbonato y agua (Figure 58).



FIG. 58

- b. Rocíe ligeramente las partes superiores de las baterías y conectores de cables con la disolución.

NOTA: No permita que la solución de bicarbonato se introduzca en los elementos de las baterías.

- c. Utilice un cepillo de cerdas metálicas para limpiar los bornes y conectores de cables.
 - d. Después de la limpieza, aplique una capa de protector transparente de bornes de baterías a los bornes y conectores de cables.
5. Controle si existen cables gastados o sueltos. Sustitúyalos si están gastados.

TRANSPORTE DE LA MÁQUINA

Al transportar la máquina en un remolque o furgoneta, asegúrese de seguir las instrucciones indicadas a continuación:

1. Eleve la escobilla de goma y el cabezal de fregado.
2. Cargue la máquina utilizando la rampa de carga recomendada.
3. Coloque la parte delantera de la máquina contra la parte delantera del remolque o furgoneta. Una vez colocada la máquina en la posición correcta, baje el cabezal de fregado y la escobilla de goma.
4. Obstruya las ruedas para evitar que la máquina ruede.
5. Pase las cintas de afiance por la parte superior de la máquina para evitar que ésta vuelque. Es posible que sea necesario instalar puntos de afiance en el suelo del remolque o furgoneta.

PARA SU SEGURIDAD: Al transportar la máquina, utilice una rampa para cargarla/descargarla en/de un camión o remolque, utilice las cintas de sujeción para fijar la máquina al camión o remolque.

ALMACENAMIENTO DE LA MÁQUINA

1. Cargue las baterías antes de guardar la máquina. No guarde nunca máquina con las baterías descargadas.
2. Vacíe y aclare bien los depósitos.
3. Guarde la máquina en lugar fresco y seco, con la escobilla de goma y el cabezal de fregado en la posición elevada.
4. Abra la tapa del depósito de recuperación para facilitar la circulación de aire.

ATENCIÓN: No permita que la lluvia moje la máquina, guárdela en lugares cerrados.

5. Si guarda la máquina a temperaturas inferiores a 0°C (32°F, asegúrese de vaciar todo el agua de la máquina.

Para los modelos equipados con el Sistema FaST, siga el procedimiento PROTECCIÓN CONTRA HELADAS DEL SISTEMA FaST descrito a continuación.

PROTECCIÓN CONTRA HELADAS DEL SISTEMA FaST (Modelo FaST)

Se necesita un acoplamiento de válvula núm. 1002856 y una manguera de 15 cm (6.0 in) núm. 63182 (se adquieren por separado).

1. Desconecte el FaST-PAK del sistema FaST y pase la manguera de suministro por el cabezal de fregado (Figure 59).



FIG. 59

2. Conecte el acoplamiento de válvula, adquirido por separado, a la manguera de suministro y vacíe el concentrado restante en un contenedor pequeño. Retuerza la manguera de suministro varias veces si el concentrado no pasa



FIG. 60

3. Vuelva a pasar la manguera de suministro hasta el compartimento FaST-PAK. Enchufe la manguera de 15 cm (6.0 in), adquirida por separado, al acoplamiento de válvula y vierta anticongelante RV en la manguera hasta que se llene (Figura 61). Retuerza la manguera de suministro varias veces si el anticongelante no pasa.



FIG. 61

4. Mantenga la manguera en posición vertical para evitar que el anticongelante se derrame y baje el depósito de recuperación.
5. Haga funcionar el sistema FaST hasta que no salga más espuma. Este paso puede tardar entre 5 y 10 minutos.

6. Vacíe el depósito de disolución.
7. Retire el acoplamiento de válvula y ponga a la manguera de suministro el tapón de almacenamiento (Figura 62).



FIG. 62

8. Para vaciar el anticongelante, repita el proceso anterior de vaciado y vuelva a enchufar la manguera de suministro a FaST-PAK.

STOCK RECOMENDADO DE REPUESTOS

Para los artículos recomendados para mantener en existencia, referirse la al Lista de Piezas. Los artículos para mantener en stock están claramente identificados con una bala delante de la descripción de las piezas. Vea el ejemplo de abajo:

Ref.	Part No.	Description	Qty.
1	701193	ASBL, STANDPIPE	1
2	180612	●FLOAT, SHUTOFF	1
3	230197	NIFFLE	1
4	101714	●GASKET	1
5	210240	NUT, FLANGED	1

OPERACIÓN

LOCALIZACIÓN DE AVERÍAS

PROBLEMA	CAUSA	SOLUCIÓN
La máquina no funciona	No se ha tirado del aro de activación	Tire del aro de activación
	Baterías descargadas	Cargue las baterías
	Batería(s) defectuosa(s)	Sustituya la(s) batería(s)
	Cable de la batería suelto	Fije el cable suelto
	Fusible principal fundido	Sustituya el fusible
	Interruptor de la llave de contacto defectuoso	Póngase en contacto con el Centro de Servicio
El motor del cepillo no funciona	El cabezal de fregado no está en contacto con el suelo	Baje el cabezal de fregado
	El bloqueo del medidor de carga está activado	Recargue las baterías
	Se ha disparado el cortacircuitos del motor del cepillo	Reajuste el botón del cortacircuitos
	Interruptor del cabezal de fregado (subida/bajada) defectuoso	Póngase en contacto con el Centro de Servicio
	Activación defectuosa del conmutador del aro de activación	Póngase en contacto con el Centro de Servicio
	Motor del cepillo o cableado defectuoso	Póngase en contacto con el Centro de Servicio
	Escobillas de carbón gastadas	Póngase en contacto con el Centro de Servicio
La máquina no se desplaza (Modelo Impulsado)	Fusible principal fundido	Sustituya el fusible de 30 Amperios
	Relé defectuoso	Póngase en contacto con el Centro de Servicio
	Motor o cableado del eje de transmisión defectuoso	Póngase en contacto con el Centro de Servicio
	Escobillas de carbón gastadas	Póngase en contacto con el Centro de Servicio
El motor de aspiración no funciona	La escobilla de goma está elevada	La escobilla de goma está elevada
	Fusible del motor de aspiración fundido	Sustituya el fusible de 25 Amperios
	Motor de aspiración o cableado defectuoso	Póngase en contacto con el Centro de Servicio
	Escobillas de carbón gastadas	Póngase en contacto con el Centro de Servicio

LOCALIZACIÓN DE AVERÍAS - Continuación

PROBLEMA	CAUSA	SOLUCIÓN
Modelo FaST: El sistema FaST no funciona o no lo hace correctamente	El interruptor del sistema FaST no está encendido	Encienda el interruptor del sistema FaST
	La manguera de alimentación de FaST-PAK no está conectada	Conecte la manguera de alimentación
	Fusible de la bomba FaST fundido	Sustituya el fusible de 7,5 Amperios
	Manguera de alimentación o conectores del sistema FaST-PAK atascados	Sumerja en agua caliente para desatascar
	Envase de FaST-PAK vacío	Sustituya el envase de FaST-PAK
	Doblez en la manguera de suministro de FaST-PAK	Deshaga el doblez
	Sistema de disolución FaST atascado	Póngase en contacto con el Centro de Servicio
	Interruptor del sistema FaST defectuoso	Póngase en contacto con el Centro de Servicio
	Bomba averiada	Póngase en contacto con el Centro de Servicio
	Filtro del depósito de disolución atascado	Vacíe el depósito de disolución, retire el filtro del depósito de disolución, limpie y vuelva a montar
Rejilla del filtro/orificio bloqueado	Sustituya la rejilla del filtro/orificio. (Consulte MANTENIMIENTO ANUAL)	
Flujo de disolución escaso o nulo (fregado convencional)	Filtro del depósito de disolución o manguera de disolución atascados	Limpie el filtro del depósito de disolución o haga pasar agua por la manguera de disolución
	Válvula de disolución atascada	Retire la válvula y límpiela
	Mando de control de flujo de disolución demasiado bajo	Ajuste el mando de control de flujo de disolución
	Tornillo flojo en el mando de control	Calibre el mando y vuelva a apretar el tornillo

OPERACIÓN

LOCALIZACIÓN DE AVERÍAS - Continuación

PROBLEMA	CAUSA	SOLUCIÓN
Recogida de agua insuficiente	El depósito de recuperación está lleno	Vacíe el depósito de recuperación
	Tapón de la manguera de vaciado mal cerrado	Apriete el tapón
	Filtro del flotador de cierre del depósito de recuperación atascado	Limpie el filtro
	Conjunto de la escobilla de goma bloqueado	Limpie el conjunto de la escobilla
	Láminas de la escobilla de goma gastadas	Sustituya o gire las láminas de la escobilla de goma
	Curvatura de lámina de la escobilla inadecuada	Ajuste la altura de la lámina de la escobilla
	Conexiones de la manguera de aspiración sueltas	Conecte bien la manguera
	Manguera de aspiración atascada	Retire los residuos que provocan el atasco
	Manguera de aspiración deteriorada	Sustituya la manguera de aspiración
	Tapa del depósito de recuperación mal cerrada	Coloque la tapa adecuadamente
	Junta de la tapa del depósito de recuperación dañada	Sustituya la junta
	Motor de aspiración estropeado	Póngase en contacto con el Centro de Servicio
Escasa autonomía	Nivel de carga de la batería bajo	Recargue las baterías
	Carga baja de la batería	Recargue totalmente las baterías
	Baterías defectuosas	Sustituya la batería
	Las baterías requieren mantenimiento	Consulte la sección MANTENIMIENTO DE BATERÍAS
	Cargador de baterías defectuoso	Repáre o sustituya el cargador de baterías
La palanca de presión del cepillo está graduada para una presión mayor del cabezal de limpieza	Baje la palanca de presión del cepillo	

CÓDIGOS DE ERROR DE LA PANTALLA LED *(Indicador de nivel de batería del modelo impulsado)*

CÓDIGO (Segmentos parpadeantes de la pantalla LED)	ERROR	SOLUCIÓN
Primera	Bajo voltaje desactivado. La función de fregado se desactiva.	Recargue las baterías.
		Compruebe la conexión de la batería.
Segunda	El nivel de carga de las baterías está descendiendo.	Recargue las baterías.
Tercera	Motor impulsor activado.	Elimine el estado de sobrecarga y reinicie.
	Cortocircuite a motor impulsor.	Contacte con el Servicio Técnico
Cuarta	Bloqueo de batería	Recargue las baterías inmediatamente.
Octava	Controlador activado.	Contacte con el Servicio Técnico
Décima	Lectura del voltaje de la batería alto	Compruebe la conexión de la batería.
Sin segmentos	Modo sleep	Gire la llave para restaurar.
Segmentos fluctuantes	Acelerador desplazado.	Suelte el arco de activación.

OPERACIÓN

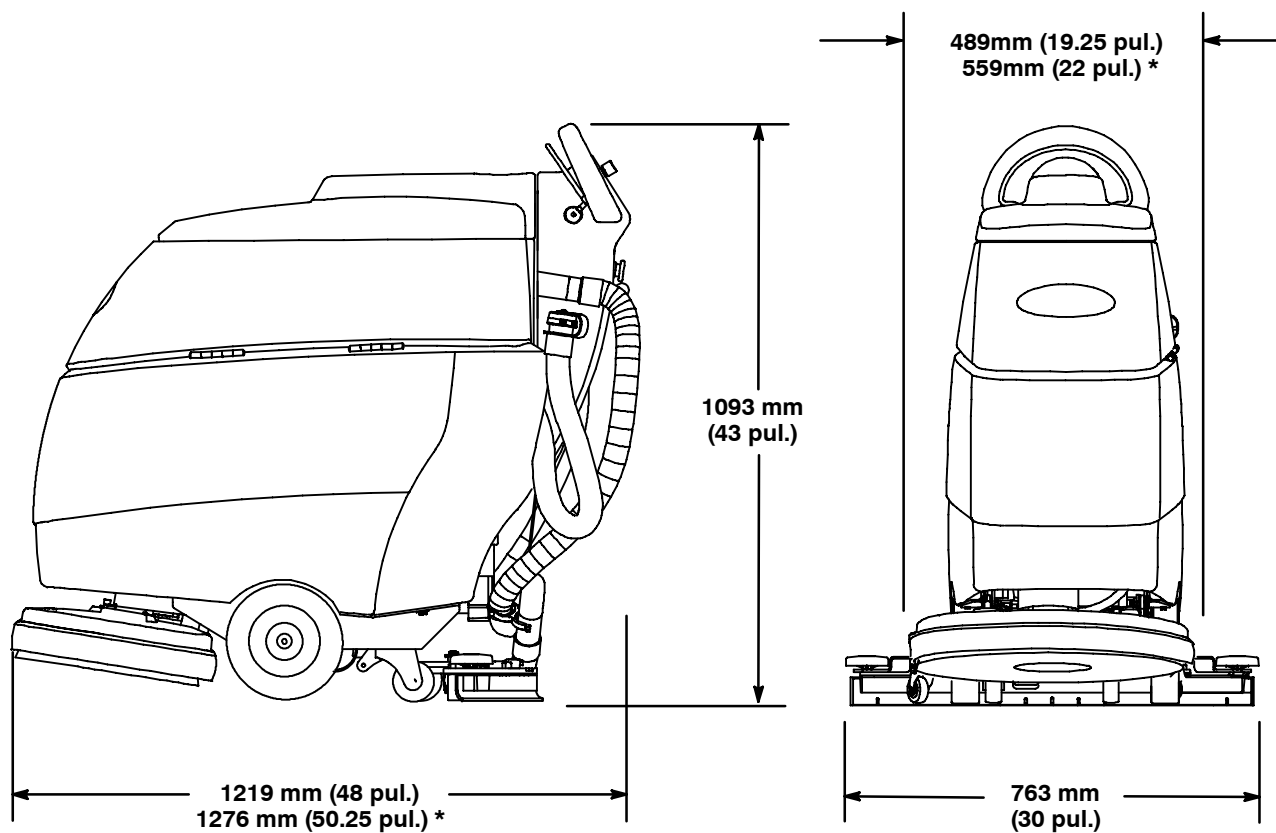
ESPECIFICACIONES

MODELO	43cm (17 pul.) Cepillo Asistido	50cm (20 pul.) Cepillo Asistido	50cm (20 pul.) w/impulsado
LONGITUD	1219 mm (48 pul.)	1276 mm (50.25 pul.)	1276 mm (50.25 pul.)
ANCHURA	489 mm (19.25 pul.)	559 mm (22 pul.)	559 mm (22 pul.)
	763 mm (30 pul.) con escurridor	763 mm (30 pul.) con escurridor	763 mm (30 pul.) con escurridor
ALTURA	1093 mm (43 pul.)	1093 mm (43 pul.)	1093 mm (43 pul.)
PESO	94 Kg (208 lbs)	95 Kg (210 lbs)	100 Kg (221 lbs)
	145 Kg (319 lbs) con baterías	156 Kg (343 lbs) con baterías	177 Kg (391 lbs) con baterías
CAPACIDAD DEL DEPÓSITO DE RECUPERACIÓN	40 L (10.5 gal)	40 L (10.5 gal)	40 L (10.5 gal)
CAPACIDAD DEL DEPÓSITO DE DISOLUCIÓN	40 L (10.5 gal)	40 L (10.5 gal)	40 L (10.5 gal)
SISTEMA IMPULSOR	Cepillo Asistido	Cepillo Asistido	Impulsado - Eje de transmisión, 24V, 0.104 Kw (.14 hp)
PRODUCTIVIDAD MEDIA	888 m ² (9,563 ft ²) por hora (modelo FaST)	1066 m ² (11,475 ft ²) por hora (modelo FaST)	1691m ² (18,207 ft ²) por hora (modelo FaST)
	784 m ² (8,438 ft ²) por hora	941m ² (10,125 ft ²) por hora	1492m ² (16,065 ft ²) por hora
ANCHURA DE LA PISTA DE LIMPIEZA	430 mm (17 pul.)	500 mm (20 pul.)	500 mm (20 pul.)
PRESION DE ALMOHADILLA/ CEPILLO	18.1 Kg (40 lbs) Y 31.75 Kg (70 lbs)	18.1 Kg (40 lbs) Y 31.75 Kg (70 lbs)	18.1 Kg (40 lbs) Y 31.75 Kg (70 lbs)
MOTOR DEL CEPILLO	24 V, 0.56 Kw (.75 hp), 240 rpm del cepillo	24 V, 0.56 Kw (.75 hp), 240 rpm del cepillo	24 V, 0.56 Kw (.75 hp), 240 rpm del cepillo
MOTOR DE ASPIRACIÓN	24 V, .373 kW (.5 hp), 2-vacío de 2 etapas 5.7, 13 A	24 V, .373 kW (.5 hp), de 2 etapas 5.7, 13 A	24 V, .373 kW (.5 hp), de 2 etapas 5.7, 13 A
ELEVACIÓN DEL AGUA	1016 mm (40 pul.)	1016 mm (40 pul.)	1016 mm (40 pul.)
TENSIÓN DE CC	24 VCC	24 VCC	24 VCC
BATERÍAS	2-12 V, 105AH @ 20 velocidad por hora	2-12 V, 130AH @ 20 velocidad por hora	2-12 V, 155AH @ 20 velocidad por hora
AUTONOMÍA POR CARGA	2.5 horas	2.5 horas	3 horas
CONSUMO ELÉCTRICO TOTAL	27 Amps @ 18.1 Kg (40 lbs) of presión del cepillo	29 Amps @ 18.1 Kg (40 lbs) of presión del cepillo	30 Amps @ 18.1 Kg (40 lbs) of presión del cepillo
	29 Amps @ 31.75 Kg (70 lbs) of presión del cepillo	30 Amps @ 31.75 Kg (70 lbs) of presión del cepillo	35 Amps @ 31.75 Kg (70 lbs) of presión del cepillo
DECIBELIOS A LA ALTURA DEL OIDO DEL OPERARIO, EN EL INTERIOR	68.5 dB(A)	68.5 dB(A)	68.5 dB(A)
NIVEL DE INCLINACIÓN MÁXIMO	8% (5°) en transporte 5% (3°) limpiando	8% (5°) en transporte 5% (3°) limpiando	8% (5°) en transporte 5% (3°) limpiando

SISTEMA FaST - MODELO FaST

BOMBA DE DISOLUCIÓN	24 voltios CC, 3,5 A, 5,6 LPM (1,5 GPM) de flujo, 4,13 bar (60 PSI) de ajuste de derivación
FLUJO DE LA DISOLUCIÓN	0.47 LPM (.125 GPM)
FLUJO DE CONCENTRADO	0.47 CC (.016 OZ) / CC/Minuto
RELACIÓN DE DILUCIÓN CONCENTRADO:AGU	1:1000

DIMENSIONES DE LA MÁQUINA



* Modelo de disco doble de 50 cm (20 pul.)

FONCTIONNEMENT

Ce manuel est fourni avec chaque nouveau modèle. Il fournit les instructions nécessaires au fonctionnement et à l'entretien.

Lisez complètement ce manuel et familiarisez-vous avec la machine avant de l'utiliser ou de l'entretenir.

Une liste complète de pièces détachées avec illustrations accompagne également chaque nouveau modèle. Utilisez la liste de pièces détachées pour commander des pièces de rechange. Avant de commander des pièces ou des fournitures, soyez sûr d'avoir avec vous le numéro de modèle de la machine et le numéro de série. Les pièces et les fournitures se commandent par téléphone ou par courrier auprès de tout centre de dépannage agréé, de tout distributeur ou de l'une des filiales du fabricant.

Cette machine vous fournira d'excellents services. Toutefois, vous obtiendrez les meilleurs résultats pour un prix de revient minimum si :

- La machine est manipulée avec un certain soin.
- La machine fait l'objet d'un entretien régulier conformément aux instructions d'entretien de ce manuel.
- L'entretien de la machine est effectué avec des pièces fournies par le fabricant ou des pièces équivalentes.

DONNÉES DE LA MACHINE

A remplir au moment de l'installation à titre de référence.

Modèle n° _____

Date d'installation - _____

N° série - _____



PROTECTION DE L'ENVIRONNEMENT

Veillez éliminer les matériaux d'emballage, les composants d'anciennes machines comme les batteries, les fluides dangereux tels que l'antigel ou l'huile, d'une manière sûre au point de vue environnemental, suivant la réglementation locale en vigueur en matière d'élimination des déchets.



N'oubliez pas de toujours recycler.

TABLE DES MATIÈRES

MESURES DE SÉCURITÉ	58	DÉPISTAGE DES PANNES	79
ÉTIQUETTES DE MISE EN GARDE	59	CODES D'ERREUR DEL	81
COMPOSANTS DE LA MACHINE	60	DONNÉES TECHNIQUES	82
SYMBOLES DU TABLEAU DE COMMANDE ...	60	DIMENSIONS DE LA MACHINE	83
INSTALLATION DE LA MACHINE	61	SYSTÈM ÉLECTRIQUE	84
DÉBALLAGE DE LA MACHINE	61	LISTE DES PIÈCES	86
MISE EN PLACE DES BATTERIES	61	GROUPE REMPLACEMENT DES BROSSES ET	
DESCRIPTION DU FONCTIONNEMENT DE LA		DU PIGNON MENANT DE PATIN	86
MACHINE	62	GROUPE RESERVOIR DE RECUPERATION	88
INFORMATIONS CONCERNANT LES BROSSES ET		ENSEMBLE DU RÉSERVOIR DE SOLUTION	90
LES PATINS	62	GROUPE PANNEAU DE COMMANDE,	
MISE EN SERVICE DE LA MACHINE	63	MODÈLE QUI PROPULSE	92
FIXATION DU BLOC DE RACLOIR	63	GROUPE PANNEAU DE COMMANDE,	
INSTALLATION DES BROSSES/PATINS ...	63	MODÈLE A ASSISTANCE DE BROSSSE ...	94
INSTALLATION DU FaST-PAK		GROUPE PANNEAU DE COMPOSANTS,	
(Modèle FaST)	64	MODÈLE QUI PROPULSE	96
REMPLISSAGE DU RÉSERVOIR		GROUPE PANNEAU DE COMPOSANTS,	
DE SOLUTION	65	MODÈLE A ASSISTANCE DE BROSSSE ...	98
FONCTIONNEMENT DE LA MACHINE	65	GROUPE ROUE, MODÈLE QUI PROPULSE	
VÉRIFICATIONS PRÉLIMINAIRES	65	(APRÈS LE NUMÉRO DE SÉRIE 10309875)	100
FONCTIONNEMENT DE LA MACHINE	66	GROUPE ROUE, MODÈLE QUI PROPULSE	
PENDANT LE FONCTIONNEMENT DE LA		(APRÈS LE NUMÉRO DE SÉRIE 10309875)	102
MACHINE	67	GROUPE ROUE, MODÈLE A ASSISTANCE DE	
INDICATEUR DE NIVEAU DES BATTERIES	68	BROSSSE (APRÈS LE NUMÉRO DE SÉRIE	
COUPE-CIRCUIT / FUSIBLES	68	10309875)	104
COMPTEUR HORAIRE	69	GROUPE ROUE, MODÈLE A ASSISTANCE DE	
VIDANGE DES RÉSERVOIRS	69	BROSSSE (AVANT LE NUMÉRO DE SÉRIE	
VIDANGE DU RÉSERVOIR DE		10309875)	106
RÉCUPÉRATION	69	GROUPE TÊTE DE BROSSAGE DISQUE	
VIDANGE DU RÉSERVOIR DE SOLUTION .	70	SIMPLE, 50 cm (20 in)	108
CHARGE DES BATTERIES	70	GROUPE TÊTE DE BROSSAGE DISQUE	
ENTRETIEN DE LA MACHINE	72	SIMPLE, 43 cm (17 in)	110
ENTRETIEN QUOTIDIEN	72	GROUPE DE LEVAGE DE LA TÊTE DE LAVAGE	
ENTRETIEN MENSUEL	74	(APRÈS LE NUMÉRO DE SÉRIE 10309875)	112
ENTRETIEN TRIMESTRIEL	74	GROUPE DE LEVAGE DE LA TÊTE DE LAVAGE	
ENTRETIEN ANNUEL	74	(APRÈS LE NUMÉRO DE SÉRIE 10309875)	114
REMPACEMENT DES LAMES		GROUPE SOLUTION, MODÈLE FaST	116
DE RALCOIR	75	GROUPE SOLUTION, MODÈLE STANDARD	118
RÉGLAGE DES LAMES DE RACLOIR	75	GROUPE DE LA RACLETTE	120
ENTRETIEN DES BATTERIES	76	GROUPE DE BATTERIE ET DE CHARGEUR,	
TRANSPORT DE LA MACHINE	77	MODÈLE QUI PROPULSE 12V/155AH,	
ENTREPOSAGE DE LA MACHINE	77	50 cm (20 in)	122
PROTECTION CONTRE LE GEL DU		GROUPE DE BATTERIE ET DE CHARGEUR,	
SYSTEME FaST (Modèle FaST)	77	MODÈLE A ASSISTANCE DE BROSSSE	
ARTICLES DE STOCK RECOMMANDÉS	78	12V/155AH, 50 cm (20 in)	123
		GROUPE DE BATTERIE ET DE CHARGEUR,	
		MODÈLE A ASSISTANCE DE BROSSSE	
		12V/105AH, 43 cm (17 in)	124

MESURES DE SÉCURITÉ

Cette machine est conçue pour un usage commercial. Elle est destinée exclusivement à nettoyer les sols intérieurs à surface dure et ne convient pas à un quelconque autre usage. Utilisez uniquement des patins, des brosses et des produits nettoyants pour sols autorisés dans le commerce, prévus pour l'application de la machine.

Tous les opérateurs sont tenus de lire et comprendre les consignes de sécurité suivantes et de se familiariser avec celles-ci.

Le symbole de mise en garde suivant et l'en-tête « POUR VOTRE SECURITE » sont utilisés tout au long de ce manuel comme indiqué dans leur description :

⚠ MISE EN GARDE : identifie la présence de dangers ou les opérations dangereuses susceptibles de blesser grièvement ou de provoquer la mort.

POUR VOTRE SECURITÉ : identifie les instructions qui doivent être suivies afin de garantir la sécurité lors de l'utilisation de l'équipement.

Le fait de ne pas respecter ces avertissements peut entraîner des blessures, un choc électrique, un incendie ou une explosion.

⚠ MISE EN GARDE : danger d'incendie ou d'explosion :

- N'utilisez jamais de liquides inflammables ou n'utilisez pas la machine dans ou près de liquides ou vapeurs inflammables ou de poussières combustibles.

Cette machine n'est pas équipée de moteurs protégés contre les explosions. Les moteurs électriques émettent des étincelles au moment du démarrage et pendant leur fonctionnement, ce qui peut entraîner un incendie instantané ou une explosion si la machine est utilisée dans une zone où des vapeurs/liquides inflammables ou des poussières combustibles, sont présents.

- Ne ramassez pas de matériaux inflammables ou de métaux réactifs.
- Les batteries émettent du gaz hydrogène. Évitez toute étincelle et toute flamme nue à proximité des batteries. Laissez ouvert le compartiment des batteries pendant la mise en charge.

⚠ MISE EN GARDE : danger électrique. Débranchez les câbles de la batterie avant l'entretien ou la réparation de la machine.

⚠ MISE EN GARDE : brosse en rotation. Éloignez vos mains. Coupez le contact avant de travailler sur la machine.

Les signaux d'information ci-après indiquent les situations potentiellement dangereuses pour l'opérateur ou l'équipement :

POUR VOTRE SECURITÉ :

1. N'utilisez pas la machine :
 - Avec des liquides inflammables ou près de vapeurs inflammables, afin d'éviter le risque d'explosion ou d'incendie instantané.
 - Si vous n'y êtes pas formé et autorisé.
 - Avant d'avoir lu et compris le manuel opérateur.
 - Si elle n'est pas en bon état de marche.
 - If not in proper operating condition.
2. Avant de mettre en marche la machine :
 - Assurez-vous que tous les dispositifs de sécurité se trouvent à leur place et fonctionnent correctement.
3. Lors de l'utilisation de la machine :
 - Roulez lentement sur les pentes et sur les surfaces glissantes.
 - Portez des chaussures antidérapantes.
 - Réduisez la vitesse dans les tournants.
 - Signalez immédiatement tout dommage occasionné à la machine ou tout mauvais fonctionnement.
 - Empêchez les enfants de jouer à proximité de la machine.
 - Suivez les instructions de mélange et de manipulation indiquées sur les conteneurs chimiques.
4. Avant de quitter ou d'entretenir la machine :
 - Arrêtez la machine sur une surface horizontale.
 - Coupez le contact de la machine.
 - Enlevez la clé.
5. Lors de l'entretien de la machine :
 - Évitez les pièces mobiles. Ne portez pas de veste ou de chemise large ou de manches amples.
 - Déconnectez les cosses des batteries avant de travailler sur la machine.
 - Portez des gants et des lunettes de protection lorsque vous maniez les batteries ou les câbles de batteries.

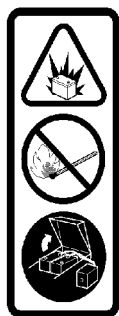
- Evitez tout contact avec l'acide des batteries.
- N'utilisez pas de jet de pression sur la machine. Un dysfonctionnement électrique risque de se produire.
- Utilisez des pièces de rechanges fournies ou agréées par le fabricant.
- Toutes les réparations doivent être effectuées uniquement par un technicien qualifié.
- Ne modifiez pas le design d'origine de la machine.
- Coupez le contact de la machine.
- Ne soulevez pas la machine lorsque les batteries sont installées.
- Demandez de l'aide pour soulever la machine.
- Lorsque vous chargez la machine sur le camion ou la remorque ou lorsque vous la déchargez, utilisez une rampe recommandée.
- Utilisez des sangles pour arrimer la machine sur le camion ou la remorque.
- Placez la tête de brosse en position basse.

6. Lors du transport de la machine :

ÉTIQUETTES DE MISE EN GARDE

Les étiquettes de mise en garde se trouvent sur la machine aux endroits indiqués. Remplacez les étiquettes lorsqu'elles sont endommagées ou qu'elles deviennent illisibles.

ÉTIQUETTE MISE EN GARDE - SITUÉE AU-DESSUS DE LA MACHINE.



ÉTIQUETTE CHARGE DE BATTERIE – Située sur la face inférieure du réservoir de récupération.

⚠ MISE EN GARDE : danger d'incendie ou d'explosion. Les batteries émettent du gaz hydrogène. Evitez toute étincelle et toute flamme nue à proximité des batteries. Laissez ouvert le compartiment des batteries pendant la mise en charge.

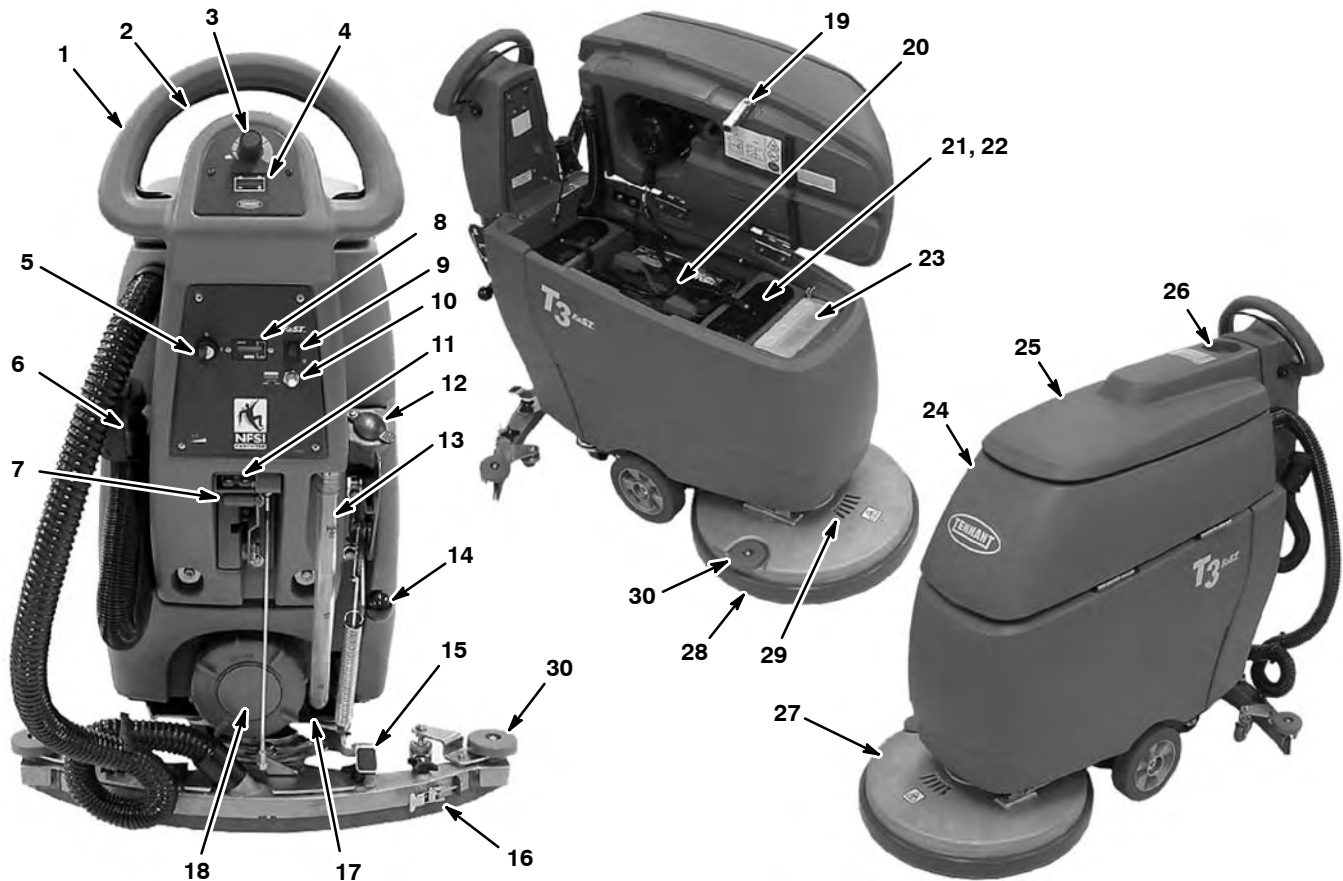


ÉTIQUETTE BROSSÉ EN ROTATION – Située sur la tête de brosse

⚠ MISE EN GARDE : brosse en rotation. Eloignez vos mains. Coupez le contact avant de travailler sur la machine.



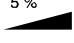






FONCTIONNEMENT

COMPOSANTS DE LA MACHINE



- | | |
|---|--|
| <ol style="list-style-type: none"> 1. Poignée de commande 2. Protection de démarrage de la poignée de commande 3. Bouton de commande de la vitesse (modèle tracté) 4. Indicateur du niveau de charge des batteries 5. Bouton d'arrêt d'urgence (modèle tracté) 6. Interrupteur de contact à clé 7. Compteur horaire 8. Interrupteur de marche/arrêt du système FaST (Modèle FaST) 9. Bouton de coupe-circuit du moteur de la brosse 10. Réceptacle de charge des batteries 11. Ouverture de remplissage au tuyau 12. Niveau/Tuyau de vidange du réservoir de solution 13. Pédale de levage de la tête de nettoyage 14. Levier de pression de brossage | <ol style="list-style-type: none"> 15. Bouton de commande du débit de solution 16. Ouverture de nettoyage du réservoir de solution 17. Levier du racloir 18. Tuyau de vidange du réservoir de récupération 19. Béquille de support du réservoir de solution 20. Batteries 21. Réservoir de solution 22. Ouverture de remplissage au seau/de nettoyage 23. Concentré FaST-PAK (Modèle FaST) 24. Réservoir de récupération 25. Couvercle du réservoir de récupération 26. Porte-gobelet 27. Tête de brossage 28. Jupe de la tête de brossage 29. Fenêtre du système d'entraînement du patin 30. Roulettes de mur |
|---|--|

SYMBOLES DU TABLEAU DE COMMANDE

	Interrupteur de contact à clé		Interrupteur de marche/arrêt du système FaST (Modèle FaST)		5% (3°) de déclivité maximale de la machine
	Petite vitesse		Coupe-circuit du moteur de la brosse		Commande du débit de solution
	Grande vitesse		Sens de la barre de commande bail		Parquer à Freiner

INSTALLATION DE LA MACHINE

DÉBALLAGE DE LA MACHINE

1. Vérifiez soigneusement si la caisse d'expédition ne présente pas de dommages. Signalez immédiatement tout dommage au transporteur.
2. Vérifiez la liste du contenu de la caisse. Contactez le distributeur pour tout élément manquant.

Contenu :

- 2 batteries de 12 V - Option
- Chargeur de batterie - Option
- 2 écarteurs de batterie en mousse (#630375)
- Chariot de batterie (#1012994)
- Câble de batterie de 38 cm (#130364)
- 4 manchons en caoutchouc de câbles de batterie
- 1 paquet de concentré FaST-PAK 365 (#1017015) (modèle FaST)
- Bloc de racler (#9001178)
- Pignon menant de patin - Option

Les brosses, les systèmes d'entraînement de patin et les patins doivent être achetés séparément.

3. Pour déballer votre machine, retirez les matériaux d'expédition et les sangles qui fixent la machine sur la palette. En vous faisant aider, soulevez avec précaution la machine de la palette.

ATTENTION : ne faites pas rouler la machine de la palette pour éviter de l'endommager, à moins d'utiliser une rampe.

ATTENTION : afin d'éviter le risque d'endommagement de la machine, installez les batteries après avoir retiré la machine de la palette d'expédition.

MISE EN PLACE DES BATTERIES

⚠ MISE EN GARDE : danger d'incendie ou d'explosion. Les batteries émettent du gaz hydrogène. Évitez toute étincelle et toute flamme nue à proximité des batteries. Laissez ouvert le capot du compartiment des batteries pendant la mise en charge.

POUR VOTRE SECURITÉ : lorsque vous entretenez la machine, portez des gants et des lunettes de protection quand vous maniez les batteries et les câbles de batterie. Évitez tout contact avec l'acide des batteries.

Spécifications des batteries:

Deux batteries de 12 volts plomb-acide à cycle intensif.

Batterie 105 AH - Modèle assistance de brosse 43 cm

Batterie 130 AH - Modèle assistance de brosse 50 cm

Batterie 155 AH - Modèle propulsion 50 cm

Dimensions maximales de la batterie : 174 mm l x 380 mm L x 284 mm H.

1. Arrêtez la machine sur une surface égale et retirez la clé.
2. Soulevez le réservoir de récupération pour accéder au compartiment de batteries (Figure 1).



FIG. 1

3. Placez avec précaution les batteries dans le chariot du compartiment de batteries et disposez les cosses des batteries comme illustré (Figure 2). Insérez les deux écarteurs en mousse près de les batteries, comme illustré.

ATTENTION : ne laissez pas tomber les batteries dans le compartiment, afin d'éviter d'endommager les batteries et le châssis de la machine.

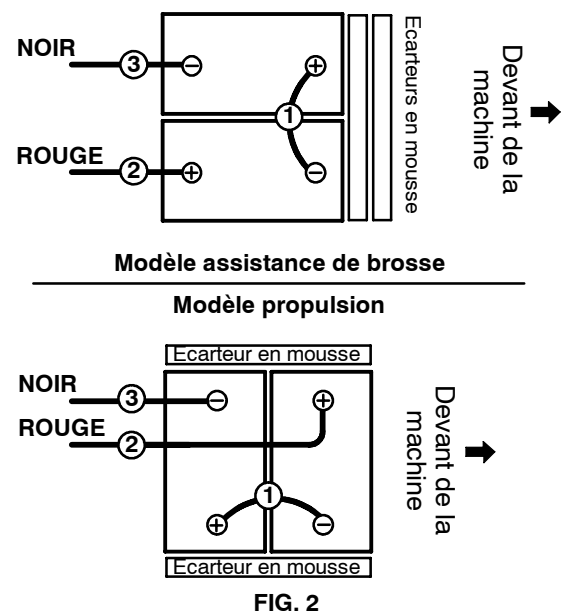


FIG. 2

FONCTIONNEMENT

- Avant de connecter les câbles de batterie, veillez à ce que les bornes et les cosses soient propres. Si nécessaire, utilisez un nettoyant pour cosses et une brosse métallique.

REMARQUE : appliquez une mince couche de graisse non métallique ou pulvérisez un produit de protection sur les connexions de câbles, afin d'empêcher la corrosion des batteries.

- Branchez les câbles sur les cosses des batteries dans l'ordre numérique indiqué (Figure 3), ROUGE SUR PLUS (+) et NOIR SUR MOINS (-).
- Après avoir installé les batteries, vérifiez le niveau de charge des batteries (Figure 3). Si nécessaire, rechargez les batteries. (Pour plus de détails, reportez-vous à INDICATEUR DU NIVEAU DE CHARGE DES BATTERIES, à la page 68)



FIG. 3

DESCRIPTION DU FONCTIONNEMENT DE LA MACHINE

Brossage conventionnel: L'eau et le détergent du réservoir de solution se répandent sur le sol au travers d'une vanne de solution à commande manuelle. La brosse utilise la solution de détergent et d'eau pour brosser le sol. Au fur et à mesure que la machine avance, le racloir essuie la solution salie sur le sol et la dirige vers le réservoir de récupération.

Brossage moussant (modèle FaST) : (Technologie de brossage moussant FaST) Contrairement au brossage conventionnel, le système FaST projette sur le sol la formule concentrée FaST-PAK avec un petit volume d'eau et d'air. Le mélange crée un grand volume de mousse humide expansée, permettant à la brosse de nettoyer le sol. A mesure que la machine avance, la mousse cesse d'être active et le racloir dirige vers le réservoir de récupération la solution salie, laissant le sol complètement sec et non-glissant.

FaST, *the Safe Scrubbing Alternative*™, est certifié par l'institut national de sécurité des sols (National Floor Safety Institute = NFSI) comme produisant des surfaces de passage à forte traction.

L'utilisation du brossage moussant (FaST) peut augmenter la productivité de 30% en réduisant vos cycles de vidage/remplissage. Elle permet également de réduire l'utilisation de produits chimiques ainsi que l'espace de stockage. Un FaST-PAK peut permettre le brossage de 90,000 mètres carrés.

REMARQUE : le modèle FaST peut également être utilisé pour le brossage conventionnel. Toutefois, il est important que vous suiviez les instructions de ce manuel, afin d'éviter une panne du système FaST.

INFORMATIONS CONCERNANT LES BROSSES ET LES PATINS

Afin d'obtenir les meilleurs résultats, utilisez le type de brosse adéquat pour vos opérations de nettoyage. Pour chaque opération, les types de brosses et de patins suivants sont recommandés :

Brosse dure à poils en polypropylène (noire) -
Article n°1016765 - 43 cm,
Article n° 1016811 - 50 cm

Cette brosse dure d'usage générale à poils de polypropylène est utilisée pour brosser la saleté légèrement compacte. Cette brosse est particulièrement adaptée pour l'entretien des sols en béton, en bois et en carreaux scellés au ciment.

Brosse dure à poils de nylon doux (Blanche) -
Article n° 1016764 - 43 cm,
Article n° 1016810 - 50 cm

Recommandée pour le nettoyage de sols muni d'un revêtement sans endommagement de la finition. Nettoie sans rayer.

Brosse dure à poils super abrasifs (Grise) -
Article n° 1016763 - 43 cm,
Article n° 1016805 - 50 cm

Fibre de nylon imprégnée avec du sable abrasif, pour éliminer la saleté et les taches. Action puissante sur toute surface. Bonnes performances sur les dépôts, la graisse ou les traces de pneus.

Patins de polissage (Blanc) -

Utilisé pour entretenir les sols fortement cirés ou polis.

Patins à buffler (Rouge) -

Utilisé pour le brossage à faible intensité, sans attaquer la finition du sol.

Patins de brossage (Bleu) -

Utilisé pour le brossage d'intensité moyenne. Enlève la saleté, les déchets et les éraflures, laissant une surface propre, prête pour un nouveau revêtement.

Patins à décaper (Marron) -

Utilisé pour décaper la finition de sol afin de préparer le sol pour un nouveau revêtement.

Patin de brossage à haut rendement (Noir) -

Utilisé pour le décapage agressif de finitions/peintures isolantes coriaces, ou pour le brossage à haut rendement.

MISE EN SERVICE DE LA MACHINE

FIXATION DU BLOC DE RACLOIR

1. Arrêtez la machine sur une surface égale et retirez la clé.
2. Soulevez le levier de levage du racloir en position supérieure (Figure 4).



FIG. 4

3. Montez le bloc de racloir sur le support de pivotement du racloir, comme illustré (Figure 5). Assurez-vous que les boutons sont complètement ajustés dans les fentes avant de les serrer.



FIG. 5

4. Branchez le tuyau d'aspiration sur le bloc de racloir. Faites une boucle comme illustré, en utilisant le collier de tuyau fourni (Figure 6).

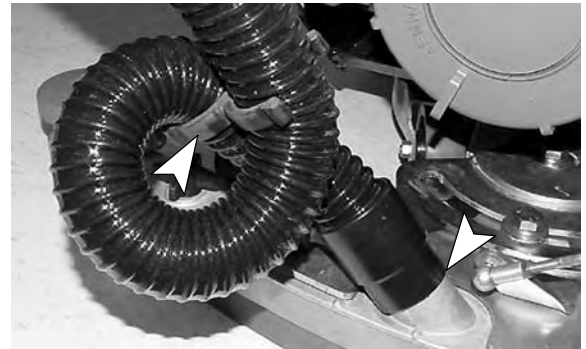


FIG. 6

5. Vérifiez le bon réglage des lames du racloir (Voir RÉGLAGE DES LAMES DU RACLOIR).

INSTALLATION DES BROSSES/PATINS

REMARQUE : Reportez-vous à la section **INFORMATIONS CONCERNANT LES BROSSES ET LES PATINS** de ce manuel ou consultez votre distributeur agréé pour des recommandations en matière de brosse et de patin.

1. Arrêtez la machine sur une surface égale et retirez la clé.
2. Appuyez sur la pédale de levage de la tête de brossage pour soulever du sol la tête de brossage (Figure 7).



FIG. 7

3. Fixez le patin sur le système d'entraînement avant d'installer le système. (Figure 8). Fixez le patin avec le verrou de centrage.

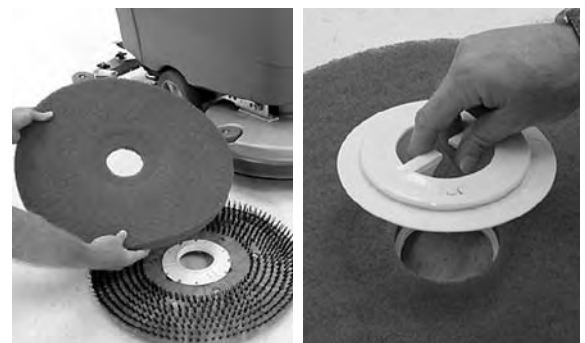


FIG. 8

FONCTIONNEMENT

4. Alignez les goujons de fixation dans les fentes du moyeu d'entraînement et effectuez une rotation rapide de l'entraîneur de patin, afin d'engager le ressort d'attache (Figure 9).



FIG. 9

5. Pour retirer le système d'entraînement de patin, attrapez le système et faites le pivoter rapidement en l'éloignant du ressort d'attache.

INSTALLATION DU FaST-PAK (Modèle FaST)

Concentré de nettoyant pour sols FaST 365
(#1017015)

ATTENTION : la formule de concentré FaST-PAK a été spécialement conçue pour le système FaST. N'utilisez JAMAIS un produit de substitution, ceci peut provoquer l'endommagement de la machine.

1. Retirez l'éjecteur perforé du carton de concentré FaST-PAK. N'enlevez pas le sac du carton. Tirez le raccord de tuyau au travers de l'éjecteur et retirez le bouchon orange (Figure 10).

POUR VOTRE SECURITÉ : lorsque vous utilisez la machine, suivez toujours les instructions de manipulation indiquées sur le conteneur chimique.



FIG. 10

2. Soulevez le réservoir de récupération pour accéder au compartiment de FaST-PAK. Branchez le tuyau d'alimentation sur le FaST-PAK et placez le carton de FaST-PAK dans le compartiment, comme illustré (Figure 11). Veillez à ce que le tuyau d'alimentation ne soit pas tortillé ni pincé.

REMARQUE : si du concentré séché est visible sur le raccord du tuyau d'alimentation ou sur le raccord FaST-PAK, trempez-les dans l'eau chaude et nettoyez-les.



FIG. 11

3. Lorsque vous n'utilisez pas le tuyau d'alimentation, veillez à le brancher sur le bouchon de stockage (Figure 12). Ceci permet d'éviter que le système de solution FaST sèche et obstrue le tuyau d'alimentation.



FIG. 12

REPLISSAGE DU RÉSERVOIR DE SOLUTION

La machine est équipée d'un orifice de remplissage au tuyau à l'arrière de la machine et d'une ouverture de remplissage au seau, située sous le réservoir de récupération (Figure 13). Avant d'accéder à l'ouverture de remplissage au seau, assurez-vous que le réservoir de récupération est vide.

Remplissez le réservoir de solution jusqu'à la marque de niveau « 40 L MAX » située sur le tuyau de vidange du réservoir de solution. Lorsque vous utilisez l'ouverture de remplissage au seau, arrêtez le remplissage lorsque le niveau atteint le bord inférieur de l'ouverture de remplissage (Figure 13).

POUR LE BROSSAGE MOUSSANT (modèle FaST) : REPLISSEZ LE RÉSERVOIR AVEC DE L'EAU CLAIRE FROIDE (< 21°C) UNIQUEMENT.

REMARQUE : n'utilisez PAS d'eau chaude et n'ajoutez PAS de détergents pour sols conventionnels ; vous risquez d'entraîner une panne du système FaST.

POUR LE BROSSAGE CONVENTIONNEL : remplissez le réservoir avec de l'eau (60 °C maximum). Versez un produit détergent recommandé dans le réservoir de solution, suivant les instructions de mélange figurant sur le flacon.



FIG. 13

REMARQUE : lorsque vous remplissez le réservoir de solution avec un seau, assurez-vous que le seau est propre. N'utilisez pas le même seau pour remplir et pour vider la machine.

ATTENTION : pour le brossage conventionnel, utilisez uniquement des produits détergents recommandés. Un endommagement de la machine dû à l'utilisation d'un détergent impropre, entraînera l'annulation de la garantie.

⚠ MISE EN GARDE : danger d'incendie ou d'explosion. N'utilisez jamais de liquides inflammables.

POUR VOTRE SECURITÉ : lorsque vous utilisez la machine, suivez les instructions de mélange et de manipulation indiquées sur les conteneurs chimiques.

FONCTIONNEMENT DE LA MACHINE

POUR VOTRE SECURITÉ : n'utilisez pas la machine avant d'avoir lu et compris le manuel opérateur.

⚠ MISE EN GARDE : danger d'incendie ou d'explosion. N'utilisez jamais la machine dans ou à proximité de liquides et vapeurs inflammables ou de poussières combustibles.

PREMIÈRE UTILISATION (Modèle FaST) : le système FaST est protégé contre le gel pendant le transport. Vous devez faire fonctionner le système FaST pendant 10 minutes pour répartir le mélange d'antigel RV/de concentré FaST, avant de pouvoir obtenir un moussage optimal.

VÉRIFICATIONS PRÉLIMINAIRES

- Balayez le sol et essuyez-le pour enlever la poussière.
- Vérifiez le niveau de l'indicateur de charge des batteries (Voir INDICATEUR DU NIVEAU DE CHARGE DES BATTERIES).
- Vérifiez l'usure du patin/de la ou des brosses.
- Vérifiez l'usure et le bon réglage des lames du racloir.
- Assurez-vous que le réservoir de récupération est vide et que le filtre d'arrêt à flotteur est installé et est propre.
- vérifiez l'usure de la jupe de la tête de brossage.
- Brossage moussant (modèle FaST) : vérifiez le niveau de concentré FaST-PAK.
- Brossage moussant (modèle FaST) : assurez-vous que le réservoir de solution est rempli uniquement d'eau claire froide, sans détergent.

FONCTIONNEMENT DE LA MACHINE

1. Tournez la clé de contact en position de marche (I) (Figure 14).



FIG. 14

2. Modèle FaST : pour le brossage moussant, placez le bouton du système FaST en position de marche (I) (Figure 15).

REMARQUE : n'allumez PAS l'interrupteur du système FaST lors d'un brossage conventionnel. Les détergents/régénérateurs conventionnels peuvent provoquer la panne du système d'injection FaST. Videz, rincez et remplissez le réservoir de solution avec de l'eau claire froide juste avant de faire fonctionner le système FaST.



FIG. 15

3. Abaissez le racloir sur le sol en abaissant le levier de soulèvement du racloir (Figure 16). Le moteur d'extraction démarre automatiquement.

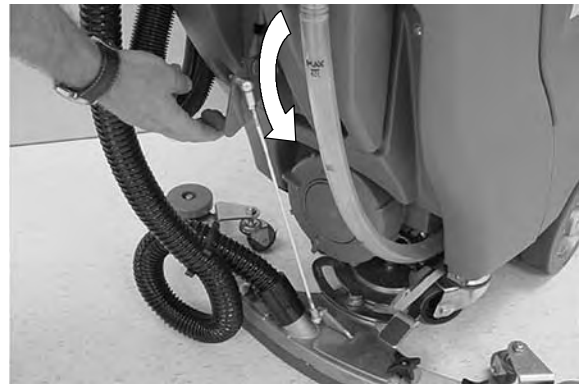


FIG. 16

4. Abaissez la tête de brossage sur le sol en appuyant sur la pédale de soulèvement de la tête de brossage, comme illustré (Figure 17).



FIG. 17

5. Tirez vers l'arrière la protection de démarrage de la poignée de commande pour démarrer le brossage (Figure 18). Le modèle tracté avance automatiquement. Pour inverser la marche du modèle tracté, il suffit de pousser vers l'avant la protection de démarrage de la poignée de commande.



FIG. 18

6. Modèle tracté : réglez le bouton de commande de la vitesse pour obtenir la vitesse de broissage souhaitée (Figure 19).

REMARQUE : la vitesse de broissage recommandée est de 45 à 60 mètres par minute.



FIG. 19

7. Pour le broissage conventionnel, tournez le bouton de commande du débit de solution pour obtenir le débit de solution souhaité (Figure 20).

REMARQUE : Modèle FaST - Lors de l'utilisation du système FaST, le bouton de commande du débit de solution ne fonctionne pas. Le système FaST a un débit de solution défini.

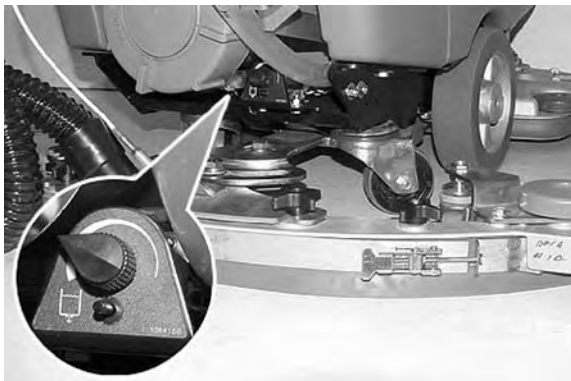


FIG. 20

8. Lorsqu'une pression de broissage plus importante est requise pour des zones particulièrement sales, il vous suffit de soulever le levier de pression de broissage (Figure 21).



FIG. 21

9. Pour arrêter le broissage, relâchez la protection de démarrage de la poignée de commande, soulevez la tête de broissage et le racloir.

PENDANT LE FONCTIONNEMENT DE LA MACHINE

⚠ MISE EN GARDE : danger d'incendie ou d'explosion. Ne ramassez pas de matériaux inflammables ou de métaux réactifs.

1. Chevauchez chaque trace de broissage de 5 cm.
2. Déplacez constamment la machine pour éviter d'endommager la finition du sol.
3. Essuyez les lames du racloir avec un chiffon si les lames laissent des traînées. Balayez au préalable la zone pour éviter la formation de traînées.
4. N'utilisez pas la machine sur des pentes dépassant 5% (3°).

POUR VOTRE SECURITÉ : lors de l'utilisation de la machine, roulez lentement sur les pentes et sur les surfaces glissantes.

5. Broissage conventionnel : versez une solution de contrôle de mousse recommandée dans le réservoir de récupération, si un excès de mousse apparaît.

ATTENTION : veillez à ne pas laisser pénétrer de mousse dans le filtre d'arrêt à flotteur, afin d'éviter l'endommagement du moteur de l'extracteur. La mousse n'active pas le filtre d'arrêt à flotteur.

6. Utilisez la méthode du double broissage pour les zones très sales. Brossez d'abord la zone avec le racloir relevé, laissez agir la solution entre 3 et 5 minutes, puis brossez la zone une deuxième fois, avec le racloir abaissé.
7. Changez ou permutez les patins si nécessaire.
8. Vérifiez le niveau de l'indicateur de charge des batteries (Voir INDICATEUR DU NIVEAU DE CHARGE DES BATTERIES).
9. Vérifiez le tuyau de niveau du réservoir de solution pour voir la quantité de solution restante. 10 litres sont nécessaires environ pour un broissage conventionnel de 10 minutes, 20 minutes en cas de broissage moussant avec le modèle FaST.
10. Lorsque le réservoir de solution est vide, videz le réservoir de récupération avant le remplissage.
11. Lorsque vous laissez la machine sans surveillance, retirez la clé et engagez le frein parking.
12. Effectuez les procédures d'entretien quotidiennes après le broissage (Voir ENTRETIEN DE LA MACHINE).

INDICATEUR DE NIVEAU DES BATTERIES

L'indicateur de niveau des batteries indique le niveau de charge des batteries. Lorsque les batteries sont chargées complètement, tous les voyants sont allumés. Au fur et à mesure que les batteries se déchargent, les voyants s'éteignent de la droite vers la gauche. Afin de prolonger la durée de vie des batteries, ne laissez pas les voyants passer sous le niveau de charge décrit ci-dessous.

REMARQUE : rechargez les batteries **UNIQUEMENT** lorsque la machine est utilisée pendant un total de 30 minutes ou plus.

INDICATEUR DE NIVEAU DES BATTERIES DU MODÈLE TRACTÉ : lorsque le niveau de charge atteint la première lumière rouge, arrêtez le brossage et rechargez les batteries (Figure 22). Si la dernière lumière rouge commence à clignoter, la fonction de brossage s'arrête automatiquement. Ceci permet de protéger les batteries contre un déchargement total. Amenez la machine vers la zone de mise en charge et rechargez les batteries immédiatement.

REMARQUE : L'indicateur de niveau des batteries du modèle tracté, affiche également les codes d'erreur de la machine. Si une erreur/panne est détectée, les barres DEL éclairent des codes d'erreur spécifiques (Voir **CODES D'ERREUR DEL**).



FIG. 22

MODÈLE À ASSISTANCE DE BROSSE: lorsque le niveau de charge atteint la dernière lumière jaune, celle-ci se met à clignoter ; arrêtez le brossage et rechargez les batteries (Figure 23). Si la lumière rouge apparaît, la fonction de brossage s'arrête automatiquement. Ceci permet de protéger les batteries contre un déchargement total. Rechargez les batteries immédiatement.



FIG. 23

COUPE-CIRCUIT / FUSIBLES

La machine est équipée d'un coupe-circuit réenclenchable, afin de protéger le moteur de la brosse contre les dommages. Le bouton du coupe-circuit est situé sur le tableau de bord (Figure 24). Si le coupe-circuit se déclenche, déterminez la cause, laissez refroidir le moteur, puis réenclenchez manuellement le bouton du coupe-circuit.

La machine est également équipée de trois fusibles situés sous le panneau de commande : fusible principal 30 A (modèle tracté), fusible principal 5 A (modèle à assistance de brosse), fusible du moteur d'extracteur 25 A et fusible de pompe FaST 7,5 A. Lorsque vous remplacez un fusible, n'utilisez jamais un fusible d'une capacité supérieure à la capacité spécifiée.

Contactez un service de réparation agréé pour les réparations de la machine.



FIG. 24

COMPTEUR HORAIRE

Le compteur horaire enregistre le nombre total d'heures d'activité du moteur de la brosse. Utilisez le compteur horaire pour déterminer quand effectuer les procédures d'entretien recommandées et pour enregistrer l'historique des opérations d'entretien (Figure 25).



FIG. 25

VIDANGE DES RÉSERVOIRS

Le réservoir de récupération doit être vidé et nettoyé après chaque utilisation. Le réservoir de solution doit être nettoyé périodiquement, afin d'éliminer toute corrosion.

Transportez la machine vers un site de vidange, coupez le contact et suivez les instructions de vidange ci-dessous :

POUR VOTRE SECURITÉ : avant de quitter ou d'entretenir la machine, arrêtez la machine sur une surface horizontale, coupez le contact et enlevez la clé.

VIDANGE DU RÉSERVOIR DE RÉCUPÉRATION

1. Retirez le bouchon du tuyau de drainage du réservoir de récupération en le tournant dans le sens contraire des aiguilles d'une montre et videz le réservoir (Figure 26).

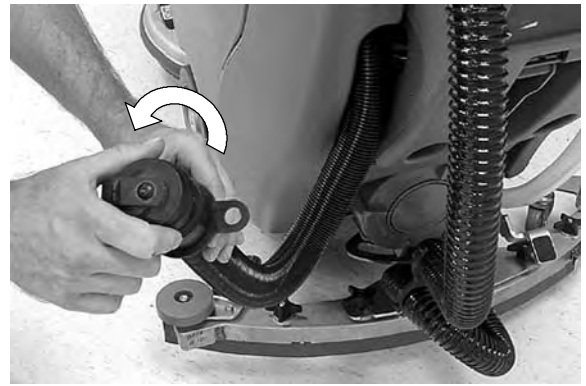


FIG. 26

REMARQUE : si vous utilisez un seau pour vidanger la machine, n'employez pas le même seau pour remplir le réservoir de solution.

2. Ouvrez le couvercle du réservoir de récupération et rincez le réservoir. Utilisez un chiffon pour éliminer tout surplus de saleté (Figure 27).



FIG. 27

3. Retirez du réservoir de récupération le filtre d'arrêt à flotteur et nettoyez-le (Figure 28).



FIG. 28

VIDANGE DU RÉSERVOIR DE SOLUTION

1. Pour vider l'eau restante du réservoir de solution, tirez le tuyau de niveau du réservoir de solution hors du raccord de tuyau, comme illustré (Figure 29).



FIG. 29

2. Pour rincer le réservoir de solution, retirez le bouchon de nettoyage situé à l'arrière de la machine et aspergez de l'eau (60° C maximum) directement dans les deux orifices de remplissage situés sous le réservoir de récupération (Figure 30).

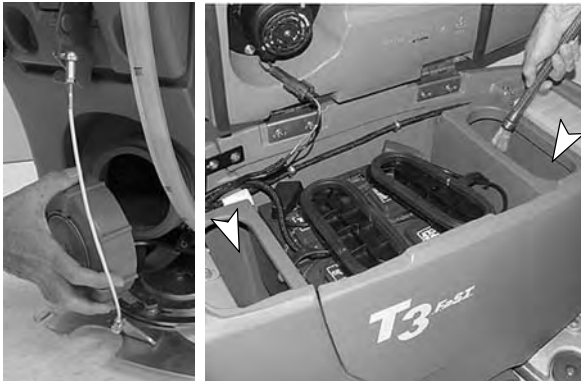


FIG. 30

3. Retirez le filtre du réservoir de solution et nettoyez-le (Figure 31). Tournez le filtre dans le sens contraire des aiguilles d'une montre pour le retirer.



FIG. 31

4. Après le rinçage du réservoir, remplacez fermement le filtre du réservoir de solution, nettoyez le bouchon les couvercles des orifices de remplissage et le tuyau.

CHARGE DES BATTERIES

ATTENTION : pour prolonger la durée de vie des batteries et obtenir des performances optimales, rechargez les batteries UNIQUEMENT après une durée d'utilisation totale de 30 minutes ou plus. Ne laissez jamais les batteries se décharger sur de longues périodes.

Les instructions de mise en charge ci-dessous sont destinées uniquement aux chargeurs de batteries fournis avec la machine. Utilisez uniquement un chargeur de batterie ayant les caractéristiques ci-dessous, afin d'éviter l'endommagement des batteries.

SPÉCIFICATIONS DU CHARGEUR DE BATTERIES:

- TYPE DE CHARGEUR :
 - POUR DES BATTERIES PLOMB-ACIDE
- TENSION DE SORTIE - 24 VOLTS
- COURANT DE SORTIE - 15 AMPÈRES
- CIRCUIT DE COUPURE AUTOMATIQUE
- POUR LA MISE EN CHARGE DE BATTERIES A CYCLE INTENSIF

1. Transportez la machine dans un endroit bien aéré pour recharger les batteries.

⚠ MISE EN GARDE : danger d'incendie ou d'explosion. Les batteries émettent du gaz hydrogène. Evitez toute étincelle et toute flamme nue à proximité des batteries. Laissez ouvert le compartiment des batteries pendant la mise en charge.

2. Arrêtez la machine sur une surface égale et retirez la clé.

3. Avant de mettre en charge les batteries, vérifiez le niveau d'électrolyte dans chaque élément de batterie (Figure 32).



FIG. 32

POUR VOTRE SECURITÉ : lorsque vous entretenez la machine, portez des gants et des lunettes de protection quand vous maniez les batteries et les câbles de batterie. Evitez tout contact avec l'acide des batteries.

Le niveau d'électrolyte (A) doit légèrement recouvrir les plaques de batteries (B). Ajoutez de l'eau distillée si nécessaire. **NE REMPLISSEZ PAS TROP**, le fluide va augmenter de volume et risque de déborder lors de la mise en charge. Remettez les bouchons sur les éléments, avant la mise en charge (Figure 33).

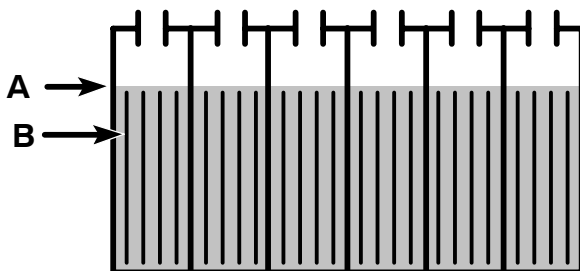


FIG. 33

4. Posez le réservoir de récupération sur la béquille de support, afin de faciliter la ventilation durant la mise en charge (Figure 34).

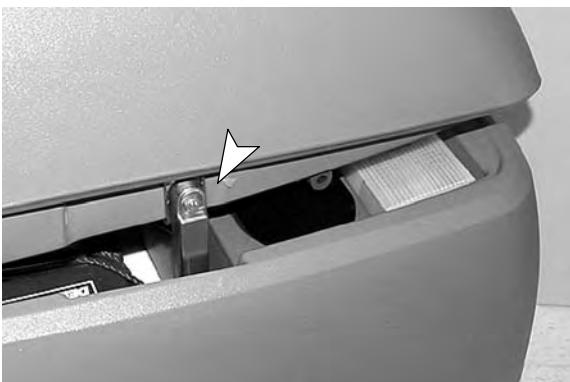


FIG. 34

5. Branchez le cordon d'alimentation CA du chargeur sur une prise mise à la terre correctement (Figure 35).
6. Branchez le cordon de courant continu du chargeur sur la prise de batterie située à l'arrière de la machine (Figure 35).

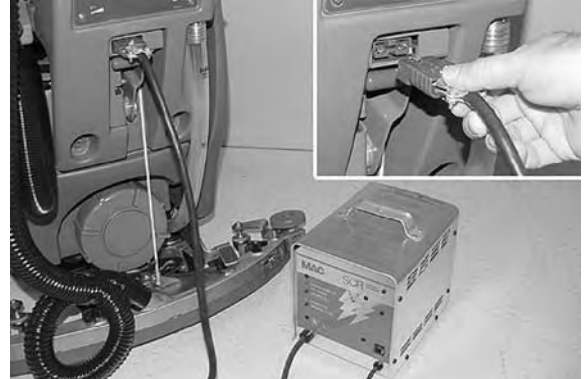


FIG. 35

7. Le chargeur commence automatiquement à charger et se coupe lorsque les batteries sont complètement chargées.

REMARQUE : la machine ne fonctionne plus dès que le chargeur de batterie est branché.

ATTENTION : ne débranchez pas le cordon d'alimentation en courant continu de la prise de la machine lorsque le chargeur est en fonctionnement. Ceci peut provoquer des étincelles. Si le chargeur doit être arrêté durant la mise en charge, débranchez d'abord le cordon d'alimentation en courant alternatif.

⚠ MISE EN GARDE : danger d'incendie ou d'explosion. Les batteries émettent du gaz hydrogène. Evitez toute étincelle et toute flamme nue à proximité des batteries. Laissez ouvert le compartiment des batteries pendant la mise en charge.

8. Batteries plomb-acide : après le chargement, vérifiez le niveau d'électrolyte (A) des batteries. Le niveau doit se trouver environ à 1 cm du bord inférieur de l'orifice de remplissage (B) (Figure 36). Ajoutez de l'eau distillée si nécessaire. **NE REMPLISSEZ PAS TROP.**

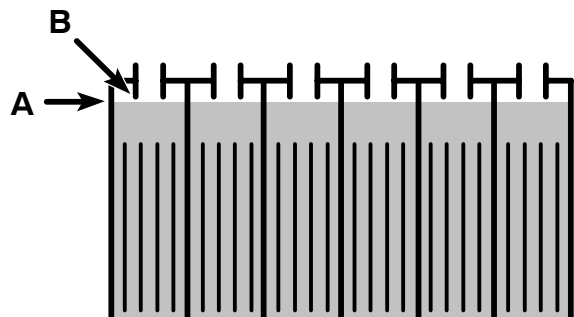


FIG. 36

ENTRETIEN DE LA MACHINE

Pour garder la machine en bon état de marche, il suffit d'observer les procédures d'entretien quotidien, mensuel et trimestriel.

⚠ MISE EN GARDE : danger électrique.
Débranchez les câbles de la batterie avant l'entretien ou la réparation de la machine.

ENTRETIEN QUOTIDIEN (À la suite Tout Utilité)

1. Vidangez et nettoyez le réservoir de récupération (Figure 37).



FIG. 37

2. Retirez du réservoir de récupération le filtre d'arrêt à flotteur et nettoyez-le (Figure 38).



FIG. 38

3. Videz le réservoir de solution et rincez l'intérieur avec de l'eau (60° C maximum), le cas échéant (Figure 39)

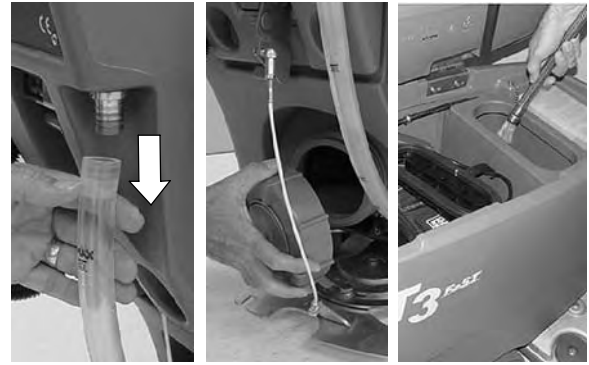


FIG. 39

4. Retirez le filtre du réservoir de solution et nettoyez-le (Figure 40). Tournez le filtre dans le sens contraire des aiguilles d'une montre pour le retirer.



FIG. 40

5. Retirez et nettoyez le patin/la brosse. Retournez le patin ou remplacez-le en cas d'usure (Figure 41).



FIG. 41

6. Essuyez les lames du racloir (Figure 42). Entreposez le bloc de racloir en position relevée, afin d'éviter l'endommagement de la lame.

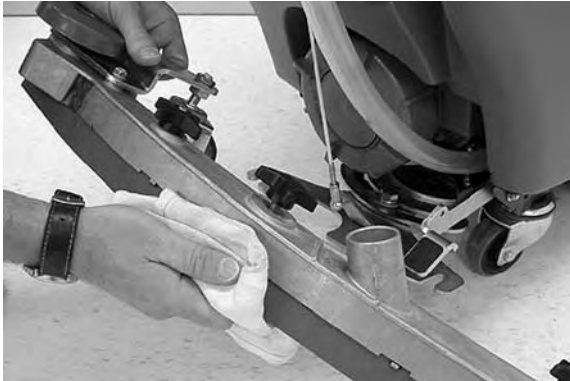


FIG. 42

7. Vérifiez l'état du bord nettoyant de la lame de racloir (Figure 43). Faites pivoter la lame en cas d'usure. (Voir REMPLACEMENT DES LAMES DE RACLOIR)



FIG. 43

8. Nettoyez la machine avec un produit nettoyant tous usages et un chiffon humidifié (Figure 44).

POUR VOTRE SECURITÉ : lorsque vous nettoyez la machine, n'utilisez pas de jet de pression sur la machine. Un dysfonctionnement électrique risque de se produire.



FIG. 44

9. Examinez l'état de la jupe de la tête de brossage ; remplacez-la en cas d'usure ou d'endommagement (Figure 45).



FIG. 45

10. Modèle FaST : branchez le tuyau d'alimentation FaST-PAK sur le bouchon de stockage lorsque vous ne l'utilisez pas (Figure 46). Eliminez toute trace de concentré séché du raccord du tuyau, en le trempant dans de l'eau chaude.



FIG. 46

11. Rechargez les batteries après une durée d'utilisation totale de 30 minutes ou plus (Figure 47). (Voyez CHARGEMENT DES BATTERIES)

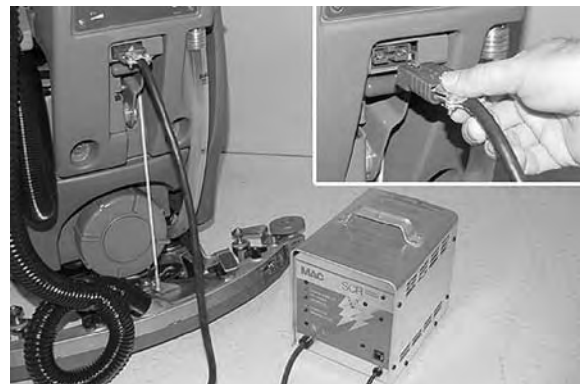


FIG. 47

ENTRETIEN MENSUEL

(Toutes les 80 heures de service)

1. Batteries plomb-acide : nettoyez la partie supérieure des batteries pour éviter la corrosion (Voir ENTRETIEN DES BATTERIES).
2. Vérifiez le serrage des connecteurs de câble de batterie.
3. Examinez et nettoyez le joint du couvercle du réservoir de récupération (Figure 48). Remplacez-le s'il est endommagé.



FIG. 48

4. Lubrifiez toutes les articulations et les roulettes avec du silicone sous forme de spray ; puis, appliquez-y une graisse imperméable pour assurer un fonctionnement régulier.
5. Vérifiez le serrage des écrous et des boulons de la machine.
6. Vérifiez la présence de fuites sur la machine.

ENTRETIEN TRIMESTRIEL

Toutes les 250 heures, vérifiez l'usure des balais de charbon du moteur de l'arbre de transmission (modèle 50 cm), du moteur d'extraction et du moteur de la brosse. Remplacez les balais lorsqu'ils mesurent 10 mm ou moins.

Contactez un service de réparation agréé pour les réparations de la machine.

⚠ MISE EN GARDE : danger électrique.
Débranchez les câbles de la batterie avant l'entretien ou la réparation de la machine.

ENTRETIEN ANNUEL

(Toutes les 1,000 heures de service)

Modèle FaST uniquement :

nettoyez ou remplacez la plaque d'orifice et le filtre-tamis situé à l'intérieur du dispositif d'injection de solution. Commandez le kit d'entretien n° 9001489.

1. Pour accéder à la plaque d'orifice et au filtre, abaissez la tête de brossage et retirez le dispositif d'injection des étriers situés derrière le bord avant de la machine (Figure 49).

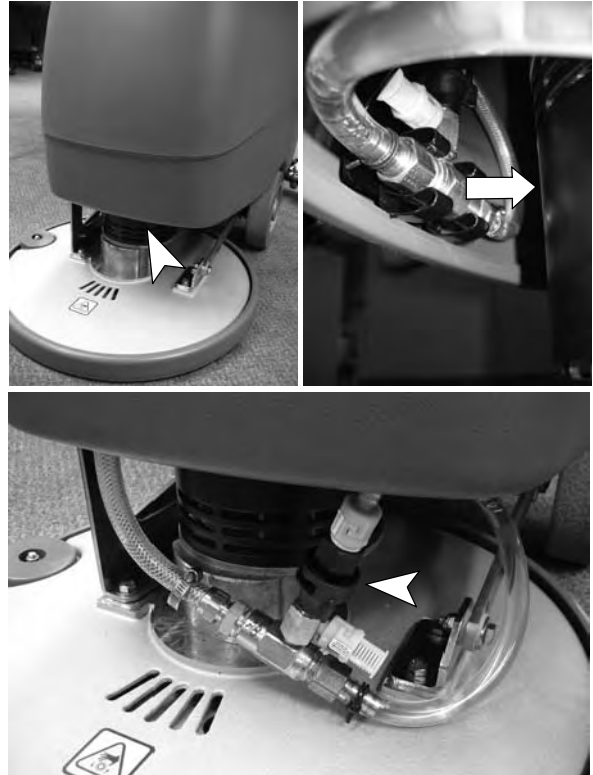


FIG. 49

2. Ouvrez le compartiment du filtre noir et nettoyez ou remplacez la plaque d'orifice et le filtre (Figure 50).

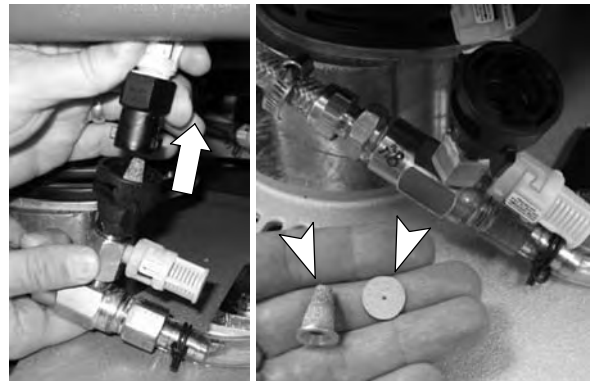


FIG. 50

REPLACEMENT DES LAMES DE RALCOIR

Chaque lame de racloir possède quatre bords nettoyants. Lorsque les lames sont usées, il suffit de faire pivoter les lames bout à bout ou de haut en bas pour obtenir un nouveau bord nettoyant. Remplacez la lame lorsque les quatre bords sont usés.

1. Retirez de la machine le bloc de racloir.
2. Détachez l'agrafe de la bande et retirez la bande du bloc de racloir (Figure 51).

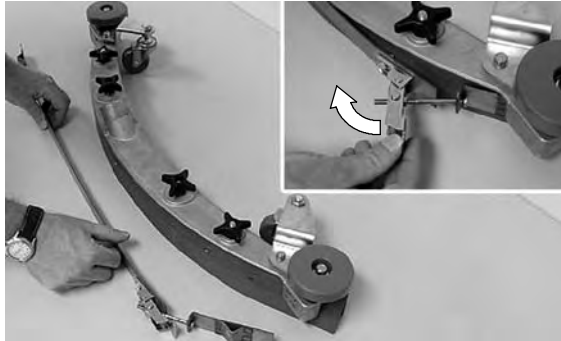


FIG. 51

3. Faites pivoter la lame arrière pour obtenir un nouveau bord nettoyant et réinstallez la bande. Assurez-vous que le bord cranté de la bande se trouve vers le bas (Figure 52)..



FIG. 52

4. Pour remplacer la lame avant, retirez la lame arrière et desserrez complètement les quatre boutons du bloc de racloir ; ne retirez pas les boutons. Soulevez et inclinez la plaque de retenue pour accéder à la lame avant (Figure 53). Faites pivoter la lame avant pour obtenir un nouveau bord nettoyant et réinstallez la plaque de retenue. Veillez à ce que les ergots de la plaque de retenue s'engagent dans les fentes de la lame. Réinstallez la bande et resserrez les boutons.

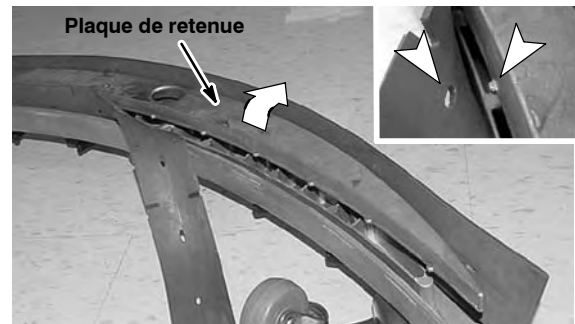


FIG. 53

RÉGLAGE DES LAMES DE RALCOIR

Pour une performance optimale des lames de racloir, les roulettes du bloc de racloir doivent être réglées à une hauteur spécifique, comme décrit ci-dessous.

For optimum squeegee blade performance, the squeegee assembly casters must be adjusted to a specified height as described below.

1. Pour vérifier le bon réglage du bloc de racloir, retirez le bloc de racloir de la machine et placez-le sur une surface égale. Mesurez la distance entre la roulette et la surface. Cette distance doit être environ 3 mm (Figure 54).
2. Pour régler la hauteur de roulette, desserrez l'écrou supérieur et retirez le carter en plastique du roulement pour accéder à l'écrou de réglage. Tournez l'écrou de réglage jusqu'à ce que vous obteniez le bon réglage (Figure 54). Après le réglage, resserrez l'écrou supérieur et remplacez le carter en plastique du roulement. Répétez l'opération pour l'autre roulette.

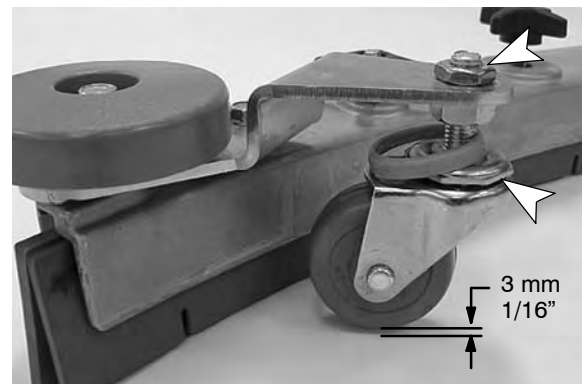


FIG. 54

FONCTIONNEMENT

3. Durant le fonctionnement de la machine avec les roulettes réglées correctement, les lames de racler doivent avoir une déflexion comme illustré (Figure 55).



FIG. 55

ENTRETIEN DES BATTERIES

⚠ MISE EN GARDE : danger d'incendie ou d'explosion. Les batteries émettent du gaz hydrogène. Evitez toute étincelle et toute flamme nue à proximité des batteries. Laissez ouvert le compartiment des batteries pendant la mise en charge.

POUR VOTRE SECURITÉ : lorsque vous entretenez la machine, portez des gants et des lunettes de protection quand vous maniez les batteries et les câbles de batterie. Evitez tout contact avec l'acide des batteries.

1. Vérifiez la densité spécifique à l'aide d'un hydromètre, pour déterminer le niveau de charge et l'état des batteries (Figure 56). Si un ou plusieurs des éléments des batteries est (sont) plus faible(s) que les autres éléments des batteries (de 0,050 ou plus), cela signifie que l'élément (les éléments) est (sont) endommagé(s), que sa (leur) capacité est réduite ou qu'il(s) va (vont) bientôt tomber en panne. Comparez les mesures hydrométriques avec le tableau suivant pour déterminer le niveau de charge.

REMARQUE : n'effectuez pas de mesures juste après avoir ajouté de l'eau distillée. Si l'eau et l'acide ne sont pas bien mélangés, il se peut que les mesures ne soient pas exactes.

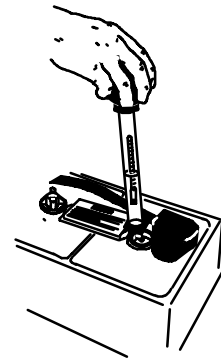


FIG. 56

DENSITÉ SPÉCIFIQUE à 27°C (80°F)	CHARGE DE BATTERIE
1.265	Chargée à 100%
1.223	Chargée à 75%
1.185	Chargée à 50%
1.148	Chargée à 25%
1.110	Déchargée

REMARQUE : si les lectures sont effectuées quand la température de l'électrolyte est autre que 27 °C, la lecture doit être corrigée par rapport au niveau de température. Ajoutez ou soustrayez 0,004 (4 points) à la lecture de densité spécifique, pour chaque 6 °C au-dessus ou au-dessous de 27 °C.

2. Suivez toujours attentivement les instructions de chargement (Voir CHARGEMENT DES BATTERIES).
3. Après la mise en charge des batteries, vérifiez le niveau d'électrolyte (A) **dans chaque élément de batterie**. Le niveau doit se trouver environ à 1 cm du bord inférieur de l'orifice de remplissage (B). Ajoutez de l'eau distillée si nécessaire (Figure 57). **NE REMPLISSEZ PAS TROP.**

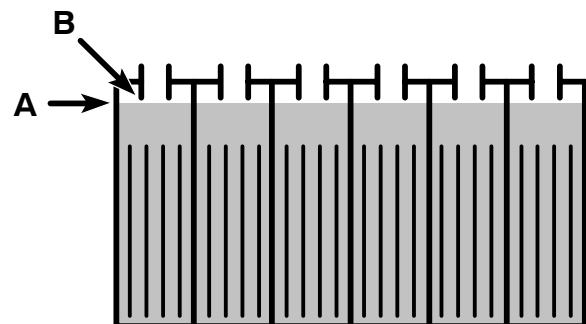


FIG. 57

4. Nettoyez la partie supérieure des batteries pour prévenir la corrosion des batteries.
Pour nettoyer les batteries:

POUR VOTRE SECURITÉ : lorsque vous entretenez la machine, portez des gants et des lunettes de protection quand vous maniez les batteries et les câbles de batterie. Evitez tout contact avec l'acide des batteries.

- a. Préparez une solution concentrée de bicarbonate de soude (Figure 58).



FIG. 58

- b. Brossez les surfaces supérieures et les cosses de câbles des batteries en utilisant la solution avec modération.

REMARQUE : veillez à ce que la solution de bicarbonate de soude ne pénètre pas dans les éléments des batteries.

- c. Utilisez une brosse métallique pour nettoyer les bornes et les cosses de câbles.
 - d. Une fois le nettoyage terminé, appliquez une couche de produit de protection pour batteries sur les bornes et les cosses de câbles.
5. Vérifiez si les câbles ne sont pas débranchés ou usés. Remplacez-les s'ils sont usés.

TRANSPORT DE LA MACHINE

Lorsque vous transportez la machine à l'aide d'une remorque ou d'un camion, veuillez suivre les instructions suivantes pour attacher la machine :

1. Relevez le raclor et la tête de brossage.
2. Chargez la machine à l'aide d'une rampe de chargement recommandée.
3. Placez l'avant de la machine contre l'avant de la remorque ou du camion. Une fois la machine en position, abaissez la tête de brossage et le raclor.
4. Engagez le frein parking et placez une cale derrière chaque roue, afin d'empêcher que la machine se déplace.
5. Passez des sangles par-dessus la machine pour l'empêcher de basculer. Il se peut qu'il soit nécessaire d'installer des brides d'attache au plancher de votre remorque ou camion.

POUR VOTRE SECURITÉ : lors du transport de la machine, utilisez une rampe recommandée lorsque vous chargez la machine sur le camion ou la remorque ou lorsque vous la déchargez, utilisez des sangles pour fixer la machine sur le camion ou la remorque.

ENTREPOSAGE DE LA MACHINE

1. Chargez les batteries avant l'entreposage. N'entreposez jamais la machine avec des batteries déchargées.
2. Vidangez et rincez les réservoirs soigneusement.
3. Entreposez la machine à l'abri de l'humidité en veillant à relever le raclor et la tête de brossage.
4. Ouvrez le réservoir de récupération pour faciliter la circulation de l'air.

ATTENTION : n'exposez pas la machine à la pluie ; entreposez-la à l'intérieur.

5. Si vous entreposez la machine à des températures inférieures à 0°C, assurez-vous que toute l'eau de la machine est vidangée.

Pour les modèles équipés du système FaST, suivez la procédure ci-dessous de PROTECTION CONTRE LE GEL DU SYSTEME FaST

PROTECTION CONTRE LE GEL DU SYSTEME FaST (Modèle FaST)

Le raccord de valve #1002856 et le tuyau de 15 cm #63182 sont requis (à acheter séparément).

1. Débranchez le FaST-PAK du système FaST et abaissez le tuyau d'alimentation vers la tête de brossage (Figure 59).



FIG. 59

FONCTIONNEMENT

2. Branchez le raccord de valve (acheté séparément) sur le tuyau d'alimentation et videz le reste de concentré dans un petit récipient (Figure 60). Pressez plusieurs fois le tuyau d'alimentation si le concentré ne s'écoule pas.

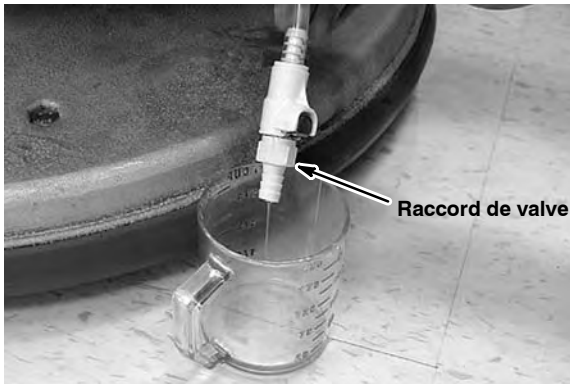


FIG. 60

3. Remontez le tuyau d'alimentation vers le compartiment FaST-PAK. Branchez le tuyau de 15 cm acheté séparément, sur le raccord de valve et versez de l'antigel RV dans le tuyau jusqu'à ce qu'il soit plein (Figure 61). Pressez plusieurs fois le tuyau d'alimentation si l'antigel ne s'écoule pas.

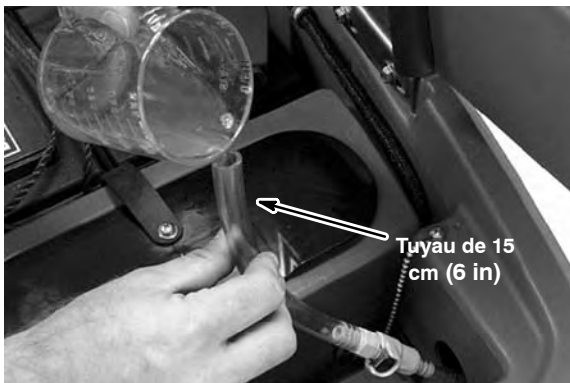


FIG. 61

4. Maintenez le tuyau à la verticale afin d'éviter que l'antigel se renverse et abaissez le réservoir de récupération.
5. Activez le système FaST jusqu'à ce qu'il arrête de mousser. Cette étape peut prendre entre 5 et 10 minutes.
6. Vidangez le réservoir de solution.

7. Retirez le raccord de valve et branchez le tuyau d'alimentation sur le bouchon de stockage (Figure 62).



FIG. 62

8. Pour vider l'antigel, répétez la procédure de vidange ci-dessus et branchez à nouveau le tuyau d'alimentation sur le FaST-PAK.

ARTICLES DE STOCK RECOMMANDÉS

Reportez-vous à la section Liste des pièces du manuel pour les articles de stock recommandés. Les articles de stock sont clairement identifiés à l'aide d'un point précédant la description de la pièce. Voir l'exemple ci-dessous:

Ref.	Part No.	Description	Qty.
1	701105	ASBL, STAND PIPE	1
2	160612	● FLOAT, SHUTOFF	1
3	230187	NIPPLE	1
4	101714	● GASKET	1
5	210240	NUT, FLANGED	1

DÉPISTAGE DES PANNES

PROBLÈME	CAUSE	REMÈDE
La machine ne fonctionne pas	Commutateur de protection de démarrage de la poignée pas actionnées	Actionnez les Commutateur de protection de démarrage de la poignée
	Batteries déchargées	Charge batteries
	Batterie(s) défectueuse(s).	Remplacez batterie(s).
	Câble de batterie détaché.	Rebranchez le câble.
	Fusible principal grillé	Remplacez le fusible
	Contact défectueux.	Contactez le service de dépannage
Le moteur de brosse ne fonctionne pas	La tête de brossage est relevée	Abaissez la tête de brossage
	Verrouillage de l'indicateur de charge des batteries activé	Rechargez les batteries
	Coupe-circuit du moteur de brosse déclenché	Réenclenchez le bouton du coupe-circuit de brosse
	Bouton (haut/bas) de tête de brossage défectueux	Contactez le service de dépannage
	Commutateur de protection de démarrage de la poignée de commande défectueux	Contactez le service de dépannage
	Moteur ou câble de la brosse défectueux	Contactez le service de dépannage
	Balais de charbon usés	Contactez le service de dépannage
La machine n'avance pas (Drive model)	Fusible principal grillé	Remplacez le fusible 30 A
	Commutateur de relais défectueux	Contactez le service de dépannage
	Moteur ou câble du moteur de l'arbre de transmission défectueux	Contactez le service de dépannage
	Balais de charbon usés	Contactez le service de dépannage
Le moteur de l'extracteur ne fonctionne pas	Le racloir est relevé	Abaissez le racloir
	Fusible de l'extracteur grillé	Remplacez le fusible 25 A
	Moteur ou câble de l'extracteur défectueux	Contactez le service de dépannage
	Balais de charbon usés	Contactez le service de dépannage
Modèle FaST : Système FaST ne fonctionne pas (correctement)	Le bouton du système FaST n'est pas activé.	Activez le bouton du système FaST.
	Tuyau d'alimentation du FaST-PAK non branché	Branchez le tuyau d'alimentation
	Fusible de la pompe FaST grillé	Remplacez le fusible 7,5 A
	Tuyau d'alimentation ou raccords du FaST PAK obstrués	Trempez dans l'eau chaude pour déboucher
	Carton de FaST-PAK vide	Remplacez le carton FaST-PAK
	Tortillement dans le tuyau d'alimentation du FaST-PAK	Éliminez le tortillement
	Système de solution FaST obstrué	Éliminez le tortillement

FONCTIONNEMENT

DÉPISTAGE DES PANNES - Suite

PROBLÈME	CAUSE	REMEDE
Modèle FaST : Système FaST ne fonctionne pas (correctement)	Interrupteur marche/arrêt du système FaST défectueux	Éliminez le tortillement
	Pompe défectueuse	Éliminez le tortillement
	Filtre du réservoir de solution obstrué	Vidangez le réservoir de solution, retirez le filtre du réservoir de solution, nettoyez-le et réinstallez-le
Débit de solution faible ou nul (Brossage conventionnel)	Filtre du réservoir de solution ou tuyau d'alimentation de solution obstrué	Nettoyez le filtre du réservoir de solution ou rincez le tuyau d'alimentation de solution
	Vanne de solution obstruée	Retirez la vanne et nettoyez-la
	Le réglage du bouton de commande du débit de solution est trop faible	Réglez le bouton de commande du débit de solution
	Desserrez la vis sur le bouton de commande	Calibrer le bouton et resserrez la vis
Ramassage de l'eau non satisfaisant	Réservoir de récupération plein	Videz le réservoir de récupération
	Bouchon du tuyau de vidange desserré	Resserrez le bouchon
	Filtre d'arrêt à flotteur du réservoir de récupération obstrué	Nettoyez le filtre
	Bloc de racloir obstrué	Nettoyez le bloc de racloir
	Lames de racloir usées	Remplacez ou permutez les lames de racloir
	Déflexion des lames de racloir incorrecte	Ajustez la hauteur des lames de racloir
	Raccords du tuyau d'aspiration détachés	Fixez les raccords du tuyau
	Tuyau d'aspiration obstrué	Enlevez les débris responsables de l'obstruction
	Tuyau d'aspiration endommagé	Remplacez le tuyau d'aspiration
	Le couvercle du réservoir de récupération est mal placé	Placez correctement le couvercle
	Joint de couvercle de réservoir de récupération endommagé	Remplacez le joint
	Moteur de l'extracteur défectueux	Contactez le service de dépannage
	Niveau de charge des batteries faible	Rechargez les batteries.
Short run time	Niveau de charge des batteries faible	Rechargez complètement les batteries
	Batteries défectueuses	Remplacez les batteries
	Les batteries doivent être entretenues	Voir ENTRETIEN DES BATTERIES
	Chargeur de batterie défectueux	Réparez ou remplacez le chargeur de batterie
	Le levier de pression de brossage est réglé pour une pression de tête de brossage importante.	Abaissez le levier de pression de brossage.

CODES D'ERREUR DEL *(Affichage d'indicateur de niveau de batterie du modèle tracté)*

CODE (Barres DEL clignotantes)	ERREUR	REMÈDE
Un	Coupure basse tension. Arrêt de la fonction de brossage.	Rechargez les batteries.
		Vérifiez les connexions des batteries.
Deux	Le niveau de charge des batteries devient faible.	Rechargez les batteries.
Trois	Moteur de propulsion disjoncté.	Éliminez l'état de surcharge et réenclenchez.
	Court-circuit vers le moteur de propulsion.	Contactez le service de dépannage.
Quatre	Verrouillage des batteries.	Rechargez immédiatement les batteries.
Huit	Contrôleur disjoncté.	Contactez le service de dépannage.
Dix	Lecture de tension de batteries élevée	Vérifiez les connexions des batteries.
Pas de barres	Mode veille	Tournez la clé pour rétablir.
Ondulation des barres	Manette de commande déplacée.	Relâchez la poignée d'activation.

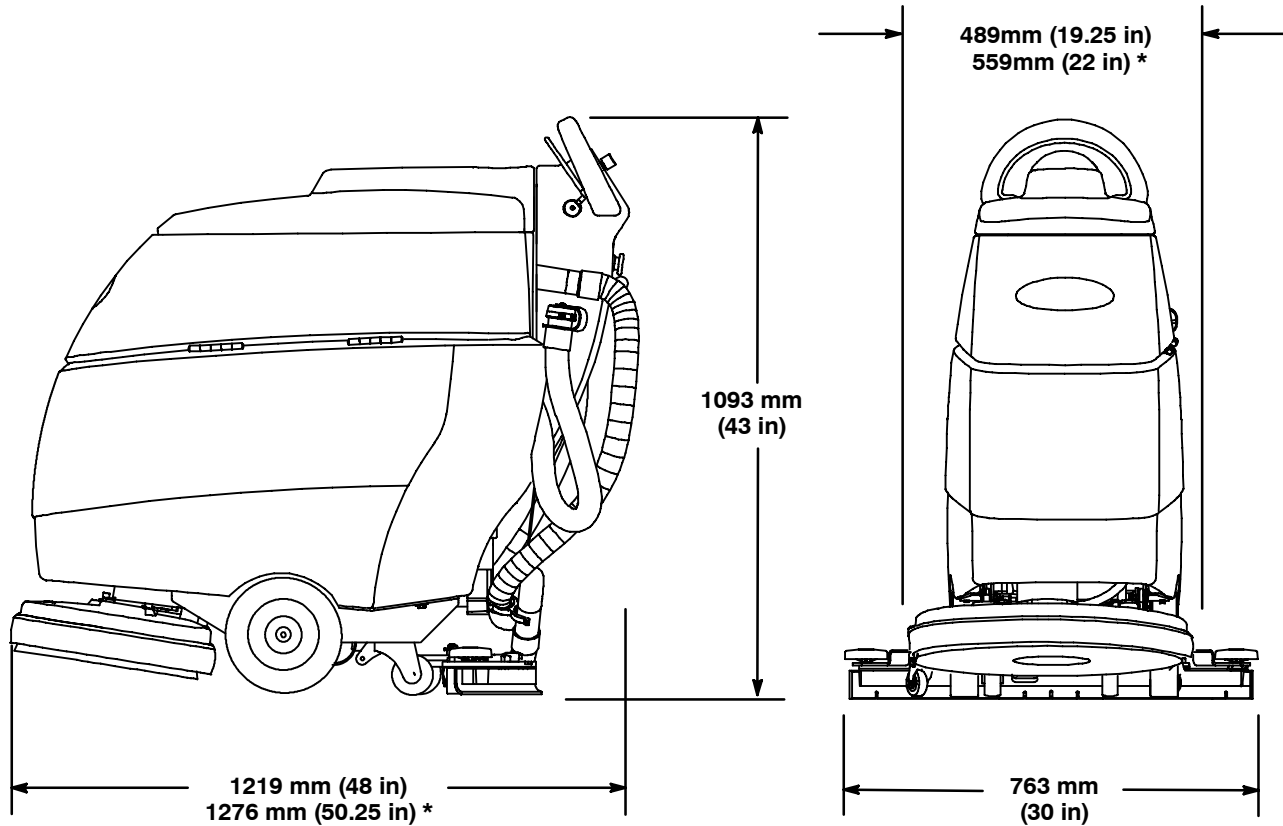
FONCTIONNEMENT

DONNÉES TECHNIQUES

MODÈLE	43cm (17 in) Modèle a assistance de brosse	50cm (20 in) Modèle a assistance de brosse	50cm (20 in) w/ Propulsion
LONGUEUR	1219 mm (48 in)	1276 mm (50.25 in)	1276 mm (50.25 in)
LARGEUR	489 mm (19.25 in)	559 mm (22 in)	559 mm (22 in)
	763 mm (30 in) à tordre	763 mm (30 in) à tordre	763 mm (30 in) à tordre
HAUTEUR	1093 mm (43 in)	1093 mm (43 in)	1093 mm (43 in)
POIDS	94 Kg (208 lbs)	95 Kg (210 lbs)	100 Kg (221 lbs)
	145 Kg (319 lbs) avec batteries	156 Kg (343 lbs) avec batteries	177 Kg (391 lbs) avec batteries
CAPACITÉ DU RÉSERVOIR DE RÉCUPÉRATION	40 L (10.5 gal)	40 L (10.5 gal)	40 L (10.5 gal)
CAPACITÉ DU RÉSERVOIR DE SOLUTION	40 L (10.5 gal)	40 L (10.5 gal)	40 L (10.5 gal)
SYSTÈME D'ENTRAÎNEMENT	Modèle a assistance de brosse	Modèle a assistance de brosse	Moi-même propulsion - Transaxle, 24V, 0.104 Kw (.14 hp)
TAUX DE RENDEMENT MOYEN	Taux 888 m ² (9,563 ft ²) (FaST Modèle)	Taux 1066 m ² (11,475 ft ²) (FaST Modèle)	Taux 1691m ² (18,207 ft ²) (FaST Modèle)
	784 m ² (8,438 ft ²) À l'heure	941 m ² (10,125 ft ²) À l'heure	1492m ² (16,065 ft ²) À l'heure
LARGEUR DE LA TRACE DE NETTOYAGE	430 mm (17 in)	500 mm (20 in)	500 mm (20 in)
PRESSION DU PATIN	18.1 Kg (40 lbs) and 31.75 Kg (70 lbs)	18.1 Kg (40 lbs) and 31.75 Kg (70 lbs)	18.1 Kg (40 lbs) and 31.75 Kg (70 lbs)
MOTEUR DE BROSSE	24 V, 0.56 Kw (.75 hp), 240 brosse rpm	24 V, 0.56 Kw (.75 hp), 240 brosse rpm	24 V, 0.56 Kw (.75 hp), 240 brosse rpm
MOTEUR D'EXTRACTION	24 V, .373 kW (.5 hp), 2-étages 5.7, 13 A	24 V, .373 kW (.5 hp), 2-étages 5.7, 13 A	24 V, .373 kW (.5 hp), 2-étages 5.7, 13 A
HAUTEUR D'ASPIRATION	1016 mm (40 in)	1016 mm (40 in)	1016 mm (40 in)
TENSION DU COURANT CONTINU	24 VDC	24 VDC	24 VDC
BATTERIES	2-12 V, Taux 105 AH / 20h	2-12 V, Taux 130 AH / 20h	2-12 V, Taux 155 AH / 20h
DURÉE DE FONCTIONNEMENT PAR CHARGE	Jusqu'à 2.5 heures	Jusqu'à 2.5 heures	Jusqu'à 3 heures
CONSOMMATION ÉLECTRIQUE TOTALE	27 Amps @ 18.1 Kg (40 lbs) de pinceau tension	29 Amps @ 18.1 Kg (40 lbs) de pinceau tension	30 Amps @ 18.1 Kg (40 lbs) de pinceau tension
	29 Amps @ 31.75 Kg (70 lbs) de pinceau tension	30 Amps @ 31.75 Kg (70 lbs) de pinceau tension	35 Amps @ 31.75 Kg (70 lbs) de pinceau tension
VALEUR EN DÉCIBELS AU NIVEAU DE L'OREILLE DE L'OPÉRATEUR, A L'INTERIEUR	68.5 dB(A)	68.5 dB(A)	68.5 dB(A)
DEGRÉ MAXIMAL D'INCLINAISON	8% (5°) Transport 5% (3°) Nettoyage	8% (5°) Transport 5% (3°) Nettoyage	8% (5°) Transport 5% (3°) Nettoyage

SYSTÈME FaST – MODÈLE FaST	
POMPE A SOLUTION	24 Volts CC, 3,5 A, circulation ouverte 5,6 l/min (1.5 GPM) réglage de dérivation, 4.13 Bar (60 PSI) route de contournement site
DÉBIT DE LA SOLUTION	0.47 LPM (.125 GPM)
DÉBIT DU CONCENTRÉ	0.47 CC (.016 OZ) / Min
TAUX DE DILUTION DU CONCENTRÉ DANS L'EAU	1:1000

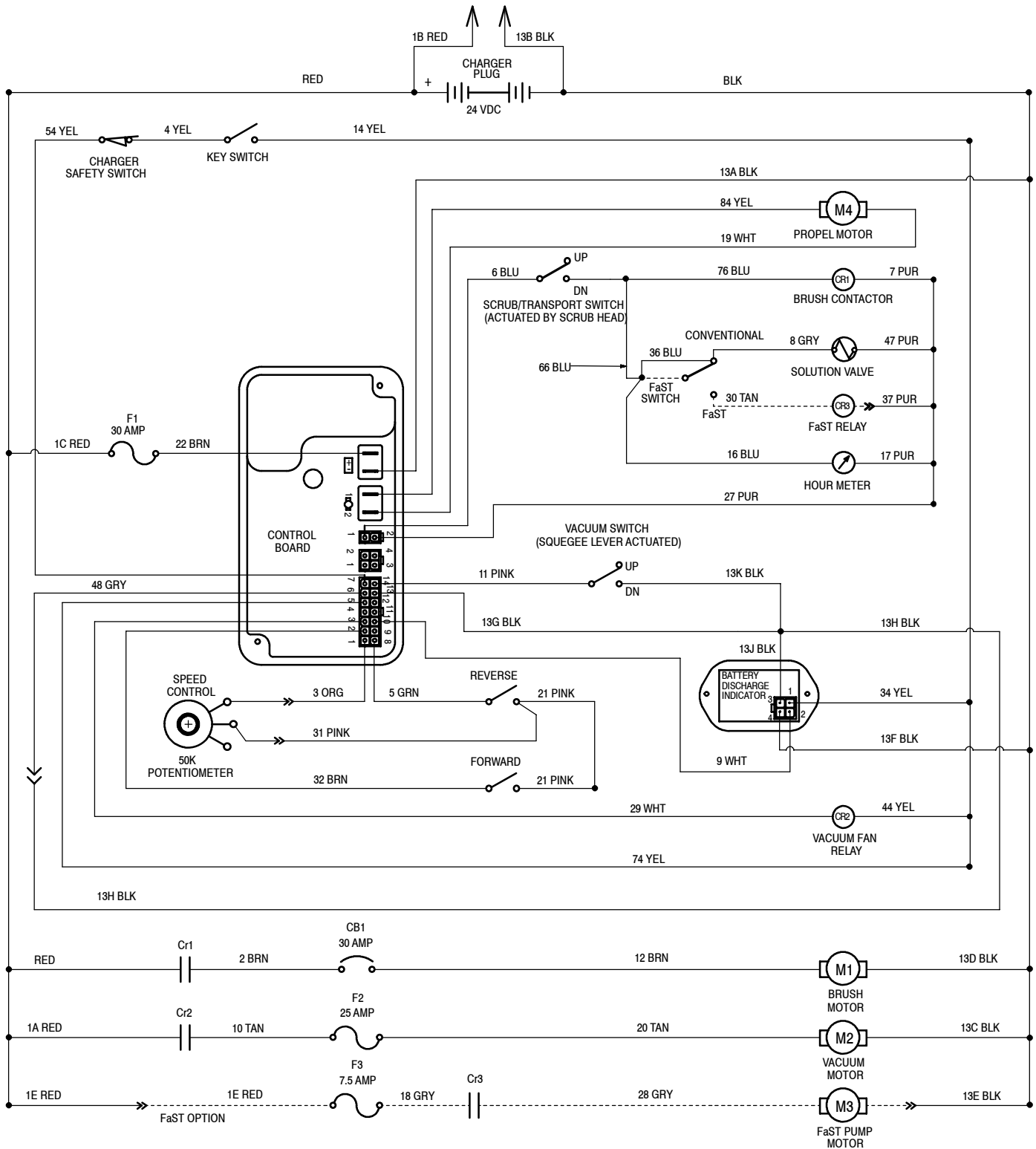
DIMENSIONS DE LA MACHINE



* 50 cm (20 in) Modèle

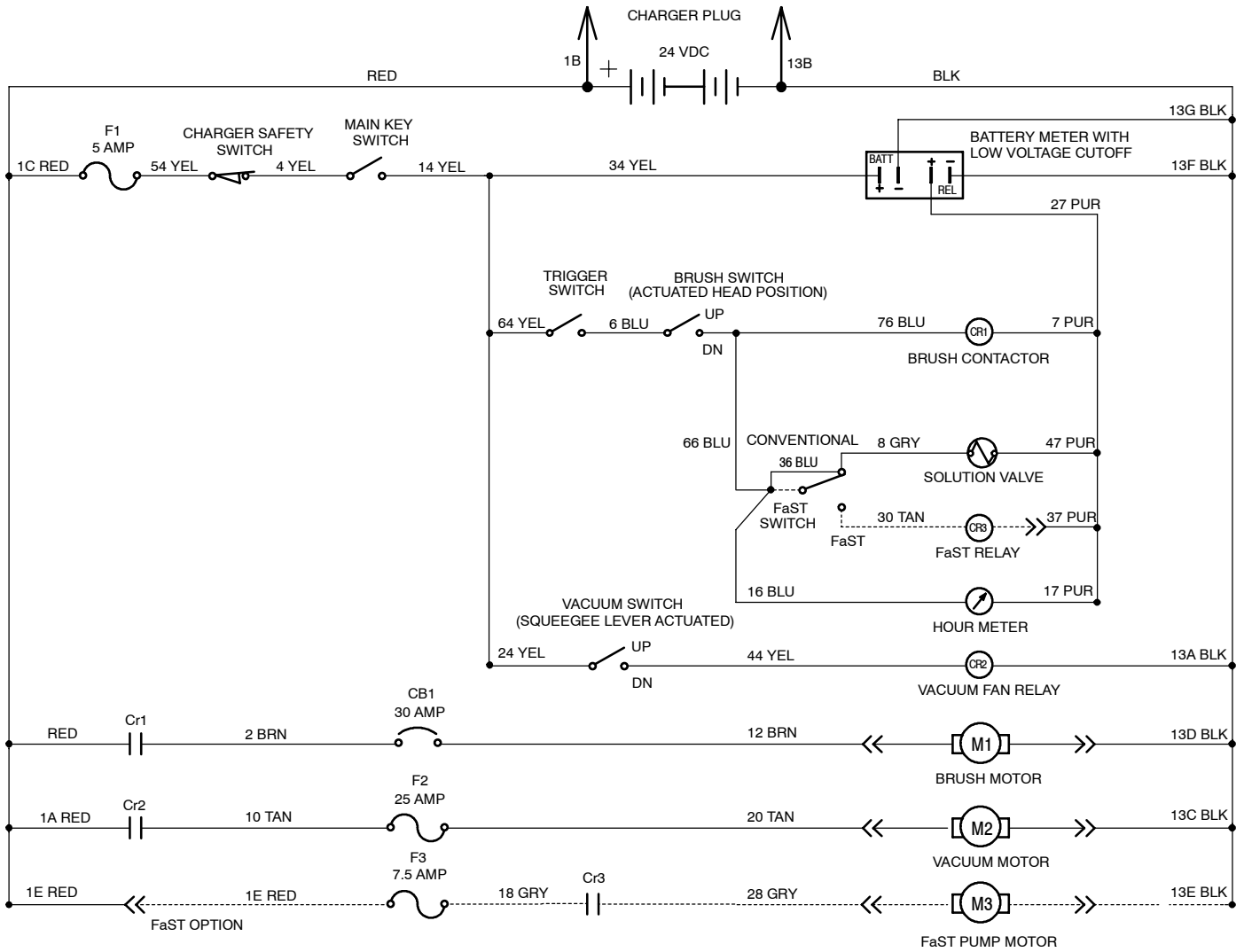
ELECTRICAL DIAGRAMS - DIAGRAMAS ELECTRICAS - SYSTEM ÉLECTRIQUE

DRIVE MODEL WIRING DIAGRAM DIAGRAMA DE CABLEADO DEL MODELO DRIVE DIAGRAMME DE CÂBLAGE MODÈLE QUI PROPULSE



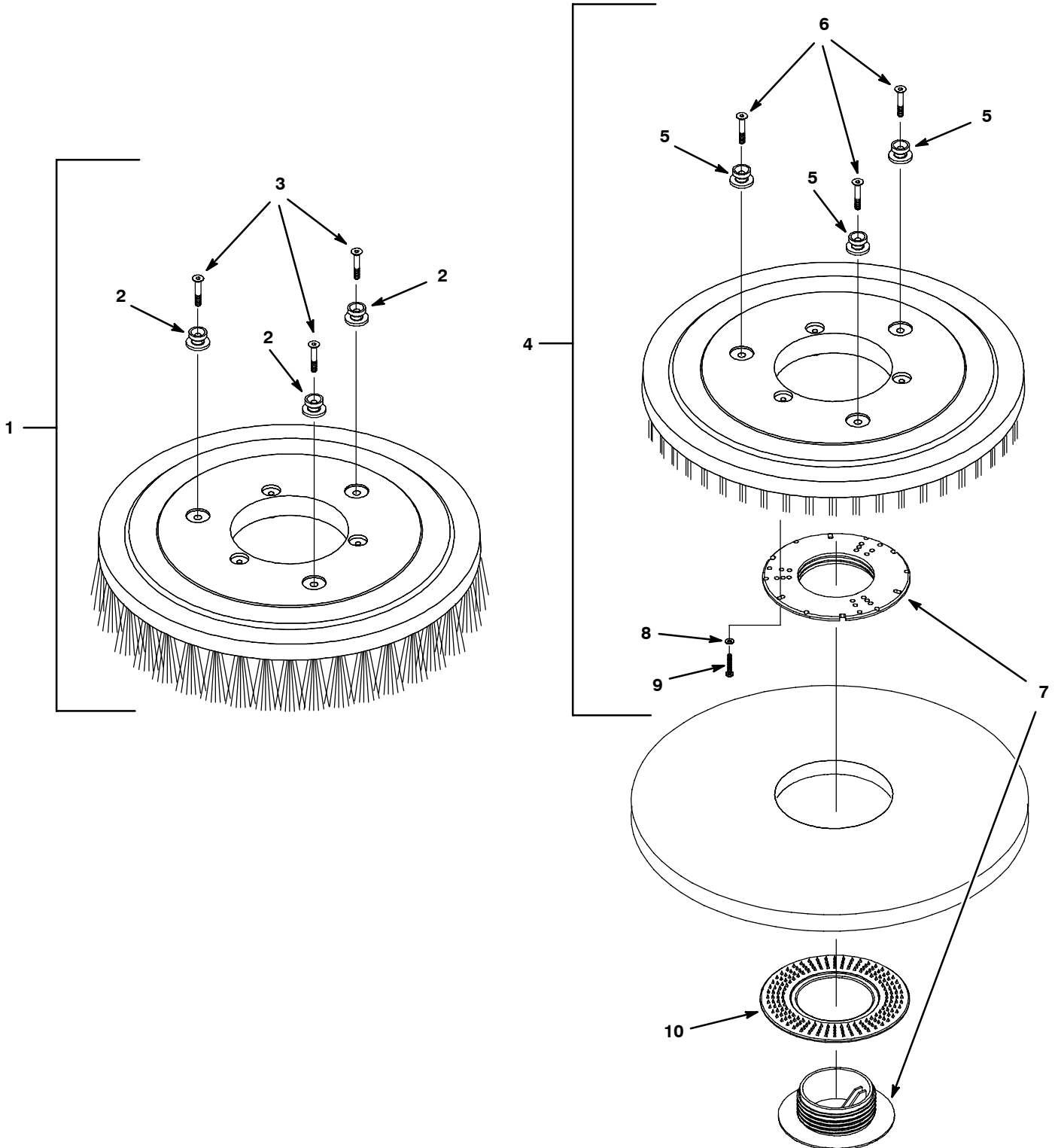
ELECTRICAL DIAGRAMS - DIAGRAMAS ELECTRICAS - SYSTEMÉ ÉLECTRIQUE

PUSH MODEL WIRING DIAGRAM DIAGRAMA DE CABLEADO DEL MODELO BRUSH ASSIST MODÈLE A ASSISTANCE DE BROUSSE DIAGRAMME DE CÂBLAGE



PARTS LIST - LISTA DE PIEZAS - LISTE DES PIÈCES

REPLACEMENT BRUSH AND PAD DRIVER GROUP SUSTITUCIÓN DEL CONJUNTO DE CEPILLOS E IMPULSOR DE LA ALMOHADILLA GROUPE REMPLACEMENT DES BROSSES ET DU PIGNON MENANT DE PATIN



PARTS LIST - LISTA DE PIEZAS - LISTE DES PIÈCES

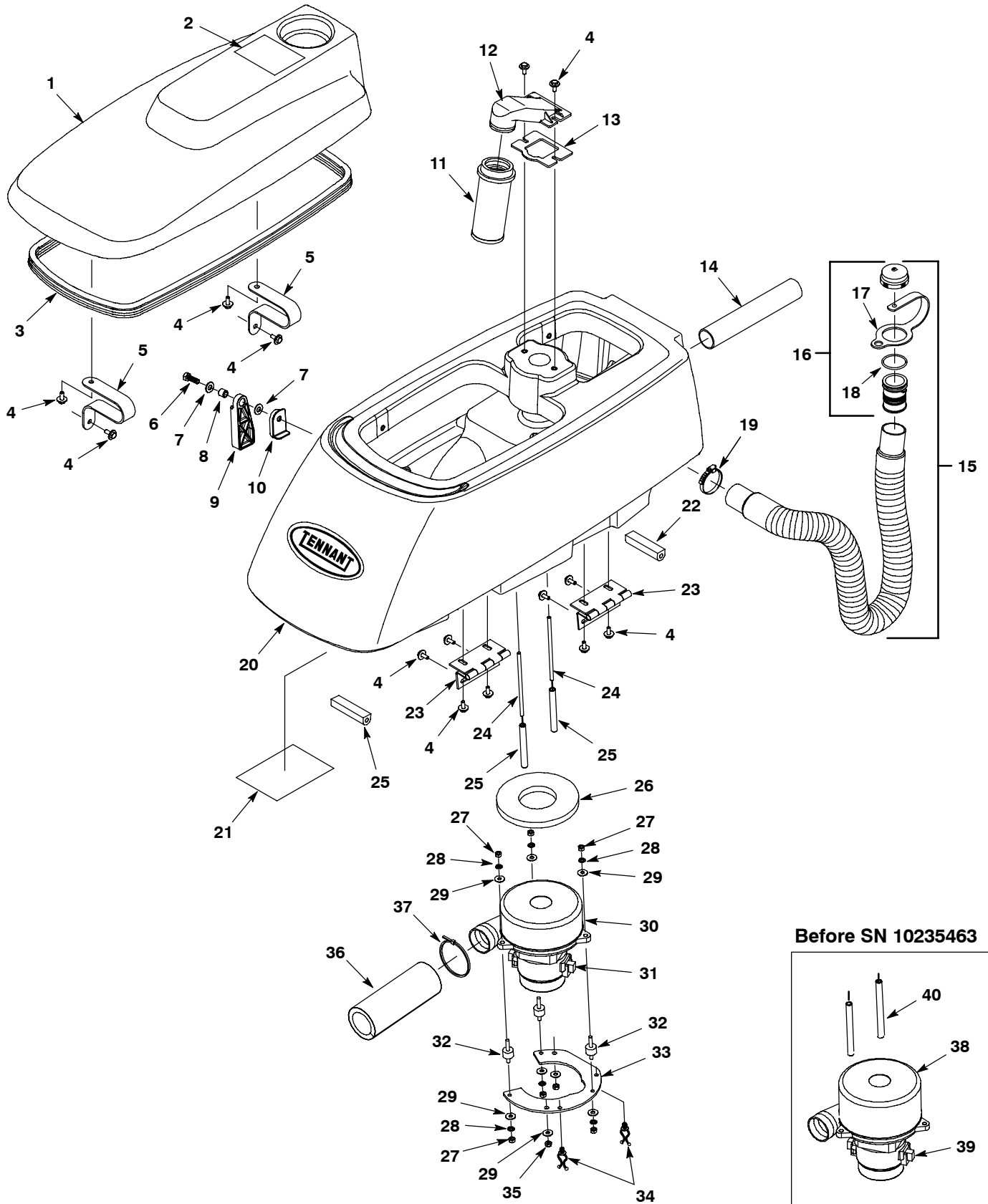
REPLACEMENT BRUSH AND PAD DRIVER GROUP SUSTITUCIÓN DEL CONJUNTO DE CEPILLOS E IMPULSOR DE LA ALMOHADILLA GROUPE REMPLACEMENT DES BROSSES ET DU PIGNON MENANT DE PATIN

REF	PART #	DESCRIPTION	QTY.
1	1016763	●BRUSH ASSY, DISK, SCB, 17.0D, ABRASIVE	1
	1016764	●BRUSH ASSY, DISK, SCB, 17.0D, NYLON	1
	1016765	●BRUSH ASSY, DISK, SCB, 17.0D, POLYPRO	1
	1016805	●BRUSH ASSY, DISK, SCB, 20.0D, ABRASIVE	1
	1016810	●BRUSH ASSY, DISK, SCB, 20.0D, NYLON	1
	1016811	●BRUSH ASSY, DISK, SCB, 20.0D, POLYPRO	1
2	1013018	STUD, DRIVE, BRUSH PAD	3
3	07809	SCREW, FLT M6 X 1.0 X 35, 10.9	3

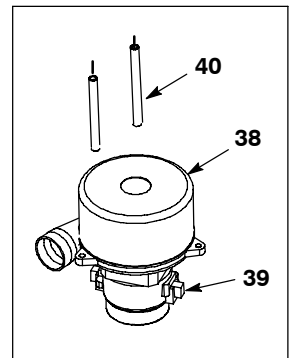
REF	PART #	DESCRIPTION	QTY.
4	1016813	●DRIVER ASSY, PAD, 17.0D, BRUSH	1
	1016814	●DRIVER ASSY, PAD, 20.0D, BRUSH	1
5	1013018	STUD, DRIVE, BRUSH PAD	3
6	07809	SCREW, FLT M6 X 1.0 X 35, 10.9	3
7	25707AM	●LOCK, UNIVERSAL CENTER (K) RH YELLOW	1
8	41579	WASHER, FLAT, #08 SS	3
9	04403	SCREW, PAN, M4 X 0.7 X 25, SS, NL	3
10	572084000	●WASHER, PAD-DRIVER LOCK	1

● RECOMMENDED STOCK ITEMS / ARTICULOS RECOMENDADOS PARA MANTENER EN EXISTENCIA

**RECOVERY TANK GROUP
CONJUNTO DESPOSITO RECUPERAR
GROUPE RESERVOIR DE RECUPERATION**



Before SN 10235463



PARTS LIST - LISTA DE PIEZAS - LISTE DES PIÈCES

RECOVERY TANK GROUP CONJUNTO DESPOSITO RECUPERAR GROUPE RESERVOIR DE RECUPERATION

REF	PART #	DESCRIPTION	QTY.	
▽	1	1018744	COVER, TANK RECOVERY, AFMKT	1
▲	2	1026387	LABEL, WARNING [EXPL, FIRE, SHK, EN/FR/ES]	1
	3	1022797	●GASKET, SNAP-IN	1
	4	1034731	SCREW, HEX, M6 X 1.0 X 16, SS, SEMS	14
	5	1018946	●STRAP, RETAINING, COVER	2
	6	1016430	SCREW, BTN, M8 X 1.25 X 25, 10.9, BLK	1
	7	140027	WASHER, FLAT, 0.35B 0.75D .04, SS	2
	8	222460	SLEEVE, P/M 0.496D 0.318B 0.50L 430SS	1
	9	1022399	SUPPORT, TANK, PROP, BLK, NYL	1
	10	1022904	BRACKET, SPPT, STOP, BLK, NYL	1
	11	630052	●FLOAT, SHUT-OFF (2)BALL 1.75DIA	1
	12	1011777	MOUNT, FLOAT, MOLDED	1
	13	1013628	GASKET, MTG, FLOAT	1
	14	1023748	TUBE, HOSE, SQUEEGEE	1
▽	15	1017380	●HOSE ASSY, DRAIN	1
▲▽	16	1008639	●CAP, DRAIN ASSEMBLY	1
▲	17	1019563	●STRAP, DRAIN CAP	1
▲	18	1008637	●O RING, 1.48" ID, 1.76" OD	1
	19	11531	●CLAMP, HOSE, WORMDRIVE, 1.06-2.00D, .56W	1
▽	20	1018743	TANK, RECOVERY, AFMKT (TEAL)	1
		1023949	TANK, RECOVERY, AFMKT (GRAY)	1
▲	21	1014154	LABEL, INSTR, BATTERY	1
▲	22	630368	●GASKET, 650MM, RAC, VAC	1

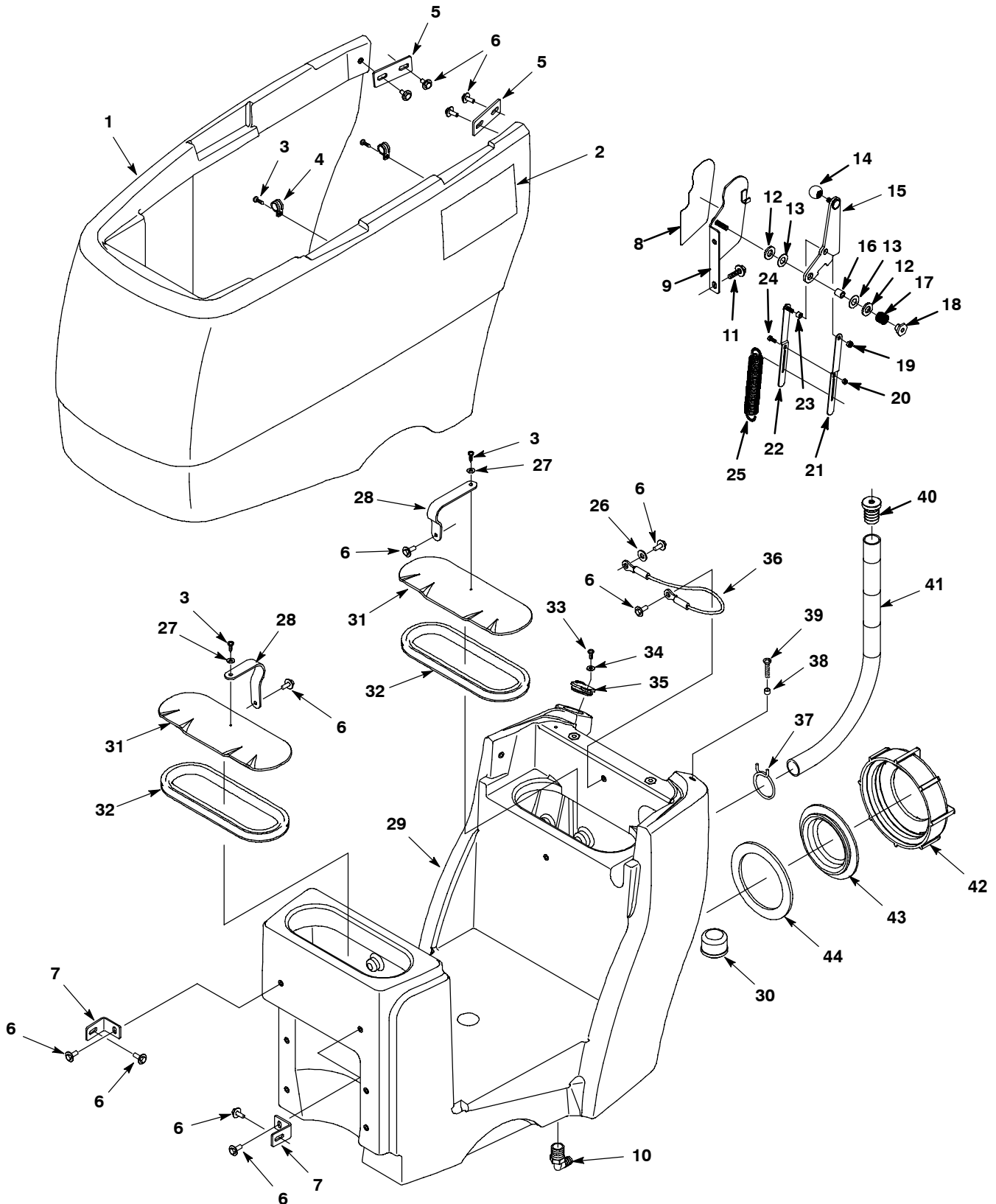
REF	PART #	DESCRIPTION	QTY.	
	23	1012540	HINGE, 6MMPIN 2.5MMTHK 73.5MMW 100MML	2
	24	1015412	ROD, THRD, FULL, M6X1.0, 140L	2
	25	1024575	SPACER, 7.00X11.0X84.00, STL, PL	2
	26	100038	●GASKET, VACUUM MTR 5.7 EPDM W/PSA	1
	27	07785	NUT, HEX, STD, M6 X 1.0, A2, SS	6
	28	07515	WASHER, LOCK, INT, .25, SS	6
	29	01684	WASHER, FLAT, 0.25 SS	8
▽	30	1023271	●FAN, VACUUM, 5.7D 2S 24VDC, PACKARD [AMETEK]	1
▲	31	372883	●BRUSH, CARBON, REPLMT, VACFAN [AMETEK] (2 PACK)	1
	32	1011093	●ISOLATOR, VIB, .75D, M6 STUD BOTH ENDS	3
	33	1011962	BRACKET, MTG, VACUUM	1
	34	30406	CLIP, KEEPER	2
	35	08712	NUT, HEX, LOCK, M6 X 1.0, SS, NL	2
	36	1009906	●MUFFLER, EXHAUST, VAC	1
	37	130773	TIE, CABLE, NYL, 11.0L .09W, BLACK	1
▽	38	1017757	●FAN, VACUUM, 5.7D 2S 24VDC, PACKARD (BEFORE SN 10235463)	1
▲	39	1018079	●BRUSH, CARBON, REPLMT, VACFAN [ROTAFIL] (2 PACK) (BEFORE SN 10235463)	1
	40	1016405	SPACER, 7.00X11.0X94.75, STL, PL (BEFORE SN 10235463)	2

▽ ASSEMBLY / CONJUNTO / ENSEMBLE

▲ INCLUDED IN ASSEMBLY / INCLUIDO EN EL CONJUNTO / Y COMPRIS EN ENSEMBLE

● RECOMMENDED STOCK ITEMS / ARTICULOS RECOMENDADOS PARA MANTENER EN EXISTENCIA / ÉLÉMENTS DE STOCK RECOMMANDÉS

**SOLUTION TANK GROUP
GRUPE DEL DEPÓSITO DE DISOLUCIÓN
ENSEMBLE DU RÉSERVOIR DE SOLUTION**



PARTS LIST - LISTA DE PIEZAS - LISTE DES PIÈCES

SOLUTION TANK GROUP GRUPE DEL DEPÓSITO DE DISOLUCIÓN ENSEMBLE DU RÉSERVOIR DE SOLUTION

REF	PART #	DESCRIPTION	QTY.
▽ 1	1018742	SHROUD, FRONT, AFMKT [T3] (TEAL)	1
	1018826	SHROUD, FRONT AFMKT [T3 W/FAST] (TEAL)	1
	1024031	SHROUD, FRONT, AFMKT [T3] (GRAY)	1
	1024030	SHROUD, FRONT AFMKT [T3 W/FAST] (GRAY)	1
▲ 2	1016625	LABEL, SIDE, T3	2
	1016626	LABEL, SIDE, T3 FAST	2
3	1018155	SCREW, PAN, M4.8 X 16, SS, TCUT	4
4	1016354	CLAMP, CABLE, SS, 0.50D X 0.50W, INSUL	2
5	1012614	BRACKET, ATTMNT, SHROUD	2
6	1034731	SCREW, HEX, M6 X 1.0 X 16, SS, SEMS	12
7	1012544	BRACKET, SUPPORT, SHROUD	2
8	1018389	LABEL, LEVER, DUAL DOWN PRESSURE	1
9	1018020	BRACKET WLDT, MTG, LEVER	1
10	1013505	FITTING, PLSTC, E90, PM08/BM08, NYL	1
11	1020341	SCREW, HEX, M8 X 1.25 X 20, SS, SEMS	2
12	140127	BEARING, THRUST .51X1X1/8 BRNZ	2
13	89710	WASHER, FLAT, 0.51B 1.00D .03, NYL	2
14	1017156	●KNOB, BALL, M8 INSERT, 40MM DIA, PLASTIC	1
15	1017493	LEVER, LIFT, DUAL DOWN PRESSURE	1
16	1014336	SLEEVE, BEARING, 8.4MMB, 12.6MMD, 14.5MM	1
17	1018756	SPRING, CMPR, 18.3D, 2.0W, 16.5L, MW ZN	1
18	1018181	RETAINER, SPRING, LEVER	1
19	08708	NUT, HEX, LOCK, M6 X 1.0, NL	1

REF	PART #	DESCRIPTION	QTY.
20	09739	NUT, HEX, LOCK, M5 X 0.8, NL, SS	1
21	1017805	LINK, SPRING, LEVER	1
22	1017882	LINK WLDT, SPRING, LEVER	1
23	1017884	BUSHING, SLEEVE, 6.2MMB, 10MMD 7MML	1
24	09738	SCREW, HEX, M5 X 0.8 X 12, SS	1
25	1013545	SPRING, EXTN, 1.00OD X 0.10WIR, 6.0L (43CM SINGLE DISK MODEL AND DUAL DISK MODEL)	1
	1022178	SPRING, EXT, 1.0OD X 0.095 WIR, 6.0L (50CM SINGLE DISK MODEL)	1
26	01684	WASHER, FLAT, 0.27B 0.69D .05	1
27	01683	WASHER, FLAT, #10 SS	2
28	1013768	●STRAP, RETAINING, COVER	2
29	1018741	TANK, SOLUTION, AFMKT	1
30	1015522	●FILTER, SCREEN, 080 MESH, PF08, SS	1
31	1011585	COVER, TANK, SOLUTION	2
32	1017251	●GASKET, LIP, DUAL-DUROMETER	2
33	1018155	SCREW, PAN, M4.8 X 16, SS, TCUT	1
34	01683	WASHER, FLAT, #10 SS	1
35	1012965	●CAP, PORT, SOLUTION FILL	1
36	140960	CABLE, 13D, 14.5L, .343EYE/.343EYE	1
37	608915	CLAMP, HOSE, WIRE, 1.03-1.09	1
38	140154	SLEEVE, P/M 0.380D 0.255B 0.31L	1
39	608322	SCREW, TRS M6 X 1.0 X 16, PHL, SS	1
40	1012726	FITTING, HOLD-UP, SIGHT TUBE	1
41	1011721	●HOSE, DRAIN, SOLTN TANK	1
42	1014001	CAP, TANK, DRAIN, THRD	1
43	1014029	PLUG, CAP, GRAY	1
44	375206	●GASKET, CAP, DRAIN, RBR .19 4.0B 05.5D	1

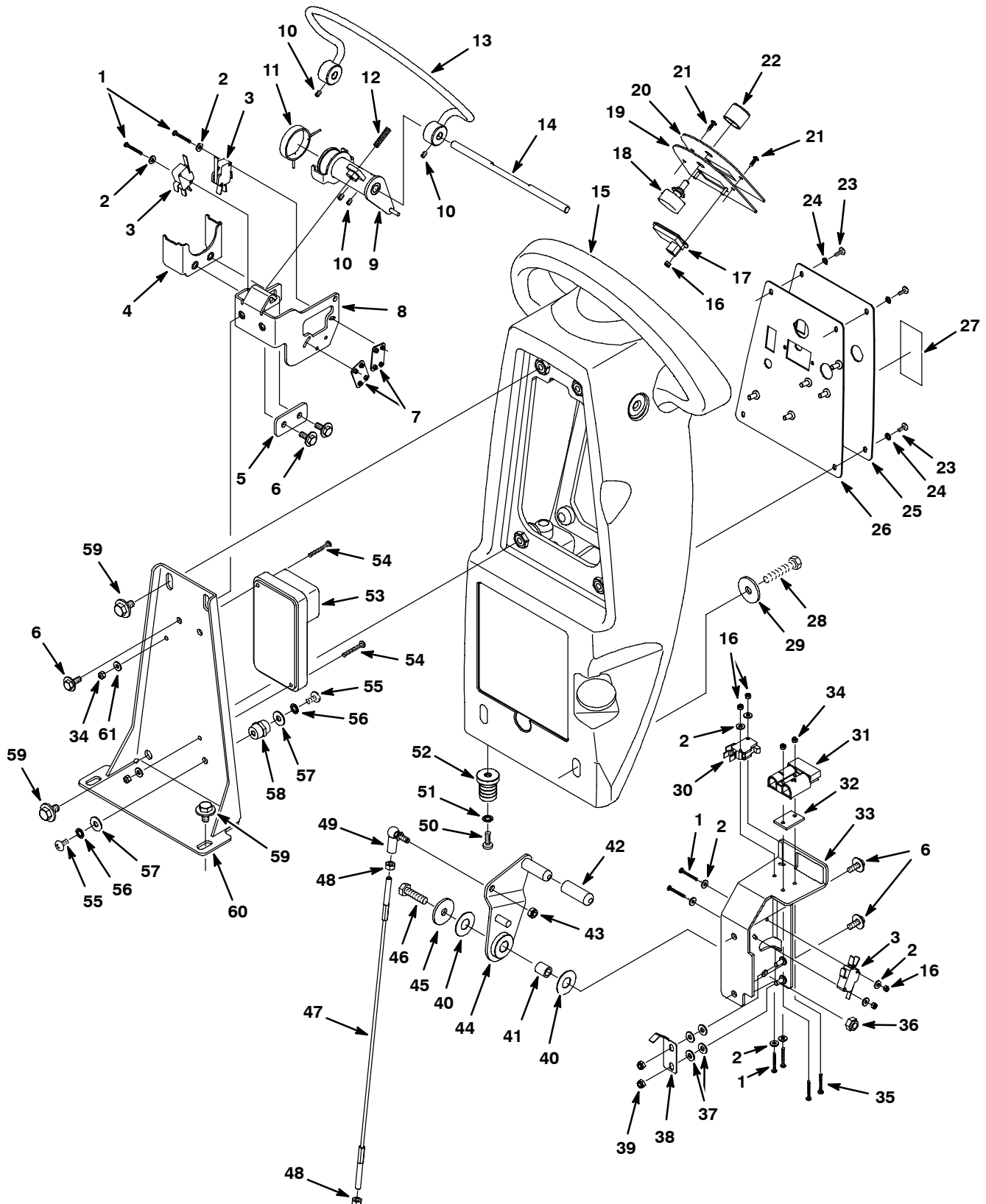
▽ ASSEMBLY / CONJUNTO / ENSEMBLE

▲ INCLUDED IN ASSEMBLY / INCLUIDO EN EL CONJUNTO / Y COMPRIS EN ENSEMBLE

● RECOMMENDED STOCK ITEMS / ARTICULOS RECOMENDADOS PARA MANTENER EN EXISTENCIA / ÉLÉMENTS DE STOCK RECOMMANDÉS

PARTS LIST - LISTA DE PIEZAS - LISTE DES PIÈCES

CONTROL CONSOLE GROUP, DRIVE MODEL GRUPO DE CONTROL DE LA CONSOLA, MODELO DRIVE GROUPE PANNEAU DE COMMANDE, MODÈLE QUI PROPULSE



PARTS LIST - LISTA DE PIEZAS - LISTE DES PIÈCES

CONTROL CONSOLE GROUP, DRIVE MODEL GRUPO DE CONTROL DE LA CONSOLA, MODELO DRIVE GROUPE PANNEAU DE COMMANDE, MODÈLE QUI PROPULSE

REF	PART #	DESCRIPTION	QTY.
1	06922	SCREW, PAN M3 X 0.5 X 20, 4.8	8
2	41578	WASHER, FLAT #06 SS	12
3	1012568	●SWITCH, SNAP, 10A, 125-250VAC, SHORT	3
4	1015570	BRACKET, SPRING, BALANCER BAIL	1
5	1015826	PLATE, SCREW, BAIL	1
6	1034731	SCREW, HEX, M6 X 1.0 X 16, SS, SEMS	6
7	1013705	PLATE, THREAD, SWITCH	2
8	1013364	BRACKET, SWITCH, BAIL	1
9	1013381	COLLAR WLDT, ACTUATOR, CONSOLE	1
10	1015578	SCREW, SET, M8 X 1.25 X 8, CUPPT, SS, NL	4
11	630088	SPRING, TORS CENTER, .072MMW, ZN	1
12	1018559	SCREW, SET, M6 X 1.0 X 30, SS	1
13	1013363	LEVER WLDT, BAIL, CONSOLE	1
14	1013342	SHAFT, ACTUATOR, FWD/REV	1
15	1018745	HOUSING, CNTRL, AFMKT	1
16	579211	NUT, HEX, LOCK, M3 X .5, SS	6
17	392894	●GAUGE, DISCHARGE, BATTERY, 36VDC, RT,LED	1
18	1013567	●HARNESS, POT, WIRE ASSY	1
19	1011707	PANEL, CNTRL, UPPER	1
20	1014157	LABEL, OPERTNL, UPPER PROPEL	1
21	140825	SCREW #6X1/2 PANPHL BZ SHTMTL	2
22	606550	●KNOB, RND, 0.92D 0.76L 0.25B PLSTC	1
23	391403	SCREW, PAN, M4 X 0.7 X 8, SS	4
24	02938	WASHER, LOCK, INT, 08, SS	4
25	1016627	LABEL, LOWER, NA/AEJ, W/O FAST	1
	1016628	LABEL, LOWER, NA/AEJ, W/ FAST	1
26	1012134	PANEL, CNTRL, LOWER	1
27	1015012	LABEL, [NFSI CERTIFICATION]	1
28	59658	SCREW, HEX M8 X 1.25 X 35, SS, NL	2
29	1016331	WASHER, FLAT, 0.344, 1.25, SS	2

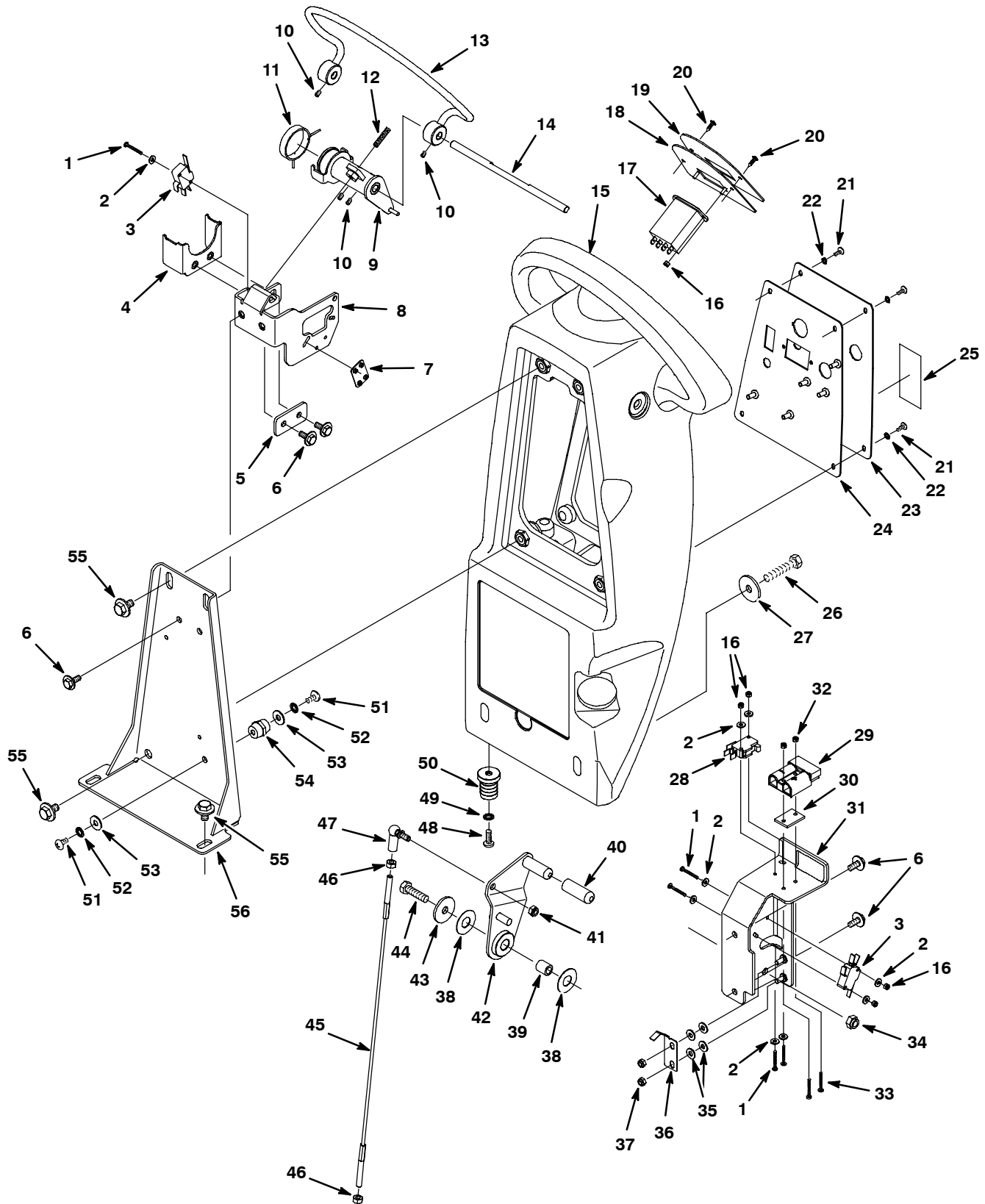
REF	PART #	DESCRIPTION	QTY.
30	611005	●SWITCH, ROLLER, 16A MICRO	1
31	605387	●CONNECTOR, [ANDERSON], 50A, RED WO/CONT	1
32	603331	SPACER, CHARGER PLUG	1
33	1012850	BRACKET WLDT, LEVER, SQUEEGEE	1
34	33932	NUT, HEX, LOCK, M4 X 0.7, NL, SS	4
35	1033197	SCREW, PAN M4 X 0.7 X 24, SS	2
36	08713	NUT, HEX, LOCK, M8 X 1.25, NL, SS	1
37	01683	WASHER, FLAT, #10 SS	4
38	1015459	SPRING, LEVER, SQUEEGEE	1
39	09739	NUT, HEX LOCK M5 X 0.8 NL	2
40	1013397	WASHER, FLAT, M13 X 30 X 0.8, NYL	2
41	1014336	SLEEVE, BEARING, 8.4MMB, 12.6MMD, 14.5MM	1
42	1016895	●CAP, HANDLE, SQGE LIFT	1
43	08712	NUT, HEX, LOCK, M6 X 1.0, SS, NL	1
44	1013329	LEVER WLDT, SQGE	1
45	1016331	WASHER, FLAT, 0.344, 1.25, SS	1
46	09011	SCREW, HEX, M8 X 1.25 X 30, SS	1
47	1013479	CABLE, LIFT, SQUEEGEE	1
48	07785	NUT, HEX, STD, M6 X 1.0, A2, SS	2
49	1012747	BALLJOINT, M6 X 1.0 FEM, M6 X 1.0 MAL	1
50	367770	SCREW, PAN, M6 X 1.0 X 16, SS	1
51	07515	WASHER, LOCK, INT, .25, SS	1
52	1012726	FITTING, HOLD-UP, SIGHT TUBE	1
53	1010905	●MODULE, DRIVE	1
54	33931	SCREW, PAN, M4 X 0.7 X 30, SS	2
55	48732	SCREW, PAN, M6 X 1.0 X 10, SS	2
56	07515	WASHER, LOCK, INT, .25, SS	2
57	01684	WASHER, FLAT, 0.25 SS	2
58	1013523	●STAND-OFF, WIRE, M6	1
59	1020341	SCREW, HEX, M8 X 1.25 X 20, SS, SEMS	6
60	1012011	BRACKET, HSNQ, CONTROL	1
61	41579	WASHER, FLAT, #08 SS	2
N/S	130773	TIE, CABLE, NYL, 11.0L .09W, BLACK	1

● RECOMMENDED STOCK ITEMS / ARTICULOS RECOMENDADOS PARA MANTENER EN EXISTENCIA / ELÉMENTS DE STOCK RECOMMANDÉS

N/S NOT SHOWN/ NICHT ANGEGBEN/ NON-INDIQUÉ/ NIET AFGEBEELD/ SIN MOSTRAR

PARTS LIST - LISTA DE PIEZAS - LISTE DES PIÈCES

CONTROL CONSOLE GROUP, BRUSH ASSIST MODEL GRUPO DE CONTROL DE LA CONSOLA, MODELO BRUSH ASSIST GROUPE PANNEAU DE COMMANDE, MODÈLE A ASSISTANCE DE BROSSÉ



PARTS LIST - LISTA DE PIEZAS - LISTE DES PIÈCES

CONTROL CONSOLE GROUP, BRUSH ASSIST MODEL GRUPO DE CONTROL DE LA CONSOLA, MODELO BRUSH ASSIST GROUPE PANNEAU DE COMMANDE, MODÈLE A ASSISTANCE DE BROUSSE

REF	PART #	DESCRIPTION	QTY.
1	06922	SCREW, PAN, M3 X 0.5 X 20, 4.8	6
2	41578	WASHER, FLAT, #06 SS	10
3	1012568	●SWITCH, SNAP, 10A, 125-250VAC, SHORT	2
4	1015570	BRACKET, SPRING, BALANCER, BAIL	1
5	1015826	PLATE, SCREW, BAIL	1
6	1034731	SCREW, HEX, M6 X 1.0 X 16, SS, SEMS	6
7	1013705	PLATE, THREAD, SWITCH	1
8	1013364	BRACKET, SWITCH, BAIL	1
9	1013381	COLLAR WLDT, ACTUATOR, CONSOLE	1
10	1015578	SCREW, SET, M8 X 1.25 X 8, CUPPT, SS, NL	4
11	630088	SPRING, TORS, CENTER, .072MW, ZN	1
12	1018559	SCREW, SET, M6 X 1.0 X 30, SS	1
13	1013363	LEVER WLDT, BAIL, CONSOLE	1
14	1013342	SHAFT, ACTUATOR, FWD/REV	1
15	1018745	HOUSING, CNTRL, AFMKT	1
16	579211	NUT, HEX, LOCK, M3 X .5, SS	6
17	1016712	●INDICATOR, BATTERY, 24VDC, 1.73VOLT/CELL	1
18	1011707	PANEL, CNTRL, UPPER	1
19	1016755	LABEL, OPERTNL, UPPER, BRUSH ASSIST	1
20	140825	SCREW #6X1/2 PANPHL BZ SHTMTL	2
21	391403	SCREW, PAN, M4 X 0.7 X 8, SS	4
22	02938	WASHER, LOCK, INT, 08, SS	4
23	1016627	LABEL, LOWER, NA/AEJ, W/O FAST	1
	1016628	LABEL, LOWER, NA/AEJ, W/ FAST	1
24	1012134	PANEL, CNTRL, LOWER	1
25	1015012	LABEL, [NFSI CERTIFICATION]	1
26	59658	SCREW, HEX, M8 X 1.25 X 35, SS, NL	2
27	1016331	WASHER, FLAT, 0.344, 1.25, SS	2

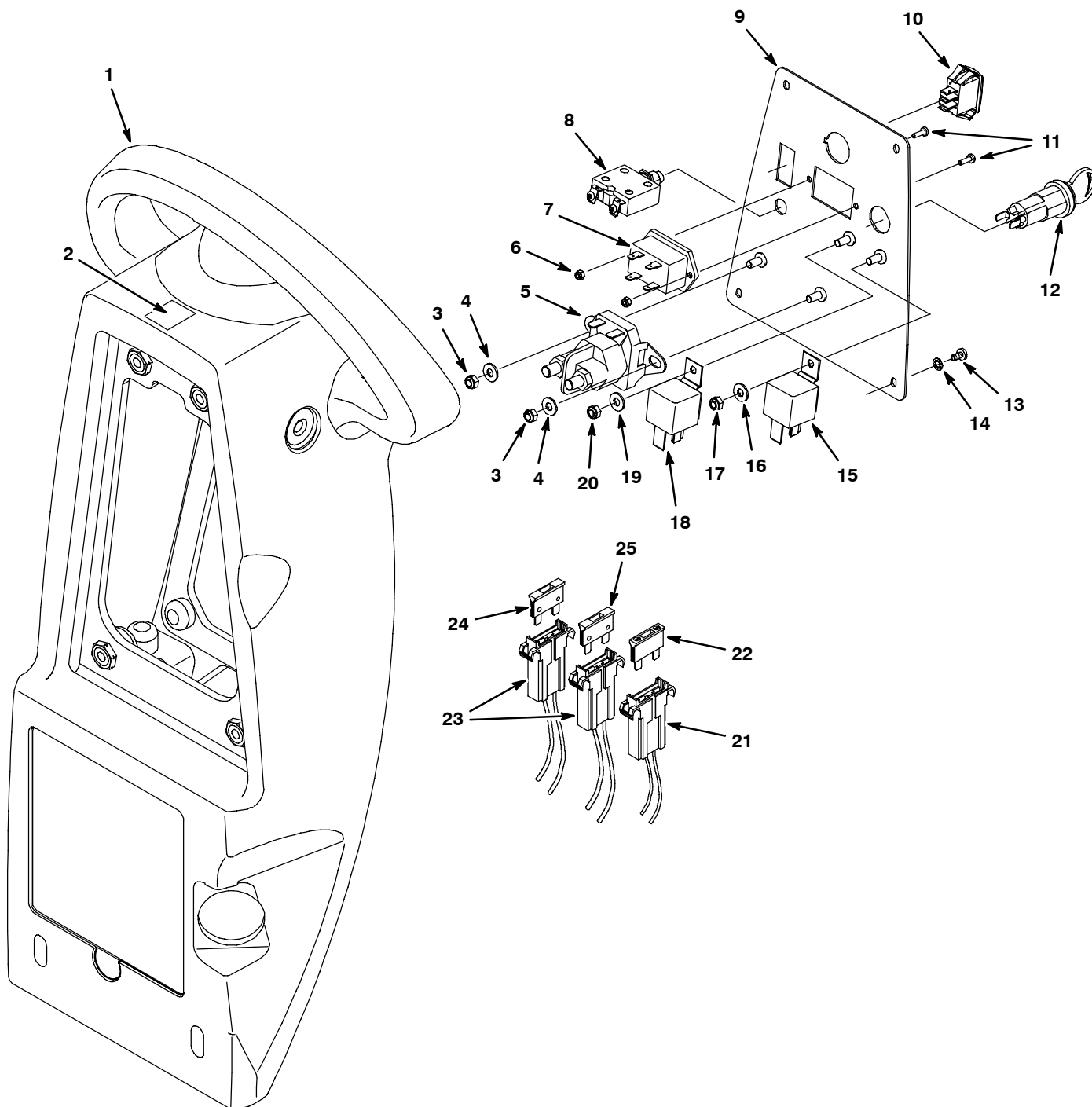
REF	PART #	DESCRIPTION	QTY.
28	611005	●SWITCH, ROLLER, 16A MICRO	1
29	605387	●CONNECTOR, [ANDERSON], 50A, RED WO/CONT	1
30	603331	SPACER, CHARGER PLUG	1
31	1012850	BRACKET WLDT, LEVER, SQUEEGEE	1
32	33932	NUT, HEX, LOCK, M4 X 0.7, NL, SS	2
33	1033197	SCREW, PAN, M4 X 0.7 X 24, SS	2
34	08713	NUT, HEX, LOCK, M8 X 1.25, NL, SS	1
35	01683	WASHER, FLAT, #10 SS	4
36	1015459	SPRING, LEVER, SQUEEGEE	1
37	09739	NUT, HEX, LOCK, M5 X 0.8, NL, SS	2
38	1013397	WASHER, FLAT M13 X 30 X 0.8, NYL	2
39	1014336	SLEEVE, BEARING, 8.4MMB, 12.6MMD, 14.5MM	1
40	1016895	●CAP, HANDLE, SQGE LIFT	1
41	08712	NUT, HEX, LOCK, M6 X 1.0, SS, NL	1
42	1013329	LEVER WLDT, SQGE	1
43	1016331	WASHER, FLAT, 0.344, 1.25, SS	1
44	09011	SCREW, HEX, M8 X 1.25 X 30, SS	1
45	1013479	CABLE, LIFT, SQUEEGEE	1
46	07785	NUT, HEX, STD, M6 X 1.0, A2, SS	2
47	1012747	BALLJOINT, M6 X 1.0 FEM, M6 X 1.0 MAL	1
48	367770	SCREW, PAN, M6 X 1.0 X 16, SS	1
49	07515	WASHER, LOCK, INT, .25, SS	1
50	1012726	FITTING, HOLD-UP, SIGHT TUBE	1
51	48732	SCREW, PAN, M6 X 1.0 X 10, SS	2
52	07515	WASHER, LOCK, INT, .25, SS	2
53	01684	WASHER, FLAT, 0.25 SS	2
54	1013523	●STAND-OFF, WIRE, M6	1
55	1020341	SCREW, HEX, M8 X 1.25 X 20, SS, SEMS	6
56	1012011	BRACKET, HSNG, CONTROL	1
N/S	130773	TIE, CABLE, NYL, 11.0L .09W, BLACK	1

● RECOMMENDED STOCK ITEMS / ARTICULOS RECOMENDADOS PARA MANTENER EN EXISTENCIA / ELÉMENTS DE STOCK RECOMMANDÉS

N/S NOT SHOWN/ NICHT ANGEGBEN/ NON-INDIQUÉ/ NIET AFGEBEELD/ SIN MOSTRAR

PARTS LIST - LISTA DE PIEZAS - LISTE DES PIÈCES

COMPONENT PANEL GROUP, DRIVE MODEL GRUPO DE COMPONENTES DEL PANEL, MODELO DRIVE GROUPE PANNEAU DE COMPOSANTS, MODÈLE QUI PROPULSE



PARTS LIST - LISTA DE PIEZAS - LISTE DES PIÈCES

COMPONENT PANEL GROUP, DRIVE MODEL GRUPO DE COMPONENTES DEL PANEL, MODELO DRIVE GROUPE PANNEAU DE COMPOSANTS, MODÈLE QUI PROPULSE

REF	PART #	DESCRIPTION	QTY.
1	1018745	HOUSING, CNTRL, AFMKT	1
2	1016572	LABEL, DIR	1
3	09739	NUT, HEX, LOCK, M5 X 0.8, NL, SS	2
4	01683	WASHER, FLAT, #10 SS	2
5	1011086	●RELAY, ELE, 24VDC, 100A, SPNO, LUG TERM	1
6	579211	NUT, HEX, LOCK, M3 X .5, SS	2
7	1014572	●GAUGE, HOURMETER, 14-48VDC, LCD, RT	1
8	606780	●CIRCUITBREAKER, 30.0A, RESETABLE	1
9	1012134	PANEL, CNTRL, LOWER	1
10	130787	●SWITCH, ROCKER, V C A SPDT (FAST MODEL)	1
11	06920	SCREW, PAN, M3 X 0.5 X 10, 4.8	2
12	1011402	●SWITCH, KEY	1
	1017696	●KEY, REPLMT, FOR KEYSWITCH 1011402	1
13	391403	SCREW, PAN, M4 X 0.7 X 8, SS	4

REF	PART #	DESCRIPTION	QTY.
14	02938	WASHER, LOCK, INT, 08, SS	4
15	1012216	●RELAY, ELE, 24VDC, VF7 (FAST MODEL)	1
16	01683	WASHER, FLAT, #10 SS (FAST MODEL)	1
17	09739	NUT, HEX, LOCK, M5 X 0.8, NL, SS (FAST MODEL)	1
18	1012216	●RELAY, ELE, 24VDC, VF7	1
19	01683	WASHER, FLAT, #10 SS	1
20	09739	NUT, HEX, LOCK, M5 X 0.8, NL, SS	1
▽ 21	1013644	HARNESS, WIRE ASSY, FAST OPTION	1
▲ 22	1016039	●FUSE, 7.5 AMP, 32 VOLT (FAST MODEL)	1
▽ 23	1019436	HARNESS, WIRE, MAIN, PROPEL	1
▲ 24	1016040	●FUSE, 25 AMP, 32 VOLT	1
▲ 25	1016041	●FUSE, 30 AMP, 32 VOLT	1

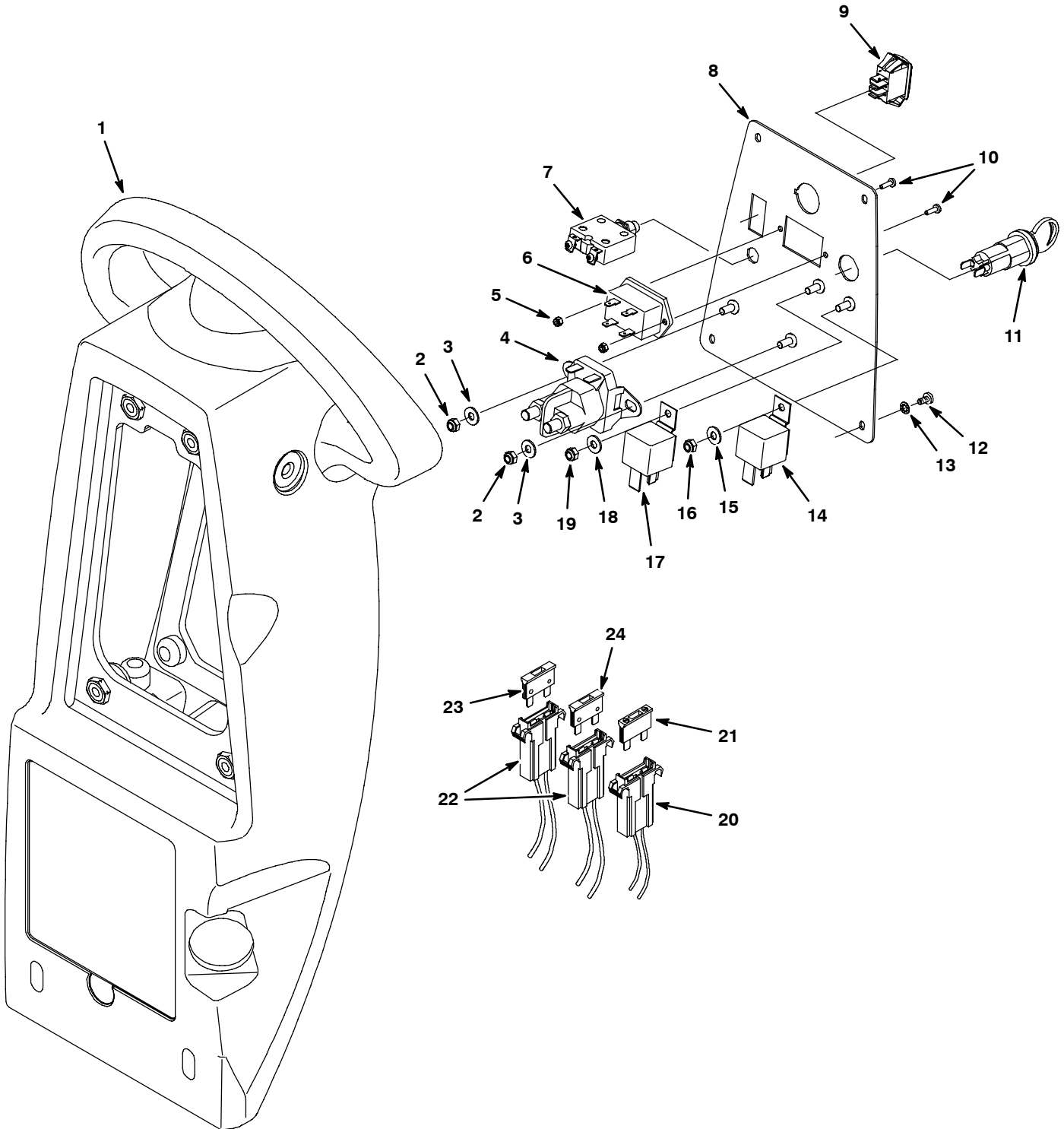
▽ ASSEMBLY / CONJUNTO / ENSEMBLE

▲ INCLUDED IN ASSEMBLY / INCLUIDO EN EL CONJUNTO / Y COMPRIS EN ENSEMBLE

● RECOMMENDED STOCK ITEMS / ARTICULOS RECOMENDADOS PARA MANTENER EN EXISTENCIA / ELÉMENTS DE STOCK RECOMMANDÉS

PARTS LIST - LISTA DE PIEZAS - LISTE DES PIÈCES

COMPONENT PANEL GROUP, BRUSH ASSIST MODEL GRUPO DE COMPONENTES DEL PANEL, MODELO BRUSH ASSIST GROUPE PANNEAU DE COMPOSANTS, MODÈLE A ASSISTANCE DE BROSSSE



PARTS LIST - LISTA DE PIEZAS - LISTE DES PIÈCES

COMPONENT PANEL GROUP, BRUSH ASSIST MODEL GRUPO DE COMPONENTES DEL PANEL, MODELO BRUSH ASSIST GROUPE PANNEAU DE COMPOSANTS, MODÈLE A ASSISTANCE DE BROUSSE

REF	PART #	DESCRIPTION	QTY.
1	1018745	HOUSING, CNTRL, AFMKT	1
2	09739	NUT, HEX, LOCK, M5 X 0.8, NL, SS	2
3	01683	WASHER, FLAT, #10 SS	2
4	1011086	●RELAY, ELE 24VDC 100A	1
5	579211	NUT, HEX LOCK M3 X .5	2
6	1014572	●GAUGE, HOURMETER, 14-48VDC, LCD, RT	1
7	606780	●CIRCUITBREAKER, 30.0A, RESETABLE	1
8	1012134	PANEL, CNTRL, LOWER	1
9	130787	●SWITCH, ROCKER, V C A SPDT (FAST MODEL)	1
10	06920	SCREW, PAN, M3 X 0.5 X 10, 4.8	2
11	1011402	●SWITCH, KEY	1
	1017696	●KEY, REPLMT, FOR KEYSWITCH 1011402	1
12	391403	SCREW, PAN, M4 X 0.7 X 8, SS	4
13	02938	WASHER, LOCK, INT, 08, SS	4

REF	PART #	DESCRIPTION	QTY.
14	1012216	●RELAY, ELE, 24VDC, VF7 (FAST MODEL)	1
15	01683	WASHER, FLAT, #10 SS (FAST MODEL)	1
16	09739	NUT, HEX, LOCK, M5 X 0.8, NL, SS (FAST MODEL)	1
17	1012216	●RELAY, ELE, 24VDC, VF7	1
18	01683	WASHER, FLAT, #10 SS	1
19	09739	NUT, HEX, LOCK, M5 X 0.8, NL, SS	1
∇ 20	1013644	HARNESS, WIRE ASSY, FAST OPTION	1
▲ 21	1016039	●FUSE, 7.5 AMP, 32 VOLT (FAST MODEL)	1
∇ 22	1015832	HARNESS, WIRE MAIN	1
▲ 23	1016040	●FUSE, 25 AMP, 32 VOLT	1
▲ 24	1016029	●FUSE, 5 AMP, 32 VOLT	1

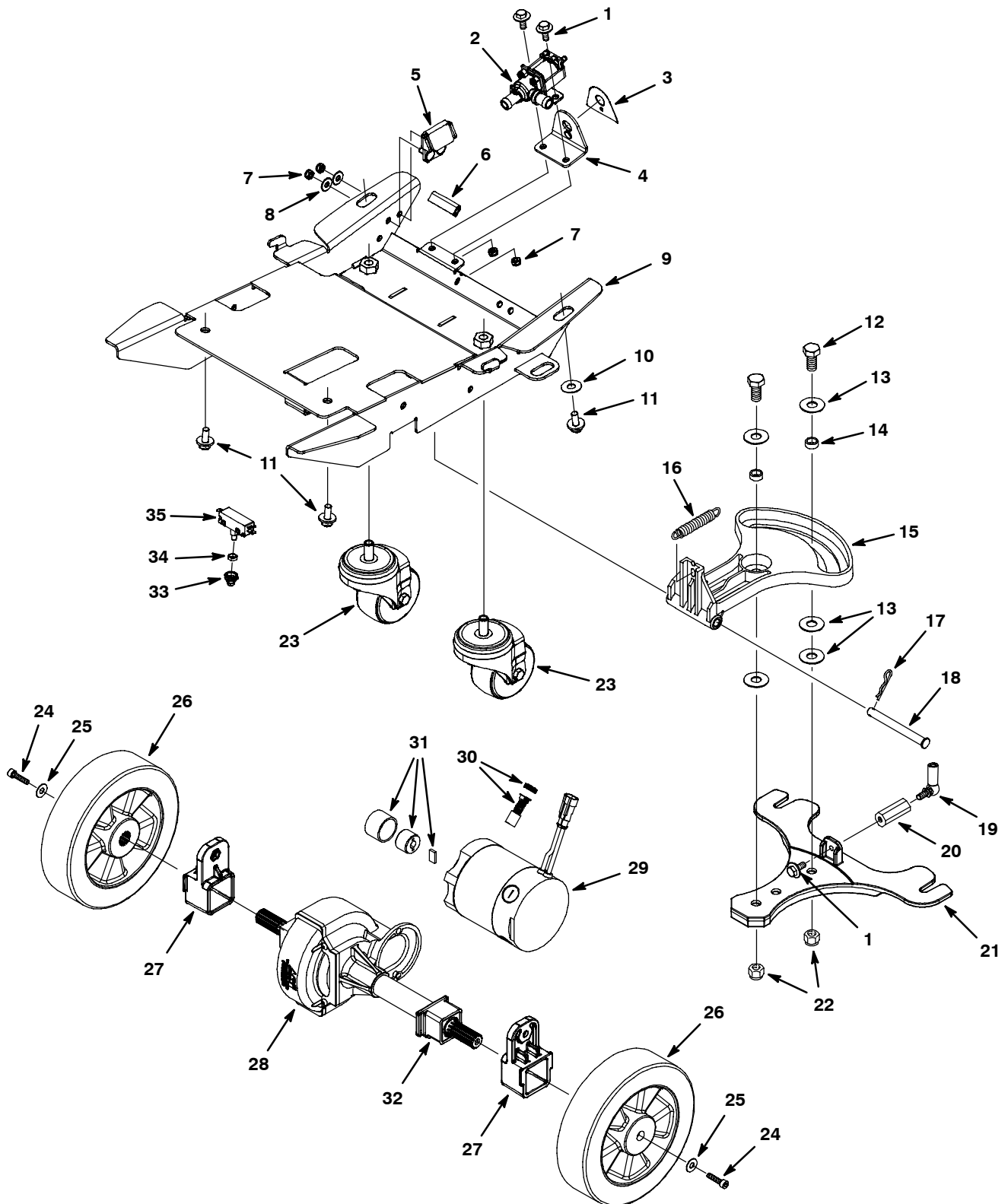
∇ ASSEMBLY / CONJUNTO / ENSEMBLE

▲ INCLUDED IN ASSEMBLY / INCLUIDO EN EL CONJUNTO / Y COMPRIS EN ENSEMBLE

● RECOMMENDED STOCK ITEMS / ARTICULOS RECOMENDADOS PARA MANTENER EN EXISTENCIA / ÉLÉMENTS DE STOCK RECOMMANDÉS

PARTS LIST - LISTA DE PIEZAS - LISTE DES PIÈCES

WHEEL GROUP, DRIVE MODEL (AFTER SERIAL #10309875)
GRUPO DE RUEDAS, MODELO DRIVE (DESPUÉS DEL NÚMERO DE SERIE 10309875)
GROUPE ROUE, MODÈLE QUI PROPULSE (APRÈS LE NUMÉRO DE SÉRIE 10309875)



PARTS LIST - LISTA DE PIEZAS - LISTE DES PIÈCES

WHEEL GROUP, DRIVE MODEL (AFTER SERIAL #10309875) GRUPO DE RUEDAS, MODELO DRIVE (DESPUÉS DEL NÚMERO DE SERIE 10309875) GROUPE ROUE, MODÈLE QUI PROPULSE (APRÈS LE NUMÉRO DE SÉRIE 10309875)

REF	PART #	DESCRIPTION	QTY.
1	1034731	SCREW, HEX, M6 X 1.00 X 16, SS, SEMS	3
2	1016595	●VALVE, LIQUID DISPENSING, 1/4-20	1
3	1014156	LABEL, OPERTNL, LOWER, SOLTN FLOW	1
4	1031714	BRACKET, MTG, VALVE, SOLUTION	1
5	1013946	BRACKET, LOCKING, PEDAL, FOOT	1
6	1034551	TRIM, PLSTC, EDGE, .12 X .56 X 1.75	1
7	08712	NUT, HEX, LOCK, M6 X 1.0, SS, NL	4
8	01684	WASHER, FLAT, 0.25 SS	2
9	1023428	FRAME WLDT, MACH, BLK	1
10	1016331	WASHER, FLAT, 0.34B 1.25D .11, SS	2
11	1020341	SCREW, HEX, M8 X 1.25 X 20, SS, SEMS	4
12	12309	SCREW, HEX, M12 X 1.75 X 30, SS	2
13	140045	WASHER, FLAT, 0.51B 1.25D .06, SS	5
14	1013662	BUSHING, SQGE, PIVOT	2
15	1023389	BRACKET, SQGE, LIFT	1
16	1008721	SPRING, EXTN, 0.75OD X 0.09WIR, 3.5L	1
17	44906	PIN, HAIR COTTER, 0.69 D .092 WIR	1
18	1013610	PIN, CLEVIS, 10MM X 100L	1

REF	PART #	DESCRIPTION	QTY.
19	1012747	●BALLJOINT, M6 X 1.0 FEM, M6 X 1.0 MAL	1
20	1002078	SPACER, .50X X 1.25L, M6 THREAD	1
21	1026265	BRACKET, MTG, SQGE	1
22	09741	NUT, HEX, LOCK, M12 X 1.75, NL	2
23	1026345	●CASTER, SWIVEL, 80MM DIA	2
24	1015869	SCREW, SOC, M6 X 1.0 X 25, SS, NL	2
25	200304017	WASHER, FLAT M6.4 X 13 X 1.6 ZN	2
26	1015079	●WHEEL, SCRBR, 198MM WITH SPLINE	2
27	1028292	ADAPTER, MTG, AXLE, ALM	2
▽ 28	1028379	●TRANSAXLE, ELE, 24VDC, 112RPM, PKRD, DFMA	1
▲▽ 29	1019916	●MOTOR, TRANSAXLE, 24VDC, REPLMT	1
▲▲ 30	614166	●KIT, BRUSH, CARBON QTY (4)	1
▲ 31	1017782	●COUPLING KIT, TRANSAXLE, REPLMT	1
▲ 32	612880	●SLEEVE, TRANSAXLE, REPLMT	2
33	1031441	●BOOT, SWITCH, ACTUATOR, HALF	1
34	1032352	BUSHING, INSERT, THRD, ADAPTOR, 3/8-32	2
35	606292	●SWITCH, PUSH, ACTUATOR, 20AMP	1
N/S	1019397	HARNESS, FRAME, DRIVE	1

▽ ASSEMBLY / CONJUNTO / ENSEMBLE

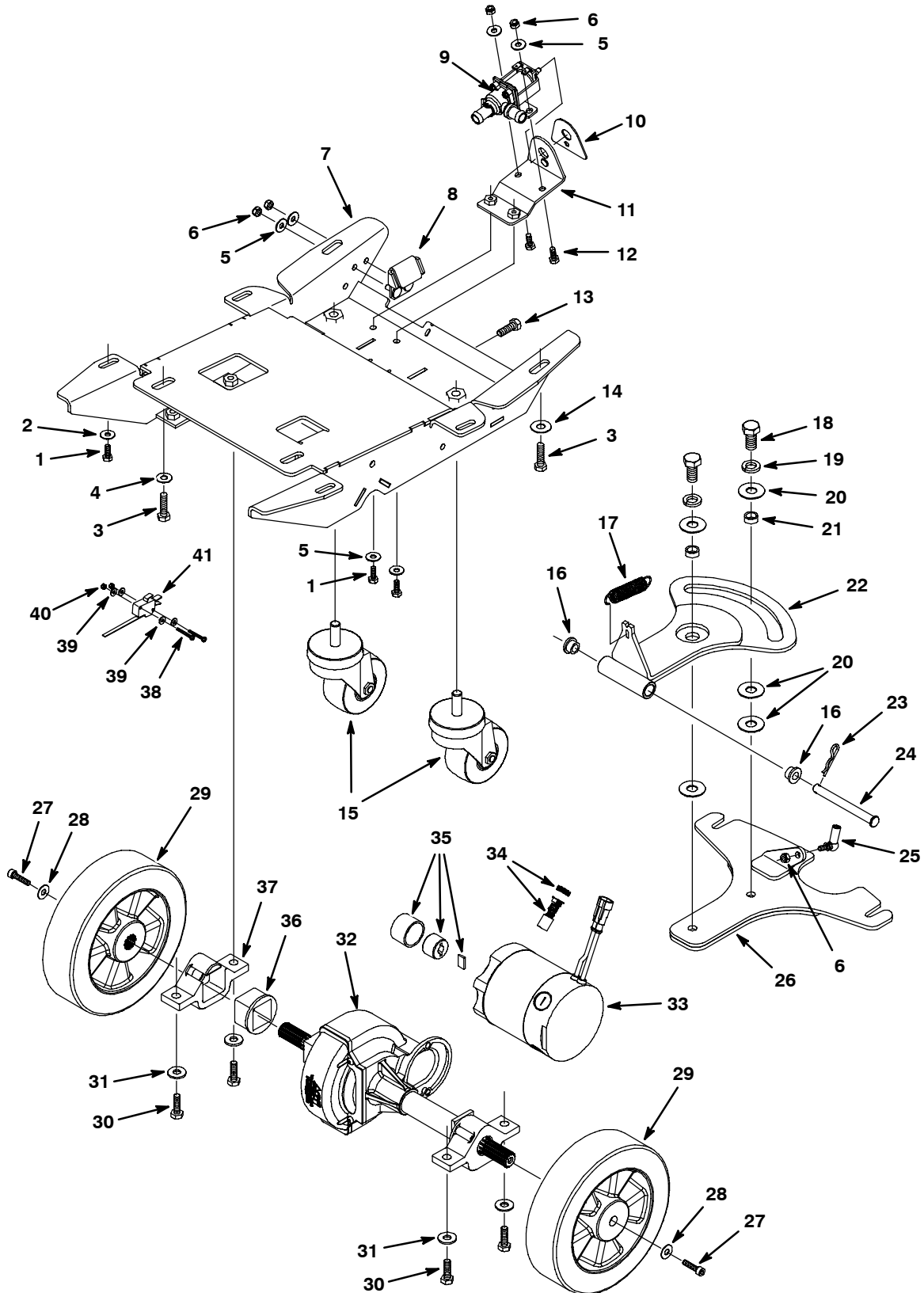
▲ INCLUDED IN ASSEMBLY / INCLUIDO EN EL CONJUNTO / Y COMPRIS EN ENSEMBLE

● RECOMMENDED STOCK ITEMS / ARTICULOS RECOMENDADOS PARA MANTENER EN EXISTENCIA / ÉLÉMENTS DE STOCK RECOMMANDÉS

N/S NOT SHOWN/ NICHT ANGEZEIGT/ NON-INDIQUÉ/ NIET AFGEBEELD/ SIN MOSTRAR

PARTS LIST - LISTA DE PIEZAS - LISTE DES PIÈCES

WHEEL GROUP, DRIVE MODEL (BEFORE SERIAL #10309875)
GRUPO DE RUEDAS, MODELO DRIVE (ANTES DEL NÚMERO DE SERIE 10309875)
GROUPE ROUE, MODÈLE QUI PROPULSE (AVANT LE NUMÉRO DE SÉRIE 10309875)



PARTS LIST - LISTA DE PIEZAS - LISTE DES PIÈCES

WHEEL GROUP, DRIVE MODEL (BEFORE SERIAL #10309875) GRUPO DE RUEDAS, MODELO DRIVE (ANTES DEL NÚMERO DE SERIE 10309875) GROUPE ROUE, MODÈLE QUI PROPULSE (AVANT LE NUMÉRO DE SÉRIE 10309875)

REF	PART #	DESCRIPTION	QTY.
1	11329	SCREW, HEX, M6 X 1.0 X 16, SS, NL	5
2	01684	WASHER, FLAT, 0.25 SS	4
3	49826	SCREW, HEX M8 X 1.25 X 16, SS, NL	4
4	01685	WASHER, FLAT, 0.31 SS	2
5	01684	WASHER, FLAT, 0.25 SS	6
6	08712	NUT, HEX, LOCK, M6 X 1.0, SS, NL	5
7	1011258	FRAME WLDT, MACH	1
8	1013946	BRACKET, LOCKING, PEDAL, FOOT	1
9	1016595	●VALVE, LIQUID DISPENSING, 1/4-20	1
10	1014156	LABEL, OPERTNL, LOWER, SOLTN FLOW	1
11	1012108	BRACKET, MTG, VALVE, SOLUTION	1
12	15678	SCREW, HEX, M6 X 1.0 X 16, SS	2
13	1015852	SCREW, HEX, M8 X 1.25 X 25, SS, NL, FULL	1
14	1016331	WASHER, FLAT, .344, SS	2
15	1026345	●CASTER, SWIVEL, 80MM DIA	2
16	1013612	BUSHING, FLNG, 10MM	2
17	1014131	SPRING, EXTN, 0.63OD X 0.06WIR, 3.0L	1
18	09745	SCREW, HEX, M12 X 1.75 X 25, SS	2
19	140024	WASHER, LOCK, 0.50, SS	2
20	140045	WASHER, FLAT, 0.51B 1.25D .06, SS	5
21	1013662	BUSHING, SQGE, PIVOT	2
22	1013428	BRACKET WLDT, SQGE, LIFT, FRONT	1

REF	PART #	DESCRIPTION	QTY.
23	44906	PIN, HAIR COTTER, 0.69 D .092 WIR	1
24	1013610	PIN, CLEVIS, 10MM X 100L	1
25	1012747	●BALLJOINT, M6 X 1.0 FEM, M6 X 1.0 MAL	1
26	1013547	BRACKET WLDT, SQGE, PIVOT, REAR	1
27	1015869	SCREW, SOC, M6 X 1.0 X 25, SS, NL	2
28	200304017	WASHER, FLAT M6.4 X 13 X 1.6 ZN	2
29	1015079	●WHEEL, SCRBR, 198.00 MM WITH SPLINE	2
30	1016399	SCREW, HEX, M8 X 1.25 X 30, SS, NL	4
31	01685	WASHER, FLAT, 0.31 SS	4
▽	1018082	●TRANSAXLE, ELE, 24VDC, 112RPM, PACKARD	1
▲ 32	1017781	●DIFFERENTIAL, TRANSAXLE, REPLMT	1
▲ 33	1019916	●MOTOR, TRANSAXLE, 24VDC, REPLMT	1
▲ 34	614166	●KIT, BRUSH CARBON QTY(4)	1
▲ 35	1017782	●COUPLING KIT, TRANSAXLE, REPLMT	1
▲ 36	612880	●SLEEVE, TRANSAXLE, REPLMT	2
▲ 37	1017768	●SUPPORT, TRANSAXLE, REPLMT	2
38	06922	SCREW, PAN, M3 X 0.5 X 20, 4.8	2
39	41578	WASHER, FLAT, #06 SS	4
40	579211	NUT, HEX, LOCK, M3 X .5, SS	2
41	1011208	●SWITCH, SNAP, 10A, 125-250VAC, 1/4HP	1
N/S	1019397	HARNESS, FRAME, DRIVE	1

▽ ASSEMBLY / CONJUNTO / ENSEMBLE

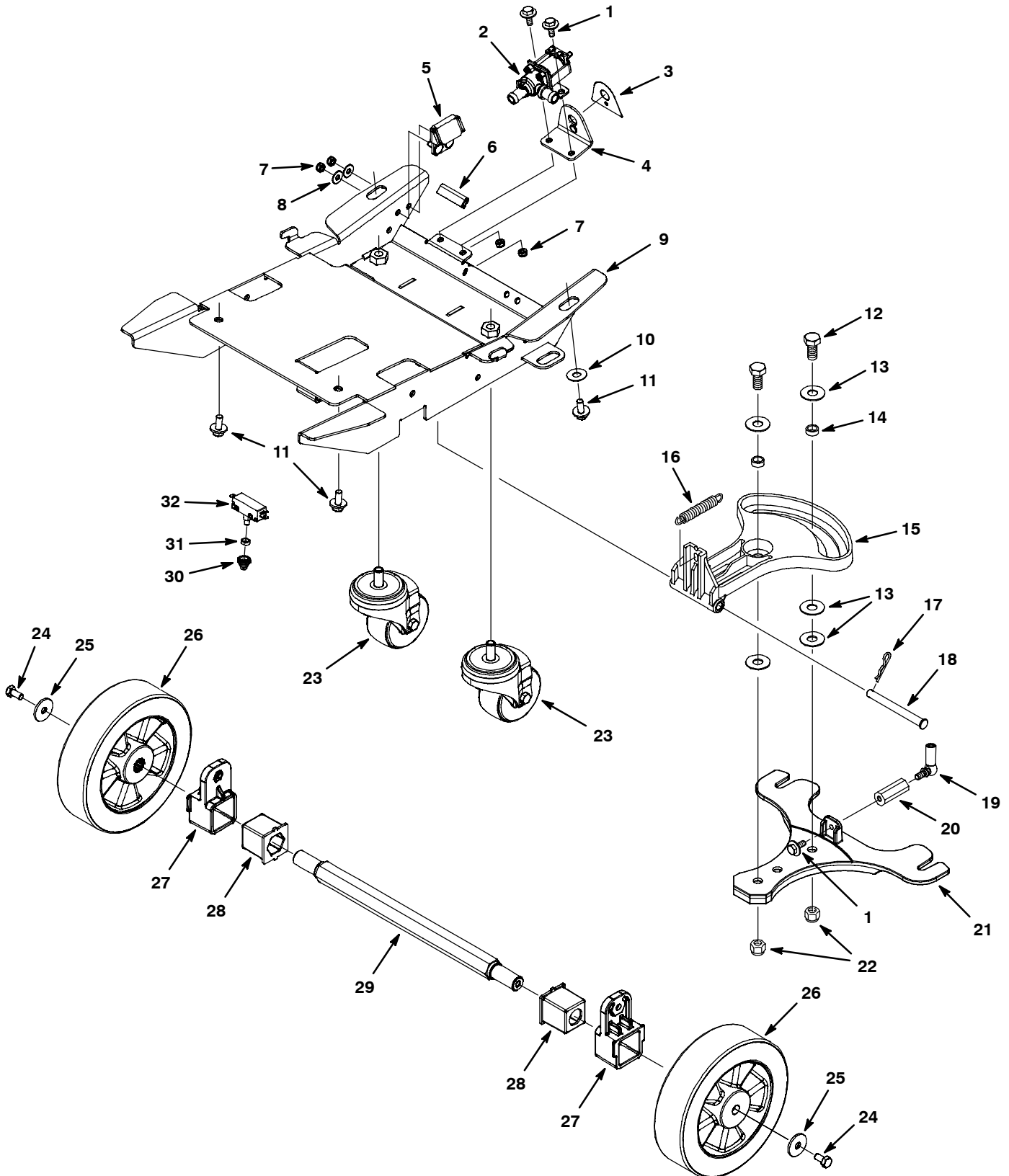
▲ INCLUDED IN ASSEMBLY / INCLUIDO EN EL CONJUNTO / Y COMPRIS EN ENSEMBLE

● RECOMMENDED STOCK ITEMS / ARTICULOS RECOMENDADOS PARA MANTENER EN EXISTENCIA / ELÉMENTS DE STOCK RECOMMANDÉS

N/S NOT SHOWN/ NICHT ANGEZEIGT/ NON-INDIQUÉ/ NIET AFGEBEELD/ SIN MOSTRAR

PARTS LIST - LISTA DE PIEZAS - LISTE DES PIÈCES

WHEEL GROUP, BRUSH ASSIST MODEL (AFTER SERIAL #10309875)
GRUPO DE RUEDAS, MODELO BRUSH ASSIST (DESPUÉS DEL NÚMERO DE SERIE 10309875)
GROUPE ROUE, MODÈLE A ASSISTANCE DE BROSSSE (APRÈS LE NUMÉRO DE SÉRIE 10309875)



PARTS LIST - LISTA DE PIEZAS - LISTE DES PIÈCES

WHEEL GROUP, BRUSH ASSIST MODEL (AFTER SERIAL #10309875) GRUPO DE RUEDAS, MODELO BRUSH ASSIST (DESPUÉS DEL NÚMERO DE SERIE 10309875) GROUPE ROUE, MODÈLE A ASSISTANCE DE BROUSSE (APRÈS LE NUMÉRO DE SÉRIE 10309875)

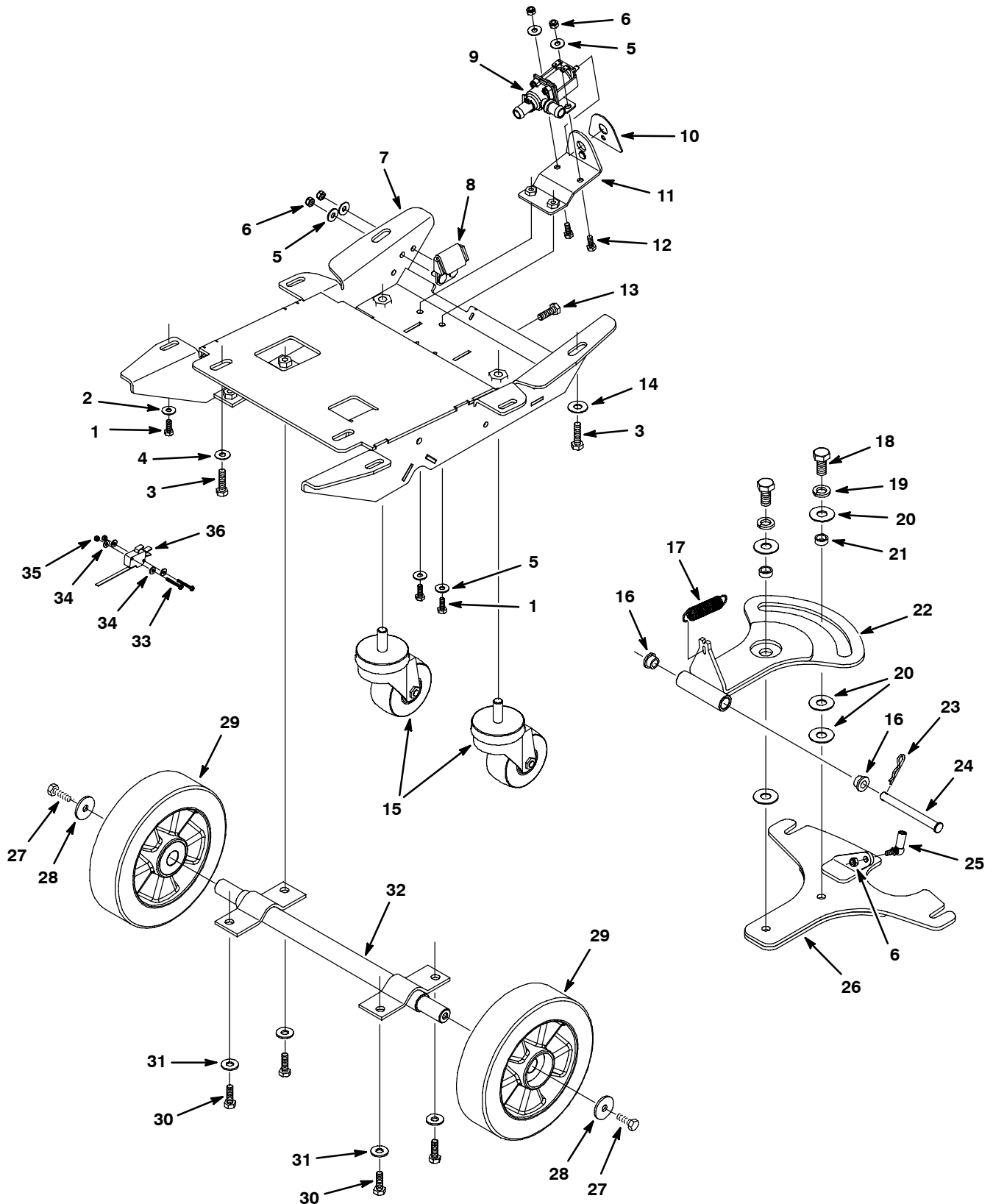
REF	PART #	DESCRIPTION	QTY.
1	1034731	SCREW, HEX, M6 X 1.00 X 16, SS, SEMS	3
2	1016595	●VALVE, LIQUID DISPENSING, 1/4-20	1
3	1014156	LABEL, OPERTNL, LOWER, SOLTN FLOW	1
4	1012108	BRACKET, MTG, VALVE, SOLUTION	1
5	1013946	BRACKET, LOCKING, PEDAL, FOOT	1
6	1034551	TRIM, PLSTC, EDGE, .12 X .56 X 1.75	1
7	08712	NUT, HEX, LOCK, M6 X 1.0, SS, NL	4
8	01684	WASHER, FLAT, 0.25 SS	2
9	1023428	FRAME WLDT, MACH, BLK	1
10	1016331	WASHER, FLAT, 0.34B 1.25D .11, SS	2
11	1020341	SCREW, HEX, M8 X 1.25 X 20, SS SEMS	4
12	12309	SCREW, HEX, M12 X 1.75 X 30, SS	2
13	140045	WASHER, FLAT, 0.51B 1.25D .06, SS	5
14	1013662	BUSHING, SQGE, PIVOT	2
15	1023389	BRACKET, SQGE, LIFT	1
16	1008721	SPRING, EXTN, 0.75OD X 0.09WIR, 3.5L	1

REF	PART #	DESCRIPTION	QTY.
17	44906	PIN, HAIR COTTER, 0.69 D .092 WIR	1
18	1013610	PIN, CLEVIS, 10MM X 100L	1
19	1012747	●BALLJOINT, M6 X 1.0 FEM, M6 X 1.0 MAL	1
20	1002078	SPACER, .50X X 1.25L, M6 THREAD	1
21	1026265	BRACKET, MTG, SQGE	1
22	09741	NUT, HEX, LOCK, M12 X 1.75, NL	2
23	1026345	●CASTER, SWIVEL, 80MM DIA	2
24	49826	SCREW, HEX, M8 X 1.25 X 16, SS, NL	2
25	1016331	WASHER, FLAT, 0.344, 1.25, SS	2
26	1013248	●WHEEL, SCRBR, 198MM WITH BEARING	2
27	1028292	ADAPTER, MTG, AXLE, ALM	2
28	1028381	●GROMMET, AXLE [T3 BRUSH ASSIST]	2
29	1028382	AXLE, WHEEL, [T3 BRUSH ASSIST] SQ, ZN	1
30	1031441	●BOOT, SWITCH, ACTUATOR, HALF	1
31	1032352	BUSHING, INSERT, THRD, ADAPTOR, 3/8-32	2
32	606292	●SWITCH, PUSH, ACTUATOR, 20AMP	1

● RECOMMENDED STOCK ITEMS / ARTICULOS RECOMENDADOS PARA MANTENER EN EXISTENCIA / ELÉMENTS DE STOCK RECOMMANDÉS

PARTS LIST - LISTA DE PIEZAS - LISTE DES PIÈCES

WHEEL GROUP, BRUSH ASSIST MODEL (BEFORE SERIAL #10309875)
GRUPO DE RUEDAS, MODELO BRUSH ASSIST (ANTES DEL NÚMERO DE SERIE 10309875)
GROUPE ROUE, MODÈLE A ASSISTANCE DE BROUSSE (AVANT LE NUMÉRO DE SÉRIE 10309875)



PARTS LIST - LISTA DE PIEZAS - LISTE DES PIÈCES

WHEEL GROUP, BRUSH ASSIST MODEL (BEFORE SERIAL #10309875) GRUPO DE RUEDAS, MODELO BRUSH ASSIST (ANTES DEL NÚMERO DE SERIE 10309875) GROUPE ROUE, MODÈLE A ASSISTANCE DE BROSSE (AVANT LE NUMÉRO DE SÉRIE 10309875)

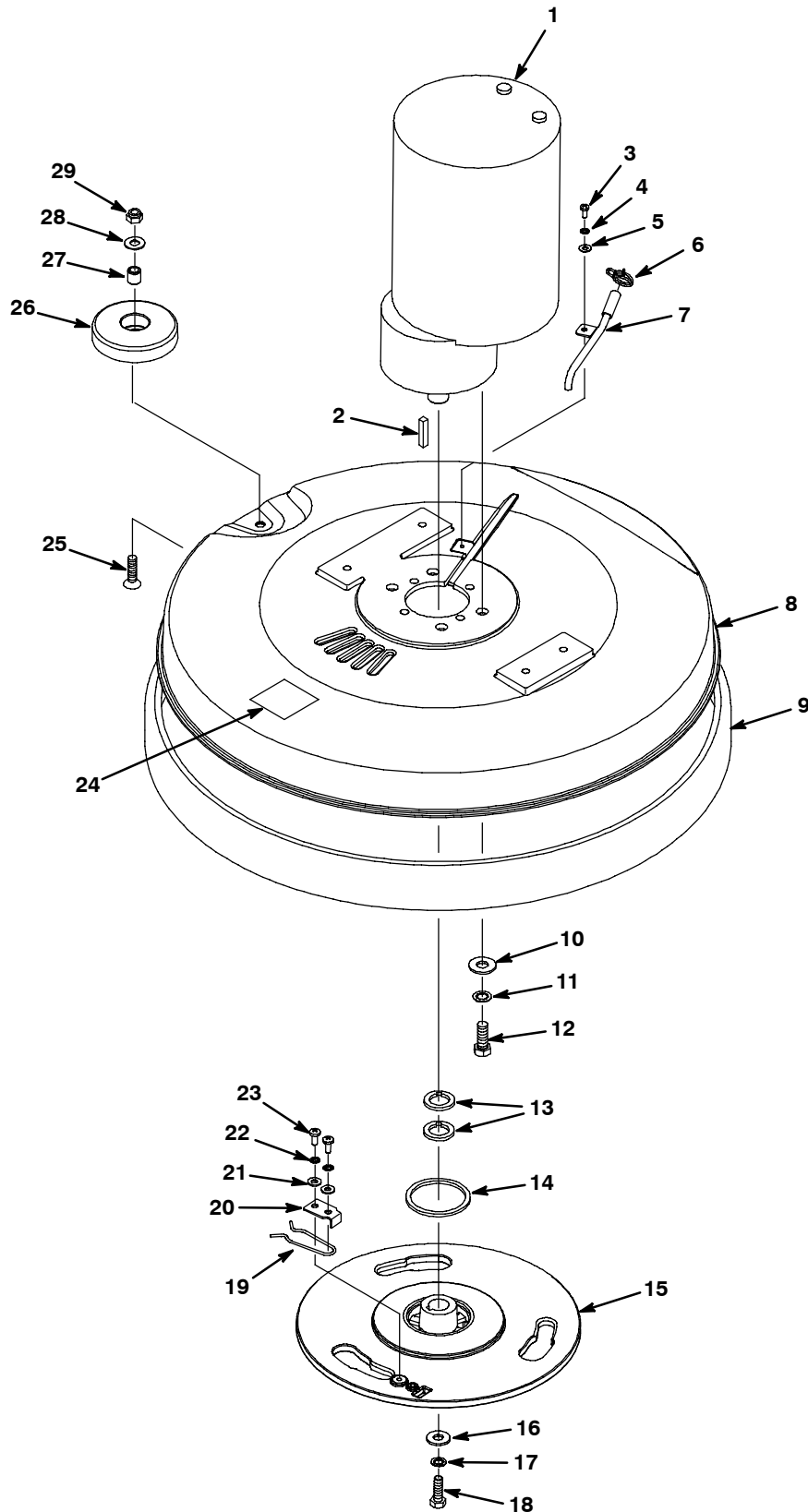
REF	PART #	DESCRIPTION	QTY.
1	11329	SCREW, HEX, M6 X 1.0 X 16, SS, NL	6
2	01684	WASHER, FLAT, 0.25 SS	4
3	49826	SCREW, HEX, M8 X 1.25 X 16, SS, NL	4
4	01685	WASHER, FLAT, 0.31 SS	2
5	01684	WASHER, FLAT, 0.25 SS	6
6	08712	NUT, HEX, LOCK, M6 X 1.0, SS, NL	5
7	1011258	FRAME WLDT, MACH	1
8	1013946	BRACKET, LOCKING, PEDAL, FOOT	1
9	1016595	●VALVE, LIQUID DISPENSING, 1/4-20	1
10	1014156	LABEL, OPERTNL, LOWER, SOLTN FLOW	1
11	1012108	BRACKET, MTG, VALVE, SOLUTION	1
12	15678	SCREW, HEX, M6 X 1.0 X 16, SS	2
13	1015852	SCREW, HEX, M8 X 1.25 X 25, SS, NL, FULL	1
14	1016331	WASHER, FLAT, .344, SS	2
15	1026345	●CASTER, SWIVEL, 80MM DIA	2
16	1013612	BUSHING, FLNG, 10MM	2
17	1014131	SPRING, EXTN, 0.63OD X 0.06WIR, 3.0L	1
18	09745	SCREW, HEX, M12 X 1.75 X 25, SS	2
19	140024	WASHER, LOCK, 0.50, SS	2

REF	PART #	DESCRIPTION	QTY.
20	140045	WASHER, FLAT, 0.51B 1.25D .06, SS	5
21	1013662	BUSHING, SQGE, PIVOT	2
22	1013428	BRACKET WLDT, SQGE, LIFT, FRONT	1
23	44906	PIN, HAIR COTTER, 0.69 D .092 WIR	1
24	1013610	PIN, CLEVIS, 10MM X 100L	1
25	1012747	●BALLJOINT, M6 X 1.0 FEM, M6 X 1.0 MAL	1
26	1013547	BRACKET WLDT, SQGE, PIVOT, REAR	1
27	49826	SCREW, HEX, M8 X 1.25 X 16, SS, NL	2
28	1016331	WASHER, FLAT, 0.344, 1.25, SS	2
29	1013248	●WHEEL, SCRBR, 198MM WITH BEARING	2
30	12273	SCREW, HEX, M8 X 1.25 X 20, SS, NL	4
31	01685	WASHER, FLAT, 0.31 SS	4
32	1013219	●AXLE WLDT, WHEEL	1
33	06922	SCREW, PAN, M3 X 0.5 X 20, 4.8	2
34	41578	WASHER, FLAT, #06 SS	4
35	579211	NUT, HEX, LOCK, M3 X .5, SS	2
36	1011208	●SWITCH, SNAP, 10A, 125-250VAC, 1/4HP	1

● RECOMMENDED STOCK ITEMS / ARTICULOS RECOMENDADOS PARA MANTENER EN EXISTENCIA / ELÉMENTS DE STOCK RECOMMANDÉS

PARTS LIST - LISTA DE PIEZAS - LISTE DES PIÈCES

SCRUB HEAD GROUP, 50 cm (20 in) MODEL GRUPO DE CABEZAL DE LIMPIEZA, MODELO DE 50 cm (20 in) GROUPE TÊTE DE BROSSAGE DISQUE SIMPLE, 50 cm (20 in)



PARTS LIST - LISTA DE PIEZAS - LISTE DES PIÈCES

SCRUB HEAD GROUP, 50 cm (20 in) MODEL GRUPO DE CABEZAL DE LIMPIEZA, MODELO DE 50 cm (20 in) GROUPE TÊTE DE BROSSAGE DISQUE SIMPLE, 50cm (20 in)

REF	PART #	DESCRIPTION	QTY.
∇ 1	610263	●MOTOR, ELE, 24VDC 0.75HP 0200RPM 33A	1
▲ 1	190970	●BRUSH, CARBON, MOTOR, ELE	4
▲ 1	611024	BRUSH BOARD ASM	1
▲ 1	374005	GEARBOX, MOTOR	1
▲ 2	630454	●KEY 1/4X1/4X1-1/8	1
3	1020234	SCREW, HEX, M4 X 0.7 X 10, SS	1
4	02938	WASHER, LOCK, INT, 08, SS	1
5	1009168	WASHER, FLAT, 0.17B 0.75D .04, SS	1
6	607775	CLAMP, HOSE, WIRE, .63-.66, BLK	1
7	1016155	TUBE WLDT, SUPPLY, WATER	1
8	1011477	HOUSING, CASTING, HEAD, 50CM, MACH	1
9	1011316	●BUMPER, HEAD, W/ BRISTLE SKIRT	1
10	01686	WASHER, FLAT, 0.44B 1.00 .08, SS	4
11	43953	WASHER, LOCK, INT, .38, SS	4
12	69225	SCREW, HEX, .38-16 X 1.00, SS	4
13	621471	SPACER .75X1.12	2
14	1016426	RING, WATER, CONTAINMENT	1

REF	PART #	DESCRIPTION	QTY.
15	1015878	DRIVER, BRUSH, CASTING MACHINED [IMP]	1
16	1017218	WASHER, FLAT, 0.321B 1.00D .12, SS	1
17	43952	WASHER, LOCK, INT, .31, SS	1
18	140221	SCREW, HEX, .31-18 X 1.25, SS	1
19	1013188	●CLIP, SPRING	1
20	1011201	●PLATE, CLAMP, BRUSH	1
21	01683	WASHER, FLAT, #10 SS	2
22	07514	WASHER, LOCK, INT, #10, SS	2
23	09200	SCREW, PAN, M5 X 0.8 X 12, SS	2
24	578769	LABEL, MOVING PARTS	1
25	79506	SCREW, FLT, M8 X 1.25 X 30, SS	1
26	1010560	●WHEEL, BUMPER, 80D X 25W, NON-MARKING	1
27	222460	SLEEVE, P/M, 0.496D 0.318B 0.50L 430SS	1
28	140027	WASHER, FLAT, 0.35B 0.75D .04, SS	1
29	08713	NUT, HEX, LOCK, M8 X 1.25, NL, SS	1

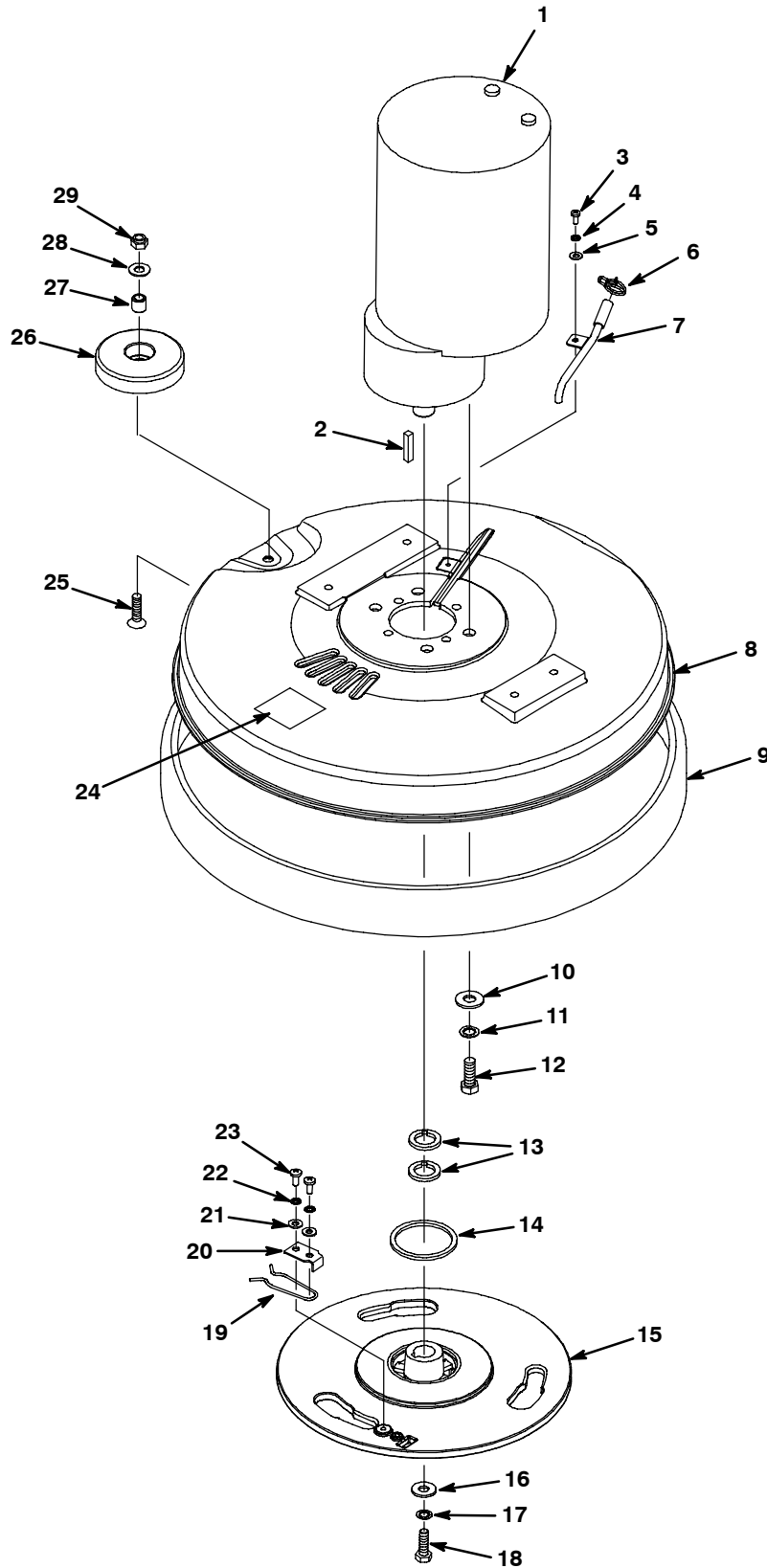
∇ ASSEMBLY / CONJUNTO / ENSEMBLE

▲ INCLUDED IN ASSEMBLY / INCLUIDO EN EL CONJUNTO / Y COMPRIS EN
ENSEMBLE

● RECOMMENDED STOCK ITEMS / ARTICULOS RECOMENDADOS PARA
MANTENER EN EXISTENCIA / ELÉMENTS DE STOCK RECOMMANDÉS

PARTS LIST - LISTA DE PIEZAS - LISTE DES PIÈCES

SCRUB HEAD GROUP, 43 cm (17 in) MODEL GRUPO DE CABEZAL DE LIMPIEZA, MODELO DE 43 cm (17 in) GROUPE TÊTE DE BROSSAGE DISQUE SIMPLE, 43 cm (17 in)



PARTS LIST - LISTA DE PIEZAS - LISTE DES PIÈCES

SCRUB HEAD GROUP, 43 cm (17 in) MODEL GRUPO DE CABEZAL DE LIMPIEZA, MODELO DE 43 cm (17 pul) GROUPE TÊTE DE BROSSAGE DISQUE SIMPLE, 43 cm (17 in)

REF	PART #	DESCRIPTION	QTY.
∇ 1	610263	●MOTOR, ELE, 24VDC 0.75HP 0200RPM 33A	1
▲ 1	190970	●BRUSH, CARBON, MOTOR, ELE	4
▲ 1	611024	BRUSH BOARD ASM	1
▲ 1	374005	GEARBOX, MOTOR	1
▲ 2	630454	●KEY 1/4X1/4X1-1/8	1
3	1020234	SCREW, HEX, M4 X 0.7 X 10, SS	1
4	02938	WASHER, LOCK, INT, 08, SS	1
5	1009168	WASHER, FLAT, 0.17B 0.75D .04, SS	1
6	607775	CLAMP, HOSE, WIRE, .63-.66, BLK	1
7	1016155	TUBE WLDT, SUPPLY, WATER	1
8	1011305	HOUSING, CASTING, HEAD, 43CM, MACH	1
9	1011368	●BUMPER, HEAD, W/ BRISTLE SKIRT	1
10	01686	WASHER, FLAT, 0.44B 1.00 .08, SS	4
11	43953	WASHER, LOCK, INT, .38, SS	4
12	69225	SCREW, HEX, .38-16 X 1.00, SS	4
13	621471	SPACER .75X1.12	2
14	1016426	RING, WATER, CONTAINMENT	1

REF	PART #	DESCRIPTION	QTY.
15	1015878	DRIVER, BRUSH, CASTING MACHINED [IMP]	1
16	1017218	WASHER, FLAT, 0.321B 1.00D .12, SS	1
17	43952	WASHER, LOCK, INT, .31, SS	1
18	140221	SCREW, HEX, .31-18 X 1.25, SS	1
19	1013188	●CLIP, SPRING	1
20	1011201	●PLATE, CLAMP, BRUSH	1
21	01683	WASHER, FLAT, #10 SS	2
22	07514	WASHER, LOCK, INT, #10, SS	2
23	09200	SCREW, PAN, M5 X 0.8 X 12, SS	2
24	578769	LABEL, MOVING PARTS	1
25	79506	SCREW, FLT, M8 X 1.25 X 30, SS	1
26	1010560	●WHEEL, BUMPER, 80D X 25W, NON-MARKING	1
27	222460	SLEEVE, P/M, 0.496D 0.318B 0.50L 430SS	1
28	140027	WASHER, FLAT, 0.35B 0.75D .04, SS	1
29	08713	NUT, HEX, LOCK, M8 X 1.25, NL, SS	1

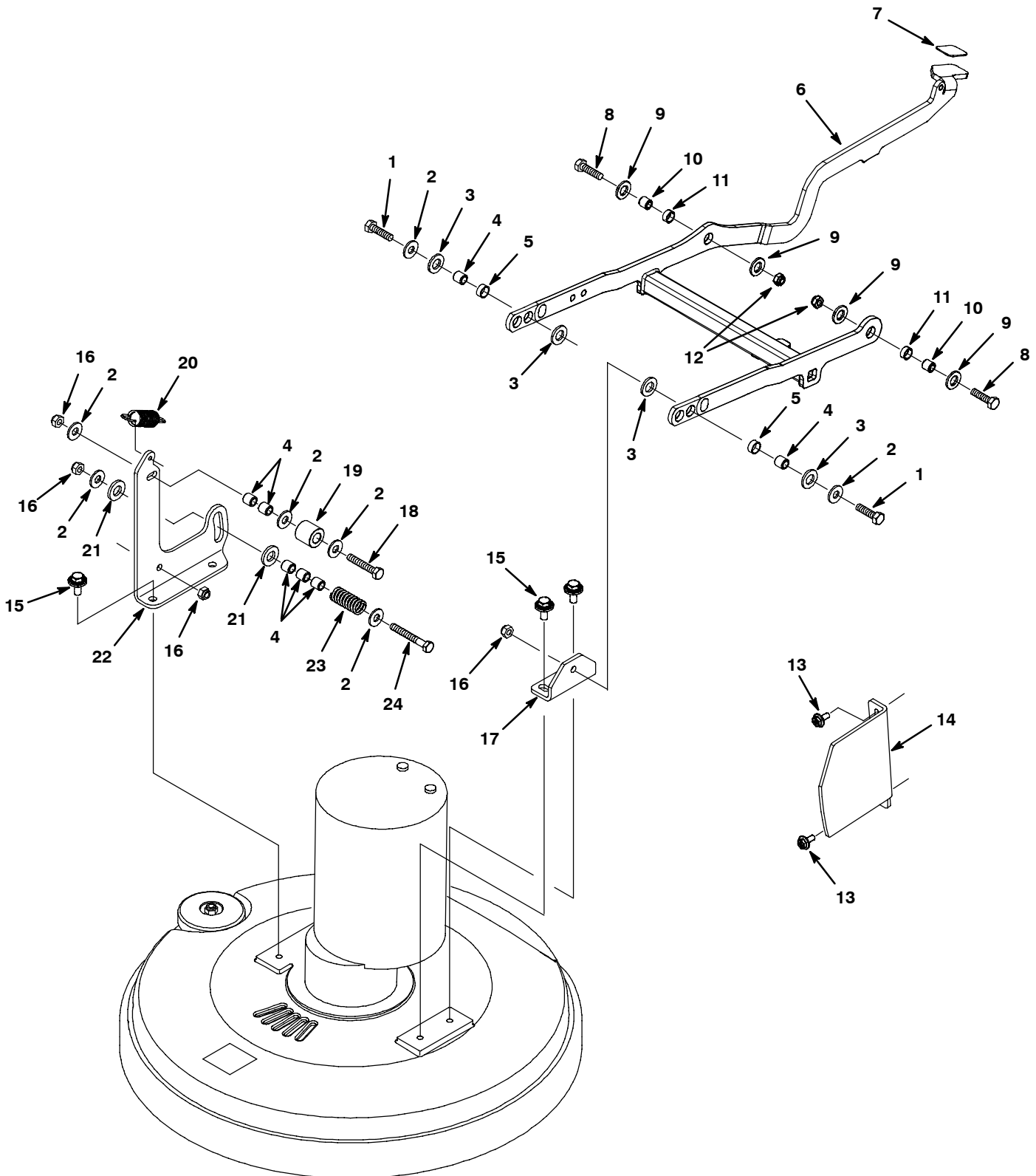
∇ ASSEMBLY / CONJUNTO / ENSEMBLE

▲ INCLUDED IN ASSEMBLY / INCLUIDO EN EL CONJUNTO / Y COMPRIS EN ENSEMBLE

● RECOMMENDED STOCK ITEMS / ARTICULOS RECOMENDADOS PARA MANTENER EN EXISTENCIA / ELÉMENTS DE STOCK RECOMMANDÉS

PARTS LIST - LISTA DE PIEZAS - LISTE DES PIÈCES

SCRUB HEAD LIFT GROUP (AFTER SERIAL #10309875) GRUPO DE ELEVACIÓN DEL CABEZAL DE FREGADO (DESPUÉS DEL NÚMERO DE SERIE 10309875) GROUPE DE LEVAGE DE LA TÊTE DE LAVAGE (APRÈS LE NUMÉRO DE SÉRIE 10309875)



PARTS LIST - LISTA DE PIEZAS - LISTE DES PIÈCES

SCRUB HEAD LIFT GROUP (AFTER SERIAL #10309875) GRUPO DE ELEVACIÓN DEL CABEZAL DE FREGADO (DESPUÉS DEL NÚMERO DE SERIE 10309875) GROUPE DE LEVAGE DE LA TÊTE DE LAVAGE (APRÈS LE NUMÉRO DE SÉRIE 10309875)

REF	PART #	DESCRIPTION	QTY.
1	09011	SCREW, HEX, M8 X 1.25 X 30, SS	2
2	01685	WASHER, FLAT, 0.31 SS	7
3	1013936	WASHER, FLAT, 0.51B 0.94D .10, NYL	4
4	222460	SLEEVE, P/M, 0.31B 0.5D 0.51L	2
5	630188	BEARING, JOURNAL, .50ID X .25L	2
∇ 6	1037297	LIFT ASSY, HEAD, SNGL DISK, AFTMKT [T3]	1
▲ 7	1014283	●PAD, ADH, NON-SLIP, 28MM X 36MM, BLK	1
▲ 8	09011	SCREW, HEX, M8 X 1.25 X 30, SS	2
▲ 9	1013936	WASHER, FLAT, 0.51B 0.94D .10, NYL	4
▲ 10	222460	SLEEVE, P/M, 0.31B 0.5D 0.51L	7
▲ 11	630188	BEARING, JOURNAL, .50ID X .25L	2
▲ 12	08713	NUT, HEX, LOCK, M8 X 1.25, NL, SS	2
13	1034731	SCREW, HEX, M6 X 1.0 X 16, SS, SEMS	2

REF	PART #	DESCRIPTION	QTY.
14	1015460	BRACKET, GUIDE, HEAD (43 CM)	1
	1012484	BRACKET, GUIDE, HEAD (50 CM)	1
15	1020341	SCREW, HEX, M8 X 1.25 X 20, SS, SEMS	4
16	08713	NUT, HEX, LOCK, M8 X 1.25, NL, SS	4
17	1015470	BRACKET, MTG, HEAD	1
18	222505	SCREW, HEX, M8 X 1.25 X 45	1
19	1014020	●ROLLER, LIFT, DUAL DISK HEAD	1
20	1018916	SPRING, EXTN, 0.75OD X 0.07 WIR, 2.8L (43 CM)	1
	1022177	SPRING, EXTN, 0.75OD X 0.085 WIR, 2.8L (50 CM)	1
21	140127	BEARING, THRUST, 0.51B X 1.0 X .12, BRZ	2
22	1012323	BRACKET, MTG, HEAD, RH	1
23	140430	SPRING, CMPR, .75OD X 1.69L	1
24	1014163	SCREW, HEX, M8 X 1.25 X 60, FI	1

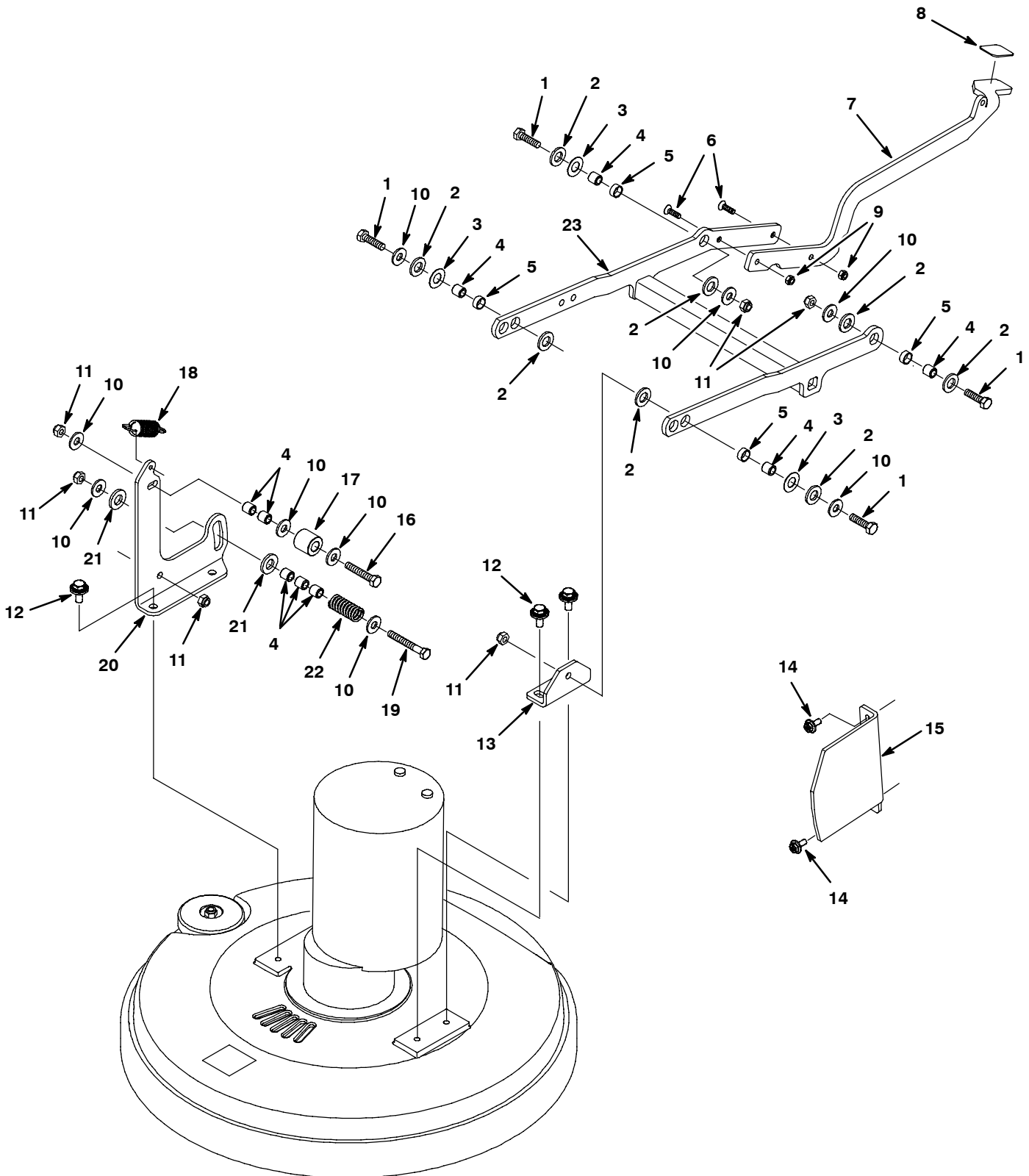
∇ ASSEMBLY / CONJUNTO / ENSEMBLE

▲ INCLUDED IN ASSEMBLY / INCLUIDO EN EL CONJUNTO / Y COMPRIS EN ENSEMBLE

● RECOMMENDED STOCK ITEMS / ARTICULOS RECOMENDADOS PARA MANTENER EN EXISTENCIA / ÉLÉMENTS DE STOCK RECOMMANDÉS

PARTS LIST - LISTA DE PIEZAS - LISTE DES PIÈCES

SCRUB HEAD LIFT GROUP (BEFORE SERIAL #10309875) GRUPO DE ELEVACIÓN DEL CABEZAL DE FREGADO (ANTES DEL NÚMERO DE SERIE 10309875) GROUPE DE LEVAGE DE LA TÊTE DE LAVAGE (AVANT LE NUMÉRO DE SÉRIE 10309875)



PARTS LIST - LISTA DE PIEZAS - LISTE DES PIÈCES

SCRUB HEAD LIFT GROUP (BEFORE SERIAL #10309875) GRUPO DE ELEVACIÓN DEL CABEZAL DE FREGADO (ANTES DEL NÚMERO DE SERIE 10309875) GROUPE DE LEVAGE DE LA TÊTE DE LAVAGE (AVANT LE NUMÉRO DE SÉRIE 10309875)

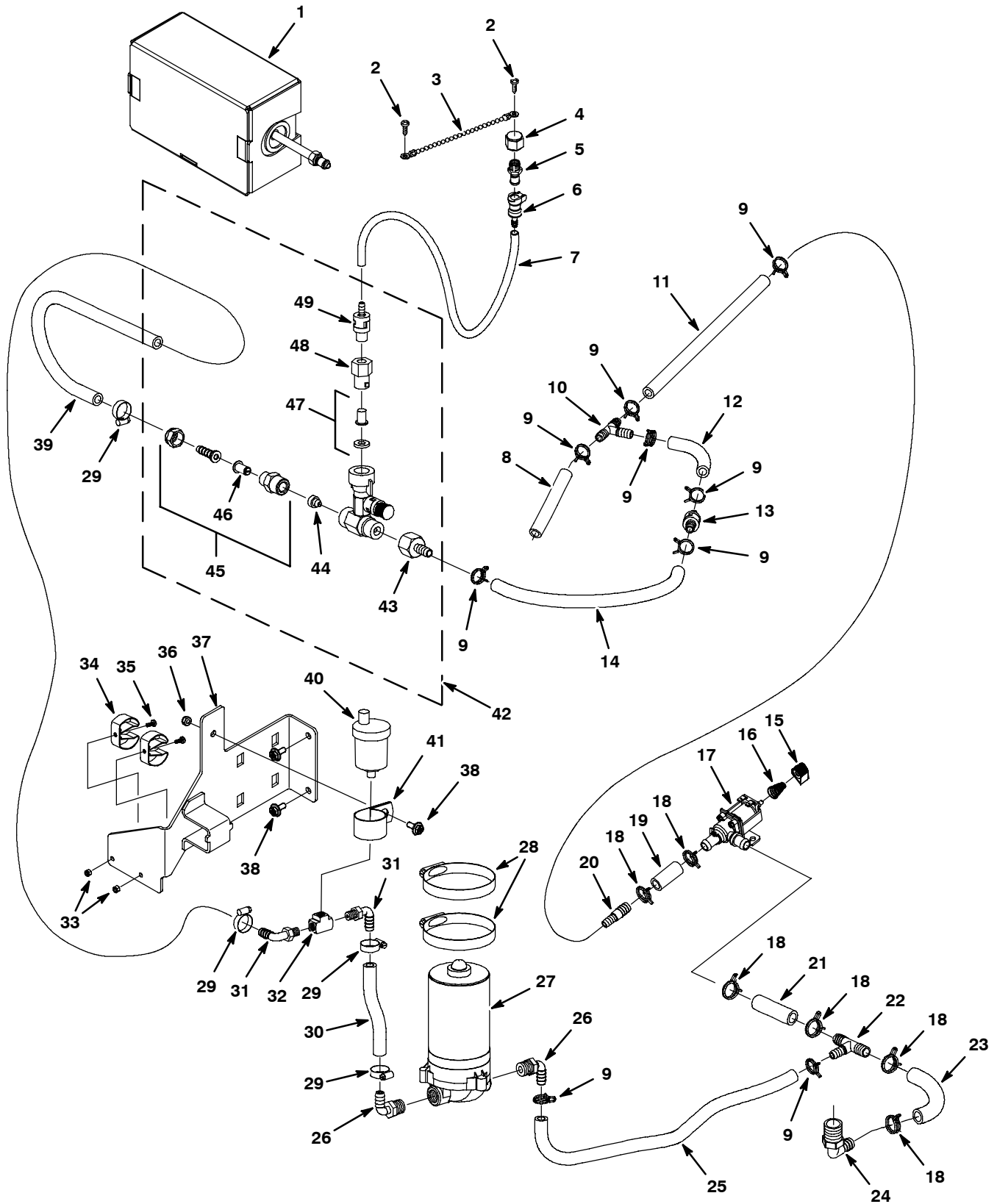
REF	PART #	DESCRIPTION	QTY.
1	09011	SCREW, HEX, M8 X 1.25 X 30, SS	4
2	1013936	WASHER, FLAT, 0.51B 0.94D .10, NYL	8
3	630447	WASHER, FLAT, M12.7 X 25.4 X 0.8 NY	3
4	222460	SLEEVE, P/M, 0.31B 0.5D 0.51L	9
5	630188	BEARING, JOURNAL, .50ID X .25L	4
6	1016421	SCREW, FLT, M6 X 1.0 X 20, SS	2
7	1011841	PEDAL, FOOT, LIFT, HEAD	1
8	1014283	PAD, ADH, NON-SLIP, 28MM X 36MM, BLK	1
9	08712	NUT, HEX, LOCK, M8 X 1.25, NL, SS	2
10	01685	WASHER, FLAT, 0.31 SS	9
11	08713	NUT, HEX, LOCK, M8 X 1.25, NL, SS	6
12	1020341	SCREW, HEX, M8 X 1.25 X 20, SS, SEMS	4
13	1015470	BRACKET, MTG, HEAD	1

REF	PART #	DESCRIPTION	QTY.
14	1034731	SCREW, HEX, M6 X 1.0 X 16, SS, SEMS	2
15	1015460	BRACKET, GUIDE, HEAD (43 CM)	1
	1012484	BRACKET, GUIDE, HEAD (50 CM)	1
16	222505	SCREW, HEX, M8 X 1.25 X 45	1
17	1014020	●ROLLER, LIFT, DUAL DISK HEAD	1
18	1018916	SPRING, EXTN, 0.75OD X 0.07 WIR, 2.8L (43 CM)	1
	1022177	SPRING, EXTN, 0.75OD X 0.085 WIR, 2.8L (50 CM)	1
19	1014163	SCREW, HEX, M8 X 1.25 X 60, FI	1
20	1012323	BRACKET, MTG, HEAD, RH	1
21	140127	BEARING, THRUST, 0.51B X 1.0 X .12, BRZ	2
22	140430	SPRING, CMPR, .75OD X 1.69L	1
23	1013802	WLDT, LIFT, HEAD, DISK, SNGL	1

● RECOMMENDED STOCK ITEMS / ARTICULOS RECOMENDADOS PARA MANTENER EN EXISTENCIA

PARTS LIST - LISTA DE PIEZAS - LISTE DES PIÈCES

**SOLUTION GROUP, FaST MODEL
GRUPO DE SOLUCION, MODELO FaST
GROUPE SOLUTION, MODÈLE FaST**



PARTS LIST - LISTA DE PIEZAS - LISTE DES PIÈCES

SOLUTION GROUP, FaST MODEL GRUPO DE SOLUCION, MODELO FaST GROUPE SOLUTION, MODÈLE FaST

REF	PART #	DESCRIPTION	QTY.
1	1017015	●DETERGENT, PKG, 2 LITER, SGL, 365	1
	1017022	●DETERGENT, PKG, 2 LITER, SGL, 665	1
2	1018155	SCREW, PAN, M4.8 X 16, SS, TCUT	2
3	621443	CHAIN, BALL, #10 X 157L, SS	1
4	1005435	FITTING, PLSTC, PIPE, CAP, PF04	1
5	1002899	●FITTING, PLSTC, STR, PM04, CPLG, MAL	1
6	1002898	●FITTING, PLSTC, STR, BM04, CPLG, FEM	1
7	613947	HOSE, PVC, CLR, 0.25ID 0.38OD 26.0L	1
8	613446	HOSE, PYU, CLR, 0.38ID 0.62OD 10.0L	1
9	607775	CLAMP, HOSE, WIRE, .63-.66, BLK	9
10	160310	FITTING, PLSTC, TEE, BM06/BM06/BM06	1
11	613451	HOSE, PYU, CLR, 0.38ID 0.62OD 12.0L	1
12	606362	HOSE, PYU, CLR, 0.38ID 0.62OD 6.5L	1
13	1015455	●VALVE, CHECK BM06/BM06, 5PSI	1
14	613442	HOSE, PYU, CLR, 0.38ID 0.62OD 15.5L	1
15	1013442	●KNOB, VALVE	1
16	1017091	●SPRING, CMPR, .48D, .036W, 75L	1
17	1016595	●VALVE, LIQUID DISPENSING, 1/4-20	1
18	607776	●CLAMP, HOSE, WIRE, .73-.77, 2 WIRE, SILVER	6
19	1015071	HOSE, AFMKT, PVC, CLR 0.50ID 1 FT	1
20	612774	FITTING, PLSTC, STR, BM08/BM06	1
21	613511	HOSE, PVC, CLR, 0.50ID 0.75OD 2.5L	1
22	630372	FITTING, PLSTC, TEE BM08/BM06/BM08	1
23	613517	HOSE, PVC, CLR, 0.50ID 0.75OD 5.5L	1
24	1013505	FITTING, PLSTC, E90, PM08/BM08, NYL	1

REF	PART #	DESCRIPTION	QTY.
25	613450	HOSE, PYU, CLR, 0.38ID 0.62OD 24.0L	1
26	1005630	FITTING, PLSTC, E90, BM06/PM06, NYL	2
27	1014282	●PUMP, SOLTN, ELE, 24VDC	1
28	43555	CLAMP, HOSE, WORMDRIVE, 1.62-3.50D, .56W	2
29	54333	CLAMP, HOSE, WORMDRIVE, 0.31-0.88D, .31W	4
30	613724	HOSE, PVC, BRD, 0.38ID 0.60OD 10.0L	1
31	1005564	FITTING, PLSTC, E90, BM06/PM02, NYL	2
32	150705	FITTING, BRS, TEE, PF02	1
33	33932	NUT, HEX, LOCK, M4 X 0.7, NL, SS	2
34	1014295	CLIP, SPRING HOLDER BLK VINYL COAT	2
35	49697	SCREW, PAN, M4 X 0.7 X 10, SS	2
36	08712	NUT, HEX, LOCK, M6 X 1.0, SS, NL	1
37	1020273	BRACKET WLDT, MTG, FAST PUMP	1
38	1034731	SCREW, HEX, M6 X 1.0 X 16, SS, SEMS	3
39	613722	HOSE, PVC, BRD, 0.38ID 0.60OD 21.0L	1
40	1017386	●VALVE, AIR VENT, FLOAT TYPE	1
41	53466	CLAMP, CABLE, STL, 1.50D X 1.00W, 1H	1
▽ 42	1014468	●KIT, INJECTOR ASSY, FAST, .13 GPM	1
▲ 43	1014276	FITTING, BRS, STR, BM06/PF12	1
▲ 44	1014470	●PLUG, ORIFICE, .022	1
▲▽ 45	1013411	●FILTER ASSY, 50 MESH	1
▲ 46	1013408	●FILTER, BRASS/SS 50 MESH	1
▲ 47	9001489	●KIT, ORIFICE	1
▲ 48	1005507	FITTING, PLSTC, BODY, SPRAY, PF04	1
▲ 49	1014254	●VALVE, CHECK, BM04/PM04, 2PSI	1

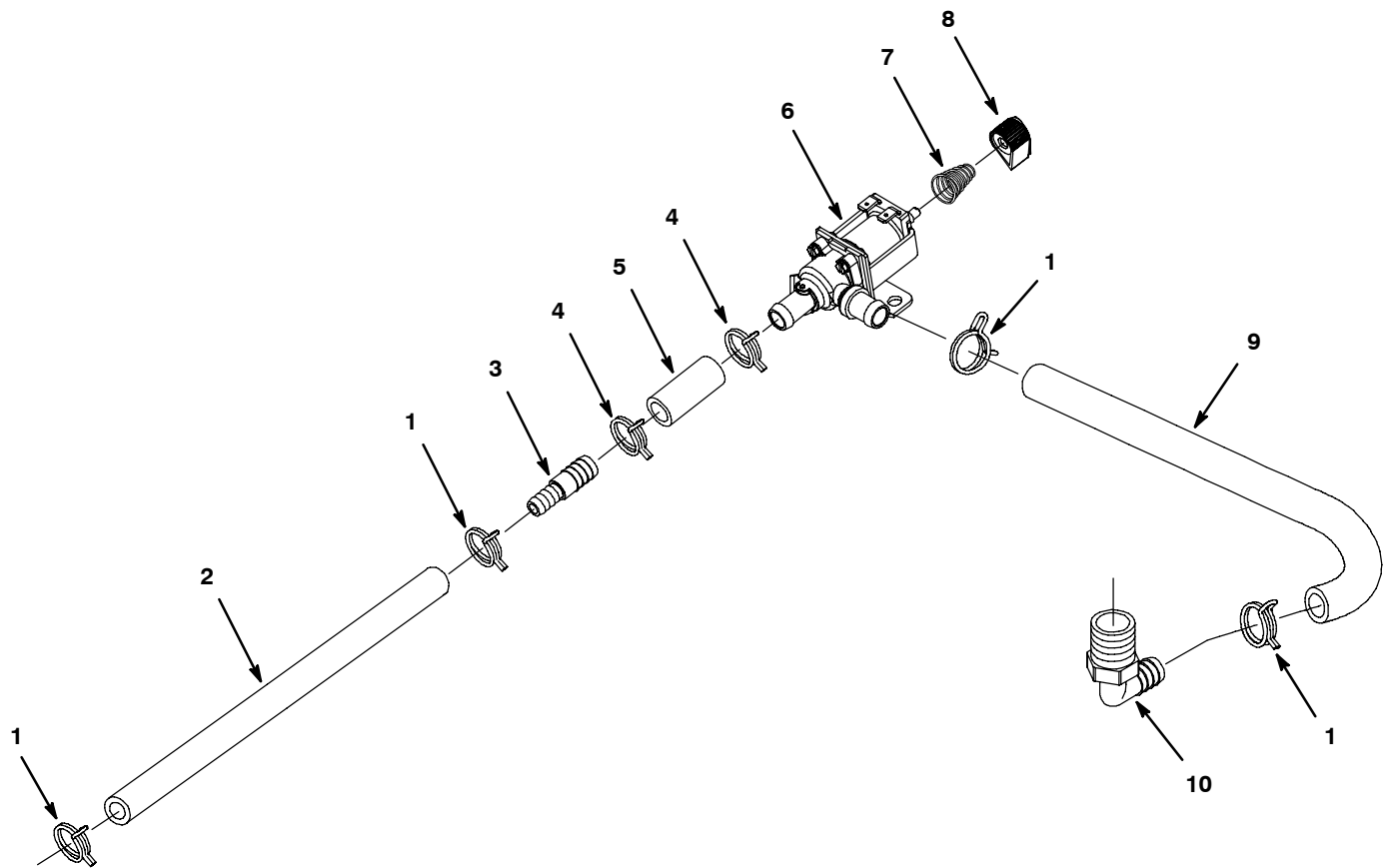
▽ ASSEMBLY / CONJUNTO / ENSEMBLE

▲ INCLUDED IN ASSEMBLY / INCLUIDO EN EL CONJUNTO / Y COMPRIS EN ENSEMBLE

● RECOMMENDED STOCK ITEMS / ARTICULOS RECOMENDADOS PARA MANTENER EN EXISTENCIA / ELÉMENTS DE STOCK RECOMMANDÉS

PARTS LIST - LISTA DE PIEZAS - LISTE DES PIÈCES

SOLUTION GROUP, STANDARD MODEL
GRUPO DE SOLUCION, MODELO ESTANDAR
GROUPE SOLUTION, MODÈLE STANDARD



PARTS LIST - LISTA DE PIEZAS - LISTE DES PIÈCES

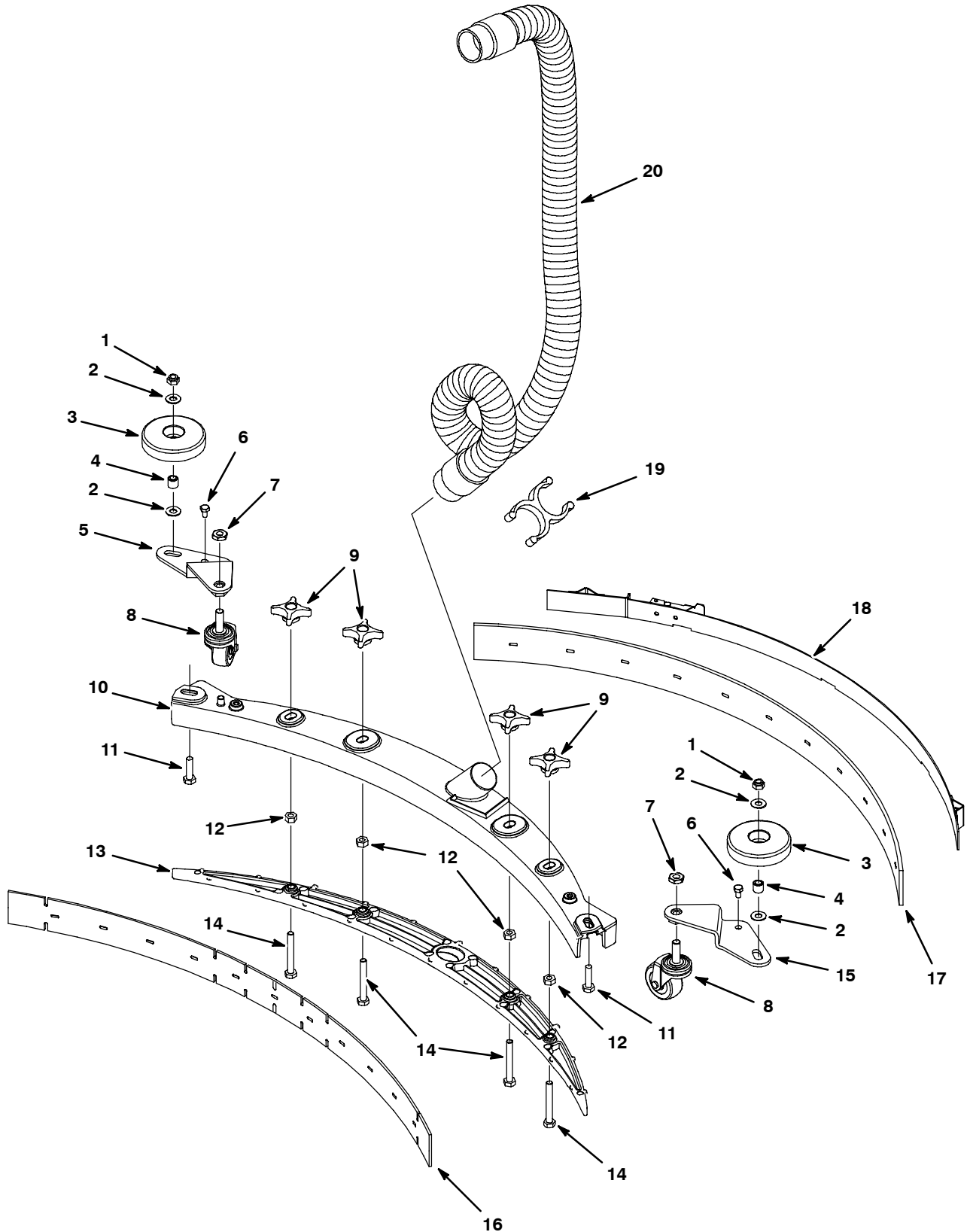
SOLUTION GROUP, STANDARD MODEL GRUPO DE SOLUCION, MODELO ESTANDAR GROUPE SOLUTION, MODÈLE STANDARD

REF	PART #	DESCRIPTION	QTY.
1	607775	CLAMP, HOSE, WIRE, .63-.66, BLK	4
2	613444	HOSE, PYU, CLR, 0.38ID 0.62OD 20.0L	1
3	612774	FITTING, PLSTC, STR, BM08/BM06	1
4	607776	CLAMP, HOSE, .73-.77, 2 WIRE, SILVER	2
5	606225	HOSE, PVC, CLR, 0.50ID 0.75OD 1.8L	1

REF	PART #	DESCRIPTION	QTY.
6	1016595	●VALVE, LIQUID DISPENSING, 1/4-20	1
7	1017091	SPRING, CMPR, .48D, .036W, .75L	1
8	1013442	●KNOB, VALVE	1
9	613518	HOSE, PVC, CLR, 0.50ID 0.75OD 8.0L	1
10	1013505	FITTING, PLSTC, E90, PM08/BM08, NYL	1

● RECOMMENDED STOCK ITEMS / ARTICULOS RECOMENDADOS PARA
MANTENER EN EXISTENCIA / ELÉMENTS DE STOCK RECOMMANDÉS

SQUEEGEE GROUP
CONJUNTO PALETA
GROUPE DE LA RACLETTE



PARTS LIST - LISTA DE PIEZAS - LISTE DES PIÈCES

SQUEEGEE GROUP CONJUNTO PALETA GROUPE DE LA RACLETTE

REF	PART #	DESCRIPTION	QTY.
▽	9001178	●KIT, SQGE, ASSY, 500MM	1
▲ 1	08713	NUT, HEX, LOCK, M8 X 1.25, NL, SS	2
▲ 2	140027	WASHER, FLAT, 0.35B 0.75D .04, SS	4
▲ 3	1010560	●WHEEL, BUMPER, 80D X 25W, NON-MARKING	2
▲ 4	222460	SLEEVE, P/M, 0.496D 0.318B 0.50L 430SS	2
▲ 5	1011228	PLATE, CASTER, MTG, 500MM SQGE, RH	1
▲ 6	74455	SCREW, HEX, M6 X 1.0 X 12, FMG	2
▲ 7	32716	NUT, HEX, JAM, M10 X 1.5, SS	2
▲ 8	1006343	●CASTER, SWIVEL, 2.0 D 0.8W, M10 STEM	2
▲ 9	1010558	●KNOB, STAR, 2.00D 4EAR .73L M8X1.25 THRU	4
▲ 10	1011163	FRAME, SQGE, CURVED, 500MM	1
▲ 11	09011	SCREW, HEX, M8 X 1.25 X 30, SS	2
▲ 12	07786	NUT, HEX, STD, M8 X 1.25, SS	4
▲ 13	1019919	RETAINER, SQGE, 76CM [50CM-T3] NYL, BLK	1

REF	PART #	DESCRIPTION	QTY.
▲ 14	1014163	SCREW, HEX, M8 X 1.25 X 60, FL, SS	4
▲ 15	1011956	PLATE, CASTER, MTG, 500MM SQGE, LH	1
▲ 16	1011232	●BLADE, SQGE FRONT LINETEX (STANDARD)	1
	1014091	●BLADE, SQGE FRONT GUM RUBBER (OPTIONAL)	1
	1014092	●BLADE, SQGE FRONT OIL RESISTANT (OPTIONAL)	1
▲ 17	1011456	●BLADE, SQGE REAR LINETEX (STANDARD)	1
	1014093	●BLADE, SQGE REAR GUM RUBBER (OPTIONAL)	1
	1014094	●BLADE, SQGE REAR OIL RESISTANT (OPTIONAL)	1
▲ 18	1013933	STRAP ASSY, SQGE, 500MM	1
19	1014079	●CLIP, HOSE, GRIPPER, 1.50ID, DBL, BLK PP	1
20	1014026	●HOSE, VACUUM, 1.5D X 57L, 2-SHORT CUFFS	1

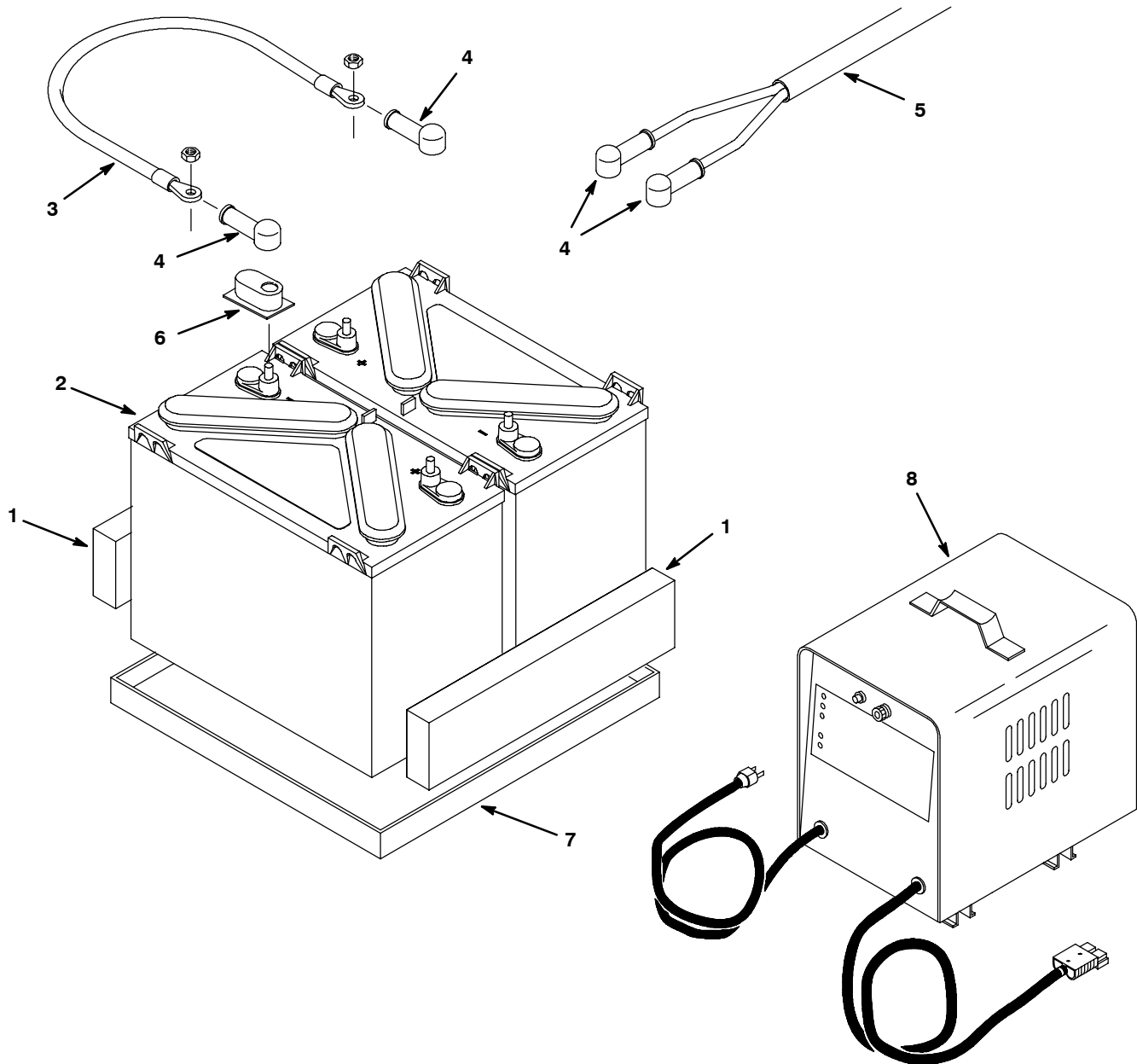
▽ ASSEMBLY / CONJUNTO / ENSEMBLE

▲ INCLUDED IN ASSEMBLY / INCLUIDO EN EL CONJUNTO / Y COMPRIS EN ENSEMBLE

● RECOMMENDED STOCK ITEMS / ARTICULOS RECOMENDADOS PARA MANTENER EN EXISTENCIA / ELÉMENTS DE STOCK RECOMMANDÉS

PARTS LIST - LISTA DE PIEZAS - LISTE DES PIÈCES

BATTERY AND CHARGER GROUP, 12V/155AH, 50 cm (20 in) DRIVE MODEL GRUPO DE BATERIA Y CARGADOR, MODELO DRIVE DE 12V/155AH, 50 cm (20 in) GROUPE DE BATTERIE ET DE CHARGEUR, MODÈLE QUI PROPULSE 12V/155AH, 50 cm (20 in)



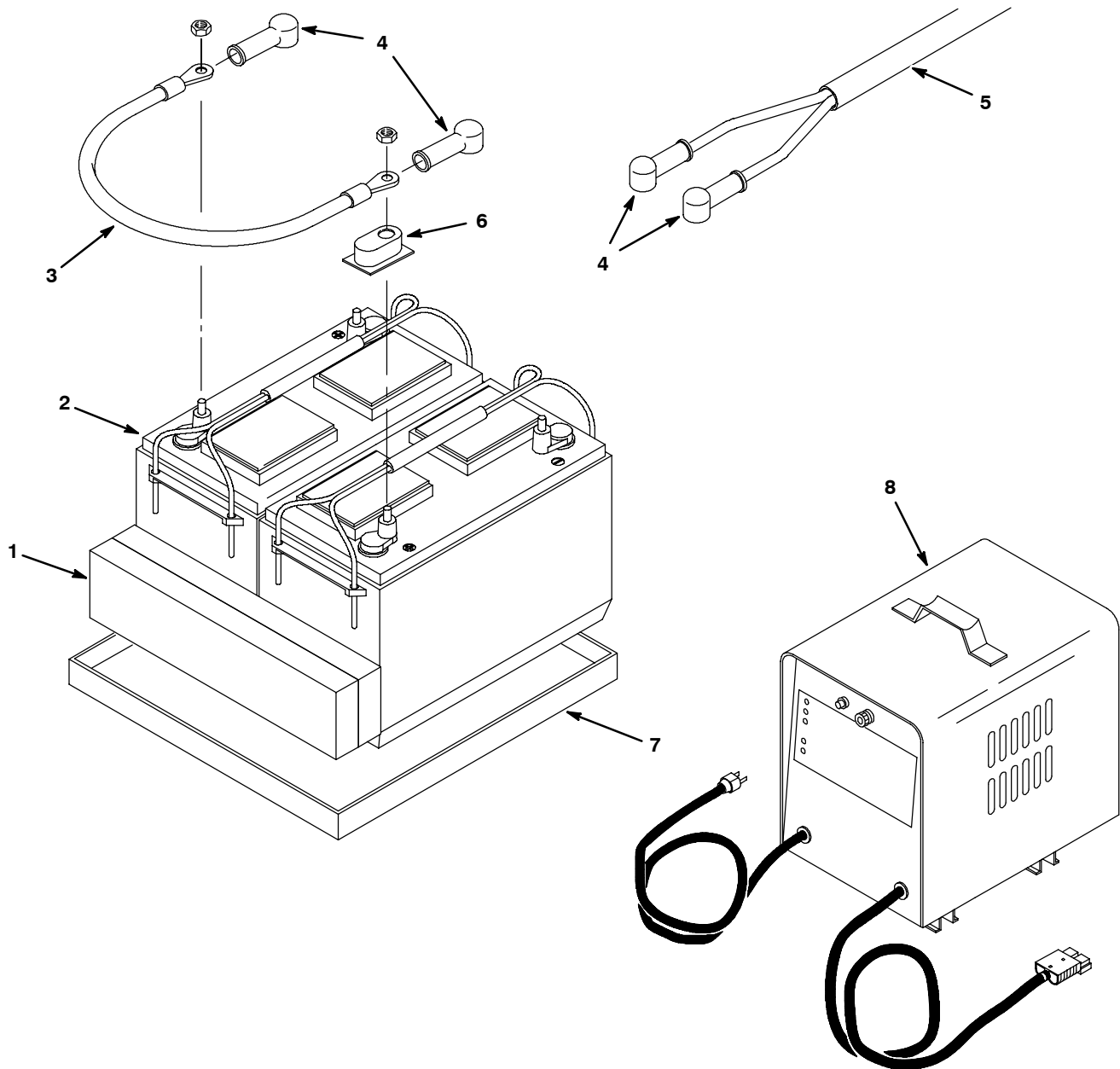
REF	PART #	DESCRIPTION	QTY.
1	630375	●SPACER, BATTERY FOAM	2
2	1015046	●BATTERY, 12VDC, 155AH WET	2
3	130364	●CABLE, BATTERY, 6X15 BLK 5/16X3/8	1
4	611221	●BOOT, CABLE, BATTERY, BLACK	4

REF	PART #	DESCRIPTION	QTY.
5	1015941	HARNESS, BATTERY	1
6	45962	CAP, PLSTC, .04 1.38 X 2.30 0.5L	4
7	1012994	●TRAY, BATTERY	1
8	603553	●CHARGER, 24DC/12A 120V DUALMODE	1

● RECOMMENDED STOCK ITEMS / ARTICULOS RECOMENDADOS PARA
MANTENER EN EXISTENCIA / ÉLÉMENTS DE STOCK RECOMMANDÉS

PARTS LIST - LISTA DE PIEZAS - LISTE DES PIÈCES

BATTERY AND CHARGER GROUP, 12V/130AH, 50 cm (20 in) BRUSH ASSIST MODEL
GRUPO DE BATERIA Y CARGADOR, MODELO BRUSH ASSIST DE 12V/130AH, 50 cm (20 in)
GRUPE DE BATTERIE ET DE CHARGEUR, MODÈLE A ASSISTANCE DE BROSSE 12V/155AH, 50 cm (20 in)



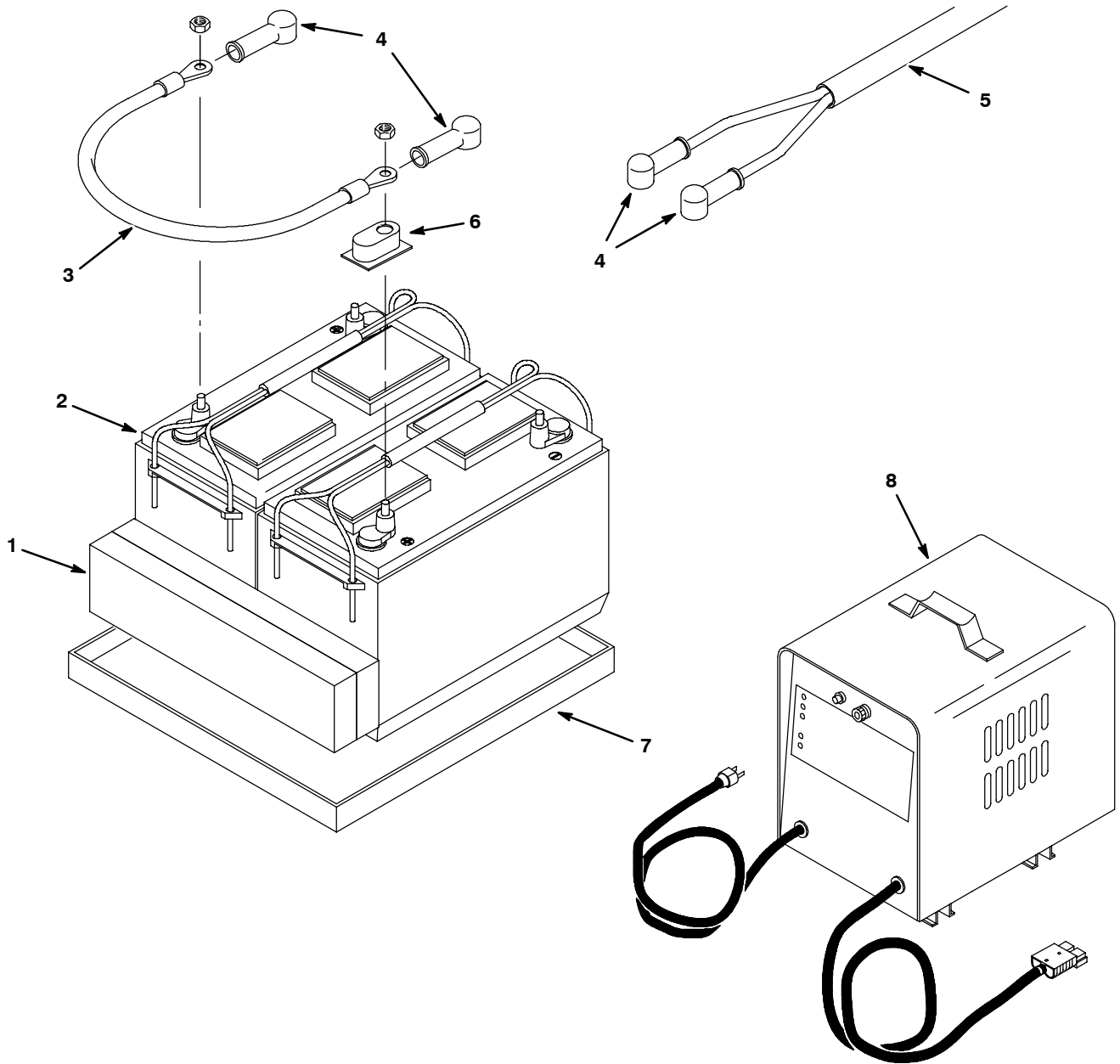
REF	PART #	DESCRIPTION	QTY.
1	630375	●SPACER, BATTERY FOAM	2
2	130869	●BATTERY, 12VDC, CCA, 130AH (30XHS-WNT)	2
3	130364	●CABLE, BATTERY, 6X15 BLK 5/16X3/8	1
4	611221	●BOOT, CABLE, BATTERY, BLACK	4

REF	PART #	DESCRIPTION	QTY.
5	1015941	HARNESS, BATTERY	1
6	45962	CAP, PLSTC, .04 1.38 X 2.30 0.5L	4
7	1012994	●TRAY, BATTERY	1
8	603553	●CHARGER, 24DC/12A 120V DUALMODE	1

● RECOMMENDED STOCK ITEMS / ARTICULOS RECOMENDADOS PARA MANTENER EN EXISTENCIA / ÉLÉMENTS DE STOCK RECOMMANDÉS

PARTS LIST - LISTA DE PIEZAS - LISTE DES PIÈCES

BATTERY AND CHARGER GROUP, 12V/105AH, 43 cm (17 in) BRUSH ASSIST MODEL
GRUPO DE BATERIA Y CARGADOR, MODELO BRUSH ASSIST DE 12V/105AH, 43 cm (17 in)
GRUPE DE BATTERIE ET DE CHARGEUR, MODÈLE A ASSISTANCE DE BROSSE 12V/105AH, 43 cm (17 in)



REF	PART #	DESCRIPTION	QTY.
1	630375	●SPACER, BATTERY FOAM	2
2	578426	●BATTERY, 12VDC, 0530CCA, 105AH (27TMX)	2
3	130364	●CABLE, BATTERY, 6X15 BLK 5/16X3/8	1
4	611221	●BOOT, CABLE, BATTERY, BLACK	4

REF	PART #	DESCRIPTION	QTY.
5	1015941	HARNESS, BATTERY	1
6	45962	CAP, PLSTC, .04 1.38 X 2.30 0.5L	4
7	1012994	●TRAY, BATTERY	1
8	603553	●CHARGER, 24DC/12A 120V DUALMODE	1

● RECOMMENDED STOCK ITEMS / ARTICULOS RECOMENDADOS PARA MANTENER EN EXISTENCIA / ÉLÉMENTS DE STOCK RECOMMANDÉS