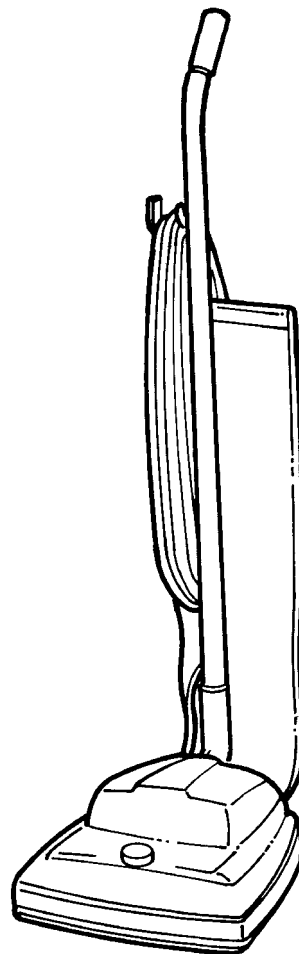


# Commercial Upright Vacuum Cleaner

Parts List Manual



608742  
Rev. 02 (10-2007)



## STANDARD PARTS

---

When ordering replacement parts, use the illustrated parts lists section in this manual. Before ordering parts or supplies, be sure to have your machine model number and serial number available. Parts and supplies may be ordered by phone or mail from any authorized parts and service center, distributor or from any of the manufacturer's subsidiaries.

This machine will provide excellent service. However, the best results will be obtained at minimum costs if:

- The machine is operated with reasonable care.
- The machine is maintained regularly - per the machine maintenance instructions provided.
- The machine is maintained with manufacturer supplied or equivalent parts.

---

## MACHINE DATA

---

Please fill out at time of installation for future reference.

Model No.- \_\_\_\_\_

Install. Date - \_\_\_\_\_

Serial No.- \_\_\_\_\_

### **Tennant Company**

PO Box 1452

Minneapolis, MN 55440

Phone: (800) 553-8033 or (763) 513-2850

©2007 Tennant Company. All rights reserved.

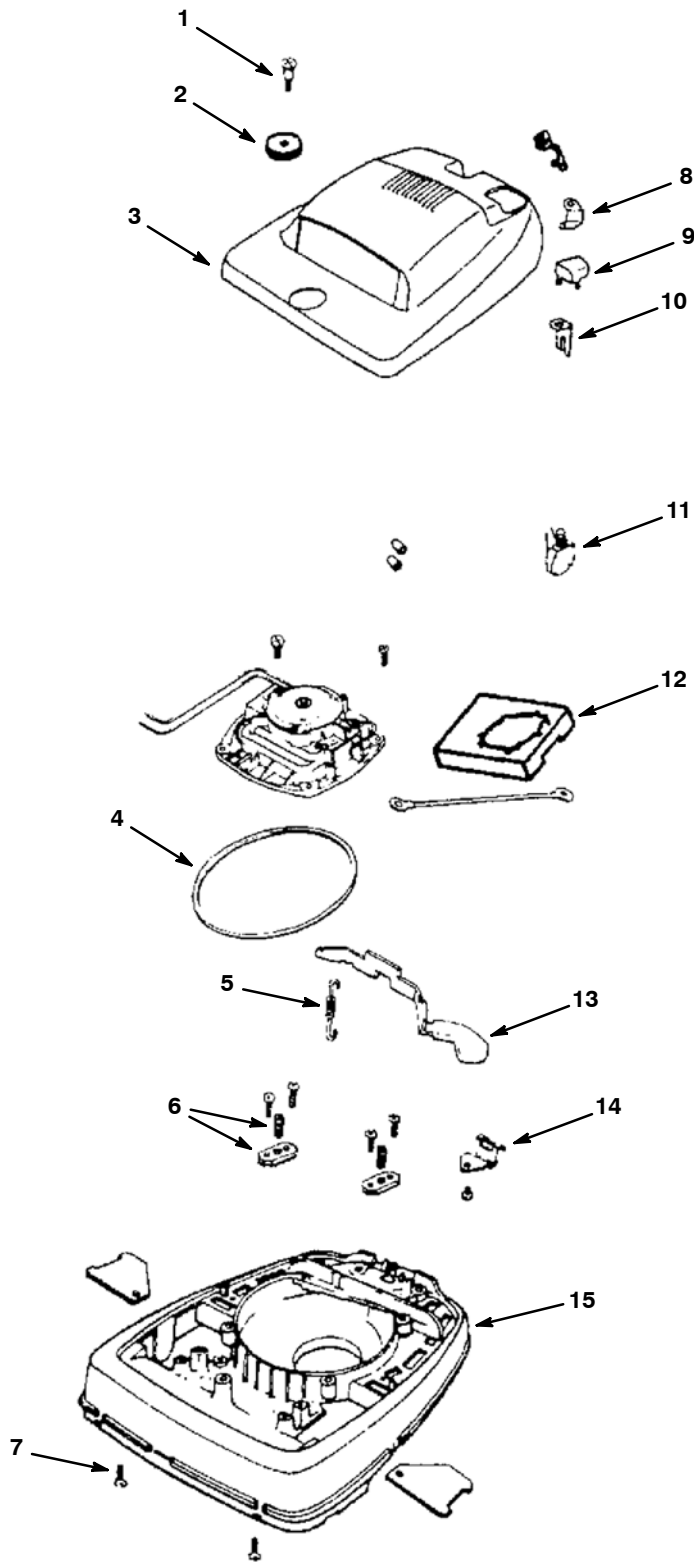
Printed in U.S.A.

**TABLE OF CONTENTS**

---

BASE & HOOD GROUP .....	4
BRUSHROLL & FURNITURE GUARD GROUP .	6
MOTOR GROUP .....	8
HANDLE GROUP .....	10
BAG & WIRING DIAGRAM GROUP .....	12

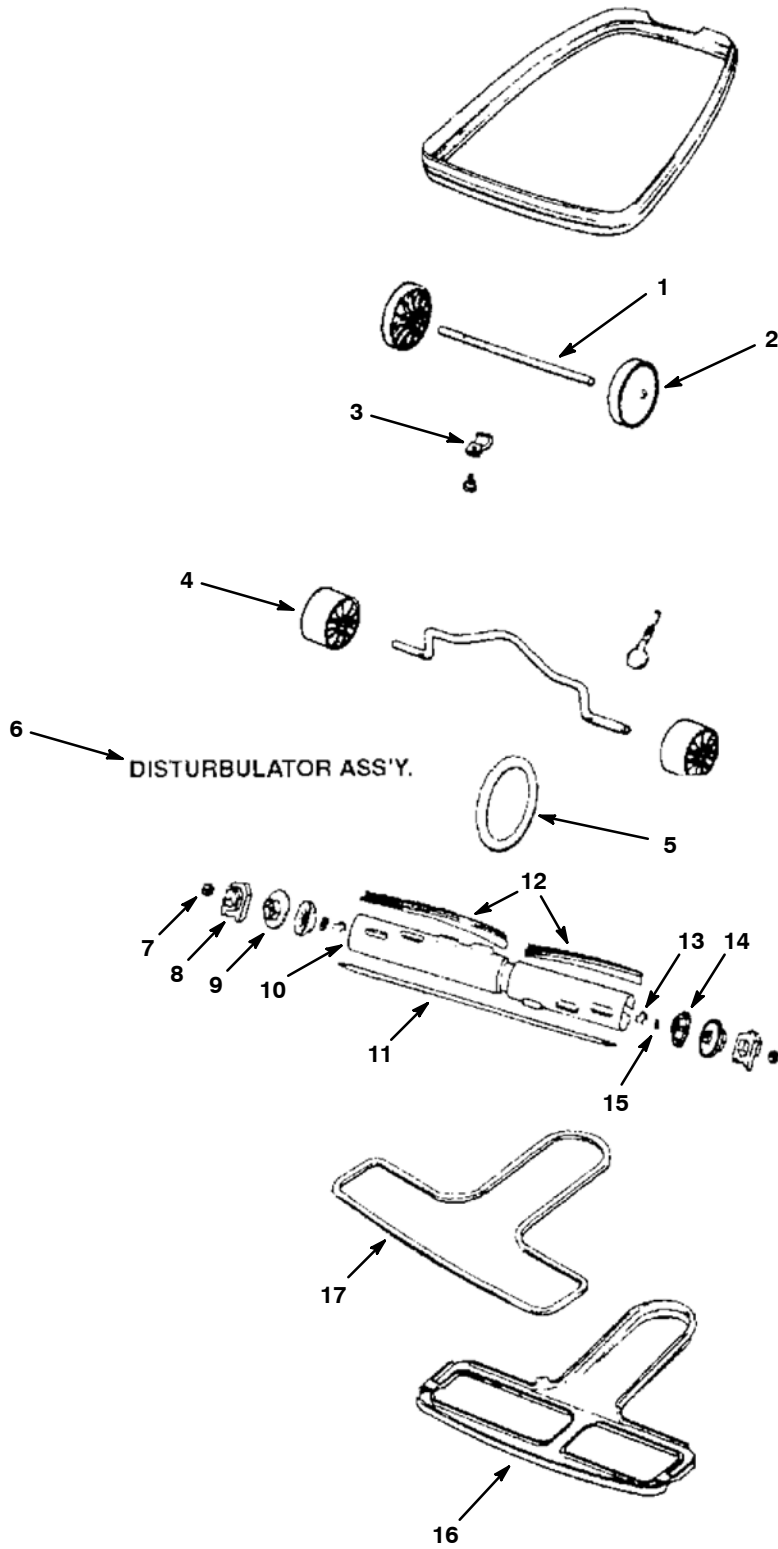
BASE & HOOD GROUP



## BASE &amp; HOOD GROUP

Ref.	Part No.	Description	Qty.
1	613031	Bolt, Shld	1
2	220200	Knob Assy [Tv1200]	1
3	220201	Vr, Cover, Hood, W/ Labels [Tv1200]	1
4	605127	Gasket, Mount, Motor	1
5	605129	Spring, Pedal, Foot	1
6	20730	Clamp, W/ Screw [1pc=Pkg Of 6]	1
7	220211	Screw	2
8	220203	Bracket, Bshg	1
9	220204	Switch, Push	1
10	220205	Clip, Switch	1
11	220208	Switch, Push	1
12	220229	Separator Assy, Air	1
13	605128	Pedal, Foot	1
14	209659	Adapter Retainer Spring	1
15	602518	Base Assy, Blue	1

BRUSHROLL & FURNITURE GUARD GROUP



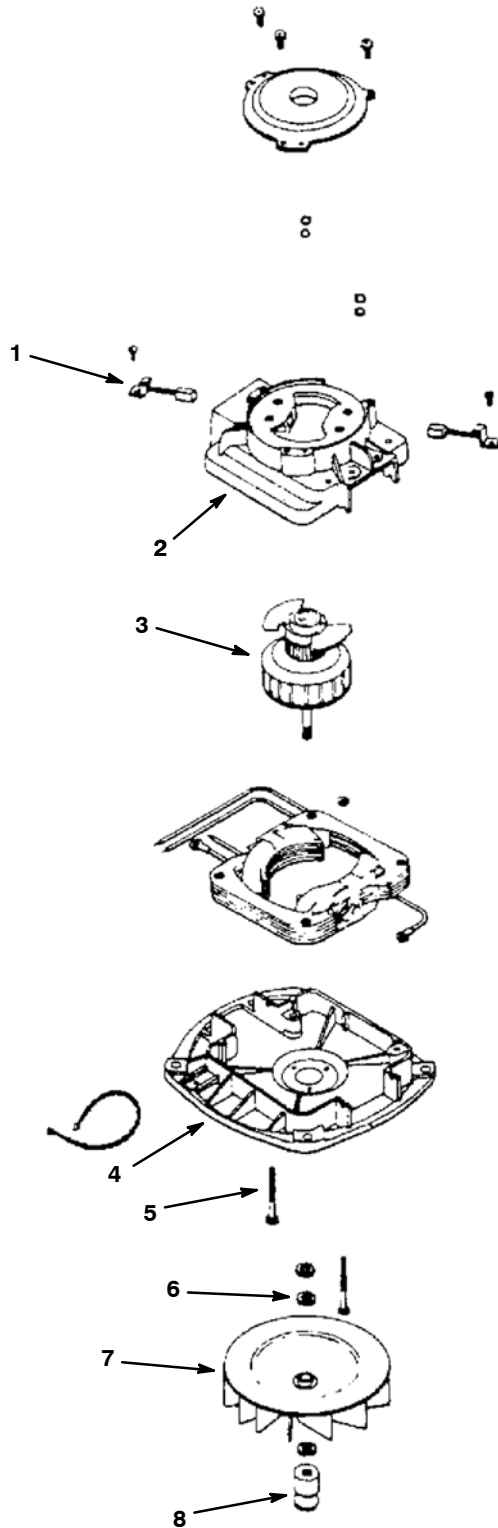
## BRUSHROLL &amp; FURNITURE GUARD GROUP

Ref.	Part No.	Description	Qty.	
1	605131	Axle, Rear	1	
2	13877	Wheel, Rear	2	
3	605132	Clip, Axle	1	
4	611931	Wheel, Front [Tv1200]	2	
5	13710	Belt, Drive, Brush [Tv1200]	1	
▽	6	21636	Vr, Brush Assy	1
▲	7	220215	Nut, Lock [Pkg/10]	1
▲	8	N/A	Cap Cover (2 used)	2
▲	9	605245	Cap, Distributor [Tv1200]	2
▲	10	220214	Vr, Tube, Brush	1
▲	11	N/A	Shaft	1
▲	12	605274	Strip Set, Bristle [1pc=2strips]	1
▲	13	220216	Ring, Clip [Pkg/10]	1
▲	14	220219	Bearing, Retainer	2
▲	15	220218	Washer Felt	2
▽	16	21637	Plate, Bottom	1
▲	17	13718	Tape, Foam	1

▽ ASSEMBLY

▲ INCLUDED IN ASSEMBLY

MOTOR GROUP

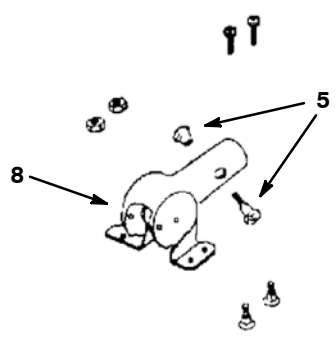
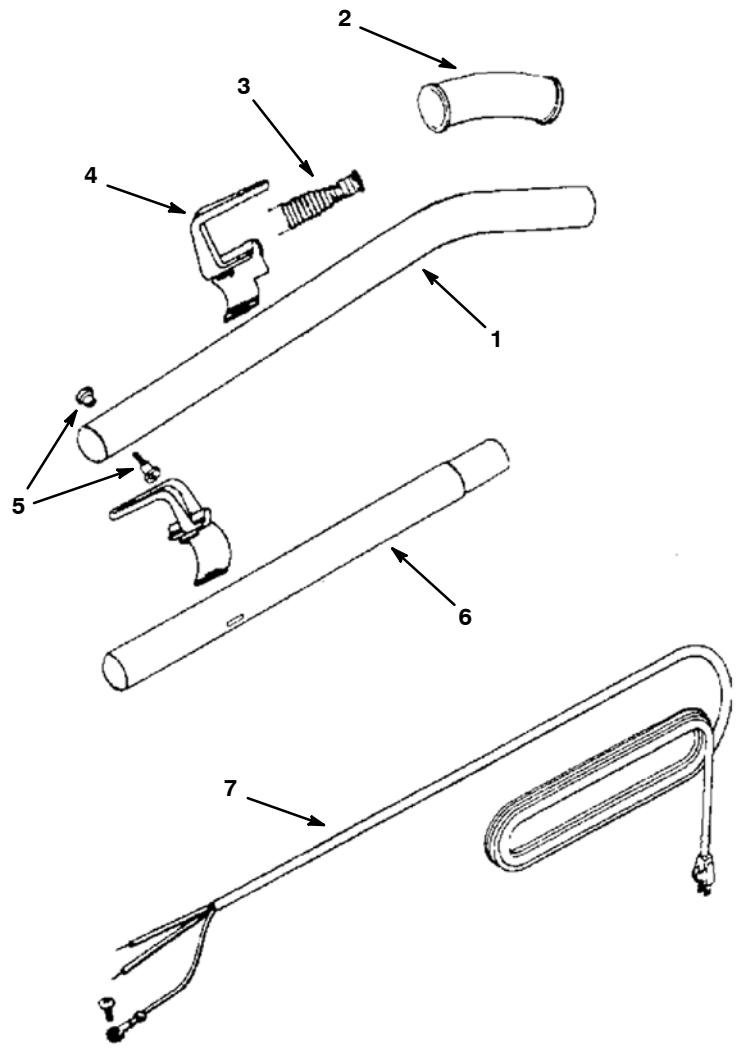




**MOTOR GROUP**

<b>Ref.</b>	<b>Part No.</b>	<b>Description</b>	<b>Qty.</b>
1	605133	Brush, Carbon, Motor	2
2	13752	Cover, Motor	1
3	27776	Fan Assy, W/ Brg	1
4	605150	Bearing Assy, W/ Retainer	1
5	20757	Screw	1
6	20758	Washer, Fan	3
7	20759	Blower, Fan, Motor	1
8	20760	Pulley, Fan	1

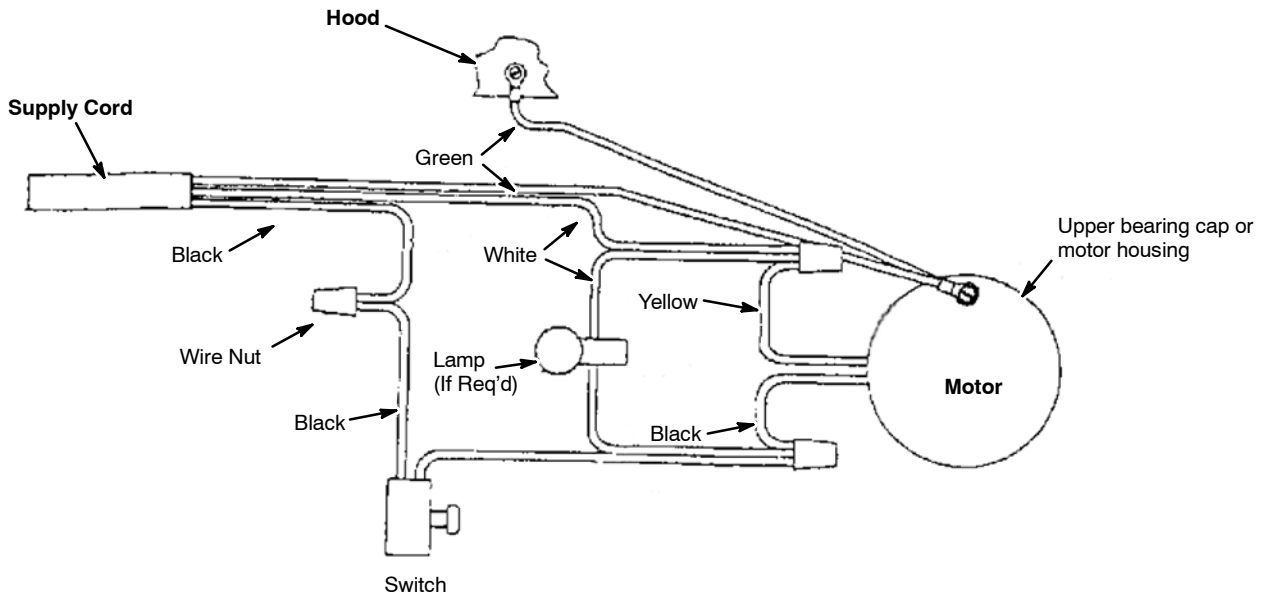
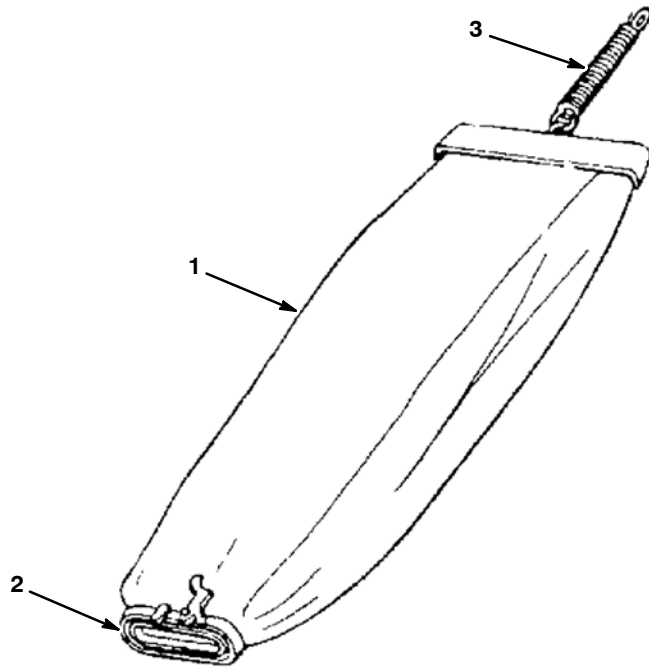
HANDLE GROUP



## HANDLE GROUP

	<b>Ref.</b>	<b>Part No.</b>	<b>Description</b>	<b>Qty.</b>
▽	1	20764	Handle Assy, Upper	1
▲	2	21658	Grip, Handle	1
	3	20762	Spring, Handle	1
	4	20763	Hook Cord (1 Pair)	1
	5	605275	Screw Assy, W/ Nut	2
	6	611937	Tube, Handle, Lower [Tv1200]	1
	7	20768	Cord Assy, Ele, 50ft	1
	8	20769	Handle Assy, Soc	1

BAG & WIRING DIAGRAM GROUP



---

**BAG & WIRING DIAGRAM GROUP**

<b>Ref.</b>	<b>Part No.</b>	<b>Description</b>	<b>Qty.</b>
1	14059	Bag Assy, Complt [W/ Zipper, 53506-7]	1
2	20775	Adapter Assy, Bag	1
3	605135	Spring, Bag	1
N/S	605142	Bag, Fltr, Paper [1 = 1pkg Of 3 Bags]	1