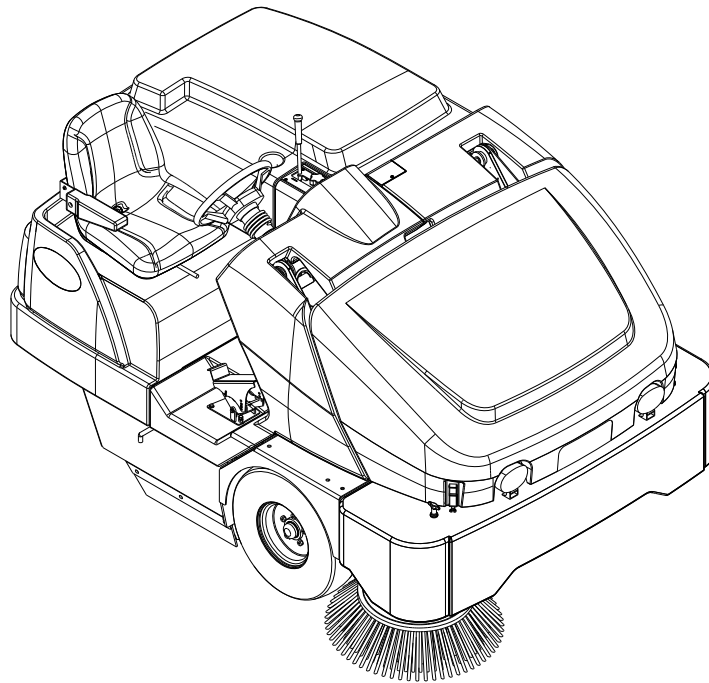


SW8000



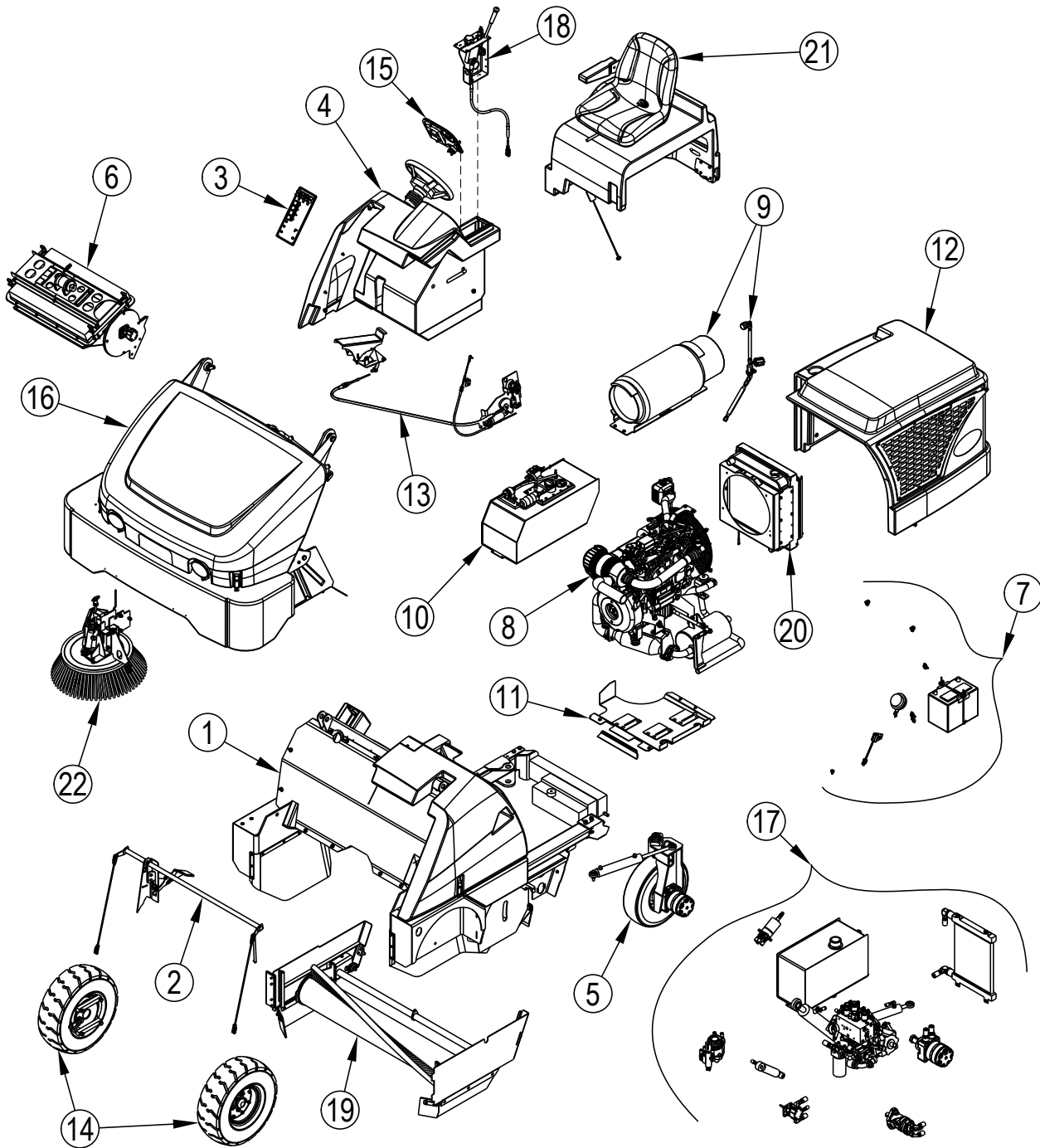
PARTS LIST

**Models: 56107503 (4 cyl LPG), 56107501 (4 cyl Petrol), 56107505 (4 cyl Diesel)
56107509 (4 cyl LPG / cab), 56107507 (4 cyl Petrol / cab), 56107511 (4 cyl Diesel / cab)**



Advance

GENERAL VIEW



Item	Ref. No.	Qty	Description	Item	Ref. No.	Qty	Description
1		1	Chassis System	12		1	Engine Rear Cover Assy
2		1	Brake Pedal Assy	13		1	Forward-Reverse Control Assy
3		1	Circuit Breaker Panel Assy	14		1	Front Wheel System
4		1	Control System	15		1	Gauge Panel Assy
5		1	Drive Wheel System	16		1	Hopper System
6		1	Dust Control System	17		1	Hydraulic System
7		1	Electrical System	18		1	Broom Lift Assy
8		1	Engine System	19		1	Main Broom Assy
9		1	Engine LPG Tank & Filter Assy	20		1	Radiator Assy
10		1	Engine Diesel/Petrol Fuel Tank Assy	21		1	Seat Assy
11		1	Engine Bottom Cover Assy	22		1	Side Broom System

TABLE OF CONTENTS

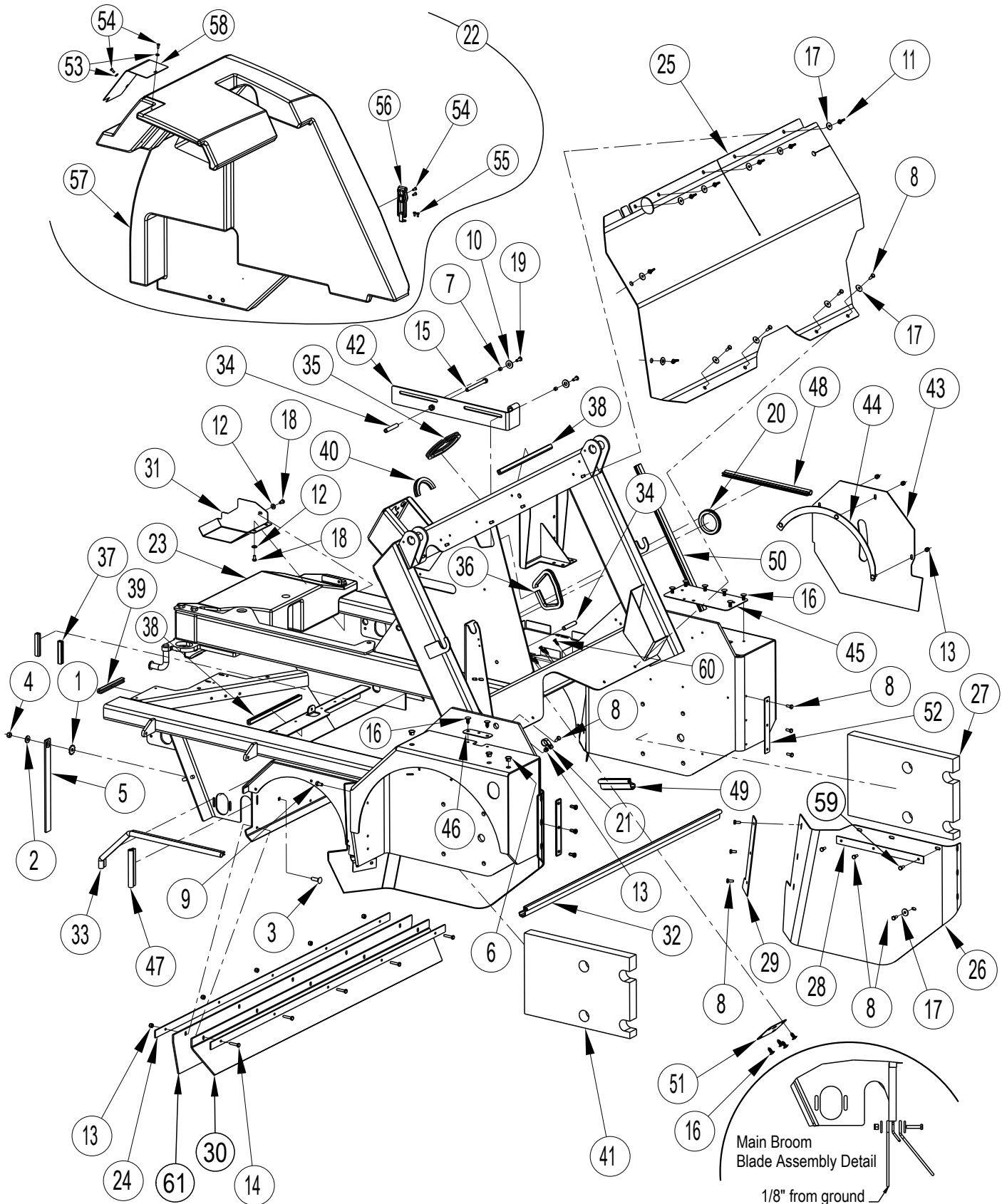
DESCRIPTION	PAGE
Chassis System	2-3
Chassis Assy.....	4-5
Brake Pedal Assy.....	6-7
Circuit Breaker Panel Assy	8-9
Control System	10-11
Decal System.....	12-13
Drive Wheel System	14-15
Dust Control System-1.....	16-17
Dust Control System-2.....	18-19
Electrical System	20-21
Engine LPG System-1	22-23
Engine LPG System-2	24-25
Engine Petrol System-1	26-27
Engine Petrol System-2.....	28-29
Engine [Kubota] Diesel System-1	30-31
Engine [Kubota] Diesel System-2	32-33
Engine LPG Tank & Filter Assy	34-35
Engine [Kubota] Diesel Fuel Tank Assy	36-37
Engine Petrol Fuel Tank Assy	38-39
Engine Bottom Cover Assy	40-41
Engine Rear Cover Assy.....	42-43
Forward-Reverse Control Assy	44-45
Front Wheel System	46-47
Gauge Panel Assy	48-49
Hopper System-1 thru 4.....	50-55
Hydraulic Schematic	57
Hydraulic System.....	58-59
Hydraulic System - Mounting	60-61
Hydraulic Cylinder Assemblies.....	62-63
Hydraulic Manifold Assy.....	64-65
Hydraulic Motor Assemblies.....	66-67
Hydraulic Oil Filter-Reservoir	68-69
Hydraulic Pump Assy	70-71
Broom Lift Assy.....	72-73
Main Broom Assy -1	74-75
Main Broom Assy -2.....	76-77
Radiator Assy.....	78-79
Seat Assy.....	80-81
Side Broom System	82-83
Ladder Diagram-1	84-85
Ladder Diagram-2	86-87
Ladder Diagram-3.....	88-89
Optional Kits & Accessories	90
Broom Selector Guide.....	91
Left Hand Side Broom Option	92-95
Tilt Steering Option	96-97

WHEN ORDERING PARTS

- * Use the numbers from the "Ref. No." columns in this parts list.
- * Specify the model and serial number of the machine.
- * Use the space below to record the model and serial number for future reference.

Model _____ Serial No. _____

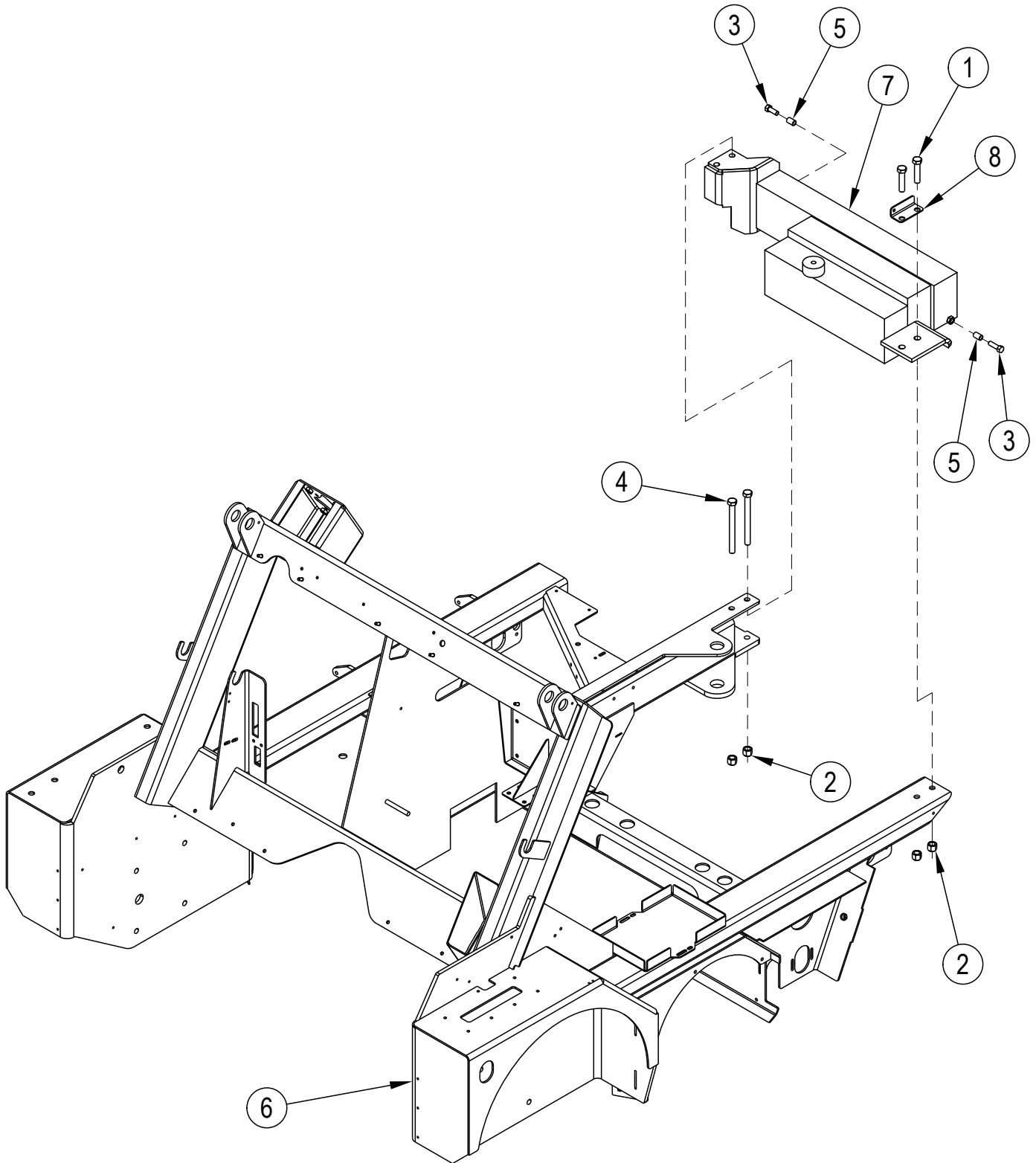
CHASSIS SYSTEM



CHASSIS SYSTEM

Item	Ref. No.	Qty	Description	Item	Ref. No.	Qty	Description
1	2-00-03829	1	Lock Washer, 3/8 Int./Ext. Tooth	53	56002140	2	Wsh, Flt SAE #8
2	2-00-04801	1	Flat Washer, 1.00 x .39 x .06	54	56003093	4	Scr, Pan Phil Plastite 8-16 x .50
3	2-00-05187	1	3/8-16 X 1.0" Carriage Bolt	55	56009051	2	Scr, Pan Phil Thd Form 8-32 x .38
4	2-95-04182	1	Nut, Hex, Stop, 3/8-16	56	56507188	1	Latch, Hopper Cover
5	56416517	1	Static Strap	57	56507565	1	Intermediate Cover Assy
6	56418888	3	Plug, Cap	58	56507599	1	Plate, Cover
7	56453849	2	Bushing .26 x .37 x .28	59	56001881	2	Scr, Flt Soc 1/4-20 x .75
8	56001836	23	Scr, Hex 1/4-20 x .62	60	56009388	6	Rivet Nylon Tree Push In .187
9	56002035	1	Scr, Hex 5/16-18 x .62	61	56107621	1	Flap Broom Rear
10	56002055	2	Wsh, Flt Std 3/8				
11	56002084	7	Nut, Wing 1/4-20				
12	56002098	2	Wsh, Flt SAE 1/4				
13	56002708	9	Nut, Hex Nyl Loc 1/4-20				
14	56002897	5	Scr, Hex SS 1/4-20 x 1.25				
15	56002977	1	Scr, Hex Thd To Hd 3/8-16 x 4.00				
16	56003263	12	Rivet, Nylon Tree Push-In (.25)				
17	56009002	13	Wsh, Flt .266 x .906 x .060				
18	56009033	2	Scr, Hex Thd Form 1/4-20 x .50				
19	56009126	2	Scr, Pan Phil Thd Form 1/4-20 x .75				
20	56459362	1	Grommet				
21	56486112	1	Clamp, P				
22	56507042	1	Cover, Center Assy (items 53-58)				
23	56507043	1	Chassis Assy				
24	56507117	2	Strap				
25	56507141	1	Cover, Rubber				
26	56507473	2	Flap				
27	56507474	1	Foam, LH				
28	56507475	2	Strap				
29	56507476	2	Strap				
30	56507569	1	Flap, Broom Rear				
31	56507841	1	Exhaust Air Guide				
32	56507895	1	Seal, Broom Chamber				
33	56507896	2	Gasket				
34	56507897	2	Cap, Vinyl				
35	56507900	1	Trim, Edge				
36	56507901	1	Trim, Edge				
37	56507903	2	Trim, Edge				
38	56507904	2	Trim, Edge				
39	56507905	1	Trim, Edge				
40	56507906	1	Trim, Edge				
41	56507967	1	Foam, RH				
42	56507981	1	Slide Weldment				
43	56508317	1	Flap LH Main Broom				
44	56508319	1	Clamp Weldment				
45	56508372	1	Flap, Dust				
46	56508373	1	Flap, Dust				
47	56508380	1	Gasket				
48	56508382	1	Gasket				
49	56508385	2	Gasket				
50	56508516	1	Seal, Door Hinge				
51	56508387	1	Flap, Dust				
52	56508399	2	Strap				

CHASSIS ASSY



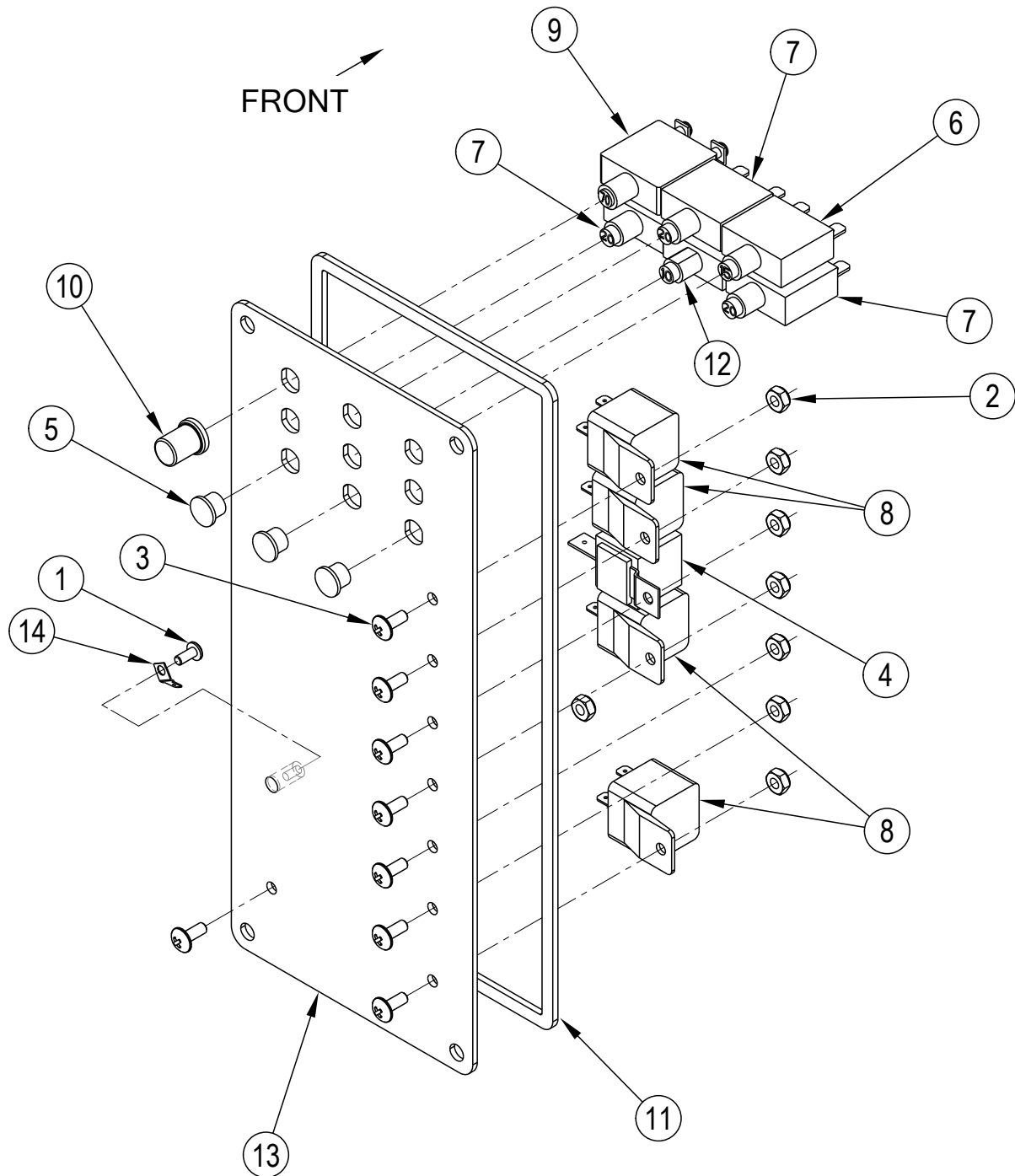
CHASSIS ASSY

Item	Ref. No.	Qty	Description
	56507043	1	Chassis Assembly
1	56001968	2	Scr, Hex 1/2-13 x 1.50
2	56002770	4	Nut, Hex Nyl Loc 1/2-13
3	56002947	2	Scr, Hex Hd Loc 3/8-16 x 1.00
4	56003471	2	Scr, Hex 1/2-13 x 5.50
5	56244859	2	Bushing .37 x .50 x .75
6	56507300	1	Chassis Weldment
7	56508880	1	Rear Bumper Weldment
8	56507553	1	Bracket, Cover Lanyard

BRAKE PEDAL ASSY

Item	Ref. No.	Qty	Description
	56507044	1	Brake Pedal Assembly
1	56368989	1	Bushing
2	56407133	4	Yoke, Clevis
3	56001827	1	Nut, Hex Flange Loc 1/4-20
4	56001836	2	Scr, Hex 1/4-20 x .62
5	56002063	2	Wsh, Flt SAE 3/8
6	56002708	2	Nut, Hex Nyl Loc 1/4-20
7	56002947	2	Scr, Hex Hd Loc 3/8-16 x 1.00
8	56002960	1	Scr, Hex Hd Loc 1/4-20 x .88
9	56009142	2	Nut, Hex Machine 1/4-28
10	56507210	1	Brake Connecting Rod Weldment
11	56507221	1	Brake Pedal
12	56507226	1	Mat, Pedal
13	56507450	1	Parking Brake Lever
14	56507451	1	Spring, Extension
15	56507453	1	Plate
16	56507456	2	Rod
17	56003138	1	Pin, Spr .25 x .75
18	56009012	2	Scr, Hex Thd Form 10-24 x .38
19	56009033	1	Scr, Hex Thd Form 1/4-20 x .50
20	56382000	1	Spring, Extension
21	56508329	1	Tab, Brake Rod Locking

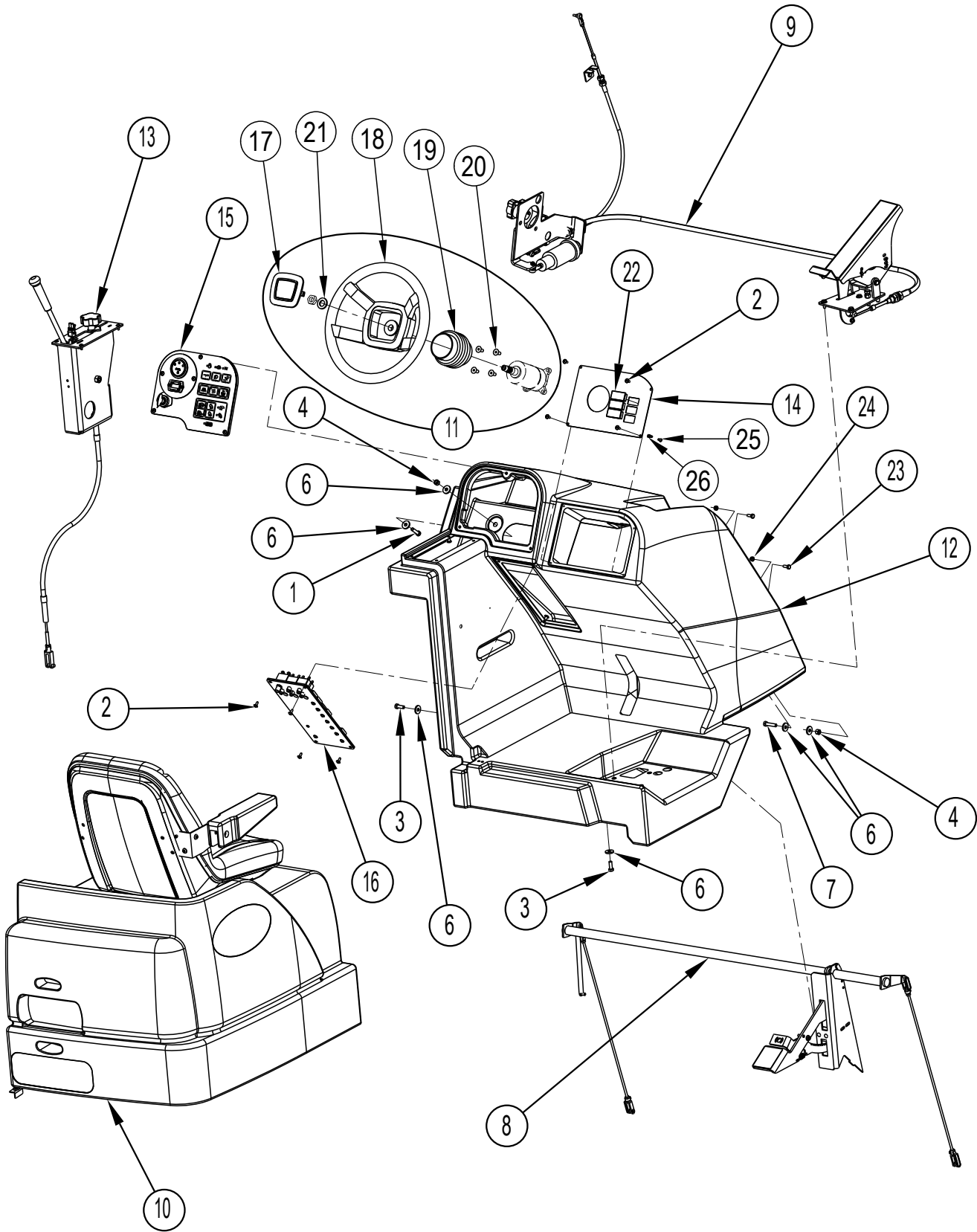
CIRCUIT BREAKER PANEL ASSY



CIRCUIT BREAKER PANEL ASSY

Item	Ref. No.	Qty	Description
	56507615	1	Panel Assembly, Diesel (items 1-14)
	56507646	1	Panel Assembly, LPG / Petrol (items 1-14)
1	56001818	1	Scr-Pan Phil 8-32 X .38
2	56002849	8	Nut, Hex Nyl Loc-Thin SS 10-24
3	56003902	8	Scr-Truss Phil SS Blk 10-24 x .50
4	56107639	1	Relay
5	56153126	3	Plug, Cap
6	56413407	1	Circuit Breaker, 15 Amp
7	56413822	3	Circuit Breaker, 20 Amp
8	56418387	3	Relay, SPDT (qty 4 on Diesel)
9	56454429	1	Circuit Breaker, 70 Amp
10	56459369	1	Boot, Reset Button
11	56507441	1	Gasket, RS Strip
12	56507644	1	Circuit Breaker, 10 Amp
13	56508920	1	Panel- Circuit Breakers Assy
14	56508923	1	Tab-Quick Connect .187 X 8

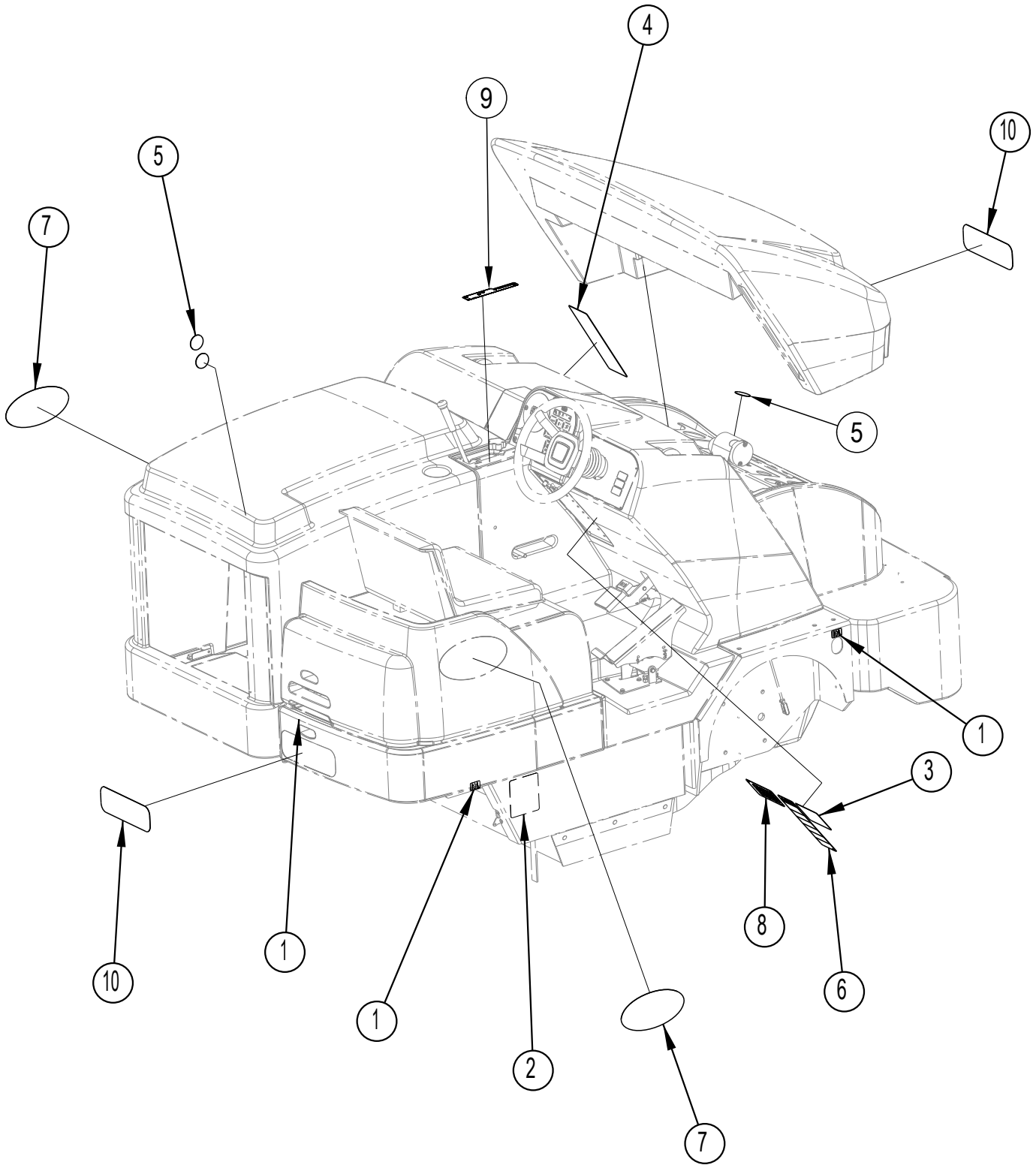
CONTROL SYSTEM



CONTROL SYSTEM

Item	Ref. No.	Qty	Description
1	56001834	1	Scr, Hex 5/16-18 x 1.25
2	56003902	8	Scr-Truss Phil SS Blk 10-24 x .50
3	56002037	2	Scr, Hex 5/16-18 x .88
4	56002701	2	Nut, Hex Nyl Loc 5/16-18
6	56009122	6	Wsh, Flt .344 x .938 x .125
7	56009256	1	Scr, Hex 5/16-18 x 1.38
8	56507044	1	Pedal Brake Assy See Brake Pedal Assembly
9	56507049	1	Fwd / Rev 4 Cyl Control Assy See Forward/Reverse Control Assembly
10	56507052	1	Seat Assy (non-cab models) See Seat Assembly
11	56507053	1	Steering Assembly (items 17-21)
12	56507083	1	Console
13	56507407	1	Lift Broom Assy See Broom Lift Assy
14	56508922	1	Panel-Standard Assy.
15	56107641	1	Gauge Panel Assy – LPG Model See Gauge Panel Assembly
	56107640	1	Gauge Panel Assy – Petrol Model See Gauge Panel Assembly
	56107642	1	Gauge Panel Assy – Diesel Model See Gauge Panel Assembly
16	56507646	1	Panel Assy, LPG / Petrol See Circuit Breaker Panel Assembly
	56507615	1	Panel Assy, Diesel See Circuit Breaker Panel Assembly
17	7-16-07428	1	Cover, Steering Wheel
18	56418460	1	Steering Wheel
19	8-33-02360	1	Hose, Heat Shield
20	56003752	4	Scr, Flt Soc M8 x 1.25 x 20mm
21	56009218	1	Wsh, Flt .688 x 1.250 x .125
22	2-00-05758	3	Cover, Blank Switch
23	56001836	2	Scr, Hex 1/4-20 x .62
24	56002840	2	Nut, Hex Nyl Loc-Thin 1/4-20
25	56001818	1	Scr, Pan Phil 8-32 x .38
26	56508923	1	Tab-Quick Connect .187 x #8

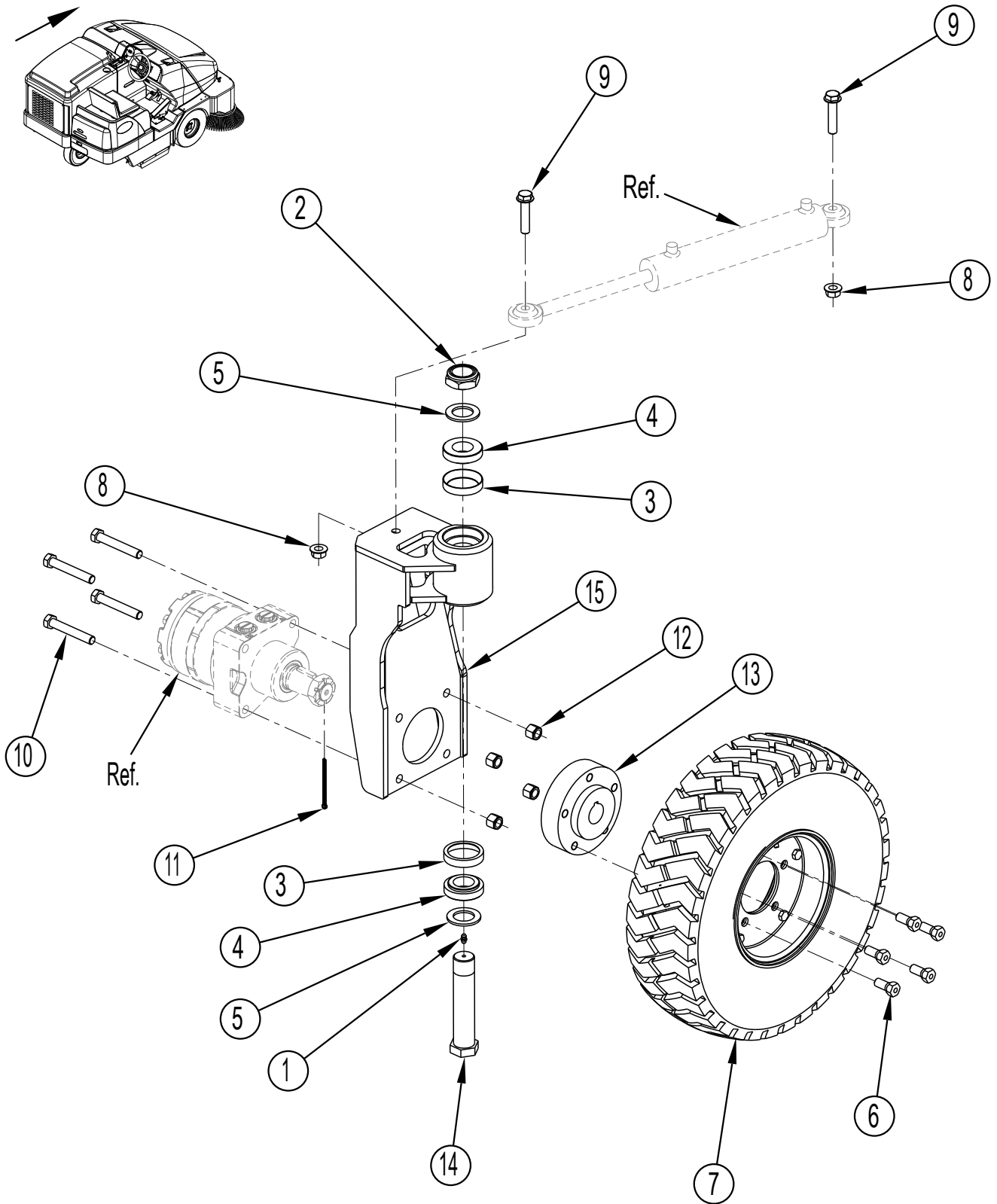
DECAL SYSTEM



DECAL SYSTEM

Item	Ref. No.	Qty	Description
1	56015370	5	Decal, Tie Down
2	56015425	2	Decal, Warning Broom
3	56015427	1	Decal, Warning Tip Over
4	56015428	1	Decal, Warning Hopper
5	56030080	3	Decal, Hands Clear
6	56014601	1	Decal, Caution
7	56107604	2	Decal SW8000 ADV
8	56016356	1	Decal, Circuit Breaker
9	56016365	1	Decal, Main Broom
10	56016730	2	Decal, Advance

DRIVE WHEEL SYSTEM



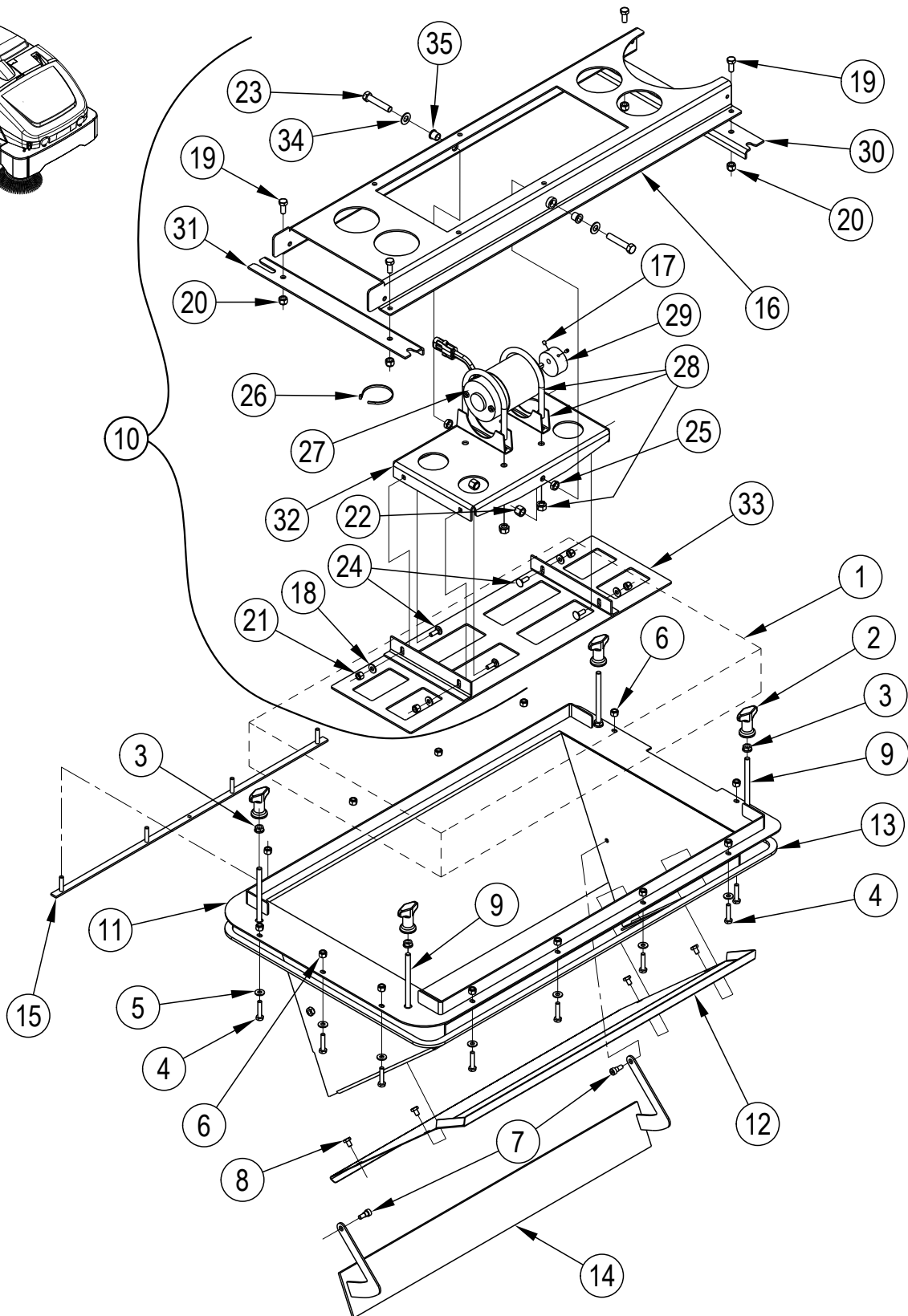
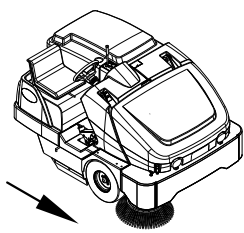
DRIVE WHEEL SYSTEM

Item	Ref. No.	Qty	Description
1	56101737	1	Fitting, Lube 1/4-28
2	2-00-04454	1	Nut, Nylok Thin 1 1/4"
3	2-00-04621	2	Bearing Cup
4	2-00-04622	2	Bearing Cone
5	8-75-01136	2	Washer, 1 1/4"
6	8-80-05035	5	Stud - Wheel
7	8-89-08067	1	Wheel Assy
[]	8-65-05015	1	Rim Assy, 5 x 8 x 3.75
[]	8-85-06021	1	Tire - Pneumatic 5 x 8
[]	8-70-00085	1	Tube - Inner Pneu Tire
*	8-89-08064	1	Wheel Assy (Pneumatic)
[]	8-85-06023	1	Rim Assy
[]	8-85-06021	1	Tire - Pneumatic 5 x 8
[]	8-70-00093	1	Tube - Inner Pneu Tire
*	8-89-08065	1	Wheel Assy (Solid)
[]	8-85-06023	1	Rim Assy
[]	56508943	1	Tire Solid 5 x 8 x 3
8	56003872	2	Nut-Hex Flange 1/2-20 Spirallock
9	56003871	2	Scr-Hex Flange 1/2-20 x 2.25
10	56002116	4	Scr, Hex 1/2-13 x 3.25
11	56002574	1	Pin, Cotter 5/32 x 3.00
12	56002770	4	Nut, Hex Nyl Loc 1/2-13
13	56507462	1	Hub, Drive Wheel
14	56507099	1	Pin, Drive Yoke Pivot
15	56507280	1	Drive Yoke Weldment

[] = Not Shown

* = Optional, Not Included

DUST CONTROL SYSTEM-1

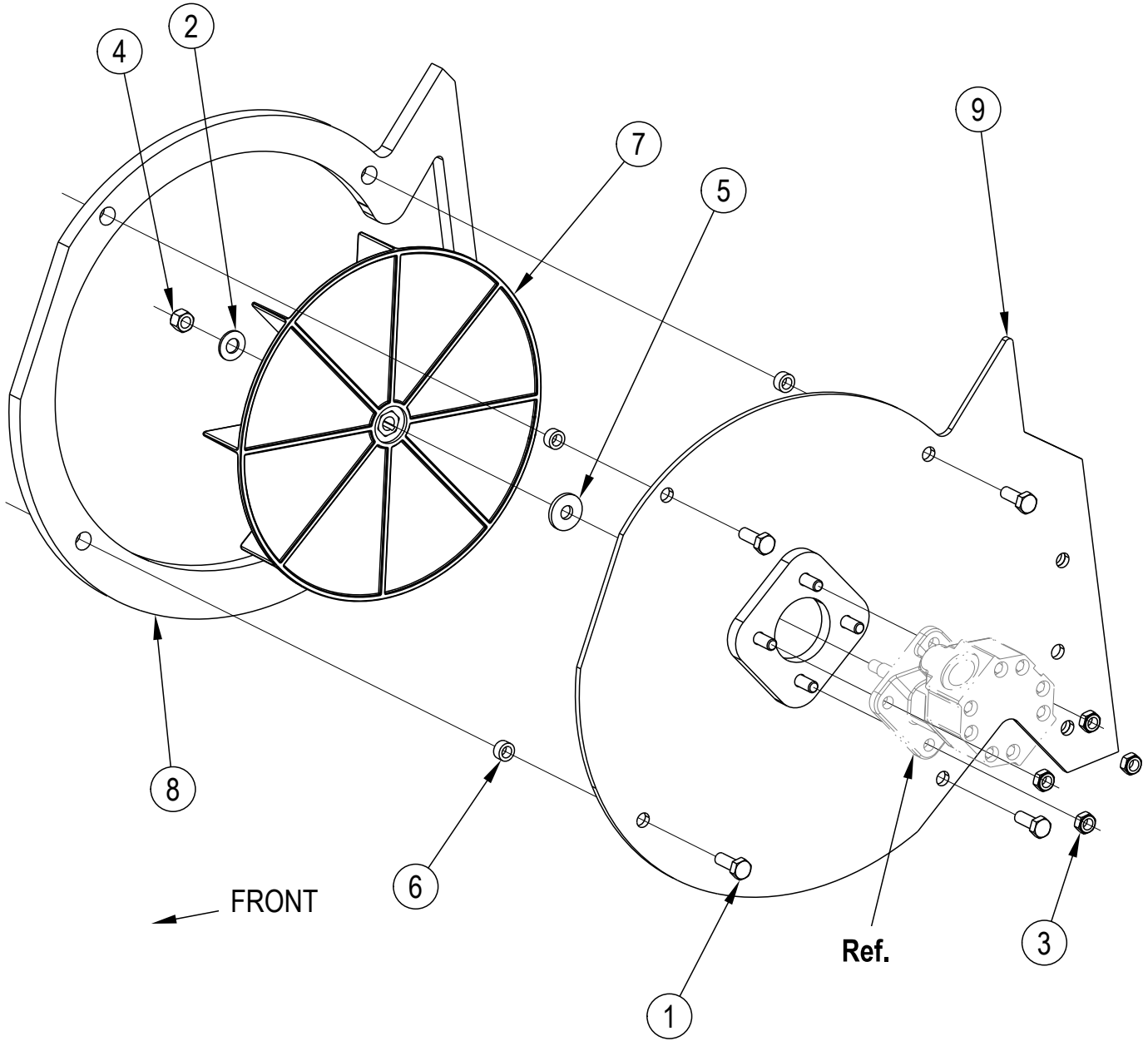


DUST CONTROL SYSTEM-1

Item	Ref. No.	Qty	Description
	56507058	1	Panel Filter Shaker Assembly (1-15)
1	8-24-04139-1	1	Filter Panel Ultra-Web Cellulose
*	56382789	1	Filter Panel Poly High Flow
*	56508953	1	Filter-HEPA
2	56370711	4	Nut, Thumb
3	56001806	4	Nut, Hex Whiz W/Flange Loc 5/16-18
4	56001878	9	Scr, Hex 1/4-20 x 1.25
5	56002098	8	Wsh, Flt SAE 1/4
6	56002708	13	Nut, Hex Nyl Loc 1/4-20
7	56003717	2	Scr, Soc Shd .31 x .25 x 1/4-20
8	56009019	4	Scr, Hex Thd Form 1/4-20 x .38
9	56109163	4	Rod, Threaded
10	56507190	1	Filter Shaker Assembly (items 16-35)
11	56508070	1	Weldment, Seal Plate
12	56508073	1	Plate, Dust
13	56508088	1	Gasket, 1/2 x 1/4
14	56508089	1	Door Filter Chamber Weldment
15	56508700	1	Clamp Filter Seal Weldment
16	8-13-07170	1	Plate, Filter Shaker
17	56002015	2	Scr, Soc Set Loc 10-24 x .25
18	56002098	4	Wsh, Flt SAE 1/4
19	56002667	4	Scr, Hex 5/16-18 x .75
20	56002701	4	Nut, Hex Nyl Loc 5/16-18
21	56002708	4	Nut, Hex Nyl Loc 1/4-20
22	56002769	2	Nut, Hex Nyl Loc 3/8-16
23	56003779	2	Scr, Hex 3/8-16 x 2.00 Grade 8
24	56003715	4	Scr, Carriage SS 1/4-20 x .75
25	56009085	2	Nut, Hex Jam 3/8-16
26	56478246	1	Tie, Cable
27	56508664	1	Motor, 12VDC
28	56508887	2	Clamp, Muffler 3"
29	56508772	1	Eccentric
30	56508703	1	Bracket LH, Filter Shaker
31	56508704	1	Bracket RH, Filter Shaker
32	56508705	1	Plate Shaker Motor Mtg
33	56508706	1	Shaker Weldment
34	56002063	2	Wsh, Flt SAE 3/8
35	56508737	2	Bearing, Flange

* = Optional

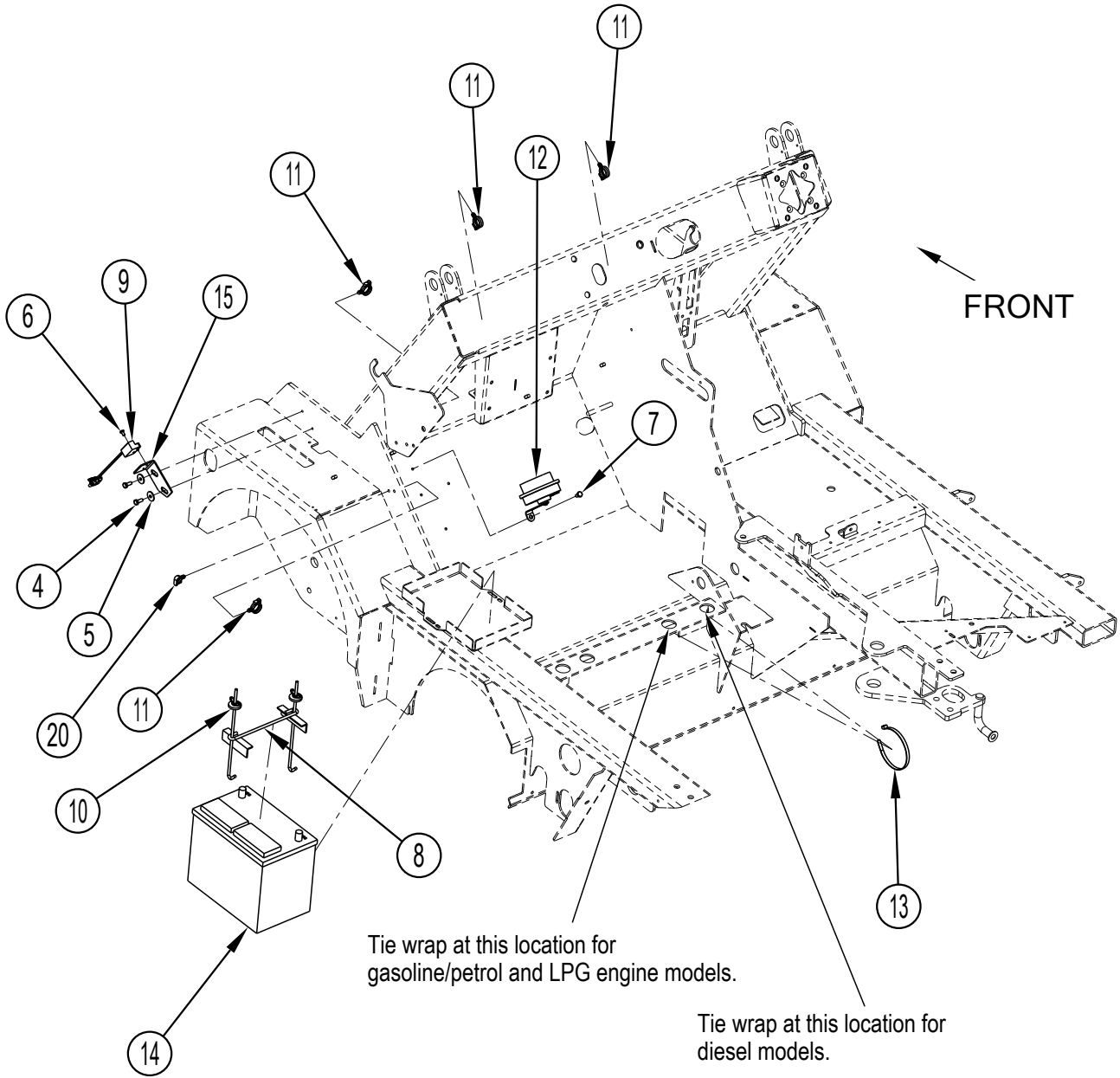
DUST CONTROL SYSTEM-2



DUST CONTROL SYSTEM-2

Item	Ref. No.	Qty	Description
	56507059	1	Vacuum Fan Assembly (1-9)
1	56002037	4	Scr, Hex 5/16-18 x .88
2	56002063	1	Wsh, Flt SAE 3/8
3	56002826	4	Nut, Hex Nyl Loc-Thin 5/16-18
4	56002950	1	Nut, Hex Nyl Loc 5/16-24
5	56009107	1	Wsh, Flt SS .378 x 1.000 x .120
6	56052581	4	Spacer, .315 ID x .50 OD x .25 Lg
7	56418897	1	Impeller
8	56507198	1	Seal, Vac Fan
9	56507200	1	Plate Weldment, Vac Motor

ELECTRICAL SYSTEM

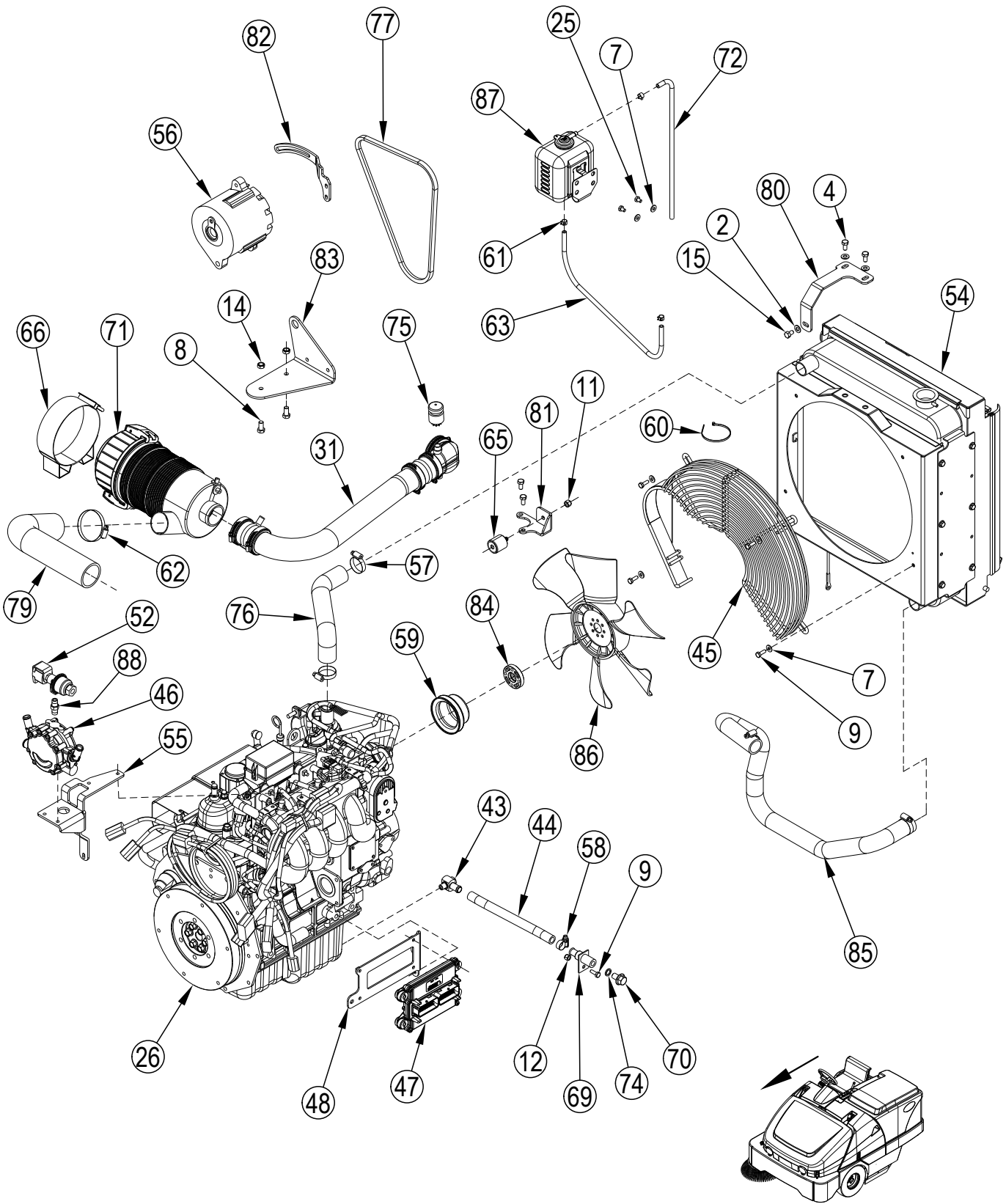


ELECTRICAL SYSTEM

Item	Ref. No.	Qty	Description
*	56462361	1	Conn, 2 Way Female
*	56492305	1	Boot, Rubber
*	56493357	1	Insulator, Terminal
4	56001836	2	Scr, Hex 1/4-20 x .62
5	56009002	2	Wsh, Flt .266 x .906 x .060
6	56009030	1	Scr, Pan Phil Thd Form 10-24 x .38
7	56009033	1	Scr, Hex Thd Form 1/4-20 x .50
8	56304445	1	Starter Battery Hold Down
9	56305053	1	Sensor, Proximity
10	56305112	2	10" J Type Hold Down
11	56410247	4	Clip, Conduit
12	56442054	1	Horn, 12V
13	56477613	1	Tie, Cable (location is dependent upon model)
14	0875-008	1	Battery 12V
15	56507457	1	Mount, Sensor
*	56381701	1	Harness, Main
*	56507679	1	Wire Asm, Yel/Blk 18-11 (diesel models only)
*	56507680	1	Cable, Pos. Battery
*	56507681	1	Cable, Neg. Battery
20	56507793	2	Clip, Conduit
*	56508006	1	Harness, Diesel Relay (diesel models only)
*	56508010	1	Wire Asm, Grn/Red 10-1 (diesel models only)
*	56508013	1	Cable, Asm, Blk 6-1

* = Not Shown

ENGINE LPG SYSTEM-1



ENGINE LPG SYSTEM-1

Item	Ref. No.	Qty	Description	Item	Ref. No.	Qty	Description
1	56001879	2	Wsh-Fit SAE1/2	60	56325789	1	Tie, Cable
2	56001939	9	Wsh, Flt SAE5/16	61	56419118	3	Clamp, Hose Band
3	56001995	1	Scr-Hex 1/2-13 X 1.75	62	56456797	1	Clamp- Hose SAE #36
4	56002035	4	Scr-Hex 5/16-18 X .62	63	56465028	1	Hose, Coolant Overflow
5	56002037	6	Scr-Hex 5/16-18 X .88	64	56478685	5	Mount, Rubber
6	56002063	2	Wsh, Flt SAE 3/8	65	56507372	1	Isolator-Engine
7	56002098	6	Wsh, Flt SAE 1/4	66	56507389	1	Band, Air Cleaner
8	56002127	2	Scr-Hex 3/8-16 X .75	67	56507444	4	Washer, Isolator Head
9	56002155	5	Scr-Hex 1/4-20 X .75	68	56507448	5	Washer, Isolator Tail
10	56002533	2	Scr-Hex 1/2-13 X 2.50	69	56507496	1	Remote Oil Drain Outlet
11	56002701	1	Nut, Hex Nyl Loc 5/16-18	70	56507497	1	Oil Drain Plug
12	56002708	1	Nut, Hex Nyl Loc 1/4-20	71	56507724	1	Air Cleaner
13	56002770	2	Nut-Hex Nyl Loc 1/2-13	72	56507798	1	Hose, Coolant Overflow
14	56002841	2	Nut, Hex Nyl Loc-Thin 3/8-16	73	56507988	1	Bracket, Engine Mount, Diesel
15	56002923	1	Scr-Hex Hd Loc 5/16-18x.50	74	56507998	1	Seal
16	56002983	2	Scr-Hex 1/2-13 X 2.00	75	56507999	1	Indicator, Air
17	56003019	12	Scr-Hex M10-1.25 X 25mm	76	56508378	1	Hose, Upper Radiator
18	56003021	2	Scr-Hex M10-1.25 X 50mm	77	56508393	1	Belt, Vee
19	56003409	2	Nut, Hex M10-1.5	78	56508403	1	Bell Housing
20	56003410	2	Nut, Hex M12-1.75	79	56508404	1	Hose, Air Intake
21	56003436	4	Scr, Hex SS M8-1.25 X 25mm	80	56508427	1	Bracket Radiator Support
22	56003685	6	Wsh, Nord-Lock M8	81	56508428	1	Bracket, Radiator Iso Support
23	56003708	2	Scr-Hex M12-1.75 X 55mm	82	56508429	1	Bracket, Alternator Diesel
24	56003889	2	Wsh-Fit 12mm	83	56508938	1	Bracket Air Filter
25	56009019	2	Scr, Hex Thd Form 1/4-20 X .38	84	56508941	1	Spacer Fan
26	56107540	1	Engine Base-Kubota 4-Cyl LPG	85	56508942	1	Hose Lower Coolant
27	56107550	1	Muffler	86	56510140	1	Fan-Cooling
28	56107558	1	Exhaust Tube Weldment	87	7-07-02002	1	Overflow Bottle Assy
29	56107566	1	Hanger Muffler	88	2-00-05674	1	Fitting, 1/4 NPT Hex Nipple, Brass
30	56107568	1	Clamp Bracket Weldment				
31	56107577	1	Hose Intake Assy Lp				
32	56107581	1	Blanket Exhaust				
33	56107582	1	Hanger Catalytic				
34	56107585	1	Mount Rt Weldment				
35	56107586	1	Mount Lt Weldment				
36	56107590	1	Gasket Manifold				
37	56107591	1	Gasket-Cat Inlet				
38	56107592	1	Gasket-Cat Outlet				
39	56107613	2	Sensor Oxygen				
40	56107614	1	Catalyst Kubota				
41	56107616	1	Lock Screw				
42	56107617	1	Lock Screw				
43	56107618	1	Remote Oil Drain Valve Assy				
44	56107620	1	Hose-Hydraulic				
45	56107643	1	Fan Guard Assy				
46	56107646	1	Vaporizer				
47	56107647	1	ECU-Kubota Lpg				
48	56107648	1	ECU-Mount Plate				
[]	56107649	1	Hose-Coolant-Vaporizer Supply				
[]	56107650	1	Hose-Coolant-Vaporizer Return				
[]	56107651	1	LPG Hose-Vaporizer				
52	56107652	1	Fuel-Solenoid				
[]	56107653	1	Operator Manual				
54	56107669	1	Radiator Assy-6 Fin				
55	56107676	1	Bracket-Vaporizer				
56	56110738	1	Alternator, 105 Amp				
57	56131601	4	Clamp- Hose SAE #16				
58	56219932	1	Clamp- Hose SAE #6				
59	56307249	1	Pulley, Fan (89mm)				

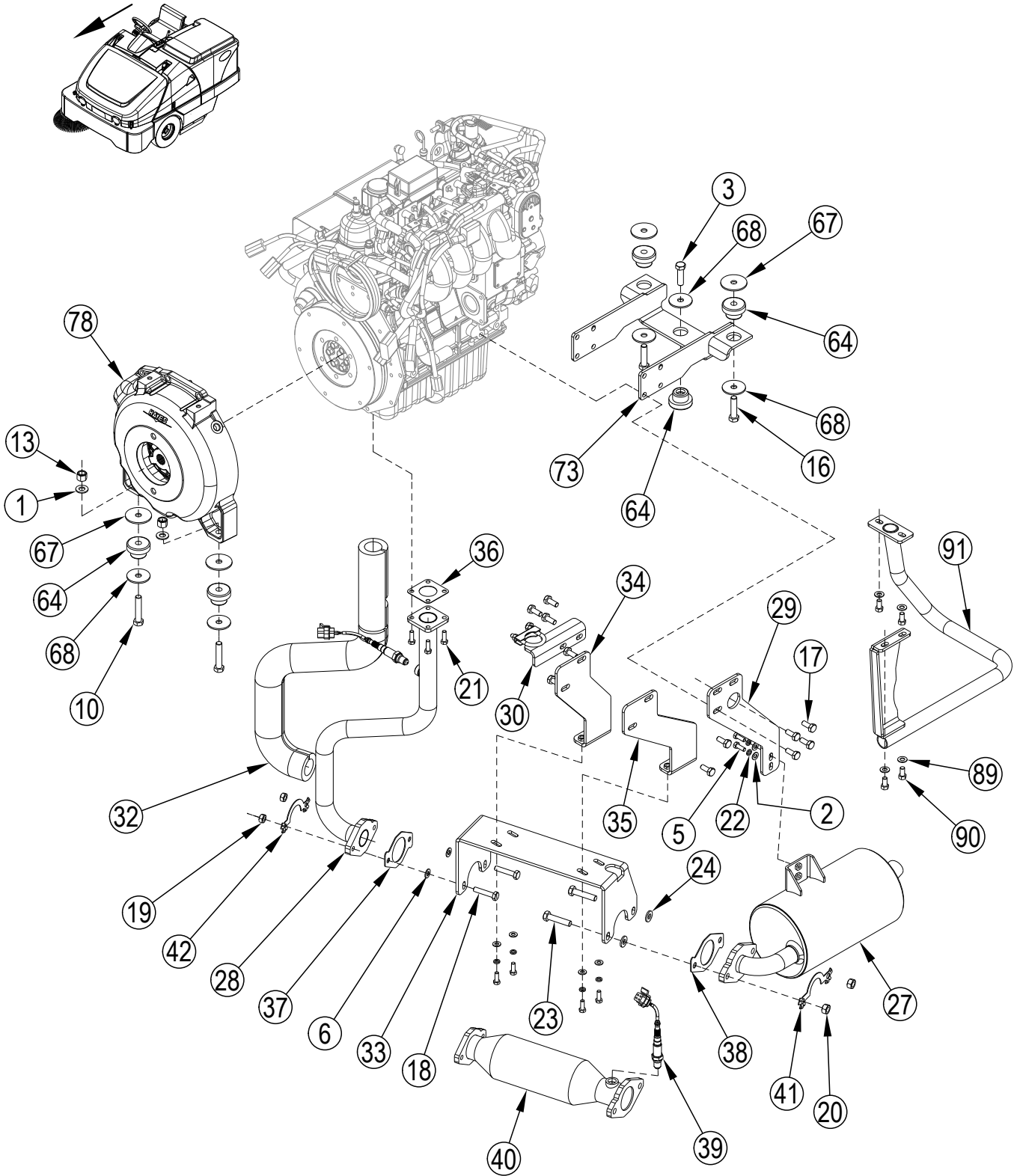
ENGINE REPLACEMENT PARTS

*	56107705	1	Harness-Kubota 4 Cyl LPG
*	56107706	4	Spark Plug
*	56107707	1	Starter
*	56107708	1	Water Pump Assy-LPG
*	56508487	1	Oil Filter Cartridge
*	56107710	1	Dipstick
*	56107711	1	Gasket Exhaust-Manifold
*	56107712	1	Oil Pressure Switch
*	56107713	1	Gasket Set-Upper
*	56107714	1	Gasket Set-Lower
*	56510973	1	Pulley-Crankshaft
*	56107716	1	Cover-Thermostat
*	56107717	1	Gasket-Valve Cover
*	56107718	4	Ignition Coil
*	56107721	1	Kit-Water Temp Sensor
*	56107722	1	Speed/RPM Sensor
*	56508454	1	Thermostat Kit
*	56510971	1	Pulley-Alternator
*	56383025	1	Cap-Oil Fill

[] = Not Shown

* = Optional, Not Included

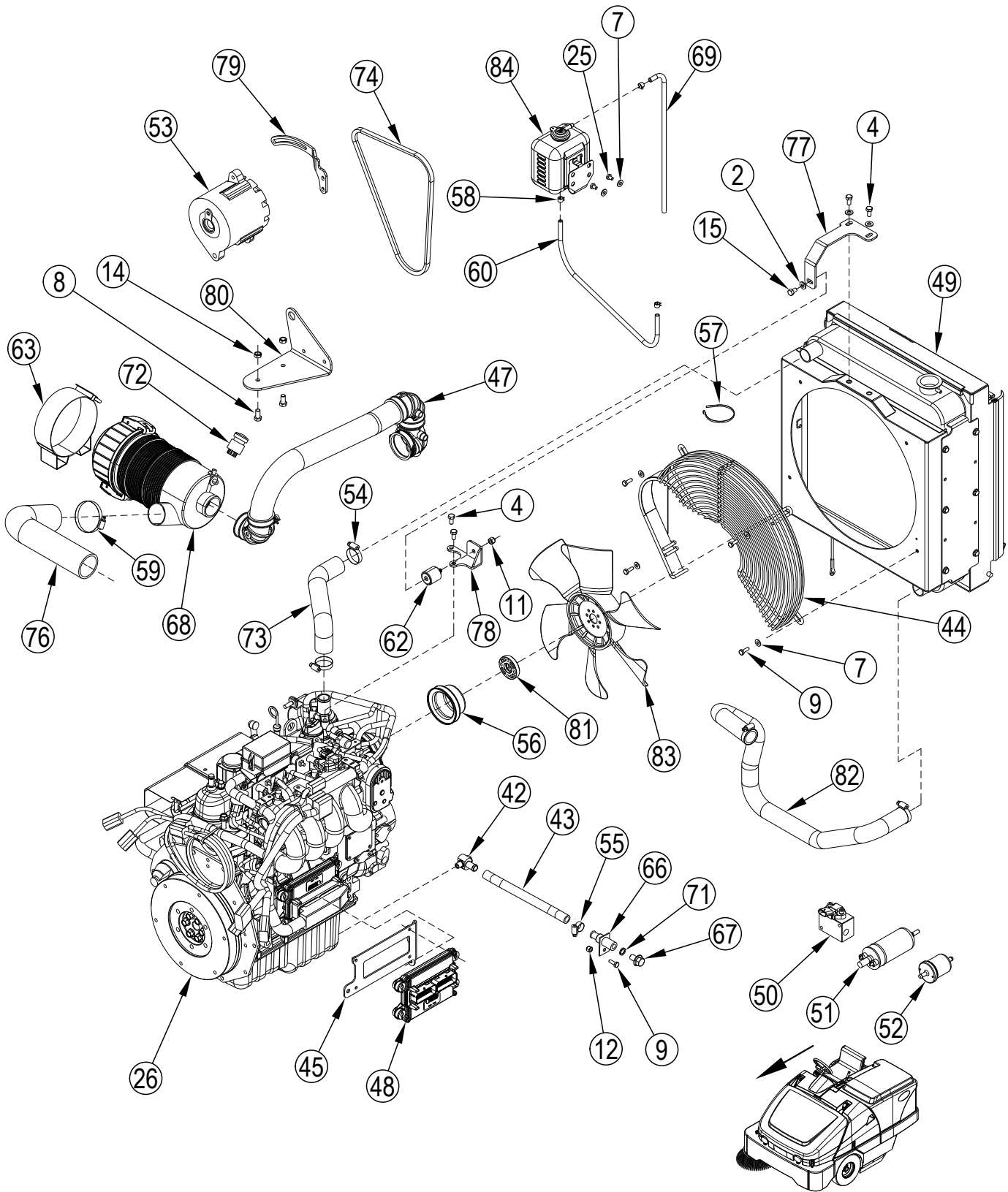
ENGINE LPG SYSTEM-2



ENGINE LPG SYSTEM-2

Item	Ref. No.	Qty	Description	Item	Ref. No.	Qty	Description
1	56001879	2	Wsh-Flt SAE1/2	60	56325789	1	Tie, Cable
2	56001939	9	Wsh, Flt SAE5/16	61	56419118	3	Clamp, Hose Band
3	56001995	1	Scr-Hex 1/2-13 X 1.75	62	56456797	1	Clamp- Hose SAE #36
4	56002035	4	Scr-Hex 5/16-18 X .62	63	56465028	1	Hose, Coolant Overflow
5	56002037	6	Scr-Hex 5/16-18 X .88	64	56478685	5	Mount, Rubber
6	56002063	2	Wsh, Flt SAE 3/8	65	56507372	1	Isolator-Engine
7	56002098	6	Wsh, Flt SAE 1/4	66	56507389	1	Band, Air Cleaner
8	56002127	2	Scr-Hex 3/8-16 X .75	67	56507444	4	Washer, Isolator Head
9	56002155	5	Scr-Hex 1/4-20 X .75	68	56507448	5	Washer, Isolator Tail
10	56002533	2	Scr-Hex 1/2-13 X 2.50	69	56507496	1	Remote Oil Drain Outlet
11	56002701	1	Nut, Hex Nyl Loc 5/16-18	70	56507497	1	Oil Drain Plug
12	56002708	1	Nut, Hex Nyl Loc 1/4-20	71	56507724	1	Air Cleaner
13	56002770	2	Nut-Hex Nyl Loc 1/2-13	72	56507798	1	Hose, Coolant Overflow
14	56002841	2	Nut, Hex Nyl Loc-Thin 3/8-16	73	56507988	1	Bracket, Engine Mount, Diesel
15	56002923	1	Scr-Hex Hd Loc 5/16-18x.50	74	56507998	1	Seal
16	56002983	2	Scr-Hex 1/2-13 X 2.00	75	56507999	1	Indicator, Air
17	56003019	12	Scr-Hex M10-1.25 X 25mm	76	56508378	1	Hose, Upper Radiator
18	56003021	2	Scr-Hex M10-1.25 X 50mm	77	56508393	1	Belt, Vee
19	56003409	2	Nut, Hex M10-1.5	78	56508403	1	Bell Housing
20	56003410	2	Nut, Hex M12-1.75	79	56508404	1	Hose, Air Intake
21	56003436	4	Scr, Hex SS M8-1.25 X 25mm	80	56508427	1	Bracket Radiator Support
22	56003685	6	Wsh, Nord-Lock M8	81	56508428	1	Bracket, Radiator Iso Support
23	56003708	2	Scr-Hex M12-1.75 X 55mm	82	56508429	1	Bracket, Alternator Diesel
24	56003889	2	Wsh-Flt 12mm	83	56508938	1	Bracket Air Filter
25	56009019	2	Scr, Hex Thd Form 1/4-20 X .38	84	56508941	1	Spacer Fan
26	56107540	1	Engine Base-Kubota 4-Cyl LPG	85	56508942	1	Hose Lower Coolant
27	56107550	1	Muffler	86	56510140	1	Fan-Cooling
28	56107558	1	Exhaust Tube Weldment	87	7-07-02002	1	Overflow Bottle Assy
29	56107566	1	Hanger Muffler	88	2-00-05674	1	Fitting, 1/4 NPT Hex Nipple, Brass
30	56107568	1	Clamp Bracket Weldment	89	56002063	4	Wsh, Flt SAE 3/8
31	56107577	1	Hose Intake Assy Lp	90	56003079	4	Scr-Hex Hd Loc 3/8-16 x .75
32	56107581	1	Blanket Exhaust	91	56107645	1	Guard Muffler Weldt
33	56107582	1	Hanger Catalytic				
34	56107585	1	Mount Rt Weldment				[] = Not Shown
35	56107586	1	Mount Lt Weldment				
36	56107590	1	Gasket Manifold				
37	56107591	1	Gasket-Cat Inlet				
38	56107592	1	Gasket-Cat Outlet				
39	56107613	2	Sensor Oxygen				
40	56107614	1	Catalyst Kubota				
41	56107616	1	Lock Screw				
42	56107617	1	Lock Screw				
43	56107618	1	Remote Oil Drain Valve Assy				
44	56107620	1	Hose-Hydraulic				
45	56107643	1	Fan Guard Assy				
46	56107646	1	Vaporizer				
47	56107647	1	ECU-Kubota Lpg				
48	56107648	1	ECU-Mount Plate				
[]	56107649	1	Hose-Coolant-Vaporizer Supply				
[]	56107650	1	Hose-Coolant-Vaporizer Return				
[]	56107651	1	LPG Hose-Vaporizer				
52	56107652	1	Fuel-Solenoid				
[]	56107653	1	Operator Manual				
54	56107669	1	Radiator Assy-6 Fin				
55	56107676	1	Bracket-Vaporizer				
56	56110738	1	Alternator, 105 Amp				
57	56131601	4	Clamp- Hose SAE #16				
58	56219932	1	Clamp- Hose SAE #6				
59	56307249	1	Pulley, Fan (89mm)				

ENGINE PETROL SYSTEM-1



ENGINE PETROL SYSTEM-1

Item	Ref. No.	Qty	Description	Item	Ref. No.	Qty	Description
1	56001879	2	Wsh-Flt SAE 1/2	60	56465028	1	Hose, Coolant Overflow
2	56001939	9	Wsh, Flt SAE 5/16	61	56478685	5	Mount, Rubber
3	56001995	1	Scr-Hex 1/2-13 X 1.75	62	56507372	1	Isolator-Engine
4	56002035	4	Scr-Hex 5/16-18 X .62	63	56507389	1	Band, Air Cleaner
5	56002037	6	Scr-Hex 5/16-18 X .88	64	56507444	4	Washer, Isolator Head
6	56002063	2	Wsh, Flt SAE 3/8	65	56507448	5	Washer, Isolator Tail
7	56002098	6	Wsh, Flt SAE 1/4	66	56507496	1	Remote Oil Drain Outlet
8	56002127	2	Scr-Hex 3/8-16 X .75	67	56507497	1	Oil Drain Plug
9	56002155	5	Scr-Hex 1/4-20 X .75	68	56507724	1	Air Cleaner
10	56002533	2	Scr-Hex 1/2-13 X 2.50	69	56507798	1	Hose, Coolant Overflow
11	56002701	1	Nut, Hex Nyl Loc 5/16-18	70	56507988	1	Bracket, Engine Mount, Diesel
12	56002708	1	Nut, Hex Nyl Loc 1/4-20	71	56507998	1	Seal
13	56002770	2	Nut-Hex Nyl Loc 1/2-13	72	56507999	1	Indicator, Air
14	56002841	2	Nut, Hex Nyl Loc-Thin 3/8-16	73	56508378	1	Hose, Upper Radiator
15	56002923	1	Scr-Hex Hd Loc 5/16-18x.50	74	56508393	1	Belt, Vee
16	56002983	2	Scr-Hex 1/2-13 X 2.00	75	56508403	1	Bell Housing
17	56003019	12	Scr-Hex M10-1.25 X 25mm	76	56508404	1	Hose, Air Intake
18	56003021	2	Scr-Hex M10-1.25 X 50mm	77	56508427	1	Bracket Radiator Support
19	56003409	2	Nut, Hex M10-1.5	78	56508428	1	Bracket, Radiator Iso Support
20	56003410	2	Nut, Hex M12-1.75	79	56508429	1	Bracket, Alternator Diesel
21	56003436	4	Scr, Hex Ss M8-1.25 X 25mm	80	56508938	1	Bracket Air Filter
22	56003685	6	Wsh, Nord-Lock M8	81	56508941	1	Spacer Fan
23	56003708	2	Scr-Hex M12-1.75 X 55mm	82	56508942	1	Hose Lower Coolant
24	56003889	2	Wsh-Flt 12mm	83	56510140	1	Fan-Cooling
25	56009019	2	Scr, Hex Thd Form 1/4-20 X .38	84	7-07-02002	1	Overflow Bottle Assy
26	56107541	1	Engine Base-Kubota 4cyl Petrol				
27	56107550	1	Muffler				
28	56107558	1	Exhaust Tube Weldment				
29	56107566	1	Hanger Muffler				
30	56107568	1	Clamp Bracket Weldment				
31	56107581	1	Blanket Exhaust				
32	56107582	1	Hanger Catalytic				
33	56107585	1	Mount Rt Weldment				
34	56107586	1	Mount Lt Weldment				
35	56107590	1	Gasket Manifold				
36	56107591	1	Gasket-Cat Inlet				
37	56107592	1	Gasket-Cat Outlet				
38	56107613	2	Sensor Oxygen				
39	56107614	1	Catalyst Kubota				
40	56107616	1	Lock Screw				
41	56107617	1	Lock Screw				
42	56107618	1	Remote Oil Drain Valve Assy				
43	56107620	1	Hose-Hydraulic				
44	56107643	1	Fan Guard Assy				
45	56107648	1	Ecu-Mount Plate				
[]	56107653	1	Operator Manual				
47	56107663	1	Air Intake Assy-Petrol				
48	56107664	1	Ecu-Kubota Petrol				
49	56107669	1	Radiator Assy-6 Fin				
50	56107670	1	Fuel Manifold				
51	56107671	1	Fuel Pump				
52	56107672	1	Fuel Filter				
53	56110738	1	Alternator, 105 Amp				
54	56131601	4	Clamp- Hose SAE #16				
55	56219932	1	Clamp- Hose SAE #6				
56	56307249	1	Pulley, Fan (89mm)				
57	56325789	1	Tie, Cable				
58	56419118	3	Clamp, Hose Band				
59	56456797	1	Clamp- Hose SAE #36				

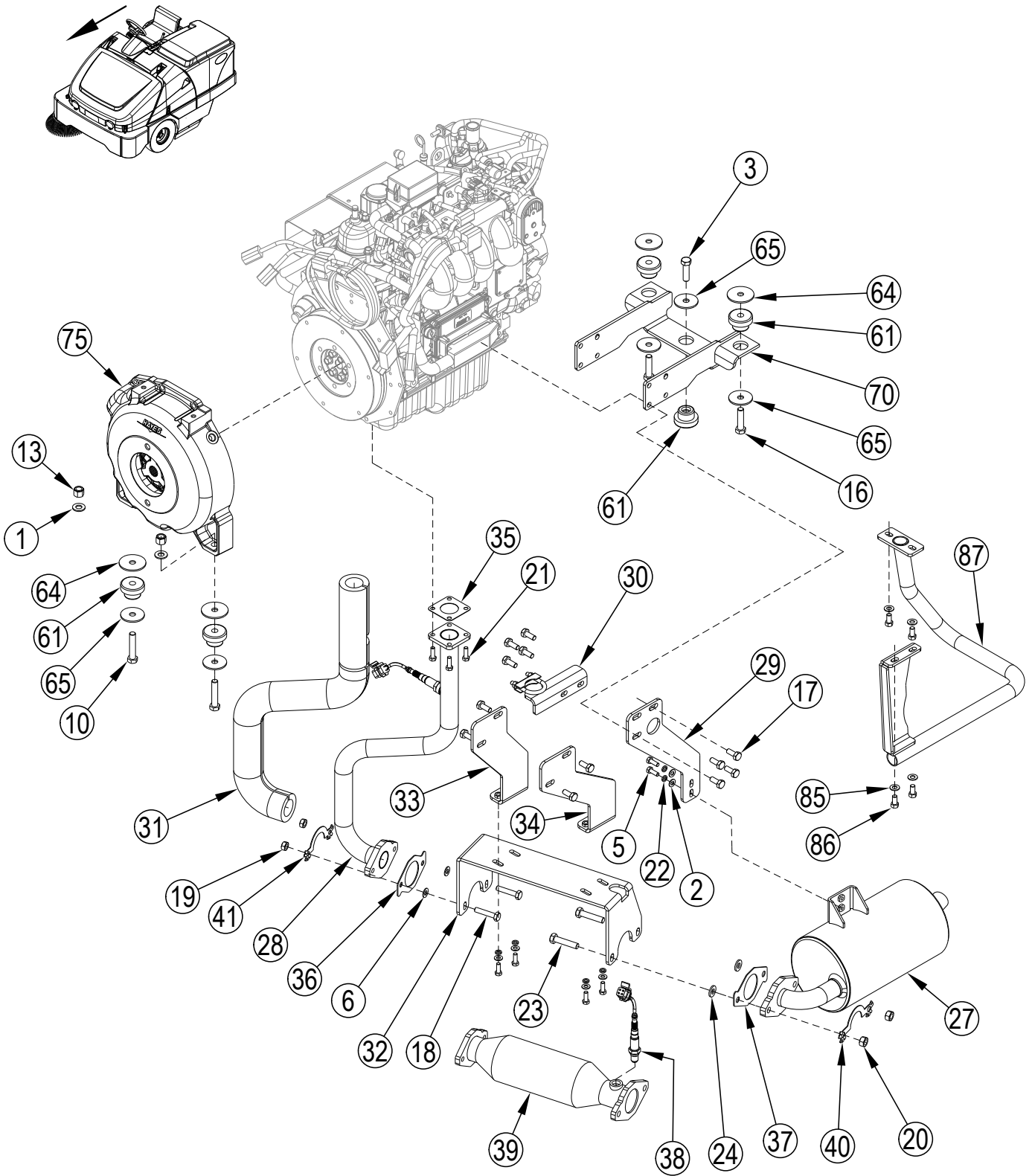
ENGINE REPLACEMENT PARTS

*	56107723	1	Harness-Kubota 4 Cyl Petrol
*	56107706	4	Spark Plug
*	56107707	1	Starter
*	56508487	1	Oil Filter Cartridge
*	56107710	1	Dipstick
*	56107711	1	Gasket Exhaust-Manifold
*	56107712	1	Oil Pressure Switch
*	56107713	1	Gasket Set-Upper
*	56107714	1	Gasket Set-Lower
*	56510973	1	Pulley-Crankshaft
*	56107716	1	Cover-Thermostat
*	56107717	1	Gasket-Valve Cover
*	56107718	4	Ignition Coil
*	56510970	1	Water Pump-D1305
*	56107720	4	Injector
*	56107721	1	Kit-Water Temp Sensor
*	56107722	1	Speed/RPM Sensor
*	56508454	1	Thermostat Kit
*	56510971	1	Pulley-Alternator
*	56383025	1	Cap-Oil Fill

[] = Not Shown

* = Optional, Not Included

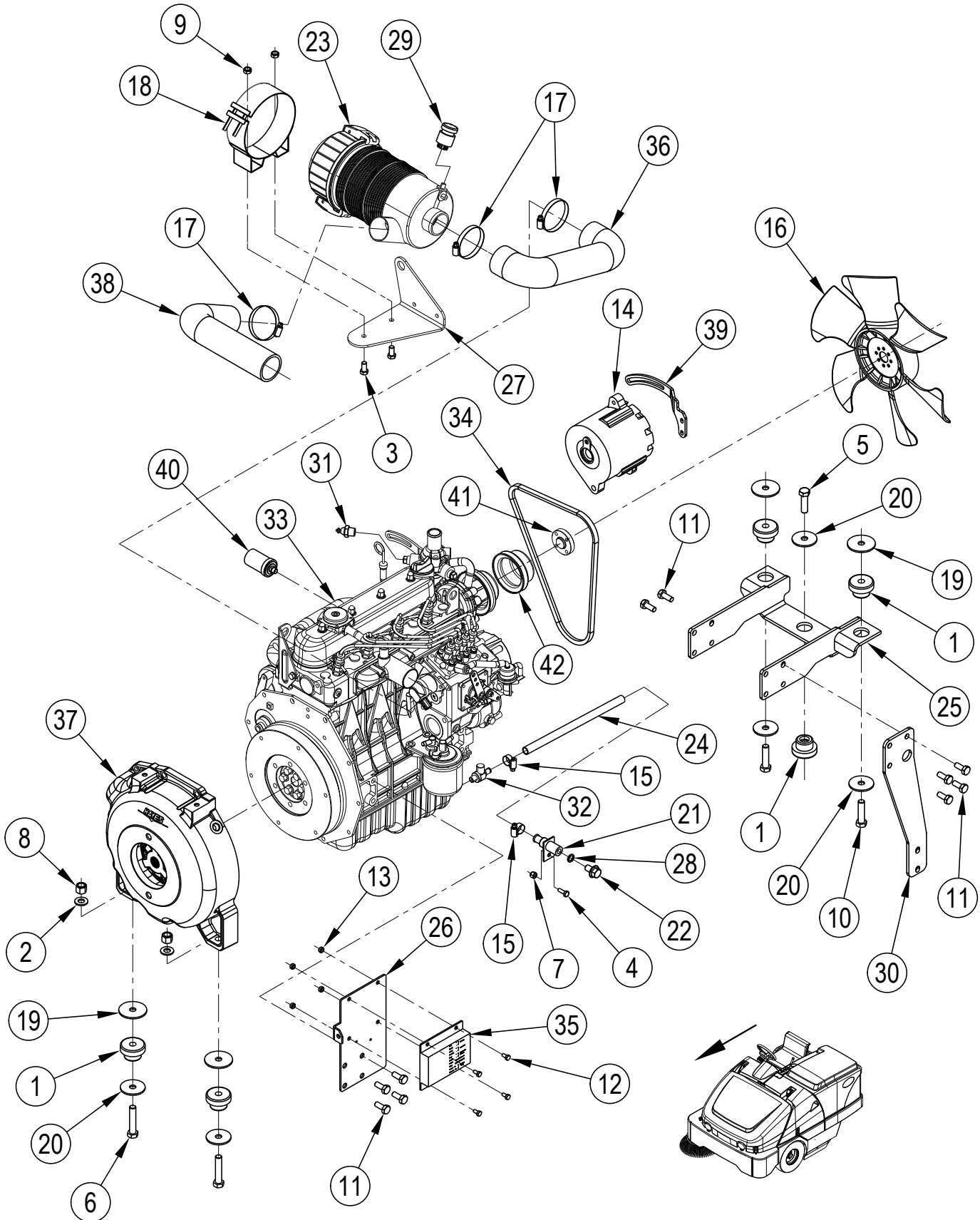
ENGINE PETROL SYSTEM-2



ENGINE PETROL SYSTEM-2

Item	Ref. No.	Qty	Description	Item	Ref. No.	Qty	Description
1	56001879	2	Wsh-Fit SAE 1/2	60	56465028	1	Hose, Coolant Overflow
2	56001939	9	Wsh, Fit SAE 5/16	61	56478685	5	Mount, Rubber
3	56001995	1	Scr-Hex 1/2-13 X 1.75	62	56507372	1	Isolator-Engine
4	56002035	4	Scr-Hex 5/16-18 X .62	63	56507389	1	Band, Air Cleaner
5	56002037	6	Scr-Hex 5/16-18 X .88	64	56507444	4	Washer, Isolator Head
6	56002063	2	Wsh, Fit SAE 3/8	65	56507448	5	Washer, Isolator Tail
7	56002098	6	Wsh, Fit SAE 1/4	66	56507496	1	Remote Oil Drain Outlet
8	56002127	2	Scr-Hex 3/8-16 X .75	67	56507497	1	Oil Drain Plug
9	56002155	5	Scr-Hex 1/4-20 X .75	68	56507724	1	Air Cleaner
10	56002533	2	Scr-Hex 1/2-13 X 2.50	69	56507798	1	Hose, Coolant Overflow
11	56002701	1	Nut, Hex Nyl Loc 5/16-18	70	56507988	1	Bracket, Engine Mount, Diesel
12	56002708	1	Nut, Hex Nyl Loc 1/4-20	71	56507998	1	Seal
13	56002770	2	Nut-Hex Nyl Loc 1/2-13	72	56507999	1	Indicator, Air
14	56002841	2	Nut, Hex Nyl Loc-Thin 3/8-16	73	56508378	1	Hose, Upper Radiator
15	56002923	1	Scr-Hex Hd Loc 5/16-18x.50	74	56508393	1	Belt, Vee
16	56002983	2	Scr-Hex 1/2-13 X 2.00	75	56508403	1	Bell Housing
17	56003019	12	Scr-Hex M10-1.25 X 25mm	76	56508404	1	Hose, Air Intake
18	56003021	2	Scr-Hex M10-1.25 X 50mm	77	56508427	1	Bracket Radiator Support
19	56003409	2	Nut, Hex M10-1.5	78	56508428	1	Bracket, Radiator ISO Support
20	56003410	2	Nut, Hex M12-1.75	79	56508429	1	Bracket, Alternator Diesel
21	56003436	4	Scr, Hex Ss M8-1.25 X 25mm	80	56508938	1	Bracket Air Filter
22	56003685	6	Wsh, Nord-Lock M8	81	56508941	1	Spacer Fan
23	56003708	2	Scr-Hex M12-1.75 X 55mm	82	56508942	1	Hose Lower Coolant
24	56003889	2	Wsh-Fit 12mm	83	56510140	1	Fan-Cooling
25	56009019	2	Scr, Hex Thd Form 1/4-20 X .38	84	7-07-02002	1	Overflow Bottle Assy
26	56107541	1	Engine Base-Kubota 4cyl Petrol	85	56002063	4	Wsh, Fit SAE 3/8
27	56107550	1	Muffler	86	56003079	4	Scr-Hex Hd Loc 3/8-16 x .75
28	56107558	1	Exhaust Tube Weldment	87	56107645	1	Guard Muffler Weldt
29	56107566	1	Hanger Muffler				
30	56107568	1	Clamp Bracket Weldment				[] = Not Shown
31	56107581	1	Blanket Exhaust				
32	56107582	1	Hanger Catalytic				
33	56107585	1	Mount Rt Weldment				
34	56107586	1	Mount Lt Weldment				
35	56107590	1	Gasket Manifold				
36	56107591	1	Gasket-Cat Inlet				
37	56107592	1	Gasket-Cat Outlet				
38	56107613	2	Sensor Oxygen				
39	56107614	1	Catalyst Kubota				
40	56107616	1	Lock Screw				
41	56107617	1	Lock Screw				
42	56107618	1	Remote Oil Drain Valve Assy				
43	56107620	1	Hose-Hydraulic				
44	56107643	1	Fan Guard Assy				
45	56107648	1	Ecu-Mount Plate				
[]	56107653	1	Operator Manual				
47	56107663	1	Air Intake Assy-Petrol				
48	56107664	1	Ecu-Kubota Petrol				
49	56107669	1	Radiator Assy-6 Fin				
50	56107670	1	Fuel Manifold				
51	56107671	1	Fuel Pump				
52	56107672	1	Fuel Filter				
53	56110738	1	Alternator, 105 Amp				
54	56131601	4	Clamp- Hose SAE #16				
55	56219932	1	Clamp- Hose SAE #6				
56	56307249	1	Pulley, Fan (89mm)				
57	56325789	1	Tie, Cable				
58	56419118	3	Clamp, Hose Band				
59	56456797	1	Clamp- Hose SAE #36				

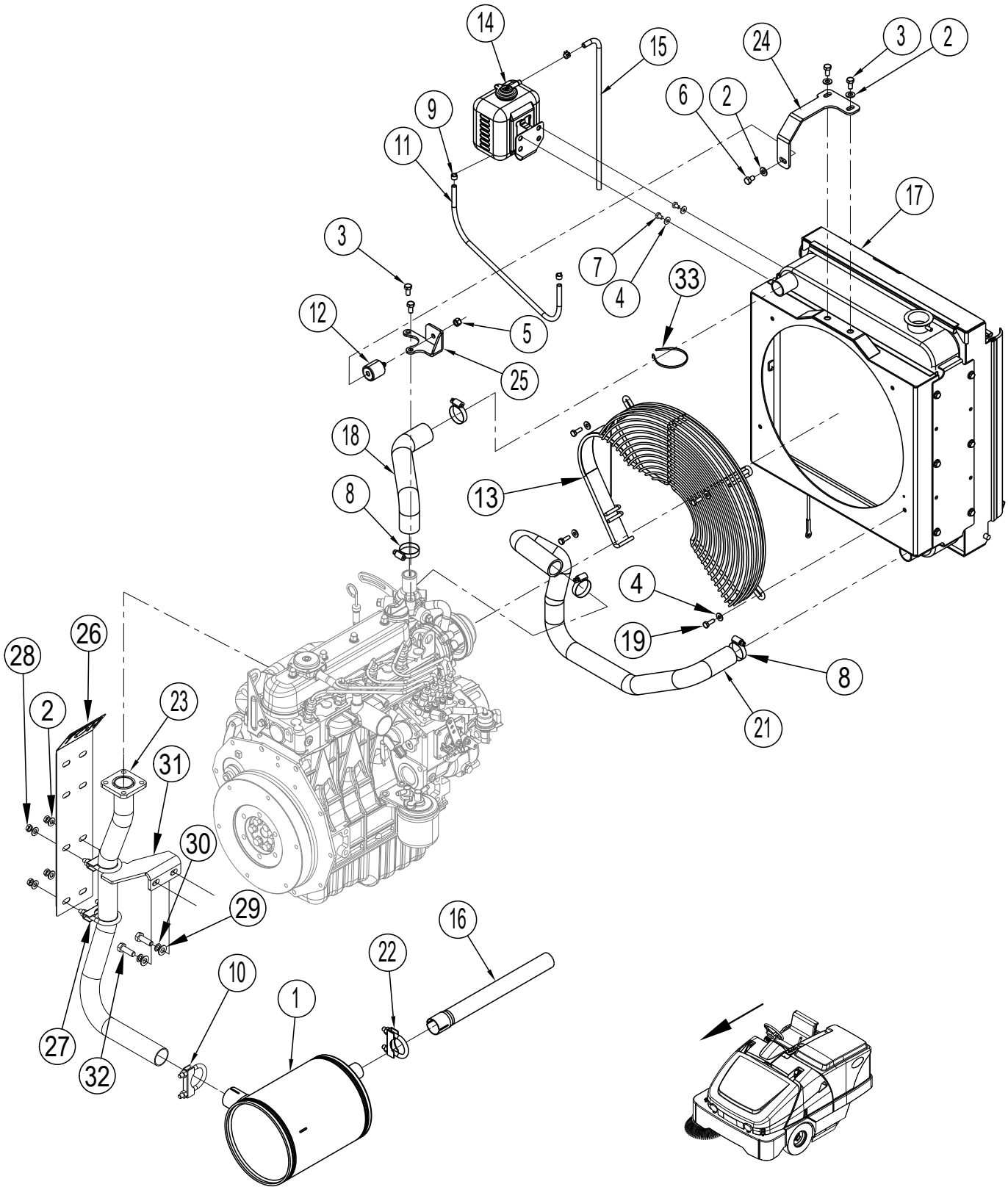
ENGINE (KUBOTA) DIESEL SYSTEM-1



ENGINE (KUBOTA) DIESEL SYSTEM-1

Item	Ref. No.	Qty	Description	ENGINE REPLACEMENT PARTS			
1	56478685	5	Mount, Rubber	*	56463590	1	Glow Plug Timer
2	56001879	2	Wsh, Flt SAE 1/2	*	56110738	1	Alternator 105A
3	56002127	2	Scr, Hex 3/8-16 X .75	*	56419086	1	Fuel Filter Cartridge
4	56002155	1	Scr, Hex 1/4-20 X .75	*	56508487	1	Oil Filter Cartridge
5	56001995	1	Scr, Hex 1/2-13 X 1.75	*	56508393	1	Belt, Vee
6	56002533	2	Scr, Hex 1/2-13 X 2.50	*	56419088	1	Thermostat Assembly
7	56002708	1	Nut, Hex Nyl Loc 1/4-20	*	56508489	1	Thermostat Gasket
8	56002770	2	Nut, Hex Nyl Loc 1/2-13	*	56419089	1	Starter Motor
9	56002841	2	Nut, Hex Nyl Loc-Thin 3/8-16	*	56508444	1	Oil Pressure Switch
10	56002983	2	Scr, Hex 1/2-13 X 2.00	*	56419091	1	Switch, Temp
11	56003019	10	Scr, Hex M10-1.25 X 25mm	*	56508490	1	Throttle/Shut Down Assembly
12	56003155	4	Scr, Hex M6-1 X 12mm	*	56508355	1	Fuel Pump Assembly
13	56003744	4	Nut, Self-Clinching M6-1	*	56508470	1	Engine Operator Manual
14	56110738	1	Alternator, 105 Amp	*	56504545	1	Seal-Crank Oil Front
15	56219932	2	Clamp, Hose SAE #6	*	56504546	1	Seal-Crank Oil Rear
16	56510140	1	Fan	*	56382861	1	Coupling Pump Drive-Kubota
17	56456797	3	Clamp, Hose SAE #36				
18	56507389	1	Band, Air Cleaner				* = Not Shown
19	56507444	4	Washer, Isolator Head				
20	56507448	5	Washer, Isolator Tail				
21	56507496	1	Remote Oil Drain Outlet				
22	56507497	1	Oil Drain Plug				
23	56507724	1	Air Cleaner				
*	7-24-04066	1	Air Filter Cartridge, Safety				
*	7-24-04065	1	Air Filter Cartridge, Primary				
24	56507964	1	Hose, Remote Oil Drain				
25	56507988	1	Bracket, Engine Mount, Diesel				
26	56507991	1	Bracket, Fuel Pump				
27	56508938	1	Bracket, Air Cleaner				
28	56507998	1	Seal				
29	56507999	1	Indicator, Air				
30	56508212	1	Bracket, Muffler Hanger				
31	56419091	1	Switch, Temp				
32	56508375	1	Engine Oil Drain Valve				
33		1	Engine, 4 Cyl Diesel				
34	56508393	1	Belt, Vee				
35	56508400	1	Governor Controller				
36	56508402	1	Hose, Air Intake				
37	56508403	1	Bell Housing				
38	56508404	1	Hose, Air Intake				
39	56508429	1	Bracket, Alternator Diesel				
*	56508004	1	Harness, Kubota Diesel				
40	56508444	1	Switch, Pressure				
41	56508941	1	Spacer-Fan				
42	56307249	1	Pulley, Fan (89 mm)				

ENGINE [KUBOTA] DIESEL SYSTEM-2



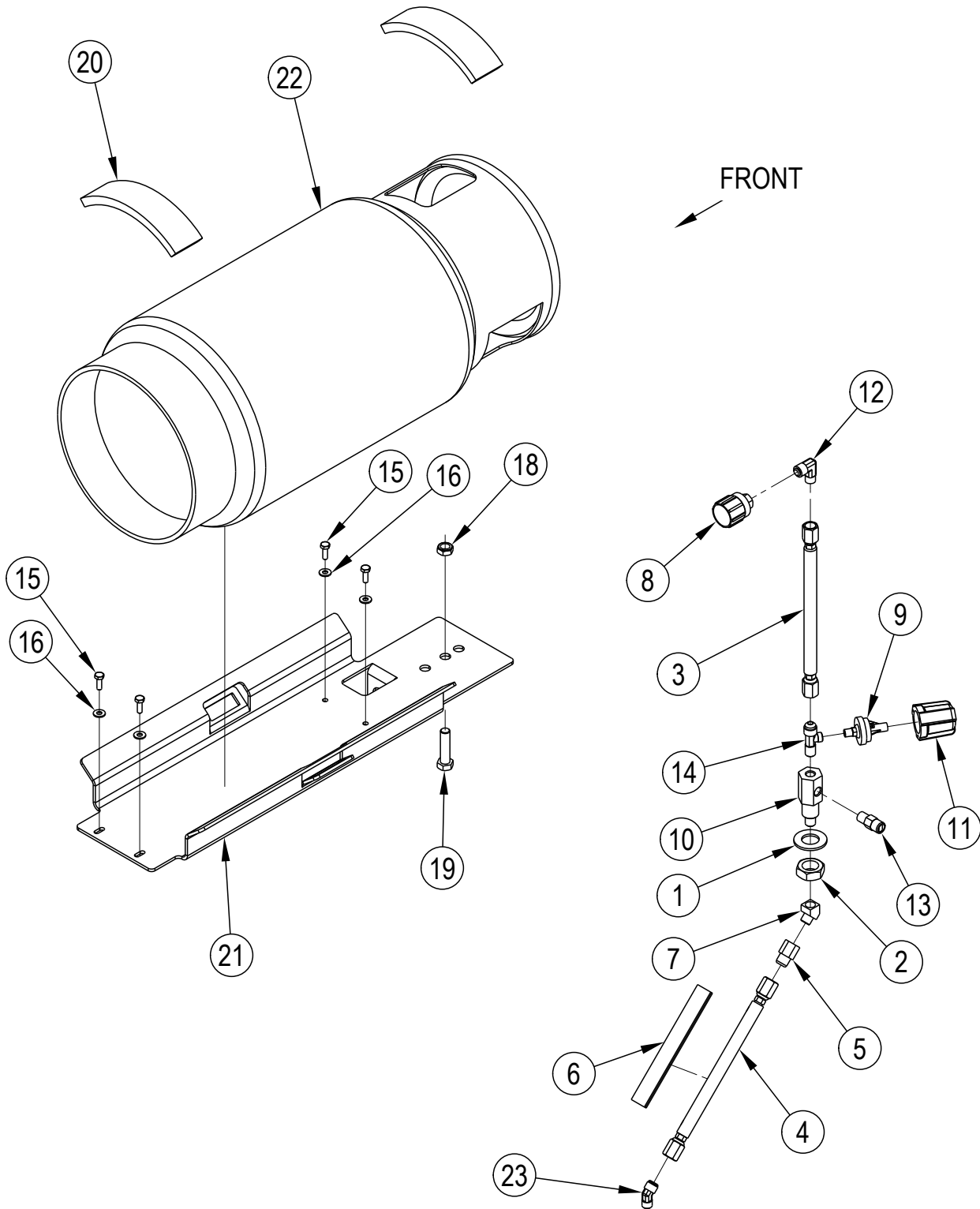
ENGINE [KUBOTA] DIESEL SYSTEM-2

Item	Ref. No.	Qty	Description
1	7-49-00038	1	Muffler
2	56001939	7	Wsh, Flt SAE 5/16
3	56002035	4	Scr, Hex 5/16-18 X .62
4	56002098	6	Wsh, Flt SAE 1/4
5	56002701	1	Nut, Hex Nyl Loc 5/16-18
6	56002923	1	Scr, Hex Hd Loc 5/16-18 x .50
7	56009019	2	Scr, Hex Thd Form 1/4-20 x .38
8	56131601	5	Clamp, Hose SAE #16
9	56419118	3	Clamp, Hose Band
10	56456833	1	Clamp, Muffler 1.62
11	56465028	1	Hose, Coolant Overflow
12	56507372	1	Isolator, Engine
13	56107643	1	Fan Guard Assy
14	7-07-02002	1	Overflow Bottle
15	56507798	1	Hose, Coolant Overflow
16	56507871	1	Tail Pipe
17		1	Radiator Assy (See Radiator Assembly)
18	56508378	1	Hose, Upper Radiator
19	56002155	4	Scr, Hex 1/4-20 X .75
21	56508942	1	Hose Lower Radiator
[]	56381962	1	Hose Lower Radiator NOTE 1
22	56508391	1	Clamp, Muffler
23	56508397	1	Exhaust Assembly
24	56508427	1	Bracket, Radiator Support
25	56508428	1	Bracket, Radiator Iso Support
26	56507449	1	Shield, Exhaust Heat
27	56343236	2	Clamp, Muffler 1.50
28	56009086	4	Nut, Hex Jam 5/16-18
29	56002063	2	Wsh, Flt SAE 3/8
30	2-00-02310	2	Lk Wash Helical Spr Zn
31	56508910	1	Exhaust Pipe Bracket
32	2-00-05961	2	Screw Hhc M10 X 1.25 X 30mm
33	56325789	1	Tie, Cable

[] = Not Shown

NOTE 1: Replacement part for rubber elbow which connects directly to the water pump.

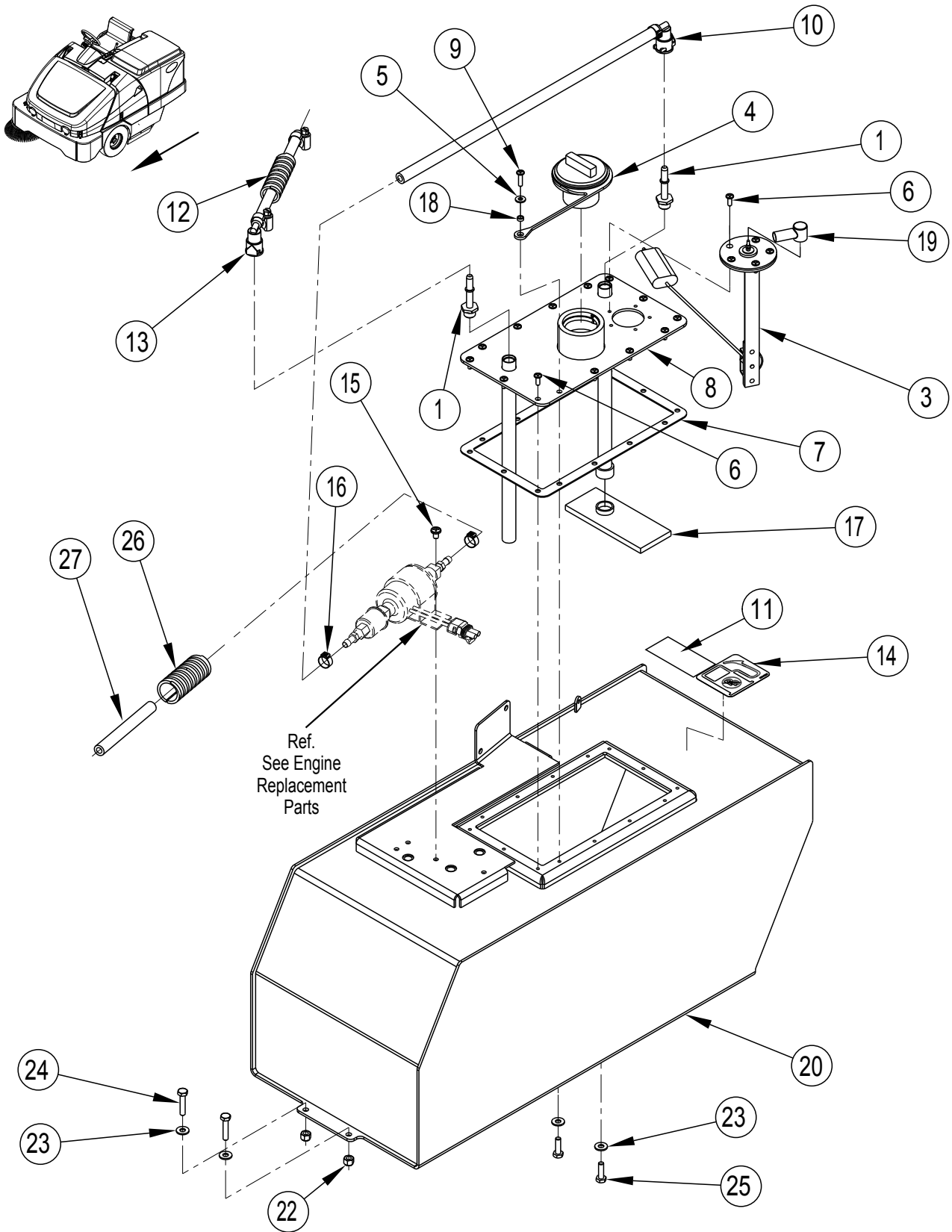
ENGINE LPG TANK & FILTER ASSY



ENGINE LPG TANK & FILTER ASSY

Item	Ref. No.	Qty	Description
	56507347	1	LPG Filter Assembly (items 1-14) (used on Non-Cab models only)
1	56002228	1	Wsh, Flt SAE 7/8
2	56002615	1	Nut, Hex Jam 7/8-14
3	56305503	1	Hose Assy
4	56305504	1	Hose Assy
5	56305505	1	Adapter-SAE 45 Deg.
6	56305506	1	Conduit
7	56368938	1	Elbow-45 Street
8	56369675	1	Coupler-Female
9	56418381	1	Switch-N.C. Pressure
10	56418934	1	Fitting-Bulkhead
11	56419241	1	Dust Boot
12	56456608	1	Elbow-Male 90
13	56456624	1	Vent-1/4 NPT
14	56900921	1	Tee 1/4 NPT X 1/8 NPT X 3/8 JIC
	56507057	1	LP Tank Assy (items 15-22) (used on both Cab & Non-Cab models)
15	56009033	4	Scr, Hex Thd Form 1/4-20 x .50
16	56002098	4	Wsh, Flt SAE 1/4
18	56002843	1	Nut, Hex Nyl Loc-Thin 1/2-13
19	56003740	1	Scr, Hex Thd To Hd 1/2-13 x 2.00
20	56507336	2	Gasket, LP Tank Mtg
21	56507558	1	Support, LP Tank
22	56456590	1	LP Tank, 33lb.
23	56456598	1	Elbow, 45 Male 45 Flared

ENGINE [KUBOTA] DIESEL FUEL TANK ASSY

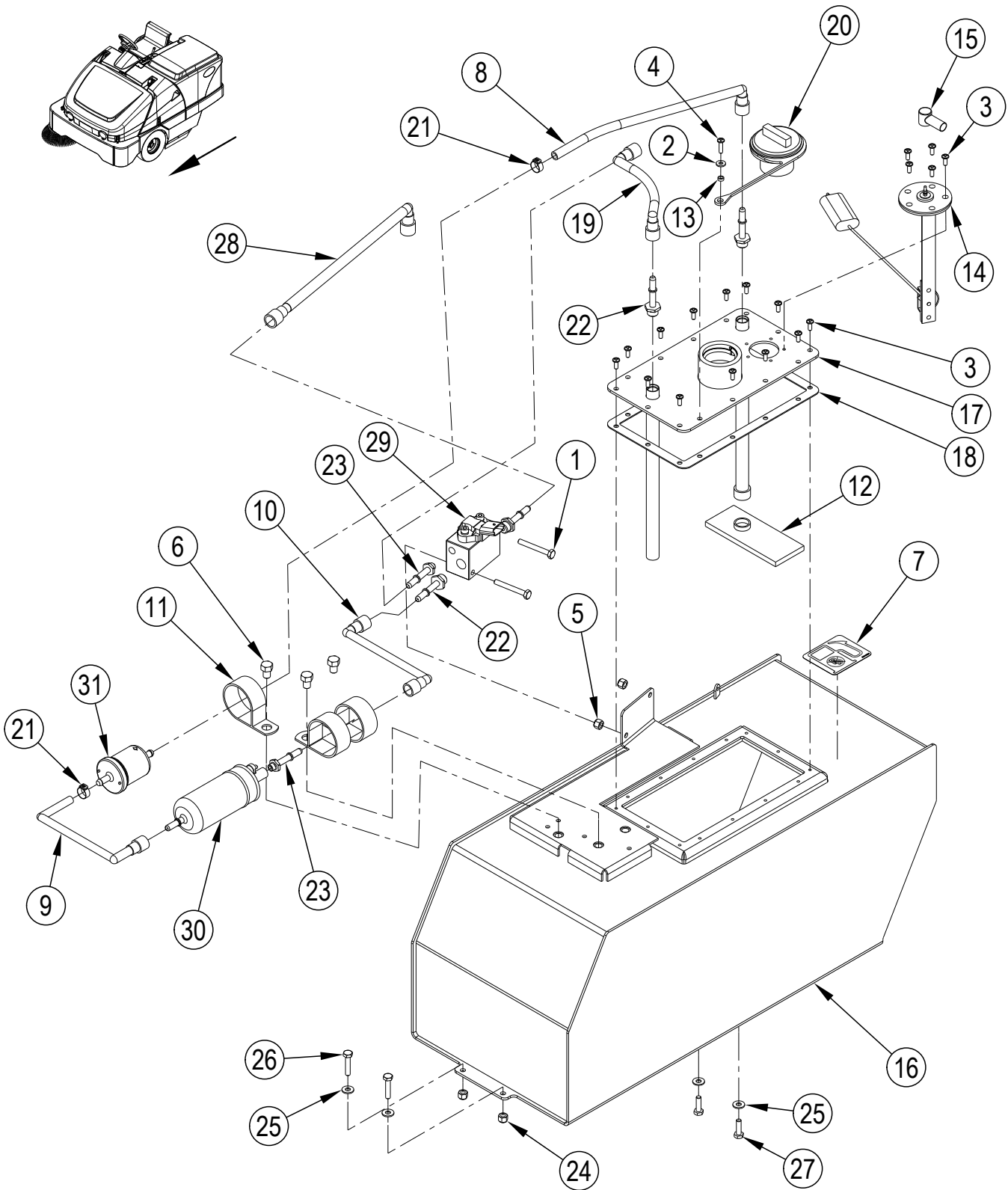


ENGINE [KUBOTA] DIESEL FUEL TANK ASSY

Item	Ref. No.	Qty	Description
	56508333	1	Tank Diesel Assembly (items 1-11, 14-20)
1	7-11-04083	2	-6 SAE x 5/16 Quick Connect Fitting
3	56478358	1	Sender, Fuel Level
4	56508354	1	Fuel Cap
5	56001954	1	Wsh, Flt SAE #10
6	56001993	18	Scr, Pan Phil 10-24 x .50
7	56508349	1	Gasket, Cover
8	56508348	1	Cover Plate Weldt
9	56002192	1	Scr, Pan Phil 10-24 x .75
10	56507957	1	Hose Assy
11	56109404	1	Decal, Low Sulfur Diesel
12	56508654	1	Conduit
13	56508646	1	Hose Assembly
14	56025454	1	Decal, Diesel Fuel
15	56003603	1	Scr, Pan Phil Thd Form 1/4-20 x .38
16	56508515	2	Clamp
17	56419307	1	Strainer, Fuel
18	56454275	1	Bushing, .20 x .31 x .12
19	56492305	1	Boot, Rubber
20	56507946	1	Fuel Tank Weldt
22	56002708	2	Nut, Hex Nyl Loc 1/4-20
23	56002098	4	Wsh, Flt SAE 1/4
24	56002047	2	Scr, Hex Thd To Hd 1/4-20 x 1.25
25	56001821	2	Scr, Hex 1/4-20 x .88
26	56508357	1	Conduit
27	56508358	1	Hose, Fuel Line

* = Not Shown

ENGINE PETROL FUEL TANK ASSY

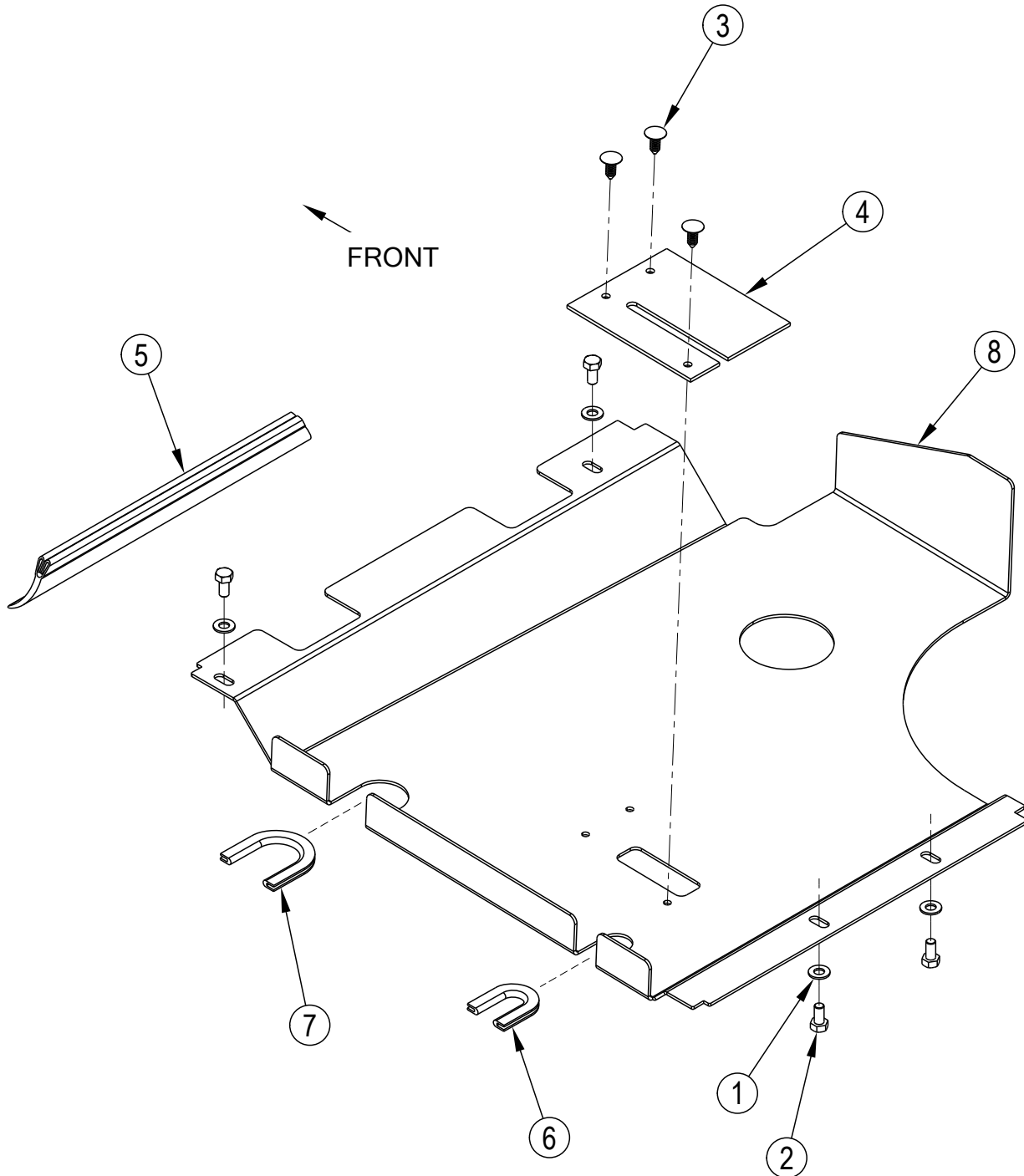


ENGINE PETROL FUEL TANK ASSY

Item	Ref. No.	Qty	Description
	56107666	1	Tank-Petrol Assy (items 1-23)
1	56001874	2	Scr-Hex 1/4-20 X 2.00
2	56001954	1	Wsh, Flt Sae #10
3	56001993	18	Scr-Pan Phil 10-24 X .50
4	56002192	1	Scr-Pan Phil 10-24 X .75
5	56002708	2	Nut, Hex Nyl Loc 1/4-20
6	56003023	3	Scr-Hex Hd Loc 3/8-16 x .50
7	56016226	1	Decal. Unleaded Fuel
8	56107594	1	Fuel Hose Assy
9	56107595	1	Fuel Hose Assy
10	56107596	1	Fuel Hose Assy
11	56305492	3	Clamp, P
12	56419307	1	Strainer, Fuel
13	56454275	1	Bushing, .20 X .31 X .12
14	56478358	1	Sender, Fuel Level
15	56492305	1	Boot, Rubber
16	56507946	1	Fuel Tank Weldt
17	56508348	1	Cover Plate Weldt
18	56508349	1	Gasket, Cover
19	56508351	1	Fuel Hose Assy
20	56508354	1	Fuel Cap
21	56508515	2	Clamp
22	7-11-04083	4	-6 Sae X 5/16 Quick Connect Fitting
23	7-11-04084	2	-3 Sae X 5/16 Quick Connect Fitting
24	56002708	2	Nut, Hex Nyl Loc 1/4-20
25	56002098	4	Wsh, Flt SAE 1/4
26	56002047	2	Scr, Hex Thd To Hd 1/4-20 X 1.25
27	56001821	2	Scr, Hex 1/4-20 X .88
28	56107597	1	Fuel Hose Assy
29	56107670	1	Fuel Manifold
30	56107671	1	Fuel Pump
31	56107672	1	Fuel Filter
[]	56305790	1	Wire Asm, Pigtail (fuel pump jumper)
[]	56508003	1	Harness, Gasoline Sensor
[]	56508357	1	Conduit Black .75

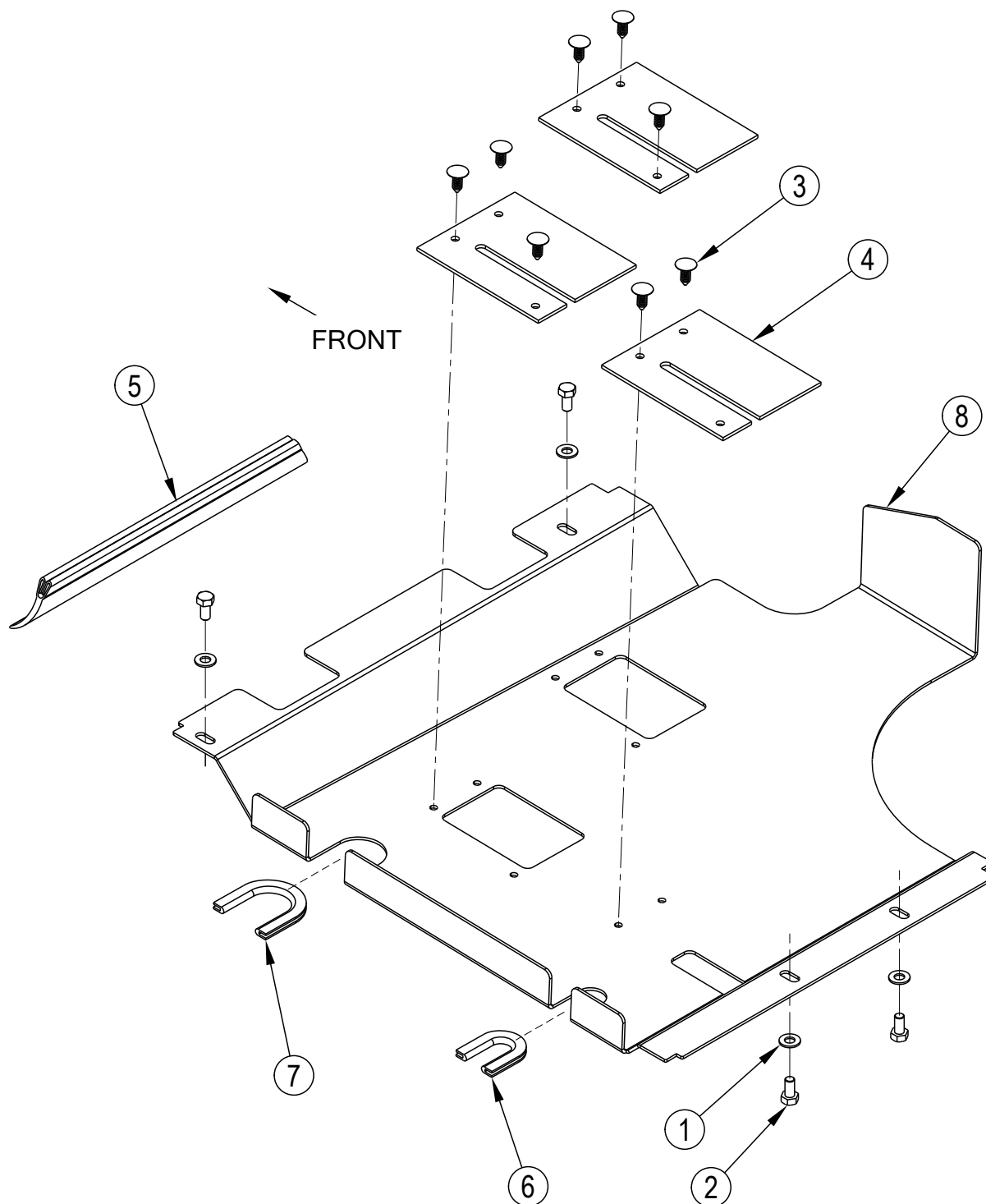
[] = Not Shown

ENGINE BOTTOM COVER ASSY - DIESEL



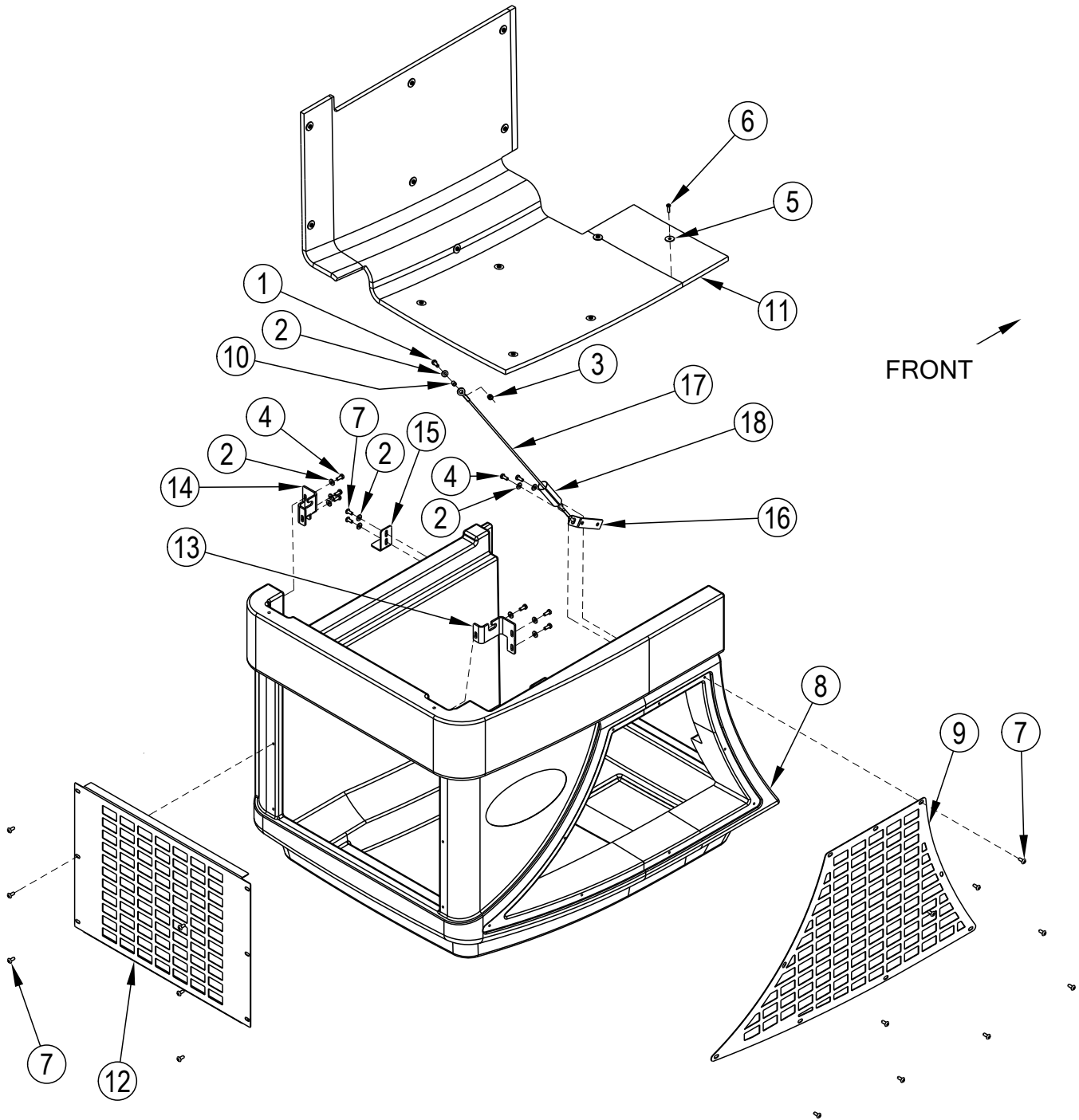
Item	Ref. No.	Qty	Description
	56107622	1	Bottom Engine Cover Assy (items 1-8)
1	56001939	4	Wsh, Flt SAE 5/16
2	56002929	4	Scr-Hex Hd Loc 5/16-18x.62
3	56003263	3	Rivet, Nylon Tree Push-In (.25)
4	56107608	1	Seal Bottom Cover
5	56107609	1	Seal Bottom Engine
6	56107610	1	Trim-Edge
7	56107611	1	Trim-Edge
8	56107623	1	Bottom Engine Cover

ENGINE BOTTOM COVER ASSY - LPG-PETROL



Item	Ref. No.	Qty	Description
	56107606	1	Bottom Engine Cover Assy (items 1-8)
1	56001939	4	Wsh, Flt SAE 5/16
2	56002929	4	Scr-Hex Hd Loc 5/16-18x.62
3	56003263	8	Rivet, Nylon Tree Push-In (.25)
4	56107608	3	Seal Bottom Cover
5	56107609	1	Seal Bottom Engine
6	56107610	1	Trim-Edge
7	56107611	1	Trim-Edge
8	56107607	1	Bottom Engine Cover

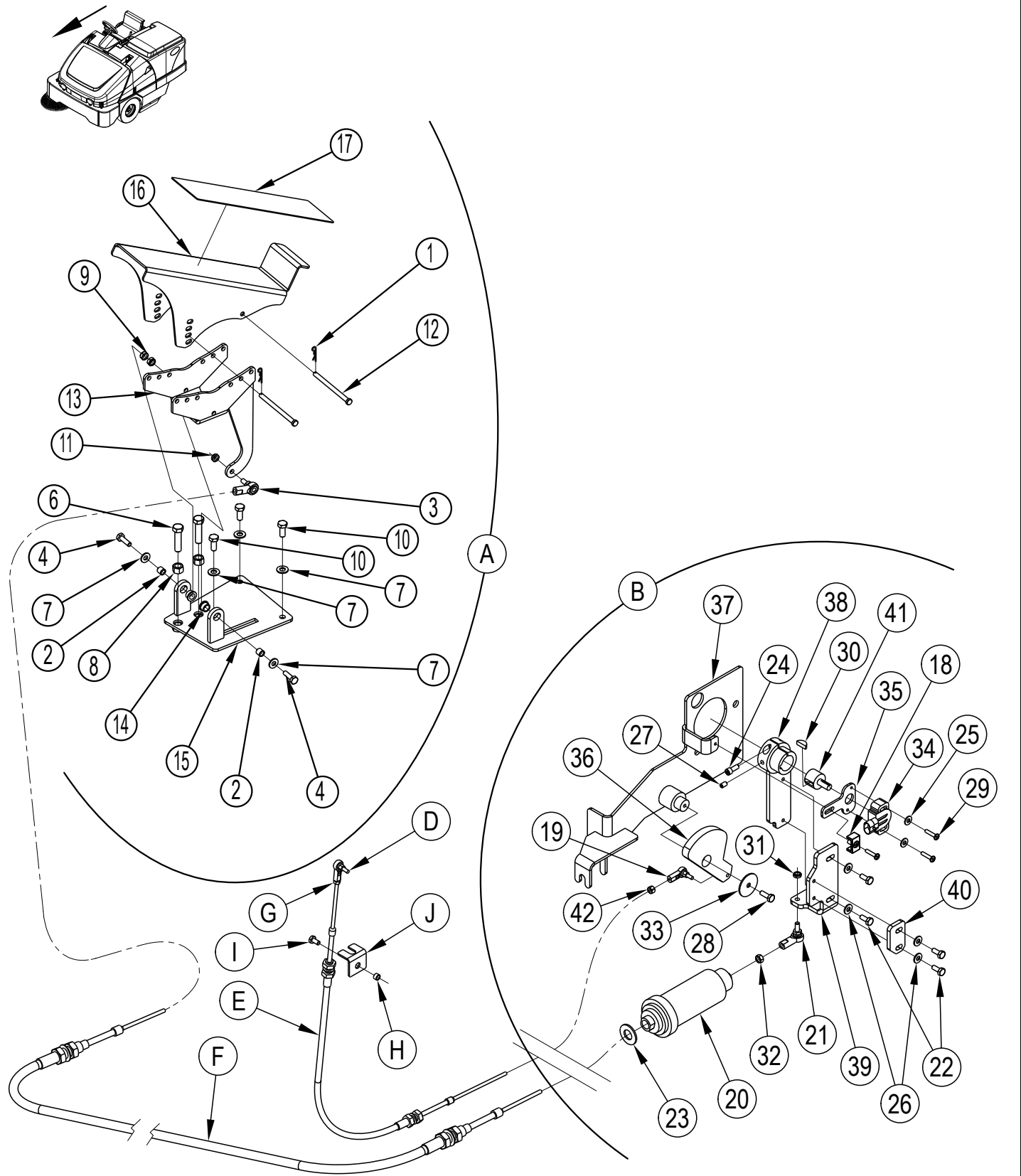
ENGINE REAR COVER ASSY



ENGINE REAR COVER ASSY

Item	Ref. No.	Qty	Description
	56107576	1	Cover Rear Assy (items 1-18)
1	56002093	1	Scr-Hex 1/4-20 x 1.00
2	56002098	11	Wsh, Flt SAE 1/4
3	56002708	1	Nut, Hex Nyl Loc 1/4-20
4	56002922	8	Scr-Hex Hd Loc 1/4-20 x .62
5	56009002	13	Wsh, Flt .266 x .906 x .060
6	56009005	13	Scr, Pan Phil SS Type AB 10-16 x .75
7	56009120	17	Scr Panphil SS Type B 1/4-14 x .62
8	56107579	1	Engine Cover Assy
9	56107580	1	Vent Cover
10	56321532	1	Bushing .25 x .37 x .40
11	56507339	1	Foam Insulation
12	56507400	1	Shroud, Radiator
13	56507401	1	Bracket, Engine Cover
14	56507402	1	Bracket, Engine Cover
15	56507584	1	Bracket, Engine Cover Clamp
16	56508181	1	Bracket, Eng. Hood
17	56508335	1	Cable Assembly
18	56508774	1	Shrink Tube .75 x 2.5

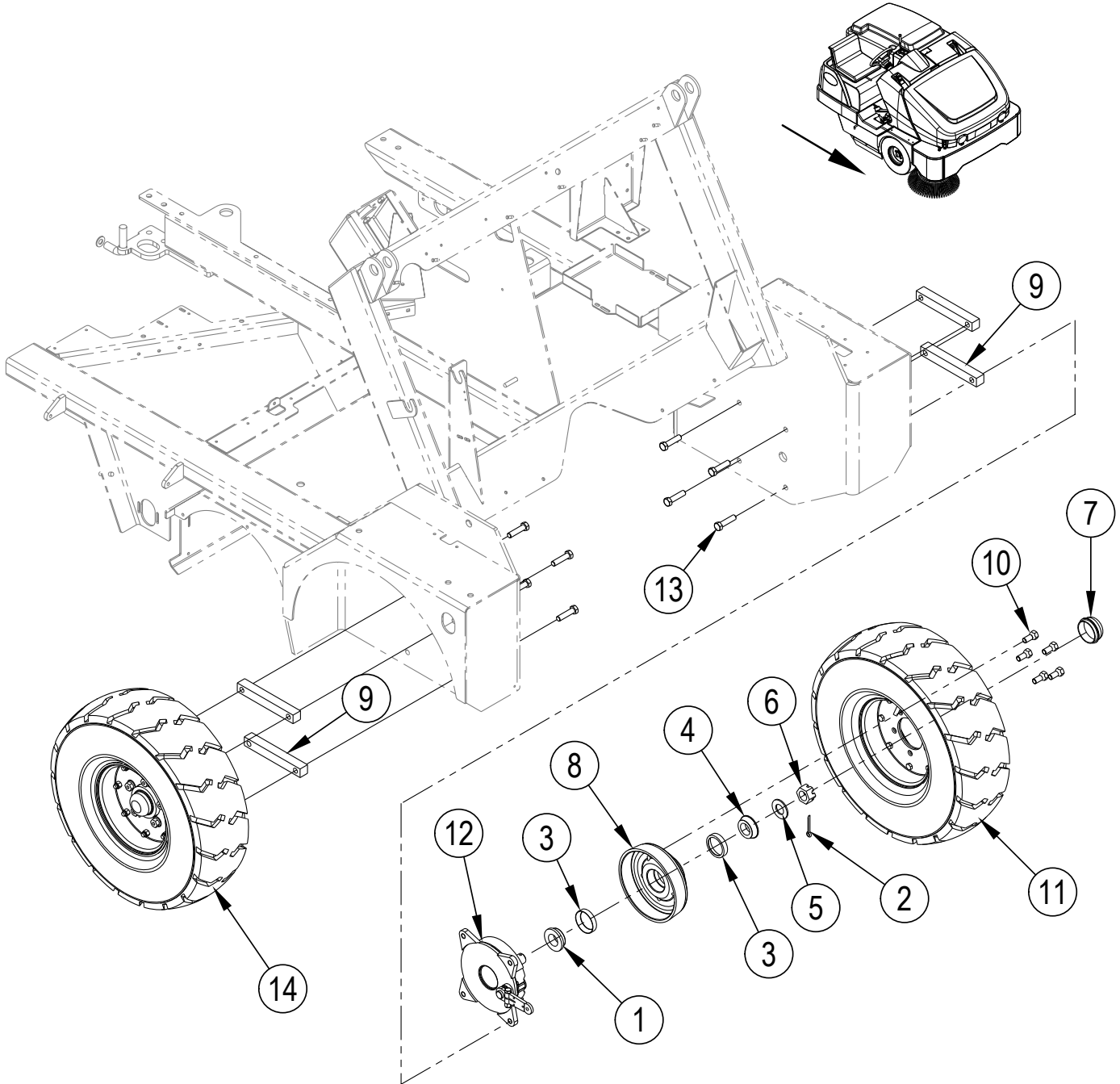
FORWARD-REVERSE CONTROL ASSY



FORWARD-REVERSE CONTROL ASSY

Item	Ref. No.	Qty	Description	Item	Ref. No.	Qty	Description
	56507049	1	FWD / REV 4 Cyl Control Assembly (A, B, D-J)	D	56488290	1	Rod End
A	56507647	1	Foot Pedal Assembly (items 1-17)	E	56418615	1	Cable, Push-Pull Control
1	56003332	2	Pin, Cot Hair .042 x .188	F	56507648	1	Cable, Push-Pull Control
2	56151106	2	Bushing	G	56001987	1	Nut, Hex Machine 10-32
3	56463720	1	Rod End	H	56379298	1	Bushing
4	56001821	2	Scr, Hex 1/4-20 x .88	I	56003039	1	Scr, Hex Hd Loc 1/4-20 x .50
6	56002747	2	Scr, Hex Thd to Hd 3/8-16 x 1.50	J	56508500	1	Bracket, Speed Limit Cable
7	56002098	5	Wsh, Flt SAE 1/4				
8	56002123	2	Nut, Hex Machine 3/8-16				
9	56002840	2	Nut, Hex Nyl Loc-Thin 1/4-20				
10	56002948	3	Scr, Hex Hd Loc 1/4-20 x .75				
11	56003626	1	Nut, Hex Nyl Loc-Thin 1/4-28				
12	56003669	2	Pin, Clevis .25 x 3.50				
13	56304375	1	Pedal Weldment				
14	56304554	2	Bearing, Fl .500 x .375 x .313				
15	56507098	1	Plate, Foot Throttle				
16	56507133	1	Foot Pedal				
17	56507227	1	Mat, Pedal				
B	56507541	1	Pump Control Assembly (items 18-42)				
18	56111895	1	Guide-Encoder				
19	56488290	1	Rod End				
20	56455799	1	Hydroback				
21	56463720	1	Rod End				
22	56001836	4	Scr, Hex 1/4-20 x .62				
23	56002022	1	Wsh, Flt SAE 5/8				
24	56002032	1	Scr, Soc Hd 1/4-20 x 0.62				
25	56002053	2	Wsh, Flt Std #10				
26	56002098	4	Wsh, Flt SAE 1/4				
27	56002930	1	Scr, Soc Set Loc 1/4-20 x .38				
28	56002948	1	Scr, Hex Hd Loc 1/4-20 x .75				
29	56002996	3	Scr, Pan Phil 10-32 x .88				
30	56003230	1	Key, Wdf .75 x .25				
31	56003626	1	Nut, Hex Nyl Loc-Thin 1/4-28				
32	56009142	1	Nut, Hex Machine 1/4-28				
33	56009225	1	Wsh, Fender .281 x 1.50 x .074				
34	56305129	1	Rotary Sensor				
35	56305980	1	Plate-Sensor				
36	56419337	1	Cam, Nylon				
37	56507124	1	RTN Bracket				
38	56507126	1	Lever Weldment				
39	56507152	1	Lever				
40	56507153	1	Plate, Cam				
41	56507979	1	Adapter, Shaft				
42	56001987	1	Nut, Hex Machine 10-32				

FRONT WHEEL SYSTEM



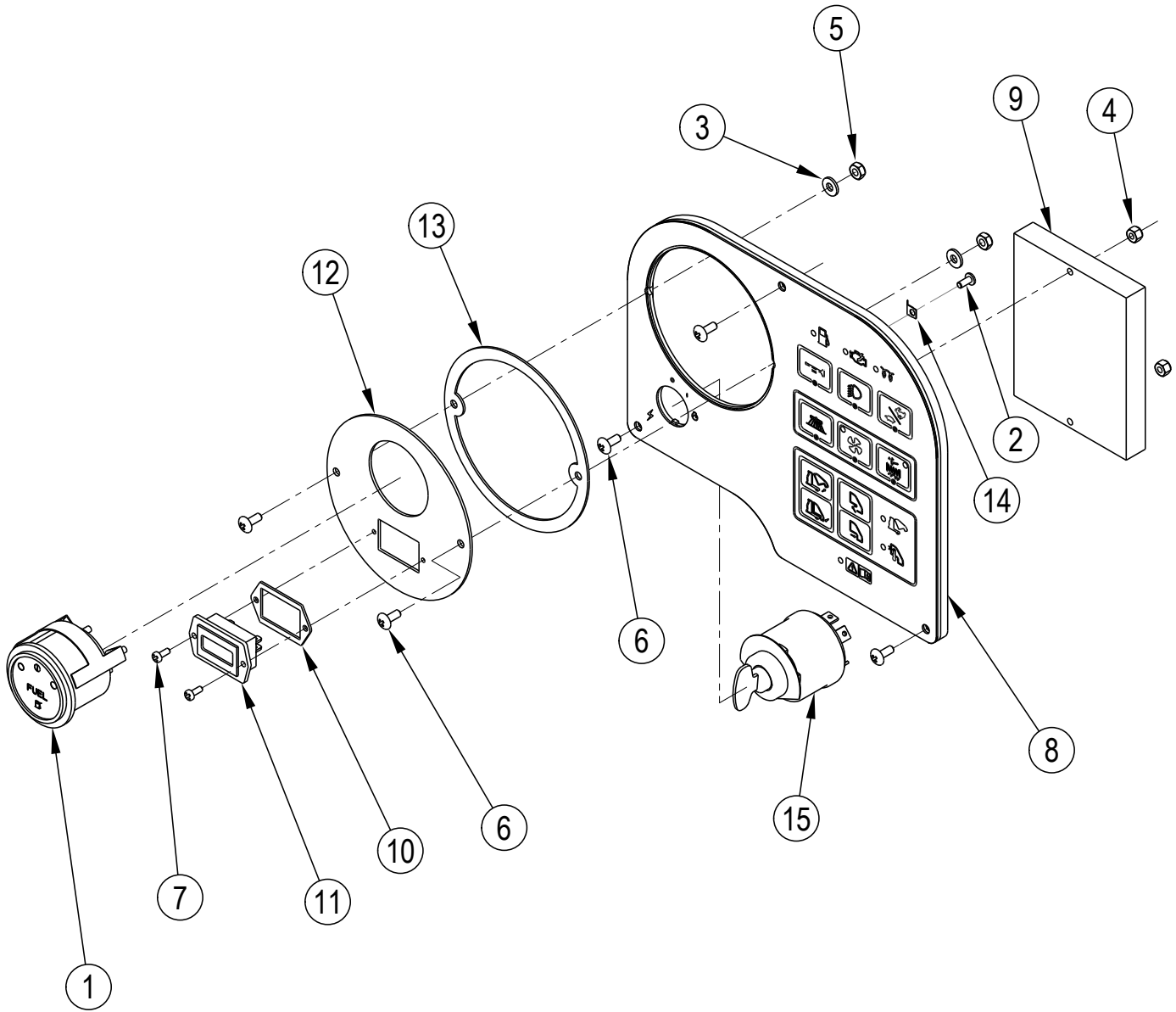
FRONT WHEEL SYSTEM

Item	Ref. No.	Qty	Description
1	2-00-02079	1	Bearing Cone Note 1
2	2-00-02436	1	Pin, Cotter Note 1
3	2-00-04621	2	Bearing Cup Note 1
4	2-00-04622	1	Bearing Cone Note 1
5	2-00-05024	1	Washer, Spacer Note 1
6	2-00-05026	1	1" x 14 Slotted Nut Note 1
7	8-11-00030	1	Grease Cap Note 1
8	8-33-09089	1	Hub And Drum - Machined Note 1
9	8-75-01216	4	Spacer
10	8-80-05035	5	Stud - Wheel Note 1
11	8-89-08054	1	Wheel Assembly Note 1
[]	8-65-05016	1	Rim Assy, 6 x 9 x 4
[]	8-85-06022	1	Tire - Pneumatic 6 x 9
[]	8-70-00087	1	Tube
[]	8-70-00086	1	Flap
12	0860-703	1	Axle / Shaft Assembly Note 1
	8-71-05007	AR	Replacement Shoe (usage 2 per brake assy)
	56418581	AR	Replacement Spring (usage 2 per brake assy)
13	56003162	8	Scr, Hex 1/2-20 x 2.00
14	56507045	2	Front Wheel Assembly (items 1-8, 10-12)

[] = Not Shown

Note 1: These quantities reflect one Front Wheel Assembly only, there are two Front Wheel Assemblies on the machine.

GAUGE PANEL ASSY

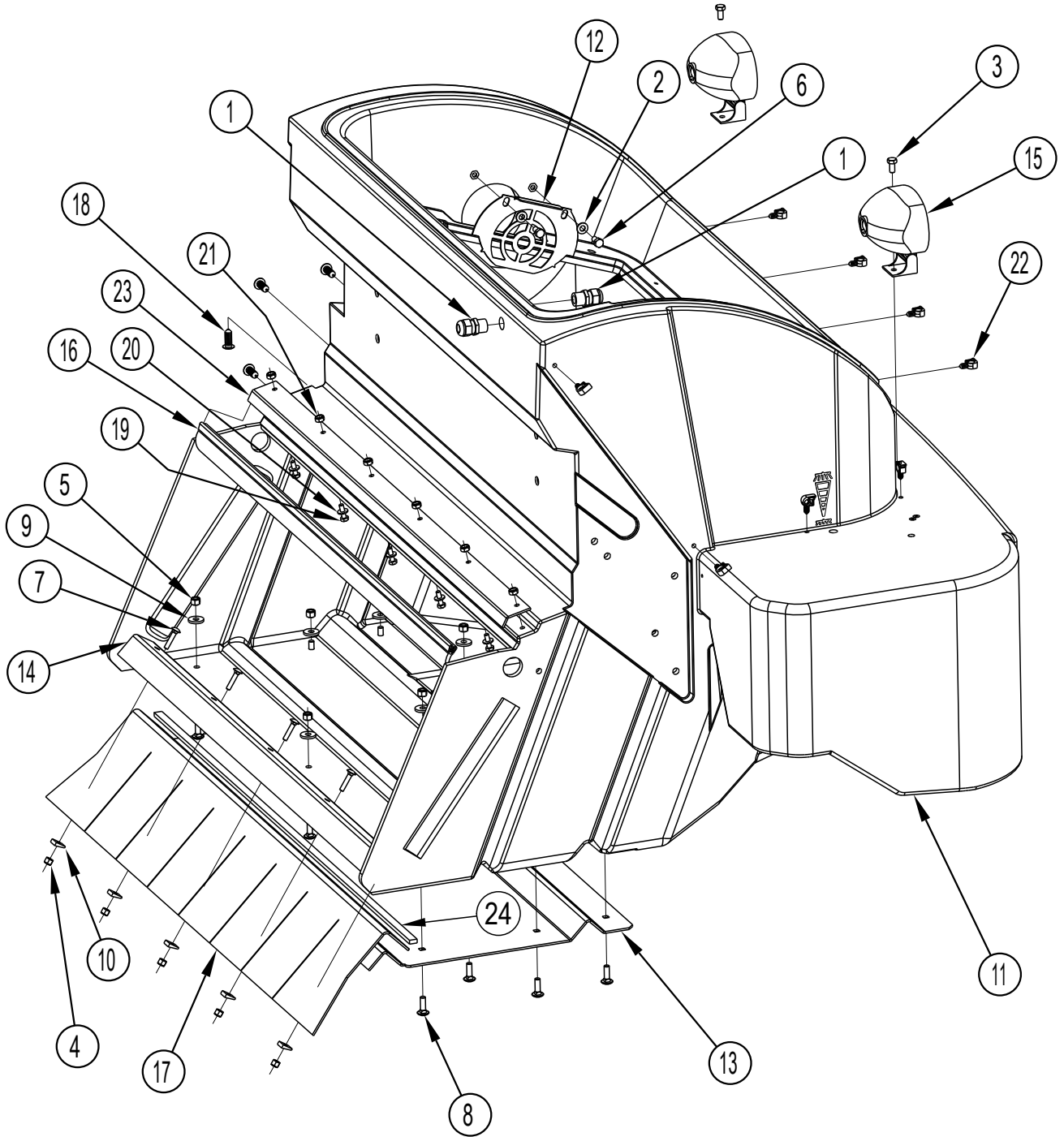


GAUGE PANEL ASSY

Item	Ref. No.	Qty	Description
	56107642	1	Gauge Panel Assy - Diesel Model (items 1-14)
	56107641	1	Gauge Panel Assy - LPG Model (items 2-15)
	56107640	1	Gauge Panel Assy - Petrol Model (items 1-15)
1	8-48-05032	1	Gauge, Fuel (used on petrol and diesel models only)
2	56001818	1	Scr-Pan Phil 8-32 X .38
3	56001954	2	Wsh, Flt SAE #10
4	56002808	2	Nut, Hex Nyl Loc 8-32
5	56002832	2	Nut, Hex Nyl Loc-Thin 10-24
6	56003902	5	Scr-Truss Phil Ss Blk10-24x.50
7	56009013	2	Scr, Pan Phil Thd Form-Blk 6-32 X .38
8	56107601	1	Panel LPG Assy (used on LPG and petrol models)
	56107603	1	Panel Diesel Assy (used on diesel models only)
9	56107624	1	Control Box
10	56392845	1	Gasket
11	56393718	1	Hourmeter
12	56507381	1	Cover Plate - Petrol Gauge (used on petrol and diesel models)
	56507382	1	Cover Plate - LPG Gauge (used on LPG models only)
13	56507383	1	Gasket, Cover Plate
14	56508923	1	Tab-Quick Connect .187 X 8
15	56418685	1	Switch, Starter (LPG and petrol models)
*	56419123	A/R	Key (for 56418685)
	56497754	1	Switch, Starter (diesel models)
*	56508655	A/R	Key (for 56497754)

* = Not Shown

HOPPER SYSTEM-1

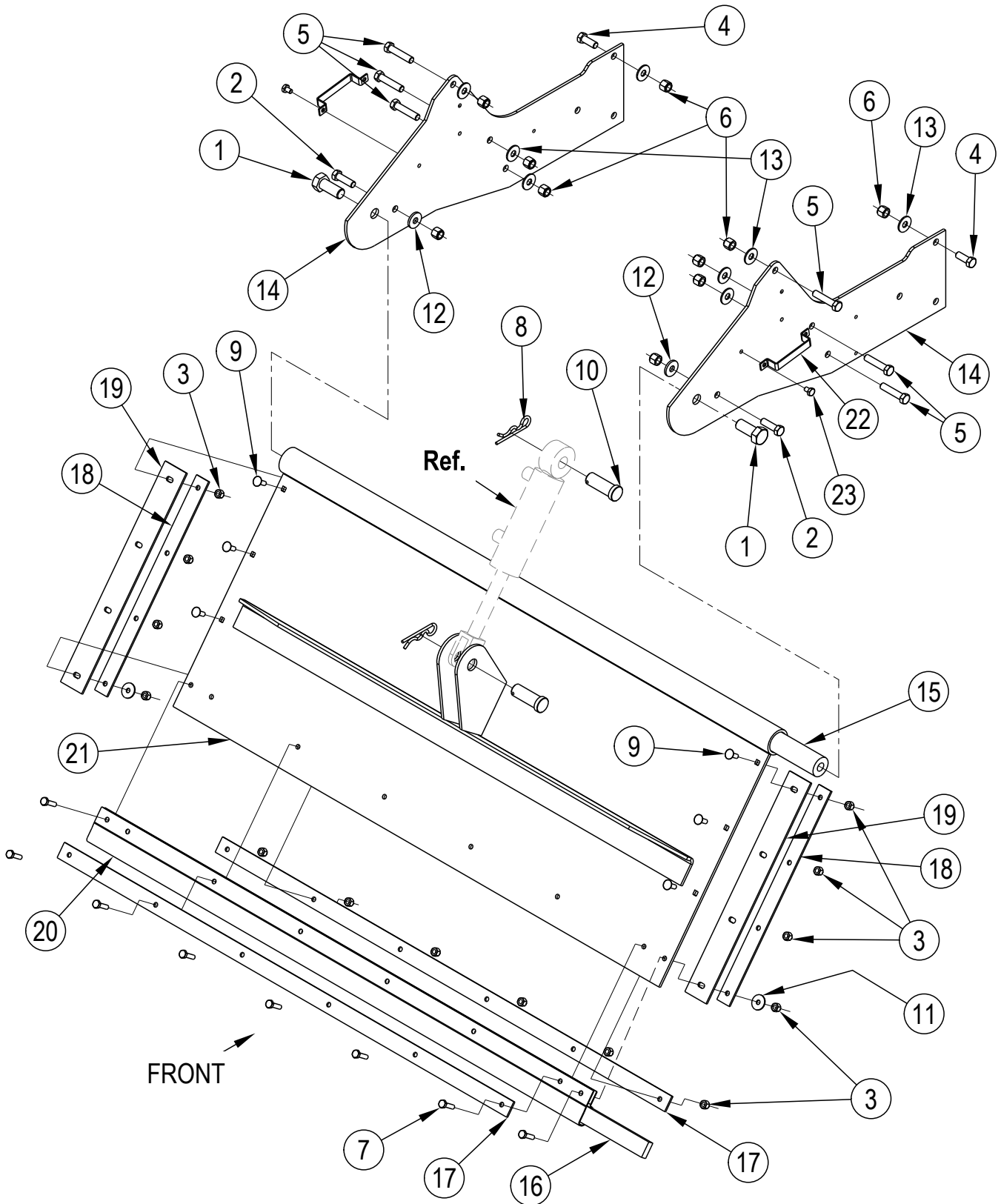


HOPPER SYSTEM-1

Item	Ref. No.	Qty	Description
1	56323135	2	Strain Relief
2	56001939	2	Wsh, Flt SAE 5/16
3	56002035	2	Scr, Hex 5/16-18 x .62
4	56002491	5	Nut, Hex Nyl Loc SS 1/4-20
5	56002856	10	Nut, Hex Nyl Loc SS 5/16-18
6	56002929	2	Scr, Hex Hd Loc 5/16-18 x .62
7	56003714	5	Scr, Carriage SS 1/4-20 x 1.25
8	56003720	10	Scr, Carriage SS 5/16-18 x 1.00
9	56009122	10	Wsh, Flt .344 x .938 x .125
10	56009345	5	Wsh, Beveled 1/4
11	56507087	1	Hopper
12	56507159	1	Screen, Vac Fan
13	56507162	1	Skid Plate, Hopper
14	56507187	1	Clamp, Hopper Flap
15	56507223	2	Head Light Assembly
*	56507224	A/R	Bulb, Light (for 56507223)
16	56508325	1	Seal, Door Hinge
17	56508083	1	Flap, Hopper
18	56508211	4	Clip, Panel
19	56001821	6	Scr, Hex 1/4-20 x .88
20	56002098	6	Wsh, Flt SAE 1/4
21	56002826	6	Nut, Hex Nyl Loc-Thin 5/16-18
22	56507793	8	Clip, Conduit
23	56508321	1	Clamp Door Seal
24	56508728	1	Seal, Hopper Skid Plate

* = Not Shown

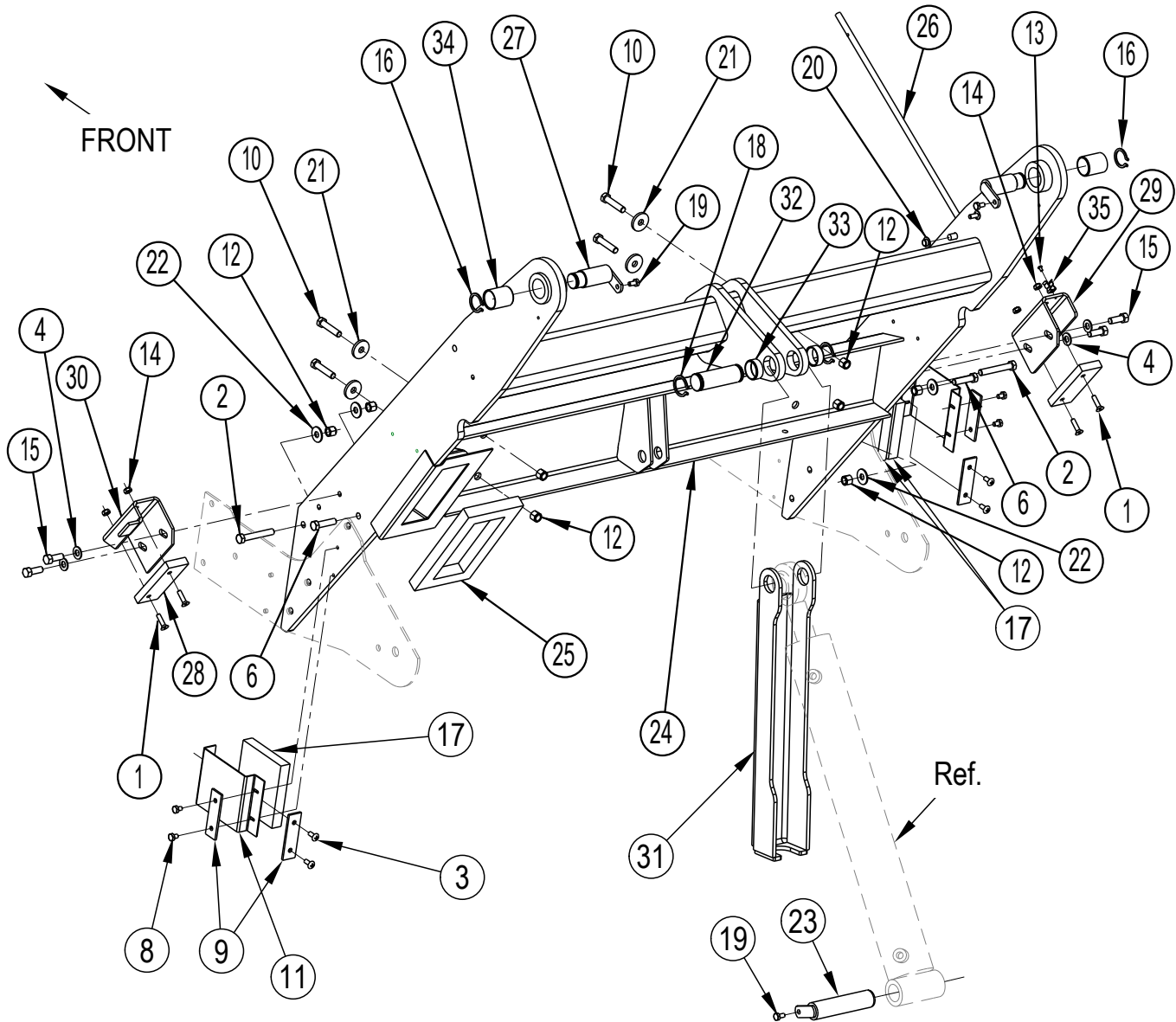
HOPPER SYSTEM-2



HOPPER SYSTEM-2

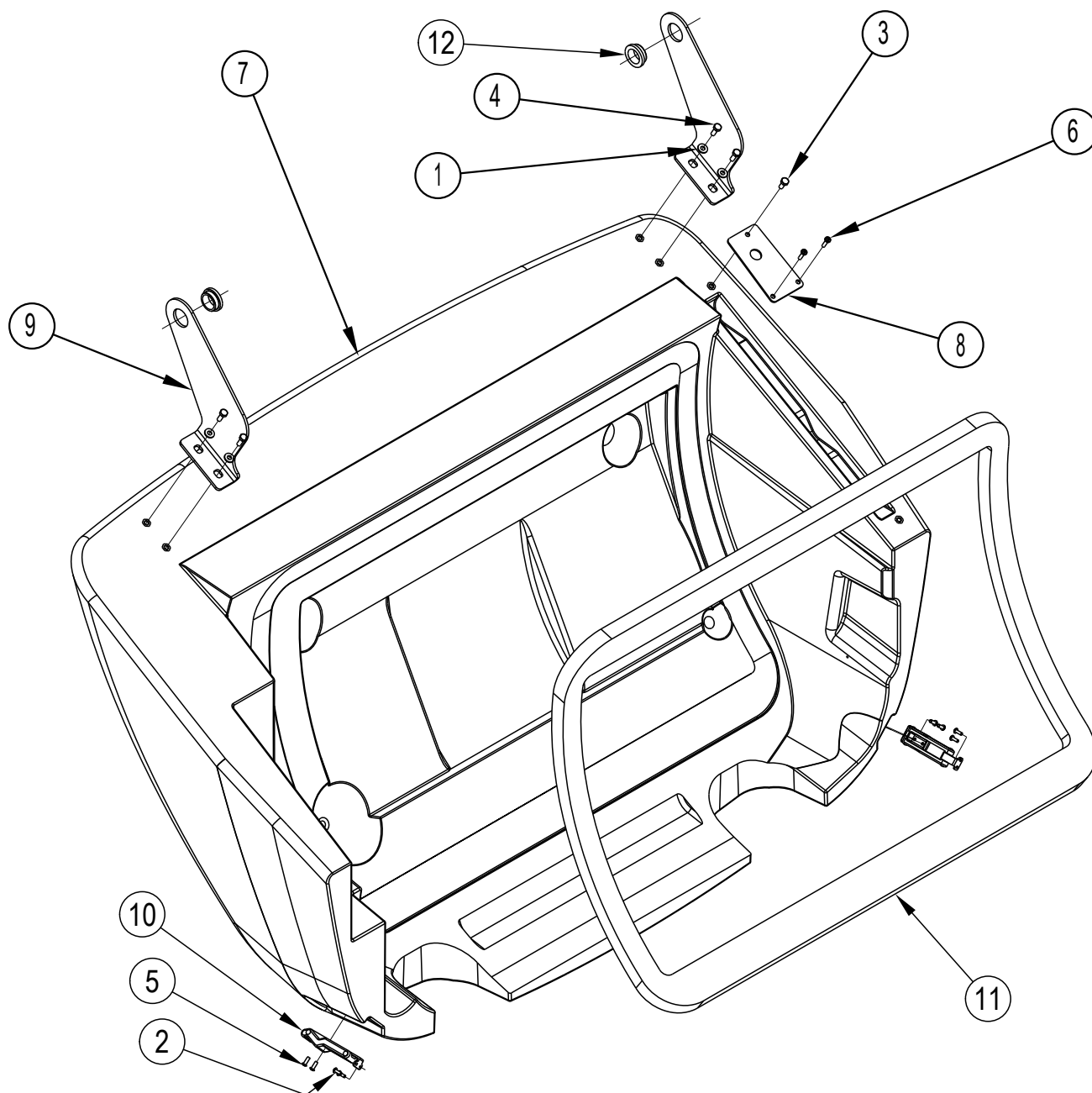
Item	Ref. No.	Qty	Description
1	56001843	2	Scr, Hex 5/8-11 x 1.50
2	56001858	2	Scr, Hex 3/8-16 x 1.25
3	56002491	14	Nut, Hex Nyl Loc SS 1/4-20
4	56002663	2	Scr, Hex 3/8-16 x 1.00
5	56002684	6	Scr, Hex 3/8-16 x 1.75
6	56002769	10	Nut, Hex Nyl Loc 3/8-16
7	56002883	8	Scr, Hex Ss 1/4-20 x 1.00
8	56003152	2	Pin, Cot Hair SS .148 x Dia .62/1.00
9	56003715	6	Scr, Carriage SS 1/4-20 x .75
10	56003732	2	Pin, Clevis .750 x 2.00
11	56009002	2	Wsh, Flt .266 x .906 x .060
12	56009107	2	Wsh, Flt SS .378 x 1.000 x .120
13	56009213	8	Wsh, Flt .392 x 1.00 x .075
14	56507164	2	Bracket, Side Broom Arm
15	56507168	1	Pivot, Hopper Door
16	56507169	1	Seal, Hopper Door Bottom
17	56507176	2	Clamp, Hopper Door Bottom
18	56507177	2	Clamp, Hopper Door Side
19	56507178	2	Seal, Hopper Door Side
20	56507179	1	Seal, Hopper Door Bottom
21	56507290	1	Hopper Door, Weldment
22	2-00-04603	2	P-Clamp
23	56002933	2	Scr, Hex Hd Loc 1/4-20 x .38

HOPPER SYSTEM-3



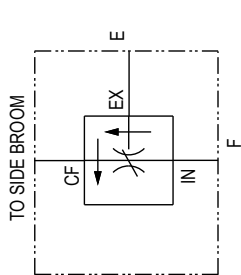
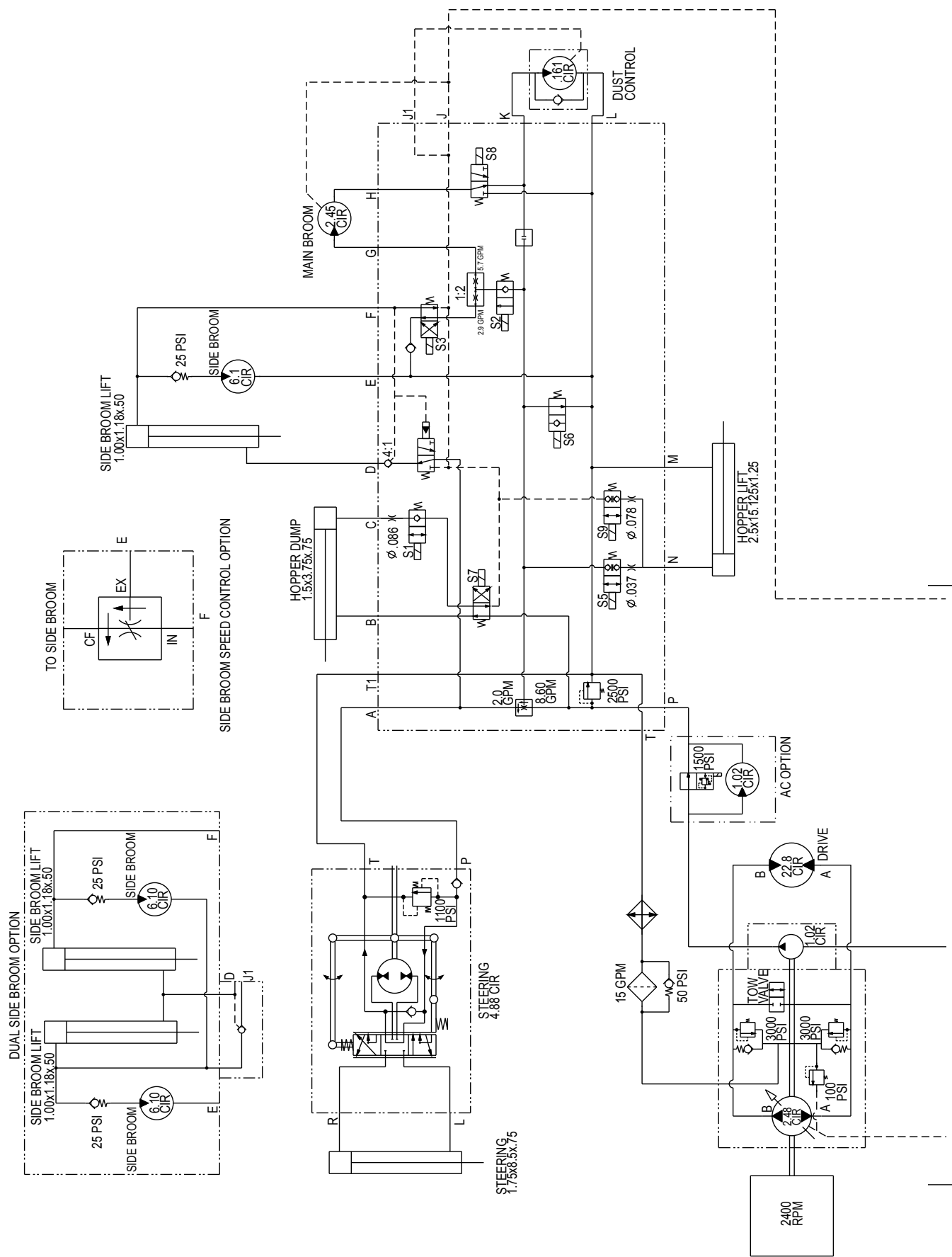
Item	Ref. No.	Qty	Description	Item	Ref. No.	Qty	Description
1	56002457	4	Scr, Flt Soc 1/4-20 x 1.00	19	56009033	3	Scr, Hex Thd Form 1/4-20 x .50
2	56001873	2	Scr, Hex 3/8-16 x 2.50	20	56009123	1	Nut, Push Cap 3/8
3	56009120	4	Scr, Pan Phil SS Type B 1/4-14 x .62	21	56009195	4	Wsh, Flt .406 x 1.25 x .164
4	56002063	4	Wsh, Flt SAE 3/8	22	56009213	4	Wsh, Flt .392 x 1.00 x .075
6	56002095	2	Scr, Hex 3/8-16 x 1.50	23	56304683	1	Pin Hinge Weldt
8	56009019	4	Scr, Hex Thd Form 1/4-20 x .38	24	56507100	1	Arm, Hopper Lift Weldment
9	56508248	4	Strap, Front Tire Rear Flap	25	56507189	1	Seal, Air Exhaust
10	56002684	4	Scr, Hex 3/8-16 x 1.75	26	56507197	1	Rod, Cover
11	56508389	2	Flap Hopper Side	27	56507204	2	Pin Hopper Hinge Wldt
12	56002769	8	Nut, Hex Nyl Loc 3/8-16	28	56507289	2	Bumper, Hopper Lift
13	56001904	1	Scr, Pan Phil 6-32 x .38	29	56507334	1	Stop Hopper, Rh
14	56002840	4	Nut, Hex Nyl Loc-Thin 1/4-20	30	56507335	1	Stop Hopper, Lh
15	56002947	4	Scr, Hex Hd Loc 3/8-16 x 1.00	31	56507477	1	Prop Rod
16	56003258	2	Ring, Ret Ext 1.00 Shaft	32	56507885	1	Pin, Cylinder
17	56508390	3	Foam Hopper Side	33	56507939	2	Bearing, Sleeve 1.125 x 1.281 x .500
18	56003750	2	Ring, Ret Ext 1.125 Shaft	34	56507940	2	Bearing, Sleeve 1.125 x 1.281 x 1.500
				35	56508234	1	Clip, 3/8

HOPPER SYSTEM-4

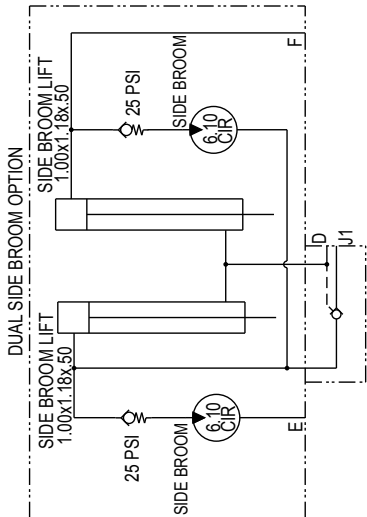


Item	Ref. No.	Qty	Description	Item	Ref. No.	Qty	Description
1	56002098	4	Wsh, Flt SAE 1/4	7	56507086	1	Cover, Hopper
2	56002876	4	Scr, Pan Phil SS 8-32 x .50	8	56508226	1	Plate, Hopper Prop Rod
3	56002922	1	Scr, Hex Hd Loc 1/4-20 x .62	9	56507185	2	Bracket, Hopper Cover, LH
4	56002948	4	Scr, Hex Hd Loc 1/4-20 x .75	10	56507188	2	Latch, Hopper Cover
5	56003093	4	Scr, Pan Phil Plastite 8-16 x .50	11	56507219	1	Seal, Hopper Cover
6	56009005	2	Scr, Pan Phil SS Type AB 10-16 x .75	12	56507767	2	Bearing, FL 1 ID x 1-1/4 OD x 1/2 L

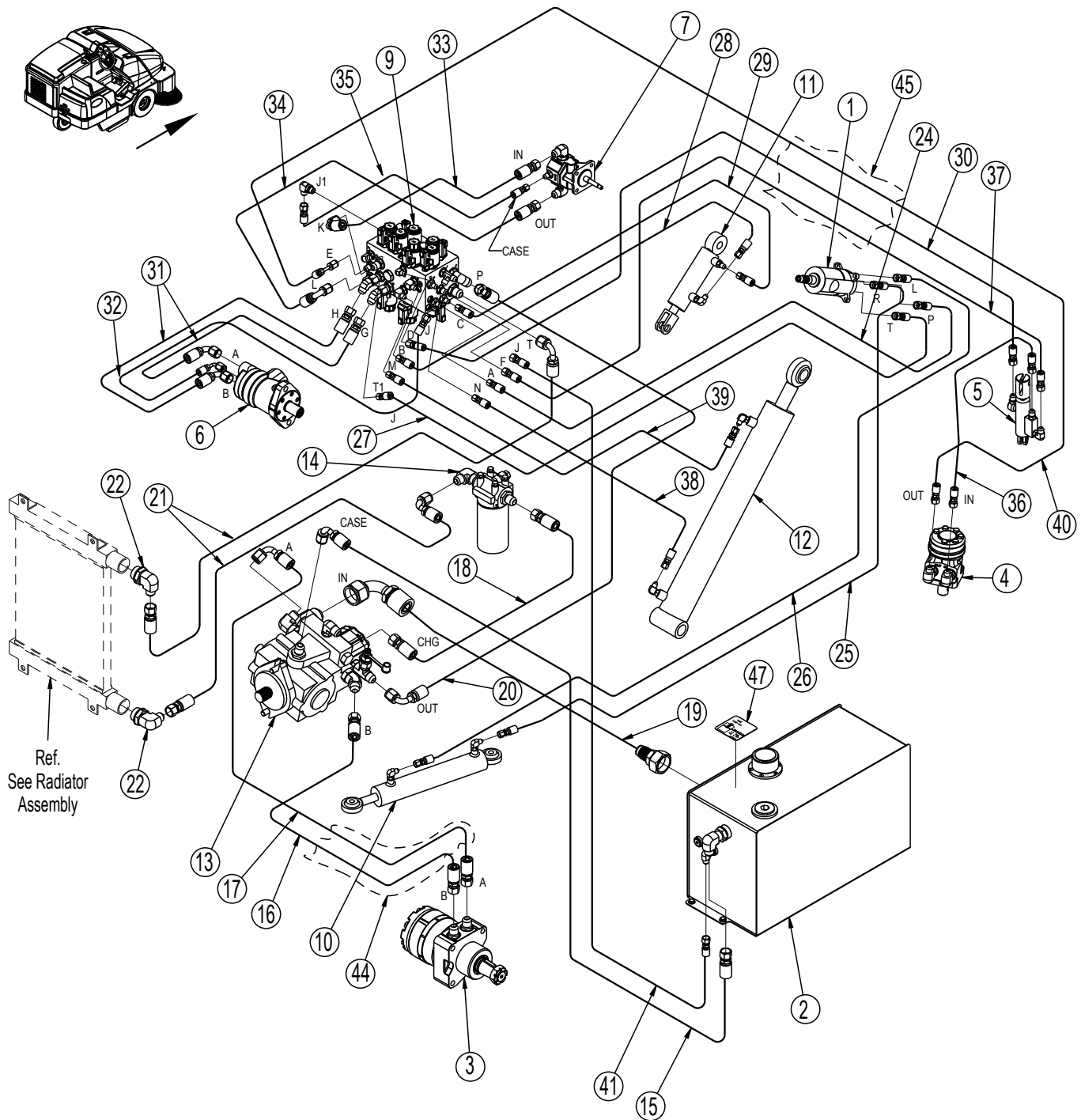
HYDRAULIC SCHEMATIC



SIDE BROOM SPEED CONTROL OPTION



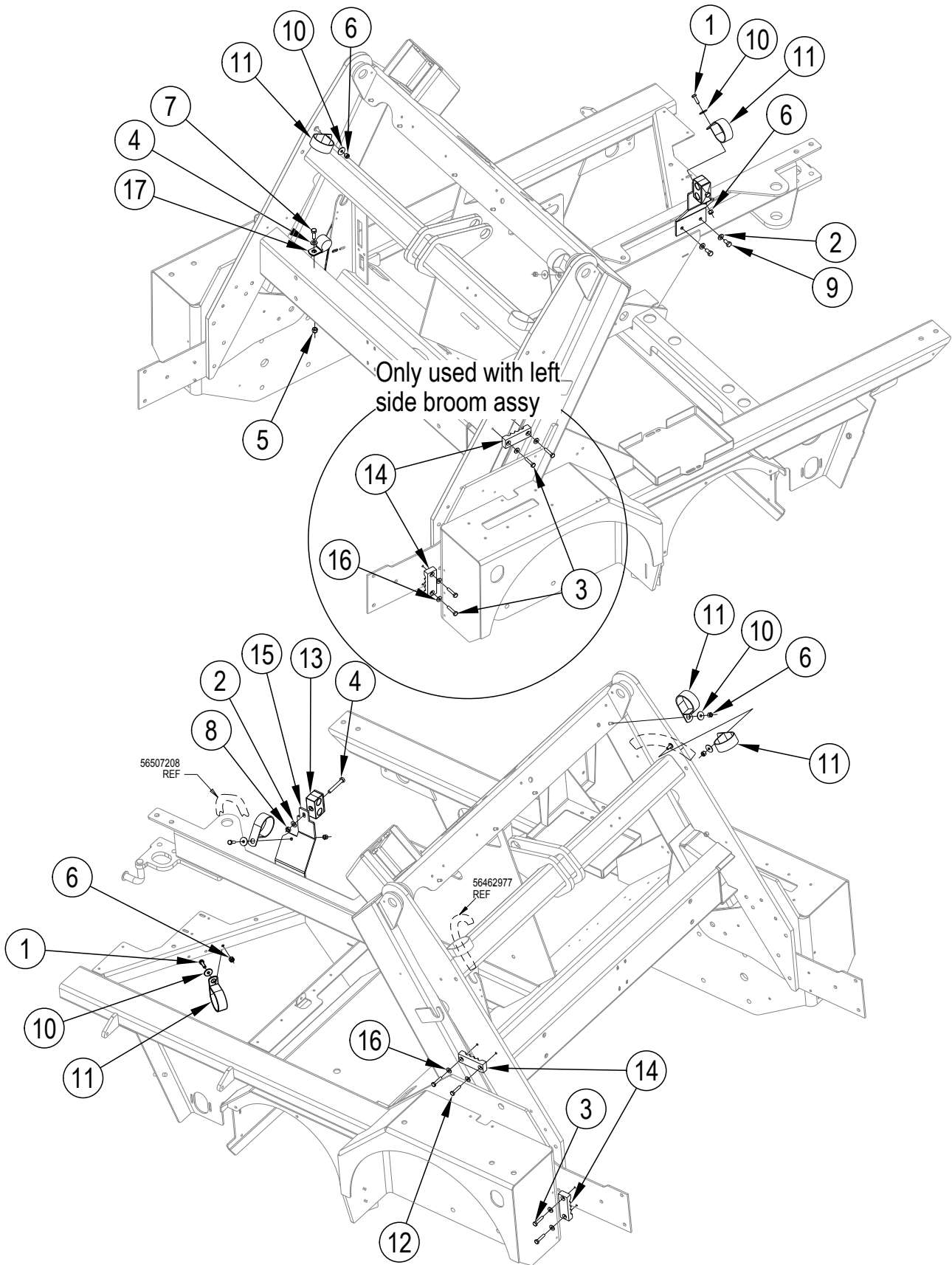
HYDRAULIC SYSTEM



HYDRAULIC SYSTEM

Item	Ref. No.	Qty	Description
1	8-60-05034	1	Steering Control Unit
	7-70-00127	1	Seal Kit for 8-60-05034
2	56507072	1	Reservoir Assembly See Hydraulic Reservoir Assembly
3	56507603	1	Drive Motor Assembly See Hydraulic Motor Assemblies
4	56507604	1	Side Broom Motor Assembly See Hydraulic Motor Assemblies
5	56507605	1	Side Broom Cylinder Assy, Right See Hydraulic Cylinder Assemblies
6	56507606	1	Main Broom Motor Assembly See Hydraulic Motor Assemblies
7	56507607	1	Dust Control Motor Assembly See Hydraulic Motor Assemblies
9	56507609	1	Manifold Assembly See Hydraulic Valve Block Assembly
10	56507610	1	Steering Cylinder Assembly See Hydraulic Cylinder Assemblies
11	56507611	1	Hopper Door Cylinder Assembly See Hydraulic Cylinder Assemblies
12	56507612	1	Hopper Lift Cylinder Assembly See Hydraulic Cylinder Assemblies
13	56507613	1	Pump Assembly See Hydraulic Pump Assembly
14	56507614	1	Filter Assembly
15	56507516	1	Hose, Hydraulic (Hose ID# 15)
16	56507517	1	Hose, Hydraulic (Hose ID# 16)
17	56507518	1	Hose, Hydraulic (Hose ID# 17)
18	56507519	1	Hose, Hydraulic (Hose ID# 18)
19	56507520	1	Hose, Hydraulic (Hose ID# 19)
20	56507521	1	Hose, Hydraulic (Hose ID# 20)
21	56507522	2	Hose Hyd, #10 SAE37,2x7/8-14 Str x str x 72 Lg (Hose ID# 21)
22	56900480	2	Elbow, 90 O-Ring
24	56507525	1	Hose Hyd, #4 SAE37, 2 x 7/16-20 Str x 37 Lg (Hose ID# 24)
25	56507526	1	Hose Hyd, #4 SAE37, Str 7/16-20 x 9/16-18 x 63 Lg (Hose ID# 25)
26	56507527	1	Hose Hyd, #4 SAE37 2 x str, 7/16-20 x 9/16-18 x 52 Lg (Hose ID# 26)
27	56507528	1	Hose Hyd, #4 2 x str, 7/16-20 x 9/16-18 x 43 Lg (Hose ID# 27)
28	56507529	1	Hose Hyd, #4 SAE37,2 x str, 7/16-20 x 7/16-20 x 89.50 Lg (Hose ID# 28)
29	56507530	1	Hose Hyd, #4 SAE37 7/16-20, Str x str x 79.50 Lg (Hose ID# 29)
30	56507531	1	Hose Hyd, #4 SAE37,2 x str, 9/16-18 x 7/16-20 x 102.50 Lg (Hose ID# 30)
31	56507532	2	Hose Hyd, #8 SAE37, 7/8-14 90 x 3/4-16 Str x 48 Lg (Hose ID# 31)
32	56507788	1	Hose, Hydraulic (Hose ID# 11)
33	56507534	1	Hose Hyd, #8 SAE37 3/4-16, 90 x Str x 67 Lg (Hose ID# 33)
34	56507535	1	Hose Hyd, #8 SAE37, 3/4-16, 90 x Str x 69 Lg (Hose ID# 34)
35	56507536	1	Hose Hyd, #4 SAE37,2 x Str, 9/16-18 x 7/16-20 x 71.50 Lg (Hose ID# 35)
36	56507537	1	Hose Hyd, #4, SAE37, 2 x Str 9/16-18 x 21.50 Lg (Hose ID# 36)
37	56507538	1	Hose Hyd, #4, SAE37,2 x Str, 9/16-18 x 102.50 Lg (Hose ID# 37)
38	56507539	1	Hose Hyd, #4, SAE37, 2 x Str 7-16-20 x 27.50 Lg (Hose ID# 38)
39	56507540	1	Hose Hyd, #4, SAE37, 2 x Str 7/16-20 x 15.50 Lg (Hose ID# 39)
40	56507718	1	Hose Hyd, #4, SAE37, 90 x Str, 9/16-18 x 108.50 Lg (Hose ID# 40)
41	56507719	1	Hose Hyd, #4, SAE37, 2 x str, 9/16-18 x 75.50 Lg (Hose ID# 41)
42		A/R	Oil, Multi-Vis SAE 10w-30 (11 gallons) Not Shown
44	56508814	1	Sleeve, Nylon Not Shown
45	56462977	1	Sleeve, 24 In. Nylon Not Shown
46	56409463	1	P-Clamp Not Shown
47	56016259	1	Decal, Oil Fill

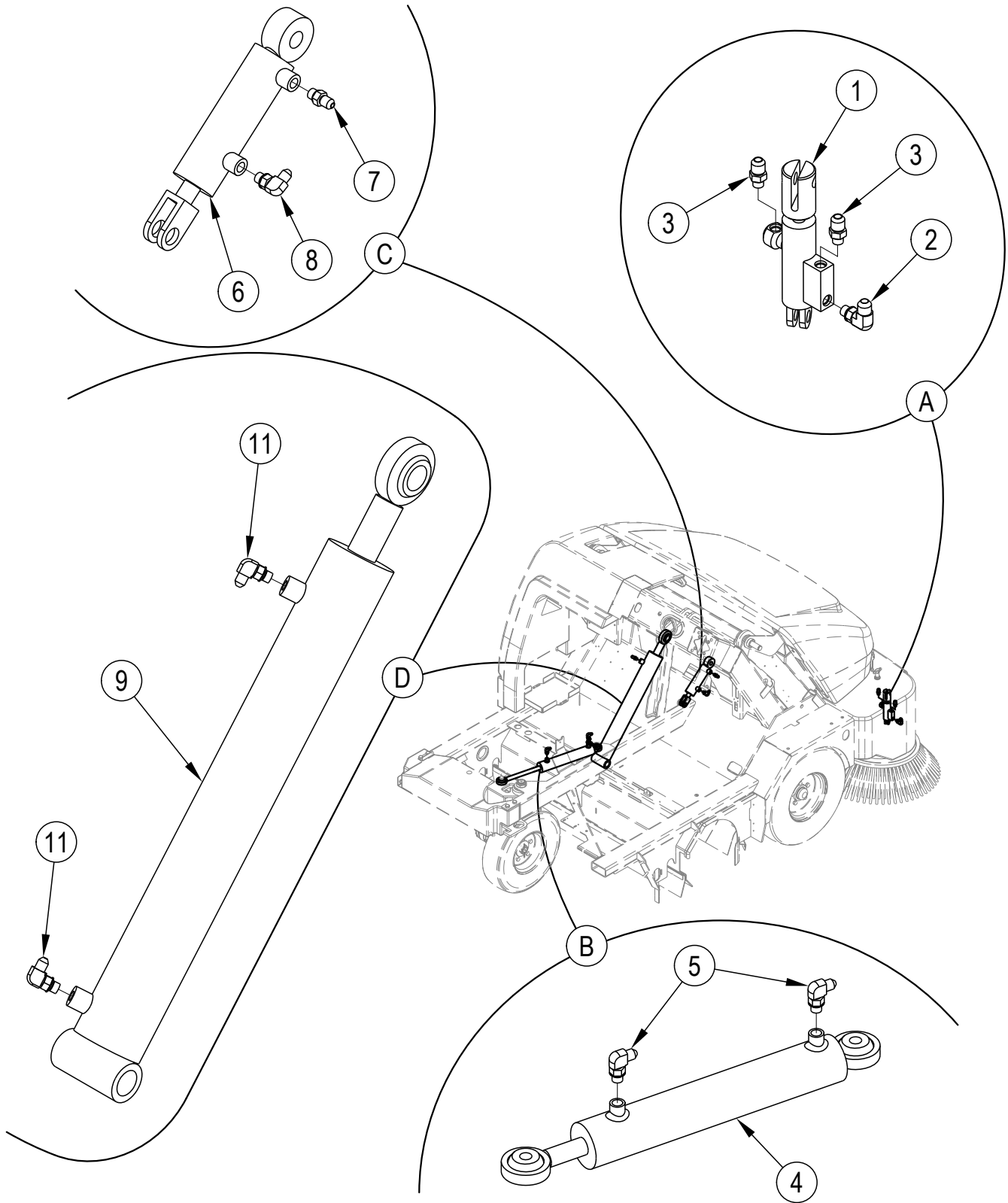
HYDRAULIC SYSTEM - MOUNTING



HYDRAULIC SYSTEM - MOUNTING

Item	Ref. No.	Qty	Description
1	56001821	2	Scr, Hex 1/4-20 x .88
2	56001939	4	Wsh, Flt SAE 5/16
3	56001878	4	Scr, Hex 1/4-20 x 1.25 (qty of 8 if equipped with left side broom)
4	56002420	1	Scr, Hex 5/16-18 x 2.25
5	56002701	1	Nut, Hex Nyl Loc 5/16-18
6	56002708	5	Nut, Hex Nyl Loc 1/4-20
7	56002221	1	Scr, Hex 5/16-18 x 1.00
8	56002826	1	Nut, Hex Nyl Loc-Thin 5/16-18
9	56002929	2	Scr, Hex Hd Loc 5/16-18 x .62
10	56009002	6	Wsh, Flt .266 x .906 x .060
11	56315257	5	Clamp, P
12	56002242	2	Scr, Soc Hd 1/4-20 x 1.50
13	56507218	1	Hose Clamp, Hydraulic
14	56507922	1	Hose Clamp, Hydraulic (qty of 2 if equipped with left side broom)
15	56508327	1	Bracket, Hose Clamp
16	56002098	4	Wsh, Flt SAE 1/4 (qty of 8 if equipped with left side broom)
17	56409463	1	Clamp, 1.25 Hose Support
18	56002093	1	Scr, Hex 1/4-20 x 1.00

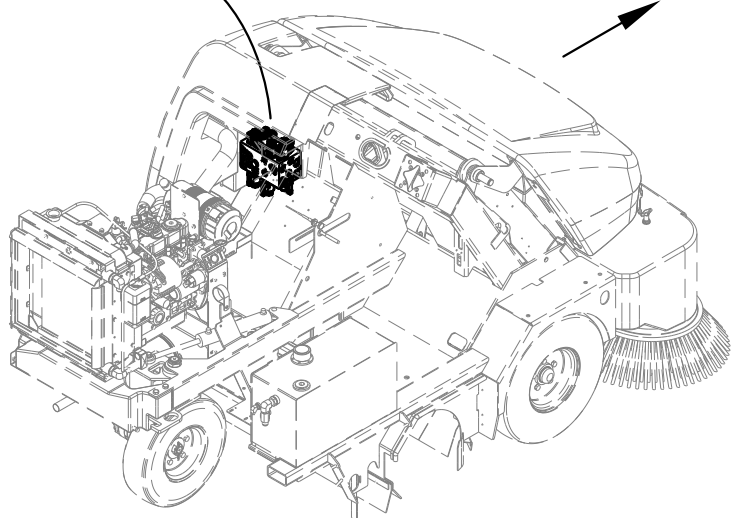
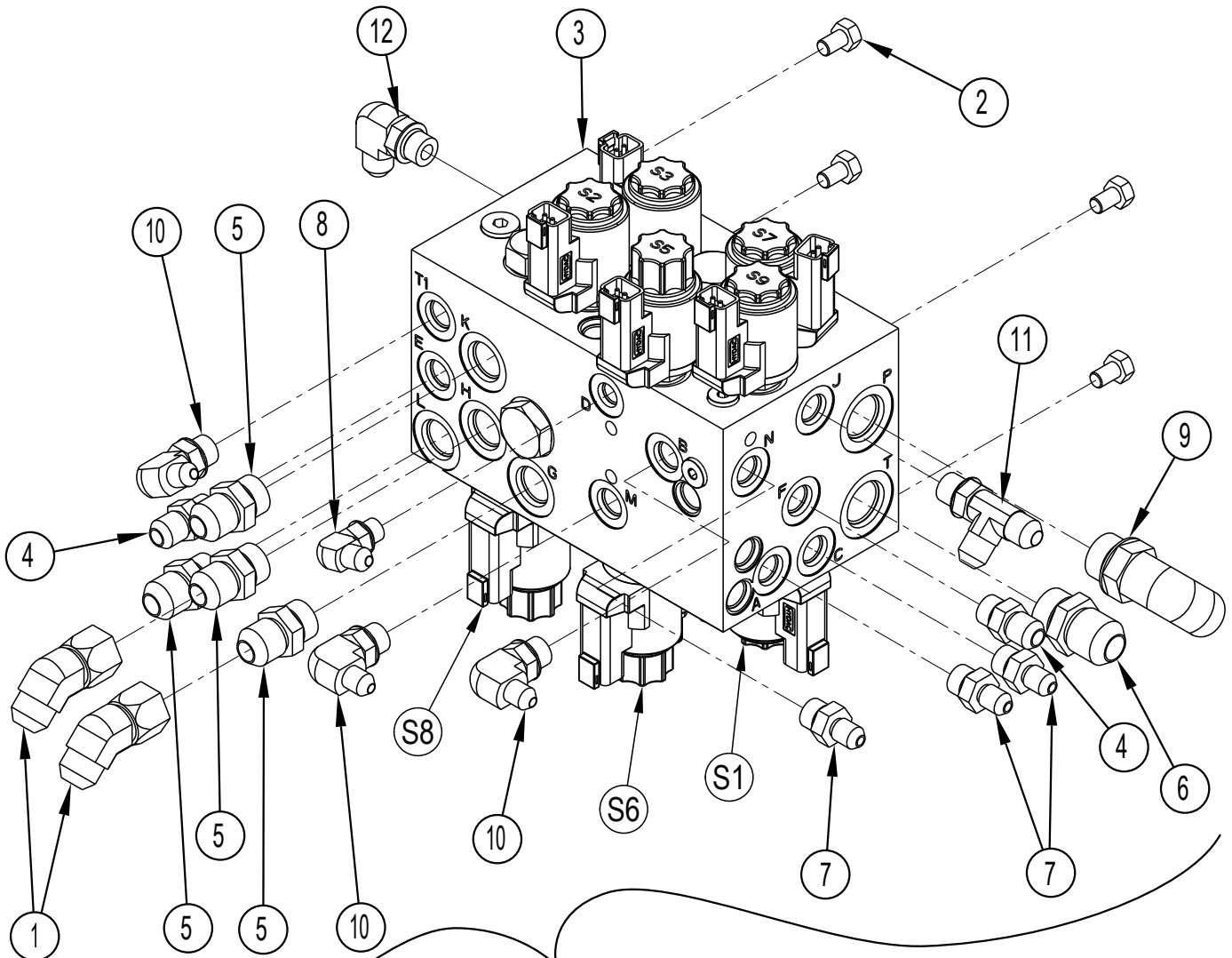
HYDRAULIC CYLINDER ASSEMBLIES



HYDRAULIC CYLINDER ASSEMBLIES

Item	Ref. No.	Qty	Description
A	56507605	1	Side Broom Cylinder Assy, Right (items 1-3)
1	56507065	1	Cylinder, Side Broom, Right
[]	56109100	1	Seal Kit
2	56900286	1	Elbow, 90 O-Ring
3	56900370	2	Connector, O-Ring
B	56507610	1	Steering Cylinder Assembly (items 4-5)
4	56507095	1	Steering Cylinder
[]	56380809	1	Seal Kit
5	56900101	2	Elbow, 90 O-Ring
C	56507611	1	Hopper Door Cylinder Assembly (items 6-8)
6	56507155	1	Cylinder, Hopper Door
[]	56109094	1	Seal Kit
7	56900001	1	Connector, O-Ring
8	56900101	1	Elbow, 90 O-Ring
D	56507612	1	Hopper Lift Cylinder Assembly (items 9-11)
9	56507241	1	Cylinder Hyd, Hopper Lift
[]	56380813	1	Seal Kit
11	56900101	1	Elbow, 90 O-Ring

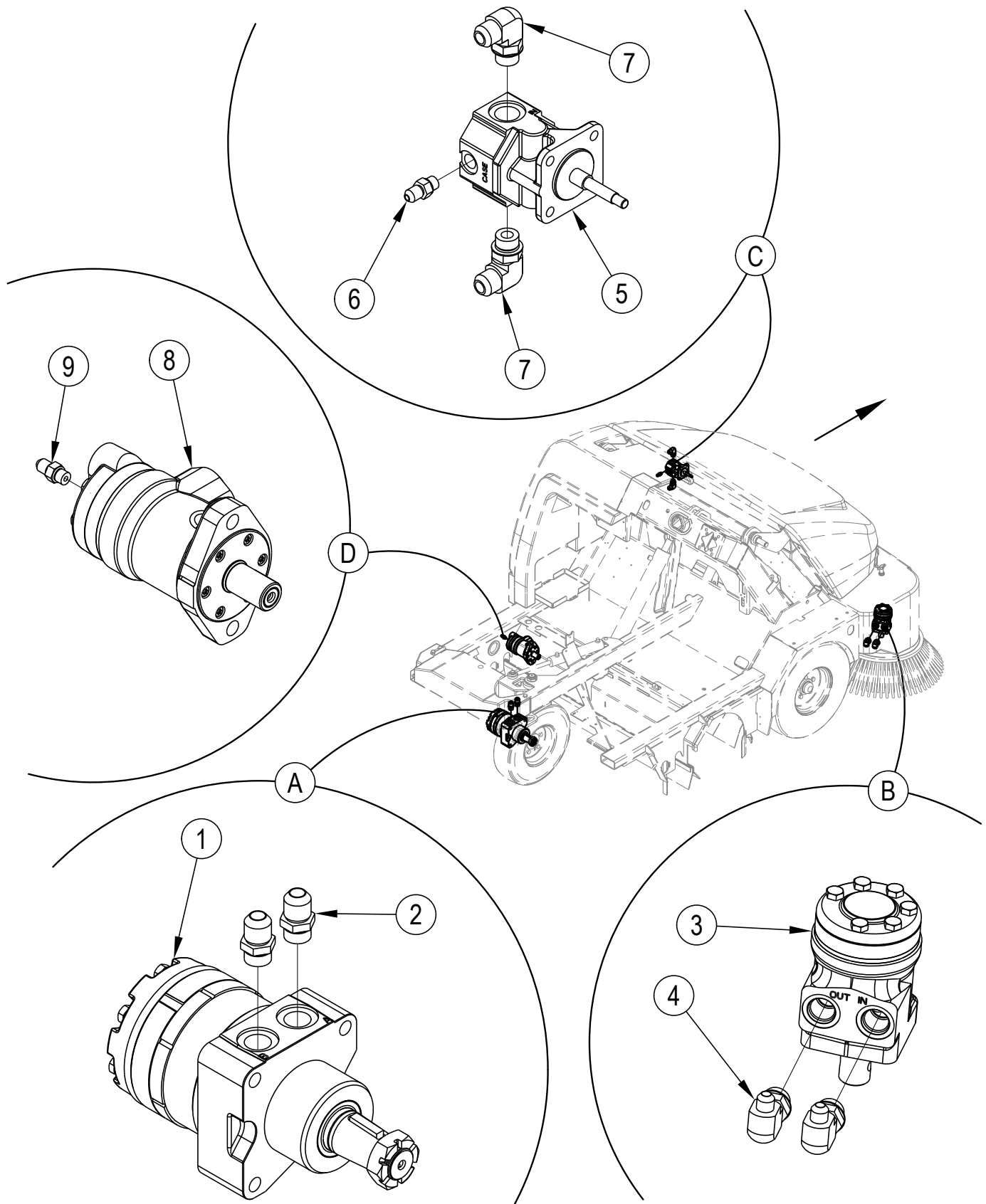
HYDRAULIC MANIFOLD ASSY



HYDRAULIC MANIFOLD ASSY

Item	Ref. No.	Qty	Description
	56507609	1	Manifold Assembly (items 1-10)
1	56900324	2	Elbow, 45 W/Nut
2	56002923	4	Scr, Hex Hd Loc 5/16-18 x .50
3	56507073	1	Hydraulic Manifold
	56305368	A/R	Cartridge for S1, S2 (S4 is part of litter vac option)
	56305369	A/R	Cartridge for S3, S7
	56305367	A/R	Cartridge for S5, S9
	56305531	A/R	Cartridge for S6
	56507686	A/R	Cartridge for S8
	56507687	A/R	Cartridge for Flow Control, 2.0 GPM
	56507688	A/R	Cartridge for Flow Divider
	56508223	1	Seal Kit for 56507688
	56419397	A/R	Cartridge for Relief
	56507690	A/R	Cartridge for Piloted 3/2 Directional Valve
	56305370	A/R	Cartridge for Check Valve
	56507692	A/R	Cartridge for PO Check Valve
	56507983	A/R	Orifice, .086
	56508184	A/R	Orifice, .078
	56507694	A/R	Solenoid Coil with Connector For S1-S7, S9
	56507695	A/R	Solenoid Coil with Connector For S8
	56305354	A/R	Seal Kit for S1, S2, S4, S5, S6, S9, Relief, Check Valve
	56305355	A/R	Seal Kit for S3, S7
	56507702	A/R	Seal Kit for Po Check Valve
	56508840	A/R	Cavity Plug
	56305370	A/R	Check Valve
	56419397	A/R	Relief Valve
4	56900003	2	Connector, O-Ring
5	56900004	4	Connector, O-Ring
6	56900005	1	Connector, O-Ring
7	56900011	3	Connector, O-Ring
8	56900101	1	Elbow, 90 O-Ring
9	56900105	1	Elbow, 90 O-Ring
10	56900110	3	Elbow, 90 O-Ring
11	56900203	1	Tee, Run O-Ring
12	56900103	1	Elbow, 90 O-Ring

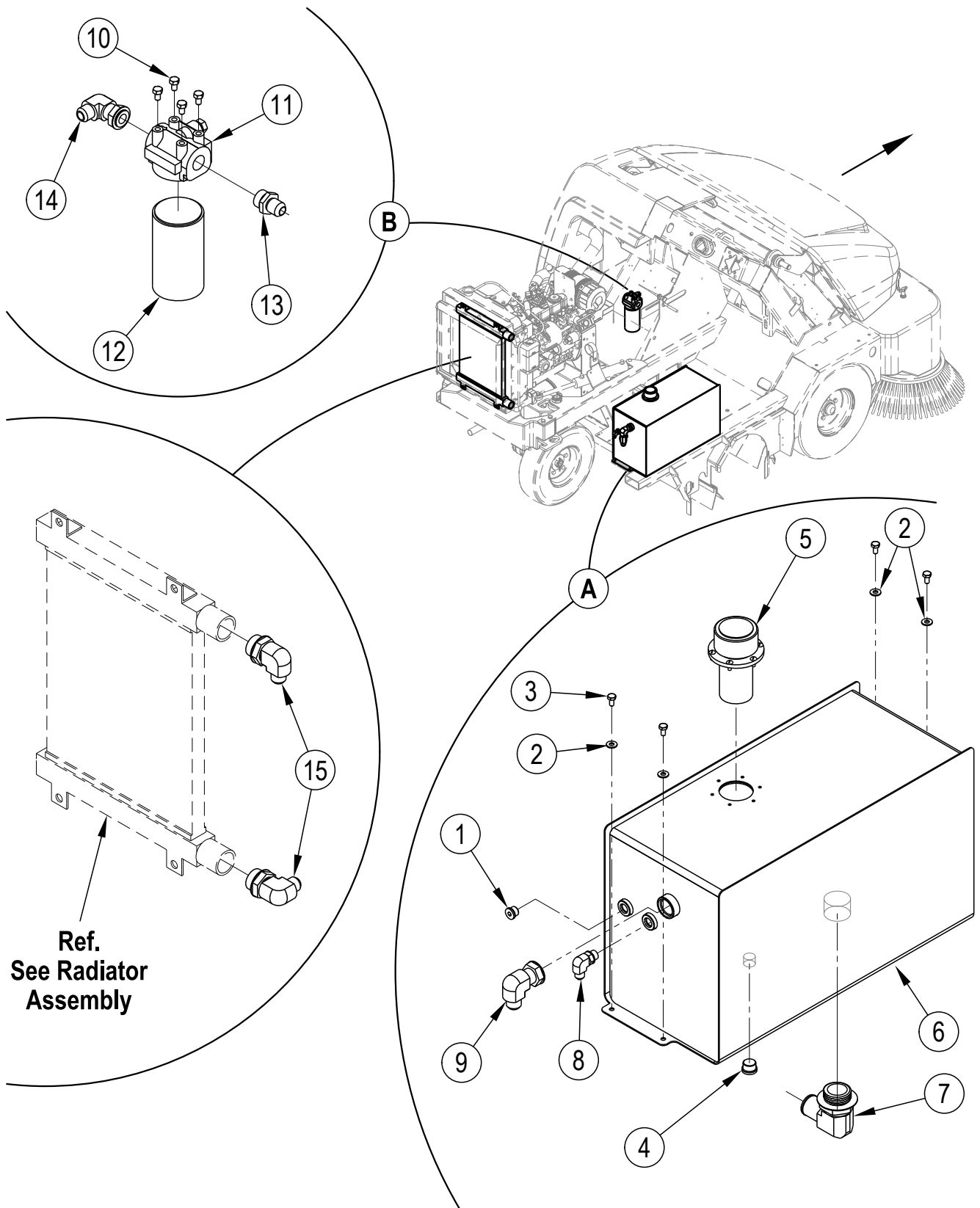
HYDRAULIC MOTOR ASSEMBLIES



HYDRAULIC MOTOR ASSEMBLIES

Item	Ref. No.	Qty	Description
A	56507603	1	Drive Motor Assembly (items 1-2)
1	56507063	1	Motor, Traction Drive
	56507618	1	Seal Kit (for 56507063)
	56462927	1	Castle Nut (for 56507063)
2	56109735	2	Swivel Adapter
B	56507604	1	Side Broom Motor Assembly (items 3-4)
3	56507064	1	Side Broom Motor
	56507619	1	Seal Kit (for 56507064)
4	56900113	2	Elbow, 90 O-Ring
C	56507607	1	Dust Control Motor Assembly (items 5-7)
5	56507067	1	Hydraulic Motor – Vac Fan
	56418823	1	Seal Kit (for 56507067)
6	56900001	1	Connector, O-Ring
7	56900104	2	Elbow, 90 O-Ring
D	56507606	1	Main Broom Motor Assembly (items 8-9)
8	56507066	1	Main Broom Motor
	56507620	1	Shaft Seal Kit (for 56507066)
9	56900001	1	Connector, O-Ring

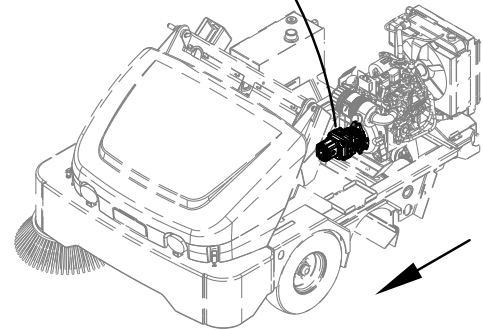
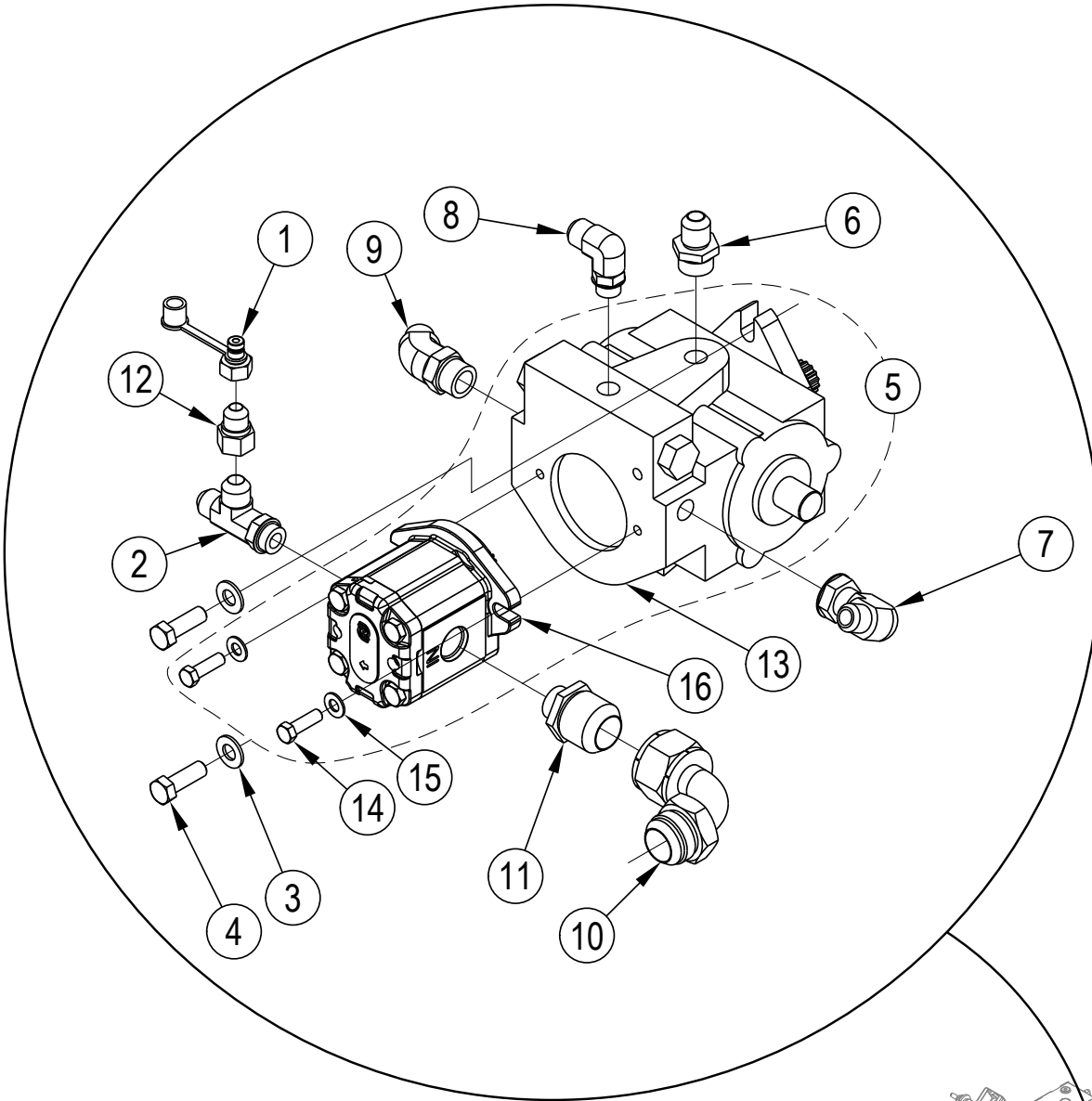
HYDRAULIC OIL FILTER-RESERVOIR



HYDRAULIC OIL FILTER-RESERVOIR

Item	Ref. No.	Qty	Description
A	56507072	1	Reservoir Assembly (items 1-9)
1	56418776	1	Plug, Hex Soc O-Ring
2	56002098	4	Wsh, Flt SAE 1/4
3	56009033	4	Scr, Hex Thd Form 1/4-20 X .50
4	56463403	1	Plug, Hex Soc O-Ring
5	56479656	1	Cap, Filler
6	56507507	1	Reservoir Weldment
7	56508846	1	Elbow Barbed Hyd Fitting
8	56900103	1	Elbow, 90 O-Ring
9	56900116	1	Elbow, 90 O-Ring
B	56507614	1	Filter Assembly (items 10-14)
10	56002923	4	Scr, Hex Hd Loc 5/16-18 x .50
11	56419253	1	Head, Oil Filter
12	56419254	1	Oil Filter Cartridge
13	56900017	1	Connector, O-Ring
14	56900116	1	Elbow, 90 O-Ring
15	56900480	2	Elbow, 90 O-Ring

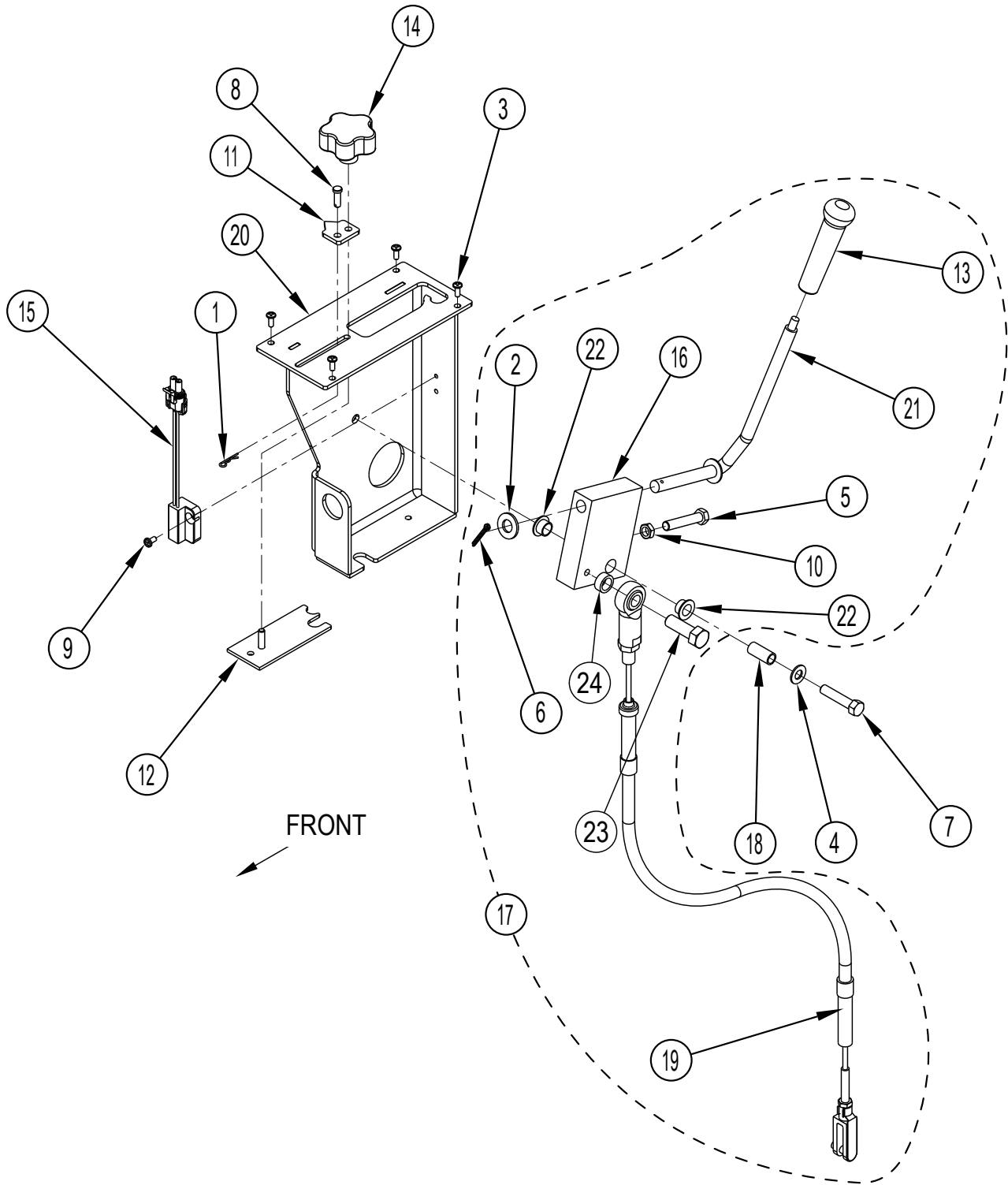
HYDRAULIC PUMP ASSY



HYDRAULIC PUMP ASSY

Item	Ref. No.	Qty	Description
	56507613	1	Pump Assembly (items 1-12)
1	56418866	1	Coupling, #8 Test Port
2	56900205	1	Tee, Run O-Ring
3	56001879	2	Wsh, Flt SAE 1/2
4	56001968	2	Scr, Hex 1/2-13 X 1.50
5	56507511	1	Hydrostatic/Aux Pump Assy (items 13-16)
6	56900017	1	Connector, O-Ring
7	56900116	1	Elbow, 90 O-Ring
8	56900119	1	Elbow, 90 O-Ring
9	56900357	1	Elbow, 45 O-Ring W/Nut
10	56107662	1	Tube Elbow 90 Deg-20
11	56900391	1	Connector, O-Ring
12	56900466	1	Reducer Nut
13	56497918	1	Pump, Piston
14	56001858	2	Scr, Hex 3/8-16 x 1.25
15	56002063	2	Wsh, Flt SAE 3/8
16	56507069	1	Pump, Gear

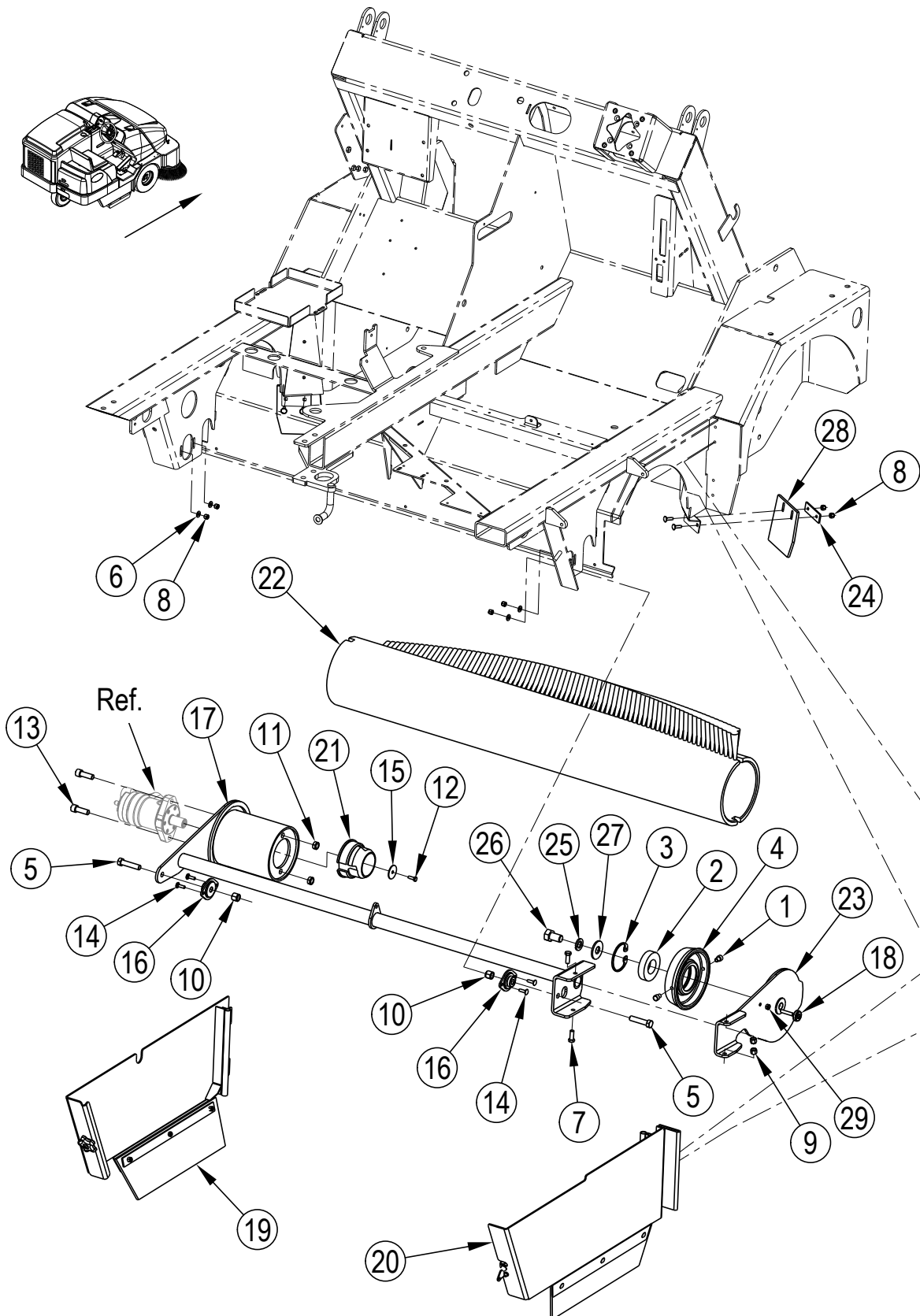
BROOM LIFT ASSY



BROOM LIFT ASSY

Item	Ref. No.	Qty	Description
1	56003332	1	Pin, Cot Hair .042 x .188
2	56001879	1	Wsh, Flt SAE 1/2
3	56003902	4	Scr-Truss Phil SS Blk 10-24 x .50
4	56002063	1	Wsh, Flt SAE 3/8
5	56002091	1	Scr, Hex 3/8-16 x 2.00
6	56002529	1	Pin, Cotter 1/8 x 1
7	56003771	1	Scr, Hex Hd Loc 3/8-16 x 1.75 Grade 8
8	56003663	1	Pin, Clevis .25 x .75
9	56009030	1	Scr, Pan Phil Thd Form 10-24 x .38
10	56009085	1	Nut, Hex Jam 3/8-16
11	56304821	1	Plate, Indicator
12	56304822	1	Stop Plate Weldment
13	56305010	1	Knob, Broom
14	56305030	1	Knob, Adjust
15	56305053	1	Sensor, Proximity
16	56507109	1	Block, Broom Arm Pivot
17	56507110	1	Broom Arm Pivot Assembly (items 2, 5, 6, 10, 13, 16, 19, 21-24)
18	56507111	1	Bushing, 0.5 Dia x 1.12
19	56508742	1	Cable, Broom Lift Assy
20	56507403	1	Broom Lift Weldment
21	56507408	1	Handle, Broom Lift
22	56507560	2	Bearing, Pivot
23	56003778	1	Scr, Hex Loc 1/2-20 x 1.50 Grade 8
24	56051691	1	Spacer, Steel

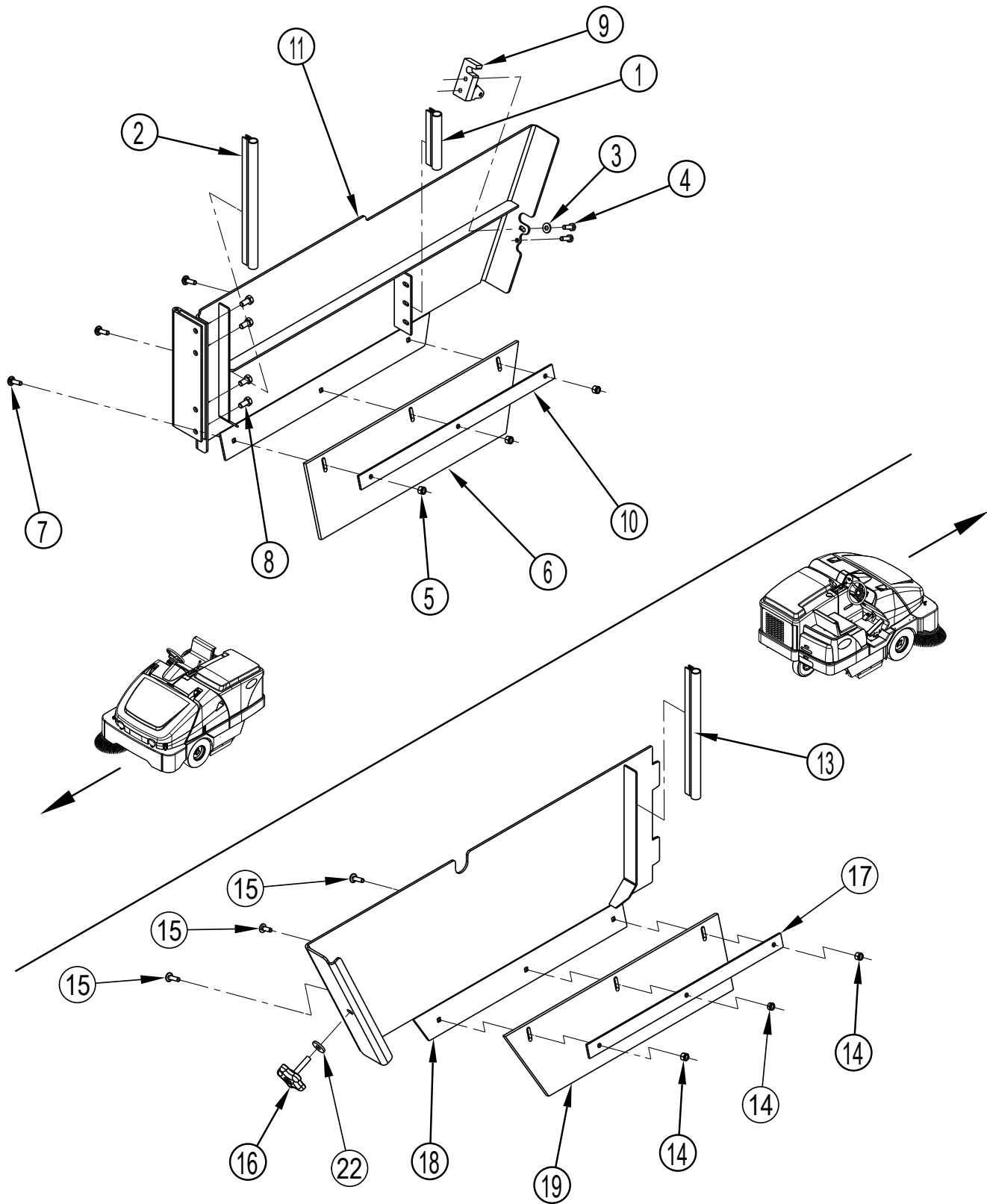
MAIN BROOM ASSY-1



MAIN BROOM ASSY-1

Item	Ref. No.	Qty	Description
1	2-00-04886	2	Shoulder Bolt
2	2-00-04889	1	Bearing
3	2-00-04890	1	Retaining Ring
4	8-33-09090	1	Hub
5	56001920	2	Scr, Hex 1/2-13 x 2.25
6	56002098	4	Wsh, Flt SAE 1/4
7	56002663	2	Scr, Hex 3/8-16 x 1.00
8	56002708	11	Nut, Hex Nyl Loc 1/4-20
9	56002769	2	Nut, Hex Nyl Loc 3/8-16
10	56002770	2	Nut, Hex Nyl Loc 1/2-13
11	56002843	2	Nut, Hex Nyl Loc-Thin 1/2-13
12	56002948	1	Scr, Hex Hd Loc 1/4-20 x .75
13	56002972	2	Scr, Soc Hd 1/2-13 x 1.50
14	56003721	8	Scr, Carriage 1/4-20 x .88
15	56009225	1	Wsh, Fender .281 x 1.50 x .074
16	56507230	2	Bearing
17	56507232	1	Broom Hanger Weldment
18	56382765	1	Leveler 5/16-18
19	56507396	1	Left Broom Door Assy (see Main Broom System-2)
20	56507397	1	Right Broom Door Assy (see Main Broom System-2)
21	56507423	1	Hub
22	56507424	1	Main Broom, Proex-Wire (standard)
23	56507561	1	Bracket, Broom Weldment
24	56508248	2	Strap, Front Tire Rear Flap
25	2-00-00522	1	Split Lock Washer 3/4
26	2-00-04887	1	Scr, Hex Hd 3/4-10 X 1.25
27	8-75-01157	1	Thrust Washer .812 Id X 2.00 OD
28	56508247	2	Flap, Front Tire Trail
29	56002851	1	Nut, Hex Nyl Loc-Thin SS 5/16-18

MAIN BROOM ASSY-2

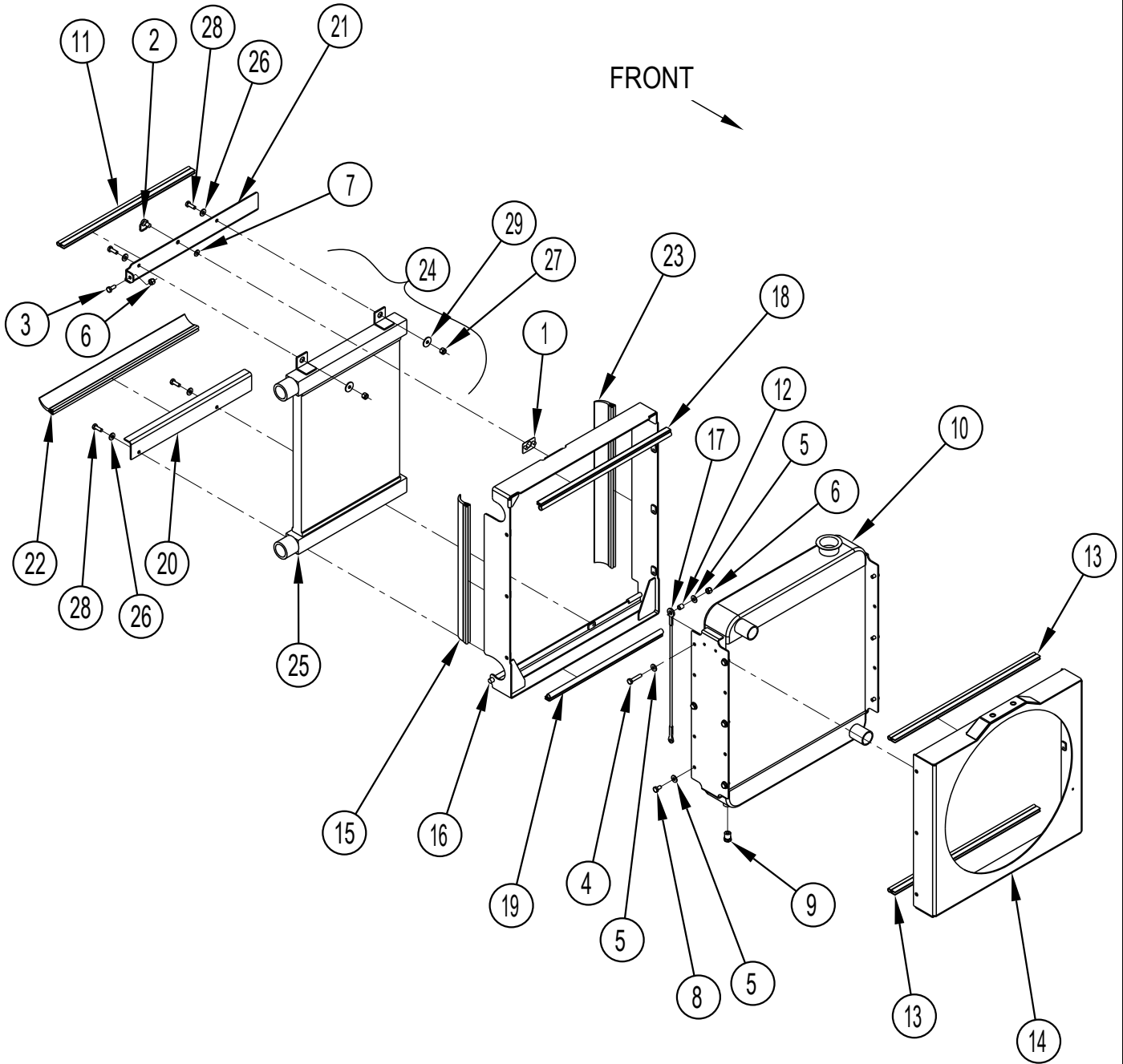


MAIN BROOM ASSY-2

Item	Ref. No.	Qty	Description
	56507397	1	Right Broom Door Assembly (items 1-11)
1	56508377	1	Gasket
2	56508376	1	Gasket
3	56002098	1	Wsh, Flt SAE 1/4
4	56002948	2	Scr, Hex Hd Loc 1/4-20 x .75
5	56002708	3	Nut, Hex Nyl Loc 1/4-20
6	56507417	1	Flap, Door
7	56003721	3	Scr, Carriage 1/4-20 x .88
8	56002929	4	Scr, Hex Hd Loc 5/16-18 x .62
9	56413802	1	Latch, RH
10	56507118	1	Strap, Door Flap
11	56507413	1	Door, Broom RT Weldment
	56507396	1	Left Broom Door Assembly (items 13-19)
13	56508376	1	Gasket
14	56002708	3	Nut, Hex Nyl Loc 1/4-20
15	56003721	3	Scr, Carriage 1/4-20 x .88
16	56315374	1	Knob, 5/16
17	56507118	1	Strap, Door Flap
18	56507416	1	Door, Broom LT Weldment
19	56507417	1	Flap, Door
22	56009122	1	Wsh, Flt .344 x .938 x .125

RADIATOR ASSY

FRONT



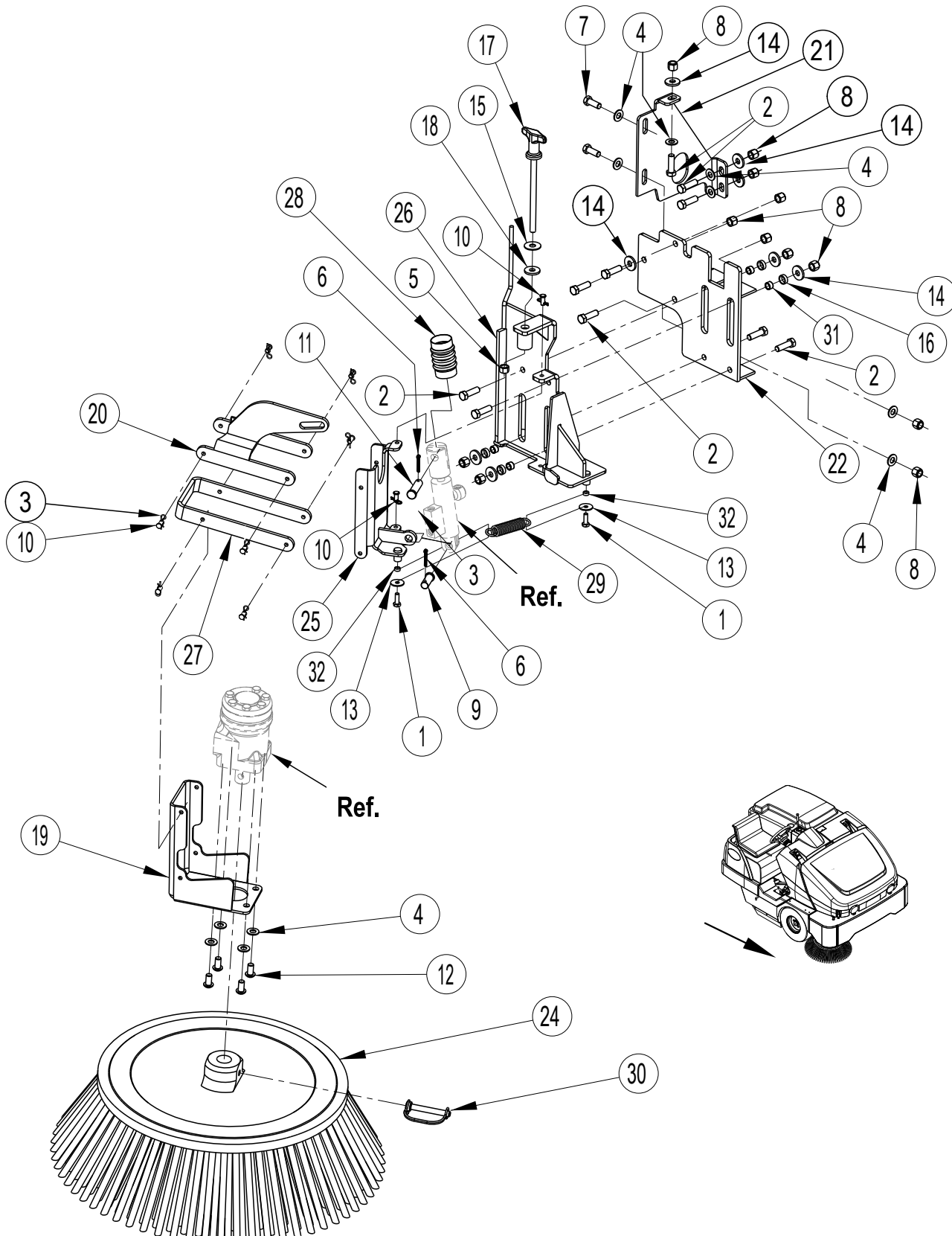
RADIATOR ASSY

Item	Ref. No.	Qty	Description
		1	Radiator Assembly (items 1-24)
1	7-23-03108	1	U Clip-Screw-Captivated
2	7-23-03113	1	Fastener-Qtr. Turn
3	56001836	1	Scr, Hex 1/4-20 x .62
4	56001878	1	Scr, Hex 1/4-20 x 1.25
5	56002098	13	Wsh, Flt SAE 1/4
6	56002708	2	Nut, Hex Nyl Loc 1/4-20
7	7-23-03106	1	Washer-Screw-Captivated
8	56003039	11	Scr, Hex Hd Loc 1/4-20 x .50
9	56740136	1	Plug, Pipe
10	56107665	1	Radiator-6 Fin
*	56456431	1	Radiator Cap (std)
*	56305638	1	Radiator Cap (small)
11	56508435	1	Gasket
12	56321532	1	Bushing .25 x .37 x .40
13	56418955	2	Gasket
14	56508194	1	Shroud, Radiator
15	56508315	1	Gasket, Radiator
16	56508240	1	Shroud, Cooler Weldment
17	56107644	1	Cable Assy
18	56508309	1	Trim-Seal
19	56508310	1	Trim-Seal
20	56508311	1	Bracket
21	56508312	1	Bracket
22	56508313	1	Gasket, Radiator
23	56508314	1	Gasket, Radiator
24	56507608	1	Oil Cooler Assembly (items 25-29)
25	56463678	1	Cooler, Oil
26	56002098	4	Wsh, Flt SAE 1/4
27	56002708	2	Nut, Hex Nyl Loc 1/4-20
28	56002948	4	Scr, Hex Hd Loc 1/4-20 x .75
29	56009002	2	Wsh, Flt .266 x .906 x .060

SEAT ASSY

Item	Ref. No.	Qty	Description
1	7-72-05005	1	Slide, Seat
2	7-69-00008	1	Seat
3	56009120	4	Scr Pan Phil SS Type B 1/4-14 x .62
4	56001878	2	Scr, Hex 1/4-20 x 1.25
5	56009242	4	Wsh, Flt .406 x 1.500 x .125
6	56001836	1	Scr, Hex 1/4-20 x .62
7	56002098	13	Wsh, Flt SAE 1/4
8	56002271	2	Scr, Hex 3/8-16 x .88
9	56002701	4	Nut, Hex Nyl Loc 5/16-18
10	56002708	3	Nut, Hex Nyl Loc 1/4-20
11	56002922	4	Scr, Hex Hd Loc 1/4-20 x .62
12	56002948	4	Scr, Hex Hd Loc 1/4-20 x .75
13	56304827	1	Latch, RH
14	56163872	1	Bushing
15	56388326	2	Bushing
16	56507088	1	Seat Support
17	56508097	1	Bracket
18	56508322	1	Bracket Seat Latch Mtg
19	56508330	1	Seat Pivot Weldt
20	56508335	1	Cable Assembly
21	56002832	1	Nut, Hex Nyl Loc-Thin 10-24
22	56009039	1	Scr, Hex Thd Form 10-24 x .50
23	56009063	1	Scr, Hex Thd Form 10-24 x .25
24	56508452	1	Handle Latch
29	56508774	1	Shrink Tube .75 x 2.5
30	7-03-04250	1	Arm Rest
31	56507793	3	Clip, Conduit
32	56508924	1	Wire-Assembly

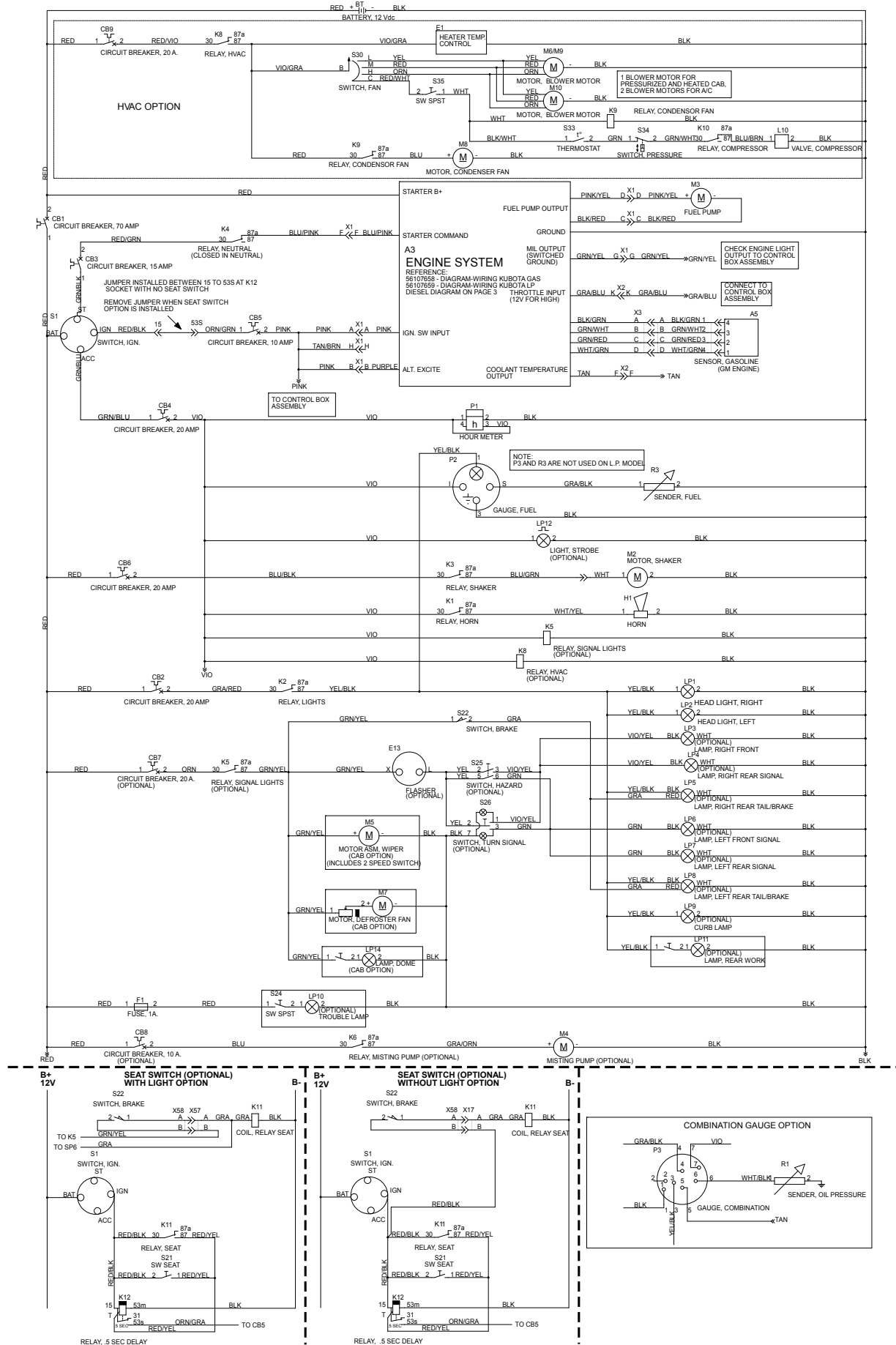
SIDE BROOM SYSTEM



SIDE BROOM SYSTEM

Item	Ref. No.	Qty	Description
1	56002948	2	Scr, Hex Hd Loc 1/4-20 x .75
2	56001858	10	Scr, Hex 3/8-16 x 1.25
3	56003530	10	Cotter, Hair Pin
4	56002063	11	Wsh, Flt SAE 3/8
5	56002123	1	Nut, Hex Machine 3/8-16
6	56002529	2	Pin, Cotter 1/8 x 1
7	56002663	2	Scr, Hex 3/8-16 x 1.00
8	56002769	12	Nut, Hex Nyl Loc 3/8-16
9	56003514	1	Pin, Clevis .50 x 1.25
10	56003727	10	Pin, Clevis .25 x .625
11	56003728	1	Pin, Clevis .50 x 1.75
12	56003729	4	Scr, Soc Hd But 3/8-16 x .75
13	56009002	2	Wsh, Flt .266 x .906 x .060
14	56009107	8	Wsh, Flt SS .378 x 1.000 x .120
15	56151068	1	Washer, Fibre
16	56365030	4	Bushing
17	56413576	1	Knob
18	56413599	1	Washer, Rubber
19	56507078	1	Mount, Side Broom Motor
20	56507080	1	Linkage, Side Broom Weldment
21	56507122	1	Bracket
22	56507148	1	RH Bracket Weldment
24	56508498	1	Side Broom-Polypropylene, 41°
25	56507502	1	Bracket, Side Broom Pivot
26	56507601	1	Bracket, Side Broom Mount
27	56507633	1	Side Broom Linkage
28	56507634	1	Side Broom Cylinder Bellows
29	56507707	1	Spring, Side Broom
30	56508392	1	Pin, T-Lock
31	56508363	4	Bushing, .377 x .49 x .29
32	56163872	2	Bushing

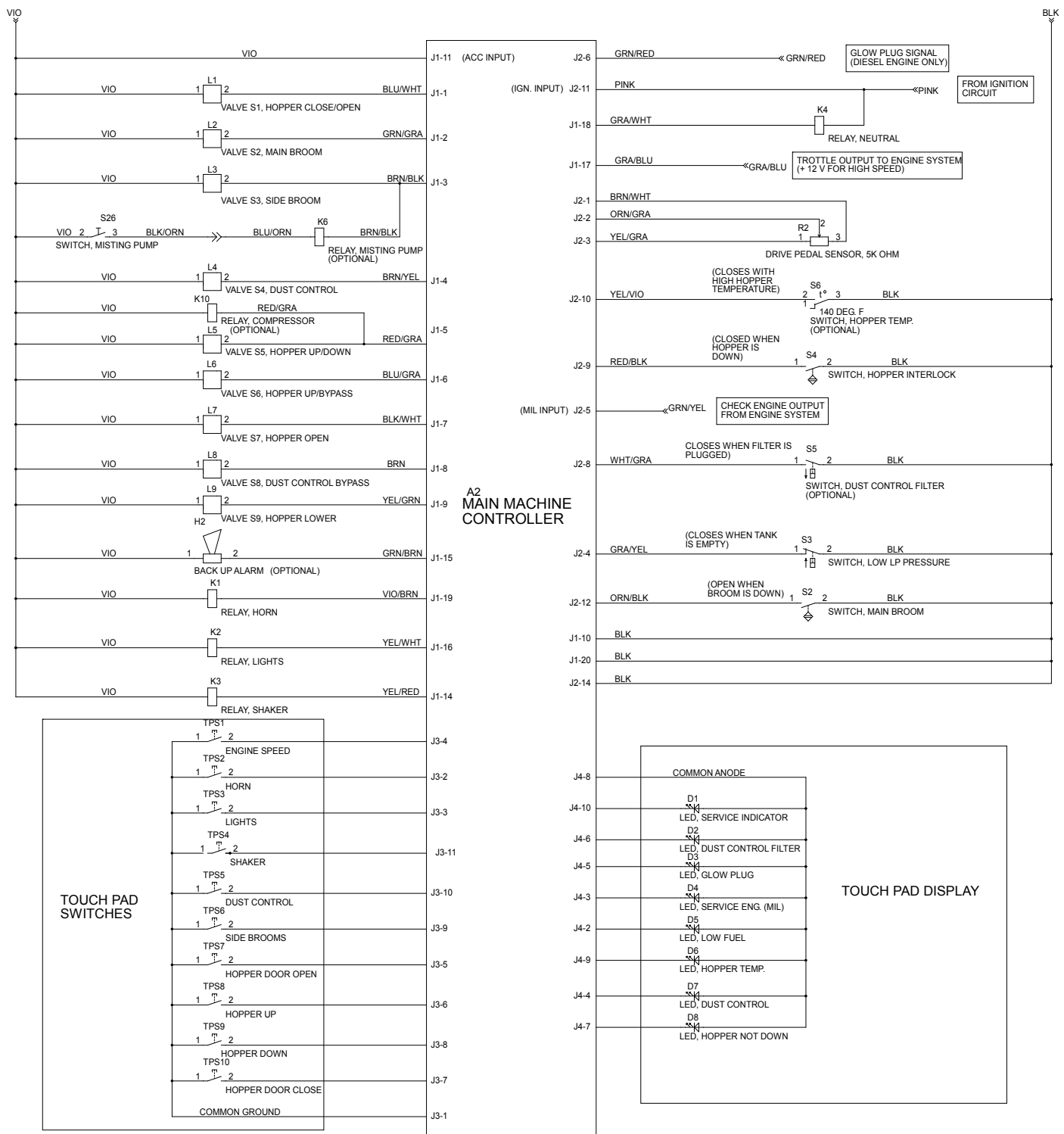
LADDER DIAGRAM-1



LADDER DIAGRAM-1

Item	Ref. No.	Qty	Description	Item	Ref. No.	Qty	Description
A3	56107647	1	ECU-Kubota LPG (LPG only)	P1	56393718	1	Hourmeter
	56107664	1	ECU-Kubota Petrol (Petrol only)	P2	8-48-05032	1	Gauge, Fuel (not used on LPG models)
A5	56107670	1	Manifold, Fuel (Petrol only)	P3	56304589	1	Gauge, Combination (optional- LPG)
					56304569	1	Gauge, Combination (optional- Petrol and Diesel)
BT	0875-008	1	Battery, 12Vdc	R1	56305619	1	Sender, Oil Pressure (optional)
CB1	56454429	1	Circuit Breaker, 70 Amp, Main	R3	56478358	1	Sender, Fuel (not used on LPG models)
CB2	56413822	1	Circuit Breaker, 20 Amp, Headlights	S1	56418685	1	Switch, Ignition (LPG and Petrol)
CB3	56413407	1	Circuit Breaker, 15 Amp, Starter		56497754	1	Switch, Ignition (Diesel)
CB4	56413822	1	Circuit Breaker, 20 Amp, Accessories	S22	56508191	1	Switch, Brake
CB5	56507644	1	Circuit Breaker, 10 Amp, Ignition	S24	N/A	1	Switch (part of LP10)
CB6	56413822	1	Circuit Breaker, 20 Amp, Shaker	S25	56507889	1	Switch, Hazard (optional)
CB7	56413822	1	Circuit Breaker, 20 Amp (signal lights option)	S26	56507888	1	Switch, Turn Signal (optional)
CB8	56507644	1	Circuit Breaker, 10 Amp (misting pump option)	S30		1	Switch, Fan
CB9	N/A	1	Circuit Breaker, 40 Amp (for cab option)	S33	56508899	1	Thermostat
E1	56508776	1	Heat Temp. Control	S34	56508871	1	Switch, Pressure
E13	56507887	1	Flasher (optional)	S35	56507889	1	Switch SPST
F1	N/A	1	Fuse, 1 Amp				
H1	56442054	1	Horn				* = Not Shown
							** = Optional
K1	56418387	1	Relay, Horn				NOTE 1: Reference; 56382530 = Ladder Diagram & 56382531 = Wiring Diagram.
K2	56418387	1	Relay, Lights				NOTE 2: Part number is dependent on engine, see "ENGINE REPLACEMENT PARTS" of appropriate engine.
K3	56107639	1	Relay, Shaker				
K4	56418387	1	Relay, Neutral				
K5	56418387	1	Relay, Signal Lights (optional)				
K6	56418387	1	Relay, Misting Pump (optional)				
K8	56418387	1	Relay, HVAC (HVAC option)				
K9	56508897	1	Relay, Condenser Fan (HVAC option)				
K10	56418387	1	Relay, Compressor (HVAC option)				
L10	56508798	1	Valve, Compressor (HVAC option)				
LP1	56507223	1	Head Light, Right				
LP2	56507223	1	Head Light, Left				
LP3	56507113	1	Lamp, Right Front (optional)				
LP4	56507113	1	Lamp, Right Rear Signal (optional)				
LP5	56507112	1	Lamp, Right Rear Tail/Brake (optional)				
LP6	56507113	1	Lamp, Left Front Signal (optional)				
LP7	56507113	1	Lamp, Left Rear Signal (optional)				
LP8	56507112	1	Lamp, Left Rear Tail/Brake (optional)				
LP9	56507830	1	Lamp, Curb (optional)				
LP10	56305627	1	Lamp, Trouble (optional)				
LP11	56507830	1	Lamp, Rear Work (optional)				
LP12	56305223	1	Light, Strobe (optional)				
LP14	56508819	1	Lamp, Dome (cab option)				
M2	56508664	1	Motor, Shaker				
M3		1	Pump, Fuel NOTE 2				
M4	56507851	1	Pump, Misting (optional)				
M5	56508636	1	Motor, Assy Wiper (cab option)				
M6	0882-055	1	Motor, Blower Motor (heater)				
M7	56508820	1	Motor, Defroster Fan (cab option)				
M8	56508896	1	Motor, Condenser Fan				
M9	56508898	1	Motor, Blower Motor (A/C)				
M10	56508898	1	Motor, Blower Motor (A/C)				

LADDER DIAGRAM-2



LADDER DIAGRAM-2

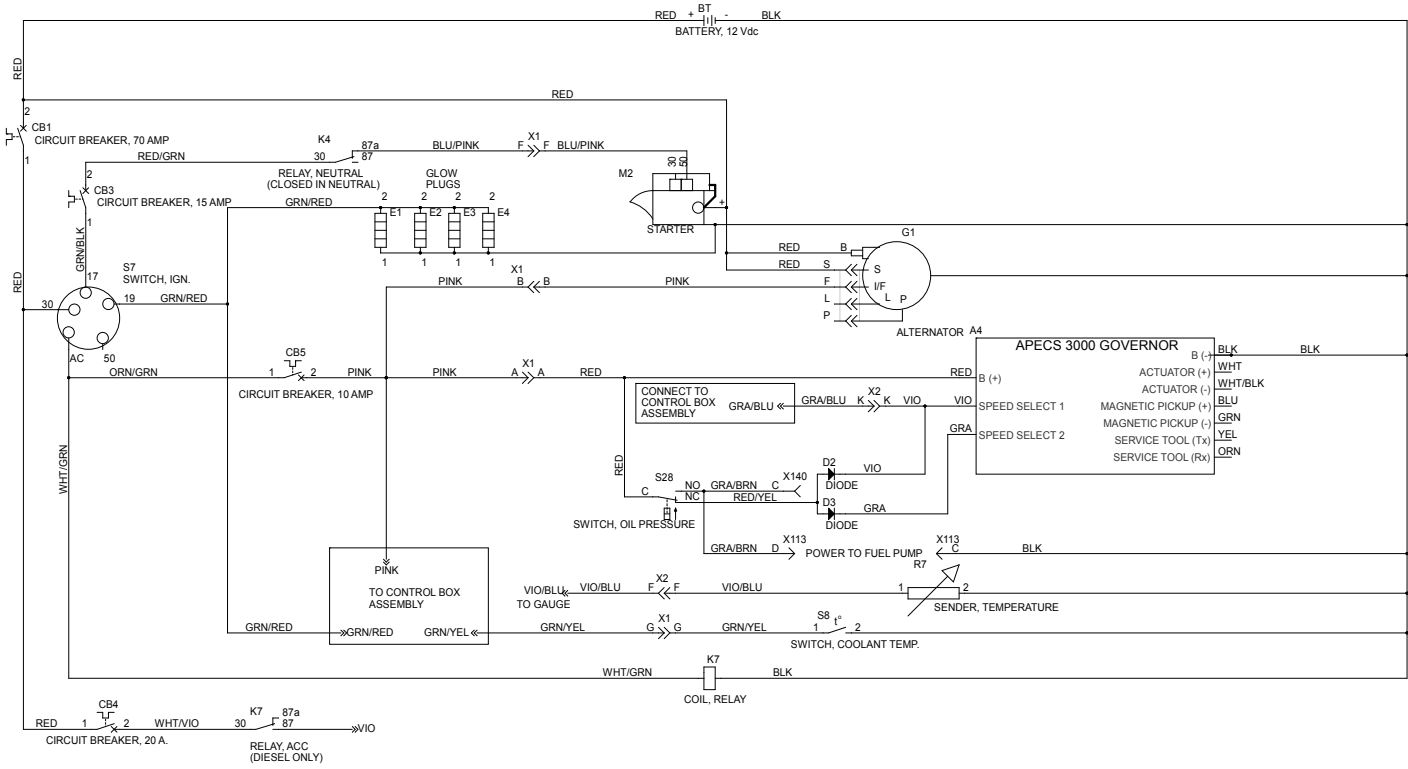
Item	Ref. No.	Qty	Description
A2	56107627	1	Control Box Assy
H2	56409232	1	Back Up Alarm (optional)
K1	56418387	1	Relay, Horn
K2	56418387	1	Relay, Lights
K3	56107639	1	Relay, Shaker
K4	56418387	1	Relay, Neutral
K6	56418387	1	Relay, Misting Pump (optional)
L1	N/A	1	Valve S1, Hopper Close/Open
L2	N/A	1	Valve S2, Main Broom
L3	N/A	1	Valve S3, Side Broom
L4	N/A	1	Valve S4, Dust Control
L5	N/A	1	Valve S5, Hopper Up/Down
L6	N/A	1	Valve S6, Hopper Up/Bypass
L7	N/A	1	Valve S7, Hopper Open
L8	N/A	1	Valve S8, Dust Control Bypass
L9	N/A	1	Valve S9, Hopper Lower
R2	56305129	1	Drive Pedal Sensor, 5K Ohm
S2	56305053	1	Switch, Main Broom
S3	56418381	1	Switch, Low LP Pressure
S4	56305053	1	Switch, Hopper Interlock
S5	56305518	1	Switch, Dust Control Filter (optional)
S6	56418405	1	Switch, Hopper Temp. (optional)
S26	N/A	1	Switch, Misting Pump (optional)
TPS1	N/A	1	Touch Pad Switch, Engine Speed NOTE 1
TPS2	N/A	1	Touch Pad Switch, Horn NOTE 1
TPS3	N/A	1	Touch Pad Switch, Lights NOTE 1
TPS4	N/A	1	Touch Pad Switch, Shaker NOTE 1
TPS5	N/A	1	Touch Pad Switch, Dust Control NOTE 1
TPS6	N/A	1	Touch Pad Switch, Side Brooms NOTE 1
TPS7	N/A	1	Touch Pad Switch, Hopper Door Open NOTE 1
TPS8	N/A	1	Touch Pad Switch, Hopper Up NOTE 1
TPS9	N/A	1	Touch Pad Switch, Hopper Down NOTE 1
TPS10	N/A	1	Touch Pad Switch, Hopper Door Close NOTE 1

NOTE 1: Part of Touch Pad 56107601 for petrol and LPG or 56107603 for diesel.

NOTE 2: Reference; 56382530 = Ladder Diagram & 56382531 = Wiring Diagram.

LADDER DIAGRAM-3

KUBOTA DIESEL ENGINE SYSTEM



LADDER DIAGRAM-3**KUBOTA DIESEL ENGINE SYSTEM**

Item	Ref. No.	Qty	Description
A4	56508400	1	ACPECS 3000 Governor
BT	0875-008	1	Battery, 12 Vdc
CB1	56454429	1	Circuit Breaker, 70 Amp
CB3	56413407	1	Circuit Breaker, 15 Amp
CB4	56413822	1	Circuit Breaker, 20 Amp
CB5	56507644	1	Circuit Breaker, 10 Amp
D2	N/A	1	Diode
D3	N/A	1	Diode
E1	N/A	1	Glow Plug
E2	N/A	1	Glow Plug
E3	N/A	1	Glow Plug
E4	N/A	1	Glow Plug
G1	56110738	1	Alternator
K4	56418387	1	Relay, Neutral
K7	56418387	1	Relay, Acc (Diesel only)
M2	56419089	1	Starter
R7	56305873	1	Sender, Temperature
S7	56497754	1	Switch, Ignition
S8	56419091	1	Switch, Coolant Temp.
S28		1	Switch, Oil Pressure

NOTE 1: Reference; 56382530 = Ladder Diagram & 56382531 = Wiring Diagram.

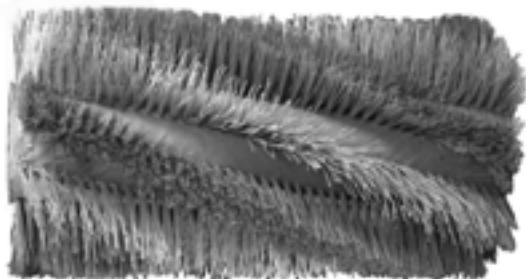
OPTIONAL KITS & ACCESSORIES

Item	Ref. No.	Qty	Description	Item	Ref. No.	Qty	Description
			Options				Main Brooms
*	56507184	1	Left Side Broom Option	*	56507424	1	Main Broom-Proex-Wire
*	56507228	1	Tilt Steering Option	*	56507340	1	Main Broom-Proex-Wire Chevron
*	56507025	1	Cab Heater & Pressurizer Option NOTE 3	*	56507342	1	Main Broom-Proex-Wire-12 Row
*	56507021	1	Cab A/C Option w/Heater & Pressurizer NOTE 3	*	56507345	1	Main Broom-Nylon
			Cab Model Accessories	*	56507341	1	Main Broom-Proex-12 Row
*	56508811	1	Rear Bumper Kit - Cab NOTE 1	*	56507346	1	Main Broom-Proex
*	56508812	1	Broom Guard / Rear Bumper Kit - Cab NOTE 1	*	56507344	1	Main Broom-Polypro-Wire-12 Row
*	56508813	1	Fire Extinguisher Kit - Cab	*	56507343	1	Main Broom-Polypropylene
*	56508663	1	Mirror Option	*	56107638	1	Main Broom Chevron-Prope
*	56508826	1	Raised Air Intake Kit - Cab NOTE 1				Side Brooms
			Accessories	*	56507350	A/R	Side Broom-Polypropylene
*	56507030	1	Litter Vac Kit NOTE 1	*	56507351	A/R	Side Broom-Nylon
*	56507027	1	Fire Extinguisher Kit NOTE 1	*	56507352	A/R	Side Broom-Flat Wire
*	56507029	1	Hopper Temp Sensor Kit NOTE 1	*	56508498	A/R	Side Broom Poly 41
*	56507036	1	Plugged Filter Switch Kit NOTE 1	*	56508499	A/R	Side Broom Nylon 41
*	56507033	1	Raised Air Intake Kit W/O OHG NOTE 1				
*	56507041	1	Raised Air Intake Kit W/ OHG NOTE 1				
*	56507037	1	Foam Filled Tire Kit				
*	56508873	1	Solid Tire Kit				
*	56508874	1	Non Marking Solid Tire Kit				
*	56507023	1	Backup Alarm Kit NOTE 1				
*	56507024	1	Brake / Signal Light Kit NOTE 1				
*	56507034	1	Work Light Kit NOTE 1				
*	56507038	1	Amber Strobe W/O OHG Kit NOTE 1				
*	56507039	1	Amber Strobe W/ OHG Kit NOTE 1				
*	56508825	1	Amber Strobe Cab (cab models)				
*	56507394	1	OHG Kit (Over Head Guard) NOTE 1				
*	56508905	1	Canopy Kit (for OHG Kit 56507394) NOTE 1				
*	56507040	1	Suspension Seat Kit NOTE 1				
*	56507035	1	Seat Belt Kit NOTE 1				
*	56107673	1	Gauge 3 in 1 (LPG Option)				
*	56107674	1	Gauge 4 in 1 (Petrol & Diesel Option)				
*	56508722	1	Kubota Diesel Gauge Kit NOTE 1				
*	56107674	1	Kubota Gasoline Gauge Kit-4 Cyl NOTE 1				
*	56107673	1	Kubota LPG Gauge Kit-4Cyl NOTE 1				
*	56507850	1	Side Broom Misting Kit NOTE 1				
*	56508364	1	Right Side Broom Guard Kit NOTE 1				
*	56508365	1	Left Side Broom Guard Kit NOTE 1				
*	56508720	1	Rear Bumper Kit NOTE 1				
*	56508741	1	Broom Guard / Rear Bumper Kit NOTE 2				
*	56107612	1	Front Bumper Kit NOTE 1				
*	8-24-04139-1	1	Filter Panel Ultra-Web Cellulose				
*	56382789	1	Filter Panel Poly High Flow				
*	56508953	1	Filter-HEPA				
*	56508433	1	Floor Mat Kit				
*	56508889	1	Hopper Bottom Plate Kit				
*	56044635	A/R	SW8000 Literature Pack				
*	56044636	A/R	SW8000 (cab) Literature Pack				
*	56504516	1	Kit-Hydraulic Test				
*	56107680	1	Side Broom Speed Control Kit				
*	56107668	1	Switch Kit-Operator Presence				

* = Optional, Not Included

NOTE 1: Replacement parts for the kits listed above can be found on each kit's associated instruction sheet.**NOTE 2:** Consists of 56508364, 56508365 & 56508720.**NOTE 3:** Factory installed kit only for cab models.

BROOM SELECTOR GUIDE



Main Broom: 56507424 Proex & Wire (STD.) (8 Double Rows)
 56507340 Proex & Wire (optional) (Chevron)
 56507342 Proex & Wire (optional) (12 D-Rows)

This broom has a more aggressive cleaning action, used to pick up heavier debris.

56507345 Nylon (optional) (8 D-Rows)

General purpose broom that can be used for all types of light soil. High wear material so uneven surfaces do not cause excessive wear. Nylon has a high heat deflection temperature, is chemical resistant and will absorb water in wet conditions. Truly a general purpose broom.

56507341 Proex (optional) (12 Double Rows)

56507346 Proex (optional) (8 Double Rows)

Synthetic fiber made of polypropylene designed to pick up paper gravel, sand and other lighter less bulky litter.

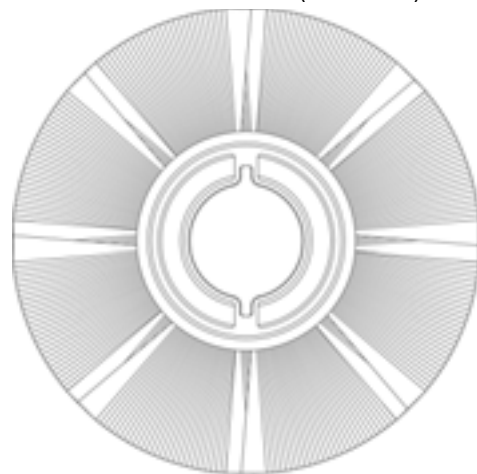
56507344 Polypropylene/Wire (optional) (12 D-Rows)

56507343 Polypropylene (optional) (8 D-Rows)

8 Double Row

Length.....50" (127.6 cm)

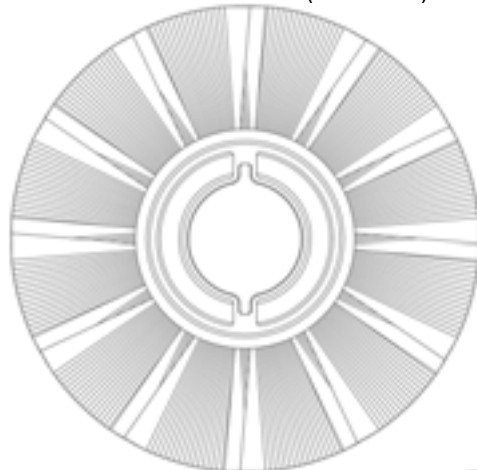
Diameter.....14" (35.56 cm)



12 Double Row

Length.....50" (127.6 cm)

Diameter.....14" (35.56 cm)



Side Broom: 56507350 Polypropylene 30° (STD.)

The side broom function is to sweep the dirt and debris away from the curb, wall, pallet, etc. into the path of the main broom.

56507351 Nylon 30° (optional)

56507352 Wire 30° (optional)

56508498 Polypropylene 41° (optional)

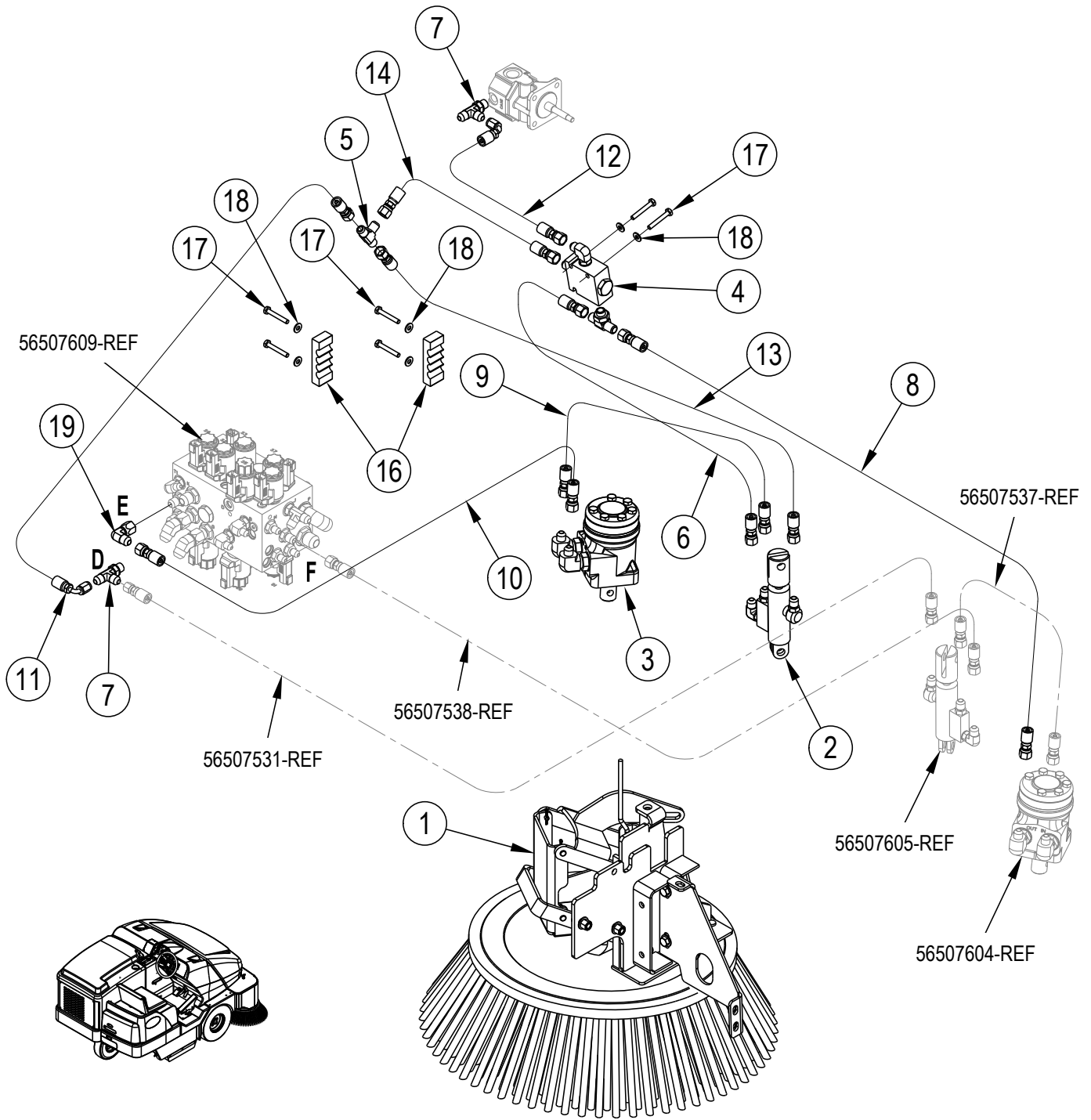
56508499 Nylon 41° (optional)



(30°) Diameter.....22" (58 cm)

(41°) Diameter.....26" (66 cm)

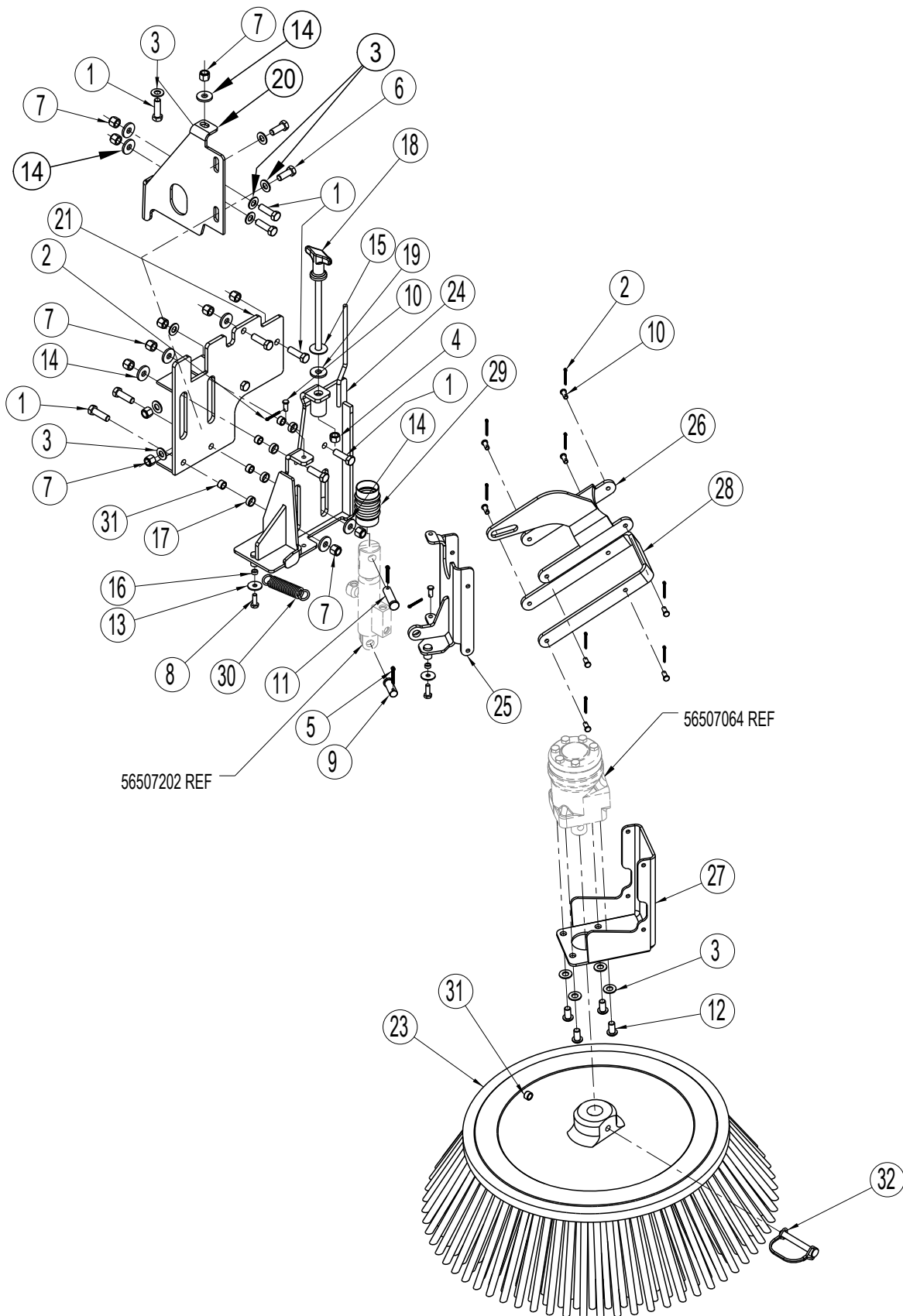
LEFT HAND SIDE BROOM OPTION-1



LEFT HAND SIDE BROOM OPTION-1

Item	Ref. No.	Qty	Description
1	56507026	1	Left Hand Side Broom Option See Left Hand Side Broom Option-2
2	56507367	1	Side Broom Cylinder Assy, Left
	56507202	1	Cylinder, Side Broom, Left
	56900286	1	Elbow, 90 O-Ring
	56900370	2	Connector, O-Ring
3	56507604	1	Side Broom Motor Assembly
	56507064	1	Side Broom Motor
	56507619	1	Seal Kit (for 56507064)
	56900113	2	Elbow, 90 O-Ring
4	56109781	1	Valve Assy
	56109780	1	Valve, PO Check
	56900003	1	Connector, O-Ring
	56900103	1	Elbow, 90 O-Ring
	56900353	1	Tee, Branch O-Ring
5	56900443	1	Tee, Union
6	56508305	1	Hose, Hydraulic
7	56900201	2	Tee, Run O-Ring
8	56507356	1	Hose, Hydraulic
9	56507537	1	Hose, Hydraulic
10	56507538	1	Hose, Hydraulic
11	56507788	1	Hose, Hydraulic
12	56508308	1	Hose, Hydraulic
13	56508306	1	Hose, Hydraulic
14	56508307	1	Hose, Hydraulic
15	56477613	3	Wire Tie (not shown)
16	56507922	1	Hose Clamp, 1/4 Quadruple
17	56001967	6	Scr, Hex 1/4-20 x 1.75
18	56002098	6	Wsh, Flt SAE 1/4
19	56900303	1	Elbow, 90 W/Nut

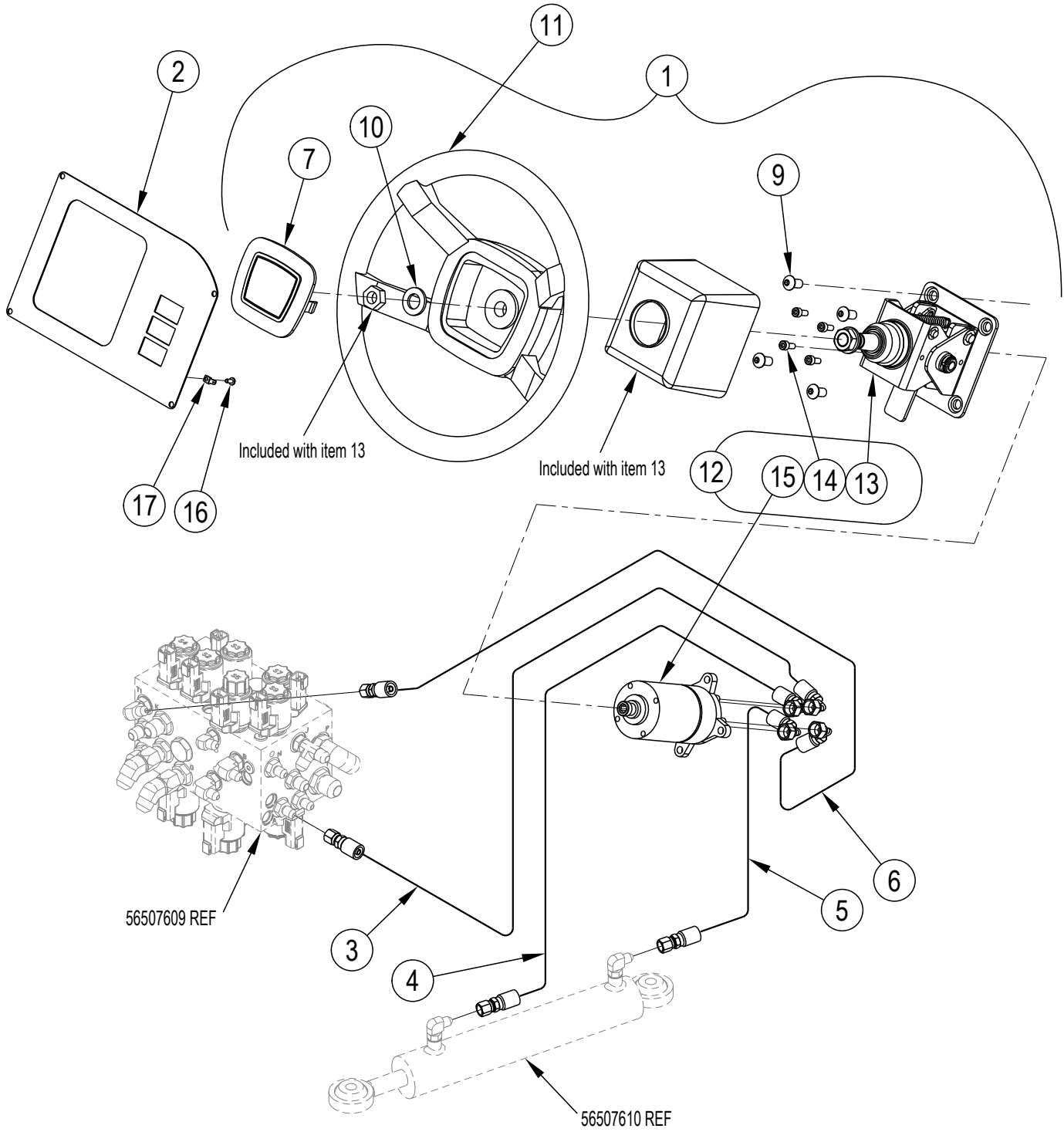
LEFT HAND SIDE BROOM OPTION-2



LEFT HAND SIDE BROOM OPTION-2

Item	Ref. No.	Qty	Description
1	56001858	10	Scr, Hex 3/8-16 X 1.25
2	56002038	10	Pin, Cotter 3/32 X 1.00
3	56002063	11	Wsh, Flt SAE 3/8
4	56002123	1	Nut, Hex Machine 3/8-16
5	56002529	2	Pin, Cotter 1/8 X 1
6	56002663	2	Scr, Hex 3/8-16 X 1.00
7	56002769	12	Nut, Hex Nyl Loc 3/8-16
8	56002948	2	Scr, Hex Hd Loc 1/4-20 x .75
9	56003514	1	Pin, Clevis .50 x 1.25
10	56003727	10	Pin, Clevis .25 x .625
11	56003728	1	Pin, Clevis .50 x 1.75
12	56003729	4	Scr, Soc Hd But 3/8-16 X .75
13	56009002	2	Wsh, Flt .266 X .906 X .060
14	56009107	8	Wsh, Flt SS .378 X 1.000 X .120
15	56151068	1	Washer, Fibre
16	56163872	2	Bushing
17	56365030	4	Bushing
18	56413576	1	Knob
19	56413599	1	Washer, Rubber
20	56507122	1	Bracket
21	56507150	1	LH Bracket Weldment
23	56508498	1	Side Broom-Polypropylene, 41°
24	56507625	1	Side Broom Mounting Bracket
25	56507628	1	Side Broom Pivot Bracket
26	56507629	1	Side Broom Linkage Weldment
27	56507630	1	Side Broom Motor Mount
28	56507633	1	Side Broom Linkage
29	56507634	1	Side Broom Cylinder Bellows
30	56507707	1	Spring, Side Broom
31	56508363	4	Bushing, .377 X .49 X .29
32	56508392	1	Pin, T-Lock

TILT STEERING OPTION



TILT STEERING OPTION

Item	Ref. No.	Qty	Description
	56507228	1	Tilt Steering Option Assembly (includes items 1-6, 16-17)
	56040962	1	Instruction Sheet
1	56507239	1	Tilt Steering Option (includes items 7-12)
2	56508921	1	Plate-Tilt Steering Assy
3	56507360	1	Hose, Hydraulic
4	56507361	1	Hose, Hydraulic
5	56507362	1	Hose, Hydraulic
6	56507363	1	Hose, Hydraulic
7	7-16-07428	1	Cover, Steering Wheel
9	56003729	4	Scr, Soc Hd But 3/8-16 x 0.75
10	56009218	1	Wsh, Flt .688 x 1.250 x 0.125
11	56418460	1	Steering Wheel
12	56508224	1	Steering Unit Assembly (includes items 13-15)
13	7-70-05207	1	Column, Tilt
14	56003425	4	Scr, Soc SS M6-1 X 14mm
15	56508096	1	Steering Control Unit
16	56001818	1	Scr, Pan Phil 8-32 x .38
17	56508923	1	Tab-Quick Connect .187 x #8



Nilfisk-Advance Equipamentos de Limpeza Ltda.
Av. Dep. Emílio Carlos, 2.499 - Bairro do Limão - 02721-200
São Paulo - SP - Brasil
www.nilfisk-advance.ind.br
www.plataforma.ind.br
Tel.: (11) 3959-0300
Fax: (11) 3959-0306
©2012 Nilfisk-Advance, Inc.



14600 21st Avenue North
Plymouth, MN 55447-3408
www.advance-us.com
Phone: 800-989-2235
Fax: 800-989-6566
©2012 Nilfisk-Advance, Inc.

A Nilfisk-Advance Brand