



FaST
Foam Scrubbing Technology

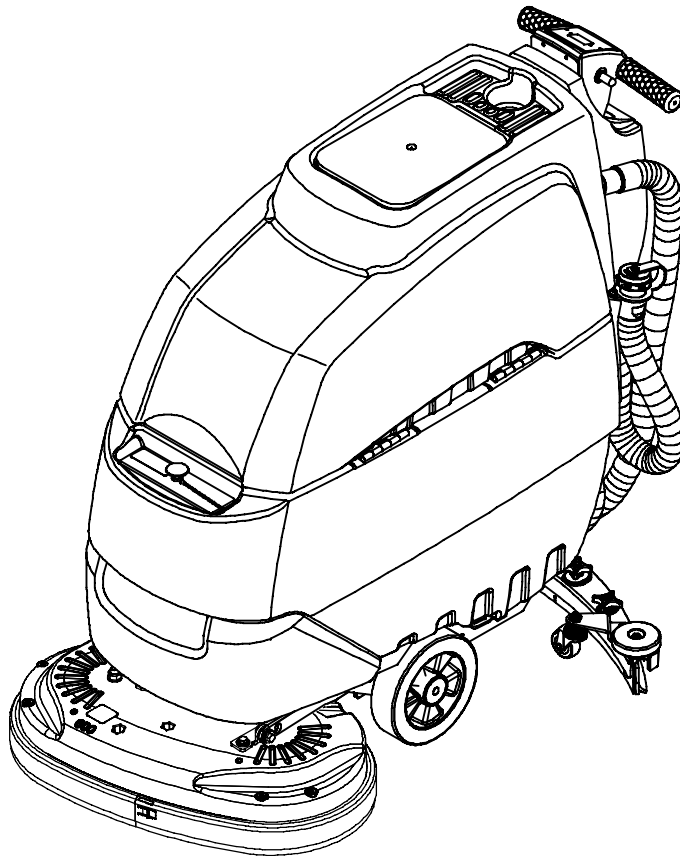
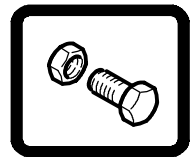
The Safe Scrubbing Alternative®

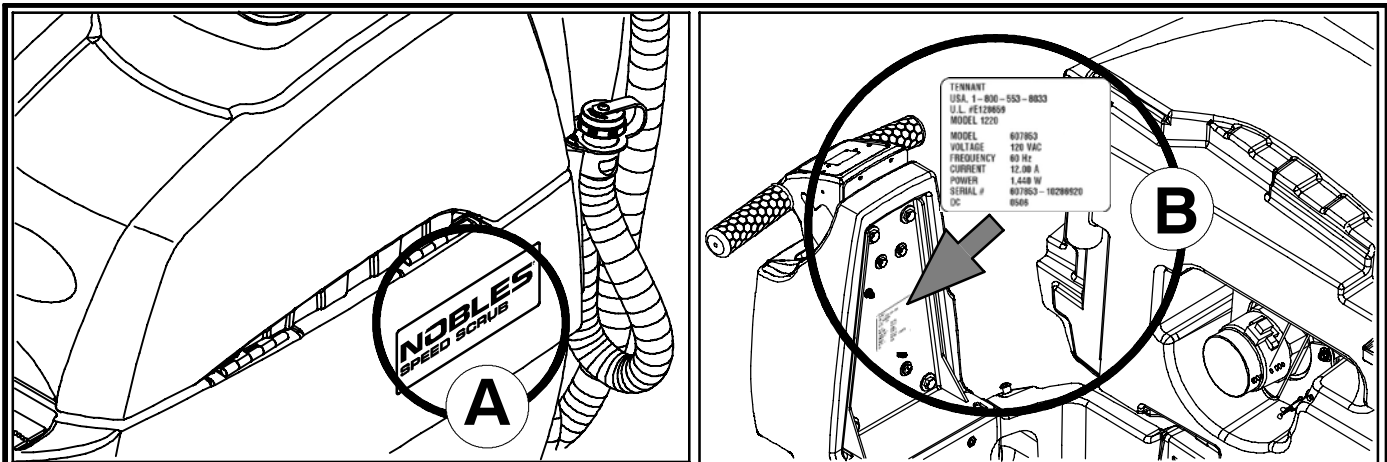


SPEED SCRUB®

17 in / 20 in / 24 in AUTOMATIC SCRUBBER
(S/N 10000000-20000000)

PARTS MANUAL





Ref	Part No.	Serial Number	Description	Qty.
1	82681	(000000-)	Bracket W/dt, Lpg Mount	1
2	63810	(000000-)	h Assy, Lpg Tank Mtg, W/Nut	4
3	51839	(000000-)	at Adjustable, Lpg Tank Mtg	2
4	49263	(000000-)	Tie, Cable	3
5	82556	(000000-001039)	Bracket, Vaporizer	1
6	54930	(000000-)	Vaporizer, LPG	1

HOW TO ORDER PARTS - See diagram above

Only use TENNANT Company supplied or equivalent parts. Parts and supplies may be ordered online, by phone, by fax or by mail.

Follow the steps below to ensure prompt delivery.

1. (A) Identify the machine model.
2. (B) Identify the machine serial number from the data label.
3. (C) Ensure the proper serial number is used from the parts list.
4. Identify the part number and quantity. Do not order by page or reference numbers.
5. Provide your name, company name, customer ID number, billing and shipping address, phone number and purchase order number.
6. Provide detail shipping instructions.

- (D) ▽ - identifies an assembly
 ▲ - identifies parts included in assembly
 (E) ● - identifies a recommended stock item

Please fill out at time of installation for future reference.

Model No. - _____
 Serial No. - _____
 Machine Options - _____
 Sales Rep. - _____
 Sales Rep. phone no. - _____
 Customer ID Number - _____
 Installation Date - _____

Tennant Company

PO Box 1452

Minneapolis, MN 55440 USA

Phone: (800) 553-8033 or (763) 513-2850

www.nobles.com

Specifications and parts are subject to change without notice.

Copyright © 2008, 2009, 2010, 2011 TENNANT Company,
 Printed in U.S.A.

TABLE OF CONTENTS

GENERAL RECOMMENDED MAINTENANCE ITEMS	6	SCRUB HEAD LIFT GROUP, 43 cm (17 in) MODEL	42
43 CM MODEL RECOMMENDED MAINTENANCE ITEMS	7	SCRUB HEAD LIFT GROUP, 50 cm (20 in) MODEL	44
50 CM MODEL RECOMMENDED MAINTENANCE ITEMS	7	SCRUB HEAD LIFT GROUP, DUAL DISK 60 cm (24 in) MODEL	46
60 CM MODEL RECOMMENDED MAINTENANCE ITEMS	7	SQUEEGEE GROUP, 500 mm	48
REPLACEMENT BRUSH AND PAD DRIVER GROUP, 43 cm (17 in) MODEL	8	SOLUTION GROUP, STANDARD MODEL	50
REPLACEMENT BRUSH AND PAD DRIVER GROUP, 50 cm (20 in) MODEL	10	SOLUTION GROUP, ec-H2O MODEL	52
REPLACEMENT BRUSH AND PAD DRIVER GROUP, 60 cm (24 in) MODEL	12	SOLUTION GROUP, ec-H2O MODEL - CONT'D	54
RECOVERY TANK GROUP	14	ec-H2O MODULE ASSEMBLY BREAKDOWN, 9007970 (S/N 10419449-)	56
VACUUM MOTOR GROUP	16	ec-H2O MODULE ASSEMBLY BREAKDOWN, 9006161 (S/N 10000000-10419448)	58
SOLUTION TANK GROUP	18	SOLUTION GROUP, FaST MODEL	60
LOWER CONTROL CONSOLE GROUP	20	SOLUTION GROUP, FaST MODEL - CONT'D	62
UPPER CONTROL CONSOLE GROUP, BRUSH ASSIST MODEL	22	9003906 FAST INJECTOR ASSEMBLY BREAKDOWN - SINGLE DISK 43 cm (17 in) & 50 cm (20 in) MODELS	64
COMPONENT PANEL GROUP, BRUSH ASSIST MODEL	24	9003907 FAST INJECTOR ASSEMBLY BREAKDOWN - DUAL DISK 60 cm (24 in) MODEL	65
UPPER CONTROL CONSOLE GROUP, DRIVE MODEL	26	BATTERY AND CABLE GROUP, 12V/105 AH, 43 cm (17 in) BRUSH ASSIST MODEL	66
COMPONENT PANEL GROUP, DRIVE MODEL	28	BATTERY AND CABLE GROUP, 12V/130 Ah, 50 cm (20 in) BRUSH ASSIST MODEL	67
WHEEL GROUP, BRUSH ASSIST MODEL	30	BATTERY AND CABLE GROUP, 12V/155 AH, 50 cm (20 in) DRIVE MODEL	68
WHEEL GROUP, DRIVE MODEL	32		
SCRUB HEAD GROUP, 43 cm (17 in) MODEL ..	34		
SCRUB HEAD GROUP, 50 cm (20 in) MODEL ..	36		
SCRUB HEAD GROUP, DUAL DISK, 60 cm (24 in) MODEL	38		
SCRUB HEAD GROUP, DUAL DISK, 60 cm (24 in) MODEL - CONT'D	40		

TABLE OF CONTENTS

TABLE OF CONTENTS - Cont'd

ELECTRICAL DIAGRAM, BRUSH ASSIST STANDARD & FaST MODEL	69
ELECTRICAL DIAGRAM, DRIVE STANDARD & FaST MODEL	70
ELECTRICAL DIAGRAM, BRUSH ASSIST ec-H2O MODEL	71
ELECTRICAL DIAGRAM, DRIVE ec-H2O MODEL	72
WIRE HARNESS GROUP, FAST OPTION	73
WIRE HARNESS GROUP, ec-H2O OPTION (S/N 10460662-20000000)	74
WIRE HARNESS GROUP, ec-H2O OPTION (S/N 10000000-10460661)	76
WIRE HARNESS GROUP, CONSOLE, BRUSH ASSIST MODEL	78
WIRE HARNESS GROUP, CONSOLE, DRIVE MODEL	79
WIRE HARNESS GROUP, MAIN, BRUSH ASSIST MODEL	80
WIRE HARNESS GROUP, MAIN, DRIVE MODEL	83
WIRE HARNESS GROUP, FRAME, DRIVE MODEL	86

OPTIONS

DOCUMENTATION GROUP	87
ON-BOARD BATTERY CHARGER GROUP, STANDARD & FaST MODEL (S/N 10470899-)	88
ON-BOARD BATTERY CHARGER GROUP, STANDARD & FaST MODEL (S/N 10000000-10470898)	90
ON-BOARD BATTERY CHARGER GROUP, ec-H2O MODEL (S/N 10470899-)	92
ON-BOARD BATTERY CHARGER GROUP, ec-H2O MODEL (S/N 10000000-10470898)	94
OFF-BOARD BATTERY CHARGER GROUP ...	96
EMERGENCY STOP BUTTON GROUP	97
PARKING BRAKE GROUP	98

RECOMMENDED MAINTENANCE/SERVICE ITEMS

GENERAL RECOMMENDED MAINTENANCE ITEMS

Part No.	Description	Qty.
▽ 9001178	Squeegee Assy Kit, 500mm, Ci	1
▲ 1011232	Blade, Sqge, Front, 500mml Linatex (Linatex Red Standard)	1
1014091	Blade, Sqge, Front, 500mml, Gum (Gum Rubber Tan Optional)	1
1014092	Blade, Sqge, Front, 500mml, Oil-Rstn (Polyurethane Natural Optional)	1
▲ 1011456	Blade, Sqge, Rear, 32.7l, Linatex[500mm] (Linatex Red Standard)	1
1014093	Blade, Sqge, Rear, 32.7l, Gum [500mm] (Gum Rubber Tan Optional)	1
1014094	Blade, Sqge, Rear, 32.7l, Oil-Rstn[500mm] (Polyurethane Natural Optional)	1
▲ 1006343	Caster, Swivel, 50mmd, M10 X 30 Stem, PI	1
▲ 1010560	Wheel, Bmpr, 80d X 25w, Non-Marking	2
1014079	Clip, Grip, Hose, 1.50id, Dbl, Blk Pyp	1
1014026	Hose, Vacuum, 1.50id X 057.0l, 2cuff	1
▽ 1043538	Hose Assy, Drain, 1.50id X 29.5l, Blk	1
▲▽ 1008639	Cap, Drain Assy	1
▲▲ 1019563	Strap, Cap, Drain	1
630367	Seal, .50, .50w 33.9l, Adh [D Shape]	1
630052	Float, Shut-Off, (2)Ball, 1.75d	1
1013628	Gasket, Mtg, Float, .125th, Neo, Adh	1
1037106	Gasket, Adapter, Hose .13, Neo	1
100038	Gasket, .50, 02.63id 05.75od, Adh [Epdm]	1
1012965	Cap, Port, Soltn Fill	1
1029829	Hose, Drain, Soltn Tank [Ss3]	1
578301	Knob 10-32f Fill-Cover	1
621443	Chain, Ball, #10, 157mml, Ss	1
605062	Gasket, Cover, Soltn Fill	1
606146	Screen, Fltr, Soltn Fill, Nat	1
1026345	Caster, Swivel, 80mmd, M12 X 25, Clr PI	2
1014283	Pad, Adh, Non-Slip, 28mm X 36mm, Blk	1
1017251	Seal, Bulb, 90, 0.49d .08-.09grip 022.2l	1
1016040	Fuse, 025a 032vdc (Main Brush Assist Model)	1
1016029	Fuse, 005a 032vdc (Main Brush Assist Model)	1
1016040	Fuse, 025a 032vdc (Main Drive Model)	1
1016041	Fuse, 030a 032vdc (Main Drive Model)	1
1047470	Fuse, 10 Amp (ec-H2O Model)	1
1016039	Fuse, 007.5a 032vdc (Fast Model)	1
1039988	Orifice, Plug, .027 (Fast Model)	1
1017015	Detergent, Pkg, 2 Liter, Sgl [365] (Fast Model)	1
1017022	Detergent, Pkg, 2 Liter, Sgl [665] (Fast Model)	1

RECOMMENDED MAINTENANCE/SERVICE ITEMS

43 CM MODEL RECOMMENDED MAINTENANCE ITEMS

Part No.	Description	Qty.
1016763	Brush Assy, Disk, Scb, 17.0d, Abr (Gray-Abrasive Scrub)	1
1016764	Brush Assy, Disk, Scb, 17.0d, Nyl (White-Soft Nylon Scrub)	1
1016765	Brush Assy, Disk, Scb, 17.0d, Pyp (Black-Polypropylene Scrub)	1
1050273	Pad, Polish, 17.0d, White [1pick=1pad] (Polishing)	1
1050271	Pad, Buff, 17.0d, Red [1pick=1pad] (Light Scrubbing & Buffing)	1
1050270	Pad, Scb, 17.0d, Blue [1pick=1pad] (Medium Scrubbing)	1
1050267	Pad, Stripping, 17.0d, Brown[1pick=1pad] (Deep Scrubbing & Stripping)	1
1050262	Pad, Stripping, 17.0d[Hi Pro,1pick=1pad] (Black) (High Productivity Stripper)	1
1051028	Pad, Surf Prep, 17.0d [Mar, 1pick=1pad] (Maroon) (Surface Preparation)	1

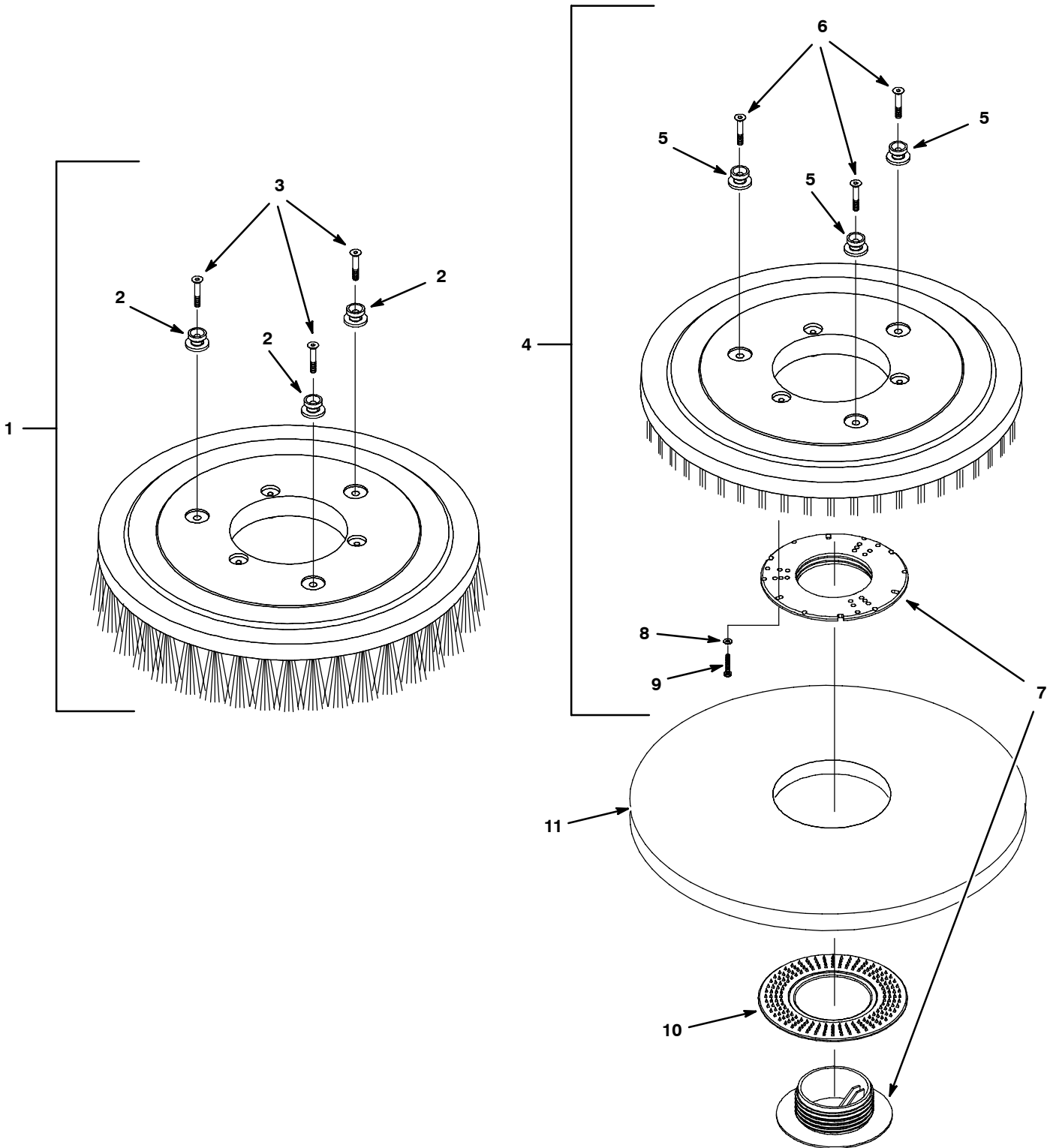
50 CM MODEL RECOMMENDED MAINTENANCE ITEMS

Part No.	Description	Qty.
1016805	Brush Assy, Disk, Scb, 20.0d, Abr (Gray-Abrasive Scrub)	1
1016810	Brush Assy, Disk, Scb, 20.0d, Nyl (White-Soft Nylon Scrub)	1
1016811	Brush Assy, Disk, Scb, 20.0d, Pyp (Black-Polypropylene Scrub)	1
17260	Pad, Polish, 20.0d, White [1pick=1pad] (Polishing)	1
17261	Pad, Buff, 20.0d, Red [1pick=1pad] (Light Scrubbing & Buffing)	1
17262	Pad, Scb, 20.0d, Blu [1pick=1pad] (Medium Scrubbing)	1
17263	Pad, Stripping, 20.0d, Brown[1pick=1pad] (Deep Scrubbing & Stripping)	1
370094	Pad, Stripping, 20.0d[Hi Prod,1pick=1pad] (Black) (High Productivity Stripper)	1
1051030	Pad, Surf Prep, 20.0d [Mar, 1pick=1pad] (Maroon) (Surface Preparation)	1

60 CM MODEL RECOMMENDED MAINTENANCE ITEMS

Part No.	Description	Qty.
1063297	Brush Assy, Disk, Scb, 12.0d, 3-Lug, Abr (Gray-Abrasive Scrub)	2
1056306	Brush Assy, Disk, Scb, 12.0d, 3-Lug, Nyl (White-Soft Nylon Scrub)	2
1056313	Brush Assy, Disk, Scb, 12.0d, 3-Lug, Pyp (Black-Polypropylene Scrub)	2
385940	Pad, Polish, 12.0d, White [1pad=1pc] (Polishing)	2
385941	Pad, Buff, 12.0d, Red [1pad=1pc] (Light Scrubbing & Buffing)	2
385942	Pad, Scb, 12.0d, Blu [1pick = 1 Pad] (Blue) (Medium Scrubbing)	2
385943	Pad, Stripping, 12.0d, Brown [1pad=1pc] (Deep Scrubbing & Stripping)	2
1063334	Pad, Stripping, 12.0d [Hi-Prod] Blk (Black) (High Productivity Stripper)	2
1051020	Pad, Surf Prep, 12.0d [Mar, 1pick=1pad] (Maroon) (Surface Preparation)	2

REPLACEMENT BRUSH AND PAD DRIVER GROUP, 43 cm (17 in) MODEL



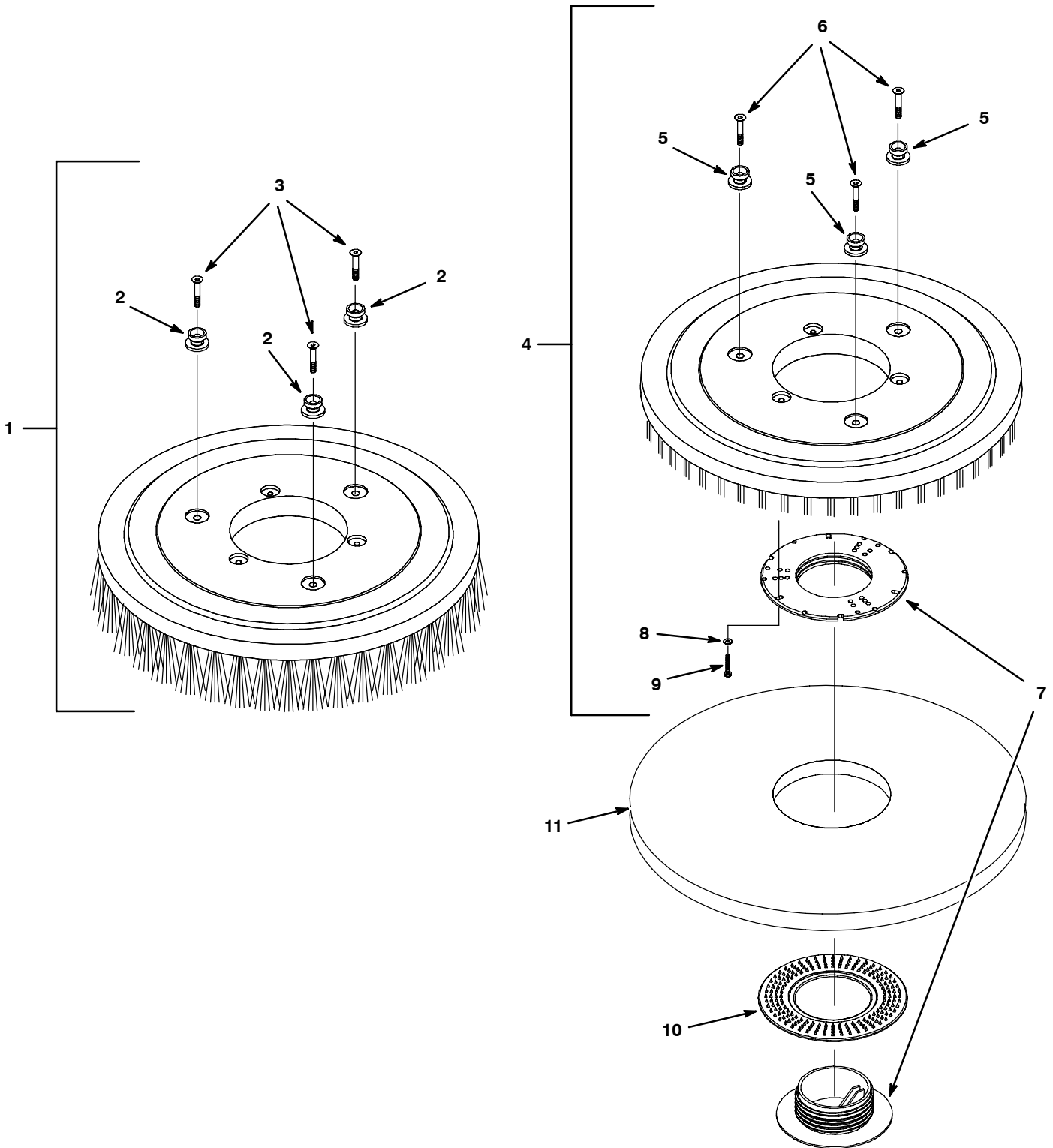
REPLACEMENT BRUSH AND PAD DRIVER GROUP, 43 cm (17 in) MODEL

Ref.	Part No.	Serial Number	Description	Qty.
1	1016764	(10000000-20000000)	● Brush Assy, Disk, 43cm/17inch, (White-Soft Nylon Scrub)	1
1	1016765	(10000000-20000000)	● Brush Assy, Disk, 43cm/17inch, (Black-Polypropylene Scrub)	1
1	1016763	(10000000-20000000)	● Brush Assy, Disk, 43cm/17inch, (Gray-Abrasive Scrub)	1
2	1013018	(10000000-20000000)) Stud, Drive, Brush Pad	3
3	07809	(10000000-20000000)) Screw, Flt, M6 X 1.0 X 35, 10.9	3
4	1016813	(10000000-20000000)	● Driver Assy, Pad, 43cm/17inch	1
5	1013018	(10000000-20000000)) Stud, Drive, Brush Pad	3
6	07809	(10000000-20000000)) Screw, Flt, M6 X 1.0 X 35, 10.9	3
7	25707	(10000000-20000000)	● Lock, Universal, Cntr, Rh, Yel	1
8	41579	(10000000-20000000)) Washer, Flat, #08, Ss	3
9	04403	(10000000-20000000)) Screw, Pan, M4 X 0.7 X 25, Ss, NI	3
10	32505	(10000000-20000000)	● Washer, Flat, 3.60b 5.65d .06, Brush Pad	1
11	1050273	(10000000-20000000)	● Pad, Polish, 17.0d, White [1pick=1pad] (Polishing)	1
11	1050271	(10000000-20000000)	● Pad, Buff, 17.0d, Red [1pick=1pad] (Light Scrubbing & Buffing)	1
11	1050270	(10000000-20000000)	● Pad, Scb, 17.0d, Blue [1pick=1pad] (Medium Scrubbing)	1
11	1050267	(10000000-20000000)	● Pad, Stripping, 17.0d, Brown[1pick=1pad] (Deep Scrubbing & Stripping)	1
11	1050262	(10000000-20000000)	● Pad, Stripping, 17.0d[Hi Pro,1pick=1pad] (Black) (High Productivity Stripping)	1
11	1051028	(10000000-20000000)	● Pad, Surf Prep, 17.0d [Mar, 1pick=1pad] (Maroon) (Surface Preparation)	1

● RECOMMENDED STOCK ITEMS

STANDARD PARTS

REPLACEMENT BRUSH AND PAD DRIVER GROUP, 50 cm (20 in) MODEL

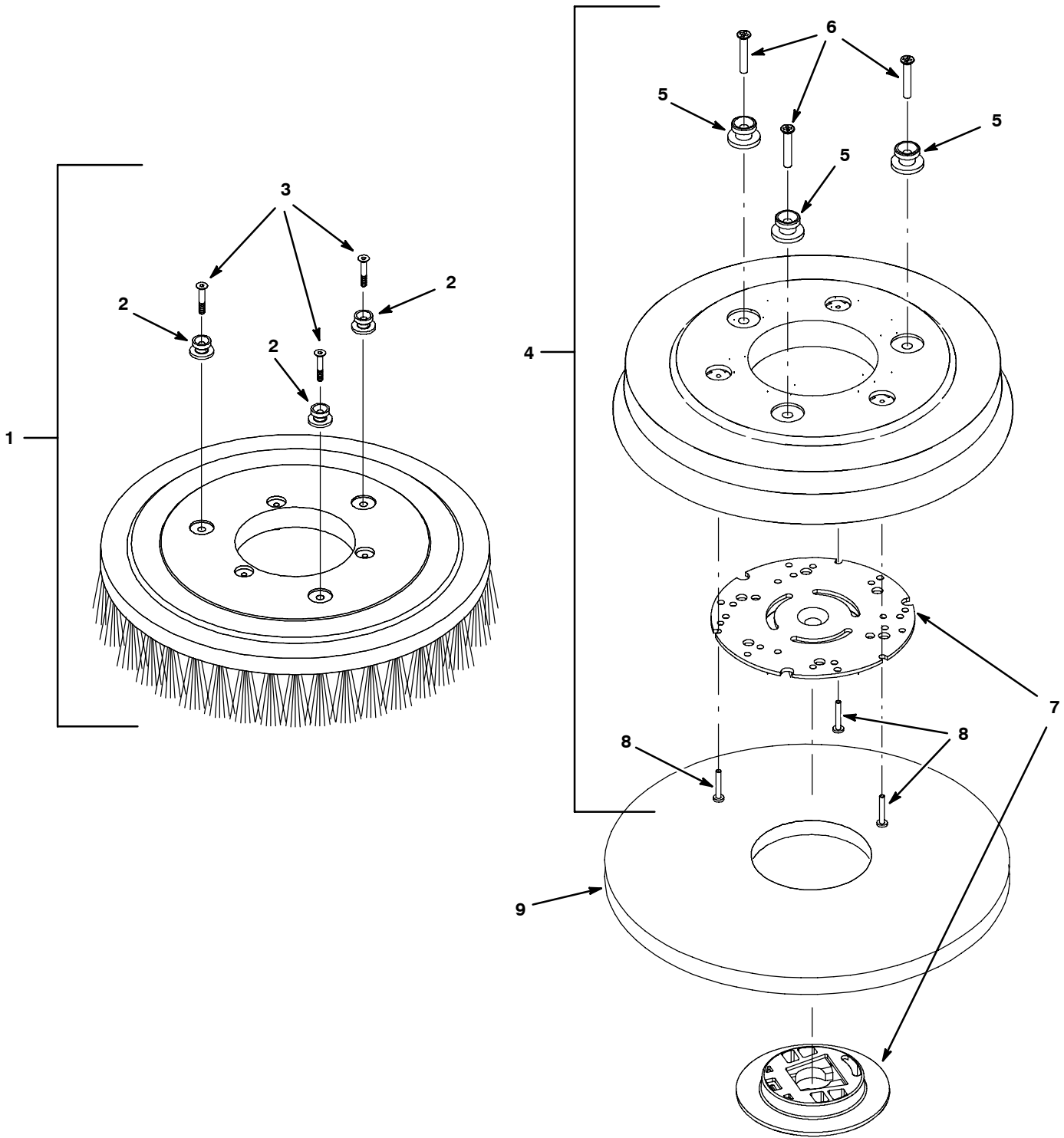


REPLACEMENT BRUSH AND PAD DRIVER GROUP, 50 cm (20 in) MODEL

Ref.	Part No.	Serial Number	Description	Qty.
1	1016810	(10000000-20000000)	● Brush Assy, Disk, 50cm/20inch, (White-Soft Nylon Scrub)	1
1	1016811	(10000000-20000000)	● Brush Assy, Disk, 50cm/20inch, (Black-Polypropylene Scrub)	1
1	1016805	(10000000-20000000)	● Brush Assy, Disk, 50cm/20inch, (Gray-Abrasive Scrub)	1
2	1013018	(10000000-20000000)) Stud, Drive, Brush Pad	3
3	07809	(10000000-20000000)) Screw, Flt, M6 X 1.0 X 35, 10.9	3
4	1016814	(10000000-20000000)	● Driver Assy, Pad, 50cm/20inch	1
5	1013018	(10000000-20000000)) Stud, Drive, Brush Pad	3
6	07809	(10000000-20000000)) Screw, Flt, M6 X 1.0 X 35, 10.9	3
7	25707	(10000000-20000000)	● Lock, Universal, Cntr, Rh, Yel	1
8	41579	(10000000-20000000)) Washer, Flat, #08, Ss	3
9	04403	(10000000-20000000)) Screw, Pan, M4 X 0.7 X 25, Ss, NI	3
10	32505	(10000000-20000000)	● Washer, Flat, 3.60b 5.65d .06, Brush Pad	1
11	17260	(10000000-20000000)	● Pad, Polish, 20.0d, White [1pick=1pad] (Polishing)	1
11	17261	(10000000-20000000)	● Pad, Buff, 20.0d, Red [1pick=1pad] (Light Scrubbing & Buffing)	1
11	17262	(10000000-20000000)	● Pad, Scb, 20.0d, Blu [1pick=1pad] (Blue) (Medium Scrubbing)	1
11	17263	(10000000-20000000)	● Pad, Stripping, 20.0d, Brown[1pick=1pad] (Deep Scrubbing & Stripping)	1
11	370094	(10000000-20000000)	● Pad, Stripping, 20.0d[Hi Prod,1pick=1pad] (Black) (High Productivity Stripper)	1
11	1051030	(10000000-20000000)	● Pad, Surf Prep, 20.0d [Mar, 1pick=1pad] (Maroon) (Surface Preparation)	1

● RECOMMENDED STOCK ITEMS

REPLACEMENT BRUSH AND PAD DRIVER GROUP, 60 cm (24 in) MODEL

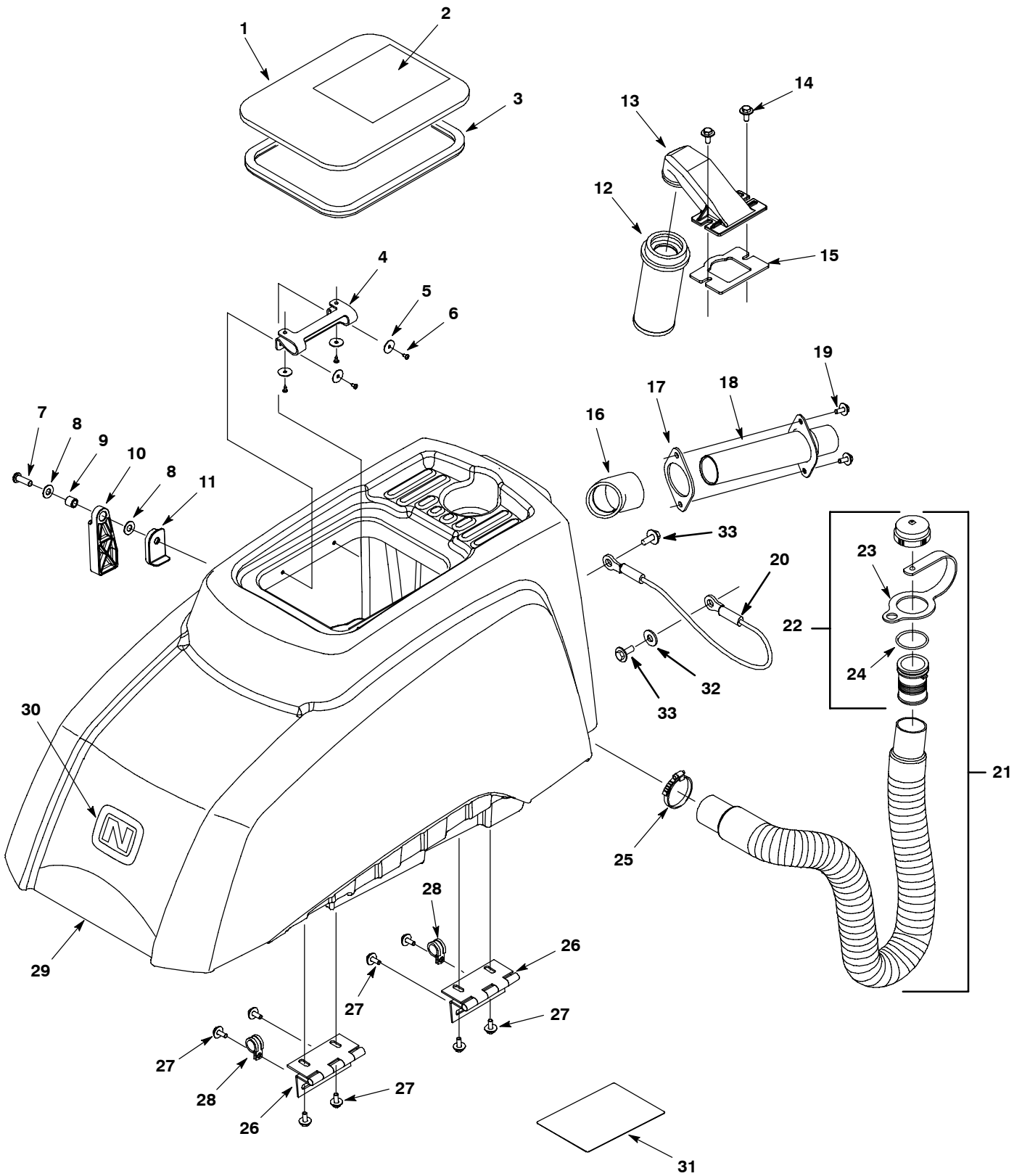


REPLACEMENT BRUSH AND PAD DRIVER GROUP, 60 cm (24 in) MODEL

Ref.	Part No.	Serial Number	Description	Qty.
1	1056306	(10000000-20000000)	● Brush Assy, Disk, Scb, 12.0d, 3-Lug, Nyl (White-Soft Nylon Scrub)	2
1	1056313	(10000000-20000000)	● Brush Assy, Disk, Scb, 12.0d, 3-Lug, Pyp (Black-Polypropylene Scrub)	2
1	1063297	(10000000-20000000)	● Brush Assy, Disk, Scb, 12.0d, 3-Lug, Abr (Gray-Abrasive Scrub)	2
2	1055558	(10000000-20000000)) Mount, Lug, Pad-Driver [T3]	3
3	1021316	(10000000-20000000)) Screw, Flt, Phl, M6 X 1.00 X 35, Ss	3
4	1054856	(10000000-20000000)	● Driver Assy, Pad, 12", 3-Lug	2
5	1055558	(10000000-20000000)) Mount, Lug, Pad-Driver [T3]	3
6	1021316	(10000000-20000000)) Screw, Flt, Phl, M6 X 1.00 X 35, Ss	3
7	370095	(10000000-20000000)	● Device, Centering, Clip On, TI [Gf Pp]	2
8	04403	(10000000-20000000)) Screw, Pan, M4 X 0.7 X 25, Ss, NI	3
9	385940	(10000000-20000000)	● Pad, Polish, 12.0d, White [1pad=1pc] (Polishing)	2
9	385941	(10000000-20000000)	● Pad, Buff, 12.0d, Red [1pad=1pc] (Light Scrubbing & Buffing)	2
9	385942	(10000000-20000000)	● Pad, Scb, 12.0d, Blu [1pick = 1 Pad] (Blue) (Medium Scrubbing)	2
9	385943	(10000000-20000000)	● Pad, Stripping, 12.0d, Brown [1pad=1pc] (Deep Scrubbing & Stripping)	2
9	1063334	(10000000-20000000)	● Pad, Stripping, 12.0d [Hi-Prod] Blk (Black) (High Productivity Stripper)	2
9	1051020	(10000000-20000000)	● Pad, Surf Prep, 12.0d [Mar, 1pick=1pad] (Maroon) (Surface Preparation)	2

● RECOMMENDED STOCK ITEMS

RECOVERY TANK GROUP



RECOVERY TANK GROUP

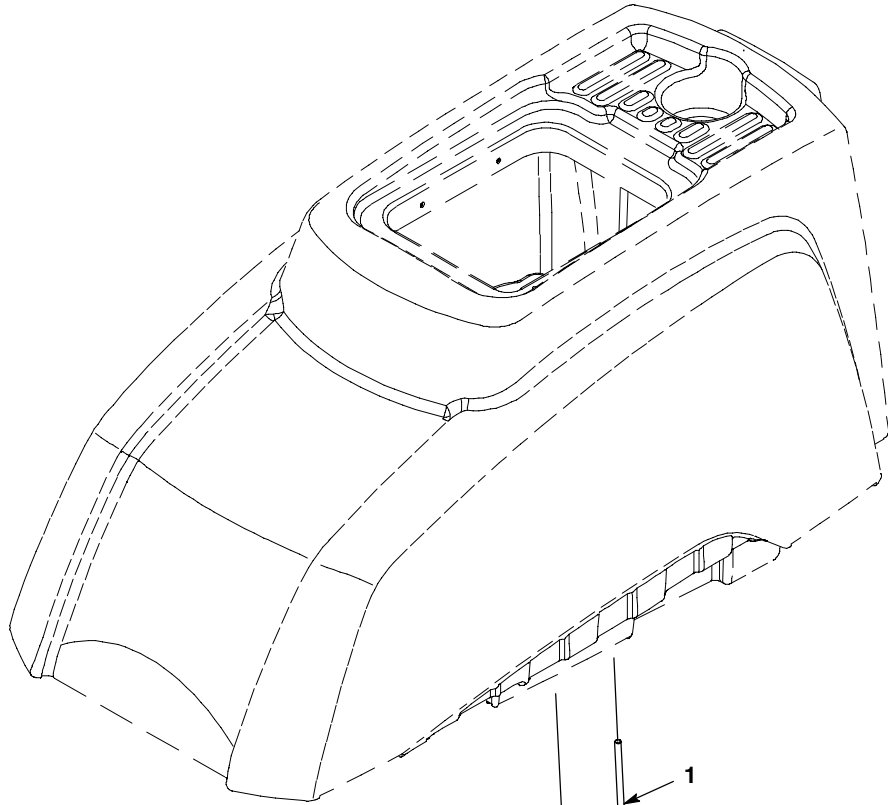
Ref.	Part No.	Serial Number	Description	Qty.
▽	1	9003396	(10000000-20000000)● Lid Assy, W/ Label [En/Es/Fr/Jp]	1
▲	2	1036679	(10000000-20000000) Label, Warning [Exp,Fre,Shk En/Fr/Es/Jp]	1
▲	3	630367	(10000000-20000000)● Seal, .50, .50w 33.9l, Adh [D Shape]	1
	4	630056	(10000000-20000000)● Hinge, Cover, Tank Lid	1
	5	1009168	(10000000-20000000) Washer, Flat, 0.17b 0.75d .04, Ss	4
	6	3701.6	(10000000-20000000) Screw, Pan, #06-32 X 0.38, Phl Ss Shtmtl	4
	7	1039118	(10000000-20000000) Screw, Btn, M8 X 1.25 X 30, Blk	1
	8	140027	(10000000-20000000) Washer, Flat, 0.35b 0.75d .04, Ss	2
	9	222460	(10000000-20000000) Sleeve, P/M, 0.31b 0.50d 0.5l	1
	10	1022399	(10000000-20000000) Support, Tank, Prop, Blk, Nyl	1
	11	1022904	(10000000-20000000) Bracket, Sppt, Stop, Blk, Nyl	1
	12	630052	(10000000-20000000)● Float, Shut-Off, (2)Ball, 1.75d	1
	13	1011777	(10000000-20000000) Mount, Float, Mold	1
	14	1034731	(10000000-20000000) Screw, Hex, M6 X 1.00 X 16, Sems, Ss	2
	15	1013628	(10000000-20000000)● Gasket, Mtg, Float, .125th, Neo, Adh	1
	16	1028801	(10000000-20000000) Fitting, Plstc, E45, 1.25	1
	17	1024602	(10000000-20000000)● Gasket, Adapter, Hose .13, Neo, Adh	1
	18	1021214	(10000000-20000000) Tube, Hose, Adapter, 1.5d	1
	19	1034731	(10000000-20000000) Screw, Hex, M6 X 1.00 X 16, Sems, Ss	2
	20	140960	(10000000-20000000) Cable, Glv .13d 014.5l .34eye /.34eye	1
▽	21	1043538	(10000000-20000000)● Hose Assy, Drain, 1.50id X 29.5l, Blk	1
▲▽	22	1008639	(10000000-20000000)● Cap, Drain Assy	1
▲▲	23	1019563	(10000000-20000000)● Strap, Cap, Drain	1
▲▲	24	1008637	(10000000-20000000)● Seal, Org, 1.48id 1.76od	1
	25	11531	(10000000-20000000) Clamp, Hose, Wormdrive, 1.06-2.00d, .56w	1
	26	1012540	(10000000-20000000) Hinge, 6mmpin 2.5mm Th 73.5mmw 100mml	2
	27	1034731	(10000000-20000000) Screw, Hex, M6 X 1.00 X 16, Sems, Ss	8
	28	1016354	(10000000-20000000) Clamp, Cable, Ss, 0.50d X 0.50w [Insul]	2
▽	29	9007890	(10000000-20000000) Tank, Recovery, Afmkt [Ss3]	1
▲	30	1034637	(10000000-20000000) Label, Front, 3.50 [Nobles Icon]	1
▲	31	1014154	(10000000-20000000) Label, Instr, Battery	1
	32	01684	(10000000-20000000) Washer, Flat, 0.25 Ss	1
	33	1034731	(10000000-20000000) Screw, Hex, M6 X 1.00 X 16, Sems, Ss	2

▽ ASSEMBLY

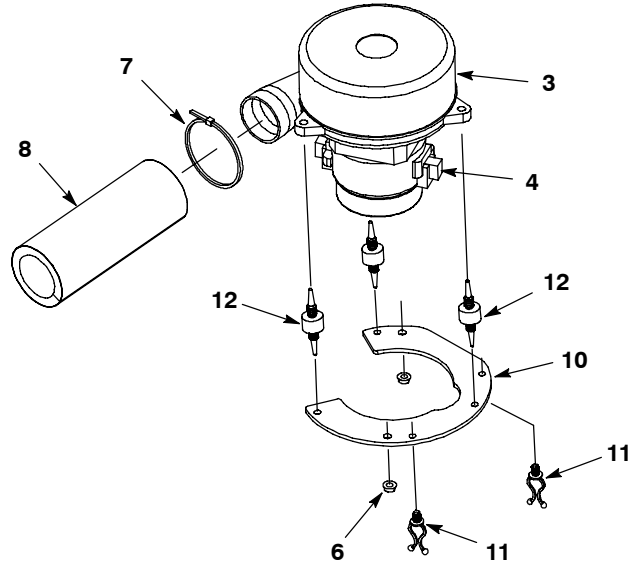
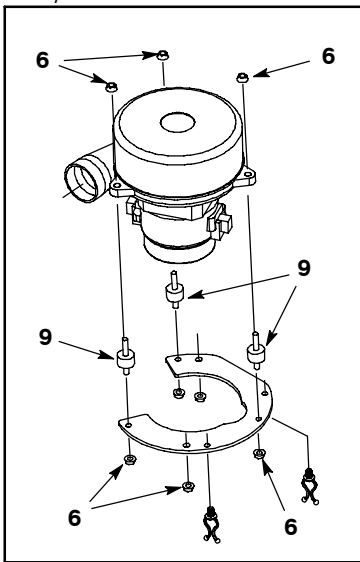
▲ INCLUDED IN ASSEMBLY

● RECOMMENDED STOCK ITEMS

VACUUM MOTOR GROUP



S/N 10000000-10469097



VACUUM MOTOR GROUP

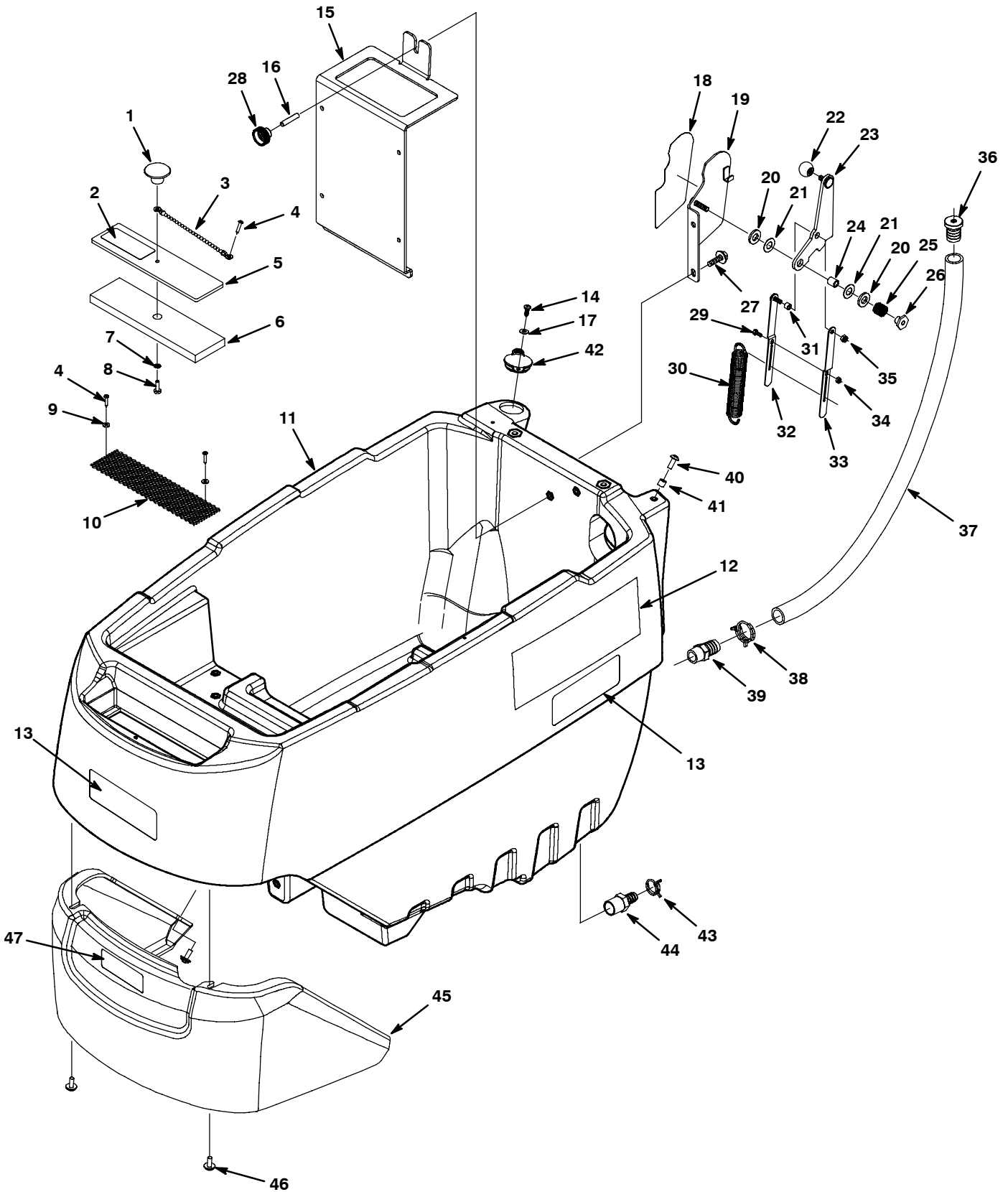
Ref.	Part No.	Serial Number	Description	Qty.
1	1015412	(10000000-20000000)	Rod, Thrd, Full, M6x1.0, 140l	2
2	1024575	(10000000-20000000)	Tube, 0.43d 0.28b 03.3l, Pl	2
▽	3	1023271	(10000000-20000000)● Fan, Vacuum, 5.7d 2stage 024vdc [Bpt,Pk]	1
▲	4	372883	(10000000-20000000)● Vr, Brush Kit, Motor, Ele	1
5	100038	(10000000-20000000)● Gasket, Vacuum Mtr 5.7 Epdm W/Psa	1	
6	1040381	(10469098-20000000)	Nut, Hex, Flng, M6 X 1.0, Ss [Serrated]	2
6	1040381	(10000000-10469097)	Nut, Hex, Flng, M6 X 1.0, Ss [Serrated]	8
7	130773	(10000000-20000000)	Tie, Cable, Nyl, 11.0l, .14w, 3.0 Max. D	1
8	1009906	(10000000-20000000)●	Muffler, Exhaust, Vacuum, 170l	1
9	1011093	(10000000-10469097)	Isolator, Vib, .75d, M6 Stud Both Ends	3
10	1011962	(10000000-20000000)	Bracket, Mtg, Vacuum	1
11	30406	(10000000-20000000)●	Clip, Keeper	2
12	1057777	(10469098-20000000)	Isolator, Vib, .75d	3

▽ ASSEMBLY

▲ INCLUDED IN ASSEMBLY

● RECOMMENDED STOCK ITEMS

SOLUTION TANK GROUP



SOLUTION TANK GROUP

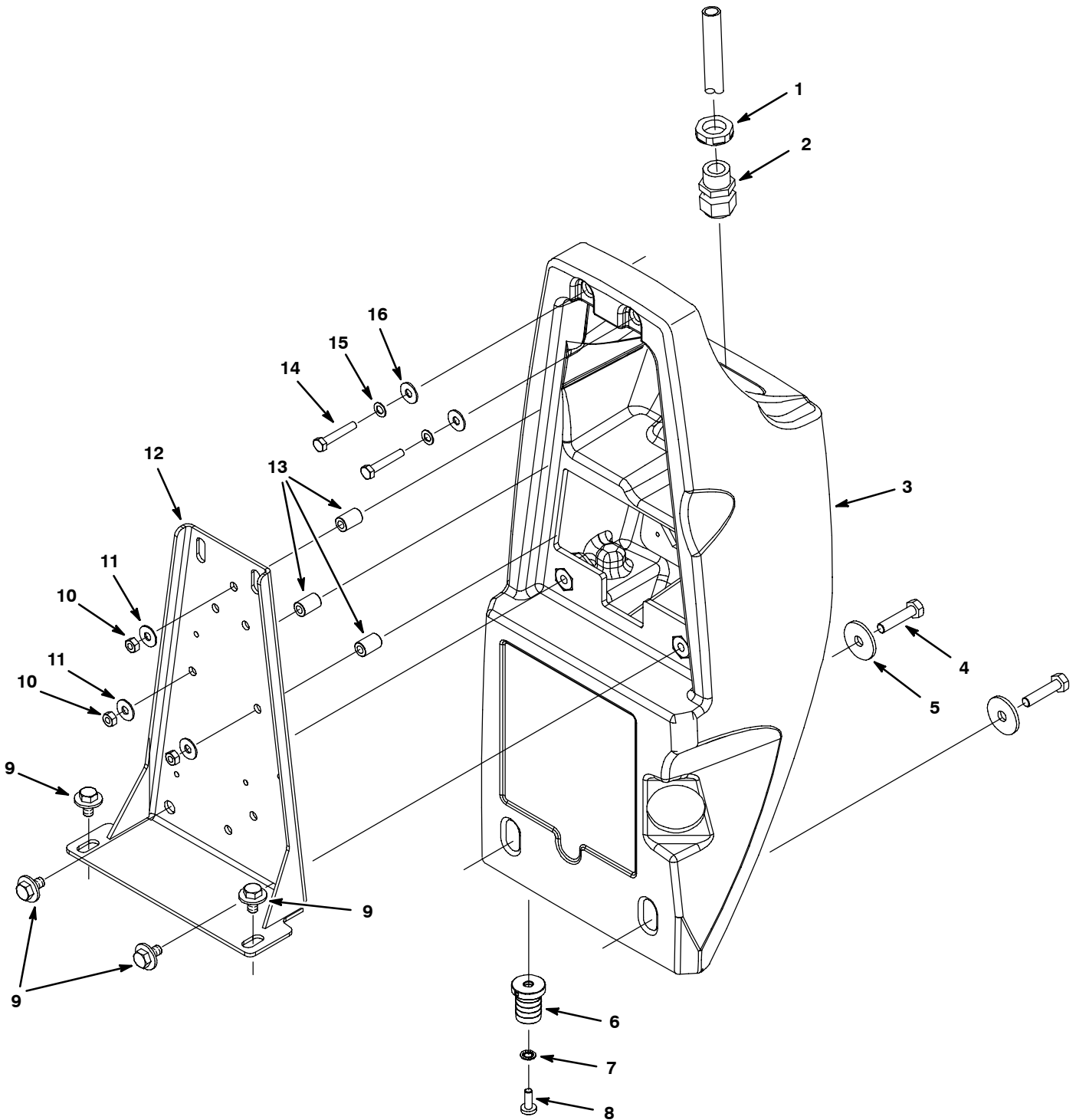
Ref.	Part No.	Serial Number	Description	Qty.
1	578301	(10000000-20000000)	● Knob 10-32f Fill-Cover	1
2	391451	(10000000-20000000)) Label [Attention Fast Users] (Fast Model)	1
2	1050003	(10000000-20000000)) Label, User, Attention, Ec-H2o (ec-H2O Model)	1
3	621443	(10000000-20000000)	● Chain, Ball, #10, 157mml, Ss	1
4	140826	(10000000-20000000)) Screw, Pan, #06-32 X 0.75, Phl Ss Shtmtl	3
5	605061	(10000000-20000000)) Cover, Fill, Soltn	1
6	605062	(10000000-20000000)	● Gasket, Cover, Soltn Fill	1
7	07514	(10000000-20000000)) Washer, Lock, Int, #10, Ss	1
8	140841	(10000000-20000000)) Screw, Pan, #10-32 X 0.62, Phl, Ss	1
9	41578	(10000000-20000000)) Washer, Flat, #06, Ss	2
10	606146	(10000000-20000000)	● Screen, Fltr, Soltn Fill, Nat	1
▽	11	9007891) Tank, Solution, Afmkt [Ss3]	1
▲	12	1024781) Label, Side [Spdscrub]	2
▲	13	1050019) Label, Side, Ec-H2o [Ss3/Ss5/Ss rider] (ec-H2O Model)	3
14	1018155	(10000000-20000000)) Screw, Pan, M5 X 0.8 X16, Ss, Tcut	1
15	1040598	(10000000-20000000)) Bracket, Mtg, Chrgr [Ss3]	1
16	1018559	(10000000-20000000)) Screw, Set, M6 X 1.00 X 30, Ss [Fltpt]	1
17	01683	(10000000-20000000)) Washer, Flat, #10, Ss	1
18	1018389	(10000000-20000000)) Label, Lever, Dual Down Press	1
19	1018020	(10000000-20000000)) Bracket Wldt, Mtg, Dual Dp Lever	1
20	140127	(10000000-20000000)) Bearing, Thrust, 0.51b X 1.0 X .12, Brz	2
21	89710	(10000000-20000000)) Washer, Flat, 0.51b 1.00d .03, Nyl	2
22	1017156	(10000000-20000000)	● Knob, Ball, M8 Insert, 40mmd, Plstc	1
23	1017493	(10000000-20000000)) Lever, Lift, Dual Down Press	1
24	1014336	(10000000-20000000)) Sleeve, P/M, 08.4b 12.6d 14.5l, PI	1
25	1018756	(10000000-20000000)) Spring, Cmpr, 0.70d .080wir 00.7l, PI[Mw]	1
26	1018181	(10000000-20000000)) Nut, T, M8 X 1.25 X 0.50od X 0.4l	1
27	1020341	(10000000-20000000)) Screw, Hex, M8 X 1.25 X 20, Ss, Sems	2
28	578439	(10000000-20000000)) Nut, Thumb, M6 X 1.0, 24mm Od	1
29	09738	(10000000-20000000)) Screw, Hex, M5 X 0.8 X 12, Ss	1
30	1031783	(10000000-20000000)) Spring, Extn, 1.00od 0.12wir 06.3l	1
31	1017884	(10000000-20000000)) Bushing, Sleeve, 6mmb 10mmd 7mml	1
32	1017882	(10000000-20000000)) Link Wldt, Spring, Lever	1
33	1017805	(10000000-20000000)) Link, Spring, Lever	1
34	09739	(10000000-20000000)) Nut, Hex, Lock, M5 X 0.8, NI, Ss	1
35	08708	(10000000-20000000)) Nut, Hex, Lock, M6 X 1.0, NI	1
36	1035469	(10000000-20000000)) Fitting, Plastic, Bm12 [Sight Tube]	1
37	1029829	(10000000-20000000)	● Hose, Drain, Soltn Tank [Ss3]	1
38	608915	(10000000-20000000)) Clamp, Hose, Wir, 1.03 - 1.09	1
39	78398	(10000000-20000000)) Fitting, Plstc, Str, Bm12/Pm08, Nyl	1
40	608322	(10000000-20000000)) Screw, Trs, M6 X 1.0 X 16, Phl, Ss	1
41	140154	(10000000-20000000)) Sleeve, P/M, 0.25b 0.38d 0.3l, PI	1
42	1012965	(10000000-20000000)	● Cap, Port, Soltn Fill	1
43	607776	(10000000-20000000)) Clamp, Hose, Wir, .73 - .77, Silver	1
44	1023581	(10000000-20000000)) Fitting, Plstc, Str, Bm08/Pm08, Nyl	1
45	1028710	(10000000-20000000)) Cover, Head, Rm-Blk, Trimmed [Ss3]	1
46	1034731	(10000000-20000000)) Screw, Hex, M6 X 1.00 X 16, Ss, Sems	6
47	1034921	(10000000-20000000)) Label, Logo, White/Black, 4.00l [Fast] (Fast Model)	1

▽ ASSEMBLY

▲ INCLUDED IN ASSEMBLY

● RECOMMENDED STOCK ITEMS

LOWER CONTROL CONSOLE GROUP



LOWER CONTROL CONSOLE GROUP

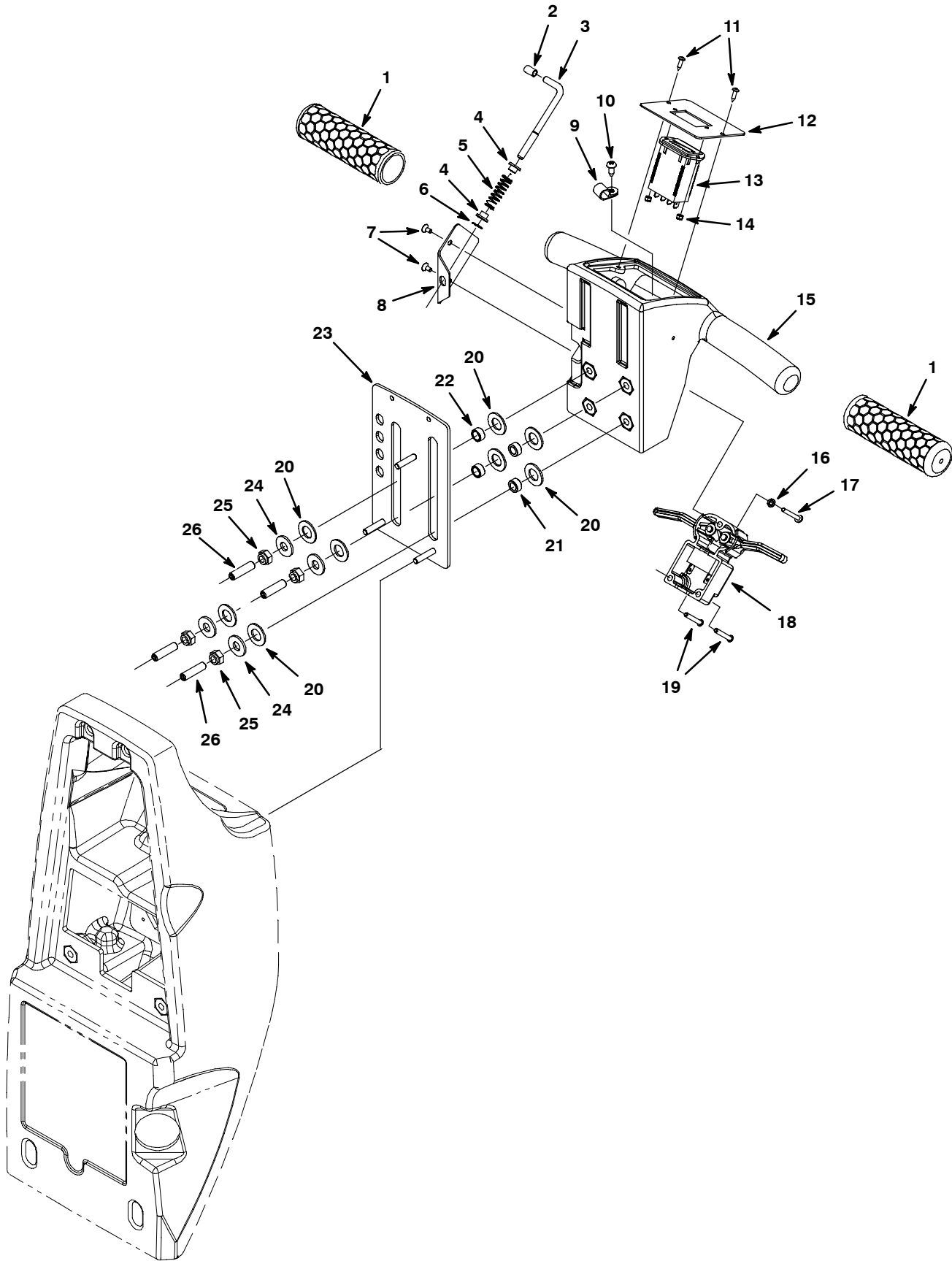
Ref.	Part No.	Serial Number	Description	Qty.
1	140638	(10000000-20000000)	Nut, Hex, Pf08, Blk Nyl [Conduit]	1
2	130181	(10000000-20000000)	● Grip, Cord, Strainrelief, .50npt	1
3	1031071	(10000000-20000000)	Console, Lower, Rm-Spg, Trimmed [Ss3]	1
4	59658	(10000000-20000000)	Screw, Hex, M8 X 1.25 X 35, Ss, NI	2
5	1016331	(10000000-20000000)	Washer, Flat, 0.34b 1.25d .11, Ss	2
6	1035469	(10000000-20000000)	Fitting, Plstc, Bm12 [Sight Tube]	1
7	07515	(10000000-20000000)	Washer, Lock, Int, 0.25 Ss	1
8	367770	(10000000-20000000)	Screw, Pan, M6 X 1.0 X 16, Ss	1
9	1020341	(10000000-20000000)	Screw, Hex, M8 X 1.25 X 20, Ss, Sems	4
10	41359	(10000000-20000000)	Nut, Hex, Std, M6 X 1.00, 8	3
11	01684	(10000000-20000000)	Washer, Flat 0.25, Ss	3
12	1054129	(10000000-20000000)	Bracket, Hsng, Cntrl, Alm [T3, Ss3]	1
13	1031025	(10000000-20000000)	Bushing, Sleeve, 6.5mmb 12mmd 18mml	3
14	07805	(10000000-20000000)	Screw, Hex, M6 X 1.0 X 35, Ss	2
15	07515	(10000000-20000000)	Washer, Lock, Int, 0.25, Ss	2
16	01684	(10000000-20000000)	Washer, Flat 0.25, Ss	2

▽ ASSEMBLY

▲ INCLUDED IN ASSEMBLY

● RECOMMENDED STOCK ITEMS

UPPER CONTROL CONSOLE GROUP, BRUSH ASSIST MODEL

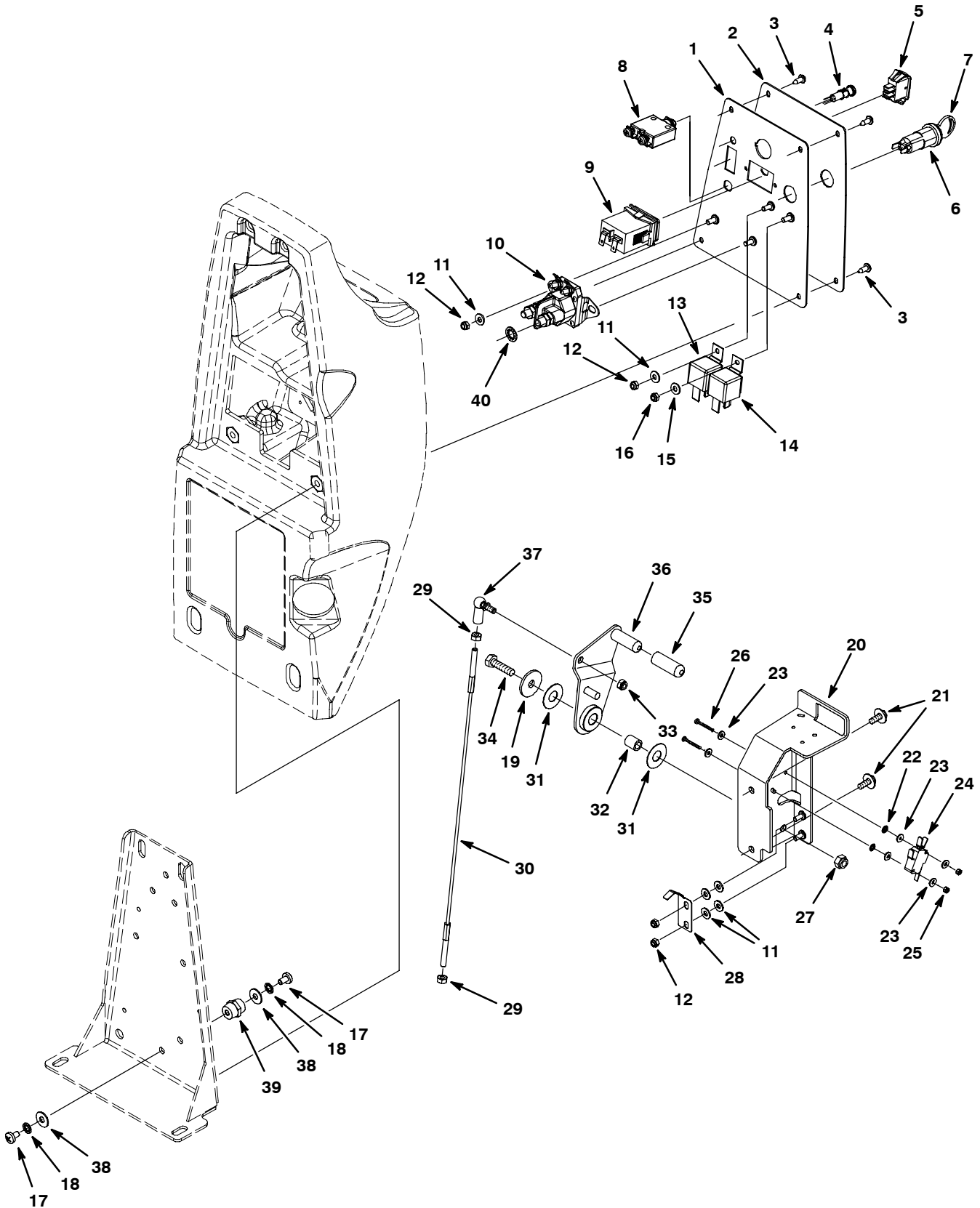


UPPER CONTROL CONSOLE GROUP, BRUSH ASSIST MODEL

Ref.	Part No.	Serial Number	Description	Qty.
1	1026407	(10000000-20000000)	● Grip, Handle, 31.75mm Dia. X 117mm L	2
2	630094	(10000000-20000000)) Cap, Vinyl, 2.26 Id X 12.7lg, Blk	1
3	630081	(10000000-20000000)) Lever, Latch, Console Adjust	1
4	630083	(10000000-20000000)) Bushing, Latch	2
5	630082	(10000000-20000000)) Spring, Cmpr, 0.42od .04wir 01.8l, Pl,Mw	1
6	630084	(10000000-20000000)) Ring, Retaining, Ext, 4.62mm, [E-Ring]	1
7	49697	(10432128-20000000)) Screw, Pan, Phl, M4 X 0.70 X 10, Ss	2
7	630114	(10000000-10432127)) Screw, Flt, M4 X 0.7 X 8, 4.8	2
8	630087	(10000000-20000000)) Plate, Latch, Retainer	1
9	140328	(10000000-20000000)) Clamp, Cable, Nyl, 0.38d, Blk	1
10	1009324	(10000000-20000000)) Screw, Pan, #10-16 X 0.50,Phl,Blk[Ty-17]	1
11	140825	(10000000-20000000)) Screw, Pan, #06 X 0.50, Phl, Blk,Fmg[Ab]	2
12	1031162	(10000000-20000000)) Panel, Cntrl, Upper, Battery Indicator	1
13	1057627	(10000000-20000000)	● Indicator, Battery, 24vdc, 1.73volt/Cell	1
14	579211	(10000000-20000000)) Nut, Hex, Lock, M3 X 0.50, Ss	2
15	1031952	(10432128-20000000)) Console, Upper, Rm-Spg, Trimmmed, Push	1
15	9006217	(10000000-10432127)) Console Kit, Upper, Rm-Spg W/ Scr [Ss3]	1
16	02938	(10000000-20000000)) Washer, Lock, Int, #08, Ss	1
17	33931	(10000000-20000000)) Screw, Pan, Phl, M4 X 0.70 X 30, Ss	1
18	1063203	(10000000-20000000)	● Controlbox, Assy, Trigger	1
19	1032889	(10000000-20000000)) Screw, Pan, #8-18 X 1.12, F/ Plstc	2
20	608562	(10000000-20000000)) Washer, Flat, 0.51b 0.94d .06, Nyl	8
21	607783	(10000000-20000000)) Bearing, Sleeve, .31id X .50od X .25,Bnz	2
22	630259	(10000000-20000000)) Bearing, 9.5id 12.7od 6.4l,Brz	2
23	1030879	(10000000-20000000)) Plate, Slide, Console [Ss3]	1
24	01685	(10000000-20000000)) Washer, Flat, 0.38b 0.88d .08, Ss	4
25	08709	(10000000-20000000)) Nut, Hex, Lock, M8 X 1.25, NI	4
26	607461	(10432128-20000000)) Screw, Set, M8 X 1.25 X 35, NI	4
26	1032057	(10000000-10432127)) Screw, Set, M8x1.25x30, W/Patch	4

● RECOMMENDED STOCK ITEMS

COMPONENT PANEL GROUP, BRUSH ASSIST MODEL



COMPONENT PANEL GROUP, BRUSH ASSIST MODEL

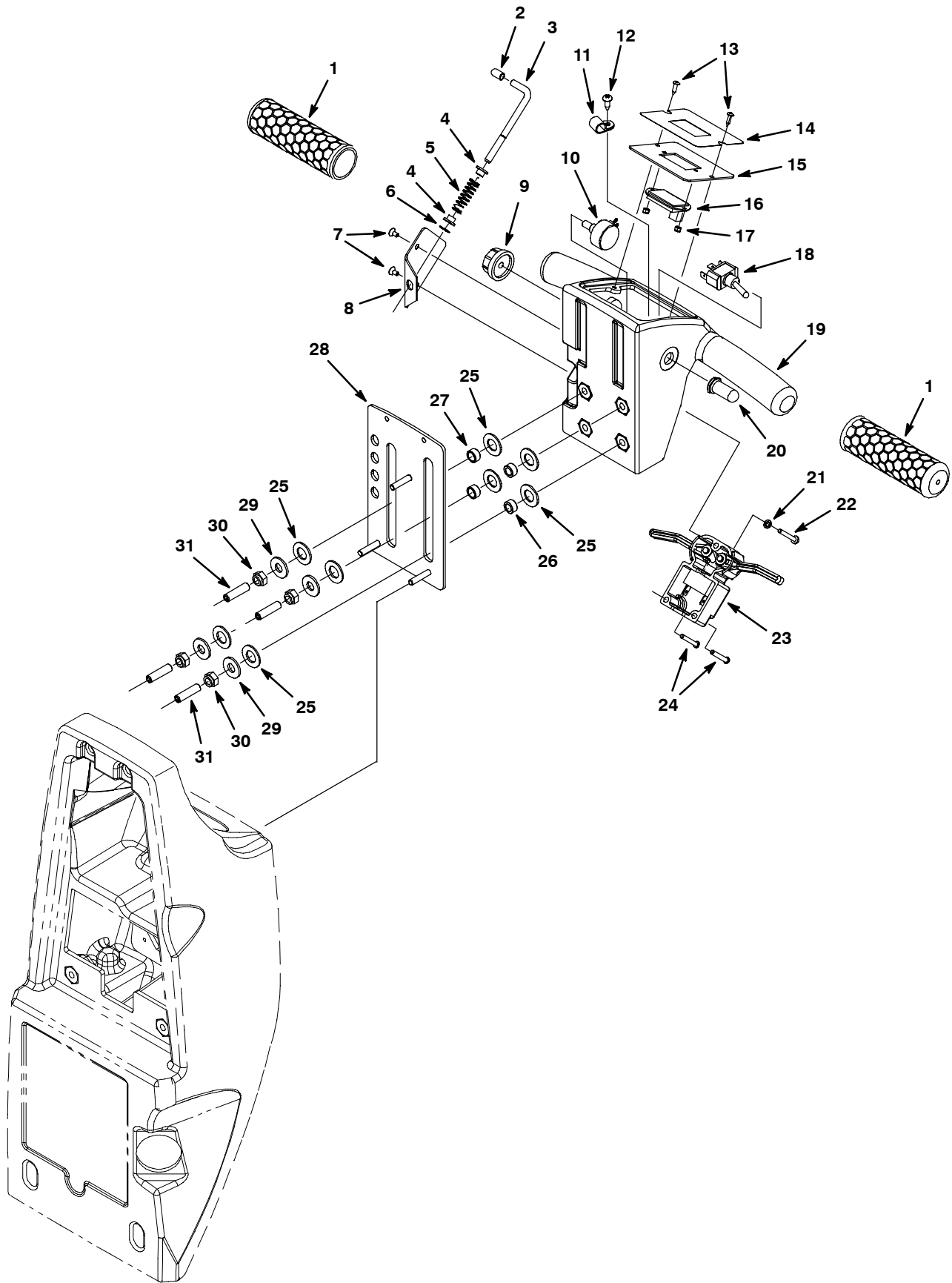
Ref.	Part No.	Serial Number	Description	Qty.	
1	1012134	(10000000-20000000)) Panel, Cntrl, Lower	1	
2	1016628	(10000000-20000000)) Label, Panl, Instmt, Lower [T3/T3e/Ss3]	1	
2	1049998	(10000000-20000000)) Label, Console, Lower Ec-H2o [T3 Na/Aej] (ec-H2O Model)	1	
3	1009324	(10000000-20000000)) Screw, Pan, #10-16 X 0.50,Phl,Blk[Ty-17]	4	
4	1041822	(10000000-20000000))● Light, Panel, Mgt, .312" Dia. (ec-H2O Model)	1	
5	130787	(10000000-20000000))● Switch, Rocker, Spdt (Fast & ec-H2O Model)	1	
▽	6	1011402	(10000000-20000000))● Switch, Key	1
▲	7	1017696	(10000000-20000000))● Key Set, Replmt [F/ Keyswitch 1011402]	1
8	1057902	(10000000-20000000))● Circuitbreaker, 35.0a	1	
9	1011282	(10000000-20000000))● Gauge, Hourmeter, 12/60 Vdc [Ret Mount]	1	
10	1038490	(10000000-20000000))● Relay, 24vdc, 100a, No [Trombetta]	2	
11	01683	(10000000-20000000)) Washer, Flat, #10, Ss	7	
12	09739	(10000000-20000000)) Nut, Hex, Lock, M5 X 0.80, NI, Ss	4	
13	1012216	(10000000-20000000))● Relay, 24vdc, 070a, Spst No, Plug-In	1	
14	1012216	(10000000-20000000))● Relay, 24vdc, 070a, Plug-In (Fast & ec-H2O Model)	1	
15	01683	(10000000-20000000)) Washer, Flat, #10, Ss (Fast & ec-H2O Model)	1	
16	09739	(10000000-20000000)) Nut, Hex, Lock, M5 X 0.80, NI, (Fast & ec-H2O Model)	1	
17	48732	(10000000-20000000)) Screw, Pan, M6 X 1.0 X 10, Ss	2	
18	07515	(10000000-20000000)) Washer, Lock, Int, 0.25, Ss	2	
19	1016331	(10000000-20000000)) Washer, Flat, 0.34b 1.25d .11, Ss	1	
20	1012850	(10000000-20000000)) Bracket Wldt, Lever, Sqge	1	
21	1034731	(10000000-20000000)) Screw, Hex, M6 X 1.00 X 16, Sems, Ss	2	
22	02938	(10000000-20000000)) Washer, Lock, Int, 08, Ss	2	
23	41578	(10000000-20000000)) Washer, Flat, #06, Ss	6	
24	1012568	(10000000-20000000))● Switch, Snap, 10a, Short	1	
25	579211	(10000000-20000000)) Nut, Hex, Lock, M3 X 0.50, Ss	2	
26	1042062	(10000000-20000000)) Screw, Hex, M3 X 0.5 X 25, Ss	2	
27	08713	(10000000-20000000)) Nut, Hex, Lock, M8 X 1.25, NI, Ss	1	
28	1015459	(10000000-20000000)) Spring, Lever, Sqge	1	
29	07785	(10000000-20000000)) Nut, Hex, Std, M6 X 1.00, A2, Ss	2	
30	1013479	(10000000-20000000)) Cable, Glv 3.18mmd 0412l M06/ M06	1	
31	1013397	(10000000-20000000)) Washer, Flat, M13 X 30 X 0.8, Nyl	2	
32	1014336	(10000000-20000000)) Sleeve, P/M, 8.40b 12.60d 14.5l, PI	1	
33	08712	(10000000-20000000)) Nut, Hex, Lock, M6 X 1.00, Ss, NI	1	
34	09011	(10000000-20000000)) Screw, Hex, M8 X 1.25 X 30, Ss	1	
35	1016895	(10000000-20000000)) Cap, Handle, Sqge Lift	1	
36	1013329	(10000000-20000000)) Lever Wldt, Sqge	1	
37	1012747	(10000000-20000000)) Balljoint, M06 X 1.0 Fem, M06 X 1.0 Mal	1	
38	01684	(10000000-20000000)) Washer, Flat, 0.27b 0.69d .05, Ss	2	
39	1013523	(10000000-20000000))● Stand-Off, Wir, M6, 18 Hex, 20l, Insul	1	
40	43952	(10000000-20000000)) Washer, Lock, Int, 0.31, Ss	1	

▽ ASSEMBLY

▲ INCLUDED IN ASSEMBLY

● RECOMMENDED STOCK ITEMS

UPPER CONTROL CONSOLE GROUP, DRIVE MODEL

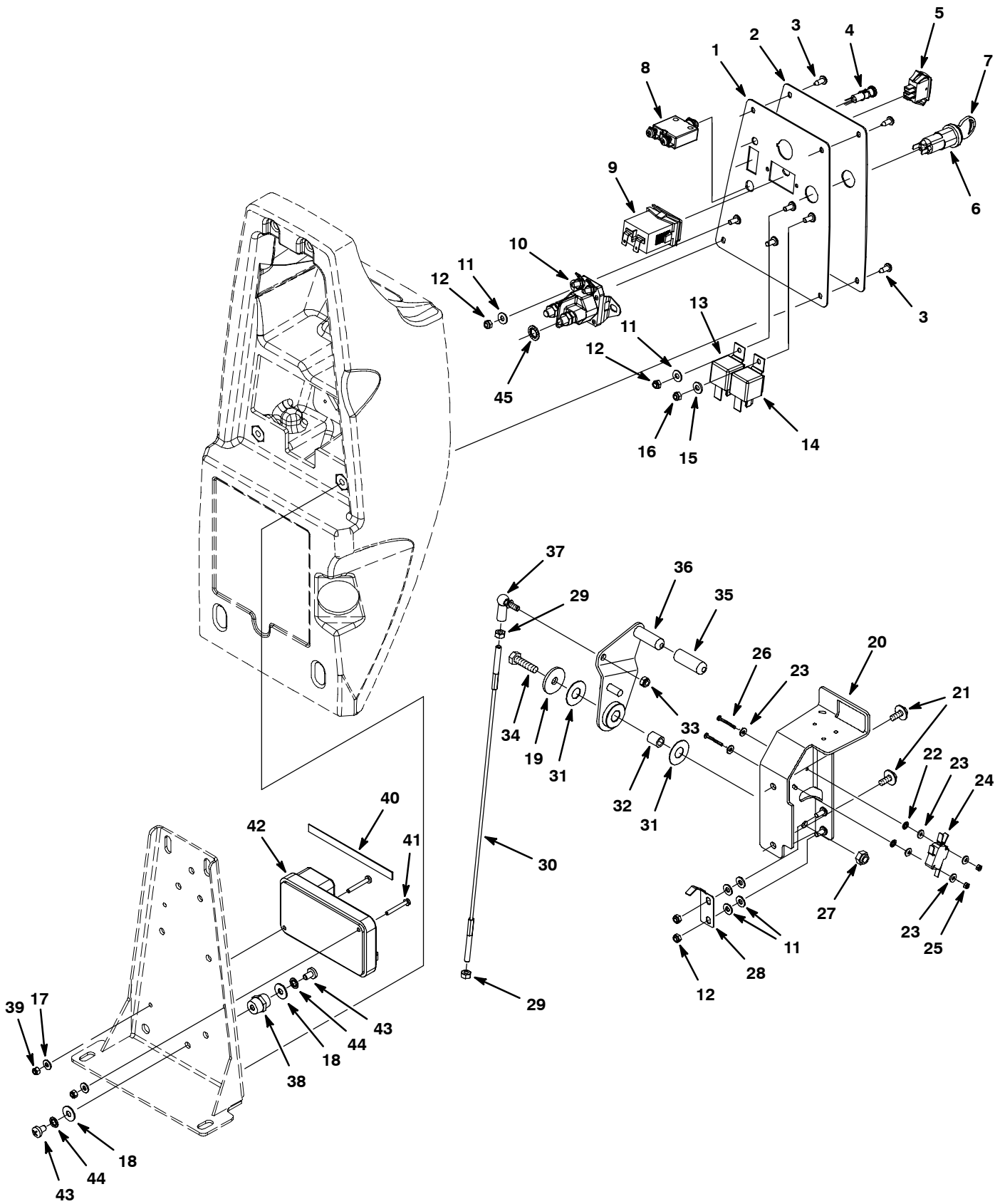


UPPER CONTROL CONSOLE GROUP, DRIVE MODEL

Ref.	Part No.	Serial Number	Description	Qty.
1	1026407	(10000000-20000000)	● Grip, Handle, 31.75mm Dia. X 117mm L	2
2	630094	(10000000-20000000)	● Cap, Vinyl, 2.26 Id X 12.7lg, Blk	1
3	630081	(10000000-20000000)) Lever, Latch, Console Adjust	1
4	630083	(10000000-20000000)) Bushing, Latch	2
5	630082	(10000000-20000000)) Spring, Cmpr, 0.42od .04wir 01.8l, Pl,Mw	1
6	630084	(10000000-20000000)) Ring, Retaining, Ext, 4.62mm, [E-Ring]	1
7	49697	(10432128-20000000)) Screw, Pan, Phl, M4 X 0.70 X 10, Ss	2
7	630114	(10000000-10432127)) Screw, Flt, M4 X 0.7 X 8, 4.8	2
8	630087	(10000000-20000000)) Plate, Latch, Retainer	1
9	1028037	(10000000-20000000)	● Knob, 1.25d	1
10	1042687	(10000000-20000000)	● Harness, Pot, Wire Assy [45k Ohm]	1
11	140328	(10000000-20000000)) Clamp, Cable, Nyl, 0.38d, Blk	1
12	1009324	(10000000-20000000)) Screw, Pan, #10-16 X 0.50, Phl, Blk[Ty-17]	1
13	140825	(10000000-20000000)) Screw, Pan, #06 X 0.50, Phl, Blk, Fmg[Ab]	2
14	1031582	(10000000-20000000)) Label, Panel, Cntrl, Upper	1
15	1031162	(10000000-20000000)) Panel, Cntrl, Upper, Battery Indicator	1
16	392894	(10000000-20000000)	● Gauge, Discharge, Battery, 36vdc, Rt, Led	1
17	579211	(10000000-20000000)) Nut, Hex, Lock, M3 X 0.50, Ss	2
18	601108	(10000000-20000000)	● Switch, Toggle, Mom / On / On	1
19	1031000	(10432128-20000000)) Console, Upper, Rm-Spg, Trimmmed (Ss3)	1
19	9006223	(10000000-10432127)) Console Kit, Upper, Rm-Spg, Drive [Ss3]	1
20	130753	(10000000-20000000)	● Boot, Switch 1.00l Blk	1
21	02938	(10000000-20000000)) Washer, Lock, Int, #08, Ss	1
22	33931	(10000000-20000000)) Screw, Pan, Phl, M4 X 0.70 X 30, Ss	1
23	1063203	(10000000-20000000)	● Controlbox, Assy, Trigger	1
24	1032889	(10000000-20000000)) Screw, Pan, #8-18 X 1.12, F/ Plstc	2
25	608562	(10000000-20000000)) Washer, Flat, 0.51b 0.94d .06, Nyl	8
26	607783	(10000000-20000000)) Bearing, Sleeve, .31id X .50od X .25, Bnz	2
27	630259	(10000000-20000000)) Bearing, 9.5id 12.7od 6.4l, Brz	2
28	1030879	(10000000-20000000)) Plate, Slide, Console [Ss3]	1
29	01685	(10000000-20000000)) Washer, Flat, 0.38b 0.88d .08, Ss	4
30	08709	(10000000-20000000)) Nut, Hex, Lock, M8 X 1.25, NI	4
31	607461	(10432128-20000000)) Screw, Set, M8 X 1.25 X 35, NI	4
31	1032057	(10000000-10432127)) Screw, Set, M8x1.25x30, W/Patch	4

● RECOMMENDED STOCK ITEMS

COMPONENT PANEL GROUP, DRIVE MODEL



COMPONENT PANEL GROUP, DRIVE MODEL

Ref.	Part No.	Serial Number	Description	Qty.	
1	1012134	(10000000-20000000)) Panel, Cntrl, Lower	1	
2	1016628	(10000000-20000000)) Label, Panl, Instmt, Lower [T3/T3e/Ss3]	1	
2	1049998	(10000000-20000000)) Label, Console, Lower Ec-H2o [T3 Na/Aej] (ec-H2O Model)	1	
3	1009324	(10000000-20000000)) Screw, Pan, #10-16 X 0.50,Phl,Blk[Ty-17]	4	
4	1041822	(10000000-20000000))● Light, Panel, Mgt, .312" Dia. (ec-H2O Model)	1	
5	130787	(10000000-20000000))● Switch, Rocker, Spdt (Fast & ec-H2O Model)	1	
▽	6	1011402	(10000000-20000000))● Switch, Key	1
▲	7	1017696	(10000000-20000000))● Key Set, Replmt [F/ Keyswitch 1011402]	1
8	1057902	(10000000-20000000))● Circuitbreaker, 35.0a	1	
9	1011282	(10000000-20000000))● Gauge, Hourmeter, 12/60 Vdc [Ret Mount]	1	
10	1038490	(10000000-20000000))● Relay, 24vdc, 100a, No [Trombetta]	2	
11	01683	(10000000-20000000)) Washer, Flat, #10, Ss	7	
12	09739	(10000000-20000000)) Nut, Hex, Lock, M5 X 0.80, NI, Ss	4	
13	1012216	(10000000-20000000))● Relay, 24vdc, 070a, Spst No, Plug-In	1	
14	1012216	(10000000-20000000))● Relay, 24vdc, 070a, Plug-In (Fast & ec-H2O Model)	1	
15	01683	(10000000-20000000)) Washer, Flat, #10, Ss (Fast & ec-H2O Model)	1	
16	09739	(10000000-20000000)) Nut, Hex, Lock, M5 X 0.80, NI (Fast & ec-H2O Model)	1	
17	41579	(10000000-20000000)) Washer, Flat, #08, Ss	2	
18	01684	(10000000-20000000)) Washer, Flat, 0.27b 0.69d .05, Ss	2	
19	1016331	(10000000-20000000)) Washer, Flat, 0.34b 1.25d .11, Ss	1	
20	1012850	(10000000-20000000)) Bracket Wldt, Lever, Sqge	1	
21	1034731	(10000000-20000000)) Screw, Hex, M6 X 1.00 X 16, Sems, Ss	2	
22	02938	(10000000-20000000)) Washer, Lock, Int, 08, Ss	2	
23	41578	(10000000-20000000)) Washer, Flat, #06, Ss	6	
24	1012568	(10000000-20000000)) Switch, Snap, 10a, Short	1	
25	579211	(10000000-20000000)) Nut, Hex, Lock, M3 X 0.50, Ss	2	
26	1042062	(10000000-20000000)) Screw, Hex, M3 X 0.5 X 25, Ss	2	
27	08713	(10000000-20000000)) Nut, Hex, Lock, M8 X 1.25, NI, Ss	1	
28	1015459	(10000000-20000000)) Spring, Lever, Sqge	1	
29	07785	(10000000-20000000)) Nut, Hex, Std, M6 X 1.00, A2, Ss	2	
30	1013479	(10000000-20000000)) Cable, Glv 3.18mmd 0412l M06/ M06	1	
31	1013397	(10000000-20000000)) Washer, Flat, M13 X 30 X 0.8, Nyl	2	
32	1014336	(10000000-20000000)) Sleeve, P/M, 8.40b 12.60d 14.5l, PI	1	
33	08712	(10000000-20000000)) Nut, Hex, Lock, M6 X 1.00, Ss, NI	1	
34	09011	(10000000-20000000)) Screw, Hex, M8 X 1.25 X 30, Ss	1	
35	1016895	(10000000-20000000))● Cap, Handle, Sqge Lift	1	
36	1013329	(10000000-20000000)) Lever Wldt, Sqge	1	
37	1012747	(10000000-20000000)) Balljoint, M06 X 1.0 Fem, M06 X 1.0 Mal	1	
38	1013523	(10000000-20000000))● Stand-Off, Wir, M6, 18 Hex, 20l, Insul	1	
39	33932	(10000000-20000000)) Nut, Hex, Lock, M4 X 0.70, NI, Ss	2	
40	1020280	(10000000-20000000))● Seal, Afmkt, Rbr, Clsd, Adh, 01ft (C410217)	1	
41	33931	(10000000-20000000)) Screw, Pan, M4 X 0.7 X 30, Ss	2	
42	1010905	(10000000-20000000))● Module, Drive	1	
43	48732	(10000000-20000000)) Screw, Pan, M6 X 1.0 X 10, Ss	2	
44	07515	(10000000-20000000)) Washer, Lock, Int, 0.25, Ss	2	
45	43952	(10000000-20000000)) Washer, Lock, Int, 0.31, Ss	1	

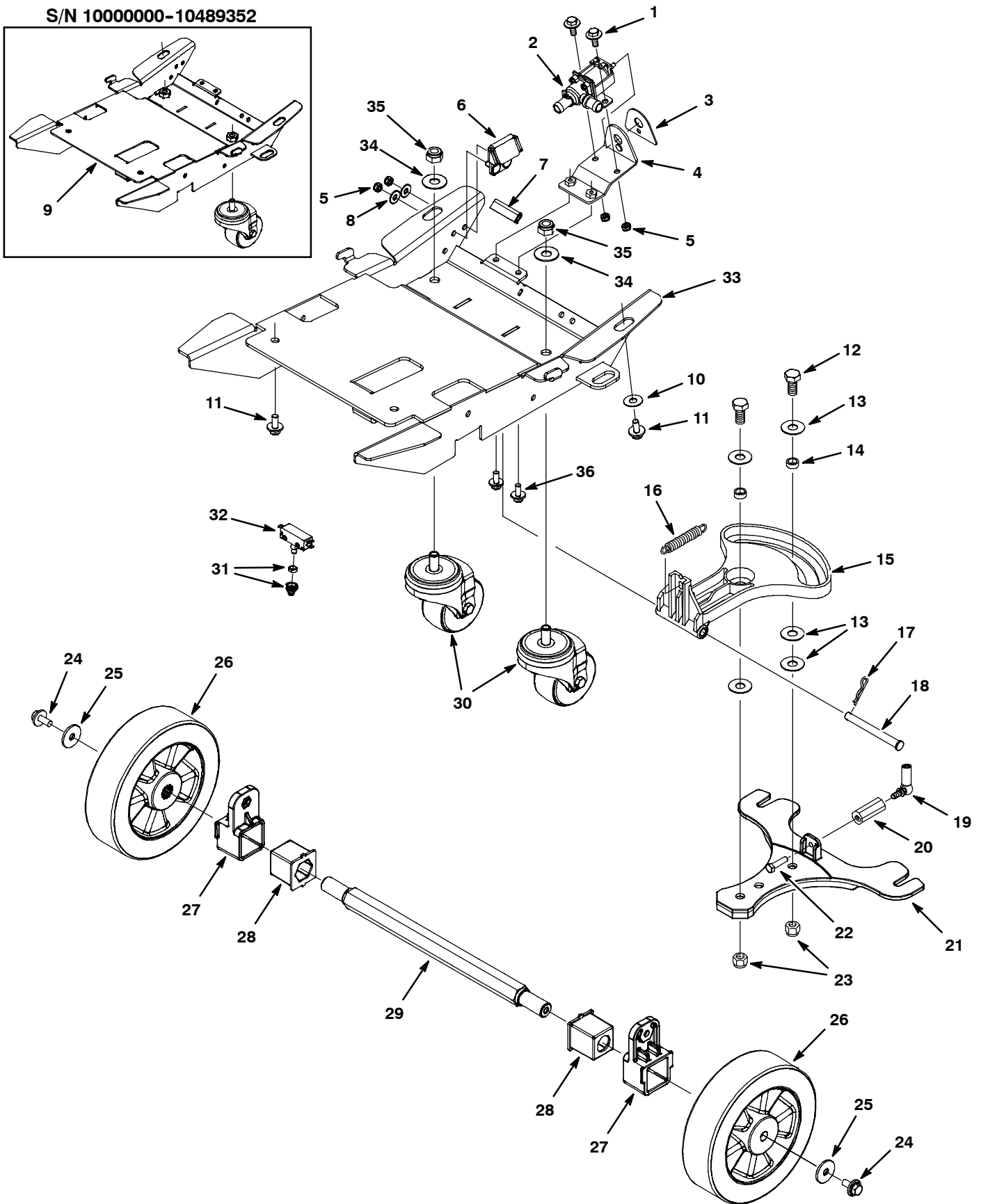
▽ ASSEMBLY

▲ INCLUDED IN ASSEMBLY

● RECOMMENDED STOCK ITEMS

WHEEL GROUP, BRUSH ASSIST MODEL

S/N 10000000-10489352



WHEEL GROUP, BRUSH ASSIST MODEL

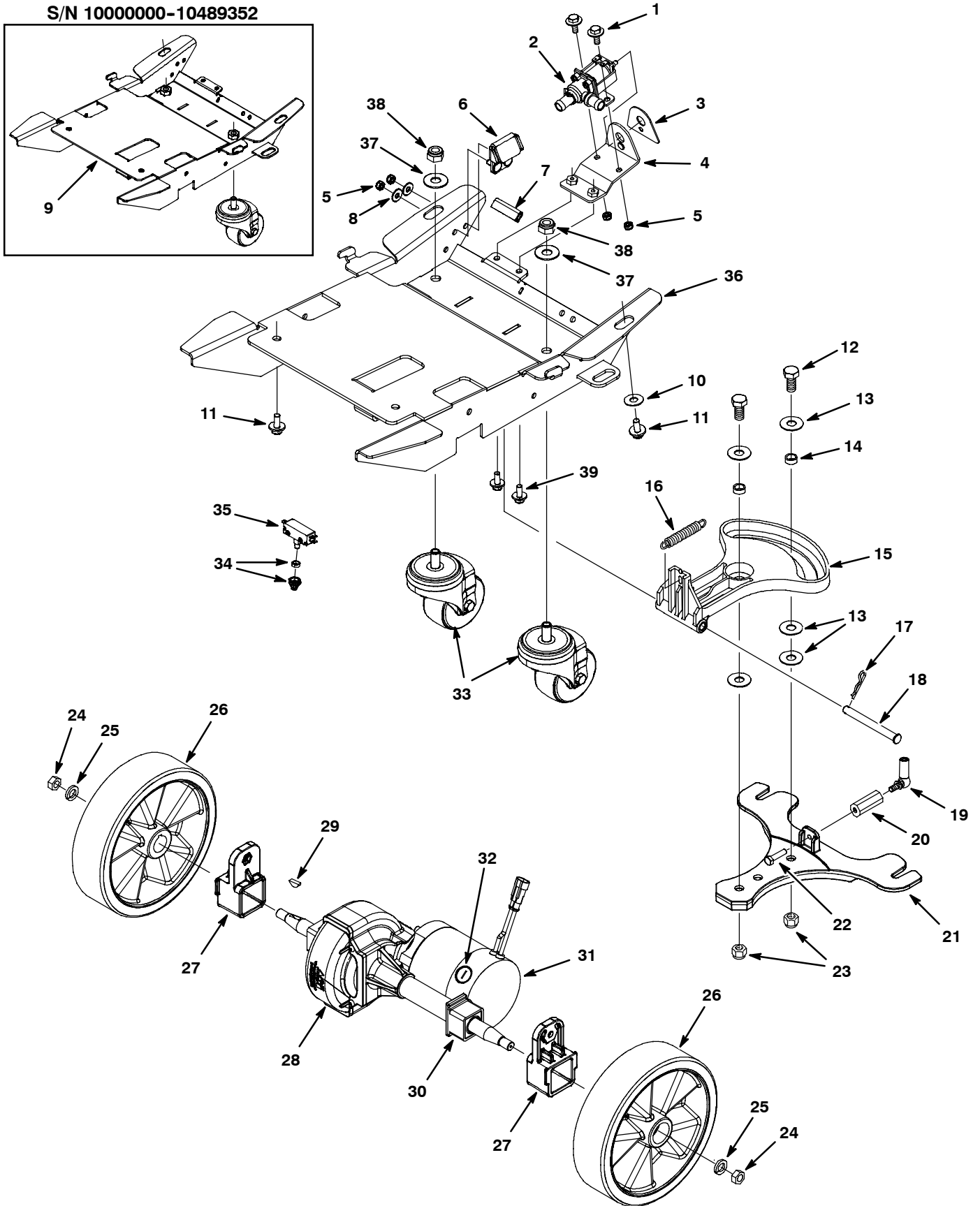
Ref.	Part No.	Serial Number	Description	Qty.
	1	1034731	(10000000-20000000) Screw, Hex, M6 X 1.00 X 16, Ss, Sems	2
▽	2	1062385	(10000000-20000000)● Valve, Water, Solenoid, 24vdc Bm10/Bm10	1
▲	614265	(10000000-20000000)● Valve Kit, Water [Viton Diaphram]	1	
	3	1014156	(10000000-20000000) Label, Opertnl, Lower, Soltn Flow	1
	4	1037292	(10000000-20000000) Bracket, Mtg, Valve, Soltn [Ss3]	1
	5	08712	(10000000-20000000) Nut, Hex, Lock, M6 X 1.0, Ss, NI	4
	6	1013946	(10000000-20000000) Bracket, Locking, Pedal, Foot Ylw	1
	7	1034551	(10000000-20000000) Trim, Plstc, Edge, .12 X .56 X 1.75	1
	8	01684	(10000000-20000000) Washer, Flat, 0.25 Ss	2
	9	1023428	(10000000-10489352) Frame Wldt, Mach, Blk (Repld by items #33, 34, & 35)	1
	10	1016331	(10000000-20000000) Washer, Flat, 0.34b 1.25d .11, Ss	2
	11	1020341	(10000000-20000000) Screw, Hex, M8 X 1.25 X 20, Ss, Sems	4
	12	12309	(10000000-20000000) Screw, Hex, M12 X 1.75 X 30, Ss	2
	13	140045	(10000000-20000000) Washer, Flat, 0.51b 1.25d .06, Ss	5
	14	1013662	(10000000-20000000) Bushing, Sleeve, 12mm 16mm 6.5mml, Pm Yw	2
	15	1023389	(10000000-20000000) Bracket, Sqge, Lift, Mold Blk, Nyl	1
	16	1008721	(10000000-20000000) Spring, Extn, 0.75od 0.09wir 03.5l	1
	17	44906	(10000000-20000000) Pin, Cotter, Hair, 0.69d .092 Wir	1
	18	1013610	(10000000-20000000) Pin, Clevis, 10mmd X 100mml	1
	19	1012747	(10000000-20000000) Balljoint, M6 X 1.0 Fem, M6 X 1.0 Mal	1
	20	1002078	(10000000-20000000) Spacer, 0.50hex X 1.25l, M6 Thread	1
	21	1026265	(10000000-20000000) Bracket, Mtg, Sqge, Cast, Alm	1
	22	1034741	(10000000-20000000) Screw, Hex, .31-18 X 1.25, Ss, NI	1
	23	09741	(10000000-20000000) Nut, Hex, Lock, M12 X 1.75, NI, Ss	2
	24	1020341	(10000000-20000000) Screw, Hex, M8 X 1.25 X 20, Ss, Sems	2
	25	1016331	(10000000-20000000) Washer, Flat, 0.34b 1.25d .11, Ss	2
	26	1013248	(10000000-20000000)● Wheel, Scrbr, 198.00 Mm With Bearing	2
	27	1028292	(10000000-20000000) Adapter, Mtg, Axle, Alm	2
	28	1028381	(10000000-20000000) Grommet, Axle	2
	29	1028382	(10000000-20000000)● Axle, Wheel, Hex, Clr Zn	1
	30	1026345	(10000000-20000000)● Caster, Swivel, 80mm D, M12 X 25 Stem	2
	31	1035711	(10000000-20000000)● Boot, Switch, Hex Nut, .38-32 Thd	1
	32	606292	(10000000-20000000)● Switch, Push, Actuator, 20a	1
	33	1060894	(10489353-20000000) Frame Wldt, Main, 4mm [T3, Ss3/T3e]	1
	34	140045	(10489353-20000000) Washer, Flat, 0.51b 1.25d .06, Ss	2
	35	09741	(10489353-20000000) Nut, Hex, Lock, M12 X 1.75, NI, Ss	2
	36	08716	(10489353-20000000) Screw, Hex, M6 X 1.00 X 20, SS	2

▽ ASSEMBLY

▲ INCLUDED IN ASSEMBLY

● RECOMMENDED STOCK ITEMS

WHEEL GROUP, DRIVE MODEL



WHEEL GROUP, DRIVE MODEL

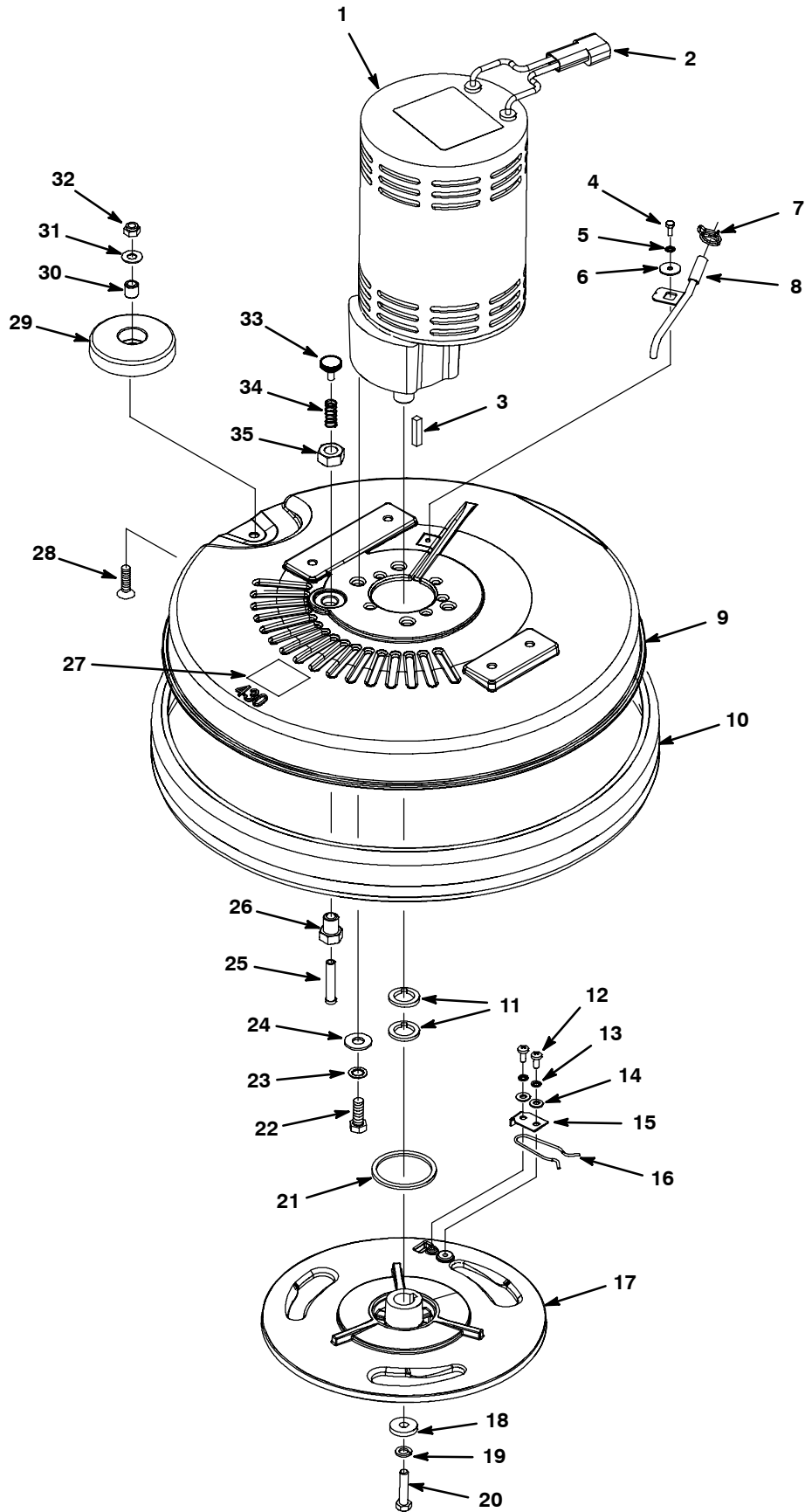
Ref.	Part No.	Serial Number	Description	Qty.
	1	1034731	(10000000-20000000) Screw, Hex, M6 X 1.00 X 16, Ss, Sems	2
▽	2	1062385	(10000000-20000000)● Valve, Water, Solenoid, 24vdc Bm10/Bm10	1
▲	614265	(10000000-20000000)● Valve Kit, Water [Viton Diaphragm]	1	
	3	1014156	(10000000-20000000) Label, Opertnl, Lower, Soltn Flow	1
	4	1037292	(10000000-20000000) Bracket, Mtg, Valve, Soltn	1
	5	08712	(10000000-20000000) Nut, Hex, Lock, M6 X 1.0, Ss, NI	4
	6	1013946	(10000000-20000000) Bracket, Locking, Pedal, Foot Ylw	1
	7	1034551	(10000000-20000000) Trim, Plstc, Edge, .12 X .56 X 1.75	1
	8	01684	(10000000-20000000) Washer, Flat, 0.25 Ss	2
	9	1023428	(10000000-10489352) Frame Wldt, Mach, Blk (Repld by items #36, 37, & 38)	1
	10	1016331	(10000000-20000000) Washer, Flat, 0.34b 1.25d .11, Ss	2
	11	1020341	(10000000-20000000) Screw, Hex, M8 X 1.25 X 20, Ss, Sems	4
	12	12309	(10000000-20000000) Screw, Hex, M12 X 1.75 X 30, Ss	2
	13	140045	(10000000-20000000) Washer, Flat, 0.51b 1.25d .06, Ss	5
	14	1013662	(10000000-20000000) Bushing, Sleeve, 12mm 16mm 6.5mml, Pm Yw	2
	15	1023389	(10000000-20000000) Bracket, Sqge, Lift, Mold Blk, Nyl	1
	16	1008721	(10000000-20000000) Spring, Extn, 0.75od 0.09wir 03.5l	1
	17	44906	(10000000-20000000) Pin, Cotter, Hair, 0.69d .092 Wir	1
	18	1013610	(10000000-20000000) Pin, Clevis, 10mmd X 100mml	1
	19	1012747	(10000000-20000000)● Balljoint, M6 X 1.0 Fem, M6 X 1.0 Mal	1
	20	1002078	(10000000-20000000) Spacer, 0.50hex X 1.25l, M6 Thread	1
	21	1026265	(10000000-20000000) Bracket, Mtg, Sqge, Cast, Alm	1
	22	1034741	(10000000-20000000) Screw, Hex, .31-18 X 1.25, Ss, NI	1
	23	09741	(10000000-20000000) Nut, Hex, Lock, M12 X 1.75, NI, Ss	2
	24	07788	(10000000-20000000) Nut, Hex, Std, M12 X 1.75, Ss	2
	25	140024	(10000000-20000000) Washer, Lock, Split, 0.50, Ss	2
	26	1039655	(10000000-20000000)● Wheel, Scrbr, 198.00mm, W/ Taper [T3]	2
	27	1028292	(10000000-20000000) Adapter, Mtg, Axle, Alm	2
▽	28	1039475	(10000000-20000000)● Transaxle, Ele, 24vdc, 112rpm, Pkrd,Dfma	1
▲	1017782	(10000000-20000000)● Coupling Kit, Transaxle, Replmt [11057]	1	
▲	29	1021167	(10000000-20000000) Key, Woodruff, 5mm	2
▲	30	612880	(10000000-20000000)● Sleeve, Transaxle, Replmt	2
▲▽	31	1019916	(10000000-20000000)● Motor, Transaxle, 24vdc, Replmt	1
▲▲	32	614166	(10000000-20000000)● Brush Kit, Carbon [Qty 4]	1
	33	1026345	(10000000-20000000)● Caster, Swivel, 80mm D, M12 X 25 Stem	2
	34	1035711	(10000000-20000000)● Boot, Switch, Hex Nut, .38-32 Thd	1
	35	606292	(10000000-20000000)● Switch, Push, Actuator, 20a	1
	36	1060894	(10489353-20000000) Frame Wldt, Main, 4mm [T3, Ss3/T3e]	1
	37	140045	(10489353-20000000) Washer, Flat, 0.51b 1.25d .06, Ss	2
	38	09741	(10489353-20000000) Nut, Hex, Lock, M12 X 1.75, NI, Ss	2
	39	08716	(10489353-20000000) Screw, Hex, M6 X 1.00 X 20, SS	2
	N/S	130773	(10000000-20000000) Tie, Cable, Nyl, 11.0l, .14w, 3.0 Max. D	4

▽ ASSEMBLY

▲ INCLUDED IN ASSEMBLY

● RECOMMENDED STOCK ITEMS

SCRUB HEAD GROUP, 43 cm (17 in) MODEL



SCRUB HEAD GROUP, 43 cm (17 in) MODEL

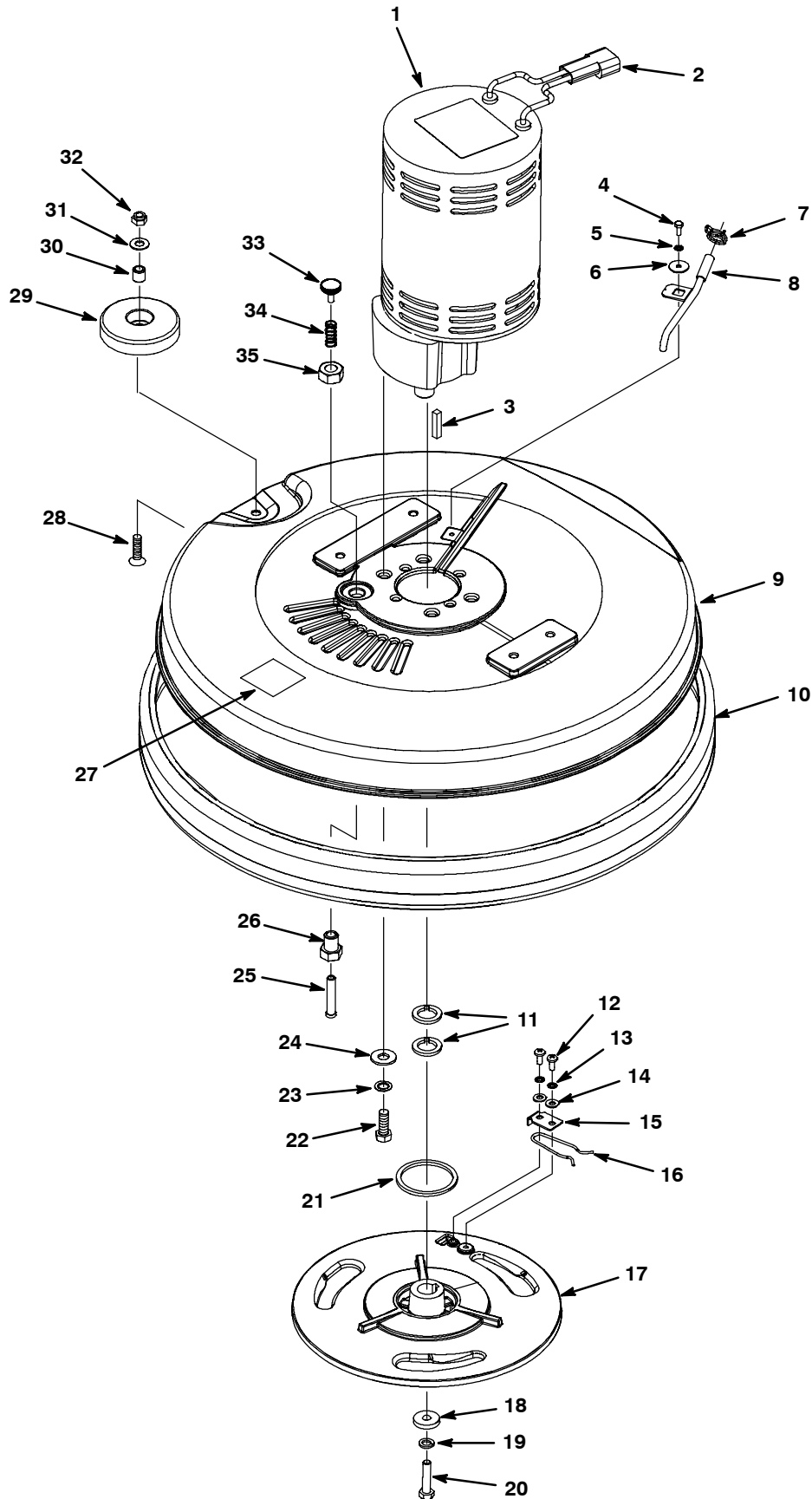
Ref.	Part No.	Serial Number	Description	Qty.
▽	1	1039494	(10000000-20000000)● Motor, Ele, 24vdc 0200rpm 1.00hp Gear	1
▲		1045790	(10000000-20000000)● Brush Kit, Replmt,Carbon, 24vdc [4pc = 1kit]	1
▲	2	607798	(10000000-20000000)● Terminal Mal Brush Motor Leads	2
▲	2	607801	(10000000-20000000)● Clip, Position, Terminal [Packard]	1
	3	00930	(10000000-20000000)● Key, Sq, 0.25 X 0.25, 1.50l	1
	4	1020234	(10000000-20000000) Screw, Hex, M4 X 0.7 X 10, Ss	1
	5	02938	(10000000-20000000) Washer, Lock, Int, 08, Ss	1
	6	1009168	(10000000-20000000) Washer, Flat, 0.17b 0.75d .04, Ss	1
	7	607775	(10000000-20000000) Clamp, Hose, Wir, .63 - .66, Blk	1
	8	1016155	(10000000-20000000) Tube Wldt, Supply, Water	1
	9	1048186	(10000000-20000000) Housing, Head, 43cm [Die Cast]	1
	10	1011368	(10000000-20000000)● Bumper, Head, 43cm, W/ Bristle Skirt	1
	11	621471	(10000000-20000000) Spacer, 0.75b 1.12d 0.12l,	2
	12	09200	(10000000-20000000) Screw, Pan, M5 X 0.8 X 12, Ss	2
	13	07514	(10000000-20000000) Washer, Lock, Int, #10, Ss	2
	14	01683	(10000000-20000000) Washer, Flat, 0.22b 0.50d .05, Ss [#10]	2
	15	1011201	(10000000-20000000)● Plate, Clamp, Brush	1
	16	1013188	(10000000-20000000)● Clip, Spring, Drive Plate Yel PI	1
	17	1036525	(10000000-20000000)● Driver, Pad, 3-Lug, Alm, 19.0b[90lbs-Dp]	1
	18	1028796	(10000000-20000000) Washer, Flat, 0.33b 1.00d .18	1
	19	140015	(10000000-20000000) Washer, Lock, Split, 0.31, Ss	1
	20	1035038	(10000000-20000000) Screw, Hex, .31-18 X 1.38, Ss, NI	1
	21	1016426	(10000000-20000000) Ring, Water, Containment	1
	22	69225	(10000000-20000000) Screw, Hex, .38-16 X 1.00, Ss	4
	23	43953	(10000000-20000000) Washer, Lock, Int, 0.38 Ss	4
	24	01686	(10000000-20000000) Washer, Flat, 0.44b 1.00 .08, Ss	4
	25	1037399	(10000000-20000000) Pin, Stop, 8.3mmd X 42mml	1
	26	605825	(10000000-20000000) Screw, Stop, Head Pin	1
	27	578769	(10000000-20000000) Label, Moving Parts	1
	28	79506	(10000000-20000000) Screw, Flt, M8 X 1.25 X 30, Ss	1
	29	1010560	(10000000-20000000)● Wheel, Bmpr, 80d X 25w, Non-Marking	1
	30	222460	(10000000-20000000) Sleeve, P/M, 0.31b 0.50d 0.5l	1
	31	140027	(10000000-20000000) Washer, Flat, 0.35b 0.75d .04, Ss	1
	32	08713	(10000000-20000000) Nut, Hex, Lock, M8 X 1.25, NI, Ss	1
	33	603012	(10000000-20000000)● Knob, Rnd, 19.0d M6 X 12, Stud, Plstc,PI	1
	34	1037400	(10000000-20000000) Spring, Cmpr, .42od, .04wir, 1.0l, PI,Mw	1
	35	1037470	(10000000-20000000) Nut, Hex, M14 X 2.00, Ss	1

▽ ASSEMBLY

▲ INCLUDED IN ASSEMBLY

● RECOMMENDED STOCK ITEMS

SCRUB HEAD GROUP, 50 cm (20 in) MODEL



SCRUB HEAD GROUP, 50 cm (20 in) MODEL

Ref.	Part No.	Serial Number	Description	Qty.
▽	1	1039494	(10000000-20000000)● Motor, Ele, 24vdc 0200rpm 1.00hp Gear	1
▲		1045790	(10000000-20000000)● Brush Kit, Replmt,Carbon, 24vdc [4pc = 1kit]	1
▲	2	607798	(10000000-20000000)● Terminal Mal Brush Motor Leads	2
▲	2	607801	(10000000-20000000)● Clip, Position, Terminal [Packard]	1
	3	00930	(10000000-20000000)● Key, Sq, 0.25 X 0.25, 1.50l	1
	4	1020234	(10000000-20000000) Screw, Hex, M4 X 0.7 X 10, Ss	1
	5	02938	(10000000-20000000) Washer, Lock, Int, 08, Ss	1
	6	1009168	(10000000-20000000) Washer, Flat, 0.17b 0.75d .04, Ss	1
	7	607775	(10000000-20000000) Clamp, Hose, Wir, .63 - .66, Blk	1
	8	1016155	(10000000-20000000) Tube Wldt, Supply, Water	1
	9	1036813	(10000000-20000000) Housing, Head, 50cm, Die Cstg	1
	10	1011316	(10000000-20000000)● Bumper, Head, W/ Bristle Skirt	1
	11	621471	(10000000-20000000) Spacer, 0.75b 1.12d 0.12l,	2
	12	09200	(10000000-20000000) Screw, Pan, M5 X 0.8 X 12, Ss	2
	13	07514	(10000000-20000000) Washer, Lock, Int, #10, Ss	2
	14	01683	(10000000-20000000) Washer, Flat, 0.22b 0.50d .05, Ss [#10]	2
	15	1011201	(10000000-20000000)● Plate, Clamp, Brush	1
	16	1013188	(10000000-20000000)● Clip, Spring, Drive Plate Yel PI	1
	17	1036525	(10000000-20000000)● Driver, Pad, 3-Lug, Alm, 19.0b[90lbs-Dp]	1
	18	1028796	(10000000-20000000) Washer, Flat, 0.33b 1.00d .18	1
	19	140015	(10000000-20000000) Washer, Lock, Split, 0.31, Ss	1
	20	1035038	(10000000-20000000) Screw, Hex, .31-18 X 1.38, Ss, NI	1
	21	1016426	(10000000-20000000) Ring, Water, Containment	1
	22	69225	(10000000-20000000) Screw, Hex, .38-16 X 1.00, Ss	4
	23	43953	(10000000-20000000) Washer, Lock, Int, 0.38 Ss	4
	24	01686	(10000000-20000000) Washer, Flat, 0.44b 1.00 .08, Ss	4
	25	1037399	(10000000-20000000) Pin, Stop, 8.3mmd X 42mml	1
	26	605825	(10000000-20000000) Screw, Stop, Head Pin	1
	27	578769	(10000000-20000000) Label, Moving Parts	1
	28	79506	(10000000-20000000) Screw, Flt, M8 X 1.25 X 30, Ss	1
	29	1010560	(10000000-20000000)● Wheel, Bmpr, 80d X 25w, Non-Marking	1
	30	222460	(10000000-20000000) Sleeve, P/M, 0.31b 0.50d 0.5l	1
	31	140027	(10000000-20000000) Washer, Flat, 0.35b 0.75d .04, Ss	1
	32	08713	(10000000-20000000) Nut, Hex, Lock, M8 X 1.25, NI, Ss	1
	33	603012	(10000000-20000000)● Knob, Rnd, 19.0d M6 X 12, Stud, Plstc,PI	1
	34	1037400	(10000000-20000000) Spring, Cmpr, .42od, .04wir, 1.0l, PI,Mw	1
	35	1037470	(10000000-20000000) Nut, Hex, M14 X 2.00, Ss	1

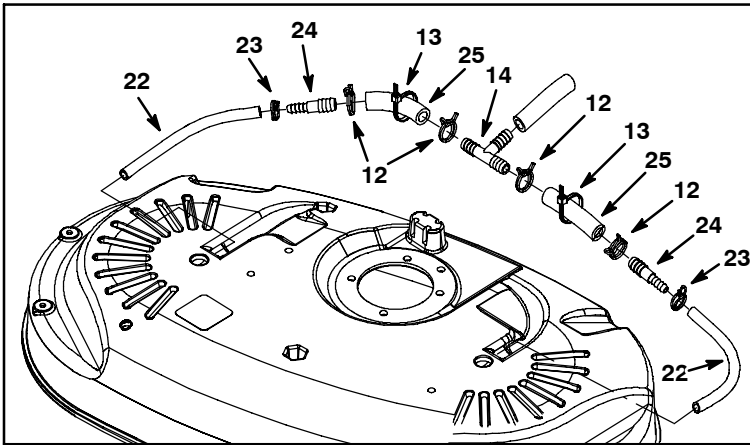
▽ ASSEMBLY

▲ INCLUDED IN ASSEMBLY

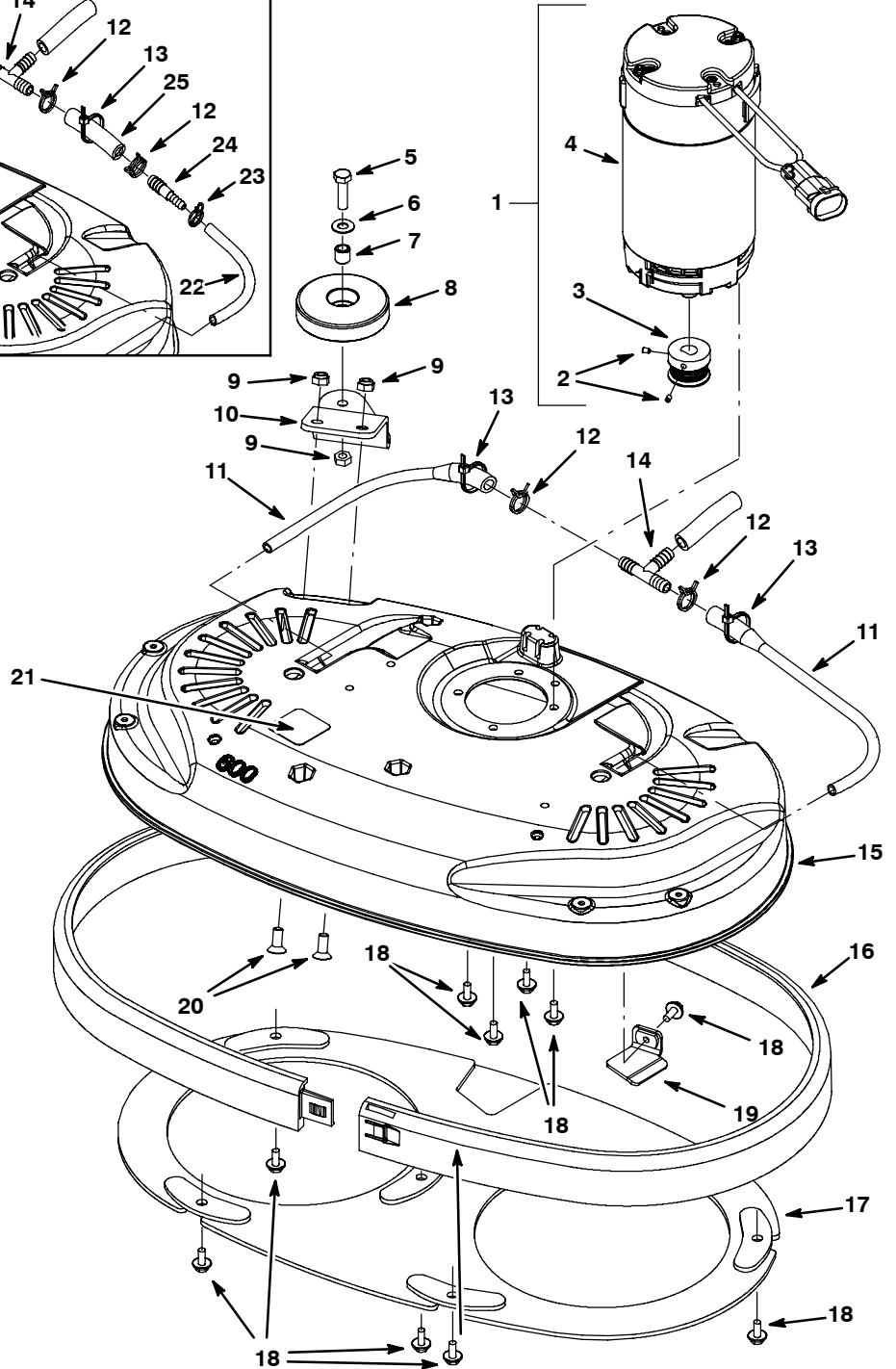
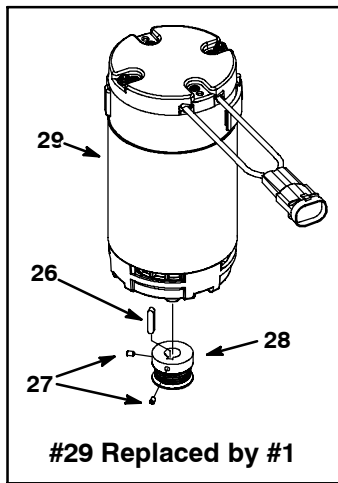
● RECOMMENDED STOCK ITEMS

SCRUB HEAD GROUP, DUAL DISK, 60 cm (24 in) MODEL

S/N 1000000-xxxxxxx



S/N 1000000-xxxxxxx



SCRUB HEAD GROUP, DUAL DISK, 60 cm (24 in) MODEL

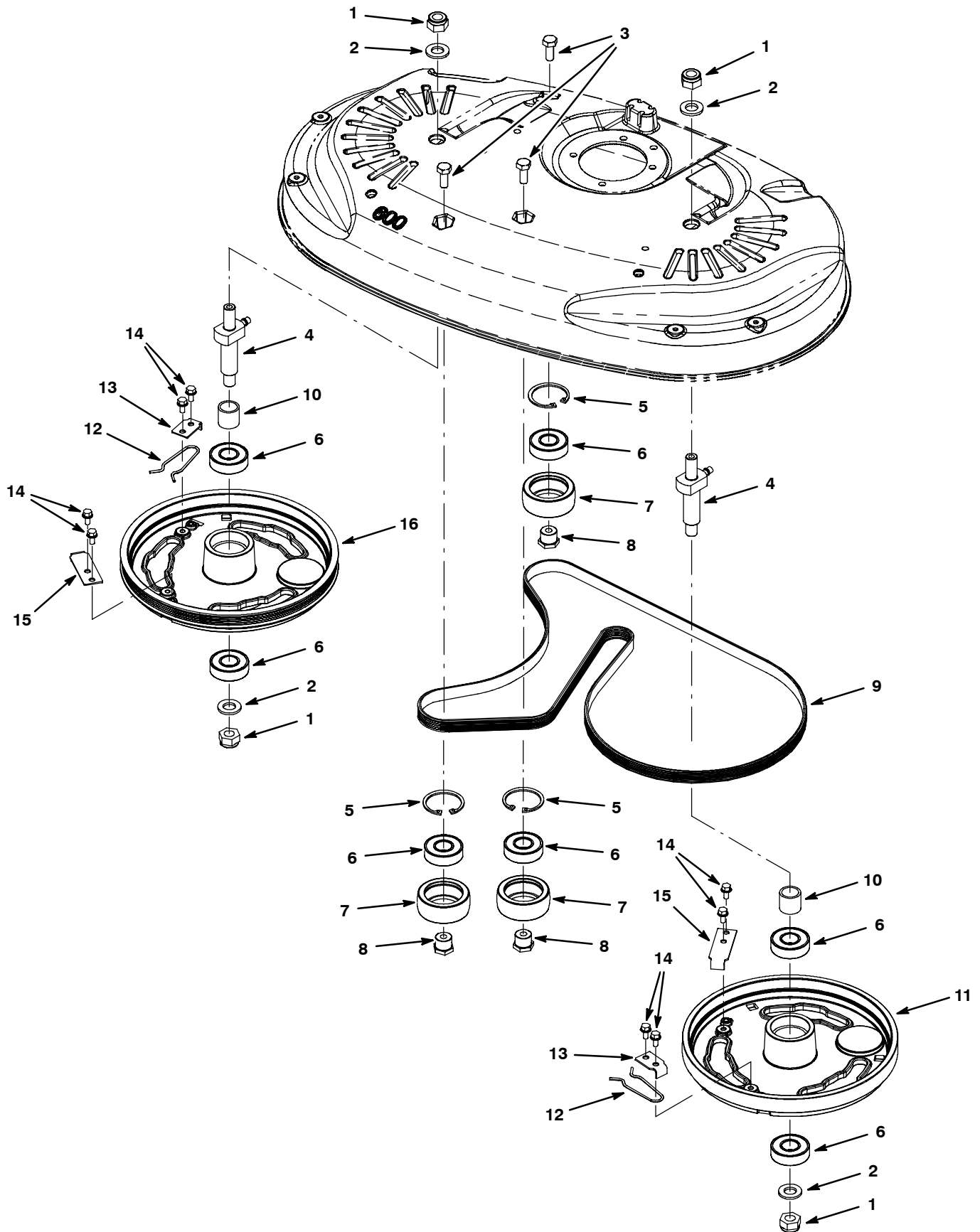
Ref.	Part No.	Serial Number	Description	Qty.
▽	1	9008431	(xxxxxxxx-20000000)● Kit, Motor, 24vdc, 7/8hp [Us] w/sheave	1
▲	2	1013995	(10000000-20000000) Screw, Set, M5 X 0.80 X 8, Ss [Cuppt]	2
▲	3	1059058	(xxxxxxxx-20000000) Sheave, 06grv, 1.25pd 0.55b, Ss [D Shaft]	1
▲▽	4	1064902	(xxxxxxxx-20000000)● Motor, 24vdc, 2000rpm, 7/8hp [Us]	1
▲		1059370	(10000000-20000000)● Brush, Motor, Replmt [Bag Of 4]	1
	5	09011	(10000000-20000000) Screw, Hex, M8 X 1.25 X 30, Ss	1
	6	140027	(10000000-20000000) Washer, Flat, 0.35b 0.75d .04, Ss	1
	7	222460	(10000000-20000000) Sleeve, P/M, 0.32b 0.50d 0.5l [430ss]	1
	8	1010560	(10000000-20000000)● Wheel, Bmpr, 80d X 25w, Non-Marking	1
	9	08713	(10000000-20000000) Nut, Hex, Lock, M8 X 1.25, NI, Ss	3
	10	1055815	(10000000-20000000) Bracket, Wall-Roller, Scb Head [T3]	1
	11	1062937	(10000000-20000000) Tube, Soltn, 245.0mml [T3 Dual Disks]	2
	12	607775	(10000000-20000000) Clamp, Hose, Wir, .63 - .66, Blk	2
	13	130773	(10000000-20000000) Tie, Cable, Nyl, 11.0l, .14w, 3.0 Max. D	2
	14	160310	(10000000-20000000) Fitting, Plstc, Tee, Bm06/Bm06/Bm06	1
	15	1059697	(10000000-20000000) Housing, Casting, Head [T3 60cm] Mach	1
	16	1053609	(10000000-20000000) Bumper, Skirt, Scb Head, 60cm	1
	17	1058573	(10000000-20000000) Bracket, Gaurd, Splash [T3 60cm]	1
	18	1034731	(10000000-20000000) Screw, Hex, M6 X 1.00 X 16, Ss, Sems	10
	19	1058380	(10000000-20000000) Bracket, Guide, Belt [T3 60cm]	1
	20	79246	(10000000-20000000) Screw, Flt, Soc, M8 X 1.25 X 20, 18-8,Ss	2
	21	578769	(10000000-20000000) Label, Parts, Moving [Textless]	1
	22	1006415	(10000000-xxxxxxxx) Hose, Afmkt, Pvc, Clr, 0.25id, 03ft (Repld by item #11)	1
	23	994160	(10000000-xxxxxxxx) Clamp 2-Wire 9,8-10,4mm (Repld by item #11)	2
	24	1039557	(10000000-xxxxxxxx) Fitting, Plstc, Str, Bm04/Bm06 (Repld by item #11)	2
	25	613451	(10000000-xxxxxxxx) Hose, Pyu, Clr, 0.38id 0.62od 012.0l (Repld by item #11)	1
	26	1014328	(10000000-xxxxxxxx)● Key, Sq, 05mm X 05mm, 25mml	1
	27	1013995	(10000000-20000000) Screw, Set, M5 X 0.80 X 8, Ss [Cuppt]	2
	28	1057422	(10000000-xxxxxxxx) Sheave, 06grv, 1.25pd 0.55b, Ss [J6]	1
▽	29	1058602	(10000000-xxxxxxxx)● Motor, 24vdc, 2000rpm, [Us] (Repld by item #1)	1
▲		1059370	(10000000-20000000)● Brush, Motor, Replmt [Bag Of 4]	1

▽ ASSEMBLY

▲ INCLUDED IN ASSEMBLY

● RECOMMENDED STOCK ITEMS

SCRUB HEAD GROUP, DUAL DISK, 60 cm (24 in) MODEL - CONT'D



SCRUB HEAD GROUP, DUAL DISK, 60 cm (24 in) MODEL - CONT'D

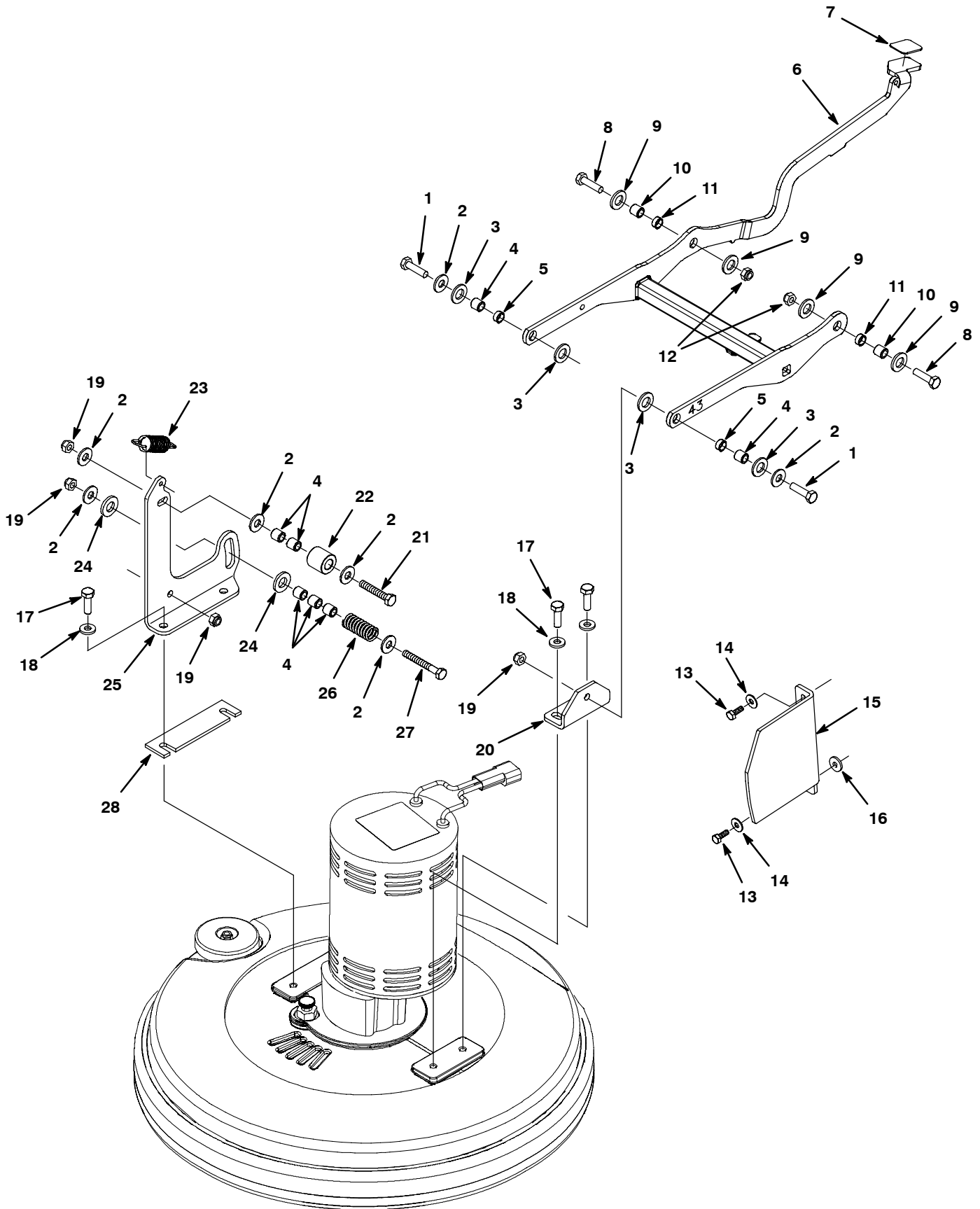
Ref.	Part No.	Serial Number	Description	Qty.
1	09741	(10000000-20000000)	Nut, Hex, Lock, M12 X 1.75, NI, Ss	4
2	33925	(10000000-20000000)	Washer, Flat, M12, Ss	4
3	12273	(10000000-20000000)	Screw, Hex, M8 X 1.25 X 20, NI, Ss	3
4	1058800	(10000000-20000000)	Shaft Wldt, Mtg, Pulley	2
5	1013884	(10000000-20000000)	● Ring, Retaining, Int, 40mm, Ss	3
6	140123	(10000000-20000000)	● Bearing, Ball, 0.67b 1.57d 0.47w [6203]	7
7	1058514	(10000000-20000000)	Pulley, Idler, 55d X 21w[60cm Dual Disk]	3
8	1011008	(10000000-20000000)	Spacer, Brg, Idler	3
9	1055305	(10000000-20000000)	● Belt, Drive, 6pj, Ej139 [T3]	1
10	1011041	(10000000-20000000)	Tube, 0.69id 0.87od 00.8l, Stl, PI	2
11	1059205	(10000000-20000000)	● Hub, Drive, 3lug, Alm, 2disk, Flt	1
12	1013188	(10000000-20000000)	Clip, Spring, Drive Plate [T3], Clr Zn	2
13	1013592	(10000000-20000000)	Stop, Driver, Release	2
14	223198	(10000000-20000000)	Screw, Hex, M5 X 0.80 X 10, Fmg	8
15	1011201	(10000000-20000000)	Plate, Clamp, Brush	2
16	1059206	(10000000-20000000)	● Hub, Drive, 3lug, Alm, 2disk, 6grv	1

▽ ASSEMBLY

▲ INCLUDED IN ASSEMBLY

● RECOMMENDED STOCK ITEMS

SCRUB HEAD LIFT GROUP, 43 cm (17 in) MODEL



SCRUB HEAD LIFT GROUP, 43 cm (17 in) MODEL

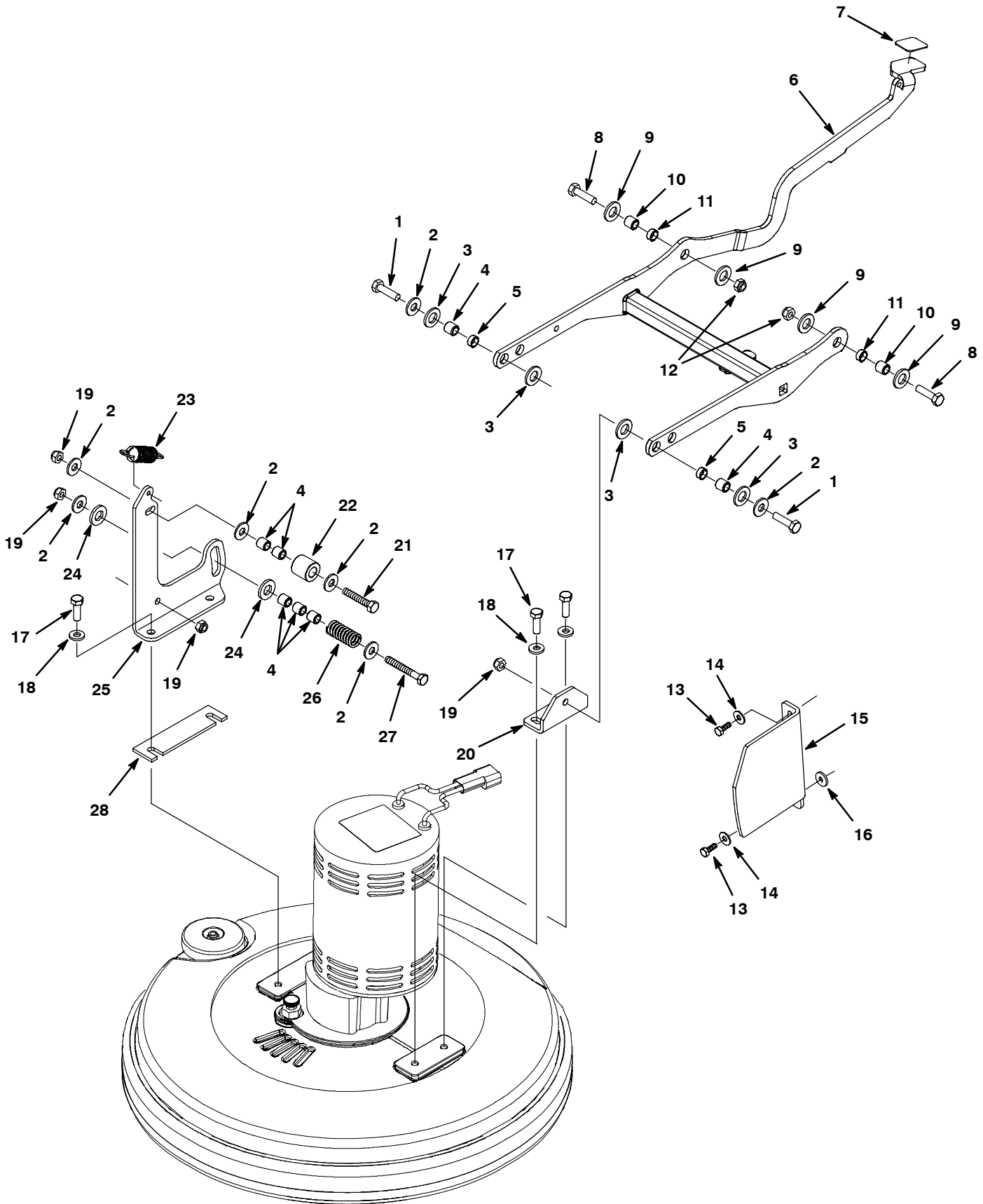
Ref.	Part No.	Serial Number	Description	Qty.
1	09011	(10000000-20000000)	Screw, Hex, M8 X 1.25 X 30, Ss	2
2	01685	(10000000-20000000)	Washer, Flat, 0.38b 0.88d .08, Ss	7
3	1013936	(10000000-20000000)	Washer, Flat, 0.51b 0.94d .10, Nyl	4
4	222460	(10000000-20000000)	Sleeve, P/M, 0.31b 0.50d 0.5l	7
5	630188	(10000000-20000000)	Bearing, Journal, .50id X .25l	2
▽	6	1061708	(10000000-20000000) Kit, Lift Assy, Head, Sgl Disk,43cm [T3]	1
▲	7	1014283	(10000000-20000000)● Pad, Adh, Non-Slip, 28mm X 36mm, Blk	1
▲	8	09011	(10000000-20000000) Screw, Hex, M8 X 1.25 X 30, Ss	2
▲	9	1013936	(10000000-20000000) Washer, Flat, 0.51b 0.94d .10, Nyl	4
▲	10	222460	(10000000-20000000) Sleeve, P/M, 0.31b 0.50d 0.5l	2
▲	11	630188	(10000000-20000000) Bearing, Journal, .50id X .25l	2
▲	12	08713	(10000000-20000000) Nut, Hex, Lock, M8 X 1.25, NI, Ss	2
	13	11329	(10000000-20000000) Screw, Hex, M6 X 1.0 X 16, Ss, NI	2
	14	01684	(10000000-20000000) Washer, Flat, 0.25 Ss	1
	15	1015460	(10000000-20000000) Bracket, Guide, Head, [43cm]	1
	16	1028796	(10000000-20000000) Washer, Flat, 0.33b 1.00d .18, Stl, Pl	1
	17	12333	(10000000-20000000) Screw, Hex, M8 X 1.25 X 25, Ss, NI	4
	18	69461	(10000000-20000000) Washer, Flat, 0.38b 0.88d .12, Stl, Pl	4
	19	08713	(10000000-20000000) Nut, Hex, Lock, M8 X 1.25, NI, Ss	4
	20	1015470	(10000000-20000000) Bracket, Mtg, Head	1
	21	222505	(10000000-20000000) Screw, Hex, M8 X 1.25 X 45, Ss	1
	22	1014020	(10000000-20000000)● Roller, Lift, Dual Disk Head	1
	23	1032420	(10000000-20000000) Spring, Extn, 0.85od 0.09wir 02.9l (43cm Model)	1
	24	140127	(10000000-20000000) Bearing, Thrust,0.51b X 1.0 X .12, Brz	2
	25	1012323	(10000000-20000000) Bracket, Mtg, Head, Rh	1
	26	140430	(10000000-20000000) Spring, Cmpr, .72od X 1.69 L	1
	27	1014163	(10000000-20000000) Screw, Hex, M8 X 1.25 X 60, Fl, Ss	1
	28	1032791	(10000000-20000000) Spacer, Head, 4mm (Brush Assist Model)	1
	N/S	130773	(10000000-20000000) Tie, Cable, Nyl, 11.0l, .14w, 3.0 Max. D	1

▽ ASSEMBLY

▲ INCLUDED IN ASSEMBLY

● RECOMMENDED STOCK ITEMS

SCRUB HEAD LIFT GROUP, 50 cm (20 in) MODEL



SCRUB HEAD LIFT GROUP, 50 cm (20 in) MODEL

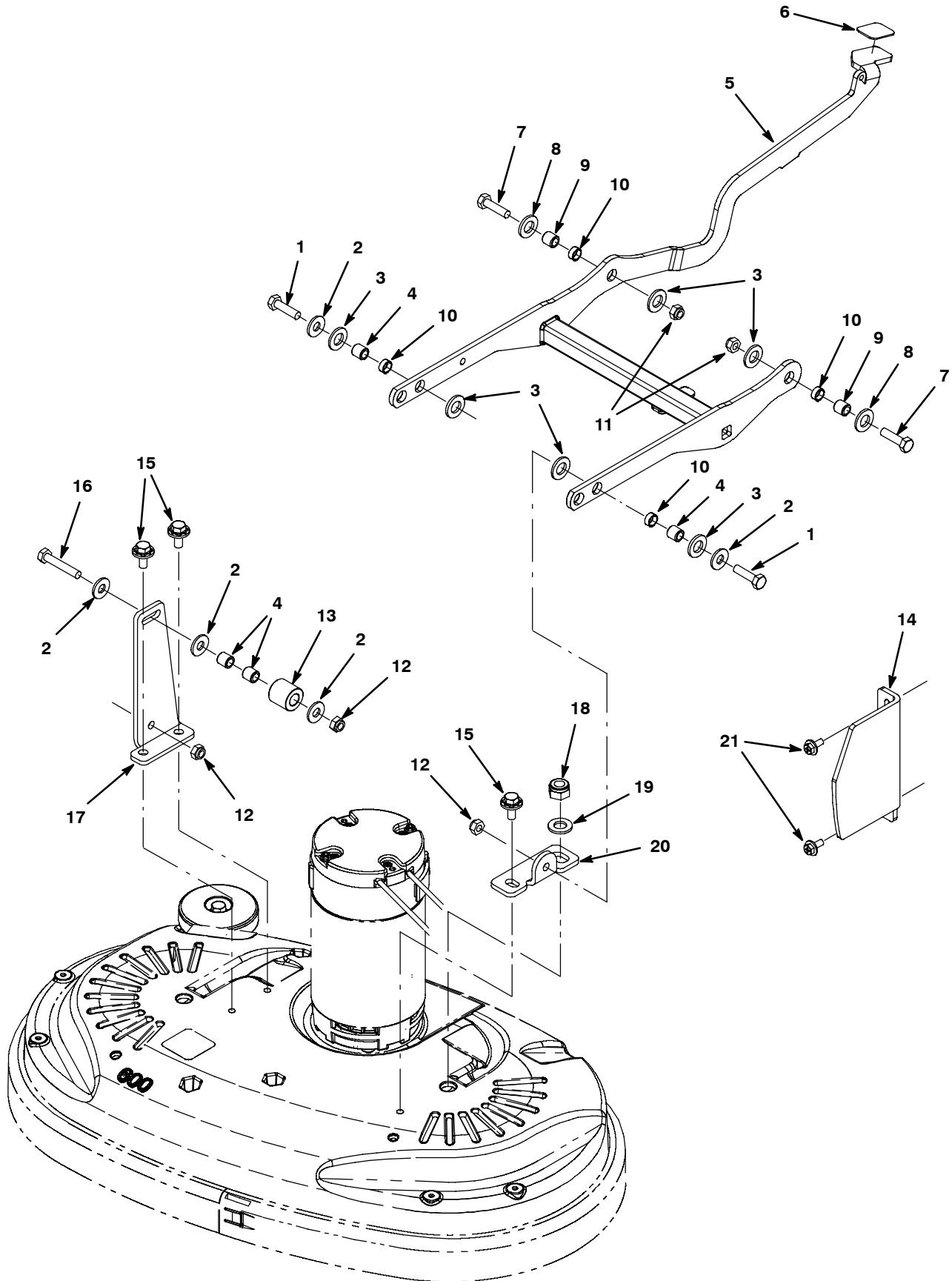
Ref.	Part No.	Serial Number	Description	Qty.
1	09011	(10000000-20000000)	Screw, Hex, M8 X 1.25 X 30, Ss	2
2	01685	(10000000-20000000)	Washer, Flat, 0.38b 0.88d .08, Ss	7
3	1013936	(10000000-20000000)	Washer, Flat, 0.51b 0.94d .10, Nyl	4
4	222460	(10000000-20000000)	Sleeve, P/M, 0.31b 0.50d 0.5l	7
5	630188	(10000000-20000000)	Bearing, Journal, .50id X .25l	2
▽	6	1061720	(10000000-20000000) Kit, Lift Assy, Head, Disk,50/60[T3 N/A]	1
▲	7	1014283	(10000000-20000000)● Pad, Adh, Non-Slip, 28mm X 36mm, Blk	1
▲	8	09011	(10000000-20000000) Screw, Hex, M8 X 1.25 X 30, Ss	2
▲	9	1013936	(10000000-20000000) Washer, Flat, 0.51b 0.94d .10, Nyl	4
▲	10	222460	(10000000-20000000) Sleeve, P/M, 0.31b 0.50d 0.5l	2
▲	11	630188	(10000000-20000000) Bearing, Journal, .50id X .25l	2
▲	12	08713	(10000000-20000000) Nut, Hex, Lock, M8 X 1.25, NI, Ss	2
	13	11329	(10000000-20000000) Screw, Hex, M6 X 1.0 X 16, Ss, NI	2
	14	01684	(10000000-20000000) Washer, Flat, 0.25 Ss	1
	15	1012484	(10000000-20000000) Bracket, Guide, Head, [50cm]	1
	16	1028796	(10000000-20000000) Washer, Flat, 0.33b 1.00d .18, Stl, PI	1
	17	12333	(10000000-20000000) Screw, Hex, M8 X 1.25 X 25, Ss, NI	4
	18	69461	(10000000-20000000) Washer, Flat, 0.38b 0.88d .12, Stl, PI	4
	19	08713	(10000000-20000000) Nut, Hex, Lock, M8 X 1.25, NI, Ss	4
	20	1015470	(10000000-20000000) Bracket, Mtg, Head	1
	21	222505	(10000000-20000000) Screw, Hex, M8 X 1.25 X 45, Ss	1
	22	1014020	(10000000-20000000)● Roller, Lift, Dual Disk Head	1
	23	1031776	(10000000-20000000) Spring, Extn, 0.75od 0.09wir 03.2l (50cm Model)	1
	24	140127	(10000000-20000000) Bearing, Thrust,0.51b X 1.0 X .12, Brz	2
	25	1012323	(10000000-20000000) Bracket, Mtg, Head, Rh	1
	26	140430	(10000000-20000000) Spring, Cmpr, .72od X 1.69 L	1
	27	1014163	(10000000-20000000) Screw, Hex, M8 X 1.25 X 60, Fl, Ss	1
	28	1032791	(10000000-20000000) Spacer, Head, 4mm (Brush Assist Model)	1
	N/S	130773	(10000000-20000000) Tie, Cable, Nyl, 11.0l, .14w, 3.0 Max. D	1

▽ ASSEMBLY

▲ INCLUDED IN ASSEMBLY

● RECOMMENDED STOCK ITEMS

SCRUB HEAD LIFT GROUP, DUAL DISK 60 cm (24 in) MODEL



SCRUB HEAD LIFT GROUP, DUAL DISK 60 cm (24 in) MODEL

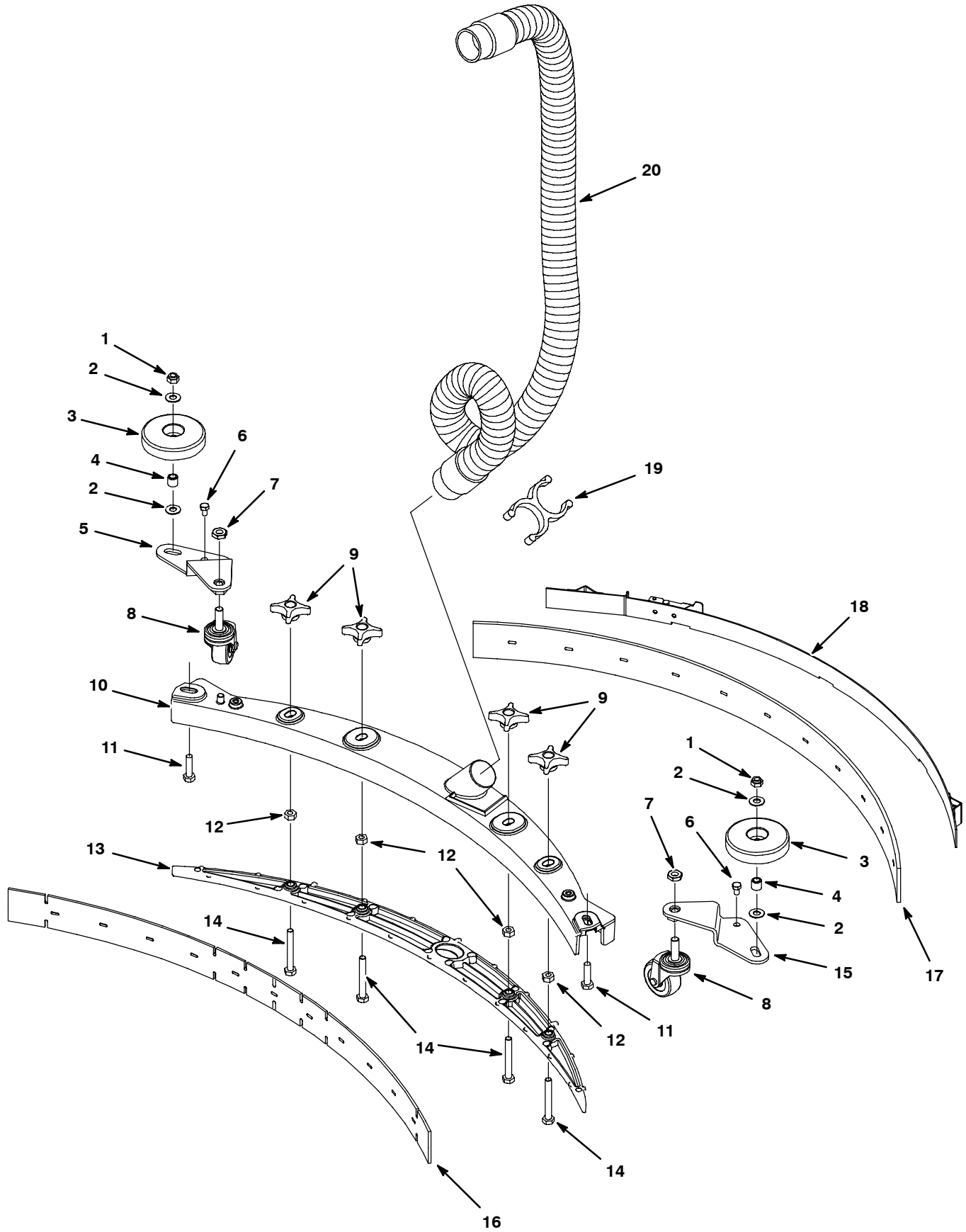
Ref.	Part No.	Serial Number	Description	Qty.
1	09011	(10000000-20000000)	Screw, Hex, M8 X 1.25 X 30, Ss	2
2	01685	(10000000-20000000)	Washer, Flat, 0.38b 0.88d .08, Ss	5
3	1013936	(10000000-20000000)	Washer, Flat, 0.51b 0.94d .10, Nyl	4
4	222460	(10000000-20000000)	Sleeve, P/M, 0.31b 0.50d 0.5l	4
▽	5	1061720	(10000000-20000000) Kit, Lift Assy, Head, Disk,50/60[T3 N/A]	1
▲	6	1014283	(10000000-20000000)● Pad, Adh, 28mm X 36mm, Blk [Non-Slip]	1
▲	7	09011	(10000000-20000000) Screw, Hex, M8 X 1.25 X 30, Ss	2
▲	8	1013936	(10000000-20000000) Washer, Flat, 0.51b 0.94d .10, Nyl	4
▲	9	222460	(10000000-20000000) Sleeve, P/M, 0.31b 0.50d 0.5l [430ss]	2
▲	10	630188	(10000000-20000000) Bearing, Journal, .50id X .25l	4
▲	11	08713	(10000000-20000000) Nut, Hex, Lock, M8 X 1.25, NI, Ss	2
	12	08713	(10000000-20000000) Nut, Hex, Lock, M8 X 1.25, NI, Ss	3
	13	1014020	(10000000-20000000)● Roller, Lift, Dual Disk Head	1
	14	1055999	(10000000-20000000) Bracket, Guide, Head, 60cm Dd [T3]	1
	15	1020341	(10000000-20000000) Screw, Hex, M8 X 1.25 X 20, Ss, Sems Sq	3
	16	222505	(10000000-20000000) Screw, Hex, M8 X 1.25 X 45, Ss	1
	17	1011432	(10000000-20000000) Bracket, Mtg, Head, Rh	1
	18	09741	(10000000-20000000) Nut, Hex, Lock, M12 X 1.75, NI, Ss	1
	19	33925	(10000000-20000000) Washer, Flat, M12, Ss	1
	20	1054760	(10000000-20000000) Bracket, Mtg, Head [T3 60cm Dd]	1
	21	1034731	(10000000-20000000) Screw, Hex, M6 X 1.00 X 16, Ss, Sems	2

▽ ASSEMBLY

▲ INCLUDED IN ASSEMBLY

● RECOMMENDED STOCK ITEMS

SQUEEGEE GROUP, 500 mm



SQUEEGEE GROUP, 500 mm

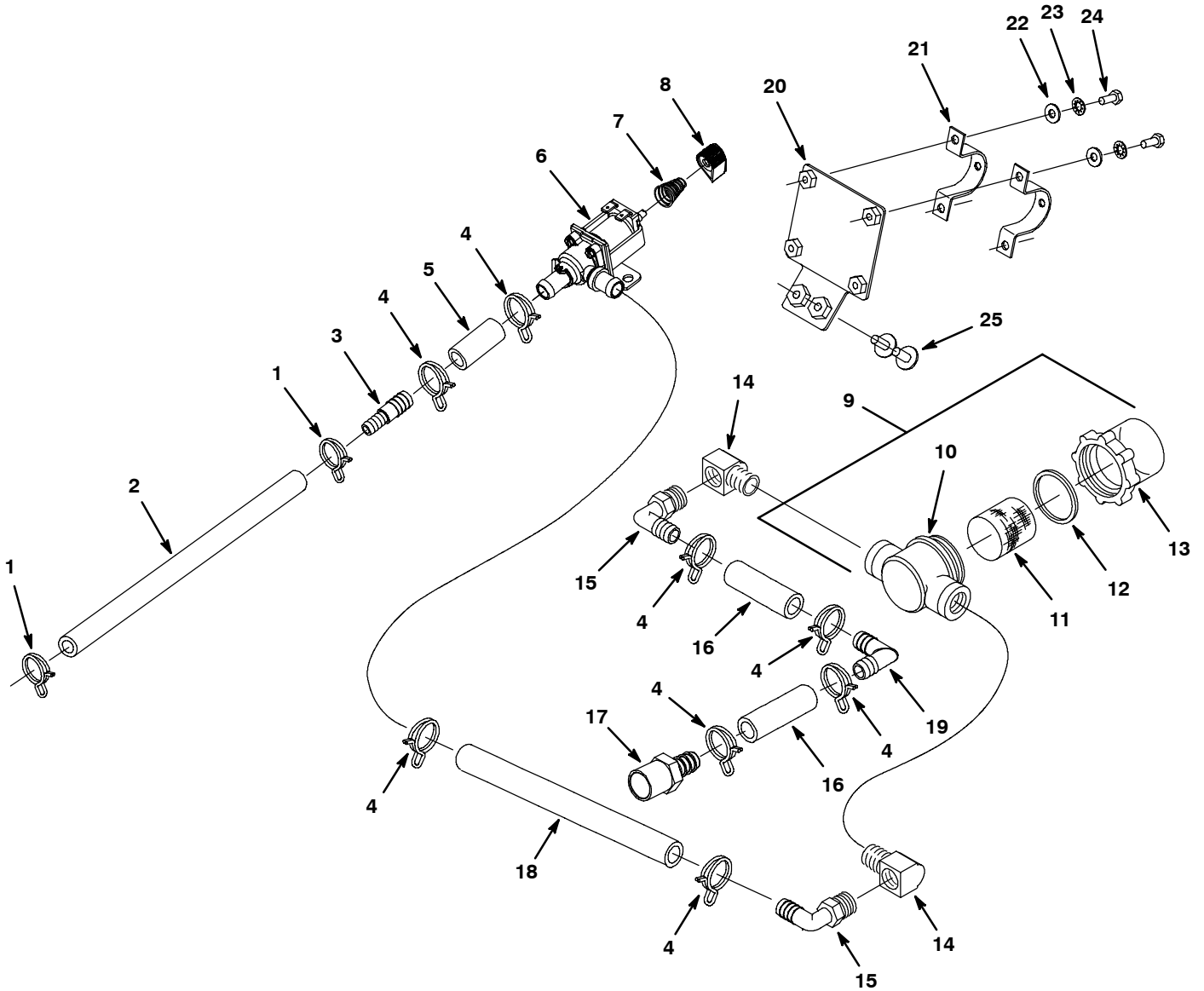
Ref.	Part No.	Serial Number	Description	Qty.
▽	9001178	(10000000-20000000)	● Squeegee Assy Kit, 500mm, Ci	1
▲	1 08713	(10000000-20000000)) Nut, Hex, Lock, M8 X 1.25, NI, Ss	2
▲	2 140027	(10000000-20000000)) Washer, Flat, 0.35b 0.75d .04, Ss	4
▲	3 1010560	(10000000-20000000)	● Wheel, Bmpr, 80d X 25w, Non-Marking	2
▲	4 222460	(10000000-20000000)) Sleeve, P/M, 0.31b 0.50d 0.5l	2
▲	5 1011228	(10000000-20000000)) Plate, Mtg, Caster, Sqge, Rh	1
▲	6 74455	(10000000-20000000)) Screw, Hex, M6 X 1.0 X 12, Fmg	2
▲	7 32716	(10000000-20000000)) Nut, Hex, Jam, M10 X 1.5, Ss	2
▲	8 1006343	(10000000-20000000)	● Caster, Swivel, 50mmd, M10 X 30 Stem, PI	2
▲	9 1010558	(10000000-20000000)	● Knob, Star, 2.00d 4ear .73l M8x1.25 Thru	4
▲	10 1011163	(10000000-20000000)) Frame, Sqge, 74cm [50cm] Die Cast	1
▲	11 09011	(10000000-20000000)) Screw, Hex, M8 X 1.25 X 30, Ss	2
▲	12 07786	(10000000-20000000)) Nut, Hex, Std, M8 X 1.25, Ss	4
▲	13 1019919	(10000000-20000000)) Retainer, Sqge, 76cm [50cm] Nyl, Blk	1
▲	14 1014163	(10000000-20000000)) Screw, Hex, M8 X 1.25 X 60, Fl, Ss	4
▲	15 1011956	(10000000-20000000)) Plate, Mtg, Caster, Sqge, Lh	1
▲	16 1011232	(10000000-20000000)	● Blade, Sqge, Front, 500mml Linatex (Linatex Red Standard)	1
	16 1014091	(10000000-20000000)	● Blade, Sqge, Front, 500mml, Gum (Gum Rubber Tan Optional)	1
	16 1014092	(10000000-20000000)	● Blade, Sqge, Front, 500mml, Oil-Rstn (Polyurethane Natural Optional)	1
▲	17 1011456	(10000000-20000000)	● Blade, Sqge, Rear, 32.7l, Linatex[500mm] (Linatex Red Standard)	1
	17 1014093	(10000000-20000000)	● Blade, Sqge, Rear, 32.7l, Gum [500mm] (Gum Rubber Tan Optional)	1
	17 1014094	(10000000-20000000)	● Blade, Sqge, Rear, 32.7l, Oil-Rstn[500mm] (Polyurethane Natural Optional)	1
▲	18 1013933	(10000000-20000000)) Strap Assy, Sqge, 500mm	1
	19 1014079	(10000000-20000000)	● Clip, Hose, Gripper, 1.50id, Dbl, Blk Pp	1
	20 1014026	(10000000-20000000)	● Hose, Vacuum, 1.5d X 57l, 2-Short Cuffs	1

▽ ASSEMBLY

▲ INCLUDED IN ASSEMBLY

● RECOMMENDED STOCK ITEMS

SOLUTION GROUP, STANDARD MODEL



SOLUTION GROUP, STANDARD MODEL

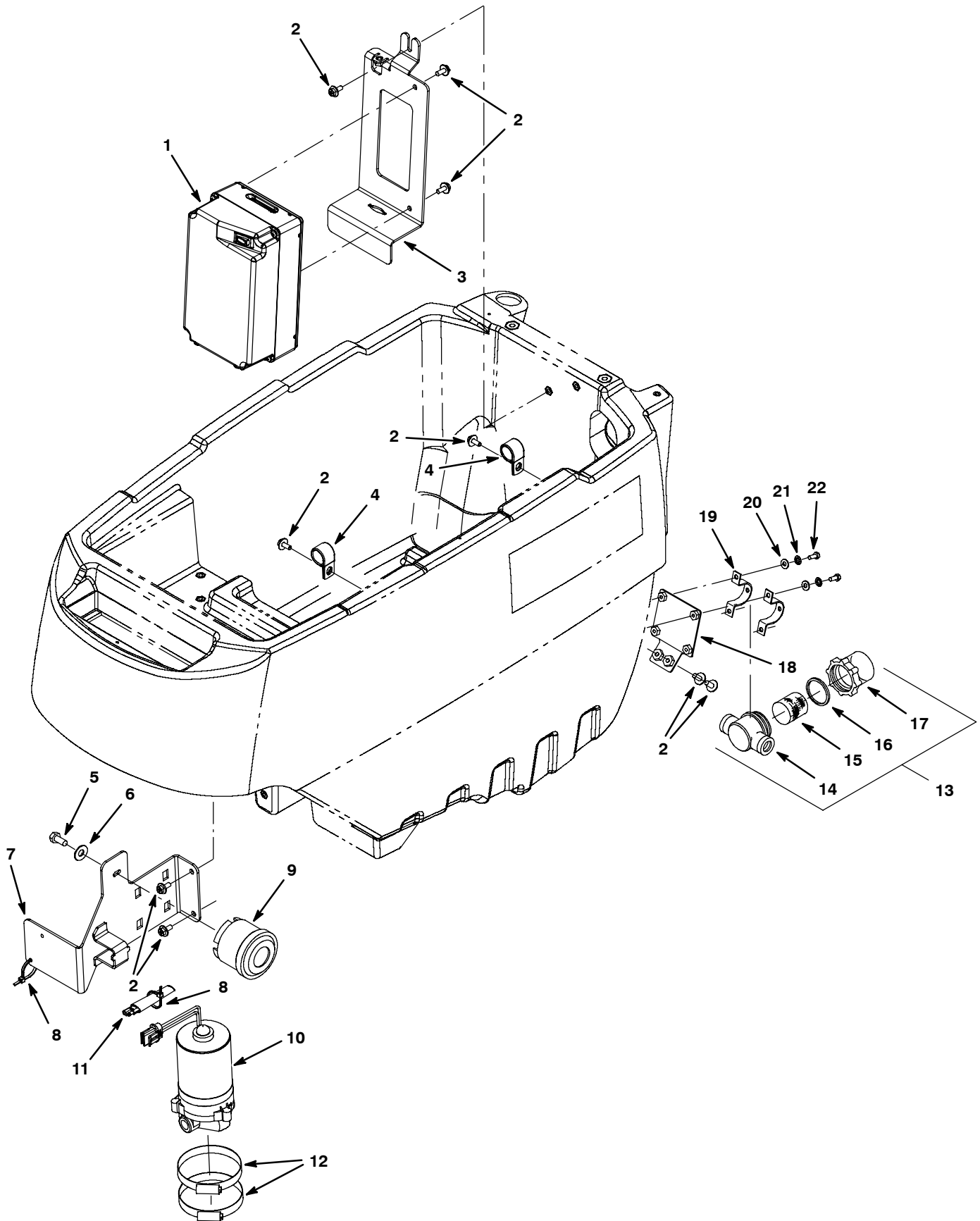
Ref.	Part No.	Serial Number	Description	Qty.
1	607775	(10000000-20000000)	Clamp, Hose, Wir, .63 - .66, Blk	2
2	606318	(10000000-20000000)	Hose, PVC, Brd, 0.38id 0.60od 036.5l, Clr	1
3	612774	(10000000-20000000)	Fitting, Plstc, Str, Bm06/Bm08	1
4	607776	(10000000-20000000)	Clamp, Hose, Wir, .73 - .77, Silver	8
5	606225	(10000000-20000000)	Hose 1/2id X 1.79"	1
▽	6	1062385	(10000000-20000000)● Valve, Water, Solenoid, 24vdc Bm10/Bm10	1
▲	614265	(10000000-20000000)	● Valve Kit, Water [Viton Diaphragm]	1
7	1017091	(10000000-20000000)	Spring, Cmpr, .48d, .036w, .75l	1
8	1013442	(10000000-20000000)	● Knob, Valve, Indicator, Blk	1
▽	9	1005302	(10000000-20000000)● Filter, In-Line, Pf06/Pf06, 80 Mesh	1
▲	10	613993	(10000000-20000000)● Housing, Top, F/1005302	1
▲	11	1005304	(10000000-20000000)● Screen, Fltr, 80 Mesh	1
▲	12	613992	(10000000-20000000)● Gasket [Viton, F/1005302]	1
▲	13	613991	(10000000-20000000)● Bowl, Clr, Short, F/1005302	1
14	150420	(10000000-20000000)	Fitting, Brs, E90, Pf06/Pm06 [Taped]	2
15	1017532	(10000000-20000000)	Fitting, Plstc, E90, Bm08/Pm06	2
16	140957	(10000000-20000000)	Hose, Pvc, Clr, 0.50id 0.75od 002.5l	2
17	1023581	(10000000-20000000)	Fitting, Plstc, Str, Bm08/Pm08, Nyl	1
18	613517	(10000000-20000000)	Tube, 0.50id X 0.75od Vyl 0.46ft[611259]	1
19	63987-1	(10000000-20000000)	Fitting, Plstc, E90, Bm08/Bm08	1
20	1029533	(10000000-20000000)	Bracket, Mtg, Fltr	1
21	605056	(10000000-20000000)	Bracket, Mtg, Fltr	2
22	01683	(10000000-20000000)	Washer, Flat, #10, Ss	4
23	07514	(10000000-20000000)	Washer, Lock, Int, #10, Ss	4
24	09738	(10000000-20000000)	Screw, Hex, M5 X 0.8 X 12, Ss	4
25	1034731	(10000000-20000000)	Screw, Hex, M6 X 1.00 X 16, Ss, Sems	2

▽ ASSEMBLY

▲ INCLUDED IN ASSEMBLY

● RECOMMENDED STOCK ITEMS

SOLUTION GROUP, ec-H2O MODEL



SOLUTION GROUP, ec-H2O MODEL

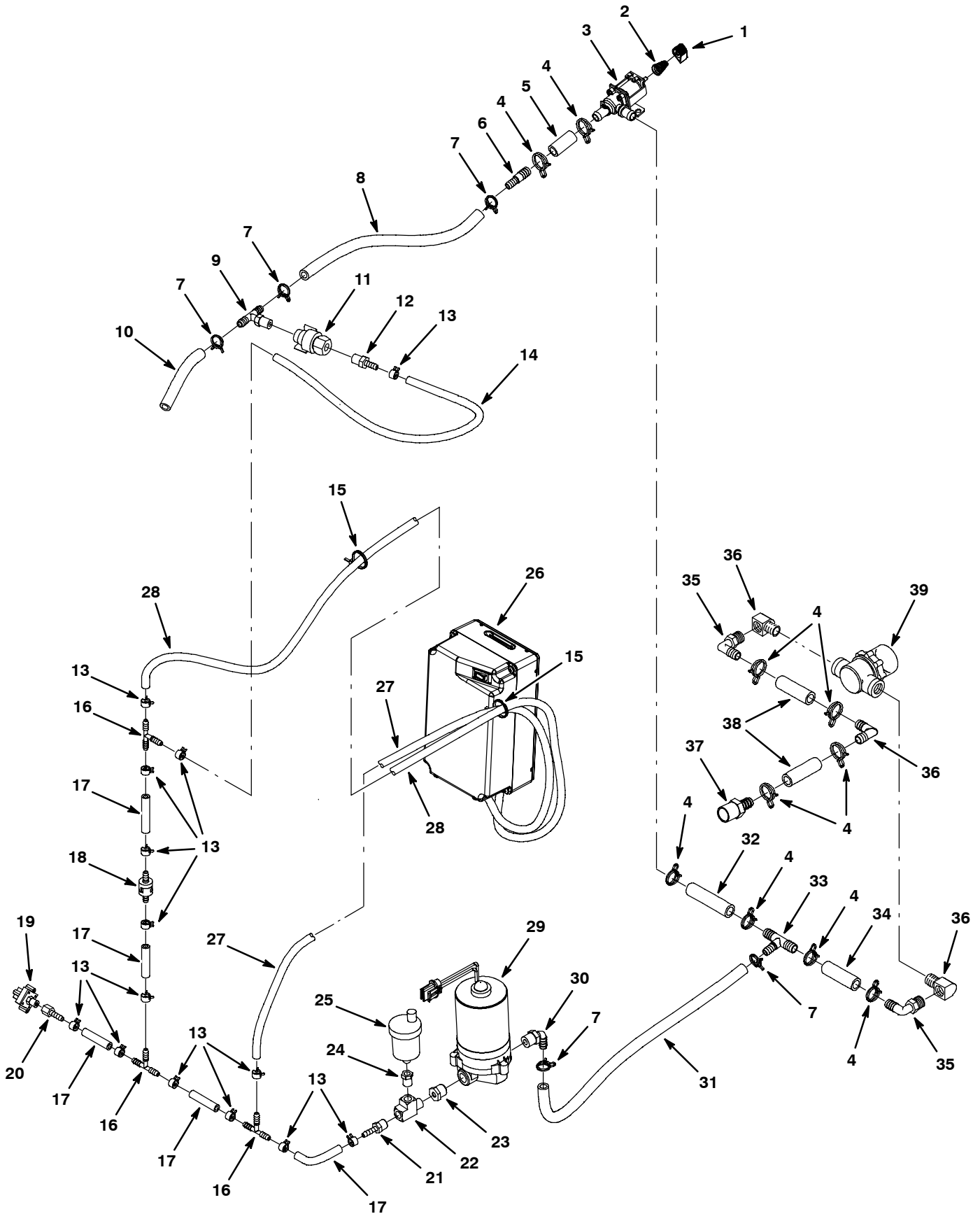
Ref.	Part No.	Serial Number	Description	Qty.	
1	9007970	(10419449-20000000)	● Module Kit, Replmt [Ec-H2o] (See Breakdown)	1	
2	1034731	(10000000-20000000)) Screw, Hex, M6 X 1.00 X 16, Ss, Sems	9	
3	1045961	(10000000-20000000)) Bracket, Mtg, Chrgr [Ss3/T3e Ec-H2o]	1	
4	140314	(10000000-20000000)) Clamp, Cable, Stl, 0.75d X 0.75w, 1hole	2	
5	11635	(10000000-20000000)) Screw, Hex, M6 X 1.00 X 12, NI, Ss	1	
6	01684	(10000000-20000000)) Washer, Flat, 0.27b 0.69d .05, Ss	1	
7	1037242	(10000000-20000000)) Bracket Wldt, Mtg, Pump [Fast li+]	1	
8	130773	(10000000-20000000)) Tie, Cable, Nyl, 11.0l, .14w, 3.0 Max. D	2	
9	1018505	(10460662-20000000)	● Horn, 12-48vdc [88.5 Decibels]	1	
9	392937	(10000000-10460661)	● Horn, 12-48vdc [94 Decibels]	1	
▽	10	1042495	(10000000-20000000)	● Pump, Soltn, Ele, 24vdc, 35psi	1
▲		9004759	(10000000-20000000)	● Pump Kit, Head, Soltn [Ec-H2o]	1
▲		78950	(10000000-20000000)	● Connector, Fem, 2cav, Mp280 Sealed	1
▲		78951	(10000000-20000000)	● Terminal, Fem, Mp280, Sealed, 18-16ga	1
▲		10917	(10000000-20000000)	● Seal, Wire, 14/16ga [Wp / Mp280 Sealed]	1
▲		78952	(10000000-20000000)	● Lock, Secondary, 2cav, Mp280 Sealed	1
	11	1040868	(10000000-20000000)	● Capacitor, Plug [.01 Uf, 200v]	1
	12	43555	(10000000-20000000)) Clamp, Hose, Wormdrive, 2.50-3.50d, .50w	3
▽	13	1005302	(10000000-20000000)	● Filter, In-Line, Pf06/Pf06 080mesh 02.6l	1
▲	14	613993	(10000000-20000000)	● Housing, Top, F/1005302	1
▲	15	1005304	(10000000-20000000)	● Screen, Fltr, 80 Mesh, Ss	1
▲	16	613992	(10000000-20000000)	● Gasket [Viton, F/1005302]	1
▲	17	613991	(10000000-20000000)	● Bowl, Clr, Short, F/1005302	1
	18	1029533	(10000000-20000000)) Bracket, Mtg, Fltr	1
	19	605056	(10000000-20000000)) Bracket, Mtg, Fltr	2
	20	01683	(10000000-20000000)) Washer, Flat, 10, Ss	4
	21	07514	(10000000-20000000)) Washer, Lock, Int, 10, Ss	4
	22	09738	(10000000-20000000)) Screw, Hex, M5 X 0.80 X 12, Ss	4

▽ ASSEMBLY

▲ INCLUDED IN ASSEMBLY

● RECOMMENDED STOCK ITEMS

SOLUTION GROUP, ec-H2O MODEL - CONT'D



SOLUTION GROUP, ec-H2O MODEL - CONT'D

Ref.	Part No.	Serial Number	Description	Qty.	
1	1013442	(10000000-20000000)	● Knob, Valve, Indicator, Blk	1	
2	1017091	(10000000-20000000)	● Spring, Cmpr, 0.50od .04wir 00.8l	1	
▽	3	1062385	(10000000-20000000)	● Valve, Water, Solenoid, 24vdc Bm10/Bm10	1
▲	614265	(10000000-20000000)	● Valve Kit, Water [Viton Diaphragm]	1	
4	607776	(10000000-20000000)) Clamp, Hose, Wir, .73 - .77, Silver	10	
5	1015071	(10000000-20000000)) Hose, Afmkt, Pvc, Clr, 0.50id, 01ft	1	
6	612774	(10000000-20000000)) Fitting, Plstc, Str, Bm06/Bm08	1	
7	607775	(10000000-20000000)) Clamp, Hose, Wir, .63 - .66, Blk	5	
8	606318	(10000000-20000000)) Hose, PVC, Brd, 0.38id 0.60od 036.5l, Clr	1	
9	1017340	(10000000-20000000)) Fitting, Plstc, Tee, Bm06/Bm06/Pm04, Br	1	
10	606317	(10000000-20000000)) Hose, PVC, Brd, 0.38id 0.60od 019.5l, Clr	1	
11	1043866	(10000000-20000000)) Fitting Assy, Qd, Pf04	1	
12	50901	(10000000-20000000)) Fitting, Plstc, Str, Bm04/Pm04	1	
13	603654	(10000000-20000000)) Clamp, Hose, Ear, .44d [Ctb]	14	
14	578820000	(10000000-20000000)) Hose, Pvc, Brd, 0.25id 0.44od 157.2l, Clr	1	
15	130773	(10000000-20000000)) Tie, Cable, Nyl, 11.0l, .14w, 3.0 Max. D	2	
16	150713	(10000000-20000000)) Fitting, Plstc, Tee, Bm04/Bm04/Bm04	3	
17	578820000	(10000000-20000000)) Hose, Pvc, Brd, 0.25id 0.44od 157.2l, Clr	1	
18	1044334	(10000000-20000000)	● Valve, Check, 0017psi Bm04/Bm04	1	
19	1044335	(10000000-20000000)	● Switch, Press, 6psi, Pm02	1	
20	150520	(10000000-20000000)) Fitting, Brs, Str, Bm04/Pf02	1	
21	150515	(10000000-20000000)) Fitting, Brs, Str, Bm04/Pm04 [Taped]	1	
22	150709	(10000000-20000000)) Fitting, Brs, Tee, Pm04/Pf04/Pf04, Run	1	
23	1016383	(10000000-20000000)) Fitting, Brs, Str, Pf04/Pm06	1	
24	150100	(10000000-20000000)) Fitting, Brs, Str, Pf02/Pm04	1	
25	1017386	(10000000-20000000)	● Valve, Vent, Air, Float Type	1	
▽	26	9007970	(10000000-20000000)	● Module Kit, Replmt [Ec-H2o] (See Breakdown)	1
▲	27	578820000	(10000000-20000000)) Hose, Pvc, Brd, 0.25id 0.44od 157.2l, Clr	1
▲	28	9004606	(10000000-20000000)) Hose, Pvc, Brd, .25id .45od 64l, Clr	1
29	1042495	(10000000-20000000)	● Pump, Soltn, Ele, 24vdc, 35psi	1	
30	1005630	(10000000-20000000)) Fitting, Plstc, E90, Bm06/Pm06, Nyl	1	
31	613521	(10000000-20000000)) Hose, Pvc, Clr, 0.50id 0.75od 012.0l	1	
32	613514	(10000000-20000000)) Hose, Pvc, Clr, 0.50id 0.75od 004.1l	1	
33	630372	(10000000-20000000)) Fitting, Plstc, Tee, Bm06/Bm08/Bm08, Br	1	
34	140957	(10000000-20000000)) Hose, Pvc, Clr, 0.50id 0.75od 002.5l	1	
35	1017532	(10000000-20000000)) Fitting, Plstc, E90, Bm08/Pm06	2	
36	150420	(10000000-20000000)) Fitting, Brs, E90, Pf06/Pm06 [Taped]	2	
37	1023581	(10000000-20000000)) Fitting, Plstc, Str, Bm08/Pm08, Nyl	1	
38	140957	(10000000-20000000)) Hose, Pvc, Clr, 0.50id 0.75od 002.5l	2	
39	63987-1	(10000000-20000000)) Fitting, Plstc, E90, Bm08/Bm08	1	
40	1005302	(10000000-20000000)	● Filter, In-Line, Pf06/Pf06 080mesh 02.6l	1	

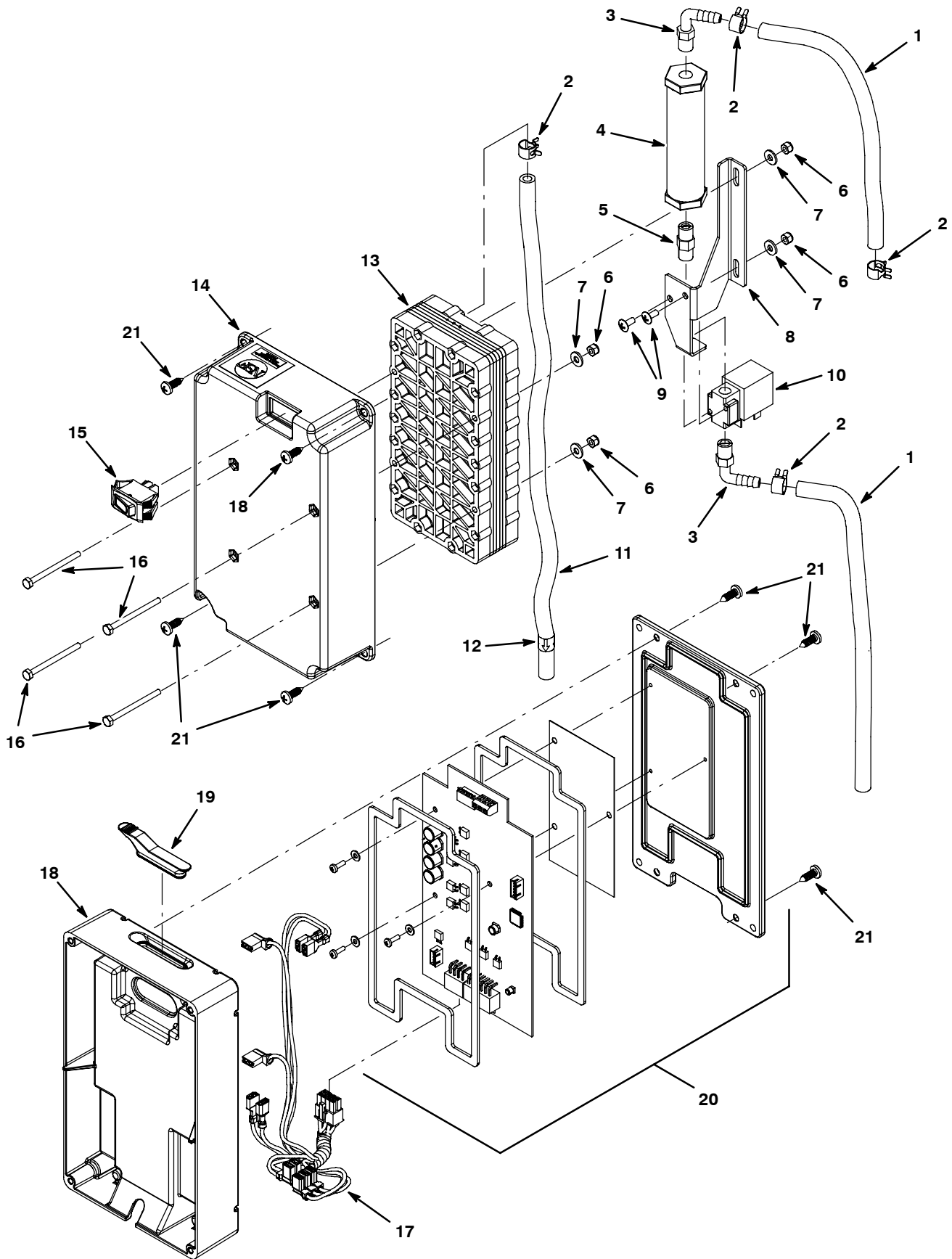
▽ ASSEMBLY

▲ INCLUDED IN ASSEMBLY

● RECOMMENDED STOCK ITEMS

STANDARD PARTS

ec-H2O MODULE ASSEMBLY BREAKDOWN, 9007970 (S/N 10419449-)



ec-H2O MODULE ASSEMBLY BREAKDOWN, 9007970 (S/N 10419449-)

Ref.	Part No.	Serial Number	Description	Qty.
▽	9007970	(10419449-20000000)	● Module Kit, Replmt [Ec-H2o]	1
▲▽	9006324	(10419449-20000000)	● Ec-H2o Kit [Module B, Plumbing]	1
▲▲	1 578820000	(10000000-20000000)) Hose, Pvc, Brd, 0.25id 0.44od 157.2l,Clr	1
▲▲	2 603654	(10000000-20000000)) Clamp, Hose, Ear, .44d [Ctb]	4
▲▲	3 1037595	(10000000-20000000)) Fitting, Plstc, E90, Bm04/Pm02, Nyl	2
▲▲	4 1062006	(10000000-20000000)	● Electrode, Cylindrical	1
▲▲	5 1045030	(10000000-20000000)) Fitting, Brs, Str, Pm02/Pm02	1
▲▲	6 33932	(10419449-20000000)) Nut, Hex, Lock, M4 X 0.70, NI, Ss	4
▲▲	7 41579	(10419449-20000000)) Washer, Flat, 08, Ss	4
▲▲	8 1048490	(10419449-20000000)) Bracket, Valve	1
▲▲	9 140801	(10000000-20000000)) Screw, Trs, Phl, 08-32 X 0.38, Ss	2
▲▲	10 1013236	(10000000-20000000)	● Valve, Shutoff, Ele, 24vdc	1
▲▲	11 9006574	(10419449-20000000)) Hose, Pvc, Brd, 0.25id 0.45od, 65l, Clr	1
▲▲	12 1049637	(10000000-20000000)) Label, Direction [Ec-H2o]	1
▲▲	13 1057637	(10419449-20000000)	● Electrode, 5 Plate, High Flow	1
▲▲	14 1051519	(10419449-20000000)) Housing, Upper, Module, High Flow	1
▲▲	15 1044393	(10000000-20000000)	● Switch, Rocker, Spst, Mom,	1
▲▲	16 32509	(10419449-20000000)) Screw, Hex, M4 X 0.70 X 50, Ss	4
▲▲	17 1049489	(10419449-20000000)	● Harness, Main, Controller [Ec-H2o, P3]	1
▲	18 1037032	(10000000-20000000)) Housing, Bottom	1
▲	19 1054776	(10419449-20000000)	● Grommet, Blind	1
▲	20 9007969	(10000000-20000000)	● Controller Kit, Replmt [Ec-H2o]	1
▲	21 1018155	(10000000-20000000)) Screw, Pan, Phl, M5 X 0.80 X 16, Tcut,Ss	8

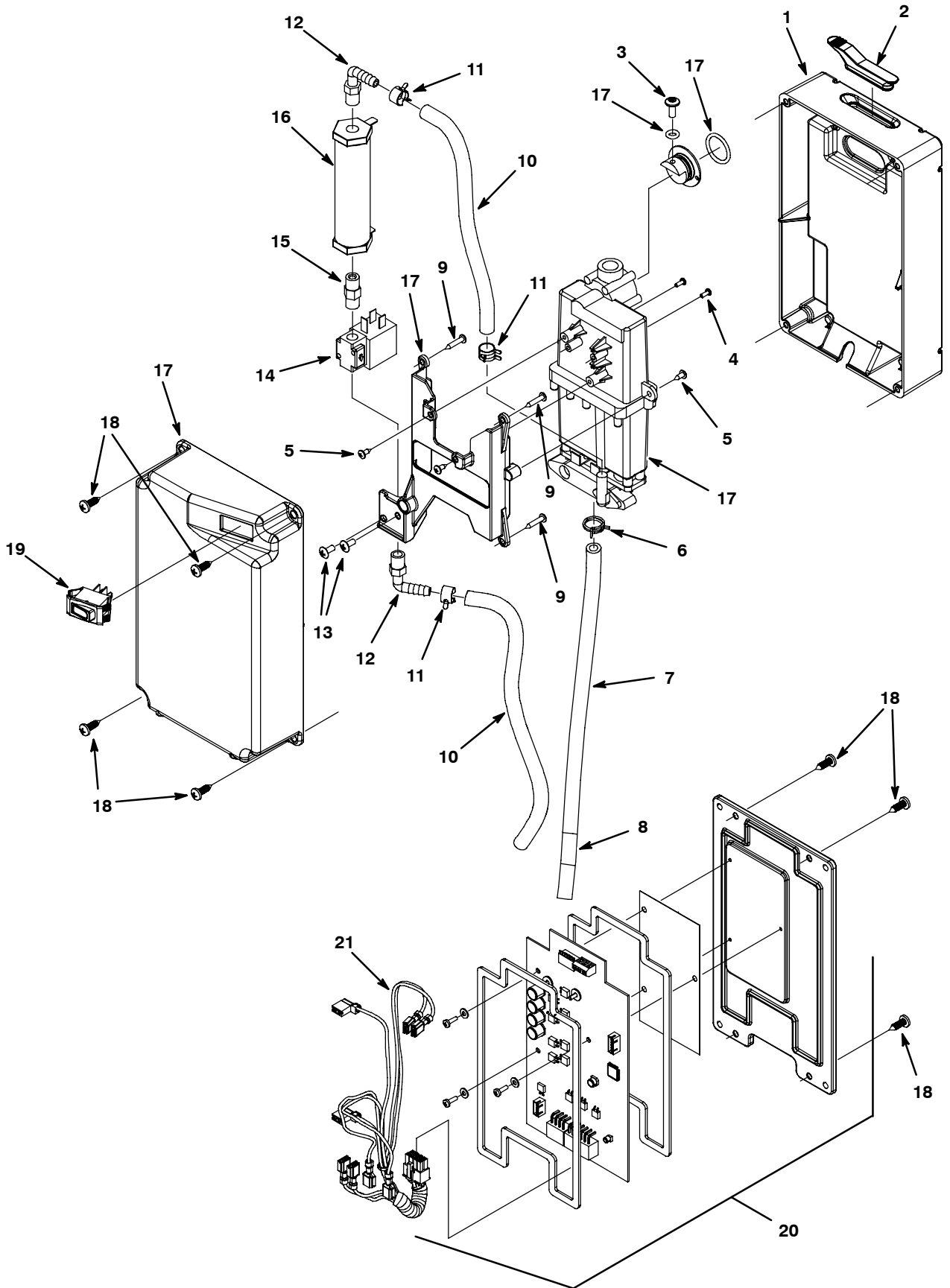
▽ ASSEMBLY

▲ INCLUDED IN ASSEMBLY

● RECOMMENDED STOCK ITEMS

STANDARD PARTS

ec-H2O MODULE ASSEMBLY BREAKDOWN, 9006161 (S/N 1000000-10419448)



ec-H2O MODULE ASSEMBLY BREAKDOWN, 9006161 (S/N 10000000-10419448)

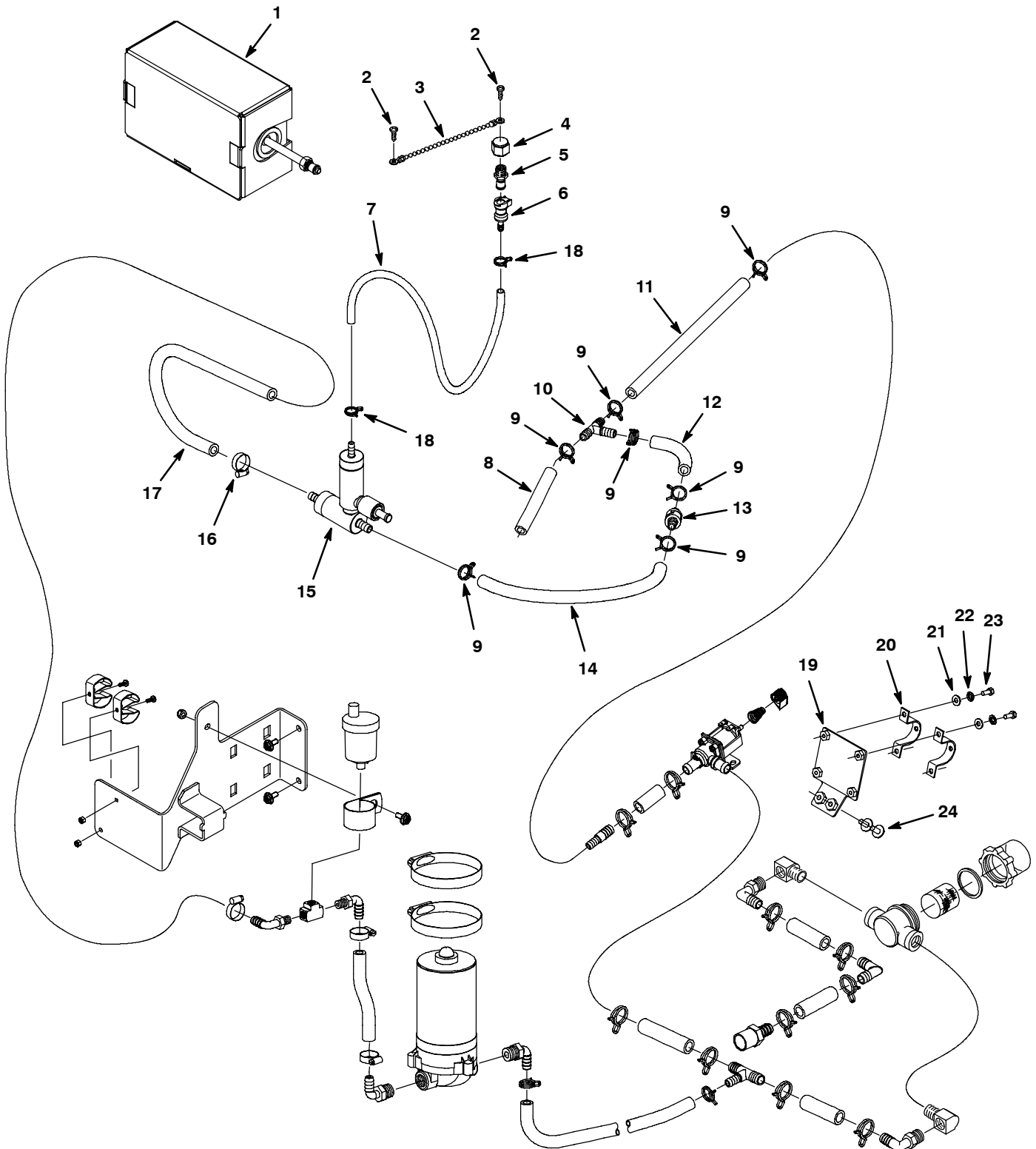
Ref.	Part No.	Serial Number	Description	Qty.
▽	9006161	(10000000-10419448)	● Module Kit, Replmt [Ec-H2o]	1
▲	1 1037032	(10000000-20000000)) Housing, Bottom	1
▲	2 1054776	(10000000-20000000)	● Grommet, Blind	1
▲	3 609062	(10000000-10419448)) Screw, Trs, Phl, 08-32 X 0.38, Ss	1
▲	4 578860	(10000000-10419448)) Screw, Pan, Phl, 04-40 X 0.31, Pl	2
▲	5 3701.6	(10000000-10419448)) Screw, Pan, Phl, 06-32 X 0.38, Shtmtl,Ss	4
▲	6 613735	(10000000-20000000)) Clamp, Hose, Wir, .40 - .42, Yel	1
▲	7 9004606	(10000000-10419448)) Hose, Pvc, Brd, .25id .45od 46l, Clr	1
▲	8 1049637	(10000000-20000000)) Label, Direction [Ec-H2o]	1
▲	9 140826	(10000000-10419448)) Screw, Pan, 06-32 X 0.75, Fmg/Ab, Ss	4
▲	10 578820000	(10000000-20000000)) Hose, Pvc, Brd, 0.25id 0.44od 157.2l,Clr	1
▲	11 603654	(10000000-20000000)) Clamp, Hose, Ear, .44d [Ctb]	4
▲	12 1037595	(10000000-20000000)) Fitting, Plstc, E90, Bm04/Pm02, Nyl	2
▲	13 140801	(10000000-10419448)) Screw, Trs, Phl, 08-32 X 0.38, Ss	2
▲	14 1013236	(10000000-20000000)	● Valve, Shutoff, Ele, 24vdc	1
▲	15 1045030	(10000000-20000000)) Fitting, Brs, Str, Pm02/Pm02	1
▲	16 1038159	(10000000-20000000)	● Electrode, Cylindrical	1
▲	17 N/A	(10000000-10419448)	● Part Not Sold Separately - Order E-Cell Upgrade Kit P/N 9006324	1
▲	18 1018155	(10000000-20000000)) Screw, Pan, Phl, M5 X 0.80 X 16, Tcut,Ss	8
▲	19 1044393	(10000000-20000000)	● Switch, Rocker, Spst, Mom,	1
▲	20 9006159	(10000000-20000000)	● Controller Kit, Replmt [Ec-H2o]	1
▲	21 1044399	(10000000-10419448)	● Harness, Main, Controller [Ec-H2o, P3]	1

▽ ASSEMBLY

▲ INCLUDED IN ASSEMBLY

● RECOMMENDED STOCK ITEMS

SOLUTION GROUP, FaST MODEL

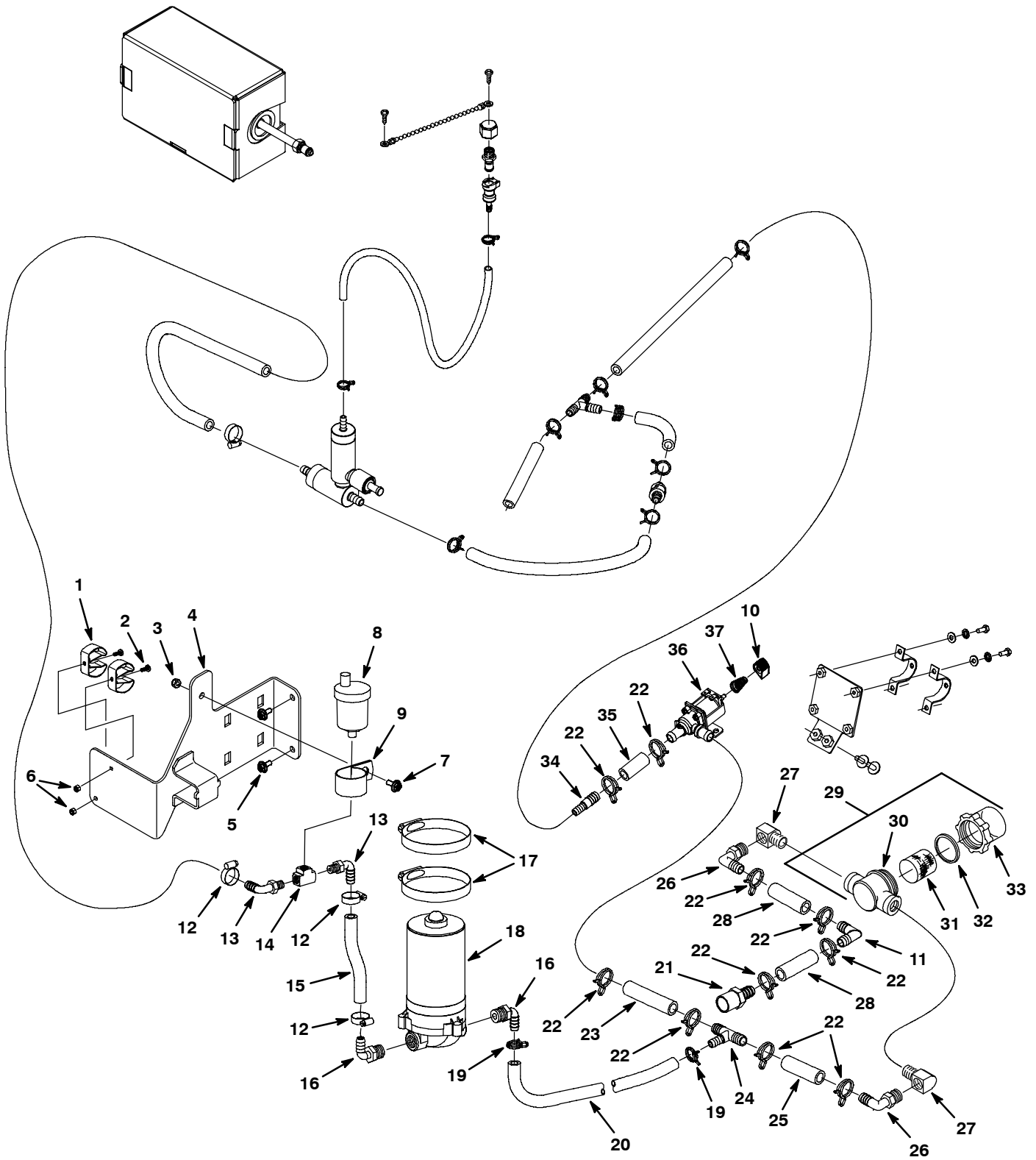


SOLUTION GROUP, FaST MODEL

Ref.	Part No.	Serial Number	Description	Qty.
1	1017019	(10000000-20000000)	● Detergent Pkg, 2 Liter, Sgl [Mp]	1
1	1017025	(10000000-20000000)	● Detergent Pkg, 2 Liter, Sgl [Mpd]	1
2	1018155	(10000000-20000000)) Screw, Pan, M5 X 0.8 X16, Ss, Tcut	2
3	621443	(10000000-20000000)) Chain, Ball, #10, 157mm, Ss	1
4	1005435	(10000000-20000000)) Fitting, Plstc, Cap, Pf04, Pipe	1
5	1006206	(10000000-20000000)) Fitting, Plstc, Str, Pm04, Cplg, Mal [Nob]	1
6	1006204	(10000000-20000000)	● Coupling, Fem, W/ Valve, .25 Brb [Nobles]	1
7	613947	(10000000-20000000)) Hose, Clr, 0.25id 26.0l	1
8	606317	(10000000-20000000)) Hose, PVC,Brd, 0.38id 0.60od 019.5l, Clr	1
9	607775	(10000000-20000000)) Clamp, Hose, Wir, .63 - .66, Blk	7
10	160310	(10000000-20000000)) Fitting, Plstc, Tee, Bm06/Bm06/Bm06	1
11	606318	(10000000-20000000)) Hose, PVC,Brd, 0.38id 0.60od 036.5l, Clr	1
12	606362	(10000000-20000000)) Hose 3/8idx5/8odx6.5 (611254)	1
13	1015455	(10000000-20000000)	● Valve, Check, 0005psi Bm06/Bm06	1
14	613442	(10000000-20000000)) Hose 3/8idx5/8od Clear 611254 Ft 1.292	1
15	9003906	(10000000-20000000)	● Fast Kit, Injector, Ci [T3/Ss3 Fast li+] (43 & 50 CM Models - See Breakdowns)	1
15	9003907	(10000000-20000000)	● Fast Kit, Injector[T5 60/65cm, Fast li+] (60 CM Model - See Breakdowns)	1
16	54333	(10000000-20000000)) Clamp, Hose, Wormdrive, 0.31-0.88d, .31w	1
17	613722	(10000000-20000000)) Hose .38 Id X 21" Pvc Braided	1
18	613735	(10000000-20000000)) Clamp, Hose, Wir, .40 - .42, Yel	2
19	1029533	(10000000-20000000)) Bracket, Mtg, Fltr	1
20	605056	(10000000-20000000)) Bracket, Mtg, Fltr	2
21	01683	(10000000-20000000)) Washer, Flat, #10, Ss	4
22	07514	(10000000-20000000)) Washer, Lock, Int, #10, Ss	4
23	09738	(10000000-20000000)) Screw, Hex, M5 X 0.8 X 12, Ss	4
24	1034731	(10000000-20000000)) Screw, Hex, M6 X 1.00 X 16, Ss, Sems	2

● RECOMMENDED STOCK ITEMS

SOLUTION GROUP, FaST MODEL - CONT'D



SOLUTION GROUP, FaST MODEL - CONT'D

Ref.	Part No.	Serial Number	Description	Qty.	
1	573073	(10000000-20000000)	Clip, Grip, Hose, 1.00-1.38, Zn	2	
2	49697	(10000000-20000000)	Screw, Pan, M4 X 0.7 X 10, Ss	2	
3	08712	(10000000-20000000)	Nut, Hex, Lock, M6 X 1.0, Ss, NI	1	
4	1037242	(10000000-20000000)	Bracket Wldt, Mtg, Pump [Fast li+]	1	
5	1034731	(10000000-20000000)	Screw, Hex, M6 X 1.00 X 16, Sems, Ss	2	
6	33932	(10000000-20000000)	Nut, Hex, Lock, M4 X 0.7, NI, Ss	2	
7	1034731	(10000000-20000000)	● Screw, Hex, M6 X 1.00 X 16, Sems, Ss	1	
8	1017386	(10000000-20000000)	● Valve, Air Vent, Float Type	1	
9	53466	(10000000-20000000)	Clamp, Cable, Stl, 1.50d X 1.00w, 1h	1	
10	1013442	(10000000-20000000)	● Knob, Valve, Indicator, Blk	1	
11	63987-1	(10000000-20000000)	Fitting, Plstc, E90, Bm08/Bm08	1	
12	54333	(10000000-20000000)	Clamp, Hose, Wormdrive, 0.31-0.88d, .31w	3	
13	1005564	(10000000-20000000)	Fitting, Plstc, E90, Bm06/Pm02, Nyl	2	
14	150705	(10000000-20000000)	Fitting, Brs, Tee, Pf02/Pf02/Pf02	1	
15	613724	(10000000-20000000)	Hose .38 Id X 10" Pvc Braided	1	
16	1005630	(10000000-20000000)	Fitting, Plstc, E90, Bm06/Pm06, Nyl	2	
17	43555	(10000000-20000000)	Clamp, Hose, Wormdrive, 2.50-3.50d, .50w	2	
18	1014282	(10000000-20000000)	● Pump, Soltn, Ele, 24vdc, 60psi, Packard	1	
19	607775	(10000000-20000000)	Clamp, Hose, Wir, .63 - .66, Blk	2	
20	613450	(10000000-20000000)	Hose 3/8idx5/8od Clear 611254 Ft 2.000	1	
21	1023581	(10000000-20000000)	Fitting, Plstc, Str, Bm08/Pm08, Nyl	1	
22	607776	(10000000-20000000)	● Clamp, Hose, Wir, .73 - .77, Silver	10	
23	613514	(10000000-20000000)	Tube, 0.50id X 0.75od Vyl 0.34ft[611259]	1	
24	630372	(10000000-20000000)	Fitting, Plstc, Tee, Bm06/Bm08/Bm08, Br	1	
25	140957	(10000000-20000000)	Hose, Vyl, Clr, .50id .75od 2.5l(611259)	1	
26	1017532	(10000000-20000000)	Fitting, Plstc, E90, Bm08/Pm06	2	
27	150420	(10000000-20000000)	Fitting, Brs, E90, Pf06/Pm06 [Taped]	2	
28	140957	(10000000-20000000)	Hose, Pvc, Clr, 0.50id 0.75od 002.5l	2	
▽	29	1005302	(10000000-20000000)	● Filter, In-Line, Pf06/Pf06, 80 Mesh	1
▲	30	613993	(10000000-20000000)	● Housing, Top, F/1005302	1
▲	31	1005304	(10000000-20000000)	● Screen, Fltr, 80 Mesh	1
▲	32	613992	(10000000-20000000)	● Gasket [Viton, F/1005302]	1
▲	33	613991	(10000000-20000000)	● Bowl, Clr, Short, F/1005302	1
	34	612774	(10000000-20000000)	Fitting, Plstc, Str, Bm06/Bm08	1
	35	1015071	(10000000-20000000)	Hose, Afmkt, Pvc, Clr 0.50id 01ft	1
▽	36	1062385	(10000000-20000000)	● Valve, Water, Solenoid, 24vdc Bm10/Bm10	1
▲		614265	(10000000-20000000)	● Valve Kit, Water [Viton Diaphragm]	1
	37	1017091	(10000000-20000000)	● Spring, Cmpr, .48d, .036w, .75l	1
	N/S	130773	(10000000-20000000)	Tie, Cable, Nyl, 11.0l, .14w, 3.0 Max. D	2

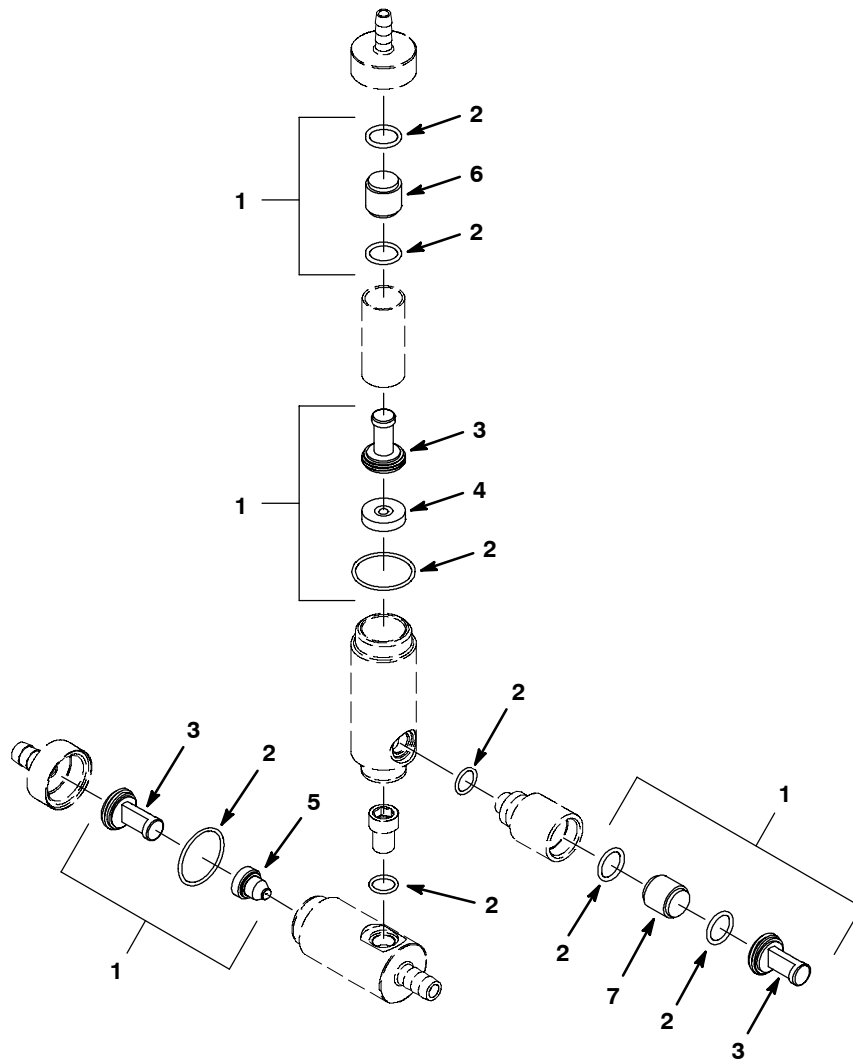
▽ ASSEMBLY

▲ INCLUDED IN ASSEMBLY

● RECOMMENDED STOCK ITEMS

STANDARD PARTS

9003906 FAST INJECTOR ASSEMBLY BREAKDOWN - SINGLE DISK 43 cm (17 in) & 50 cm (20 in) MODELS



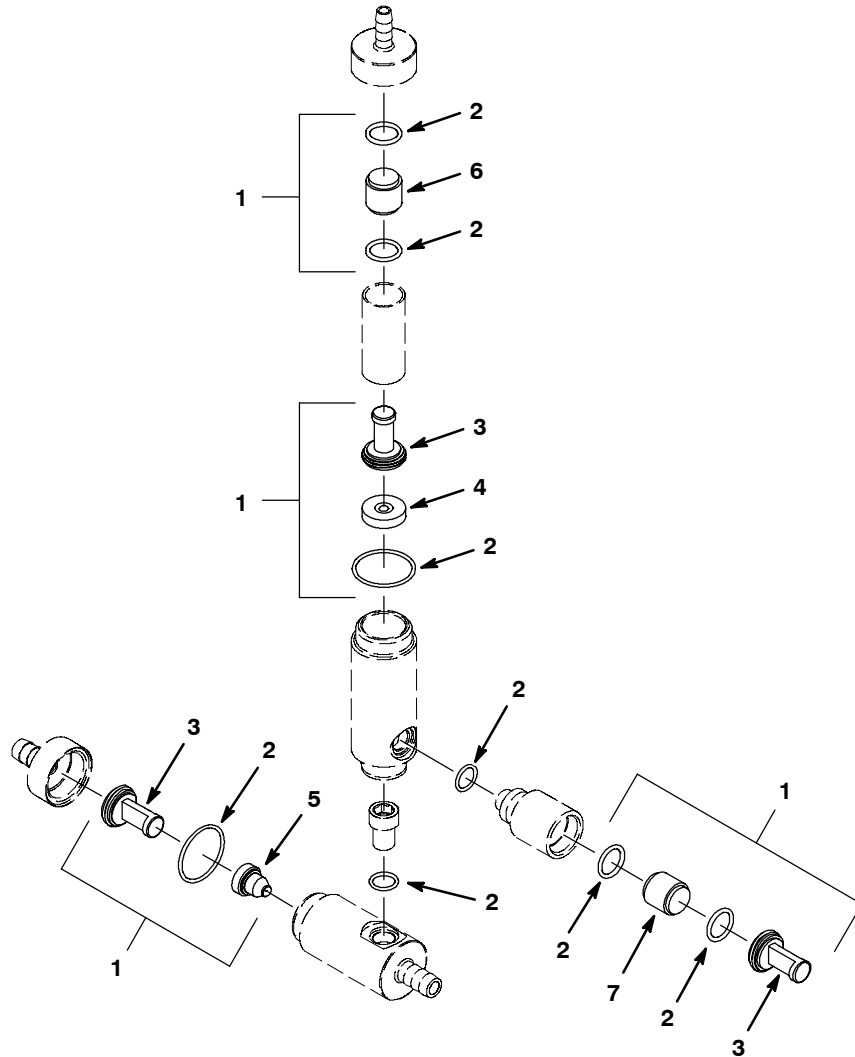
Ref.	Part No.	Serial Number	Description	Qty.
▽	9003906	(10000000-20000000)	● Fast Kit, Injector, Ci [T3/Ss3 Fast li+]	1
▲	1	9003802	(10000000-20000000) ● FaST Kit, Ci, Injector Rebuild [FaST II+]	1
▲	2	9003008	(10000000-20000000) ● FaST Kit, Ci, Injector Seals [FaST II+]	1
▲	3	9003009	(10000000-20000000) ● FaST Kit, Ci, Injector Filters [FaST II+]	1
▲	4	1039974	(10000000-20000000)) Plate Assy, Orifice, 0.0065ld, Blk	1
▲	5	1039988	(10000000-20000000)) Orifice, Plug, .027	1
▲	6	1030444	(10000000-20000000)) Valve, Check, 0002psi, White, [FaST II+]	1
▲	7	1030441	(10000000-20000000)) Valve, Check, 0005psi, Brown, [FaST II+]	1

▽ ASSEMBLY

▲ INCLUDED IN ASSEMBLY

● RECOMMENDED STOCK ITEMS

**9003907 FAST INJECTOR ASSEMBLY BREAKDOWN -
DUAL DISK 60 cm (24 in) MODEL**



Ref.	Part No.	Serial Number	Description	Qty.	
▽	9003907	(10348538-20000000)● Fast Kit, Injector[T5 60/65cm, Fast li+]	1	
▲	1	9003811	(10348538-20000000)● Fast Kit, Ci[Inj Rebl'd, T5 60/65cm, li+]	1
▲	2	9003008	(10348538-20000000)● Fast Kit, Ci, Injector Seals [Fast li+]	1
▲	3	9003009	(10348538-20000000)● 3ast Kit, Ci, Injector Filters[Fast li+]	1
▲	4	1032284	(10348538-20000000) Plate Assy, Orifice, 0.007id, Red	1
▲	5	1039989	(10348538-20000000) Plug, Orifice, 0.030, Ss [Fast li+]	1
▲	6	1030444	(10348538-20000000) Valve, Check, 0002psi [Fast li+]	1
▲	7	1030441	(10348538-20000000) Valve, Check, 0005psi [Fast li+]	1

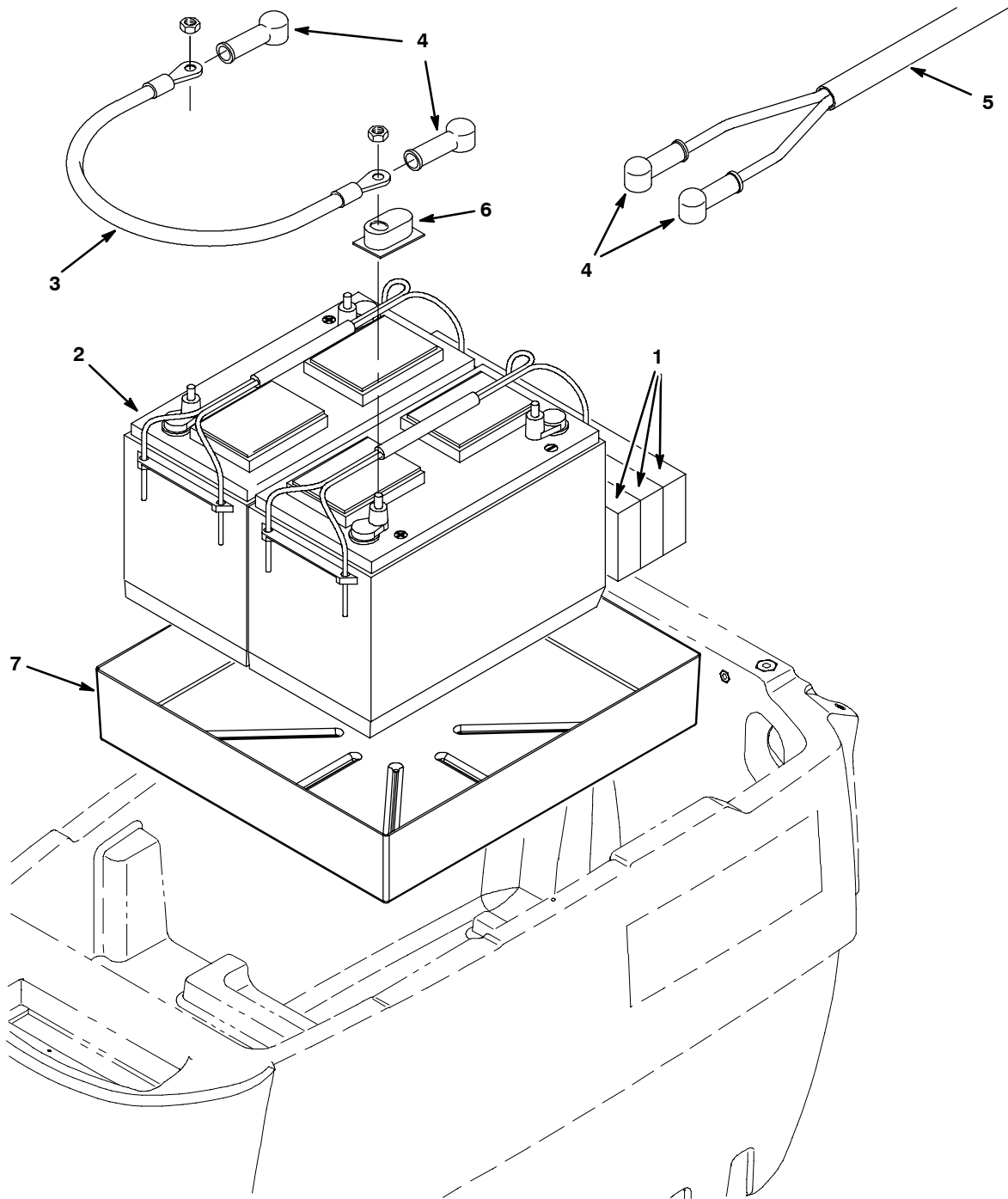
▽ ASSEMBLY

▲ INCLUDED IN ASSEMBLY

● RECOMMENDED STOCK ITEMS

STANDARD PARTS

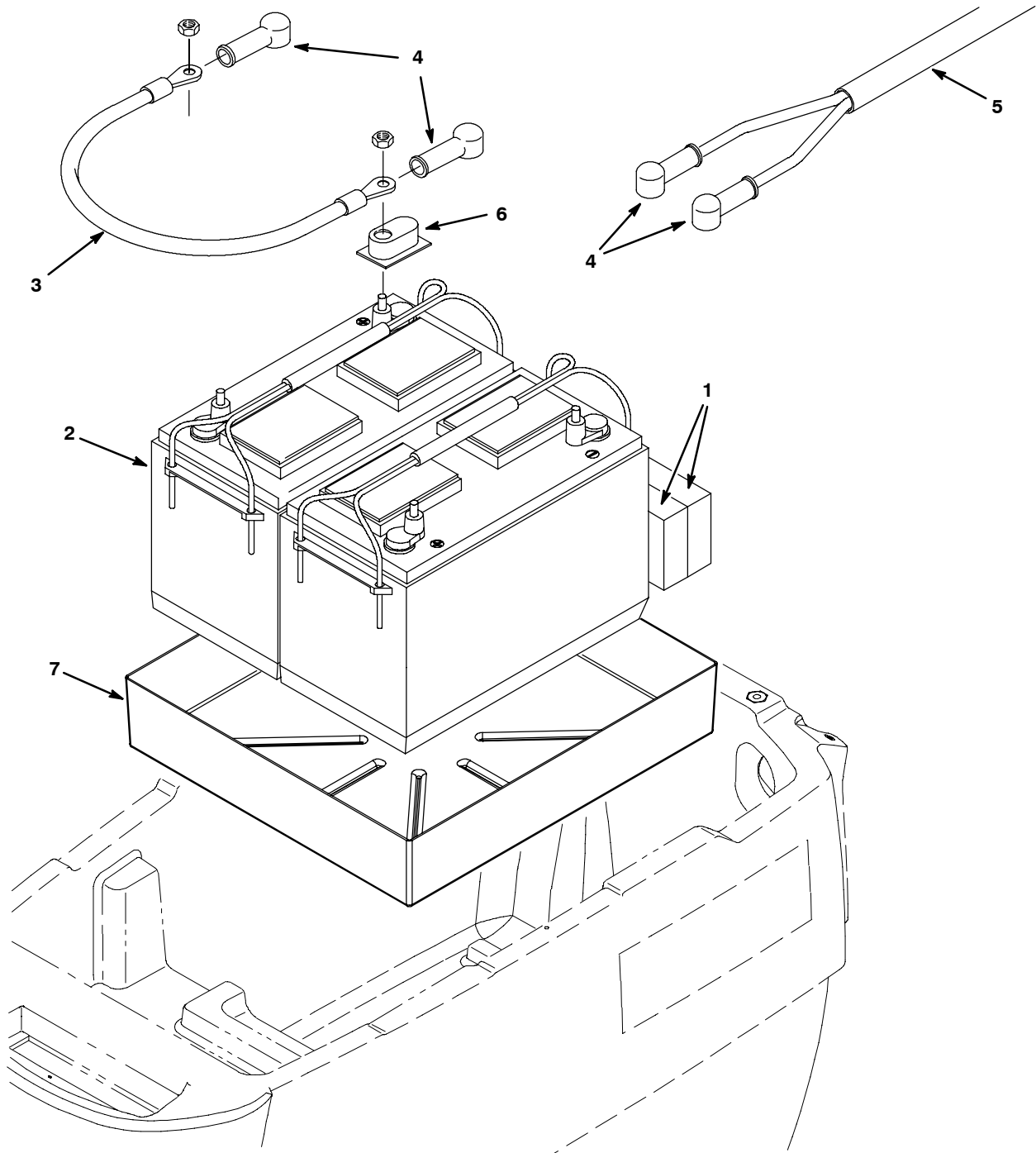
BATTERY AND CABLE GROUP, 12V/105 AH, 43 cm (17 in) BRUSH ASSIST MODEL



Ref.	Part No.	Serial Number	Description	Qty.
1	630375	(10000000-20000000)	● Spacer, Battery, 1.25 X 3.25 X 13.7 Foam	3
2	578426	(10000000-20000000)	● Battery, 12vdc, 0530cca, 105ah [27tmx]	2
3	130364	(10000000-20000000)	● Cable, 06ga 15.0l Blk .31ring /.38ring	1
4	611221	(10000000-20000000)	● Boot, Terminal, Battery, 25.4mm, Blk	4
5	1015941	(10000000-20000000)) Harness, Battery	1
6	45962	(10000000-20000000)	● Cap, Plstc, .04 1.38 X 2.30 0.5l	4
7	1059486	(10000000-20000000)	● Tray, Battery [Ss3 / T3]	1

● RECOMMENDED STOCK ITEMS

BATTERY AND CABLE GROUP, 12V/130 Ah, 50 cm (20 in) BRUSH ASSIST MODEL

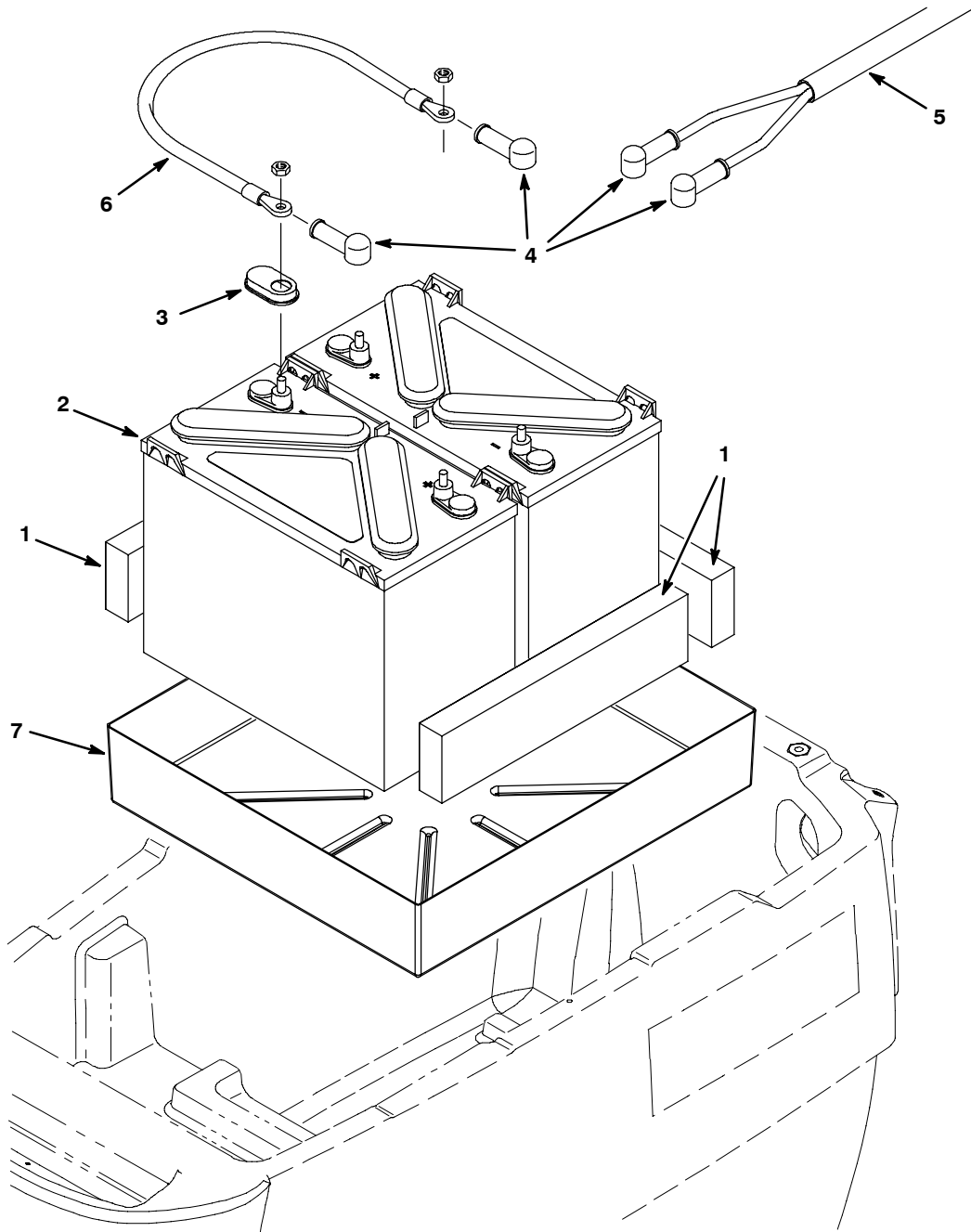


Ref.	Part No.	Serial Number	Description	Qty.
1	630375	(10000000-20000000)	● Spacer, Battery, 1.25 X 3.25 X 13.7 Foam	2
2	130869	(10000000-20000000)	● Battery, 12vdc, Cca, 130ah(30xhs-Wnt)	2
3	130364	(10000000-20000000)	● Cable, 06ga 15.0l Blk .31ring / .38ring	1
4	611221	(10000000-20000000)	● Boot, Terminal, Battery, 25.4mm, Blk	4
5	1015941	(10000000-20000000)) Harness, Battery	1
6	45962	(10000000-20000000)	● Cap, Plstc, .04 1.38 X 2.30 0.5l	4
7	1059486	(10000000-20000000)	● Tray, Battery [Ss3 / T3]	1

● RECOMMENDED STOCK ITEMS

STANDARD PARTS

BATTERY AND CABLE GROUP, 12V/155 AH, 50 cm (20 in) / 60 cm (24 in) DRIVE MODEL



Ref.	Part No.	Serial Number	Description	Qty.
	1	630375	(10000000-20000000) ● Spacer, Battery, 1.25 X 3.25 X 13.7 Foam	3
▽	2	1015046	(10000000-20000000) ● Battery, 12vdc, 155ah, Wet	2
▲	3	1041030	(10000000-20000000) ● Cap, Battery	4
	4	611221	(10000000-20000000) ● Boot, Terminal, Battery, 25.4mm, Blk	4
	5	1015941	(10000000-20000000)) Harness, Battery	1
	6	130364	(10000000-20000000) ● Cable, 06ga 15.0l Blk .31ring /.38ring	1
	7	1059486	(10000000-20000000) ● Tray, Battery [Ss3 / T3]	1

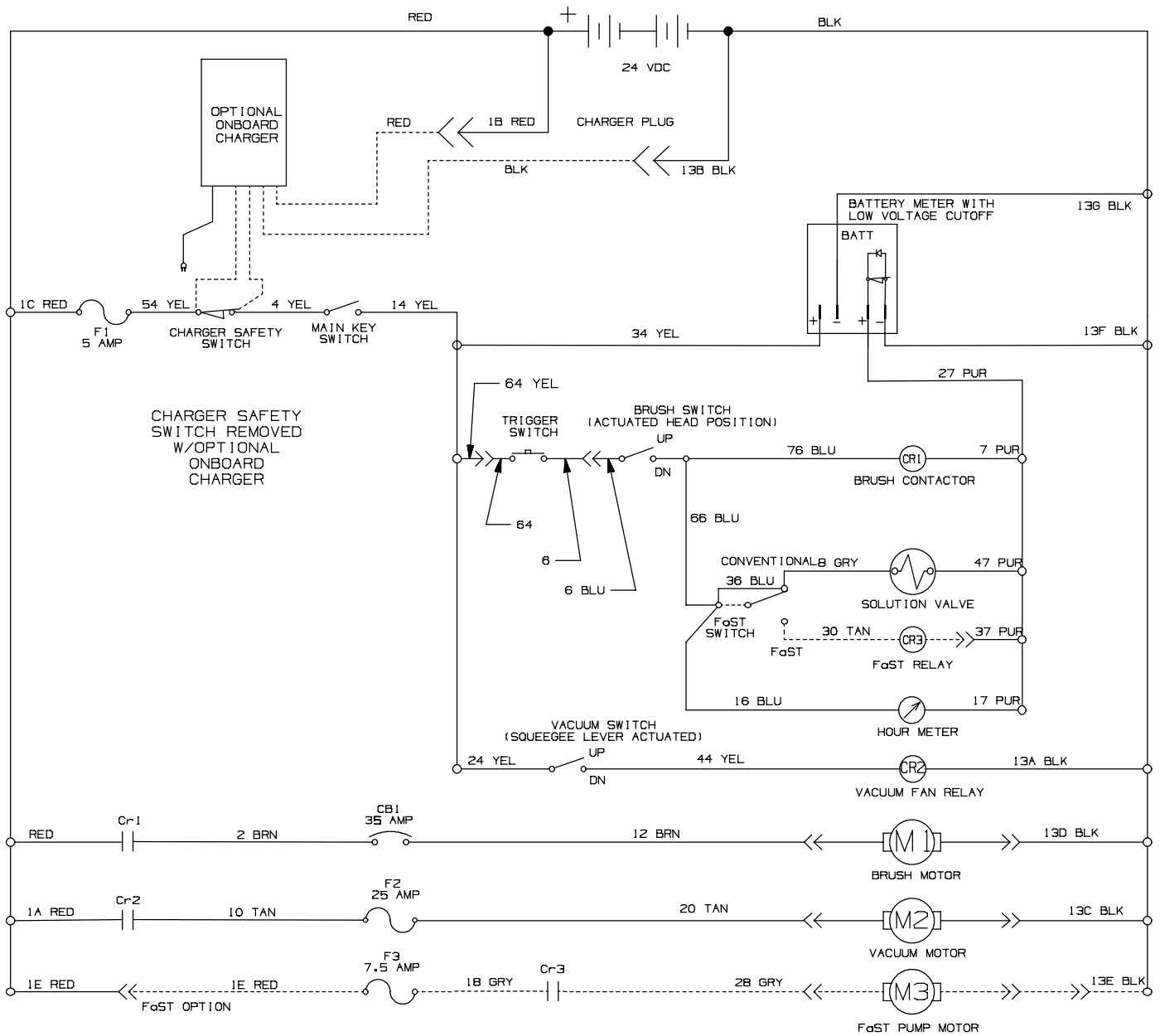
▽ ASSEMBLY

▲ INCLUDED IN ASSEMBLY

● RECOMMENDED STOCK ITEMS

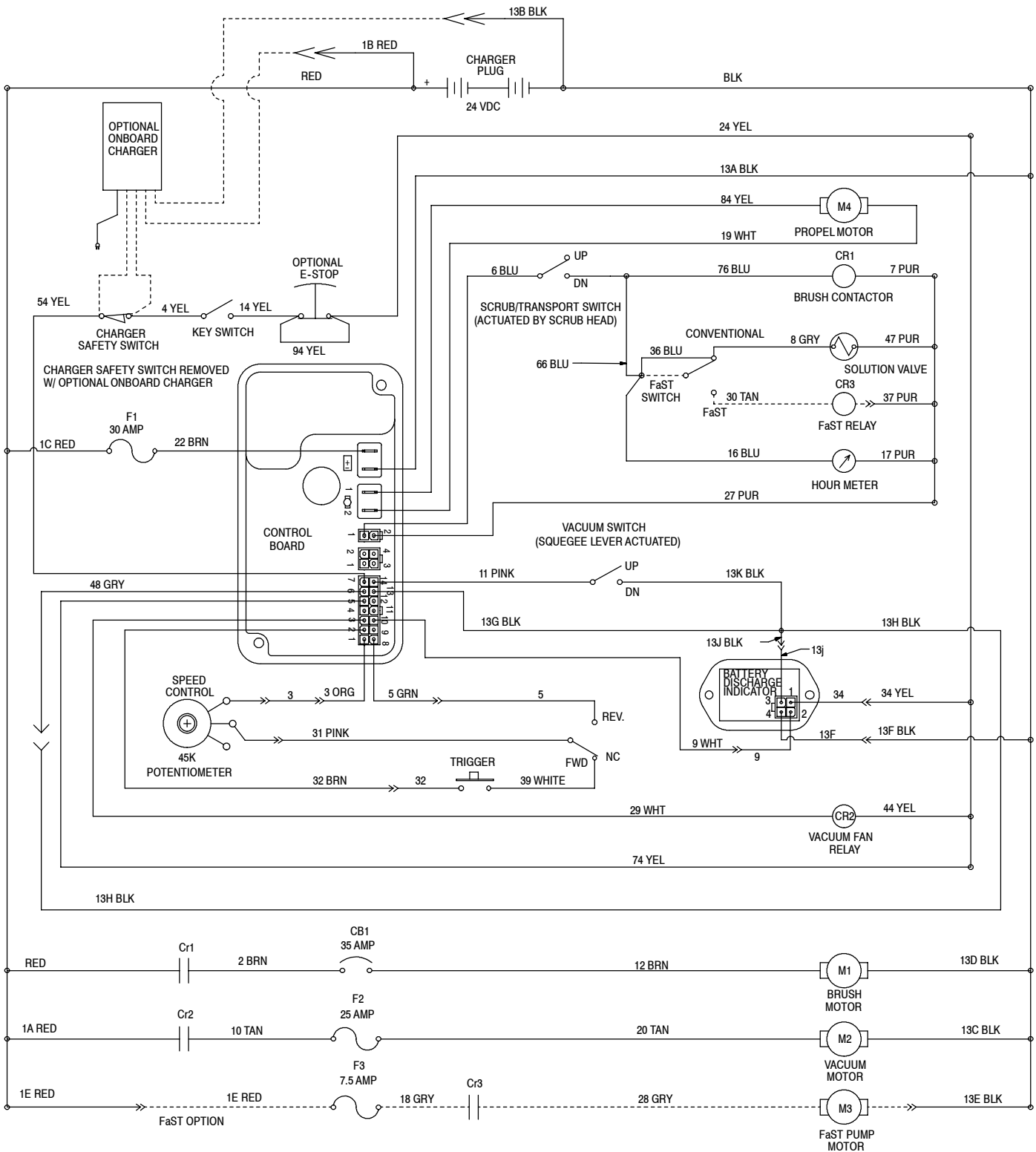
ELECTRICAL DIAGRAM, BRUSH ASSIST STANDARD & FaST MODEL

1032409



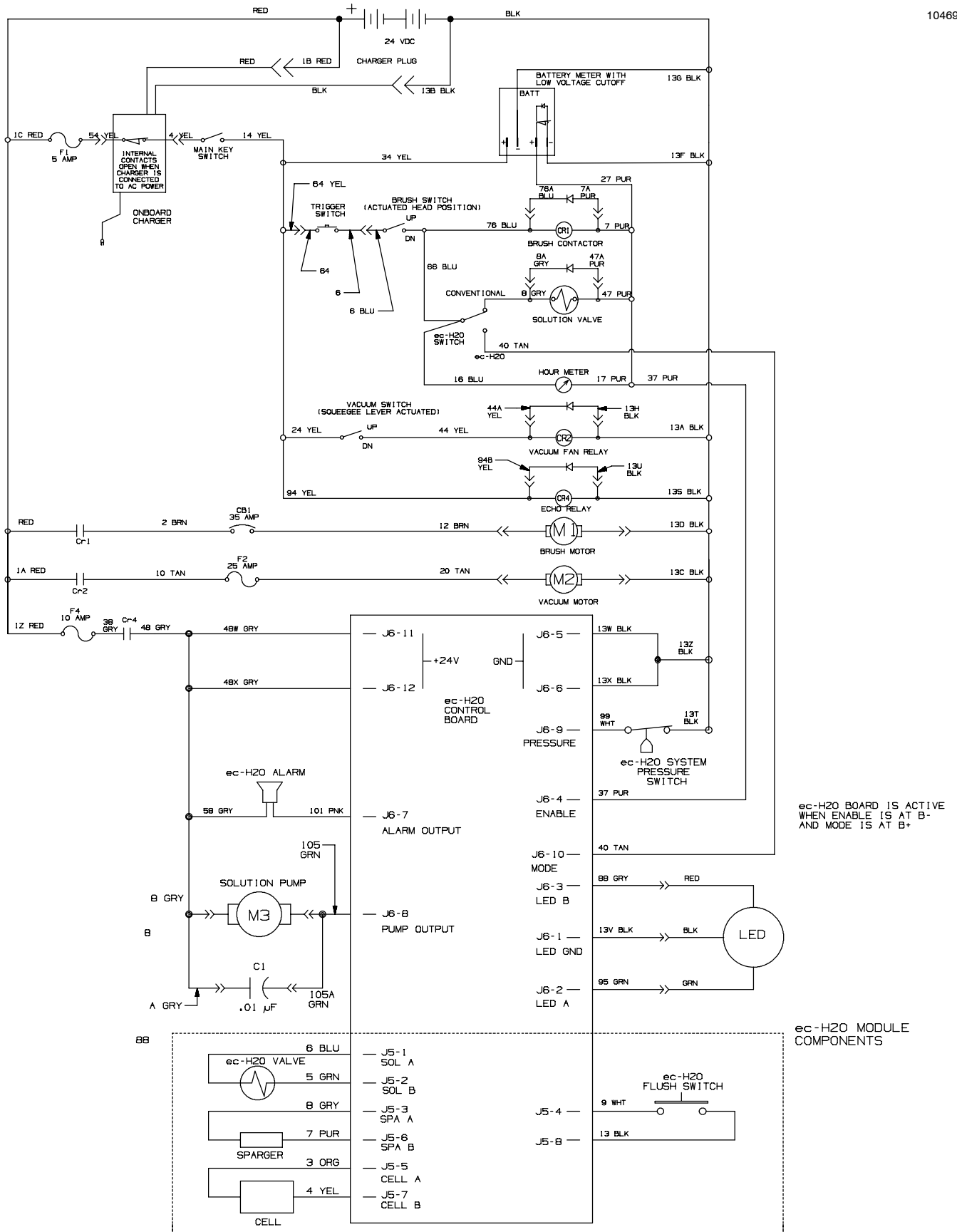
ELECTRICAL DIAGRAM, DRIVE STANDARD & FaST MODEL

1032396



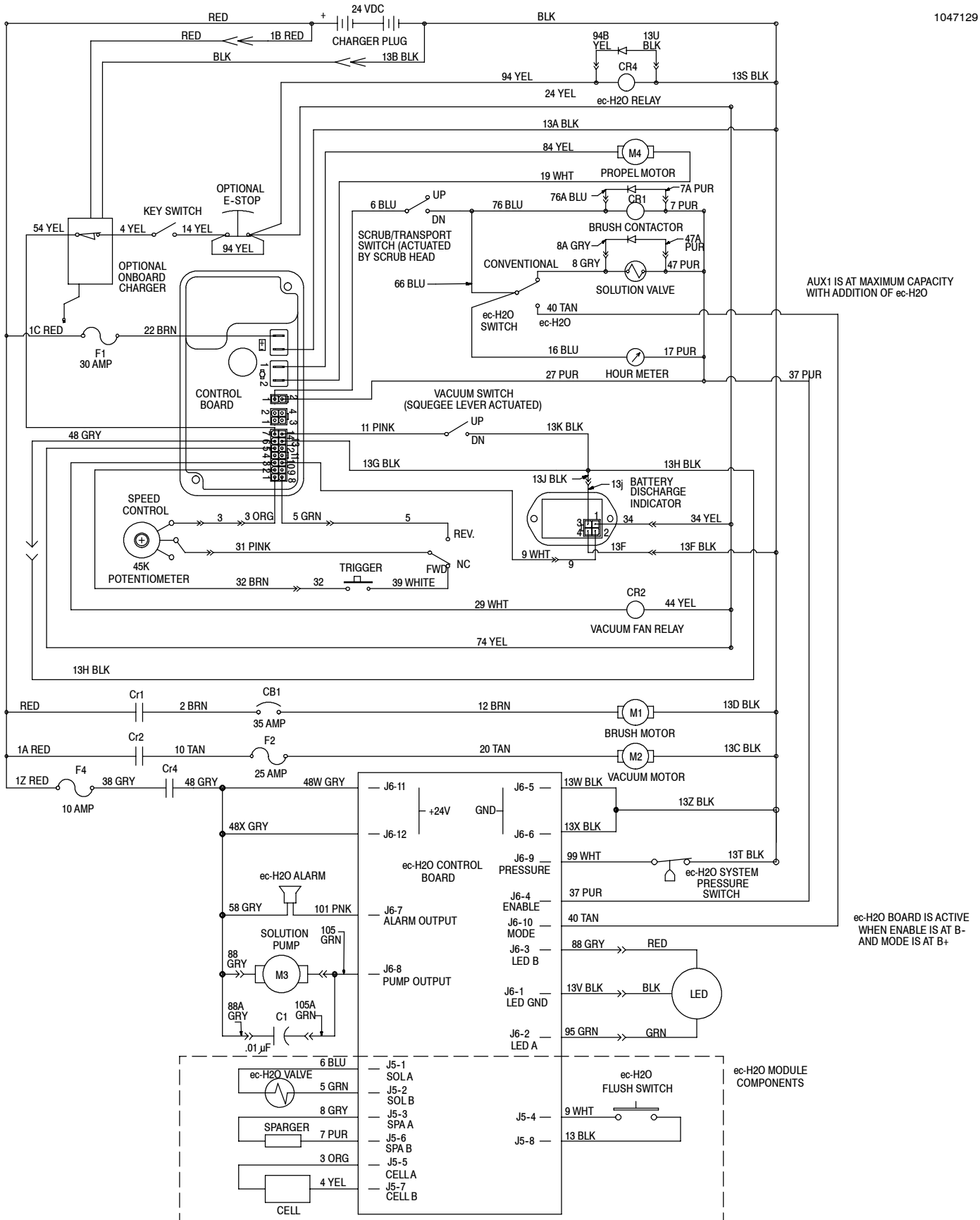
ELECTRICAL DIAGRAM, BRUSH ASSIST ec-H2O MODEL

1046949

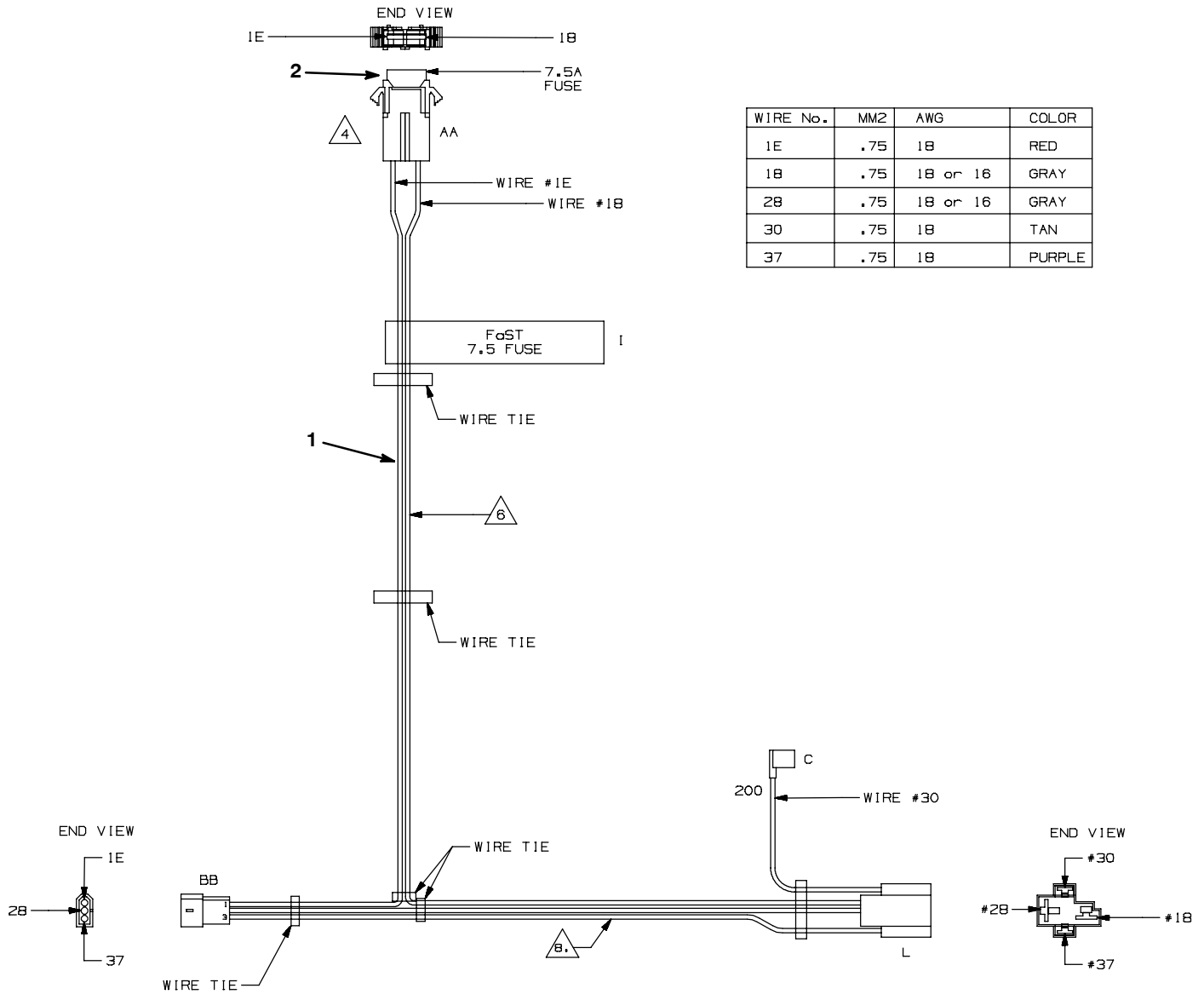


ELECTRICAL DIAGRAM, DRIVE ec-H2O MODEL

1047129



WIRE HARNESS GROUP, FAST OPTION



WIRE No.	MM2	AWG	COLOR
1E	.75	18	RED
18	.75	18 or 16	GRAY
28	.75	18 or 16	GRAY
30	.75	18	TAN
37	.75	18	PURPLE

Ref.	Part No.	Serial Number	Description	Qty.
▽ 1	1013644	(10000000-20000000)	● Harness [Fast Option]	1
▲ 2	1016039	(10000000-20000000)	● Fuse, Blade, 007.5a, 32vdc	1

▽ ASSEMBLY

▲ INCLUDED IN ASSEMBLY

● RECOMMENDED STOCK ITEMS

WIRE HARNESS GROUP, *ec-H2O* OPTION (S/N 10460662-20000000)

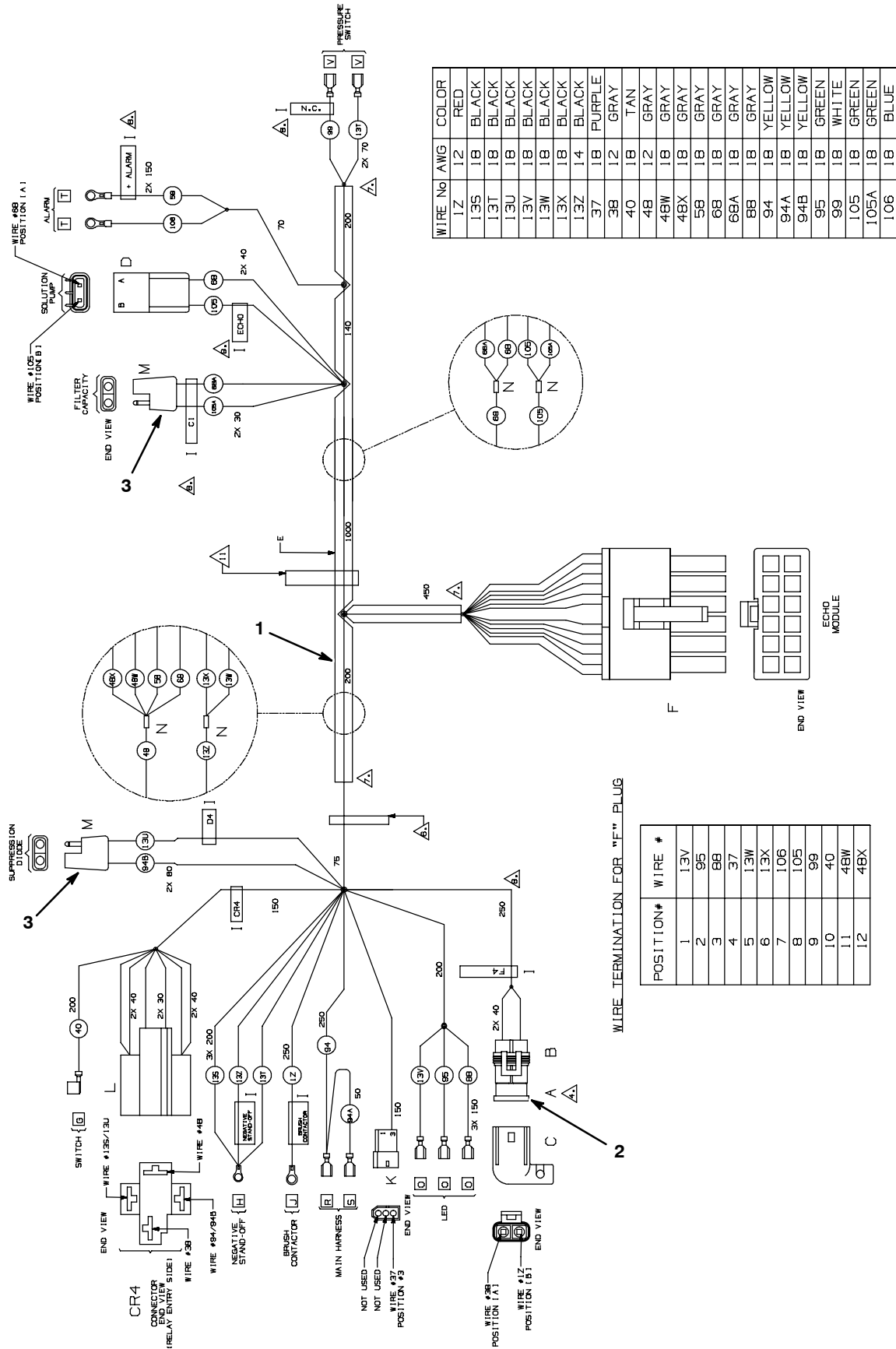
	Ref.	Part No.	Serial Number	Description	Qty.
▽	1	1055408	(10460662-20000000)	● Harness Assy, Wire [T3e Ec-H2o]	1
▲	2	1047470	(10000000-20000000)	● Fuse, Blade, 010a, 32vdc, Red	1
▲	3	222290	(10000000-20000000)	● Diode, Ele, Plug	2

▽ ASSEMBLY

▲ INCLUDED IN ASSEMBLY

● RECOMMENDED STOCK ITEMS

WIRE HARNESS GROUP, *ec-H2O* OPTION (S/N 1000000-10460661)



WIRE HARNESS GROUP, *ec-H2O* OPTION (S/N 10000000-10460661)

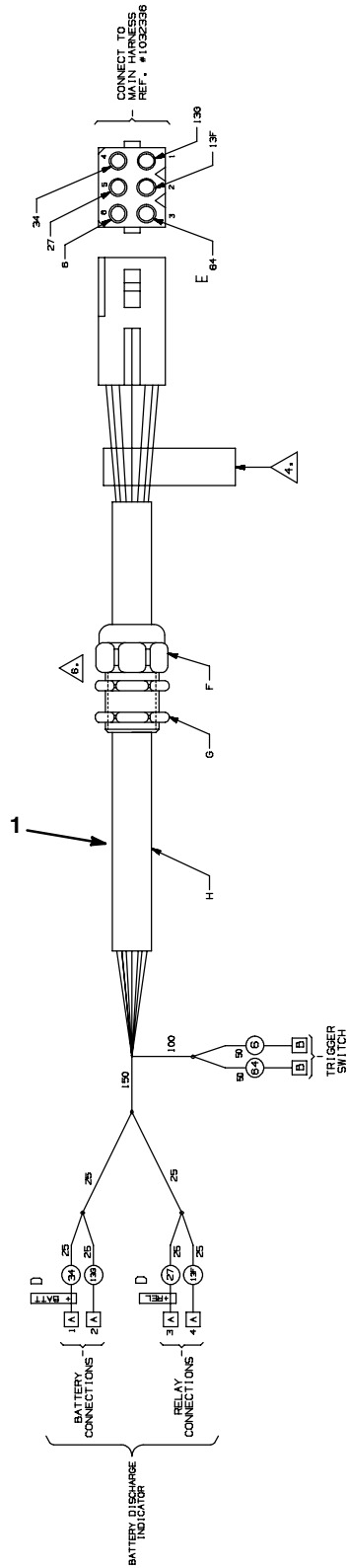
	Ref.	Part No.	Serial Number	Description	Qty.
▽	1	1048108	(10000000-10460661)	● Harness Assy, Wire [T3e Ec-H2o, P3]	1
▲	2	1047470	(10000000-20000000)	● Fuse, Blade, 010a, 32vdc, Red	1
▲	3	222290	(10000000-20000000)	● Diode, Ele, Plug	2

▽ ASSEMBLY

▲ INCLUDED IN ASSEMBLY

● RECOMMENDED STOCK ITEMS

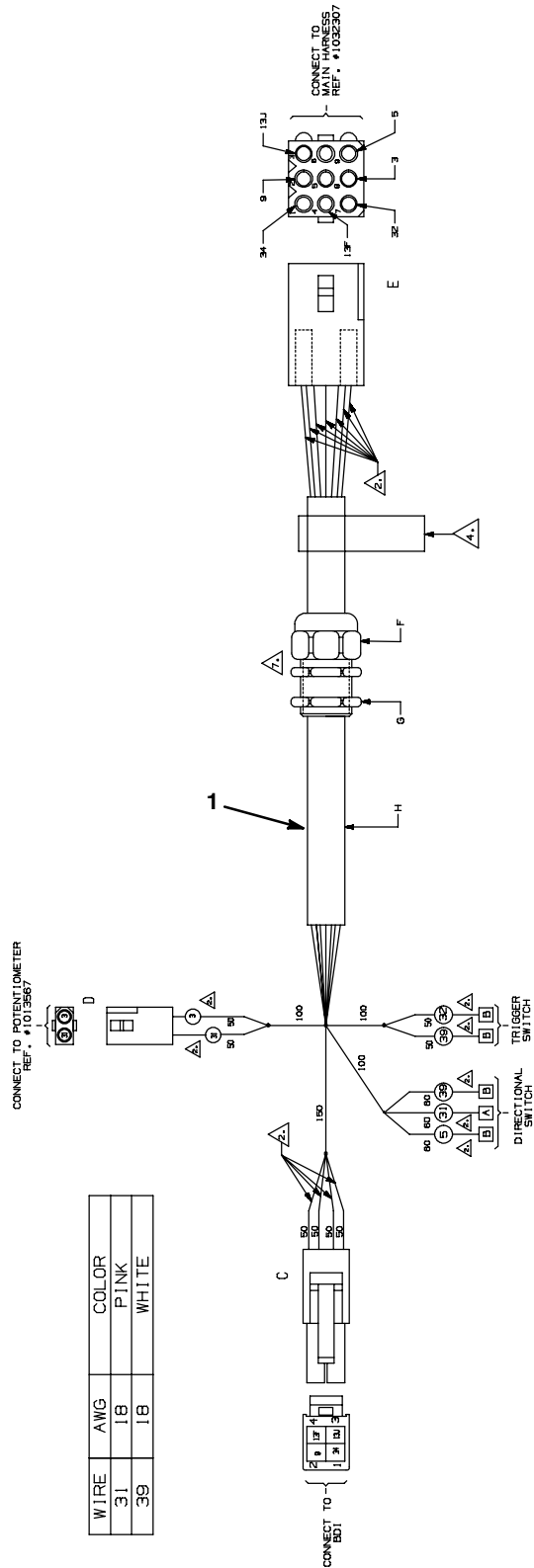
WIRE HARNESS GROUP, CONSOLE, BRUSH ASSIST MODEL



Ref.	Part No.	Serial Number	Description	Qty.
1	1032338	(10000000-20000000)	● Harness, Wire, Console, Push [Ss3]	1

● RECOMMENDED STOCK ITEMS

WIRE HARNESS GROUP, CONSOLE, DRIVE MODEL



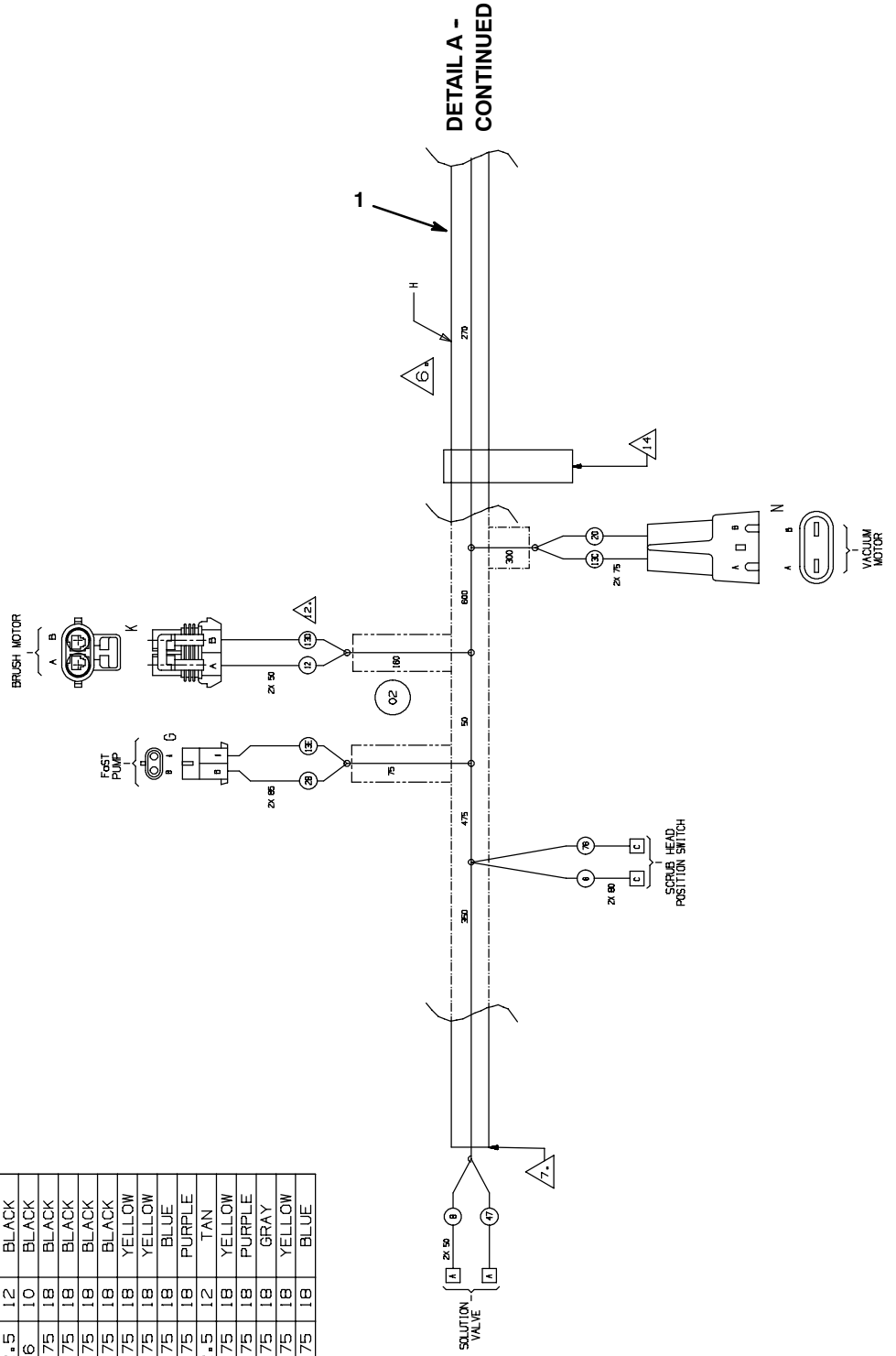
Ref.	Part No.	Serial Number	Description	Qty.
1	1032325	(10000000-20000000)	● Harness, Wire, Console, Drive [Ss3]	1

● RECOMMENDED STOCK ITEMS

WIRE HARNESS GROUP, MAIN, BRUSH ASSIST MODEL - CONT'D

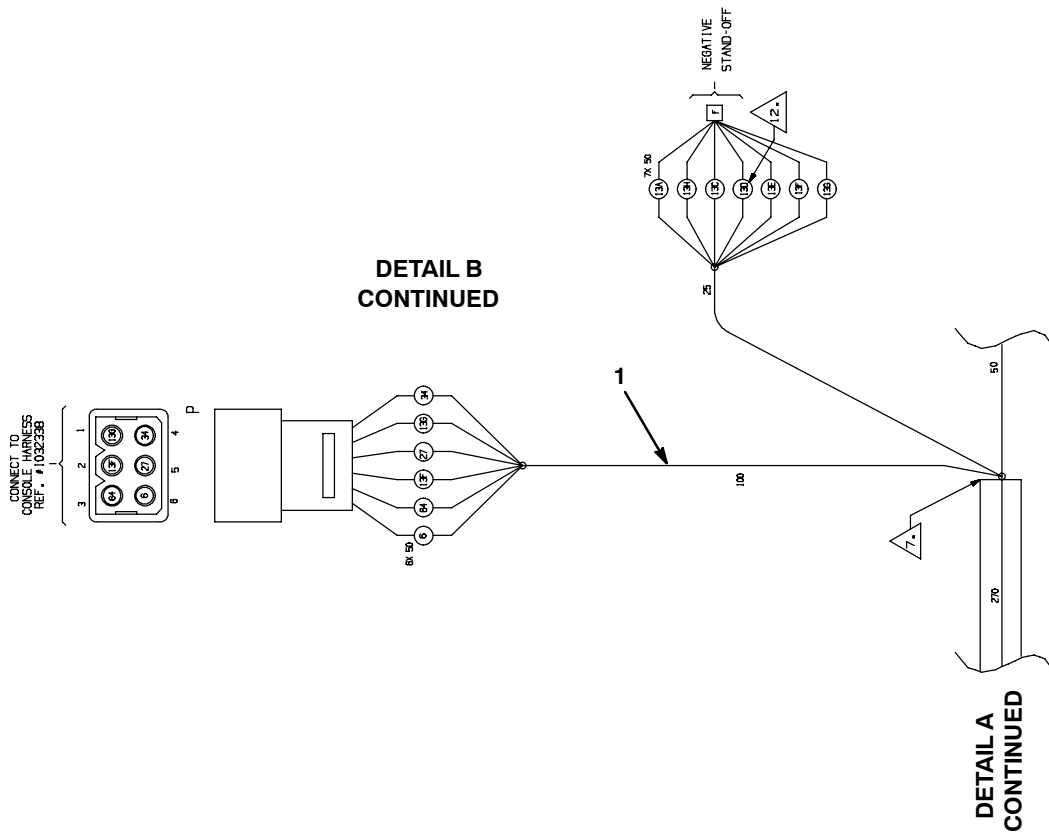
WIRE NO:	mm ²	AWG	COLOR
37	.75	18	PURPLE
44	.75	18	YELLOW
44A	.75	18	YELLOW
47	.75	18	PURPLE
47A	.75	18	PURPLE
54	.75	18	YELLOW
64	.75	18	YELLOW
66	.75	18	BLUE
76	.75	18	BLUE
76A	.75	18	BLUE

WIRE NO:	mm ²	AWG	COLOR
1A	2.5	12	RED
1B	-	-	-
1C	.75	18	RED
1E	.75	18	RED
2	.6	10	BROWN
4	.75	18	YELLOW
6	.75	18	BLUE
7	.75	18	PURPLE
7A	.75	18	PURPLE
8	.75	18	GRAY
8A	.75	18	GRAY
10	2.5	12	TAN
12	.6	10	BROWN
13A	.75	18	BLACK
13B	-	-	-
13C	2.5	12	BLACK
13D	.6	10	BLACK
13E	.75	18	BLACK
13F	.75	18	BLACK
13G	.75	18	BLACK
13H	.75	18	BLACK
14	.75	18	YELLOW
14A	.75	18	YELLOW
16	.75	18	BLUE
17	.75	18	PURPLE
20	2.5	12	TAN
24	.75	18	YELLOW
27	.75	18	PURPLE
28	.75	18	GRAY
34	.75	18	YELLOW
36	.75	18	BLUE



STANDARD PARTS

WIRE HARNESS GROUP, MAIN, BRUSH ASSIST MODEL - CONT'D



Ref.	Part No.	Serial Number	Description	Qty.
▽	1	1048288	(10000000-20000000) ● Harness, Main, Push [Ss3]	1
▲	2	1016040	(10000000-20000000) ● Fuse, Blade, 025a, 32vdc	1
▲	3	1016029	(10000000-20000000) ● Fuse, Blade, 005a, 32vdc	1
▲	4	222290	(10000000-20000000) ● Diode, Ele, Plug	3

▽ ASSEMBLY

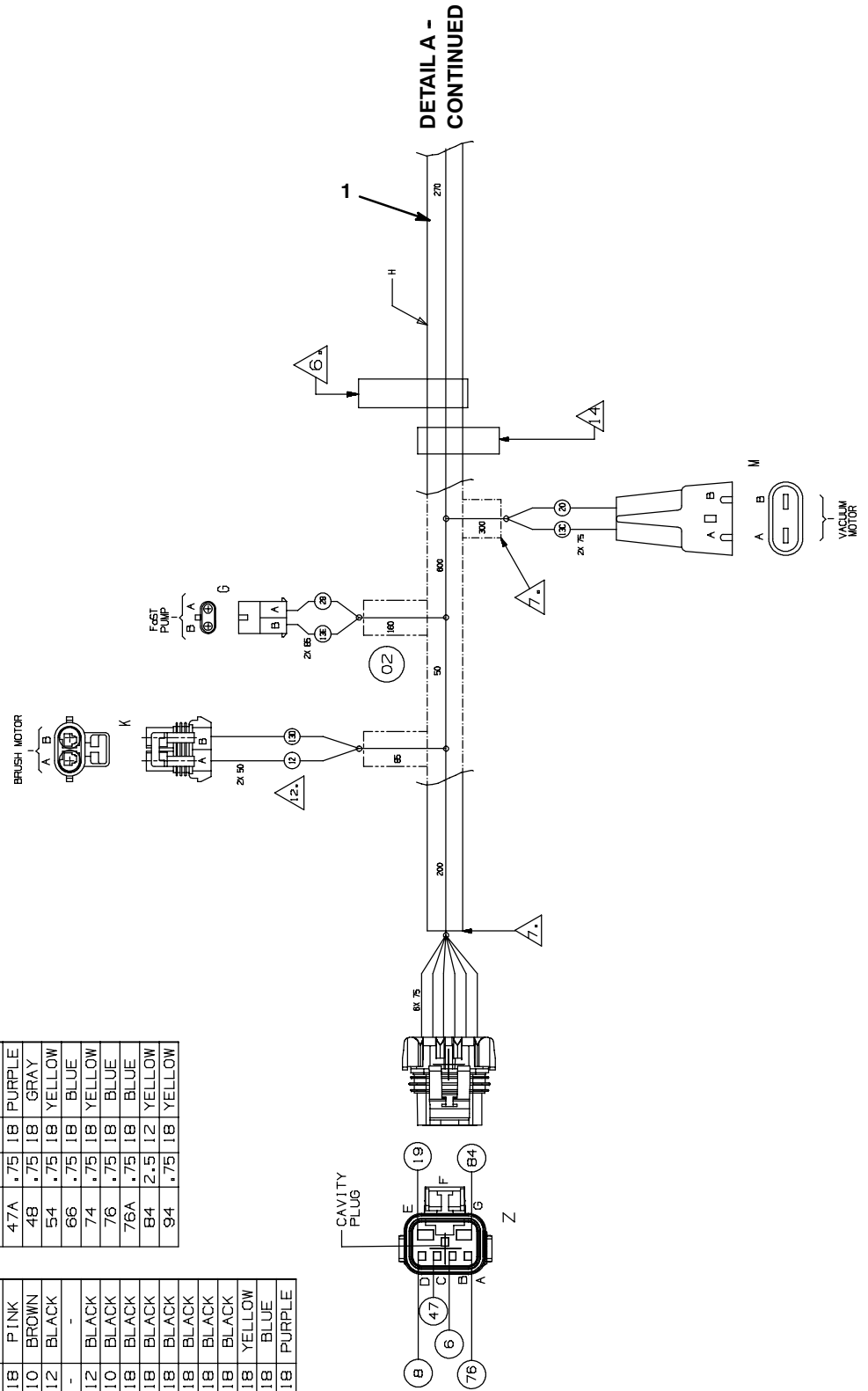
▲ INCLUDED IN ASSEMBLY

● RECOMMENDED STOCK ITEMS

WIRE HARNESS GROUP, MAIN, DRIVE MODEL - CONT'D

WIRE NO.	mm ²	AWG	COLOR
1A	2.5	12	RED
1B	-	-	-
1C	2.5	12	RED
1E	.75	18	BROWN
2	.6	10	BROWN
3	.75	18	ORANGE
4	.75	18	YELLOW
5	.75	18	GREEN
6	.75	18	BLUE
7	.75	18	PURPLE
7A	.75	18	PURPLE
7B	.75	18	GRAY
8	.75	18	GRAY
8A	.75	18	GRAY
9	.75	18	WHITE
10	2.5	12	TAN
11	.75	18	PINK
12	6	10	BROWN
13A	2.5	12	BLACK
13B	-	-	-
13C	2.5	12	BLACK
13D	6	10	BLACK
13E	.75	18	BLACK
13F	.75	18	BLACK
13G	.75	18	BLACK
13H	.75	18	BLACK
13J	.75	18	BLACK
13K	.75	18	BLACK
14	.75	18	YELLOW
16	.75	18	BLUE
17	.75	18	PURPLE

WIRE NO.	mm ²	AWG	COLOR
19	2.5	12	WHITE
20	2.5	12	TAN
21	-	-	-
22	2.5	12	BROWN
24	.75	18	YELLOW
27	.75	18	PURPLE
28	.75	18	GRAY
29	.75	18	WHITE
31	.75	18	PINK
32	.75	18	BROWN
34	.75	18	YELLOW
36	.75	18	BLUE
37	.75	18	PURPLE
44	.75	18	YELLOW
47	.75	18	PURPLE
47A	.75	18	PURPLE
48	.75	18	GRAY
54	.75	18	YELLOW
66	.75	18	BLUE
74	.75	18	YELLOW
76	.75	18	BLUE
76A	.75	18	BLUE
84	2.5	12	YELLOW
94	.75	18	YELLOW



WIRE HARNESS GROUP, MAIN, DRIVE MODEL - CONT'D

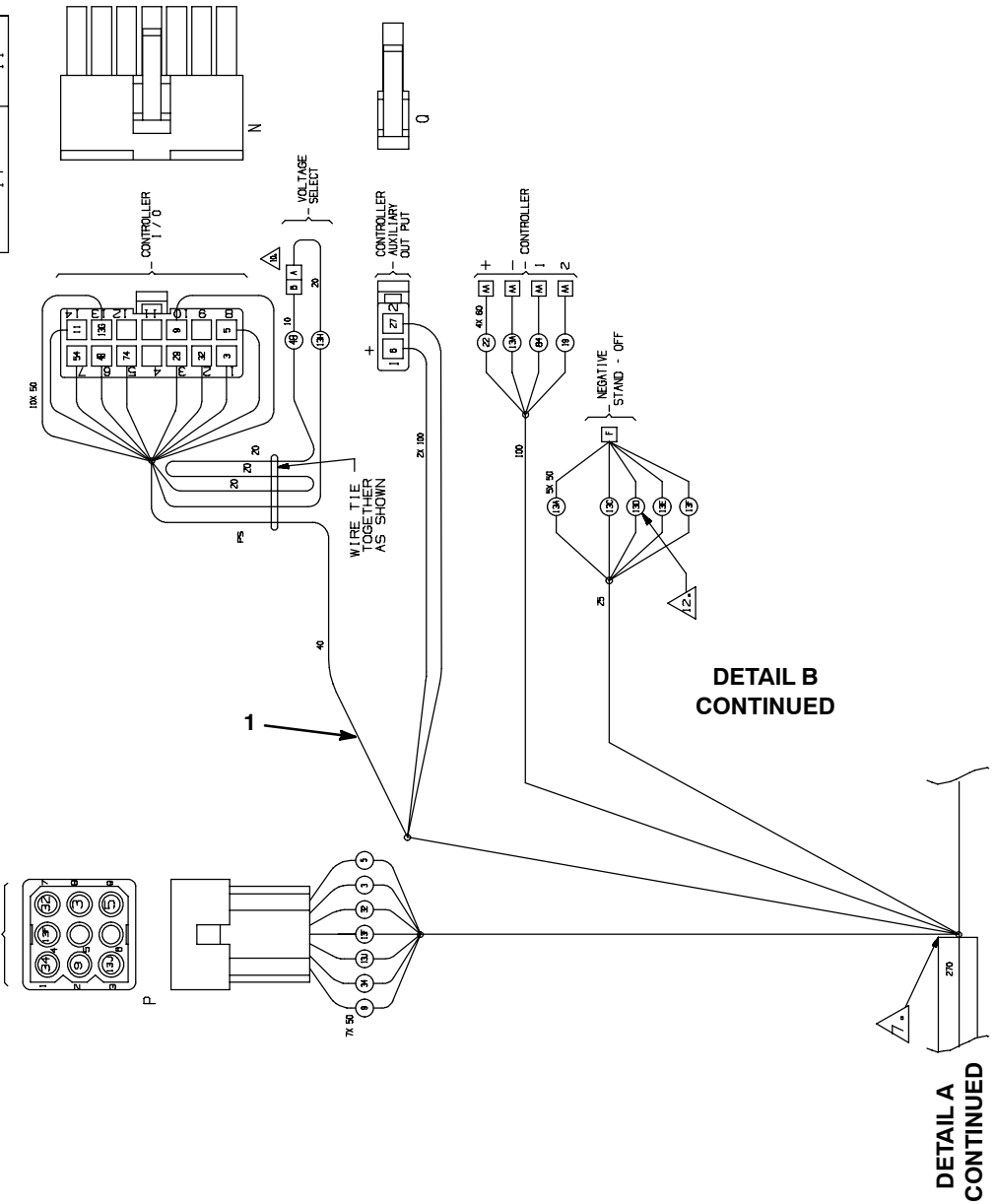
WIRE TERMINATION FOR "N" PLUG

POSITION #	WIRE #
1	3
2	32
3	29
4	-
5	74
6	48
7	54
8	5
9	-
10	9
11	-
12	-
13	13G
14	11

WIRE TERMINATION FOR "P" PLUG

POSITION #	WIRE #
1	34
2	9
3	13J
4	13F
5	-
6	-
7	32
8	3
9	5

CONNECT TO
CONSOLE HARNESS
REF. # 103235



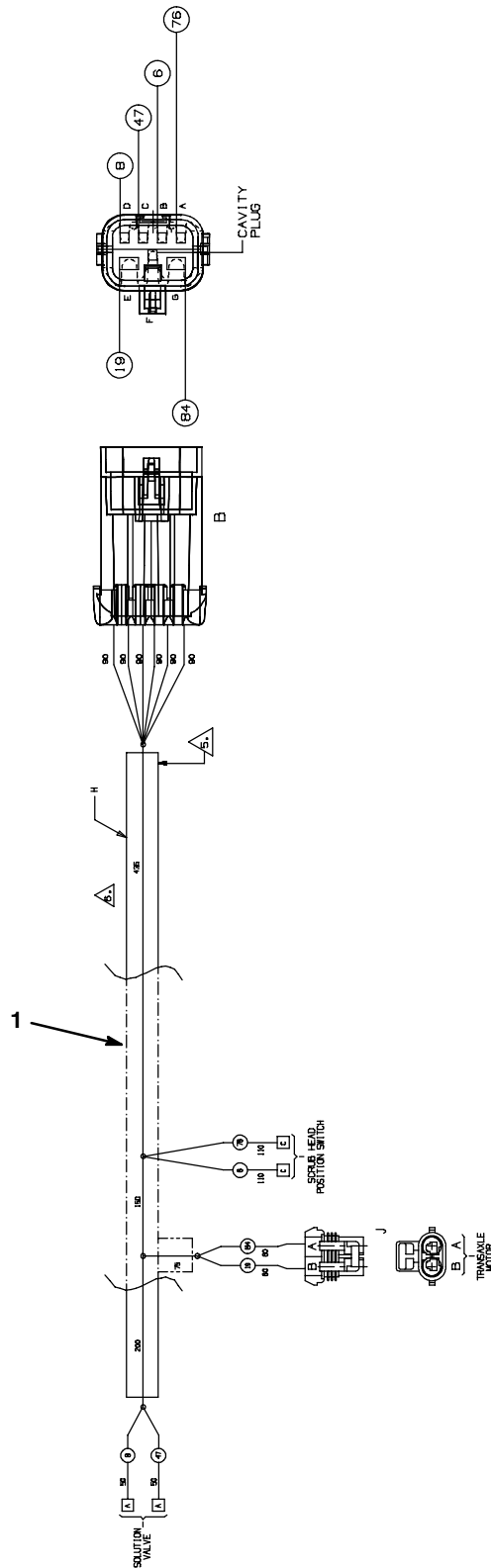
Ref.	Part No.	Serial Number	Description	Qty.
▽	1	1048337	(10000000-20000000) ● Harness, Main, Drive [Ss3]	1
▲	2	1016040	(10000000-20000000) ● Fuse, Blade, 025a, 32vdc	1
▲	3	1016041	(10000000-20000000) ● Fuse, Blade, 030a, 32vdc	1
▲	4	222290	(10000000-20000000) ● Diode, Ele, Plug	2

▽ ASSEMBLY

▲ INCLUDED IN ASSEMBLY

● RECOMMENDED STOCK ITEMS

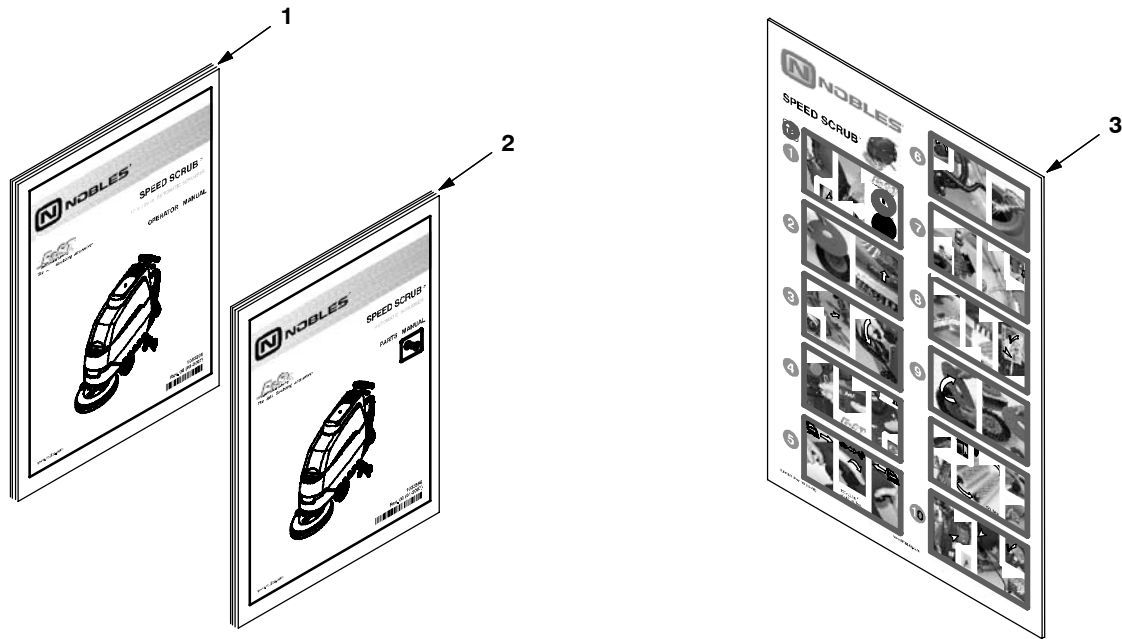
WIRE HARNESS GROUP, FRAME, DRIVE MODEL



Ref.	Part No.	Serial Number	Description	Qty.
1	1019397	(10000000-20000000)	● Harness, Frame, Drive [T3 - Na]	1

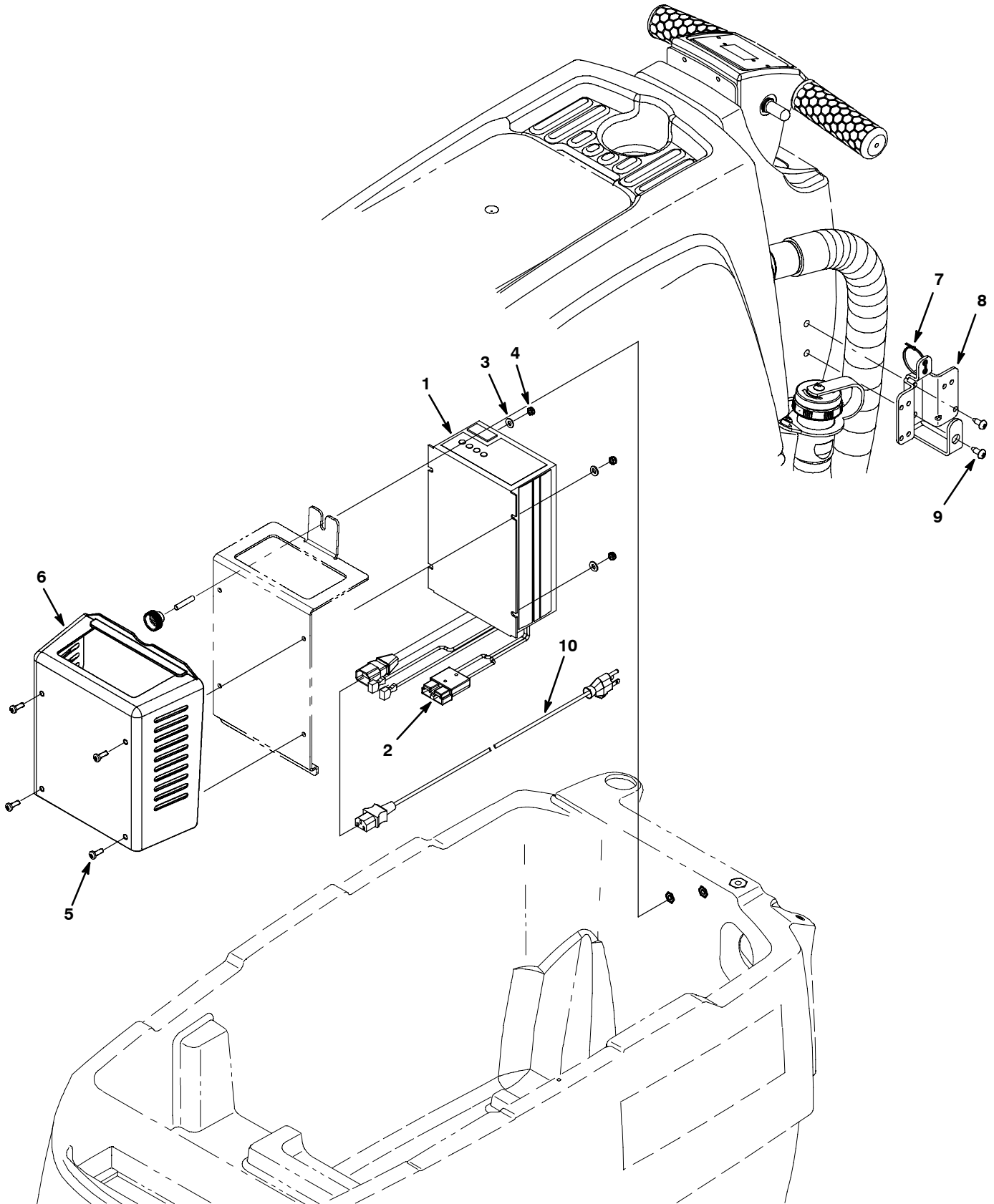
● RECOMMENDED STOCK ITEMS

DOCUMENTATION GROUP



Ref.	Part No.	Serial Number	Description	Qty.
1	1033583	(10000000-20000000)	Manual, Oprtr, En [Ss3] English	1
1	1033584	(10000000-20000000)	Manual, Oprtr, Es [Ss3] Spanish	1
1	1033585	(10000000-20000000)	Manual, Oprtr, Fr [Ss3] French	1
2	9005453	(10000000-20000000)	Manual, Parts [Ss3] Na	1
3	1033587	(10000000-20000000)	Instr, Use & Care, Txtls [Ss3]	1

ON-BOARD BATTERY CHARGER GROUP, STANDARD & FaST MODEL
(S/N 10470899-)



**ON-BOARD BATTERY CHARGER GROUP, STANDARD & FaST MODEL
(S/N 10470899-)**

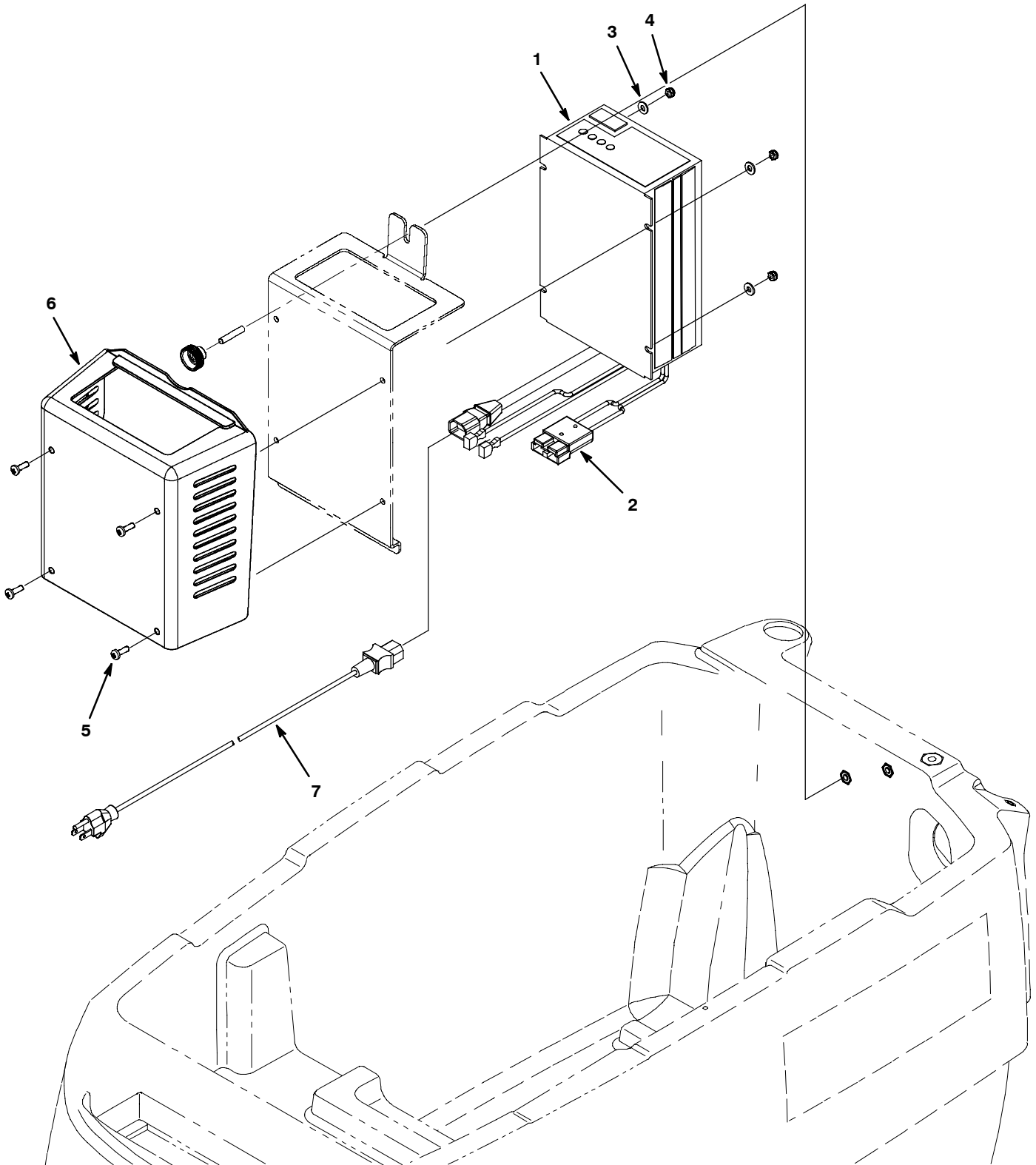
	Ref.	Part No.	Serial Number	Description	Qty.
▽		9007343	(10470899-20000000)	● Charger Kit, On-Board [T3e/Ss3]	1
▲▽	1	1059522	(10470899-20000000)	● Charger, 24vdc 11a 100/240vac 50/60hz	1
▲▲	2	605387	(10000000-20000000)	● Connector, Anderson, 50a,Red W/O Contact	1
▲	3	01683	(10000000-20000000)) Washer, Flat, 0.22b 0.50d .05, Ss [#10]	4
▲	4	09739	(10000000-20000000)) Nut, Hex, Lock, M5 X 0.80, NI, Ss	4
▲	5	06934	(10000000-20000000)) Screw, Pan, Phl, M5 X 0.80 X 20, 4.8	4
▲	6	1040600	(10000000-20000000)) Cover, Charger [Ss3]	1
▲	7	130773	(10470899-20000000)) Tie, Cable, Nyl, 11.0l, .14w, 3.0 Max. D	6
▲	8	1061192	(10470899-20000000)) Retainer,Cord, Charger [Ss3/T3e]	1
▲	9	1009324	(10470899-20000000)) Screw, Pan, Phl, 10-16 X 0.50,Blk[Typ17]	2
▲	N/S	1045989	(10000000-20000000)	● Harness, Chrgr [Onboard, T3e/Ss3 Ec-H2o]	1
	10	1025642	(10000000-20000000)	● Cord, Power, 16/3, 4.5 Meters, Blk [Us] (Us/Japan)	1
	10	1026330	(10000000-20000000)	● Cord, Power,1.0mm2 X 2.5 Meters [China]	1
	10	1026325	(10000000-20000000)	● Cord, Power, 1.0mm2 X 2.5 Meters [Aus]	1
	10	1032849	(10000000-20000000)	● Cord, Power, 4.5 Meter, Blk [Ce]	1

▽ ASSEMBLY

▲ INCLUDED IN ASSEMBLY

● RECOMMENDED STOCK ITEMS

ON-BOARD BATTERY CHARGER GROUP, STANDARD & FaST MODEL
(S/N 1000000-10470898)



**ON-BOARD BATTERY CHARGER GROUP, STANDARD & FaST MODEL
(S/N 10000000-10470898)**

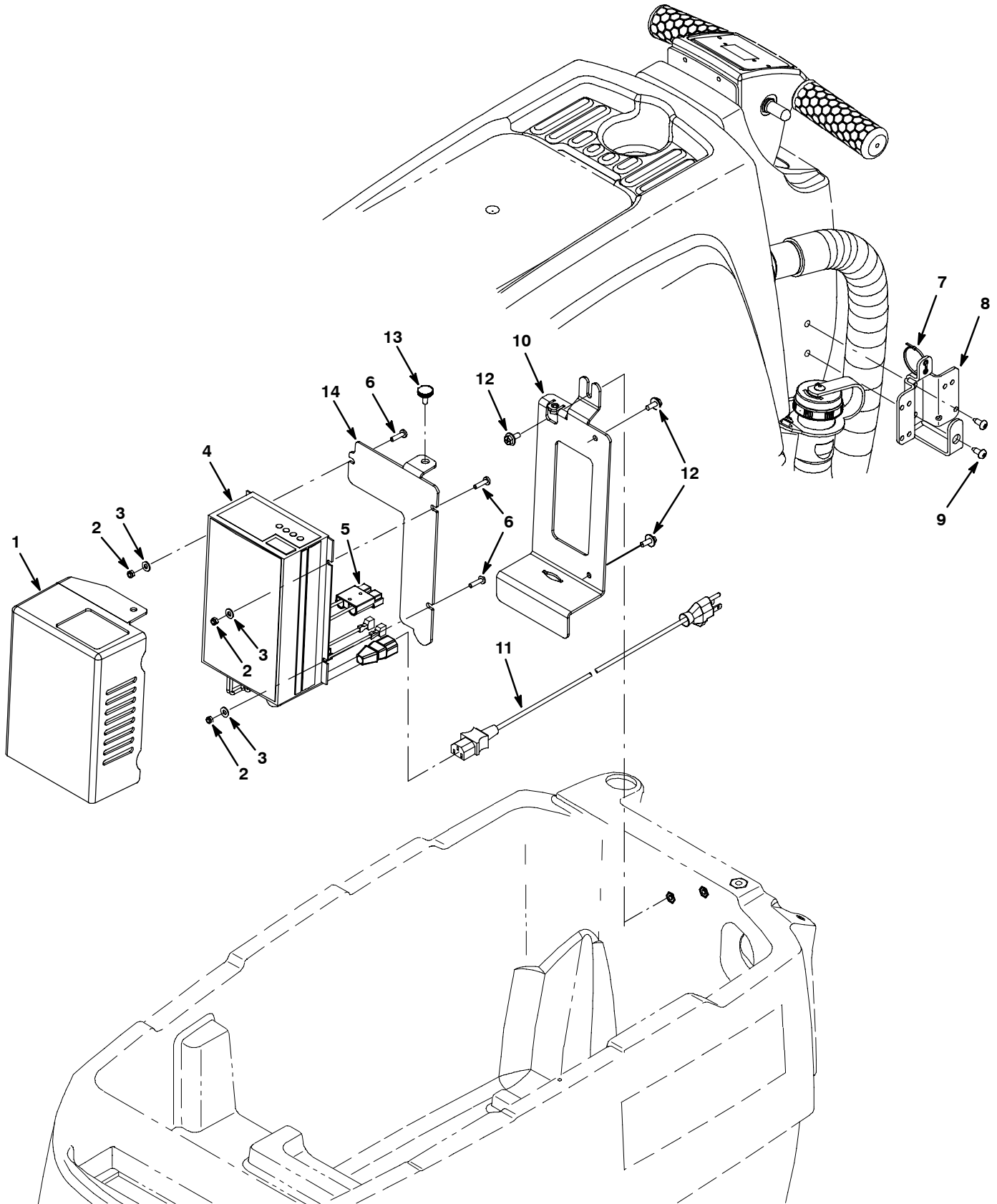
Ref.	Part No.	Serial Number	Description	Qty.
▽	N/A	(10000000-10470898)	● Charger Kit [On-Board, T3e/Ss3] (Replaced By Kit 9007343)	1
▲▽	1	N/A	(10000000-10470898) ● Charger, 24vdc 11a 100/240vac 50/60hz (Replaced By Kit 9007343)	1
▲▲	2	605387	(10000000-20000000) ● Connector, Anderson, 50a, Red W/O Contact	1
▲	3	01683	(10000000-20000000)) Washer, Flat, 0.22b 0.50d .05, Ss [#10]	4
▲	4	09739	(10000000-20000000)) Nut, Hex, Lock, M5 X 0.80, NI, Ss	4
▲	5	06934	(10000000-20000000)) Screw, Pan, Phl, M5 X 0.80 X 20, 4.8	4
▲	6	1040600	(10000000-20000000)) Cover, Charger [Ss3]	1
▲	N/S	1045989	(10000000-20000000) ● Harness, Chrgr [Onboard, T3e/Ss3 Ec-H2o]	1
	7	1025642	(10000000-20000000) ● Cord, Power, 16/3, 4.5 Meters, Blk [Us] (Us/Japan)	1
	7	1026330	(10000000-20000000) ● Cord, Power, 1.0mm2 X 2.5 Meters [China]	1
	7	1026325	(10000000-20000000) ● Cord, Power, 1.0mm2 X 2.5 Meters [Aus]	1
	7	1032849	(10000000-20000000) ● Cord, Power, 4.5 Meter, Blk [Ce]	1

▽ ASSEMBLY

▲ INCLUDED IN ASSEMBLY

● RECOMMENDED STOCK ITEMS

ON-BOARD BATTERY CHARGER GROUP, ec-H2O MODEL
(S/N 10470899-)



**ON-BOARD BATTERY CHARGER GROUP, ec-H2O MODEL
(S/N 10470899-)**

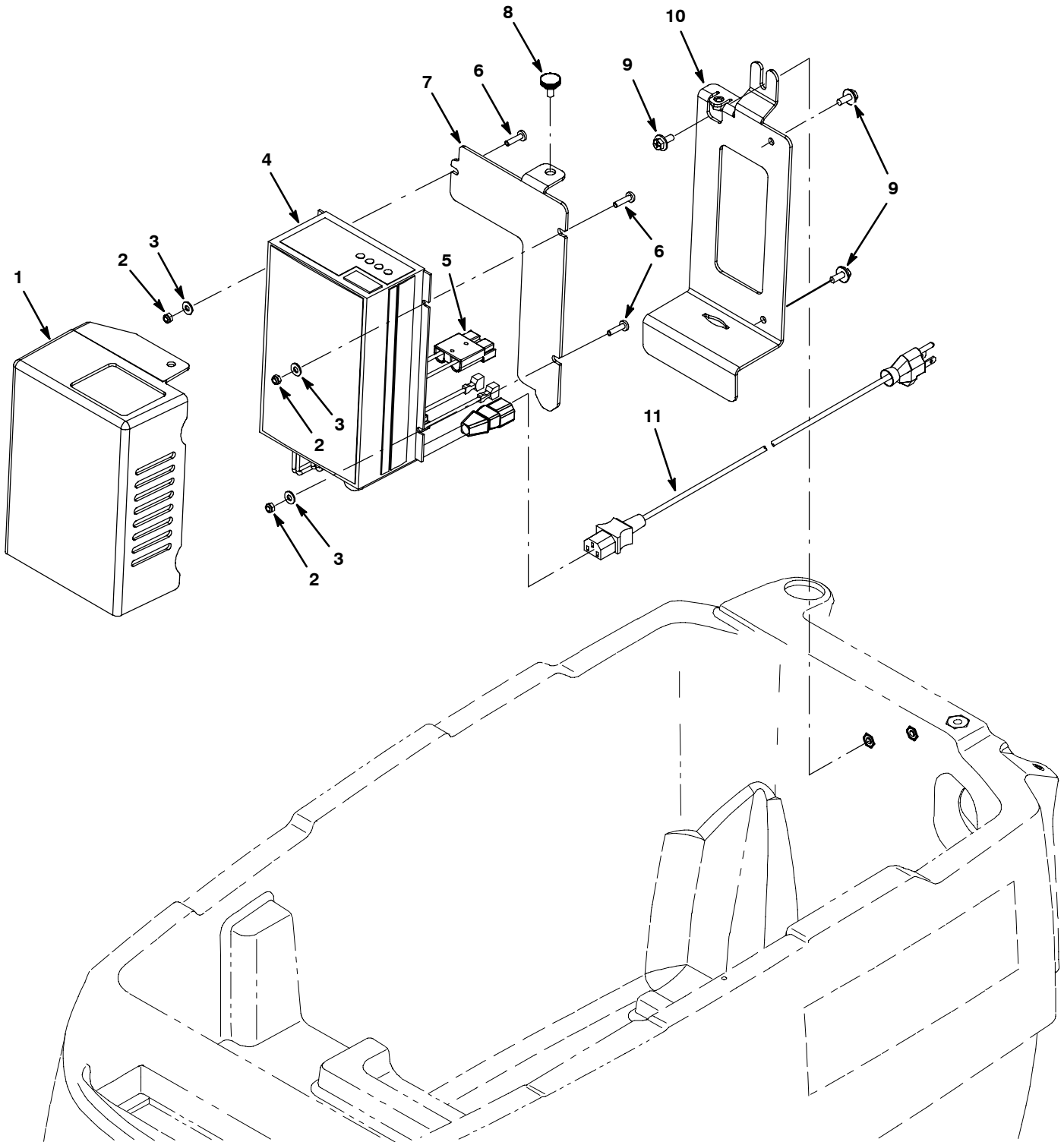
Ref.	Part No.	Serial Number	Description	Qty.
▽	9007344	(10470899-20000000)	● Charger Kit [On-Board, T3e/Ss3 Ec-H2o]	1
▲	1 1045985	(10000000-20000000)) Cover, Chrgr [T2 Ec-H2o Concept]	1
▲	2 09739	(10000000-20000000)) Nut, Hex, Lock, M5 X 0.80, NI, Ss	3
▲	3 01683	(10000000-20000000)) Washer, Flat, 10, Ss	3
▲▽	4 1059522	(10470899-20000000)	● Charger, 24vdc 11a 100/240vac 50/60hz	1
▲▲	5 605387	(10000000-20000000)	● Connector, Anderson, 50a,Red W/O Contact	1
▲	6 06934	(10000000-20000000)) Screw, Pan, Phl, M5 X 0.80 X 20, 4.8	3
▲	7 130773	(10470899-20000000)) Tie, Cable, Nyl, 11.0l, .14w, 3.0 Max. D	6
▲	8 1061192	(10470899-20000000)) Retainer,Cord, Charger [Ss3/T3e]	1
▲	9 1009324	(10470899-20000000)) Screw, Pan, Phl, 10-16 X 0.50,Blk[Typ17]	2
▲	N/S 1045989	(10000000-20000000)	● Harness, Chrgr [Onboard, T3e/Ss3 Ec-H2o]	1
	10 1045961	(10000000-20000000)) Brkt, Mntg, Echo, Chrgr [Ss3/T3e]	1
	11 1025642	(10000000-20000000)	● Cord, Power, 16/3, 4.5 Meters, Blk [Us] (Us/Japan)	1
	11 1026330	(10000000-20000000)	● Cord, Power,1.0mm2 X 2.5 Meters [China]	1
	11 1026325	(10000000-20000000)	● Cord, Power, 1.0mm2 X 2.5 Meters [Aus]	1
	11 1032849	(10000000-20000000)	● Cord, Power, 4.5 Meter, Blk [Ce]	1
	12 1034731	(10000000-20000000)) Screw, Hex, M6 X 1.00 X 16, Ss, Sems	3
	13 1046631	(10000000-20000000)	● Knob,Rnd,19mmod,M6x20,Stud,Plstc,Pl	1
	14 1045966	(10000000-20000000)) Brkt, Mntg, Chrgr [Ss3] W/Echo	1

▽ ASSEMBLY

▲ INCLUDED IN ASSEMBLY

● RECOMMENDED STOCK ITEMS

ON-BOARD BATTERY CHARGER GROUP, ec-H2O MODEL
(S/N 1000000-10470898)



**ON-BOARD BATTERY CHARGER GROUP, ec-H2O MODEL
(S/N 10000000-10470898)**

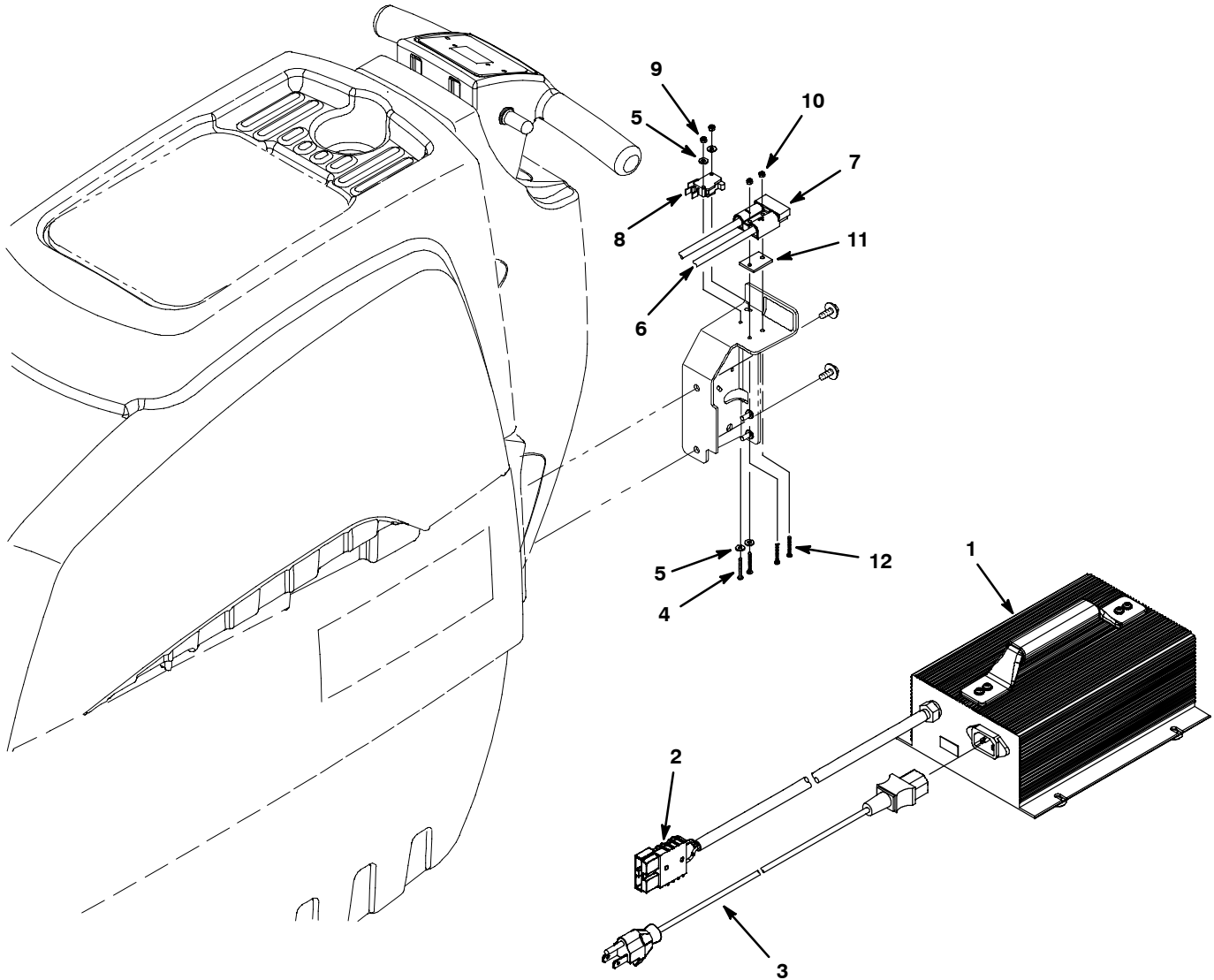
Ref.	Part No.	Serial Number	Description	Qty.
▽	N/A	(10000000-10470898)	● Charger Kit [On-Board, T3e/Ss3 Ec-H2o] (Replaced By Kit 9007344)	1
▲	1 1045985	(10000000-20000000)) Cover, Chrgr [T2], Echo Concept	1
▲	2 09739	(10000000-20000000)) Nut, Hex, Lock, M5 X 0.80, NI, Ss	3
▲	3 01683	(10000000-20000000)) Washer, Flat, 10, Ss	3
▲▽	4 N/A	(10000000-10470898)	● Charger, 24vdc 11a 100/240vac 50/60hz (Replaced By Kit 9007344)	1
▲▲	5 605387	(10000000-20000000)	● Connector, Anderson, 50a,Red W/O Contact	1
▲	6 06934	(10000000-20000000)) Screw, Pan, Phl, M5 X 0.80 X 20, 4.8	3
▲	N/S 1045989	(10000000-20000000)	● Harness, Chrgr [Onboard, T3e/Ss3 Ec-H2o]	1
	7 1045966	(10000000-20000000)) Bracket, Mtg, Chrgr [Ss3 Ec-H2o]	1
	8 1046631	(10000000-20000000)	● Knob,Rnd,19mmod,M6x20,Stud,Plstc,Pl	1
	9 1034731	(10000000-20000000)) Screw, Hex, M6 X 1.00 X 16, Ss, Sems	3
	10 1045961	(10000000-20000000)) Bracket, Mtg, Chrgr [Ss3/T3e Ec-H2o]	1
	11 1025642	(10000000-20000000)	● Cord, Power, 16/3, 4.5 Meters, Blk [Us] (Us/Japan)	1
	11 1026330	(10000000-20000000)	● Cord, Power, 1.0mm2 X 2.5 Meters [China]	1
	11 1026325	(10000000-20000000)	● Cord, Power, 1.0mm2 X 2.5 Meters [Aus]	1
	11 1032849	(10000000-20000000)	● Cord, Power, 4.5 Meter, Blk [Ce]	1

▽ ASSEMBLY

▲ INCLUDED IN ASSEMBLY

● RECOMMENDED STOCK ITEMS

OFF-BOARD BATTERY CHARGER GROUP



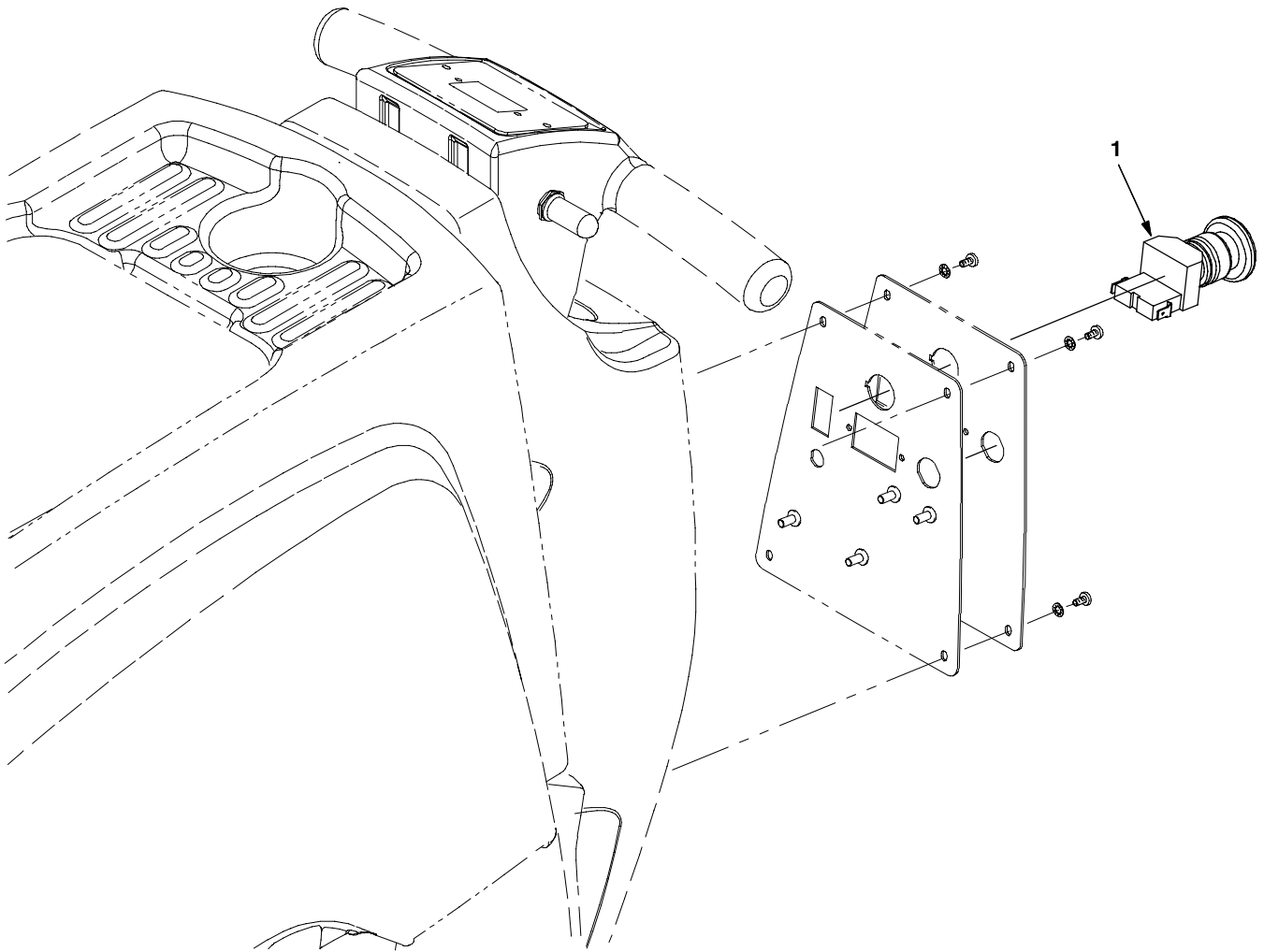
Ref.	Part No.	Serial Number	Description	Qty.
▽	9003347	(10000000-20000000)	● Kit, Charger, Off-Board, 120vac, 24vdc	1
▲▽	1 1056034	(10000000-20000000)	● Charger, 24vdc, 11a Var Vac 1ph 50/60hz	1
▲▲	2 605387	(10000000-20000000)	● Connector, Anderson, 50a,Red W/O Contact	1
▲	3 1025642	(10000000-20000000)	● Cord, Power, 16/3, 4.5 Meters, Blk [Us/Japan]	1
▲	4 06922	(10000000-20000000)) Screw, Pan, M3 X 0.50 X 20, 4.8	2
▲	5 41578	(10000000-20000000)) Washer, Flat, #06, Ss	4
▲▽	6 1033362	(10000000-20000000)	● Harness, Chrgr [T3e - Ss3]	1
▲▲	7 605387	(10000000-20000000)	● Connector, Anderson, 50a,Red W/O Contact	1
▲	8 611005	(10000000-20000000)	● Switch, Rlr, 16a, Micro	1
▲	9 579211	(10000000-20000000)) Nut, Hex, Lock, M3 X 0.50, Ss	2
▲	10 33932	(10000000-20000000)) Nut, Hex, Lock, M4 X 0.70, NI, Ss	2
▲	11 603331	(10000000-20000000)) Spacer, Plug, Chrgr	1
▲	12 1033197	(10000000-20000000)) Screw, Pan, M4x0.7x24, Phl, Ss [7985]	2

▽ ASSEMBLY

▲ INCLUDED IN ASSEMBLY

● RECOMMENDED STOCK ITEMS

EMERGENCY STOP BUTTON GROUP



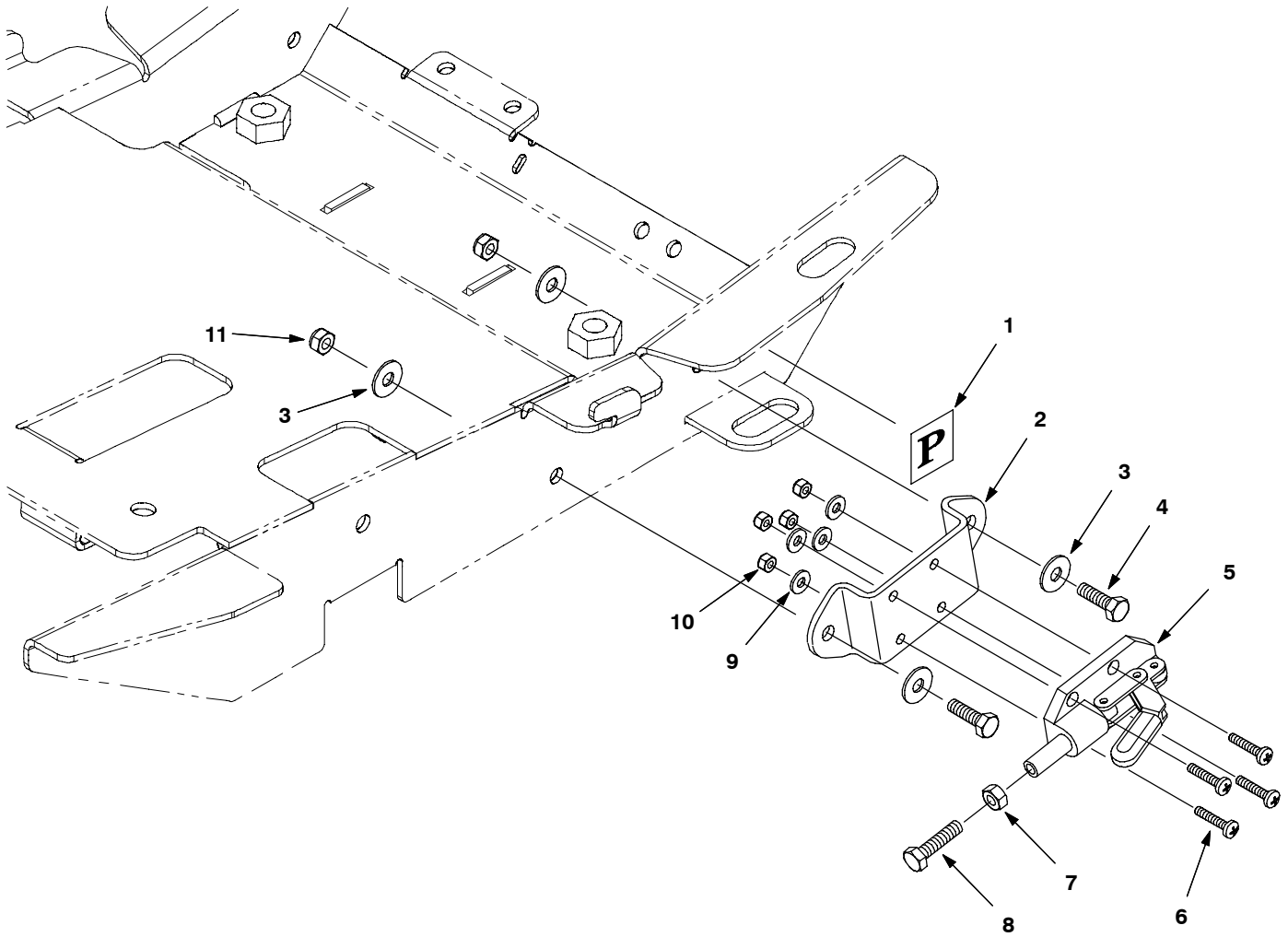
	Ref.	Part No.	Serial Number	Description	Qty.
▽		9003350	(10000000-20000000)	● Kit, E-Stop	1
▲	1	1011735	(10000000-20000000)	● Switch, Safety, Shutoff	1

▽ ASSEMBLY

▲ INCLUDED IN ASSEMBLY

● RECOMMENDED STOCK ITEMS

PARKING BRAKE GROUP



PARKING BRAKE GROUP

	Ref.	Part No.	Serial Number	Description	Qty.
▽		9003351	(10000000-20000000)	● Kit, Parking Brake	1
▲	1	600624	(10000000-20000000)) Label, Parking Brake, Symbol	1
▲	2	1013840	(10000000-20000000)) Bracket, Brake, Frame	1
▲	3	01684	(10000000-20000000)) Washer, Flat, 0.27b 0.69d .05, Ss	4
▲	4	08716	(10000000-20000000)) Screw, Hex, M6 X 1.0 X 20, Ss	2
▲	5	1013718	(10000000-20000000)	● Clamp, Brake, Parking	1
▲	6	12323	(10000000-20000000)) Screw, Pan, M4 X 0.7 X 20, Ss	4
▲	7	07785	(10000000-20000000)) Nut, Hex, Std, M6 X 1.00, A2, Ss	1
▲	8	09007	(10000000-20000000)) Screw, Hex, M6 X 1.00 X 25, Ss	1
▲	9	41579	(10000000-20000000)) Washer, Flat, #08, Ss	4
▲	10	33932	(10000000-20000000)) Nut, Hex, Lock, M4 X 0.70, NI, Ss	4
▲	11	08712	(10000000-20000000)) Nut, Hex, Lock, M6 X 1.00, Ss, NI	2

▽ ASSEMBLY

▲ INCLUDED IN ASSEMBLY

● RECOMMENDED STOCK ITEMS