

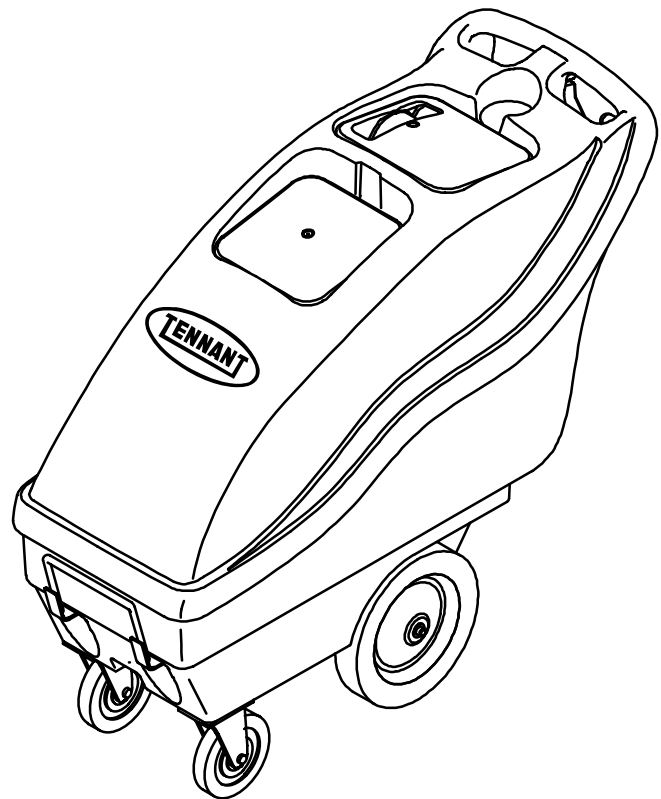


1100

**Portable Carpet Extractor
Extractor Portátil de Alfombras**

Model No.:
1002047 – 120V
613382 – 120V PAC

**Operator and Parts Manual
Manual del Operador y Piezas**



TENNANT COMPANY
Commercial Products
12875 RANSOM STREET
HOLLAND MI 49424 U.S.A.

CUSTOMER SERVICE:
1-800-982-7658
1-616-786-2330

FAX: 1-800-678-4240
1-616-786-2345

613275
Rev. 01 (07-02)

OPERATION

This manual is furnished with each new model. It provides necessary operation and maintenance instructions and an illustrated parts list.

Read this manual completely and understand the machine before operating or servicing it.

Use the illustrated Parts Lists to order parts. Before ordering parts or supplies, be sure to have your machine model number and serial number handy. Parts and supplies may be ordered by phone or mail from any authorized parts and service center, distributor or from any of the manufacturer's subsidiaries.

This machine will provide excellent service. However, the best results will be obtained at minimum costs if:

- The machine is operated with reasonable care.
- The machine is maintained regularly - per the maintenance instructions provided.
- The machine is maintained with manufacturer supplied or equivalent parts.

MACHINE DATA

Please fill out at time of installation for future reference.

Model No.- _____

Install. Date - _____

Serial No.- _____

©2002 Tennant Company

Printed in U.S.A.

TABLE OF CONTENTS

SAFETY PRECAUTIONS	3	STORING MACHINE	11
GROUNDING INSTRUCTIONS	4	RECOMMENDED STOCK ITEMS	11
SAFETY LABEL	4	TROUBLE SHOOTING	11
MACHINE COMPONENTS	5	SPECIFICATIONS	12
UNPACKING THE MACHINE	6	MACHINE DIMENSIONS	12
MACHINE SETUP	6	ELECTRICAL DIAGRAMS	26
MACHINE OPERATION	7	PARTS LIST	28
PRE-OPERATION	7	RECOVERY TANK GROUP	28
OPERATING FLOOR TOOL	7	CHASSIS GROUP	30
CLEANING UPHOLSTERY	8	CONTROL CONSOLE GROUP	32
DRAINING TANKS	8	PUMP BREAKDOWN	34
DRAINING RECOVERY TANK	8	OPTIONS	35
DRAINING LEFTOVER CLEANING SOLUTION	8	127mm (5 in) HAND TOOL GROUP	35
MACHINE MAINTENANCE	9	CREVICE TOOL GROUP	35
DAILY MAINTENANCE	9	330mm (13 in) LOW PRESSURE WAND ...	36
MONTHLY MAINTENANCE	10	406mm (16 in) LOW PRESSURE WAND ...	38
QUARTERLY MAINTENANCE	10	UPHOLSTERY TOOL GROUP	40
SERVICING MACHINE	10	SOLUTION AND VACUUM HOSES	41

SAFETY PRECAUTIONS

This machine is intended for commercial use only. It is designed exclusively to clean carpet and upholstery in an indoor environment and is not constructed for any other use. Use only recommended cleaning solutions and accessory tools.

All operators must read, understand and practice the following safety precautions.

The following warning alert symbol and the "FOR SAFETY" heading are used throughout this manual as indicated in their description:

⚠ WARNING: To warn of hazards or unsafe practices which could result in severe personal injury or death.

FOR SAFETY: To identify actions which must be followed for safe operation of equipment.

Failure to follow these warnings may result in: personal injury, electrocution, electric shock, fire or explosion:

⚠ WARNING: Do Not Use Flammable Liquids Or Operate Machine In Or Near Flammable Liquids, Vapors Or Combustible Dusts.

⚠ WARNING: Do Not Pick Up Flammable Materials Or Reactive Metals.

⚠ WARNING: Do Not Operate With Damaged Power Cord. Do Not Modify Plug. Unplug Power Cord Before Servicing Machine.

⚠ WARNING: Do Not Use Outdoors. Do Not Expose to Rain. Store Indoors.

The following information signals potentially dangerous conditions to the operator or equipment:

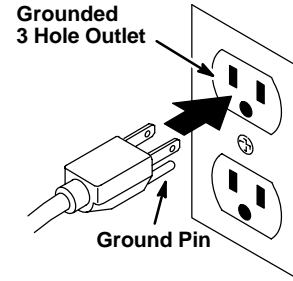
FOR SAFETY:

1. Do not operate machine:
 - Unless trained and authorized.
 - Unless operator manual is read and understood.
 - In flammable or explosive areas.
 - Unless cord is properly grounded.
 - With damaged cord or plug.
 - If not in proper operating condition.
 - In outdoor areas.
 - In standing water.
 - With the use of additional extension cords. Only use manufacturer's extension cord equipped with machine which has proper capacity and is grounded.
2. Before operating machine:
 - Make sure all safety devices are in place and operate properly.
3. When using machine:
 - Do not run machine over cord.
 - Do not pull machine by plug or cord.
 - Do not pull cord around sharp edges or corners.
 - Do not close doors on cord.
 - Do not unplug by pulling on cord.
 - Do not stretch cord.
 - Do not handle plug with wet hands.
 - Keep cord away from heated surfaces.
 - Report machine damage or faulty operation immediately.
 - Follow mixing and handling instructions on chemical containers.
4. Before leaving or servicing machine:
 - Turn off machine.
 - Unplug cord from wall outlet.
5. When servicing machine:
 - Unplug cord from wall outlet.
 - Avoid moving parts. Do not wear loose jackets, shirts, or sleeves.
 - Use manufacturer supplied or approved replacement parts.

OPERATION

GROUNDING INSTRUCTIONS

Machine must be grounded. If it should malfunction or breakdown, grounding provides a path of least resistance for electrical current to reduce the risk of electrical shock. This machine is equipped with a cord having an equipment-grounding conductor and grounding plug. The plug must be plugged into an appropriate outlet that is properly installed in accordance with all local codes and ordinances. Do not remove ground pin; if missing, replace plug before use.



SAFETY LABEL

The safety label appears on the machine in the location indicated. Replace label if it becomes damaged or illegible.



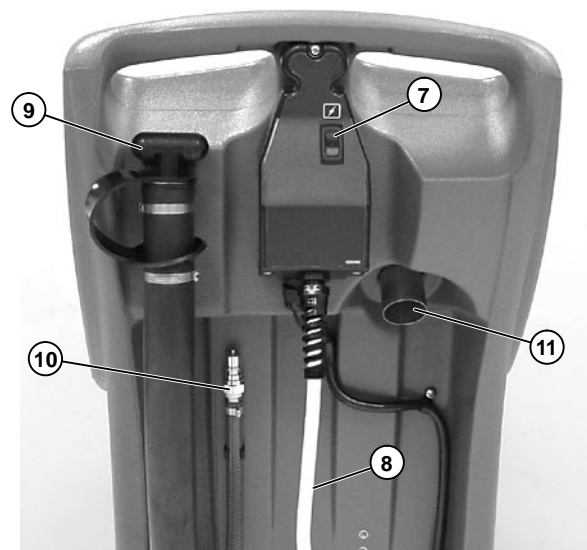
! WARNING FOR SAFETY: READ THE OWNER'S MANUAL BEFORE USING MACHINE.

FAILURE TO FOLLOW THESE WARNINGS MAY RESULT IN: PERSONAL INJURY, ELECTROCUTION, ELECTRICAL SHOCK, FIRE OR EXPLOSION.

 Do Not Use Flammable Liquids Or Operate Machine In Or Near Flammable Liquids, Vapors Or Combustible Dusts.	 Do Not Operate With Damaged Power Cord. Do Not Modify Plug. Unplug Power Cord Before Servicing Machine.
 Do Not Pick Up Flammable Materials Or Reactive Metals.	 Do Not Use Outdoors. Do Not Expose To Rain. Store Indoors.

613283

MACHINE COMPONENTS



- 1. Machine Lift Handle
- 2. Solution Tank
- 3. Recovery Tank
- 4. Lockable Casters
- 5. 254mm (10 in) Stair Climbing Wheels
- 6. Bottle Holder
- 7. Main Power ON/OFF Switch
- 8. Power Supply Cord Pigtail

- 9. Recovery Tank Drain Hose
- 10. Accessory Tool Solution Hose Hookup
- 11. Accessory Tool Vacuum Hose Hookup
- 12. 4.6m (15 ft) Vacuum Hose
- 13. 4.6m (15 ft) Solution Hose
- 14. 330mm (13 in) Floor Tool (optional)
- 15. 7.6m (25 ft) Power Supply Cord
- 16. 1.4m (4 1/2 ft) Clean-Out Hose

OPERATION

UNPACKING THE MACHINE

1. Carefully check carton for signs of damage. Report damages to carrier immediately.
2. Check carton contents for to ensure carton is complete. Contact distributor for missing items.
 - 1 – Machine
 - 1 – 1.4M (4 1/2 ft.) Clean-out Vacuum Hose
 - 1 – 4.6m (15 ft) Vacuum Hose
 - 1 – 4.6m (15 ft) Solution Hose
 - 1 – 7.6m (25 ft) Power Supply Cord

MACHINE SETUP

1. Remove solution tank lid. Using a hose or bucket, fill tank with 38L (10 gal) of hot water, 60°C (140°F) maximum (Figure 1).

ATTENTION: Use different buckets to fill and drain machine to prevent solution system clogs.



FIG. 1

⚠ WARNING: Do Not Use Flammable Liquids Or Operate Machine In Or Near Flammable Liquids, Vapors Or Combustible Dusts.

2. Add a recommended cleaning solution to the proper dilution ratio.

FOR SAFETY: When using machine, follow mixing and handling instructions on chemical containers.

ATTENTION: If using powdered cleaning chemicals, mix chemical with water prior to adding to the tank.

NOTE: If desired, water alone achieves excellent cleaning results.

3. Replace solution tank lid after filling.

4. Connect the vacuum hose to the vacuum inlet tube located at the rear of machine. Then connect the solution hose to quick coupler located below handle (Figure 2).



FIG. 2

5. Attach accessory tool to opposite end of hoses (Figure 3).

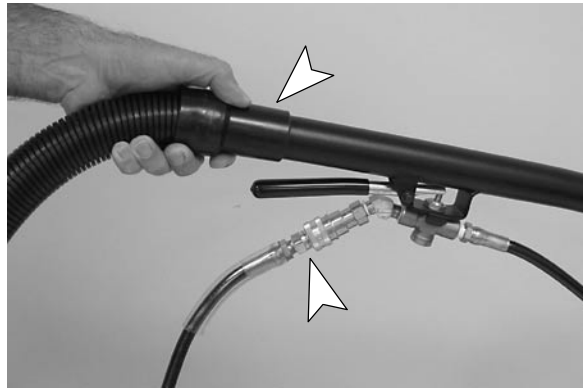


FIG. 3

6. If desired, lock the front casters to keep machine stationary while cleaning (Figure 4).



FIG. 4

7. Connect the power supply cord to machine. Then plug cord into a grounded wall outlet (Figure 5).

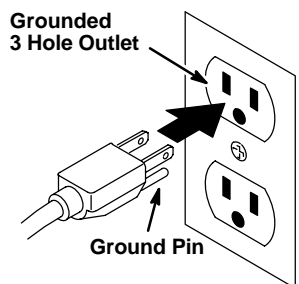


FIG. 5

FOR SAFETY: Do not operate machine unless cord is properly grounded.

FOR SAFETY: Do not operate machine with the use of additional extension cords. Only use manufacturer's extension cord equipped with machine which has proper capacity and is grounded.

MACHINE OPERATION

FOR SAFETY: Do not operate machine unless operator manual is read and understood.

PRE-OPERATION

1. Vacuum carpet to remove particles and other debris.
2. Inspect power cord for damage. Replace cord if damaged.

OPERATING FLOOR TOOL

⚠ WARNING: Do Not Pick Up Flammable Materials Or Reactive Metals.

1. Turn the Main Power switch to the ON position (Figure 6).



FIG. 6

2. Place the floor tool so the stainless steel shoes are parallel to the floor. Squeeze the trigger and apply a downward pressure on the floor tool head and slowly pull the tool backwards. Release trigger 150mm (6 in) from end of stroke (Figure 7).
3. Push the floor tool forward over the same path with trigger released when returning to the next stroke. Continue this pull and push method with a 50mm (2 in) overlap for each stroke.

NOTE: For heavily soiled areas, repeat stroke or change angle of stroke.



FIG. 7

4. While operating, check for excessive foam buildup in recovery tank. Use a recommended foam control solution to prevent vacuum motor damage.

ATTENTION: Excessive foam buildup will not activate the float shut-off screen. Vacuum motor damage may result.

5. When floor tool stops spraying, you must drain recovery tank (See DRAINING TANKS).
6. After cleaning, relieve water pressure from accessory tool before disconnecting hose. Squeeze trigger for five seconds after turning off the main power switch.

OPERATION

CLEANING UPHOLSTERY

Optional accessory tool is required.

NOTE: This machine cleans most synthetic upholstery. Fabrics like Herculon and synthetic will clean with excellent results. Extraction cleaning is not recommended for most cottons, silks, wools or natural fiber velvets. Use extra caution when cleaning reupholstered furniture, fabric beneath new fabric may bleed and discolor new fabric.

ATTENTION: When cleaning upholstery, always check cleaning instructions sewn in furniture by manufacturer.

1. Vacuum the upholstery before cleaning.
2. Test fabric for colorfastness: Pour a small amount of recommended cleaning solution on a white cloth. From an area of the upholstery that is hidden from view, hold cloth on upholstery for one minute. If color does not transfer to cloth it should be safe to clean.
3. Attach the optional accessory hand tool to the vacuum and solution hoses.
4. Place hand tool on fabric and squeeze trigger while applying pressure on fabric and slowly pull tool backwards. Be careful not to over wet upholstery. Repeat stroke without spray to get fabric as dry as possible. Overlap cleaning strokes to avoid streaking (Figure 8).



FIG. 8

⚠ WARNING: Do Not Pick Up Flammable Materials Or Reactive Metals.

5. While operating, check for excessive foam buildup in recovery tank. Use a recommended foam control solution to prevent vacuum motor damage.

ATTENTION: Excessive foam buildup will not activate the float shut-off screen. Vacuum motor damage may result.

6. When the accessory tool stops spraying, you must drain recovery tank (See DRAINING TANKS).
7. After cleaning, relieve water pressure from accessory tool before disconnecting hose. Squeeze trigger for five seconds after turning off the main power switch.

DRAINING TANKS

FOR SAFETY: When servicing machine, unplug cord from wall outlet.

ATTENTION: Use different buckets to fill and drain machine to prevent solution system clogs.

DRAINING RECOVERY TANK

1. Turn machine off and unplug power cord.
2. Turn drain hose knob counterclockwise and pull out plug to drain (Figure 9).



FIG. 9

3. After draining, replace drain hose knob securely.

DRAINING LEFTOVER CLEANING SOLUTION

1. Connect the 1.4m (4 1/2 ft) clean-out hose to the vacuum inlet tube. Clean-out hose is supplied with machine (Figure 10).



FIG. 10

2. Turn the main power switch to the ON position.
3. Submerge the clean-out hose into the solution tank and vacuum out the leftover solution.
4. Turn off the machine and drain recovery tank.

MACHINE MAINTENANCE

To keep machine in good working condition, simply follow machines daily and monthly maintenance procedures.

FOR SAFETY: When servicing machine, unplug cord from wall outlet.

DAILY MAINTENANCE (Every 4 Hours of Operation)

1. Drain and rinse out recovery tank thoroughly (Figure 11).



FIG. 11

2. Remove and clean the float shut-off screen, located in the recovery tank (Figure 12).



FIG. 12

3. Vacuum out the leftover solution from the solution tank (Figure 13).



FIG. 13

4. Inspect the accessory tool spray pattern for plugging. If plugged, remove the spray tips and screens and soak them in acetic acid solution for up to six hours. Do not use pointed objects to unplug tips, damage will occur (Figure 14).

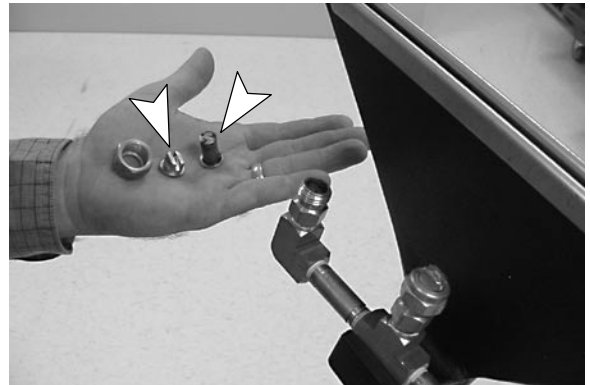


FIG. 14

5. Remove any clogged debris in the accessory tool (Figure 15).

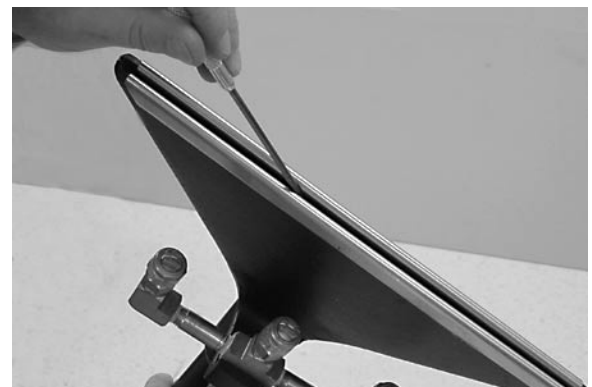


FIG. 15

OPERATION

6. Remove and rinse solution tank screen (Figure 16).



FIG. 16

7. Inspect power cord and cord grip for damage, replace if damaged. Coil cord neatly after each use.
8. Clean machine with a nonabrasive, nonsolvent cleaner (Figure 17).



FIG. 17

9. Inspect vacuum hose for holes and loose cuffs.

MONTHLY MAINTENANCE (Every 80 Hours of Operation)

1. Flush pump system with an acetic acid solution to dissolve normal alkaline chemical buildup.

FOR SAFETY: When using machine, follow mixing and handling instructions on chemical containers.

- a. Premix .5L (16 oz) of an acetic acid solution with 7.5L (2 gal) of hot water 60° C (140° F) and pour into solution tank.
- b. Connect accessory tool to machine.
- c. Turn on the main power switch.
- d. With tool over a bucket, squeeze accessory tool trigger for one minute.
- e. Shut off machine and allow remaining solution to break down alkaline buildup overnight.
- f. Next day, spray out remaining solution and flush system with 11L (3 gal) of clean water.

2. Lubricate wheels and casters with a water resistant oil.
3. Inspect machine for water leaks.
4. Inspect machine for loose screws.

QUARTERLY MAINTENANCE (Every 250 of Hours of Operation)

Check vacuum motor for carbon brush wear. Replace brushes when worn to a length of 10mm (0.38 in) or less. Contact your Authorized Service Center for carbon brush inspection.

SERVICING MACHINE

To access internal components for repair, open machine as described below.

⚠ WARNING: Unplug Power Cord Before Servicing Machine.

FOR SAFETY: When servicing machine, use manufacturer supplied or approved replacement parts.

1. Remove two hex-head bolts at front of machine, using a 9/16" wrench.

ATTENTION: Make sure tanks are empty before opening.

2. Carefully hinge tank backwards away from chassis (Figure 18).



FIG. 18

3. When closing machine, keep fingers clear and be careful not to pinch or kink internal hoses or wiring. Replace the lift handle and tighten the hex-head bolts securely.

STORING MACHINE

1. Before storing machine, be certain to flush out tanks and drain machine of all water.
2. Store machine in a dry area in the upright position.
3. Remove recovery tank lid to promote air circulation.

⚠ WARNING: Do not expose to rain. Store indoors.

ATTENTION: If storing machine in freezing temperatures, be sure that machine, pump and spraying system are completely drained and dry.

RECOMMENDED STOCK ITEMS

Refer to Parts List section for recommended stock items. Stock Items are clearly identified with a bullet preceding the parts description. See example below:

Ref.	Part No.	Description	Qty.
1	701103	ASM., STANDPIPE	1
2	180613	●FLOAT, SHUTOFF	1
3	230187	NIPPLE	1
4	101714	●GASKET	1
5	210240	NUT, FLANGED	1

TROUBLE SHOOTING

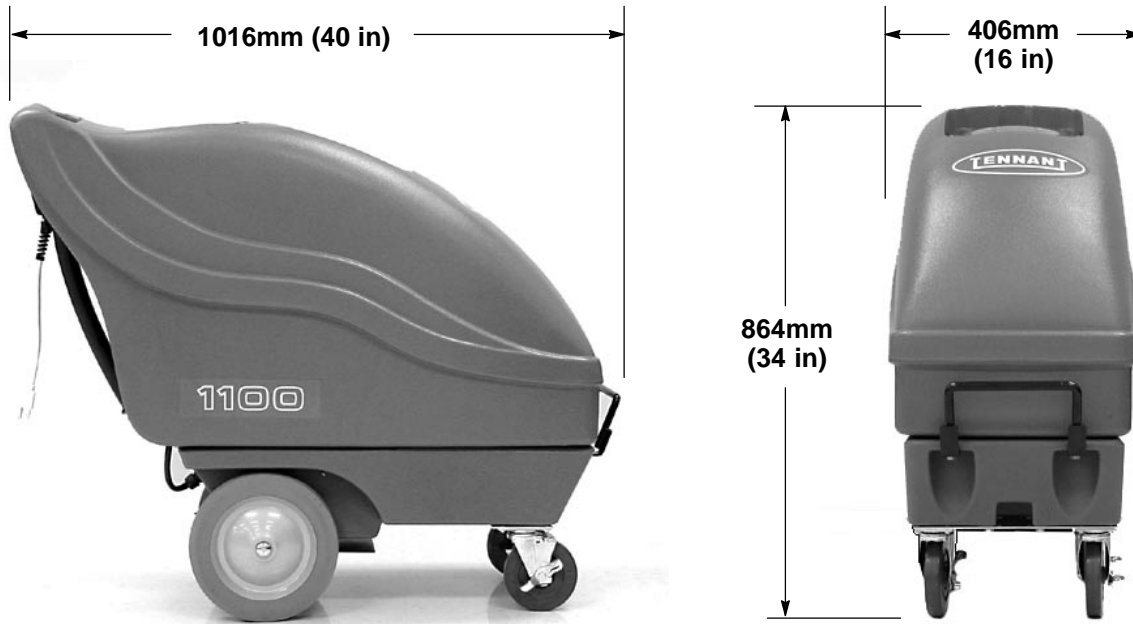
PROBLEM	CAUSE	SOLUTION
Machine does not operate.	Faulty switch or wiring.	Contact Service Center.
	Faulty power cord.	Contact Service Center.
	Building circuit breaker tripped.	Reset breaker.
Solution pump does not operate.	Overheated pump.	Determine cause and wait 20 minutes for pump to cool.
	Faulty solution pump.	Contact Service Center.
	Faulty solenoid.	Contact Service Center.
	Loose or broken wiring.	Contact Service Center.
Vacuum motor does not operate.	Vacuum motor thermal overload tripped.	Check air flow for obstruction, wait 20 minutes for motor to cool.
	Loose or broken wiring.	Contact Service Center.
	Faulty switch.	Contact Service Center.
	Defective vacuum motor.	Contact Service Center.
	Worn carbon brushes.	Replace brushes or call for service.
Poor pick up.	Float shut-off screen is activated.	Drain recovery tank.
	Loose drain hose plug.	Cap drain hose securely.
	Clogged float shut-off screen.	Remove recovery lid and clean float shut-off screen.
	Air leakage around recovery lid.	Re-position recovery lid or replace gaskets.
	Loose vacuum hose connections.	Secure connections.
	Defective vacuum hose.	Replace hose.
	Loose vacuum hose cuffs.	Secure cuffs to hose.
	Damaged accessory tool.	Replace accessory tool.
Uneven or no spray from tool.	Solution tank low or empty.	Refill solution tank.
	Dirty or plugged spray tips and screens.	Clean or replace tips and screens.
	Worn spray tips.	Replace spray tips.
	Faulty solution pump.	Contact Service Center.
	Plugged solution tank filter.	Clean filter.
	Pinched or kinked internal solution hoses.	Reroute or replace solution hose.

OPERATION

SPECIFICATIONS

Model	1100
LENGTH	1016mm (40 in)
WIDTH	406mm (16 in)
HEIGHT	864mm (34 in)
WEIGHT	38 Kg (84 lb)
SOLUTION TANK CAPACITY	38L (10 gal)
RECOVERY TANK CAPACITY	55L (14.5 gal)
SOLUTION PUMP	120V, 6.9bar (100psi), 1A
VACUUM MOTOR	120V, 1.8 hp, 13A, 1560W, 3 stage
SEALED WATER LIFT	3.5m (136 in)
TOTAL POWER CONSUMPTION	120V, 14.0A, 1680W
DECIBEL RATING AT OPERATOR'S EAR, INDOORS ON CARPET	78dB(A)

MACHINE DIMENSIONS



Este manual acompaña todos los modelos nuevos. Proporciona las instrucciones necesarias para su utilización y mantenimiento e incluye una lista de piezas con ilustraciones.

Lea el manual entero para comprender el funcionamiento de la máquina antes de utilizarla o revisarla.

Esta máquina le proporcionará un servicio excelente. Sin embargo, obtendrá los mejores resultados al coste mínimo si:

- Utiliza la máquina con un cuidado razonable.
- Revisa la máquina periódicamente - según las instrucciones de mantenimiento adjuntas.
- Realiza el mantenimiento de la máquina con piezas suministradas por TENNANT o equivalentes.

DATOS DE LA MÁQUINA

Por favor rellene estos datos en el momento de la instalación para utilizarlos como referencia en el futuro.

Nº Modelo- _____

Fecha de instal. - _____

Nº de serie de la máquina - _____

©2002 Tennant Company Printed in U.S.A.

ÍNDICE


MEDIDAS DE SEGURIDAD	14	ALMACENAMIENTO DE LA MÁQUINA	22
INSTRUCCIONES PARA LA CONEXIÓN A LA TOMA DE TIERRA	15	RECOMENDACIONES PARA EL ALMACENAMIENTO	22
ADHESIVOS DE SEGURIDAD	15	LOCALIZACIÓN DE AVERÍAS	23
COMPONENTES DE LA MÁQUINA	16	ESPECIFICACIONES	24
DESEMPAQUE DE LA MAQUINA	17	DIMENSIONES DE LA MÁQUINA	25
INSTALACIÓN DE LA MÁQUINA	17	DIAGRAMAS ELECTRICAS	26
FUNCIONAMIENTO DE LA MÁQUINA	18	LISTA DE PIEZAS	28
ANTES DE LA PUESTA EN MARCHA	18	CONJ. DEPOSITO RECUPERAR	28
OPERACION DE LA HERRAMIENTA DE PISO	18	CONJUNTO TELAIO	30
LIMPIEZA DE TAPIZADOS	19	CONJUNTO CONSOLA DE CONTROLES ..	32
VACIADO DE LOS DEPÓSITOS	19	CLASIFICION DE LA BOMBA	34
VACIADO DEL DEPÓSITO DE RECUPERACIÓN	19	OPCIONES	35
DRENAJE DE LA SOLUCION DE LIMPIEZA RESTANTE	20	ACCESORIO MANUAL	35
MANTENIMIENTO	20	ACCESORIO PARA HENDIDURAS	35
MANTENIMIENTO DIARIO (Cada 4 horas de utilización)	20	330mm (13in) ACCESORIO PARA EL SUELO	36
MANTENIMIENTO MENSUAL (Cada 80 horas de utilización)	21	906mm (16in) ACCESORIO PARA EL SUELO	38
MANTENIMIENTO TRIMESTRAL (Cada 250 horas de utilización)	22	ACCESORIO PARA TAPICERÍA	40
REVISIÓN DE LA MÁQUINA	22	MANGUERAS DE DISOLUCIÓN Y ASPIRACIÓN	41

MEDIDAS DE SEGURIDAD

Esta máquina está destinada únicamente al uso comercial. Está diseñada exclusivamente para limpiar alfombras y tapicerías en interiores y no es adecuada para ningún otro uso. Utilice únicamente los detergentes y accesorios recomendados.

Todos los operarios deben leer, comprender y cumplir las siguientes medidas de seguridad.

A lo largo de todo el manual se utilizan los siguientes símbolos de advertencia y apartados "PARA SU SEGURIDAD" descritos a continuación:


 **ADVERTENCIA:** Para advertir sobre riesgos o hábitos peligrosos que podrían causar lesiones corporales graves o fatales.


PARA SU SEGURIDAD: Para indicar las operaciones que deben realizarse para una utilización segura del equipo.

La no observancia de estas advertencias podría provocar: lesiones personales, riesgo de electrocución, descargas eléctricas, incendios o explosiones:

 **ADVERTENCIA:** No utilice líquidos inflamables o haga funcionar la máquina cerca de líquidos, vapores o materiales inflamables.

 **ADVERTENCIA:** No recoja materiales inflamables ni metales reactivos.

 **ADVERTENCIA:** No utilice la máquina con el cable eléctrico deteriorado. No modifique el enchufe. Desconecte el cable eléctrico antes de revisar la máquina.

 **ADVERTENCIA:** No utilice la máquina al aire libre. No exponga la máquina a la lluvia. Guárdela en un lugar cerrado.

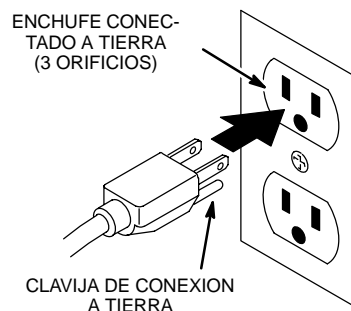
PARA SU SEGURIDAD:

1. No utilice la máquina:
 - Salvo que esté adecuadamente cualificado y autorizado.
 - Salvo que haya leído y comprendido el manual del operario
 - En lugares con material inflamable o explosivo.

- Si la toma de tierra del cable eléctrico no funciona correctamente.
 - Con el cable eléctrico o enchufe en malas condiciones.
 - Si la máquina no funciona correctamente.
 - Al aire libre.
 - Cuando haya agua en el suelo.
 - Con el uso de cordones de extensión adicionales. Use sólo el cordón de extensión del fabricante equipado con la máquina que tenga una capacidad apropiada y esté conectado a tierra.
2. Antes de utilizar la máquina:
 - Asegúrese de que todos los dispositivos de control se encuentran en su sitio y funcionan correctamente.
 3. Al utilizar la máquina:
 - No permita que la máquina pase por encima del cable eléctrico.
 - No mueva la máquina tirando del cable eléctrico o del enchufe.
 - No tire del cable eléctrico cuando se encuentre contra aristas o esquinas.
 - Tenga cuidado de no pillar el cable eléctrico al cerrar puertas.
 - No desenchufe la máquina tirando del cable eléctrico.
 - No intente estirar demasiado el cable eléctrico.
 - No toque el enchufe con las manos húmedas.
 - Mantenga el cable eléctrico alejado de superficies calientes.
 - Informe inmediatamente si la máquina presenta averías o funciona incorrectamente.
 - Siga las instrucciones de manipulación y mezcla indicadas en los envases de los productos químicos.
 4. Antes de estacionar o revisar la máquina:
 - Apague la máquina.
 - Desconecte el cable eléctrico del enchufe de la pared.
 5. Al revisar la máquina:
 - Desconecte el cable eléctrico del enchufe de la pared.
 - Evite las partes en movimiento. No lleve chaquetas, camisas o mangas sueltas.
 - Utilice piezas de recambio suministradas o aprobadas por el fabricante.

INSTRUCCIONES PARA LA CONEXIÓN A LA TOMA DE TIERRA

La máquina debe conectarse a tierra. Si funciona mal o se rompe, la conexión a tierra proporciona un recorrido de menor resistencia para la corriente eléctrica para reducir el riesgo de choque eléctrico. Esta máquina está equipada con un cordón que tiene un conductor de conexión a tierra del equipo y un enchufe de conexión a tierra. El enchufe debe enchufarse en un tomacorrientes apropiado que esté bien instalado de acuerdo con todos los códigos y ordenanzas locales. No extraiga la clavija de conexión a tierra; en caso de faltar, vuelva a colocar el enchufe antes de usar.



ADHESIVOS DE SEGURIDAD

Los adhesivos de seguridad de la máquina se encuentran en los lugares indicados a continuación. Sustituya los adhesivos deteriorados o ilegibles.



⚠ WARNING FOR SAFETY: READ THE OWNER'S MANUAL BEFORE USING MACHINE.

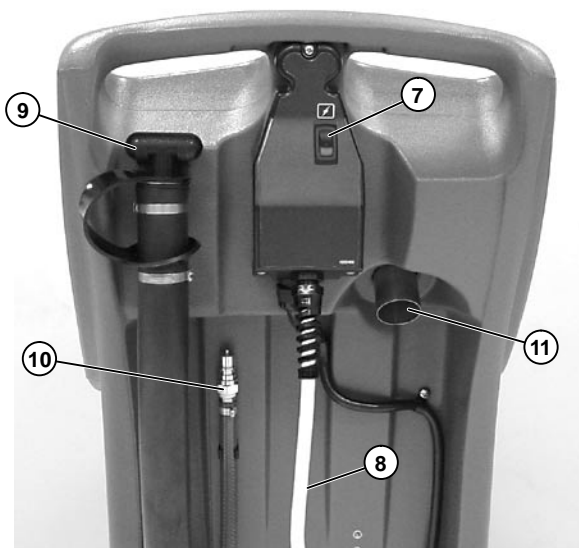
FAILURE TO FOLLOW THESE WARNINGS MAY RESULT IN: PERSONAL INJURY, ELECTROCUTION, ELECTRICAL SHOCK, FIRE OR EXPLOSION.

<p> Do Not Use Flammable Liquids Or Operate Machine In Or Near Flammable Liquids, Vapors Or Combustible Dusts.</p> <p> Do Not Pick Up Flammable Materials Or Reactive Metals.</p>	<p> Do Not Operate With Damaged Power Cord. Do Not Modify Plug. Unplug Power Cord Before Servicing Machine.</p> <p> Do Not Use Outdoors. Do Not Expose To Rain. Store Indoors.</p>
---	--

613283

OPERACIÓN

COMPONENTES DE LA MÁQUINA



1. Mango elevador de la máquina
2. Tanque de solución
3. Tanque de recuperación
4. Ruedas metálicas calzables
5. Ruedas para subir escaleras de 254mm (10 pul.)
6. Sujetador de botella
7. Conmutador ON/OFF de electricidad principal
8. Cable flexible de alimentación eléctrica
9. Manguera de drenaje del tanque de recuperación
10. Gancho para la herramienta accesoria de la manguera de solución
11. Gancho para la herramienta accesoria de la manguera de vacío
12. Manguera de vacío de 4.6m (15 pies)
13. Manguera de solución de 4.6m (15 pies)
14. Herramienta para piso de 330mm (13 pul.) (opcional)
15. Cordón eléctrico de 7.6m (25 pies)
16. Manguera de limpieza de 1.4m (4 1/2 f)

DESEMPAQUE DE LA MÁQUINA

1. Inspeccione cuidadosamente la caja por señales de daño. Informe inmediatamente al transportista con respecto a los daños.
2. Inspeccione el contenido de la caja para asegurar que la caja está completa. Consulte con el distribuidor por artículos faltantes.
 - 1 – Máquina
 - 1 – Manguera de vacío de limpieza de 1.4M (4 1/2 pies)
 - 1 – Manguera de vacío de 4.6m (15 pies)
 - 1 – Manguera de solución de 4.6m (15 pies)
 - 1 – Cordón eléctrico de 7.6m (25 pies)

INSTALACIÓN DE LA MÁQUINA

1. Retire la tapa del depósito de la disolución y llene dicho depósito con 10 galones/38 litros de agua caliente, a una temperatura máxima de 140°F/60°C (Figura 1).

ATENCIÓN: Utilice cubos diferentes para llenar y vaciar la máquina y evitar que el sistema de la disolución se bloquee.



FIG. 1

⚠ ADVERTENCIA: No utilice líquidos inflamables o haga funcionar la máquina cerca de líquidos o vapores o polvos inflamables.

2. Agregue una solución recomendada de limpieza a la relación apropiada de dilución.

PARA SU SEGURIDAD: Siga las instrucciones de mezcla y manipulación indicadas en los envases de los productos químicos cuando utilice la máquina.

ATENCIÓN: Si usa el polvo de limpieza, mezcla el polvo con agua antes de agregarlo al tanque.

NOTA: Si quiere, también se obtienen excelentes resultado utilizando únicamente agua.

3. Después de llenar vuelva a colocar la tapa del tanque de solución.
4. Conecte la manguera de vacío al tubo de entrada de vacío ubicado en la parte posterior de la máquina. A continuación conecte la manguera de solución al acople rápido ubicado debajo del mango (Figura 2).

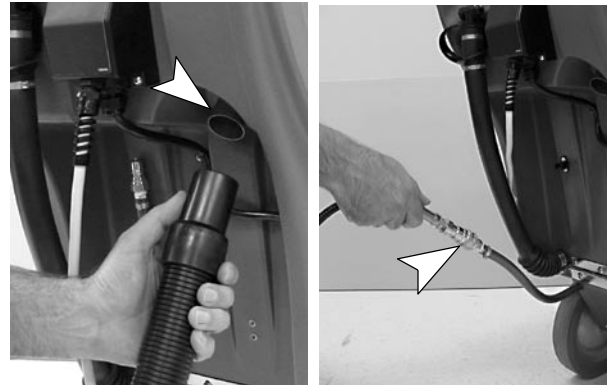


FIG. 2

5. Fije la herramienta accesoria al extremo opuesto de las mangueras (Figura 3).

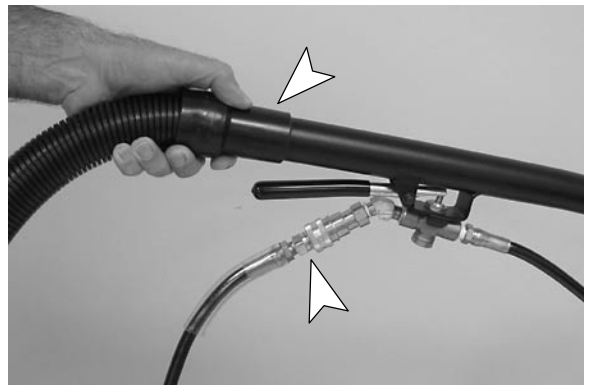


FIG. 3

6. Si se desea, calce las ruedas metálicas delanteras para mantener la máquina fija mientras limpia (Figura 4).



FIG. 4

OPERACIÓN

7. Conecte el cordón eléctrico a la máquina. A continuación enchufe el cordón a un tomacorrientes de pared (Figura 5).

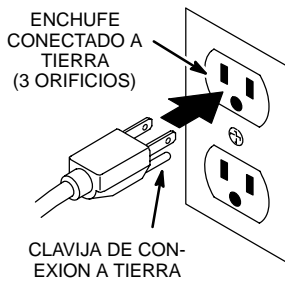


FIG. 5

PARA SU SEGURIDAD: No utilice la máquina salvo que el cable eléctrico tenga una toma de tierra que funcione correctamente.

PARA PROTECCION: No opere la máquina usando cordones de extensión adicionales. Use sólo el cordón de extensión del fabricante equipado con la máquina que tenga una capacidad apropiada y esté conectado a tierra.

FUNCIONAMIENTO DE LA MÁQUINA

PARA SU SEGURIDAD: No utilice la máquina salvo que haya leído y comprendido el manual de instrucciones.

ANTES DE LA PUESTA EN MARCHA

1. Pase el aspirador por la moqueta para eliminar partículas y otros residuos.
2. Compruebe si el cable eléctrico está deteriorado. Sustitúyalo si está deteriorado.

OPERACION DE LA HERRAMIENTA DE PISO

⚠ ADVERTENCIA: No recoja materiales inflamables ni metales reactivos.

1. Gire el conmutador de la electricidad principal a la posición ON (Figura 6).



FIG. 6

2. Coloque la herramienta de piso de manera que las zapatas de acero inoxidable estén paralelos al piso. Oprima el gatillo y aplique una presión descendente sobre el cabezal de la herramienta de piso y lentamente tire de la herramienta hacia atrás. Suelte el gatillo a 150mm (6 pul.) desde el extremo de la carrera (Figura 7).
3. Empuje la herramienta de piso hacia adelante sobre el mismo recorrido con el gatillo suelto al retornar a la próxima carrera. Continúe este método de tirar y empujar con una superposición de 50mm (2 pul.) para cada carrera.

NOTA: Para áreas muy sucias, repita la carrera o cambie el ángulo de la carrera.



FIG. 7

4. Controle si existe formación excesiva de espuma en el depósito de recuperación. Utilice una disolución recomendada para controlar la formación de espuma y evitar averías del motor.

ATENCIÓN: La excesiva formación de espuma evitará que el filtro de cierre del flotador se active. Esto podría causar la avería del motor de aspiración.

5. Cuando la herramienta de piso cesa el rociado, usted debe drenar el tanque de recuperación (Vea DRENAJE DE TANQUES).
6. Después de limpiar, disminuya la presión de agua de la herramienta accesoria antes de desconectar la manguera. Oprima el gatillo por cinco segundos después de apagar el conmutador de la electricidad principal.

LIMPIEZA DE TAPIZADOS

Se requiere una herramienta accesoria adicional.

NOTA: Esta máquina limpia la mayoría de la tapicería sintética. Las telas tales como Herculon y sintéticas se limpian con resultados excelentes. La limpieza de extracción no se recomienda para la mayoría de los algodones, sedas, lanas o terciopelos de fibra natural. Sea muy precavido al limpiar muebles retapizados ya que la tela debajo de la nueva tela puede desteñir y decolorar la nueva tela.

ATENCIÓN: Al limpiar el tapizado, consulte siempre las instrucciones de limpieza cosidas a los muebles por el fabricante.

1. Aspire el tapizado antes de limpiar.
2. Pruebe la tela por firmeza del color: Vierta una pequeña cantidad de la solución recomendada de limpieza sobre un trapo blanco. Seleccione un área oculta del tapizado y frote el mismo por un minuto. Si el color no se transfiere al trapo es segura para limpiar.
3. Fije la herramienta accesoria manual opcional a las mangueras de vacío y solución.
4. Coloque la herramienta manual sobre la tela y oprima el gatillo al aplicar presión sobre la tela y empujar lentamente la herramienta hacia atrás. Sea precavido en no humedecer excesivamente el tapizado. Repita la carrera sin rociado para secar la tela tanto como sea posible. Superponga las carreras de limpieza para evitar estrías (Figura 8).

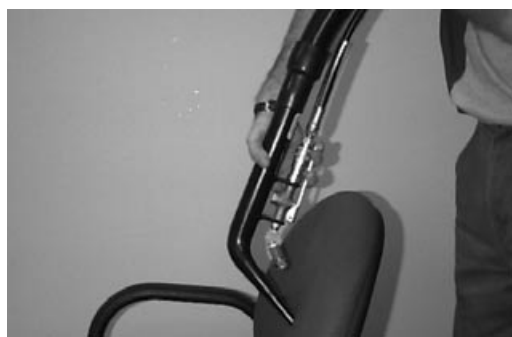


FIG. 8

⚠ ADVERTENCIA: No recoja materiales inflamables ni metales reactivos.

5. Controle si existe formación excesiva de espuma en el depósito de recuperación. Utilice una disolución recomendada para controlar la formación de espuma y evitar averías del motor.

ATENCIÓN: La excesiva formación de espuma evitará que el filtro de cierre del flotador se active. Esto podría causar la avería del motor de aspiración.

6. Usted debe drenar el tanque de combustible cuando la herramienta accesoria cesa de rociar (Vea DRENAJE DE TANQUES).
7. Después de limpiar y antes de desconectar la manguera, disminuya la presión de agua de la herramienta accesoria. Oprima el gatillo por cinco segundos después de apagar el conmutador de la electricidad principal.

VACIADO DE LOS DEPÓSITOS

PARA SU SEGURIDAD: Al revisar la máquina, desconecte el cable eléctrico del enchufe de la pared.

ATENCIÓN: Utilice cubos diferentes para llenar y vaciar la máquina y evitar que el sistema de la disolución se bloquee.

VACIADO DEL DEPÓSITO DE RECUPERACIÓN

1. Apague la máquina y desenchufe el cable eléctrico.
2. Gire el tapón de la manguera de vaciado en sentido contrario al de las agujas del reloj y retírelo (Figura 9).



FIG. 9

3. Después de la operación de vaciado, cierre bien el tapón de la manguera de vaciado.

OPERACIÓN

DRENAJE DE LA SOLUCIÓN DE LIMPIEZA RESTANTE

1. Conecte la manguera de limpieza de 1.4m (4 1/2 pies) al tubo de entrada de vacío. La manguera de limpieza se proporciona con la máquina (Figura 10).



FIG. 10

2. Gire el conmutador de la electricidad principal a la posición ON .
3. Sumerja la manguera de limpieza dentro del tanque de solución y aspire la solución restante.
4. Apague la máquina y vacíe el depósito de recuperación.



FIG. 11

2. Extraiga y limpie el filtro del flotador cierre situado en el depósito de recuperación (Figura 12).



FIG. 12

3. Sumerja la manguera de limpieza dentro del tanque de solución y aspire la solución restante (Figura 13).



FIG. 13

4. Inspeccione el patrón de rociado de la herramienta accesoria por taponado. Si taponada, extraiga las boquillas de rociado y los tamices y empape en solución de ácido acético por hasta seis horas. No use objetos aguzados para destapar las boquillas ya que esto resultará en daños (Figura 14).

MANTENIMIENTO

Para mantener la máquina en buenas condiciones de funcionamiento bastará realizar las operaciones de mantenimiento diarias, semanales o mensuales de la máquina

PARA SU SEGURIDAD: Al revisar la máquina, desconecte el cable eléctrico del enchufe de la pared.

MANTENIMIENTO DIARIO (Cada 4 horas de utilización)

1. Vacíe y aclare bien el depósito de recuperación (Figura 11).

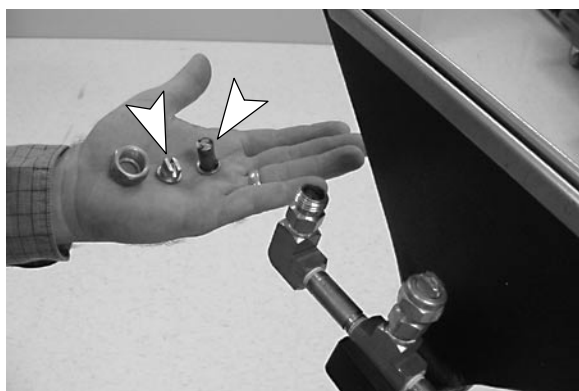


FIG. 14

5. Extraiga los desechos que taponan la herramienta accesoria (Figura 15).



FIG. 15

6. Retire las fibras de moqueta y restos que pueda haber enredados en el cepillo (Figura 16).

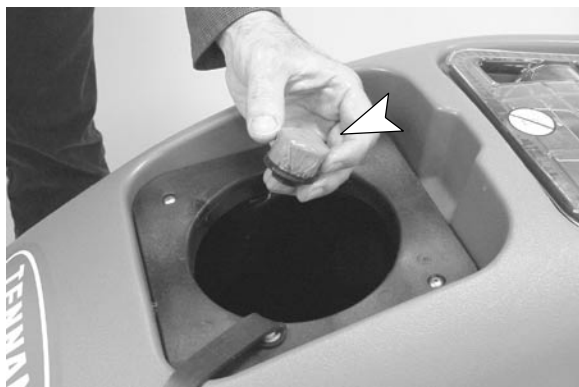


FIG. 16

7. Controle si el cable o su soporte están deteriorados, sustitúyalos si mostraran deterioro. Guarde el cable enrollado después de cada uso.
8. Limpie la máquina con un limpiador no abrasivo que no contenga disolventes (Figura 17).



FIG. 17

9. Inspeccione la manguera de vacío por orificios y mordazas flojas.

MANTENIMIENTO MENSUAL (Cada 80 horas de utilización)

1. Aclare el sistema de la bomba con una solución de ácido acético para disolver las acumulaciones normales de productos alcalinos.

PARA SU SEGURIDAD: Siga las instrucciones de mezcla y manipulación indicadas en los envases de los productos químicos cuando utilice la máquina.

- a. Mezcle 16 oz./,5 litros de solución de ácido acético con 2 gal/7,5 litros de agua caliente (temperatura máxima: 140°F/60°C) y viértala en el depósito de la disolución.
 - b. Conecte la herramienta accesoria a la máquina.
 - c. Encienda el conmutador de la electricidad principal.
 - d. Con la herramienta sobre un balde, oprima el gatillo de la herramienta accesoria por un minuto.
 - e. Apague la máquina y deje que la solución restante actúe durante la noche y disuelva las acumulaciones alcalinas.
 - f. Al día siguiente, pulverice el resto de la disolución y aclare el sistema con 3 gal/11 l de agua limpia.
2. Lubrique las ruedas y ruedas metálicas con un aceite resistente al agua.
 3. Controle si la máquina presenta fugas de agua.
 4. Controle si los tornillos de la máquina están sueltos.

OPERACIÓN

MANTENIMIENTO TRIMESTRAL (Cada 250 horas de utilización)

Controle el desgaste de los cepillos de carbón del motor de aspiración. Sustituya los cepillos cuando la longitud de sus cerdas sea igual o inferior a 3/8" / 1 cm debido al desgaste.

REVISIÓN DE LA MÁQUINA

El diseño de la máquina permite abrirla y acceder a los componentes internos para su reparación.

⚠ ADVERTENCIA: Desconecte el cable eléctrico antes de revisar la máquina.

PARA SU SEGURIDAD: Utilice piezas de recambio suministradas o aprobadas por TENNANT.

1. Retire los dos pernos hexagonales del delantero de la máquina utilizando una llave de 9/16".

ATENCIÓN: Asegúrese de que los depósitos estén vacíos antes de abrirlos.

2. Abra el depósito desplazándolo hacia atrás y alejándolo del chasis (Figura 18).



FIG. 18

3. Al cerrar la máquina, mantenga los dedos alejados y sea precavido en no presionar o doblar las mangueras o el cableado internos. Vuelva a colocar el mango de elevación y ajuste bien las tuercas de cabeza hexagonal.

ALMACENAMIENTO DE LA MÁQUINA

1. Antes de guardar la máquina, asegúrese de aclarar y vaciar todo el agua de los depósitos de la máquina.
2. Guarde la máquina en posición vertical en un sitio seco con el cepillo levantado, sin que toque el suelo.
3. Retire la tapa de recuperación para facilitar la circulación de aire.

⚠ ADVERTENCIA: No exponga la máquina a la lluvia. Guárdela en un lugar cerrado.

ATENCIÓN: Si guarda la máquina a temperaturas iguales o inferiores a 0°C, asegúrese de que la máquina, la bomba y el sistema de pulverización están totalmente vacíos y secos.

RECOMENDACIONES PARA EL ALMACENAMIENTO

Consulte la sección de Lista de Repuestos para ver que productos son los recomendados. Los elementos de almacén están claramente identificados con una marca colocada delante de la descripción de la pieza. Consulte el siguiente ejemplo:

Ref.	Part No.	Description	Qty.
1	701103	ASM., STANDPIPE	1
2	180613	● FLOAT, SHUTOFF	1
3	230187	NIPPLE	1
4	101714	● GASKET	1
5	210240	NUT, FLANGED	1

LOCALIZACIÓN DE AVERÍAS

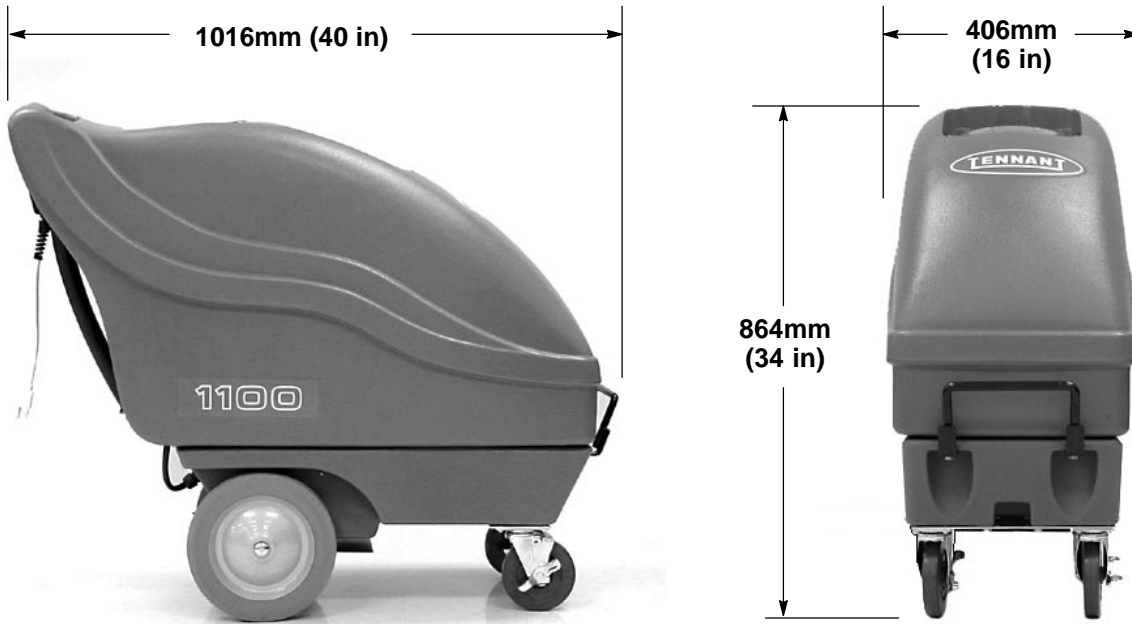
PROBLEMA	CAUSA	SOLUCIÓN
La máquina no funciona.	Cableado o interruptores averiados.	Contactar con el Servicio Técnico
	Cable eléctrico defectuoso.	Contactar con el Servicio Técnico
	Cortacircuitos del edificio activado.	Reajustar el cortacircuitos.
La bomba de la disolución no funciona.	Sobrecalentamiento de la bomba.	Determinar la causa y esperar 20 minutos a que la bomba se enfríe.
	Bomba de la disolución defectuosa.	Contactar con el Servicio Técnico
	Solenoides defectuosos.	Contactar con el Servicio Técnico
	Cables rotos o sueltos.	Contactar con el Servicio Técnico
Motor de aspiración no funciona.	Sobrecarga térmica del motor de aspiración	Controlar si está bloqueado el flujo de aire, esperar 20 minutos a que el motor se enfríe.
	Cables rotos o sueltos.	Contactar con el Servicio Técnico
	Interruptor de aspiración / de la bomba defectuoso.	Contactar con el Servicio Técnico
	Motor de aspiración averiado.	Contactar con el Servicio Técnico
	Cepillos de carbón gastados.	Sustituir los cepillos o llamar al servicio técnico.
Recogida insuficiente.	Es activado la mampara de flotar.	Tanque de recobro desaguadero.
	Tapón de la manguera de vaciado mal .cerrado	Cierre bien el tapón de la manguera de vaciado.
	Filtro del flotador de cierre bloqueado.	Retire la tapa de recuperación y limpie el filtro del flotador de cierre.
	Fuga de aire alrededor de la tapa de recuperación.	Colocar de nuevo la tapa de recuperación o sustituir las juntas.
	Conexiones de la manguera de aspiración sueltas.	Fijar bien las conexiones.
	Manguera de aspiración defectuosa.	Sustituir la manguera
	Conexiones de la manguera de aspiración sueltas.	Fijar bien las conexiones a la manguera.
	Herramienta accesoria dañada.	Reemplace la herramienta accesoria.
Rociado irregular o nulo de la herramienta.	Nivel del depósito de la disolución bajo o vacío.	Rellenar el depósito de la disolución.
	Puntas pulverizadores y mamparas sucias o tapados.	Limpie o reemplace las puntas y mamparas.
	Tamaño o ángulo de la punta de pulverización incorrectos.	Sustituir las puntas de pulverización.
	Bomba de la disolución defectuosa.	Contactar con el Servicio Técnico
	Filtro del depósito de la disolución bloqueado.	Limpie filtro.
	Mangueras o alambros pellizcados o arrugados	Reemplace o cambie la ruta de la manguera de solución.

OPERACIÓN

ESPECIFICACIONES

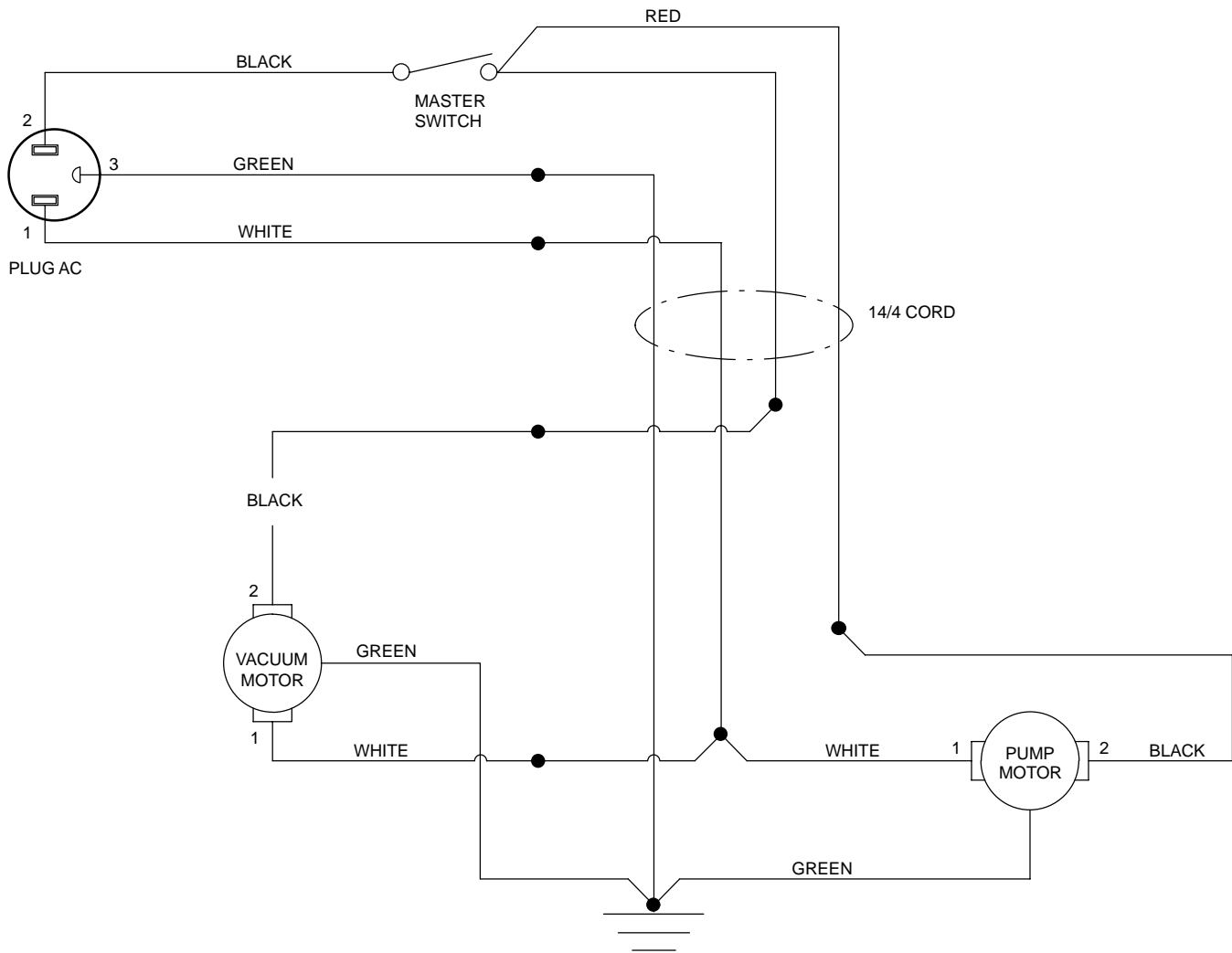
Modelo	1100
LONGITUD	1016mm (40 in)
ANCHURA	406mm (16 in)
ALTURA	864mm (34 in)
PESO	38 Kg (84 lb)
CAPACIDAD DEL DEPÓSITO DE LA DISOLUCIÓN	38L (10 gal)
CAPACIDAD DEL DEPÓSITO DE RECUPERACIÓN	55L (14.5 gal)
BOMBA DE LA DISOLUCIÓN	120V, 6.9bar (100psi), 1A
MOTOR DE ASPIRACIÓN	120V, 1.8 hp, 13A, 1560W, 3 stage
ELEVACIÓN SELLADA DE AGUA	3.5m (136 in)
POTENCIA TOTAL	120V, 14.0A, 1680W
DECIBELIOS A LA ALTURA DEL OPERARIO EN RECINTO CERRADO CON SUELO ENMOQUETADO.	78dB(A)

DIMENSIONES DE LA MÁQUINA

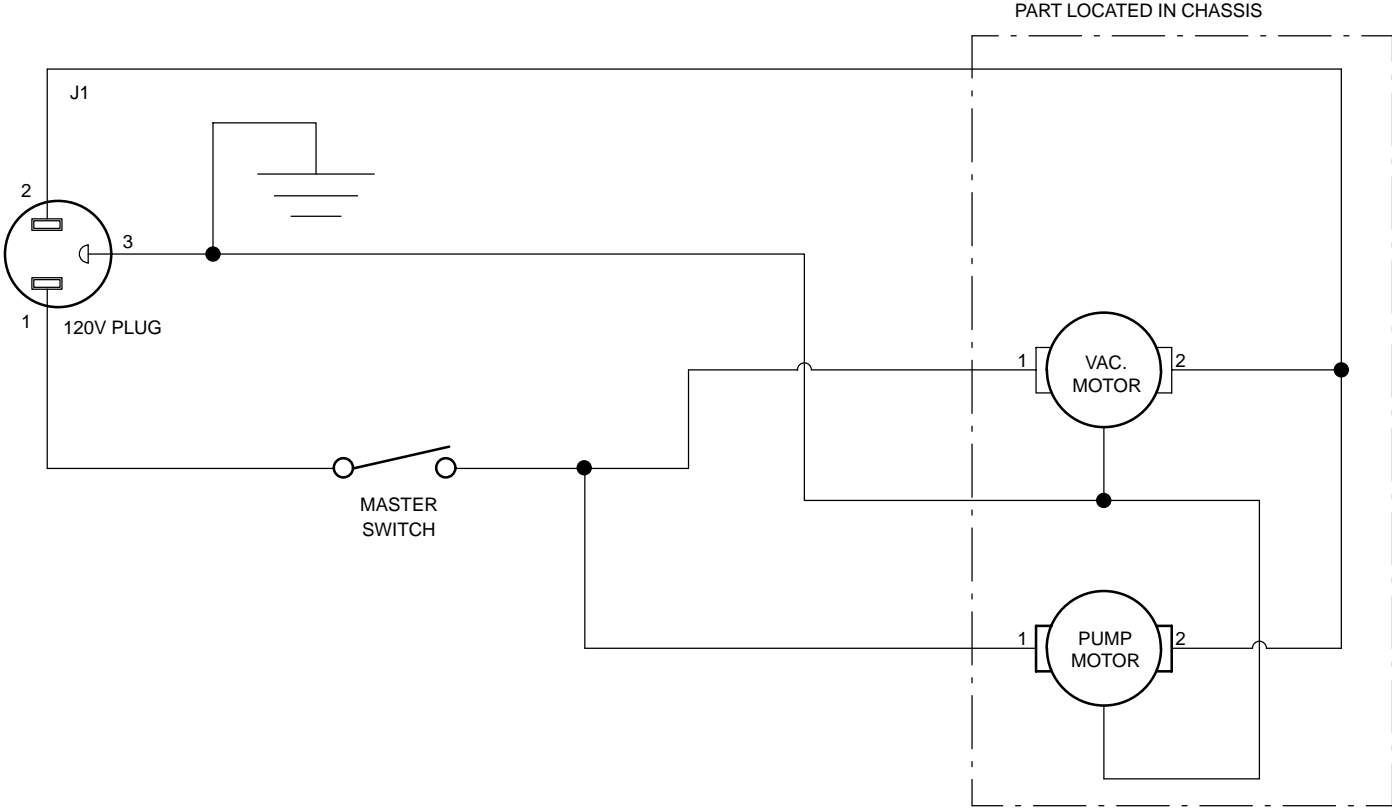


ELECTRICAL DIAGRAMS DIAGRAMAS ELECTRICAS

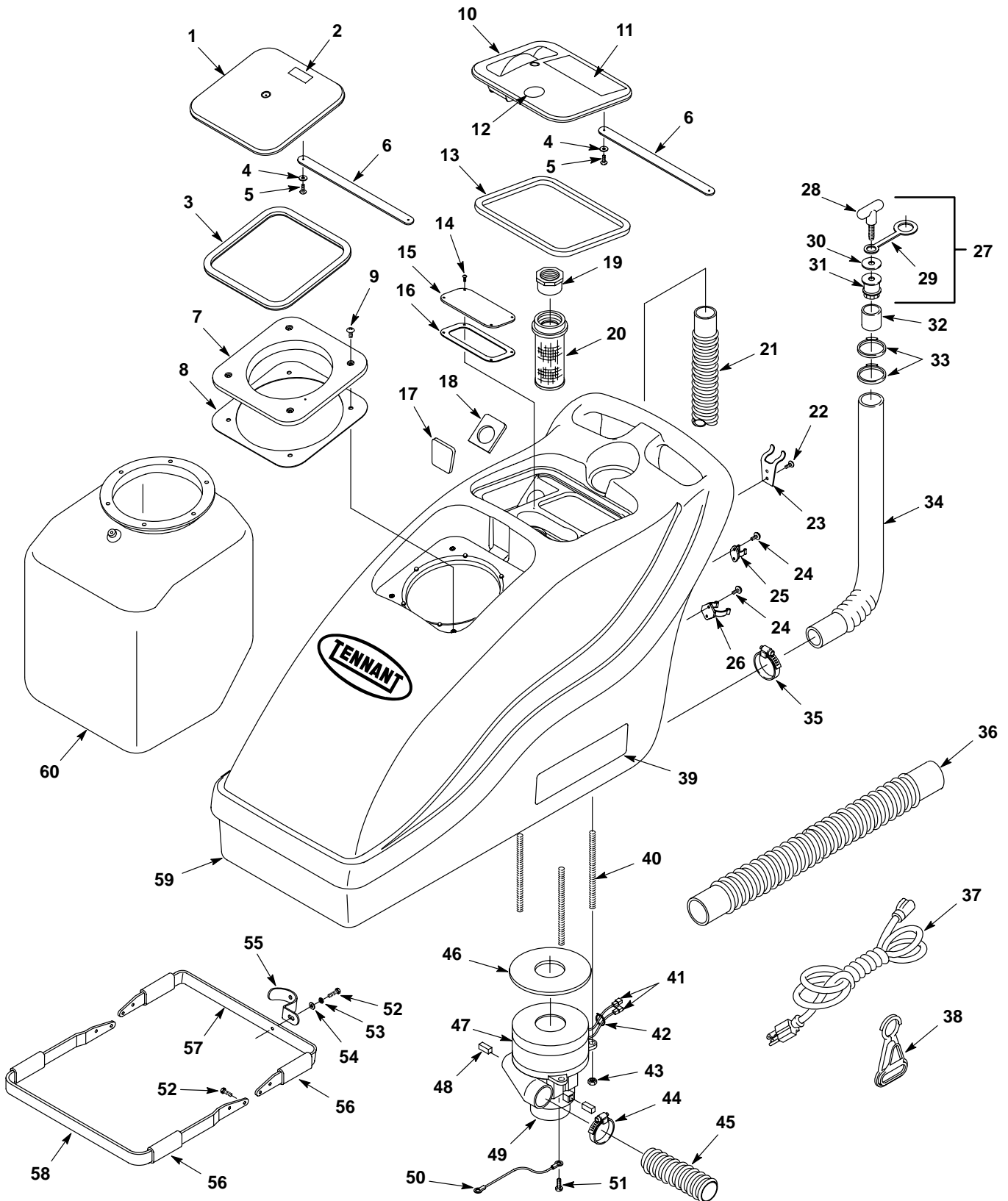
120V WIRING DIAGRAM DIAGRAMA DE CABLEADO



120V LADDER DIAGRAM
DIAGRAMA DE CABLEADO



RECOVERY TANK GROUP
CONJ. DEPOSITO RECUPERAR



RECOVERY TANK GROUP CONJ. DEPOSITO RECUPERAR

REF	PART #	DESCRIPTION	QTY.
▽	1002631	●ASM., COVER SQ. CLEAR LEXAN	1
▲ 1	1000704	COVER, SQ. CLEAR LEXAN	1
▲ 2	120906	LABEL, IMPORTANT DRAIN	1
▲ 3	1001608	●GASKET, SQ. BLADDER COVER	1
4	630390	WASHER, FLAT .15X.56X.04	4
5	3701.6	SCREW, #6X3/8 PANPHL	4
6	1001005	●STRAP, COVER	2
7	1000567	ADAPTER, COVER SQ. NYLN BLK	1
8	1000987	GASKET, BLADDER ADAPTER	1
9	140823	SCREW, 10-24X5/8 TRSPHL	4
▽ 10	1002626	●ASM., COVER RECOVERY DOME	1
▲ 11	613283	LABEL, WARNING EXTRACTORS	1
▲ 12	120399	LABEL, DO NOT ALLOW FOAM	1
▲ 13	1001889	●GASKET, RECOVERY COVER	1
14	3701.6	SCREW, #6X3/8 PANPHL	4
15	1000847	COVER, REC. STANDPIPE CLEAR	1
16	1000824	GASKET, STANDPIPE COVER	1
17	1002195	●GASKET, REC. COVER FRONT	1
18	1000764	●GASKET, REC. COVER REAR	1
19	230833	FITTING, ADAPTER PVC	1
20	609531	●FLOAT, VACUUM SHUT-OFF	1
21	603547	●HOSE, VAC 1-1/2X46" W/CUFFS	1
22	140825	SCREW, #6X1/2 PANPHL	2
23	611978	BRACKET, DRAIN HOSE HANGER	1
24	140959	SCREW, 10-24X1/2 FHP	4
25	1001995	CLIP, HOSE .75ID BLACK NYLON	1
26	1001992	CLIP, HOSE 1.75ID BLACK NYLON	1
▽ 27	701061	●ASSEMBLY, DRAIN PLUG	1
▲ 28	230831	KNOB, DRAIN HOSE	1
▲ 29	230882	●STRAP, RUBBER	1
▲ 30	140056	WASHER, FENDER	1
▲ 31	140955	PLUG, DRAIN HOSE	1

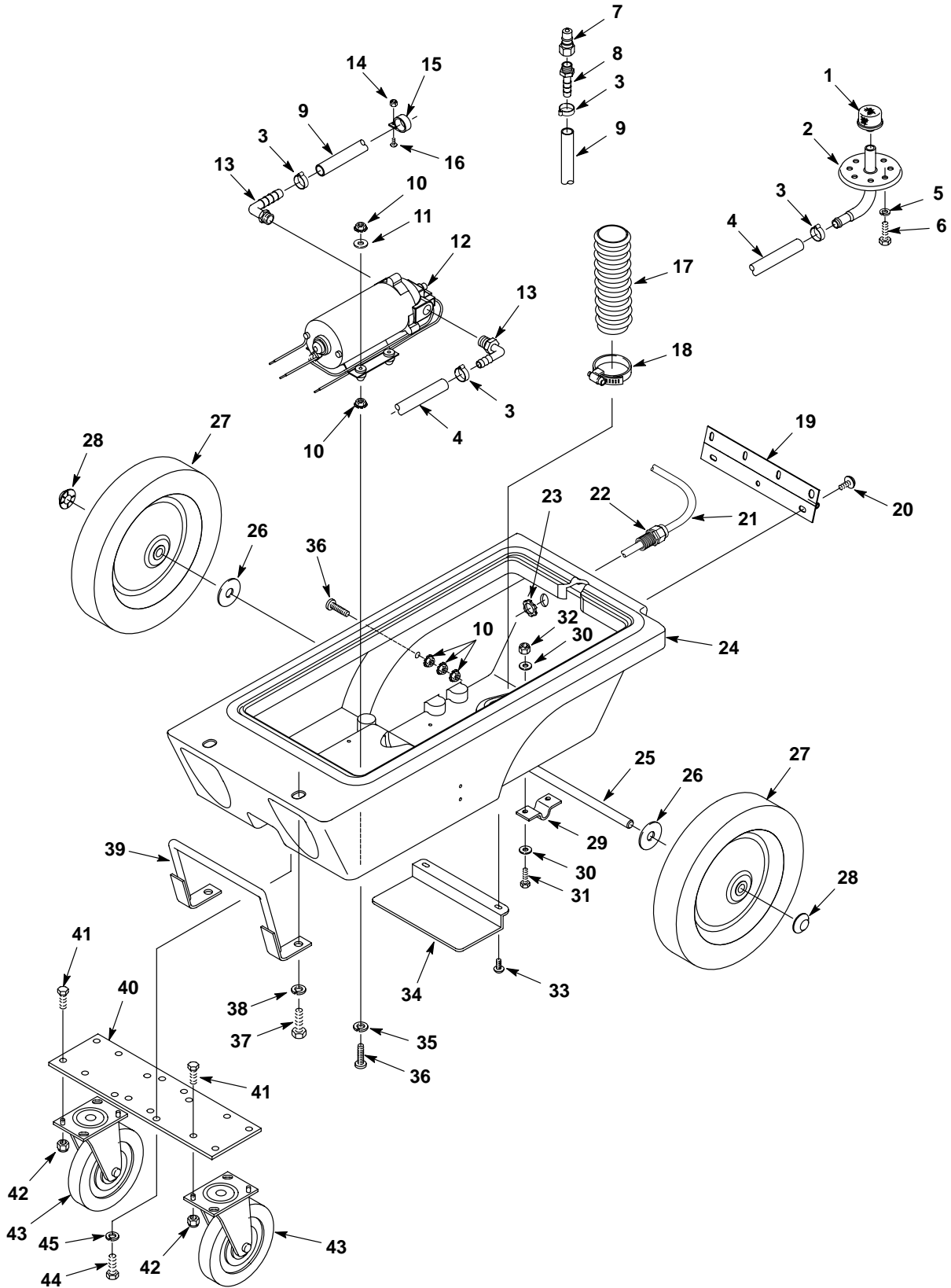
REF	PART #	DESCRIPTION	QTY.
32	140921	SLEEVE, DRAIN HOSE	1
33	140072	CLAMP, HOSE 1-9/16 EAR	2
34	160416	HOSE, DRAIN	1
35	140307	CLAMP, HOSE 3/4 TO 1-3/4	1
36	160464	●HOSE, VAC 1-1/2X53" W/CUFFS	1
37	130694	●CORD, POWER 14/3X25' YLW	1
38	130176	●CLIP, CORD STRAIN-RELIEF	1
39	611972	LABEL, "1100" SIDE	2
40	140227	SCREW, STUD 1/4-20X5	3
41	281004001	TERMINAL, FEMALE .25 RED	2
42	130040	WIRE TIE	2
43	41169	NUT, .25-20 HEXLOCK	4
44	140308	CLAMP, HOSE 1-5/16 TO 2-1/4	1
45	606160	HOSE, EXHAUST 24"	1
46	100118	●GASKET, VACUUM MOTOR	1
▽ 47	130996	●MOTOR, VACUUM 5.7 3STG 120V	1
	130130	TERMINAL, RING #10 22-18 NI	1
▲ 48	602741	●BRUSH, CARBON W/HLDR (2/PK)	1
▲ 49	130486	●FAN SHELL, 5.7" MOTOR	1
50	1002068	ASM., WIRE #18X16"	1
51	140897	SCREW, 10-32X.50 HEX	1
52	01696	SCREW, HEX 1/4-20X.50	5
53	140016	WASHER, LOCK .25	1
54	140000	WASHER, FLAT 1/4	1
55	1002053	CLAMP, TANK BRACE	1
56	102569	GRIP, 3/4IDX4-1/4LG FOAM BLK	4
57	1002848	BRACKET, TANK BRACE	1
58	1002874	BRACKET, TANK BRACE FRONT	1
59	1000857	TANK, RECOVERY 10GAL TEAL	1
60	602715	BAG, SOLUTION BLADDER 10GAL	1

▽ ASSEMBLY

▲ INCLUDES

● RECOMMENDED FOR MAINTENANCE

CHASSIS GROUP
CONJUNTO TELAIO



CHASSIS GROUP
CONJUNTO TELAIO

REF	PART #	DESCRIPTION	QTY.
1	180628	●FILTER, SCREEN 100 MESH	1
2	600451	FITTING, BAG BLADDER PLATE	1
3	140301	CLAMP, HOSE 5/8ID EAR	4
4	606245	HOSE, 3/8IDX5/8ODX31" GRAY	1
5	140016	WASHER, LOCK .25	4
6	140259	SCREW, HEX .25-20X.62	4
7	150933	●FITTING, CPLR 1/4F ML SER60	1
8	150516	FITTING, BRS 1/4MX3/8H	1
9	606246	HOSE, 3/8IDX5/8ODX52" GRAY	1
10	140519	NUT, KEP 10-24	11
11	140011	WASHER, FLAT 0.18	4
12	180103	●PUMP, SOL 100PSI 120V	1
	281004001	TERMINAL, FEM .25 18-22 RED	1
	130130	TERMINAL, RING #10 22-18 NI	1
13	150412	FITTING, 3/8MX3/8H ELBOW 90 NY	2
14	140552	NUT, 10-24 NYLON	1
15	140916	CLAMP, CABLE 5/8ID NYLON	1
16	140895	SCREW, 10-24X3/4 RNDPHL	1
17	606160	●HOSE, EXHAUST 24"	1
18	140308	CLAMP, HOSE 1-5/16 TO 2-1/4	1
19	230390	HINGE, SOL. REC. TANK	1
20	140885	SCREW, 1/4-20X1/2 TRSPHL	7
21	1002427	ASM., CORD 14/4X48"	1
22	130181	GRIP, CORD STRAIN-RELIEF 1/2NPT	1

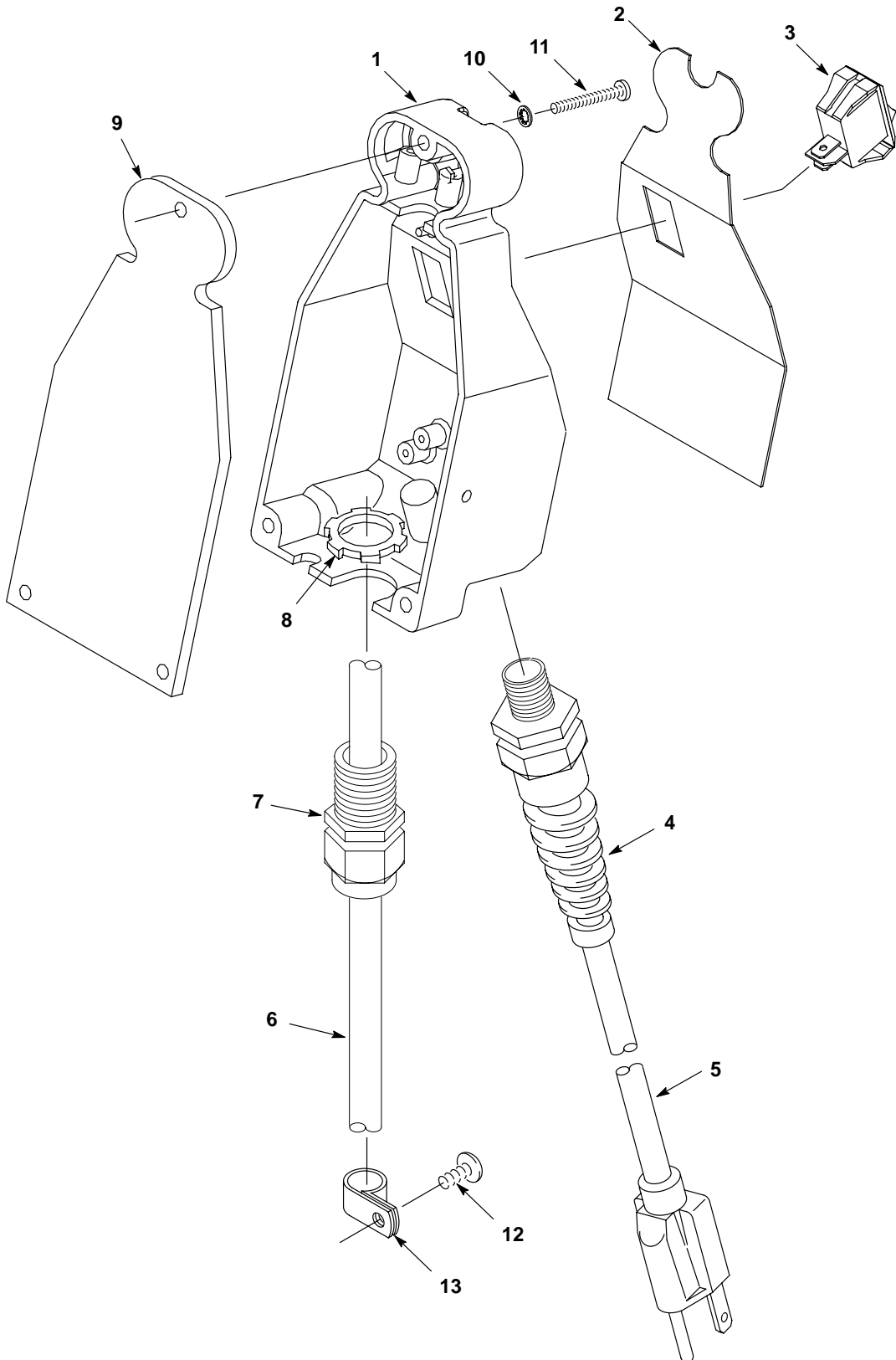
REF	PART #	DESCRIPTION	QTY.
23	140504	NUT, CONDUIT 1/2NPT LOCK	1
24	607723	FRAME, CHASSIS 1100 TEAL	1
25	230739	AXLE, WHEEL 1/2DX 13-1/8L	1
26	140008	WASHER, FLAT .570X1.28X.075	2
27	103068	●WHEEL, TRANSPORT 10"X1.75	2
28	103019	CAP, HUB WHEEL 0.5ID	2
29	230746	BRACKET, AXLE 1/2DIA OFFSET	2
30	140000	WASHER, FLAT 1/4	8
31	24672	SCREW, HEX .25-20X.75	4
32	41169	NUT, HEX LOCK .25-20 NYLON	4
33	140885	SCREW, TRS 1/4-20X1/2	2
34	231035.BK	PLATE, VACUUM EXHAUST	1
35	19066	WASHER, FLAT #10	4
36	140899	SCREW, 10-24X1-1/4 RNDPHL	5
37	140231	SCREW, 3/8-16X1-1/2 HEX	2
38	140017	WASHER, LOCK	2
39	231026.BK	BRACKET, HANDLE BLACK	1
40	231034	PLATE, CASTER MOUNT	1
41	140226	SCREW, HEX 5/16-18X5/8	8
42	140546	NUT, 5/16-18 NYLOCK	8
43	103004	●CASTER, SWIVEL 5"X1" GRAY	2
44	140226	SCREW, HEX 5/16-18X5/8	4
45	140015	WASHER, LOCK SPLIT .31	4

▽ **ASSEMBLY**

▲ **INCLUDES**

● **RECOMMENDED FOR MAINTENANCE**

CONTROL CONSOLE GROUP
CONJUNTO CONSOLA DE CONTROLES



**CONTROL CONSOLE GROUP
CONJUNTO CONSOLA DE CONTROLES**

REF	PART #	DESCRIPTION	QTY.
∇	1002414	ASM., CONTROL BOX	1
▲ 1	1002588	CONTROL BOX	1
▲ 2	1002426	LABEL, CONTROL BOX 1100	1
▲ 3	578005000	●SWITCH, ROCKER SPST	1
▲ 4	130166	●GRIP, STRAIN-RELIEF W/NUT	1
▲ 5	130237	CORD, 14/3X18" YELLOW	1
▲∇ 6	1002427	ASM., CORD 14/3X54"	1
▲ 7	130181	GRIP, CORD STRAIN-RELIEF 1/2NPT	2

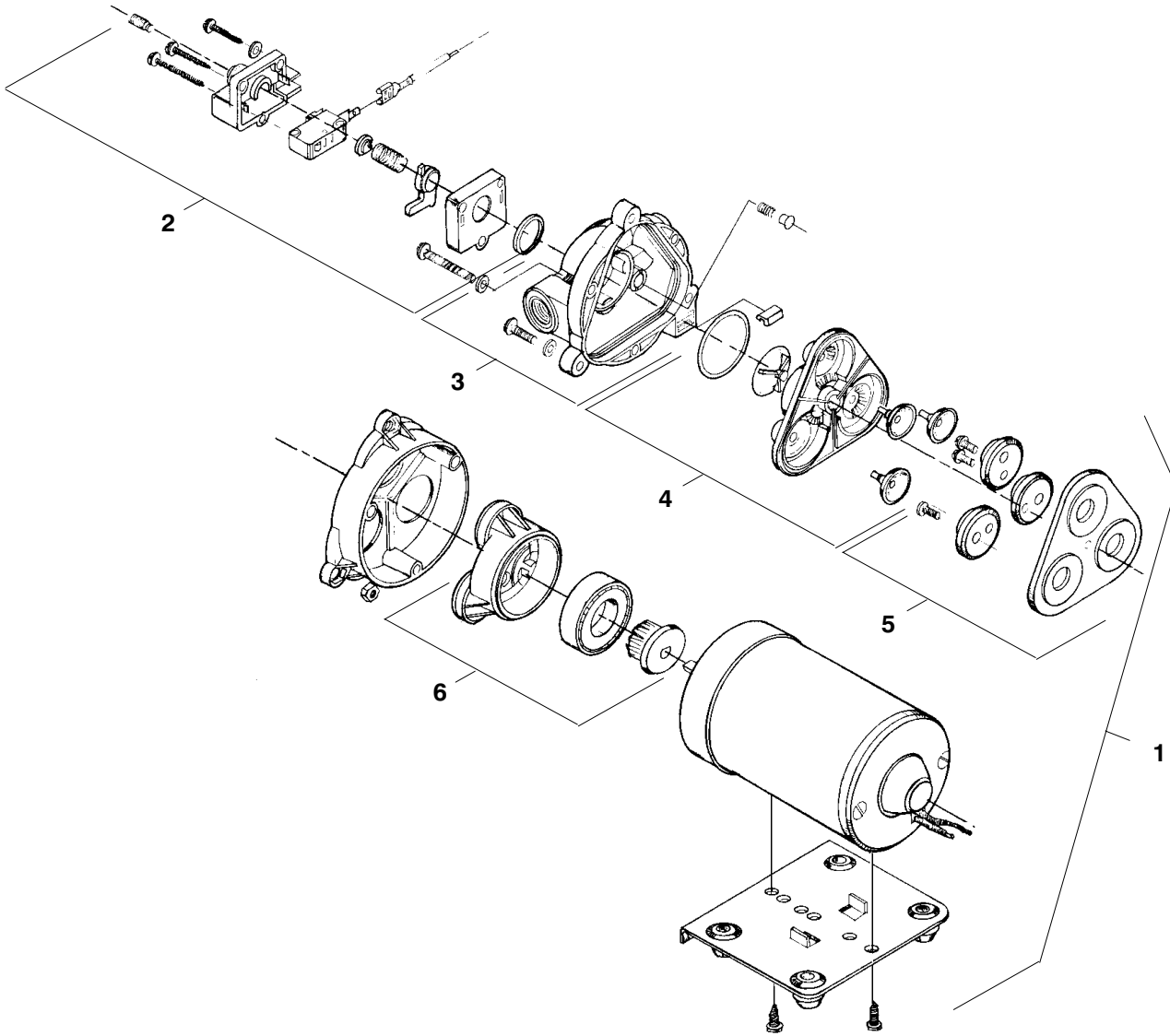
REF	PART #	DESCRIPTION	QTY.
8	140504	NUT, LOCK CONDUIT 1/2NPT	1
9	575576000	●GASKET, TRIGGER CONSOLE	1
10	140018	WASHER, LOCK INT #10	3
11	140899	SCREW, 10-24X1-1/4 RNDPHL	3
12	140823	SCREW, 10-24X5/8 TRSPHL	3
13	140328	CLAMP, CABLE 3/8ID BLK NYLON	3

∇ ASSEMBLY

▲ INCLUDES

● RECOMMENDED FOR MAINTENANCE

PUMP BREAKDOWN
CLASIFICACIÓN DE LA BOMBA



REF	PART #	DESCRIPTION	QTY.
1	180103	●PUMP, SOLUTION 100PSI 120V	1
2	190129	●KIT, PRESSURE SWITCH	1
	190172	●KIT PRESSURE SWITCH (VITON)	1
	190134	●KIT, DIAPHRAGM ONLY	1

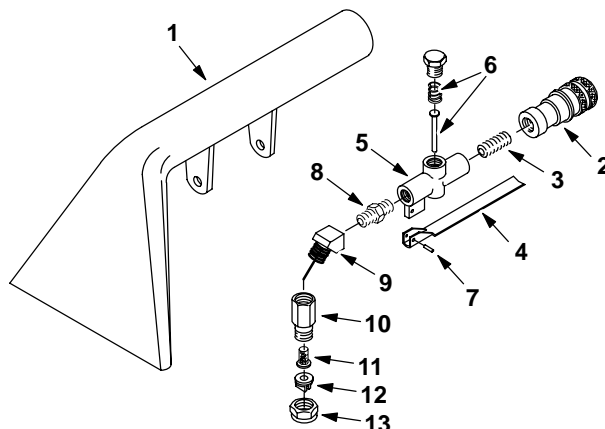
REF	PART #	DESCRIPTION	QTY.
3	190128	●KIT, UPPER PUMP HOUSING	1
	190124	●KIT, CHECK VALVE ONLY	1
4	190171	●KIT, VALVE (VITON)	1
5	190131	●KIT, SERVICE	1
6	190130	●KIT, LOWER PUMP HOUSING	1

▽ **ASSEMBLY**

▲ **INCLUDES**

● **RECOMMENDED FOR MAINTENANCE**

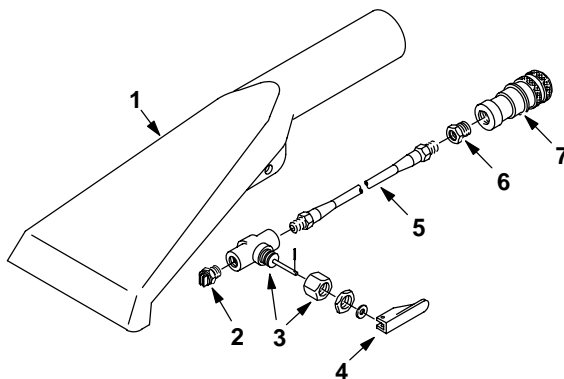
127mm (5 in) HAND TOOL GROUP
ACCESORIO MANUAL



REF	PART #	DESCRIPTION	QTY.
▽	200505	●ASM., HAND TOOL 5"	1
▲ 1	200431.BK	TOOL, HAND	1
▲ 2	150913	FITTING, 1/4F QD FML COUPLER	1
▲ 3	150615	NIPPLE, CLOSE	1
▲ 4	200905	TRIGGER, HAND TOOL	1
▲ 5	210210	●VALVE, FLOW CONTROL	1
▲ 6	190600	VALVE PIN & SPRING	1

REF	PART #	DESCRIPTION	QTY.
▲ 7	140609	PIN, ROLL 3/16	1
▲ 8	150606	NIPPLE, HEX 1/4	1
▲ 9	150403	ELBOW, ST 1/4 45°	1
▲ 10	200992	BODY, SPRAY 1/4F	1
▲ 11	200996	SCREEN, SPRAY NOZZLE	1
▲ 12	200965	●TIP, SPRAY #8002	1
▲ 13	200994	CAP, SPRAY BODY	1

76mm (3 in) CREVICE TOOL GROUP
ACCESORIO PARA HENDIDURAS

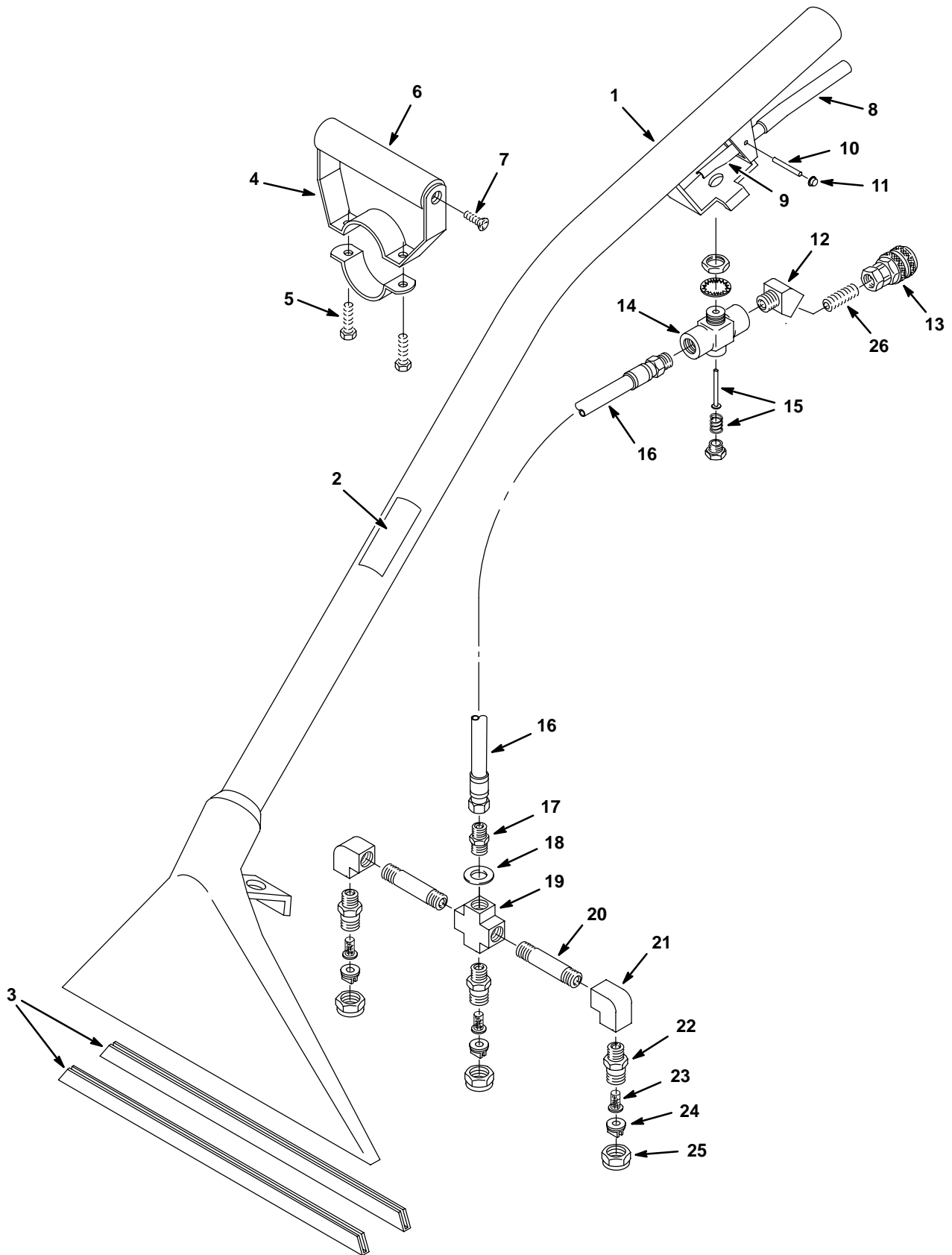


REF	PART #	DESCRIPTION	QTY.
▽	200517	●ASM., CREVICE TOOL SER. 60	1
▲ 1	200436.BK	TOOL, CREVICE BLACK	1
▲ 2	200975	●FITTING, TIP #5002 V-JET	1
▲ 3	210014	●VALVE, TOGGLE W/NUT	1

REF	PART #	DESCRIPTION	QTY.
▲ 4	210020	POSITIONER, VALVE HANDLE	1
▲ 5	160106	HOSE, SOLUTION	1
▲ 6	150100	FITTING, 1/4MX1/8F BUSHING	1
▲ 7	150913	FITTING, 1/4F QD FML COUPLER	1

▽ ~~ASSEMBLY~~ **ASSEMBLY**
 ▲ ~~INCLUDES~~ **INCLUDES**
 ● ~~RECOMMENDED~~ **RECOMMENDED FOR MAINTENANCE**

330mm (13 in) LOW PRESSURE WAND GROUP
ACCESORIO PARA EL SUELO



**330mm (13 in) LOW PRESSURE WAND GROUP
ACCESORIO PARA EL SUELO**

REF	PART #	DESCRIPTION	QTY.
▽	600048	●ASM., WAND LOW PRESSURE	1
▲ 1	200403.BK	TOOL, FLOOR BLACK	1
▲ 2	120846	DECAL, LOW PRESSURE TOOL	1
▲ 3	200939	●SHOE, 330MM (13 IN) FLR TOOL	2
▲▽ 4	200927	GRIP, HAND ADJ. COMPLETE	1
▲ 5	140259	SCREW, 1/4-20X5/8	2
▲ 6	200912	GRIP, HANDLE FOAM	1
▲ 7	140834	SCREW, 1/4-20X5/8	2
▲ 8	200809	SLEEVE, HANDLE	1
▲ 9	200902	HANDLE, VALVE	1
▲ 10	140605	PIN, HANDLE	1
▲ 11	140520	NUT, 1/4 PUSH BLK	2
▲ 12	150403	FITTING, 1/4MX1/4F 45 STR	1
▲ 13	150913	●FITTING, 1/4F QD CPLR SER 60	1

REF	PART #	DESCRIPTION	QTY.
▲▽ 14	210150	●VALVE, FLOW CONTROL	1
▲ 15	190603	●KIT, VALVE PIN AND SPRING	1
▲ 16	160170	ASM, HOSE LOW PRESSURE	1
▲ 17	150606	FITTING, 1/4MX1-3/8HEXNIP	1
▲ 18	140058	WASHER, .543X.875X.062 WAND	1
▲▽	700062	ASM., SPRAYBAR WO/TIPS	1
▲ 19	150700	CROSS, 1/4 FPT	1
▲ 20	150600	FITTING, 1/4MX2" NIPPLE	2
▲ 21	150401	FITTING, 1/4FX1/4F ELBOW 90	2
▲ 22	200993	SPRAY BODY, 1/4" MALE	3
▲ 23	200996	●FILTER, SCREEN 100 MESH	3
▲ 24	200964	●FITTING, TIP 11003 T-JET	3
▲ 25	200994	●CAP, SPRAY BODY	3
▲ 26	150615	FITTING, 1/4MX7/8 CLSNIP	1

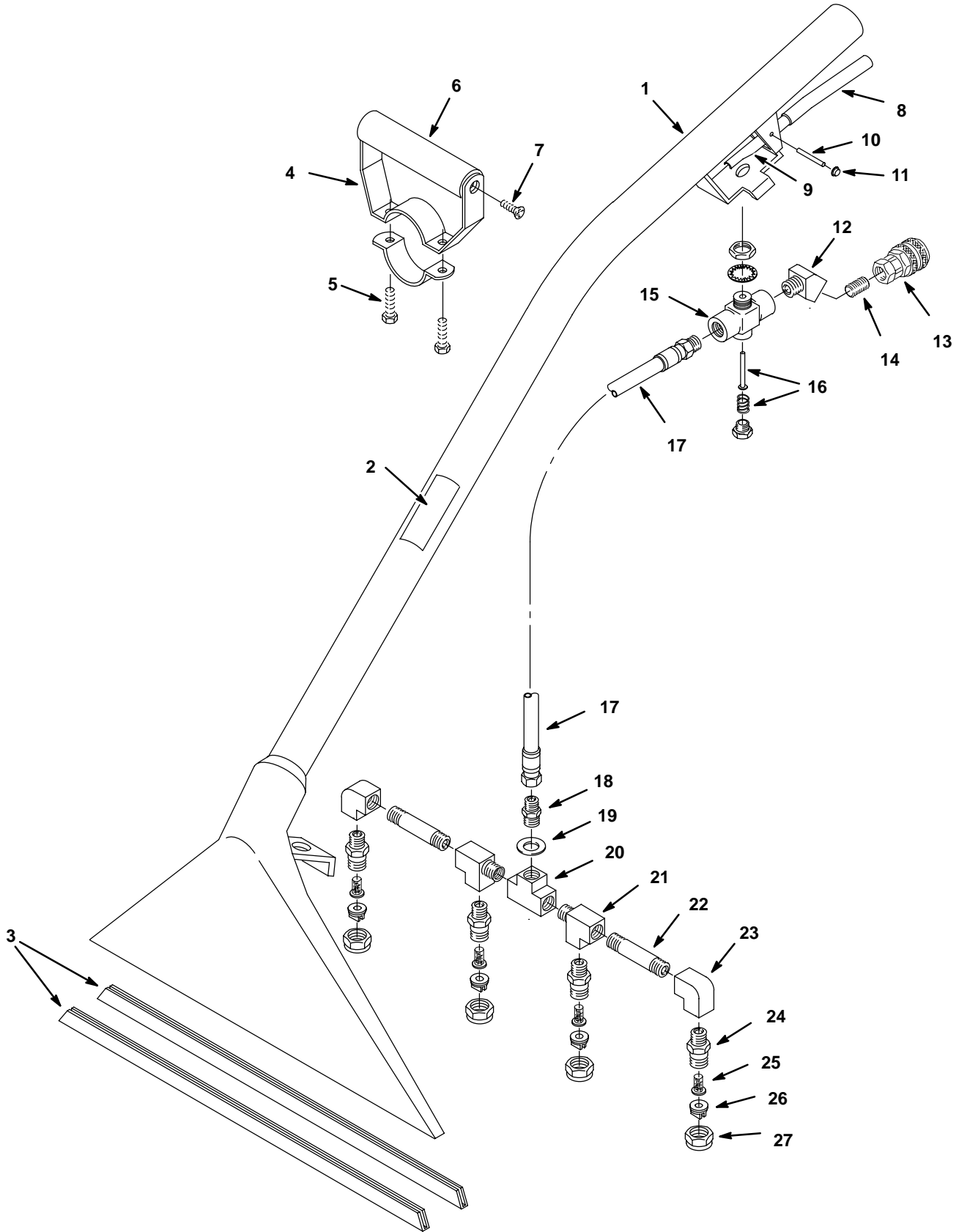
▽ ASSEMBLY

▲ INCLUDES

● RECOMMENDED FOR

MAINTENANCE

406mm (16 in) LOW PRESSURE WAND GROUP
ACCESORIO PARA EL SUELO



**406mm (16 in) LOW PRESSURE WAND GROUP
ACCESORIO PARA EL SUELO**

REF	PART #	DESCRIPTION	QTY.
▽	200503	●ASM., FLOOR TOOL	1
▲ 1	200411.BK	TOOL, FLOOR 406MM (16 IN)	1
▲ 2	120846	DECAL, LOW PRESSURE TOOL	1
▲ 3	200956	●SHOE, 406MM (16 IN) FLR TOOL	2
▲▽ 4	200927	GRIP, HAND ADJ. COMPLETE	1
▲ 5	140259	SCREW, 1/4-20X5/8	2
▲ 6	200912	GRIP, HANDLE FOAM	1
▲ 7	140834	SCREW, 1/4-20X5/8	2
▲ 8	200809	SLEEVE, HANDLE	1
▲ 9	200902	HANDLE, VALVE	1
▲ 10	140605	PIN, HANDLE	1
▲ 11	140520	NUT, 1/4 PUSH BLK	2
▲ 12	150403	FITTING, 1/4MX1/4F 45 STR	1
▲ 13	150913	●COUPLER, SER. 60	1
▲ 14	150615	NIPPLE, CLOSE 1/4	1

REF	PART #	DESCRIPTION	QTY.
▲▽ 15	210150	●VALVE, FLOW CONTROL	1
▲ 16	190603	●KIT, VALVE PIN AND SPRING	1
▲ 17	160170	ASM, HOSE LOW PRESSURE	1
▲ 18	150606	FITTING, 1/4MX1-3/8HEXNIP	1
▲ 19	140058	WASHER, .543X.875X.062 WAND	1
▲▽	700656	ASM., SPRAYBAR 16" WO/TIPS	1
▲ 20	150706	FITTING, 1/4F TEE	1
▲ 21	150709	FITTING, 1/4F X 1/4F X 1/4M	2
▲ 22	150600	FITTING, 1/4MX2" NIPPLE	2
▲ 23	150401	FITTING, 1/4FX1/4F ELBOW 90	2
▲ 24	200993	SPRAY BODY, 1/4" MALE	4
▲ 25	200996	●FILTER, SCREEN 100 MESH	4
▲ 26	200964	●FITTING, TIP 11003 T-JET	4
▲ 27	200994	●CAP, SPRAY BODY	4

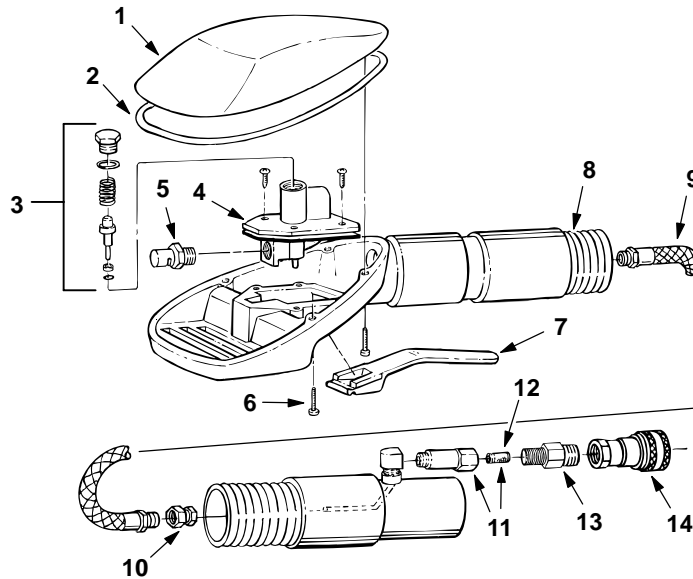
▽ ASSEMBLY

▲ INCLUDES

● RECOMMENDED FOR

MAINTENANCE

UPHOLSTERY TOOL GROUP
ACCESORIO PARA TAPICERÍA



REF	PART #	DESCRIPTION	QTY.
∇	200540	●ASSEMBLY, UPHOLSTERY TOOL	1
▲ 1	200845	COVER	1
▲ 2	200843	GASKET	1
▲ 3	190631	●KIT, VALVE ASM.	1
▲ 4	210226	●VALVE, LP	1
▲ 5	200991	●NOZZLE	1
▲ 6	200838	SCREW	4
▲ 7	200840	TRIGGER	1

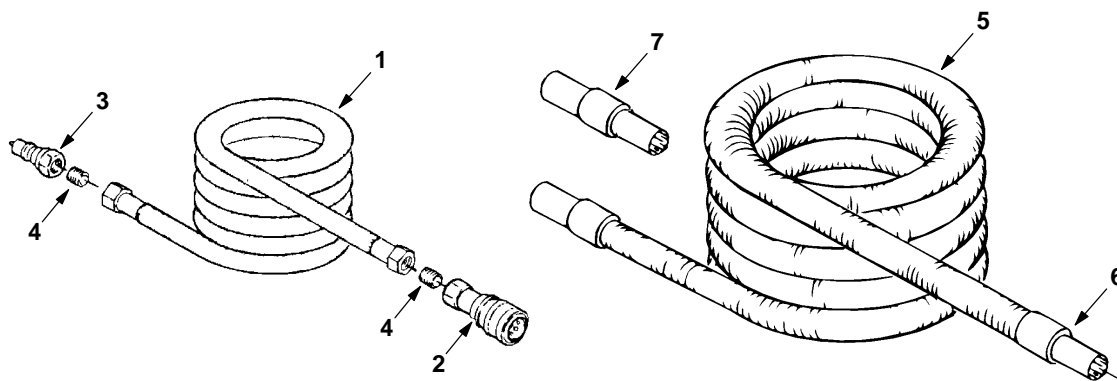
REF	PART #	DESCRIPTION	QTY.
▲ 8	200844	●HOSE, VACUUM	1
▲ 9	200837	●HOSE, SOLUTION	1
▲ 10	200848	FITTING	1
▲ 11	200842	FILTER	1
▲ 12	200841	SCREEN, FILTER	1
▲ 13	150606	FITTING, 1/4MX1/4M	1
▲ 14	150913	●COUPLER	1

∇ ASSEMBLY

▲ INCLUDES IN THE KIT

● RECOMMENDED FOR MAINTENANCE

**SOLUTION AND VACUUM HOSES GROUP
MANGUERAS DE DISOLUCIÓN Y ASPIRACIÓN**



REF	PART #	DESCRIPTION	QTY.
▽	600329	●KIT, HOSE, VAC & SOL 4.6M (15')	1
	600330	●KIT, HOSE, VAC & SOL 7.6M (25')	1
	600331	●KIT, HOSE, VAC & SOL 15.2M (50')	1
▲▽ 1	160185	HOSE, SOLUTION 4.6M (15')	1
	160186	HOSE, SOLUTION 7.6M (25')	1
	160187	HOSE, SOLUTION 15.2M (50')	1
▲ 2	150913	●COUPLER, QUICK SER. 60	1
▲ 3	150933	PLUG, QUICK COUPLER	1
▲ 4	150615	NIPPLE	2

REF	PART #	DESCRIPTION	QTY.
▲▽ 5	160400	HOSE, VACUUM 4.6M (15')	1
	160401	HOSE, VACUUM 7.6M (25')	1
	160402	HOSE, VACUUM 15.2M (50')	1
▲ 6	160430	●CUFF, HOSE 1-1/2"	2
▲ 7	160451	●CONNECTOR, VAC HOSE 1-1/2"	1

▽ ASSEMBLY

▲ INCLUDES

● RECOMMENDED FOR MAINTENANCE