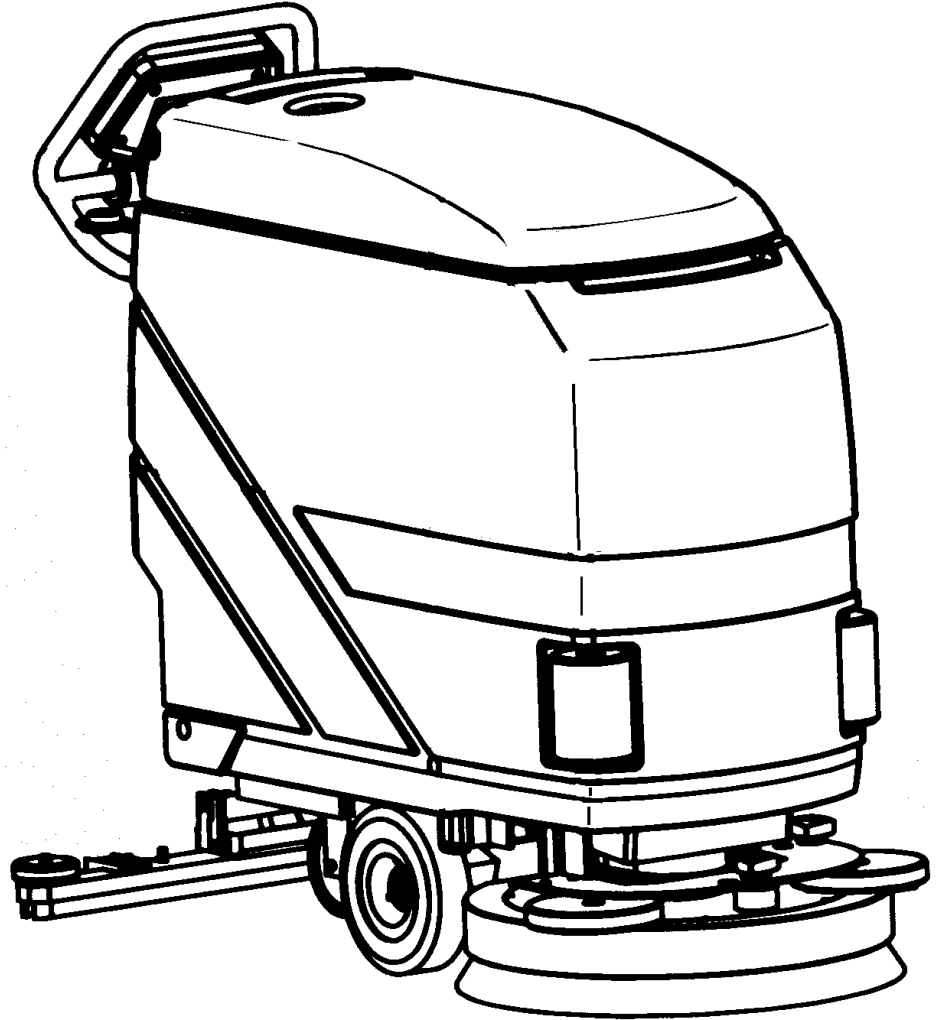


BA 5321/BA 5321 D



Parts list

MODELS 56325500 - 56325501

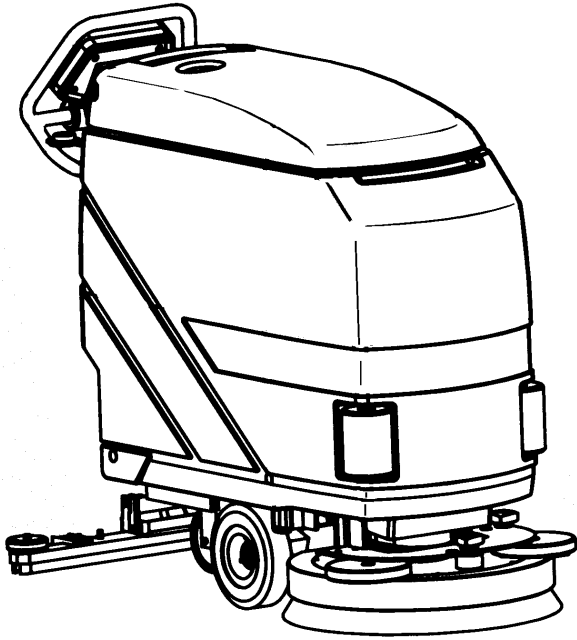


**Nilfisk
Advance**

setting standards

cod.08812649(4)2002-05
Form Number 56042349





GB

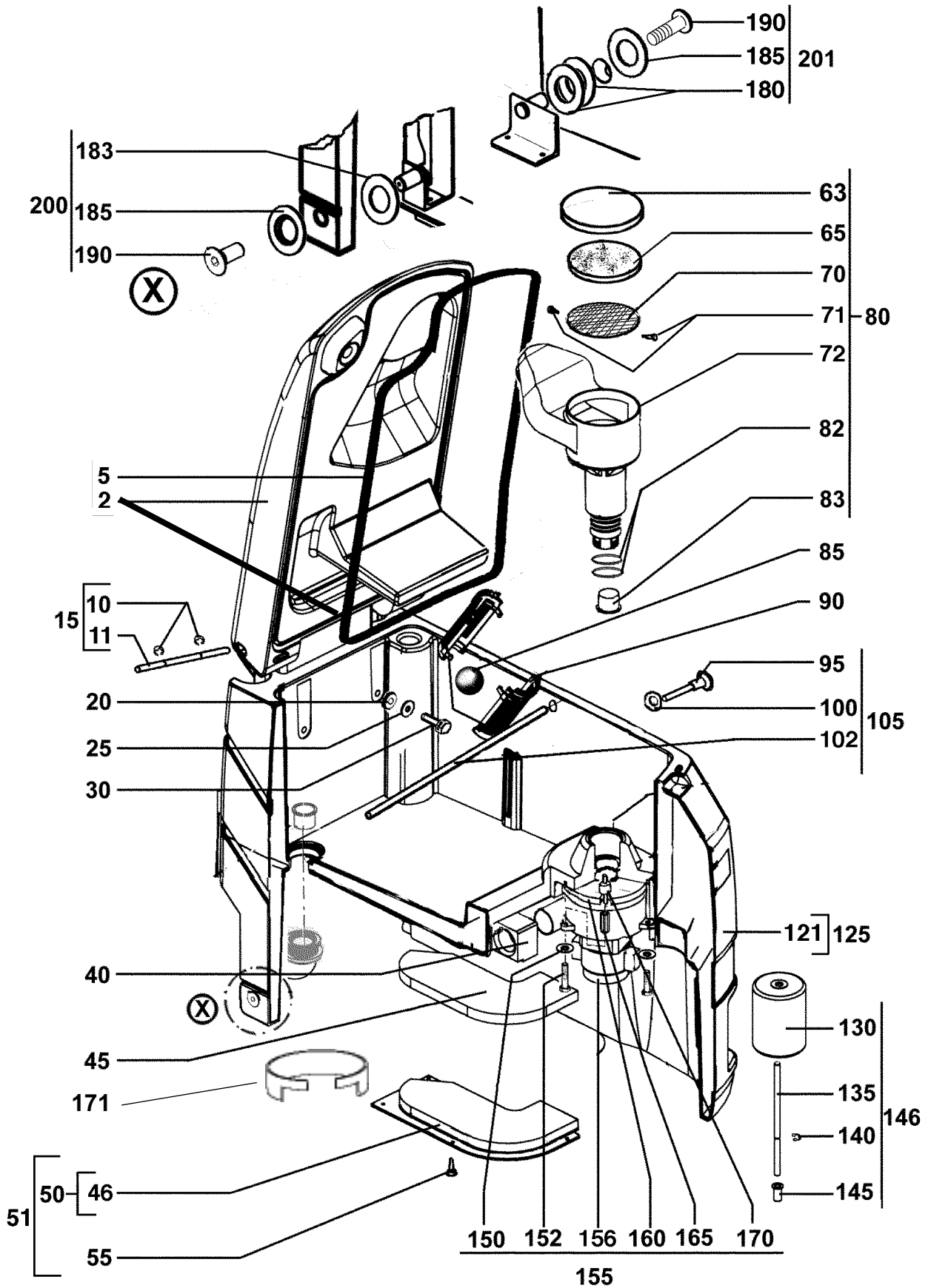
	Page Seite Page
TANK ASSEMBLY	2-3
CHASSIS SYSTEM	4-5
PEDAL, LIFTING	6-7
BRUSH DRIVE SYSTEM	8-9
SOLUTION SYSTEM	10-11
SWITCH HOUSING	12-13
SQUEEGEE ASSEMBLY	14-15
SQUEEGEE LIFT ASSEMBLY	16-17
WIRING SYSTEM	18-19
WIRING SYSTEM BA5321D	20-21
WIRING SYSTEM BA5321D	22-23
WIRING SYSTEM BA5321	24-25
WIRING SYSTEM BA5321	26-27
WIRING DIAGRAM	28-33
RECOMMENDED SPARE PARTS LIST	34

#= IDENTIFICATION OF NEW ITEM NUMBERS

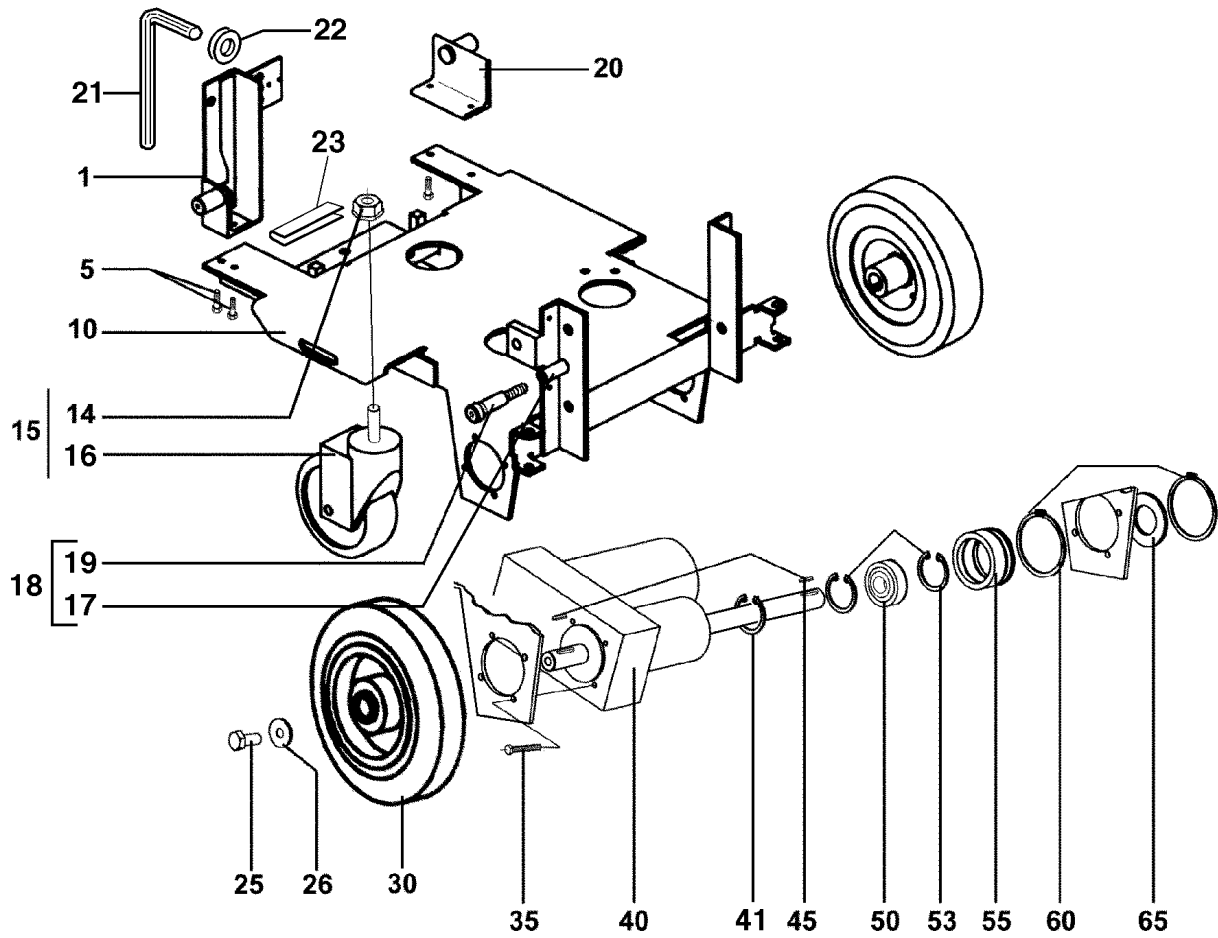
WHEN ORDERING PARTS

- Use the 8 or 10 digit numbers from the "Part No." columns in this parts list.
- Specify the model and serial number of the machine
- Use the space before to record the model and serial number for future reference.

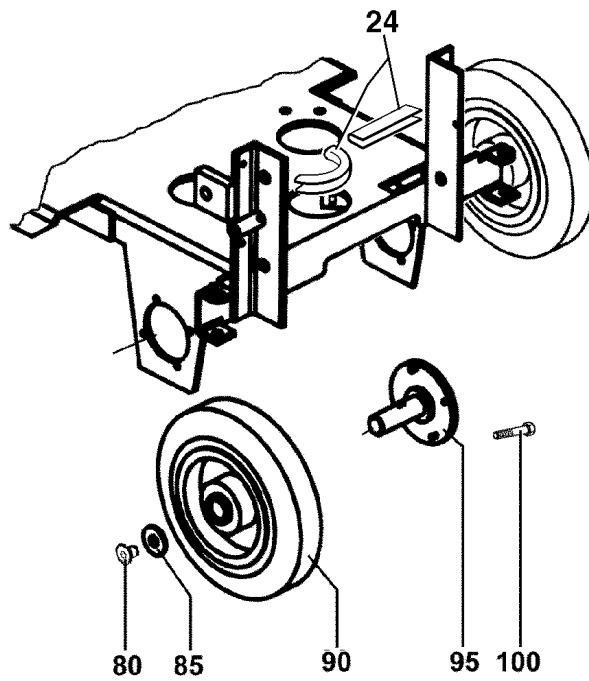
MODEL _____ **SERIAL No.** _____



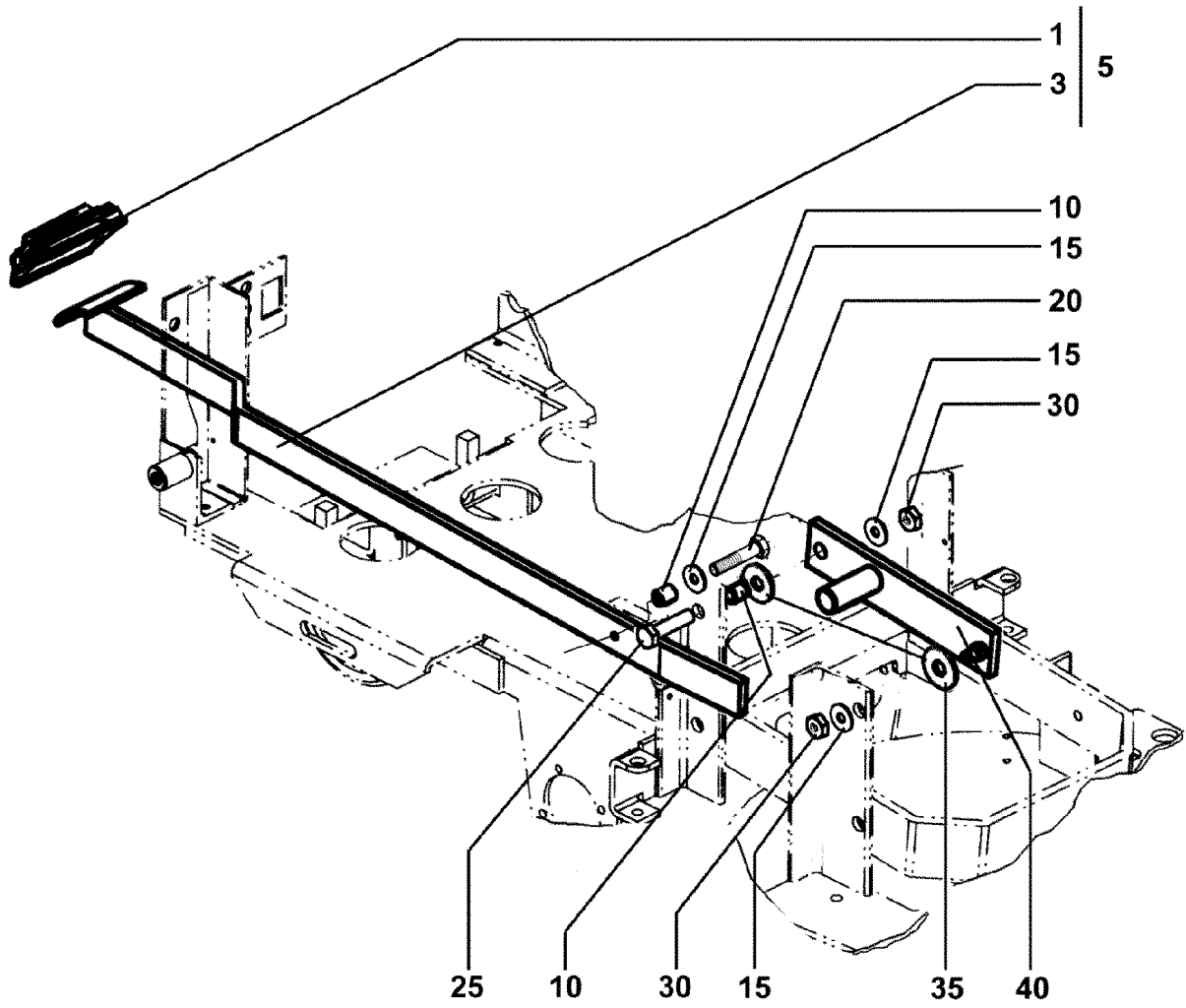
Item	Ref.No.	Internal Code	Qty.	Description
#2	08812712	08812712	1	Tank Lid with seal
5	56325511	08812454	1	Seal
10	56325513	08044600	2	Lock washer ø 10
11	08812254	08812254	1	Axle, tank lid
15	08812733	08812733	1	Axle, Tank Lid assy
20	56325516	08812317	2	Gasket
25	56325517	08812336	2	Washer flat 10x30 SS
30	56325519	08812344	2	Hex.Screw
40	56325520	08812318	1	Sleeve
45	56325523	08812340	1	Foam, acoustic, upper
46	08812443	08812443	1	Insulating panel
50	08603650	08603650	1	Cover w/seal, complete
51	56325526	08812453	1	Acoustic cover / seal and screw complete
#55	08812804	08812804	6	Screw cyl 4x12 thd form
63	56325532	08812582	1	Cover pre-filter+screw
65	56325529	08602016	1	Filter
70	08602017	08602017	1	Grate
71	08603123	08603123	2	Screw cylindrical hd thd form 3,5x11 SS
72	08812256	08812256	1	Filter housing
80	56325534	08812475	1	Pre-filter, cpl.
82	56325535	08812260	2	O-ring
83	56325536	08812351	1	Sleeve
85	56391690	08812373	1	Floating ball
90	56324497	08812259	2	Float cage, complete
95	08812687	08812687	2	Fitting screw M6x16 nylon
100	08812686	08812686	2	Rubber bushing ø7ø8x3
102	08812688	08812688	1	Tank adjuster pin
105	56325539	08812715	1	Rod with fastening assy
121	08812711	08812711	1	Tank
125	56325541	08812472	1	Tank complete
130	56325542	08812248	2	Bumper roller
135	56325543	08812312	2	Axle for bumper roller
140	56325544	08211800	2	Retaining ring
145	56325545	08812347	2	Bushing
146	56325546	08812477	2	Bumper roller assy
#150	56003638	08602395	3	Washer flat M6x12,5
152	08603680	08603680	3	Hex.Screw
155	56325549	08812478	1	Turbine 24V complete
156	56372505	08602437	1	Suction motor 24 V
160	56325551	08602410	1	Seal
165	56325552	08812468	3	Distance bolt
170	56325553	08812462	3	Rubber buffer
#171	08812879	08812879	1	Acoustic insulation
180	56325554	08812439	2	Plastic washer
183	56325555	08812357	1	Washer
185	56325580	08812392	2	Bushing
#190	56325579	08812446	2	Screw 8x20
200	56325558	08812473	1	Tank reinforce right assy
201	56325559	08812474	1	Tank reinforce left assy



BA 5321

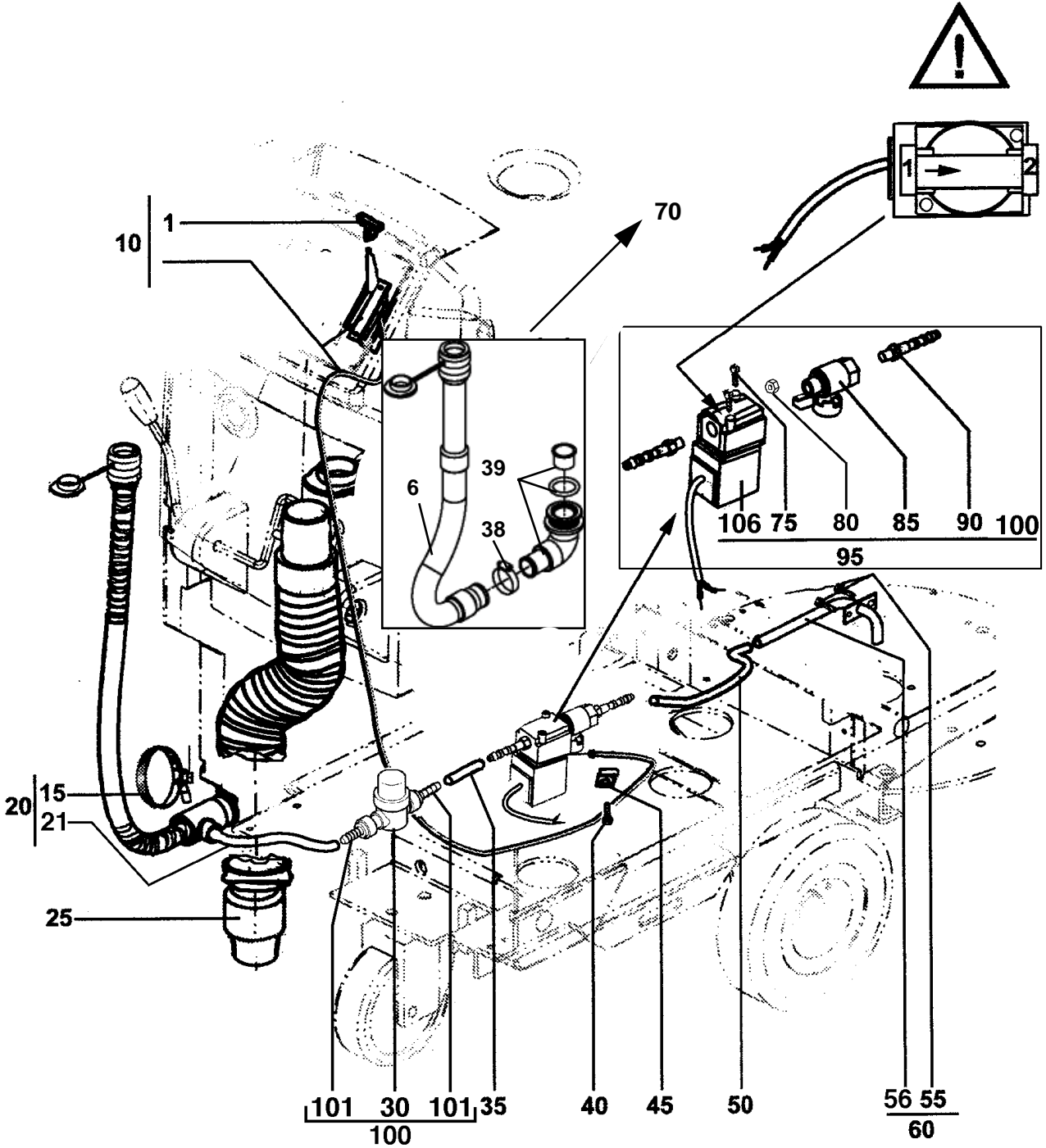


Item	Ref.No.	Internal Code	Qty.	Description
1	56325560	08812252	1	Tank axle, right
5	56325561	08326100	4	Screw Hex Hd M6x12
10	56325562	08812239	1	Chassis
14	56325563	08601000	1	Nut Hex. Nyl. Loc. M12
15	56325564	08812486	1	Caster assy
16	08812243	08812243	1	Caster
17	08603681	08603681	1	Screw socket hd M6x8 SS
18	56325565	08812461	1	Tank safety screw assy
19	08812449	08812449	1	Spacer
20	56325566	08812246	1	Axle,tank left
21	56325785	08063800	1	Allen Wrench M5
22	56325786	08812388	1	Grommet
23	08812634	08812634	1	Reinforced seal
24	08812661	08812661	1	Seal
ONLY BA 5321D				
25	56325567	08602341	2	Screw Hex Hd. M10 x 25
26	56325568	08604251	2	Washer flat 10x30
30	08603697	08603697	2	Drive, wheel w/Hub
35	56325561	08326100	4	Screw Hd M6 x 12
40	56325571	08812234	1	Drive motor
#41	08182700	08182700	2	Retaining ring
45	56325572	08600842	2	Feather key 6x6x35
50	56325573	08183900	1	Ball bearing
53	56325574	08042600	2	Lock washer
55	56325576	08812237	1	Bearing support
60	56325577	08812374	2	Lock washer
65	56325578	08812338	1	Washer
ONLY BA 5321				
80	56325579	08812446	2	Screw M8x20
85	56325580	08812392	2	Bushing
90	08603696	08603696	2	Wheel, w/Hub
95	56325582	08812244	2	Wheel rear
100	56325570	08600757	4	Screw Hex. Hd M6x16



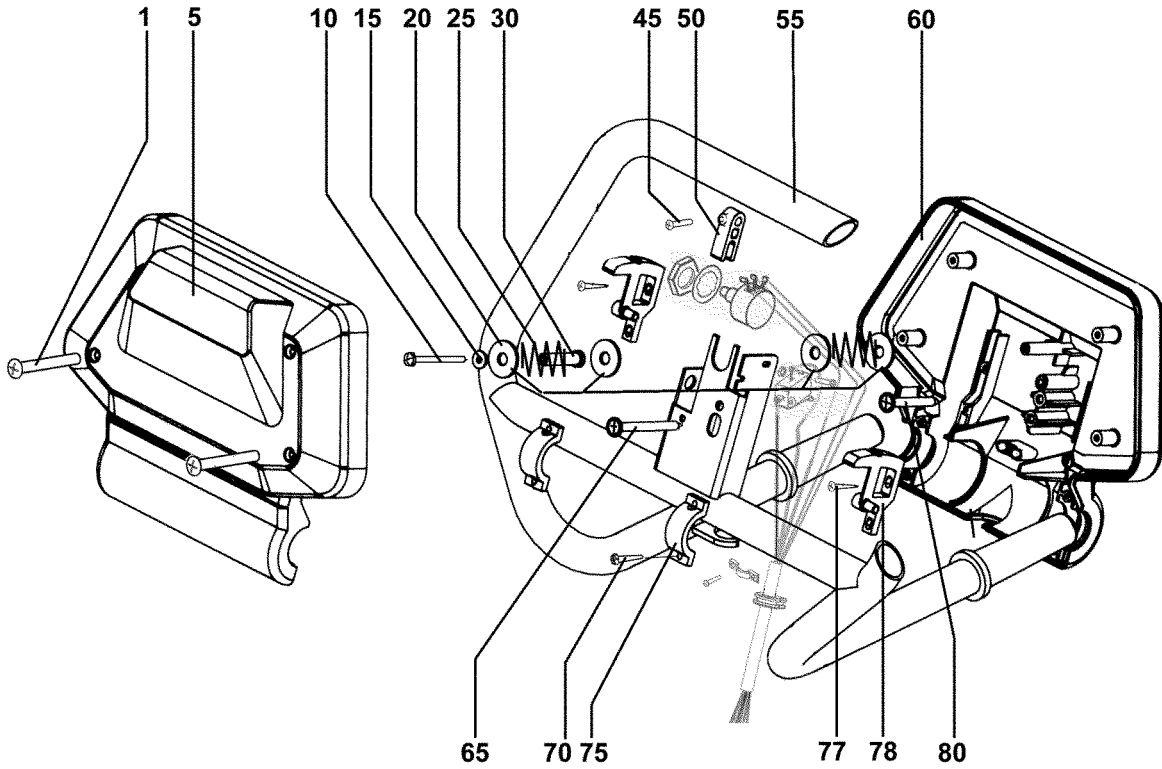
Item	Ref.No.	Internal Code	Qty.	Description
1	56325584	08812226	1	Rubber, pedal
3	08812223	08812223	1	Pedal weldt.
5	56325585	08812467	1	Pedal, cpl.
10	56325586	08812324	2	Sleeve
#15	56325587	08085700	6	Washer
20	56325625	08367300	1	Hex.Screw-M8x25
25	56325588	08299500	1	Hex.Screw-M8x30
30	56003389	08299800	2	Hex.Nut-M8
35	56325591	08812361	2	Washer
40	56325592	08812219	1	Lever

Item	Ref.No.	Internal Code	Qty.	Description
1	56325593	08602300	1	Cylinder
2	56325594	08812587	2	Cable Tie
3	08812759	08812759	1	Brush motor cap
4	56325732	08601787	1	Luster terminal
5	08600669	08600669	1	Spiral pin
6	08602043	08602043	1	Electric motor 650W 24V
7	08812727	08812727	1	Brush motor 24V
8	08812728	08812728	1	Gear case
9	56325596	08812375	1	Feather key
10	56325595	08812208	1	Brush motor + Gear case complete
11	56325788	08812695	1	Gear box
20	56325570	08600757	4	Hex Hd M6x16
25	56325598	08812325	4	Sleeve
30	56325587	08085700	4	Washer
35	56325600	08274300	4	Hex.Screw
40	56325601	08084900	1	Hex.Nut
45	56325602	08219000	1	Buffer
50	56325600	08274300	1	Hex.Screw
55	56325604	08812205	1	Base plate
60	56325605	08812206	1	Brush cover
#65	56325538	08228600	7	Washer 6x18
70	56325561	08326100	7	Hex.Screw
75	56325608	08812306	1	Polyg.Holder
#80	145 9171 000	145 9171 000	1	Washer
90	56325588	08299500	1	Hex.Screw
95	56325611	08812480	1	Polyg.Holder
100	56325612	08353300	3	Washer
105	56325613	08071300	3	Cyl.screw
110	56325614	08812426	2	Plug
115	08600138	08600138	2	Nut hex M5
120	56325616	08812203	2	Knob
#125	56003366	08040400	2	Washer flat 5x10
127	08812718	08812718	2	Rubber gasket
130	08812706	08812706	2	Dowel brush plate fixing
140	56325619	08812218	1	Frame
145	56325620	08812221	1	Plate
#150	56325621	08232600	2	Hex.Hd M6x25
155	56325622	08812213	2	Buffer
156	08812779	08812779	1	Vibration damping plate
157	08812780	08812780	1	Brush fixing plate assy
160	56325623	08812399	2	Countersunk head screw
165	56325624	08812365	2	Plug
170	56325625	08367300	2	Screw Hex Hd ss M8x25
175	56325609	08300000	2	Flat washer 8x24
#177	56325626	08163400	2	Spring washer
180	56325627	08812384	2	Sleeve
185	56325628	08812204	2	Bumper rollers
190	56325629	08812506	1	Fitting strip
#191	56325611	08812589	1	Polygonal holder assy

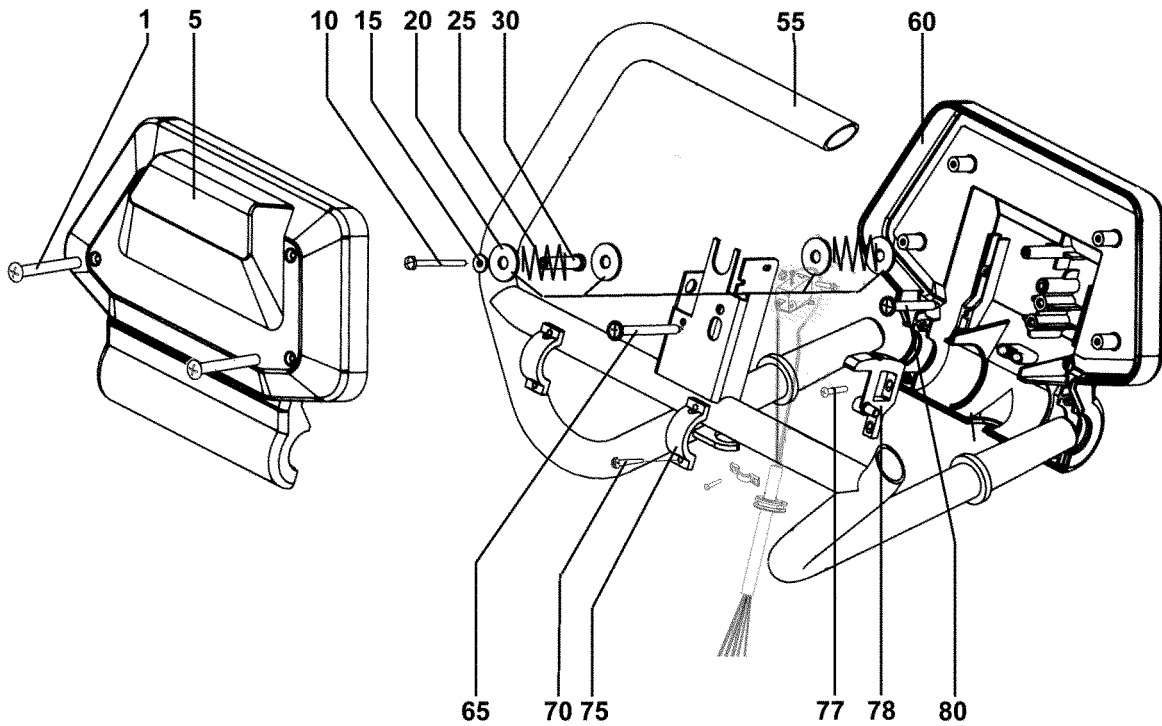


Item	Ref.No.	Internal Code	Qty.	Description
1	56325630	08812460	1	Grip
#6	08812869	08812869	1	Drain hose
10	56325631	08812267	1	Lever w/cable
15	56325632	08236100	1	Hose clamp
20	56325633	08812488	1	Solution hose
21	08603709	08603709	1	Solution hose
25	56325634	08812261	1	Suction hose
30	56260905	08603661	1	Filter
35	56325636	08812707	1	Hose
#38	145 0543 000	145 0543 000	1	Clamp
#39	08812874	08812874	1	Elbow assy
#40	56325561	08326100	2	Screw hex hd M6x12
45	56325638	08812352	1	Clamp
50	56325639	08812459	1	Hose
#55	146 0632 000	146 0632 000	2	Screw Hex.Hd. M4x10
56	08812326	08812326	1	Copper hose
60	56325641	08812490	1	Tube
#70	08812873	08812873	1	Drain hose complete
75	56325645	08201000	2	Flat head screw
80	56325646	08812257	1	Lock nut
#85	56325647	08812427	1	Ball valve with handle
90	56325648	08601624	2	Screwed socket
#95	56325649	08812659	1	Solenoid valve, 24V complete
100	08603663	08603663	1	Kit rubber holder w/filter
101	08603662	08603662	2	Hose Barb.
106	08812642	08812642	1	Solenoid valve 24V

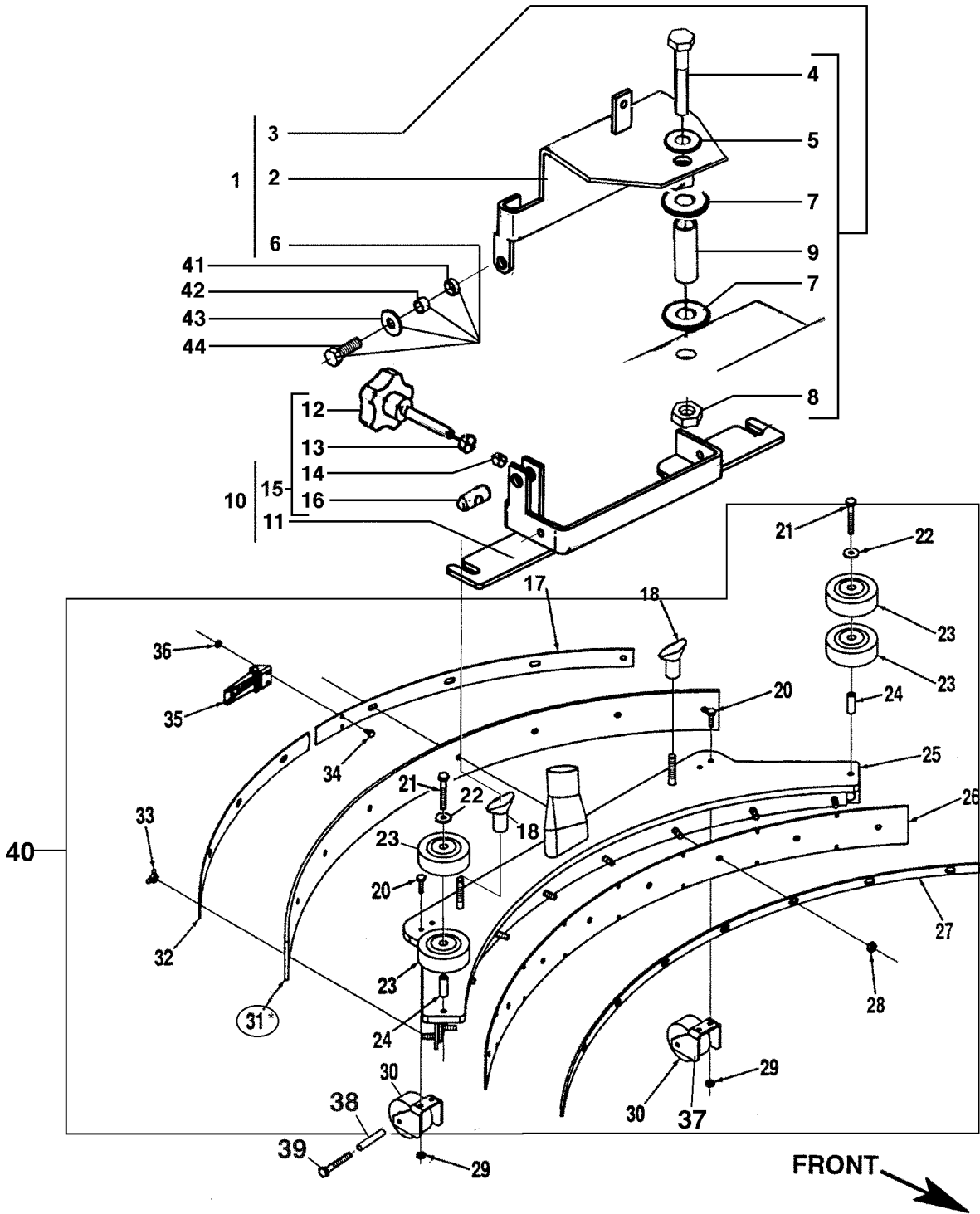
BA 5321D



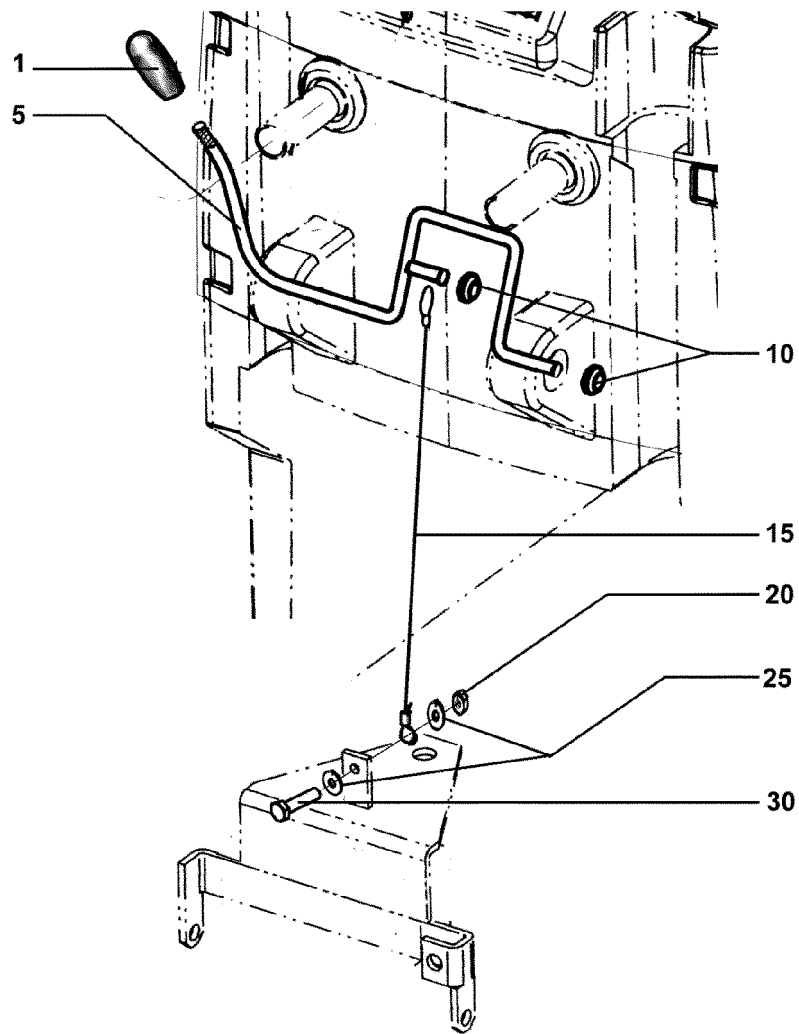
BA 5321



Item	Ref.No.	Internal Code	Qty.	Description
1	56325650	08812421	4	Screw Flat phil Self Tapping M4,2x50
5	56325651	08812281	1	Switch housing, front
10	56325650	08812421	1	Screw Flat phil Self Tapping M4,2x50
#15	56003638	08602395	1	Washer flat 6x12,5
20	56325653	08812337	4	Washer flat 9x25 nylon
25	56325654	08812343	2	Drive control Spring
30	56325655	08812316	1	Drive control Bushing
45	56325640	08604077	1	Screw M4x10
50	56325657	08812278	1	Potentiometer fork
55	56325658	08812276	1	Handle bar
60	56325659	08812280	1	Switch housing ,rear
65	56325660	08812341	1	Screw with dome Self tapping M6x50
#70	08603668	08603668	2	Screw cylindrical Hd. 4x14 Self tapping SS
75	56325662	08812279	2	Clamp
77	56325661	08603192	4	Screw M3.5x16
78	56325664	08812282	2	Micro switch cam
80	56340224	08603377	1	Screw cylindrical Hd.6x25 Self tapping
WITHOUT DRIVE MOTOR BA 5321				
1	56325650	08812421	4	Screw Flat phil Self Tapping M4,2x50
5	56325651	08812281	1	Switch housing, front
10	56325650	08812421	1	Screw Flat phil Self Tapping M4,2x50
#15	56003638	08602395	1	Washer flat 6x12,5
20	56325653	08812337	4	Washer flat 9x25 nylon
25	56325654	08812343	2	Drive control Spring
30	56325655	08812316	1	Drive control Bushing
55	56325658	08812276	1	Handle bar
60	56325659	08812280	1	Switch housing, rear
65	56325660	08812341	1	Screw with dome Self tapping M6x50
#70	08603668	08603668	2	Screw cylindrical Hd. 4x14 Self tapping SS
75	56325662	08812279	2	Clamp
77	56325661	08603192	1	Screw M3.5x16
78	56325664	08812282	1	Micro switch cam
80	56340224	08603377	1	Screw cylindrical Hd.6x25 Self tapping



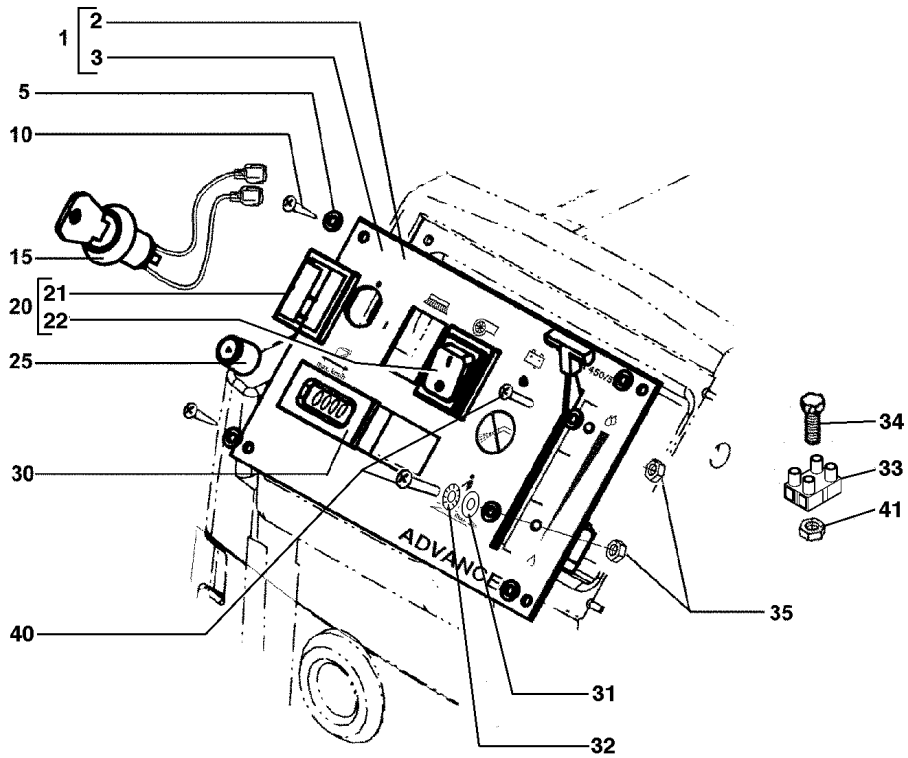
Item	Ref.No.	Internal Code	Qty.	Description
1	08603657	08603657	1	Linkage armassy
2	08603655	08603655	1	Squeegee support plate
3	56325681	08812516	1	Fixture set
4	08602211	08602211	1	Screw Hex. Hd. M10x70
#5	56325568	08604251	1	Washer M10x30
6	56325682	08812521	1	Squeegee fixing assy Left and right
7	08238300	08238300	2	Plain washer 15x25 nylon
8	08081200	08081200	1	Hex. nut M10
9	08812391	08812391	1	Spacer
10	56325683	08812519	1	Nozzle holder set
11	08812228	08812228	1	Squeegee Support
12	08601574	08601574	1	Knob M8x55
13	08600317	08600317	2	Nut Hex.
14	08602422	08602422	1	Spacer
15	56325684	08812518	1	Adjustm.screw set
16	08601509	08601509	1	Squeegee support pin
17	56393289	08603670	1	Rear strap for latch
18	56370711	08603675	2	Thumb nut
#20	08603687	08603687	4	Screw M5x20 SS
#21	08603686	08603686	2	Screw M6x80 SS
#22	08603689	08603689	2	Flat washer 6x18 SS
23	56363855	08602460	4	Bumper roller
24	56471220	08812363	2	Bushing
25	56393263	08603676	1	Weldment, Squeegee tool
26	56393285	08602463	1	Front blade
27	56393288	08603672	1	Blade fixer latch
#28	08603682	08603682	8	Nut, hex nyl-loc SS M6
#29	08603682	08603688	4	Nut, hex nyl-loc SS M5
30	56391218	08603665	2	Roller assy
31	56325685	08602468	1	Rear blade
32	56393290	08603669	1	Rear strap
#33	08603683	08603683	2	Wing nut M6 SS
#34	08603684	08603684	2	Screw M4x10 SS
35	56471194	08603664	1	Latch
#36	08603685	08603685	2	Nut, hex nyl-loc SS M4
37	08603666	08603666	2	Wheel bracket
38	08603667	08603667	2	Pin
39	08812783	08812783	4	Screw Hex. Hd. Form M5x10 SS
40	08603674	08603674	1	Squeegee complete
41	08361400	08361400	2	Nut Hex. selflock M6
42	08601854	08601854	2	Spacer
#43	56325538	08228600	2	Washer flat M6x18
#44	56325621	08232600	2	Screw hex hd M6x25



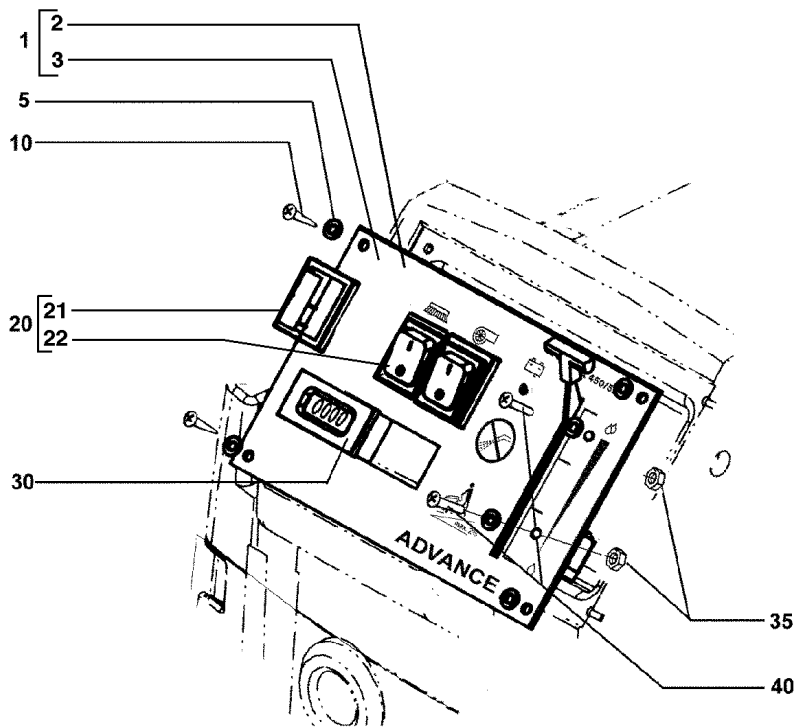
**SQUEEGEE LIFT
ASSEMBLY**

BA 5321

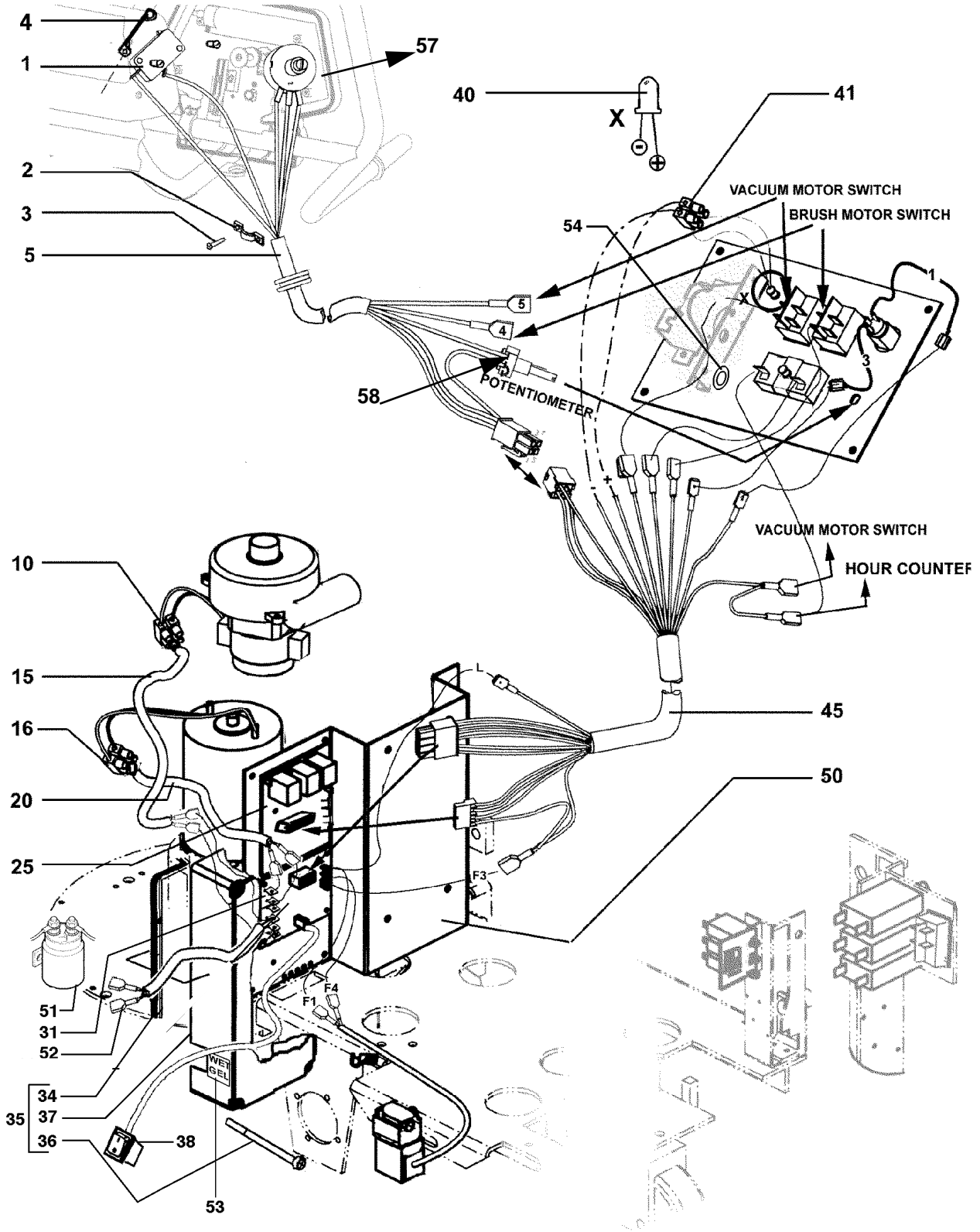
Item	Ref.No.	Internal Code	Qty.	Description
1	56325708	08812349	1	Ball Grip
5	56325709	08812230	1	Squeegee lever
10	56325710	08812356	2	Closing Cap
15	56325711	08812362	1	Cable Squeegee Lift
#20	08361400	08361400	1	Nut Hex Nyl Loc M6
#25	56325538	08228600	2	Washer,flat 6x18
#30	08603680	08603680	1	Screw Hex Hd M6x20



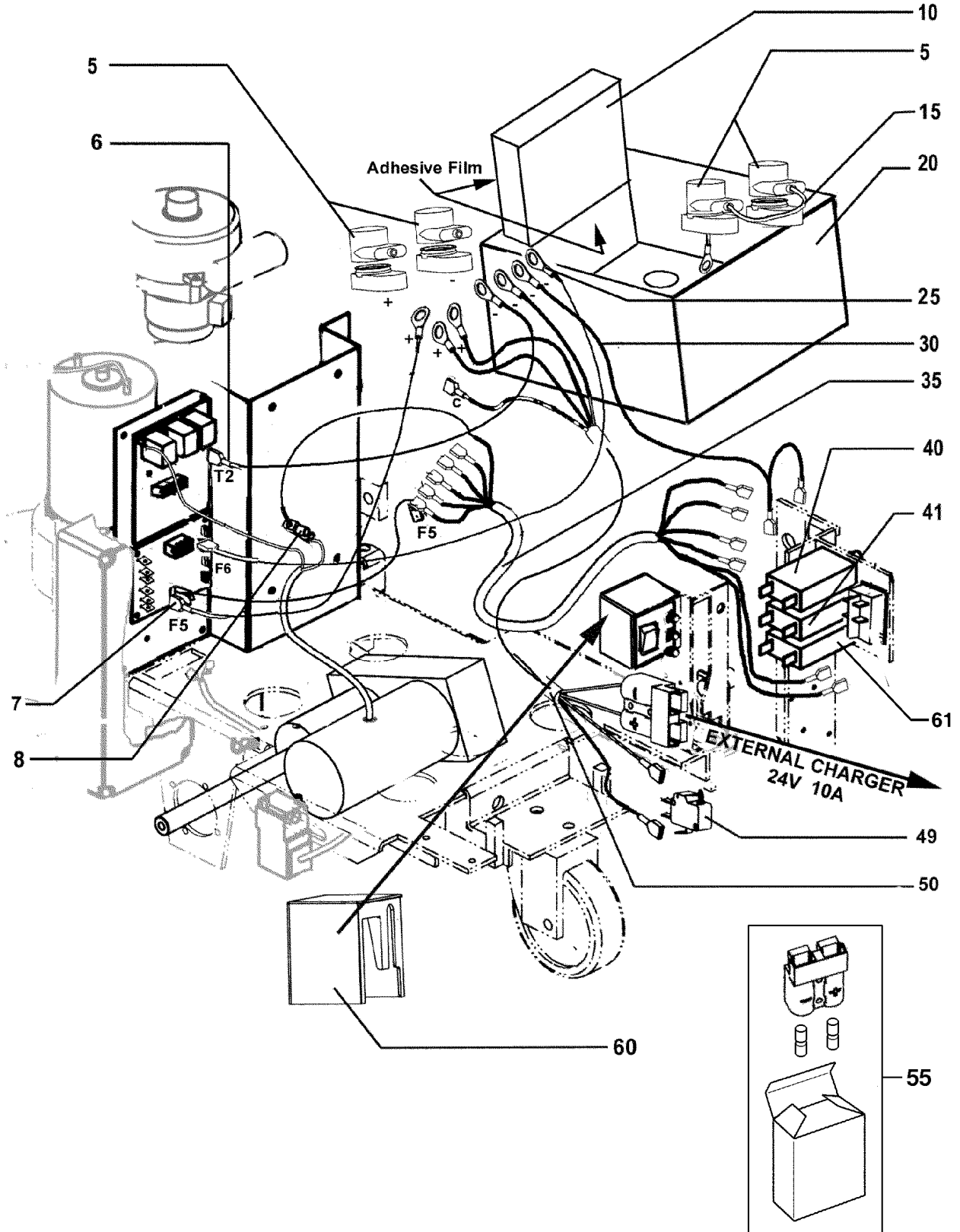
BA 5321 WITHOUT DRIVE MOTOR



Item	Ref.No.	Internal Code	Qty.	Description
1	56325715	08812672	1	Switch panel w/decal assy w/o traction
1	56325724	08812671	1	Switch panel w/decal with traction
2	08812360	08812360	1	Decal control panel w/o traction
2	08812359	08812359	1	Decal control panel with traction
3	08812288	08812288	1	Control Panel
#5	145 9144 000	145 9144 000	4	Washer flat 4x9
10	56325528	08812346	4	Screw cyl hd thd form 4x12
15	56325718	08812604	1	Key switch complete
20	56325719	08812562	2	Switch complete
#21	56340195	08603193	1	Plastic bracket w/seal and protection cap
#22	56340199	08603151	1	Switch
25	56325720	08602062	1	Knob
30	56325728	08812350	1	Hour counter
#31	56325716	08200800	2	Washer flat M4x9 SS
#32	08102800	08102800	2	Lock washer
33	56325726	08812062	1	Luster terminal
#34	08603705	08603705	1	Screw pan hd phil 3x25
35	56325722	08053500	2	Hex.Nut M4
40	56325640	08604077	2	Oval head screw
41	08048300	08048300	1	Nut

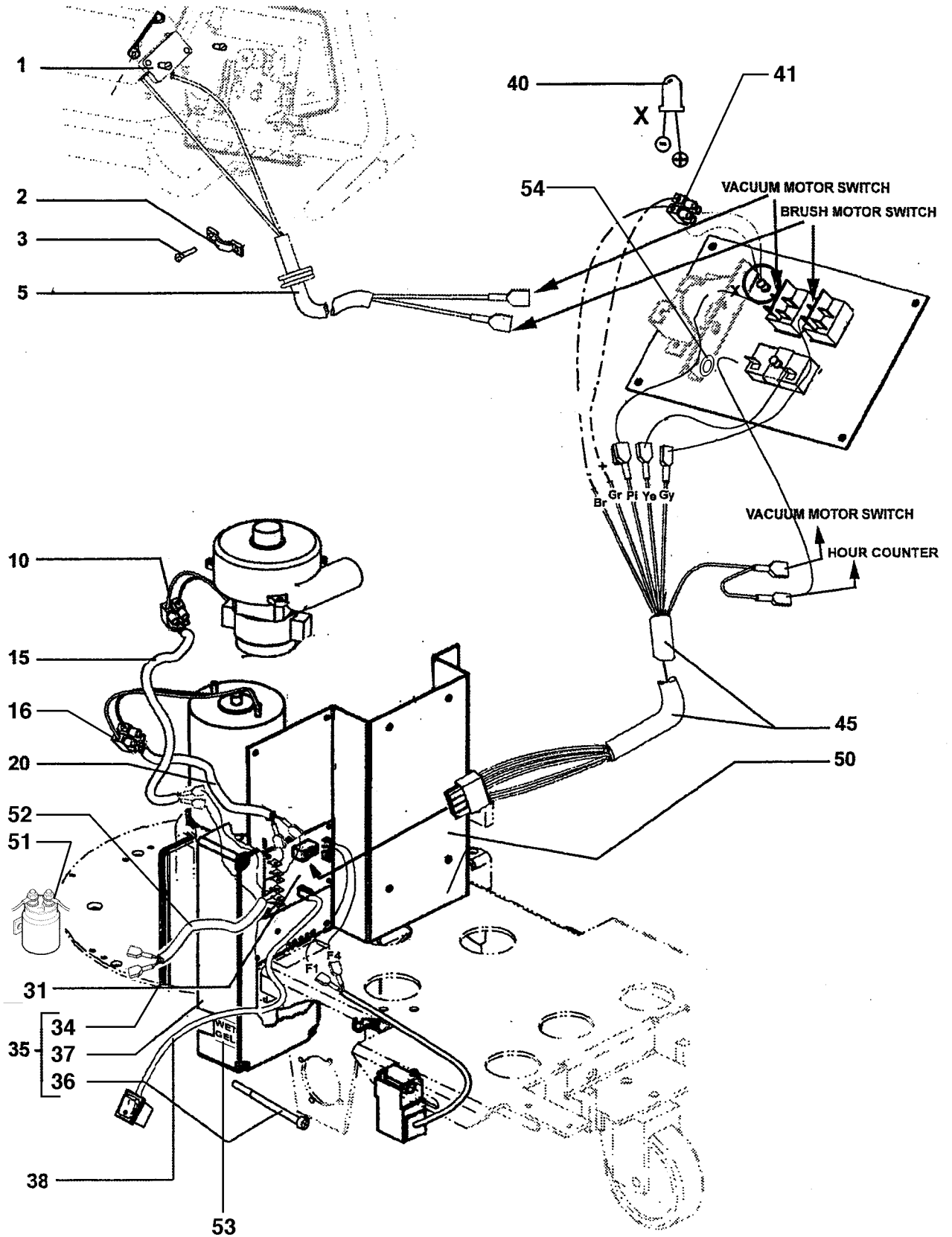


Item	Ref.No.	Internal Code	Qty.	Description
1	08603658	08603658	1	Snap switch Assy.
2	56340083	08600168	1	Clamp
3	56325661	08603192	2	Screw, cylindrical M3,6x16 Self tapping
4	08812377	08812377	1	Roller contact lever
5	56325733	08812602	1	Drive Wire assy
10	56325734	08187300	3	Terminal block
15	56325736	08812607	1	Wire Assy turbine, electronic card
16	56325732	08601787	1	Luster terminal
20	08603711	08603711	1	Cable, brush motor
25	56325738	08812286	1	Speed controller
#31	08812814	08812814	1	Relay board after Serial N.1514570 for machine before contact the Service C.
34	08812354	08812354	1	Gasket
35	56325740	08812625	1	Cover complete
#36	56325723	08812444	4	Screw, pan hd phil M4x70
37	08812284	08812284	1	Cover
38	56325725	08812574	1	Cable, jumper
40	56325741	08812061	1	LED red
41	56325726	08812062	1	Terminal block
45	56325742	08812618	1	Wire Harness Main
50	56325743	08812289	1	Support electrical System
#51	145 0300 000	145 0300 000	2	Solenoid
52	08603717	08603717	1	Harness Relay Board
53	56325784	08812601	1	Decal Wet/Gel
54	08812801	08812801	1	Spacer
#57	08812292	08812292	1	Potentiometer - traction adj.
#58	08812371	08812371	1	Potentiometer - speed controller

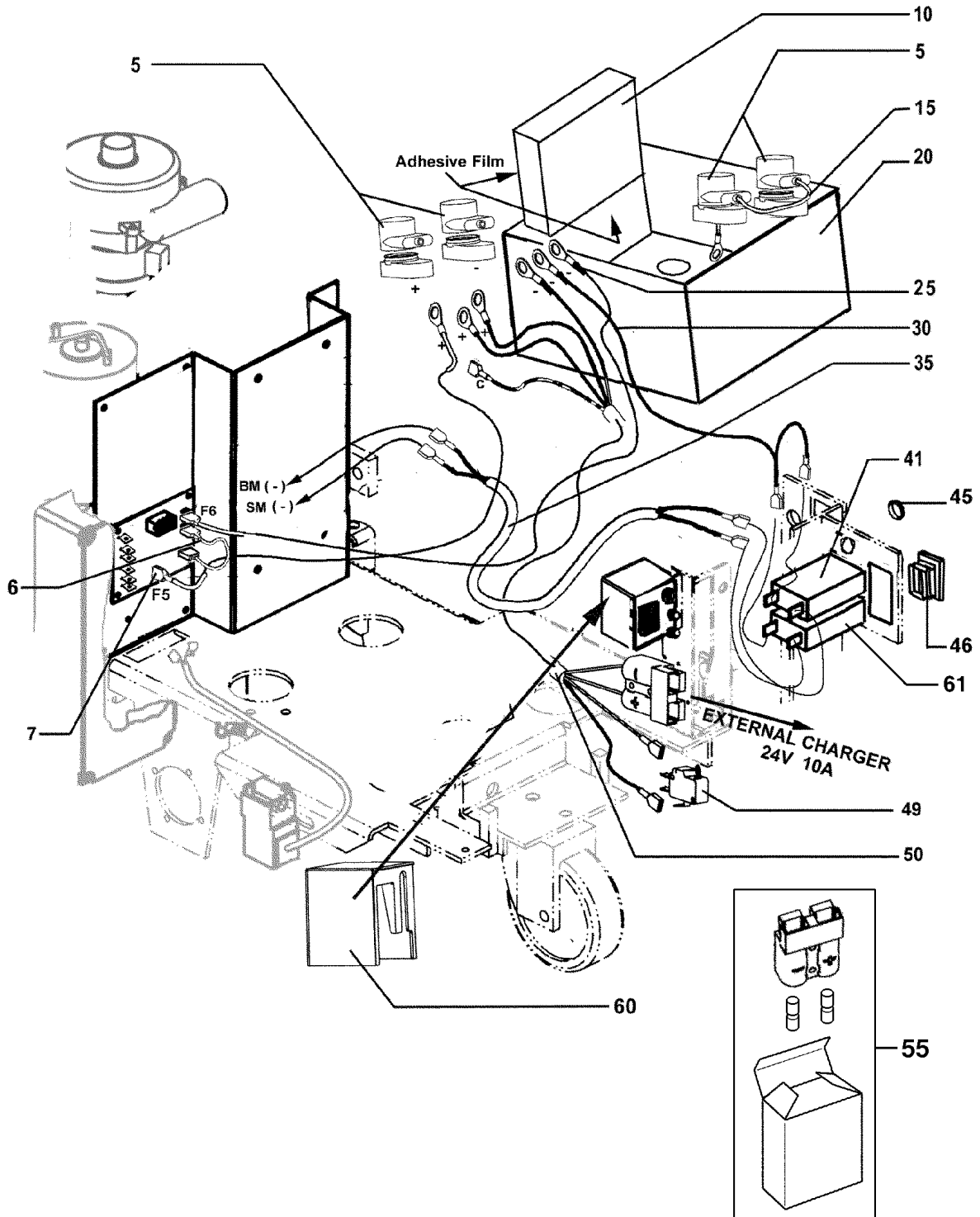


Item	Ref.No.	Internal Code	Qty.	Description
5	56302194	08812662	4	Battery terminal cover
6	56325745	08812609	1	Wire assy, black
7	56325747	08812610	1	Wire assy, red
8	56325746	08812470	1	Luster terminal
10	56325755	08812670	1	Spacer
15	56325750	08812620	1	Battery bridge cable
#20	08812758	08812758	1	Battery container
25	56325756	08812611	1	Strand, black
30	56325752	08812605	1	Cable, fuses
#35	08603715	08603715	1	Strand set, fuses
40	56325757	08812633	1	Fuse-10A
41	56325754	08812389	1	Fuse-25A
49	56325758	08812294	1	Micro switch
50	56325759	08812612	1	Cable with battery plug
#55	145 6062 000	145 6062 000	1	Battery charging plug
60	56325761	08812577	1	Fuse cover
61	08603727	08603727	1	Fuse 30A

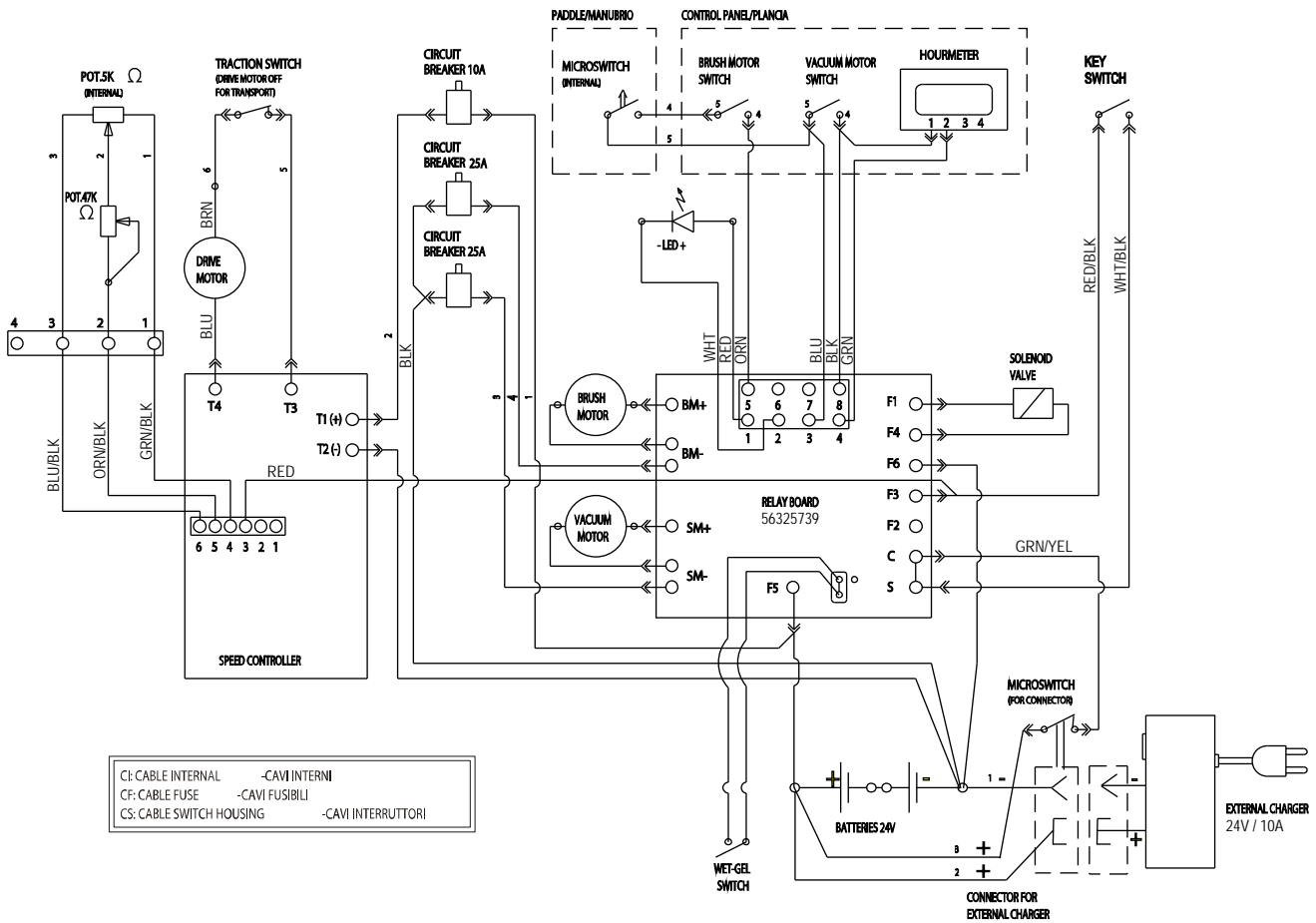
BA5321



Item	Ref.No.	Internal Code	Qty.	Description
1	56325771	08812684	1	Snap switch complete
2	56340083	08600168	1	Clamp
3	56325661	08603192	2	Screw cylindrical M3,6x16 self tapping
5	56325769	08812614	1	Drive Wire Assy
10	56325734	08187300	3	Terminal block
15	56325736	08812607	1	Wire Assy Vacuum Motor
16	56325732	08601787	1	Terminal block
20	08603711	08603711	1	Wire Assy Brush motor
#31	08812814	08812814	1	Relay board after S.No.1514570 for machine before contact the Service Centre
34	08812354	08812354	1	Gasket
35	56325740	08812625	1	Cover complete
36	56325723	08812444	4	Screw
37	08812284	08812284	1	Cover
38	56325725	08812574	1	Cable, jumper
40	56325741	08812061	1	LED
41	56325726	08812062	1	Terminal block
45	08812603	08812603	1	Wire harness main
50	56325743	08812289	1	Support electrical System
#51	145 0300 000	145 0300 000	2	Solenoid
52	08603717	08603717	1	Harness Relay Board
53	56325784	08812601	1	Decal "Wet/Gel"
54	08812801	08812801	1	Spacer



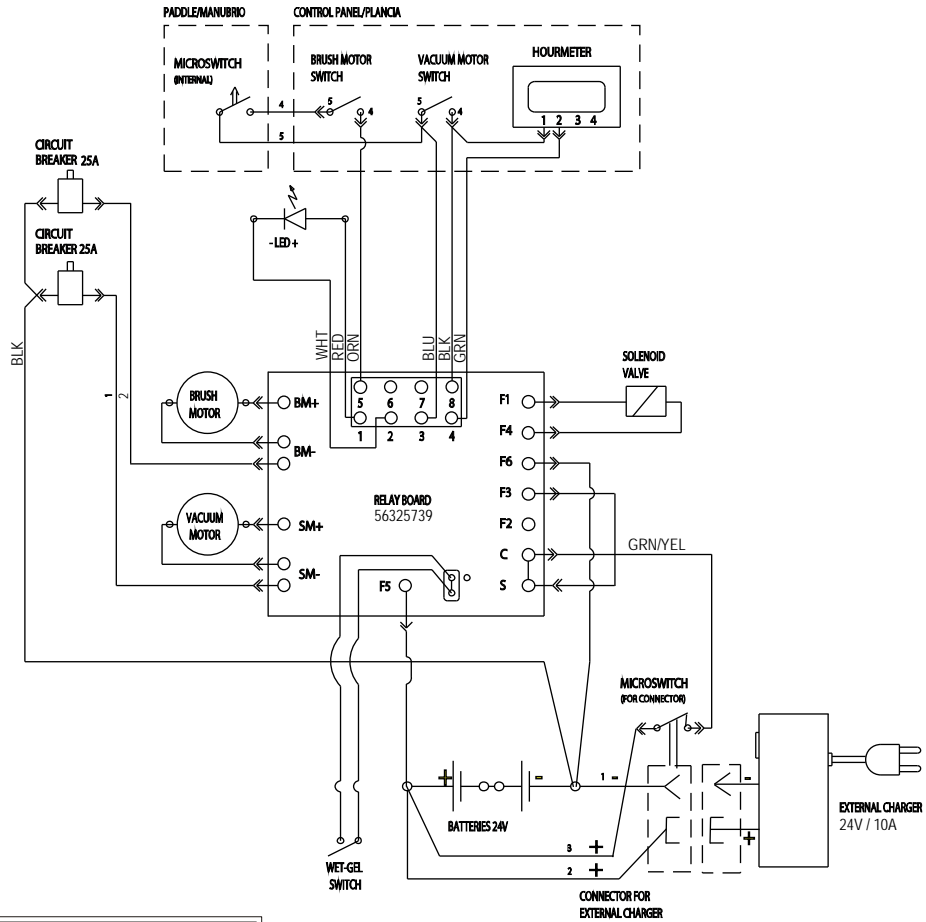
Item	Ref.No.	Internal Code	Qty.	Description
5	56302194	08812662	4	Batttery terminal cover
6	56325763	08812616	1	Wire Assy, black
7	56325747	08812610	1	Wire Assy, red
10	56325755	08812670	1	Spacer
15	56325750	08812620	1	Battery cable
20	08812758	08812758	1	Battery container
25	56325756	08812611	1	Wire Assy, black
30	56325752	08812605	1	Wire Assy Circuit Breaker
35	08603714	08603714	1	Wire Assy Circuit Brakers
41	56325754	08812389	1	Circuit Breaker 25A
45	56325764	08812592	1	Plug ø10
46	56325765	08812591	1	Plug
49	56325758	08812294	1	Microswitch
50	56325759	08812612	1	Cable with battery plug
55	145 6062 000	145 6062 000	1	Battery charging plug
60	56325761	08812577	1	Safty cover
61	08603727	08603727	1	Fuse 30A



CI: CABLE INTERNAL -CAVI INTERNI
CF: CABLE FUSE -CAVI FUSIBILI
CS: CABLE SWITCH HOUSING -CAVI INTERRUTTORI

24V BATTERIES	-BATTERIA 24V
BRUSH MOTOR	-MOTORE SPAZZOLA
BRUSH MOTOR SWITCH	-INTERRUTTORE MOTORE SPAZZOLA
CIRCUIT BREAKER	-FUSIBILE DI RIPRISTINO
CONNECTOR FOR CHARGER	-CONNETTORE PER CARICABATTERIA
DRIVE MOTOR	-MOTORE TRAZIONE
EXTERNAL CHARGER	-CARICABATTERIA ESTERNO
GEL-WET SWITCH	-INTERRUTTORE TIPO BATTERIE
HOURMETER	-CONTAORE
KEY SWITCH	-INTERRUTTORE CHIAVE ACCENSIONE
MICROSWITCH	-MICROINTERRUTTORE
POTENZIOMETER	-POTENZIOMETRO
RELAY BOARD	-SCHEDE RELE'
SOLENOID VALVE	-ELETTROVALVOLA
SPEED CONTROLLER	-CONTROLLO TRAZIONE
TRACTION SWITCH	-INTERRUTTORE TRAZIONE
VACUUM MOTOR	-MOTORE ASPIRAZIONE
VACUUM MOTOR SWITCH	-INTERRUTTORE MOTORE ASPIRAZIONE

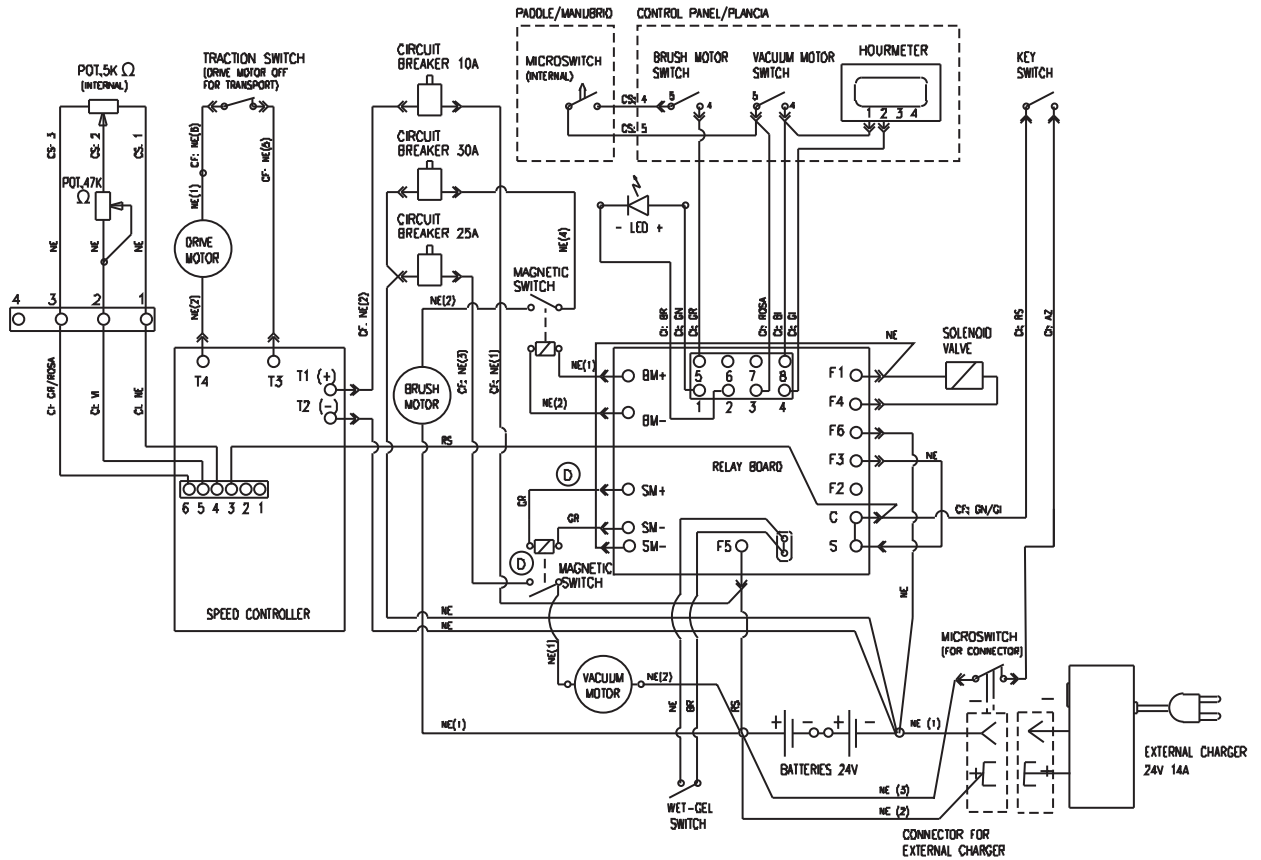
AZ =	BLEU
BI =	WHITE
GI =	YELLOW
GR =	GREY
BR =	BROWN
NE =	BLAK
ROSA =	PINK
RS =	RED
VI =	VIOLET
OR =	ORANGE
GN =	GREEN



CI: CABLE INTERNAL -CAVI INTERNI
CF: CABLE FUSE -CAVI FUSIBILI
CS: CABLE SWITCH HOUSING -CAVI INTERRUTTORI

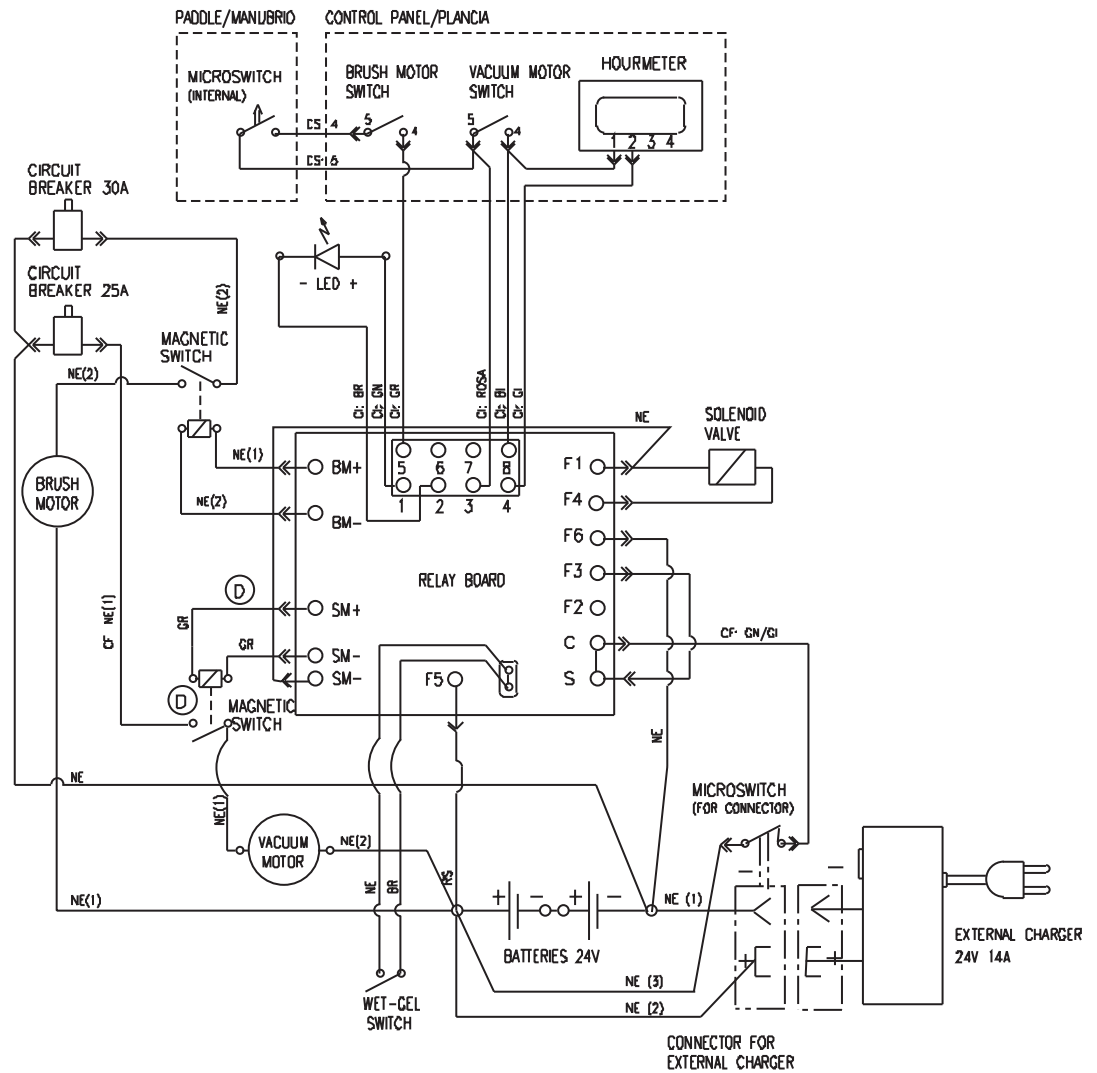
24V BATTERIES	-BATTERIA 24V
BRUSH MOTOR	-MOTORE SPAZZOLA
BRUSH MOTOR SWITCH	-INTERRUTTORE MOTORE SPAZZOLA
CIRCUIT BREAKER	-FUSIBILE DI RIPRISTINO
CONNECTOR FOR CHARGER	-CONNETTORE PER CARICABATTERIA
EXTERNAL CHARGER	-CARICABATTERIA ESTERNO
GEL-WET SWITCH	-INTERRUTTORE TIPO BATTERIE
HOURMETER	-CONTORE
MICROSWITCH	-MICROINTERRUTTORE
RELAY BOARD	-SCHEDA RELE'
SOLENOID VALVE	-ELETTRIVALVOLA
VACUUM MOTOR	-MOTORE ASPIRAZIONE
VACUUM MOTOR SWITCH	-INTERRUTTORE MOTORE ASPIRAZIONE

AZ =	BLEU
BI =	WHITE
GI =	YELLOW
GR =	GREY
BR =	BROWN
NE =	BLAK
ROSA =	PINK
RS =	RED
VI =	VIOLET
OR =	ORANGE
GN =	GREEN



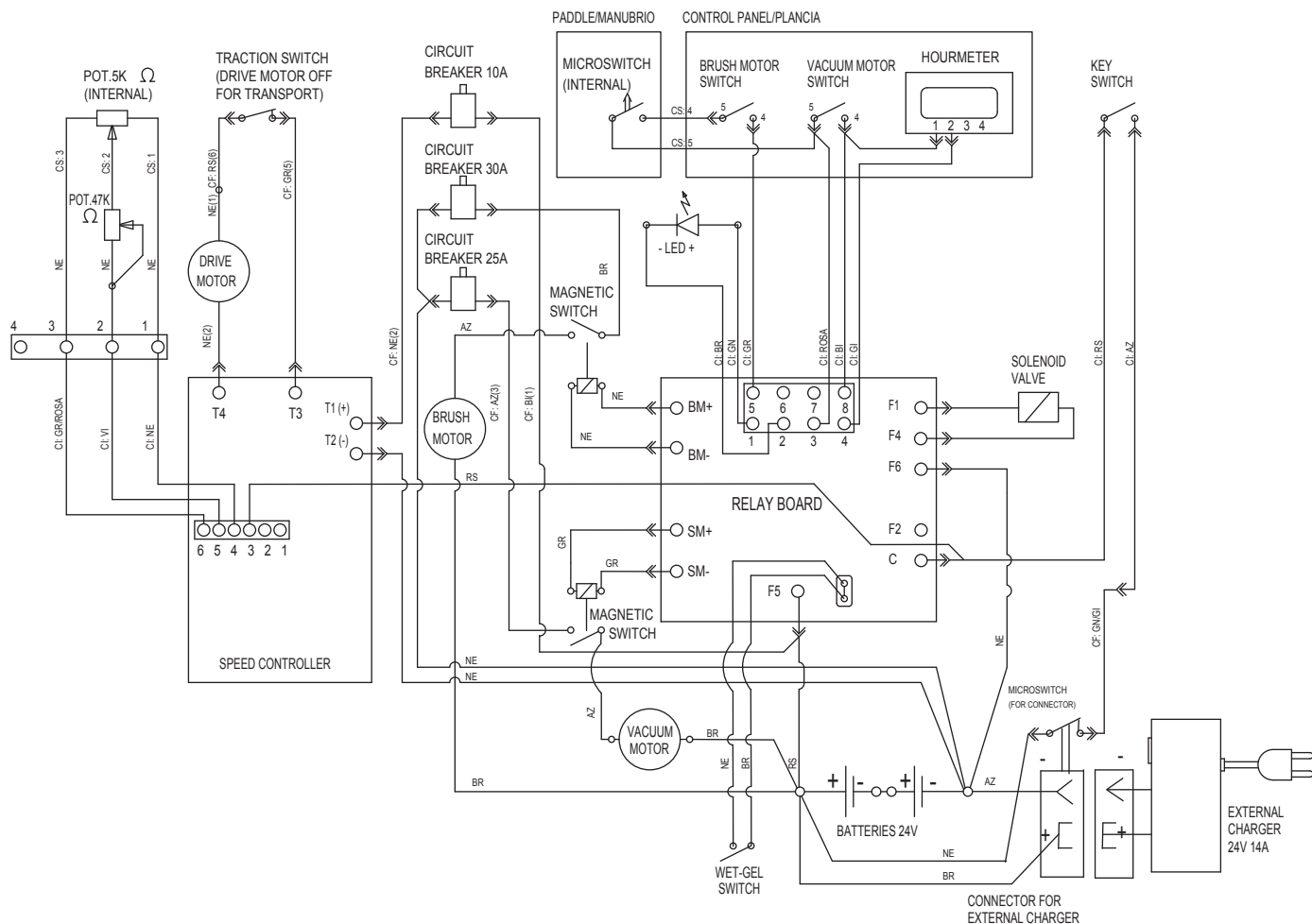
24V BATTERIES - BATTERIA 24V
BRUSH MOTOR - MOTORE SPAZZOLA
BRUSH MOTOR SWITCH - INTERRUOTORE MOTORE SPAZZOLA
CIRCUIT BREAKER - FUSIBILE DI RIPRISTINO
CONNECTOR FOR CHARGER - CONNETTORE PER CARICABATTERIA
DRIVE MOTOR - MOTORE TRAZIONE
EXTERNAL CHARGER - CARICABATTERIA ESTERNO
GEL - WET SWITCH - INTERRUOTORE TIPO BATTERIE
HOURMETER - CONTAORE
KEY SWITCH - INTERRUOTORE CHIAVE ACCENSIONE
MAGNETIC SWITCH - TELERUTTORE
MICROSWITICH - MICROINTERRUPTORE
POTENZIOMETER - POTENZIOMETRO
RELAY BOARD - SCHEDE RELE
SOLENOID VALVE - ELETTROVALVOLA
SPEED CONTROLLER - CONTROLLO TRAZIONE
TRACTION SWITCH - INTERRUOTORE TRAZIONE
VACUUM MOTOR - MOTORE ASPIRAZIONE
VACUUM MOTOR SWITCH - INTERRUOTORE MOTORE ASPIRAZIONE

TABELLA COLORI	COLORS CODES
AZ =	BLEU
BI =	WHITE
GI =	YELLOW
GR =	GREY
BR =	BROWN
NE =	BLAK
ROSA =	PINK
RS =	RED
VI =	VIOLET
OR =	ORANGE
GN =	GREEN



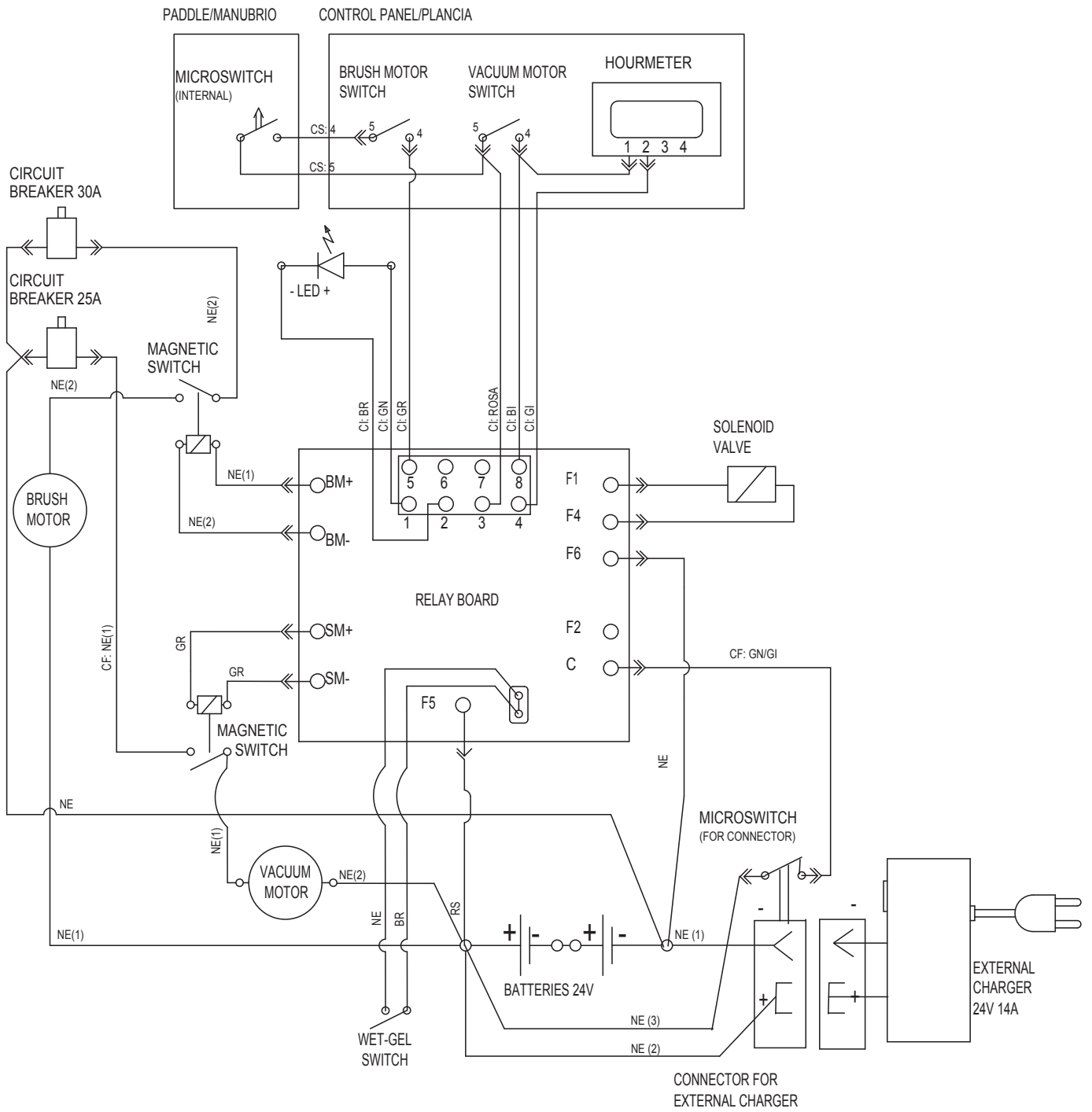
24V BATTERIES - BATTERIA 24V
BRUSH MOTOR - MOTORE SPAZZOLA
BRUSH MOTOR SWITCH - INTERRUTTORE MOTORE SPAZZOLA
CIRCUIT BREAKER - FUSIBILE DI RIPRISTINO
CONNECTOR FOR CHARGER - CONNETTORE PER CARICABATTERIA
EXTERNAL CHARGER - CARICABATTERIA ESTERNO
GEL-WET SWITCH - INTERRUTTORE TIPO BATTERIE
HOURMETER - CONTAORE
MAGNETIC SWITCH - TELERUTTORE
MICROSWITCH - MICROINTERRUTTORE
RELAY BOARD - SCHEDA RELE'
SOLENOID VALVE - ELETTROVALVOLA
VACUUM MOTOR - MOTORE ASPIRAZIONE
VACUUM MOTOR SWITCH - INTERRUTTORE MOTORE ASPIRAZIONE

TABELLA COLORI	COLORS CODES
AZ =	BLEU
BI =	WHITE
GI =	YELLOW
GR =	GREY
BR =	BROWN
NE =	BLAK
ROSA =	PINK
RS =	RED
VI =	VIOLET
OR =	ORANGE
GN =	GREEN



24V BATTERIES - BATTERIA 24V
BRUSH MOTOR - MOTORE SPAZZOLA
BRUSH MOTOR SWITCH - INTERRUTTORE MOTORE SPAZZOLA
CIRCUIT BREAKER - FUSIBILE DI RIPRISTINO
CONNECTOR FOR CHARGER - CONNETTORE PER CARICABATTERIA
DRIVE MOTOR - MOTORE TRAZIONE
EXTERNAL CHARGER - CARICABATTERIA ESTERNO
GEL-WET SWITCH - INTERRUTTORE TIPO BATTERIE
HOURLMETER - CONTAORE
KEY SWITCH - INTERRUTTORE CHIAVE ACCENSIONE
MAGNETIC SWITCH - TELERUTTORE
MICROSWITCH - MICROINTERRUTTORE
POTENZIOMETER - POTENZIOMETRO
RELAY BOARD - SCHEDA RELE'
SOLENOID VALVE - ELETTROVALVOLA
SPEED CONTROLLER - CONTROLLO TRAZIONE
TRACTION SWITCH - INTERRUTTORE TRAZIONE
VACUUM MOTOR - MOTORE ASPIRAZIONE
VACUUM MOTOR SWITCH - INTERRUTTORE MOTORE ASPIRAZIONE

TABELLA COLORI COLORS CODES	
AZ =	BLEU
BI =	WHITE
GI =	YELLOW
GR =	GREY
BR =	BROWN
NE =	BLAK
ROSA =	PINK
RS =	RED
VI =	VIOLET
OR =	ORANGE
GN =	GREEN



**RECOMMENDED SPARE
PARTS LIST**

BA 5321

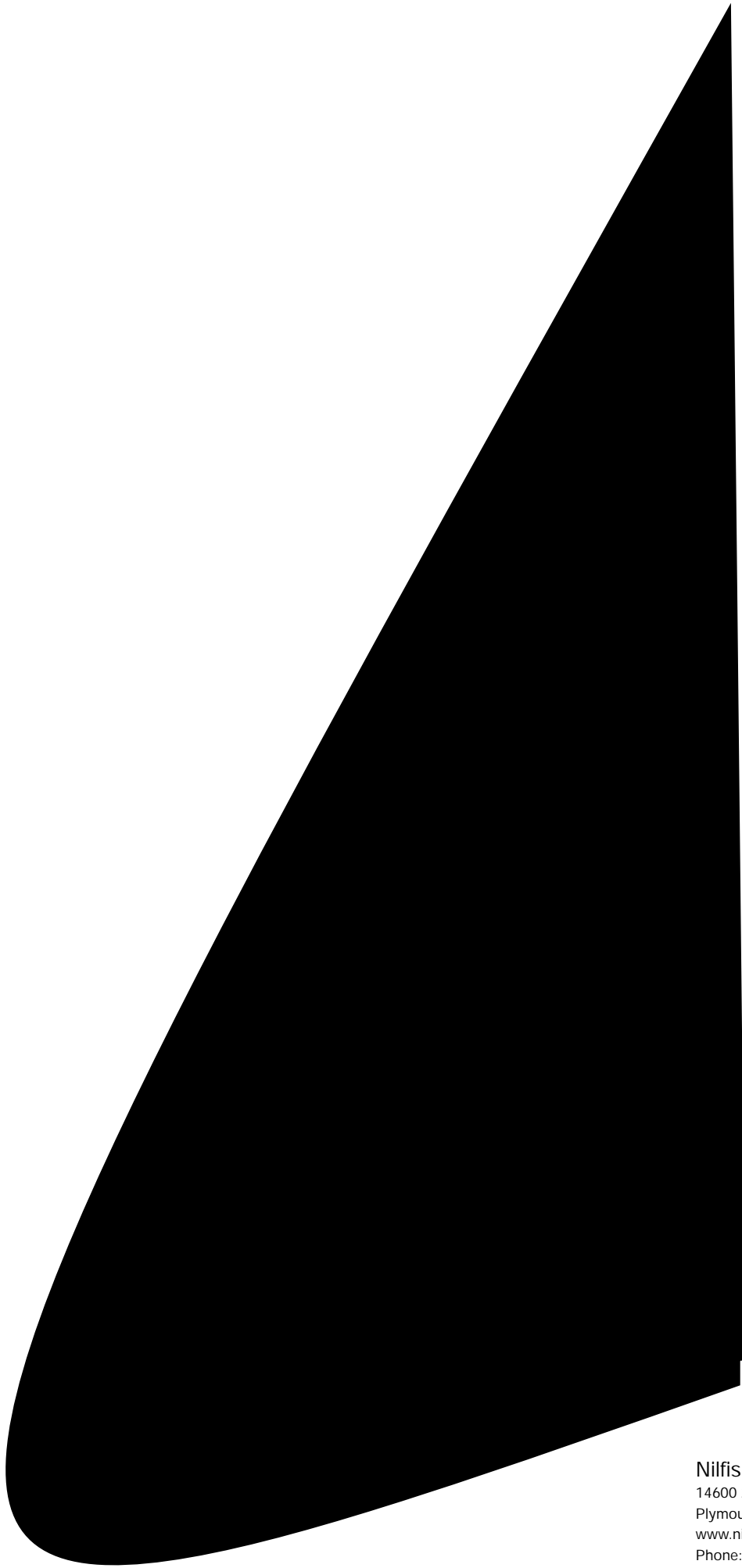
2002/05
F.Nr 56042349

~~2001/06
F.Nr 56042349~~

PAGE

34

Description	Part # - Italy	Part # - Plymouth	Qty.
Squeegee lift cable	08812362	56325711	1
Solenoid valve assy	08812659	56325649	1
Foam acustic upper	08812340	56325523	1
Clean water hose	08812488	56325633	1
Suction hose	08812261	56325634	1
Spacer	08812213	56325622	2
Potentiometer fork	08812278	56325657	1
Clamp	08812279	56325662	2
Brush hub	08812480	56325611	1
Cable clamp	08600168	56325731	1
Pump/Vacuum switch	08603151	08603151	1
Switch cap	08603193	08603193	1
Spring	08812343	56325654	2
Washer Nylon 9x25	08812337	56325653	4
Screw Hex. Hd	08367300	56325625	1
Washer 8x10	08040400	56325568	2
Screw M8x12	08812399	56325623	2
Filter (vacuum)	08602016	56325529	1
Vacuum Motor	08602437	56372505	1
Castor	08812243	08812243	1
Wheel w/hub (BA5321)	08603696	08603696	1
Wheel w/hub (BA5321D)	08603697	08603697	1
Brush polypropylene	08837025	56325504	1
Brush Motor 650W 24V	08602043	08602043	1
Motor Gearbox Complete	08812208	56325595	1
Suction Hose	08812261	56325634	1
Solenoid Valve 24V	08812269	56325649	1
Drain Hose Assy	08812873	08812873	1
Solution Filter	08603661	56260902	1
Front Squeegee Blade	08602463	56393285	1
Rear Squeegee Blade	08602468	56325685	1
Squeegee Cable	08812362	56325711	1
Seal Tank Cover set	08603089	56325511	1
Key Switch complete	08812454	56325718	1
Wire Assy (BA5321D)	08812602	56325733	1
Solenoid	145 0300 000	145 0300 000	1
Speed controller PCB (BA5321D)	08812286	56325738	1
Relay Board from s/n 1514570 for machine before contact the Service Centre	08812814	08812814	1



Nilfisk-Advance, Inc.

14600 21st Avenue North
Plymouth, MN, 55447-3408

www.nilfisk-advance.com

Phone: 800-989-2235

Fax: 800-989-6566

©2002 Nilfisk-Advance, Inc.,
Plymouth, MN 55447-3408

Printed in the U.S.A.