

**IPC Integrated Professional Cleaning**

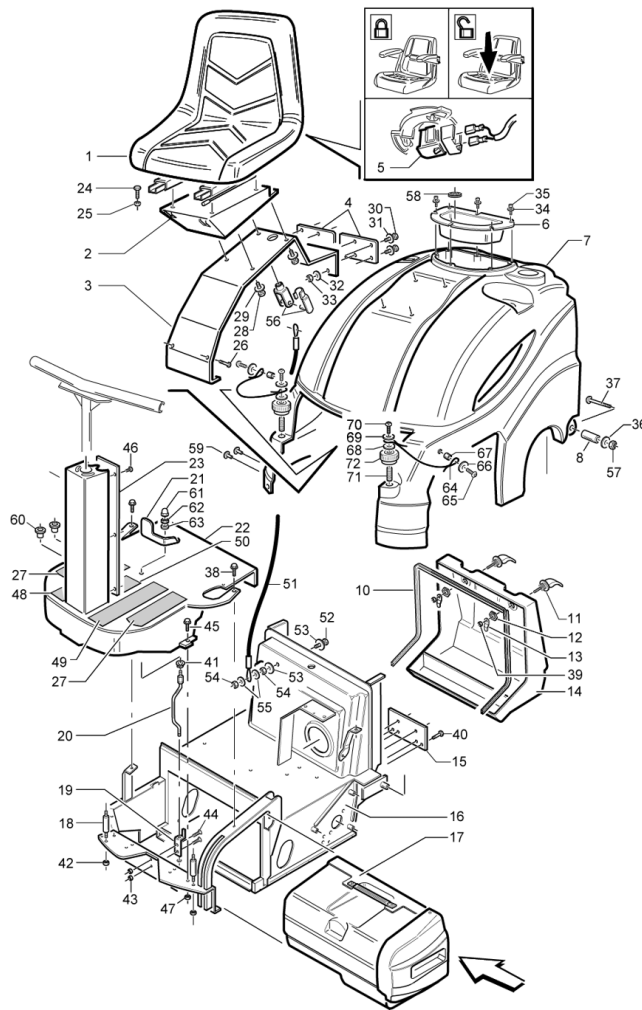
**IPC Gansow**

## Spare Parts List

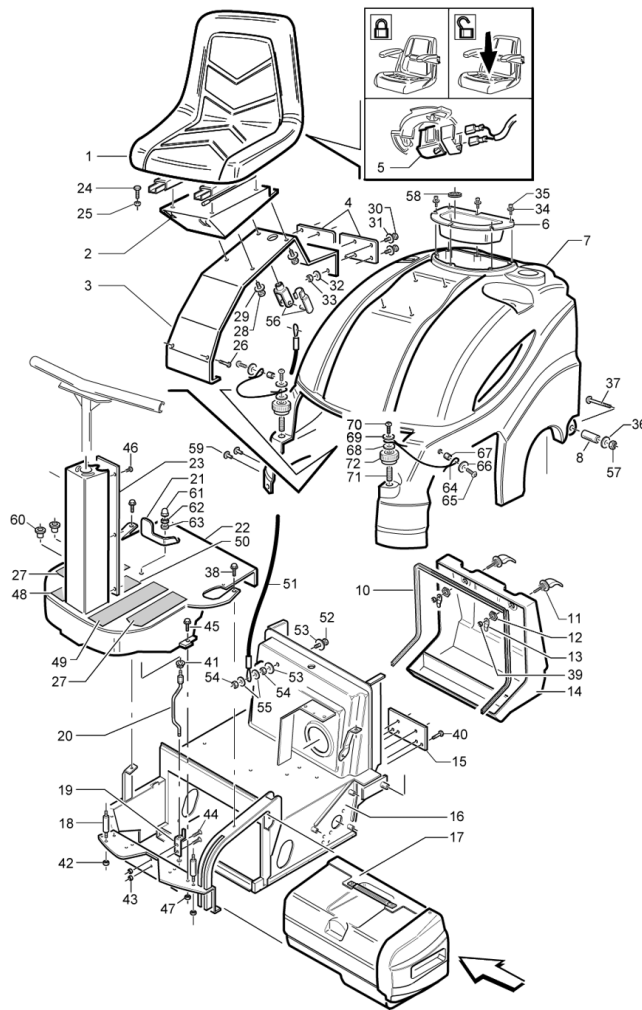
IPC EAGLE

Ref: MSUB00318

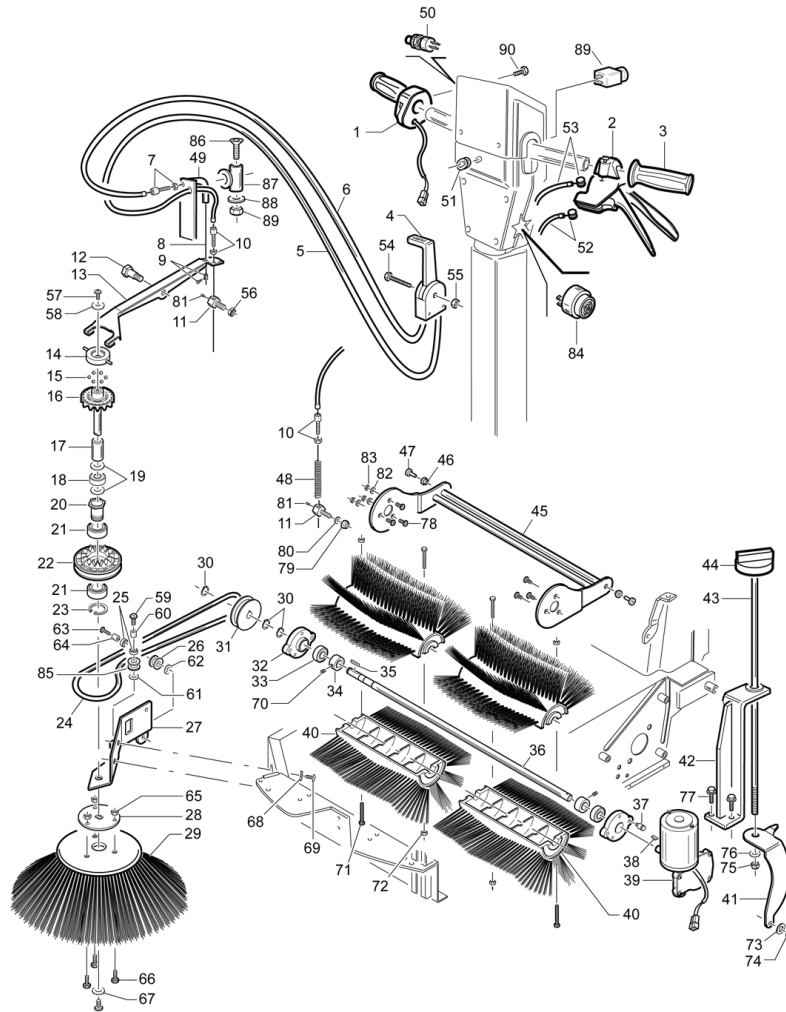
Model: Spazzatrice 512ET RIDER SF+CARPET+CB USA



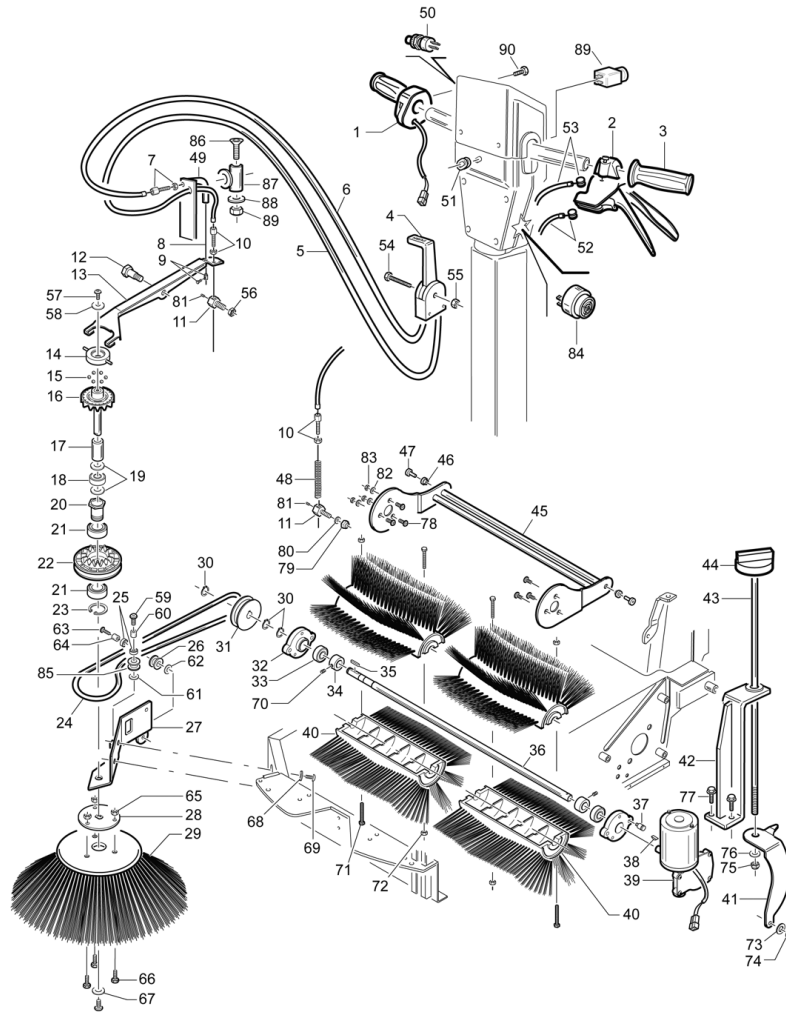
Ref.	K	Part N.	Customer Part N.	Description	Qty	Validity:		Price
						From	To	
0001		SESD45981		SEAT SC 73 L.14	1,00			--
0002		LAFN07284		SUPPORT SEDILE	1,00			--
0003		LAFN07359		ASSEMBLED ROLL-BAR 512-712	1,00			--
0004		LAFN07377		BRACKET 512	2,00			--
0005		MEVR00148		DASHBOARD SEDILE	1,00			--
0006		MPVR05276		COVER 512/712	1,00			--
0007		MPVR05246		HOOD 512	1,00			--
0008		LAFN04043		SPACER D8.5-15	2,00			--
0009		RTRT00022		HANDWHEEL D.30 M6X15	2,00			--
0010		GUVR75932		GASKET P. SW 500 TK2160090	1,00			--
0011		PMVR00138		LOCK TEK	2,00			--
0012		LAFN00259		NUT CH.24 SERRATURA TEK	2,00			--
0013		LAFN00349		LEVER SERRATURA TEK ZINCATA	2,00			--
0014		MPVR00607		DRAWER POSTERIORE SILVER 510 GRI	1,00			--
0015		MPVR00801		CAP CHIUS.SEDE PED.FRENO STAZ	1,00			--
0016		LAFN07282		FRAME 512	1,00			--
0017		PMVR01409		DRAWER ANTER.SILVER 512 COMPL.	1,00			--
0018		LAFN07271		PIN 512-712	2,00			--
0019		LAFN07367		BRACKET 512-712 RIDER	1,00			--
0020		LAFN07366		LEVER 512-712 RIDER	1,00			--
0021		LAFN07556		LEVER -	1,00	01/2009		--
0021		MPVR00032		LEVER 48 M6 SGANCIO MANICO L 15	1,00		12/2008	--
0022		LAFN07260		PLANE 512	1,00			--
0023		LAFN07363		SHEET METAL PA.512-712	1,00			--
0024		VTVT01110		SCREW TE 8X16 UNI5739	4,00			--
0025		VTRS00504		WASHER D. 8 TE ZC. UNI 6592	4,00			--
0026		VTVT00527		SCREW TE FR 6X10 ZB ZIG.	2,00			--
0027		MPVR00866		PLANE ANTISDRUCCIOLO G1050	2,00			--
0028		VTVT01536		SCREW TE 10X45 UNI5739	4,00			--
0029		VTRS00505		WASHER D.10 TE UNI 6592	4,00			--
0030		VTVT00248		SCREW TE M&x45 UNI5739 8.8 ZNT	4,00			--
0031		VTRS04026		WASHER D. 6X18X2.38	4,00			--
0032		VTRS04026		WASHER D. 6X18X2.38	4,00			--
0033		VTDD00491		NUT M 6 TEF	4,00			--
0034		VTRS00501		WASHER D. 4 0.232 UNI 6592	4,00			--
0035		VTVT37012		SCREW M 4X 10 TCB-TC INX	4,00			--
0036		VTRS00512		WASHER D. 8 X24 ZC.	2,00			--
0037		VTVT00231		CARRYNG BAG	2,00		11/2007	--
0037		VTVT01142		SCREW TTQS M8X89	2,00	11/2007		--



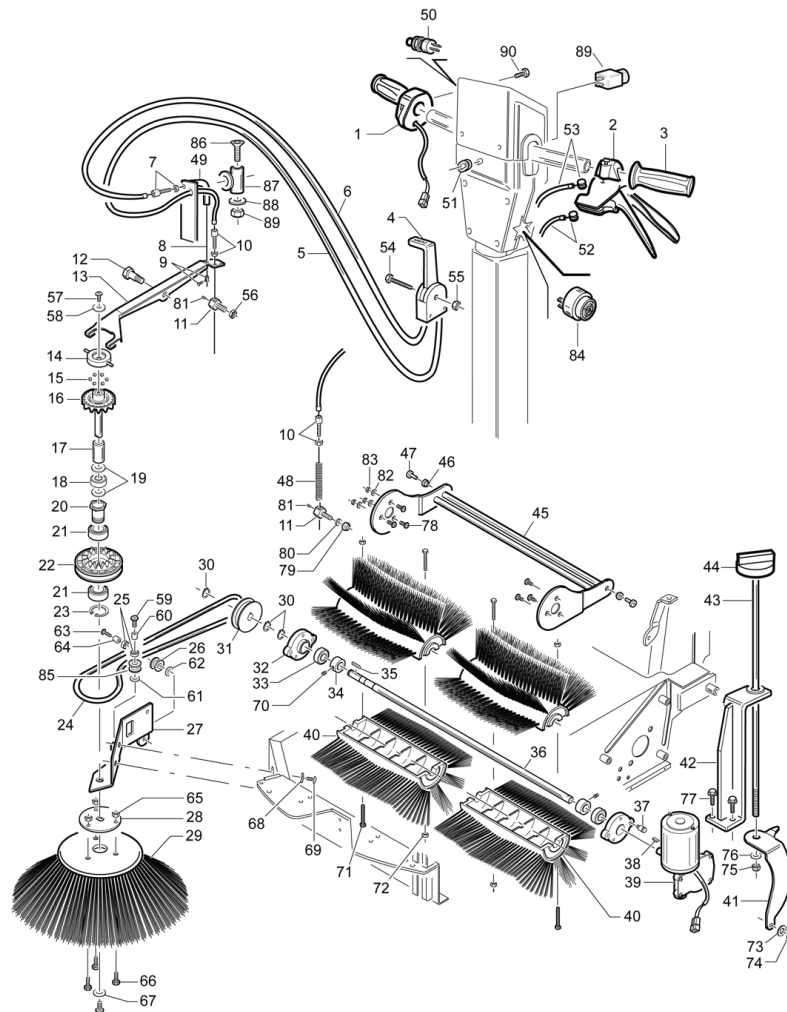
Ref.	K	Part N.	Customer Part N.	Description	Qty	Validity:		Price
						From	To	
0038		VTVT62920		SCREW TE F/ROND. M 6X 16 ZB	2,00			--
0039		VTDD00057		NUT UNI 5589 M8 BASSO ZB	2,00			--
0040		VTVT00527		SCREW TE FR 6X10 ZB ZIG.	4,00			--
0041		MPVR05303		CLIP d.i.6 sp.4	1,00			--
0042		VTDD00491		NUT M 6 TEF	2,00			--
0043		VTDD00491		NUT M 6 TEF	2,00			--
0044		VTVT00093		SCREW TBCE ISO 7380 6X12 ZB	2,00			--
0045		VTVT62920		SCREW TE F/ROND. M 6X 16 ZB	2,00			--
0046		VTVT00040		SCREW AUTOF.TC UNI6954 3,5X10SP	6,00			--
0047		VTDD00491		NUT M 6 TEF	2,00			--
0048		MPVR05317		PLANE 512 R	1,00		12/2008	--
0048		MPVR47092		PLANE L.14	1,00	01/2009		--
0049		MPVR47092		PLANE L.14	2,00			--
0051		CMCV00430		CABLE 512-712	1,00	01/2008		--
0052		VTVT00448		SCREW TE 8X30 UNI5739	1,00	01/2008		--
0053		VTRS00512		WASHER D. 8 X24 ZC.	2,00	01/2008		--
0054		VTDD00041		SELF-LOCJ.NUT M 8 UNI7473 8.8 ZNT	2,00	01/2008		--
0055		VTRS00512		WASHER D. 8 X24 ZC.	2,00	01/2008		--
0056		CMCV00001		FORK UNI 1676 M8X16	1,00	01/2008		--
0056		CMCV75718		CLIP UNI 1676 M8	1,00	01/2008		--
0057		VTDD00041		SELF-LOCJ.NUT M 8 UNI7473 8.8 ZNT	2,00	11/2007		--
0058		MEVR00554		FAIR-LEAD D.37	1,00	06/2008		--
0059		RCVR00173		CARRYNG BAG	6,00	11/2008		--
0060		MEVR00244		FAIR-LEAD D. 7-12 PVC	2,00	11/2008		--
0061		VTDD48188		NUT M 6 CIE. INX A2 UNI 5721	1,00	01/2009		--
0062		VTDD00482		NUT M 6 ZIN UNI 5588	1,00	01/2009		--
0063		VTRS01079		WASHER D. 6 GROWER	1,00	01/2009		--
0064		CMCV00442		CABLE -	2,00	04/2009		--
0065		VTVT00892		SCREW	2,00	04/2009		--
0066		VTRS15958		WASHER D. 5 X15 UNI 6593	2,00	04/2009		--
0067		LAFN03840		BUSHING	2,00	04/2009		--
0068		VTRS86980		WASHER D. 6X18 UNI6593	2,00	04/2009		--
0069		VTRS86980		WASHER D. 6X18 UNI6593	2,00	04/2009		--
0070		VTVT09916		SCREW TBEI M 6X 20 ISO 7380 ZB	2,00			--
0071		VTVT20261		SCREW EI-ST 6X20 UNI5923	2,00	04/2009		--
0072		MPVR05627		KNOB -	2,00	04/2009		--



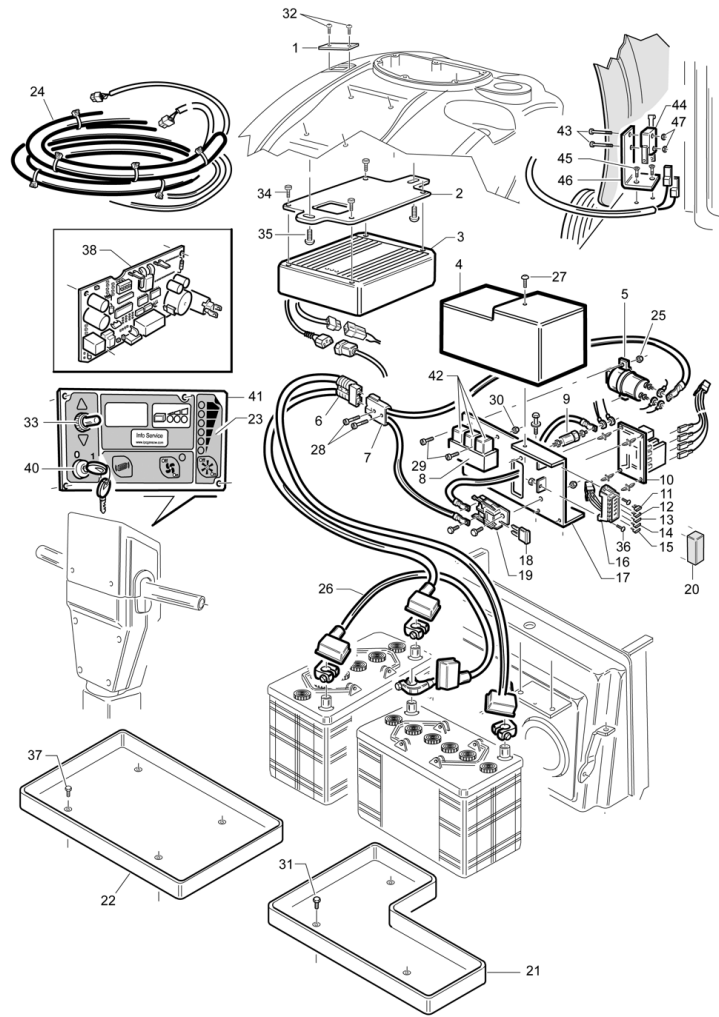
Ref.	K	Part N.	Customer Part N.	Description	Qty	Validity:		Price
						From	To	
0001		MEVR02035		TUBE	1,00	10/2010		--
0001		MEVR31306		KNOB D.22 DX TIGER 300	1,00		10/2010	--
0002		MPVR05302		HANDLE 512-712	1,00			--
0003		MPVR29814		KNOB D. 22 L=124	1,00			--
0004		MPVR00017		LEVER COMANDO SPAZZ.ASSEMBLATA	1,00			--
0005		CMCV00344		SHEATH 512-712 R	1,00			--
0006		CMCV00343		SHEATH 512-712 R	1,00			--
0007		CMCV00352		REGISTER 512-712 UT	1,00	11/2007		--
0007		CMCV02397		REGISTER CH.12X 8MAX35	1,00		11/2007	--
0008		CMCV00342		CABLE 512-712 R	1,00			--
0009		CMCV75737		CLAMP D.7 art.857	1,00			--
0010		CMCV75723		REGISTER D.7	1,00			--
0011		LAFN01068		SCREW CH.17 H.28 FISSAGGIO FILO	1,00			--
0012		LAFN75968		PIN	1,00			--
0013		LAFN75953		LEVER	1,00			--
0014		LAFN75824		RING	1,00			--
0015		SFVR00002		BALL 11/32"	6,00			--
0016		LAFN75826		RING	1,00			--
0017		LAFN75912		SPACER	1,00			--
0018		CUVR37344		ROLLER BEARING HK 1412	1,00			--
0019		VTRS75831		WASHER	2,00			--
0020		LAFN75833		BUSHING	1,00			--
0021		CUVR86893		BEARING 6005 2RS	2,00			--
0022		LAFN75827		RING	1,00			--
0023		VTAE09655		CIRCLIP D. 25 UNI 7435	1,00			--
0024		MTCG85335		BELT D. 8X1000	1,00			--
0025		CUVR75814		BEARING HK1012	2,00			--
0026		MTPL75997		PULLEY D.30x15	1,00			--
0027		LAFN76005		SUPPORT	1,00			--
0028		LAFN75986		FLANGE	1,00			--
0029		SPPV76057		SIDE-BRUSH D.380 PPL 0.6	1,00			--
0030		VTAE17003		CIRCLIP D. 15 UNI 7435	3,00			--
0031		MTPL75980		PULLEY TKE	1,00			--
0032		PMTR00026		SUPPORT D.90 DX/SX(2 INS.)+CRUS	2,00			--
0033		CUVR00005		BEARING 6202 2RS	2,00			--
0034		LAFN26588		SPACER LOLY 50	2,00			--
0035		VTVR26559		KEY 5X5X15	1,00			--
0036		ALTR75822		BRUSH SHAFT TK500 E	1,00			--
0037		LAFN75971		PIN	1,00			--



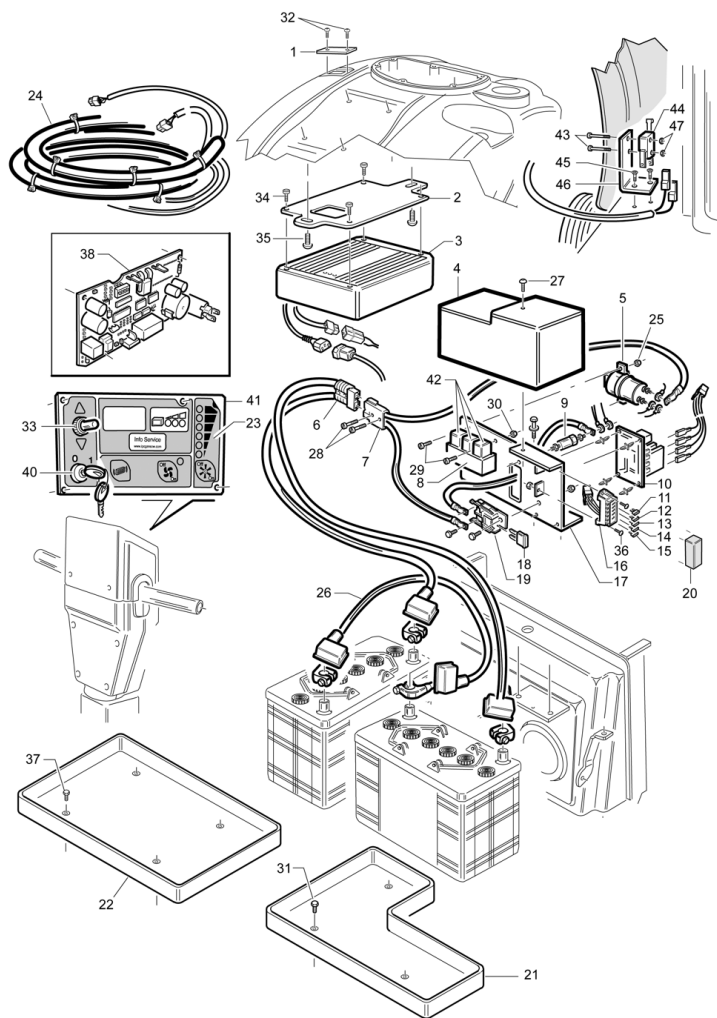
Ref.	K	Part N.	Customer Part N.	Description	Qty	Validity: From To	Price
0038		VTVR75730		KEY UNI 6606 3 X 3,7	1,00		--
0039		MOCC00321		MOTOR D.77 24V	1,00		--
0040		SPPV00048		BRUSH CENTRALE	2,00		--
0041		LAFN00342		BRACKET REGOL.SPAZ.CENTR.TKE ZINC	1,00		--
0042		LAFN07265		BRACKET 512-712	1,00		--
0043		LAFN07266		ROD 512-712	1,00		--
0044		MPVR10084		SWITCH KNOB O.K.A.	1,00		--
0045		LAFN00035		BALANCER TK500 K501 ZINCATO	1,00		--
0046		LAFN75834		BUSHING	2,00		--
0047		LAFN76019		PIN D.15 H.25 TK	2,00		--
0048		MLML00033		SPRING ALZAFLAP SILVER ZB	1,00		--
0049		LAFN07408		CURVE 90°	1,00		--
0050		MEVR85330		KLAXON SW 1000 1180012	1,00		--
0051		MEVR00094		FAIR-LEAD EGP15-20S.60 PAS1	1,00		--
0052		CMCV00340		CABLE 512-712 R	1,00		--
0053		CMCV00341		CABLE 512-712 R	1,00		--
0054		LAFN75738		TRIGGER	1,00		--
0055		LAFN75738		TRIGGER	1,00		--
0056		VTDD13261		NUT M 8X1 UNI 5589	1,00		--
0057		VTVT75724		SCREW TBEI M 8X 22 ISO 7380 ZB	1,00		--
0058		VTRS00513		WASHER D. 8 X32 P.	1,00		--
0059		VTVT75727		SCREW 8 X 25 TBCE Z.B.	1,00		--
0060		LAFN75840		BUSHING D.10x15.6	1,00		--
0061		VTRS00504		WASHER D. 8 TE ZC. UNI 6592	1,00		--
0062		VTRS00504		WASHER D. 8 TE ZC. UNI 6592	1,00		--
0063		VTVT75727		SCREW 8 X 25 TBCE Z.B.	1,00		--
0064		LAFN75840		BUSHING D.10x15.6	1,00		--
0065		VTDD13261		NUT M 8X1 UNI 5589	3,00		--
0066		VTVT00527		SCREW TE FR 6X10 ZB ZIG.	3,00		--
0067		VTRS63242		WASHER D. 6 X24 ZC	1,00		--
0068		VTRS00512		WASHER D. 8 X24 ZC.	2,00		--
0069		VTVT45395		SCREW TBEI M 8X 10 ISO 7380 ZB	2,00		--
0070		VTVT75731		SCREW UNI 5923 6 X5	2,00		--
0071		VTVT22102		SCREW TCEI 5X70 UNI5931	4,00		--
0072		VTDD01678		NUT M 5 UNI 5588	4,00		--
0073		VTRS00504		WASHER D. 8 TE ZC. UNI 6592	1,00		--
0074		VTAE14016		CIRCLIP D. 12 UNI 7435	1,00		--
0075		VTDD00124		NUT M 8 BASSO	1,00		--
0076		VTRS00504		WASHER D. 8 TE ZC. UNI 6592	1,00		--



Ref.	K	Part N.	Customer Part N.	Description	Qty	Validity:		Price
						From	To	
0077		VTVT21295		SCREW TE M5X20 ZINC. UNI 5739	2,00			--
0078		VTVT00061		SCREW TSCE UNI 5933 6X20 ZB	6,00			--
0079		VTDD00124		NUT M 8 BASSO	1,00			--
0080		VTRS00504		WASHER D. 8 TE ZC. UNI 6592	1,00			--
0081		VTVT87456		SCREW UNI 5923 5x6	1,00			--
0082		VTRS00503		WASHER D. 6 TE UNI 6798	3,00			--
0083		VTDD00491		NUT M 6 TEF	6,00			--
0084		MEVR01436		BUZZER -	1,00			--
0085		MTPL75996		PULLEY D.27x15	1,00			--
0086		VTVT42311		SCREW M 6X 35 TSPEI UNI 5933	1,00			--
0087		LAFN06861		BRACKET 512-712	1,00			--
0088		VTRS00503		WASHER D. 6 TE UNI 6798	1,00			--
0089		MECI00536		BUTTON D.25	1,00			--
0090		VTVT00751		SCREW	1,00			--



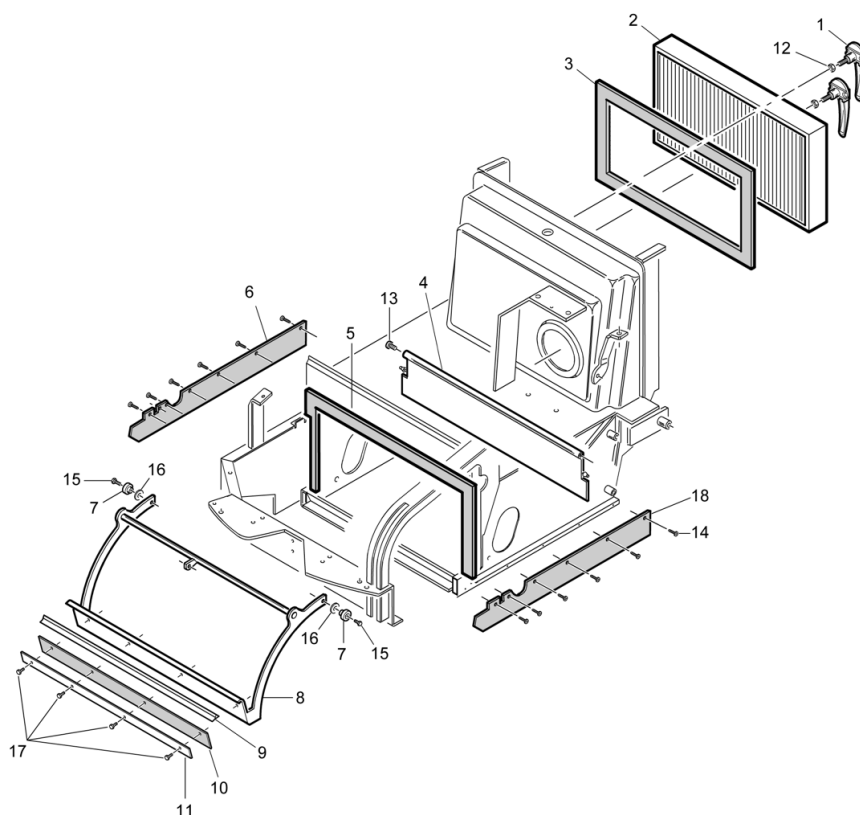
Ref.	K	Part N.	Customer Part N.	Description	Qty	Validity:		Price
						From	To	
0001		MPVR05254		FLANGE CARICABATTERIA	1,00			--
0002		LAFN07267		BRACKET 512-712	1,00			--
0003		BACA00123		BATTERY-CHARGERCBHD1 24V 10A	1,00			--
0004		MPVR05325		COVER 512-712	1,00			--
0005		METT00079		CONTACTOR E TL 10P 24V 100A	1,00			--
0006		MEVR01707		CONNECTOR -	1,00			--
0007		MECB01022		WIRING 512	1,00			--
0008		METT00053		BLOCK PORTA RELE'	3,00			--
0009		MEVR01116		SUPPORT FUSIBILE 120 A	1,00			--
0010		MECE00455		BOARD	1,00			--
0011		MEVR00584		FUSE 3A	1,00			--
0012		MEVR00327		FUSE 25A	1,00			--
0013		MEVR01133		FUSE 15A 32V	1,00			--
0014		MEVR00327		FUSE 25A	1,00			--
0015		MEVR01380		FUSE A LAMA	1,00			--
0016		MEVR00567		FUSE-HOLDER 6 VIE	1,00			--
0017		LAFN07370		SUPPORT RELE'	1,00			--
0018		MEVR00618		FUSE 60A	1,00			--
0019		MEVR00613		FUSE CARRIER MAXIVAL with cover	1,00			--
0020		MEVR00567		FUSE-HOLDER 6 VIE	1,00			--
0021		MPVR05293		CONTAINER BATTERIE	1,00			--
0022		LAFN35588		BATTERY SUPPORTLAV. BT	1,00			--
0023		ETET01538		LABEL 512-712	1,00			--
0024		MECB01022		WIRING 512	1,00			--
0025		VTDD00491		NUT M 6 TEF	1,00			--
0026		MEVR34820		WIRING B 450 BT	1,00			--
0027		VTVT00099		SCREW AUTOF.TC UNI 6954 3,9X13	1,00			--
0028		VTVT00021		SCREW TE UNI 5739 3X25 ZB	2,00			--
0029		VTVT13597		SCREW EXAGONAL BOLT 6X12	2,00			--
0030		VTDD00491		NUT M 6 TEF	2,00			--
0031		VTVT00039		SCREW TC UNI 6954 3.5X10 AUTOF.	2,00			--
0032		VTVT00892		SCREW	2,00			--
0033		MECI34120		SWITCH T 115-EA	1,00			--
0034		VTVT21887		SCREW TCB-TC 4X10 8112	4,00			--
0035		VTVT00005		SCREW TE FR 5X12 ZB	2,00			--
0036		VTVT62916		SCREW TE M5X12 ZN UNI 5739-8.8	2,00			--
0037		VTVT00039		SCREW TC UNI 6954 3.5X10 AUTOF.	2,00			--
0038		MECE00454		BOARD	1,00			--
0040		MECI00541		SELECTOR -	1,00	03/2008		--



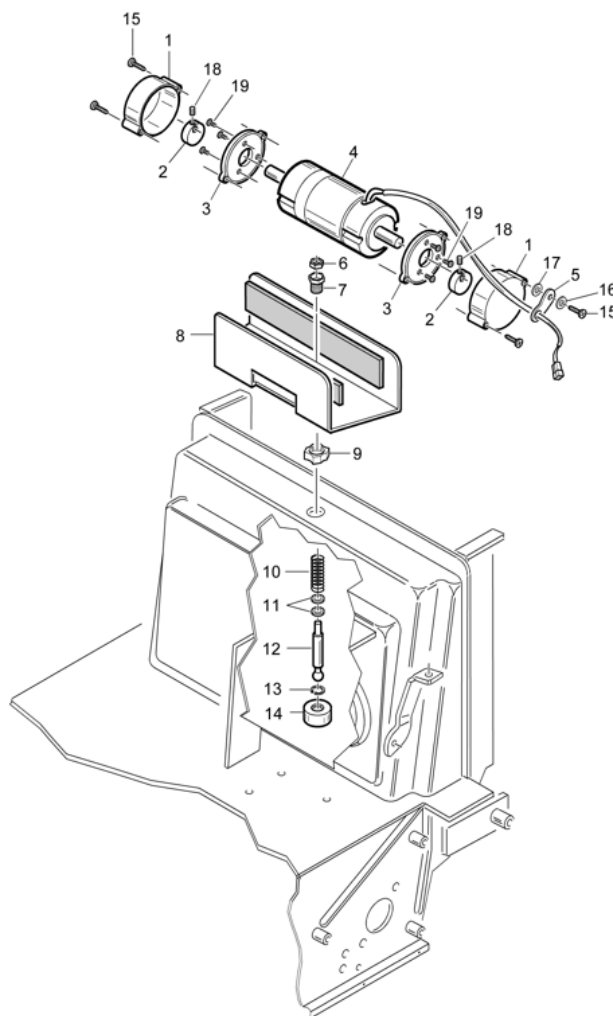
Ref.	K	Part N.	Customer Part N.	Description	Qty	Validity:		Price
						From	To	
0040		MECI75805		SWITCH TK	1,00		02/2008	--
0041		LAFN07272		BOARD 512-712	1,00			--
0042		MERL00006		SWITCH RELAY R502 024 H3M 1NO 80A	3,00			--
0043		VTVT00019		SCREW TE UNI 5739 3X20 ZB	2,00	10/2010		--
0044		MECI30642		MICRO-SWITCH 11A 0.33HP	1,00	10/2010		--
0045		VTVT00003		SCREW TE M 4X 12 ZC. UNI 5739	2,00	10/2010		--
0046		LAFN06858		SUPPORT 512-712UT	1,00	10/2010		--
0047		VTDD09556		NUT M3 TEFLON	2,00	10/2010		--



IP-CLEANING - TAV. 05-R  
SILVER 512 - 712 .....  
(16.10.2007)

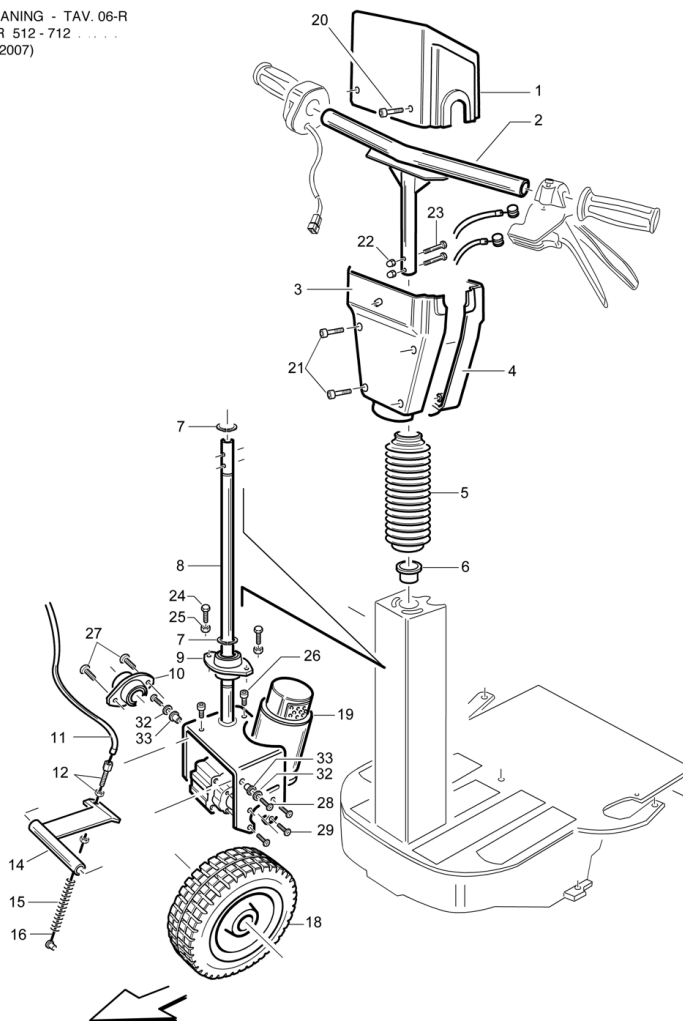


Ref.	K	Part N.	Customer Part N.	Description	Qty	Validity:		Price
						From	To	
0001		PMVR00383		HANDLE BLOCCAGGIO FILTRO SILVER	2,00			--
0002		FTDP85298		FILTER SW 540/541	1,00			--
0003		KTRI75926		FOAM KIT	1,00			--
0004		MPVR05306		FLAP 512	1,00			--
0005		KTRI01819		KIT 512	1,00	08/2008		--
0005		KTRI86322		JOINT KIT MOUSSE 30X15 TK2160033	1,00		07/2008	--
0006		MPVR05267		FLAP 512-712	1,00			--
0007		LAFN00188		BUSHING OTTONE BRAC.ALZAFL.SILVER	2,00			--
0008		LAFN07365		BALANCER 512	1,00			--
0009		MPVR00731		RUBBER ALZAFLAP SERIE 500	1,00			--
0010		MPVR87400		RUBBER ALZAFLAP 2160410	1,00			--
0011		LAFN00331		CLAMP GOMMA ALZAFLAP 500	1,00			--
0012		VTDD00483		NUT M 8 ZIN UNI 5588	2,00			--
0013		VTVT47025		SCREW TBEI M 10X 16 ISO 7380 ZB	2,00			--
0014		VTVT01295		SCREW 3,5X9,5 TS80 UNI 6955 ZB	10,00			--
0015		VTVT75724		SCREW TBEI M 8X 22 ISO 7380 ZB	2,00			--
0016		VTRS00512		WASHER D. 8 X24 ZC.	2,00			--
0017		VTVT00040		SCREW AUTOF.TC UNI6954 3,5X10SP	4,00			--
0018		MPVR05268		FLAP 512-712	1,00			--

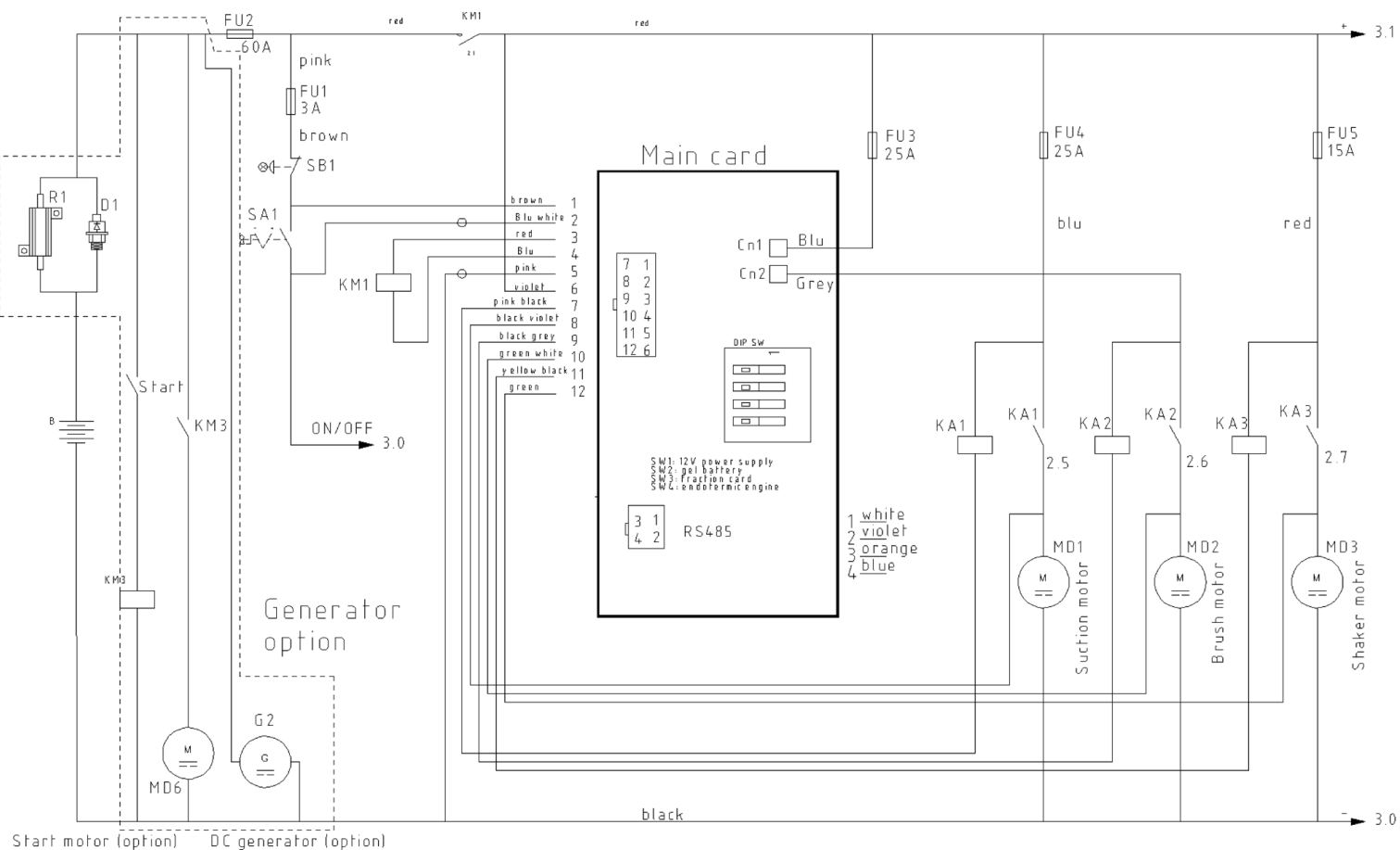


Ref. K	Part N.	Customer Part N.	Description	Qty	Validity:		Price
					From	To	
0001	LAFN47139		MOTOR COVER L.14 FILT.	2,00			--
0002	LAFN47140		BUSHING L.14	2,00			--
0003	MFVR47141		FLANGE MOTOR L.14	2,00			--
0004	MOCC00004		MOTOR D.63 24V G3800 W35	1,00			--
0005	MPVR00765		RUBBER FISSAGGIO FILO SCUOTIFIL.	1,00			--
0006	VTDD00008		NUT M10 UNI 5589 ZB	1,00			--
0007	ABGO00012		VIBRATION DAMP.PER SCUOTIFILTRO	1,00			--
0008	LAFN00676		SUPPORT MOTORE X SCUOTIF.E VERN.	1,00			--
0009	LAFN36319		RING NUT M25X1.5-10.3	1,00			--
0010	MLML85610		SPRING TK2205017	1,00			--
0011	GUGO19260		O-RING D. 8 X 1 NBR 70SH	2,00			--
0012	LAFN00428		PIN D.15 H.78 A SFERA SCUOT.	1,00			--
0013	VTAE00007		SEEGER INTERNO DIN 472 D.16	1,00			--
0014	LAFN00417		ARTICULATED BARTK500/700	1,00			--
0015	VTVT47138		SCREW TSP-TC 3,9X32 ZC. UNI6955	4,00			--
0016	VTRS05904		WASHER D. 4 X16 2.083	1,00			--
0017	VTRS05904		WASHER D. 4 X16 2.083	1,00			--
0018	VTVT75731		SCREW UNI 5923 6 X5	2,00			--
0019	VTVT76616		SCREW M 4x18 STEAM GUN	6,00			--

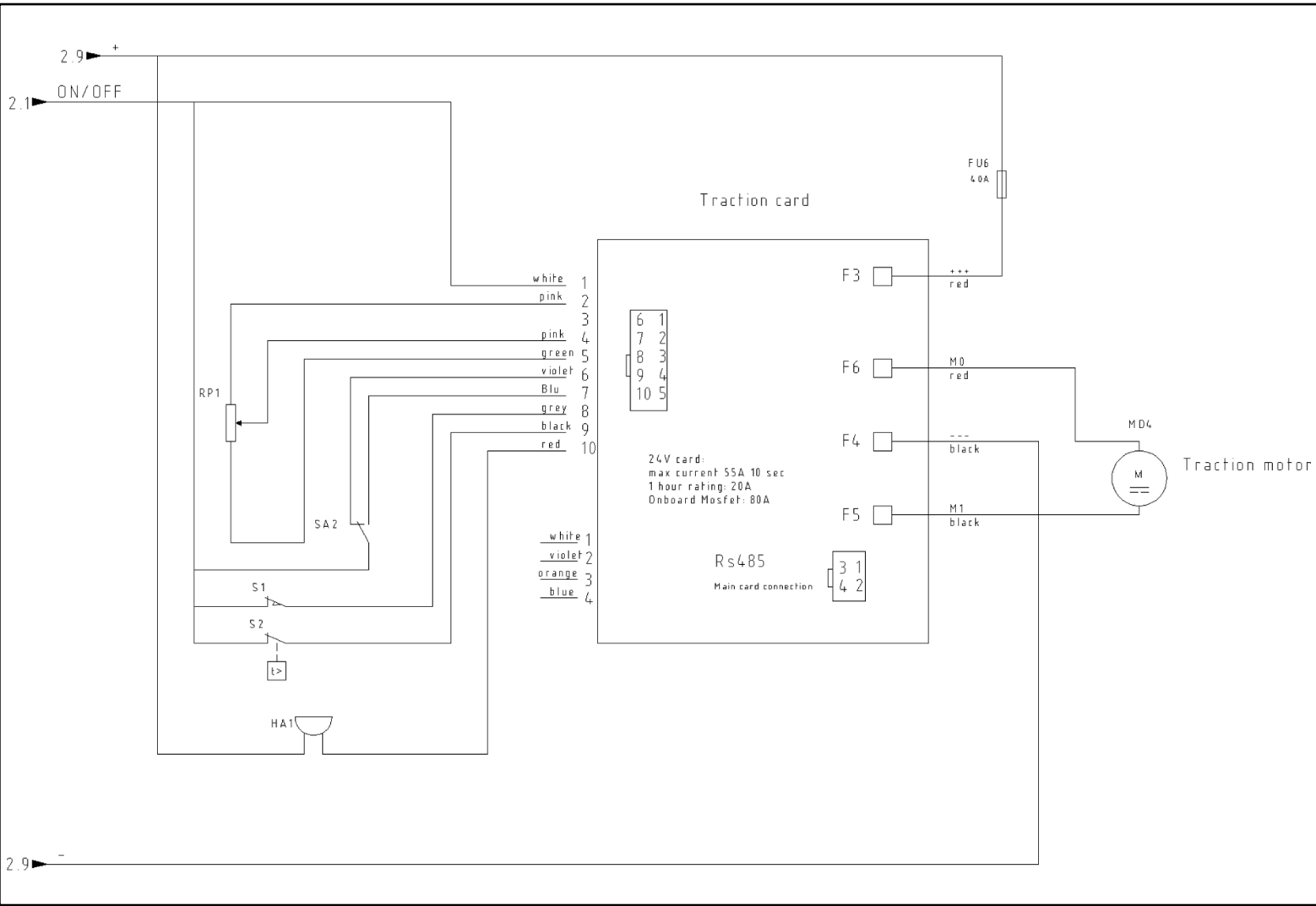
IP-CLEANING - TAV. 06-R  
SILVER 512 - 712  
(16.10.2007)




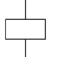


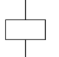


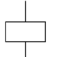


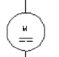
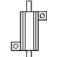





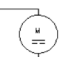



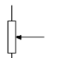



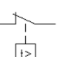
Ref.	K	Part N.	Customer Part N.	Description	Qty	Validity:		Price
						From	To	
0001		MPVR05258		INSTR.PANEL 512-712	1,00			--
0002		LAFN07262		HANDLE 512-712	1,00			--
0003		MPVR05297		INSTR.PANEL 512-712	1,00			--
0004		MPVR05301		INSTR.PANEL 512-712	1,00			--
0005		MPVR31719		PROTECTOR 55 - 50 x 215	1,00			--
0006		LAFN07270		BUSHING 24X27 H7	1,00			--
0007		VTAE21639		CIRCLIP D. 24 UNI 7435	1,00			--
0008		LAFN07273		SHAFT STERZO	1,00			--
0009		CUVR33324		BEARING BPFL 205	1,00			--
0010		CUVR00105		SUPPORT	1,00			--
0011		CMCV00340		CABLE 512-712 R	1,00			--
0012		CMCV75723		REGISTER D.7	1,00			--
0014		LAFN07354		BRACKET FRENO 712	1,00			--
0015		MLML75964		SPRING D. 11,3 X100 X1,5 TK	1,00			--
0016		CMCV00340		CABLE 512-712 R	1,00			--
0018		RTRT00438		WHEEL 200X80	1,00			--
0019		MOCC00320		MOTOR AOMP24V 300W 130G RR1/18	1,00			--
0020		VTVT29165		SCREW AF TCB-TC 5 X20 TL	2,00			--
0021		VTVT29165		SCREW AF TCB-TC 5 X20 TL	4,00			--
0022		VTDD00491		NUT M 6 TEF	2,00			--
0023		VTVT06238		SCREW TE 6X35 UNI5739	2,00			--
0024		VTVT00448		SCREW TE 8X30 UNI5739	2,00			--
0025		VTDD00492		NUT M 8 ZINC	2,00			--
0026		VTVT19472		SCREW TCEI M 8X10 UNI 5931	2,00			--
0027		VTVT63129		SCREW TE F/ROND. M 8X16 ZB	2,00			--
0028		VTVT62916		SCREW TE M5X12 ZN UNI 5739-8.8	2,00			--
0029		VTVT21295		SCREW TE M5X20 ZINC. UNI 5739	4,00			--
0032		VTRS15958		WASHER D. 5 X15 UNI 6593	2,00			--
0033		CUVR43254		BUSHING CB 85 1010 18T	2,00			--



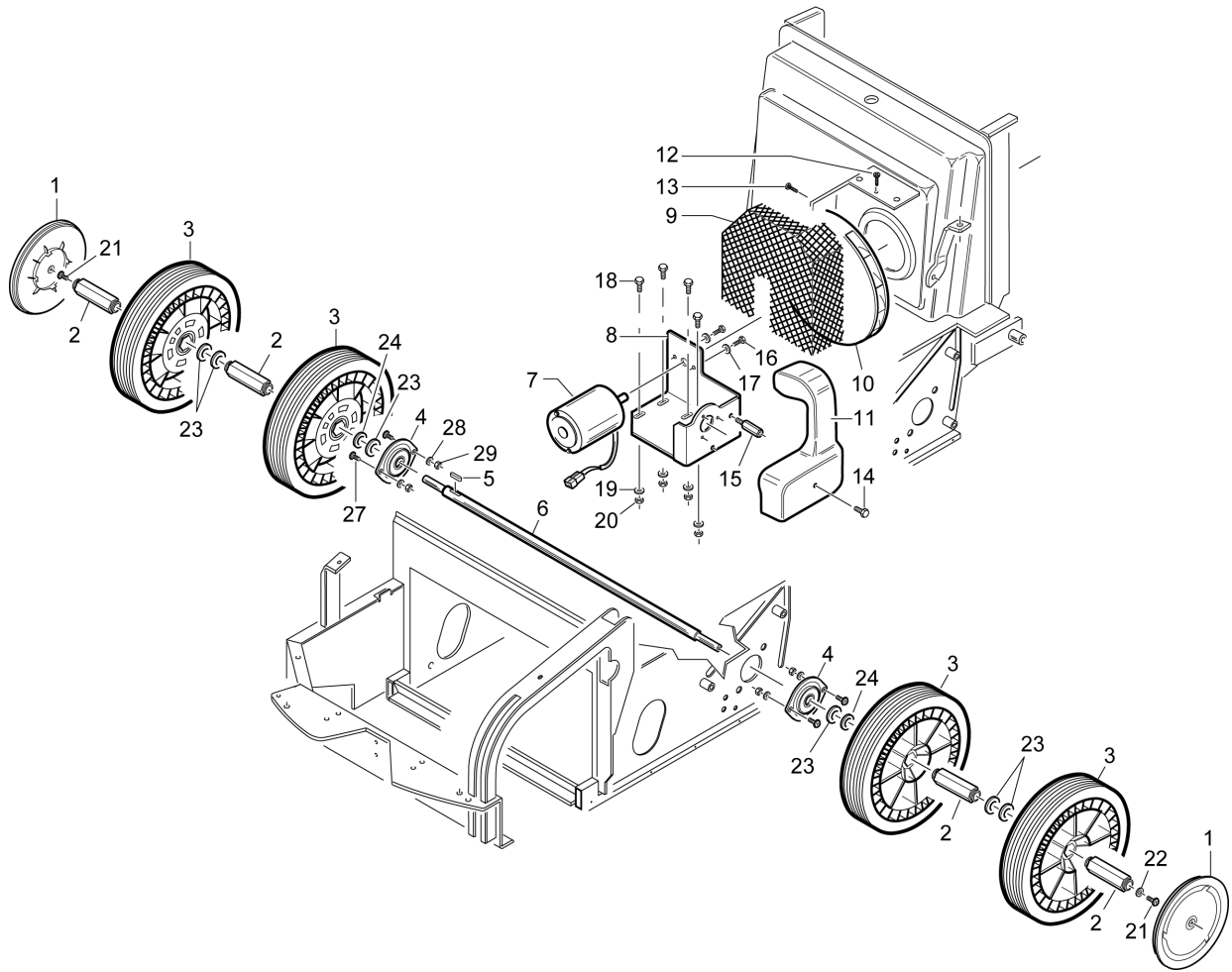
Ref.	K	Part N.	Customer Part N.	Description	Qty	Validity:		Price
						From	To	
D1		MECB01113		WIRING	1,00			--
FU1		MEVR00584		FUSE 3A	1,00			--
FU2		MEVR00618		FUSE 60A	1,00			--
FU3		MEVR00327		FUSE 25A	1,00			--
FU4		MEVR00327		FUSE 25A	1,00			--
FU5		MEVR01133		FUSE 15A 32V	1,00			--
G2		ARGN00016		ALTERNATOR 28V	1,00			--
KA1		MERL00006		SWITCH RELAY R502 024 H3M 1NO 80A	1,00			--
KA2		MERL00006		SWITCH RELAY R502 024 H3M 1NO 80A	1,00			--
KA3		MERL00006		SWITCH RELAY R502 024 H3M 1NO 80A	1,00			--
KM1		METT00079		CONTACTOR E TL 10P 24V 100A	1,00			--
KM3		METT00079		CONTACTOR E TL 10P 24V 100A	1,00			--
MD6		MOCC45115		MOTOR 24V 300W SX	1,00			--
R1		MECB01113		WIRING	1,00			--
SA1		MECI75805		SWITCH TK	1,00			--
SB1		MECI00536		BUTTON D.25	1,00			--



Ref.	K	Part N.	Customer Part N.	Description	Qty	Validity:		Price
						From	To	
FU6		MEVR01380		FUSE A LAMA	1,00			--
HA1		MEVR01436		BUZZER -	1,00			--
RP1		MEVR31306		KNOB D.22 DX TIGER 300	1,00			--
S1		MEVR00148		DASHBOARD SEDILE	1,00			--
SA2		MECI34120		SWITCH T 115-EA	1,00			--

Sim.\Sym	Sigla\Item	Funzione\Use Type	Sim.\Sym	Sigla\Item	Funzione\Use Type	Sim.\Sym	Sigla\Item	Funzione\Use Type
	B =QG 2	24 / 12 V battery		KA3 =QG 2	Relay shaker motor		SA1 =QG 2	ON/OFF key
	FU1 =QG 2	Fuse		KM1 =QG 2	Main contactor		SB1 =QG 2	Emergency button
	FU2 =QG 2	Fuse		KM3 =QG 2	Starter relay (option)		D1	Start Diode
	FU3 =QG 2	Fuse		MD1 =QG 2	Suction motor		R1	Charge Resistor
	FU4 =QG 2	Fuse		MD2 =QG 2	Brush motor			
	FU5 =QG 2	Fuse		MD3 =QG 2	Shaker motor			
	FU6 =QG 3	Fuse		MD4 =QG 3	Traction motor			
	G2 =QG 2	DC generator (option)		MD6 =QG 2	Start motor (option)			
	HA1 =QG 3	Buzzer		RP1 =QG 3	Speed potentiometer			
	KA1 =QG 2	Relay suction motor		S1 =QG 3	Seat switch			
	KA2 =QG 2	Relay brush motor		S2 =QG 3	Termical switch traction motor			

Ref. K	Part N.	Customer Part N.	Description	Qty	Validity: From	To	Price
D1	MECB01113		WIRING	1,00			--
FU1	MEVR00584		FUSE 3A	1,00			--
FU2	MEVR00618		FUSE 60A	1,00			--
FU3	MEVR00327		FUSE 25A	1,00			--
FU4	MEVR00327		FUSE 25A	1,00			--
FU5	MEVR01133		FUSE 15A 32V	1,00			--
FU6	MEVR01380		FUSE A LAMA	1,00			--
G2	ARGN00016		ALTERNATOR 28V	1,00			--
HA1	MEVR01436		BUZZER -	1,00			--
KA1	MERL00006		SWITCH RELAY R502 024 H3M 1NO 80A	1,00			--
KA2	MERL00006		SWITCH RELAY R502 024 H3M 1NO 80A	1,00			--
KA3	MERL00006		SWITCH RELAY R502 024 H3M 1NO 80A	1,00			--
KM1	METT00079		CONTACTOR E TL 10P 24V 100A	1,00			--
KM3	METT00079		CONTACTOR E TL 10P 24V 100A	1,00			--
MD6	MOCC45115		MOTOR 24V 300W SX	1,00			--
R1	MECB01113		WIRING	1,00			--
RP1	MEVR31306		KNOB D.22 DX TIGER 300	1,00			--
S1	MECI30417		SWITCH D.15 TIG.	1,00			--
SA1	MECI75805		SWITCH TK	1,00			--
SA2	MECI34120		SWITCH T 115-EA	1,00			--
SB1	MECI00536		BUTTON D.25	1,00			--



Ref.	K	Part N.	Customer Part N.	Description	Qty	Validity:		Price
						From	To	
0001		MPVR00541		WHEEL'S COVER D.200 NERO	2,00			--
0002		LAFN07433		BUSHING ESAGONALE	4,00			--
0003		RTRT00031		WHEEL GOMMA D.250X55 GR.CERC.NE	4,00			--
0004		CUVR75815		BALL BEARING UBPF203	2,00			--
0005		VTVR26559		KEY 5X5X15	1,00			--
0006		RTRT00439		AXLE RUOTE GEMELLATE 512	1,00			--
0007		MOCC45111		MOTOR D.77 24V	1,00			--
0008		LAFN00652		SUPPORT MOTORI TK ZINCATO	1,00			--
0009		LAFN00885		BRACKET	1,00			--
0010		VEVR26677		IMPELLER D.200 L.50HE	1,00			--
0011		MPVR00611		CONVEYOR ARIA VERSIONE ELETTRICA	1,00		06/2008	--
0012		VTVT00045		SCREW AUTOF.TC UNI 6954 4,8X16	1,00			--
0013		VTVT00045		SCREW AUTOF.TC UNI 6954 4,8X16	1,00			--
0014		VTVT00527		SCREW TE FR 6X10 ZB ZIG.	1,00		06/2008	--
0015		LAFN00576		PIN FISS.CONVOGLIATORE ARIA	1,00		06/2008	--
0016		VTVT14062		SCREW TE 5X16 UNI5739	2,00			--
0017		VTRS00291		WASHER D. 5 X20 ZC UNI 6593	2,00			--
0018		VTVT62920		SCREW TE F/ROND. M 6X 16 ZB	4,00			--
0019		VTRS04026		WASHER D. 6X18X2.38	4,00			--
0020		VTDD00491		NUT M 6 TEF	4,00			--
0021		VTVT75725		SCREW TBEI M 6X 10 ISO 7380 ZB	2,00			--
0022		VTRS63242		WASHER D. 6 X24 ZC	2,00			--
0023		VTRS21763		WASHER D.17	6,00			--
0024		VTRS00364		THICKNESS 18X25X1	2,00			--
0027		VTVT75721		SCREW TTDE UNI 5732 6 X 16 ZB	4,00			--
0028		VTRS00503		WASHER D. 6 TE UNI 6798	4,00			--
0029		VTDD00491		NUT M 6 TEF	4,00			--