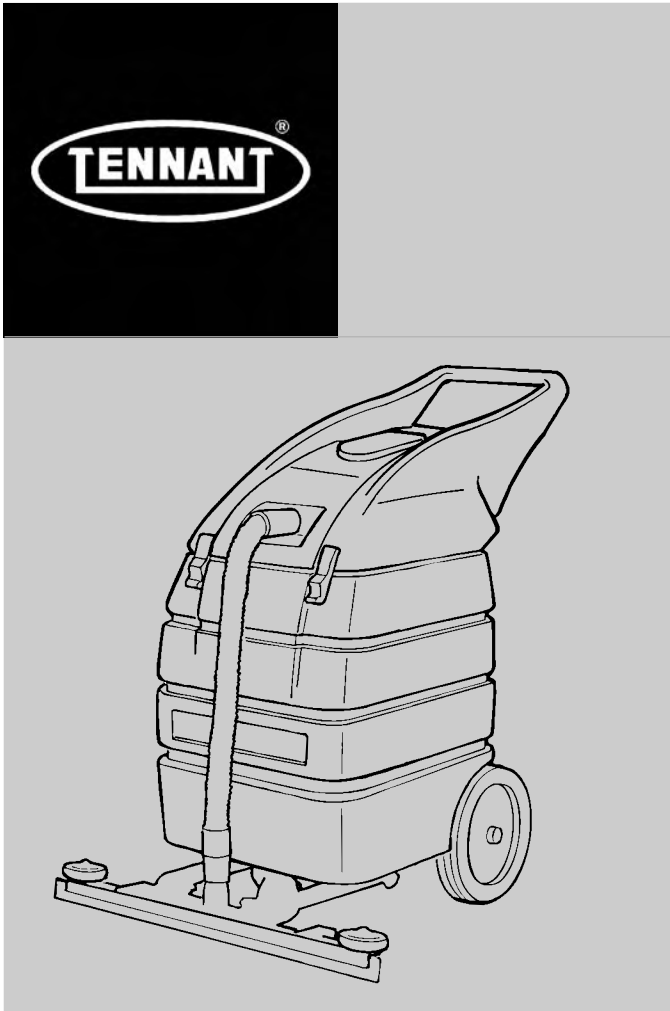




3500/3520

Wet/Dry Vacuum
Aspirador Para Líquidos y En Seco
Aspirateur à sec/humide

Operator and Parts Manual
Manual De Operador
Y Lista De Repuestos
Opérateur Manuel et
Liste Des Pièces



Model Part No.:
607673 - 3500 120V
607674 - 3520 120V
609421 - 3500 230V
609683 - 3500 230V EMC
613746 - 3500 220V

607672
Rev. 03 (08-2007)



OPERATION


manual is furnished with each new model. It provides necessary operation and maintenance instructions and an illustrated parts list.

Read this manual completely and understand the machine before operating or servicing it.

When ordering replacement parts, use the illustrated parts lists section in this manual. Before ordering parts or supplies, be sure to have your machine model number and serial number available. Parts and supplies may be ordered by phone or mail from any authorized parts and service center, distributor or from any of the manufacturer's subsidiaries.


This machine will provide excellent service. However, the best results will be obtained at minimum costs if:

- The machine is operated with reasonable care.
- The machine is maintained regularly - per the machine maintenance instructions provided.
- The machine is maintained with manufacturer supplied or equivalent parts.



PROTECT THE ENVIRONMENT

Please dispose of packaging materials, old machine components such as batteries, hazardous fluids such as antifreeze and oil, in a safe environmentally way according to your local waste disposal regulations.



Always remember to recycle.

MACHINE DATA

Please fill out at time of installation for future reference.

Model No.- _____

Install. Date - _____

Serial No.- _____

Tennant Company

PO Box 1452
 Minneapolis, MN 55440
 Phone: (800) 553-8033 or (763) 513-2850

www.tennantco.com

Specifications and parts are subject to change without notice.
 © 1999, 2003, 2006, 2007 Tennant Company. All rights reserved.
 Printed in U.S.A.


TABLE OF CONTENTS	(ESPAÑOL....11)	(FRANÇAIS....21)	
SAFETY PRECAUTIONS	3	MACHINE MAINTENANCE	9
GROUNDING INSTRUCTIONS	4	STORING MACHINE	9
WARNING LABEL	4	RECOMMENDED STOCK ITEMS	9
MACHINE COMPONENTS	5	TROUBLE SHOOTING	10
MACHINE SETUP	5	SPECIFICATIONS	10
SQUEEGEE KIT ATTACHMENT (OPTIONAL)	5	ELECTRICAL DIAGRAMS	32
ACCESSORY TOOL ATTACHMENT	6	PARTS LIST	34
MACHINE OPERATION	7	HANDLE GROUP	34
WET VACUUMING	7	TANK GROUP	36
SQUEEGEE WET VACUUMING:	7	STANDARD FLOOR TOOL KIT	38
ACCESSORY TOOL WET VACUUMING: ...	8	OPTIONS	39
DRAINING RECOVERY TANK	8	WET/DRY TOOL KIT	39
DRY VACUUMING	8	WET PICK-UP TOOL KIT	40
		SQUEEGEE ASSEMBLY GROUP	41

SAFETY PRECAUTIONS

This machine is intended for commercial use. It is designed for wet/dry vacuuming in an indoor environment and is not constructed for any other use. Use only recommended accessory tools.

All operators must read, understand and practice the following safety precautions.

The following warning alert symbol and the "FOR SAFETY" heading are used throughout this manual as indicated in their description:

 **WARNING:** To warn of hazards or unsafe practices which could result in severe personal injury or death.

FOR SAFETY: To identify actions which must be followed for safe operation of equipment.

Failure to follow these warnings may result in: personal injury, electrocution, electrical shock, fire or explosion.

 **WARNING:** Do Not Use Flammable Liquids Or Operate Machine In Or Near Flammable Liquids, Vapors Or Combustible Dusts.

This machine is not equipped with an explosion proof motor. The electric motor will spark upon start up and during operation which could cause a flash fire or explosion if machine is used in an area where flammable vapors/liquids or combustible dusts are present.

 **WARNING:** Do Not Pick Up Flammable Or Toxic Materials, Burning Or Smoking Debris.

 **WARNING:** Do Not Operate With Damaged Power Cord. Do Not Modify Plug. Unplug Power Cord Before Servicing Machines.

If the supply cord is damaged or broken, it must be replaced by the manufacturer or it's service agent or a similarly qualified person in order to avoid a hazard.

 **WARNING:** Do Not Use Outdoors. Do Not Expose To Rain. Store Indoors.

The following information signals potentially dangerous conditions to the operator or equipment:

FOR SAFETY:

1. Do not operate machine:
 - With flammable liquids or near flammable vapors as an explosion or flash fire may occur.
 - Unless trained and authorized.
 - Unless operator manual is read and understood.
 - Unless cord is properly grounded.
 - With damaged cord or plug.
 - If not in proper operating condition.
 - In outdoor areas.
 - In standing water.
 - Without bag and/or filters in place.
 - With the use of an extension cord. (Fixed cord models)
 - With the use of additional extension cords (Detachable cord models). Only use manufacturer's extension cord equipped with machine which has proper capacity and is grounded.
2. Before starting machine:
 - Make sure all safety devices are in place and operate properly.
3. When using machine:
 - Do not run machine over cord.
 - Do not pull machine by plug or cord.
 - Do not pull cord around sharp edges or corners.
 - Do not close doors on cord.
 - Do not unplug by pulling on cord.
 - Do not stretch cord.
 - Do not handle plug with wet hands.
 - Keep cord away from heated surfaces.
 - Do not pick up burning or smoking debris, such as cigarettes, matches or hot ashes.
 - Never allow children to play on or around.
 - Report machine damage or faulty operation immediately.
4. Before leaving or servicing machine:
 - Turn machine off.
 - Unplug cord from wall outlet.

OPERATION

5. When servicing machine:

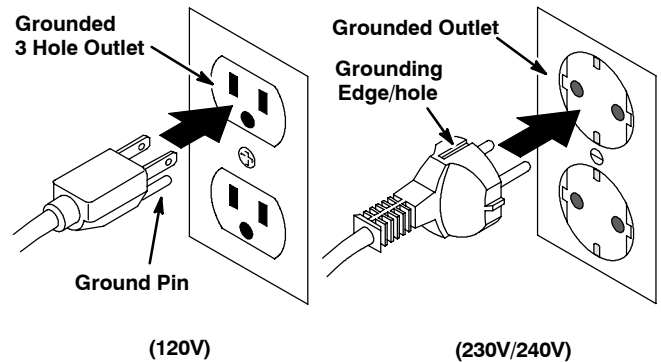
- Unplug cord from wall outlet.
- Use manufacturer supplied or approved replacement parts.
- All repairs must be performed by a qualified service person.
- Do not modify the machine from its original design.

6. When transporting machine:

- Get assistance when lifting machine.
- Unplug cord from wall outlet.
- Use tie-down straps to secure machine to truck or trailer.

GROUNDING INSTRUCTIONS

Machine must be grounded. If it should malfunction or breakdown, grounding provides a path of least resistance for electrical current to reduce the risk of electrical shock. This machine is equipped with a cord having an equipment-grounding conductor and grounding plug. The plug must be plugged into an appropriate outlet that is properly installed in accordance with all local codes and ordinances. Do not remove ground pin; if missing, replace plug before use.



WARNING LABEL

The warning label appears on the machine in the location indicated. Replace label if it becomes damaged or illegible.

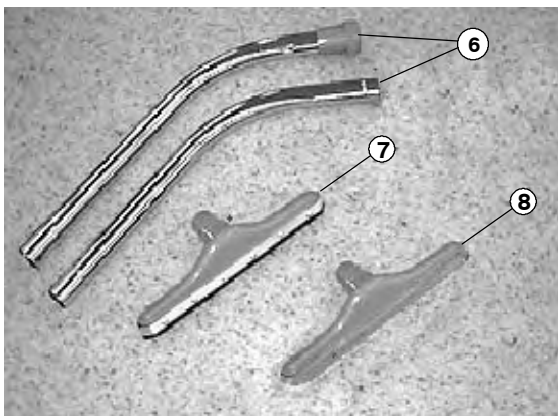
WARNING LABEL - Located on backside of machine.

⚠️ WARNING	⚠️ AVERTISSEMENT	⚠️ ADVERTENCIA
<p>EXPLOSION, FIRE AND SHOCK HAZARD. AVOID INJURY.</p> <ul style="list-style-type: none"> • Do Not Use Near Flammable Liquids, Vapors or Combustible Dusts. • Do Not Pick Up Flammable or Toxic Materials and Burning Debris. • Do Not Operate With Damaged Power Cord. Do Not Modify Plug, Unplug Power Cord Before Servicing Machine. • Do Not Use Outdoors. Do Not Expose to Rain. Store Indoors. 	<p>RISQUE D'EXPLOSION, D'INCENDIE ET DE DECHARGE. EVITEZ LES BLESSURES.</p> <ul style="list-style-type: none"> • N'utilisez Pas Près de Liquides, Vapeurs ou Poussières Inflammables. • Ne Ramassez Pas de Matériaux Inflammables ou Toxiques et de Déchets Enflammés. • N'utilisez Pas la Machine Avec un Cordon d'Alimentation Endommagé. Ne Modifiez Pas la Prise. Débranchez le Cordon d'Alimentation Avant d'Entretien la Machine. • N'utilisez Pas en Extérieur. N'Exposez Pas à la Pluie. Entrez à l'Intérieur. 	<p>PELIGRO DE EXPLOSION, FUEGO, DESCARGA EVITE LESIONES.</p> <ul style="list-style-type: none"> • No Use Cerca De Líquidos Flamables, Vapores O Materiales Combustibles. • No Recoja Materiales Flamables O Tóxicos Ni Desechos Casaderos. • No Use Con Cable De Corriente Dañado. No Altere El Enchufe. Desconecte Cable De Corriente Antes Del Mantenimiento. • No Use Al Aire Libre. No Exponga A La Lluvia. Guarde Bajo Techo.



MACHINE COMPONENTS

1. Check carton for signs of damage. Report damages to carrier immediately.
2. Check carton contents to ensure all accessories are included. Contact distributor for missing items.



1. 1 - Machine
2. 1 - 10 ft / 3 m vacuum hose - used with accessory tools
3. 1 - Paper bag
4. 1 - Cloth bag
5. 1 - 50 ft / 15 m power cord
6. 1 - Two Piece Double Bend Chrome Wand
7. 1 - 14 in / 355 mm Push/Pull Squeegee Tool
8. 1 - 16 in / 406 mm Carpet Tool

MACHINE SETUP

SQUEEGEE KIT ATTACHMENT (OPTIONAL)

FOR SAFETY: When servicing machine, unplug cord from wall outlet. Use manufacturer supplied or approved replacement parts.

1. Empty recovery tank.
2. Remove vacuum bags.
3. Tip machine on back.
4. Remove (2) bolts and washers located at bottom of machine.
5. Install squeegee mounting bracket (*supplied with kit*). Re-install bolts and washers (*Figure 1*).

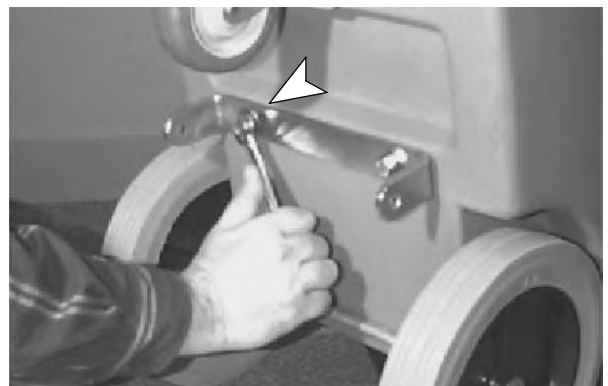


FIG. 1

6. Fasten squeegee to mounting bracket. Use (2) clevis and cotter pins provided (*Figure 2*).

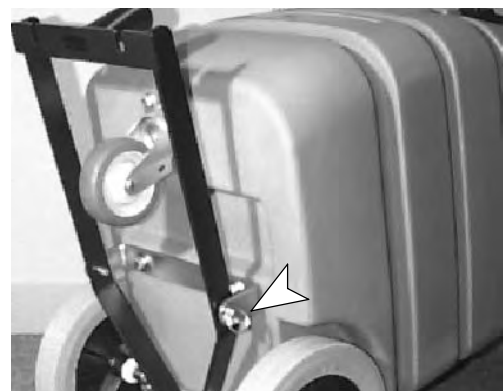


FIG. 2

7. Stand vacuum upright.

OPERATION

8. Insert spacer through hole in pedal as shown. Position pedal between two holes in bracket and slide hex head screw through bracket and pedal. Secure with washer and nut (Figure 3).

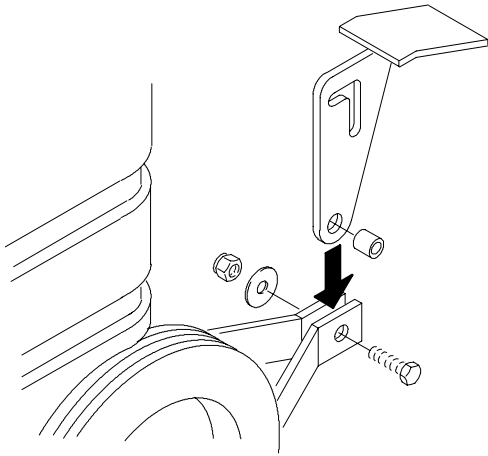


FIG. 3

9. Slide pedal between two mounting arms on back of machine. Align and insert clevis pin through arms and slot in pedal, secure with cotter pin (Figure 4).

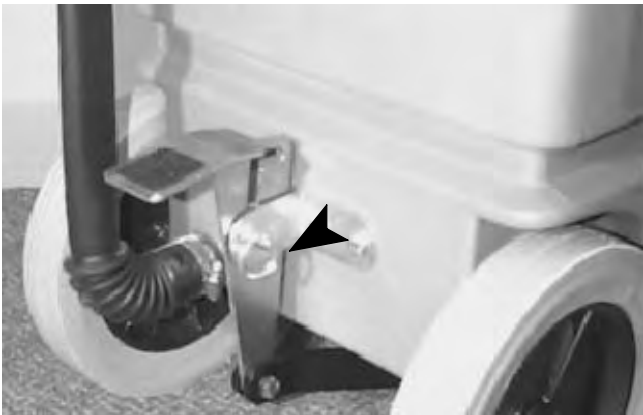


FIG. 4

10. Attach squeegee assembly to bracket. Use (2) thumb screws to secure (Figure 5).

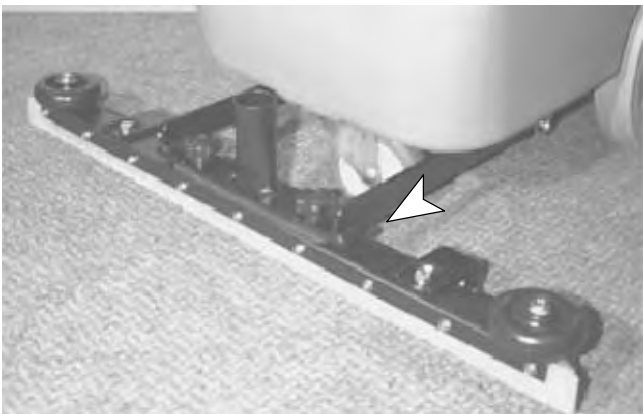


FIG. 5

11. Connect 46 in / 117 cm vacuum hose to squeegee assembly and on neck of machine lid (Figure 6).

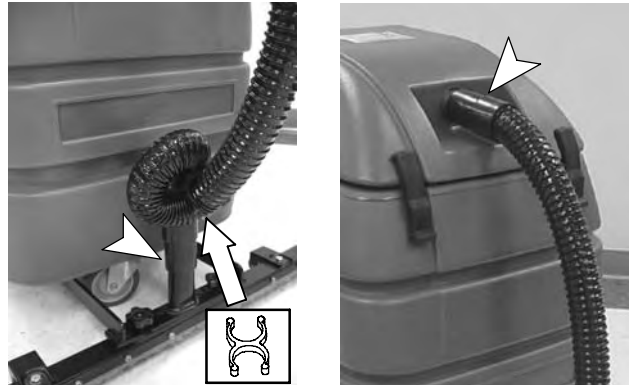


FIG. 6

ACCESSORY TOOL ATTACHMENT

1. Slide 10 ft / 3m vacuum hose over neck on vacuum lid.
2. Connect desired accessory tools to vacuum hose (Figure 7).



FIG. 7

MACHINE OPERATION

FOR SAFETY: Do not operate machine unless operator manual is read and understood.

Plug power cord into a grounded outlet (Figure 8).

⚠ WARNING: Do Not Operate With Damaged Power Cord. Do Not Modify Plug. Unplug Power Cord Before Servicing Machine

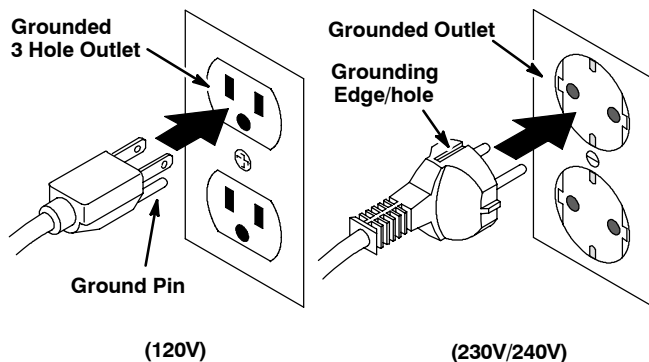


FIG. 8

FOR SAFETY: Do not operate machine unless cord is properly grounded.

FOR SAFETY: When using machine, do not pull cord around sharp edges or corners. Do not stretch cord. Do not close doors on cord. Do not unplug by pulling on cord. Keep cord away from heated surfaces.

WET VACUUMING

⚠ WARNING: Do Not Pick Up Flammable Or Toxic Materials, Burning Or Smoking Debris.

⚠ WARNING: Do Not Use Flammable Liquids Or Operate Machine In Or Near Flammable Liquids, Vapors Or Combustible Dusts.

This machine is not equipped with an explosion proof motor. The electric motor will spark upon start up and during operation which could cause a flash fire or explosion if machine is used in an area where flammable vapors/liquids or combustible dusts are present.

NOTE: Machine is equipped with a float that will automatically stop water intake when recovery tank becomes full. Empty tank immediately when flow has stopped. This will prevent any vacuum damage.

NOTE: Always check to ensure vacuum bag has been removed.

ATTENTION: If you are vacuuming up liquids that may cause foaming inside recovery tank, use a quality defoamer chemical to eliminate the foam. Foam will NOT shut off automatic float and will damage vacuum motor. Damage due to foam is NOT covered by warranty.

Squeegee Wet Vacuuming:

1. Hinge open recovery tank and remove vacuum bag from recovery tank (Figure 9).



FIG. 9

2. Lower squeegee to floor, lightly kick pedal forward to release from transport position (Figure 10).



FIG. 10

3. Turn on switch and begin vacuuming. Squeegee picks up water in both forward and reverse direction.

OPERATION

4. To raise squeegee, step downward on the pedal until pedal engages in transport position (Figure 11).

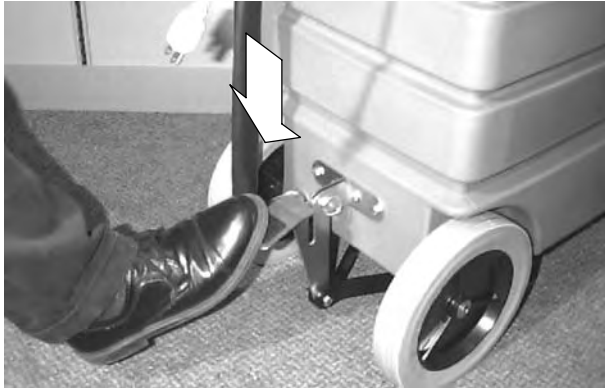


FIG. 11

Accessory Tool Wet Vacuuming:

1. Hinge open recovery tank and remove vacuum bag from recovery tank (Figure 9.).
2. Attach appropriate tool to vacuum hose and activate power switch. Operate tools as normal.

DRAINING RECOVERY TANK

1. Push machine to nearest floor drain.
2. Remove drain hose from holder and twist off knob and drain. Raise hose to stop flow of water.
3. When recovery tank is empty, open lid and rinse tank with clean water to prevent odor buildup.
4. Replace drain hose knob and return to holder (Figure 12).



FIG. 12

NOTE: Be certain drain hose knob is snug to prevent suction loss.

DRY VACUUMING

⚠ WARNING: Do Not Pick Up Flammable Or Toxic Materials, Burning Or Smoking Debris.

NOTE: Always check to ensure a vacuum bag is installed. Replace bag if damaged or full.

1. Place a cloth filter bag into recovery tank and make sure that edge seals properly against rim of tank (Figure 13).

NOTE: For easy debris disposal and to increase the life of cloth filter bag, place a paper vacuum bag inside cloth bag and tuck top of paper bag around outside rim of cloth bag.



FIG. 13

2. Close lid and fasten latches.
3. Activate switch and operate accessory tools as normal.

NOTE: Squeegee can be used to pick up fine particles (dust, sand, sawdust, etc...). Squeegee not recommended for ordinary pick up.

4. Check bag periodically for fullness. Empty bag at 3/4 full for best suction performance.

ATTENTION: Never use paper bag without cloth filter bag in place. Do not reuse paper bags, always dispose. Always make sure that bag is in place before dry vacuuming. Dry vacuuming without bag in place will damage vacuum motor. This damage is NOT covered by warranty.

MACHINE MAINTENANCE

To keep machine in good working condition, simply follow machine's recommended maintenance procedures.

⚠ WARNING: Unplug Power Cord Before Servicing Machine.

1. Clean secondary filter weekly. Tap or blow off dust buildup. **DO NOT** clean with water or solvent. Filter is located on the vacuum motor as shown. Replace filter as needed (*Figure 14*).



FIG. 14

2. Wash cloth filter bag by hand with a mild detergent as needed. Let bag dry thoroughly before replacing. This will restore your bag so you can maintain good suction performance.

ATTENTION: Clogged filters or vacuum hose will cause vacuum motor to overheat.

3. Clean ball float screen inside tank after every use. Lift float screen assembly out of tank (*Figure 15*). Be certain to replace screen securely .

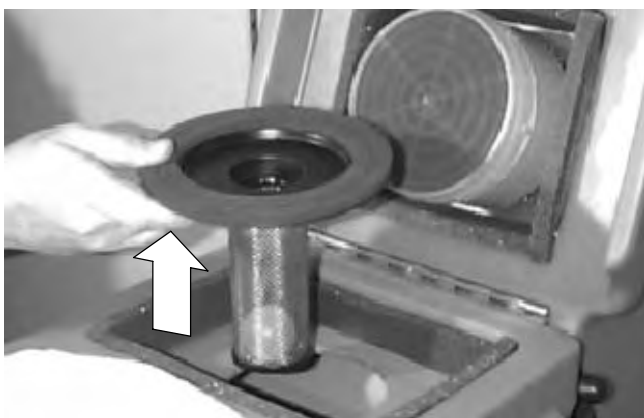


FIG. 15

ATTENTION: Always have ball float screen in place before vacuuming. During wet vacuuming, the float screen protects the vacuum motor from water overflows. During dry vacuuming, the float screen can provide limited protection to vacuum motor from larger debris in case filter bag breaks.

4. Once each month, spray ball bearings in front swivel caster with silicone spray.
5. Clean squeegee blades with a cloth whenever they start to leave streaks on the floor. Replace squeegee blades when they become worn.
6. Wipe machine housing with a cloth and mild detergent.
7. Inspect vacuum hose regularly for holes, loose cuffs or clogged debris.
8. Inspect power cord for damage, replace if damaged. Coil cord neatly after each use.

⚠ WARNING: Do Not Operate With Damaged Power Cord. Do Not Modify Plug. Unplug Power Cord Before Servicing Machines.

If the supply cord is damaged or broken, it must be replaced by the manufacturer or it's service agent or a similarly qualified person in order to avoid a hazard.

9. Monthly, check vacuum motor brushes for wear, replace brushes when 0.38 in / 10 mm or less in length.

FOR SAFETY: All repairs must be performed by a qualified service person.

STORING MACHINE

Before storing machine be certain to empty and rinse recovery tank of all debris or liquids. Store machine in a dry area with the squeegee removed. Hinge open recovery lid to promote air circulation. Do not allow machine to freeze.

⚠ WARNING: Do Not Use Outdoors. Do Not Expose To Rain. Store Indoors.

RECOMMENDED STOCK ITEMS

Refer to Parts List section for recommended stock items. Stock Items are clearly identified with a bullet preceding the parts description. See example below:

Ref.	Part No.	Description	Qty.
1	701103	ARM, STANDPIPE	1
2	180612	● FLOAT, SHUTOFF	1
3	230197	● NIPPLE	1
4	101714	● BASKET	1
5	210240	● NUT, FLANGED	1

OPERATION

TROUBLE SHOOTING

PROBLEM	CAUSE	SOLUTION
Machine does not run.	ON/OFF switch is OFF.	Turn switch to ON.
	Vacuum not plugged to wall outlet.	Plug power cord to wall outlet.
	Faulty ON/OFF switch.	Contact Service Center.
	Faulty Power Cord	Contact Service Center.
	Faulty wiring.	Contact Service Center.
	Building circuit breaker tripped.	Reset circuit breaker.
	Vacuum motor overheated.	Find obstruction. Cool motor for 20 minutes.
Machine has little or no suction.	Faulty vacuum motor.	Contact Service Center.
	Hose is clogged	Clear hose.
	Holes in hose.	Replace hose.
	Intake is clogged.	Remove hose and clear obstruction.
	Drain hose knob is loose or open.	Tighten drain knob.
	Lid is not securely latched.	Latch both latches down securely.
	Worn gasket which is leaking air.	Inspect all gaskets, replace if necessary.
Squeegee has poor pick up.	Recovery tank or bag is full.	Empty tank or bag.
	Debris is wedged under squeegee blade.	Wipe off squeegee blade.
	Squeegee blades are worn.	Replace squeegee blades.
	Vacuum hose on squeegee mount is loose.	Push vacuum hose on securely.
Recovery tank is full.	Empty tank.	

SPECIFICATIONS

MODEL NUMBERS	3500	3520
LENGTH	29 in / 740 mm	29 in / 740 mm
WIDTH	15.5 in / 390 mm	15.5 in / 390 mm
WEIGHT	44 lb / 20kg	44 lb / 20kg
VACUUM MOTOR	8.5 amps, 1.3 hp, 120V, 980 watts 5.0 amps, 1.5 hp, 230V, 1242 watts	10.7 amps, 1.7 hp, 120V, 1242 watts
POWER CORD LENGTH	50 ft / 15 m	50 ft / 15 m
SQUEEGEE PATH WIDTH (OPTIONAL)	27 in / 690 mm, 34 in / 840 mm, 40 in / 990 mm	27 in / 690 mm, 34 in / 840 mm, 40 in / 990 mm
WATER LIFT	92 in / 2340 mm	120 in / 3050 mm
TANK CAPACITY	15 gal / 57 L	15 gal / 57 L
VACUUM BAG CAPACITY	.3 bu	.3 bu
DECIBEL RATING AT OPERATOR'S EAR	80.5 dBA	80.5 dBA

Este manual se incluye en todos los modelos nuevos. Proporciona la información necesaria para su utilización y mantenimiento.

Lea todo el manual detenidamente para comprender la máquina antes de utilizarla o revisarla.

Use la Lista de Piezas incluida en este manual al ordenar piezas de repuesto. Antes de ordenar piezas o suministros, asegúrese de tener el número de modelo y el número de serie de su máquina. Las piezas y los suministros pueden ordenarse por teléfono o por correo de cualquier centro autorizado de piezas y servicios, distribuidor de piezas o de cualquier subsidiaria del fabricante.

Esta máquina proporcionará un servicio excelente. Sin embargo, los mejores resultados se obtienen a un costo mínimo si:

- La máquina se opera con un cuidado razonable.
- La máquina se mantiene con regularidad, según las instrucciones de mantenimiento provistas.
- La máquina se mantiene con las piezas provistas por el fabricante o equivalentes.

DATOS DE LA MÁQUINA

Por favor complete al momento de la instalación para referencia futura.

No. de Modelo- _____

Fecha de instalación - _____

No. de Serie- _____



PROTECCIÓN DEL MEDIO AMBIENTE

Deseche el material de embalaje, los componentes usados de la máquina como las baterías y los líquidos peligrosos como el anticongelante y el aceite, de forma segura para el medio ambiente, de acuerdo con las normativas o disposiciones locales.



No olvide reciclar.

ÍNDICE


NORMAS DE SEGURIDAD	12	MANTENIMIENTO DE LA MÁQUINA	18
INSTRUCCIONES PARA REALIZAR LA		ALMACENAMIENTO DE LA MÁQUINA	19
TOMA DE TIERRA	13	ARTÍCULOS RECOMENDADOS A MANTENER	
ADHESIVOS DE SEGURIDAD	13	EN EXISTENCIA	19
COMPONENTES DE LA MÁQUINA	14	RESOLUCIÓN DE PROBLEMAS	19
PREPARACIÓN DE LA MÁQUINA	14	ESPECIFICACIONES	20
JUEGO OPCIONAL DE RASQUETA		DIAGRAMAS ELECTRICAS	32
DE CAUCHO	14	LISTA DE PIEZAS	34
ACCESORIOS OPCIONALES	15	GRUPO DEL MANGO	34
FUNCIONAMIENTO DE LA MÁQUINA	16	GRUPO DEL TANQUE	36
ASPIRACIÓN DE LÍQUIDOS	16	KIT DE HERRAMIENTA ESTÁNDAR	38
ASPIRACIÓN DE LÍQUIDOS CON LA		OPCIONES	39
RASQUETA DE CAUCHO:	16	KIT DE HERRAMIENTA SECO MOJADO ...	39
ASPIRACIÓN DE LÍQUIDOS CON		KIT DE HERRAMIENTA MOJADO	40
ACCESORIOS:	17	CONJUNTO PALETA	41
PARA VACIAR EL TANQUE DE			
RECUPERACIÓN	17		
ASPIRACIÓN EN SECO	17		

NORMAS DE SEGURIDAD

Esta máquina es para el uso comercial. Se ha diseñado para aspiración húmeda/seca en un ambiente interior y no se construye para ningún otro uso. Use sólo las herramientas adicionales recomendadas.


Todos los operadores deben leer, entender y practicar las precauciones siguientes de seguridad.

El siguiente símbolo de alerta de advertencia y el encabezamiento de "PARA SEGURIDAD" se usan en este manual como se indica en su descripción:


 **ADVERTENCIA:** Para advertir de riesgos o prácticas inseguras que podrían resultar en lesiones personales graves o la muerte.


PARA SEGURIDAD: Para identificar acciones que deben seguirse para el funcionamiento seguro del equipo.

El no seguir estas advertencias puede resultar en: lesiones personales, electrocución, choque eléctrico, fuego o explosión.


 **ADVERTENCIA:** No use líquidos inflamables ni opere la máquina en o cerca de líquidos y vapores inflamables o polvos combustibles.

Esta máquina no está equipada con motores a prueba de explosión. Los motores eléctricos emiten chispas al arrancar y durante el funcionamiento lo que podría causar un fuego explosivo o explosión si la máquina se usa en una área donde están presentes vapores/líquidos inflamables o polvos combustibles.

 **ADVERTENCIA:** No recoja materiales tóxicos o inflamables ni residuos humeantes o ardiendo.

 **ADVERTENCIA:** No opere con un cordón eléctrico dañado. No modifique el enchufe. Desenchufe el cordón eléctrico antes de reparar la máquina.

Si el cordón del suministro se daña o se rompe, debe ser reemplazado por el fabricante o su agente de servicio o una persona similarmente calificada para evitar un riesgo.

 **ADVERTENCIA:** No use al aire libre o en superficies húmedas. No exponga a la lluvia. Almacene bajo techo.

La información siguiente señala condiciones potencialmente peligrosas para el operador o el equipo:

PARA SEGURIDAD:

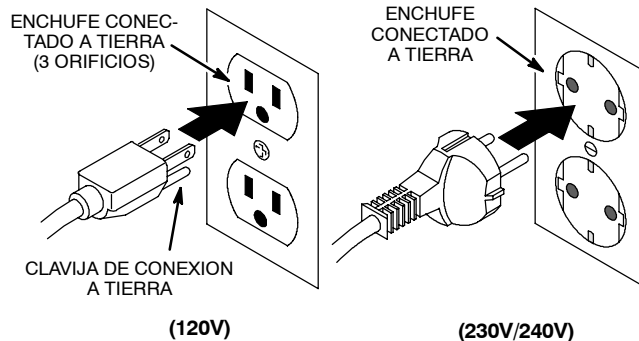
1. No opere la máquina:
 - Con líquidos inflamables o cerca de los vapores inflamables ya que puede ocurrir una explosión o fuego explosivo.
 - A menos que está capacitado y autorizado.
 - A menos que se haya leído y entendido el manual del funcionamiento.
 - A menos que el cordón se conecte apropiadamente a tierra.
 - Con un cordón o enchufe dañados.
 - Si no está en condición de ejecutar una operación apropiada.
 - En áreas al aire libre.
 - En agua estancada.
 - Sin haber colocado los filtros y/o la bolsa.
 - Sin bolsa del polvo en lugar (Modelos fijos de la cuerda).
 - Con cables alargadores adicionales (Modelos desmontables de la cuerda). Utilice únicamente los alargadores proporcionados por el fabricante junto a la máquina para asegurarse de que presentan la capacidad y toma de tierra adecuadas.
2. Antes de arrancar la máquina:
 - Asegúrese que todos los dispositivos de seguridad están en su lugar y operando apropiadamente.
3. Al usar máquina:
 - No pase la máquina encima del cordón.
 - No tire de la máquina por el enchufe o el cordón.
 - Evite pasar el cable por bordes agudos o esquinas.
 - No cierra las puertas sobre el cordón.
 - No desenchufe tirando del cordón.
 - No estire el cordón.
 - No maneje el enchufe con las manos húmedas.
 - Mantenga el cordón lejos de las superficies calientes.
 - No recoja restos ardiendo o humeantes como cigarrillos, cerillas o cenizas calientes.
 - Nunca permita que los niños jueguen en o alrededor de la máquina.
 - Informe inmediatamente acerca de daños o un funcionamiento defectuoso.

4. Antes de salir de o reparar la máquina:

- Apague la máquina.
- Desenchufe cordón del tomacorriente de la pared.

INSTRUCCIONES PARA REALIZAR LA TOMA DE TIERRA

La máquina debe estar conectada a una toma de tierra. En caso de funcionamiento incorrecto o avería de la máquina, la toma de tierra proporciona el camino de menor resistencia a la corriente eléctrica reduciendo de este modo el riesgo de descarga eléctrica. La máquina está equipada con un cable y enchufe con toma de tierra. Conecte el enchufe en un enchufe apropiado correctamente instalado de acuerdo con los normas y ordenanzas locales.



ADHESIVOS DE SEGURIDAD

Los adhesivos de seguridad se encuentran en la posición indicadas a continuación. Sustituya los adhesivos deteriorados o ilegibles.

ADHESIVO DE ADVERTENCIA – Situado en la parte trasera de la máquina.

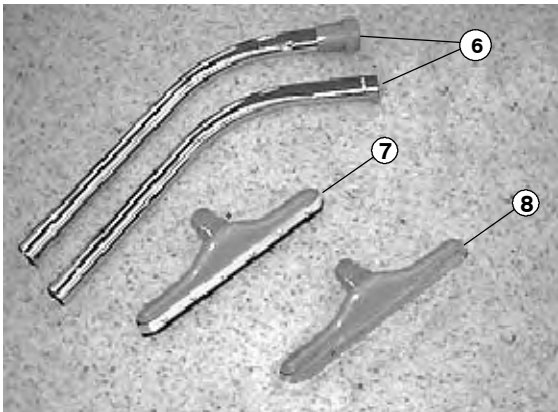
⚠️ WARNING	⚠️ AVERTISSEMENT	⚠️ ADVERTENCIA
<p>EXPLOSION, FIRE AND SHOCK HAZARD. AVOID INJURY.</p> <ul style="list-style-type: none"> • Do Not Use Near Flammable Liquids, Vapors or Combustible Dusts. • Do Not Pick Up Flammable or Toxic Materials and Burning Debris. • Do Not Operate With Damaged Power Cord. Do Not Modify Plug. Unplug Power Cord Before Servicing Machine. • Do Not Use Outdoors. Do Not Expose to Rain. Store Indoors. 	<p>RISQUE D'EXPLOSION, D'INCENDIE ET DE DECHARGE. ÉVITEZ LES BLESSURES.</p> <ul style="list-style-type: none"> • N'utilisez Pas Près de Liquides, Vapeurs ou Poussières Inflammables. • Ne Ramassez Pas de Matériaux Inflammables ou Toxiques et de Déchets Enflammables. • N'utilisez Pas la Machine Avec un Cordon d'Alimentation Endommagé. Ne Modifiez Pas la Prise. Débranchez le Cordon d'Alimentation Avant d'Entretien la Machine. • N'utilisez Pas en Extérieur. N'Exposez Pas à la Pluie. Entrezposez à l'Intérieur. 	<p>PELIGRO DE EXPLOSIÓN, FUEGO, DESCARGA EVITE LESIONES.</p> <ul style="list-style-type: none"> • No Use Cerca De Líquidos Flamables, Vapores O Materiales Combustibles. • No Recoja Materiales Flamables O Tóxicos Ni Desechos Caudentes. • No Use Con Cable De Corriente Dañado. No Altere El Enchufe. Desconecte Cable De Corriente Antes Del Mantenimiento. • No Use Al Aire Libre. No Exponga A La Lluvia. Guarde Bajo Techo.



OPERACIÓN

COMPONENTES DE LA MAQUINA

1. Revise si la caja tiene señales de estar dañada. Reporte cualquier daño al transportista.
2. Revise el contenido de la caja para asegurarse de que contenga todos los accesorios. Póngase en contacto con el distribuidor en caso de no haber recibido todos los accesorios.



1. 1 - Machine
2. 1 - Manguera de aspiración de 10 pies / 3 m - para ser utilizada con los accesorios
3. 1 - Bolsa recolectora de papel
4. 1 - Bolsa recolectora de tela
5. 1 - Cable de corriente de 50 pies / 15 m
6. 1- Tubo de aluminio de 2 codos
7. 1 - Juego de rasqueta de caucho de 14 pulg / 355mm
8. 1 - Boca De Aspir. 16 pulg / 406 mm

PREPARACIÓN DE LA MÁQUINA

JUEGO OPCIONAL DE RASQUETA DE CAUCHO

PARA SU SEGURIDAD: Desenchufe la máquina antes de revisarla. Utilice repuestos suministrados o aprobados por el fabricante.

1. Vacíe el tanque de recuperación.
2. Saque las bolsas recolectoras.
3. Inclíne la máquina hacia atrás.
4. Saque (2) pernos y arandelas que están en la parte inferior de la máquina.
5. Instale la ménsula de montaje de la rasqueta de caucho (incluida con el juego). Vuelva a colocar los pernos y las arandelas (Figura 1).

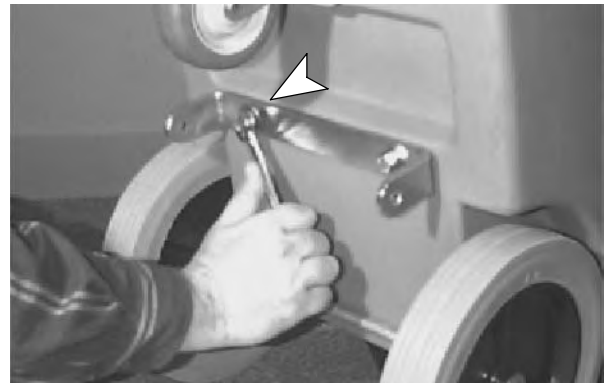


FIG. 1

6. Fije la rasqueta de caucho en la ménsula de montaje. Use (2) pasadores (Figura 2).



FIG. 2

7. Coloque la aspiradora en posición vertical.

- Introduzca un espaciador en el orificio del pedal como se muestra. Coloque el pedal entre los dos orificios en la ménsula e introduzca el tornillo de cabeza hexagonal a través de la ménsula y del pedal. Fíjelo con una arandela y una tuerca (Figura 3).

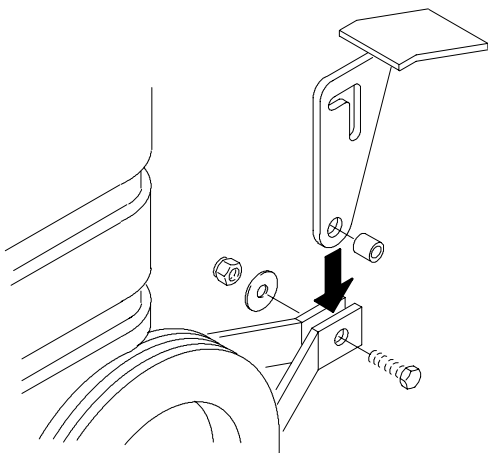


FIG. 3

- Introduzca el pedal entre los dos brazos de montaje en la parte posterior de la máquina. Alinee e introduzca el pasador a través de los brazos y la ranura del pedal (Figura 4).

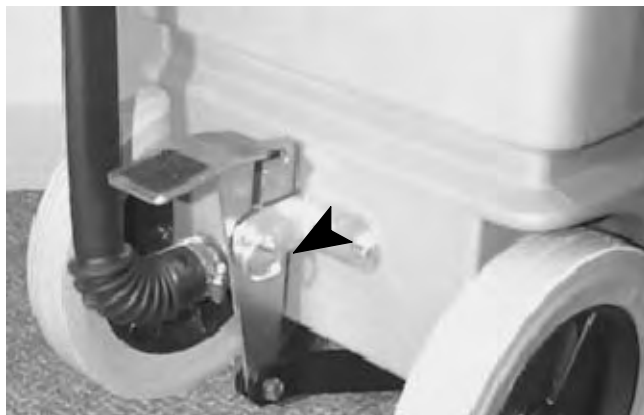


FIG. 4

- Una el conjunto de la rasqueta de caucho a la ménsula. Use (2) tornillos de mariposa para fijarlo (Figura 5).

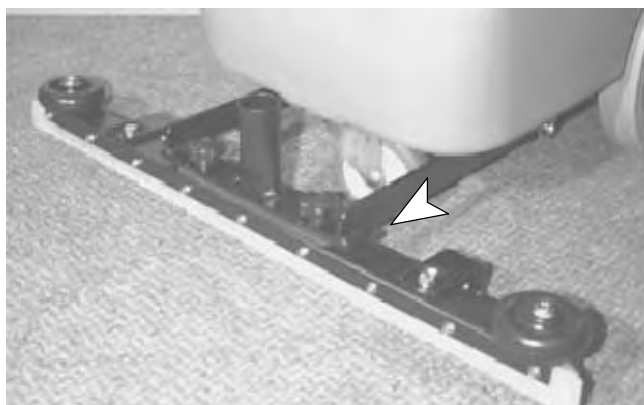


FIG. 5

- Conecte la manguera de aspiración de 46 pulg / 117 cm al conjunto de la rasqueta de caucho y al cuello de la tapa de la máquina (Figura 6).

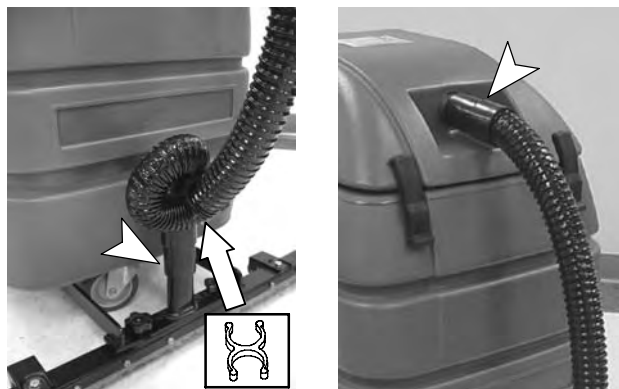


FIG. 6

ACCESORIOS OPCIONALES

- Introduzca una manguera de aspiración de 10 pies / 3 m en el cuello de la tapa de la aspiradora.
- Conecte el accesorio opcional deseado a la manguera de aspiración (Figura 7).



FIG. 7

OPERACIÓN

FUNCIONAMIENTO DE LA MÁQUINA

PARA SU SEGURIDAD: No utilice la máquina salvo que haya leído y comprendido el manual del operario.

Conecte el cable eléctrico en un tomacorriente que tenga conexión a tierra (Figura 8).

⚠ ADVERTENCIA: No utilice la máquina si el cable eléctrico está deteriorado. No modifique el enchufe. Desconecte el cable eléctrico antes de revisar la máquina.

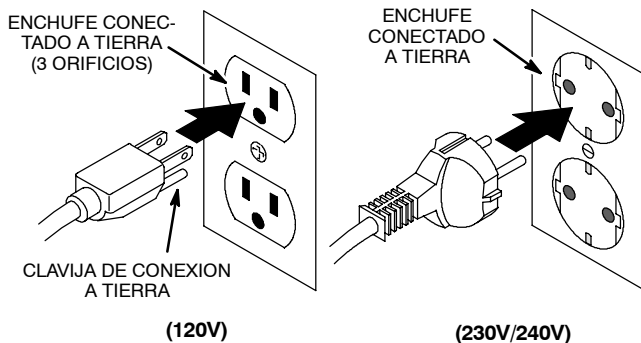


FIG. 8

PARA SU SEGURIDAD: No utilice la máquina salvo que el cable eléctrico esté conectado a una toma de tierra que funcione correctamente.

PARA SU SEGURIDAD: Evite pasar el cable por bordes agudos o esquinas cuando utilice la máquina. No estire demasiado el cable. Tenga cuidado de no pillar el cable eléctrico al cerrar puertas. No desenchufe la máquina tirando del cable. Mantenga el cable alejado de superficies calientes.

ASPIRACIÓN DE LÍQUIDOS

⚠ ADVERTENCIA: No recoja materiales tóxicos o inflamables ni residuos humeantes o ardiendo.

⚠ ADVERTENCIA: No aspire líquidos inflamables, ya que éstos pueden causar explosiones o incendios.

NOTA: Esta máquina está equipada con un flotador que detiene automáticamente la entrada de agua cuando se llena el tanque de recuperación. Vacíe el tanque de inmediato cuando se detenga el flujo de agua. Esto evita daños al sistema de aspiración.

NOTA: Siempre revise para asegurarse de haber quitado la bolsa.

ATENCIÓN: Si está aspirando líquidos que pudieran causar espuma dentro del tanque de recuperación, utilice un producto químico que evita la formación de espuma para eliminarla. La espuma NO cierra el flotador automático, y ocasiona daños al motor del sistema de aspiración. Los daños causados por espuma NO están cubiertos por la garantía.

Aspiración De Líquidos Con La Rasqueta De Caucho:

1. Abra la tapa del tanque de recuperación y saque la bolsa recolectora del tanque (Figura 9).



FIG. 9

2. Baje la rasqueta de caucho al piso, empuje ligeramente el pedal hacia adelante para soltar la rasqueta de su posición de transporte (Figura 10).

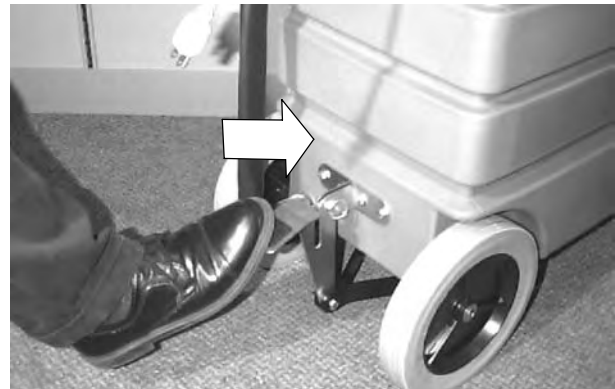


FIG. 10

3. Encienda la máquina con el interruptor de encendido y comience a aspirar. La rasqueta de caucho aspira el líquido al moverse tanto hacia adelante como hacia atrás.

- Para subir la rasqueta de caucho, oprima el pedal hacia abajo hasta que la rasqueta quede fija en la posición de transporte (Figura 11).

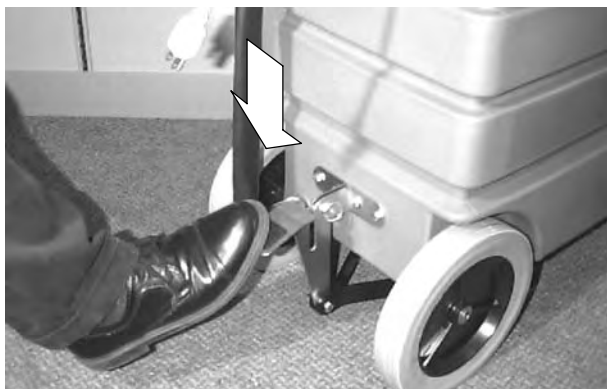


FIG. 11

Aspiración De Líquidos Con Accesorios:

- Abra la tapa del tanque de recuperación y saque la bolsa recolectora (Figura 9).
- Coloque el accesorio adecuado en la manguera de aspiración y encienda la máquina con el interruptor de encendido. Use los accesorios en forma normal.

PARA VACIAR EL TANQUE DE RECUPERACIÓN

- Lleve la máquina a la coladera más cercana.
- Saque la manguera de descarga de su soporte, gire el tapón roscado y vacíe. Levante la manguera para detener el flujo de agua.
- Cuando el tanque de recuperación esté vacío, abra la tapa y enjuague el tanque con agua limpia para evitar los malos olores.
- Vuelva a colocar el tapón roscado en la manguera de descarga y vuelva a colocar la manguera en el soporte (Figura 12).



FIG. 12

NOTA: Asegúrese de que el tapón roscado de la manguera de descarga quede apretado para evitar pérdidas de succión.

ASPIRACIÓN EN SECO

⚠ ADVERTENCIA: No recoja materiales tóxicos o inflamables ni residuos humeantes o ardiendo.

NOTA: Siempre revise que haya una bolsa recolectora en la máquina. Cambie la bolsa si está dañada o llena.

- Coloque una bolsa recolectora de tela en el tanque de recuperación y asegúrese de que la orilla selle correctamente contra la orilla del tanque (Figura 13).

NOTA: Para poder desechar fácilmente la basura y para que la bolsa recolectora de tela dure más tiempo, coloque una bolsa recolectora de papel dentro de la bolsa de tela y meta la orilla superior de la bolsa de papel alrededor del anillo exterior de la bolsa de tela.



FIG. 13

- Cierre la tapa y los pestillos.
- Encienda el interruptor y use los accesorios en forma normal.

NOTA: Se puede utilizar la rasqueta de caucho para recoger partículas finas (polvo, arena, aserrín, etc.). No se recomienda usar la rasqueta de caucho para recoger basura normal.

- Revise la bolsa periódicamente para ver si está llena. Vacíe la bolsa cuando se llene a 3/4 de su capacidad, para que la máquina aspire mejor.

ATENCIÓN: Nunca usa una bolsa recolectora de papel sin tener la bolsa recolectora de tela en su lugar. No use varias veces la misma bolsa de papel. Siempre deséchelas. Asegúrese de que haya una bolsa en su lugar antes de aspirar en seco. Al aspirar en seco sin una bolsa en su lugar se daña el motor de la aspiradora. Estos daños NO están cubiertos por la garantía.

MANTENIMIENTO DE LA MÁQUINA

Para mantener la máquina en buenas condiciones de funcionamiento bastará realizar las operaciones de mantenimiento diarias, semanales o mensuales de la máquina

⚠ ADVERTENCIA: Desconecte el cable eléctrico antes de revisar la máquina.

1. Limpie el filtro secundario semanalmente. Golpéelo ligeramente o sople para eliminar el polvo acumulado. NO limpie el filtro con agua o con algún solvente. El filtro debe estar en el motor de aspiración como se muestra. Cambie el filtro cuando sea necesario. (Figura 14)



FIG. 14

2. Lave la bolsa recolectora de tela a mano con un detergente ligero, según sea necesario. Deje que la bolsa se seque por completo antes de volver a colocarla. De esta forma mantiene una buena succión.

ATENCIÓN: El motor sufrirá una sobrecarga si los filtros o la manguera de aspiración están bloqueados.

3. La rejilla del flotador del tanque de recuperación debe ser limpiada diariamente. Saque el conjunto de la malla del flotador de cierre levantándolo fuera del tanque (Figura 15). Asegúrese de volver a colocar la malla de forma que quede fija.

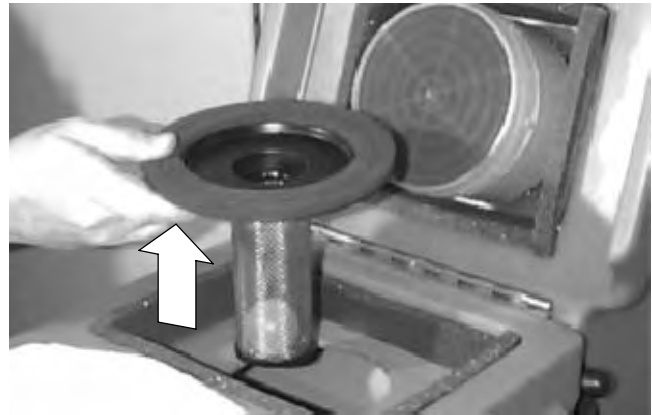


FIG. 15

ATENCIÓN: Siempre debe haber una malla del flotador de cierre en su lugar antes de aspirar. Mientras aspira líquidos, la malla del flotador protege al motor de aspiración contra el agua. Mientras aspira en seco, la malla del flotador de cierre puede ofrecer cierta protección al motor de aspiración contra partículas grandes, en caso de que la bolsa recolectora de tela llegara a romperse.

4. Una vez al mes, rocíe los rodamientos de bolas en las rueditas orientables delanteras con silicona.
5. Limpie las hojas del conjunto de la rasqueta de caucho con un trapo siempre que comiencen a dejar marcas en el piso. Cambie las hojas cuando se desgasten.
6. Limpie el exterior de la máquina con un trapo y una solución ligera de detergente.
7. Revise regularmente si la manguera de aspiración tiene orificios, extremos sueltos o basura atorada.
8. Controle si el cable eléctrico está deteriorado, sustitúyalo si así fuera. Guarde el cable enrollado después de cada uso.

⚠ ADVERTENCIA: No opere con un cordón eléctrico dañado. No modifique el enchufe. Desenchufe el cordón eléctrico antes de reparar la máquina.

Si el cordón del suministro se daña o se rompe, debe ser reemplazado por el fabricante o su agente de servicio o una persona similarmente calificada para evitar un riesgo.

9. Mensualmente, revise las escobillas del motor de aspiración para ver si están desgastadas. Cámbielas cuando midan menos de 0.38 plg / 10 mm de largo.

PARA SU SEGURIDAD: Todas las reparaciones deben ser realizadas por una persona de servicio calificada.

ALMACENAMIENTO DE LA MÁQUINA

Antes de almacenar la máquina, asegúrese de vaciar y enjuagar el tanque de recuperación. Almacene la máquina en una área seca sin el conjunto de la rasqueta de caucho. Abra la tapa del tanque de recuperación para que circule el aire. No permita que la máquina llegue a congelarse.

⚠ ADVERTENCIA: No use al aire libre o en superficies húmedas. No exponga a la lluvia. Almacene bajo techo.

ARTÍCULOS RECOMENDADOS A MANTENER EN EXISTENCIA

Para los artículos recomendados a mantener en existencia, refiérase a la sección de Lista de Piezas. Los artículos para mantener en existencia están claramente identificados con una bala que precede a la descripción de las piezas. Vea el ejemplo de abajo:

Ref.	Part No.	Description	Qty.
1	201193	ASM, STANDPIPE	1
2	160612	● FLOAT, SHUTOFF	1
3	230197	NIPPLE	1
4	101714	● GASKET	1
5	210240	NUT, FLANGED	1

RESOLUCIÓN DE PROBLEMAS

PROBLEMA	CAUSA	SOLUCIÓN
La máquina no funciona.	El interruptor de encendido está en la posición de apagado (OFF).	Cologue el enterruptor en la posición de encendido (ON).
	La aspiradora no está conectada en un tomacorriente.	Conecte la máquina a un tomacorriente.
	No funciona el interruptor de encendido.	Llame al centro de servicio.
	El cableado está defectuoso.	Llame al centro de servicio.
	El cable de corriente está defectuoso.	Llame al centro de servicio.
	El cortacircuito automático del edificio se abrió.	Restablezca el circuito.
	El motor de aspiración se sobrecalentó.	Busque alguna obstrucción. Deje que el motor se enfríe durante 20 minutos.
	El motor de aspiración está defectuoso.	Llame al centro de servicio.
La máquina no aspira o tiene muy baja succión.	La manguera está tapada.	Destape la manguera.
	La manguera tiene orificios.	Cambie la manguera.
	La entrada está tapada.	Quite la manguera y limpie la obstrucción.
	El tapón roscado de la manguera de descarga está suelto o abierto.	Apriete el tapón roscado.
	Algún empaque, o junta obturadora, está desgastado y se fuga el aire.	Revise todos los empaques, o juntas obturadoras, y cámbielos si es necesario.
	El tanque de recuperación o la bolsa están llenos.	Vacíe el tanque o la bolsa.
El conjunto de la rasqueta de caucho no recoge bien.	Hay basura atorada bajo la hoja de la rasqueta.	Limpie la hoja.
	Las hojas están desgastadas.	Cambie las hojas.
	La manguera de aspiración en la rasqueta de caucho está suelta.	Fije la manguera en la rasqueta.
	El tanque de recuperación está lleno.	Vacíe el tanque.

OPERACIÓN

ESPECIFICACIONES

MODELO NUMERO	3500	3520
LONGITUD	29 pulg / 740 mm	29 pulg / 740 mm
ANCHURA	15.5 pulg / 390 mm	15.5 pulg / 390 mm
PESO	44 lb / 20kg	44 lb / 20kg
MOTOR DE ASPIRACIÓN	8.5 amps, 1.3 hp, 120V, 980 watts 5.0 amps, 1.5 hp, 230V, 1242 watts	10.7 amps, 1.7 hp, 120V, 1242 watts
LONGITUD DE CABLE DE CORRIENTE	50 ft / 15 m	50 ft / 15 m
ANCHURA DE EL JUEGO DE RASQUETA DE CAUCHO (OPCIONAL)	27 pulg / 690 mm, 34 pulg / 840 mm, 40 pulg / 990 mm	27 pulg / 690 mm, 34 pulg / 840 mm, 40 pulg / 990 mm
ELEVACIÓN DE AGUA	92 pulg / 2340 mm	120 pulg / 3050 mm
CAPADIDAD DEL TANQUE DE RECUPERACIÓN	15 gal / 57 L	15 gal / 57 L
CAPIDAD DE BOLSA DE ASPIRACIÓN	.3 bu	.3 bu
NIVEL DE RUIDO EN DECIBELIOS A LA ALTURA DEL OPERARIO	80.5 dBA	80.5 dBA

Ce manuel est fourni avec chaque nouveau modèle. Il fournit les instructions nécessaires au fonctionnement et à l'entretien.

Lisez complètement ce manuel et familiarisez-vous avec la machine avant de l'utiliser ou de l'entretenir.

Une liste complète de pièces détachées avec illustrations accompagne également chaque nouveau modèle. Utilisez la liste de pièces détachées pour commander des pièces de rechange. Avant de commander des pièces ou des fournitures, soyez sûr d'avoir avec vous le numéro de modèle de la machine et le numéro de série. Les pièces et les fournitures se commandent par téléphone ou par courrier auprès de tout centre de dépannage agréé, de tout distributeur ou de l'une des filiales du fabricant.

Cette machine vous fournira d'excellents services. Toutefois, vous obtiendrez les meilleurs résultats pour un prix de revient minimum si:

- La machine est manipulée avec un certain soin.
- La machine fait l'objet d'un entretien régulier conformément aux instructions d'entretien de ce manuel.
- L'entretien de la machine est effectué avec des pièces fournies par le fabricant ou des pièces équivalentes.

DONNÉES DE LA MACHINE

A remplir au moment de l'installation à titre de référence.

Modèle n° _____

Date d'installation - _____

N° série - _____



PROTECTION DE L'ENVIRONNEMENT

Veillez éliminer les matériaux d'emballage, les composants d'anciennes machines comme les batteries, les fluides dangereux tels que l'antigel ou l'huile, d'une manière sûre au point de vue environnemental, suivant la réglementation locale en vigueur en matière d'élimination des déchets.



N'oubliez pas de toujours recycler.

TABLE DES MATIÈRES

MESURES DE SÉCURITÉ	22	ENTRETIEN DE LA MACHINE	28
INSTRUCTIONS DE MISE À LA TERRE ...	23	ENTREPOSAGE DE LA MACHINE	29
ÉTIQUETTE DE MISE EN GARDE	23	ARTICLES DE STOCK RECOMMANDÉS	29
COMPOSANTS DE LA MACHINE	24	DÉPISTAGE DES PANNES	30
MISE EN SERVICE DE LA MACHINE	24	DONNÉES TECHNIQUES	31
KIT DE RACLOIR ACCESSOIRE (OPTION)	24	SYSTÈM ÉLECTRIQUE	32
ACCESSOIRE	25	LISTE DES PIÈCES	34
FONCTIONNEMENT DE L'APPAREIL	26	GROUPE DE POIGNÉE	34
ASPIRATION EN MILIEU HUMIDE	26	GROUPE DE RÉSERVOIR	36
ASPIRATION HUMIDE AVEC RACLOIR: ...	26	OUTIL DE PLANCHER	38
ASPIRATION EN MILIEU HUMIDE AVEC		ÉQUIPEMENT AU CHOIX	39
ACCESSOIRE:	27	KIT SEC HUMIDE D'OUTIL	39
VIDANGE DU RÉSERVOIR DE		KIT HUMIDE D'OUTIL	40
RÉCUPÉRATION	27	GROUPE DE LA RACLETTE	41
ASPIRATION À SEC	27		

MESURES DE SÉCURITÉ

Cette machine est conçue pour un usage commercial. Elle est conçue pour une aspiration à sec/humide dans un environnement intérieur et ne convient pas à un quelconque autre usage. Utilisez uniquement les accessoires recommandés.


Tous les opérateurs sont tenus de lire et comprendre les consignes de sécurité suivantes et de se familiariser avec celles-ci.

Le symbole de mise en garde suivant et l'en-tête « POUR VOTRE SECURITE » sont utilisés tout au long de ce manuel comme indiqué dans leur description:


 **MISE EN GARDE** : identifie la présence de dangers ou les opérations dangereuses susceptibles de blesser grièvement ou de provoquer la mort.


POUR VOTRE SECURITÉ : identifie les instructions qui doivent être suivies afin de garantir la sécurité lors de l'utilisation de l'équipement.

Le fait d'ignorer ces avertissements peut entraîner : des blessures personnelles, une électrocution, un choc électrique, un incendie ou une explosion.

 **MISE EN GARDE** : N'utilisez pas de liquides inflammables ou n'utilisez pas la machine dans ou près de liquides ou vapeurs inflammables ou poussières combustibles.

Cette machine n'est pas équipée d'un moteur protégé contre les explosions. Le moteur électrique émet des étincelles au moment du démarrage et pendant son fonctionnement, ce qui peut entraîner un incendie instantané ou une explosion si la machine est utilisée dans une zone où des vapeurs/liquides inflammables ou des poussières combustibles, sont présents.

 **MISE EN GARDE** : Ne ramassez pas de matériaux inflammables ou toxiques, de déchets enflammés ou fumants.

 **MISE EN GARDE** : N'utilisez pas la machine avec un cordon d'alimentation endommagé. Ne modifiez pas la prise. Débranchez le cordon d'alimentation avant d'entretenir la machine.

Si le cordon d'alimentation est endommagé ou rompu, il doit être remplacé par le fabricant ou son agent de maintenance ou toute autre personne qualifiée, afin d'éviter tout danger.

 **MISE EN GARDE** : N'utilisez pas en extérieur. N'exposez pas à la pluie. Entreposez à l'intérieur.

Les signaux d'information ci-après indiquent les situations potentiellement dangereuses pour l'opérateur ou l'équipement :

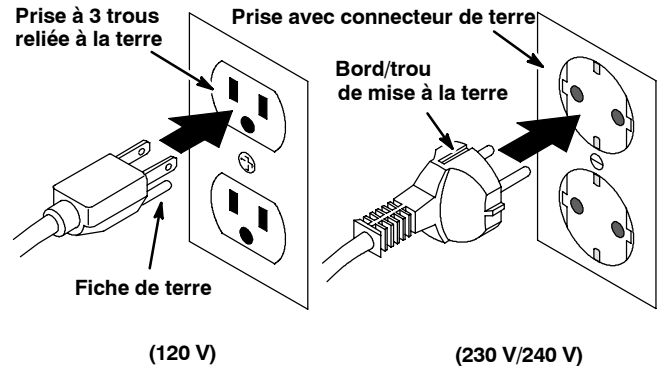
POUR VOTRE SECURITÉ :

1. N'utilisez pas la machine :
 - avec des liquides inflammables ou près de vapeurs inflammables, afin d'éviter le risque d'explosion ou d'incendie instantané.
 - Si vous n'y êtes pas formé et autorisé.
 - Avant d'avoir lu et compris le manuel opérateur.
 - Si le cordon n'est pas correctement relié à la terre.
 - Avec des cordons ou prises endommagés.
 - Si elle n'est pas en bon état de marche.
 - À l'extérieur.
 - Dans l'eau stagnante.
 - Sans sac et/ou filtres dans la machine.
 - Avec une rallonge. (Modèles à cordon fixe)
 - Avec des rallonges de cordons supplémentaires (Modèles à cordon détachable). Utilisez uniquement les rallonges de cordons équipées avec la machine ; celles-ci possèdent la capacité adéquate et sont reliées à la terre.
2. Avant de mettre en marche la machine :
 - Assurez-vous que tous les dispositifs de sécurité se trouvent à leur place et fonctionnent correctement.
3. Lors de l'utilisation de la machine :
 - Ne roulez pas sur le cordon avec l'appareil.
 - Ne tirez pas la machine par la prise ou le cordon.
 - Ne tirez pas le cordon près des bords ou des coins vifs.
 - Ne fermez pas de portes sur le cordon.
 - Ne débranchez pas l'appareil en tirant sur le cordon.
 - N'étirez pas le cordon.
 - Ne manipulez pas la prise avec des mains mouillées.
 - Éloignez le cordon des surfaces chaudes.
 - Ne ramassez pas de déchets enflammés ou fumants, comme des cigarettes, des allumettes ou des cendres chaudes.
 - Empêchez les enfants de jouer à proximité de la machine.

- Signalez immédiatement tout dommage occasionné à la machine ou tout mauvais fonctionnement.
4. Avant de quitter ou d'entretenir la machine :
- Coupez le contact de la machine.
 - Débranchez le cordon de la prise murale.
5. Lors de l'entretien de la machine :
- Débranchez le cordon de la prise murale.
 - Utilisez des pièces de rechanges fournies ou agréées par le fabricant.
 - Toutes les réparations doivent être effectuées uniquement par un technicien qualifié.
 - Ne modifiez pas le design d'origine de la machine.
6. Lors du transport de la machine :
- Demandez de l'aide pour soulever la machine.
 - Débranchez le cordon de la prise murale.
 - Utilisez des sangles pour arrimer la machine sur le camion ou la remorque.

INSTRUCTIONS DE MISE À LA TERRE

La machine doit être mise à la terre. En cas de dysfonctionnement ou de panne, la mise à la terre offre une voie de moindre résistance au courant électrique, afin de réduire le risque de décharge électrique. Cette machine est équipée d'un cordon muni d'un conducteur de terre principale et d'une fiche avec mise à la terre. La fiche doit être branchée sur une prise appropriée montée correctement, conformément aux réglementations et codes en vigueur au niveau local. Ne supprimez pas la fiche de mise à la terre; si celle-ci manque, remplacez la prise avant d'utiliser la machine.



ÉTIQUETTE DE MISE EN GARDE

L'étiquette de mise en garde se trouve sur la machine à l'endroit indiqué. Remplacez l'étiquette lorsqu'elle est endommagée ou qu'elle devient illisible.

ETIQUETTE MISE EN GARDE – Située au dos de la machine.

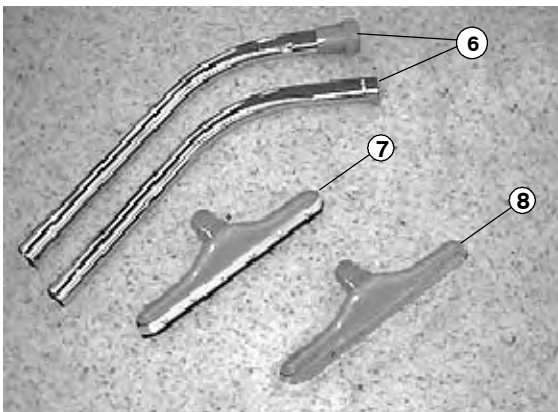
⚠ WARNING	⚠ AVERTISSEMENT	⚠ ADVERTENCIA
<p>EXPLOSION, FIRE AND SHOCK HAZARD. AVOID INJURY.</p> <ul style="list-style-type: none"> • Do Not Use Near Flammable Liquids, Vapors or Combustible Dusts. • Do Not Pick Up Flammable or Toxic Materials and Burning Debris. • Do Not Operate With Damaged Power Cord. Do Not Modify Plug, Unplug Power Cord Before Servicing Machine. • Do Not Use Outdoors. Do Not Expose to Rain. Store Indoors. 	<p>RISQUE D'EXPLOSION, D'INCENDIE ET DE DECHARGE. ÉVITEZ LES BLESSURES.</p> <ul style="list-style-type: none"> • N'utilisez Pas Près de Liquides, Vapeurs ou Poussières Inflammables. • Ne Ramassez Pas de Matériaux Inflammables ou Toxiques et de Déchets Enflammés. • N'utilisez Pas la Machine Avec un Cordon d'Alimentation Endommagé. Ne Modifiez Pas la Prise. Débranchez le Cordon d'Alimentation Avant d'Entretien la Machine. • N'utilisez Pas en Extérieur. N'Exposez Pas à la Pluie. Entrezposez à l'Intérieur. 	<p>PELIGRO DE EXPLOSION, FUEGO, DESCARGA EVITE LESIONES.</p> <ul style="list-style-type: none"> • No Use Cerca De Líquidos Flammables, Vapores O Materiales Combustibles Ni Desechos Casdentes. • No Recoja Materiales Flammables O Tóxicos Ni Desechos Casdentes. • No Use Con Cable De Corriente Dañado. No Altere El Enchufe. Desconecte Cable De Corriente Antes Del Mantenimiento. • No Use Al Aire Libre. No Exponga A La Lluvia. Guarde Bajo Techo.



FONCTIONNEMENT

COMPOSANTS DE LA MACHINE

1. Vérifiez si le carton ne présente pas de dommages. Signalez immédiatement tout dommage au transporteur.
2. Vérifiez le contenu du carton pour vous assurer que tous les accessoires sont présents. Contactez le distributeur pour tout élément manquant.



1. 1 - Machine
2. 1 - tuyau d'aspiration de 3 m - utilisé avec les accessoires
3. 1 - Sac aspirateur en papier
4. 1 - Sac aspirateur en tissu
5. 1 - Cordon d'alimentation de 15 m
6. 1 Tube chromé à raccord courbe double en deux pièces
7. 1 - Racleire à pousser/tirer de 355 mm
8. 1 - Outil de moquette de 406 mm

MISE EN SERVICE DE LA MACHINE

KIT DE RACLOIR ACCESSOIRE (OPTION)

POUR VOTRE SECURITÉ : Quand vous entretenez la machine, débranchez le cordon de la prise murale. Utilisez des pièces de rechanges fournies ou agréées par le fabricant.

1. Videz le réservoir de récupération.
2. Retirez les sacs aspirateur.
3. Basculez la machine en arrière.
4. Retirez les (2) boulons et les rondelles situés sur le fond de la machine.
5. Installez le support de montage du racloir (*fourni avec le kit*). Réinstallez les boulons et les rondelles (*Figure 1*).



FIG. 1

6. Fixez le racloir sur le support de montage. Utilisez (2) les vis à œillet et goupilles fendues fournies (*Figure 2*).



FIG. 2

7. Posez la machine à la verticale.

8. Insérez l'écarteur dans le trou de la pédale, comme illustré. Placez la pédale entre deux trous du support et faites glisser la vis à tête hexagonale au travers du support et de la pédale. Fixez avec la rondelle et l'écrou (Figure 3).

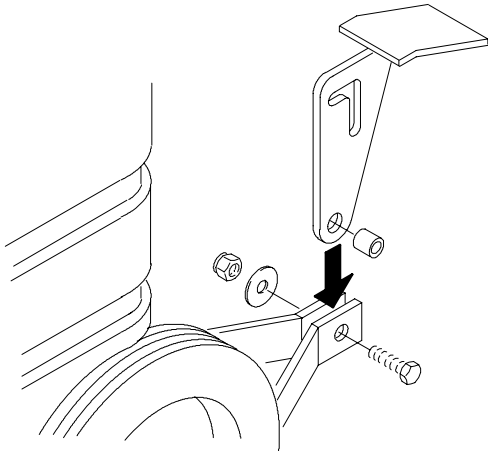


FIG. 3

9. Faites coulisser la pédale entre deux bras de montage à l'arrière de la machine. Alignez et insérez la vis à œillet au travers des pattes et de la fente dans la pédale et bloquez la vis avec la goupille fendue (Figure 4).

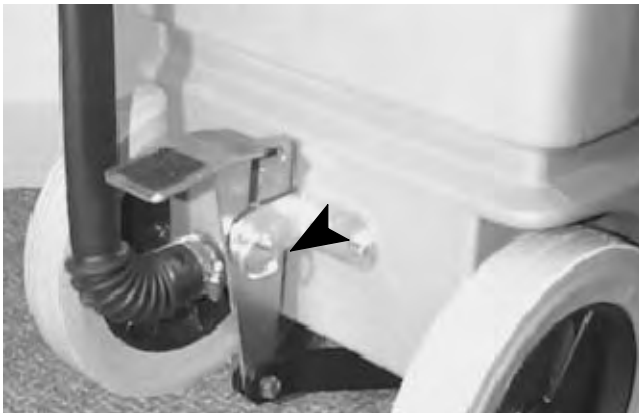


FIG. 4

10. Fixez le bloc de racloire sur le support. Utilisez des vis à oreilles (2) pour la fixation (Figure 5).

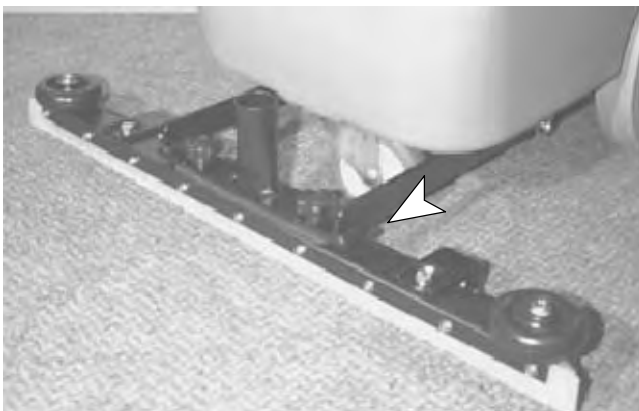


FIG. 5

11. Branchez le tuyau d'aspiration de 117 cm sur le bloc de racloir et sur le rebord du couvercle de la machine (Figure 6).

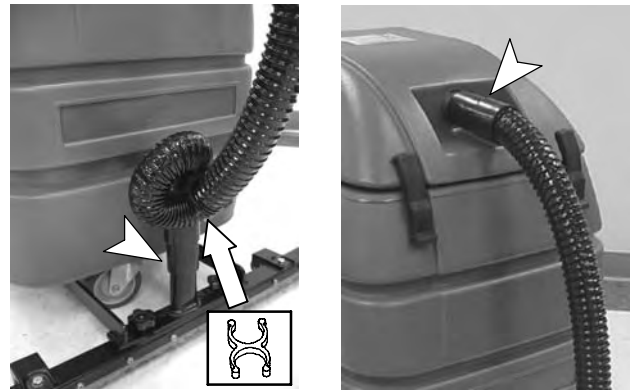


FIG. 6

ACCESSOIRE

1. Faites glisser le tuyau d'aspiration de 3 m au-dessus du rebord du couvercle d'aspiration.
2. Raccordez l'accessoire souhaité sur le tuyau d'aspiration (Figure 7).



FIG. 7

FONCTIONNEMENT

FONCTIONNEMENT DE L'APPAREIL

POUR VOTRE SECURITÉ : n'utilisez pas la machine avant d'avoir lu et compris le manuel opérateur.

Branchez le cordon d'alimentation dans une prise murale reliée à la terre (Figure 8).

⚠ MISE EN GARDE : N'utilisez pas la machine avec un cordon d'alimentation endommagé. Ne modifiez pas la prise. Débranchez le cordon d'alimentation avant d'entretenir la machine

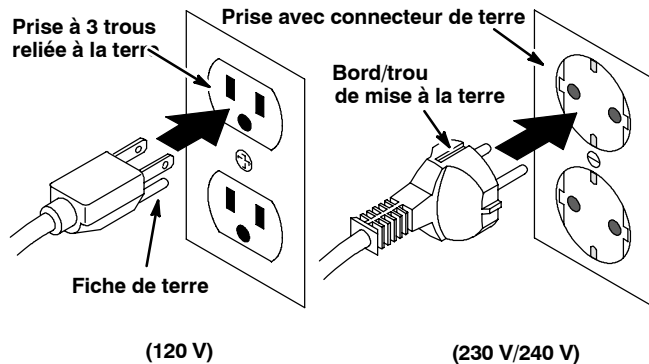


FIG. 8

POUR VOTRE SECURITÉ : N'utilisez la machine que si le cordon est correctement relié à la terre.

POUR VOTRE SECURITÉ : Quand vous utilisez la machine, ne tirez pas le cordon sur des arêtes ou coins tranchants. N'étirez pas le cordon. Ne fermez pas de portes sur le cordon. Débranchez pas l'appareil en tirant sur le cordon. Eloignez le câble des surfaces chaudes.

ASPIRATION EN MILIEU HUMIDE

⚠ MISE EN GARDE : Ne ramassez pas de matériaux inflammables ou toxiques, de déchets enflammés ou fumants.

⚠ MISE EN GARDE : N'utilisez pas de liquides inflammables ou n'utilisez pas la machine dans ou près de liquides ou vapeurs inflammables ou poussières combustibles.

Cette machine n'est pas équipée d'un moteur protégé contre les explosions. Le moteur électrique émet des étincelles au moment du démarrage et pendant son fonctionnement, ce qui peut entraîner un incendie instantané ou une explosion si la machine est utilisée dans une zone où des vapeurs/liquides inflammables ou des poussières combustibles, sont présents.

REMARQUE : la machine est équipée d'un flotteur qui arrête automatiquement l'arrivée d'eau lorsque le réservoir de récupération est plein. Videz immédiatement le réservoir lorsque le débit est arrêté. Ceci permet d'éviter un endommagement de l'aspirateur.

REMARQUE : Assurez-vous toujours que le sac aspirateur a été retiré.

ATTENTION : Si vous aspirez des liquides pouvant entraîner une formation de mousse dans le réservoir de récupération, utilisez un produit chimique antimousse pour éliminer la mousse. La mousse ne provoque PAS automatiquement l'actionnement du flotteur et risque d'endommager le moteur d'aspiration. Les dommages occasionnés par la mousse ne sont PAS couverts par la garantie.

Aspiration humide avec racloir :

1. Faites pivoter le réservoir de récupération pour l'ouvrir et retirez le sac aspirateur du réservoir de récupération (Figure 9).



FIG. 9

2. Abaissez le racloir sur le sol, appuyez légèrement sur la pédale pour désenclencher la position de transport (Figure 10).



FIG. 10

- Appuyez sur le commutateur et commencez l'aspiration. Le racloir récupère l'eau en marche avant et en marche arrière.
- Pour soulever le racloir, appuyez sur la pédale jusqu'à ce qu'elle s'engage en position de transport (Figure 11).

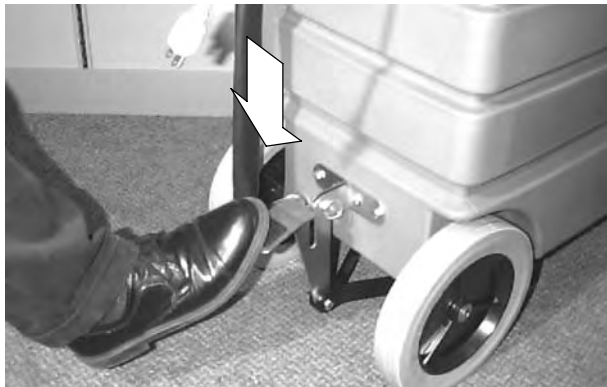


FIG. 11

Aspiration en milieu humide avec accessoire :

- Faites pivoter le réservoir de récupération pour l'ouvrir et retirez le sac aspirateur du réservoir de récupération (Figure 9.).
- Fixez l'accessoire approprié au tuyau d'aspiration et activez le commutateur d'alimentation. Utilisez les outils de manière normale.

VIDANGE DU RÉSERVOIR DE RÉCUPÉRATION

- Poussez la machine vers le siphon de sol le plus proche.
- Retirez le tuyau de vidange du support, dévissez le bouchon et videz. Soulevez le tuyau pour arrêter le débit de l'eau.
- Lorsque le réservoir de récupération est vide, ouvrez le couvercle et rincez le réservoir avec de l'eau claire, afin d'éviter l'accumulation d'odeurs.
- Remplacez le bouchon du tuyau de vidange et replacez le tuyau sur le support (Figure 12).



FIG. 12

REMARQUE : Veillez à ce que le bouchon du tuyau de vidange soit parfaitement ajusté, afin d'éviter des pertes d'aspiration.

ASPIRATION À SEC

⚠ MISE EN GARDE : Ne ramassez pas de matériaux inflammables ou toxiques, de déchets enflammés ou fumants.

REMARQUE : Assurez-vous toujours qu'un sac aspirateur est installé. Remplacez le sac s'il est endommagé ou plein.

- Placez un sac aspirateur en tissu dans le réservoir de récupération et veillez à ce que les joints des bords soient posés correctement contre le bord du réservoir (Figure 13).

REMARQUE : Pour une élimination aisée des débris et pour augmenter la durée de vie du sac aspirateur en tissu, placez un sac aspirateur en papier dans le sac en tissu et repliez le sommet du sac en papier autour du bord extérieur du sac en tissu.



FIG. 13

- Refermez le couvercle et fixez les loquets.
- Activez le commutateur et utilisez les accessoires de façon normale.

REMARQUE : vous pouvez utiliser le racloir pour ramasser les fines particules (poussière, sable, sciure, etc.). Le racloir n'est pas recommandé pour un ramassage ordinaire.

- Vérifiez périodiquement le remplissage du sac. Videz le sac lorsqu'il est au 3/4 plein, afin d'obtenir les meilleures performances d'aspiration.

ATTENTION : N'utilisez jamais de sac en papier sans sac en tissu en place. Ne réutilisez pas les sacs en papier, jetez-les toujours. Veillez toujours à ce que le sac soit en place avant d'entamer l'aspiration à sec. L'aspiration à sec sans sac en place endommage le moteur d'aspiration. Ce dommage n'est pas couvert par la garantie.

ENTRETIEN DE LA MACHINE

Pour garder la machine en bon état de marche, il vous suffit de suivre les procédures d'entretien recommandées pour la machine.

⚠ MISE EN GARDE : Débranchez le cordon d'alimentation avant d'entretenir la machine.

1. Nettoyez toutes les semaines le filtre auxiliaire. Tapotez ou soufflez sur la poussière accumulée. Ne nettoyez PAS avec de l'eau ou du solvant. Le filtre est situé sur le moteur d'extracteur, comme illustré. Remplacez le filtre, le cas échéant (Figure 14).



FIG. 14

2. Lavez le sac aspirateur en tissu à la main avec un détergeant doux, le cas échéant. Laissez complètement sécher le sac avant de le replacer. Ceci permet de remettre le sac dans un état garantissant des bonnes performances d'aspiration.

ATTENTION : Des filtres ou un tuyau d'aspiration obstrués provoquent une surchauffe du moteur.

3. Après chaque utilisation, nettoyez le flotteur sphérique à l'intérieur du réservoir. Soulevez le dispositif de filtre à flotteur hors du réservoir (Figure 15). Veillez à replacer fermement le filtre .

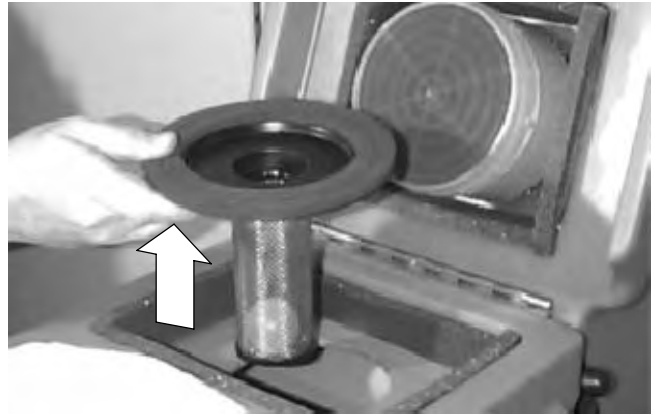


FIG. 15

ATTENTION : Veillez toujours à ce que le filtre à flotteur soit en place avant l'aspiration. Durant l'aspiration en milieu humide, le filtre à flotteur protège le moteur d'aspiration contre les débordements d'eau. Durant l'aspiration à sec, le filtre à flotteur peut fournir une protection limitée au moteur d'aspiration contre des débris plus larges, en cas de rupture du sac aspirateur.

4. Une fois par mois, pulvérisez avec un jet au silicone les roulements à billes de la roulette pivotante avant.
5. Nettoyez les lames de racloir avec un chiffon, dès qu'elles laissent des traces sur le sol. Remplacez les lames de racloir lorsqu'elles deviennent usées.
6. Essuyez le carter de la machine avec un chiffon et un produit détergent doux.
7. Vérifiez régulièrement la présence de trous, de raccords détachés ou de débris obstrués.
8. Inspectez le cordon d'alimentation pour voir s'il n'est pas endommagé. Remplacez-le en cas d'endommagement. Enroulez soigneusement le cordon après chaque utilisation.

⚠ MISE EN GARDE : N'utilisez pas la machine avec un cordon d'alimentation endommagé. Ne modifiez pas la prise. Débranchez le cordon d'alimentation avant d'entretenir la machine.

Si le cordon d'alimentation est endommagé ou rompu, il doit être remplacé par le fabricant ou son agent de maintenance ou toute autre personne qualifiée, afin d'éviter tout danger.

9. Tous les mois, vérifiez l'usure des balais du moteur d'aspiration ; remplacez les poils lorsqu'ils ont une longueur de 10 mm ou moins.

POUR VOTRE SECURITÉ : Toutes les réparations doivent être effectuées uniquement par un technicien qualifié.

ENTREPOSAGE DE LA MACHINE

Avant d'entreposer la machine, veillez à vider et à rincer le réservoir de récupération de tous les débris ou liquides. Entreposez la machine à l'abri de l'humidité avec le racloir démonté. Ouvrez le couvercle du réservoir de récupération pour favoriser la circulation d'air. N'exposez pas la machine au gel.

⚠ MISE EN GARDE : N'utilisez pas en extérieur. N'exposez pas à la pluie. Entreposez à l'intérieur.

ARTICLES DE STOCK RECOMMANDÉS

Reportez-vous à la section Liste des pièces de ce manuel, pour les articles de stock recommandés. Les articles de stock sont clairement identifiés à l'aide d'un point précédant la description de la pièce. Voir l'exemple ci-dessous :

Ref.	Part No.	Description	Qty.
1	201193	ARM, STANDPIPE	1
2	180612	● FLOAT, SHUTOFF	1
3	230197	NIPPLE	1
4	101714	● GASKET	1
5	210240	NUT, FLANGED	1

FONCTIONNEMENT

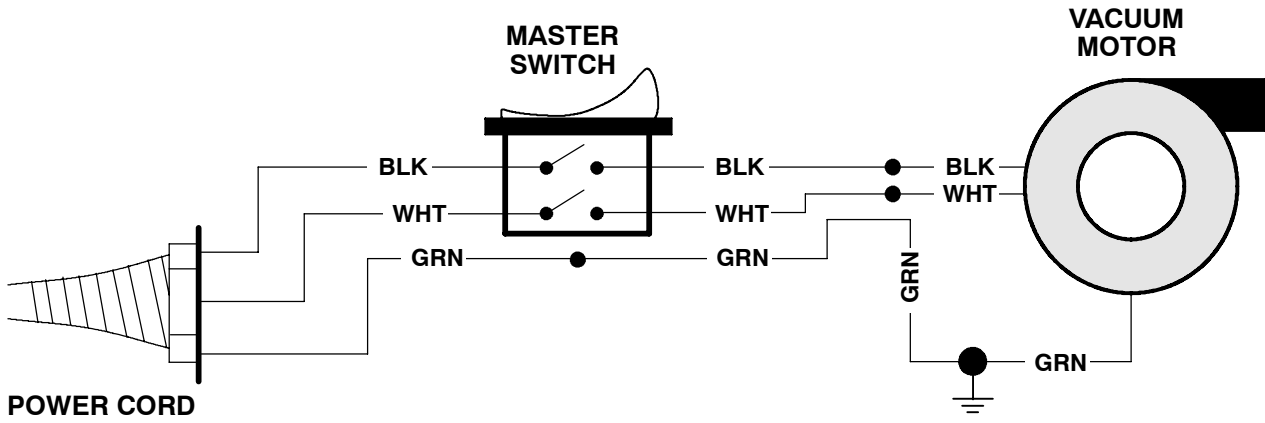
DÉPISTAGE DES PANNES

PROBLÈME	CAUSE	REMÈDE
La machine ne fonctionne pas.	Commutateur ON/OFF en position OFF (Arrêt).	Placez le commutateur en position ON.
	L'aspirateur n'est pas branché sur une prise de courant.	Branchez le cordon d'alimentation sur une prise murale.
	Interrupteur Marche/Arrêt défectueux.	Contactez le service de dépannage.
	Cordon d'alimentation défectueux.	Contactez le service de dépannage.
	Câblage défectueux.	Contactez le service de dépannage.
	Coupe-circuit du bâtiment déclenché.	Réenclenchez le coupe-circuit
	Surchauffe du moteur d'aspiration.	Trouvez l'obstruction. Laissez refroidir le moteur pendant 20 minutes.
	Moteur de l'aspirateur défectueux.	Contactez le service de dépannage.
La machine aspire faiblement ou pas du tout.	Le tuyau est bouché.	Débouchez le tuyau.
	Trous dans le tuyau.	Remplacez le tuyau.
	L'arrivée d'air est bouchée.	Retirez le tuyau et éliminez l'obstruction.
	Le bouchon du tuyau de vidange est desserré ou ouvert.	Resserrez le bouchon du tuyau de vidange.
	Le couvercle n'est pas fixé convenablement.	Bloquez les deux loquets fermement.
	Joint usé provoquant une fuite d'air.	Inspectez tous les joints, remplacez-les si nécessaire.
	Le réservoir de récupération ou le sac est plein.	Videz le réservoir ou le sac.
Ramassage faible au niveau du racloir.	Des débris sont coincés sous la lame du racloir.	Essuyez la lame du racloir.
	Les lames du racloir sont usées.	Remplacez les lames du racloir.
	Le tuyau d'aspiration sur le dispositif de racloir est lâche.	Poussez fermement le tuyau d'aspiration.
	Réservoir de récupération est plein.	Videz le réservoir.

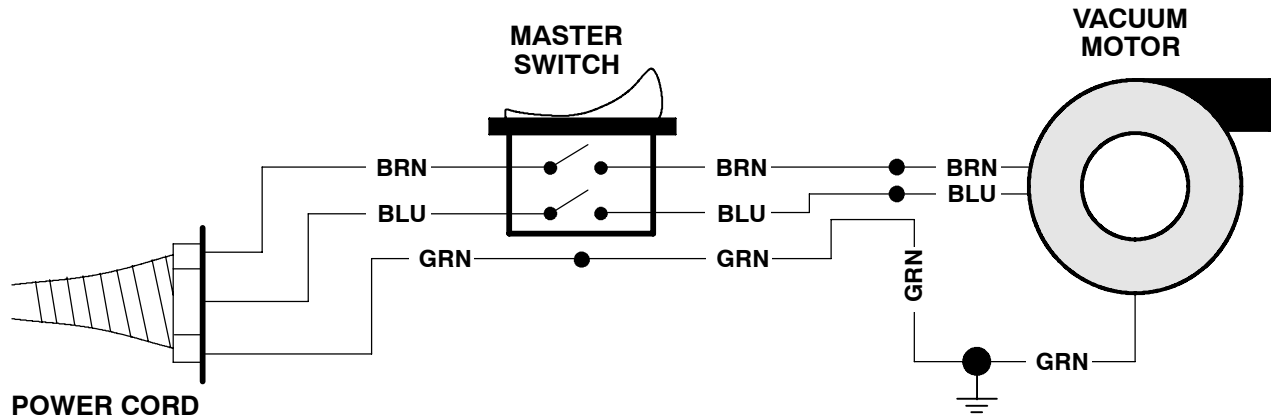
DONNÉES TECHNIQUES

NUMÉROS DE MODÈLES	3500	3520
LONGUEUR	740 mm	740 mm
LARGEUR	390 mm	390 mm
POIDS	20 kg	20 kg
MOTEUR D'EXTRACTION	8,5 amps, 1,3 CV, 120 V, 980 watts	10,7 amps, 1,7 CV, 120 V, 1.242 watts
	5,0 amps, 1,5 CV, 120 V, 1.242 watts	
LONGUEUR DU CORDON D'ALIMENTATION	15 m	15 m
LARGEUR DU COULOIR DE RACLOIR (OPTION)	690 mm, 840 mm, 990 mm	690 mm, 840 mm, 990 mm
HAUTEUR D'ASPIRATION	2,340 mm	3,050 mm
CAPACITÉ DU RÉSERVOIR	57 l	57 l
CAPACITÉ DU SAC ASPIRATEUR	10,57 l	10,57 l
VALEUR EN DÉCIBELS AU NIVEAU DE L'OREILLE DE L'OPÉRATEUR,	80,5 dBA	80,5 dBA

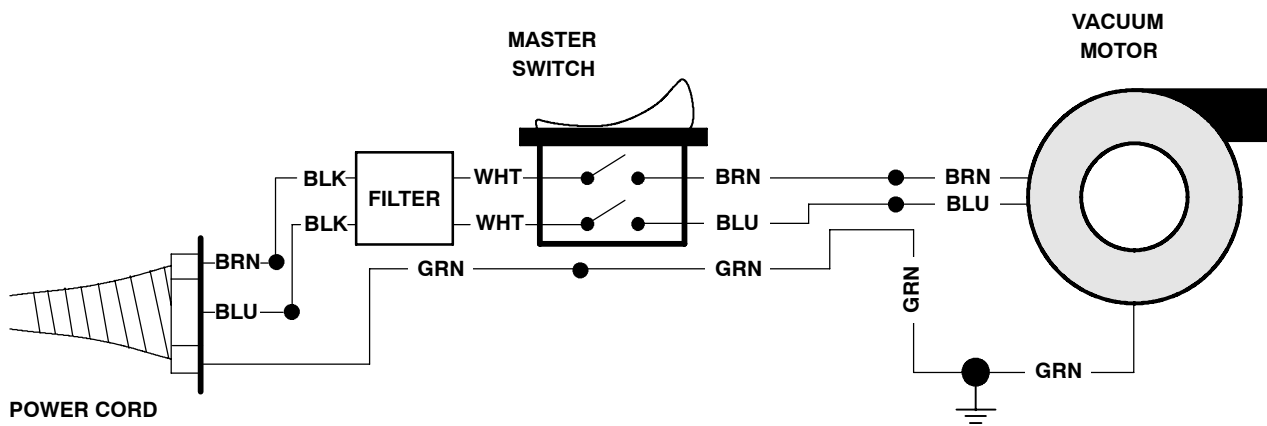
120V



230V

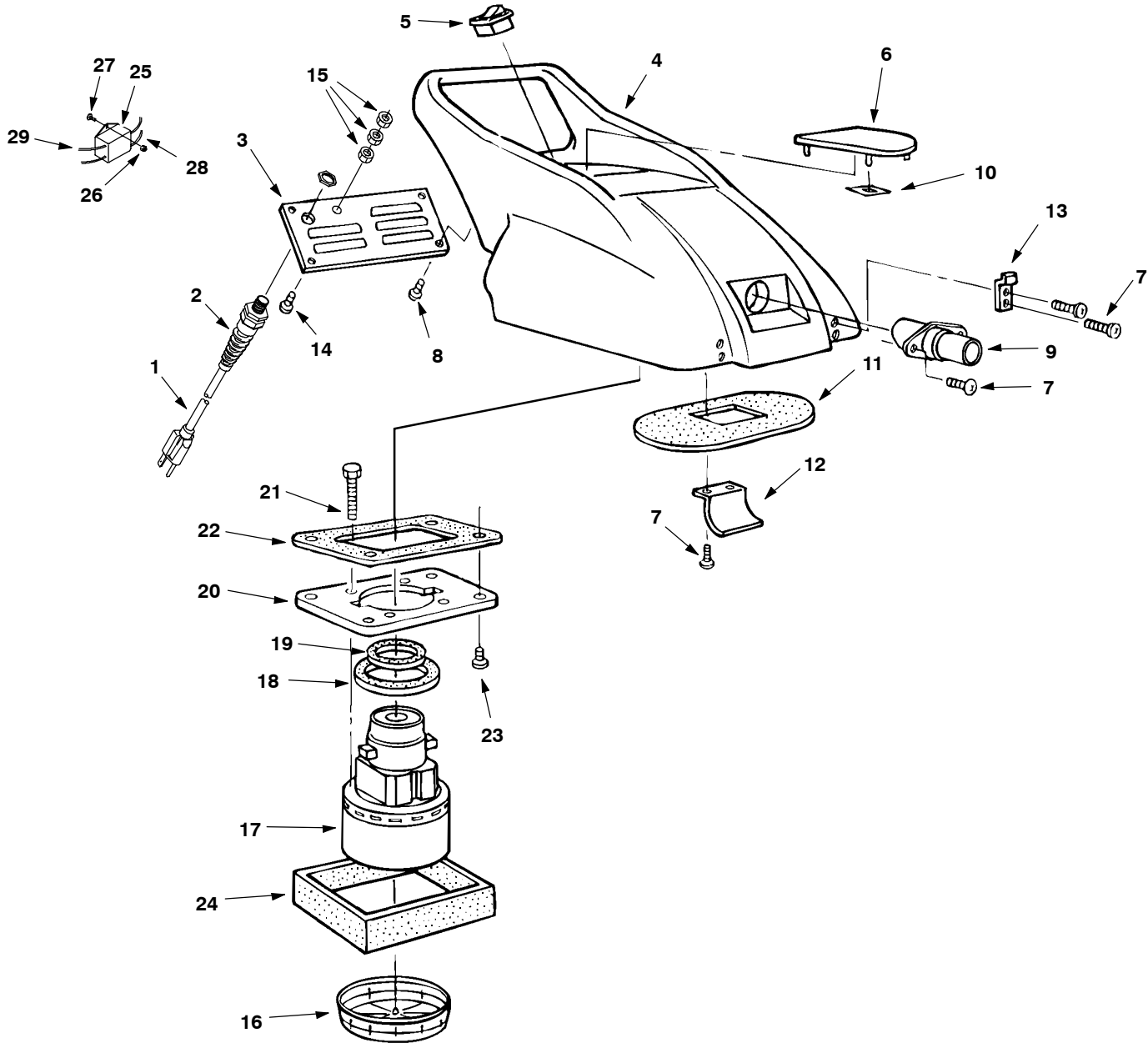


230V EMC MODEL



PARTS LIST - LISTA DE PIEZAS - LISTE DES PIÈCES

HANDLE GROUP / GRUPO DEL MANGO / GROUPE DE POIGNÉE



PARTS LIST - LISTA DE PIEZAS - LISTE DES PIÈCES

HANDLE GROUP / GRUPO DEL MANGO / GROUPE DE POIGNÉE

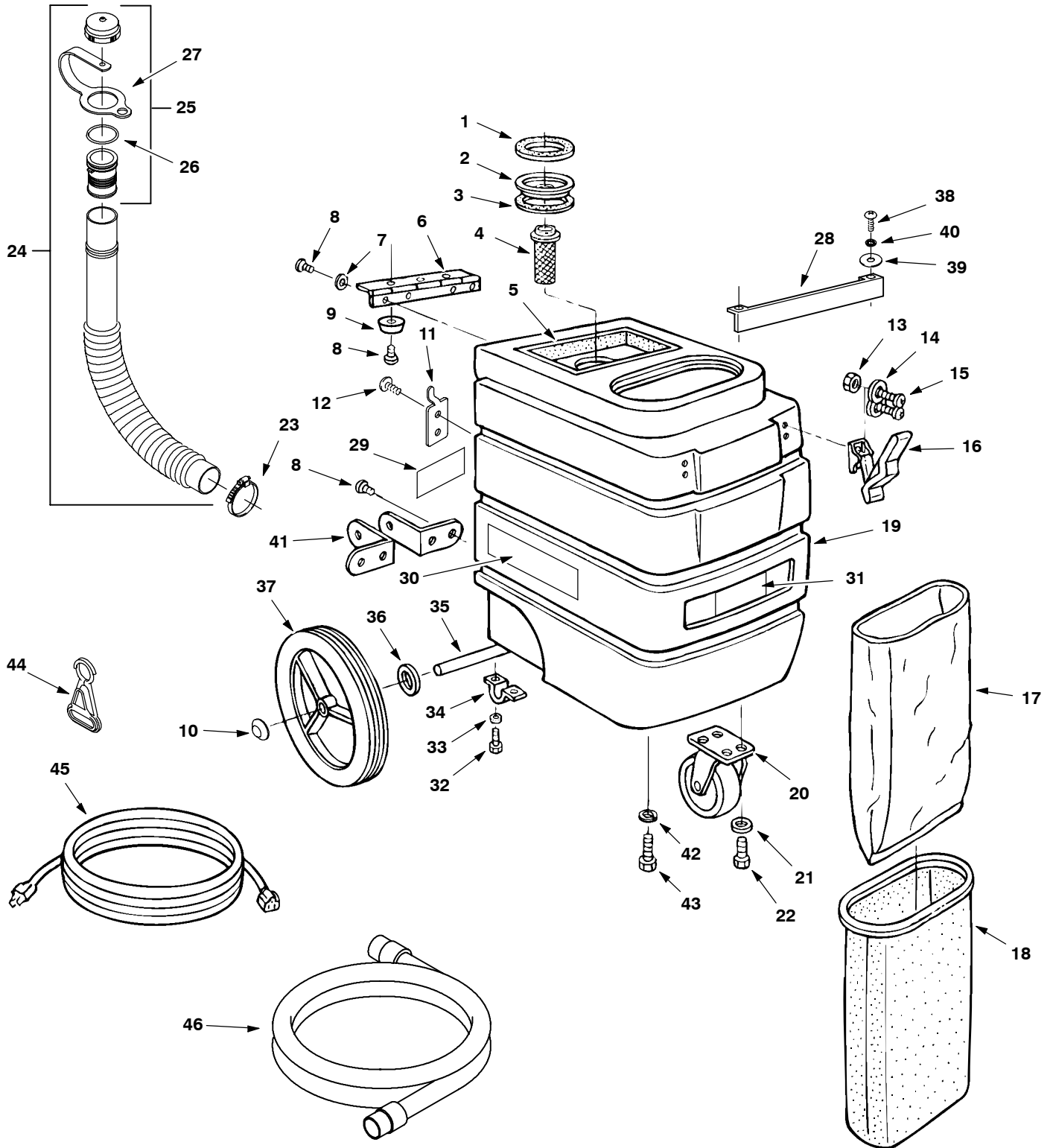
REF	PART #	DESCRIPTION	QTY.
1	130201	ASM., CORD 16/3X28" PIGTAIL (120V)	1
	600324	CORD, ELE, 15M BLACK (220V/230V)	1
	1038777	CORD, POWER, ELE, 1.0 MM X 15 M BLK [AUS] (230V EMC MODEL)	1
2	130166	●GRIP, STRAIN RELIEF	1
3	600170.BK	PLATE, REAR COVER	1
4	607668	HANDLE, TEAL	1
5	608605	●SWITCH ON/OFF	1
6	600162	COVER, AIR VENT	1
7	609980	SCREW, 8-32X3/8 TRSPHL	8
8	140197	SCREW, 10-24X3/8	4
9	160485	HOSE, ADAPTER	1
10	605114	NUT, PUSH ON	4
11	613234	●GASKET, COVER	1
12	230497	BRACKET, AIR DEFLECTOR	1
13	49800	LATCH, RUBBER W/KEEPER	2
14	140895	SCREW, 10-24X3/4	1
15	140519	NUT, KEPS	3
16	180626	FRAME, FILTER FOAM	1

REF	PART #	DESCRIPTION	QTY.
▽ 17	130406	●MOTOR, 5.7/ 2 STAGE 120V (3500)	1
▲	190155	●BRUSH, CARBON 2/PK	1
▲	130485	●FAN SHELL	1
▽ 17	130417	●MOTOR, 5.7/ 3 STAGE 120V (3520)	1
▲	600272	●BRUSH, CARBON 2/PK	1
▲	130486	●FAN SHELL	1
▽ 17	130427	●MOTOR, 5.7 2 STAGE 240V (3500)	1
▲	190158	●BRUSH, CARBON 2/PK	1
▲	130485	●FAN SHELL	1
18	100143	●GASKET, VAC MOTOR	1
19	600156	●GASKET, TOP VAC	1
20	600163	PLATE, VACUUM MOUNT	1
21	140340	SCREW, PLATE MOUNT	4
22	600161	●GASKET, VAC MOUNT	1
23	140195	SCREW, .25-20X.50 TRSPHL SEM	4
24	600682	FOAM SOUNDCOAT COVER	1
25	613097	●FILTER, SAMIL (EMC MODEL)	1
26	140539	NUT, 6-32 KEP (EMC MODEL)	2
27	590137	SCREW, 6-32X3/8 (EMC MODEL)	2
28	130133	TERMINAL, ML .25 (EMC MODEL)	2
29	281004001	TERMINAL, FM .25 (EMC MODEL)	2

- ▽ ASSEMBLY / CONJUNTO / ENSEMBLE
- ▲ INCLUDED IN ASSEMBLY / INCLUIDO A CONJUNTA / Y COMPRIS EN ENSEMBLE
- RECOMMENDED STOCK ITEM / PIEZAS RECOMENDADAS EN ALMACÉN / ÉLÉMENTS DE STOCK RECOMMANDÉS

PARTS LIST - LISTA DE PIEZAS - LISTE DES PIÈCES

TANK GROUP / GRUPO DEL TANQUE / GROUPE DE RÉSERVOIR



PARTS LIST - LISTA DE PIEZAS - LISTE DES PIÈCES

TANK GROUP / GRUPO DEL TANQUE / GROUPE DE RÉSERVOIR

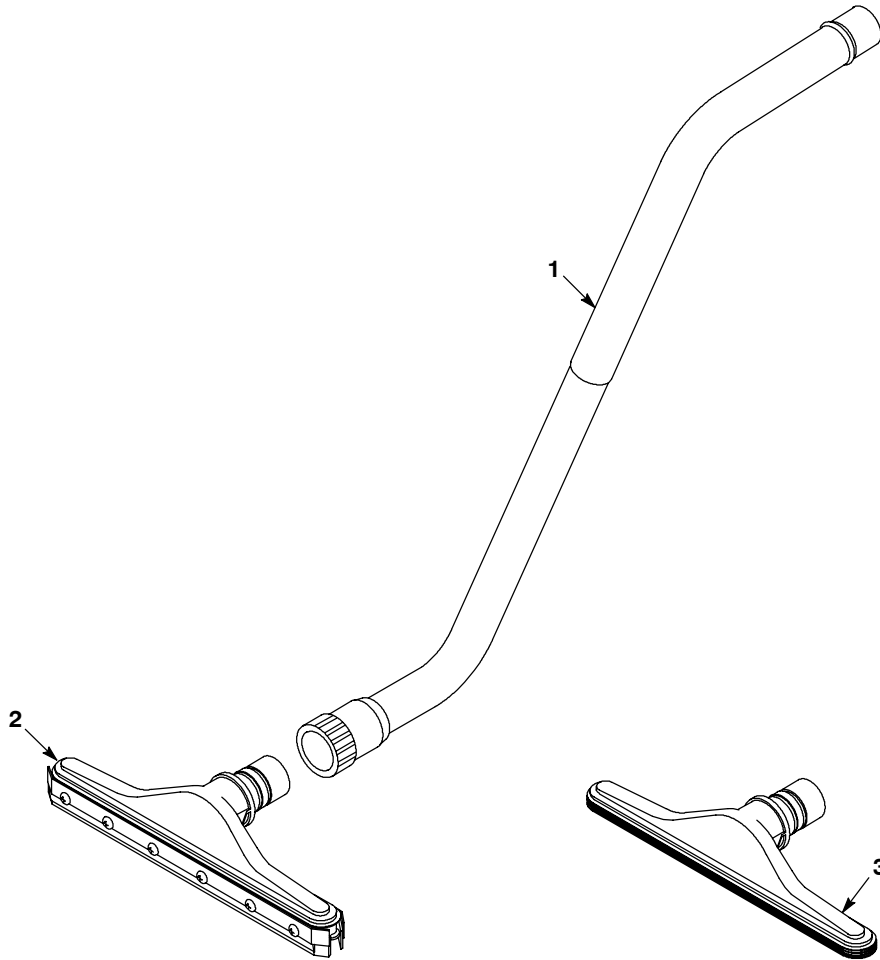
REF	PART #	DESCRIPTION	QTY.
1	600157	●GASKET, FLOAT (FOR 2 STAGE VAC MOTOR)	1
	600158	●GASKET, FLOAT (FOR 3 STAGE VAC MOTOR)	1
2	600147	FLOAT PLATE (FOR 2 STAGE VAC MOTOR)	1
	600130	FLOAT PLATE (FOR 3 STAGE VAC MOTOR)	1
3	600157	●GASKET, FLOAT (FOR 2 STAGE VAC MOTOR)	1
	600160	●GASKET, FLOAT (FOR 3 STAGE VAC MOTOR)	1
4	180613	●FLOAT, SHUT OFF (1) BALL	1
5	600683	FOAM, SOUNDCOAT TANK	1
6	230318	HINGE, COVER	1
7	140000	WASHER, FLAT 1/4"	5
8	140195	SCREW, .25-20X.50 TRSPHL SEM	11
9	600996	BUMPER	2
10	103019	●CAP, HUB	2
11	1006890	BRACKET, DRAIN HOSE HANGER	1
12	140825	SCREW, #6X1/2 PANPHL	2
13	140288	NUT, M4X.7 NYLOCK	4
14	140011	WASHER, FLAT 3/16	4
15	24265	SCREW, PAN, PHL, M4 X 0.70 X 16, SS	4
16	49800	LATCH, RUBBER W/KEEPER	2
17	611785	●BAG, PAPER, PKG. OF 10	1
18	900104	●BAG, CLOTH	1
19	607670	TANK, 15 GALLON, TEAL	1
20	103065	●CASTER, SWIVEL 4"	1
21	140015	WASHER, SPLIT LOCK 0.31	4
22	140226	SCREW, HEX .31-18X.62	4

REF	PART #	DESCRIPTION	QTY.
23	11531	CLAMP, HOSE	1
∇ 24	1007072	●HOSE, DRAIN, ASSY, 1.5D X 21.9L	1
▲∇ 25	1008639	●CAP, DRAIN ASSY	1
▲▲ 26	1008637	●O RING, 1.48" ID, 1.76" OD	1
▲▲ 27	1019563	●STRAP, DRAIN CAP	1
28	600964.BK	BRACKET, TANK SUPPORT	1
29	1026382	LABEL, WARNING [EXPL,FIRE,SHK EN/FR/ES]	1
30	608125	LABEL, "3500" SIDE	2
	608127	LABEL, "3520" SIDE	2
31	120210	LABEL, "TENNANT" LOGO	1
32	01696	SCREW, HEX .25-20X.50	4
33	140016	WASHER, LOCK 1/4"	4
34	230746	BRACKET, AXLE OFFSET	2
35	608912	AXLE, 1/2DIAX15.352	1
36	140063	WASHER, .51X1.25X.312 FLT NY	2
37	1038395	●WHEEL, 10.0D 1.75W, WHITE W/ GRAY TREAD	2
38	140864	SCREW, .25-20X0.75	2
39	140003	WASHER, FENDER 1/4" X 1"	2
40	578244000	WASHER, LOCK M6.4X10	2
41	230950	BRACKET, SQUEEGEE	2
42	140017	WASHER, SPLIT LOCK	2
43	02994	SCREW, HEX .38-16X.75	2
44	130176	●BELT CLIP, STRAIN RELIEF	1
45	130250	●CORD, 16/3X50' EXTENSION (120V)	1
46	160481	●HOSE, VACUUM 1-1/2X10'	1

- ∇ ASSEMBLY / CONJUNTO / ENSEMBLE
- ▲ INCLUDED IN ASSEMBLY / INCLUIDO A CONJUNTA / Y COMPRIS EN ENSEMBLE
- RECOMMENDED STOCK ITEM / PIEZAS RECOMENDADAS EN ALMACÉN / ÉLÉMENTS DE STOCK RECOMMANDÉS

PARTS LIST - LISTA DE PIEZAS - LISTE DES PIÈCES

STANDARD FLOOR TOOL KIT / KIT DE HERRAMIENTA ESTÁNDAR / OUTIL DE PLANCHER

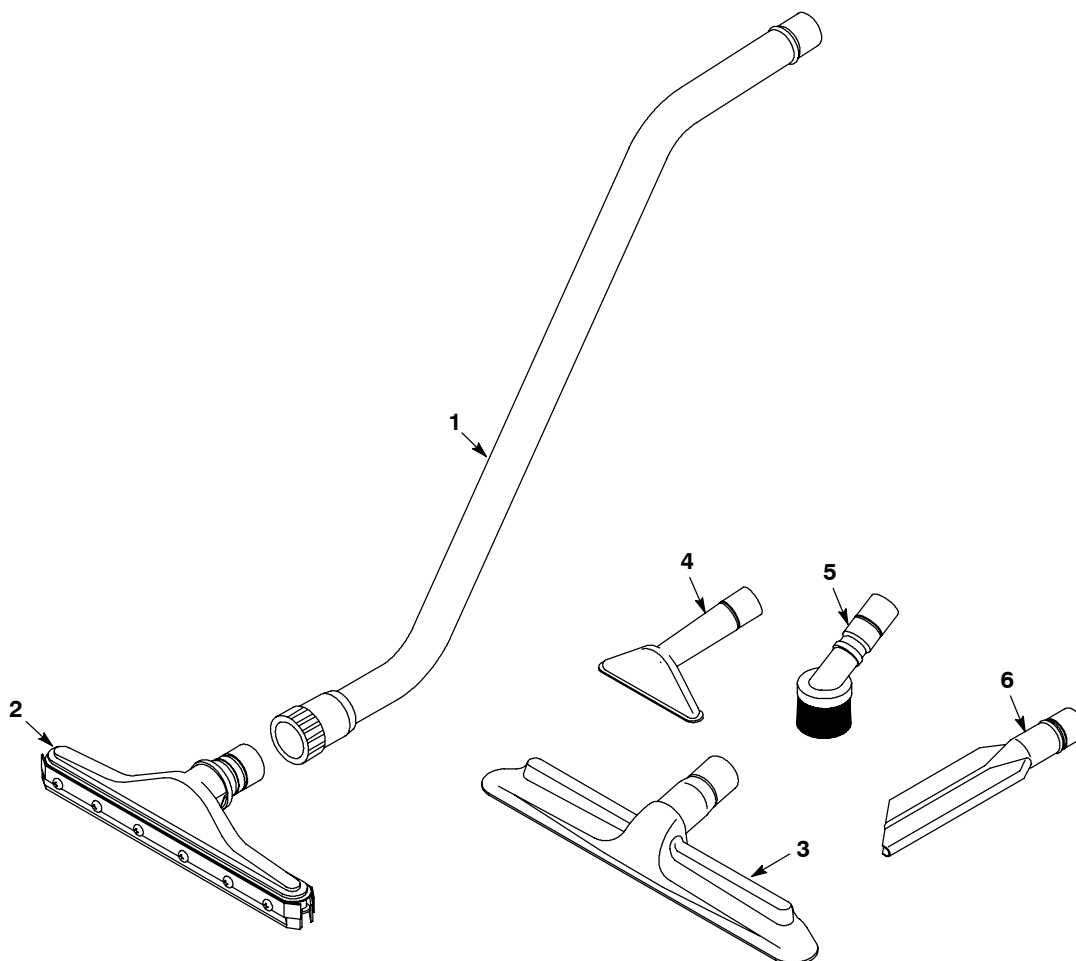


REF	PART #	DESCRIPTION	QTY.
∇	190142	●KIT, FLOOR/CARPET TOOL	1
▲∇ 1	190722	●WAND, TWO PIECE CROME	1
▲▲	605257	●RING, LOCK BRASS	1
▲▲	600828	●NUT, WAND COUPLING	1

REF	PART #	DESCRIPTION	QTY.
▲∇ 2	13840	●TOOL, FLOOR SQUEEGEE 14" (36CM)	1
▲▲	605137	●BLADES, REPLACEMENT (SET/4)	1
▲ 3	603840	●TOOL, CARPET SCALLOPED FACE 14" (36CM)	1

- ∇ ASSEMBLY / CONJUNTO / ENSEMBLE
- ▲ INCLUDED IN ASSEMBLY / INCLUIDO A CONJUNTA / Y COMPRIS EN ENSEMBLE
- RECOMMENDED STOCK ITEM / PIEZAS RECOMENDADAS EN ALMACÉN / ÉLÉMENTS DE STOCK RECOMMANDÉS

WET/DRY TOOL KIT / KIT DE HERRAMIENTA SECO MOJADO / KIT SEC HUMIDE D'OUTIL



REF	PART #	DESCRIPTION	QTY.
∇	605178	●KIT, WET/DRY TOOL	1
▲∇ 1	6108.1	●WAND, TWO BEND ALUMINUM	1
▲▲	605257	●RING, LOCK BRASS	1
▲▲	600828	●NUT, WAND COUPLING	1
▲∇ 2	13840	●TOOL, SQUEEGEE PUSH/PULL 14 in / 355 mm	1
▲▲	605137	●BLADES, REPLACEMENT (SET/4)	1

REF	PART #	DESCRIPTION	QTY.
▲ 3	14043	●TOOL, FLOOR & CARPET 16 in / 406 mm	1
▲ 4	6057	●TOOL, UPHOLSTERY 5 in / 127 mm	1
▲ 5	6117	●BRUSH, DUSTING 3 in / 76 mm	1
▲ 6	6170	●TOOL, CREVICE 11 in / 279 mm	1

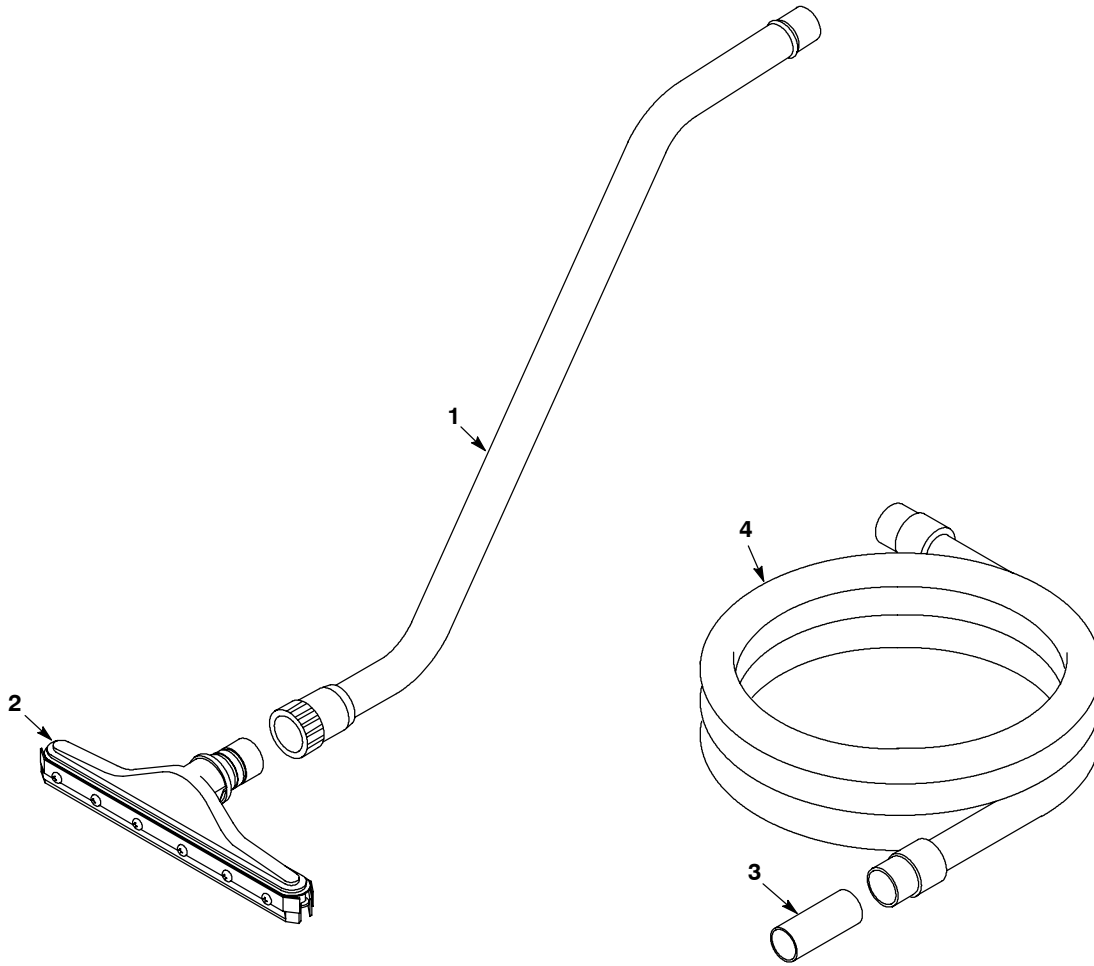
∇ ASSEMBLY / CONJUNTO / ENSEMBLE

▲ INCLUDED IN ASSEMBLY / INCLUIDO A CONJUNTA / Y COMPRIS EN ENSEMBLE

● RECOMMENDED STOCK ITEM / PIEZAS RECOMENDADAS EN ALMACÉN / ÉLÉMENTS DE STOCK RECOMMANDÉS

OPTIONS - OPCIONES - ÉQUIPEMENT AU CHOIX

WET PICK-UP TOOL KIT / KIT DE HERRAMIENTA MOJADO / KIT HUMIDE D'OUTIL



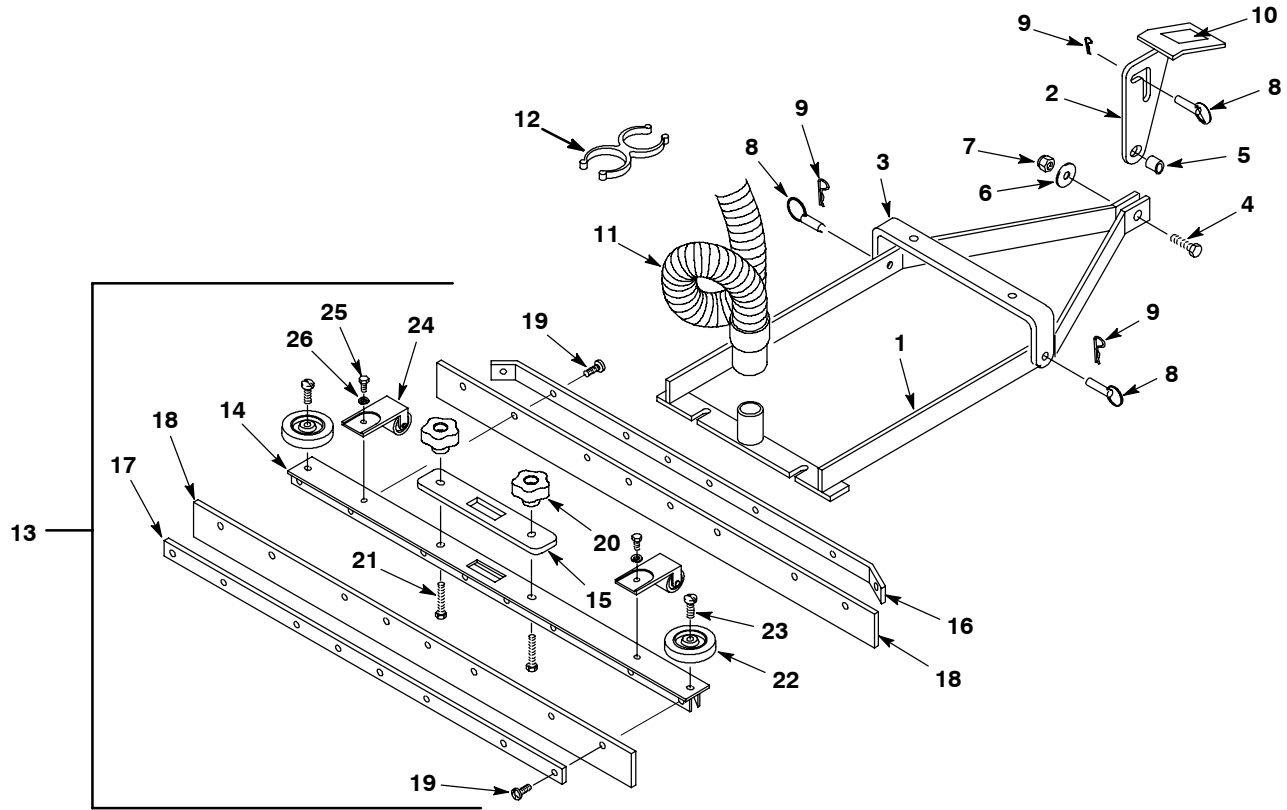
REF	PART #	DESCRIPTION	QTY.
▽	190928	●KIT, WET PICK-UP TOOL	1
▲▽ 1	6108.1	●WAND, TWO BEND ALUMINUM	1
▲▲	605257	●RING, LOCK BRASS	1
▲▲	600828	●NUT, WAND COUPLING	1
▲▽ 2	13840	●TOOL, SQUEEGEE PUSH/PULL 14 in / 355 mm	1
▲▲	605137	●BLADES, REPLACEMENT (SET/4)	1

REF	PART #	DESCRIPTION	QTY.
▲ 3	160451	●CONNECTOR, 1-1/2 VAC HOSE	1
▲ 4	160481	●HOSE, VAC 1-1/2X10' (3M)	1

- ▽ ASSEMBLY / CONJUNTO / ENSEMBLE
- ▲ INCLUDED IN ASSEMBLY / INCLUIDO A CONJUNTA / Y COMPRIS EN ENSEMBLE
- RECOMMENDED STOCK ITEM / PIEZAS RECOMENDADAS EN ALMACÉN / ÉLÉMENTS DE STOCK RECOMMANDÉS

OPTIONS - OPCIONES - ÉQUIPEMENT AU CHOIX

SQUEEGEE ASSEMBLY GROUP / CONJUNTO PALETA / GROUPE DE LA RACLETTE



REF	PART #	DESCRIPTION	QTY.
▽	190108	●SQUEEGEE KIT 27 in / 685 mm	1
	190972	●SQUEEGEE KIT 34 in / 863 mm	1
	190958	●SQUEEGEE KIT 40 in / 1016 mm	1
▲ 1	230453.BK	WELDMENT, SQUEEGEE LIFT	1
▲ 2	230456	PEDAL, LIFT	1
▲ 3	230454	BRACKET, SQUEEGEE MOUNT	1
▲ 4	611048	SCREW, HEX .38-16X1.25	1
▲ 5	140925	SPACER, 3/16	1
▲ 6	140028	WASHER, FLAT 3/8	1
▲ 7	59156	NUT, HEX LOCK .38-16 NL	1
▲ 8	630258	PIN, CLEVIS	3
▲ 9	612254000	PIN, HAIR	3
▲ 10	102560	●PAD, NON-SLIP 1.62 SQ.	1
▲ 11	603547	●HOSE, VACUUM, 1.50IDX46.0L BLK	1
▲ 12	1014079	●CLIP, GRIP, HOSE, 1.50ID DBL, BLK	1
▲▽13	602831	●ASM., SQUEEGEE 27 in / 685 mm	1
	603494	●ASM., SQUEEGEE 34 in / 863 mm	1
	603496	●ASM., SQUEEGEE 40 in / 1016 mm	1

REF	PART #	DESCRIPTION	QTY.
▲▲ 14	230727.BK	CHANNEL, SQUEEGEE 27 in/ 685 mm	1
	230682.BK	CHANNEL, SQUEEGEE 34 in/ 863 mm	1
	230692.BK	CHANNEL, SQUEEGEE 40 in/ 1016 mm	1
▲▲ 15	100150	●GASKET, SQUEEGEE	1
▲▲ 16	230725.BK	PLATE, REAR 27 in / 685 mm	1
	230669.BK	PLATE, REAR 34 in / 863 mm	1
	230685.BK	PLATE, REAR 40 in / 1016 mm	1
▲▲ 17	230723.BK	PLATE, FRONT 27 in / 685 mm	1
	230670.BK	PLATE, FRONT 34 in / 863 mm	1
	230686.BK	PLATE, FRONT 40 in / 1016 mm	1
▲▲ 18	603659	●BLADE, SQUEEGEE 27 in / 685 mm	2
	603661	●BLADE, SQUEEGEE 34 in / 863 mm	2
	603662	●BLADE, SQUEEGEE 40 in / 1016 mm	2
▲▲ 19	605975	SCREW, 10-24X1/2 TRSPHL SEM	18-28
▲▲ 20	1011094	●KNOB, STAR, 1.50D 5 EAR	2
▲▲ 21	140221	SCREW, HEX .31-18X1.25	2
▲▲ 22	1014918AM	●WHEEL, RUBBER 3" DIA	2
▲▲ 23	140799	SCREW, .31-18X1.50 TRSPHL	2
▲▲ 24	700844	●ASM., SQUEEGEE ROLLER	2
▲▲ 25	140226	SCREW, .31-18X0.62 HEX	2
▲▲ 26	140015	WASHER, LOCK, SPLIT 0.31	2

▽ ASSEMBLY / CONJUNTO / ENSEMBLE

▲ INCLUDED IN ASSEMBLY / INCLUIDO A CONJUNTA / Y COMPRIS EN ENSEMBLE

● RECOMMENDED STOCK ITEM / PIEZAS RECOMENDADAS EN ALMACÉN / ÉLÉMENTS DE STOCK RECOMMANDÉS