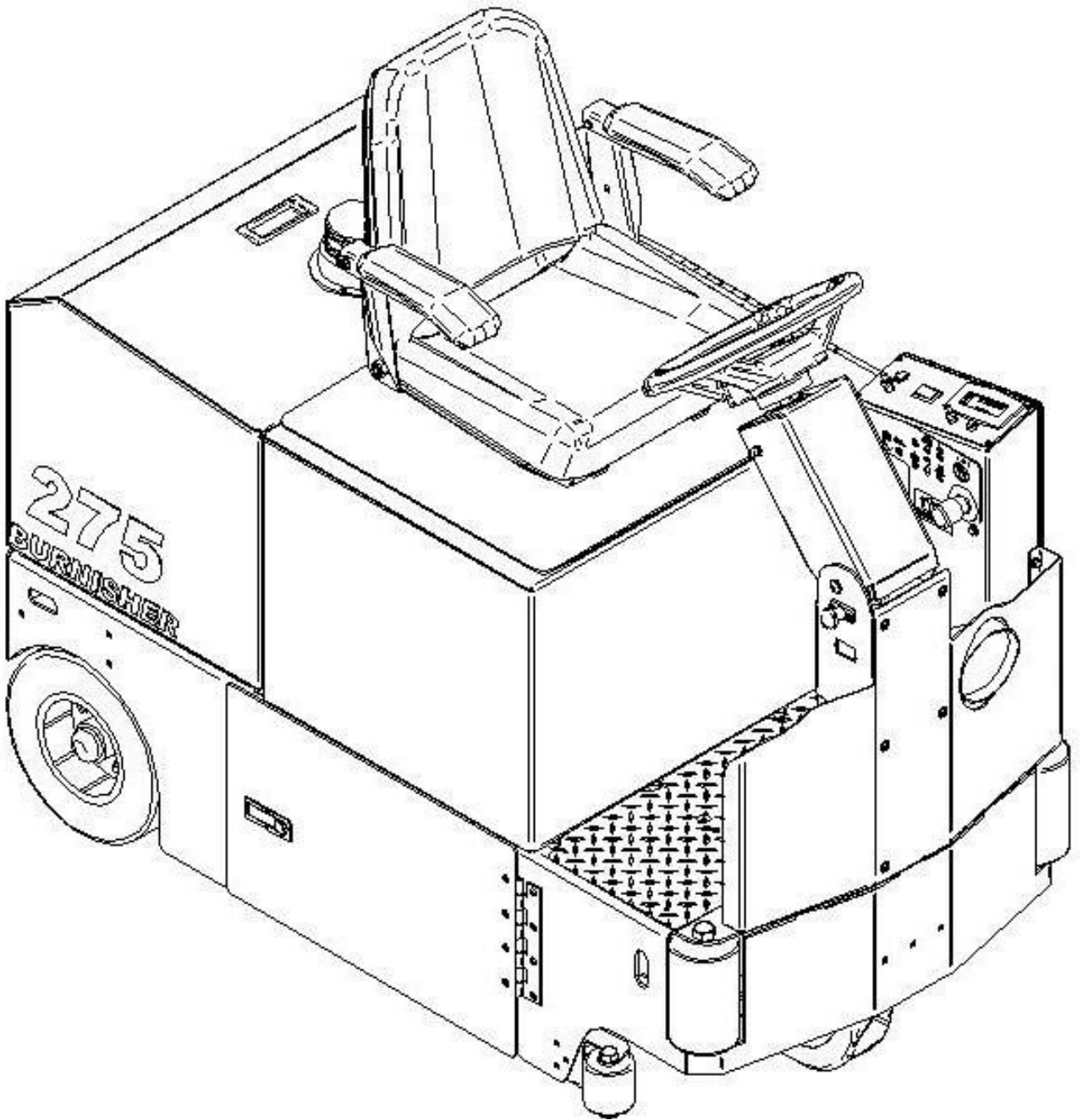


275 BURNISHER



R.P.S. Corporation
P.O. Box 241
Racine, Wisconsin 53401

Phone: 1-800-450-9824
Fax: 1-866-632-6961

Front Panel 4

Front Wheel Assembly 6

Front Wheel Drive 8

Filter Door and Hinges 10

Rear Axle Mount 12

27" Burnisher Deck 14

Burnisher Deck 16

Actuator Pivot 18

Steering Upright 20

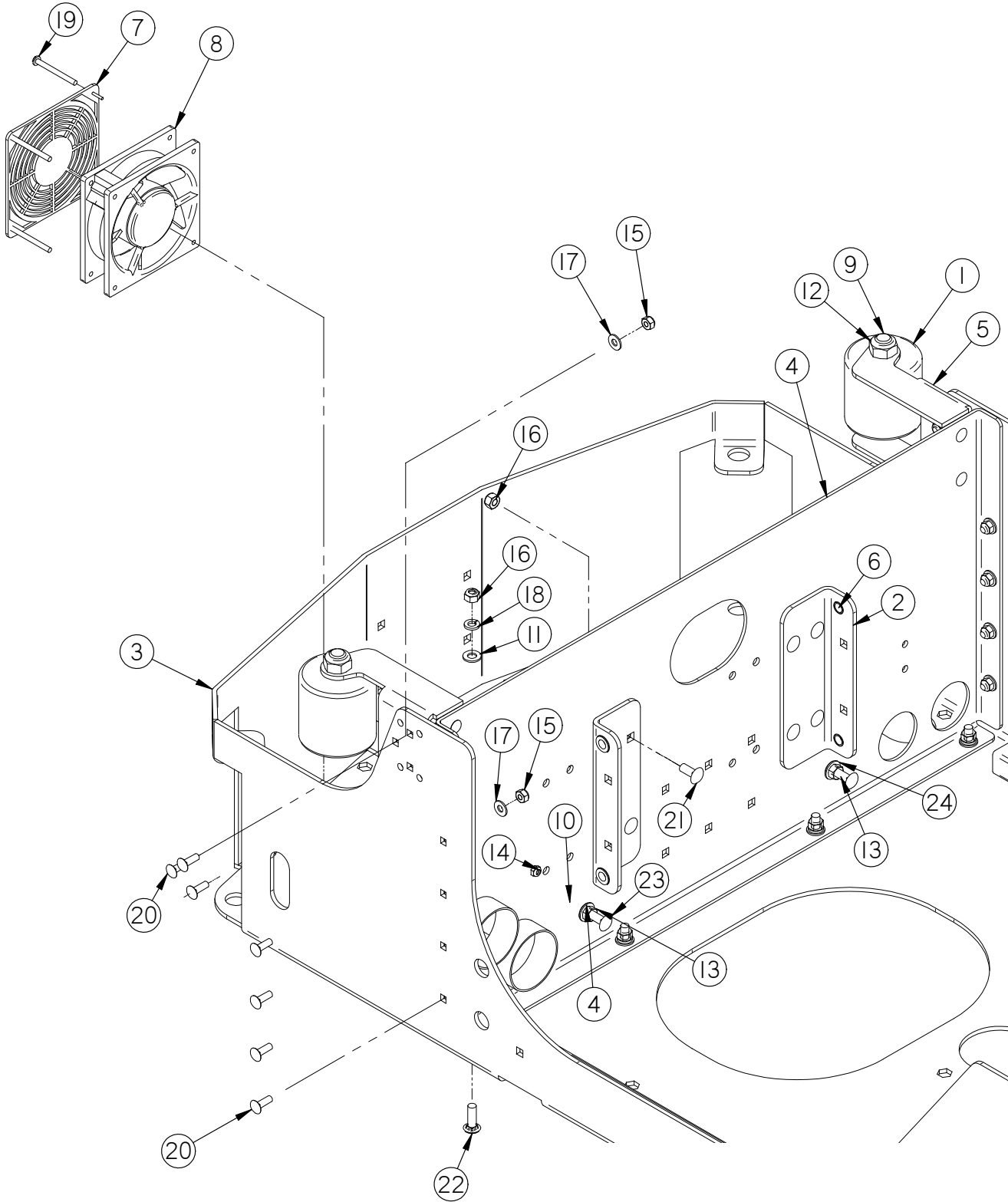
Central Command 22

Machine Top Components 24

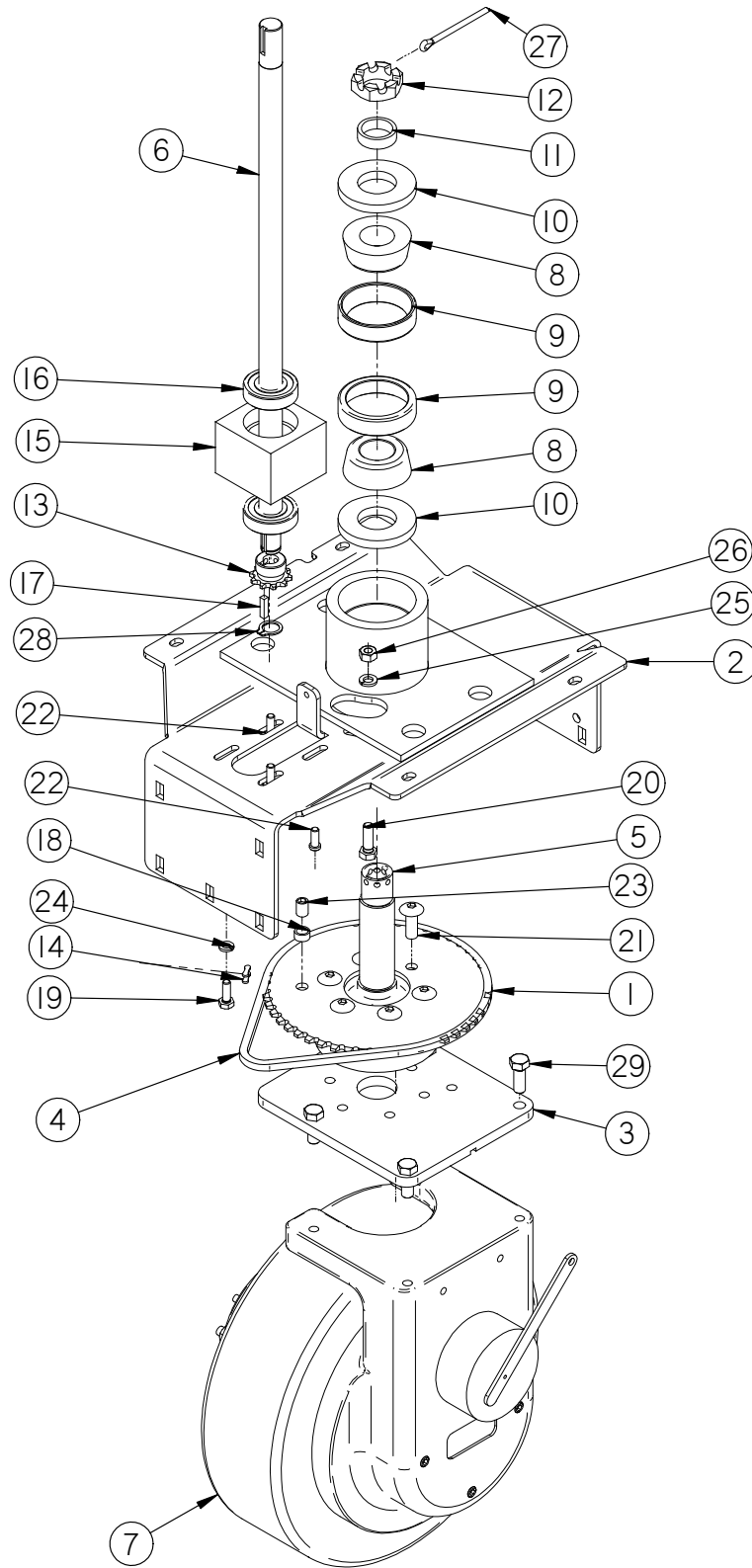
Batteries and Covers 26

Common wear parts 28

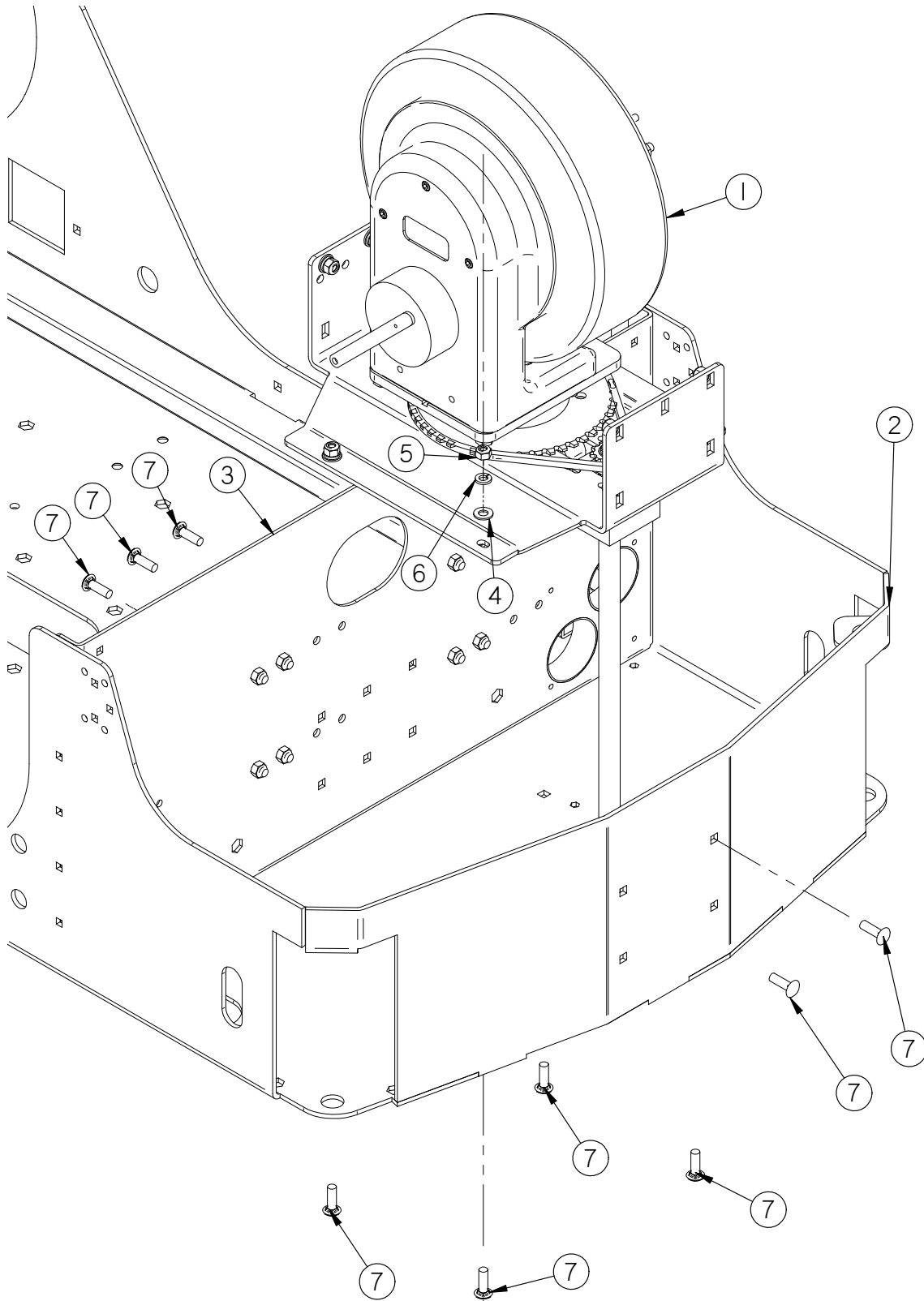
Suggested parts inventory 29



Item	Part No.	Part Description	Qty
1	21-1127	ROLLER	2
2	250-1265	SCRUB ARM BRACKET	2
3	275-1000	FRAME WELDMENT	1
4	275-1260	FRONT PANEL	1
5	290-1128	LOWER ROLLER BRACKET	2
6	290-1233	3/8" ID, 1/2" OD, 1/4" LG BEARING	4
7	5-212A	FAN COVER	1
8	5-218	48 VOLT COOLING FAN	1
9	H-11319	HB 5/8"- 11 X 4"	2
10	H-312HCN	HCN 5/16"-18	2
11	H-33080	FW 5/16" SAE	7
12	H-37036	NYL 5/8"- 11	2
13	H-70711	HN 5/16"- 18 SS	2
14	H-70858	NYLOK #10-32 SS	4
15	H-70860	NYLOK 1/4"- 20 SS	18
16	H-70861	NYLOK 5/16" - 18 SS	15
17	H-71013	FNW 1/4" X 5/8" SS	14
18	H-71065	LW 5/16" SS	7
19	H-72556	PPH #10-32 X 2" SS	4
20	H-74419	CB 1/4"- 20 X .75" SS	18
21	H-74429	CB 5/16"- 18 X 3/4" SS	8
22	H-74430	CB 5/16"- 18 X 1" SS	4
23	H-74433	CB 5/16"- 18 X 2" SS	2
24	H-78015	FW 5/16" X 3/4" SS	2

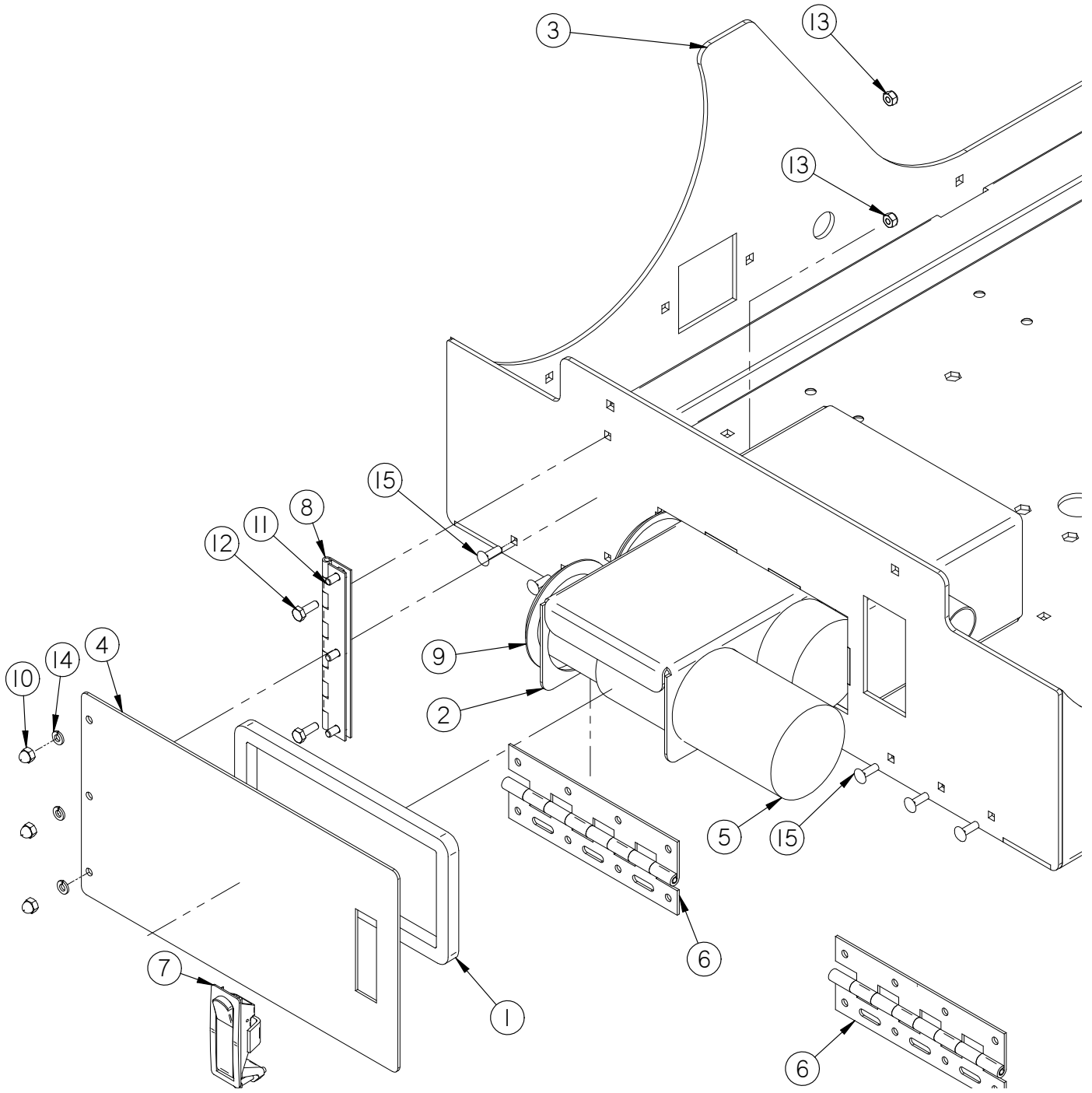


Item	Part No.	Part Description	Qty
1	250-7314	60 TOOTH STEERING SPROCKET	1
2	250-7320	12" DROP PLATE	1
3	250-7326	PIVOT PLATE	1
4	250-7327	STEERING CHAIN	1
5	250-7332	STEERING SHAFT	1
6	275-7120	STEERING SHAFT, LOWER	1
7	290-9557	WHEEL DRIVE ASS'Y	1
8	37-7317	TAPERED ROLLER BEARING	2
9	37-7318	BEARING CAP	2
10	37-7319	STEERING SHAFT SEAL	2
11	37-7320	PRE LOAD SLEEVE	1
12	37-7321	SLOTTED NUT, 2.0 - 12	1
13	5-826	10 TOOTH SPROCKET	1
14	5-831	MASTER LINK	1
15	8-723	BEARING BLOCK	1
16	8-723B	BEARING	2
17	H-00270	3/16" X 3/4" KEY	1
18	H-05233	PVC TUBING	1
19	H-13003	HCS 1/4"-20 X 3/4"	2
20	H-13055	HCS 5/16"-18 X 1"	2
21	H-24103	BHSCS 3/8"- 24 X 1"	6
22	H-24617	SHCS, LOW HEAD, 1/4- 20 X 5/8"	2
23	H-25595	SS CP 3/8"- 24 X 1/2"	1
24	H-33618	LW 1/4"	2
25	H-33620	LW 5/16"	2
26	H-36104	HN 5/16"-18	2
27	H-65129	3/16" X 2-1/2" COTTER PIN	1
28	H-68013	SNAPRING 5/8"	1
29	H-70105	HCS 3/8"- 16 X 1" SS	4



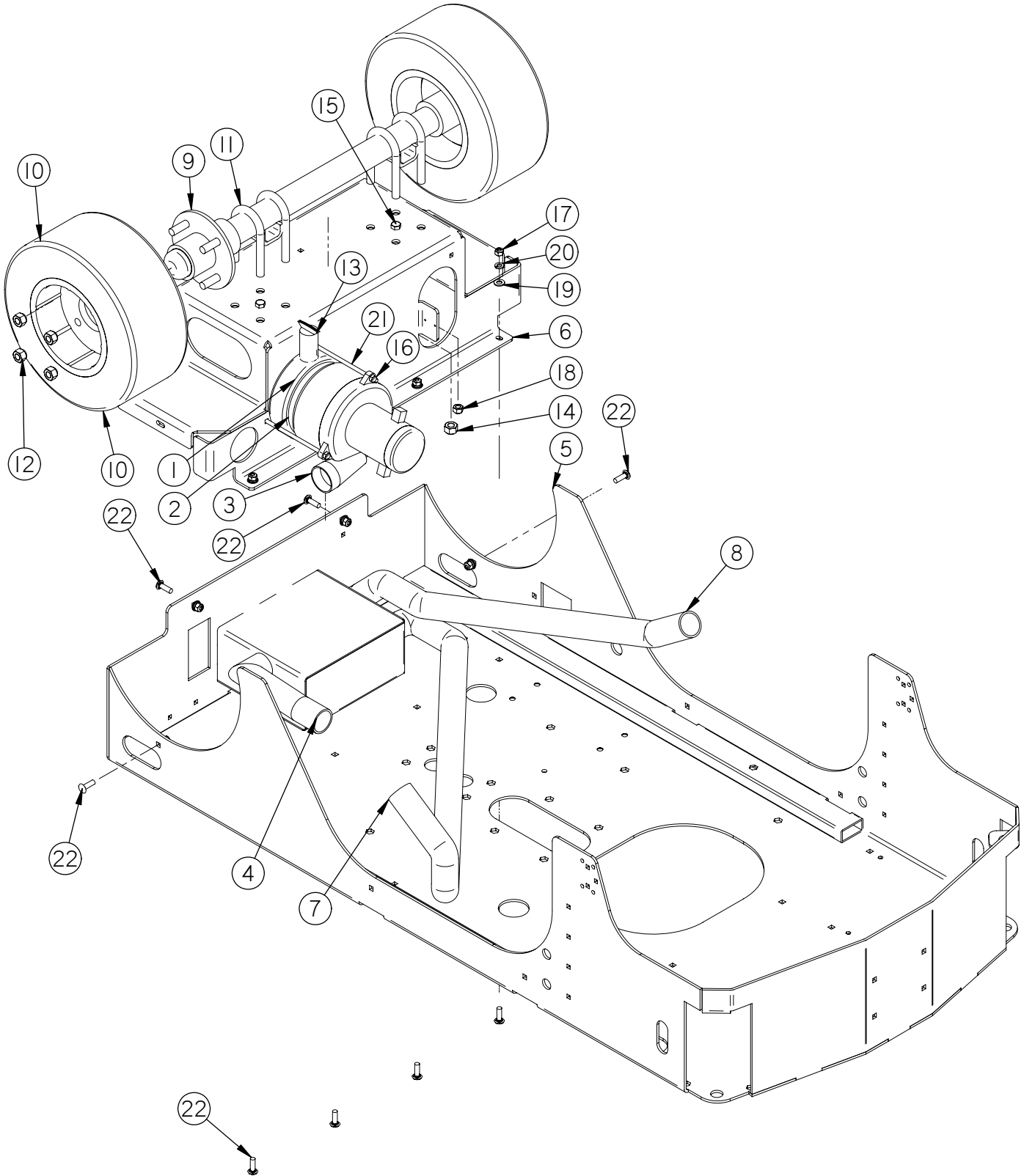
Item	Part No.	Part Description	Qty
1	234	SUB #234 250 12 INCH FRONT WHEEL ASSEMBLY	1
2	275-1000	FRAME WELDMENT	1
3	808	SUB #808 275 BURNISHER FRONT PANEL	1
4	H-33080	FW 5/16" SAE	9
5	H-70861	NYLOK 5/16" - 18 SS	9
6	H-71065	LW 5/16" SS	9
7	H-74430	CB 5/16"- 18 X 1" SS	9

10 Filter Door and Hinges



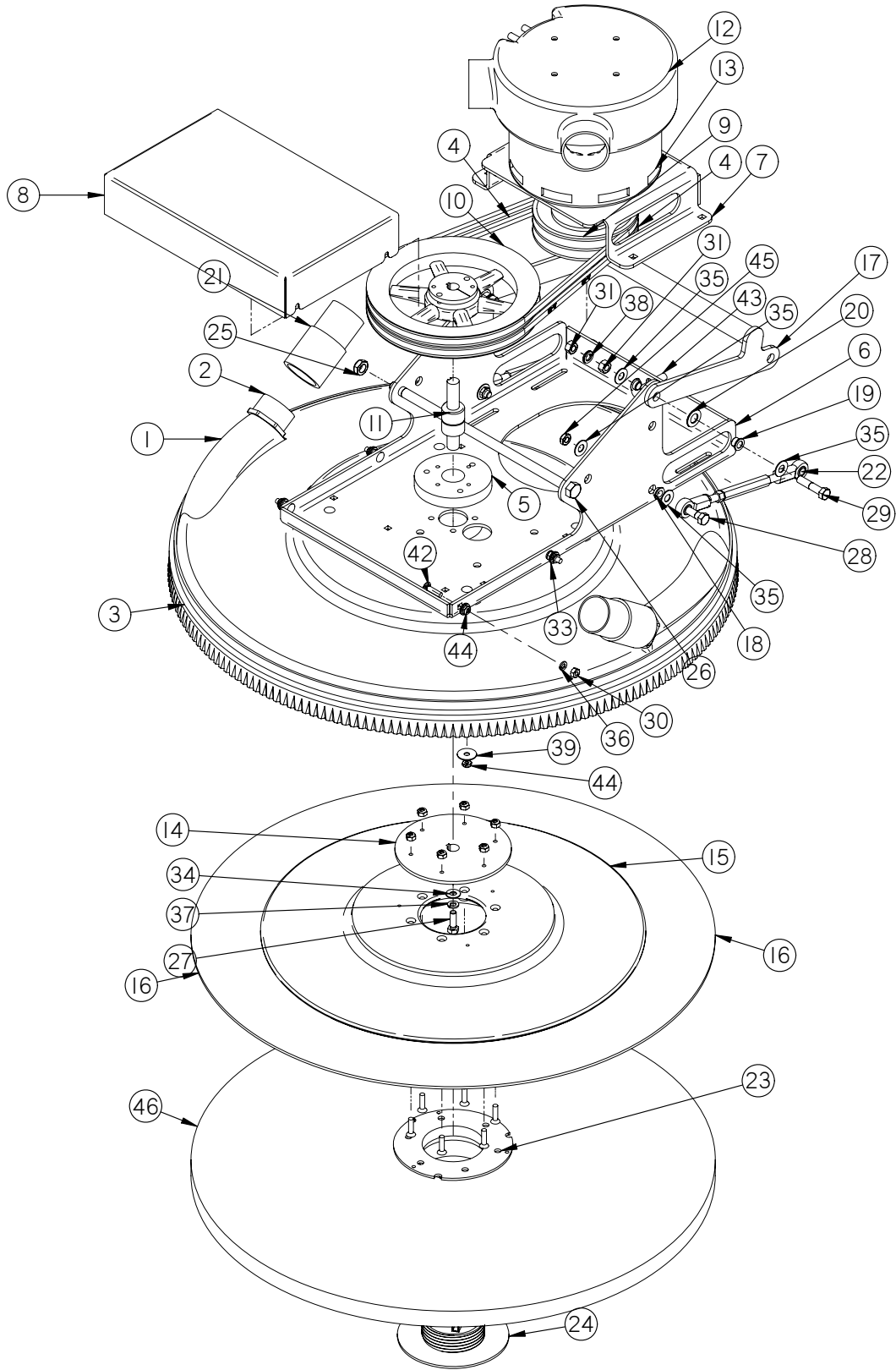
Item	Part No.	Part Description	Qty
1	275-0009	FILTER DOOR GASKET	1
2	275-0014	FILTER HOLDER	1
3	275-1000	FRAME WELDMENT	1
4	275-4110	FILTER DOOR	1
5	275-5020	FILTER SOCK	2
6	5-122	HINGE 8" SS	2
7	5-130	DOOR LATCH	1
8	8-180	6-7/8" S/S HINGE	1
9	8-911	SCREEN STRAINER	2
10	H-37708	1/4-20 LC ACORN NUT	3
11	H-70001	HCS 1/4"-20 X 1/2 SS"	3
12	H-70003	HCS 1/4"- 20 X 3/4" SS	2
13	H-70860	NYLOK 1/4"- 20 SS	6
14	H-71063	LW 1/4" SS	3
15	H-74419	CB 1/4"- 20 X .75" SS	5

12 Rear Axle Mount



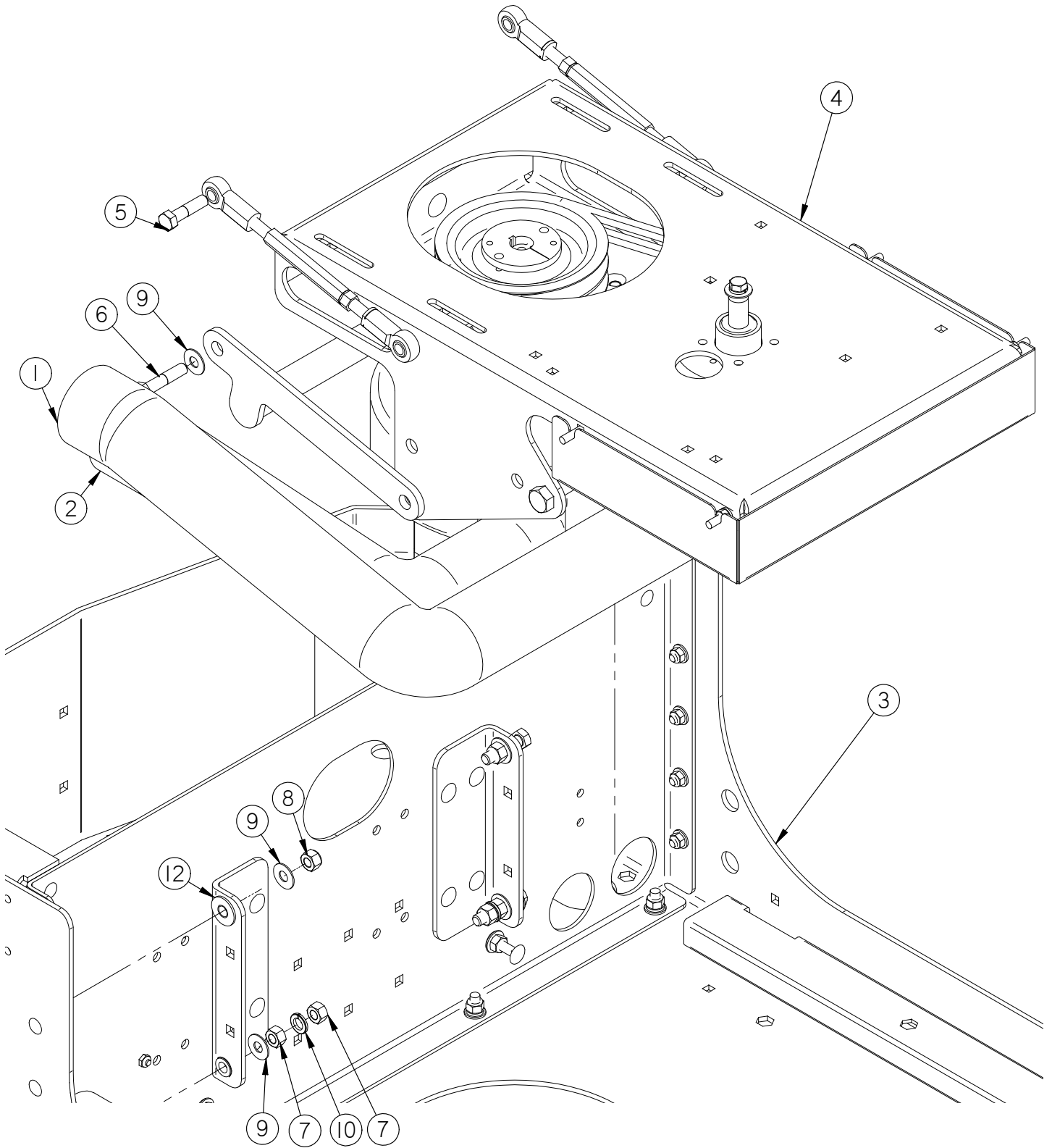
Item	Part No.	Part Description	Qty
1	190-1450	VAC BOX	1
2	190-3002	VAC MOTOR GASKET	1
3	255-5250	36V VAC MOTOR, TANGENTIAL W/SNORKEL	1
4	275-0010	1.5" DIA VAC TO FILTER HOSE	1
5	275-1000	FRAME WELDMENT	1
6	275-5000	AXLE MOUNT	1
7	290-0115	1.5" DIA LEFT DECK TO FILTER HOSE	1
8	290-0115	1.5" DIA RIGHT DECK TO FILTER HOSE	1
9	290-6040	REAR AXLE	1
10	290-6181	REAR WHEEL (BLACK P7) W X-GROOVE	2
11	290-6186	1/2-20 X 1-1/4 " U BOLT	4
12	290-6187	LUG NUT, 1/2"- 20	4
13	390-1505	LOADER VALVE	1
14	H-37130	NYLOK NUT, 1/2"- 20	8
15	H-70103	HCS 3/8"-16 X 3/4" SS	2
16	H-70860	NYLOK 1/4"- 20 SS	3
17	H-70861	NYLOK 5/16" - 18 SS	8
18	H-70862	NYLOK 3/8"-16 SS	2
19	H-71015	FW 5/16 ID X 3/4 OD SS	8
20	H-71065	LW 5/16" SS	8
21	H-74400	CB 1/4"- 20 X 6.0" SS	3
22	H-74430	CB 5/16"- 18 X 1" SS	8

14 27" Burnisher Deck

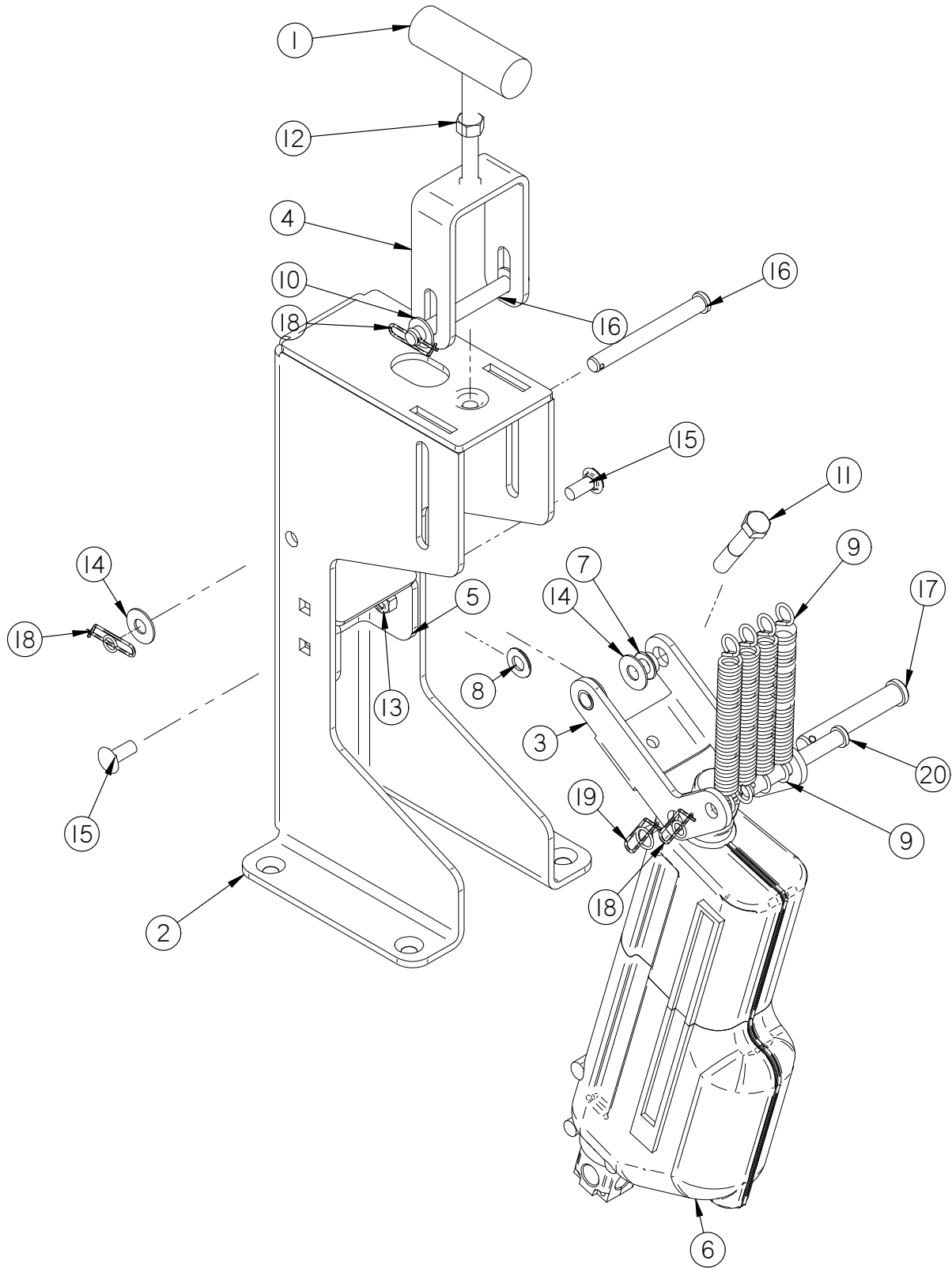


Item	Part No.	Part Description	Qty
1	275-0001	27" BURNISHER SHROUD	1
2	275-0004	1-1/4 NPT TO 2" OD ADAPTER	2
3	275-0016	SHROUD CURTAIN	1
4	275-3012	PAD DRIVER BELT	2
5	275-3050	BEARING HOUSING	1
6	275-4020	SINGLE PAD BURNISHER DECK	1
7	275-4021	MOTOR ADJUSTMENT BRACKET	1
8	275-4022	BELT GUARD	1
9	275-8215	DH2550 5.5" PULLEY	1
10	275-8226	9" PULLEY	1
11	275-8240	DRIVE BEARING	1
12	275-9501	MOTOR COVER	1
13	275-9506	BURNISHER MOTOR 36V 2500 RPM 78 AMP	1
14	275-9568	PAD DRIVER	1
15	275-9569	DISK RISER	1
16	275-9576	27" DRIVER PLATE	1
17	275-9586	LATERAL LIFTING BRACKET	1
18	290-1233	3/8" ID, 1/2" OD, 1/4" LG BEARING	4
19	290-1245	3/8" ID, 1/2" OD, 3/8" LG, FLANGE BEARING	2
20	290-1247	BRONZE THRUST BEARING, .50" ID X 1.0" OD X 1/16" TH	2
21	290-7212	1-1/2" - 2" HOSE CUFF	2
22	290-9587	ADJUSTABLE LATERAL ARM	2
23	40-434A	DRIVER LOCK	1
24	40-434B	DRIVER SCREW IN PAD LOCK	1
25	H-0129159	JNYL, 1/2"-13, 18-8 SS	1
26	H-15237	HCS 1/2"- 13 X 13" GRADE 8	1
27	H-70055	HCS 5/16"- 18 X 1" SS	1
28	H-70107	HCS 3/8"- 16 X 1-1/4" SS	2
29	H-70110	HCS 3/8"- 16 X 1-3/4" SS	2
30	H-70710	HN 1/4"- 20 SS	4
31	H-70712	HN 3/8"-16 SS	4
32*	H-70860	NYLOK 1/4"- 20 SS	6
33	H-71013	FW 1/4 ID X 5/8 OD SS	8
34	H-71015	FW 5/16 ID X 3/4 OD SS	1
35	H-71017	FW 3/8 ID X 7/8 OD SS	8
36	H-71063	LW 1/4" SS	4
37	H-71065	LW 5/16" SS	1
38	H-71067	LW 3/8" SS	2
39	H-71212	FNW 1/4 ID X 1.0 OD SS	4
40*	H-72710	FHP 1/4"- 20 X 1" SS	6
41*	H-74418	CB 1/4"- 20 X 5/8" S/S	4
42	H-74420	CB 1/4"- 20 X 1.0" SS	4
43	H-74439	CB 3/8"- 16 X 2.0" SS	1
44	H-NJ04C	JNYL 1/4" - 20 SS	8
45	H-NJ06C	JNYL 3/8- 16 SS	2
46	SEE COMMON WEAR PARTS	27" BURNISHER PAD	1

16 Burnisher Deck

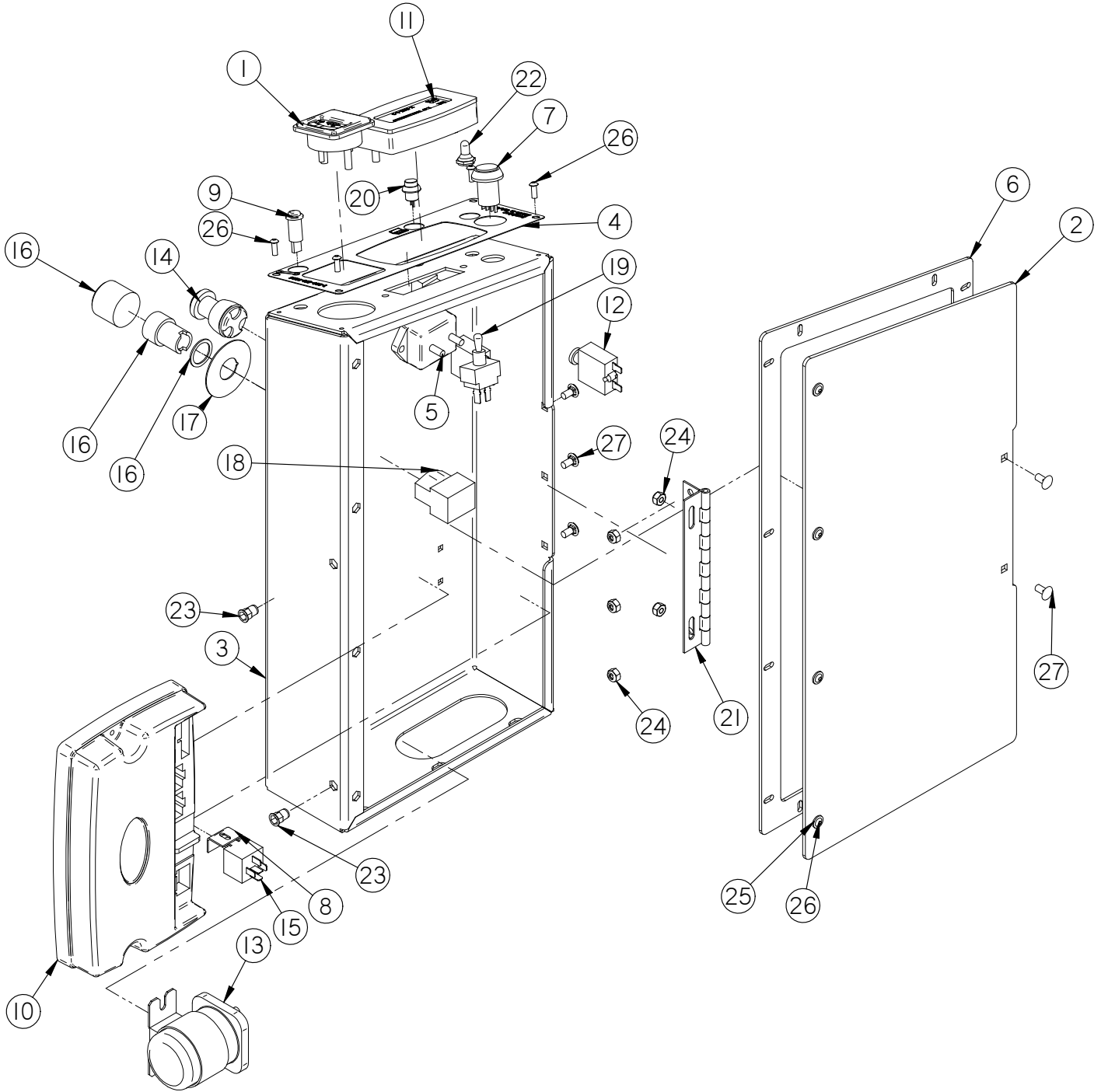


Item	Part No.	Part Description	Qty
1	275-0017	MOTOR HOSE	1
2	275-0018	MOTOR HOSE	1
3	275-1000	FRAME WELDMENT	1
4	807	SUB #807 275 BURNISHER DECK	1
5	H-70109	HCS 3/8"- 16 X 1-1/2" SS	2
6	H-70110	HCS 3/8"- 16 X 1-3/4" SS	2
7	H-70712	HN 3/8"-16 SS	4
8	H-70862	NYLOK 3/8"-16 SS	2
9	H-71017	FW 3/8" X 7/8" SS	4
10	H-71067	LW 3/8" SS	2
11*	H-73908	FHSCS 5/16"- 18 X 1" SS	4
12	H-99001	FW 3/8" SS	2

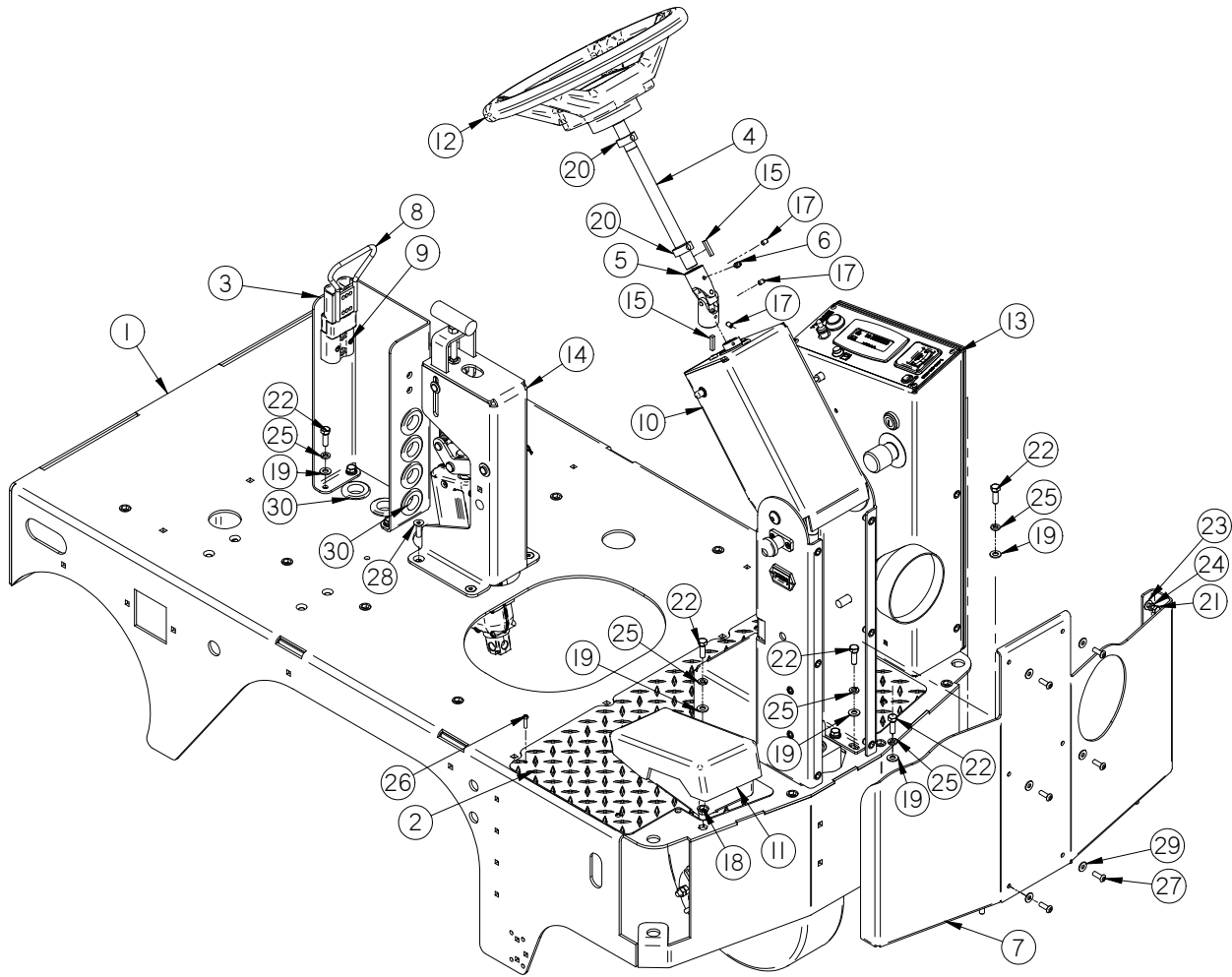


Item	Part No.	Part Description	Qty
1	275-0999	SPRING ADJUSTMENT KNOB	1
2	275-1081	ACTUATOR UPRIGHT	1
3	275-1082	ACTUATOR PIVOT	1
4	275-1083	ACTUATOR SPRING AJUSTMENT BRACKET	1
5	275-1084	PIVOT ADJUSTMENT BRACKET	1
6	275-2210	6" STROKE 36V ACTUATOR 1000 LB LOAD	1
7	290-1233	3/8" ID, 1/2" OD, 1/4" LG BEARING	2
8	290-1247	FW BRONZE .75 OD X .375 ID X .0625 THK	2
9	390-7712	COMPRESSION SPRING	4
10	H-4440024	FW 3/8" X 3/4" NYLON	2
11	H-70111	HCS 3/8"- 16 X 2" SS	1
12	H-70712	HN 3/8"-16 SS	1
13	H-70861	NYLOK 5/16" - 18 SS	2
14	H-71017	FW 3/8" X 7/8" SS	4
15	H-74429	CB 5/16"- 18 X 3/4" SS	2
16	H-923902	3/8" X 4" CLEVIS PIN	2
17	H-CP238	1/2" X 3" CLEVIS PIN	1
18	H-RUE14	3/8" RUE RING COTTER	3
19	H-RUE22	1/2" RUE RING COTTER	1
20	H-ZCPI76	CLEVIS PIN 3/8" x 3.00"	1

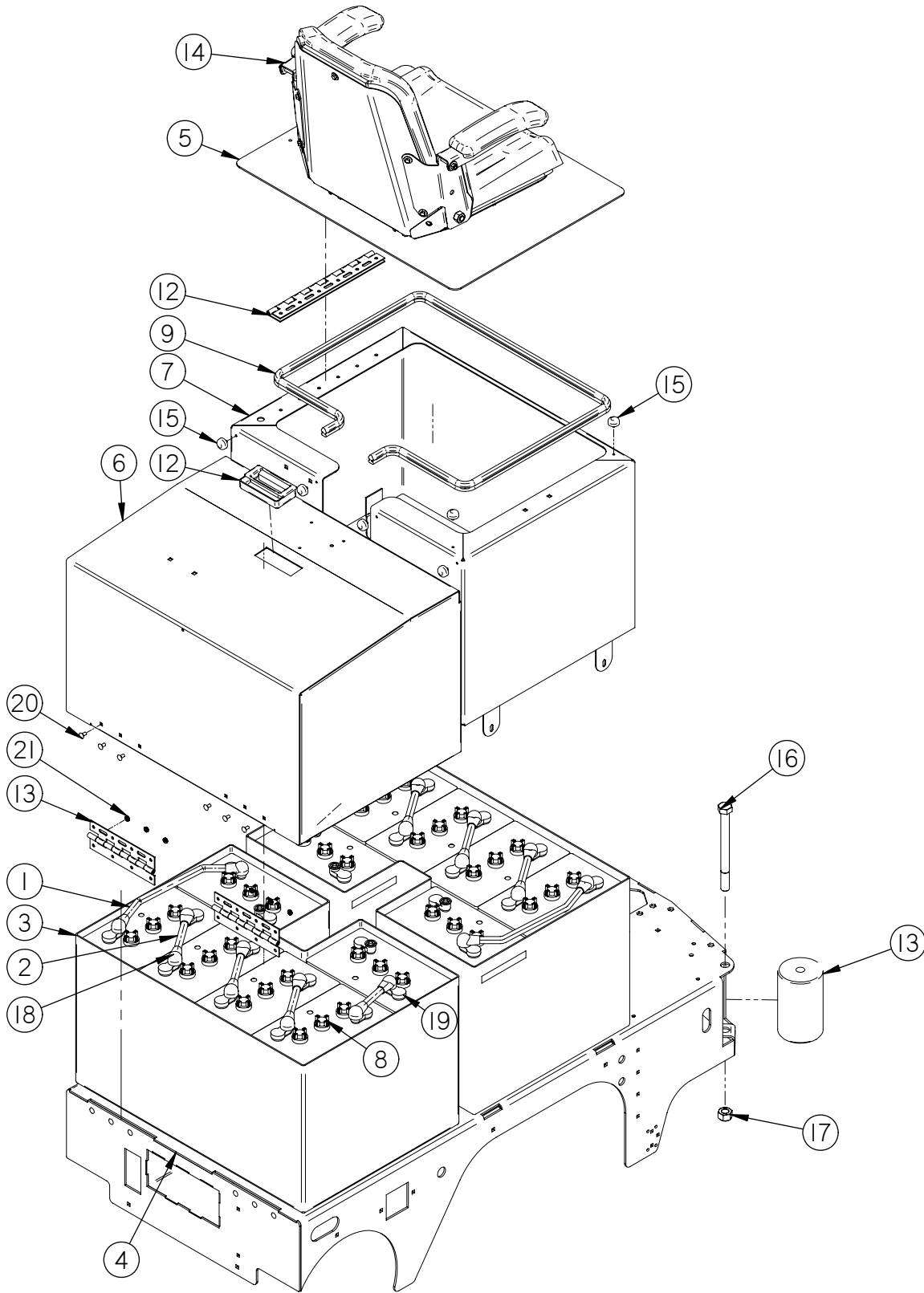
Item	Part No.	Part Description	Qty.
1	290-1245	3/8" ID, 1/2" OD, 3/8" LG, FLANGE BEARING	2
2	290-1247	BRONZE THRUST BEARING, .50" ID X 1.0" OD X 1/16" TH	2
3	290-1248	FW BRONZE 1/2" ID X 1" OD X 1/8" TH	2
4	290-7050	INDEX PLUNGER	1
5	292-1170	LOWER STEERING TOWER	1
6	292-1171	UPPER STEERING TOWER	1
7	292-1172	COVER	1
8	4-101	SERIAL NUMBER PLATE	1
9	4-260	CONNECTOR, GREY 50	1
10	4-352	BEARING	1
11	4-364A	FLANGE, 1.75" ID	2
12	430-2910	36V HEADLIGHT	1
13	430-2940	36V HORN	1
14	8-262	HOUR METER	1
15	8-292	BACKUP ALARM	1
16	8-294B	PUSH BUTTON SWITCH, SILVER	1
17	H-21253	CB 5/16"- 18 X 3/4"	1
18	H-250HCN	HCN 1/4"-20	12
19	H-28902	RPH #8-32 X 1"	2
20	H-29060	RPH #10-32 X 3/4"	2
21	H-33620	LW 5/16"	3
22	H-36104	HN 5/16"-18	4
23	H-37015	NYLOK #10-32	2
24	H-37024	NYLOK 3/8"-16	2
25	H-37406	KN #8-32	2
26	H-71009	FW #10 SS	4
27	H-71017	FW 3/8" X 7/8" SS	4
28	H-72681	FHP #10-32 X 3/8" SS	2
29	H-73754	BHSCS 1/4 - 20 X 3/4 SS	6
30	H-73815	BHSCS 3/8"- 16 X 1" SS	2
31	H-76061	FW 1/4" NYLON	6
32	H-94071	BHSCS 5/16-18 X 1	3



Item	Part No.	Part Description	Qty.
1	275-0013	0 TO 100 AMP GAUGE	1
2	275-2001	ACCESS COVER	1
3	275-2010	CONTROL PANEL	1
4	275-2013	CONTROL PANEL TOP PLATE	1
5	275-8000	80 AMP BREAKER	1
6	290-2004	ACCESS COVER GASKET	1
7	290-2015	ONE TOUCH BUTTON	1
8	290-2020	BRACKET	1
9	290-2300	LOW SOLUTION (AMBER)	1
10	290-2890	COMPUTER CONTROL V2	1
11	290-2891	LCD SCREEN	1
12	290-8370	FUSE, RESETTABLE, 50 AMP, 50V DC MAX	2
13	390-2331	36V 200 AMP RELAY	1
14	4-234	KEY SWITCH	1
15	5-293	15 AMP RELAY	1
16	5-300	EMERGENCY SHUT OFF	1
17	5-301	EMERGENCY LEGEND PLATE	1
18	5-302	EMERGENCY CONTACT BLACK	1
19	5-892	TOGGLE, ON-OFF SPST	2
20	7-229	PUSH BUTTON SWITCH	1
21	8-180	HINGE, 6-7/8" S/S	1
22	H-01196	PROTECTIVE BOOT, TOGGLE SWITCH, (RED)	1
23	H-250HCN	HCN 1/4"-20	2
24	H-70860	NYLOK 1/4"- 20 SS	5
25	H-71009	FW #10 SS	4
26	H-73743	BHSCS 10-32 X 1/2" SS	8
27	H-74417	CB 1/4"- 20 X .5" SS	5



Item	Part No.	Part Description	Qty
1	275-1000	FRAME WELDMENT	1
2	275-1610	NON SKID FLOOR PLATE	1
3	275-9515	HOOD STRAP UPRIGHT	1
4	290-7090	STEERING SHAFT, UPPER	1
5	290-7110	U-JOINT	1
6	290-7111	1/4-28 ZERK FITTING	1
7	292-1180	FRONT APRON	1
8	390-2572	CONNECTOR HANDLE	1
9	390-2575	175 GREY CONNECTOR WITH I/O CONTACTS	2
10	481	SUB #481 36 VOLT STEERING UPRIGHT	1
11	5-275	FOOT PEDAL	1
12	8-703	STEERING WHEEL	1
13	809	SUB #809 275 BURNISHER CCM II	1
14	811	SUB #811 275 BURNISHER ACTUATOR PIVOT	1
15	H-01125	3/16" X 1" KEY	2
16*	H-02309	HCN #10-32, LG CRIMP	5
17	H-25328	SSS CP 1/4"-20 X 3/8"	3
18	H-312HCN	HCN 5/16"-18	31
19	H-33080	FW 5/16" SAE	17
20	H-33376	SET SCREW SHAFT COLLAR, 3/4" ID X 9/16 LG	2
21	H-70005	HCS 1/4"- 20 X 1" SS	2
22	H-70055	HCS 5/16"- 18 X 1" SS	17
23*	H-71013	FNW 1/4" X 5/8" SS	2
24	H-71063	LW 1/4" SS	1
25	H-71065	LW 5/16" SS	17
26	H-72565	RPH #10-32 X 3/4" SS	4
27	H-73754	BHSCS 1/4 - 20 X 3/4 SS	6
28	H-73908	FHSCS 5/16"- 18 X 1" SS	4
29	H-76061	FW 1/4" NYLON	6
30	H-9307K74	GROMMET, 1" ID X 1-3/4" OD BUNA-N	6



Item	Part No.	Part Description	Qty
1		BATTERY JUMPER (4 GAUGE 24-1/2" LG)	2
2		BATTERY JUMPER (4 GAUGE 5-1/2" LG)	8
3	275-0000	BATTERY BOX	2
4	275-1000	FRAME WELDMENT	1
5	275-1305	SEAT LID	1
6	275-9512	HOOD	1
7	275-9518	BATTERY BOX SEAT	1
8	290-2110	L 16 H BATTERY 6 VOLT 395 AH	12
9	390-4101	PUSH-ON RUBBER GASKET 78" LG	1
10	430-1225	13" SS HINGE	1
11	5-122	8" SS HINGE	2
12	5-849	RECESSED HANDLE	1
13	7-125A	ROLLER	1
14	8-143	SEAT WITH ARM RESTS	1
15	H-01201	GROMMET	6
16	H-11380	HCS 3/4-10 X 8-1/2	2
17	H-37039	NYLOK 3/4"- 10	2
18	H-40031	BATTERY BOOT	20
19	H-400317	TERMINAL COVER	24
20	H-74417	CB 1/4"- 20 X .5" SS	6
21	H-NJ04C	JNYL 1/4" - 20 SS	6

Common wear parts

<u>Pad</u>	<u>Pad Function</u>	<u>Results</u>	<u>275 Part Number</u>
Image ultra high speed - beige	Ultra high speed High speed buffing And burnishing.	For high speed buffing and burnishing. For frequent burnishing on soft to medium finishes.	27-4221
Luster lite - blue	Ultra high speed buffing and burnishing.	For burnishing soft floor finishes. May be used on a daily basis. Ideally suited for top dressing highly polished floors.	27-4222
Combo ultra high speed	Ultra high speed buffing and burnishing.	Blended polyester and natural fibers. For frequent burnishing on medium finishes.	27-4223
Porko ultra high speed	Ultra high speed buffing and burnishing.	Blended natural fiber pad. For frequent minimal burnishing on hard finishes.	27-4224
Porko elite	Ultra high speed buffing and burnishing.	Blended natural fiber pad works on all UHS machines. For minimal burnishing on medium to hard finishes.	27-4225
Porko plus	Ultra high speed buffing and burnishing.	High content of natural fibers. Ideal for minimal burnishing on hard finishes.	27-4226

275 Suggested Parts Inventory

Quantity	Part #	Description
2	290-6175	Grey Smooth Rear Tire
2	8-911	Screen Strainer
1	390-1505	Loader Valve
1	190-3002	Vacuum Motor Gasket
2	275-3010	Pad Driver Belt
2	275-5020	Filter Sock
2	275-9504	275 Stickers
1	290-2891	LCD Screen
1	290-2015	One Touch Button
1	7-229	Push Button Switch
1	H-01196	Red Boot
1	8-290	Foot Pedal

