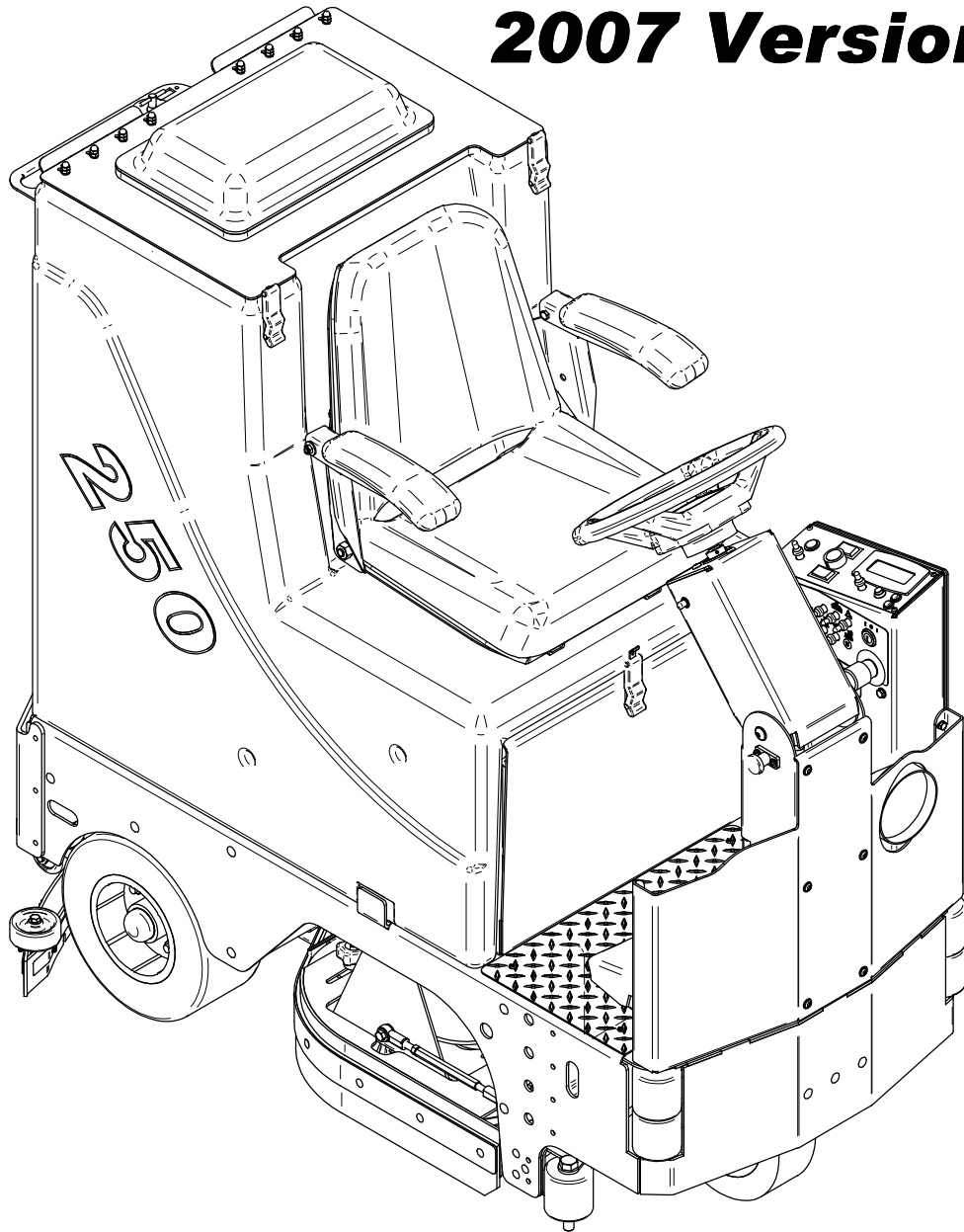


MODEL 250

Operator and Parts Manual

2007 Version 2

250 SERIES



R.P.S. Corporation
P.O. Box 241
Racine, Wisconsin 53401

Phone: 1-800-450-9824
Fax: 1-866-632-6961

HOW TO USE THIS MANUAL

This manual contains the following sections:

- HOW TO USE THIS MANUAL
- SAFETY
- OPERATIONS
- MAINTENANCE
- PARTS LIST

The HOW TO USE THIS MANUAL section will tell you how to find important information for ordering correct repair parts.

Parts may be ordered from authorized **TOMCAT** dealers. When placing an order for parts, the machine model and machine serial number are important. Refer to the MACHINE INFORMATION page which is filled out during the installation of your machine. The MACHINE INFORMATION is located on page one of this manual.

The serial number of your machine is located on the lower steering pedestal of the steering column of the machine. **(See Picture Below)**



The SAFETY section contains important information regarding hazard or unsafe practices of the machine. Levels of hazards are identified that could result in product or personal injury, or severe injury resulting in death.

The OPERATIONS section is to familiarize the operator with the operation and function of the machine.

The MAINTENANCE section contains preventative maintenance to keep the machine and its components in good working condition. They are listed in this general order:

- Batteries
- Scrub Brushes
- Adjusting Squeegee
- Service Schedule
- Machine Trouble shooting

The PARTS LIST section contains assembled parts illustrations and corresponding parts list. The parts lists include a number of columns of information:

- **ITEM** - column refers to the reference number on the parts illustration.
- **PART NO.** - column lists the part number for the part.
- **QTY** - column lists the quantity of the part used in that area of the machine.
- **DESCRIPTION** - column is a brief description of the part.
- **COMMENTS** - column for information not noted by the other columns.

NOTE: If a service or option kit is installed on your machine, be sure to keep the KIT INSTRUCTIONS which came with the kit. It contains replacement part numbers needed for ordering future parts.

TABLE OF CONTENTS

MACHINE PARTS ILLUSTRATION

TABLE OF CONTENTS	PAGE 1	FRONT PANEL	PAGE 36-39
WARRANTY REGISTRATION FORM	PAGE 2	FRONT WHEEL DRIVE	PAGE 40-43
MACHINE SPECIFICATIONS	PAGE 3	REAR AXLE MOUNT	PAGE 44-47
COMMON WEAR PARTS/SCRUB BRUSHES	PAGE 4	SQUEEGEE DRAG PLATE	PAGE 48-51
SCRUB BRUSHES	PAGE 5	HOSES AND WIRING HARNESS	PAGE 52-53
SAFETY MESSAGES	PAGE 6	SCRUB DECK	PAGE 54-59
!!SAFETY PRECAUTIONS!!	PAGE 7	SQUEEGEE LIFTING BRACKET AND HINGES	PAGE 60-61
MACHINE FEATURES AND CONTROLS	PAGE 8-9	CRIMP NUTS	PAGE 62-63
LCD SCREEN MENU DISPLAYS	PAGE 10	CENTRAL COMMAND II	PAGE 64-69
MACHINE SETUP	PAGE 11	STEERING TOWER ASSEMBLY	PAGE 70-33
ATTACHING SQUEEGEE	PAGE 12	FRONT APRON	PAGE 74-75
ADJUSTING SQUEEGEE	PAGE 13	DRIVE PEDAL	PAGE 76-77
LEVELING SCUB DECK	PAGE 14	BATTERIES AND CABLES	PAGE 78-79
ATTACHING BRUSHES	PAGE 15	SOL/REC TANKS	PAGE 80-83
ADJUSTING SHROUDS	PAGE 16	TANK LID	PAGE 84-87
SOLUTION SYSTEM	PAGE 17	SHROUDS	PAGE 88-93
VACUUM BOX SYSTEM	PAGE 18	SQUEEGEE	PAGE 94-99
MACHINE OPERATION	PAGE 19-21	250-30 DOORS (OPTIONAL)	PAGE 100-101
DRAINING RECOVERY & SOLUTION TANKS	PAGE 22	250-34 DOORS (OPTIONAL)	PAGE 102-103
REC. FLOAT SHUT OFF	PAGE 23	DOORS AND BUMPER (OPTIONAL)	PAGE 104-105
DRAIN SAVER	PAGE 23	CYLINDRICAL DECKS	PAGE 106-107
BATTERY CHARGING	PAGE 24-25	CYLINDRICAL WIPERS	PAGE 108-109
CHANGING BATTERIES	PAGE 26	CYLINDRICAL DOORS	PAGE 110-111
MAINTENANCE & STORING MACHINE	PAGE 27-28	SIDE BROOMS	PAGE 112-113
PREVENTATIVE MAINTENANCE RECORDS	PAGE 29-30		
TOUBLESHOOTING CENTRAL COMMAND II	PAGE 31-32		
TROUBLESHOOTING	PAGE 33-34		
MACHINE PARTS	PAGE 35-92		

MACHINE INFORMATION

PLEASE FILL THIS AREA OUT AT THE TIME OF INSTALLATION FOR FUTURE REFERENCE.

MODEL NUMBER _____

SERIAL NUMBER: _____

INSTALLATION DATE: _____

INSTALLING DEALER: _____

DEALER CONTACT: _____

ADDRESS: _____

CITY, STATE, ZIP: _____

PHONE NUMBER: _____

THIS OPERATOR AND PARTS MANUAL SHOULD BE CONSIDERED A PERMANENT PART OF THE UNIT AND SHOULD REMAIN WITH THE UNIT AT ALL TIMES. THIS OPERATOR AND PARTS MANUAL COVERS ALL THE 250 SERIES SCRUBBERS. YOU MAY FIND DESCRIPTIONS AND FEATURES THAT ARE NOT ON YOUR PARTICULAR MODEL. THE INFORMATION AND SPECIFICATIONS INCLUDED IN THIS PUBLICATION WERE IN EFFECT AT THE TIME OF PRINTING. MID-CENTRAL CORPORATION RESERVES THE RIGHT TO MAKE CHANGES WITHOUT NOTICE INCURRING ANY OBLIGATION.

TO REGISTER FOR WARRANTY, FAX YOUR WARRANTY REGISTRATION FORM TODAY!

FAX # (886)-632-6961

PAGE 1

MODEL 250

R.P.S. CORPORATION
P.O. BOX 368
RACINE, WI 53401
PHONE: 800-634-4060
FAX 866-901-3335
WWW.FACTORYCAT.COM

WARRANTY REGISTRATION FORM

COMPLETE FORM IMMEDIATELY AND FAX BACK TO (886)901-3335

DISTRIBUTOR: _____

SERIAL NUMBER: _____

LOCATION (CITY, STATE): _____

INSTALL DATE: _____

CUSTOMER: _____

HOUR METER: _____

CONTACT: _____

INSTALLED BY: _____

ADDRESS: _____

CITY: _____ STATE _____ ZIP _____

PHONE: _____ FAX: _____

FACTORY CAT MODEL NUMBER: _____

OPTIONS: 1. _____

4. _____

2. _____

5. _____

3. _____

6. _____

PADS: _____

BRUSHES: _____

SQUEEGEE SIZE: _____

SIDE BROOMS: _____

BUYER'S REPRESENTATIVE HAS:

1. RECEIVED INSTRUCTION IN PROPER OPERATION OF THIS MACHINE.
2. RECEIVED OPERATOR'S MANUAL FOR THIS MACHINE.
3. BEEN MADE AWARE THAT ANY OPERATOR SHOULD READ THE MANUAL BEFORE OPERATING THIS MACHINE.

DISTRIBUTOR REP. PRINT: _____

SIGN: _____

CUSTOMER PRINT: _____

SIGN: _____

MODEL

250

BODY CONSTRUCTION/DIMENSIONS

TANK MATERIAL: POLY (3/8" THICK)
CHASSIS CONSTRUCTION: 7 GA. (3/16" STEEL)
REAR WHEELS: (2) 12" X 5" (2,200 LB. CAP.)
FRONT WHEEL: 10" X 3"
SIZE (L X W X H): 54" X 26" X 55"
SQUEEGEE SIZE: 32"
WEIGHT (WITHOUT BATTERIES): 784 LBS.
WEIGHT (W/245 AMP BATTERIES): 1,222 LBS
WEIGHT (W/325 AMP BATTERIES): 1,414 LBS

BRUSH/PAD SYSTEM

BRUSH DOWN PRESSURE: 0-250 LBS
BRUSH ACTUATOR RATING: 0-500 LBS
BRUSH PRESSURE SETTINGS: (5) W/AUTO. ADJUST.
BRUSH/PAD SIZE: 250-13: (2) 13" (SCRUBS 26")
250-15: (2) 15" (SCRUBS 30")
250-17: (2) 17" (SCRUBS 34")
BRUSH SPEED (DISK): 300 RPM
MOTOR POWER (STANDARD): (2) 0.75 HP
MOTOR POWER (HD OPTION): (2) 1.0 HP @ 350 RPM

SOLUTION SYSTEM

SOL. TANK CAPACITY: 35 GAL
SOLUTION FLOW RATE: 0-1.0 GPM
SOLUTION FILTER: INLINE STAINLESS

RECOVERY SYSTEM

REC. TANK CAPACITY: 35 GAL
VACUUM POWER: 1.0 HP
VACUUM (LIFT /AIRFLOW): 68"/70 CFM
DRAIN HOSE (ID): 2.0 INCHES
DEMISTING CHAMBER: 3-GALLON
RECOVERY STRAINER: 60 CUBIC INCHES

BATTERY SYSTEM

BATTERIES (STANDARD): (6) 245 AH
BATTERIES (OPTIONAL): (6) 325 AH
BATTERY RUN TIME: UP TO 7 HRS.
CHARGER (110-V/60 HZ, AUTOMATIC): 36-V/25 AMP

DRIVE SYSTEM

POWER/TYPE: 1.0 HP, SEALED/ALL GEAR
SPEED CONTROL: 0-4 MPH
MIN. ASLE WIDTH U-TURN: 56"
SOUND LEVEL: 70 DBA

PRODUCTIVITY

SCRUBBING WIDTH: 26" , 30" OR 34"
SCRUBBING RATE/HOUR (NORMAL): 30,000, 35,000 OR 45,000 FT/HR
SCRUBBING RATE/HOUR (MAXIMUM): 45,000, 47,000 OR 58,000 FT/HR

WARRANTY

PARTS: 3 YEARS
LABOR: 1 YEAR
TANKS: 10 YEARS

COMMON WEAR PARTS

ITEM	MODEL	MODEL	MODEL
<i>BRUSH TYPE</i>	<u>250-13</u>	<u>250-15</u>	<u>250-17</u>
	<i>DISK (2)</i>	<i>DISK (2)</i>	<i>DISK (2)</i>

BRUSHES

SUPER-GRIT	13-421SS	15-421SS	17-421SS
TOUGH-GRIT	13-421S	15-421S	17-421S
MIDI-GRIT	13-421C	15-421C	17-421C
LIGHT-GRIT	13-421PS	15-421PS	17-421PS
POLY (.028)	13-421P	15-421P	17-421P
NYLON (.016)	13-421N	15-421N	17-421N
PAD DRIVER	13-421D	15-421D	17-421D

PADS

SUPER BLACK	13-422BB	15-422BB	17-422BB
BLACK	13-422B	15-422B	17-422B
BROWN	13-422BR	15-422BR	17-422BR
GREEN	13-422G	15-422G	17-422G
BLUE	13-422BL	15-422BL	17-422BL
RED	13-422R	15-422R	17-422R
WHITE	13-422W	15-422W	17-422W

EXTRA PAD DRIVER RETAINING CLIP: 40-433

BRUSH REPAIR KIT: 40-423 REPLACEMENT LOCATING CLIP FOR ALL DISK BRUSHES

<u>SQUEEGEE KITS</u>	<u>SIZE</u>	<u>GUM RUBBER</u>	<u>LINATEX</u>
250-13 AND 250-15	32"	22-770G	22-770L
250-17	35"	25-770G	25-770L

KIT INCLUDES: (1) REAR BLADE, (1) FRONT BLADE.

NOTE: IT IS STAMPED INTO THE TOP OF THE SQUEEGEE BLANK.

MODEL 250: HAS A 32" SQUEEGEE UNLESS OTHER SIZE IS SPECIALLY ORDERED AT TIME OF PURCHASE.

NOTE: THE SMALLER SQUEEGEES ARE DESIGNED FOR NARROW AISLES AND MAY NOT HAVE THE SAME WATER CONTROL AROUND TIGHT TURNS AS THE LARGER SQUEEGEES.

SOAP

HEAVY DUTY DEGREASER

CITRIUS

FREEZER

TIRE MARK REMOVER

CALL YOUR LOCAL DEALER FOR MORE SOAP INFORMATION

SCRUB BRUSHES

There are many different types of brushes available to cover applications from cleaning heavily soiled floors to polishing. A pad driver is also available to take advantage of the many cleaning pads on the market. Please refer to the following to assist in selecting the proper brush or pad for the work at hand.

<u>Brush Type</u>	<u>Disk</u>	<u>Cylindrical</u>	<u>Level</u>	<u>(10 The Highest)</u>	<u>Color</u>
Super-grit	## 421SS	NA	Very High	10	Red/Orange
Tough-Grit	## 421S	## 521S	High	9	Black
Midi-Grit	## 421C	## 521C	High	8	Blue/Grey
Light-Grit	## 421PS	## 521PS	Moderate	6	Grey
Poly (.028)	## 421P	NA	Moderate	5	Black
Nylon (.012)	## 421N	## 521N	Light	2	White
Tampico	## 421T	## 521T	Light	1	Tan
Pad Driver	## 421D	NA	Not Applicable		NA

<u>Pads</u>	<u>Disk</u>	<u>Cylindrical</u>	<u>Level</u>	<u>(10 The Highest)</u>	<u>Color</u>
Super Black	## 422BB	NA	Very High	10	Black
Black	## 422B	NA	High	8	Black
Brown	## 422BR	NA	High	7	Brown
Green	## 422G	NA	Medium	6	Green
Blue	## 422BL	NA	Moderate	4	Blue
Red	## 422R	NA	Moderate	3	Red
White	## 422W	NA	Light	1	White

SAFETY MESSAGES

YOUR SAFETY, AND THE SAFETY OF OTHERS, IS VERY IMPORTANT, AND OPERATING THIS UNIT SAFELY IS AN IMPORTANT RESPONSIBILITY.

TO HELP YOU MAKE INFORMED DECISIONS ABOUT SAFETY, WE HAVE PROVIDED OPERATING PROCEDURES AND OTHER SAFETY INFORMATION IN THE MANUAL. THIS INFORMATION INFORMS YOU OF POTENTIAL HAZARDS THAT COULD HURT YOU OR OTHERS.

IT IS NOT PRACTICAL OR POSSIBLE TO WARN YOU OF ALL THE HAZARDS ASSOCIATED WITH OPERATING THIS UNIT. YOU MUST USE YOUR OWN GOOD JUDGEMENT.

THIS IS INTENDED FOR COMERCIAL USE. IT IS DESIGNED TO BE USED ON HARD FLOORS IN AN INDOOR ENVIRONMENT, WITH THE RECOMMENDED PADS OR BRUSHES.

1. DO NOT OPERATE UNIT:

UNLESS TRAINED AND AUTHORIZED.
UNLESS OPERATOR MANUAL IS READ AND UNDERSTOOD.
IF UNIT IS NOT IN PROPER OPERATING CONDITION.
OUTDOORS OR EXPOSED TO RAIN.
FOR PICKING UP HAZARDOUS MATERIALS/DUST.
ON SURFACES HAVING A GRADIENT EXCEEDING 2% UNLESS THE OPTIONAL PARKING BRAKE IS FUNCTIONING ON THE MACHINE.

2. WHEN OPERATING UNIT:

REMOVE LOOSE OBJECTS FROM THE FLOOR THAT MAY BE PROJECTED FROM THE REVOLVING BRUSHES.
KEEP HANDS AND FEET AWAY FROM REVOLVING BRUSHES.
DO NOT OPERATE MACHINE WHERE FLAMMABLE LIQUIDS ARE PRESENT.
USE EXTREME CAUTION WHEN MANUEVERING.

3. BEFORE LEAVING:

MAKE SURE MACHINE IS TURNED OFF.
STOP ON LEVEL SURFACES.
DISCONNECT BATTERIES.

4. BEFORE SERVICING:

STOP ON LEVEL SURFACE, AND SECURE MACHINE.
DISCONNECT BATTERIES.

5. BEFORE DISCARDING MACHINE:

THE BATTERIES MUST BE REMOVED AND PROPERLY DISPOSED OF.

!! SAFETY PRECAUTIONS!!

WARNING: HAZARDOUS VOLTAGE. SHOCK, BURNS OR ELECTROCUTION CAN RESULT. ALWAYS DISCONNECT THE BATTERIES BEFORE SERVICING MACHINE.

WARNING: BATTERIES EMIT HYDROGEN GASES, EXPLOSION OR FIRE CAN RESULT. KEEP SPARKS AND OPEN FLAMES AWAY.

WARNING: CHARGE UNIT IN A WELL VENTILATED AREA, AND KEEP BATTERY COMPARTMENT OPEN WHEN CHARGING. EXPLOSION OR FIRE COULD RESULT.

WARNING: BATTERY ACID CAN CAUSE BURNS. WEAR PROTECTIVE EYE WEAR AND GLOVES WHEN SERVICING BATTERIES.

WARNING: DO NOT STORE OUTDOORS OR PRESSURE WASH. PREVENT FROM GETTING ELECTRONIC COMPONENTS WET.

WARNING: THE USE OF PARTS AND SOLUTIONS OTHER THAN RECOMMENDED BY THE MANUFACTURER MAY CAUSE DAMAGE OR ENDANGER PEOPLE.

WARNING: DRESS SAFELY. DO NOT WEAR RINGS OR METAL WRIST WATCHES WHILE WORKING ON THIS MACHINE. THEY CAN CAUSE AN ELECTRICAL SHORT, WHICH, CAN CAUSE SERIOUS BURNS. DO NOT WORK ON THIS MACHINE WHILE WEARING A TIE, SCARF OR OTHER LOOSE, DANGLING NECKWARE OR CLOTHING. THESE LOOSE ITEMS CAN TANGLE IN THE ROTATING PARTS AND CAUSE SERIOUS INJURY OR EVEN DEATH.

WARNING: DO NOT USE THE MACHINE AS A STEP LADDER OR CHAIR.

WARNING: ONLY OPERATE THIS MACHINE FROM THE OPERATORS SEAT. IT WAS NOT DESIGNED TO CARRY PASSENGERS.

WARNING: DO NOT OPERATE THIS MACHINE ON RAMPS OR UNEVEN SURFACES. WHEN CLIMBING A RAMP, ALWAYS DRIVE THE MACHINE IN FORWARD STRAIGHT UP OR DOWN THE RAMP. NEVER DRIVE ACROSS THE INCLINE. DO NOT BACK DOWN OR TURN ON RAMPS!

WARNING: ALWAYS USE THE CHARGER PROVIDED BY THE MAUFACTURER TO CHARGE THE MACHINE. IT IS AN AUTOMATIC CHARGER, SPECIFICALLY DESIGNED TO CHARGE AT THE APPROPRIATE RATE. IF YOU MUST USE A DIFFERENT CHARGER, DISCONNECT THE BATTERIES BEFORE CHARGING. THIS WILL PREVENT DAMAGE TO THE ELECTRONIC SPEED CONTROLLER.

WARNING: UNDERSTAND THE DYNAMIC BRAKING SYSTEM BEFORE YOU OPERATE THE MACHINE ON RAMPS. MACHINE DOES NOT COAST. RELEASING THE FOOTPEDAL WILL AUTOMATICALLY APPLY BRAKING FORCE, AND STOP THE MACHINE.

WARNING: DO NOT PARK THE MACHINE ON RAMPS OR SLOPES. THE MACHINE HAS A PARKING BRAKE, BUT IT IS RECOMMENDED THAT IT IS ALWAYS PARKED ON LEVEL GROUND.

WARNING: DO NOT OPERATE THE MACHINE IF ANY PARTS HAVE BEEN REMOVED OR DAMAGED.

WARNING: DO NOT REMOVE, PAINT OVER, OR DESTROY WARNING DECALS. IF WARNING DECALS BECOME DAMAGED, THEY MUST BE REPLACED.

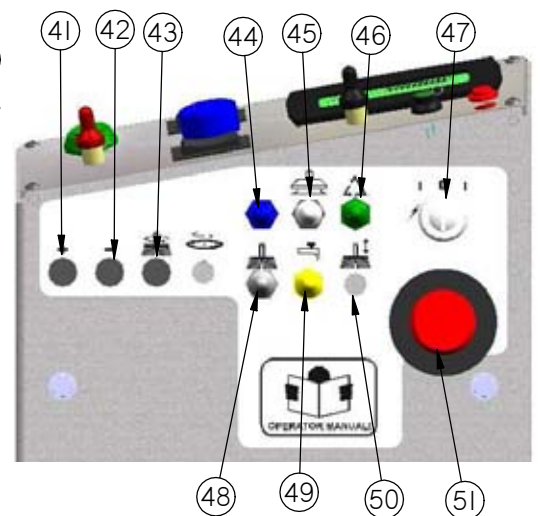
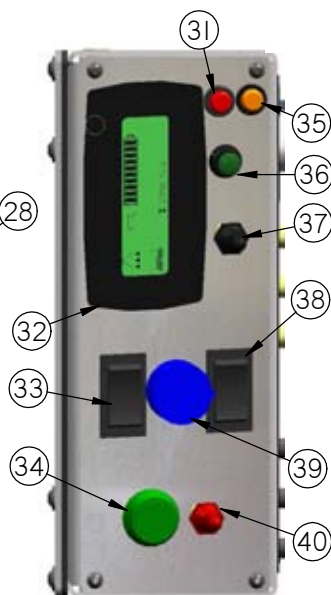
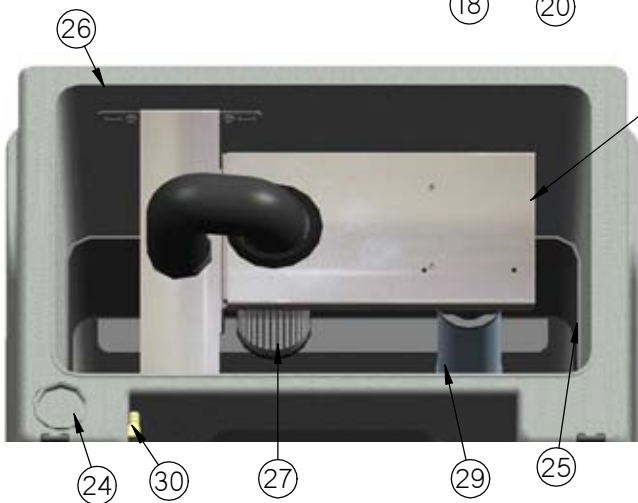
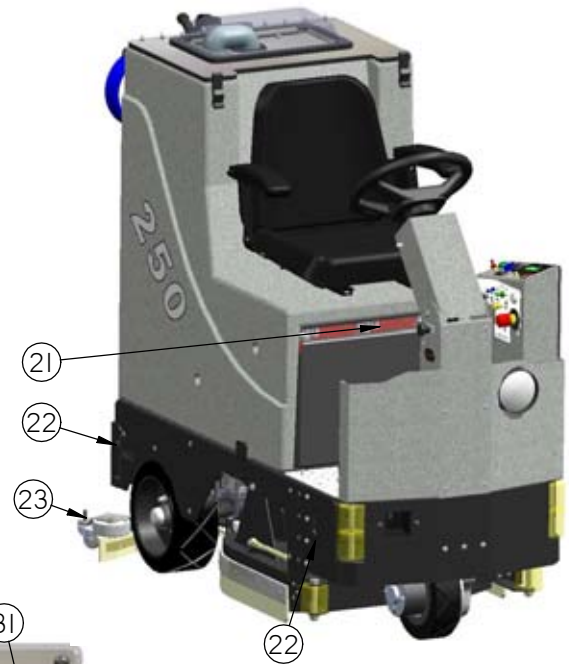
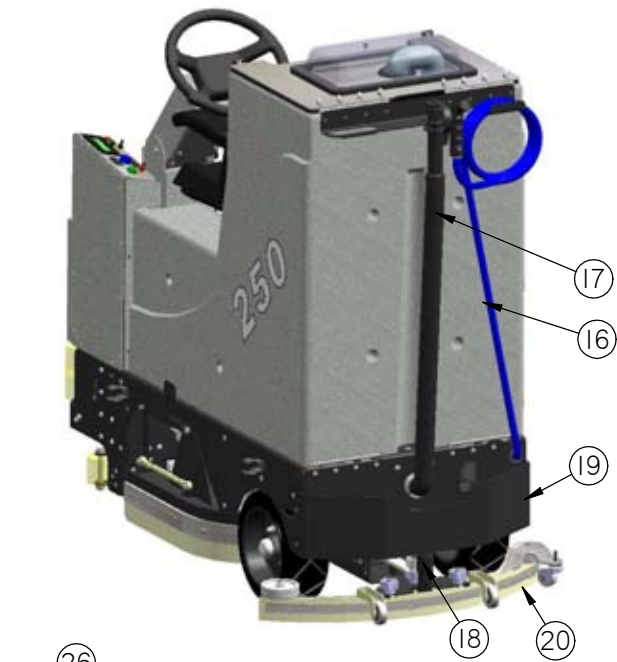
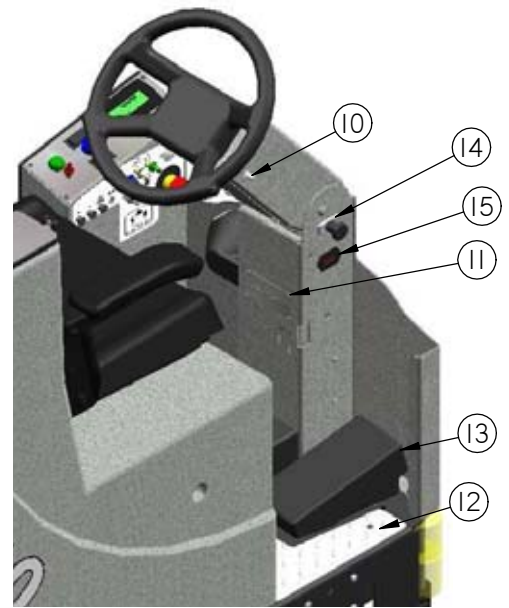
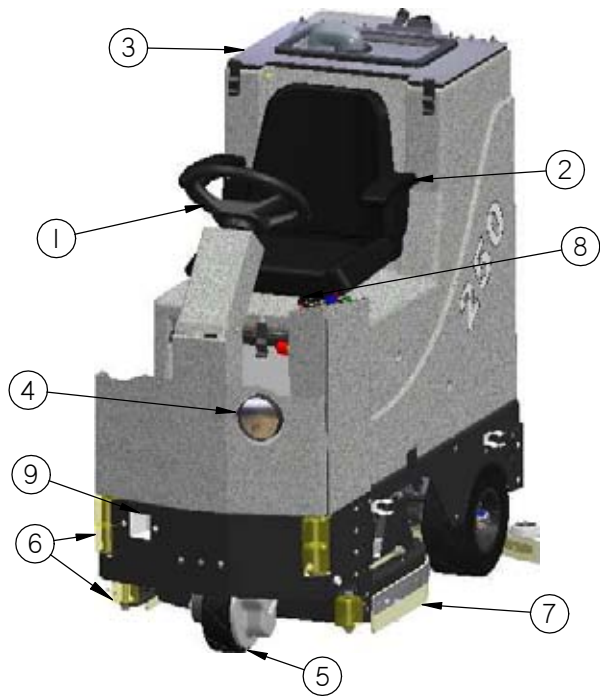
WARNING: DO NOT OPERATE MACHINE IN UNSAFE CONDITION. IF THE MACHINE IS IN NEED OF REPAIR OR IS IN ANY WAY UNSAFE TO OPERATE, THE MATTER SHOULD BE REPORTED IMMEDIATELY TO THE SHIFT SUPERVISOR. DO NOT OPERATE THE MACHINE UNTIL IT IS RETURNED TO PROPER OPERATING CONDITION.

WARNING: THIS MACHINE MUST ONLY BE OPERATED BY TRAINED OPERATOR. AS PART OF HIS OR HER TRAINING, THEY MUST READ THIS MANUAL THOROUGHLY. IF EXTRA COPIES ARE NEEDED, CONTACT YOUR LOCAL DEALER.

WARNING: ALWAYS TURN OFF THE MACHINE, BEFORE LEAVING IT UNATTENDED.

WARNING: DO NOT OPERATE OVER ELECTRICAL FLOOR OUTLETS. MAY RESULT IN SERIOUS INJURY.

MACHINE CONTROLS AND FEATURES



CONTROLS AND FUNCTIONS

1. **STEERING WHEEL:** STEERS THE MACHINE.
2. **ADJUSTABLE SEAT WITH ARM RESTS:** YOUR MACHINE IS EQUIPPED WITH AN ADJUSTABLE SEAT WITH ARM RESTS.
3. **RECOVERY TANK LID:** LATCH MUST BE SECURED FOR RECOVERY TANK TO SEAL PROPERLY.
4. **HEADLIGHT:** HELPS YOU SEE IN LOW LIGHT AREAS AND TO WARN ONCOMING TRAFFIC .
5. **FRONT DRIVE TIRE:** (BLACK STANDARD), (GREY OPTIONAL) DRIVES AND STEERS MACHINE.
6. **POLYURETHANE ROLLERS:** HELPS PREVENT DAMAGE TO MACHINE AND OBJECTS YOU MAY DRIVE CLOSE TO.
7. **SIDE WIPERS:** CONTROLS WATER ON TURNS BY DIRECTING IT TO THE SQUEEGEE.
8. **SEAT ADJUSTMENT:** PERMITS THE SEAT TO BE ADJUSTED FORWARD AND BACKWARD FOR OPERATOR COMFORT
9. **ON BOARD CHARGER PLUG (OPTIONAL):** PLUGS INTO ANY THREE PRONGED OUTLET TO CHARGE MACHINE

10. **HORN BUTTON:** SOUNDS THE HORN FOR WARNING ONCOMING TRAFFIC.
11. **SERIAL # PLATE:** HAS MACHINES INDIVIDUAL SERIAL NUMBER STAMPED ON IT.
12. **NON SLIP FLOOR PLATE:** HELPS PREVENT SLIPPING WHILE GETTING ON AND OFF THE MACHINE.
13. **FOOT PEDAL:** CONTROLS THE ACCELERATION AND DECELERATION OF THE MACHINE.
14. **ADJUSTABLE STEERING:** FOUR SETTINGS FOR OPERATOR COMFORT AND EASE OF ENTRY.
15. **HOUR METER:** KEEPS TRACK OF TOTAL HOURS OF USE ON THE MACHINE.

16. **RECOVERY DRAIN HOSE:** ALLOWS FOR CONTROLLED DRAINING OF RECOVERY TANK'S DIRTY WATER.
17. **SPRAY HOSE:** (OPTIONAL) PERMITS CLEANING IN REMOTE AREAS.
18. **SQUEEGEE/VAC HOSE:** VACUUMIZES SQUEEGEE. **NOTE:** KEEP FREE AND CLEAR OF BLOCKAGE.
19. **REAR BUMPER:** OFFERS SQUEEGEE SYSTEM PROTECTION FROM DAMAGE.
20. **SQUEEGEE BLADE:** SQUEEGEES WATER TO BE RECOVERED BY THE VACUUM HOSE.

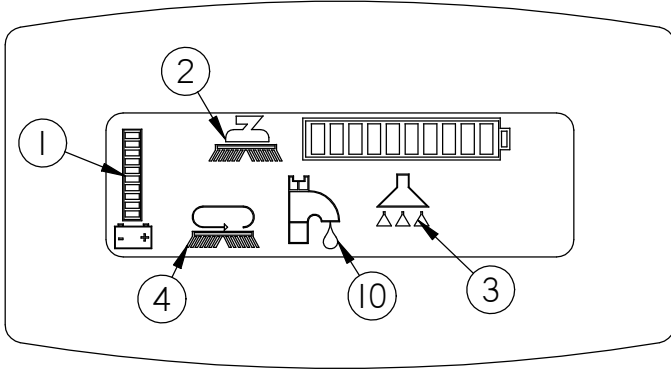
21. **TANK LATCH:** PERMITS ACCESS TO BATTERIES.
22. **TIE DOWN POINTS:** LOCATION FOR TIE DOWN STRAPS DURING TRANSPORT.
23. **SQUEEGEE ROLLERS:** HELP PROTECT THE SQUEEGEE.

24. **SOLUTION TANK:** HOLDS APPROXIMATELY 35-GALLONS OF CLEAN WATER.
25. **RECOVERY TANK:** HOLDS APPROXIMATELY 35- GALLONS OF DIRTY "RECOVERY" WATER.
26. **RECOVERY ACCESS DOOR:** USED FOR FLUSHING OUT RECOVERY TANK WITH FRESH WATER.
27. **DRAIN SAVER:** PREVENTS DEBRIS FROM CLOGGING DRAIN.
28. **VACUUM SCREEN BOX:** HOUSES THE DUAL STAINLESS VAC SCREEN & SHUTOFF BALLS.
29. **FOAM PROTECTION SCREEN:** USED TO PROTECT VACUUM MOTOR FROM DEBRIS.
30. **SOLUTION TANK VENT:** PREVENTS VACUUM FROM FORMING IN THE TANK DURING OPERATION.

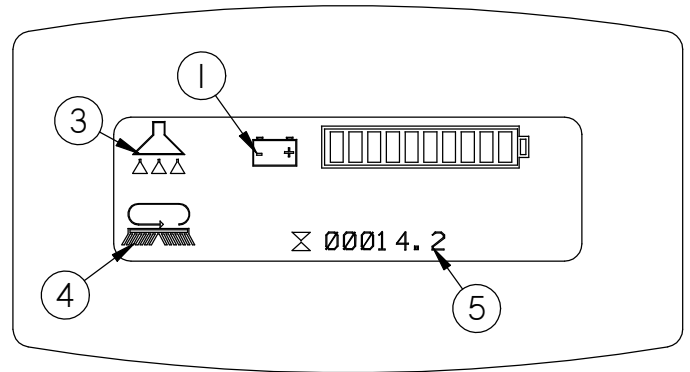
31. **HIGH WATER RECOVERY LIGHT (RED):** INDICATES WHEN THE RECOVERY TANK IS NEARLY FULL.
32. **LCD SCREEN:** LISTS FUNCTIONS AND SETTING OF THE MACHINE. (SEE PAGE 9)
33. **SQUEEGEE SWITCH:** RAISES AND LOWERS THE SQUEEGEE.
34. **"Uni-Touch" BUTTON:** ACTIVATES BRUSHES, SQUEEGEE, AND SOLUTION FLOW SIMUTANEOUSLY.
35. **NOT USED ON THIS MACHINE.**
36. **MENU CONTROL:** SCROLLS THROUGH DIFFERENT OPTIONS ON THE LCD DISPLAY.
37. **SCRUB DECK DOWN PRESSURE SWITCH:** CONTROLS THE PRESSURE PUT ON THE SCRUB DECK.
38. **SCRUB DECK SWITCH:** RAISES AND LOWERS THE SCRUB DECK.
39. **SOLUTION FLOW CONTROL KNOB:** TURN CLOCKWISE TO REDUCE & COUNTER-CLOCKWISE TO INCREASE FLOW.
40. **FORWARD/REVERSE SWITCH (RED):** CONTROLS THE DIRECTION OF THE TRACTION MOTOR.
41. **CIRCUIT BREAKER:** (15 AMP) POSITIVE BUS BAR.
42. **CIRCUIT BREAKER:** (15 AMP) NEGATIVE BUS BAR.
43. **CIRCUIT BREAKER:** (10 AMP) SIDE BROOM MOTORS.
44. **SPRAY JET (BLUE):** (OPTIONAL) ACTIVATES SPRAY PUMP FOR REMOTE SPRAY WAND.
45. **VACUUM SWITCH (WHITE):** FOR USE WITH REMOTE VACUUM WAND.
46. **RECYCLING SWITCH (GREEN):** (OPTIONAL) TURNS ON THE RECYCLING PUMP).
47. **KEY SWITCH:** TURNS THE MAIN POWER ON AND OFF.
48. **SIDE BROOM (YELLOW):** LIFTS AND LOWERS SIDE BROOMS WHICH TURN ON AUTOMATICALLY.
49. **WATER TO SIDE BROOMS (GREY):** PROVIDES CLEANING CHEMICAL TO EXTEND CLEANING PATH.
50. **CIRCUIT BREAKER:** (2 AMP) SIDE BROOM LIFT ACTUATOR.
51. **EMERGENCY STOP:** SHUTS MACHINE DOWN IN A EMERGENCY

LCD SCREEN MENU DISPLAYS

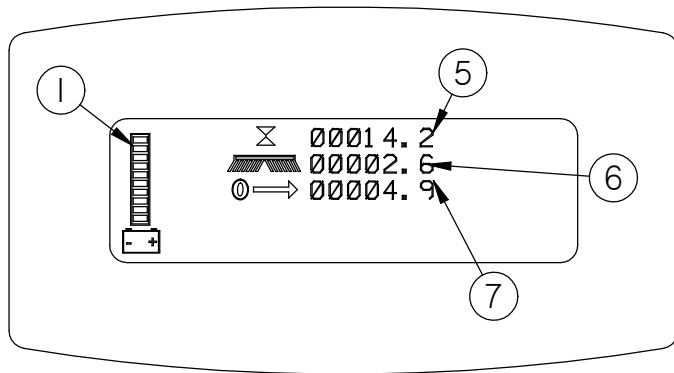
SCREEN # 1



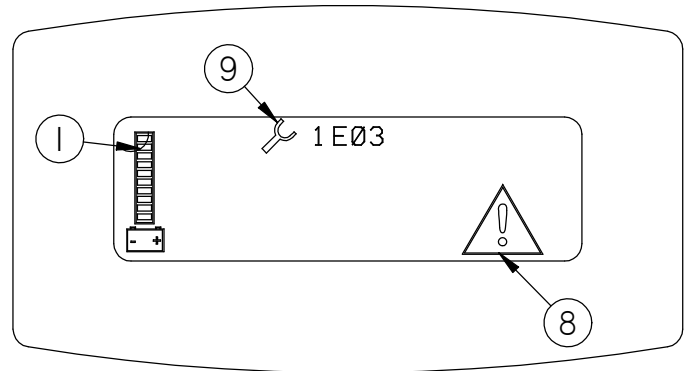
SCREEN # 2



SCREEN # 3



SCREEN W/ERROR CODE



***** USE GREEN MENU SELECTION BUTTON ON CONTROL PANEL TO CHANGE SCREENS*****

FIGURES 7-10.

1. **BATTERY LEVEL INDICATOR** - INDICATES THE ENERGY LEVEL REMAINING IN THE BATTERIES.
(SHOWN ON ALL MENU DISPLAYS)
2. **SCRUBBING DECK DOWN PRESSURE GAUGE** - SETS THE DOWN PRESSURE ON THE BRUSHES. (SEE FIGURE 7.)
3. **VACUUM ON** - INDICATES THE VACUUM IS "ON". (SEE FIGURES 7. AND 8.)
4. **SCRUBBING MOTORS ON** - INDICATES THE BRUSH MOTORS ARE "RUNNING". (SEE FIGURES 7. AND 8.)
5. **KEY SWITCH HOUR METER** - TELLS YOU THE TOTAL HOURS THE MACHINE HAS BEEN ON. (SEE FIGURES 8. AND 9.)
6. **SCRUBBING BRUSH HOUR METER** - TELLS YOU THE TOTAL HOURS THE BRUSH MOTORS HAVE BEEN USED. (SEE FIGURE 9.)
7. **TRANSPORT HOUR METER** - TELLS YOU THE TOTAL HOURS THE DRIVE SYSTEM HAS BEEN USED. (SEE FIGURE 9.)
8. **ERROR WARNING SYMBOL** - INDICATES WHEN THERE HAS BEEN A DIAGNOSTIC CODE ERROR. (SEE FIGURE 10.)
9. **DIAGNOSTIC CODE** - WHEN THE MACHINE HAS DETECTED AN ERROR IT WILL DISPLAY THE WARNING SYMBOL AND A DIAGNOSTIC CODE WHICH TELL YOU WHATS WRONG. (SEE FIGURE 10.)
10. **WATER ON** - INDICATES THE SOLUTION FLOW IS "ON" (SEE FIGURE 7.)

(FOR COMMAN ERROR CODES AND DESCRIPTIONS SEE PAGES 22. AND 23.)

MACHINE SETUP



UNCRATING MACHINE AND CONNECTING BATTERIES

1. CAREFULLY CHECK THE CRATE FOR ANY SIGNS OF DAMAGE. BATTERIES ARE IN THE UNIT.
2. TO UNCRATE THE MACHINE, REMOVE BANDING FROM AROUND THE CRATE. TAKE OFF THE TOP AND SIDES AND DISPOSE OF PROPERLY.
3. REMOVE BANDING FROM MACHINE. REMOVE THE CHOCKS AROUND THE DRIVE WHEELS.
4. TURN ALL SWITCHES TO THE OFF POSITION AND REMOVE KEY.
5. TIP BACK TANK TO EXPOSE THE BATTERY COMPARTMENT AND CONNECT BATTERY CABLES.



YOUR MACHINE IS EQUIPPED WITH (SIX) 6 VOLT, DEEP CYCLE, 245 AMP HOURS BATTERIES, WHICH FORM A 36 VOLT SYSTEM. MAXIMUM BATTERY DIMENSIONS ARE 7"W X 11-1/2"L X 13"H.



7. VERIFY THAT ALL OF THE BATTERY CABLES ARE CONNECTED TO THE BATTERIES TIGHTLY. LOCATE ANY LOOSE ONES AND CONNECT TO THE OPEN TERMINAL. TIGHTEN WITH 9/16" WRENCH. PUT COVERS IN PLACE. ***(SEE PICTURE TO THE LEFT)***
8. TURN ON MAIN POWER SWITCH AND CHECK THE BATTERY CONDITION METER TO ENSURE CORRECT INSTALLATION.



9. FOLD DOWN RAMP, AND DRIVE MACHINE OFF OF THE BASE.

NOTIFY THE CARRIER IMMEDIATELY IF CONCEALED DAMAGE IS DISCOVERED.

ATTACHING SQUEEGEE

1. LOWER THE SQUEEGEE MOUNTING PLATE BY DEPRESSING THE SQUEEGEE SWITCH TO THE DOWN POSITION. **(SEE PICTURE BELOW)**



2. LOOSEN THE TWO KNOBS ON THE SQUEEGEE AND SLIDE THEM INTO THE SLOTS IN THE SQUEEGEE MOUNTING PLATE. **(SEE PICTURE BELOW)**
3. TIGHTEN THE KNOBS, AND CONNECT VACUUM HOSE FROM THE MACHINE TO THE SQUEEGEE. **(SEE PICTURE BELOW)**
4. YOU MAY HAVE TO ADJUST THE SQUEEGEE PITCH, BY USING THE PITCH ADJUSTMENT KNOB. **(SEE PICTURE BELOW)**



5. NOTE VAC EXHAUST, SINGLE VAC OUT ONE * ASSISTS IN DRYING **(SEE PICTURE ABOVE)**

REMOVING SQUEEGEE

1. WITH THE SQUEEGEE IN THE UP POSITION, TURN KEY SWITCH OFF.
2. DISCONNECT VACUUM HOSE FROM SQUEEGEE AND LOOSEN KNOB.
3. PULL SQUEEGEE ASSEMBLY REARWARD FROM THE LIFTING CARRIER.
4. INSPECT OR REPAIR AS NECESSARY AND REINSTALL.

REPLACING OR ROTATE SQUEEGEE BLADES

FOR SAFETY: BEFORE LEVEING OR SERVICING MACHINE STOP ON LEVEL SURFACE, TURN OFF MACHINE AND REMOVE KEY.

1. REMOVE THE SQUEEGEE ASSEMBLY FROM THE MACHINE. REMOVE BLADE RETAINER STRAP AND REMOVE SQUEEGEE BLADE
2. ROTATE THE SQUEEGEE TO NEW EDGE POSITION OR REPLACE AS REQUIRED.
3. INSTALL BLADE ON THE LOCATING PINS OF SQUEEGEE ASSEMBLY.
4. INSTALL SQUEEGEE RETAINER STRAP.
5. FASTEN AND LOCK KNOBS.

ADJUSTING SQUEEGEE



1. TURNING ADJUSTMENT KNOB CLOCK-WISE (TIGHTENING) WILL RAISE TIPS & LOWER CENTER. **(SEE PICTURE TO THE LEFT)**



2. THIS SQUEEGEE IS ADJUSTED TOO FAR BACK AND WILL NOT PICK UP ON THE CORNERS. ***NOTE TIPS OFF THE FLOOR. (SEE PICTURE TO THE LEFT)**



3. THIS SQUEEGEE IS ADJUSTED TOO FAR FORWARD AND WILL NOT PICK UP IN THE CENTER. ***NOTE CENTER SPACED OFF THE FLOOR. (SEE PICTURE TO THE LEFT)**



4. THIS SQUEEGEE IS ADJUSTED JUST RIGHT WITH GOOD DEFLECTION ACROSS THE ENTIRE REAR BLADE **(SEE PICTURE TO THE LEFT)**

LEVELING DECK



1. DRIVE MACHINE TO A FLAT LEVEL SURFACE AND TURN MACHINE OFF. **(SEE PICTURE TO THE LEFT)**
2. WITH THE SHROUDS AND BRUSHES OFF, MEASURE THE FROM THE GROUND TO THE BOTTOM OF ALL FOUR CORNERS OF THE SCRUB DECK. **(SEE PICTURE TO THE LEFT)**
3. IF THE MEASUREMENTS ARE NOT THE SAME THE DECK IS NOT LEVEL AND NEEDS TO BE ADJUSTED.
4. LOOSING THE TWO LOCKING NUTS AND SPIN THE HEXOGONAL ARM. **(SEE PICTURE TO THE LEFT)**



5. TO RAISE THE FRONT OF THE SCRUB DECK AND LOWER THE REAR EXPAND THE ADJUSTABLE ARMS BY LOOSING THE TWO LOCKING NUTS AND SPIN THE HEXOGONAL ARM. **(SEE PICTURE TO THE LEFT)**



6. MEASURE FROM THE GROUND TO THE BOTTOM OF ALL FOUR CORNERS OF THE DECK AGAIN. **(SEE PICTURE TO THE LEFT)**



7. WHEN ALL FOUR CORNERS MESURE THE SAME RETIGHTEN THE LOCKING NUTS. **(SEE PICTURE TO THE LEFT)**

ATTACHING DISK BRUSHES



1. TURN "ON" MACHINE POWER
2. RAISE THE SCRUB DECK BY DEPRESSING THE BRUSH SWITCH TO THE UP AND OFF POSITION AND TURN MACHINE POWER "OFF". DISCONNECT BATTERIES. **(SEE PICTURE TO THE LEFT)**



3. REMOVE SHROUDS TO ACCESS SCRUBDECK **(SEE PICTURE TO THE LEFT)**



5. **PAD INSTALLATION** ATTACH PADS TO PAD DRIVERS BEFORE CONNECTING PAD DRIVERS TO MOTOR HUB. **(SEE PICTURE TO THE LEFT)**



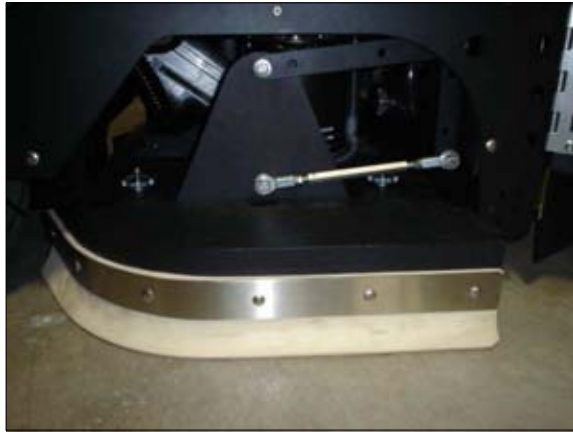
6. ATTACH BRUSHES OR PADS TO MOTOR HUBS. SQUEEZE THE SCISSOR LOCKING DEVICE AND LIFT BRUSH UP ON TO THE MOTOR DRIVE HUB. MAKE SURE THE SCISSORS CLOSE AND LOCK ONCE THE BRUSHES ARE ON. **(SEE PICTURE TO THE LEFT)**



7. WHEN BRUSHES ARE ATTACHED PUT SHROUDS BACK ON MACHINE AND TIGHTEN KNOBS. **(SEE PICTURE TO THE LEFT)**

FOR CORRECT PAD APPLICATION, CALL YOUR LOCAL DEALER

ADJUSTING SHROUDS



1. THE SHROUD MUST BE ADJUSTED CORECTLY IN ORDER TO HAVE PROPER WATER CONTROL DURING TURNS. THE FRONT OF THE SHROUD SHOULD BE SLIGHTLY HIGHER THAN THE REAR. **(SEE PICTURE TO THE LEFT)**



2. TO ADJUST SHROUDS LOOSEN KNOBS AND REMOVE SHROUD. **(SEE PICTURE TO THE LEFT)**



3. SPIN THE SHROUD SUPPORT UP OR DOWN TO GET ADJUSTMENTS. **(SEE PICTURE TO THE LEFT)**



4. ONCE ADJUSTED TO THE PROPER HEIGHT PUT THE SHROUDS BACK ON TOP OF ADJUSTMENT SUPPORTS AND TIGHTEN KNOBS BACK DOWN. **(SEE PICTURE TO THE LEFT)**

SOLUTION SYSTEM

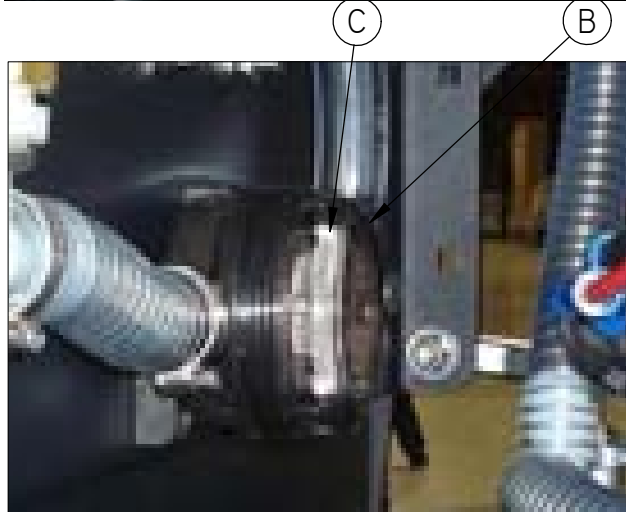


ACCESS FROM LEFT SIDE OF MACHINE

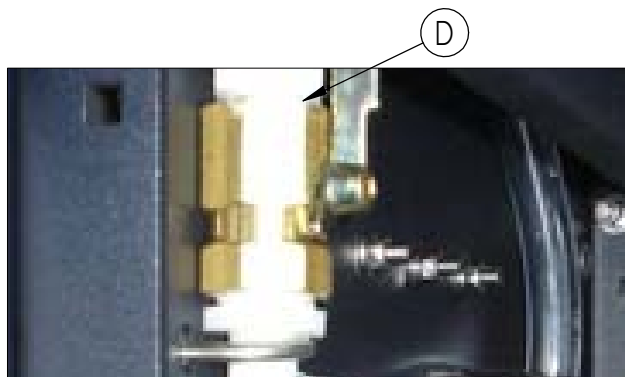
1. 3/4" GATE VALVE
2. STAINLESS STEEL INLINE FILTER
3. SOLENOID VALVE
(SEE PICTURE TO THE LEFT)



1. TO CLEAN FILTER CLOSE 3/4" GATE VALVE **(A)**.
(SEE PICTURE TO THE LEFT)



2. UNSCREW CLEAR LID **(B)**, REMOVE STAINLESS STEEL SCREEN **(C)**, RINSE SCREEN.
(SEE PICTURE TO THE LEFT)
3. INSTALL STAINLESS FILTER SCREEN, TIGHTEN CAP.

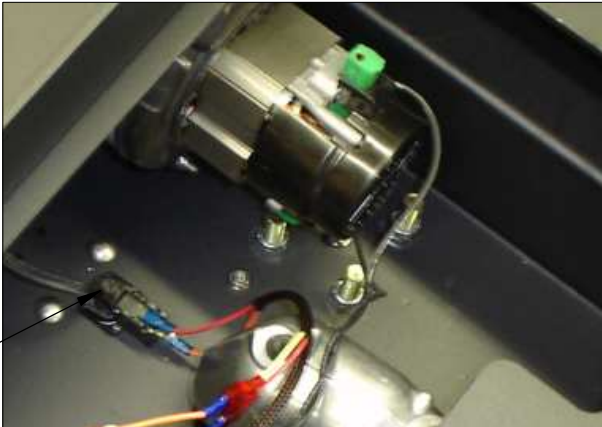


4. OPEN 3/4" VALVE **(D)**
(SEE PICTURE TO THE LEFT)

VAC SYSTEM



1. THE "HIGH RECOVERY" LIGHT (**RED**) WILL ILLUMINATE (**A**) WHEN THE RECOVERY TANK IS FULL. STOP IMMEDIATELY AND DRAIN RECOVERY TANK. (**SEE PICTURE TO THE LEFT**)



2. IF RED LIGHT IS IGNORED THE VAC WILL OVERHEAT . (**SEE PICTURE TO THE LEFT**)
3. IF VAC IS PULLING EXCESSIVE CURRENT, CIRCUIT BREAKER (25 AMP) MAY BLOW TO PREVENT DAMAGE. IF THIS OCCURS CONTACT YOUR SERVICE AGENT. (**SEE PICTURE TO THE LEFT**)
4. VAC SWITCH (**B**) IS SET TO ENGAGE AT 65" LIFT.



5. IF FOAM OR WATER GETS PAST THE RECOVERY TANK'S VAC SCREEN/BALL SYSTEM THE "UNLOADER VALVE" (**E**) WILL DRAIN IT FROM THE VAC BOX. (**SEE PICTURE TO THE LEFT AND PICTURE BELOW**)



6. "UNLOADER VALVE" (**E**) IS LOCATED ON THE BOTTOM OF THE VACUUM BOX IN FRONT OF THE VAC MOTOR. (**SEE PICTURE TO THE LEFT**)

(E)

OPERATION

PRE-CLEANING CHECK LIST

READ AND UNDERSTAND THE SAFETY SECTION ON PAGE 5 AND 6 BEFORE OPERATING MACHINE.

1. CHECK BATTERY CONDITION GAUGE ON THE CENTRAL COMMAND II LCD SCREEN. TO CHECK GAUGE PUSH MENU CONTROL BUTTON UNTIL BATTERY GAUGE APPEARS. MAKE SURE BATTERIES ARE FULLY CHARGED BEFORE USING.
2. CHECK THE CONDITION OF PADS OR BRUSHES.
3. CHECK THE CONDITION OF THE SQUEEGEE BLADES.
4. TRANSPORT THE MACHINE TO THE FILLING STATION. RAISE THE SCRUBHEAD AND SQUEEGEE WHEN TRANSPORTING.
5. TURN MACHINE OFF.
6. OPEN SOLUTION FILL DOOR ON THE TOP OF THE TANK AND FILL THE TANK UP WITH CLEAN WATER. FOAM IN THE RECOVERY TANK IS USUALLY AN INDICATION OF EXCESSIVE SOAP. **(SEE PICTURE BELOW.)**
7. ADD CLEANING CHEMICAL. USE THE PROPER DILUTION RATIO INDICATED ON THE BOTTLE.

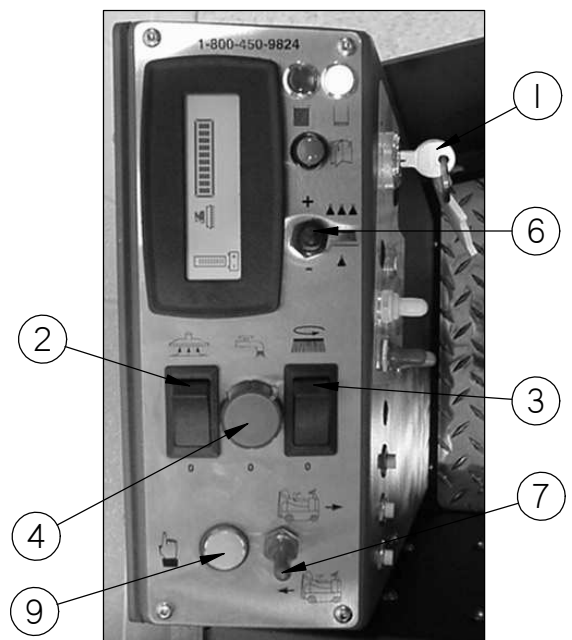
NOTE: USE ONLY NONFLAMMABLE COMMERCIAL CLEANING CHEMICALS. YOUR AUTHORIZED DISTRIBUTOR CAN ASSIST YOU IN SELECTING A PROPER CHEMICAL.



ONE PASS SCRUBBING

STEPS: (SEE PICTURE BELOW)

1. TURN MACHINE ON WITH THE KEY SWITCH.
2. LOWER SQUEEGEE BY PRESSING THE SWITCH.
3. LOWER SCRUB HEAD TO THE FLOOR, USE THE TOP HALF OF THE BRUSH SWITCH.
4. ADJUST THE SOLUTION KNOB TO THE DESIRED SETTING. (SET HALF WAY), TURN CLOCKWISE FOR LESS, COUNTER-CLOCKWISE FOR MORE.
5. BEGIN SCRUBBING BY DEPRESSING THE FOOT PEDAL SLOWLY AND THEN TO THE SPEED REQUIRED. **(NOT SHOWN)**
6. START SCRUBBING AT THE # 1 OR # 2 MARKS, DO NOT USE THE # 4 OR # 5 MARKS WITHOUT MANAGER'S APPROVAL.
7. TO OPERATE MACHINE IN REVERSE, SIMPLY SWITCH THE REVERSE SWITCH TO THE REVERSE POSITION, BACK UP ALARM MAY SOUND AND YOUR REVERSE SPEED IS SET TO ROUGHLY 70% OF FORWARD.
8. TO STOP THE MACHINE, LET OFF OF THE FOOT PEDAL, AND THE MACHINE WILL STOP AUTOMATICALLY. **(NOT SHOWN)**
9. DEPRESSING THE "Uni-Touch" BUTTON ACTIVATES THE SOLUTION, VACUUM, AND BRUSHES SIMULTANEOUSLY.

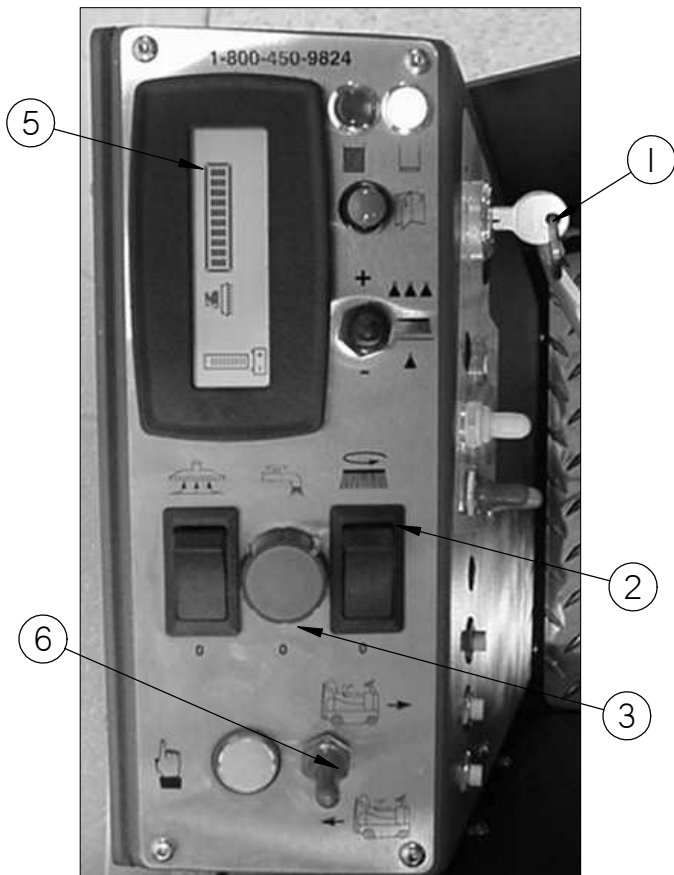


OPERATION

DOUBLE SCRUBBING

STEPS: (SEE PICTURE BELOW)

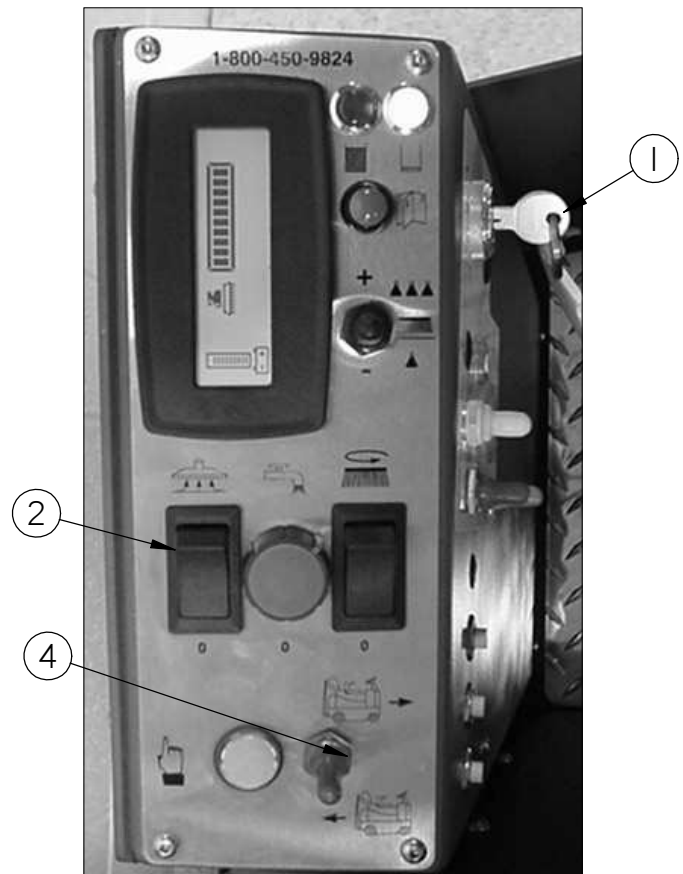
1. TURN MACHINE ON WITH THE KEY SWITCH.
2. LOWER SCRUB HEAD TO THE FLOOR, USE THE TOP HALF OF THE BRUSH SWITCH.
3. ADJUST THE SOLUTION KNOB TO THE DESIRED SETTING. (SET HALF WAY), TURN CLOCKWISE FOR LESS, COUNTER-CLOCKWISE FOR MORE.
4. BEGIN SCRUBBING BY DEPRESSING THE FOOT PEDAL SLOWLY AND THEN TO THE SPEED REQUIRED. (NOT SHOWN)
5. START SCRUBBING AT THE # 1 OR # 2 MARKS, DO NOT USE THE # 4 OR # 5 MARKS WITHOUT MANAGER'S APPROVAL.
6. TO OPERATE MACHINE IN REVERSE, SIMPLY SWITCH THE REVERSE SWITCH TO THE REVERSE POSITION, BACK UP ALARM MAY SOUND AND YOUR REVERSE SPEED IS SET TO ROUGHLY 70% OF FORWARD.
7. TO STOP THE MACHINE, LET OFF OF THE FOOT PEDAL, AND THE MACHINE WILL STOP AUTOMATICALLY. (NOT SHOWN)



VAC ONLY SCRUBBING

STEPS: (SEE PICTURE BELOW)

1. TURN MACHINE ON WITH THE KEY SWITCH.
2. LOWER SQUEEGEE BY PRESSING THE SWITCH.
3. BEGIN VACUUMING BY DEPRESSING THE FOOT PEDAL SLOWLY AND THEN TO THE SPEED REQUIRED. (NOT SHOWN)
4. TO OPERATE MACHINE IN REVERSE, SIMPLY SWITCH THE REVERSE SWITCH TO THE REVERSE POSITION, BACK UP ALARM MAY SOUND AND YOUR REVERSE SPEED IS SET TO ROUGHLY 70% OF FORWARD.
5. TO STOP THE MACHINE, LET OFF OF THE FOOT PEDAL, AND THE MACHINE WILL STOP AUTOMATICALLY. (NOT SHOWN)



OPERATING HINTS



1. OBSERVE THE AMOUNT OF SOLUTION THE MACHINE IS DISPENSING ON THE FLOOR AND ADJUST TO THE DESIRED FLOW. TO INCREASE THE SOLUTION FLOW RATE, ROTATE BLUE KNOB COUNTER-CLOCKWISE.

(SEE PICTURE TO THE LEFT)



2. KEEP AN EYE ON THE "RED" RECOVERY FULL LIGHT TO MAKE SURE THERE IS NOT FOAMY BUILDUP IN THE RECOVERY TANK. IF EXCESS FOAM BEGINS TO DEVELOP, POUR A RECOMMENDED FOAM CONTROL SOLUTION INTO THE RECOVERY TANK. **(SEE PICTURE TO THE LEFT)**

3. ALWAYS OPERATE AT LOWER SPEEDS WHEN SCRUBBING AROUND WALLS AND OBJECTS. YOU SHOULD REDUCE THE SPEED, TO MAINTAIN CONTROL WHEN TURNING.

4. IF SQUEEGEE STARTS TO STREAK, RAISE AND WIPE THE BLADES WITH A CLEAN CLOTH. IF THE PROBLEM CONTINUES, CHECK THE BLADES FOR WEAR OR DAMAGE, AND ROTATE IF NEEDED.

5. CHANGE OR TURN OVER PADS WHEN DIRTY. ROTATE THE SCRUB BRUSHES EVERY WEEK.

6. STAY CLEAR OF OBJECTS PROTRUDING FROM THE FLOOR, SUCH AS SOCKETS, GRATES, FOR THEY WILL DAMAGE THE PADS AND SQUEEGEE BLADES.

7. DURING BRIEF STOPS YOU SHOULD TURN EVERYTHING OFF, THE BRUSHES AND SOLUTION WILL AUTOMATICALLY STOP WHEN THE FOOT PEDAL IS RELEASED.

8. ALWAYS KEEP AN EYE ON YOUR GAUGES. THEY LET YOU KNOW THE STATUS OF A PARTICULAR SYSTEM AT A GLANCE. IF YOUR BATTERY GAUGE IS READING LOW, YOU MUST STOP IMMEDIATELY, AND RECHARGE. RUNNING THE BATTERIES DEAD, WILL RESULT IN DAMAGE TO THE BATTERIES.

9. WHEN YOU RUN OUT OF SOLUTION, RAISE THE BRUSHES, AND CONTINUE TO VACUUM THE REMAINING WATER UNTIL IT IS CONSUMED. THE BLUE BALL IN THE SIGHT TUBE TELLS YOU HOW MUCH SOLUTION IS LEFT IN THE TANK,

(SEE PICTURE TO THE LEFT)

10. WHEN YOU ARE READY TO STOP, PICK UP THE BRUSHES, TURN OFF THE SOLUTION SWITCH, PICK UP THE SQUEEGEE, AND DRIVE THE MACHINE BACK TO THE CHARGING AREA.



DRAINING RECOVERY TANK

ALWAYS EMPTY RECOVERY TANK WHEN REFILLING THE SOLUTION TANK. TO DRAIN THE RECOVERY TANK, PERFORM THE FOLLOWING STEPS.

1. REMOVE DRAIN HOSE AND UNSCREW CAP. OPEN THE TOP "RECOVERY ACCESS LID" AND FLUSH OUT WITH FRESH WATER TO KEEP TANK CLEAN. **(SEE PICTURE BELOW)**



2. UNSCREW CAP AND BEGIN DRAINING. **(SEE PICTURE BELOW)**



3. OPEN TH TOP "RECOVERY TANK LID" AND FLUSH OUT WITH FRESH WATER TO KEEP TANK CLEAN. **RINSE THE RECOVERY TANK AFTER EVERY USE. THIS WILL PREVENT HEAVY BUILD UP ON THE BOTTOM OF THE TANK, FOUL ODERS, AND CLOGGING OF THE DRAIN HOSE.**



3. ONCE TANK IS EMPTY, PUT THE CAP BACK ON AND PLACE HOSE BACK ON HOOK.

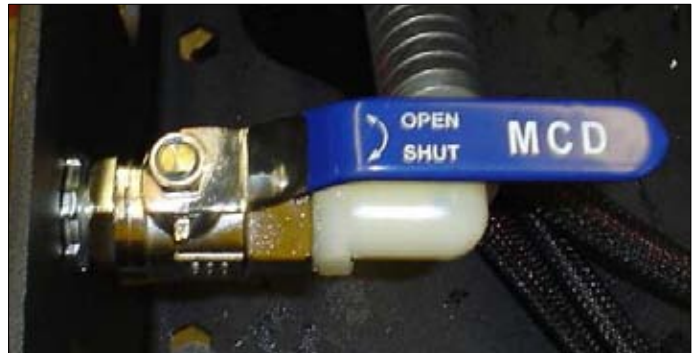
DRAINING SOLUTION TANK

TO DRAIN LEFT OVER CLEANING SOLUTION FROM THE SOLUTION TANK, PERFORM THE FOLLOWING STEPS.

1. ROTATE THE (BLUE) SOLUTION TANK DRAIN VALVE LOCATED IN THE FRONT LEFT SIDE OF THE FRAME **(SEE PICTURE BELOW)**



2. TO OPEN THE VALVE HANDLE SHOULD BE IN LINE. **(SEE PICTURE BELOW)**



3. TO CLOSE VALVE HANDLE SHOULD BE PERPENDICULAR. **(SEE PICTURE BELOW)**



RECOVERY TANK FLOAT SHUT-OFF

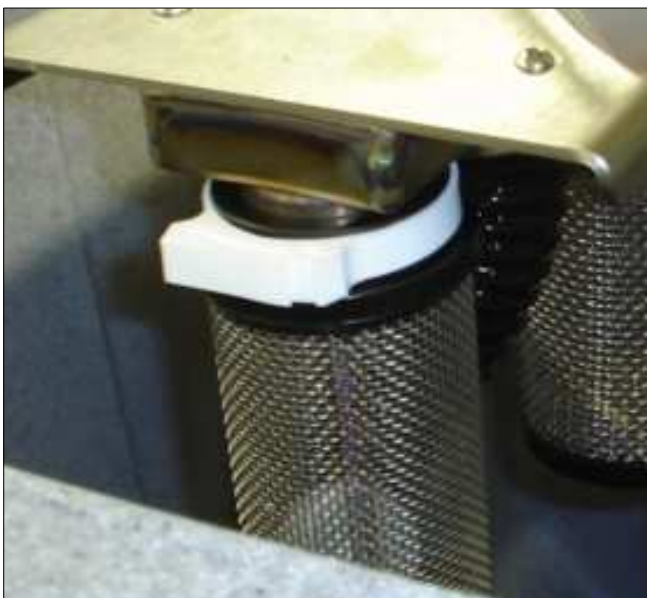
WHEN WATER IS NO LONGER BEING VACUUMED FROM THE FLOOR AND THE VACUUM FAN IS OPERATING, THE BALL FLOAT HAS ENGAGED THE RED HIGH RECOVERY LIGHT WILL COME ON.

(SEE PICTURE BELOW)

THE VACUUM MOTOR WILL NOT VACUUM WATER WITH RECOVERY TANK FULL. THE RECOVERY TANK MUST BE DRAINED



1. THE FLOAT SHUT-OFF SCREEN CAN BE CLEANED IN OR OUT OF THE MACHINE.
2. TO CLEAN THE FLOAT SHUT-OFF WHILE IT IS INSIDE THE MACHINE WIPE MATERIAL OFF SCREEN THEN RINCE. CHECK THAT THE BALL IS ALSO CLEAN AND MOVES FREELY.
3. TO REMOVE THE FLOAT SHUT-OFF, REMOVE THE WHITE CLAMP GRASP THE SCREEN WITH ONE HAND AND PULL DOWN TO REMOVE.
4. SCREENS, GASKETS, AND SHUTOFF BALLS MUST BE IN PLACE.



RECOVERY TANK DRAIN SAVER

THE RECOVERY TANK DRAIN SAVER WILL HELP PREVENT THE DRAIN FROM BECOMING CLOGGED WITH DEBRIS.

1. THE DRAIN SAVER SCREEN SHOULD BE EMPTIED AND CLEANED AFTER YOU DRAIN THE TANK.
2. TO CLEAN, PULL HOSE OUT OF DRAIN SAVER AND REMOVE SCREEN. EMPTY SCREEN INTO TRASH, WIPE MATERIAL OFF SCREEN AND THEN RINSE.



3. WHEN FINISHED PLACE SCREEN BACK INTO THE RECOVERY TANK AND RE-INSERT HOSE INTO SCREEN.



4. THE SCREEN SAVER MUST ALWAYS BE IN PLACE WHEN THE MACHINE IS IN USE TO PREVENT CLOGGING OF DRAIN.

STANDARD BATTERY CHARGING

CHARGER SPECIFICATIONS

OUTPUT VOLTAGE OF 36 VOLTS. (STANDARD)
OUTPUT CURRENT OF 25 AMPS MAX. (STANDARD)
INPUT VOLTAGE OF 110 VOLTS/60 HZ. (STANDARD)
AUTOMATIC SHUT OFF CIRCUIT.
MADE FOR DEEP CYCLE BATTERIES.

DANGER: ALWAYS CHARGE BATTERIES IN A WELL VENTILATED AREA. BATTERIES EMIT HYDROGEN GAS. EXPLOSION OR FIRE CAN RESULT. KEEP SPARKS AND FLAME AWAY. SHIELD EYES WHEN SERVICING BATTERIES AND AVOID CONTACT WITH BATTERY ACID. **LEAVE ACCESS PANEL OPEN WHEN CHARGING!**



STANDARD CHARGER

CAUTION: THE FOLLOWING INSTRUCTIONS ARE INTENDED FOR THE 36V CHARGER SUPPLIED WITH THE MACHINE. DO NOT USE ANY OTHER CHARGER WITH THIS MACHINE.

1. TRANSPORT MACHINE TO A WELL VENTILATED AREA FOR CHARGING.
2. TURN THE MACHINE OFF.
3. HINGE OPEN THE TANK TO EXPOSE THE BATTERIES. **(SEE FIGURE 50.) CAUTION:** (ALWAYS WEAR EYE PROTECTION WHEN BATTERIES ARE EXPOSED)
4. CHECK THE WATER LEVEL IN EACH BATTERY. DO NOT CHARGE THE MACHINE UNLESS THE WATER IS SLIGHTLY HIGHER THAN THE PLATES. IF NEEDED, ADD ENOUGH **DISTILLED** WATER TO 1/2" ABOVE THE PLATES. DO NOT OVER FILL. BATTERIES CAN OVERFLOW DURING CHARGING. REPLACE CAPS BEFORE CHARGING.
5. WITH THE GREY CHARGER PLUG DISCONNECTED FROM THE MACHINE, PLUG THE CHARGER POWER CORD INTO A GROUNDED 110 VOLT STANDARD WALL OUTLET. **(SEE FIGURE 51A.)**
6. CONNECT THE GREY CHARGER PLUG INTO THE BATTERY CHARGING PORT LOCATED ON THE STEERING COLUMN. **(SEE FIGURE 51B)**
7. THE CHARGER WILL AUTOMATICALLY BEGIN CHARGING, AND AUTOMATICALLY SHUT OFF WHEN FULLY CHARGED (CHECK GAUGE)
8. AFTER THE CHARGER HAS TURNED OFF, UNPLUG THE GREY CHARGER PLUG FROM THE MACHINE AND DISCONNECT THE CHARGER FROM THE WALL OUTLET. **(SEE FIGURE 51B)**
9. RECHECK THE CELL LEVEL AFTER CHARGING. IF NEEDED, ADD DISTILLED WATER UP TO THE CORRECT LEVEL. BE CERTAIN TO REPLACE THE CAPS SECURELY AND TO WIPE OFF THE TOP OF THE BATTERIES.



OPTIONAL BATTERY CHARGING

CHARGER SPECIFICATIONS

OUTPUT VOLTAGE OF 36 VOLTS. (STANDARD)
OUTPUT CURRENT OF 25 AMPS MAX. (STANDARD)
INPUT VOLTAGE OF 110 VOLTS/60 HZ. (STANDARD)
AUTOMATIC SHUT OFF CIRCUIT.
MADE FOR DEEP CYCLE BATTERIES.

DANGER: ALWAYS CHARGE BATTERIES IN A WELL VENTILATED AREA. BATTERIES EMIT HYDROGEN GAS. EXPLOSION OR FIRE CAN RESULT. KEEP SPARKS AND FLAME AWAY. SHIELD EYES WHEN SERVICING BATTERIES AND AVOID CONTACT WITH BATTERY ACID. **LEAVE ACCESS PANEL OPEN WHEN CHARGING!**



ON BOARD CHARGER

CAUTION: THE FOLLOWING INSTRUCTIONS ARE INTENDED FOR THE 36V CHARGER SUPPLIED WITH THE MACHINE. DO NOT USE ANY OTHER CHARGER WITH THIS MACHINE.

1. TRANSPORT MACHINE TO A WELL VENTILATED AREA FOR CHARGING.
2. TURN THE MACHINE OFF.
3. HINGE OPEN THE TANK TO EXPOSE THE BATTERIES. **(SEE FIGURE 50.) CAUTION:** (ALWAYS WEAR EYE PROTECTION WHEN BATTERIES ARE EXPOSED)
4. CHECK THE WATER LEVEL IN EACH BATTERY. DO NOT CHARGE THE MACHINE UNLESS THE WATER IS SLIGHTLY HIGHER THAN THE PLATES. IF NEEDED, ADD ENOUGH **DISTILLED** WATER TO 1/2" ABOVE THE PLATES. DO NOT OVER FILL. BATTERIES CAN OVERFLOW DURING CHARGING. REPLACE CAPS BEFORE CHARGING.
5. PLUG THE EXTENSION CORD INTO A GROUNDED 110 VOLT STANDARD WALL OUTLET. **(SEE PICTURE TO THE LEFT)**
6. CONNECT THE EXTENSION CORD INTO THE ON BORD BATTERY CHARGER LOCATED ON THE FRONT OF THE FRAME STEERING COLUMN. **(SEE PICTURE TO THE LEFT)**
7. THE CHARGER WILL AUTOMATICALLY BEGIN CHARGING, AND AUTOMATICALLY SHUT OFF WHEN FULLY CHARGED (CHECK GAUGE)
8. AFTER THE CHARGER HAS TURNED OFF, UNPLUG THE EXTENSION CORD FROM THE MACHINE AND DISCONNECT FROM THE WALL OUTLET. **(SEE PICTURE TO THE LEFT)**
9. RECHECK THE CELL LEVEL AFTER CHARGING. IF NEEDED, ADD DISTILLED WATER UP TO THE CORRECT LEVEL. BE CERTAIN TO REPLACE THE CAPS SECURELY AND TO WIPE OFF THE TOP OF THE BATTERIES.

CHANGING BATTERIES

STOP MACHINE IN A CLEAN AREA NEXT TO THE CHARGER. TURN OFF MACHINE.

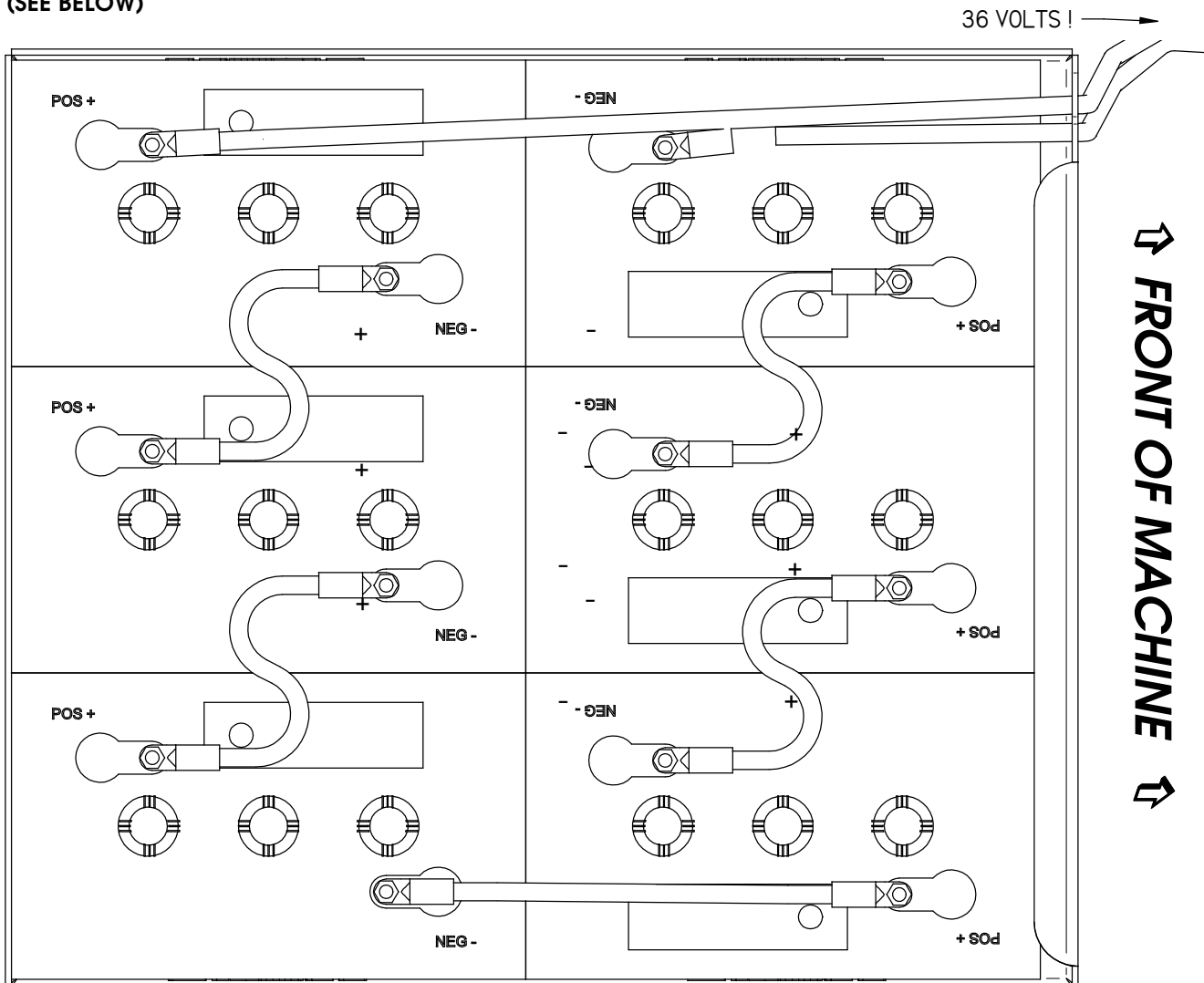
FOR SAFETY: BEFORE LEAVING OR SERVICING THE MACHINE; STOP ON LEVEL SURFACE, TURN OFF MACHINE AND REMOVE KEY.

1. TIP BACK TANK TO EXPOSE BATTERIES.
2. DISCONNECT MAIN BATTERY CABLES FROM MACHINE.
3. USE THE PROPER SIZE WRENCH TO DISCONNECT MAIN GROUND WIRE FIRST AND SECURE CABLE TERMINAL AWAY FROM BATTERIES.
4. DISCONNECT MAIN POSITIVE LEAD AND SECURE CABLE AND REMOVE ONE AT A TIME.
5. LOOSEN BOTH TERMINALS ON EACH JUMPER CABLE AND REMOVE ONE AT A TIME
6. PREPARE A SUITABLE SITE TO PLACE THE BATTERIES.
7. ATTACH SUITABLE BATTERY LIFTING DEVICE AND LIFT BATTERIES FROM THE MACHINE

WARNING!

BATTERIES ARE A POSSIBLE ENVIRONMENTAL HAZARD. CONSULT YOUR BATTERY SUPPLIER FOR SAFE DISPOSAL METHODS.

NOTE: ORIENTATION OF THE POSITIVE AND NEGATIVE POSTS ARE CRITICAL FOR CABLES TO REACH
(SEE BELOW)



MAINTENANCE

DAILY MAINTENANCE

1. REMOVE AND CLEAN PADS OR BRUSHES. NEVER USE SOILED PADS WHEN CLEANING. REPLACE PADS WHEN THEY BECOME PACKED WITH RESIDUE.
2. REMOVE AND CLEAN DEBRIS FROM THE FLOAT SHUT-OFF SCREEN LOCATED INSIDE THE RECOVERY TANK.
3. DRAIN AND RINSE TANKS THOROUGHLY INSPECT VACUUM HOSE FOR ANY OBJECTS OBSTRUCTING THE AIR FLOW.
4. RAISE SQUEEGEE AND WIPE BLADES WITH A CLEAN CLOTH. STORE SQUEEGEE IN THE RAISED POSITION TO PREVENT DAMAGE OR SETTING OF THE BLADES.
5. WIPE DOWN MACHINE IF NEEDED. USE A NONABRASIVE, NON SOLVENT CLEANER, OR A CLEAN DAMP CLOTH.
6. RECHARGE THE BATTERIES IF NEEDED.

WEEKLY MAINTENANCE

1. CHECK BATTERY WATER LEVEL IN EACH CELL OF THE BATTERIES, AND FILL AS NEEDED. ALWAYS USE DISTILLED WATER TO REFILL BATTERIES. BATTERIES SHOULD BE FILLED APPROXIMATELY 3/4" TO 1" ABOVE THE PLATES. OVERFILLING WILL CAUSE THE BATTERIES TO LEAK DURING CHARGING. THE CHARGING PROCESS CREATES GAS BUBBLES INSIDE THE BATTERY, WHICH EFFECTIVELY INCREASES THE VOLUME OF THE ELECTROLITE.
2. CLEAN BATTERY TOPS TO PREVENT CORROSION.
3. ROTATE BRUSHES. ROTATE THE LEFT TO THE RIGHT AND RIGHT TO LEFT. ON CYLINDRICAL MODELS FROM FRONT TO BACK, OR END TO END IF USING DIFFERENT MATERIALS.

MONTHLY MAINTENANCE

1. CHECK SCRUB HEAD AND SQUEEGEE LIFTING CABLES FOR WEAR AND SPRING TENSION.
2. CHECK MACHINE FOR WATER LEAKS AND LOOSE NUTS AND BOLTS.
3. CHECK TO SEE IF BATTERY CABLES ARE TIGHTENED (TIGHTEN IF NEEDED)
4. CHECK PARKING BRAKE

YEARLY MAINTENANCE

1. CALL YOUR LOCAL DEALER FOR YEARLY MAINTENANCE

STORING MACHINE

1. BE SURE TO FLUSH THE TANKS OUT COMPLETELY, AND TO DRAIN ALL WATER FROM THE MACHINE.
2. OPEN THE RECOVERY TANK LID TO PROMOTE AIR CIRCULATION.
3. RAISE BRUSHES AND SQUEEGEE.

CHECKING BATTERY SPECIFIC GRAVITY

USE A HYDROMETER TO CHECK THE BATTERY SPECIFIC GRAVITY.

CHECKING GRAVITY

A. HYDROMETER

B. BATTERY

NOTE: DO NOT TAKE READINGS IMMEDIATELY AFTER ADDING DISTILLED WATER, IF WATER AND ACID ARE NOT THOROUGHLY MIXED, THE READING MAY NOT BE ACCURATE.

CHECK THE HYDROMETER AGAINST THIS CHART.

SPECIFIC GRAVITY @ 80° F (27°C)	BATTERY CONDITION
1.265	100% CHARGED
1.225	75% CHARGED
1.190	50% CHARGED
1.155	25% CHARGED
1.120	DISCHARGED

NOTE: IF THE READINGS ARE TAKEN WHEN THE BATTERY ELECTROLYTE IS ANY TEMPERATURE OTHER THAN 80° F (27°C), THE READING MUST BE TEMPERATURE CORRECTED.

TO FIND THE CORRECTED SPECIFIC GRAVITY READING WHEN THE TEMPERATURE OF THE BATTERY ELECTROLYTE IS OTHER THAN 80°F (27°C): ADD (+) TO THE SPECIFIC GRAVITY READING 0.004 (4 POINTS), FOR EACH 10°F (6°C) ABOVE 80° (27°C).
SUBTRACT (-) FROM THE SPECIFIC READING 0.004 (4 POINTS), FOR EACH 10°F (6°C) BELOW 80°F (27°C).

MAINTENANCE SERVICE SCHEDULE

MAINTENANCE	BEFORE EACH WORK PERIOD	AFTER EACH WORK PERIOD	50 HRS	100 HRS	200 HRS
Check water level of batteries after charging; add distilled water if necessary	*				
Check that recovery tank cover seals tightly	*				
Visually check for damaged or worn tires	*				
Check brushes or pads for proper installation	*				
Check vacuum hose connections	*				
Check that squeegee is securely attached and properly adjusted	*				
Check that side squeegees are properly adjusted	*				
Check for securely attached drain hose, plug and caps	*				
Check parking brake and steering for proper operation	*				
Inspect vacuum filter for debris		*			
Clean out solution tank and filter, check flow		*			
Run vacuum motors to dry		*			
Clean brushes or pads and check wear		*			
Clean main and side squeegee blades and check wear		*			
Clean out recovery tank and vacuum filter		*			
Clean and inspect float shutoff		*			
Clean outside of tanks, check for damage		*			
Store with tank covers open		*			
Charge batteries		*			
Check side squeegee for wear			*		
Clean off top of batteries			*		
Check battery cells with hydrometer			*		
Inspect scrub deck skirts			*		
Clean solution strainers			*		
Check battery connections are tight			*		
Clean battery cases and battery compartment				*	
Check parking brake adjustment					*
Check brake for damage or wear					*
Clean pivot points on squeegee and scrub deck					*
Check all motors for carbon brush wear					*
Check motor commutators					*
Check steering chain tensioner					*

NOTE: Traction drive, wheels and batteries should be serviced based on traction drive hourmeter. The scrub brush hour meter should be used for all other service schedule items.

PREVENTATIVE MAINTENANCE RECORDS

USE THIS FORM TO MAKE COPIES FOR YOUR INTERNAL RECORDS

PREVENTATIVE MAINTENANCE

CHECKED

NOTE

ROTATE BRUSHES	_____	_____
ROTATE SIDE BROOMS	_____	_____
DRAIN SOLUTION TANK	_____	_____
FLUSH SOLUTION SYSTEM	_____	_____
CLEAN SOLUTION SCREEN	_____	_____
DRAIN RECOVERY TANK	_____	_____
FLUSH RECOVERY TANK	_____	_____
CLEAN VACUUM SCREEN	_____	_____
ROTATE REAR SQUEEGEE BLADE	_____	_____
CHECK BATTERY WATER LEVEL	_____	_____
CHECK BATTERY VOLTAGE	_____	_____
CHECK CHARGER CONDITION	_____	_____
CHECK BATTERY CONNECTIONS	_____	_____
CHECK CHEMICAL LEVEL	_____	_____
CHECK MACHINE PERFORMANCE	_____	_____
SCRUBBING POWER	_____	_____
VACUUM POWER	_____	_____
CONTROLS WATER ON TURNS	_____	_____
GAUGES AND CONTROLS	_____	_____
CHECK WHEEL TRACTION	_____	_____

OTHER: _____

OTHER: _____

PAST HOUR METER READING: _____

CURRENT HOUR METER READING: _____

AVERAGE WEEKLY USAGE: _____

TECHNICIAN PRINT: _____

TECHNICIAN SIGNATURE: _____

MANAGER SIGNATURE: _____

DATE: _____

DATE: _____

PREVENTATIVE MAINTENANCE RECORDS

USE THIS FORM TO MAKE COPIES FOR YOUR INTERNAL RECORDS

PREVENTATIVE MAINTENANCE

CHECKED

NOTE

ROTATE BRUSHES	_____	_____
ROTATE SIDE BROOMS	_____	_____
DRAIN SOLUTION TANK	_____	_____
FLUSH SOLUTION SYSTEM	_____	_____
CLEAN SOLUTION SCREEN	_____	_____
DRAIN RECOVERY TANK	_____	_____
FLUSH RECOVERY TANK	_____	_____
CLEAN VACUUM SCREEN	_____	_____
ROTATE REAR SQUEEGEE BLADE	_____	_____
CHECK BATTERY WATER LEVEL	_____	_____
CHECK BATTERY VOLTAGE	_____	_____
CHECK CHARGER CONDITION	_____	_____
CHECK BATTERY CONNECTIONS	_____	_____
CHECK CHEMICAL LEVEL	_____	_____
CHECK MACHINE PERFORMANCE	_____	_____
SCRUBBING POWER	_____	_____
VACUUM POWER	_____	_____
CONTROLS WATER ON TURNS	_____	_____
GAUGES AND CONTROLS	_____	_____
CHECK WHEEL TRACTION	_____	_____

OTHER: _____

OTHER: _____

PAST HOUR METER READING: _____

CURRENT HOUR METER READING: _____

AVERAGE WEEKLY USAGE: _____

TECHNICIAN PRINT: _____

TECHNICIAN SIGNATURE: _____

MANAGER SIGNATURE: _____

DATE: _____

DATE: _____

TROUBLESHOOTING CENTRAL COMMAND II

NOTE: THIS MACHINE IS OPERATED BY A SOPHISTICATED ELECTRONIC "CONTROLLER" THAT HAS MANY FAIL-SAFES WITHIN IT. IT SELF-ANALYZES PROBLEMS AND FLASHES A FOUR-DIGIT ALPHA-NUMERIC CODE OF WHAT IS WRONG IN THE **LCD** WINDOW.

MOST OF THESE CODES REQUIRE A TECHNICIAN'S ATTENTION. YOU SHOULD NOT ATTEMPT REPAIRS YOU ARE UNFAMILIAR WITH, ESPECIALLY IF YOU ARE NOT AUTHORIZED TO WORK ON THIS EQUIPMENT.

THE COMPLETE LIST OF CODES IS PUBLISHED IN THE **SIMPLIFIED ELECTRONIC TROUBLESHOOTING MANUAL**, WHICH IS AVAILABLE TO AUTHORIZED AND CERTIFIED DISTRIBUTION TECHNICIANS. HOWEVER, WE HAVE INCLUDED THE BASIC CODES THAT YOU CAN USUALLY RESOLVE YOURSELF.



1. 7601 AND 7602 ERROR. SCRUBDECK CURRENT OVER LOAD. THIS CAN OCCUR WHEN DRIVING OVER A BUMP IN THE FLOOR. TO RESTART, TURN OFF THE KEY AND TURN IT ON AGAIN. TO AVOID THIS ERROR, EITHER SLOW DOWN ON BUMPY PARTS OF THE FLOOR, OR REDUCE DOWNPRESSURE ON THE PADS.



2. 1600 ERROR. VOLTAGE EXCEEDS THE MAXIMUM. EITHER THE BATTERIES ARE MIS-WIRED, OR THE CHARGER IS STILL PLUGGED INTO THE MACHINE.

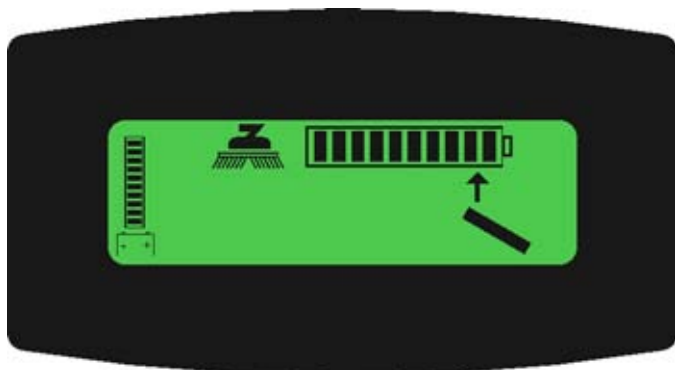


3. 7700, 7701, 7702, AND 7703 ERROR. THE VACUUM MOTOR HAS EXCEEDED THEIR AUTHORIZED POWER LIMITS. TURN OFF KEY AND TURN ON AGAIN TO CLEAR.

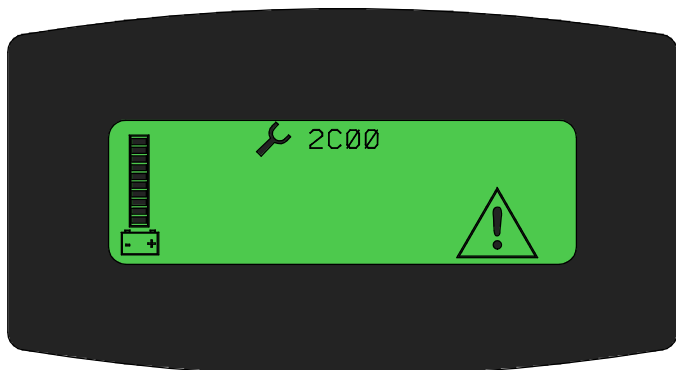
TROUBLESHOOTING CENTRAL COMMAND II



4. **7900 AND 7901 ERROR.** THE EMERGENCY STOP BUTTON IS OUT



5. **THROTTLE ERROR.** YOU PRESSED THE FOOT PEDAL BEFORE TURNING ON THE KEY. TURN OFF THE KEY AND TRY AGAIN, LEAVING FOOT OFF OF THE PEDAL.



6. **2C00 AND 2C01 ERROR.** LOW VOLTAGE WARNING. VOLTAGE HAS DROPPED DOWN BELOW THE MINIMUM REQUIRED TO OPERATE THE MACHINE. IF YOU WAIT A FEW MINUTES, THE BATTERIES MAY COME UP IN VOLTAGE, ALLOWING YOU TO DRIVE VERY SLOWLY TO THE RECHARGE STATION. IF NOT, YOU WILL HAVE TO RELEASE THE PARKING BRAKE (ON THE FRONT WHEEL, PULL LEVER TOWARD THE FRONT OF THE MACHINE TO RELEASE) AND PUSH THE MACHINE TO RECHARGEING STATION. YOU MUST DISCONNECT THE TRACTION MOTOR! (+ **CABLE FIRST**)



7. **7802 ERROR.** THE TRACTION MOTOR PULLED EXCESSIVE CURRENT PERHAPS RUNNING A RAMP FOR MORE THAN THE 60 SECONDS ALLOWING FOR THIS. TURN OFF THE KEY, TURN ON AGAIN, AND CONTINUE. YOU SHOULD NOT USE THIS MACHINE TO CLIMB RAMPS SO STEEP AND SO LONG THAT THIS CODE COMES UP REPEATEDLY, OR YOU COULD OVERHEAT THE TRACTION MOTOR.

9. **ALL OTHER ERROR CODES.** TURN OFF THE KEY, AND DISCONNECT THE POSITIVE BATTERY CABLE FROM THE BATTERIES FOR MORE THAN ONE MINUTE (THE TIME IS NEEDED TO DRAIN THE CONTROLLER'S ON-BOARD CAPACITOR). RECONNECT CABLES, BEING SURE THAT IT IS TIGHT. **TOO LOOSE AND YOU WILL BURN BATTERY. IF YOU OVERTIGHTEN THE CABLES YOU CAN DAMAGE THE BATTERY'S LEAD TERMINAL.** TRY AGAIN.

10. **IF THE PROBLEMS CANNOT BE SOLVED BY ANY OF THESE SOLUTION CALL YOUR LOCAL DEALER'S SERVICE DEPARTMENT.**

TROUBLE SHOOTING

<u>PROBLEM</u>	<u>CAUSE</u>	<u>SOLUTION</u>
NO POWER, NOTHING OPERATES	FAULTY KEY SWITCH BATTERIES NEED CHARGING FAULTY BATTERY LOOSE BATTERY CABLE MAIN CIRCUIT BREAKER TRIPPED	CONTACT LOCAL SERVICING DEALER SEE CHARGING BATTERIES REPLACE BATTERY TIGHTEN LOOSE CABLE WAIT 5 MINUTES FOR AUTO RESET DETERMINE CAUSE AND CORRECT
BRUSH MOTOR(S) DO NOT OPERATE	BRUSH DECK IS NOT DOWN FOOT PEDAL IS NOT DEPRESSED BRUSH CIRCUIT BREAKER TRIPPED CARBON BRUSHES WORN FAULTY BRUSH MOTOR OR WIRES	PUT BRUSH DECK DOWN ENGAGE FOOT PEDAL WAIT 5 MINUTS FOR AUTO RESET DETERMINE CAUSE AND CORRECT CONTACT LOCAL SERVICING DEALER CONTACT LOCAL SERVICING DEALER
DRIVE MOTOR DOES NOT OPERATE	RECHARGE SWITCH MISADJUSTED FAULTY SPEED CONTROLLER OR WIRES FAULTY DRIVE MOTOR FAULTY WIRING CARBON BRUSHES WORN	CONTACT LOCAL SERVICING DEALER CONTACT LOCAL SERVICING DEALER CONTACT LOCAL SERVICING DEALER CONTACT LOCAL SERVICING DEALER CONTACT LOCAL SERVICING DEALER
VACUUM MOTOR DOES NOT OPERATE	SQUEEGEE IS IN THE UP POSITION FAULTY VACUUM SWITCH VACUUM CIRCUIT BREAKER TRIPPED FAULTY VACUUM MOTOR	ROTATE SQUEEGEE LIFT LEVER DOWN TRY OPERATING "WHITE " TOGGLE WAIT 5 MINUTES FOR AUTO RESET DETERMINE CAUSE AND CORRECT CONTACT LOCAL SERVICING DEALER
DRIVE MOTOR RUNS INCORRECTLY	FAULTY SPEED CONTROLLER OR WIRES FAULTY POTENTIOMETER LOOSE WIRES	CONTACT LOCAL SERVICING DEALER CONTACT LOCAL SERVICING DEALER CONTACT LOCAL SERVICING DEALER
INSUFFICIENT SOLUTION FLOW	SOLUTION TANK LOW FLOW KNOB TURNED DOWN SOLUTION FILTER CLOGGED SOLUTION LINE CLOGGED SOLUTION VALVE CLOGGED	REFILL SOLUTION TANK, DRAIN RECOVERY TANK MOVE LEVER TO ON REMOVE COVER AND CLEAN REMOVE AND BLOW OUT WITH COMPRESSED AIR REMOVE COVER AND CLEAN

TROUBLE SHOOTING

PROBLEM

CAUSE

SOLUTION

NO SOLUTION FLOW

NO SOLUTION IN TANK
SOLUTION VALVE OFF
SOLUTION SWITCH OFF
SOLUTION SCREEN CLOGGED
FAULTY SOLUTION SOLENOID
FAULTY SOLUTION SWITCH

FILL SOLUTION TANK
ROTATE LEVER TO ON
TURN SOLUTION SWITCH ON
REMOVE AND CLEAN SCREEN
CONTACT LOCAL SERVICING DEALER
CONTACT LOCAL SERVICING DEALER

POOR WATER RECOVERY

RECOVERY TANK IS FULL
BALL/SCREEN IN RECOVERY
TANK IS CLOGGED
VACUUM HOSE IS CLOGGED
SQUEEGEE IS CLOGGED
SQUEEGEE BLADE IS WORN
FAULTY VACUUM HOSE
VACUUM MOTOR GASKET TORN
TANK GASKET FAULTY
DRAIN PLUG LOOSE
VAC MOTOR FAULTY
BATTERY CHARGE LOW

EMPTY RECOVERY TANK
REMOVE SCREEN AND CLEAN

REMOVE DEBRIS
REMOVE DEBRIS
ROTATE OR REPLACE BLADES
CONTACT LOCAL SERVICING DEALER
CONTACT LOCAL SERVICING DEALER
CONTACT LOCAL SERVICING DEALER
TIGHTEN LID
CONTACT LOCAL SERVICING DEALER
CHARGE BATTERIES OVERNIGHT

POOR WATER RECOVERY ON TURNS

WIPERS WORN
WIPERS CHATTER
SQUEEGEE SWING IS BINDING
INCORRECT SQUEEGEE SIZE

REPLACE WIPER MATERIAL
TIGHTEN PIVOT POINTS
CONTACT LOCAL SERVICING DEALER
CONTACT LOCAL SERVICING DEALER

REAR TIRES NOISY

BEARING DRY
FAULTY HUBS

GREASE BEARINGS
CONTACT LOCAL SERVICING DEALER

POOR TRACTION

EXCESSIVE BRUSH PRESSURE
WORN DRIVE TIRE
HEAVY SOAP CONCENTRATION

REDUCE PRESSURE WITH SWITCH

CONTACT LOCAL SERVICING DEALER

SHORT RUN TIME

BATTERIES RUN DOWN
BATTERIES STILL DOWN
BATTERIES LOW ON WATER

BATERIES OVER CYCLED

CHARGE BATTERIES TWICE
CONTACT LOCAL SERVICING DEALER
FILL WITH DISTILLED WATER TO 3/4"
ABOVE THE LEAD PLATES
CONTACT LOCAL SERVICING DEALER

MODEL

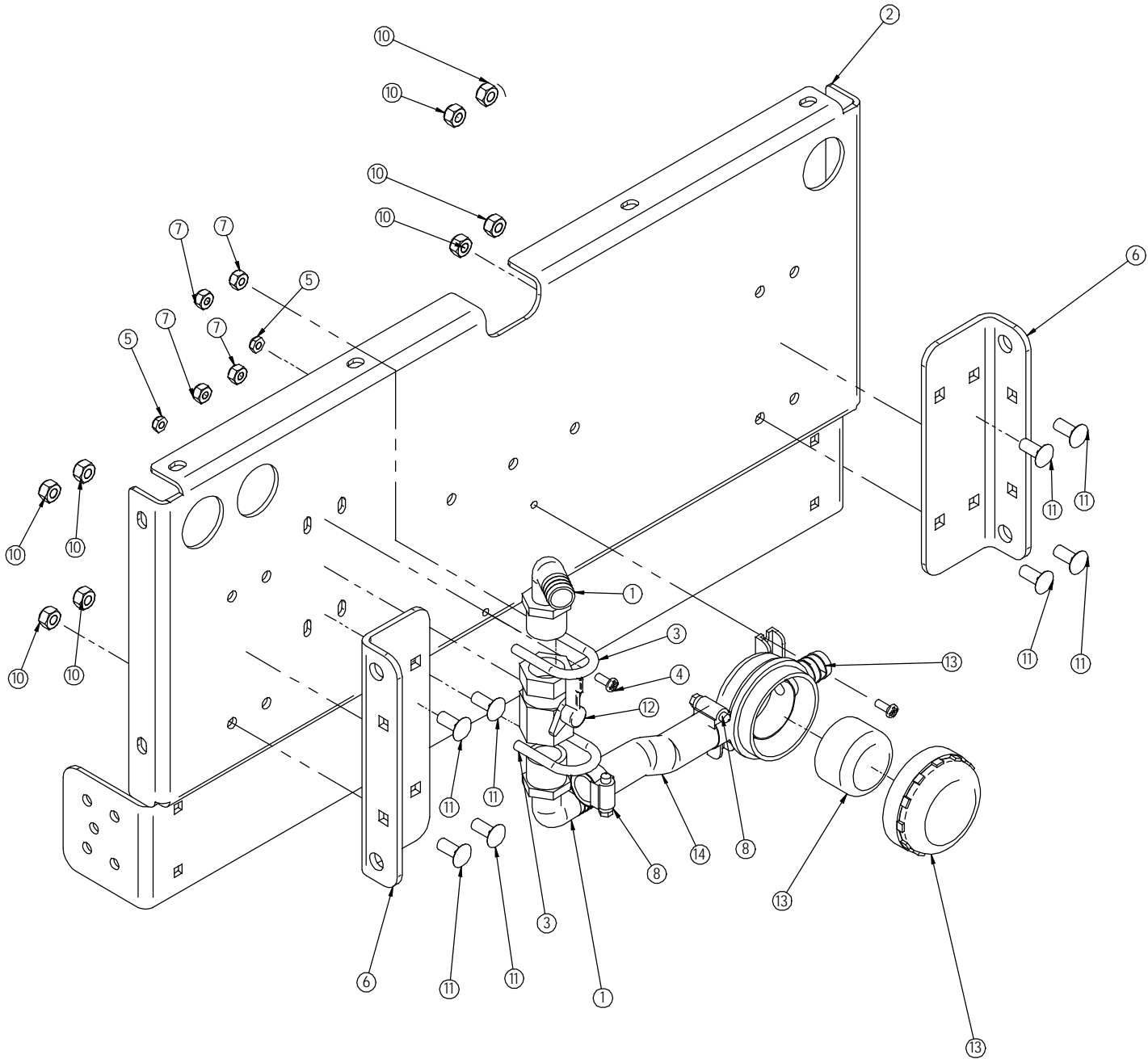
250-13/250-15/250-17

MACHINE PARTS SECTION

MACHINE PARTS ILLUSTRATION

FRONT PANEL	PAGE 36-39
FRONT WHEEL DRIVE	PAGE 40-43
REAR AXLE MOUNT	PAGE 44-47
SQUEEGEE DRAG PLATE	PAGE 48-51
HOSES AND WIRING HARNESS	PAGE 52-53
SCRUB DECK	PAGE 54-59
SQUEEGEE LIFTING BRACKET AND HINGES	PAGE 60-61
CRIMP NUTS	PAGE 62-63
CENTRAL COMMAND II	PAGE 64-69
STEERING TOWER ASSEMBLY	PAGE 70-33
FRONT APRON	PAGE 74-75
DRIVE PEDAL	PAGE 76-77
BATTERIES AND CABLES	PAGE 78-79
SOL/REC TANKS	PAGE 80-83
TANK LID	PAGE 84-87
SHROUDS	PAGE 88-93
SQUEEGEE	PAGE 94-99
250-30 DOORS (OPTIONAL)	PAGE 100-101
250-34 DOORS (OPTIONAL)	PAGE 102-103
DOORS AND BUMPER (OPTIONAL)	PAGE 104-105
CYLINDRICAL DECKS	PAGE 106-107
CYLINDRICAL WIPERS	PAGE 108-109
CYLINDRICAL DOORS	PAGE 110-111
SIDE BROOMS	PAGE 112-113

250 DISK FRONT WALL



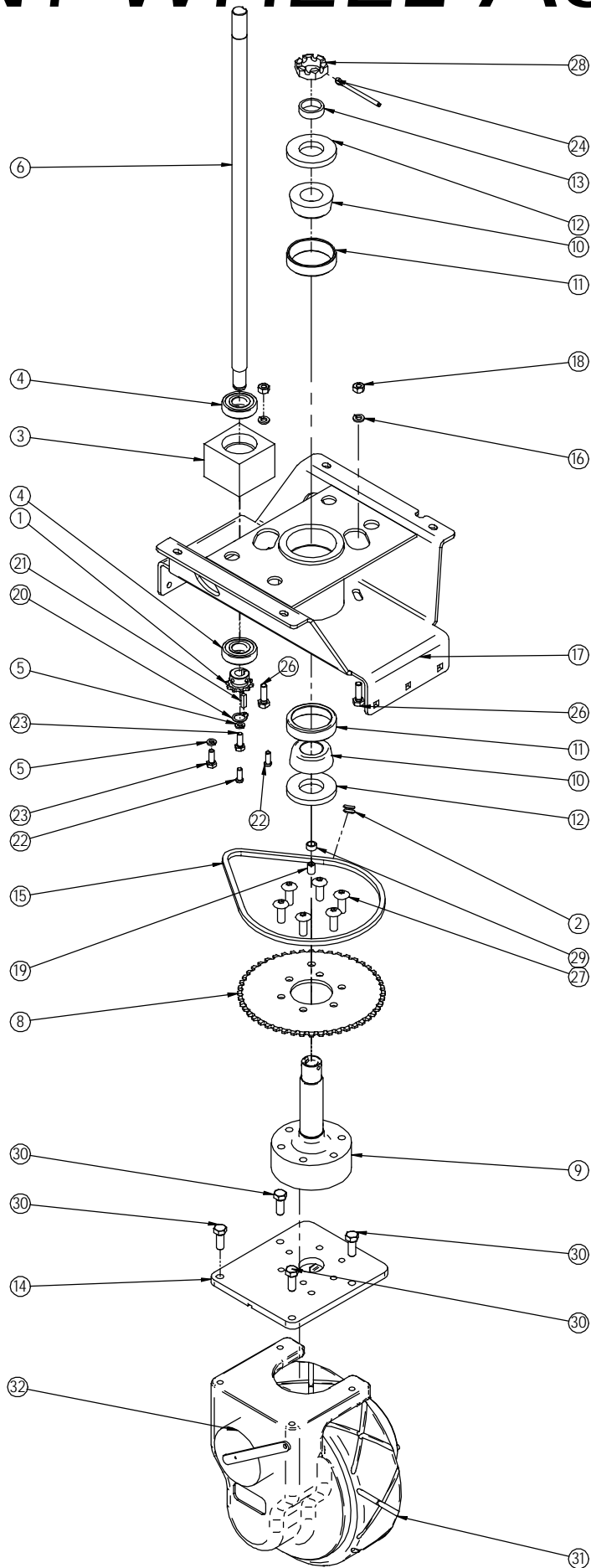
250 DISK FRONT WALL

Item	Part No.	Part Description	Qty.
1	21-4044	3/4" NPT TO 3/4" BARBED ELBOW	2
2	250-1260	FRONT SPLASH GUARD	1
3	H-01519	1/4-20 X 1/2 " U BOLT	2
4	H-29049	PPH #10-32 X 1/2"	2
5	H-70858	NYLOK #10-32 SS	2
6	250-1265	SCRUB ARM BRACKET	2
7	H-70860	NYLOK 1/4"- 20 SS	4
8	H-081	CLAMP 1.0"- 1-1/8" SS	2
10	H-70861	NYLOK 5/16" - 18 SS	8
11	H-74429	CB 5/16"- 18 X 3/4" SS	8
12	390-4158	3/4" NPT BALL VALVE	1
13	430-9130	INLINE FILTER	1
14*	250-0120	3/4" X 5-1/4 SHUTOFF VALVE TO FILTER HOSE	1

FRONT PANEL

Item	Part No.	Part Description	Qty.
1	250-1100	MAIN FRAME	1
2	H-74430	CB 5/16" - 18 X 1" SS	6
3	H-71065	LW 5/16" SS	4
4	H-73908	FHSCS 5/16" - 18 X 1-1/4" SS	8
5	H-78015	FW 5/16" X 3/4" SS	4
6	H-70861	NYLOK 5/16" - 18 SS	14
7	439	SUB #439 250 DISK FRONT WALL	1
9	H-74419	CB 1/4" - 20 X .75" SS	7
10	H-70860	NYLOK 1/4" - 20 SS	10
11	250-2441	36 VOLT 25 AMP BATTERY CHARGER	1
12	250-1075	CHARGER PLUG BOX	1
13	21-1127	ROLLER	6
14	H-13327	HB 5/8" - 11 X 7.0"	2
15	H-37038	NYL 5/8" - 11	4
16	290-1128	LOWER ROLLER BRACKET	2
17	H-11319	HB 5/8" - 11 X 4"	2

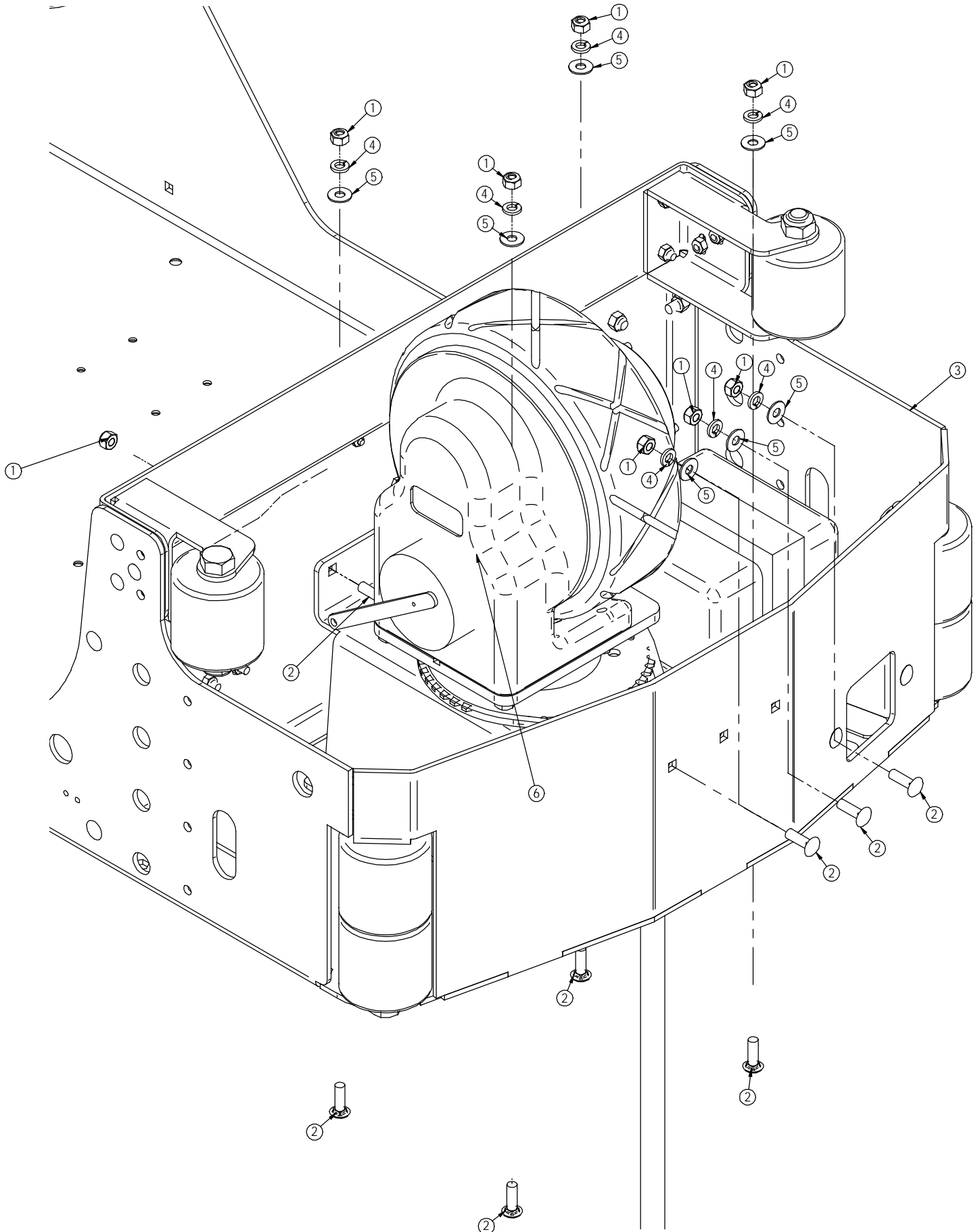
FRONT WHEEL ASSEMBLY



FRONT WHEEL ASSEMBLY

Item	Part No.	Part Description	Qty.
1	5-826	10 TOOTH SPROCKET	1
2	5-831	MASTER LINK	1
3	8-723	BEARING BLOCK	1
4	8-723B	BEARING	2
5	H-33618	LW 1/4"	2
6	250-7120	STEERING SHAFT, LOWER	1
8	250-7314	60 TOOTH STEERING SPROCKET	1
9	250-7332	STEERING SHAFT	1
10	37-7317	TAPERED ROLLER BEARING	2
11	37-7318	BEARING CAP	2
12	37-7319	STEERING SHAFT SEAL	2
13	37-7320	PRE LOAD SLEEVE	1
14	250-7326	PIVOT PLATE	1
15	250-7327	STEERING CHAIN	1
16	H-33620	LW 5/16"	2
17	250-7315	DROP PLATE	1
18	H-36104	HN 5/16"-18	2
19	H-25595	SS CP 3/8"- 24 X 1/2"	1
20	H-68013	SNAPRING 5/8"	1
21	H-00270	3/16" X 3/4" KEY	1
22	H-24617	SHCS, LOW HEAD, 1/4- 20 X 5/8"	2
23	H-13003	HCS 1/4"-20 X 3/4"	2
24	H-65129	3/16" X 2-1/2" COTTER PIN	1
26	H-13055	HCS 5/16"-18 X 1"	2
27	H-24103	BHSCS 3/8"- 24 X 1"	6
28	37-7321	SLOTTED NUT, 2.0 - 12	1
29	H-05233	PVC TUBING	1
30	H-70105	HCS 3/8"- 16 X 1" SS	4
31	250-6181	10 INCH 36 VOLT FRONT WHEEL DRIVE	1
32	290-9566	36V ELECTRIC BRAKE	1

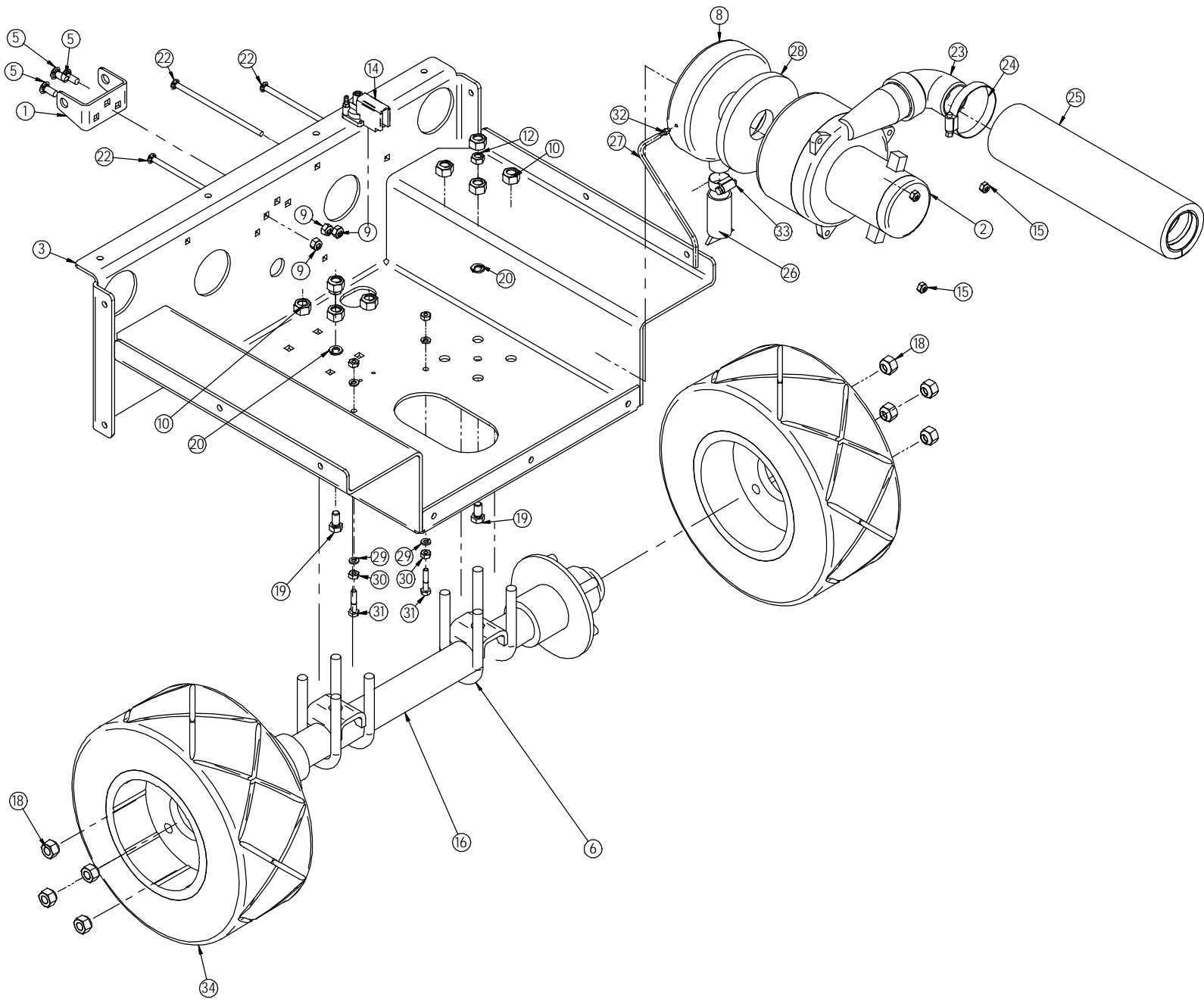
FRONT WHEEL DRIVE



FRONT WHEEL DRIVE

Item	Part No.	Part Description	Qty.
1	H-70861	NYLOK 5/16" - 18 SS	10
2	H-74430	CB 5/16"- 18 X 1" SS	10
3	250-1100	MAIN FRAME	1
4	H-71065	LW 5/16" SS	7
5	H-78015	FW 5/16" X 3/4" SS	7
6	233	SUB #233 250 FRONT WHEEL ASSEMBLY	1

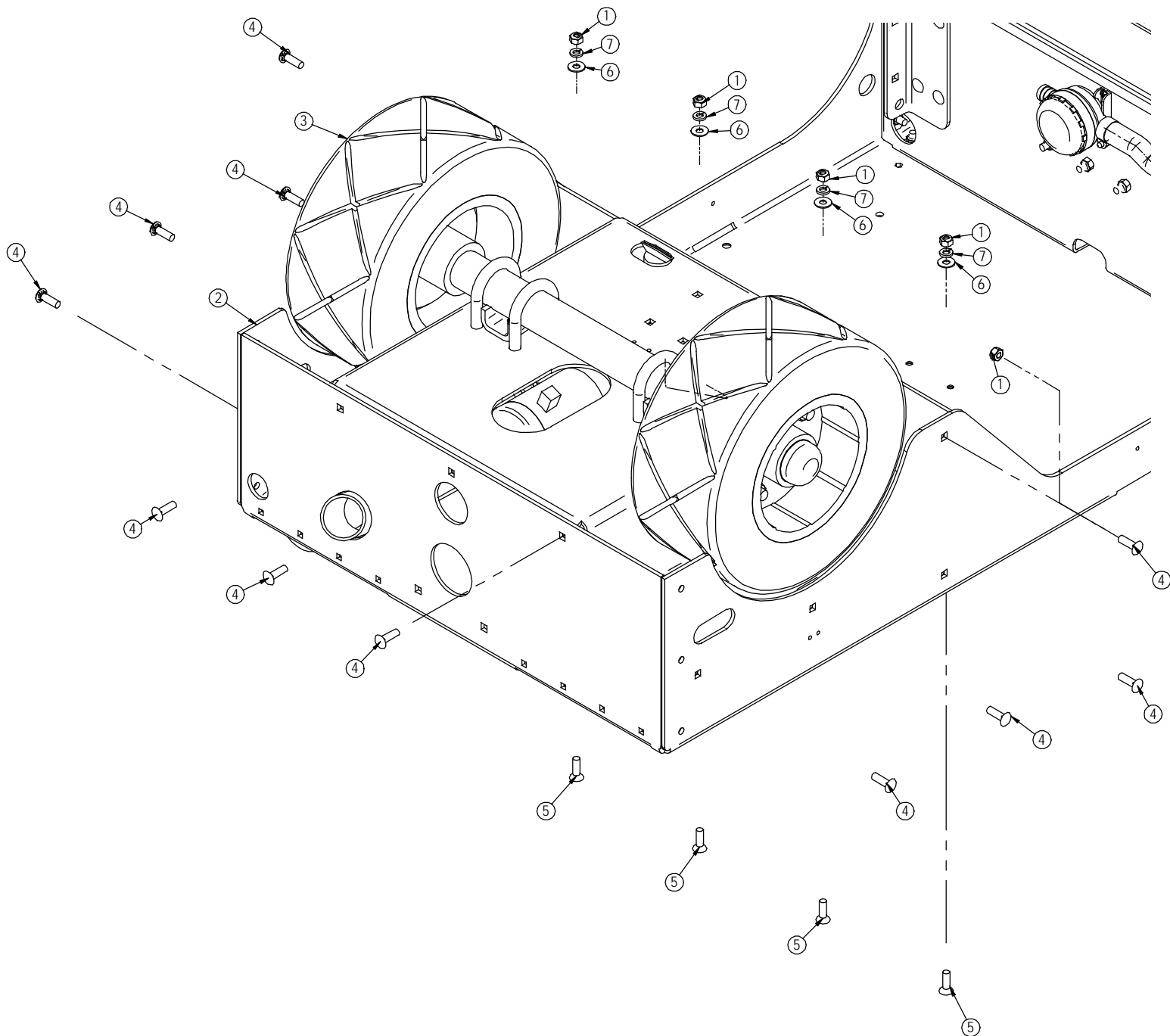
250 REAR AXLE MOUNT



250 REAR AXLE MOUNT

Item	Part No.	Part Description	Qty.
1	250-1102	SCRUB DECK LIFTING BRACKET	1
2	250-5250	36V VAC MOTOR, TANGENTIAL	1
3	250-5000	AXLE MOUNT	1
5	H-74429	CB 5/16" - 18 X 3/4" SS	3
6	290-6186	1/2-20 X 1-1/4 " U BOLT	4
8	190-1450	VAC BOX	1
9	H-70861	NYLOK 5/16" - 18 SS	3
10	H-77864	NYLOK 1/2"-13 SS	8
12	H-77862	NYLOK 3/8"- 16 SS	2
14	390-2328	SWITCH, VACUUM SHUTOFF	1
15	H-70860	NYLOK 1/4"- 20 SS	3
16	250-6040	250 REAR AXLE	1
18	290-6187	LUG NUT, 1/2"- 20	8
19	H-70103	HCS 3/8"-16 X 3/4" SS	2
20	H-71067	LW 3/8" SS	2
22	H-74400	CB 1/4"- 20 X 6.0" SS	3
23	250-7291	EXHAUST ELBOW	1
24	H-0427637	CLAMP 2" - 3"	1
25	430-2502	VACUUM FAN MUFFLER	1
26	390-1505	LOADER VALVE	1
27	250-0119	1/4" ID X 9-1/2" HOSE	1
28	190-3002	VAC MOTOR GASKET	1
29	H-71063	LW 1/4" SS	4
30	H-70710	HN 1/4"- 20 SS	4
31	H-70007	HCS 1/4"- 20 X 1.25" SS	2
32	390-2328A	VACUUM SWITCH BARB	1
33	H-081	CLAMP 1.0"- 1-1/8" SS	1
34	290-6180	REAR WHEEL (BLACK) TREADED	2

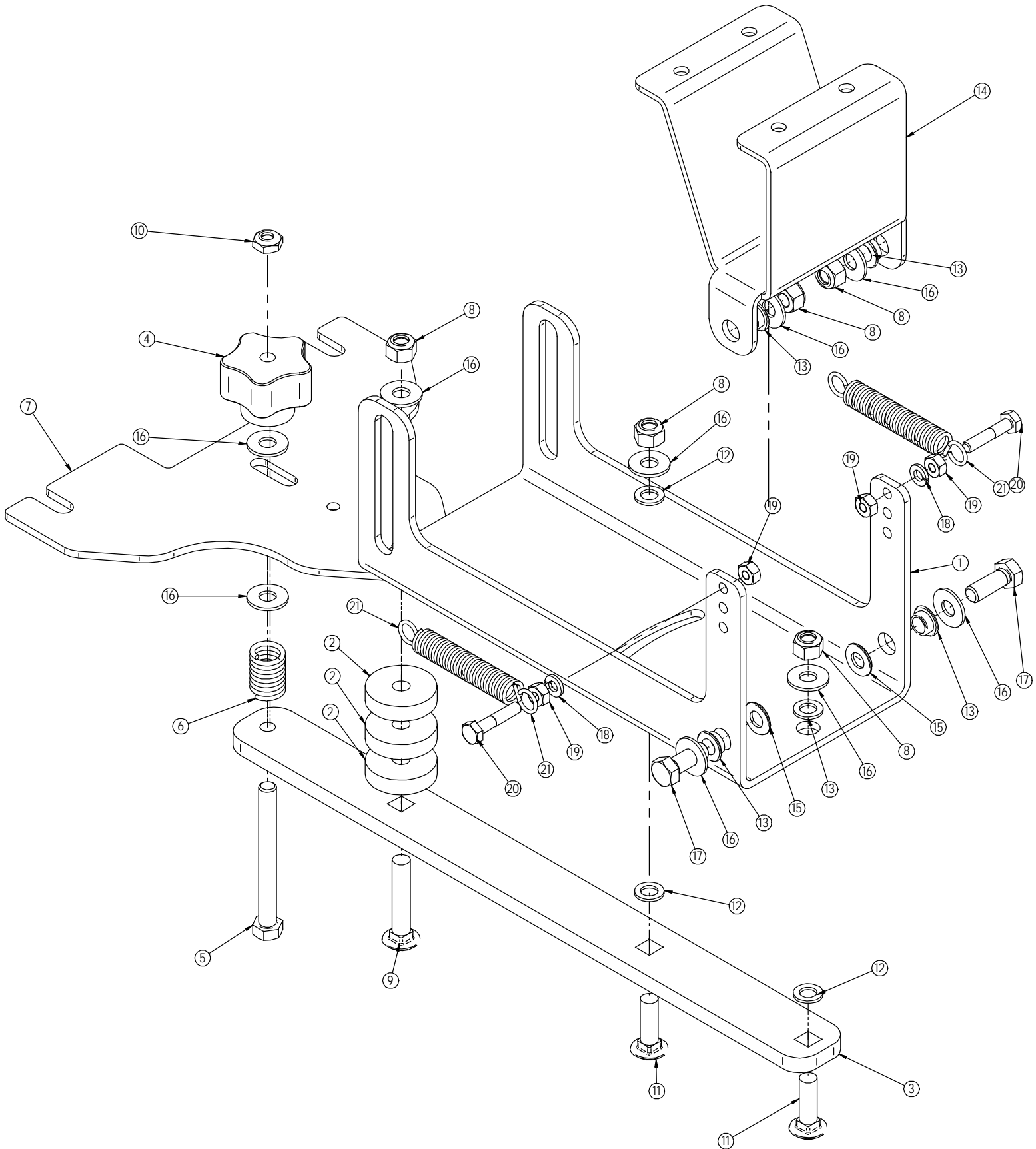
REAR AXLE MOUNT



REAR AXLE MOUNT

Item	Part No.	Part Description	Qty.
1	H-70861	NYLOK 5/16" - 18 SS	15
2	250-1100	MAIN FRAME	1
3	540	SUB #540 250 REAR AXLE MOUNT	1
4	H-74430	CB 5/16" - 18 X 1" SS	11
5	H-73908	FHSCS 5/16" - 18 X 1-1/4" SS	4
6	H-78015	FW 5/16" X 3/4" SS	4
7	H-71065	LW 5/16" SS	4

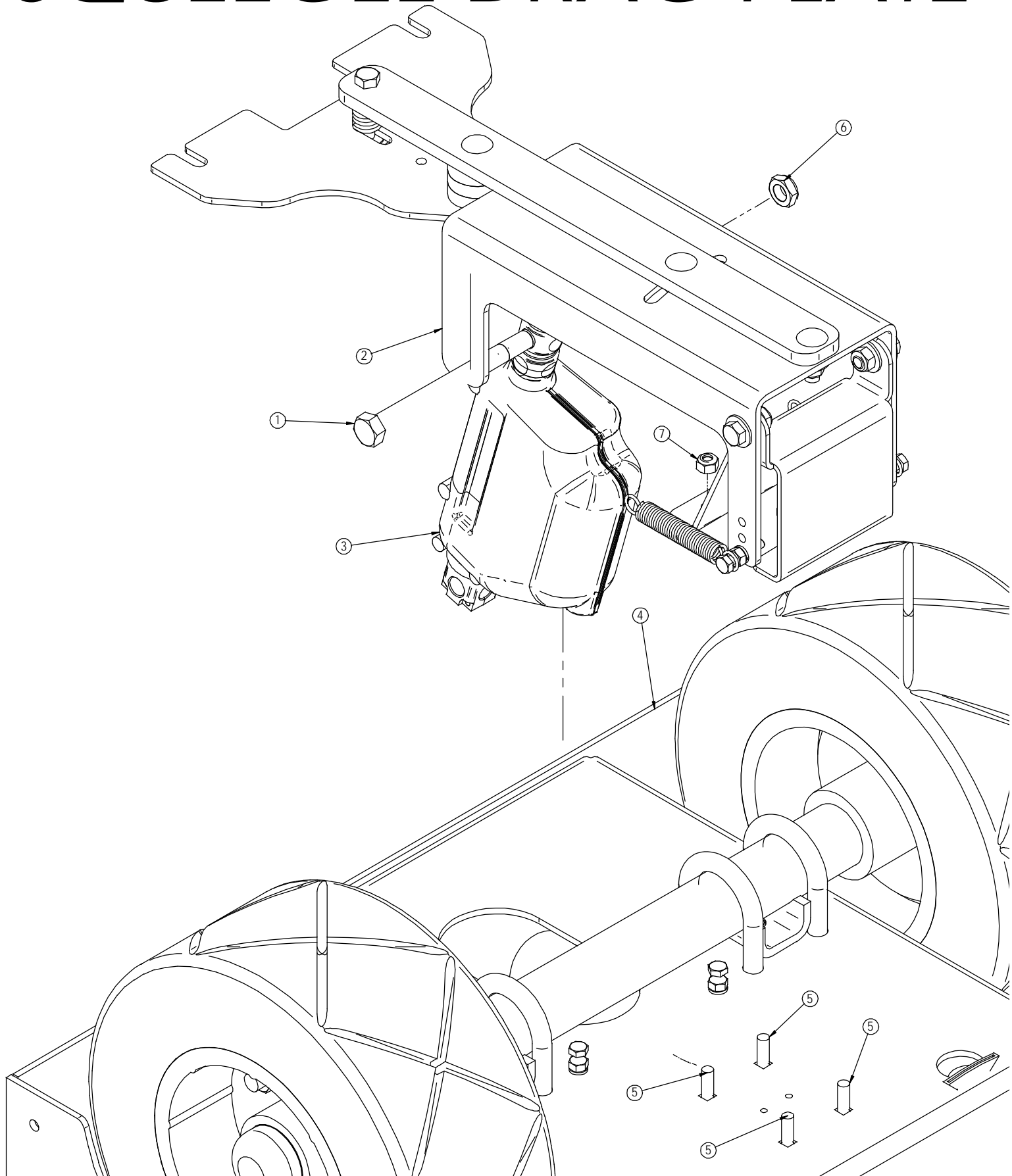
SQUEEGEE DRAG PLATE



SQUEEGEE DRAG PLATE

Item	Part No.	Part Description	Qty.
1	250-7131	SQUEEGEE SWING PLATE	1
2	4-446	GROMMET-3/8 ID X 1-1/2 OD X .375	3
3	250-7150	SQUEEGEE TRAIL ARM	1
4	21-7205	STAR KNOB	1
5	H-10055	HCS 3/8"- 24 X 3.5" SS	1
6	21-7240	SPRING, 1/2" ID X 1-3/4" LG	1
7	21-7610	SQUEEGEE TRIANGLE PLATE	1
8	H-77862	NYLOK 3/8"-16 SS	5
9	H-74439	CB 3/8"- 16 X 2.0" SS	1
10	H-0171004	JNYL 3/8- 24 SS	1
11	H-74437	CB 3/8"- 16 X 1-1/4" SS	2
12	H-76063	FW 3/8" NYLON	4
13	290-1233	3/8" ID, 1/2" OD, 1/4" LG BEARING	4
14	250-5002	SQUEEGEE DRAG BRACE	1
15	290-1247	FW BRONZE .75 OD X .375 ID X .0625 THK	2
16	H-71017	FW 3/8" X 7/8" SS	9
17	H-70105	HCS 3/8"- 16 X 1" SS	2
18	H-71063	LW 1/4" SS	2
19	H-70710	HN 1/4"- 20 SS	4
20	H-70007	HCS 1/4"- 20 X 1.25" SS	2
21	390-7712	COMPRESSION SPRING	2

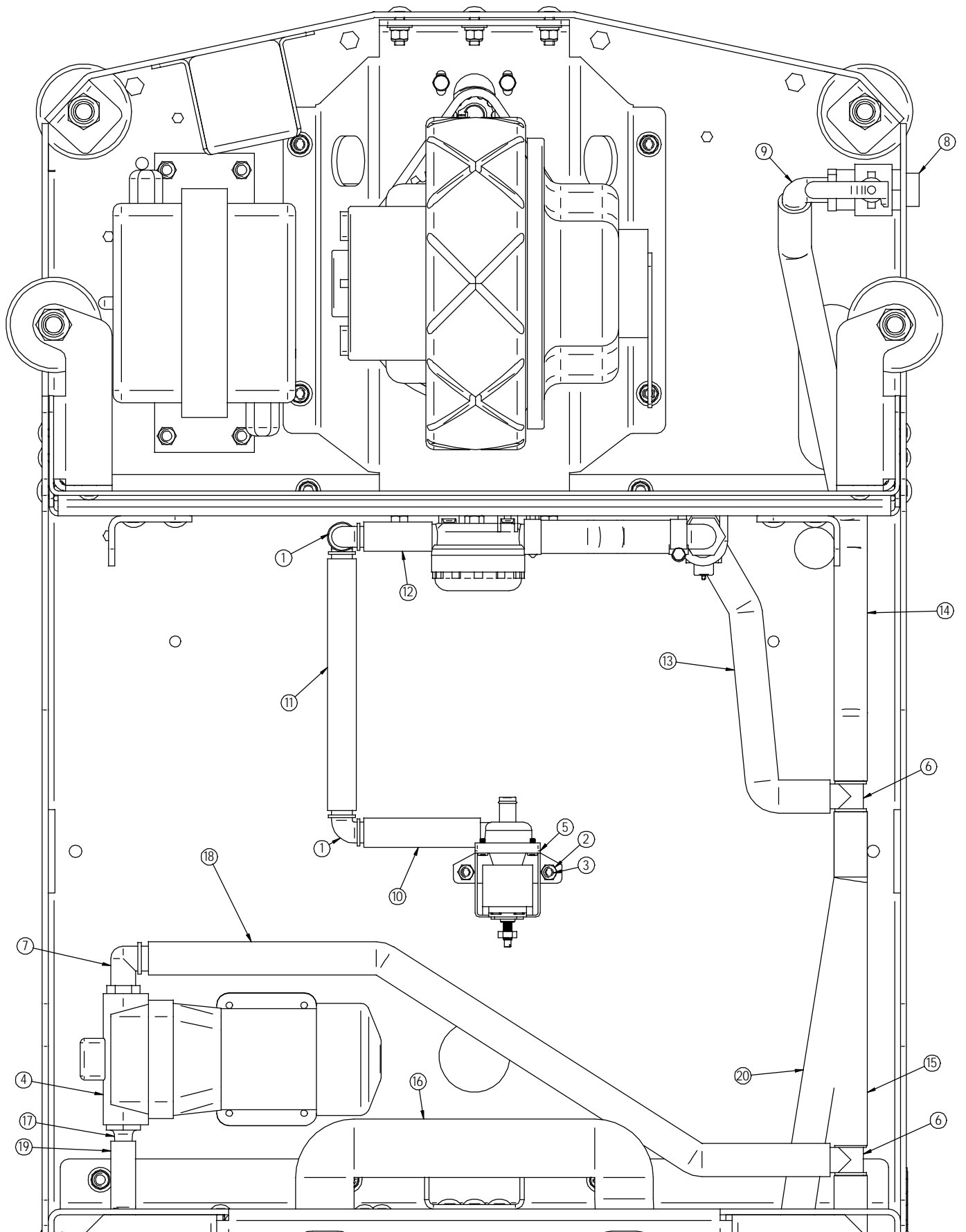
SQUEEGEE DRAG PLATE



SQUEEGEE DRAG PLATE

Item	Part No.	Part Description	Qty.
1	H-77205	HCS 1/2"-13 X 1" SS	1
2	202	SUB #202 250 SQUEEGEE DRAG PLATE	1
3	250-2240	2 INCH STROKE 36 VOLT ACTUATOR	1
4	250-1100	MAIN FRAME	1
5	H-74430	CB 5/16"- 18 X 1" SS	4
6	H-37032	JAM NYLOK NUT, 1/2"- 13	1
7	H-70861	NYLOK 5/16" - 18 SS	1

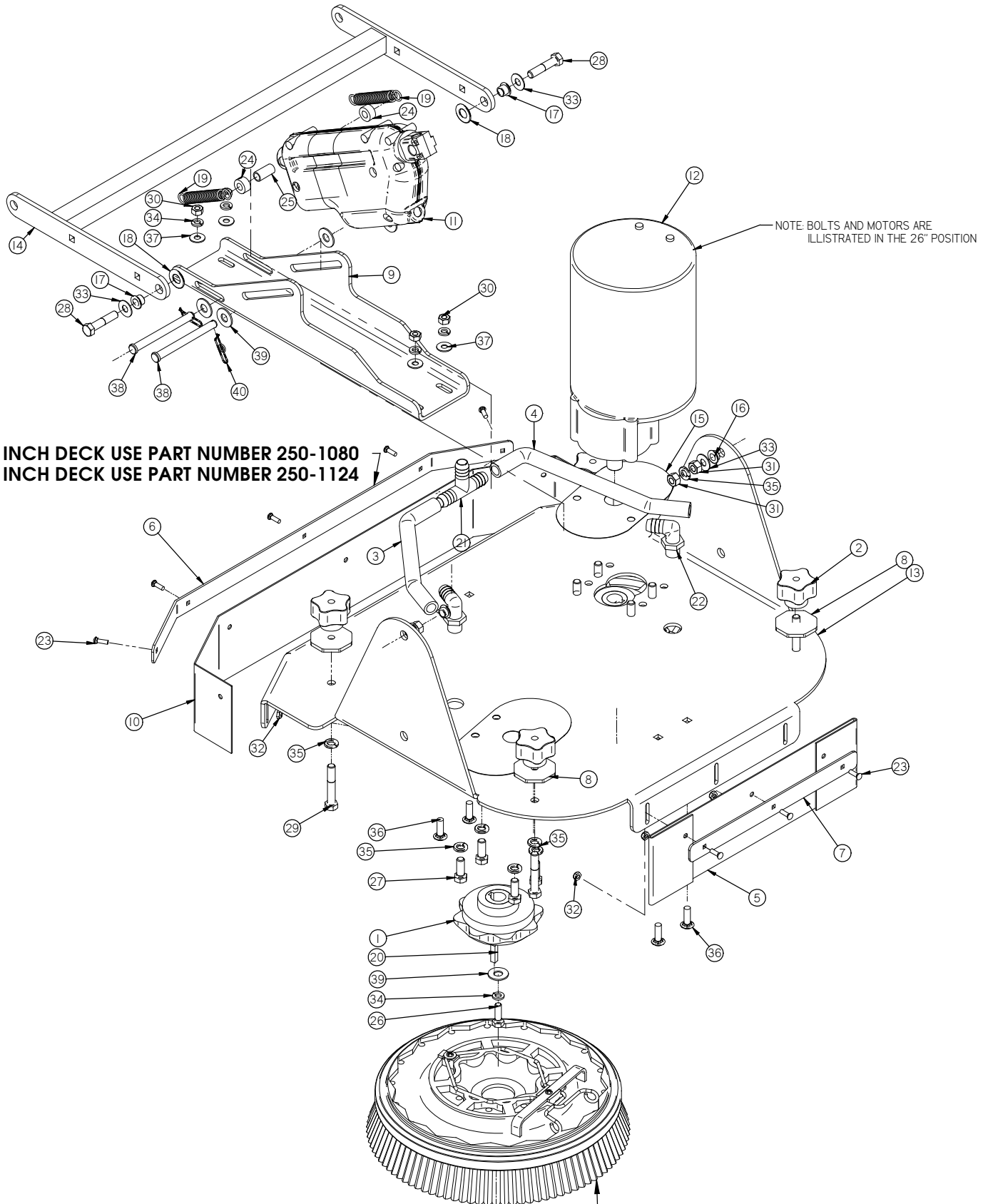
HOSES/WIRING HARNESS



HOSES/WIRING HARNESS

Item	Part No.	Part Description	Qty.
1	H-54632	5/8" BARBED ELBOW	3
2	H-70860	NYLOK 1/4"- 20 SS	2
3	H-72710	FHP 1/4"- 20 X 1" SS	2
4	5-891	PUMP, WATER JET	1
5	390-7245	ADJ SOLUTION FLOW VALVE, 36V	1
6	H-02930	3/4 " PLASTIC BARB TEE	2
7	21-1602	3/4 BARB ELBOW	1
8	290-4550	1/2" NPT BALL VALVE	1
9	21-4044	3/4" NPT TO 3/4" BARBED ELBOW	1
10	250-0101	5/8" X 2-1/2 ELBOW TO FLOW VALVE HOSE	1
11	250-0102	5/8" X 12" ELBOW TO ELBOW HOSE	1
12	250-0103	5/8" X 2-1/2" FILTER TO ELBOW HOSE	1
13	250-0109	3/4" X 6-1/4" HOSE	1
14	250-0110	3/4" X 20" SOLUTION DRAIN	1
15	250-0105	3/4" X 15-1/2" HOSE	1
16	250-0116	VAC BOX TO TANK HOSE	1
17	21-1608	1/2 BARB X 3/4 GHT MALE	1
18	250-0107	3/4" X 23-1/2" SPRAY JET HOSE	1
19	21-8960	SPRAY JET HOSE	1
20	250-0106	3/4" ID X 40" LG HOSE	1

26/30 SCRUB DECK

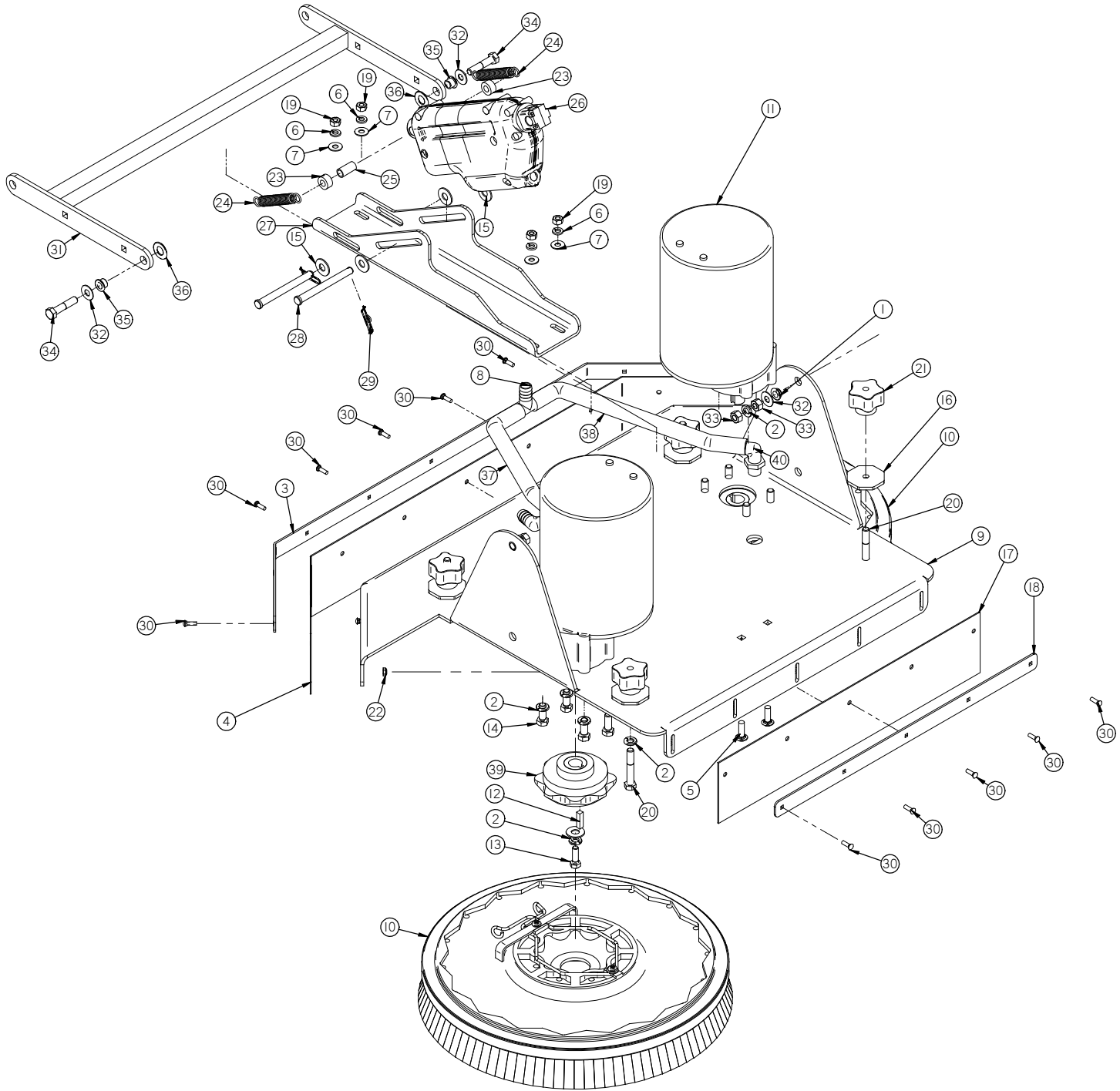


FOR 26 INCH DECK USE PART NUMBER 13-421 QTY. (2)
FOR 30 INCH DECK USE PART NUMBER 15-421 QTY. (2)

26/30 SCRUB DECK

Item	Part No.	Part Description	Qty.
1	21-5000	BRUSH DRIVER	2
2	21-7205	STAR KNOB	4
3	250-0117	5/8 ID X 9" HOSE	1
4	250-0118	5/8 ID X 10" HOSE	1
5	250-1078	26/30 REAR DECK CURTAIN	1
6	250-1080	25" FRONT CURTAIN BAND	1
7	250-1081	26/30 REAR CURTAIN BAND	1
8	250-1084	SHROUD ADJUSTMENT KNOB	4
9	250-1103	SCRUB DECK BRACKET	1
10	250-1164	26/30 FRONT DECK CURTAIN	1
11	250-2210	4" STROKE 36V ACTUATOR 1000 LB LOAD	1
12	250-2220	36V MOTOR 3/4 HP X 300 RPM	2
13	250-4020	26/30 SCRUB DECK	1
14	250-9586	LATERAL ARM	1
15	290-1140	BRUSH MOTOR CAP	2
16	290-1233	3/8" ID, 1/2" OD, 1/4" LG BEARING	2
17	290-1245	3/8" ID, 1/2" OD, 3/8" LG, FLANGE BEARING	2
18	290-1247	BRONZE THRUST BEARING, .50" ID X 1.0" OD X 1/16" TH	2
19	390-7712	COMPRESSION SPRING	2
20	5-431A	1/4" X 1" KEY	2
21	7-247	5/8 PLASTIC BARB TEE	1
22	7-248	5/8 BARB TO 1/2 NPT ELBOW	2
23	H-0172519	CB #10-32 X 5/8" SS	8
24	H-33374	SHAFT COLLAR, 1/2" ID	2
25	H-63917	SLEEVE, .50 OD X .375 ID X 1.0 LG	1
26	H-70055	HCS 5/16"- 18 X 1" SS	2
27	H-70105	HCS 3/8"- 16 X 1" SS	8
28	H-70110	HCS 3/8"- 16 X 1-3/4" SS	2
29	H-70136	HCS 3/8"- 24 X 2 1/4" SS	4
30	H-70711	HN 5/16"- 18 SS	4
31	H-70712	HN 3/8"-16 SS	4
32	H-70858	NYLOK #10-32 SS	8
33	H-71017	FW 3/8" X 7/8" SS	4
34	H-71065	LW 5/16" SS	6
35	H-71067	LW 3/8" SS	14
36	H-74430	CB 5/16"- 18 X 1" SS	4
37	H-78015	FW 5/16" X 3/4" SS	4
38	H-923903	3/8" X 4" CLEVIS PIN	2
39	H-99001	FW 3/8" SS	6
40	H-RUE14	3/8" RUE RING COTTER	2

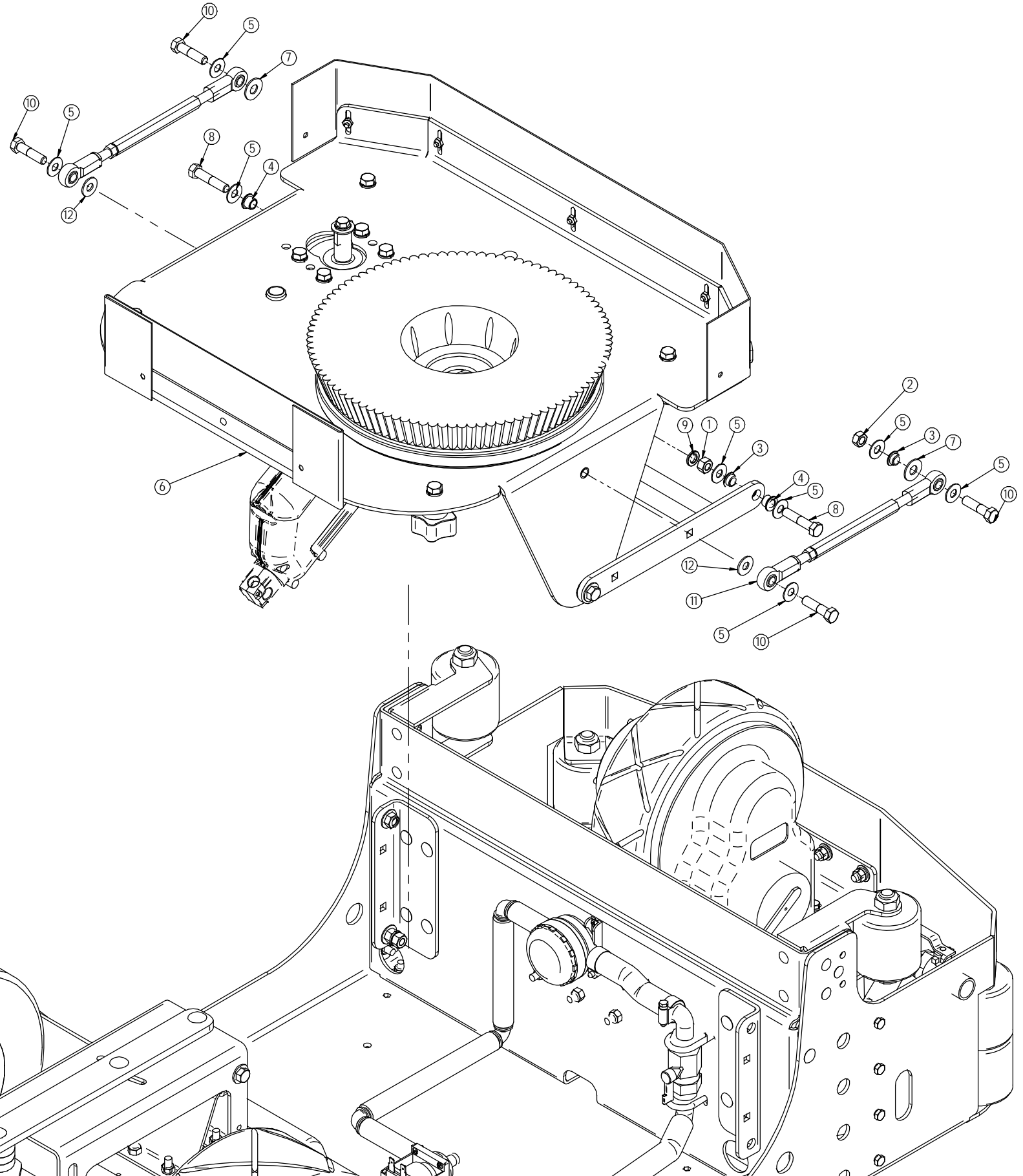
34 INCH SCRUB DECK



34 INCH SCRUB DECK

Item	Part No.	Part Description	Qty.
1	290-1233	3/8" ID, 1/2" OD, 1/4" LG BEARING	2
2	H-71067	LW 3/8" SS	16
3	250-1079	33 FRONT DECK CURTAIN BAND	1
4	250-1310	33" FRONT DECK CURTAIN	1
5	H-74430	CB 5/16"- 18 X 1" SS	4
6	H-71065	LW 5/16" SS	4
7	H-78015	FW 5/16" X 3/4" SS	4
8	7-247	5/8 " PLASTIC BARB TEE	1
9	250-4021	33" SCRUB DECK	1
10	17-421P	17" BRUSHHEAD WITH SCISSOR LOCK	2
11	250-2220	36V MOTOR 3/4 HP X 300 RPM	2
12	5-431A	1/4" X 1" KEY	2
13	H-70055	HCS 5/16"- 18 X 1" SS	2
14	H-70105	HCS 3/8"- 16 X 1" SS	8
15	H-99001	FW 3/8" SS	6
16	250-1084	SHROUD ADJUSTMENT KNOB	4
17	250-1078	25/29/33 REAR DECK CURTAIN	1
18	250-1077	33" REAR DECK CURTAIN BAND	1
19	H-70711	HN 5/16"- 18 SS	4
20	H-70136	HCS 3/8"- 24 X 2 1/4" SS	4
21	21-7205	STAR KNOB	4
22	H-70858	NYLOK #10-32 SS	12
23	H-33374	SHAFT COLLAR, 1/2" ID	2
24	390-7712	COMPRESSION SPRING	2
25	H-63917	SLEEVE, .50 OD X .375 ID X 1.0 LG	1
26	250-2210	4 INCH STROKE 36 VOLT ACTUATOR	1
27	250-1103	SCRUB DECK BRACKET	1
28	H-923903	3/8" X 4" CLEVIS PIN	2
29	H-RUE14	3/8" RUE RING COTTER	2
30	H-0172519	CB #10-32 X 5/8" SS	14
31	250-9586	LATERAL ARM	1
32	H-71017	FW 3/8" X 7/8" SS	4
33	H-70712	HN 3/8"-16 SS	4
34	H-70110	HCS 3/8"- 16 X 1-3/4" SS	2
35	290-1245	3/8" ID, 1/2" OD, 3/8" LG, FLANGE BEARING	2
36	290-1247	BRONZE THRUST BEARING, .50" ID X 1.0" OD X 1/16" TH	2
37	250-0123	5/8" X 9" HOSE	1
38	250-0124	5/8" X 10" HOSE	1
39	21-5000	BRUSH DRIVER	2
40	7-248	5/8 BARB TO 1/2 NPT ELBOW	2

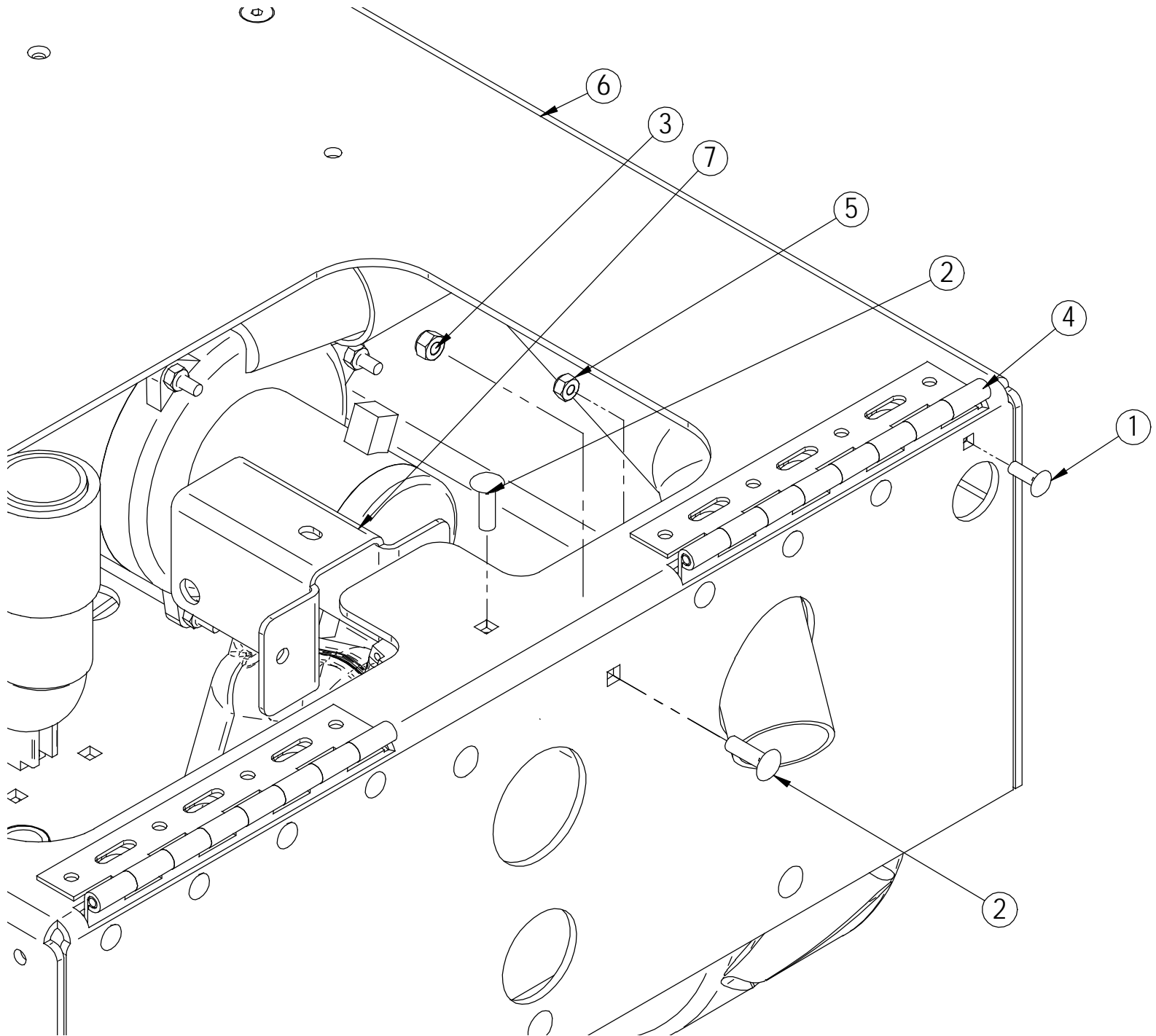
SCRUB DECK



SCRUB DECK

Item	Part No.	Part Description	Qty.
1	H-70712	HN 3/8"-16 SS	4
2	H-77862	NYLOK 3/8"- 16 SS	2
3	290-1233	3/8" ID, 1/2" OD, 1/4" LG BEARING	4
4	290-1245	3/8" ID, 1/2" OD, 3/8" LG, FLANGE BEARING	2
5	H-71017	FW 3/8" X 7/8" SS	12
6	542	SUB #542 250 26 INCH SCRUB DECK	1
7	H-99001	FW 3/8" SS	2
8	H-70110	HCS 3/8"- 16 X 1-3/4" SS	2
9	H-71067	LW 3/8" SS	2
10	H-70109	HCS 3/8"- 16 X 1-1/2" SS	4
11	7-843	ADJUSTABLE LATERAL ARM	1
12	H-71021	FW 3/8" X 7/8" SS	2

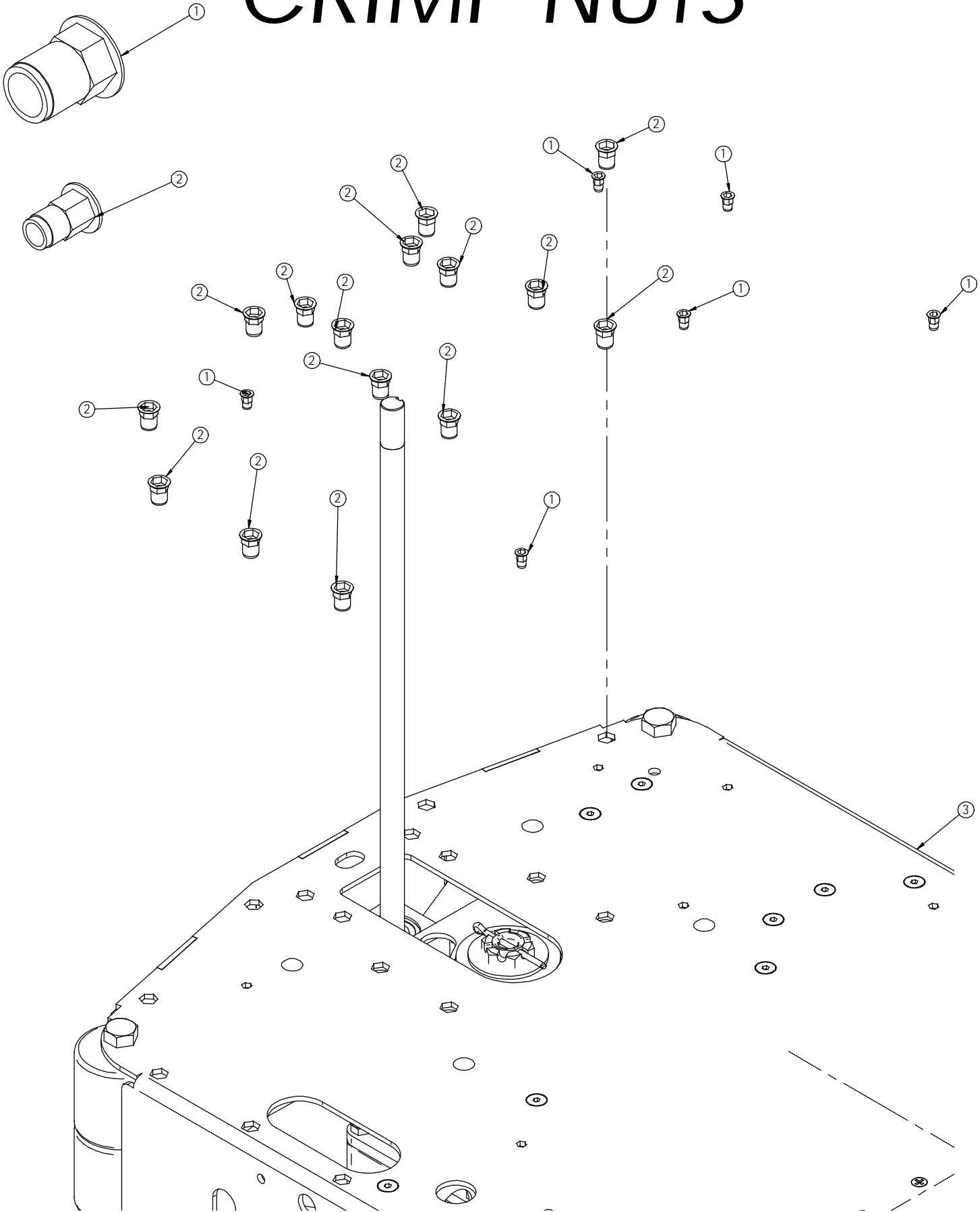
SQUEEGEE LIFTING BRACKET AND HINGES



SQUEEGEE LIFTING BRACKET AND HINGES

Item	Part No.	Part Description	Qty.
1	H-74419	CB 1/4" - 20 X .75" SS	8
2	H-74430	CB 5/16" - 18 X 1" SS	3
3	H-70861	NYLOK 5/16" - 18 SS	3
4	5-122	HINGE 8" SS	2
5	H-70860	NYLOK 1/4" - 20 SS	8
6	250-1100	MAIN FRAME	1
7	250-1099	SQUEEGEE LIFTING BRACKET	1

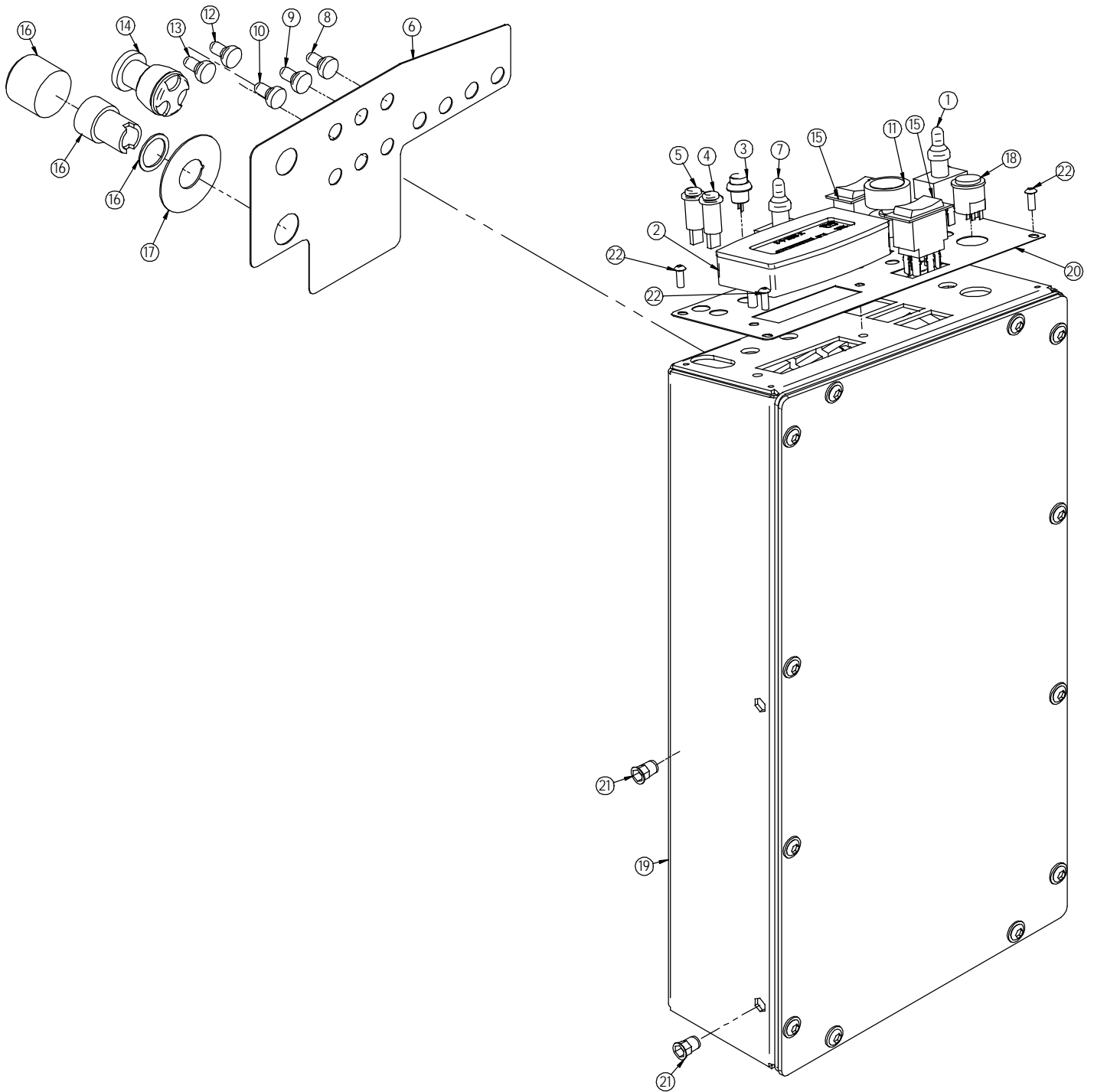
CRIMP NUTS



CRIMP NUTS

Item	Part No.	Part Description	Qty.
1	H-1032HCN	HCN #10-32	6
2	H-312HCN	HCN 5/16"-18	15
3	250-1100	MAIN FRAME	1

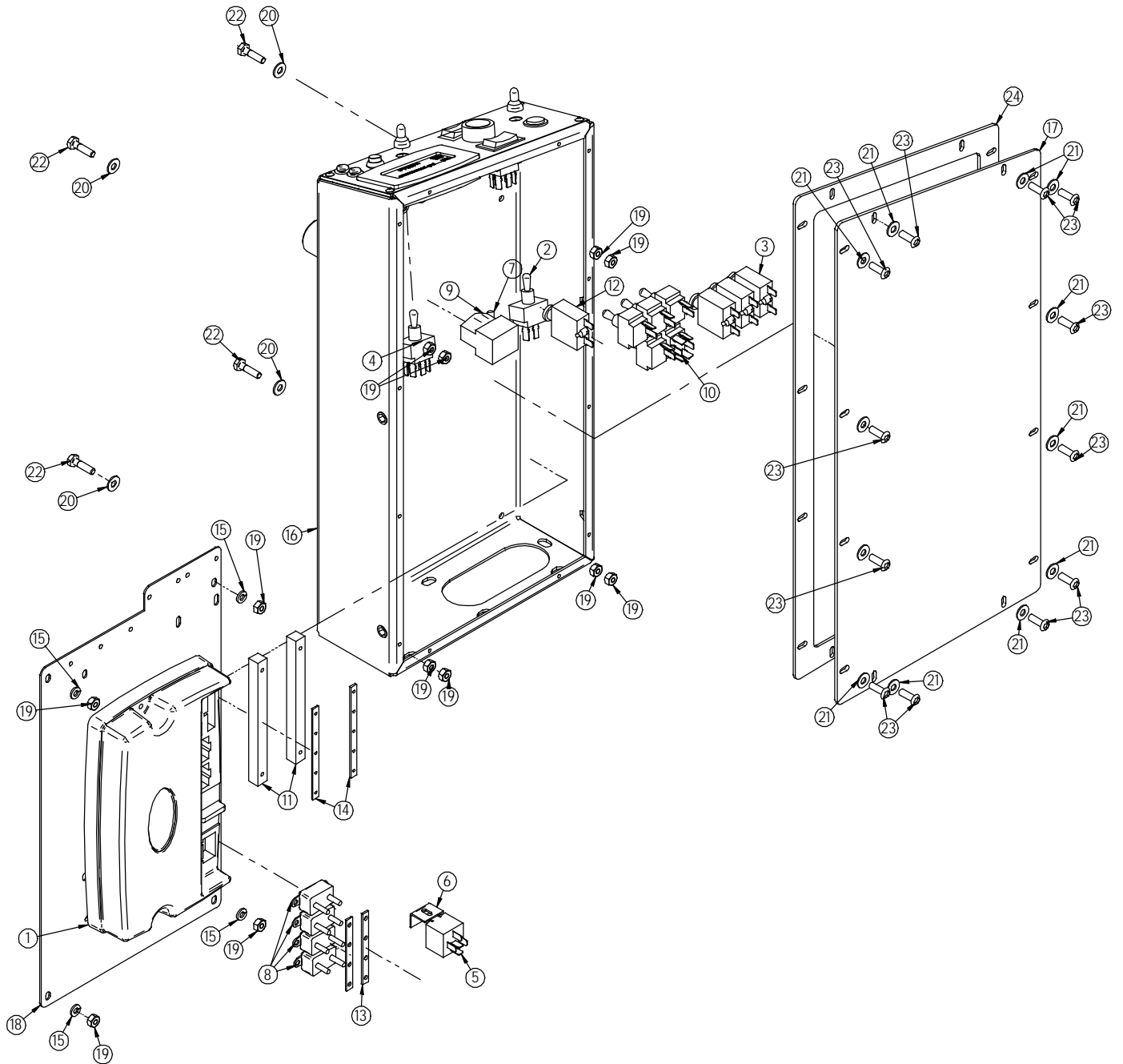
CENTRAL COMMAND II



CENTRAL COMMAND II

Item	Part No.	Part Description	Qty.
1	H-01196	PROTECTIVE BOOT, TOGGLE SWITCH, (RED)	1
2	290-2891	LCD SCREEN	1
3	7-229	PUSH BUTTON SWITCH	1
4	290-2310	FULL RECOVERY (RED)	1
5	290-2300	LOW SOLUTION (AMBER)	1
6	390-1501	Central Command Decal	1
7	H-01200	PROTECTIVE BOOT, TOGGLE SWITCH, (BLACK)	1
8	H-01199	PROTECTIVE BOOT, TOGGLE SWITCH, (BLUE)	1
9	H-01195	PROTECTIVE BOOT, TOGGLE SWITCH, (WHITE)	1
10	H-01198	PROTECTIVE BOOT, TOGGLE SWITCH, (GREEN)	1
11	21-4510	SOLUTION CONTROL KNOB, BLUE	1
12	5-892A	PROTECTIVE BOOT, TOGGLE SWITCH, (GRAY)	1
13	H-01197	PROTECTIVE BOOT, TOGGLE SWITCH, (YELLOW)	1
14	4-234	KEY SWITCH	1
15	5-234	SWITCH, ROCKER, DPDT, ON/ON	2
16	5-300	EMERGENCY SHUT OFF	1
17	5-301	EMERGENCY LEGEND PLATE	1
18	290-2015	ONE TOUCH BUTTON	1
19	291-2010	CONTROL PANEL	1
20	390-2013	CONTROL PANEL TOP PLATE	1
21	H-250HCN	HCN 1/4"-20	2
22	H-73743	BHSCS 10-32 X 1/2" SS	4

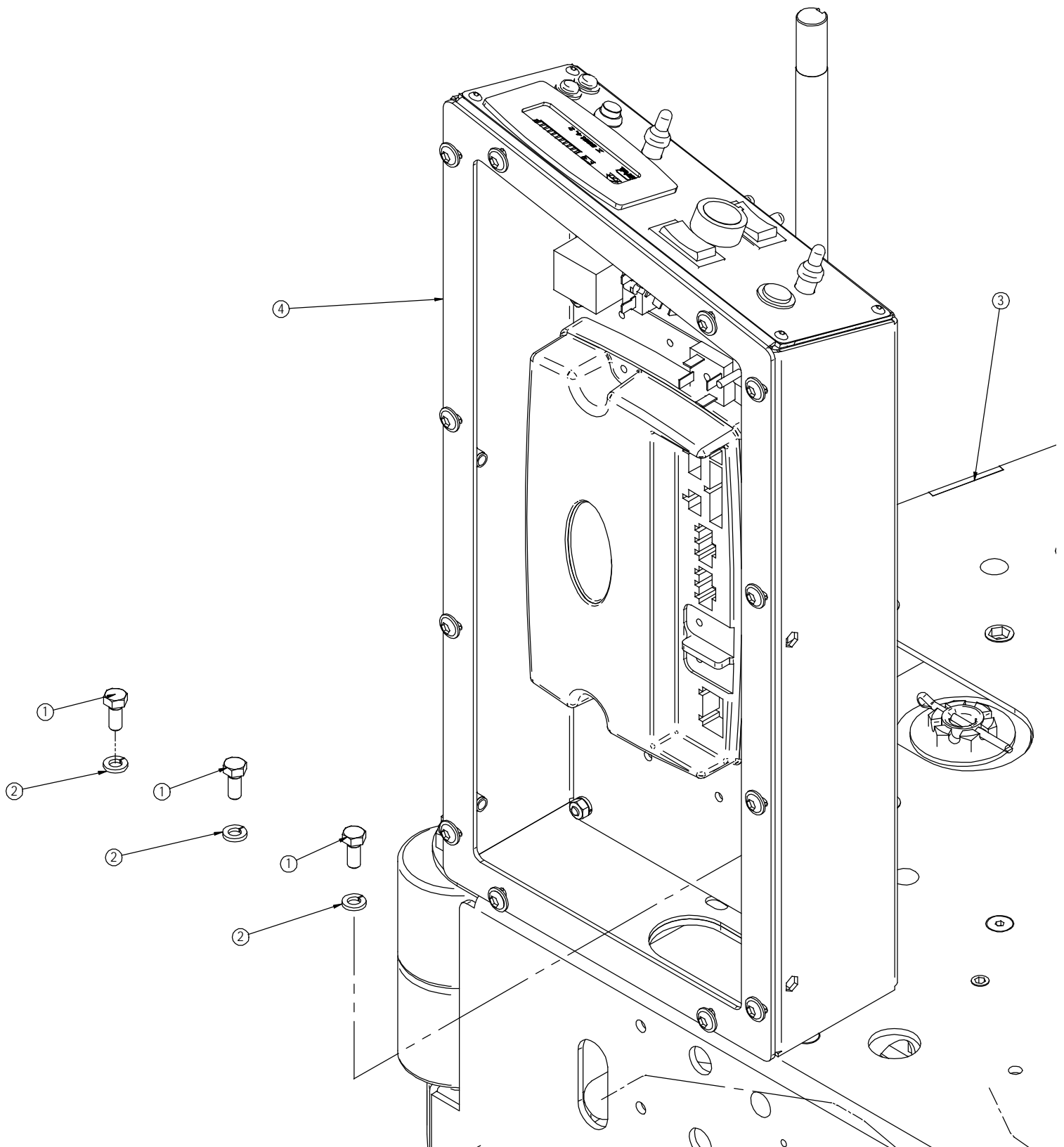
CENTRAL COMMAND II



CENTRAL COMMAND II

Item	Part No.	Part Description	Qty.
1	290-2890	COMPUTER CONTROL V3	1
2	5-892	TOGGLE, ON-OFF SPST	5
3	290-8370	FUSE, RESETTABLE, 50 AMP, 50V DC MAX	3
4	7-283	SWITCH, TOGGLE, MOM/OFF/MOM (DPDT)	1
5	5-293	15 AMP RELAY	1
6	290-2020	BRACKET	1
7	7-292	5K POTENTIOMETER	1
8	5-289	CIR BREAKER 24V 50A	4
9	5-302	EMERGENCY CONTACT BLACK	1
10	7-821	SWITCH, TOGGLE, ON/ON (DPDT)	1
11	7-287	BUSS BAR UHMW	2
12	7-837	FUSE RESETTABLE 2 AMP	1
13	E-4HBB	4 HOLE BUSS BAR	2
14	E-5HBB	5 HOLE BUSS BAR	2
15	H-33618	LW 1/4"	4
16	291-2010	CONTROL PANEL	1
17	291-2001	ACCESS COVER	1
18	290-2006	HARDWARE PANEL	1
19	H-36102	HN 1/4"-20	12
20	H-33078	FW 1/4" SAE	4
21	H-71013	FW 1/4" X 5/8" SS	12
22	H-13005	HCS 1/4"-20 X 1"	4
23	H-73754	BHSCS 1/4 - 20 X 3/4 SS	12
24	290-2004	ACCESS COVER GASKET	1

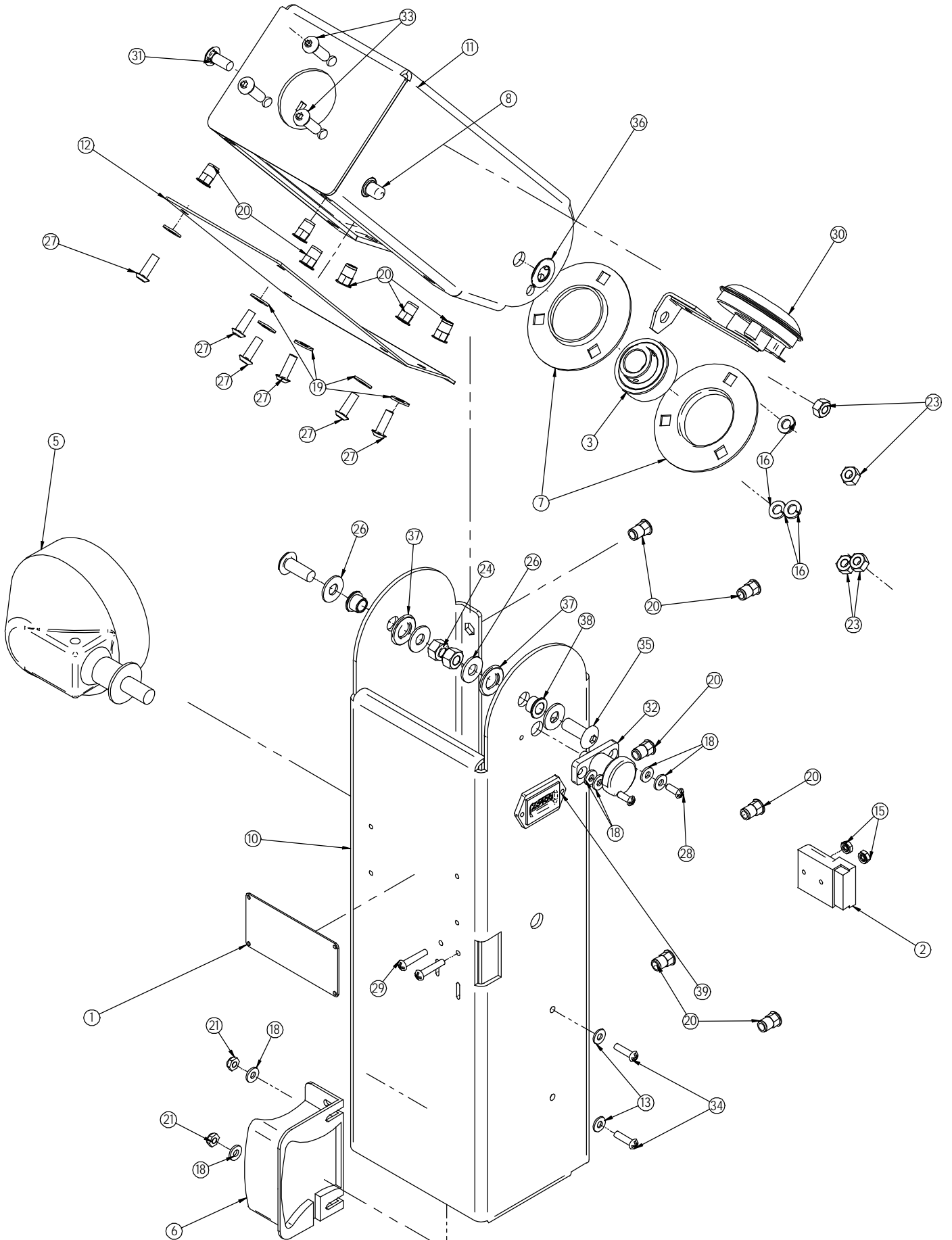
CENTRAL COMMAND II



CENTRAL COMMAND II

Item	Part No.	Part Description	Qty.
1	H-70053	HCS 5/16" - 18 X 3/4" SS	3
2	H-71065	LW 5/16" SS	3
3	250-1100	MAIN FRAME	1
4	461	SUB #461 250 SERIES P & G CCM II	1

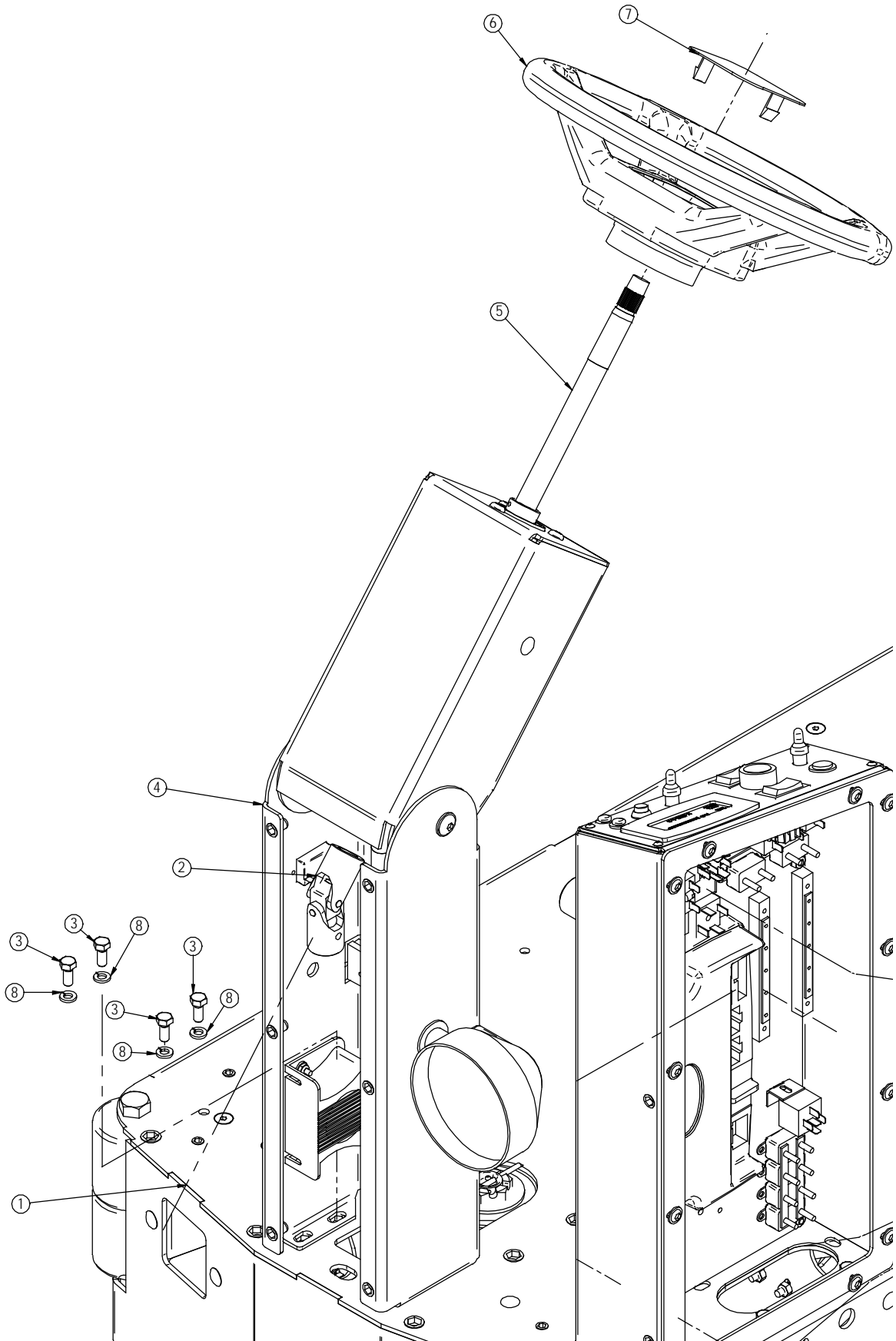
STEERING UPRIGHT



STEERING UPRIGHT

Item	Part No.	Part Description	Qty.
1	21-0101	SERIAL NO. PL. (TOMCAT)	1
2	4-260	CONNECTOR, GREY 50	1
3	4-352	BEARING	1
5	430-2910	36V HEADLIGHT	1
6	8-292	BACKUP ALARM	1
7	4-364A	FLANGE, 1.75" ID	2
8	8-294B	PUSH BUTTON SWITCH, SILVER	1
10	292-1170	LOWER STEERING TOWER	1
11	292-1171	UPPER STEERING TOWER	1
12	292-1172	COVER	1
13	H-71009	FW #10 SS	2
15	H-37406	KN #8-32	2
16	H-33620	LW 5/16"	3
18	H-33074	FW #10 SAE	6
19	H-76061	FW 1/4" NYLON	6
20	H-250HCN	HCN 1/4" -20	12
21	H-37015	NYLOK #10-32	2
23	H-36104	HN 5/16"-18	4
24	H-37024	NYLOK 3/8"-16	2
26	H-71021	FW 3/8" X 7/8" SS	4
27	H-73754	BHSCS 1/4 - 20 X 3/4 SS	6
28	H-29048	RPH #10-32 X 1/2"	2
29	H-28902	RPH #8-32 X 1"	2
30	430-2940	36V HORN	1
31	H-21253	CB 5/16"- 18 X 3/4"	1
32	290-7050	INDEX PLUNGER	1
33	H-94071	BHSCS 5/16-18 X 1	3
34	H-29060	RPH #10-32 X 3/4"	2
35	H-73815	BHSCS 3/8"- 16 X 1" SS	2
36	290-1247	FW BRONZE .50" ID X 1.0" OD X .062	2
37	290-1248	FW BRONZE .500 ID X 1.00 OD X .125 THK	2
38	290-1245	3/8" ID, 1/2" OD, 3/8" LG, FLANGE BEARING	2
39	8-262	HOUR METER	1

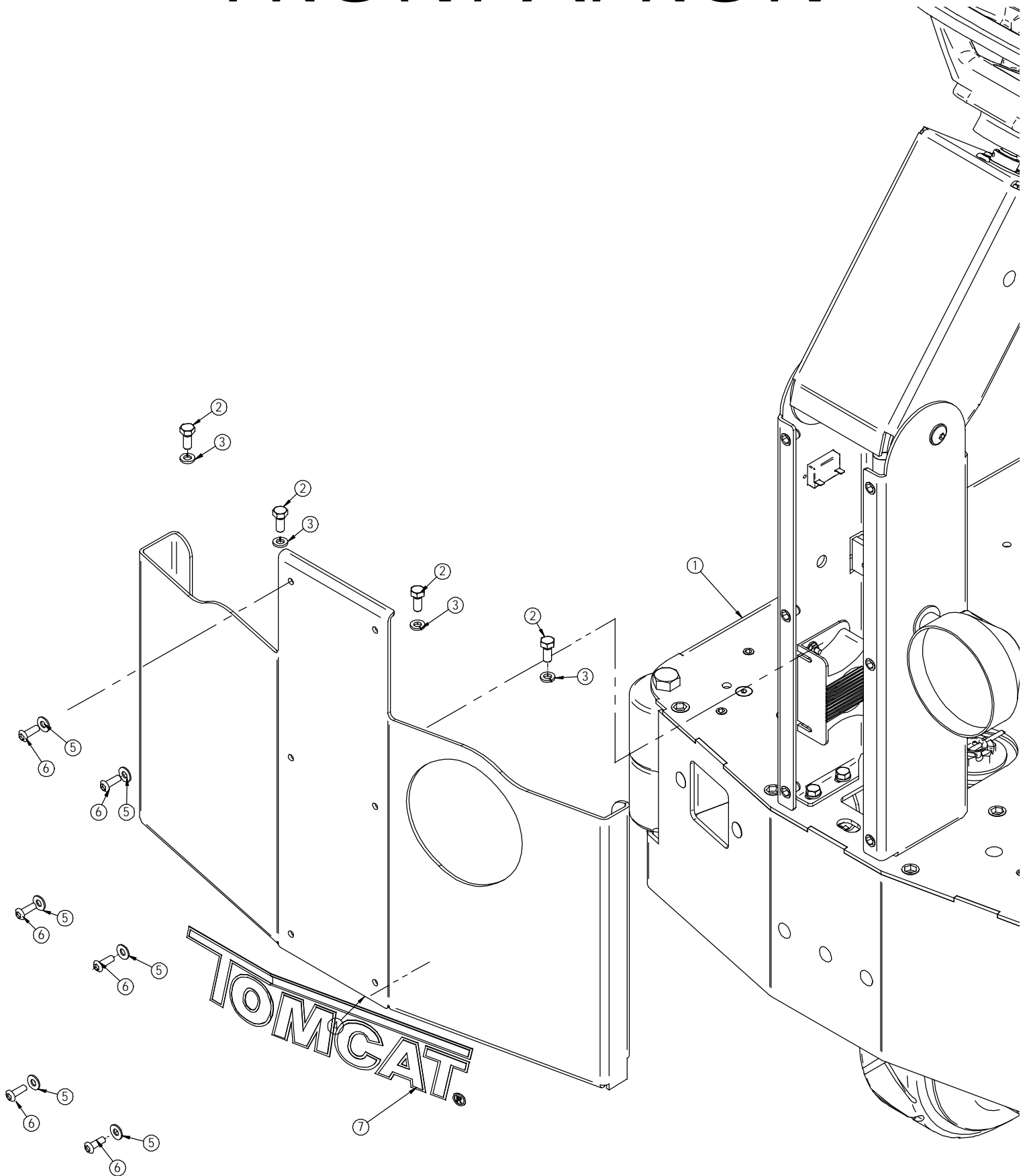
STEERING UPRIGHT



STEERING UPRIGHT

Item	Part No.	Part Description	Qty.
1	250-1100	MAIN FRAME	1
2	290-7110	U-JOINT	1
3	H-70053	HCS 5/16" - 18 X 3/4" SS	4
4	481	SUB #481 36 VOLT STEERING UPRIGHT	1
5	290-7090	STEERING SHAFT, UPPER	1
6	8-703	STEERING WHEEL	1
7	8-701A	STEERING COVER	1
8	H-71065	LW 5/16" SS	4

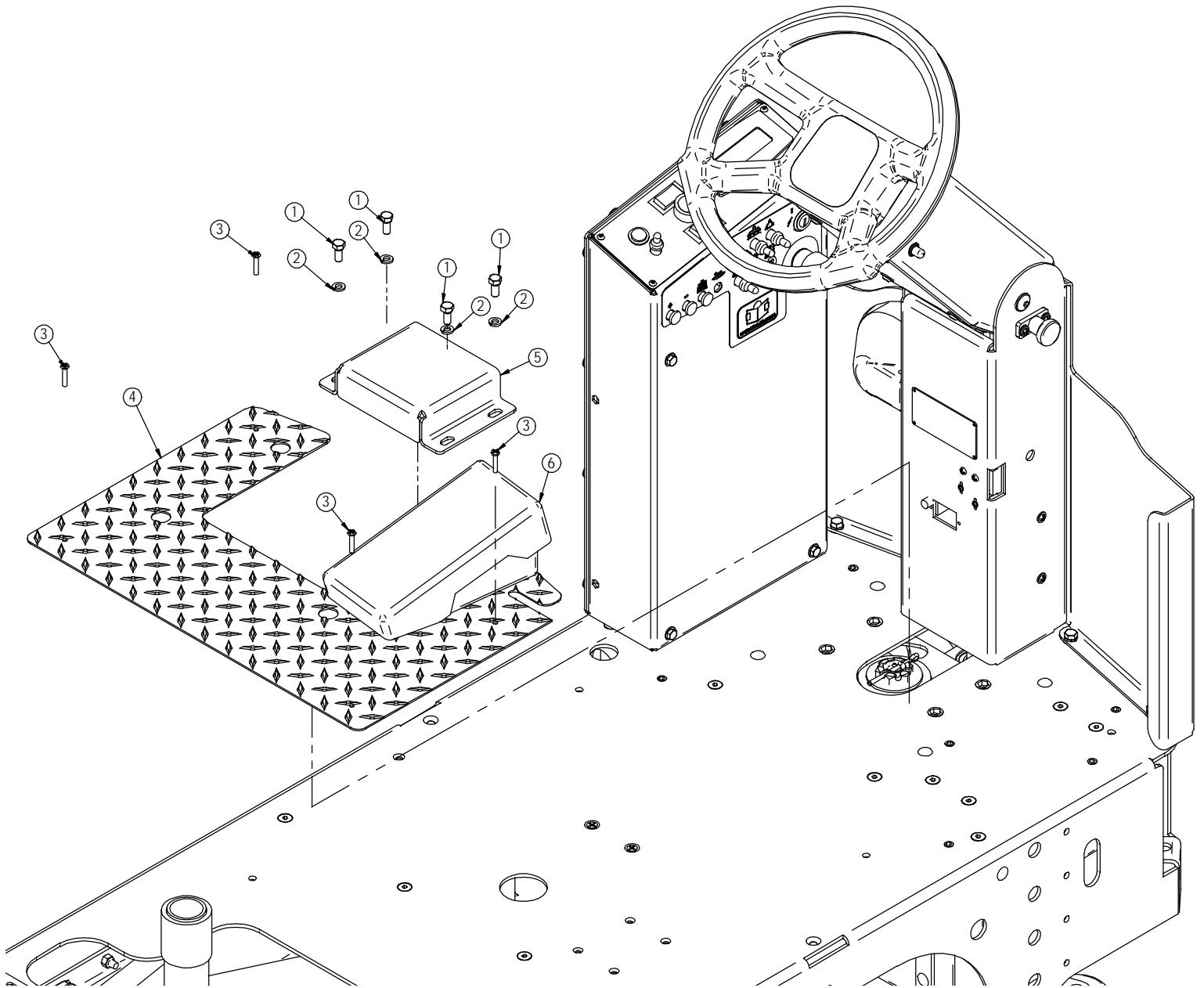
FRONT APRON



FRONT APRON

Item	Part No.	Part Description	Qty.
1	250-1100	MAIN FRAME	1
2	H-70053	HCS 5/16" - 18 X 3/4" SS	4
3	H-71065	LW 5/16" SS	4
4	250-1180	FRONT APRON	1
5	H-76061	FW 1/4" NYLON	6
6	H-73754	BHSCS 1/4 - 20 X 3/4 SS	6
7		TOMCAT STICKER	1

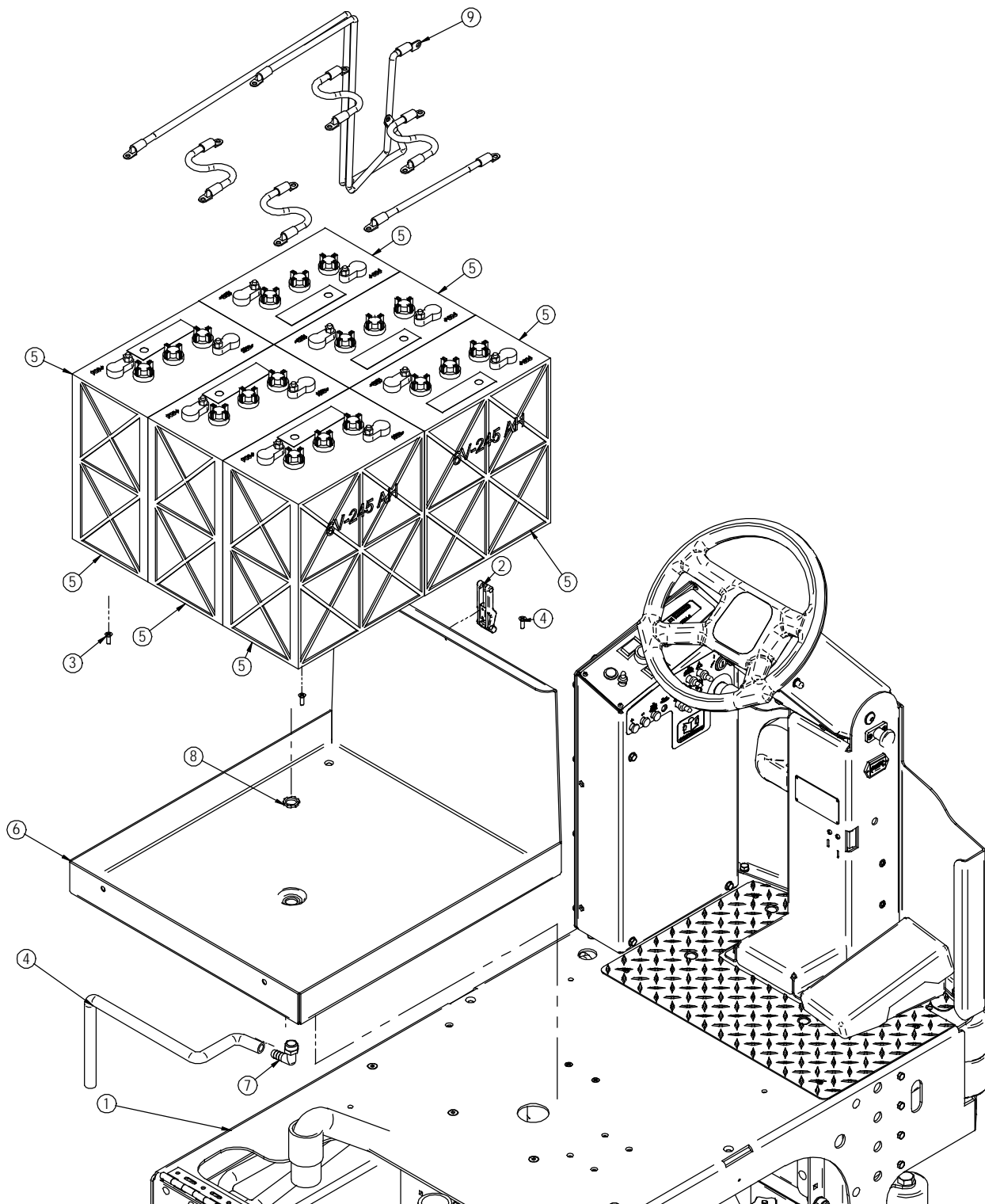
DRIVE PEDAL



DRIVE PEDAL

Item	Part No.	Part Description	Qty.
1	H-70053	HCS 5/16" - 18 X 3/4" SS	4
2	H-71065	LW 5/16" SS	4
3	H-29073	PPH #10-32 X 1"	4
4	250-1610	NON SKID FLOOR PLATE	1
5	290-1173	DRIVE COVER	1
6	8-290	FOOT PEDAL	1

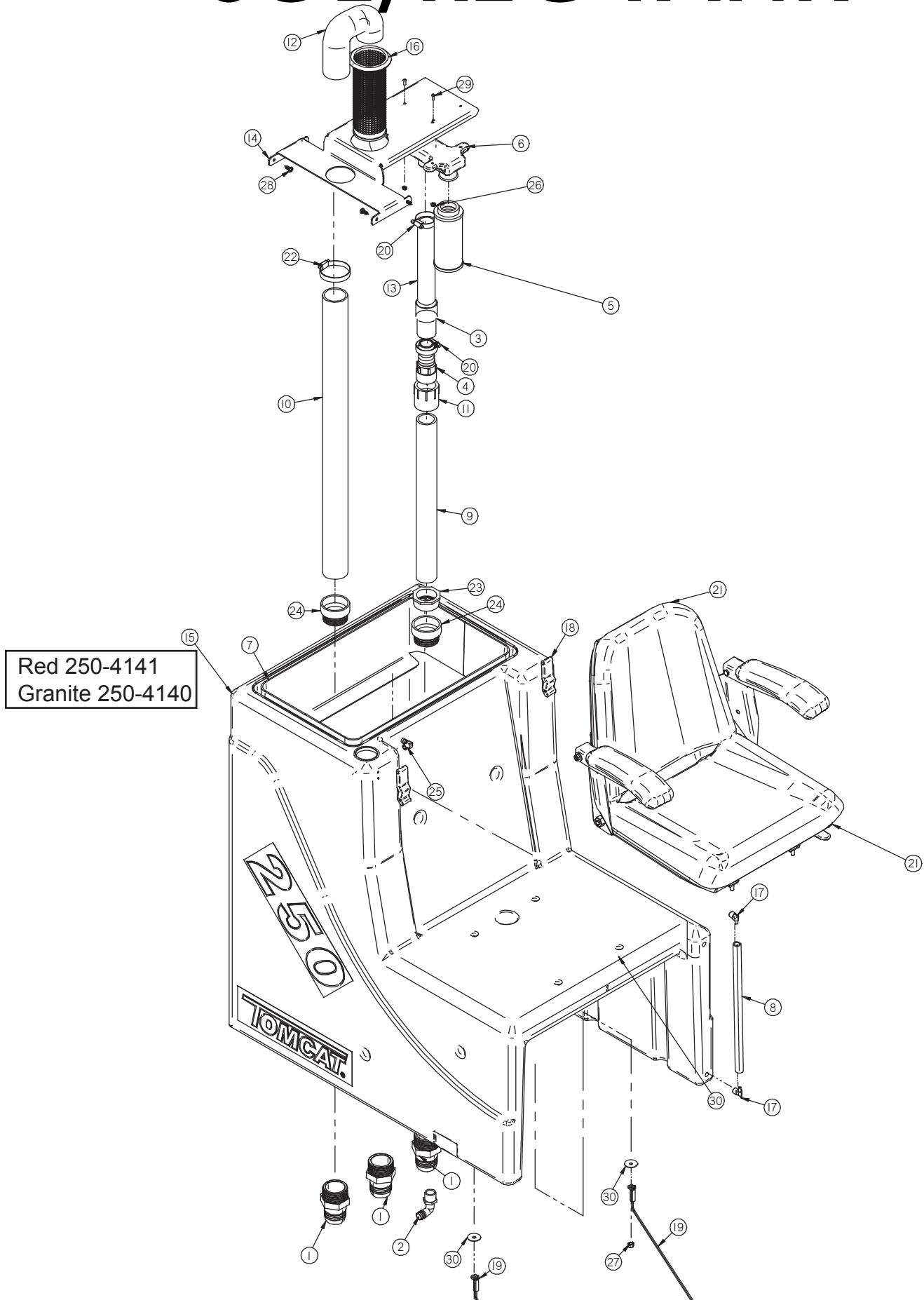
BATTERIES AND CABLES



BATTERIES AND CABLES

Item	Part No.	Part Description	Qty.
1	250-1100	MAIN FRAME	1
2	4-124	LATCH	1
3	H-72716	FHP 1/4" - 20 X 3/4"	4
4	250-0113	BLACK BATTERY DRAIN HOSE	1
5	250-2110	BATTERY 6 V 245 AH	6
6	250-1480	BATTERY BOX	1
7	5-447	1/2 NPT X 1/2" BARB ELBOW	1
8	H-07005	1/2" NPT LOCKNUT	1
9	250-0099	BATTERY CABLE HARNESS	1

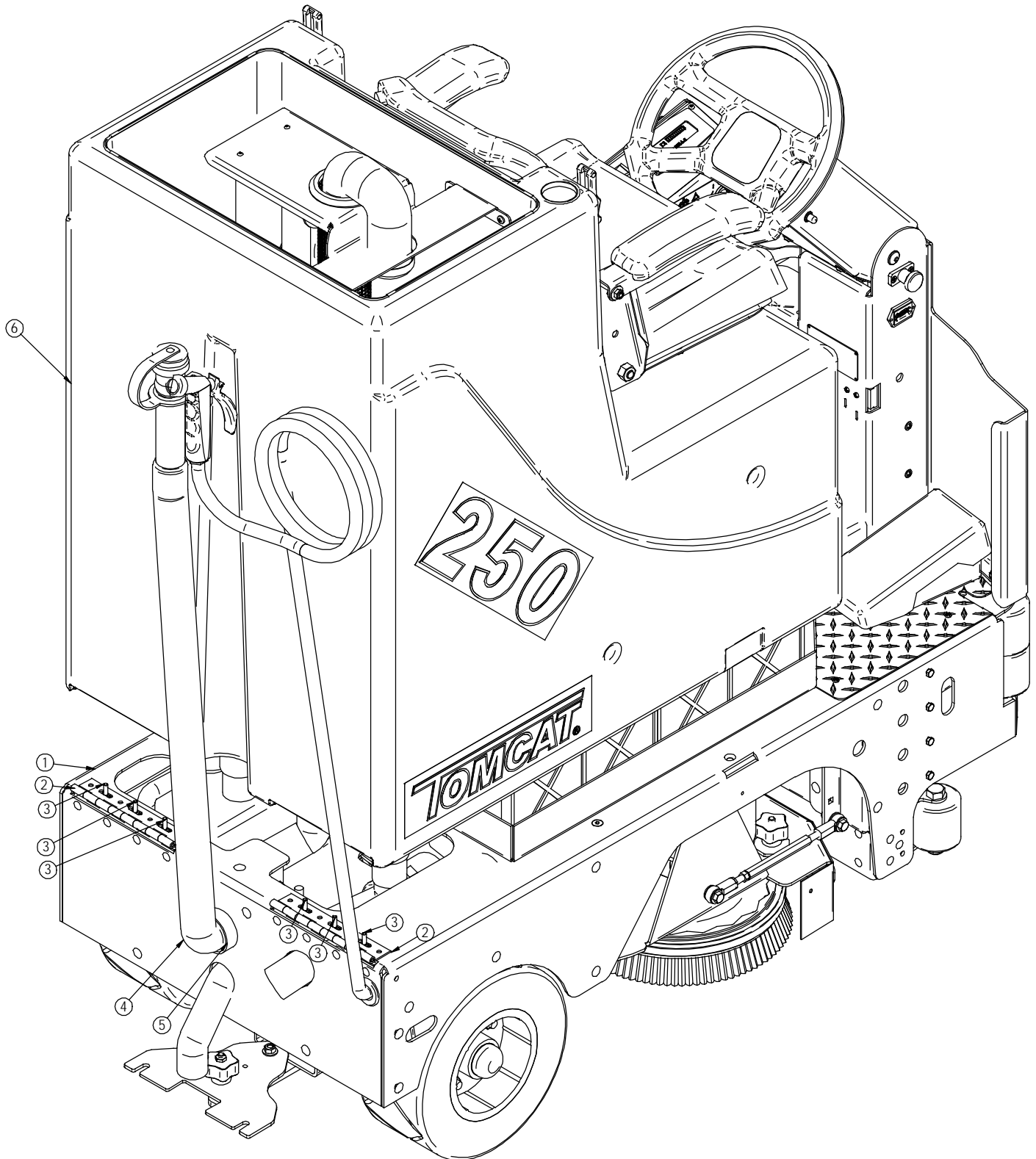
SOL/REC TANK



SOL/REC TANK

Item	Part No.	Part Description	Qty.
1	190-1210	2.0 NPT X 2.0" BARB	3
2	21-4044	3/4" NPT TO 3/4" BARBED ELBOW	1
3	21-4072	HOSE CUFF, 1 1/2"	1
4	21-4075	1 1/2 NPT X 1 1/2 M. H. BARB	1
5	21-4085	VAC SCREEN	1
6	21-7060	VAC BOX	1
7	250-0081	UPPER TANK BRACE	1
8	250-0112	SIGHT TUBE	1
9	250-1082	1-1/2" OD X 18" LONG PVC PIPE	1
10	250-1083	2" ID X 31-1/2" LONG PVC PIPE	1
11	250-1086	1-1/2" PIPE TO 1-1/2" FEMALE NPT ADAPTER	1
12	250-1097	2-1/2" (I.D.) X 16" LG HOSE	1
13	250-1098	1-1/2" (I.D.) X 16" LG HOSE	1
14	250-1101	RECOVERY PIPE BRACKET	1
15	250-4140	250 SOLUTION AND RECOVERY TANK	1
16	250-8911	SCREEN STRAINER	1
17	290-4149	1/4" NPT X 1/4" BARB X 90 DEG	2
18	4-124	LATCH	2
19	4-126A	HOOD CABLE	2
20	5-719	CLAMP 1 9/16 - 2 1/2" SS	2
21	8-143	SEAT WITH ARM RESTS	1
22	H-0427637	CLAMP 2" - 3"	1
23	H-23895	2" TO 1.5" REDUCER	1
24	H-23896	2.0 NPT TO 2.0 NPS FEMALE COUPLING	2
25	H-53525	1/4" NPT X 1/2" BARB X 90 DEG	1
26	H-70858	NYLOK #10-32 SS	2
27	H-70861	NYLOK 5/16" - 18 SS	4
28	H-71893	1/4 X 3/4 SELF TAPPING SCREW	4
29	H-73743	BHSCS 10-32 X 1/2" SS	2
30	H-78015	FW 5/16" X 3/4" SS	4

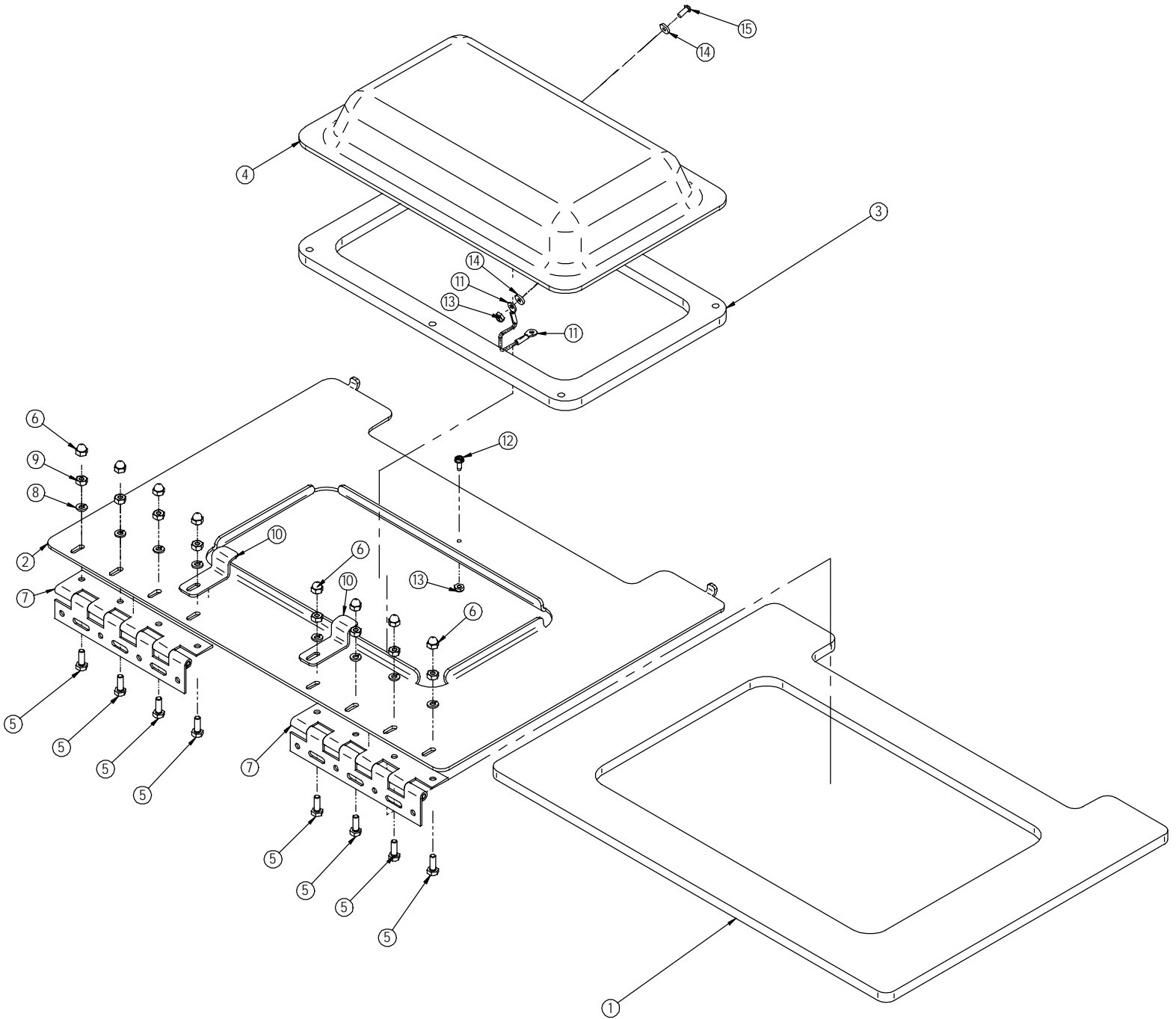
SOLUTION/RECOVERY TANK



SOLUTION/RECOVERY TANK

Item	Part No.	Part Description	Qty.
1	250-1100	MAIN FRAME	1
2	5-122	HINGE 8" SS	2
3	H-70003	HCS 1/4" - 20 X 3/4" SS	6
4	250-7210	DRAIN HOSE	1
5	250-0114	DRAIN HOSE GUARD	1
6	502	SUB #502 250 SOL/REC TANK	1

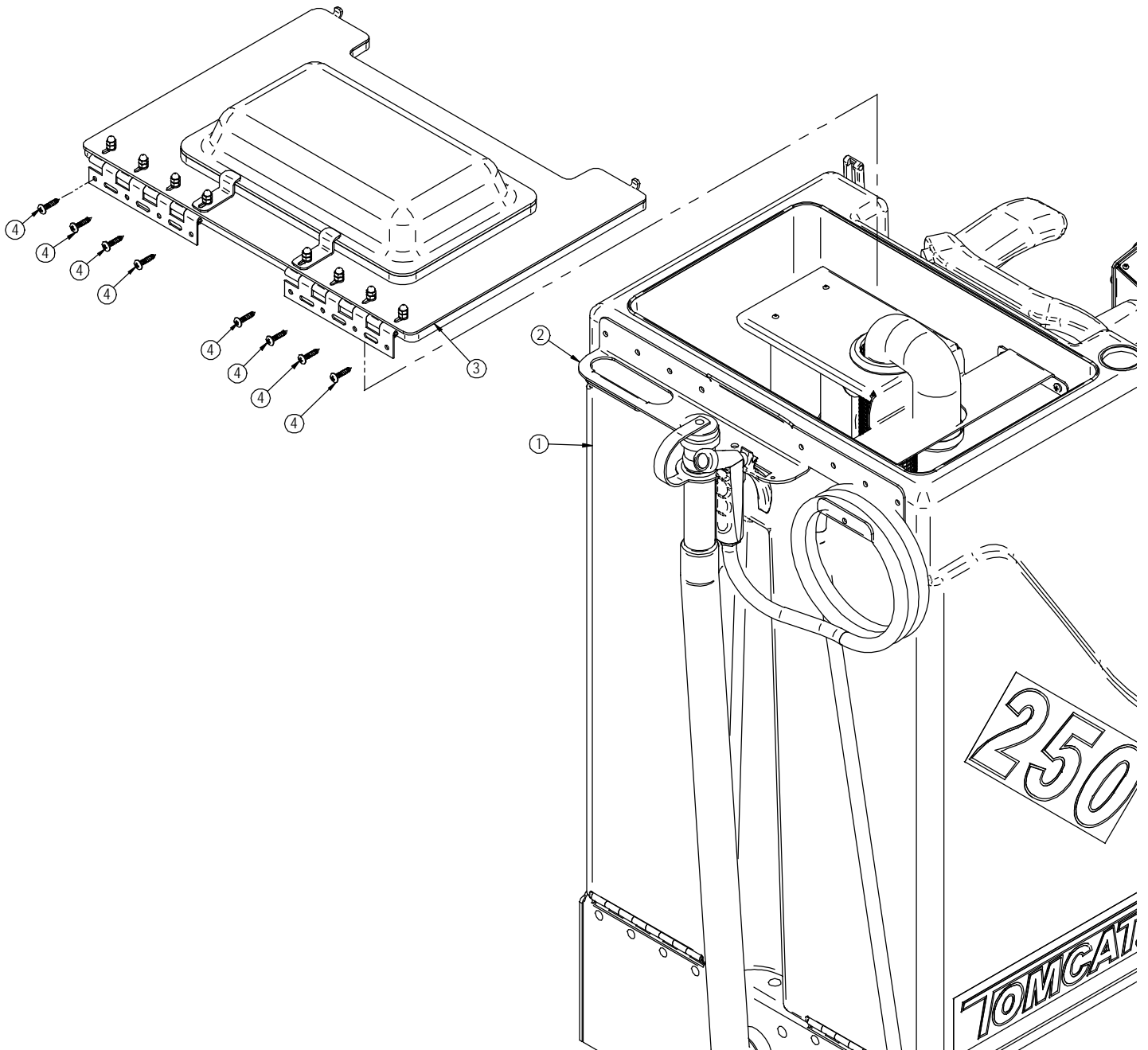
TANK LID



TANK LID

Item	Part No.	Part Description	Qty.
1	250-4050	RECOVERY TANK GASKET	1
2	250-4051	RECOVERY LID	1
3	190-1075	TANK CLEAR COVER GASKET	1
4	190-1410	VAC FORMED CLEAR COVER	1
5	H-70003	HCS 1/4" - 20 X 3/4" SS	8
6	H-37708	1/4-20 LC ACORN NUT	8
7	5-122	HINGE 8" SS	2
8	H-71063	LW 1/4" SS	8
9	H-70710	HN 1/4" - 20 SS	8
10	250-1076	LID CLIP	2
11	21-4060	LANYARD	1
12	H-31810	HW #10 X 1/2	1
13	H-70858	NYLOK #10-32 SS	2
14	A385-149	.375 ID X 1.125 OD X .093 TH NEOPRENE WASHER	2
15	H-72563	RPH #10-32 X 1/2" SS	1

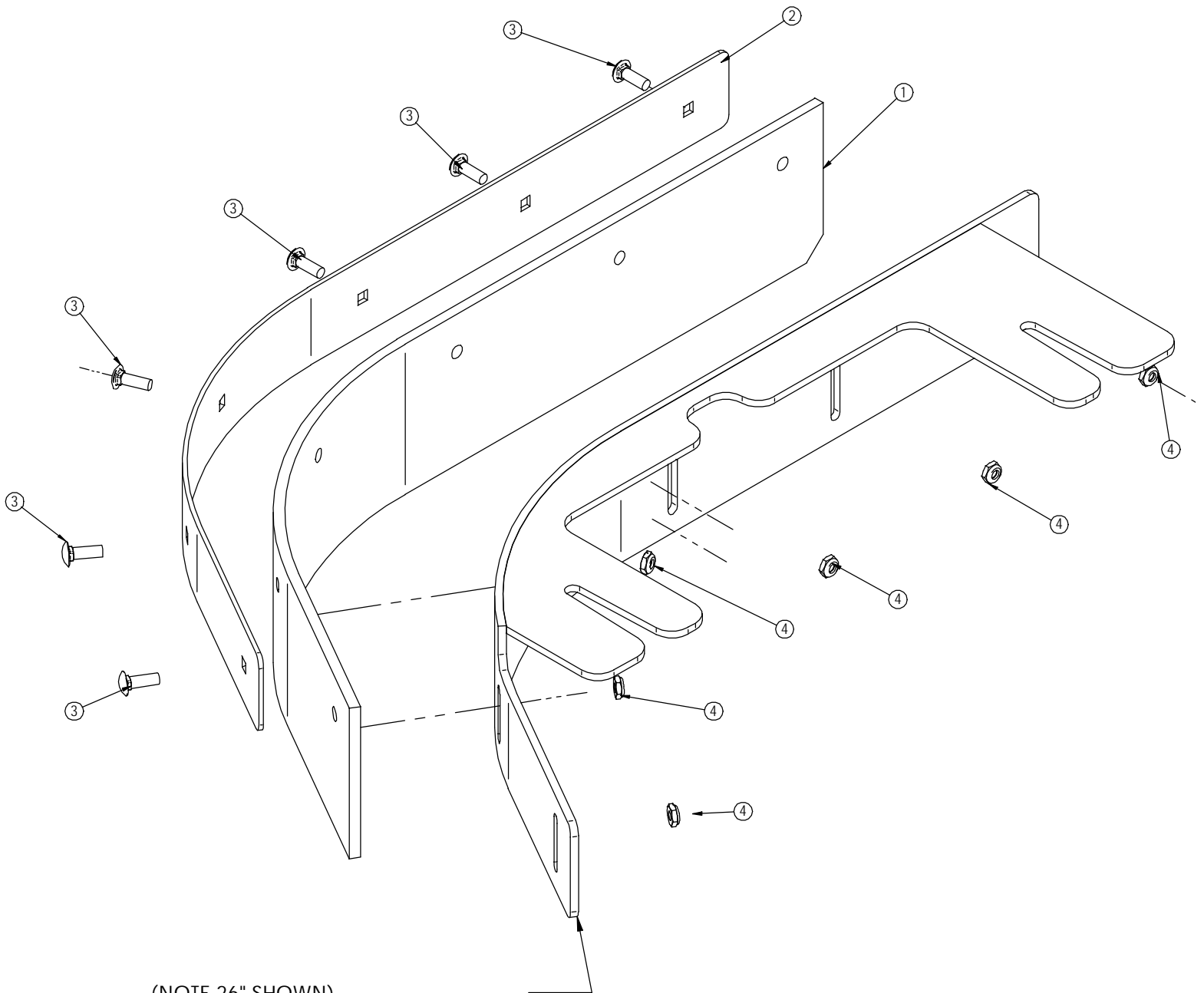
TANK LID



TANK LID

Item	Part No.	Part Description	Qty.
1	502	SUB #502 250 SOL/REC TANK	1
2	250-7180	DRAIN HOSE BRACKET	1
3	503	SUB #503 RECOVERY TANK LID	1
4	H-71893	1/4 X 3/4 SELF TAPPING SCREW	8

LEFT 250 SHROUDS

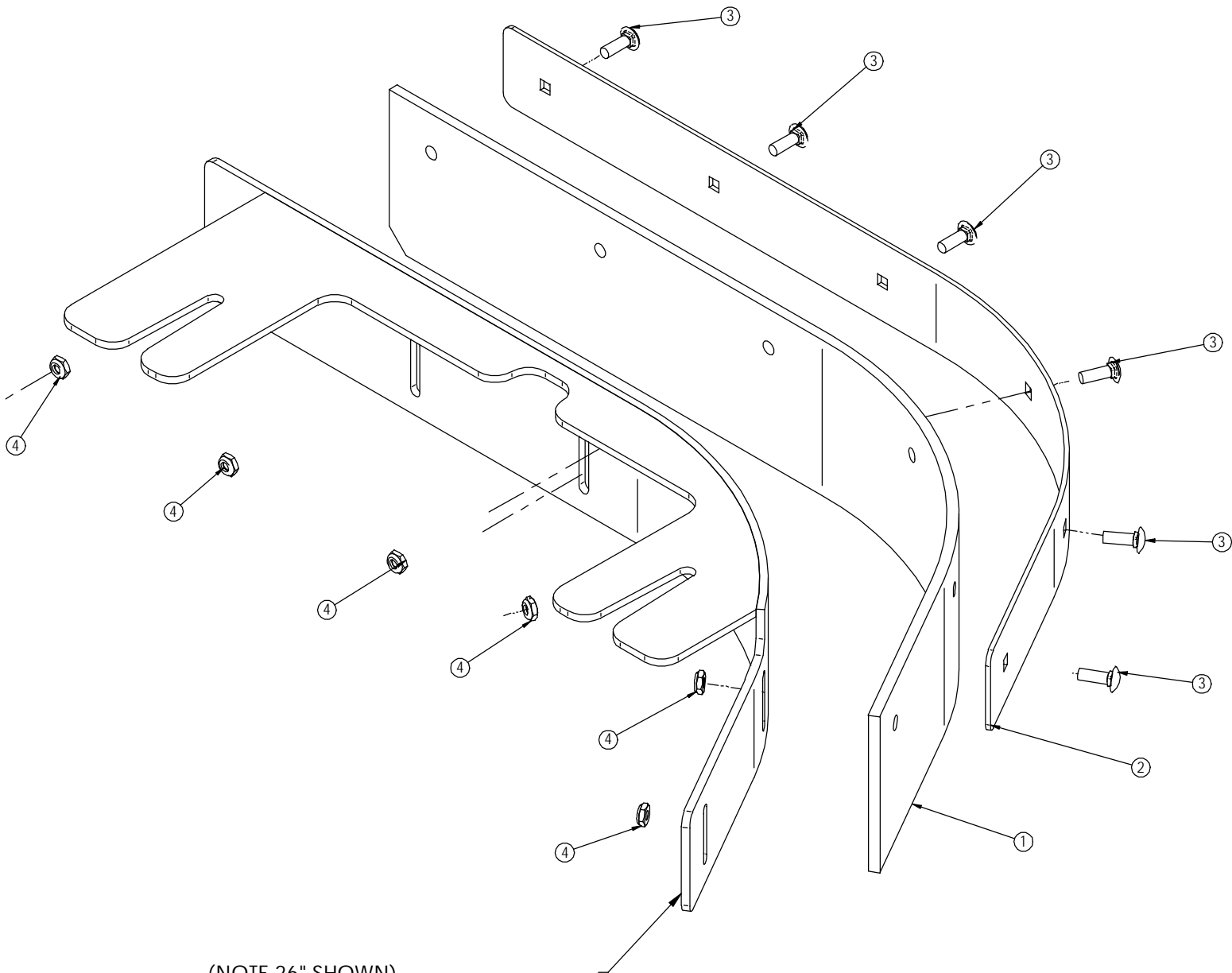


(NOTE 26" SHOWN)
FOR 26" SHROUD USE PART # 250-1126
FOR 30" SHROUD USE PART # 250-1128
FOR 34" SHROUD USE PART # 250-1138

LEFT 250 SHROUDS

Item	Part No.	Part Description	Qty.
1	250-1139	SHROUD CURTAIN	1
2	250-1140	SHROUD CURTAIN BAND	1
3	H-74419	CB 1/4" - 20 X .75" SS	6
4	H-NJO4C	JNYL 1/4" - 20 SS	6

RIGHT 250 SHROUDS

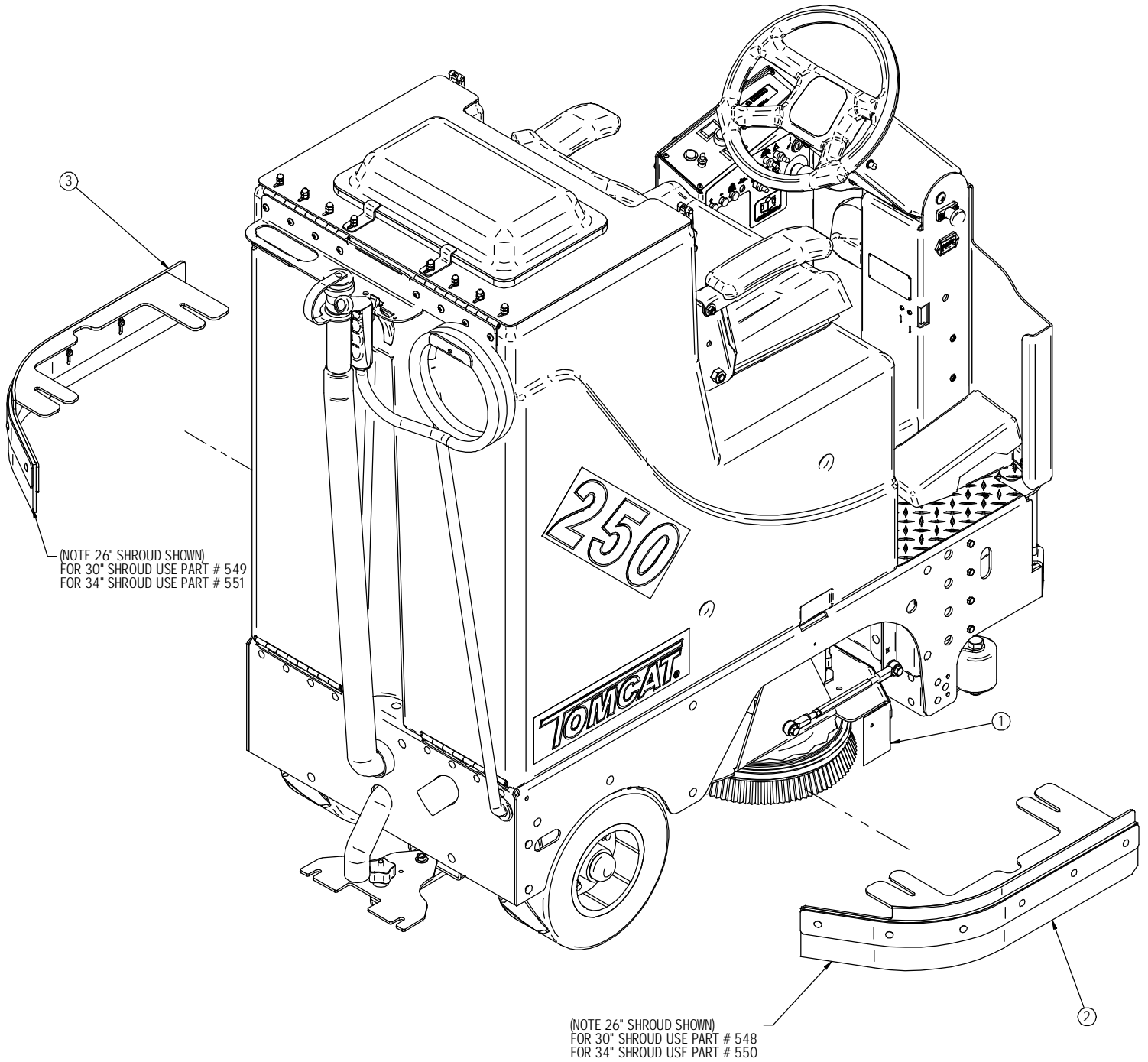


(NOTE 26" SHOWN)
FOR 26" SHROUD USE PART # 250-1125
FOR 30" SHROUD USE PART # 250-1129
FOR 34" SHROUD USE PART # 250-1137

RIGHT 250 SHROUDS

Item	Part No.	Part Description	Qty.
1	250-1139	SHROUD CURTAIN	1
2	250-1140	SHROUD CURTAIN BAND	1
3	H-74419	CB 1/4" - 20 X .75" SS	6
4	H-NJ04C	JNYL 1/4" - 20 SS	6

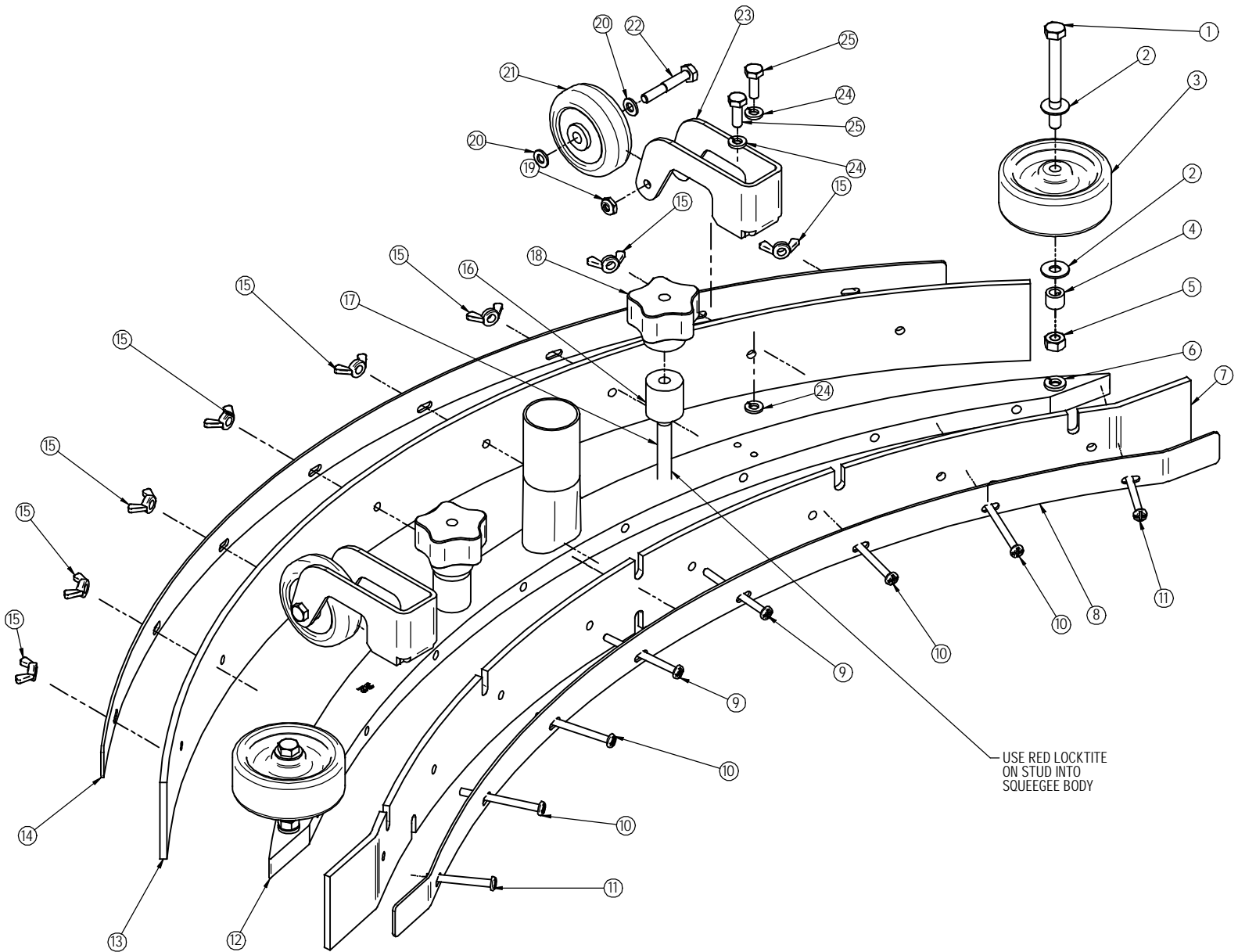
250 SHROUDS



250 SHROUDS

Item	Part No.	Part Description	Qty.
1	542	SUB #542 250 25 INCH SCRUB DECK	1
2	546	SUB #546 250 RIGHT 25 INCH SHROUDS	1
3	547	SUB #547 250 LEFT 25 INCH SHROUDS	1

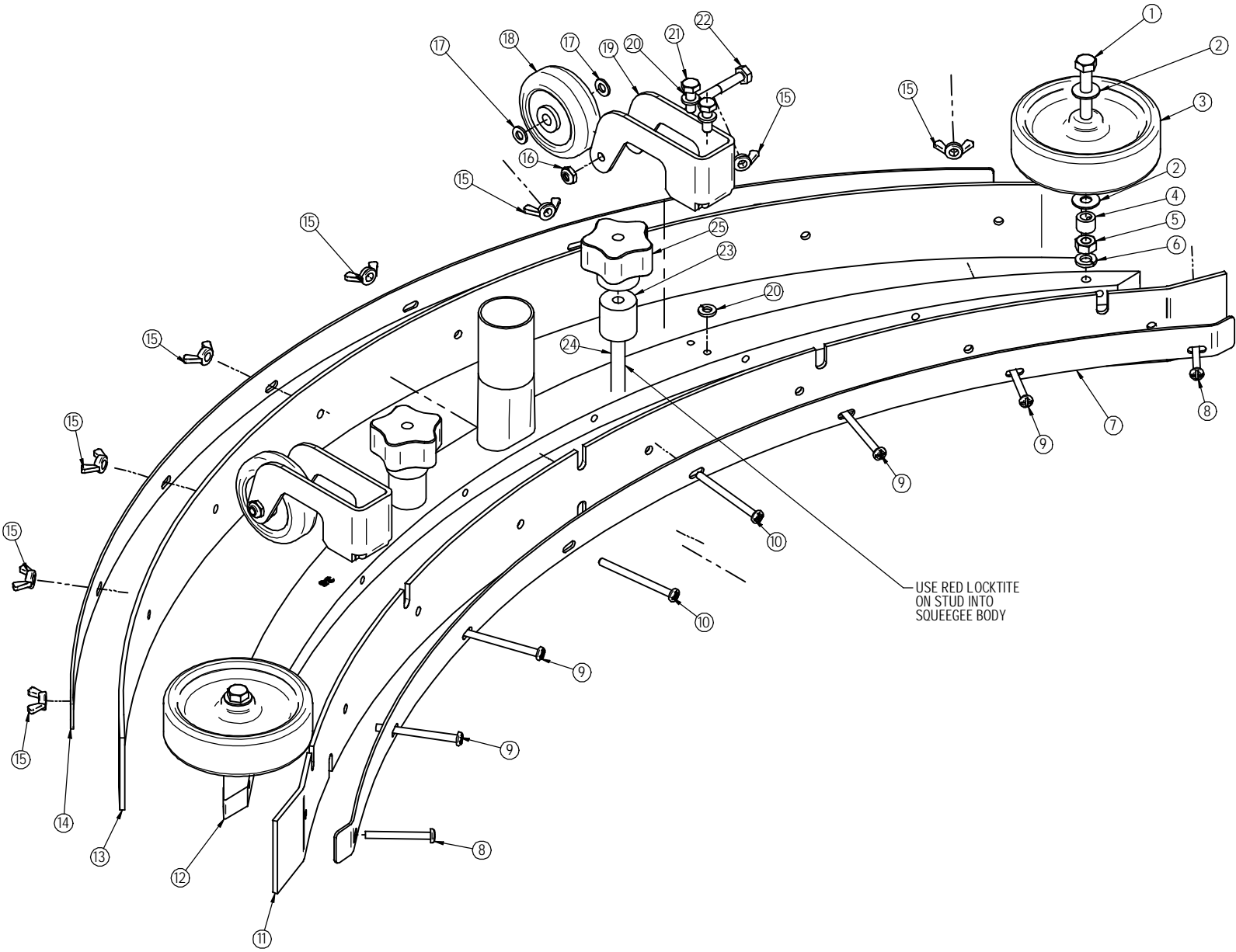
32 INCH SQUEEGEE



32 INCH SQUEEGEE

Item	Part No.	Part Description	Qty.
1	H-70065	HCS 5/16"- 18 X 3" SS	2
2	H-71015	FW 5/16" X 3/4" SAE SS	4
3	21-7600	SIDE WHEEL (GREY)	2
4	H-33371	5/16" ID SHAFT COLLAR	2
5	H-70711	HN 5/16"- 18 SS	2
6	H-71065	LW 5/16" SS	2
7	22-755G	FRONT SQUEEGEE BLADE	1
8	23-7170	SQUEEGEE BAND, FRONT	1
9	H-00288	PPH #10-32 X 2 1/2" SS	2
10	H-00249	PPH #10-32 X 2 1/4" SS	4
11	H-72555	PPH #10-32 X 1 3/4" SS	2
12	23-7181	32" SQUEEGEE BODY	1
13	22-754G	REAR SQUEEGEE BLADE	1
14	23-7160	SQUEEGEE BAND, REAR	1
15	H-70908	WINGNUT 10-32 SS	8
16	5-846	PIVOT SHAFT	2
17	H-00568	STUD 3/8"- 16 X 2 1/2" SS	2
18	290-5786	STAR KNOB	2
19	H-NJ04C	JNYL 1/4" - 20 SS	2
20	H-00283	FW 1/4" NYLON	4
21	21-7570	BACK UP WHEEL (GREY)	2
22	H-0172248	HCS 1/4"- 20 X 1.625" SS	2
23	21-7220	SQUEEGEE TRAIL MOUNTS	2
24	H-71063	LW 1/4" SS	6
25	H-70003	HCS 1/4"- 20 X 3/4" SS	4

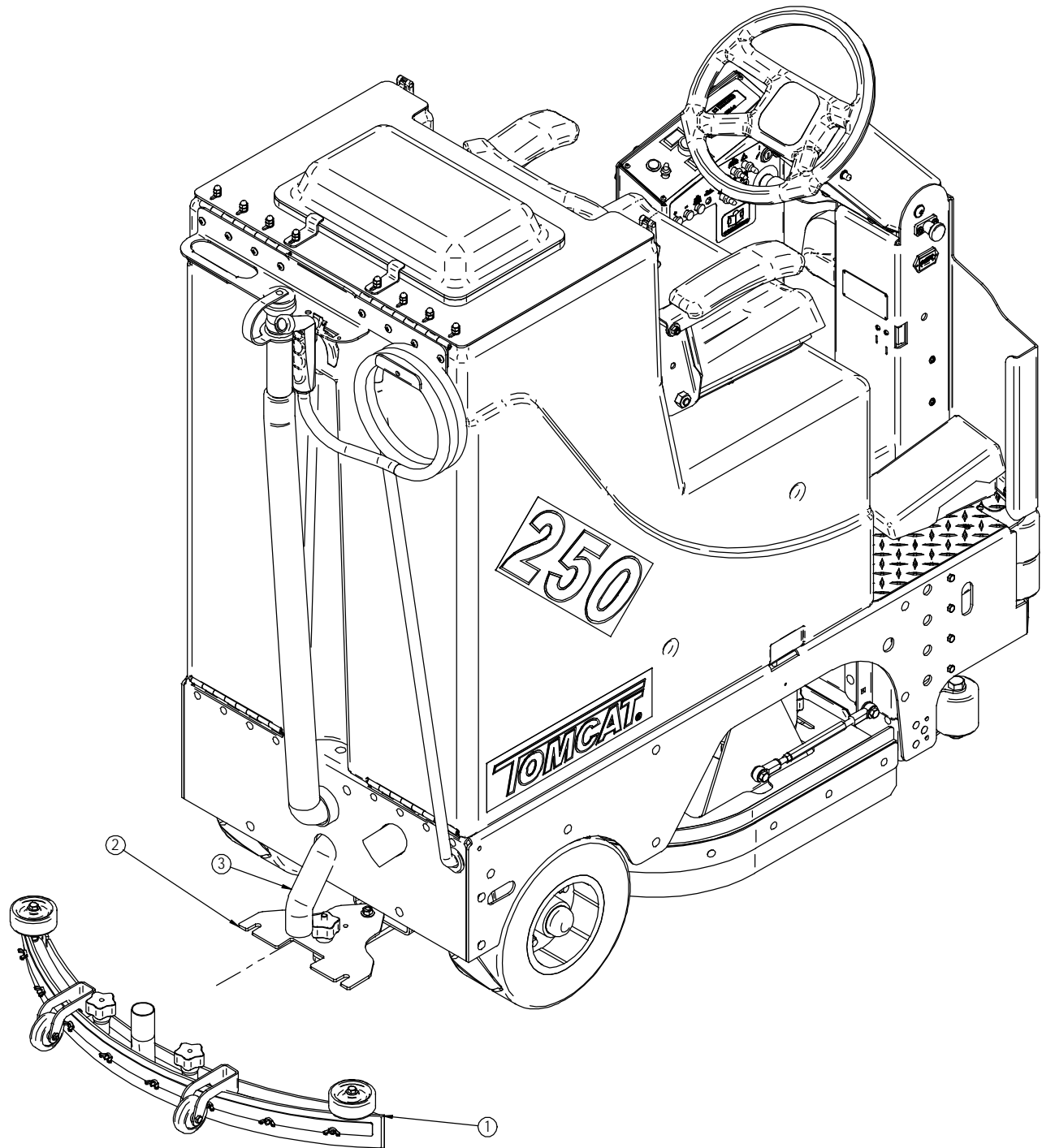
35 INCH SQUEEGEE



35 INCH SQUEEGEE

Item	Part No.	Part Description	Qty.
1	H-70065	HCS 5/16"- 18 X 3" SS	2
2	H-71015	FW 5/16" X 3/4" SAE SS	4
3	5-760B	SIDE WHEEL (GREY)	2
4	H-33371	5/16" ID SHAFT COLLAR	2
5	H-70711	HN 5/16"- 18 SS	2
6	H-71065	LW 5/16" SS	2
7	25-7170	SQUEEGEE BAND, FRONT	1
8	H-72555	PPH #10-32 X 1 3/4" SS	2
9	H-00249	PPH #10-32 X 2 1/4" SS	4
10	H-00288	PPH #10-32 X 2 1/2" SS	2
11	25-755G	35 IN. FRONT SQUEEGEE BLADE (GUM)	1
12	25-7181	35" SQUEEGEE BODY	1
13	25-754G	35 IN. REAR SQUEEGEE BLADE (GUM)	1
14	25-7160	SQUEEGEE BAND, REAR	1
15	H-70908	WINGNUT 10-32 SS	8
16	H-37020	JNYL 1/4" - 20	2
17	H-00283	FW 1/4" NYLON	4
18	21-7570	BACK UP WHEEL (GREY)	2
19	21-7220	SQUEEGEE TRAIL MOUNTS	2
20	H-71063	LW 1/4" SS	6
21	H-70003	HCS 1/4"- 20 X 3/4" SS	4
22	H-0172248	HCS 1/4"- 20 X 1.625" SS	2
23	5-846	PIVOT SHAFT	2
24	H-00568	STUD 3/8"- 16 X 2 1/2" SS	2
25	290-5786	STAR KNOB	2

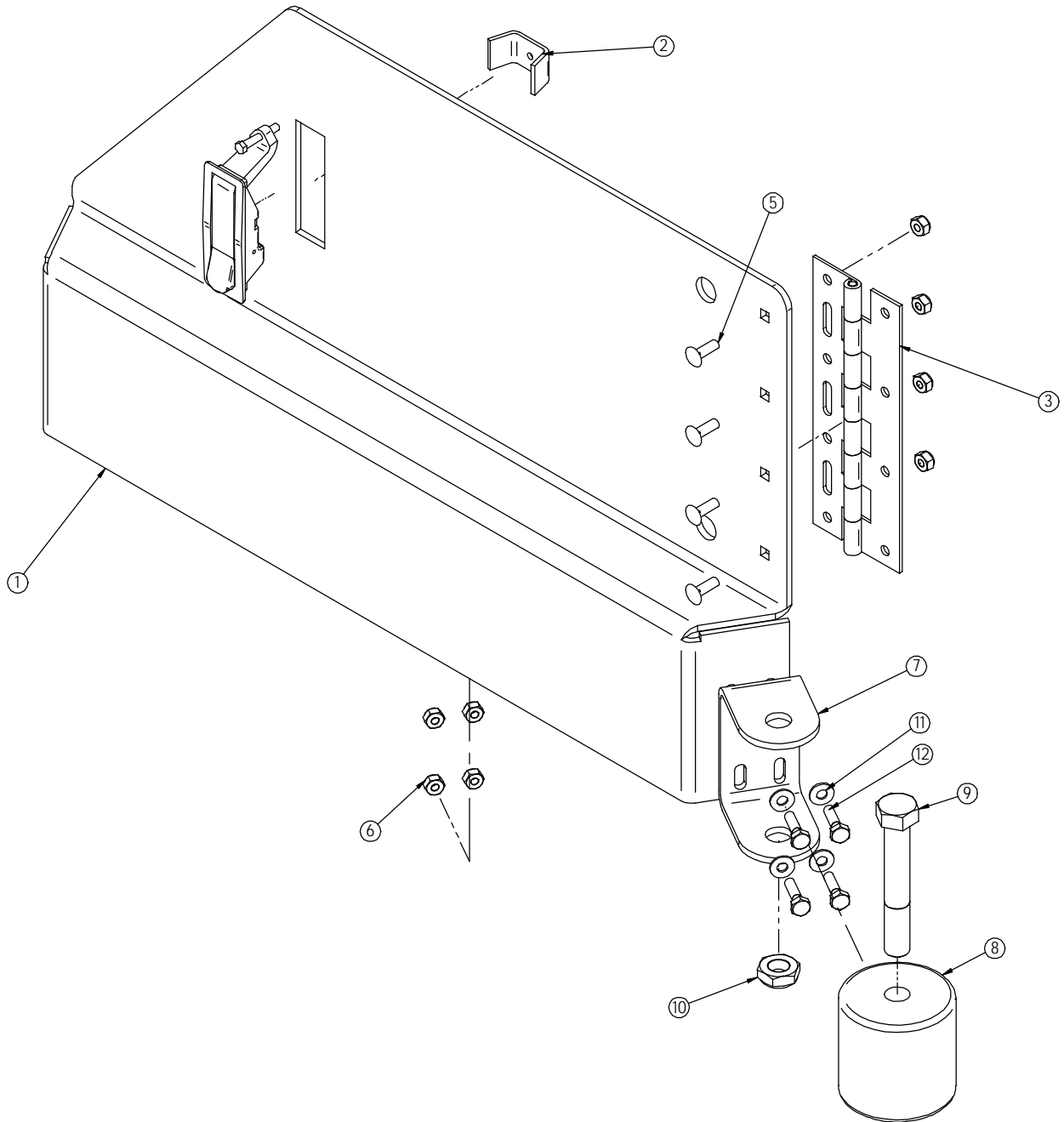
250 SQUEEGEE



250 SQUEEGEE

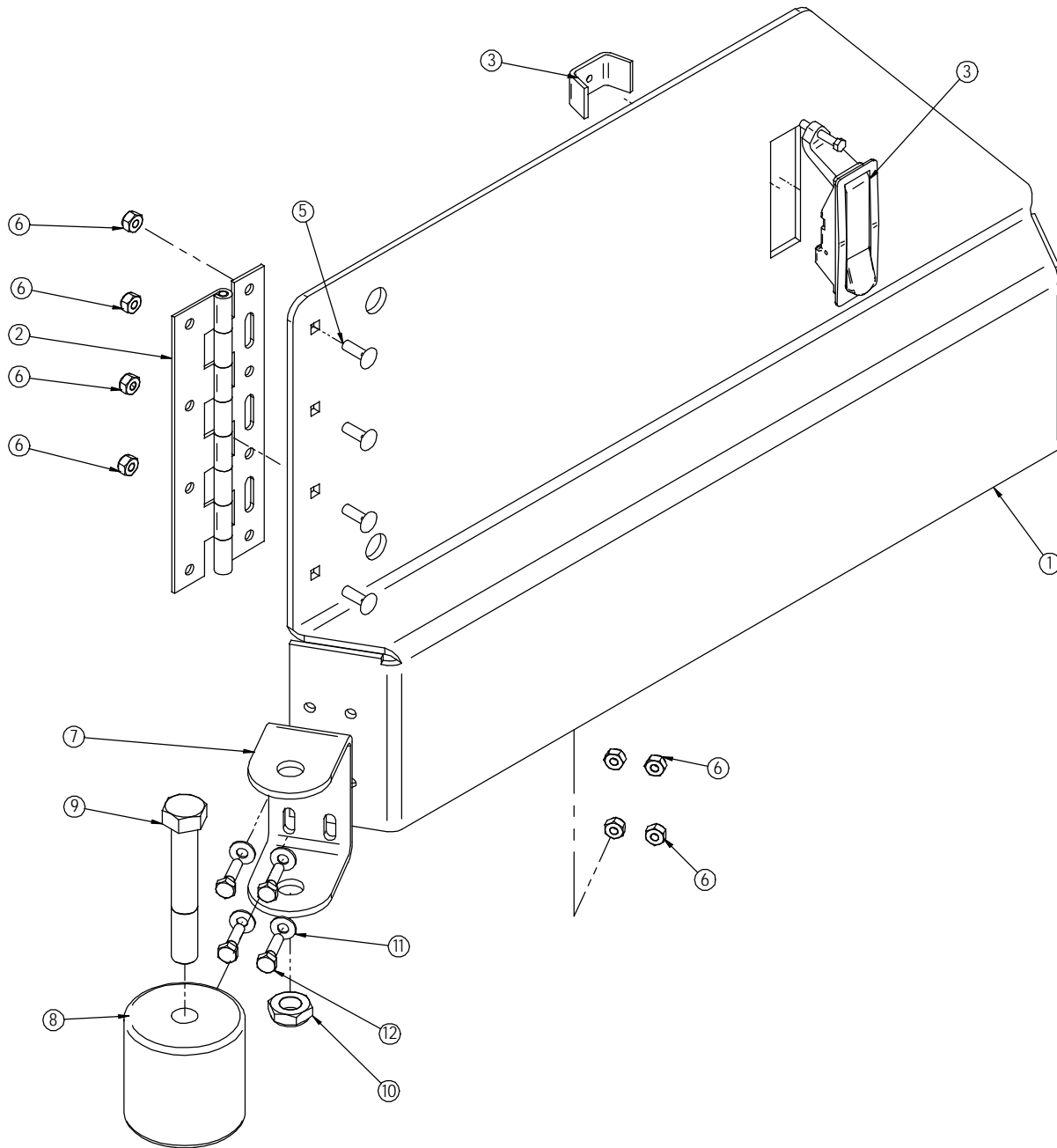
Item	Part No.	Part Description	Qty.
1	360	SUB #360 32 INCH SQUEEGEE ASSEMBLY	1
2	202	SUB #202 250 SQUEEGEE DRAG PLATE	1
3	250-0115	SQUEEGEE HOSE	1

RIGHT 250-30 DOOR



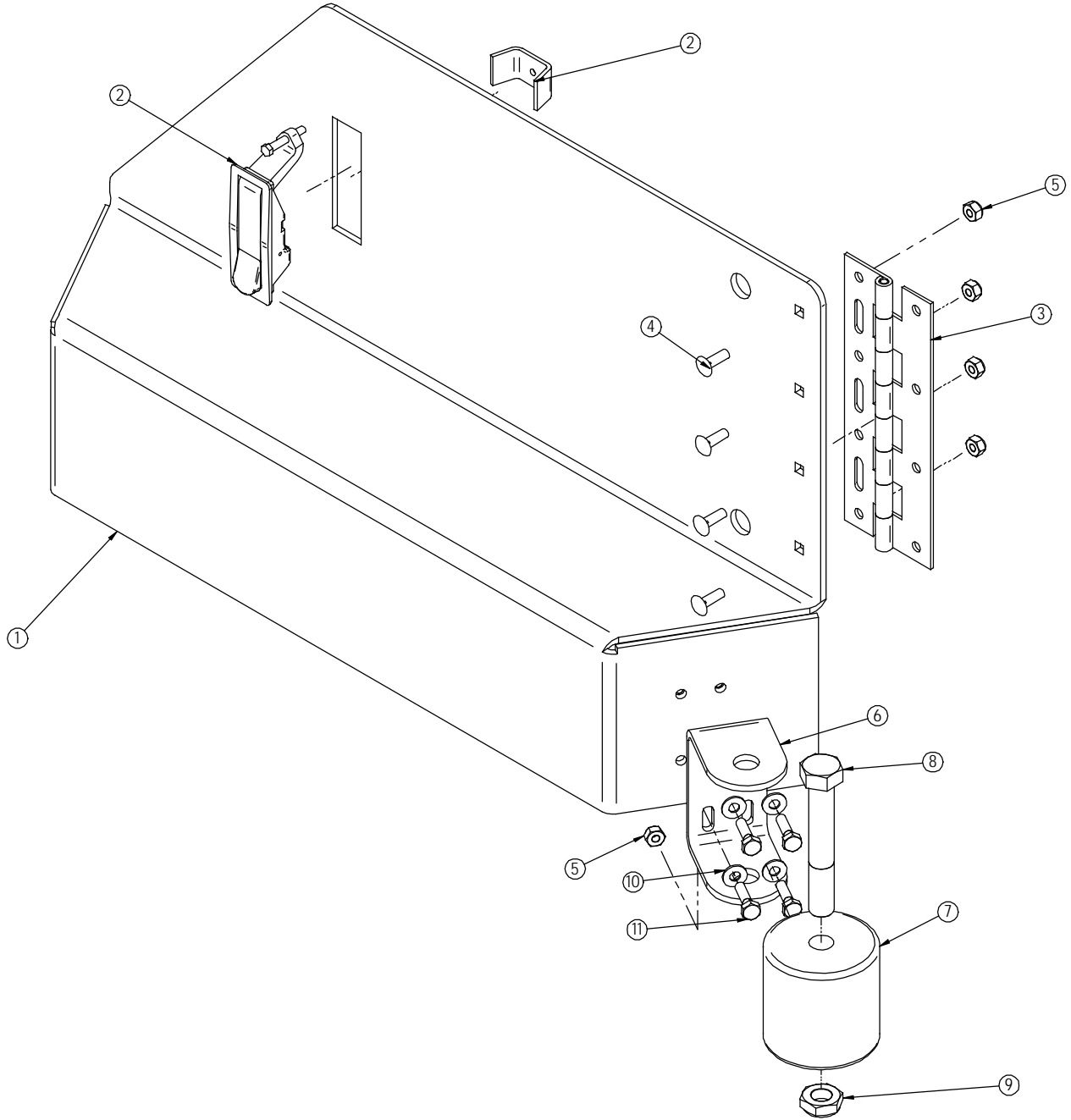
Item	Part No.	Part Description	Qty.
1	250-9591	RIGHT 250-29 DOOR	1
2	5-130	DOOR LATCH	1
3	5-122	HINGE 8" SS	1
5	H-74419	CB 1/4" - 20 X .75" SS	4
6	H-70860	NYLOK 1/4" - 20 SS	8
7	21-1126	ROLLER BRACKET	1
8	21-1127	ROLLER	1
9	H-11319	HB 5/8" - 11 X 4"	1
10	H-37038	JNYL 5/8" - 11	1
11	H-71013	FW 1/4" X 5/8" SS	4
12	H-70005	HCS 1/4" - 20 X 1" SS	4

LEFT 250-30 DOOR



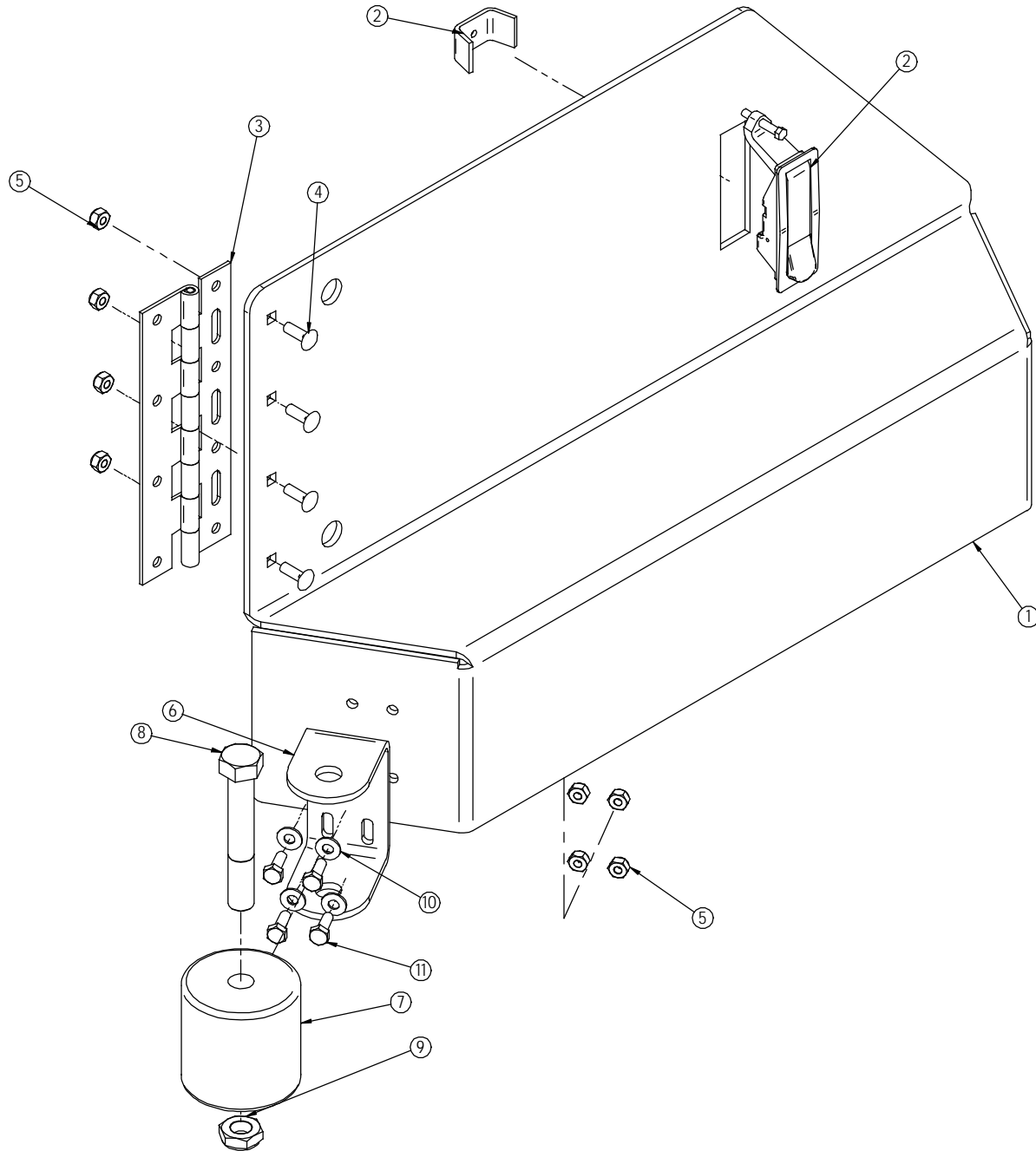
Item	Part No.	Part Description	Qty.
1	250-9590	LEFT 250-29 DOOR	1
2	5-122	HINGE 8" SS	1
3	5-130	DOOR LATCH	1
5	H-74419	CB 1/4" - 20 X .75" SS	4
6	H-70860	NYLOK 1/4" - 20 SS	8
7	21-1126	ROLLER BRACKET	1
8	21-1127	ROLLER	1
9	H-11319	HB 5/8" - 11 X 4"	1
10	H-37038	JNYL 5/8" - 11	1
11	H-71013	FW 1/4" X 5/8" SS	4
12	H-70005	HCS 1/4" - 20 X 1" SS	4

RIGHT 250-34 DOOR



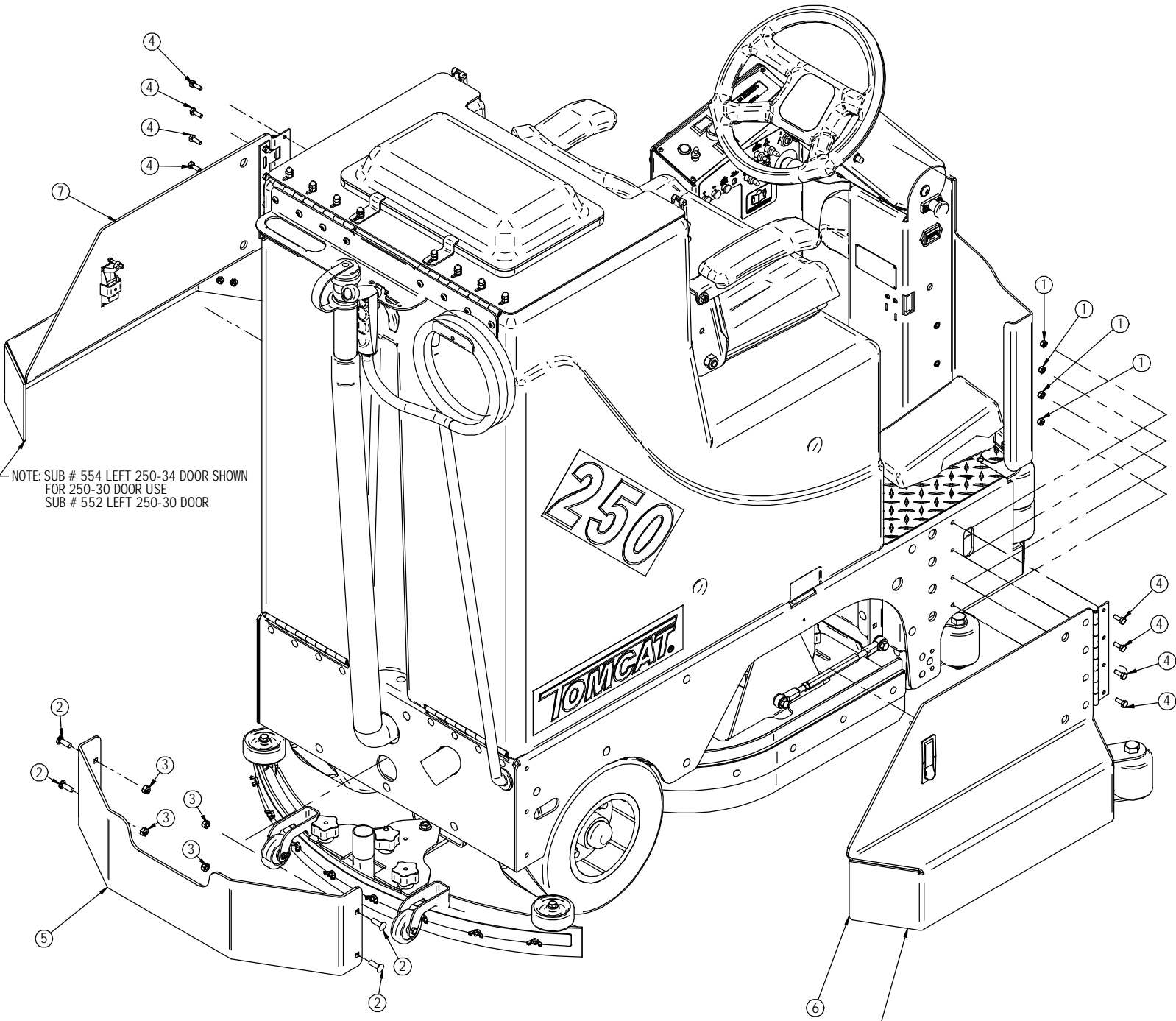
Item	Part No.	Part Description	Qty.
1	250-9593	RIGHT 250-34 DOOR	1
2	5-130	DOOR LATCH	1
3	5-122	HINGE 8" SS	1
4	H-74419	CB 1/4" - 20 X .75" SS	4
5	H-70860	NYLOK 1/4" - 20 SS	8
6	21-1126	ROLLER BRACKET	1
7	21-1127	ROLLER	1
8	H-11319	HB 5/8" - 11 X 4"	1
9	H-37038	JNYL 5/8" - 11	1
10	H-71013	FW 1/4" X 5/8" SS	4
11	H-70005	HCS 1/4" - 20 X 1" SS	4

LEFT 250-34 DOOR



Item	Part No.	Part Description	Qty.
1	250-9592	LEFT 250-34 DOOR	1
2	5-130	DOOR LATCH	1
3	5-122	HINGE 8" SS	1
4	H-74419	CB 1/4" - 20 X .75" SS	4
5	H-70860	NYLOK 1/4" - 20 SS	8
6	21-1126	ROLLER BRACKET	1
7	21-1127	ROLLER	1
8	H-11319	HB 5/8" - 11 X 4"	1
9	H-37038	JNYL 5/8" - 11	1
10	H-71013	FW 1/4" X 5/8" SS	4
11	H-70003	HCS 1/4" - 20 X 3/4" SS	4

DOORS AND BUMPER



NOTE: SUB # 554 LEFT 250-34 DOOR SHOWN
FOR 250-30 DOOR USE
SUB # 552 LEFT 250-30 DOOR

NOTE: SUB # 555 RIGHT 250-34 DOOR SHOWN
FOR 250-30 DOOR USE
SUB # 553 RIGHT 250-30 DOOR

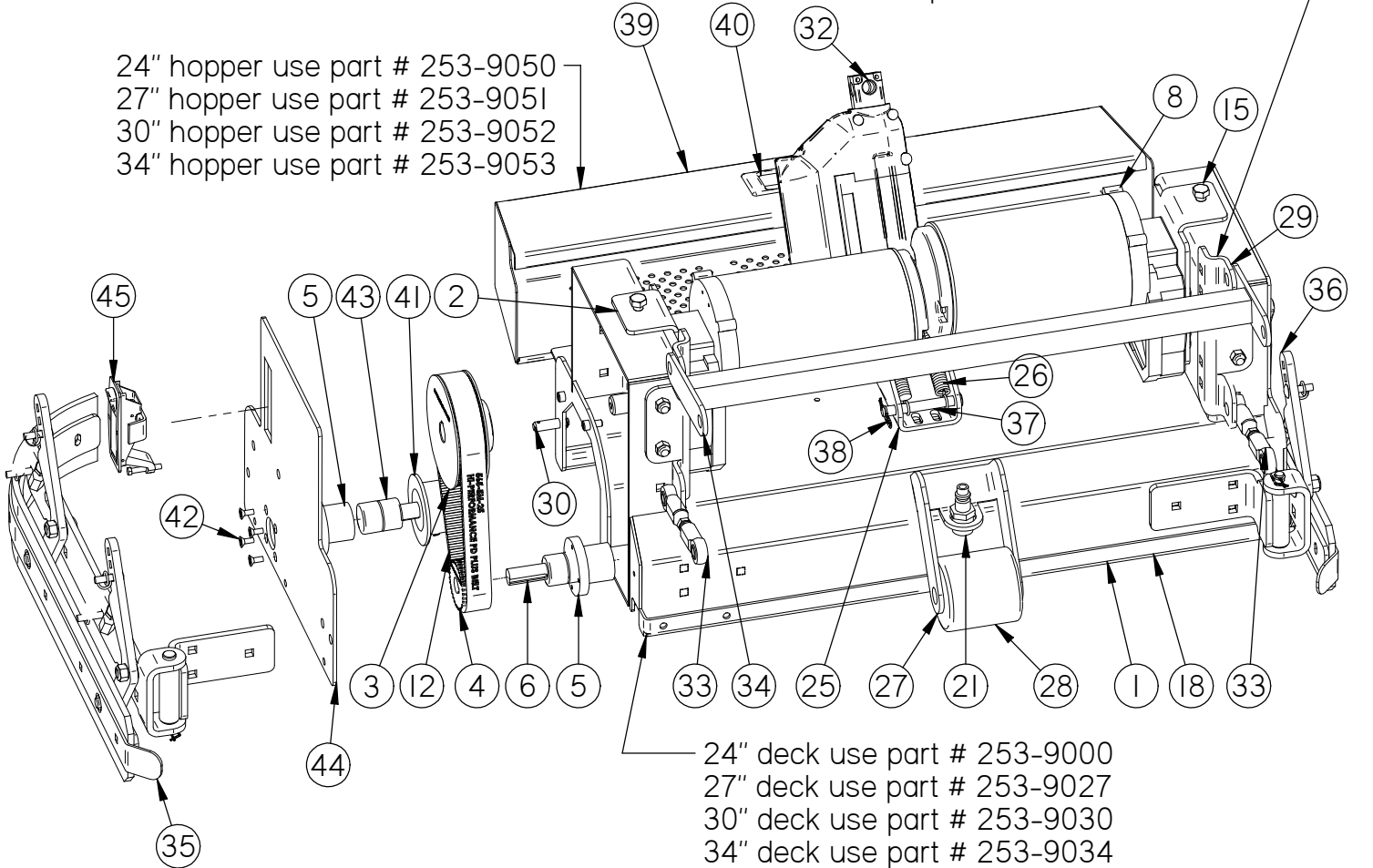
DOORS AND BUMPER

Item	Part No.	Part Description	Qty.
1	H-70860	NYLOK 1/4" - 20 SS	8
2	H-74430	CB 5/16" - 18 X 1" SS	4
3	H-70861	NYLOK 5/16" - 18 SS	4
4	H-70003	HCS 1/4" - 20 X 3/4" SS	8
5	250-1105	250 REAR BUMPER	1
6	555	SUB #555 RIGHT 250-34 DOOR	1
7	554	SUB #554 LEFT 250-34 DOOR	1

Cylindrical deck

24" bracket use part # 250-1266
 27" bracket use part # 250-1267
 30" bracket use part # 250-1268 (RH)
 30" bracket use part # 250-1269 (LH)
 34" bracket use part # 250-1270 (RH)
 34" bracket use part # 250-1271 (LH)

24" hopper use part # 253-9050
 27" hopper use part # 253-9051
 30" hopper use part # 253-9052
 34" hopper use part # 253-9053

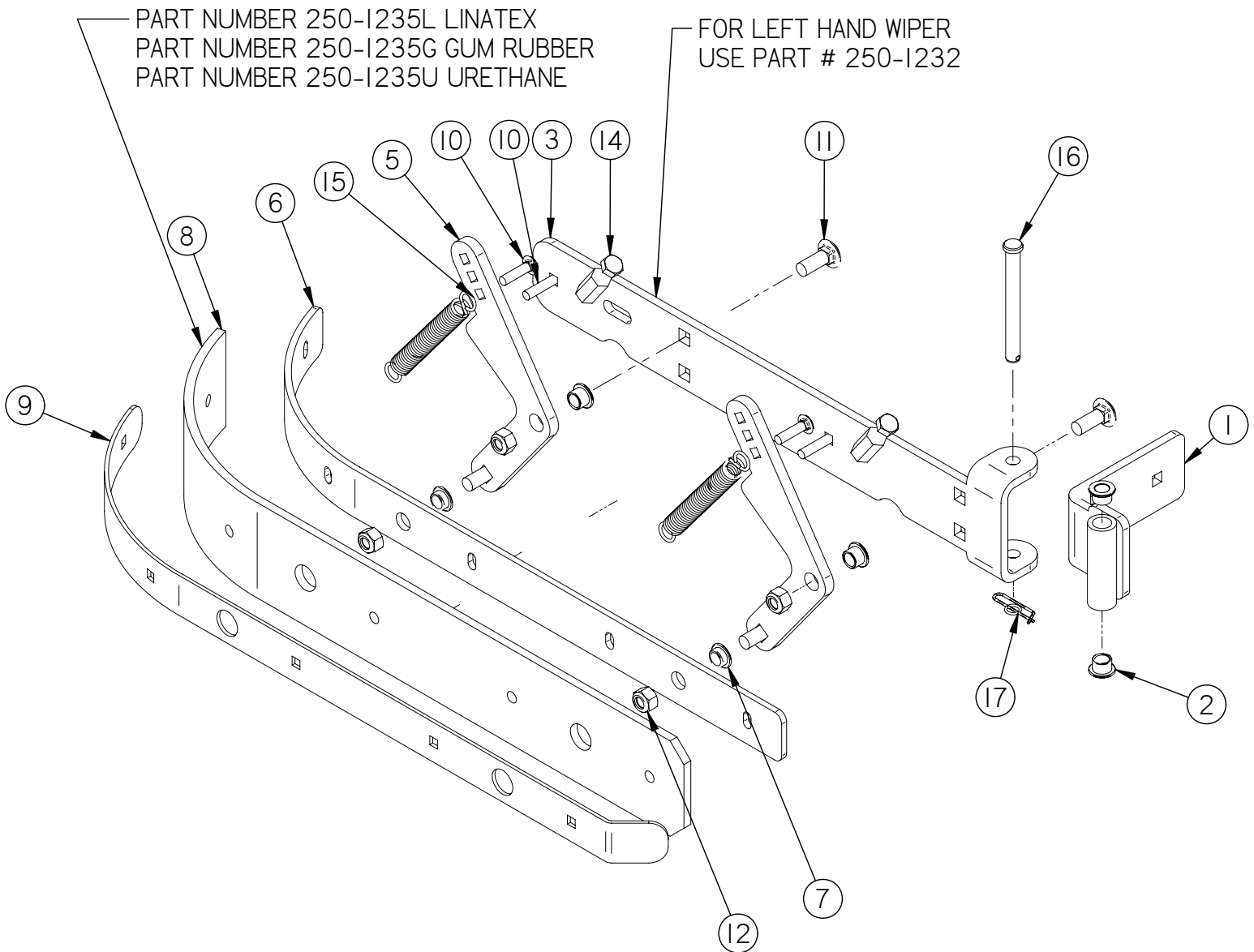


24" deck use part # 253-9000
 27" deck use part # 253-9027
 30" deck use part # 253-9030
 34" deck use part # 253-9034

Cylindrical deck

Item	Part No.	Part Description	Qty.
1	253-9000	CYLINDRICAL BRUSHHEAD, 24"	1
2	253-9002	MOTOR ADJ BRACKET	2
3	253-8225	TIMING SPROCKET 68 TOOTH	2
4	253-8215	TIMING SPROCKET 32 TOOTH	2
5	I-305	BEARING HOUSING	4
6	253-8240	DRIVE BEARING	2
7	253-0837	BROOM DRIVER	2
8	250-222	MOTOR, 36V, 3/4 HP, 350 RPM	2
9	H-71017	FW 3/8" X 7/8" SS	8
10	H-71067	LW 3/8" SS	8
11	H-70103	HCS 3/8"-16 X 3/4" SS	8
12	253-8230	565-5M-25 HI-PERFORMANCE PD PLUS BELT	2
13	H-79041	SHCS 1/4-20 X 1/2 SS	4
14	H-73743	BHSCS 10-32 X 1/2" SS	8
15	H-01219	HCS 3/8"- 24 X 1 1/8" SS	2
16	H-70732	HN 3/8"- 24 SS	2
17	H-74429	CB 5/16"- 18 X 3/4" SS	4
18	H-70861	NYLOK 5/16" - 18 SS	4
19	22-8320	HOPPER RAIL	1
20	H-72684	FHP 10-32 X 3/4" SS	6
21	21-4048	1/2 MNPT TO 3/8 PLUG, BR.	1
22	H-74417	CB 1/4"- 20 X .5" SS	2
23	H-NJ04C	JNYL 1/4" - 20 SS	2
24	290-1237	FW BRONZE .75 OD X .375 IDX .125 THK	8
25	250-9003	CYLINDRICAL LIFTING BRACKET	1
26	390-7712	COMPRESSION SPRING	2
27	250-1237	ROLLER BRACKET	1
28	21-1127	ROLLER	1
29	250-1266	CYLINDRICAL LIFTING BRACKET (24")	2
30	250-0001	RETAINER PIN	2
31	H-37020	JNYL 1/4" - 20	2
32	250-2240	2" STROKE 36V ACTUATOR 1000 LB LOAD	1
33	7-843	ADJUSTABLE LATERAL ARM	2
34	250-9585	250 CYL. LATERAL ARM	1
35	533	SUB #533 CYLINDRICAL WIPER (RH)	1
36	534	SUB #534 CYLINDRICAL WIPER (LH)	1
37	H-ZCPI76	CLEVIS PIN 3/8" x 3.00"	2
38	H-RUE14	3/8" RUE RING COTTER	2
39	253-9050	24" HOPPER	1
40	5-849	RECESSED HANDLE	1
41	253-8370	CYLINDRICAL BRUSH IDLER	2
42	H-72682	FHP #10-32 X 1/2" SS	8
43	253-8241	IDLER BEARING	2
44	253-9022	DRIVE COVER	2
45	5-130	DOOR LATCH	2
46	H-KI432	3/16" X 1/2" KEY	2
47	H-25382	SETSCREW, KCP, 1/4"-20 X 1/2"	4

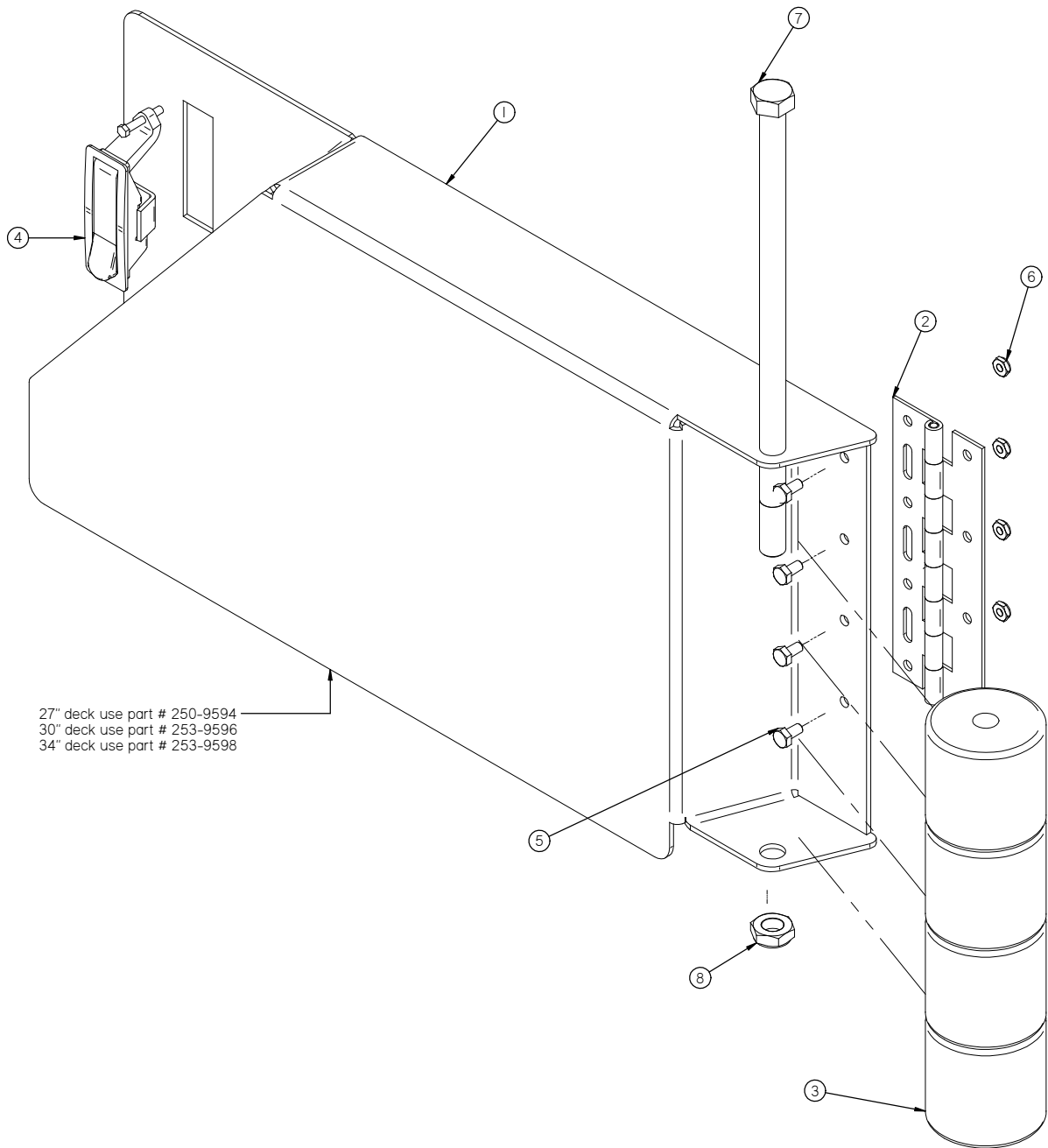
CYLINDRICAL WIPERS



CYLINDRICAL WIPERS

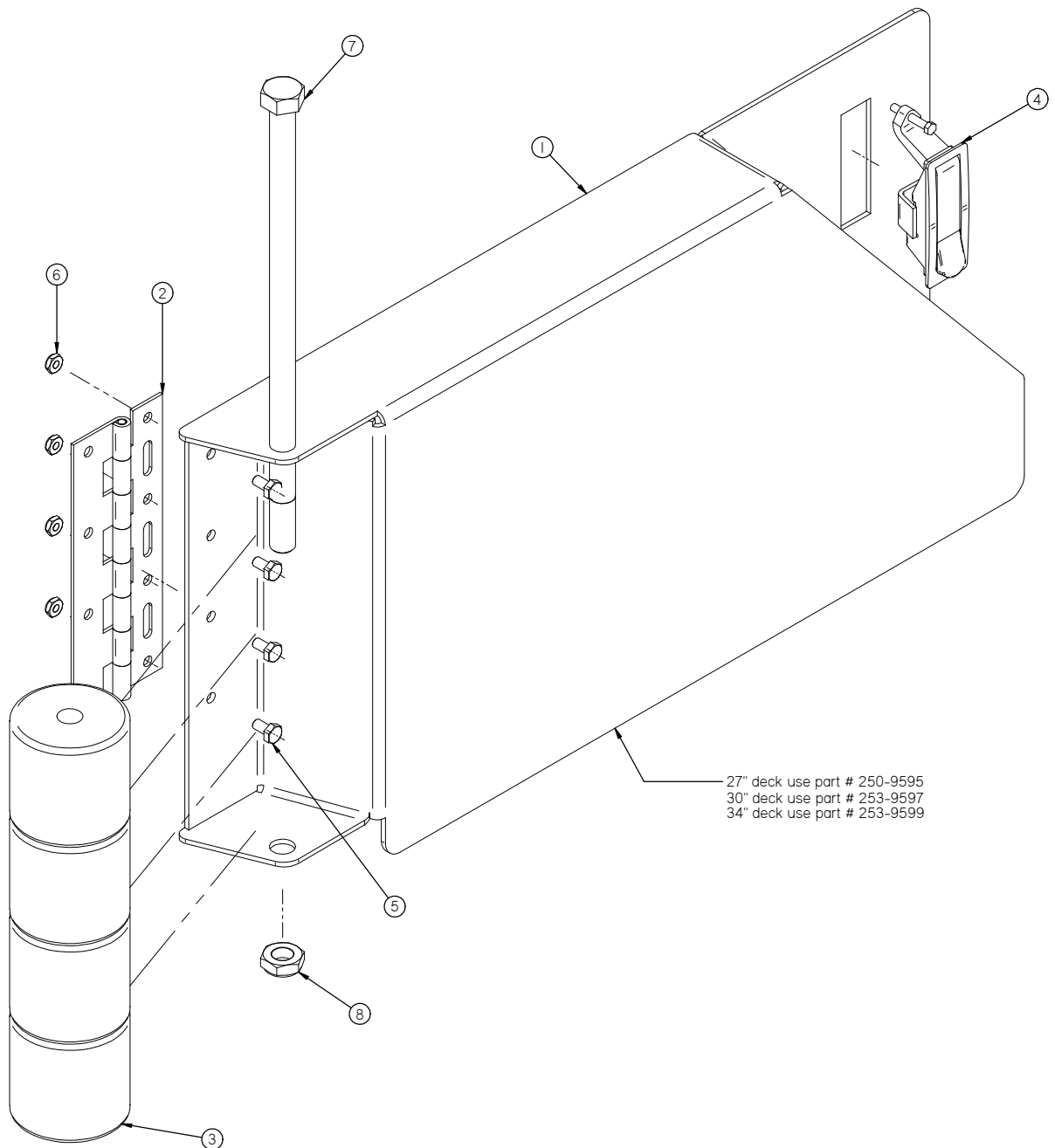
Item	Part No.	Part Description	Qty.
1	250-1230	SHROUD HINGE	1
2	290-1245	3/8" ID, 1/2" OD, 3/8" LG, FLANGE BEARING	4
3	250-1231	RH SHROUD HORIZONTAL ARM	1
5	250-1233	SHROUD VERTICAL ARM	2
6	250-1234	SHROUD SIDE	1
7	290-1233	3/8" ID, 1/2" OD, 1/4" LG BEARING	2
8	250-1235	SHROUD CURTAIN	1
9	250-1236	WIPER BAND	1
10	H-74420	CB 1/4"- 20 X 1.0" SS	2
11	H-74436	CB 3/8"- 16 X 1.0" SS	4
12	H-70862	NYLOK 3/8"-16 SS	4
13	H-74421	CB 1/4"- 20 X 1-1/4" SS	2
14	H-70055	HCS 5/16"- 18 X 1" SS	2
15	390-7712	COMPRESSION SPRING	2
16	H-923902	3/8" X 4" CLEVIS PIN	1
17	H-RUE14	3/8" RUE RING COTTER	1

RIGHT CYLINDRICAL DOORS



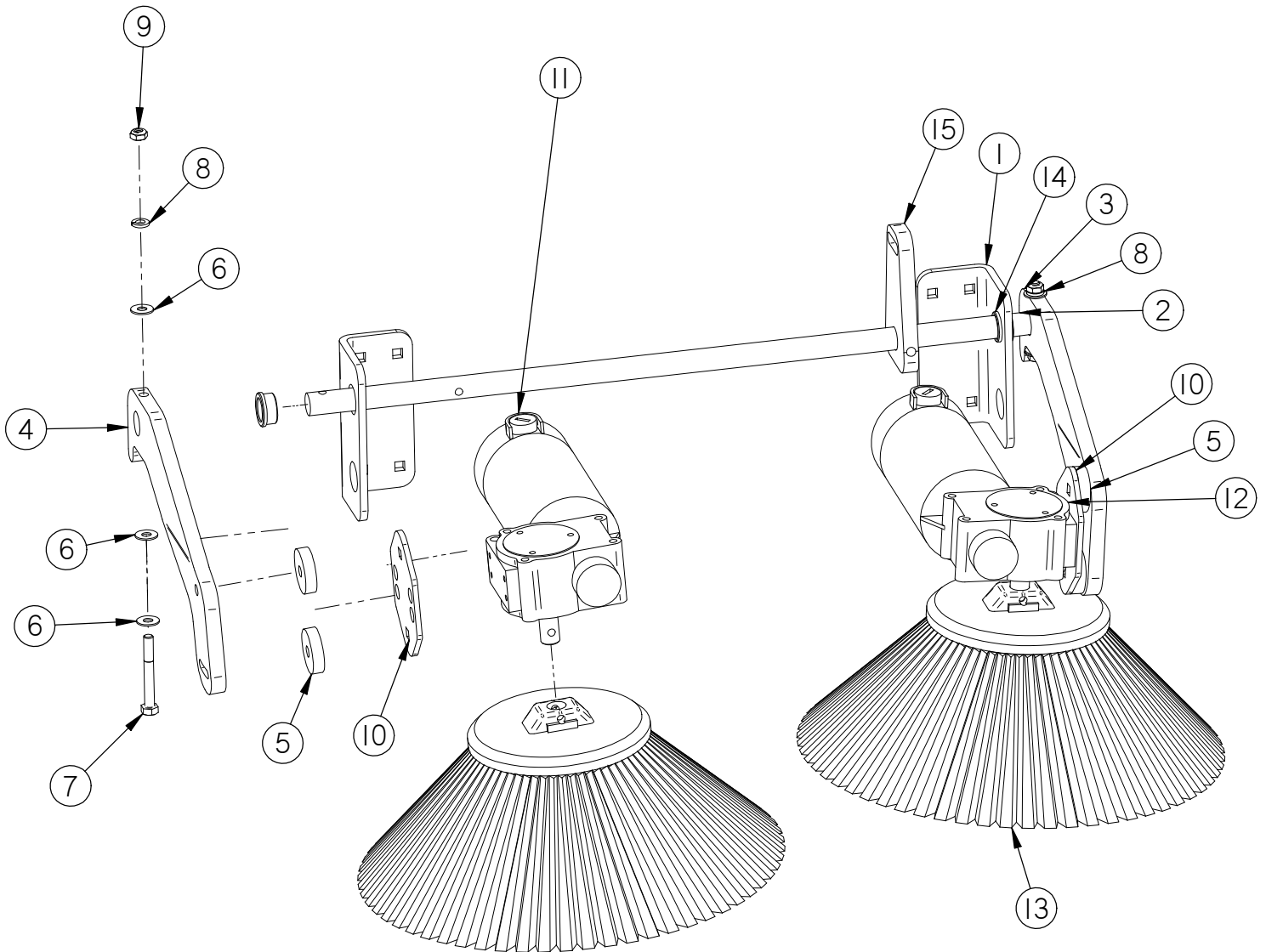
Item	Part No.	Part Description	Qty.
1	250-9594	DOOR (RH 27" CYLINDRICAL)	1
2	5-122	8" SS HINGE	1
3	21-1127	ROLLER	4
4	5-130	DOOR LATCH	1
5	H-70001	HCS 1/4"-20 X 1/2 SS"	4
6	H-NJ04C	JNYL 1/4" - 20 SS	4
7	H-13337	HB 5/8"- 11 X 13"	1
8	H-37038	JNYL 5/8"- 11	1

LEFT CYLINDRICAL DOORS



Item	Part No.	Part Description	Qty.
1	250-9595	DOOR (LH 27" CYLINDRICAL)	1
2	5-122	8" SS HINGE	1
3	21-1127	ROLLER	4
4	5-130	DOOR LATCH	1
5	H-70001	HCS 1/4"-20 X 1/2 SS"	4
6	H-NJ04C	JNYL 1/4" - 20 SS	4
7	H-13337	HB 5/8"- 11 X 13"	1
8	H-37038	JNYL 5/8"- 11	1

250 SIDE BROOMS



250 SIDE BROOMS

Item	Part No.	Part Description	Qty.
1	290-4630	AXLE SUPPORT BRACKET	2
2	290-4620	SIDE BROOM SUSPENSION AXLE SHAFT	1
3	250-4420	SIDE BROOM LIFT ARM (LH)	1
4	250-4421	SIDE BROOM LIFT ARM (RH)	1
5	4-446	GROMMET-3/8 ID X 1-1/2 OD X .375	4
6	H-78015	FW 5/16" X 3/4" SS	6
7	H-70065	HCS 5/16"- 18 X 3" SS	2
8	H-71065	LW 5/16" SS	2
9	H-NJ05C	JNYL 5/16"- 18 SS	2
10	390-1170	SIDE BROOM MTG PLATE	2
11	250-0220	SIDE BROOM MOTOR, 36V 106 RPM	1
12	250-0221	SIDE BROOM MOTOR, 36V 106 RPM	1
13	1-402	SIDE BROOM POLYPROPYLENE	2
14	4-4230	3/4" X 1" X 1/2" FLG BEARING	2
15	250-4422	SIDE BROOM CENTER LIFT ARM	1