

# Clarke®

## Vantage 17

Cable 115V - Cable 230V



### Operator's Manual Libro de Instrucciones Manuel d'utilisation



**READ THIS BOOK**

**LEA ESTE MANUAL**

**LISEZ CE MANUEL**

**EN**

English (2 - 21)

**ES**

Español (22 - 41)

**FR**

Français (42 - 61)

This book has important information for the use and safe operation of this machine. Failure to read this book prior to operating or attempting any service or maintenance procedure to your Clarke machine could result in injury to you or to other personnel; damage to the machine or to other property could occur as well. You must have training in the operation of this machine before using it. If your operator(s) cannot read this manual, have it explained fully before attempting to operate this machine.

All directions given in this book are as seen from the operator's position at the rear of the machine. For new books write to: Clarke®, 2100 Highway 265, Springdale, Arkansas 72764.

TABLE OF CONTENTS

**Operator’s Manual ..... 1**

**OPERATOR SAFETY INSTRUCTIONS ..... 3**

INTRODUCTION ..... 6

    HOW TO KEEP THIS MANUAL ..... 6

    IDENTIFICATION DATA ..... 6

    CHANGES AND IMPROVEMENTS ..... 6

    UNPACKING ..... 6

MACHINE SPECIFICATIONS ..... 7

GROUNDING INSTRUCTIONS ..... 7

MACHINE TRANSPORT PROCEDURES ..... 8

SYMBOLS SHOWN ON THE MACHINE ..... 8

MACHINE DESCRIPTION ..... 9

    OUTER STRUCTURE ..... 9

    INNER STRUCTURE ..... 10

    CONTROL PANEL ..... 11

USE ..... 12

    BEFORE MACHINE START-UP ..... 12

    MACHINE START AND STOP ..... 13

    MACHINE OPERATION (SCRUBBING/DRYING) ..... 14

    MACHINE TRANSPORT/PARKING ..... 14

    TANK EMPTYING ..... 15

AFTER USING THE MACHINE ..... 15

    RECOVERY TANK REMOVAL ..... 16

    STORED MACHINE ..... 16

MAINTENANCE ..... 17

    SCHEDULED MAINTENANCE TABLE ..... 17

    INTEGRITY CHECK OF POWER SUPPLY CABLE AND EXTENSION ..... 17

    SQUEEGEE CLEANING ..... 18

    SQUEEGEE BLADE CHECK AND REPLACEMENT ..... 18

    BRUSH CLEANING ..... 19

    CLEANING OF THE TANK AND VACUUM GRID FLOAT ..... 19

    SOLUTION FILTER CLEANING ..... 20

    MACHINE SPEED ADJUSTMENT ..... 20

Vantage 17 Cable ACCESSORIES/OPTIONS ..... 21

HOW TO CORRECT PROBLEMS IN THE MACHINE ..... 21

**Parts List ..... 63**

## OPERATOR SAFETY INSTRUCTIONS

**DANGER!**

*It indicates a dangerous situation with risk of death for the operator.*

**WARNING!**

*It indicates a potential risk of injury for people or damage to objects.*

**CAUTION!**

*It indicates a caution or a remark related to important or useful functions. Pay careful attention to the paragraphs marked by this symbol.*

**NOTE**

*It indicates a remark related to important or useful functions.*

**CONSULTATION**

*It indicates the necessity to refer to the Operator's Manual before performing any procedure.*

**DANGER!**

- *Before performing any maintenance, repair, cleaning or replacement procedure disconnect the plug from the electrical mains.*
- *This machine must be used by properly trained operators only. Children or disabled people cannot use this machine.*
- *Do not operate the machine near toxic, dangerous, inflammable and/or explosive powders, liquids or vapours: This machine is not suitable for collecting dangerous powders.*
- *Before performing any maintenance/repair procedure, disconnect the power supply cable from the electrical mains.*
- *Do not wear jewels when working near electrical components.*

**WARNING!**

- Before connecting the machine to the electrical mains, make sure that the frequency and voltage shown in the serial number plate/technical data match the mains voltage.
  - Do not use with damaged power supply cable or plug. If the machine is not working as it should, has been damaged, left outdoors or dropped into water, return it to the Service Center.
  - If the supply cable or the plug is worn or damaged, it needs to be replaced by the Service Center.
  - Do not pull or carry the machine by the supply cable; never use the power supply cable as a handle. Do not close a door on the supply cable, or pull the supply cable around sharp edges or corners.
  - Do not unplug the machine by pulling the supply cable. To unplug, grasp the plug, not the cable.
  - Do not handle the plug or the machine with wet hands.
  - Turn off all controls before unplugging.
  - Regularly check the power supply cable for damages, cracks, cuts and wear. If necessary, replace it.
  - If the power supply cable is damaged, it must be replaced by an authorized Service Center.
  - To reduce the risk of fire, electric shock, or injury, do not leave the machine unattended when it is plugged in. Unplug the machine from the outlet when not in use and before servicing.
  - The brushes must not come into contact with the power supply cable.
  - To avoid electric shock, do not expose to rain. Store the machine indoors.
  - Do not leave the machine unattended without being sure that it cannot move independently.
  - Do not allow to be used as a toy. Close attention is necessary when used near children.
  - Use only as described in this Manual. Use only Clarke recommended accessories.
  - Take all necessary precautions to prevent hair, jewelry and loose clothing from being caught in the machine moving parts or vacuuming parts of this machine.
  - Do not leave the machine unattended without being sure that the machine cannot move independently.
  - Do not use the machine on slopes with a gradient exceeding the specifications.
  - Do not allow any object to enter into the openings. Do not use the machine if the openings are clogged; always keep the openings free from dust, hair and any other foreign material which could reduce the air flow.
  - While using this machine, take care not to cause damage to people.
  - Do not use the machine in particularly dusty areas.
  - Do not put any can containing fluids on the machine.
  - The machine working temperature must be between +32°F and +104°F (0°C and +40°C).
  - The storage temperature must be between +32°F and +104°F (0°C and +40°C).
  - The humidity must be between 30% and 95%.
  - Always protect the machine against the sun, rain and bad weather, both under operation and inactivity condition. Store the machine indoors, in a dry place: This machine must be used in dry conditions, it must not be used or kept outdoors in wet conditions.
  - Before using the machine, close all doors and/or covers.
  - Do not use the machine as a means of transport.
  - Do not allow the brush to operate while the machine is stationary to avoid damaging the floor.
  - Do not bump into shelves or scaffoldings, particularly where there is a risk of falling objects.
  - Do not tamper with the machine safety guards and follow the ordinary maintenance instructions.
  - Do not remove or modify the labels affixed to the machine.
  - In case of fire, use a powder fire extinguisher, not a water one.
  - To ensure the proper and safe operation of the machine, have the scheduled maintenance and repair, detailed in the relevant chapter of this Manual, performed by the authorized personnel or an authorized Service Center.
  - In case of machine malfunctions, ensure that these are not due to lack of maintenance. Otherwise, request assistance from the authorized personnel or from an authorized Service Center.
  - If the machine
    - does not work properly
    - is damaged
    - has water or foam leaks
    - has been left outdoors exposed to bad weather conditions
    - is wet or has been dropped into water
- turn it off immediately and contact the authorized Clarke Service Center or a qualified technician.
- Carefully read all the instructions before carrying out any maintenance/repair procedure.
  - If parts must be replaced, require GENUINE spare parts from a Dealer or Authorized Retailer.
  - To ensure machine proper and safe operation, the scheduled maintenance shown in the relevant chapter of this Manual, must be performed by the authorized personnel or by an authorized Service Center.
  - Do not wash the machine with direct or pressurized water jets, or with corrosive substances.
  - Do not work under the machine without supporting it with safety stands.

**WARNING!**

- *The machine must be disposed of properly, because of the presence of toxic-harmful materials (electronic boards etc.), which are subject to standards that require disposal in special centers (see Scrapping chapter).*
- *Pay attention during the machine transfers when temperature is below freezing point. The water in the recovery tanks or in the hoses could freeze and seriously damage the machine.*
- *Use the brushes and the pads supplied with the machine and those specified in the Operator's Manual. Using other brushes or pads could reduce safety.*

## INTRODUCTION

The Vantage 17 Cable model of the Clarke scrubber-dryer ensures a highly effective floor cleaning performance. The Vantage 17 Cable model uses a single rotary brush to clean an area of 17.0 in (430 mm) in width. The rear squeegee performs the floor cleaning and the vacuum system recovers the washing water in a single pass.

## HOW TO KEEP THIS MANUAL

The Operator's Manual must be kept near the machine, inside an adequate case, away from liquids and other substances that can cause damage to it.

## IDENTIFICATION DATA

The machine serial number and model are shown on the plate and can be read from the outside. (A, Fig. 2 - page 9).

The machine model year is written in the Declaration of Conformity and it is also indicated by the first two figures of the machine serial number.

This information is useful when requiring machine spare parts. Use the following table to write down the machine identification data for any further reference.

MACHINE model .....
MACHINE serial number .....

## CHANGES AND IMPROVEMENTS

Clarke constantly improves its products and reserves the right to make changes and improvements at its discretion without being obliged to apply such benefits to the machines previously sold.

Any change and/or addition of accessories must be approved and performed by Clarke.

## UNPACKING

To unpack the machine carefully follow the instructions on the packing.

When the machine is delivered, check that the packing and the machine were not damaged during transportation. In case of visible damages, keep the packing and have it checked by the Carrier that delivered it. Call the Carrier immediately to fill in a damage claim.

Please check that the following items have been supplied with the machine:

1. Technical documents:
  - Scrubber-dryer Operator's Manual
2. Supply cable extension

## MACHINE SPECIFICATIONS

Model	Vantage 17 Cable 115 V	Vantage 17 Cable 230 V
Working Voltage	115 V	230 V
Drive Speed	Determined by brush rotation	
Vacuum Motor	550 W, 60 Hz	550 W, 50 Hz
Vacuum System Capacity	51.8 in H <sub>2</sub> O (1,316 mm H <sub>2</sub> O)	
Solution Tank Capacity	8.2 gal (31 liters)	
Solution Flow (min/max)	0.08/0.26 gal/min (0.3/1.0 liters/min)	
Recovery Tank Capacity	7.7 gal (29 liters)	
Squeegee	Straight	
Squeegee Width	28.3 in (720 mm)	
Cleaning Width	17 in (430 mm)	
Brush/Pad Motor	550 W, 60 Hz	1,100 W, 50 Hz
Brush/Pad Diameter	17 in (430 mm)	
Brush/Pad Rotation Speed	150 rpm	
Brush/Pad On-Floor Pressure (with Full Tank)	61.6 lbs (28 kg)	
Central Wheels on Fixed Axle Diameter	9.8 in (250 mm)	
Pivoting Wheel (diameter)	1.9 in (49 mm)	
Rear wheel specific pressure on the floor	145 psi (1,0 N/mm <sup>2</sup> )	
Front wheel specific pressure on the floor	275.5 psi (1,9 N/mm <sup>2</sup> )	
Maximum Floor Inclination	2 %	
Machine Length	43.9 in (1,115 mm)	
Machine Width (without Squeegee)	22.4 in (570 mm)	
Machine Height	41.4 in (1,050 mm)	
Machine weight with broom and full solution tank (working condition)	217.2 lbs (98.5 kg)	
Sound pressure level at workstation (ISO 11201, ISO 4871) (LpA)	70 dB(A) ± 3dB(A)	
Machine sound pressure level (ISO 3744, ISO 4871) (LwA)	87 dB(A)	
Vibration level at the operator's arms (ISO 5349-1)	< 98.4 in/s <sup>2</sup> (< 2,5 m/s <sup>2</sup> )	

## GROUNDING INSTRUCTIONS

This machine is equipped with a grounding system. If the machine has a malfunction or an electrical failure, the grounding system reduces the risk of electric shock. This Machine is equipped with a power supply cable with grounding cable and plug with grounding connection.

The plug must be inserted in proper electrical mains equipped with a grounding system according to the Law in force.



### WARNING!

***Improper connections can cause electric shock. Ask a technician to check if the electrical plug to be used is equipped with a grounding connection.***

***Do not modify the plug of the machine. If it is not possible to connect the plug of the machine to the electrical mains, have a qualified technician install a proper electrical mains equipped with a grounding system, according to the Law in force.***

### Extension

Use the extension supplied with the machine or an extension of identical electrical characteristics.

## MACHINE TRANSPORT PROCEDURES

### How to Load and Unload the Machine from a Van or a Truck



**WARNING!**

*This machine is heavy. Machine transfer must be performed by qualified personnel only. Machine transfer on steep ramps must be performed by two well-trained operators only. Always move it slowly. Do not turn the machine on slopes. Do not leave the machine unattended on slopes. Loading ramp width must not be less than 40 in (1 m).*

1. Check that the loading ramp is not longer than 8 feet (2.5 m) and not wider than 40 inches (1 m). Its thickness must be adequate to support the machine and operators' weight.
2. Check that the ramp is dry and clean.
3. Position the ramp properly.
4. Before loading the machine, remove the squeegee assembly and the brush/pad holder. Before loading the machine, empty both the solution and the recovery tank.

### How to Fasten the Machine Inside the Vehicle

5. Clarke recommends tying down machine when transporting.

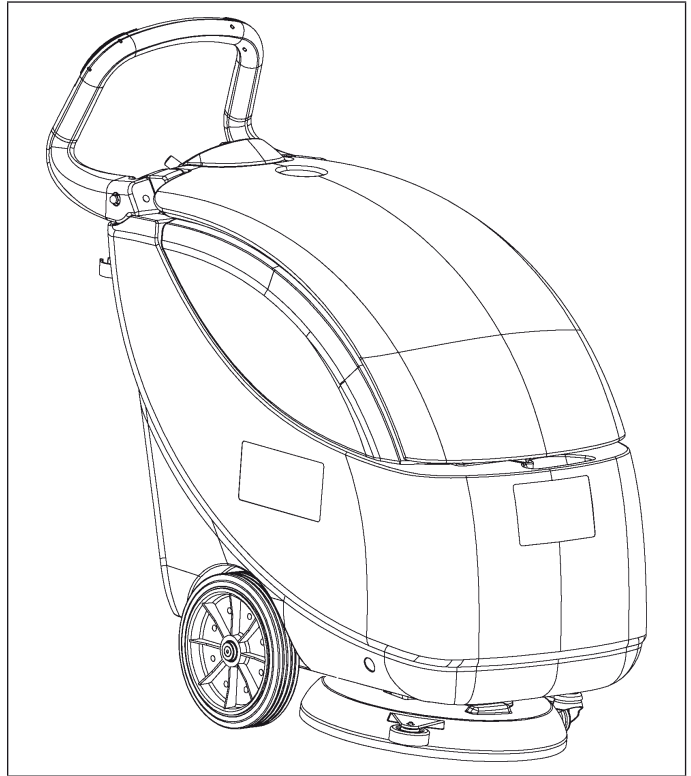
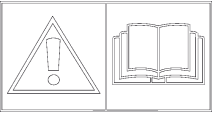


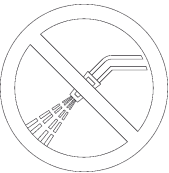
Figure 1

## SYMBOLS SHOWN ON THE MACHINE



**WARNING!**

*Carefully read all maintenance/repair instructions before performing any maintenance/repair procedure.*



**WARNING!**

*Do not wash the machine with pressurized water.*



## MACHINE DESCRIPTION

### OUTER STRUCTURE

(See Fig. 2)

- |     |   |     |  |
|-----|---|-----|--|
| A.  | Serial number plate/technical data/mark of conformity | O.  | Squeegee blade fixing springs            |
| B.  | Handlebar   | P.  | Recovery tank drain hose                 |
| C.  | Control panel   | Q.  | Recovery tank drain hose bracket         |
| D.  | Solution flow control lever                           | R.  | Solution drain valve                     |
| E1. | ECO Solution Flow Position                            | S.  | Squeegee lifting/lowering lever          |
| E2. | Maximum solution flow position                        | T.  | Solution filter                          |
| F.  | Recovery tank cover                                   | U1. | Power supply cable                       |
| G.  | Rear support wheel for transport/parking              | U2. | Power supply cable extension             |
| H.  | Central wheels on fixed axle                          | V.  | Squeegee vacuum hose                     |
| I.  | Brush/pad-holder with pad                             | W.  | Transport/parking device                 |
| J.  | Brush/pad-holder cover                                | W1. | Transport/parking device activated       |
| K.  | Squeegee  | W2. | Transport/parking device deactivated     |
| L.  | Squeegee knobs  | X.  | Transport/parking device positioning pin |
| M.  | Front squeegee blade                                  | Y.  | Recovery water tank                      |
| N.  | Rear squeegee blade                                   | Z.  | Solution tank                            |

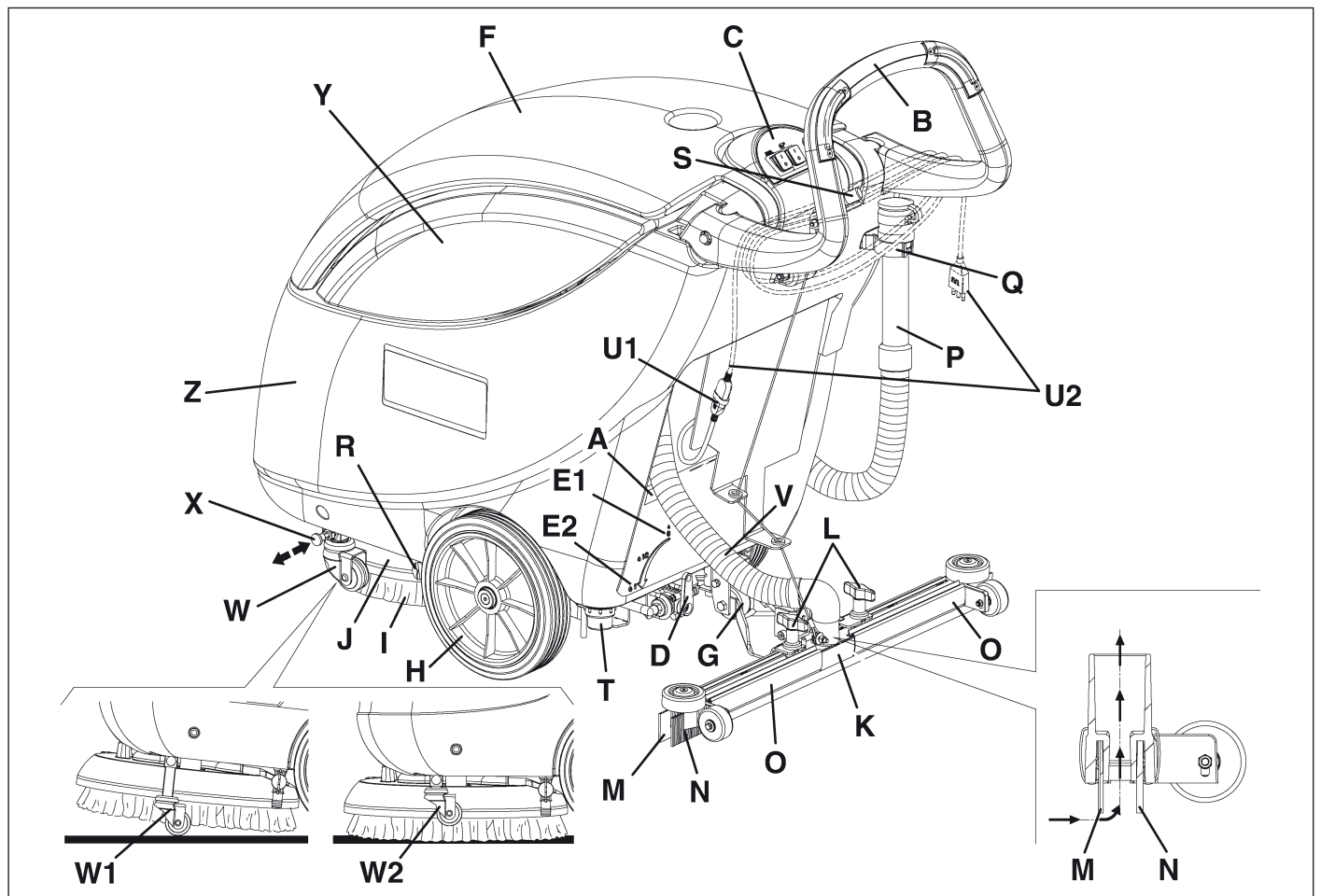


Figure 2

**INNER STRUCTURE**

(See Fig. 3)

- A. Recovery tank cover (open)
- B. Recovery tank cover gasket
- C. Cover stand (applied)
- D. Recovery tank
- E. Solution tank
- F. Suction grid with automatic shut-off float
- G. Recovery water drain hole
- H. Vacuum motor
- I. Brush/pad motor
- J. Cover with brush/pad-holder coupling pin
- K. Machine speed adjusting screw
- L. Brush
- M. Pad-holder
- N. Pad
- O. Vent hole
- P. Terminal board box

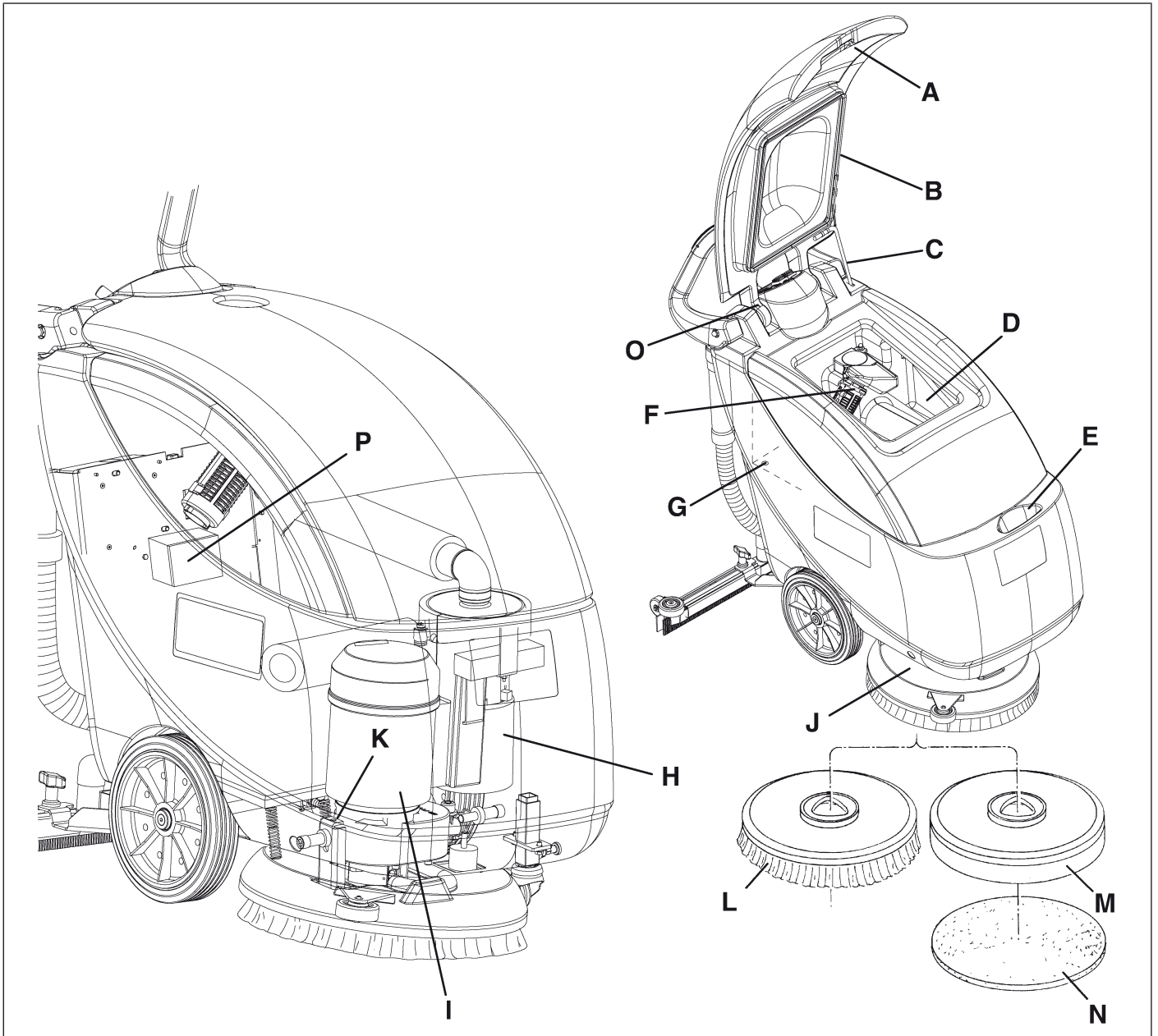


Figure 3

## CONTROL PANEL

(See Fig. 4)

### Brush/Pad Rotation Switch (A, Fig. 4)

When it is turned to the "I" position, the machine is ready to start the brush/pad rotation. To start the brush/pad rotation, press and hold one or both the activation switches (C, Fig. 4).

When it is turned to the "0" position, the brush/pad rotation is deactivated.

### Water Vacuuming Switch (B, Fig. 4)

When it is turned to the "I" position, it starts the vacuuming of the recovery water.

When it is turned to the "0" position, it stops the vacuuming of the recovery water.

### Activation Switches (C, Fig. 4)

When one or both the activation switches are pressed, the brush/pad rotation is activated.

The switches are active only if the brush/pad rotation switch (A, Fig. 4) is turned to the "I" position.

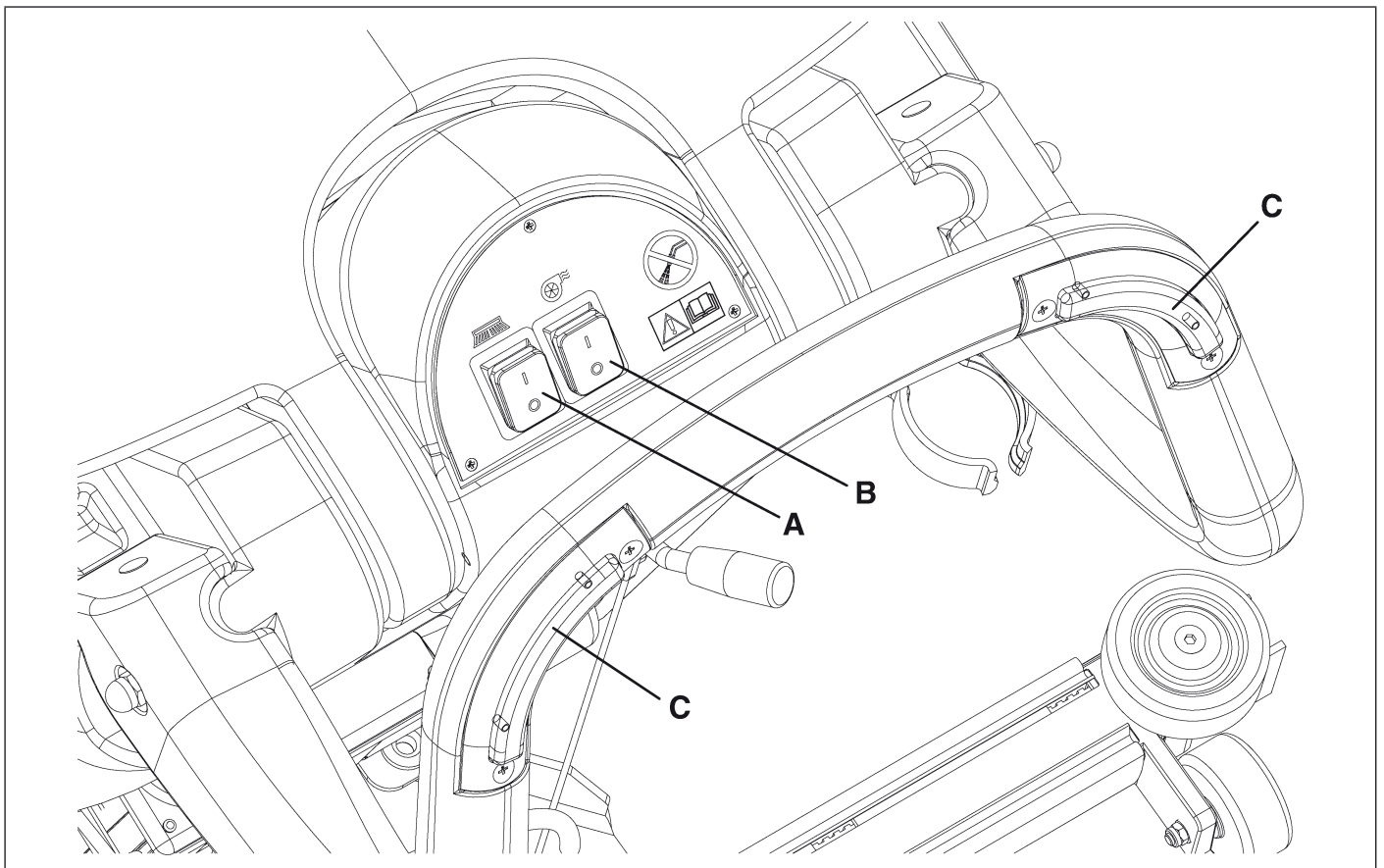


Figure 4

**USE**



**WARNING!**  
*On some points of the machine there are some labels indicating:*

- **DANGER**
- **WARNING**
- **CAUTION**
- **INFORMATION**

While reading this Manual, the Operator must pay particular attention to the symbols shown in the labels.  
 Do not cover these labels for any reason and immediately replace them if damaged.

**BEFORE MACHINE START-UP**

To prepare the machine for operation, follow this procedure before start-up.

**Squeegee Installation**

1. Install the squeegee (A, Fig. 5) and fix it by means of the squeegee knobs (B), then connect the vacuum hose (C) to the squeegee.

**Solution Tank Filling**

2. Fill the solution tank (A, Fig. 6) with a solution suitable for the work to be carried out.  
 Do not fill the solution tank completely, leave few inches from the edge.  
 Always follow the dilution instructions on the container label on the chemical product used to create the solution.  
 The solution temperature must not exceed 100°F (40°C).



**CAUTION!**  
*Use only low-foam and non-flammable liquid detergents, intended for automatic scrubber applications.*

**Brush or Pad-Holder Installation**



**NOTE**  
*According to the kind of cleaning to be carried out, the machine can be equipped both with the brush (B, Fig. 6) and the pad-holder (C) with pad (D).*

3. Deactivate the transport/parking device (D, Fig. 5) by putting it in position (E) after inserting the relevant pin (F).
4. Lift the brush cover (G, Fig. 5) by prying the handlebar (H).
5. Place the brush (B, Fig. 6) or the pad-holder (C) with pad (D) under the cover.
6. Lower the cover (G, Fig. 5) by means of the handlebar (H).
7. Connect the extension (J, Fig. 5) with the power supply cable (K). Connect the extension plug (L) to the electrical mains.



**WARNING!**  
*Before connecting the machine to the electrical mains, make sure that the frequency and voltage shown in the serial number plate/technical data (M, Fig. 5) match the mains voltage.*

8. Turn the brush/pad rotation switch (I, Fig. 5) to the "1" position; then hook the brush/pad-holder by pressing for a few seconds one or both switches (N, Fig. 5).  
 If the hooking operation is difficult, manually rotate the brush/pad-holder counterclockwise (Fig. 7, next page).

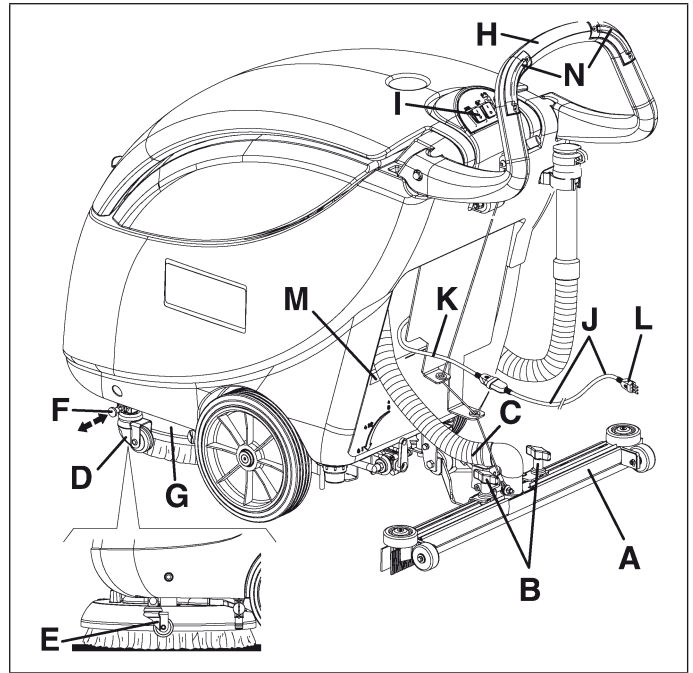


Figure 5

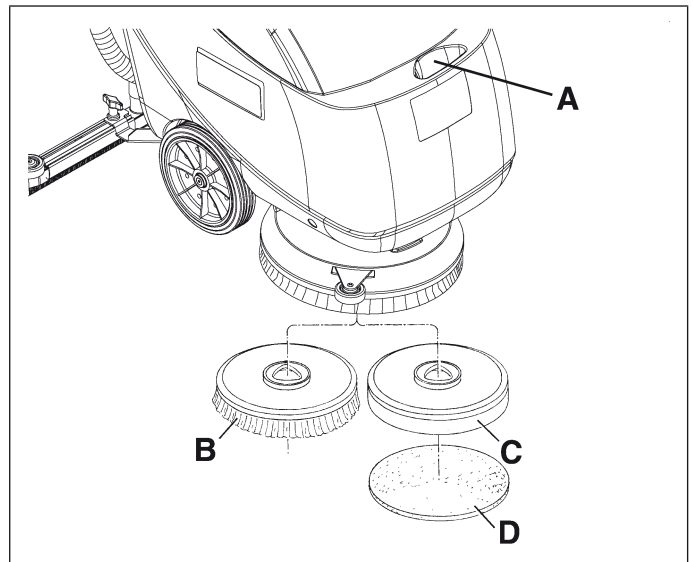


Figure 6

## MACHINE START AND STOP

### Start

1. Prepare the machine according to the procedure shown in the previous paragraph.
2. If the machine has not yet been connected to the electrical mains, connect it proceeding as follows.  
Connect the power supply cable (I) to the extension (H, Fig. 8) supplied. Connect the extension plug (J) to the electrical mains.



#### WARNING!

**Before connecting the machine to the electrical mains, make sure that the frequency and voltage shown in the serial number plate/technical data (M, Fig. 8) match the mains voltage.**

3. Lower the squeegee (A, Fig. 8) by pushing the lever (B) downwards.
4. Turn the solution flow control lever (C, Fig. 8) to one of the following positions, according to the type of cleaning to be carried out:
  - **ECO system:** When the lever (C, Fig. 8) is in the “ECO” position (D), the machine works in a special condition of programmed water “economy” usage; as the water flow is set and constant, the machine can work with a cleaning time of 70-80 minutes [0.08 gal/min (0.3 liters/min)].
  - **Variable system:** When the lever is turned to the left (variable flow), it is possible to increase the capacity up to 0.26 gal/min (1 liter/min) (E, Fig. 8).
 During machine operation, it is not possible to completely close the water flow to the brush/pad.
5. Turn the switches (F and G, Fig. 8) to the “I” position.
6. While keeping both hands on the handlebar (K, Fig. 8), start the machine by pressing one or both the activation switches (L).

### Machine Stop

7. Release the switches (L, Fig. 8).
8. Turn the switches (F and G, Fig. 8) to the “0” position.
9. Disconnect the power supply cable plug (J) from the electrical mains. If necessary, roll up the power supply cable (H, Fig. 8) on the handlebar into position (N).
10. Lift the squeegee by pushing the lever (B, Fig. 8) completely upwards.
11. Lift the brush/pad by activating (B, Fig. 9) the transport/parking device (A) after inserting the relevant pin (C).

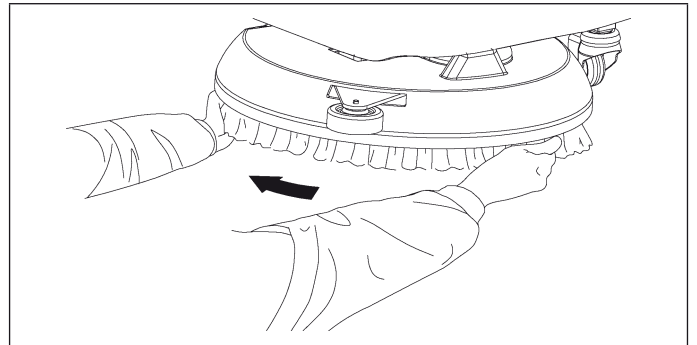


Figure 7

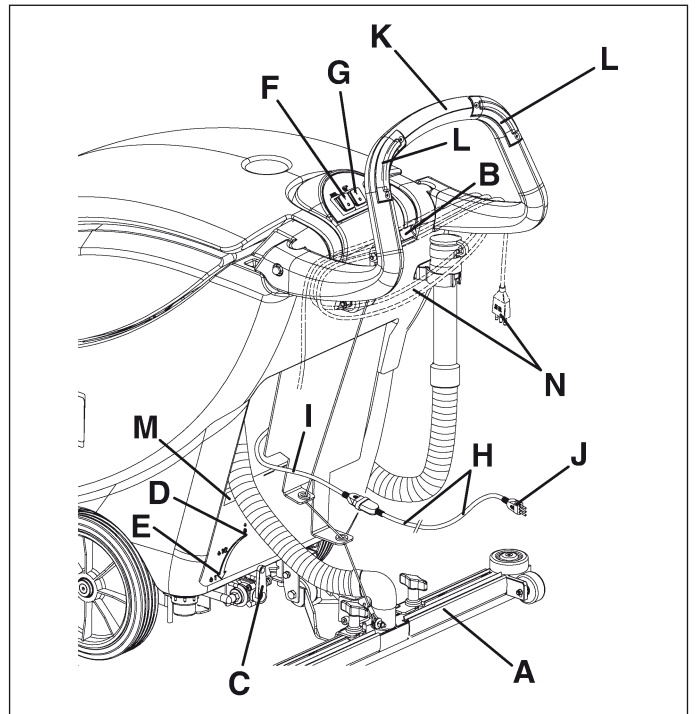


Figure 8

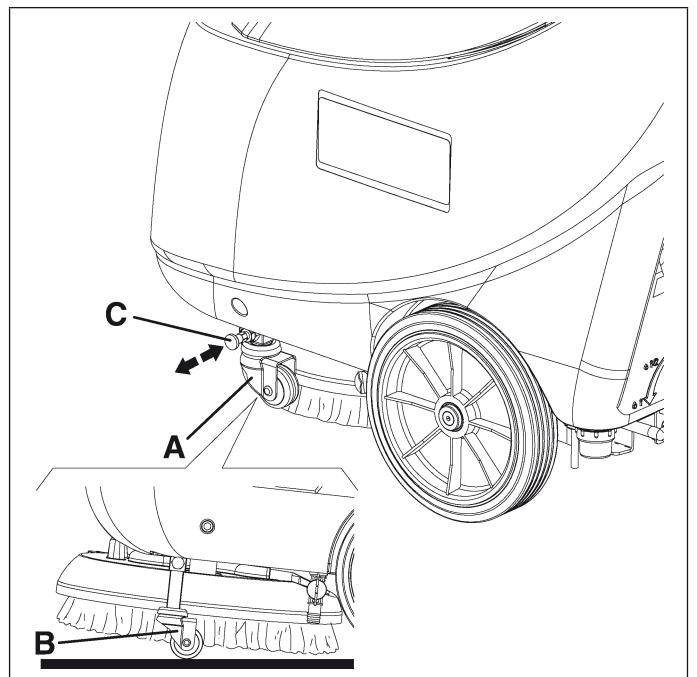


Figure 9



**MACHINE OPERATION (SCRUBBING/DRYING)**

1. Start the machine according to the procedure shown in the previous paragraph.
2. While keeping both hands on the handlebar (I, Fig. 10), move the machine and start scrubbing/drying the floor.



**CAUTION!**  
 To avoid damaging the floor surface:  
 Do not use the brush/pad without the solution.  
 When the machine is stopped, stop the brush/pad by releasing the switches (A, Fig. 10).



**CAUTION!**  
 Before lifting the brush/pad, stop its rotation by releasing the switches (A, Fig. 10).

3. If necessary, adjust the solution flow sent to the brush/pad by turning the lever (B, Fig. 10).

**Machine Speed Adjustment**

4. The machine speed depends on the type of floor to be cleaned and on the choice of using brush or pad.  
 If necessary, it is possible to adjust the machine speed by following the relevant procedure in the Maintenance chapter.

**MACHINE TRANSPORT/PARKING**

After operation, proceed as follows to transport/park the machine.

1. Turn the brush/pad rotation switch and the water vacuuming switch (F and G, Fig. 10) to the “0” position.
2. Disconnect the power supply cable plug (C, Fig. 10) from the electrical mains. Roll up the power supply cable on the handlebar into position (J).
3. Lift the squeegee by pushing the lever (H, Fig. 10) completely upwards.
4. Grasp the handlebar (A, Fig. 11) and slightly lower it until the rear wheel (B) comes into contact with the floor, as shown in the figure. While holding the machine in this position, push it to the transport/parking area.

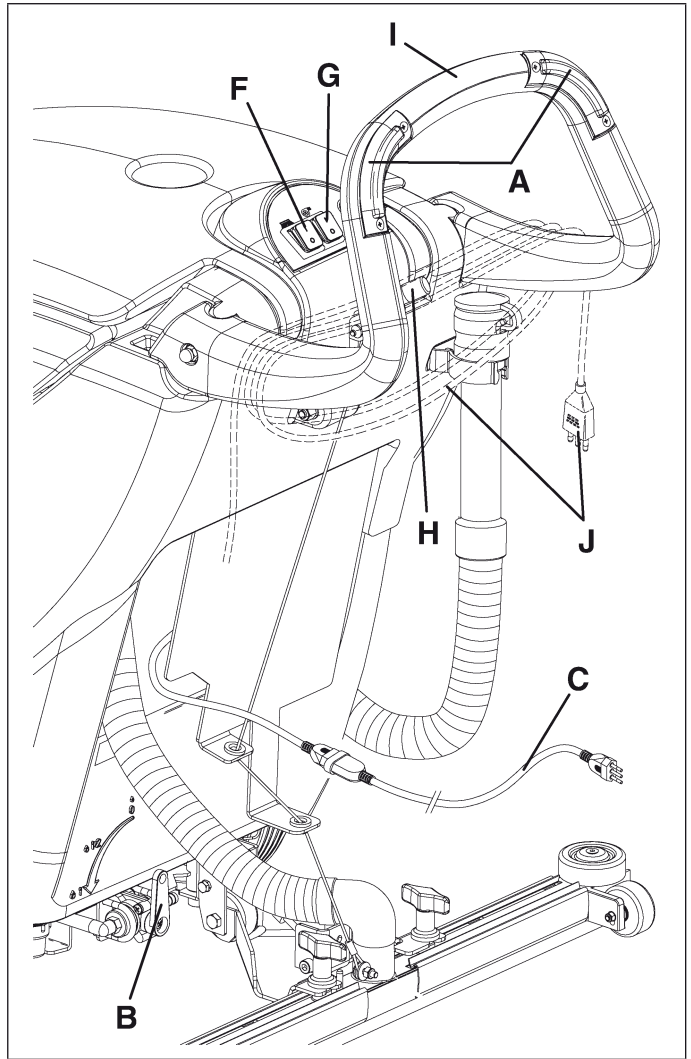


Figure 10

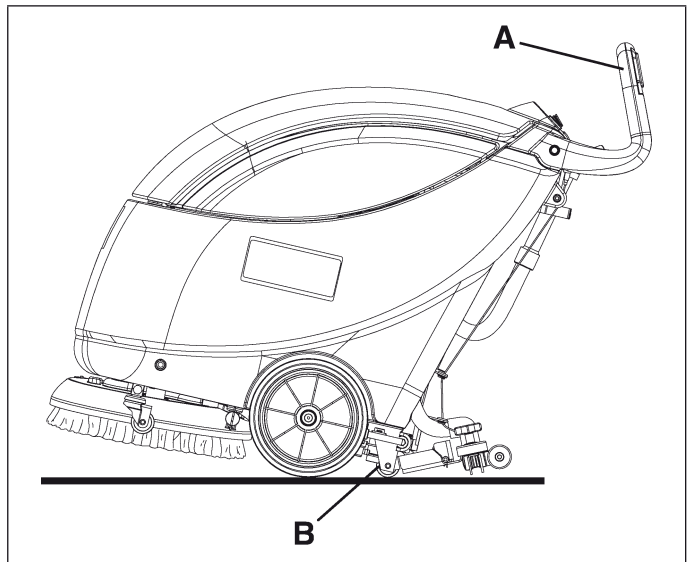


Figure 11

## TANK EMPTYING

An automatic float shut-off system (A, Fig. 12) deactivates the vacuum system once the recovery tank (B) is full.

The vacuum system shutdown is due to the recovery tank filling, which prevents recovery water from being vacuumed, and it is signalled by a sudden increase in the system motor noise frequency.

When the recovery tank (B, Fig. 12) is full, empty it according to the following procedure.

### Recovery Tank Emptying

1. Stop the machine by turning the brush/pad rotation switch and the water vacuuming switch (A and B, Fig. 13) to the "0" position.
2. Disconnect the power supply cable plug (M, Fig. 13) from the electrical mains. Roll up the power supply cable on the handlebar into position (N).
3. Lift the squeegee by means of the lever (C, Fig. 13).
4. Drive the machine to the appointed disposal area.
5. Insert the positioning pin (E), lift the brush/pad and activate the transport/parking device (D, Fig. 13) by means of the handlebar.
6. Disconnect the recovery tank drain hose (F, Fig. 13) from the bracket (G); open the cover (H), then lower the hose (F) and empty the recovery tank. Then, rinse the tank with clean water.

### Solution Tank Emptying

7. Carry out steps 1 to 5.
8. Empty the solution tank by opening the drain valve (I, Fig. 13). Then, rinse the tank with clean water.

## AFTER USING THE MACHINE

After scrubbing-drying, before leaving the machine proceed as follows:

1. Remove the brush/pad-holder as follows:
  - Turn the brush/pad rotation switch (A, Fig. 13) to the "I" position.
  - Lift the brush/pad-holder and press one or both the switches (J, Fig. 13) for a few seconds, then release them: this causes the brush/pad-holder to be disengaged.
2. Disconnect the power supply cable plug (M, Fig. 13) from the electrical mains. Roll up the power supply cable on the handlebar into position (N).
3. Empty the tanks (B and C, Fig. 12) according to the procedure shown in the previous paragraph.
4. Perform the daily maintenance operations (see the Maintenance chapter).
5. Store the machine in a clean and dry place, with the brush/pad and the squeegee lifted or removed.

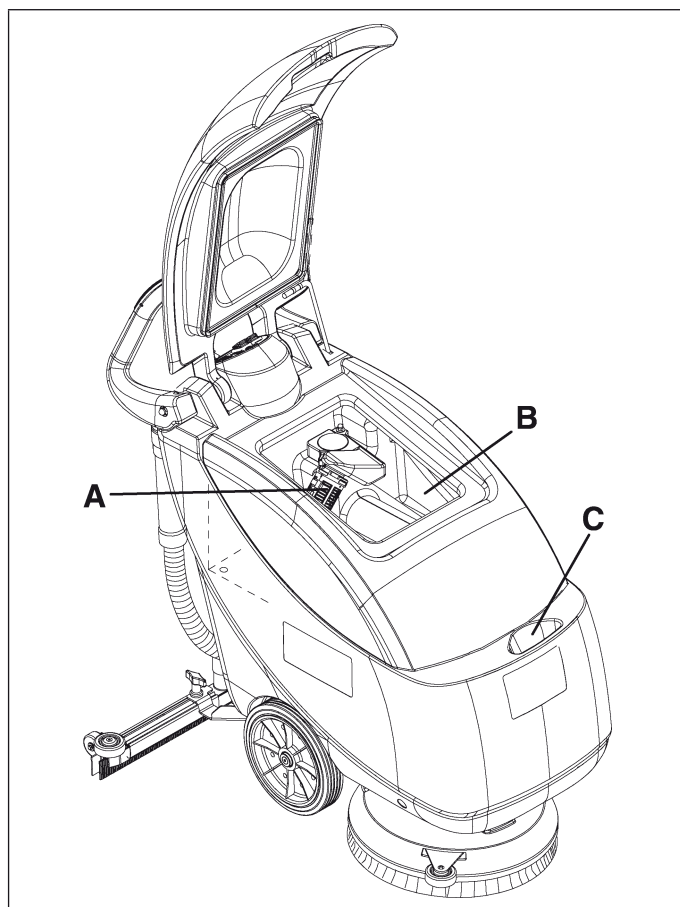


Figure 12

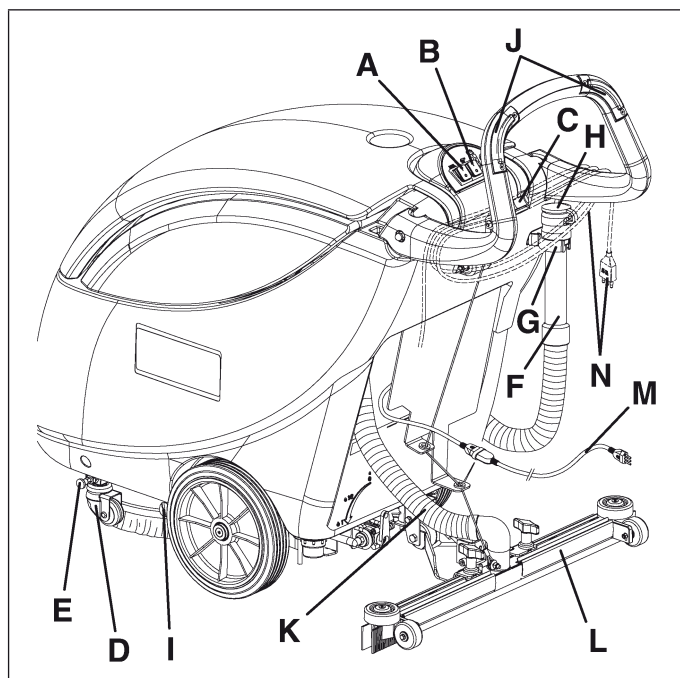


Figure 13

### RECOVERY TANK REMOVAL

To perform check and maintenance operations, it may be necessary to remove the recovery water tank (15, Fig. H) according to the following procedure:

1. Empty the tank (A, Fig. 15) according to the procedure shown in the relevant paragraph.
2. Drive the machine on a level ground.
3. Make sure that the power supply cable (M, Fig. 14) is disconnected from the electrical mains.
4. Disconnect the vacuum hose (A, Fig. 14) from the squeegee (B).
5. Disconnect the recovery tank drain hose (C, Fig. 14) from the bracket (D).
6. Open the cover (B, Fig. 15) and apply the cover stand (C).
7. Grasp the recovery tank (A, Fig. 15) in the area (D) and slightly lift it, as shown in the figure.
8. Disconnect the vacuum hose (E, Fig. 15) from the tank, then remove the tank (A) with the hoses (F) and (G).

### STORED MACHINE

If the machine is not going to be used for more than 30 days, proceed as follows:

1. Perform the operations described in the paragraph After using the machine.
2. Store the machine in a clean and dry place, with the brush/ pad and the squeegee lifted or removed.

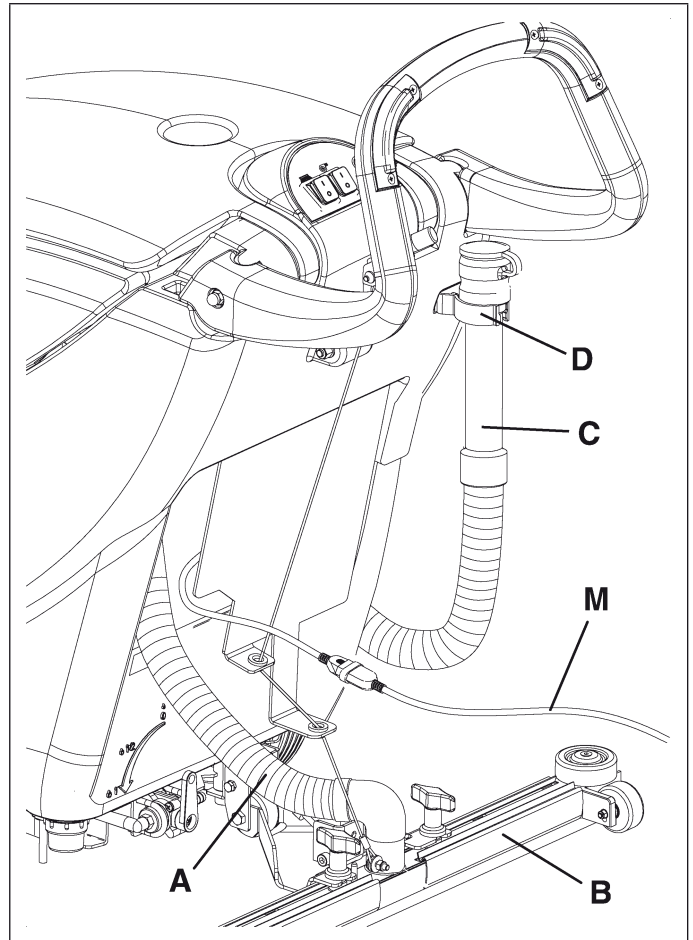


Figure 14

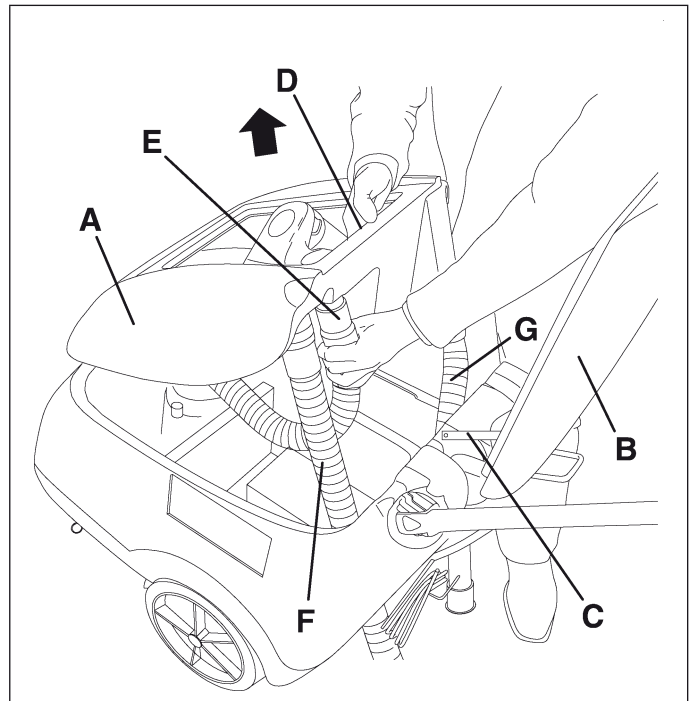


Figure 15



## MAINTENANCE



### WARNING!

*All maintenance operations must be performed by qualified personnel, or by an authorized Service Center.*



### WARNING!

*Maintenance operations must be carried out:*

- *With the machine switched off*
- *With the power supply cable disconnected from the electrical mains*

*Moreover, read carefully the instructions in the Operator Safety Instructions chapter before performing any maintenance operation.*

The lifespan of the machine and its maximum operating safety are ensured by correct and regular maintenance.

Provided below is the Scheduled Maintenance Table. The intervals shown may vary according to particular working conditions, which are to be defined by the person in charge of the maintenance.

This Manual contains the Scheduled Maintenance Table and describes only the easiest and most common maintenance procedures.

### SCHEDULED MAINTENANCE TABLE

Procedure	Daily or after using the machine	Weekly	Every six months	Yearly
Integrity Check of Power Supply Cable and Extension				
Squeegee Cleaning				
Brush Cleaning				
Cleaning of Tank and Vacuum Grid with Float				
Squeegee Blade Check and Replacement				
Solution Filter Cleaning				
Screw and Nut Tightening Check			(1)	
Vacuum Motor Carbon Brush Check or Replacement				(2)

(1): and after the first 8 working hours

(2): for these maintenance operations, contact an authorized Clarke Service Center

### INTEGRITY CHECK OF POWER SUPPLY CABLE AND EXTENSION

Carefully check if the power supply cable, the extension and the plugs are worn or damaged. If necessary, have them replaced by the Service Center.

**SQUEEGEE CLEANING**



**NOTE**  
*The squeegee must be clean and the blades must be in good condition in order for the floor to dry properly.*



**CAUTION!**  
*It is advisable to use protective gloves when cleaning the squeegee because there may be cutting debris.*

1. Make sure that the power supply cable (A, Fig. 16) is disconnected from the electrical mains.
2. Lower the squeegee (B, Fig. 16) by means of the lever (C).
3. Disconnect the vacuum hose (D, Fig. 16) from the squeegee.
4. Loosen the squeegee knobs (E, Fig. 16) and remove the squeegee (D).
5. Wash and clean the squeegee assembly to remove dirt and debris.
6. Check the front blade (C, Fig. 17) and the rear blade (D) for wear, cuts and tears; if required replace them according to the procedure in the "Squeegee Blade Check and Replacement" section below).
7. Reassemble in the reverse order of disassembly.

**SQUEEGEE BLADE CHECK AND REPLACEMENT**

1. Clean the squeegee according to the procedure shown in the previous paragraph.
2. Check that the edge (E, Fig. 17) of the front blade and the edge (F) of the rear blade lay down on the same level, along their length; otherwise adjust their height according to the following procedure:
  - Remove the fixing springs (G, Fig. 17) and adjust the front blade (C) and the rear blade (D).
  - Reinstall the fixing springs on the properly adjusted front and rear blades.
3. Check the front blade (C, Fig. 17) and rear blade (D) for wear, cuts and tears. If necessary, replace them according to the following procedure:
  - Remove the spring clamp (G, Fig. 17) and replace the blade.



**NOTE**  
*When replacing the blades, make sure that the ribs of the front blade face the front and the ribs of the rear blade face the rear.*

- Reinstall the spring clamp (G, Fig. 17).
4. Reinstall the squeegee (B, Fig. 16) and screw down the squeegee knobs (E).
  5. Connect the vacuum hose (D, Fig. 16) to the squeegee (B).

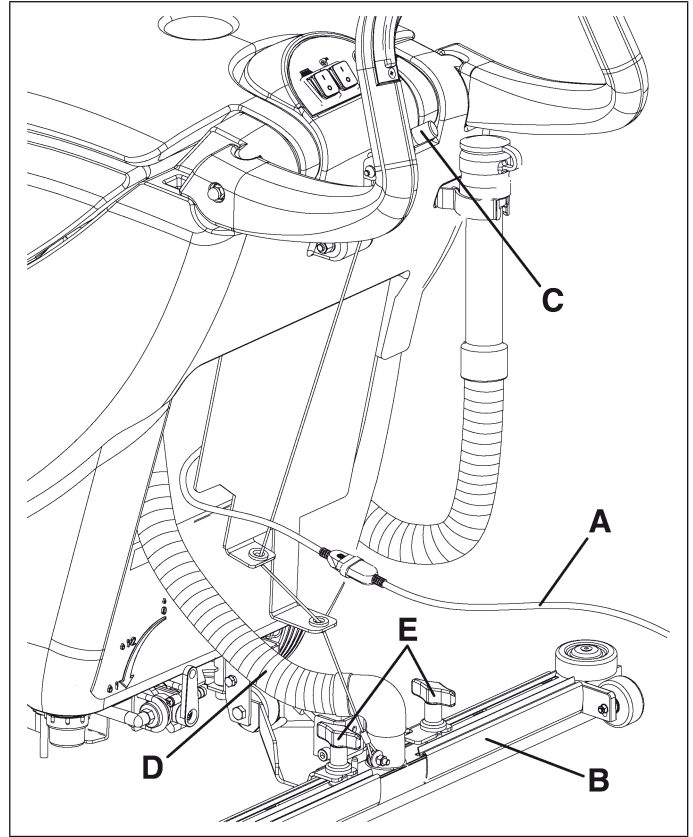


Figure 16

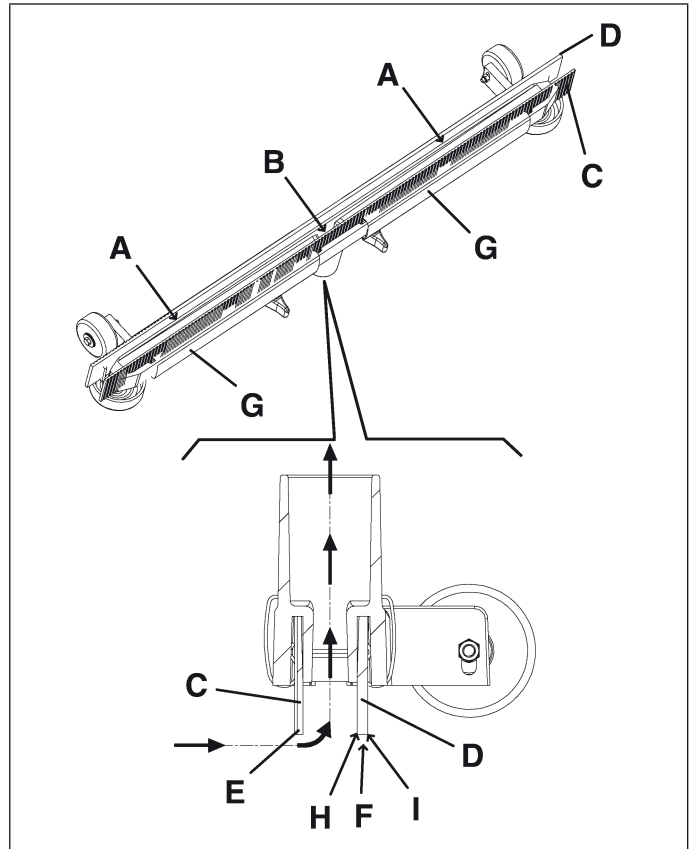


Figure 17

## BRUSH CLEANING



### CAUTION!

*It is advisable to use protective gloves when cleaning the brush because there may be cutting debris.*

1. Remove the brush from the machine, according to the procedure shown in the Use chapter.
2. Clean and wash the brush with water and detergent.
3. Check the brush bristles for integrity and wear; if necessary, replace the brush.

## CLEANING OF THE TANK AND VACUUM GRID FLOAT

1. Make sure that the power supply cable (A, Fig. 18) is disconnected from the electrical mains. Roll up the power supply cable on the handlebar into position (D).
2. Drive the machine to the appointed disposal area.
3. Lift the cover (A, Fig. 19) and apply the cover stand (B), then clean and wash the cover, the tanks (C and D) and the vacuum grid (E) with clean water.  
Drain the water from the tanks by means of the drain hose (B, Fig. 18) and valve (C).
4. If necessary, release the retainers (F, Fig. 19), open the vacuum grid (E), remove the float (G), then carefully clean and reinstall them.
5. Check the cover sealing gasket (H, Fig. 19) of the recovery tank for wear.



### NOTE

*The gasket (H, Fig. 19) creates vacuum in the tank, which is necessary for the vacuuming of the recovery water.*

If necessary, replace the gasket (H, Fig. 19) after removing it from the housing (I).

When reassembling the new gasket, install the joint (J) in the central area, as shown in Fig. 19.

6. Check the gasket (H, Fig. 19) seating surface (K) for integrity and sealing capabilities.
7. Check the vent hole (L, Fig. 19). If clogged, clean it.



### NOTE

*The hole (L, Fig. 19) compensates the air in the cover interspaces, thus allowing the creation of vacuum in the recovery tank.*

8. Remove the cover stand (B, Fig. 19) and close the cover (A).

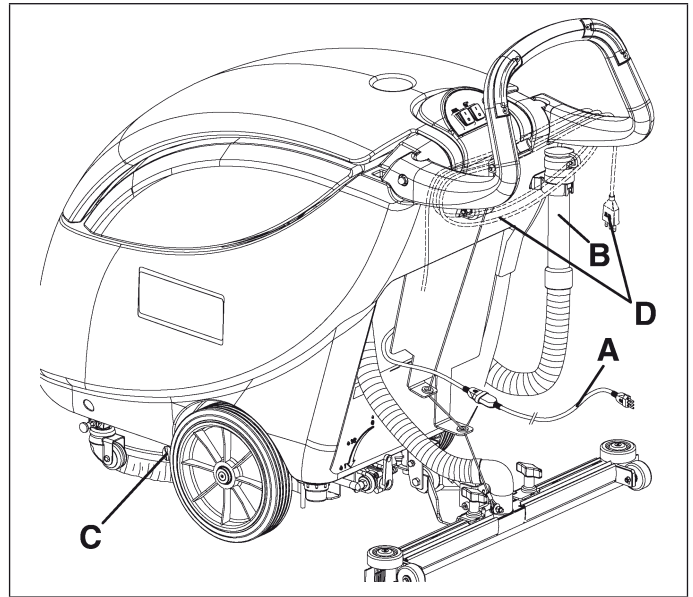


Figure 18

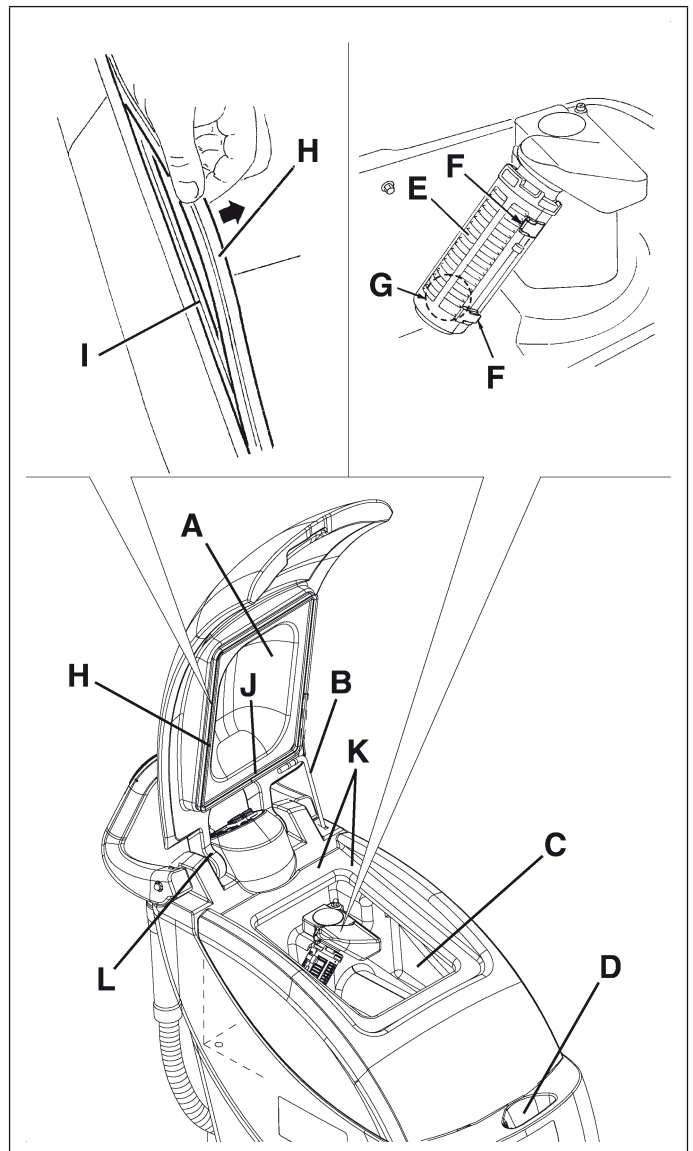


Figure 19

### SOLUTION FILTER CLEANING

1. Empty the solution tank (A, Fig. 20) according to the procedure shown in the relevant paragraph.
2. Make sure that the power supply cable (H, Fig. 20) is disconnected from the electrical mains.
3. Drive the machine on a level ground.
4. Remove the transparent cover (D, Fig. 20) and the filter strainer (E), then clean and reinstall them on the support (F).



**NOTE**  
*Properly install the strainer (E, Fig. 20) in the housing (G) of the support (F).*

### MACHINE SPEED ADJUSTMENT



**NOTE**  
*The machine speed depends on the type of floor to be cleaned and on the choice of using brush or pad.  
 The machine speed can be adjusted according to the following procedure.*

1. Remove the recovery tank as shown in the Use chapter.
2. Adjust the machine speed by means of the screw (A, Fig. 21), according to the following procedure:
  - Loosen the screw (B, Fig. 21) on the right side of the machine, by turning it counter-clockwise.
  - Turn the adjusting screw (A, Fig. 21) counter-clockwise to increase the machine speed.
  - Turn the adjusting screw (A, Fig. 21) clockwise to decrease the machine speed.
  - After adjusting, tighten the screw (B, Fig. 21).
3. Install the recovery tank as shown in the Use chapter.
4. With the machine ready to operate, carry out hands-on tests of the machine speed and, if other adjustments are necessary, repeat steps 1 to 4.

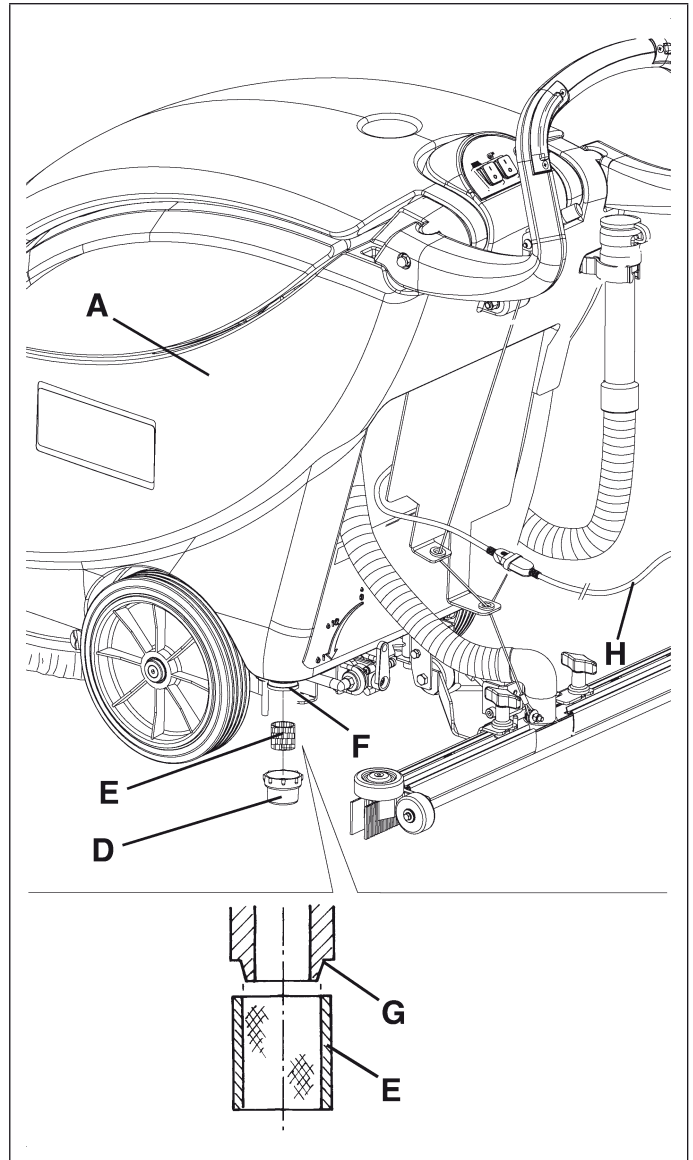


Figure 20

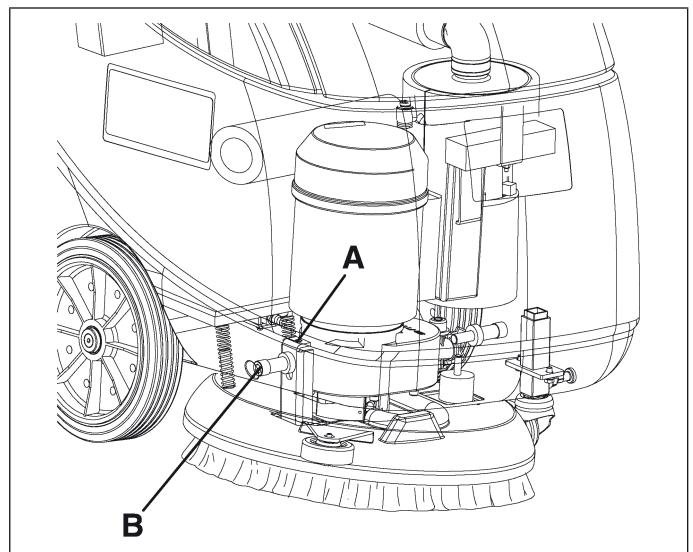


Figure 21

## Vantage 17 Cable ACCESSORIES/OPTIONS

In addition to the standard components, the machine can be equipped with the following accessories/options, according the machine specific use:

For further information concerning the above-mentioned optional accessories, contact an authorized Retailer.

### ACCESSORIES/OPTIONS

See "Parts List" section.

## HOW TO CORRECT PROBLEMS IN THE MACHINE

PROBLEM	POSSIBLE CAUSE	ACTION
The motors do not work	Power supply cable disconnected from the electrical mains	Connect the power supply cable
	Power supply cable faulty	Repair/replace the power supply cable
Insufficient recovery water vacuuming	Full recovery tank	Empty the tank
	Clogged vacuum grid or stuck closed float	Clean the vacuum grid and the float
	Vacuum hose disconnected from the squeegee or faulty	Connect or repair/replace it
	Dirty squeegee, or worn or damaged squeegee blades	Clean the squeegee or replace the blades
	Improperly closed recovery tank cover or worn gasket or clogged vent hole	Correctly close the cover or replace the gasket or clean the vent hole
Insufficient solution flow to the brushes	Dirty solution filter	Clean the filter
	Clogged recovery tank output hole	Clean the hole
The squeegee leaves streaks on the floor	Debris under the squeegee blades	Remove the debris
	Worn, chipped or torn squeegee blades	Replace the blades

**LEA ESTE LIBRO**

Contiene información importante para el uso correcto y seguro de la máquina. Lea este libro completamente antes de arrancar la máquina o hacer cualquier operación de mantenimiento. Si no siga las instrucciones, corre el peligro de herirse o causar lesiones al personal, o causar daños importantes a la máquina o a su entorno. Antes de usar la máquina, es indispensable seguir una formación. Si Usted (o el operador) no habla español, solicite (o proporcionele) todas las informaciones necesarias. El libro está traducido en otros idiomas. Todas las indicaciones de dirección dadas en este libro están dadas desde la posición del operador en la parte de atrás de la máquina. Puede Ud. conseguir libros suplementarios dirigiéndose a su distribuidor Clarke.

**INDICE**

**Libro de Instrucciones ..... 1**

**INSTRUCCIONES DE SEGURIDAD PARA EL OPERADOR ..... 23**

INTRODUCCIÓN..... 26

    CONSERVACIÓN DEL MANUAL ..... 26

    DATOS DE IDENTIFICACIÓN ..... 26

    MODIFICACIONES Y MEJORAS ..... 26

    DESEMBALAJE..... 26

DATOS TÉCNICOS ..... 27

INSTRUCCIONES SOBRE LA PUESTA A TIERRA..... 27

PROCEDIMIENTOS PARA EL TRANSPORTE ..... 28

SIMBOLOS..... 28

DESCRIPCIÓN DE LA MÁQUINA..... 29

    ESTRUCTURA EXTERIOR ..... 29

    ESTRUCTURA INTERNA..... 30

    PANEL DE LOS MANDOS ..... 31

USO..... 32

    ANTES DE LA PUESTA EN MARCHA DE LA MÁQUINA..... 32

    PUESTA EN MARCHA Y PARADA DE LA MÁQUINA..... 33

    MÁQUINA EN FUNCIÓN (LAVADO/SECAMIENTO)..... 34

    TRANSPORTE/ESTACIONAMIENTO DE LA MÁQUINA..... 34

    VACIADO DE LOS DEPÓSITOS..... 35

DESPUÉS DE LA UTILIZACIÓN DE LA MÁQUINA..... 35

    REMOCIÓN DEL DEPÓSITO DEL AGUA DE RECUPERACIÓN ..... 36

    PERIODO DE LARGA INACTIVIDAD DE LA MÁQUINA..... 36

MANTENIMIENTO ..... 37

    ESQUEMA DE MANTENIMIENTO PROGRAMADO..... 37

    CONTROL DE LA INTEGRIDAD DEL CABLE ELÉCTRICO DE ALIMENTACIÓN DE LA EXTENSIÓN RELACIONADA..... 37

    LIMPIEZA DE LA BOQUILLA ..... 38

    CONTROL/SUSTITUCIÓN DE LOS CAUCHOS DE LA BOQUILLA..... 38

    LIMPIEZA DEL CEPILLO..... 39

    LIMPIEZA DE LOS DEPÓSITOS Y DE LA REJILLA DE ASPIRACIÓN CON FLOTADOR..... 39

    LIMPIEZA DEL FILTRO DE LA SOLUCIÓN DETERGENTE..... 40

    AJUSTE DE LA VELOCIDAD DE MARCHA DE LA MÁQUINA..... 40

ACCESORIOS/OPCIONES, Vantage 17 Cable ..... 41

BÚSQUEDA AVERÍAS Y SOLUCIONES..... 41

**Parts List ..... 63**

## INSTRUCCIONES DE SEGURIDAD PARA EL OPERADOR



### ¡PELIGRO!

*Indica un peligro con riesgo, incluso mortal, para el operador.*



### ¡ATENCIÓN!

*Se usa para indicar el riesgo de infortunios para las personas o daños para las cosas.*



### ¡ADVERTENCIA!

*Indica una advertencia o una nota sobre una función importante o útil. Tener cuidado de las partes del texto marcadas con este símbolo.*



### NOTA

*Indica una nota sobre una función importante o útil.*



### CONSULTAS

*Indica la necesidad de consultar el manual antes de efectuar cualquier operación.*



### ¡PELIGRO!

- *Antes de efectuar cualquier operación de limpieza, mantenimiento o sustitución de piezas desconectar el enchufe de la toma eléctrica.*
- *Sólo los operadores cualificados pueden usar esta máquina. Los niños y los minusválidos no pueden utilizar esta máquina.*
- *No activar la máquina en un ambiente donde haya polvo, líquidos o vapores nocivos, peligrosos, inflamables y/o explosivos. No usar la máquina para recoger materiales peligrosos.*
- *Desconectar el cable de alimentación de la red eléctrica antes de efectuar cualquier operación de mantenimiento/repación.*
- *Quitarse las joyas cuando se trabaja cerca de los componentes eléctricos.*



**¡ATENCIÓN!**

- *Antes de conectar la máquina a la red eléctrica, asegurarse de que la frecuencia y la tensión indicadas en la placa del número de serie y de los datos técnicos coincidan con la tensión de la red.*
- *No utilizar la máquina si el cable de alimentación o el enchufe están dañados. Si la máquina no funciona correctamente, está dañada, quedada al exterior o bañada, llevarla a un Centro de asistencia.*
- *Si el cable de alimentación o el enchufe están desgastados o dañados, es necesario sustituirlos. Para la sustitución acudir a un Centro de asistencia.*
- *No tirar o transportar la máquina por el cable; no utilizar el cable como empuñadura. No cerrar el cable en una puerta o tirarlo sobre bordes o ángulos afilados.*
- *No desenchufar la máquina tirando por el cable. Para desenchufar la máquina, agarrar el enchufe, no el cable.*
- *No tocar el enchufe o la máquina con las manos bañadas.*
- *Desactivar todos los mandos antes de desenchufar la máquina.*
- *Controlar regularmente si el cable de alimentación está dañado, grietado, cortado o desgastado. Si se detectan daños en el cable de alimentación, sustituirlo antes de volver a usarlo.*
- *Si el cable de alimentación está dañado, sólo el centro de asistencia del fabricante puede sustituirlo.*
- *Para reducir el riesgo de incendio, electrochoque o lesiones, no dejar la máquina conectada a la red eléctrica cuando está sin custodia. Desenchufar la máquina cuando no se usa y antes de efectuar el mantenimiento.*
- *No dejar que los cepillos contacten con el cable de alimentación.*
- *Para evitar electrochoque, no exponer la máquina a la lluvia. Guardar la máquina en un lugar cubierto.*
- 
- *No permitir que la máquina se utilice como un juguete. Tener mucho cuidado cuando se utiliza cerca de niños.*
- *No utilizar con finalidades diferentes de aquellas indicadas en este manual. Utilizar sólo accesorios recomendados por el fabricante.*
- *Tomar todas las precauciones necesarias para que el pelo, las joyas y las ropas no sean capturados por los componentes móviles y de admisión de la máquina.*
- *No dejar la máquina sin custodia y sin haberse asegurado que la máquina no pueda moverse de forma autónoma.*
- *No utilizar la máquina sobre suelos con inclinación mayor a la marcada sobre la máquina misma.*
- *No dejar que material extraño entre en las aperturas. No utilizar la máquina en el caso de que las aperturas estén bloqueadas; las aperturas deben mantenerse libre de polvo, hilacha, pelos y cualquier otro cuerpo extraño que pueda reducir el flujo de aire.*
- *Cuando se utiliza esta máquina, tener cuidado de salvaguardar la incolumidad de las personas.*
- *No utilizar la máquina en ambientes demasiado polvorientos.*
- *No apoyar contenedores de líquidos sobre la máquina.*
- *La temperatura de la máquina en trabajo debe estar entre los +32°F y los +104°F (0°C y los +40°C).*
- *La temperatura de almacenamiento debe estar entre los +32°F y los +104°F (0°C y los +40°C).*
- *La humedad debe estar entre el 30% y el 95%.*
- *No dejar la máquina sin custodia y sin haberse asegurado que no pueda moverse de forma autónoma.*
- *Proteger siempre la máquina del sol, lluvia y otras intemperie, tanto durante el funcionamiento como durante los períodos de inactividad. Almacenar la máquina en un lugar cerrado y seco. Esta máquina sólo se puede usar en seco y no se debe usar o tener al exterior en condiciones de humedad.*
- *Antes de usar la máquina, cerrar todas los portillos y/o las tapas.*
- *No utilizar la máquina como vehículo de transporte.*
- *No permitir que el cepillo funcione mientras la máquina está parada en un punto para evitar posibles daños al suelo.*
- *No chocar contra estanterías o andamios de los que puedan caer objetos.*
- *No adulterar por ninguna razón la máquina, respetar las instrucciones previstas para el mantenimiento ordinario.*
- *No quitar ni modificar las placas que el fabricante ha colocado sobre la máquina.*
- *En caso de incendio utilizar un extintor de polvo, no de agua.*
- *Para asegurar condiciones de funcionamiento correcto y seguro, el personal autorizado o el Centro de asistencia autorizado debe llevar a cabo las reparaciones y el mantenimiento programado según las especificaciones indicadas en el capítulo relacionado de este manual.*
- *Cuando la máquina no funciona correctamente, asegurarse de que ésto no sea causado por falta de mantenimiento. En caso contrario, pedir la intervención del personal autorizado o del Centro de asistencia autorizado.*



**¡ATENCIÓN!**

- *Si la máquina*
    - *no funciona correctamente*
    - *está dañada*
    - *pierde espuma o agua*
    - *se ha dejado al abierto, expuesta a intemperie*
    - *está mojada o se ha caído en el agua*
- apagarla de inmediato y acudir a un Centro de asistencia autorizado Clarke o al personal calificado.*
- *Antes de efectuar cualquier operación de mantenimiento/repación, leer cuidadosamente todas las instrucciones relacionadas al mantenimiento/repación.*
  - *Si deben sustituirse piezas, solicitar piezas de repuesto ORIGINALES a un Concesionario y/o Revendedor autorizado.*
  - *Para asegurar condiciones de funcionamiento correcto y seguro, el personal autorizado o el Centro de asistencia autorizado debe llevar a cabo el mantenimiento programado según las especificaciones indicadas en el capítulo relacionado de este manual. No lavar la máquina con chorros de agua directa o presurizada, o con sustancias corrosivas.*
  - *No trabajar bajo la máquina si ésta no está fijada con los soportes adecuados.*
  - *Nunca se debe abandonar la máquina al final del ciclo vital, por la presencia de materiales tóxicos y dañinos (tarjetas electrónicas, etc.) sujetos a normativas que exigen que se realice la eliminación en centros especiales (véase el capítulo "Eliminación").*
  - *Tener cuidado durante el traslado de la máquina en condiciones de temperatura muy baja. El agua eventualmente presente en los depósitos o en los tubos, podría congelarse y dañar la máquina.*
  - *Utilizar sólo los cepillos y los fieltros suministrados con la máquina y aquellos especificados en el Manual de Uso. Utilizar otros cepillos o fieltros puede perjudicar la seguridad.*

## INTRODUCCIÓN

El modelo Vantage 17 Cable de las fregadoras/secadoras Clarke es una máquina eficaz y de calidad superior para la limpieza de los suelos. El modelo Vantage 17 Cable utiliza un cepillo rotativo de 17.0 in (430 mm) de anchura. Una boquilla trasera limpia el suelo y un sistema de aspiración recupera el agua de lavado del suelo, todo en una pasada.

## CONSERVACIÓN DEL MANUAL

Este Manual de uso debe conservarse junto a la máquina, dentro de su contenedor, lejos de líquidos y otras sustancias que podrían dañarlo.

## DATOS DE IDENTIFICACIÓN

El número de serie y el modelo de la máquina están marcados en la placa que se puede leer desde el exterior. (A, Fig. 2 - pág. 29). El año de fabricación de la máquina está en la Declaración de conformidad y está también indicado por las dos primeras cifras del número de serie de la máquina misma.

Esta información es necesaria cuando se pidan piezas de repuesto para la máquina. Utilizar el espacio subyacente para escribir los datos de identificación de la máquina para todas referencias futuras.

Modelo MAQUINA .....
Número de serie MÁQUINA .....

## MODIFICACIONES Y MEJORAS

Nuestra empresa está constantemente mejorando sus productos y se reserva el derecho de realizar modificaciones y mejoras a su discreción, sin verse obligada a aplicar dichas ventajas a las máquinas vendidas previamente. Sólo el fabricante puede aprobar y efectuar cualquier modificación y/o instalación de accesorios.

## DESEMBALAJE

Para desembalar la máquina seguir cuidadosamente las instrucciones colocadas sobre el embalaje.

Al momento de la entrega, controlar atentamente el embalaje y la máquina por si hayan sufrido daños durante el transporte. Si los daños son evidentes, conservar el embalaje, de forma que el transportista que lo ha entregado lo pueda inspeccionar. Contactarlo de inmediato para compilar una indemnización daños y perjuicios.

Controlar que la máquina sea entregada junto a los siguientes componentes:

1. Documentación técnica:
  - Manual de uso de la fregadora/secadora
2. Extensión para cable de alimentación

## DATOS TÉCNICOS

Modelo	Vantage 17 Cable 115 V	Vantage 17 Cable 230 V
Tensión de funcionamiento	115 V	230 V
Velocidad de tracción	Aquella determinada por la rotación del cepillo	
Motor de aspiración	550 W, 60 Hz	550 W, 50 Hz
Depresión del sistema de aspiración	51.8 pulgadas H <sub>2</sub> O (1,316 mm H <sub>2</sub> O)	
Capacidad del depósito de la solución detergente	8.2 galones (31 litros)	
Flujo de la solución detergente (mín./máx.)	0.08/0.26 galones/min (0.3/1.0 litros/min)	
Capacidad del depósito del agua de recuperación	7.7 galones (29 litros)	
Boquilla	Derecha	
Anchura de la boquilla	28.3 pulgadas (720 mm)	
Anchura de barrido	17.0 pulgadas (430 mm)	
Motor cepillo/filtro	550 W, 60 Hz	1,100 W, 50 Hz
Diámetro del cepillo/filtro	17 pulgadas (430 mm)	
Velocidad de rotación del cepillo/filtro	150 rpm	
Presión al suelo del cepillo/filtro (con depósito lleno)	61.6 lbs (28 kg)	
Diámetro de las ruedas centrales en eje fijo	9.8 pulgadas (250 mm)	
Diámetro rueda directriz	1.9 pulgadas (49 mm)	
Presión específica al suelo de las ruedas traseras	145 psi (1,0 N/mm <sup>2</sup> )	
Presión específica al suelo de las ruedas delanteras	275.5 psi (1,9 N/mm <sup>2</sup> )	
Inclinación máxima de los suelos	2 %	
Largura de la máquina	43.9 pulgadas (1,115 mm)	
Anchura de la máquina sin boquilla	22.4 pulgadas (570 mm)	
Altitud de la máquina	41.4 pulgadas (1,050 mm)	
Peso máquina con cepillo y depósito de la solución detergente lleno (condición de trabajo)	217.2 lbs (98.5 kg)	
Presión sonora a la oreja del operador (ISO 11201, ISO 4871) (LpA)	70 dB(A) ± 3dB(A)	
Potencia sonora de la máquina (ISO 3744, ISO 4871) (LwA)	87 dB(A)	
Nivel de vibraciones transmitidas a los brazos del operador (ISO 5349-1)	< 98.4 in/s <sup>2</sup> (< 2,5 m/s <sup>2</sup> )	

## INSTRUCCIONES SOBRE LA PUESTA A TIERRA

Esta máquina tiene conexión a tierra. En caso de malfuncionamiento o de bloqueo eléctrico, la conexión a tierra reduce el riesgo de electrochoque. Esta máquina está equipada de un cable eléctrico de alimentación con cable de conexión a tierra y el enchufe relacionado tiene la conexión a tierra.

El enchufe debe ser insertado en una toma de corriente adecuada con conexión a tierra, según las normas actuales.



### ¡ATENCIÓN!

**Conexiones no correctas causan el riesgo de electrochoque. En caso de dudas sobre la presencia de conexión a tierra en la toma de corriente que debe ser utilizada, pedir un control por un técnico calificado.**

**No modificar el enchufe de la máquina. Si no es posible conectar el enchufe de la máquina a la toma de corriente, pedir la instalación de un enchufe adecuado con conexión a tierra por un técnico calificado, según las normas actuales.**

### Extensión

Utilizar sólo la extensión en dotación o una extensión con las mismas características eléctricas.

## PROCEDIMIENTOS PARA EL TRANSPORTE

Como cargar y descargar la máquina de una furgoneta o de un autocamión



### ATENCIÓN

*La máquina es pesada. El desplazamiento de la máquina debe ser efectuado por personal experto. El desplazamiento de la máquina sobre rampas o zonas inclinadas debe ser efectuado por dos personas expertas. Moverla siempre despacio. No girar la máquina (doblar) sobre rampas. No dejar la máquina parada sobre rampas o zonas inclinadas. Las rampas de carga deben ser anchas al menos 40 pulgadas (1 metro).*

1. Controlar que la rampa de carga no sea más larga que 8 pies (2.5 metros), que no sea menos ancha que 40 pulgadas (1 metro) y que tenga un espesor adecuado para sostener el peso de la máquina y de las personas que la mueven.
2. Controlar que la rampa esté seca y limpia.
3. Posicionar la rampa correctamente.
4. Quitar el conjunto boquilla y el cepillo/portafieltro antes de cargar la máquina. Clarke recomienda vaciar los depósitos de la solución detergente y del agua de recuperación antes de cargar la máquina.

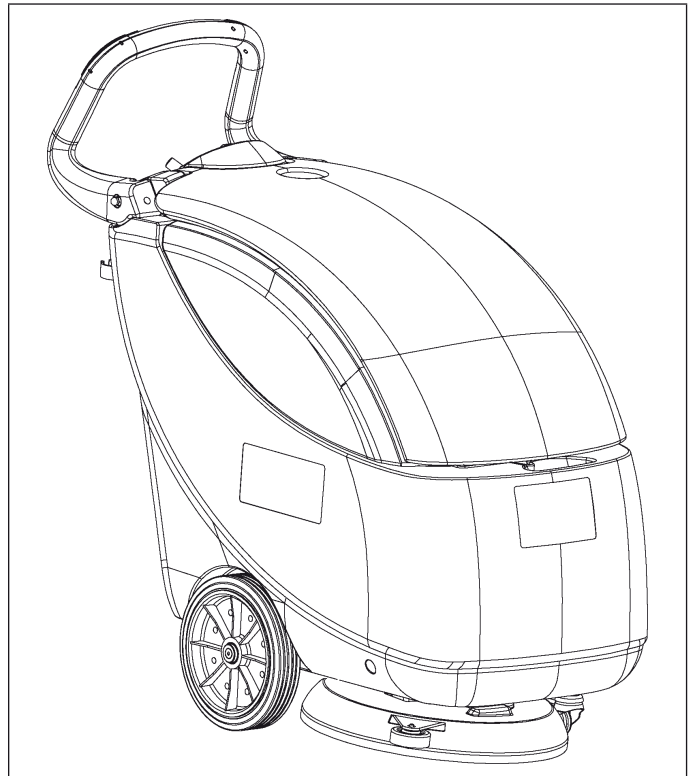
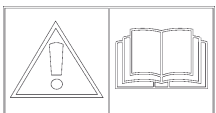


Figure 1

### Como bloquear la máquina al interior del vehículo

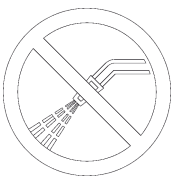
5. Clarke recomienda aplicar a la máquina correas que no permitan que la máquina misma se mueva hacia adelante o hacia atrás o vacile.

## SIMBOLOS



### ¡ATENCIÓN!

*Antes de efectuar cualquier operación en la máquina, leer cuidadosamente las instrucciones de la máquina misma.*



### ¡ATENCIÓN!

*No lavar la máquina con chorros de agua directa o presurizada.*

## DESCRIPCIÓN DE LA MÁQUINA

### ESTRUCTURA EXTERIOR

(Véase Fig. 2)

- |   |  |
|---|--|
| <ul style="list-style-type: none"> <li>A. Placa número de serie/datos técnicos/marcación de conformidad</li> <li>B. Manillar</li> <li>C. Panel de los mandos</li> <li>D. Palanca de ajuste del flujo de la solución detergente</li> <li>E1. Posición ECO de la palanca de ajuste del flujo de la solución detergente (uso "económico" del agua, para una autonomía de lavado programada de 70-80 minutos)</li> <li>E2. Posición de flujo máximo de la solución detergente</li> <li>F. Tapa del depósito del agua de recuperación</li> <li>G. Rueda trasera para apoyo en fase de transporte/estacionamiento</li> <li>H. Ruedas centrales en eje fijo</li> <li>I. Cepillo o portafiltro con fieltro</li> <li>J. Cobertura/cepillo/portafiltro</li> <li>K. Boquilla</li> <li>L. Empuñaduras de fijación de la boquilla a la máquina</li> <li>M. Caucho delantero de la boquilla</li> <li>N. Caucho trasero de la boquilla</li> <li>O. Resortes de fijación de los cauchos de la boquilla</li> </ul> | <ul style="list-style-type: none"> <li>P. Tubo de descarga del agua de recuperación</li> <li>Q. Soporte del tubo de descarga del agua de recuperación</li> <li>R. Válvula de descarga de la solución detergente</li> <li>S. Palanca de subida/bajada de la boquilla</li> <li>T. Filtro de la solución detergente</li> <li>U1. Cable eléctrico de alimentación</li> <li>U2. Extensión del cable eléctrico de alimentación</li> <li>V. Tubo de aspiración de la boquilla</li> <li>W. Dispositivo de transporte/estacionamiento de la máquina</li> <li>W1. Dispositivo de transporte/estacionamiento de la máquina activado</li> <li>W2. Dispositivo de transporte/estacionamiento de la máquina desactivado</li> <li>X. Clavija de posicionamiento del dispositivo de transporte/estacionamiento de la máquina</li> <li>Y. Depósito del agua de recuperación</li> <li>Z. Depósito de la solución detergente</li> </ul> |
|---|--|

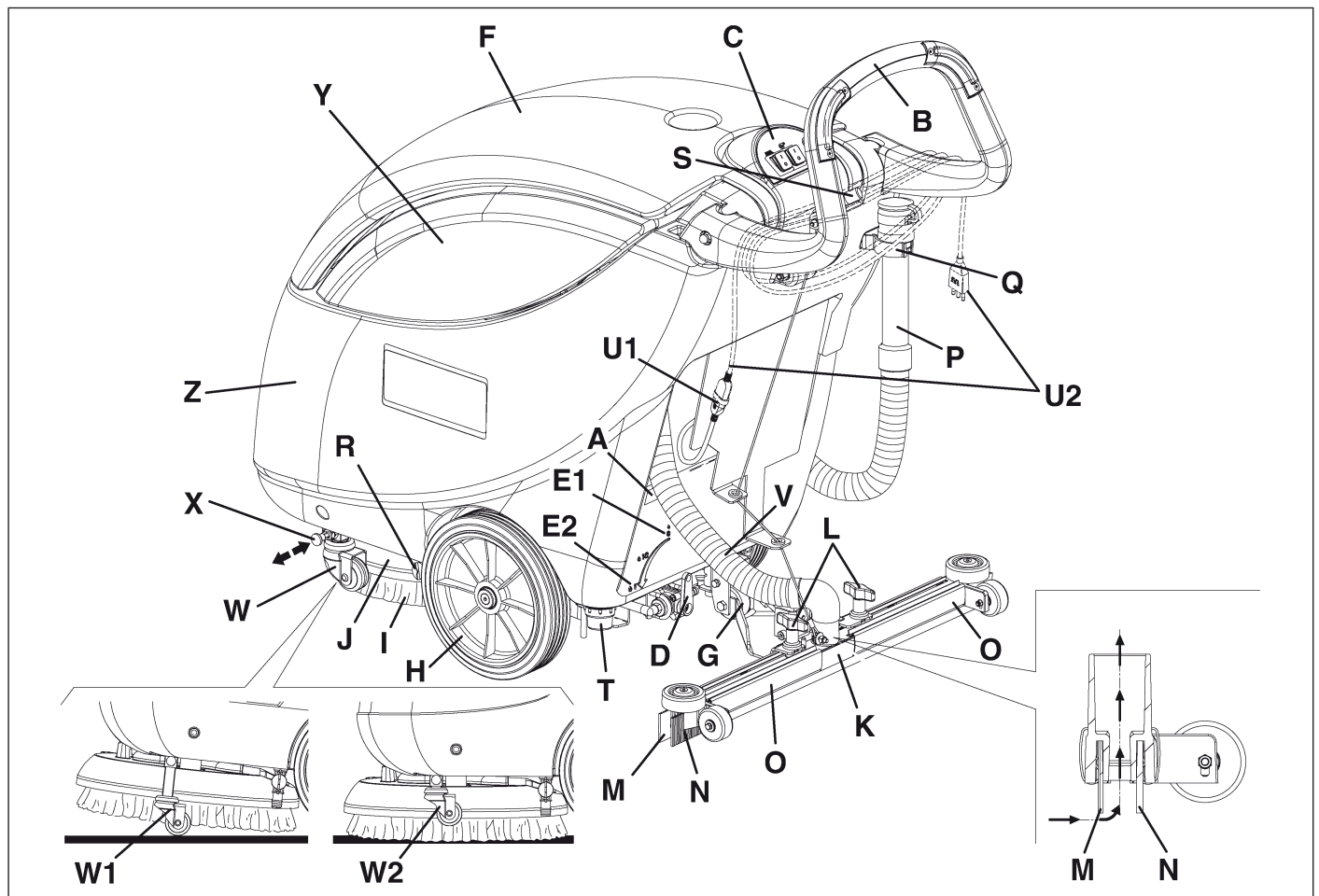


Figure 2

## ESTRUCTURA INTERNA

(Véase Fig. 3)

- |   |  |
|---|--|
| <ul style="list-style-type: none"> <li>A. Tapa del depósito del agua de recuperación (abierta)</li> <li>B. Guarnición de la tapa del depósito del agua de recuperación</li> <li>C. Soporte de la tapa (insertado)</li> <li>D. Depósito del agua de recuperación</li> <li>E. Depósito de la solución detergente</li> <li>F. Rejilla de aspiración con cierre automático de flotador</li> <li>G. Orificio de drenaje del agua de recuperación</li> <li>H. Motor de aspiración</li> <li>I. Motor del cepillo/filtro</li> </ul> | <ul style="list-style-type: none"> <li>J. Cobertura con mango de enganche para cepillo/portafiltro</li> <li>K. Tornillo de ajuste de la velocidad de marcha de la máquina</li> <li>L. Cepillo</li> <li>M. Portafiltro</li> <li>N. Filtro</li> <li>O. Orificio de ventilación</li> <li>P. Caja eléctrica</li> </ul> |
|---|--|

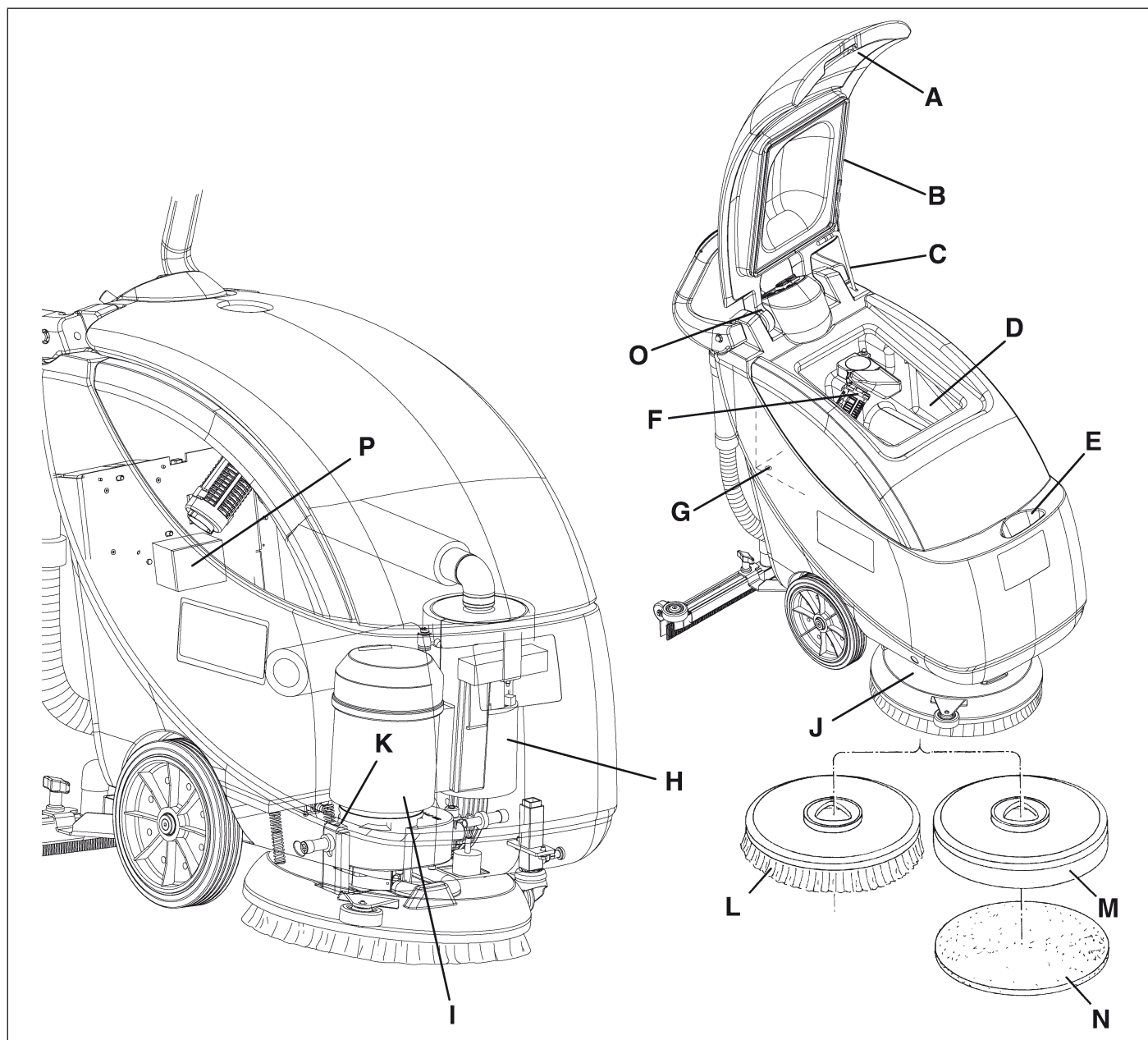


Figure 3

## PANEL DE LOS MANDOS

(Véase Fig. 4)

### Interruptor de rotación del cepillo/filtro (A, Fig. 4)

Cuando está en posición "I" la máquina está lista para la rotación del cepillo/filtro. Para activar la rotación del cepillo/filtro, es necesario mantener pulsados uno o ambos los interruptores de consenso (C, Fig. 4).

Cuando está en posición "0" la predisposición para la rotación del cepillo/filtro está desactivada.

### Interruptor de aspiración (B, Fig. 4)

Si es llevado a la posición "I" activa la aspiración del agua de recuperación.

Si es llevado a la posición "0" para la aspiración del agua de recuperación.

### Interruptores de consenso de la rotación de los cepillos (C, Fig. 4)

Cuando se pulsa uno o ambos los interruptores de consenso, se activa la rotación del cepillo/filtro.

Los interruptores están activados sólo cuando el interruptor de rotación (A, Fig. 4) del cepillo/filtro está en posición "I".

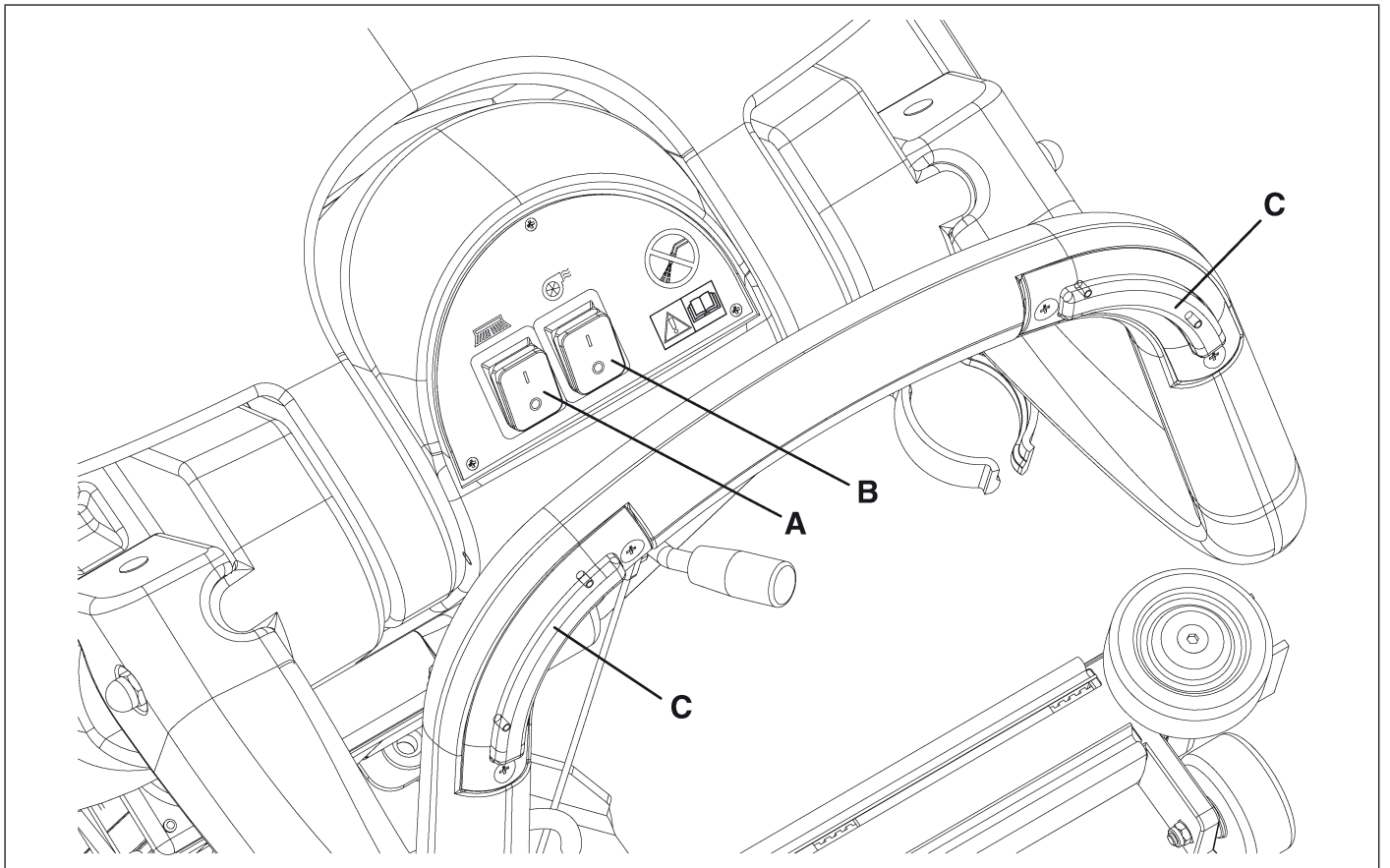


Figure 4



## USO



### ¡ATENCIÓN!

**En unas partes de la máquina hay unas placas adhesivas que indican:**

- PELIGRO
- ATENCIÓN
- ADVERTENCIA
- CONSULTAS

Leyendo este manual, el operador tiene que aprender el sentido de los símbolos indicados en las placas.

Por ninguna razón estas placas deben cubrirse y si están dañadas tienen que sustituirse de inmediato.

## ANTES DE LA PUESTA EN MARCHA DE LA MÁQUINA

Antes de poner en marcha la máquina, efectuar las operaciones siguientes de preparación de la máquina o controlar si han sido efectuadas correctamente.

### Instalación de la boquilla

1. Instalar la boquilla (A, Fig. 5) y fijarla con las empuñaduras (B), luego conectar el tubo de aspiración (C) a la boquilla.

### Llenado del depósito del detergente

2. Rellenar el depósito de la solución detergente (A, Fig. 6) con un detergente adecuado.

No llenar completamente el depósito del detergente, dejar unos centímetros del borde.

Seguir las instrucciones indicadas en la etiqueta para la dilución del producto químico utilizado para componer el detergente.

La temperatura de la solución detergente no debe superar los 100°F (40°C).



### ¡ADVERTENCIA!

**Utilizar exclusivamente detergentes líquidos poco espumosos y no inflamables, que sean adecuados para este tipo de máquina.**

### Instalación del cepillo o del portafieltro



#### NOTA

*En la máquina pueden instalarse tanto el cepillo (B, Fig. 6) como el portafieltro (C) con fieltro (D), según el tipo de tratamiento de efectuar sobre el suelo.*

3. Desactivar el dispositivo de estacionamiento (D, Fig. 5) de la máquina, llevándolo en posición (E) después de haber insertado la clavija relacionada (F).
4. Levantar la cobertura del cepillo (G, Fig. 5) presionando sobre el manillar (H).
5. Posicionar el cepillo (B, Fig. 6), o el portafieltro (C) con fieltro (D), bajo de la cobertura.
6. Bajar la cobertura (G, Fig. 5) sobre el cepillo/portafieltro mediante el manillar (H).
7. Conectar la extensión en dotación (J, Fig. 5) con el cable de alimentación (K). Conectar el enchufe (L) de la extensión a la red eléctrica.



### ¡ATENCIÓN!

**Antes de conectar la máquina a la red eléctrica, asegurarse de que la frecuencia y la tensión indicadas en la placa del número de serie y de los datos técnicos (M, Fig. 5) coincidan con la tensión de la red.**

8. Poner el interruptor (I, Fig. 5) del cepillo en posición "I", luego pulsar por algunos segundos uno o ambos los interruptores (N) para que el cepillo/portafieltro se enganche. Si es difícil enganchar, girar manualmente el cepillo/portafieltro en sentido antihorario (véase Fig. 7, página siguiente).

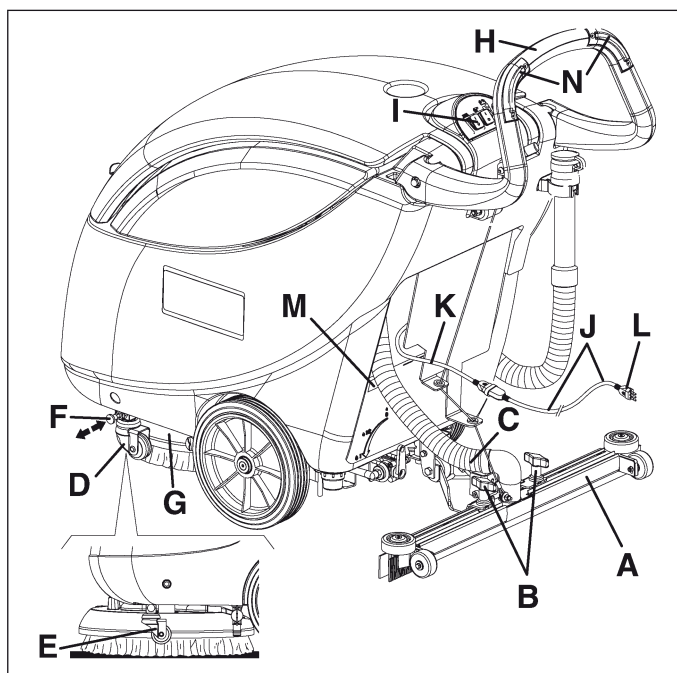


Figure 5

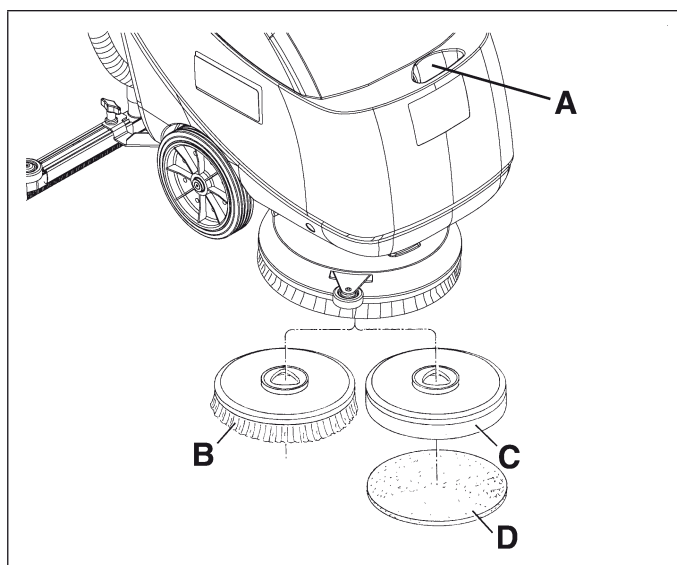


Figure 6



## PUESTA EN MARCHA Y PARADA DE LA MÁQUINA

### Puesta en marcha

1. Preparar la máquina como indicado en el párrafo anterior.
2. Si la máquina no ha sido todavía conectada a la red eléctrica, conectarla efectuando el procedimiento siguiente.  
Conectar la extensión en dotación (H, Fig. 8) al cable de alimentación (I). Conectar el enchufe (J) de la extensión a la red eléctrica.



#### ¡ATENCIÓN!

*Antes de conectar la máquina a la red eléctrica, asegurarse de que la frecuencia y la tensión indicadas en la placa del número de serie y de los datos técnicos (M, Fig. 8) coincidan con la tensión de la red.*

3. Bajar la boquilla (A, Fig. 8) empujando la palanca (B) hacia abajo.
4. Colocar la palanca de ajuste de flujo de la solución detergente (C, Fig. 8) en una de las siguientes posiciones posibles, según el tipo de lavado de efectuar:
  - **Sistema ECO:** llevando la palanca (C, Fig. 8) en la posición "ECO" (D), la máquina trabaja en una condición particular (economy) de utilización programada del agua; en efecto con un flujo predeterminado y constante, la máquina puede trabajar con una autonomía de lavado de 70-80 minutos [0.08 galones/min (0.3 litros/min)].
  - **Sistema variable:** girando la palanca hacia la izquierda en la parte relacionada con el flujo variable, es posible aumentar el flujo hasta una capacidad máxima de 0.26 galones/min (1 litro/min), en correspondencia de la posición (E, Fig 8).

En ningún caso es posible cerrar por completo el flujo de la solución detergente al cepillo/filtro durante el trabajo.

5. Poner los interruptores (F y G, Fig. 8) en posición "I".
6. Con las manos sobre el manillar (K, Fig. 8), poner en marcha la máquina apretando uno o ambos los interruptores de consenso (L).

### Parada de la máquina

7. Soltar los interruptores (L, Fig. 8).
8. Poner los interruptores (F y G, Fig. 8) en posición "0".
9. Desconectar el enchufe (J) del cable de alimentación de la red eléctrica. Si necesario, envolver el cable de alimentación (H, Fig. 8) alrededor del manillar en posición (N).
10. Levantar la boquilla empujando la palanca hacia arriba hasta el tope (B, Fig. 8).
11. Poner el cepillo/filtro en posición de levantamiento, llevando el dispositivo de estacionamiento (A, Fig. 9) de la máquina en posición de activación (B) después de haber insertado la clavija relacionada (C).

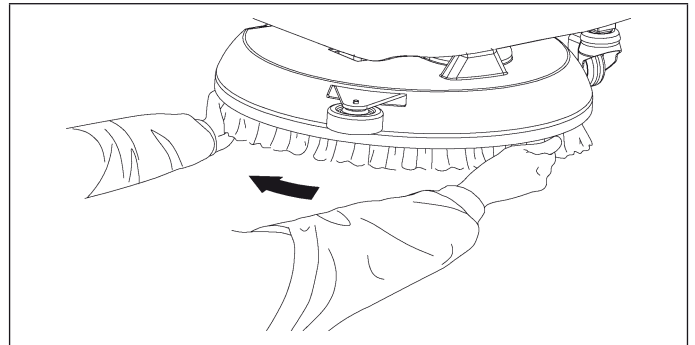


Figure 7

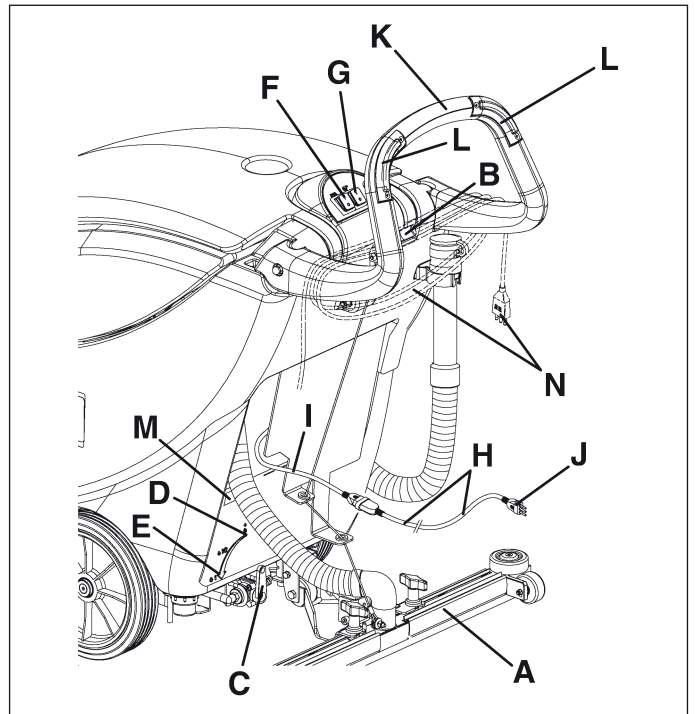


Figure 8

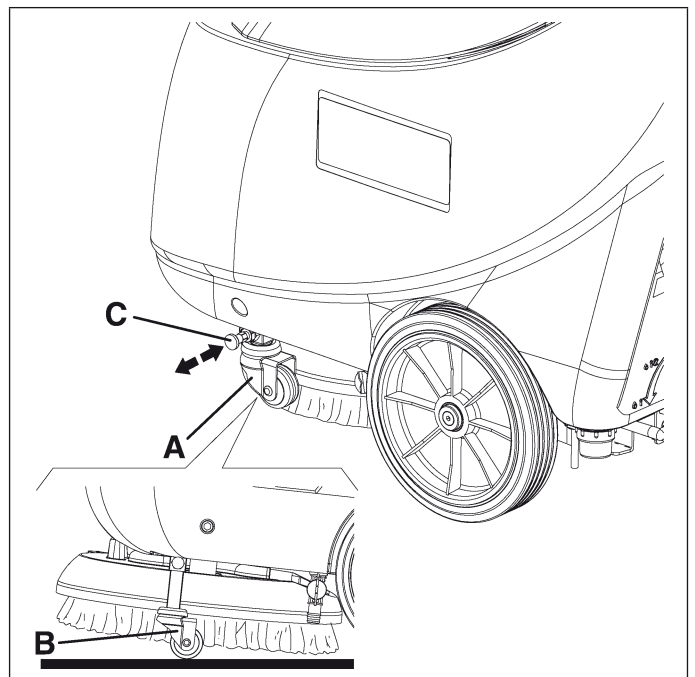


Figure 9

## MÁQUINA EN FUNCIÓN (LAVADO/SECAMIENTO)

1. Poner en marcha la máquina como indicado en el párrafo anterior.
2. Teniendo ambas las manos sobre el manillar (I, Fig. 10), maniobrar la máquina y empezar el trabajo de lavado/secamiento del suelo.



### ¡ADVERTENCIA!

*Para evitar que el suelo se dañe: no utilizar el cepillo/filtro en seco cuando la máquina está parada, para la rotación del cepillo soltando los interruptores (A, Fig. 10).*



### ¡ADVERTENCIA!

*Antes de levantar el cepillo/filtro, parar su rotación soltando los interruptores (A, Fig. 10).*

3. Si necesario, cambiar la cantidad de solución detergente que llega al cepillo/filtro mediante la palanca (B, Fig. 10).

### Ajuste de la velocidad de marcha de la máquina

4. La velocidad de marcha de la máquina puede cambiar según el tipo de suelo y según la utilización del cepillo o del filtro.
5. Si necesario, es posible efectuar el ajuste de la velocidad de marcha; véase el procedimiento relacionado en el capítulo "Mantenimiento".

## TRANSPORTE/ESTACIONAMIENTO DE LA MÁQUINA

Para el transporte/estacionamiento de la máquina cuando no está en actividad de lavado/secamiento, efectuar los procedimientos siguientes.

1. Poner los interruptores de rotación del cepillo y de aspiración (F y G, Fig. 10) en posición "0".
2. Desconectar el enchufe del cable de alimentación (C, Fig. 10) de la red eléctrica. Envolver el cable de alimentación alrededor del manillar, en posición (J).
3. Levantar la boquilla girando completamente la palanca (H, Fig. 10) hacia arriba.
4. Empuñar el manillar (A, Fig. 11) con las manos y bajarlo hasta apoyar la rueda trasera (B) en el suelo, como muestra la figura 11. Manteniendo la máquina en esta condición, empujarla en un lugar adecuado para el transporte/estacionamiento.

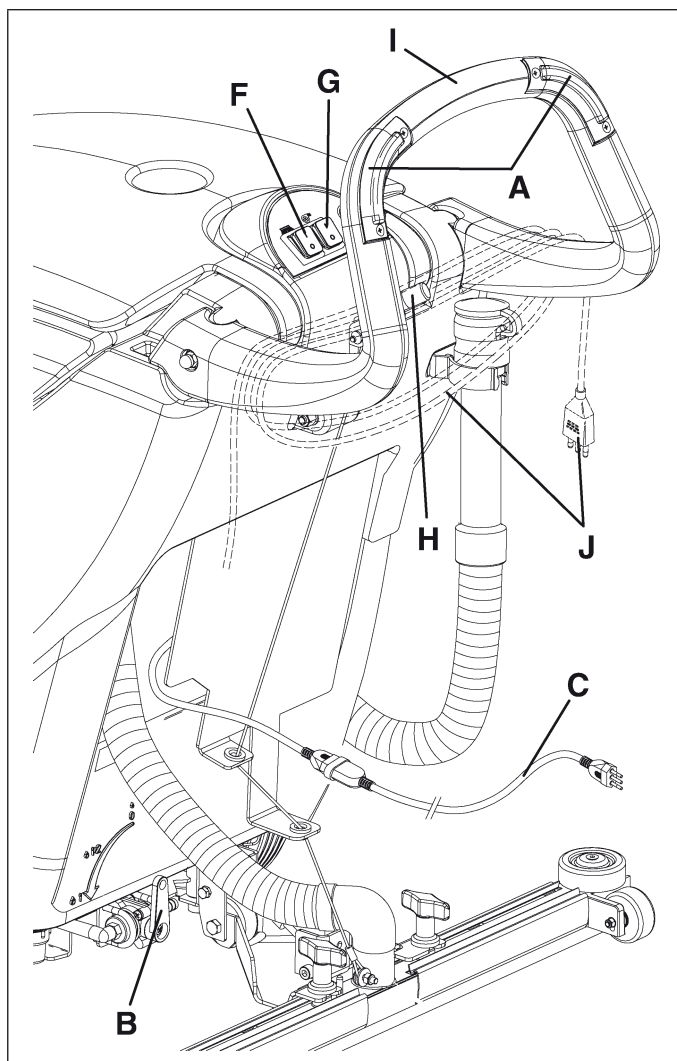


Figure 10

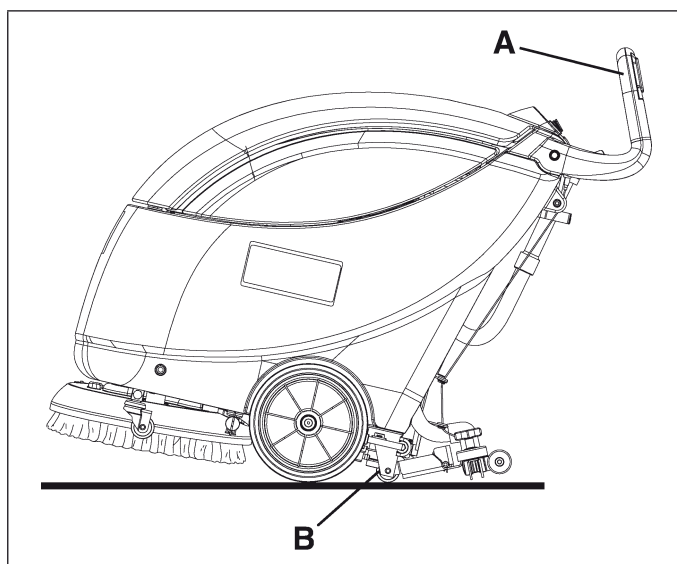


Figure 11

## VACIADO DE LOS DEPÓSITOS

Un sistema de cierre automático de flotador (A, Fig. 12) bloquea el sistema de aspiración cuando el depósito de recuperación (B) está lleno.

Es posible darse cuenta del bloqueo del sistema de aspiración porque la máquina no aspira más el agua de recuperación; además el bloqueo del sistema de aspiración causa el aumento imprevisto de la frecuencia del ruido del motor de aspiración.

Cuando el depósito del agua de recuperación (B, Fig. 12) está lleno, vaciarlo según el procedimiento siguiente.

### Vaciado del depósito del agua de recuperación

1. Parar la máquina posicionando los interruptores cepillo y aspiración (A y B, Fig. 13) en posición "0".
2. Desconectar el enchufe del cable de alimentación (M, Fig. 13) de la red eléctrica. Envolver el cable de alimentación alrededor del manillar, en posición (N).
3. Levantar la boquilla mediante la palanca (C, Fig. 13).
4. Llevar la máquina en el "Área de eliminación" designada.
5. Mediante el manillar, levantar el cepillo/filtro y insertar el dispositivo de estacionamiento (D, Fig. 13) de la máquina después de haber insertado la clavija (E).
6. Desenganchar el tubo de descarga del agua de recuperación (F, Fig. 13) del soporte (G), abrir la tapa (H), luego bajar el tubo (F) y vaciar el depósito del agua de recuperación. En caso de trabajo acabado, enjuagar el depósito con agua limpia.

### Vaciado del depósito de la solución detergente

7. Llevar a cabo los pasos de 1 a 5.
8. Vaciar el depósito de la solución detergente abriendo la válvula de descarga (I, Fig. 13). En caso de trabajo acabado, enjuagar el depósito con agua limpia.

## DESPUÉS DE LA UTILIZACIÓN DE LA MÁQUINA

Cuando el trabajo está acabado, antes de alejarse de la máquina, efectuar las siguientes operaciones:

1. Desenganchar el cepillo/portafiltro como sigue:
  - posicionar el interruptor del cepillo (A, Fig. 13) en posición "I"
  - con el cepillo/portafiltro en posición de levantamiento, pulsar por unos segundos uno o ambos los interruptores (J, Fig. 13), luego soltarlos: esta operación causa el desenganche del cepillo/portafiltro.
2. Desconectar el enchufe del cable de alimentación (M, Fig. 13) de la red eléctrica. Envolver el cable de alimentación alrededor del manillar, en posición (N).
3. Vaciar los depósitos (B y C, Fig. 12), como indicado en el párrafo precedente.
4. Efectuar las operaciones de mantenimiento necesarias después de la utilización de la máquina (véase el capítulo "Mantenimiento").
5. Tener la máquina en un lugar seco y limpio, con el cepillo/filtro y la boquilla levantados o desmontados.

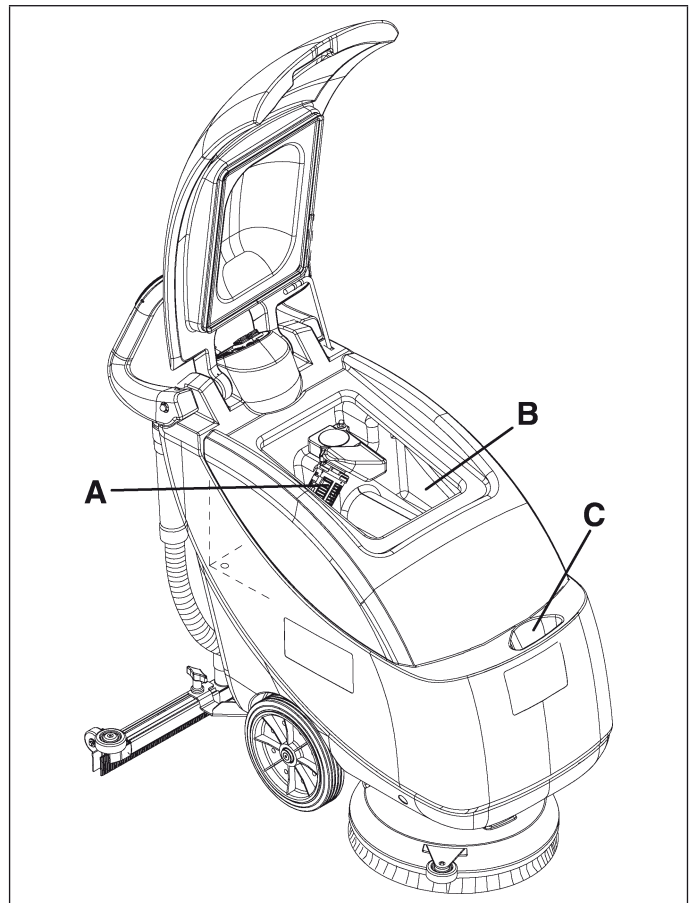


Figure 12

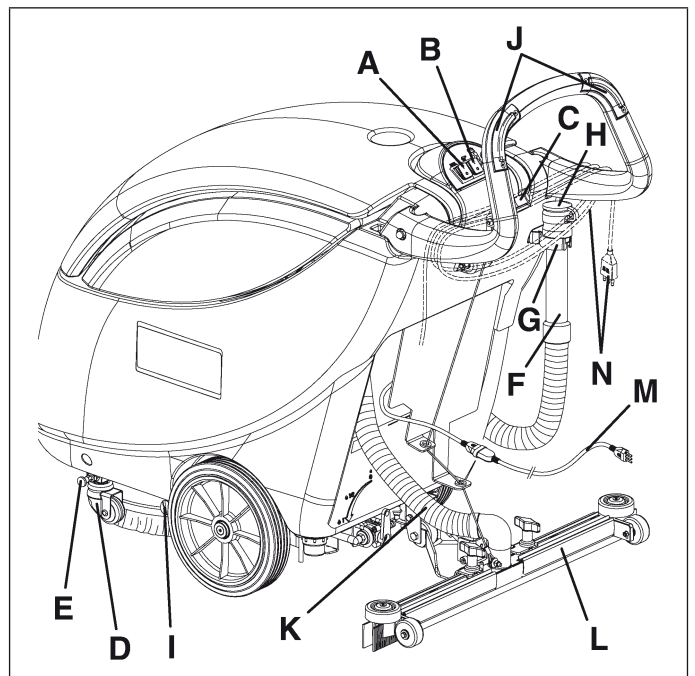


Figure 13

## REMOCIÓN DEL DEPÓSITO DEL AGUA DE RECUPERACIÓN

Para efectuar los controles o los mantenimientos, puede ser necesario quitar el depósito del agua de recuperación (A, Fig. 15) mediante el procedimiento siguiente.

1. Vaciar el depósito (A, Fig. 15) como indicado en el párrafo específico.
2. Llevar la máquina sobre un suelo llano.
3. Controlar que el cable de alimentación (M, Fig. 14) esté desconectado de la red eléctrica.
4. Desconectar el tubo de aspiración (A, Fig. 14) de la boquilla (B).
5. Desconectar el tubo de descarga del agua de recuperación (C, Fig. 14) del soporte relacionado (D).
6. Abrir la tapa (B, Fig. 15) e insertar el soporte (C) de la tapa.
7. Empuñar el depósito del agua de recuperación (A, Fig. 15) en el área (D) y levantarlo ligeramente como muestra la figura.
8. Desconectar del depósito el tubo de aspiración (E, Fig. 15), luego quitar el depósito (A) junto a los tubos (F) y (G).

## PERIODO DE LARGA INACTIVIDAD DE LA MÁQUINA

Si se piensa que la máquina no va a ser utilizada durante 30 días o más, seguir las indicaciones siguientes:

1. Llevar a cabo los procedimientos indicados en el párrafo "Después de la utilización de la máquina".
2. Tener la máquina en un lugar seco y limpio, con el cepillo/filtro y la boquilla levantados o desmontados.

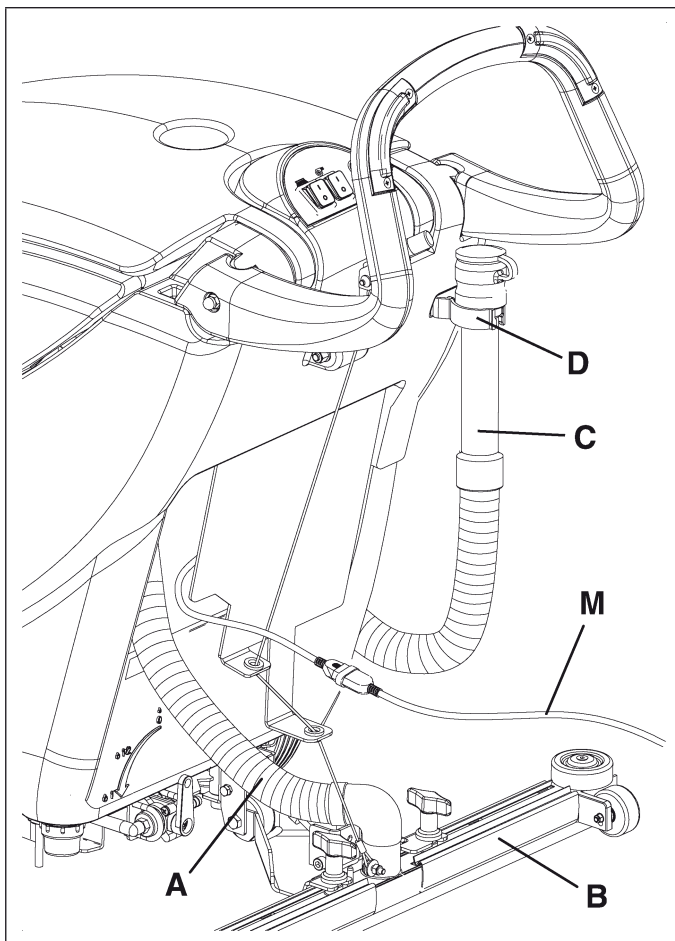


Figure 14

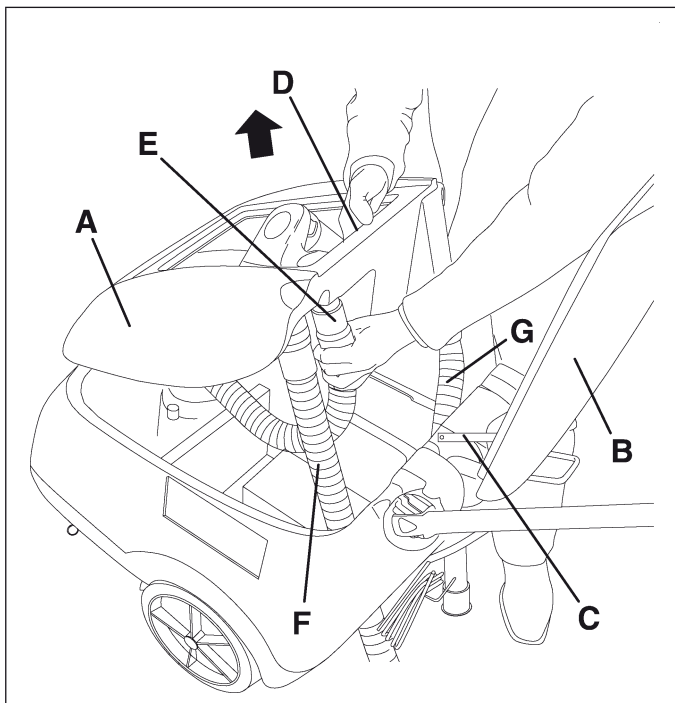


Figure 15

## MANTENIMIENTO



**¡ATENCIÓN!**

*Las operaciones de mantención y reparación deben ser efectuadas sólo por personal autorizado o por un Centro de asistencia autorizado.*



**¡ATENCIÓN!**

*Las operaciones deben ser efectuadas:  
con la máquina apagada*

*con el cable de alimentación desconectado de la red eléctrica*

*Antes de efectuar las operaciones de mantenimiento, leer cuidadosamente todas las instrucciones del capítulo “Instrucciones de seguridad para el operador”.*

Un mantenimiento cuidadoso y continuo garantiza la vida útil y la seguridad de funcionamiento de la máquina.

El esquema siguiente resume el mantenimiento programado. Los períodos indicados pueden variar según las condiciones de trabajos, que el encargado del mantenimiento debe establecer.

Después del “Esquema de mantenimiento programado”, se detallan sólo los procedimientos de mantenimiento más sencillos y frecuentes.

### ESQUEMA DE MANTENIMIENTO PROGRAMADO

Operación	Diaria o después de la utilización de la máquina	Semanaria	Semestral	Anual
Control de la integridad del cable eléctrico de alimentación y de la extensión relacionada				
Limpieza de la boquilla				
Limpieza del cepillo				
Limpieza de los depósitos y de la rejilla de aspiración con flotador				
Control/sustitución de los cauchos de la boquilla				
Limpieza del filtro de la solución detergente				
Control de la torsión de las tuercas y de los tornillos			(1)	
Control o sustitución de las escobillas de carbón del motor eléctrico de aspiración				(2)

(1): y después de las primeras 8 horas de trabajo

(2): por estas operaciones de mantenimiento acudir a un Centro de asistencia autorizado Clarke

### CONTROL DE LA INTEGRIDAD DEL CABLE ELÉCTRICO DE ALIMENTACIÓN DE LA EXTENSIÓN RELACIONADA

Controlar con cuidado que el cable eléctrico de alimentación, la extensión relacionada y los enchufes no estén desgastados o dañados.

Si necesario, hacerlo sustituir inmediatamente por un Centro de asistencia.



## LIMPIEZA DE LA BOQUILLA



**NOTA**

Para un buen secamiento, la boquilla debe estar limpia y con los cauchos en buenas condiciones.



**¡ADVERTENCIA!**

Durante estas operaciones se aconseja utilizar guantes de trabajo, porque residuos cortantes podrían estar en la boquilla.

1. Controlar que el cable de alimentación (A, Fig. 16) esté desconectado de la red eléctrica.
2. Bajar la boquilla (B, Fig. 16) mediante la palanca (C).
3. Desconectar el tubo de aspiración (D, Fig. 16) de la boquilla.
4. Aflojar las empuñaduras (E, Fig. 16) y quitar la boquilla (B).
5. Lavar y limpiar el conjunto boquilla para quitar suciedad y residuos.
6. Controlar que los cauchos delantero (C, Fig. 17) y trasero (D) estén en buenas condiciones, que no estén cortados o desgarrados; de lo contrario, sustituirlos (véase el procedimiento en el párrafo siguiente).
7. Instalar en el orden contrario al de la remoción.

## CONTROL/SUSTITUCIÓN DE LOS CAUCHOS DE LA BOQUILLA

1. Limpiar la boquilla como indicado en el párrafo precedente.
2. Controlar que el borde (E, Fig. 17) del caucho delantero y el borde (F) del caucho trasero apoyen en el suelo, por toda su longitud; de lo contrario ajustar la altura, como indicado a continuación:
  - ajustar el caucho delantero (C, Fig. 17) y el caucho trasero (D) tras haber quitado los resortes de fijación (G);
  - reinstalar los resortes de fijación sobre los cauchos delantero y trasero correctamente ajustados.
3. Controlar que los cauchos delantero (C, Fig. 17) y trasero (D) estén en buenas condiciones, que no estén cortados o desgarrados; de lo contrario, sustituirlos como indicado a continuación. Controlar que el borde delantero (H) del caucho trasero no esté desgastado; de lo contrario volcar el caucho mismo, llevando en su posición el otro borde (I) no desgastado. Si el otro borde está desgastado, sustituir el caucho, mediante el procedimiento siguiente:
  - sustituir (o volcar) el caucho trasero (D, Fig. 17) tras haber quitado los resortes de fijación (G);



**NOTA**

Durante la sustitución de los cauchos, verificar que los salientes del caucho delantero estén orientados hacia adelante y que los salientes del caucho trasero estén orientados hacia atrás.

- reinstalar los resortes de fijación sobre los cauchos delantero y trasero correctamente ajustados, como indicado en el paso precedente.
4. Montar de nuevo la boquilla (B, Fig. 16) y enroscar las empuñaduras (E).
  5. Conectar el tubo de aspiración (D, Fig. 16) a la boquilla (B).

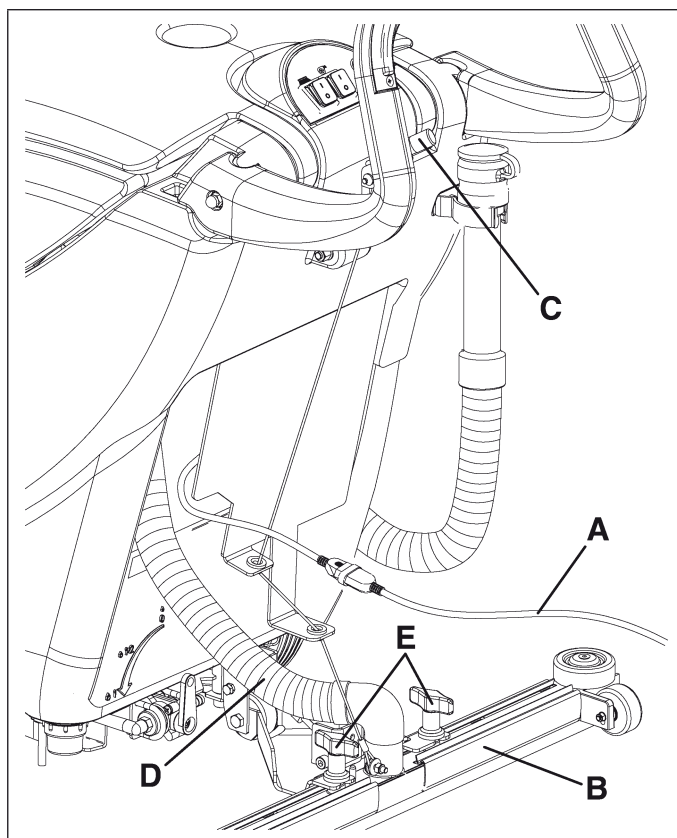


Figure 16

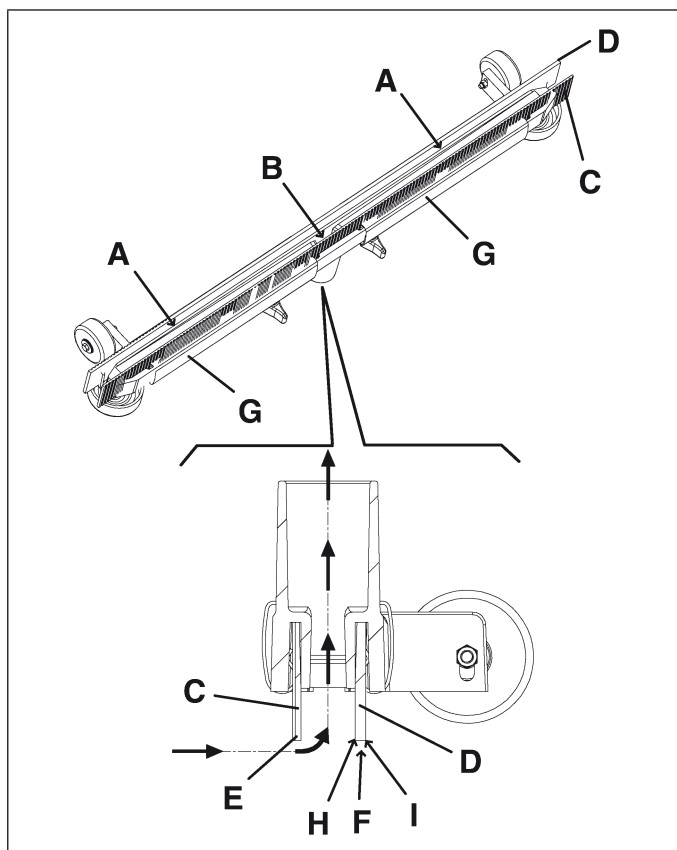


Figure 17

## LIMPIEZA DEL CEPILLO



### ¡ADVERTENCIA!

*Durante estas operaciones se aconseja utilizar guantes de trabajo, porque residuos cortantes podrían estar en el cepillo.*

1. Quitar el cepillo de la máquina como indicado en el capítulo "Uso".
2. Limpiar el cepillo con agua y detergente.
3. Controlar que las cerdas del cepillo no estén dañadas o excesivamente desgastadas; de lo contrario, sustituir las.

## LIMPIEZA DE LOS DEPÓSITOS Y DE LA REJILLA DE ASPIRACIÓN CON FLOTADOR

1. Controlar que el cable de alimentación (A, Fig. 18) esté desconectado de la red eléctrica. Envolver el cable de alimentación alrededor del manillar, en posición (D).
2. Llevar la máquina en el "Área de eliminación" designada.
3. Levantar la tapa (A, Fig. 19) e introducir el soporte (B) de la tapa, luego lavar con agua limpia la tapa misma, los depósitos (C y D) y la rejilla de aspiración (E). Descargar el agua de los depósitos mediante el tubo (B, Fig. 18) y la válvula (C).
4. Si necesario, desenganchar los retenes (F, Fig. 19) y abrir la rejilla (E), luego quitar el flotador (G), limpiar la partes con cuidado, luego montar de nuevo.
5. Controlar la integridad de la guarnición (H, Fig. 19) de la tapa del depósito del agua de recuperación.



### NOTA

*La guarnición (H, Fig. 19) causa la formación de vacío en el depósito, necesario para la aspiración del agua de recuperación.*

Si necesario, sustituir la guarnición (H, Fig. 19) de su alojamiento (I) para sustituirla.

Cuando se reinstala la nueva guarnición, posicionar su unión (J) en el área (central) indicada en la figura.

6. Controlar que toda la superficie perimetral (K, Fig. 19) de apoyo de la guarnición (H) no esté dañada y que sea adecuada para la estanqueidad de la guarnición misma.
7. Controlar que el orificio de ventilación (L, Fig. 19) no esté obstruido; de lo contrario, limpiarlo.



### NOTA

*El orificio (L, Fig. 19) permite la compensación de aire en el intersticio de la tapa, causando la formación de vacío en el depósito.*

8. Cerrar la tapa (A, Fig. 19) tras haber quitado el soporte (B) de la tapa.

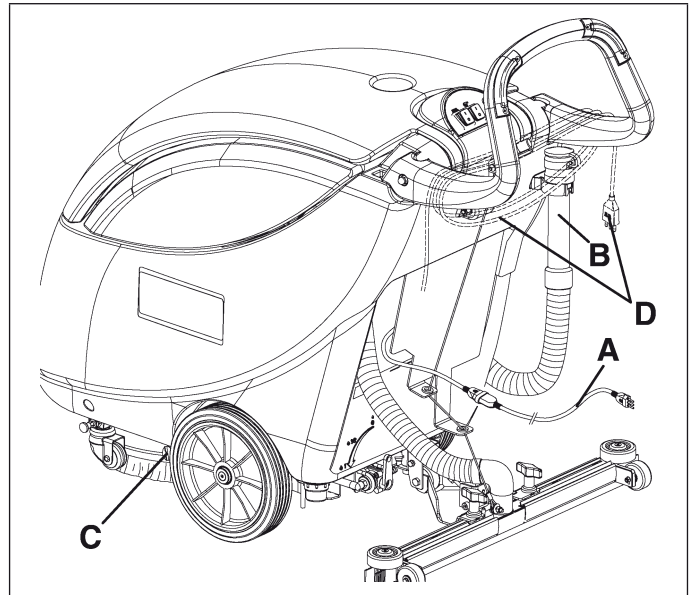


Figure 18

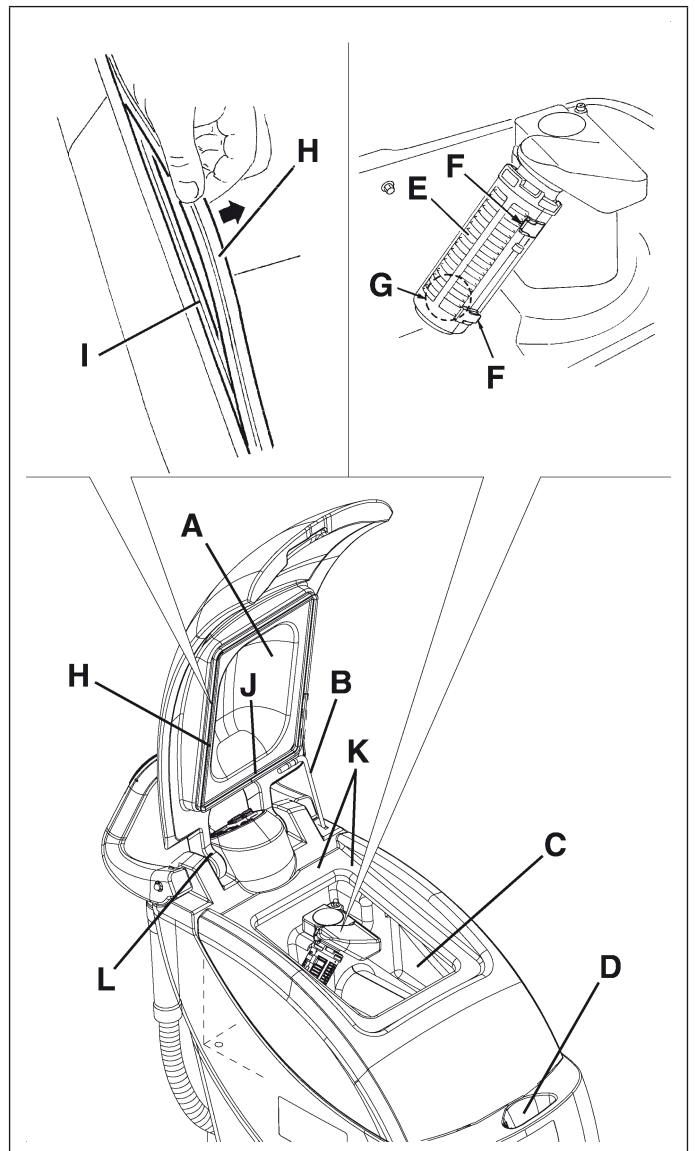


Figure 19

## LIMPIEZA DEL FILTRO DE LA SOLUCIÓN DETERGENTE

1. Vaciar el depósito de la solución detergente (A, Fig. 20) como indicado en el párrafo específico.
2. Controlar que el cable de alimentación (H, Fig. 20) esté desconectado de la red eléctrica.
3. Llevar la máquina sobre un suelo llano.
4. Desenroscar la tapa transparente (D, Fig. 20) y quitar la rejilla filtrante (E); limpiarlos y remontarlos en el soporte (F).



NOTA

Posicionar correctamente la rejilla filtrante (E, Fig. 20) en el alojamiento (G) del soporte (F).

## AJUSTE DE LA VELOCIDAD DE MARCHA DE LA MÁQUINA



NOTA

Según el tipo de suelo, o según la utilización del cepillo o del portafieltro, la velocidad de marcha de la máquina pueden variar.

Es posible efectuar el ajuste relacionado utilizando el procedimiento siguiente.

1. Quitar el depósito del agua de recuperación, como indicado en el capítulo "Uso".
2. Efectuar el ajuste de la velocidad de marcha de la máquina mediante el tornillo (A, Fig. 21) efectuando el procedimiento siguiente:
  - aflojar el tornillo (B, Fig. 21), en el lado derecho de la máquina, girándolo en sentido antihorario;
  - girar el tornillo de ajuste (A, Fig. 21) en sentido antihorario para aumentar la velocidad de marcha de la máquina;
  - girar el tornillo de ajuste (A, Fig. 21) en sentido horario para disminuir la velocidad de marcha de la máquina;
  - una vez efectuado el ajuste, enroscar el tornillo (B, Fig. 21).
3. Montar el depósito del agua de recuperación, como indicado en el capítulo "Uso".
4. Antes de empezar el trabajo, controlar si la velocidad de marcha de la máquina es correcta y, si es necesario efectuar otros ajustes, repetir los pasos de 1 a 4.

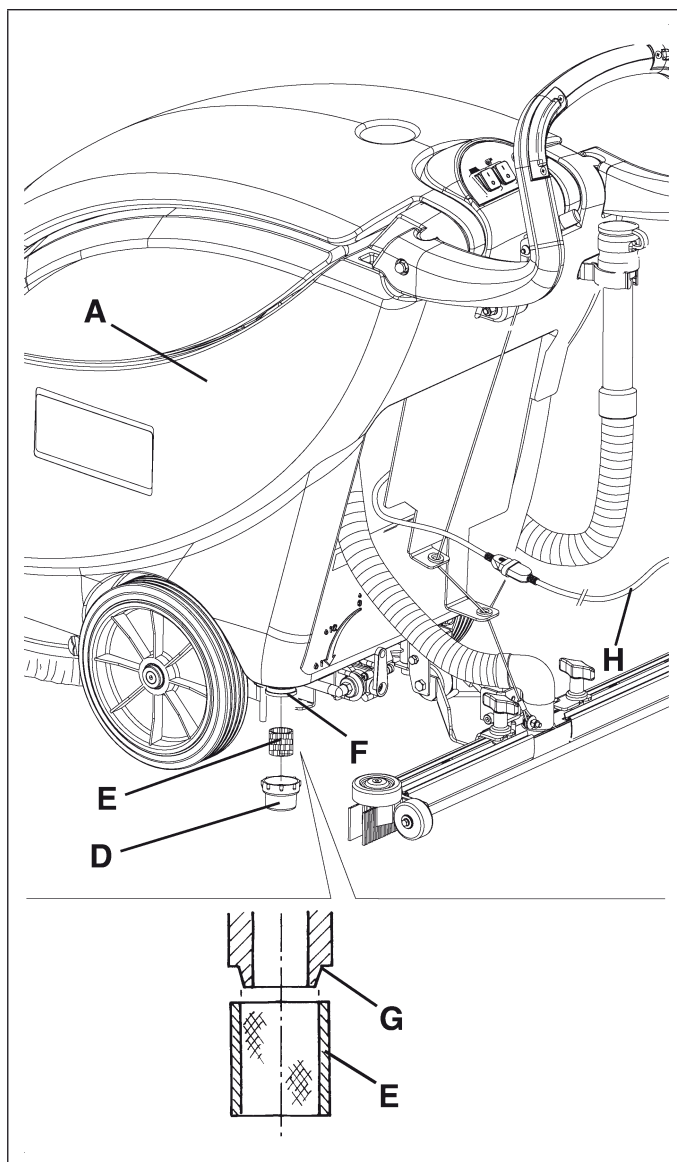


Figure 20

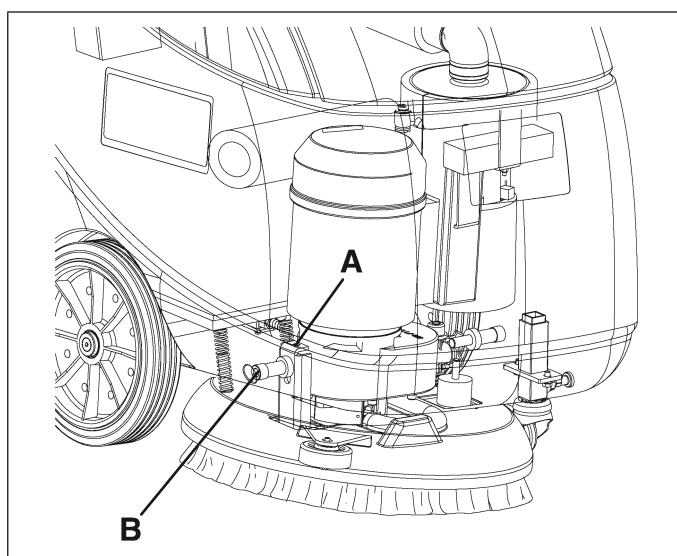


Figure 21



## ACCESORIOS/OPCIONES, Vantage 17 Cable

Además de los componentes instalados en la versión estándar, la máquina puede equiparse con los siguientes accesorios/opciones, según la utilización específica:

Para informaciones suplementarias sobre estos accesorios opcionales, acudir al Revendedor autorizado.

### ACCESORIOS/OPCIONES

Véase la sección "Catálogo piezas de repuestos".

## BÚSQUEDA AVERÍAS Y SOLUCIONES

AVERÍA	PROBABLE CAUSA	SOLUCIÓN
Los motores no se encienden	Cable de alimentación no conectado a la red	Conectar el cable de alimentación
	Cable de alimentación averiado	Reparar/sustituir el cable de alimentación
Insuficiente aspiración del agua de recuperación	Depósito del agua de recuperación lleno	Vaciarlo
	Rejilla de aspiración obstruida o flotador en cierre	Limpiar la rejilla de aspiración y el flotador
	Tubo de aspiración de la boquilla desconectado o averiado	Conectarlo o repararlo/sustituirlo
	Boquilla sucia o cauchos de la boquilla desgastados o dañados	Limpiar la boquilla o sustituir los cauchos
	Tapa del depósito del agua de recuperación no correctamente cerrado, guarnición desgastada o orificio de ventilación obstruido	Cerrar correctamente la tapa, sustituir la guarnición o limpiar el orificio de ventilación
El flujo de la solución detergente al cepillo es insuficiente	Filtro de la solución detergente sucio	Limpiar el filtro
	Obstrucción del orificio de salida del depósito del agua de recuperación	Limpiar el orificio
Estriados causados por la boquilla	Residuos bajo de los cauchos de la boquilla	Quitar los residuos
	Cauchos de la boquilla desgastados, astillados o desgarrados	Sustituir los cauchos

**LISEZ CE MANUEL**

Il contient des informations importantes pour une utilisation correcte de la machine, en toute sécurité. Lisezle complètement avant de mettre la machine en marche ou d'effectuer un entretien. A défaut, vous risqueriez de vous blesser ou de blesser d'autres membres du personnel, k'endommager sérieusement la machine ou de provoquer des dégâts dans son environnement. Avant de se servir de la machine, il est indispensable d'avoir reçu une formation. Si vous-même (ou le conducteur) ne parlez pas français, veuillez demander (ou lui fournir) toutes les explications nécessaires. Des versions du manuel existent en d'autres langues.

Toutes les indications de direction figurant dans ce manuel sont visualisées depuis la position du conducteur, à l'arrière de la machine.

Des manuels supplémentaires peuvent être obtenus auprès de votre revendeur Clarke.

**INDEX**

<b>Manuel d'utilisation .....</b>	<b>1</b>
<b>CONSIGNES DE SECURITE POUR L'OPERATEUR .....</b>	<b>43</b>
INTRODUCTION .....	46
CONSERVATION DU MANUEL .....	46
DONNEES D'IDENTIFICATION .....	46
MODIFICATIONS ET AMELIORATIONS .....	46
DEBALLAGE .....	46
CARACTERISTIQUES TECHNIQUES .....	47
INSTRUCTIONS DE MISE À LA TERRE .....	47
PROCEDURES POUR LE TRANSPORT .....	48
SYMBOLES UTILISES SUR LA MACHINE .....	48
DESCRIPTION DE LA MACHINE .....	49
STRUCTURE EXTERNE .....	49
STRUCTURE INTERNE .....	50
TABLEAU DE BORD .....	51
UTILISATION .....	52
AVANT LA MISE EN MARCHÉ .....	52
MISE EN MARCHÉ ET ARRÊT DE LA MACHINE .....	53
MACHINE AU TRAVAIL (LAVAGE/SECHAGE) .....	54
TRANSPORT/STATIONNEMENT DE LA MACHINE .....	54
VIDANGE DES RESERVOIRS .....	55
APRES L'UTILISATION DE LA MACHINE .....	55
DEPOSE DU RESERVOIR DE L'EAU DE RECUPERATION .....	56
INACTIVITE PROLONGEE DE LA MACHINE .....	56
ENTRETIEN .....	57
PLAN D'ENTRETIEN PROGRAMME .....	57
CONTROLE INTEGRITE CABLE ELECTRIQUE D'ALIMENTATION ET RALLONGE CORRESPONDANTE .....	57
NETTOYAGE DE L'EMBOUCHURE .....	58
CONTROLE/REPLACEMENT DES LAMELLES EN CAOUTCHOUC DE L'EMBOUCHURE .....	58
NETTOYAGE DE LA BROSSE .....	59
NETTOYAGE DES RESERVOIRS ET DE LA GRILLE D'ASPIRATION AVEC FLOTTEUR .....	59
NETTOYAGE DU FILTRE DE SOLUTION .....	60
REGLAGE DE LA VITESSE D'AVANCE DE LA MACHINE .....	60
ACCESSOIRES/OPTIONS Vantage 17 Câble .....	61
DEPISTAGE DES PANNES ET REMEDES POSSIBLES .....	61
<b>Parts List .....</b>	<b>63</b>

## CONSIGNES DE SECURITE POUR L'OPERATEUR

**DANGER!**

*Indique un danger qui comporte des risques, ou même la mort, pour l'opérateur.*

**ATTENTION!**

*Indique une situation exposant les personnes au risque de blessures ou de dommages matériels.*

**AVERTISSEMENT!**

*Indique un avertissement ou une remarque sur des fonctions clé ou utiles. Prêter la plus grande attention aux segments de texte marqués par ce symbole.*

**REMARQUE**

*Indique une remarque sur des fonctions clé ou utiles.*

**CONSULTATION**

*Indique la nécessité de consulter le Manuel d'utilisation avant toute opération.*

**DANGER!**

- *Avant d'effectuer toute opération de nettoyage, d'entretien et de remplacement des composants, débrancher la fiche de la prise.*
- *Cette machine doit être utilisée uniquement par le personnel adéquatement formé. L'utilisation de la machine est interdite aux enfants et aux personnes handicapées.*
- *Ne pas opérer avec cette machine en présence de poudres, liquides ou vapeurs nuisibles, dangereux, inflammables et/ou explosifs: la machine ne doit pas être utilisée pour ramasser des matériaux dangereux.*
- *Débrancher le câble d'alimentation du réseau électrique, avant d'effectuer toute opération d'entretien/réparation.*
- *Ne pas porter de bijoux quand on travaille près de composants électriques.*

**ATTENTION!**

- Avant de brancher la machine au réseau électrique, s'assurer que la fréquence et la tension indiquées sur la plaque avec numéro de série et données techniques coïncident avec la tension de réseau.
- Ne pas utiliser la machine si le câble d'alimentation ou la fiche sont endommagés. Si la machine ne fonctionne pas correctement, si elle est endommagée, laissée à l'extérieur ou tombée dans l'eau, la porter auprès d'un Service après-vente autorisé.
- Si le câble d'alimentation ou la fiche présentent des traces d'abrasion ou s'ils sont endommagés, il est nécessaire de les remplacer immédiatement dans un Service après-vente autorisé.
- Ne pas utiliser le câble d'alimentation pour tirer ou transporter la machine et ne pas utiliser le câble comme poignée. Ne pas fermer de porte sur le câble d'alimentation, ne pas tirer le câble sur des surfaces ou coins tranchants.
- Ne pas utiliser le câble d'alimentation pour débrancher la machine de la prise de courant. Pour débrancher la machine, saisir la fiche et non le câble.
- Ne pas toucher la prise de courant ou la machine avec les mains mouillées.
- Eteindre toutes les commandes avant de débrancher la machine de la prise de courant.
- Vérifier régulièrement que le câble d'alimentation n'est pas endommagé, craqué, coupé ou usé. En cas de dommages, remplacer le câble avant toute utilisation.
- Si le câble d'alimentation est endommagé, il doit être remplacé par le fabricant ou par son Service après-vente.
- Pour réduire le risque d'incendie, chocs électriques ou blessures, ne pas laisser la machine sans surveillance lorsqu'elle est branchée au réseau électrique. Débrancher la machine de la prise de courant lorsqu'on n'utilise pas la machine et avant d'effectuer toute opération d'entretien.
- Ne pas permettre que les brosses en rotation entrent en contact avec le câble d'alimentation.
- Afin d'éviter le risque de choc électrique, ne pas exposer la machine à la pluie. Garder la machine dans un endroit couvert.
- Avant de laisser la machine sans surveillance, veiller à ce que celle-ci ne puisse pas bouger de façon autonome.
- Ne pas laisser que la machine est utilisée comme jouet. Faire attention lorsque la machine est utilisée à proximité des enfants.
- Ne pas utiliser à des fins autres que celles prévues dans ce manuel. Utiliser seulement les accessoires recommandés par le fabricant.
- Prendre les précautions convenables afin que les cheveux, les bijoux et les parties non adhérentes des vêtements ne soient pas capturés par les parties en mouvement ou aspirantes de la machine.
- Avant de laisser la machine sans surveillance, veiller à ce que celle-ci ne puisse pas bouger de façon autonome.
- Ne pas utiliser sur des surfaces dont le gradient est supérieur à celui indiqué sur la machine.
- Ne pas laisser entrer d'objets dans les ouvertures. Ne pas utiliser la machine si les ouvertures sont bouchées ; garder les ouvertures de la machine libres de poussière, filasse, poils et tout autre corps étranger à même de réduire le flux d'air.
- Pendant l'utilisation de cette machine, faire attention à sauvegarder l'intégrité des autres personnes.
- Ne pas utiliser la machine dans des endroits très poussiéreux.
- Ne pas poser de conteneurs de liquides sur la machine.
- La température de travail de la machine doit être comprise entre +32°F et +104°F (0°C et +40°C).
- La température de stockage doit être comprise entre +32°F et +104°F (0°C et +40°C).
- L'humidité doit être comprise entre 30% et 95%.
- Protéger toujours la machine du soleil, de la pluie et d'autres intempéries, pendant le fonctionnement et en état d'arrêt. Garder la machine dans un endroit couvert et sec : elle a été conçue pour l'utilisation à sec, par conséquent elle ne doit pas être utilisée ou gardée dehors, dans des conditions d'humidité.
- Avant d'utiliser la machine, fermer tous les portillons et / ou couvercles. Ne pas utiliser la machine comme moyen de transport.
- Ne pas faire travailler la brosse lorsque la machine est arrêtée pour ne pas endommager le sol.
- Ne pas heurter contre des étagères ou des échafaudages, en particulier en cas de danger de chute d'objets.
- Ne pas altérer pour aucune raison les protections prévues pour la machine, suivre les instructions prévues pour l'entretien ordinaire.
- Ne pas enlever ou altérer les plaques apposées sur la machine par le fabricant.
- En cas d'incendie, utiliser un extincteur à poudre, plutôt qu'un extincteur à eau.
- Afin de garantir la sécurité et le bon fonctionnement de la machine, faire effectuer l'entretien programmé prévu au chapitre spécifique de ce manuel par du personnel autorisé ou par un Service après-vente autorisé.
- Avant d'effectuer toute activité d'entretien/réparation, lire attentivement toutes les instructions qui concernent l'entretien/réparation.

**ATTENTION!**

- *S'assurer que les éventuelles anomalies de fonctionnement de la machine ne dépendent pas du manque d'entretien. En cas contraire, demander l'intervention du personnel autorisé ou d'un Service après-vente agréé.*
  - *Si la machine*
    - *ne fonctionne pas correctement*
    - *est endommagée*
    - *présente des pertes anormales de mousse ou d'eau*
    - *est restée dans un endroit ouvert, exposée aux intempéries*
    - *est mouillée ou est tombée dans l'eau*
- l'arrêter immédiatement et contacter un Service après-vente agréé Advance ou demander l'intervention du personnel autorisé.*
- *En cas de remplacement de pièces, demander les pièces de rechange D'ORIGINE à un concessionnaire ou revendeur autorisé.*
  - *Afin de garantir la sécurité et le bon fonctionnement de la machine, faire effectuer l'entretien programmé prévu au chapitre spécifique de ces Instructions par du personnel autorisé ou par un Service après-vente agréé.*
  - *Ne pas laver la machine avec des jets d'eau directs ou sous pression ou avec des substances corrosives.*
  - *Ne pas travailler sous la machine sans des supports fixes de sécurité convenables.*
  - *Lors de la mise en décharge, la machine ne doit pas être abandonnée par la présence de matériaux toxiques (cartes électroniques etc.), sujets à des lois qui prévoient l'élimination auprès de centres spéciaux (voir le chapitre Mise en décharge).*
  - *Faire attention pendant les déplacements de la machine en conditions de températures inférieures au point de congélation. L'eau présente dans les réservoirs ou dans les tuyaux pourrait se congeler et endommager sérieusement la machine.*
  - *Utiliser les brosses et les disques livrés avec la machine et ceux spécifiés dans les Manuels Opérateur. L'utilisation d'autres brosses ou disques peut compromettre la sécurité.*

## INTRODUCTION

Le modèle Vantage 17 Câble de l'autolaveuse Clarke est une machine performante qui assure un nettoyage de haute qualité des sols. Le modèle Vantage 17 Câble utilise une brosse tournante pour nettoyer une bande de 17 pouces (430 mm) de largeur. Un embouchure arrière essuie le sol et un aspirateur en récupère l'eau de lavage, le tout en une seule passe.

## CONSERVATION DU MANUEL

Le Manuel opérateur doit être gardé près de la machine, dans une enveloppe spéciale et, surtout, loin de liquides et de tout ce qui pourrait en compromettre l'état de lisibilité.

## DONNEES D'IDENTIFICATION

Le numéro de série et le modèle de la machine sont indiqués sur la plaque lisible de l'extérieur. (A, Fig. 2- page. 49).

L'année de fabrication de la machine est indiquée dans la Déclaration de Conformité, ainsi que par les deux premiers chiffres du numéro de série de la machine.

Ces informations sont nécessaires lors de la commande des pièces de rechange de la machine. Utiliser l'espace ci-dessous pour y noter les données d'identification de la machine pour toute référence future.

Modèle de la MACHINE .....
Numéro de série de la MACHINE .....

## MODIFICATIONS ET AMELIORATIONS

Notre entreprise vise à un constant perfectionnement de ses produits et se réserve le droit d'effectuer des modifications et des améliorations, lorsqu'elles sont nécessaires, sans l'obligation de modifier les machines précédemment vendues.

Il est entendu que toute modification et/ou addition d'accessoires doit toujours être approuvée et réalisée par le fabricant.

## DEBALLAGE

Pour déballer la machine, suivre attentivement les instructions sur l'emballage.

Lors de la livraison de la machine, contrôler attentivement que l'emballage et la machine n'ont pas été endommagés pendant le transport. Si les dommages sont évidents, garder l'emballage de façon qu'il puisse être examiné par le transporteur qui l'a livré. Le contacter immédiatement pour remplir une demande de dommages-intérêts.

Contrôler que les composants suivants sont livrés avec la machine :

1. Documentation technique :
  - Manuel d'utilisation de l'autolaveuse
2. Rallonge pour câble d'alimentation



## CARACTERISTIQUES TECHNIQUES

Modèle	Vantage 17 Câble 115 V	Vantage 17 Câble 230 V
Tension de fonctionnement	115 V	230 V
Vitesse de traction	Déterminée par la rotation de la brosse	
Moteur d'aspiration	550 W, 60 Hz	550 W, 50 Hz
Dépression système d'aspiration	51,8 pouces H <sub>2</sub> O (1.316 mm H <sub>2</sub> O)	
Capacité réservoir solution	8,2 gallons (31 litres)	
Flux de solution (minimum/maximum)	0,08/0,26 gallons/min (0,3/1,0 litres/min)	
Capacité réservoir eau de récupération	7,7 gallons (29 litres)	
Embouchure	Droite	
Largeur embouchure	28,3 pouces (720 mm)	
Largeur de nettoyage	17,0 pouces (430 mm)	
Moteur brosse/disque	550 W, 60 Hz	1.100 W, 50 Hz
Diamètre brosse/disque	17 pouces (430 mm)	
Vitesse de rotation brosse/disque	150 tr/mn	
Pression au sol brosse/disque (avec réservoir plein)	61,6 lbs (28 kg)	
Diamètre roues centrales sur essieu fixe	9,8 pouces (250 mm)	
Diamètre roue tournante	1,9 pouces (49 mm)	
Pression spécifique au sol roues arrière	145 psi (1,0 N/mm <sup>2</sup> )	
Pression spécifique au sol roues avant	275.5 psi (1,9 N/mm <sup>2</sup> )	
Inclinaison maximum sol	2 %	
Longueur machine	43,9 pouces (1.115 mm)	
Largeur machine sans embouchure	22,4 pouces (570 mm)	
Hauteur machine	41,4 pouces (1.050 mm)	
Poids machine avec brosse et réservoir solution plein (condition de travail)	217,2 lbs (98,5 kg)	
Pression acoustique à l'oreille de l'opérateur (ISO 11201, ISO 4871) (LpA)	70 dB(A) ± 3dB(A)	
Puissance acoustique émise par la machine (ISO 3744, ISO 4871) (LwA)	87 dB(A)	
Puissance acoustique émise par la machine (ISO 3744, ISO 4871) (LwA)	< 98.4 in/s <sup>2</sup> (< 2,5 m/s <sup>2</sup> )	

## INSTRUCTIONS DE MISE À LA TERRE

La machine est livrée avec un système de mise à la terre. En cas de mauvais fonctionnement ou de bloc électrique, la mise à la terre évite toute risque de choc électrique. La machine est livrée avec un câble électrique d'alimentation équipé d'un câble de mise à la terre et d'une fiche qui doit être correctement mise à la terre.

La fiche doit être branchée sur une prise électrique de terre appropriée et conforme aux normes en vigueur.



### ATTENTION!

**Tout branchement non correct augmente le risque de choc électrique. Demander l'intervention d'un technicien qualifié en cas de doutes concernant la prise électrique de terre à utiliser.**

**Ne pas modifier la fiche électrique de la machine. Si la fiche ne peut pas être branchée sur la prise électrique, demander l'intervention d'un technicien qualifié pour installer une prise électrique de terre appropriée et conforme aux normes en vigueur.**

### Rallonge

Utiliser exclusivement la rallonge livrée avec la machine ou une rallonge avec les même caractéristiques techniques.

## PROCEDURES POUR LE TRANSPORT

Procédure de chargement et de déchargement de la machine d'un fourgon ou d'un camion



### ATTENTION!

*La machine est lourde. Le déplacement de la machine doit être effectué par du personnel expérimenté. Le déplacement de la machine sur des rampes ou des pentes doit être effectué par deux personnes expérimentées. La déplacer toujours lentement. Ne pas tourner la machine sur les rampes. Ne pas laisser la machine arrêtée sans surveillance sur les rampes ou les pentes. Les rampes de chargement doivent avoir au moins 40 pouces (1 mètre) de largeur.*

1. Contrôler que la rampe de chargement a une longueur maximum de 8 pieds (2,5 mètres), une largeur minimum de 40 pouces (1 mètre) et une épaisseur adéquat pour supporter le poids de la machine et des personnes qui la déplacent.
2. Contrôler que la rampe est sèche et propre.
3. Positionner la rampe correctement.
4. Avant de charger la machine, enlever l'embouchure et la brosse/plateau support disque. Clarke conseille de vider les réservoirs de solution et d'eau de récupération avant de charger la machine.

### Procédure de fixation de la machine dans le moyen de transport

5. Clarke conseille de fixer la machine à l'aide de courroies qui empêchent tout basculement et tout mouvement en avant ou en arrière.

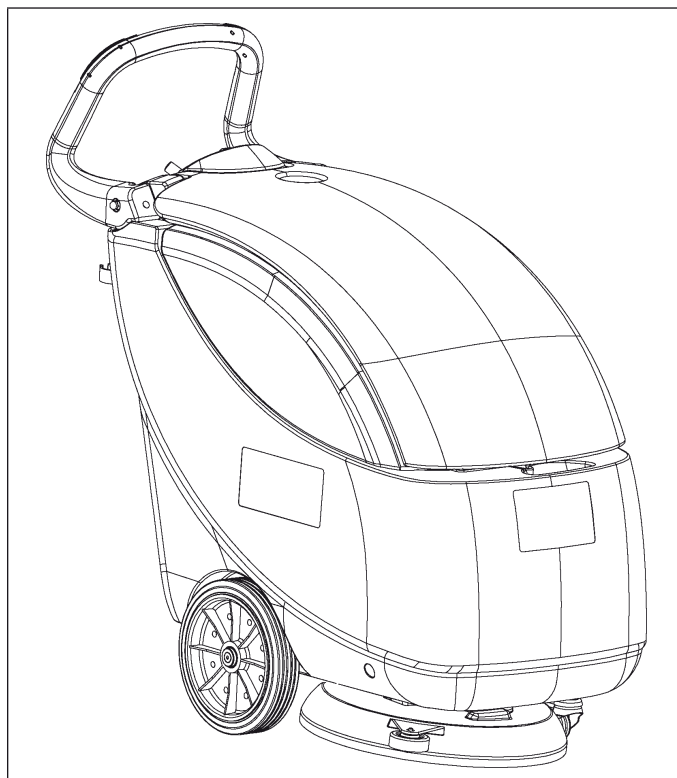
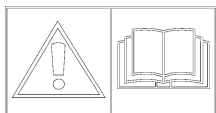


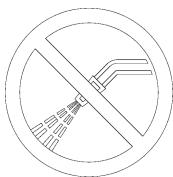
Figure 1

## SYMBOLES UTILISES SUR LA MACHINE



### ATTENTION!

*Avant d'effectuer toute activité d'entretien/réparation, lire attentivement toutes les instructions qui concernent la machine.*



### ATTENTION!

*Ne pas laver la machine avec des jets d'eau directs ou sous pression.*

## DESCRIPTION DE LA MACHINE

## STRUCTURE EXTERNE

(Voir Fig. 2)

- |   |  |
|---|--|
| <p>A. Plaque avec numéro de série/données techniques/<br/>marque de conformité</p> <p>B. Guidon</p> <p>C. Tableau de bord</p> <p>D. Levier de réglage flux de solution</p> <p>E1. Position ECO levier de réglage flux de solution (emploi<br/>"économique" de l'eau, pour une autonomie de lavage<br/>programmée de 70-80 minutes)</p> <p>E2. Position de flux maximum de solution</p> <p>F. Couvercle réservoir eau de récupération</p> <p>G. Roue arrière d'appui pour transport/stationnement</p> <p>H. Roues centrales sur essieu fixe</p> <p>I. Brosse ou plateau support disque avec disque</p> <p>J. Couverture brosse/plateau support disque</p> <p>K. Embouchure</p> <p>L. Boutons de fixation embouchure</p> <p>M. Lamelle en caoutchouc avant embouchure</p> <p>N. Lamelle en caoutchouc arrière embouchure</p> <p>O. Ressorts de fixation lamelles en caoutchouc embouchure</p> | <p>P. Tuyau de vidange eau de récupération</p> <p>Q. Support tuyau de vidange eau de récupération</p> <p>R. Soupape de vidange solution</p> <p>S. Levier de soulèvement/abaissement embouchure</p> <p>T. Filtre de solution</p> <p>U1. Câble électrique d'alimentation</p> <p>U2. Rallonge câble électrique d'alimentation</p> <p>V. Tuyau d'aspiration embouchure</p> <p>W. Dispositif de transport/stationnement</p> <p>W1. Dispositif de transport/stationnement activé</p> <p>W2. Dispositif de transport/stationnement désactivé</p> <p>X. Goupille de positionnement dispositif de transport/<br/>stationnement</p> <p>Y. Réservoir eau de récupération</p> <p>Z. Réservoir solution</p> |
|---|--|

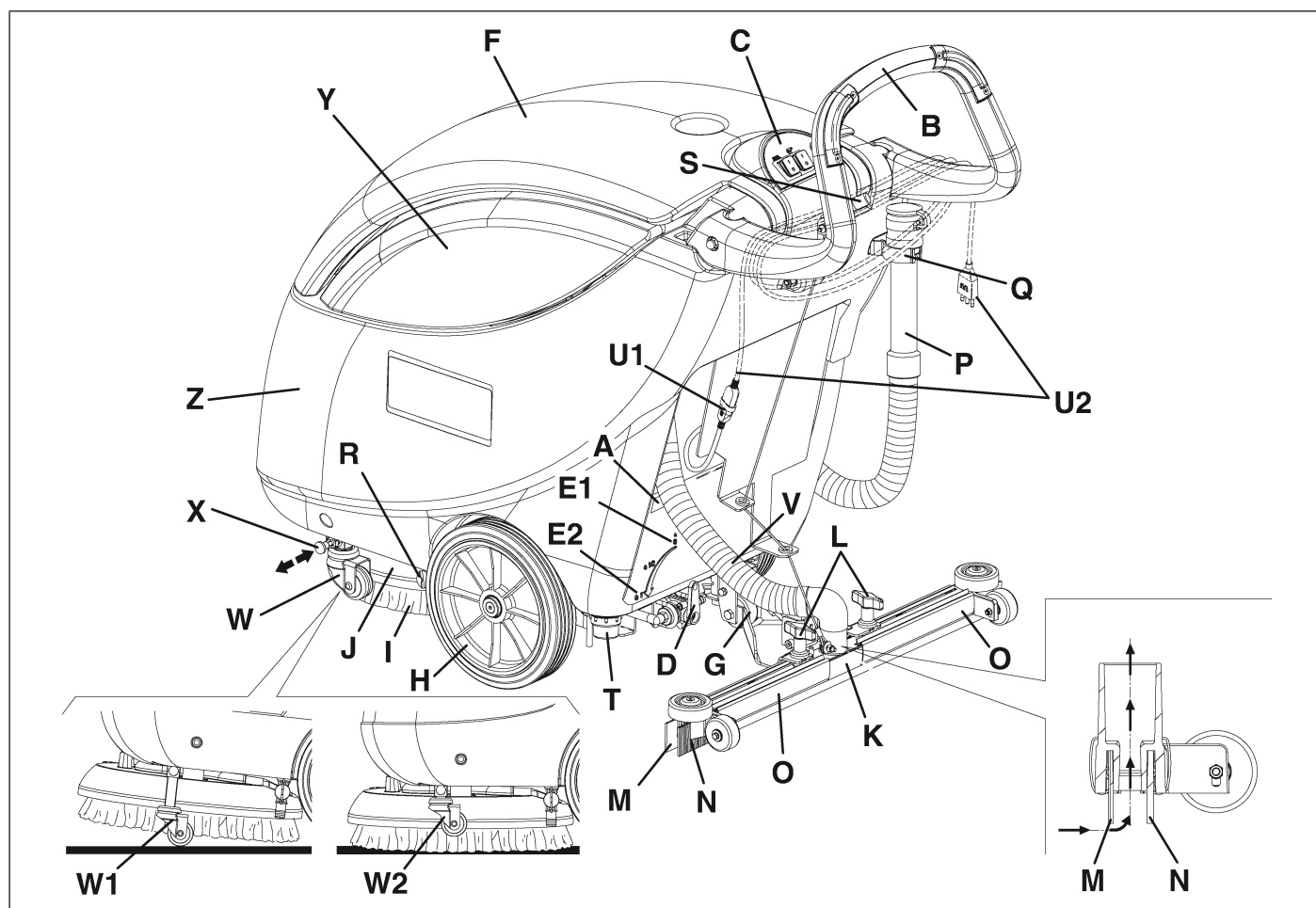


Figure 2

## STRUCTURE INTERNE

(Voir Fig. 3)

- |    |  |    |   |
|----|--|----|---|
| A. | Couvercle réservoir eau de récupération (ouvert)           | K. | Vis de réglage vitesse d'avance machine |
| B. | Joint d'étanchéité couvercle réservoir eau de récupération | L. | Brosse                                  |
| C. | Support couvercle (en position d'activation)               | M. | Plateau support disque                  |
| D. | Réservoir eau de récupération                              | N. | Disque                                  |
| E. | Réservoir solution   | O. | Orifice d'aération                      |
| F. | Grille d'aspiration avec fermeture automatique à flotteur  | P. | Boîte à bornes                          |
| G. | Orifice de drainage eau de récupération                    |    |   |
| H. | Moteur d'aspiration  |    |   |
| I. | Moteur brosse/disque                                       |    |   |
| J. | Couverture avec queue d'accrochage pour brosse/plateau     |    |   |

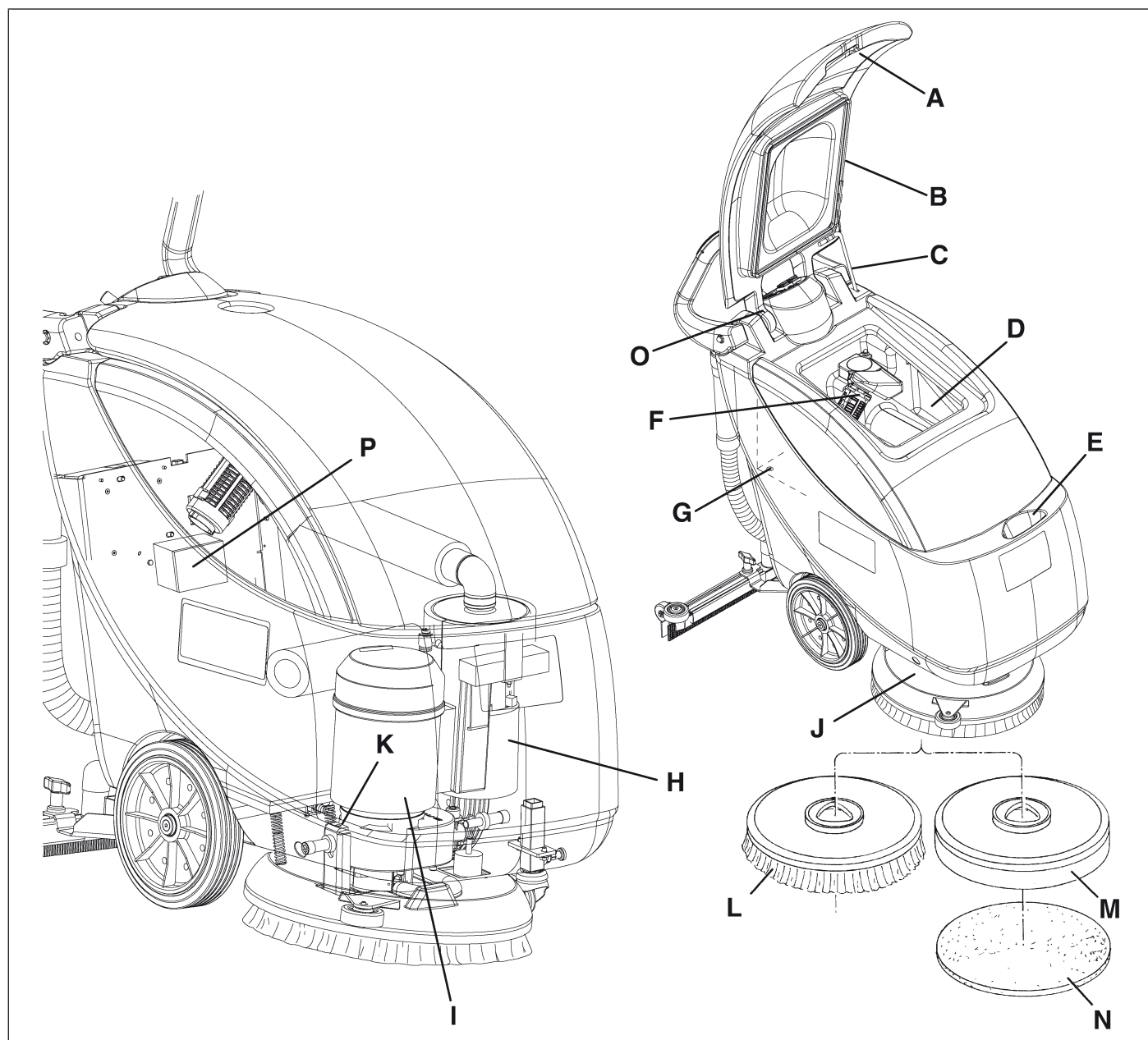


Figure 3

**TABLEAU DE BORD**

(Voir Fig. 4)

**Interrupteur de rotation brosse/disque (A, Fig. 4)**

S'il est positionné sur "I", la machine est prête pour la rotation de la brosse/disque. Pour activer la rotation de la brosse/disque, il faut tenir appuyé l'un ou les deux boutons-poussoirs de validation (C, Fig. 4).

S'il est positionné sur "0", la rotation de la brosse/disque ne peut pas être effectuée.

**Interrupteur d'aspiration (B, Fig. 4)**

S'il est positionné sur "I", il active l'aspiration de l'eau de récupération.

S'il est positionné sur "0", il arrête l'aspiration de l'eau de récupération.

**Boutons-poussoirs de validation rotation brosses (C, Fig. 4)**

En appuyant sur l'un ou les deux boutons-poussoirs de validation, la rotation de la brosse/disque est activée.

Les boutons-poussoirs ne sont actifs que lorsque l'interrupteur de rotation brosse/disque (A, Fig. 4) est positionné sur "I".

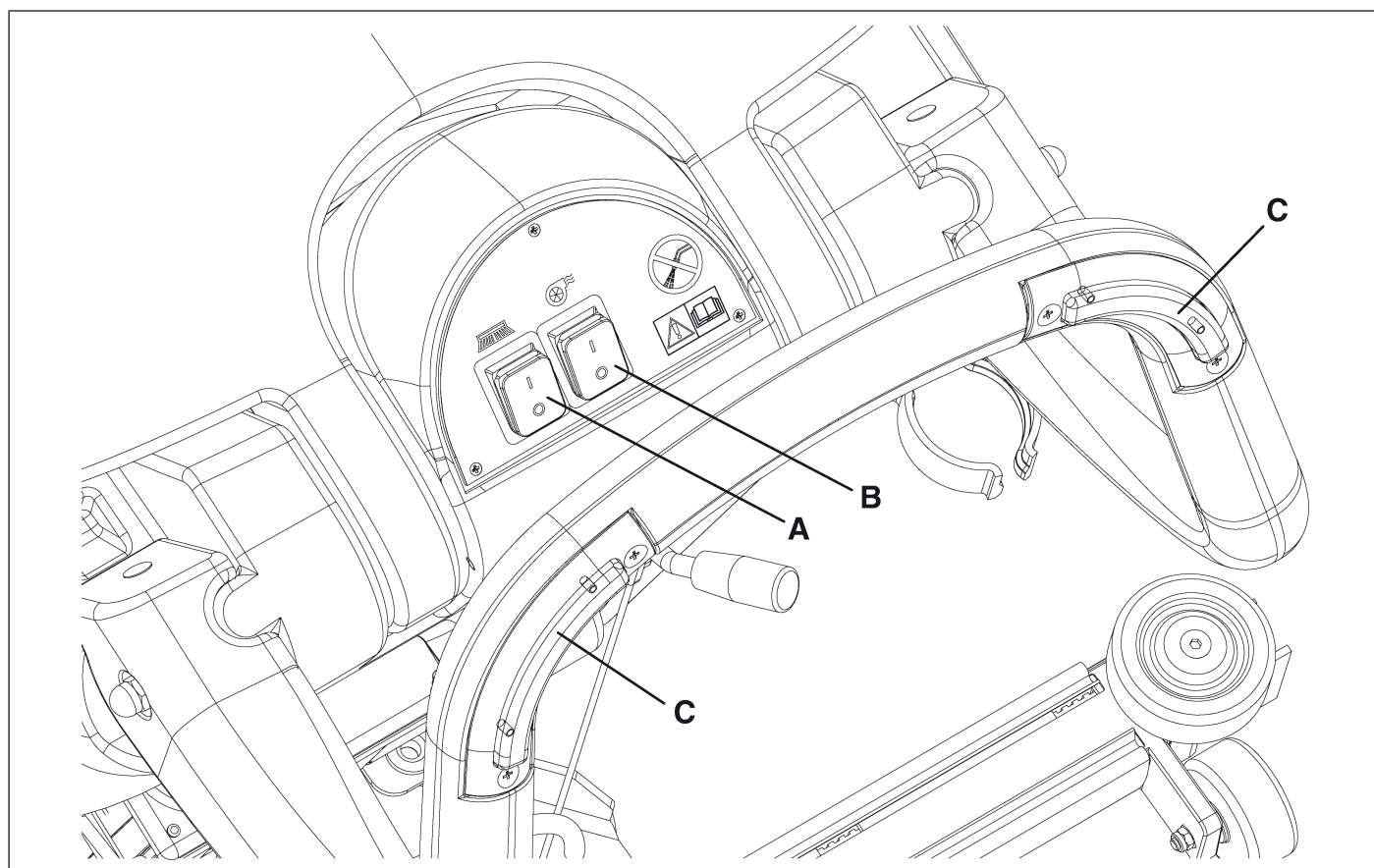


Figure 4

## UTILISATION



### ATTENTION!

*Sur certains points de la machine sont appliquées des plaques adhésives qui indiquent :*

- **DANGER**
- **ATTENTION**
- **AVERTISSEMENT**
- **INFORMATION**

Lors de la lecture de ce manuel, l'opérateur doit bien comprendre le sens des symboles illustrés sur les plaques.

Ne pas couvrir les plaques et les remplacer immédiatement en cas d'endommagement.

### AVANT LA MISE EN MARCHÉ

Avant le démarrage de la machine, contrôler que les opérations suivantes ont été effectuées correctement.

#### Installation de l'embouchure

1. Installer l'embouchure (A, Fig. 5) et la fixer à l'aide des boutons (B), puis connecter le tuyau d'aspiration (C) à l'embouchure.

#### Remplissage du réservoir de solution

2. Remplir le réservoir de solution (A, Fig. 6) avec une solution adéquate au travail à effectuer.

Ne jamais remplir complètement le réservoir de solution, mais laisser toujours quelques centimètres du bord.

Suivre toujours les instructions de dilution sur l'étiquette du conteneur du produit chimique utilisé pour la solution.

La température de la solution ne doit jamais être supérieure à 100°F (40°C).



### AVERTISSEMENT!

*Utiliser exclusivement des détergents liquides peu mousseux et non inflammables, adéquats pour les machines en question.*

#### Installation de la brosse ou du plateau support disque



### REMARQUE

*Il est possible d'installer soit la brosse (B, Fig. 6) soit le plateau support disque (C) avec disque (D), en fonction du traitement à effectuer sur le sol.*

3. Désactiver le dispositif de stationnement (D, Fig. 5) en le positionnant sur (E) après avoir actionné la goupille correspondante (F).
4. Soulever la couverture de la brosse (G, Fig. 5) en faisant levier sur le guidon (H).
5. Positionner la brosse (B, Fig. 6) ou le plateau (C) avec disque (D) sous la couverture.
6. Baisser la couverture (G, Fig. 5) au moyen du guidon (H).
7. Brancher la rallonge (J, Fig. 5) livrée avec la machine au câble d'alimentation (K). Brancher la fiche (L) de la rallonge au réseau électrique.



### ATTENTION!

*Avant de brancher la machine au réseau électrique, s'assurer que la fréquence et la tension indiquées sur la plaque avec numéro de série et données techniques (M, Fig. 5) coïncident avec la tension de réseau.*

8. Positionner l'interrupteur de la brosse (I, Fig. 5) sur "I", puis appuyer l'un ou les deux boutons-poussoirs (N) pour quelques secondes pour permettre l'accrochage de la brosse/plateau support disque.

En cas d'accrochage difficile, tourner manuellement la brosse/plateau dans le sens inverse aux aiguilles d'une montre (voir Fig. 7 à la page suivante).

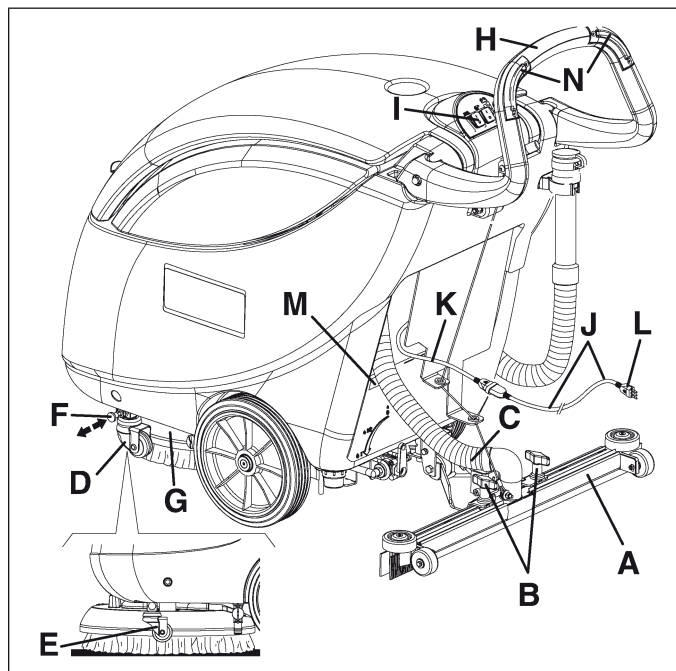


Figure 5

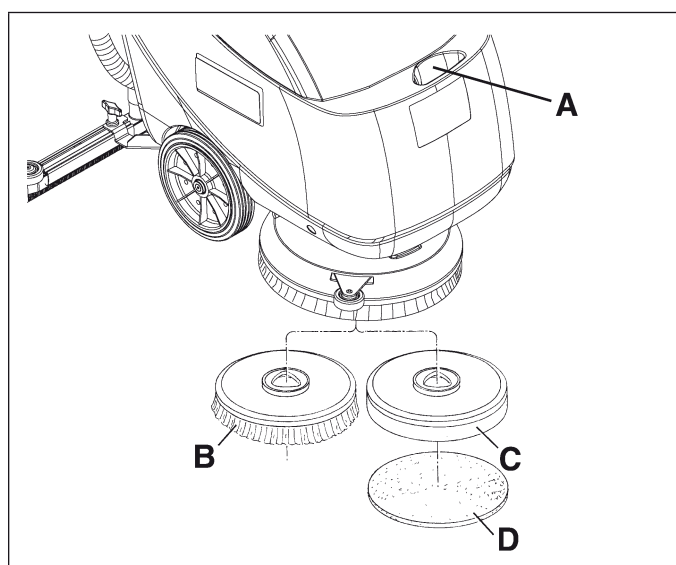


Figure 6



## MISE EN MARCHÉ ET ARRÊT DE LA MACHINE

### Mise en marche

1. Préparer la machine comme indiqué au paragraphe précédent.
2. Si la machine n'est pas encore branchée au réseau électrique, effectuer le branchement en procédant comme suit.

Brancher la rallonge (H, Fig. 8) livrée avec la machine au câble d'alimentation (I). Brancher la fiche (J) de la rallonge au réseau électrique.



#### ATTENTION!

*Avant de brancher la machine au réseau électrique, s'assurer que la fréquence et la tension indiquées sur la plaque avec numéro de série et données techniques (M, Fig. 8) coïncident avec la tension de réseau.*

3. Baisser l'embouchure (A, Fig. 8) en tournant le levier (B) vers le bas.
4. Positionner le levier de réglage du flux de solution (C, Fig. 8) dans une des positions suivantes, selon le type de nettoyage à effectuer :
  - **Système ECO** : en positionnant le levier (C, Fig. 8) sur ECO (D), la machine travaille en condition d'emploi programmé de l'eau (économie) ; en effet, puisque le flux est prédéterminé et constant, la machine peut travailler avec une autonomie de lavage de 70-80 minutes [0,08 gallons/min (0,3 litres/min)].
  - **Système variable** : en tournant le levier à gauche dans la position relative au flux variable (E, Fig 8), il est possible d'augmenter le flux jusqu'à un débit maximum de 0,26 gallons/min (1 litre/min).

En aucun cas il n'est possible de fermer complètement le flux de solution à la brosse/disque pendant le travail.

5. Positionner les interrupteurs (F et G, Fig. 8) sur "I".
6. Tout en gardant les mains sur le guidon (K, Fig. 8) démarrer la machine en appuyant sur l'un ou les deux boutons-poussoirs de validation (L).

### Arrêt de la machine

7. Relâcher les boutons-poussoirs (L, Fig. 8).
8. Positionner les interrupteurs (F et G, Fig. 8) sur "0".
9. Débrancher la fiche (J) du câble d'alimentation du réseau électrique. Si besoin est, enrouler le câble d'alimentation (H, Fig. 8) autour du guidon en position (N).
10. Baisser l'embouchure en tournant le levier (B, Fig. 8) vers le haut, jusqu'à fin de course.
11. Soulever la brosse/disque et activer le dispositif de stationnement (A, Fig. 9) en le positionnant sur (B) après avoir actionné la goupille correspondante (C).

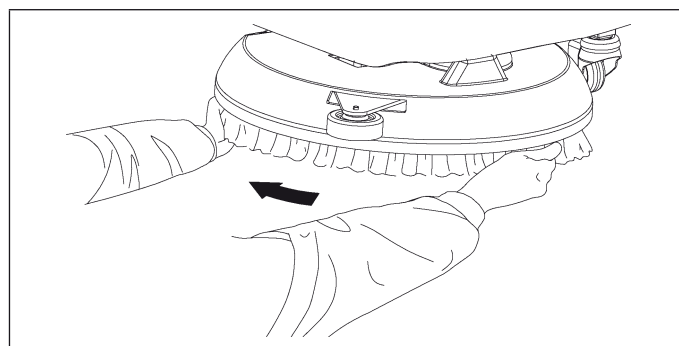


Figure 7

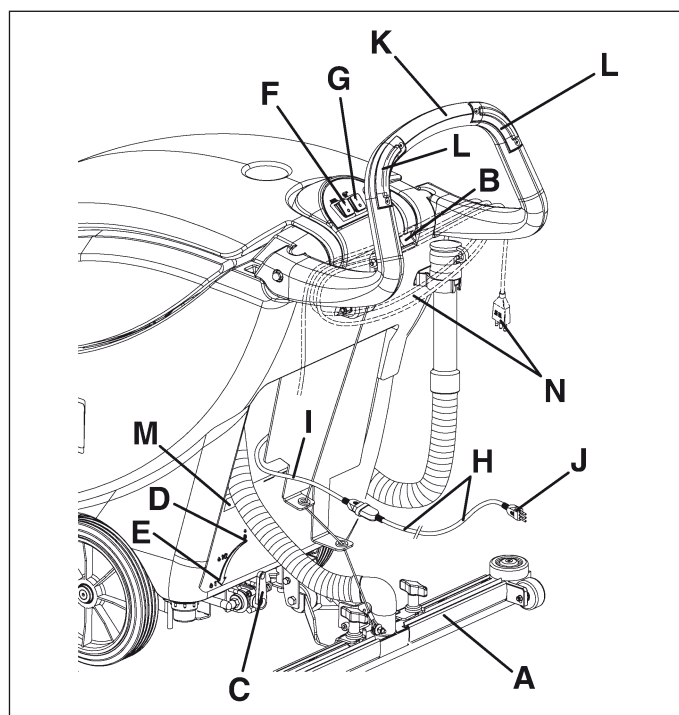


Figure 8

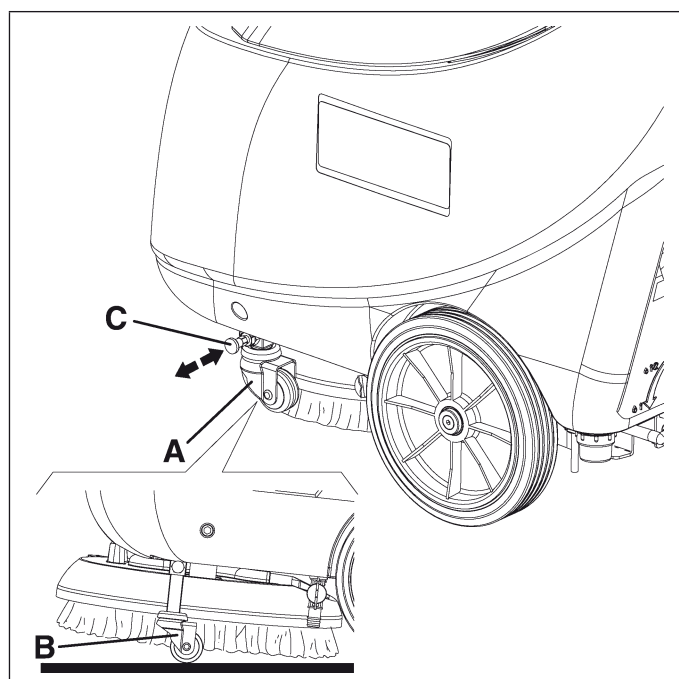


Figure 9

**MACHINE AU TRAVAIL (LAVAGE/SECHAGE)**

1. Démarrer la machine comme prévu au paragraphe précédent.
2. Tout en gardant les mains sur le guidon (I, Fig. 10), déplacer la machine et commencer le travail de lavage/séchage du sol.

**AVERTISSEMENT!**

*Afin d'éviter d'endommager la surface du sol à nettoyer :*

*ne pas utiliser la brosse/disque à sec lorsque la machine est au repos, arrêter la rotation de la brosse/disque au moyen du bouton-poussoir (A, Fig. 10).*

**AVERTISSEMENT**

*Avant de soulever la brosse/disque, en arrêter la rotation au moyen du bouton-poussoir (A, Fig. 10).*

3. Si besoin est, modifier la quantité de solution distribuée à la brosse/disque, à l'aide du levier (B, Fig. 10).

**Réglage de la vitesse d'avance de la machine**

4. La vitesse d'avance de la machine peut varier selon le type de sol à nettoyer et le choix d'utiliser la brosse ou le disque.

Si besoin est, il est possible de régler la vitesse d'avance en suivant la procédure au chapitre Entretien.

**TRANSPORT/STATIONNEMENT DE LA MACHINE**

Pour le transport/stationnement de la machine lorsqu'elle n'est pas au travail (lavage et/ou séchage), procéder comme suit.

1. Positionner les interrupteurs de rotation brosse et d'aspiration (F et G, Fig. 10) sur "0".
2. Débrancher la fiche du câble d'alimentation (C, Fig. 10) du réseau électrique. Enrouler le câble d'alimentation autour du guidon en position (J).
3. Soulever l'embouchure en tournant le levier (H, Fig. 10) vers le haut, jusqu'à fin de course.
4. Saisir le guidon (A, Fig. 11) et le baisser jusqu'à ce que la roue arrière (B) touche le sol, comme indiqué dans la figure 11. Tout en gardant la machine dans cette condition, la pousser dans le lieu de transport/stationnement.

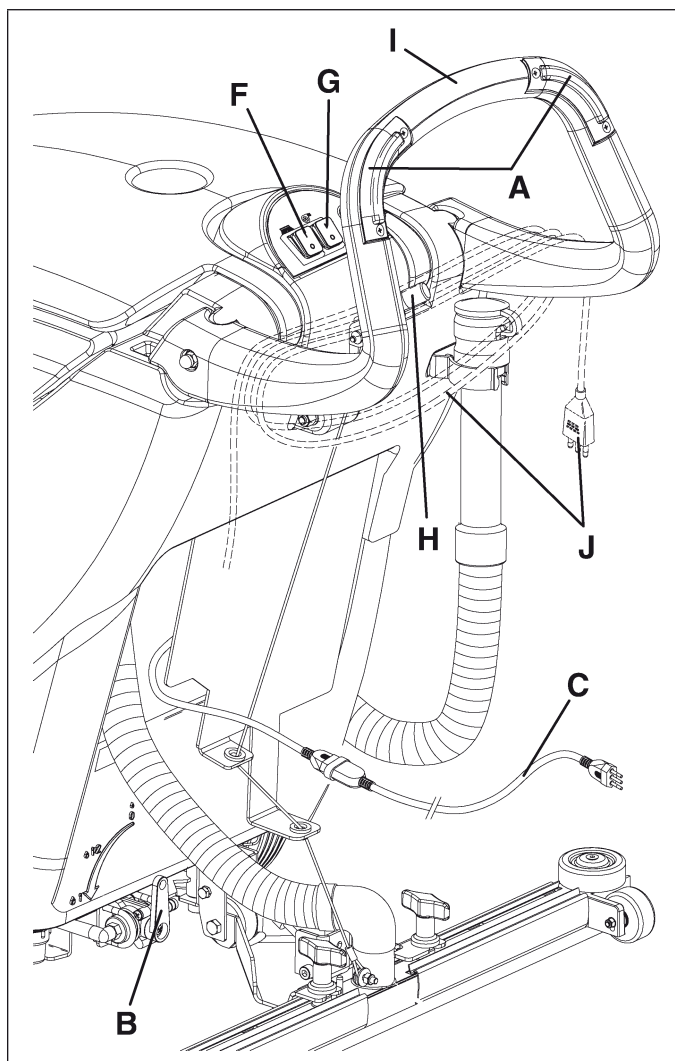


Figure 10

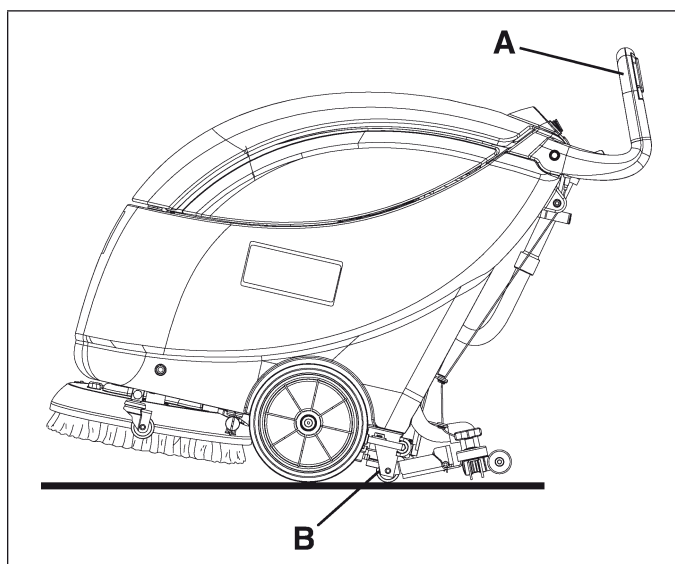


Figure 11

## VIDANGE DES RESERVOIRS

Un système de fermeture automatique à flotteur (A, Fig. 12) bloque le système d'aspiration lorsque le réservoir de récupération (B) est plein.

Le blocage du système d'aspiration peut être détecté grâce à l'arrêt de l'aspiration de l'eau de récupération et à l'augmentation soudaine de la fréquence du bruit du moteur d'aspiration.

Lorsque le réservoir de l'eau de récupération (B, Fig. 12) est plein, le vider en procédant comme suit.

### Vidange du réservoir de l'eau de récupération

1. Arrêter la machine en positionnant les interrupteurs de rotation brosse et d'aspiration (A et B, Fig. 13) sur "0".
2. Débrancher la fiche du câble d'alimentation (M, Fig. 13) du réseau électrique. Enrouler le câble d'alimentation autour du guidon en position (N).
3. Soulever l'embouchure au moyen du levier (C, Fig. 13).
4. Pousser la machine dans la zone destinée à l'écoulement.
5. Au moyen du guidon, soulever la brosse/disque et activer le dispositif de stationnement (D, Fig. 13) après avoir actionné la goupille correspondante (E).
6. Dégager le tuyau de vidange de l'eau de récupération (F, Fig. 13) du support (G), ouvrir le couvercle (H), puis abaisser le tuyau (F) et vider le réservoir de l'eau de récupération. Le travail effectué, rincer le réservoir à l'eau propre.

### Vidange du réservoir de la solution

7. Exécuter les points de 1 à 5.
8. Vider le réservoir de la solution en ouvrant la soupape de vidange (I, Fig. 13). Le travail effectué, rincer le réservoir à l'eau propre.

## APRES L'UTILISATION DE LA MACHINE

Le travail effectué, avant de laisser la machine, effectuer les opérations suivantes :

1. Décrocher la brosse/plateau support disque en procédant comme suit :
  - Positionner l'interrupteur de la brosse (A, Fig. 13) sur "1".
  - Avec la brosse/plateau support disque soulevé, appuyer sur l'un ou les deux boutons-poussoirs (J, Fig. 13) pour quelques secondes, puis les relâcher : cette procédure permet de dégager la brosse/plateau support disque.
2. Débrancher la fiche du câble d'alimentation (M, Fig. 13) du réseau électrique. Enrouler le câble d'alimentation autour du guidon en position (N).
3. Vider les réservoirs (B et C, Fig. 12), en procédant comme indiqué au paragraphe précédent.
4. Effectuer les opérations d'entretien prévues après l'utilisation de la machine (voir le chapitre Entretien).
5. Garder la machine dans un endroit sec et propre, avec la brosse/disque et l'embouchure soulevés ou déposés.

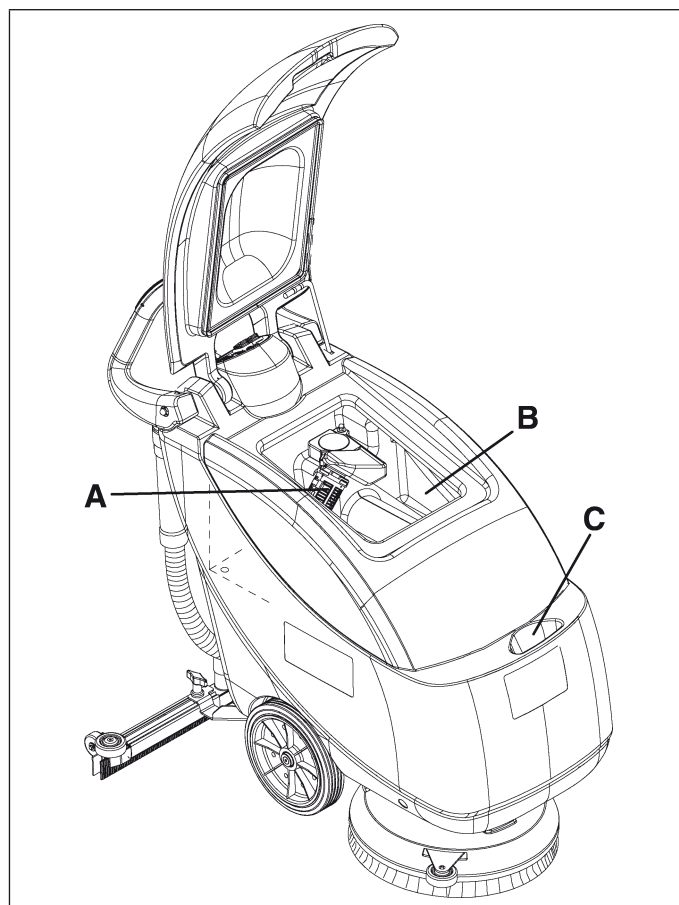


Figure 12

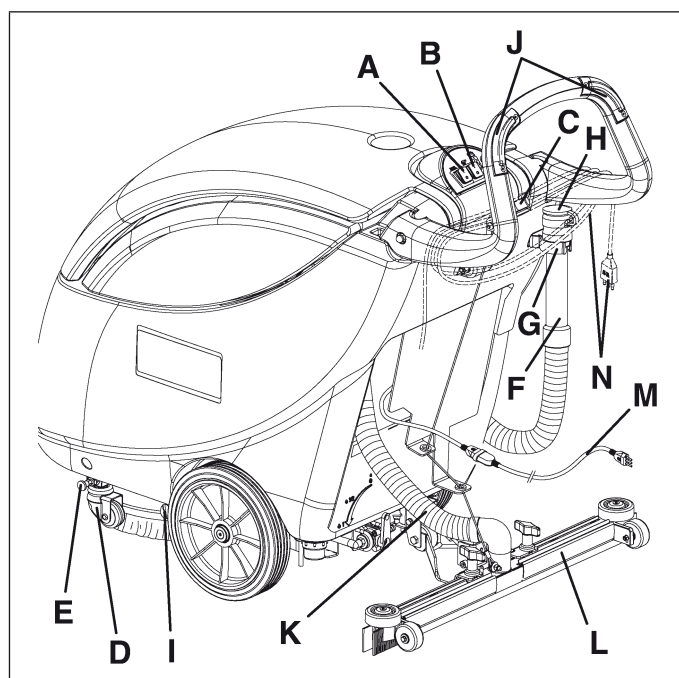


Figure 13

## DEPOSE DU RESERVOIR DE L'EAU DE RECUPERATION

Pour pouvoir effectuer toute opération de contrôle ou d'entretien, il peut être nécessaire de déposer le réservoir de l'eau de récupération (A, Fig. 15) en procédant comme suit.

1. Vider le réservoir (A, Fig. 15) en procédant comme indiqué au paragraphe spécifique.
2. Porter la machine sur un sol plat.
3. Vérifier que le câble d'alimentation (M, Fig. 14) est débranché du réseau électrique.
4. Déconnecter le tuyau d'aspiration (A, Fig. 14) de l'embouchure (B).
5. Déconnecter le tuyau de vidange de l'eau de récupération (C, Fig. 14) du support (D).
6. Ouvrir le couvercle (B, Fig. 15) et insérer le support (C) du couvercle.
7. Saisir le réservoir de l'eau de récupération (A, Fig. 15) dans la zone (D) et le soulever légèrement, comme indiqué dans la figure.
8. Déconnecter le tuyau d'aspiration (E, Fig. 15) du réservoir, puis déposer le réservoir (A) avec les tuyaux (F) et (G).

## INACTIVITE PROLONGEE DE LA MACHINE

Si on prévoit de ne pas utiliser la machine pendant plus de 30 jours, il est convenable d'effectuer les opérations suivantes :

1. Effectuer les opérations prévues au paragraphe Après l'utilisation de la machine.
2. Garder la machine dans un endroit sec et propre, avec la brosse/disque et l'embouchure soulevés ou déposés.

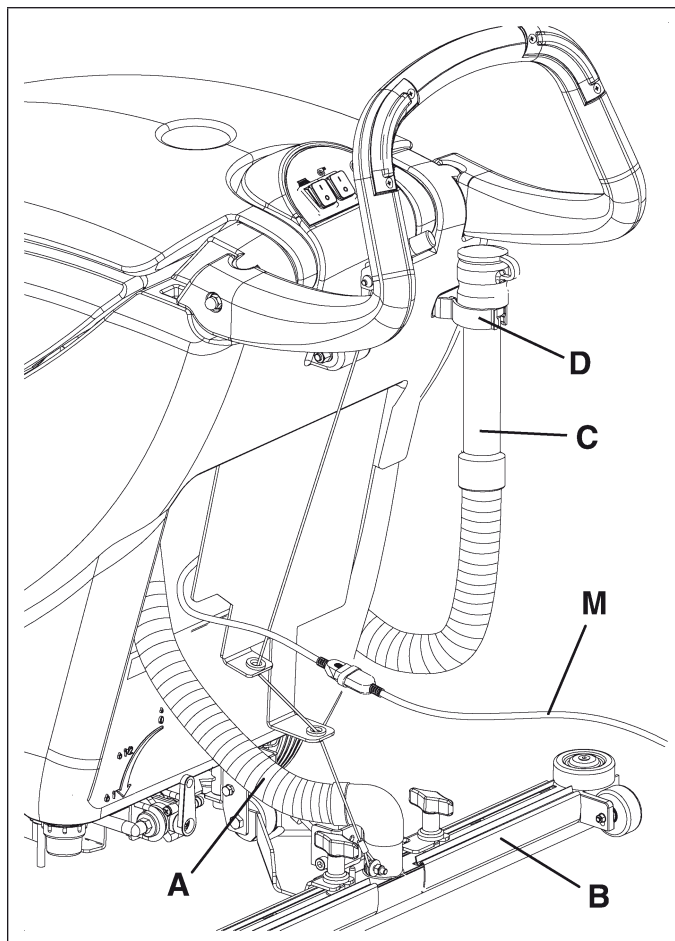


Figure 14

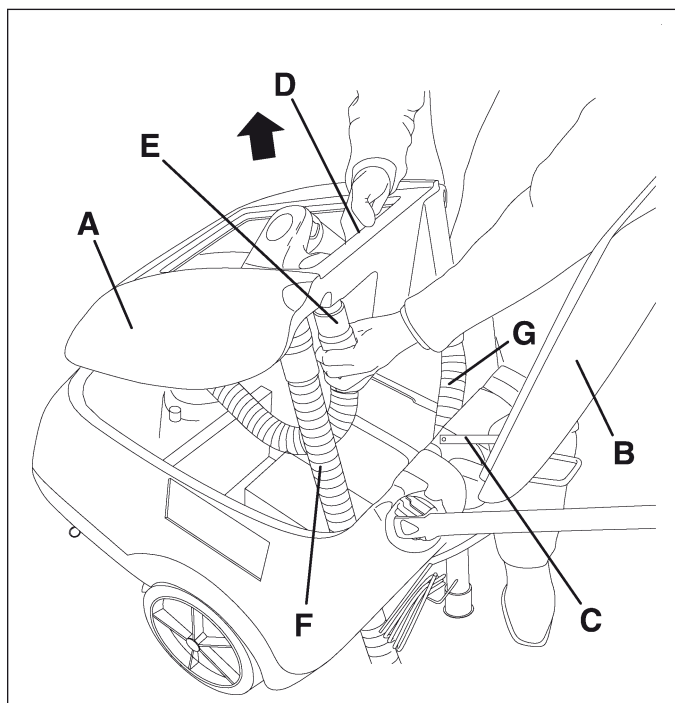


Figure 15

## ENTRETIEN



### ATTENTION!

Toutes les opérations d'entretien ou de réparation doivent être effectuées par du personnel autorisé ou par un Service après-vente autorisé.



### ATTENTION!

Les opérations doivent être effectuées avec :  
la machine à l'arrêt

le câble d'alimentation débranché du réseau électrique

En outre, lire attentivement toutes les instructions du chapitre Consignes de sécurité pour l'opérateur avant d'effectuer toute opération d'entretien.

La durée de vie de la machine et sa sécurité de fonctionnement sont garanties par un entretien soigné et régulier.

Veillez trouver ci-dessous le Plan d'entretien programmé. Les périodicités indiquées peuvent subir des variations en fonction de conditions de travail particulières, à définir par le responsable de l'entretien.

Après le Plan d'entretien programmé, seulement les opérations d'entretien les plus simples et les plus récurrentes sont indiqués.

### PLAN D'ENTRETIEN PROGRAMME

Opération	Quotidienne ou après l'utilisation de la machine	Hebdomadaire	Semestrielle	Annuelle
Contrôle intégrité câble électrique d'alimentation et rallonge correspondante				
Nettoyage embouchure				
Nettoyage brosse				
Nettoyage réservoirs et grille d'aspiration avec flotteur				
Contrôle/remplacement lamelles en caoutchouc embouchure				
Nettoyage filtre de solution				
Contrôle serrage vis et écrous			(1)	
Contrôle ou remplacement charbons moteur électrique d'aspiration				(2)

(1): et après les 8 premières heures de travail

(2): pour ces opérations d'entretien, contacter un Service après-vente autorisé Clarke

### CONTROLE INTEGRITE CABLE ELECTRIQUE D'ALIMENTATION ET RALLONGE CORRESPONDANTE

Contrôler soigneusement que le câble électrique d'alimentation, la rallonge et les fiches ne présentent pas de traces d'abrasion et vérifier qu'ils ne sont pas endommagés.

Si besoin est, les remplacer immédiatement dans un Service après-vente autorisé.



## NETTOYAGE DE L'EMBOUCHURE



## REMARQUE

Pour un bon séchage, l'embouchure doit être propre et les lamelles en caoutchouc doivent être en bon état.



## AVERTISSEMENT!

Lors du nettoyage de l'embouchure, il est conseillé de porter des gants de protection à cause de la présence éventuelle de débris tranchants.

1. Vérifier que le câble d'alimentation (A, Fig. 16) est débranché du réseau électrique.
2. Baisser l'embouchure (B, Fig. 16) à l'aide du levier (C).
3. Déconnecter le tuyau d'aspiration (D, Fig. 16) de l'embouchure.
4. Desserrer les boutons (E, Fig. 16) et déposer l'embouchure (B).
5. Laver et nettoyer l'embouchure, en particulier les compartiments de convoyage (A, Fig. 17) et l'orifice d'aspiration (B) de la saleté et des déchets.
6. Contrôler que la lamelle en caoutchouc avant (C, Fig. 17) et la lamelle en caoutchouc arrière (D) sont intactes et qu'elles ne présentent pas de coupures ou déchirures ; en cas contraire, les remplacer (voir la procédure au paragraphe suivant).
7. Pour la repose, procéder dans l'ordre inverse de la dépose.

## CONTROLE/REPLACEMENT DES LAMELLES EN CAOUTCHOUC DE L'EMBOUCHURE

1. Nettoyer l'embouchure comme décrit au paragraphe précédent.
2. Contrôler que le bord (E, Fig. 17) des lamelles en caoutchouc avant et le bord (F) de la lamelle en caoutchouc arrière se posent simultanément sur le plan, et en toute leur longueur; en cas contraire, régler leur hauteur en procédant comme suit :
  - régler la lamelle en caoutchouc avant (C, Fig. 17) et arrière (D) après avoir déposé les ressorts de fixation (G)
  - reposer les ressorts de fixation sur les lamelles en caoutchouc avant et arrière correctement réglées.
3. Contrôler que la lamelle en caoutchouc avant (C, Fig. 17) et la lamelle en caoutchouc arrière (D) sont intactes et qu'elles ne présentent pas de coupures ou déchirures; en cas contraire, les remplacer en procédant comme suit. Contrôler que l'arête (H) de la lamelle en caoutchouc arrière n'est pas usée; en cas contraire, tourner la lamelle en caoutchouc, en remplaçant l'arête usée avec l'autre arête (I) si elle est encore intacte. Si l'autre arête est usée, remplacer la lamelle en caoutchouc, en procédant comme suit :
  - remplacer (ou renverser) la lamelle en caoutchouc arrière (D, Fig. 17) après avoir déposé les ressorts de fixation (G)



## REMARQUE

Pendant le remplacement, vérifier que les parties saillantes des lamelles avant sont orientées en avant et que les parties saillantes des lamelles arrière sont orientées en arrière.

- reposer les ressorts de fixation sur les lamelles en caoutchouc avant et arrière correctement réglées, comme décrit au point précédent.
4. Reposer l'embouchure (B, Fig. 16) et serrer les boutons (E).

5. Connecter le tuyau d'aspiration (D, Fig. 16) à l'embouchure (B).

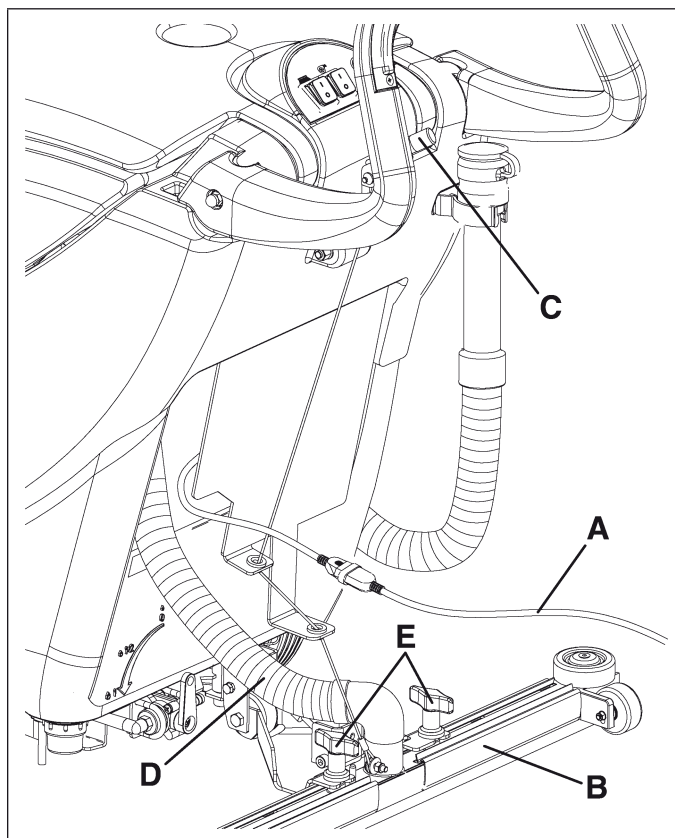


Figure 16

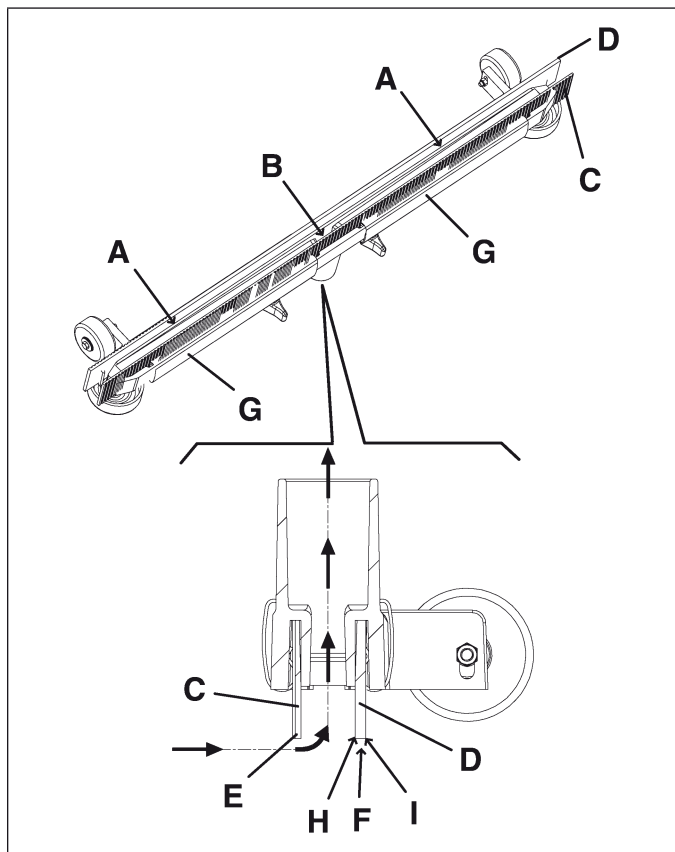


Figure 17



## NETTOYAGE DE LA BROSSE



### AVERTISSEMENT!

Lors du nettoyage de la brosse, il est conseillé de porter des gants de protection à cause de la présence éventuelle de débris tranchants.

1. Déposer la brosse de la machine comme prévu au chapitre Utilisation.
2. Nettoyer et laver la brosse avec de l'eau et de la solution.
3. Contrôler que les poils de la brosse sont intacts et non excessivement usés ; en cas contraire, remplacer la brosse.

## NETTOYAGE DES RESERVOIRS ET DE LA GRILLE D'ASPIRATION AVEC FLOTTEUR

1. Vérifier que le câble d'alimentation (A, Fig. 18) est débranché du réseau électrique. Enrouler le câble d'alimentation autour du guidon en position (D).
2. Pousser la machine dans la zone destinée à l'écoulement.
3. Soulever le couvercle (A, Fig. 19), insérer le support (B) du couvercle, nettoyer et laver à l'eau propre le couvercle, les réservoirs (C et D) et la grille d'aspiration (E). Vider l'eau des réservoirs à l'aide du tuyau (B, Fig. 18) et de la soupape (C).
4. Si besoin est, dégager les dispositifs de retenue (F, Fig. 19) et ouvrir la grille (E), puis déposer le flotteur (G) et nettoyer soigneusement ; enfin reposer en place.
5. Contrôler l'intégrité du joint d'étanchéité (H, Fig. 19) du couvercle du réservoir de l'eau de récupération.



### REMARQUE

Le joint d'étanchéité (H, Fig. 19) permet la création d'une dépression dans le réservoir, nécessaire à l'aspiration de l'eau de récupération.

Si besoin est, déposer le joint d'étanchéité (H, Fig. 19) de son logement (I) et le remplacer.

Lors de la repose du nouveau joint d'étanchéité, positionner le raccord (J) dans la zone (centrale) indiquée dans la figure.

6. Contrôler aussi l'intégrité et l'efficacité de la surface d'appui (K, Fig. 19) du joint d'étanchéité (H).
7. Contrôler que l'orifice d'aération (L, Fig. 19) n'est pas obstrué, en cas contraire le nettoyer.



### REMARQUE

L'orifice (L, Fig. 19), en permettant la compensation de l'air dans l'interstice du couvercle, contribue à la création de dépression dans le réservoir.

8. Fermer le couvercle (A, Fig. 19) après avoir inséré le support (B) du couvercle.

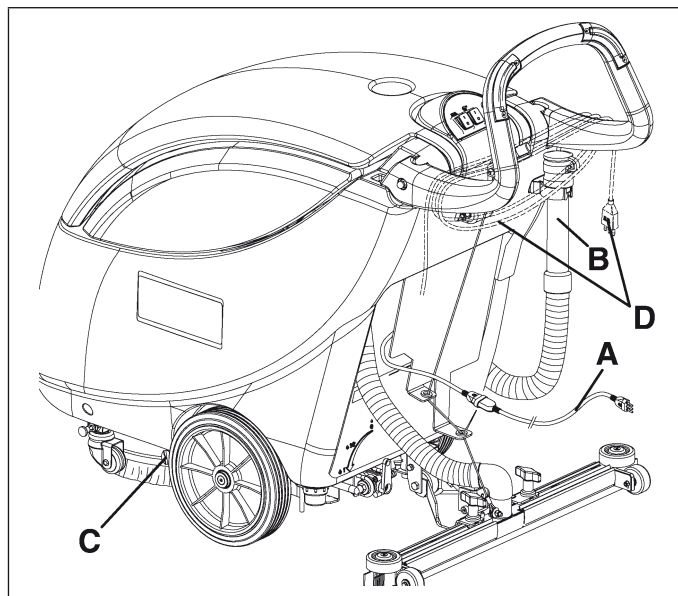


Figure 18

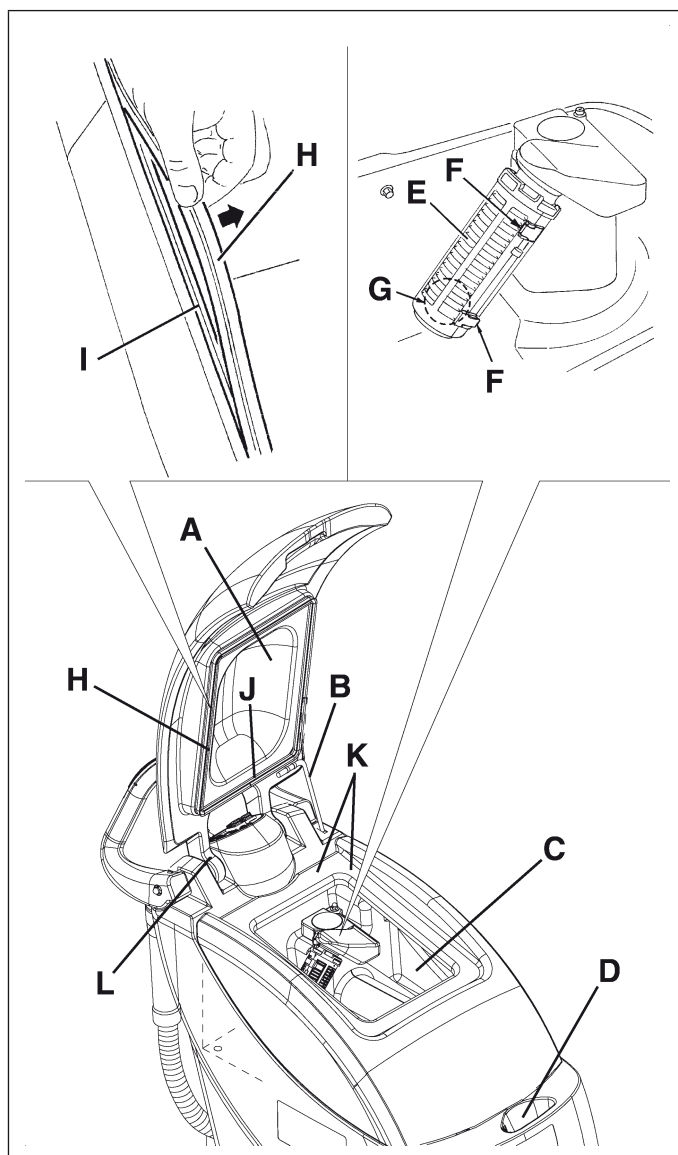


Figure 19

## NETTOYAGE DU FILTRE DE SOLUTION

1. Vider le réservoir de la solution (A, Fig. 20) en procédant comme indiqué au paragraphe spécifique.
2. Vérifier que le câble d'alimentation (H, Fig. 20) est débranché du réseau électrique.
3. Porter la machine sur un sol plat.
4. Dévisser le couvercle transparent (D, Fig. 20) et déposer le filet filtrant (E), puis les nettoyer et les reposer sur le support (F).



### REMARQUE

Positionner correctement le filet filtrant (E, Fig. 20) dans le logement (G) du support (F).

## REGLAGE DE LA VITESSE D'AVANCE DE LA MACHINE



### REMARQUE

La vitesse d'avance de la machine peut varier selon le type de sol à nettoyer et le choix d'utiliser la brosse ou le plateau support disque.

Effectuer le réglage en procédant comme suit.

1. Déposer le réservoir de l'eau de récupération comme indiqué au chapitre Utilisation.
2. Régler la vitesse d'avance de la machine au moyen de la vis (A, Fig. 21) en procédant comme suit :
  - desserrer la vis (B, Fig. 21), sur le côté droit de la machine, en la tournant dans le sens inverse aux aiguilles d'une montre ;
  - tourner la vis de réglage (A, Fig. 21) dans le sens inverse aux aiguilles d'une montre pour augmenter la vitesse d'avance de la machine
  - tourner la vis de réglage (A, Fig. 21) dans le sens des aiguilles d'une montre pour réduire la vitesse d'avance de la machine
  - le réglage effectué, serrer la vis (B, Fig. 21).
3. Reposer le réservoir de l'eau de récupération comme indiqué au chapitre Utilisation.
4. Avec la machine en fonction, effectuer des essais pratiques pour vérifier si la vitesse d'avance de la machine est correcte et, le cas échéant, répéter les points de 1 à 4.

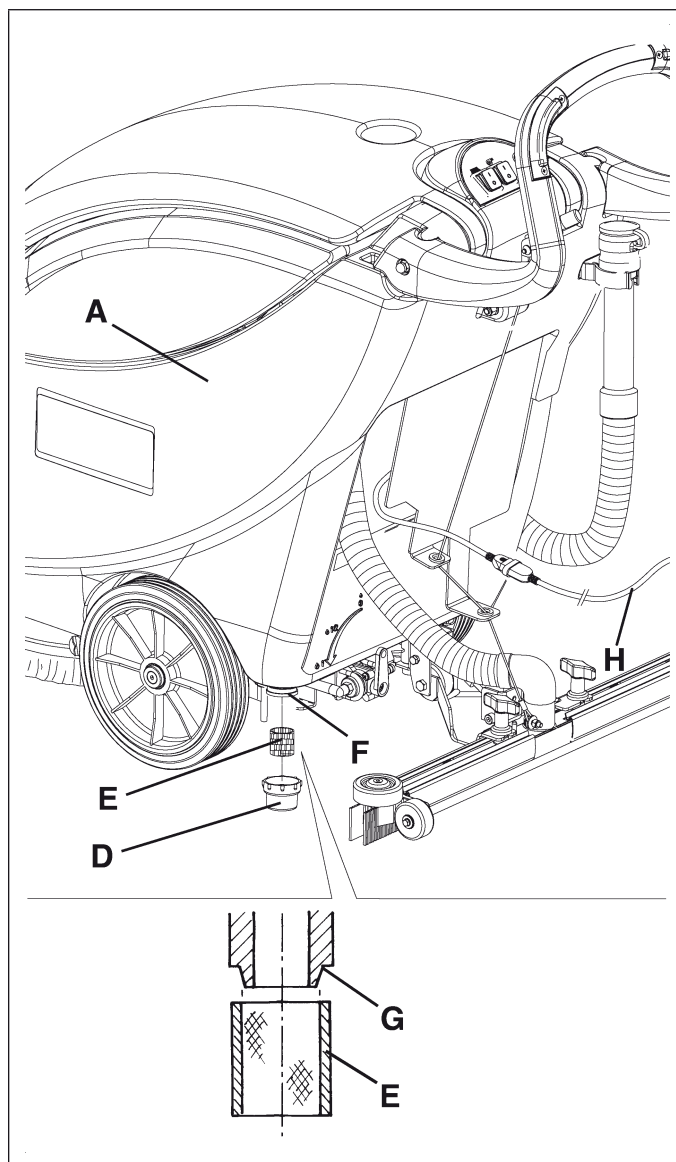


Figure 20

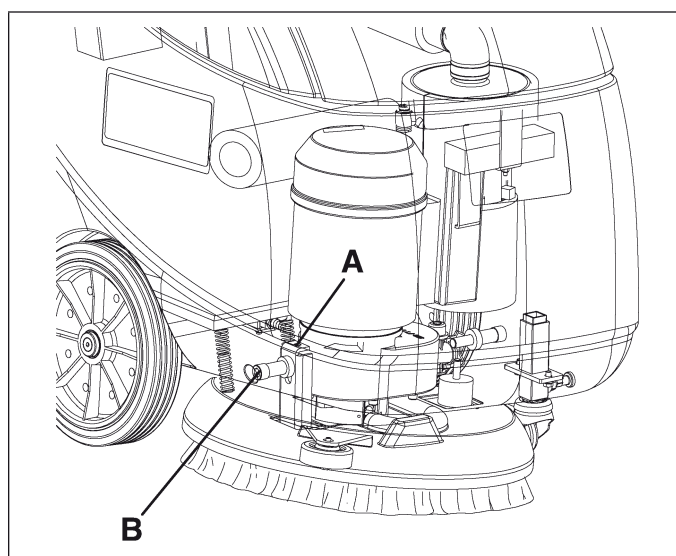


Figure 21

## ACCESSOIRES/OPTIONS Vantage 17 Câble

Outre les composants présents dans le modèle standard, la machine peut être livrée avec les accessoires/options suivants, selon l'emploi spécifique de la machine :

Pour de plus amples informations relatives aux accessoires optionnels susmentionnés, s'adresser au revendeur agréé.

### ACCESSOIRES/OPTIONS

Voir la section Catalogue de pièces de rechange.

## DEPISTAGE DES PANNES ET REMEDES POSSIBLES

PROBLEME	CAUSE POSSIBLE	REMEDE
Allumage raté moteurs	Câble d'alimentation non branché au réseau	Brancher le câble d'alimentation
	Câble d'alimentation défectueux	Réparer/remplacer le câble d'alimentation
Aspiration eau de récupération insuffisante	Réservoir eau de récupération plein	Vider
	Grille d'aspiration obstruée ou flotteur bloqué en position fermée	Nettoyer la grille d'aspiration et le flotteur
	Tuyau d'aspiration déconnecté de l'embouchure ou défectueux	Connecter ou réparer/remplacer
	Embouchure sale ou lamelles en caoutchouc usées ou endommagées	Nettoyer l'embouchure ou remplacer les lamelles en caoutchouc
	Couvercle réservoir eau de récupération pas correctement fermé, joint d'étanchéité endommagé ou orifice d'aération obstrué	Fermer correctement le couvercle ou remplacer le joint d'étanchéité ou nettoyer l'orifice d'aération
Flux de solution aux brosses insuffisant	Filtre de solution sale	Nettoyer le filtre
	Orifice de sortie réservoir eau de récupération obstrué	Nettoyer l'orifice
Traces laissées par l'embouchure	Débris sous les lamelles en caoutchouc de l'embouchure	Enlever les débris
	Lamelles en caoutchouc d'embouchure usées, ébréchées ou déchirées	Remplacer les lamelles en caoutchouc



---

# Clarke<sup>®</sup>

## Vantage 17

Cable 115V - Cable 230V



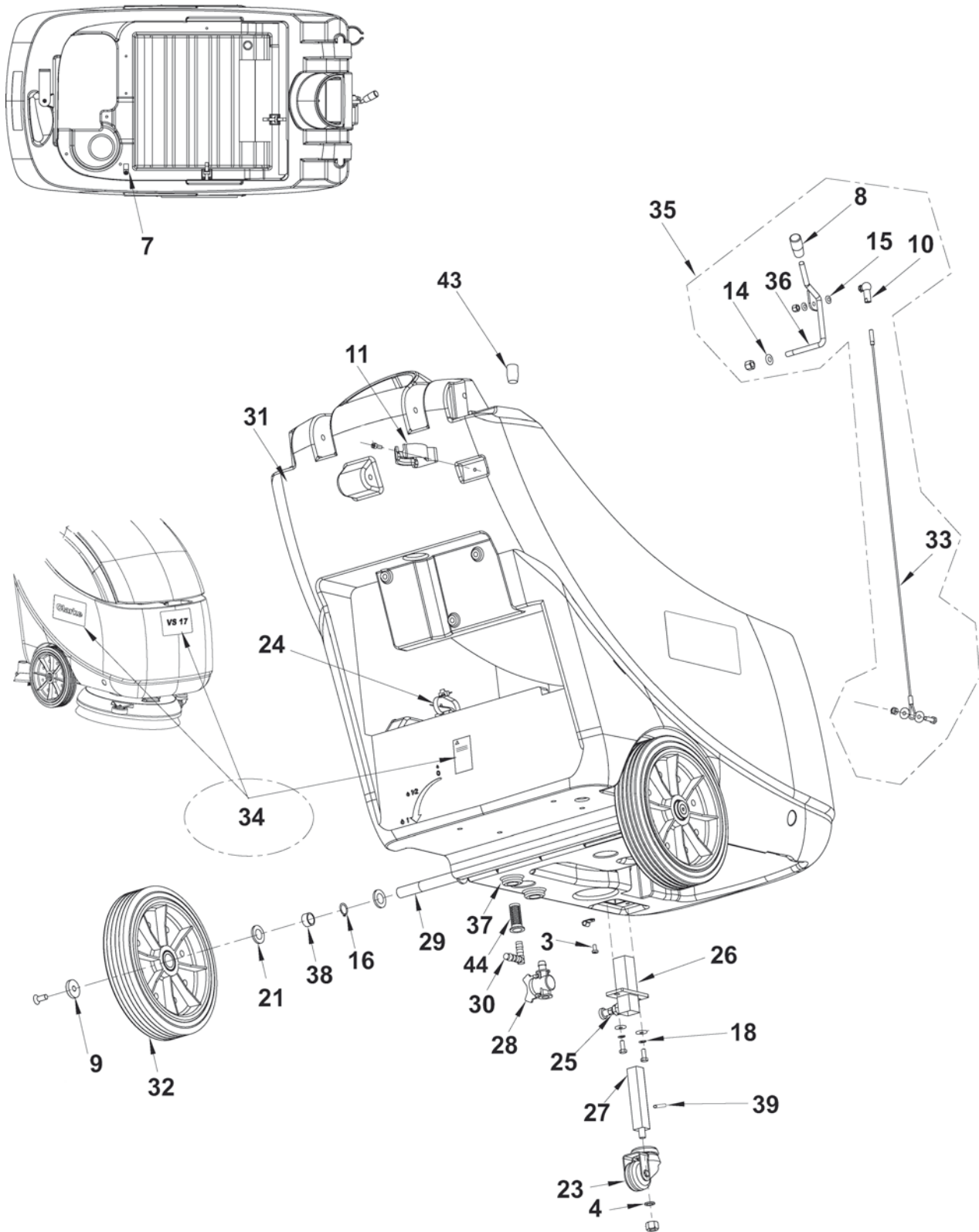
### Parts List

[ ] = Not shown

\* = optional

# = Modified item No. or New item No.

Solution Tank - 11/08



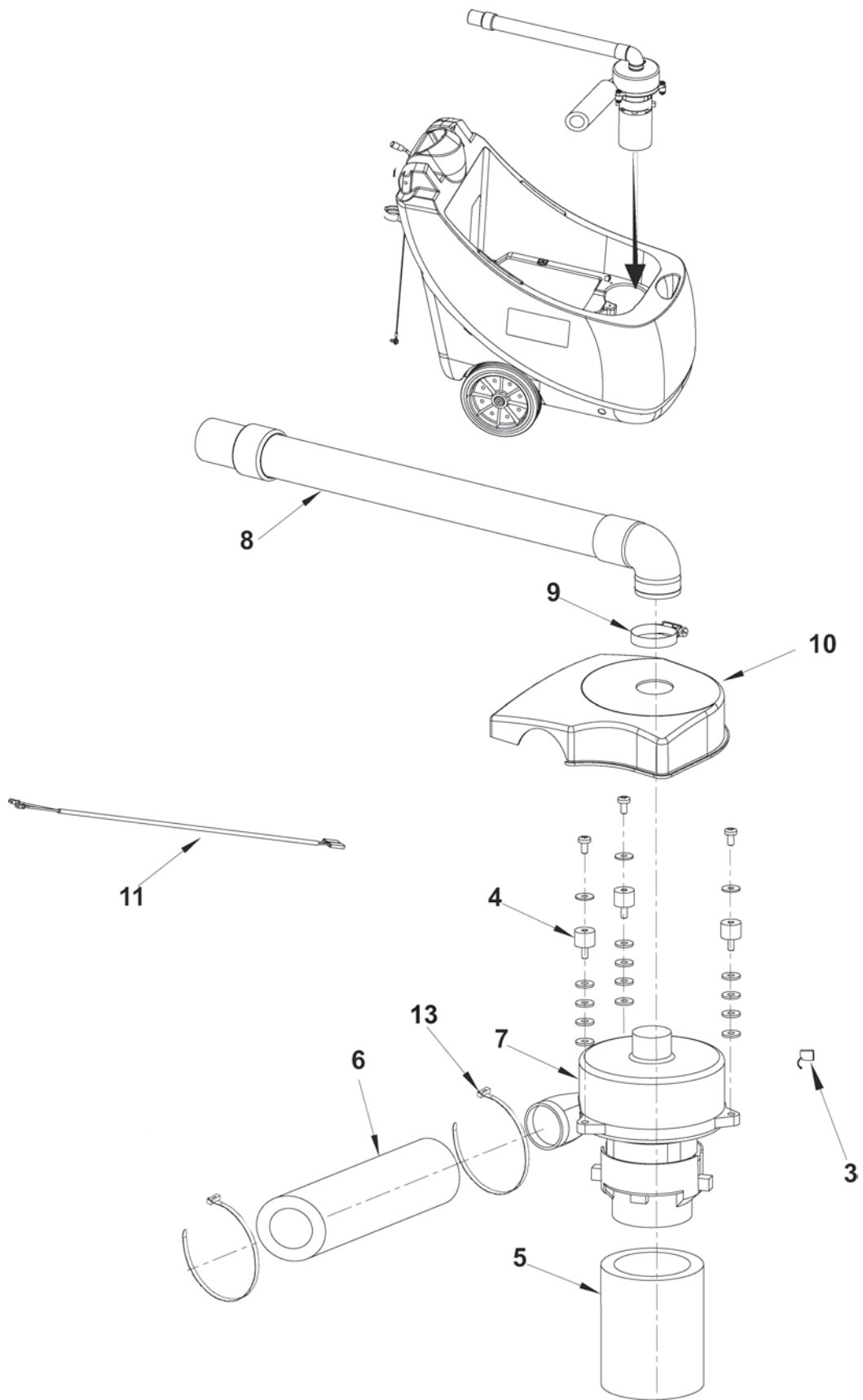


**Solution Tank - 11/08**

Ref.	Part No.	Description	Qty
3	L08603041	SCREW M5X10 (SOLUTION TANK HARDWARE KIT)	5
4	33005916	WASHER FLAT 11X16	1
7	L08603845	CABLE CLAMP	1
8	L08812349	KNOB (KIT SQUEEGEE LIFT CABLE)	1
9	L08812392	SPACER	2
10	145 8479 000	BALL JOINT (KIT SQUEEGEE LIFT CABLE)	1
11#	909 6380 000	CLAMP KIT (SOLUTION TANK HARDWARE KIT)	1
14	33005915	WASHER FLAT 8X17 (KIT SQUEEGEE LIFT CABLE - SOLUTION TANK HARDWARE KIT)	1
15	33005913	WASHER FLAT 6X12,5 (KIT SQUEEGEE LIFT CABLE - SOLUTION TANK HARDWARE KIT)	2
16	33006056	RETAINING RING (SOLUTION TANK HARDWARE KIT)	2
18	33005951	WASHER SPLIT (SOLUTION TANK HARDWARE KIT)	2
21	33005919	WASHER FLAT 16X30 (SOLUTION TANK HARDWARE KIT)	6
23	909 5560 000	WHEEL	1
24	145 0524 000	CLAMP	3
25	909 5641 000	INDEXING PLUNGER	1
26	909 5649 000	SUPPORT	1
27	909 5658 000	SUPPORTING ROD	1
28	909 5696 000	VALVE	1
29	909 5748 000	WHEELS SHAFT	1
30#	909 5285 000	ELBOW 90° Ø10	1
31	909 6271 000	SOLUTION TANK	1
32	9096919000	WHEEL	2
33	909 6283 000	SQUEEGEE LIFTING CABLE (KIT SQUEEGEE LIFT CABLE)	1
34	909 6822 000	KIT DECALS	2
35	909 6437 000	KIT SQUEEGEE LIFT CABLE	1
36	909 6296 000	SQUEEGEE LIFTING LEVER (KIT SQUEEGEE LIFT CABLE)	1
37	909 5286 000	GASKET	2
38	145 2676 000	SPACER (SOLUTION TANK HARDWARE KIT)	2
39	909 6441 000	PIN 3X20	1
[40]	909 6438 000	SOLUTION TANK HARDWARE KIT	1
[41]	909 6226 000	RUBBER SHOCK ABSORBER KIT	1
[42]	909 6227 000	INSTALL. INSTRUCTION F RUBBER SHOCK ABSORBER KIT	1
43	909 6236 000	BLACK CAP	1
44*	9096916000	FILTER	1

NOTE: # indicates a change has been made since the last publication of this manual

Vacuum System - 11/08

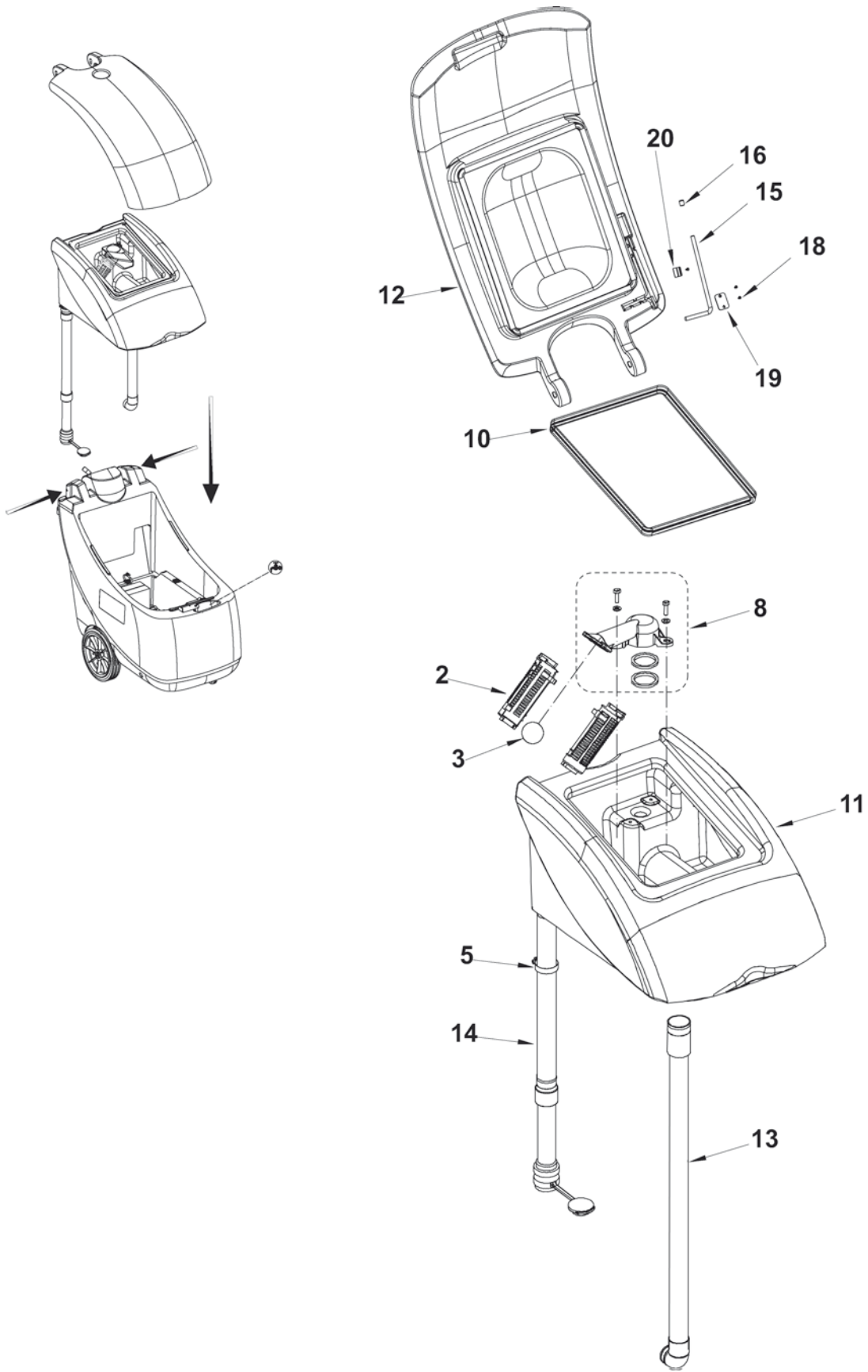


**Vacuum System - 11/08**

<b>Ref.</b>	<b>Part No.</b>	<b>Description</b>	<b>Qty</b>
3	909 5719 000	CARBON BRUSH	2
4	909 5198 000	VIBRATION DAMPING M6	3
5	909 5564 000	PIPE ACOUSTIC INSULATION	1
6	909 5565 000	PIPE ACOUSTIC INSULATION	1
7	909 5979 000	KIT VACUUM MOTOR 550W (115 V)	1
7	909 5723 000	KIT VACUUM MOTOR 550W (230 V)	1
8	909 5579 000	VACUUM MOTOR HOSE	1
9	145 0543 000	HOSE CLAMP	1
10	909 5972 000	MOTOR PROTECTION	1
11	909 5859 000	CABLE VACUUM MOTOR (115 V)	1
11	909 5598 000	CABLE VACUUM MOTOR (230 V)	1
[12]	909 5987 000	VACUUM SYSTEMS HARDWARE KIT	1
13#	L08812587	CLAMP 4,8X430 WHITE	2

NOTE: # indicates a change has been made since the last publication of this manual

Recovery Tank - 11/08

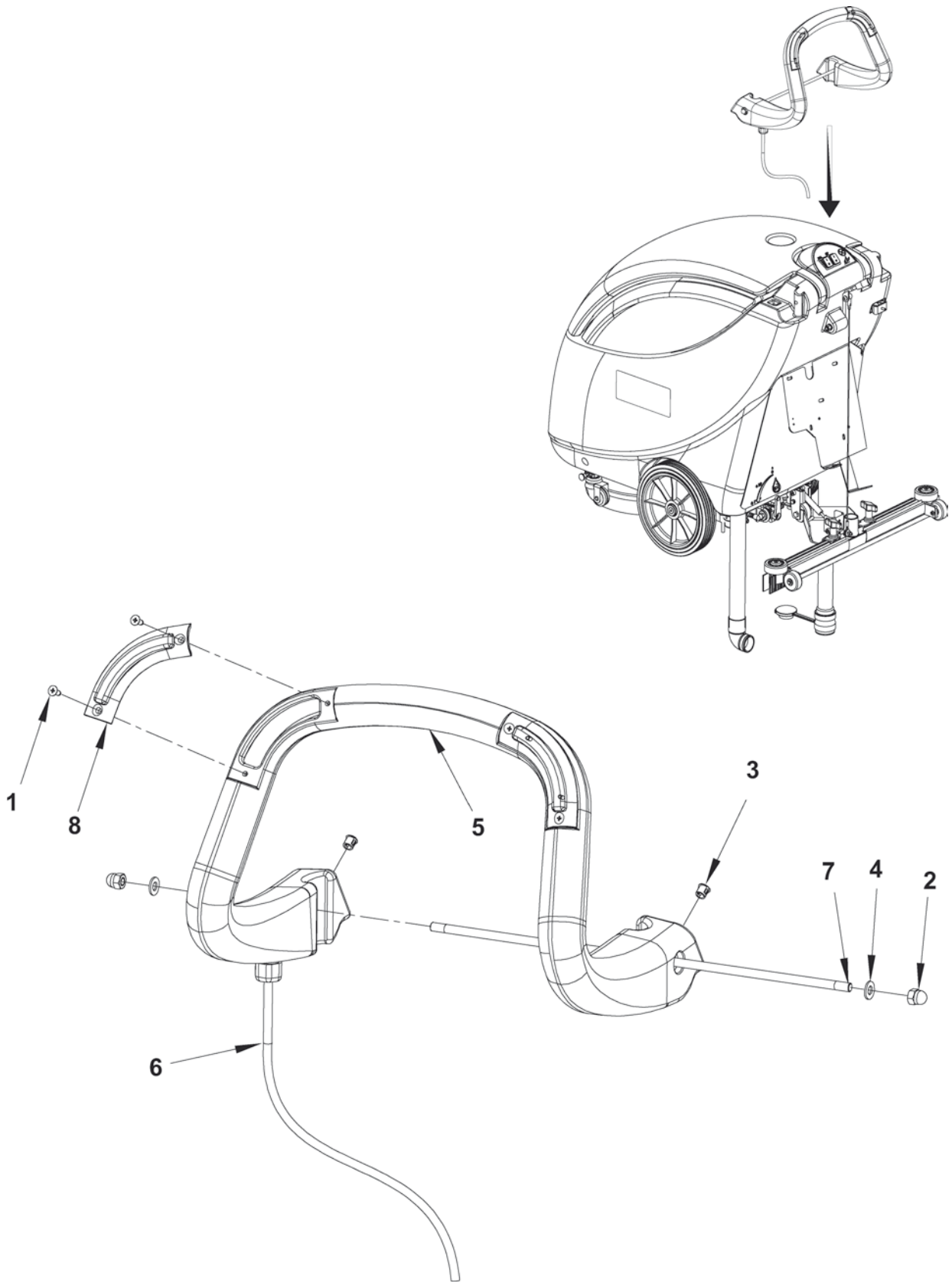


**Recovery Tank - 11/08**

<b>Ref.</b>	<b>Part No.</b>	<b>Description</b>	<b>Qty</b>
2	L08812259	FLOAT CAGE	2
3	L08812373	FLOATING BALL	1
5	145 0543 000	HOSE CLAMP 14/32-52 (RECOVERY TANK HARDWARE KIT)	1
8#	9097730000	CAGE FLOAT HOLDER KIT	1
[9]#	9097731000	INSTRUCTIONS INSTALLATION CAGE FLOAT HOLDER KIT	1
10	909 6268 000	GASKET 1370 MM	1
11	909 6272 000	RECOVERY TANK	1
12	909 6273 000	TANK COVER	1
13	909 6289 000	VACUUM HOSE	1
14	909 6291 000	DRAIN HOSE	1
15	909 6762 000	LEVER FOR FIXING COVER	1
16	L08603935	BLACK CAP	1
18	145 1756 000	SCREW 9.9X9.5 SS	3
19	909 6473 000	LEVER FIXING PLATE	1
20	909 6575 000	LEVER FIXING CLAMP	1
[21]	909 5988 000	RECOVERY TANK HARDWARE KIT	1

NOTE: # indicates a change has been made since the last publication of this manual

Handle Assembly



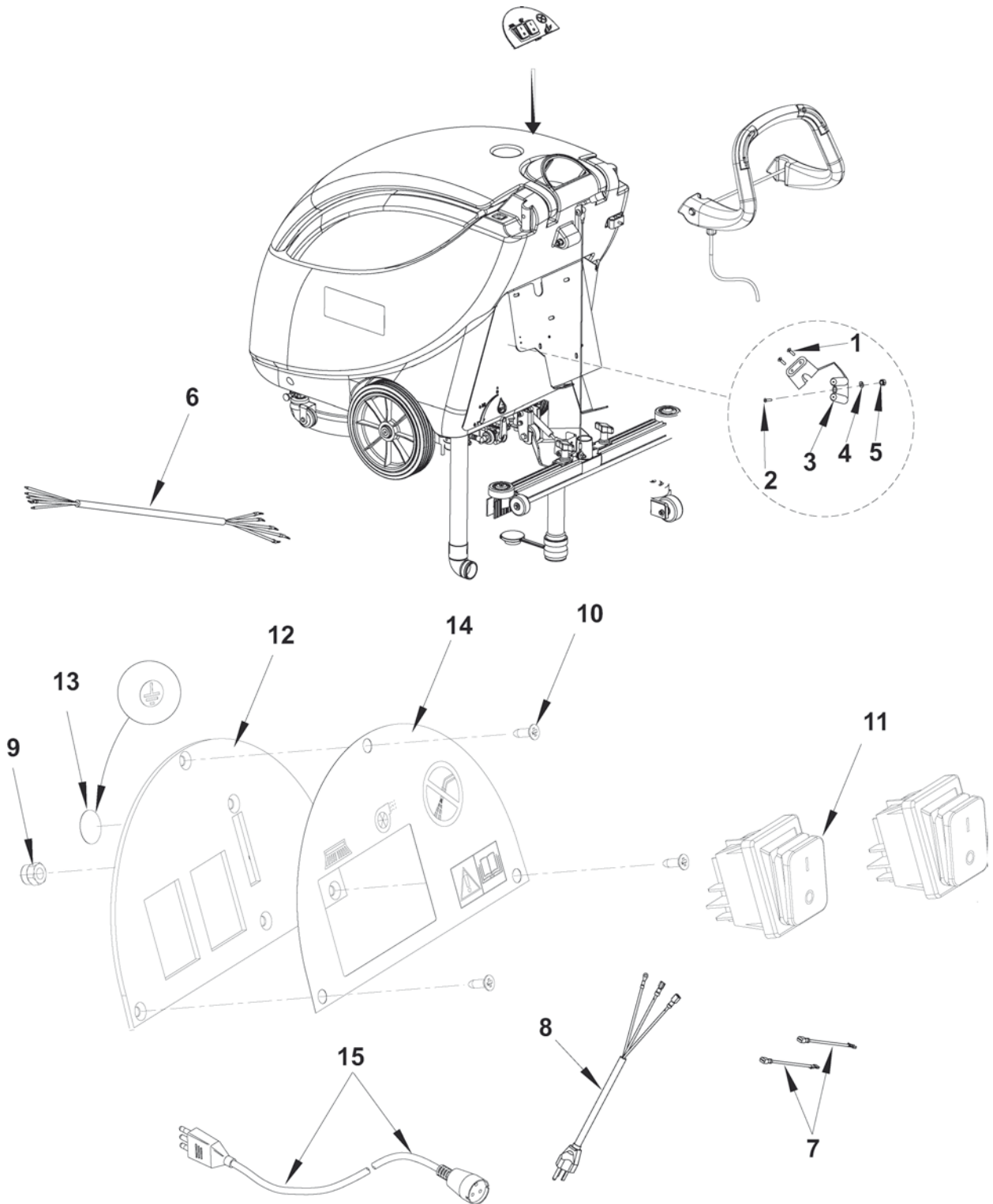


**Handle Assembly - 06/08**

<b>Ref.</b>	<b>Part No.</b>	<b>Description</b>	<b>Qty</b>
1#	L08812074	SCREW 4.2X16 THD FORM	4
2	32400258	NUT M8	2
3	145 4262 000	CAP D. 9.5	2
4	33005915	WASHER FLAT 8X17	2
5	909 6488 000	HANDLE BAR PE	1
6	909 6769 000	HARNESS HANDLE CABLE	1
7	909 6774 000	PIN HANDLE BAR	1
8#	11053A	SWITCH ASSEMBLY	2

NOTE: # indicates a change has been made since the last publication of this manual

Control Panel Assembly

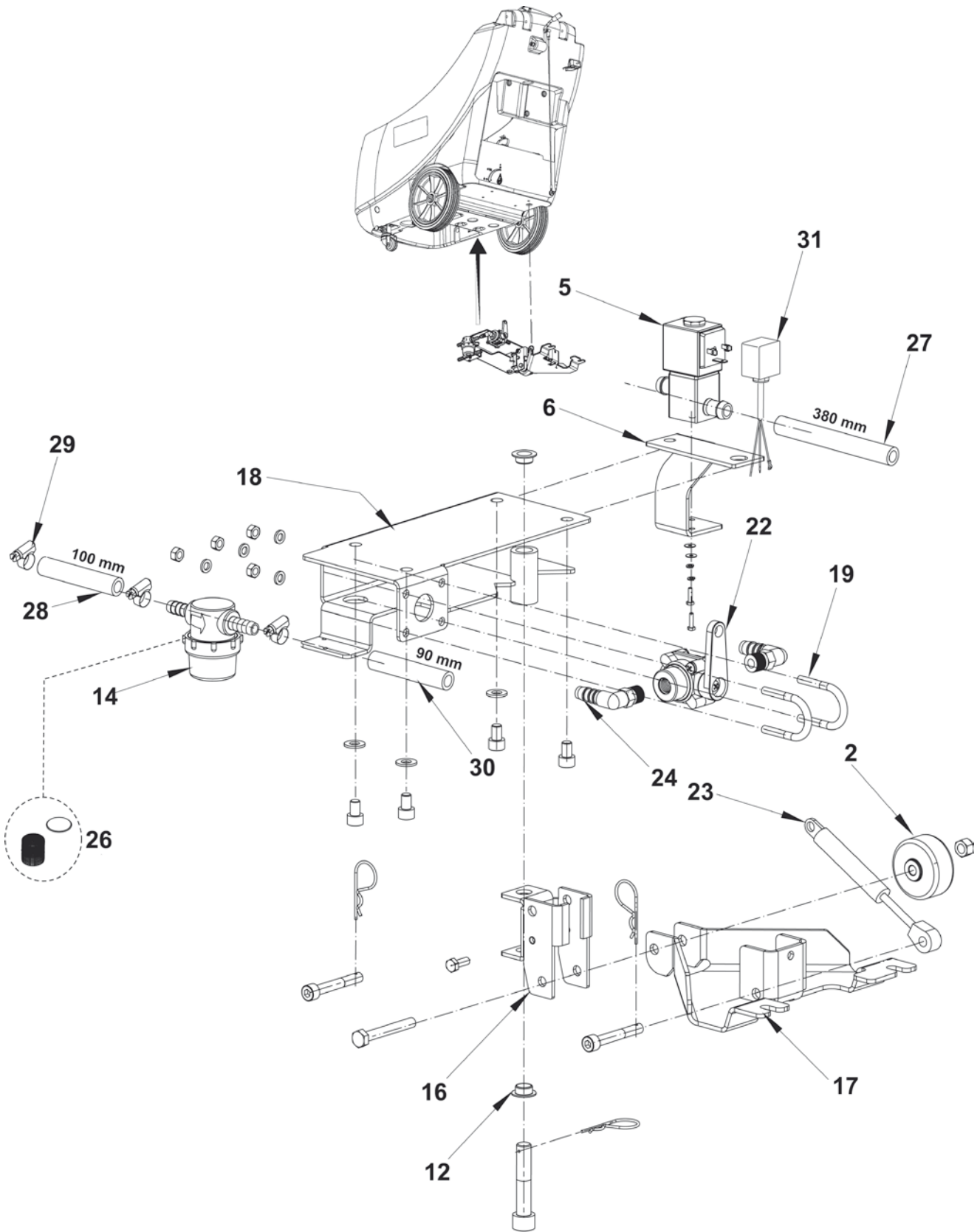


**Control Panel Assembly - 09/07**

Ref.	Part No.	Description	Qty
1	145 5873 000	SCREW M4,2X19	2
2	33004820	SCREW 4X12	1
3	L08338600	CLAMP	1
4	33005862	WASHER	1
5	33005500	NUT HEX M4	1
6	909 6308 000	CONTROL PANEL CABLE (115 V)	1
6	909 6300 000	CONTROL PANEL CABLE (230 V)	1
7	L08812916	CABLE BRIDGE	2
8	909 6307 000	POWER CABLE (115 V)	1
8	909 6229 000	POWER CABLE (230 V)	1
9	L08603720	NUT HEX. M4 SELF LOCK SS	1
10	145 1756 000	SCREW 2.9X9 THD FORM. SS	3
11	909 5584 000	SWITCH	2
12	909 6275 000	PANEL CONTROL	1
13	909 6526 000	DECAL EARTHING	1
14	909 6776 000	DECAL CONTROL PANEL	1
15	909 5791 000	CABLE EXTENSION	1

NOTE: # indicates a change has been made since the last publication of this manual

Solution System - 11/08



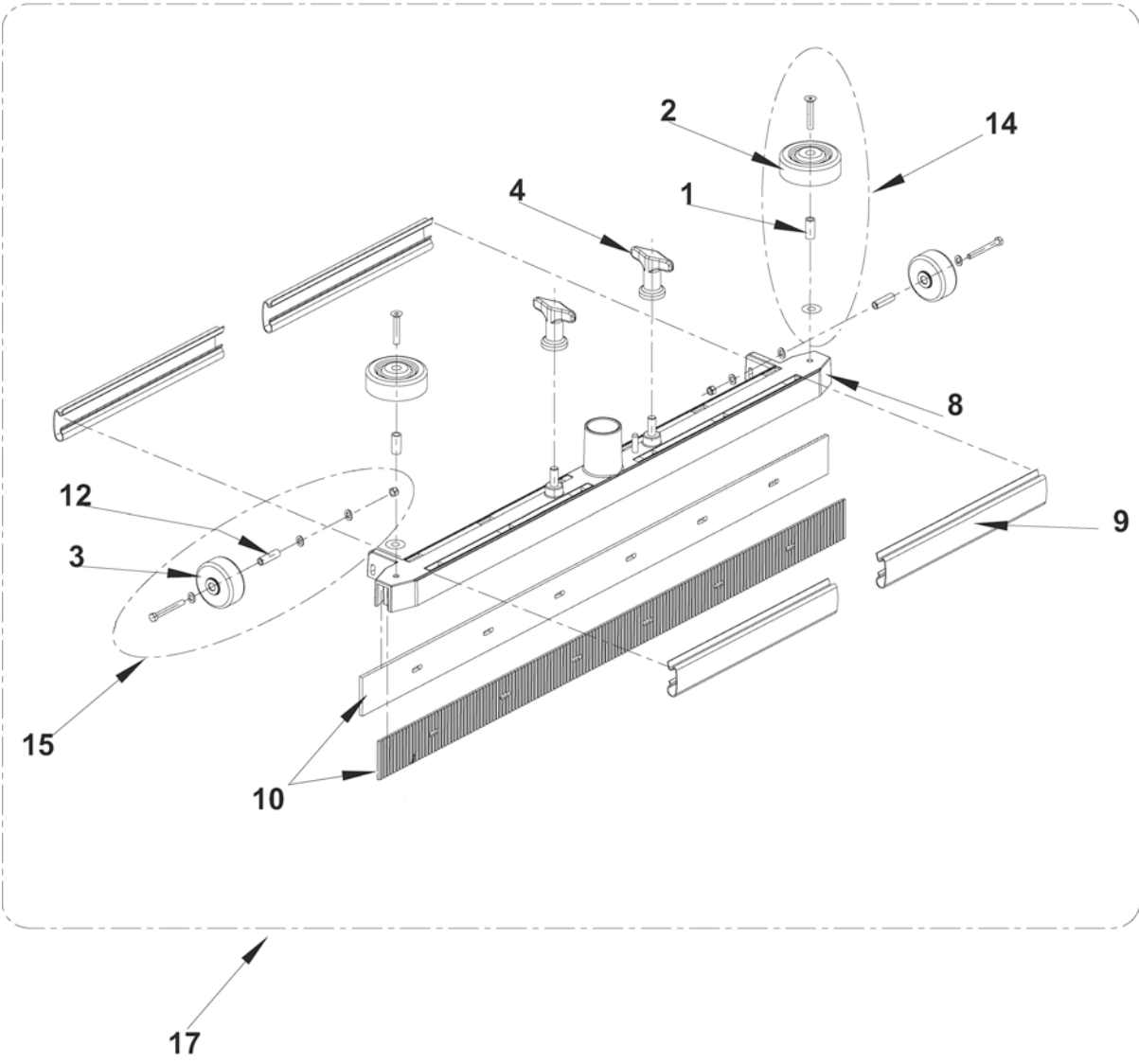
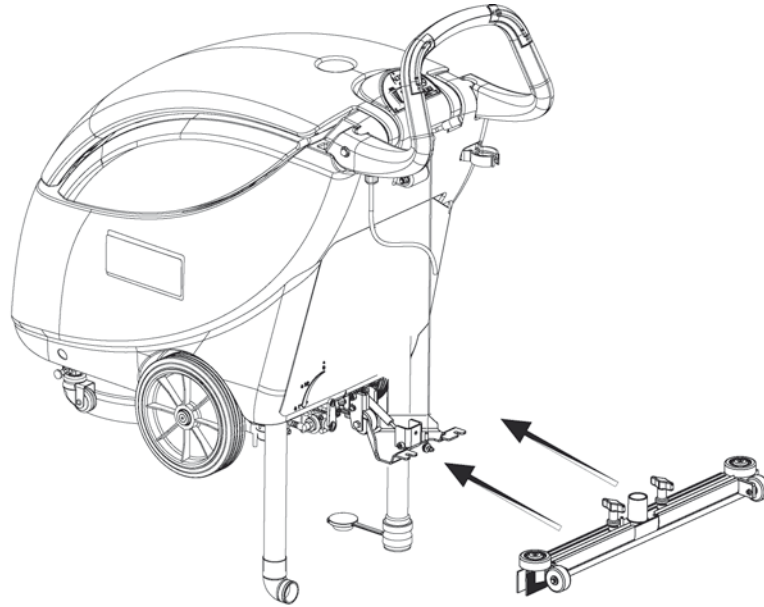
**Solution System - 11/08**

Ref.	Part No.	Description	Qty
2	L08603665	WHEEL	1
5B#	9097739000	SOLENOID VALVE (SOLENOID VALVE KIT) (115 V)	1
5B#	9097740000	SOLENOID VALVE (SOLENOID VALVE KIT) (230 V)	1
6B#	9097866000	BRACKET SOLENOID VALVE	1
12	146 0549 000	BUSHING	2
14A	9097166000	KIT WATER FILTER COMPLETE (SOLENOID VALVE KIT)	1
16	909 6277 000	BRACKET	1
17	909 6278 000	SUPPORT	1
18	909 6280 000	PLATE	1
19	909 5572 000	CLAMP (SOLUTION SYSTEMS HARDWARE KIT)	2
22	909 5632 000	VALVE (SOLENOID VALVE KIT)	1
23	909 5637 000	SPRING	1
24	909 5651 000	RUBBER HOLDER (SOLENOID VALVE KIT)	1
26	L08603893	KIT FILTER NET WITH GASKET	1
27B#	9097868000	HOSE Ø12 380 MM (SOLENOID VALVE KIT)	1
28	909 5026 000	HOSE Ø10 100 MM (SOLENOID VALVE KIT)	1
29	145 8582 000	CLAMP 8/ 9-16 (SOLENOID VALVE KIT)	3
30	145 4154 000	HOSE Ø10 90 MM (SOLENOID VALVE KIT)	1
31	909 5860 000	SOLENOID CABLE (115 V)	1
31	909 5599 000	SOLENOID CABLE (230 V)	1
[32]	L08603885	CONNECTOR FOR SOLENOID VALVE	1
[33]	909 5980 000	SOLENOID VALVE KIT (115 V) (5,6,14,22,24,27,28,29,30)	1
[33]	909 5699 000	SOLENOID VALVE KIT (230V) (5,6,14,22,24,27,28,29,30)	1
[34]	9097873000	INSTRUCTIONS INSTALLATION SOLENOID VALVE KIT	1
[35]	909 5990 000	SOLUTION SYSTEMS HARDWARE KIT	1

A: SEE TSB IT 2007-021 - B: SEE TSB IT 2008-016

NOTE: # indicates a change has been made since the last publication of this manual

Squeegee Assembly - 11/08





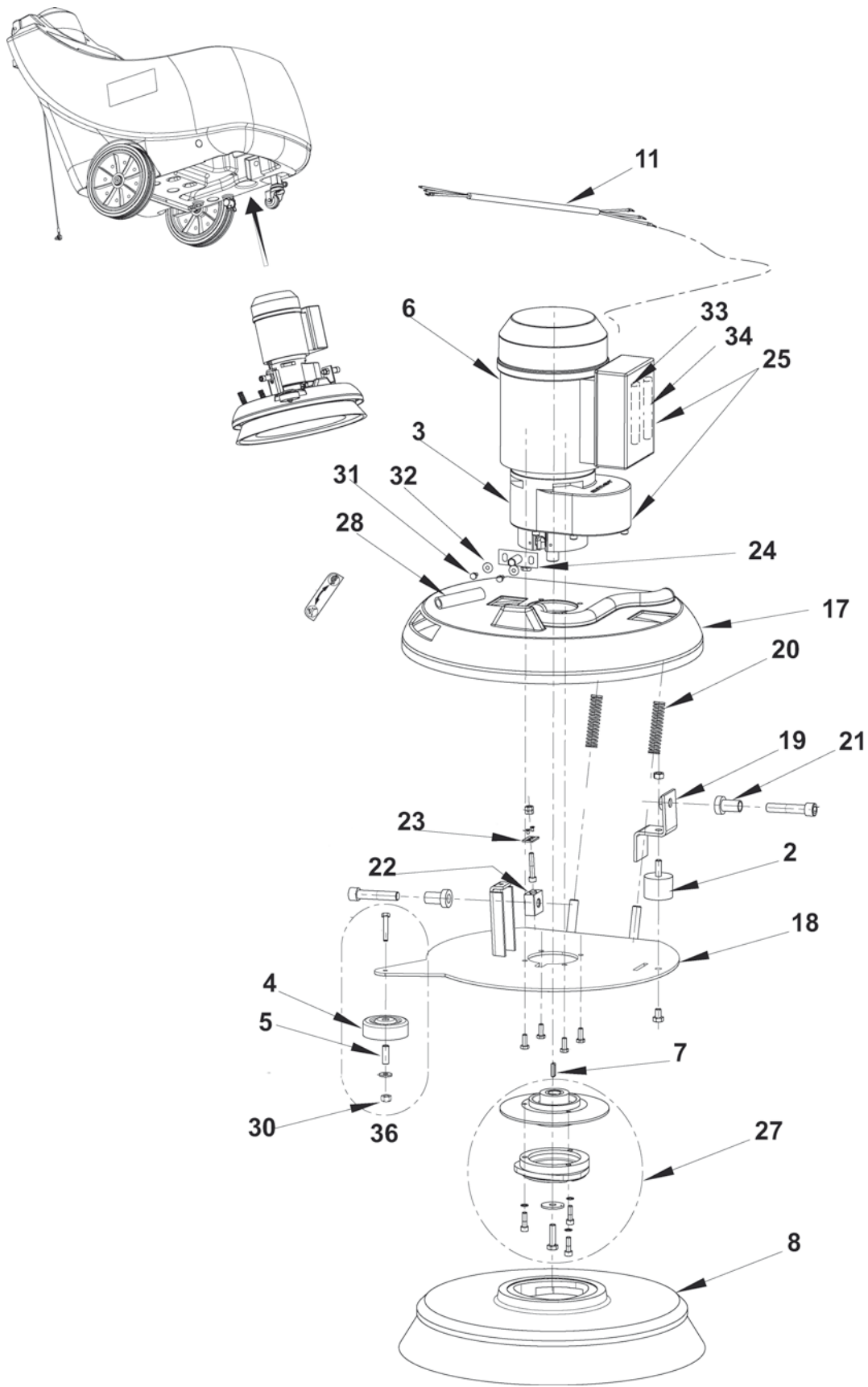
**Squeegee Assembly - 11/08**

Ref.	Part No.	Description	Qty
1	L08812937	SPACER (KIT SQUEEGEE BUMPER ROLLER - KIT SQUEEGEE COMPLETE - SQUEEGEE ASSEMBLY HARDWARE KIT)	2
2	L08602460	BUMPER ROLLER (KIT SQUEEGEE BUMPER ROLLER - KIT SQUEEGEE COMPLETE - SQUEEGEE ASSEMBLY HARDWARE KIT)	2
3	L08603665	SQUEEGEE WHEEL (KIT SQUEEGEE WHEEL - KIT SQUEEGEE COMPLETE)	2
4	L08603675	NUT THUMB (KIT SQUEEGEE COMPLETE - SQUEEGEE ASSEMBLY HARDWARE KIT)	2
8	909 5554 000	SQUEEGEE WELDMENT (KIT SQUEEGEE COMPLETE)	1
9	909 5555 000	SPRING (KIT SQUEEGEE COMPLETE)	4
10A#	9097354000	BLADES POLYURET. KIT	1
12	909 5607 000	SPACER (KIT SQUEEGEE WHEEL - KIT SQUEEGEE COMPLETE - SQUEEGEE ASSEMBLY HARDWARE KIT)	2
14	L08603880	KIT SQUEEGEE BUMPER ROLLER	1
15	909 5703 000	KIT SQUEEGEE WHEEL	1
17	909 5702 000	KIT SQUEEGEE COMPLETE	1
[18]	909 5991 000	SQUEEGEE ASSEMBLY HARDWARE KIT	1

A: SEE TSB IT 2008-007

NOTE: # indicates a change has been made since the last publication of this manual

Brush System - 11/08



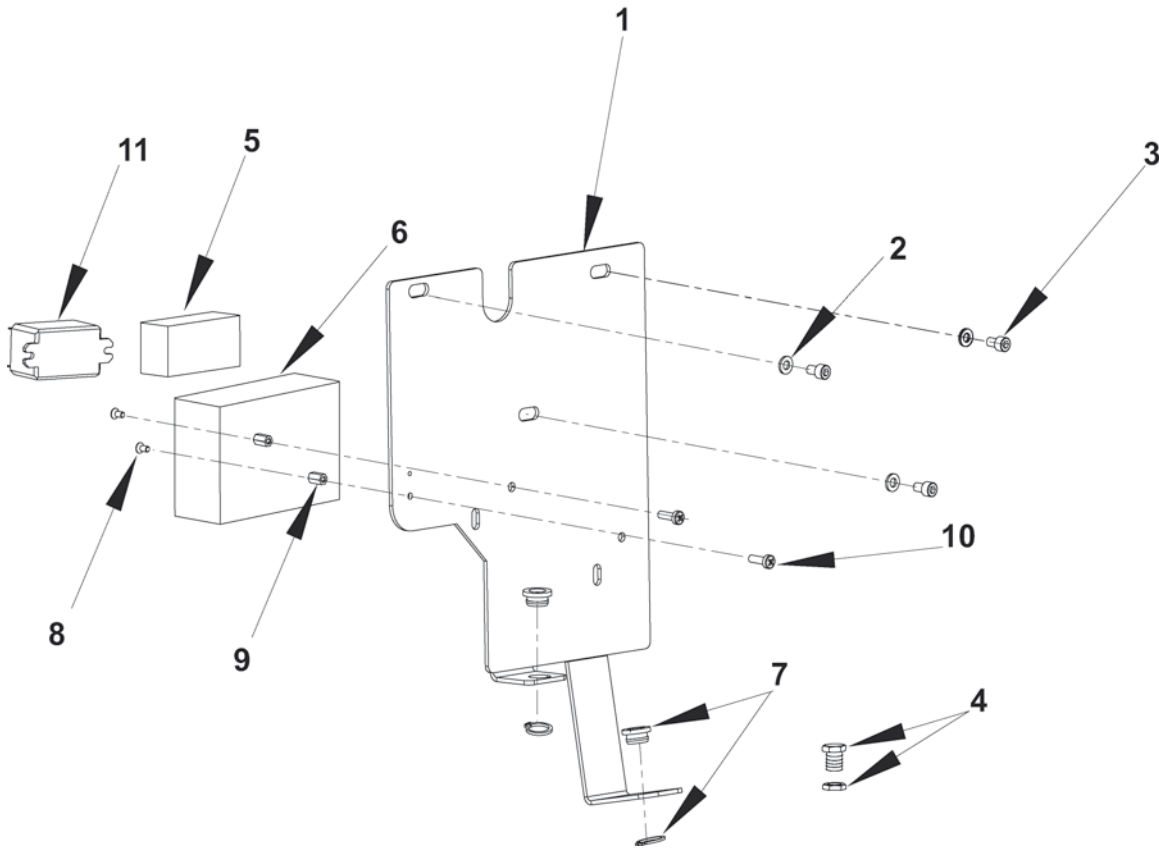
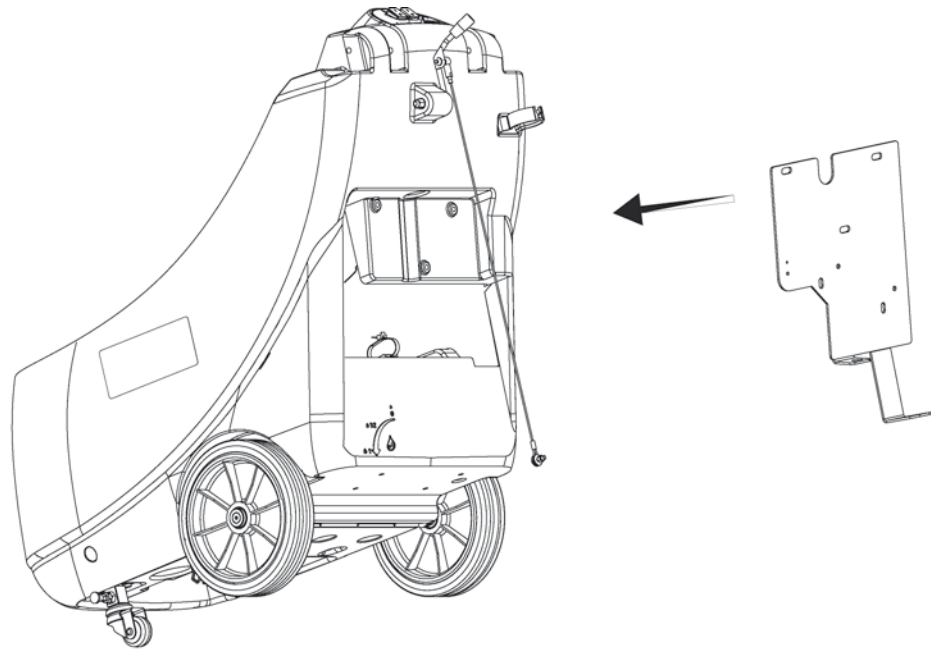
**Brush System - 11/08**

Ref.	Part No.	Description	Qty
2	9097184000	VIBRATION DAMPING	1
3	909 5480 000	REDUCTION GEAR	1
4	L08602460	BUMPER ROLLER	1
5	L08602461	SPACER	1
6	909 5482 000	ELECTRIC MOTOR, 550W (115 V)	1
6	909 5722 000	ELECTRIC MOTOR, 1100W (230 V)	1
7	145 9774 000	TAB (BRUSH SYSTEM HARDWARE KIT)	1
8	909 5695 000	PAD DRIVER	1
11	909 5858 000	BRUSH MOTOR CABLE	1
17	909 5550 000	BRUSH PROTECTION	1
18	909 6269 000	PLATE BRUSH SUPPORT	1
19	909 6270 000	BRACKET	1
20	909 5558 000	SPRING	2
21	909 5559 000	BUSHING	2
22	909 5585 000	BRUSH DECK ADJUSTER BLOCK	1
23	909 5586 000	PLATE	1
24	909 6217 000	HOSE COPPER	1
25	909 5472 000	REDUCTIONGEARMOTOR, 550W (115 V)	1
25	909 5639 000	REDUCTIONGEARMOTOR, 1100W (230 V)	1
27	L08812589	POLYG.HOLDER W.FLANGE KIT	1
28	909 5622 000	HOSE Ø10 640 MM	1
30	33005604	NUT HEX M6 SELFLOCK. LOW	1
31	146 0632 000	SCREW HEX HD M4X8	2
32	145 9237 000	WASHER FLAT 4X12	2
33	909 5481 000	CAPACITOR 450V 40MF (115 V)	1
33	909 5931 000	CAPACITOR 450V 30MF (230 V)	1
34	909 5106 000	CAPACITOR 400V 65MF (230 V)	1
34	L08603912	CAPACITOR (230 V)	1
[35]	909 5992 000	BRUSH SYSTEM HARDWARE KIT	1
36	909 5397 000	BUMPER ROLLER KIT	1

A: SEE TSB IT 2007-021

NOTE: # indicates a change has been made since the last publication of this manual

Wiring System

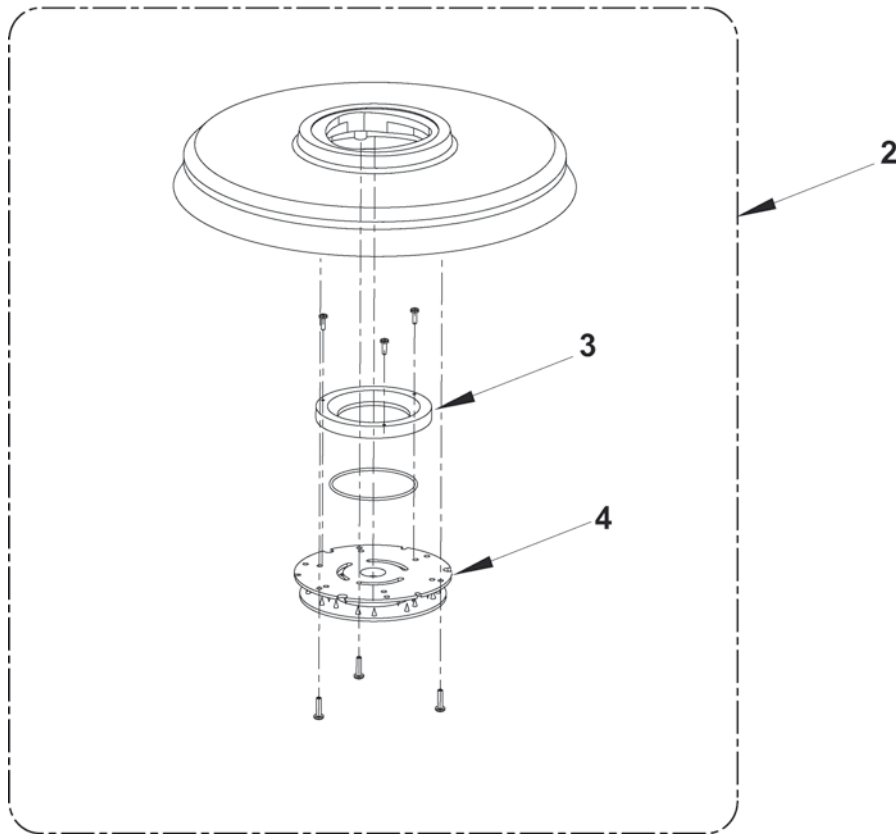
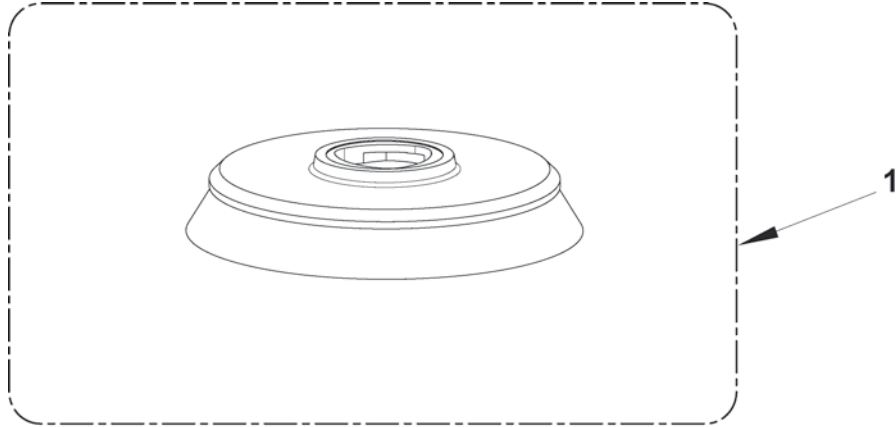


**Wiring System - 09/07**

<b>Ref.</b>	<b>Part No.</b>	<b>Description</b>	<b>Qty</b>
1	909 6297 000	ELECTRICAL COMPONENTS FITTING PLATE	1
2	33005915	WASHER FLAT 8X17	3
3	33004364	SCREW M8X16	3
4	909 5648 000	CLAMP CABLE WITH NUT	4
5	909 5650 000	TERMINAL BOARD 5 STUDS	1
6	909 6778 000	ELECTRIC BOX	1
7	909 6062 000	KIT BUSH CABLE GIUDE AND RETAINING RING	2
8	L08603706	SCREW CYL HD M6X12	2
9	L08812468	SPACER	2
10	33004342	SCREW M6X10	2
11	909 6779 000	RELAY BRUSH (115 V)	1
11	909 6784 000	RELAY BRUSH (230 V)	1
[12]	L08603912	SUPPRESSION CAPACITOR	1

NOTE: # indicates a change has been made since the last publication of this manual

**Accessories - Pad holder kit**





**Accessories - Pad holder kit - 09/07**

<b>Ref.</b>	<b>Part No.</b>	<b>Description</b>	<b>Qty</b>
1*	L08812891	BRUSH, 17"	1
1*	909 5691 000	BRUSH Ø430 17" MIDLITE GRIT180	1
2*	909 5695 000	PAD HOLDER 410	1
3	L08603966	RING NYLON	1
4	L08837030	RETAINER PAD	1

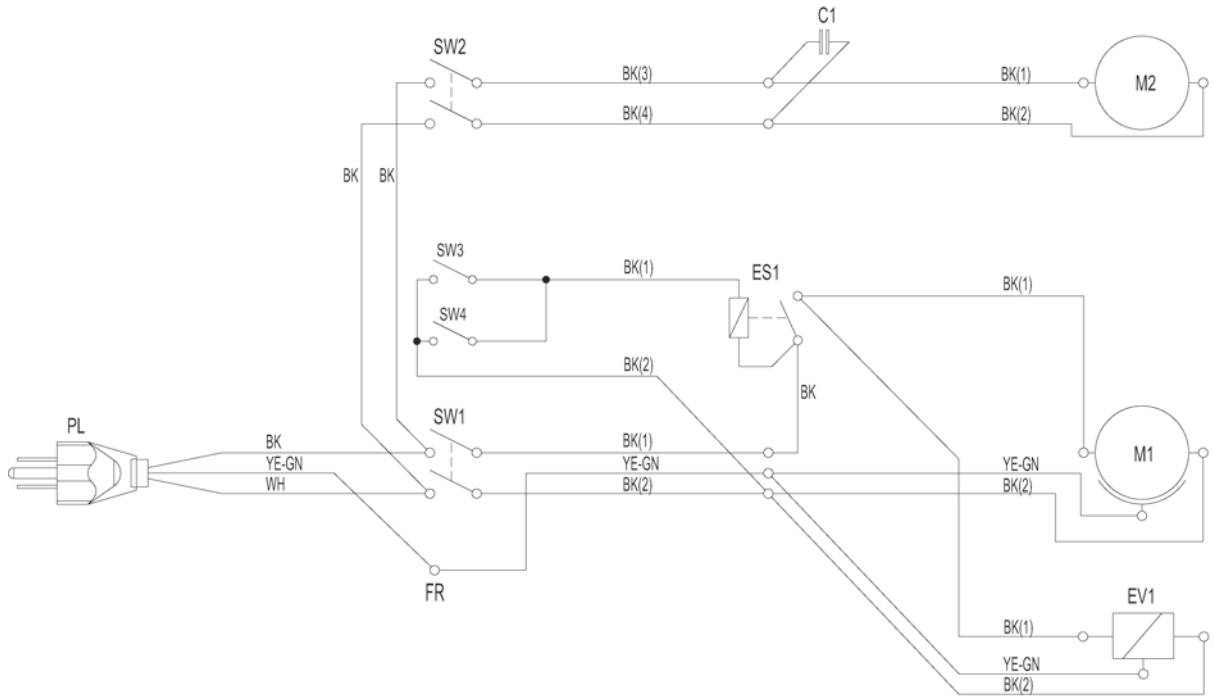
NOTE: # indicates a change has been made since the last publication of this manual

**Recommended Spare Parts - 11/08**

Ref.	Part No.	Description	Qty
		<b>WEAR PARTS</b>	
[1]	9097166000	KIT WATER FILTER COMPLETE (SEE TSB IT 2007-011)	1
[2]	L08603893	KIT FILTER NET WITH GASKET	1
[3]	909 6268 000	GASKET L = 1370 MM	1
[4]#	9097354000	BLADES POLIURET. KIT 720MM/28"	1
[5]	909 5555 000	SPRING	4
[7]	L08812891	BRUSH Ø 430 PROLENE PPL STD	1
		<b>ORDINARY MAINTENANCE</b>	
[8]	909 6291 0000	DRAIN HOSE	1
[9]	909 6289 000	SUCTION HOSE	1
[10]	909 5579 000	VACUUM MOTOR HOSE	1
		<b>EXTRAORDINARY MAINTENANCE</b>	
[11]	909 5699 000	SOLENOID VALVE KIT (230 V)	1
[12]#	9097740000	SOLENOID VALVE (230 V)	1
[13]#	9097739000	SOLENOID VALVE (115 V)	1
[14]	909 5980 000	SOLENOID VALVE KIT (115 V)	1
[15]	909 5651 000	RUBBER HOLDER 90° FOR HOSE Ø10	3
[17]	909 5696 000	VALVE	1
[18]	909 5723 000	KIT VACUUM MOTOR, 550W (230 V)	1
[19]	909 5979 000	KIT VACUUM MOTOR, 550W (115 V)	1
[20]	909 5719 000	CARBON BRUSH	2
[21]	909 6283 000	SQUEEGEE LIFTING CABLE	1
[22]	909 6437 000	KIT SQUEEGEE LIFT CABLE	1
[23]	909 5564 000	PIPE ACOUSTIC INSULATION	1
[24]	909 5565 000	PIPE ACOUSTIC INSULATION	1
[25]	909 5639 000	REDUCTIONGEAR MOTOR, 1100W (230 V)	1
[26]	909 5472 000	REDUCTIONGEAR MOTOR, 550W (115 V)	1
[27]	909 5931 000	CAPACITOR 450V 30MF (230 V)	1
[28]	909 5481 000	CAPACITOR 450V 40MF (115 V)	1
[29]	909 5106 000	CAPACITOR 450V 65MF (115 V)	1
[30]	L08603912	CAPACITOR (230 V)	1
[31]	L08219000	VIBRATION DAMPING M8	1
[32]	909 5558 000	SPRING	2
[33]	909 6397 000	BUMPER ROLLER KIT	1
[34]	9096919000	WHEEL	2
[35]	909 5554 000	SQUEEGEE WELDMENT	1
[36]	909 5702 000	KIT SQUEEGEE COMPLETE	1
[37]	909 5703 000	KIT SQUEEGEE WHEEL	2
[38]	L08603880	KIT SQUEEGEE BUMPER ROLLER	2
[39]	909 6062 000	KIT BUSH CABLE GUIDE AND RETAINING RING	1
[40]	909 5584 000	SWITCH	1
[41]	909 6784 000	RELAY (230 V)	1

NOTE: # indicates a change has been made since the last publication of this manual

Wiring Diagram



LEGENDA	
C1	SUPPRESSION CAPACITOR
ES1	BRUSH RELAIS
EV1	ELECTROVALVE
FR	FRAME
M1	BRUSH MOTOR
M2	VACUUM MOTOR KIT
PL	PLUG
SW1	BRUSH SWITCH
SW2	VACUUM SWITCH
SW3	RIGHT HANDLE BRUSH SWITCH
SW4	LEFT HANDLE BRUSH SWITCH
	11077A

COLORS CODES	
BK	BLACK
BU	BLUE
BN	BROWN
GN	GREEN
GY	GREY
OG	ORANGE
PK	PINK
RD	RED
VT	VIOLET
WH	WHITE
YE	YELLOW



# CLARKE PRODUCT SUPPORT BRANCHES

## U. S. A. Locations

### PRODUCTION FACILITIES

**Clarke®**, Springdale, Arkansas  
2100 Highway 265  
Springdale, Arkansas 72764  
(479) 750-1000  
**Customer Service - 1-800-253-0367**  
**Technical Service - 1-800-356-7274**

**American Lincoln®**, Bowling Green, Ohio 43402  
1100 Haskins Road

### SERVICE FACILITIES

**Clarke®**, Elk Grove, Illinois 60007  
2280 Elmhurst Road  
(847) 956-7900

**Clarke®**, Denver, Colorado 80204  
1955 West 13th Ave.  
(303) 623-4367

**Clarke®**, Houston, Texas 77040  
7215 North Gessner Road  
713-937-7717

### SERVICE AND SALES FACILITY

**American Lincoln® / Clarke**, Madison Heights,  
Michigan 48071-0158  
29815 John R.  
(810) 544-6300

**American Lincoln® / Clarke**, Marietta, Georgia 30066  
1455 Canton Road  
(770) 973-5225

---

**Clarke®**

**Clarke American Sanders**

**A.L. Cook**

**Customer Service Headquarters and Factory**  
2100 Highway 265  
Springdale, Arkansas 72764  
(479) 750-1000

**Technical Service**  
1-800-356-7274

## European Locations

### PRODUCTION FACILITIES

ALTO Danmark A/S, Aalborg  
Blytaekkervej 2  
DK-9000 Aalborg  
+45 72 18 21 00

ALTO Danmark A/S, Hadsund  
Industrikvarteret  
DK-9560 Hadsund  
+45 72 18 21 00

### SALES SUBSIDIARIES

ALTO US - Canada, Ontario (Canada)  
4080 B Sladeview Crescent Unit 1  
Mississauga, Ontario L5L 5Y5  
(905) 569 0266

ALTO Overseas Inc., Sydney (Australia)  
1B/8 Resolution Drive  
Caringbah NSW 2229  
+61 2 9524 6122

ALTO Cleaning Systems Asia Pte Ltd., Singapore  
No. 17 Link Road  
Singapore 619034  
+65 268 1006

ALTO Deutschland GmbH, Bellenberg (Germany)  
Guido-Oberdorfer-Straße 2-8  
89287 Bellenberg  
+49 0180 5 37 37 37

ALTO Cleaning Systems (UK) Ltd., Penrith  
Gilwilly Industrial Estate  
Penrith  
Cumbria CA11 9BN  
+44 1768 868 995

ALTO France S.A. Strasbourg  
B.P. 44, 4 Place d'Ostwald  
F-67036 Strasbourg  
Cedex 2  
+33 3 8828 8400

ALTO Nederland B.V.  
Postbus 65  
3370 AB Hardinxveld-Giessendam  
The Netherlands  
+31 184 677 200

ALTO Sverige AB, Molndal (Sweden)  
Aminogatan 18  
Box 4029  
S-431 04 Molndal  
+46 31 706 73 00

ALTO Norge A/S, Oslo (Norway)  
Bjornerudveien 24  
N-1266  
+47 2275 1770

## Clarke® LIMITED U.S. WARRANTY

This Clarke Product is warranted to be free from defects in materials and workmanship under normal use and service, when operated and maintained in accordance with Clarke's Maintenance and Operations instructions. The warranty period is subject to the conditions stated below.

### **3 YEARS FOR PARTS AND 1 YEAR FOR SERVICE LABOR** (See exceptions below)

Motors must be inspected for carbon motor brush wear at six-month intervals by an authorized Clarke repair station. Failure to comply with the six-month inspection requirement or failure to replace worn motor brushes identified during the inspection will void the warranty on the motors. Cost of the six-month inspection and replacement of carbon motor brushes is the responsibility of the purchaser. In the event of a warranty claim on the motors, proof of inspection and any required motor brush replacement must be provided. This warranty is extended only to the original purchaser for use of the product. It does not cover normal wear parts such as electrical cable, rubber parts, hoses and motor brushes.

### **BATTERY WARRANTY**

In addition to the items above, any original equipment Clarke Battery which becomes unserviceable under normal use within a period of ninety (90) days from date of sale to the original user will be repaired or replaced with one of equal specification at our option, F.O.B. any authorized Clarke Sales or Service Branch, with no charge to the user, except transportation costs. After expiration of the above ninety (90) day period, any battery which fails under normal use will be adjusted to the original user with a new battery of equal specification on an eighteen (18) months pro rate basis from the date of purchase. Adjustment will be determined using the then current list price, plus transportation costs.

Warranty is rendered null and void if battery is not kept filled to the proper level with DISTILLED WATER.

### **Clarke: POLYDUR® AUTOMATIC SCRUBBER SOLUTION AND RECOVERY TANK EIGHT-YEAR U.S. GUARANTEE**

Your new Clarke machine has polydur Solution and Recovery Tanks. Polydur is a rotationally molded, low-density linear polyethylene that won't crack or dent, and withstands most corrosives and temperature extremes. Clarke backs up your Polydur tanks with an eight-year guarantee. If a tank breaks or leaks under normal use within eight years of the date of purchase, it will be replaced free.

### **STATED WARRANTIES ARE IN LIEU OF ALL OTHER WARRANTIES, EXPRESSED OR IMPLIED**

Clarke's liability under this warranty is limited to repair of the product and/or replacement of parts and is given to purchaser in lieu of all other remedies, including INCIDENTAL AND CONSEQUENTIAL DAMAGES.

THERE ARE NO EXPRESS WARRANTIES OTHER THAN THOSE SPECIFIED HEREIN. THERE ARE NO WARRANTIES WHICH EXTEND BEYOND THE DESCRIPTION OF THE FACE HEREOF. NO WARRANTIES, INCLUDING BUT NOT LIMITED TO WARRANTY OF MERCHANTABILITY, SHALL BE IMPLIED. A warranty registration card is provided with your Clarke product. Return the card to assist Clarke in providing the performance you expect from your new floor machine.

If a difficulty develops with the product, you should: a) Contact the nearest authorized Clarke repair location or contact the Clarke Service Operations Department, 2100 Highway 265, Springdale, Arkansas 72764, for the nearest authorized Clarke repair location. Only these locations are authorized to make repairs to the product under this warranty. (b) Return the product to the nearest Clarke repair location. Transportation charges to and from the repair location must be prepaid by the purchaser. Clarke will repair the product and/or replace any defective parts with out charge within a reasonable time after receipt of the product.

Clarke, 2100 Highway 265, Springdale, Arkansas 72764.

**Clarke reserves the right to make changes or improvements to its machine without notice.  
Always use genuine Clarke Parts for repair.**

# Clarke®

2100 Highway 265  
Springdale, Arkansas, 72764